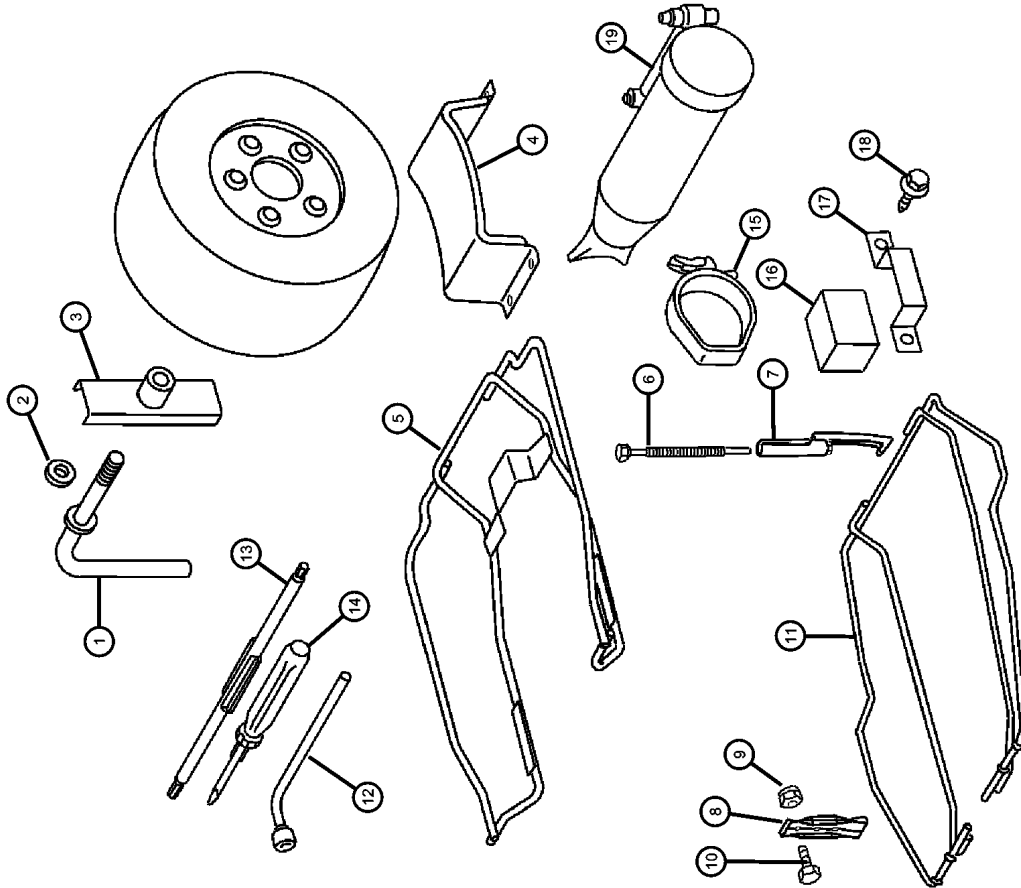


Jack and Stowage  
Figure 22-340

ITEM	PART NUMBER	QTY	LINE	SERIES	BODY	ENGINE	TRANS	TRIM	DESCRIPTION
1	05104529AA	1	2, 6	L	11, 12, 14, 15, 16				SCREW, SPARE WHEEL TO BODY, SPRINTER WASHER, Flat
2	05126189AA	4	2, 6	L	11, 12, 14, 15, 16				
	05126189AB	4	2, 6	L	51, 52, 54, 55, 56				
3	05104528AA	1	3, 7	L	12, 15, 16				BRACKET, SPARE WHEEL TO BODY, SPRINTER REST, Spare Tire
4	05121441AA	1	2, 6	L	15, 16, 11, 12, 14				
5	05104078AA	1	3, 7	L	12, 15, 16				SUPPORT, Spare Tire
	05104078AA	1	2, 6	L	51, 52, 54, 55, 56				
	05118911AA	1	2, 6	L	11, 12, 14, 15, 16				158 Inch Wheelbase
	05118913AA	1	3, 7	L	12, 15, 16				140 Inch Wheelbase
6	05104082AA	2	2, 6	L	51, 52, 54, 55, 56				SCREW, Spare Tire
	05104082AA	2	2, 6	L	11, 12, 14, 15, 16				
7	05118920AA	2	3, 7	L	12, 15, 16				HOOK, Spare Tire Attach
	05118920AA	2	2, 6	L	51, 52, 54, 55, 56				158 inch Wheelbase
	05118921AA	2	2, 6	L	11, 12, 14, 15, 16				
8	05104081AA	2	2, 6	L	51, 52, 54, 55, 56				140 inch Wheelbase
	05104081AA	2	2, 6	L	11, 12, 14, 15, 16				PLATE, Spare Tire
	05119009AA	2	3, 7	L	12, 15, 16				



SPRINTER (VA)

- SERIES  
L = LOWLINE
- LINE  
3 = HD DODGE 2WD  
6 = LT, Duty DODGE 4WD  
2 = Med. Duty DODGE 2WD  
7 = Med. Duty DODGE 4WD

BODY

- 51 = WAGON WHEEL BASE 1  
52 = WAGON WHEEL BASE 2  
14 = VAN WHEEL BASE 1  
15 = VAN WHEEL BASE 5  
16 = VAN WHEEL BASE 6  
54 = WAGON WHEEL BASE 4  
55 = WAGON WHEEL BASE 5  
56 = WAGON WHEEL BASE 6  
11 = VAN WHEEL BASE 1  
12 = VAN WHEEL BASE 2

ENGINE

- EX9 = Engine - 2.7L 5 Cy Mercedes Diesel

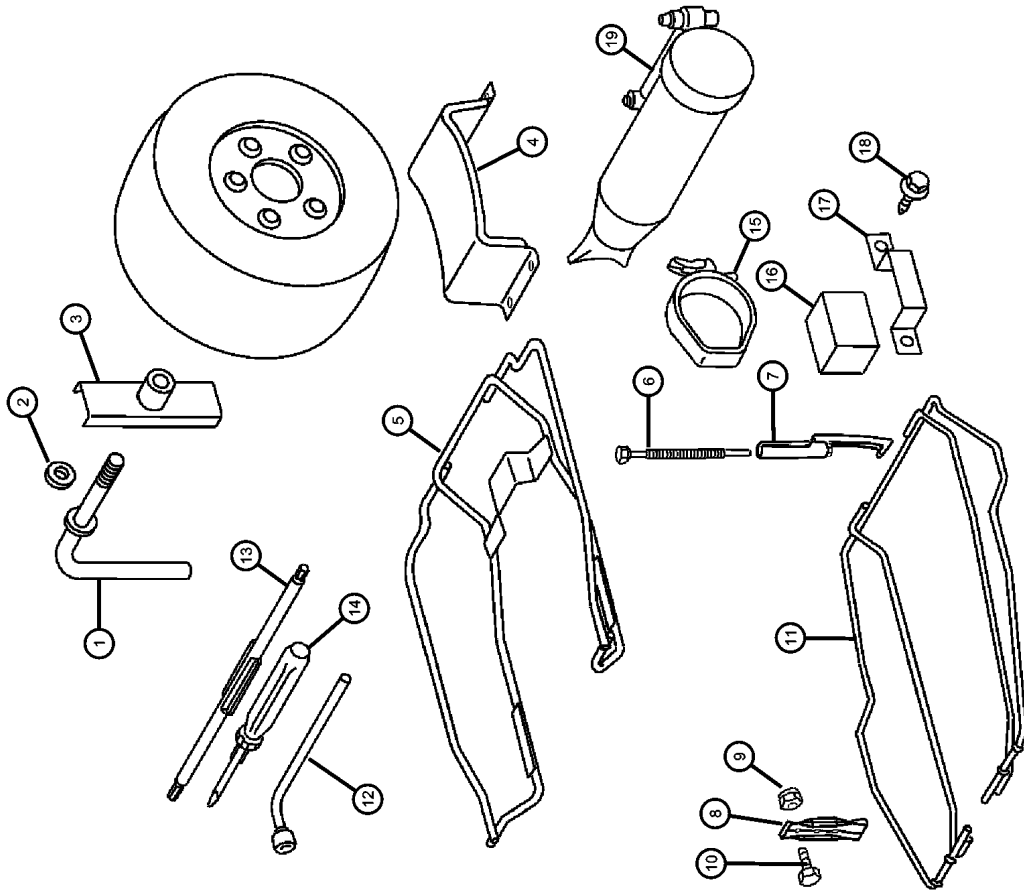
TRANSMISSION

- DG.J. = Transmission-5 Spd. Automatic, W5A580

AR = use as required - = Non illustrated part

Jack and Stowage  
Figure 22-340

ITEM	PART NUMBER	QTY	LINE	SERIES	BODY	ENGINE	TRANS	TRIM	DESCRIPTION
9	05126237AA	1	2, 6	L	11, 12, 14, 15, 16				NUT, Hex
10	05104655AA	1	3, 7	L	12, 15, 16				BOLT
11	05104077AA	1	2, 6	L	11, 12, 14, 15, 16				SUPPORT, Spare Tire
12	05120992AA	1	2, 6	L	11, 12, 14, 15, 16				TOOL, Wrench
13	05120993AA	1	3, 7	L	12, 15, 16				TUBE, Spare Tire Winch
14	05120994AA	1	3, 7	L	12, 15, 16				SCREWDRIVER, (NOT SERVICED) BRACKET, Jack
15	05125275AA	1	2, 6	L	11, 12, 14, 15, 16				PAD, Jack
16	05125276AA	1	3, 7	L	12, 15, 16				
17	05133292AA	1	3, 7	L	12, 15, 16				



SPRINTER (VA)

- SERIES  
 L = LOWLINE  
 LINE  
 3 = HD DODGE 2WD  
 6 = LT, Duty DODGE 4WD  
 2 = Med. Duty DODGE 2WD  
 7 = Med. Duty DODGE 4WD

BODY

- 51 = WAGON WHEEL BASE 1  
 52 = WAGON WHEEL BASE 2  
 14 = VAN WHEEL BASE 1  
 15 = VAN WHEEL BASE 5  
 16 = VAN WHEEL BASE 6  
 54 = WAGON WHEEL BASE 4  
 55 = WAGON WHEEL BASE 5  
 56 = WAGON WHEEL BASE 6  
 11 = VAN WHEEL BASE 1  
 12 = VAN WHEEL BASE 2

ENGINE

- EX9 = Engine - 2.7L 5 Cy Mercedes Diesel

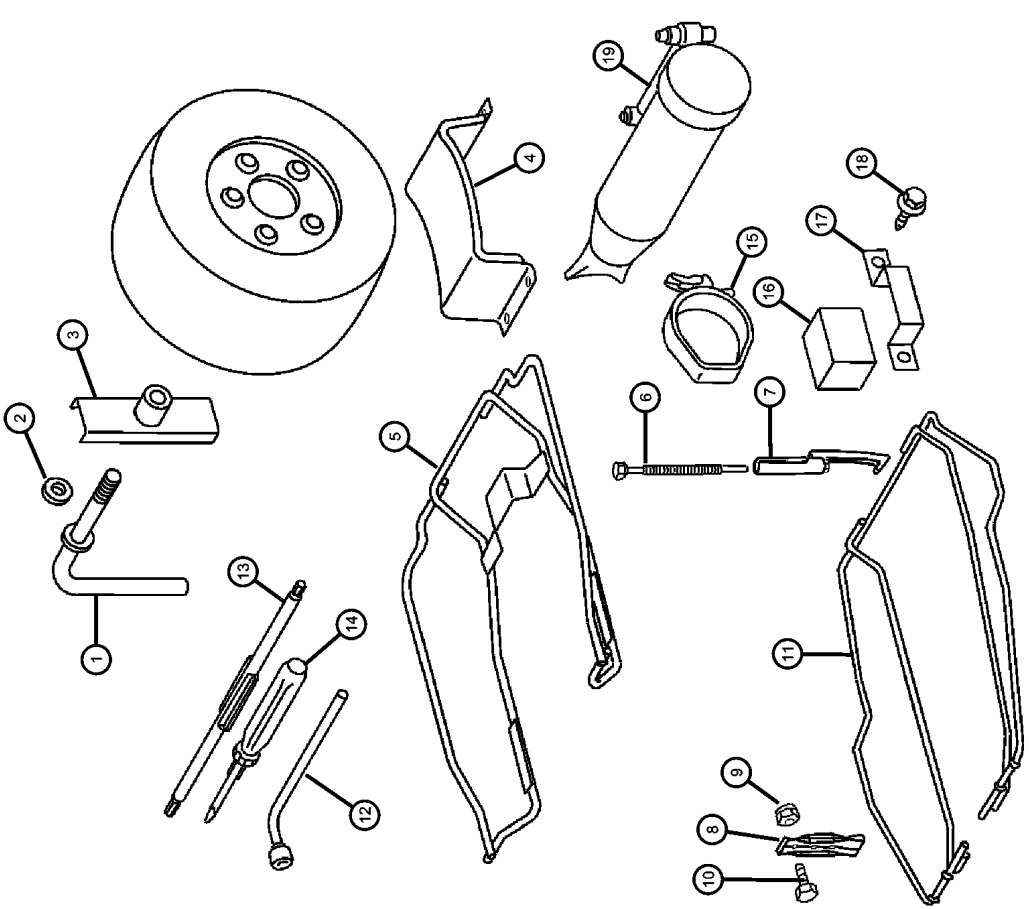
TRANSMISSION

- DG.J = Transmission-5 Spd. Automatic, W5A580

AR = use as required - = Non illustrated part

Jack and Stowage  
Figure 22-340

ITEM	PART NUMBER	QTY	LINE	SERIES	BODY	ENGINE	TRANS	TRIM	DESCRIPTION
17	05133293AA	1	2, 6	L	11, 12, 14, 15, 16 51, 52, 54, 55, 56				BRACKET, Jack
18	05133295AA	2	2, 6	L	11, 12, 14, 15, 16 51, 52, 54, 55, 56				SCREW, Self-Tapping
19	05104587AA	1	2, 6	L	51, 52, 54, 55, 56				JACK Hydraulic
	05120987AA	1	3, 7	L	12, 15, 16				16 x 6 Wheels
	05129666AA	1	2, 6	L	11, 12, 14, 15, 16 51, 52, 54, 55, 56				16 x 6 Wheels Hydraulic
		1	3, 7	L	12, 15, 16				Hydraulic
		1	2, 6	L	11, 12, 14, 15, 16				Hydraulic



SPRINTER (VA)

- SERIES  
L = LOWLINE
- LINE  
3 = HD DODGE 2WD  
6 = LT Duty DODGE 4WD  
2 = Med. Duty DODGE 2WD  
7 = Med. Duty DODGE 4WD

BODY

- 51 = WAGON WHEEL BASE 1  
52 = WAGON WHEEL BASE 2  
14 = VAN WHEEL BASE 1  
15 = VAN WHEEL BASE 5  
16 = VAN WHEEL BASE 6  
54 = WAGON WHEEL BASE 4  
55 = WAGON WHEEL BASE 5  
56 = WAGON WHEEL BASE 6  
11 = VAN WHEEL BASE 1  
12 = VAN WHEEL BASE 2

ENGINE

- EX9 = Engine - 2.7L 5 Cy Mercedes Diesel

TRANSMISSION

- DG.J = Transmission-5 Spd. Automatic, W5A580

AR = use as required - = Non illustrated part