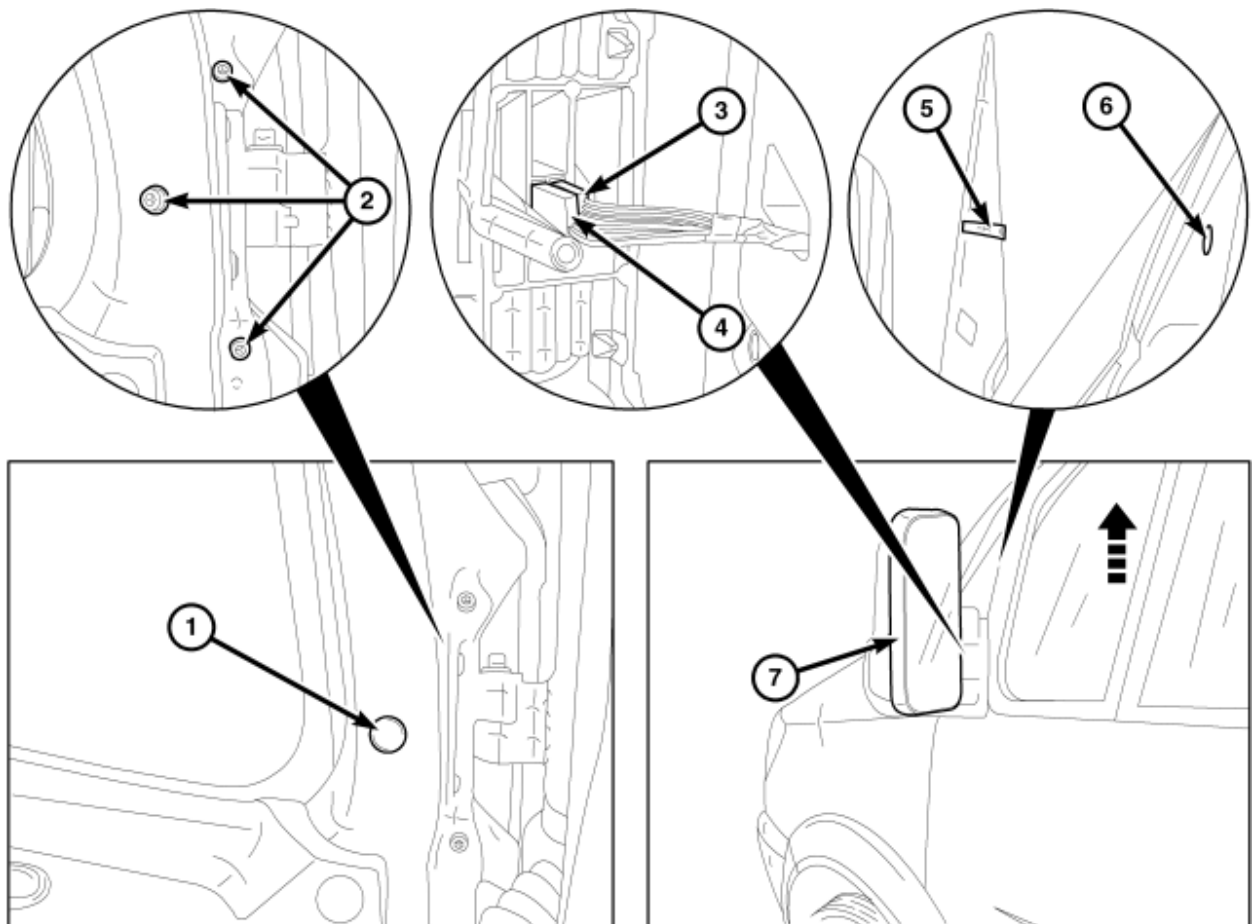


REMOVAL

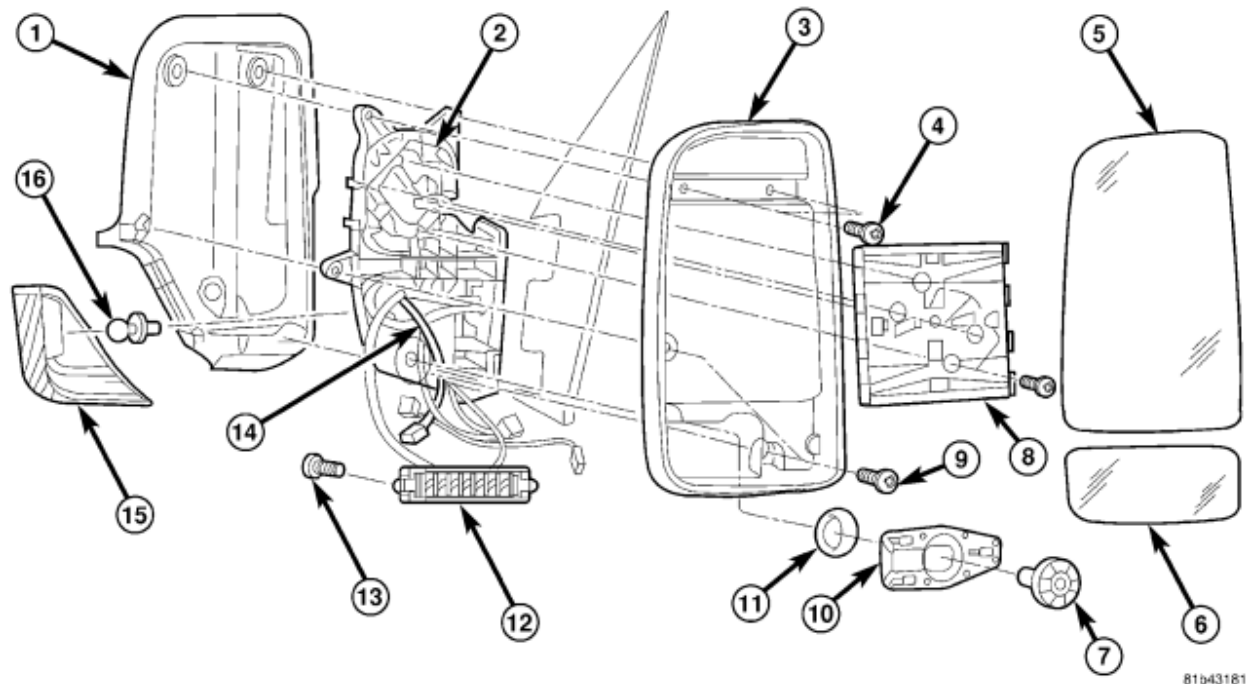
Mirror Removal



81b43158

1. Open the door and unclip cover (1).
2. Remove the bolts from the outside mirror (2).
3. Slide the mirror up and out of hook mount (6) and pull off of the vehicle door.
4. Disconnect the electrical connectors (3, 4).

Disassembly



81b43181

1. Remove the mirror, [Mirror Removal](#).
2. Remove the mirror lens (5) and mirror lens for aspherical mirror (6), ([Refer to 23 - BODY/EXTERIOR/SIDE VIEW MIRROR - GLASS - REMOVAL](#)).
3. Remove mirror up/down adjustment motor and mirror in/out adjustment motor (8).
4. Remove the bolts (4) from mirror paneling (1).
5. Loosen plastic nut (7) on aspherical mirror by turning 90 degrees counterclockwise.
6. Remove the mirror mount (10) from aspherical mirror and intermediate disc (11).
7. Remove mirror frame (3).
8. Disconnect the electrical connector from the turn signal lamp.
9. Remove the mirror cover (1).
10. Unclip additional turn signal lamp lens (15) and remove.
11. Remove wiring harness (14).