

## VIN PLATE DECODING INFORMATION

1	2	3	4	5	6	7	8	9	10	11	12 thru 17
WMI	WMI	WMI	Other	Line	Series	Body Style	Engine	Check Digit	Model Year	Assy. Plant	Sequence No.

The following table interprets the VIN Plate position shown above.

Position	Interpretation	Codes = Description
1	World Manufacturer Identi	W = DaimlerChrysler AG
2	World Manufacturer Identi	C = Sprinter
3	World Manufacturer Identi	W = Dodge Bus X = Dodge Incomplete 8 = Dodge Multipurpose Passenger Vehicle 0 = Dodge Wagon P = Freightliner Incomplete R = Freightliner Multipurpose Passenger Vehicle Y = Freightliner Wagon D = Freightliner Bus
4	Chassis Configuration	P = 4 X 2 - U.S. B = 4 X 2 - Canada
5	Vehicle Line	E = Combine with position 6 F = Combine with position 6
6	Series	1 = 2500C/C2500/P2500 3000 mm 15 in. wheel 8,001 - 9,000 lbs. Class G 3 = 2500C/C2500/P2500 4025 mm 15 in. wheel 8,001 - 9,000 lbs. Class G 7 = 2500C/C2500/P2500 4042 mm 16in. wheel 8,001 - 9,000 lbs. Class G 8 = 3500C 3567 mm 16in. wheel 10,001 - 14,000 lbs. Class 3 4 = 3500C/C3500 3550 mm 15 in. wheel 9,001 - 10,000 lbs. Class H 0 = C3500 4325mm 16 in. wheel 9,000 - 10,000 lbs. Class H
7	Body Style	4 = Combine with position 8
8	Engine	5 = 3.0L V6 50-State Diesel, Hydraulic Brakes 6 = 3.5L V6 Gasoline, Hydraulic Brakes
9	Check Digit	0 = Check Digit
10	Model Year	8 = 2008
11	Assembly Plant	5 = Dusseldorf 9 = Ludwigsfelde
12 thru 17	Vehicle Build Sequence	Model Year Assembly Sequence

# Group - 2

## Front Suspension

### Group - 2 Front Suspension

Illustration Title

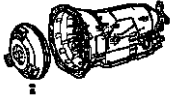
Group-Fig. No.

#### Front Suspension, Strut and Cradle

Suspension, Front.....	Fig. 2 - 105
Suspension, Front.....	Fig. 2 - 106
Cradle, Front Suspension .....	Fig. 2 - 150
Steering Knuckle and Control Arm.....	Fig. 2 - 160
Steering Knuckle and Control Arm.....	Fig. 2 - 170

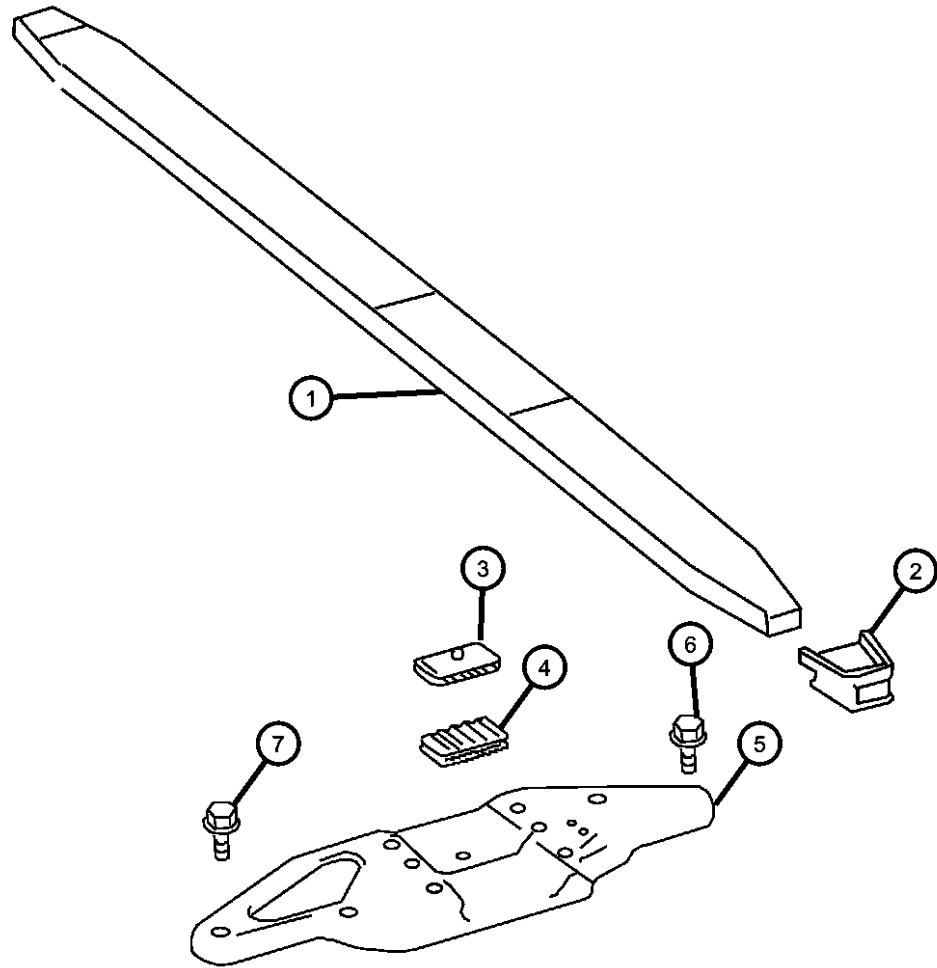
#### Front Stabilizer Bar

Stabilizer Bar, Front, FWD/RWD/AWD .....	Fig. 2 - 205
Stabilizer Bar, Front, FWD/RWD/AWD .....	Fig. 2 - 206

<p><b>002-100</b> Front Suspension, Strut and Cradle</p> 	<p><b>002-200</b> Front Stabilizer Bar</p>		
--	--	--	--

**Suspension, Front  
Figure 2-105**

ITEM	PART NUMBER	QTY	LINE	SERIES	BODY	ENGINE	TRANS	TRIM	DESCRIPTION
NOTE:									
Sales Codes:									
1	68012186AA	1	2, 6			EG2, EXM			SPRING, Front Leaf
2	68012188AA	2	2, 3, 6, 7			EXM, EG2	DGZ		SEAT, SpringOuter
3	68012189AA	2	2, 3, 6, 7			EG2, EXM	DGZ		SEAT, SpringTop
4	68012190AA	2	2, 3, 6, 7			EG2, EXM	DGZ		SEAT, SpringLower
5									PLATE, Suspension
	68012192AA	1	2, 3, 6, 7			EG2, EXM	DGZ		Right
	68012193AA	1	2, 3, 6, 7			EG2, EXM	DGZ		Left
6	05136546AA	1	2, 6		13, 15, 17, 53, 55	EG2	DGZ		BOLT, Plate To Body Support [M8 x 25MM]
7	68007013AA	6	2, 3, 6, 7			EG2, EXM	DGZ		SCREW, Plate To Body [M12x1.5x40-12.9MM]



**SPRINTER (VB)**

SERIES	LINE	BODY	ENGINE	TRANSMISSION
L = LOWLINE	3 = HD DODGE 2WD 6 = Lt. Duty DODGE 4WD 2 = Med. Duty DODGE 2WD 7 = Med. Duty DODGE 4WD	17 = VAN WHEEL BASE 7 55 = WAGON WHEEL BASE 5 15 = VAN WHEEL BASE 5 53 = 119 WB 13 = 119 WB 05 = CAB CHASSIS WHEEL BASE 5 03 = CAB CHASSIS WHEEL BASE 3	EG2 = 3.5L V6 Gas Engine EXM = 3.0L V6 Turbo Diesel Engine	DGZ = 5-Speed Auto W5A380 Transmission

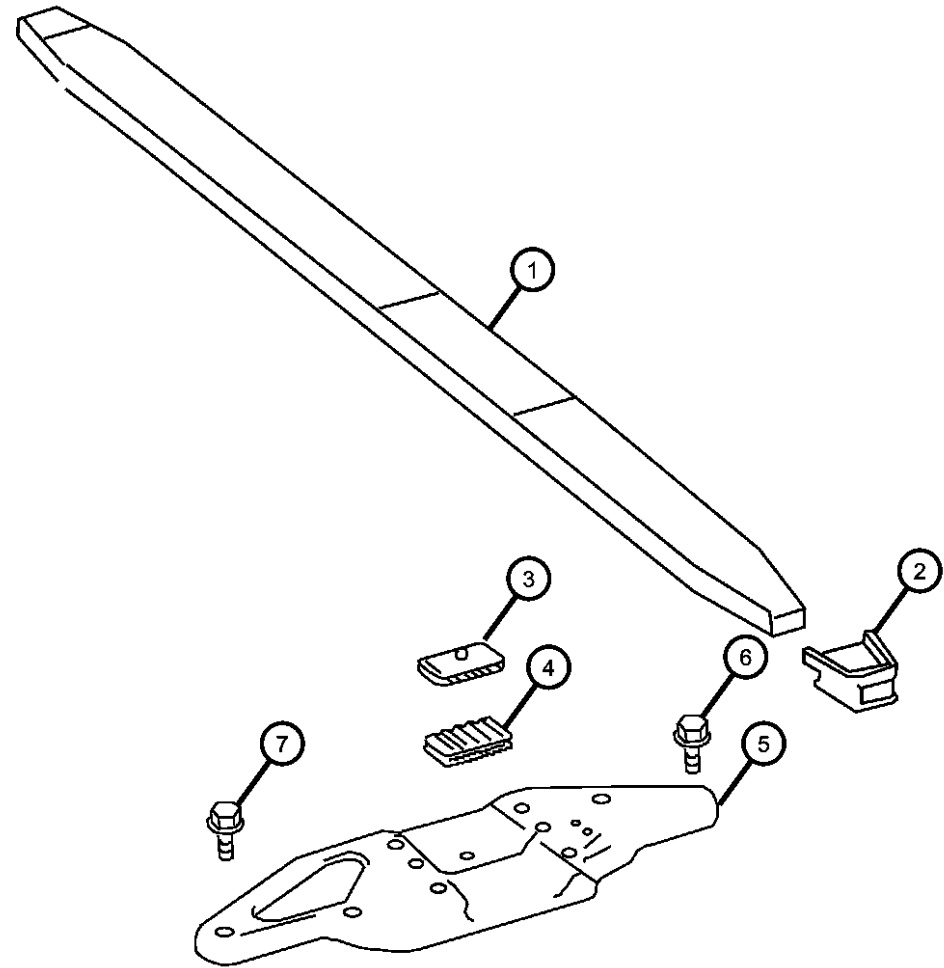
AR = use ase required - = Non illustrated part

2008 VB

**Suspension, Front  
Figure 2-106**

ITEM	PART NUMBER	QTY	LINE	SERIES	BODY	ENGINE	TRANS	TRIM	DESCRIPTION
------	-------------	-----	------	--------	------	--------	-------	------	-------------

NOTE:  
Sales Codes:  
[DKH]=Reinforced Front Axle  
[SHK]=Camper Body Stabilizer



1									SPRING, Front Leaf
	68012186AA	1	3, 7			EG2, EXM			
	68012187AA	1	3, 7			EG2, EXM	DGZ		With [DKH] And Or [SHK]
2	68012188AA	2	2, 3, 6, 7			EG2, EXM	DGZ		SEAT, SpringOuter
3	68012189AA	2	2, 3, 6, 7			EG2, EXM	DGZ		SEAT, SpringTop
4	68012190AA	2	2, 3, 6, 7			EXM, EG2	DGZ		SEAT, SpringLower
5									PLATE, Suspension
	68012192AA	1	2, 3, 6, 7			EG2, EXM	DGZ		Right
	68012193AA	1	2, 3, 6, 7			EG2, EXM	DGZ		Left
6	05136546AA	1	3, 7		03, 05	EG2	DGZ		BOLT, Plate To Body Support [M8 x 25MM]
7	68007013AA	6	2, 3, 6, 7			EG2, EXM	DGZ		SCREW, Plate To Body [M12x1.5x40-12.9MM]

**SPRINTER (VB)**

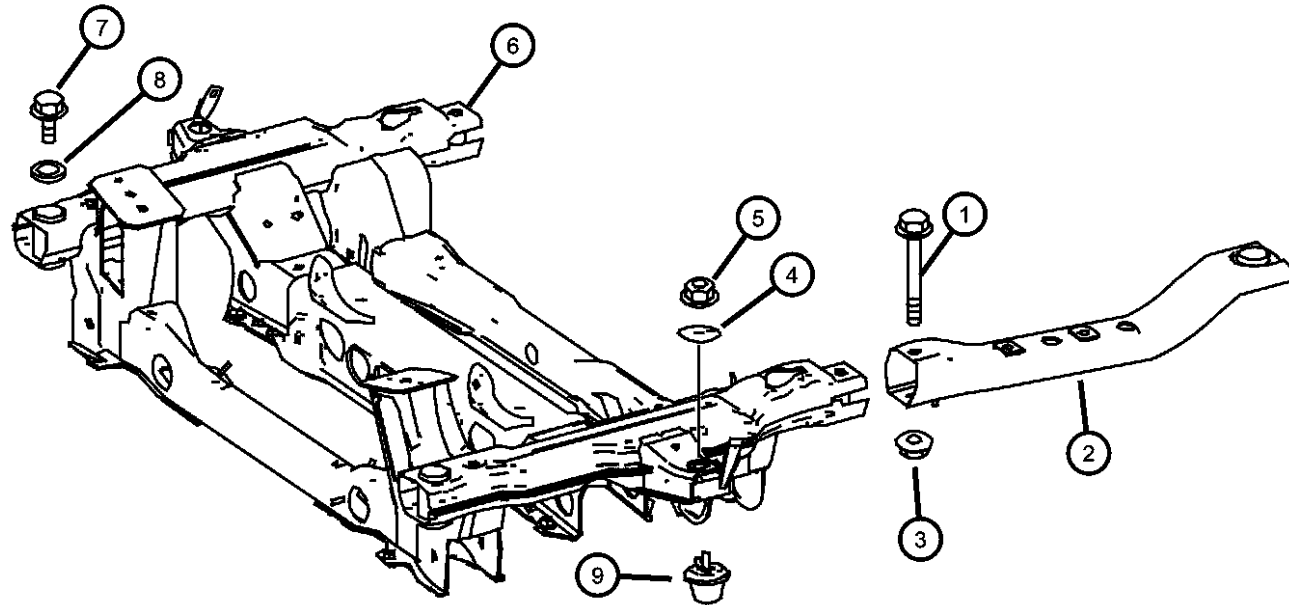
SERIES	LINE	BODY	ENGINE	TRANSMISSION
L = LOWLINE	3 = HD DODGE 2WD 6 = Lt. Duty DODGE 4WD 2 = Med. Duty DODGE 2WD 7 = Med. Duty DODGE 4WD	17 = VAN WHEEL BASE 7 55 = WAGON WHEEL BASE 5 15 = VAN WHEEL BASE 5 53 = 119 WB 13 = 119 WB 05 = CAB CHASSIS WHEEL BASE 5 03 = CAB CHASSIS WHEEL BASE 3	EG2 = 3.5L V6 Gas Engine EXM = 3.0L V6 Turbo Diesel Engine	DGZ = 5-Speed Auto W5A380 Transmission

AR = use ase required - = Non illustrated part

2008 VB

**Cradle, Front Suspension  
Figure 2-150**

ITEM	PART NUMBER	QTY	LINE	SERIES	BODY	ENGINE	TRANS	TRIM	DESCRIPTION
NOTE: Sales Code:									
1									BOLT, Hex Flange Head, M14x1.50x90.00
	06104265AA	2	3, 7		03, 05	EG2, EXM	DGZ		
		2	2, 3, 6, 7		13, 15, 17, 53, 55	EG2, EXM	DGZ		
2	68013725AA	2	2, 3, 6, 7			EG2, EXM	DGZ		RAIL, Frame Front, Alongside
3									NUT
	06105172AA	2	3, 7		03, 05	EG2, EXM	DGZ		[M14x1.5]
		2	2, 3, 6, 7		13, 15, 17, 53, 55	EG2, EXM	DGZ		[M14x1.5]
4	68012162AA	2	2, 6			EG2, EXM	DGZ		WASHER
5	06105169AA	2	2, 3, 6, 7			EG2, EXM	DGZ		NUT
6									CRADLE, Front Suspension
	68012158AA	1	2, 6			EG2, EXM	DGZ		
	68012159AA	1	3, 7			EG2, EXM	DGZ		
7									BOLT
	68013728AA	2	2, 3, 6, 7			EG2, EXM	DGZ		Front
	68013730AA	2	2, 3, 6, 7			EG2, EXM	DGZ		Center
	68013731AA	2	2, 3, 6, 7			EG2, EXM	DGZ		Rear
8	68013729AA	2	2, 3, 6, 7		13, 15, 17, 53, 55	EG2, EXM	DGZ		WASHER
9	68012161AA	2	2, 3, 6, 7			EG2, EXM	DGZ		BUMPER, Jounce

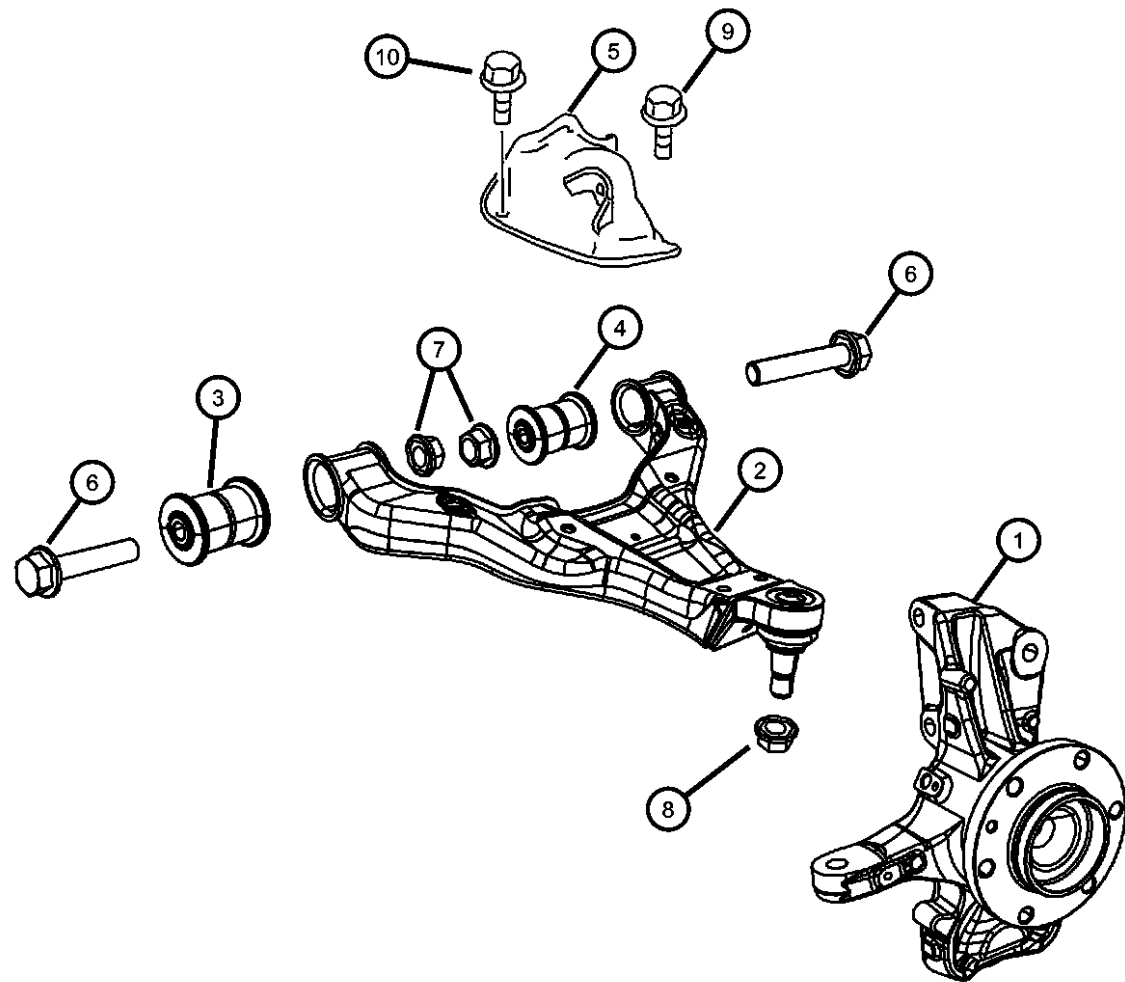


**SPRINTER (VB)**

SERIES	LINE	BODY	ENGINE	TRANSMISSION
L = LOWLINE	3 = HD DODGE 2WD 6 = Lt. Duty DODGE 4WD 2 = Med. Duty DODGE 2WD 7 = Med. Duty DODGE 4WD	17 = VAN WHEEL BASE 7 55 = WAGON WHEEL BASE 5 15 = VAN WHEEL BASE 5 53 = 119 WB 13 = 119 WB 05 = CAB CHASSIS WHEEL BASE 5 03 = CAB CHASSIS WHEEL BASE 3	EG2 = 3.5L V6 Gas Engine EXM = 3.0L V6 Turbo Diesel Engine	DGZ = 5-Speed Auto W5A380 Transmission

AR = use ase required - = Non illustrated part

**Steering Knuckle and Control Arm  
Figure 2-160**



ITEM	PART NUMBER	QTY	LINE	SERIES	BODY	ENGINE	TRANS	TRIM	DESCRIPTION
------	-------------	-----	------	--------	------	--------	-------	------	-------------

Note:Knuckle Includes: Hub, Wheel Bearing, & Knuckle. Hub & Wheel Bearing Are Not Serviced.  
Sales Codes:

1	68006694AA	1	2, 6			EG2, EXM	DGZ		KNUCKLE, Front, See Note: Right
	68006695AA	1	2, 6			EG2, EXM	DGZ		Left
2	68012164AA	1	2, 3, 6, 7			EG2, EXM	DGZ		ARM, Control Right
	68012165AA	1	2, 3, 6, 7			EG2, EXM	DGZ		Left
3	68012169AA	1	2, 3, 6, 7			EG2, EXM	DGZ		BUSHING, Control Arm
4	68012176AA	1	2, 3, 6, 7			EG2, EXM	DGZ		BUSHING, Control Arm
5	68012178AA	1	2, 3, 6, 7			EG2, EXM	DGZ		PANEL, Front Wheelhouse Up Travel Stop Plate, Right
	68012179AA	1	2, 3, 6, 7			EG2, EXM	DGZ		Up Travel Stop Plate, Left
6	68012157AA	4	2, 3, 6, 7			EG2, EXM	DGZ		BOLT, Hex Head, Control Arm Support
7	06105172AA	4	2, 3, 6, 7		13, 15, 17, 53, 55	EG2, EXM	DGZ		NUT, Control Arm To Support [M14 x 1.5MM]
8	05136123AA	1					DGZ		NUT, Ball Joint, Lower Ball Joint To Steering Knuckle
9	05133865AA	4	2, 3, 6, 7		13, 15, 17, 53, 55	EG2, EXM	DGZ		SCREW, Plate To Transverse Control Arm [M10x35]
10	68012177AA	4	2, 3, 6, 7		13, 15, 17, 53, 55	EG2, EXM	DGZ		SCREW, Hex Flange Head, Plate To Transverse Control Arm [M12x1.5x60]

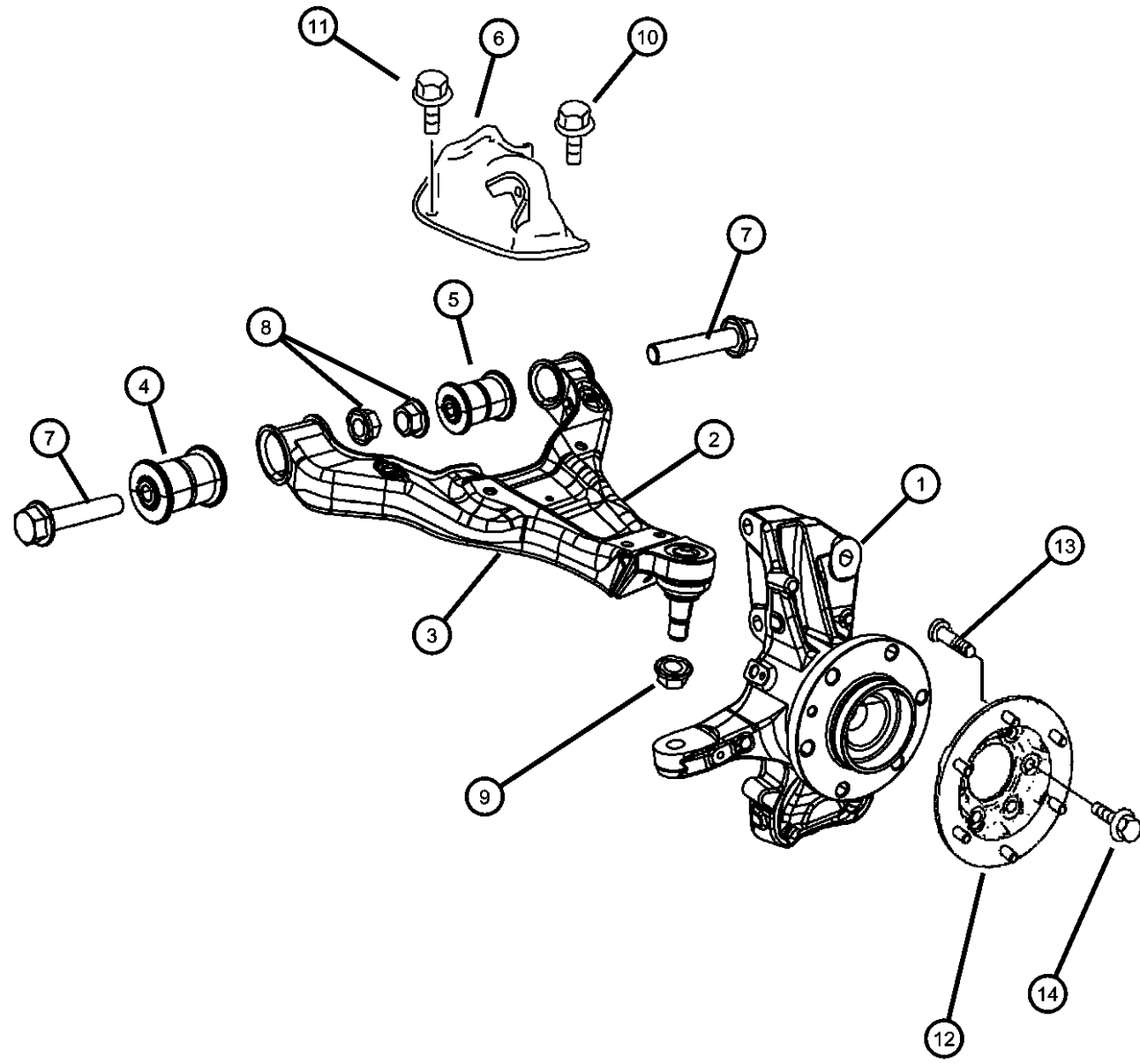
**SPRINTER (VB)**

SERIES	LINE	BODY	ENGINE	TRANSMISSION
L = LOWLINE	3 = HD DODGE 2WD 6 = Lt. Duty DODGE 4WD 2 = Med. Duty DODGE 2WD 7 = Med. Duty DODGE 4WD	17 = VAN WHEEL BASE 7 55 = WAGON WHEEL BASE 5 15 = VAN WHEEL BASE 5 53 = 119 WB 13 = 119 WB 05 = CAB CHASSIS WHEEL BASE 5 03 = CAB CHASSIS WHEEL BASE 3	EG2 = 3.5L V6 Gas Engine EXM = 3.0L V6 Turbo Diesel Engine	DGZ = 5-Speed Auto W5A380 Transmission

AR = use ase required - = Non illustrated part

2008 VB

**Steering Knuckle and Control Arm  
Figure 2-170**



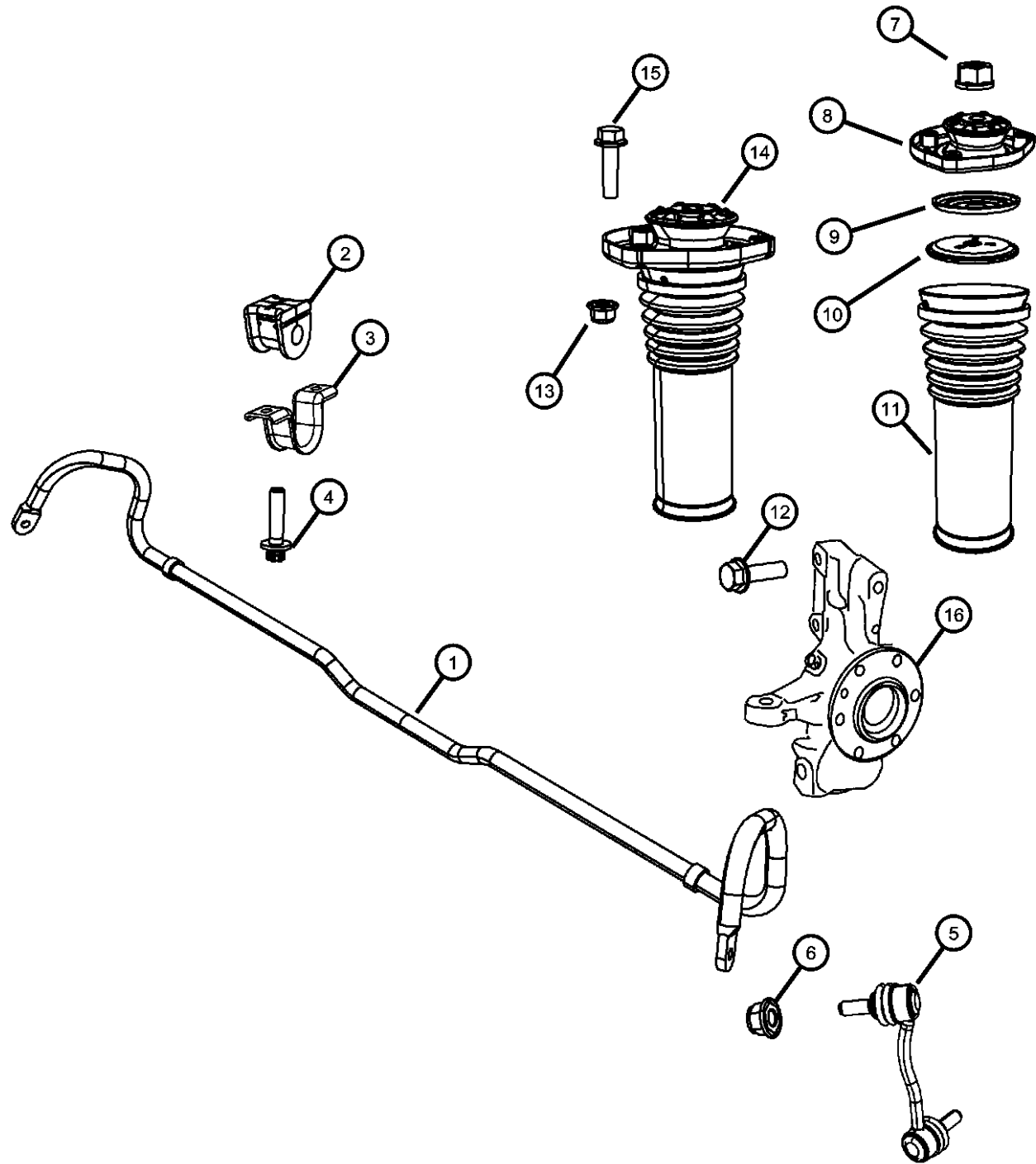
ITEM	PART NUMBER	QTY	LINE	SERIES	BODY	ENGINE	TRANS	TRIM	DESCRIPTION
Note:Knuckle Includes: Hub, Wheel Bearing, & Knuckle. Hub & Wheel Bearing Are Not Serviced. Sales Codes:									
1	68006692AA	1	3, 7			EG2, EXM	DGZ		KNUCKLE, Front, See Note: Right
	68006693AA	1	3, 7			EG2, EXM	DGZ		Left
2	68012166AA	1	3, 7		03, 05, 13, 15, 17	EG2, EXM	DGZ		ARM, Lower Control, Front Right
	68012167AA	1	3, 7		03, 05, 13, 15, 17	EG2, EXM	DGZ		Left
3	68012164AA	1	2, 3, 6, 7			EG2, EXM	DGZ		ARM, Control Right
	68012165AA	1	2, 3, 6, 7			EG2, EXM	DGZ		Left
4	68012169AA	1	2, 3, 6, 7			EG2, EXM	DGZ		BUSHING, Control Arm
5	68012176AA	1	2, 3, 6, 7			EG2, EXM	DGZ		BUSHING, Control Arm
6	68012178AA	1	2, 3, 6, 7			EG2, EXM	DGZ		PANEL, Front Wheelhouse Up Travel Stop Plate, Right
	68012179AA	1	2, 3, 6, 7			EG2, EXM	DGZ		Up Travel Stop Plate, Left
7	68012157AA	4	2, 3, 6, 7			EG2, EXM	DGZ		BOLT, Hex Head, Control Arm Support
8	06105172AA	2	2, 3, 6, 7		13, 15, 17, 53, 55	EG2, EXM	DGZ		NUT, Control Arm To Support [M14 x 1.5MM]
9	05136123AA	1					DGZ		NUT, Ball Joint, Lower Ball Joint To Steering Knuckle
10	05133865AA	4	3, 7		03, 05	EG2, EXM	DGZ		SCREW, Plate To Transverse Control Arm [M10x35]
11	68012177AA	4	2, 3, 6, 7		13, 15, 17, 53, 55	EG2, EXM	DGZ		SCREW, Hex Flange Head Plate To Transverse Control Arm [M12x1.5x60]
		4	3, 7		03, 05	EG2, EXM	DGZ		Plate To Transverse Control Arm [M12x1.5x60]
12	68021230AA	2	3, 7		03, 05, 13, 15, 17	EG2, EXM	DGZ		HUB
13	04862627AA	6	3, 7			EG2, EXM	DGZ		STUD, Wheel, With [WDK]
14	06104121AA	2	3, 7		03, 05	EG2, EXM	DGZ		SCREW, Hex Flange Head
		2	2, 3, 6, 7		13, 15, 17, 53, 55	EG2, EXM	DGZ		

**SPRINTER (VB)**

SERIES	LINE	BODY	ENGINE	TRANSMISSION
L = LOWLINE	3 = HD DODGE 2WD 6 = Lt. Duty DODGE 4WD 2 = Med. Duty DODGE 2WD 7 = Med. Duty DODGE 4WD	17 = VAN WHEEL BASE 7 55 = WAGON WHEEL BASE 5 15 = VAN WHEEL BASE 5 53 = 119 WB 13 = 119 WB 05 = CAB CHASSIS WHEEL BASE 5 03 = CAB CHASSIS WHEEL BASE 3	EG2 = 3.5L V6 Gas Engine EXM = 3.0L V6 Turbo Diesel Engine	DGZ = 5-Speed Auto W5A380 Transmission

AR = use ase required - = Non illustrated part

**Stabilizer Bar, Front, FWD/RWD/AWD**  
**Figure 2-205**



ITEM	PART NUMBER	QTY	LINE	SERIES	BODY	ENGINE	TRANS	TRIM	DESCRIPTION
NOTE: Sales Code: [DKH]=Reinforced Front Axle [SHA]=Front Stabilizer Bar [SHJ]=Front Stabilizer Bar									
1	68013715AA	1	2, 3, 6, 7			EG2, EXM	DGZ		BAR, Front Sway [SHJ]
	68013716AA	1	2, 6		17	EG2, EXM	DGZ		[SHA]
2	68013717AA	2	2, 3, 6, 7			EG2, EXM	DGZ		BUSHING [SHJ]
	68013718AA	2	2, 3, 6, 7			EG2, EXM	DGZ		[SHA]
3	68013719AA	2	2, 3, 6, 7			EG2, EXM	DGZ		RETAINER, Stabilizer Bar Grommet, Torsion Bar
4	06104042AA	4	2, 3, 6, 7			EG2, EXM	DGZ		SCREW
5	68013720AA	1	2, 3, 6, 7			EG2, EXM	DGZ		LINK, Stabilizer Bar Right
	68013721AA	1	2, 3, 6, 7			EG2, EXM	DGZ		Left
6	06105171AA	4	2, 3, 6, 7		13, 15, 17, 53, 55	EG2, EXM	DGZ		NUT, [M12x1.5] Torsion Bar to Rod
7	05125760AA	2	2, 3, 6, 7		13, 15, 17, 53, 55	EG2, EXM	DGZ		NUT, Hex Flange Lock
8	68013708AA	2	2, 3, 6, 7			EG2, EXM	DGZ		BUSHING, Shock Absorber
9	68013711AA	2	2, 3, 6, 7			EG2, EXM	DGZ		BUSHING, Shock Absorber
10	68013710AA	2	2, 3, 6, 7			EG2, EXM	DGZ		BUSHING, Shock Absorber
11	68013709AA	2	2, 3, 6, 7			EG2, EXM	DGZ		SHIELD, Shock Absorber Dust
12	68013712AA	1	2, 3, 6, 7			EG2, EXM	DGZ		BOLT, Camber Adjustment
13	06105172AA	1	2, 3, 6, 7			EXM, EG2	DGZ		NUT, Damper to Steering Knuckle
14	68013697AA	2	2, 3, 6, 7			EG2, EXM	DGZ		ABSORBER, Shock
15	68013727AA	8	2, 3, 6, 7			EG2, EXM	DGZ		BOLT
16	68006694AA	1	2, 6			EG2, EXM	DGZ		KNUCKLE, Front Right
	68006695AA	1	2, 6			EG2, EXM	DGZ		Left

**SPRINTER (VB)**

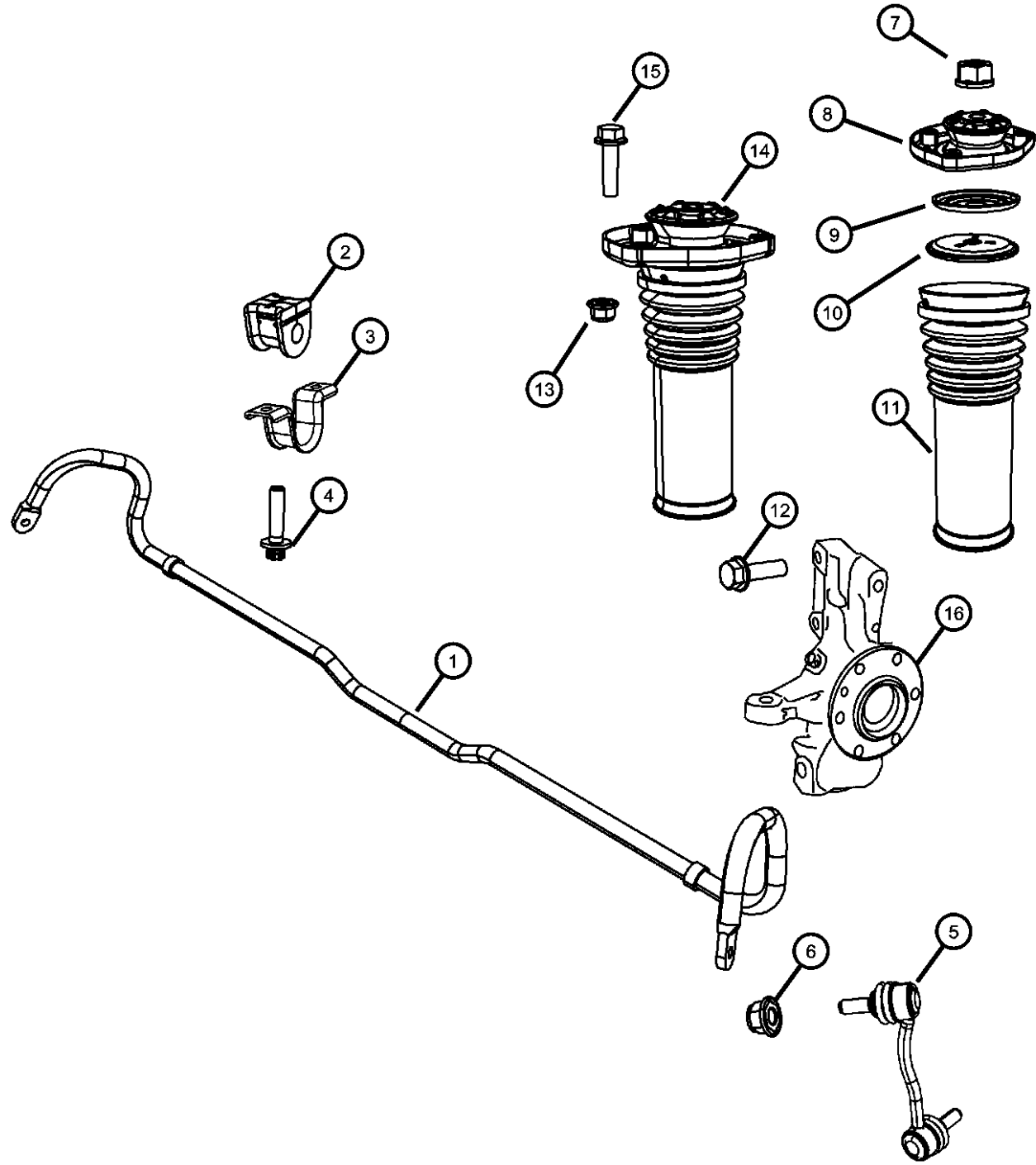
SERIES      LINE  
L = LOWLINE    3 = HD DODGE 2WD  
                  6 = Lt. Duty DODGE 4WD  
                  2 = Med. Duty DODGE 2WD  
                  7 = Med. Duty DODGE 4WD

BODY	ENGINE	TRANSMISSION
17 = VAN WHEEL BASE 7	EG2 = 3.5L V6 Gas Engine	DGZ = 5-Speed Auto W5A380
55 = WAGON WHEEL BASE 5	EXM = 3.0L V6 Turbo Diesel Engine	Transmission
15 = VAN WHEEL BASE 5		
53 = 119 WB		
13 = 119 WB		
05 = CAB CHASSIS WHEEL BASE 5		
03 = CAB CHASSIS WHEEL BASE 3		

AR = use ase required - = Non illustrated part



**Stabilizer Bar, Front, FWD/RWD/AWD**  
**Figure 2-206**



ITEM	PART NUMBER	QTY	LINE	SERIES	BODY	ENGINE	TRANS	TRIM	DESCRIPTION
NOTE: Sales Code: [DKH]=Reinforced Front Axle [SHA]=Front Stabilizer Bar [SHJ]=Front Stabilizer Bar									
1	68013715AA	1	2, 3, 6, 7			EG2, EXM	DGZ		BAR, Front Sway With [SHJ]
	68013716AA	1	3, 7		03, 05, 13, 15, 17	EG2, EXM	DGZ		With [SHA]
2	68013717AA	2	2, 3, 6, 7			EG2, EXM	DGZ		BUSHING With [SHJ]
	68013718AA	2	2, 3, 6, 7			EG2, EXM	DGZ		With [SHA]
3	68013719AA	2	2, 3, 6, 7			EG2, EXM	DGZ		RETAINER, Stabilizer Bar Grommet, Torsion Bar
4	06104042AA	6	2, 3, 6, 7			EG2, EXM	DGZ		SCREW
5	68013720AA	1	2, 3, 6, 7			EG2, EXM	DGZ		LINK, Stabilizer Bar Right
	68013721AA	1	2, 3, 6, 7			EG2, EXM	DGZ		Left
6	06105171AA	4	3, 7		03, 05	EG2, EXM	DGZ		NUT
7	05125760AA	2	3, 7		03, 05	EG2, EXM	DGZ		NUT, Hex Flange Lock
8	68013708AA	2	2, 3, 6, 7			EG2, EXM	DGZ		BUSHING, Shock Absorber
9	68013711AA	2	2, 3, 6, 7			EG2, EXM	DGZ		BUSHING, Shock Absorber
10	68013710AA	2	2, 3, 6, 7			EG2, EXM	DGZ		BUSHING, Shock AbsorberLower
11	68013709AA	2	2, 3, 6, 7			EG2, EXM	DGZ		SHIELD, Shock Absorber Dust
12	68013712AA	1	2, 3, 6, 7			EG2, EXM	DGZ		BOLT, Camber Adjustment
13	06105173AA	2	3, 7			EG2, EXM	DGZ		NUT, Damper to Steering Knuckle
14	68013697AA	2	2, 3, 6, 7			EG2, EXM	DGZ		ABSORBER, Shock
15	68013727AA	8	2, 3, 6, 7			EG2, EXM	DGZ		BOLT
16	68006692AA	1	3, 7			EG2, EXM	DGZ		KNUCKLE, Front Right
	68006693AA	1	3, 7			EG2, EXM	DGZ		Left

<b>SPRINTER (VB)</b>		<b>BODY</b>		<b>ENGINE</b>		<b>TRANSMISSION</b>	
SERIES	LINE	17 = VAN WHEEL BASE 7	EG2 = 3.5L V6 Gas Engine	DGZ = 5-Speed Auto W5A380			
L = LOWLINE	3 = HD DODGE 2WD	55 = WAGON WHEEL BASE 5	EXM = 3.0L V6 Turbo Diesel Engine				
	6 = Lt. Duty DODGE 4WD	15 = VAN WHEEL BASE 5					
	2 = Med. Duty DODGE 2WD	53 = 119 WB					
	7 = Med. Duty DODGE 4WD	13 = 119 WB					
		05 = CAB CHASSIS WHEEL BASE 5					
		03 = CAB CHASSIS WHEEL BASE 3					

AR = use ase required - = Non illustrated part

# Group - 3

## Rear Wheel Drive; Differential and Drive Line

## Group - 3 Rear Wheel Drive; Differential and Drive Line

Illustration Title

Group-Fig. No.

### Drive Shaft

Shaft, Drive, Rear, 3-Piece .....	Fig. 3 - 660
Shaft, Drive, Rear, 2-Piece .....	Fig. 3 - 665
Shaft, Drive, Rear, 3-Piece .....	Fig. 3 - 670
Shaft, Drive, Rear, 3-Piece .....	Fig. 3 - 675
Shaft, Drive, Rear, 3-Piece .....	Fig. 3 - 680

### Rear Axle Assembly

Axle Assembly, FWD/RWD/AWD .....	Fig. 3 - 705
Axle Assembly, FWD/RWD/AWD .....	Fig. 3 - 710

### Rear Axle; Housing, Differential and Vent

Housing and Vent, Rear Axle, FWD/RWD/AWD .....	Fig. 3 - 805
Differential Assembly, Rear .....	Fig. 3 - 822
Differential Assembly, Rear .....	Fig. 3 - 823
Differential Assembly, Rear .....	Fig. 3 - 824

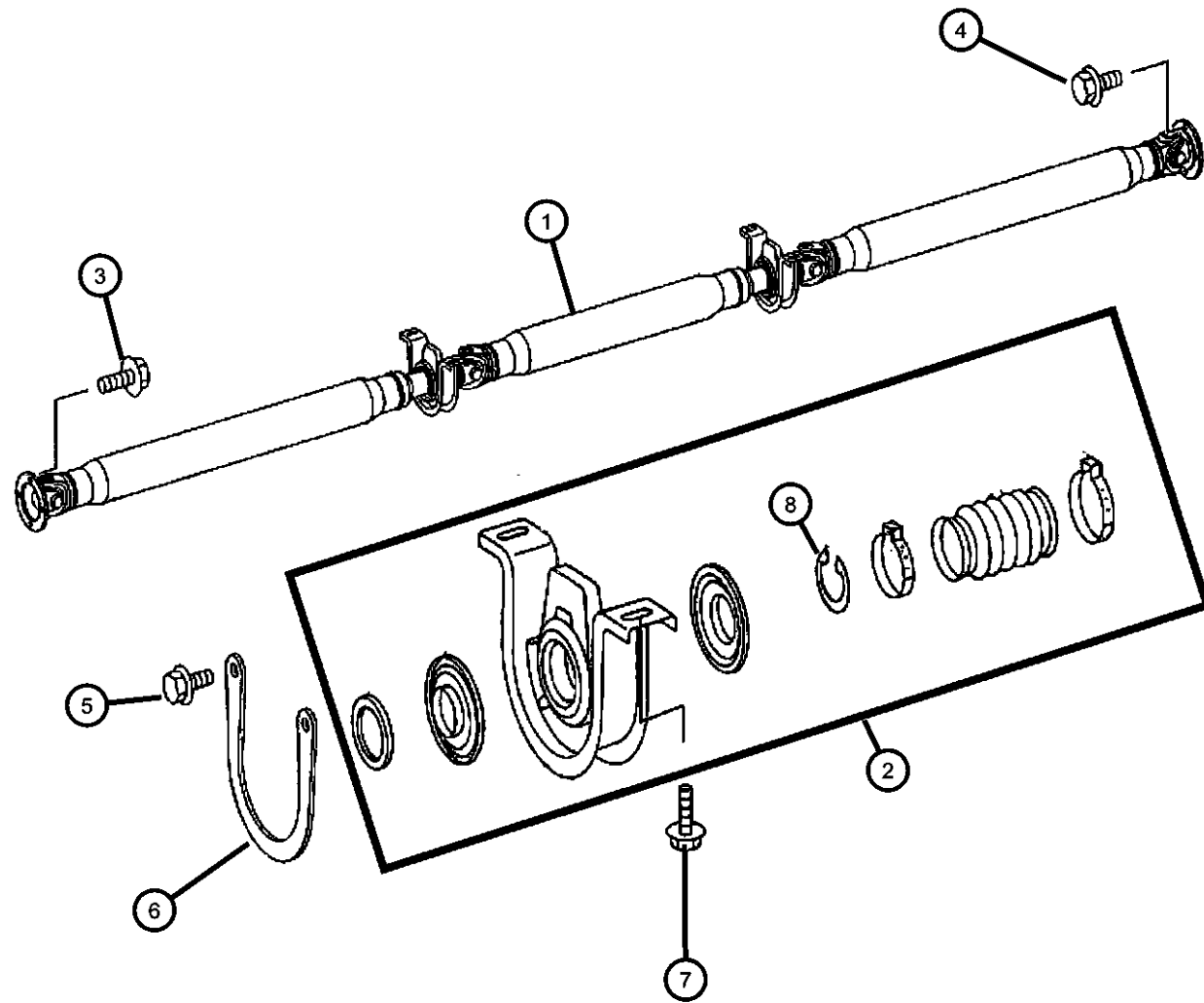
### Rear Axle Shafts

Shafts, Rear, Axle, FWD/RWD/AWD .....	Fig. 3 - 905
Shafts, Rear, Axle, FWD/RWD/AWD .....	Fig. 3 - 910

<p><b>003-600</b> Drive Shaft</p>	<p><b>003-700</b> Rear Axle Assembly</p>	<p><b>003-800</b> Rear Axle; Housing, Differential and Vent</p>	<p><b>003-900</b> Rear Axle Shafts</p>
---------------------------------------	--	---	--

**Shaft, Drive, Rear, 3-Piece  
Figure 3-660**

ITEM	PART NUMBER	QTY	LINE	SERIES	BODY	ENGINE	TRANS	TRIM	DESCRIPTION
1	68006632AA	1	2, 3, 6, 7	L	03, 13, 53				SHAFT, Drive, [3] Piece Drive Shaft
2	68006649AA	1	2, 3, 6, 7	L					CENTER BEARING, Drive Shaft
3	68017251AA	4	2, 3, 6, 7	L					BOLT, Drive Shaft To Transmission
4	68017251AA	4	2, 3, 6, 7	L					BOLT, Drive Shaft To Rear Axle
5	06507218AB	4	2, 3, 6, 7	L	13, 15, 17, 53, 55				SCREW, [M8x12]
6	68006655AA	2	2, 3, 6, 7	L					STRAP, Prop Shaft
7	06104235AA	4	2, 3, 6, 7	L					BOLT
8	68006651AA	1	2, 3, 6, 7	L					RING, Lock Ring

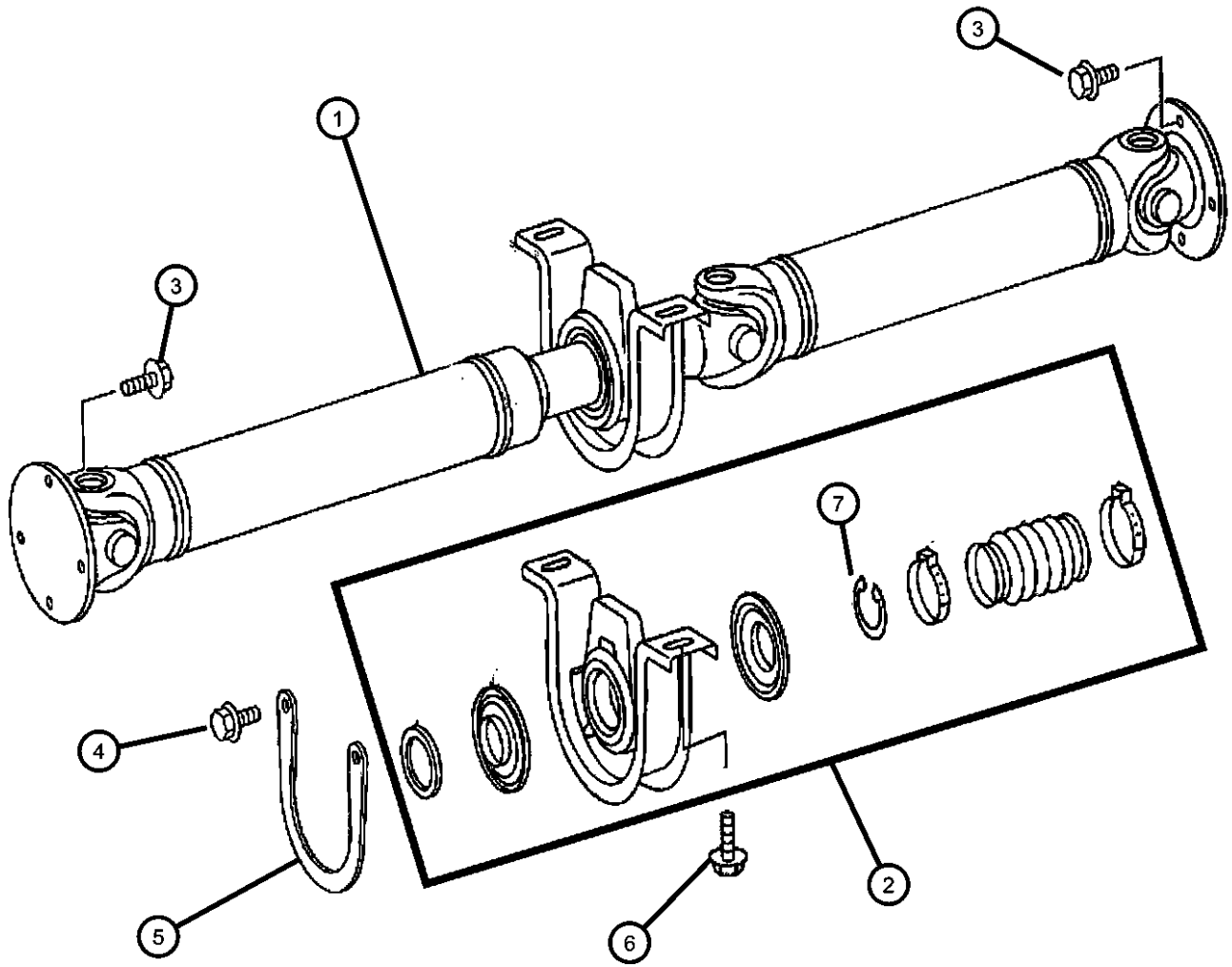


**SPRINTER (VB)**

SERIES	LINE	BODY	ENGINE	TRANSMISSION
L = LOWLINE	3 = HD DODGE 2WD 6 = Lt. Duty DODGE 4WD 2 = Med. Duty DODGE 2WD 7 = Med. Duty DODGE 4WD	17 = VAN WHEEL BASE 7 55 = WAGON WHEEL BASE 5 15 = VAN WHEEL BASE 5 53 = 119 WB 13 = 119 WB 05 = CAB CHASSIS WHEEL BASE 5 03 = CAB CHASSIS WHEEL BASE 3	EG2 = 3.5L V6 Gas Engine EXM = 3.0L V6 Turbo Diesel Engine	DGZ = 5-Speed Auto W5A380 Transmission

AR = use ase required - = Non illustrated part

Shaft, Drive, Rear, 2-Piece  
Figure 3-665



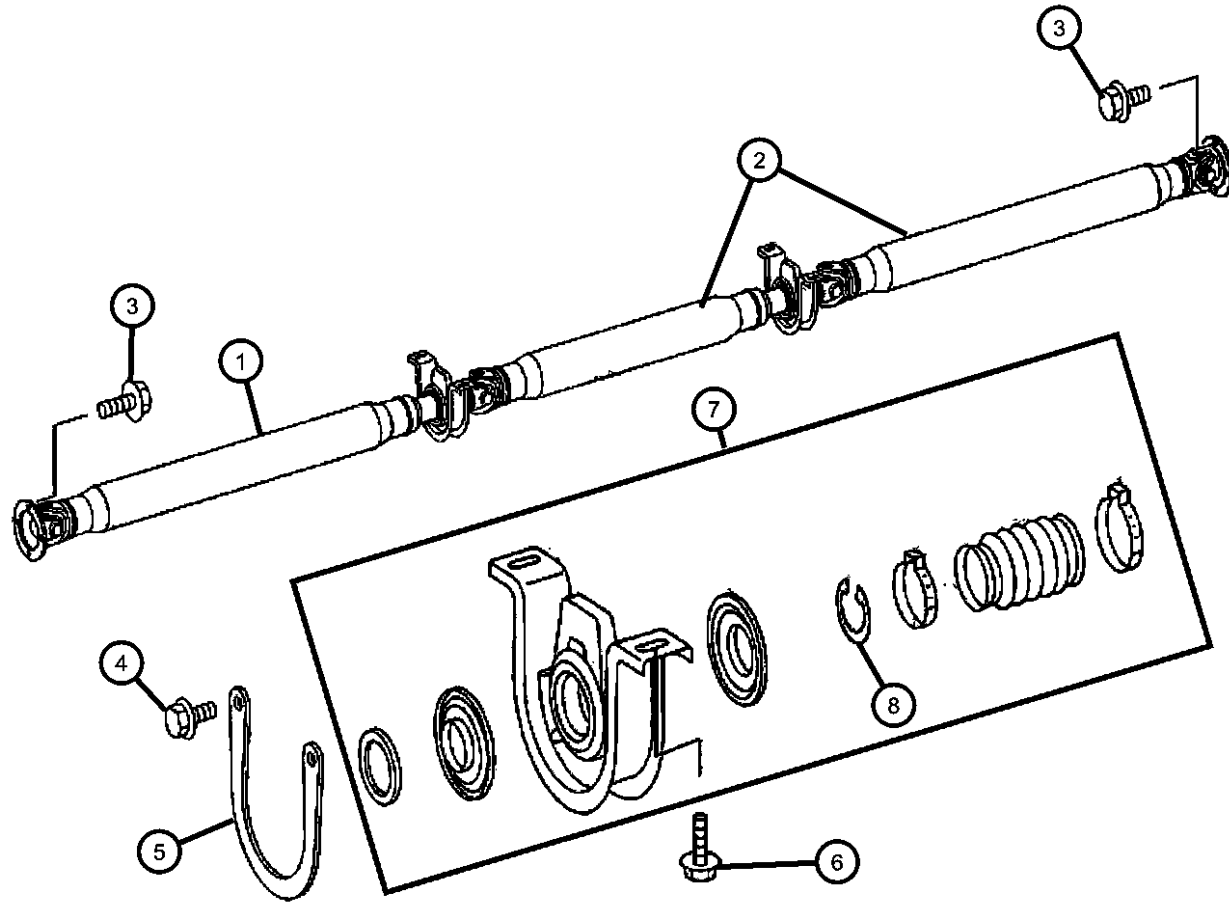
ITEM	PART NUMBER	QTY	LINE	SERIES	BODY	ENGINE	TRANS	TRIM	DESCRIPTION
1	68006622AA	1	2, 3, 6, 7	L	03, 13, 53				SHAFT, Drive
2	68006649AA	1	2, 3, 6, 7	L					CENTER BEARING, Drive Shaft
3	68017251AA	4	2, 3, 6, 7	L					BOLT, Driveshaft To Transmission
4	06507218AB	4	2, 3, 6, 7	L	13, 15, 17, 53, 55				SCREW, [M8x12]
5	68006655AA	2	2, 3, 6, 7	L					STRAP, Prop Shaft
6	06104235AA	4	2, 3, 6, 7	L					BOLT
7	68006651AA	1	2, 3, 6, 7	L					RING

<b>SPRINTER (VB)</b>				
SERIES	LINE	BODY	ENGINE	TRANSMISSION
L = LOWLINE	3 = HD DODGE 2WD 6 = Lt. Duty DODGE 4WD 2 = Med. Duty DODGE 2WD 7 = Med. Duty DODGE 4WD	17 = VAN WHEEL BASE 7 55 = WAGON WHEEL BASE 5 15 = VAN WHEEL BASE 5 53 = 119 WB 13 = 119 WB 05 = CAB CHASSIS WHEEL BASE 5 03 = CAB CHASSIS WHEEL BASE 3	EG2 = 3.5L V6 Gas Engine EXM = 3.0L V6 Turbo Diesel Engine	DGZ = 5-Speed Auto W5A380 Transmission

AR = use ase required - = Non illustrated part

Shaft, Drive, Rear, 3-Piece  
Figure 3-670

ITEM	PART NUMBER	QTY	LINE	SERIES	BODY	ENGINE	TRANS	TRIM	DESCRIPTION
1	68006641AA	1	2, 3, 6, 7	L	05, 15, 17, 55				SHAFT, DriveFront
2	68006638AA	1	2, 3, 6, 7	L	05, 15, 17, 55				SHAFT, DriveRear
3	68017251AA	4	2, 3, 6, 7	L					BOLT, Driveshaft To Transmission / Driveshaft To Rear Axle
4	06507218AB	4	2, 3, 6, 7	L	13, 15, 17, 53, 55				SCREW, [M8x12] Rebound Strap To Substructure
5	68006655AA	2	2, 3, 6, 7	L					STRAP, Prop Shaft
6	06104235AA	4	2, 3, 6, 7	L					BOLT
7	68006649AA	1	2, 3, 6, 7	L					CENTER BEARING, Drive Shaft
8	68006651AA	1	2, 3, 6, 7	L					RING



**SPRINTER (VB)**

SERIES	LINE	BODY	ENGINE	TRANSMISSION
L = LOWLINE	3 = HD DODGE 2WD 6 = Lt. Duty DODGE 4WD 2 = Med. Duty DODGE 2WD 7 = Med. Duty DODGE 4WD	17 = VAN WHEEL BASE 7 55 = WAGON WHEEL BASE 5 15 = VAN WHEEL BASE 5 53 = 119 WB 13 = 119 WB 05 = CAB CHASSIS WHEEL BASE 5 03 = CAB CHASSIS WHEEL BASE 3	EG2 = 3.5L V6 Gas Engine EXM = 3.0L V6 Turbo Diesel Engine	DGZ = 5-Speed Auto W5A380 Transmission

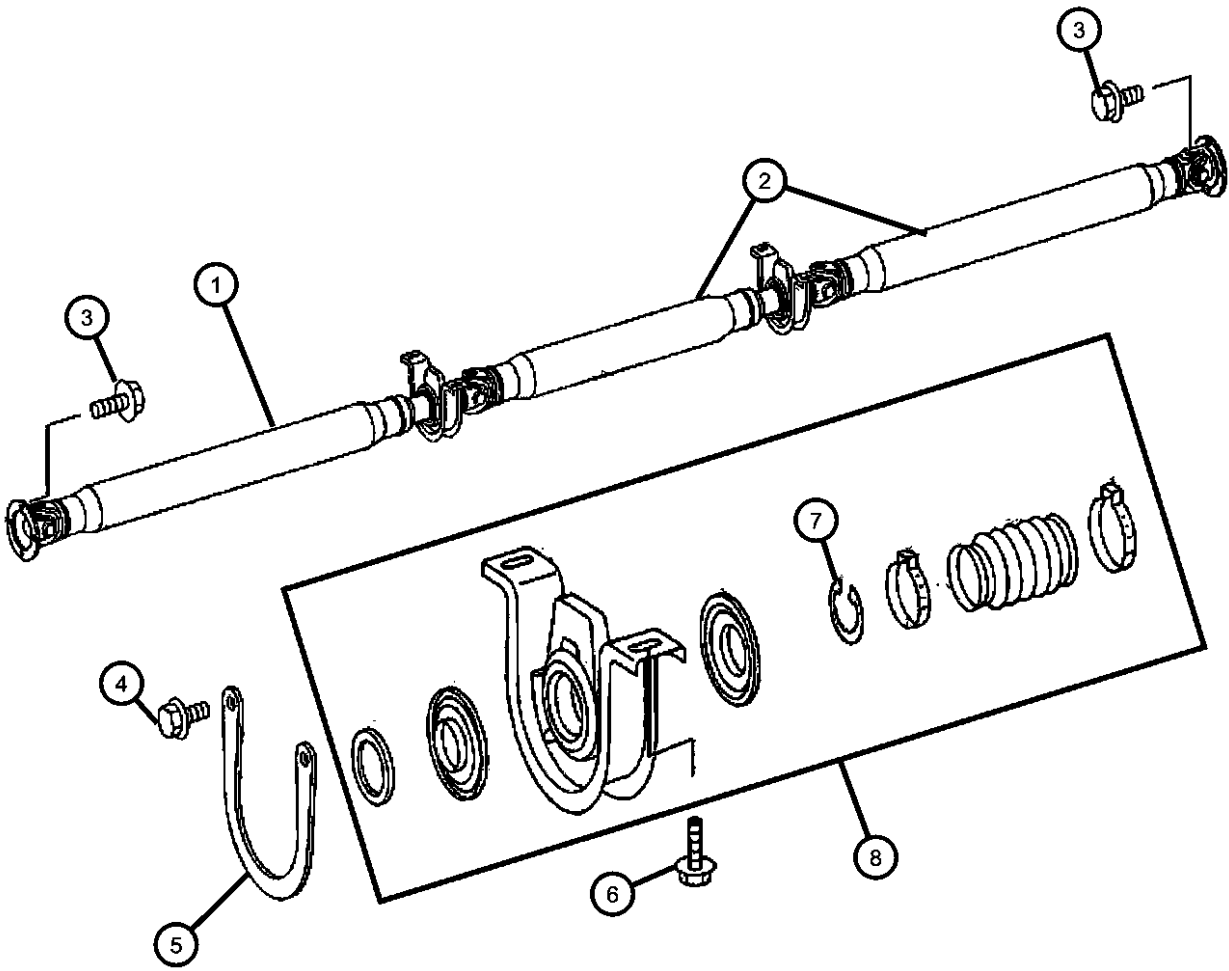
AR = use ase required - = Non illustrated part

2008 VB

Shaft, Drive, Rear, 3-Piece

Figure 3-675

ITEM	PART NUMBER	QTY	LINE	SERIES	BODY	ENGINE	TRANS	TRIM	DESCRIPTION
1	68006640AA	1	2, 3, 6, 7	L	05, 15, 17, 55				SHAFT, DriveFront
2	68006638AA	1	2, 6	L	15, 17, 55				SHAFT, DriveRear
3	68017251AA	4	2, 3, 6, 7	L					BOLT, Driveshaft To Transmission / Driveshaft To Rear Axle
4	06507218AB	4	2, 3, 6, 7	L	13, 15, 17, 53, 55				SCREW, [M8x12] / Rebound Strap To Substructure
5	68006655AA	2	2, 3, 6, 7	L					STRAP, Prop Shaft, Rebound Strap
6	06104235AA	4	2, 3, 6, 7	L					BOLT, [M12x1.5x35 - 10.9] / Bearing To Substructure
7	68006651AA	1	2, 3, 6, 7	L					RING
8	68006649AA	1	2, 3, 6, 7	L					CENTER BEARING, Drive Shaft Front
	68031836AA	1	2, 6	L	15, 17, 55				Rear



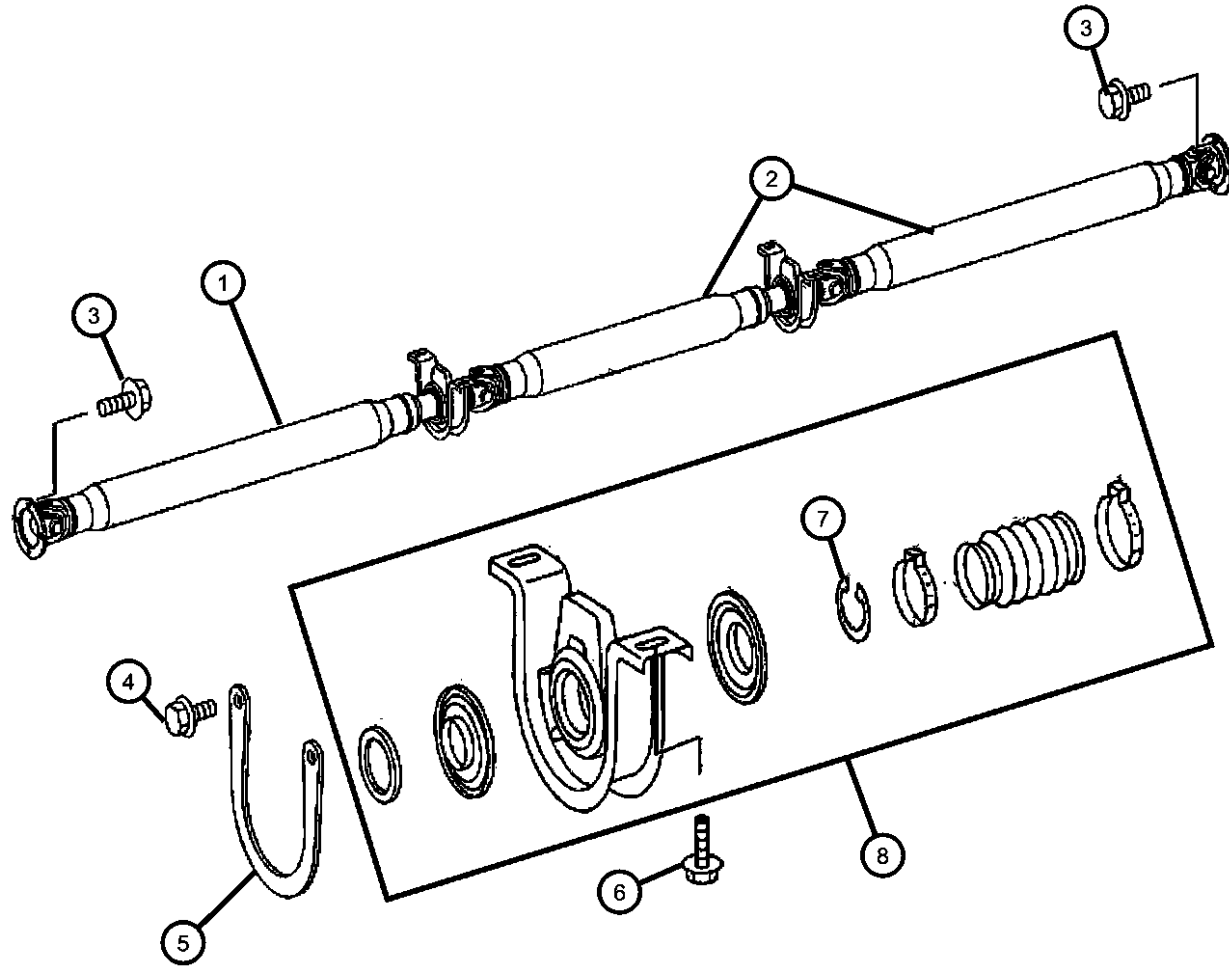
SPRINTER (VB)

SERIES	LINE	BODY	ENGINE	TRANSMISSION
L = LOWLINE	3 = HD DODGE 2WD 6 = Lt. Duty DODGE 4WD 2 = Med. Duty DODGE 2WD 7 = Med. Duty DODGE 4WD	17 = VAN WHEEL BASE 7 55 = WAGON WHEEL BASE 5 15 = VAN WHEEL BASE 5 53 = 119 WB 13 = 119 WB 05 = CAB CHASSIS WHEEL BASE 5 03 = CAB CHASSIS WHEEL BASE 3	EG2 = 3.5L V6 Gas Engine EXM = 3.0L V6 Turbo Diesel Engine	DGZ = 5-Speed Auto W5A380 Transmission

AR = use ase required - = Non illustrated part

**Shaft, Drive, Rear, 3-Piece  
Figure 3-680**

ITEM	PART NUMBER	QTY	LINE	SERIES	BODY	ENGINE	TRANS	TRIM	DESCRIPTION
1	68006640AA	1	2, 3, 6, 7	L	05, 15, 17, 55				SHAFT, DriveFront
2	68006637AA	1	3, 7	L	05, 15, 17				SHAFT, DriveRear
3	68017251AA	4	2, 3, 6, 7	L					BOLT, Driveshaft To Transmission / Driveshaft To Rear Axle
4	06507218AB	4	2, 3, 6, 7	L	13, 15, 17, 53, 55				SCREW, [M8x12] / Rebound Strap To Substructure
5	68006655AA	2	2, 3, 6, 7	L					STRAP, Prop Shaft, Rebound Strap
6	06104235AA	4	2, 3, 6, 7	L					BOLT, [M12x1.5x35 - 10.9] / Bearing To Substructure
7	68006651AA	1	2, 3, 6, 7	L					RING
8	68006649AA	1	2, 3, 6, 7	L					CENTER BEARING, Drive Shaft



**SPRINTER (VB)**

SERIES	LINE	BODY	ENGINE	TRANSMISSION
L = LOWLINE	3 = HD DODGE 2WD 6 = Lt. Duty DODGE 4WD 2 = Med. Duty DODGE 2WD 7 = Med. Duty DODGE 4WD	17 = VAN WHEEL BASE 7 55 = WAGON WHEEL BASE 5 15 = VAN WHEEL BASE 5 53 = 119 WB 13 = 119 WB 05 = CAB CHASSIS WHEEL BASE 5 03 = CAB CHASSIS WHEEL BASE 3	EG2 = 3.5L V6 Gas Engine EXM = 3.0L V6 Turbo Diesel Engine	DGZ = 5-Speed Auto W5A380 Transmission

AR = use ase required - = Non illustrated part

2008 VB

**Axle Assembly,FWD/RWD/AWD  
Figure 3-705**

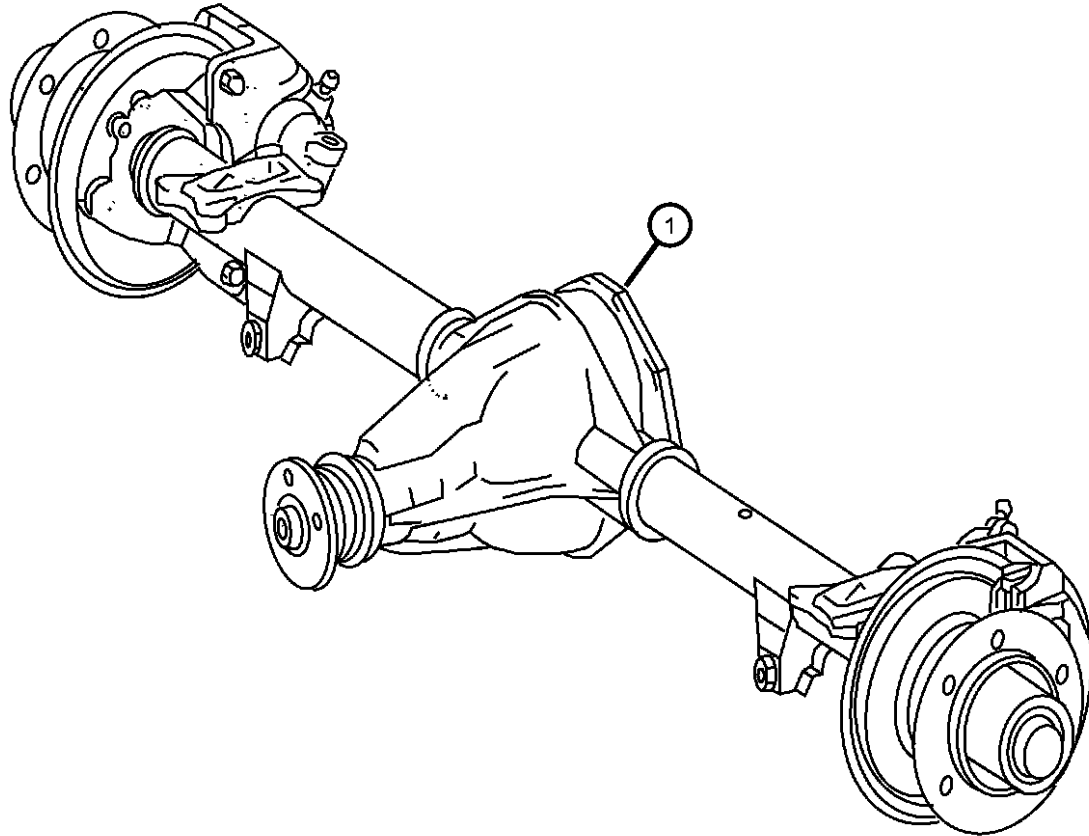
ITEM	PART NUMBER	QTY	LINE	SERIES	BODY	ENGINE	TRANS	TRIM	DESCRIPTION
------	-------------	-----	------	--------	------	--------	-------	------	-------------

NOTE:Axle Housing Is Not Serviced. If Axle Housing Is Needed, Complete Service Axle Must Be Ordered.

Sales Codes:  
[DMF]=4.10 Axle Ratio  
[DMH]=3.92 Axle Ratio  
[DML]=5.10 Axle Ratio  
[DMN]=4.72 Axle Ratio

1

04862645AA	1	2, 6	L	13, 15, 17, 53, 55					AXLE, Service Rear, See Note: With [DMH]
04862646AA	1	2, 6	L	13, 15, 17, 53, 55					With [DMN]
04862647AA	1	2, 6	L	13, 15, 17, 53, 55					With [DMF]
04862648AA	1	2, 6	L	13, 15, 17, 53, 55					With [DML]



**SPRINTER (VB)**

SERIES	LINE	BODY	ENGINE	TRANSMISSION
L = LOWLINE	3 = HD DODGE 2WD 6 = Lt. Duty DODGE 4WD 2 = Med. Duty DODGE 2WD 7 = Med. Duty DODGE 4WD	17 = VAN WHEEL BASE 7 55 = WAGON WHEEL BASE 5 15 = VAN WHEEL BASE 5 53 = 119 WB 13 = 119 WB 05 = CAB CHASSIS WHEEL BASE 5 03 = CAB CHASSIS WHEEL BASE 3	EG2 = 3.5L V6 Gas Engine EXM = 3.0L V6 Turbo Diesel Engine	DGZ = 5-Speed Auto W5A380 Transmission

AR = use ase required - = Non illustrated part

2008 VB



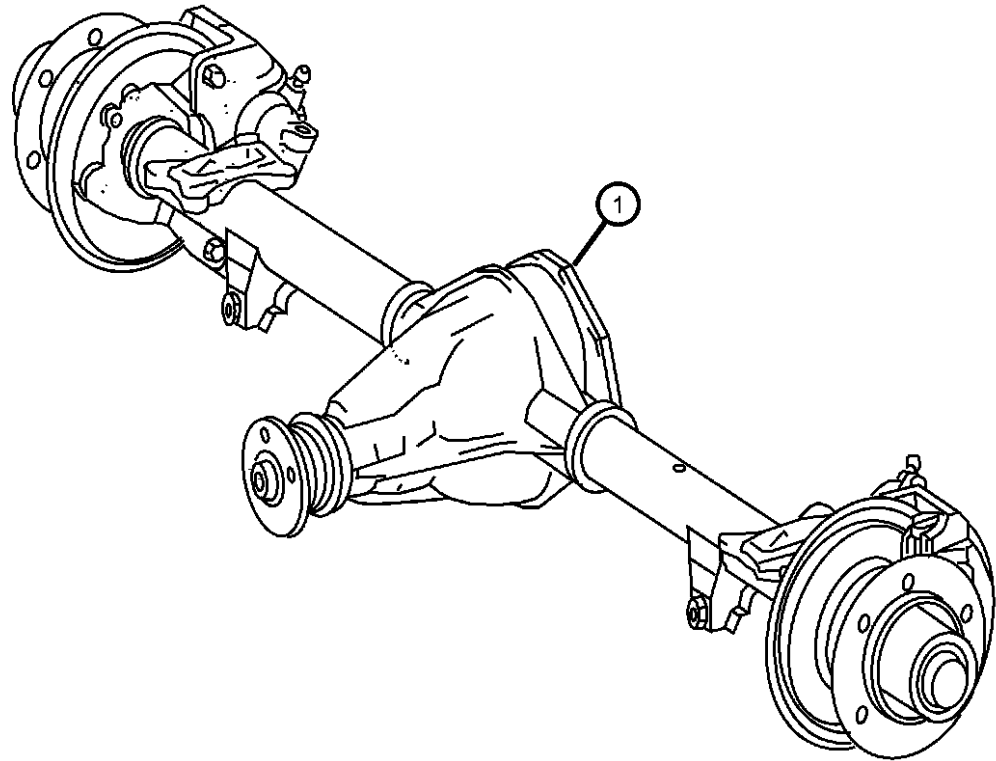
**Axle Assembly,FWD/RWD/AWD  
Figure 3-710**

ITEM	PART NUMBER	QTY	LINE	SERIES	BODY	ENGINE	TRANS	TRIM	DESCRIPTION
------	-------------	-----	------	--------	------	--------	-------	------	-------------

NOTE:Axle Housing Is Not Serviced. If Axle Housing Is Needed, Complete Service Axle Must Be Ordered.

Sales Codes:  
[DMF]=4.10 Axle Ratio  
[DMH]=3.92 Axle Ratio  
[DML]=5.10 Axle Ratio  
[DMN]=4.72 Axle Ratio

1									AXLE, Service Rear
	04862649AB	1	3, 7	L	03, 05, 13, 15, 17				With [DMH]
	04862650AB	1	3, 7	L	03, 05, 13, 15, 17				With [DMF]
	04862651AB	1	3	L	05				With [DMN]
	04862652AB	1	3	L	05				With [DML]



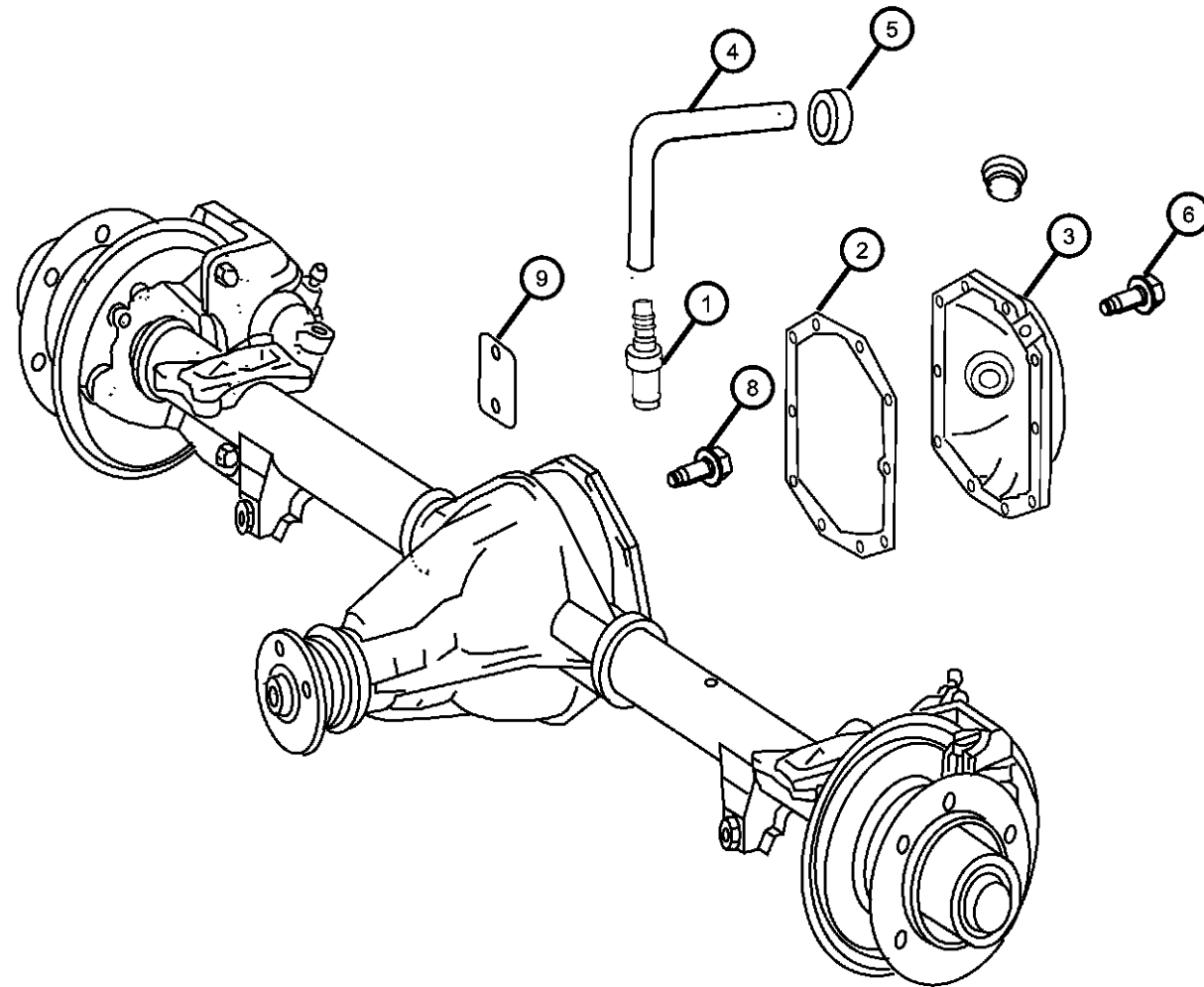
**SPRINTER (VB)**

SERIES	LINE	BODY	ENGINE	TRANSMISSION
L = LOWLINE	3 = HD DODGE 2WD 6 = Lt. Duty DODGE 4WD 2 = Med. Duty DODGE 2WD 7 = Med. Duty DODGE 4WD	17 = VAN WHEEL BASE 7 55 = WAGON WHEEL BASE 5 15 = VAN WHEEL BASE 5 53 = 119 WB 13 = 119 WB 05 = CAB CHASSIS WHEEL BASE 5 03 = CAB CHASSIS WHEEL BASE 3	EG2 = 3.5L V6 Gas Engine EXM = 3.0L V6 Turbo Diesel Engine	DGZ = 5-Speed Auto W5A380 Transmission

AR = use ase required - = Non illustrated part

2008 VB

Housing and Vent,Rear Axle,FWD/RWD/AWD  
Figure 3-805



ITEM	PART NUMBER	QTY	LINE	SERIES	BODY	ENGINE	TRANS	TRIM	DESCRIPTION
1	05103948AA	1	3, 7	L	03, 05, 13, 15, 17				VENT, Axle
		1	2, 6	L	13, 15, 17, 53, 55				
2	68018926AA	1	2, 6	L	13, 15, 17, 53, 55				GASKET, Differential Cover With Special Version Number [35-504000 / 17]
	68025238AA	1	3, 7	L	03, 05, 13, 15, 17				With Special Version Number [35-504000 / 04]
3	68018924AA	1	2, 6	L	13, 15, 17, 53, 55				COVER, Differential
	68025233AA	1	3, 7	L					
4	05104076AA	1	3, 7	L	03, 05				HOSE, Axle Vent
		1	2, 3, 6, 7	L	13, 15, 17, 53, 55				
5	05133520AA	1	2, 3, 6, 7	L					GROMMET
6	04862663AA	10	2, 6	L					BOLT, Differential Cover With Special Version Number [35 504000/10/17] & [35 504232/06/07/09/10]
	68025239AA	1	3, 7	L	03, 05, 13, 15, 17				With Special Version Number [35 504000/04]
-7	05133796AA	1	2, 3, 6, 7	L					PLUG Drain Plug
	05134372AA	1	3, 7	L	03, 05, 13, 15, 17				Fill Plug
		1	2, 6	L	13, 15, 17, 53, 55				Fill Plug
8	06104243AA	4	3, 7	L	03, 05, 13, 15, 17				BOLT, Hex Flange Head, M12X1.50X80.00
		4	2, 6	L	13, 15, 17, 53, 55				
9		4							PLATE, Identification Information Tag Not Serviced, (NOT SERVICED)

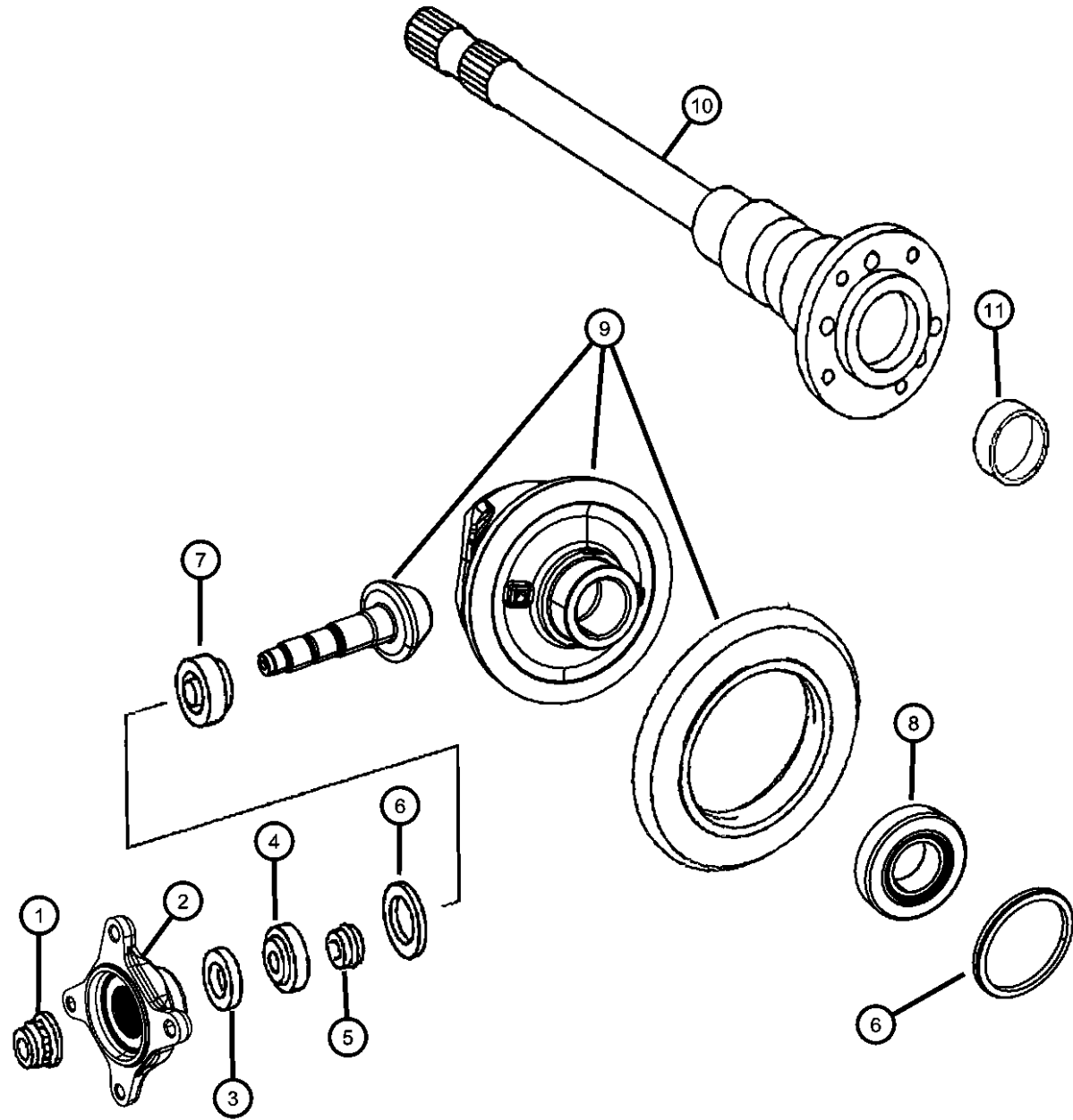
SPRINTER (VB)

SERIES	LINE	BODY	ENGINE	TRANSMISSION
L = LOWLINE	3 = HD DODGE 2WD 6 = Lt. Duty DODGE 4WD 2 = Med. Duty DODGE 2WD 7 = Med. Duty DODGE 4WD	17 = VAN WHEEL BASE 7 55 = WAGON WHEEL BASE 5 15 = VAN WHEEL BASE 5 53 = 119 WB 13 = 119 WB 05 = CAB CHASSIS WHEEL BASE 5 03 = CAB CHASSIS WHEEL BASE 3	EG2 = 3.5L V6 Gas Engine EXM = 3.0L V6 Turbo Diesel Engine	DGZ = 5-Speed Auto W5A380 Transmission

AR = use ase required - = Non illustrated part

2008 VB

**Differential Assembly,Rear**  
**Figure 3-822**



ITEM	PART NUMBER	QTY	LINE	SERIES	BODY	ENGINE	TRANS	TRIM	DESCRIPTION
------	-------------	-----	------	--------	------	--------	-------	------	-------------

NOTE:Housing, Ring & Pinion, Shims, Washers & Gears, Are Only Service In The Ring & Pinion Differential Assembly / Callout [#9]

Sales Code:  
[DMF]=4.10 Axle Ratio  
[DMH]=3.92 Axle Ratio  
[DML]=5.10 Axle Ratio  
[DMN]=4.72 Axle Ratio

1	68018934AA	1	2, 6	L	13, 15, 17, 53, 55				NUT, Pinion Yoke, With Special Version Code [35-504232 / 06 / 07 / 09 / 10]
2	68018931AA	1	2, 6	L	13, 15, 17, 53, 55				FLANGE, Center Differential, With Special Version Code [35-504232 / 06 / 07 / 09 / 10]
3	68019031AA	1	2, 6	L	13, 15, 17, 53, 55				SEAL, Differential Bearing, With Special Version Code [35-504232 / 06 / 07 / 09 / 10]
4	68018981AA	1	2, 6	L	13, 15, 17, 53, 55				BEARING, Pinion Outer
	68018980AA	1	2, 6	L	13, 15, 17, 53, 55				Drive Pinion Front / With Special Version Code [35-504232 / 06 / 07 / 09 / 10] Interchangeable With [68018980AA], Outer
5	68019018AA	1	2, 6	L	13, 15, 17, 53, 55				Drive Pinion Front / With Special Version Code [35-504232 / 06 / 07 / 09 / 10] Interchangeable With [68018981AA], Outer
6	68018935AA	3	2, 6	L	13, 15, 17, 53, 55				SPACER, With Special Version Code [35-504232 / 06 / 07 / 09 / 10]
	68018936AA	3	2, 6	L	13, 15, 17, 53, 55				WASHER, Differential
	68018938AA	3	2, 6	L	13, 15, 17, 53, 55				[4.90MM] With Special Version Code [35-504232 / 06 / 07 / 09 / 10]
	68018940AA	3	2, 6	L	13, 15, 17, 53, 55				[5.00MM] With Special Version Code [35-504232 / 06 / 07 / 09 / 10]
	68018948AA	3	2, 6	L	13, 15, 17, 53, 55				[5.10MM] With Special Version Code [35-504232 / 06 / 07 / 09 / 10]
									[5.20MM] With Special Version Code [35-504232 / 06 / 07 / 09 / 10]
									[5.30MM] With Special Version Code [35-504232 / 06 / 07 / 09 / 10]

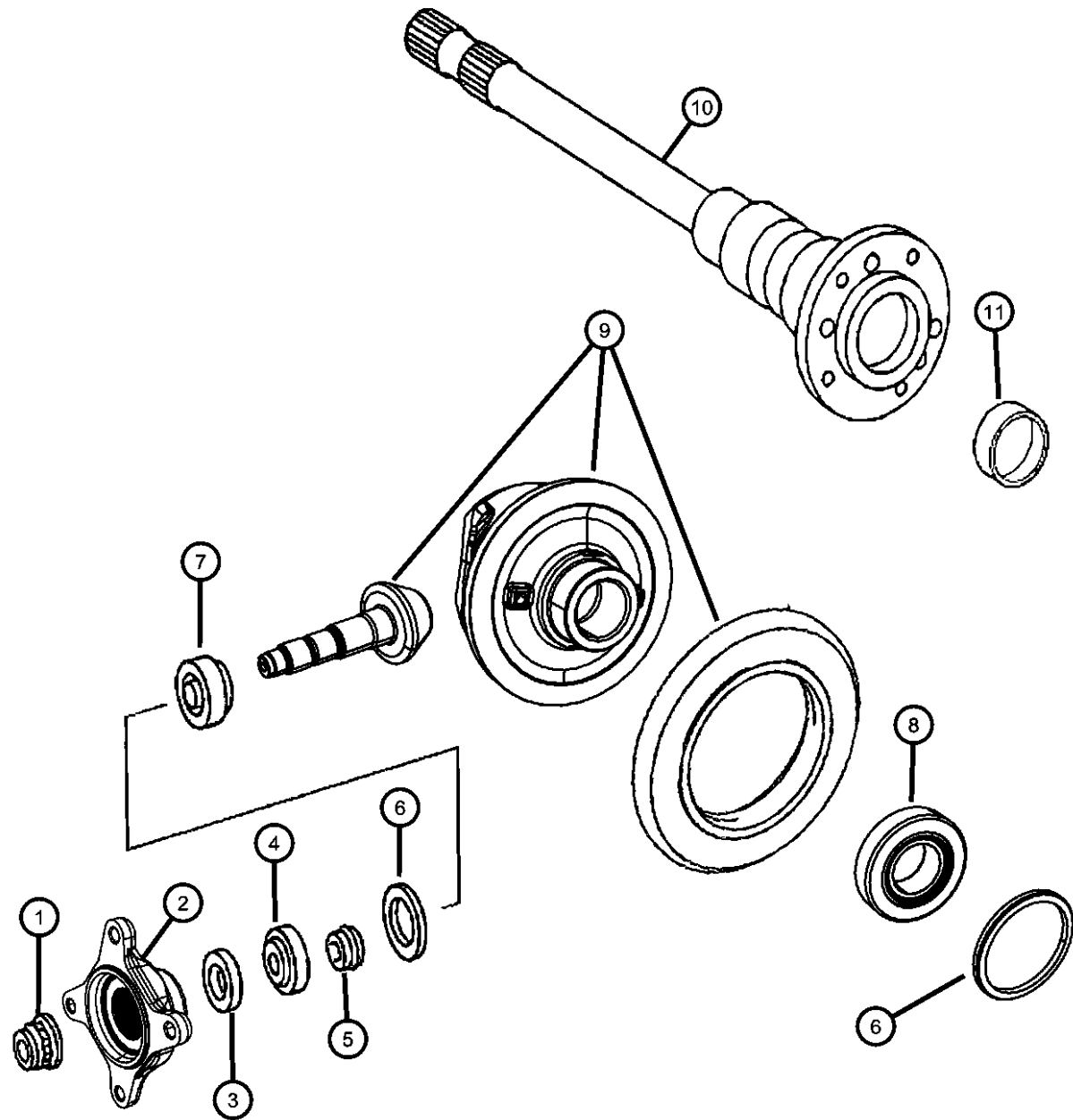
**SPRINTER (VB)**

SERIES	LINE	BODY	ENGINE	TRANSMISSION
L = LOWLINE	3 = HD DODGE 2WD 6 = Lt. Duty DODGE 4WD 2 = Med. Duty DODGE 2WD 7 = Med. Duty DODGE 4WD	17 = VAN WHEEL BASE 7 55 = WAGON WHEEL BASE 5 15 = VAN WHEEL BASE 5 53 = 119 WB 13 = 119 WB 05 = CAB CHASSIS WHEEL BASE 5 03 = CAB CHASSIS WHEEL BASE 3	EG2 = 3.5L V6 Gas Engine EXM = 3.0L V6 Turbo Diesel Engine	DGZ = 5-Speed Auto W5A380 Transmission

AR = use ase required - = Non illustrated part

2008 VB

Differential Assembly,Rear  
Figure 3-822



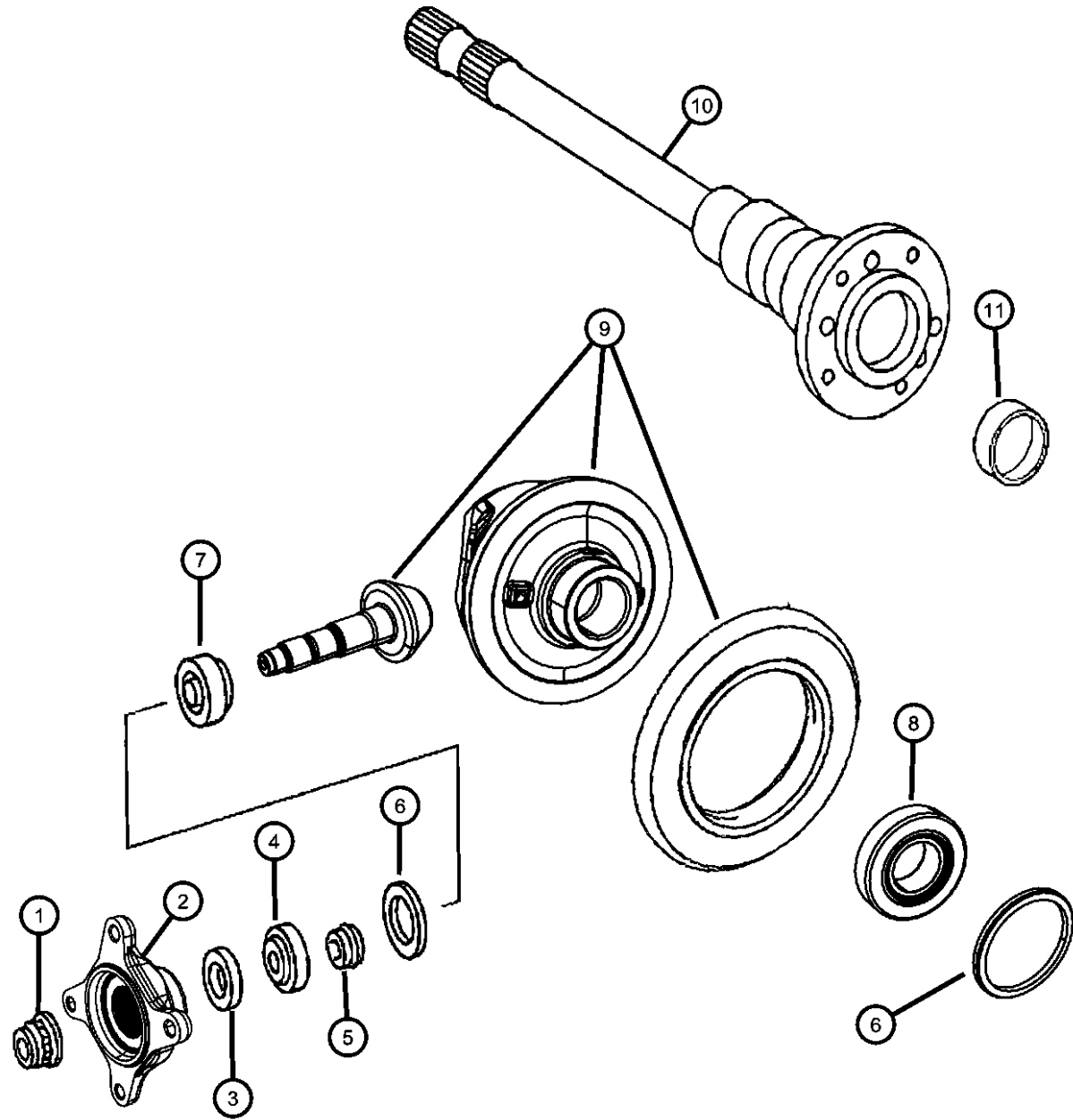
ITEM	PART NUMBER	QTY	LINE	SERIES	BODY	ENGINE	TRANS	TRIM	DESCRIPTION
	68018949AA	3	2, 6	L	13, 15, 17, 53, 55				[5.40MM] With Special Version Code [35-504232 / 06 / 07 / 09 / 10]
	68018961AA	3	2, 6	L	13, 15, 17, 53, 55				[5.50MM] With Special Version Code [35-504232 / 06 / 07 / 09 / 10]
	68018963AA	3	2, 6	L	13, 15, 17, 53, 55				[5.70MM] With Special Version Code [35-504232 / 06 / 07 / 09 / 10]
	68018964AA	3	2, 6	L	13, 15, 17, 53, 55				[5.80MM] With Special Version Code [35-504232 / 06 / 07 / 09 / 10]
	68018962AA	3	2, 6	L	13, 15, 17, 53, 55				[5.60MM] With Special Version Code [35-504232 / 06 / 07 / 09 / 10]
	68018966AA	3	2, 6	L	13, 15, 17, 53, 55				[6.00MM] With Special Version Code [35-504232 / 06 / 07 / 09 / 10]
	68018965AA	3	2, 6	L	13, 15, 17, 53, 55				[5.90MM] With Special Version Code [35-504232 / 06 / 07 / 09 / 10]
	68018969AA	3	2, 6	L	13, 15, 17, 53, 55				[6.10MM] With Special Version Code [35-504232 / 06 / 07 / 09 / 10]
	68018971AA	3	2, 6	L	13, 15, 17, 53, 55				[6.20MM] With Special Version Code [35-504232 / 06 / 07 / 09 / 10]
	68018972AA	3	2, 6	L	13, 15, 17, 53, 55				[6.30MM] With Special Version Code [35-504232 / 06 / 07 / 09 / 10]
	68018974AA	3	2, 6	L	13, 15, 17, 53, 55				[6.38MM] With Special Version Code [35-504232 / 06 / 07 / 09 / 10]
7	68018997AA	1	2, 6	L	13, 15, 17, 53, 55				BEARING, Pinion Inner Interchangeable With [68018998AA] / With Special Version Code [35-504232 / 06 / 07 / 09 / 10], Inner
	68018998AA	1	2, 6	L	13, 15, 17, 53, 55				Interchangeable With [68018997AA] / With Special Version Code [35-504232 / 06 / 07 / 09 / 10], Inner
8									BEARING, Axle

**SPRINTER (VB)**

<b>SERIES</b>	<b>LINE</b>	<b>BODY</b>	<b>ENGINE</b>	<b>TRANSMISSION</b>
L = LOWLINE	3 = HD DODGE 2WD 6 = Lt. Duty DODGE 4WD 2 = Med. Duty DODGE 2WD 7 = Med. Duty DODGE 4WD	17 = VAN WHEEL BASE 7 55 = WAGON WHEEL BASE 5 15 = VAN WHEEL BASE 5 53 = 119 WB 13 = 119 WB 05 = CAB CHASSIS WHEEL BASE 5 03 = CAB CHASSIS WHEEL BASE 3	EG2 = 3.5L V6 Gas Engine EXM = 3.0L V6 Turbo Diesel Engine	DGZ = 5-Speed Auto W5A380 Transmission

AR = use ase required - = Non illustrated part

**Differential Assembly,Rear  
Figure 3-822**



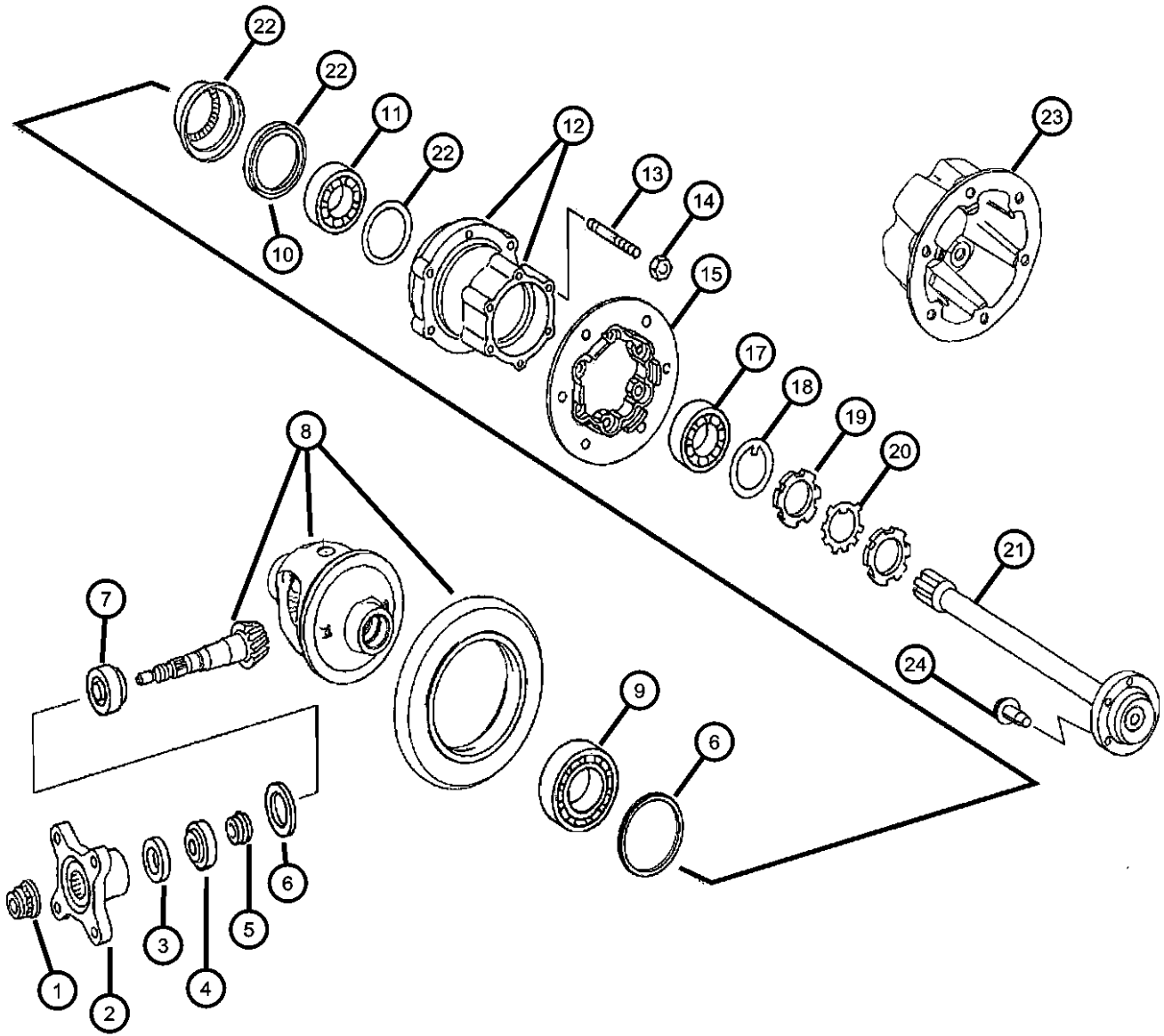
ITEM	PART NUMBER	QTY	LINE	SERIES	BODY	ENGINE	TRANS	TRIM	DESCRIPTION
	68019036AA	2	2, 6	L	13, 15, 17, 53, 55				With Special Version [35-504232 / 06 / 07 / 09 / 10] / Interchangeable With [68019039AA]
	68019039AA	2	2, 6	L	13, 15, 17, 53, 55				With Special Version [35-504232 / 06 / 07 / 09 / 10] / Interchangeable With [68019036AA]
9	68019087AA	1	2, 6	L	13, 15, 17, 53, 55				DIFFERENTIAL, Rear Axle With [DMH] / With Special Version Code [35-504232 / 10] / See Note
	68019064AA	1	2, 6	L	13, 15, 17, 53, 55				With [DML] / With Special Version Code [35-504232 / 06] / See Note
	68019072AA	1	2, 6	L	13, 15, 17, 53, 55				With [DMN] / With Special Version Code [35-504232 / 07] / See Note
	68019086AA	1	2, 6	L	13, 15, 17, 53, 55				With [DMF] / With Special Version Code [35-504232 / 09] / See Note
10	68019095AA	1	2, 6	L	13, 15, 17, 53, 55				SHAFT, Axle With Special Version Code [35-504008 / 89], Left
	68019135AA	1	2, 6	L	13, 15, 17, 53, 55				With Special Version Code [35-504008 / 89], Right
11	04862654AA	2	2, 6	L	13, 15, 17, 53, 55				PLUG, Expansion, With Special Version Code [35-504008 / 89]

**SPRINTER (VB)**

<b>SERIES</b>	<b>LINE</b>	<b>BODY</b>	<b>ENGINE</b>	<b>TRANSMISSION</b>
L = LOWLINE	3 = HD DODGE 2WD 6 = Lt. Duty DODGE 4WD 2 = Med. Duty DODGE 2WD 7 = Med. Duty DODGE 4WD	17 = VAN WHEEL BASE 7 55 = WAGON WHEEL BASE 5 15 = VAN WHEEL BASE 5 53 = 119 WB 13 = 119 WB 05 = CAB CHASSIS WHEEL BASE 5 03 = CAB CHASSIS WHEEL BASE 3	EG2 = 3.5L V6 Gas Engine EXM = 3.0L V6 Turbo Diesel Engine	DGZ = 5-Speed Auto W5A380 Transmission

AR = use ase required - = Non illustrated part

**Differential Assembly,Rear**  
**Figure 3-823**



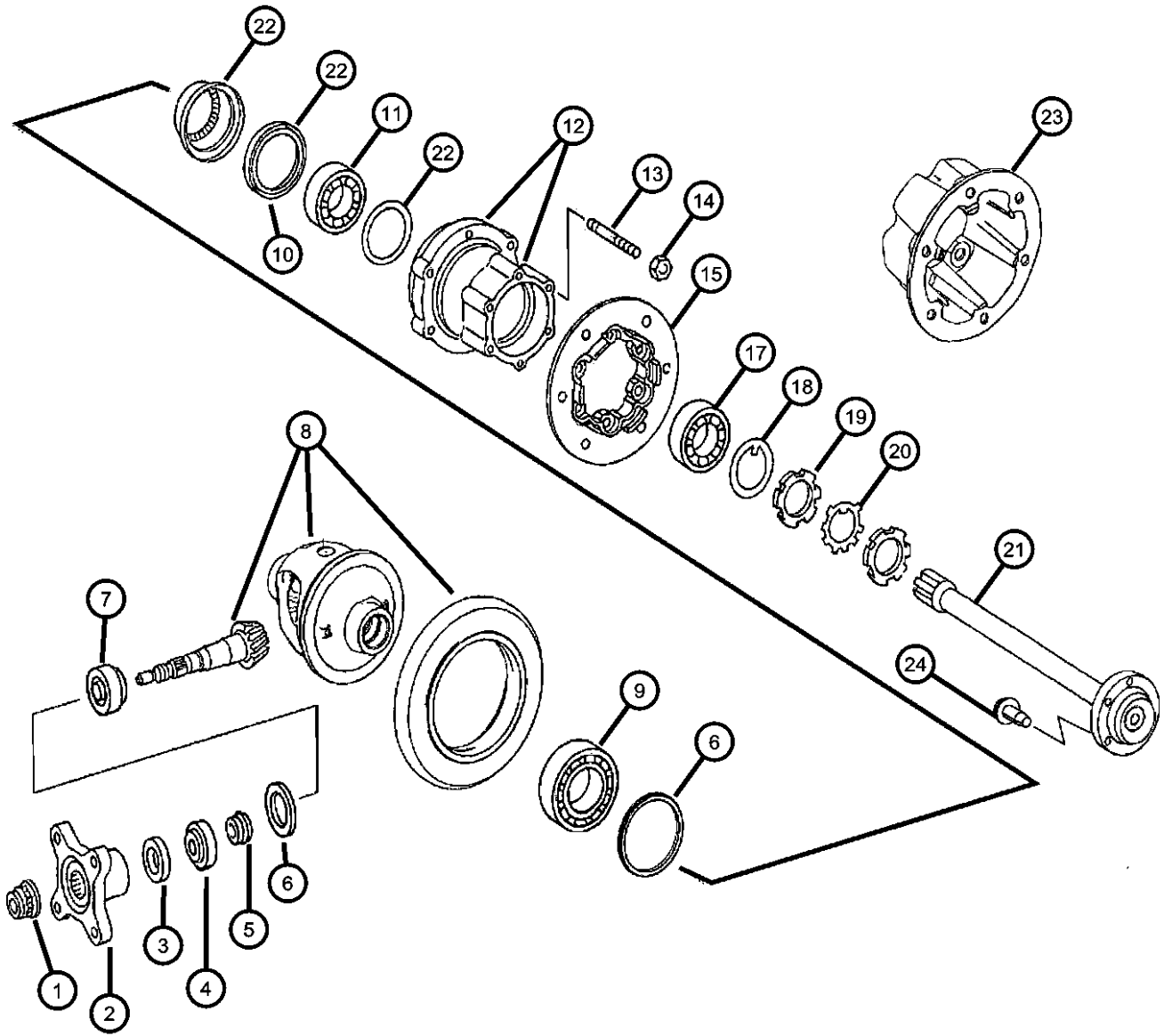
ITEM	PART NUMBER	QTY	LINE	SERIES	BODY	ENGINE	TRANS	TRIM	DESCRIPTION
NOTE:Housing, Ring & Pinion, Shims, Washers & Gears, Are Only Service In The Ring & Pinion Differential Assembly / Callout [#8]									
1	68018934AA	1	3, 7	L	03, 05, 13, 15, 17				NUT, Pinion Yoke, With Special Version Code [35-504232 / 12 / 13 / 15 / 16]
2	68018931AA	1	3, 7	L	03, 05, 13, 15, 17				FLANGE, Center Differential, With Special Version Code [35-504232 / 12 / 13 / 15 / 16]
3	68019031AA	1	3, 7	L	03, 05, 13, 15, 17				SEAL, Differential Bearing, Drive Pinion Seal / With Special Version Code [35-504232 / 12 / 13 / 15 / 16], Front
4	68018980AA	1	3, 7	L	03, 05, 13, 15, 17				BEARING, Pinion Outer Drive Pinion Front Bearing / Interchangeable With [68018991AA] / With Special Version Code [35-504232 / 12 / 13 / 15 / 16]
	68018981AA	1	3, 7	L	03, 05, 13, 15, 17				Drive Pinion Front Bearing / Interchangeable With [68018990AA] / With Special Version Code [35-504232 / 12 / 13 / 15 / 16]
5	68019018AA	1	3, 7	L	03, 05, 13, 15, 17				SPACER, With Special Version Code [35-504232 / 12 / 13 / 15 / 16]
6	68018935AA	3	3, 7	L	03, 05, 13, 15, 17				WASHER, Differential [4.90MM] Drive Pinion Rear / With Special Version Code [35-504232 / 12 / 13 / 15 / 16]
	68018936AA	3	3, 7	L	03, 05, 13, 15, 17				[5.00MM] Drive Pinion Rear / With Special Version Code [35-504232 / 12 / 13 / 15 / 16]
	68018940AA	3	3, 7	L	03, 05, 13, 15, 17				[5.20MM] Drive Pinion Rear / With Special Version Code [35-504232 / 12 / 13 / 15 / 16]
	68018948AA	3	3, 7	L	03, 05, 13, 15, 17				[5.30MM] Drive Pinion Rear / With Special Version Code [35-504232 / 12 / 13 / 15 / 16]
	68018938AA	3	3, 7	L	03, 05, 13, 15, 17				[5.10MM] Drive Pinion Rear / With Special Version Code [35-504232 / 12 / 13 / 15 / 16]
	68018961AA	3	3, 7	L	03, 05, 13, 15, 17				[5.50MM] Drive Pinion Rear / With Special Version Code [35-504232 / 12 / 13 / 15 / 16]

**SPRINTER (VB)**

SERIES	LINE	BODY	ENGINE	TRANSMISSION
L = LOWLINE	3 = HD DODGE 2WD 6 = Lt. Duty DODGE 4WD 2 = Med. Duty DODGE 2WD 7 = Med. Duty DODGE 4WD	17 = VAN WHEEL BASE 7 55 = WAGON WHEEL BASE 5 15 = VAN WHEEL BASE 5 53 = 119 WB 13 = 119 WB 05 = CAB CHASSIS WHEEL BASE 5 03 = CAB CHASSIS WHEEL BASE 3	EG2 = 3.5L V6 Gas Engine EXM = 3.0L V6 Turbo Diesel Engine	DGZ = 5-Speed Auto W5A380 Transmission

AR = use ase required - = Non illustrated part

**Differential Assembly,Rear**  
**Figure 3-823**



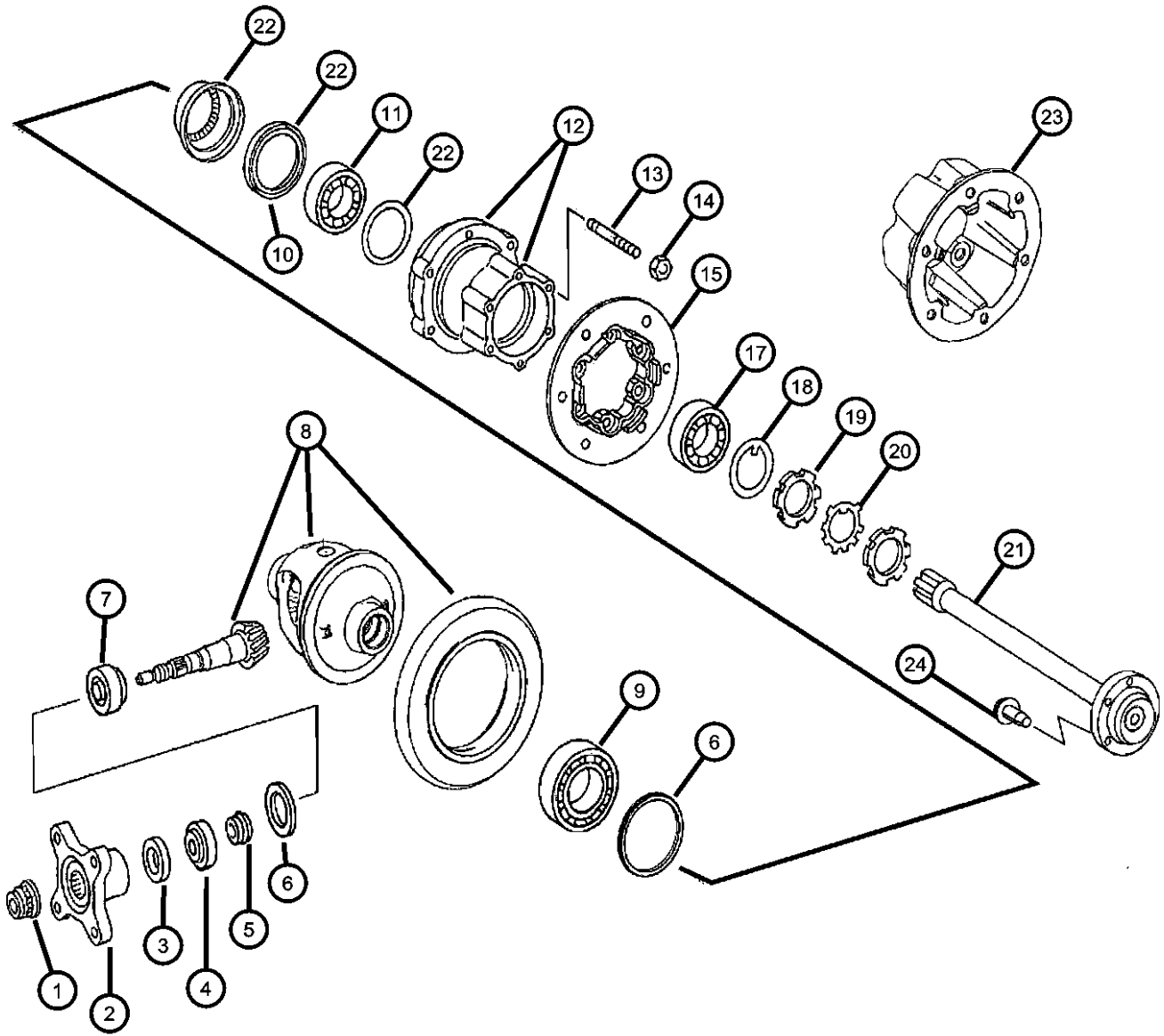
ITEM	PART NUMBER	QTY	LINE	SERIES	BODY	ENGINE	TRANS	TRIM	DESCRIPTION
	68018949AA	3	3, 7	L	03, 05, 13, 15, 17				[5.40MM] Drive Pinion Rear / With Special Version Code [35-504232 / 12 / 13 / 15 / 16]
	68018962AA	3	3, 7	L	03, 05, 13, 15, 17				[5.60MM] Drive Pinion Rear / With Special Version Code [35-504232 / 12 / 13 / 15 / 16]
	68018963AA	3	3, 7	L	03, 05, 13, 15, 17				[5.70MM] Drive Pinion Rear / With Special Version Code [35-504232 / 12 / 13 / 15 / 16]
	68018964AA	3	3, 7	L	03, 05, 13, 15, 17				[5.80MM] Drive Pinion Rear / With Special Version Code [35-504232 / 12 / 13 / 15 / 16]
	68018965AA	3	3, 7	L	03, 05, 13, 15, 17				[5.90MM] Drive Pinion Rear / With Special Version Code [35-504232 / 12 / 13 / 15 / 16]
	68018966AA	3	3, 7	L	03, 05, 13, 15, 17				[6.00MM] Drive Pinion Rear / With Special Version Code [35-504232 / 12 / 13 / 15 / 16]
	68018971AA	3	3, 7	L	03, 05, 13, 15, 17				[6.20MM] Drive Pinion Rear / With Special Version Code [35-504232 / 12 / 13 / 15 / 16]
	68018972AA	3	3, 7	L	03, 05, 13, 15, 17				[6.30MM] Drive Pinion Rear / With Special Version Code [35-504232 / 12 / 13 / 15 / 16]
	68018969AA	3	3, 7	L	03, 05, 13, 15, 17				[6.10MM] Drive Pinion Rear / With Special Version Code [35-504232 / 12 / 13 / 15 / 16]
	68018974AA	3	3, 7	L	03, 05, 13, 15, 17				[6.38MM] Drive Pinion Rear / With Special Version Code [35-504232 / 12 / 13 / 15 / 16]
7	68018997AA	1	3, 7	L	03, 05, 13, 15, 17				BEARING, Pinion Inner
	68018998AA	1	3, 7	L	03, 05, 13, 15, 17				Drive Pinion Rear /Interchangeable With [68018998AA] / With Special Version Code [35-504232 / 12 / 13 / 16 / 16]
8	68019064AA	1	3, 7	L	03, 05, 13, 15, 17				DIFFERENTIAL, Rear Axle
									With [DML] / Special Version Code [35-504232 / 12]

**SPRINTER (VB)**

<b>SERIES</b>	<b>LINE</b>	<b>BODY</b>	<b>ENGINE</b>	<b>TRANSMISSION</b>
L = LOWLINE	3 = HD DODGE 2WD 6 = Lt. Duty DODGE 4WD 2 = Med. Duty DODGE 2WD 7 = Med. Duty DODGE 4WD	17 = VAN WHEEL BASE 7 55 = WAGON WHEEL BASE 5 15 = VAN WHEEL BASE 5 53 = 119 WB 13 = 119 WB 05 = CAB CHASSIS WHEEL BASE 5 03 = CAB CHASSIS WHEEL BASE 3	EG2 = 3.5L V6 Gas Engine EXM = 3.0L V6 Turbo Diesel Engine	DGZ = 5-Speed Auto W5A380 Transmission

AR = use ase required - = Non illustrated part

**Differential Assembly,Rear**  
**Figure 3-823**



ITEM	PART NUMBER	QTY	LINE	SERIES	BODY	ENGINE	TRANS	TRIM	DESCRIPTION
	68019072AA	1	3, 7	L	03, 05, 13, 15, 17				With [DMN] / Special Version Code [35-504232 / 13]
	68019086AA	1	3, 7	L	03, 05, 13, 15, 17				With [DMF] / Special Version Code [35-504232 / 15]
	68019087AA	1	3, 7	L	03, 05, 13, 15, 17				With [DMH] / Special Version Code [35-504232 / 16]
9	68019036AA	2	3, 7	L	03, 05, 13, 15, 17				BEARING, Axle Interchangeable With [68019039AA] / Special Version Code [35-504232 / 12 / 13 / 15 / 16]
	68019039AA	2	3, 7	L	03, 05, 13, 15, 17				Interchangeable With [68019036AA] / Special Version Code [35-504232 / 12 / 13 / 15 / 16]
10	68026074AA	1	3, 7	L	03, 05, 13, 15, 17				SEAL, Axle Shaft, With Special Version Code [35-504019 / 69], Inner
11	68026071AA	1	3, 7	L	03, 05, 13, 15, 17				BEARING, Tapered Roller Interchangeable With [68026072AA & 68026073AA] / With Special Version Code [35-504019 / 69]
	68026072AA	1	3, 7	L	03, 05, 13, 15, 17				Interchangeable With [68026071AA & 68026073AA] / With Special Version Code [35-504019 / 69]
	68026073AA	1	3, 7	L	03, 05, 13, 15, 17				Interchangeable With [68026071AA & 68026072AA] / With Special Version Code [35-504019 / 69]
12	68026067AA	1	3, 7	L	03, 05, 13, 15, 17				HUB, Rear Wheel Interchangeable With [68026068AA] / With Special Version Code [35-504019 / 69]
	68026068AA	1	3, 7	L	03, 05, 13, 15, 17				Interchangeable With [68026067AA] / With Special Version Code [35-504019 / 69]
13	05134714AA	1	3, 7	L	03, 05, 13, 15, 17				STUD, Hub
14	05134715AA	12	3, 7	L	03, 05, 13, 15, 17				NUT, Hex Lock, With Special Version Code [35-504000 / 04]

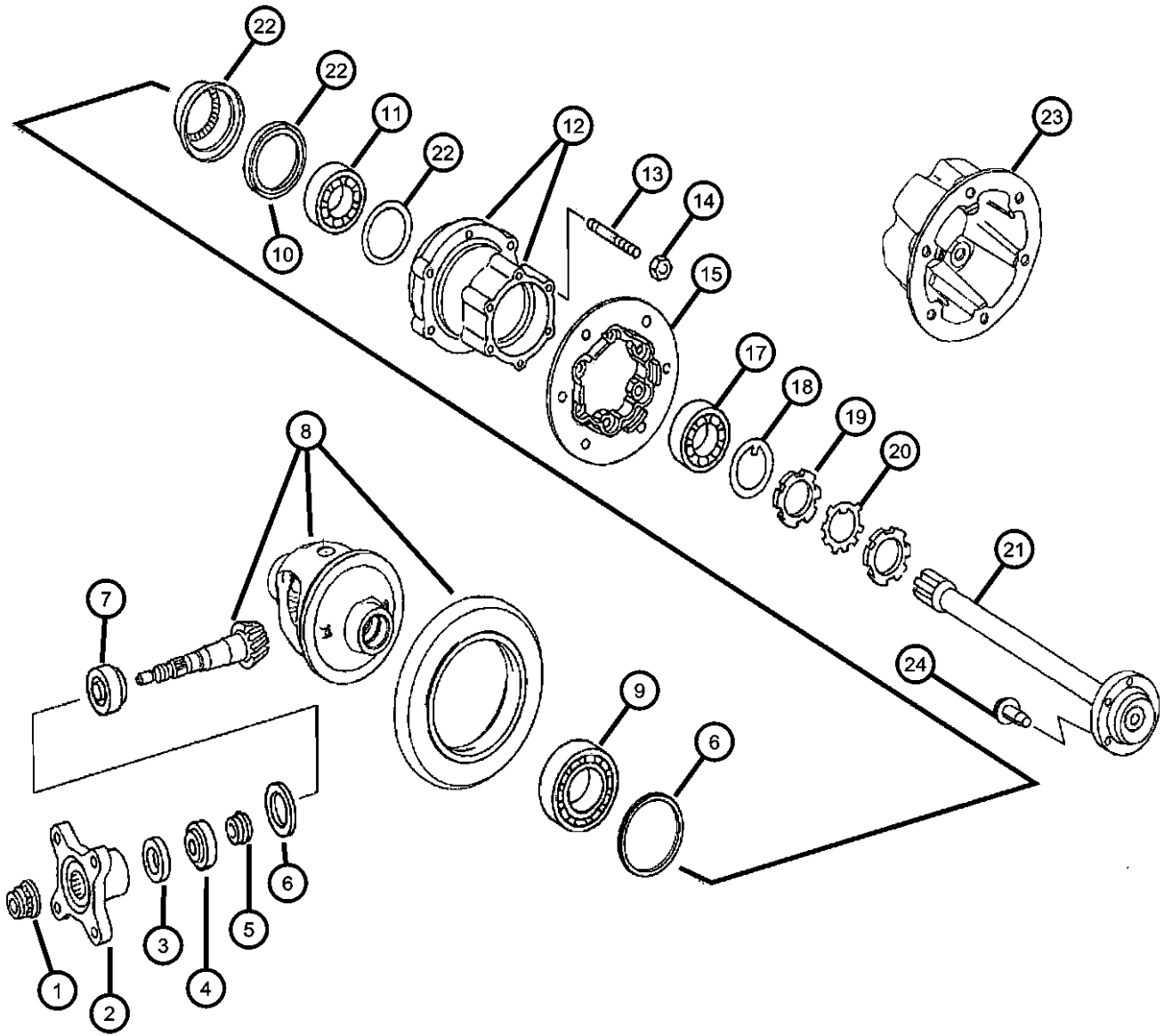
**SPRINTER (VB)**

<b>SERIES</b>	<b>LINE</b>	<b>BODY</b>	<b>ENGINE</b>	<b>TRANSMISSION</b>
L = LOWLINE	3 = HD DODGE 2WD 6 = Lt. Duty DODGE 4WD 2 = Med. Duty DODGE 2WD 7 = Med. Duty DODGE 4WD	17 = VAN WHEEL BASE 7 55 = WAGON WHEEL BASE 5 15 = VAN WHEEL BASE 5 53 = 119 WB 13 = 119 WB 05 = CAB CHASSIS WHEEL BASE 5 03 = CAB CHASSIS WHEEL BASE 3	EG2 = 3.5L V6 Gas Engine EXM = 3.0L V6 Turbo Diesel Engine	DGZ = 5-Speed Auto W5A380 Transmission

AR = use ase required - = Non illustrated part



**Differential Assembly,Rear**  
**Figure 3-823**



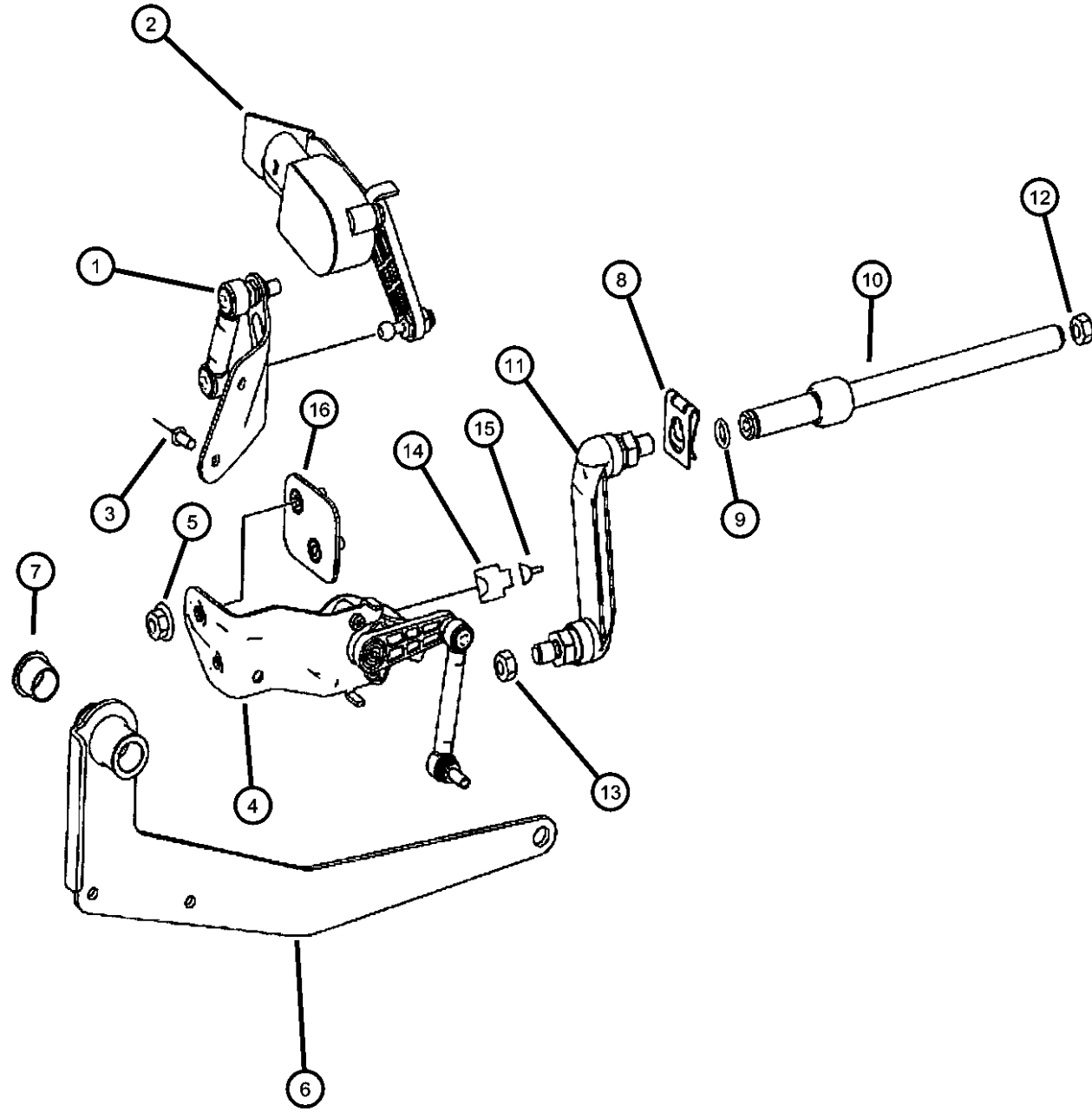
ITEM	PART NUMBER	QTY	LINE	SERIES	BODY	ENGINE	TRANS	TRIM	DESCRIPTION
15	68006710AA	2	3, 7	L	03, 05, 13, 15, 17				FLANGE, Axle Output, With Special Version Code [35-504306 / 09]
-16	04862627AA	6	3, 7	L					STUD, Wheel, Rear Axle Only. Do Not Use On Front Wheel Hubs.
17	68026069AA	1	3, 7	L	03, 05, 13, 15, 17				BEARING, Tapered Roller Interchangeable With [68026070AA] / With Special Version Code [35-504019 / 69], Outer
	68026070AA	1	3, 7	L	03, 05, 13, 15, 17				Interchangeable With [68026069AA] / With Special Version Code [35-504019 / 69], Outer
18	68025302AA	2	3, 7	L	03, 05, 13, 15, 17				PLATE, PLATE-LOCK, With Special Version Code [35-504000 / 04]
19	68025301AA	4	3, 7	L	03, 05, 13, 15, 17				NUT, Axle Hub, With Special Version Code [35-504000 / 04]
20	68025297AA	2	3, 7	L	03, 05, 13, 15, 17				WASHER, Axle Hub, With Special Version Code [35-504000 / 04]
21	68026047AA	1	3, 7	L	03, 05, 13, 15, 17				SHAFT, Axle With Special Version Code [35-504008 / 90], Left
	68026052AA	1	3, 7	L	03, 05, 13, 15, 17				With Special Version Code [35-504008 / 90], Right
22	04862662AA	2	3, 7	L	03, 05, 13, 15, 17				TONE RING, Sensor, This Includes [Tone Ring, Shaft Seal & Washer] These Parts Must Be Replaced As A Set.
23	68006710AA	2	3, 7	L	03, 05, 13, 15, 17				FLANGE, Axle Output
24	68026054AA	6	3, 7	L	03, 05, 13, 15, 17				BOLT, Hub

**SPRINTER (VB)**

SERIES	LINE	BODY	ENGINE	TRANSMISSION
L = LOWLINE	3 = HD DODGE 2WD 6 = Lt. Duty DODGE 4WD 2 = Med. Duty DODGE 2WD 7 = Med. Duty DODGE 4WD	17 = VAN WHEEL BASE 7 55 = WAGON WHEEL BASE 5 15 = VAN WHEEL BASE 5 53 = 119 WB 13 = 119 WB 05 = CAB CHASSIS WHEEL BASE 5 03 = CAB CHASSIS WHEEL BASE 3	EG2 = 3.5L V6 Gas Engine EXM = 3.0L V6 Turbo Diesel Engine	DGZ = 5-Speed Auto W5A380 Transmission

AR = use ase required - = Non illustrated part

**Differential Assembly,Rear**  
**Figure 3-824**



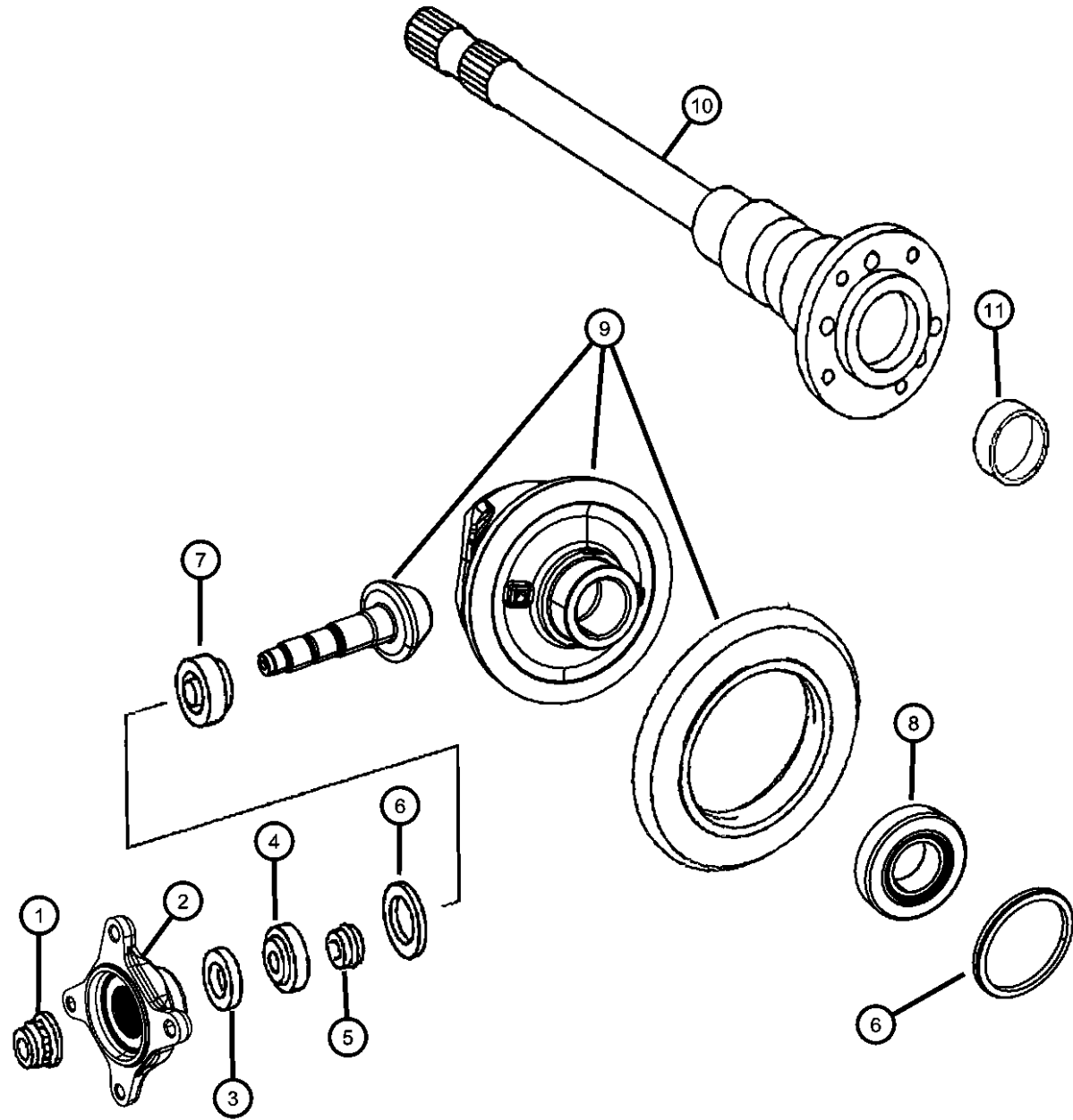
ITEM	PART NUMBER	QTY	LINE	SERIES	BODY	ENGINE	TRANS	TRIM	DESCRIPTION
1	68013738AA	1	2, 3, 6, 7	L					BRACKET, With [LM2]
2	68013739AA	1	2, 3, 6, 7	L					BRACKET, With [LM2]
3									RIVET
	05125819AA	4	3, 7	L	03, 05				
		4	2, 3, 6, 7	L	13, 15, 17, 53, 55				
4	68013834AA	1	2, 3, 6, 7	L					VALVE, Load sensing, [LM2] Altitude Sensor
5									NUT
	68004878AA	2	3, 7	L	03, 05				Sensor To Bracket [M6]
		2	2, 3, 6, 7	L	13, 15, 17, 53, 55				Sensor To Bracket [M6]
6									LEVER, Load Sensing
	05119337AA	1	3, 7	L	03, 05				
		1	2, 6	L	13, 15, 17, 53, 55				
7									BUSHING, Pedal Shaft
	05096550AA	2	3, 7	L	03, 05				
		2	2, 3, 6, 7	L	13, 15, 17, 53, 55				
8	68003170AA	1	2, 3, 6, 7	L					CLIP
9	68004877AA	1	2, 3, 6, 7	L					WASHER
10	68013836AA	1	2, 3, 6, 7	L					PIN
11	05103920AA	1	2, 3, 6, 7	L					LINK, Load Sensing, Sensor To Rear Axle
12									NUT
	06105172AA	2	3, 7	L	03, 05				Lever To Pivot Pin
		2	2, 3, 6, 7	L	13, 15, 17, 53, 55				Lever To Pivot Pin
	68004878AA	2	3, 7	L	03, 05				Lever To Bolt, Rear Axle Carrier
		2	2, 3, 6, 7	L	13, 15, 17, 53, 55				Lever To Bolt, Rear Axle Carrier
13	06105170AA	2	2, 3, 6, 7	L					NUT, Rod To Lever [M6]
14	05101431AA	1	2, 3, 6, 7	L					CONNECTOR, Rear Axle Sensor, Headlamp Range Adjustment [A51]
15	68016725AA	1	2, 3, 6, 7	L					TERMINAL, [A51] Connector
16	68013840AA	1	3, 7	L	13, 15, 17				BRACKET

**SPRINTER (VB)**

<b>SERIES</b>	<b>LINE</b>	<b>BODY</b>	<b>ENGINE</b>	<b>TRANSMISSION</b>
L = LOWLINE	3 = HD DODGE 2WD 6 = Lt. Duty DODGE 4WD 2 = Med. Duty DODGE 2WD 7 = Med. Duty DODGE 4WD	17 = VAN WHEEL BASE 7 55 = WAGON WHEEL BASE 5 15 = VAN WHEEL BASE 5 53 = 119 WB 13 = 119 WB 05 = CAB CHASSIS WHEEL BASE 5 03 = CAB CHASSIS WHEEL BASE 3	EG2 = 3.5L V6 Gas Engine EXM = 3.0L V6 Turbo Diesel Engine	DGZ = 5-Speed Auto W5A380 Transmission

AR = use ase required - = Non illustrated part

**Shafts,Rear,Axle,FWD/RWD/AWD  
Figure 3-905**



ITEM	PART NUMBER	QTY	LINE	SERIES	BODY	ENGINE	TRANS	TRIM	DESCRIPTION
------	-------------	-----	------	--------	------	--------	-------	------	-------------

NOTE:Housing, Ring & Pinion, Shims, Washers & Gears, Are Only Service In The Ring & Pinion Differential Assembly / Callout [#9]

Sales Code:  
[DMF]=4.10 Axle Ratio  
[DMH]=3.92 Axle Ratio  
[DML]=5.10 Axle Ratio  
[DMN]=4.72 Axle Ratio

1	68018934AA	1	2, 6	L	13, 15, 17, 53, 55				NUT, Pinion Yoke, With Special Version Code [35-504232 / 06 / 07 / 09 / 10]
2	68018931AA	1	2, 6	L	13, 15, 17, 53, 55				FLANGE, Center Differential, With Special Version Code [35-504232 / 06 / 07 / 09 / 10]
3	68019031AA	1	2, 6	L	13, 15, 17, 53, 55				SEAL, Differential Bearing, With Special Version Code [35-504232 / 06 / 07 / 09 / 10]
4	68018981AA	1	2, 6	L	13, 15, 17, 53, 55				BEARING, Pinion Outer
	68018980AA	1	2, 6	L	13, 15, 17, 53, 55				Drive Pinion Front / With Special Version Code [35-504232 / 06 / 07 / 09 / 10] Interchangeable With [68018980AA], Outer
5	68019018AA	1	2, 6	L	13, 15, 17, 53, 55				Drive Pinion Front / With Special Version Code [35-504232 / 06 / 07 / 09 / 10] Interchangeable With [68018981AA], Outer
6	68018936AA	3	2, 6	L	13, 15, 17, 53, 55				SPACER, With Special Version Code [35-504232 / 06 / 07 / 09 / 10]
	68018935AA	3	2, 6	L	13, 15, 17, 53, 55				WASHER, Differential
	68018948AA	3	2, 6	L	13, 15, 17, 53, 55				[5.00MM] With Special Version Code [35-504232 / 06 / 07 / 09 / 10]
	68018938AA	3	2, 6	L	13, 15, 17, 53, 55				[4.90MM] With Special Version Code [35-504232 / 06 / 07 / 09 / 10]
	68018940AA	3	2, 6	L	13, 15, 17, 53, 55				[5.30MM] With Special Version Code [35-504232 / 06 / 07 / 09 / 10]
									[5.10MM] With Special Version Code [35-504232 / 06 / 07 / 09 / 10]
									[5.20MM] With Special Version Code [35-504232 / 06 / 07 / 09 / 10]

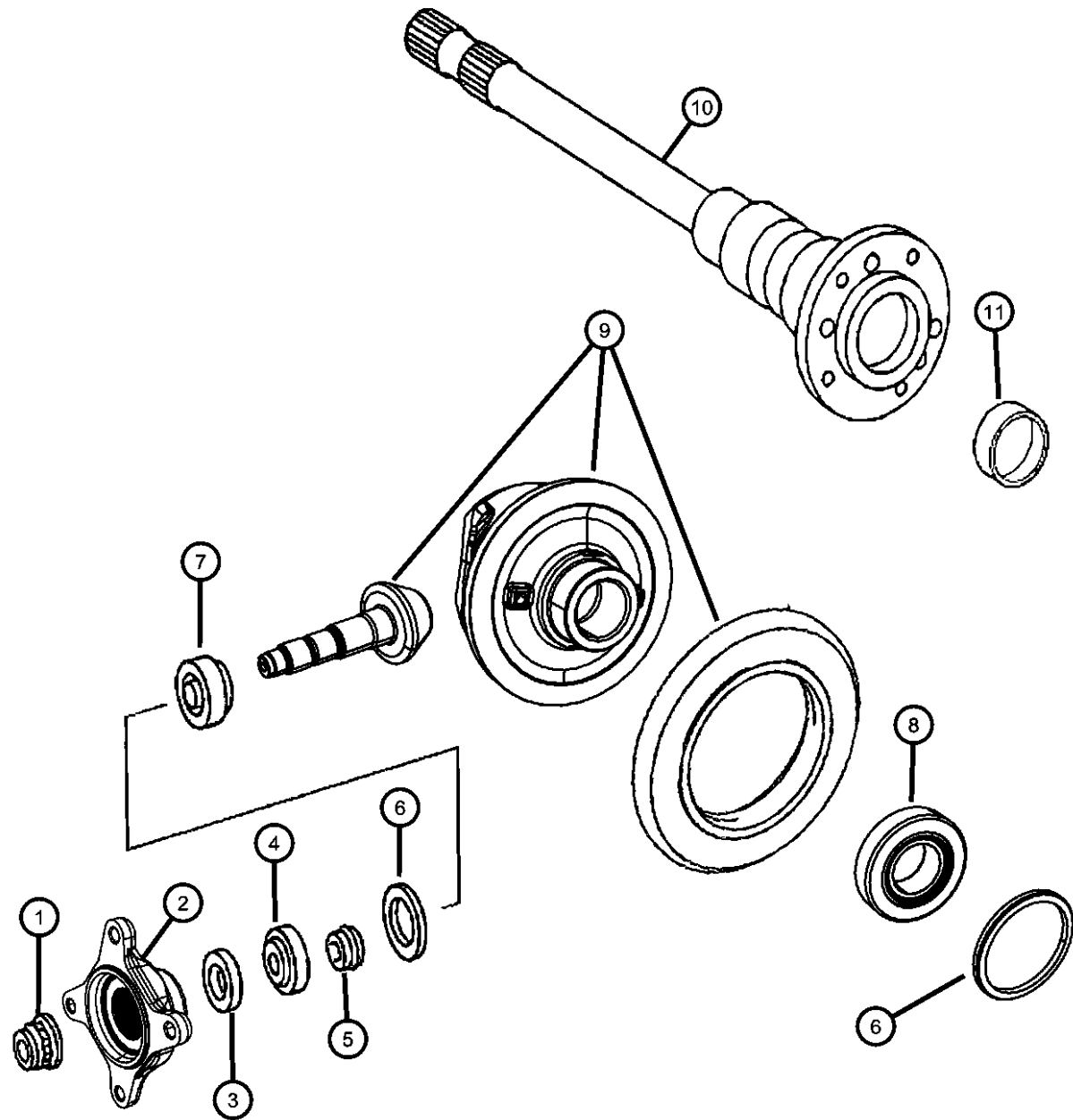
**SPRINTER (VB)**

SERIES	LINE	BODY	ENGINE	TRANSMISSION
L = LOWLINE	3 = HD DODGE 2WD 6 = Lt. Duty DODGE 4WD 2 = Med. Duty DODGE 2WD 7 = Med. Duty DODGE 4WD	17 = VAN WHEEL BASE 7 55 = WAGON WHEEL BASE 5 15 = VAN WHEEL BASE 5 53 = 119 WB 13 = 119 WB 05 = CAB CHASSIS WHEEL BASE 5 03 = CAB CHASSIS WHEEL BASE 3	EG2 = 3.5L V6 Gas Engine EXM = 3.0L V6 Turbo Diesel Engine	DGZ = 5-Speed Auto W5A380 Transmission

AR = use ase required - = Non illustrated part

2008 VB

**Shafts,Rear,Axle,FWD/RWD/AWD  
Figure 3-905**



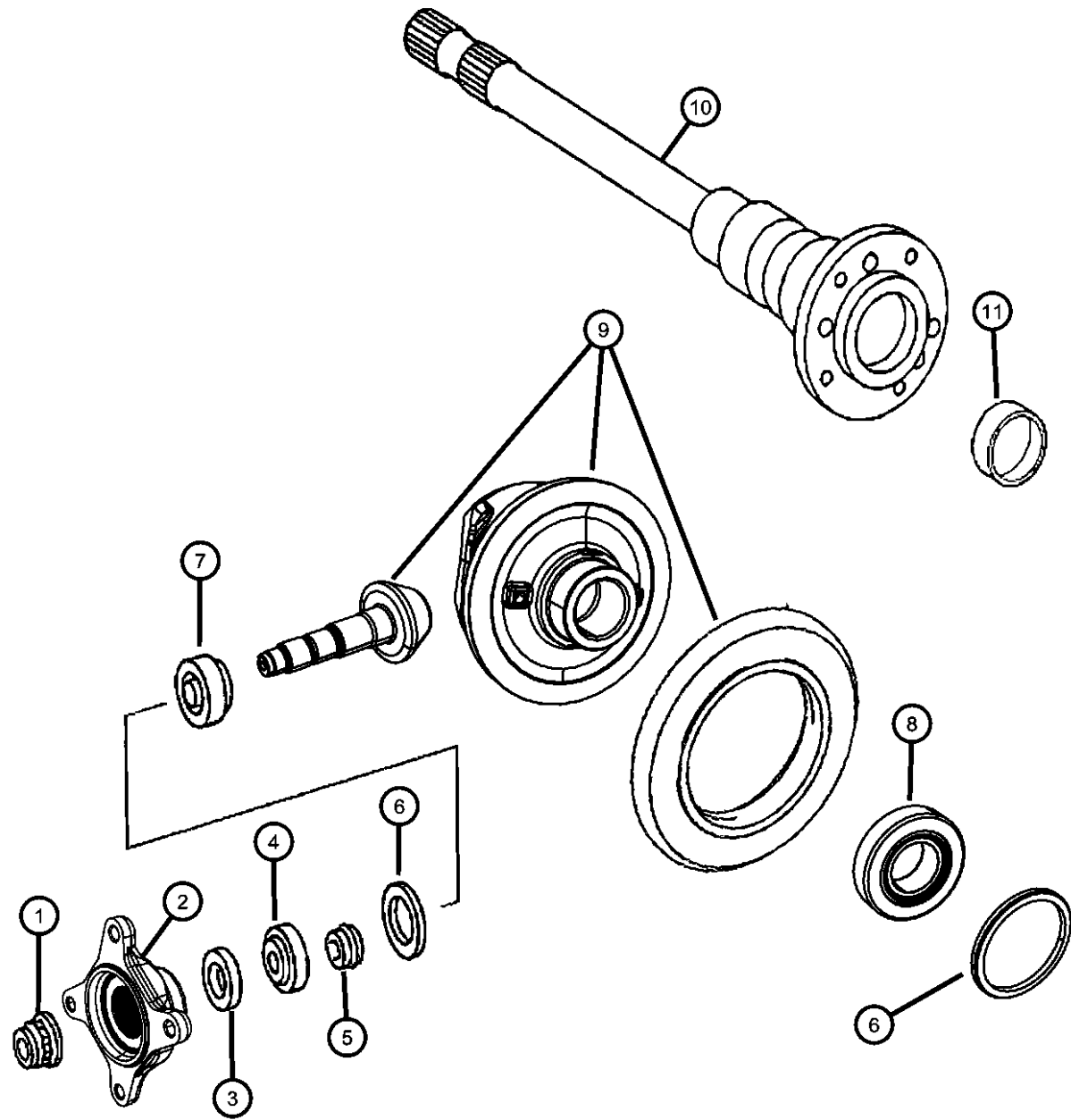
ITEM	PART NUMBER	QTY	LINE	SERIES	BODY	ENGINE	TRANS	TRIM	DESCRIPTION
	68018949AA	3	2, 6	L	13, 15, 17, 53, 55				[5.40MM] With Special Version Code [35-504232 / 06 / 07 / 09 / 10]
	68018961AA	3	2, 6	L	13, 15, 17, 53, 55				[5.50MM] With Special Version Code [35-504232 / 06 / 07 / 09 / 10]
	68018962AA	3	2, 6	L	13, 15, 17, 53, 55				[5.60MM] With Special Version Code [35-504232 / 06 / 07 / 09 / 10]
	68018963AA	3	2, 6	L	13, 15, 17, 53, 55				[5.70MM] With Special Version Code [35-504232 / 06 / 07 / 09 / 10]
	68018964AA	3	2, 6	L	13, 15, 17, 53, 55				[5.80MM] With Special Version Code [35-504232 / 06 / 07 / 09 / 10]
	68018966AA	3	2, 6	L	13, 15, 17, 53, 55				[6.00MM] With Special Version Code [35-504232 / 06 / 07 / 09 / 10]
	68018965AA	3	2, 6	L	13, 15, 17, 53, 55				[5.90MM] With Special Version Code [35-504232 / 06 / 07 / 09 / 10]
	68018972AA	3	2, 6	L	13, 15, 17, 53, 55				[6.30MM] With Special Version Code [35-504232 / 06 / 07 / 09 / 10]
	68018969AA	3	2, 6	L	13, 15, 17, 53, 55				[6.10MM] With Special Version Code [35-504232 / 06 / 07 / 09 / 10]
	68018971AA	3	2, 6	L	13, 15, 17, 53, 55				[6.20MM] With Special Version Code [35-504232 / 06 / 07 / 09 / 10]
	68018974AA	3	2, 6	L	13, 15, 17, 53, 55				[6.38MM] With Special Version Code [35-504232 / 06 / 07 / 09 / 10]
7	68018997AA	1	2, 6	L	13, 15, 17, 53, 55				BEARING, Pinion Inner Interchangeable With [68018998AA] / With Special Version Code [35-504232 / 06 / 07 / 09 / 10], Inner
	68018998AA	1	2, 6	L	13, 15, 17, 53, 55				Interchangeable With [68018997AA] / With Special Version Code [35-504232 / 06 / 07 / 09 / 10], Inner
8									BEARING, Axle

**SPRINTER (VB)**

SERIES	LINE	BODY	ENGINE	TRANSMISSION
L = LOWLINE	3 = HD DODGE 2WD 6 = Lt. Duty DODGE 4WD 2 = Med. Duty DODGE 2WD 7 = Med. Duty DODGE 4WD	17 = VAN WHEEL BASE 7 55 = WAGON WHEEL BASE 5 15 = VAN WHEEL BASE 5 53 = 119 WB 13 = 119 WB 05 = CAB CHASSIS WHEEL BASE 5 03 = CAB CHASSIS WHEEL BASE 3	EG2 = 3.5L V6 Gas Engine EXM = 3.0L V6 Turbo Diesel Engine	DGZ = 5-Speed Auto W5A380 Transmission

AR = use ase required - = Non illustrated part

**Shafts,Rear,Axle,FWD/RWD/AWD  
Figure 3-905**



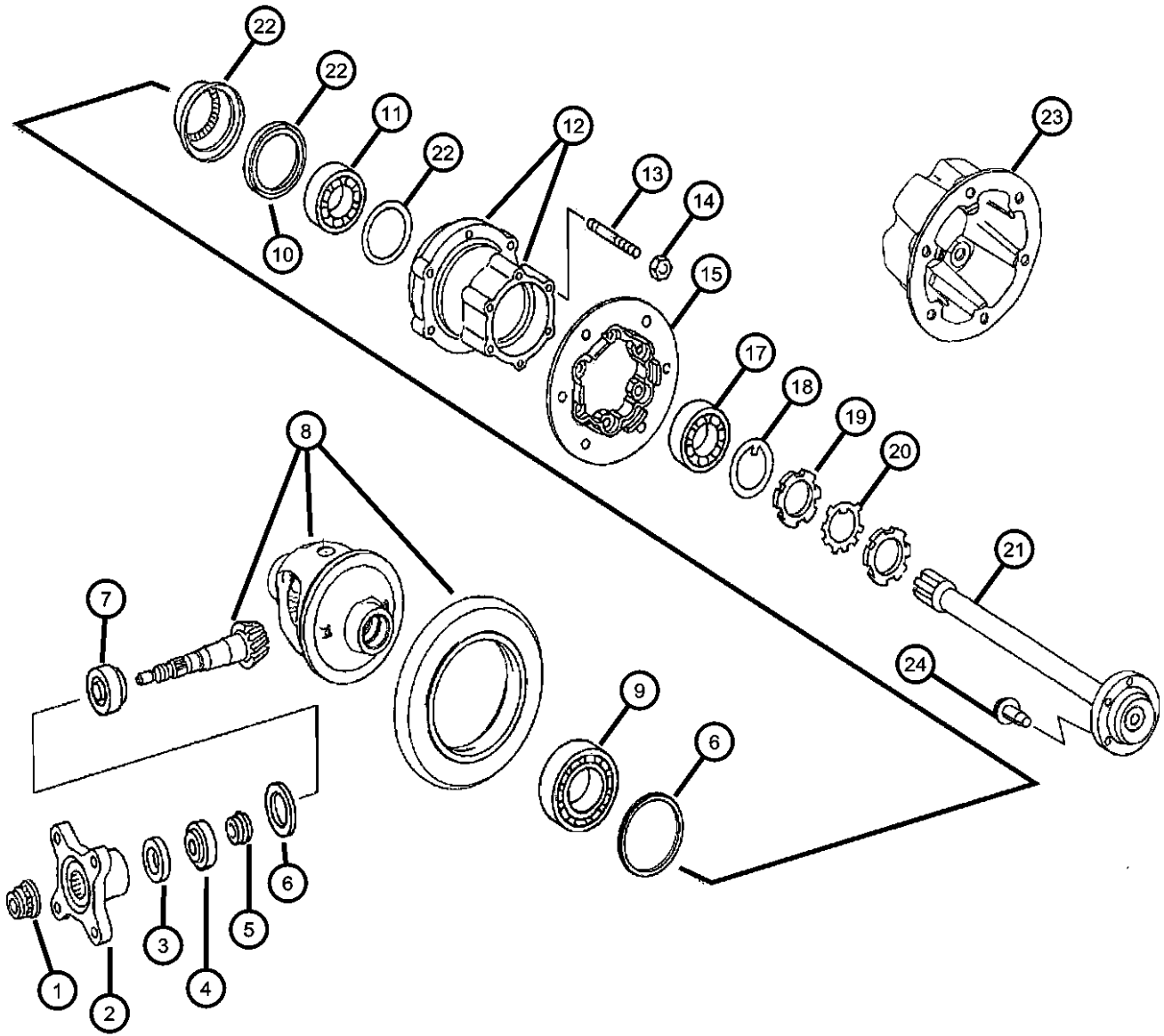
ITEM	PART NUMBER	QTY	LINE	SERIES	BODY	ENGINE	TRANS	TRIM	DESCRIPTION
	68019036AA	2	2, 6	L	13, 15, 17, 53, 55				With Special Version [35-504232 / 06 / 07 / 09 / 10] / Interchangeable With [68019039AA]
	68019039AA	2	2, 6	L	13, 15, 17, 53, 55				With Special Version [35-504232 / 06 / 07 / 09 / 10] / Interchangeable With [68019036AA]
9	68019064AA	1	2, 6	L	13, 15, 17, 53, 55				DIFFERENTIAL, Rear Axle
	68019072AA	1	2, 6	L	13, 15, 17, 53, 55				With [DML] / With Special Version Code [35-504232 / 06] / See Note
	68019086AA	1	2, 6	L	13, 15, 17, 53, 55				With [DMN] / With Special Version Code [35-504232 / 07] / See Note
	68019087AA	1	2, 6	L	13, 15, 17, 53, 55				With [DMF] / With Special Version Code [35-504232 / 09] / See Note
	68019087AA	1	2, 6	L	13, 15, 17, 53, 55				With [DMH] / With Special Version Code [35-504232 / 10] / See Note
10	68019095AA	1	2, 6	L	13, 15, 17, 53, 55				SHAFT, Axle
	68019135AA	1	2, 6	L	13, 15, 17, 53, 55				With Special Version Code [35-504008 / 89], Left
11	04862654AA	2	2, 6	L	13, 15, 17, 53, 55				With Special Version Code [35-504008 / 89], Right
									PLUG, Expansion, With Special Version Code [35-504008 / 89]

**SPRINTER (VB)**

<b>SERIES</b>	<b>LINE</b>	<b>BODY</b>	<b>ENGINE</b>	<b>TRANSMISSION</b>
L = LOWLINE	3 = HD DODGE 2WD 6 = Lt. Duty DODGE 4WD 2 = Med. Duty DODGE 2WD 7 = Med. Duty DODGE 4WD	17 = VAN WHEEL BASE 7 55 = WAGON WHEEL BASE 5 15 = VAN WHEEL BASE 5 53 = 119 WB 13 = 119 WB 05 = CAB CHASSIS WHEEL BASE 5 03 = CAB CHASSIS WHEEL BASE 3	EG2 = 3.5L V6 Gas Engine EXM = 3.0L V6 Turbo Diesel Engine	DGZ = 5-Speed Auto W5A380 Transmission

AR = use ase required - = Non illustrated part

Shafts,Rear,Axle,FWD/RWD/AWD  
Figure 3-910



ITEM	PART NUMBER	QTY	LINE	SERIES	BODY	ENGINE	TRANS	TRIM	DESCRIPTION
------	-------------	-----	------	--------	------	--------	-------	------	-------------

NOTE:Housing, Ring & Pinion, Shims, Washers & Gears, Are Only Service In The Ring & Pinion Differential Assembly / Callout [#8]

1	68018934AA	1	3, 7	L	03, 05, 13, 15, 17				NUT, Pinion Yoke, With Special Version Code [35-504232 / 12 / 13 / 15 / 16]
2	68018931AA	1	3, 7	L	03, 05, 13, 15, 17				FLANGE, Center Differential, With Special Version Code [35-504232 / 12 / 13 / 15 / 16]
3	68019031AA	1	3, 7	L	03, 05, 13, 15, 17				SEAL, Differential Bearing, Drive Pinion Seal / With Special Version Code [35-504232 / 12 / 13 / 15 / 16], Front
4	68018980AA	1	3, 7	L	03, 05, 13, 15, 17				BEARING, Pinion Outer Drive Pinion Front Bearing / Interchangeable With [68018991AA] / With Special Version Code [35-504232 / 12 / 13 / 15 / 16]
	68018981AA	1	3, 7	L	03, 05, 13, 15, 17				Drive Pinion Front Bearing / Interchangeable With [68018990AA] / With Special Version Code [35-504232 / 12 / 13 / 15 / 16]
5	68019018AA	1	3, 7	L	03, 05, 13, 15, 17				SPACER, With Special Version Code [35-504232 / 12 / 13 / 15 / 16]
6	68018935AA	3	3, 7	L	03, 05, 13, 15, 17				WASHER, Differential [4.90MM] Drive Pinion Rear / With Special Version Code [35-504232 / 12 / 13 / 15 / 16]
	68018936AA	3	3, 7	L	03, 05, 13, 15, 17				[5.00MM] Drive Pinion Rear / With Special Version Code [35-504232 / 12 / 13 / 15 / 16]
	68018938AA	3	3, 7	L	03, 05, 13, 15, 17				[5.10MM] Drive Pinion Rear / With Special Version Code [35-504232 / 12 / 13 / 15 / 16]
	68018940AA	3	3, 7	L	03, 05, 13, 15, 17				[5.20MM] Drive Pinion Rear / With Special Version Code [35-504232 / 12 / 13 / 15 / 16]
	68018948AA	3	3, 7	L	03, 05, 13, 15, 17				[5.30MM] Drive Pinion Rear / With Special Version Code [35-504232 / 12 / 13 / 15 / 16]
	68018961AA	3	3, 7	L	03, 05, 13, 15, 17				[5.50MM] Drive Pinion Rear / With Special Version Code [35-504232 / 12 / 13 / 15 / 16]

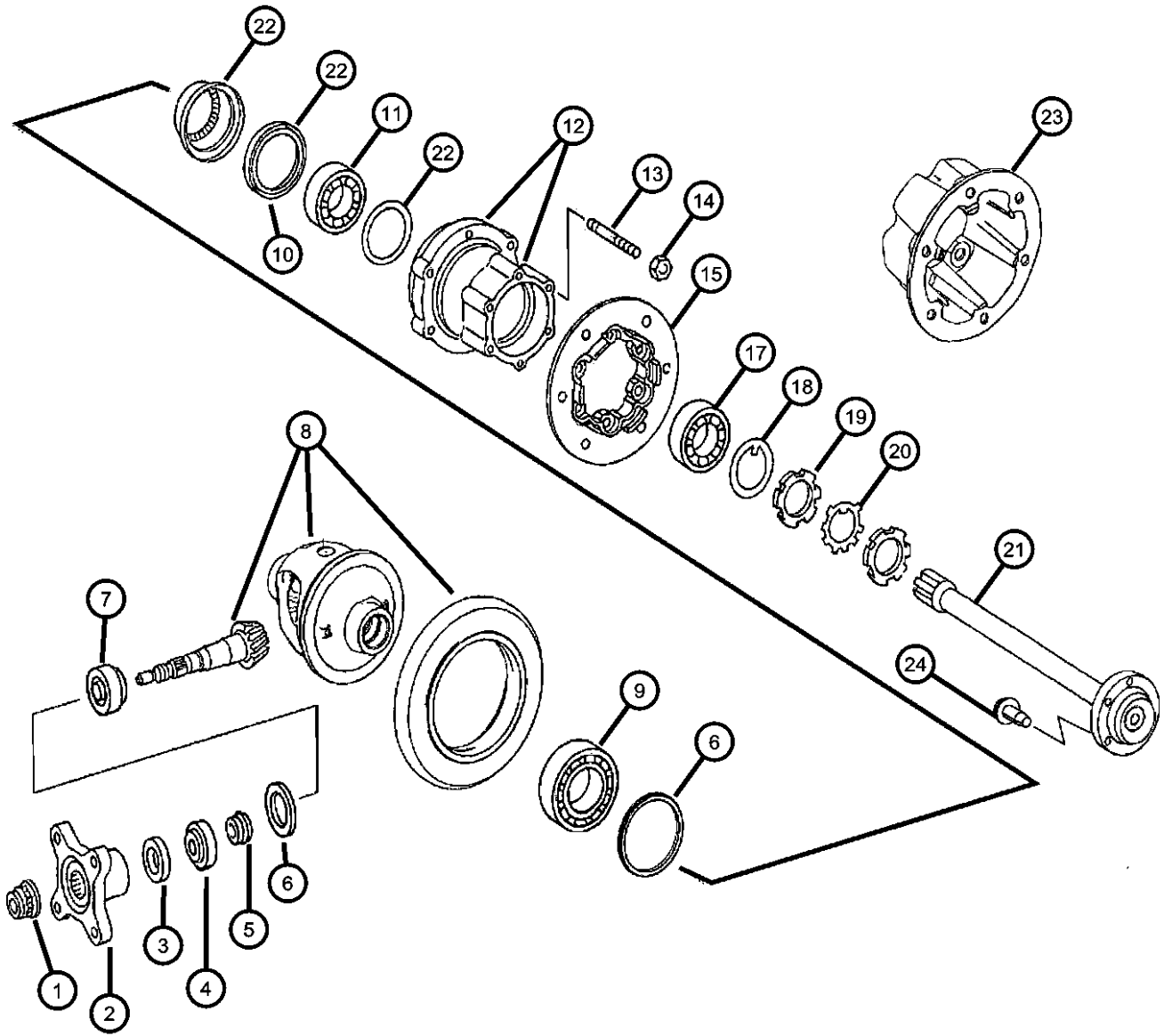
**SPRINTER (VB)**

SERIES	LINE	BODY	ENGINE	TRANSMISSION
L = LOWLINE	3 = HD DODGE 2WD 6 = Lt. Duty DODGE 4WD 2 = Med. Duty DODGE 2WD 7 = Med. Duty DODGE 4WD	17 = VAN WHEEL BASE 7 55 = WAGON WHEEL BASE 5 15 = VAN WHEEL BASE 5 53 = 119 WB 13 = 119 WB 05 = CAB CHASSIS WHEEL BASE 5 03 = CAB CHASSIS WHEEL BASE 3	EG2 = 3.5L V6 Gas Engine EXM = 3.0L V6 Turbo Diesel Engine	DGZ = 5-Speed Auto W5A380 Transmission

AR = use ase required - = Non illustrated part

2008 VB

**Shafts,Rear,Axle,FWD/RWD/AWD  
Figure 3-910**



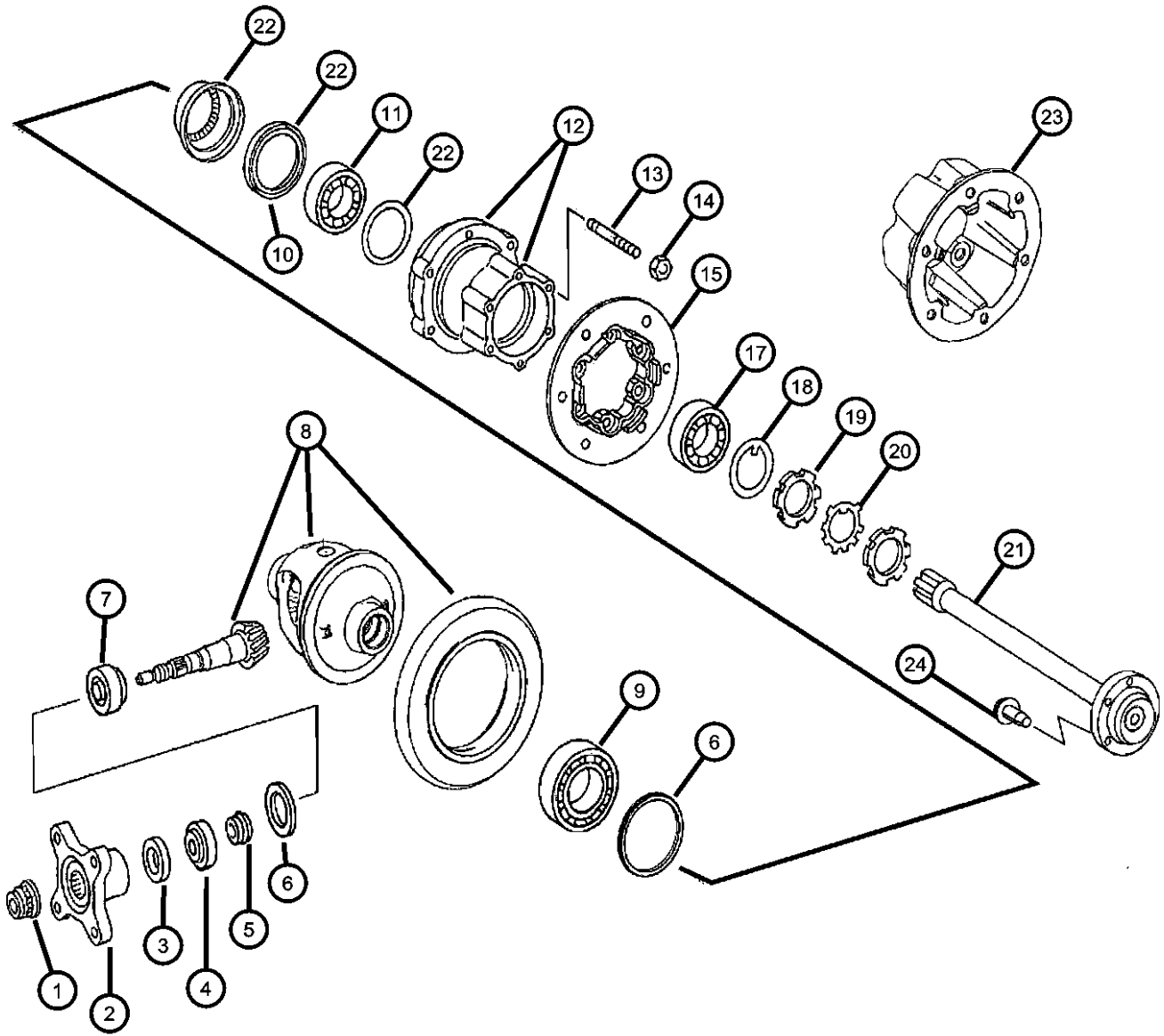
ITEM	PART NUMBER	QTY	LINE	SERIES	BODY	ENGINE	TRANS	TRIM	DESCRIPTION
	68018949AA	3	3, 7	L	03, 05, 13, 15, 17				[5.40MM] Drive Pinion Rear / With Special Version Code [35-504232 / 12 / 13 / 15 / 16]
	68018964AA	3	3, 7	L	03, 05, 13, 15, 17				[5.80MM] Drive Pinion Rear / With Special Version Code [35-504232 / 12 / 13 / 15 / 16]
	68018962AA	3	3, 7	L	03, 05, 13, 15, 17				[5.60MM] Drive Pinion Rear / With Special Version Code [35-504232 / 12 / 13 / 15 / 16]
	68018963AA	3	3, 7	L	03, 05, 13, 15, 17				[5.70MM] Drive Pinion Rear / With Special Version Code [35-504232 / 12 / 13 / 15 / 16]
	68018965AA	3	3, 7	L	03, 05, 13, 15, 17				[5.90MM] Drive Pinion Rear / With Special Version Code [35-504232 / 12 / 13 / 15 / 16]
	68018966AA	3	3, 7	L	03, 05, 13, 15, 17				[6.00MM] Drive Pinion Rear / With Special Version Code [35-504232 / 12 / 13 / 15 / 16]
	68018969AA	3	3, 7	L	03, 05, 13, 15, 17				[6.10MM] Drive Pinion Rear / With Special Version Code [35-504232 / 12 / 13 / 15 / 16]
	68018971AA	3	3, 7	L	03, 05, 13, 15, 17				[6.20MM] Drive Pinion Rear / With Special Version Code [35-504232 / 12 / 13 / 15 / 16]
	68018972AA	3	3, 7	L	03, 05, 13, 15, 17				[6.30MM] Drive Pinion Rear / With Special Version Code [35-504232 / 12 / 13 / 15 / 16]
	68018974AA	3	3, 7	L	03, 05, 13, 15, 17				[6.38MM] Drive Pinion Rear / With Special Version Code [35-504232 / 12 / 13 / 15 / 16]
7	68018997AA	1	3, 7	L	03, 05, 13, 15, 17				BEARING, Pinion Inner
	68018998AA	1	3, 7	L	03, 05, 13, 15, 17				Drive Pinion Rear /Interchangeable With [68018998AA] / With Special Version Code [35-504232 / 12 / 13 / 16 / 16]
8	68019086AA	1	3, 7	L	03, 05, 13, 15, 17				DIFFERENTIAL, Rear Axle
									With [DMF] / Special Version Code [35-504232 / 15]

**SPRINTER (VB)**

<b>SERIES</b>	<b>LINE</b>	<b>BODY</b>	<b>ENGINE</b>	<b>TRANSMISSION</b>
L = LOWLINE	3 = HD DODGE 2WD 6 = Lt. Duty DODGE 4WD 2 = Med. Duty DODGE 2WD 7 = Med. Duty DODGE 4WD	17 = VAN WHEEL BASE 7 55 = WAGON WHEEL BASE 5 15 = VAN WHEEL BASE 5 53 = 119 WB 13 = 119 WB 05 = CAB CHASSIS WHEEL BASE 5 03 = CAB CHASSIS WHEEL BASE 3	EG2 = 3.5L V6 Gas Engine EXM = 3.0L V6 Turbo Diesel Engine	DGZ = 5-Speed Auto W5A380 Transmission

AR = use ase required - = Non illustrated part

**Shafts,Rear,Axle,FWD/RWD/AWD  
Figure 3-910**



ITEM	PART NUMBER	QTY	LINE	SERIES	BODY	ENGINE	TRANS	TRIM	DESCRIPTION
	68019087AA	1	3, 7	L	03, 05, 13, 15, 17				With [DMH] / Special Version Code [35-504232 / 16]
	68019064AA	1	3, 7	L	03, 05, 13, 15, 17				With [DML] / Special Version Code [35-504232 / 12]
	68019072AA	1	3, 7	L	03, 05, 13, 15, 17				With [DMN] / Special Version Code [35-504232 / 13]
9	68019036AA	2	3, 7	L	03, 05, 13, 15, 17				BEARING, Axle Interchangeable With [68019039AA] / Special Version Code [35-504232 / 12 / 13 / 15 / 16]
	68019039AA	2	3, 7	L	03, 05, 13, 15, 17				Interchangeable With [68019036AA] / Special Version Code [35-504232 / 12 / 13 / 15 / 16]
10	68026074AA	1	3, 7	L	03, 05, 13, 15, 17				SEAL, Axle Shaft, With Special Version Code [35-504019 / 69], Inner
11	68026073AA	1	3, 7	L	03, 05, 13, 15, 17				BEARING, Tapered Roller Interchangeable With [68026071AA & 68026072AA] / With Special Version Code [35-504019 / 69]
	68026071AA	1	3, 7	L	03, 05, 13, 15, 17				Interchangeable With [68026072AA & 68026073AA] / With Special Version Code [35-504019 / 69]
	68026072AA	1	3, 7	L	03, 05, 13, 15, 17				Interchangeable With [68026071AA & 68026073AA] / With Special Version Code [35-504019 / 69]
12	68026067AA	1	3, 7	L	03, 05, 13, 15, 17				HUB, Rear Wheel Interchangeable With [68026068AA] / With Special Version Code [35-504019 / 69]
	68026068AA	1	3, 7	L	03, 05, 13, 15, 17				Interchangeable With [68026067AA] / With Special Version Code [35-504019 / 69]
13	05134714AA	1	3, 7	L	03, 05, 13, 15, 17				STUD, Hub
14	05134715AA	12	3, 7	L	03, 05, 13, 15, 17				NUT, Hex Lock, With Special Version Code [35-504000 / 04]

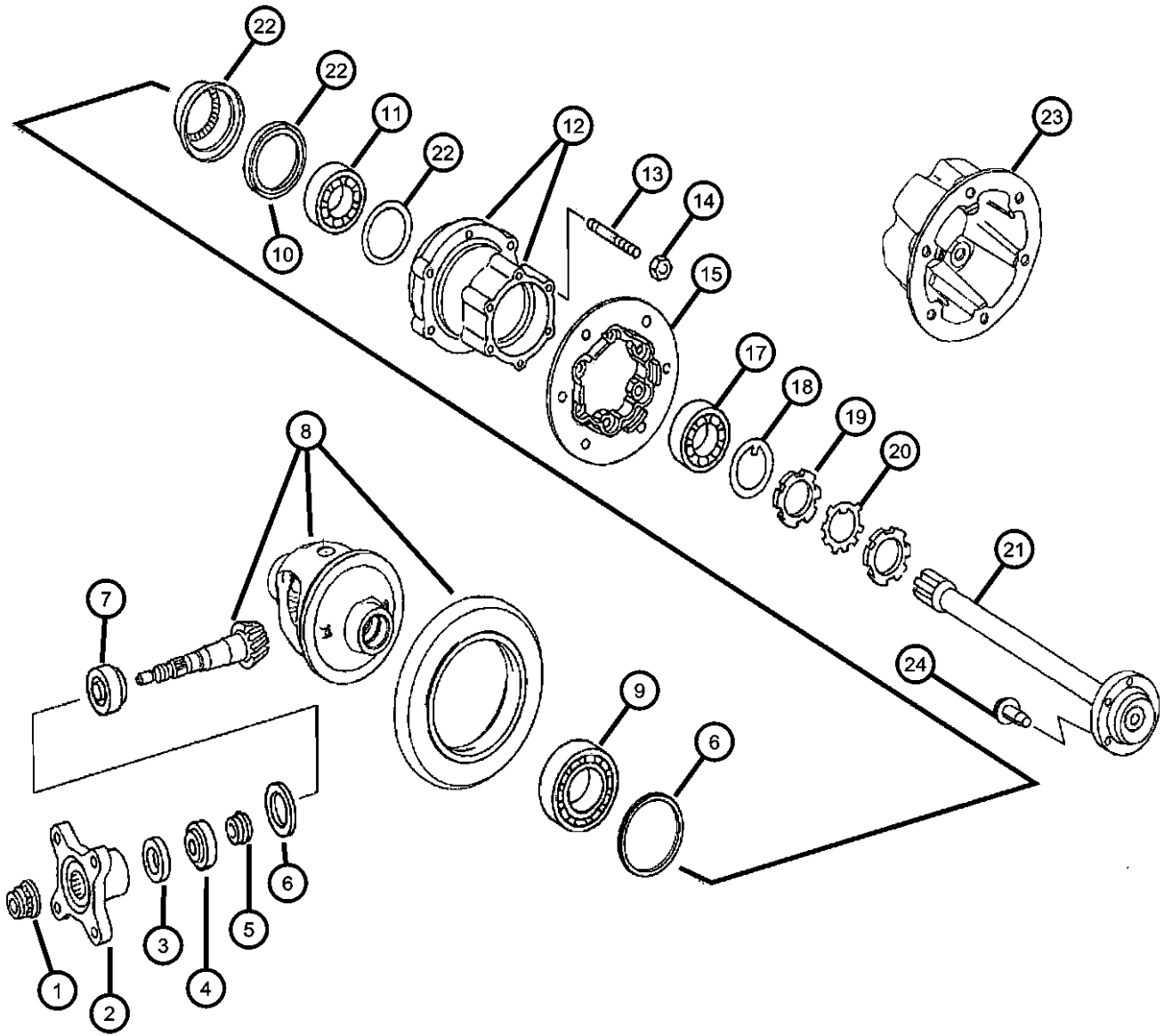
**SPRINTER (VB)**

<b>SERIES</b>	<b>LINE</b>	<b>BODY</b>	<b>ENGINE</b>	<b>TRANSMISSION</b>
L = LOWLINE	3 = HD DODGE 2WD 6 = Lt. Duty DODGE 4WD 2 = Med. Duty DODGE 2WD 7 = Med. Duty DODGE 4WD	17 = VAN WHEEL BASE 7 55 = WAGON WHEEL BASE 5 15 = VAN WHEEL BASE 5 53 = 119 WB 13 = 119 WB 05 = CAB CHASSIS WHEEL BASE 5 03 = CAB CHASSIS WHEEL BASE 3	EG2 = 3.5L V6 Gas Engine EXM = 3.0L V6 Turbo Diesel Engine	DGZ = 5-Speed Auto W5A380 Transmission

AR = use ase required - = Non illustrated part



**Shafts,Rear,Axle,FWD/RWD/AWD  
Figure 3-910**



ITEM	PART NUMBER	QTY	LINE	SERIES	BODY	ENGINE	TRANS	TRIM	DESCRIPTION
15	68006710AA	2	3, 7	L	03, 05, 13, 15, 17				FLANGE, Axle Output, With Special Version Code [35-504306 / 09]
-16	04862627AA	6	3, 7	L					STUD, Wheel, Rear Axle Only. Do Not Use On Front Wheel Hubs.
17	68026069AA	1	3, 7	L	03, 05, 13, 15, 17				BEARING, Tapered Roller Interchangeable With [68026070AA] / With Special Version Code [35-504019 / 69], Outer
	68026070AA	1	3, 7	L	03, 05, 13, 15, 17				Interchangeable With [68026069AA] / With Special Version Code [35-504019 / 69], Outer
18	68025302AA	2	3, 7	L	03, 05, 13, 15, 17				PLATE, PLATE-LOCK, With Special Version Code [35-504000 / 04]
19	68025301AA	4	3, 7	L	03, 05, 13, 15, 17				NUT, Axle Hub, With Special Version Code [35-504000 / 04]
20	68025297AA	2	3, 7	L	03, 05, 13, 15, 17				WASHER, Axle Hub, With Special Version Code [35-504000 / 04]
21	68026047AA	1	3, 7	L	03, 05, 13, 15, 17				SHAFT, Axle With Special Version Code [35-504008 / 90], Left
	68026052AA	1	3, 7	L	03, 05, 13, 15, 17				With Special Version Code [35-504008 / 90], Right
22	04862662AA	2	3, 7	L	03, 05, 13, 15, 17				TONE RING, Sensor, This Includes [Tone Ring, Shaft Seal & Washer] These Parts Must Be Replaced As A Set.
23	68006710AA	2	3, 7	L	03, 05, 13, 15, 17				FLANGE, Axle Output
24	68026054AA	6	3, 7	L	03, 05, 13, 15, 17				BOLT, Hub

**SPRINTER (VB)**

<b>SERIES</b>	<b>LINE</b>	<b>BODY</b>	<b>ENGINE</b>	<b>TRANSMISSION</b>
L = LOWLINE	3 = HD DODGE 2WD 6 = Lt. Duty DODGE 4WD 2 = Med. Duty DODGE 2WD 7 = Med. Duty DODGE 4WD	17 = VAN WHEEL BASE 7 55 = WAGON WHEEL BASE 5 15 = VAN WHEEL BASE 5 53 = 119 WB 13 = 119 WB 05 = CAB CHASSIS WHEEL BASE 5 03 = CAB CHASSIS WHEEL BASE 3	EG2 = 3.5L V6 Gas Engine EXM = 3.0L V6 Turbo Diesel Engine	DGZ = 5-Speed Auto W5A380 Transmission

AR = use ase required - = Non illustrated part

# Group - 5

## Brakes

### Group - 5 Brakes

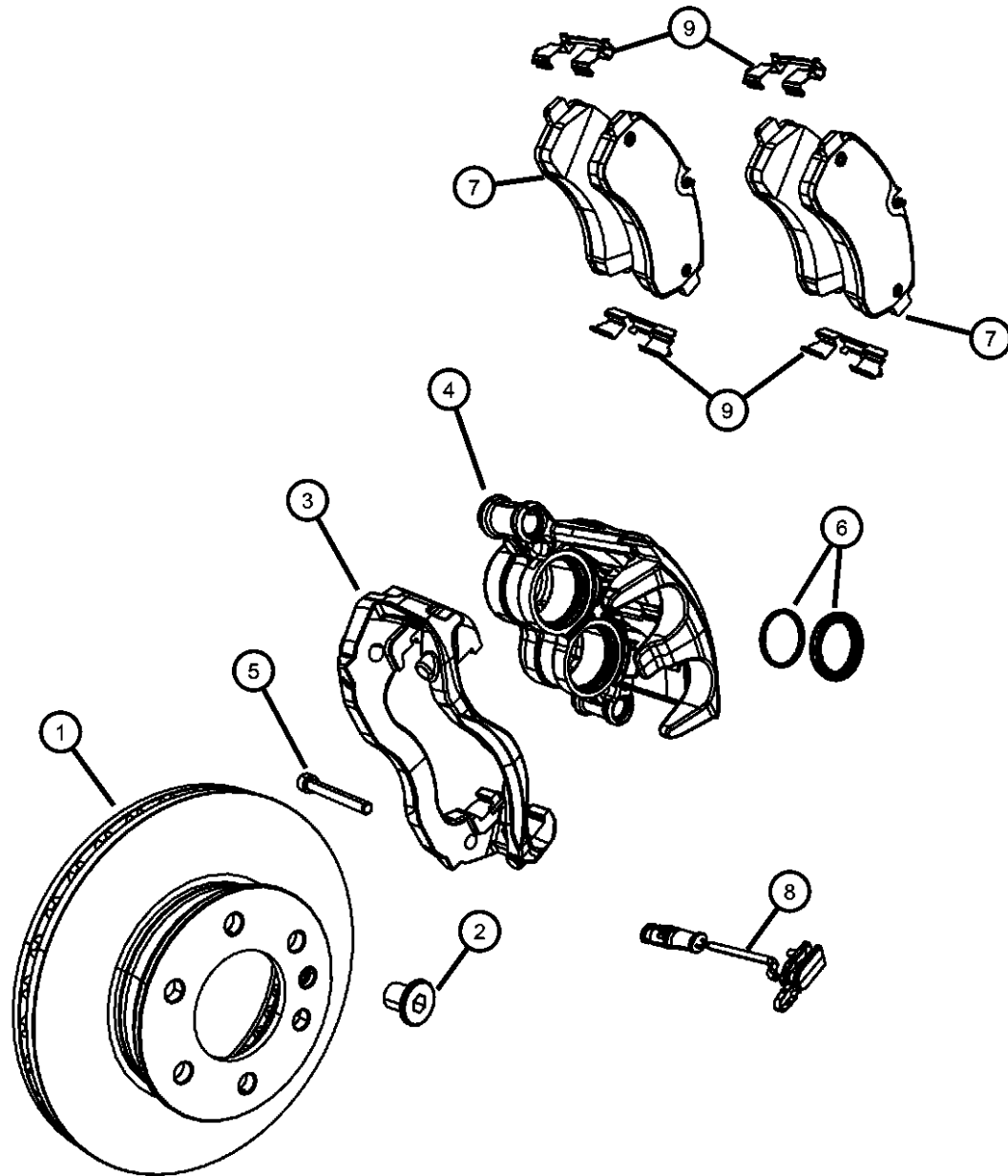
Illustration Title	Group-Fig. No.
<b>Front Brakes</b>	
Brakes,Front,FWD/RWD/AWD .....	Fig. 5 - 105
Brakes,Front,FWD/RWD/AWD .....	Fig. 5 - 106
<b>Rear Brakes</b>	
Brakes, Rear, Disc,FWD/RWD/AWD .....	Fig. 5 - 205
Brakes, Rear, Disc,FWD/RWD/AWD .....	Fig. 5 - 206
<b>Power Brake Booster</b>	
Booster,Vacuum Power Brake,FWD/RWD/AWD .....	Fig. 5 - 305
Pump,Vacuum .....	Fig. 5 - 320
<b>Brake Master Cylinder</b>	
Master Cylinder,FWD/RWD/AWD .....	Fig. 5 - 405
<b>Hydraulic Control Unit, Brake Tubes and Hoses</b>	
HCU and Tubes,Front,LHD .....	Fig. 5 - 505
Brake Tubes,Front .....	Fig. 5 - 515
Brake Tubes,Front .....	Fig. 5 - 516
Brake Tubes,Front .....	Fig. 5 - 517
Brake Tubes,Rear .....	Fig. 5 - 520
Brake Tubes,Rear .....	Fig. 5 - 521
Brake Tubes,Rear .....	Fig. 5 - 522
<b>Brake Pedals</b>	
Pedal,Brake,Auto Trans .....	Fig. 5 - 605
<b>Parking Brake Lever, Cables, and Rear Disc Park Brake Assembly</b>	
Park Brake Lever and Cables,Front,FWD/RWD/AWD .....	Fig. 5 - 705
Park Brake Assembly,Rear Disc,FWD/RWD/AWD .....	Fig. 5 - 725
Park Brake Assembly,Rear Disc,FWD/RWD/AWD .....	Fig. 5 - 726

<b>005-100</b> Front Brakes	<b>005-200</b> Rear Brakes	<b>005-300</b> Power Brake Booster	<b>005-400</b> Brake Master Cylinder
<b>005-500</b> Hydraulic Control Unit, Brake Tubes and Hoses	<b>005-600</b> Brake Pedals	<b>005-700</b> Parking Brake Lever, Cables, and Rear Disc Park Brake Assembly	

**Brakes,Front,FWD/RWD/AWD**  
**Figure 5-105**

ITEM	PART NUMBER	QTY	LINE	SERIES	BODY	ENGINE	TRANS	TRIM	DESCRIPTION
------	-------------	-----	------	--------	------	--------	-------	------	-------------

NOTE:Seal Kit Does Not Include Caliper Pistons. Caliper Pistons Only Serviced With Caliper.  
Sales Codes:  
[DGZ]=5 Speed Automatic Transmission [W5A380]/ Mercedes Benz  
[EXM]=3.0L V-6 Turbo Diesel Engine  
[EG2]=3.5L V-6 Gas Engine



1	68006716AA	1	2, 3, 6, 7		13, 15, 17, 53, 55				ROTOR, Brake, Front Brake Disc
2	05140611AA	1	2, 3, 6, 7		13, 15, 17, 53, 55				SCREW, Set
3	68006724AA	2	2, 6						ADAPTER, Disc Brake Caliper
4	68006723AA	1	2, 6						CALIPER, Disc Brake Left
	68006735AA	1	2, 6						Right
5	05140611AA	1	2, 3, 6, 7		13, 15, 17, 53, 55				SCREW, Set
6	68006731AA	2	2, 6						SEAL, Caliper Piston, Caliper Piston Seal Kit
7	68006732AB	1	2, 6						PAD, Disc Brake
8	68006717AA	2	2, 6		13, 15, 17, 53, 55				SENSOR, Brake wear
9	68032643AA	2	2, 3, 6, 7						CLIP, Brake Anti-Rattle

**SPRINTER (VB)**

<b>SERIES</b>	<b>LINE</b>	<b>BODY</b>	<b>ENGINE</b>	<b>TRANSMISSION</b>
L = LOWLINE	3 = HD DODGE 2WD 6 = Lt. Duty DODGE 4WD 2 = Med. Duty DODGE 2WD 7 = Med. Duty DODGE 4WD	17 = VAN WHEEL BASE 7 55 = WAGON WHEEL BASE 5 15 = VAN WHEEL BASE 5 53 = 119 WB 13 = 119 WB 05 = CAB CHASSIS WHEEL BASE 5 03 = CAB CHASSIS WHEEL BASE 3	EG2 = 3.5L V6 Gas Engine EXM = 3.0L V6 Turbo Diesel Engine	DGZ = 5-Speed Auto W5A380 Transmission

AR = use ase required - = Non illustrated part

2008 VB

**Brakes,Front,FWD/RWD/AWD**  
**Figure 5-106**

ITEM	PART NUMBER	QTY	LINE	SERIES	BODY	ENGINE	TRANS	TRIM	DESCRIPTION
------	-------------	-----	------	--------	------	--------	-------	------	-------------

NOTE:Seal Kit Does Not Include Caliper Pistons. Caliper Pistons Only Serviced With Caliper.

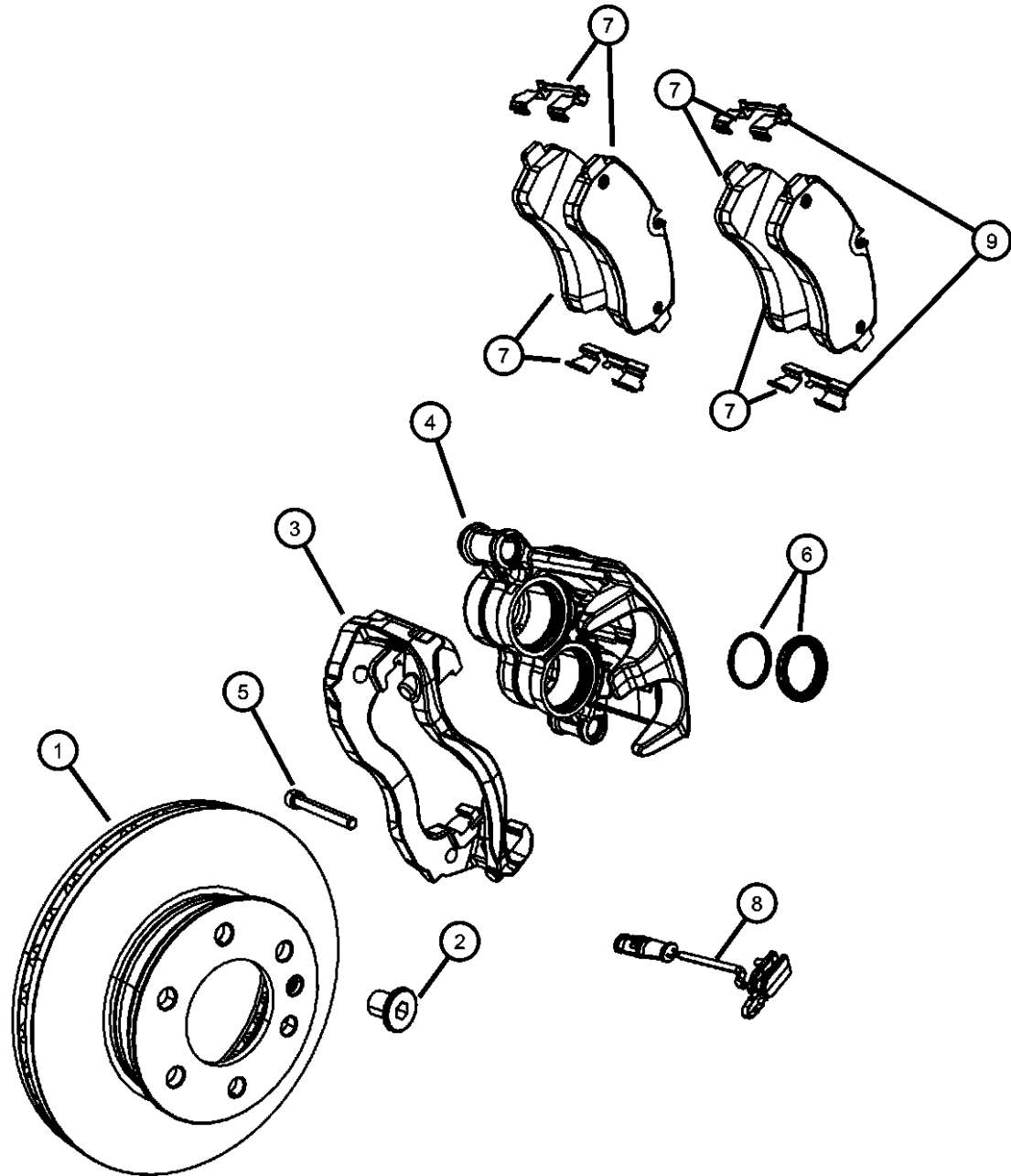
Sales Codes:

[DGZ]=5 Speed Automatic Transmission [W5A380]/ Mercedes Benz

[EXM]=3.0L V-6 Turbo Diesel Engine

[EG2]=3.5L V-6 Gas Engine

1	68006716AA	1	3, 7		03, 05				ROTOR, BrakeFront Brake Disc
2	05140611AA	2	3, 7		03, 05				SCREW, Set, Brake Disc To Wheel Hub [M8x12MM]
3	68006726AA	2	3, 7						ADAPTER, Disc Brake Caliper
4									CALIPER, Disc Brake
	68006736AA	1	3, 7						Right
	68006725AA	1	3, 7						Left
5	05140611AA	1	3, 7		03, 05				SCREW, Set
6	68006733AA	2	3, 7						SEAL, Caliper Piston, Caliper Piston Seal Kit
7	68006734AA	1	3, 7						BRAKE PAD
8	68006717AA	4	3, 7		03, 05, 13, 15, 17				SENSOR, Brake wear
9	68032643AA	2	2, 3, 6, 7						CLIP, Brake Anti-Rattle



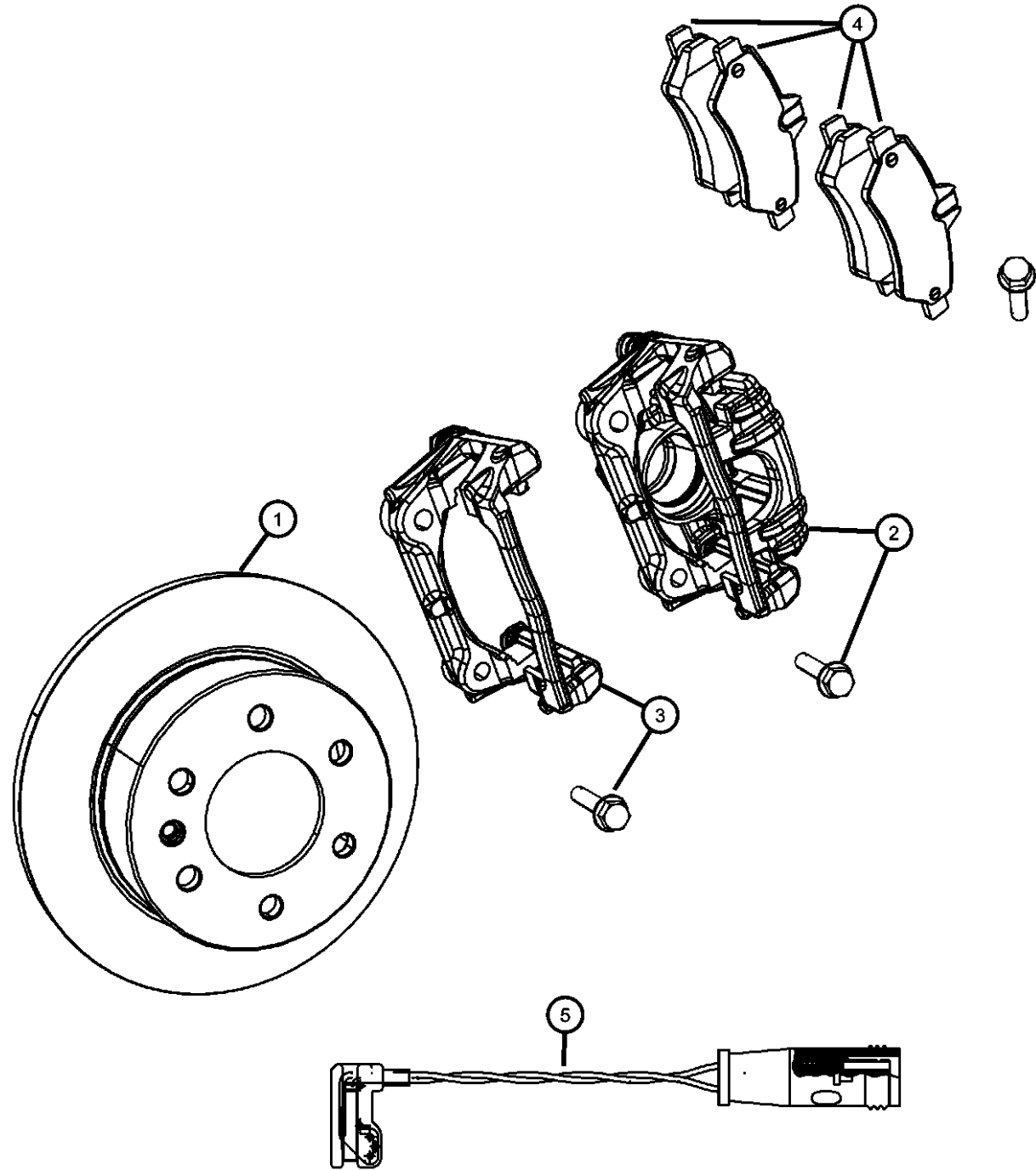
**SPRINTER (VB)**

SERIES	LINE	BODY	ENGINE	TRANSMISSION
L = LOWLINE	3 = HD DODGE 2WD 6 = Lt. Duty DODGE 4WD 2 = Med. Duty DODGE 2WD 7 = Med. Duty DODGE 4WD	17 = VAN WHEEL BASE 7 55 = WAGON WHEEL BASE 5 15 = VAN WHEEL BASE 5 53 = 119 WB 13 = 119 WB 05 = CAB CHASSIS WHEEL BASE 5 03 = CAB CHASSIS WHEEL BASE 3	EG2 = 3.5L V6 Gas Engine EXM = 3.0L V6 Turbo Diesel Engine	DGZ = 5-Speed Auto W5A380 Transmission

AR = use ase required - = Non illustrated part

2008 VB

**Brakes, Rear, Disc,FWD/RWD/AWD  
Figure 5-205**



ITEM	PART NUMBER	QTY	LINE	SERIES	BODY	ENGINE	TRANS	TRIM	DESCRIPTION
------	-------------	-----	------	--------	------	--------	-------	------	-------------

NOTE:Seal Kit Or Rear Caliper Piston Kit Not Serviced. If Needed, Brake Caliper Must Be Replaced.  
Sales Codes:

1	68013764AA	2	2, 6		13, 15, 17, 53, 55				ROTOR, Brake, With Special Version Code [42 504025 / 20]
2	68019136AA	1	2, 6		13, 15, 17, 53, 55				CALIPER, Disc Brake [Bosch] Special Version Code [42 504025 / 20] / Does Not Include Brake Caliper Adapter, Left
	68019137AA	1	2, 6		13, 15, 17, 53, 55				[Bosch] Special Version Code [42 504025 / 20] / Does Not Include Brake Caliper Adapter, Right
3	68019138AA	1	2, 6		13, 15, 17, 53, 55				ADAPTER, Disc Brake Caliper [Bosch] Special Version Code [42 504025 / 20], Left
	68019139AA	1	2, 6		13, 15, 17, 53, 55				[Bosch] Special Version Code [42 504025 / 20], Right
4	04862602AA	1	2, 6		13, 15, 17, 53, 55				PAD KIT, Disc Brake, [Galfer] Brand / With Special Version Code [42 504025 / 20]
5	68013762AA	4	2, 6		13, 15, 17, 53, 55				SENSOR, Brake wear, [2500] Series Only

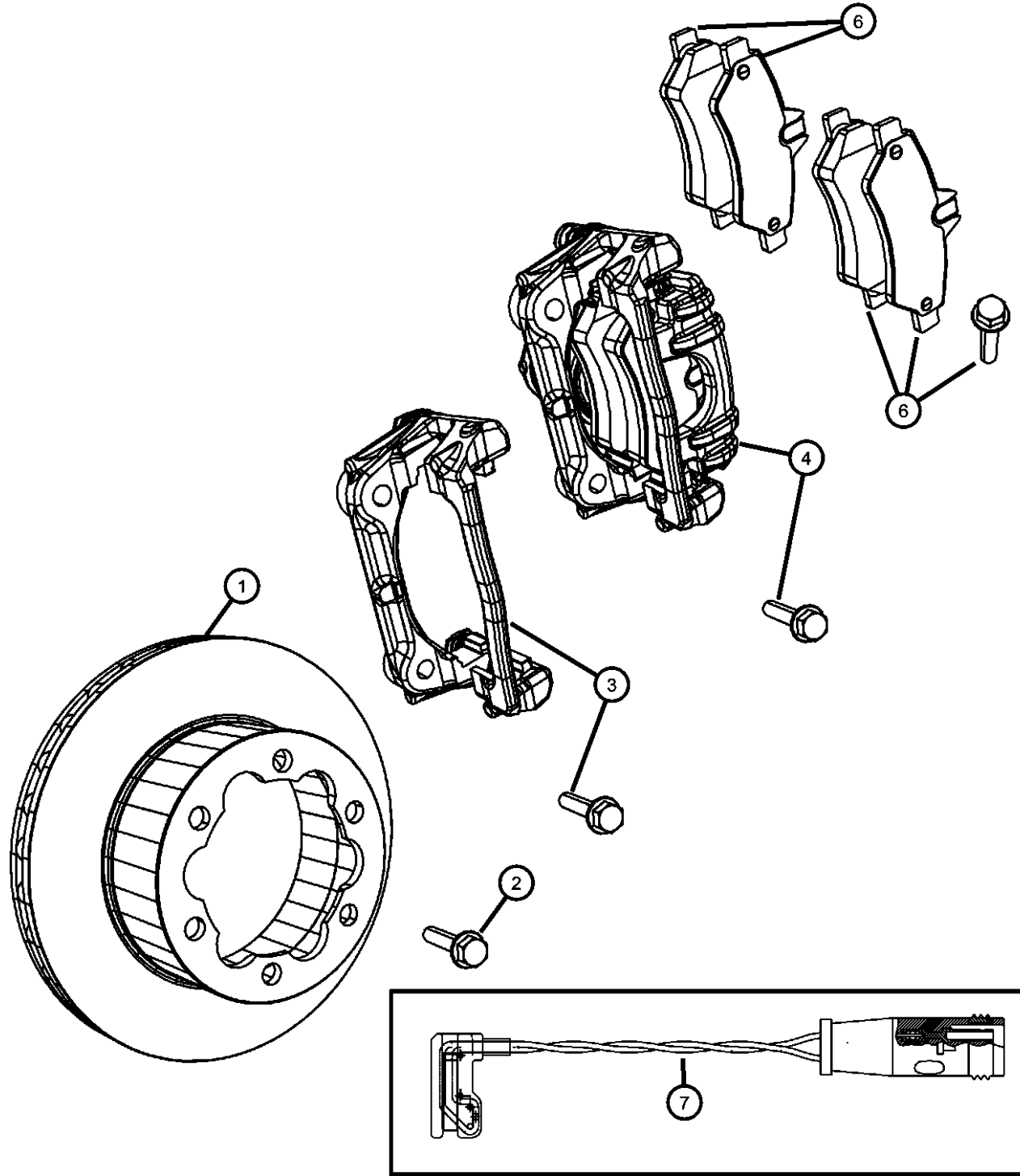
**SPRINTER (VB)**

SERIES	LINE	BODY	ENGINE	TRANSMISSION
L = LOWLINE	3 = HD DODGE 2WD 6 = Lt. Duty DODGE 4WD 2 = Med. Duty DODGE 2WD 7 = Med. Duty DODGE 4WD	17 = VAN WHEEL BASE 7 55 = WAGON WHEEL BASE 5 15 = VAN WHEEL BASE 5 53 = 119 WB 13 = 119 WB 05 = CAB CHASSIS WHEEL BASE 5 03 = CAB CHASSIS WHEEL BASE 3	EG2 = 3.5L V6 Gas Engine EXM = 3.0L V6 Turbo Diesel Engine	DGZ = 5-Speed Auto W5A380 Transmission

AR = use ase required - = Non illustrated part

2008 VB

**Brakes, Rear, Disc,FWD/RWD/AWD  
Figure 5-206**



ITEM	PART NUMBER	QTY	LINE	SERIES	BODY	ENGINE	TRANS	TRIM	DESCRIPTION
------	-------------	-----	------	--------	------	--------	-------	------	-------------

NOTE:Seal Kit Or Rear Caliper Piston Kit Not Serviced. If Needed, Brake Caliper Must Be Replaced.  
Sales Codes:

1	68013765AA	2	3, 7		03, 05, 13, 15, 17				ROTOR, Brake, Rear Wheel Hub Special Version Code [35 504019 / 69] / Caliper Special Version
2	06104258AA	6	3, 7		03, 05, 13, 15, 17				BOLT, Hex Flange Head, M14x1.50x45.00, Brake Rotor To Hub / Special Version Code [35 504019 / 69]
3	68026166AA	1	3, 7		03, 05, 13, 15, 17				BOLT, Brake Mounting Brake Anchor & Bolt / With Special Version Code [42 504025 / 37], Left
	68026167AA	1	3, 7		03, 05, 13, 15, 17				Brake Anchor & Bolt / With Special Version Code [42 504025 / 53], Right
4	68025560AA	1	3, 7		03, 05, 13, 15, 17				CALIPER, Disc Brake, Left, [Bosch] Without Brake Anchor & Brake Pads / Includes Mounting Bolt / With Special Version Code [35 504025 / 37]
-5	68025561AA	1	3, 7		03, 05, 13, 15, 17				CALIPER, Disc Brake, Right, [Bosch] Without Brake Anchor & Brake Pads / Includes Mounting Bolt / With Special Version Code [35 504025 / 53]
6	04862603AA	1	3, 7		03, 05, 13, 15, 17				PAD KIT, Disc Brake, [Federal Mogul Brand] With Special Version Code [42 504025 / 37 / 53]
7	68006717AA	4	3, 7		03, 05, 13, 15, 17				SENSOR, Brake wear, [3500] Series Only / Sensor For Front & Rear Brakes

**SPRINTER (VB)**

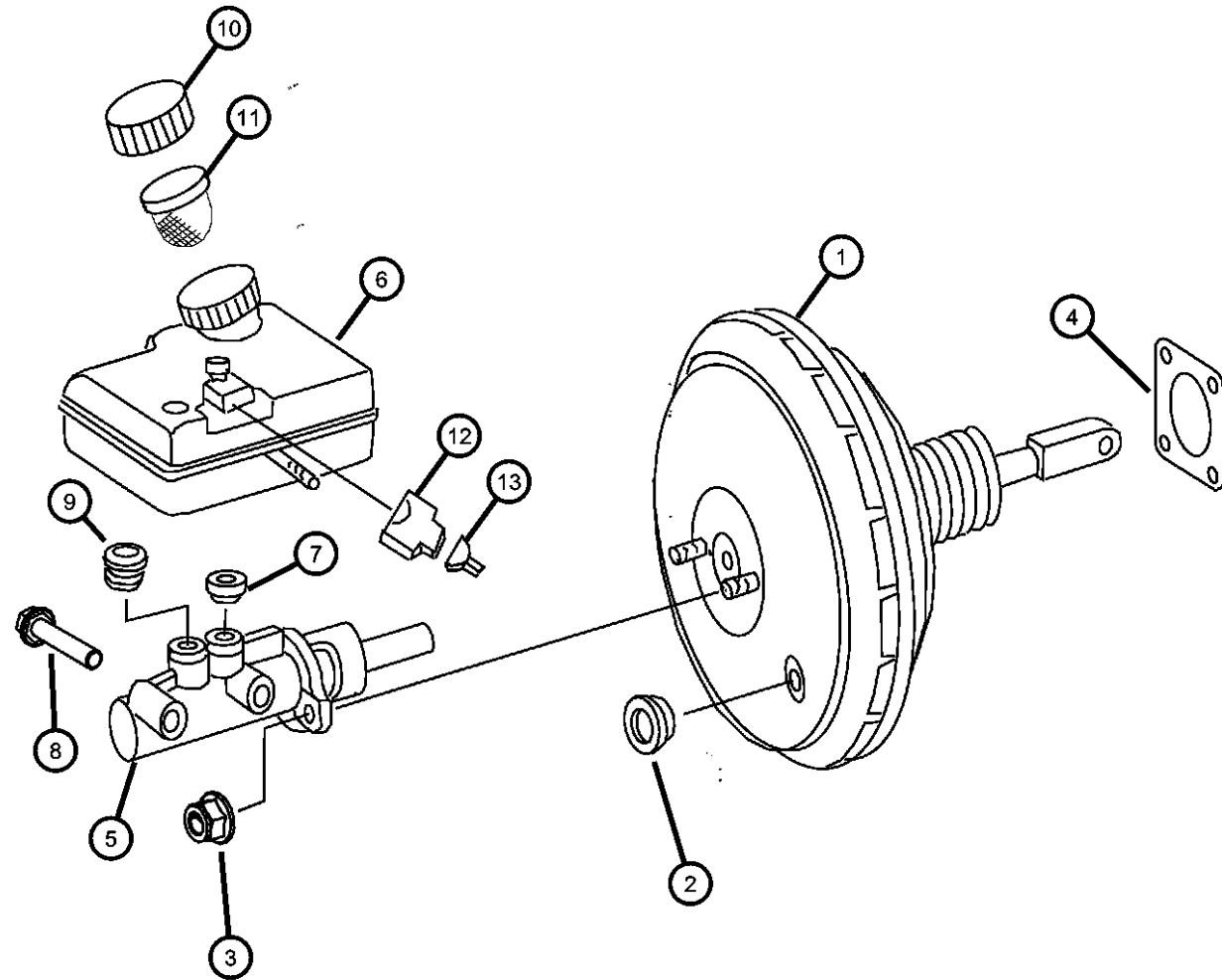
SERIES LINE  
L = LOWLINE 3 = HD DODGE 2WD  
6 = Lt. Duty DODGE 4WD  
2 = Med. Duty DODGE 2WD  
7 = Med. Duty DODGE 4WD

BODY ENGINE TRANSMISSION  
17 = VAN WHEEL BASE 7 EG2 = 3.5L V6 Gas Engine DGZ = 5-Speed Auto W5A380  
55 = WAGON WHEEL BASE 5 EXM = 3.0L V6 Turbo Diesel Transmission  
15 = VAN WHEEL BASE 5 Engine  
53 = 119 WB  
13 = 119 WB  
05 = CAB CHASSIS WHEEL BASE 5  
03 = CAB CHASSIS WHEEL BASE 3

AR = use ase required - = Non illustrated part

2008 VB

**Booster,Vacuum Power Brake,FWD/RWD/AWD  
Figure 5-305**



ITEM	PART NUMBER	QTY	LINE	SERIES	BODY	ENGINE	TRANS	TRIM	DESCRIPTION
1	68013551AA	1	2, 3, 6, 7						BOOSTER, Power Brake
2	05133696AA	1	2, 3, 6, 7						GASKET, Vacuum Line To Brake Booster
3	05126237AA	3	2, 3, 6, 7		03, 05, 13, 15, 17				NUT, Hex
4	05119386AA	1	2, 3, 6, 7						GASKET, Booster To Dash
5	68005054AA	1	2, 3, 6, 7						MASTER CYLINDER, Brake
6									RESERVOIR, Brake Master Cylinder
	68005056AA	1	3, 7						
	68005057AA	1	2, 6						
7	68005058AA	1	2, 3, 6, 7						SEAL, Brake Cylinder To Reservoir
8	68005059AA	1	2, 3, 6, 7						SCREW
9	68005060AA	1	2, 3, 6, 7						SEAL, Brake Cylinder To Reservoir
10	68013552AA	1	2, 3, 6, 7						CAP, Master Cylinder Reservoir
11	05098371AB	1	2, 3, 6, 7						FILTER, Brake Master Cylinder
12	05120277AA	1	2, 3, 6, 7						CONNECTOR, Wiring Repair, 2 Pin Connector [S11]
13	05103874AA	1	2, 3, 6, 7						TERMINAL, [0.75MM] [S11] Contact
-14	05120860AA	1	2, 3, 6, 7						GASKET, Connector Gasket [1.6 / 1.9MM] [S11] Contact

**SPRINTER (VB)**

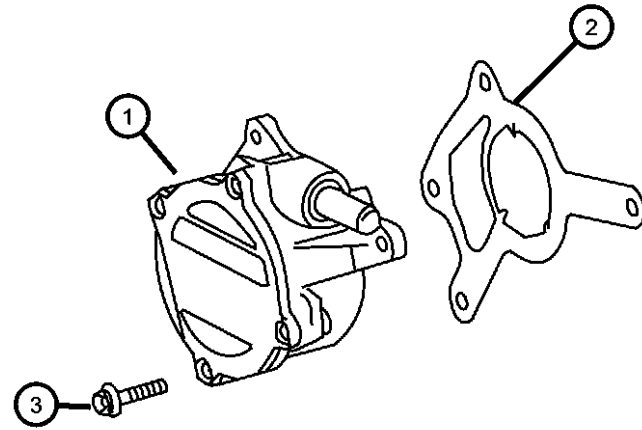
SERIES	LINE	BODY	ENGINE	TRANSMISSION
L = LOWLINE	3 = HD DODGE 2WD 6 = Lt. Duty DODGE 4WD 2 = Med. Duty DODGE 2WD 7 = Med. Duty DODGE 4WD	17 = VAN WHEEL BASE 7 55 = WAGON WHEEL BASE 5 15 = VAN WHEEL BASE 5 53 = 119 WB 13 = 119 WB 05 = CAB CHASSIS WHEEL BASE 5 03 = CAB CHASSIS WHEEL BASE 3	EG2 = 3.5L V6 Gas Engine EXM = 3.0L V6 Turbo Diesel Engine	DGZ = 5-Speed Auto W5A380 Transmission

AR = use ase required - = Non illustrated part

2008 VB

Pump, Vacuum  
Figure 5-320

ITEM	PART NUMBER	QTY	LINE	SERIES	BODY	ENGINE	TRANS	TRIM	DESCRIPTION
1	05175907AA	1	2, 3, 6, 7						PUMP, Vacuum
2	05175755AA	1	2, 3, 6, 7						GASKET, Vacuum Pump, Mounting
3	06104006AA	4	2, 3, 6, 7						BOLT, Torx Socket Head, M6X1.00X20.00



**SPRINTER (VB)**

SERIES	LINE	BODY	ENGINE	TRANSMISSION
L = LOWLINE	3 = HD DODGE 2WD 6 = Lt. Duty DODGE 4WD 2 = Med. Duty DODGE 2WD 7 = Med. Duty DODGE 4WD	17 = VAN WHEEL BASE 7 55 = WAGON WHEEL BASE 5 15 = VAN WHEEL BASE 5 53 = 119 WB 13 = 119 WB 05 = CAB CHASSIS WHEEL BASE 5 03 = CAB CHASSIS WHEEL BASE 3	EG2 = 3.5L V6 Gas Engine EXM = 3.0L V6 Turbo Diesel Engine	DGZ = 5-Speed Auto W5A380 Transmission

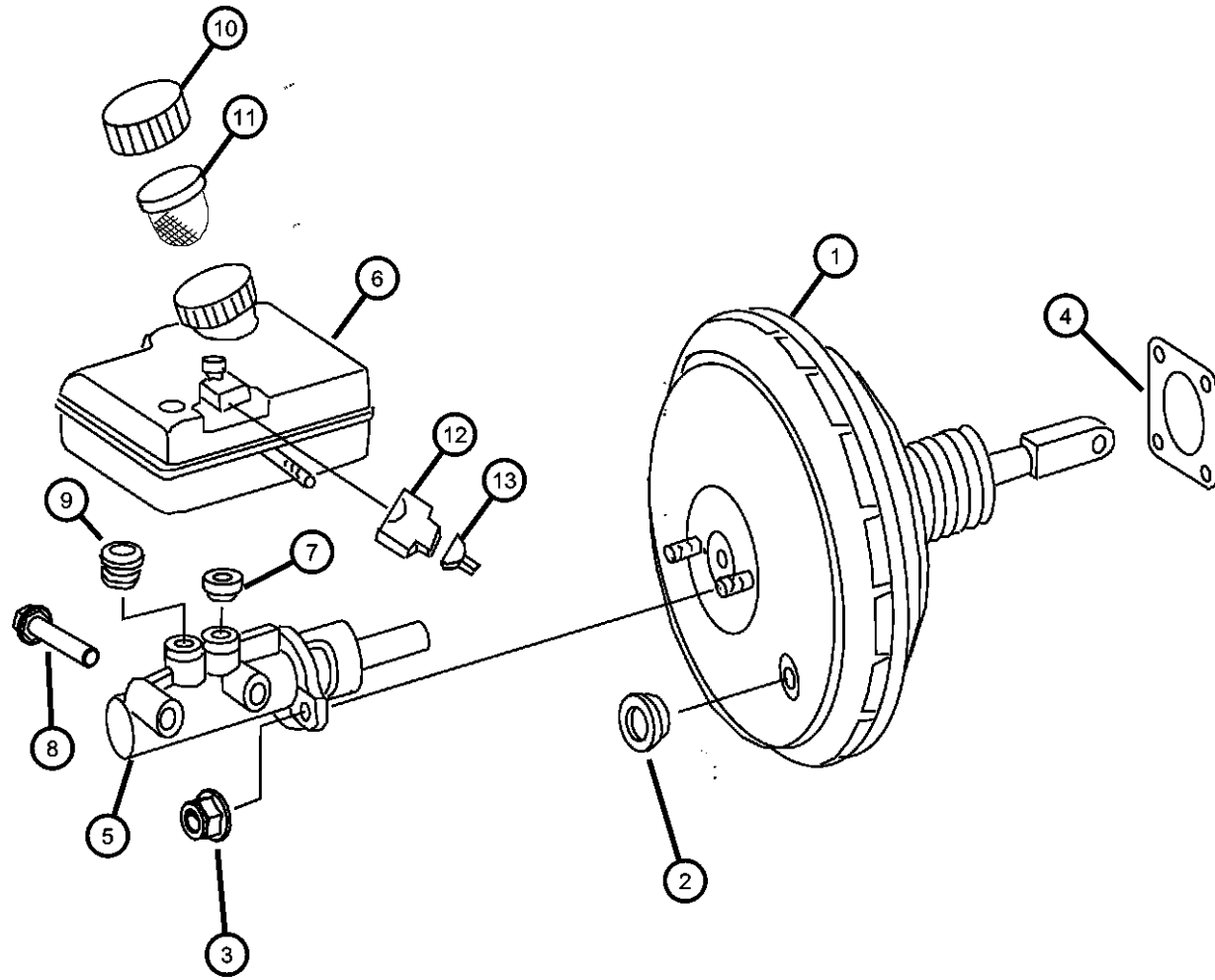
AR = use ase required - = Non illustrated part

2008 VB



**Master Cylinder,FWD/RWD/AWD  
Figure 5-405**

ITEM	PART NUMBER	QTY	LINE	SERIES	BODY	ENGINE	TRANS	TRIM	DESCRIPTION
1	68013551AA	1	2, 3, 6, 7						BOOSTER, Power Brake
2	05133696AA	1	2, 3, 6, 7						GASKET, Vacuum Line To Brake Booster
3	05126237AA	3	2, 3, 6, 7		03, 05, 13, 15, 17				NUT, Hex
4	05119386AA	1	2, 3, 6, 7						GASKET, Booster To Dash
5	68005054AA	1	2, 3, 6, 7						MASTER CYLINDER, Brake
6									RESERVOIR, Brake Master Cylinder
	68005057AA	1	2, 6						
	68005056AA	1	3, 7						
7	68005058AA	1	2, 3, 6, 7						SEAL, Brake Cylinder To Reservoir
8	68005059AA	1	2, 3, 6, 7						SCREW
9	68005060AA	1	2, 3, 6, 7						SEAL, Brake Cylinder To Reservoir
10	68013552AA	1	2, 3, 6, 7						CAP, Master Cylinder Reservoir
11	05098371AB	1	2, 3, 6, 7						FILTER, Brake Master Cylinder
12	05120277AA	1	2, 3, 6, 7						CONNECTOR, Wiring Repair, 2 Pin Connector [S11]
13	05103874AA	1	2, 3, 6, 7						TERMINAL, [0.75MM] [S11] Contact
-14	05120860AA	1	2, 3, 6, 7						GASKET, Connector Gasket [1.6 / 1.9MM] [S11] Contact



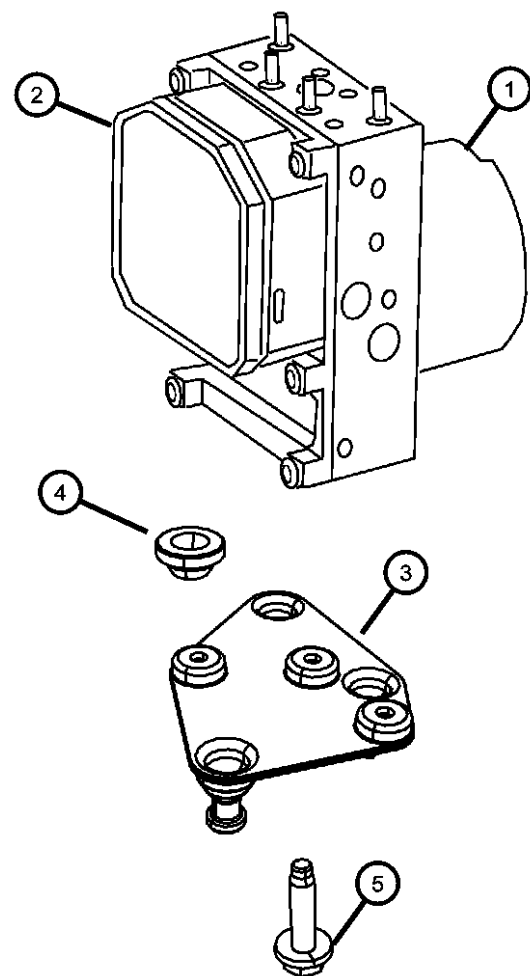
**SPRINTER (VB)**

SERIES	LINE	BODY	ENGINE	TRANSMISSION
L = LOWLINE	3 = HD DODGE 2WD 6 = Lt. Duty DODGE 4WD 2 = Med. Duty DODGE 2WD 7 = Med. Duty DODGE 4WD	17 = VAN WHEEL BASE 7 55 = WAGON WHEEL BASE 5 15 = VAN WHEEL BASE 5 53 = 119 WB 13 = 119 WB 05 = CAB CHASSIS WHEEL BASE 5 03 = CAB CHASSIS WHEEL BASE 3	EG2 = 3.5L V6 Gas Engine EXM = 3.0L V6 Turbo Diesel Engine	DGZ = 5-Speed Auto W5A380 Transmission

AR = use ase required - = Non illustrated part

2008 VB

HCU and Tubes,Front,LHD  
Figure 5-505



ITEM	PART NUMBER	QTY	LINE	SERIES	BODY	ENGINE	TRANS	TRIM	DESCRIPTION
NOTE: Sales Codes; [BNB]=Electronic Stability Program									
1	68026562AA	1	2, 6						CONTROL UNIT, Anti-Lock Brake With [BNB]
	68026567AA	1	3, 7						With [BNB]
2	68022025AA	1	3, 7		03, 05, 13, 15, 17				MODULE, Electronic Stability With [BNB]
	68028681AA	1	2, 6		13, 15, 17, 53, 55				With [BNB]
3	68013573AA	1	2, 3, 6, 7						BRACKET, Hydraulic Control Unit
4	05099283AA	2	2, 3, 6, 7						GROMMET
5	06104142AA	2	2, 3, 6, 7						SCREW, Pan Head, M6x1.00x16.00Mounting

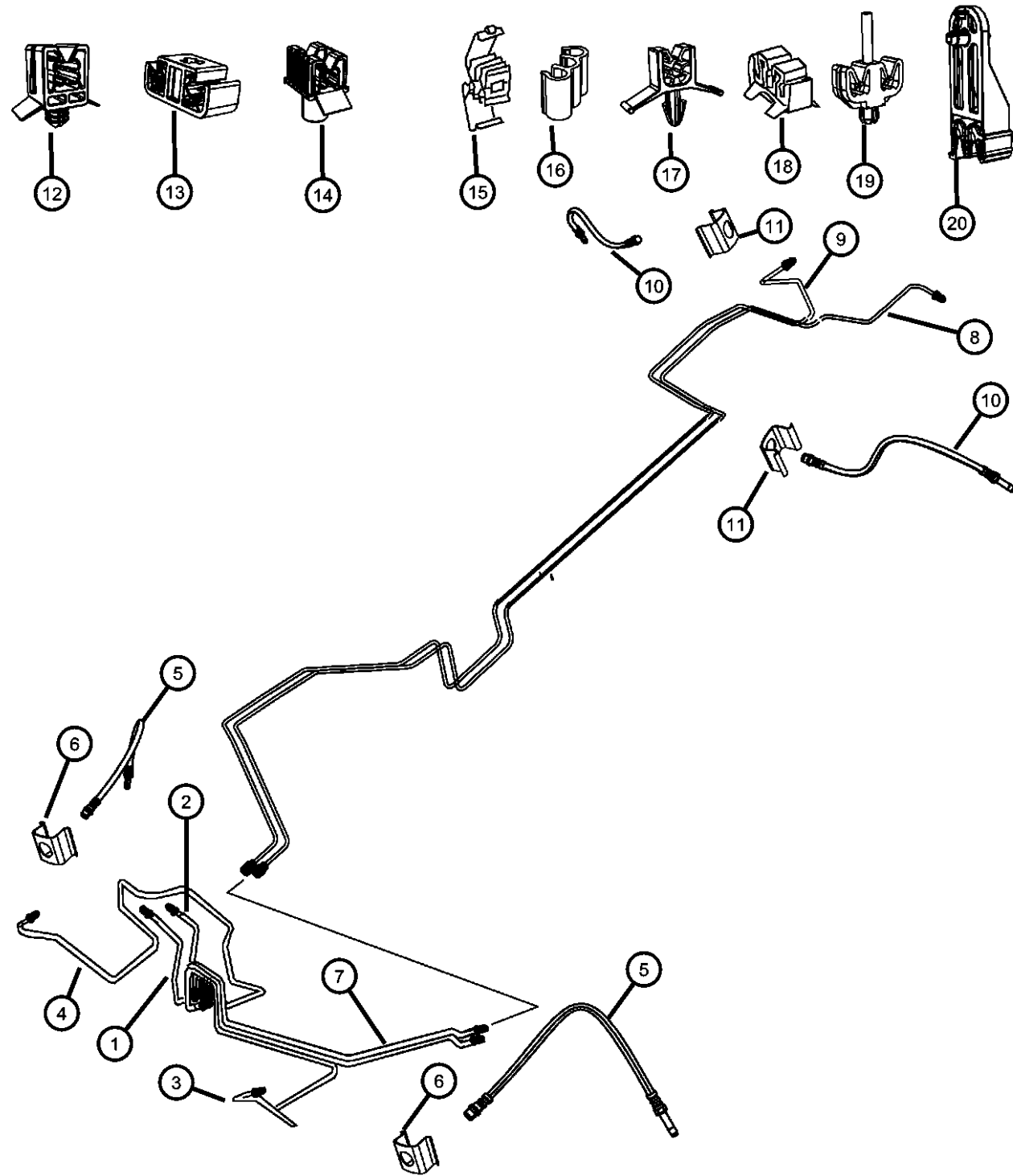
**SPRINTER (VB)**

SERIES	LINE	BODY	ENGINE	TRANSMISSION
L = LOWLINE	3 = HD DODGE 2WD 6 = Lt. Duty DODGE 4WD 2 = Med. Duty DODGE 2WD 7 = Med. Duty DODGE 4WD	17 = VAN WHEEL BASE 7 55 = WAGON WHEEL BASE 5 15 = VAN WHEEL BASE 5 53 = 119 WB 13 = 119 WB 05 = CAB CHASSIS WHEEL BASE 5 03 = CAB CHASSIS WHEEL BASE 3	EG2 = 3.5L V6 Gas Engine EXM = 3.0L V6 Turbo Diesel Engine	DGZ = 5-Speed Auto W5A380 Transmission

AR = use ase required - = Non illustrated part

2008 VB

Brake Tubes,Front  
Figure 5-515



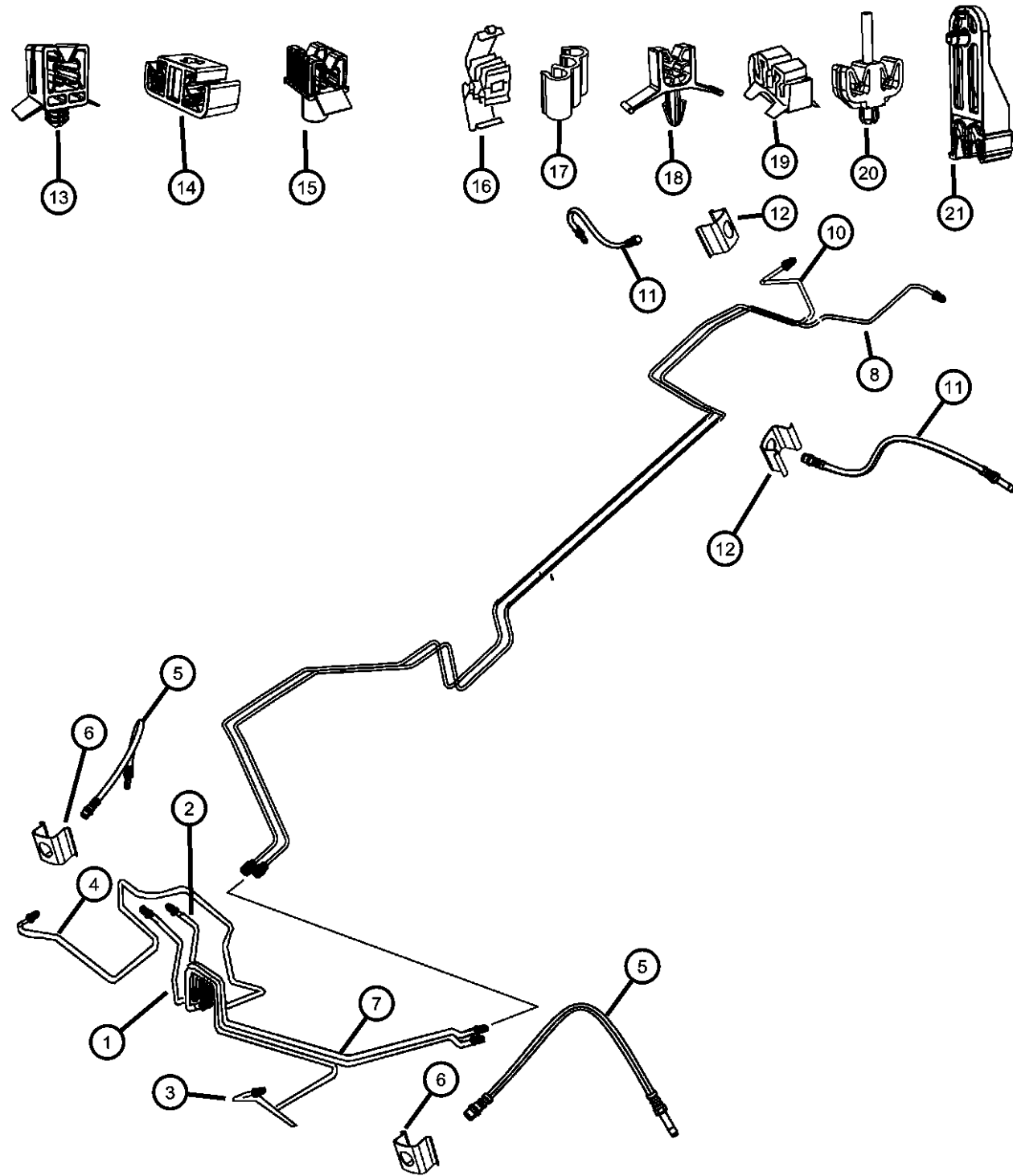
ITEM	PART NUMBER	QTY	LINE	SERIES	BODY	ENGINE	TRANS	TRIM	DESCRIPTION
NOTE: BRAKE LINES ARE TO BE ADAPTED OR MODIFIED TO FIT. BRAKE LINE FITTINGS NOT SERVICED, MUST ORDER BRAKE LINE.									
1	68013575AA	1	2, 3, 6, 7						TUBE, Brake, Master Cylinder To Hydraulic Unit Connection [HZ1] / See Note, Right
2	68013579AA	1	2, 3, 6, 7						TUBE, Brake, Master Cylinder To Hydraulic Unit Connection [HZ1] / See Note, Left
3	05133717AA	1	2, 3, 6, 7						TUBE, Brake, Hydraulic Unit To Hose Bracket [VL] [4.75x7x1590 MM] / See Note, Left
4	05136111AA	1	2, 3, 6, 7						TUBE, Brake, Hydraulic Assembly To Hose Bracket / [RF], Right
5	68013581AA	2	2, 3, 6, 7						HOSE, BrakeRight & Left
6	05098140AA	2	2, 3, 6, 7		13, 15, 17, 53, 55				CLIP, Spring, Brake Hose To Bracket, Right & Left
7	05133712AA	2	2, 3, 6, 7						TUBE, Brake, Hydraulic Unit To Separation Point / [HL] / [4.75x0.7x1395 MM] / See Note, Right & Left
8	68013599AA	1	2, 6		13, 53				TUBE, Brake, From Separation Point At Front To Left Rear Axle
9	68013594AA	1	2, 6		13, 53				TUBE, Brake, From Separation Point At Front To Right Rear Axle
10	68013582AA	2	2, 6		13, 15, 17, 53, 55				HOSE, Brake, Rear Axle Hose, Right & Left
11	05098140AA	2	2, 3, 6, 7		13, 15, 17, 53, 55				CLIP, Spring, Brake Hose To Bracket
12	68011037AA	1	2, 3, 6, 7		13, 15, 17, 53, 55				RETAINER, Brake Line Holder
13	68013615AA	1	2, 3, 6, 7						RETAINER, Brake Line Holder
14	68011033AA	1	2, 3, 6, 7						RETAINER, Brake Line Holder
15	68013611AA	1	2, 3, 6, 7						CLAMP, Brake, Brake Line
16	05119689AA	1	2, 3, 6, 7		13, 15, 17, 53, 55				CLIP, Brake Line
17	05119329AA	4	2, 3, 6, 7		13, 15, 17, 53, 55				CLIP, Brake Line
18	68013612AA	3	2, 3, 6, 7						RETAINER
19	68013613AA	3	2, 3, 6, 7						RETAINER
20	68013614AA	4	2, 3, 6, 7						BRACKET

**SPRINTER (VB)**

SERIES	LINE	BODY	ENGINE	TRANSMISSION
L = LOWLINE	3 = HD DODGE 2WD 6 = Lt. Duty DODGE 4WD 2 = Med. Duty DODGE 2WD 7 = Med. Duty DODGE 4WD	17 = VAN WHEEL BASE 7 55 = WAGON WHEEL BASE 5 15 = VAN WHEEL BASE 5 53 = 119 WB 13 = 119 WB 05 = CAB CHASSIS WHEEL BASE 5 03 = CAB CHASSIS WHEEL BASE 3	EG2 = 3.5L V6 Gas Engine EXM = 3.0L V6 Turbo Diesel Engine	DGZ = 5-Speed Auto W5A380 Transmission

AR = use ase required - = Non illustrated part

**Brake Tubes,Front**  
**Figure 5-516**



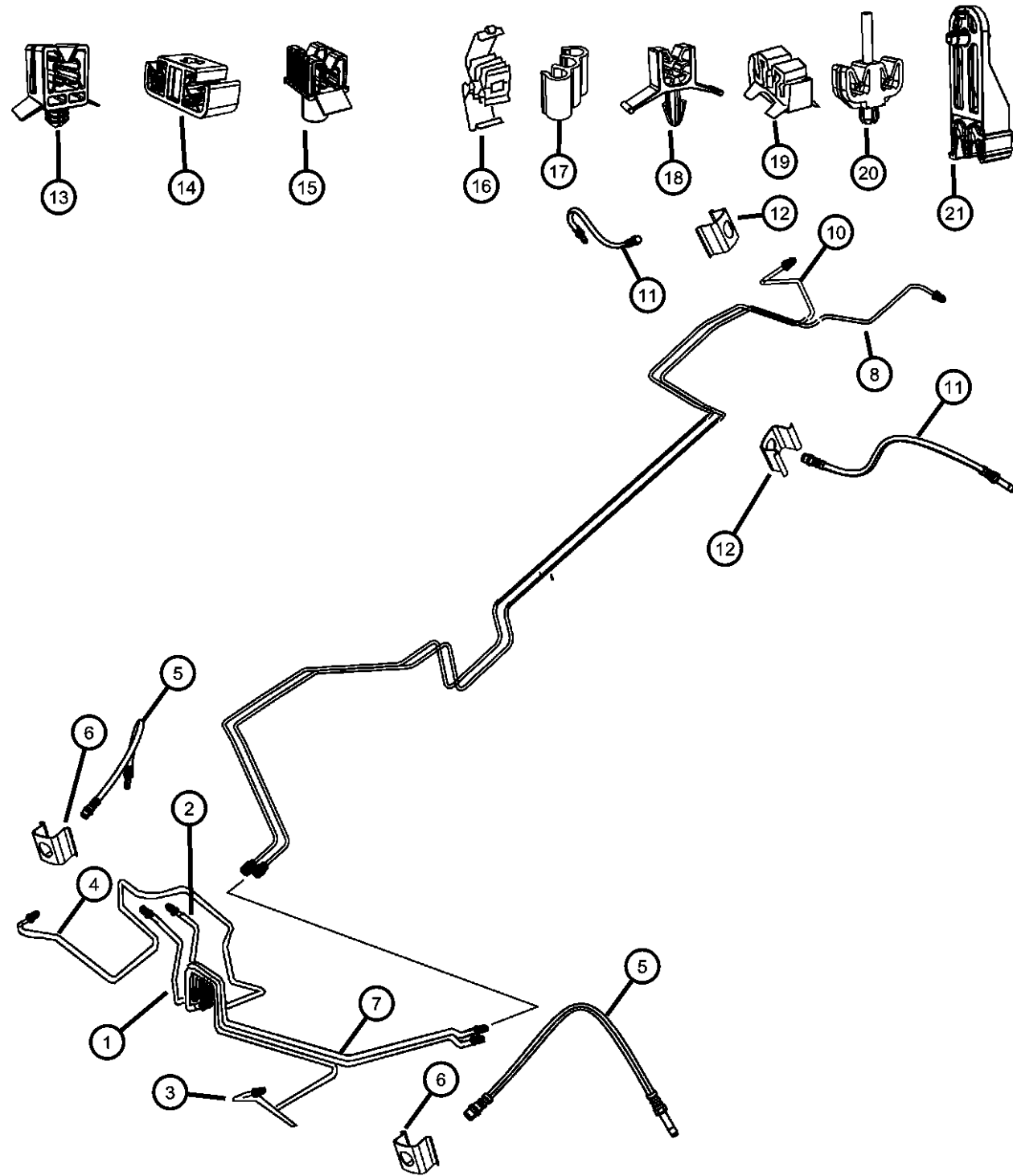
ITEM	PART NUMBER	QTY	LINE	SERIES	BODY	ENGINE	TRANS	TRIM	DESCRIPTION
NOTE: BRAKE LINES ARE TO BE ADAPTED OR MODIFIED TO FIT. BRAKE LINE FITTINGS NOT SERVICED, MUST ORDER BRAKE LINE.									
1	68013575AA	1	2, 3, 6, 7						TUBE, Brake, Master Cylinder To Hydraulic Unit Connection [HZ2] / See Note
2	68013579AA	1	2, 3, 6, 7						TUBE, Brake, Master Cylinder To Hydraulic Unit Connection [HZ1] / See Note
3	05133717AA	1	2, 3, 6, 7						TUBE, Brake, Hydraulic Unit [VL] To Hose Bracket [4.75x0.7x1590 MM] / See Note, Left
4	05136111AA	1	2, 3, 6, 7						TUBE, Brake, Hydraulic Assembly To Hose [RF] / See Note, Right
5	68013581AA	2	2, 3, 6, 7						HOSE, Brake, Brake Hose, Right & Left
6	05098140AA	2	2, 3, 6, 7		13, 15, 17, 53, 55				CLIP, Spring, Brake Hose To Bracket
7	05133712AA	1	2, 3, 6, 7		13, 15, 17, 53, 55				TUBE, Brake, [HL] Hydraulic Unit To Separation Point [4.75x0.7x1395 MM] / See Note, Right & Left, Front
8	04862640AA	1	3, 7		13, 53				TUBE, Brake
-9	05125769AA	1	3, 7						NUT, Brake Line End Nut
10	68013620AA	1	3, 7		15, 17, 55				TUBE, Brake, From Separation Point To Right Rear Axle / See Note, Right
11	68013583AA	2	3, 7						HOSE, Brake Right & Left
12	05098140AA	2	2, 3, 6, 7		13, 15, 17, 53, 55				CLIP, Spring, Brake Hose To Bracket
13	68011037AA	1	2, 3, 6, 7		13, 15, 17, 53, 55				RETAINER, Brake Line Holder
14	68013615AA	1	2, 3, 6, 7						RETAINER, Brake Line Holder
15	68011033AA	1	2, 3, 6, 7						RETAINER, Brake Line Holder
16	68013611AA	1	2, 3, 6, 7						CLAMP, Brake
17	05119689AA	1	2, 3, 6, 7		13, 15, 17, 53, 55				CLIP, Brake Line, Brake Line Holder
18	05119329AA	4	2, 3, 6, 7		13, 15, 17, 53, 55				CLIP, Brake Line
19	68013612AA	3	2, 3, 6, 7						RETAINER
20	68013613AA	3	2, 3, 6, 7						RETAINER
21	68013614AA	4	2, 3, 6, 7						BRACKET

**SPRINTER (VB)**

<b>SERIES</b>	<b>LINE</b>	<b>BODY</b>	<b>ENGINE</b>	<b>TRANSMISSION</b>
L = LOWLINE	3 = HD DODGE 2WD 6 = Lt. Duty DODGE 4WD 2 = Med. Duty DODGE 2WD 7 = Med. Duty DODGE 4WD	17 = VAN WHEEL BASE 7 55 = WAGON WHEEL BASE 5 15 = VAN WHEEL BASE 5 53 = 119 WB 13 = 119 WB 05 = CAB CHASSIS WHEEL BASE 5 03 = CAB CHASSIS WHEEL BASE 3	EG2 = 3.5L V6 Gas Engine EXM = 3.0L V6 Turbo Diesel Engine	DGZ = 5-Speed Auto W5A380 Transmission

AR = use ase required - = Non illustrated part

**Brake Tubes,Front**  
**Figure 5-517**



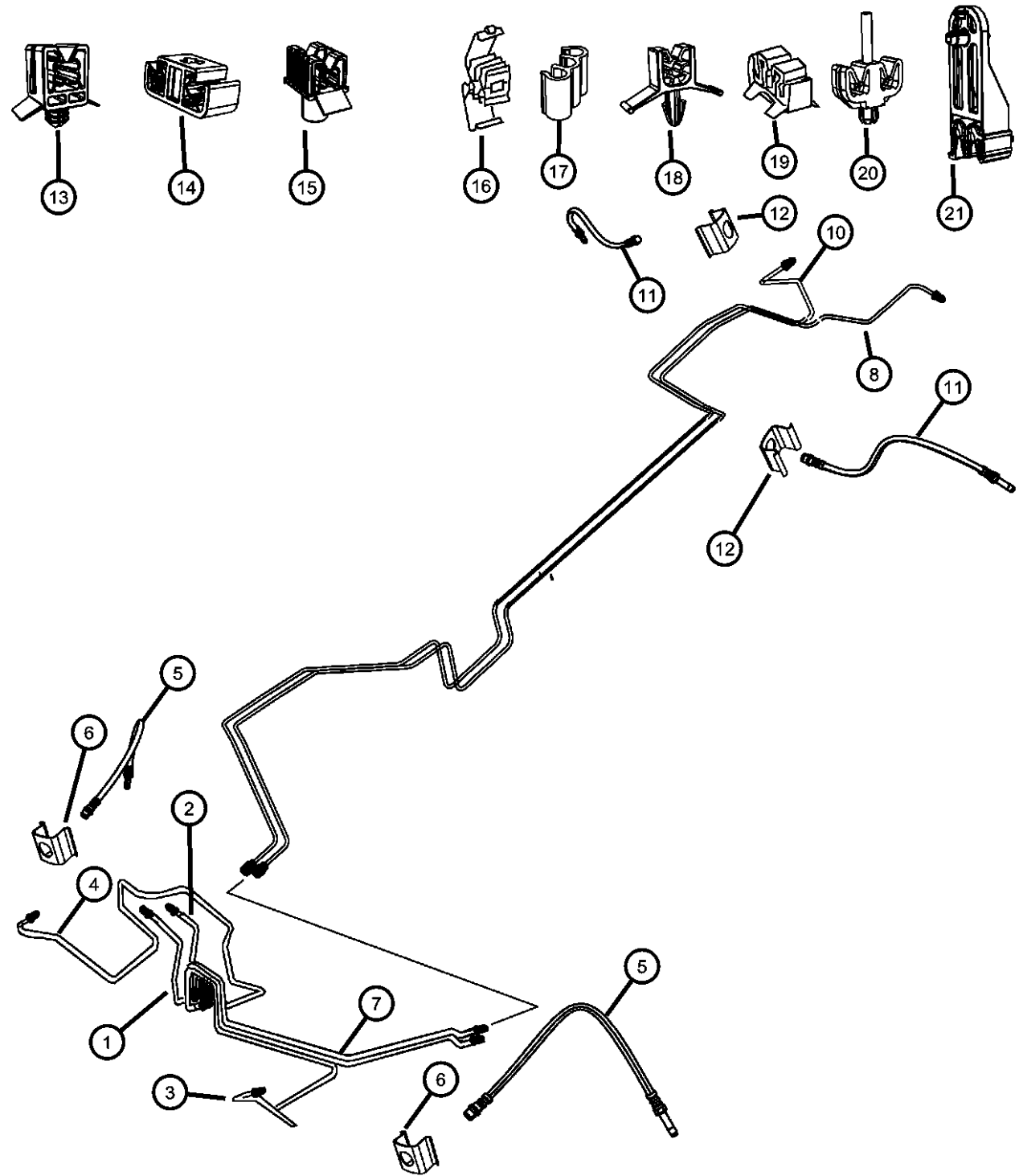
ITEM	PART NUMBER	QTY	LINE	SERIES	BODY	ENGINE	TRANS	TRIM	DESCRIPTION
NOTE: BRAKE LINES ARE TO BE ADAPTED OR MODIFIED TO FIT. BRAKE LINE FITTINGS NOT SERVICED, MUST ORDER BRAKE LINE.									
1	68013575AA	1	2, 3, 6, 7						TUBE, Brake, Master Cylinder To Hydraulic Unit Connection [HZ2] / See Note
2	68013579AA	1	2, 3, 6, 7						TUBE, Brake, Master Cylinder To Hydraulic Unit Connection [HZ1] / See Note
3	05133717AA	1	3, 7		03, 05				TUBE, Brake, Hydraulic Unit [VL] To Hose Bracket [4.75x0.7x1590 MM] / See Note, Left
4	05136111AA	1	3, 7		03, 05				TUBE, Brake, Hydraulic Assembly To Hose [RF] / See Note, Right
5	68013581AA	2	2, 3, 6, 7						HOSE, Brake, Brake Hose, Right & Left
6	05098140AA	2	3, 7		03, 05				CLIP, Spring, Brake Hose To Bracket
7	05133712AA	2	2, 3, 6, 7						TUBE, Brake, [HL] Hydraulic Unit To Separation Point [4.75x0.7x1395 MM] / See Note, Right & Left, Front
8	68013607AA	1	3, 7		03				Separation Point To Left Rear Axle, Left
	68013608AA	1	3, 7		05				Separation Point To Left Rear Axle, Left
-9	05125769AA	1	3, 7						NUT, Brake Line End Nut
10	05133729AA	1	3, 7		03				TUBE, Brake Separation Point To Rear Axle, Right
	05133731AA	1	3, 7		05				Separation Point To Rear Axle, Right
11	68013583AA	2	3, 7						HOSE, Brake Right & Left
12	68011037AA	1	3, 7		03, 05				RETAINER, Brake Line Holder
13	68013615AA	1	2, 3, 6, 7						RETAINER, Brake Line Holder
14	68013615AA	1	2, 3, 6, 7						RETAINER, Brake Line Holder
15	68011033AA	1	2, 3, 6, 7						RETAINER, Brake Line Holder
16	68013611AA	1	3, 7		03, 05				CLAMP, Brake
17	05119329AA	4	3, 7		03, 05				CLIP, Brake Line, Brake Line Holder
18	68013612AA	3	2, 3, 6, 7						RETAINER, Brake Line Holder
19	68013612AA	3	2, 3, 6, 7						RETAINER

**SPRINTER (VB)**

<b>SERIES</b>	<b>LINE</b>	<b>BODY</b>	<b>ENGINE</b>	<b>TRANSMISSION</b>
L = LOWLINE	3 = HD DODGE 2WD 6 = Lt. Duty DODGE 4WD 2 = Med. Duty DODGE 2WD 7 = Med. Duty DODGE 4WD	17 = VAN WHEEL BASE 7 55 = WAGON WHEEL BASE 5 15 = VAN WHEEL BASE 5 53 = 119 WB 13 = 119 WB 05 = CAB CHASSIS WHEEL BASE 5 03 = CAB CHASSIS WHEEL BASE 3	EG2 = 3.5L V6 Gas Engine EXM = 3.0L V6 Turbo Diesel Engine	DGZ = 5-Speed Auto W5A380 Transmission

AR = use ase required - = Non illustrated part

Brake Tubes,Front  
Figure 5-517



ITEM	PART NUMBER	QTY	LINE	SERIES	BODY	ENGINE	TRANS	TRIM	DESCRIPTION
------	-------------	-----	------	--------	------	--------	-------	------	-------------

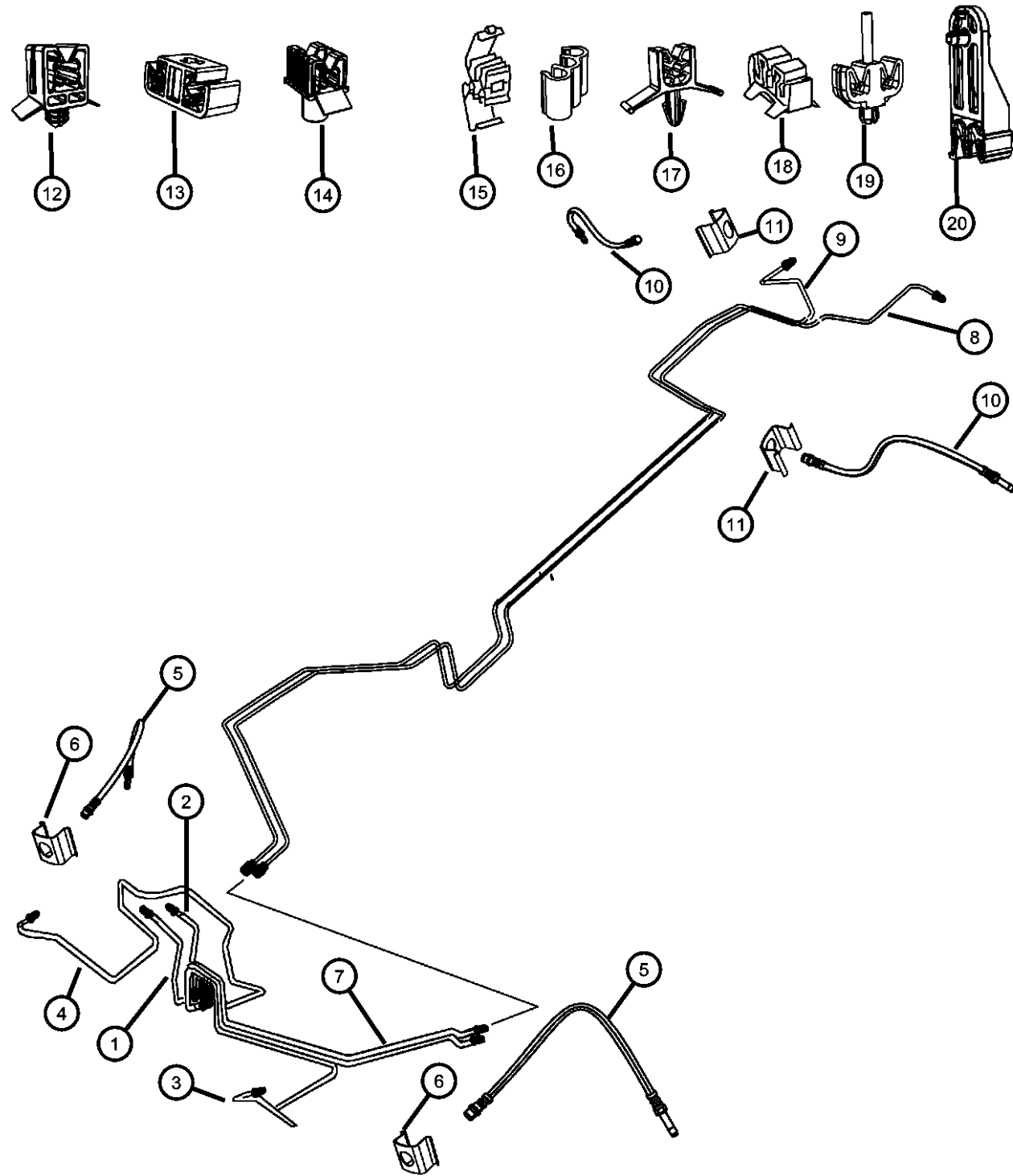
20	68013613AA	3	2, 3, 6, 7						RETAINER
21	68008614AA	2	2, 3, 6, 7						BRACKET

**SPRINTER (VB)**

SERIES	LINE	BODY	ENGINE	TRANSMISSION
L = LOWLINE	3 = HD DODGE 2WD	17 = VAN WHEEL BASE 7	EG2 = 3.5L V6 Gas Engine	DGZ = 5-Speed Auto W5A380
	6 = Lt. Duty DODGE 4WD	55 = WAGON WHEEL BASE 5	EXM = 3.0L V6 Turbo Diesel	Transmission
	2 = Med. Duty DODGE 2WD	15 = VAN WHEEL BASE 5	Engine	
	7 = Med. Duty DODGE 4WD	53 = 119 WB		
		13 = 119 WB		
		05 = CAB CHASSIS WHEEL		
		BASE 5		
		03 = CAB CHASSIS WHEEL		
		BASE 3		

AR = use ase required - = Non illustrated part

Brake Tubes,Rear  
Figure 5-520



ITEM	PART NUMBER	QTY	LINE	SERIES	BODY	ENGINE	TRANS	TRIM	DESCRIPTION
NOTE: BRAKE LINES ARE TO BE ADAPTED OR MODIFIED TO FIT. BRAKE LINE FITTINGS NOT SERVICED, MUST ORDER BRAKE LINE.									
1	68013575AA	1	2, 3, 6, 7						TUBE, Brake, Master Cylinder To Hydraulic Unit Connection [HZ1] / See Note, Right
2	68013579AA	1	2, 3, 6, 7						TUBE, Brake, Master Cylinder To Hydraulic Unit Connection [HZ1] / See Note, Left
3	05133717AA	1	2, 3, 6, 7						TUBE, Brake, Hydraulic Unit To Hose Bracket [VL] [4.75x7x1590 MM] / See Note, Left
4	05136111AA	1	2, 3, 6, 7						TUBE, Brake, Hydraulic Assembly To Hose Bracket / [RF], Right
5	68013581AA	2	2, 3, 6, 7						HOSE, Brake Right & Left
6	05098140AA	2	2, 3, 6, 7		13, 15, 17, 53, 55				CLIP, Spring, Brake Hose To Bracket, Right & Left
7	05133712AA	2	2, 3, 6, 7						TUBE, Brake, Hydraulic Unit To Separation Point / [HL] / [4.75x0.7x1395 MM] / See Note, Right & Left
8	68013599AA	1	2, 6		13, 53				TUBE, Brake, From Separation Point At Front To Left Rear Axle
9	68013594AA	1	2, 6		13, 53				TUBE, Brake, From Separation Point At Front To Right Rear Axle
10	68013582AA	2	2, 6		13, 15, 17, 53, 55				HOSE, Brake, Rear Axle Hose, Right & Left
11	05098140AA	2	2, 3, 6, 7		13, 15, 17, 53, 55				CLIP, Spring, Brake Hose To Bracket
12	68011037AA	1	2, 3, 6, 7		13, 15, 17, 53, 55				RETAINER, Brake Line Holder
13	68013615AA	1	2, 3, 6, 7						RETAINER, Brake Line Holder
14	68011033AA	1	2, 3, 6, 7						RETAINER, Brake Line Holder
15	68013611AA	1	2, 3, 6, 7						CLAMP, Brake, Brake Line
16	05119689AA	1	2, 3, 6, 7		13, 15, 17, 53, 55				CLIP, Brake Line
17	05119329AA	4	2, 3, 6, 7		13, 15, 17, 53, 55				CLIP, Brake Line
18	68013612AA	3	2, 3, 6, 7						RETAINER
19	68013613AA	3	2, 3, 6, 7						RETAINER
20	68013614AA	4	2, 3, 6, 7						BRACKET

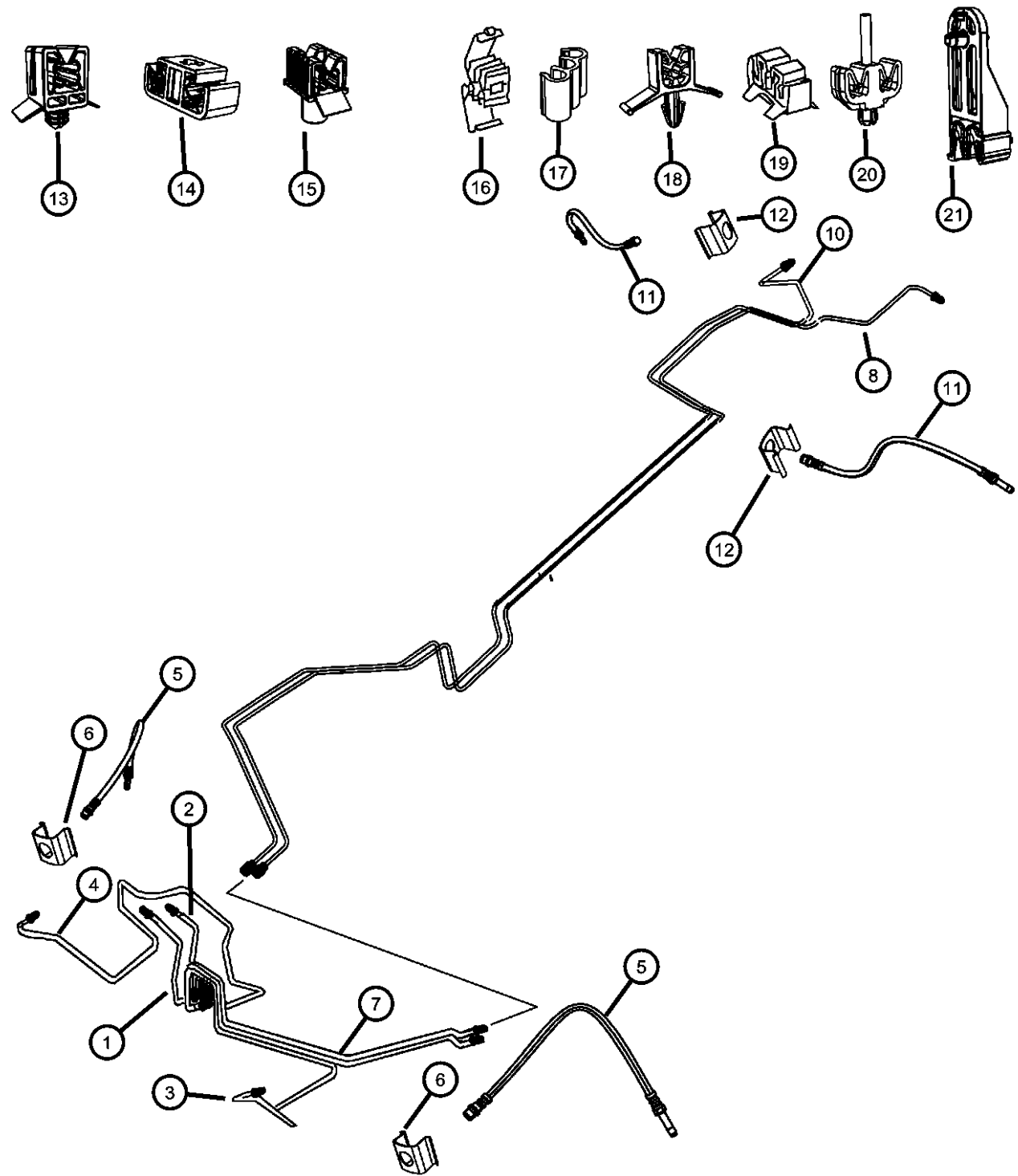
**SPRINTER (VB)**

SERIES	LINE	BODY	ENGINE	TRANSMISSION
L = LOWLINE	3 = HD DODGE 2WD 6 = Lt. Duty DODGE 4WD 2 = Med. Duty DODGE 2WD 7 = Med. Duty DODGE 4WD	17 = VAN WHEEL BASE 7 55 = WAGON WHEEL BASE 5 15 = VAN WHEEL BASE 5 53 = 119 WB 13 = 119 WB 05 = CAB CHASSIS WHEEL BASE 5 03 = CAB CHASSIS WHEEL BASE 3	EG2 = 3.5L V6 Gas Engine EXM = 3.0L V6 Turbo Diesel Engine	DGZ = 5-Speed Auto W5A380 Transmission

AR = use ase required - = Non illustrated part

2008 VB

**Brake Tubes,Rear**  
**Figure 5-521**



ITEM	PART NUMBER	QTY	LINE	SERIES	BODY	ENGINE	TRANS	TRIM	DESCRIPTION
NOTE: BRAKE LINES ARE TO BE ADAPTED OR MODIFIED TO FIT. BRAKE LINE FITTINGS NOT SERVICED, MUST ORDER BRAKE LINE.									
1	68013575AA	1	2, 3, 6, 7						TUBE, Brake, Master Cylinder To Hydraulic Unit Connection [HZ2] / See Note
2	68013579AA	1	2, 3, 6, 7						TUBE, Brake, Master Cylinder To Hydraulic Unit Connection [HZ1] / See Note
3	05133717AA	1	2, 3, 6, 7						TUBE, Brake, Hydraulic Unit [VL] To Hose Bracket [4.75x0.7x1590 MM] / See Note, Left
4	05136111AA	1	2, 3, 6, 7						TUBE, Brake, Hydraulic Assembly To Hose [RF] / See Note, Right
5	68013581AA	2	2, 3, 6, 7						HOSE, Brake, Brake Hose, Right & Left
6	05098140AA	2	2, 3, 6, 7		13, 15, 17, 53, 55				CLIP, Spring, Brake Hose To Bracket
7	05133712AA	2	2, 3, 6, 7						TUBE, Brake, [HL] Hydraulic Unit To Separation Point [4.75x0.7x1395 MM] / See Note
8	04862640AA	1	3, 7		13, 53				TUBE, Brake
9	05125769AA	1	3, 7						NUT, Brake Line End Nut
10	68013620AA	1	3, 7		15, 17, 55				TUBE, Brake, From Separation Point To Right Rear Axle / See Note, Right
11	68013583AA	2	3, 7						HOSE, Brake Right & Left
12	05098140AA	2	2, 3, 6, 7		13, 15, 17, 53, 55				CLIP, Spring, Brake Hose To Bracket
13	68011037AA	1	2, 3, 6, 7		13, 15, 17, 53, 55				RETAINER, Brake Line Holder
14	68013615AA	1	2, 3, 6, 7						RETAINER, Brake Line Holder
15	68011033AA	1	2, 3, 6, 7						RETAINER, Brake Line Holder
16	68013611AA	1	2, 3, 6, 7						CLAMP, Brake
17	05119689AA	1	2, 3, 6, 7		13, 15, 17, 53, 55				CLIP, Brake Line, Brake Line Holder
18	05119329AA	4	2, 3, 6, 7		13, 15, 17, 53, 55				CLIP, Brake Line
19	68013612AA	3	2, 3, 6, 7						RETAINER
20	68013613AA	3	2, 3, 6, 7						RETAINER
21	68013614AA	4	2, 3, 6, 7						BRACKET

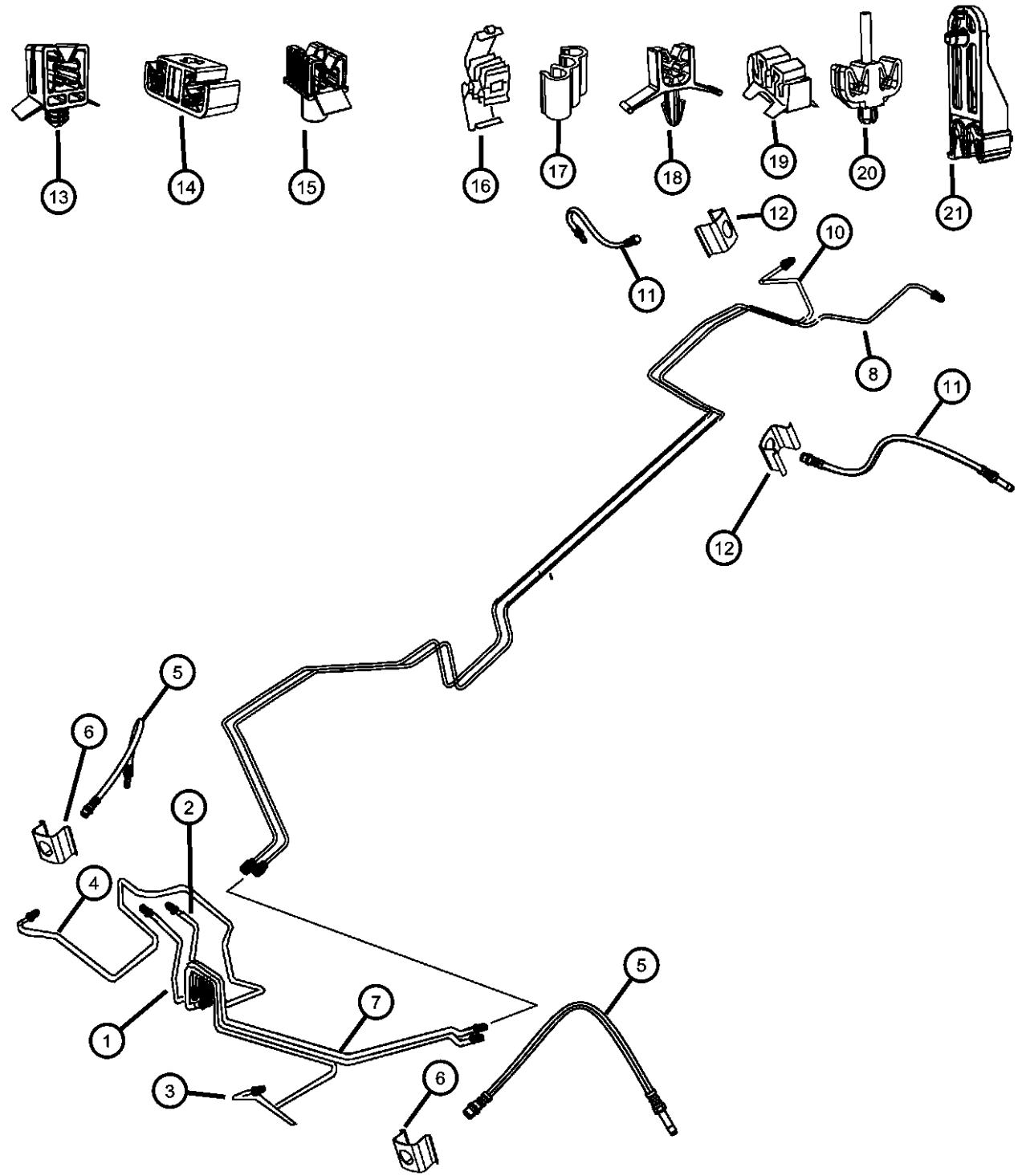
**SPRINTER (VB)**

<b>SERIES</b>	<b>LINE</b>	<b>BODY</b>	<b>ENGINE</b>	<b>TRANSMISSION</b>
L = LOWLINE	3 = HD DODGE 2WD 6 = Lt. Duty DODGE 4WD 2 = Med. Duty DODGE 2WD 7 = Med. Duty DODGE 4WD	17 = VAN WHEEL BASE 7 55 = WAGON WHEEL BASE 5 15 = VAN WHEEL BASE 5 53 = 119 WB 13 = 119 WB 05 = CAB CHASSIS WHEEL BASE 5 03 = CAB CHASSIS WHEEL BASE 3	EG2 = 3.5L V6 Gas Engine EXM = 3.0L V6 Turbo Diesel Engine	DGZ = 5-Speed Auto W5A380 Transmission

AR = use ase required - = Non illustrated part



Brake Tubes,Rear  
Figure 5-522



ITEM	PART NUMBER	QTY	LINE	SERIES	BODY	ENGINE	TRANS	TRIM	DESCRIPTION
NOTE: BRAKE LINES ARE TO BE ADAPTED OR MODIFIED TO FIT. BRAKE LINE FITTINGS NOT SERVICED, MUST ORDER BRAKE LINE.									
1	68013575AA	1	2, 3, 6, 7						TUBE, Brake, Master Cylinder To Hydraulic Unit Connection [HZ2] / See Note
2	68013579AA	1	2, 3, 6, 7						TUBE, Brake, Master Cylinder To Hydraulic Unit Connection [HZ1] / See Note
3	05133717AA	1	3, 7		03, 05				TUBE, Brake, Hydraulic Unit [VL] To Hose Bracket [4.75x0.7x1590 MM] / See Note, Left
4	05136111AA	1	3, 7		03, 05				TUBE, Brake, Hydraulic Assembly To Hose [RF] / See Note, Right
5	68013581AA	2	2, 3, 6, 7						HOSE, Brake, Brake Hose, Right & Left
6	05098140AA	2	3, 7		03, 05				CLIP, Spring, Brake Hose To Bracket
7	05133712AA	2	2, 3, 6, 7						TUBE, Brake, [HL] Hydraulic Unit To Separation Point [4.75x0.7x1395 MM] / See Note, Right & Left, Front
8									TUBE, Brake
	68013607AA	1	3, 7		03				Separation Point To Left Rear Axle, Left
	68013608AA	1	3, 7		05				Separation Point To Left Rear Axle, Left
-9	05125769AA	1	3, 7						NUT, Brake Line End Nut
10									TUBE, Brake
	05133729AA	1	3, 7		03				Separation Point To Rear Axle, Right
	05133731AA	1	3, 7		05				Separation Point To Rear Axle, Right
11	68013583AA	2	3, 7						HOSE, Brake Right & Left
12	68011037AA	1	3, 7		03, 05				RETAINER, Brake Line Holder
13	68013615AA	1	2, 3, 6, 7						RETAINER, Brake Line Holder
14	68013615AA	1	2, 3, 6, 7						RETAINER, Brake Line Holder
15	68011033AA	1	2, 3, 6, 7						RETAINER, Brake Line Holder
16	68013611AA	1	3, 7		03, 05				CLAMP, Brake
17	05119329AA	4	3, 7		03, 05				CLIP, Brake Line, Brake Line Holder
18	68013612AA	3	2, 3, 6, 7						RETAINER, Brake Line Holder
19	68013612AA	3	2, 3, 6, 7						RETAINER

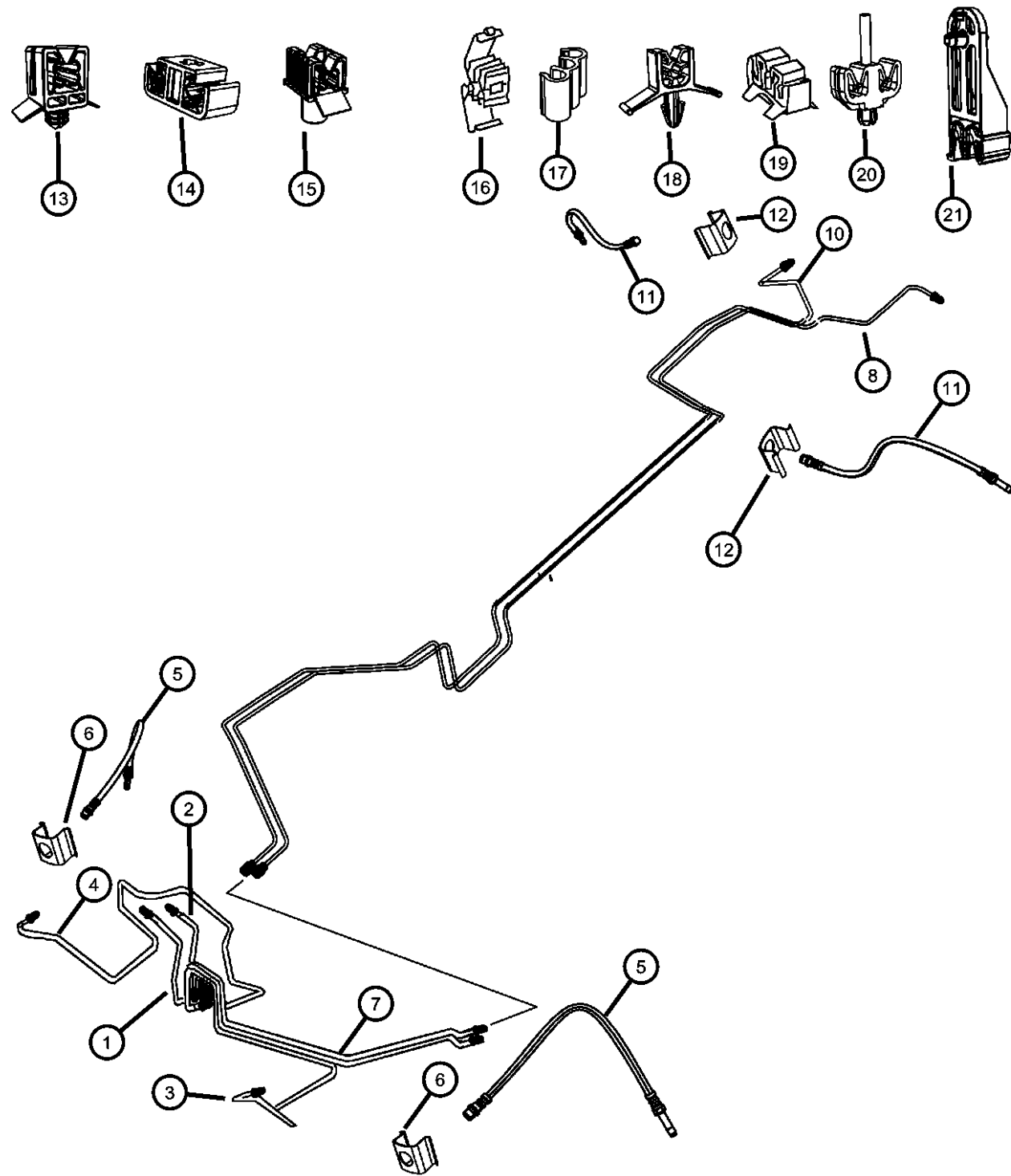
SPRINTER (VB)

SERIES	LINE	BODY	ENGINE	TRANSMISSION
L = LOWLINE	3 = HD DODGE 2WD 6 = Lt. Duty DODGE 4WD 2 = Med. Duty DODGE 2WD 7 = Med. Duty DODGE 4WD	17 = VAN WHEEL BASE 7 55 = WAGON WHEEL BASE 5 15 = VAN WHEEL BASE 5 53 = 119 WB 13 = 119 WB 05 = CAB CHASSIS WHEEL BASE 5 03 = CAB CHASSIS WHEEL BASE 3	EG2 = 3.5L V6 Gas Engine EXM = 3.0L V6 Turbo Diesel Engine	DGZ = 5-Speed Auto W5A380 Transmission

AR = use ase required - = Non illustrated part

2008 VB

Brake Tubes,Rear  
Figure 5-522



ITEM	PART NUMBER	QTY	LINE	SERIES	BODY	ENGINE	TRANS	TRIM	DESCRIPTION
------	-------------	-----	------	--------	------	--------	-------	------	-------------

20	68013613AA	3	2, 3, 6, 7						RETAINER
21	68013614AA	4	2, 3, 6, 7						BRACKET

SPRINTER (VB)

SERIES	LINE	BODY	ENGINE	TRANSMISSION
L = LOWLINE	3 = HD DODGE 2WD	17 = VAN WHEEL BASE 7	EG2 = 3.5L V6 Gas Engine	DGZ = 5-Speed Auto W5A380
	6 = Lt. Duty DODGE 4WD	55 = WAGON WHEEL BASE 5	EXM = 3.0L V6 Turbo Diesel	Transmission
	2 = Med. Duty DODGE 2WD	15 = VAN WHEEL BASE 5	Engine	
	7 = Med. Duty DODGE 4WD	53 = 119 WB		
		13 = 119 WB		
		05 = CAB CHASSIS WHEEL		
		BASE 5		
		03 = CAB CHASSIS WHEEL		
		BASE 3		

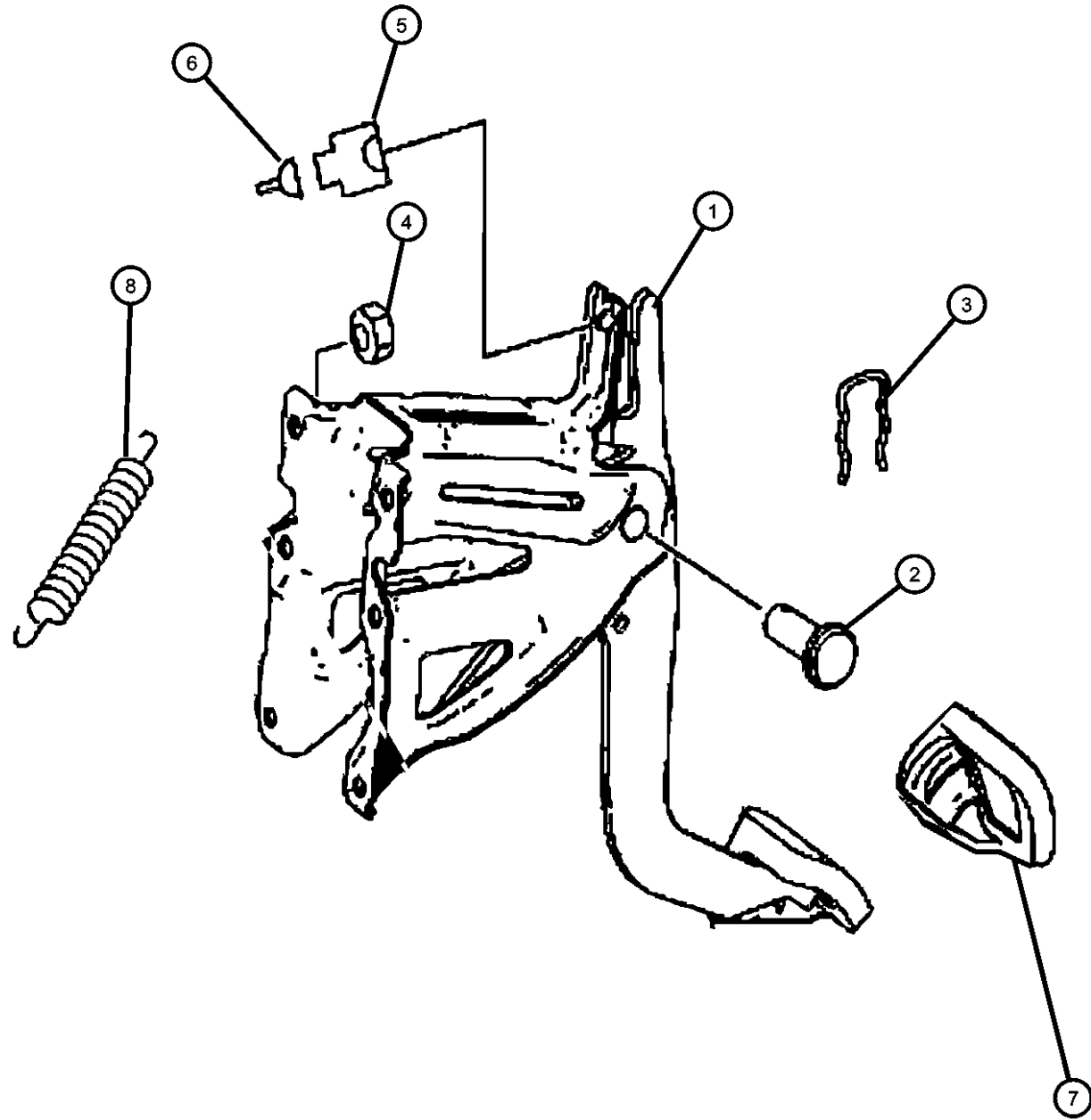
AR = use ase required - = Non illustrated part

**Pedal, Brake, Auto Trans**  
**Figure 5-605**

ITEM	PART NUMBER	QTY	LINE	SERIES	BODY	ENGINE	TRANS	TRIM	DESCRIPTION
------	-------------	-----	------	--------	------	--------	-------	------	-------------

Note: Mounting Bracket Only Serviced With Brake Pedal

1	68013455AA	1	2, 3, 6, 7						PEDAL, Brake, Includes Mounting Braket / See Note
2	68013459AA	1	2, 3, 6, 7						PIN, Brake Pedal Pivot Shaft
3	05097670AA	1	2, 3, 6, 7						CLIP, Spring
4	06105169AA	1	2, 3, 6, 7						NUT
5	68011261AA	1	2, 3, 6, 7						CONNECTOR, Stop Light Switch Connectop [S 9/1]
6	05103892AA	1	2, 3, 6, 7						TERMINAL, Terminal Stop Light Switch [0.5/1.0 MM2 MCP: S 9/1]
7	68013457AA	1	2, 3, 6, 7						PAD, Pedal
8	68013458AA	1	2, 3, 6, 7						SPRING



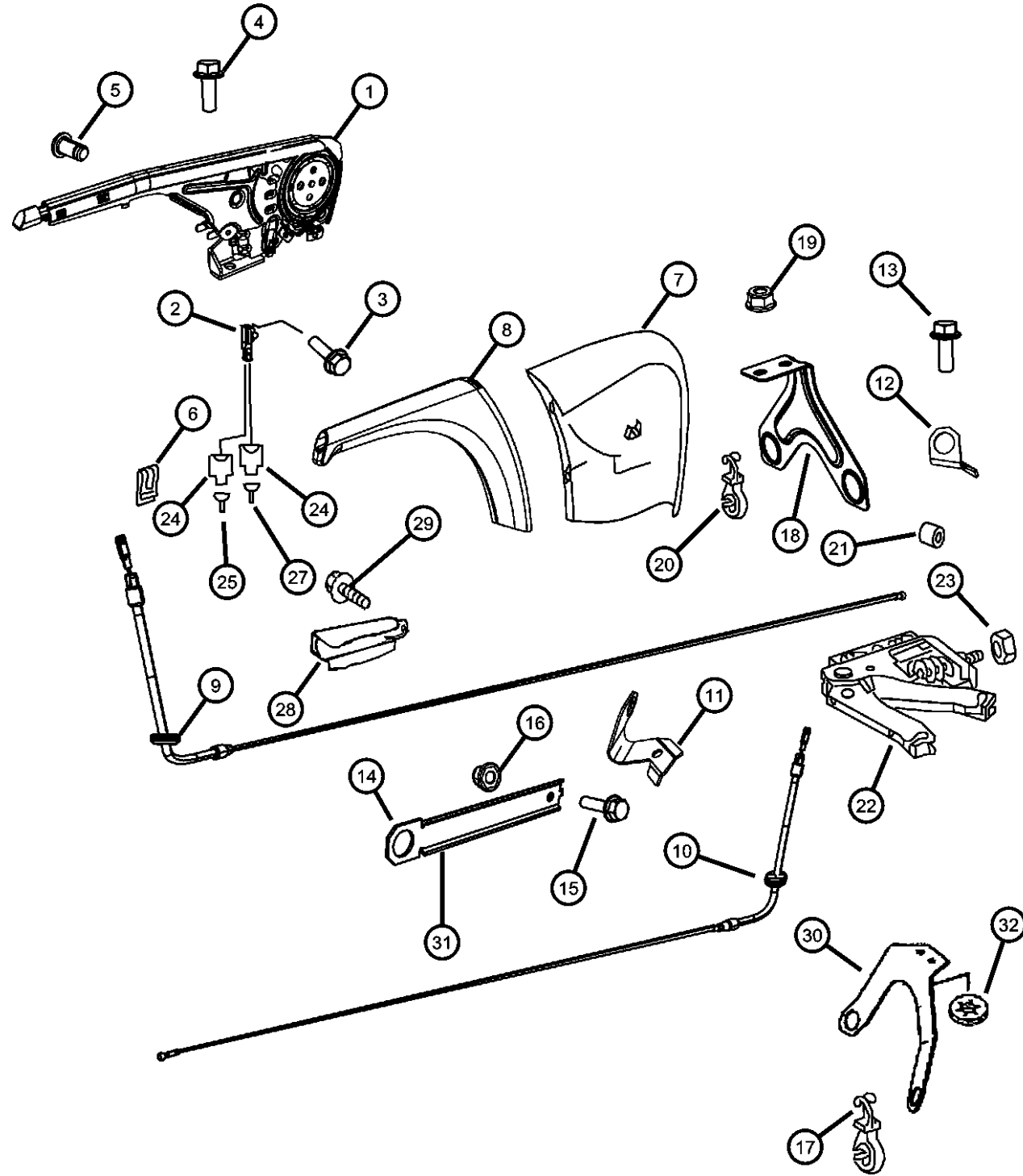
**SPRINTER (VB)**

SERIES	LINE	BODY	ENGINE	TRANSMISSION
L = LOWLINE	3 = HD DODGE 2WD	17 = VAN WHEEL BASE 7	EG2 = 3.5L V6 Gas Engine	DGZ = 5-Speed Auto W5A380
	6 = Lt. Duty DODGE 4WD	55 = WAGON WHEEL BASE 5	EXM = 3.0L V6 Turbo Diesel Engine	Transmission
	2 = Med. Duty DODGE 2WD	15 = VAN WHEEL BASE 5		
	7 = Med. Duty DODGE 4WD	53 = 119 WB		
		13 = 119 WB		
		05 = CAB CHASSIS WHEEL BASE 5		
		03 = CAB CHASSIS WHEEL BASE 3		

AR = use ase required - = Non illustrated part

2008 VB

**Park Brake Lever and Cables,Front,FWD/RWD/AWD**  
**Figure 5-705**



ITEM	PART NUMBER	QTY	LINE	SERIES	BODY	ENGINE	TRANS	TRIM	DESCRIPTION
------	-------------	-----	------	--------	------	--------	-------	------	-------------

NOTE:  
 Sales Code:  
 [DGZ]=5 Speed Automatic Transmission - [W5A380]  
 [EGZ]=3.5L V-6 Gas Engine [Mercedes Benz]  
 [EXM]=3.0L Turbo Diesel Engine [Mercedes Benz]

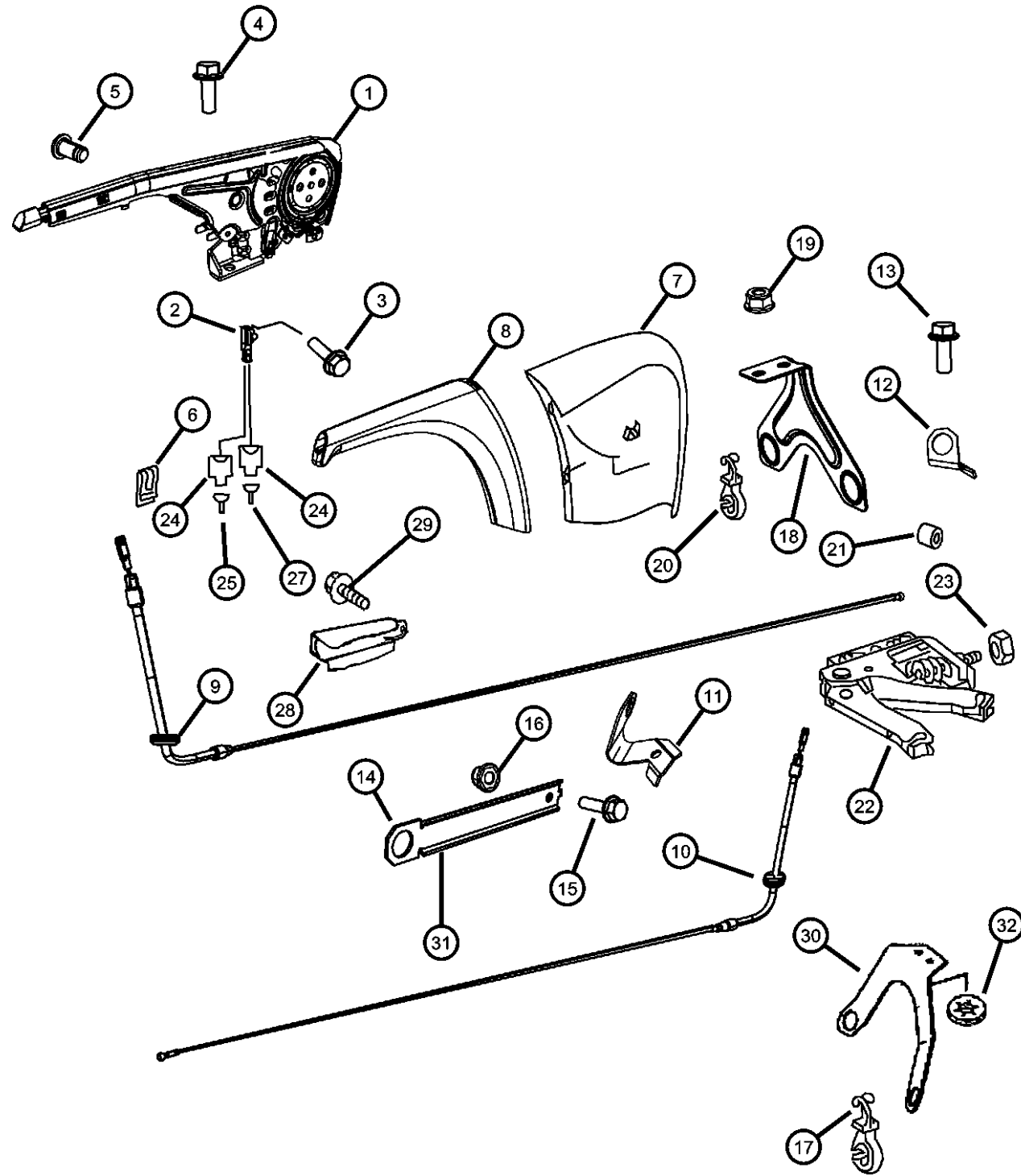
1	68013464AA	1	2, 3, 6, 7						LEVER, Parking Brake
2	05103540AA	1	3, 7		03, 05				SWITCH, Parking Brake
		1	2, 3, 6, 7		13, 15, 17, 53, 55				Hand Brake Tell-Tale Lamp
3	05175204AA	1	2, 3, 6, 7						SCREW, Switch Fastening [M5x12]
4	06104215AA	2	3, 7		03, 05				BOLT, Hex Flange Head, M10x1.50x25.00
		2	2, 3, 6, 7		13, 15, 17, 53, 55				Mounting, Lever To Seat Frame [M10x25]
5	05140886AA	1	2, 3, 6, 7						PIN, Parking Brake Handle, Brake Cable To Hand Brake Lever
6	05126243AA	1	2, 3, 6, 7						CLIP, Retaining, Pin To Hand Brake Lever
7	68013465AA	1	2, 3, 6, 7						COVER
8	68013466AA	1	2, 3, 6, 7						HANDLE
9	68013473AA	1	2, 3, 6, 7		03, 13, 53				CABLE, Parking Brake
	68013474AA	1	2, 3, 6, 7		05, 15, 17, 55				Front
10	68013780AA	2	2, 6		13, 15, 17, 53, 55				CABLE, Parking Brake
11	68013467AA	1	2, 3, 6, 7						BRACKETLeft
12	68013468AA	1	2, 3, 6, 7						BRACKET
13	68004878AA	2	3, 7		03, 05				NUT
		2	2, 3, 6, 7		13, 15, 17, 53, 55				[M6]
14	05119274AA	1	3, 7		03, 05				BRACKET
		1	2, 6		13, 15, 17, 53, 55				Left

**SPRINTER (VB)**

SERIES	LINE	BODY	ENGINE	TRANSMISSION
L = LOWLINE	3 = HD DODGE 2WD 6 = Lt. Duty DODGE 4WD 2 = Med. Duty DODGE 2WD 7 = Med. Duty DODGE 4WD	17 = VAN WHEEL BASE 7 55 = WAGON WHEEL BASE 5 15 = VAN WHEEL BASE 5 53 = 119 WB 13 = 119 WB 05 = CAB CHASSIS WHEEL BASE 5 03 = CAB CHASSIS WHEEL BASE 3	EG2 = 3.5L V6 Gas Engine EXM = 3.0L V6 Turbo Diesel Engine	DGZ = 5-Speed Auto W5A380 Transmission

AR = use ase required - = Non illustrated part

**Park Brake Lever and Cables,Front,FWD/RWD/AWD**  
**Figure 5-705**



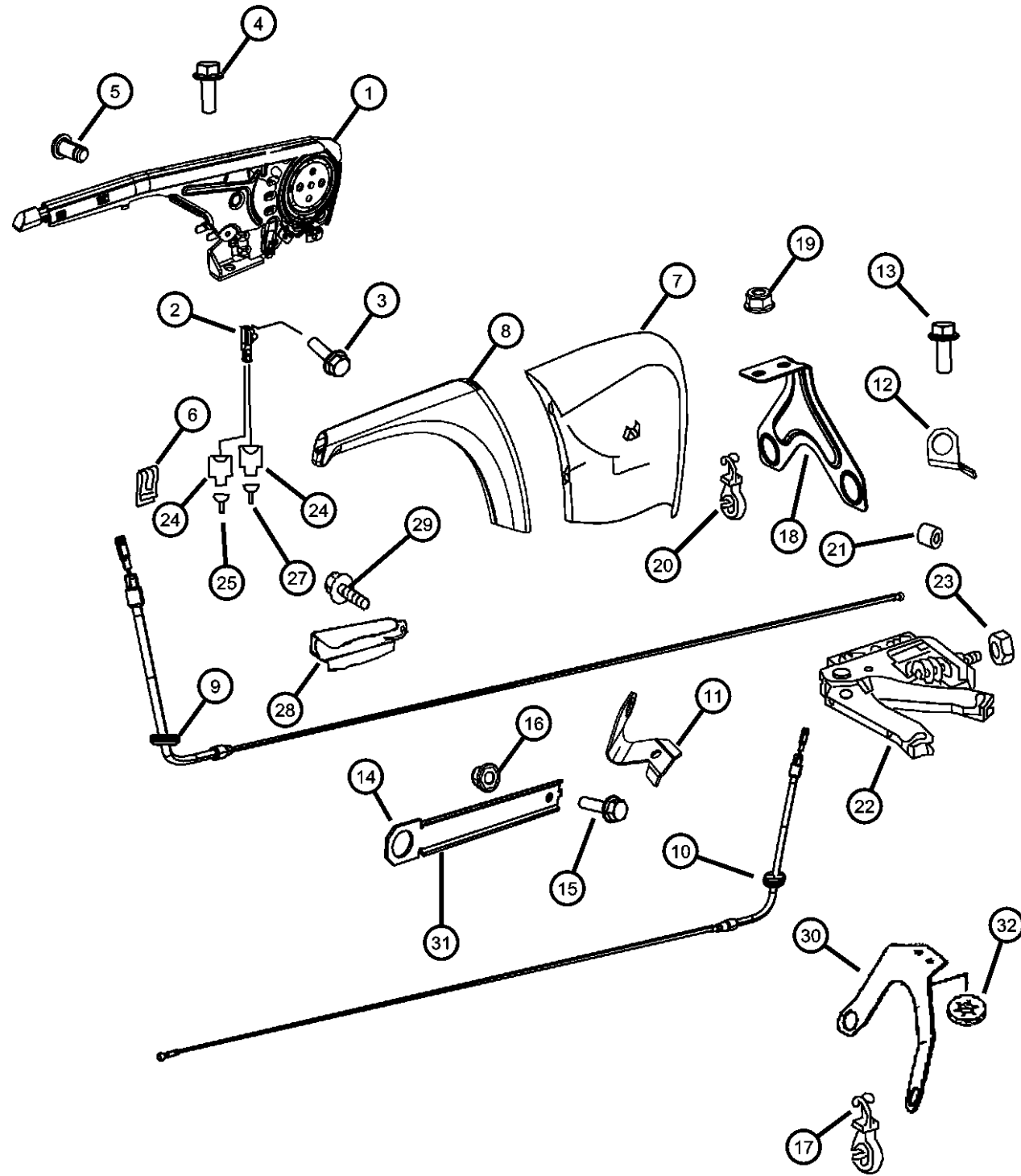
ITEM	PART NUMBER	QTY	LINE	SERIES	BODY	ENGINE	TRANS	TRIM	DESCRIPTION
	05119277AA	1	3, 7		03, 05				Right
		1	2, 6		13, 15, 17, 53, 55				Right
15									SCREW
	05073723AB	2	3, 7		03, 05				Bracket To Shock Absorber Bracket [M8x20]
		2	2, 3, 6, 7		13, 15, 17, 53, 55				Bracket To Shock Absorber Bracket [M8x20]
16	06105169AA	1	2, 3, 6, 7						NUT, Bracket To Shock Absorber Bracket [M8]
17	05119283AA	4	2, 3, 6, 7						CLIP, Parking Brake Cable, At Bracket
18	68013470AA	1	2, 6		13, 53				BRACKET, To Under Floor Center
19									NUT
	68004878AA	2	2, 3, 6, 7		13, 15, 17, 53, 55				Bracket To Substructure [M6]
		2	3, 7		03, 05				Bracket To Substructure [M6]
20	05119283AA	4	2, 3, 6, 7						CLIP, Parking Brake Cable, At Bracket
21									PIN, PIN
	05098414AA	2	2, 6		13, 15, 17, 53, 55				
		2	3, 7		03, 05, 13, 15, 17				
22									ADJUSTER, Parking Brake
	68013478AA	1	2, 3, 6, 7						
	68013479AA	1	3, 7		03, 05				With [2ZD]
		1	3, 7		13, 15, 17				With [2ZD]
23									NUT
	05126206AA	1	2, 3, 6, 7						To Adjuster [M8-8]
	06105170AA	2	2, 3, 6, 7						Adjuster To Bearing Bracket [M10]
24									CONNECTOR
	05120696AA	1	2, 3, 6, 7		03, 05, 13, 15, 17				Parking Brake Inspection Switch 1 - Pin [S12]
		1	2, 3, 6, 7		53, 55, 57				Parking Brake Inspection Switch 1 - Pin [S12]
25									TERMINAL, Female

**SPRINTER (VB)**

SERIES	LINE	BODY	ENGINE	TRANSMISSION
L = LOWLINE	3 = HD DODGE 2WD 6 = Lt. Duty DODGE 4WD 2 = Med. Duty DODGE 2WD 7 = Med. Duty DODGE 4WD	17 = VAN WHEEL BASE 7 55 = WAGON WHEEL BASE 5 15 = VAN WHEEL BASE 5 53 = 119 WB 13 = 119 WB 05 = CAB CHASSIS WHEEL BASE 5 03 = CAB CHASSIS WHEEL BASE 3	EG2 = 3.5L V6 Gas Engine EXM = 3.0L V6 Turbo Diesel Engine	DGZ = 5-Speed Auto W5A380 Transmission

AR = use ase required - = Non illustrated part

**Park Brake Lever and Cables,Front,FWD/RWD/AWD  
Figure 5-705**



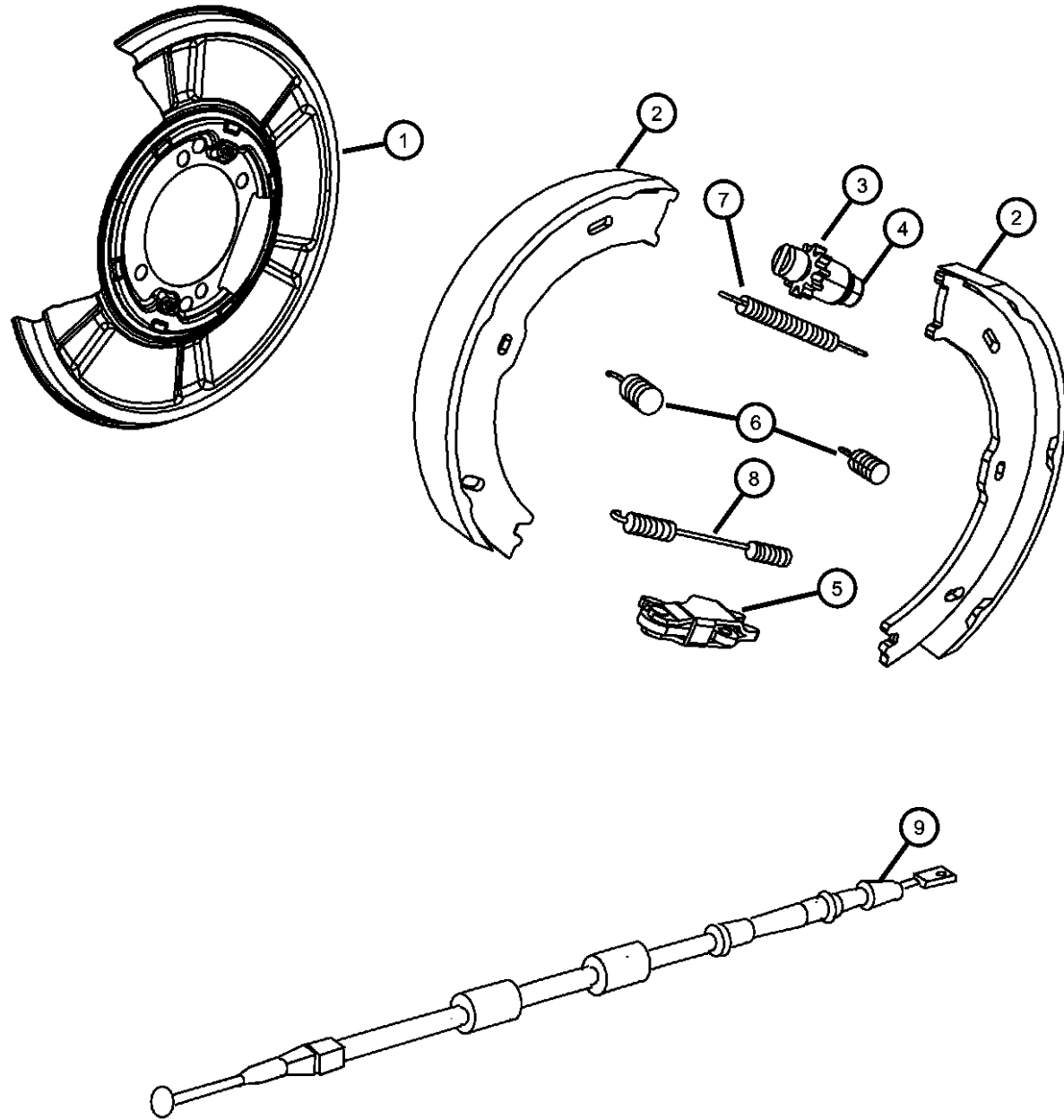
ITEM	PART NUMBER	QTY	LINE	SERIES	BODY	ENGINE	TRANS	TRIM	DESCRIPTION
	05133365AA	1	2, 3, 6, 7		03, 05, 13, 15, 17				[S12]
-26		1	2, 3, 6, 7		53, 55, 57				[S12] TERMINAL
	05133504AA	1	2, 3, 6, 7		03, 05, 13, 15, 17				Parking Brake Inspection Switch [S12]
		1	2, 3, 6, 7		53, 55, 57				Parking Brake Inspection Switch [S12]
27									TERMINAL
	05133367AA	1	2, 3, 6, 7		03, 05, 13, 15, 17				Terminal [S12]
		1	2, 3, 6, 7		53, 55, 57				Terminal [S12]
28									BOOT
	68013476AA	1	3, 7						Right
	68013477AA	1	3, 7						Left
29									SCREW
	06104140AA	2	3, 7		03, 05				
		2	2, 3, 6, 7		13, 15, 17, 53, 55				
30	68013471AA	1	3, 7						BRACKET, Cable To Frame
31	68026526AA	2	3, 7						BRACKET, Parking Brake
32	68026526AA	2							WASHER, Lock, (NOT SERVICED)

**SPRINTER (VB)**

<b>SERIES</b>	<b>LINE</b>	<b>BODY</b>	<b>ENGINE</b>	<b>TRANSMISSION</b>
L = LOWLINE	3 = HD DODGE 2WD 6 = Lt. Duty DODGE 4WD 2 = Med. Duty DODGE 2WD 7 = Med. Duty DODGE 4WD	17 = VAN WHEEL BASE 7 55 = WAGON WHEEL BASE 5 15 = VAN WHEEL BASE 5 53 = 119 WB 13 = 119 WB 05 = CAB CHASSIS WHEEL BASE 5 03 = CAB CHASSIS WHEEL BASE 3	EG2 = 3.5L V6 Gas Engine EXM = 3.0L V6 Turbo Diesel Engine	DGZ = 5-Speed Auto W5A380 Transmission

AR = use ase required - = Non illustrated part

**Park Brake Assembly,Rear Disc,FWD/RWD/AWD  
Figure 5-725**



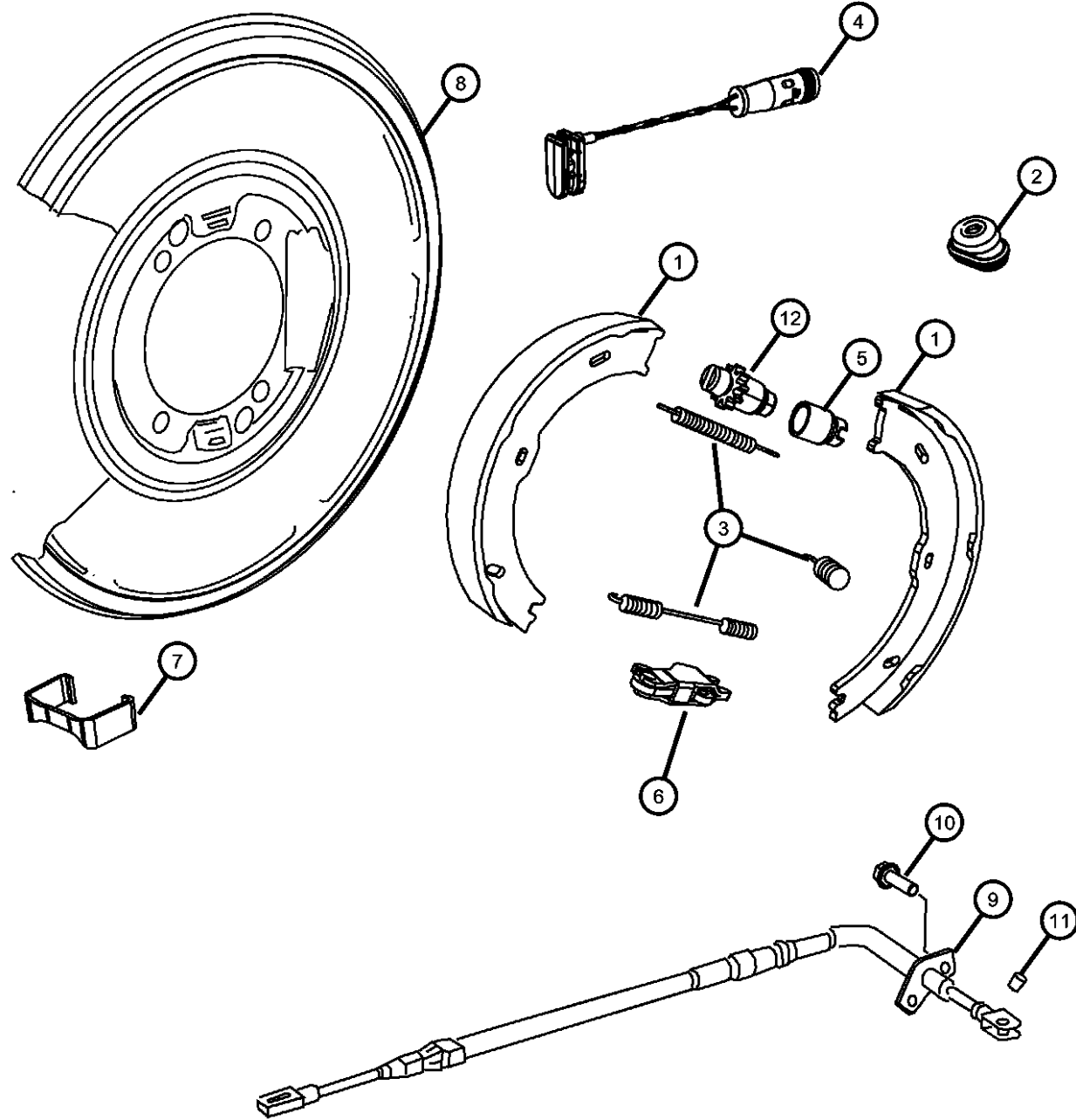
ITEM	PART NUMBER	QTY	LINE	SERIES	BODY	ENGINE	TRANS	TRIM	DESCRIPTION
NOTE: Sales Code: [DGZ]=5 Speed Automatic Transmission - [W5A380] [EGZ]=3.5L V-6 Gas Engine [Mercedes Benz] [EXM]=3.0L Turbo Diesel Engine [Mercedes Benz]									
1	68013766AA	2	2, 6		13, 15, 17, 53, 55				BACKING PLATE, With Special Version Code [42-504012 / 10]
2	68019140AA	1	2, 6		13, 15, 17, 53, 55				SHOE AND LINING, Parking Brake, Includes: All Moving Parts / Special Version Code [42-504016 / 07]
3	05139234AA	2	2, 6		13, 15, 17, 53, 55				ADJUSTER, Parking Brake, With Special Version Code [42-504016 / 07]
4	05139233AA	2	2, 6		13, 15, 17, 53, 55				BUSHING, With Special Version Code [42-504016 / 07]
5	05101691AA	2	2, 6		13, 15, 17, 53, 55				PLATE, Brake Shoe Guide, With Special Version Code [42-504016 / 07]
6	05098005AA	4	2, 6		13, 15, 17, 53, 55				SPRING, Brake Shoe Hold Down, With Special Version Code [42-504016 / 07]
7	05098006AA	2	2, 6		13, 15, 17, 53, 55				SPRING, Brake Shoe to Shoe, With Special Version Code [42-504016 / 07]
8	05139480AA	2	2, 6		13, 15, 17, 53, 55				SPRING, Brake Shoe to Shoe, With Special Version Code [42-504016 / 07]
9	68013780AA	2	2, 6		13, 15, 17, 53, 55				CABLE, Parking Brake, With Special Version Code [42-504013 / 06]
-10	05098414AA	2	2, 6		13, 15, 17, 53, 55				PIN, PIN

**SPRINTER (VB)**

SERIES	LINE	BODY	ENGINE	TRANSMISSION
L = LOWLINE	3 = HD DODGE 2WD 6 = Lt. Duty DODGE 4WD 2 = Med. Duty DODGE 2WD 7 = Med. Duty DODGE 4WD	17 = VAN WHEEL BASE 7 55 = WAGON WHEEL BASE 5 15 = VAN WHEEL BASE 5 53 = 119 WB 13 = 119 WB 05 = CAB CHASSIS WHEEL BASE 5 03 = CAB CHASSIS WHEEL BASE 3	EG2 = 3.5L V6 Gas Engine EXM = 3.0L V6 Turbo Diesel Engine	DGZ = 5-Speed Auto W5A380 Transmission

AR = use ase required - = Non illustrated part

**Park Brake Assembly,Rear Disc,FWD/RWD/AWD  
Figure 5-726**



ITEM	PART NUMBER	QTY	LINE	SERIES	BODY	ENGINE	TRANS	TRIM	DESCRIPTION
NOTE: Sales Code: [DGZ]=5 Speed Automatic Transmission - [W5A380] [EGZ]=3.5L V-6 Gas Engine [Mercedes Benz] [EXM]=3.0L Turbo Diesel Engine [Mercedes Benz]									
1	68026168AA	1	3, 7		03, 05, 13, 15, 17				SHOE AND LINING, Parking Brake, Note: Shoe Kit Includes Springs, Adjuster & Related Parts, With Special Version Code [42 504016 / 08 / 10]
2	04862657AA	2	3, 7		03, 05, 13, 15, 17				BUSHING, With Special Version Code [42 504016 / 08 / 10]
3	04862656AA	2	3, 7		03, 05, 13, 15, 17				SPRING KIT, Brake Shoe Hold Down, With Special Version Code [42 504016 / 08 / 10]
4	68006717AA	4	3, 7		03, 05, 13, 15, 17				SENSOR, Brake wear
5	68013778AA	2	3, 7		03, 05, 13, 15, 17				BUSHING, With Special Version Code [42 504016 / 08 / 10] & [35 504000 / 04]
6	04862658AA	1	3, 7		03, 05, 13, 15, 17				RETAINER With Special Version Code [42 504016 / 08 / 10], Left
	04862660AA	1	3, 7		03, 05, 13, 15, 17				With Special Version Code [42 504016 / 08 / 10], Right
7	68013779AA	1	3, 7		03, 05, 13, 15, 17				PAD, PAD, With Special Version Code [42 504016 / 08 / 10] & [35 504000 / 04]
8	04862655AA	1	3, 7		03, 05, 13, 15, 17				BACKING PLATE With Special Version Code [42 504016 / 08 / 10], Left
	04862661AA	1	3, 7		03, 05, 13, 15, 17				With Special Version Code [42 504016 / 08 / 10], Right
9	68013475AA	2	3, 7		03, 05, 13, 15, 17				CABLE, Parking Brake
10	05098124AA	2	3, 7		03, 05, 13, 15, 17				SCREW, With Special Version Code [35 504000/04]
11	05098414AA	2	3, 7		03, 05, 13, 15, 17				PIN, PIN, With Special Version Code [35 504000/04]
12	68013478AA	1	2, 3, 6, 7						ADJUSTER, Parking Brake

**SPRINTER (VB)**

SERIES	LINE	BODY	ENGINE	TRANSMISSION
L = LOWLINE	3 = HD DODGE 2WD 6 = Lt. Duty DODGE 4WD 2 = Med. Duty DODGE 2WD 7 = Med. Duty DODGE 4WD	17 = VAN WHEEL BASE 7 55 = WAGON WHEEL BASE 5 15 = VAN WHEEL BASE 5 53 = 119 WB 13 = 119 WB 05 = CAB CHASSIS WHEEL BASE 5 03 = CAB CHASSIS WHEEL BASE 3	EG2 = 3.5L V6 Gas Engine EXM = 3.0L V6 Turbo Diesel Engine	DGZ = 5-Speed Auto W5A380 Transmission

AR = use ase required - = Non illustrated part



# Group - 7

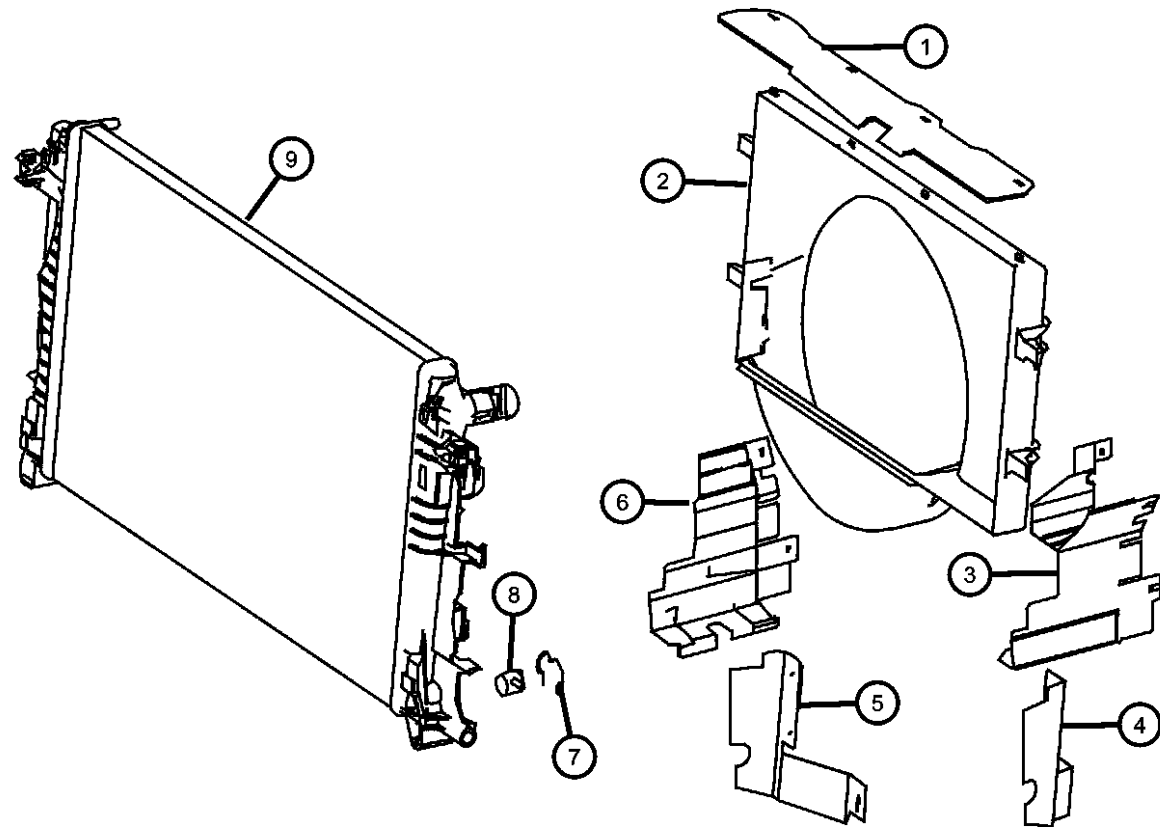
## Cooling

### Group - 7 Cooling

Illustration Title	Group-Fig. No.
<b>Radiator and Related Parts and Turbo Intercooler</b>	
Radiator and Related Parts Gas / Diesel .....	Fig. 7 - 105
Fan & Fan Clutch .....	Fig. 7 - 115
Air Charge Cooler .....	Fig. 7 - 175
<b>Water Pump and Related Parts</b>	
Water Pump and Related Parts .....	Fig. 7 - 205
Water Pump and Related Parts .....	Fig. 7 - 210
<b>Engine Coolant Reservoir (Bottle)</b>	
Coolant Recovery Bottle .....	Fig. 7 - 305
Coolant Recovery Bottle .....	Fig. 7 - 310
<b>Pulleys and Related Parts</b>	
Pulleys and Related Parts Gas .....	Fig. 7 - 405
Pulley and Related Parts Diesel .....	Fig. 7 - 410
<b>Drive Belts</b>	
Belts, Serpentine and V-Belts .....	Fig. 7 - 505
<b>Transmission Oil Cooler, and Lines</b>	
Transmission Oil Cooler and Lines .....	Fig. 7 - 605

<b>007-100</b> Radiator and Related Parts and Turbo Intercooler	<b>007-200</b> Water Pump and Related Parts	<b>007-300</b> Engine Coolant Reservoir (Bottle)	<b>007-400</b> Pulleys and Related Parts
<b>007-500</b> Drive Belts	<b>007-600</b> Transmission Oil Cooler, and Lines		

**Radiator and Related Parts Gas / Diesel**  
**Figure 7-105**



ITEM	PART NUMBER	QTY	LINE	SERIES	BODY	ENGINE	TRANS	TRIM	DESCRIPTION
1	68013660AA	1	3, 7			EG2, EXM	DGZ		COVER, Radiator Top
		1	2, 3, 6, 7			EG2, EXM	DGZ		Top
2	68013658AA	1	2, 3, 6, 7			EXM	DGZ		SHROUD, Fan
		1	2, 3, 6, 7			EG2	DGZ		
3	68004913AA	1	2, 3, 6, 7			EG2, EXM	DGZ		SHIELD, Side, Radiator CoolingLeft
4	68004917AA	1	3, 7			EXM	DGZ		COVER, Radiator Lower Left Hand
		1	2, 3, 6, 7			EXM	DGZ		Lower Left Hand
5	68004916AA	1	3, 7			EXM	DGZ		COVER, Radiator Lower Right Hand
		1	2, 3, 6, 7			EXM	DGZ		Lower Right Hand
6	68004914AA	1	2, 3, 6, 7			EG2, EXM	DGZ		SHIELD, Side, Radiator CoolingRight
7	68004816AA	1	2, 3, 6, 7			EG2, EXM	DGZ		CLIP
8	68013632AA	1	2, 3, 6, 7			EG2, EXM	DGZ		DRAINCOCK, Radiator
9	68013630AA	1	2, 3, 6, 7			EG2, EXM	DGZ		RADIATOR

**SPRINTER (VB)**

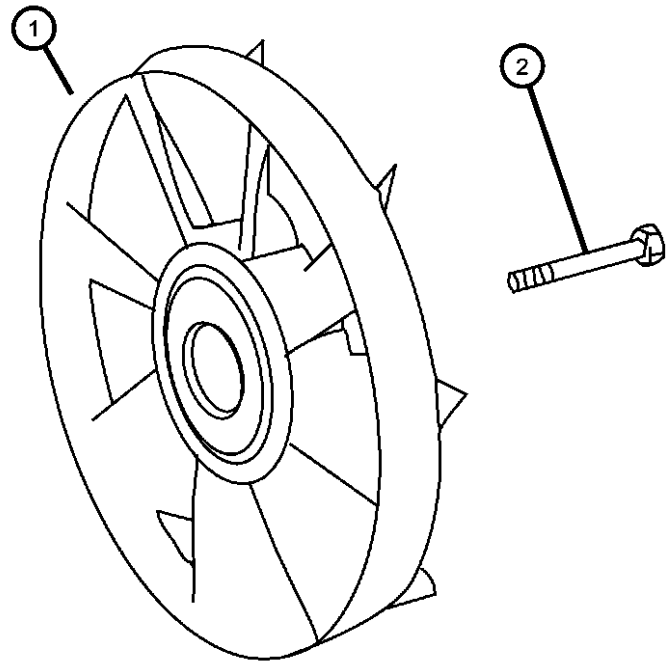
SERIES	LINE	BODY	ENGINE	TRANSMISSION
L = LOWLINE	3 = HD DODGE 2WD	17 = VAN WHEEL BASE 7	EG2 = 3.5L V6 Gas Engine	DGZ = 5-Speed Auto W5A380
	6 = Lt. Duty DODGE 4WD	55 = WAGON WHEEL BASE 5	EXM = 3.0L V6 Turbo Diesel	Transmission
	2 = Med. Duty DODGE 2WD	15 = VAN WHEEL BASE 5	Engine	
	7 = Med. Duty DODGE 4WD	53 = 119 WB		
		13 = 119 WB		
		05 = CAB CHASSIS WHEEL		
		BASE 5		
		03 = CAB CHASSIS WHEEL		
		BASE 3		

AR = use ase required - = Non illustrated part

2008 VB

Fan & Fan Clutch  
Figure 7-115

ITEM	PART NUMBER	QTY	LINE	SERIES	BODY	ENGINE	TRANS	TRIM	DESCRIPTION
1									FAN, Cooling
	68012412AA	1	2, 3, 6, 7			EXM	DGZ		VISCOUS FAN
	68012413AA	1	2, 3, 6, 7			EG2	DGZ		VISCOUS FAN
2	05126141AA	1	2, 3, 6, 7			EG2, EXM	DGZ		SCREW, Fan To Water Pump



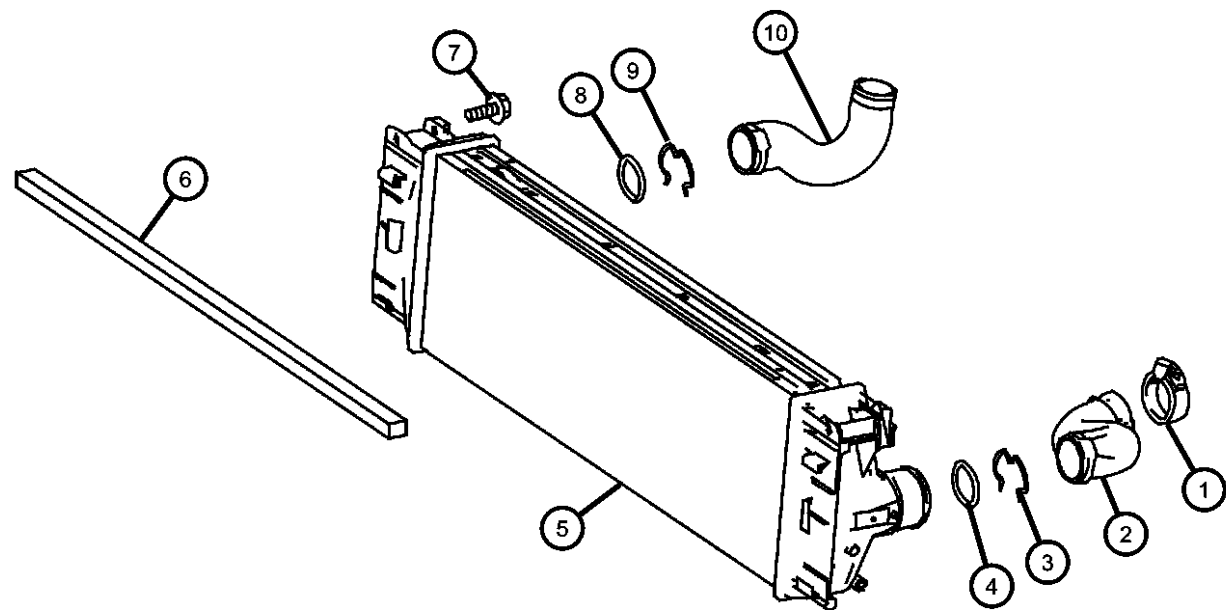
**SPRINTER (VB)**

SERIES	LINE	BODY	ENGINE	TRANSMISSION
L = LOWLINE	3 = HD DODGE 2WD	17 = VAN WHEEL BASE 7	EG2 = 3.5L V6 Gas Engine	DGZ = 5-Speed Auto W5A380
	6 = Lt. Duty DODGE 4WD	55 = WAGON WHEEL BASE 5	EXM = 3.0L V6 Turbo Diesel	Transmission
	2 = Med. Duty DODGE 2WD	15 = VAN WHEEL BASE 5	Engine	
	7 = Med. Duty DODGE 4WD	53 = 119 WB		
		13 = 119 WB		
		05 = CAB CHASSIS WHEEL		
		BASE 5		
		03 = CAB CHASSIS WHEEL		
		BASE 3		

AR = use ase required - = Non illustrated part

2008 VB

**Air Charge Cooler  
Figure 7-175**



ITEM	PART NUMBER	QTY	LINE	SERIES	BODY	ENGINE	TRANS	TRIM	DESCRIPTION
1	06104788AA	1	2, 3, 6, 7			EXM	DGZ		CLAMP, Hose
2	68013655AA	1	2, 3, 6, 7			EXM	DGZ		HOSE, Charge Air CoolerRight
3	68013654AA	1	2, 3, 6, 7			EXM	DGZ		SPRING
4									SEAL, CHARGE AIR COOLER
	68013653AA	1	3, 7			EXM	DGZ		
		1	2, 3, 6, 7			EXM	DGZ		
5	68013636AA	1	2, 3, 6, 7			EXM	DGZ		INTERCOOLER
6									COVER, Radiator
	68004897AA	1	3, 7			EXM	DGZ		
		1	2, 3, 6, 7			EXM	DGZ		
7	06104014AA	2	2, 3, 6, 7			EG2, EXM	DGZ		BOLT, Torx, M6X1.00X60.00
8									SEAL, CHARGE AIR COOLER
	68013653AA	1	3, 7			EXM	DGZ		
		1	2, 3, 6, 7			EXM	DGZ		
9	68013654AA	1	2, 3, 6, 7			EXM	DGZ		SPRING
10	68013652AA	1	2, 3, 6, 7			EXM	DGZ		HOSE, Turbo to Charge Air Cooler, Bottom

**SPRINTER (VB)**

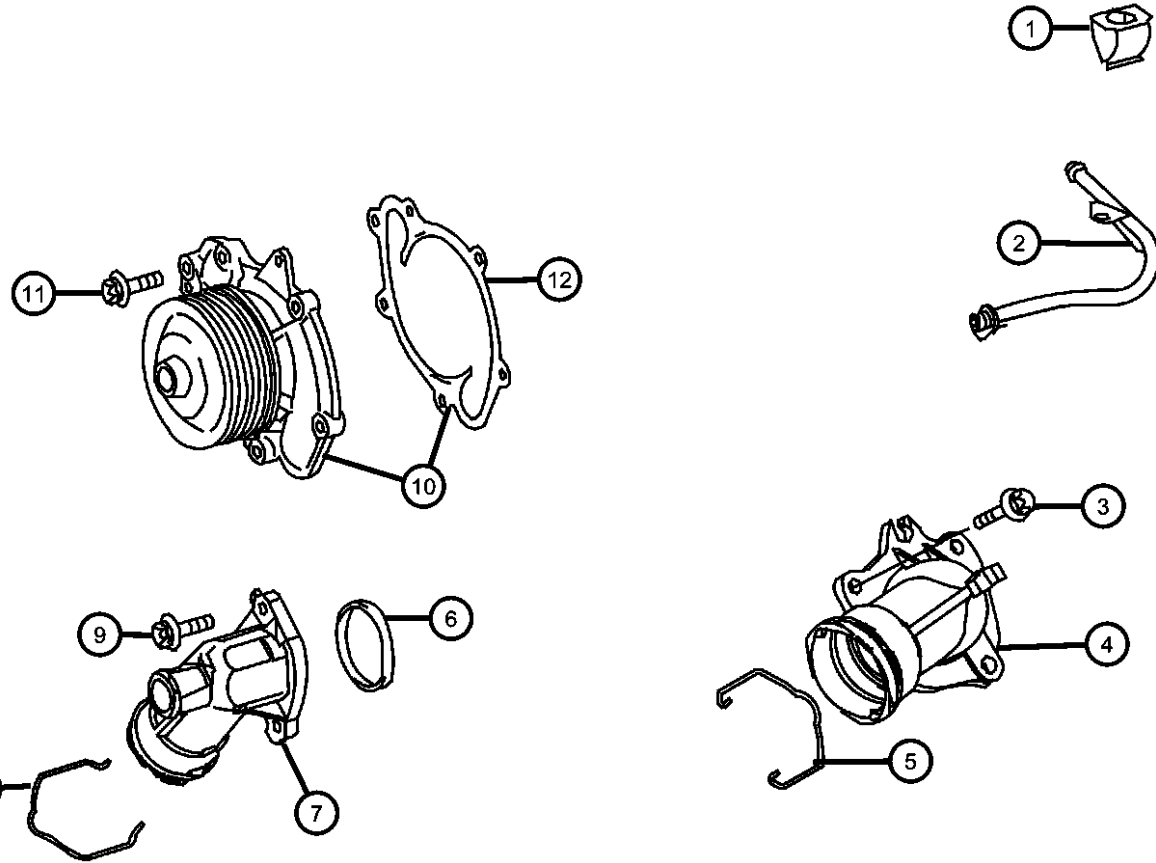
SERIES	LINE	BODY	ENGINE	TRANSMISSION
L = LOWLINE	3 = HD DODGE 2WD	17 = VAN WHEEL BASE 7	EG2 = 3.5L V6 Gas Engine	DGZ = 5-Speed Auto W5A380
	6 = Lt. Duty DODGE 4WD	55 = WAGON WHEEL BASE 5	EXM = 3.0L V6 Turbo Diesel Engine	Transmission
	2 = Med. Duty DODGE 2WD	15 = VAN WHEEL BASE 5		
	7 = Med. Duty DODGE 4WD	53 = 119 WB		
		13 = 119 WB		
		05 = CAB CHASSIS WHEEL BASE 5		
		03 = CAB CHASSIS WHEEL BASE 3		

AR = use ase required - = Non illustrated part

2008 VB

**Water Pump and Related Parts  
Figure 7-205**

ITEM	PART NUMBER	QTY	LINE	SERIES	BODY	ENGINE	TRANS	TRIM	DESCRIPTION
1	68014052AA	1	2, 3, 6, 7			EXM	DGZ		RETAINER
2	68014047AA	1	2, 3, 6, 7			EXM	DGZ		HOSE
3	06104004AA	1	2, 3, 6, 7			EXM	DGZ		BOLT, Thermostat to Fitting M6x12
4	68014045AA	1	2, 3, 6, 7			EXM	DGZ		THERMOSTAT, Heated
5									CLIP, CLIP-SPRING
	05175821AA	1	3, 7			EG2, EXM	DGZ		26,84
		1	2, 3, 6, 7			EXM	DGZ		26,84
		1	3, 7			EXM	DGZ		26,84
6	05175584AA	1	2, 3, 6, 7			EXM	DGZ		GASKET, Thermostat, Pipe Socket to Cylinder Crankcase
7	68014141AA	1	2, 3, 6, 7			EXM	DGZ		FITTING, Coolant
8									CLIP, CLIP-SPRING
	05175821AA	1	3, 7			EG2, EXM	DGZ		26,84
		1	2, 3, 6, 7			EXM	DGZ		26,84
		1	3, 7			EXM	DGZ		26,84
9	06104006AA	2	2, 3, 6, 7			EXM	DGZ		BOLT, Torx Socket Head, M6X1.00X20.00
10	05175580AA	1	2, 3, 6, 7			EXM	DGZ		PUMP, Water, Parts Kit
11	05175582AA	6	2, 3, 6, 7			EXM	DGZ		BOLT, Torx
12	05175581AA	1	2, 3, 6, 7			EXM	DGZ		GASKET, Water Pump

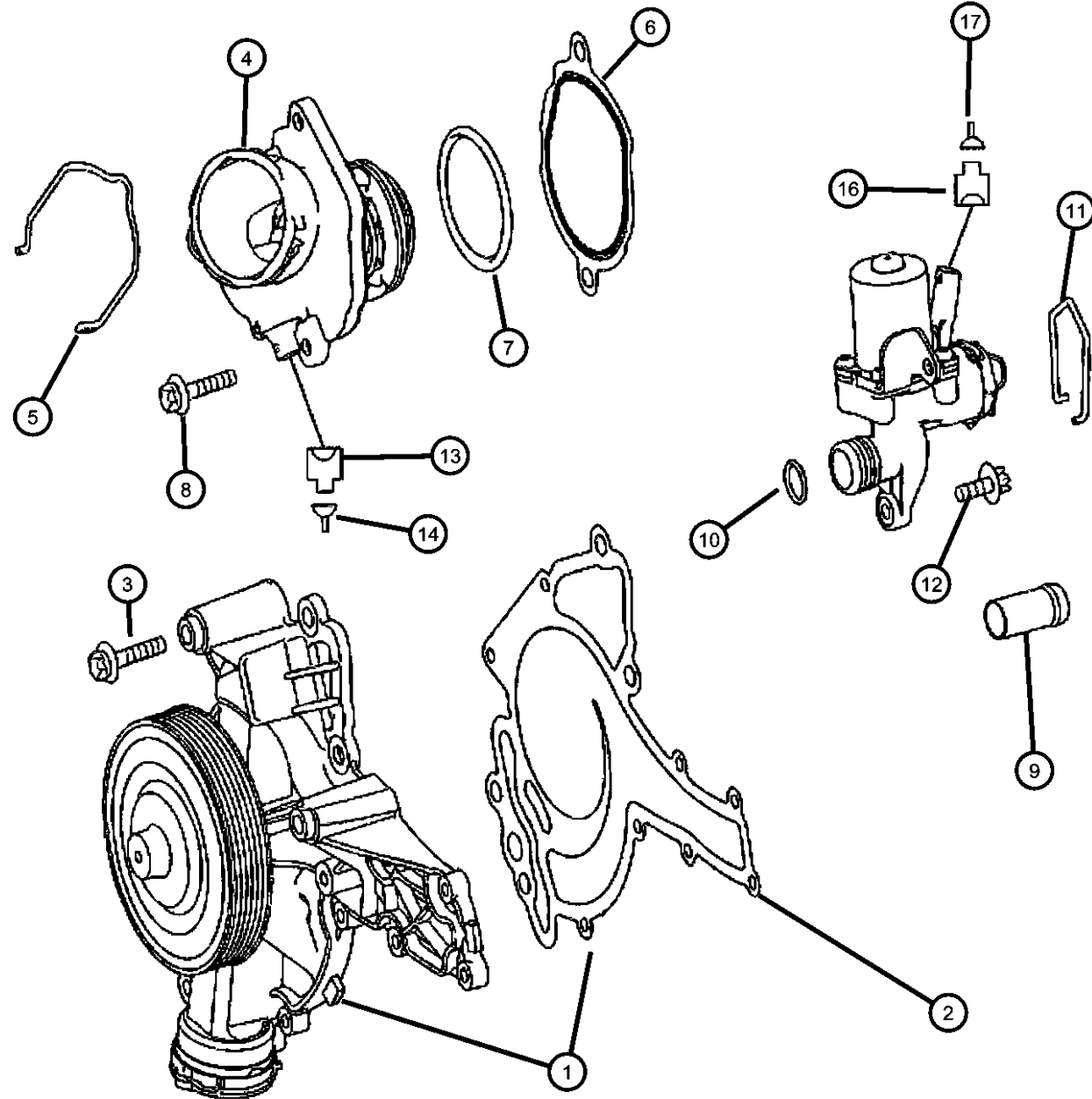


**SPRINTER (VB)**

SERIES	LINE	BODY	ENGINE	TRANSMISSION
L = LOWLINE	3 = HD DODGE 2WD 6 = Lt. Duty DODGE 4WD 2 = Med. Duty DODGE 2WD 7 = Med. Duty DODGE 4WD	17 = VAN WHEEL BASE 7 55 = WAGON WHEEL BASE 5 15 = VAN WHEEL BASE 5 53 = 119 WB 13 = 119 WB 05 = CAB CHASSIS WHEEL BASE 5 03 = CAB CHASSIS WHEEL BASE 3	EG2 = 3.5L V6 Gas Engine EXM = 3.0L V6 Turbo Diesel Engine	DGZ = 5-Speed Auto W5A380 Transmission

AR = use ase required - = Non illustrated part

**Water Pump and Related Parts  
Figure 7-210**



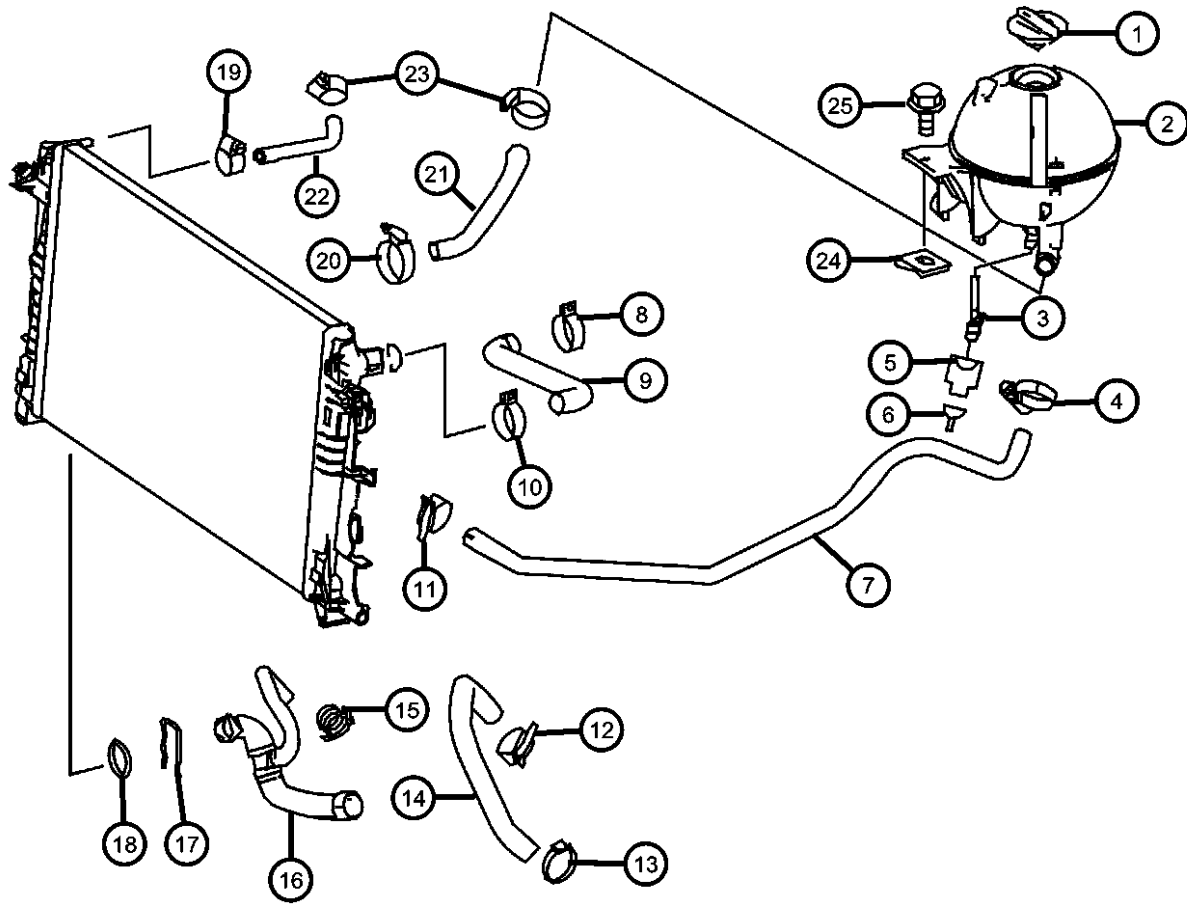
ITEM	PART NUMBER	QTY	LINE	SERIES	BODY	ENGINE	TRANS	TRIM	DESCRIPTION
1	68013932AA	1	2, 3, 6, 7			EG2	DGZ		PUMP, Water, Includes Gasket
2	68013945AA	1	2, 3, 6, 7			EG2	DGZ		GASKET, Water Pump, Also Included With Water Pump
3	05073898AA	8	2, 3, 6, 7			EG2	DGZ		Water Pump To Timing Case
	68013947AA	3	2, 3, 6, 7			EG2	DGZ		[M8x75] Water Pump To Timing Case
4	68013949AA	1	2, 3, 6, 7			EG2	DGZ		THERMOSTAT
5	68013641AA	1	2, 3, 6, 7			EG2	DGZ		SPRING
6	68013950AA	1	2, 3, 6, 7			EG2	DGZ		GASKET, Water Pump
7	68013951AA	1	2, 3, 6, 7			EG2	DGZ		O-RING
8	05073898AA	2	2, 3, 6, 7			EG2	DGZ		SCREW
9	68013953AA	1	2, 3, 6, 7			EG2	DGZ		FITTING
10	68013954AA	2	2, 3, 6, 7			EG2	DGZ		O RING
11	68013955AA	1	2, 3, 6, 7			EG2	DGZ		SPRING
12	06104142AA	2	2, 3, 6, 7			EG2	DGZ		SCREW, Pan Head, M6x1.00x16.00
13	68011798AA	1	2, 3, 6, 7			EG2	DGZ		CONNECTOR, [Y110] Connector
14	68011877AA	AR	2, 3, 6, 7			EG2	DGZ		TERMINAL, Thermostat
-15	68011050AA	AR	2, 3, 6, 7			EG2	DGZ		GASKET, Thermostat Connector
16	68011798AA	1	2, 3, 6, 7			EG2	DGZ		CONNECTOR, [Y12/2] Connector
17	68011877AA	AR	2, 3, 6, 7			EG2	DGZ		TERMINAL, Thermanal
-18	68011050AA	AR	2, 3, 6, 7			EG2	DGZ		GASKET

**SPRINTER (VB)**

<b>SERIES</b>	<b>LINE</b>	<b>BODY</b>	<b>ENGINE</b>	<b>TRANSMISSION</b>
L = LOWLINE	3 = HD DODGE 2WD 6 = Lt. Duty DODGE 4WD 2 = Med. Duty DODGE 2WD 7 = Med. Duty DODGE 4WD	17 = VAN WHEEL BASE 7 55 = WAGON WHEEL BASE 5 15 = VAN WHEEL BASE 5 53 = 119 WB 13 = 119 WB 05 = CAB CHASSIS WHEEL BASE 5 03 = CAB CHASSIS WHEEL BASE 3	EG2 = 3.5L V6 Gas Engine EXM = 3.0L V6 Turbo Diesel Engine	DGZ = 5-Speed Auto W5A380 Transmission

AR = use ase required - = Non illustrated part

**Coolant Recovery Bottle  
Figure 7-305**



ITEM	PART NUMBER	QTY	LINE	SERIES	BODY	ENGINE	TRANS	TRIM	DESCRIPTION
1	68004911AA	1	2, 3, 6, 7			EG2, EXM	DGZ		CAP, Coolant Recovery Bottle
2	68004910AA	1	2, 3, 6, 7			EXM	DGZ		BOTTLE, Coolant Recovery
3	68013657AA	1	2, 3, 6, 7			EG2, EXM	DGZ		SENSOR, Coolant Level
4	68013657AA	1							CLAMP, (NOT SERVICED)
5	05120273AA	1	2, 3, 6, 7			EG2, EXM	DGZ		HOUSING, Coolant Level 2-Pin,S41
6	05103874AA	1	2, 3, 6, 7			EXM, EG2	DGZ		TERMINAL, 0.75MM2,MQA,S41
7	68013651AA	1	2, 3, 6, 7			EXM	DGZ		HOSE, Engine Breathing
8	06105105AA	1	2, 3, 6, 7			EXM	DGZ		CLAMP, HOSE CLAMP, Hose to Thermostat
9	68013638AA	1	2, 3, 6, 7			EXM	DGZ		HOSE, RadiatorUpper
10	68013642AA	1	2, 3, 6, 7			EG2, EXM	DGZ		CLAMP, Hose to Radiator
11									CLAMP
	05133496AA	1	3, 7			EXM	DGZ		Fluid Reservoir Breather Hose 14-24/8.3MM
		1	2, 3, 6, 7			EXM	DGZ		Fluid Reservoir Breather Hose 14-24/8.3MM
12									CLAMP, HOSE CLAMP
	06104813AA	1	2, 3, 6, 7			EG2, EXM	DGZ		Heating By Cooling Water 32/12MM
		1	3, 7			EG2, EXM	DGZ		Heating By Cooling Water 32/12MM
13	06105105AA	1	2, 3, 6, 7			EXM	DGZ		CLAMP, HOSE CLAMP, Cooling Water Hose to Water Pump
14	68025114AA	1	2, 3, 6, 7			EXM	DGZ		HOSE, Radiator
15	06104806AA	1	2, 3, 6, 7			EXM	DGZ		CLAMP, Heating Hose to Heating Pipe, Return 23-26MM
16	68025109AA	1	2, 3, 6, 7			EXM	DGZ		HOSE, Radiator
17	05175821AA	1	2, 3, 6, 7			EXM	DGZ		CLIP, CLIP-SPRING, 26,84
18	68013648AA	1	2, 3, 6, 7			EXM	DGZ		SEAL
19	68004905AA	1	2, 3, 6, 7			EG2, EXM	DGZ		CLAMP, Filling Hose to Radiator
20	05133496AA	1	2, 3, 6, 7			EXM	DGZ		CLAMP, Radiator De-Aeration Hose 14-24/8.3MM
21	68004902AA	1	2, 3, 6, 7			EG2, EXM	DGZ		HOSE, Coolant, Heating Hose to Radiator Breathing Hose
22									HOSE, Coolant
	68013650AA	1	3, 7			EG2, EXM	DGZ		Cooling-Water-Line Breathing
		1	2, 3, 6, 7			EG2, EXM	DGZ		Cooling-Water-Line Breathing

**SPRINTER (VB)**

**SERIES**

L = LOWLINE

**LINE**

3 = HD DODGE 2WD  
6 = Lt. Duty DODGE 4WD  
2 = Med. Duty DODGE 2WD  
7 = Med. Duty DODGE 4WD

**BODY**

17 = VAN WHEEL BASE 7  
55 = WAGON WHEEL BASE 5  
15 = VAN WHEEL BASE 5  
53 = 119 WB  
13 = 119 WB  
05 = CAB CHASSIS WHEEL  
BASE 5  
03 = CAB CHASSIS WHEEL  
BASE 3

**ENGINE**

EG2 = 3.5L V6 Gas Engine  
EXM = 3.0L V6 Turbo Diesel  
Engine

**TRANSMISSION**

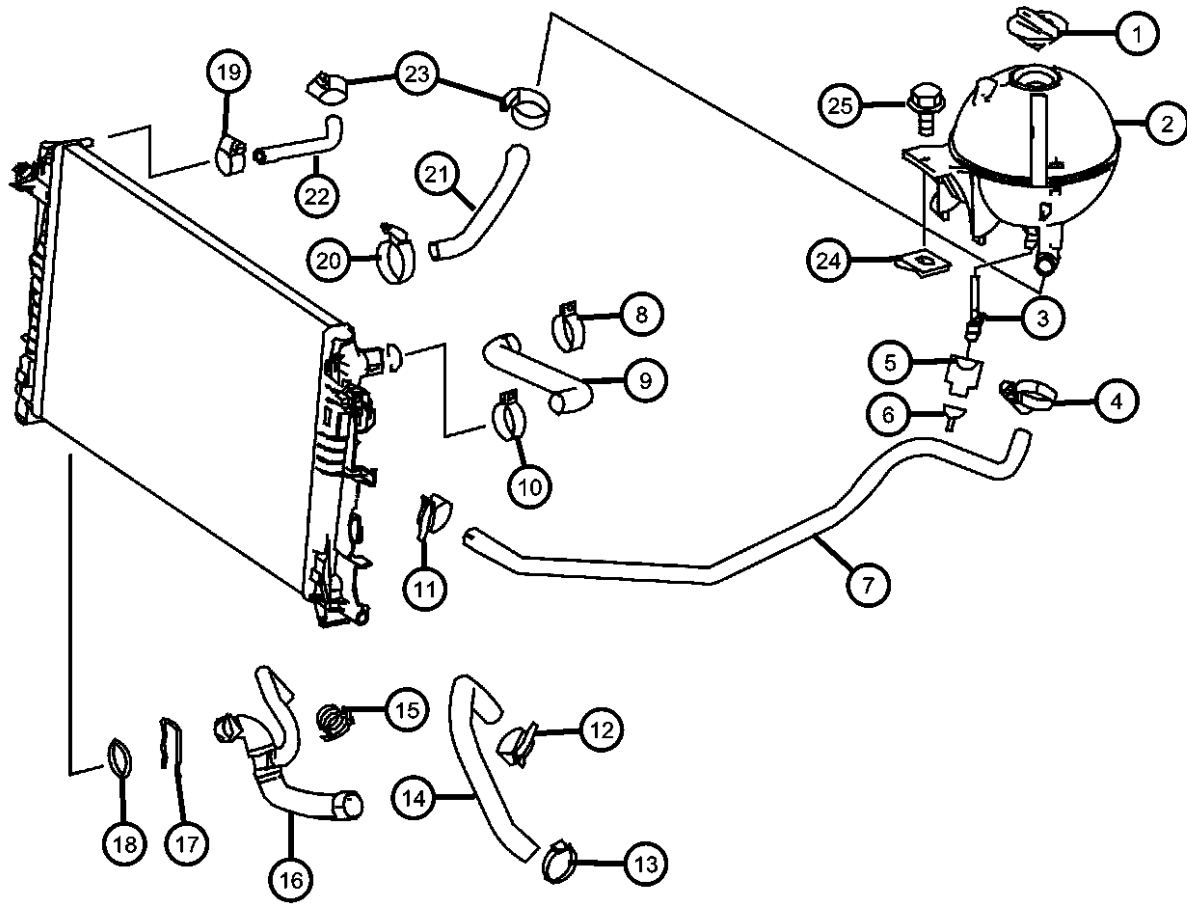
DGZ = 5-Speed Auto W5A380  
Transmission

AR = use ase required - = Non illustrated part

2008 VB

**Coolant Recovery Bottle  
Figure 7-305**

ITEM	PART NUMBER	QTY	LINE	SERIES	BODY	ENGINE	TRANS	TRIM	DESCRIPTION
23	06104813AA	1	2, 3, 6, 7			EG2, EXM	DGZ		CLAMP, HOSE CLAMP, Filling Hose to Expansion Tank 32/12MM CLIP
24	06104748AA	1	3, 7			EG2, EXM	DGZ		Reservoir to Support
		1	2, 3, 6, 7			EG2, EXM	DGZ		Reservoir to Support
25	05161856AB	1	2, 3, 6, 7			EG2, EXM	DGZ		SCREW



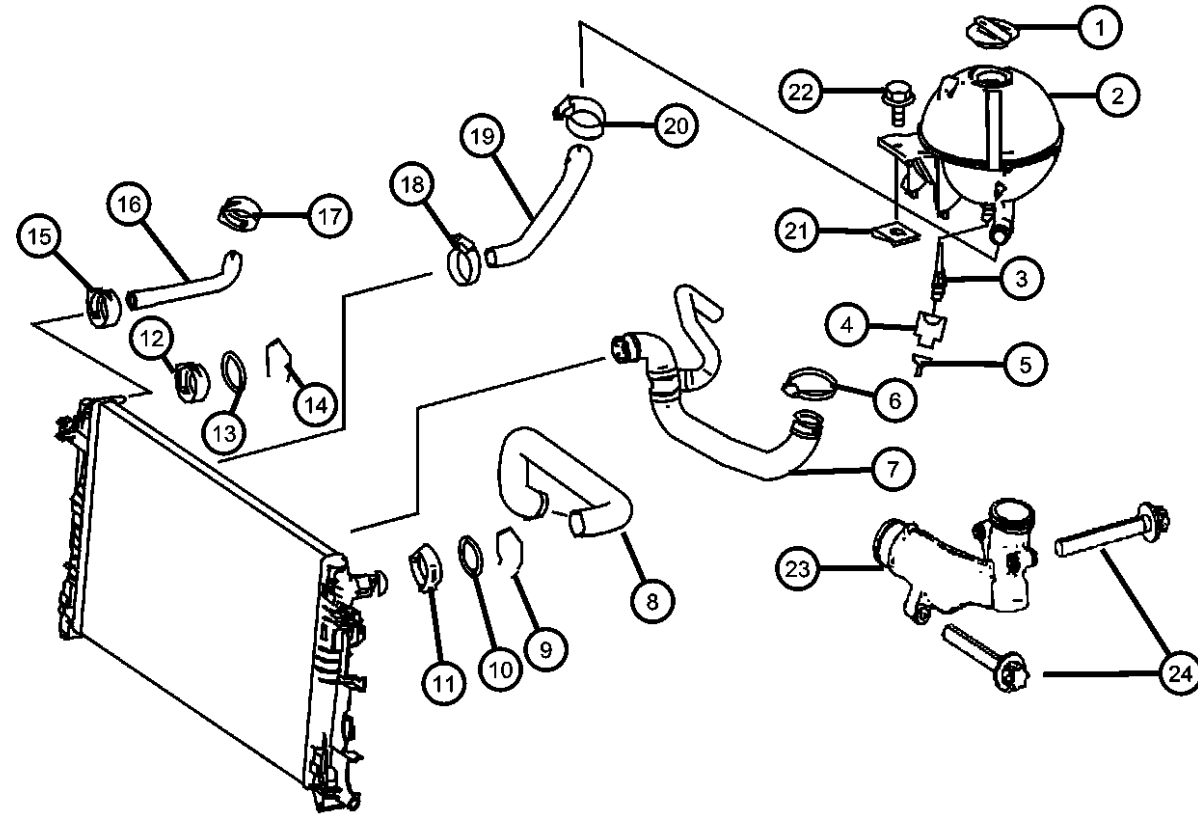
**SPRINTER (VB)**

SERIES	LINE	BODY	ENGINE	TRANSMISSION
L = LOWLINE	3 = HD DODGE 2WD 6 = Lt. Duty DODGE 4WD 2 = Med. Duty DODGE 2WD 7 = Med. Duty DODGE 4WD	17 = VAN WHEEL BASE 7 55 = WAGON WHEEL BASE 5 15 = VAN WHEEL BASE 5 53 = 119 WB 13 = 119 WB 05 = CAB CHASSIS WHEEL BASE 5 03 = CAB CHASSIS WHEEL BASE 3	EG2 = 3.5L V6 Gas Engine EXM = 3.0L V6 Turbo Diesel Engine	DGZ = 5-Speed Auto W5A380 Transmission

AR = use ase required - = Non illustrated part



**Coolant Recovery Bottle  
Figure 7-310**



ITEM	PART NUMBER	QTY	LINE	SERIES	BODY	ENGINE	TRANS	TRIM	DESCRIPTION
1	68004911AA	1	2, 3, 6, 7			EG2, EXM	DGZ		CAP, Coolant Recovery Bottle
2	68013656AA	1	2, 3, 6, 7			EG2	DGZ		BOTTLE, Coolant Recovery
3	68013657AA	1	2, 3, 6, 7			EG2, EXM	DGZ		SENSOR, Coolant Level
4	05120273AA	1	2, 3, 6, 7			EG2, EXM	DGZ		HOUSING, Coolant Level 2-PIN,S41
5	05103874AA	1	2, 3, 6, 7			EG2, EXM	DGZ		TERMINAL
6	06105105AA	1	2, 6			EG2, EXM	DGZ		CLAMP, HOSE CLAMP, Cooling Water Hose to Water Pump
7	68013647AA	1	2, 3, 6, 7			EG2	DGZ		HOSE, RadiatorLower
8	68013639AA	1	2, 3, 6, 7			EG2	DGZ		HOSE, RadiatorUpper
9	68013641AA	1	2, 3, 6, 7			EG2	DGZ		SPRING, 27,43MM
10	68013640AA	1	2, 3, 6, 7			EG2	DGZ		SEAL, 36,3MM
11	68013642AA	1	2, 3, 6, 7			EG2, EXM	DGZ		CLAMP, Hose to Radiator
12	06104813AA	1	2, 3, 6, 7			EG2	DGZ		CLAMP, HOSE CLAMP, Heating By Cooling Water 32/12MM
13	68013648AA	1	2, 3, 6, 7			EG2	DGZ		SEAL
14									CLIP, CLIP-SPRING
	05175821AA	1	3, 7			EG2	DGZ		
		1	2, 6			EG2	DGZ		
15	68004905AA	1	2, 3, 6, 7			EG2, EXM	DGZ		CLAMP, Filling Hose to Radiator
16									HOSE, Coolant
	68013650AA	1	3, 7			EG2, EXM	DGZ		Cooling-Water-Line Breathing
		1	2, 3, 6, 7			EG2, EXM	DGZ		Cooling-Water-Line Breathing
17									CLAMP, HOSE CLAMP
	06104813AA	1	2, 3, 6, 7			EG2	DGZ		Filling Hose to Expansion Tank 32/12MM
		1	2, 6			EG2	DGZ		Filling Hose to Expansion Tank 32/12MM
18	05133494AA	1	2, 3, 6, 7			EG2	DGZ		CLAMP, Radiator De-Aeration Hose 14-24/8.3MM
19	68004902AA	1	2, 3, 6, 7			EG2, EXM	DGZ		HOSE, Coolant, Heating Hose to Radiator Breathing Hose
20	68004902AA	1							CLAMP, (NOT SERVICED)
21									CLIP
	06104748AA	1	3, 7			EG2, EXM	DGZ		Reservoir to Support
		1	2, 3, 6, 7			EG2, EXM	DGZ		Reservoir to Support

**SPRINTER (VB)**

**SERIES**

L = LOWLINE

**LINE**

3 = HD DODGE 2WD  
6 = Lt. Duty DODGE 4WD  
2 = Med. Duty DODGE 2WD  
7 = Med. Duty DODGE 4WD

**BODY**

17 = VAN WHEEL BASE 7  
55 = WAGON WHEEL BASE 5  
15 = VAN WHEEL BASE 5  
53 = 119 WB  
13 = 119 WB  
05 = CAB CHASSIS WHEEL BASE 5  
03 = CAB CHASSIS WHEEL BASE 3

**ENGINE**

EG2 = 3.5L V6 Gas Engine  
EXM = 3.0L V6 Turbo Diesel Engine

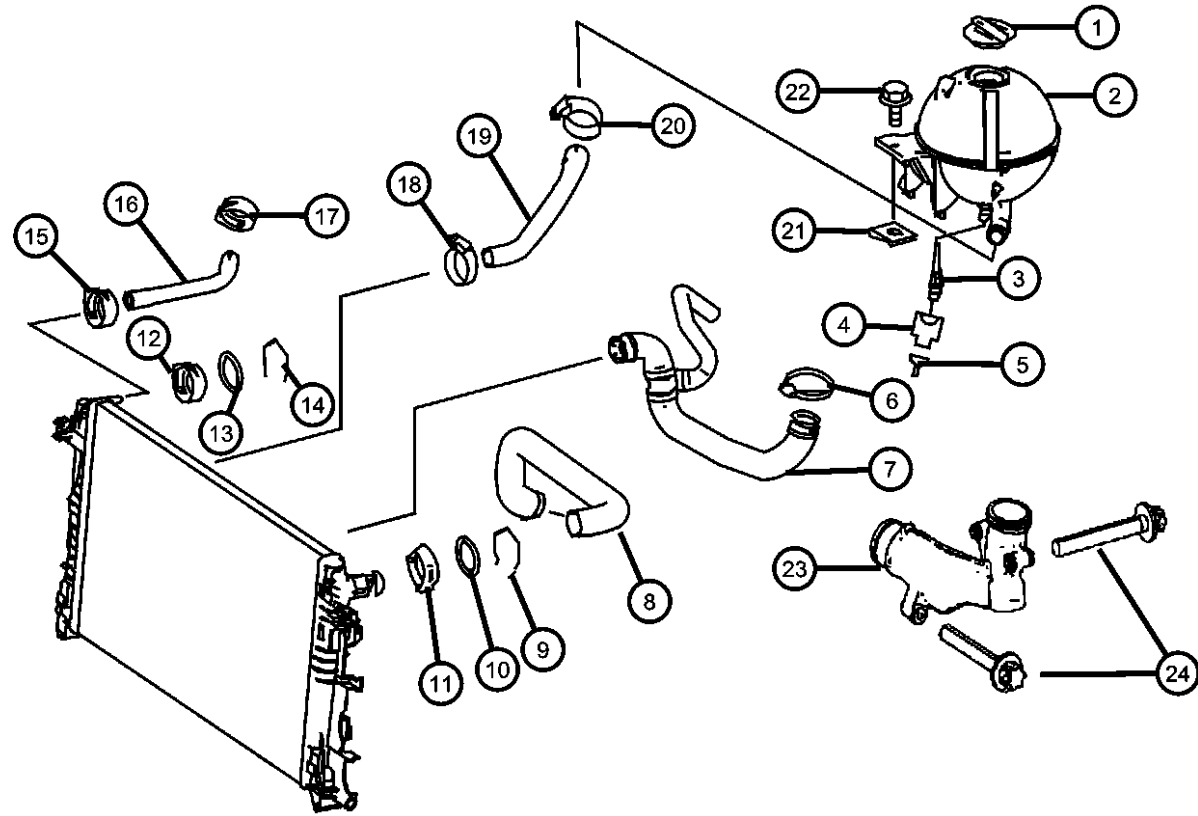
**TRANSMISSION**

DGZ = 5-Speed Auto W5A380 Transmission

AR = use ase required - = Non illustrated part

**Coolant Recovery Bottle**  
Figure 7-310

ITEM	PART NUMBER	QTY	LINE	SERIES	BODY	ENGINE	TRANS	TRIM	DESCRIPTION
22	05161856AB	2	2, 3, 6, 7			EG2, EXM	DGZ		SCREW
23	68012406AA	1	2, 3, 6, 7			EG2	DGZ		MANIFOLD, Water Elbow
24	06104687AA	2	3, 7			EG2	DGZ		SCREW [M6x43]
		2	2, 6			EG2	DGZ		[M6x43]

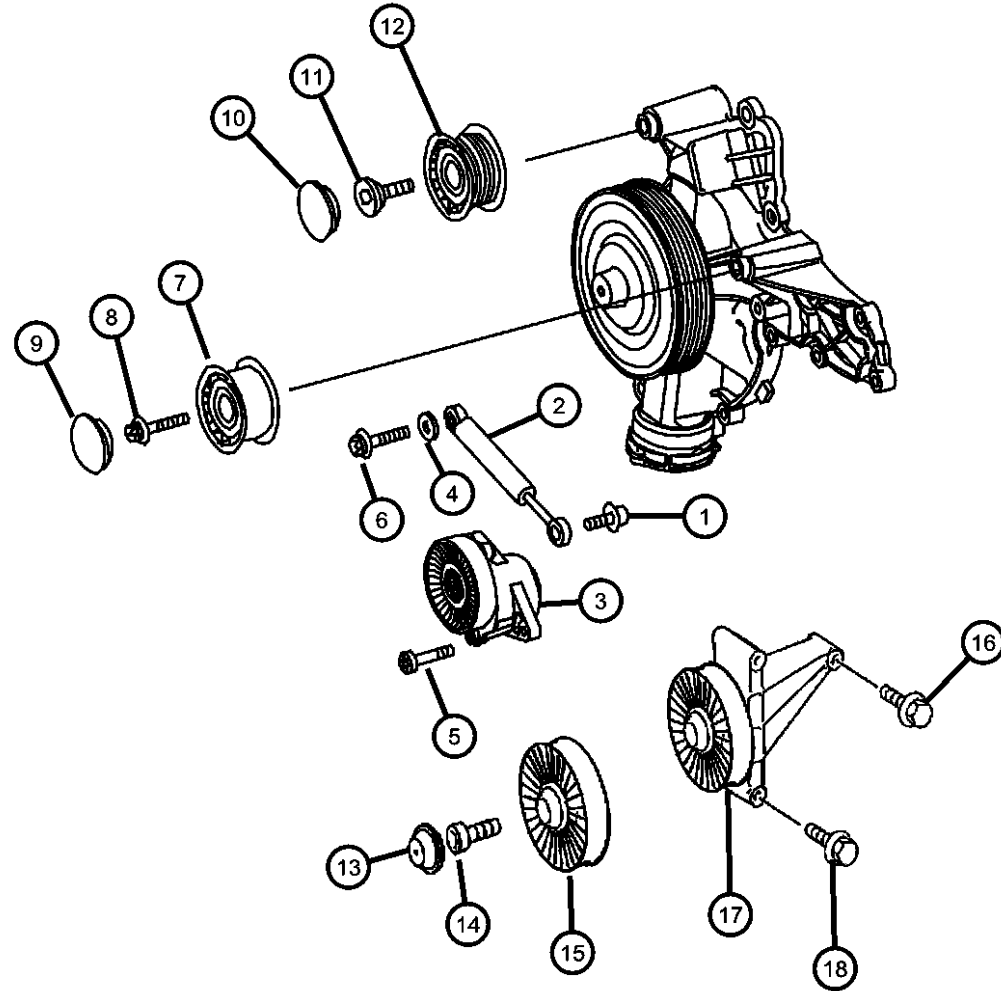


**SPRINTER (VB)**

SERIES	LINE	BODY	ENGINE	TRANSMISSION
L = LOWLINE	3 = HD DODGE 2WD	17 = VAN WHEEL BASE 7	EG2 = 3.5L V6 Gas Engine	DGZ = 5-Speed Auto W5A380 Transmission
	6 = Lt. Duty DODGE 4WD	55 = WAGON WHEEL BASE 5	EXM = 3.0L V6 Turbo Diesel Engine	
	2 = Med. Duty DODGE 2WD	15 = VAN WHEEL BASE 5		
	7 = Med. Duty DODGE 4WD	53 = 119 WB		
		13 = 119 WB		
		05 = CAB CHASSIS WHEEL BASE 5		
		03 = CAB CHASSIS WHEEL BASE 3		

AR = use ase required - = Non illustrated part

Pulleys and Related Parts Gas  
Figure 7-405



ITEM	PART NUMBER	QTY	LINE	SERIES	BODY	ENGINE	TRANS	TRIM	DESCRIPTION
1	05097832AA	1	2, 3, 6, 7			EG2	DGZ		BOLT, Torx
2	68020887AA	1	2, 3, 6, 7			EG2	DGZ		ABSORBER, Shock, To Belt Tensioner & Water Pump
3	04862624AA	1	2, 3, 6, 7			EG2	DGZ		TENSIONER, Belt
4									WASHER, Flat
	05098108AA	4	3, 7			EG2, EXM	DGZ		Shock Absorber on Water Pump
		4	2, 3, 6, 7			EG2, EXM	DGZ		Shock Absorber on Water Pump
5	05073680AA	1	2, 3, 6, 7			EG2	DGZ		SCREW, Belt Tightener to Timing Case
6	06104697AA	2	2, 3, 6, 7			EG2	DGZ		BOLT, Shock Absorber on Water Pump M8x34
7	68020889AA	1	2, 3, 6, 7			EG2	DGZ		PULLEY, Tensioner
8	04862626AA	1	2, 3, 6, 7			EG2	DGZ		SCREW, Sheave Pulley at Water Pump
9	05080250AA	1	2, 3, 6, 7			EG2	DGZ		CAP, CAP
10	05080250AA	1	2, 3, 6, 7			EG2	DGZ		CAP, CAP
11	05073717AA	1	2, 3, 6, 7			EG2	DGZ		SCREW
12	68023936AA	1	2, 3, 6, 7			EG2	DGZ		PULLEY, Tensioner
13	05125553AA	1	2, 3, 6, 7			EG2	DGZ		CAP, Screw Cover
14	05126143AA	1	2, 3, 6, 7			EG2	DGZ		SCREW, [M10x50 - 10.9]
15	05117690AA	1	2, 3, 6, 7			EG2	DGZ		PULLEY, Tensioner
16	06104035AA	3	2, 3, 6, 7			EG2	DGZ		BOLT, Hex Flange Head, M8X1.25X90.00
17	05117673AA	1	2, 3, 6, 7			EG2	DGZ		PULLEY, Tensioner
18	06104031AA	1	2, 3, 6, 7			EG2	DGZ		SCREW

**SPRINTER (VB)**

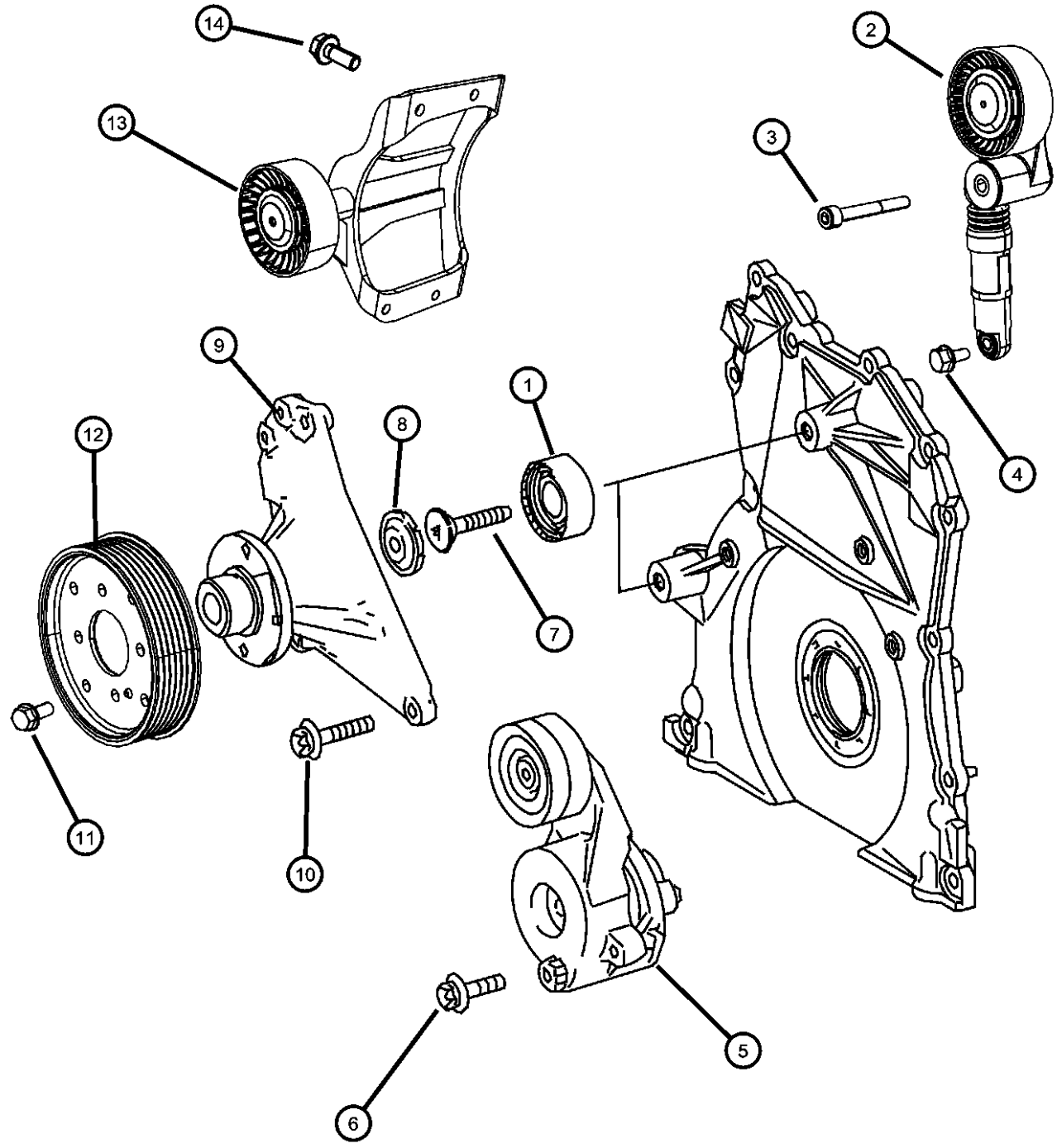
SERIES LINE  
L = LOWLINE 3 = HD DODGE 2WD  
6 = Lt. Duty DODGE 4WD  
2 = Med. Duty DODGE 2WD  
7 = Med. Duty DODGE 4WD

BODY ENGINE TRANSMISSION  
17 = VAN WHEEL BASE 7 EG2 = 3.5L V6 Gas Engine DGZ = 5-Speed Auto W5A380  
55 = WAGON WHEEL BASE 5 EXM = 3.0L V6 Turbo Diesel Transmission  
15 = VAN WHEEL BASE 5 Engine  
53 = 119 WB  
13 = 119 WB  
05 = CAB CHASSIS WHEEL BASE 5  
03 = CAB CHASSIS WHEEL BASE 3

AR = use ase required - = Non illustrated part

2008 VB

Pulley and Related Parts Diesel  
Figure 7-410



ITEM	PART NUMBER	QTY	LINE	SERIES	BODY	ENGINE	TRANS	TRIM	DESCRIPTION
1	05175589AB	2	2, 3, 6, 7			EXM	DGZ		PULLEY, Idler
2	68021256AA	1	2, 3, 6, 7			EXM	DGZ		PULLEY, Tensioner
3	68012417AA	1	2, 3, 6, 7			EXM	DGZ		SCREW
4	05126229AA	1	2, 3, 6, 7			EXM	DGZ		SCREW
5	05175588AA	1	2, 3, 6, 7			EXM	DGZ		TENSIONER, Belt
6	06104226AA	2	2, 3, 6, 7		EG2, EXM		DGZ		BOLT, Hex Flange Head, M10X1.50X90.00
7	05073902AA	2	2, 3, 6, 7			EXM	DGZ		BOLT
8	05080250AA	2	2, 3, 6, 7			EXM	DGZ		CAP, CAP
9	68014055AA	1	2, 3, 6, 7			EXM	DGZ		BRACKET
10	06104684AA	1	2, 3, 6, 7			EXM	DGZ		BOLT, [M6x28]
11	05183964AA	4	2, 3, 6, 7			EXM	DGZ		BOLT, Hex Flange Head, M6x1.00x10.90
12	68012421AA	1	2, 3, 6, 7			EXM	DGZ		PULLEY, Tensioner
13	68012463AA	1	2, 3, 6, 7			EXM	DGZ		PULLEY
14	68012459AA	4	2, 3, 6, 7			EXM	DGZ		BOLT

**SPRINTER (VB)**

SERIES LINE  
 L = LOWLINE 3 = HD DODGE 2WD  
 6 = Lt. Duty DODGE 4WD  
 2 = Med. Duty DODGE 2WD  
 7 = Med. Duty DODGE 4WD

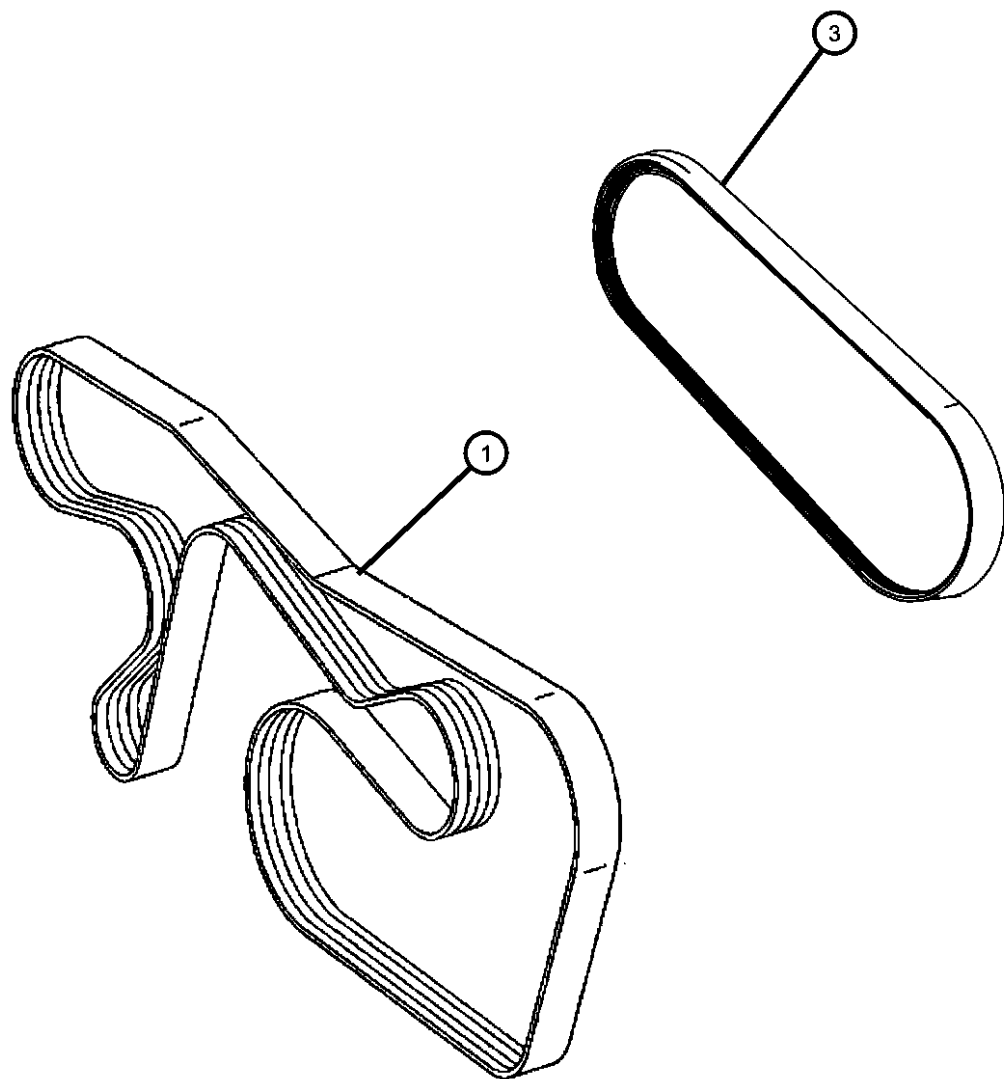
BODY ENGINE TRANSMISSION  
 17 = VAN WHEEL BASE 7 EG2 = 3.5L V6 Gas Engine DGZ = 5-Speed Auto W5A380  
 55 = WAGON WHEEL BASE 5 EXM = 3.0L V6 Turbo Diesel Transmission  
 15 = VAN WHEEL BASE 5 Engine  
 53 = 119 WB  
 13 = 119 WB  
 05 = CAB CHASSIS WHEEL BASE 5  
 03 = CAB CHASSIS WHEEL BASE 3

AR = use ase required - = Non illustrated part

2008 VB

**Belts, Serpentine and V-Belts  
Figure 7-505**

ITEM	PART NUMBER	QTY	LINE	SERIES	BODY	ENGINE	TRANS	TRIM	DESCRIPTION
1	68012426AA	1	2, 3, 6, 7			EXM	DGZ		BELT, Accessory Drive With [HBD]
	68012429AA	1	2, 3, 6, 7			EG2	DGZ		With [HAB]
	68012436AA	1	2, 6			EG2	DGZ		With [HBD]
-2	04891587AA	1	2, 3, 6, 7			EXM	DGZ		BELT, Serpentine, With [HAB]
3	68012438AA	1	2, 3, 6, 7			EXM	DGZ		BELT, Accessory Drive, Dummy Belt



**SPRINTER (VB)**

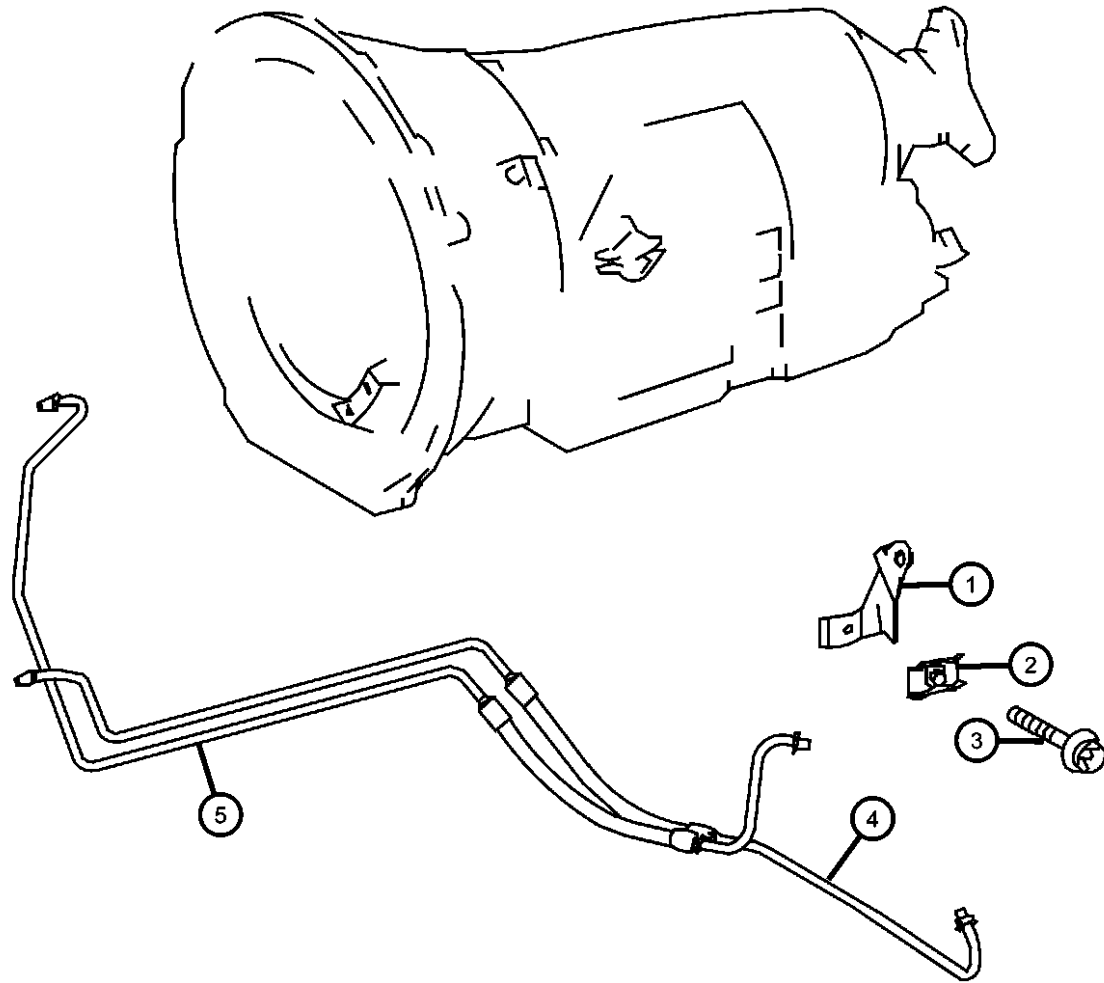
SERIES	LINE	BODY	ENGINE	TRANSMISSION
L = LOWLINE	3 = HD DODGE 2WD 6 = Lt. Duty DODGE 4WD 2 = Med. Duty DODGE 2WD 7 = Med. Duty DODGE 4WD	17 = VAN WHEEL BASE 7 55 = WAGON WHEEL BASE 5 15 = VAN WHEEL BASE 5 53 = 119 WB 13 = 119 WB 05 = CAB CHASSIS WHEEL BASE 5 03 = CAB CHASSIS WHEEL BASE 3	EG2 = 3.5L V6 Gas Engine EXM = 3.0L V6 Turbo Diesel Engine	DGZ = 5-Speed Auto W5A380 Transmission

AR = use ase required - = Non illustrated part

2008 VB

**Transmission Oil Cooler and Lines**  
**Figure 7-605**

ITEM	PART NUMBER	QTY	LINE	SERIES	BODY	ENGINE	TRANS	TRIM	DESCRIPTION
1	68004975AA	1	2, 3, 6, 7			EG2, EXM	DGZ		BRACKET
2	05137249AA	1	2, 3, 6, 7			EG2, EXM	DGZ		CLAMP, Lines to Bracket
3									SCREW
	06104681AA	1	2, 3, 6, 7			EG2	DGZ		M6x15
		1	2, 3, 6, 7			EXM	DGZ		M6x15
4	68006215AA	1	2, 3, 6, 7			EG2, EXM	DGZ		TUBE AND HOSE, Oil Cooler, Feed
5	68006237AA	1	2, 3, 6, 7			EG2, EXM	DGZ		TUBE AND HOSE, Oil CoolerReturn



**SPRINTER (VB)**

SERIES	LINE	BODY	ENGINE	TRANSMISSION
L = LOWLINE	3 = HD DODGE 2WD 6 = Lt. Duty DODGE 4WD 2 = Med. Duty DODGE 2WD 7 = Med. Duty DODGE 4WD	17 = VAN WHEEL BASE 7 55 = WAGON WHEEL BASE 5 15 = VAN WHEEL BASE 5 53 = 119 WB 13 = 119 WB 05 = CAB CHASSIS WHEEL BASE 5 03 = CAB CHASSIS WHEEL BASE 3	EG2 = 3.5L V6 Gas Engine EXM = 3.0L V6 Turbo Diesel Engine	DGZ = 5-Speed Auto W5A380 Transmission

AR = use ase required - = Non illustrated part

# Group - 8

## Electrical

<b>008-200</b> Generators / Alternators	<b>008-2000</b> Instrument Panel	<b>008-2100</b> Instrument Panel Cluster	<b>008-2200</b> Radio, Antenna, Speakers, DVD, and Video systems
<b>008-2500</b> Telecommunication	<b>008-2600</b> Park Assist	<b>008-400</b> Modules and Engine Controllers	<b>008-500</b> Power Distribution Center, Fuse Block, Junction Block, Relays and Fuses
<b>008-600</b> Sensors	<b>008-800</b> Switches	<b>008-900</b> Horns	

<b>008-100</b> Starters	<b>008-1000</b> Battery, Battery Tray and Cables	<b>008-1100</b> Lamps-Interior and Exterior	<b>008-1300</b> Wiring-Headlamp to Dash
<b>008-1400</b> Wiring-Instrument Panel	<b>008-1500</b> Wiring-Body and Accessories	<b>008-1600</b> Wiring and Repair	<b>008-1900</b> Ignition - Spark Plugs, Cables, Coils, and Glow Plugs

## Group - 8 Electrical

Illustration Title	Group-Fig. No.
<b>Starters</b>	
Starter and Related Parts.....	Fig. 8 - 105
<b>Generators / Alternators</b>	
Generator/Alternator and Related Parts.....	Fig. 8 - 205
<b>Modules and Engine Controllers</b>	
Modules Engine Compartment.....	Fig. 8 - 405
Modules Engine Compartment.....	Fig. 8 - 406
Modules Body.....	Fig. 8 - 407
Modules Body.....	Fig. 8 - 408
Modules Body.....	Fig. 8 - 409
Modules Body.....	Fig. 8 - 410
Modules Body.....	Fig. 8 - 420
Modules Body.....	Fig. 8 - 425
<b>Power Distribution Center, Fuse Block, Junction Block, Relays and Fuses</b>	
Fuse Block Fuses and Relays.....	Fig. 8 - 510
<b>Sensors</b>	
Sensors, Gas Engine.....	Fig. 8 - 605
Sensors Diesel Engine.....	Fig. 8 - 610
Sensors Brakes.....	Fig. 8 - 625
Sensor Body.....	Fig. 8 - 635
Sensors Temperature.....	Fig. 8 - 645
<b>Switches</b>	
Switches Instrument Panel.....	Fig. 8 - 805
Switches Instrument Panel.....	Fig. 8 - 806
Switches Doors, Decklid, and Liftgate.....	Fig. 8 - 815
Switches Steering Column and Wheel.....	Fig. 8 - 830
<b>Horns</b>	
Horns.....	Fig. 8 - 905
Audible Reverse Signal Horn.....	Fig. 8 - 906
Siren Alarm System.....	Fig. 8 - 910
<b>Battery, Battery Tray and Cables</b>	
Battery Tray and Support.....	Fig. 8 - 1005
Auxiliary Battery Tray, Battery Cable & Contactor.....	Fig. 8 - 1010
<b>Lamps-Interior and Exterior</b>	
Lamps Front.....	Fig. 8 - 1105
Lamps Rear.....	Fig. 8 - 1109
Lamps Rear.....	Fig. 8 - 1111
Lamps, Interior.....	Fig. 8 - 1115
Clearance Roof Lamps.....	Fig. 8 - 1120
<b>Wiring-Headlamp to Dash</b>	
Headlamp To Dash / Body Harness.....	Fig. 8 - 1302
<b>Wiring-Instrument Panel</b>	
Wiring Instrument Panel.....	Fig. 8 - 1405
Wiring Instrument Panel.....	Fig. 8 - 1410
<b>Wiring-Body and Accessories</b>	
Wiring Body.....	Fig. 8 - 1505
Wiring Body.....	Fig. 8 - 1506
Wiring Body.....	Fig. 8 - 1507
Wiring Body.....	Fig. 8 - 1508
Wiring Door, Deck Lid, and Liftgate.....	Fig. 8 - 1515
Wiring Door, Deck Lid, and Liftgate.....	Fig. 8 - 1516
Wiring Body.....	Fig. 8 - 1517
Wiring Body.....	Fig. 8 - 1518
<b>Wiring and Repair</b>	
Wiring Harness Tie Straps & Related Parts.....	Fig. 8 - 1610
<b>Ignition - Spark Plugs, Cables, Coils, and Glow Plugs</b>	
Ignition System.....	Fig. 8 - 1905
<b>Instrument Panel</b>	
Instrument Panel And Structure.....	Fig. 8 - 2005
Instrument Panel.....	Fig. 8 - 2006
Instrument Panel.....	Fig. 8 - 2007
Instrument Panel.....	Fig. 8 - 2010
<b>Instrument Panel Cluster</b>	
Instrument Panel Cluster.....	Fig. 8 - 2105
<b>Radio, Antenna, Speakers, DVD, and Video systems</b>	
Radio.....	Fig. 8 - 2205
Antenna.....	Fig. 8 - 2210
Speakers.....	Fig. 8 - 2220
<b>Telecommunication</b>	
Carphone / Telecommunication.....	Fig. 8 - 2505
<b>Park Assist</b>	
Park Assist.....	Fig. 8 - 2605
Park Assist.....	Fig. 8 - 2610

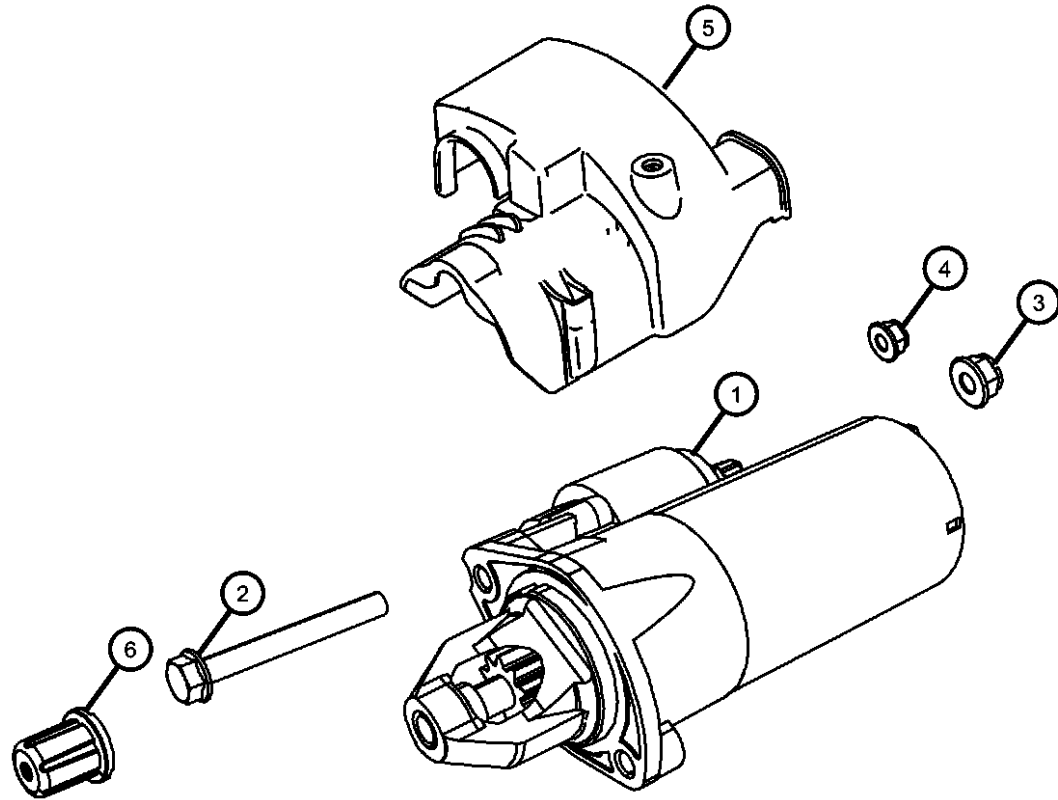


**Starter and Related Parts  
Figure 8-105**

ITEM	PART NUMBER	QTY	LINE	SERIES	BODY	ENGINE	TRANS	TRIM	DESCRIPTION
------	-------------	-----	------	--------	------	--------	-------	------	-------------

Note:  
Sales Codes:

1									STARTER, Engine
	68011829AB	1	2, 3, 6, 7	L		EG2	DGZ		[Bosch] Brand
	68012448AB	1	2, 3, 6, 7	L		EXM	DGZ		[Bosch] Brand
2	06104226AA	2	2, 3, 6, 7	L		EG2, EXM	DGZ		BOLT, Hex Flange Head, M10X1.50X90.00, Starter To Engine Block
3	05097674AA	1	2, 3, 6, 7	L	13, 15, 17, 53, 55	EG2, EXM	DGZ		NUT, Hex, Wiring Harness To Starter / Circuit [50] [M6]
4									NUT, Hex Flange, M8x1.25
	06104709AA	2	3, 7	L	03, 05	EG2, EXM	DGZ		Wiring Harness To Starter / Circuit [30] [M8]
		2	2, 3, 6, 7	L	13, 15, 17, 53, 55	EG2, EXM	DGZ		Wiring Harness To Starter / Circuit [30] [M8]
5	68012494AA	1	2, 3, 6, 7	L		EXM	DGZ		COVER, Starter, Wiring Harness To Starter / [Circuit [30/50]
6									CAP, Protective
	05099209AB	1	3, 7	L	03, 05	EG2, EXM	DGZ		Wiring Harness To Starter / Circuit [30]
		1	2, 6	L	13, 15, 17, 53, 55	EG2, EXM	DGZ		Wiring Harness To Starter / Circuit [30]



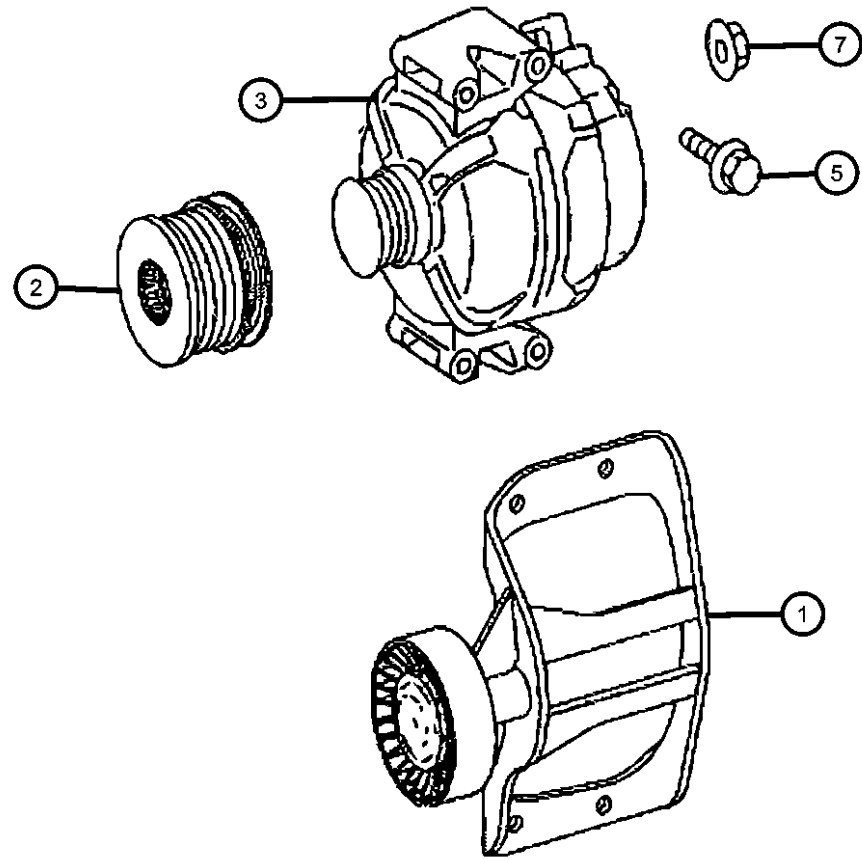
**SPRINTER (VB)**

SERIES	LINE	BODY	ENGINE	TRANSMISSION
L = LOWLINE	3 = HD DODGE 2WD 6 = Lt. Duty DODGE 4WD 2 = Med. Duty DODGE 2WD 7 = Med. Duty DODGE 4WD	17 = VAN WHEEL BASE 7 55 = WAGON WHEEL BASE 5 15 = VAN WHEEL BASE 5 53 = 119 WB 13 = 119 WB 05 = CAB CHASSIS WHEEL BASE 5 03 = CAB CHASSIS WHEEL BASE 3	EG2 = 3.5L V6 Gas Engine EXM = 3.0L V6 Turbo Diesel Engine	DGZ = 5-Speed Auto W5A380 Transmission

AR = use ase required - = Non illustrated part

2008 VB

**Generator/Alternator and Related Parts  
Figure 8-205**



ITEM	PART NUMBER	QTY	LINE	SERIES	BODY	ENGINE	TRANS	TRIM	DESCRIPTION
1	68012463AA	1	2, 3, 6, 7	L		EXM	DGZ		PULLEY
2	05175811AA	1	2, 3, 6, 7	L		EXM			PULLEY, Alternator
3	68011841AB	1	2, 3, 6, 7	L		EG2	DGZ		ALTERNATOR Bosch 14V/180A;14V/180A / With [BAD]
	68011843AA	1	2, 3, 6, 7	L		EG2	DGZ		Bosch 14V/220A With [BAJ]
	68022877AB	1	2, 3, 6, 7	L		EXM	DGZ		With [BAJ Or HBD]
-4	04801250AC	1	2, 3, 6, 7	L		EXM	DGZ		ALTERNATOR, Engine, Valeo 14V/180A;14V/180A
5	06104035AA	4	2, 3, 6, 7	L		EG2	DGZ		BOLT, Hex Flange Head, M8X1.25X90.00
-6	68012459AA	4	2, 3, 6, 7	L		EXM	DGZ		BOLT
7	06104709AA	1	2, 3, 6, 7	L	13, 15, 17, 53, 55	EXM, EG2	DGZ		NUT, Hex Flange, M8x1.25
		1	3, 7	L	03, 05	EG2, EXM	DGZ		

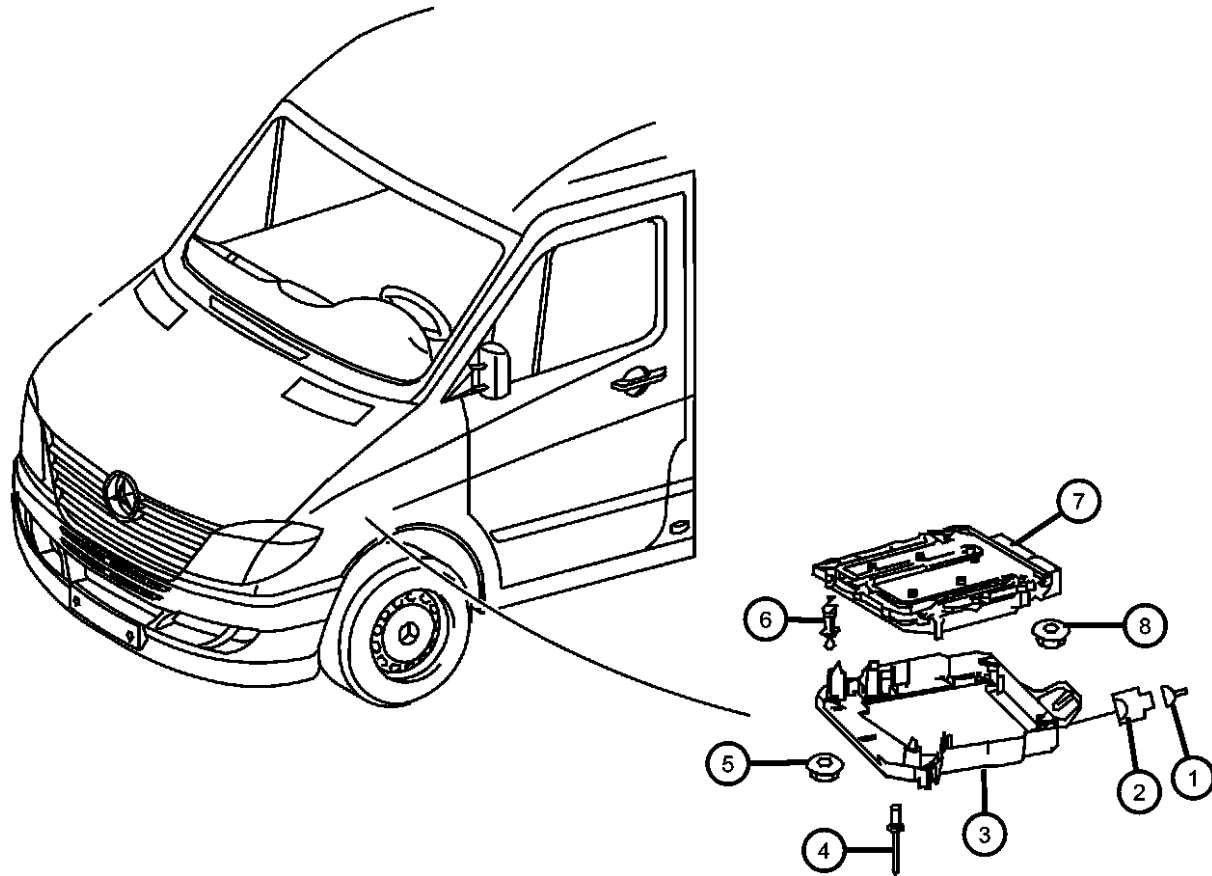
**SPRINTER (VB)**

SERIES	LINE	BODY	ENGINE	TRANSMISSION
L = LOWLINE	3 = HD DODGE 2WD 6 = Lt. Duty DODGE 4WD 2 = Med. Duty DODGE 2WD 7 = Med. Duty DODGE 4WD	17 = VAN WHEEL BASE 7 55 = WAGON WHEEL BASE 5 15 = VAN WHEEL BASE 5 53 = 119 WB 13 = 119 WB 05 = CAB CHASSIS WHEEL BASE 5 03 = CAB CHASSIS WHEEL BASE 3	EG2 = 3.5L V6 Gas Engine EXM = 3.0L V6 Turbo Diesel Engine	DGZ = 5-Speed Auto W5A380 Transmission

AR = use ase required - = Non illustrated part

**Modules Engine Compartment  
Figure 8-405**

ITEM	PART NUMBER	QTY	LINE	SERIES	BODY	ENGINE	TRANS	TRIM	DESCRIPTION
1									TERMINAL
	05103873AA	3	3, 7	L	03, 05	EG2, EXM	DGZ		
		3	2, 3, 6, 7	L	13, 15, 17, 53, 55	EG2, EXM	DGZ		
2	05120278AA	1	2, 3, 6, 7	L		EG2, EXM	DGZ		CONNECTOR
3	68013397AA	1	2, 3, 6, 7	L		EXM	DGZ		BRACKET, Engine Control Module
4	68013397AA	1							RIVET, (NOT SERVICED)
5									NUT
	68004878AA	1	2, 3, 6, 7	L	13, 15, 17, 53, 55	EG2, EXM	DGZ		Bracket to Body M6
		1	3, 7	L	03, 05	EXM	DGZ		Bracket to Body M6
6	68011848AA	2	2, 3, 6, 7	L		EG2	DGZ		RETAINER, Engine Control Module
7									MODULE, Powertrain Control
	68022860AA	1	2, 3, 6, 7	L		EG2			
	68028085AA	1	2, 3, 6, 7	L		EXM	DGZ		
8	68004878AA	4	2, 3, 6, 7	L	13, 15, 17, 53, 55	EG2, EXM	DGZ		NUT, Control Unit Fixture M6

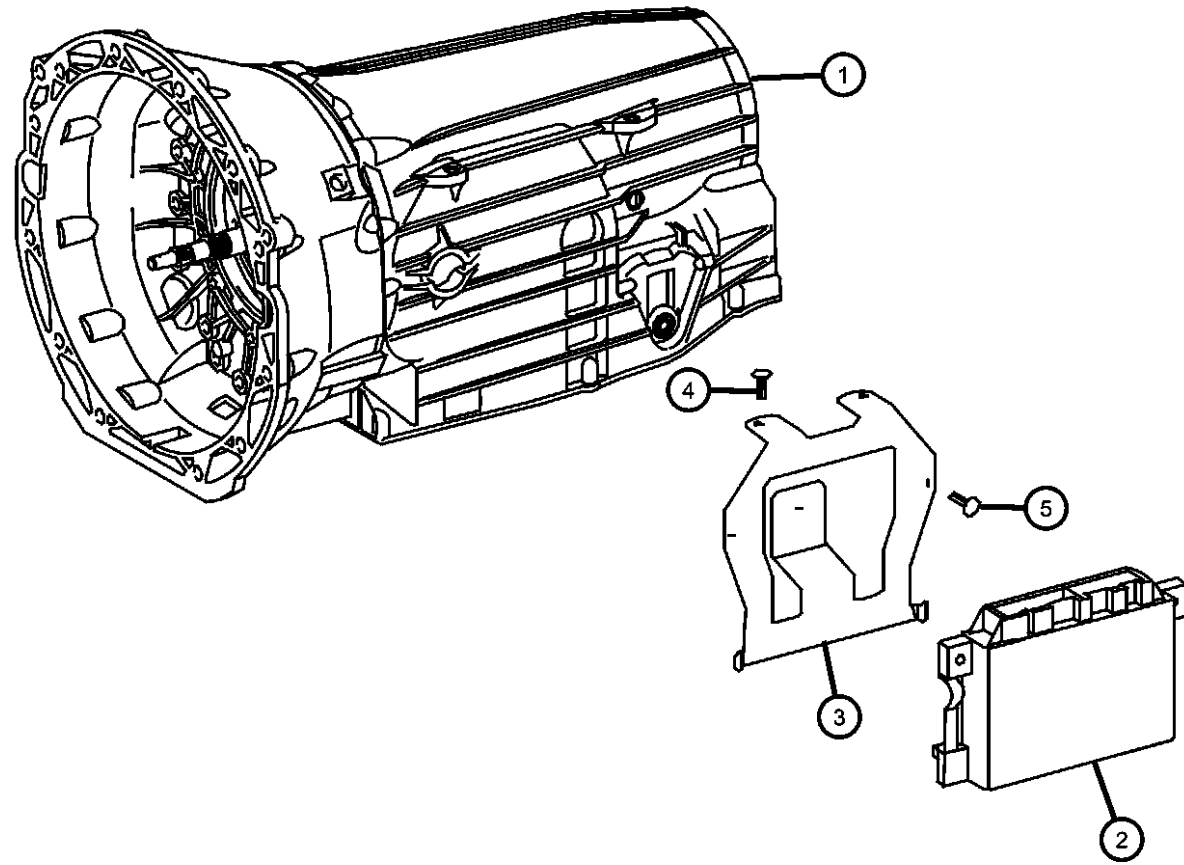


**SPRINTER (VB)**

<b>SERIES</b>	<b>LINE</b>	<b>BODY</b>	<b>ENGINE</b>	<b>TRANSMISSION</b>
L = LOWLINE	3 = HD DODGE 2WD 6 = Lt. Duty DODGE 4WD 2 = Med. Duty DODGE 2WD 7 = Med. Duty DODGE 4WD	17 = VAN WHEEL BASE 7 55 = WAGON WHEEL BASE 5 15 = VAN WHEEL BASE 5 53 = 119 WB 13 = 119 WB 05 = CAB CHASSIS WHEEL BASE 5 03 = CAB CHASSIS WHEEL BASE 3	EG2 = 3.5L V6 Gas Engine EXM = 3.0L V6 Turbo Diesel Engine	DGZ = 5-Speed Auto W5A380 Transmission

AR = use ase required - = Non illustrated part

**Modules Engine Compartment  
Figure 8-406**



ITEM	PART NUMBER	QTY	LINE	SERIES	BODY	ENGINE	TRANS	TRIM	DESCRIPTION
1	68004878AA	4							TRANSMISSION, See Transmission Section, (NOT SERVICED)
2	68035952AA	1	3, 7	L	03, 05	EG2, EXM	DGZ		MODULE, Transmission Control
		1	2, 3, 6, 7	L	13, 15, 17, 53, 55	EG2, EXM	DGZ		
3	68013402AA	1	2, 3, 6, 7	L		EG2, EXM	DGZ		BRACKET, Module
4									SCREW, Tapping
	06104566AA	3	3, 7	L	03, 05	EG2, EXM	DGZ		Bracket Mounting 4.2x13
		3	2, 3, 6, 7	L	13, 15, 17, 53, 55	EG2, EXM	DGZ		Bracket Mounting 4.2x13
5									SCREW
	06104567AA	2	3, 7	L	03, 05	EG2, EXM	DGZ		Control Unit to Bracket 4.2x16
		2	2, 3, 6, 7	L	13, 15, 17, 53, 55	EG2, EXM	DGZ		Control Unit to Bracket 4.2x16
-6									CONNECTOR
	05120838AA	1	2, 3, 6, 7	L		EG2, EXM	DGZ		[18 Pin N15/3]
	05120839AA	1	2, 3, 6, 7	L		EG2, EXM	DGZ		[12 Pin N15/3]
	68011208AA	1	2, 3, 6, 7	L		EG2, EXM	DGZ		[N15/3] COnnector At Transmission Control Unit

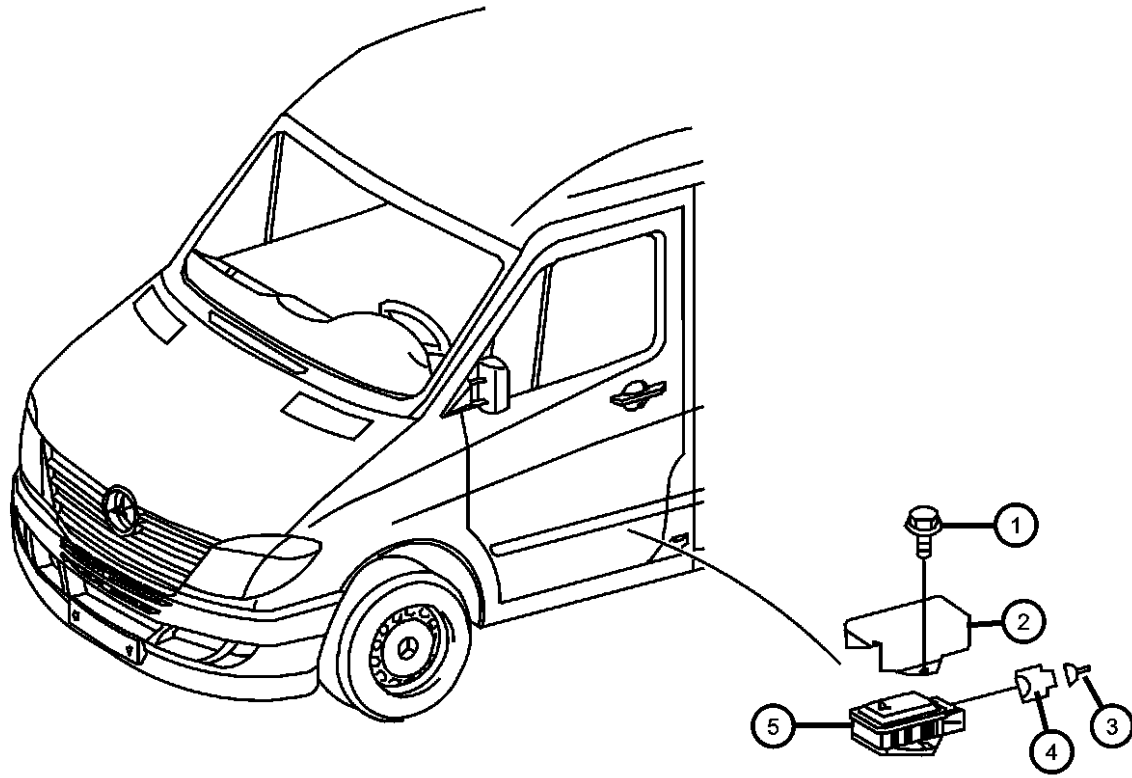
**SPRINTER (VB)**

SERIES	LINE	BODY	ENGINE	TRANSMISSION
L = LOWLINE	3 = HD DODGE 2WD 6 = Lt. Duty DODGE 4WD 2 = Med. Duty DODGE 2WD 7 = Med. Duty DODGE 4WD	17 = VAN WHEEL BASE 7 55 = WAGON WHEEL BASE 5 15 = VAN WHEEL BASE 5 53 = 119 WB 13 = 119 WB 05 = CAB CHASSIS WHEEL BASE 5 03 = CAB CHASSIS WHEEL BASE 3	EG2 = 3.5L V6 Gas Engine EXM = 3.0L V6 Turbo Diesel Engine	DGZ = 5-Speed Auto W5A380 Transmission

AR = use ase required - = Non illustrated part

Modules Body  
Figure 8-407

ITEM	PART NUMBER	QTY	LINE	SERIES	BODY	ENGINE	TRANS	TRIM	DESCRIPTION
1									SCREW, Pan Head, M6x1.00x16.00
	06104142AA	2	3, 7	L	03, 05	EG2, EXM	DGZ		
		2	2, 3, 6, 7	L	13, 15, 17, 53, 55	EG2, EXM	DGZ		
2	05129653AA	1	2, 3, 6, 7	L		EG2, EXM	DGZ		COVER, Fuseblock, Turn Rate Sensor
3									TERMINAL
	05103873AA	3	3, 7	L	03, 05	EG2, EXM	DGZ		0.75 MM2,MQS;B24/15
		3	2, 3, 6, 7	L	13, 15, 17, 53, 55	EG2, EXM	DGZ		0.75 MM2,MQS;B24/15
4	68011286AA	1	2, 3, 6, 7	L		EG2, EXM	DGZ		CONNECTOR, Turn Rate Sensor 4-PIN,B24/15
5	68013423AA	1	2, 3, 6, 7	L		EG2, EXM	DGZ		SENSOR, Yaw Rate, Turn Rate Sensor



SPRINTER (VB)

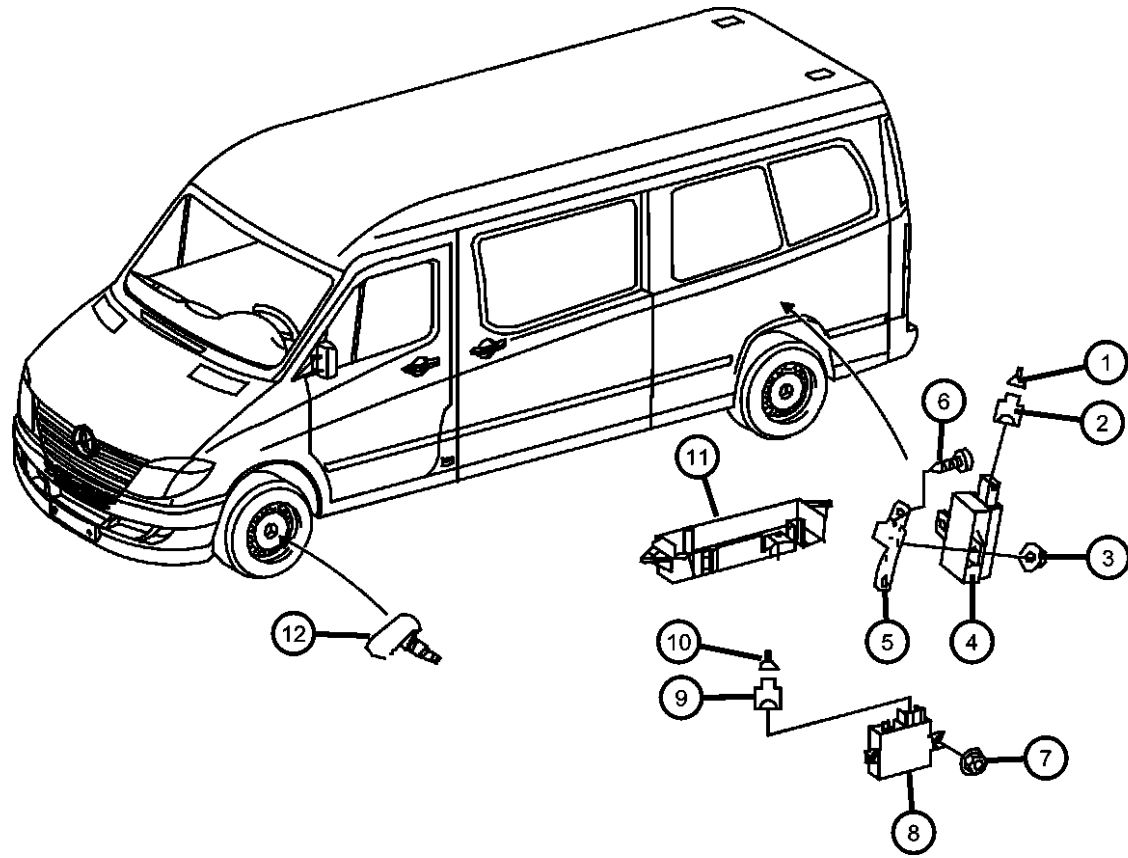
SERIES	LINE	BODY	ENGINE	TRANSMISSION
L = LOWLINE	3 = HD DODGE 2WD 6 = Lt. Duty DODGE 4WD 2 = Med. Duty DODGE 2WD 7 = Med. Duty DODGE 4WD	17 = VAN WHEEL BASE 7 55 = WAGON WHEEL BASE 5 15 = VAN WHEEL BASE 5 53 = 119 WB 13 = 119 WB 05 = CAB CHASSIS WHEEL BASE 5 03 = CAB CHASSIS WHEEL BASE 3	EG2 = 3.5L V6 Gas Engine EXM = 3.0L V6 Turbo Diesel Engine	DGZ = 5-Speed Auto W5A380 Transmission

AR = use ase required - = Non illustrated part

2008 VB

Modules Body  
Figure 8-408

ITEM	PART NUMBER	QTY	LINE	SERIES	BODY	ENGINE	TRANS	TRIM	DESCRIPTION
1	05103874AA	1	2, 3, 6, 7	L		EG2, EXM	DGZ		TERMINAL
2	68011286AA	1	2, 3, 6, 7	L		EG2, EXM	DGZ		CONNECTOR
3									NUT
	68004878AA	2	3, 7	L	03, 05	EG2, EXM	DGZ		Bracket to Floor M6
		2	2, 3, 6, 7	L	13, 15, 17, 53, 55	EG2, EXM	DGZ		Bracket to Floor M6
	68026696AA	2	2, 6	L	13, 15, 17, 53, 55	EG2, EXM	DGZ		Bracket To Floor
4	68013414AA	2	2, 6	L		EG2, EXM	DGZ		MODULE, Low Tire Pressure Warning
5	68013426AA	1	2, 6	L		EG2, EXM	DGZ		BRACKET, Antenna
6	06104566AA	2	2, 3, 6, 7	L		EG2, EXM	DGZ		SCREW, Tapping, Protective Cap to Bracket 4.2x13
7									NUT
	68004878AA	2	3, 7	L	03, 05	EXM	DGZ		Control Unit Fixture M6
		2	3, 7	L	13, 15, 17, 53, 55	EXM	DGZ		Control Unit Fixture M6
8	68019246AA	1	2, 6	L		EG2, EXM	DGZ		MODULE, Low Tire Pressure Warning
9	05103750AA	1	2, 3, 6, 7	L		EG2, EXM	DGZ		CONNECTOR, Tire Pressure Monitor Control Module 18-PIN;N88/1
10									TERMINAL
	05103873AA	3	3, 7	L	03, 05	EG2, EXM	DGZ		0.75 MM2 MQS;N88/1
		3	2, 3, 6, 7	L	13, 15, 17, 53, 55	EG2, EXM	DGZ		0.75 MM2 MQS;N88/1
11	68004810AA	1	2, 3, 6, 7	L		EG2, EXM	DGZ		COVER, Antenna
12	68006771AA	4	2, 6	L		EG2, EXM	DGZ		SENSOR, Tire Pressure, Valve stem



SPRINTER (VB)

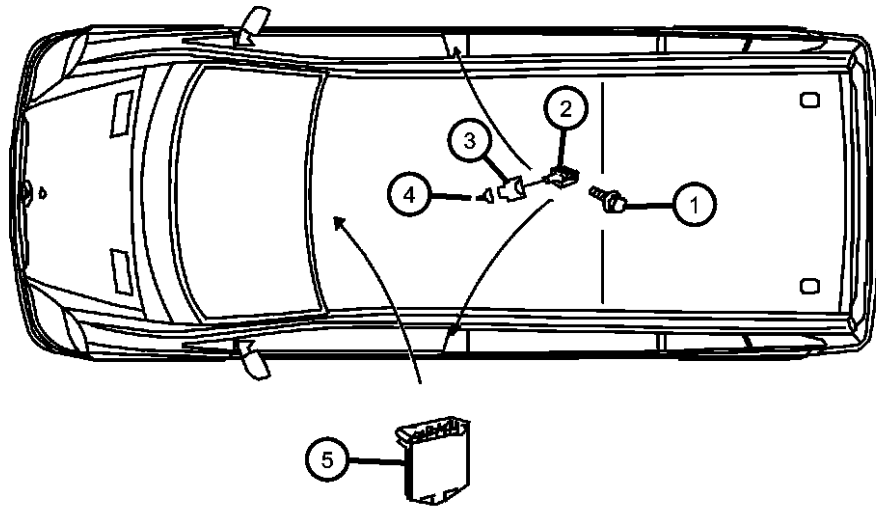
SERIES	LINE	BODY	ENGINE	TRANSMISSION
L = LOWLINE	3 = HD DODGE 2WD 6 = Lt. Duty DODGE 4WD 2 = Med. Duty DODGE 2WD 7 = Med. Duty DODGE 4WD	17 = VAN WHEEL BASE 7 55 = WAGON WHEEL BASE 5 15 = VAN WHEEL BASE 5 53 = 119 WB 13 = 119 WB 05 = CAB CHASSIS WHEEL BASE 5 03 = CAB CHASSIS WHEEL BASE 3	EG2 = 3.5L V6 Gas Engine EXM = 3.0L V6 Turbo Diesel Engine	DGZ = 5-Speed Auto W5A380 Transmission

AR = use ase required - = Non illustrated part

2008 VB

Modules Body  
Figure 8-409

ITEM	PART NUMBER	QTY	LINE	SERIES	BODY	ENGINE	TRANS	TRIM	DESCRIPTION
1									BOLT, Torx Head, M6x1.0x55.00
	06104188AA	2	3, 7	L	03, 05	EG2, EXM	DGZ		
		2	2, 3, 6, 7	L	13, 15, 17, 53, 55	EG2, EXM	DGZ		
2	68013424AA	2	2, 3, 6, 7	L		EG2, EXM	DGZ		SENSOR, Side Airbag Impact
3	68011282AA	2	2, 3, 6, 7	L		EG2, EXM	DGZ		CONNECTOR, Sensor Sidebag 2-PIN;A53,A54
4	05103874AA	1	2, 3, 6, 7	L		EG2, EXM	DGZ		TERMINAL, 0.75MM2,MQS,A53,A54
5	68023545AA	1	2, 3, 6, 7	L		EG2, EXM	DGZ		MODULE, Air Bag Control



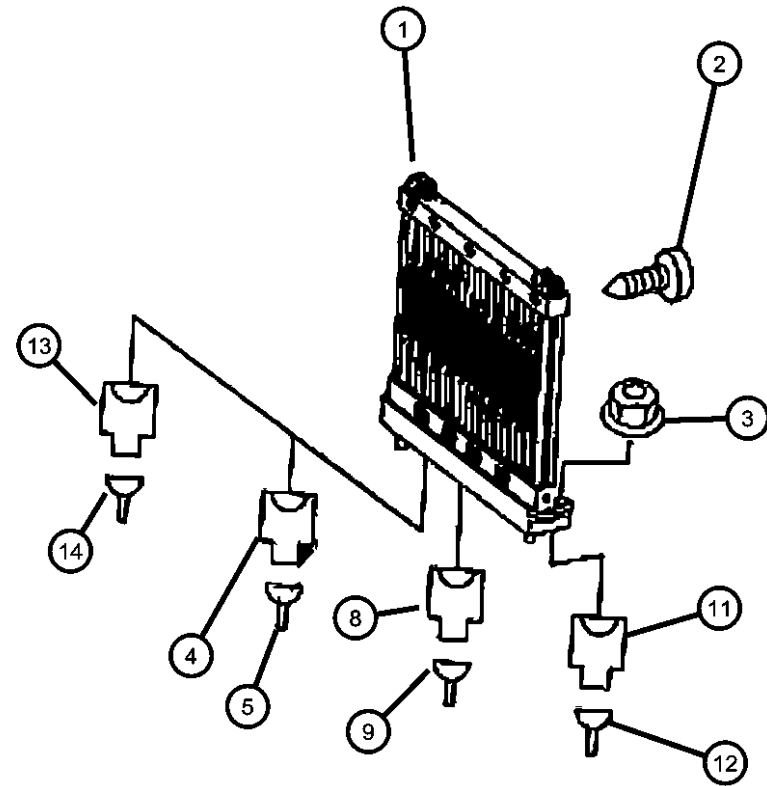
SPRINTER (VB)

SERIES	LINE	BODY	ENGINE	TRANSMISSION
L = LOWLINE	3 = HD DODGE 2WD 6 = Lt. Duty DODGE 4WD 2 = Med. Duty DODGE 2WD 7 = Med. Duty DODGE 4WD	17 = VAN WHEEL BASE 7 55 = WAGON WHEEL BASE 5 15 = VAN WHEEL BASE 5 53 = 119 WB 13 = 119 WB 05 = CAB CHASSIS WHEEL BASE 5 03 = CAB CHASSIS WHEEL BASE 3	EG2 = 3.5L V6 Gas Engine EXM = 3.0L V6 Turbo Diesel Engine	DGZ = 5-Speed Auto W5A380 Transmission

AR = use ase required - = Non illustrated part

2008 VB

Modules Body  
Figure 8-410



ITEM	PART NUMBER	QTY	LINE	SERIES	BODY	ENGINE	TRANS	TRIM	DESCRIPTION
1	68012665AA	1	2, 3, 6, 7	L		EG2, EXM	DGZ		HEATER, Electric Power Heater Control Module / With [HB9]
2	68012630AA	2	2, 3, 6, 7	L		EG2, EXM	DGZ		SCREW
3	06105169AA	2	2, 3, 6, 7	L		EG2, EXM	DGZ		NUT, Heater Module Mounting [M8]
4	05133296AA	1	2, 3, 6, 7	L		EG2, EXM	DGZ		CONNECTOR, [N33/2]
5									TERMINAL
	05103880AA	AR	2, 3, 6, 7	L		EG2, EXM	DGZ		[0.5 - 1.0 MM2 / JPT;N33/2]
	05133370AA	2	2, 3, 6, 7	L		EG2, EXM	DGZ		[1.5 - 2.5 MM2 JPT; N33/2]
-6									GASKET
	05103661AA	1	2, 3, 6, 7	L		EG2, EXM	DGZ		[0.5 - 1.0 MM; N33/2]
	05120833AA	2	2, 3, 6, 7	L		EG2, EXM	DGZ		[1.0 - 2.5 MM; N33/2]
-7	05120833AA	2	2, 3, 6, 7	L		EG2, EXM	DGZ		GASKET, [N33/2]
8	68011286AA	1	2, 3, 6, 7	L		EG2, EXM	DGZ		CONNECTOR, [4 Pin / N33/2]
9	05103874AA	1	2, 3, 6, 7	L		EG2, EXM	DGZ		TERMINAL, [.75 MM2, MQS; N33/2]
-10	05120860AA	1	2, 3, 6, 7	L		EG2, EXM	DGZ		GASKET, [1.6 - 1.9 MM2; N33/2]
11	05120277AA	1	2, 3, 6, 7	L		EG2, EXM	DGZ		CONNECTOR, Wiring Repair, Temperature Sensor / [2 Pin B10/6]]
12	05120860AA	1	2, 3, 6, 7	L		EG2, EXM	DGZ		GASKET, [1.6 - 1.9 MM2; B10/6]
13	68011231AA	1	2, 3, 6, 7	L		EG2, EXM	DGZ		CONNECTOR, [PTC] Heater Booster / 4 Pin N33/4
14	05103873AA	3	2, 3, 6, 7	L	13, 15, 17, 53, 55	EG2, EXM	DGZ		TERMINAL, [.75 MM2 MQS; N33/4]

SPRINTER (VB)

SERIES

L = LOWLINE

LINE

3 = HD DODGE 2WD  
6 = Lt. Duty DODGE 4WD  
2 = Med. Duty DODGE 2WD  
7 = Med. Duty DODGE 4WD

BODY

17 = VAN WHEEL BASE 7  
55 = WAGON WHEEL BASE 5  
15 = VAN WHEEL BASE 5  
53 = 119 WB  
13 = 119 WB  
05 = CAB CHASSIS WHEEL BASE 5  
03 = CAB CHASSIS WHEEL BASE 3

ENGINE

EG2 = 3.5L V6 Gas Engine  
EXM = 3.0L V6 Turbo Diesel Engine

TRANSMISSION

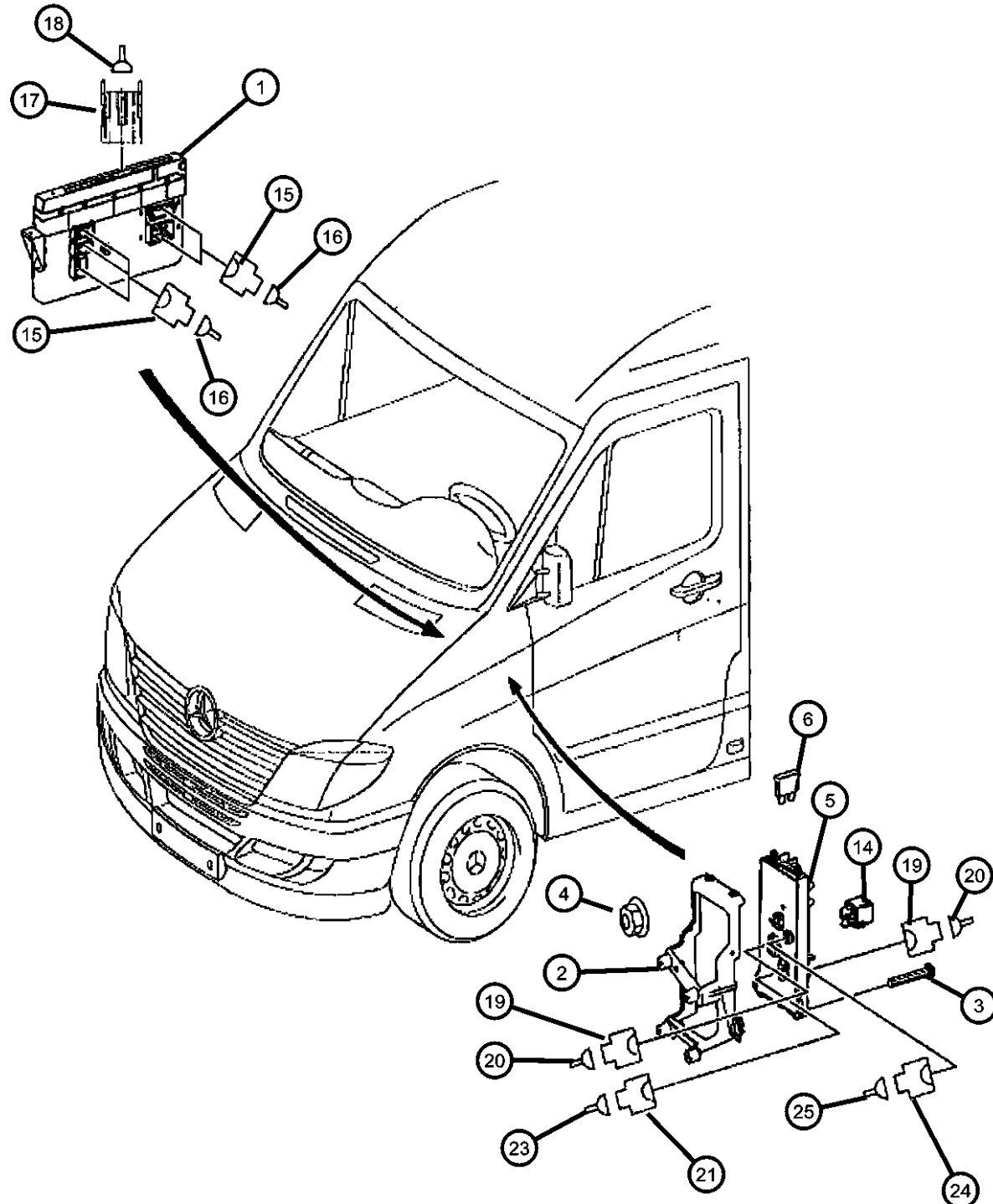
DGZ = 5-Speed Auto W5A380 Transmission

AR = use ase required - = Non illustrated part

2008 VB



Modules Body  
Figure 8-420



ITEM	PART NUMBER	QTY	LINE	SERIES	BODY	ENGINE	TRANS	TRIM	DESCRIPTION
1	68013368AA	1	2, 3, 6, 7	L		EG2, EXM	DGZ		MODULE, Body Controller
2	68013376AA	1	2, 3, 6, 7	L		EG2, EXM	DGZ		BRACKET, Central Electrical System
3	68013376AA	1							SCREW, (NOT SERVICED)
4									NUT
	68004878AA	4	3, 7	L	03, 05	EG2, EXM	DGZ		Mounting, Electrical Center [M6]
		4	2, 3, 6, 7	L	13, 15, 17, 53, 55	EG2, EXM	DGZ		Mounting, Electrical Center [M6]
5	68013375AA	1	2, 3, 6, 7	L		EG2, EXM	DGZ		BLOCK, Fuse
6									FUSE, Mini, 5 Amp, Tan
	05101465AA	99	3, 7	L	03, 05	EG2, EXM	DGZ		
		99	2, 3, 6, 7	L	13, 15, 17, 53, 55	EG2, EXM	DGZ		
-7									FUSE, Blade Type, 7.5 AMP
	05101466AA	99	3, 7	L	03, 05	EG2, EXM	DGZ		
		99	2, 3, 6, 7	L	13, 15, 17, 53, 55	EG2, EXM	DGZ		
-8									FUSE, Standard, 10 AMP, Red
	05104643AA	99	3, 7	L	03, 05	EG2, EXM	DGZ		
		99	2, 3, 6, 7	L	13, 15, 17, 53, 55	EXM, EG2	DGZ		
-9									FUSE, Standard, 15 AMP, Light Blue
	05101467AA	99	3, 7	L	03, 05	EG2, EXM	DGZ		
		99	2, 3, 6, 7	L	13, 15, 17, 53, 55	EG2, EXM	DGZ		
-10									FUSE, Blade Type, 20 AMP, Yellow
	05101468AA	99	3, 7	L	03, 05	EG2, EXM	DGZ		
		99	2, 3, 6, 7	L	13, 15, 17, 53, 55	EG2, EXM	DGZ		
-11									FUSE
	05104644AA	99	3, 7	L	03, 05	EG2, EXM	DGZ		[25 Amps]
		99	2, 3, 6, 7	L	13, 15, 17, 53, 55	EG2, EXM	DGZ		[25 Amps]
-12									FUSE
	05101469AA	99	3, 7	L	03, 05	EG2, EXM	DGZ		[30 Amp]
		99	2, 3, 6, 7	L	13, 15, 17, 53, 55	EG2, EXM	DGZ		[30 Amp]

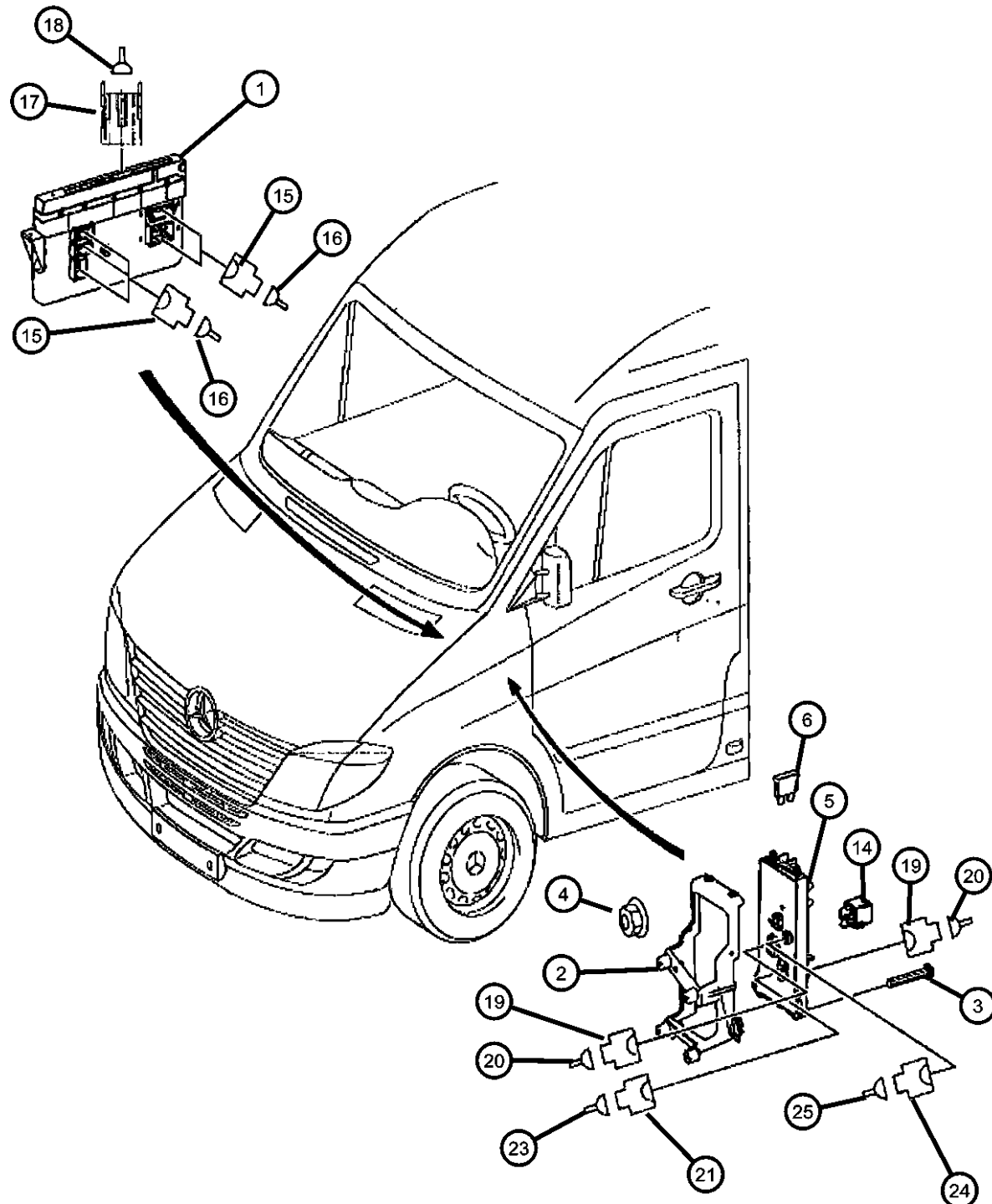
SPRINTER (VB)

SERIES	LINE	BODY	ENGINE	TRANSMISSION
L = LOWLINE	3 = HD DODGE 2WD 6 = Lt. Duty DODGE 4WD 2 = Med. Duty DODGE 2WD 7 = Med. Duty DODGE 4WD	17 = VAN WHEEL BASE 7 55 = WAGON WHEEL BASE 5 15 = VAN WHEEL BASE 5 53 = 119 WB 13 = 119 WB 05 = CAB CHASSIS WHEEL BASE 5 03 = CAB CHASSIS WHEEL BASE 3	EG2 = 3.5L V6 Gas Engine EXM = 3.0L V6 Turbo Diesel Engine	DGZ = 5-Speed Auto W5A380 Transmission

AR = use ase required - = Non illustrated part

2008 VB

Modules Body  
Figure 8-420



ITEM	PART NUMBER	QTY	LINE	SERIES	BODY	ENGINE	TRANS	TRIM	DESCRIPTION
-13	68005061AA	AR	2, 3, 6, 7	L		EG2, EXM	DGZ		TERMINAL, [25 Amp]
14									RELAY
	05101505AA	1	3, 7	L	03, 05	EG2, EXM	DGZ		Windshield Wiper [On / Off]
		1	3, 7	L	03, 05	EG2, EXM	DGZ		Starter Motor / Terminal [50]
		1	2, 3, 6, 7	L	13, 15, 17, 53, 55	EG2, EXM	DGZ		Starter Motor / Terminal [50]
		1	2, 3, 6, 7	L	13, 15, 17, 53, 55	EG2, EXM	DGZ		Windshield Wiper [On / Off]
		1	2, 3, 6, 7	L	13, 15, 17, 53, 55	EG2, EXM	DGZ		Windshield Wiper Stage [1 / 2]
		1	3, 7	L	03, 05	EG2, EXM	DGZ		Windshield Wiper Stage [1 / 2]
	05103560AA	1	2, 3, 6, 7	L	13, 15, 17, 53, 55	EG2, EXM	DGZ		Fuel Pump & Horn
	05120360AA	1	3, 7	L	03, 05	EG2, EXM	DGZ		Circuit [15R]
		1	3, 7	L	03, 05	EG2, EXM	DGZ		Engine Control / Terminal [87]
		1	2, 6	L	13, 15, 17, 53, 55	EG2	DGZ		Ignition / Terminal [15]
		1	2, 3, 6, 7	L	13, 15, 17, 53, 55	EG2, EXM	DGZ		Ignition / Terminal [15]
		1	2, 3, 6, 7	L	13, 15, 17, 53, 55	EG2, EXM	DGZ		Engine Control / Terminal [87]
		1	2, 3, 6, 7	L	13, 15, 17, 53, 55	EG2, EXM	DGZ		Circuit [15R]
15									CONNECTOR
	05103750AA	1	2, 3, 6, 7	L		EG2, EXM	DGZ		[18 Pin / N10]
	05120753AA	1	2, 3, 6, 7	L		EG2, EXM	DGZ		[24 Pin / N10]
	05120754AA	1	2, 3, 6, 7	L		EG2, EXM	DGZ		[52 Pin / N10]
	68011229AA	1	2, 3, 6, 7	L		EG2, EXM	DGZ		[6 Pin / N10]
	68011289AA	1	2, 3, 6, 7	L		EXM, EG2	DGZ		[20 Pin / N10]
16									TERMINAL
	05103873AA	3	3, 7	L	03, 05	EG2, EXM	DGZ		[0.75 MM2 / MQS N10]
		3	2, 3, 6, 7	L	13, 15, 17, 53, 55	EG2, EXM	DGZ		[0.75 MM2 / MQS N10]
17	05133407AA	1	2, 3, 6, 7	L		EG2, EXM	DGZ		BLOCK, Fuse, Fuse Holder / Air Conditioner [F69]
18	68016737AA	AR	2, 3, 6, 7	L		EG2, EXM	DGZ		TERMINAL, [6.0 - 10.0 MM2]
19									CONNECTOR

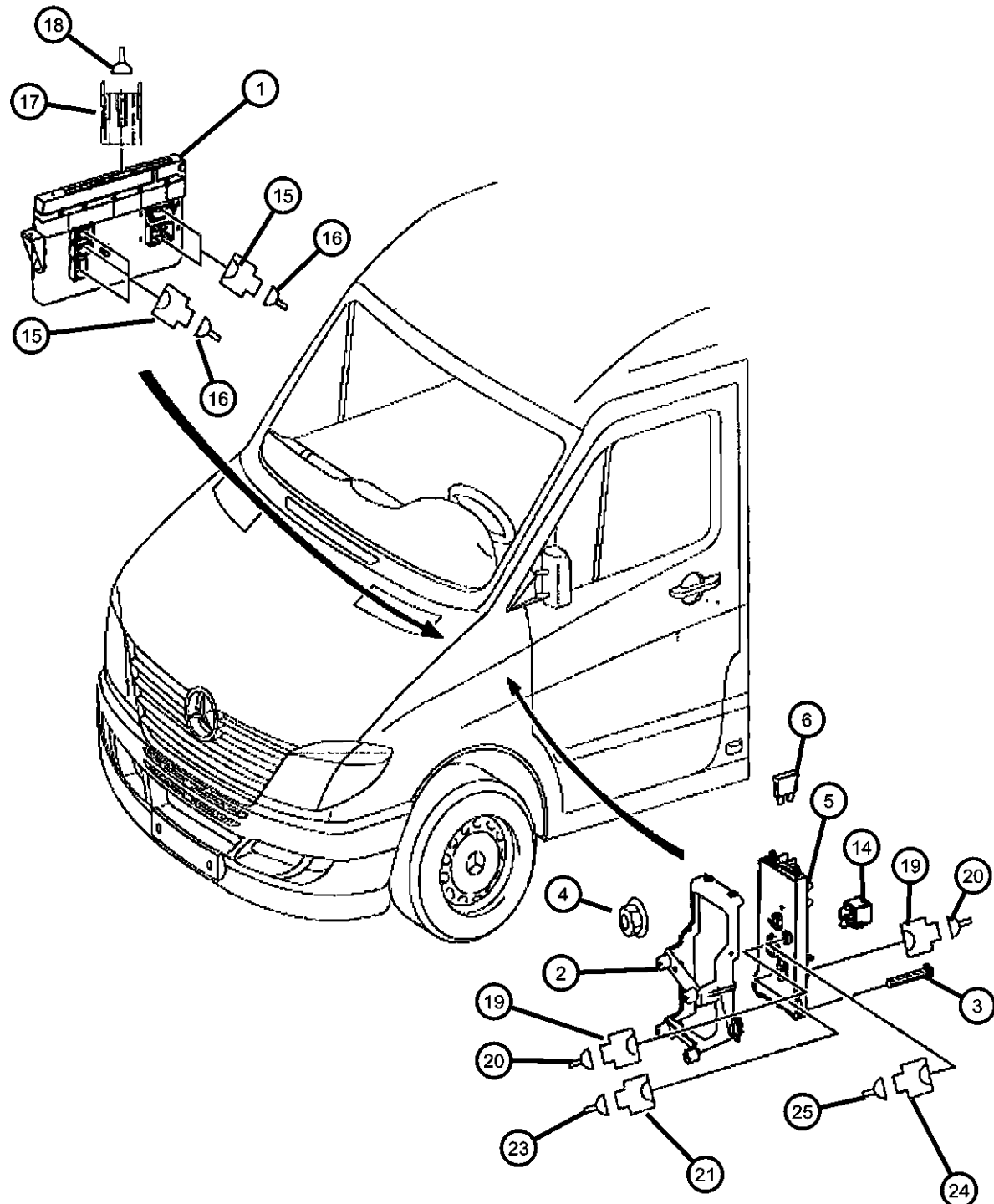
SPRINTER (VB)

SERIES	LINE	BODY	ENGINE	TRANSMISSION
L = LOWLINE	3 = HD DODGE 2WD 6 = Lt. Duty DODGE 4WD 2 = Med. Duty DODGE 2WD 7 = Med. Duty DODGE 4WD	17 = VAN WHEEL BASE 7 55 = WAGON WHEEL BASE 5 15 = VAN WHEEL BASE 5 53 = 119 WB 13 = 119 WB 05 = CAB CHASSIS WHEEL BASE 5 03 = CAB CHASSIS WHEEL BASE 3	EG2 = 3.5L V6 Gas Engine EXM = 3.0L V6 Turbo Diesel Engine	DGZ = 5-Speed Auto W5A380 Transmission

AR = use ase required - = Non illustrated part

2008 VB

Modules Body  
Figure 8-420



ITEM	PART NUMBER	QTY	LINE	SERIES	BODY	ENGINE	TRANS	TRIM	DESCRIPTION
	68011348AA	1	2, 3, 6, 7	L		EG2, EXM	DGZ		[15 Pin K40/9]
	68011398AA	1	2, 3, 6, 7	L		EG2, EXM	DGZ		[18 Pin K40/9]
20	05103893AA	AR	2, 3, 6, 7	L		EG2, EXM	DGZ		TERMINAL [1.5 - 2.5 MM2;K40/9]
	05103892AA	1	2, 3, 6, 7	L		EG2, EXM	DGZ		[0.5 - 1.0 MM2 MCP;K40/9]
21	68011273AA	1	2, 3, 6, 7	L		EG2, EXM	DGZ		CONNECTOR [3 Pin; K40/9]
	68016735AA	1	2, 3, 6, 7	L		EG2, EXM	DGZ		[14 Pin; K40/9]
-22	68016736AA	1	2, 3, 6, 7	L		EG2, EXM	DGZ		COVER, Fuseblock, [K40/9]
23	68011163AA	AR	2, 3, 6, 7	L		EG2, EXM	DGZ		TERMINAL, [16-25 QMM; K40/9]
24	05103873AA	AR	2, 3, 6, 7	L		EG2, EXM	DGZ		TERMINAL, [.075 MM2: MQ2 K40/9]
25	05103873AA	3	3, 7	L	03, 05	EG2, EXM	DGZ		TERMINAL [.075 MM2: MQ2 K40/9]
		3	2, 3, 6, 7	L	13, 15, 17, 53, 55	EG2, EXM	DGZ		[.075 MM2: MQ2 K40/9]

SPRINTER (VB)

SERIES LINE  
L = LOWLINE 3 = HD DODGE 2WD  
6 = Lt. Duty DODGE 4WD  
2 = Med. Duty DODGE 2WD  
7 = Med. Duty DODGE 4WD

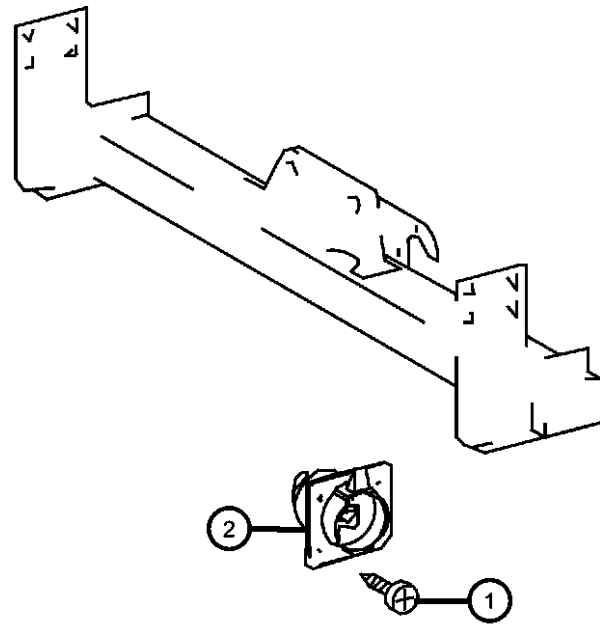
BODY ENGINE TRANSMISSION  
17 = VAN WHEEL BASE 7 EG2 = 3.5L V6 Gas Engine DGZ = 5-Speed Auto W5A380  
55 = WAGON WHEEL BASE 5 EXM = 3.0L V6 Turbo Diesel Transmission  
15 = VAN WHEEL BASE 5 Engine  
53 = 119 WB  
13 = 119 WB  
05 = CAB CHASSIS WHEEL  
BASE 5  
03 = CAB CHASSIS WHEEL  
BASE 3

AR = use ase required - = Non illustrated part

2008 VB

Modules Body  
Figure 8-425

ITEM	PART NUMBER	QTY	LINE	SERIES	BODY	ENGINE	TRANS	TRIM	DESCRIPTION
1	05104609AA	4	2, 3, 6, 7	L		EG2, EXM	DGZ		SCREW
2	05127261AA	1	2, 3, 6, 7	L		EG2, EXM	DGZ		CONNECTOR, 7 Way



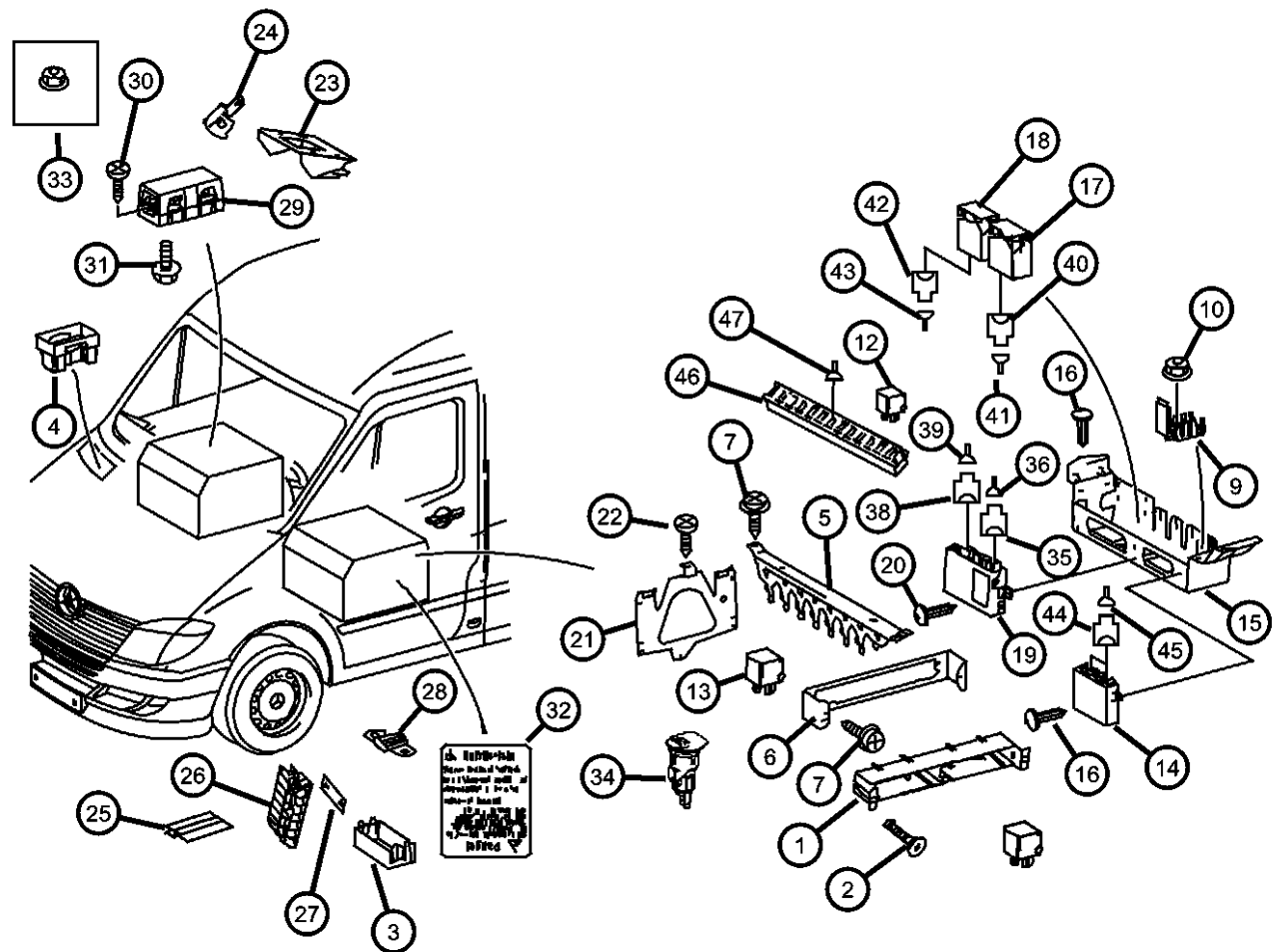
**SPRINTER (VB)**

SERIES	LINE	BODY	ENGINE	TRANSMISSION
L = LOWLINE	3 = HD DODGE 2WD 6 = Lt. Duty DODGE 4WD 2 = Med. Duty DODGE 2WD 7 = Med. Duty DODGE 4WD	17 = VAN WHEEL BASE 7 55 = WAGON WHEEL BASE 5 15 = VAN WHEEL BASE 5 53 = 119 WB 13 = 119 WB 05 = CAB CHASSIS WHEEL BASE 5 03 = CAB CHASSIS WHEEL BASE 3	EG2 = 3.5L V6 Gas Engine EXM = 3.0L V6 Turbo Diesel Engine	DGZ = 5-Speed Auto W5A380 Transmission

AR = use ase required - = Non illustrated part

2008 VB

Fuse Block Fuses and Relays  
Figure 8-510



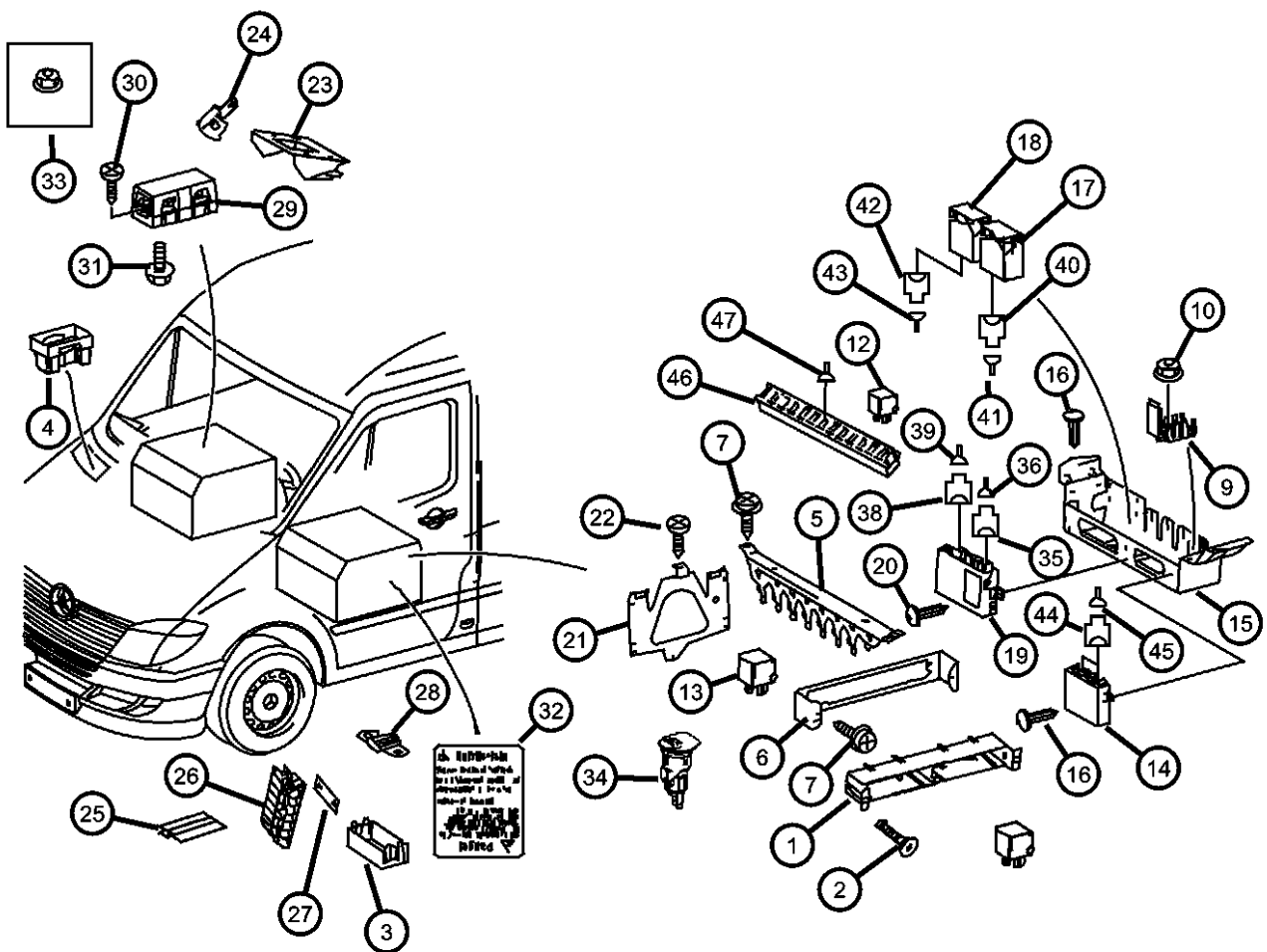
ITEM	PART NUMBER	QTY	LINE	SERIES	BODY	ENGINE	TRANS	TRIM	DESCRIPTION
1	05120507AA	1	2, 3, 6, 7	L		EG2, EXM	DGZ		CONNECTOR
2	68033265AA	2	2, 3, 6, 7	L		EG2, EXM	DGZ		SCREW
3	68013387AA	1	2, 3, 6, 7	L		EG2, EXM	DGZ		BRACKET
4	05139184AA	1	2, 3, 6, 7	L	13, 15, 17, 53, 55	EG2, EXM	DGZ		CONNECTOR
5	68011039AA	1	2, 3, 6, 7	L		EG2, EXM	DGZ		BRACKET, Relay
6	68011038AA	1	2, 3, 6, 7	L		EG2, EXM	DGZ		BRACKET, Relay
7	06104527AA	6	2, 3, 6, 7	L	13, 15, 17, 53, 55	EG2, EXM	DGZ		SCREW
-8	06104566AA	2	2, 3, 6, 7	L		EG2, EXM	DGZ		SCREW, Tapping, [4.2x13]
9	05120249AA	2	2, 3, 6, 7	L		EG2, EXM	DGZ		RETAINER
10	05097674AA	2	2, 3, 6, 7	L	13, 15, 17, 53, 55	EXM, EG2	DGZ		NUT, Hex, Terminal Block To Seat Box [M6]
-11	05104660AA	4	2, 3, 6, 7	L	13, 15, 17, 53, 55	EG2, EXM	DGZ		NUT, Terminal Block To Seat Box [M4]
12									RELAY
	05103560AA	1	2, 3, 6, 7	L	13, 15, 17, 53, 55	EG2, EXM	DGZ		[HDC / HDB / 3JV / XG3 / HAB] / [K15/3 Pos. 7]
		1	2, 3, 6, 7	L	13, 15, 17, 53, 55	EG2, EXM	DGZ		[3EN] / Circuit [15 K88, Pos1]
13									RELAY
	05101505AA	1	2, 3, 6, 7	L	13, 15, 17, 53, 55	EG2, EXM	DGZ		With [GBG]
		1	2, 3, 6, 7	L	13, 15, 17, 53, 55	EG2, EXM	DGZ		With [HDB] And Or [XG3] + [HAB]
		1	2, 3, 6, 7	L	13, 15, 17, 53, 55	EG2, EXM	DGZ		With [BNB]
		1	2, 3, 6, 7	L	13, 15, 17, 53, 55	EG2, EXM	DGZ		With [GFA] Or With [GFA + LSA]
	05120360AB	1	2, 3, 6, 7	L		EG2	DGZ		With [GBG, XFK, DGZ, XEY, 3EN, XBE, XA3, NHX, CK7, XFM, NXF, GEH]
		1	2, 3, 6, 7	L		EG2, EXM	DGZ		Secondary Air Pump [EG2]
14	68013383AB	1	2, 3, 6, 7	L		EG2, EXM	DGZ		MODULE, With [XCF, NXF]
15	68013390AA	1	2, 3, 6, 7	L		EG2, EXM	DGZ		BLOCK, Fuse, Control Unit Holder
16	06104566AA	3	2, 3, 6, 7	L	13, 15, 17, 53, 55	EG2, EXM	DGZ		SCREW, Tapping, [4.2x13]
17	05139996AA	1	2, 3, 6, 7	L	13, 15, 17, 53, 55	EG2, EXM	DGZ		FLASHER MODULE, FLASHER MODULE-TURN SIGNAL
18	68013386AA	1	2, 3, 6, 7	L		EG2, EXM	DGZ		MODULE, HID Ballast

**SPRINTER (VB)**

SERIES	LINE	BODY	ENGINE	TRANSMISSION
L = LOWLINE	3 = HD DODGE 2WD 6 = Lt. Duty DODGE 4WD 2 = Med. Duty DODGE 2WD 7 = Med. Duty DODGE 4WD	17 = VAN WHEEL BASE 7 55 = WAGON WHEEL BASE 5 15 = VAN WHEEL BASE 5 53 = 119 WB 13 = 119 WB 05 = CAB CHASSIS WHEEL BASE 5 03 = CAB CHASSIS WHEEL BASE 3	EG2 = 3.5L V6 Gas Engine EXM = 3.0L V6 Turbo Diesel Engine	DGZ = 5-Speed Auto W5A380 Transmission

AR = use ase required - = Non illustrated part

Fuse Block Fuses and Relays  
Figure 8-510



ITEM	PART NUMBER	QTY	LINE	SERIES	BODY	ENGINE	TRANS	TRIM	DESCRIPTION
19	68013388AA	1	2, 3, 6, 7	L	13, 15, 17, 53, 55	EG2, EXM	DGZ		MODULE, Trailer Tow
20	06104566AA	2	2, 3, 6, 7	L	13, 15, 17, 53, 55	EG2, EXM	DGZ		SCREW, Tapping, [4.2x13]
21	68013405AA	1	2, 3, 6, 7	L	13, 15, 17, 53, 55	EG2, EXM	DGZ		BRACKET
22	06104566AA	2	2, 3, 6, 7	L		EG2, EXM	DGZ		SCREW, Tapping
23	68020664AA	1	2, 3, 6, 7	L		EG2, EXM	DGZ		BRACKET, Prefuse Box
24	68018580AA	1	2, 3, 6, 7	L		EG2, EXM	DGZ		BRACKET, Prefuse Box Bracket Suport
25	68015892AA	1	2, 3, 6, 7	L		EG2, EXM	DGZ		COVER, Prefuse Box Cover
26	68015893AA	1	2, 3, 6, 7	L		EG2, EXM	DGZ		HOLDER, Fuse, Prefuse / Fuse Box
27	68015894AA	1	2, 3, 6, 7	L		EG2, EXM	DGZ		FUSE, Holder, Contact Rail / Prefuse Box
28									FUSE
	05104596AA	1	2, 3, 6, 7	L		EG2, EXM	DGZ		[200A]
	68011191AA	AR	2, 3, 6, 7	L		EG2, EXM	DGZ		[40A / F59]
	68011192AA	AR	2, 3, 6, 7	L		EXM, EG2	DGZ		[80A / F59]
	68011194AA	99	2, 3, 6, 7	L		EG2, EXM	DGZ		[150A / F59]
29	68025370AA	1	2, 3, 6, 7	L		EG2, EXM	DGZ		COVER, Fuse Box
30	06104566AA	2	2, 3, 6, 7	L		EG2, EXM	DGZ		SCREW, Tapping
31	06104709AA	2	2, 3, 6, 7	L	13, 15, 17, 53, 55	EG2, EXM	DGZ		NUT, Hex Flange, M8x1.25
32									LABEL, Warning
	05121112AA	1	2, 3, 6, 7	L	13, 15, 17, 53, 55	EG2	DGZ		
	68006926AA	1	2, 3, 6, 7	L		EXM	DGZ		
33	68004878AA	2	2, 3, 6, 7	L	13, 15, 17, 53, 55	EG2, EXM	DGZ		NUT
34	68011041AA	2	2, 3, 6, 7	L	53, 55	EG2, EXM	DGZ		POWER OUTLET
35									CONNECTOR
	68011235AA	1	2, 3, 6, 7	L		EG2, EXM	DGZ		[4 Pin: N28/1]
	68011247AA	1	2, 3, 6, 7	L		EG2, EXM	DGZ		[4 Pin: N28/1] Control Unit Trailer Recognition Connector
36	68011247AA	1	2, 3, 6, 7	L		EG2, EXM	DGZ		CONNECTOR, Terminal, Terminal / [0.75 - 1.0 MM2; SLK N28/1]

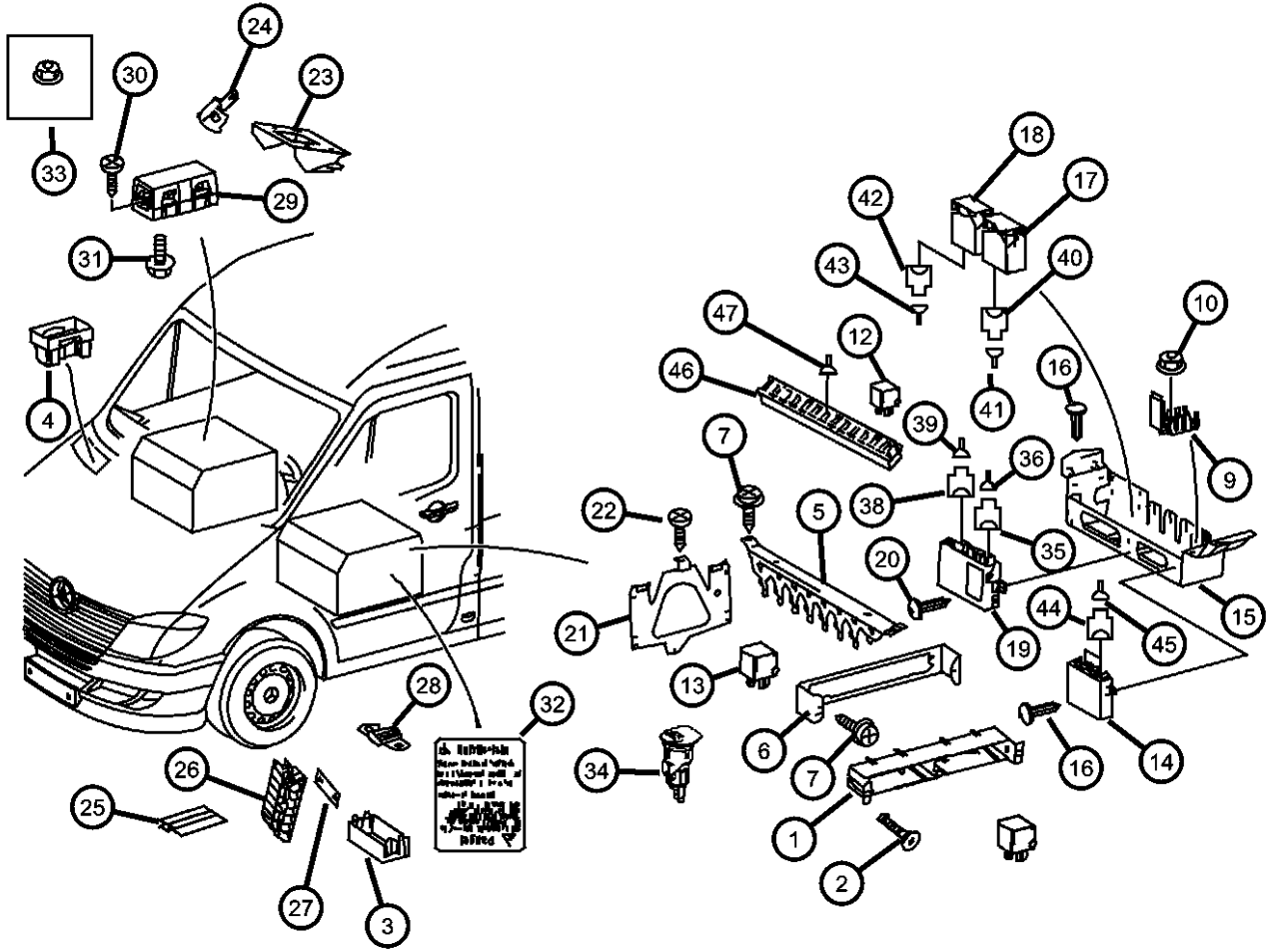
**SPRINTER (VB)**

SERIES	LINE	BODY	ENGINE	TRANSMISSION
L = LOWLINE	3 = HD DODGE 2WD 6 = Lt. Duty DODGE 4WD 2 = Med. Duty DODGE 2WD 7 = Med. Duty DODGE 4WD	17 = VAN WHEEL BASE 7 55 = WAGON WHEEL BASE 5 15 = VAN WHEEL BASE 5 53 = 119 WB 13 = 119 WB 05 = CAB CHASSIS WHEEL BASE 5 03 = CAB CHASSIS WHEEL BASE 3	EG2 = 3.5L V6 Gas Engine EXM = 3.0L V6 Turbo Diesel Engine	DGZ = 5-Speed Auto W5A380 Transmission

AR = use ase required - = Non illustrated part

Fuse Block Fuses and Relays  
Figure 8-510

ITEM	PART NUMBER	QTY	LINE	SERIES	BODY	ENGINE	TRANS	TRIM	DESCRIPTION
-37	05143897AA	AR	2, 3, 6, 7	L		EG2, EXM	DGZ		TERMINAL, [1.5 - 2.5 MM2; SLK; N28/1]
38	68011195AA	1	2, 3, 6, 7	L		EG2, EXM	DGZ		CONNECTOR, [8 Pin; N28/1] Control Unit Recognition Connector
39	05103873AA	3	2, 3, 6, 7	L	13, 15, 17, 53, 55	EG2, EXM	DGZ		TERMINAL, [0.75 MM2 MQS; N28/1]
40	68011399AA	1	2, 3, 6, 7	L		EG2, EXM	DGZ		CONNECTOR
41									TERMINAL
	05103892AA	1	2, 3, 6, 7	L		EG2, EXM	DGZ		[0.5 - 1.0 MM2 MCP; N9/1]
	05103893AA	AR	2, 3, 6, 7	L		EG2, EXM	DGZ		[1.5 - 2.5 MM2 MCP; N9/1]
42	68011083AA	1	2, 3, 6, 7	L		EG2, EXM	DGZ		CONNECTOR
43	05103873AA	AR	2, 3, 6, 7	L		EG2, EXM	DGZ		TERMINAL, [0.75 MM2 MQS; N71]
44	68011399AA	1	2, 3, 6, 7	L		EG2, EXM	DGZ		CONNECTOR
45									TERMINAL
	05103882AA	1	2, 3, 6, 7	L					[0.5 - 1.0 MM2 MCP; N26/15]
	05103893AA	AR	2, 3, 6, 7	L		EG2, EXM	DGZ		[1.5 - 2.5 MM2 MCP; N26/15]
46	05120374AA	1	2, 3, 6, 7	L		EG2, EXM	DGZ		CONNECTOR, Relay Support
47									TERMINAL, Female
	05133362AA	AR	2, 3, 6, 7	L		EG2, EXM	DGZ		[1 - 2.5 MM2; K100/1]
	05133360AA	AR	2, 3, 6, 7	L		EG2, EXM	DGZ		[K100/1]

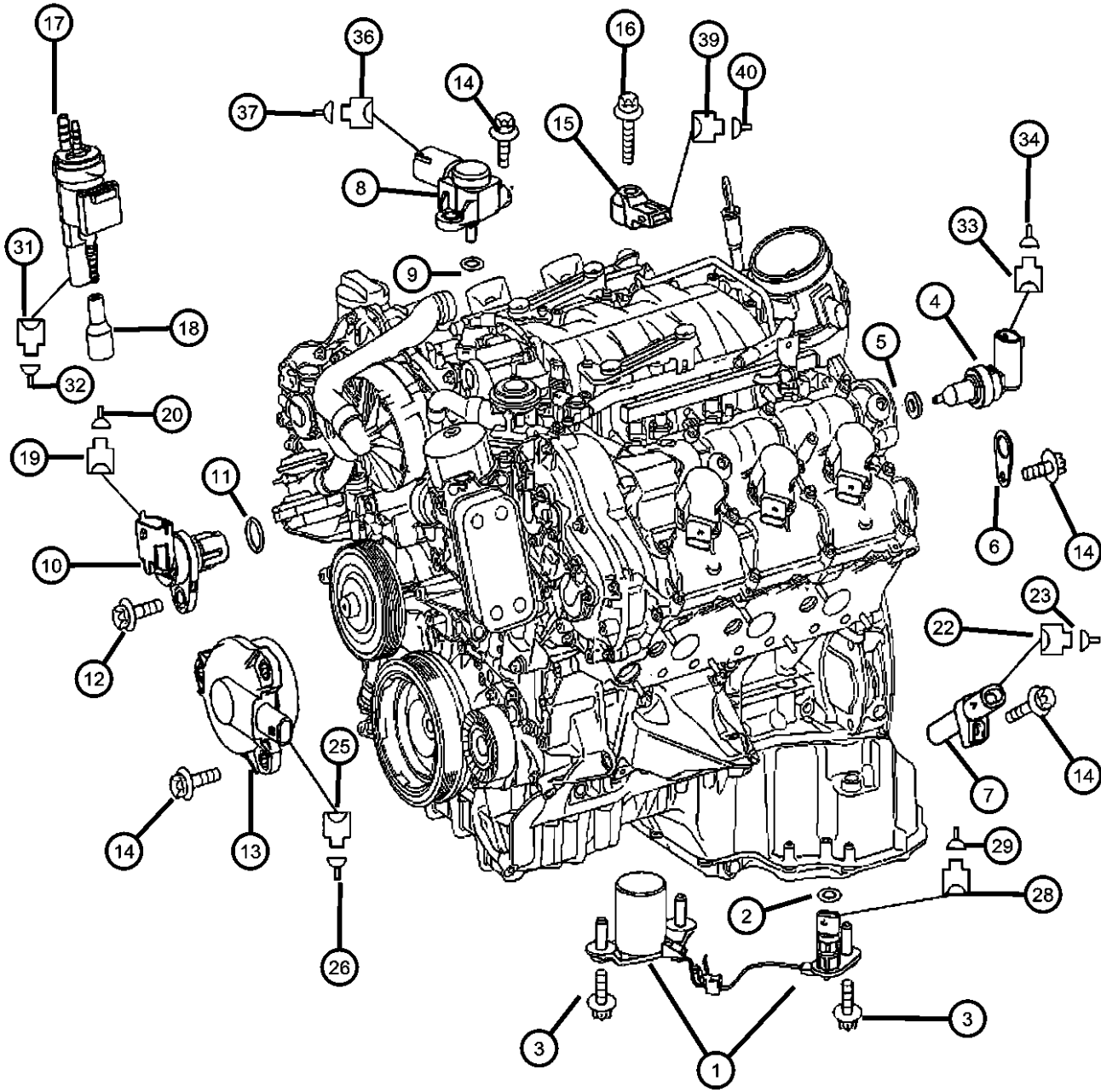


**SPRINTER (VB)**

<b>SERIES</b>	<b>LINE</b>	<b>BODY</b>	<b>ENGINE</b>	<b>TRANSMISSION</b>
L = LOWLINE	3 = HD DODGE 2WD 6 = Lt. Duty DODGE 4WD 2 = Med. Duty DODGE 2WD 7 = Med. Duty DODGE 4WD	17 = VAN WHEEL BASE 7 55 = WAGON WHEEL BASE 5 15 = VAN WHEEL BASE 5 53 = 119 WB 13 = 119 WB 05 = CAB CHASSIS WHEEL BASE 5 03 = CAB CHASSIS WHEEL BASE 3	EG2 = 3.5L V6 Gas Engine EXM = 3.0L V6 Turbo Diesel Engine	DGZ = 5-Speed Auto W5A380 Transmission

AR = use ase required - = Non illustrated part

Sensors, Gas Engine  
Figure 8-605



ITEM	PART NUMBER	QTY	LINE	SERIES	BODY	ENGINE	TRANS	TRIM	DESCRIPTION
1	05175760AA	1	2, 3, 6, 7	L		EG2, EXM	DGZ		SENSOR, Oil Level
2	05175761AA	1	2, 3, 6, 7	L		EG2	DGZ		O RING
3	06104682AA	2	2, 3, 6, 7	L		EG2	DGZ		BOLT, Oil Lever Contactor To Oil Pan & Plug To Oil Pan [M6x19]
4	05175764AA	1	2, 3, 6, 7	L		EG2, EXM	DGZ		SENSOR, Air Temperature
5	05080148AA	1	2, 3, 6, 7	L		EG2	DGZ		O RING
6	68011850AA	1	2, 3, 6, 7	L		EG2	DGZ		BRACKET
7	05175763AA	1	2, 3, 6, 7	L		EG2, EXM	DGZ		SENSOR, Crankshaft Position
8	05101120AB	1	2, 3, 6, 7	L		EG2	DGZ		SENSOR, Air Pressure, Cylinder Cover, Right
9	05101160AA	1	2, 3, 6, 7	L		EG2	DGZ		O RING
10	05137706AA	4	2, 3, 6, 7	L		EG2	DGZ		SENSOR, Camshaft, Cylinder Cover, Left
11	05101153AA	4	2, 3, 6, 7	L		EG2	DGZ		O RING
12	06104076AA	4	2, 3, 6, 7	L		EG2	DGZ		BOLT, Torx, M6X1.00X16.00
13	68011851AA	4	2, 3, 6, 7	L		EG2	DGZ		ADJUSTER, Camshaft Adjuster
14	06104142AA	1	2, 3, 6, 7	L		EG2	DGZ		SCREW, Pan Head, M6x1.00x16.00, Sensor To Engine [M6x16]
15	68011852AA	2	2, 3, 6, 7	L		EG2	DGZ		SENSOR, Knock
16	06104089AA	2	2, 3, 6, 7	L		EG2	DGZ		BOLT
17	05099822AA	1	2, 3, 6, 7	L		EG2	DGZ		SOLENOID, Vacuum
18	05097188AA	1	2, 3, 6, 7	L		EG2	DGZ		BOOT, Air Injection Valve
19									CONNECTOR
	05138030AA	4	2, 3, 6, 7	L		EG2	DGZ		Hall Type Sensor Camshaft [3 PIN ; B6/4 - B6/7]
	05143908AA	4	2, 3, 6, 7	L		EG2	DGZ		Hall Type Sensor Camshaft [B6/4 - B6/7]
20	05133353AA	AR	2, 3, 6, 7	L		EG2	DGZ		TERMINAL, [0.5 - 1.0 MM2; B6/4 - B6/7]
-21	05103663AA	AR	2, 3, 6, 7	L		EG2	DGZ		GROMMET, [0.25 - 1.0 MMS; B6/4 - B6/7]
22									CONNECTOR
	05138030AA	1	2, 3, 6, 7	L		EG2	DGZ		[3 Pin L5]
	05143908AA	1	2, 3, 6, 7	L		EG2	DGZ		[L5]
23	05133353AA	AR	2, 3, 6, 7	L		EG2	DGZ		TERMINAL, [0.5 - 1.0 MM2; L5]
-24	05103663AA	AR	2, 3, 6, 7	L		EG2	DGZ		GROMMET, [0.25 - 1.0 MM2; L5]

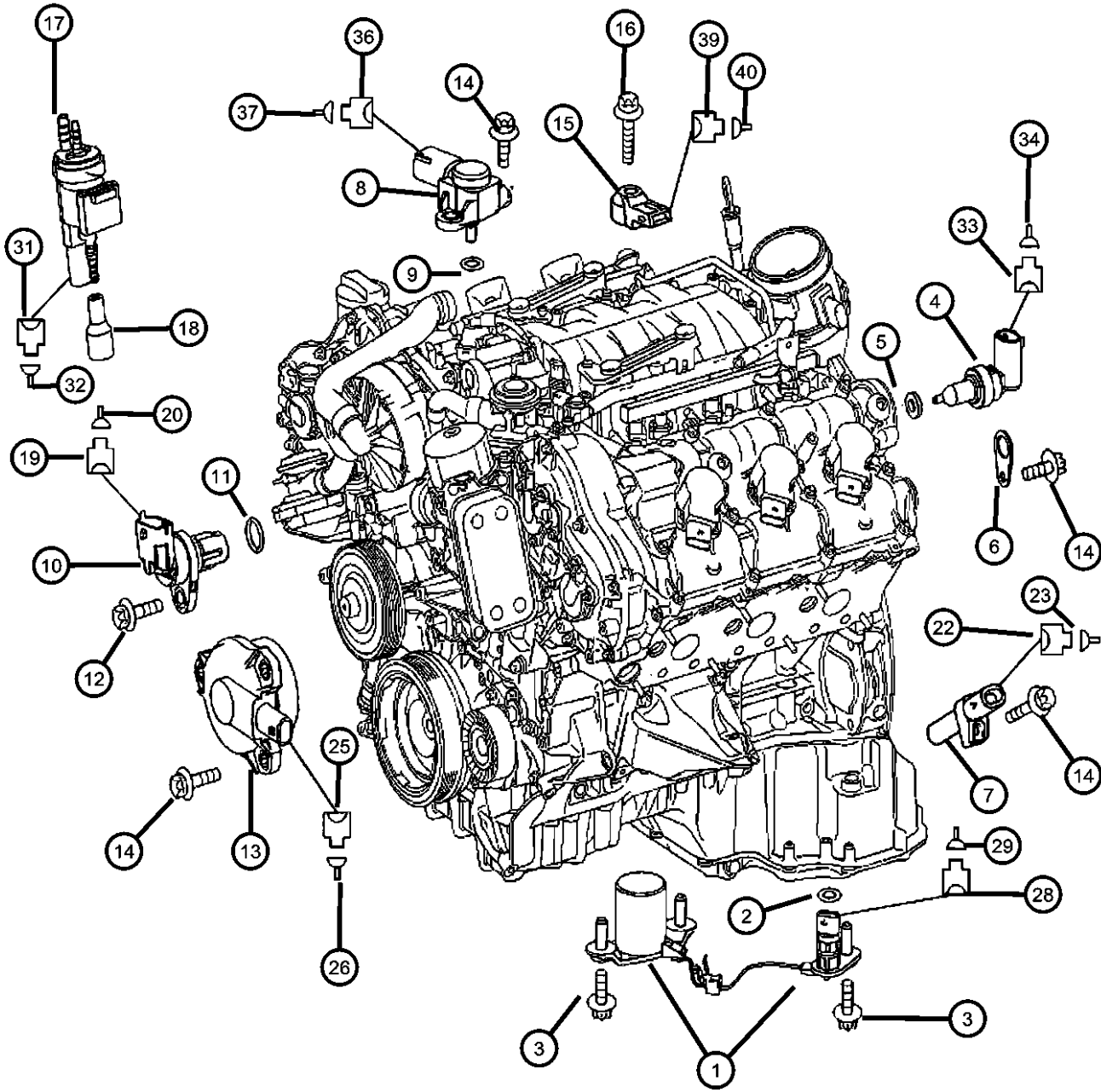
SPRINTER (VB)

SERIES	LINE	BODY	ENGINE	TRANSMISSION
L = LOWLINE	3 = HD DODGE 2WD 6 = Lt. Duty DODGE 4WD 2 = Med. Duty DODGE 2WD 7 = Med. Duty DODGE 4WD	17 = VAN WHEEL BASE 7 55 = WAGON WHEEL BASE 5 15 = VAN WHEEL BASE 5 53 = 119 WB 13 = 119 WB 05 = CAB CHASSIS WHEEL BASE 5 03 = CAB CHASSIS WHEEL BASE 3	EG2 = 3.5L V6 Gas Engine EXM = 3.0L V6 Turbo Diesel Engine	DGZ = 5-Speed Auto W5A380 Transmission

AR = use ase required - = Non illustrated part



Sensors, Gas Engine  
Figure 8-605



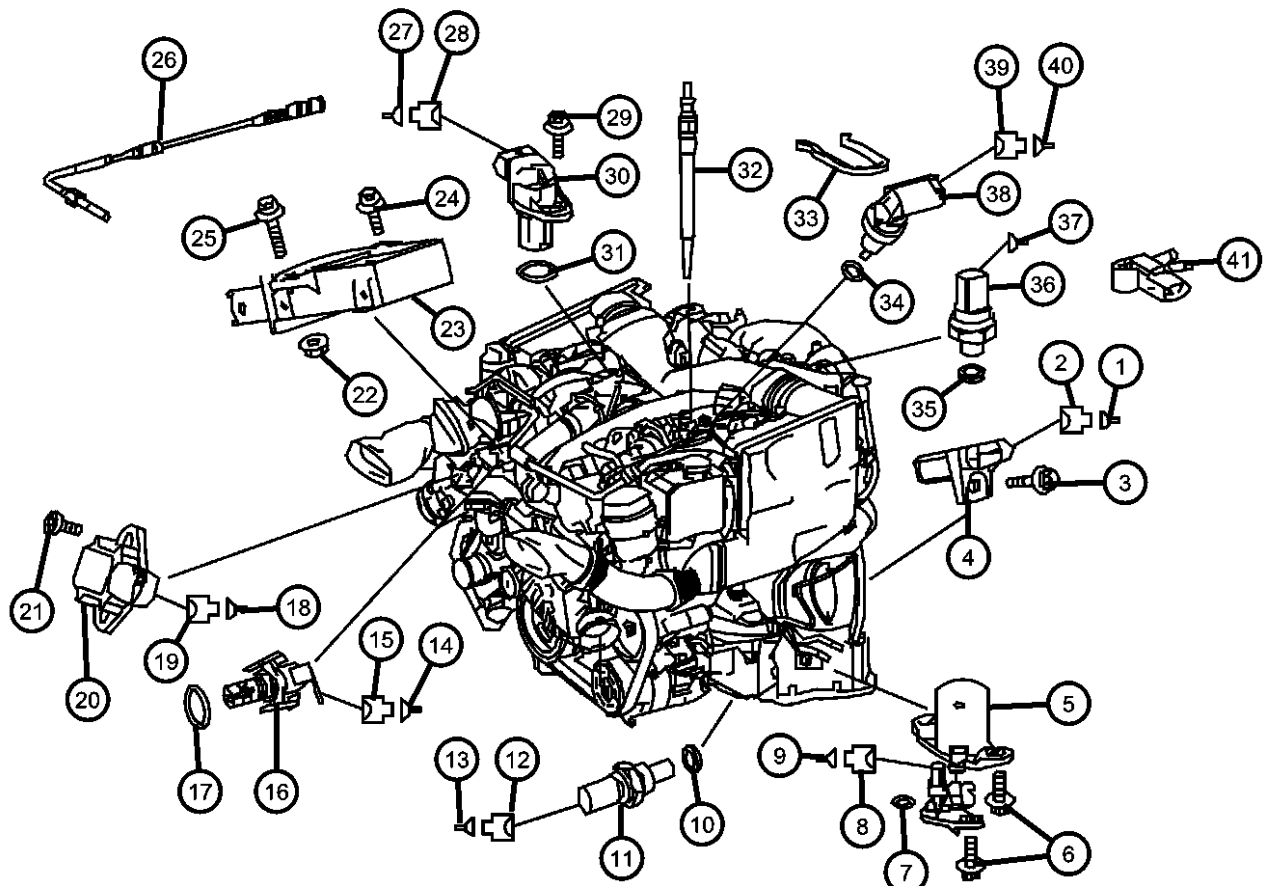
ITEM	PART NUMBER	QTY	LINE	SERIES	BODY	ENGINE	TRANS	TRIM	DESCRIPTION
25	68011798AA	4	2, 3, 6, 7	L		EG2	DGZ		CONNECTOR, [Y49/4 - Y49/7]
26	68011877AA	AR	2, 3, 6, 7	L		EG2	DGZ		TERMINAL, [Y49/4 - Y49-7]
-27	68011050AA	AR	2, 3, 6, 7	L		EG2	DGZ		GASKET, [Y49/4 - Y49/7]
28	68011243AA	1	2, 3, 6, 7	L		EG2	DGZ		CONNECTOR, Oil Lever Sending Unit [S43]
29	68011878AA	AR	2, 3, 6, 7	L		EG2, EXM	DGZ		TERMINAL, [0.22 - 0.5 MM2; S43]
-30	68011050AA	AR	2, 3, 6, 7	L		EG2	DGZ		GASKET, Oil Sending Unit [S43]
31	05120277AA	1	2, 3, 6, 7	L		EG2, EXM	DGZ		CONNECTOR, Wiring Repair, [2 Pin: Y59/2]
32	05138861AA	AR	2, 3, 6, 7	L		EG2, EXM	DGZ		TERMINAL
33	05120277AA	1	2, 3, 6, 7	L		EG2, EXM	DGZ		CONNECTOR, Wiring Repair, [2 Pin; B11/4]
34	05138861AA	AR	2, 3, 6, 7	L		EG2, EXM	DGZ		TERMINAL
-35	05120859AA	99	2, 3, 6, 7	L		EG2	DGZ		GASKET, [0.9 - 1.3; MM2 B11/4]
36	05120278AA	1	2, 3, 6, 7	L		EG2, EXM	DGZ		CONNECTOR
37	05138861AA	AR	2, 3, 6, 7	L		EG2, EXM	DGZ		TERMINAL
-38	05120859AA	99	2, 3, 6, 7	L		EG2	DGZ		GASKET, [0.9 - 1.3 MM2; B28]
39	05143904AA	2	2, 3, 6, 7	L		EG2	DGZ		CONNECTOR, [2 Pin, A16/1, A16/2]
40	05133353AA	AR	2, 3, 6, 7	L		EG2	DGZ		TERMINAL, [0.5 - 1.0 MM2, A16/1 / A16/2]
-41	05103663AA	AR	2, 3, 6, 7	L		EG2	DGZ		GROMMET, [0.25 - 1.0 MM2; A16/1 A16/2]
-42	05159404AA	1	2, 3, 6, 7	L		EG2	DGZ		STRAP, Ground

**SPRINTER (VB)**

SERIES	LINE	BODY	ENGINE	TRANSMISSION
L = LOWLINE	3 = HD DODGE 2WD 6 = Lt. Duty DODGE 4WD 2 = Med. Duty DODGE 2WD 7 = Med. Duty DODGE 4WD	17 = VAN WHEEL BASE 7 55 = WAGON WHEEL BASE 5 15 = VAN WHEEL BASE 5 53 = 119 WB 13 = 119 WB 05 = CAB CHASSIS WHEEL BASE 5 03 = CAB CHASSIS WHEEL BASE 3	EG2 = 3.5L V6 Gas Engine EXM = 3.0L V6 Turbo Diesel Engine	DGZ = 5-Speed Auto W5A380 Transmission

AR = use ase required - = Non illustrated part

Sensors Diesel Engine  
Figure 8-610



ITEM	PART NUMBER	QTY	LINE	SERIES	BODY	ENGINE	TRANS	TRIM	DESCRIPTION
1	05133353AA	AR	2, 3, 6, 7	L		EXM	DGZ		TERMINAL, [0.25 - 0.50 MM2;L5]
2	05138030AA	4	2, 3, 6, 7	L		EXM	DGZ		CONNECTOR, [3 Pin L5]
3	05179387AA	1	2, 3, 6, 7	L		EXM	DGZ		SCREW, Sender Unit to Cylinder Crankcase [6x16]
4	05175763AA	1	2, 3, 6, 7	L		EG2, EXM	DGZ		SENSOR, Crankshaft Position
5	05137394AB	1	2, 3, 6, 7	L		EXM	DGZ		SENSOR, Oil Level
6	06104682AA	3	2, 3, 6, 7	L		EXM	DGZ		BOLT, Sender Unit To Oil Pan [M6x19]
7	05103567AA	1	2, 3, 6, 7	L		EXM	DGZ		SEAL RING
8	05120278AA	1	2, 3, 6, 7	L		EG2, EXM	DGZ		CONNECTOR
9	68011878AA	AR	2, 3, 6, 7	L		EG2, EXM	DGZ		TERMINAL, [0.22 - 0.5 MM2;S43]
10	06507454AA	1	2, 3, 6, 7	L		EXM	DGZ		SEAL
11	05103534AB	1	2, 3, 6, 7	L		EXM	DGZ		SENDING UNIT, Temperature Gauge
12	05120277AA	1	2, 3, 6, 7	L		EG2, EXM	DGZ		CONNECTOR, Wiring Repair
13	05138861AA	AR	2, 3, 6, 7	L		EG2, EXM	DGZ		TERMINAL, [0.5 MM2 MQS; B 1]
14	05138861AA	AR	2, 3, 6, 7	L		EG2, EXM	DGZ		TERMINAL, [0.5 MM2 MQS; B17]
15	05120277AA	1	2, 3, 6, 7	L		EG2, EXM	DGZ		CONNECTOR, Wiring Repair, Intake Air Temperature Sensor 2-PIN;B17
16	04862635AA	1	2, 3, 6, 7	L		EXM	DGZ		SENSOR, Temperature
17	05179491AA	1	2, 3, 6, 7	L		EXM	DGZ		O RING, [11x2.0MM]
18	05138861AA	AR	2, 3, 6, 7	L		EG2, EXM	DGZ		TERMINAL, [.5 MM2 MQS]
19	05120278AA	1	2, 3, 6, 7	L		EG2, EXM	DGZ		CONNECTOR, [3 PIN]
20	05117545AB	1	2, 3, 6, 7	L		EXM	DGZ		SENSOR, MAP
21	06104649AB	2	2, 3, 6, 7	L	13, 15, 17	EG2, EXM	DGZ		SCREW, Pressure Sensor Attachment [K60x16]
22	05097674AA	1	2, 3, 6, 7	L		EXM	DGZ		NUT, Hex
23	68013182AA	1	2, 3, 6, 7	L		EXM	DGZ		MODULE, Glow Plug
24	06104005AA	4	2, 3, 6, 7	L		EXM	DGZ		BOLT, 6 Lobe External Head, M6X1.00X16.00, Bracket to Cylinder Head M6x16
25	06104012AA	1	2, 3, 6, 7	L		EXM	DGZ		SCREW, Torx, M6X1.00X50
26	68014084AA	1	2, 3, 6, 7	L		EXM	DGZ		SENSOR, Temperature
27	05133353AA	AR	2, 3, 6, 7	L		EXM	DGZ		TERMINAL, [0.25 - 0.5 MM2; B6/1]
28	05138030AA	4	2, 3, 6, 7	L		EXM	DGZ		CONNECTOR, [3 PIN; B6/1]

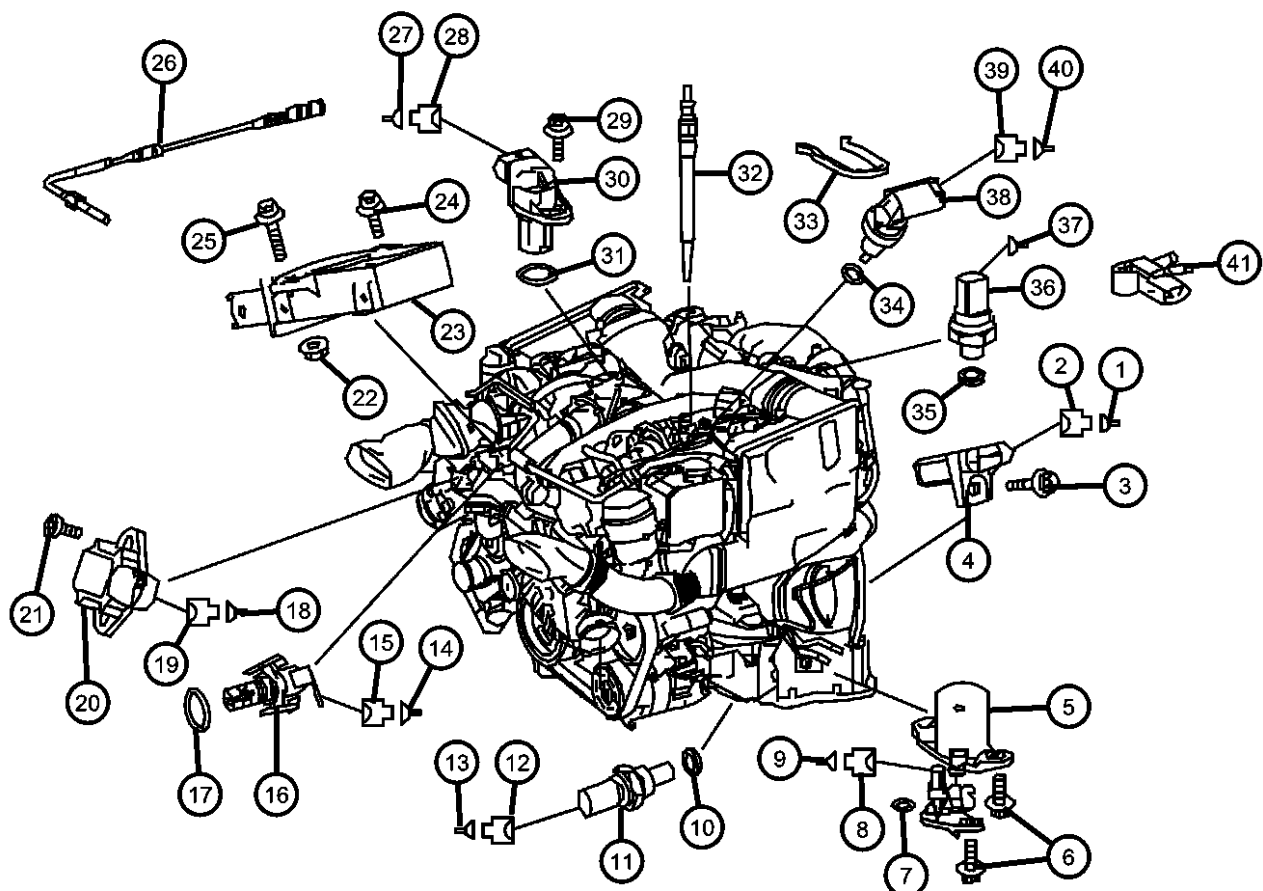
SPRINTER (VB)

SERIES	LINE	BODY	ENGINE	TRANSMISSION
L = LOWLINE	3 = HD DODGE 2WD 6 = Lt. Duty DODGE 4WD 2 = Med. Duty DODGE 2WD 7 = Med. Duty DODGE 4WD	17 = VAN WHEEL BASE 7 55 = WAGON WHEEL BASE 5 15 = VAN WHEEL BASE 5 53 = 119 WB 13 = 119 WB 05 = CAB CHASSIS WHEEL BASE 5 03 = CAB CHASSIS WHEEL BASE 3	EG2 = 3.5L V6 Gas Engine EXM = 3.0L V6 Turbo Diesel Engine	DGZ = 5-Speed Auto W5A380 Transmission

AR = use ase required - = Non illustrated part

Sensors Diesel Engine  
Figure 8-610

ITEM	PART NUMBER	QTY	LINE	SERIES	BODY	ENGINE	TRANS	TRIM	DESCRIPTION
29	06104682AA	1	2, 3, 6, 7	L		EXM	DGZ		BOLT, [M6x19]
30	05175762AA	1	2, 3, 6, 7	L		EXM	DGZ		SENSOR, Camshaft
31	05183535AA	1	2, 3, 6, 7	L		EXM	DGZ		O RING
32	05175756AA	6	2, 3, 6, 7	L		EXM	DGZ		GLOW PLUG
33	05080149AA	1	2, 3, 6, 7	L		EXM	DGZ		CLIP
34	05080148AA	1	2, 3, 6, 7	L		EXM	DGZ		O RING
35	05104683AB	1	2, 3, 6, 7	L		EXM	DGZ		O RING, Pressure Sensor
36	05175812AA	1	2, 3, 6, 7	L		EXM	DGZ		SENSOR, Pressure, Exhaust Back Pressure
37	05138861AA	AR	2, 3, 6, 7	L		EG2, EXM	DGZ		TERMINAL, [MM2 MQS B60]
38	05175764AA	1	2, 3, 6, 7	L		EG2, EXM	DGZ		SENSOR, Air Temperature, Cooling Water
39	05120277AA	1	2, 3, 6, 7	L		EG2, EXM	DGZ		CONNECTOR, Wiring Repair, Refrigerant Temperature Sensor 2-PIN
40	05138861AA	AR	2, 3, 6, 7	L		EG2, EXM	DGZ		TERMINAL, [0.5 MM2 MQS; B 11/4]
41	68012053AA	1	2, 3, 6, 7	L		EXM	DGZ		SENSOR, Pressure, Air Cleaner Maintenance Indication



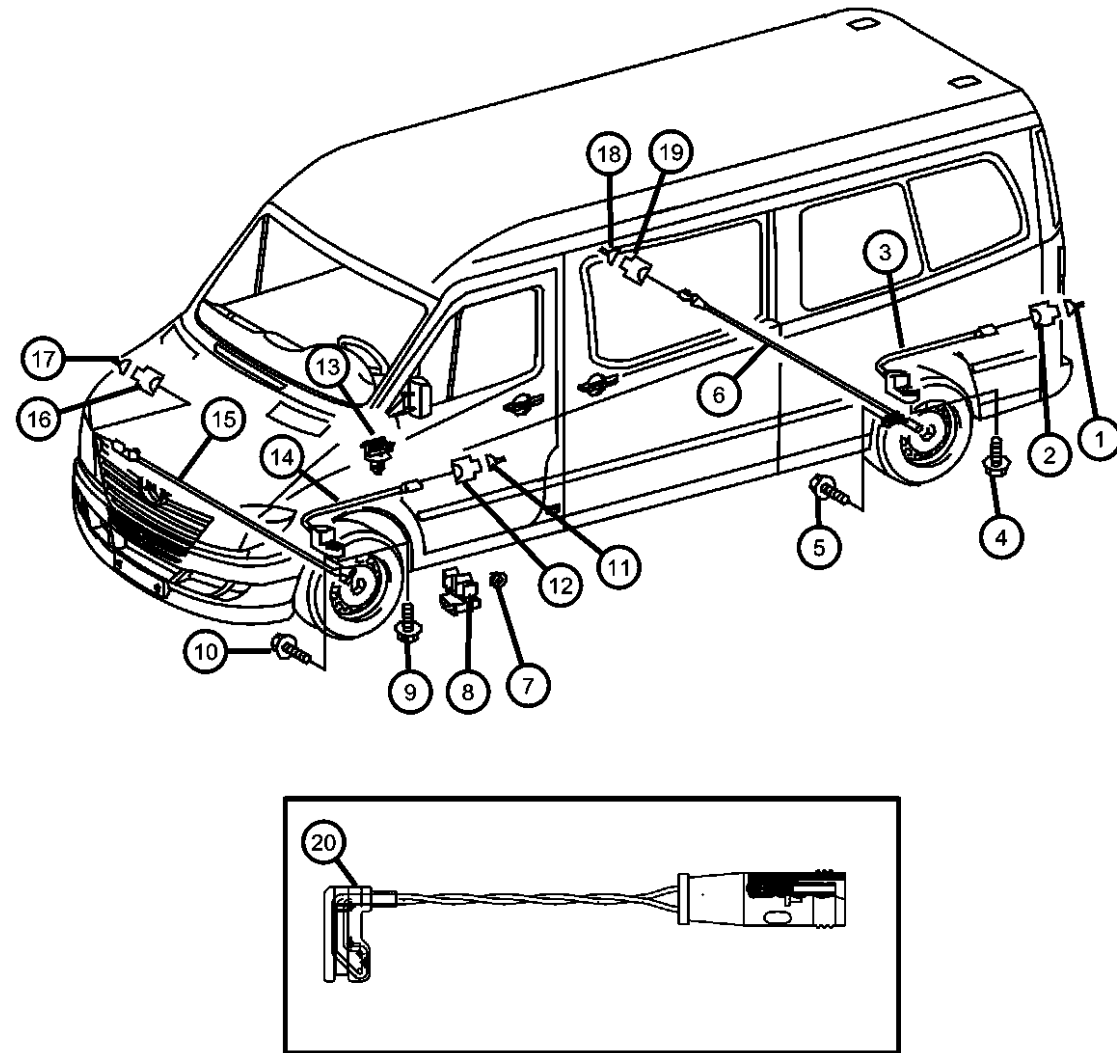
SPRINTER (VB)

SERIES	LINE	BODY	ENGINE	TRANSMISSION
L = LOWLINE	3 = HD DODGE 2WD 6 = Lt. Duty DODGE 4WD 2 = Med. Duty DODGE 2WD 7 = Med. Duty DODGE 4WD	17 = VAN WHEEL BASE 7 55 = WAGON WHEEL BASE 5 15 = VAN WHEEL BASE 5 53 = 119 WB 13 = 119 WB 05 = CAB CHASSIS WHEEL BASE 5 03 = CAB CHASSIS WHEEL BASE 3	EG2 = 3.5L V6 Gas Engine EXM = 3.0L V6 Turbo Diesel Engine	DGZ = 5-Speed Auto W5A380 Transmission

AR = use ase required - = Non illustrated part

2008 VB

Sensors Brakes  
Figure 8-625



ITEM	PART NUMBER	QTY	LINE	SERIES	BODY	ENGINE	TRANS	TRIM	DESCRIPTION
1	05103874AA	1	2, 3, 6, 7	L		EG2, EXM	DGZ		TERMINAL
2	68011299AA	4	2, 3, 6, 7	L		EG2, EXM	DGZ		CONNECTOR, Rear Axle Brake Lining Wear Indicator 2-PIN;X88/15;X88/16
3									WIRING, Brake Indicator
	68013838AA	2	2, 6	L		EG2, EXM	DGZ		On Rear Axle
	68013839AA	2	3, 7	L		EG2, EXM	DGZ		On Rear Axle
4	06104076AA	2	2, 3, 6, 7	L		EG2, EXM	DGZ		BOLT, Torx, M6X1.00X16.00, Fastening Sensor to Rear Axle M6x16
5	06104076AA	2	2, 3, 6, 7	L		EG2, EXM	DGZ		BOLT, Torx, M6X1.00X16.00, Sensor to Rear Axle M6x16
6									SENSOR, Wheel Speed
	68013831AA	1	3, 7	L	03, 05, 13, 15, 17	EG2, EXM	DGZ		Rear Left
	68013832AA	1	2, 6	L	13, 15, 17, 53, 55	EG2, EXM	DGZ		Rear, Right
	68013833AA	1	3, 7	L	03, 05, 13, 15, 17	EG2, EXM	DGZ		Rear, Right
	68013830AA	1	2, 6	L	13, 15, 17, 53, 55	EG2, EXM	DGZ		Rear Left
7									NUT, Hex
	05097674AA	2	3, 7	L	03, 05	EG2, EXM	DGZ		Fastening Bracket Left M6
		2	2, 3, 6, 7	L	13, 15, 17, 53, 55	EG2, EXM	DGZ		Fastening Bracket Left M6
8	68013737AA	4	2, 3, 6, 7	L		EG2, EXM	DGZ		BRACKET, Cable Harness to Support
9	06104076AA	2	2, 3, 6, 7	L		EG2, EXM	DGZ		BOLT, Torx, M6X1.00X16.00, Fastening Sensor to Rear Axle M6x16
10	06104076AA	2	2, 3, 6, 7	L		EG2, EXM	DGZ		BOLT, Torx, M6X1.00X16.00, Fastening Sensor to Front Axle M6x16
11	05103874AA	1	2, 3, 6, 7	L		EG2, EXM	DGZ		TERMINAL
12	68011299AA	4	2, 3, 6, 7	L		EG2, EXM	DGZ		CONNECTOR, Front Axle Brake Lining Wear Indicator 2-PIN;X88/13;X88/14
13									CLIP, Retainer
	68013413AA	1	2, 3, 6, 7	L	13, 15, 17, 53, 55	EG2, EXM	DGZ		
		1	3, 7	L	03, 05	EG2, EXM	DGZ		

SPRINTER (VB)

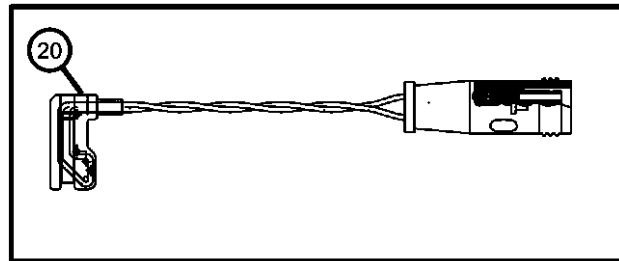
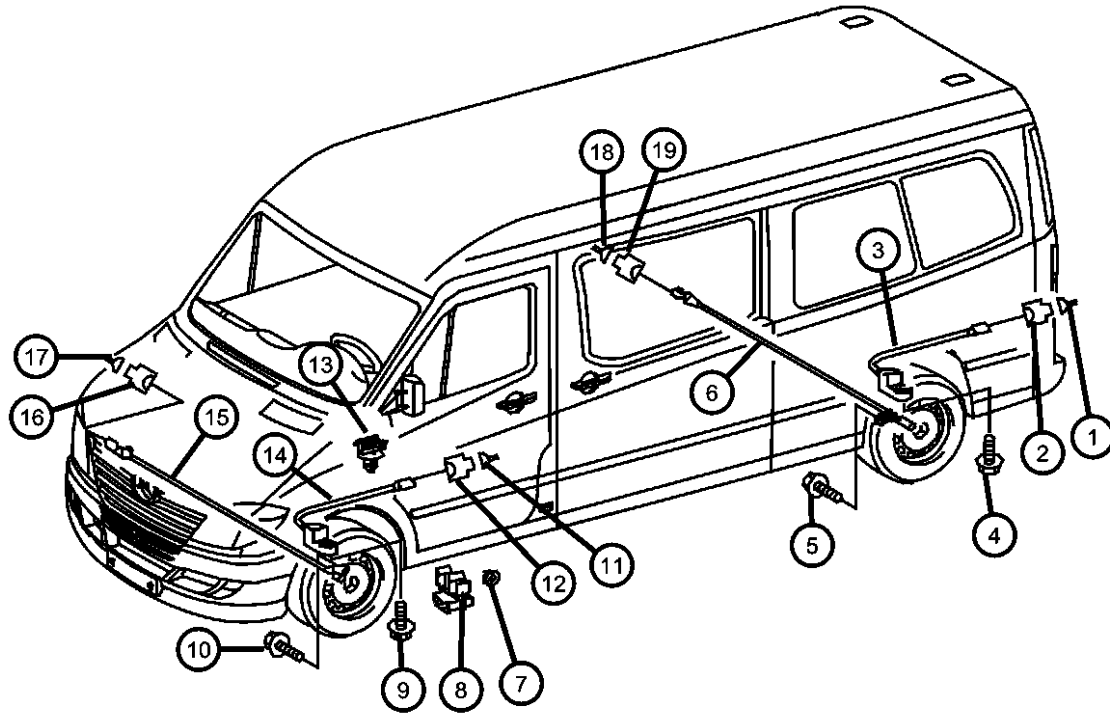
SERIES	LINE	BODY	ENGINE	TRANSMISSION
L = LOWLINE	3 = HD DODGE 2WD 6 = Lt. Duty DODGE 4WD 2 = Med. Duty DODGE 2WD 7 = Med. Duty DODGE 4WD	17 = VAN WHEEL BASE 7 55 = WAGON WHEEL BASE 5 15 = VAN WHEEL BASE 5 53 = 119 WB 13 = 119 WB 05 = CAB CHASSIS WHEEL BASE 5 03 = CAB CHASSIS WHEEL BASE 3	EG2 = 3.5L V6 Gas Engine EXM = 3.0L V6 Turbo Diesel Engine	DGZ = 5-Speed Auto W5A380 Transmission

AR = use ase required - = Non illustrated part

2008 VB

Sensors Brakes  
Figure 8-625

ITEM	PART NUMBER	QTY	LINE	SERIES	BODY	ENGINE	TRANS	TRIM	DESCRIPTION
14	68013736AA	2	2, 3, 6, 7	L		EG2, EXM	DGZ		WIRING, Brake Indicator, Front Axle Brake Lining Wear Indicator
15	68013735AA	2	2, 3, 6, 7	L		EG2, EXM	DGZ		SENSOR, Wheel Speed, Front Axle
16	05120277AA	1	2, 3, 6, 7	L		EG2, EXM	DGZ		CONNECTOR, Wiring Repair, Left Front RPM Sensor Connector 2-PIN;X62/26;X62/27
17	05103874AA	1	2, 3, 6, 7	L		EG2, EXM	DGZ		TERMINAL
18	05103874AA	1	2, 3, 6, 7	L		EG2, EXM	DGZ		TERMINAL
19	05120277AA	1	2, 3, 6, 7	L		EXM, EG2	DGZ		CONNECTOR, Wiring Repair
20									SENSOR, Brake wear
	68006717AA	4	3, 7	L	03, 05, 13, 15, 17	EG2, EXM	DGZ		[3500] Only / Front & Rear Brake Wear Sensors, Front And Rear
		2	2, 6	L	13, 15, 17, 53, 55	EG2, EXM	DGZ		[2500] Series Front Brake Wear Sensor, Front
	68013762AA	4	2, 6	L	13, 15, 17, 53, 55	EG2, EXM	DGZ		[2500] Only / Rear Brake Wear Sensors, Rear



**SPRINTER (VB)**

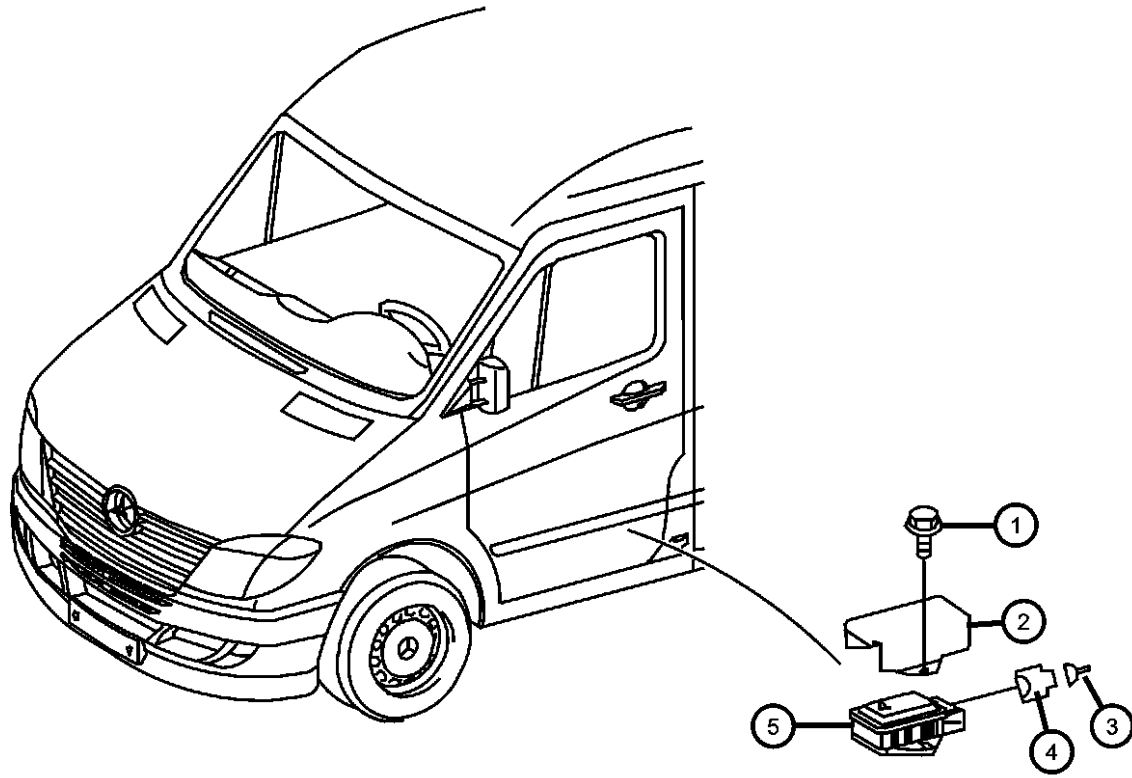
SERIES	LINE	BODY	ENGINE	TRANSMISSION
L = LOWLINE	3 = HD DODGE 2WD 6 = Lt. Duty DODGE 4WD 2 = Med. Duty DODGE 2WD 7 = Med. Duty DODGE 4WD	17 = VAN WHEEL BASE 7 55 = WAGON WHEEL BASE 5 15 = VAN WHEEL BASE 5 53 = 119 WB 13 = 119 WB 05 = CAB CHASSIS WHEEL BASE 5 03 = CAB CHASSIS WHEEL BASE 3	EG2 = 3.5L V6 Gas Engine EXM = 3.0L V6 Turbo Diesel Engine	DGZ = 5-Speed Auto W5A380 Transmission

AR = use ase required - = Non illustrated part

2008 VB

**Sensor Body  
Figure 8-635**

ITEM	PART NUMBER	QTY	LINE	SERIES	BODY	ENGINE	TRANS	TRIM	DESCRIPTION
1									SCREW, Pan Head, M6x1.00x16.00
	06104142AA	2	3, 7	L	03, 05	EG2, EXM	DGZ		
		2	2, 3, 6, 7	L	13, 15, 17, 53, 55	EG2, EXM	DGZ		
2	05129653AA	1	2, 3, 6, 7	L		EG2, EXM	DGZ		COVER, Fuseblock, Turn Rate Sensor
3									TERMINAL
	05103873AA	3	3, 7	L	03, 05	EG2, EXM	DGZ		0.75 MM2,MQS;B24/15
		3	2, 3, 6, 7	L	13, 15, 17, 53, 55	EG2, EXM	DGZ		0.75 MM2,MQS;B24/15
4	68011286AA	1	2, 3, 6, 7	L		EG2, EXM	DGZ		CONNECTOR, Turn Rate Sensor 4-PIN,B24/15
5	68013423AA	1	2, 3, 6, 7	L		EG2, EXM	DGZ		SENSOR, Yaw Rate, Turn Rate Sensor



**SPRINTER (VB)**

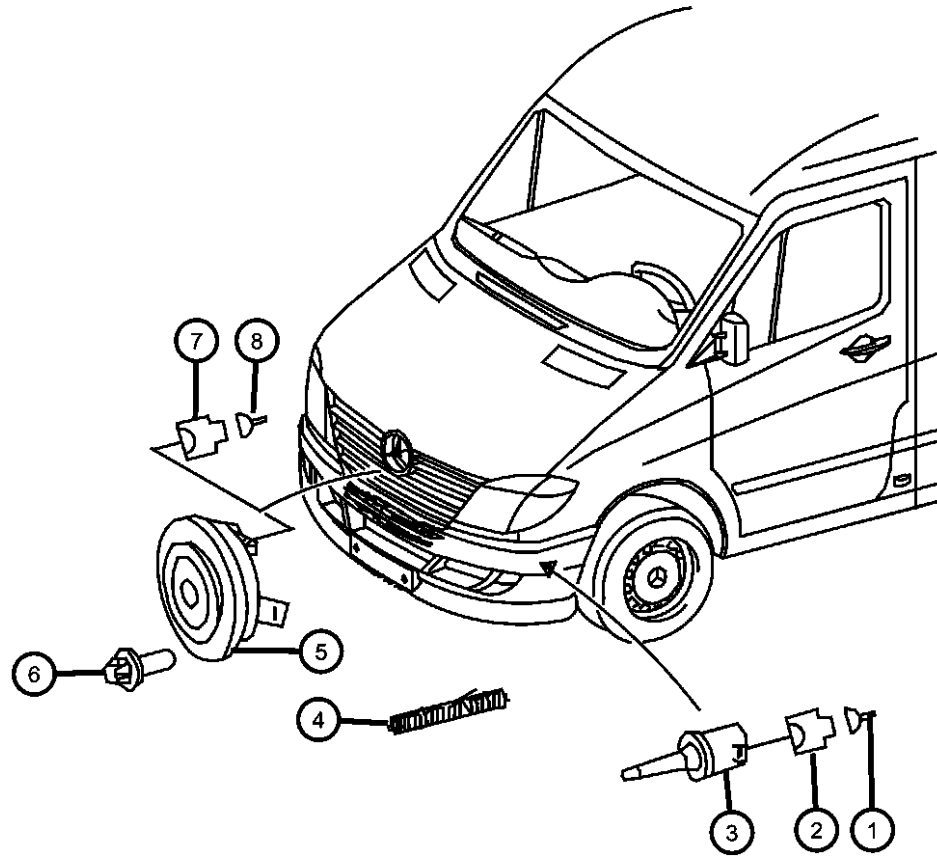
SERIES	LINE	BODY	ENGINE	TRANSMISSION
L = LOWLINE	3 = HD DODGE 2WD 6 = Lt. Duty DODGE 4WD 2 = Med. Duty DODGE 2WD 7 = Med. Duty DODGE 4WD	17 = VAN WHEEL BASE 7 55 = WAGON WHEEL BASE 5 15 = VAN WHEEL BASE 5 53 = 119 WB 13 = 119 WB 05 = CAB CHASSIS WHEEL BASE 5 03 = CAB CHASSIS WHEEL BASE 3	EG2 = 3.5L V6 Gas Engine EXM = 3.0L V6 Turbo Diesel Engine	DGZ = 5-Speed Auto W5A380 Transmission

AR = use ase required - = Non illustrated part

2008 VB

**Sensors Temperature  
Figure 8-645**

ITEM	PART NUMBER	QTY	LINE	SERIES	BODY	ENGINE	TRANS	TRIM	DESCRIPTION
1	05103873AA	AR	2, 3, 6, 7	L		EG2, EXM	DGZ		TERMINAL, 0.75 MM2,MQS;B14
2	05120277AA	1	2, 3, 6, 7	L		EG2, EXM	DGZ		CONNECTOR, Wiring Repair, Sensor of Outside Temperature Indicator 2-PIN,B14
3	05101096AA	1	3, 7	L	03, 05	EG2, EXM	DGZ		SENSOR, Ambient Temperature Outboard Temperature Feeler
		1	2, 3, 6, 7	L	13, 15, 17, 53, 55	EG2, EXM	DGZ		Outboard Temperature Feeler
4	05133388AA	1	2, 3, 6, 7	L		EG2, EXM	DGZ		TUBE, Heat Shrink, H1,H18,H18/1 HORN
5	05120370AA	1	3, 7	L	03, 05	EG2, EXM	DGZ		
		1	2, 3, 6, 7	L	13, 15, 17, 53, 55	EG2, EXM	DGZ		
6	05073723AB	2	3, 7	L	03, 05	EG2, EXM	DGZ		SCREW Horn Mounting M8x20
		6	2, 3, 6, 7	L	13, 15, 17, 53, 55	EG2, EXM	DGZ		Horn Mounting M8x20
7	05166277AA	1	2, 3, 6, 7	L		EG2, EXM	DGZ		CONNECTOR, 2-PIN,H1
8	68011404AA	AR	2, 3, 6, 7	L		EG2, EXM	DGZ		TERMINAL, H1



**SPRINTER (VB)**

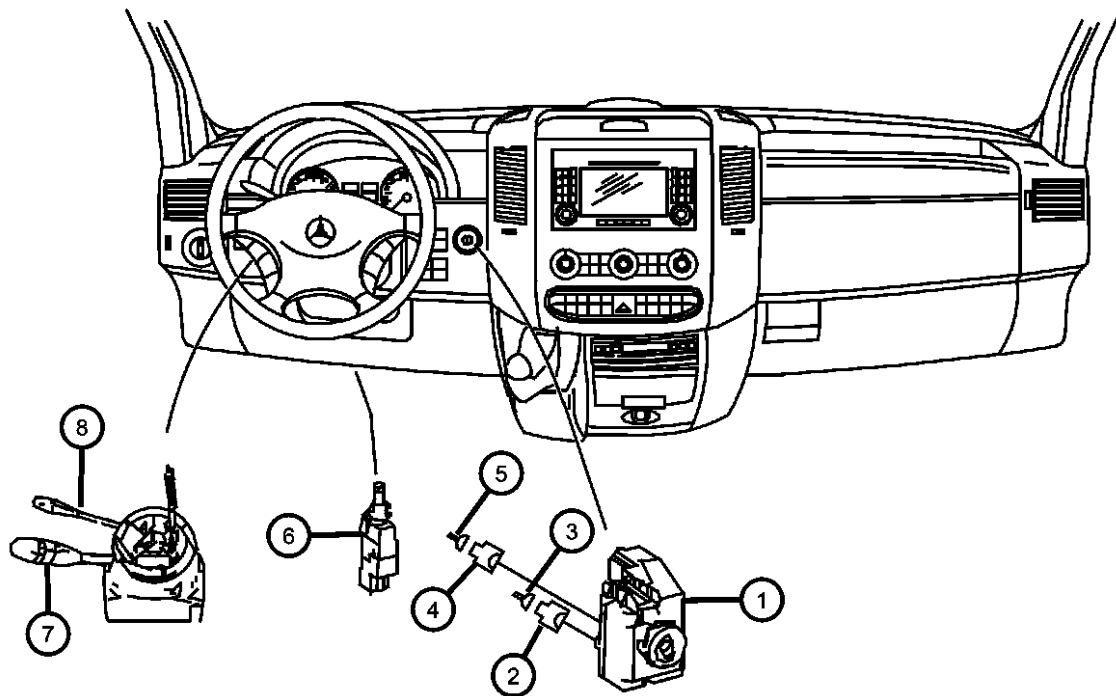
SERIES	LINE	BODY	ENGINE	TRANSMISSION
L = LOWLINE	3 = HD DODGE 2WD 6 = Lt. Duty DODGE 4WD 2 = Med. Duty DODGE 2WD 7 = Med. Duty DODGE 4WD	17 = VAN WHEEL BASE 7 55 = WAGON WHEEL BASE 5 15 = VAN WHEEL BASE 5 53 = 119 WB 13 = 119 WB 05 = CAB CHASSIS WHEEL BASE 5 03 = CAB CHASSIS WHEEL BASE 3	EG2 = 3.5L V6 Gas Engine EXM = 3.0L V6 Turbo Diesel Engine	DGZ = 5-Speed Auto W5A380 Transmission

AR = use ase required - = Non illustrated part

2008 VB

**Switches Instrument Panel  
Figure 8-805**

ITEM	PART NUMBER	QTY	LINE	SERIES	BODY	ENGINE	TRANS	TRIM	DESCRIPTION
1	68023969AA	1	2, 3, 6, 7	L		EG2, EXM	DGZ		CYLINDER, Ignition Lock
2	68011195AA	1	2, 3, 6, 7	L		EG2, EXM	DGZ		CONNECTOR Ignition Starter Switch Black 8-PIN;N73
	68011198AA	1	2, 3, 6, 7	L		EG2, EXM	DGZ		Ignition Starter Switch Transparent 8-PIN,N73
	68011212AA	1	2, 3, 6, 7	L		EG2, EXM	DGZ		Ignition Starter Switch Blue 8-PIN;COD.C;N73
3	05103873AA	3	3, 7	L	03, 05	EG2, EXM	DGZ		TERMINAL
		3	2, 3, 6, 7	L	13, 15, 17, 53, 55	EG2, EXM	DGZ		
4	68011266AA	1	2, 3, 6, 7	L		EG2, EXM	DGZ		CONNECTOR, Ignition Starter Switch Black 5-PIN;N73
5	68016713AA	AR	2, 3, 6, 7	L		EG2, EXM	DGZ		TERMINAL
6	68022569AA	1	2, 3, 6, 7	L		EG2, EXM	DGZ		SWITCH, Stop Lamp
7	68010448AA	1	2, 3, 6, 7	L		EG2, EXM	DGZ		SWITCH, Multifunction Without [NHM]
	68010449AA	1	2, 3, 6, 7	L		EG2, EXM	DGZ		With [NHM]
	68026805AA	1	2, 3, 6, 7	L	13, 15, 17, 53, 55	EG2, EXM	DGZ		With [GEH]
	68026806AA	1	2, 3, 6, 7	L		EG2, EXM	DGZ		Without [GEH]
8	68010454AA	1	2, 3, 6, 7	L		EG2, EXM	DGZ		SWITCH, Speed Control, Cruise Control Tempomat



**SPRINTER (VB)**

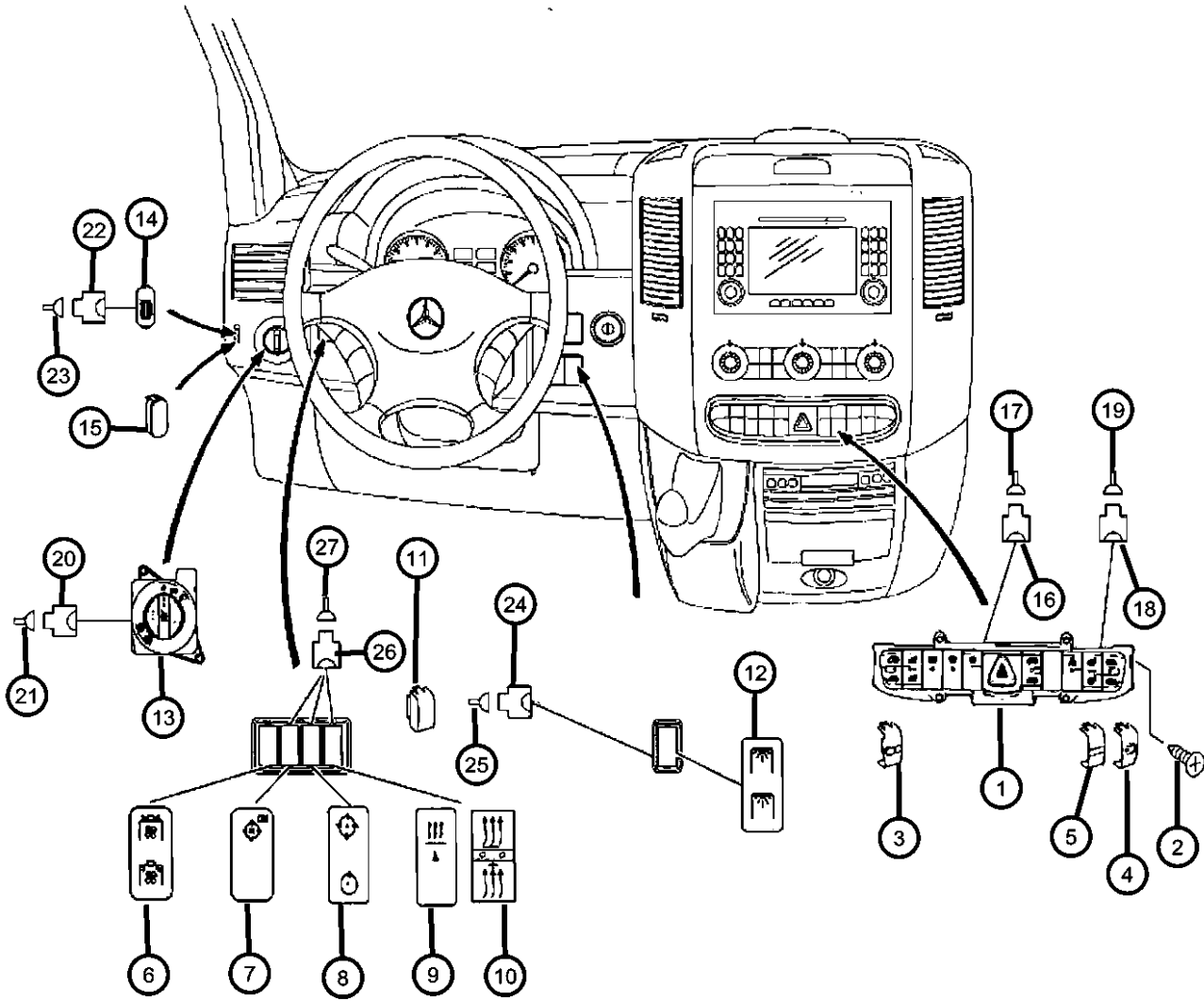
SERIES	LINE	BODY	ENGINE	TRANSMISSION
L = LOWLINE	3 = HD DODGE 2WD 6 = Lt. Duty DODGE 4WD 2 = Med. Duty DODGE 2WD 7 = Med. Duty DODGE 4WD	17 = VAN WHEEL BASE 7 55 = WAGON WHEEL BASE 5 15 = VAN WHEEL BASE 5 53 = 119 WB 13 = 119 WB 05 = CAB CHASSIS WHEEL BASE 5 03 = CAB CHASSIS WHEEL BASE 3	EG2 = 3.5L V6 Gas Engine EXM = 3.0L V6 Turbo Diesel Engine	DGZ = 5-Speed Auto W5A380 Transmission

AR = use ase required - = Non illustrated part

2008 VB



**Switches Instrument Panel**  
**Figure 8-806**



ITEM	PART NUMBER	QTY	LINE	SERIES	BODY	ENGINE	TRANS	TRIM	DESCRIPTION
1	68010484AA	1	3, 7	L	03, 05	EG2, EXM	DGZ		SWITCH, Hazard Warning With [BNB]
	68010514AA	1	2, 3, 6, 7	L	13, 15, 17, 53, 55	EG2, EXM	DGZ		
	68010515AA	1	2, 6	L	13, 15, 17	EG2, EXM	DGZ		With [46B]
		1	3, 7	L	05	EG2, EXM			With [46B]
2	05098128AA	4	3, 7	L	03, 05	EG2, EXM	DGZ		SCREW, Tapping
		4	2, 3, 6, 7	L	13, 15, 17, 53, 55	EG2, EXM	DGZ		
3	68010487AA	1	2, 3, 6, 7	L		EG2, EXM	DGZ		COVER, Switch Opening
4	68010488AA	1	2, 3, 6, 7	L		EG2, EXM	DGZ		COVER, Switch Opening
5	68010489AA	AR	2, 3, 6, 7	L		EG2, EXM	DGZ		COVER, Switch Opening
6	68010516AA	1	2, 3, 6, 7	L	13, 15, 17	EG2, EXM	DGZ		SWITCH, Instrument Panel, With [NHX]
7	68010492AA	1	2, 3, 6, 7	L		EG2, EXM	DGZ		SWITCH, With [XFM % NXF]
8	68010496AA	1	2, 3, 6, 7	L		EG2, EXM	DGZ		SWITCH, With [NXF]
9	68010500AA	1	2, 3, 6, 7	L		EG2, EXM	DGZ		SWITCH
10	68010499AA	1	2, 3, 6, 7	L		EG2, EXM	DGZ		SWITCH, Instrument Panel, With [HDB % XG3]
11	68010502AA	7	2, 3, 6, 7	L		EG2, EXM	DGZ		COVER, Switch Opening, Blind Cover
12	68010494AA	1	3, 7	L	03, 05	EG2, EXM	DGZ		SWITCH, Instrument Panel With [XZG]
	68010501AA	1	3, 7	L	03, 05	EG2, EXM	DGZ		With [XBE]
	68010517AA	1	2, 3, 6, 7	L	13, 15, 17, 53, 55	EG2, EXM	DGZ		With [LCQ]
13	68010503AA	1	2, 3, 6, 7	L		EG2, EXM	DGZ		SWITCH, Headlamp With [LNJ + NHM + 42B]
	68010507AA	1	2, 3, 6, 7	L		EG2, EXM	DGZ		With [NHM + 42B]
	68010510AA	1	2, 3, 6, 7	L		EG2, EXM	DGZ		
	68010505AA	1	2, 3, 6, 7	L		EG2, EXM	DGZ		With [LNJ + 42B]
14	68010511AA	1	2, 3, 6, 7	L		EG2, EXM	DGZ		SWITCH, Headlamp Leveling
15	68010512AA	1	2, 3, 6, 7	L		EXM, EG2	DGZ		COVER, Switch Opening
16	68010053AA	1	2, 3, 6, 7	L		EG2, EXM	DGZ		CONNECTOR, Upper Control Panel [8 Fach; N72/1]

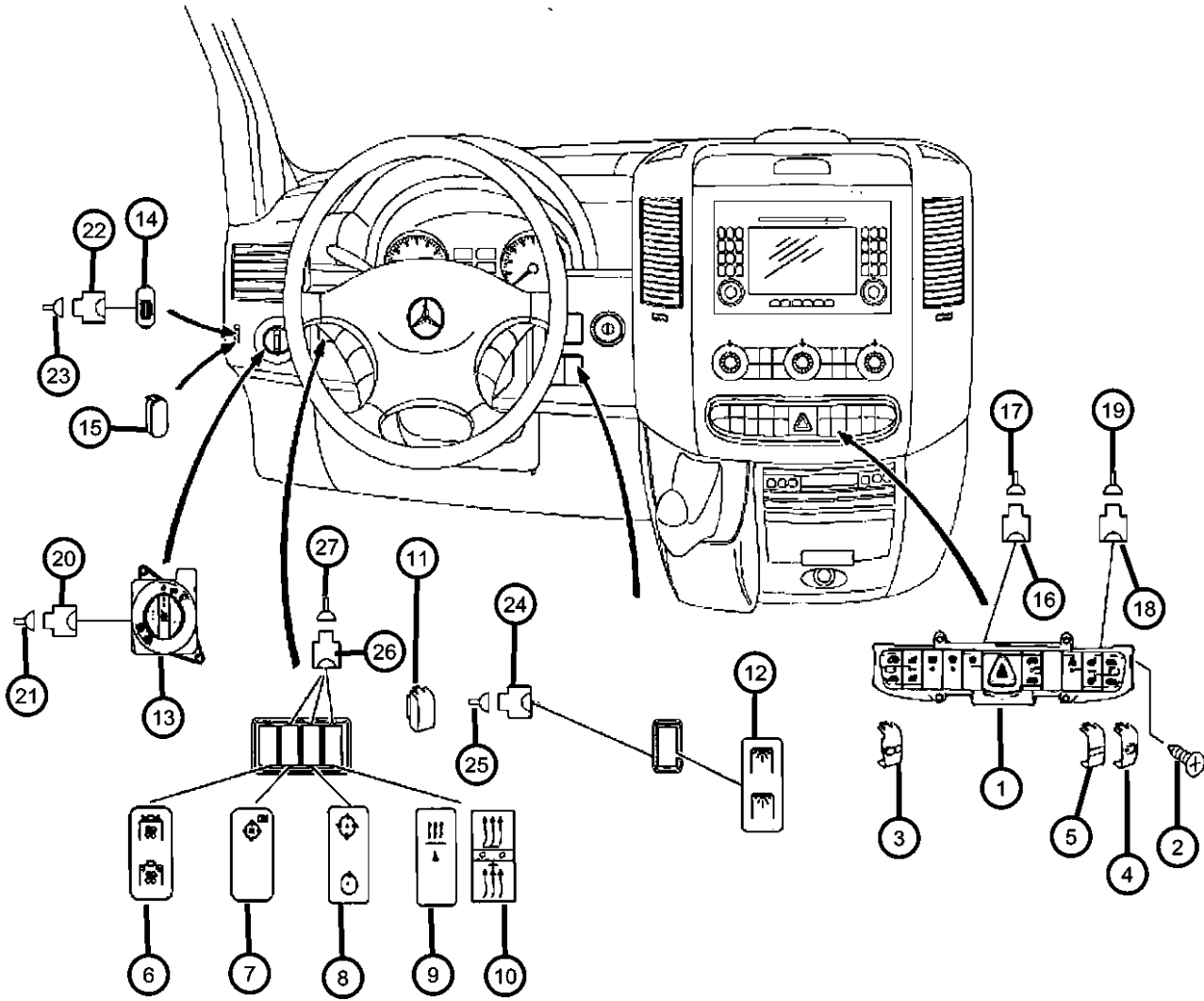
**SPRINTER (VB)**

SERIES	LINE	BODY	ENGINE	TRANSMISSION
L = LOWLINE	3 = HD DODGE 2WD 6 = Lt. Duty DODGE 4WD 2 = Med. Duty DODGE 2WD 7 = Med. Duty DODGE 4WD	17 = VAN WHEEL BASE 7 55 = WAGON WHEEL BASE 5 15 = VAN WHEEL BASE 5 53 = 119 WB 13 = 119 WB 05 = CAB CHASSIS WHEEL BASE 5 03 = CAB CHASSIS WHEEL BASE 3	EG2 = 3.5L V6 Gas Engine EXM = 3.0L V6 Turbo Diesel Engine	DGZ = 5-Speed Auto W5A380 Transmission

AR = use ase required - = Non illustrated part

Switches Instrument Panel  
Figure 8-806

ITEM	PART NUMBER	QTY	LINE	SERIES	BODY	ENGINE	TRANS	TRIM	DESCRIPTION
17	05103873AA	AR	2, 3, 6, 7	L		EG2, EXM	DGZ		TERMINAL, [0.75 MM2 MQS; N72/1]
18	68011226AA	1	2, 3, 6, 7	L		EG2, EXM	DGZ		CONNECTOR, Upper Control Panel [4 Pin; N72/1]
19	05103882AA	1	2, 3, 6, 7	L					TERMINAL, [0.5 - 1.0 MM2 JPT; N72/1]
20	68011195AA	1	2, 3, 6, 7	L		EG2, EXM	DGZ		CONNECTOR, Light Rotary Switch [8PIN / S1]
21	05103873AA	AR	2, 3, 6, 7	L		EG2, EXM	DGZ		TERMINAL, [0.75 MM2 MQS; S1]
22	05120633AA	AR	2, 3, 6, 7	L		EG2, EXM	DGZ		CONNECTOR, Light Range Regulator [10 Pin S1/1]
23	05103882AA	1	2, 3, 6, 7	L					TERMINAL, [0.5 - 1.0 MM2 JPT; S1/1]
24	05120633AA	AR	2, 3, 6, 7	L		EG2, EXM	DGZ		CONNECTOR, [10 Pin]
25	05103882AA	1	2, 3, 6, 7	L					TERMINAL, [0.5 - 1.0 MM2]
26	05120633AA	AR	2, 3, 6, 7	L		EG2, EXM	DGZ		CONNECTOR, [10 Pin]
27	05103882AA	1	2, 3, 6, 7	L					TERMINAL, [0.5 - 1.0 MM2]



**SPRINTER (VB)**

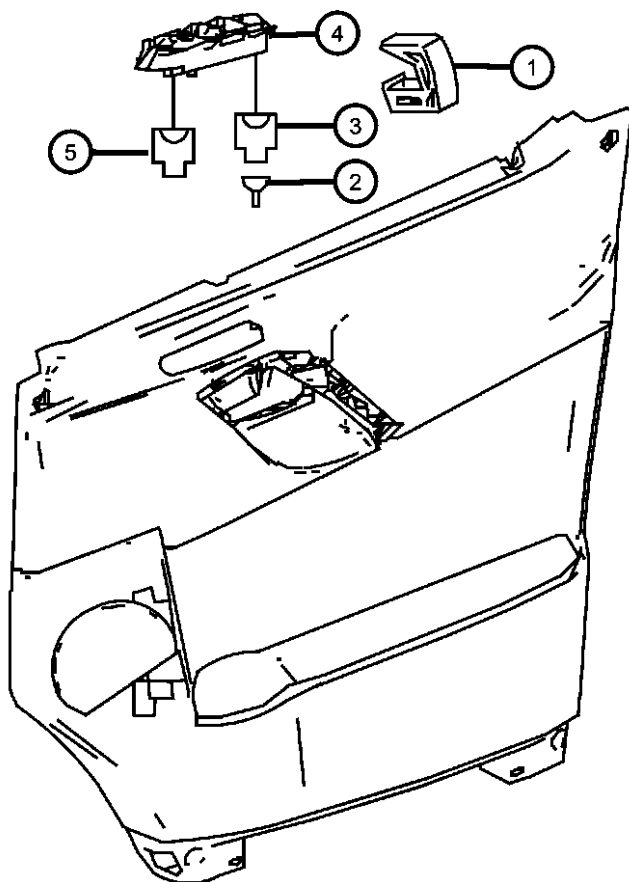
SERIES	LINE	BODY	ENGINE	TRANSMISSION
L = LOWLINE	3 = HD DODGE 2WD 6 = Lt. Duty DODGE 4WD 2 = Med. Duty DODGE 2WD 7 = Med. Duty DODGE 4WD	17 = VAN WHEEL BASE 7 55 = WAGON WHEEL BASE 5 15 = VAN WHEEL BASE 5 53 = 119 WB 13 = 119 WB 05 = CAB CHASSIS WHEEL BASE 5 03 = CAB CHASSIS WHEEL BASE 3	EG2 = 3.5L V6 Gas Engine EXM = 3.0L V6 Turbo Diesel Engine	DGZ = 5-Speed Auto W5A380 Transmission

AR = use ase required - = Non illustrated part

2008 VB

**Switches Doors, Decklid, and Liftgate  
Figure 8-815**

ITEM	PART NUMBER	QTY	LINE	SERIES	BODY	ENGINE	TRANS	TRIM	DESCRIPTION
1	68010052AA	1	2, 3, 6, 7	L		EXM, EG2	DGZ		BRACKET
2	68010054AA	AR	2, 3, 6, 7	L		EG2, EXM	DGZ		TERMINAL
3									CONNECTOR
	05120717AA	1	3, 7	L	03, 05	EG2, EXM	DGZ		Triple 3-PIN,COD.A
		1	2, 3, 6, 7	L	13, 15, 17, 53, 55	EG2, EXM	DGZ		Triple 3-PIN,COD.A
4									SWITCH, Power Window
	68010048AA	1	2, 3, 6, 7	L		EG2, EXM	DGZ		Left
	68010050AA	1	2, 3, 6, 7	L		EG2, EXM	DGZ		With [GTB], Left
	68010117AA	1	2, 3, 6, 7	L		EG2, EXM	DGZ		Right
5	68010053AA	1	2, 3, 6, 7	L		EG2, EXM	DGZ		CONNECTOR



**SPRINTER (VB)**

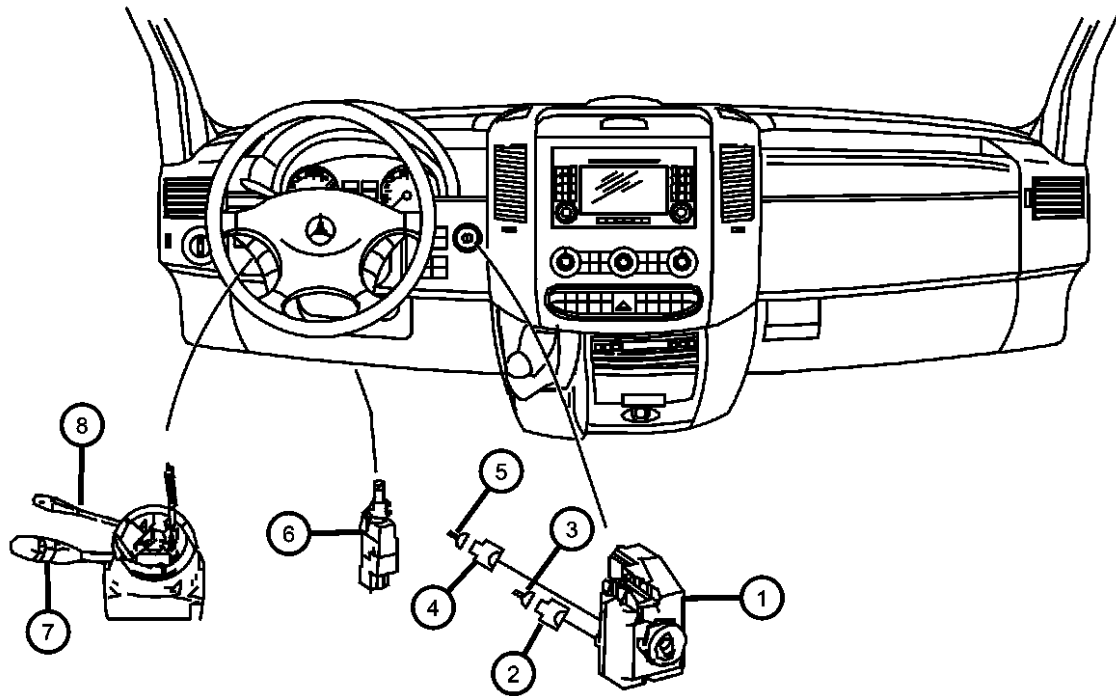
SERIES	LINE	BODY	ENGINE	TRANSMISSION
L = LOWLINE	3 = HD DODGE 2WD 6 = Lt. Duty DODGE 4WD 2 = Med. Duty DODGE 2WD 7 = Med. Duty DODGE 4WD	17 = VAN WHEEL BASE 7 55 = WAGON WHEEL BASE 5 15 = VAN WHEEL BASE 5 53 = 119 WB 13 = 119 WB 05 = CAB CHASSIS WHEEL BASE 5 03 = CAB CHASSIS WHEEL BASE 3	EG2 = 3.5L V6 Gas Engine EXM = 3.0L V6 Turbo Diesel Engine	DGZ = 5-Speed Auto W5A380 Transmission

AR = use ase required - = Non illustrated part

2008 VB

**Switches Steering Column and Wheel  
Figure 8-830**

ITEM	PART NUMBER	QTY	LINE	SERIES	BODY	ENGINE	TRANS	TRIM	DESCRIPTION
1	68023969AA	1	2, 3, 6, 7	L		EG2, EXM	DGZ		CYLINDER, Ignition Lock
2	68011195AA	1	2, 3, 6, 7	L		EG2, EXM	DGZ		CONNECTOR Ignition Starter Switch Black 8-PIN;N73
	68011198AA	1	2, 3, 6, 7	L		EG2, EXM	DGZ		Ignition Starter Switch Transparent 8-PIN,N73
	68011212AA	1	2, 3, 6, 7	L		EG2, EXM	DGZ		Ignition Starter Switch Blue 8-PIN;COD.C;N73
3	05103873AA	3	3, 7	L	03, 05	EG2, EXM	DGZ		TERMINAL
		3	2, 3, 6, 7	L	13, 15, 17, 53, 55	EG2, EXM	DGZ		
4	68011266AA	1	2, 3, 6, 7	L		EG2, EXM	DGZ		CONNECTOR, Ignition Starter Switch Black 5-PIN;N73
5	68016713AA	AR	2, 3, 6, 7	L		EG2, EXM	DGZ		TERMINAL
6	68022569AA	1	2, 3, 6, 7	L		EG2, EXM	DGZ		SWITCH, Stop Lamp
7	68010448AA	1	2, 3, 6, 7	L		EG2, EXM	DGZ		SWITCH, Multifunction Without [NHM]
	68010449AA	1	2, 3, 6, 7	L		EG2, EXM	DGZ		With [NHM]
	68026805AA	1	2, 3, 6, 7	L	13, 15, 17, 53, 55	EG2, EXM	DGZ		With [GEH]
	68026806AA	1	2, 3, 6, 7	L		EG2, EXM	DGZ		Without [GEH]
8	68010454AA	1	2, 3, 6, 7	L		EG2, EXM	DGZ		SWITCH, Speed Control, Cruise Control Tempomat



**SPRINTER (VB)**

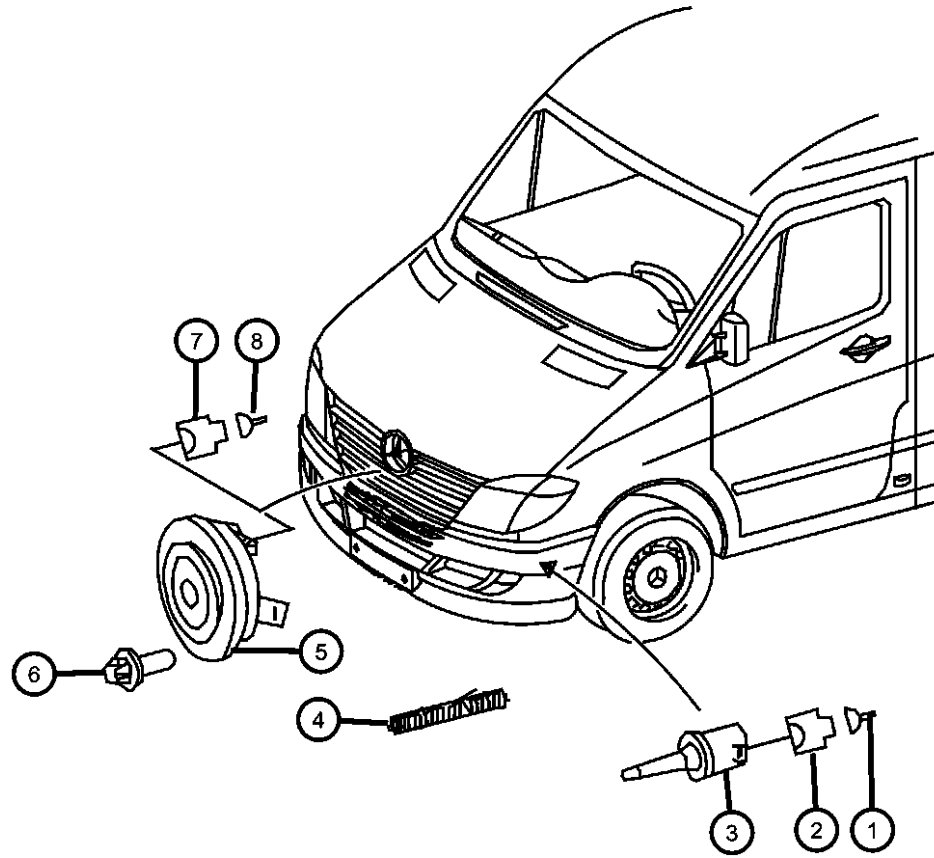
SERIES	LINE	BODY	ENGINE	TRANSMISSION
L = LOWLINE	3 = HD DODGE 2WD 6 = Lt. Duty DODGE 4WD 2 = Med. Duty DODGE 2WD 7 = Med. Duty DODGE 4WD	17 = VAN WHEEL BASE 7 55 = WAGON WHEEL BASE 5 15 = VAN WHEEL BASE 5 53 = 119 WB 13 = 119 WB 05 = CAB CHASSIS WHEEL BASE 5 03 = CAB CHASSIS WHEEL BASE 3	EG2 = 3.5L V6 Gas Engine EXM = 3.0L V6 Turbo Diesel Engine	DGZ = 5-Speed Auto W5A380 Transmission

AR = use ase required - = Non illustrated part

2008 VB

Horns  
Figure 8-905

ITEM	PART NUMBER	QTY	LINE	SERIES	BODY	ENGINE	TRANS	TRIM	DESCRIPTION
1									TERMINAL
	05103873AA	3	3, 7	L	03, 05	EG2, EXM	DGZ		0.75 MM2,MQS;B14
		3	2, 3, 6, 7	L	13, 15, 17, 53, 55	EG2, EXM	DGZ		0.75 MM2,MQS;B14
2	05120277AA	1	2, 3, 6, 7	L		EG2, EXM	DGZ		CONNECTOR, Wiring Repair, Sensor of Outside Temperature Indicator 2-PIN,B14
3									SENSOR, Ambient Temperature
	05101096AA	1	3, 7	L	03, 05	EG2, EXM	DGZ		Outboard Temperature Feeler
		1	2, 3, 6, 7	L	13, 15, 17, 53, 55	EG2, EXM	DGZ		Outboard Temperature Feeler
4	05133388AA	1	2, 3, 6, 7	L		EG2, EXM	DGZ		TUBE, Heat Shrink, H1,H18,H18/1
5									HORN
	05120370AA	1	3, 7	L	03, 05	EG2, EXM	DGZ		
		1	2, 3, 6, 7	L	13, 15, 17, 53, 55	EG2, EXM	DGZ		
6	05073723AB	1	2, 3, 6, 7	L		EXM	DGZ		SCREW, Horn Mounting M8x20
7	05166277AA	1	2, 3, 6, 7	L		EG2, EXM	DGZ		CONNECTOR, 2-PIN,H1
8	68011404AA	AR	2, 3, 6, 7	L		EG2, EXM	DGZ		TERMINAL, H1



**SPRINTER (VB)**

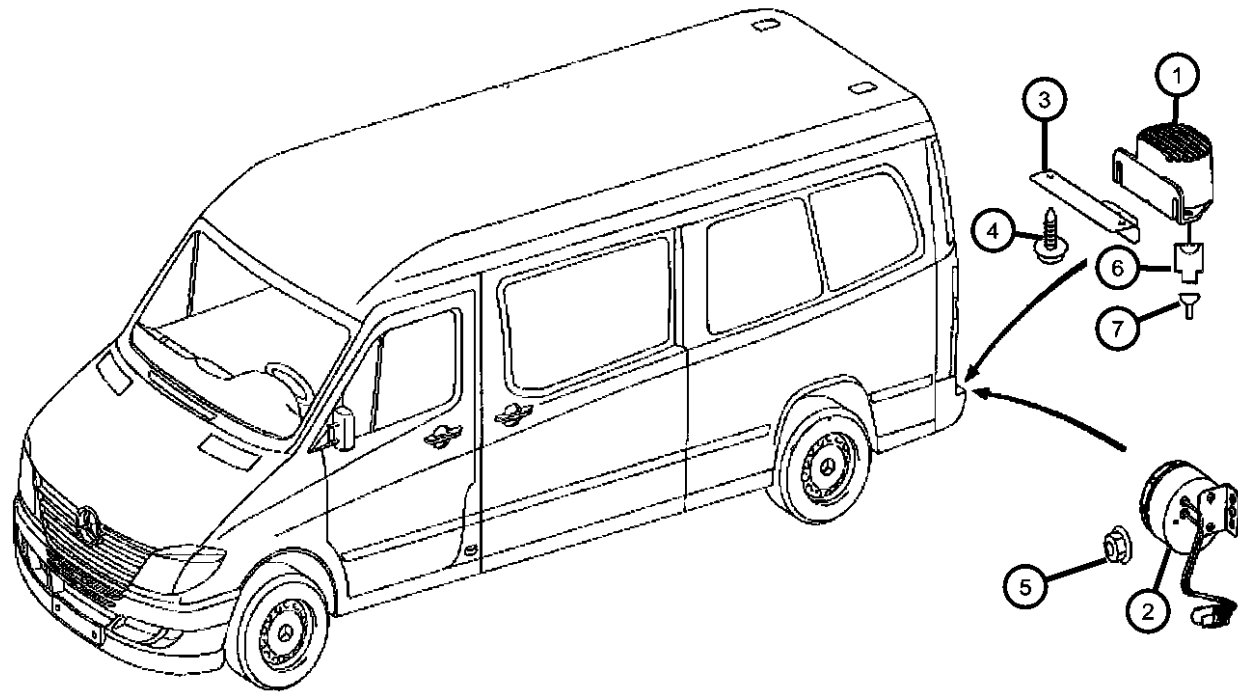
SERIES	LINE	BODY	ENGINE	TRANSMISSION
L = LOWLINE	3 = HD DODGE 2WD 6 = Lt. Duty DODGE 4WD 2 = Med. Duty DODGE 2WD 7 = Med. Duty DODGE 4WD	17 = VAN WHEEL BASE 7 55 = WAGON WHEEL BASE 5 15 = VAN WHEEL BASE 5 53 = 119 WB 13 = 119 WB 05 = CAB CHASSIS WHEEL BASE 5 03 = CAB CHASSIS WHEEL BASE 3	EG2 = 3.5L V6 Gas Engine EXM = 3.0L V6 Turbo Diesel Engine	DGZ = 5-Speed Auto W5A380 Transmission

AR = use ase required - = Non illustrated part

2008 VB

**Audible Reverse Signal Horn  
Figure 8-906**

ITEM	PART NUMBER	QTY	LINE	SERIES	BODY	ENGINE	TRANS	TRIM	DESCRIPTION
1	05135946AA	1	2, 3, 6, 7	L	13, 15, 17, 53, 55	EG2, EXM	DGZ		HORN, End Crossmember Inner / With [XAW] Sales Codes
2	68024748AA	1	2, 3, 6, 7	L		EG2, EXM	DGZ		HORN, End Of Crossmember Inner / Pulse Sender Unit
3	05135596AA	1	2, 3, 6, 7	L	13, 15, 17, 53, 55	EG2, EXM	DGZ		BRACKET, Horn
4	06104565AA	2	2, 3, 6, 7	L		EG2, EXM	DGZ		SCREW, [4.2x9.5]
5	68004878AA	1	2, 3, 6, 7	L	13, 15, 17, 53, 55	EG2, EXM	DGZ		NUT, [M6]
6	05120277AA	1	2, 3, 6, 7	L		EG2, EXM	DGZ		CONNECTOR, Wiring Repair, [2 Pin / H3/4]
7	05103874AA	1	2, 3, 6, 7	L		EG2, EXM	DGZ		TERMINAL, [0.75 MM2; MQS; H3/4]
-8	05120860AA	1	2, 3, 6, 7	L		EG2, EXM	DGZ		GASKET, [1.6 - 1.9 MM2; H3/4]



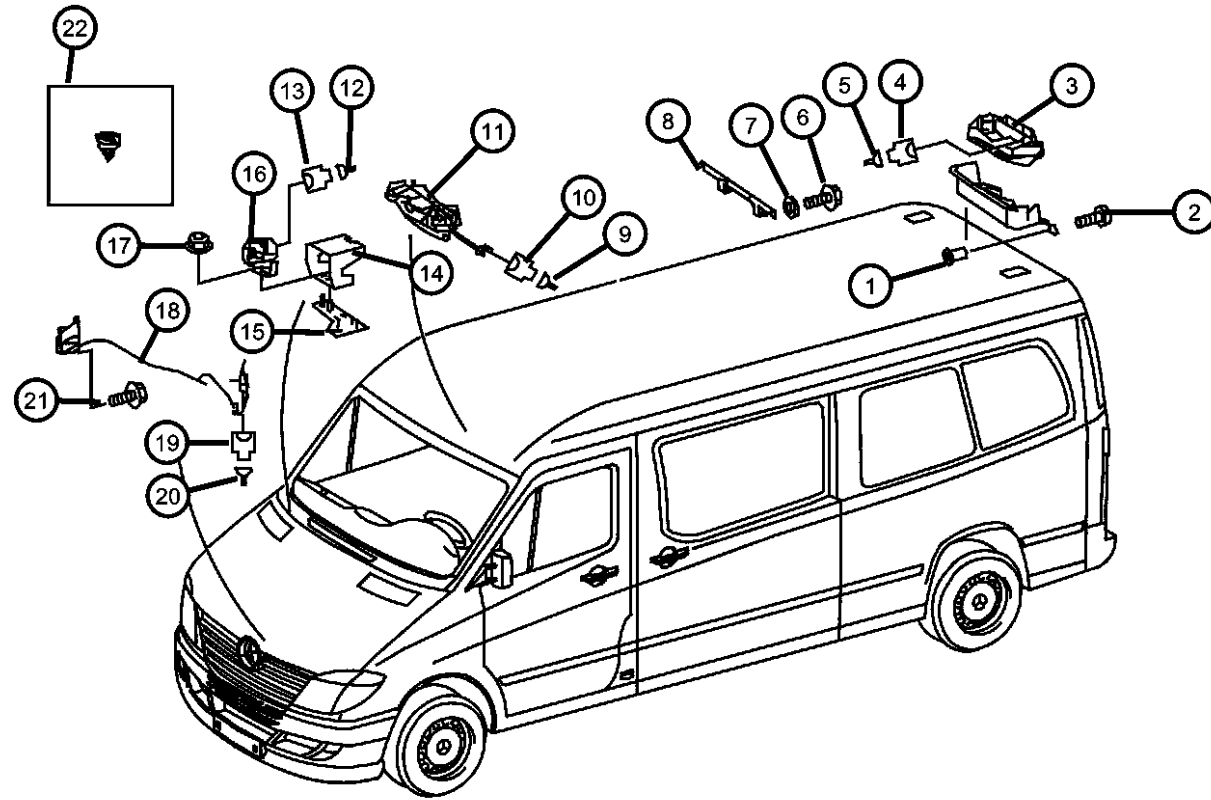
**SPRINTER (VB)**

SERIES	LINE	BODY	ENGINE	TRANSMISSION
L = LOWLINE	3 = HD DODGE 2WD 6 = Lt. Duty DODGE 4WD 2 = Med. Duty DODGE 2WD 7 = Med. Duty DODGE 4WD	17 = VAN WHEEL BASE 7 55 = WAGON WHEEL BASE 5 15 = VAN WHEEL BASE 5 53 = 119 WB 13 = 119 WB 05 = CAB CHASSIS WHEEL BASE 5 03 = CAB CHASSIS WHEEL BASE 3	EG2 = 3.5L V6 Gas Engine EXM = 3.0L V6 Turbo Diesel Engine	DGZ = 5-Speed Auto W5A380 Transmission

AR = use ase required - = Non illustrated part

2008 VB

**Siren Alarm System  
Figure 8-910**



ITEM	PART NUMBER	QTY	LINE	SERIES	BODY	ENGINE	TRANS	TRIM	DESCRIPTION
1	05174643AA	2	2, 3, 6, 7	L	13, 15, 17, 53, 55	EG2, EXM	DGZ		RIVET, NONE, SPRINTER
		2	2, 3, 6, 7	L	53, 55	EG2, EXM	DGZ		
2	68013429AA	1	2, 3, 6, 7	L		EG2, EXM	DGZ		BRACKET
3	0ZF50RC3AA	2	2, 3, 6, 7	L	13, 15, 17, 53, 55	EG2, EXM	DGZ		SWITCH, Loading Compartment
4	05120636AA	1	2, 3, 6, 7	L		EG2, EXM	DGZ		CONNECTOR, Interior Motion Sensor 4-PINB44/2
5	68016730AA	AR	2, 3, 6, 7	L		EG2, EXM	DGZ		TERMINAL
6	68010354AA	1	2, 3, 6, 7	L	13, 15, 17, 53, 55	EG2, EXM	DGZ		SCREW
7	05104639AA	2	2, 3, 6, 7	L	13, 15, 17, 53, 55	EG2, EXM	DGZ		WASHER
		2	2, 3, 6, 7	L	13, 15, 17	EXM, EG2	DGZ		
8	68013428AA	1	2, 3, 6, 7	L		EG2, EXM	DGZ		BRACKET
9	68016730AA	AR	2, 3, 6, 7	L		EG2, EXM	DGZ		TERMINAL
10	05120636AA	1	2, 3, 6, 7	L		EG2, EXM	DGZ		CONNECTOR, Interior Motion Sensor
11	68017615AA	1	2, 3, 6, 7	L		EG2, EXM	DGZ		SENSOR, Interior Sensor
12	68016719AA	AR	2, 3, 6, 7	L		EG2, EXM	DGZ		TERMINAL, H3/1
13	68011397AA	1	2, 3, 6, 7	L		EG2, EXM	DGZ		CONNECTOR, Wiring, Alarm Horn H3/1
14	68029376AA	1	2, 3, 6, 7	L		EG2, EXM	DGZ		COVER, Anti-Theft Alarm System
15	68004682AA	1	2, 3, 6, 7	L		EG2, EXM	DGZ		BRACKET
16	68013410AA	1	2, 3, 6, 7	L		EG2, EXM	DGZ		SIREN, Alarm
17	68004878AA	3	2, 3, 6, 7	L	13, 15, 17, 53, 55	EG2, EXM	DGZ		NUT Alarm Siren to A-Pillar
		3	3, 7	L	03, 05	EG2, EXM	DGZ		Alarm Siren to A-Pillar
18	68034236AA	1	2, 3, 6, 7	L		EG2, EXM	DGZ		SWITCH, Underhood
19	05120277AA	1	2, 3, 6, 7	L		EG2, EXM	DGZ		CONNECTOR, Wiring Repair
20	68016719AA	AR	2, 3, 6, 7	L		EG2, EXM	DGZ		TERMINAL
21	06104634AA	2	2, 3, 6, 7	L		EG2, EXM	DGZ		SCREW, Console
22	68013413AA	1	2, 3, 6, 7	L	13, 15, 17, 53, 55	EG2, EXM	DGZ		CLIP, Retainer

**SPRINTER (VB)**

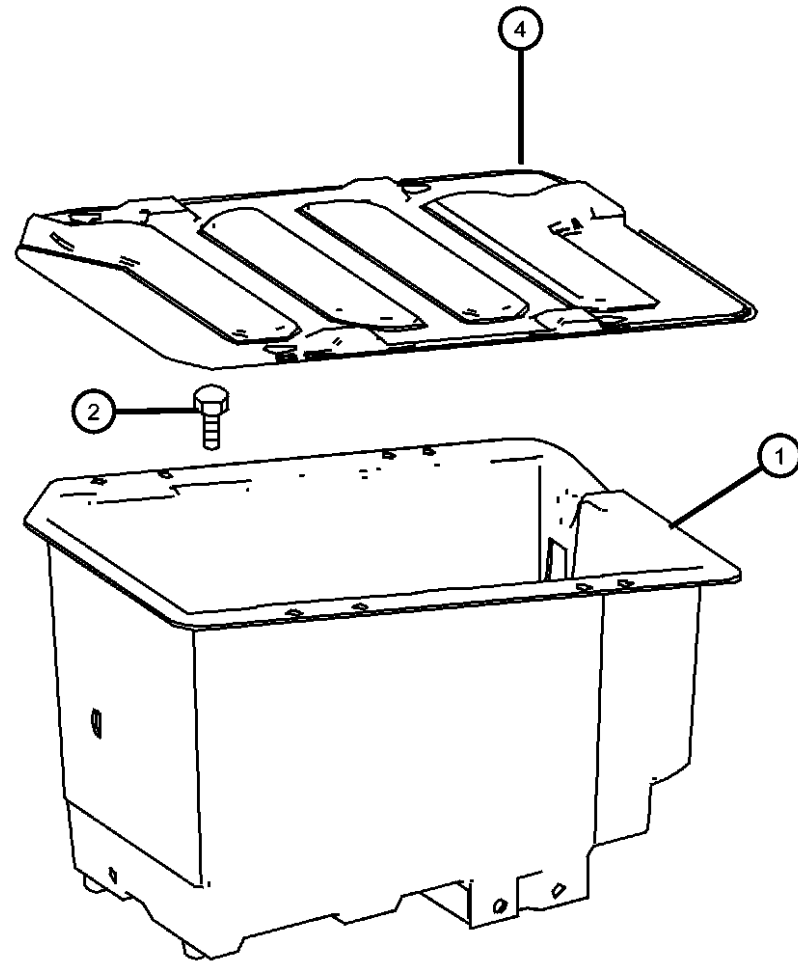
SERIES	LINE	BODY	ENGINE	TRANSMISSION
L = LOWLINE	3 = HD DODGE 2WD 6 = Lt. Duty DODGE 4WD 2 = Med. Duty DODGE 2WD 7 = Med. Duty DODGE 4WD	17 = VAN WHEEL BASE 7 55 = WAGON WHEEL BASE 5 15 = VAN WHEEL BASE 5 53 = 119 WB 13 = 119 WB 05 = CAB CHASSIS WHEEL BASE 5 03 = CAB CHASSIS WHEEL BASE 3	EG2 = 3.5L V6 Gas Engine EXM = 3.0L V6 Turbo Diesel Engine	DGZ = 5-Speed Auto W5A380 Transmission

AR = use ase required - = Non illustrated part

2008 VB

**Battery Tray and Support  
Figure 8-1005**

ITEM	PART NUMBER	QTY	LINE	SERIES	BODY	ENGINE	TRANS	TRIM	DESCRIPTION
1	68006357AA	1	2, 3, 6, 7	L		EG2, EXM	DGZ		TRAY, Battery, In Passenger Compartment
2	05126197AA	2	2, 3, 6, 7	L		EG2, EXM	DGZ		SCREW
-3									SCREW, Hex Head, M6x12
	06104120AA	1	3, 7	L	03, 05	EG2, EXM	DGZ		
		1	2, 3, 6, 7	L	13, 15, 17, 53, 55	EG2, EXM	DGZ		
4	68006358AA	1	2, 3, 6, 7	L		EG2, EXM	DGZ		COVER, Battery Cover



**SPRINTER (VB)**

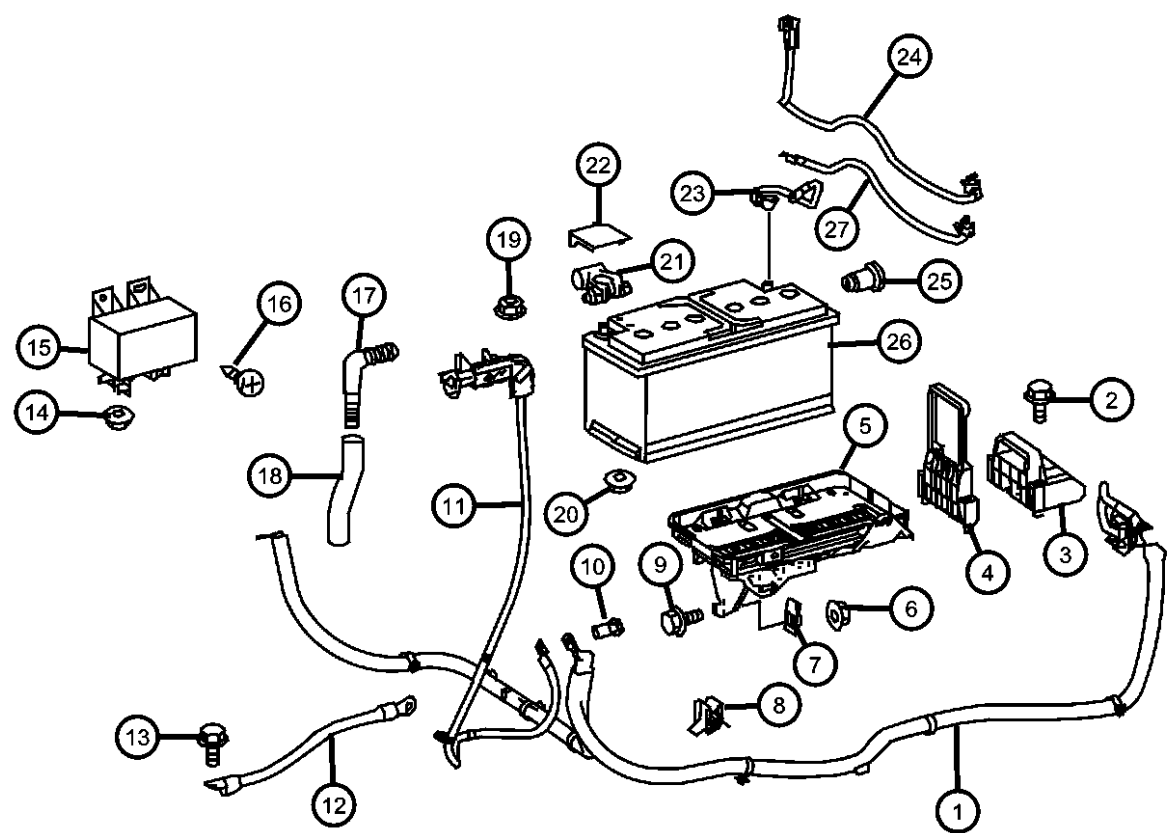
SERIES	LINE	BODY	ENGINE	TRANSMISSION
L = LOWLINE	3 = HD DODGE 2WD 6 = Lt. Duty DODGE 4WD 2 = Med. Duty DODGE 2WD 7 = Med. Duty DODGE 4WD	17 = VAN WHEEL BASE 7 55 = WAGON WHEEL BASE 5 15 = VAN WHEEL BASE 5 53 = 119 WB 13 = 119 WB 05 = CAB CHASSIS WHEEL BASE 5 03 = CAB CHASSIS WHEEL BASE 3	EG2 = 3.5L V6 Gas Engine EXM = 3.0L V6 Turbo Diesel Engine	DGZ = 5-Speed Auto W5A380 Transmission

AR = use ase required - = Non illustrated part

2008 VB



**Auxiliary Battery Tray, Battery Cable & Contactor**  
**Figure 8-1010**



ITEM	PART NUMBER	QTY	LINE	SERIES	BODY	ENGINE	TRANS	TRIM	DESCRIPTION
1	68011460AA	1	2, 3, 6, 7	L		EXM	DGZ		HARNESS, Wiring
	68011461AA	1	2, 3, 6, 7	L		EG2	DGZ		
2	06104191AA	2	3, 7	L	03, 05	EG2, EXM	DGZ		BOLT, Hex Flange Head, M6x1.00x70.00 Battery Fastening
		2	2, 3, 6, 7	L	13, 15, 17, 53, 55	EG2, EXM	DGZ		Battery Fastening
3	68011030AA	1	2, 3, 6, 7	L		EG2, EXM	DGZ		BRACKET, Battery
4	68011031AA	1	2, 3, 6, 7	L		EG2, EXM	DGZ		BRACKET, Battery
5	68011034AA	1	2, 3, 6, 7	L		EG2, EXM	DGZ		TRAY, Battery, Auxiliary Battery Tray With Sales Code [BC1]
6	68004878AA	1	3, 7	L	03, 05	EG2, EXM	DGZ		NUT Support to Firewall M6
		1	3, 6, 2, 7	L	13, 15, 17, 53, 55	EG2, EXM	DGZ		Support to Firewall M6
7	06104736AA	6	2, 3, 6, 7	L		EG2, EXM	DGZ		NUT, Clip-On, M6
8	68011037AA	1	3, 7	L	03, 05	EG2, EXM	DGZ		RETAINER Drain Hose
		1	2, 3, 6, 7	L	13, 15, 17, 53, 55	EG2, EXM	DGZ		Drain Hose
9	05183964AA	1	2, 3, 6, 7	L		EXM	DGZ		BOLT, Hex Flange Head, M6x1.00x10.90
10	68011453AA	1	2, 3, 6, 7	L		EG2, EXM	DGZ		NUT
11	68011449AA	1	2, 3, 6, 7	L		EXM	DGZ		HARNESS, Wiring Jump Starting Point
	68011450AA	1	3, 7	L	03, 05	EG2	DGZ		Jump Starting Point
		1	2, 6	L	13, 15, 17, 53, 55	EG2	DGZ		Jump Starting Point
12	05120226AA	1	2, 3, 6, 7	L		EG2, EXM	DGZ		STRAP, Ground, Engine Support, Left to Longitudinal Member
13	06104022AB	2	3, 7	L	03, 05	EG2, EXM	DGZ		SCREW, Ground Strap Mounting M8x16
14	68004878AA	2	3, 7	L	03, 05	EG2, EXM	DGZ		NUT
		2	2, 3, 6, 7	L	13, 15, 17, 53, 55	EG2, EXM	DGZ		

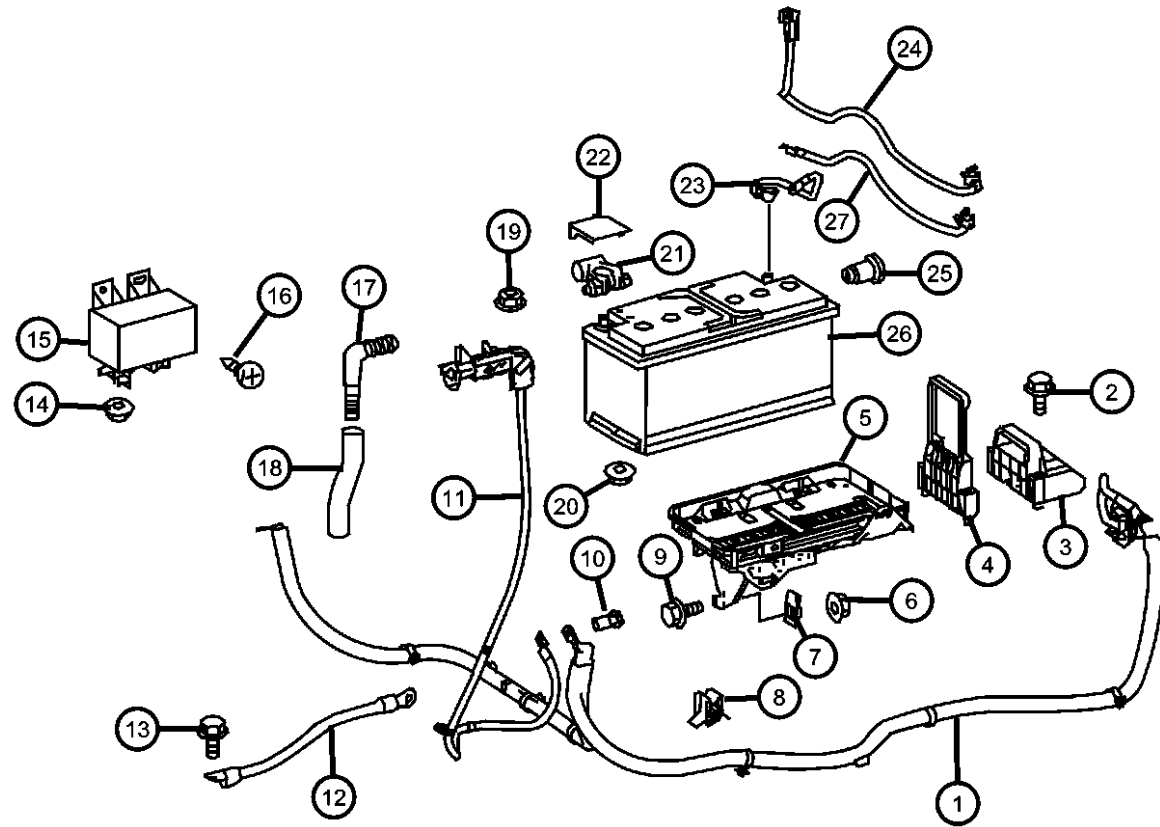
**SPRINTER (VB)**

SERIES	LINE	BODY	ENGINE	TRANSMISSION
L = LOWLINE	3 = HD DODGE 2WD 6 = Lt. Duty DODGE 4WD 2 = Med. Duty DODGE 2WD 7 = Med. Duty DODGE 4WD	17 = VAN WHEEL BASE 7 55 = WAGON WHEEL BASE 5 15 = VAN WHEEL BASE 5 53 = 119 WB 13 = 119 WB 05 = CAB CHASSIS WHEEL BASE 5 03 = CAB CHASSIS WHEEL BASE 3	EG2 = 3.5L V6 Gas Engine EXM = 3.0L V6 Turbo Diesel Engine	DGZ = 5-Speed Auto W5A380 Transmission

AR = use ase required - = Non illustrated part

2008 VB

**Auxiliary Battery Tray, Battery Cable & Contactor**  
**Figure 8-1010**



ITEM	PART NUMBER	QTY	LINE	SERIES	BODY	ENGINE	TRANS	TRIM	DESCRIPTION
15	05120361AA	1	3, 7	L	03, 05	EG2, EXM	DGZ		RELAY Cut-Off Relay
		1	2, 3, 6, 7	L	13, 15, 17, 53, 55	EXM, EG2	DGZ		Cut-Off Relay
16	06104566AA	2	2, 3, 6, 7	L		EG2, EXM	DGZ		SCREW, Tapping
17	05125802AA	1	2, 3, 6, 7	L	13, 15, 17, 53, 55	EG2, EXM	DGZ		ELBOW, Male Adapter To Battery
		1	2, 3, 6, 7	L	03, 05	EG2, EXM	DGZ		To Battery
18	05125962AA	40	2, 3, 6, 7	L		EG2, EXM	DGZ		HOSE, Battery Vent, 5x1MM
19	06105169AA	1	2, 3, 6, 7	L		EG2, EXM	DGZ		NUT, Fuse Box to Battery Case M8
20	68004878AA	2	2, 3, 6, 7	L	17, 53, 55, 13, 15	EG2, EXM	DGZ		NUT Battery Mounting M6
		2	3, 7	L	03, 05	EG2, EXM	DGZ		Battery Mounting M6
21	05120949AA	1	2, 3, 6, 7	L		EG2, EXM	DGZ		TERMINAL, Battery Heavy Duty
	68011027AA	1	2, 3, 6, 7	L		EG2, EXM	DGZ		
22	05098850AA	1	3, 7	L	03, 05	EG2, EXM	DGZ		COVER, Battery Terminal
		1	2, 3, 6, 7	L	13, 15, 17, 53, 55	EG2, EXM	DGZ		
23	68011458AA	1	2, 3, 6, 7	L		EG2, EXM	DGZ		STRAP, Ground, Additional Battery
24	68011454AA	1	2, 3, 6, 7	L		EG2, EXM	DGZ		HARNESS, Wiring, From Battery to Frame
25	05099303AA	1	3, 7	L	03, 05	EG2, EXM	DGZ		PLUG To Battery 6x8MM
		1	2, 3, 6, 7	L	13, 15, 17, 53, 55	EG2, EXM	DGZ		To Battery 6x8MM
26	05133941AA	1	3, 7	L	03, 05	EG2, EXM	DGZ		BATTERY 12V/100AH / Auxiliary Battery
	BB049850AA	1	2, 3, 6, 7	L	13, 15, 17, 53, 55	EG2, EXM	DGZ		Mopar Replacement Battery (72 Series) 12V/100AH / Auxiliary Battery
	BB049850AA	1	2, 3, 6, 7	L	13, 15, 17, 53, 55	EG2, EXM	DGZ		Mopar Replacement Battery (72 Series)

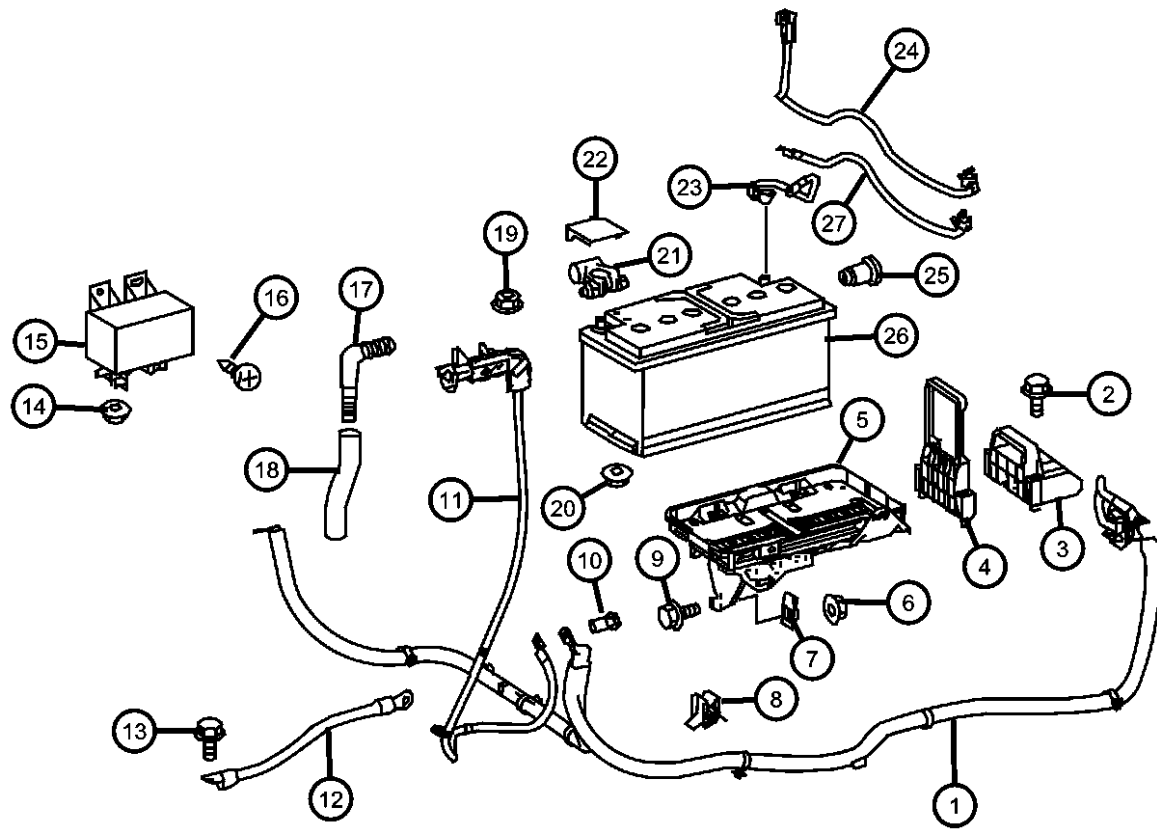
**SPRINTER (VB)**

SERIES	LINE	BODY	ENGINE	TRANSMISSION
L = LOWLINE	3 = HD DODGE 2WD 6 = Lt. Duty DODGE 4WD 2 = Med. Duty DODGE 2WD 7 = Med. Duty DODGE 4WD	17 = VAN WHEEL BASE 7 55 = WAGON WHEEL BASE 5 15 = VAN WHEEL BASE 5 53 = 119 WB 13 = 119 WB 05 = CAB CHASSIS WHEEL BASE 5 03 = CAB CHASSIS WHEEL BASE 3	EG2 = 3.5L V6 Gas Engine EXM = 3.0L V6 Turbo Diesel Engine	DGZ = 5-Speed Auto W5A380 Transmission

AR = use ase required - = Non illustrated part

**Auxiliary Battery Tray, Battery Cable & Contactor**  
**Figure 8-1010**

ITEM	PART NUMBER	QTY	LINE	SERIES	BODY	ENGINE	TRANS	TRIM	DESCRIPTION
	05134258AA	1	2, 3, 6, 7	L		EG2, EXM	DGZ		Starter Battery
27	68011464AA	1	2, 3, 6, 7	L		EG2, EXM	DGZ		STRAP, Ground, Ground to Frame



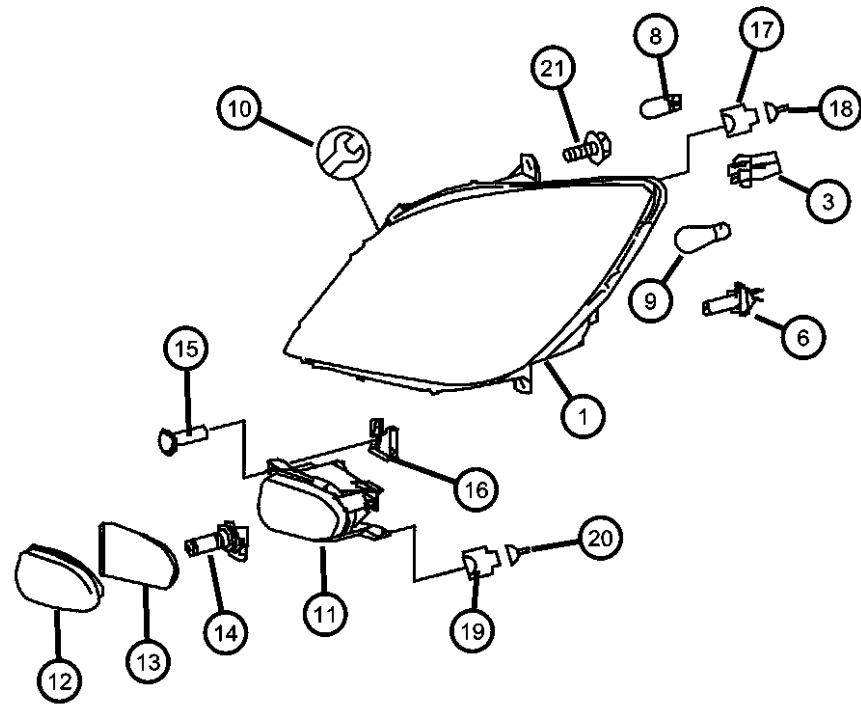
**SPRINTER (VB)**

SERIES	LINE	BODY	ENGINE	TRANSMISSION
L = LOWLINE	3 = HD DODGE 2WD 6 = Lt. Duty DODGE 4WD 2 = Med. Duty DODGE 2WD 7 = Med. Duty DODGE 4WD	17 = VAN WHEEL BASE 7 55 = WAGON WHEEL BASE 5 15 = VAN WHEEL BASE 5 53 = 119 WB 13 = 119 WB 05 = CAB CHASSIS WHEEL BASE 5 03 = CAB CHASSIS WHEEL BASE 3	EG2 = 3.5L V6 Gas Engine EXM = 3.0L V6 Turbo Diesel Engine	DGZ = 5-Speed Auto W5A380 Transmission

AR = use ase required - = Non illustrated part

2008 VB

Lamps Front  
Figure 8-1105



ITEM	PART NUMBER	QTY	LINE	SERIES	BODY	ENGINE	TRANS	TRIM	DESCRIPTION
1									LAMP, Headlamp Park And Turn
	68004882AA	1	2, 3, 6, 7	L		EG2, EXM	DGZ		With [LM2], Right
	68004883AA	1	2, 3, 6, 7	L		EG2, EXM	DGZ		With [LM2], Left
	68012120AA	1	2, 3, 6, 7	L		EG2, EXM	DGZ		Without [LM2], Right
	68012121AA	1	2, 3, 6, 7	L		EG2, EXM	DGZ		Without [LM2], Left
-2	68012126AA	2	2, 3, 6, 7	L		EG2, EXM	DGZ		MOTOR, Light Range Adjuster
3	05133959AA	2	2, 3, 6, 7	L		EG2, EXM	DGZ		SOCKET, Lamp
-4	68012127AA	2	2, 3, 6, 7	L		EG2, EXM	DGZ		MODULE
-5	68012128AA	2	2, 3, 6, 7	L		EG2, EXM	DGZ		SOCKET, Lamp
6	05104684AA	4	2, 3, 6, 7	L		EG2, EXM	DGZ		BULB, Headlamp, H-7
-7	68012130AA	2	2, 3, 6, 7	L		EG2, EXM	DGZ		BULB
8	68012129AA	2	2, 3, 6, 7	L		EG2, EXM	DGZ		BULB, Parking Lamp [12V / 5W]
9	05179070AA	2	2, 3, 6, 7	L		EG2, EXM	DGZ		BULB
10									BRACKET
	68012122AA	1	2, 3, 6, 7	L		EG2, EXM	DGZ		Headlamp Mounting Tabs Kit, Right
	68012123AA	1	2, 3, 6, 7	L		EG2, EXM	DGZ		Headlamp Mounting Tabs Kit, Left
11									LAMP, Fog
	68024973AA	1	2, 3, 6, 7	L		EG2, EXM	DGZ		Left
	68024972AA	1	2, 3, 6, 7	L		EG2, EXM	DGZ		Right
12									LENS
	68012132AA	1	2, 3, 6, 7	L		EG2, EXM	DGZ		Left
	68012137AA	1	2, 3, 6, 7	L		EG2, EXM	DGZ		Right
13	68012133AA	2	2, 3, 6, 7	L		EG2, EXM	DGZ		SEALRight & Left
14	05104684AA	4	2, 3, 6, 7	L		EG2, EXM	DGZ		BULB, Headlamp, H-7
15	06104599AA	4	2, 3, 6, 7	L		EG2, EXM	DGZ		SCREW, Tapping, [4.8x19]
16	68012139AA	4	2, 3, 6, 7	L		EG2, EXM	DGZ		RETAINER
17	05103896AA	2	2, 3, 6, 7	L		EG2, EXM	DGZ		CONNECTOR, [E1, E1/6, E2, E2/6], Right & Left
18	05103898AA	AR	2, 3, 6, 7	L		EG2, EXM	DGZ		TERMINAL, Female, [0.5 - 1.0 MM2]
19	68011295AA	2	2, 3, 6, 7	L		EG2, EXM	DGZ		CONNECTOR, Wiring, Fog Lamp [2 Pin; E5/1, E5/2], Right & Left
20									TERMINAL

SPRINTER (VB)

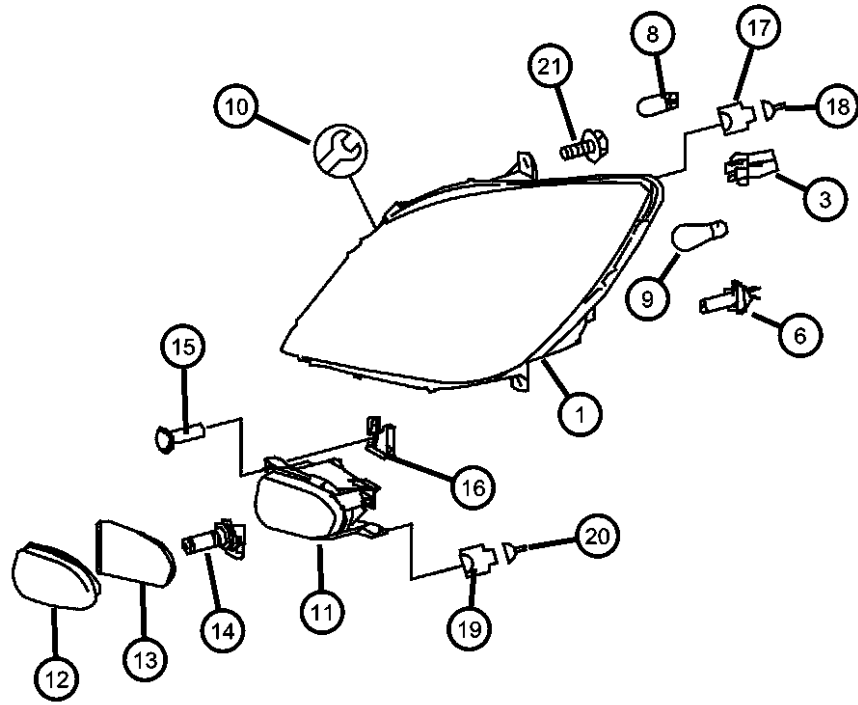
SERIES	LINE	BODY	ENGINE	TRANSMISSION
L = LOWLINE	3 = HD DODGE 2WD 6 = Lt. Duty DODGE 4WD 2 = Med. Duty DODGE 2WD 7 = Med. Duty DODGE 4WD	17 = VAN WHEEL BASE 7 55 = WAGON WHEEL BASE 5 15 = VAN WHEEL BASE 5 53 = 119 WB 13 = 119 WB 05 = CAB CHASSIS WHEEL BASE 5 03 = CAB CHASSIS WHEEL BASE 3	EG2 = 3.5L V6 Gas Engine EXM = 3.0L V6 Turbo Diesel Engine	DGZ = 5-Speed Auto W5A380 Transmission

AR = use ase required - = Non illustrated part

2008 VB

Lamps Front  
Figure 8-1105

ITEM	PART NUMBER	QTY	LINE	SERIES	BODY	ENGINE	TRANS	TRIM	DESCRIPTION
	05133353AA	AR	2, 3, 6, 7	L		EG2	DGZ		[0.5 - 1.0 MM2]
		AR	2, 3, 6, 7	L		EXM	DGZ		[0.5 - 1.0 MM2]
21	68004879AA	8	2, 3, 6, 7	L		EG2, EXM	DGZ		SCREW, Headlamp Mounting



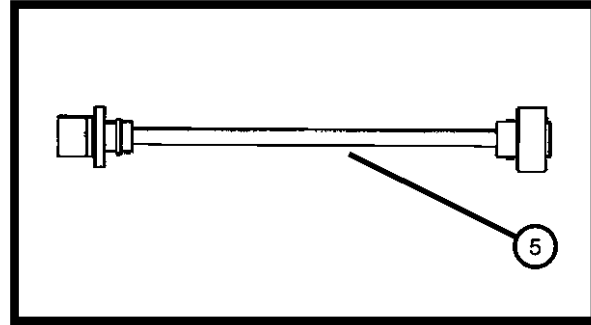
**SPRINTER (VB)**

SERIES	LINE	BODY	ENGINE	TRANSMISSION
L = LOWLINE	3 = HD DODGE 2WD 6 = Lt. Duty DODGE 4WD 2 = Med. Duty DODGE 2WD 7 = Med. Duty DODGE 4WD	17 = VAN WHEEL BASE 7 55 = WAGON WHEEL BASE 5 15 = VAN WHEEL BASE 5 53 = 119 WB 13 = 119 WB 05 = CAB CHASSIS WHEEL BASE 5 03 = CAB CHASSIS WHEEL BASE 3	EG2 = 3.5L V6 Gas Engine EXM = 3.0L V6 Turbo Diesel Engine	DGZ = 5-Speed Auto W5A380 Transmission

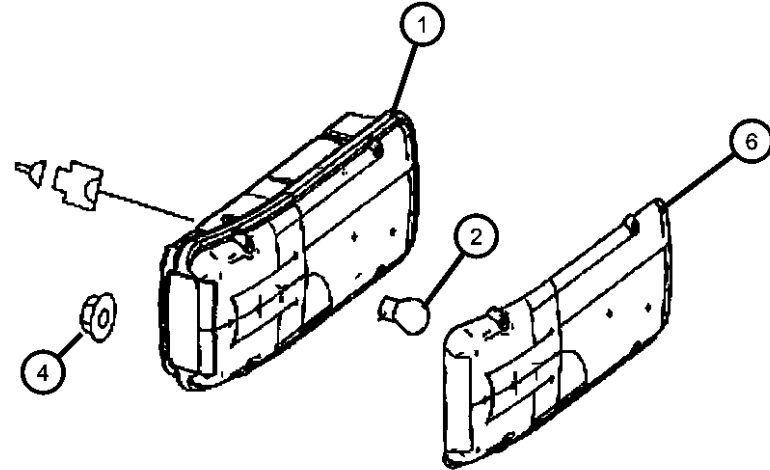
AR = use ase required - = Non illustrated part

2008 VB

Lamps Rear  
Figure 8-1109



ITEM	PART NUMBER	QTY	LINE	SERIES	BODY	ENGINE	TRANS	TRIM	DESCRIPTION
1									LAMP, Tail Stop Turn
	68012140AA	1	3, 7	L	03, 05	EG2, EXM	DGZ		Right
	68012141AA	1	3, 7	L	03, 05	EG2, EXM	DGZ		Left
2	05104649AA	2	2, 3, 6, 7	L		EG2, EXM	DGZ		BULB, [12V - 5W]
-3	L0007506	2	2, 3, 6, 7	L		EG2, EXM	DGZ		BULB, 7506
4	06105169AA	4	3, 7	L	03, 05	EG2, EXM	DGZ		NUT
5	68016790AA	2	3, 7	L	03, 05	EG2, EXM	DGZ		WIRING
6									LENS, Taillamp
	68031562AA	1	3, 7	L	03, 05	EG2, EXM	DGZ		Left
	68031563AA	1	3, 7	L	03, 05	EG2, EXM	DGZ		Right



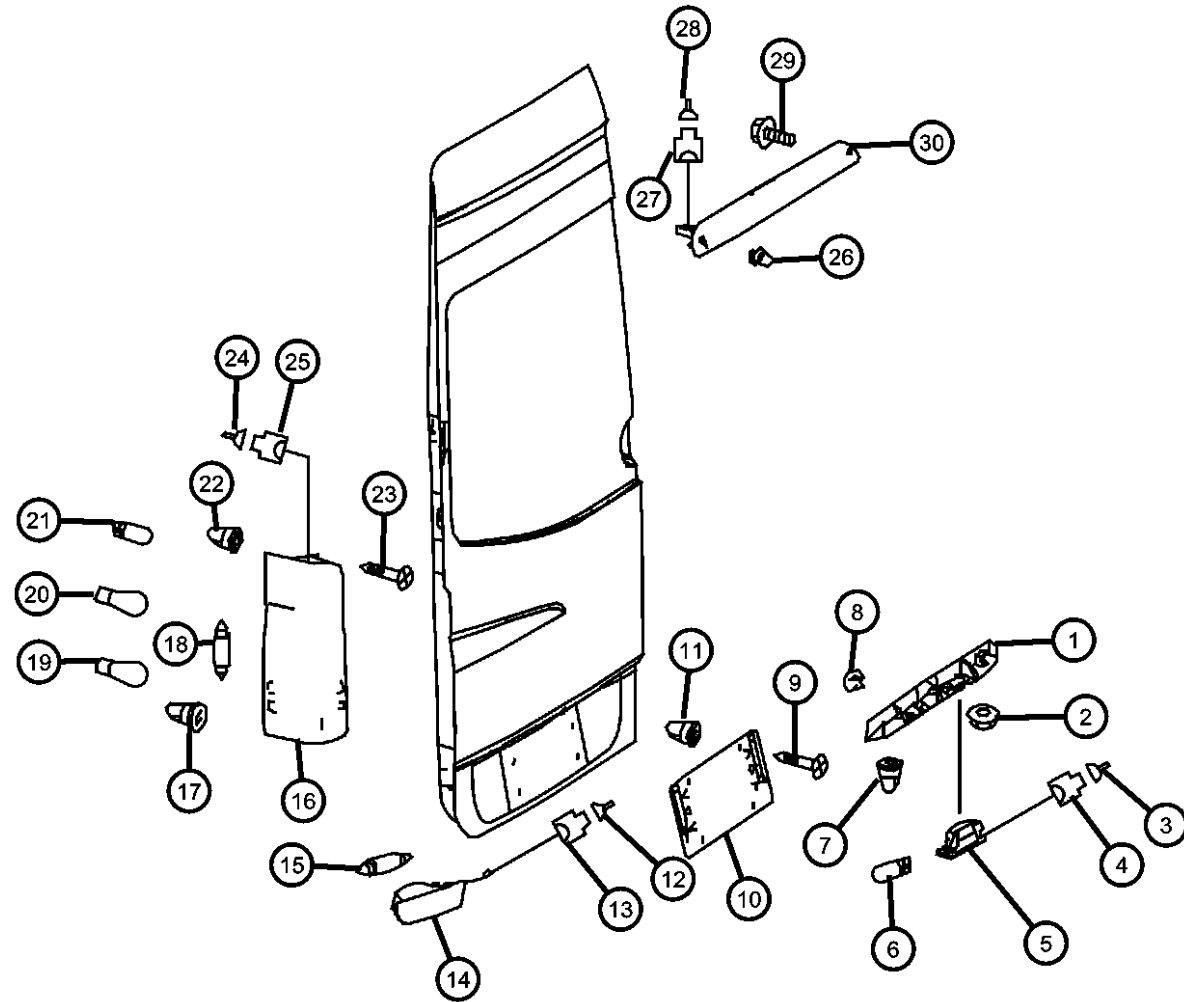
SPRINTER (VB)

SERIES	LINE	BODY	ENGINE	TRANSMISSION
L = LOWLINE	3 = HD DODGE 2WD 6 = Lt. Duty DODGE 4WD 2 = Med. Duty DODGE 2WD 7 = Med. Duty DODGE 4WD	17 = VAN WHEEL BASE 7 55 = WAGON WHEEL BASE 5 15 = VAN WHEEL BASE 5 53 = 119 WB 13 = 119 WB 05 = CAB CHASSIS WHEEL BASE 5 03 = CAB CHASSIS WHEEL BASE 3	EG2 = 3.5L V6 Gas Engine EXM = 3.0L V6 Turbo Diesel Engine	DGZ = 5-Speed Auto W5A380 Transmission

AR = use ase required - = Non illustrated part

2008 VB

Lamps Rear  
Figure 8-1111



ITEM	PART NUMBER	QTY	LINE	SERIES	BODY	ENGINE	TRANS	TRIM	DESCRIPTION
1	1HE84XDVAA	1	2, 3, 6, 7	L	13, 15, 17, 53, 55	EG2, EXM	DGZ		COVER, Lamp
2	68006505AA	2	2, 3, 6, 7	L	13, 15, 17, 53, 55	EG2, EXM	DGZ		NUT
3	05138912AA	AR	2, 3, 6, 7	L		EG2, EXM	DGZ		TERMINAL, E19/1.E19/2
4	68011339AA	2	2, 3, 6, 7	L		EG2, EXM	DGZ		CONNECTOR, E19/2
5	68006502AA	2	2, 3, 6, 7	L	13, 15, 17, 53, 55	EG2, EXM	DGZ		LAMP, License
6	05104608AA	1	2, 3, 6, 7	L	13, 15, 17, 53, 55	EG2, EXM	DGZ		BULB, 12V 5W, License Plate Lamp 12V-5W
7	68006507AA	4	2, 3, 6, 7	L	13, 15, 17, 53, 55	EG2, EXM	DGZ		RETAINER, Covering to Door
8	68006504AA	3	2, 3, 6, 7	L		EXM, EG2	DGZ		RETAINER, Covering to Door
9									SCREW, Hex Head
	06104632AA	1	2, 3, 6, 7	L	53, 55	EG2, EXM	DGZ		
		4	2, 3, 6, 7	L	13, 15, 17, 53, 55	EG2, EXM	DGZ		
10	68006506AA	1	2, 3, 6, 7	L	13, 15, 17, 53, 55	EG2, EXM	DGZ		BRACKET, Rear License Plate Fastening
11	68006507AA	4	2, 3, 6, 7	L	13, 15, 17, 53, 55	EG2, EXM	DGZ		RETAINER, Rear License Plate Fastening
12	05120860AA	1	2, 3, 6, 7	L		EG2, EXM	DGZ		GASKET
13	05120277AA	1	2, 3, 6, 7	L		EG2, EXM	DGZ		CONNECTOR, Wiring Repair
14									REFLECTOR, NONE, SPRINTER
	68012886AA	1	2, 3, 6, 7	L	13, 15, 17, 53, 55	EG2, EXM	DGZ		Right
	68012887AA	1	2, 3, 6, 7	L	13, 15, 17, 53, 55	EG2, EXM	DGZ		Left
15	L0007506	2	2, 3, 6, 7	L		EG2, EXM	DGZ		BULB, 7506
16									LAMP, Tail Stop Turn
	68012882AA	1	2, 6	L	13, 15, 53, 55, 57	EG2, EXM	DGZ		Right
	68012883AA	1	2, 6	L	13, 15, 53, 55, 57	EG2, EXM	DGZ		Left
17	68012881AA	6	2, 3, 6, 7	L	13, 15, 17, 53, 55	EG2, EXM	DGZ		RETAINER, Attachment Tail Lamp
18	05104647AA	2	2, 3, 6, 7	L	13, 15, 17, 53, 55	EG2, EXM	DGZ		BULB, TAIL LAMP
19	05179070AA	2	2, 3, 6, 7	L		EG2, EXM	DGZ		BULB
20	L0007506	2	2, 3, 6, 7	L		EG2, EXM	DGZ		BULB, 7506

SPRINTER (VB)

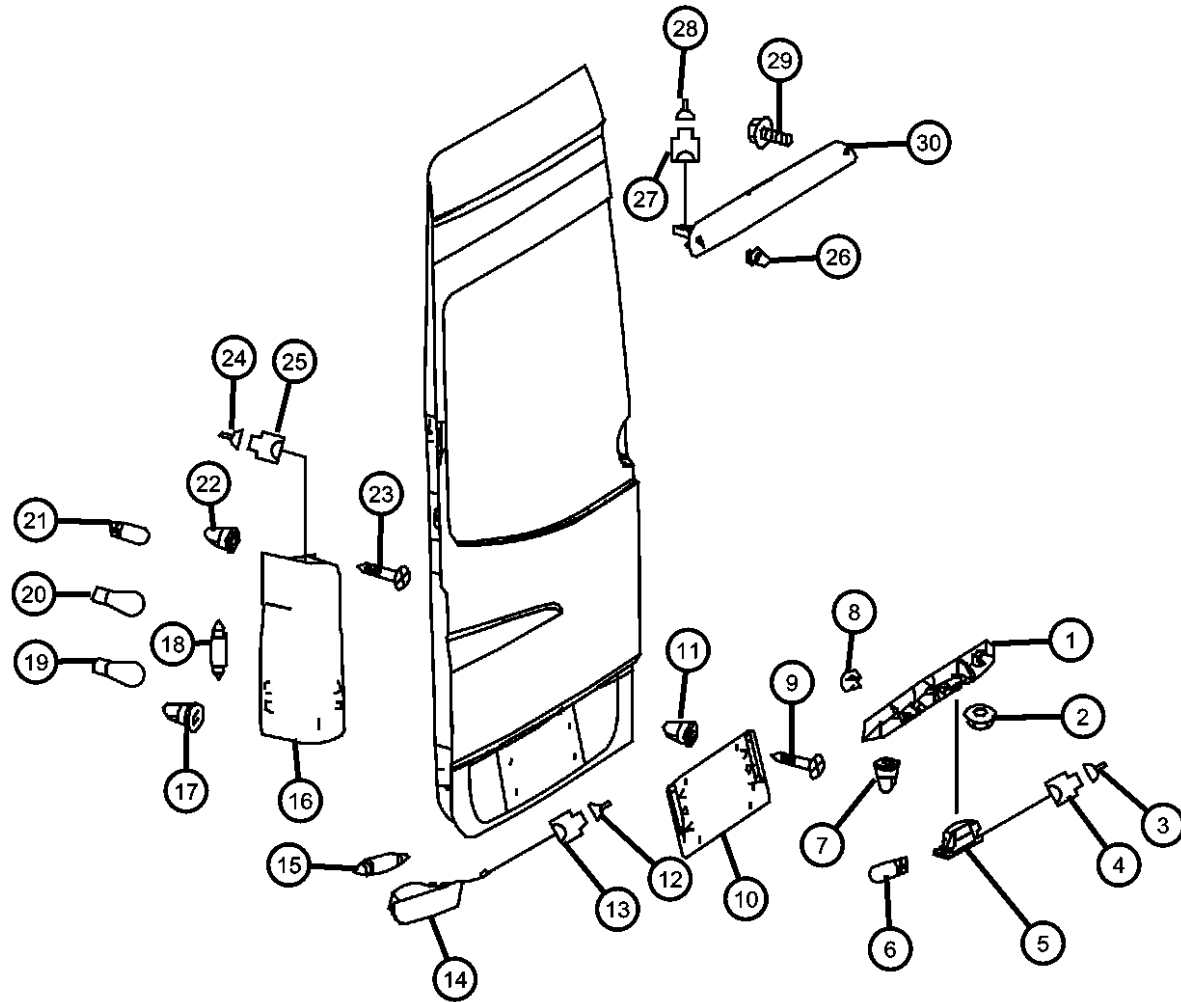
SERIES	LINE	BODY	ENGINE	TRANSMISSION
L = LOWLINE	3 = HD DODGE 2WD 6 = Lt. Duty DODGE 4WD 2 = Med. Duty DODGE 2WD 7 = Med. Duty DODGE 4WD	17 = VAN WHEEL BASE 7 55 = WAGON WHEEL BASE 5 15 = VAN WHEEL BASE 5 53 = 119 WB 13 = 119 WB 05 = CAB CHASSIS WHEEL BASE 5 03 = CAB CHASSIS WHEEL BASE 3	EG2 = 3.5L V6 Gas Engine EXM = 3.0L V6 Turbo Diesel Engine	DGZ = 5-Speed Auto W5A380 Transmission

AR = use ase required - = Non illustrated part

2008 VB

Lamps Rear  
Figure 8-1111

ITEM	PART NUMBER	QTY	LINE	SERIES	BODY	ENGINE	TRANS	TRIM	DESCRIPTION
21	05104649AA	2	2, 3, 6, 7	L		EG2, EXM	DGZ		BULB, Tail Light 12V-5W
22	05098837AB	4	2, 3, 6, 7	L		EG2, EXM	DGZ		NUT, Plastic Snap-in
23	05104609AA	6	2, 3, 6, 7	L	13, 15, 17, 53, 55	EG2, EXM	DGZ		SCREW, Tail Lamp to Body 4.8x13
24	05103892AA	1	2, 3, 6, 7	L		EG2, EXM	DGZ		TERMINAL
25	05138860AA	2	2, 3, 6, 7	L	13, 15, 17, 53, 55	EG2, EXM	DGZ		CONNECTOR, Taillamps 8-PIN;E3,E4, Right & Left
26	05098837AB	2	2, 3, 6, 7	L		EG2, EXM	DGZ		NUT, Plastic Snap-in
27	05138029AA	1	2, 3, 6, 7	L		EG2, EXM	DGZ		CONNECTOR, 3rd.Stop Lamp 2-PIN;E21
28	05103873AA	3	2, 3, 6, 7	L	13, 15, 17, 53, 55	EG2, EXM	DGZ		TERMINAL
29	06104505AA	2	2, 3, 6, 7	L	13, 15, 17, 53, 55	EG2, EXM	DGZ		SCREW, Auxiliary Stop Lamp to Body 4.8x13
30	68012885AA	1	2, 3, 6, 7	L	13, 15, 17, 53, 55	EG2, EXM	DGZ		LAMP, Center High Mounted Stop



SPRINTER (VB)

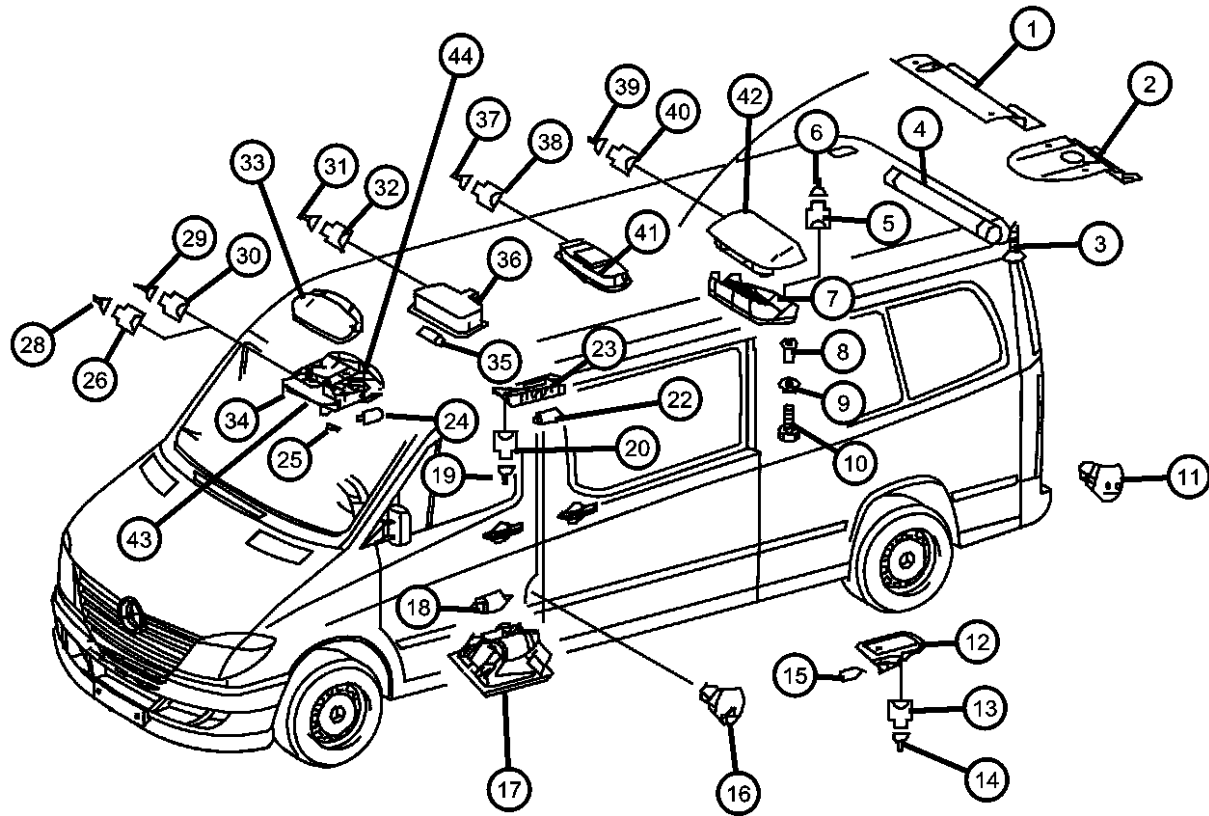
SERIES	LINE	BODY	ENGINE	TRANSMISSION
L = LOWLINE	3 = HD DODGE 2WD 6 = Lt. Duty DODGE 4WD 2 = Med. Duty DODGE 2WD 7 = Med. Duty DODGE 4WD	17 = VAN WHEEL BASE 7 55 = WAGON WHEEL BASE 5 15 = VAN WHEEL BASE 5 53 = 119 WB 13 = 119 WB 05 = CAB CHASSIS WHEEL BASE 5 03 = CAB CHASSIS WHEEL BASE 3	EG2 = 3.5L V6 Gas Engine EXM = 3.0L V6 Turbo Diesel Engine	DGZ = 5-Speed Auto W5A380 Transmission

AR = use ase required - = Non illustrated part

2008 VB



Lamps, Interior  
Figure 8-1115



ITEM	PART NUMBER	QTY	LINE	SERIES	BODY	ENGINE	TRANS	TRIM	DESCRIPTION
1	68009780AA	2	2, 3, 6, 7	L	13, 15, 17, 53, 55	EG2, EXM	DGZ		BRACKET, Cargo Lamp
2	68009779AA	2	2, 3, 6, 7	L	15, 17	EG2, EXM	DGZ		BRACKET, Cargo Lamp
3	06104527AA	6	2, 3, 6, 7	L	13, 15, 17, 53, 55	EG2, EXM	DGZ		SCREW
4	05133563AA	2	2, 3, 6, 7	L	13, 15, 17, 53, 55	EG2, EXM	DGZ		BULB, 12V 8W
5	68011322AA	2	2, 3, 6, 7	L		EG2, EXM	DGZ		ISOLATOR, [E17/9 Or E17/10] Front Door Lamp
6	05103871AA	AR	2, 3, 6, 7	L		EG2, EXM	DGZ		TERMINAL, Female
7	68017617AA	1	2, 3, 6, 7	L	13, 15, 17	EG2, EXM	DGZ		BRACKET
8									RIVET, NONE, SPRINTER
	05174643AA	2	2, 3, 6, 7	L	13, 15, 17, 53, 55	EG2, EXM	DGZ		
		2	2, 3, 6, 7	L	53, 55	EG2, EXM	DGZ		
9	05104639AA	1	2, 3, 6, 7	L	13, 15, 17, 53, 55	EG2, EXM	DGZ		WASHER
10	68010354AA	1	2, 3, 6, 7	L	13, 15, 17, 53, 55	EG2, EXM	DGZ		SCREW
11	68011041AA	1	2, 3, 6, 7	L		EG2, EXM	DGZ		POWER OUTLET
12	05103765AA	2	2, 3, 6, 7	L	13, 15, 17, 53, 55	EG2, EXM	DGZ		LAMP, Courtesy
13	05120749AA	1	2, 3, 6, 7	L		EG2, EXM	DGZ		CONNECTOR, Courtesy Lamp 2-PIN
14	05103880AA	AR	2, 3, 6, 7	L		EG2, EXM	DGZ		TERMINAL
15	05104608AA	1	2, 3, 6, 7	L	13, 15, 17, 53, 55	EG2, EXM	DGZ		BULB, 12V 5W, 12V-5W
16	68011041AA	1	2, 3, 6, 7	L		EG2, EXM	DGZ		POWER OUTLET, Seat Case Left,Front
17	68017601AA	2	2, 3, 6, 7	L		EG2, EXM	DGZ		LAMP, Courtesy
18	05096968AB	1	2, 3, 6, 7	L		EG2, EXM	DGZ		BULB, 12V 5W
19	05103920AA	1	2, 3, 6, 7	L		EG2, EXM	DGZ		LINK, Load Sensing
20	05120514AA	AR	2, 3, 6, 7	L		EG2, EXM	DGZ		TERMINAL, Female
-21	68011232AA	1	2, 3, 6, 7	L		EG2, EXM	DGZ		CONNECTOR, Wiring, [4 Pin / E15/3; E15/38]
22	68017600AA	AR	2, 3, 6, 7	L	13, 15, 17, 53, 55	EG2, EXM	DGZ		BULB
23	68017599AA	1	2, 3, 6, 7	L	13, 15, 17, 53, 55	EG2, EXM	DGZ		LAMP, Courtesy
24	05175455AA	4	2, 3, 6, 7	L	13, 15, 17, 53, 55	EG2, EXM	DGZ		BULB, 12V 6W

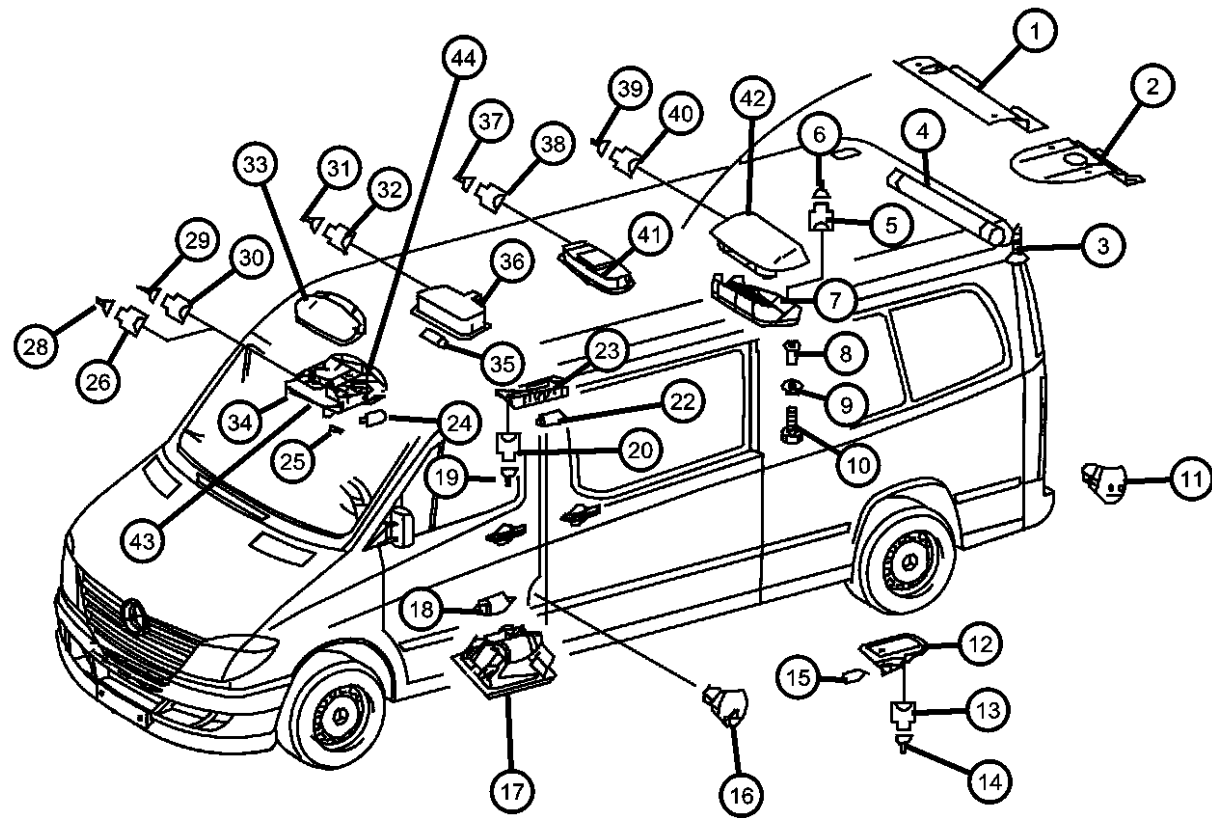
SPRINTER (VB)

SERIES	LINE	BODY	ENGINE	TRANSMISSION
L = LOWLINE	3 = HD DODGE 2WD 6 = Lt. Duty DODGE 4WD 2 = Med. Duty DODGE 2WD 7 = Med. Duty DODGE 4WD	17 = VAN WHEEL BASE 7 55 = WAGON WHEEL BASE 5 15 = VAN WHEEL BASE 5 53 = 119 WB 13 = 119 WB 05 = CAB CHASSIS WHEEL BASE 5 03 = CAB CHASSIS WHEEL BASE 3	EG2 = 3.5L V6 Gas Engine EXM = 3.0L V6 Turbo Diesel Engine	DGZ = 5-Speed Auto W5A380 Transmission

AR = use ase required - = Non illustrated part

2008 VB

Lamps, Interior  
Figure 8-1115



ITEM	PART NUMBER	QTY	LINE	SERIES	BODY	ENGINE	TRANS	TRIM	DESCRIPTION
25	05101488AA	4	2, 3, 6, 7	L	13, 15, 17, 53, 55	EG2, EXM	DGZ		SOCKET, Instrument Cluster
26	68011262AA	1	2, 3, 6, 7	L		EG2, EXM	DGZ		CONNECTOR, Wiring Overhead Control Panel, Blue
	68011265AA	1	2, 3, 6, 7	L		EG2, EXM	DGZ		Overhead Control Panel, Transparent
-27	68011264AA	1	2, 3, 6, 7	L		EG2, EXM	DGZ		CONNECTOR, [6 Pin N70]
28									TERMINAL
	05103873AA	3	3, 7	L	03, 05	EG2, EXM	DGZ		
		3	2, 3, 6, 7	L	13, 15, 17, 53, 55	EG2, EXM	DGZ		
29									TERMINAL
	05103873AA	3	3, 7	L	03, 05	EG2, EXM	DGZ		
		3	2, 3, 6, 7	L	13, 15, 17, 53, 55	EG2, EXM	DGZ		
30	05101166AA	1	2, 3, 6, 7	L		EG2, EXM	DGZ		CONNECTOR
31	05103882AA	1	2, 3, 6, 7	L					TERMINAL
32	05120545AA	1	2, 3, 6, 7	L		EXM, EG2	DGZ		CONNECTOR, Dome Lamp, Front
33	68017602AA	1	2, 3, 6, 7	L		EG2, EXM	DGZ		COVER
34	68017604AA	1	2, 3, 6, 7	L		EG2, EXM	DGZ		LAMP, Front Combination
35	05104645AA	1	2, 3, 6, 7	L	13, 15, 17, 53, 55	EG2, EXM	DGZ		BULB
36	05104459AA	1	2, 3, 6, 7	L		EG2, EXM	DGZ		LAMP, Cargo
37	05120514AA	AR	2, 3, 6, 7	L		EG2, EXM	DGZ		TERMINAL, Female
38	68011322AA	2	2, 3, 6, 7	L		EG2, EXM	DGZ		ISOLATOR, [E15/35] Loading Compartment Lamp
39									TERMINAL
	05103873AA	3	3, 7	L	03, 05	EG2, EXM	DGZ		
		3	2, 3, 6, 7	L	13, 15, 17, 53, 55	EG2, EXM	DGZ		
40	68011235AA	1	2, 3, 6, 7	L		EG2, EXM	DGZ		CONNECTOR, [6 Pin / B27/1]
41	68017598AA	1	2, 3, 6, 7	L	13, 15, 17, 53, 55	EG2, EXM	DGZ		LAMP, Courtesy
42	68017616AA	1	2, 3, 6, 7	L	13, 15, 17	EG2, EXM	DGZ		SENSOR, Loading Compartment Lamp
43	04862636AA	1	2, 3, 6, 7	L		EG2, EXM	DGZ		LAMP, Front Combination, With [CUN+NHW]

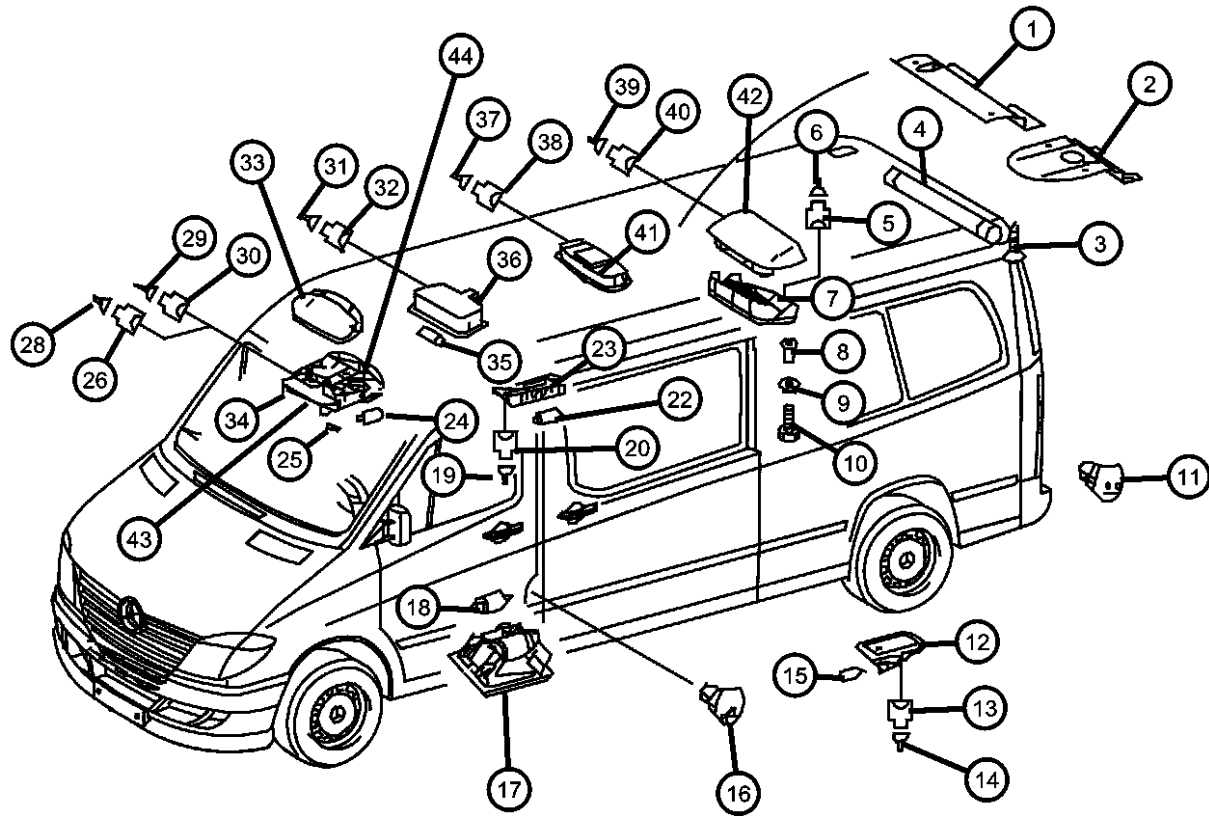
SPRINTER (VB)

SERIES	LINE	BODY	ENGINE	TRANSMISSION
L = LOWLINE	3 = HD DODGE 2WD 6 = Lt. Duty DODGE 4WD 2 = Med. Duty DODGE 2WD 7 = Med. Duty DODGE 4WD	17 = VAN WHEEL BASE 7 55 = WAGON WHEEL BASE 5 15 = VAN WHEEL BASE 5 53 = 119 WB 13 = 119 WB 05 = CAB CHASSIS WHEEL BASE 5 03 = CAB CHASSIS WHEEL BASE 3	EG2 = 3.5L V6 Gas Engine EXM = 3.0L V6 Turbo Diesel Engine	DGZ = 5-Speed Auto W5A380 Transmission

AR = use ase required - = Non illustrated part

Lamps, Interior  
Figure 8-1115

ITEM	PART NUMBER	QTY	LINE	SERIES	BODY	ENGINE	TRANS	TRIM	DESCRIPTION
44									CONSOLE, Overhead
	68004968AA	1	2, 3, 6, 7	L		EG2, EXM	DGZ		With [GWA Or GW9+NHW Or CUN]
	68004970AA	1	2, 3, 6, 7	L		EG2, EXM	DGZ		With [CUN+NHW+LSA]
	68004971AA	1	2, 3, 6, 7	L		EG2, EXM	DGZ		With [GWA Or GW9+LSA+NHW+CUN]



SPRINTER (VB)

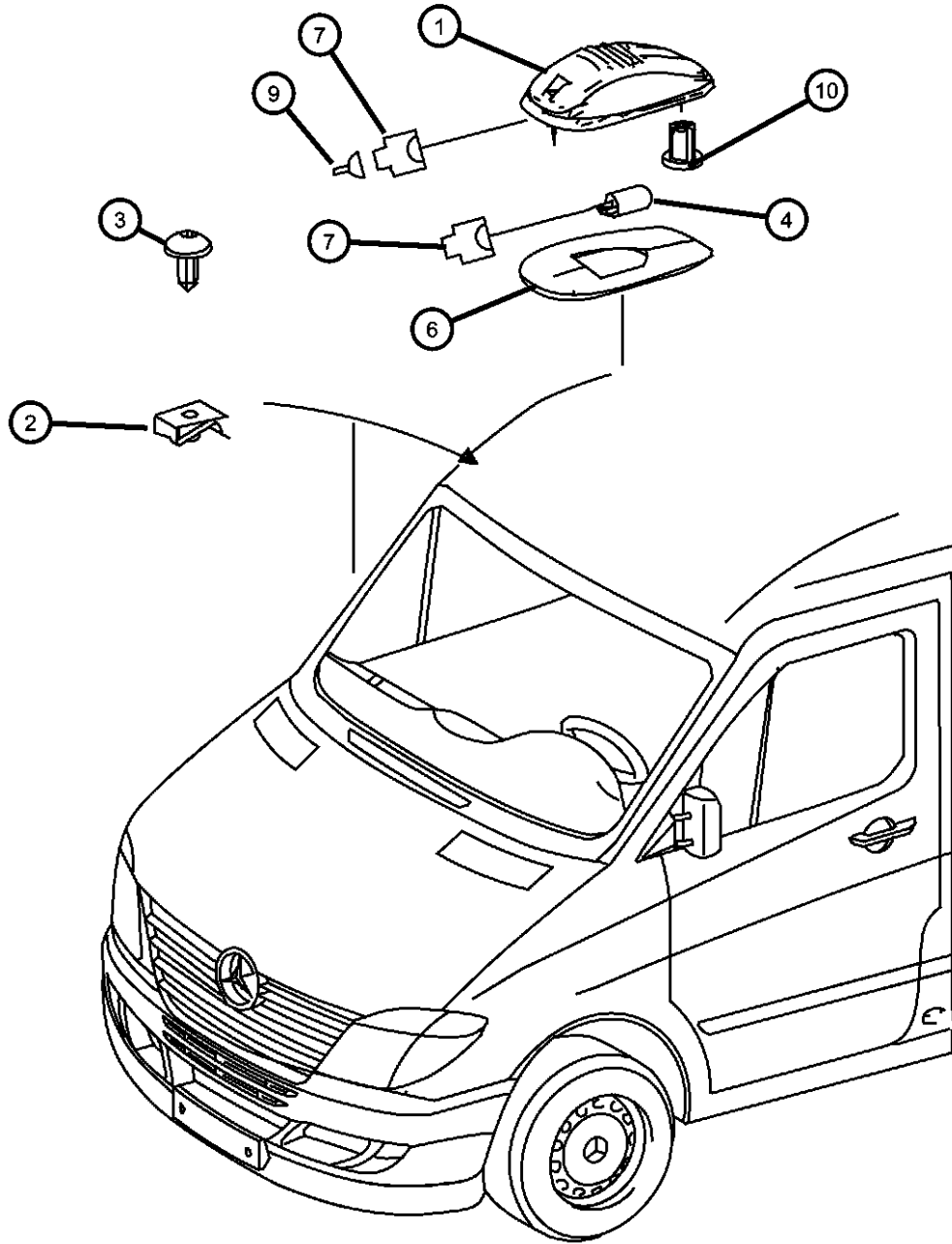
SERIES	LINE	BODY	ENGINE	TRANSMISSION
L = LOWLINE	3 = HD DODGE 2WD	17 = VAN WHEEL BASE 7	EG2 = 3.5L V6 Gas Engine	DGZ = 5-Speed Auto W5A380
	6 = Lt. Duty DODGE 4WD	55 = WAGON WHEEL BASE 5	EXM = 3.0L V6 Turbo Diesel	Transmission
	2 = Med. Duty DODGE 2WD	15 = VAN WHEEL BASE 5	Engine	
	7 = Med. Duty DODGE 4WD	53 = 119 WB		
		13 = 119 WB		
		05 = CAB CHASSIS WHEEL		
		BASE 5		
		03 = CAB CHASSIS WHEEL		
		BASE 3		

AR = use ase required - = Non illustrated part

2008 VB

**Clearance Roof Lamps**  
Figure 8-1120

ITEM	PART NUMBER	QTY	LINE	SERIES	BODY	ENGINE	TRANS	TRIM	DESCRIPTION
1	55077559AD	3	3, 7	L	03, 05	EG2, EXM	DGZ		LAMP, Cab
2	55077559AD	3							CLIP, Instrument Panel, (NOT SERVICED)
3	06104565AA	2	2, 3, 6, 7	L		EG2, EXM	DGZ		SCREW
4	05104608AA	5	3, 7	L	03, 05	EG2, EXM	DGZ		BULB, 12V 5W
-5	68012129AA	2	2, 3, 6, 7	L		EG2, EXM	DGZ		BULB
6	68012156AA	5	3, 7	L	03, 05	EG2, EXM	DGZ		GASKET
7	05103655AA	6	3, 7	L	03, 05	EG2, EXM	DGZ		SOCKET, Roof Lamp
-8	05103754AA	1	2, 3, 6, 7	L		EG2, EXM	DGZ		INSULATOR, 2 Way Female
9	05133359AA	AR	2, 3, 6, 7	L		EG2, EXM	DGZ		TERMINAL, Female, [0.5 - 1.0 MM2; 6.3; E46/1, E46/2, E46/3]
10	68038097AA	6	3, 7	L	03, 05	EG2, EXM	DGZ		RETAINER



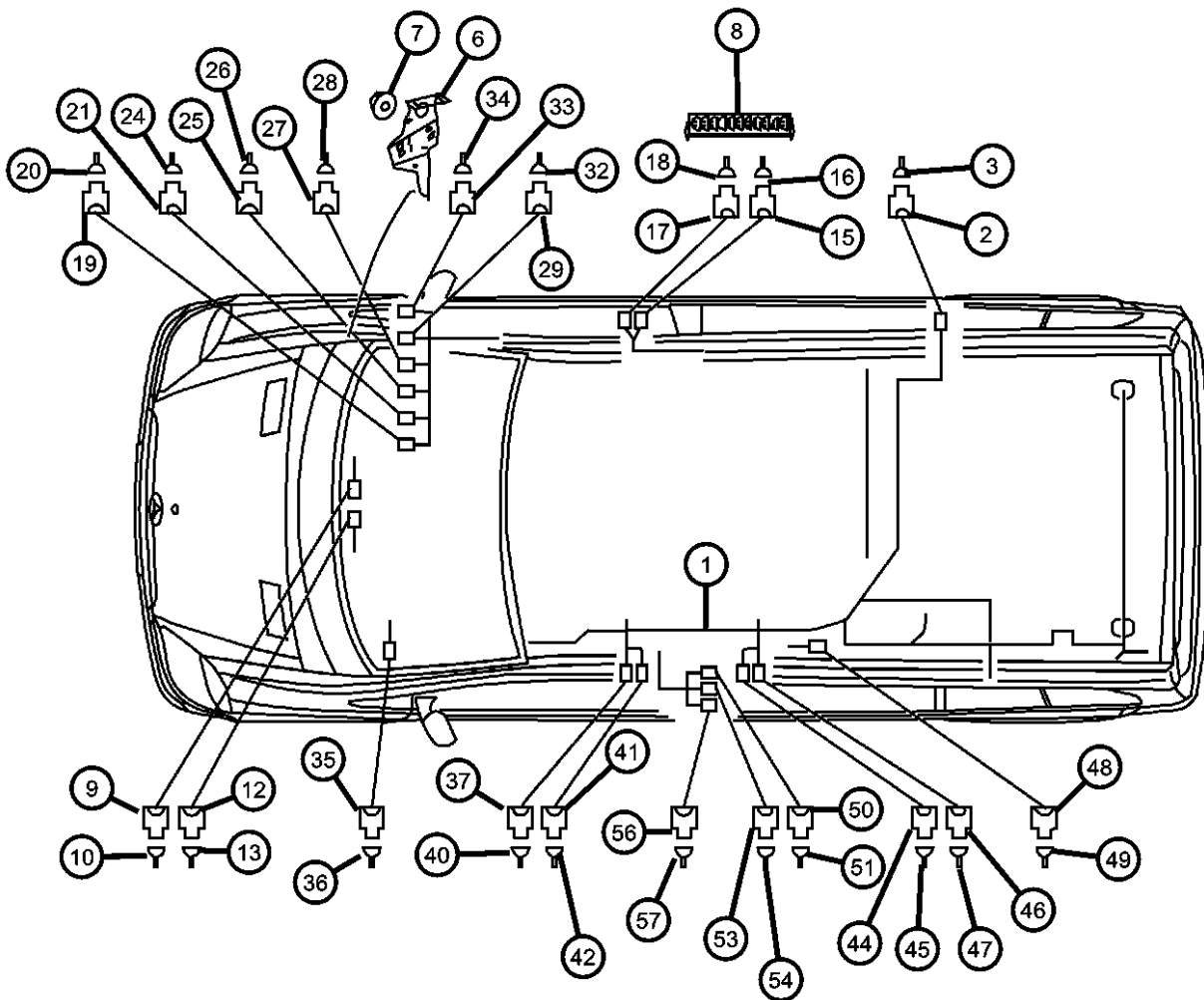
**SPRINTER (VB)**

SERIES	LINE	BODY	ENGINE	TRANSMISSION
L = LOWLINE	3 = HD DODGE 2WD 6 = Lt. Duty DODGE 4WD 2 = Med. Duty DODGE 2WD 7 = Med. Duty DODGE 4WD	17 = VAN WHEEL BASE 7 55 = WAGON WHEEL BASE 5 15 = VAN WHEEL BASE 5 53 = 119 WB 13 = 119 WB 05 = CAB CHASSIS WHEEL BASE 5 03 = CAB CHASSIS WHEEL BASE 3	EG2 = 3.5L V6 Gas Engine EXM = 3.0L V6 Turbo Diesel Engine	DGZ = 5-Speed Auto W5A380 Transmission

AR = use ase required - = Non illustrated part

2008 VB

**Headlamp To Dash / Body Harness  
Figure 8-1302**



ITEM	PART NUMBER	QTY	LINE	SERIES	BODY	ENGINE	TRANS	TRIM	DESCRIPTION
1	68013432AA	1	2, 3, 6, 7	L		EG2, EXM	DGZ		WIRING, Body
2	68011283AA	1	2, 3, 6, 7	L		EG2, EXM	DGZ		CONNECTOR, Tank Connector [8 Pin SLK 2.8, X25/15]
3									TERMINAL
	05133353AA	AR	2, 3, 6, 7	L		EG2	DGZ		[0.75 - 1.0 MM2 SLK 2.8 X25/15]
		AR	2, 3, 6, 7	L		EXM	DGZ		[0.75 - 1.0 MM2 SLK 2.8 X25/15]
-4									TERMINAL
	05103877AA	AR	2, 3, 6, 7	L		EG2	DGZ		[1.5 - 2.5 MM2 SLK 2.8, X25 / 15]
		AR	2, 3, 6, 7	L		EXM	DGZ		[1.5 - 2.5 MM2 SLK 2.8, X25 / 15]
-5	05103663AA	AR	2, 3, 6, 7	L		EG2	DGZ		GROMMET
6	68013391AA	1	2, 3, 6, 7	L		EG2, EXM	DGZ		BRACKET, Can Connector To [A] Pillar Right
7									NUT
	68004878AA	3	2, 3, 6, 7	L	53, 55	EG2, EXM	DGZ		
		2	2, 3, 6, 7	L	13, 15, 17, 53, 55	EG2, EXM	DGZ		
8	68015320AA	1	2, 3, 6, 7	L		EXM, EG2	DGZ		CONNECTOR, Potential Distributor [22 Pin]
9	05120277AA	1	2, 3, 6, 7	L		EG2, EXM	DGZ		CONNECTOR, Wiring Repair, Connector Transmission Neutral [2 Pin MQS; X162]
10	05103874AA	1	2, 3, 6, 7	L		EG2, EXM	DGZ		TERMINAL, [0.75 MM2]
-11	05120860AA	1	2, 3, 6, 7	L		EG2, EXM	DGZ		GASKET, [1.6 - 1.9 MM2, X162]
12	05142197AA	2	2, 3, 6, 7	L		EG2, EXM	DGZ		INSULATOR, 2 Way, Connector Transmission Neutral [2 Pin, X162]
13	05142198AA	1	2, 3, 6, 7	L		EG2, EXM	DGZ		TERMINAL, [0.75 MM2]
-14	05120860AA	1	2, 3, 6, 7	L		EG2, EXM	DGZ		GASKET, [1.6 - 1.9 MM2, X162]
15	05101166AA	1	2, 3, 6, 7	L		EG2, EXM	DGZ		CONNECTOR, Can [B] Voltage Distributor [2 Pin MQS, X30]
16	05103873AA	AR	2, 3, 6, 7	L		EG2, EXM	DGZ		TERMINAL, [0.75 MM2]
17									CONNECTOR
	68011269AA	1	2, 3, 6, 7	L		EG2, EXM	DGZ		Can Bus [C] [2 Pin MQS, X30]
	68011270AA	1	2, 3, 6, 7	L		EG2, EXM	DGZ		Can Bus [C] [3 Pin MQS, X30]
18	05103873AA	AR	2, 3, 6, 7	L		EG2, EXM	DGZ		TERMINAL, [0.75 MM2]
19	05120260AA	1	2, 3, 6, 7	L	13, 15, 17, 53, 55	EG2, EXM	DGZ		INSULATOR, 6 Way, Cockpit Interior Plug Connector [6 Pin, X169/7]

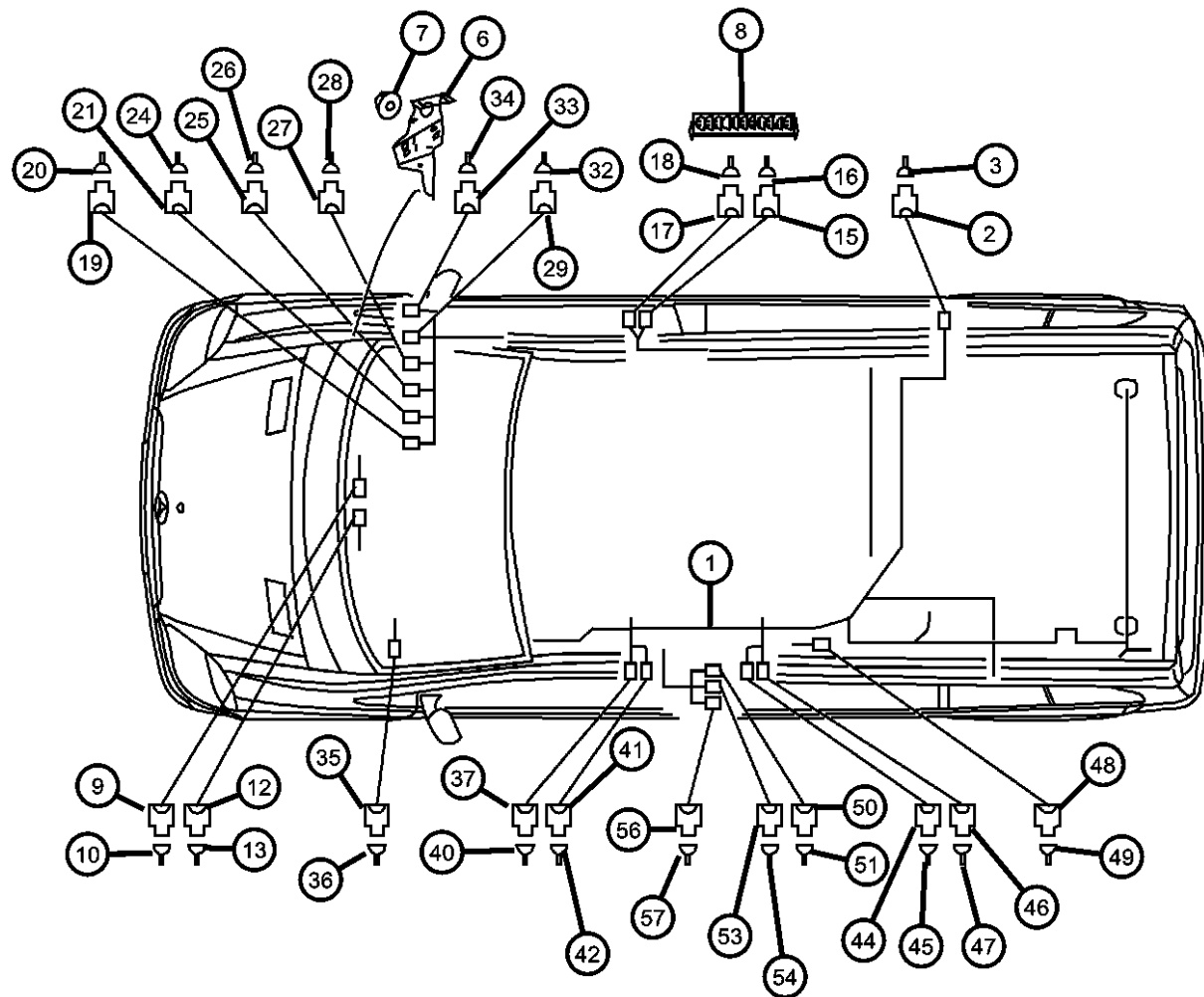
**SPRINTER (VB)**

SERIES	LINE	BODY	ENGINE	TRANSMISSION
L = LOWLINE	3 = HD DODGE 2WD 6 = Lt. Duty DODGE 4WD 2 = Med. Duty DODGE 2WD 7 = Med. Duty DODGE 4WD	17 = VAN WHEEL BASE 7 55 = WAGON WHEEL BASE 5 15 = VAN WHEEL BASE 5 53 = 119 WB 13 = 119 WB 05 = CAB CHASSIS WHEEL BASE 5 03 = CAB CHASSIS WHEEL BASE 3	EG2 = 3.5L V6 Gas Engine EXM = 3.0L V6 Turbo Diesel Engine	DGZ = 5-Speed Auto W5A380 Transmission

AR = use ase required - = Non illustrated part

2008 VB

**Headlamp To Dash / Body Harness  
Figure 8-1302**



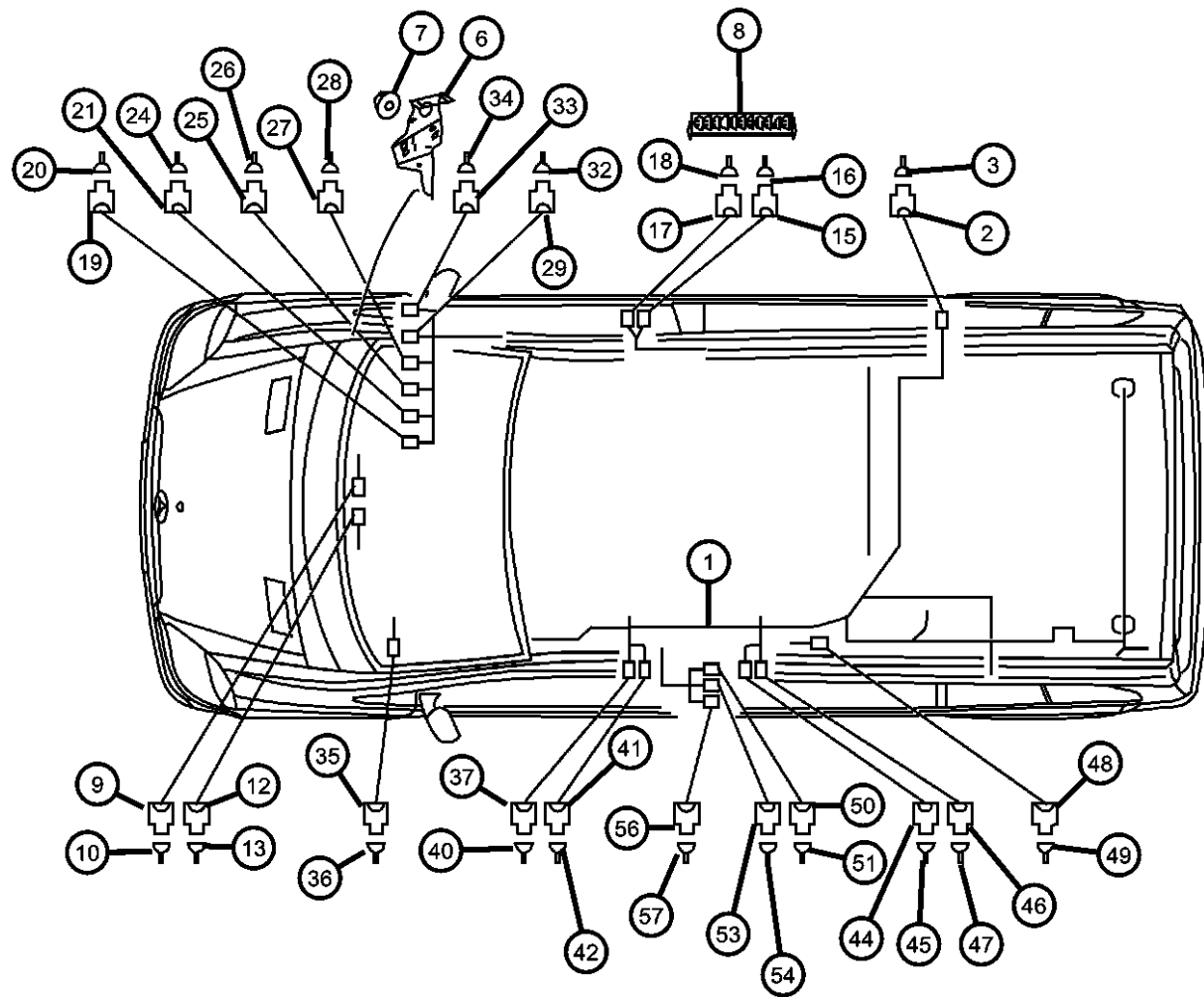
ITEM	PART NUMBER	QTY	LINE	SERIES	BODY	ENGINE	TRANS	TRIM	DESCRIPTION
20	05103873AA	AR	2, 3, 6, 7	L		EG2, EXM	DGZ		TERMINAL, [0.75 MM2]
21	68011209AA	1	2, 3, 6, 7	L		EG2, EXM	DGZ		CONNECTOR, Cockpit Interior Plug Connector [28 Pin MQS, X18/56]
-22	68016738AA	1	2, 3, 6, 7	L		EG2, EXM	DGZ		CONNECTOR, Cover For Call Out [21]
-23	68016739AA	1	2, 3, 6, 7	L		EG2, EXM	DGZ		CONNECTOR, Wiring, Cap For Callout [21]
24	05103873AA	AR	2, 3, 6, 7	L		EG2, EXM	DGZ		TERMINAL, [0.75 MM2]
25	68011252AA	1	2, 3, 6, 7	L		EG2, EXM	DGZ		CONNECTOR, Cockpit Interior Connector [14 Pin, X18/49]
26	68016713AA	AR	2, 3, 6, 7	L		EG2, EXM	DGZ		TERMINAL, [4.0 MM2; SLK 2.8, X18/49]
27	05120727AA	1	2, 3, 6, 7	L		EG2, EXM	DGZ		CONNECTOR, Cockpit Interior Plug Connector [18 Pin MQS; X18/55]
28	05103873AA	AR	2, 3, 6, 7	L		EG2, EXM	DGZ		TERMINAL, [0.75 MM2]
29	68016716AA	1	2, 3, 6, 7	L		EG2, EXM	DGZ		CONNECTOR, Wiring, Cockpit Interior Plug Connector [10 Pin; X18/60]
-30	68016717AA	1	2, 3, 6, 7	L		EG2, EXM	DGZ		COVER, Cover For Callout [29]
-31	68016718AA	1	2, 3, 6, 7	L		EG2, EXM	DGZ		CONNECTOR, Contact Carrier [10 Pin MQS] For Callout [29]
32	05103873AA	AR	2, 3, 6, 7	L		EG2, EXM	DGZ		TERMINAL, [0.75 MM2]
33	68011253AA	1	2, 3, 6, 7	L		EG2, EXM	DGZ		CONNECTOR, Cockpit Interior Plug Connector [4 Pin SLK 2.8; X18/64]
34	05143897AA	AR	2, 3, 6, 7	L		EG2, EXM	DGZ		TERMINAL, [1.5 - 2.5 MM2; SLK 2.8, X18/64]
35	05143907AA	1	2, 3, 6, 7	L		EG2, EXM	DGZ		CONNECTOR, Cockpit Plug Connector [1 Pin SLK 8, X4/49]
36	68016737AA	AR	2, 3, 6, 7	L		EG2, EXM	DGZ		TERMINAL, [6.0 - 10.0 MM2; X4/49]
37	68011209AA	1	2, 3, 6, 7	L		EG2, EXM	DGZ		CONNECTOR, Interior Roof Connector [28 Pin; MQS, X18/52]
-38	68016738AA	1	2, 3, 6, 7	L		EG2, EXM	DGZ		CONNECTOR, Cover For Callout [37]
-39	68016739AA	1	2, 3, 6, 7	L		EG2, EXM	DGZ		CONNECTOR, Wiring, Cap For Callout [37]
40	05133990AA	99	2, 3, 6, 7	L	13, 15, 17, 53, 55	EG2, EXM	DGZ		TERMINAL, Male, [0.75 MM2]

**SPRINTER (VB)**

<b>SERIES</b>	<b>LINE</b>	<b>BODY</b>	<b>ENGINE</b>	<b>TRANSMISSION</b>
L = LOWLINE	3 = HD DODGE 2WD 6 = Lt. Duty DODGE 4WD 2 = Med. Duty DODGE 2WD 7 = Med. Duty DODGE 4WD	17 = VAN WHEEL BASE 7 55 = WAGON WHEEL BASE 5 15 = VAN WHEEL BASE 5 53 = 119 WB 13 = 119 WB 05 = CAB CHASSIS WHEEL BASE 5 03 = CAB CHASSIS WHEEL BASE 3	EG2 = 3.5L V6 Gas Engine EXM = 3.0L V6 Turbo Diesel Engine	DGZ = 5-Speed Auto W5A380 Transmission

AR = use ase required - = Non illustrated part

**Headlamp To Dash / Body Harness  
Figure 8-1302**



ITEM	PART NUMBER	QTY	LINE	SERIES	BODY	ENGINE	TRANS	TRIM	DESCRIPTION
41	68011252AA	1	2, 3, 6, 7	L		EG2, EXM	DGZ		CONNECTOR, Interior Roof Connector [14 Pin; X18/53]
42	05133945AA	AR	2, 3, 6, 7	L		EG2, EXM	DGZ		TERMINAL, [0.75 - 1.0 MM2]
-43	68016713AA	AR	2, 3, 6, 7	L		EG2, EXM	DGZ		TERMINAL, [4.0 MM2; SLK 2.8, X18/53]
44	05143907AA	1	2, 3, 6, 7	L		EG2, EXM	DGZ		CONNECTOR, Connector Roof Air Conditioning [1 Pin]
45	68016737AA	AR	2, 3, 6, 7	L		EG2, EXM	DGZ		TERMINAL, [6.0 - 10.0 MM2; X53/8]
46	05143907AA	1	2, 3, 6, 7	L		EG2, EXM	DGZ		CONNECTOR, Connector Roof Airconditioner [1 Pin; LSK 8, X53/8]
47	68016737AA	AR	2, 3, 6, 7	L		EG2, EXM	DGZ		TERMINAL, [6.0 - 10.0 MM2; X53/9]
48	05120618AA	2	2, 3, 6, 7	L		EG2, EXM	DGZ		INSULATOR, Stationary Heater Plug Connector [7 Pin; X72/10]
49	05133386AA	1	2, 3, 6, 7	L		EG2, EXM	DGZ		TERMINAL, Female, Contact Spring
50	05143912AA	1	2, 3, 6, 7	L		EG2, EXM	DGZ		CONNECTOR, Connector Low Frame [6 Pin, X176/1]
51	05103874AA	1	2, 3, 6, 7	L		EG2, EXM	DGZ		TERMINAL, [0.75 MM2 MQS, X176/1]
-52	05120860AA	1	2, 3, 6, 7	L		EG2, EXM	DGZ		GASKET, [1.6 - 1.9 MM2; X176/1]
53	68011301AA	1	2, 3, 6, 7	L		EG2, EXM	DGZ		CONNECTOR, Connector Low Frame [6 Pin, COD. [B] X176/2]
54	05103874AA	1	2, 3, 6, 7	L		EG2, EXM	DGZ		TERMINAL, [0.75 MM2]
-55	05120860AA	1	2, 3, 6, 7	L		EG2, EXM	DGZ		GASKET, [1.6 - 1.9 MM2; X176/2]
56	05120768AA	1	2, 3, 6, 7	L		EG2, EXM	DGZ		INSULATOR, FEMALE, Connector Low Frame [18P] [X176/3]
57	05174907AA	99	2, 3, 6, 7	L		EG2, EXM	DGZ		TERMINAL, [0.75 - 1.0 MM2; X176/3]
-58	05103663AA	AR	2, 3, 6, 7	L		EG2	DGZ		GROMMET, [0.25 - 1.0 MM2; X176/3]
-59	05120865AA	1	2, 3, 6, 7	L		EG2, EXM	DGZ		GASKET, Dummy Plug [X176/3]

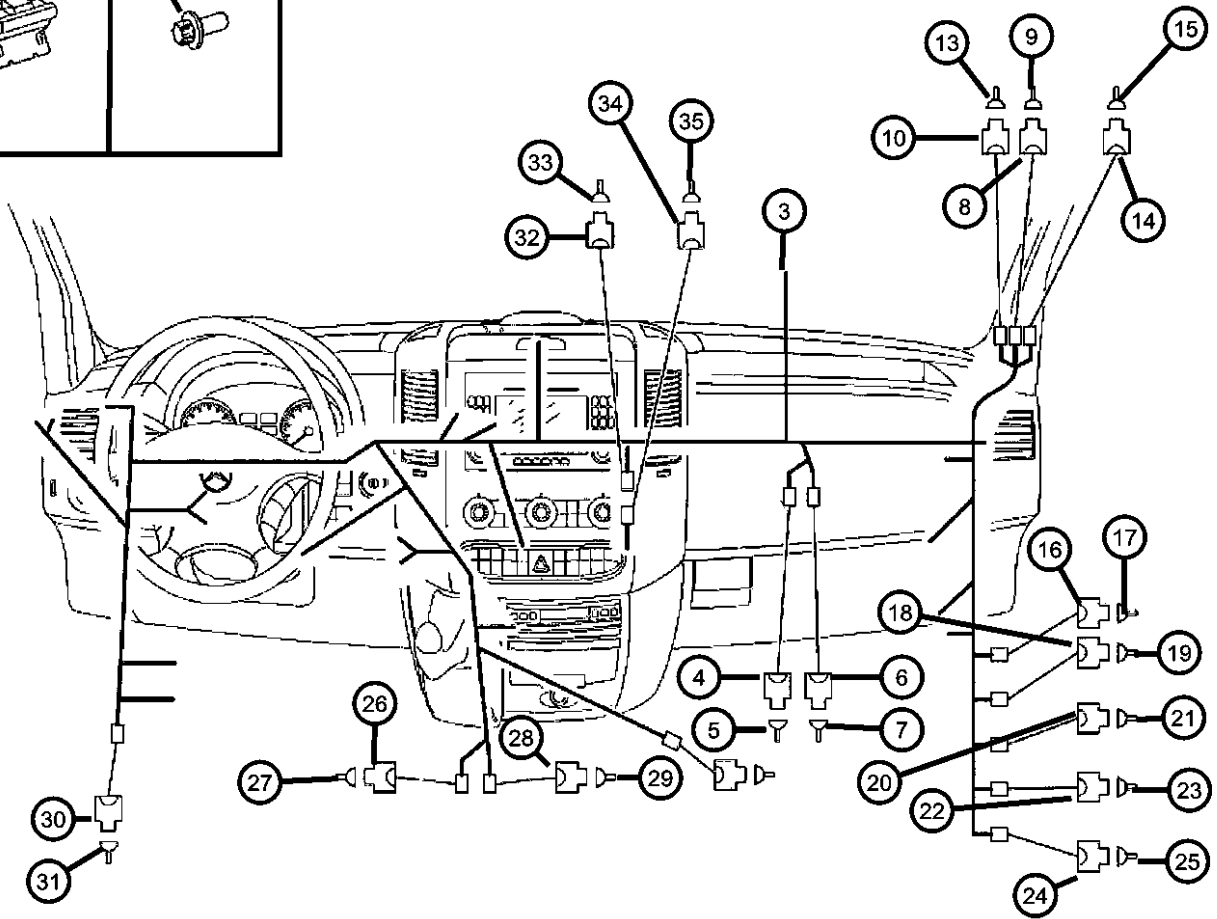
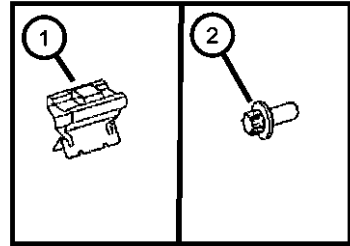
**SPRINTER (VB)**

SERIES	LINE	BODY	ENGINE	TRANSMISSION
L = LOWLINE	3 = HD DODGE 2WD 6 = Lt. Duty DODGE 4WD 2 = Med. Duty DODGE 2WD 7 = Med. Duty DODGE 4WD	17 = VAN WHEEL BASE 7 55 = WAGON WHEEL BASE 5 15 = VAN WHEEL BASE 5 53 = 119 WB 13 = 119 WB 05 = CAB CHASSIS WHEEL BASE 5 03 = CAB CHASSIS WHEEL BASE 3	EG2 = 3.5L V6 Gas Engine EXM = 3.0L V6 Turbo Diesel Engine	DGZ = 5-Speed Auto W5A380 Transmission

AR = use ase required - = Non illustrated part

2008 VB

**Wiring Instrument Panel  
Figure 8-1405**



ITEM	PART NUMBER	QTY	LINE	SERIES	BODY	ENGINE	TRANS	TRIM	DESCRIPTION
1	05159403AA	1	2, 3, 6, 7	L		EG2, EXM	DGZ		BRACKET, Harness To Side Member
2	05073723AB	1	2, 3, 6, 7	L		EXM	DGZ		SCREW
3	68013433AA	1	2, 3, 6, 7	L		EG2, EXM	DGZ		WIRING, Instrument Panel
4	68011328AA	1	2, 3, 6, 7	L		EG2, EXM	DGZ		CONNECTOR, Wiring, [2 Pin ; X28/46]
5	68016728AA	AR	2, 3, 6, 7	L		EG2, EXM	DGZ		TERMINAL, [X28/46]
6	68011280AA	1	2, 3, 6, 7	L		EG2, EXM	DGZ		CONNECTOR, Wiring, [2 Pin; X28/46]
7	68016727AA	AR	2, 3, 6, 7	L		EG2, EXM	DGZ		TERMINAL, [X28/46]
8									CONNECTOR
	68011254AA	1	2, 3, 6, 7	L	13, 15, 17	EG2, EXM	DGZ		Cockpit Roof Connector [6 Pin; X18 / 23]
		1	2, 3, 6, 7	L	03, 05, 53, 55	EG2, EXM	DGZ		Cockpit Roof Connector [6 Pin; X18 / 23]
9	05143897AA	AR	2, 3, 6, 7	L		EG2, EXM	DGZ		TERMINAL, [1.0 - 2.5 MM2: X18/23]
10	68011209AA	1	2, 3, 6, 7	L		EG2, EXM	DGZ		CONNECTOR, Cockpit Connector Roof [28 Pin; X18/51]
-11	68016738AA	1	2, 3, 6, 7	L		EG2, EXM	DGZ		CONNECTOR, Cover For Callout [# 10]
-12	68016739AA	1	2, 3, 6, 7	L		EG2, EXM	DGZ		CONNECTOR, Wiring, Cover Cap To Callout [#10]
13									TERMINAL
	05103873AA	3	3, 7	L	03, 05	EG2, EXM	DGZ		[0.75 MM2 MQS; X18/51]
		3	2, 3, 6, 7	L	13, 15, 17, 53, 55	EG2, EXM	DGZ		[0.75 MM2 MQS; X18/51]
14	05103754AA	1	2, 3, 6, 7	L		EG2, EXM	DGZ		INSULATOR, 2 Way Female, Cockpit Connector Roof [2 Pin; X85/22]
15	05133359AA	AR	2, 3, 6, 7	L		EG2, EXM	DGZ		TERMINAL, Female, [0.5 - 1.0 MM2; / 6.3; X85/22]
16									INSULATOR, 6 Way
	05120260AA	1	2, 3, 6, 7	L	13, 15, 17, 53, 55	EG2, EXM	DGZ		Cockpit / Interior Plug [6-Pin; X169/7]
		1	3, 7	L	03, 05	EG2, EXM	DGZ		Cockpit / Interior Plug [6-Pin; X169/7]
17									TERMINAL, Male
	05133990AA	99	2, 3, 6, 7	L	13, 15, 17, 53, 55	EG2, EXM	DGZ		[0.75 MM2; X169/7]
		99	3, 7	L	03, 05	EG2, EXM	DGZ		[0.75 MM2; X169/7]

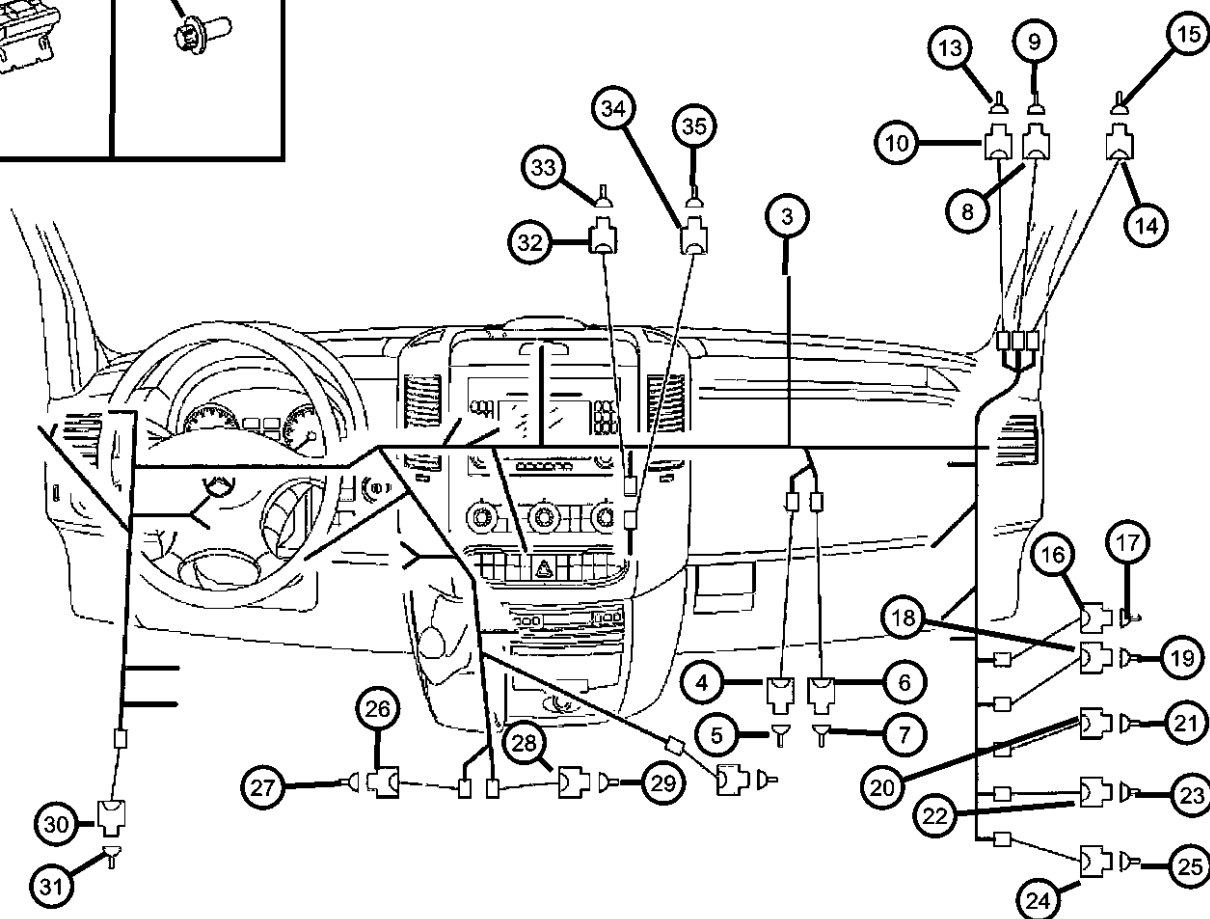
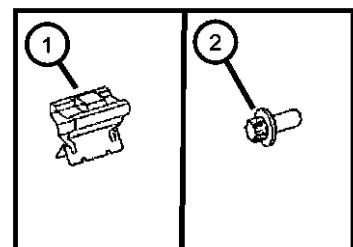
**SPRINTER (VB)**

SERIES	LINE	BODY	ENGINE	TRANSMISSION
L = LOWLINE	3 = HD DODGE 2WD 6 = Lt. Duty DODGE 4WD 2 = Med. Duty DODGE 2WD 7 = Med. Duty DODGE 4WD	17 = VAN WHEEL BASE 7 55 = WAGON WHEEL BASE 5 15 = VAN WHEEL BASE 5 53 = 119 WB 13 = 119 WB 05 = CAB CHASSIS WHEEL BASE 5 03 = CAB CHASSIS WHEEL BASE 3	EG2 = 3.5L V6 Gas Engine EXM = 3.0L V6 Turbo Diesel Engine	DGZ = 5-Speed Auto W5A380 Transmission

AR = use ase required - = Non illustrated part



**Wiring Instrument Panel  
Figure 8-1405**



ITEM	PART NUMBER	QTY	LINE	SERIES	BODY	ENGINE	TRANS	TRIM	DESCRIPTION
18	68011342AA	1	2, 3, 6, 7	L		EG2, EXM	DGZ		CONNECTOR, [28 Pin; x18/56]
19									TERMINAL, Male
	05133990AA	99	2, 3, 6, 7	L	13, 15, 17, 53, 55	EG2, EXM	DGZ		[0.75 MM2; X18/56]
		99	3, 7	L	03, 05	EG2, EXM	DGZ		[0.75 MM2; X18/56]
20	68011327AA	1	2, 3, 6, 7	L		EG2, EXM	DGZ		CONNECTOR, Wiring, [18 Pin; X15/55]
21									TERMINAL, Male
	05133990AA	99	2, 3, 6, 7	L	13, 15, 17, 53, 55	EG2, EXM	DGZ		[0.75 MM2; X18/55]
		99	3, 7	L	03, 05	EG2, EXM	DGZ		[0.75 MM2; X18/55]
22	68011378AA	1	2, 3, 6, 7	L		EG2, EXM	DGZ		CONNECTOR, [10 Pin; X18/60]
23									TERMINAL, Male
	05133990AA	99	2, 3, 6, 7	L	13, 15, 17, 53, 55	EG2, EXM	DGZ		[0.75 MM2; X18/60]
		99	3, 7	L	03, 05	EG2, EXM	DGZ		[0.75 MM2; X18/60]
24	68011362AA	1	2, 3, 6, 7	L		EG2, EXM	DGZ		CONNECTOR, [4 Pin; X18/64]
25	68013258AA	AR	2, 3, 6, 7	L		EG2, EXM	DGZ		TERMINAL, [1.0 - 2.5 MM2; X18/64]
26	68011358AA	1	2, 3, 6, 7	L		EG2, EXM	DGZ		CONNECTOR, Wiring, Tach Connector [4 Pin; X2/5]
27	68013257AA	AR	2, 3, 6, 7	L		EG2, EXM	DGZ		TERMINAL, [0.5 - 1.0 MM2; X2/5]
28	68011358AA	1	2, 3, 6, 7	L		EG2, EXM	DGZ		CONNECTOR, Wiring, [4 Pin; X2/7]
29	68013257AA	AR	2, 3, 6, 7	L		EG2, EXM	DGZ		TERMINAL, [0.5 - 1.0 MM2; X2/7]
30	68011379AA	1	2, 3, 6, 7	L		EG2, EXM	DGZ		CONNECTOR, [1 Pin; X4/49]
31	68016741AA	AR	2, 3, 6, 7	L		EG2, EXM	DGZ		TERMINAL, [X4/49]
32	68011229AA	1	2, 3, 6, 7	L		EG2, EXM	DGZ		CONNECTOR, Back Up Aid [6 Pin; X170]
33									TERMINAL
	05103873AA	3	3, 7	L	03, 05	EG2, EXM	DGZ		[0.75 MM2; MQS X170]
		3	2, 3, 6, 7	L	13, 15, 17, 53, 55	EG2, EXM	DGZ		[0.75 MM2; MQS X170]
34	68011344AA	1	2, 3, 6, 7	L	13, 15, 17	EG2, EXM	DGZ		CONNECTOR, Back Up Aid [6 Pin; X170]
35									TERMINAL, Male

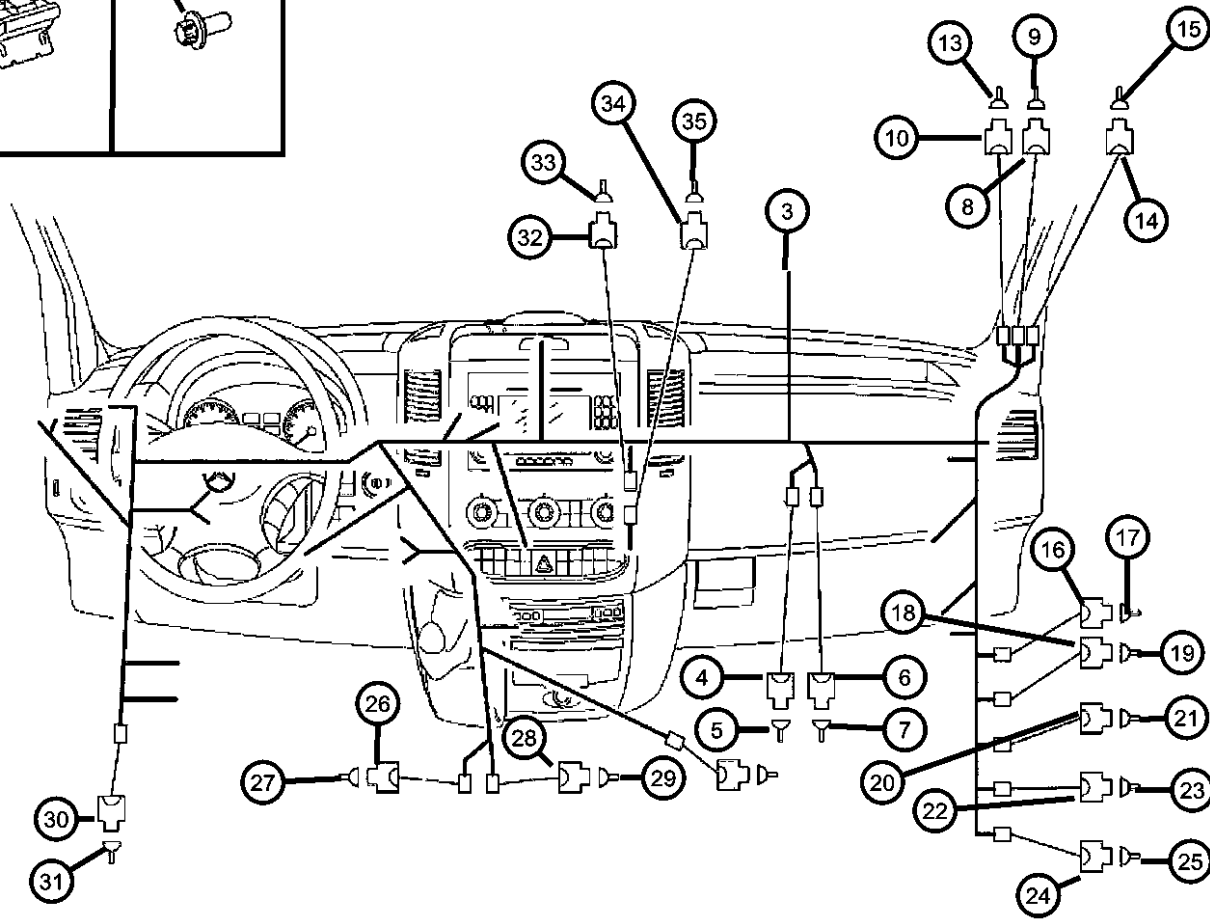
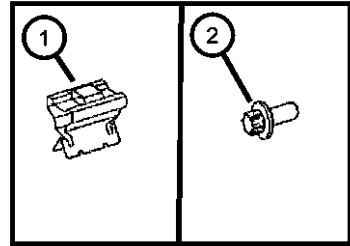
**SPRINTER (VB)**

<b>SERIES</b>	<b>LINE</b>	<b>BODY</b>	<b>ENGINE</b>	<b>TRANSMISSION</b>
L = LOWLINE	3 = HD DODGE 2WD 6 = Lt. Duty DODGE 4WD 2 = Med. Duty DODGE 2WD 7 = Med. Duty DODGE 4WD	17 = VAN WHEEL BASE 7 55 = WAGON WHEEL BASE 5 15 = VAN WHEEL BASE 5 53 = 119 WB 13 = 119 WB 05 = CAB CHASSIS WHEEL BASE 5 03 = CAB CHASSIS WHEEL BASE 3	EG2 = 3.5L V6 Gas Engine EXM = 3.0L V6 Turbo Diesel Engine	DGZ = 5-Speed Auto W5A380 Transmission

AR = use ase required - = Non illustrated part

**Wiring Instrument Panel  
Figure 8-1405**

ITEM	PART NUMBER	QTY	LINE	SERIES	BODY	ENGINE	TRANS	TRIM	DESCRIPTION
	05133990AA	99	2, 3, 6, 7	L	13, 15, 17, 53, 55	EG2, EXM	DGZ		[0.75 MM2; X170]
		99	3, 7	L	03, 05	EG2, EXM	DGZ		[0.75 MM2; X170]



**SPRINTER (VB)**

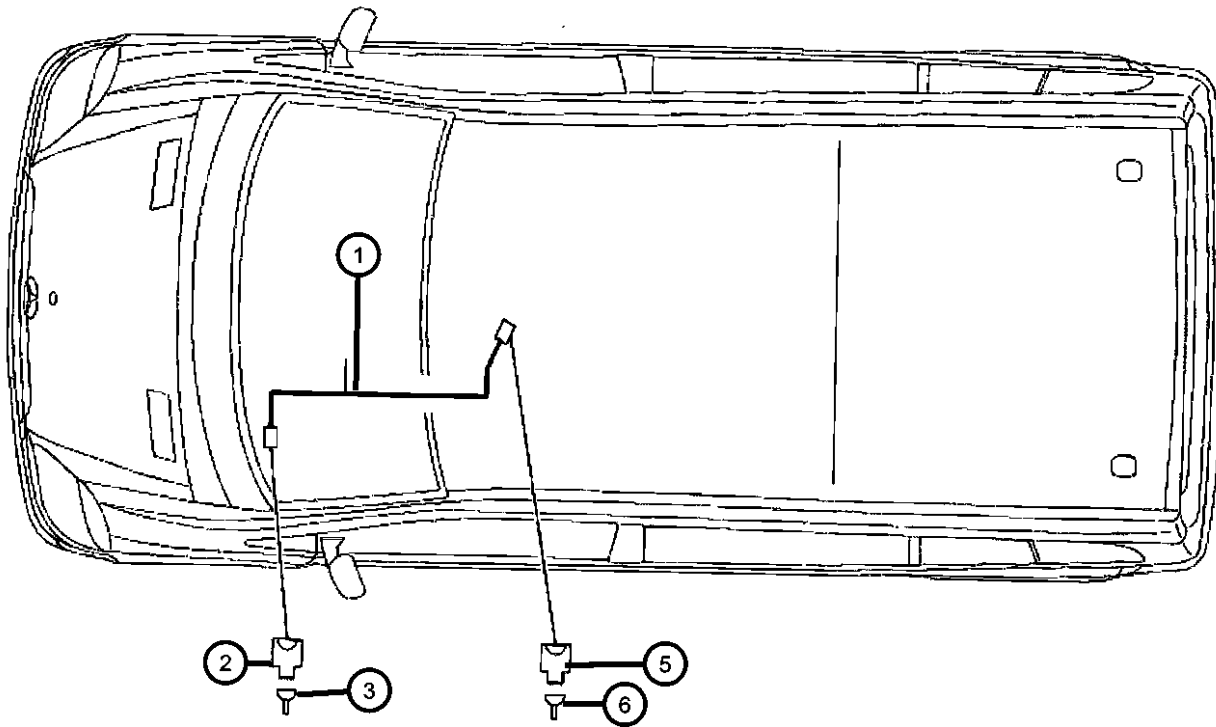
<b>SERIES</b>	<b>LINE</b>	<b>BODY</b>	<b>ENGINE</b>	<b>TRANSMISSION</b>
L = LOWLINE	3 = HD DODGE 2WD 6 = Lt. Duty DODGE 4WD 2 = Med. Duty DODGE 2WD 7 = Med. Duty DODGE 4WD	17 = VAN WHEEL BASE 7 55 = WAGON WHEEL BASE 5 15 = VAN WHEEL BASE 5 53 = 119 WB 13 = 119 WB 05 = CAB CHASSIS WHEEL BASE 5 03 = CAB CHASSIS WHEEL BASE 3	EG2 = 3.5L V6 Gas Engine EXM = 3.0L V6 Turbo Diesel Engine	DGZ = 5-Speed Auto W5A380 Transmission

AR = use ase required - = Non illustrated part

2008 VB

**Wiring Instrument Panel  
Figure 8-1410**

ITEM	PART NUMBER	QTY	LINE	SERIES	BODY	ENGINE	TRANS	TRIM	DESCRIPTION
1	68011457AA	1	2, 3, 6, 7	L		EG2, EXM	DGZ		WIRING, With [LM3]
2	05120278AA	1	2, 3, 6, 7	L		EG2, EXM	DGZ		CONNECTOR, [3 Pin; X62/72]
3	05103874AA	1	2, 3, 6, 7	L		EG2, EXM	DGZ		TERMINAL, [0.75 MM2; MQS; X62/72]
-4	05120860AA	1	2, 3, 6, 7	L		EG2, EXM	DGZ		GASKET, [1.6 - 1.9 MM2; MQS, X62/72]
5	05138039AA	1	2, 3, 6, 7	L		EG2, EXM	DGZ		INSULATOR, [3 Pin; X62/72]
6	05103880AA	AR	2, 3, 6, 7	L		EG2, EXM	DGZ		TERMINAL, [0.5 -1.0 MM2; JPT; X62/72]
-7	05103661AA	1	2, 3, 6, 7	L		EG2, EXM	DGZ		GASKET, [0.5-1.0 MM; X62/72]



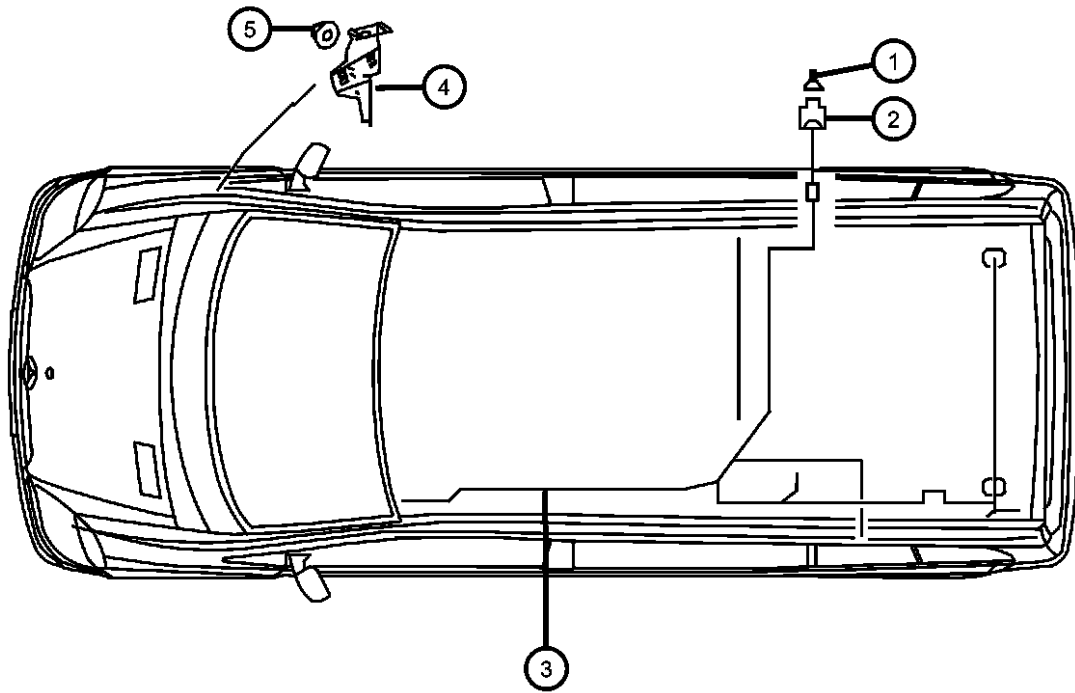
**SPRINTER (VB)**

SERIES	LINE	BODY	ENGINE	TRANSMISSION
L = LOWLINE	3 = HD DODGE 2WD 6 = Lt. Duty DODGE 4WD 2 = Med. Duty DODGE 2WD 7 = Med. Duty DODGE 4WD	17 = VAN WHEEL BASE 7 55 = WAGON WHEEL BASE 5 15 = VAN WHEEL BASE 5 53 = 119 WB 13 = 119 WB 05 = CAB CHASSIS WHEEL BASE 5 03 = CAB CHASSIS WHEEL BASE 3	EG2 = 3.5L V6 Gas Engine EXM = 3.0L V6 Turbo Diesel Engine	DGZ = 5-Speed Auto W5A380 Transmission

AR = use ase required - = Non illustrated part

**Wiring Body  
Figure 8-1505**

ITEM	PART NUMBER	QTY	LINE	SERIES	BODY	ENGINE	TRANS	TRIM	DESCRIPTION
1	05133353AA	AR	2, 3, 6, 7	L		EG2	DGZ		TERMINAL
2	68011283AA	1	2, 3, 6, 7	L		EG2, EXM	DGZ		CONNECTOR, Tank Connector [8-PIN;x25/15]
3	68013432AA	1	2, 3, 6, 7	L		EG2, EXM	DGZ		WIRING, Body
4	68013391AA	1	2, 3, 6, 7	L		EG2, EXM	DGZ		BRACKET
5									NUT
	68004878AA	2	3, 7	L	03, 05	EXM	DGZ		Bracket Mounting [M6]
		2	2, 3, 6, 7	L	13, 15, 17, 53, 55	EG2, EXM	DGZ		Bracket Mounting [M6]



**SPRINTER (VB)**

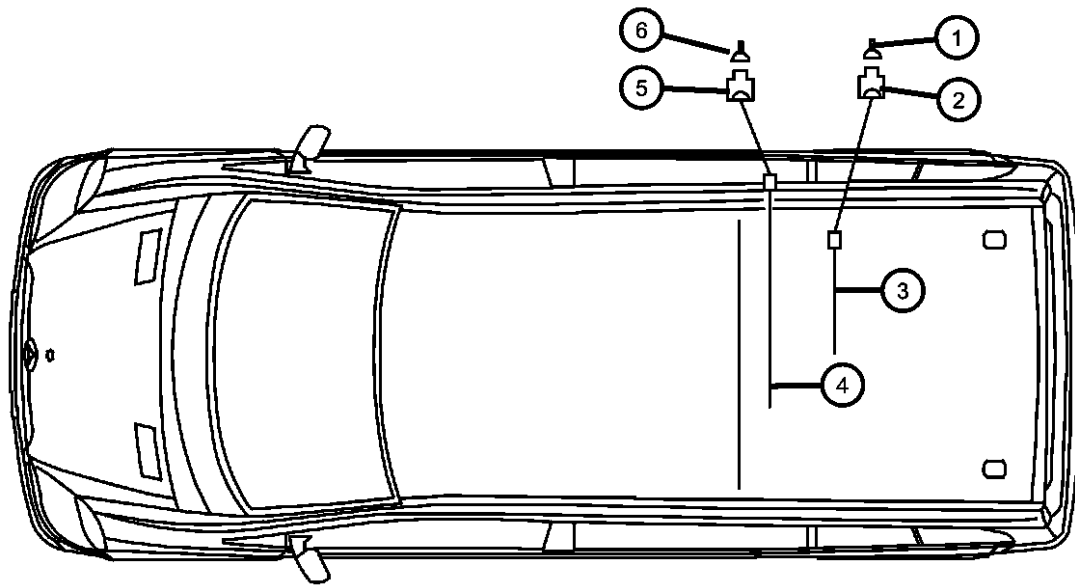
SERIES	LINE	BODY	ENGINE	TRANSMISSION
L = LOWLINE	3 = HD DODGE 2WD 6 = Lt. Duty DODGE 4WD 2 = Med. Duty DODGE 2WD 7 = Med. Duty DODGE 4WD	17 = VAN WHEEL BASE 7 55 = WAGON WHEEL BASE 5 15 = VAN WHEEL BASE 5 53 = 119 WB 13 = 119 WB 05 = CAB CHASSIS WHEEL BASE 5 03 = CAB CHASSIS WHEEL BASE 3	EG2 = 3.5L V6 Gas Engine EXM = 3.0L V6 Turbo Diesel Engine	DGZ = 5-Speed Auto W5A380 Transmission

AR = use ase required - = Non illustrated part

2008 VB

**Wiring Body  
Figure 8-1506**

ITEM	PART NUMBER	QTY	LINE	SERIES	BODY	ENGINE	TRANS	TRIM	DESCRIPTION
1	05120734AA	1	2, 3, 6, 7	L		EG2, EXM	DGZ		TERMINAL, Male, [1.0-2.5 MM2;x25/16]
2	05120685AA	1	2, 3, 6, 7	L		EG2, EXM	DGZ		INSULATOR, Connector,Tank Filler [1-PIN;x25/16]
3	68013518AA	1	2, 3, 6, 7	L		EG2, EXM	DGZ		STRAP, Ground
4									WIRING, Fuel Tank
	68013519AA	1	2, 3, 6, 7	L		EXM	DGZ		Fuel Level Sensor
	68013520AA	1	2, 3, 6, 7	L		EG2	DGZ		Fuel Level Sensor
5	68011337AA	1	2, 3, 6, 7	L		EG2, EXM	DGZ		CONNECTOR, Tank Connector [8-PIN;x25/15]
6	68016743AA	1	2, 3, 6, 7	L		EG2, EXM	DGZ		TERMINAL, [X25/16]



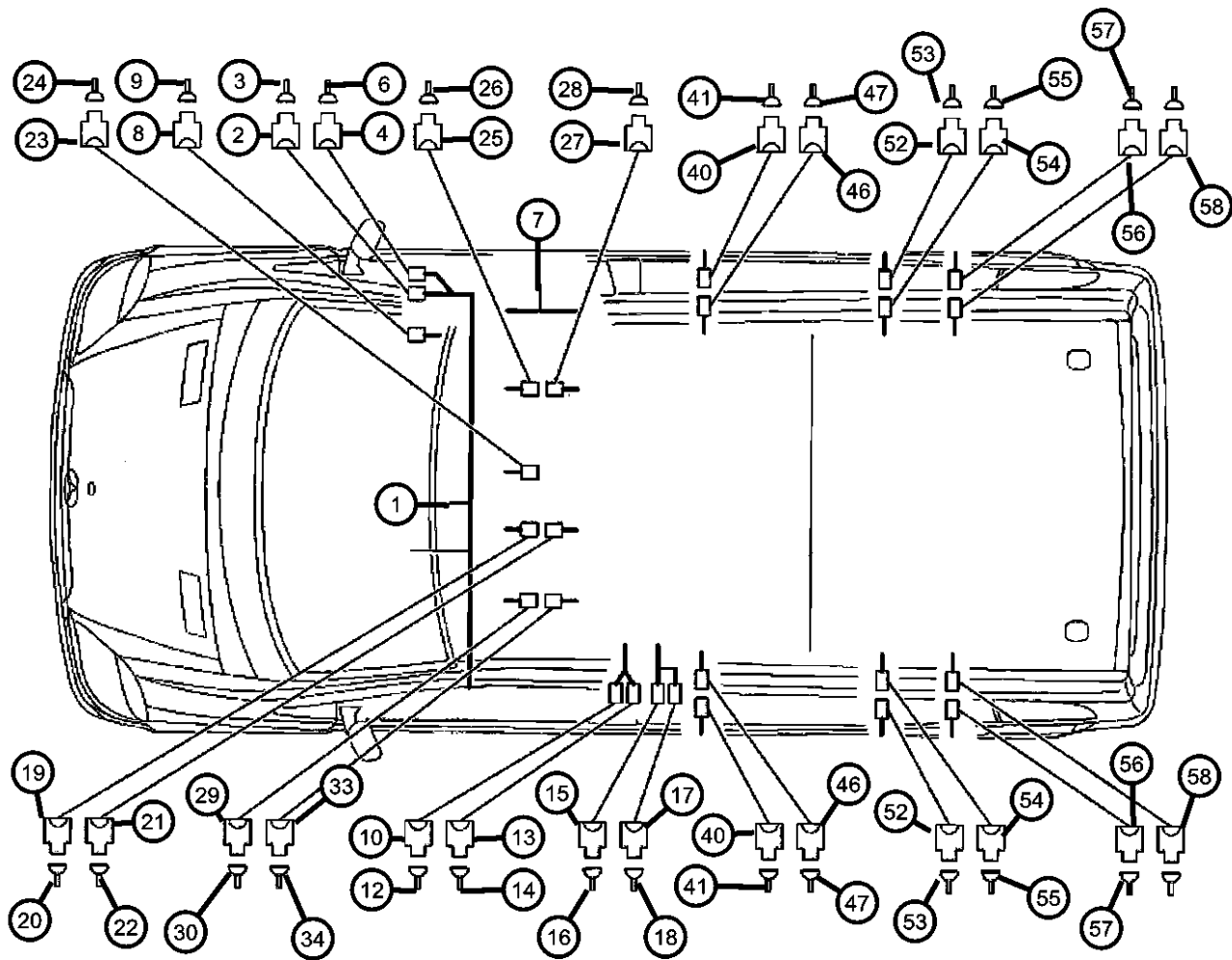
**SPRINTER (VB)**

SERIES	LINE	BODY	ENGINE	TRANSMISSION
L = LOWLINE	3 = HD DODGE 2WD 6 = Lt. Duty DODGE 4WD 2 = Med. Duty DODGE 2WD 7 = Med. Duty DODGE 4WD	17 = VAN WHEEL BASE 7 55 = WAGON WHEEL BASE 5 15 = VAN WHEEL BASE 5 53 = 119 WB 13 = 119 WB 05 = CAB CHASSIS WHEEL BASE 5 03 = CAB CHASSIS WHEEL BASE 3	EG2 = 3.5L V6 Gas Engine EXM = 3.0L V6 Turbo Diesel Engine	DGZ = 5-Speed Auto W5A380 Transmission

AR = use ase required - = Non illustrated part

2008 VB

Wiring Body  
Figure 8-1507



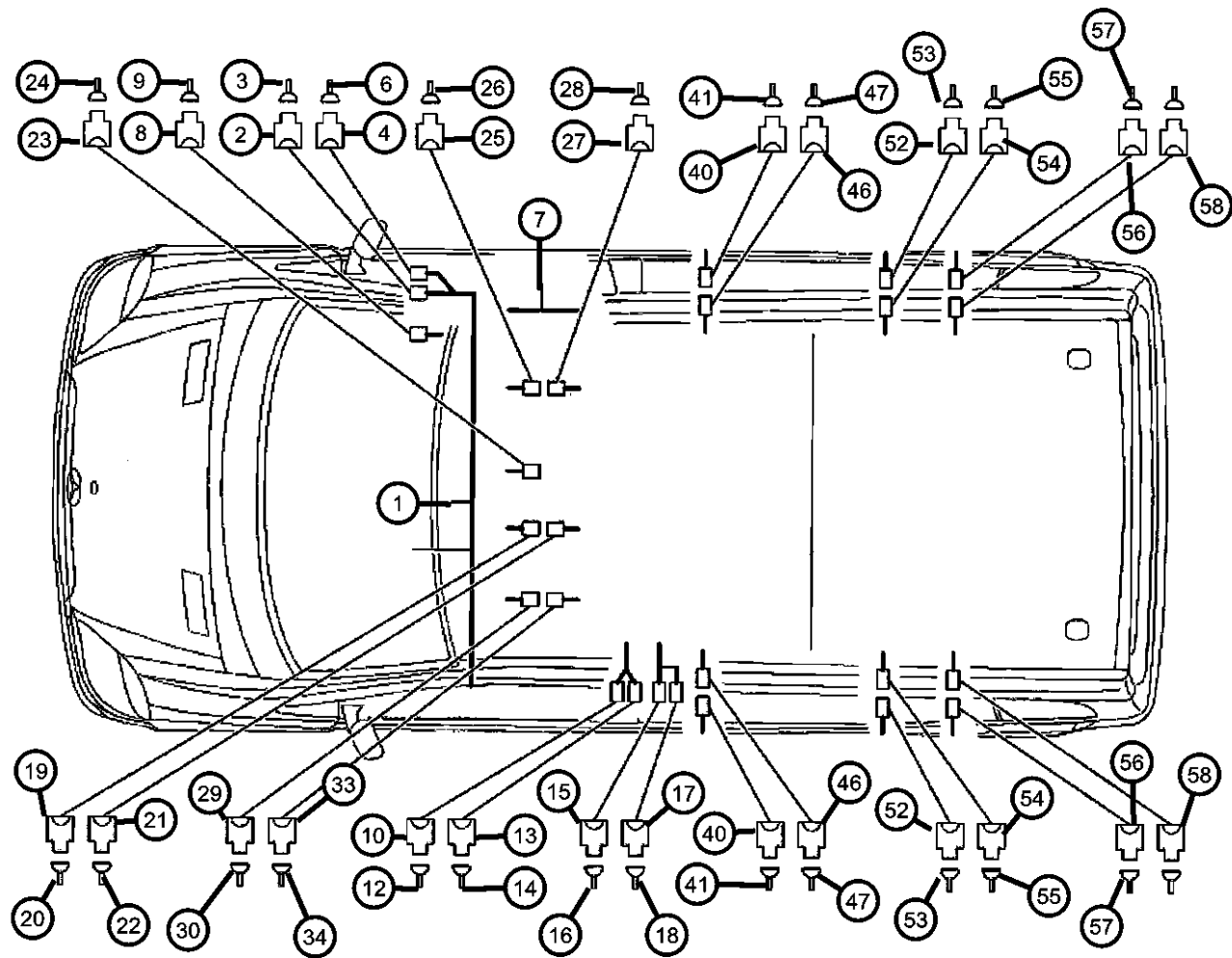
ITEM	PART NUMBER	QTY	LINE	SERIES	BODY	ENGINE	TRANS	TRIM	DESCRIPTION
1	68013434AA	1	2, 3, 6, 7	L		EG2, EXM	DGZ		WIRING, Body, Roof Harness
2	68011368AA	1	2, 3, 6, 7	L	03, 05, 53, 55	EG2, EXM	DGZ		CONNECTOR, Wiring Connector Cockpit Roof [6 Pin; X18/23]
		1	2, 3, 6, 7	L	13, 15, 17	EG2, EXM	DGZ		Connector Cockpit Roof [6 Pin; X18/23]
3	68013258AA	AR	2, 3, 6, 7	L		EG2, EXM	DGZ		TERMINAL, [1.0 - 2.5 MM2; X18/23]
4	68011342AA	1	2, 3, 6, 7	L		EG2, EXM	DGZ		CONNECTOR, [28 Pin; X15/51]
-5	68016717AA	1	2, 3, 6, 7	L		EG2, EXM	DGZ		COVER, Cover For Callout [#4]
6	05133990AA	3	2, 3, 6, 7	L	13, 15, 17, 53, 55	EG2, EXM	DGZ		TERMINAL, Male, [0.75 MM2; X18/51]
7	05174404AA	3	3, 7	L	03, 05	EG2, EXM	DGZ		WIRING, Roof Lamps
8	05120734AA	1	2, 3, 6, 7	L		EG2, EXM	DGZ		TERMINAL, Male, [1.0 -2.5 MM2; X85/22]
9	05103751AA	1	2, 3, 6, 7	L	13, 15, 17, 53, 55	EG2, EXM	DGZ		CONNECTOR, [X85/22]
10	68011342AA	1	2, 3, 6, 7	L		EG2, EXM	DGZ		CONNECTOR, [28 Pin; X18/52]
-11	68016717AA	1	2, 3, 6, 7	L		EG2, EXM	DGZ		COVER, Cover For Callout [#10]
12	05133990AA	3	2, 3, 6, 7	L	13, 15, 17, 53, 55	EG2, EXM	DGZ		TERMINAL, Male, [0.75 MM2; X18/52]
13	05138024AA	1	2, 3, 6, 7	L		EG2, EXM	DGZ		CONNECTOR
14	68013257AA	AR	2, 3, 6, 7	L		EG2, EXM	DGZ		TERMINAL [0.5 - 1.0 MM2; X18/53]
	68013258AA	AR	2, 3, 6, 7	L		EG2, EXM	DGZ		[1.0 - 2.5 MM2; X18/53]
	68016714AA	1	2, 3, 6, 7	L		EG2, EXM	DGZ		[4.0 MM2; X18/53]
15	68011379AA	1	2, 3, 6, 7	L		EG2, EXM	DGZ		CONNECTOR, Roof Air [1 Pin; X53/8]
16	68016741AA	AR	2, 3, 6, 7	L		EG2, EXM	DGZ		TERMINAL, [X53/8]
17	68011379AA	1	2, 3, 6, 7	L		EG2, EXM	DGZ		CONNECTOR, Roof Air [1Pin; X53/9]
18	68016741AA	AR	2, 3, 6, 7	L		EG2, EXM	DGZ		TERMINAL, [X53/9]
19	68011229AA	1	2, 3, 6, 7	L		EG2, EXM	DGZ		CONNECTOR, Connector, Backup Camera; [6Pin; X169]
20	05103873AA	3	2, 3, 6, 7	L	13, 15, 17, 53, 55	EG2, EXM	DGZ		TERMINAL, [0.75 MM2; MQS; X169]
21	68011344AA	1	2, 3, 6, 7	L	13, 15, 17	EG2, EXM	DGZ		CONNECTOR Connector, Backup Camera [6 Pin; X169]

**SPRINTER (VB)**

SERIES	LINE	BODY	ENGINE	TRANSMISSION
L = LOWLINE	3 = HD DODGE 2WD 6 = Lt. Duty DODGE 4WD 2 = Med. Duty DODGE 2WD 7 = Med. Duty DODGE 4WD	17 = VAN WHEEL BASE 7 55 = WAGON WHEEL BASE 5 15 = VAN WHEEL BASE 5 53 = 119 WB 13 = 119 WB 05 = CAB CHASSIS WHEEL BASE 5 03 = CAB CHASSIS WHEEL BASE 3	EG2 = 3.5L V6 Gas Engine EXM = 3.0L V6 Turbo Diesel Engine	DGZ = 5-Speed Auto W5A380 Transmission

AR = use ase required - = Non illustrated part

Wiring Body  
Figure 8-1507



ITEM	PART NUMBER	QTY	LINE	SERIES	BODY	ENGINE	TRANS	TRIM	DESCRIPTION
		1	2, 3, 6, 7	L	53, 55	EG2, EXM	DGZ		Connector, Backup Camera [6 Pin; X169]
22	05133990AA	3	2, 3, 6, 7	L	13, 15, 17, 53, 55	EG2, EXM	DGZ		TERMINAL, Male, [0.75 MM2; X169]
23	68011231AA	1	2, 3, 6, 7	L		EG2, EXM	DGZ		CONNECTOR, Connector, Roof Din-Slot; [4 Pin; X178]
24	05103873AA	3	2, 3, 6, 7	L	13, 15, 17, 53, 55	EG2, EXM	DGZ		TERMINAL, [0.75 MM2 MQS; X178]
25	05120728AA	2	2, 3, 6, 7	L		EG2, EXM	DGZ		CONNECTOR, Roof [EDW/MRA; 2 Pin; X42/28]
26	05103873AA	3	2, 3, 6, 7	L	13, 15, 17, 53, 55	EG2, EXM	DGZ		TERMINAL, [0.75 MM2 MQS; X42/28]
27	68011374AA	1	2, 3, 6, 7	L		EG2, EXM	DGZ		CONNECTOR, [2 Pin; X42/28]
28	05133990AA	3	2, 3, 6, 7	L	13, 15, 17, 53, 55	EG2, EXM	DGZ		TERMINAL, Male, [0.75 MM2; X42/28]
29	68011288AA	1	2, 3, 6, 7	L		EXM, EG2	DGZ		CONNECTOR
30	05103663AA	AR	2, 3, 6, 7	L		EG2	DGZ		GROMMET, [0.25 - 1.0 MM2; X64/14]
-31	05120865AA	1	2, 3, 6, 7	L		EG2, EXM	DGZ		GASKET, Dummy Plug [X64/14]
-32	68016724AA	AR	2, 3, 6, 7	L		EG2, EXM	DGZ		TERMINAL, [X64/14]
33	68011365AA	1	2, 3, 6, 7	L		EG2, EXM	DGZ		CONNECTOR, Wiring, [4 Pin. X64/14]
34	68011882AA	AR	2, 3, 6, 7	L		EG2	DGZ		TERMINAL, [0.75 - 1.0mm2; x64/14]
-35	05103663AA	AR	2, 3, 6, 7	L		EG2	DGZ		GROMMET, [0.25 - 1.0mm2; x64/14]
-36	05120865AA	1	2, 3, 6, 7	L		EG2, EXM	DGZ		GASKET, [Dummy] Plug [X64/14]
-37	68016724AA	AR	2, 3, 6, 7	L		EG2, EXM	DGZ		TERMINAL, [X64/14]
-38	68011056AA	1	2, 3, 6, 7	L		EG2, EXM	DGZ		GASKET, [0.25 - 1.0 MM2]
-39	68011057AA	1	2, 3, 6, 7	L		EG2, EXM	DGZ		GASKET
40	05120751AA	1	2, 3, 6, 7	L		EG2, EXM	DGZ		CONNECTOR, Wiring
41	05103880AA	AR	2, 3, 6, 7	L		EG2, EXM	DGZ		TERMINAL, [0.5 -1.0 MM2 JPT; X174/1; X174/2]
-42	05103661AA	1	2, 3, 6, 7	L		EG2, EXM	DGZ		GASKET, [0.5 - 1.0 MM; X174/1; X174/2]
-43	05120858AA	2	2, 3, 6, 7	L		EG2, EXM	DGZ		GASKET, [Dummy] Plug [X174/1; X174/2]
-44	05133370AA	2	2, 3, 6, 7	L		EG2, EXM	DGZ		TERMINAL, Contact Spring [ 1.5 - 2.5 MM2 JPT; X174/1; X174/2]
-45	05120833AA	2	2, 3, 6, 7	L		EG2, EXM	DGZ		GASKET, [1.0 - 2.5MM; X174/1; X174/2]

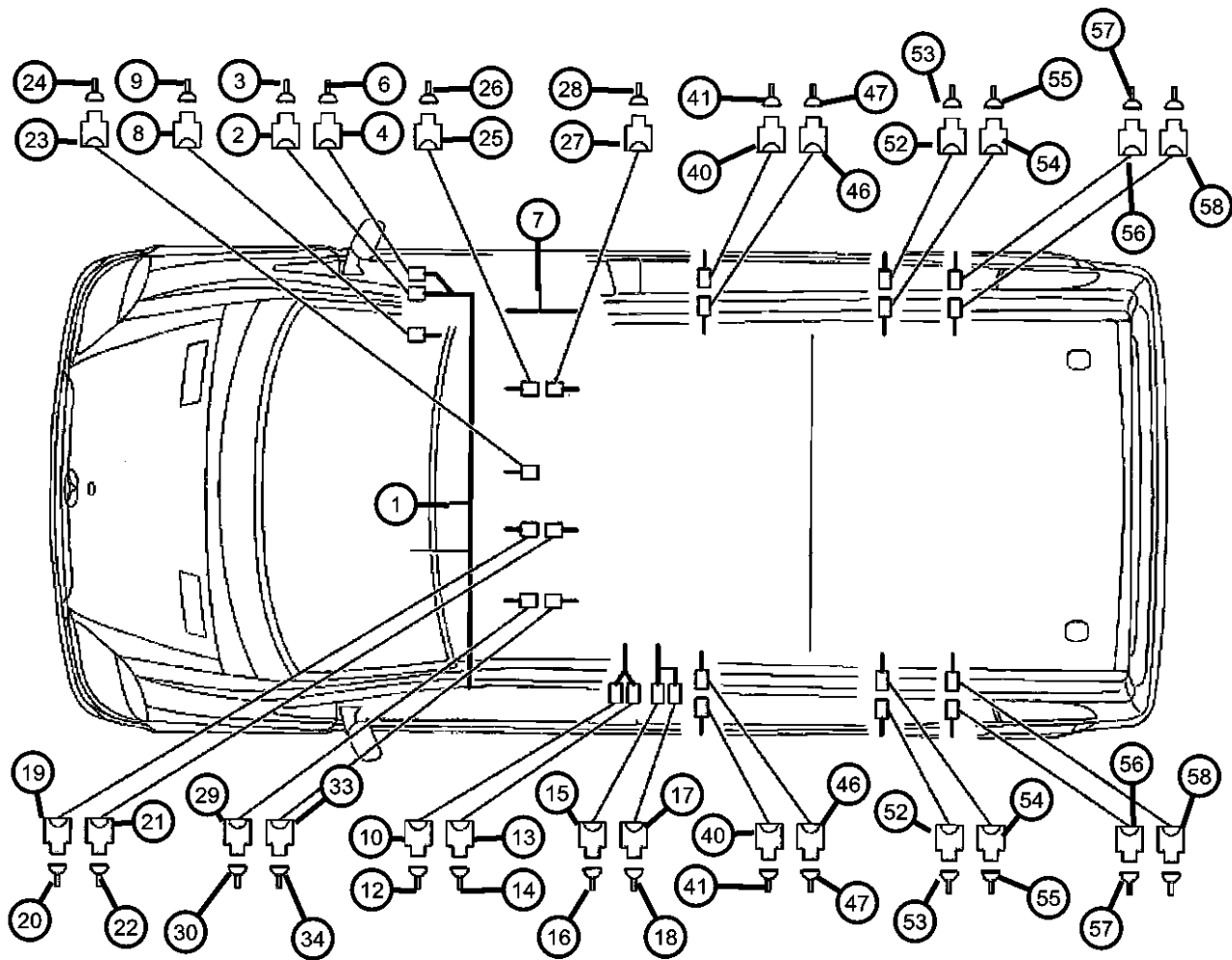
SPRINTER (VB)

SERIES	LINE	BODY	ENGINE	TRANSMISSION
L = LOWLINE	3 = HD DODGE 2WD 6 = Lt. Duty DODGE 4WD 2 = Med. Duty DODGE 2WD 7 = Med. Duty DODGE 4WD	17 = VAN WHEEL BASE 7 55 = WAGON WHEEL BASE 5 15 = VAN WHEEL BASE 5 53 = 119 WB 13 = 119 WB 05 = CAB CHASSIS WHEEL BASE 5 03 = CAB CHASSIS WHEEL BASE 3	EG2 = 3.5L V6 Gas Engine EXM = 3.0L V6 Turbo Diesel Engine	DGZ = 5-Speed Auto W5A380 Transmission

AR = use ase required - = Non illustrated part

2008 VB

Wiring Body  
Figure 8-1507



ITEM	PART NUMBER	QTY	LINE	SERIES	BODY	ENGINE	TRANS	TRIM	DESCRIPTION
46	68011336AA	1	2, 3, 6, 7	L		EG2, EXM	DGZ		CONNECTOR
47	68016743AA	1	2, 3, 6, 7	L		EG2, EXM	DGZ		TERMINAL, Flat Plug [X174/1; X174/2]
-48	05103663AA	AR	2, 3, 6, 7	L		EG2	DGZ		GROMMET, [0.25 - 1.0 MM2; X174/1; X174/2]
-49	05120865AA	1	2, 3, 6, 7	L		EG2, EXM	DGZ		GASKET, [Dummy] Plug [X174/1; X174/2]
-50	68011883AA	AR	2, 3, 6, 7	L		EG2	DGZ		TERMINAL, Flat Plug [1.5 - 2.5 MM2; X174/1; X174/2]
-51	05120864AA	99	2, 3, 6, 7	L		EG2	DGZ		GROMMET, Grommet [1.01 - 2.5 MM2; X174/1; X174/2]
52	05120717AA	1	2, 3, 6, 7	L	13, 15, 17, 53, 55	EG2, EXM	DGZ		Connector Central Locking Motor [3 Pin; X43/11; X43/2], Right & Left, Rear Door
		1	3, 7	L	03, 05	EG2, EXM	DGZ		Connector Central Locking Motor [3 Pin; X43/11; X43/2], Right & Left, Rear Door
53	05103873AA	AR	2, 3, 6, 7	L		EG2, EXM	DGZ		TERMINAL, [0.75 MM2 MQS; X43/11; X43/12]
54	05183532AA	1	2, 3, 6, 7	L	13, 15, 17, 53, 55	EG2, EXM	DGZ		CONNECTOR, Central Locking Motor [3 Pin X43/11; X43/12], Right & Left, Rear Door
55	05133990AA	3	2, 3, 6, 7	L	13, 15, 17, 53, 55	EG2, EXM	DGZ		TERMINAL, Male, [0.75 MM2; X43/11; X43/12]
56	68011231AA	1	2, 3, 6, 7	L		EG2, EXM	DGZ		CONNECTOR, 68011247AA [4 Pin; X8/20], Right, Rear
	68011253AA	1	2, 3, 6, 7	L		EG2, EXM	DGZ		[4 Pin; X8/23], Left, Rear
	68011254AA	1	2, 3, 6, 7	L	13, 15, 17	EG2, EXM	DGZ		[6 Pin; X8/21], Right, Rear
		1	2, 3, 6, 7	L	03, 05, 53, 55	EG2, EXM	DGZ		[6 Pin; X8/21], Right, Rear
57	05103873AA	AR	2, 3, 6, 7	L		EG2, EXM	DGZ		TERMINAL [0.75 MM2 MQS; X8/20]
	68016713AA	AR	2, 3, 6, 7	L		EG2, EXM	DGZ		[2.5 - 4.0 MM2 SLK; X8/21; X8/23]
58	68011357AA	1	2, 3, 6, 7	L		EG2, EXM	DGZ		CONNECTOR [4 Pin; X8/22], Left, Rear Door
	68011360AA	1	2, 3, 6, 7	L		EG2, EXM	DGZ		[4 Pin; X8/20], Right, Rear Door
	68011362AA	1	2, 3, 6, 7	L		EG2, EXM	DGZ		[4 Pin; X8/23], Left, Rear Door

**SPRINTER (VB)**

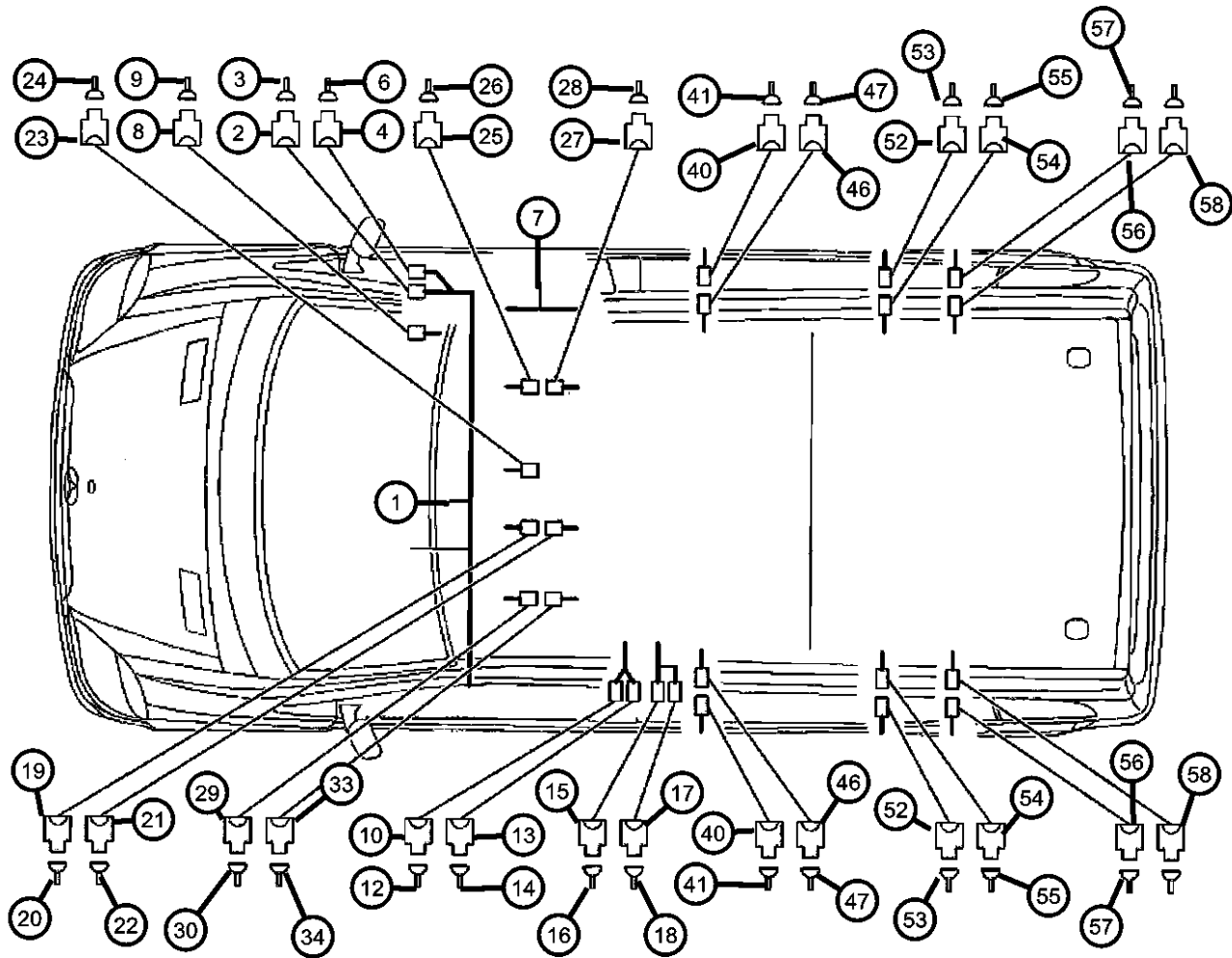
SERIES	LINE	BODY	ENGINE	TRANSMISSION
L = LOWLINE	3 = HD DODGE 2WD 6 = Lt. Duty DODGE 4WD 2 = Med. Duty DODGE 2WD 7 = Med. Duty DODGE 4WD	17 = VAN WHEEL BASE 7 55 = WAGON WHEEL BASE 5 15 = VAN WHEEL BASE 5 53 = 119 WB 13 = 119 WB 05 = CAB CHASSIS WHEEL BASE 5 03 = CAB CHASSIS WHEEL BASE 3	EG2 = 3.5L V6 Gas Engine EXM = 3.0L V6 Turbo Diesel Engine	DGZ = 5-Speed Auto W5A380 Transmission

AR = use ase required - = Non illustrated part



Wiring Body  
Figure 8-1507

ITEM	PART NUMBER	QTY	LINE	SERIES	BODY	ENGINE	TRANS	TRIM	DESCRIPTION
-59	68011368AA	1	2, 3, 6, 7	L	03, 05, 53, 55	EG2, EXM	DGZ		CONNECTOR, Wiring [6 Pin; X8/21], Right, Rear Door
		1	2, 3, 6, 7	L	13, 15, 17	EG2, EXM	DGZ		[6 Pin; X8/21], Right, Rear Door
-60	05133990AA	3	2, 3, 6, 7	L	13, 15, 17, 53, 55	EG2, EXM	DGZ		TERMINAL, Male, [0.75 MM2; X8/20]
-61	68013257AA	AR	2, 3, 6, 7	L		EG2, EXM	DGZ		TERMINAL [0.5 - 1.0 MM2; X8/21]
	68013258AA	AR	2, 3, 6, 7	L		EG2, EXM	DGZ		[1.0 -2.5 MM2; X8/21; X8/23]



**SPRINTER (VB)**

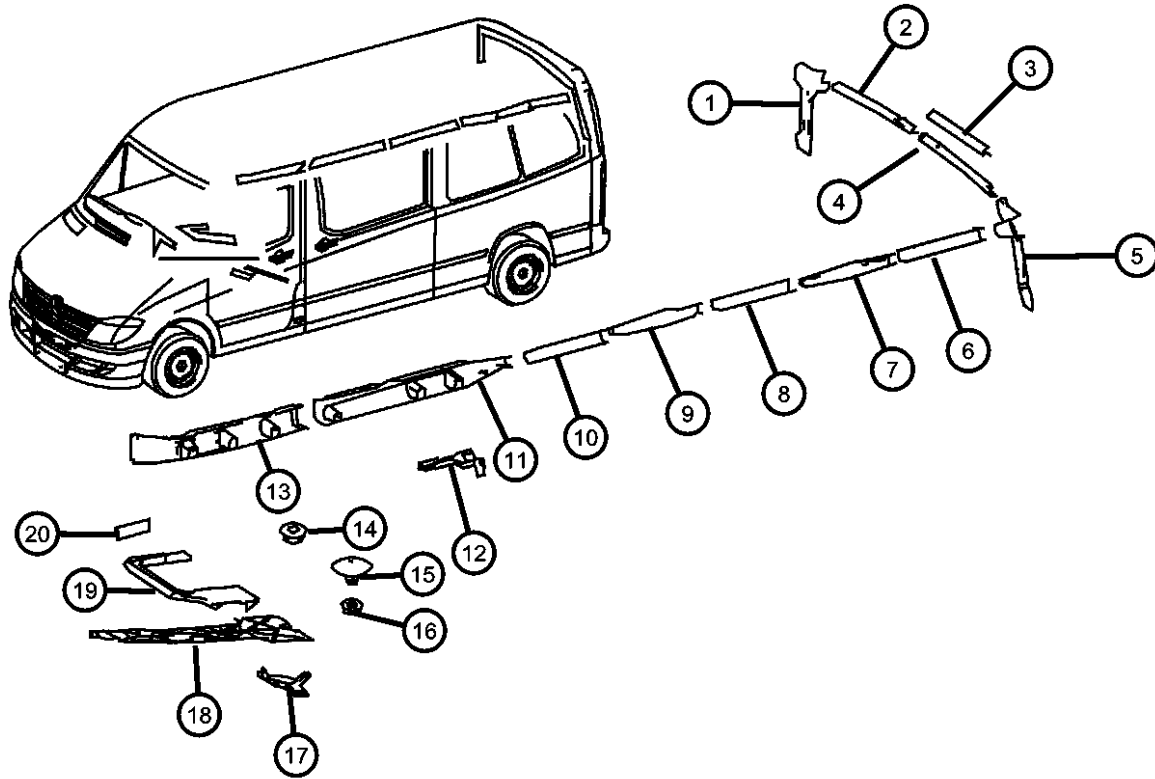
SERIES	LINE	BODY	ENGINE	TRANSMISSION
L = LOWLINE	3 = HD DODGE 2WD 6 = Lt. Duty DODGE 4WD 2 = Med. Duty DODGE 2WD 7 = Med. Duty DODGE 4WD	17 = VAN WHEEL BASE 7 55 = WAGON WHEEL BASE 5 15 = VAN WHEEL BASE 5 53 = 119 WB 13 = 119 WB 05 = CAB CHASSIS WHEEL BASE 5 03 = CAB CHASSIS WHEEL BASE 3	EG2 = 3.5L V6 Gas Engine EXM = 3.0L V6 Turbo Diesel Engine	DGZ = 5-Speed Auto W5A380 Transmission

AR = use ase required - = Non illustrated part

2008 VB

**Wiring Body  
Figure 8-1508**

ITEM	PART NUMBER	QTY	LINE	SERIES	BODY	ENGINE	TRANS	TRIM	DESCRIPTION
1	68014262AA	1	2, 3, 6, 7	L	13, 15, 17	EG2, EXM	DGZ		SHIELD, Wiring
2	68014265AA	1	2, 3, 6, 7	L		EG2, EXM	DGZ		SHIELD, Wiring
3	68014266AA	1	2, 3, 6, 7	L	13, 15, 17	EG2, EXM	DGZ		SHIELD, Wiring
4	68014264AA	1	2, 3, 6, 7	L		EG2, EXM	DGZ		SHIELD, Wiring
5	68014260AA	1	2, 3, 6, 7	L	13, 15, 17	EG2, EXM	DGZ		SHIELD, Wiring
6	68005285AA	1	2, 3, 6, 7	L	53	EXM, EG2	DGZ		TUBE
7	68014259AA	1	2, 3, 6, 7	L	13, 15, 17	EG2, EXM	DGZ		SHIELD, Wiring
8									SHIELD, Wiring
	68005283AA	3	2, 3, 6, 7	L	13, 53	EG2, EXM	DGZ		
		4	2, 3, 6, 7	L	15, 17, 55	EG2, EXM	DGZ		
9									SHIELD, Wiring
	68005282AA	4	2, 3, 6, 7	L	15, 17, 55	EG2, EXM	DGZ		
		4	2, 3, 6, 7	L	13, 53	EG2, EXM	DGZ		
10	68014248AA	1	2, 3, 6, 7	L	13, 15, 17	EG2, EXM	DGZ		SHIELD, Wiring
11									SHIELD, Wiring
	68014253AA	1	2, 3, 6, 7	L	13, 15, 17	EG2, EXM	DGZ		D03+T19
	68014256AA	1	2, 3, 6, 7	L	13, 53	EG2, EXM	DGZ		T19
12	68016704AA	1	2, 3, 6, 7	L	13, 15, 17, 53, 55	EG2, EXM	DGZ		SHIELD, Wiring
13									SHIELD, Wiring
	68014250AA	1	2, 3, 6, 7	L	13, 53	EG2, EXM	DGZ		T19
	68014251AA	1	2, 3, 6, 7	L	13, 15, 17	EG2, EXM	DGZ		D03+T19
14									NUT
	68004878AA	1	3, 7	L	03, 05	EG2, EXM	DGZ		Mounting Cover M6
		2	2, 3, 6, 7	L	13, 15, 17, 53, 55	EG2, EXM	DGZ		Mounting Cover M6
15	68014252AA	3	2, 3, 6, 7	L	13, 15, 17, 53, 55	EG2, EXM	DGZ		RETAINER, Cable Duct Fastening
16	68014257AA	1	2, 3, 6, 7	L	13, 15, 17, 53, 55	EG2, EXM	DGZ		WASHER
17	68014257AA	1							WASHER, (NOT SERVICED)
18	68016711AA	1	2, 3, 6, 7	L		EG2, EXM	DGZ		SHIELD, Wiring
19	68015889AA	1	2, 3, 6, 7	L	05, 13, 15, 17	EG2, EXM	DGZ		SHIELD, Wiring, Floor Channel Extension
20	05135206AA	AR	2, 3, 6, 7	L	13, 15, 17, 53, 55	EG2, EXM	DGZ		WEATHERSTRIP, Cable Duct



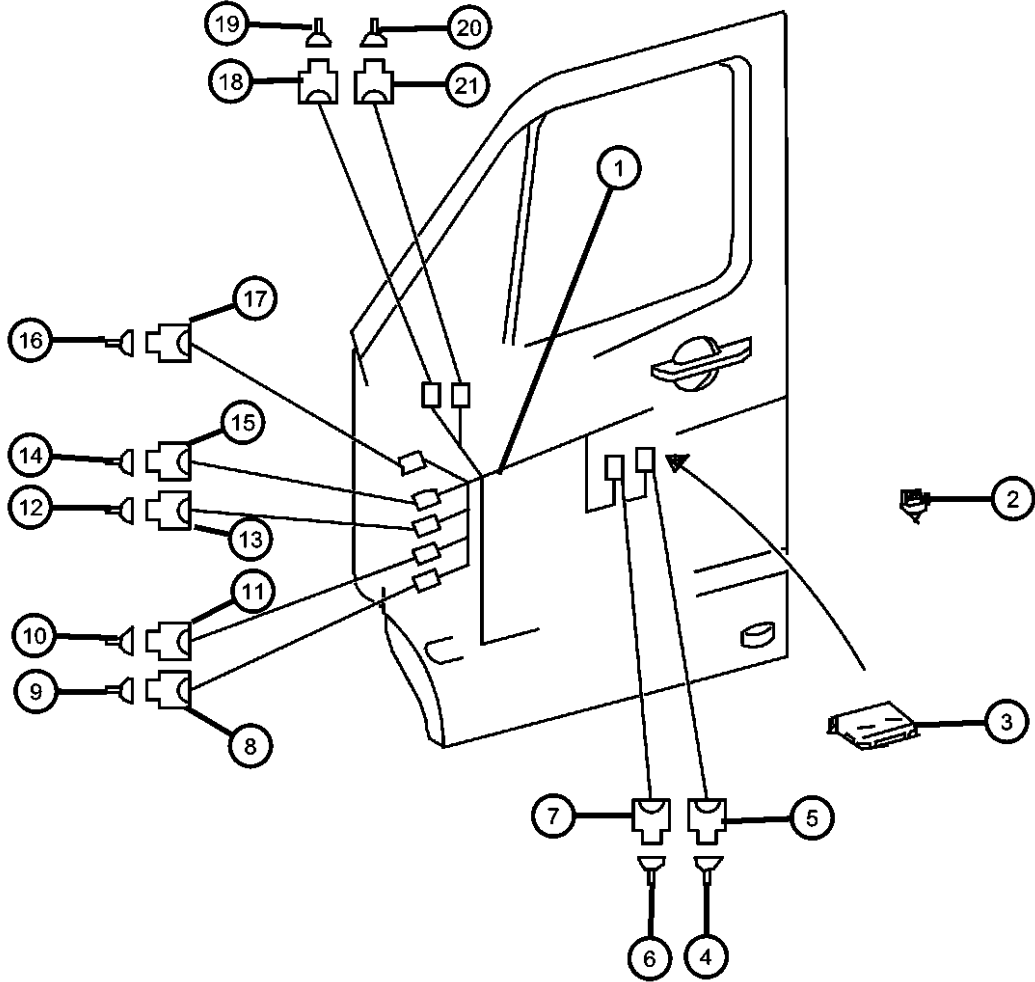
**SPRINTER (VB)**

<b>SERIES</b>	<b>LINE</b>	<b>BODY</b>	<b>ENGINE</b>	<b>TRANSMISSION</b>
L = LOWLINE	3 = HD DODGE 2WD 6 = Lt. Duty DODGE 4WD 2 = Med. Duty DODGE 2WD 7 = Med. Duty DODGE 4WD	17 = VAN WHEEL BASE 7 55 = WAGON WHEEL BASE 5 15 = VAN WHEEL BASE 5 53 = 119 WB 13 = 119 WB 05 = CAB CHASSIS WHEEL BASE 5 03 = CAB CHASSIS WHEEL BASE 3	EG2 = 3.5L V6 Gas Engine EXM = 3.0L V6 Turbo Diesel Engine	DGZ = 5-Speed Auto W5A380 Transmission

AR = use ase required - = Non illustrated part

**Wiring Door, Deck Lid, and Liftgate  
Figure 8-1515**

ITEM	PART NUMBER	QTY	LINE	SERIES	BODY	ENGINE	TRANS	TRIM	DESCRIPTION
1									WIRING, Door
	68013435AA	1	2, 3, 6, 7	L		EG2, EXM	DGZ		Left
	68013436AA	1	2, 3, 6, 7	L		EG2, EXM	DGZ		Right
2									CLIP, Retainer
	68013413AA	2	2, 3, 6, 7	L	13, 15, 17, 53, 55	EG2, EXM	DGZ		Entrance Lamp Separation Point 6.5-7MM
		2	3, 7	L	03, 05	EG2, EXM	DGZ		Entrance Lamp Separation Point 6.5-7MM
3									MODULE, Door
	68010055AA	1	2, 3, 6, 7	L		EG2, EXM	DGZ		Left Door
	68029085AA	1	2, 3, 6, 7	L		EG2, EXM	DGZ		With [GTB] Or [LBB] Or [JKG]
4	68011253AA	1	2, 3, 6, 7	L		EG2, EXM	DGZ		CONNECTOR, Door Control Unit 4-PIN;N69/1
5	68016713AA	AR	2, 3, 6, 7	L		EG2, EXM	DGZ		TERMINAL
6									TERMINAL
	05103873AA	3	3, 7	L	03, 05	EG2, EXM	DGZ		
		3	2, 3, 6, 7	L	13, 15, 17, 53, 55	EG2, EXM	DGZ		
7									CONNECTOR
	05138859AA	1	2, 3, 6, 7	L			DGZ		Door Control Unit 4-PIN;N69/1
	68011270AA	1	2, 3, 6, 7	L		EG2, EXM	DGZ		Door Control Unit 3-PIN;N69/1
	68011289AA	1	2, 3, 6, 7	L		EG2, EXM	DGZ		Door Control Unit 20-PIN;N69/1
8	68016718AA	1	2, 3, 6, 7	L		EG2, EXM	DGZ		CONNECTOR, Door Separation Point 10-PIN;X35/2
9									TERMINAL
	05103873AA	3	2, 3, 6, 7	L	13, 15, 17, 53, 55	EG2, EXM	DGZ		
		3	3, 7	L	03, 05	EG2, EXM	DGZ		
10	68016714AA	1	2, 3, 6, 7	L		EG2, EXM	DGZ		TERMINAL
11	68011362AA	1	2, 3, 6, 7	L		EG2, EXM	DGZ		CONNECTOR
12	68016713AA	AR	2, 3, 6, 7	L		EG2, EXM	DGZ		TERMINAL
13	68011253AA	1	2, 3, 6, 7	L		EG2, EXM	DGZ		CONNECTOR
14	05133990AA	3	2, 3, 6, 7	L	13, 15, 17, 53, 55	EXM, EG2	DGZ		TERMINAL, Male
15									CONNECTOR
	68011360AA	1	2, 3, 6, 7	L		EG2, EXM	DGZ		Door Separation Point 4-PIN;X35/1

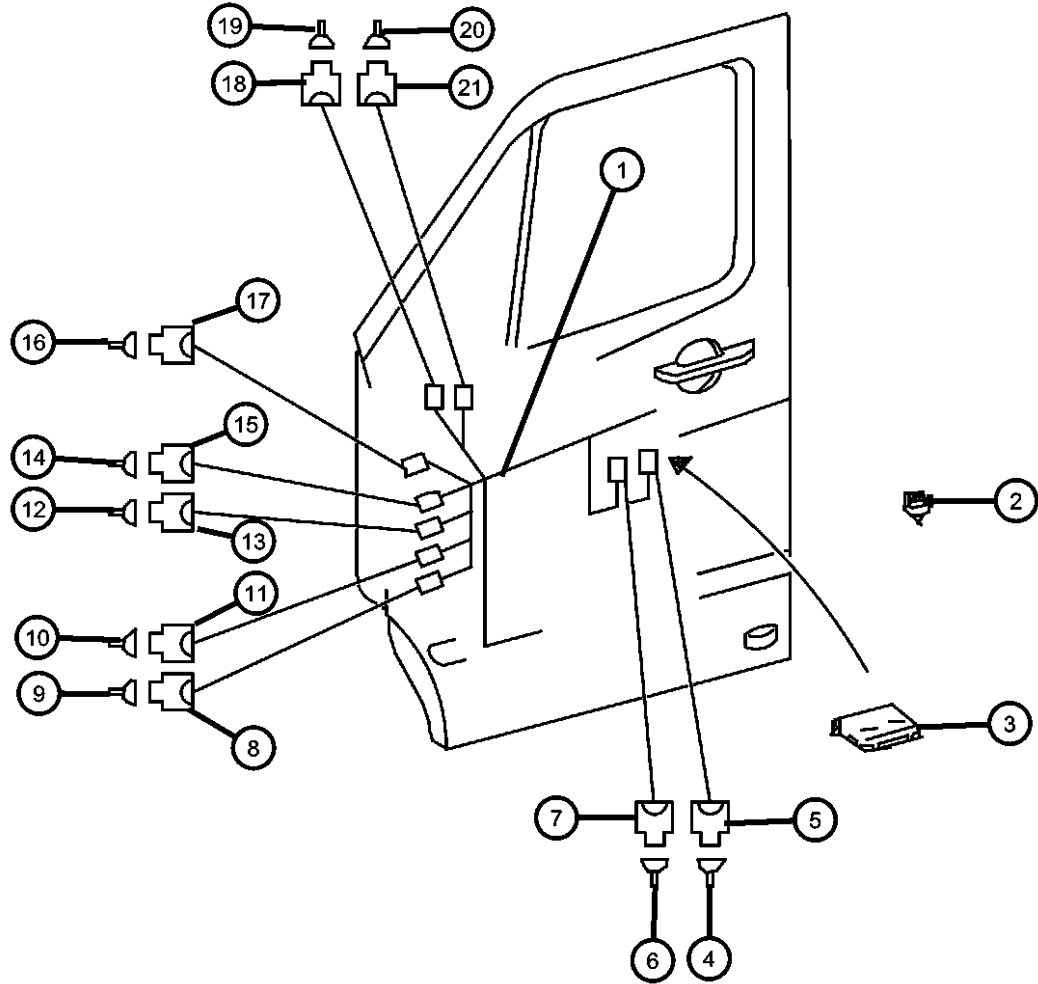


**SPRINTER (VB)**  
 SERIES      LINE      BODY      ENGINE      TRANSMISSION  
 L = LOWLINE    3 = HD DODGE 2WD    17 = VAN WHEEL BASE 7    EG2 = 3.5L V6 Gas Engine    DGZ = 5-Speed Auto W5A380  
                   6 = Lt. Duty DODGE 4WD    55 = WAGON WHEEL BASE 5    EXM = 3.0L V6 Turbo Diesel    Transmission  
                   2 = Med. Duty DODGE 2WD    15 = VAN WHEEL BASE 5    Engine  
                   7 = Med. Duty DODGE 4WD    53 = 119 WB  
   13 = 119 WB  
   05 = CAB CHASSIS WHEEL  
   BASE 5  
   03 = CAB CHASSIS WHEEL  
   BASE 3

AR = use ase required - = Non illustrated part

**Wiring Door, Deck Lid, and Liftgate  
Figure 8-1515**

ITEM	PART NUMBER	QTY	LINE	SERIES	BODY	ENGINE	TRANS	TRIM	DESCRIPTION
	68011361AA	1	2, 3, 6, 7	L		EG2, EXM	DGZ		Door Separation Point 2-PIN;X35/44
	68011378AA	1	2, 3, 6, 7	L		EG2, EXM	DGZ		Door Separation Point 10-PIN;X35/2
16	68016713AA	AR	2, 3, 6, 7	L		EG2, EXM	DGZ		TERMINAL
17	05101166AA	1	2, 3, 6, 7	L		EG2, EXM	DGZ		CONNECTOR
18									CONNECTOR
	05120717AA	1	2, 3, 6, 7	L	13, 15, 17,	EG2, EXM	DGZ		Outside Rearview Mirror Plug Connection 3-PIN,COD.A;X141/4
		1	3, 7	L	03, 05	EG2, EXM	DGZ		Outside Rearview Mirror Plug Connection 3-PIN,COD.A;X141/4
19									TERMINAL
	05103873AA	3	3, 7	L	03, 05	EG2, EXM	DGZ		
		3	2, 3, 6, 7	L	13, 15, 17,	EG2, EXM	DGZ		
					53, 55				
20	05133990AA	3	2, 3, 6, 7	L	13, 15, 17,	EG2, EXM	DGZ		TERMINAL, Male
					53, 55				
21	05183532AA	1	2, 3, 6, 7	L	13, 15, 17,	EG2, EXM	DGZ		CONNECTOR
					53, 55				



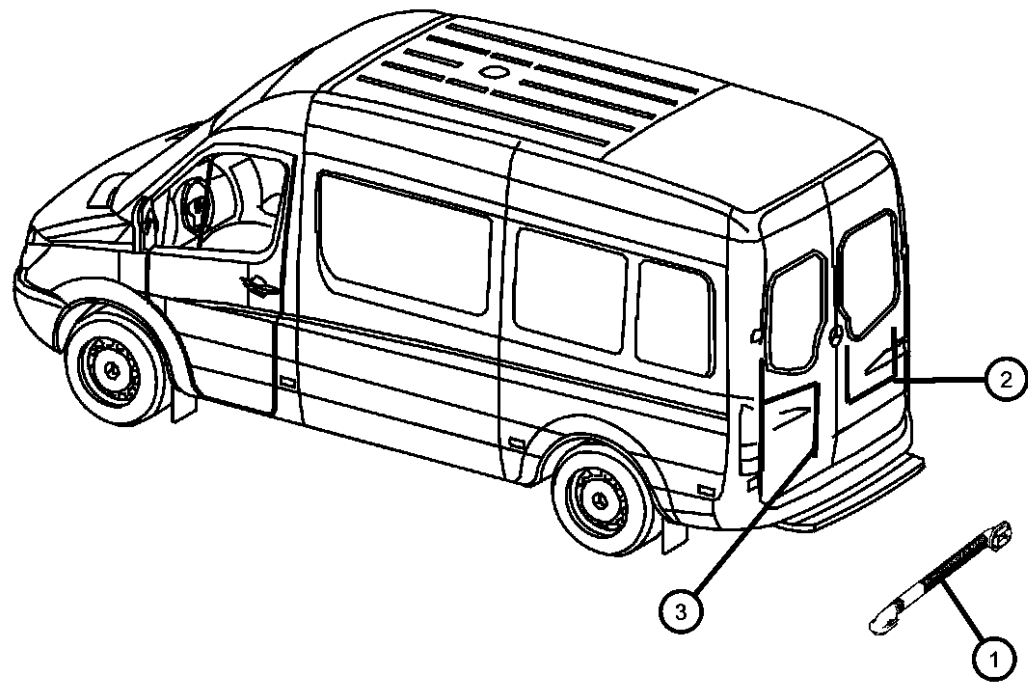
**SPRINTER (VB)**

SERIES	LINE	BODY	ENGINE	TRANSMISSION
L = LOWLINE	3 = HD DODGE 2WD 6 = Lt. Duty DODGE 4WD 2 = Med. Duty DODGE 2WD 7 = Med. Duty DODGE 4WD	17 = VAN WHEEL BASE 7 55 = WAGON WHEEL BASE 5 15 = VAN WHEEL BASE 5 53 = 119 WB 13 = 119 WB 05 = CAB CHASSIS WHEEL BASE 5 03 = CAB CHASSIS WHEEL BASE 3	EG2 = 3.5L V6 Gas Engine EXM = 3.0L V6 Turbo Diesel Engine	DGZ = 5-Speed Auto W5A380 Transmission

AR = use ase required - = Non illustrated part

**Wiring Door, Deck Lid, and Liftgate  
Figure 8-1516**

ITEM	PART NUMBER	QTY	LINE	SERIES	BODY	ENGINE	TRANS	TRIM	DESCRIPTION
1	68015890AA	1	2, 3, 6, 7	L	13, 15, 17, 53, 55	EG2, EXM	DGZ		GROMMET, Wiring
2	68013443AA	1	2, 3, 6, 7	L	13, 15, 17, 53, 55	EG2, EXM	DGZ		WIRING, Rear Door
3	68013442AA	1	2, 3, 6, 7	L	13, 15, 17, 53, 55	EG2, EXM	DGZ		WIRING, Rear Door



**SPRINTER (VB)**

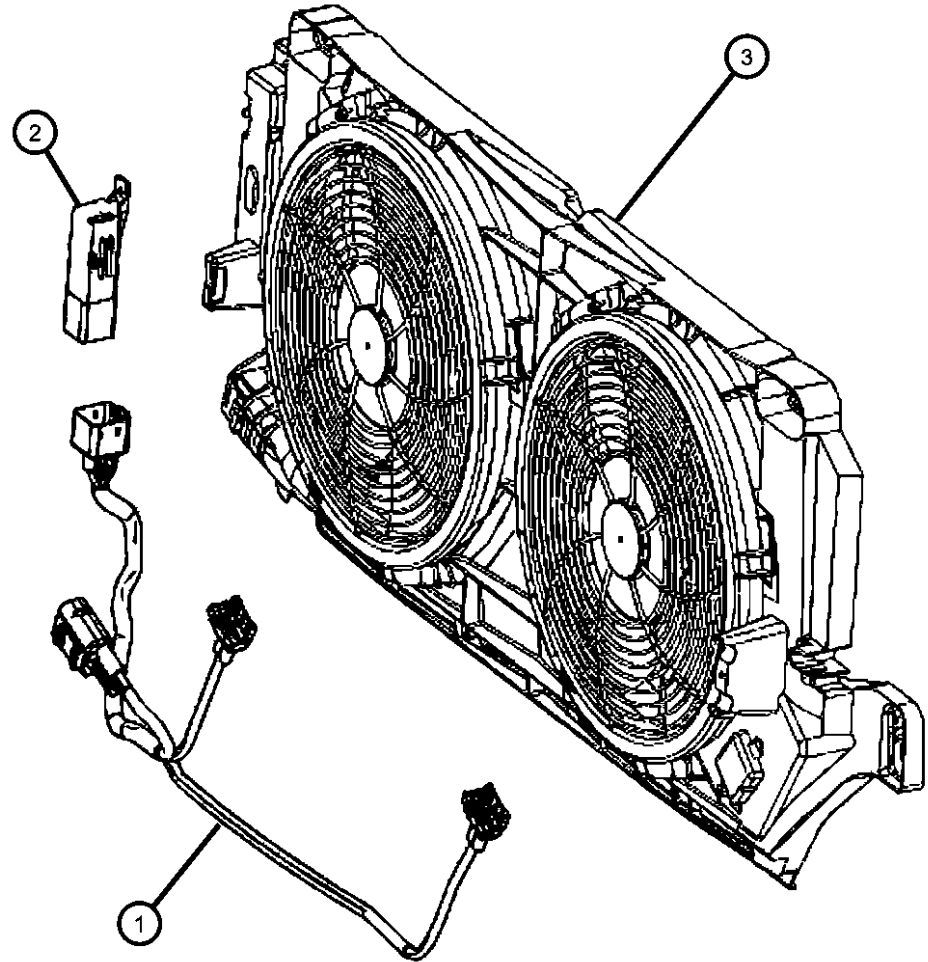
SERIES	LINE	BODY	ENGINE	TRANSMISSION
L = LOWLINE	3 = HD DODGE 2WD 6 = Lt. Duty DODGE 4WD 2 = Med. Duty DODGE 2WD 7 = Med. Duty DODGE 4WD	17 = VAN WHEEL BASE 7 55 = WAGON WHEEL BASE 5 15 = VAN WHEEL BASE 5 53 = 119 WB 13 = 119 WB 05 = CAB CHASSIS WHEEL BASE 5 03 = CAB CHASSIS WHEEL BASE 3	EG2 = 3.5L V6 Gas Engine EXM = 3.0L V6 Turbo Diesel Engine	DGZ = 5-Speed Auto W5A380 Transmission

AR = use ase required - = Non illustrated part

2008 VB

Wiring Body  
Figure 8-1517

ITEM	PART NUMBER	QTY	LINE	SERIES	BODY	ENGINE	TRANS	TRIM	DESCRIPTION
1	68013668AA	1	2, 3, 6, 7	L	13, 15, 17	EG2, EXM	DGZ		WIRING Single Auxiliary Fan
	68013673AA	1	2, 3, 6, 7	L	13, 15, 17, 53, 55	EG2, EXM	DGZ		Dual Auxiliary Fan
2	68013669AA	1	2, 3, 6, 7	L	13, 15, 17	EG2, EXM	DGZ		RELAY With [HAB+(CWC%XJW%XJ1%XJY)]
	68013674AA	1	2, 3, 6, 7	L	13, 15, 17, 53, 55	EG2, EXM	DGZ		With [HAB]
3	68013674AA	1							MODULE, Cooling, (NOT SERVICED),



SPRINTER (VB)

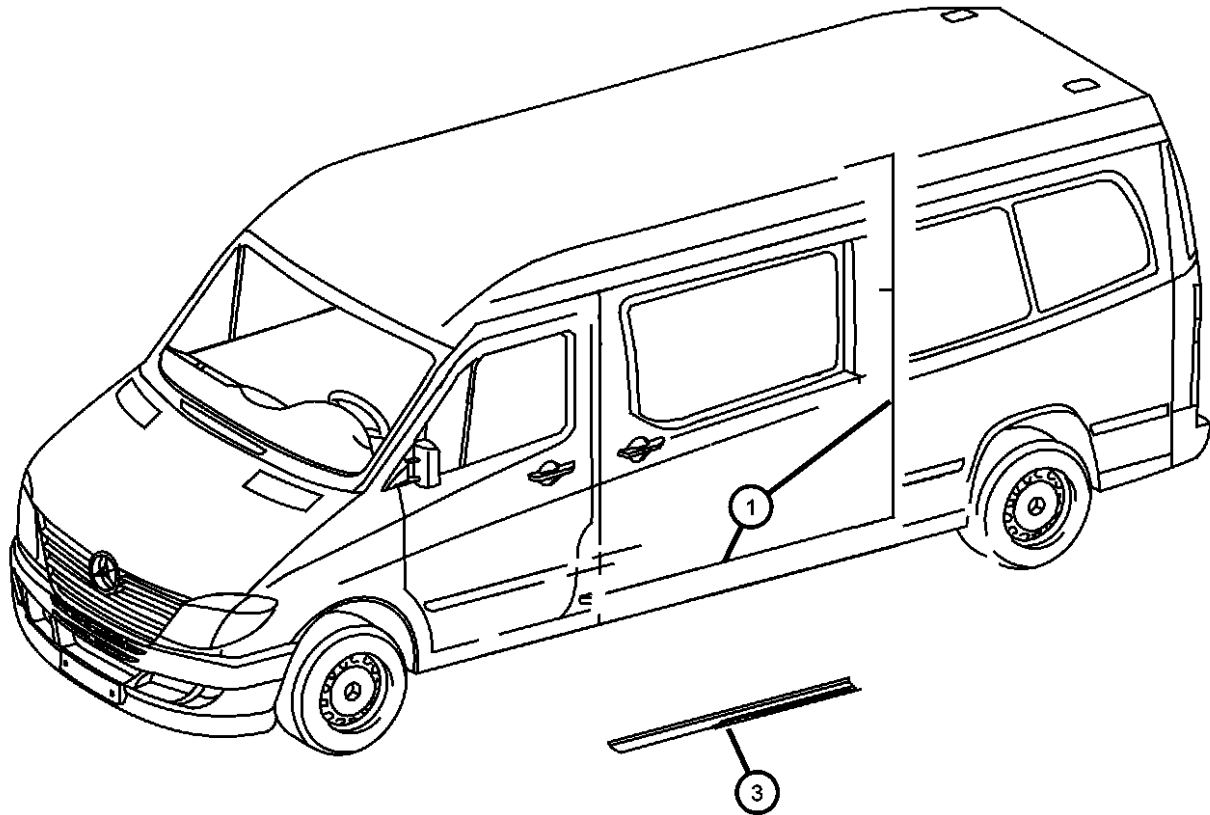
SERIES	LINE	BODY	ENGINE	TRANSMISSION
L = LOWLINE	3 = HD DODGE 2WD 6 = Lt. Duty DODGE 4WD 2 = Med. Duty DODGE 2WD 7 = Med. Duty DODGE 4WD	17 = VAN WHEEL BASE 7 55 = WAGON WHEEL BASE 5 15 = VAN WHEEL BASE 5 53 = 119 WB 13 = 119 WB 05 = CAB CHASSIS WHEEL BASE 5 03 = CAB CHASSIS WHEEL BASE 3	EG2 = 3.5L V6 Gas Engine EXM = 3.0L V6 Turbo Diesel Engine	DGZ = 5-Speed Auto W5A380 Transmission

AR = use ase required - = Non illustrated part

2008 VB

**Wiring Body  
Figure 8-1518**

ITEM	PART NUMBER	QTY	LINE	SERIES	BODY	ENGINE	TRANS	TRIM	DESCRIPTION
1	68013440AA	1	2, 3, 6, 7	L	13, 15, 17	EG2, EXM	DGZ		WIRING, Sliding Door Left
-2	68013441AA	1	2, 3, 6, 7	L	13, 15, 17, 53, 55	EG2, EXM	DGZ		WIRING, Sliding Door Right
3	68010315AA	1	2, 3, 6, 7	L	13, 15, 17, 53, 55	EG2, EXM	DGZ		SHIELD, WiringRight



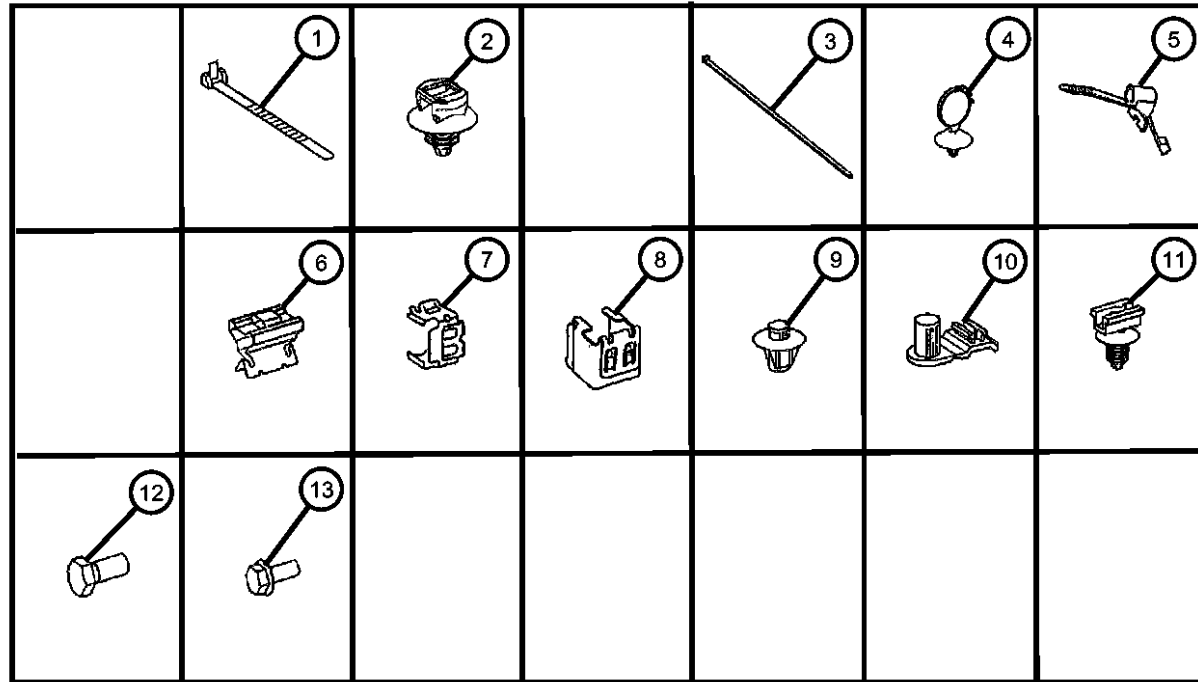
**SPRINTER (VB)**

SERIES	LINE	BODY	ENGINE	TRANSMISSION
L = LOWLINE	3 = HD DODGE 2WD 6 = Lt. Duty DODGE 4WD 2 = Med. Duty DODGE 2WD 7 = Med. Duty DODGE 4WD	17 = VAN WHEEL BASE 7 55 = WAGON WHEEL BASE 5 15 = VAN WHEEL BASE 5 53 = 119 WB 13 = 119 WB 05 = CAB CHASSIS WHEEL BASE 5 03 = CAB CHASSIS WHEEL BASE 3	EG2 = 3.5L V6 Gas Engine EXM = 3.0L V6 Turbo Diesel Engine	DGZ = 5-Speed Auto W5A380 Transmission

AR = use ase required - = Non illustrated part

2008 VB

**Wiring Harness Tie Straps & Related Parts  
Figure 8-1610**



ITEM	PART NUMBER	QTY	LINE	SERIES	BODY	ENGINE	TRANS	TRIM	DESCRIPTION
1	06104758AA	99	3, 7	L	03, 05	EG2, EXM	DGZ		TIE STRAP [2.8x100 MM]
		99	2, 3, 6, 7	L	13, 15, 17, 53, 55	EG2, EXM	DGZ		[2.8x100 MM]
2	06104770AA	2	2, 3, 6, 7	L		EG2, EXM	DGZ		STRAP
3	06104762AA	1	2, 3, 6, 7	L		EG2, EXM	DGZ		STRAP, Tie
4	05126078AA	99	3, 7	L	03, 05	EG2, EXM	DGZ		TIE STRAP, [4.6x190 MM]
5	06104771AA	99	2, 3, 6, 7	L		EG2, EXM	DGZ		CLIP, Cable, [4.8x151 MM]
6	05159403AA	1	2, 3, 6, 7	L		EG2, EXM	DGZ		BRACKET, [13x18 MM]
7	68012055AA	AR	2, 3, 6, 7	L		EXM, EG2	DGZ		CLAMP
8	68013438AA	99	2, 3, 6, 7	L		EG2, EXM	DGZ		CLIP, Spring
9	05097059AA	99	3, 7	L	03, 05	EG2, EXM	DGZ		FASTENER
		99	2, 3, 6, 7	L	13, 15, 17, 53, 55	EG2, EXM	DGZ		
10	68013439AA	99	2, 3, 6, 7	L		EG2, EXM	DGZ		BRACKET
11	68013413AA	1	2, 3, 6, 7	L	13, 15, 17, 53, 55	EG2, EXM	DGZ		CLIP, Retainer [6.5 - 7.0 mm]
		1	3, 7	L	03, 05	EG2, EXM	DGZ		[6.5 - 7.0 mm]
12	05097692AA	99	3, 7	L	03, 05	EG2, EXM	DGZ		SCREW, M8x20
		99	2, 3, 6, 7	L	13, 15, 17, 53, 55	EG2, EXM	DGZ		
13	05126234AA	99	2, 3, 6, 7	L		EG2, EXM	DGZ		SCREW, [M6X16 MM]

**SPRINTER (VB)**

SERIES	LINE	BODY	ENGINE	TRANSMISSION
L = LOWLINE	3 = HD DODGE 2WD 6 = Lt. Duty DODGE 4WD 2 = Med. Duty DODGE 2WD 7 = Med. Duty DODGE 4WD	17 = VAN WHEEL BASE 7 55 = WAGON WHEEL BASE 5 15 = VAN WHEEL BASE 5 53 = 119 WB 13 = 119 WB 05 = CAB CHASSIS WHEEL BASE 5 03 = CAB CHASSIS WHEEL BASE 3	EG2 = 3.5L V6 Gas Engine EXM = 3.0L V6 Turbo Diesel Engine	DGZ = 5-Speed Auto W5A380 Transmission

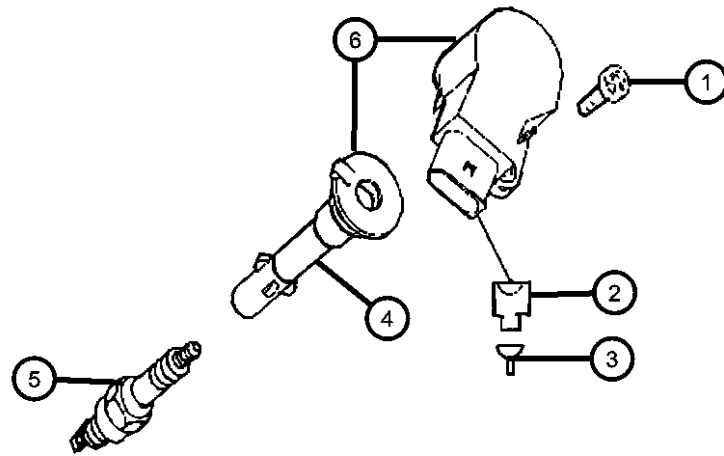
AR = use ase required - = Non illustrated part

2008 VB



**Ignition System  
Figure 8-1905**

ITEM	PART NUMBER	QTY	LINE	SERIES	BODY	ENGINE	TRANS	TRIM	DESCRIPTION
1	06104143AA	2	2, 3, 6, 7	L		EG2	DGZ		SCREW, M6X1.0X20.0, Ignition Coil on Cylinder Head Cover M6x20
2	68011251AA	1	2, 3, 6, 7	L		EG2	DGZ		CONNECTOR, Ignition Cou 4-PIN
3	05133353AA	AR	2, 3, 6, 7	L		EG2	DGZ		TERMINAL
4	68011847AA	6	2, 3, 6, 7	L		EG2	DGZ		CABLE, Ignition Coil
5	68005667AA	6	2, 3, 6, 7	L		EG2	DGZ		SPARKPLUG, Engine
6	68011844AA	6	2, 3, 6, 7	L		EG2	DGZ		COIL, Ignition



**SPRINTER (VB)**

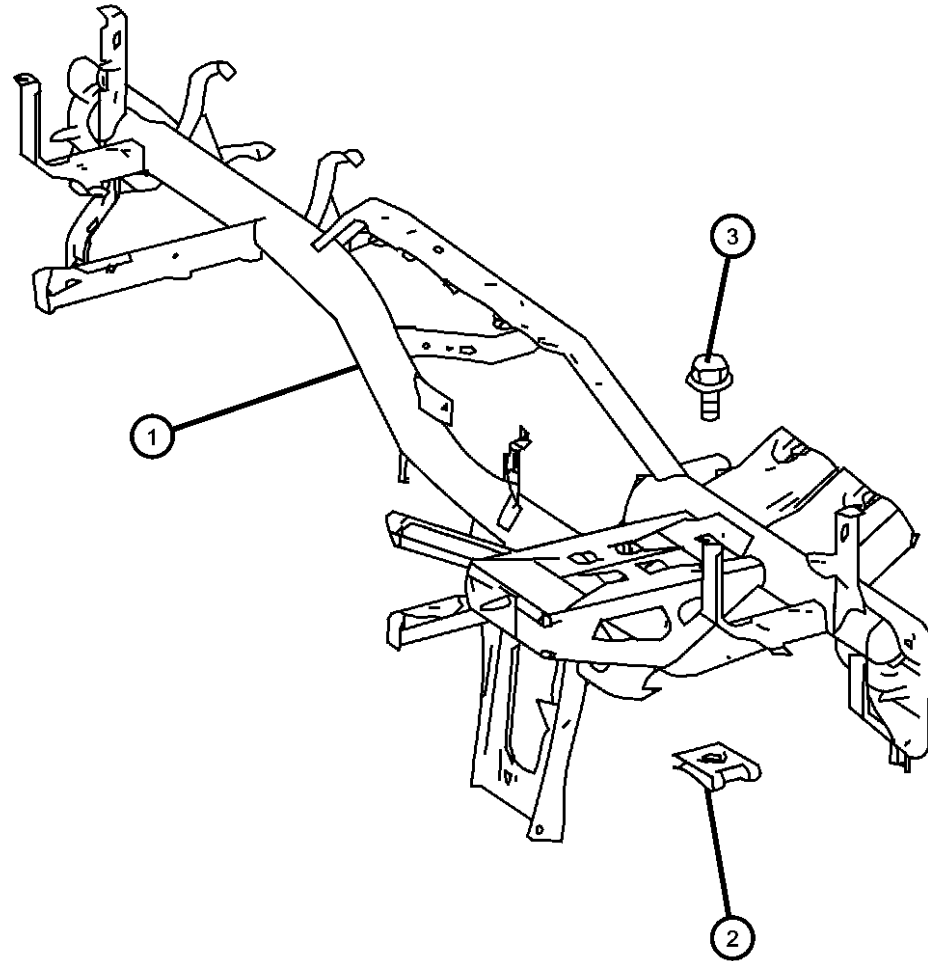
SERIES	LINE	BODY	ENGINE	TRANSMISSION
L = LOWLINE	3 = HD DODGE 2WD	17 = VAN WHEEL BASE 7	EG2 = 3.5L V6 Gas Engine	DGZ = 5-Speed Auto W5A380
	6 = Lt. Duty DODGE 4WD	55 = WAGON WHEEL BASE 5	EXM = 3.0L V6 Turbo Diesel Engine	Transmission
	2 = Med. Duty DODGE 2WD	15 = VAN WHEEL BASE 5		
	7 = Med. Duty DODGE 4WD	53 = 119 WB		
		13 = 119 WB		
		05 = CAB CHASSIS WHEEL BASE 5		
		03 = CAB CHASSIS WHEEL BASE 3		

AR = use ase required - = Non illustrated part

2008 VB

**Instrument Panel And Structure  
Figure 8-2005**

ITEM	PART NUMBER	QTY	LINE	SERIES	BODY	ENGINE	TRANS	TRIM	DESCRIPTION
1	68004781AA	1	2, 3, 6, 7	L		EG2, EXM	DGZ		FRAME, Instrument Panel
2	68006573AA	14	3, 7	L	03, 05	EG2, EXM	DGZ		NUT, Spring
		8	2, 3, 6, 7	L	13, 15, 17, 53, 55	EG2, EXM	DGZ		
3	05137660AA	4	3, 7	L	03, 05	EG2, EXM	DGZ		SCREW Frame To Body [M8 x 80]
		4	2, 3, 6, 7	L	13, 15, 17, 53, 55	EG2, EXM	DGZ		Frame To Body [M8 x 80]
	06104024AA	8	3, 7	L	03, 05	EG2, EXM	DGZ		Frame To Body [M8 x 25]
		8	2, 3, 6, 7	L	13, 15, 17, 53, 55	EG2, EXM	DGZ		Frame To Body [M8 x 25]



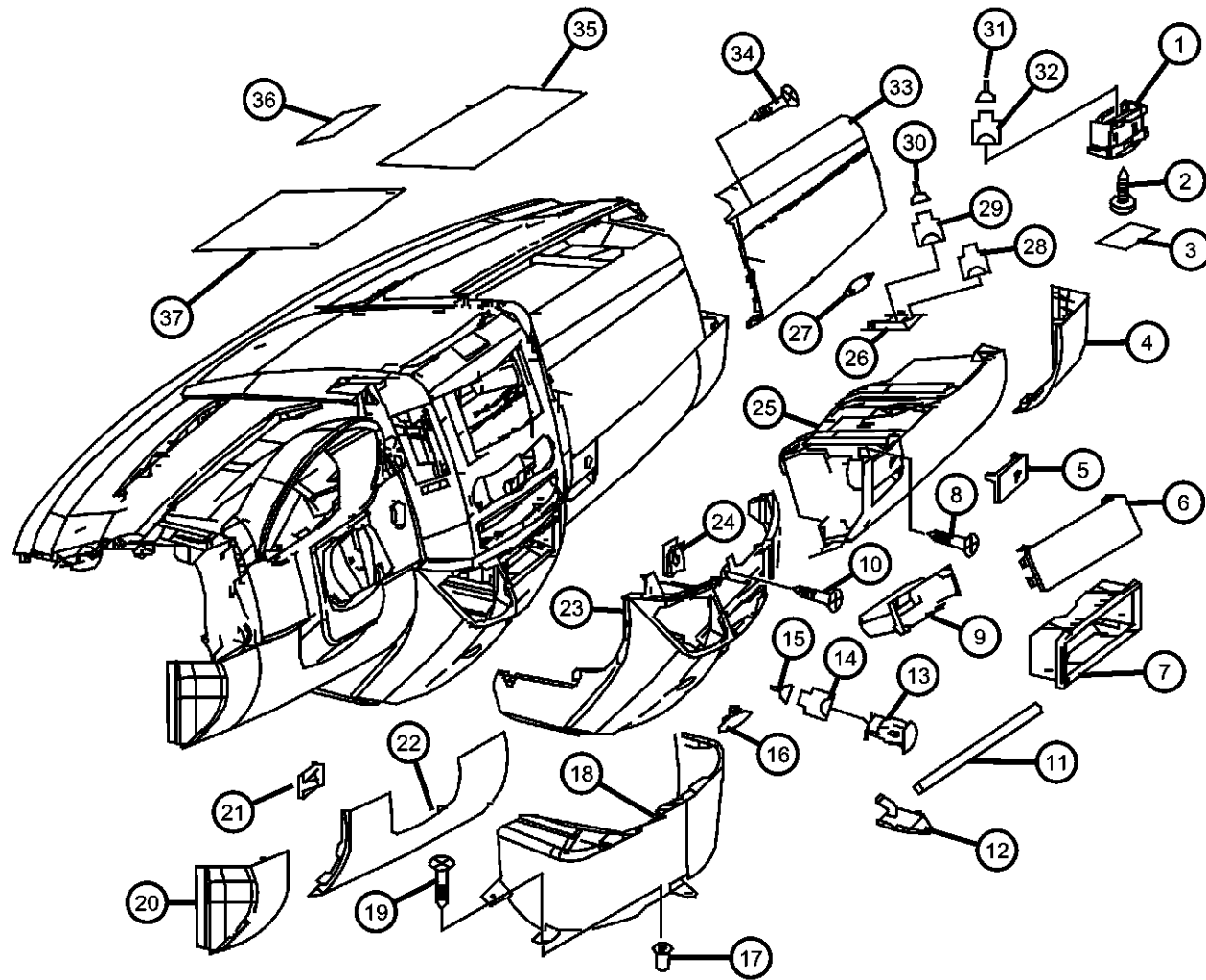
**SPRINTER (VB)**

SERIES	LINE	BODY	ENGINE	TRANSMISSION
L = LOWLINE	3 = HD DODGE 2WD 6 = Lt. Duty DODGE 4WD 2 = Med. Duty DODGE 2WD 7 = Med. Duty DODGE 4WD	17 = VAN WHEEL BASE 7 55 = WAGON WHEEL BASE 5 15 = VAN WHEEL BASE 5 53 = 119 WB 13 = 119 WB 05 = CAB CHASSIS WHEEL BASE 5 03 = CAB CHASSIS WHEEL BASE 3	EG2 = 3.5L V6 Gas Engine EXM = 3.0L V6 Turbo Diesel Engine	DGZ = 5-Speed Auto W5A380 Transmission

AR = use ase required - = Non illustrated part

2008 VB

Instrument Panel  
Figure 8-2006



ITEM	PART NUMBER	QTY	LINE	SERIES	BODY	ENGINE	TRANS	TRIM	DESCRIPTION
1	05098297AA	1	3, 7	L	03, 05	EG2, EXM	DGZ		BRACKET, Diagnostic Module
		1	2, 3, 6, 7	L	13, 15, 17, 53, 55	EG2, EXM	DGZ		
2	05098297AA	1	3, 7	L	03, 05	EG2, EXM	DGZ		BRACKET, Diagnostic Module
		1	2, 3, 6, 7	L	13, 15, 17, 53, 55	EG2, EXM	DGZ		
3	05123547AA	1	3, 7	L	03, 05	EG2, EXM	DGZ		PAD
		1	2, 3, 6, 7	L	13, 15, 17, 53, 55	EG2, EXM	DGZ		
4	68004759AA	1	2, 3, 6, 7	L		EG2, EXM	DGZ		CAP, Instrument Panel End
5	68010389AA	1	2, 3, 6, 7	L		EG2, EXM	DGZ		LATCH, Glovebox
	68010390AA	1	2, 3, 6, 7	L		EG2, EXM	DGZ		[JKA] Locking Glove Box COVER, Radio Opening
6	05103928AA	1	3, 7	L	03, 05	EXM, EG2	DGZ		
		1	2, 3, 6, 7	L	13, 15, 17, 53, 55	EG2, EXM	DGZ		
7	68010402AA	1	2, 3, 6, 7	L		EG2, EXM	DGZ		BRACKET, CD Changer
8	06104574AA	4	2, 3, 6, 7	L		EG2, EXM	DGZ		SCREW, Tapping
9	68010400AA	1	2, 3, 6, 7	L		EG2, EXM	DGZ		BIN, Instrument Panel
10	06104574AA	4	2, 3, 6, 7	L		EG2, EXM	DGZ		SCREW, Tapping
11	68010393AA	1	2, 3, 6, 7	L		EG2, EXM	DGZ		HOSE, Glove Compartment
12	68010392AA	1	2, 3, 6, 7	L		EG2, EXM	DGZ		DUCT, AIR, Glove Compartment
13	68010399AA	1	2, 3, 6, 7	L		EG2, EXM	DGZ		POWER OUTLET, 12V
14	05103754AA	1	2, 3, 6, 7	L		EG2, EXM	DGZ		INSULATOR, 2 Way Female, Plug Socket 2-PIN
15	68016729AA	AR	2, 3, 6, 7	L		EG2, EXM	DGZ		TERMINAL
16	68010397AA	1	2, 3, 6, 7	L		EG2, EXM	DGZ		PLUG, Emergency Unlocking Mechanism
17	05098837AB	4	2, 3, 6, 7	L		EG2, EXM	DGZ		NUT, Plastic Snap-in
18	68004765AA	1	2, 3, 6, 7	L	13, 15, 17, 53, 55	EG2, EXM	DGZ		COVER, Footwell Center
19	06104574AA	4	2, 3, 6, 7	L		EG2, EXM	DGZ		SCREW, Tapping

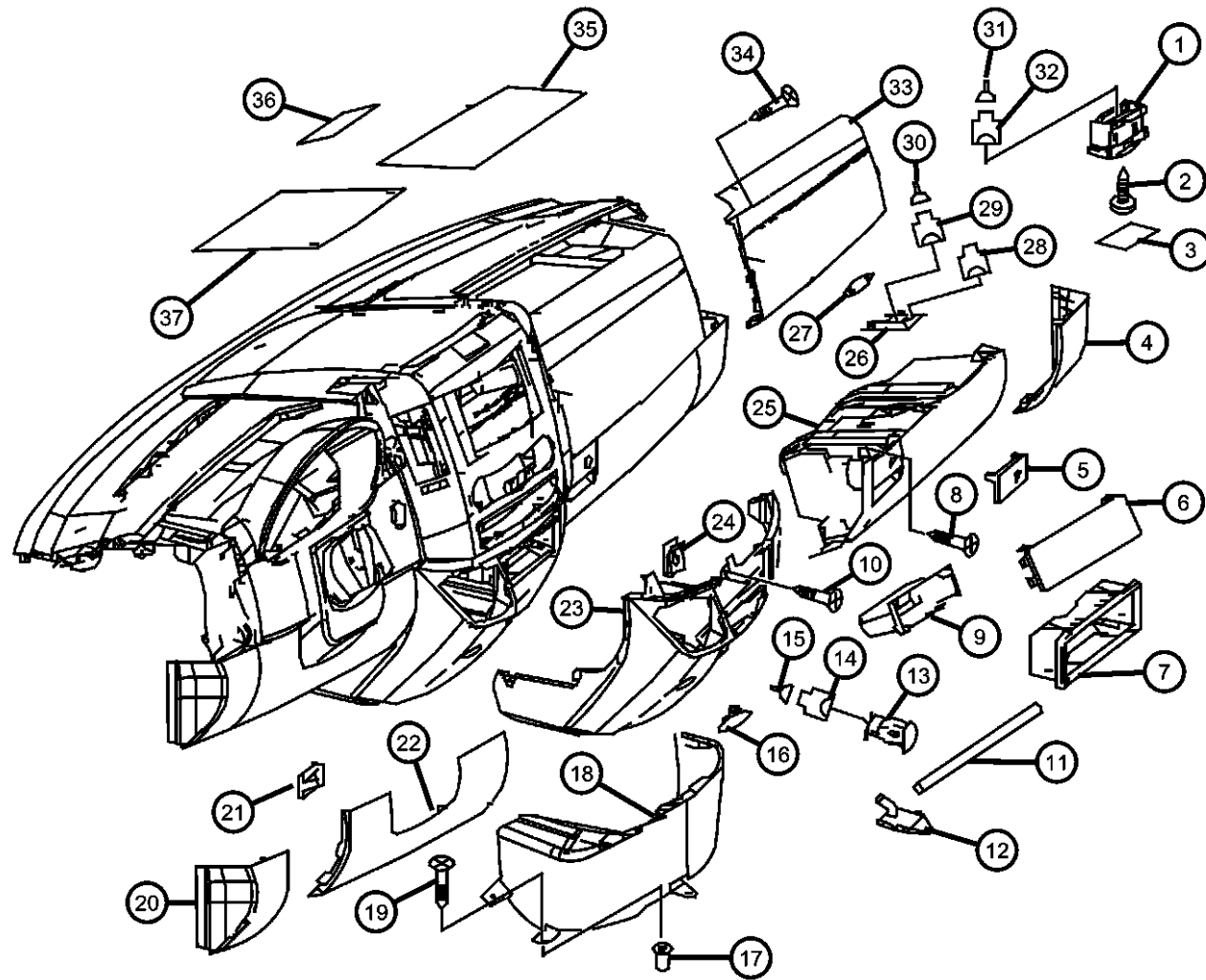
**SPRINTER (VB)**

SERIES	LINE	BODY	ENGINE	TRANSMISSION
L = LOWLINE	3 = HD DODGE 2WD 6 = Lt. Duty DODGE 4WD 2 = Med. Duty DODGE 2WD 7 = Med. Duty DODGE 4WD	17 = VAN WHEEL BASE 7 55 = WAGON WHEEL BASE 5 15 = VAN WHEEL BASE 5 53 = 119 WB 13 = 119 WB 05 = CAB CHASSIS WHEEL BASE 5 03 = CAB CHASSIS WHEEL BASE 3	EG2 = 3.5L V6 Gas Engine EXM = 3.0L V6 Turbo Diesel Engine	DGZ = 5-Speed Auto W5A380 Transmission

AR = use ase required - = Non illustrated part

2008 VB

Instrument Panel  
Figure 8-2006



ITEM	PART NUMBER	QTY	LINE	SERIES	BODY	ENGINE	TRANS	TRIM	DESCRIPTION
20	68010406AA	1	2, 3, 6, 7	L		EG2, EXM	DGZ		CAP, Instrument Panel End, Left Outside Bottom
21	68010404AA	1	2, 3, 6, 7	L		EG2, EXM	DGZ		CLAMP, Bottom Covering
22	68010403AA	1	2, 3, 6, 7	L		EG2, EXM	DGZ		COVER, Instrument Panel, Steering Column Opening, Bottom
23	68010396AA	1	2, 3, 6, 7	L		EG2, EXM	DGZ		COVER, Instrument Panel, Gearshift Mechanism
24	68010398AA	2	2, 3, 6, 7	L		EG2, EXM	DGZ		CLIP, Console to Instrument Panel
25	68010387AA	1	2, 3, 6, 7	L		EG2, EXM	DGZ		GLOVE BOX, Instrument Panel
	68010388AA	1	2, 3, 6, 7	L		EG2, EXM	DGZ		[JKA] Locking Glove Compartment
26	68010391AA	1	2, 3, 6, 7	L		EG2, EXM	DGZ		LAMP, Glove Box
27	05096968AB	1	2, 3, 6, 7	L		EG2, EXM	DGZ		BULB, 12V 5W, Glove Compartment Interior Light 12V-5W
28	68004757AA	1	2, 3, 6, 7	L		EG2, EXM	DGZ		CONNECTOR, 2-PIN
29	68004757AA	1	2, 3, 6, 7	L		EG2, EXM	DGZ		CONNECTOR, Glove Compartment Lighting 2-PIN
30	05103882AA	1	2, 3, 6, 7	L					TERMINAL
31	05120274AA	1	2, 3, 6, 7	L		EG2, EXM	DGZ		INSULATOR, Diagnosis Box 16-PIN;xX11
32	68016730AA	AR	2, 3, 6, 7	L		EG2, EXM	DGZ		TERMINAL, X11
33	68010384AA	1	2, 3, 6, 7	L	05, 13, 15, 17	EG2, EXM	DGZ		COVER, Instrument Panel
34	06104574AA	4	2, 3, 6, 7	L		EG2, EXM	DGZ		SCREW, Tapping
35	68010409AA	1	2, 3, 6, 7	L		EG2, EXM	DGZ		REINFORCEMENT, Stowage Tray, Right
36	68010401AA	2	2, 3, 6, 7	L		EG2, EXM	DGZ		REINFORCEMENT
37	68010407AA	1	2, 3, 6, 7	L		EG2, EXM	DGZ		REINFORCEMENT
	68010408AA	1	2, 3, 6, 7	L		EG2, EXM	DGZ		[CXG] Hinged Lid for Center Stack Bin

**SPRINTER (VB)**

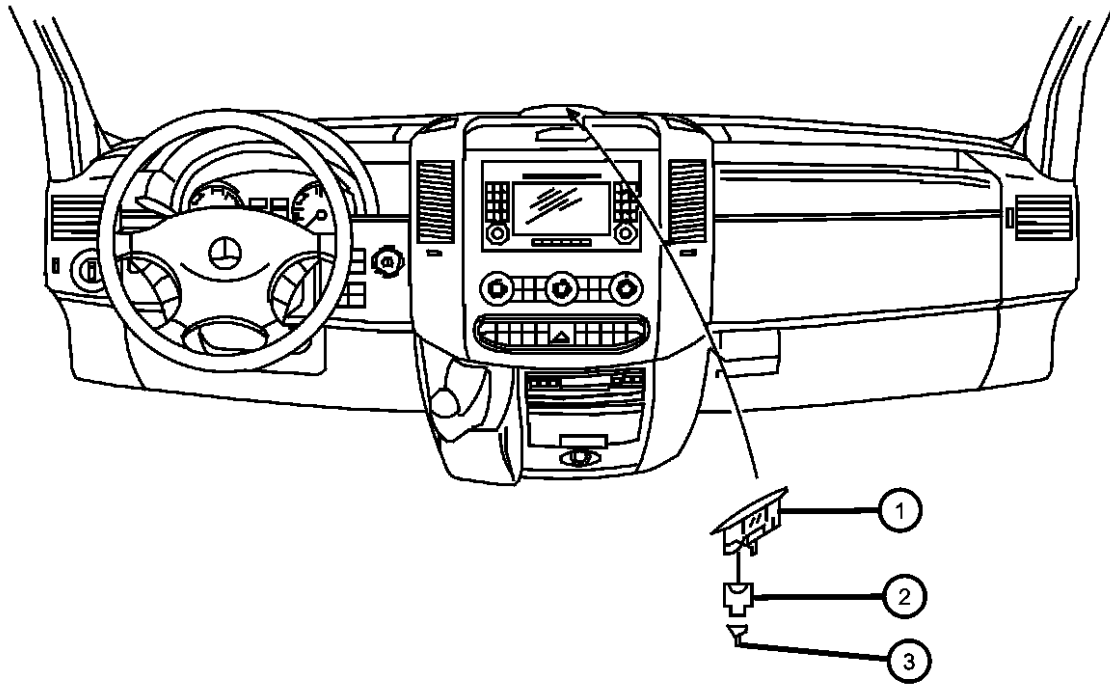
SERIES	LINE	BODY	ENGINE	TRANSMISSION
L = LOWLINE	3 = HD DODGE 2WD 6 = Lt. Duty DODGE 4WD 2 = Med. Duty DODGE 2WD 7 = Med. Duty DODGE 4WD	17 = VAN WHEEL BASE 7 55 = WAGON WHEEL BASE 5 15 = VAN WHEEL BASE 5 53 = 119 WB 13 = 119 WB 05 = CAB CHASSIS WHEEL BASE 5 03 = CAB CHASSIS WHEEL BASE 3	EG2 = 3.5L V6 Gas Engine EXM = 3.0L V6 Turbo Diesel Engine	DGZ = 5-Speed Auto W5A380 Transmission

AR = use ase required - = Non illustrated part

2008 VB

**Instrument Panel  
Figure 8-2007**

ITEM	PART NUMBER	QTY	LINE	SERIES	BODY	ENGINE	TRANS	TRIM	DESCRIPTION
1	68010513AA	1	2, 3, 6, 7	L	13, 15, 17,	EG2, EXM	DGZ		DISPLAY, Parking Assist 53, 55
2	05183532AA	1	2, 3, 6, 7	L	13, 15, 17,	EG2, EXM	DGZ		CONNECTOR 53, 55
3	05133990AA	3	2, 3, 6, 7	L	13, 15, 17,	EG2, EXM	DGZ		TERMINAL, Male 53, 55



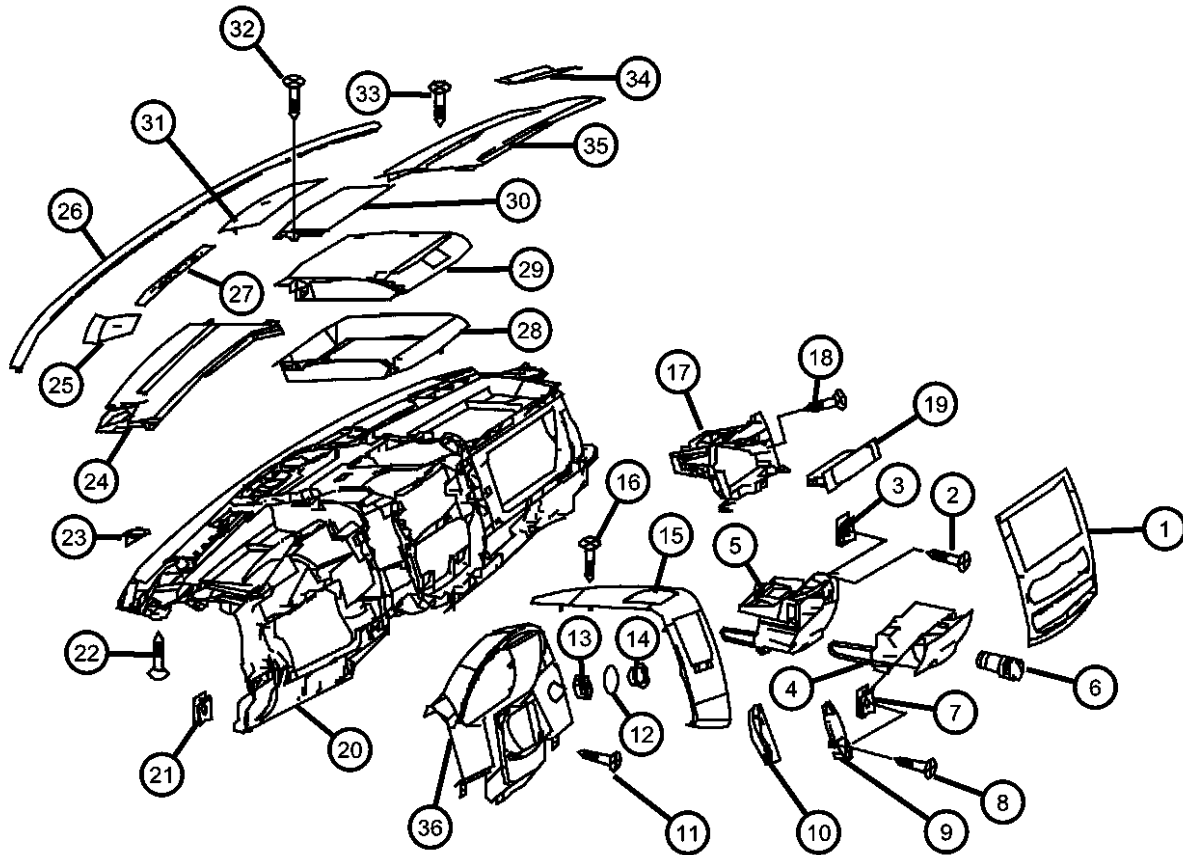
**SPRINTER (VB)**

SERIES	LINE	BODY	ENGINE	TRANSMISSION
L = LOWLINE	3 = HD DODGE 2WD 6 = Lt. Duty DODGE 4WD 2 = Med. Duty DODGE 2WD 7 = Med. Duty DODGE 4WD	17 = VAN WHEEL BASE 7 55 = WAGON WHEEL BASE 5 15 = VAN WHEEL BASE 5 53 = 119 WB 13 = 119 WB 05 = CAB CHASSIS WHEEL BASE 5 03 = CAB CHASSIS WHEEL BASE 3	EG2 = 3.5L V6 Gas Engine EXM = 3.0L V6 Turbo Diesel Engine	DGZ = 5-Speed Auto W5A380 Transmission

AR = use ase required - = Non illustrated part

2008 VB

**Instrument Panel  
Figure 8-2010**



ITEM	PART NUMBER	QTY	LINE	SERIES	BODY	ENGINE	TRANS	TRIM	DESCRIPTION
1	68010405AA	1	2, 3, 6, 7	L		EG2, EXM	DGZ		BEZEL, Instrument Panel, Central Top
2	06104574AA	4	2, 3, 6, 7	L		EXM, EG2	DGZ		SCREW, Tapping
3									NUT, Spring U Type
	68010366AA	2	2, 3, 6, 7	L	13, 15, 17, 53, 55	EG2, EXM	DGZ		Insert Mounting
		2	3, 7	L	03, 05	EG2, EXM	DGZ		Insert Mounting
4	68004763AA	1	2, 3, 6, 7	L		EG2, EXM	DGZ		ASHTRAY, Instrument panel, Insert
5	68004761AA	1	2, 3, 6, 7	L		EG2, EXM	DGZ		ASHTRAY, Instrument panel
6									ELEMENT, Cigar Lighter
	05103679AA	1	3, 7	L	03, 05	EG2, EXM	DGZ		
		1	2, 3, 6, 7	L	13, 15, 17, 53, 55	EG2, EXM	DGZ		
7									NUT, Spring U Type
	68010366AA	3	3, 7	L	03, 05	EG2, EXM	DGZ		Console to Instrument Panel
		3	2, 3, 6, 7	L	13, 15, 17, 53, 55	EG2, EXM	DGZ		Console to Instrument Panel
8	06104574AA	4	2, 3, 6, 7	L		EG2, EXM	DGZ		SCREW, Tapping
9	68004755AA	1	2, 3, 6, 7	L		EG2, EXM	DGZ		BRACKET, Cell Phone
10	68010386AA	1	2, 3, 6, 7	L		EG2, EXM	DGZ		BRACKET
11	06104574AA	4	2, 3, 6, 7	L		EG2, EXM	DGZ		SCREW, Tapping
12	68023477AA	1	2, 3, 6, 7	L		EG2, EXM	DGZ		RING
13	68023477AA	1							SPACER, (NOT SERVICED)
14	68007010AA	1	2, 3, 6, 7	L		EG2, EXM	DGZ		RING, Ignition Lock
15									COVER
	68010394AA	1	2, 3, 6, 7	L		EG2, EXM	DGZ		Left,Central
	68010395AA	1	2, 3, 6, 7	L		EG2, EXM	DGZ		Right,Central
16	06104574AA	4	2, 3, 6, 7	L		EG2, EXM	DGZ		SCREW, Tapping
17	68010369AA	1	2, 3, 6, 7	L		EG2, EXM	DGZ		BRACKET, Radio, Radio Set
18	06104574AA	4	2, 3, 6, 7	L		EG2, EXM	DGZ		SCREW, Tapping
19	68010370AA	1	2, 3, 6, 7	L		EG2, EXM	DGZ		BEZEL, Instrument Panel, Central Console
20	68010364AA	1	2, 3, 6, 7	L		EG2, EXM	DGZ		PANEL, Instrument
21									NUT, Spring U Type
	68010366AA	63	3, 7	L	03, 05	EG2, EXM	DGZ		Instrument Panel to Body

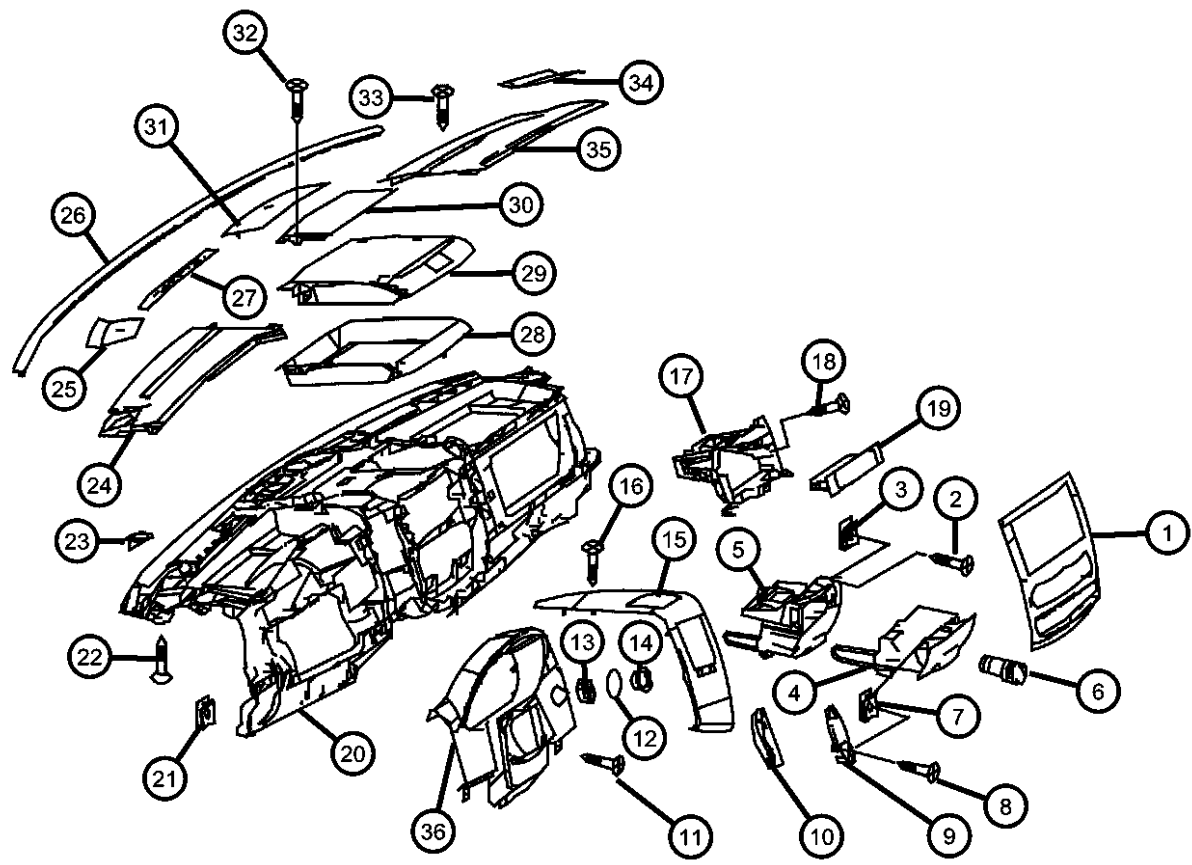
**SPRINTER (VB)**

SERIES	LINE	BODY	ENGINE	TRANSMISSION
L = LOWLINE	3 = HD DODGE 2WD 6 = Lt. Duty DODGE 4WD 2 = Med. Duty DODGE 2WD 7 = Med. Duty DODGE 4WD	17 = VAN WHEEL BASE 7 55 = WAGON WHEEL BASE 5 15 = VAN WHEEL BASE 5 53 = 119 WB 13 = 119 WB 05 = CAB CHASSIS WHEEL BASE 5 03 = CAB CHASSIS WHEEL BASE 3	EG2 = 3.5L V6 Gas Engine EXM = 3.0L V6 Turbo Diesel Engine	DGZ = 5-Speed Auto W5A380 Transmission

AR = use ase required - = Non illustrated part

**Instrument Panel  
Figure 8-2010**

ITEM	PART NUMBER	QTY	LINE	SERIES	BODY	ENGINE	TRANS	TRIM	DESCRIPTION
		63	2, 3, 6, 7	L	13, 15, 17, 53, 55	EG2, EXM	DGZ		Instrument Panel to Body
22	06104506AA	1	2, 3, 6, 7	L		EG2, EXM	DGZ		SCREW, Self-Tapping, Instrument Panel to Body 4.8x16
23	68010368AA	1	2, 3, 6, 7	L		EG2, EXM	DGZ		CLIP, Spring
24	68010372AA	1	2, 3, 6, 7	L		EG2, EXM	DGZ		COVER, Instrument Panel, Defroster Left
25	68010374AA	1	2, 3, 6, 7	L		EG2, EXM	DGZ		GRILLE, Speaker, Loud-speaker,Left
26	68010371AA	1	2, 3, 6, 7	L		EG2, EXM	DGZ		SEAL, Windshield
27									GRILLE
	68010380AA	1	2, 3, 6, 7	L		EG2, EXM	DGZ		Defroster, Left
	68010381AA	1	2, 3, 6, 7	L		EG2, EXM	DGZ		Defroster,Right
28	68010376AA	1	2, 3, 6, 7	L		EG2, EXM	DGZ		BIN, Storage, Central Top
29	68010377AA	1	2, 3, 6, 7	L		EG2, EXM	DGZ		BIN, Storage, Central Top
30									COVER, Instrument Panel
	68010378AA	1	2, 3, 6, 7	L		EG2, EXM	DGZ		Without [CXG]
	68010412AA	1	2, 3, 6, 7	L	13, 15, 17, 53, 55	EG2, EXM	DGZ		With [XAG]
31	68010379AA	1	2, 3, 6, 7	L		EG2, EXM	DGZ		COVER, Instrument Panel, Central Loudspeaker
32	06104574AA	4	2, 3, 6, 7	L		EG2, EXM	DGZ		SCREW, Tapping
33	06104574AA	4	2, 3, 6, 7	L		EG2, EXM	DGZ		SCREW, Tapping
34	68010375AA	1	2, 3, 6, 7	L		EG2, EXM	DGZ		GRILLE, Speaker, Loud-speaker,Right
35	68010373AA	1	2, 3, 6, 7	L		EG2, EXM	DGZ		COVER, Instrument Panel, Defroster,Right
36	68010383AA	1	2, 3, 6, 7	L		EG2, EXM	DGZ		BEZEL, Cluster



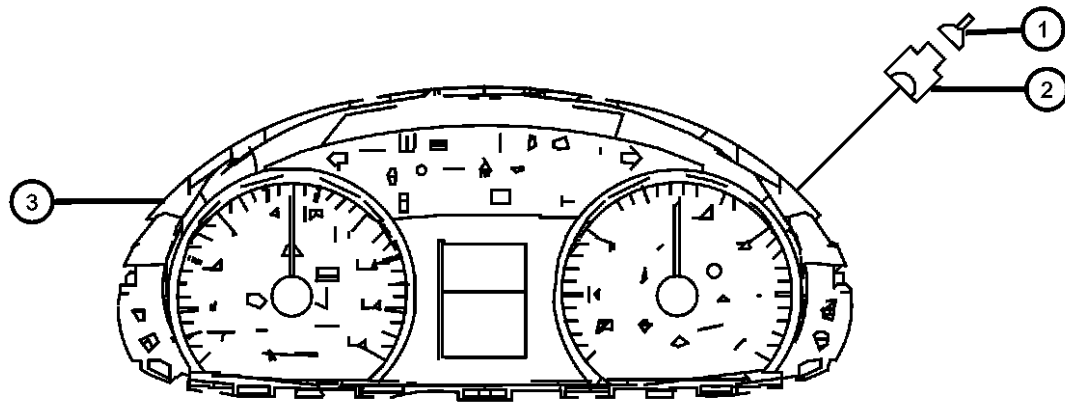
**SPRINTER (VB)**

<b>SERIES</b>	<b>LINE</b>	<b>BODY</b>	<b>ENGINE</b>	<b>TRANSMISSION</b>
L = LOWLINE	3 = HD DODGE 2WD 6 = Lt. Duty DODGE 4WD 2 = Med. Duty DODGE 2WD 7 = Med. Duty DODGE 4WD	17 = VAN WHEEL BASE 7 55 = WAGON WHEEL BASE 5 15 = VAN WHEEL BASE 5 53 = 119 WB 13 = 119 WB 05 = CAB CHASSIS WHEEL BASE 5 03 = CAB CHASSIS WHEEL BASE 3	EG2 = 3.5L V6 Gas Engine EXM = 3.0L V6 Turbo Diesel Engine	DGZ = 5-Speed Auto W5A380 Transmission

AR = use ase required - = Non illustrated part

**Instrument Panel Cluster  
Figure 8-2105**

ITEM	PART NUMBER	QTY	LINE	SERIES	BODY	ENGINE	TRANS	TRIM	DESCRIPTION
1									TERMINAL
	05103873AA	3	3, 7	L	03, 05	EG2, EXM	DGZ		
		3	2, 3, 6, 7	L	13, 15, 17, 53, 55	EG2, EXM	DGZ		
2		3							SOCKET, (NOT SERVICED)
3									CLUSTER, Instrument Panel
	68010463AA	1	2, 3, 6, 7	L		EXM	DGZ		With [JAV + 3SL]
	68010464AA	1	2, 3, 6, 7	L		EXM	DGZ		With [3SL]
	68010465AA	1	2, 3, 6, 7	L		EG2	DGZ		With [JAV]
	68010467AA	1	2, 3, 6, 7	L		EG2	DGZ		With [3SL] Without [JAV]
	68019248AA	1	2, 3	L		EXM	DGZ		With [JAV] Without [3SL]
	68019258AA	1	2, 3	L		EXM	DGZ		Without [-3SL And -JAV]



**SPRINTER (VB)**

SERIES	LINE	BODY	ENGINE	TRANSMISSION
L = LOWLINE	3 = HD DODGE 2WD 6 = Lt. Duty DODGE 4WD 2 = Med. Duty DODGE 2WD 7 = Med. Duty DODGE 4WD	17 = VAN WHEEL BASE 7 55 = WAGON WHEEL BASE 5 15 = VAN WHEEL BASE 5 53 = 119 WB 13 = 119 WB 05 = CAB CHASSIS WHEEL BASE 5 03 = CAB CHASSIS WHEEL BASE 3	EG2 = 3.5L V6 Gas Engine EXM = 3.0L V6 Turbo Diesel Engine	DGZ = 5-Speed Auto W5A380 Transmission

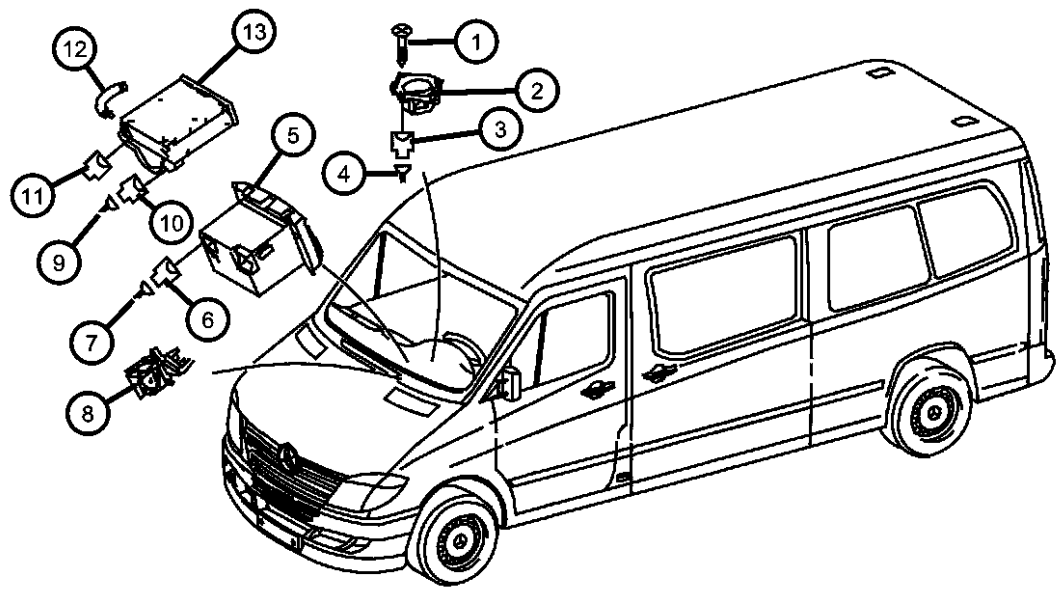
AR = use ase required - = Non illustrated part

2008 VB



**Radio**  
**Figure 8-2205**

ITEM	PART NUMBER	QTY	LINE	SERIES	BODY	ENGINE	TRANS	TRIM	DESCRIPTION
1	06104574AA	4	2, 3, 6, 7	L		EG2, EXM	DGZ		SCREW, Tapping
2	68010542AA	1	2, 3, 6, 7	L		EG2, EXM	DGZ		SPEAKER, Center
3	05101166AA	1	2, 3, 6, 7	L		EG2, EXM	DGZ		CONNECTOR, Center Fill Speaker 2-PIN;H4/27
4									TERMINAL
	05103873AA	3	3, 7	L	03, 05	EG2, EXM	DGZ		
		3	2, 3, 6, 7	L	13, 15, 17, 53, 55	EG2, EXM	DGZ		
5									RADIO, AM/FM with CD
	68010518AA	1	2, 3, 6, 7	L		EG2, EXM	DGZ		With [RBV]
	68010520AA	1	2, 3, 6, 7	L		EG2, EXM	DGZ		With [RBE]
6	05101166AA	1	2, 3, 6, 7	L		EG2, EXM	DGZ		CONNECTOR, Additional Fan Operating Unit 2-PIN;M4/12
7									TERMINAL
	05103873AA	3	3, 7	L	03, 05	EG2, EXM	DGZ		
		3	2, 3, 6, 7	L	13, 15, 17, 53, 55	EG2, EXM	DGZ		
8	68010529AA	1	2, 3, 6, 7	L		EG2, EXM	DGZ		BRACKET
9									TERMINAL
	05103873AA	3	3, 7	L	03, 05	EG2, EXM	DGZ		
		3	2, 3, 6, 7	L	13, 15, 17, 53, 55	EG2, EXM	DGZ		
10	05120717AA	1	2, 3, 6, 7	L	13, 15, 17, 53, 55	EG2, EXM	DGZ		CONNECTOR, CD Changer 3-PIN
11	68011188AA	1	2, 3, 6, 7	L		EG2, EXM	DGZ		CONNECTOR, CD Changer Most A2/6
12	68011088AA	1	2, 3, 6, 7	L		EG2, EXM	DGZ		COVER, CD Changer A2/6
13	68010533AA	1	2, 3, 6, 7	L		EG2, EXM	DGZ		PLAYER KIT, CD Changer - 6 Disc



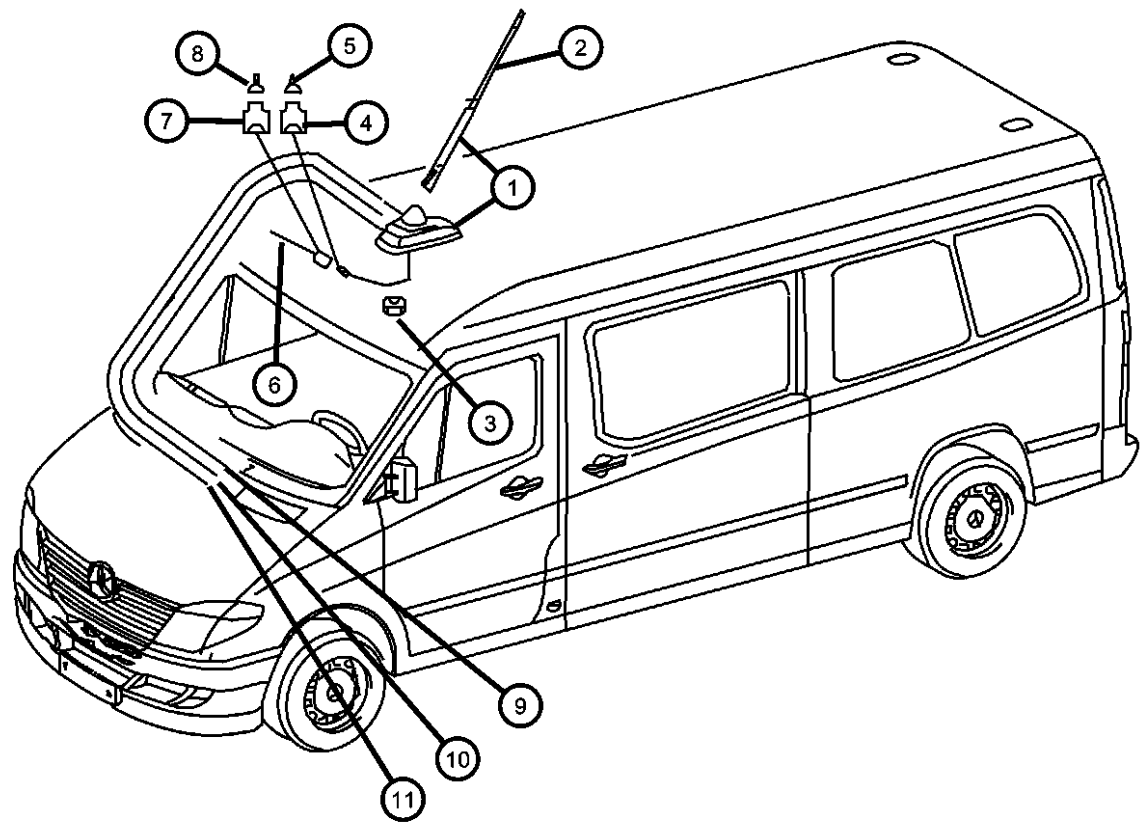
**SPRINTER (VB)**

SERIES	LINE	BODY	ENGINE	TRANSMISSION
L = LOWLINE	3 = HD DODGE 2WD 6 = Lt. Duty DODGE 4WD 2 = Med. Duty DODGE 2WD 7 = Med. Duty DODGE 4WD	17 = VAN WHEEL BASE 7 55 = WAGON WHEEL BASE 5 15 = VAN WHEEL BASE 5 53 = 119 WB 13 = 119 WB 05 = CAB CHASSIS WHEEL BASE 5 03 = CAB CHASSIS WHEEL BASE 3	EG2 = 3.5L V6 Gas Engine EXM = 3.0L V6 Turbo Diesel Engine	DGZ = 5-Speed Auto W5A380 Transmission

AR = use ase required - = Non illustrated part

2008 VB

Antenna  
Figure 8-2210



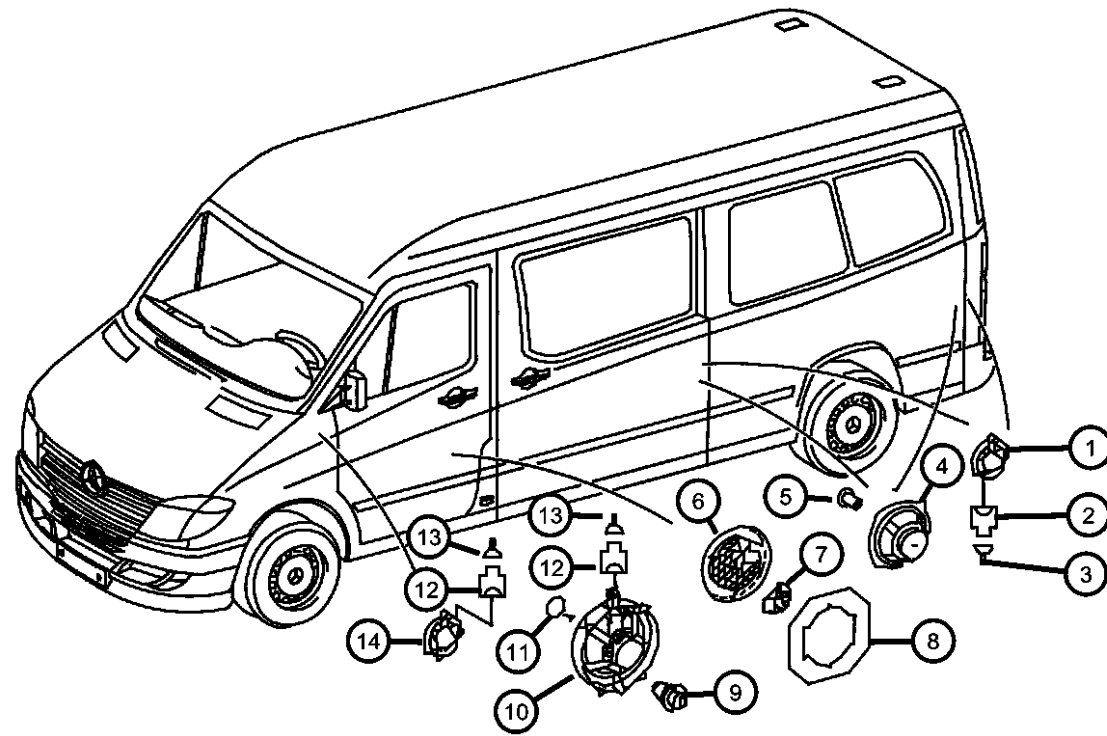
ITEM	PART NUMBER	QTY	LINE	SERIES	BODY	ENGINE	TRANS	TRIM	DESCRIPTION
1									ANTENNA
	68013417AA	1	2, 3, 6, 7	L		EG2, EXM	DGZ		With [RBV And Or RBE + XFV] Mobile Phone System
	68013419AA	1	2, 3, 6, 7	L		EG2, EXM	DGZ		[RBV Or RBE Or RA9] Radio / Mast & Base
2	68013421AA	1	2, 3, 6, 7	L		EG2, EXM	DGZ		MAST, Antenna
3									NUT
	68004878AA	1	3, 7	L	03, 05	EG2, EXM	DGZ		Antenna Base Mounting / [M6]
		1	2, 3, 6, 7	L	13, 15, 17, 53, 55	EG2, EXM	DGZ		Antenna Base Mounting / [M6]
4	05120685AA	1	2, 3, 6, 7	L		EG2, EXM	DGZ		INSULATOR, Antenna Amplifier / [1 Pin A2/18]
5	05120734AA	1	2, 3, 6, 7	L		EG2, EXM	DGZ		TERMINAL, Male, [1.0 - 2.5 MM2; A2/18]
6	68016034AA	1	2, 3, 6, 7	L	13, 15, 17, 53, 55	EG2, EXM	DGZ		CABLE, Antenna
7	68011322AA	2	2, 3, 6, 7	L		EG2, EXM	DGZ		ISOLATOR, Antenna Amplifier [A2/18]
8	05103871AA	AR	2, 3, 6, 7	L		EG2, EXM	DGZ		TERMINAL, Female, [1.5 - 2.5 MM2; A2/18]
9	68011524AA	1	2, 3, 6, 7	L		EG2, EXM	DGZ		CABLE, Antenna
10	68011558AA	1	2, 3, 6, 7	L		EG2, EXM	DGZ		CABLE, Antenna
11	68013437AA	1	2, 3, 6, 7	L		EG2, EXM	DGZ		CABLE, Antenna

**SPRINTER (VB)**

SERIES	LINE	BODY	ENGINE	TRANSMISSION
L = LOWLINE	3 = HD DODGE 2WD 6 = Lt. Duty DODGE 4WD 2 = Med. Duty DODGE 2WD 7 = Med. Duty DODGE 4WD	17 = VAN WHEEL BASE 7 55 = WAGON WHEEL BASE 5 15 = VAN WHEEL BASE 5 53 = 119 WB 13 = 119 WB 05 = CAB CHASSIS WHEEL BASE 5 03 = CAB CHASSIS WHEEL BASE 3	EG2 = 3.5L V6 Gas Engine EXM = 3.0L V6 Turbo Diesel Engine	DGZ = 5-Speed Auto W5A380 Transmission

AR = use ase required - = Non illustrated part

**Speakers**  
**Figure 8-2220**



ITEM	PART NUMBER	QTY	LINE	SERIES	BODY	ENGINE	TRANS	TRIM	DESCRIPTION
1	68010541AA	4	2, 3, 6, 7	L		EG2, EXM	DGZ		SPEAKER, Rear
2	05101166AA	1	2, 3, 6, 7	L		EG2, EXM	DGZ		CONNECTOR
3									TERMINAL
	05103873AA	3	3, 7	L	03, 05	EG2, EXM	DGZ		
		3	2, 3, 6, 7	L	13, 15, 17, 53, 55	EG2, EXM	DGZ		
4	68013427AA	4	2, 3, 6, 7	L	53, 55	EG2, EXM	DGZ		SPEAKER, Rear
5	05133554AA	16	2, 3, 6, 7	L	13, 15, 17, 53, 55	EG2, EXM	DGZ		RIVET
6	1HB60XDVAA	4	2, 3, 6, 7	L	53, 55	EG2, EXM	DGZ		GRILLE, Speaker
7	1HB61XDVAA	1	2, 3, 6, 7	L	53, 55	EG2, EXM	DGZ		GRILLE, Speaker
8	68010291AA	1	2, 3, 6, 7	L	13, 15, 17, 53, 55	EG2, EXM	DGZ		REINFORCEMENT
9	68010062AA	8	3, 7	L		EG2, EXM	DGZ		RETAINER
10	68010059AA	2	2, 3, 6, 7	L		EG2, EXM	DGZ		SPEAKER, Front Door
11	68010063AA	8	2, 3, 6, 7	L		EG2, EXM	DGZ		SCREW, SCREW
12	05101166AA	1	2, 3, 6, 7	L		EG2, EXM	DGZ		CONNECTOR
13									TERMINAL
	05103873AA	3	3, 7	L	03, 05	EG2, EXM	DGZ		
		3	2, 3, 6, 7	L	13, 15, 17, 53, 55	EG2, EXM	DGZ		
14	68010541AA	4	2, 3, 6, 7	L		EXM, EG2	DGZ		SPEAKER, Rear
-15	68016759AA	2	2, 3, 6, 7	L		EG2, EXM	DGZ		CONNECTOR, Wiring, Speaker Contact [H4/83 / H4/80]

**SPRINTER (VB)**

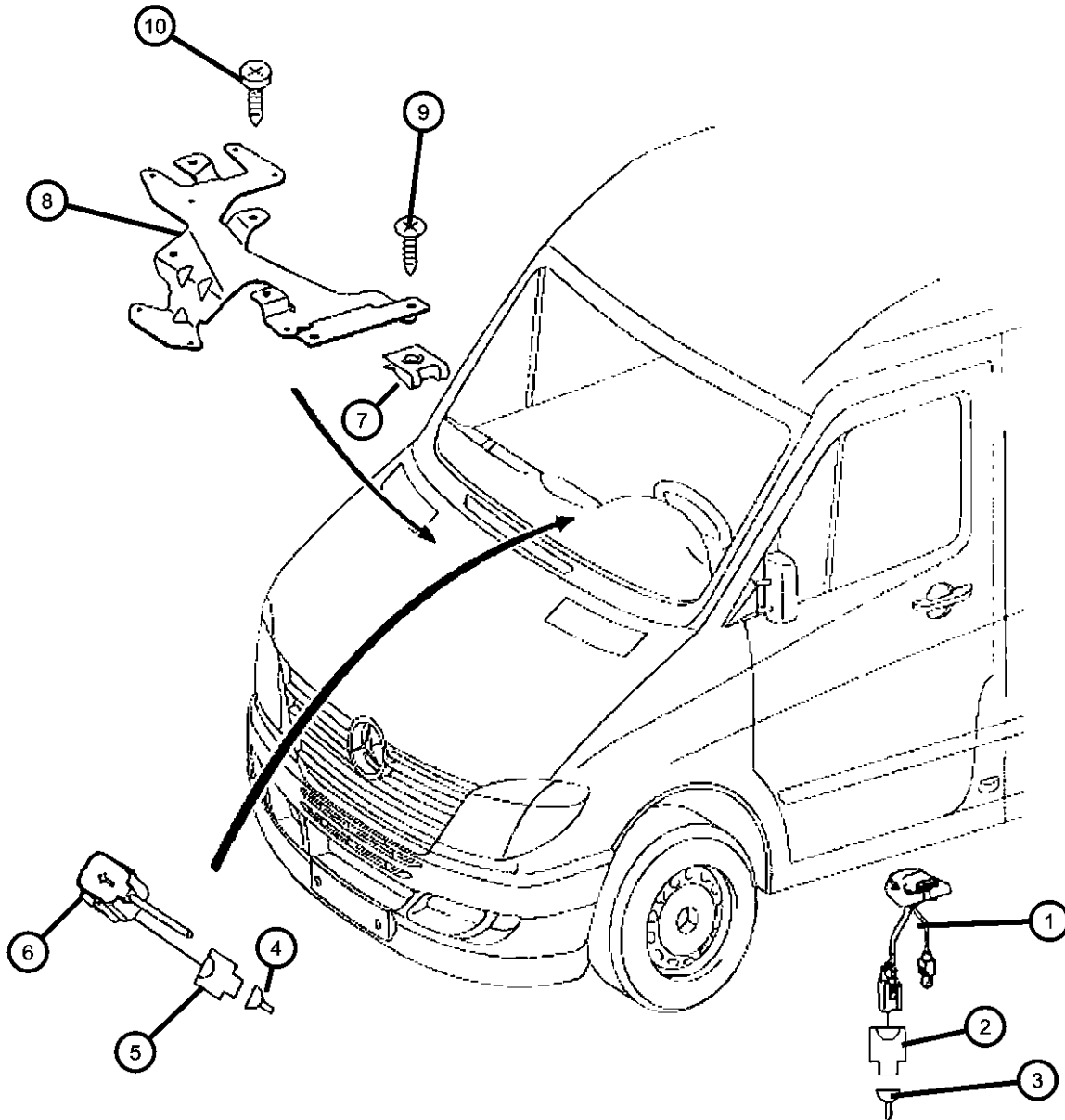
SERIES	LINE	BODY	ENGINE	TRANSMISSION
L = LOWLINE	3 = HD DODGE 2WD 6 = Lt. Duty DODGE 4WD 2 = Med. Duty DODGE 2WD 7 = Med. Duty DODGE 4WD	17 = VAN WHEEL BASE 7 55 = WAGON WHEEL BASE 5 15 = VAN WHEEL BASE 5 53 = 119 WB 13 = 119 WB 05 = CAB CHASSIS WHEEL BASE 5 03 = CAB CHASSIS WHEEL BASE 3	EG2 = 3.5L V6 Gas Engine EXM = 3.0L V6 Turbo Diesel Engine	DGZ = 5-Speed Auto W5A380 Transmission

AR = use ase required - = Non illustrated part

2008 VB

**Carphone / Telecommunication  
Figure 8-2505**

ITEM	PART NUMBER	QTY	LINE	SERIES	BODY	ENGINE	TRANS	TRIM	DESCRIPTION
1									PLATE, Intermediate
	68010539AA	1	3, 7	L	03, 05	EG2, EXM	DGZ		Mobile Phone Pre-Installation
		1	2, 3, 6, 7	L	13, 15, 17, 53, 55	EG2, EXM	DGZ		Mobile Phone Pre-Installation
2	68011378AA	1	2, 3, 6, 7	L		EG2, EXM	DGZ		CONNECTOR, CTEL Bracket 10-PIN;A34/7
3	68016758AA	AR	2, 3, 6, 7	L		EG2, EXM	DGZ		TERMINAL, 0.5 MM2;A34/7
4									TERMINAL
	05103873AA	3	3, 7	L	03, 05	EG2, EXM	DGZ		0.75 MM2 MQS;B25
		3	2, 3, 6, 7	L	13, 15, 17, 53, 55	EG2, EXM	DGZ		0.75 MM2 MQS;B25
5	05101166AA	1	2, 3, 6, 7	L		EG2, EXM	DGZ		CONNECTOR, Microphone Hands-Free System 2-PIN;B25
6	68010540AA	1	2, 3, 6, 7	L		EG2, EXM	DGZ		MICROPHONE, Audio
7									NUT, Spring
	68006573AA	3	3, 7	L	03, 05	EG2, EXM	DGZ		At Bracket
		3	2, 3, 6, 7	L	13, 15, 17, 53, 55	EG2, EXM	DGZ		At Bracket
8									BRACKET
	68010538AA	1	3, 7	L	03, 05	EG2, EXM	DGZ		Control Units
		1	2, 3, 6, 7	L	13, 15, 17, 53, 55	EG2, EXM	DGZ		Control Units
9	06104574AA	3	2, 3, 6, 7	L		EG2, EXM	DGZ		SCREW, Tapping, Bracket Mounting 4.8x16
10	06104566AA	4	2, 3, 6, 7	L	53, 55	EG2, EXM	DGZ		SCREW, Tapping, Plate to Console 4.2x13



**SPRINTER (VB)**

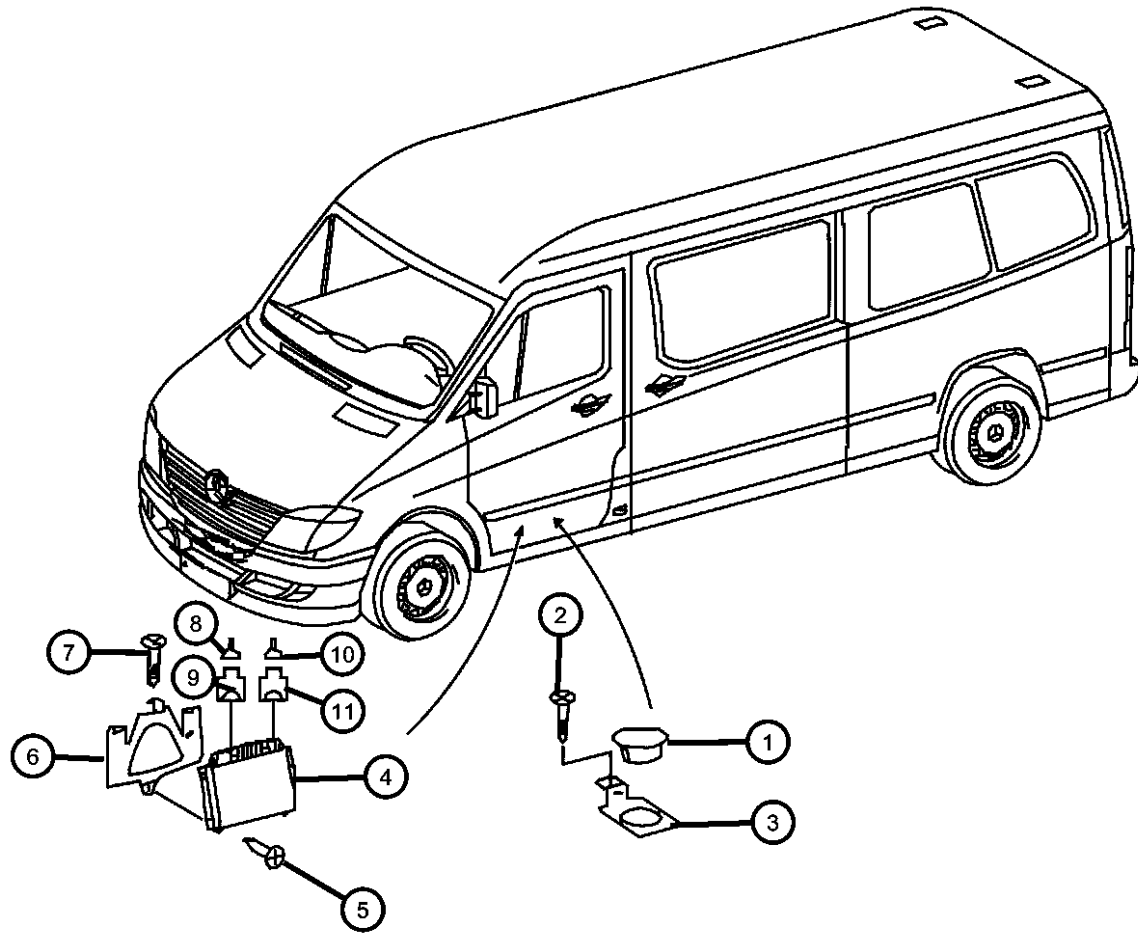
SERIES	LINE	BODY	ENGINE	TRANSMISSION
L = LOWLINE	3 = HD DODGE 2WD 6 = Lt. Duty DODGE 4WD 2 = Med. Duty DODGE 2WD 7 = Med. Duty DODGE 4WD	17 = VAN WHEEL BASE 7 55 = WAGON WHEEL BASE 5 15 = VAN WHEEL BASE 5 53 = 119 WB 13 = 119 WB 05 = CAB CHASSIS WHEEL BASE 5 03 = CAB CHASSIS WHEEL BASE 3	EG2 = 3.5L V6 Gas Engine EXM = 3.0L V6 Turbo Diesel Engine	DGZ = 5-Speed Auto W5A380 Transmission

AR = use ase required - = Non illustrated part

2008 VB

**Park Assist  
Figure 8-2605**

ITEM	PART NUMBER	QTY	LINE	SERIES	BODY	ENGINE	TRANS	TRIM	DESCRIPTION
1	68013409AA	1	2, 3, 6, 7	L	13, 15, 17, 53, 55	EG2, EXM	DGZ		BUZZER, Warning, Park Assist
2	06104566AA	2	2, 3, 6, 7	L	13, 15, 17, 53, 55	EG2, EXM	DGZ		SCREW, Tapping, Bracket Mounting 4.2x13
3	68013392AA	1	2, 3, 6, 7	L	13, 15, 17, 53, 55	EG2, EXM	DGZ		BRACKET, Buzzer
4	68013406AA	1	2, 3, 6, 7	L	13, 15, 17, 53, 55	EG2, EXM	DGZ		MODULE, Parking Assist
5	06104567AA	2	2, 3, 6, 7	L	13, 15, 17, 53, 55	EG2, EXM	DGZ		SCREW, Control Unit to Bracket 4.2x16
6	68013405AA	1	2, 3, 6, 7	L	13, 15, 17, 53, 55	EG2, EXM	DGZ		BRACKET, Control Unit
7	06104566AA	2	2, 3, 6, 7	L	13, 15, 17, 53, 55	EG2, EXM	DGZ		SCREW, Tapping, Bracket Mounting 4.2x13
8	05103882AA	1	2, 3, 6, 7	L					TERMINAL
9	05120838AA	1	2, 3, 6, 7	L		EG2, EXM	DGZ		CONNECTOR
10	05133369AA	AR	2, 3, 6, 7	L		EG2, EXM	DGZ		TERMINAL, Female
11	05120771AA	1	2, 3, 6, 7	L		EG2, EXM	DGZ		CONNECTOR



**SPRINTER (VB)**

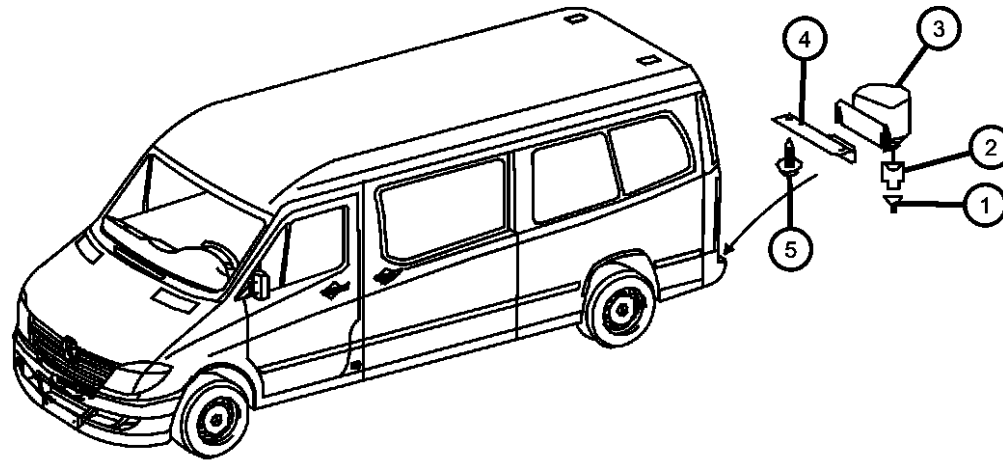
SERIES	LINE	BODY	ENGINE	TRANSMISSION
L = LOWLINE	3 = HD DODGE 2WD 6 = Lt. Duty DODGE 4WD 2 = Med. Duty DODGE 2WD 7 = Med. Duty DODGE 4WD	17 = VAN WHEEL BASE 7 55 = WAGON WHEEL BASE 5 15 = VAN WHEEL BASE 5 53 = 119 WB 13 = 119 WB 05 = CAB CHASSIS WHEEL BASE 5 03 = CAB CHASSIS WHEEL BASE 3	EG2 = 3.5L V6 Gas Engine EXM = 3.0L V6 Turbo Diesel Engine	DGZ = 5-Speed Auto W5A380 Transmission

AR = use ase required - = Non illustrated part

2008 VB

**Park Assist  
Figure 8-2610**

ITEM	PART NUMBER	QTY	LINE	SERIES	BODY	ENGINE	TRANS	TRIM	DESCRIPTION
1	05120860AA	1	2, 3, 6, 7	L		EG2, EXM	DGZ		GASKET
2	05120277AA	1	2, 3, 6, 7	L		EG2, EXM	DGZ		CONNECTOR, Wiring Repair, Backup Warning System 2-PIN;H3/4
3	05135946AA	1	3, 7	L	03, 05	EG2, EXM	DGZ		HORN End Crossmember Inner
		1	2, 3, 6, 7	L	13, 15, 17, 53, 55	EG2, EXM	DGZ		End Crossmember Inner
4	05135596AA	1	3, 7	L	03, 05	EG2, EXM	DGZ		BRACKET, Horn
		1	2, 3, 6, 7	L	13, 15, 17, 53, 55	EG2, EXM	DGZ		
5	06104565AA	2	2, 3, 6, 7	L		EG2, EXM	DGZ		SCREW, Horn to Bracket 4.2x9.5



**SPRINTER (VB)**

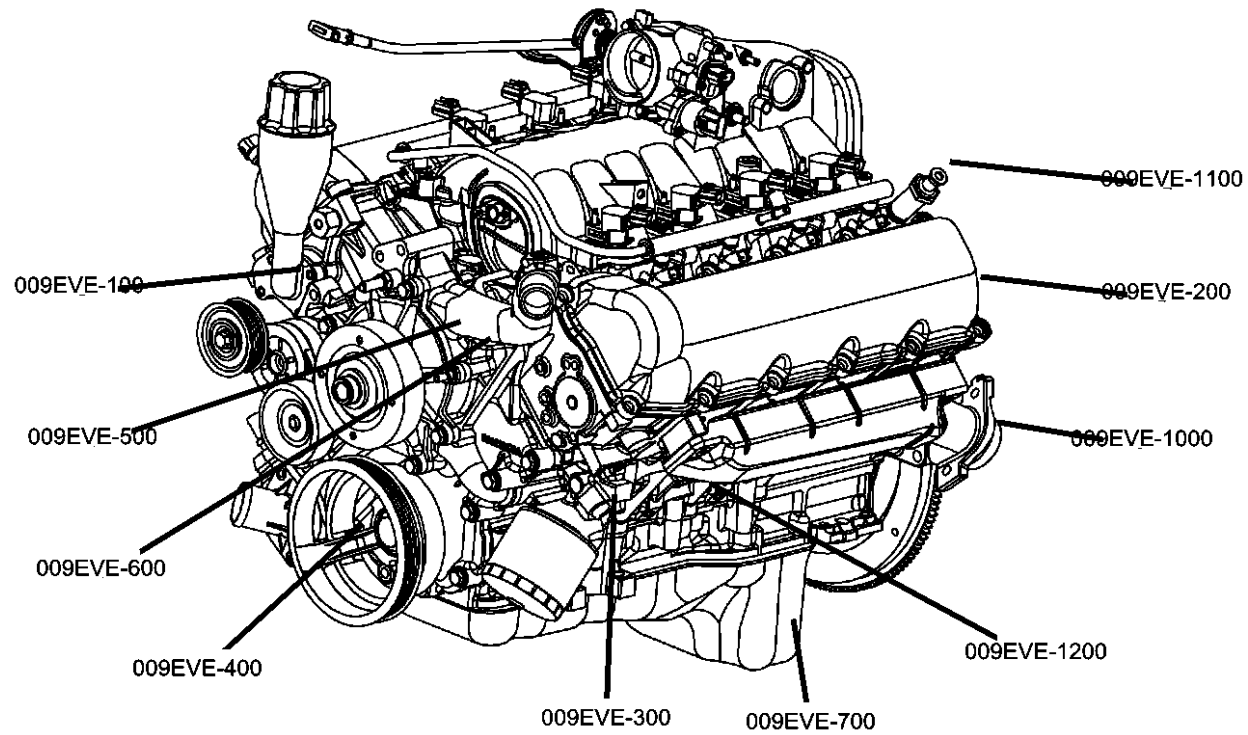
SERIES	LINE	BODY	ENGINE	TRANSMISSION
L = LOWLINE	3 = HD DODGE 2WD 6 = Lt. Duty DODGE 4WD 2 = Med. Duty DODGE 2WD 7 = Med. Duty DODGE 4WD	17 = VAN WHEEL BASE 7 55 = WAGON WHEEL BASE 5 15 = VAN WHEEL BASE 5 53 = 119 WB 13 = 119 WB 05 = CAB CHASSIS WHEEL BASE 5 03 = CAB CHASSIS WHEEL BASE 3	EG2 = 3.5L V6 Gas Engine EXM = 3.0L V6 Turbo Diesel Engine	DGZ = 5-Speed Auto W5A380 Transmission

AR = use ase required - = Non illustrated part

2008 VB

# Group - 009EG2

## 3.5L Gas; Engine



<b>009EG2-100</b> Engine Identification	<b>009EG2-1000</b> Manifolds and Vacuum Fittings	<b>009EG2-1100</b> Crankcase Ventilation	<b>009EG2-1200</b> Engine Mounting
<b>009EG2-200</b> Cylinder Head	<b>009EG2-300</b> Cylinder Block	<b>009EG2-400</b> Crankshaft, Piston, Drive Plate, Flywheel, and Damper	<b>009EG2-500</b> Camshaft and Valve
<b>009EG2-600</b> Timing Belt/Chain and Cover and Balance Shaft	<b>009EG2-700</b> Engine Oiling, Oil Pan and Indicator (Dipstick)	<b>009EG2-800</b> Engine Oil Cooler	

---

## Group - 009EG2 3.5L Gas; Engine

Illustration Title	Group-Fig. No.
<b>Engine Identification</b>	
Engine Assembly And Identification 3.5L [EG2] .....	Fig. 009EG2 - 105
<b>Cylinder Head</b>	
Cylinder Head 3.5L [EG2] .....	Fig. 009EG2 - 225
<b>Cylinder Block</b>	
Cylinder Block And Hardware 3.5L [EG2] .....	Fig. 009EG2 - 305
<b>Crankshaft, Piston, Drive Plate, Flywheel, and Damper</b>	
Crankshaft, Crankshaft Bearings, Damper And Flywheel 3.5L [EG2].....	Fig. 009EG2 - 405
Pistons, Piston Rings, Connecting Rods And Connecting Rod Bearings 3.5L [EG2].....	Fig. 009EG2 - 425
<b>Camshaft and Valve</b>	
Camshafts And Camshaft Gears 3.5L [EG2].....	Fig. 009EG2 - 505
Valvetrain 3.5L [EG2] .....	Fig. 009EG2 - 515
<b>Timing Belt/Chain and Cover and Balance Shaft</b>	
Timing Case Cover 3.5L [EG2].....	Fig. 009EG2 - 605
Timing System 3.5L [EG2].....	Fig. 009EG2 - 625
Balance Shaft 3.5L [EG2] .....	Fig. 009EG2 - 645
<b>Engine Oiling, Oil Pan and Indicator (Dipstick)</b>	
Engine Oiling Pump 3.5L [EG2].....	Fig. 009EG2 - 705
Engine Oil Pan, Engine Oil Level Indicator And Related Parts 3.5L [EG2] .....	Fig. 009EG2 - 725
Engine Oil Filter 3.5L [EG2] .....	Fig. 009EG2 - 745
<b>Engine Oil Cooler</b>	
Engine Oil Cooler 3.5L [EG2] .....	Fig. 009EG2 - 805
<b>Manifolds and Vacuum Fittings</b>	
Exhaust Manifolds And Heat Shields 3.5L [EG2] .....	Fig. 009EG2 - 1005
Intake Manifold 3.5L [EG2] .....	Fig. 009EG2 - 1025
<b>Crankcase Ventilation</b>	
Crankcase Ventilation 3.5L [EG2].....	Fig. 009EG2 - 1105
<b>Engine Mounting</b>	
Engine Mounting Right Side RWD/2WD 3.5L [EG2] .....	Fig. 009EG2 - 1230
Engine Mounting Left Side RWD/2WD 3.5L [EG2] .....	Fig. 009EG2 - 1250



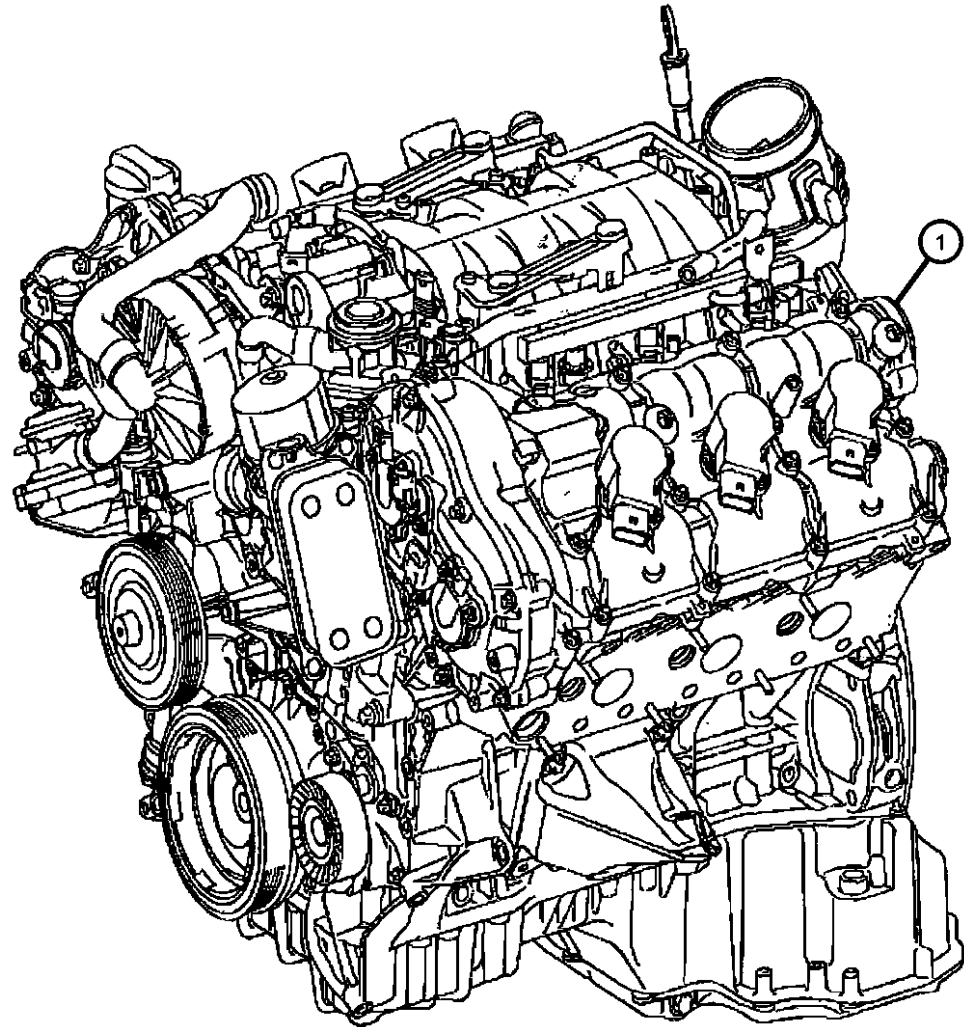
**Engine Assembly And Identification 3.5L [EG2]  
Figure 009EG2-105**

ITEM	PART NUMBER	QTY	LINE	SERIES	BODY	ENGINE	TRANS	TRIM	DESCRIPTION
------	-------------	-----	------	--------	------	--------	-------	------	-------------

NOTE: The New Replacement Engine Will Have A Different Upper, Lower Oil Pan And Vibration Damper. These Parts Must Be Removed From The Sales Codes:

[DGZ]=5 Speed Automatic Trans  
[EG2]=3.5L V-6 Gas Engine [Mercedes Benz]

1	68013133AA	1	2, 3, 6, 7			EG2	DGZ		ENGINE, Complete, See Note, See Note:
---	------------	---	------------	--	--	-----	-----	--	---------------------------------------



**SPRINTER (VB)**

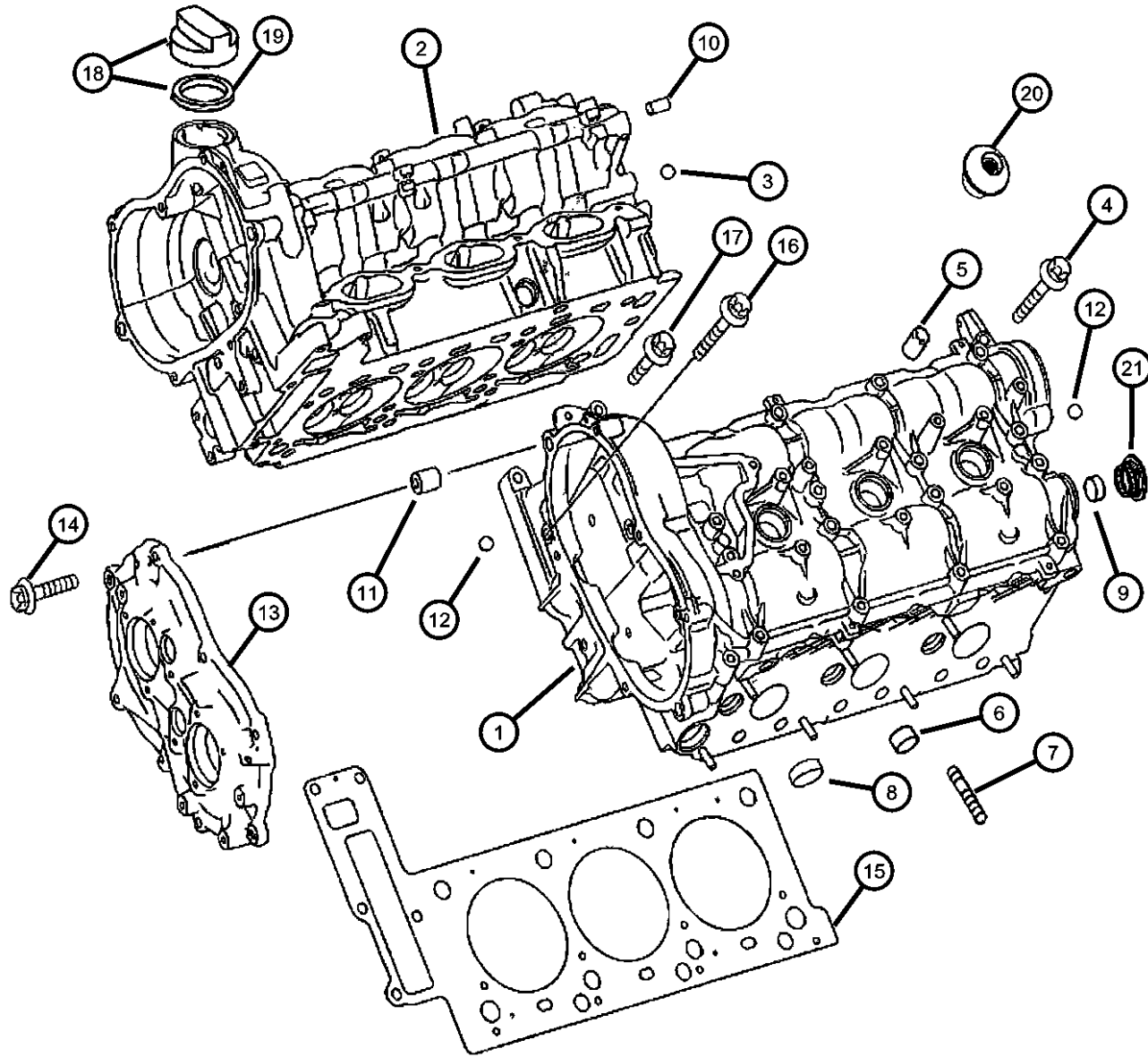
SERIES	LINE	BODY	ENGINE	TRANSMISSION
L = LOWLINE	3 = HD DODGE 2WD 6 = Lt. Duty DODGE 4WD 2 = Med. Duty DODGE 2WD 7 = Med. Duty DODGE 4WD	17 = VAN WHEEL BASE 7 55 = WAGON WHEEL BASE 5 15 = VAN WHEEL BASE 5 53 = 119 WB 13 = 119 WB 05 = CAB CHASSIS WHEEL BASE 5 03 = CAB CHASSIS WHEEL BASE 3	EG2 = 3.5L V6 Gas Engine EXM = 3.0L V6 Turbo Diesel Engine	DGZ = 5-Speed Auto W5A380 Transmission

AR = use ase required - = Non illustrated part

2008 VB

**Cylinder Head 3.5L [EG2]  
Figure 009EG2-225**

ITEM	PART NUMBER	QTY	LINE	SERIES	BODY	ENGINE	TRANS	TRIM	DESCRIPTION
NOTE: Sales Codes: [DGZ]=5 Speed Automatic Transmission [W5A380] [EG2]=3.5L V-6 Gas Engine - [Mercedes Benz]									
1	68005676AA	1	2, 3, 6, 7			EG2	DGZ		HEAD, Cylinder, Left
2	68005627AA	1	2, 3, 6, 7			EG2	DGZ		HEAD, Cylinder, Right
3	05080045AA	1	2, 3, 6, 7			EG2	DGZ		BALL
4	05073688AB	18	2, 3, 6, 7			EG2	DGZ		BOLT, [M7x40], Right & Left
5	68005643AA	2	2, 3, 6, 7			EG2	DGZ		PIN, Dowel, Valve Cover To Cylinder Head, Right & Left
6	05098815AA	8	2, 3, 6, 7			EG2	DGZ		PLUG, Coolant Core Plug
7	05099276AA	7	2, 3, 6, 7			EG2	DGZ		STUD, Exhaust Manifold To Head, Right & Left
8	05098818AA	1	2, 3, 6, 7			EG2	DGZ		PLUG, Expansion
9	05098815AA	2	2, 3, 6, 7			EG2	DGZ		PLUG
10	68005645AA	2	2, 3, 6, 7			EG2	DGZ		PIN, Dowel
11	05097092AA	2	2, 3, 6, 7			EG2	DGZ		PIN, Dowel
12	05080045AA	2	2, 3, 6, 7			EG2	DGZ		BALL, Oil Duct & Timing Chain Cover
13									COVER, Timing Belt
	68005647AA	1	2, 3, 6, 7			EG2	DGZ		Left
	68005682AA	1	2, 3, 6, 7			EG2	DGZ		Right
14	06104008AA	7	2, 3, 6, 7			EG2	DGZ		SCREW
15									GASKET, Cylinder Head, Left
	68005671AA	1	2, 3, 6, 7			EG2	DGZ		Left
	68005687AA	1	2, 3, 6, 7			EG2	DGZ		Right
16	68005672AA	8	2, 3, 6, 7			EG2	DGZ		BOLT, Cylinder Head To Block
17	68005673AA	2	2, 3, 6, 7			EG2	DGZ		SCREW
18	05175447AA	1	2, 3, 6, 7			EG2, EXM	DGZ		CAP, Oil Filler
19	05080088AA	1	2, 3, 6, 7			EG2	DGZ		SEAL, Oil Fill Cap
20	05101527AA	4	2, 3, 6, 7			EG2	DGZ		GROMMET
21	68005669AA	2	2, 3, 6, 7			EG2	DGZ		PLUG, Expansion



**SPRINTER (VB)**

SERIES	LINE	BODY	ENGINE	TRANSMISSION
L = LOWLINE	3 = HD DODGE 2WD 6 = Lt. Duty DODGE 4WD 2 = Med. Duty DODGE 2WD 7 = Med. Duty DODGE 4WD	17 = VAN WHEEL BASE 7 55 = WAGON WHEEL BASE 5 15 = VAN WHEEL BASE 5 53 = 119 WB 13 = 119 WB 05 = CAB CHASSIS WHEEL BASE 5 03 = CAB CHASSIS WHEEL BASE 3	EG2 = 3.5L V6 Gas Engine EXM = 3.0L V6 Turbo Diesel Engine	DGZ = 5-Speed Auto W5A380 Transmission

AR = use ase required - = Non illustrated part

2008 VB

**Cylinder Block And Hardware 3.5L [EG2]  
Figure 009EG2-305**

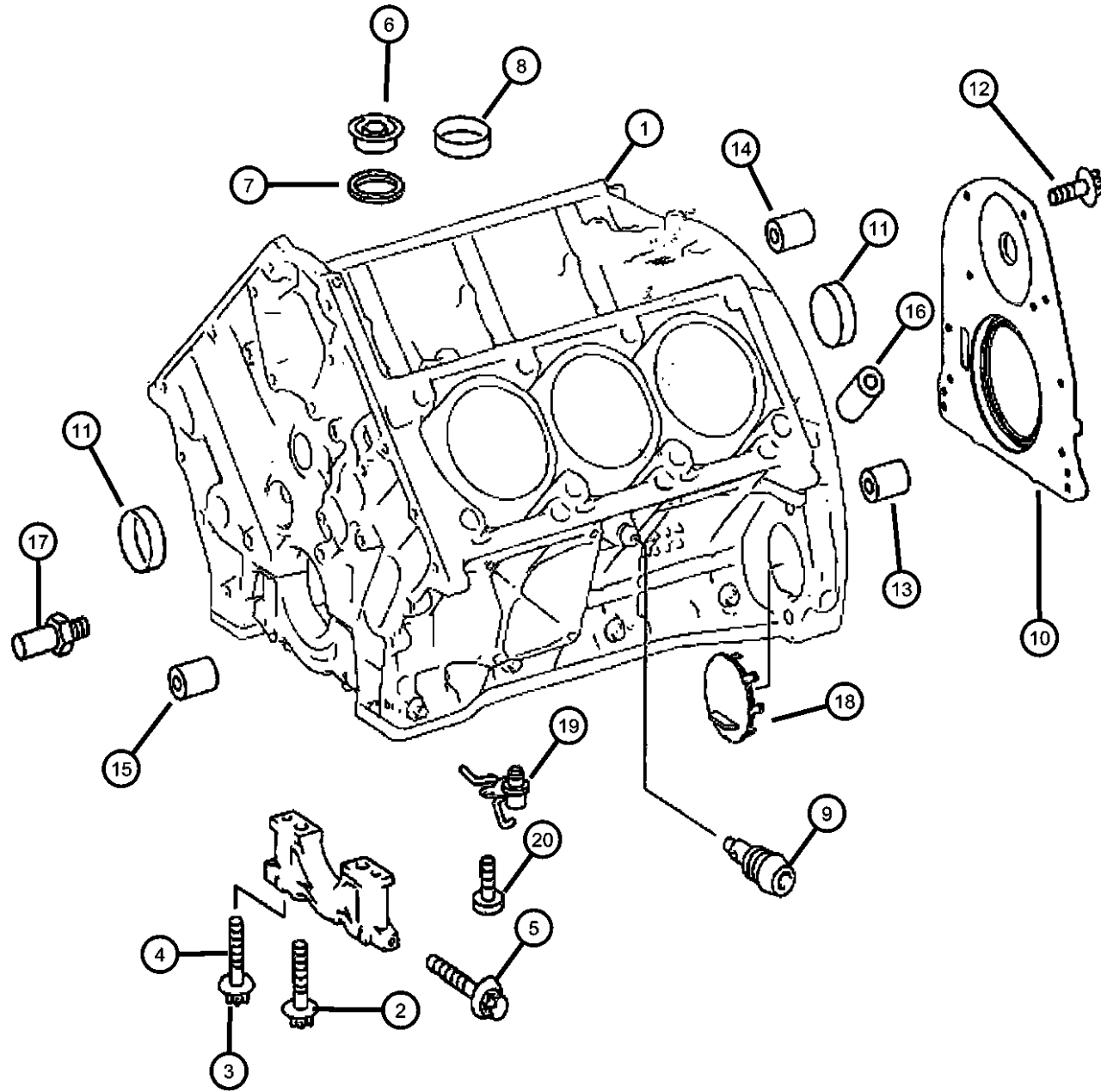
ITEM	PART NUMBER	QTY	LINE	SERIES	BODY	ENGINE	TRANS	TRIM	DESCRIPTION
------	-------------	-----	------	--------	------	--------	-------	------	-------------

NOTE: If Engine Block Is Damage Or Short Block Is Needed, Complete Engine Must Be Ordered. Short Block Is Not Serviced.

Sales Codes:

[DGZ]=5 Speed Automatic Transmission [W5A380]

[EG2]=3.5L V-6 Gas Engine - [Mercedes Benz]



1	68005669AA	2							BLOCK, Engine Cylinder, See Note, (NOT SERVICED)
2	05096962AA	8	2, 3, 6, 7			EG2	DGZ		BOLT, Main Bearing Cap, M10x90
3	05096961AA	8	2, 3, 6, 7			EG2	DGZ		BOLT, Main Bearing Cap, M8x75
4	05098813AA	6	2, 3, 6, 7			EG2	DGZ		BOLT, Main Bearing Cap, M8x40
5	68005187AA	2	2, 3, 6, 7			EG2	DGZ		BOLT, [M8X70 -10.9]
6	05073837AA	1	2, 3, 6, 7			EG2	DGZ		PLUG, Screw, Cylinder Block
7	05101157AA	1	2, 3, 6, 7			EG2	DGZ		O RING
8	05073860AA	2	2, 3, 6, 7			EG2	DGZ		PLUG, Expansion, Expansion Plug To Oil Passage
9	05097164AA	2	2, 3, 6, 7			EG2	DGZ		PLUG, Drain, Coolant Drain Plug In Block
10	68013857AA	1	2, 3, 6, 7			EG2	DGZ		RETAINER, Crankshaft Rear Oil Seal
11	05098815AA	2	2, 3, 6, 7			EG2	DGZ		PLUG, Rear Block Expansion Plug
12	06104075AA	11	2, 3, 6, 7			EG2	DGZ		BOLT, Cover To Block [M6x12]
13	05099279AA	2	2, 3, 6, 7			EG2	DGZ		DOWEL PIN
14	05097167AA	2	2, 3, 6, 7			EG2	DGZ		DOWEL PIN
15	05097092AA	2	2, 3, 6, 7			EG2	DGZ		PIN, Dowel
16	05097166AA	4	2, 3, 6, 7			EG2	DGZ		PIN, Dowel
17	05098422AA	4	2, 3, 6, 7			EG2	DGZ		PIN, Chain Tensioner
18	68013692AA	1	2, 3, 6, 7			EG2	DGZ		COVER
19	68013867AA	3	2, 3, 6, 7			EG2	DGZ		JET, Piston Oil Cooler
20	68006033AA	3	2, 3, 6, 7			EG2	DGZ		BOLT, [M6x16.5MM]

**SPRINTER (VB)**

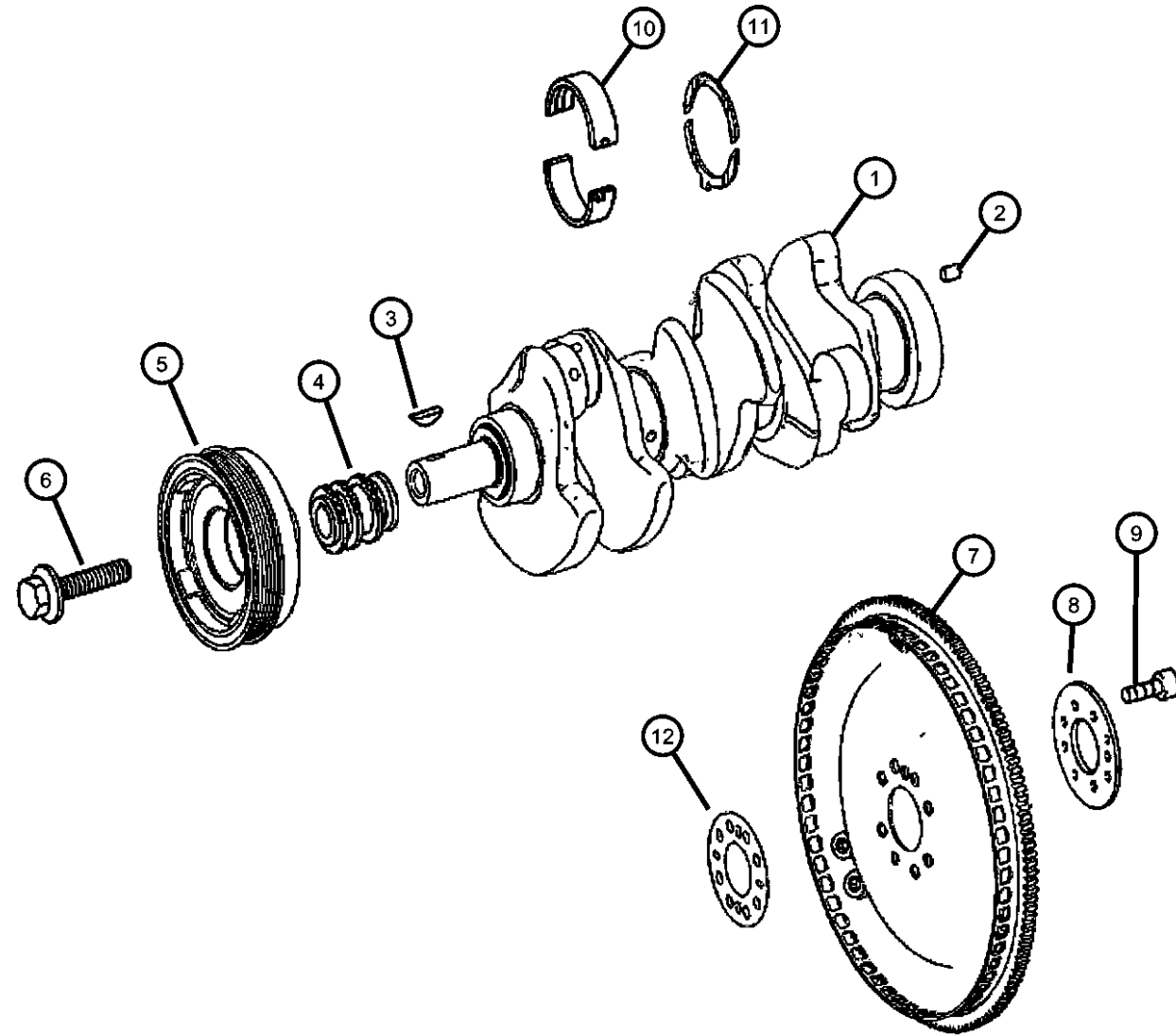
SERIES LINE  
L = LOWLINE 3 = HD DODGE 2WD  
6 = Lt. Duty DODGE 4WD  
2 = Med. Duty DODGE 2WD  
7 = Med. Duty DODGE 4WD

BODY ENGINE TRANSMISSION  
17 = VAN WHEEL BASE 7 EG2 = 3.5L V6 Gas Engine DGZ = 5-Speed Auto W5A380  
55 = WAGON WHEEL BASE 5 EXM = 3.0L V6 Turbo Diesel Transmission  
15 = VAN WHEEL BASE 5 Engine  
53 = 119 WB  
13 = 119 WB  
05 = CAB CHASSIS WHEEL BASE 5  
03 = CAB CHASSIS WHEEL BASE 3

AR = use ase required - = Non illustrated part

2008 VB

**Crankshaft, Crankshaft Bearings, Damper And Flywheel 3.5L [EG2]  
Figure 009EG2-405**



ITEM	PART NUMBER	QTY	LINE	SERIES	BODY	ENGINE	TRANS	TRIM	DESCRIPTION
NOTE: Bearings Only Serviced By Color, Standard Size Only. Please Refer To Service Manual For Additional Information. If Crankshaft Is Damaged Sales Codes: [DGZ]=5 Speed Automatic Transmission [W5A380] [EG2]=3.5L V-6 Gas Engine - [Mercedes Benz]									
1	68005554AA	1	2, 3, 6, 7			EG2	DGZ		CRANKSHAFT
2	05080024AA	1	2, 3, 6, 7			EG2	DGZ		DOWEL PIN
3	05101484AA	1	2, 3, 6, 7			EG2	DGZ		KEY, Woodruff
4	68005557AA	1	2, 3, 6, 7			EG2	DGZ		SPROCKET, Crankshaft
5	68005278AA	1	2, 3, 6, 7			EG2	DGZ		DAMPER, Crankshaft Without [HBD]
	68005582AA	1	2, 3, 6, 7			EG2	DGZ		With [HBD]
6	05098411AA	1	2, 3, 6, 7			EG2	DGZ		BOLT, Hex Head
7	68005618AA	1	2, 3, 6, 7			EG2	DGZ		FLEX PLATE
8	05139838AA	1	2, 3, 6, 7			EG2	DGZ		PLATE, Flexplate Backing
9	05159260AA	8	2, 3, 6, 7			EG2	DGZ		SCREW, [10x1x18.5]
10	04862608AA	3	2, 3, 6, 7			EG2	DGZ		BEARING, Crankshaft Color [Blue]
	04862609AA	3	2, 3, 6, 7			EG2	DGZ		Color [Yellow]
	04862610AA	3	2, 3, 6, 7			EG2	DGZ		Color [Red]
11	68005567AA	2	2, 3, 6, 7			EG2	DGZ		THRUST BEARING Upper
	68005569AA	2	2, 3, 6, 7			EG2	DGZ		Lower
12	68005616AA	1	2, 3, 6, 7			EG2	DGZ		PLATE, Flexplate Backing

**SPRINTER (VB)**

SERIES	LINE	BODY	ENGINE	TRANSMISSION
L = LOWLINE	3 = HD DODGE 2WD 6 = Lt. Duty DODGE 4WD 2 = Med. Duty DODGE 2WD 7 = Med. Duty DODGE 4WD	17 = VAN WHEEL BASE 7 55 = WAGON WHEEL BASE 5 15 = VAN WHEEL BASE 5 53 = 119 WB 13 = 119 WB 05 = CAB CHASSIS WHEEL BASE 5 03 = CAB CHASSIS WHEEL BASE 3	EG2 = 3.5L V6 Gas Engine EXM = 3.0L V6 Turbo Diesel Engine	DGZ = 5-Speed Auto W5A380 Transmission

AR = use ase required - = Non illustrated part

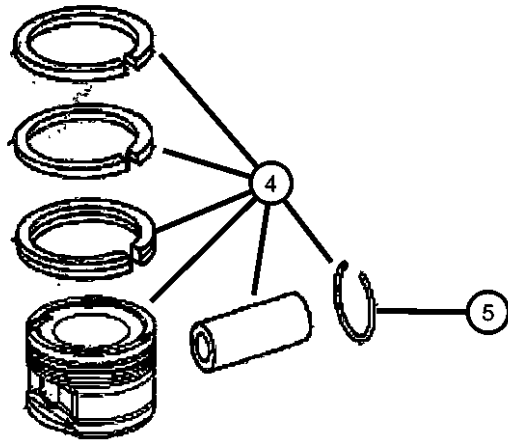
2008 VB

**Pistons, Piston Rings, Connecting Rods And Connecting Rod Bearings 3.5L [EG2]  
Figure 009EG2-425**

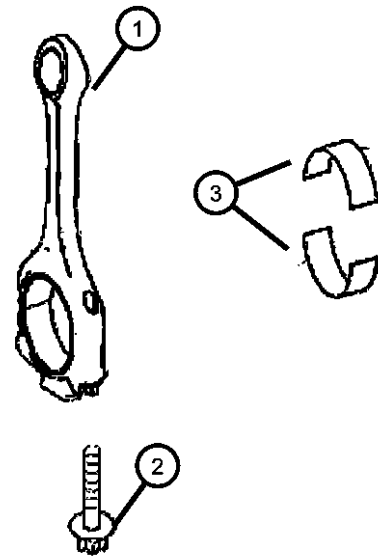
ITEM	PART NUMBER	QTY	LINE	SERIES	BODY	ENGINE	TRANS	TRIM	DESCRIPTION
------	-------------	-----	------	--------	------	--------	-------	------	-------------

NOTE: Piston & Rings Are Only Serviced Standard Size. Size Listed In Catalog. If Cylinder Bore Is Larger Than Size Listed For Pistons Service Pa Sales Codes:

[DGZ]=5 Speed Automatic Transmission [W5A380]  
[EG2]=3.5L V-6 Gas Engine - [Mercedes Benz]



1	68005585AA	6	2, 3, 6, 7			EG2	DGZ		ROD, Connecting
2	68005588AA	12	2, 3, 6, 7			EG2	DGZ		BOLT, Connecting Rod
3	68005594AA	6	2, 3, 6, 7			EG2	DGZ		BEARING KIT, Connecting Rod
4									PISTON, See Note:
	68005595AA	6	2, 3, 6, 7			EG2	DGZ		Cylinder Bore Size [92.9 MM]
	68028234AA	6	2, 3, 6, 7			EG2	DGZ		Cylinder Bore Size [93.0 MM]
5	05098880AA	3	2, 3, 6, 7			EG2	DGZ		RING, Piston Pin



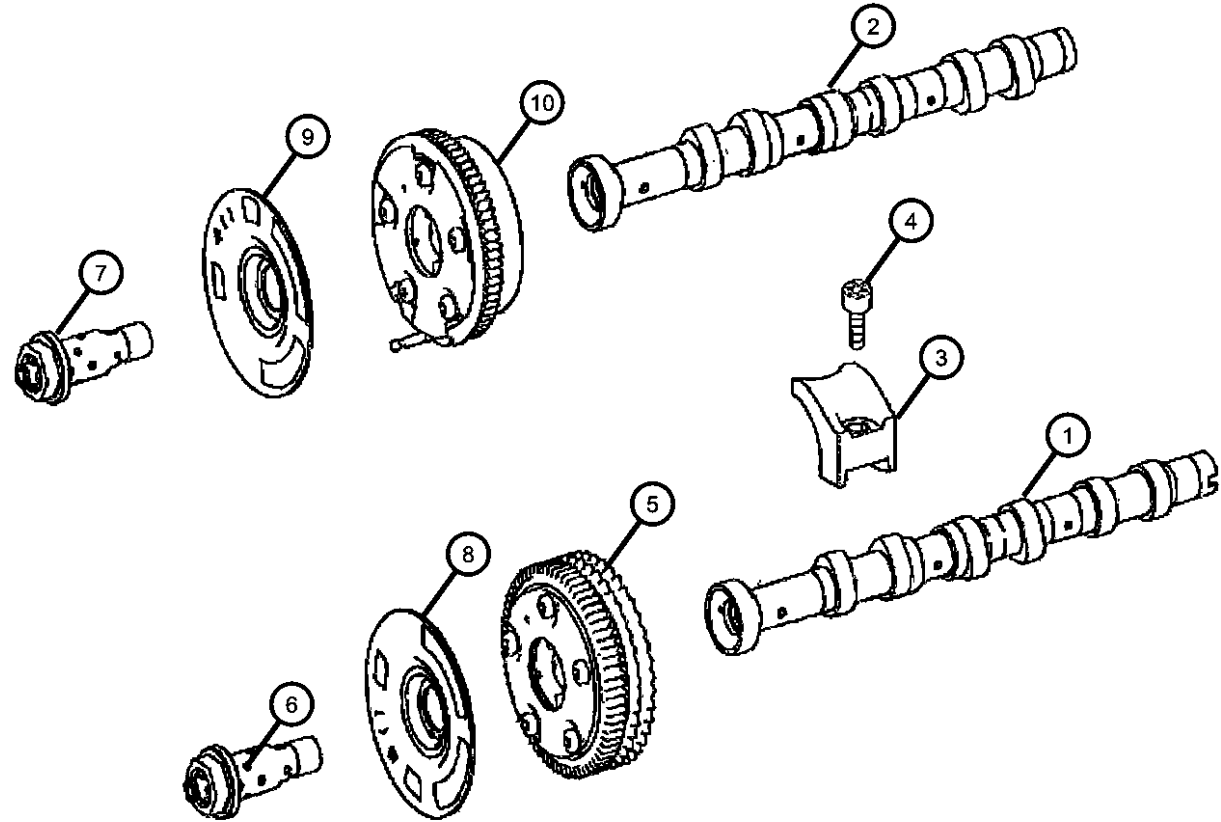
**SPRINTER (VB)**

SERIES	LINE	BODY	ENGINE	TRANSMISSION
L = LOWLINE	3 = HD DODGE 2WD 6 = Lt. Duty DODGE 4WD 2 = Med. Duty DODGE 2WD 7 = Med. Duty DODGE 4WD	17 = VAN WHEEL BASE 7 55 = WAGON WHEEL BASE 5 15 = VAN WHEEL BASE 5 53 = 119 WB 13 = 119 WB 05 = CAB CHASSIS WHEEL BASE 5 03 = CAB CHASSIS WHEEL BASE 3	EG2 = 3.5L V6 Gas Engine EXM = 3.0L V6 Turbo Diesel Engine	DGZ = 5-Speed Auto W5A380 Transmission

AR = use ase required - = Non illustrated part

2008 VB

**Camshafts And Camshaft Gears 3.5L [EG2]  
Figure 009EG2-505**



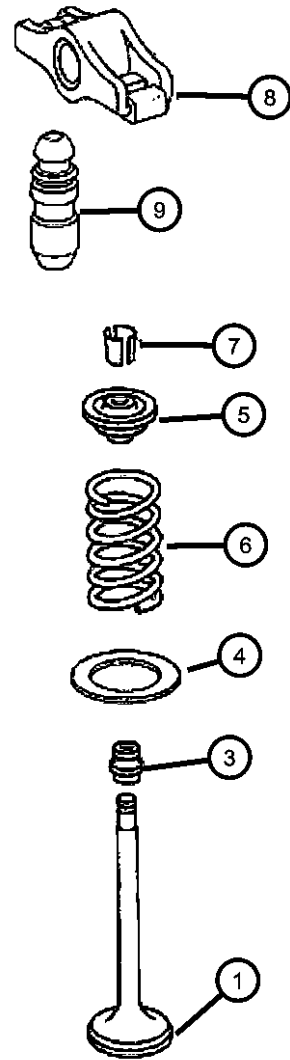
ITEM	PART NUMBER	QTY	LINE	SERIES	BODY	ENGINE	TRANS	TRIM	DESCRIPTION
NOTE: Sales Codes: [DGZ]=5 Speed Automatic Transmission [W5A380] [EG2]=3.5L V-6 Gas Engine - [Mercedes Benz]									
1	68005650AA	1	2, 3, 6, 7			EG2	DGZ		CAMSHAFT, Intake Left
	68005683AA	1	2, 3, 6, 7			EG2	DGZ		Right
2	68005652AA	1	2, 3, 6, 7			EG2	DGZ		CAMSHAFT, Exhaust Right
	68005685AA	1	2, 3, 6, 7			EG2	DGZ		Left
3	68005654AA	4	2, 3, 6, 7			EG2	DGZ		CAP, Camshaft Bearing
4	05137503AA	2	2, 3, 6, 7			EG2	DGZ		SCREW, [M6x25MM], Right & Left
5	68013890AA	1	2, 3, 6, 7			EG2	DGZ		GEAR, Camshaft Intake, Left
	68013899AA	1	2, 3, 6, 7			EG2	DGZ		Intake, Right
6	68013891AA	2	2, 3, 6, 7			EG2	DGZ		VALVE Intake
7	68013895AA	2	2, 3, 6, 7			EG2	DGZ		VALVE Exhaust
8	68013892AA	1	2, 3, 6, 7			EG2	DGZ		PHASER, Camshaft Intake, Left
	68013900AA	1	2, 3, 6, 7			EG2	DGZ		Intake, Right
9	68013896AA	1	2, 3, 6, 7			EG2	DGZ		PHASER, Camshaft Exhaust, Left
	68013901AA	1	2, 3, 6, 7			EG2	DGZ		Exhaust, Right
10	68013893AA	1	2, 3, 6, 7			EG2	DGZ		GEAR, Camshaft Exhaust

**SPRINTER (VB)**

SERIES	LINE	BODY	ENGINE	TRANSMISSION
L = LOWLINE	3 = HD DODGE 2WD 6 = Lt. Duty DODGE 4WD 2 = Med. Duty DODGE 2WD 7 = Med. Duty DODGE 4WD	17 = VAN WHEEL BASE 7 55 = WAGON WHEEL BASE 5 15 = VAN WHEEL BASE 5 53 = 119 WB 13 = 119 WB 05 = CAB CHASSIS WHEEL BASE 5 03 = CAB CHASSIS WHEEL BASE 3	EG2 = 3.5L V6 Gas Engine EXM = 3.0L V6 Turbo Diesel Engine	DGZ = 5-Speed Auto W5A380 Transmission

AR = use ase required - = Non illustrated part

Valvetrain 3.5L [EG2]  
Figure 009EG2-515



ITEM	PART NUMBER	QTY	LINE	SERIES	BODY	ENGINE	TRANS	TRIM	DESCRIPTION
1	68005655AA	6	2, 3, 6, 7			EG2	DGZ		VALVE, Intake, StandardIntake, Right & Left
-2	68005657AA	6	2, 3, 6, 7			EG2	DGZ		VALVE, Exhaust, StandardExhaust, Right & Left
3	05175438AA	6	2, 3, 6, 7			EG2	DGZ		SEAL, Valve GuideIntake And Exhaust
4	68005660AA	12	2, 3, 6, 7			EG2	DGZ		SEAT, Valve Spring
5	68005662AA	12	2, 3, 6, 7			EG2	DGZ		RETAINER, Valve Spring
6	68005663AA	12	2, 3, 6, 7			EG2	DGZ		SPRING, Valve
7	05175399AA	24	2, 3, 6, 7			EG2	DGZ		LOCK, Valve Spring Retainer
8	68005648AA	12	2, 3, 6, 7			EG2	DGZ		ARM, Rocker
9	05175440AA	12	2, 3, 6, 7			EG2	DGZ		ADJUSTER, Valve Lash

NOTE:

Sales Codes:

[DGZ]=5 Speed Automatic Transmission [W5A380]

[EG2]=3.5L V-6 Gas Engine - [Mercedes Benz]

SPRINTER (VB)

SERIES

L = LOWLINE

LINE

3 = HD DODGE 2WD  
6 = Lt. Duty DODGE 4WD  
2 = Med. Duty DODGE 2WD  
7 = Med. Duty DODGE 4WD

BODY

17 = VAN WHEEL BASE 7  
55 = WAGON WHEEL BASE 5  
15 = VAN WHEEL BASE 5  
53 = 119 WB  
13 = 119 WB  
05 = CAB CHASSIS WHEEL  
BASE 5  
03 = CAB CHASSIS WHEEL  
BASE 3

ENGINE

EG2 = 3.5L V6 Gas Engine  
EXM = 3.0L V6 Turbo Diesel  
Engine

TRANSMISSION

DGZ = 5-Speed Auto W5A380  
Transmission

**Timing Case Cover 3.5L [EG2]  
Figure 009EG2-605**

ITEM	PART NUMBER	QTY	LINE	SERIES	BODY	ENGINE	TRANS	TRIM	DESCRIPTION
NOTE: Sales Codes: [DGZ]=5 Speed Automatic Transmission [W5A380] [EG2]=3.5L V-6 Gas Engine - [Mercedes Benz]									
1	68013873AA	1	2, 3, 6, 7			EG2	DGZ		COVER, Timing Case
2	05073675AB	1	2, 3, 6, 7			EG2	DGZ		SEAL, Crankshaft Oil, Front
3	68013874AA	1	2, 3, 6, 7			EG2	DGZ		COVER
4	05096976AA	1	2, 3, 6, 7			EG2	DGZ		SEAL
5	06104463AA	1	2, 3, 6, 7			EG2	DGZ		PLUG
6	06104683AA	2	2, 3, 6, 7			EG2	DGZ		BOLT, M6X1.0X23.0
7	68013875AA	1	2, 3, 6, 7			EG2	DGZ		GASKET
8	06104035AA	1	2, 3, 6, 7			EG2	DGZ		BOLT, Hex Flange Head, M8X1.25X90.00
-9									SCREW
	06104028AA	3	2, 3, 6, 7			EG2	DGZ		[M8x45]
	06104032AA	6	2, 3, 6, 7			EG2	DGZ		[M8x65]
10	05098920AA	1	2, 3, 6, 7			EG2	DGZ		SEAL
11	68013876AA	1	2, 3, 6, 7			EG2	DGZ		SEAL



**SPRINTER (VB)**

SERIES	LINE	BODY	ENGINE	TRANSMISSION
L = LOWLINE	3 = HD DODGE 2WD 6 = Lt. Duty DODGE 4WD 2 = Med. Duty DODGE 2WD 7 = Med. Duty DODGE 4WD	17 = VAN WHEEL BASE 7 55 = WAGON WHEEL BASE 5 15 = VAN WHEEL BASE 5 53 = 119 WB 13 = 119 WB 05 = CAB CHASSIS WHEEL BASE 5 03 = CAB CHASSIS WHEEL BASE 3	EG2 = 3.5L V6 Gas Engine EXM = 3.0L V6 Turbo Diesel Engine	DGZ = 5-Speed Auto W5A380 Transmission

AR = use ase required - = Non illustrated part



Timing System 3.5L [EG2]  
Figure 009EG2-625

ITEM	PART NUMBER	QTY	LINE	SERIES	BODY	ENGINE	TRANS	TRIM	DESCRIPTION
------	-------------	-----	------	--------	------	--------	-------	------	-------------

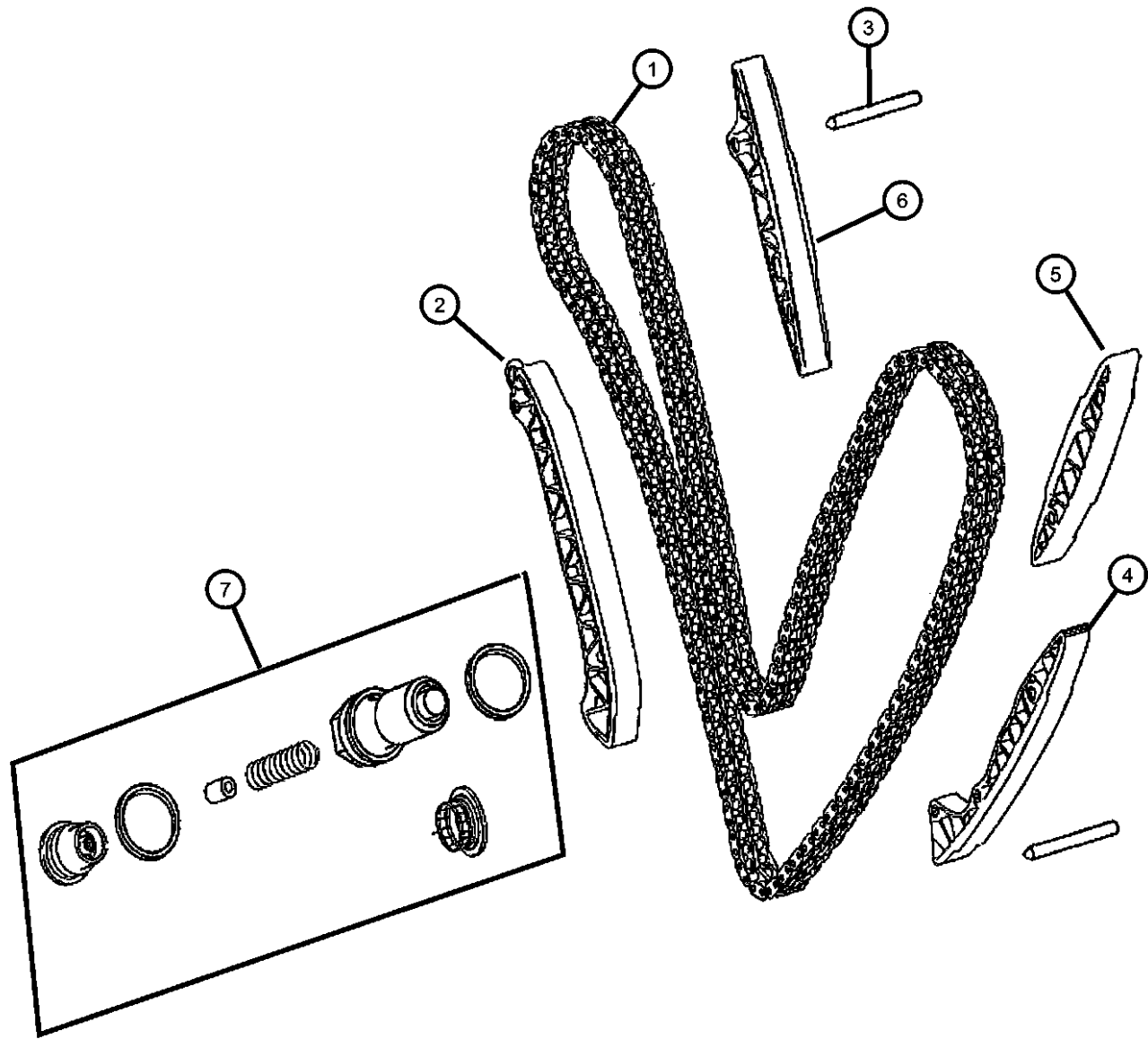
NOTE: Internal Or Seals Parts For Tensioner Are Not Serviced. Must Replace Tensioner.

Sales Codes:

[DGZ]=5 Speed Automatic Transmission [W5A380]

[EG2]=3.5L V-6 Gas Engine - [Mercedes Benz]

1	68013908AA	1	2, 3, 6, 7			EG2	DGZ		CHAIN, Timing
2	68013902AA	1	2, 3, 6, 7			EG2	DGZ		GUIDE, Timing Chain
3	05098422AA	4	2, 3, 6, 7			EG2	DGZ		PIN, Chain Tensioner, Guide To Cylinder Head
4	68013904AA	1	2, 3, 6, 7			EG2	DGZ		GUIDE, Timing Chain
5	68013906AA	1	2, 3, 6, 7			EG2	DGZ		GUIDE, Timing Chain
6	68013907AA	1	2, 3, 6, 7			EG2	DGZ		GUIDE, Timing Chain
7	68013910AA	1	2, 3, 6, 7			EG2	DGZ		TENSIONER, Chain



SPRINTER (VB)

SERIES	LINE	BODY	ENGINE	TRANSMISSION
L = LOWLINE	3 = HD DODGE 2WD 6 = Lt. Duty DODGE 4WD 2 = Med. Duty DODGE 2WD 7 = Med. Duty DODGE 4WD	17 = VAN WHEEL BASE 7 55 = WAGON WHEEL BASE 5 15 = VAN WHEEL BASE 5 53 = 119 WB 13 = 119 WB 05 = CAB CHASSIS WHEEL BASE 5 03 = CAB CHASSIS WHEEL BASE 3	EG2 = 3.5L V6 Gas Engine EXM = 3.0L V6 Turbo Diesel Engine	DGZ = 5-Speed Auto W5A380 Transmission

AR = use ase required - = Non illustrated part

2008 VB

**Balance Shaft 3.5L [EG2]  
Figure 009EG2-645**

ITEM	PART NUMBER	QTY	LINE	SERIES	BODY	ENGINE	TRANS	TRIM	DESCRIPTION
------	-------------	-----	------	--------	------	--------	-------	------	-------------

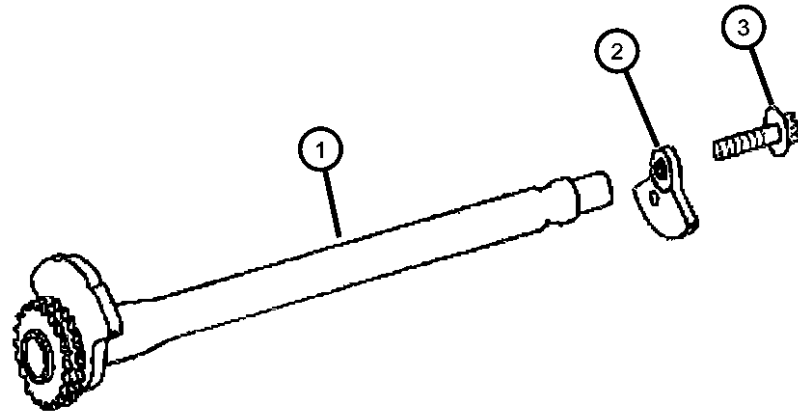
NOTE:

Sales Codes:

[DGZ]=5 Speed Automatic Transmission [W5A380]

[EG2]=3.5L V-6 Gas Engine - [Mercedes Benz]

1	68005572AA	1	2, 3, 6, 7			EG2	DGZ		SHAFT, Balance
2	68005580AA	1	2, 3, 6, 7			EG2	DGZ		COUNTERWEIGHT, Balance shaft
3	68005581AA	1	2, 3, 6, 7			EG2	DGZ		SCREW



**SPRINTER (VB)**

SERIES	LINE	BODY	ENGINE	TRANSMISSION
L = LOWLINE	3 = HD DODGE 2WD 6 = Lt. Duty DODGE 4WD 2 = Med. Duty DODGE 2WD 7 = Med. Duty DODGE 4WD	17 = VAN WHEEL BASE 7 55 = WAGON WHEEL BASE 5 15 = VAN WHEEL BASE 5 53 = 119 WB 13 = 119 WB 05 = CAB CHASSIS WHEEL BASE 5 03 = CAB CHASSIS WHEEL BASE 3	EG2 = 3.5L V6 Gas Engine EXM = 3.0L V6 Turbo Diesel Engine	DGZ = 5-Speed Auto W5A380 Transmission

AR = use ase required - = Non illustrated part

2008 VB

**Engine Oiling Pump 3.5L [EG2]  
Figure 009EG2-705**

ITEM	PART NUMBER	QTY	LINE	SERIES	BODY	ENGINE	TRANS	TRIM	DESCRIPTION
------	-------------	-----	------	--------	------	--------	-------	------	-------------

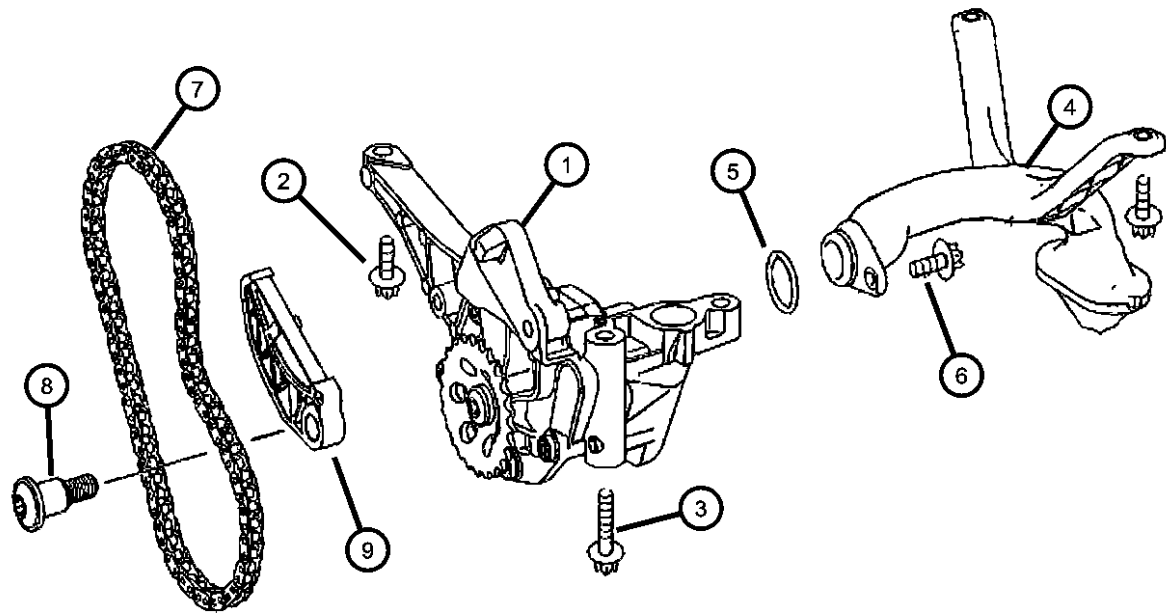
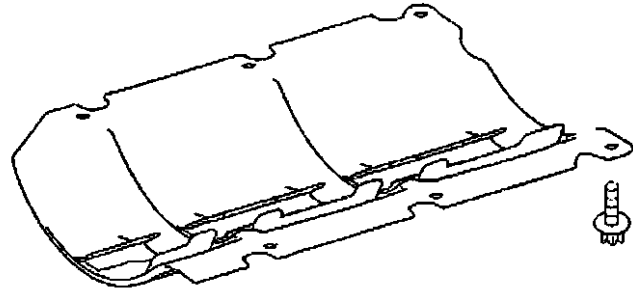
NOTE:

Sales Codes:

[DGZ]=5 Speed Automatic Transmission [W5A380]

[EG2]=3.5L V-6 Gas Engine - [Mercedes Benz]

1	68013912AA	1	2, 3, 6, 7			EG2	DGZ		PUMP, Engine Oil
2	05175526AA	2	2, 3, 6, 7			EG2	DGZ		BOLT, Oil Pump To Crankcase
3	06104163AA	1	2, 3, 6, 7			EG2	DGZ		SCREW, Oil Pump To Crankcase
4	68013915AA	1	2, 3, 6, 7			EG2	DGZ		TUBE, Oil Pickup
5	68013916AA	1	2, 3, 6, 7			EG2	DGZ		SEAL, Oil Pick Up Tube, Oil Pickup Tube To Oil Pump
6	06104007AA	2	2, 3, 6, 7			EG2	DGZ		SCREW, Oil Pick Up Tube To Oil Pump
7	68004876AA	1	2, 3, 6, 7			EG2	DGZ		CHAIN, Pump Drive
8	68013918AA	1	2, 3, 6, 7			EG2	DGZ		BOLT
9	68013919AA	1	2, 3, 6, 7			EG2	DGZ		GUIDE, Timing Chain



**SPRINTER (VB)**

SERIES

L = LOWLINE

LINE

3 = HD DODGE 2WD  
6 = Lt. Duty DODGE 4WD  
2 = Med. Duty DODGE 2WD  
7 = Med. Duty DODGE 4WD

BODY

17 = VAN WHEEL BASE 7  
55 = WAGON WHEEL BASE 5  
15 = VAN WHEEL BASE 5  
53 = 119 WB  
13 = 119 WB  
05 = CAB CHASSIS WHEEL BASE 5  
03 = CAB CHASSIS WHEEL BASE 3

ENGINE

EG2 = 3.5L V6 Gas Engine  
EXM = 3.0L V6 Turbo Diesel Engine

TRANSMISSION

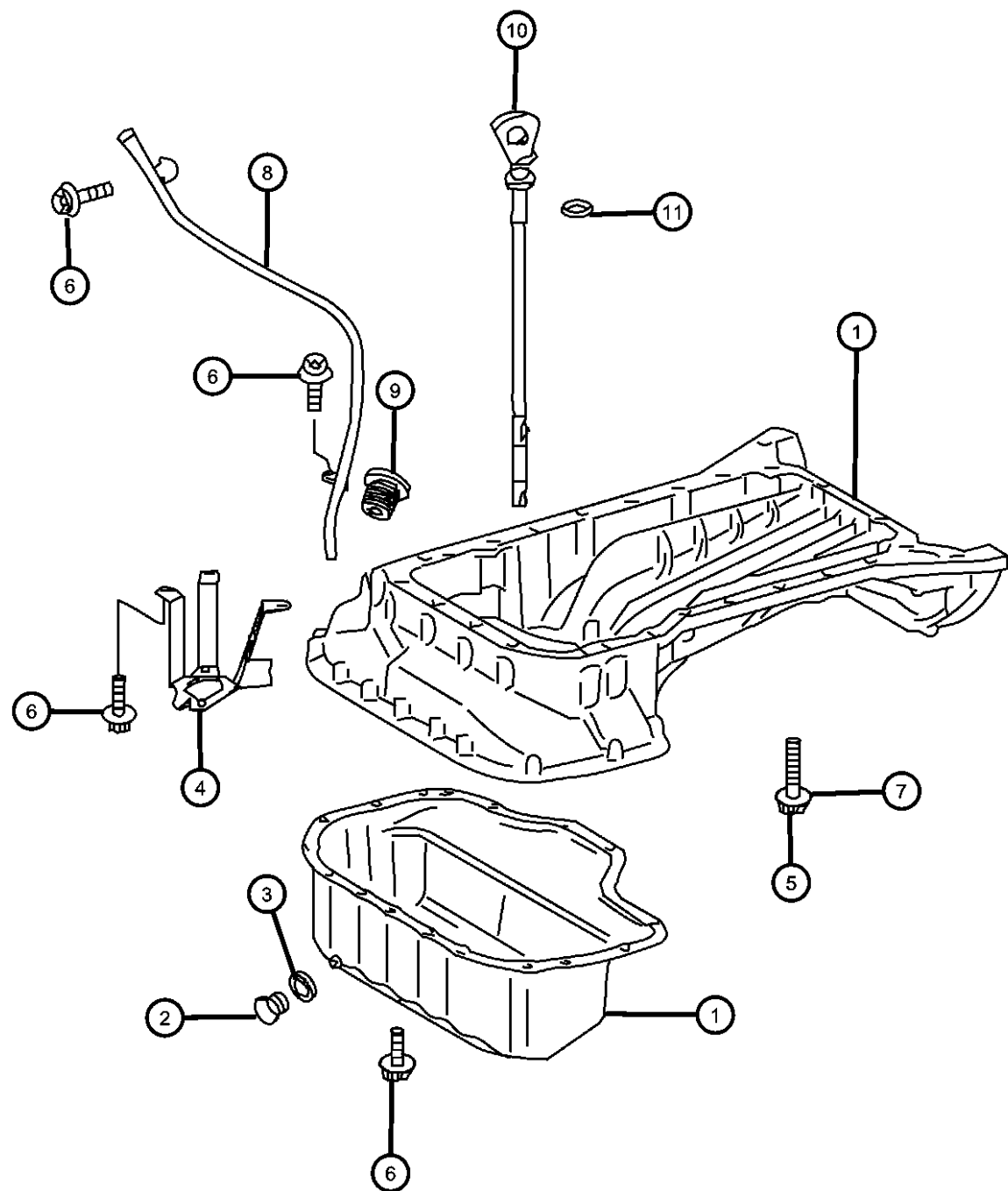
DGZ = 5-Speed Auto W5A380 Transmission

AR = use ase required - = Non illustrated part

2008 VB

## Engine Oil Pan, Engine Oil Level Indicator And Related Parts 3.5L [EG2]

### Figure 009EG2-725



ITEM	PART NUMBER	QTY	LINE	SERIES	BODY	ENGINE	TRANS	TRIM	DESCRIPTION
NOTE: Sales Codes: [DGZ]=5 Speed Automatic Transmission [W5A380] [EG2]=3.5L V-6 Gas Engine - [Mercedes Benz]									
1									PAN, Oil
	68013877AA	1	2, 3, 6, 7			EG2	DGZ		Upper
	68013881AA	1	2, 3, 6, 7			EG2	DGZ		Lower
2	05073945AA	1	2, 3, 6, 7			EG2	DGZ		PLUG, Oil Drain
3	05073946AA	1	2, 3, 6, 7			EG2	DGZ		GASKET, Drain Plug
4	68013878AA	1	2, 3, 6, 7			EG2	DGZ		BRACKET
5	06104025AA	2	2, 3, 6, 7			EG2	DGZ		BOLT, Hex Flange Head, M8x1.25x30, Oil Pan To Cylinder Block, Mounting
6									BOLT
	06104075AA	1	2, 3, 6, 7			EG2	DGZ		Engine Oil Indicator Tube To Cylinder Head [M6x12], Mounting
	06104682AA	1	2, 3, 6, 7			EG2	DGZ		Engine Oil Indicator Tube To Oil Pan [M6x19], Mounting
		3	2, 3, 6, 7			EG2	DGZ		Bracket [M6x19], Mounting
		13	2, 3, 6, 7			EG2	DGZ		Lower Oil Pan To Upper Oil Pan [M6x19], Mounting
7									SCREW
	05073692AA	2	2, 3, 6, 7			EG2	DGZ		Oil Pan To Crankcase Cover Rear, Mounting
	06104007AA	16	2, 3, 6, 7			EG2	DGZ		Oil Pan To Cylinder Block [M6x25], Mounting
		6	2, 3, 6, 7			EG2	DGZ		Oil Pan To Timing Case Cover [M6x25], Mounting
8	68013859AA	1	2, 3, 6, 7			EG2	DGZ		TUBE, Engine Oil Indicator
9	05096486AA	1	2, 3, 6, 7			EG2, EXM	DGZ		SEAL, Engine Oil Indicator tube
10	68013866AA	1	2, 3, 6, 7			EG2	DGZ		INDICATOR, Engine Oil Level
11	05073943AA	1	2, 3, 6, 7			EG2, EXM	DGZ		O RING, Engine Oil Indicator

#### SPRINTER (VB)

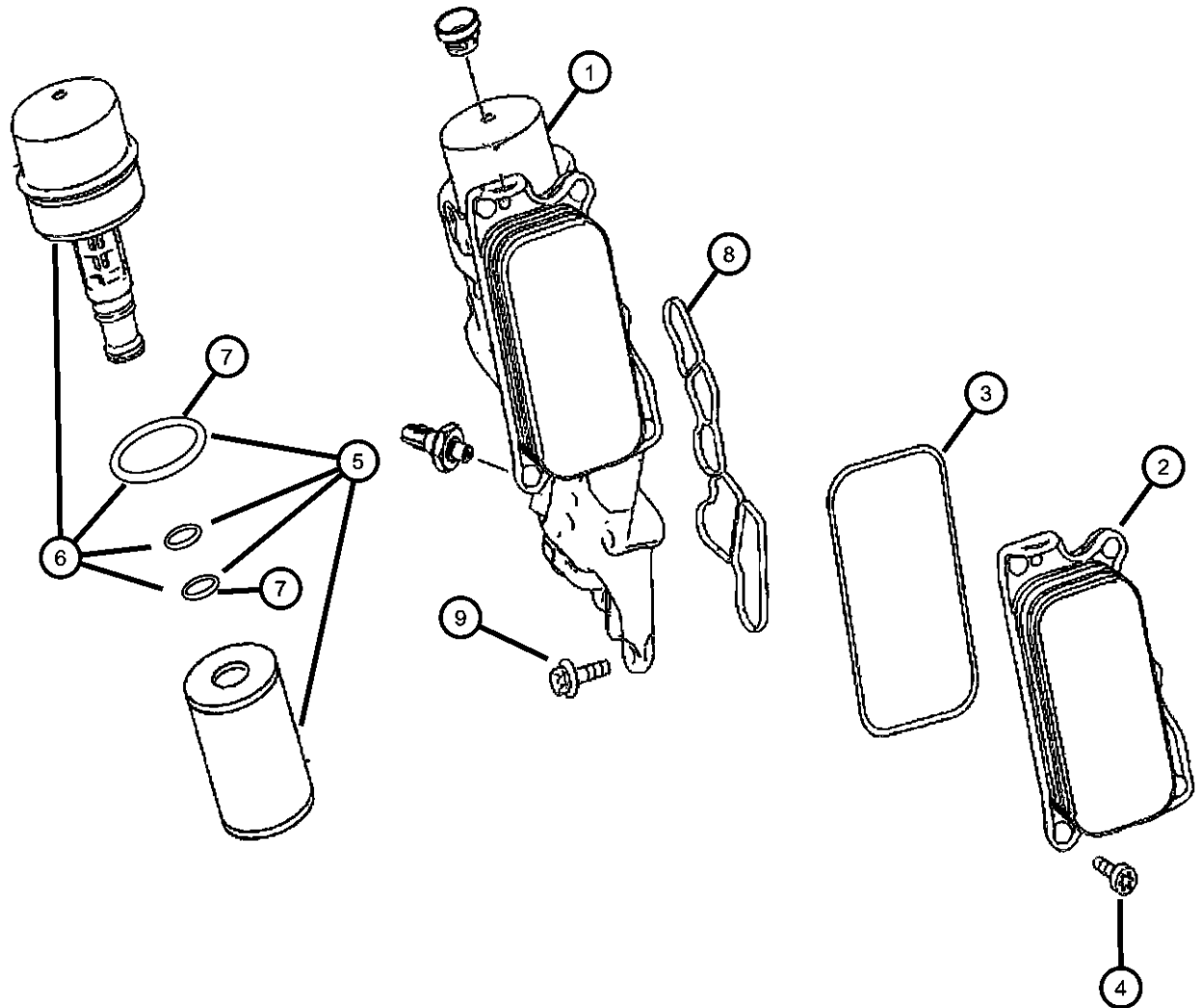
SERIES	LINE	BODY	ENGINE	TRANSMISSION
L = LOWLINE	3 = HD DODGE 2WD 6 = Lt. Duty DODGE 4WD 2 = Med. Duty DODGE 2WD 7 = Med. Duty DODGE 4WD	17 = VAN WHEEL BASE 7 55 = WAGON WHEEL BASE 5 15 = VAN WHEEL BASE 5 53 = 119 WB 13 = 119 WB 05 = CAB CHASSIS WHEEL BASE 5 03 = CAB CHASSIS WHEEL BASE 3	EG2 = 3.5L V6 Gas Engine EXM = 3.0L V6 Turbo Diesel Engine	DGZ = 5-Speed Auto W5A380 Transmission

AR = use ase required - = Non illustrated part

2008 VB

**Engine Oil Filter 3.5L [EG2]  
Figure 009EG2-745**

ITEM	PART NUMBER	QTY	LINE	SERIES	BODY	ENGINE	TRANS	TRIM	DESCRIPTION
NOTE: Sales Codes: [DGZ]=5 Speed Automatic Transmission [W5A380] [EG2]=3.5L V-6 Gas Engine - [Mercedes Benz]									
1	68013921AA	1	2, 3, 6, 7			EG2	DGZ		COOLER, Oil, Includes:Oil Filter, Oil Cooler, Oil Filter / Oil Cooler Adapter To Engine
2	68013923AA	1	2, 3, 6, 7			EG2	DGZ		COOLER, Oil, Oil Cooler Only
3	68013924AA	1	2, 3, 6, 7			EG2	DGZ		GASKET, Oil Cooler
4	06104675AA	5	2, 3, 6, 7			EG2	DGZ		BOLT, Pan Head, M6.0X1.00X14.00
5	05102905AB	1	2, 3, 6, 7			EG2	DGZ		FILTER, Engine Oil
6	68013926AA	1	2, 3, 6, 7			EG2	DGZ		CAP AND FILTER ASSEMBLY, OIL, Includes: Cap & Orings
7	05080242AA	1	2, 3, 6, 7			EG2	DGZ		O RING
8	68013928AA	1	2, 3, 6, 7			EG2	DGZ		GASKET, Oil Filter Adapter
9									SCREW
	05137660AA	2	2, 3, 6, 7			EG2, EXM	DGZ		[M8x80]
	06104036AA	2	2, 3, 6, 7			EG2	DGZ		[M8x100]
	06104698AA	1	2, 3, 6, 7			EG2	DGZ		[M8.0x1.25x54.0]
	05073680AA	1	2, 3, 6, 7						Torx Head / Self Taping Thread [29MM] [M8x10.9]



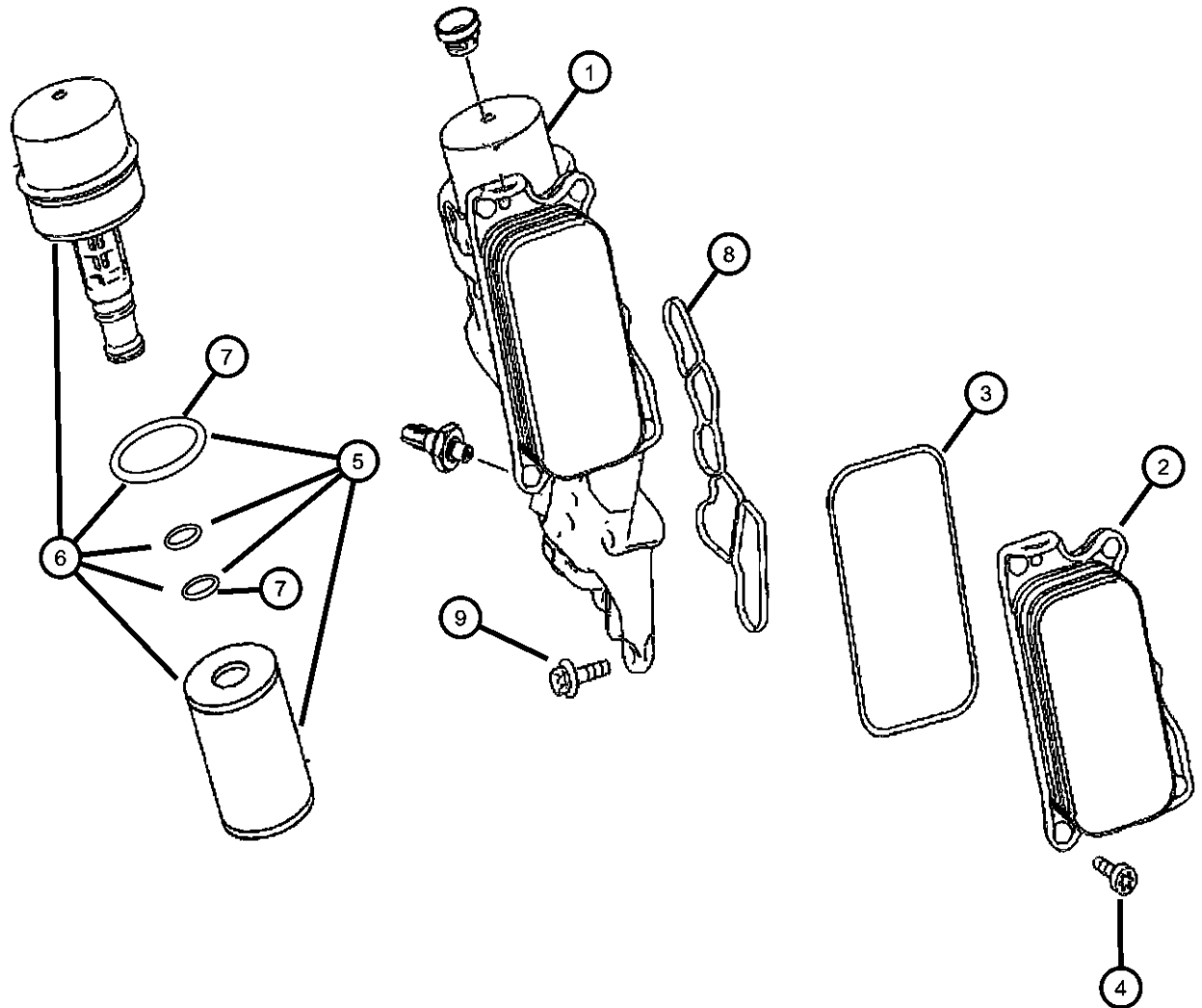
**SPRINTER (VB)**

SERIES	LINE	BODY	ENGINE	TRANSMISSION
L = LOWLINE	3 = HD DODGE 2WD 6 = Lt. Duty DODGE 4WD 2 = Med. Duty DODGE 2WD 7 = Med. Duty DODGE 4WD	17 = VAN WHEEL BASE 7 55 = WAGON WHEEL BASE 5 15 = VAN WHEEL BASE 5 53 = 119 WB 13 = 119 WB 05 = CAB CHASSIS WHEEL BASE 5 03 = CAB CHASSIS WHEEL BASE 3	EG2 = 3.5L V6 Gas Engine EXM = 3.0L V6 Turbo Diesel Engine	DGZ = 5-Speed Auto W5A380 Transmission

AR = use ase required - = Non illustrated part

**Engine Oil Cooler 3.5L [EG2]  
Figure 009EG2-805**

ITEM	PART NUMBER	QTY	LINE	SERIES	BODY	ENGINE	TRANS	TRIM	DESCRIPTION
NOTE: Sales Codes: [DGZ]=5 Speed Automatic Transmission [W5A380] [EG2]=3.5L V-6 Gas Engine - [Mercedes Benz]									
1	68013921AA	1	2, 3, 6, 7			EG2	DGZ		COOLER, Oil, Includes:Oil Filter, Oil Cooler, Oil Filter / Oil Cooler Adapter To Engine
2	68013923AA	1	2, 3, 6, 7			EG2	DGZ		COOLER, Oil, Oil Cooler Only
3	68013924AA	1	2, 3, 6, 7			EG2	DGZ		GASKET, Oil Cooler
4	06104675AA	5	2, 3, 6, 7			EG2	DGZ		BOLT, Pan Head, M6.0X1.00X14.00
5	05102905AB	1	2, 3, 6, 7			EG2	DGZ		FILTER, Engine Oil
6	68013926AA	1	2, 3, 6, 7			EG2	DGZ		CAP AND FILTER ASSEMBLY, OIL, Includes: Cap, Oil Filter & Orings
7	05080242AA	1	2, 3, 6, 7			EG2	DGZ		O RING
8	68013928AA	1	2, 3, 6, 7			EG2	DGZ		GASKET, Oil Filter Adapter
9									SCREW
	05073680AA	1	2, 3, 6, 7						Torx Head / Self Taping Thread [29MM] [M8x10.9]
	05137660AA	2	2, 3, 6, 7			EG2, EXM	DGZ		[M8x80]
	06104036AA	2	2, 3, 6, 7			EG2	DGZ		[M8x100]
	06104698AA	1	2, 3, 6, 7			EG2	DGZ		[M8.0x1.25x54.0]



**SPRINTER (VB)**

<b>SERIES</b>	<b>LINE</b>	<b>BODY</b>	<b>ENGINE</b>	<b>TRANSMISSION</b>
L = LOWLINE	3 = HD DODGE 2WD 6 = Lt. Duty DODGE 4WD 2 = Med. Duty DODGE 2WD 7 = Med. Duty DODGE 4WD	17 = VAN WHEEL BASE 7 55 = WAGON WHEEL BASE 5 15 = VAN WHEEL BASE 5 53 = 119 WB 13 = 119 WB 05 = CAB CHASSIS WHEEL BASE 5 03 = CAB CHASSIS WHEEL BASE 3	EG2 = 3.5L V6 Gas Engine EXM = 3.0L V6 Turbo Diesel Engine	DGZ = 5-Speed Auto W5A380 Transmission

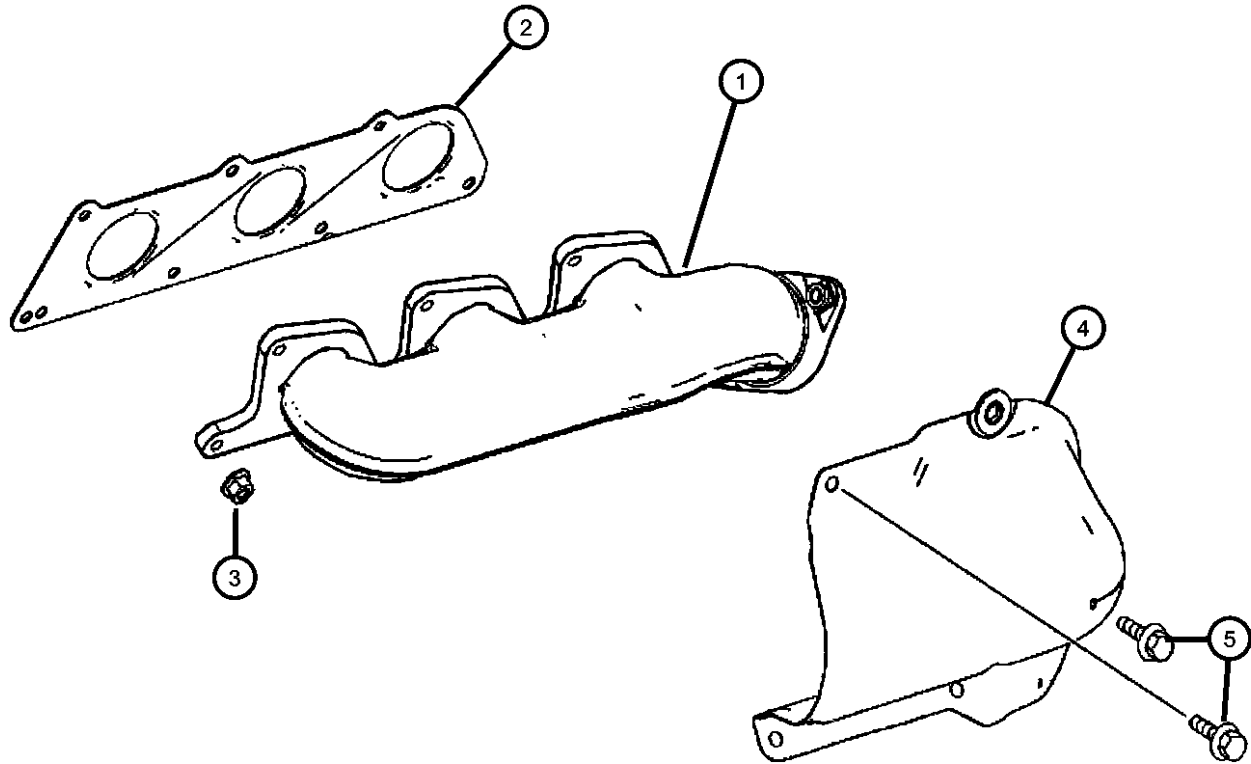
AR = use ase required - = Non illustrated part

**Exhaust Manifolds And Heat Shields 3.5L [EG2]  
Figure 009EG2-1005**

ITEM	PART NUMBER	QTY	LINE	SERIES	BODY	ENGINE	TRANS	TRIM	DESCRIPTION
------	-------------	-----	------	--------	------	--------	-------	------	-------------

NOTE:  
Sales Codes:  
[DGZ]=5 Speed Automatic Transmission [W5A380]  
[EG2]=3.5L V-6 Gas Engine - [Mercedes Benz]

1									MANIFOLD, Exhaust
	68011752AA	1	2, 3, 6, 7			EG2	DGZ		Left
	68011745AA	1	2, 3, 6, 7			EG2	DGZ		Right
2	68021682AA	2	2, 3, 6, 7			EG2	DGZ		GASKET, Exhaust ManifoldRight & Left
3	06104728AA	7	2, 3, 6, 7			EG2	DGZ		NUT, Exhaust Manifold, M6x1.0
4	06104728AA	7							SHIELD, Heat, (NOT SERVICED)
5	06104005AA	6	2, 3, 6, 7			EG2	DGZ		BOLT, 6 Lobe External Head, M6X1.00X16.00



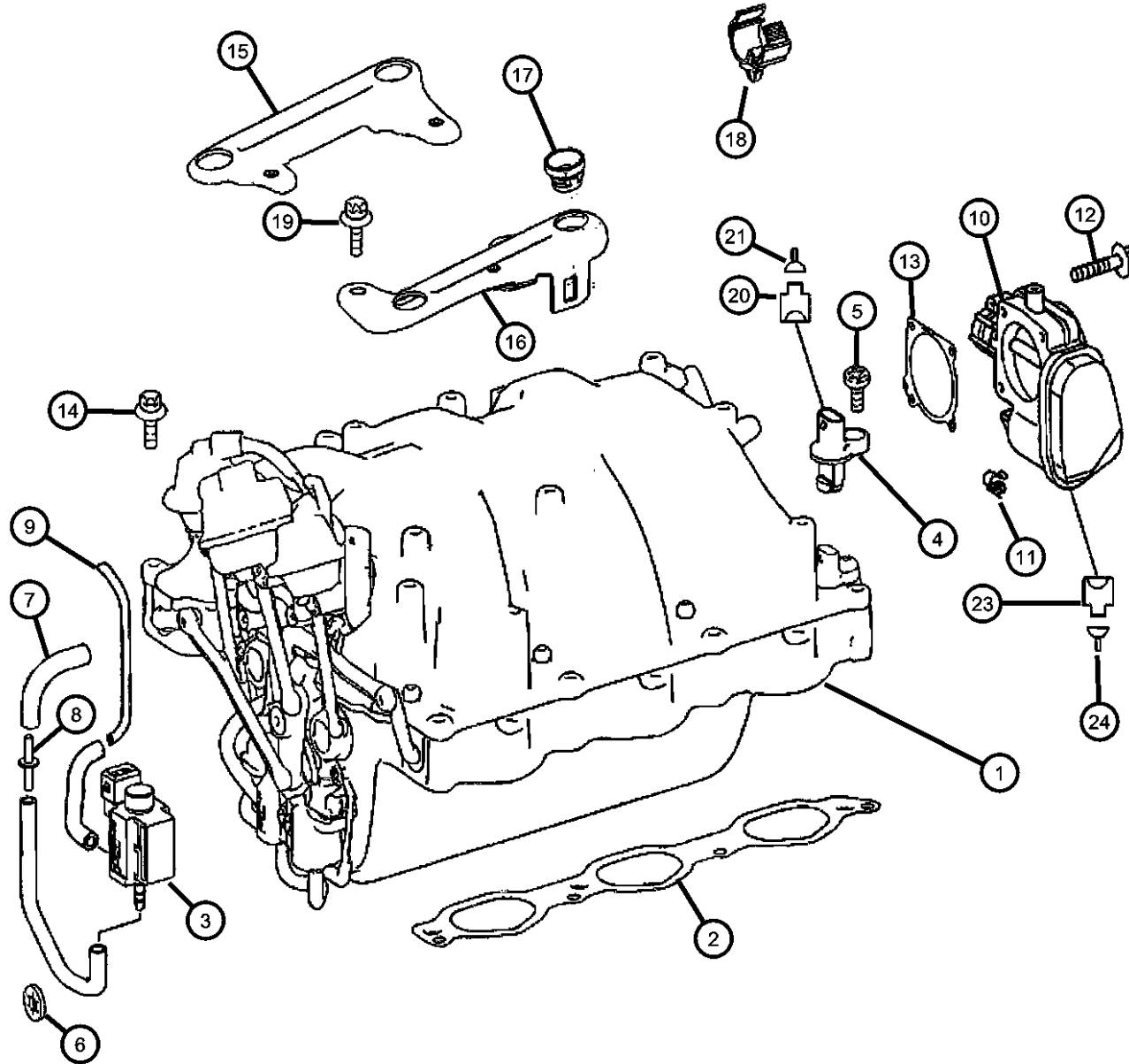
**SPRINTER (VB)**

SERIES	LINE	BODY	ENGINE	TRANSMISSION
L = LOWLINE	3 = HD DODGE 2WD 6 = Lt. Duty DODGE 4WD 2 = Med. Duty DODGE 2WD 7 = Med. Duty DODGE 4WD	17 = VAN WHEEL BASE 7 55 = WAGON WHEEL BASE 5 15 = VAN WHEEL BASE 5 53 = 119 WB 13 = 119 WB 05 = CAB CHASSIS WHEEL BASE 5 03 = CAB CHASSIS WHEEL BASE 3	EG2 = 3.5L V6 Gas Engine EXM = 3.0L V6 Turbo Diesel Engine	DGZ = 5-Speed Auto W5A380 Transmission

AR = use ase required - = Non illustrated part

2008 VB

**Intake Manifold 3.5L [EG2]  
Figure 009EG2-1025**



ITEM	PART NUMBER	QTY	LINE	SERIES	BODY	ENGINE	TRANS	TRIM	DESCRIPTION
NOTE: Sales Codes: [DGZ]=5 Speed Automatic Transmission [W5A380] [EG2]=3.5L V-6 Gas Engine - [Mercedes Benz]									
1	68011680AA	1	2, 3, 6, 7			EG2	DGZ		MANIFOLD, Intake
2	68011683AA	1	2, 3, 6, 7			EG2	DGZ		GASKET, Throttle Body
3	05099823AA	2	2, 3, 6, 7			EG2	DGZ		SOLENOID, Intake Manifold
4	68011686AA	2	2, 3, 6, 7			EG2	DGZ		SOLENOID, Intake Manifold, Intake Manifold [Tumble Flap] Switch
5	06104120AA	2	2, 3, 6, 7			EG2	DGZ		SCREW, Hex Head, M6x12, [M6x12]
6	05102929AA	11	2, 3, 6, 7			EG2	DGZ		PUSH NUT
7	05080390AA	1	2, 3, 6, 7			EG2	DGZ		HOSE, [8x3.5MM]
8	05080337AA	1	2, 3, 6, 7			EG2	DGZ		CONNECTOR, [4MM]
9	05125912AA	0	2, 3, 6, 7			EG2	DGZ		HOSE, Charge Air, [4x0.75MM]
10	05159298AA	1	2, 3, 6, 7			EG2	DGZ		THROTTLE BODY
11	05098164AA	1	2, 3, 6, 7			EG2	DGZ		BRACKET, Hose
12	68011720AA	4	2, 3, 6, 7			EG2	DGZ		SCREW, Throttle Body, [6x35]
13									GASKET
	68011721AA	1	2, 3, 6, 7			EG2	DGZ		Left, Cylinder Head
	68011723AA	1	2, 3, 6, 7			EG2	DGZ		Right, Cylinder Head
14	06104012AA	8	2, 3, 6, 7			EG2	DGZ		SCREW, Torx, M6X1.00X50
15	68011725AA	1	2, 3, 6, 7			EG2	DGZ		BRACKET
16	68011729AA	1	2, 3, 6, 7			EG2	DGZ		BRACKET
17	68005688AA	4	2, 3, 6, 7			EG2	DGZ		INSULATOR
18	68011733AA	1	2, 3, 6, 7			EG2	DGZ		INSULATOR, Wiring
19	06104675AA	4	2, 3, 6, 7			EG2	DGZ		BOLT, Pan Head, M6.0X1.00X14.00
20	68011285AA	1	2, 3, 6, 7			EG2	DGZ		CONNECTOR
21									TERMINAL
	68011877AA	AR	2, 3, 6, 7			EG2	DGZ		
	68011878AA	AR	2, 3, 6, 7			EG2, EXM	DGZ		[B28/9 B28/10]
-22	68011050AA	AR	2, 3, 6, 7			EG2	DGZ		GASKET, [B28/9 - B28/10]
23	05143912AA	1	2, 3, 6, 7			EG2, EXM	DGZ		CONNECTOR, [6 Pin M16/6]

**SPRINTER (VB)**

<b>SERIES</b>	<b>LINE</b>	<b>BODY</b>	<b>ENGINE</b>	<b>TRANSMISSION</b>
L = LOWLINE	3 = HD DODGE 2WD 6 = Lt. Duty DODGE 4WD 2 = Med. Duty DODGE 2WD 7 = Med. Duty DODGE 4WD	17 = VAN WHEEL BASE 7 55 = WAGON WHEEL BASE 5 15 = VAN WHEEL BASE 5 53 = 119 WB 13 = 119 WB 05 = CAB CHASSIS WHEEL BASE 5 03 = CAB CHASSIS WHEEL BASE 3	EG2 = 3.5L V6 Gas Engine EXM = 3.0L V6 Turbo Diesel Engine	DGZ = 5-Speed Auto W5A380 Transmission

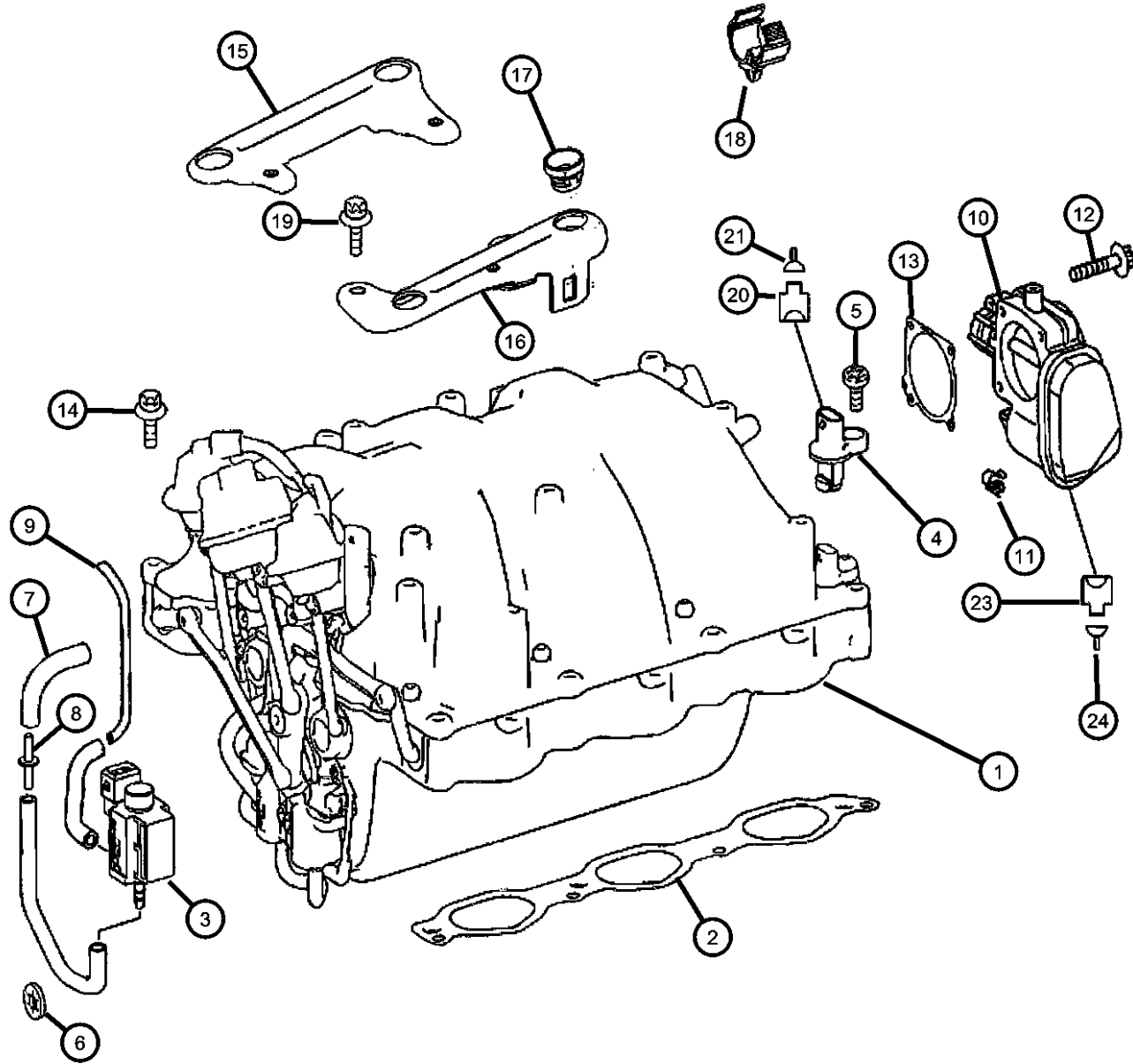
AR = use ase required - = Non illustrated part

2008 VB



**Intake Manifold 3.5L [EG2]  
Figure 009EG2-1025**

ITEM	PART NUMBER	QTY	LINE	SERIES	BODY	ENGINE	TRANS	TRIM	DESCRIPTION
24	05138911AA	AR	2, 3, 6, 7			EG2	DGZ		TERMINAL, [0.5 - 0.75 MM2; M16/6]
-25	05120859AA	99	2, 3, 6, 7			EG2	DGZ		GASKET, [0.9 - 1.3 MMS; M16/6]
-26	05135804AA	1	2, 3, 6, 7			EG2, EXM	DGZ		TUBE, Heat Shrink, Green / [0.7 - 2.4 MM2]
-27									TUBING, Heat Shrinkable
	05135854AA	1	2, 3, 6, 7			EG2, EXM	DGZ		Connector / [2.0 MM2]
	05135848AA	1	2, 3, 6, 7			EG2, EXM	DGZ		Red / [2.0 - 4.0 MM2]
	05135849AA	1	2, 3, 6, 7			EXM, EG2	DGZ		Blue / [3.5 - 8.0 MM2]
	05135850AA	1	2, 3, 6, 7			EG2, EXM	DGZ		Yellow / [7.5 - 12. MM2]
	05135851AA	1	2, 3, 6, 7			EG2, EXM	DGZ		Connector / [0.5 MM2]
	05135852AA	1	2, 3, 6, 7			EG2, EXM	DGZ		Connector / [0.8 MM2]
	05135853AA	1	2, 3, 6, 7			EG2, EXM	DGZ		Connector / [1.3 MM2]



**SPRINTER (VB)**

<b>SERIES</b>	<b>LINE</b>	<b>BODY</b>	<b>ENGINE</b>	<b>TRANSMISSION</b>
L = LOWLINE	3 = HD DODGE 2WD 6 = Lt. Duty DODGE 4WD 2 = Med. Duty DODGE 2WD 7 = Med. Duty DODGE 4WD	17 = VAN WHEEL BASE 7 55 = WAGON WHEEL BASE 5 15 = VAN WHEEL BASE 5 53 = 119 WB 13 = 119 WB 05 = CAB CHASSIS WHEEL BASE 5 03 = CAB CHASSIS WHEEL BASE 3	EG2 = 3.5L V6 Gas Engine EXM = 3.0L V6 Turbo Diesel Engine	DGZ = 5-Speed Auto W5A380 Transmission

AR = use ase required - = Non illustrated part

**Crankcase Ventilation 3.5L [EG2]  
Figure 009EG2-1105**

ITEM	PART NUMBER	QTY	LINE	SERIES	BODY	ENGINE	TRANS	TRIM	DESCRIPTION
------	-------------	-----	------	--------	------	--------	-------	------	-------------

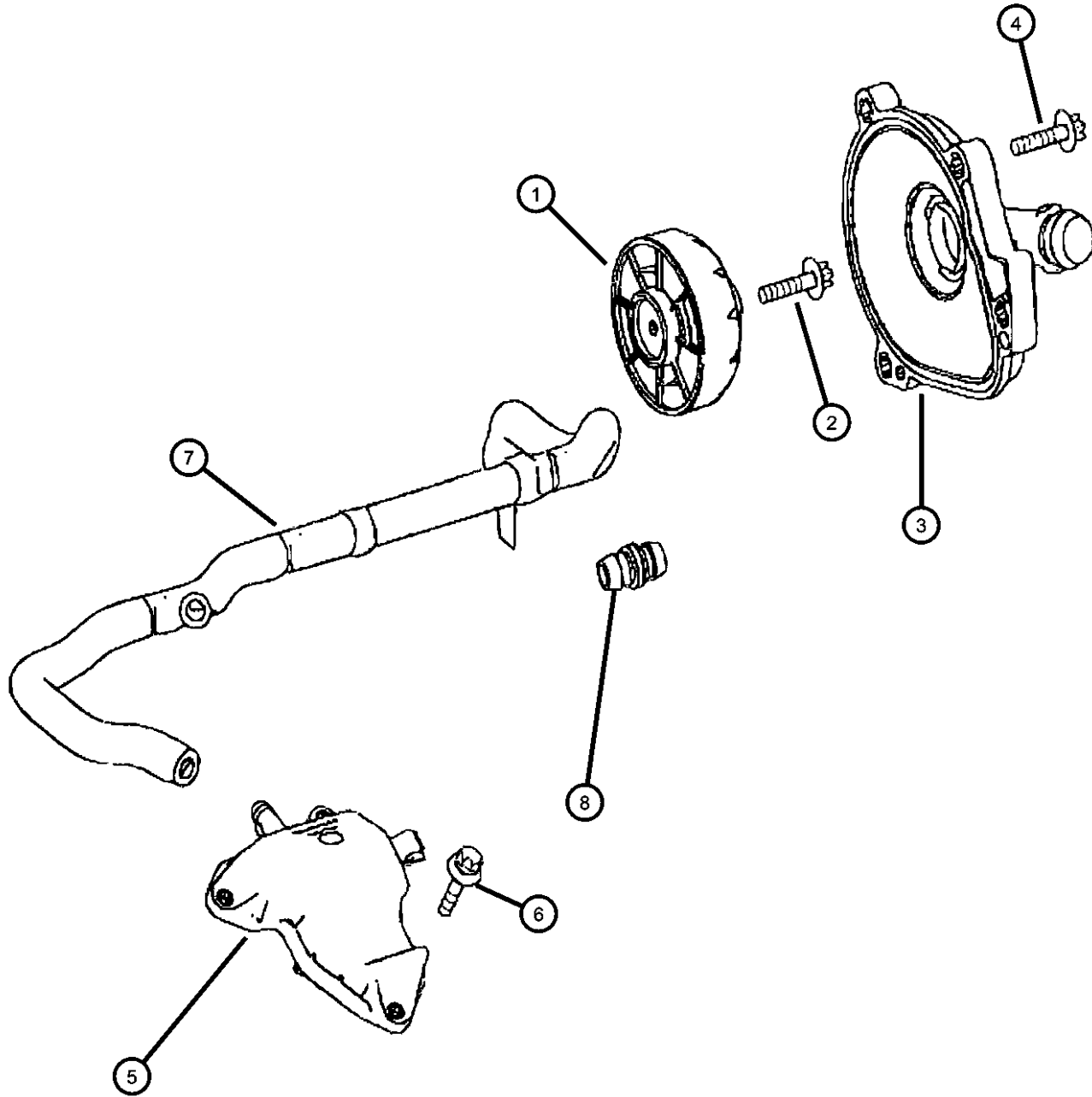
NOTE:

Sales Codes:

[DGZ]=5 Speed Automatic Transmission [W5A380]

[EG2]=3.5L V-6 Gas Engine - [Mercedes Benz]

1	68013305AA	1	2, 3, 6, 7			EG2	DGZ		PAN, Oil
2	68013306AA	1	2, 3, 6, 7			EG2	DGZ		SCREW, [M6x30]
3	68013307AA	1	2, 3, 6, 7			EG2	DGZ		HOUSING
4	06104007AA	4	2, 3, 6, 7			EG2	DGZ		SCREW, [M6x25]
5	68013310AA	1	2, 3, 6, 7			EG2	DGZ		COVER
6	06104005AA	3	2, 3, 6, 7			EG2	DGZ		BOLT, 6 Lobe External Head, M6X1.00X16.00
7	68013299AA	1	2, 3, 6, 7			EG2	DGZ		HOSE
8	68013303AA	3	2, 3, 6, 7			EG2	DGZ		CONNECTOR



**SPRINTER (VB)**

SERIES

L = LOWLINE

LINE

3 = HD DODGE 2WD  
6 = Lt. Duty DODGE 4WD  
2 = Med. Duty DODGE 2WD  
7 = Med. Duty DODGE 4WD

BODY

17 = VAN WHEEL BASE 7  
55 = WAGON WHEEL BASE 5  
15 = VAN WHEEL BASE 5  
53 = 119 WB  
13 = 119 WB  
05 = CAB CHASSIS WHEEL BASE 5  
03 = CAB CHASSIS WHEEL BASE 3

ENGINE

EG2 = 3.5L V6 Gas Engine  
EXM = 3.0L V6 Turbo Diesel Engine

TRANSMISSION

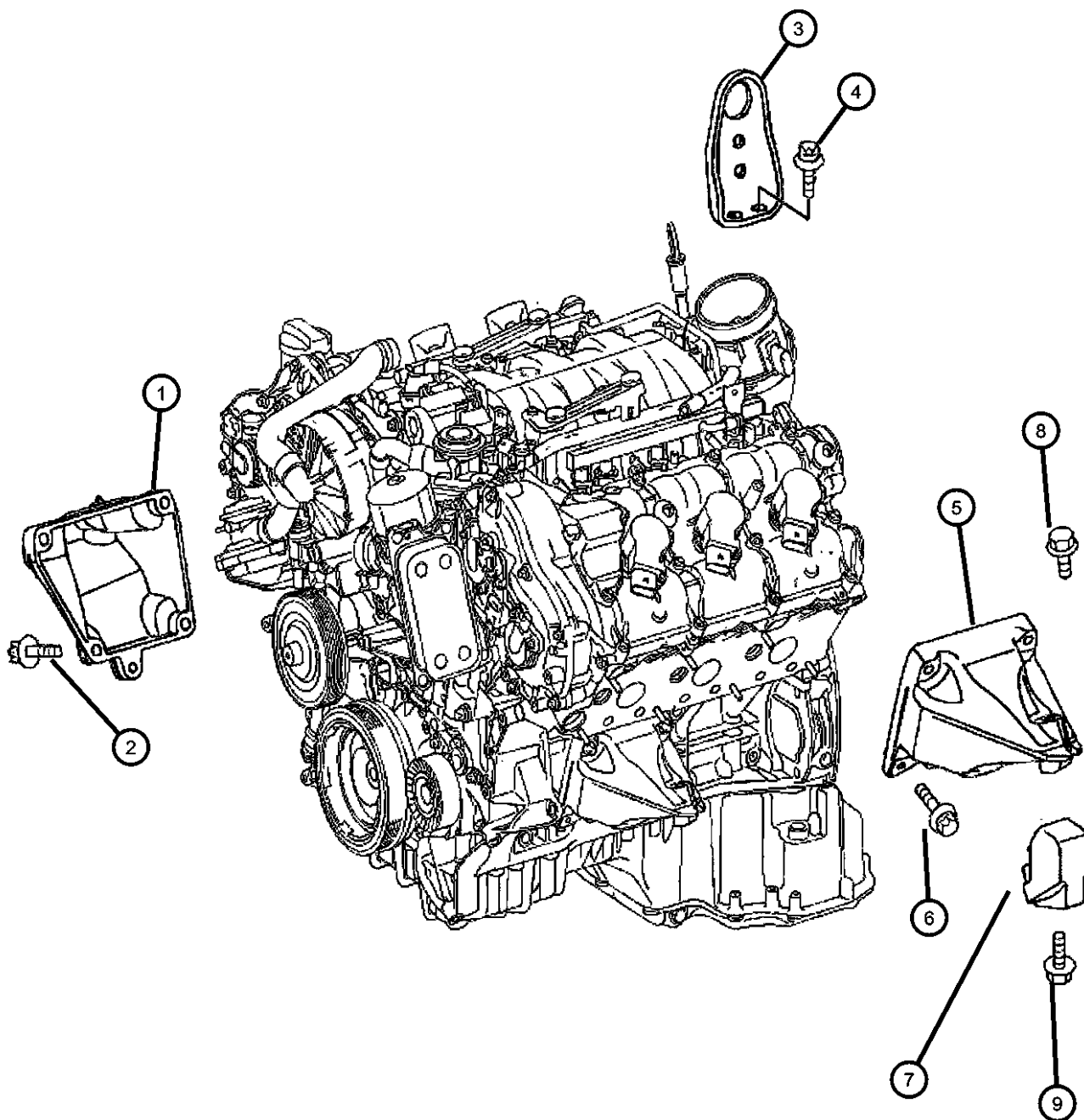
DGZ = 5-Speed Auto W5A380 Transmission

AR = use ase required - = Non illustrated part

2008 VB

**Engine Mounting Right Side RWD/2WD 3.5L [EG2]  
Figure 009EG2-1230**

ITEM	PART NUMBER	QTY	LINE	SERIES	BODY	ENGINE	TRANS	TRIM	DESCRIPTION
NOTE: Sales Code: [DGZ]=5 Speed Automatic Transmission [W5A380] [EG2]=3.5L V-6 Gas Engine [Mercedes Benz]									
1	68013869AA	1	2, 3, 6, 7			EG2	DGZ		SUPPORT, EngineRight
2	05096986AA	4	2, 3, 6, 7			EG2	DGZ		BOLT
3	68013870AA	2	2, 3, 6, 7			EG2	DGZ		EYE, Tow
4	68013871AA	4	2, 3, 6, 7			EG2	DGZ		SCREW
5	68013868AA	1	2, 6			EG2	DGZ		SUPPORT, Engine Left
		1	3, 7			EG2	DGZ		Left
6	05096986AA	4	2, 3, 6, 7			EG2	DGZ		BOLT
7	68005194AA	2	2, 3, 6, 7			EG2	DGZ		BRACKET AND INSULATOR, Engine MountingRight & Left
8	06104041AA	2	2, 3, 6, 7		EG2, EXM		DGZ		SCREW, [M10x16], Right And Left, Lower
9	06104041AA	2							BOLT, (NOT SERVICED)
-10	06104041AA	2							SCREW, Hex Flange Head, M10x1.5x65, (NOT SERVICED)



**SPRINTER (VB)**

SERIES LINE  
L = LOWLINE 3 = HD DODGE 2WD  
6 = Lt. Duty DODGE 4WD  
2 = Med. Duty DODGE 2WD  
7 = Med. Duty DODGE 4WD

BODY  
17 = VAN WHEEL BASE 7  
55 = WAGON WHEEL BASE 5  
15 = VAN WHEEL BASE 5  
53 = 119 WB  
13 = 119 WB  
05 = CAB CHASSIS WHEEL  
BASE 5  
03 = CAB CHASSIS WHEEL  
BASE 3

ENGINE  
EG2 = 3.5L V6 Gas Engine  
EXM = 3.0L V6 Turbo Diesel  
Engine

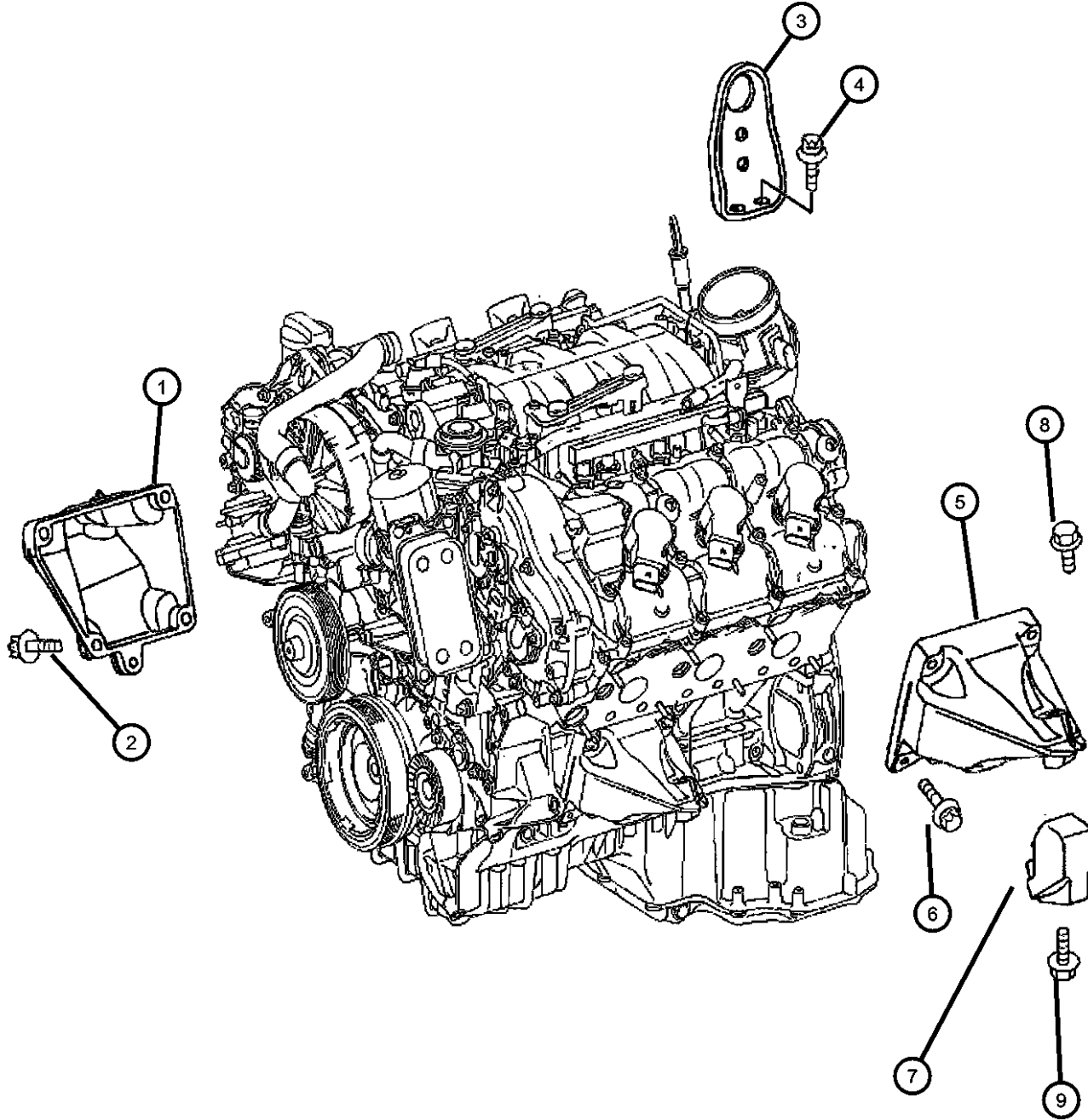
TRANSMISSION  
DGZ = 5-Speed Auto W5A380  
Transmission

AR = use ase required - = Non illustrated part

2008 VB

**Engine Mounting Left Side RWD/2WD 3.5L [EG2]  
Figure 009EG2-1250**

ITEM	PART NUMBER	QTY	LINE	SERIES	BODY	ENGINE	TRANS	TRIM	DESCRIPTION
NOTE: Sales Code: [DGZ]=5 Speed Automatic Transmission [W5A380] [EG2]=3.5L V-6 Gas Engine [Mercedes Benz]									
1	68013869AA	1	2, 3, 6, 7			EG2	DGZ		SUPPORT, EngineRight
2	05096986AA	4	2, 3, 6, 7			EG2	DGZ		BOLT
3	68013870AA	2	2, 3, 6, 7			EG2	DGZ		EYE, Tow
4	68013871AA	4	2, 3, 6, 7			EG2	DGZ		SCREW
5	68013868AA	1	2, 6			EG2	DGZ		SUPPORT, Engine Left
		1	3, 7			EG2	DGZ		Left
6	05096986AA	4	2, 3, 6, 7			EG2	DGZ		BOLT
7	68005194AA	2	2, 3, 6, 7			EG2	DGZ		BRACKET AND INSULATOR, Engine MountingRight & Left
8	06104041AA	2	2, 3, 6, 7		EG2, EXM		DGZ		SCREW, [M10x16], Right And Left, Lower
9	06104041AA	2							BOLT, (NOT SERVICED)
-10	06104041AA	2							SCREW, Hex Flange Head, M10x1.5x65, (NOT SERVICED)



**SPRINTER (VB)**

SERIES	LINE
L = LOWLINE	3 = HD DODGE 2WD 6 = Lt. Duty DODGE 4WD 2 = Med. Duty DODGE 2WD 7 = Med. Duty DODGE 4WD

BODY
17 = VAN WHEEL BASE 7 55 = WAGON WHEEL BASE 5 15 = VAN WHEEL BASE 5 53 = 119 WB 13 = 119 WB 05 = CAB CHASSIS WHEEL BASE 5 03 = CAB CHASSIS WHEEL BASE 3

ENGINE	TRANSMISSION
EG2 = 3.5L V6 Gas Engine EXM = 3.0L V6 Turbo Diesel Engine	DGZ = 5-Speed Auto W5A380 Transmission

AR = use ase required - = Non illustrated part

2008 VB

# Group - 009EXM

3.0L Turbo Diesel; Engine

<b>009EXM-100</b> Engine Identification	<b>009EXM-1000</b> Manifolds and Vacuum Fittings	<b>009EXM-1100</b> Crankcase Ventilation	<b>009EXM-1200</b> Engine Mounting
<b>009EXM-200</b> Cylinder Head	<b>009EXM-300</b> Cylinder Block	<b>009EXM-400</b> Crankshaft, Piston, Drive Plate, Flywheel, and Damper	<b>009EXM-500</b> Camshaft and Valve
<b>009EXM-600</b> Timing Belt/Chain and Cover and Balance Shaft	<b>009EXM-700</b> Engine Oiling, Oil Pan and Indicator (Dipstick)	<b>009EXM-800</b> Engine Oil Cooler	<b>009EXM-900</b> Turbo and Super Chargers

---

## Group - 009EXM 3.0L Turbo Diesel; Engine

Illustration Title	Group-Fig. No.
<b>Engine Identification</b>	
Engine Assembly And Identification .....	Fig. 009EXM - 105
<b>Cylinder Head</b>	
Cylinder Head Cover .....	Fig. 009EXM - 205
Cylinder Head .....	Fig. 009EXM - 225
<b>Cylinder Block</b>	
Engine Cylinder Block And Hardware .....	Fig. 009EXM - 305
<b>Crankshaft, Piston, Drive Plate, Flywheel, and Damper</b>	
Crankshaft, Crankshaft Bearings, Dampner, Flywheel And Flexplate .....	Fig. 009EXM - 405
Pistons, Piston Rings, Connecting Rods And Connecting Rod Bearings .....	Fig. 009EXM - 425
Balance Shaft .....	Fig. 009EXM - 426
<b>Camshaft and Valve</b>	
Camshafts And Valvetrain .....	Fig. 009EXM - 505
Camshafts And Valvetrain .....	Fig. 009EXM - 506
<b>Timing Belt/Chain and Cover and Balance Shaft</b>	
Timing Case Cover .....	Fig. 009EXM - 605
Balance Shafts .....	Fig. 009EXM - 645
<b>Engine Oiling, Oil Pan and Indicator (Dipstick)</b>	
Engine Oiling Pump .....	Fig. 009EXM - 705
Engine Oil Pan, Engine Oil level Indicator And Related Parts .....	Fig. 009EXM - 725
Engine Oil Pan, Engine Oil level Indicator And Related Parts .....	Fig. 009EXM - 727
Engine Oil Filter, Adapter And Splash Guard .....	Fig. 009EXM - 745
<b>Engine Oil Cooler</b>	
Engine Oil Cooler And Hoses/Tubes .....	Fig. 009EXM - 805
<b>Turbo and Super Chargers</b>	
Turbo Charger And Oil Hoses/Tubes .....	Fig. 009EXM - 925
<b>Manifolds and Vacuum Fittings</b>	
Exhaust Manifold And Heat Shields .....	Fig. 009EXM - 1005
Exhaust Gas Recirculation Cooler .....	Fig. 009EXM - 1010
Intake Manifold .....	Fig. 009EXM - 1025
Intake Manifold .....	Fig. 009EXM - 1045
<b>Crankcase Ventilation</b>	
Crankcase Ventilation .....	Fig. 009EXM - 1105
<b>Engine Mounting</b>	
Engine Mounting Right Side RWD/2WD .....	Fig. 009EXM - 1230
Engine Mounting Left Side RWD/2WD .....	Fig. 009EXM - 1250

**Engine Assembly And Identification  
Figure 009EXM-105**

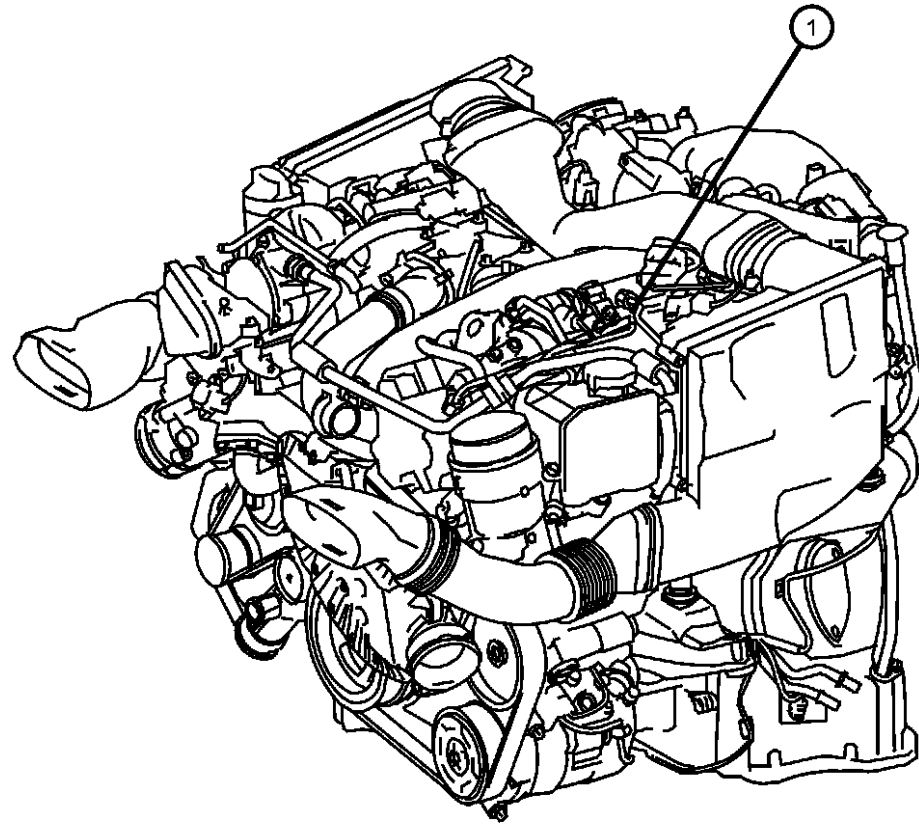
ITEM	PART NUMBER	QTY	LINE	SERIES	BODY	ENGINE	TRANS	TRIM	DESCRIPTION
------	-------------	-----	------	--------	------	--------	-------	------	-------------

NOTES:

Sales Code

[EXM] = 3.0L V6 Turbo Diesel Engine

1	68006004AA	1	2, 3, 6, 7			EXM	DGZ		ENGINE, Complete
---	------------	---	------------	--	--	-----	-----	--	------------------



**SPRINTER (VB)**

SERIES	LINE	BODY	ENGINE	TRANSMISSION
L = LOWLINE	3 = HD DODGE 2WD 6 = Lt. Duty DODGE 4WD 2 = Med. Duty DODGE 2WD 7 = Med. Duty DODGE 4WD	17 = VAN WHEEL BASE 7 55 = WAGON WHEEL BASE 5 15 = VAN WHEEL BASE 5 53 = 119 WB 13 = 119 WB 05 = CAB CHASSIS WHEEL BASE 5 03 = CAB CHASSIS WHEEL BASE 3	EG2 = 3.5L V6 Gas Engine EXM = 3.0L V6 Turbo Diesel Engine	DGZ = 5-Speed Auto W5A380 Transmission

AR = use ase required - = Non illustrated part

2008 VB

**Cylinder Head Cover  
Figure 009EXM-205**

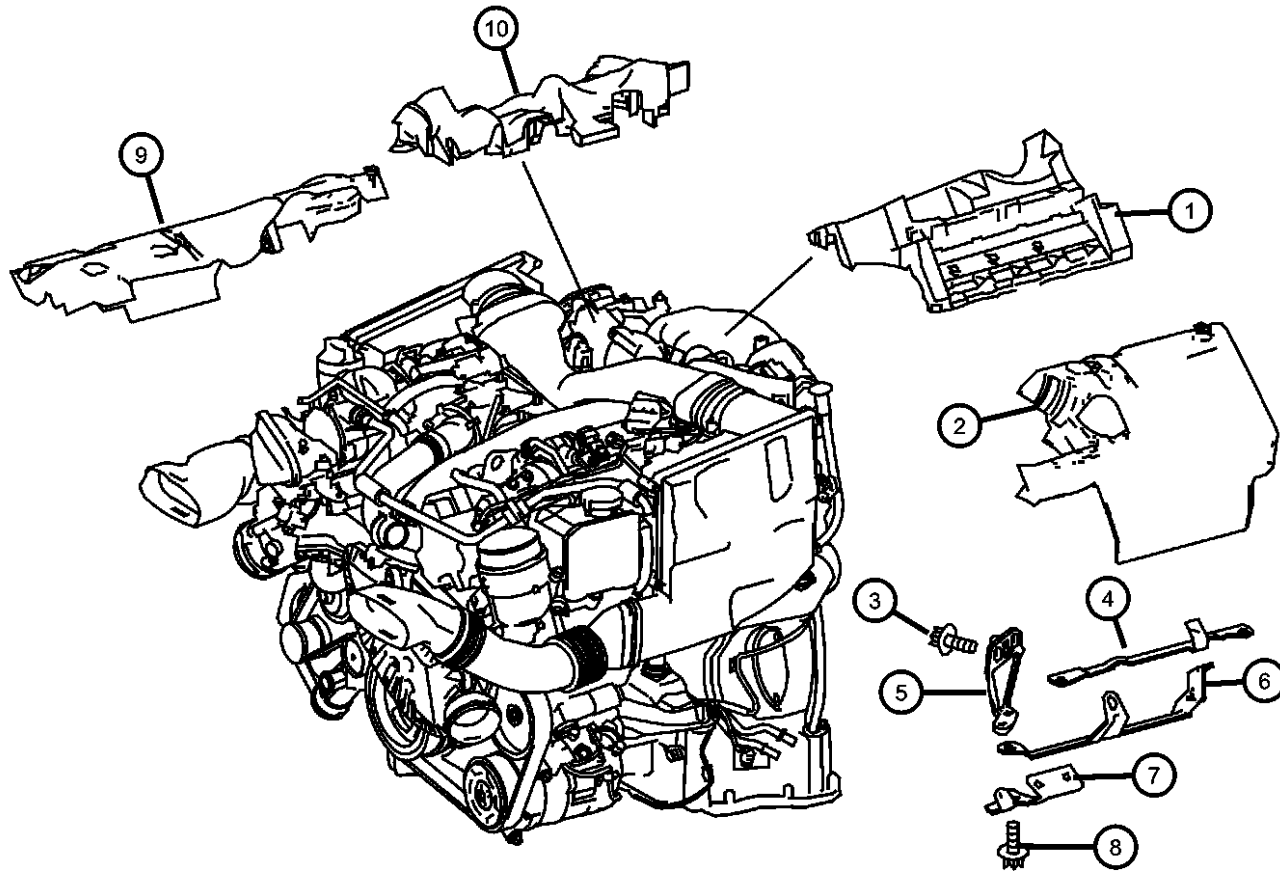
ITEM	PART NUMBER	QTY	LINE	SERIES	BODY	ENGINE	TRANS	TRIM	DESCRIPTION
------	-------------	-----	------	--------	------	--------	-------	------	-------------

NOTES:

Sales Code

[EXM] = 3.0L V6 Turbo Diesel Engine

1	68012371AA	1	2, 3, 6, 7			EXM	DGZ		COVER, Left-ZJ9
2	68012372AA	1	2, 3, 6, 7			EXM	DGZ		COVER, Engine, ZJ9
3	06104006AA	2	2, 3, 6, 7			EXM	DGZ		BOLT, Torx Socket Head, M6X1.00X20.00
4	68012387AA	1	2, 3, 6, 7			EXM	DGZ		BRACKET, Engine Covering
5	68012388AA	1	2, 3, 6, 7			EXM	DGZ		BRACKET, Engine Covering
6	68012388AA	1	2, 3, 6, 7			EXM	DGZ		BRACKET, Engine Covering
7	68012390AA	1	2, 3, 6, 7			EXM	DGZ		BRACKET, Engine Covering
8	06104004AA	1	2, 3, 6, 7			EXM	DGZ		BOLT, Bracket to Cylinder Head M6x12
9	68012385AA	1	2, 3, 6, 7			EXM	DGZ		COVER, Engine
10	68012369AA	1	2, 3, 6, 7			EXM	DGZ		COVERRight



**SPRINTER (VB)**

SERIES

L = LOWLINE

LINE

3 = HD DODGE 2WD  
6 = Lt. Duty DODGE 4WD  
2 = Med. Duty DODGE 2WD  
7 = Med. Duty DODGE 4WD

BODY

17 = VAN WHEEL BASE 7  
55 = WAGON WHEEL BASE 5  
15 = VAN WHEEL BASE 5  
53 = 119 WB  
13 = 119 WB  
05 = CAB CHASSIS WHEEL BASE 5  
03 = CAB CHASSIS WHEEL BASE 3

ENGINE

EG2 = 3.5L V6 Gas Engine  
EXM = 3.0L V6 Turbo Diesel Engine

TRANSMISSION

DGZ = 5-Speed Auto W5A380 Transmission

AR = use ase required - = Non illustrated part

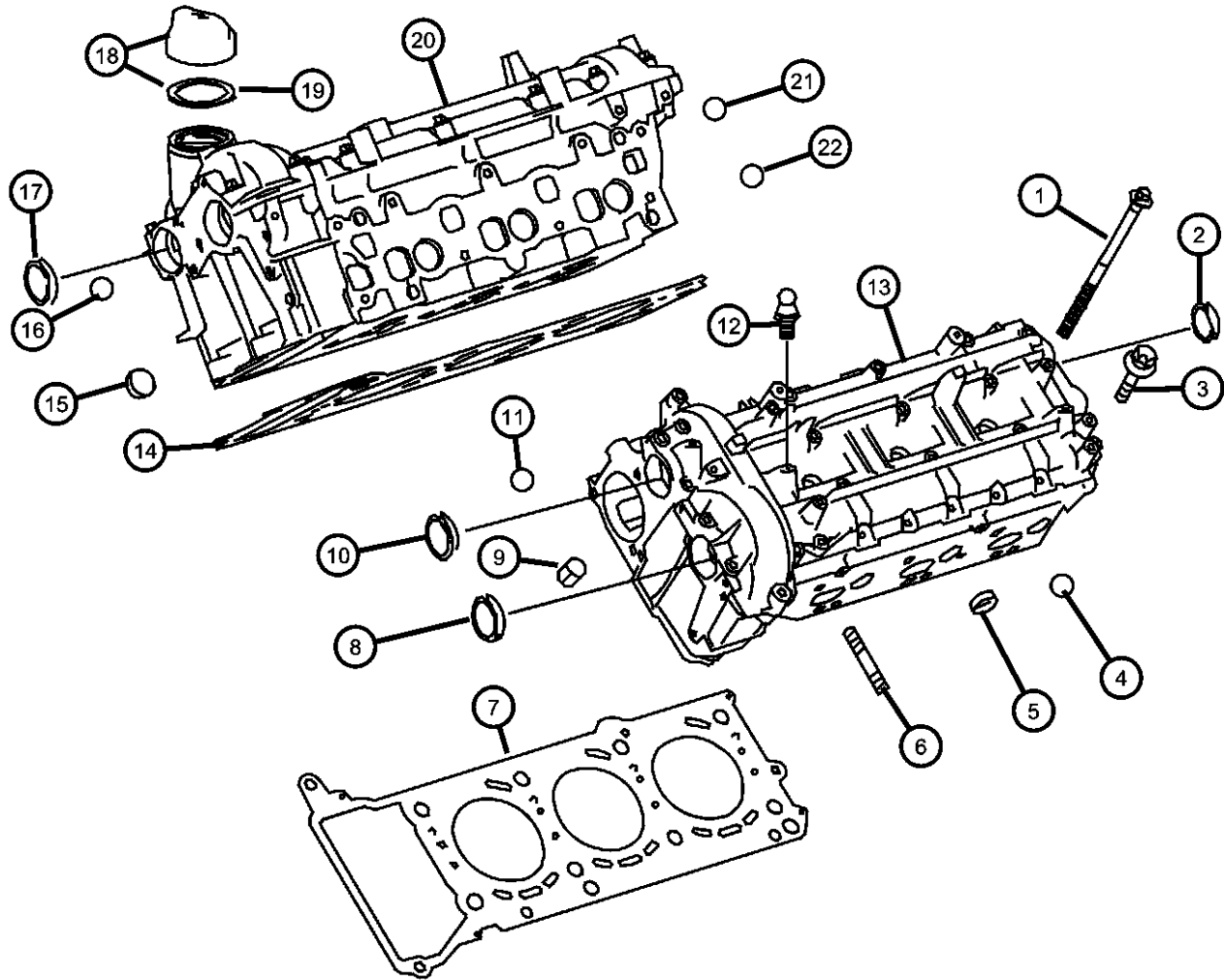
2008 VB



**Cylinder Head  
Figure 009EXM-225**

ITEM	PART NUMBER	QTY	LINE	SERIES	BODY	ENGINE	TRANS	TRIM	DESCRIPTION
------	-------------	-----	------	--------	------	--------	-------	------	-------------

NOTES:  
Sales Codes:  
[EXM] = 3.0L V6 Turbo Diesel Engine



1									BOLT
	05175446AA	8	2, 3, 6, 7			EXM	DGZ		
	05096986AA	1	2, 3, 6, 7			EXM	DGZ		M8x35
2	05175442AA	1	2, 3, 6, 7			EXM	DGZ		PLUG, Core
3									BOLT
	06104009AA	23	2, 3, 6, 7			EXM	DGZ		Cylinder Head Cover to Cylinder M6x35, Right
		23	2, 3, 6, 7			EXM	DGZ		Cylinder Head Cover to Cylinder M6x35, Left
4	05138265AA	3	2, 3, 6, 7			EXM	DGZ		BALL, Valve Cooling Bore Outlet Lock
5	05080026AB	3	2, 3, 6, 7			EXM	DGZ		PLUG, CoreRight & Left
6	05080027AA	6	2, 3, 6, 7			EXM	DGZ		STUD, Exhaust Manifold to Cylinder Head, Right & Left
7	05175445AA	1	2, 3, 6, 7			EXM	DGZ		GASKET, Cylinder Head, LeftLeft
8	05175442AA	1	2, 3, 6, 7			EXM	DGZ		PLUG, Core, Camshaft 40 MM
9	05175383AA	4	2, 3, 6, 7			EXM	DGZ		DOWEL PIN, Timing Case to Cylinder Crankcase
10	05175442AA	1	2, 3, 6, 7			EXM	DGZ		PLUG, Core, Camshaft 40MM
11	05175442AA	1							BALL, Serviced with Cylinder Head, (NOT SERVICED)
12	05179385AA	1	2, 3, 6, 7			EXM	DGZ		PIN, Locating, Attachment,Engine Cover
13	05175342AB	1	2, 3, 6, 7			EXM	DGZ		HEAD, CylinderLeft
14	05175444AA	1	2, 3, 6, 7			EXM	DGZ		GASKET, Cylinder Head, LeftRight
15	05080026AB	3	2, 3, 6, 7			EXM	DGZ		PLUG, CoreRight & Left
16	05175317AA	6	2, 3, 6, 7			EXM	DGZ		BALL, Cap,Oil Bore
17	05175442AA	1	2, 3, 6, 7			EXM	DGZ		PLUG, Core, Camshaft 40MM
18	05175447AA	1	2, 3, 6, 7			EG2, EXM	DGZ		CAP, Oil Filler
19	05080088AA	1	2, 3, 6, 7			EXM	DGZ		SEAL, Oil Fill Cap
20	05175342AB	1	2, 3, 6, 7			EXM	DGZ		HEAD, CylinderRight
21	05175317AA	6	2, 3, 6, 7			EXM	DGZ		BALL, To Plug Oil Return Bore
22	05175317AA	6							BALL, Serviced with Cylinder Head, (NOT SERVICED)

**SPRINTER (VB)**

SERIES      LINE  
L = LOWLINE    3 = HD DODGE 2WD  
                  6 = Lt. Duty DODGE 4WD  
                  2 = Med. Duty DODGE 2WD  
                  7 = Med. Duty DODGE 4WD

BODY                      ENGINE  
17 = VAN WHEEL BASE 7    EG2 = 3.5L V6 Gas Engine  
55 = WAGON WHEEL BASE 5    EXM = 3.0L V6 Turbo Diesel Engine  
15 = VAN WHEEL BASE 5  
53 = 119 WB  
13 = 119 WB  
05 = CAB CHASSIS WHEEL BASE 5  
03 = CAB CHASSIS WHEEL BASE 3

TRANSMISSION  
DGZ = 5-Speed Auto W5A380 Transmission

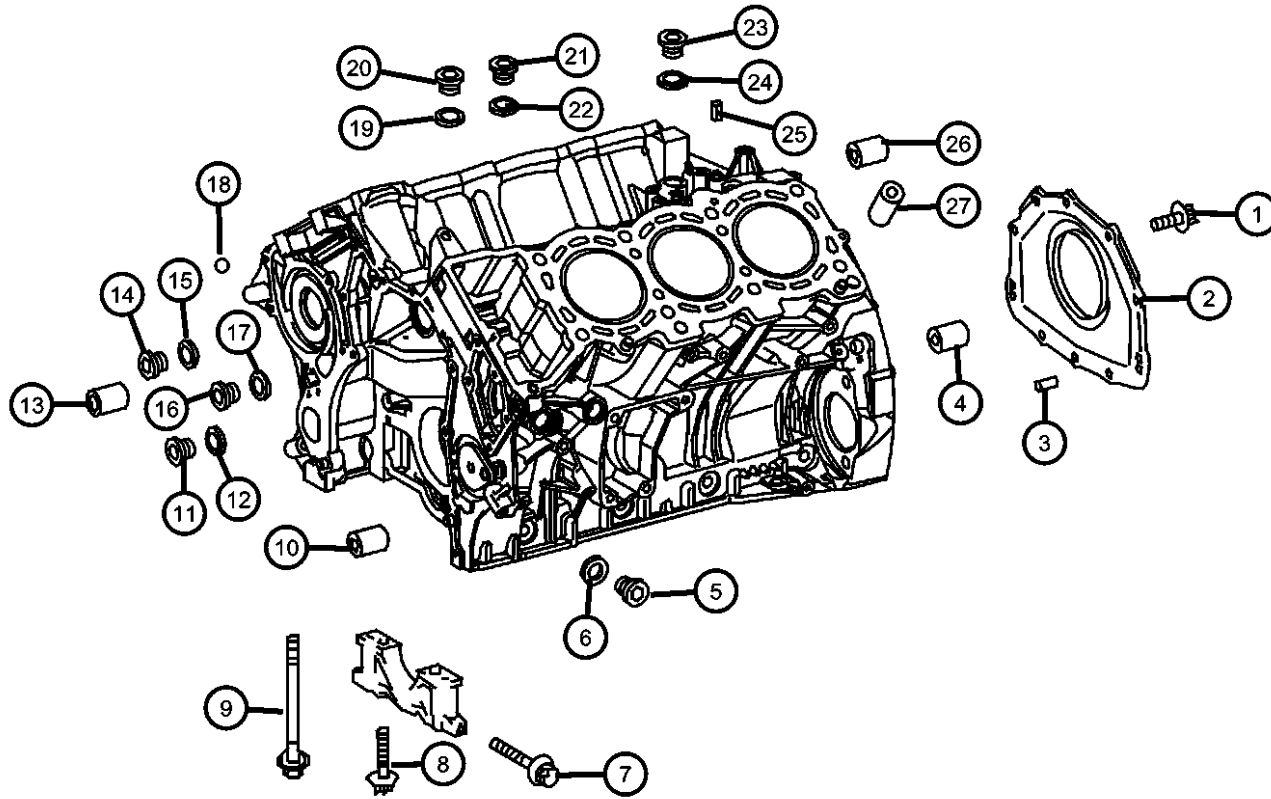
AR = use ase required    - = Non illustrated part

2008 VB

**Engine Cylinder Block And Hardware**  
**Figure 009EXM-305**

ITEM	PART NUMBER	QTY	LINE	SERIES	BODY	ENGINE	TRANS	TRIM	DESCRIPTION
------	-------------	-----	------	--------	------	--------	-------	------	-------------

NOTES:  
 Sales Code:  
 [EXM] = 3.0L V6 Turbo Diesel Engine



1	06104006AA	1	2, 3, 6, 7			EXM	DGZ		BOLT, Torx Socket Head, M6X1.00X20.00
2	68006029AA	1	2, 3, 6, 7			EXM	DGZ		RETAINER AND SEAL, Crankshaft Rear Oil, Cylinder Crankcase
3	05099279AA	2	2, 3, 6, 7			EG2	DGZ		DOWEL PIN
4	05097167AA	2	2, 3, 6, 7			EG2	DGZ		DOWEL PIN
5	06104470AA	1	2, 3, 6, 7			EXM	DGZ		PLUG, Pipe, Oil Feed
6	05073866AA	1	2, 3, 6, 7			EXM	DGZ		O RING
7	06104218AA	8	2, 3, 6, 7			EXM	DGZ		BOLT, Hex Flange Head, M10x1.50x40.00
8	05175321AA	13	2, 3, 6, 7			EXM	DGZ		BOLT, Crankshaft Bearing Cap to Cylinder Crankcase
9	05175322AA	3	2, 3, 6, 7			EXM	DGZ		BOLT, Crankshaft Bearing Cap to Cylinder Crankcase
10	05073868AA	4	2, 3, 6, 7			EXM	DGZ		DOWEL PIN, Timing Case to Cylinder Crankcase
11	06104476AA	1	2, 3, 6, 7			EXM	DGZ		PLUG, Pipe, Left Water Supply
12	05133840AA	1	2, 3, 6, 7			EXM	DGZ		O RING
13	68006024AA	1	2, 3, 6, 7			EXM	DGZ		BUSHING, Crankshaft
14	06104468AA	1	2, 3, 6, 7			EXM	DGZ		PLUG, Pipe, Water Return
15	05175316AA	1	2, 3, 6, 7			EXM	DGZ		O RING
16	06104470AA	1	2, 3, 6, 7			EXM	DGZ		PLUG, Pipe, Differential Shaft
17	05073866AA	1	2, 3, 6, 7			EXM	DGZ		O RING
18	05175317AA	6	2, 3, 6, 7			EXM	DGZ		BALL, Oil Return Vacuum Pump
19	05133840AA	1	2, 3, 6, 7			EXM	DGZ		O RING
20	06104476AA	1	2, 3, 6, 7			EXM	DGZ		PLUG, Pipe
21	06104472AA	2	2, 3, 6, 7			EXM	DGZ		PLUG, Pipe, Differential Shaft
22	05175309AA	2	2, 3, 6, 7			EXM	DGZ		O RING
23	06104464AA	1	2, 3, 6, 7			EXM	DGZ		PLUG, Pipe, Feed
24	05175317AA	6	2, 3, 6, 7			EXM	DGZ		BALL, Oil Return Vacuum Pump
25	05083930AA	2	2, 3, 6, 7			EXM	DGZ		DOWEL PIN, Turbocharger to Crankcase

**SPRINTER (VB)**

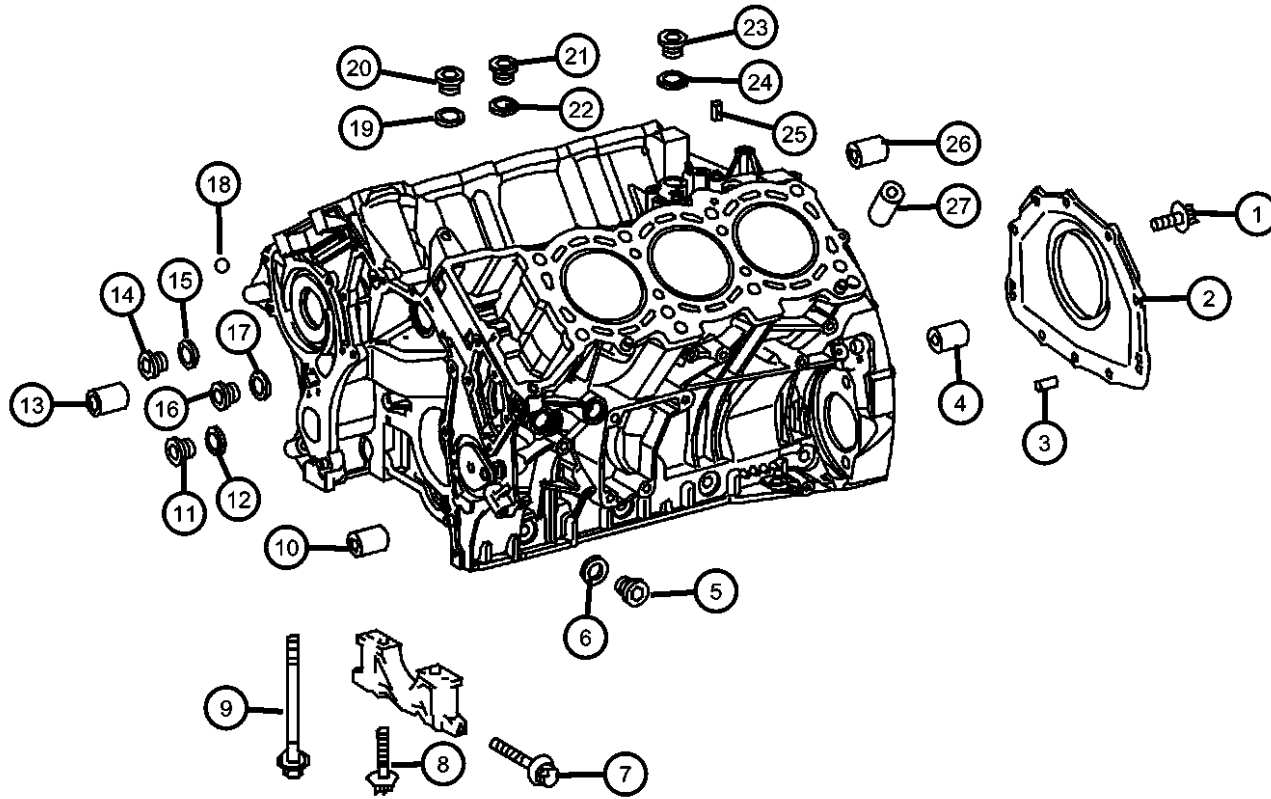
SERIES	LINE	BODY	ENGINE	TRANSMISSION
L = LOWLINE	3 = HD DODGE 2WD 6 = Lt. Duty DODGE 4WD 2 = Med. Duty DODGE 2WD 7 = Med. Duty DODGE 4WD	17 = VAN WHEEL BASE 7 55 = WAGON WHEEL BASE 5 15 = VAN WHEEL BASE 5 53 = 119 WB 13 = 119 WB 05 = CAB CHASSIS WHEEL BASE 5 03 = CAB CHASSIS WHEEL BASE 3	EG2 = 3.5L V6 Gas Engine EXM = 3.0L V6 Turbo Diesel Engine	DGZ = 5-Speed Auto W5A380 Transmission

AR = use ase required - = Non illustrated part

2008 VB

**Engine Cylinder Block And Hardware**  
**Figure 009EXM-305**

ITEM	PART NUMBER	QTY	LINE	SERIES	BODY	ENGINE	TRANS	TRIM	DESCRIPTION
26	05175323AA	1	2, 3, 6, 7			EXM	DGZ		BUSHING, Crankshaft, Differential Shaft to Crankcase
27	05073868AA	4	2, 3, 6, 7			EXM	DGZ		DOWEL PIN, Cylinder Head to Cylinder Crankcase



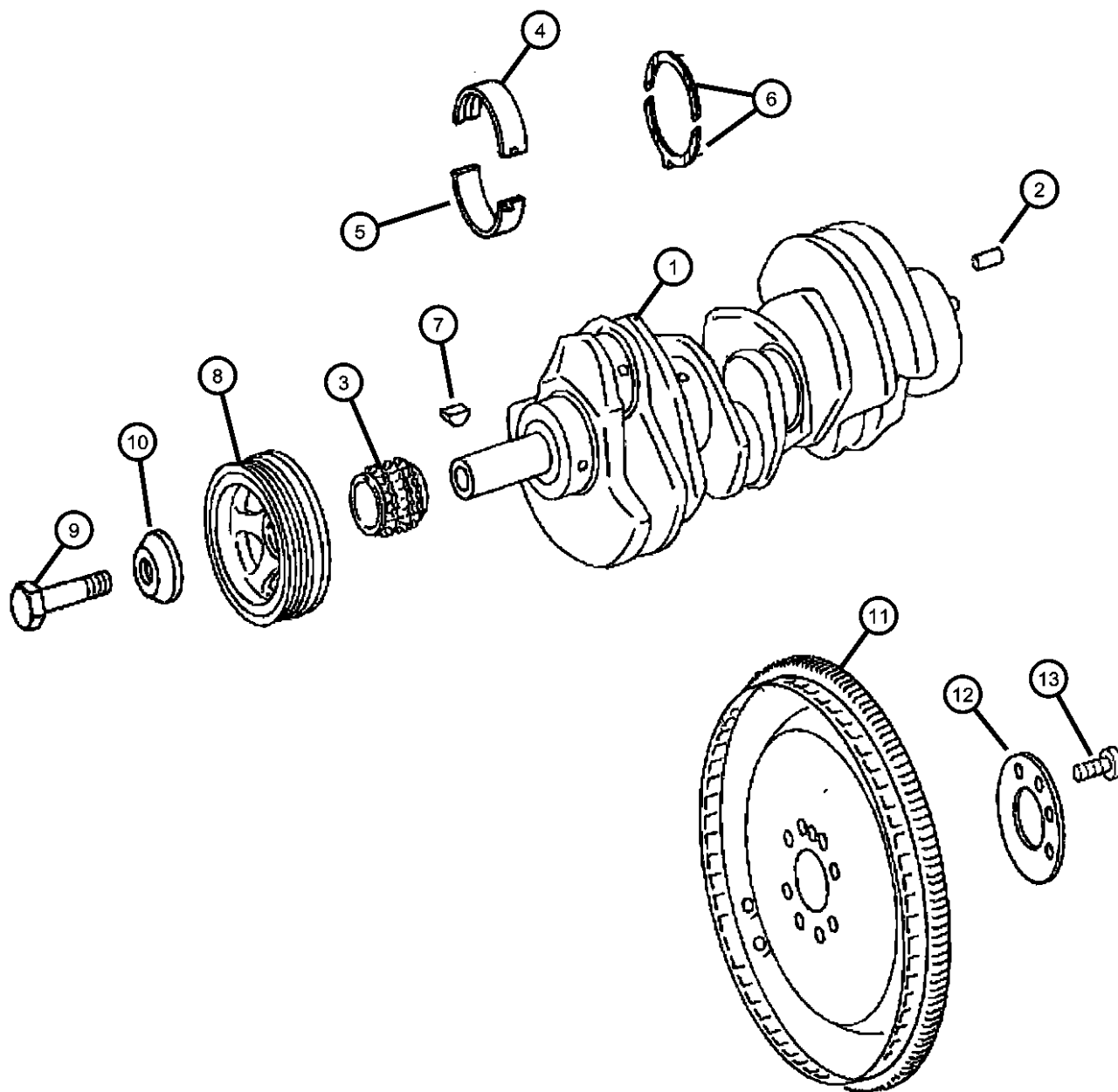
**SPRINTER (VB)**

SERIES	LINE	BODY	ENGINE	TRANSMISSION
L = LOWLINE	3 = HD DODGE 2WD 6 = Lt. Duty DODGE 4WD 2 = Med. Duty DODGE 2WD 7 = Med. Duty DODGE 4WD	17 = VAN WHEEL BASE 7 55 = WAGON WHEEL BASE 5 15 = VAN WHEEL BASE 5 53 = 119 WB 13 = 119 WB 05 = CAB CHASSIS WHEEL BASE 5 03 = CAB CHASSIS WHEEL BASE 3	EG2 = 3.5L V6 Gas Engine EXM = 3.0L V6 Turbo Diesel Engine	DGZ = 5-Speed Auto W5A380 Transmission

AR = use ase required - = Non illustrated part

2008 VB

**Crankshaft, Crankshaft Bearings, Dampner, Flywheel And Flexplate  
Figure 009EXM-405**



ITEM	PART NUMBER	QTY	LINE	SERIES	BODY	ENGINE	TRANS	TRIM	DESCRIPTION
------	-------------	-----	------	--------	------	--------	-------	------	-------------

NOTE: Bearings Only Serviced By Color, Standard Size Only. Over Size Bearings Are Not Serviced. Please Refer To Service Manual For Additional Sales Code  
[EXM] = 3.0L V6 Turbo Diesel

1	05179462AA	1	2, 3, 6, 7			EXM	DGZ		CRANKSHAFT AND KEY
2	05080024AA	1	2, 3, 6, 7			EXM	DGZ		DOWEL PIN
3	05175345AA	1	2, 3, 6, 7			EXM	DGZ		GEAR, Crankshaft
4									BEARING, Crankshaft
	05179441AA	4	2, 3, 6, 7			EXM	DGZ		Bearing Color [Blue], Upper, Crank Shaft, Bearing
	05179442AA	4	2, 3, 6, 7			EXM	DGZ		Bearing Color [Yellow], Upper, Crank Shaft, Bearing
	05179443AA	4	2, 3, 6, 7			EXM	DGZ		Bearing Color [Red], Upper, Crank Shaft, Bearing
5									BEARING, Crankshaft
	05179444AA	4	2, 3, 6, 7			EXM	DGZ		Bearing Color [Blue], Lower, Crankshaft, Bearing
	05179445AA	4	2, 3, 6, 7			EXM	DGZ		Bearing Color [Yellow], Lower, Crankshaft, Bearing
	05179446AA	4	2, 3, 6, 7			EXM	DGZ		Bearing Color [Red], Lower, Crankshaft, Bearing
6									THRUST BEARING
	05175357AA	2	2, 3, 6, 7			EXM	DGZ		Standard Size [2.15MM]
	05175358AA	2	2, 3, 6, 7			EXM	DGZ		Standard Size [2.20MM]
7	05101484AB	1	2, 3, 6, 7			EXM	DGZ		KEY, Woodruff
8	68013978AA	1	2, 3, 6, 7			EXM	DGZ		DAMPER, Crankshaft
9	06104301AA	1	2, 3, 6, 7			EXM	DGZ		BOLT, Hex Flange Head, M18x1.50x80.00
10	05080005AA	1	2, 3, 6, 7			EXM	DGZ		WASHER
11	05175957AA	1	2, 3, 6, 7			EXM	DGZ		FLEX PLATE
12	05139838AA	1	2, 3, 6, 7			EXM	DGZ		PLATE, Flexplate Backing
13	05073700AB	8	2, 3, 6, 7			EXM	DGZ		SCREW

**SPRINTER (VB)**

SERIES	LINE	BODY	ENGINE	TRANSMISSION
L = LOWLINE	3 = HD DODGE 2WD 6 = Lt. Duty DODGE 4WD 2 = Med. Duty DODGE 2WD 7 = Med. Duty DODGE 4WD	17 = VAN WHEEL BASE 7 55 = WAGON WHEEL BASE 5 15 = VAN WHEEL BASE 5 53 = 119 WB 13 = 119 WB 05 = CAB CHASSIS WHEEL BASE 5 03 = CAB CHASSIS WHEEL BASE 3	EG2 = 3.5L V6 Gas Engine EXM = 3.0L V6 Turbo Diesel Engine	DGZ = 5-Speed Auto W5A380 Transmission

AR = use ase required - = Non illustrated part

2008 VB

**Pistons, Piston Rings, Connecting Rods And Connecting Rod Bearings**  
**Figure 009EXM-425**

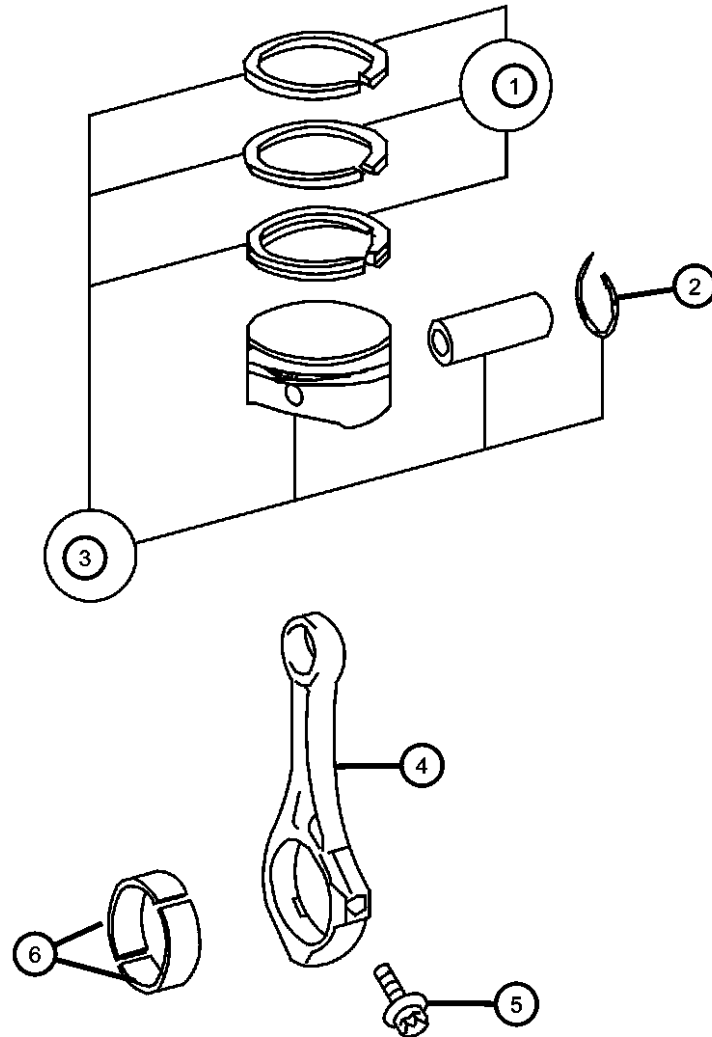
ITEM	PART NUMBER	QTY	LINE	SERIES	BODY	ENGINE	TRANS	TRIM	DESCRIPTION
------	-------------	-----	------	--------	------	--------	-------	------	-------------

NOTES:

Sales Code

[EXM] = 3.0L V6 Turbo Diesel Engine

1	05175364AA	3	2, 3, 6, 7			EXM	DGZ		RING, Piston, Parts Kit
2									RING KIT, Piston
	05080034AA	6	2, 3, 6, 7			EXM	DGZ		Din 73130-C30x2.0, Right
		6	2, 3, 6, 7			EXM	DGZ		Din 73130-C30x2.0, Left
3	68013987AA	3	2, 3, 6, 7			EXM	DGZ		PISTON & PIN ASSY, StandardRight
4	68013979AA	6	2, 3, 6, 7			EXM	DGZ		ROD, Connecting
5	05179418AA	12	2, 3, 6, 7			EXM	DGZ		BOLT, Connecting Rod
6	05175363AB	6	2, 3, 6, 7			EXM	DGZ		BEARING, Connecting Rod, STD., Parts Kit



**SPRINTER (VB)**

SERIES	LINE	BODY	ENGINE	TRANSMISSION
L = LOWLINE	3 = HD DODGE 2WD 6 = Lt. Duty DODGE 4WD 2 = Med. Duty DODGE 2WD 7 = Med. Duty DODGE 4WD	17 = VAN WHEEL BASE 7 55 = WAGON WHEEL BASE 5 15 = VAN WHEEL BASE 5 53 = 119 WB 13 = 119 WB 05 = CAB CHASSIS WHEEL BASE 5 03 = CAB CHASSIS WHEEL BASE 3	EG2 = 3.5L V6 Gas Engine EXM = 3.0L V6 Turbo Diesel Engine	DGZ = 5-Speed Auto W5A380 Transmission

AR = use ase required - = Non illustrated part

2008 VB

**Balance Shaft  
Figure 009EXM-426**

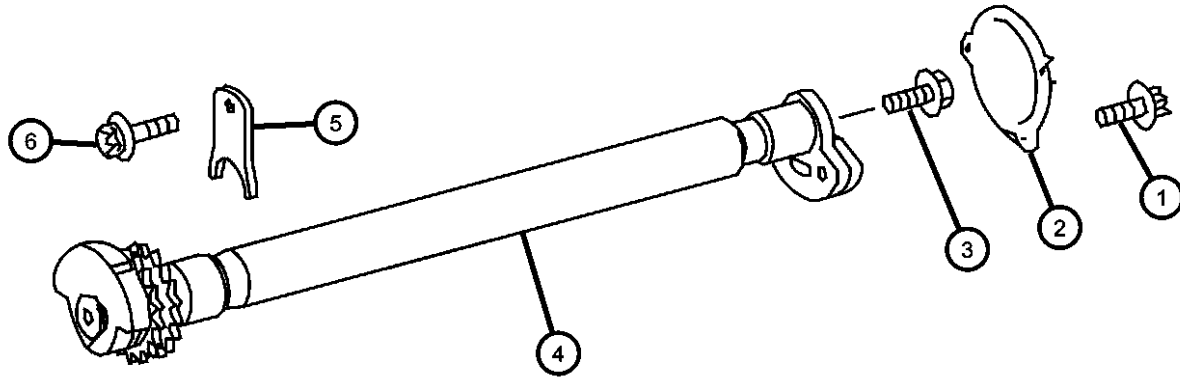
ITEM	PART NUMBER	QTY	LINE	SERIES	BODY	ENGINE	TRANS	TRIM	DESCRIPTION
------	-------------	-----	------	--------	------	--------	-------	------	-------------

NOTES:

Sales Code

[EXM] = 3.0L V6 Turbo Diesel Engine

1	06104004AA	3	2, 3, 6, 7			EXM	DGZ		BOLT, Cover Attachment M6x12
2	05175362AB	1	2, 3, 6, 7			EXM	DGZ		COVER, Balance Shaft
3	05102898AA	1	2, 3, 6, 7			EXM	DGZ		BOLT, M8x50x10.9
4	05175346AA	1	2, 3, 6, 7			EXM	DGZ		SHAFT, Balance
5	05175360AA	1	2, 3, 6, 7			EXM	DGZ		WASHER
6	06104005AA	1	2, 3, 6, 7			EXM	DGZ		BOLT, 6 Lobe External Head, M6X1.00X16.00



**SPRINTER (VB)**

SERIES	LINE	BODY	ENGINE	TRANSMISSION
L = LOWLINE	3 = HD DODGE 2WD 6 = Lt. Duty DODGE 4WD 2 = Med. Duty DODGE 2WD 7 = Med. Duty DODGE 4WD	17 = VAN WHEEL BASE 7 55 = WAGON WHEEL BASE 5 15 = VAN WHEEL BASE 5 53 = 119 WB 13 = 119 WB 05 = CAB CHASSIS WHEEL BASE 5 03 = CAB CHASSIS WHEEL BASE 3	EG2 = 3.5L V6 Gas Engine EXM = 3.0L V6 Turbo Diesel Engine	DGZ = 5-Speed Auto W5A380 Transmission

AR = use ase required - = Non illustrated part

2008 VB

**Camshafts And Valvetrain  
Figure 009EXM-505**

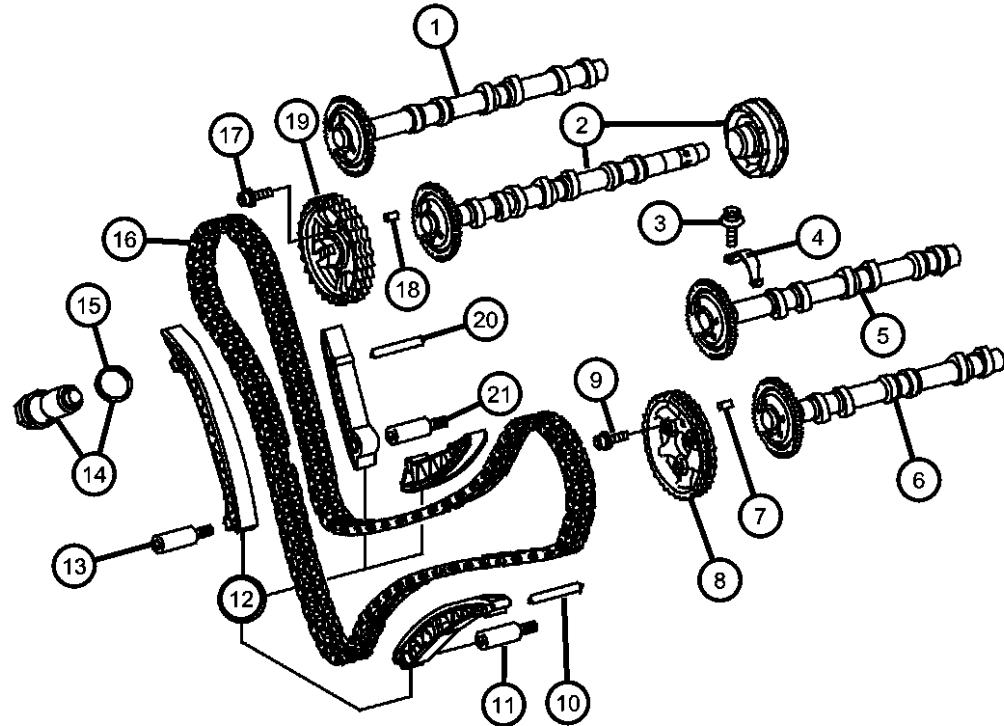
ITEM	PART NUMBER	QTY	LINE	SERIES	BODY	ENGINE	TRANS	TRIM	DESCRIPTION
------	-------------	-----	------	--------	------	--------	-------	------	-------------

NOTES:

Sales Code

[EXM] = 3.0L V6 Turbo Diesel Engine

1	68017930AA	1	2, 3, 6, 7			EXM	DGZ		CAMSHAFT, ExhaustRight
2	05175451AA	1	2, 3, 6, 7			EXM			CAMSHAFT, IntakeRight
3	06104075AA	8	2, 3, 6, 7			EXM	DGZ		BOLT, Bracket Mounting M6x12
4	05175448AA	4	2, 3, 6, 7			EXM	DGZ		CAP, Camshaft Bearing
5	05175452AA	1	2, 3, 6, 7			EXM			CAMSHAFT, IntakeLeft
6	05175454AA	1	2, 3, 6, 7			EXM	DGZ		CAMSHAFT, ExhaustLeft
7	68032668AA	1	2, 3, 6, 7			EXM	DGZ		PIN, Dowel
8	05175458AA	1	2, 3, 6, 7			EXM	DGZ		GEAR, Camshaft, Exhaust, Left
9	05073901AA	6	2, 3, 6, 7			EXM	DGZ		BOLT
10	05175460AA	3	2, 3, 6, 7			EXM	DGZ		DOWEL PIN, Sliding Rail to Cylinder Crankcase
11	05175459AA	3	2, 3, 6, 7			EXM	DGZ		DOWEL PIN, Guide Rail to Crankcase Right
12	05175511AA	1	2, 3, 6, 7			EXM	DGZ		GUIDE, Timing Chain, Repair Kit
13	05175459AA	3	2, 3, 6, 7			EXM	DGZ		DOWEL PIN, Sliding Rail to Cylinder Crankcase
14	68017937AA	1	2, 3, 6, 7			EXM	DGZ		TENSIONER, Chain
15	05125905AA	1	2, 3, 6, 7			EXM	DGZ		O RING
16	05175510AA	1	2, 3, 6, 7			EXM	DGZ		CHAIN, Timing
17	05073901AA	6	2, 3, 6, 7			EXM	DGZ		BOLT
18	68032668AA	1	2, 3, 6, 7			EXM	DGZ		PIN, Dowel
19	05080110AA	1	2, 3, 6, 7			EXM	DGZ		GEAR, Camshaft, Inlet, Right
20	05175460AA	3	2, 3, 6, 7			EXM	DGZ		DOWEL PIN, Sliding Rail to Cylinder Crankcase
21	05175459AA	3	2, 3, 6, 7			EXM	DGZ		DOWEL PIN, Guide Rail to Crankcase Right



**SPRINTER (VB)**

SERIES

L = LOWLINE

LINE

3 = HD DODGE 2WD  
6 = Lt. Duty DODGE 4WD  
2 = Med. Duty DODGE 2WD  
7 = Med. Duty DODGE 4WD

BODY

17 = VAN WHEEL BASE 7  
55 = WAGON WHEEL BASE 5  
15 = VAN WHEEL BASE 5  
53 = 119 WB  
13 = 119 WB  
05 = CAB CHASSIS WHEEL BASE 5  
03 = CAB CHASSIS WHEEL BASE 3

ENGINE

EG2 = 3.5L V6 Gas Engine  
EXM = 3.0L V6 Turbo Diesel Engine

TRANSMISSION

DGZ = 5-Speed Auto W5A380 Transmission

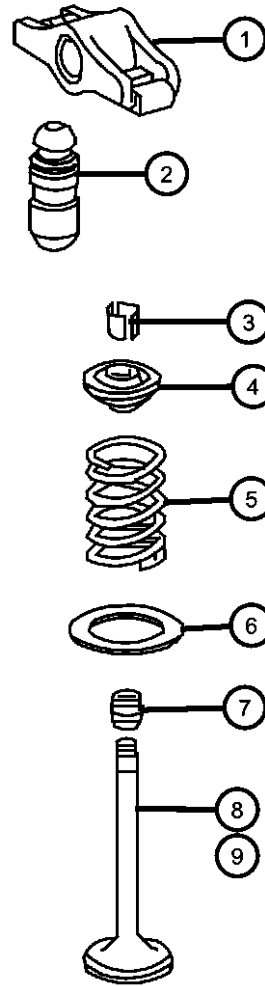
AR = use ase required - = Non illustrated part

2008 VB

**Camshafts And Valvetrain  
Figure 009EXM-506**

ITEM	PART NUMBER	QTY	LINE	SERIES	BODY	ENGINE	TRANS	TRIM	DESCRIPTION
------	-------------	-----	------	--------	------	--------	-------	------	-------------

NOTES:  
Sales Code  
[EXM] = 3.0L V6 Turbo Diesel Engine



1	05175441AA	24	2, 3, 6, 7			EXM	DGZ		ROCKER ARM, Inlet and Exhaust ValveRight & Left
2	05175440AA	24	2, 3, 6, 7			EXM	DGZ		ADJUSTER, Valve Lash
3	05175399AA	24	2, 3, 6, 7			EXM	DGZ		LOCK, Valve Spring Retainer
4	05175400AA	24	2, 3, 6, 7			EXM	DGZ		RETAINER, Valve SpringTop
5	05175398AA	6	2, 3, 6, 7			EXM	DGZ		SPRING, Valve, Intake, Right & Left
6	05175401AA	24	2, 3, 6, 7			EXM	DGZ		RETAINER, Valve Spring, Bottom
7	05175438AA	6	2, 3, 6, 7			EXM	DGZ		SEAL, Valve Guide
8	05175396AA	6	2, 3, 6, 7			EXM	DGZ		VALVE, Intake, StandardRight & Left
9	05175397AA	6	2, 3, 6, 7			EXM	DGZ		VALVE, Exhaust, StandardRight & Left

**SPRINTER (VB)**

SERIES	LINE	BODY	ENGINE	TRANSMISSION
L = LOWLINE	3 = HD DODGE 2WD 6 = Lt. Duty DODGE 4WD 2 = Med. Duty DODGE 2WD 7 = Med. Duty DODGE 4WD	17 = VAN WHEEL BASE 7 55 = WAGON WHEEL BASE 5 15 = VAN WHEEL BASE 5 53 = 119 WB 13 = 119 WB 05 = CAB CHASSIS WHEEL BASE 5 03 = CAB CHASSIS WHEEL BASE 3	EG2 = 3.5L V6 Gas Engine EXM = 3.0L V6 Turbo Diesel Engine	DGZ = 5-Speed Auto W5A380 Transmission

AR = use ase required - = Non illustrated part

2008 VB



**Timing Case Cover  
Figure 009EXM-605**

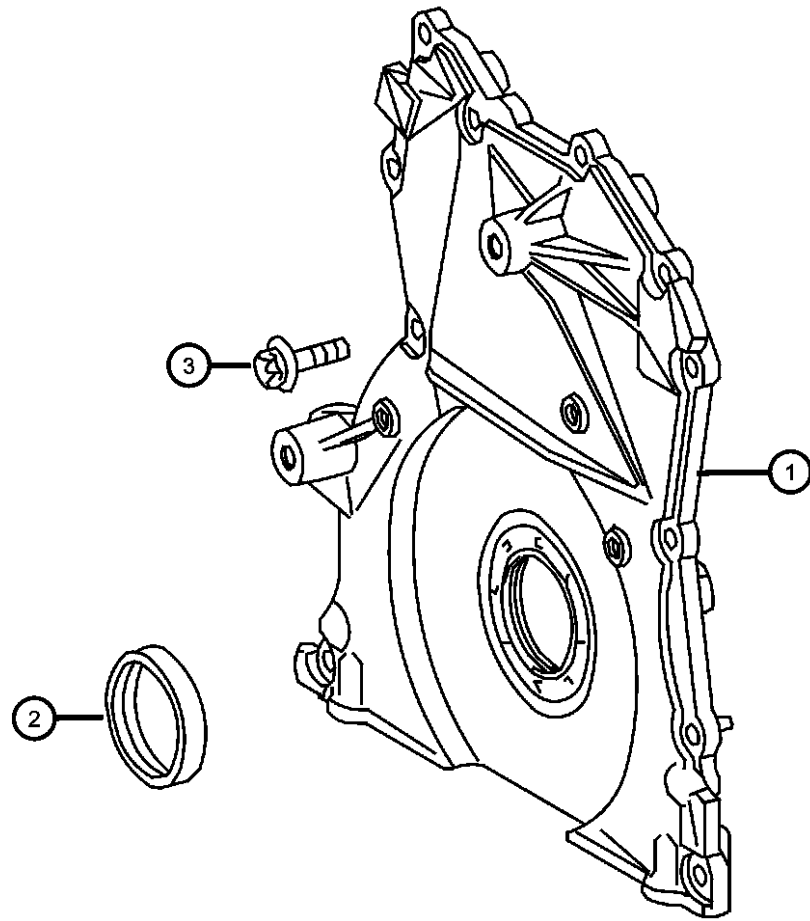
ITEM	PART NUMBER	QTY	LINE	SERIES	BODY	ENGINE	TRANS	TRIM	DESCRIPTION
------	-------------	-----	------	--------	------	--------	-------	------	-------------

NOTES:

Sales Code

[EXM] = 3.0L V6 Turbo Diesel Engine

1	05175337AA	1	2, 3, 6, 7			EXM	DGZ		COVER, Timing Case
2	05073675AB	1	2, 3, 6, 7			EXM	DGZ		SEAL, Crankshaft Oil, Front
3	05175338AA	12	2, 3, 6, 7			EXM	DGZ		BOLT, M6x20 MK



**SPRINTER (VB)**

SERIES	LINE	BODY	ENGINE	TRANSMISSION
L = LOWLINE	3 = HD DODGE 2WD 6 = Lt. Duty DODGE 4WD 2 = Med. Duty DODGE 2WD 7 = Med. Duty DODGE 4WD	17 = VAN WHEEL BASE 7 55 = WAGON WHEEL BASE 5 15 = VAN WHEEL BASE 5 53 = 119 WB 13 = 119 WB 05 = CAB CHASSIS WHEEL BASE 5 03 = CAB CHASSIS WHEEL BASE 3	EG2 = 3.5L V6 Gas Engine EXM = 3.0L V6 Turbo Diesel Engine	DGZ = 5-Speed Auto W5A380 Transmission

AR = use ase required - = Non illustrated part

2008 VB

**Balance Shafts  
Figure 009EXM-645**

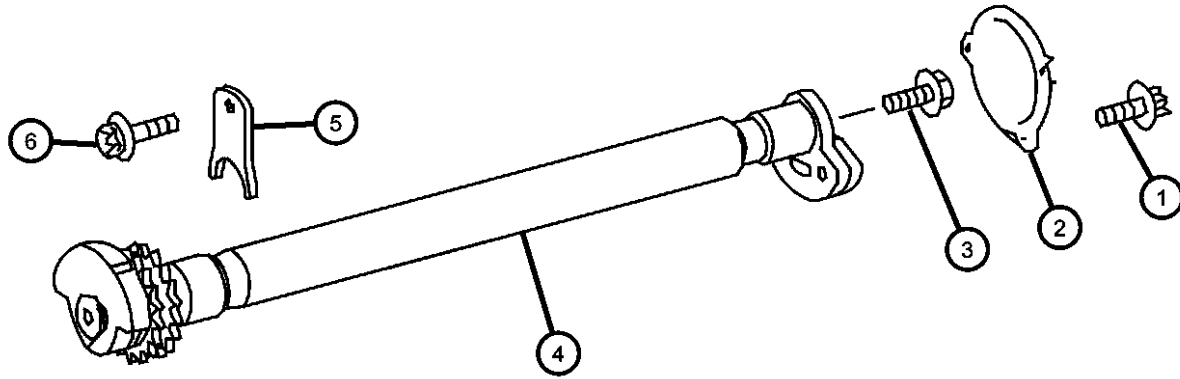
ITEM	PART NUMBER	QTY	LINE	SERIES	BODY	ENGINE	TRANS	TRIM	DESCRIPTION
------	-------------	-----	------	--------	------	--------	-------	------	-------------

NOTES:

Sales Code

[EXM] = 3.0L V6 Turbo Diesel Engine

1	06104004AA	3	2, 3, 6, 7			EXM	DGZ		BOLT, Cover Attachment M6x12
2	05175362AB	1	2, 3, 6, 7			EXM	DGZ		COVER, Balance Shaft
3	05102898AA	1	2, 3, 6, 7			EXM	DGZ		BOLT, M8x50x10.9
4	05175346AA	1	2, 3, 6, 7			EXM	DGZ		SHAFT, Balance
5	05175360AA	1	2, 3, 6, 7			EXM	DGZ		WASHER
6	06104005AA	1	2, 3, 6, 7			EXM	DGZ		BOLT, 6 Lobe External Head, M6X1.00X16.00



**SPRINTER (VB)**

SERIES	LINE	BODY	ENGINE	TRANSMISSION
L = LOWLINE	3 = HD DODGE 2WD 6 = Lt. Duty DODGE 4WD 2 = Med. Duty DODGE 2WD 7 = Med. Duty DODGE 4WD	17 = VAN WHEEL BASE 7 55 = WAGON WHEEL BASE 5 15 = VAN WHEEL BASE 5 53 = 119 WB 13 = 119 WB 05 = CAB CHASSIS WHEEL BASE 5 03 = CAB CHASSIS WHEEL BASE 3	EG2 = 3.5L V6 Gas Engine EXM = 3.0L V6 Turbo Diesel Engine	DGZ = 5-Speed Auto W5A380 Transmission

AR = use ase required - = Non illustrated part

2008 VB

**Engine Oiling Pump  
Figure 009EXM-705**

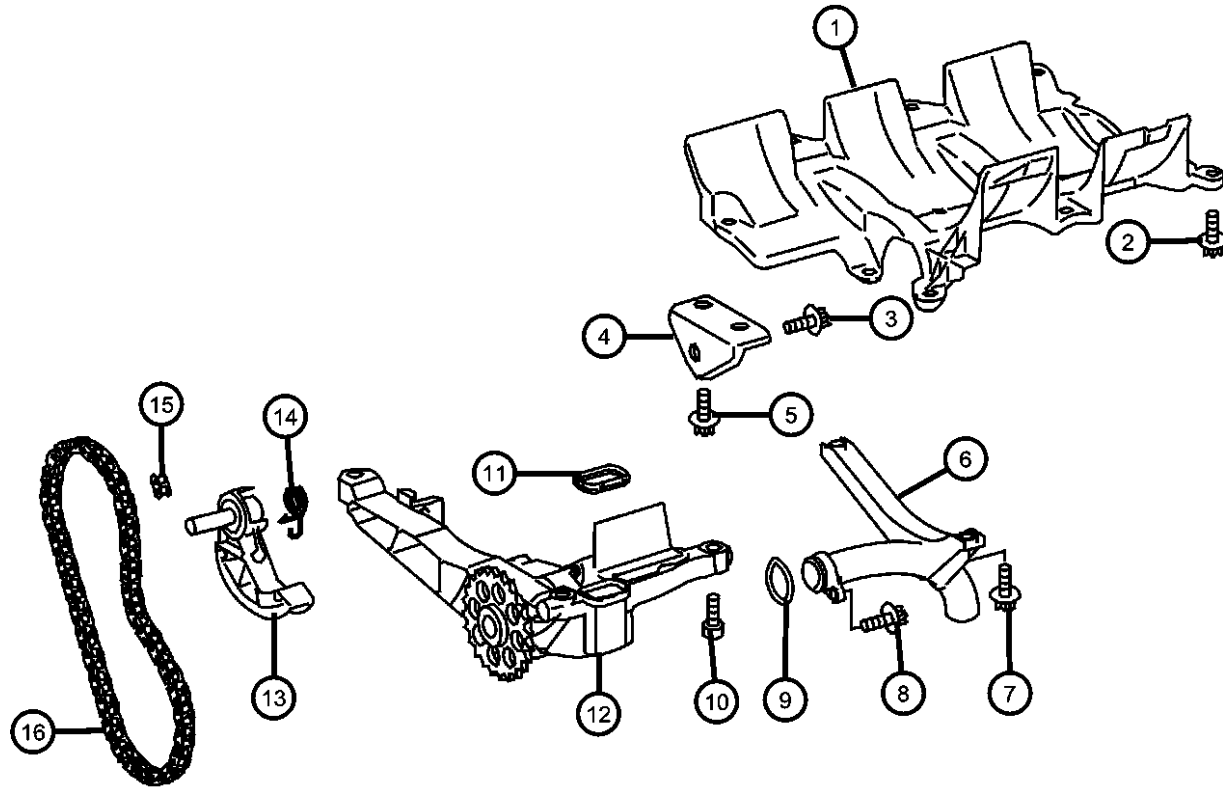
ITEM	PART NUMBER	QTY	LINE	SERIES	BODY	ENGINE	TRANS	TRIM	DESCRIPTION
------	-------------	-----	------	--------	------	--------	-------	------	-------------

NOTES:

Sales Code

[EXM] = 3.0L V6 Turbo Diesel Engine

1	68017821AA	1	2, 3, 6, 7			EXM	DGZ		SLINGER, Oil
2	06104682AA	7	2, 3, 6, 7			EXM	DGZ		BOLT, M6x19
3	06104004AA	2	2, 3, 6, 7			EXM	DGZ		BOLT, Bracket to Oil Pump M6x12
4	05175528AA	1	2, 3, 6, 7			EXM	DGZ		BRACKET, At Oil Pump
5	06104682AA	1	2, 3, 6, 7			EXM	DGZ		BOLT, Bracket to Oil Pump M6x19
6	68014037AA	1	2, 3, 6, 7			EXM	DGZ		TUBE, Oil Pickup
7	06104682AA	2	2, 3, 6, 7			EXM	DGZ		BOLT, Intake Manifold to Cylinder Crankcase M6x19
8	06104682AA	1	2, 3, 6, 7			EXM	DGZ		BOLT, Suction Pipe to Oil Pump M6x19
9	05175523AA	1	2, 3, 6, 7			EXM	DGZ		O RING
10	05175526AA	3	2, 3, 6, 7			EXM	DGZ		BOLT, Oil Pump on Crankcase
11	05175527AA	1	2, 3, 6, 7			EXM	DGZ		GASKET, Oil Pump
12	05179493AA	1	2, 3, 6, 7			EXM	DGZ		PUMP, Engine Oil
13	05175524AA	1	2, 3, 6, 7			EXM	DGZ		GUIDE, Timing Chain, Suction Basket to Oil Pump Housing
14	05175525AA	1	2, 3, 6, 7			EXM	DGZ		TENSIONER, Chain
15	05080129AA	1	2, 3, 6, 7			EXM	DGZ		LINK, Chain
16	05080128AA	1	2, 3, 6, 7			EXM	DGZ		CHAIN, Oil Pump Drive



**SPRINTER (VB)**

SERIES

L = LOWLINE

LINE

3 = HD DODGE 2WD  
6 = Lt. Duty DODGE 4WD  
2 = Med. Duty DODGE 2WD  
7 = Med. Duty DODGE 4WD

BODY

17 = VAN WHEEL BASE 7  
55 = WAGON WHEEL BASE 5  
15 = VAN WHEEL BASE 5  
53 = 119 WB  
13 = 119 WB  
05 = CAB CHASSIS WHEEL BASE 5  
03 = CAB CHASSIS WHEEL BASE 3

ENGINE

EG2 = 3.5L V6 Gas Engine  
EXM = 3.0L V6 Turbo Diesel Engine

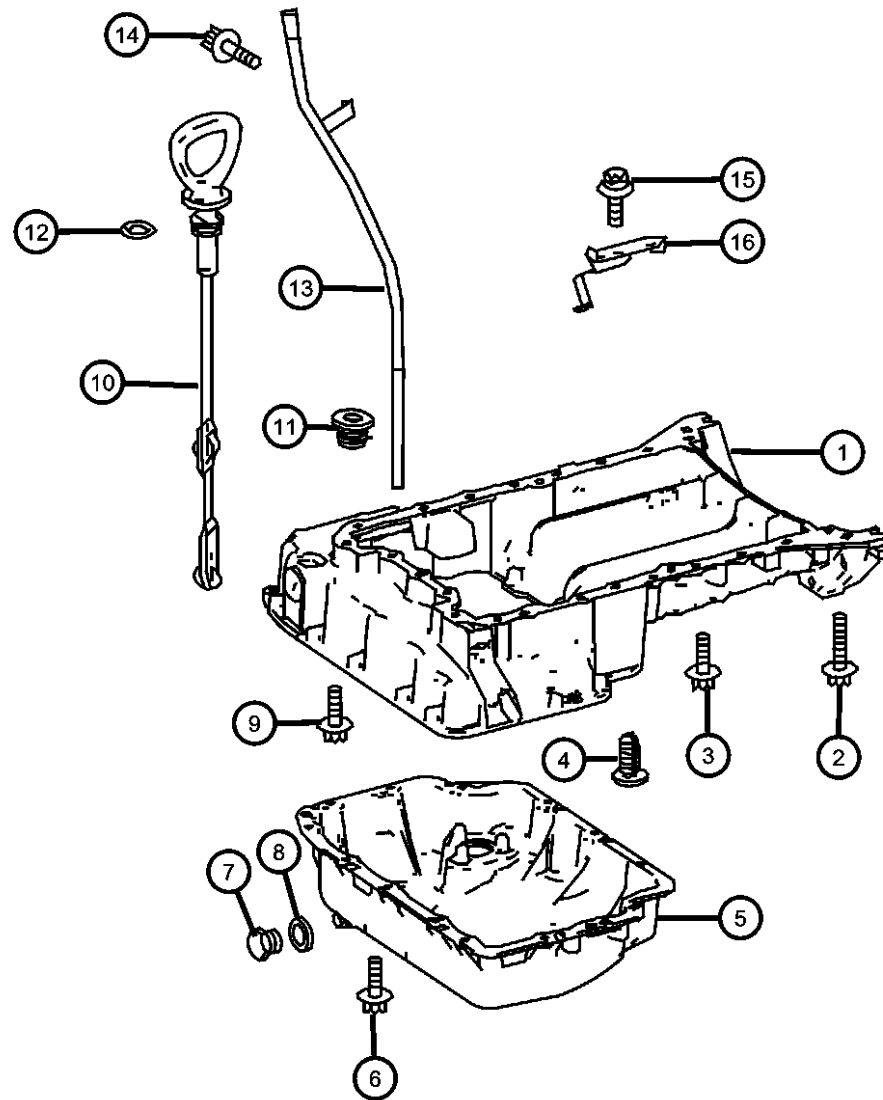
TRANSMISSION

DGZ = 5-Speed Auto W5A380 Transmission

AR = use ase required - = Non illustrated part

2008 VB

**Engine Oil Pan, Engine Oil level Indicator And Related Parts  
Figure 009EXM-725**



ITEM	PART NUMBER	QTY	LINE	SERIES	BODY	ENGINE	TRANS	TRIM	DESCRIPTION
NOTES: Sales Code [EXM] = 3.0L V6 Turbo Diesel Engine									
1	68006066AA	1	2, 3, 6, 7			EXM	DGZ		PAN, OilUpper
2									SCREW
	06104024AA	2	3, 7			EG2, EXM	DGZ		Oil Pan to Cylinder Crankcase M8x25
		2	2, 3, 6, 7			EG2, EXM	DGZ		Oil Pan to Cylinder Crankcase M8x25
3	06104009AA	2	2, 3, 6, 7			EG2, EXM	DGZ		BOLT, Bracket to Oil Pan M6x35
4	05175339AA	2	2, 3, 6, 7			EXM	DGZ		BRACKET, Oil Pan
5	68006079AA	1	2, 3, 6, 7			EXM	DGZ		PAN, OilLower
6	68006084AA	14	2, 3, 6, 7			EXM	DGZ		SCREW, Upper Pan to Lower
7	05073945AA	1	2, 3, 6, 7			EXM	DGZ		PLUG, Oil Drain
8	05073946AA	1	2, 3, 6, 7			EXM	DGZ		GASKET, Drain Plug
9	06104684AA	1	2, 3, 6, 7			EXM	DGZ		BOLT, Upper Part of Oil Pan to Crankcase M6x28
10	68006137AA	1	2, 3, 6, 7			EXM	DGZ		INDICATOR, Engine Oil Level
11	05096486AA	1	2, 3, 6, 7			EG2, EXM	DGZ		SEAL, Engine Oil Indicator tube
12	05073943AA	1	2, 3, 6, 7			EG2, EXM	DGZ		O RING, Engine Oil Indicator
13	68006098AA	1	2, 3, 6, 7			EXM	DGZ		TUBE, Engine Oil Indicator
14	05183964AA	4	2, 3, 6, 7			EXM	DGZ		BOLT, Hex Flange Head, M6x1.00x10.90
15	06104681AA	2	2, 3, 6, 7			EXM	DGZ		SCREW, Bracket to Cylinder Head Cover M6x15
16	68006148AA	1	2, 3, 6, 7			EXM	DGZ		BRACKET

**SPRINTER (VB)**

SERIES	LINE
L = LOWLINE	3 = HD DODGE 2WD 6 = Lt. Duty DODGE 4WD 2 = Med. Duty DODGE 2WD 7 = Med. Duty DODGE 4WD

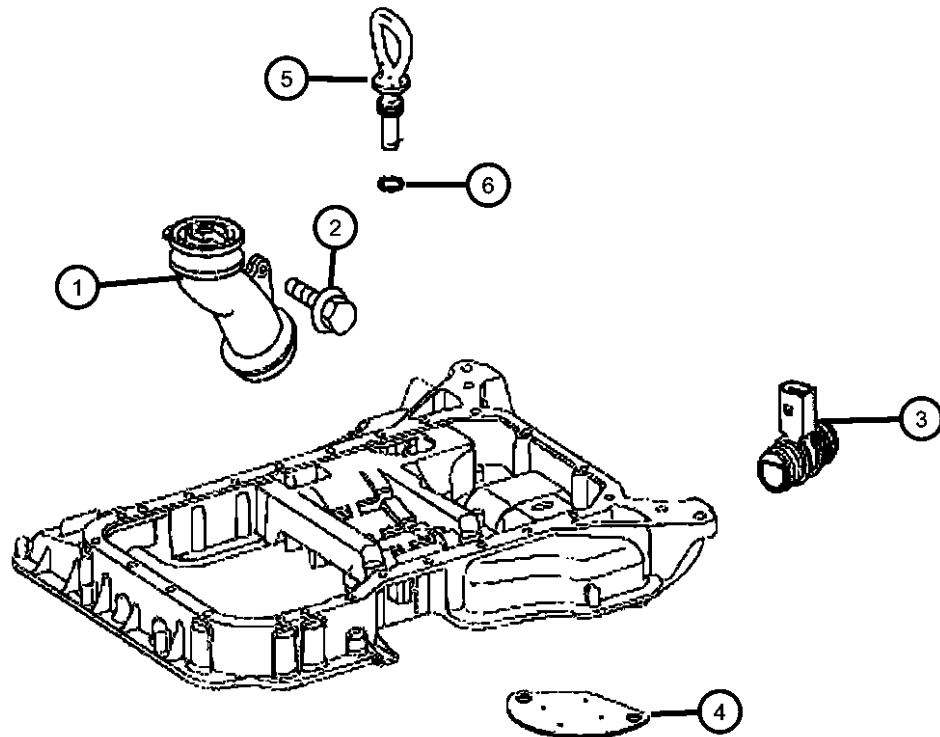
BODY	ENGINE	TRANSMISSION
17 = VAN WHEEL BASE 7 55 = WAGON WHEEL BASE 5 15 = VAN WHEEL BASE 5 53 = 119 WB 13 = 119 WB 05 = CAB CHASSIS WHEEL BASE 5 03 = CAB CHASSIS WHEEL BASE 3	EG2 = 3.5L V6 Gas Engine EXM = 3.0L V6 Turbo Diesel Engine	DGZ = 5-Speed Auto W5A380 Transmission

AR = use ase required - = Non illustrated part

2008 VB

**Engine Oil Pan, Engine Oil level Indicator And Related Parts**  
**Figure 009EXM-727**

ITEM	PART NUMBER	QTY	LINE	SERIES	BODY	ENGINE	TRANS	TRIM	DESCRIPTION
1	68012402AA	1	2, 3, 6, 7			EXM	DGZ		HOUSING, Oil Fill
2	06104004AA	1	2, 3, 6, 7			EXM	DGZ		BOLT, [M6x16]
3	05117289AA	1	2, 3, 6, 7			EXM	DGZ		TUBE, Breather
4	05175810AA	1	2, 3, 6, 7			EXM	DGZ		COVER, Access Cover Crankcase
5	68006137AA	1	2, 3, 6, 7			EXM	DGZ		INDICATOR, Engine Oil Level
6	05073943AA	1	2, 3, 6, 7			EG2, EXM	DGZ		O RING, Engine Oil Indicator



**SPRINTER (VB)**

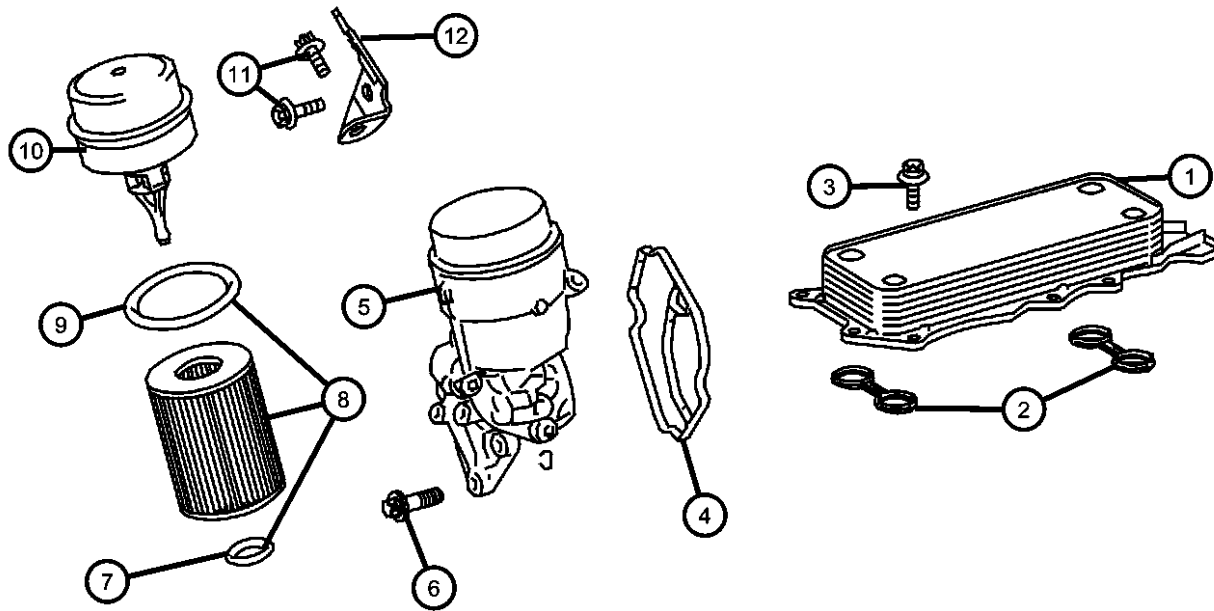
SERIES	LINE	BODY	ENGINE	TRANSMISSION
L = LOWLINE	3 = HD DODGE 2WD 6 = Lt. Duty DODGE 4WD 2 = Med. Duty DODGE 2WD 7 = Med. Duty DODGE 4WD	17 = VAN WHEEL BASE 7 55 = WAGON WHEEL BASE 5 15 = VAN WHEEL BASE 5 53 = 119 WB 13 = 119 WB 05 = CAB CHASSIS WHEEL BASE 5 03 = CAB CHASSIS WHEEL BASE 3	EG2 = 3.5L V6 Gas Engine EXM = 3.0L V6 Turbo Diesel Engine	DGZ = 5-Speed Auto W5A380 Transmission

AR = use ase required - = Non illustrated part

2008 VB

**Engine Oil Filter, Adapter And Splash Guard  
Figure 009EXM-745**

ITEM	PART NUMBER	QTY	LINE	SERIES	BODY	ENGINE	TRANS	TRIM	DESCRIPTION
NOTES: Sales Code [EXM] = 3.0L V6 Turbo Diesel Engine									
1	05179360AB	1	2, 3, 6, 7			EXM	DGZ		COOLER, Oil
2	05175579AA	2	2, 3, 6, 7			EXM	DGZ		GASKET, Oil Cooler to Cylinder Crankcase
3	05170732AA	10	2, 3, 6, 7			EXM	DGZ		SCREW, Oil Cooler to Cylinder Crankcase
4	05175574AA	1	2, 3, 6, 7			EXM	DGZ		GASKET, Oil Filter Housing, Oil Filter to Cylinder Crankcase
5	05175569AA	1	2, 3, 6, 7			EXM	DGZ		HOUSING, Oil Filter
6	05175577AA	4	2, 3, 6, 7			EXM	DGZ		BOLT, Oil Filter to Cylinder Crankcase M7x25 MK
7	05175573AA	1	2, 3, 6, 7			EXM	DGZ		O RING, Rod
8	05175571AA	1	2, 3, 6, 7			EXM	DGZ		FILTER, Engine Oil
9	05175572AA	1	2, 3, 6, 7			EXM	DGZ		O RING, On Cover
10	05175570AA	1	2, 3, 6, 7			EXM	DGZ		CAP, Oil Filter Housing
11	06104681AA	1	2, 3, 6, 7			EXM	DGZ		SCREW, Bracket to Oil Filter M6x15
12	05175847AA	1	2, 3, 6, 7			EXM	DGZ		BRACKET, Oil Filter to Cylinder Head
-13	05175847AA	1	2, 3, 6, 7			EXM	DGZ		BRACKET, Oil Filter To Cylinder Head



**SPRINTER (VB)**

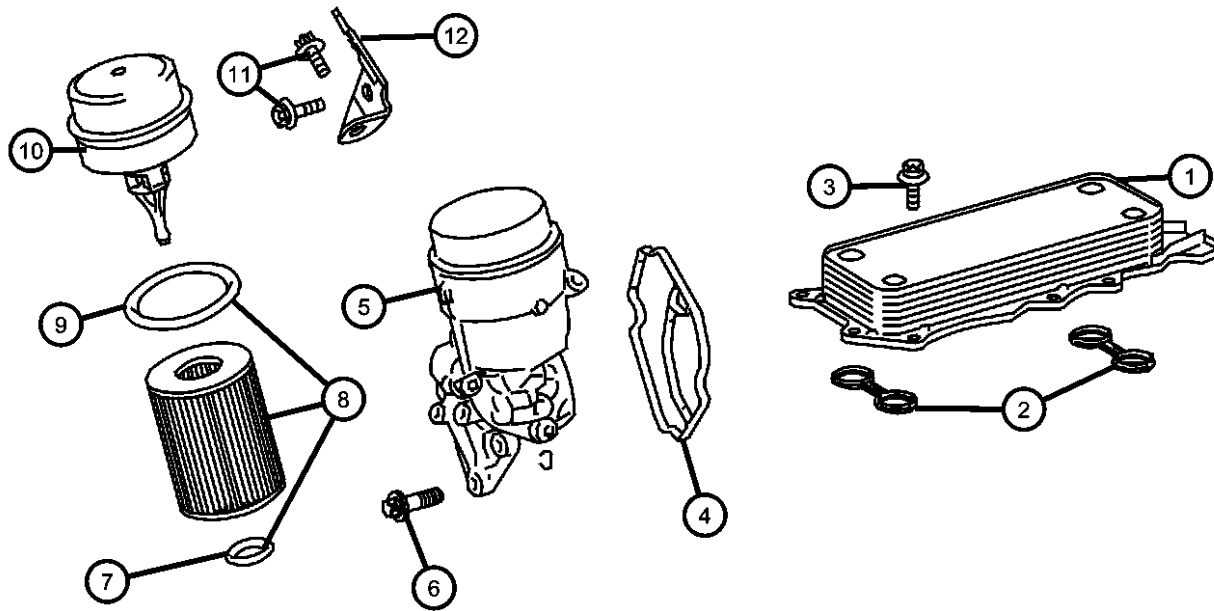
SERIES	LINE	BODY	ENGINE	TRANSMISSION
L = LOWLINE	3 = HD DODGE 2WD 6 = Lt. Duty DODGE 4WD 2 = Med. Duty DODGE 2WD 7 = Med. Duty DODGE 4WD	17 = VAN WHEEL BASE 7 55 = WAGON WHEEL BASE 5 15 = VAN WHEEL BASE 5 53 = 119 WB 13 = 119 WB 05 = CAB CHASSIS WHEEL BASE 5 03 = CAB CHASSIS WHEEL BASE 3	EG2 = 3.5L V6 Gas Engine EXM = 3.0L V6 Turbo Diesel Engine	DGZ = 5-Speed Auto W5A380 Transmission

AR = use ase required - = Non illustrated part

2008 VB

**Engine Oil Cooler And Hoses/Tubes  
Figure 009EXM-805**

ITEM	PART NUMBER	QTY	LINE	SERIES	BODY	ENGINE	TRANS	TRIM	DESCRIPTION
NOTES: Sales Code [EXM] = 3.0L V6 Turbo Diesel Engine									
1	05179360AB	1	2, 3, 6, 7			EXM	DGZ		COOLER, Oil
2	05175579AA	2	2, 3, 6, 7			EXM	DGZ		GASKET, Oil Cooler to Cylinder Crankcase
3	05170732AA	10	2, 3, 6, 7			EXM	DGZ		SCREW, Oil Cooler to Cylinder Crankcase
4	05175574AA	1	2, 3, 6, 7			EXM	DGZ		GASKET, Oil Filter Housing, Oil Filter to Cylinder Crankcase
5	05175569AA	1	2, 3, 6, 7			EXM	DGZ		HOUSING, Oil Filter
6	05175577AA	4	2, 3, 6, 7			EXM	DGZ		BOLT, Oil Filter to Cylinder Crankcase M7x25 MK
7	05175573AA	1	2, 3, 6, 7			EXM	DGZ		O RING, Rod
8	05175571AA	1	2, 3, 6, 7			EXM	DGZ		FILTER, Engine Oil
9	05175572AA	1	2, 3, 6, 7			EXM	DGZ		O RING, On Cover
10	05175570AA	1	2, 3, 6, 7			EXM	DGZ		CAP, Oil Filter Housing
11	06104681AA	1	2, 3, 6, 7			EXM	DGZ		SCREW, Bracket to Oil Filter M6x15
12	05175847AA	1	2, 3, 6, 7			EXM	DGZ		BRACKET, Oil Filter to Cylinder Head
-13	05175847AA	1	2, 3, 6, 7			EXM	DGZ		BRACKET, Oil Filter To Cylinder Head



**SPRINTER (VB)**

SERIES	LINE	BODY	ENGINE	TRANSMISSION
L = LOWLINE	3 = HD DODGE 2WD 6 = Lt. Duty DODGE 4WD 2 = Med. Duty DODGE 2WD 7 = Med. Duty DODGE 4WD	17 = VAN WHEEL BASE 7 55 = WAGON WHEEL BASE 5 15 = VAN WHEEL BASE 5 53 = 119 WB 13 = 119 WB 05 = CAB CHASSIS WHEEL BASE 5 03 = CAB CHASSIS WHEEL BASE 3	EG2 = 3.5L V6 Gas Engine EXM = 3.0L V6 Turbo Diesel Engine	DGZ = 5-Speed Auto W5A380 Transmission

AR = use ase required - = Non illustrated part

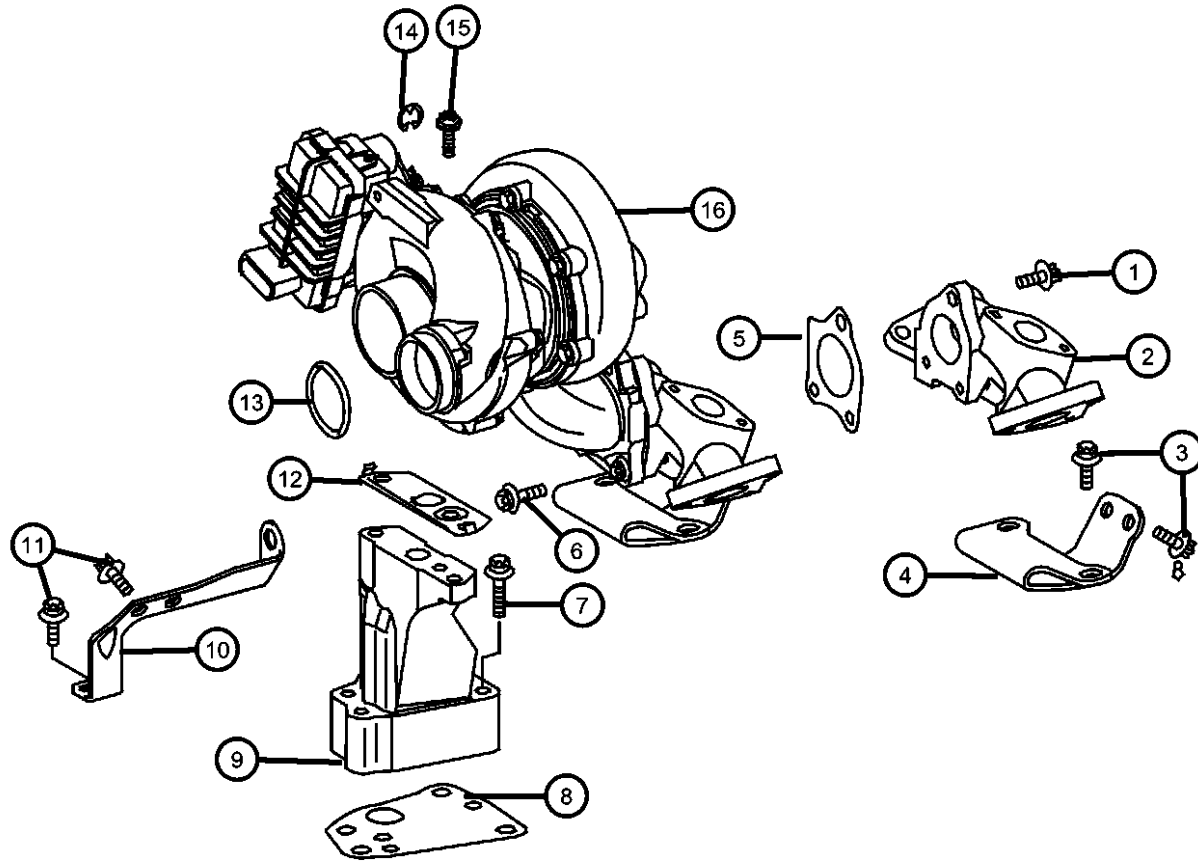
2008 VB

**Turbo Charger And Oil Hoses/Tubes  
Figure 009EXM-925**

ITEM	PART NUMBER	QTY	LINE	SERIES	BODY	ENGINE	TRANS	TRIM	DESCRIPTION
------	-------------	-----	------	--------	------	--------	-------	------	-------------

NOTES:  
Sales Code  
[EXM] = 3.0L V6 Turbo Diesel Engine

1	05073720AC	3	2, 3, 6, 7			EXM	DGZ		SCREW, Turbocharger to Exhaust Manifold
2	68004669AA	1	2, 3, 6, 7			EXM	DGZ		MANIFOLD
3	05073720AC	2	2, 3, 6, 7			EXM	DGZ		SCREW, Support Brace to Collector
4	68012295AA	1	2, 3, 6, 7			EXM	DGZ		BRACKET
5	05175629AA	1	2, 3, 6, 7			EXM	DGZ		GASKET, Turbocharger
6	05073720AC	2	2, 3, 6, 7			EXM	DGZ		SCREW, Bracket Mounting
7	05133207AA	4	2, 3, 6, 7			EXM	DGZ		BOLT, Support to Cylinder Crankcase M8x55
8	05175632AA	1	2, 3, 6, 7			EXM	DGZ		GASKET, Turbocharger
9	05175627AA	1	2, 3, 6, 7			EXM	DGZ		BRACKET, Turbo Charger
10	68012302AA	1	2, 3, 6, 7			EXM	DGZ		BRACKET
11	06104005AA	4	2, 3, 6, 7			EXM	DGZ		BOLT, 6 Lobe External Head, M6X1.00X16.00
12	05175630AA	1	2, 3, 6, 7			EXM	DGZ		GASKET, Turbocharger, Stay to Cylinder Head
13	05175626AA	1	2, 3, 6, 7			EXM	DGZ		O RING
14	05183127AA	2	2, 3, 6, 7			EXM	DGZ		RETAINER
15	05073710AA	2	2, 3, 6, 7			EXM	DGZ		SCREW, Turbocharger on Support
16	68019589AA	1	2, 3, 6, 7			EXM	DGZ		TURBOCHARGER



**SPRINTER (VB)**

SERIES	LINE	BODY	ENGINE	TRANSMISSION
L = LOWLINE	3 = HD DODGE 2WD 6 = Lt. Duty DODGE 4WD 2 = Med. Duty DODGE 2WD 7 = Med. Duty DODGE 4WD	17 = VAN WHEEL BASE 7 55 = WAGON WHEEL BASE 5 15 = VAN WHEEL BASE 5 53 = 119 WB 13 = 119 WB 05 = CAB CHASSIS WHEEL BASE 5 03 = CAB CHASSIS WHEEL BASE 3	EG2 = 3.5L V6 Gas Engine EXM = 3.0L V6 Turbo Diesel Engine	DGZ = 5-Speed Auto W5A380 Transmission

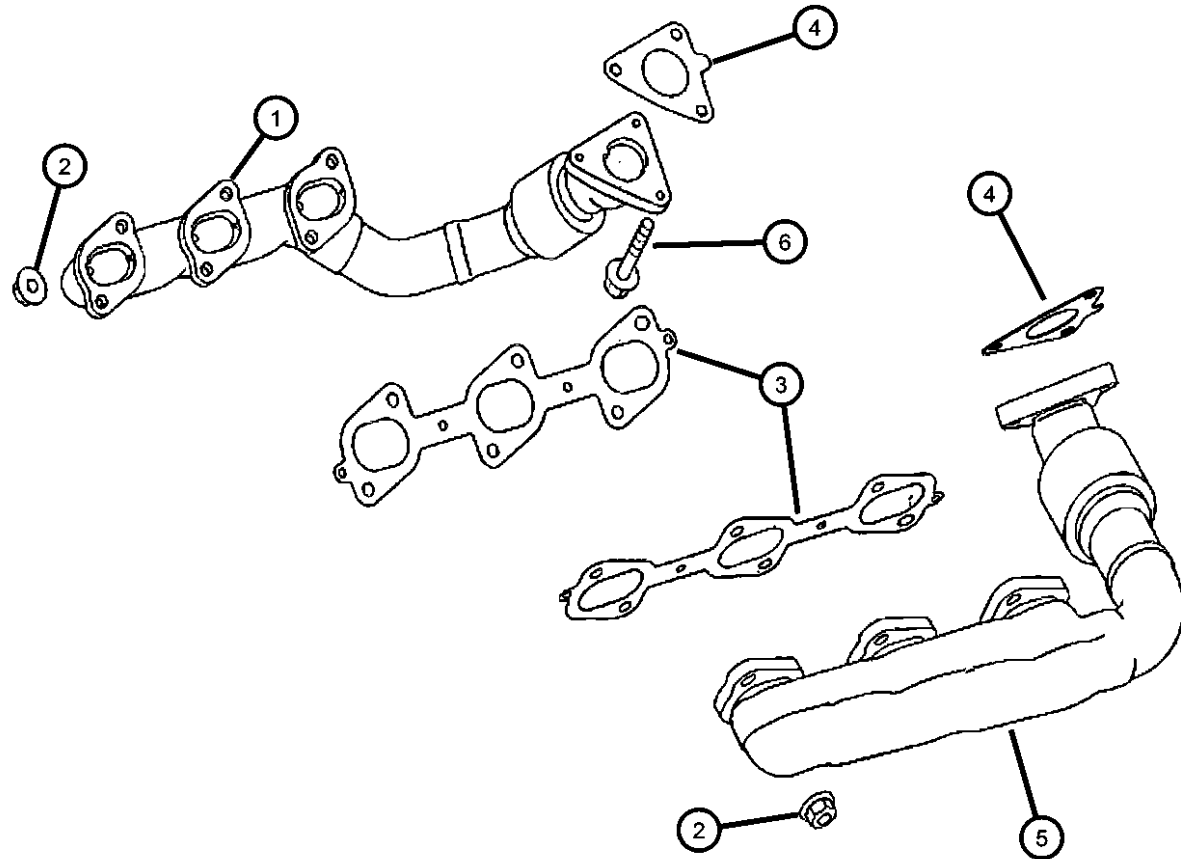
AR = use ase required - = Non illustrated part

2008 VB



**Exhaust Manifold And Heat Shields**  
**Figure 009EXM-1005**

ITEM	PART NUMBER	QTY	LINE	SERIES	BODY	ENGINE	TRANS	TRIM	DESCRIPTION
NOTE: Sales Codes: [DGZ]=5 Speed Automatic Transmission [W5A380] - [Mercedes Benz] [EXM]=3.0L Turbo Diesel V-6 Engine									
1	05175746AA	1	2, 3, 6, 7			EXM	DGZ		MANIFOLD, ExhaustRight
2	06104729AA	6	2, 3, 6, 7			EXM	DGZ		NUT, Hex Flange Lock, M8X1.25
3	05175748AA	2	2, 3, 6, 7			EXM	DGZ		GASKET, Exhaust ManifoldRight & Left
4	05175751AA	1	2, 3, 6, 7			EXM	DGZ		GASKET, Exhaust manifold, To exhaust collector
5	05175747AA	1	2, 3, 6, 7			EXM	DGZ		MANIFOLD, ExhaustLeft
6	05073720AC	3	2, 3, 6, 7			EXM	DGZ		SCREW



**SPRINTER (VB)**

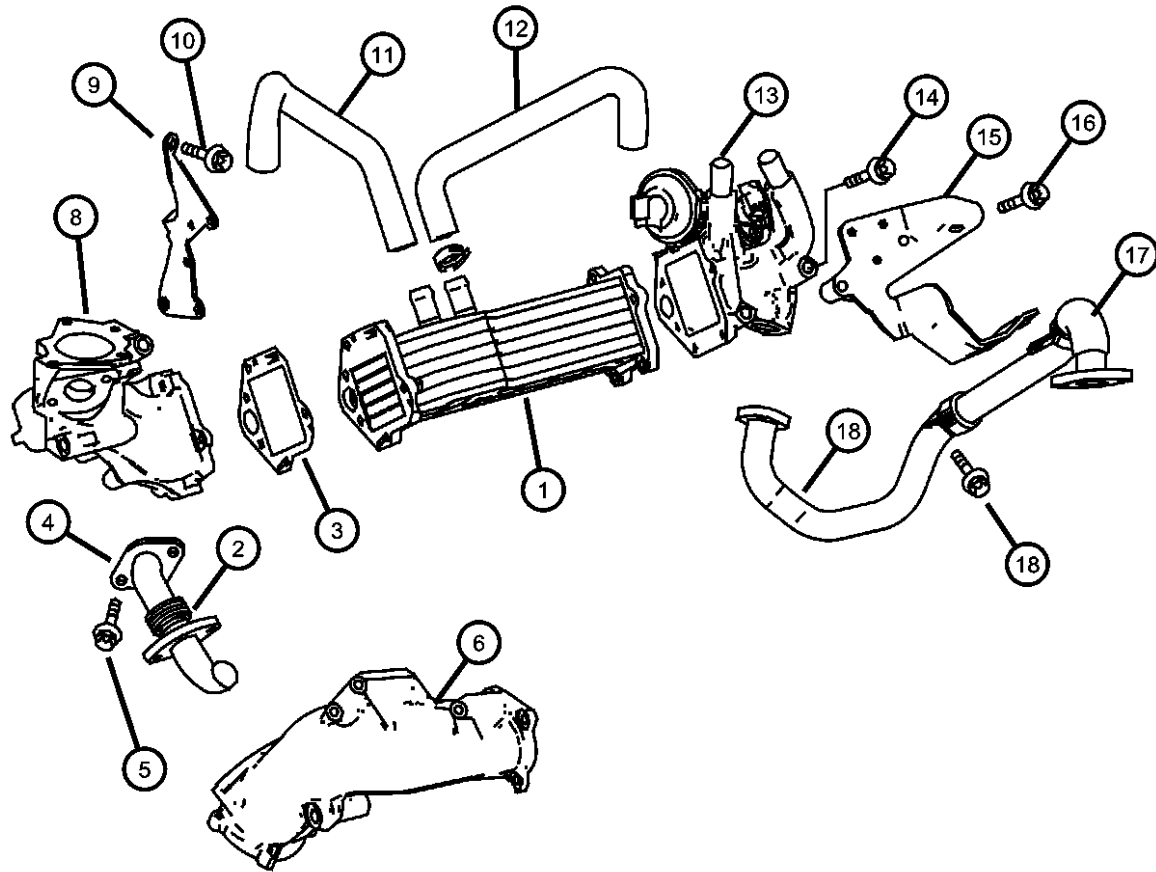
SERIES	LINE	BODY	ENGINE	TRANSMISSION
L = LOWLINE	3 = HD DODGE 2WD 6 = Lt. Duty DODGE 4WD 2 = Med. Duty DODGE 2WD 7 = Med. Duty DODGE 4WD	17 = VAN WHEEL BASE 7 55 = WAGON WHEEL BASE 5 15 = VAN WHEEL BASE 5 53 = 119 WB 13 = 119 WB 05 = CAB CHASSIS WHEEL BASE 5 03 = CAB CHASSIS WHEEL BASE 3	EG2 = 3.5L V6 Gas Engine EXM = 3.0L V6 Turbo Diesel Engine	DGZ = 5-Speed Auto W5A380 Transmission

AR = use ase required - = Non illustrated part

2008 VB

**Exhaust Gas Recirculation Cooler  
Figure 009EXM-1010**

ITEM	PART NUMBER	QTY	LINE	SERIES	BODY	ENGINE	TRANS	TRIM	DESCRIPTION
NOTES: Sales Code [EXM] = 3.0L V6 Turbo Diesel Engine									
1	68014095AA	1	2, 3, 6, 7			EXM	DGZ		COOLER
2	68012322AA	1	2, 3, 6, 7			EXM	DGZ		TUBE
3	68014096AA	1	2, 3, 6, 7			EXM	DGZ		GASKET
4	05175695AA	1	2, 3, 6, 7			EXM	DGZ		GASKET
5	06104682AA	2	2, 3, 6, 7			EXM	DGZ		BOLT, [M6x19]
6	68012320AA	1	2, 3, 6, 7			EXM	DGZ		MANIFOLD, Intake, Transverse Tube Charge Air Pipe
-7	68012326AA	1	2, 3, 6, 7			EXM	DGZ		GASKET
8	68014081AA	1	2, 3, 6, 7			EXM	DGZ		HOUSING
9	68014098AA	1	2, 3, 6, 7			EXM	DGZ		BRACKET
10	05137660AA	2	2, 3, 6, 7			EXM	DGZ		SCREW
11	68014092AA	1	2, 3, 6, 7			EXM	DGZ		HOSE
12	68014093AA	1	2, 3, 6, 7			EXM	DGZ		HOSE
13	68014099AA	1	2, 3, 6, 7			EXM	DGZ		VALVE
14	06104036AA	2	2, 3, 6, 7			EXM	DGZ		SCREW
15	68014097AA	1	2, 3, 6, 7			EXM	DGZ		BRACKET
16	06104005AA	3	2, 3, 6, 7			EXM	DGZ		BOLT, 6 Lobe External Head, M6X1.00X16.00
17	68014094AA	1	2, 3, 6, 7			EXM	DGZ		TUBE
18	06104004AA	2	2, 3, 6, 7			EXM	DGZ		BOLT



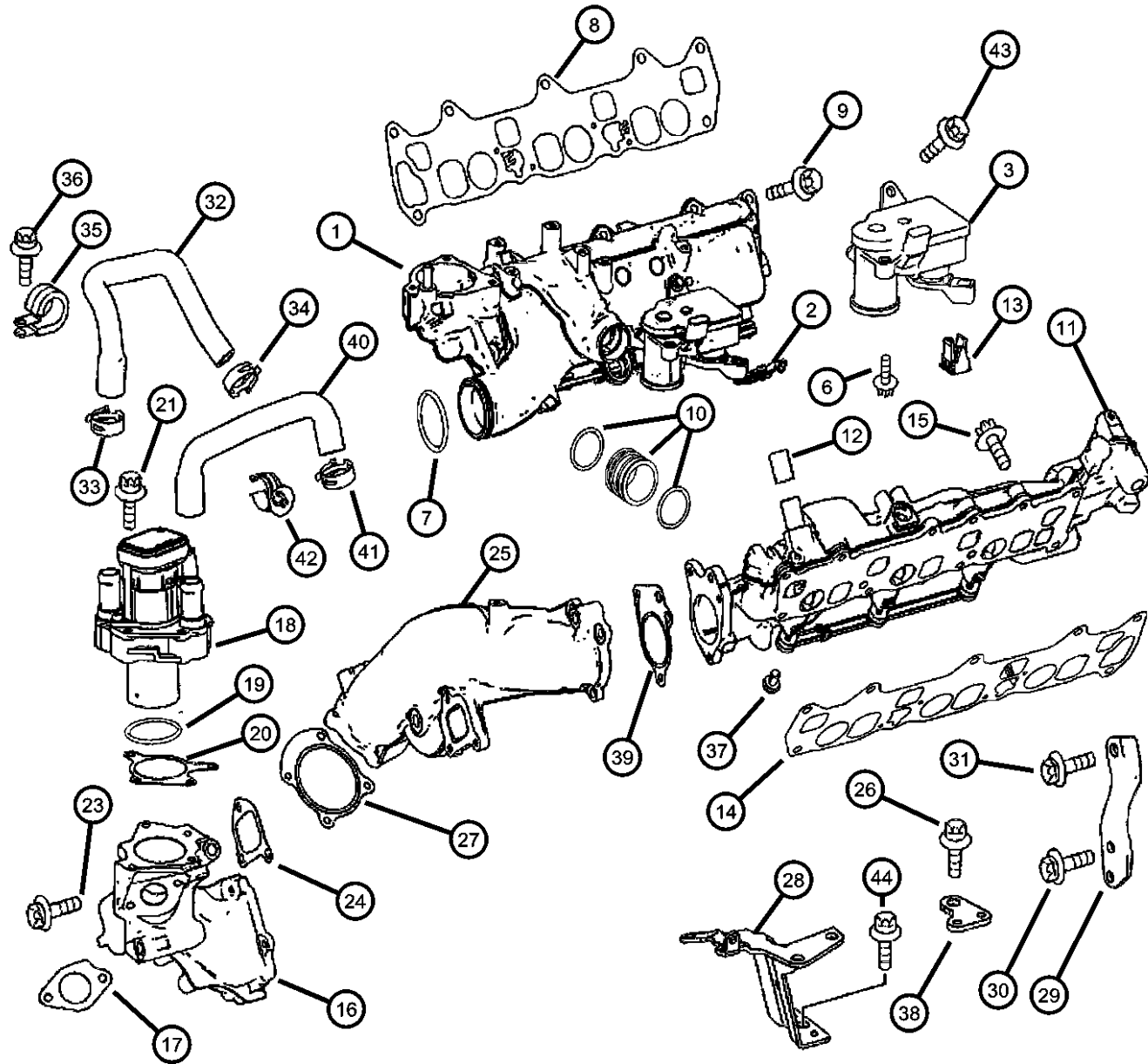
**SPRINTER (VB)**

SERIES	LINE	BODY	ENGINE	TRANSMISSION
L = LOWLINE	3 = HD DODGE 2WD 6 = Lt. Duty DODGE 4WD 2 = Med. Duty DODGE 2WD 7 = Med. Duty DODGE 4WD	17 = VAN WHEEL BASE 7 55 = WAGON WHEEL BASE 5 15 = VAN WHEEL BASE 5 53 = 119 WB 13 = 119 WB 05 = CAB CHASSIS WHEEL BASE 5 03 = CAB CHASSIS WHEEL BASE 3	EG2 = 3.5L V6 Gas Engine EXM = 3.0L V6 Turbo Diesel Engine	DGZ = 5-Speed Auto W5A380 Transmission

AR = use ase required - = Non illustrated part

2008 VB

**Intake Manifold  
Figure 009EXM-1025**



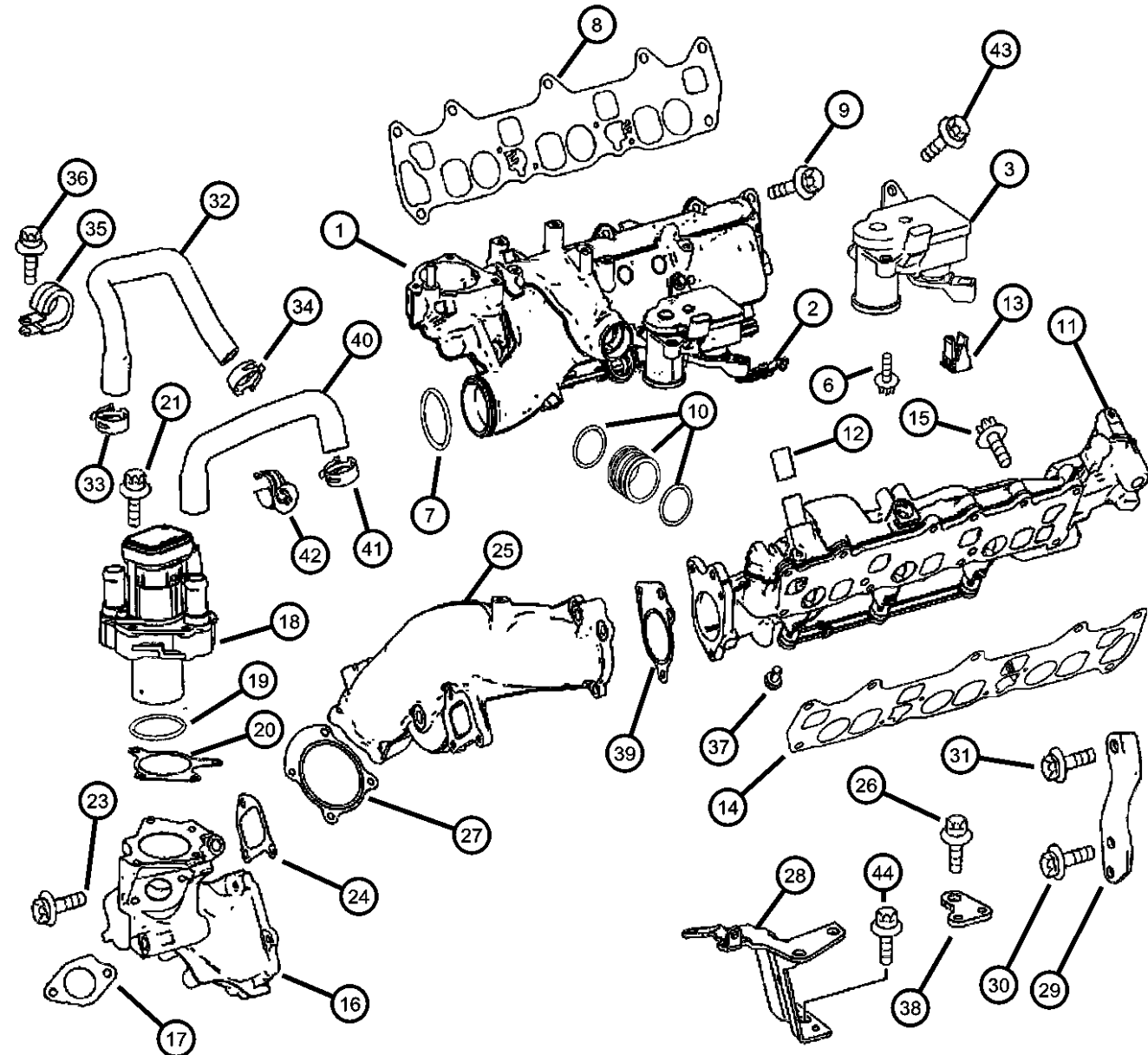
ITEM	PART NUMBER	QTY	LINE	SERIES	BODY	ENGINE	TRANS	TRIM	DESCRIPTION
NOTE: Sales Codes: [DGZ]=5 Speed Automatic Transmission [W5A380] - [Mercedes Benz] [EXM]=3.0L Turbo Diesel V-6 Engine									
1	68012303AA	1	2, 3, 6, 7			EXM	DGZ		MANIFOLD, IntakeRight
2	68001951AA	3	2, 3, 6, 7			EXM	DGZ		CLIP, Swirl Actuator
3	05175643AB	1	2, 3, 6, 7			EXM	DGZ		MOTOR
-4	68011814AA	1	2, 3, 6, 7			EXM	DGZ		CONNECTOR, [4 Pin] Connector For Setting Motor
-5	68011878AA	AR	2, 3, 6, 7			EG2, EXM	DGZ		TERMINAL, [0.22 - 0.5 MM2]
6	68012305AA	2	2, 3, 6, 7			EXM	DGZ		SCREW, [M6x12]
7	05175644AA	1	2, 3, 6, 7			EXM	DGZ		O RING
8	05175645AA	1	2, 3, 6, 7			EXM	DGZ		GASKET
9									BOLT
	05073688AB	2	2, 3, 6, 7			EXM	DGZ		Bracket Mounting [M7x40]
	05073702AA	5	2, 3, 6, 7			EXM	DGZ		Charge Air Distributor Line To Head
	05125741AA	1	2, 3, 6, 7			EXM	DGZ		[M7x100]
	05175646AA	2	2, 3, 6, 7			EXM	DGZ		[M7x70]
10	05175668AA	1	2, 3, 6, 7			EXM	DGZ		SLEEVE, Insert
11	68012310AA	1	2, 3, 6, 7			EXM	DGZ		MANIFOLD, IntakeLeft
12	68028882AA	1	2, 3, 6, 7			EXM	DGZ		CONNECTOR
13	05175673AA	3	2, 3, 6, 7			EXM	DGZ		INSERT
14	05175645AA	1	2, 3, 6, 7			EXM	DGZ		GASKET
15									BOLT
	05073688AB	4	2, 3, 6, 7			EXM	DGZ		[M7x40]
	05073702AA	3	2, 3, 6, 7			EXM	DGZ		[M7x70]
	05175646AA	3	2, 3, 6, 7			EXM	DGZ		[M7x70]
16	68014081AA	1	2, 3, 6, 7			EXM	DGZ		HOUSING, Exhaust Gas Resirculation Valve
17	05175695AA	1	2, 3, 6, 7			EXM	DGZ		GASKET
18	68014083AA	1	2, 3, 6, 7			EXM	DGZ		VALVE, EGR
19	68001387AA	1	2, 3, 6, 7			EXM	DGZ		GASKET, EGR Valve, Exhaust Gas Recirculation Valve O-Ring
20	68014085AA	1	2, 3, 6, 7			EXM	DGZ		GASKET, Valve To Housing

**SPRINTER (VB)**

SERIES	LINE	BODY	ENGINE	TRANSMISSION
L = LOWLINE	3 = HD DODGE 2WD 6 = Lt. Duty DODGE 4WD 2 = Med. Duty DODGE 2WD 7 = Med. Duty DODGE 4WD	17 = VAN WHEEL BASE 7 55 = WAGON WHEEL BASE 5 15 = VAN WHEEL BASE 5 53 = 119 WB 13 = 119 WB 05 = CAB CHASSIS WHEEL BASE 5 03 = CAB CHASSIS WHEEL BASE 3	EG2 = 3.5L V6 Gas Engine EXM = 3.0L V6 Turbo Diesel Engine	DGZ = 5-Speed Auto W5A380 Transmission

AR = use ase required - = Non illustrated part

Intake Manifold  
Figure 009EXM-1025



ITEM	PART NUMBER	QTY	LINE	SERIES	BODY	ENGINE	TRANS	TRIM	DESCRIPTION
21	06104683AA	2	2, 3, 6, 7			EXM	DGZ		BOLT, 6 Lobe External Head, M6x1.0x23.0, Valve To Distribution Line
-22	06104010AA	4	2, 3, 6, 7			EXM	DGZ		BOLT, M6X1.0X40, Valve To Housing
23	06104008AA	3	2, 3, 6, 7			EXM	DGZ		SCREW, Valve Body To Charge Air Cross Pipe [M6x30]
24	68014086AA	1	2, 3, 6, 7			EXM	DGZ		GASKET
25	68012320AA	1	2, 3, 6, 7			EXM	DGZ		MANIFOLD, Intake
26	06104032AA	1	2, 3, 6, 7			EXM	DGZ		SCREW, [M8x65]
27	68012326AA	1	2, 3, 6, 7			EXM	DGZ		GASKET
28	68012327AA	1	2, 3, 6, 7			EXM	DGZ		BRACKET
29	68014087AA	1	2, 3, 6, 7			EXM	DGZ		BRACKET
30	06104006AA	1	2, 3, 6, 7			EXM	DGZ		BOLT, Torx Socket Head, M6X1.00X20.00
31	06104028AA	1	2, 3, 6, 7			EXM	DGZ		SCREW, [M8x45]
32	68014088AA	1	2, 3, 6, 7			EXM	DGZ		HOSE
33	06104804AA	1	2, 3, 6, 7			EXM	DGZ		CLAMP
34	68004905AA	1	2, 3, 6, 7			EG2, EXM	DGZ		CLAMP
35	05132913AA	1	2, 3, 6, 7			EXM	DGZ		CLAMP
36	06104005AA	1	2, 3, 6, 7			EXM	DGZ		BOLT, 6 Lobe External Head, M6X1.00X16.00
37	68001951AA	3	2, 3, 6, 7			EXM	DGZ		CLIP, Swirl Actuator
38	68012324AA	1	2, 3, 6, 7			EXM	DGZ		BRACKET, Air Duct
39	68012321AA	1	2, 3, 6, 7			EXM	DGZ		GASKET
40	68014091AA	1	2, 3, 6, 7			EXM	DGZ		HOSE, HOSE
41	68004905AA	1	2, 3, 6, 7			EG2, EXM	DGZ		CLAMP
42	68014090AA	1	2, 3, 6, 7			EXM	DGZ		CLIP, CLIP
43	06104683AA	2	2, 3, 6, 7			EXM	DGZ		BOLT, 6 Lobe External Head, M6x1.0x23.0
44	06104004AA	1	2, 3, 6, 7			EXM	DGZ		BOLT, [M6x12]

SPRINTER (VB)

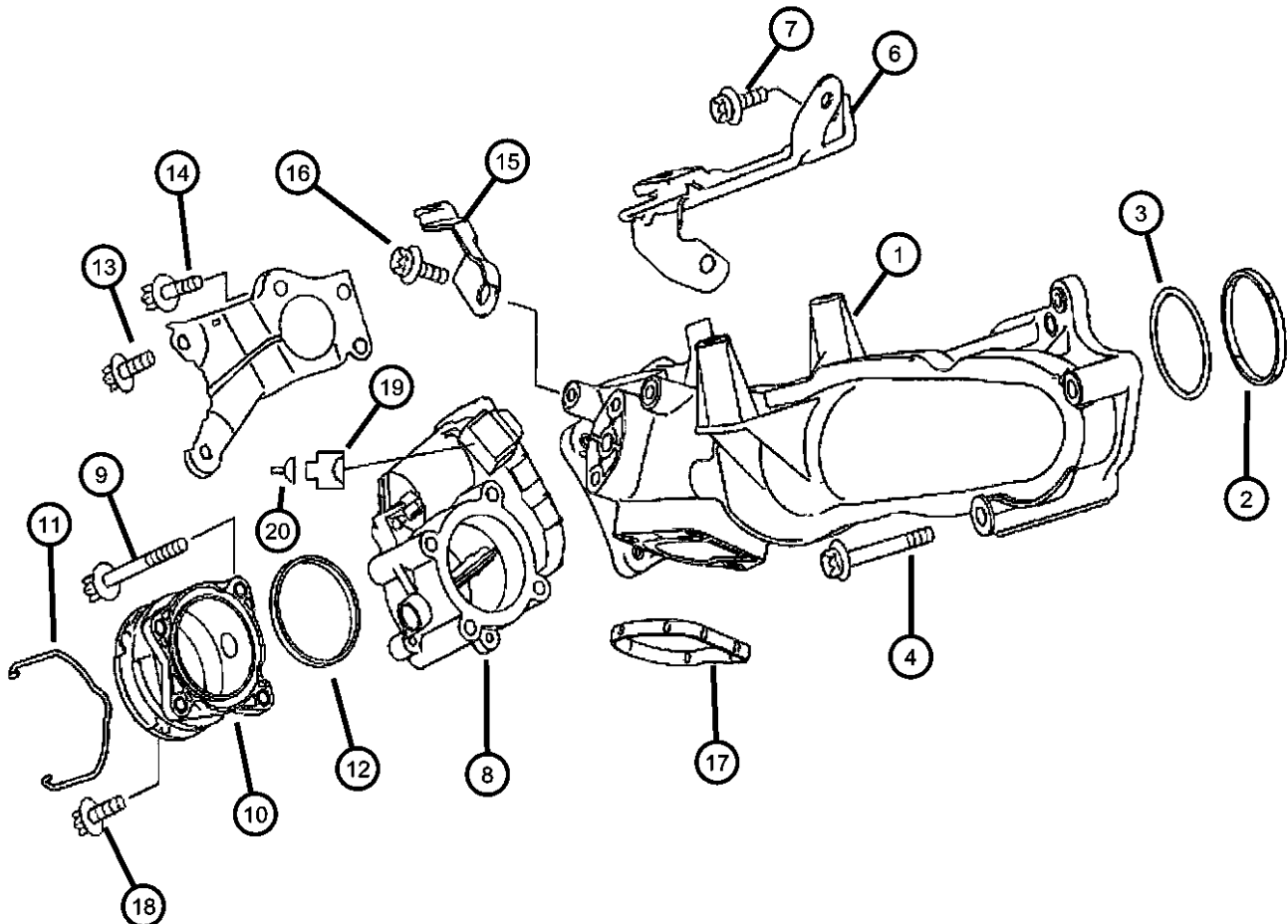
SERIES LINE  
L = LOWLINE 3 = HD DODGE 2WD  
6 = Lt. Duty DODGE 4WD  
2 = Med. Duty DODGE 2WD  
7 = Med. Duty DODGE 4WD

BODY ENGINE TRANSMISSION  
17 = VAN WHEEL BASE 7 EG2 = 3.5L V6 Gas Engine DGZ = 5-Speed Auto W5A380  
55 = WAGON WHEEL BASE 5 EXM = 3.0L V6 Turbo Diesel Transmission  
15 = VAN WHEEL BASE 5 Engine  
53 = 119 WB  
13 = 119 WB  
05 = CAB CHASSIS WHEEL BASE 5  
03 = CAB CHASSIS WHEEL BASE 3

AR = use ase required - = Non illustrated part

**Intake Manifold  
Figure 009EXM-1045**

ITEM	PART NUMBER	QTY	LINE	SERIES	BODY	ENGINE	TRANS	TRIM	DESCRIPTION
NOTE: Sales Codes: [DGZ]=5 Speed Automatic Transmission [W5A380] - [Mercedes Benz] [EXM]=3.0L Turbo Diesel V-6 Engine									
1	68012320AA	1	2, 3, 6, 7			EXM	DGZ		MANIFOLD, Intake, Crossover Pipe
2	05175710AA	1	2, 3, 6, 7			EXM	DGZ		O RING
3	68012321AA	1	2, 3, 6, 7			EXM	DGZ		GASKET
4	06104188AA	1	2, 3, 6, 7			EXM	DGZ		BOLT, Torx Head, M6x1.0x55.00
-5	06104018AA	1	2, 3, 6, 7			EXM	DGZ		BOLT, Torx Head, M6x1.00x90.00
6	68012324AA	1	2, 3, 6, 7			EXM	DGZ		BRACKET, Air Duct
7	06104032AA	1	2, 3, 6, 7			EXM	DGZ		SCREW, [M8x65]
8	68012325AA	1	2, 3, 6, 7			EXM	DGZ		THROTTLE BODY, Service Manual Name [EGR] Airflow Valve
9	05175723AA	3	2, 3, 6, 7			EXM	DGZ		SCREW, [M5x80]
10	05175728AA	1	2, 3, 6, 7			EXM	DGZ		FLANGE, Intake throttle
11	05080315AA	1	2, 3, 6, 7			EXM	DGZ		SPRING
12	05175729AA	1	2, 3, 6, 7			EXM	DGZ		GASKET
13	06104683AA	3	7, 2, 3, 6			EXM	DGZ		BOLT, 6 Lobe External Head, M6x1.0x23.0
14	06104005AA	2	2, 3, 6, 7			EXM	DGZ		BOLT, 6 Lobe External Head, M6X1.00X16.00
15	68012389AA	1	2, 3, 6, 7			EXM	DGZ		BRACKET
16	06104004AA	1	2, 3, 6, 7			EXM	DGZ		BOLT, [M6x12]
17	05175712AA	1	2, 3, 6, 7			EXM	DGZ		O RING
18	06104683AA	3	2, 3, 6, 7			EXM	DGZ		BOLT, 6 Lobe External Head, M6x1.0x23.0
19	05143912AA	1	2, 3, 6, 7			EG2, EXM	DGZ		CONNECTOR
20	05138911AA	AR	2, 3, 6, 7			EXM	DGZ		TERMINAL, [.05-.075 MM]
-21	05138038AA	1	2, 3, 6, 7			EG2, EXM	DGZ		PLUG, [S33] Connector
-22	05120860AA	1	2, 3, 6, 7			EG2, EXM	DGZ		GASKET, [1.6-1.9MM / MM2] [S33] Connector



**SPRINTER (VB)**

<b>SERIES</b>	<b>LINE</b>	<b>BODY</b>	<b>ENGINE</b>	<b>TRANSMISSION</b>
L = LOWLINE	3 = HD DODGE 2WD 6 = Lt. Duty DODGE 4WD 2 = Med. Duty DODGE 2WD 7 = Med. Duty DODGE 4WD	17 = VAN WHEEL BASE 7 55 = WAGON WHEEL BASE 5 15 = VAN WHEEL BASE 5 53 = 119 WB 13 = 119 WB 05 = CAB CHASSIS WHEEL BASE 5 03 = CAB CHASSIS WHEEL BASE 3	EG2 = 3.5L V6 Gas Engine EXM = 3.0L V6 Turbo Diesel Engine	DGZ = 5-Speed Auto W5A380 Transmission

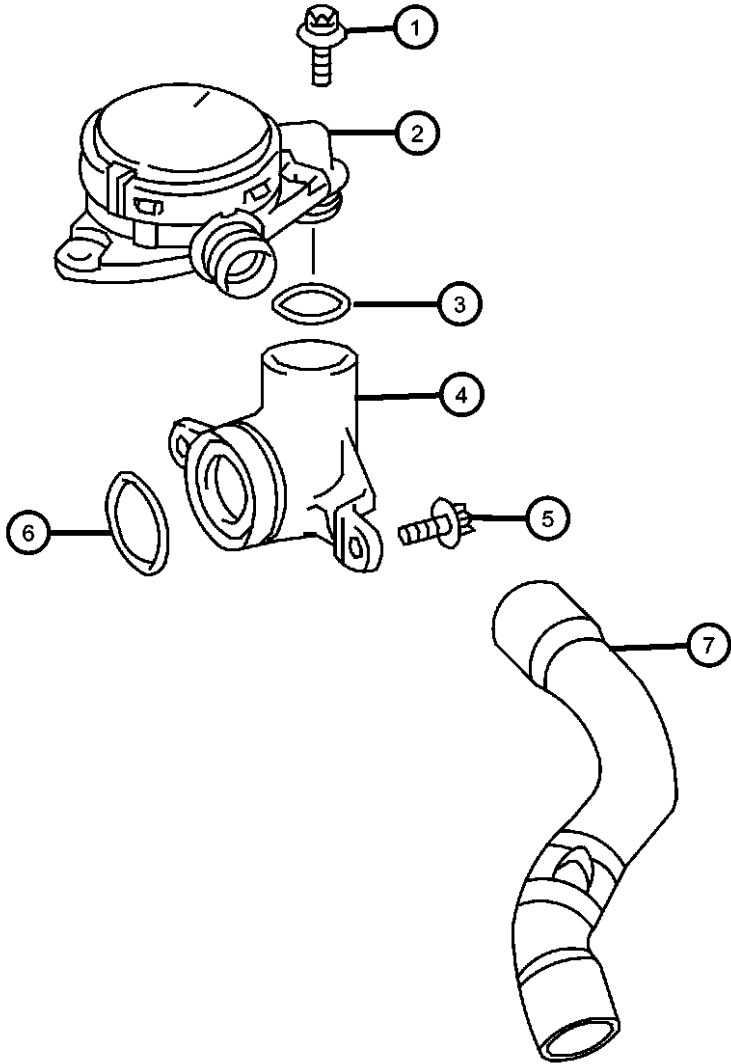
AR = use ase required - = Non illustrated part

**Crankcase Ventilation  
Figure 009EXM-1105**

ITEM	PART NUMBER	QTY	LINE	SERIES	BODY	ENGINE	TRANS	TRIM	DESCRIPTION
------	-------------	-----	------	--------	------	--------	-------	------	-------------

NOTES:  
Sales Code:  
[EXM] = 3.0L V6 Turbo Diesel Engine

1	06104682AA	3	2, 3, 6, 7			EXM	DGZ		BOLT, Valve to Cylinder Head Cover M6x19
2	68014022AA	1	2, 3, 6, 7			EXM	DGZ		VALVE, PCV, Pressure Control Valve-ZJ9
3	05175515AA	1	2, 3, 6, 7			EXM	DGZ		O RING
4	05175512AA	1	2, 3, 6, 7			EXM	DGZ		COVER
5	06104005AA	2	2, 3, 6, 7			EXM	DGZ		BOLT, 6 Lobe External Head, M6X1.00X16.00
6	05175513AA	1	2, 3, 6, 7			EXM	DGZ		O RING
7	68014024AA	1	2, 3, 6, 7			EXM	DGZ		HOSE, Pressure Valve to Intake Pipe



<b>SPRINTER (VB)</b>		<b>BODY</b>		<b>ENGINE</b>		<b>TRANSMISSION</b>	
SERIES	LINE	17 = VAN WHEEL BASE 7	EG2 = 3.5L V6 Gas Engine	DGZ = 5-Speed Auto W5A380			
L = LOWLINE	3 = HD DODGE 2WD	55 = WAGON WHEEL BASE 5	EXM = 3.0L V6 Turbo Diesel Engine				
	6 = Lt. Duty DODGE 4WD	15 = VAN WHEEL BASE 5					
	2 = Med. Duty DODGE 2WD	53 = 119 WB					
	7 = Med. Duty DODGE 4WD	13 = 119 WB					
		05 = CAB CHASSIS WHEEL BASE 5					
		03 = CAB CHASSIS WHEEL BASE 3					

AR = use ase required - = Non illustrated part

**Engine Mounting Right Side RWD/2WD  
Figure 009EXM-1230**

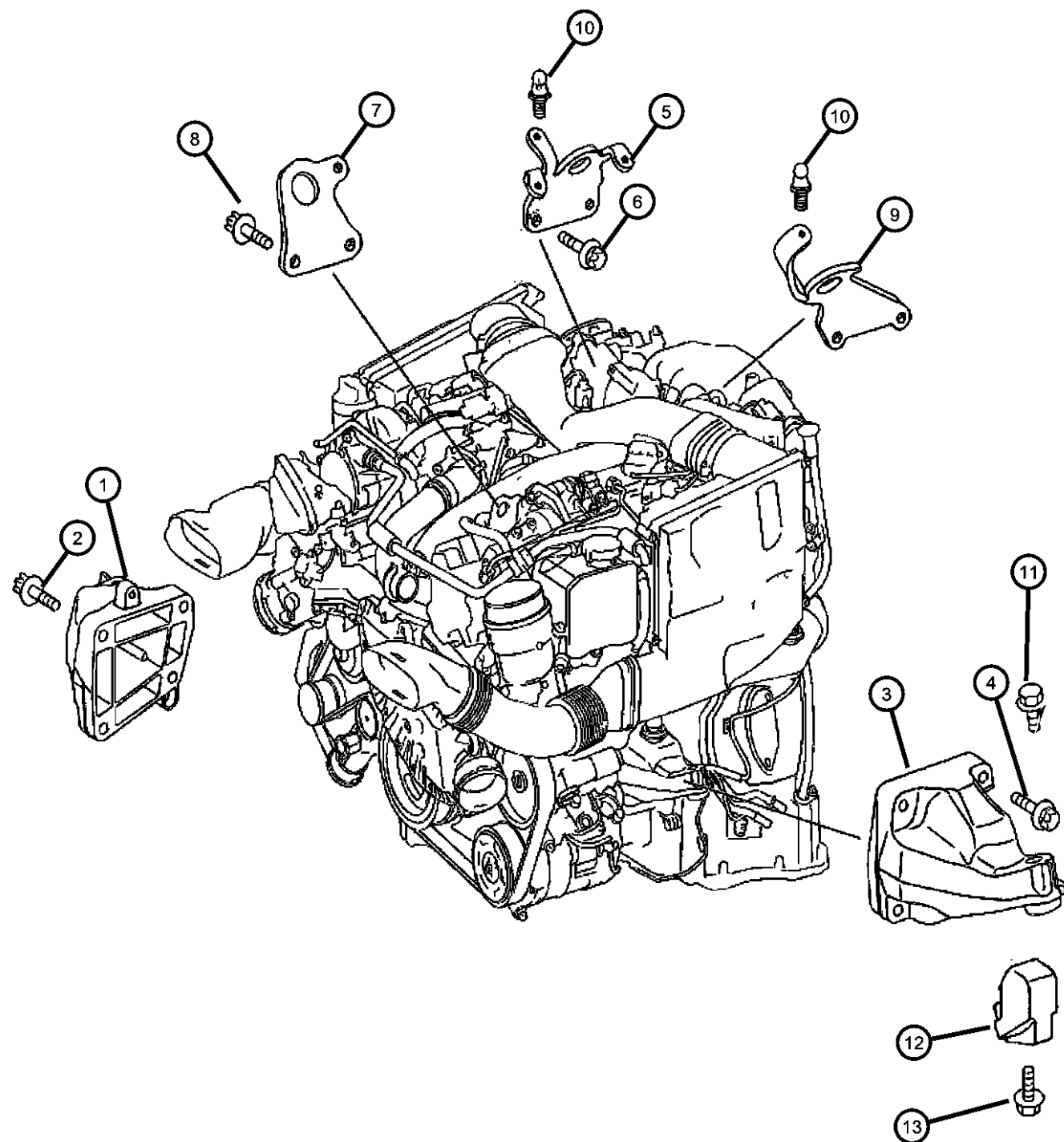
ITEM	PART NUMBER	QTY	LINE	SERIES	BODY	ENGINE	TRANS	TRIM	DESCRIPTION
1	68006041AA	1	2, 3, 6, 7			EXM	DGZ		SUPPORT, Engine
2	06104028AA	1	2, 3, 6, 7			EXM	DGZ		SCREW, [M8x42]
3	68006050AA	1	2, 3, 6, 7			EXM	DGZ		SUPPORT, Engine
4	06104028AA	1	2, 3, 6, 7			EXM	DGZ		SCREW, [M8x45]
5	68006052AA	1	2, 3, 6, 7			EXM	DGZ		RING
6	05073701AA	2	2, 3, 6, 7			EXM	DGZ		SCREW, [M7x20]
7	68006053AA	1	2, 3, 6, 7			EXM	DGZ		RING
8	05073701AA	2	2, 3, 6, 7			EXM	DGZ		SCREW, [M7x20]
9	68003536AA	1	2, 3, 6, 7			EXM	DGZ		BRACKET, Engine Lift
10	05179385AA	6	2, 3, 6, 7			EXM	DGZ		PIN, Locating, Engine Cover
11	06104041AA	2	2, 3, 6, 7			EG2, EXM	DGZ		SCREW, [M10x16], Right or Left, Lower
12	68005193AA	2	2, 3, 6, 7			EXM	DGZ		BRACKET AND INSULATOR, Engine MountingRight & Left
13	06104041AA	2	2, 3, 6, 7			EG2, EXM	DGZ		SCREW

NOTES:

Sales Code:

[DGZ]=5 Speed Automatic Transmission [W5A380]

[EXM] = 3.0L V6 Turbo Diesel Engine



**SPRINTER (VB)**

SERIES	LINE
L = LOWLINE	3 = HD DODGE 2WD 6 = Lt. Duty DODGE 4WD 2 = Med. Duty DODGE 2WD 7 = Med. Duty DODGE 4WD

BODY	ENGINE	TRANSMISSION
17 = VAN WHEEL BASE 7 55 = WAGON WHEEL BASE 5 15 = VAN WHEEL BASE 5 53 = 119 WB 13 = 119 WB 05 = CAB CHASSIS WHEEL BASE 5 03 = CAB CHASSIS WHEEL BASE 3	EG2 = 3.5L V6 Gas Engine EXM = 3.0L V6 Turbo Diesel Engine	DGZ = 5-Speed Auto W5A380 Transmission

AR = use ase required - = Non illustrated part

2008 VB

**Engine Mounting Left Side RWD/2WD  
Figure 009EXM-1250**

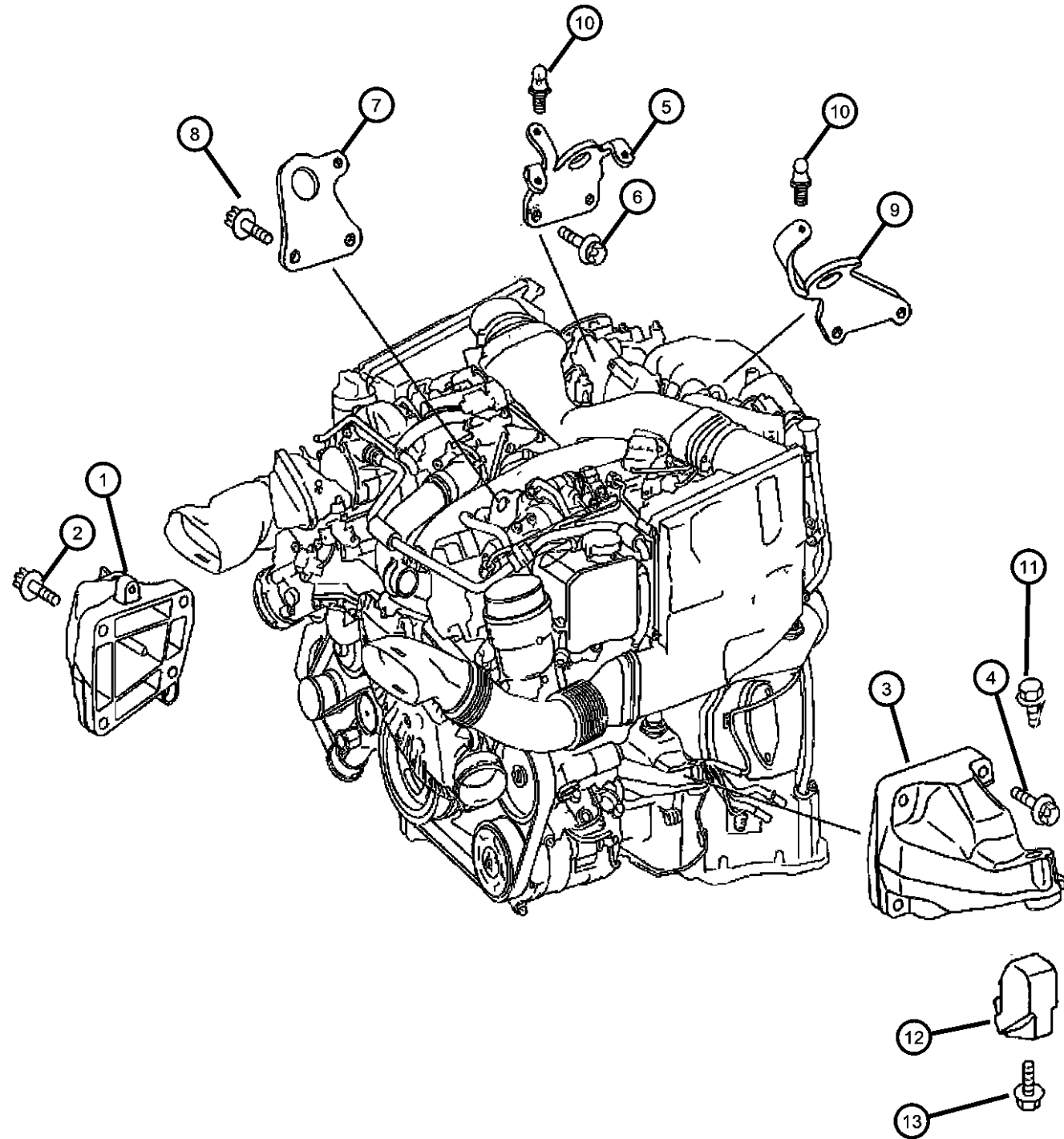
ITEM	PART NUMBER	QTY	LINE	SERIES	BODY	ENGINE	TRANS	TRIM	DESCRIPTION
1	68006041AA	1	2, 3, 6, 7			EXM	DGZ		SUPPORT, Engine
2	06104028AA	1	2, 3, 6, 7			EXM	DGZ		SCREW, [M8x42]
3	68006050AA	1	2, 3, 6, 7			EXM	DGZ		SUPPORT, Engine
4	06104028AA	1	2, 3, 6, 7			EXM	DGZ		SCREW, [M8x45]
5	68006052AA	1	2, 3, 6, 7			EXM	DGZ		RING
6	05073701AA	2	2, 3, 6, 7			EXM	DGZ		SCREW, [M7x20]
7	68006053AA	1	2, 3, 6, 7			EXM	DGZ		RING
8	05073701AA	2	2, 3, 6, 7			EXM	DGZ		SCREW, [M7x20]
9	68003536AA	1	2, 3, 6, 7			EXM	DGZ		BRACKET, Engine Lift
10	05179385AA	6	2, 3, 6, 7			EXM	DGZ		PIN, Locating, Engine Cover
11	06104041AA	2	2, 3, 6, 7			EG2, EXM	DGZ		SCREW, [M10x16], Right or Left, Lower
12	68005193AA	2	2, 3, 6, 7			EXM	DGZ		BRACKET AND INSULATOR, Engine MountingRight & Left
13	06104041AA	2	2, 3, 6, 7			EG2, EXM	DGZ		SCREW

NOTES:

Sales Code:

[DGZ]=5 Speed Automatic Transmission [W5A380]

[EXM] = 3.0L V6 Turbo Diesel Engine



**SPRINTER (VB)**

SERIES	LINE
L = LOWLINE	3 = HD DODGE 2WD 6 = Lt. Duty DODGE 4WD 2 = Med. Duty DODGE 2WD 7 = Med. Duty DODGE 4WD

BODY	ENGINE	TRANSMISSION
17 = VAN WHEEL BASE 7	EG2 = 3.5L V6 Gas Engine	DGZ = 5-Speed Auto W5A380
55 = WAGON WHEEL BASE 5	EXM = 3.0L V6 Turbo Diesel Engine	Transmission
15 = VAN WHEEL BASE 5		
53 = 119 WB		
13 = 119 WB		
05 = CAB CHASSIS WHEEL BASE 5		
03 = CAB CHASSIS WHEEL BASE 3		

AR = use ase required - = Non illustrated part

2008 VB



# Group - 10

## Restraints

### Group - 10 Restraints

Illustration Title

Group-Fig. No.

#### Air Bags

Air Bag Modules, Impact Sensors and Clock Spring .....	Fig. 10 - 205
Air Bag Modules, Impact Sensors and Clock Spring .....	Fig. 10 - 210
Air Bag Modules, Impact Sensors and Clock Spring .....	Fig. 10 - 215
Air Bag Modules, Impact Sensors and Clock Spring .....	Fig. 10 - 220
Air Bags Front .....	Fig. 10 - 225
Window And Side Air Bag .....	Fig. 10 - 230

#### Seat Belts

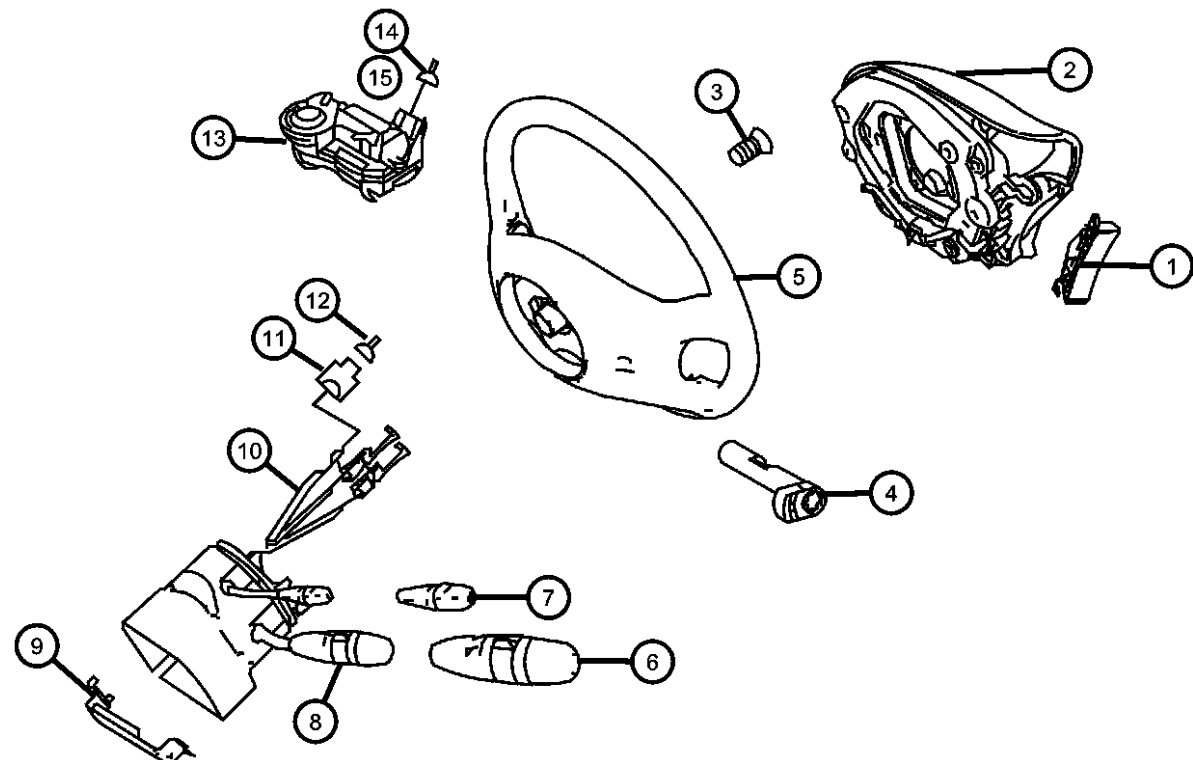
Seat Belts First Row .....	Fig. 10 - 305
----------------------------	---------------

<p><b>010-200</b> Air Bags</p>	<p><b>010-300</b> Seat Belts</p>		
------------------------------------	--------------------------------------	--	--

### Air Bag Modules, Impact Sensors and Clock Spring

Figure 10-205

ITEM	PART NUMBER	QTY	LINE	SERIES	BODY	ENGINE	TRANS	TRIM	DESCRIPTION
1	68010427AA	1	2, 3, 6, 7	L					SWITCH, Steering Wheel, Reconfigurable, One Pair
2	68010423AA	1	2, 3	L					AIR BAG, Driver Dodge with Steering Wheel Controls
	68010426AA	1	2, 3	L					Dodge without Steering Wheel Controls
	68020911AA	1	6, 7	L					Freightliner with Steering Wheel Controls
	68020912AA	1	6, 7	L					Freightliner without Steering Wheel Controls
3	04649132AA	1	3, 7	L	03, 05				BOLT, BOLT M16
		1	2, 3, 6, 7	L	13, 15, 17, 53, 55				M16
4	68010438AA	1	2, 3, 6, 7	L					PIN
5	68010421AA	1	2, 3, 6, 7	L					WHEEL, Steering
6	68010446AA	1	2, 3, 6, 7	L					COVER, Blinker Switch
7	68010447AA	1	2, 3, 6, 7	L					COVER, Switch
8	68010449AA	1	2, 3, 6, 7	L					SWITCH, Multifunction
9	68010457AA	1	2, 3, 6, 7	L					BRACKET, Steering Column
10	68010451AA	1	2, 3, 6, 7	L					CLOCKSPRING
11	05120717AA	1	3, 7	L	03, 05				CONNECTOR Jacket Tube Module 3-Pin,COD.A
		1	2, 3, 6, 7	L	13, 15, 17, 53, 55				Jacket Tube Module 3-Pin,COD.A
12	05103873AA	3	3, 7	L	03, 05				TERMINAL 0.75MM2 MQS
		3	2, 3, 6, 7	L	13, 15, 17, 53, 55				0.75MM2 MQS
13	68010437AA	1	2, 3, 6, 7	L					MODULE, Steering Control
14	05133370AA	2	2, 3, 6, 7	L					TERMINAL, [1.5-2.5MM2 JPT;N26/5]
15	05120833AA	2	2, 3, 6, 7	L					GASKET 1.0-2.5MM;N25/5
	05120858AA	2	2, 3, 6, 7	L					N26/5



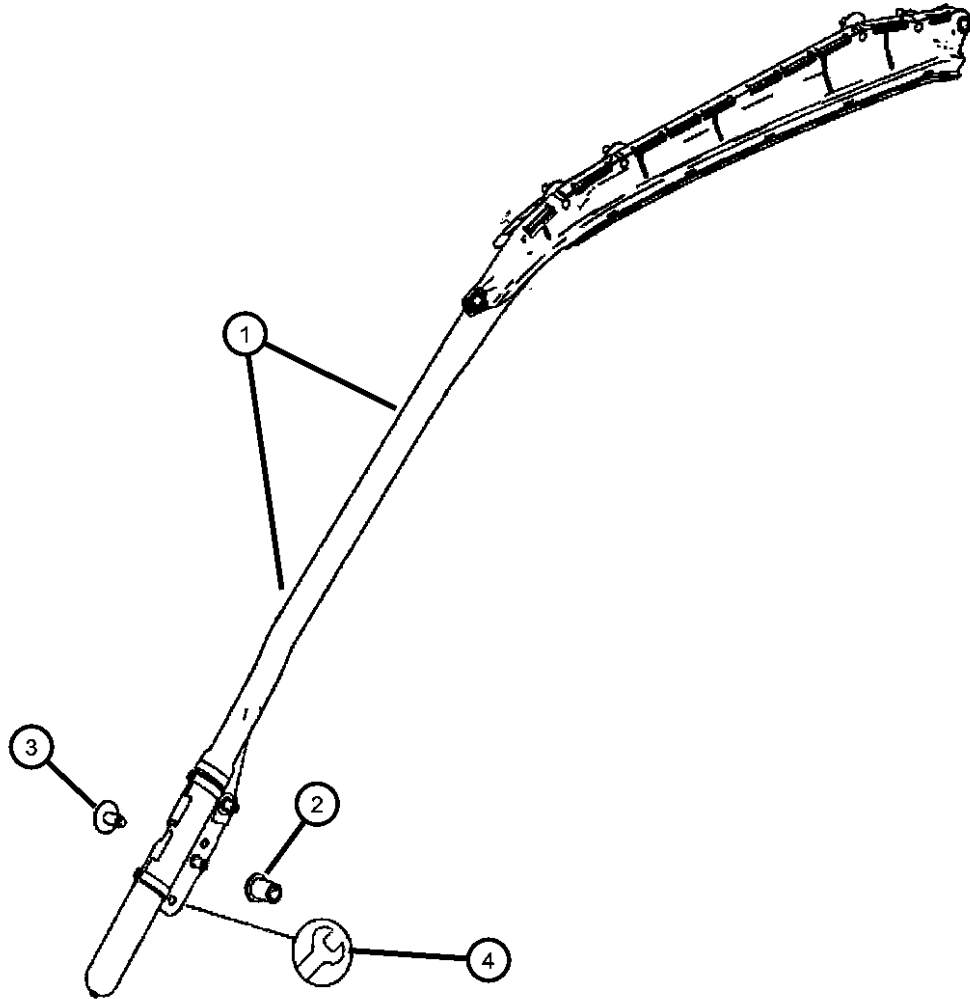
**SPRINTER (VB)**

SERIES	LINE	BODY	ENGINE	TRANSMISSION
L = LOWLINE	3 = HD DODGE 2WD 6 = Lt. Duty DODGE 4WD 2 = Med. Duty DODGE 2WD 7 = Med. Duty DODGE 4WD	17 = VAN WHEEL BASE 7 55 = WAGON WHEEL BASE 5 15 = VAN WHEEL BASE 5 53 = 119 WB 13 = 119 WB 05 = CAB CHASSIS WHEEL BASE 5 03 = CAB CHASSIS WHEEL BASE 3	EG2 = 3.5L V6 Gas Engine EXM = 3.0L V6 Turbo Diesel Engine	DGZ = 5-Speed Auto W5A380 Transmission

AR = use ase required - = Non illustrated part

**Air Bag Modules, Impact Sensors and Clock Spring**  
**Figure 10-210**

ITEM	PART NUMBER	QTY	LINE	SERIES	BODY	ENGINE	TRANS	TRIM	DESCRIPTION
1									AIR BAG, Side Curtain
	1HD69NC-VAA	1	2, 3, 6, 7	L				*A6	[A6], Left
		1	2, 3, 6, 7	L				*E7	[E7], Left
		1	2, 3, 6, 7	L				*F7	[F7], Left
	1HD70NC-VAA	1	2, 3, 6, 7	L				*A6	[A6], Right
		1	2, 3, 6, 7	L				*E7	[E7], Right
		1	2, 3, 6, 7	L				*F7	[F7], Right
2	05133486AA	4	2, 3, 6, 7	L					RIVET
3	68014337AA	8	2, 3, 6, 7	L					SCREW
4	68016751AA	2	2, 3, 6, 7	L					CONNECTORRight & Left



**SPRINTER (VB)**

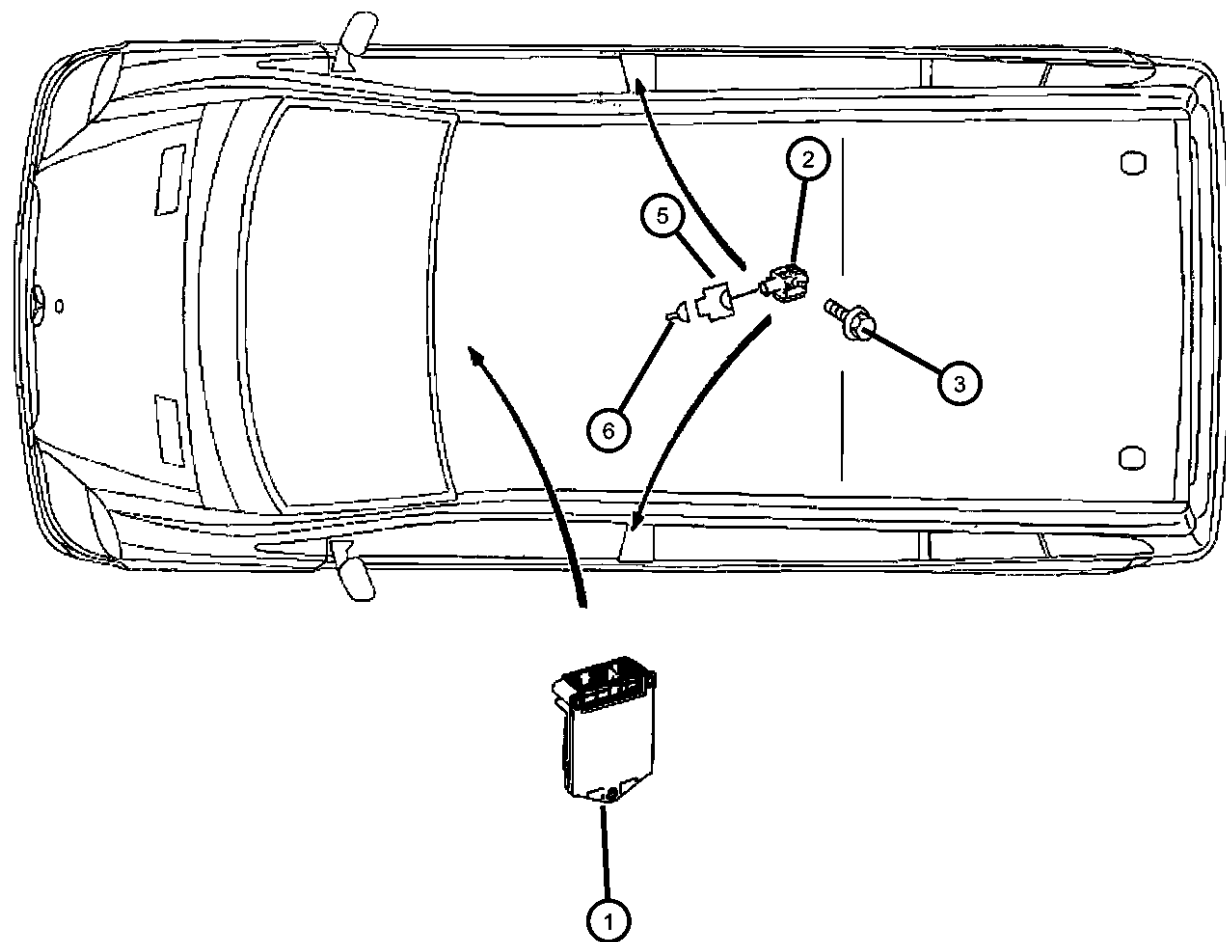
SERIES	LINE	BODY	ENGINE	TRANSMISSION
L = LOWLINE	3 = HD DODGE 2WD 6 = Lt. Duty DODGE 4WD 2 = Med. Duty DODGE 2WD 7 = Med. Duty DODGE 4WD	17 = VAN WHEEL BASE 7 55 = WAGON WHEEL BASE 5 15 = VAN WHEEL BASE 5 53 = 119 WB 13 = 119 WB 05 = CAB CHASSIS WHEEL BASE 5 03 = CAB CHASSIS WHEEL BASE 3	EG2 = 3.5L V6 Gas Engine EXM = 3.0L V6 Turbo Diesel Engine	DGZ = 5-Speed Auto W5A380 Transmission

AR = use ase required - = Non illustrated part

2008 VB

**Air Bag Modules, Impact Sensors and Clock Spring**  
**Figure 10-215**

ITEM	PART NUMBER	QTY	LINE	SERIES	BODY	ENGINE	TRANS	TRIM	DESCRIPTION
1	68029750AA	1	2, 3, 6, 7	L					MODULE, Air Bag Control With Front, Side & Curtain Airbags / Without Auxiliary Diesel Heater
	68029771AA	1	2, 3, 6, 7	L					Standard Front Drivers & Passenger Airbag Only
2	68013424AA	2	2, 3, 6, 7	L					SENSOR, Side Airbag Impact, Window & Thorax Air Bag Sensor
3	06104188AA	2	2, 3, 6, 7	L	13, 15, 17, 53, 55				BOLT, Torx Head, M6x1.0x55.00
		2	3, 7	L	03, 05				
-4	06104004AA	1	2, 3, 6, 7	L					BOLT, Control Unit To Floor [M6x12]
5	68011282AA	2	2, 3, 6, 7	L					CONNECTOR, Side Air Bag [2 Pin A53/A54]
6	05103874AA	1	2, 3, 6, 7	L					TERMINAL, [.75MM2; MQS; A53/A54]2
-7	05120860AA	1	2, 3, 6, 7	L					GASKET, [1.6 - 1.9 MM2 / A53/A54]



**SPRINTER (VB)**

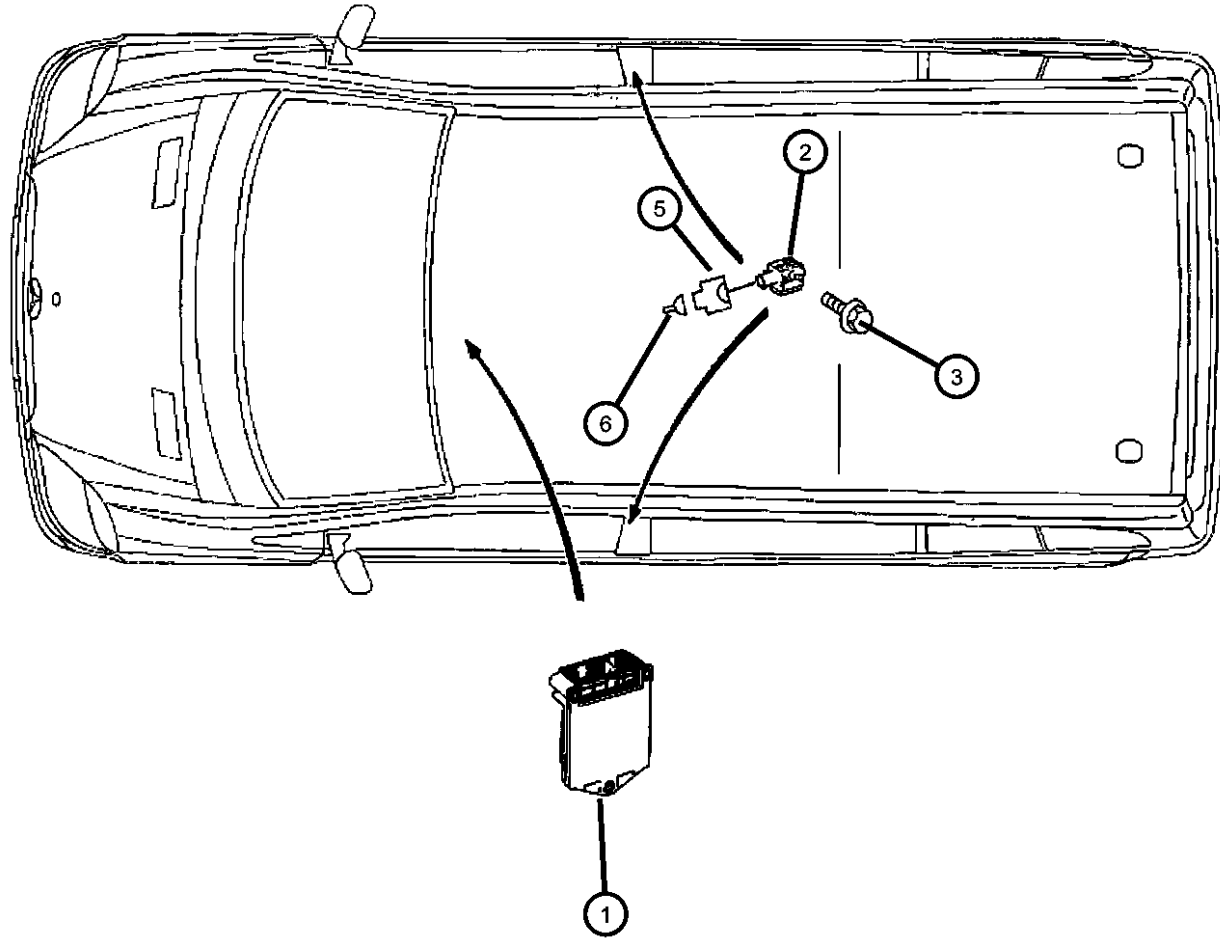
SERIES	LINE	BODY	ENGINE	TRANSMISSION
L = LOWLINE	3 = HD DODGE 2WD 6 = Lt. Duty DODGE 4WD 2 = Med. Duty DODGE 2WD 7 = Med. Duty DODGE 4WD	17 = VAN WHEEL BASE 7 55 = WAGON WHEEL BASE 5 15 = VAN WHEEL BASE 5 53 = 119 WB 13 = 119 WB 05 = CAB CHASSIS WHEEL BASE 5 03 = CAB CHASSIS WHEEL BASE 3	EG2 = 3.5L V6 Gas Engine EXM = 3.0L V6 Turbo Diesel Engine	DGZ = 5-Speed Auto W5A380 Transmission

AR = use ase required - = Non illustrated part

2008 VB

**Air Bag Modules, Impact Sensors and Clock Spring**  
**Figure 10-220**

ITEM	PART NUMBER	QTY	LINE	SERIES	BODY	ENGINE	TRANS	TRIM	DESCRIPTION
1	68029750AA	1	2, 3, 6, 7	L					MODULE, Air Bag Control With Front, Side & Curtain Airbags / Without Auxiliary Diesel Heater
	68029771AA	1	2, 3, 6, 7	L					Standard Front Drivers & Passenger Airbag Only
2	68013424AA	2	2, 3, 6, 7	L					SENSOR, Side Airbag Impact, Window & Thorax Air Bag Sensor
3	06104188AA	2	3, 7	L	03, 05				BOLT, Torx Head, M6x1.0x55.00
		2	2, 3, 6, 7	L	13, 15, 17, 53, 55				
-4	06104004AA	1	2, 3, 6, 7	L					BOLT, Control Unit To Floor [M6x12]
5	68011282AA	2	2, 3, 6, 7	L					CONNECTOR, Side Air Bag [2 Pin A53/A54]
6	05103874AA	1	2, 3, 6, 7	L					TERMINAL, [.75MM2; MQS; A53/A54]2
-7	05120860AA	1	2, 3, 6, 7	L					GASKET, [1.6 - 1.9 MM2 / A53/A54]



**SPRINTER (VB)**

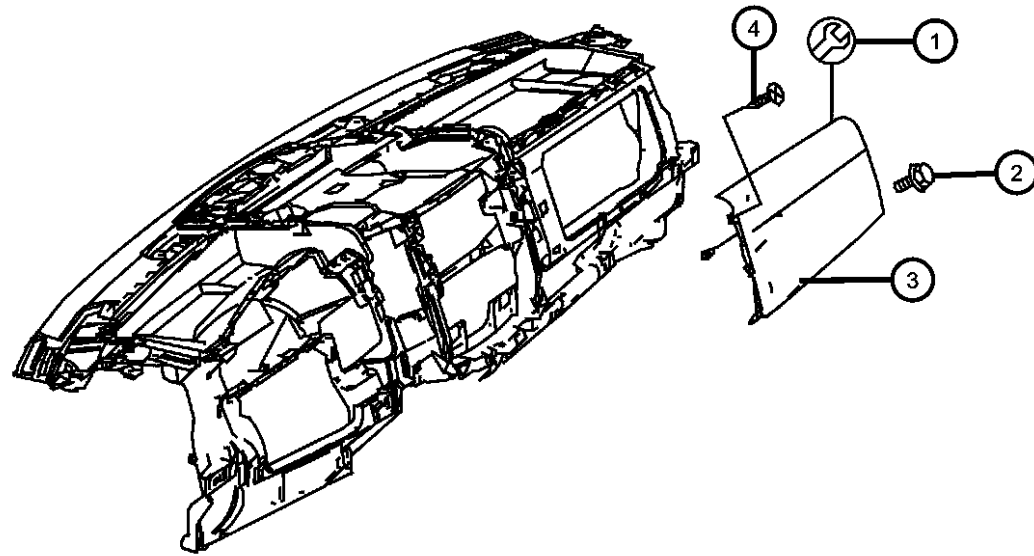
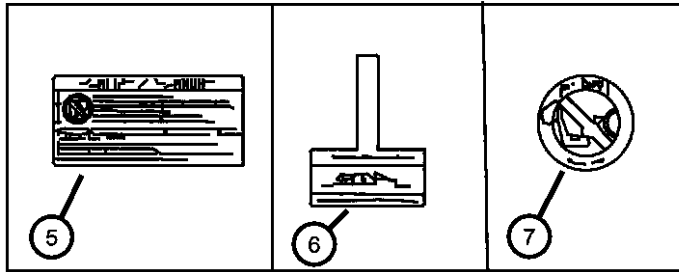
SERIES	LINE	BODY	ENGINE	TRANSMISSION
L = LOWLINE	3 = HD DODGE 2WD 6 = Lt. Duty DODGE 4WD 2 = Med. Duty DODGE 2WD 7 = Med. Duty DODGE 4WD	17 = VAN WHEEL BASE 7 55 = WAGON WHEEL BASE 5 15 = VAN WHEEL BASE 5 53 = 119 WB 13 = 119 WB 05 = CAB CHASSIS WHEEL BASE 5 03 = CAB CHASSIS WHEEL BASE 3	EG2 = 3.5L V6 Gas Engine EXM = 3.0L V6 Turbo Diesel Engine	DGZ = 5-Speed Auto W5A380 Transmission

AR = use ase required - = Non illustrated part

2008 VB

**Air Bags Front**  
**Figure 10-225**

ITEM	PART NUMBER	QTY	LINE	SERIES	BODY	ENGINE	TRANS	TRIM	DESCRIPTION
1	68016726AA	2	2, 3, 6, 7	L					CONNECTOR, Wiring, Airbag, Passenger Side 2-PIN
2	68010411AA	4	2, 3, 6, 7	L					SCREW
3	68010410AA	1	2, 3, 6, 7	L					AIR BAG, Passenger
4	06104574AA	4	2, 3, 6, 7	L					SCREW, Tapping, 4.8x16
5	05096859AA	2	2, 3, 6, 7	L					LABEL, Air Bag Warning, German/English
6	05161821AA	1	2, 3, 6, 7	L					LABEL, Airbag, Stuck to Glove Compartment
7	05096894AA	1	2, 3, 6, 7	L					LABEL, Airbag



**SPRINTER (VB)**

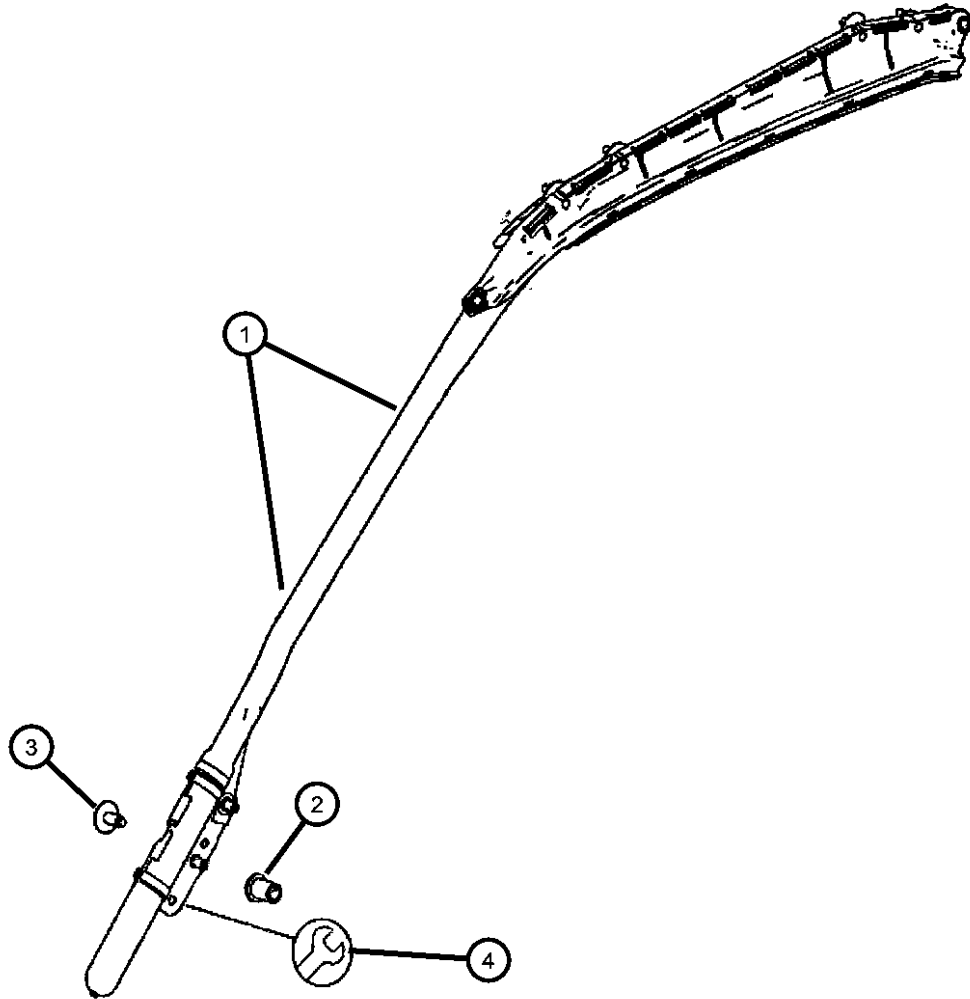
SERIES	LINE	BODY	ENGINE	TRANSMISSION
L = LOWLINE	3 = HD DODGE 2WD	17 = VAN WHEEL BASE 7	EG2 = 3.5L V6 Gas Engine	DGZ = 5-Speed Auto W5A380
	6 = Lt. Duty DODGE 4WD	55 = WAGON WHEEL BASE 5	EXM = 3.0L V6 Turbo Diesel Engine	Transmission
	2 = Med. Duty DODGE 2WD	15 = VAN WHEEL BASE 5		
	7 = Med. Duty DODGE 4WD	53 = 119 WB		
		13 = 119 WB		
		05 = CAB CHASSIS WHEEL BASE 5		
		03 = CAB CHASSIS WHEEL BASE 3		

AR = use ase required - = Non illustrated part

2008 VB

**Window And Side Air Bag  
Figure 10-230**

ITEM	PART NUMBER	QTY	LINE	SERIES	BODY	ENGINE	TRANS	TRIM	DESCRIPTION
1									AIR BAG, Side Curtain
	1HD69NC-VAA	1	2, 3, 6, 7	L				*A6	[A6], Left
		1	2, 3, 6, 7	L				*E7	[E7], Left
	1HD70NC-VAA	1	2, 3, 6, 7	L				*A6	[A6], Right
		1	2, 3, 6, 7	L				*E7	[E7], Right
		1	2, 3, 6, 7	L				*F7	[F7], Right
		1	3, 6, 7, 2	L				*F7	[F7], Left
2	05133486AA	4	2, 3, 6, 7	L					RIVET
3	68014337AA	8	2, 3, 6, 7	L					SCREW
4	68016751AA	2	2, 3, 6, 7	L					CONNECTORRight & Left



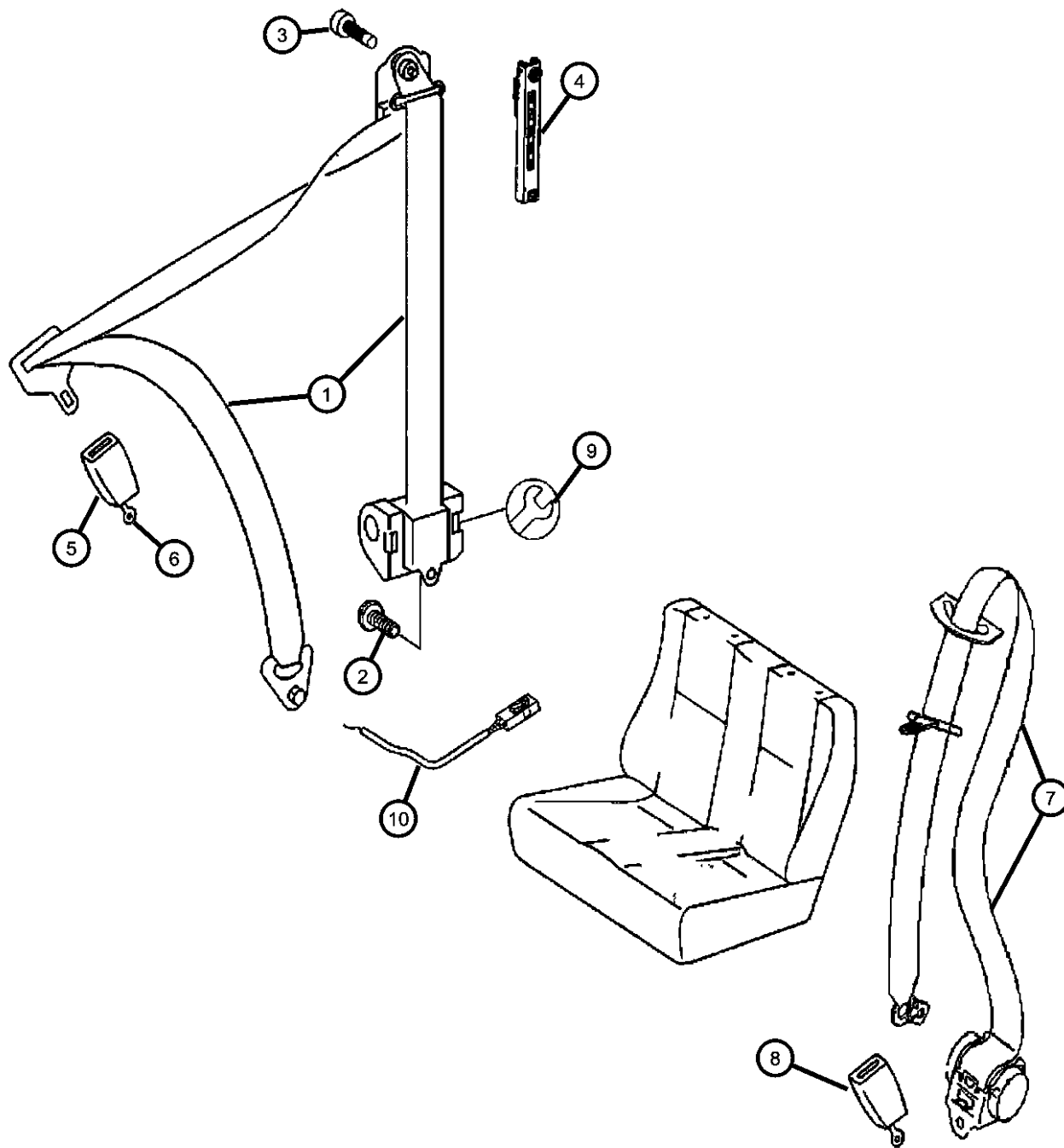
**SPRINTER (VB)**

SERIES	LINE	BODY	ENGINE	TRANSMISSION
L = LOWLINE	3 = HD DODGE 2WD 6 = Lt. Duty DODGE 4WD 2 = Med. Duty DODGE 2WD 7 = Med. Duty DODGE 4WD	17 = VAN WHEEL BASE 7 55 = WAGON WHEEL BASE 5 15 = VAN WHEEL BASE 5 53 = 119 WB 13 = 119 WB 05 = CAB CHASSIS WHEEL BASE 5 03 = CAB CHASSIS WHEEL BASE 3	EG2 = 3.5L V6 Gas Engine EXM = 3.0L V6 Turbo Diesel Engine	DGZ = 5-Speed Auto W5A380 Transmission

AR = use ase required - = Non illustrated part

2008 VB

Seat Belts First Row  
Figure 10-305



ITEM	PART NUMBER	QTY	LINE	SERIES	BODY	ENGINE	TRANS	TRIM	DESCRIPTION
1									SEAT BELT, Front Outer
	1HD71DX9AA	1	2, 3, 6, 7	L				*A6	Passenger Seat
		1	2, 3, 6, 7	L				*E7	Passenger Seat
		1	2, 3, 6, 7	L				*F7	Passenger Seat
	1HG34DX9AA	1	2, 3, 6, 7	L	13, 15, 17			*A6	With [CDT] Passenger Jump Seat, Right
		1	2, 3, 6, 7	L	13, 15, 17			*E7	With [CDT] Passenger Jump Seat, Right
		1	2, 3, 6, 7	L	13, 15, 17			*F7	With [CDT] Passenger Jump Seat, Right
	1HQ42DX9AA	1	2, 3, 6, 7	L					Driver Seat
	68005046AA	1	2, 3, 6, 7	L	13, 15, 17				With [CGQ] Orange, Right & Left
2	68017269AA	1	2, 3, 6, 7	L	03, 05, 13, 15, 17				SCREW
3	05097581AB	2	2, 3, 6, 7	L					SCREW
4	68017270AA	2	2, 3, 6, 7	L					ADJUSTER, Seat Belt Turning Loop Right & Left
5									SEAT BELT, Buckle Half
	68010831AA	1	2, 3, 6, 7	L					Driver side w/o Seat Belt Chime. Passenger side with seat adjusting, luxury, or suspension seat options, Passenger And Driver
	68010832AA	1	2, 3, 6, 7	L					Driver side with seat belt chime, Driver
6									SCREW, Mounting Bolt
	05073723AB	2	2, 3, 6, 7	L	13, 15, 17, 53, 55				
		1	3, 7	L	03, 05				
7									SEAT BELT, Front Outer, Dual Passenger Seat
	1HF08DX9AA	1	2, 3, 6, 7	L				*A6	[A6] With [CW9] Dual Passenger Seat
		1	2, 3, 6, 7	L				*E7	[E7] With [CW9] Dual Passenger Seat
		1	2, 3, 6, 7	L				*F7	[F7] With [CW9] Dual Passenger Seat
8									SEAT BELT, Buckle Half, Dual Passenger Seat
	05104502AA	2	2, 3, 6, 7	L	13, 15, 17, 53, 55				With [CW9] Dual Passenger Seat

SPRINTER (VB)

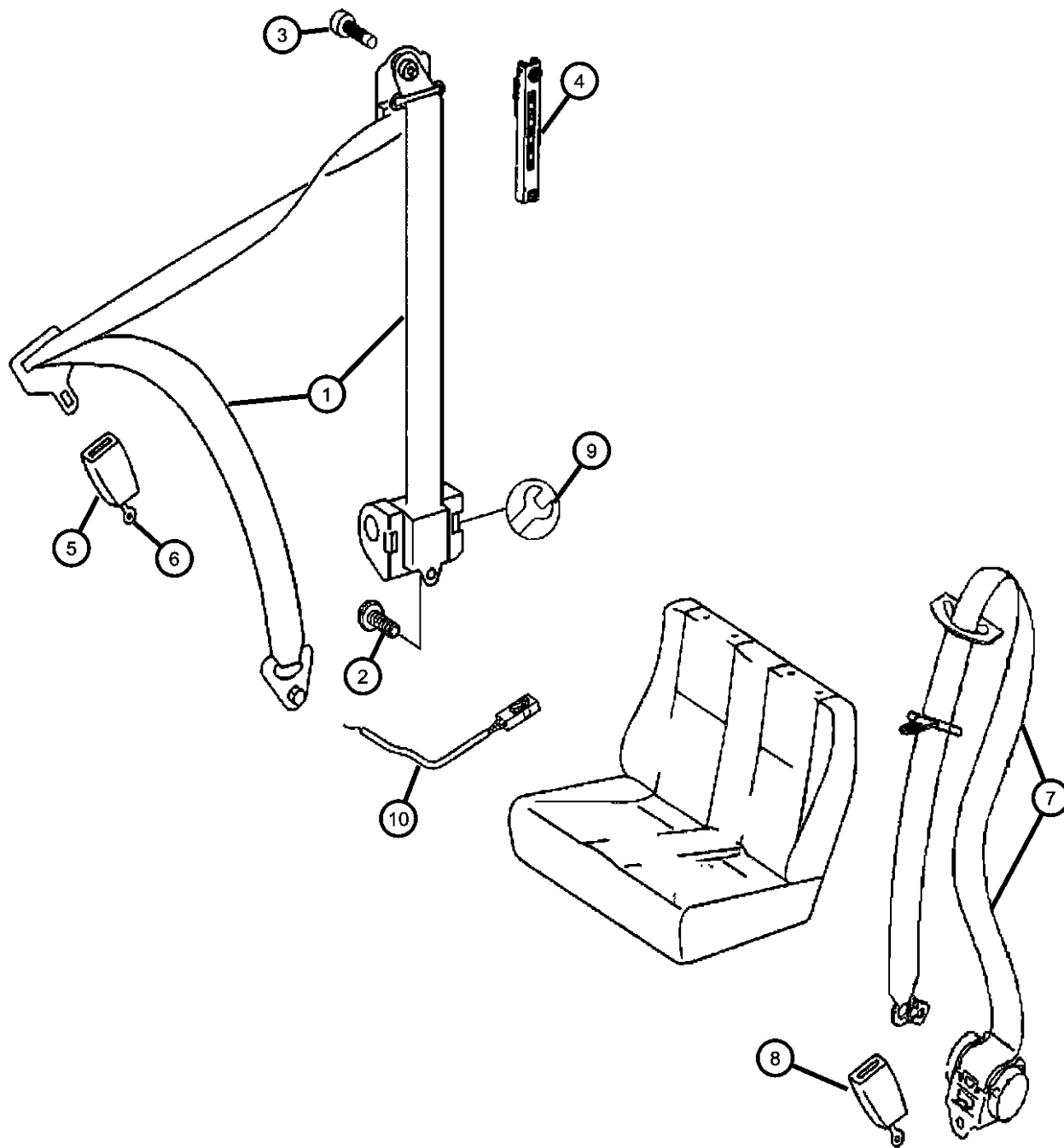
SERIES	LINE	BODY	ENGINE	TRANSMISSION
L = LOWLINE	3 = HD DODGE 2WD 6 = Lt. Duty DODGE 4WD 2 = Med. Duty DODGE 2WD 7 = Med. Duty DODGE 4WD	17 = VAN WHEEL BASE 7 55 = WAGON WHEEL BASE 5 15 = VAN WHEEL BASE 5 53 = 119 WB 13 = 119 WB 05 = CAB CHASSIS WHEEL BASE 5 03 = CAB CHASSIS WHEEL BASE 3	EG2 = 3.5L V6 Gas Engine EXM = 3.0L V6 Turbo Diesel Engine	DGZ = 5-Speed Auto W5A380 Transmission

AR = use ase required - = Non illustrated part



Seat Belts First Row  
Figure 10-305

ITEM	PART NUMBER	QTY	LINE	SERIES	BODY	ENGINE	TRANS	TRIM	DESCRIPTION
		4	2, 3, 6, 7	L	53, 55				With [CW9] Dual Passenger Seat
9	68016726AA	2	2, 3, 6, 7	L					CONNECTOR, Wiring
10	68016749AA	1	2, 3, 6, 7	L					WIRING



SPRINTER (VB)

SERIES	LINE	BODY	ENGINE	TRANSMISSION
L = LOWLINE	3 = HD DODGE 2WD	17 = VAN WHEEL BASE 7	EG2 = 3.5L V6 Gas Engine	DGZ = 5-Speed Auto W5A380
	6 = Lt. Duty DODGE 4WD	55 = WAGON WHEEL BASE 5	EXM = 3.0L V6 Turbo Diesel	Transmission
	2 = Med. Duty DODGE 2WD	15 = VAN WHEEL BASE 5	Engine	
	7 = Med. Duty DODGE 4WD	53 = 119 WB		
		13 = 119 WB		
		05 = CAB CHASSIS WHEEL		
		BASE 5		
		03 = CAB CHASSIS WHEEL		
		BASE 3		

AR = use ase required - = Non illustrated part

2008 VB

# Group - 11

## Exhaust

### Group - 11 Exhaust

Illustration Title

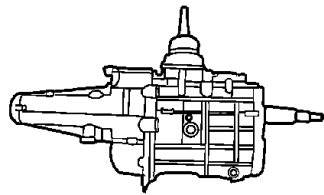
Group-Fig. No.

#### Exhaust System

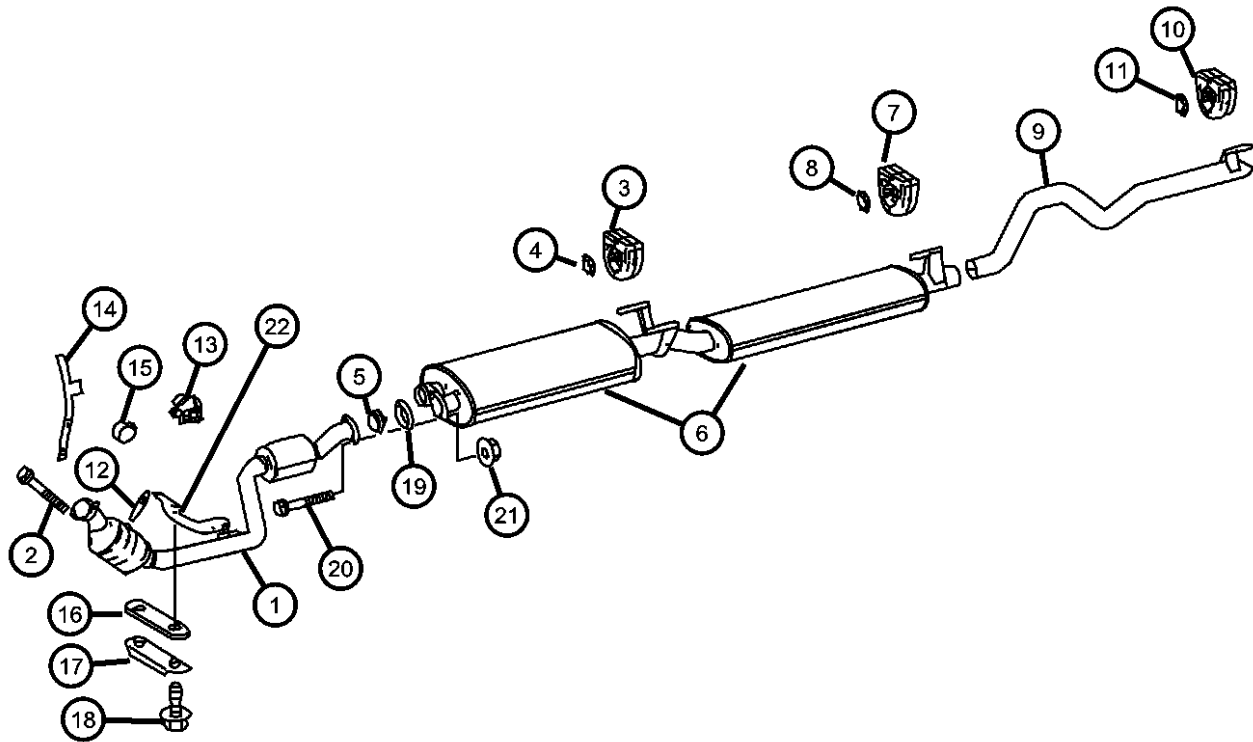
Exhaust System .....	Fig. 11 - 105
Exhaust System .....	Fig. 11 - 106
Exhaust System .....	Fig. 11 - 107
Exhaust System .....	Fig. 11 - 110
Heat Shields .....	Fig. 11 - 120

**011-100**

Exhaust System



**Exhaust System  
Figure 11-105**



ITEM	PART NUMBER	QTY	LINE	SERIES	BODY	ENGINE	TRANS	TRIM	DESCRIPTION
1									EXHAUST
	68011980AA	1	2, 3, 6, 7	L		EG2	DGZ		Left
	68011987AA	1	2, 3, 6, 7	L		EG2	DGZ		Right
2	05096743AA	4	2, 6	L	13, 15, 17, 53, 55	EG2	DGZ		SCREW, Converter to Manifold, Exhaust To Exhaust Manifold
3	05104109AA	4	2, 6	L	13, 15, 17, 53, 55	EG2	DGZ		INSULATOR, Exhaust
4	05134656AA	2	2, 6	L	13, 15, 17, 53, 55	EG2	DGZ		BOLT, M8, Lock Nut
5									SEAL, Exhaust
	68012078AA	1	2, 3	L		EG2	DGZ		Muffler Intake, Left
	68028791AA	1	2, 3, 6, 7	L		EG2	DGZ		Muffler Intake, Right
6	68012005AA	1	2, 6	L	13, 15, 17, 53, 55	EG2	DGZ		MUFFLER, Exhaust
7	05104109AA	1	2, 6	L	13, 15, 17, 53, 55	EG2	DGZ		INSULATOR, Exhaust
8	05134656AA	1	2, 6	L	13, 15, 17, 53, 55	EG2	DGZ		BOLT, M8, Lock Nut
9									TAILPIPE, Exhaust
	68012013AA	1	2, 6	L	15, 17, 55	EG2	DGZ		
	68012016AA	1	2, 6	L	13, 53	EG2	DGZ		
10	05104109AA	1	2, 6	L	13, 15, 17, 53, 55	EG2	DGZ		INSULATOR, Exhaust
11	05134656AA	1	2, 6	L	13, 15, 17, 53, 55	EG2	DGZ		BOLT, M8, Lock Nut
12									SENSOR, Oxygen
	05135667AA	1	2, 6	L	13, 15, 17, 53, 55	EG2	DGZ		Up Stream, Left
	68012050AA	1	2, 3, 6, 7	L		EG2	DGZ		Up Stream, Right
	68012058AA	2	2, 3, 6, 7	L		EG2	DGZ		Downstream
13	68012056AA	4	2, 3, 6, 7	L		EG2	DGZ		CLAMP, Oxygen Sensor Clip
14									BRACKET
	68012059AA	1	2, 3, 6, 7	L		EG2	DGZ		Oxygen Sensor Bracket At Transmission, Left
	68012060AA	1	2, 3, 6, 7	L		EG2	DGZ		Oxygen Sensor Bracket At Transmission, Right
15	68011872AA	3	2, 3, 6, 7	L		EG2	DGZ		CLIP, Oxygen Sensor Clip
16	68012076AA	2	2, 3, 6, 7	L		EG2, EXM	DGZ		BRACKET, Base To Transmission

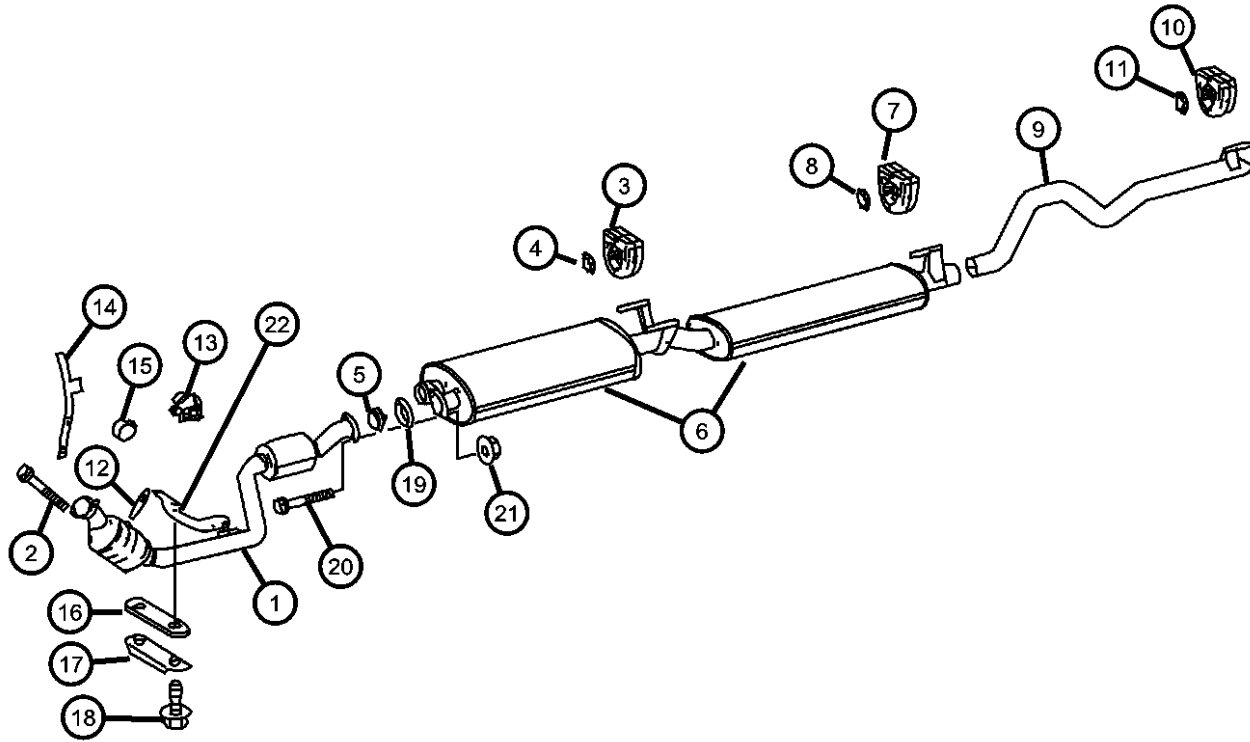
**SPRINTER (VB)**

SERIES	LINE	BODY	ENGINE	TRANSMISSION
L = LOWLINE	3 = HD DODGE 2WD 6 = Lt. Duty DODGE 4WD 2 = Med. Duty DODGE 2WD 7 = Med. Duty DODGE 4WD	17 = VAN WHEEL BASE 7 55 = WAGON WHEEL BASE 5 15 = VAN WHEEL BASE 5 53 = 119 WB 13 = 119 WB 05 = CAB CHASSIS WHEEL BASE 5 03 = CAB CHASSIS WHEEL BASE 3	EG2 = 3.5L V6 Gas Engine EXM = 3.0L V6 Turbo Diesel Engine	DGZ = 5-Speed Auto W5A380 Transmission

AR = use ase required - = Non illustrated part

**Exhaust System  
Figure 11-105**

ITEM	PART NUMBER	QTY	LINE	SERIES	BODY	ENGINE	TRANS	TRIM	DESCRIPTION
17	68012077AA	1	2, 3, 6, 7	L		EG2, EXM	DGZ		BRACKET
18	06104025AA	2	2, 3, 6, 7	L		EG2	DGZ		BOLT, Hex Flange Head, M8x1.25x30
19	68012079AA	1	2, 3, 6, 7	L		EG2	DGZ		FLANGE, Exhaust Pipe
20	05125722AA	3	2, 3, 6, 7	L		EG2	DGZ		SCREW, SCREW, Flange To Exhaust Muffler
21	05126237AA	3	2, 3, 6, 7	L	03, 05, 13, 15, 17	EG2, EXM	DGZ		NUT, Hex, Flange To Exhaust Muffler
22									BRACKET
	68012082AA	1	2, 3, 6, 7	L		EG2	DGZ		Exhaust Pipe To Transmission, Left
	68012083AA	1	2, 3, 6, 7	L		EG2	DGZ		Exhaust Pipe To Transmission, Right



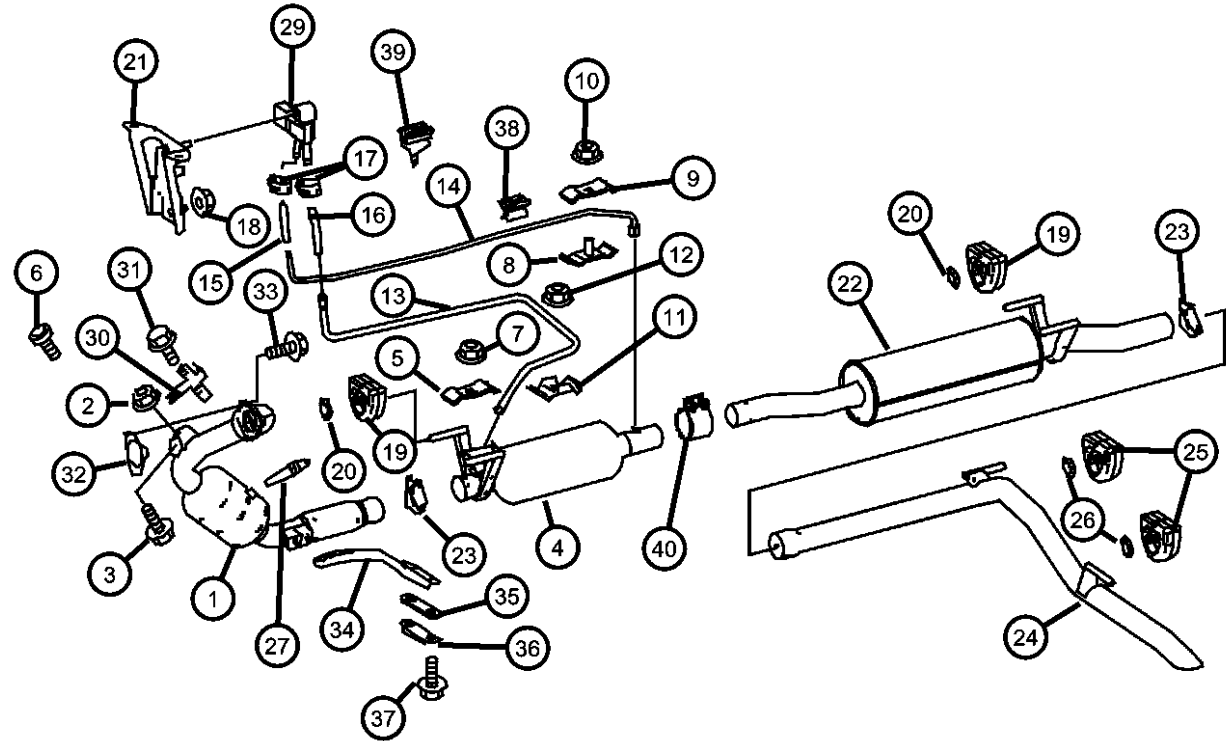
**SPRINTER (VB)**

SERIES	LINE	BODY	ENGINE	TRANSMISSION
L = LOWLINE	3 = HD DODGE 2WD 6 = Lt. Duty DODGE 4WD 2 = Med. Duty DODGE 2WD 7 = Med. Duty DODGE 4WD	17 = VAN WHEEL BASE 7 55 = WAGON WHEEL BASE 5 15 = VAN WHEEL BASE 5 53 = 119 WB 13 = 119 WB 05 = CAB CHASSIS WHEEL BASE 5 03 = CAB CHASSIS WHEEL BASE 3	EG2 = 3.5L V6 Gas Engine EXM = 3.0L V6 Turbo Diesel Engine	DGZ = 5-Speed Auto W5A380 Transmission

AR = use ase required - = Non illustrated part

2008 VB

**Exhaust System  
Figure 11-106**



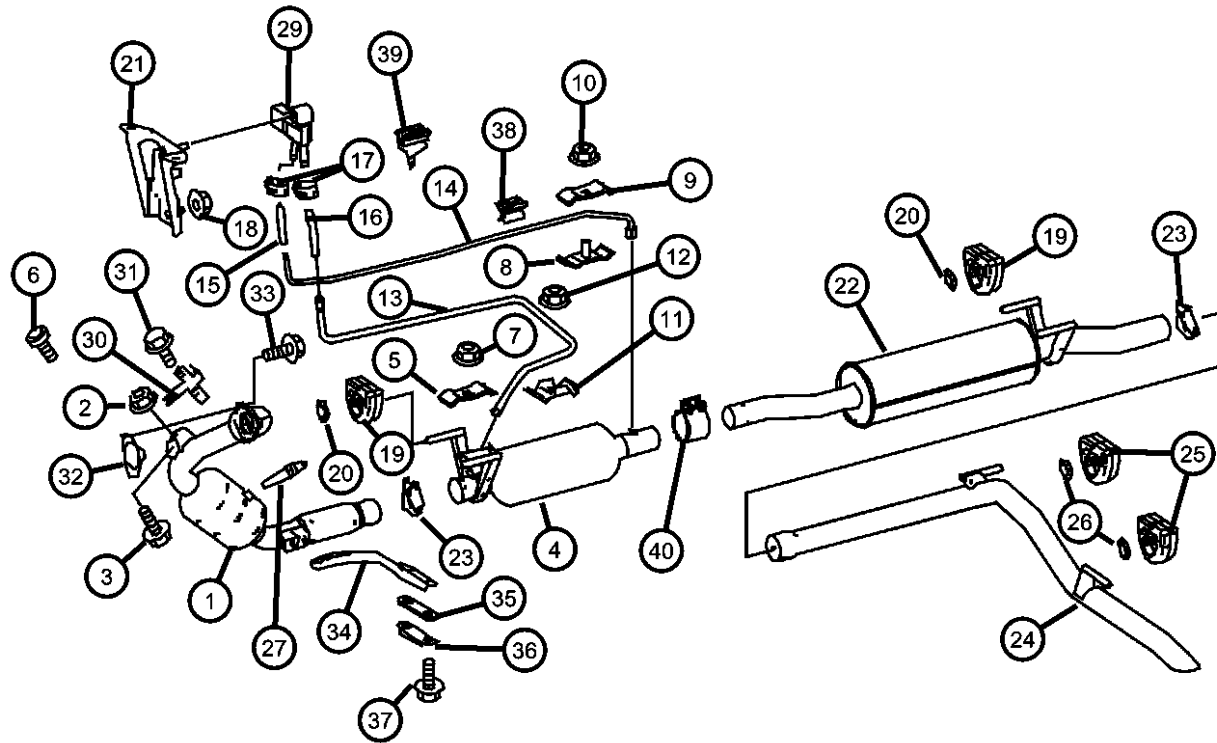
ITEM	PART NUMBER	QTY	LINE	SERIES	BODY	ENGINE	TRANS	TRIM	DESCRIPTION
1	68011935AA	1	2, 3, 6, 7	L	13, 15, 17, 53, 55	EXM	DGZ		EXHAUST
2	06104709AA	2	2, 3, 6, 7	L	13, 15, 17, 53, 55	EG2, EXM	DGZ		NUT, Hex Flange, M8x1.25, Exhaust To Cylinder Head
3	05073723AB	1	2, 3, 6, 7	L	13, 15, 17, 53, 55	EXM	DGZ		SCREW, Exhaust To Cylinder Head
4	68011959AA	1	2, 3, 6, 7	L		EXM	DGZ		FILTER ASSY, DIESEL PARTICULATE
5	68011970AA	2	2, 3, 6, 7	L	13, 15, 17, 53, 55	EXM	DGZ		BRACKET, Exhaust
6	06104005AA	3	2, 3, 6, 7	L	13, 15, 17, 53, 55	EXM	DGZ		BOLT, 6 Lobe External Head, M6X1.00X16.00, Bracket To Cylinder Head
7	68004878AA	2	2, 3, 6, 7	L	13, 15, 17, 53, 55	EG2, EXM	DGZ		NUT
8	68011971AA	1	2, 3, 6, 7	L		EXM	DGZ		BRACKET, Hose
9	68011970AA	2	2, 3, 6, 7	L	13, 15, 17, 53, 55	EXM	DGZ		BRACKET, Exhaust
10	68004878AA	2	2, 3, 6, 7	L	13, 15, 17, 53, 55	EG2, EXM	DGZ		NUT
11	68011972AA	1	2, 3, 6, 7	L		EXM	DGZ		BRACKET, Hose
12	68004878AA	2	2, 3, 6, 7	L	13, 15, 17, 53, 55	EG2, EXM	DGZ		NUT
13	68011973AA	1	2, 3, 6, 7	L		EXM	DGZ		HOSE, Delivery Line To Particulate Filter
14	68005200AA	1	2, 3, 6, 7	L		EXM	DGZ		HOSE, Delivery Line To Particulate Filter
15	68011975AA	1	2, 3, 6, 7	L		EXM	DGZ		HOSE
16	68011976AA	1	2, 3, 6, 7	L		EXM	DGZ		HOSE
17	05080439AB	2	2, 3, 6, 7	L	13, 15, 17, 53, 55	EXM	DGZ		CLAMP
18	68004878AA	2	2, 3, 6, 7	L	13, 15, 17, 53, 55	EG2, EXM	DGZ		NUT
19	05104109AA	4	3, 7	L	13, 15, 17, 53, 55	EXM	DGZ		INSULATOR, Exhaust
20	05134656AA	4	3, 7	L	13, 15, 17, 53, 55	EXM	DGZ		BOLT, M8, Lock Nut
21	68011977AA	1	2, 3, 6, 7	L	13, 15, 17, 53, 55	EXM	DGZ		BRACKET, Exhaust
22	68011993AA	1	2, 3, 6, 7	L	13, 15, 17, 53, 55	EXM	DGZ		MUFFLER, Exhaust
23	68012004AA	1	2, 3, 6, 7	L		EXM	DGZ		CLAMP
24									TAILPIPE, Exhaust

**SPRINTER (VB)**

<b>SERIES</b>	<b>LINE</b>	<b>BODY</b>	<b>ENGINE</b>	<b>TRANSMISSION</b>
L = LOWLINE	3 = HD DODGE 2WD 6 = Lt. Duty DODGE 4WD 2 = Med. Duty DODGE 2WD 7 = Med. Duty DODGE 4WD	17 = VAN WHEEL BASE 7 55 = WAGON WHEEL BASE 5 15 = VAN WHEEL BASE 5 53 = 119 WB 13 = 119 WB 05 = CAB CHASSIS WHEEL BASE 5 03 = CAB CHASSIS WHEEL BASE 3	EG2 = 3.5L V6 Gas Engine EXM = 3.0L V6 Turbo Diesel Engine	DGZ = 5-Speed Auto W5A380 Transmission

AR = use ase required - = Non illustrated part

Exhaust System  
Figure 11-106



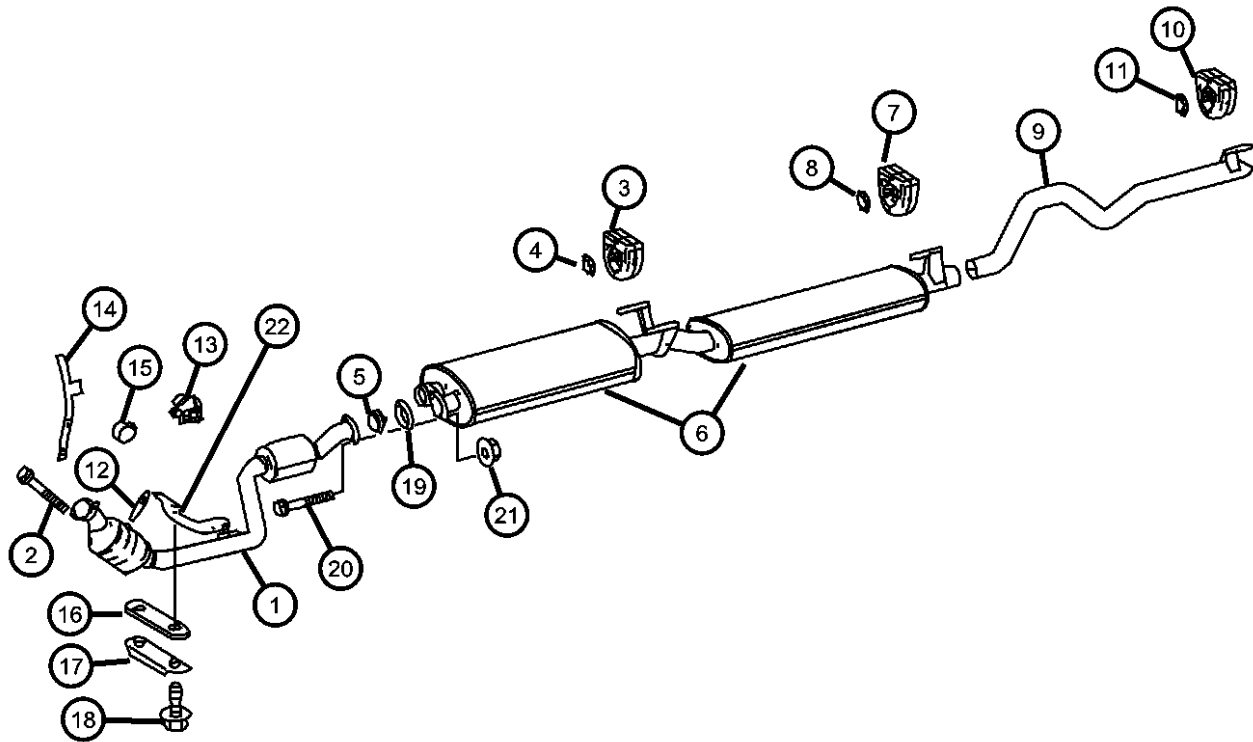
ITEM	PART NUMBER	QTY	LINE	SERIES	BODY	ENGINE	TRANS	TRIM	DESCRIPTION
	68012012AA	1	2, 6	L	15, 17, 55	EXM	DGZ		
	68012015AA	1	2, 6	L	13, 53	EXM	DGZ		
	68012018AA	1	3, 7	L	15	EXM	DGZ		
	68012022AA	1	3, 7	L	13	EXM	DGZ		
	68012024AA	1	3, 7	L	17	EXM	DGZ		
25	05104109AA	4	3, 7	L	13, 15, 17, 53, 55	EXM	DGZ		INSULATOR, Exhaust
26									BOLT, M8
	05134656AA	1	2, 3, 6, 7	L	13, 53	EXM	DGZ		Lock Nut
		2	2, 3, 6, 7	L	15, 17, 55	EXM	DGZ		Lock Nut
27	05135667AA	1	2, 3, 6, 7	L		EXM	DGZ		SENSOR, Oxygen, Upstream
-28									SENSOR, Temperature
	68012051AA	1	2, 3, 6, 7	L		EXM	DGZ		Diesel Oxidation Catalytic Converter
	68012052AA	1	2, 3, 6, 7	L		EXM	DGZ		
29	68012053AA	1	2, 3, 6, 7	L		EXM	DGZ		SENSOR, Pressure
30	68012057AA	1	2, 3, 6, 7	L		EXM	DGZ		BRACKET, Oxygen Sensor To Oil Pan
31	06104681AA	2	2, 3, 6, 7	L		EXM	DGZ		SCREW
32	68012070AA	1	2, 3, 6, 7	L		EXM	DGZ		SEAL
33	68012071AA	3	2, 3, 6, 7	L		EXM	DGZ		SCREW, From Turbocharger To Exhaust Muffler
34	68012072AA	1	2, 3, 6, 7	L		EXM	DGZ		BRACKET
35	68012076AA	2	2, 3, 6, 7	L		EG2, EXM	DGZ		BRACKET
36	68012077AA	1	2, 3, 6, 7	L		EG2, EXM	DGZ		BRACKET
37	06104025AA	2	2, 3, 6, 7	L		EXM	DGZ		BOLT, Hex Flange Head, M8x1.25x30
38	05159403AA	1	2, 3, 6, 7	L		EG2, EXM	DGZ		BRACKET
39	68013413AA	1	2, 3, 6, 7	L		EG2, EXM	DGZ		CLIP, Retainer
40									CLAMP, Exhaust
	68012081AA	1	2, 3, 6, 7	L	13, 15, 17, 53, 55	EXM	DGZ		
	68012084AA	1	2, 3, 6, 7	L		EXM	DGZ		

SPRINTER (VB)

SERIES	LINE	BODY	ENGINE	TRANSMISSION
L = LOWLINE	3 = HD DODGE 2WD 6 = Lt. Duty DODGE 4WD 2 = Med. Duty DODGE 2WD 7 = Med. Duty DODGE 4WD	17 = VAN WHEEL BASE 7 55 = WAGON WHEEL BASE 5 15 = VAN WHEEL BASE 5 53 = 119 WB 13 = 119 WB 05 = CAB CHASSIS WHEEL BASE 5 03 = CAB CHASSIS WHEEL BASE 3	EG2 = 3.5L V6 Gas Engine EXM = 3.0L V6 Turbo Diesel Engine	DGZ = 5-Speed Auto W5A380 Transmission

AR = use ase required - = Non illustrated part

Exhaust System  
Figure 11-107



ITEM	PART NUMBER	QTY	LINE	SERIES	BODY	ENGINE	TRANS	TRIM	DESCRIPTION
1									EXHAUST
	68011980AA	1	2, 3, 6, 7	L		EG2	DGZ		Left
	68011987AA	1	2, 3, 6, 7	L		EG2	DGZ		Right
2	05096743AA	2	3, 7	L	03, 05	EG2	DGZ		SCREW, Converter to Manifold, Exhaust To Exhaust Manifold
3	05104109AA	4	3, 7	L	03, 05	EG2	DGZ		INSULATOR, Exhaust
4	05134656AA	2	3, 7	L	03, 05	EG2	DGZ		BOLT, M8, Lock Nut
5									SEAL, Exhaust
	68012078AA	1	2, 3	L		EG2	DGZ		Muffler Intake, Left
	68028791AA	1	2, 3, 6, 7	L		EG2	DGZ		Muffler Intake, Right
6	68012005AA	1	3, 7	L	03, 05	EG2	DGZ		MUFFLER, Exhaust
7	05104109AA	1	3, 7	L	03, 05	EG2	DGZ		INSULATOR, Exhaust
8	05134656AA	2	3, 7	L	03, 05	EG2	DGZ		BOLT, M8, Lock Nut
9	68029190AA	1	3	L	05	EG2	DGZ		TAILPIPE, Exhaust
10	05104109AA	1	3, 7	L	03, 05	EG2	DGZ		INSULATOR, Exhaust
11	05134656AA	2	3, 7	L	03, 05	EG2	DGZ		BOLT, M8
12									SENSOR, Oxygen
	68012050AA	1	2, 3, 6, 7	L		EG2	DGZ		Up Stream, Right
	68012058AA	2	2, 3, 6, 7	L		EG2	DGZ		Downstream,
13	68012056AA	4	2, 3, 6, 7	L		EG2	DGZ		CLAMP, Oxygen Sensor Clip
14									BRACKET
	68012059AA	1	2, 3, 6, 7	L		EG2	DGZ		Oxygen Sensor Bracket At Transmission, Left
	68012060AA	1	2, 3, 6, 7	L		EG2	DGZ		Oxygen Sensor Bracket At Transmission, Right
15	68011872AA	3	2, 3, 6, 7	L		EG2	DGZ		CLIP, Oxygen Sensor Clip
16	68012076AA	2	2, 3, 6, 7	L		EG2, EXM	DGZ		BRACKET, Base To Transmission
17	68012077AA	1	2, 3, 6, 7	L		EG2, EXM	DGZ		BRACKET
18	06104025AA	2	3, 7	L	03, 05	EG2, EXM	DGZ		BOLT, Hex Flange Head, M8x1.25x30
19	68012079AA	1	2, 3, 6, 7	L		EG2	DGZ		FLANGE, Exhaust Pipe
20	05125722AA	3	2, 3, 6, 7	L		EG2	DGZ		SCREW, SCREW, Flange To Exhaust Muffler
21	05126237AA	3	2, 3, 6, 7	L	03, 05, 13, 15, 17	EG2, EXM	DGZ		NUT, Hex, Flange To Exhaust Muffler
22									BRACKET

**SPRINTER (VB)**

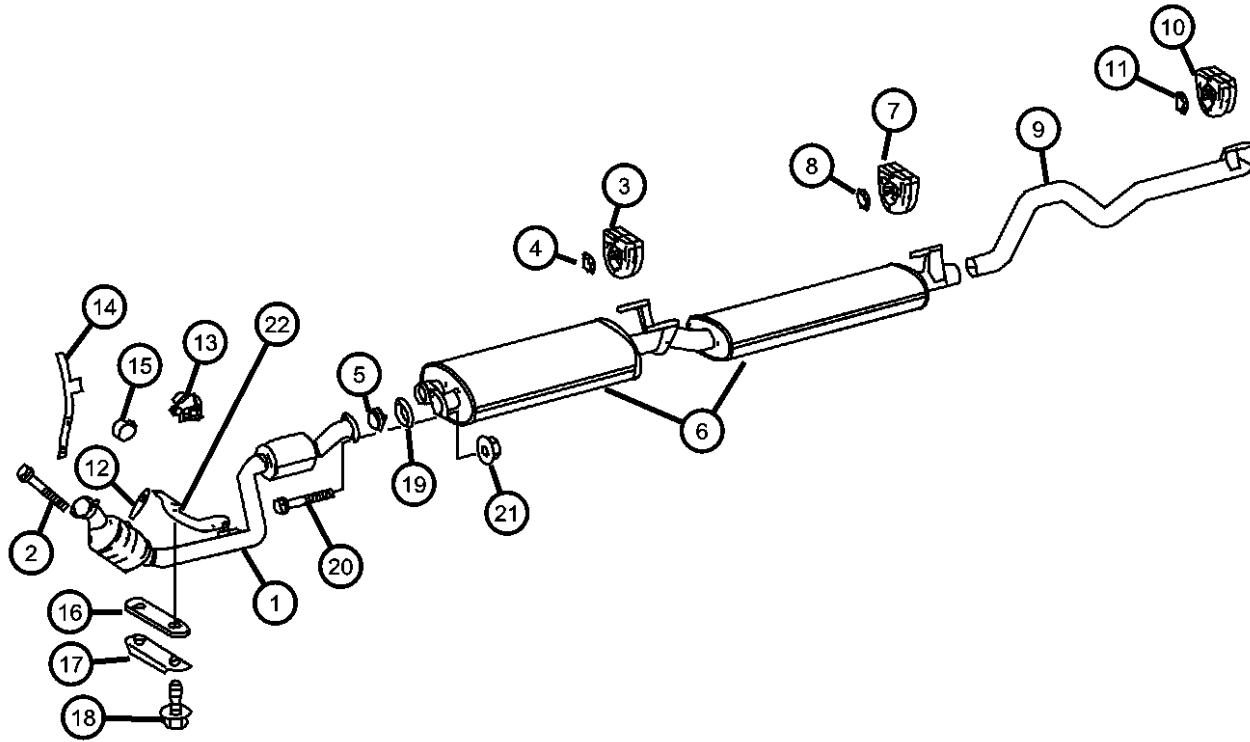
SERIES	LINE	BODY	ENGINE	TRANSMISSION
L = LOWLINE	3 = HD DODGE 2WD 6 = Lt. Duty DODGE 4WD 2 = Med. Duty DODGE 2WD 7 = Med. Duty DODGE 4WD	17 = VAN WHEEL BASE 7 55 = WAGON WHEEL BASE 5 15 = VAN WHEEL BASE 5 53 = 119 WB 13 = 119 WB 05 = CAB CHASSIS WHEEL BASE 5 03 = CAB CHASSIS WHEEL BASE 3	EG2 = 3.5L V6 Gas Engine EXM = 3.0L V6 Turbo Diesel Engine	DGZ = 5-Speed Auto W5A380 Transmission

AR = use ase required - = Non illustrated part

2008 VB

**Exhaust System  
Figure 11-107**

ITEM	PART NUMBER	QTY	LINE	SERIES	BODY	ENGINE	TRANS	TRIM	DESCRIPTION
	68012082AA	1	2, 3, 6, 7	L		EG2	DGZ		Exhaust Pipe To Transmission, Left
	68012083AA	1	2, 3, 6, 7	L		EG2	DGZ		Exhaust Pipe To Transmission, Right



**SPRINTER (VB)**

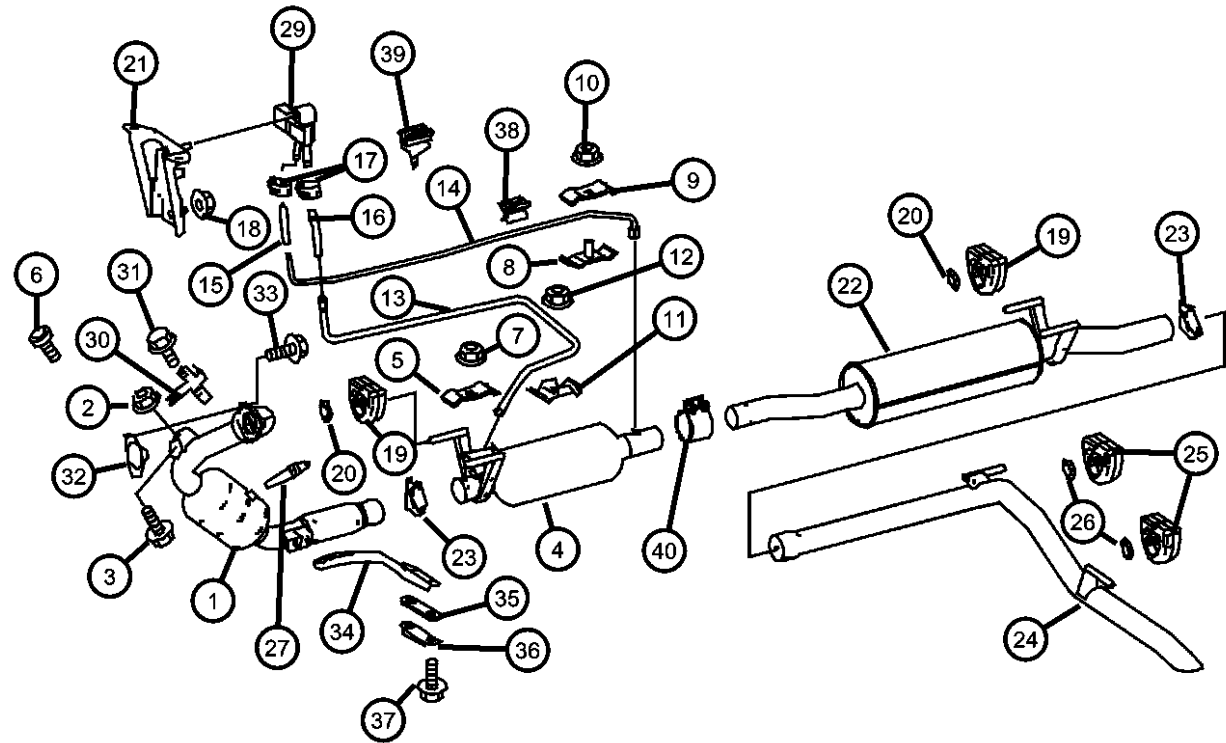
SERIES	LINE	BODY	ENGINE	TRANSMISSION
L = LOWLINE	3 = HD DODGE 2WD 6 = Lt. Duty DODGE 4WD 2 = Med. Duty DODGE 2WD 7 = Med. Duty DODGE 4WD	17 = VAN WHEEL BASE 7 55 = WAGON WHEEL BASE 5 15 = VAN WHEEL BASE 5 53 = 119 WB 13 = 119 WB 05 = CAB CHASSIS WHEEL BASE 5 03 = CAB CHASSIS WHEEL BASE 3	EG2 = 3.5L V6 Gas Engine EXM = 3.0L V6 Turbo Diesel Engine	DGZ = 5-Speed Auto W5A380 Transmission

AR = use ase required - = Non illustrated part

2008 VB



**Exhaust System  
Figure 11-110**



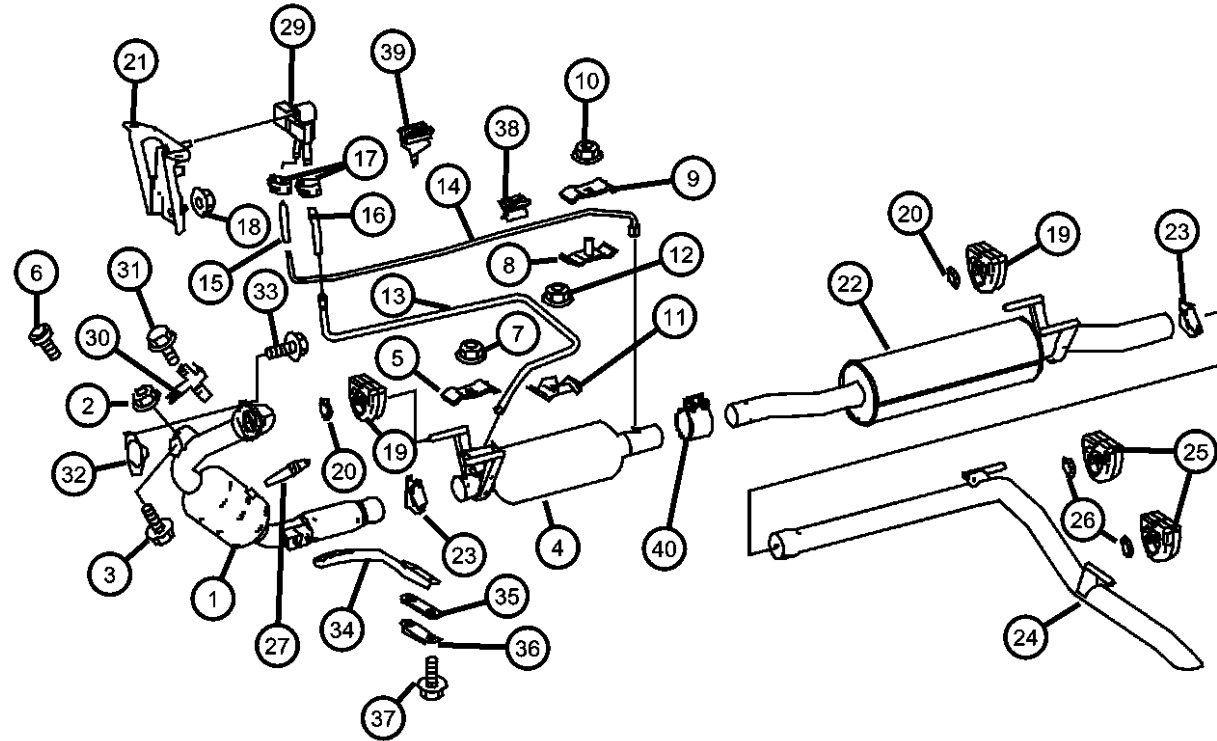
ITEM	PART NUMBER	QTY	LINE	SERIES	BODY	ENGINE	TRANS	TRIM	DESCRIPTION
1	68011935AA	1	3, 7	L	03, 05	EXM	DGZ		EXHAUST
2	06104709AA	1	3, 7	L	03, 05	EXM	DGZ		NUT, Hex Flange, M8x1.25, Exhaust To Cylinder Head
3	05073723AB	1	3, 7	L	03, 05	EXM	DGZ		SCREW, Exhaust To Cylinder Head
4	68011959AA	1	2, 3, 6, 7	L		EXM	DGZ		FILTER ASSY, DIESEL PARTICULATE
5	68011970AA	2	3, 7	L	03, 05	EXM	DGZ		BRACKET, Exhaust
6	06104005AA	1	3, 7	L	03, 05	EXM	DGZ		BOLT, 6 Lobe External Head, M6X1.00X16.00, Bracket To Cylinder Head
7	68004878AA	2	3, 7	L	03, 05	EG2, EXM	DGZ		NUT
8	68011971AA	1	2, 3, 6, 7	L		EXM	DGZ		BRACKET, Hose
9	68011970AA	2	3, 7	L	03, 05	EXM	DGZ		BRACKET, Exhaust
10	68004878AA	2	3, 7	L	03, 05	EG2, EXM	DGZ		NUT
11	68011972AA	1	2, 3, 6, 7	L		EXM	DGZ		BRACKET, Hose
12	68004878AA	2	3, 7	L	03, 05	EG2, EXM	DGZ		NUT
13	68011973AA	1	2, 3, 6, 7	L		EXM	DGZ		HOSE, Delivery Line To Particulate Filter
14	68005200AA	1	2, 3, 6, 7	L		EXM	DGZ		HOSE, Delivery Line To Particulate Filter
15	68011975AA	1	2, 3, 6, 7	L		EXM	DGZ		HOSE
16	68011976AA	1	2, 3, 6, 7	L		EXM	DGZ		HOSE
17	05080439AB	2	2, 3, 6, 7	L		EXM	DGZ		CLAMP
18	68004878AA	2	3, 7	L	03, 05	EG2, EXM	DGZ		NUT
19	05104109AA	4	3, 7	L	03, 05	EXM	DGZ		INSULATOR, Exhaust
20	05134656AA	4	3, 7	L	03, 05	EXM	DGZ		BOLT, M8
21	68011977AA	1	3, 7	L	03, 05	EXM	DGZ		BRACKET, Exhaust
22	68011993AA	1	3, 7	L	03, 05	EXM	DGZ		MUFFLER, Exhaust
23	68012004AA	1	2, 3, 6, 7	L		EXM	DGZ		CLAMP
24									TAILPIPE, Exhaust
	68012102AA	1	3, 7	L	03	EXM	DGZ		
	68029189AA	1	3, 7	L	05	EXM	DGZ		
25	05104109AA	4	3, 7	L	03, 05	EXM	DGZ		INSULATOR, Exhaust
26	05134656AA	4	3, 7	L	03, 05	EXM	DGZ		BOLT, M8
27	05135667AA	1	2, 3, 6, 7	L		EXM	DGZ		SENSOR, Oxygen, Upstream

**SPRINTER (VB)**

SERIES	LINE	BODY	ENGINE	TRANSMISSION
L = LOWLINE	3 = HD DODGE 2WD 6 = Lt. Duty DODGE 4WD 2 = Med. Duty DODGE 2WD 7 = Med. Duty DODGE 4WD	17 = VAN WHEEL BASE 7 55 = WAGON WHEEL BASE 5 15 = VAN WHEEL BASE 5 53 = 119 WB 13 = 119 WB 05 = CAB CHASSIS WHEEL BASE 5 03 = CAB CHASSIS WHEEL BASE 3	EG2 = 3.5L V6 Gas Engine EXM = 3.0L V6 Turbo Diesel Engine	DGZ = 5-Speed Auto W5A380 Transmission

AR = use ase required - = Non illustrated part

**Exhaust System  
Figure 11-110**



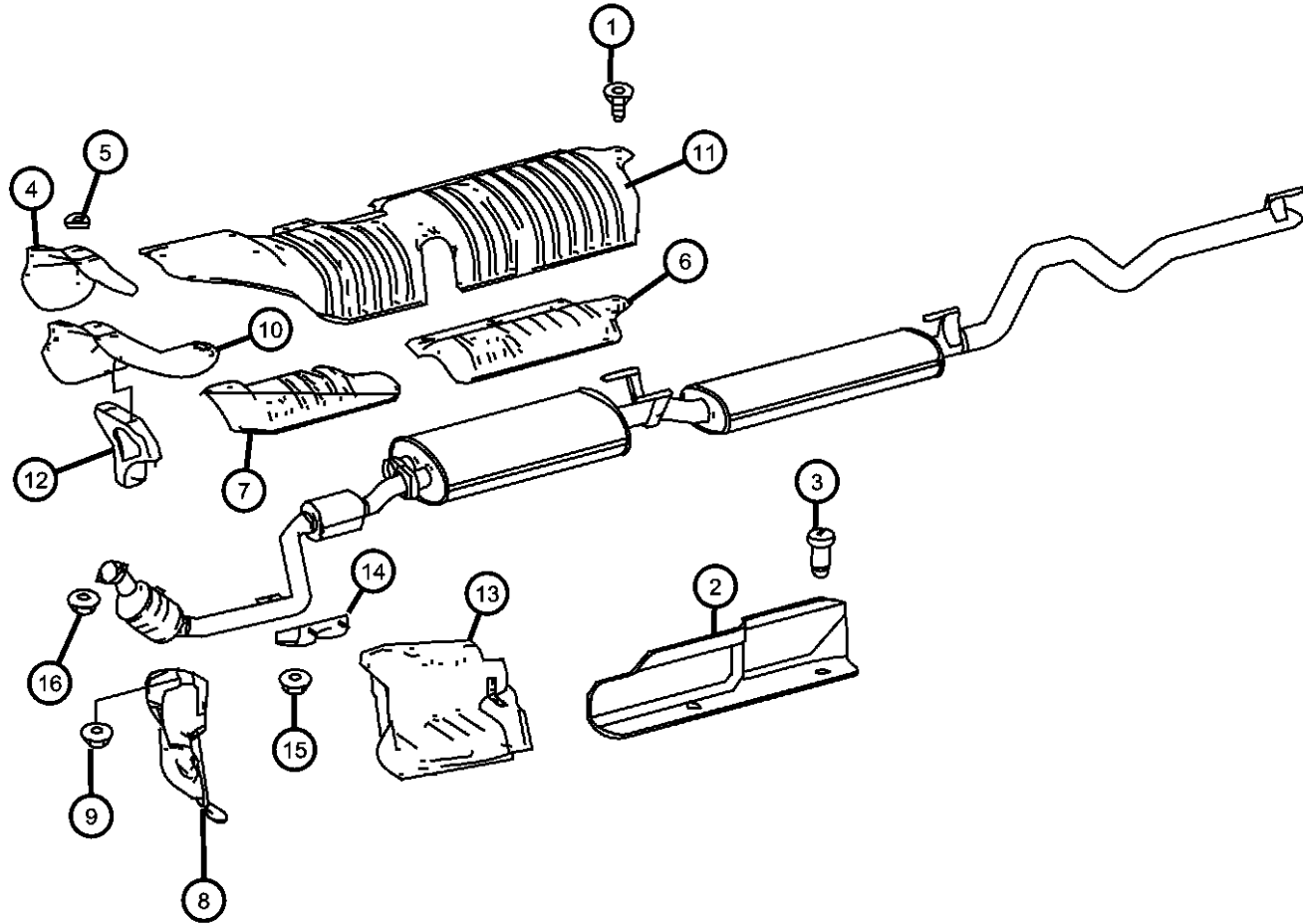
ITEM	PART NUMBER	QTY	LINE	SERIES	BODY	ENGINE	TRANS	TRIM	DESCRIPTION
-28	68012051AA	1	2, 3, 6, 7	L		EXM	DGZ		SENSOR, Temperature Diesel Oxidation Catalytic Converter
	68012052AA	1	2, 3, 6, 7	L		EXM	DGZ		
29	68012053AA	1	2, 3, 6, 7	L		EXM	DGZ		SENSOR, Pressure
30	68012057AA	1	2, 3, 6, 7	L		EXM	DGZ		BRACKET, Oxygen Sensor To Oil Pan
31	06104681AA	2	2, 3, 6, 7	L		EXM	DGZ		SCREW
32	68012070AA	1	2, 3, 6, 7	L		EXM	DGZ		SEAL
33	68012071AA	3	2, 3, 6, 7	L		EXM	DGZ		SCREW, From Turbocharger To Exhaust Muffler
34	68012072AA	1	2, 3, 6, 7	L		EXM	DGZ		BRACKET
35	68012076AA	2	2, 3, 6, 7	L		EG2, EXM	DGZ		BRACKET
36	68012077AA	1	2, 3, 6, 7	L		EG2, EXM	DGZ		BRACKET
37	06104025AA	2	2, 3, 6, 7	L		EXM	DGZ		BOLT, Hex Flange Head, M8x1.25x30
38	05159403AA	1	2, 3, 6, 7	L		EG2, EXM	DGZ		BRACKET
39	68013413AA	1	2, 3, 6, 7	L		EG2, EXM	DGZ		CLIP, Retainer
40	68012081AA	1	3, 7	L	03, 05	EXM	DGZ		CLAMP, Exhaust
	68012084AA	1	2, 3, 6, 7	L		EXM	DGZ		

**SPRINTER (VB)**

<b>SERIES</b>	<b>LINE</b>	<b>BODY</b>	<b>ENGINE</b>	<b>TRANSMISSION</b>
L = LOWLINE	3 = HD DODGE 2WD 6 = Lt. Duty DODGE 4WD 2 = Med. Duty DODGE 2WD 7 = Med. Duty DODGE 4WD	17 = VAN WHEEL BASE 7 55 = WAGON WHEEL BASE 5 15 = VAN WHEEL BASE 5 53 = 119 WB 13 = 119 WB 05 = CAB CHASSIS WHEEL BASE 5 03 = CAB CHASSIS WHEEL BASE 3	EG2 = 3.5L V6 Gas Engine EXM = 3.0L V6 Turbo Diesel Engine	DGZ = 5-Speed Auto W5A380 Transmission

AR = use ase required - = Non illustrated part

Heat Shields  
Figure 11-120



ITEM	PART NUMBER	QTY	LINE	SERIES	BODY	ENGINE	TRANS	TRIM	DESCRIPTION
1	06104681AA	1	2, 3, 6, 7	L		EG2	DGZ		SCREW
		1	2, 3, 6, 7	L		EXM	DGZ		
2	68004815AA	1	2, 3, 6, 7	L		EG2	DGZ		SHIELD, Heat
3	06104675AA	5	2, 3, 6, 7	L		EG2	DGZ		BOLT, Pan Head, M6.0X1.00X14.00
4	68012061AA	1	2, 3, 6, 7	L		EXM	DGZ		SHIELD, Heat
5	68004747AA	2	2, 3, 6, 7	L		EG2, EXM	DGZ		WASHER, Spring
6	68012062AA	1	2, 3, 6, 7	L		EXM	DGZ		SHIELD, Heat
7	68005202AA	1	2, 3, 6, 7	L		EXM	DGZ		SHIELD, Heat, Protective Plate Particulate Filter
8	68004744AA	1	2, 3, 6, 7	L		EXM	DGZ		PLATE, Protective Plate Fuel Tank
9									NUT
	68004878AA	2	3, 7	L	03, 05	EG2, EXM	DGZ		
		2	2, 3, 6, 7	L	13, 15, 17, 53, 55	EG2, EXM	DGZ		
10									SHIELD, Heat
	68012064AA	1	2, 3, 6, 7	L		EG2	DGZ		Right
	68012065AA	1	2, 3, 6, 7	L		EG2	DGZ		Left
11	68005203AA	1	2, 3, 6, 7	L		EG2	DGZ		SHIELD, Heat, Protective Plate Main Muffler
12	68012066AA	1	2, 3, 6, 7	L		EG2	DGZ		BRACKET, Heat Shield
13	68005204AA	1	2, 3, 6, 7	L		EG2	DGZ		SHIELD, Heat, Battery Protective Plate
14	68012067AA	1	2, 3, 6, 7	L		EG2	DGZ		BRACKET, Battery
15									NUT
	68004878AA	2	3, 7	L	03, 05	EG2, EXM	DGZ		
		2	2, 3, 6, 7	L	13, 15, 17, 53, 55	EG2, EXM	DGZ		
16	68012080AA	1	2, 3, 6, 7	L		EG2	DGZ		NUT

SPRINTER (VB)

SERIES	LINE	BODY	ENGINE	TRANSMISSION
L = LOWLINE	3 = HD DODGE 2WD 6 = Lt. Duty DODGE 4WD 2 = Med. Duty DODGE 2WD 7 = Med. Duty DODGE 4WD	17 = VAN WHEEL BASE 7 55 = WAGON WHEEL BASE 5 15 = VAN WHEEL BASE 5 53 = 119 WB 13 = 119 WB 05 = CAB CHASSIS WHEEL BASE 5 03 = CAB CHASSIS WHEEL BASE 3	EG2 = 3.5L V6 Gas Engine EXM = 3.0L V6 Turbo Diesel Engine	DGZ = 5-Speed Auto W5A380 Transmission

AR = use ase required - = Non illustrated part

2008 VB

# Group - 13

## Frame, Bumper, and Fascia

### Group - 13 Frame, Bumper, and Fascia

Illustration Title

Group-Fig. No.

#### Front Bumper and Fascia

Front Fascia.....Fig. 13 - 205

#### Rear Bumper and Fascia

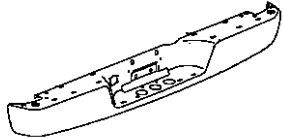
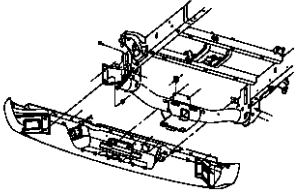
Bumper, Rear.....Fig. 13 - 340

#### Trailer Tow and Tow Hooks

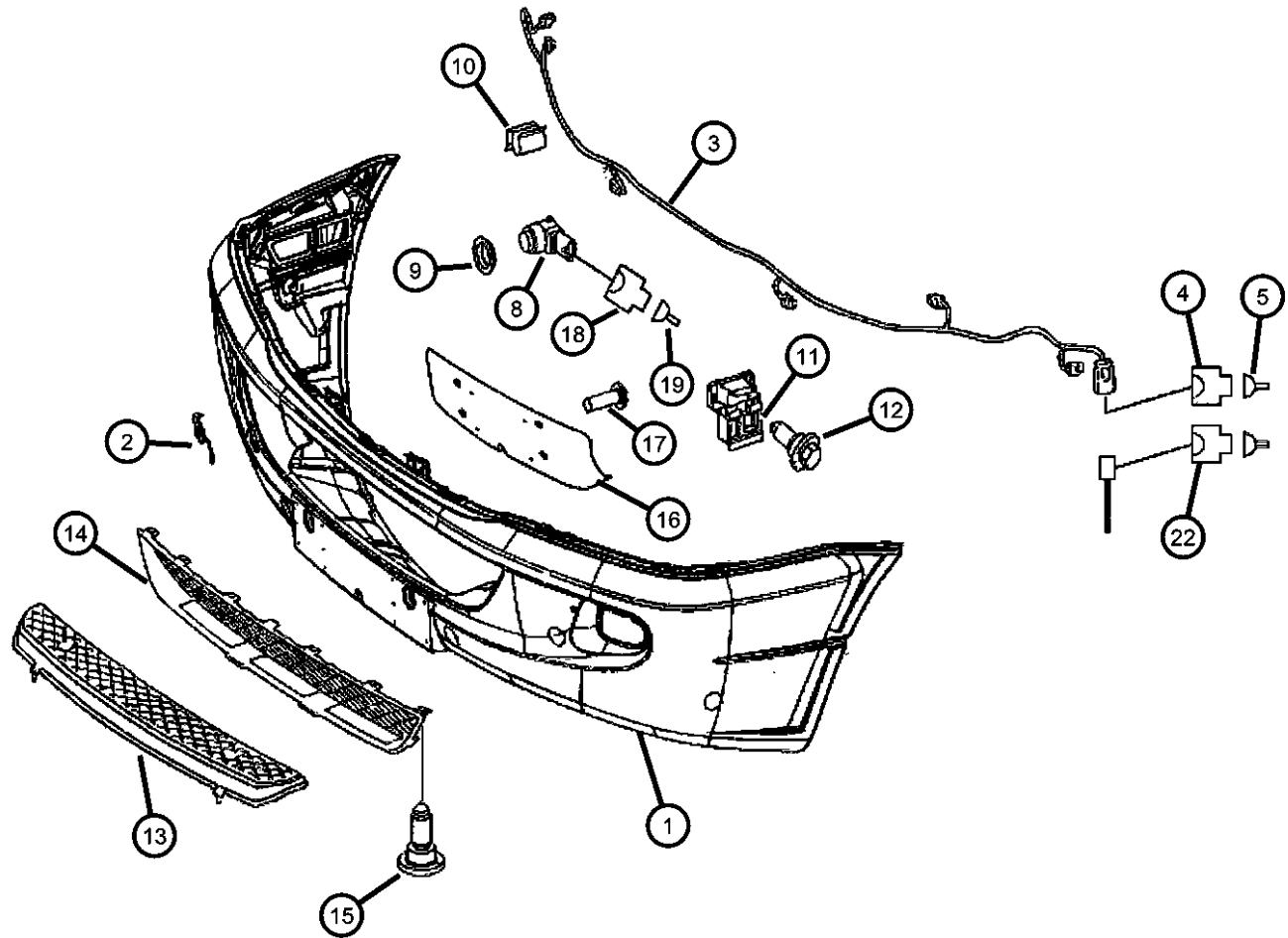
Tow Hooks and Hitches, Rear.....Fig. 13 - 520

#### Trailer

Trailer Hitch.....Fig. 13 - 605

<p><b>013-200</b> Front Bumper and Fascia</p>	<p><b>013-300</b> Rear Bumper and Fascia</p> 	<p><b>013-500</b> Trailer Tow and Tow Hooks</p> 	<p><b>013-600</b> Trailer</p>
---	--	--	-----------------------------------

Front Facia  
Figure 13-205



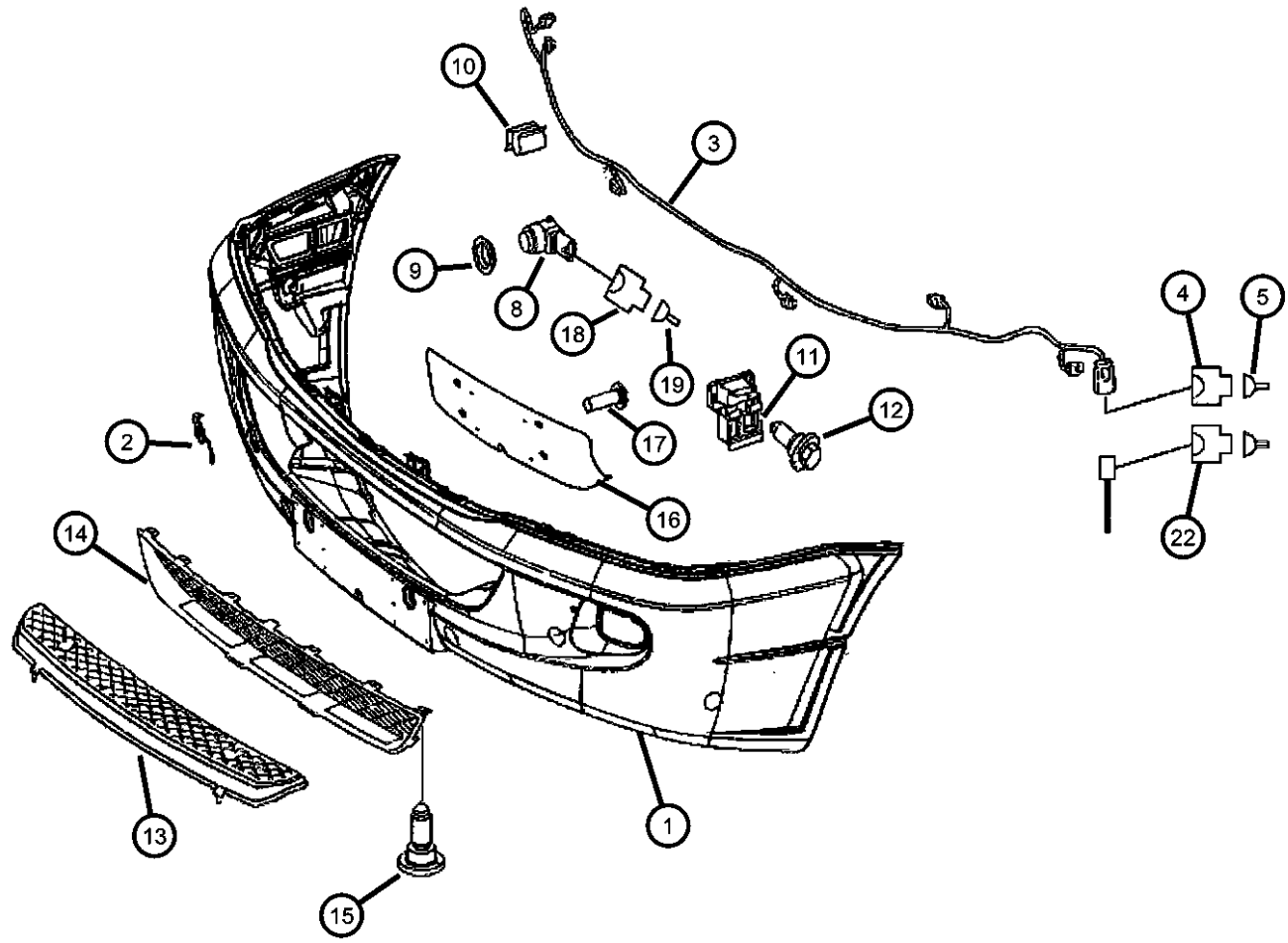
ITEM	PART NUMBER	QTY	LINE	SERIES	BODY	ENGINE	TRANS	TRIM	DESCRIPTION
1									FASCIA, Front
	1GY39P01AA	1	2, 3, 6, 7	L	13, 15, 17, 53, 55				White, With Parksense [XAG] and Fog Lamps [LNJ]
	1GY39XDVAA	1	2, 3, 6, 7	L	13, 15, 17, 53, 55				Gray, With Parksense [XAG] and Fog Lamps [LNJ]
	1GY40P01AA	1	2, 3, 6, 7	L					White, With Fog Lamps [LNJ] Without Parksense [XAG]
	1GY40XDVAA	1	2, 3, 6, 7	L					Gray, With Fog Lamps [LNJ] Without Parksense [XAG]
	1GY41P01AA	1	2, 3, 6, 7	L	13, 15, 17, 53, 55				White, With Parksense [XAG] Without Fog Lamps [LNJ]
	1GY41XDVAA	1	2, 3, 6, 7	L	13, 15, 17, 53, 55				Gray, With Parksense [XAG] Without Fog Lamps [LNJ]
	1VB09P01AA	1	2, 3, 6, 7	L					With [MC3]
	1VB09XDVAA	1	2, 3, 6, 7	L					Without [MC3]
2									COVER, Tow Eye
	1HQ50P01AA	1	2, 3, 6, 7	L					White
	1HQ50XDVAA	1	2, 3, 6, 7	L					Gray
3	68010558AA	1	2, 3, 6, 7	L	13, 15, 17, 53, 55				WIRING, Parksense
4	68011283AA	1	2, 3, 6, 7	L					CONNECTOR
5	05133353AA	AR	2, 3, 6, 7	L					TERMINAL
-6	05103663AA	AR	2, 3, 6, 7	L					GROMMET
-7	05138038AA	1	2, 3, 6, 7	L					PLUG
8	68010557AA	6	2, 3, 6, 7	L	13, 15, 17, 53, 55				SENSOR, Park Assist
9	05120375AA	6	2, 3, 6, 7	L	13, 15, 17, 53, 55				SPACER, Sensor
10	68010560AA	6	2, 3, 6, 7	L	13, 15, 17, 53, 55				CLIP
11									BRACKET, Front Bumper
	68010550AA	1	3, 7	L	03, 05				Right
		1	2, 3, 6, 7	L	13, 15, 17, 53, 55				Right
	68010551AA	1	3, 7	L	03, 05				Left
		1	2, 3, 6, 7	L	13, 15, 17, 53, 55				Left
12									SCREW
	05103728AA	2	3, 7	L	03, 05				

**SPRINTER (VB)**

SERIES	LINE	BODY	ENGINE	TRANSMISSION
L = LOWLINE	3 = HD DODGE 2WD 6 = Lt. Duty DODGE 4WD 2 = Med. Duty DODGE 2WD 7 = Med. Duty DODGE 4WD	17 = VAN WHEEL BASE 7 55 = WAGON WHEEL BASE 5 15 = VAN WHEEL BASE 5 53 = 119 WB 13 = 119 WB 05 = CAB CHASSIS WHEEL BASE 5 03 = CAB CHASSIS WHEEL BASE 3	EG2 = 3.5L V6 Gas Engine EXM = 3.0L V6 Turbo Diesel Engine	DGZ = 5-Speed Auto W5A380 Transmission

AR = use ase required - = Non illustrated part

Front Facia  
Figure 13-205



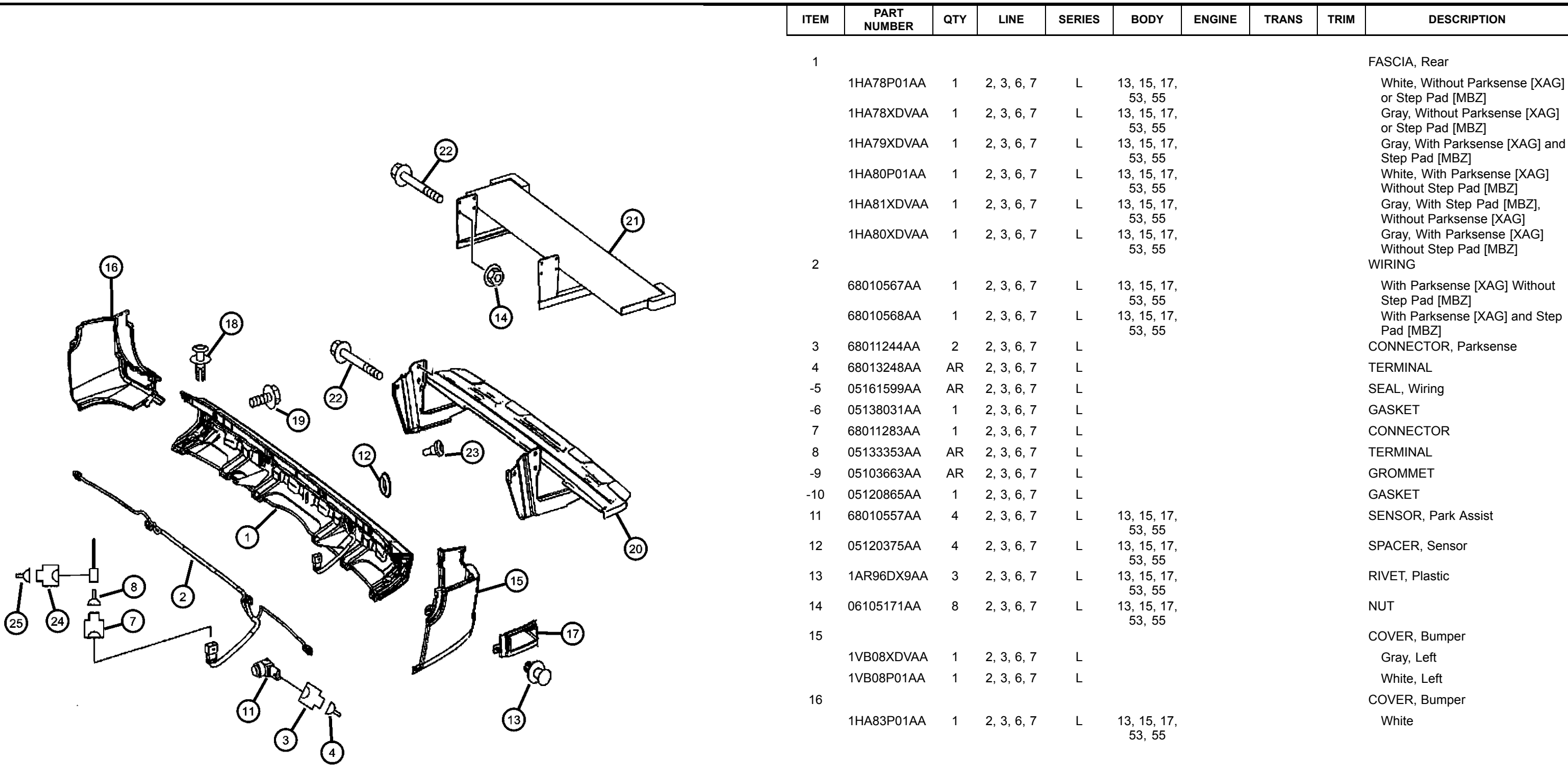
ITEM	PART NUMBER	QTY	LINE	SERIES	BODY	ENGINE	TRANS	TRIM	DESCRIPTION
		2	2, 3, 6, 7	L	13, 15, 17, 53, 55				
13	1HA76XDVAA	1	2, 3, 6, 7	L					PLATE
14	1HA77DX9AA	1	2, 3, 6, 7	L					GRILLE, Fascia
15									BOLT, Hex Head
	68010553AA	4	3, 7	L	03, 05				Side Guide At Front Module
		2	2, 3, 6, 7	L	13, 15, 17, 53, 55				Step Plate at Support
		4	2, 3, 6, 7	L	13, 15, 17, 53, 55				Side Guide At Front Module
		2	3, 7	L	03, 05				Step Plate at Support
16									BRACKET, License Plate
	68010554AA	1	3, 7	L	03, 05				
		1	2, 3, 6, 7	L	13, 15, 17, 53, 55				
17	68010555AA	4	2, 3, 6, 7	L					SCREW, License Plate Molding to Bumper
18	68011244AA	1	2, 3, 6, 7	L					CONNECTOR, Parksense Sensor
19	68011878AA	AR	2, 3, 6, 7	L					TERMINAL
-20	68011050AA	AR	2, 3, 6, 7	L					GASKET
-21	68011051AA	AR	2, 3, 6, 7	L					GASKET
22	68011377AA	1	2, 3, 6, 7	L					CONNECTOR

**SPRINTER (VB)**

SERIES	LINE	BODY	ENGINE	TRANSMISSION
L = LOWLINE	3 = HD DODGE 2WD 6 = Lt. Duty DODGE 4WD 2 = Med. Duty DODGE 2WD 7 = Med. Duty DODGE 4WD	17 = VAN WHEEL BASE 7 55 = WAGON WHEEL BASE 5 15 = VAN WHEEL BASE 5 53 = 119 WB 13 = 119 WB 05 = CAB CHASSIS WHEEL BASE 5 03 = CAB CHASSIS WHEEL BASE 3	EG2 = 3.5L V6 Gas Engine EXM = 3.0L V6 Turbo Diesel Engine	DGZ = 5-Speed Auto W5A380 Transmission

AR = use ase required - = Non illustrated part

**Bumper, Rear**  
**Figure 13-340**



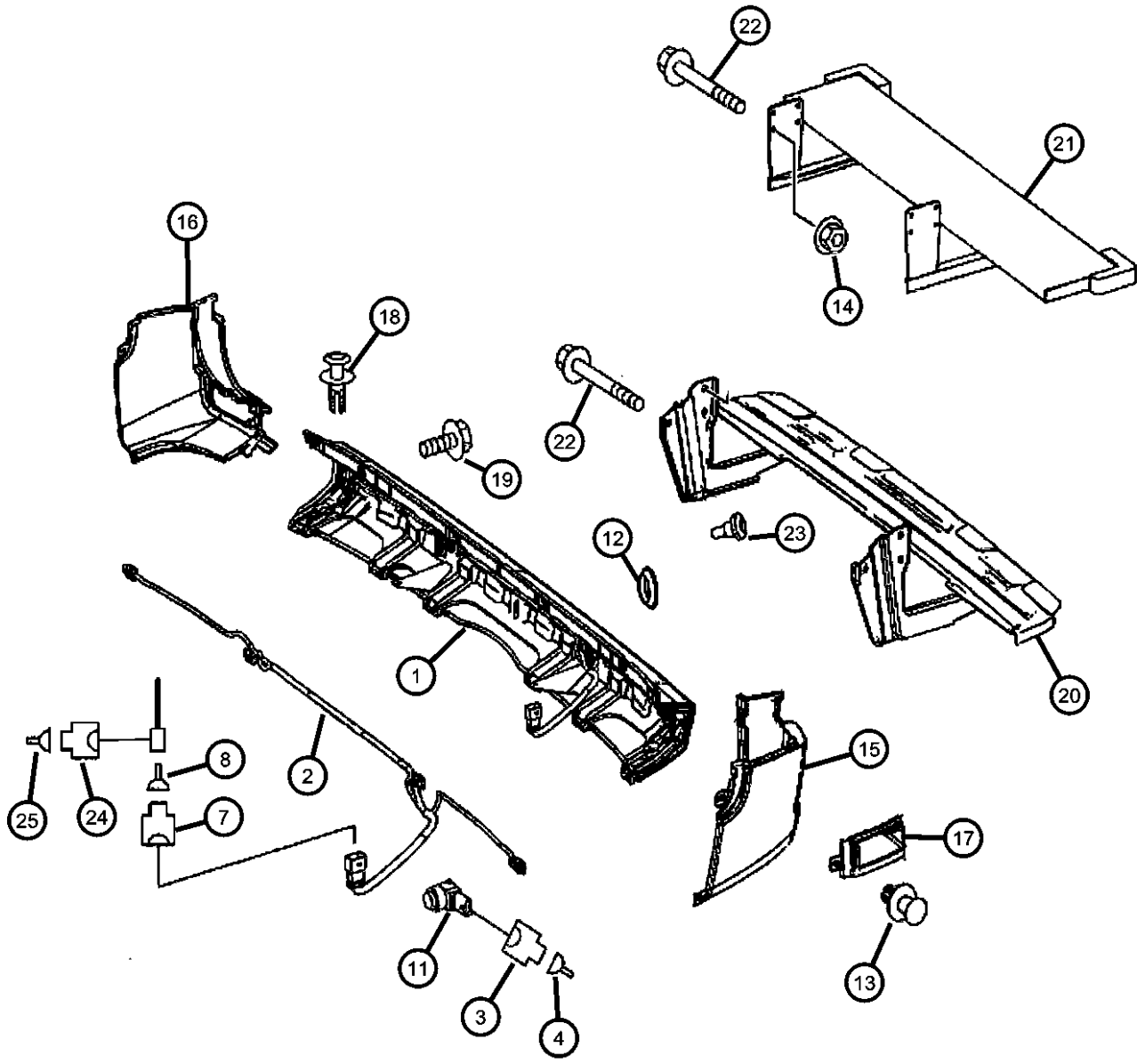
ITEM	PART NUMBER	QTY	LINE	SERIES	BODY	ENGINE	TRANS	TRIM	DESCRIPTION
1									FASCIA, Rear
	1HA78P01AA	1	2, 3, 6, 7	L	13, 15, 17, 53, 55				White, Without Parksense [XAG] or Step Pad [MBZ]
	1HA78XDVAA	1	2, 3, 6, 7	L	13, 15, 17, 53, 55				Gray, Without Parksense [XAG] or Step Pad [MBZ]
	1HA79XDVAA	1	2, 3, 6, 7	L	13, 15, 17, 53, 55				Gray, With Parksense [XAG] and Step Pad [MBZ]
	1HA80P01AA	1	2, 3, 6, 7	L	13, 15, 17, 53, 55				White, With Parksense [XAG] Without Step Pad [MBZ]
	1HA81XDVAA	1	2, 3, 6, 7	L	13, 15, 17, 53, 55				Gray, With Step Pad [MBZ], Without Parksense [XAG]
	1HA80XDVAA	1	2, 3, 6, 7	L	13, 15, 17, 53, 55				Gray, With Parksense [XAG] Without Step Pad [MBZ]
2									WIRING
	68010567AA	1	2, 3, 6, 7	L	13, 15, 17, 53, 55				With Parksense [XAG] Without Step Pad [MBZ]
	68010568AA	1	2, 3, 6, 7	L	13, 15, 17, 53, 55				With Parksense [XAG] and Step Pad [MBZ]
3	68011244AA	2	2, 3, 6, 7	L					CONNECTOR, Parksense
4	68013248AA	AR	2, 3, 6, 7	L					TERMINAL
-5	05161599AA	AR	2, 3, 6, 7	L					SEAL, Wiring
-6	05138031AA	1	2, 3, 6, 7	L					GASKET
7	68011283AA	1	2, 3, 6, 7	L					CONNECTOR
8	05133353AA	AR	2, 3, 6, 7	L					TERMINAL
-9	05103663AA	AR	2, 3, 6, 7	L					GROMMET
-10	05120865AA	1	2, 3, 6, 7	L					GASKET
11	68010557AA	4	2, 3, 6, 7	L	13, 15, 17, 53, 55				SENSOR, Park Assist
12	05120375AA	4	2, 3, 6, 7	L	13, 15, 17, 53, 55				SPACER, Sensor
13	1AR96DX9AA	3	2, 3, 6, 7	L	13, 15, 17, 53, 55				RIVET, Plastic
14	06105171AA	8	2, 3, 6, 7	L	13, 15, 17, 53, 55				NUT
15									COVER, Bumper
	1VB08XDVAA	1	2, 3, 6, 7	L					Gray, Left
	1VB08P01AA	1	2, 3, 6, 7	L					White, Left
16									COVER, Bumper
	1HA83P01AA	1	2, 3, 6, 7	L	13, 15, 17, 53, 55				White

**SPRINTER (VB)**

SERIES	LINE	BODY	ENGINE	TRANSMISSION
L = LOWLINE	3 = HD DODGE 2WD 6 = Lt. Duty DODGE 4WD 2 = Med. Duty DODGE 2WD 7 = Med. Duty DODGE 4WD	17 = VAN WHEEL BASE 7 55 = WAGON WHEEL BASE 5 15 = VAN WHEEL BASE 5 53 = 119 WB 13 = 119 WB 05 = CAB CHASSIS WHEEL BASE 5 03 = CAB CHASSIS WHEEL BASE 3	EG2 = 3.5L V6 Gas Engine EXM = 3.0L V6 Turbo Diesel Engine	DGZ = 5-Speed Auto W5A380 Transmission

AR = use ase required - = Non illustrated part

**Bumper, Rear**  
**Figure 13-340**



ITEM	PART NUMBER	QTY	LINE	SERIES	BODY	ENGINE	TRANS	TRIM	DESCRIPTION
	1HA83XDVAA	1	2, 3, 6, 7	L	13, 15, 17, 53, 55				Gray
17									FASCIA, Rear
	1HA82XDVAA	1	2, 3, 6, 7	L	13, 15, 17, 53, 55				Gray, Left
	1HA84P01AA	1	2, 3, 6, 7	L	13, 15, 17, 53, 55				White, Right
	1HA82P01AA	1	2, 3, 6, 7	L	13, 15, 17, 53, 55				White, Left
	1HA84XDVAA	1	2, 3, 6, 7	L	13, 15, 17, 53, 55				Gray, Right
18	1AR96DX9AA	1	2, 3, 6, 7	L	13, 15, 17, 53, 55				RIVET, Plastic, Cover to Body
19	1AR96DX9AA	1							SCREW, Hex Flange Head, (NOT SERVICED)
20									RUNNING BOARD, NONE, SPRINTER
	68012541AA	1	2, 6	L	13, 15, 17, 53, 55				
		1	3, 7	L	15, 17				
21	68012558AA	1	2, 3, 6, 7	L	13, 15, 17, 53, 55				RUNNING BOARD, NONE, SPRINTER, Higher Wide Metal Rear Step [MKK]
22	06104245AA	6	2, 3, 6, 7	L	13, 15, 17, 53, 55				SCREW, Step to Side Member
23	68010571AA	7	2, 3, 6, 7	L					SCREW
24	68011377AA	1	2, 3, 6, 7	L					CONNECTOR, Parksense
25	68011882AA	AR	2, 3, 6, 7	L					TERMINAL
-26	05103663AA	AR	2, 3, 6, 7	L					GROMMET
-27	05120865AA	1	2, 3, 6, 7	L					GASKET

**SPRINTER (VB)**

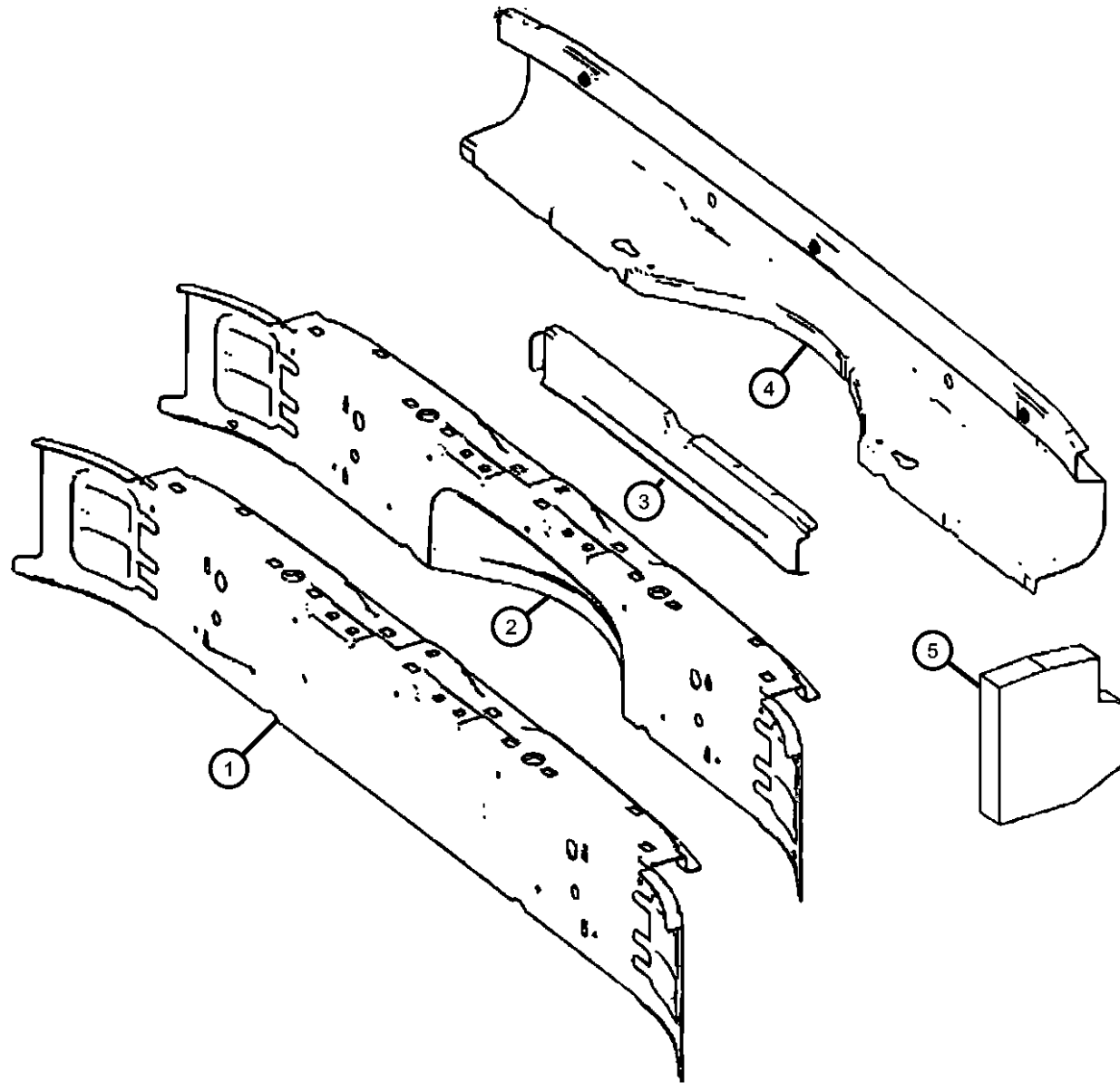
<b>SERIES</b>	<b>LINE</b>	<b>BODY</b>	<b>ENGINE</b>	<b>TRANSMISSION</b>
L = LOWLINE	3 = HD DODGE 2WD 6 = Lt. Duty DODGE 4WD 2 = Med. Duty DODGE 2WD 7 = Med. Duty DODGE 4WD	17 = VAN WHEEL BASE 7 55 = WAGON WHEEL BASE 5 15 = VAN WHEEL BASE 5 53 = 119 WB 13 = 119 WB 05 = CAB CHASSIS WHEEL BASE 5 03 = CAB CHASSIS WHEEL BASE 3	EG2 = 3.5L V6 Gas Engine EXM = 3.0L V6 Turbo Diesel Engine	DGZ = 5-Speed Auto W5A380 Transmission

AR = use ase required - = Non illustrated part



Tow Hooks and Hitches, Rear  
Figure 13-520

ITEM	PART NUMBER	QTY	LINE	SERIES	BODY	ENGINE	TRANS	TRIM	DESCRIPTION
1	68007838AA	2	3, 7	L	13, 15, 17, 53, 55				REINFORCEMENT, Bumper
2	68007822AA	1	2, 3, 6, 7	L	13, 15, 17, 53, 55				REINFORCEMENT, Rear Bumper
3	68007838AA	2	3, 7	L	13, 15, 17, 53, 55				REINFORCEMENT, Bumper
4	68007833AA	1	2, 3, 6, 7	L	13, 15, 17, 53, 55				REINFORCEMENT, Rear Bumper
5	68007831AA	2	2, 3, 6, 7	L	13, 15, 17, 53, 55				SEAL



**SPRINTER (VB)**

SERIES	LINE	BODY	ENGINE	TRANSMISSION
L = LOWLINE	3 = HD DODGE 2WD 6 = Lt. Duty DODGE 4WD 2 = Med. Duty DODGE 2WD 7 = Med. Duty DODGE 4WD	17 = VAN WHEEL BASE 7 55 = WAGON WHEEL BASE 5 15 = VAN WHEEL BASE 5 53 = 119 WB 13 = 119 WB 05 = CAB CHASSIS WHEEL BASE 5 03 = CAB CHASSIS WHEEL BASE 3	EG2 = 3.5L V6 Gas Engine EXM = 3.0L V6 Turbo Diesel Engine	DGZ = 5-Speed Auto W5A380 Transmission

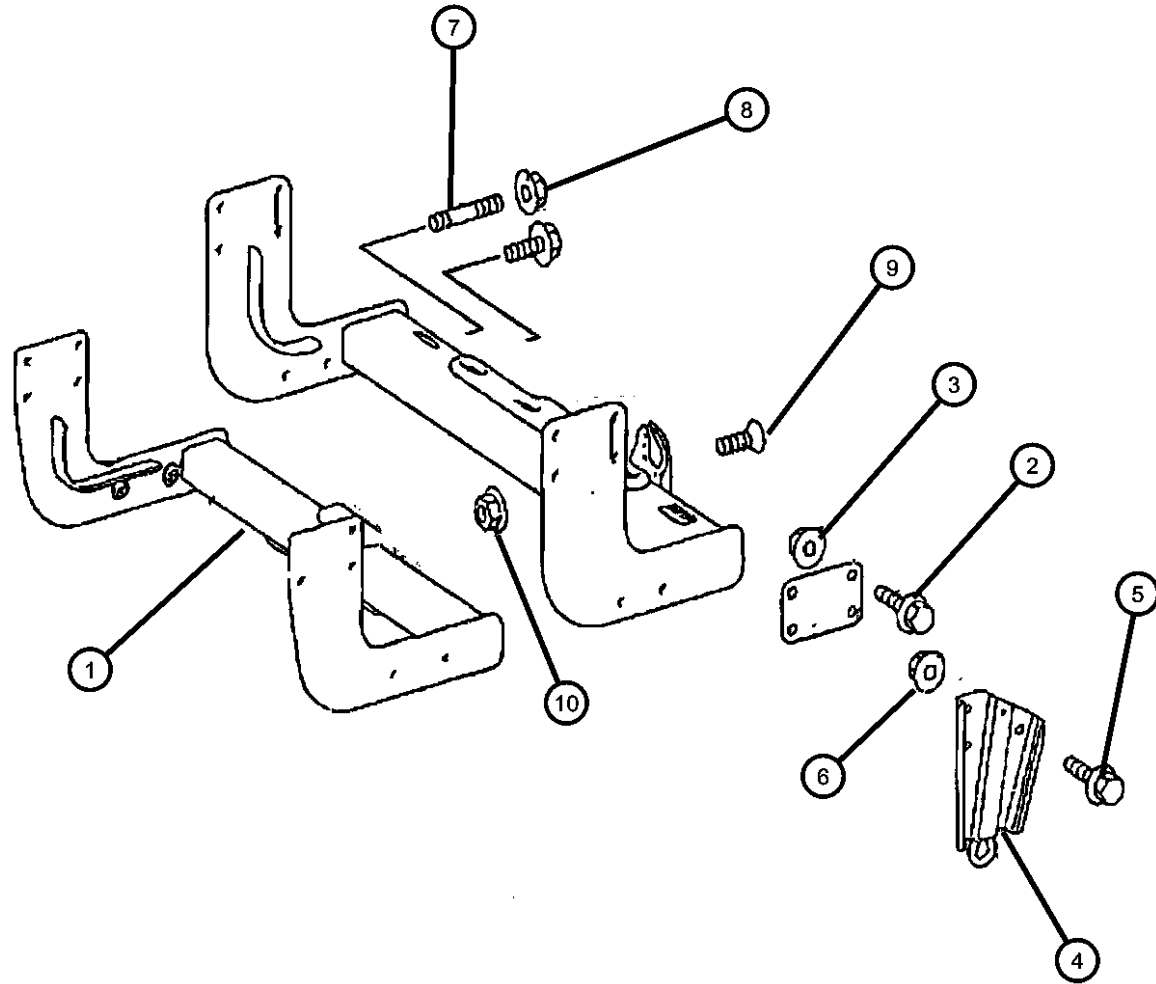
AR = use ase required - = Non illustrated part

2008 VB

Trailer Hitch  
Figure 13-605

ITEM	PART NUMBER	QTY	LINE	SERIES	BODY	ENGINE	TRANS	TRIM	DESCRIPTION
1									HITCH, Trailer
	68012499AA	1	2, 6	L					
	68012505AA	1	3, 7	L	13				
	68012569AA	1	3, 7	L	03, 05				
2									SCREW
	06104245AA	8	2, 3, 6, 7	L	13, 15, 17, 53, 55				
		8	3, 7	L	03, 05				
3									NUT
	06105171AA	8	2, 3, 6, 7	L	13, 15, 17, 53, 55				
		8	3, 7	L	03, 05				
4	68012511AA	2	2, 3, 6, 7	L					HOOK, Tow
5	06104245AA	3	2, 3, 6, 7	L	13, 15, 17, 53, 55				SCREW
6	06105171AA	3	2, 3, 6, 7	L	13, 15, 17, 53, 55				NUT
7									SCREW
	05128448AA	1	3, 7	L	15, 17				
		1	2, 6	L					
8	06105170AA	4	3, 7	L	03, 05				NUT
9									SCREW
	05125745AA	1	3, 7	L	15, 17				
		1	2, 6	L					
10	06105170AA	2	2, 3, 6, 7	L					NUT

Note: Parts shown in illustration without reference numbers are not serviced at this time.



**SPRINTER (VB)**

SERIES	LINE	BODY	ENGINE	TRANSMISSION
L = LOWLINE	3 = HD DODGE 2WD 6 = Lt. Duty DODGE 4WD 2 = Med. Duty DODGE 2WD 7 = Med. Duty DODGE 4WD	17 = VAN WHEEL BASE 7 55 = WAGON WHEEL BASE 5 15 = VAN WHEEL BASE 5 53 = 119 WB 13 = 119 WB 05 = CAB CHASSIS WHEEL BASE 5 03 = CAB CHASSIS WHEEL BASE 3	EG2 = 3.5L V6 Gas Engine EXM = 3.0L V6 Turbo Diesel Engine	DGZ = 5-Speed Auto W5A380 Transmission

AR = use ase required - = Non illustrated part

2008 VB

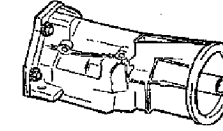
# Group - 14

## Fuel

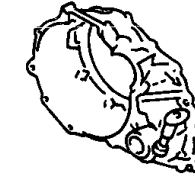
**014-100**  
Fuel Tank



**014-1000**  
Accelerator Pedal



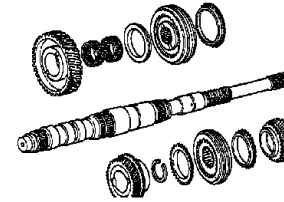
**014-200**  
Fuel Tank Filler Tube



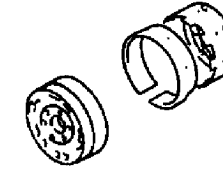
**014-300**  
Fuel Lines



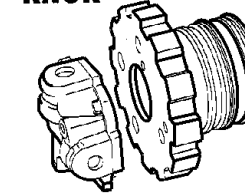
**014-400**  
Fuel Rail and Injectors



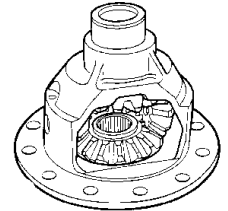
**014-500**  
Fuel Pump and Sending Unit



**014-600**  
Throttle Body



**014-800**  
Air Cleaner

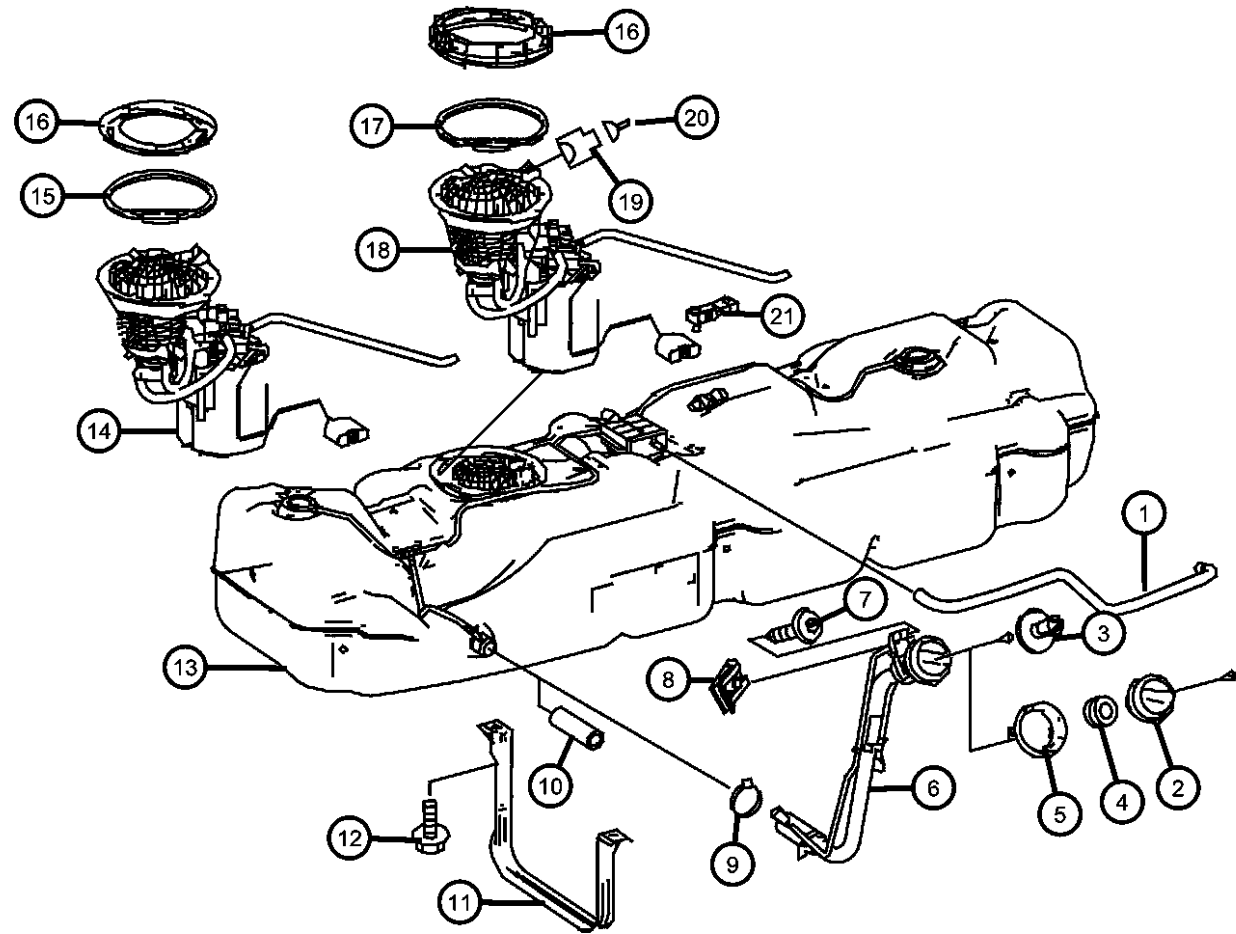


---

## Group - 14 Fuel

Illustration Title	Group-Fig. No.
<b>Fuel Tank</b>	
Fuel Tank & Related Parts.....	Fig. 14 - 105
<b>Fuel Tank Filler Tube</b>	
Fuel Filler Tube and Related .....	Fig. 14 - 205
<b>Fuel Lines</b>	
Fuel Lines and Related .....	Fig. 14 - 305
Fuel Lines and Related .....	Fig. 14 - 310
Fuel Lines and Related .....	Fig. 14 - 315
Fuel Lines and Related .....	Fig. 14 - 320
Fuel Lines and Related .....	Fig. 14 - 321
<b>Fuel Rail and Injectors</b>	
Fuel Rail and Related .....	Fig. 14 - 405
Fuel Rail and Injectors Diesel Engines .....	Fig. 14 - 420
<b>Fuel Pump and Sending Unit</b>	
Fuel Pump Module .....	Fig. 14 - 505
Fuel Pump Module .....	Fig. 14 - 510
Fuel Injection Pump and Related .....	Fig. 14 - 520
Fuel Injection Pump and Related .....	Fig. 14 - 525
<b>Throttle Body</b>	
Throttle Body .....	Fig. 14 - 601
Throttle Body .....	Fig. 14 - 602
<b>Air Cleaner</b>	
Air Cleaner and Related .....	Fig. 14 - 805
<b>Accelerator Pedal</b>	
Accelerator Pedal and Related.....	Fig. 14 - 1005

Fuel Tank & Related Parts  
Figure 14-105



ITEM	PART NUMBER	QTY	LINE	SERIES	BODY	ENGINE	TRANS	TRIM	DESCRIPTION
NOTE: Fuel Filler Neck For Diesel Engines[EXM]Is Not Serviced. Must Order Complete Fuel Tank.									
1	68013509AA	1	2, 3, 6, 7	L		EXM	DGZ		HOSE, Breather Line
2									CAP, Fuel Filler
	68013500AA	1	2, 3, 6, 7	L		EG2	DGZ		
	68017092AA	1	7, 2, 3, 6	L		EXM	DGZ		
3									RIVET, Fuel Cap Tether
	05102963AA	1	2, 3, 6, 7	L	13, 15, 17, 53, 55	EG2, EXM	DGZ		5.2MM
		1	3, 7	L	03, 05	EG2, EXM	DGZ		5.2MM
4	05133408AA	1	2, 3, 6, 7	L		EXM	DGZ		GROMMET, Chassis Wiring, Breather Line 26x25x15
5	68013502AA	1	2, 3, 6, 7	L		EXM	DGZ		SEAL, Fuel Cap
6	68013499AA	1	2, 3, 6, 7	L		EG2	DGZ		TUBE, Fuel Filler
7	06104120AA	1	2, 3, 6, 7	L		EG2, EXM	DGZ		SCREW, Hex Head, M6x12
8	68013488AA	1	2, 3, 6, 7	L		EXM	DGZ		NUT, Filler Pipe to Frame
9	05133494AA	1	2, 3, 6, 7	L		EG2	DGZ		CLAMP, Filler Pipe to Fuel Tank 25-40x13-SW8-W3
10	68013512AA	1	2, 3, 6, 7	L		EXM	DGZ		HOSE, Breather Line
11	68013514AA	1	2, 3, 6, 7	L		EG2, EXM	DGZ		STRAP, Fuel Tank
12	06104042AA	4	2, 3, 6, 7	L		EG2, EXM	DGZ		SCREW, Attachment Strap
13									TANK, Fuel
	68013486AA	1	2, 3, 6, 7	L		EG2	DGZ		
	68034061AA	1	2, 3, 6, 7	L		EXM	DGZ		
	68034449AA	1	3	L	05	EG2	DGZ		With [XFZ+AMG%AMK]
14	68013489AA	1	2, 3, 6, 7	L		EG2	DGZ		MODULE KIT, Fuel Pump/Level Unit
15	68013493AA	1	3, 6, 7, 2	L		EG2	DGZ		O RING
16	68013492AA	1	2, 3, 6, 7	L		EG2	DGZ		RING, Lock, Fuel Module
17	68013492AA	1							RING, (NOT SERVICED)
18									MODULE, Fuel Tank - Diesel
	68024008AA	1	2, 3, 6, 7	L		EXM	DGZ		With [XG3 And Or 3JV And Or XFZ]
	68024009AA	1	2, 3, 6, 7	L		EXM	DGZ		Without [XG3 And Or 3JV And Or XFZ]
19	05135758AA	1	2, 3, 6, 7	L		EG2, EXM	DGZ		CONNECTOR, Female

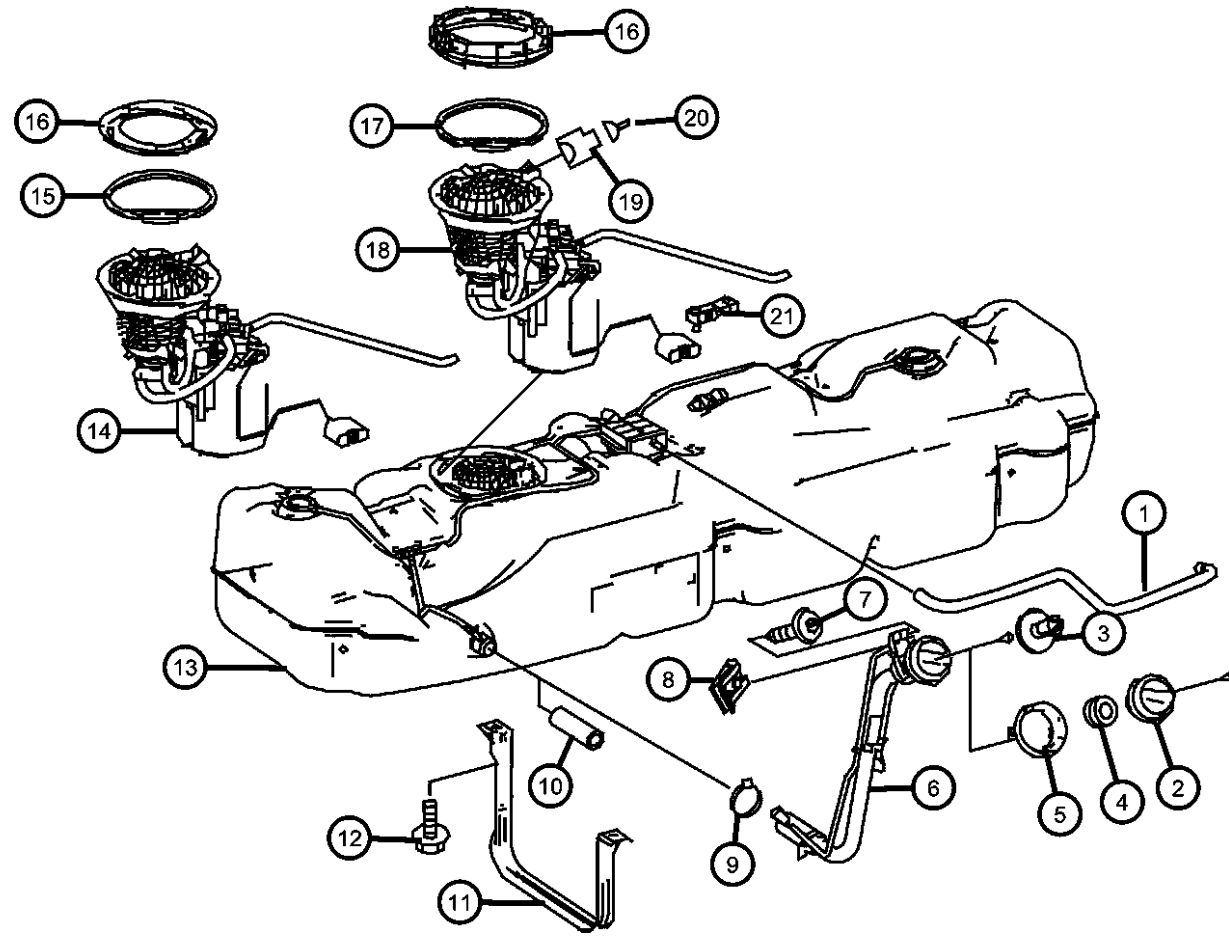
SPRINTER (VB)

SERIES	LINE	BODY	ENGINE	TRANSMISSION
L = LOWLINE	3 = HD DODGE 2WD 6 = Lt. Duty DODGE 4WD 2 = Med. Duty DODGE 2WD 7 = Med. Duty DODGE 4WD	17 = VAN WHEEL BASE 7 55 = WAGON WHEEL BASE 5 15 = VAN WHEEL BASE 5 53 = 119 WB 13 = 119 WB 05 = CAB CHASSIS WHEEL BASE 5 03 = CAB CHASSIS WHEEL BASE 3	EG2 = 3.5L V6 Gas Engine EXM = 3.0L V6 Turbo Diesel Engine	DGZ = 5-Speed Auto W5A380 Transmission

AR = use ase required - = Non illustrated part

Fuel Tank & Related Parts  
Figure 14-105

ITEM	PART NUMBER	QTY	LINE	SERIES	BODY	ENGINE	TRANS	TRIM	DESCRIPTION
20	05103877AA	AR	2, 3, 6, 7	L		EG2	DGZ		TERMINAL 1.5-2.5MM2;M3/5
	05133353AA	AR	2, 3, 6, 7	L		EG2	DGZ		0.5-1.0MM2;M3/5
21	68013498AA	1	2, 3, 6, 7	L		EG2	DGZ		SENSOR, Pressure, OBD 2

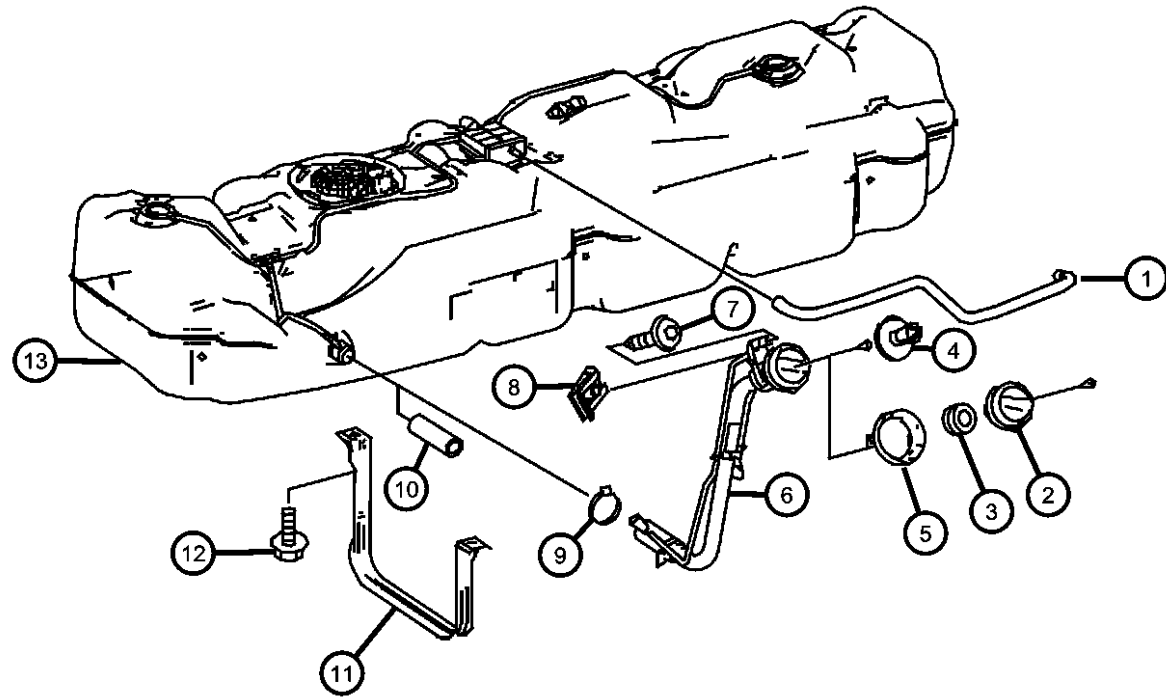


SPRINTER (VB)

SERIES	LINE	BODY	ENGINE	TRANSMISSION
L = LOWLINE	3 = HD DODGE 2WD 6 = Lt. Duty DODGE 4WD 2 = Med. Duty DODGE 2WD 7 = Med. Duty DODGE 4WD	17 = VAN WHEEL BASE 7 55 = WAGON WHEEL BASE 5 15 = VAN WHEEL BASE 5 53 = 119 WB 13 = 119 WB 05 = CAB CHASSIS WHEEL BASE 5 03 = CAB CHASSIS WHEEL BASE 3	EG2 = 3.5L V6 Gas Engine EXM = 3.0L V6 Turbo Diesel Engine	DGZ = 5-Speed Auto W5A380 Transmission

AR = use ase required - = Non illustrated part

**Fuel Filler Tube and Related  
Figure 14-205**



ITEM	PART NUMBER	QTY	LINE	SERIES	BODY	ENGINE	TRANS	TRIM	DESCRIPTION
Note: Fuel Filler Tube For Diesel Model Is Only Serviced With Complete Fuel Tank. For Fuel Tank Part Number Please See Illustration [510] Group [									
1	68013509AA	1	2, 3, 6, 7	L		EXM	DGZ		HOSE, Breather Line
2									CAP, Fuel Filler
	68013500AA	1	2, 3, 6, 7	L		EG2	DGZ		
	68017092AA	1	2, 3, 6, 7	L		EXM	DGZ		
3									RIVET, Fuel Cap Tether
	05102963AA	1	2, 3, 6, 7	L	13, 15, 17, 53, 55	EG2, EXM	DGZ		5.2MM
		1	3, 7	L	03, 05	EG2, EXM	DGZ		5.2MM
4	05133408AA	1	2, 3, 6, 7	L		EXM	DGZ		GROMMET, Chassis Wiring, Breather Line 26x25x15
5	68013502AA	1	2, 3, 6, 7	L		EXM	DGZ		SEAL, Fuel Cap
6	68013499AA	1	2, 3, 6, 7	L		EG2	DGZ		TUBE, Fuel Filler, See Note:
7	06104120AA	1	2, 3, 6, 7	L		EG2, EXM	DGZ		SCREW, Hex Head, M6x12
8	68013488AA	1	2, 3, 6, 7	L		EXM	DGZ		NUT, Filler Pipe to Frame
9									CLAMP
	05132913AA	1	2, 3, 6, 7	L		EXM	DGZ		Filler Pipe to Fuel Tank 25-40x13-SW8-W3
	05133494AA	1	2, 3, 6, 7	L		EG2	DGZ		Filler Pipe to Fuel Tank 25-40x13-SW8-W3
10	68013512AA	1	2, 3, 6, 7	L		EXM	DGZ		HOSE, Breather Line
11	68013514AA	1	2, 3, 6, 7	L		EG2, EXM	DGZ		STRAP, Fuel Tank
12	06104042AA	4	2, 3, 6, 7	L		EG2, EXM	DGZ		SCREW
13	68013486AA	1	2, 3, 6, 7	L		EG2	DGZ		TANK, Fuel

**SPRINTER (VB)**

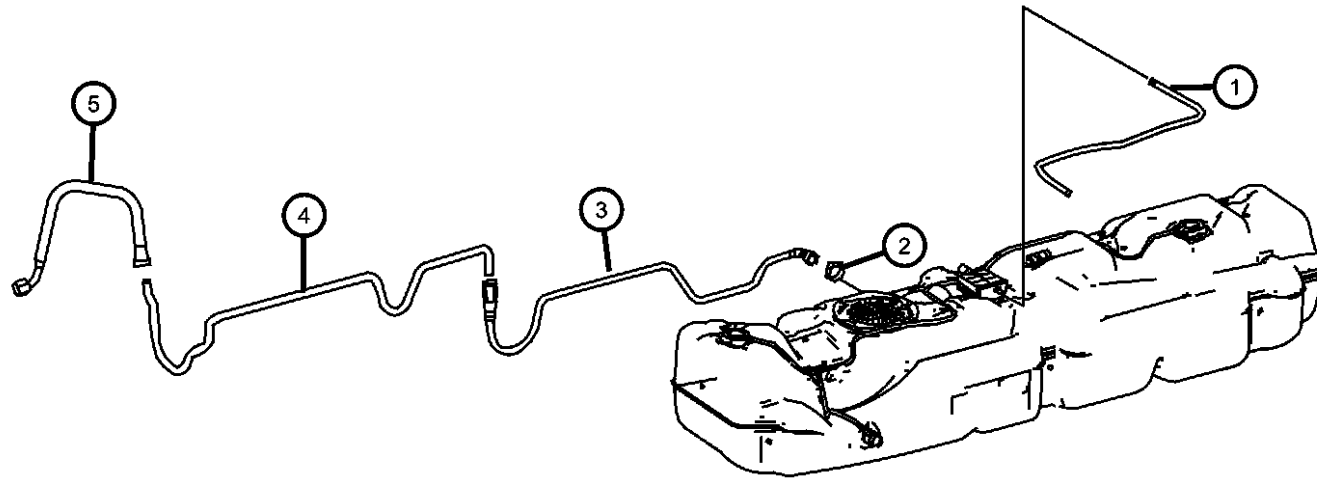
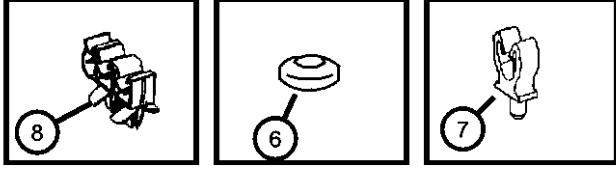
SERIES	LINE	BODY	ENGINE	TRANSMISSION
L = LOWLINE	3 = HD DODGE 2WD 6 = Lt. Duty DODGE 4WD 2 = Med. Duty DODGE 2WD 7 = Med. Duty DODGE 4WD	17 = VAN WHEEL BASE 7 55 = WAGON WHEEL BASE 5 15 = VAN WHEEL BASE 5 53 = 119 WB 13 = 119 WB 05 = CAB CHASSIS WHEEL BASE 5 03 = CAB CHASSIS WHEEL BASE 3	EG2 = 3.5L V6 Gas Engine EXM = 3.0L V6 Turbo Diesel Engine	DGZ = 5-Speed Auto W5A380 Transmission

AR = use ase required - = Non illustrated part

2008 VB

Fuel Lines and Related  
Figure 14-305

ITEM	PART NUMBER	QTY	LINE	SERIES	BODY	ENGINE	TRANS	TRIM	DESCRIPTION
1	68013506AA	1	2, 3, 6, 7	L		EG2	DGZ		TUBE, Fuel
2	06104819AA	2	2, 3, 6, 7	L		EXM	DGZ		TIE STRAP
3	68013495AA	1	2, 3, 6, 7	L		EG2	DGZ		TUBE, Fuel Supply
4	68013531AA	1	2, 3, 6, 7	L		EG2	DGZ		TUBE, Fuel Supply
5	68013532AA	1	2, 3, 6, 7	L		EG2	DGZ		TUBE, Fuel Supply
	68017801AA	1	2, 3, 6, 7	L		EG2	DGZ		Up To Chassis Build Date [08/31/2006] After Chassis Build Date [08/31/2006]
6	68013507AA	1	2, 3, 6, 7	L		EG2	DGZ		GROMMET, Chafe Protection to Console,B-Pillar
7	68013516AA	2	2, 3, 6, 7	L		EG2	DGZ		RETAINER
8	68013508AA	2	2, 3, 6, 7	L		EG2, EXM	DGZ		RETAINER



**SPRINTER (VB)**

SERIES	LINE	BODY	ENGINE	TRANSMISSION
L = LOWLINE	3 = HD DODGE 2WD 6 = Lt. Duty DODGE 4WD 2 = Med. Duty DODGE 2WD 7 = Med. Duty DODGE 4WD	17 = VAN WHEEL BASE 7 55 = WAGON WHEEL BASE 5 15 = VAN WHEEL BASE 5 53 = 119 WB 13 = 119 WB 05 = CAB CHASSIS WHEEL BASE 5 03 = CAB CHASSIS WHEEL BASE 3	EG2 = 3.5L V6 Gas Engine EXM = 3.0L V6 Turbo Diesel Engine	DGZ = 5-Speed Auto W5A380 Transmission

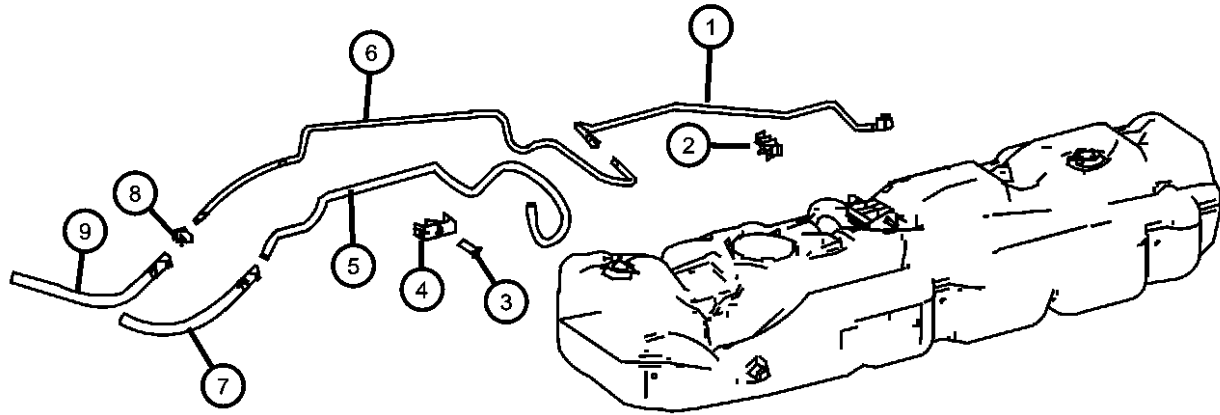
AR = use ase required - = Non illustrated part

2008 VB



Fuel Lines and Related  
Figure 14-310

ITEM	PART NUMBER	QTY	LINE	SERIES	BODY	ENGINE	TRANS	TRIM	DESCRIPTION
1	68013494AA	1	2, 3, 6, 7	L		EXM	DGZ		TUBE, Fuel Supply
2	68013508AA	2	2, 3, 6, 7	L		EG2, EXM	DGZ		RETAINER
3									BOLT, Hex Head
	05133748AA	2	3, 7	L	03, 05	EXM	DGZ		M6x20
		2	2, 3, 6, 7	L	13, 15, 17, 53, 55	EXM	DGZ		M6x20
4	05137250AA	4	2, 3, 6, 7	L		EXM	DGZ		CLIP, Feed Line to Return Line
5	68013527AA	1	2, 3, 6, 7	L		EXM	DGZ		TUBE, Fuel Return Line
6	68013525AA	1	2, 3, 6, 7	L		EXM	DGZ		TUBE, Fuel Supply
7	68013528AA	1	2, 3, 6, 7	L		EXM	DGZ		TUBE, Fuel Return Line
8	68013529AA	1	2, 3, 6, 7	L		EXM	DGZ		CLAMP, Hose
9	68013526AA	1	2, 3, 6, 7	L		EXM	DGZ		TUBE, Fuel Supply



**SPRINTER (VB)**

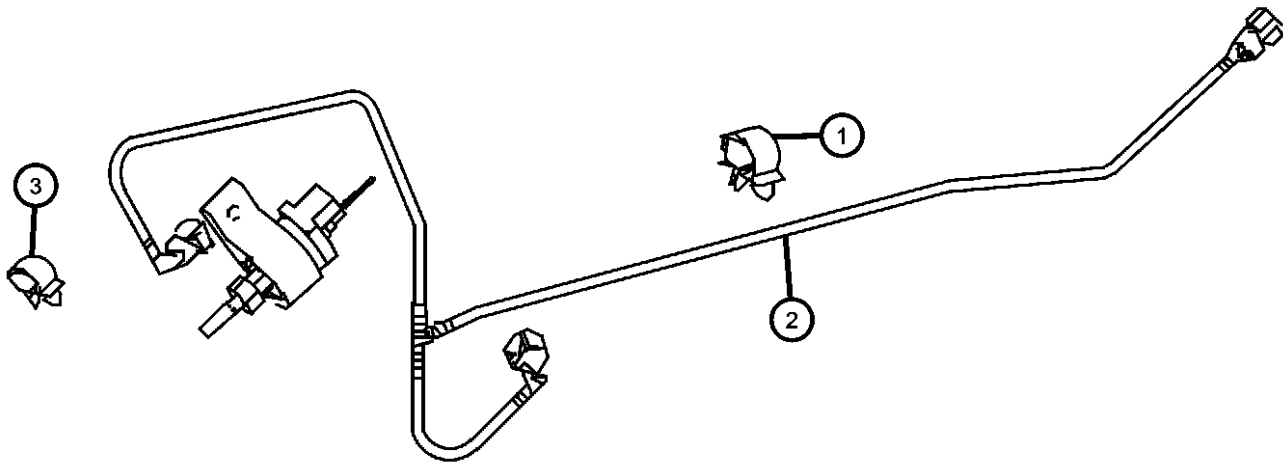
SERIES	LINE	BODY	ENGINE	TRANSMISSION
L = LOWLINE	3 = HD DODGE 2WD	17 = VAN WHEEL BASE 7	EG2 = 3.5L V6 Gas Engine	DGZ = 5-Speed Auto W5A380
	6 = Lt. Duty DODGE 4WD	55 = WAGON WHEEL BASE 5	EXM = 3.0L V6 Turbo Diesel Engine	Transmission
	2 = Med. Duty DODGE 2WD	15 = VAN WHEEL BASE 5		
	7 = Med. Duty DODGE 4WD	53 = 119 WB		
		13 = 119 WB		
		05 = CAB CHASSIS WHEEL BASE 5		
		03 = CAB CHASSIS WHEEL BASE 3		

AR = use ase required - = Non illustrated part

2008 VB

Fuel Lines and Related  
Figure 14-315

ITEM	PART NUMBER	QTY	LINE	SERIES	BODY	ENGINE	TRANS	TRIM	DESCRIPTION
1	05103736AA	2	2, 3, 6, 7	L	13, 15, 17, 53, 55	EG2, EXM	DGZ		CLAMP, 6.5x12.8MM
2	68012826AA	1	2, 3, 6, 7	L	13, 15, 17, 53, 55	EXM	DGZ		TUBE, Fuel With [3JV%HDB]
	68012825AA	1	2, 3, 6, 7	L	13, 15, 17, 53, 55	EXM	DGZ		With [XG3]
3	05103736AA	2	2, 3, 6, 7	L	13, 15, 17, 53, 55	EG2, EXM	DGZ		CLAMP, 6.5x12.8MM



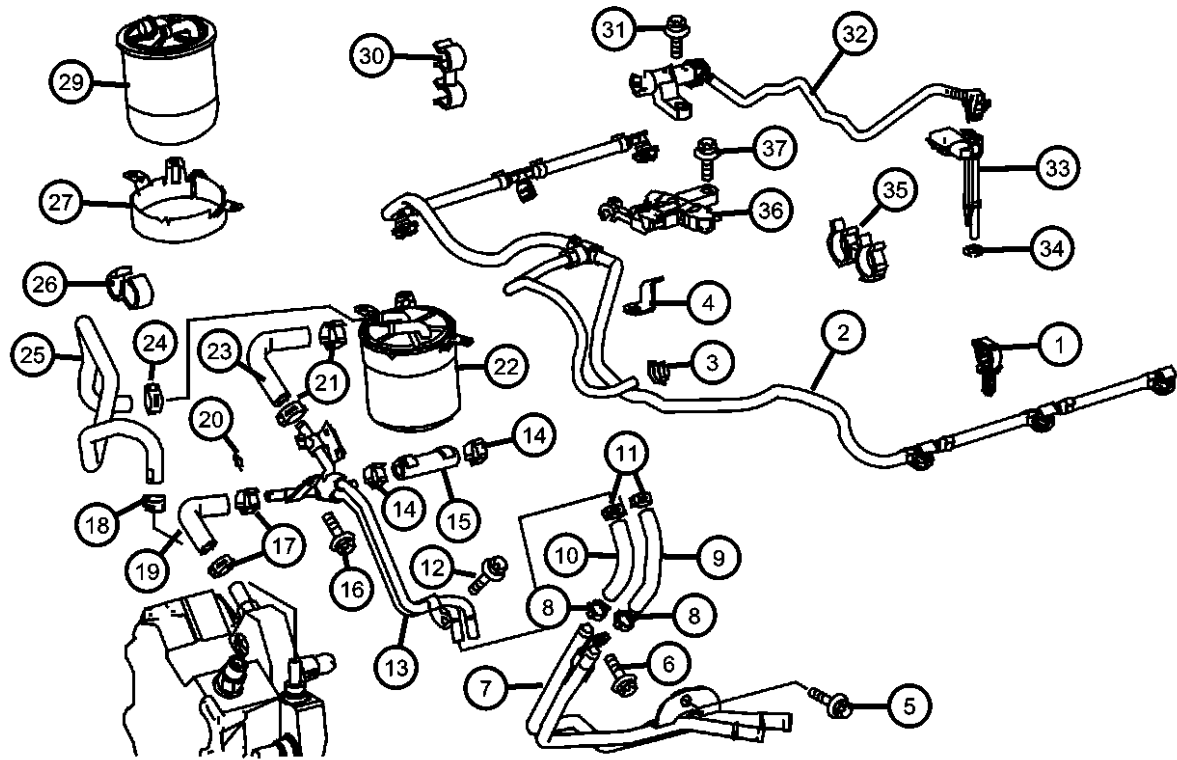
**SPRINTER (VB)**

SERIES	LINE	BODY	ENGINE	TRANSMISSION
L = LOWLINE	3 = HD DODGE 2WD 6 = Lt. Duty DODGE 4WD 2 = Med. Duty DODGE 2WD 7 = Med. Duty DODGE 4WD	17 = VAN WHEEL BASE 7 55 = WAGON WHEEL BASE 5 15 = VAN WHEEL BASE 5 53 = 119 WB 13 = 119 WB 05 = CAB CHASSIS WHEEL BASE 5 03 = CAB CHASSIS WHEEL BASE 3	EG2 = 3.5L V6 Gas Engine EXM = 3.0L V6 Turbo Diesel Engine	DGZ = 5-Speed Auto W5A380 Transmission

AR = use ase required - = Non illustrated part

2008 VB

Fuel Lines and Related  
Figure 14-320



ITEM	PART NUMBER	QTY	LINE	SERIES	BODY	ENGINE	TRANS	TRIM	DESCRIPTION
1	68005721AA	1	2, 3, 6, 7	L		EXM	DGZ		RETAINER
2	68005720AA	1	2, 3, 6, 7	L		EXM	DGZ		TUBE, Fuel Return
3	05080439AB	1	2, 3, 6, 7	L		EXM	DGZ		CLAMP
4	05175596AA	1	2, 3, 6, 7	L		EXM	DGZ		BRACKET
5	06104085AA	1	2, 3, 6, 7	L		EXM	DGZ		SCREW
6	06104005AA	4	2, 3, 6, 7	L		EXM	DGZ		BOLT, 6 Lobe External Head, M6X1.00X16.00
7	68005709AA	1	2, 3, 6, 7	L		EXM	DGZ		LINE, Fuel
8	05126026AA	2	2, 3, 6, 7	L		EXM	DGZ		CLAMP, Hose
9	68005702AA	1	2, 3, 6, 7	L		EXM	DGZ		TUBE, Fuel
10	05175592AB	1	2, 3, 6, 7	L		EXM	DGZ		TUBE, Fuel
11	05126026AA	2	2, 3, 6, 7	L		EXM	DGZ		CLAMP, Hose
12									SCREW
	06104681AA	1	3, 7	L	03, 05	EG2, EXM	DGZ		M6x15
		1	2, 6	L	13, 15, 17, 53, 55	EG2, EXM	DGZ		M6x15
13	68005713AA	1	2, 3, 6, 7	L		EXM	DGZ		TUBE, Fuel
14	05080439AB	1	2, 3, 6, 7	L		EXM	DGZ		CLAMP, 12.5-13.5/8MM
15	68005707AA	1	2, 3, 6, 7	L		EXM	DGZ		HOSE, Fuel
16									BOLT
	06104004AA	1	3, 7	L	03, 05	EXM	DGZ		M6x12
		1	2, 3, 6, 7	L	13, 15, 17, 53, 55	EXM	DGZ		M6x12
17	05126026AA	2	2, 3, 6, 7	L		EXM	DGZ		CLAMP, Hose
18	05080439AB	1	2, 3, 6, 7	L		EXM	DGZ		CLAMP, 12.5-13.5/8MM
19	68005715AA	1	2, 3, 6, 7	L		EXM	DGZ		HOSE, Fuel
20	68005701AA	1	2, 3, 6, 7	L		EXM	DGZ		CLAMP
21	05126026AA	2	2, 3, 6, 7	L		EXM	DGZ		CLAMP, Hose
22	05175429AB	1	2, 3, 6, 7	L		EXM	DGZ		FILTER, Fuel
23	68005715AA	1	2, 3, 6, 7	L		EXM	DGZ		HOSE, Fuel, Separation Point for Filter
24	05080439AB	1	2, 3, 6, 7	L		EXM	DGZ		CLAMP
25	68005717AA	1	2, 3, 6, 7	L		EXM	DGZ		HOSE, Fuel, At Injection Pump
26	05170616AA	1	2, 3, 6, 7	L		EXM	DGZ		CLAMP

**SPRINTER (VB)**

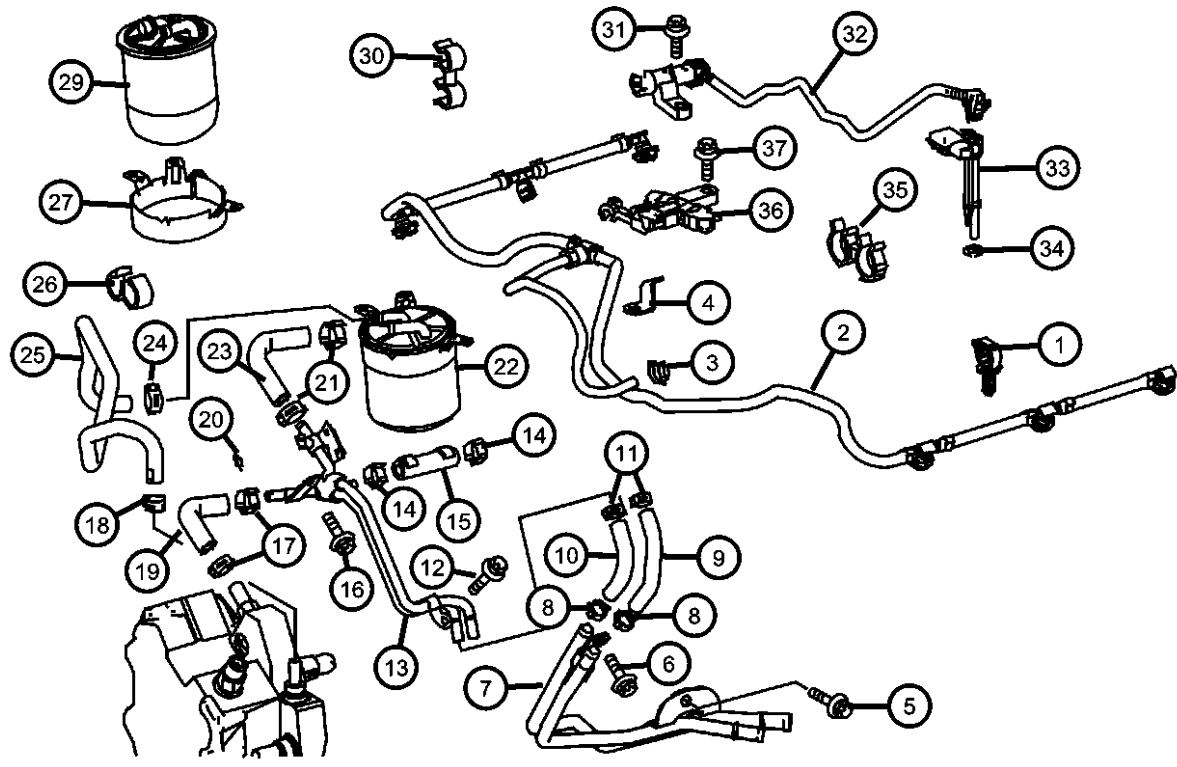
SERIES	LINE	BODY	ENGINE	TRANSMISSION
L = LOWLINE	3 = HD DODGE 2WD 6 = Lt. Duty DODGE 4WD 2 = Med. Duty DODGE 2WD 7 = Med. Duty DODGE 4WD	17 = VAN WHEEL BASE 7 55 = WAGON WHEEL BASE 5 15 = VAN WHEEL BASE 5 53 = 119 WB 13 = 119 WB 05 = CAB CHASSIS WHEEL BASE 5 03 = CAB CHASSIS WHEEL BASE 3	EG2 = 3.5L V6 Gas Engine EXM = 3.0L V6 Turbo Diesel Engine	DGZ = 5-Speed Auto W5A380 Transmission

AR = use ase required - = Non illustrated part

2008 VB

Fuel Lines and Related  
Figure 14-320

ITEM	PART NUMBER	QTY	LINE	SERIES	BODY	ENGINE	TRANS	TRIM	DESCRIPTION
27	68005729AA	1	2, 3, 6, 7	L		EXM	DGZ		BRACKET, Fuel Filter
-28	68021057AA	1	2, 3, 6, 7	L		EXM	DGZ		BRACKET, Holder
29	05175429AB	1	2, 3, 6, 7	L		EXM	DGZ		FILTER, Fuel
30	68005734AA	2	2, 3, 6, 7	L		EXM	DGZ		CLAMP, CLAMP
31	06104006AA	1	2, 3, 6, 7	L		EXM	DGZ		BOLT, Torx Socket Head, M6X1.00X20.00
32	68021058AA	1	2, 3, 6, 7	L		EXM	DGZ		HOSE, Fuel
33	05117542AA	1	2, 3, 6, 7	L		EXM	DGZ		SENSOR, Fuel/Water
34	05138876AA	1	2, 3, 6, 7	L		EXM	DGZ		O RING
35	05127508AA	1	2, 3, 6, 7	L		EXM	DGZ		CLAMP, Hose, 14-16MM
36	05175595AA	1	2, 3, 6, 7	L		EXM	DGZ		BRACKET
37	06104683AA	2	2, 3, 6, 7	L		EXM	DGZ		BOLT, 6 Lobe External Head, M6x1.0x23.0



**SPRINTER (VB)**

**SERIES**

L = LOWLINE

**LINE**

3 = HD DODGE 2WD  
6 = Lt. Duty DODGE 4WD  
2 = Med. Duty DODGE 2WD  
7 = Med. Duty DODGE 4WD

**BODY**

17 = VAN WHEEL BASE 7  
55 = WAGON WHEEL BASE 5  
15 = VAN WHEEL BASE 5  
53 = 119 WB  
13 = 119 WB  
05 = CAB CHASSIS WHEEL BASE 5  
03 = CAB CHASSIS WHEEL BASE 3

**ENGINE**

EG2 = 3.5L V6 Gas Engine  
EXM = 3.0L V6 Turbo Diesel Engine

**TRANSMISSION**

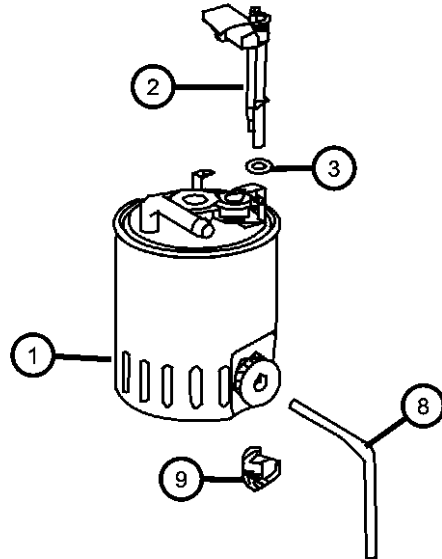
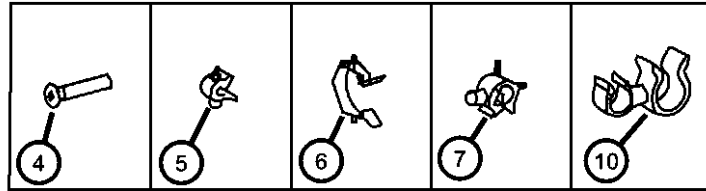
DGZ = 5-Speed Auto W5A380 Transmission

AR = use ase required - = Non illustrated part

2008 VB

Fuel Lines and Related  
Figure 14-321

ITEM	PART NUMBER	QTY	LINE	SERIES	BODY	ENGINE	TRANS	TRIM	DESCRIPTION
1	05175429AA	1	2, 3, 6, 7	L		EXM	DGZ		FILTER, Fuel
2	05117542AA	1	2, 3, 6, 7	L		EXM	DGZ		SENSOR, Fuel/Water
3	05179861AA	2	2, 3, 6, 7	L		EXM	DGZ		O RING
4	05179861AA	2							SCREW, (NOT SERVICED)
5	05080431AB	1	2, 6	L	53, 55	EG2, EXM	DGZ		CLAMP, Hose To Fuel Filter [11 MM]
6	06104925AA	1	2, 3, 6, 7	L		EXM	DGZ		CLAMP, To Fuel Filter [38 MM]
7									CLIP, Retaining
	06104924AA	1	3, 7	L	03, 05	EXM	DGZ		Drain Hose [11 MM]
		1	2, 3, 6, 7	L	13, 15, 17, 53, 55	EXM	DGZ		Drain Hose [11 MM]
8	05138943AA	1	2, 3, 6, 7	L		EXM	DGZ		HOSE
9	68020907AA	2	2, 3, 6, 7	L		EXM	DGZ		CLIP, Drain Hose [18 x 14 MM]
10	68020908AA	1	2, 3, 6, 7	L		EXM	DGZ		BRACKET



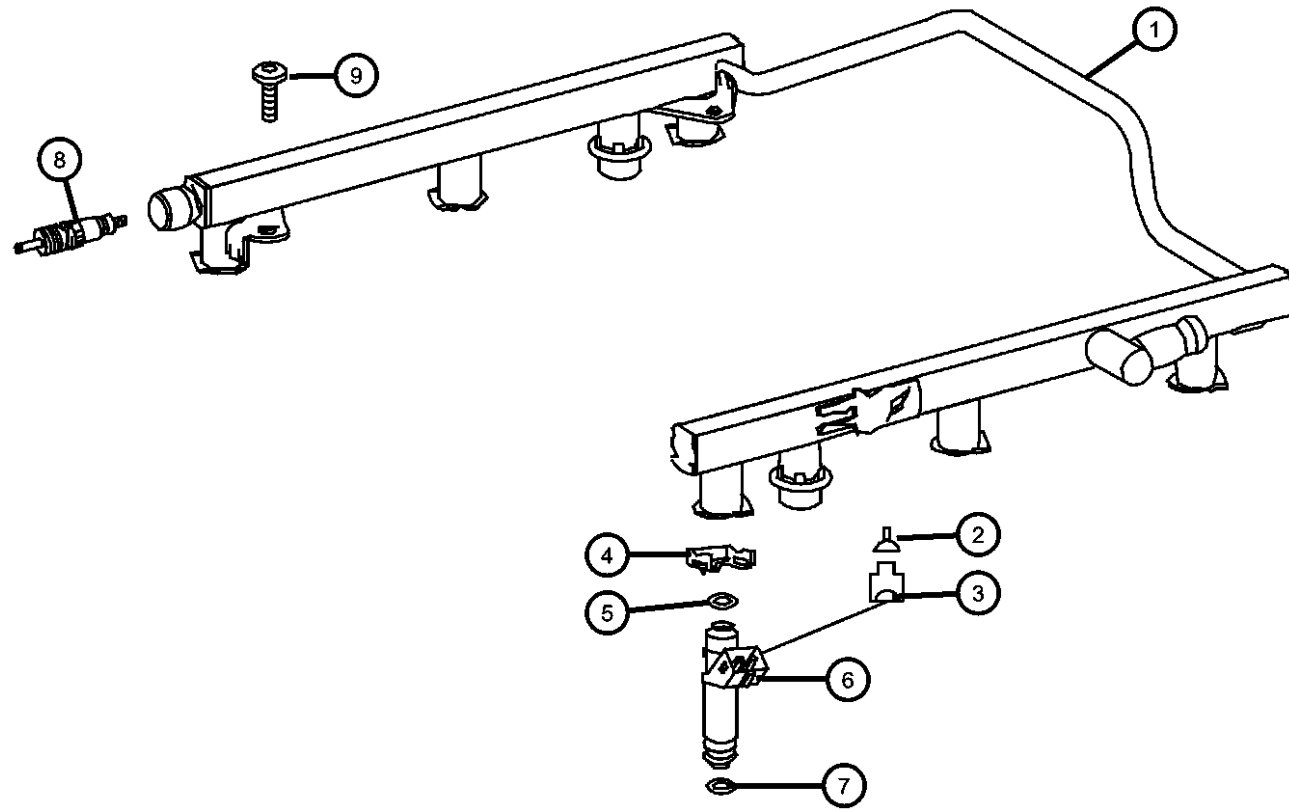
**SPRINTER (VB)**

SERIES	LINE	BODY	ENGINE	TRANSMISSION
L = LOWLINE	3 = HD DODGE 2WD 6 = Lt. Duty DODGE 4WD 2 = Med. Duty DODGE 2WD 7 = Med. Duty DODGE 4WD	17 = VAN WHEEL BASE 7 55 = WAGON WHEEL BASE 5 15 = VAN WHEEL BASE 5 53 = 119 WB 13 = 119 WB 05 = CAB CHASSIS WHEEL BASE 5 03 = CAB CHASSIS WHEEL BASE 3	EG2 = 3.5L V6 Gas Engine EXM = 3.0L V6 Turbo Diesel Engine	DGZ = 5-Speed Auto W5A380 Transmission

AR = use ase required - = Non illustrated part

2008 VB

Fuel Rail and Related  
Figure 14-405



ITEM	PART NUMBER	QTY	LINE	SERIES	BODY	ENGINE	TRANS	TRIM	DESCRIPTION
1	68011691AA	1	2, 3, 6, 7	L		EG2	DGZ		RAIL, Fuel
2	68011877AA	AR	2, 3, 6, 7	L		EG2	DGZ		TERMINAL
3	68011801AA	6	2, 3, 6, 7	L		EG2	DGZ		CONNECTOR
4	05097191AA	6	2, 3, 6, 7	L		EG2	DGZ		CLIP, Fuel Injector
5	05101151AA	6	2, 3, 6, 7	L		EG2	DGZ		O RING, Fuel Injector
6	68011710AA	6	2, 3, 6, 7	L		EG2	DGZ		INJECTOR, Fuel
7	68011714AA	6	2, 3, 6, 7	L		EG2	DGZ		O RING, Fuel Injector
8	05101486AA	1	2, 3, 6, 7	L		EG2	DGZ		VALVE
9									SCREW
	06104681AA	4	3, 7	L	03, 05	EG2	DGZ		Fuel Distributor to Intake Manifold M6x15
		4	2, 6	L	13, 15, 17, 53, 55	EG2	DGZ		Fuel Distributor to Intake Manifold M6x15

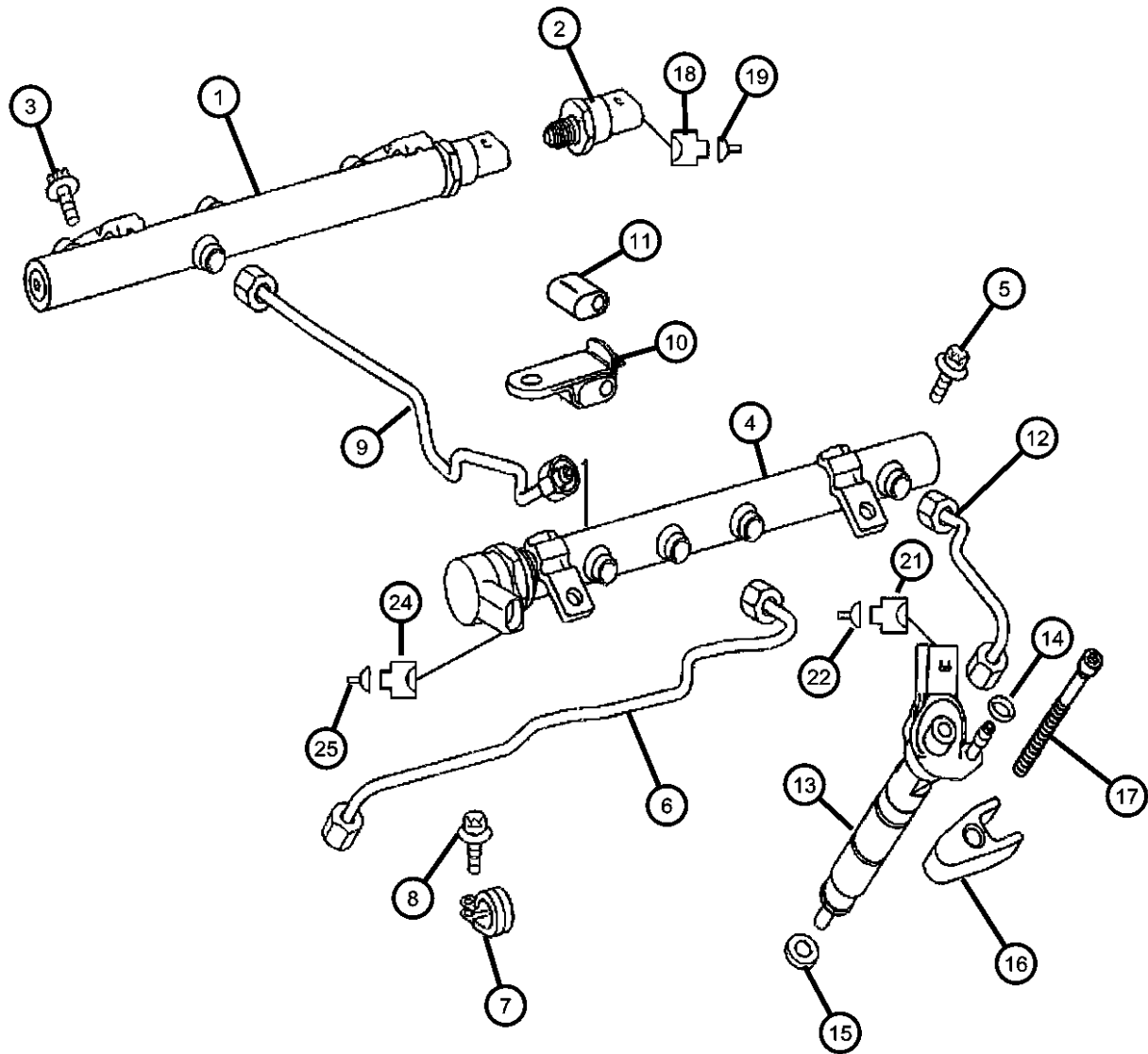
**SPRINTER (VB)**

SERIES	LINE	BODY	ENGINE	TRANSMISSION
L = LOWLINE	3 = HD DODGE 2WD 6 = Lt. Duty DODGE 4WD 2 = Med. Duty DODGE 2WD 7 = Med. Duty DODGE 4WD	17 = VAN WHEEL BASE 7 55 = WAGON WHEEL BASE 5 15 = VAN WHEEL BASE 5 53 = 119 WB 13 = 119 WB 05 = CAB CHASSIS WHEEL BASE 5 03 = CAB CHASSIS WHEEL BASE 3	EG2 = 3.5L V6 Gas Engine EXM = 3.0L V6 Turbo Diesel Engine	DGZ = 5-Speed Auto W5A380 Transmission

AR = use ase required - = Non illustrated part

2008 VB

Fuel Rail and Injectors Diesel Engines  
Figure 14-420



ITEM	PART NUMBER	QTY	LINE	SERIES	BODY	ENGINE	TRANS	TRIM	DESCRIPTION
1	68014064AA	1	2, 3, 6, 7	L		EXM	DGZ		RAIL, Fuel
2	68014067AA	1	2, 3, 6, 7	L		EXM	DGZ		SENDING UNIT, Fuel
3	05073701AA	2	2, 3, 6, 7	L		EXM	DGZ		SCREW, Fuel Rail To Head [M7x20]
4	68014068AA	1	2, 3, 6, 7	L		EXM	DGZ		RAIL, Fuel
5	05073701AA	2	2, 3, 6, 7	L		EXM	DGZ		SCREW, Fuel Rail To Cylinder Head [M7x20]
6	05175612AA	1	2, 3, 6, 7	L		EXM	DGZ		TUBE, Fuel Injector Supply, From High Pressure Pump To Fuel Rail
7	05126113AA	1	2, 3, 6, 7	L		EXM	DGZ		CLAMP, Delivery Line To Cylinder Cover
8	06104682AA	1	2, 3, 6, 7	L		EXM	DGZ		BOLT, Delivery Line To Cylinder Head Cover [6x19]
9	05175618AA	1	2, 3, 6, 7	L		EXM	DGZ		TUBE, Crossover Fuel Line
10	05080296AA	2	2, 3, 6, 7	L		EXM	DGZ		CLAMP, Delivery Line To Cylinder Cover
11	05080297AA	2	2, 3, 6, 7	L		EXM	DGZ		INSULATOR, Rubber Insert
12	05175619AA	3	2, 3, 6, 7	L		EXM	DGZ		TUBERight & Left
13									INJECTOR, Fuel
	68014079AA	6	2, 3, 6, 7	L		EXM	DGZ		Up To Engine Assembly Number [40346214] / Engine Assembly Built Date [01/02/2007]
	68028404AA	6	2, 3, 6, 7	L		EXM	DGZ		Arter Engine Assembly Number [40346214] / Engine Assembly Built Date [01/02/2007]
14	68014080AA	6	2, 3, 6, 7	L		EXM	DGZ		O RING, Injector To Leak Line
15	05080301AA	3	2, 3, 6, 7	L		EXM	DGZ		O RING, Fuel Injector
16	05175620AA	6	2, 3, 6, 7	L		EXM	DGZ		BRACKET, Fuel Line
17	68001053AA	3	2, 3, 6, 7	L		EXM	DGZ		SCREW, Injector To Cylinder Head [M6x79], Right & Left
18	05120759AA	1	2, 3, 6, 7	L		EG2, EXM	DGZ		CONNECTOR, [3 Pin / B4/7 - B4/6]
19	05133353AA	AR	2, 3, 6, 7	L		EXM	DGZ		TERMINAL, [0.25 - 0.5 MM2; B4/7 B4/6]
-20	05103661AA	1	2, 3, 6, 7	L		EG2, EXM	DGZ		GASKET, [0.5 - 1.0 MM2; B4/7; B4/6]
21	05103931AA	6	2, 3, 6, 7	L		EXM	DGZ		CONNECTOR, Fuel Injector Connector [2 Pin; Y76/1 - Y76/6; Y110/1 - Y110/6]
22	05133353AA	AR	2, 3, 6, 7	L		EXM	DGZ		TERMINAL, Fuel Injector Connector [MM2; Y76/1 - Y76/6; Y110/1 - Y110/6]

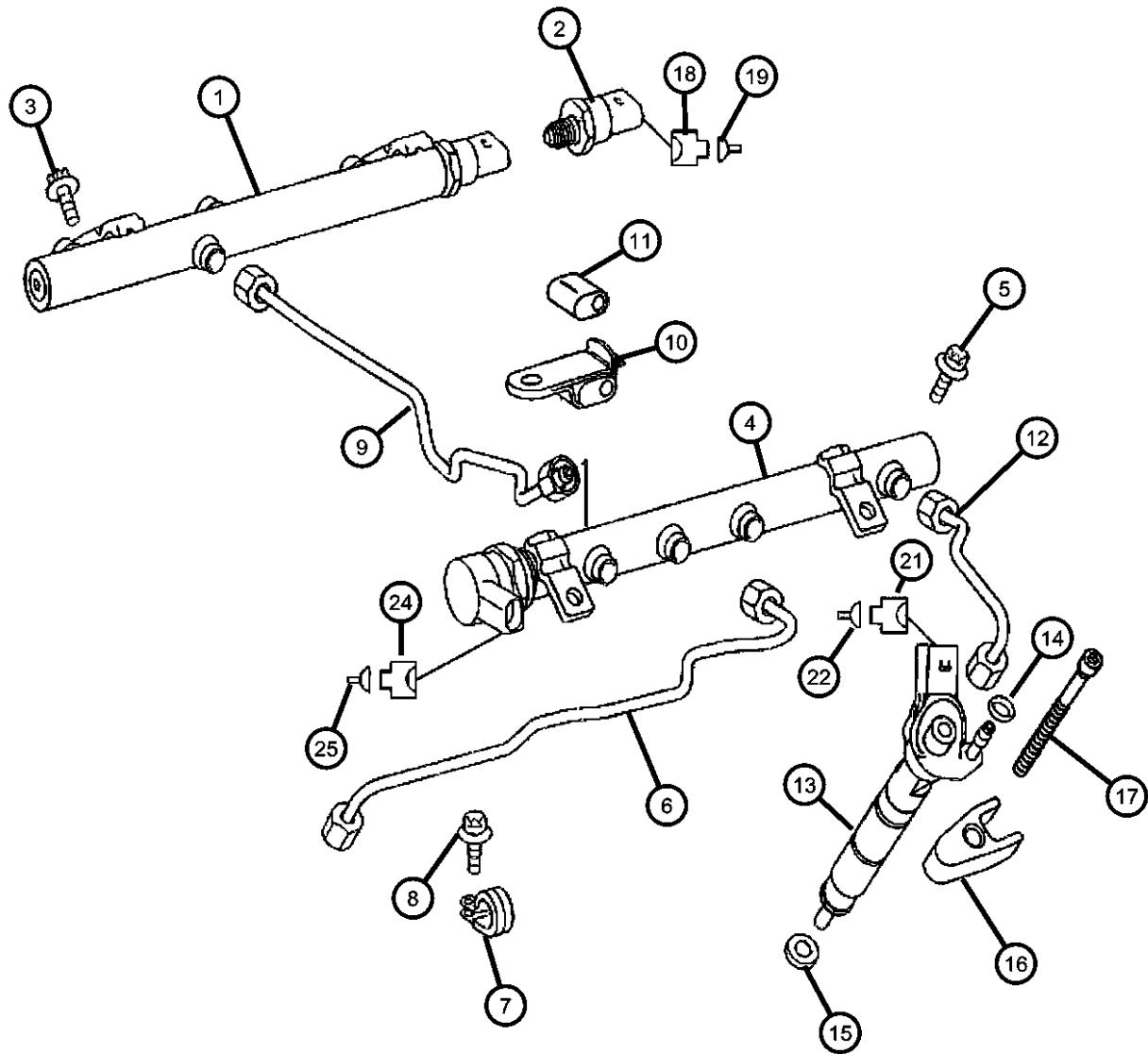
**SPRINTER (VB)**

SERIES	LINE	BODY	ENGINE	TRANSMISSION
L = LOWLINE	3 = HD DODGE 2WD 6 = Lt. Duty DODGE 4WD 2 = Med. Duty DODGE 2WD 7 = Med. Duty DODGE 4WD	17 = VAN WHEEL BASE 7 55 = WAGON WHEEL BASE 5 15 = VAN WHEEL BASE 5 53 = 119 WB 13 = 119 WB 05 = CAB CHASSIS WHEEL BASE 5 03 = CAB CHASSIS WHEEL BASE 3	EG2 = 3.5L V6 Gas Engine EXM = 3.0L V6 Turbo Diesel Engine	DGZ = 5-Speed Auto W5A380 Transmission

AR = use ase required - = Non illustrated part

**Fuel Rail and Injectors Diesel Engines**  
**Figure 14-420**

ITEM	PART NUMBER	QTY	LINE	SERIES	BODY	ENGINE	TRANS	TRIM	DESCRIPTION
-23	05103661AA	1	2, 3, 6, 7	L		EG2, EXM	DGZ		GASKET, Connector Gasket [MM;Y76/1 - Y76/6; Y110/1 - Y110/6]
24	05135841AA	1	2, 6, 7	L		EXM	DGZ		CONNECTOR, [2Pin; B; Y74]
25	05133353AA	AR	2, 3, 6, 7	L		EXM	DGZ		TERMINAL, Pressure Valve [.05 - 1.0; MM2; Y74]
-26	05103661AA	1	2, 3, 6, 7	L		EG2, EXM	DGZ		GASKET, Pressure Valve [.05 - 1.0; MM2; Y74]



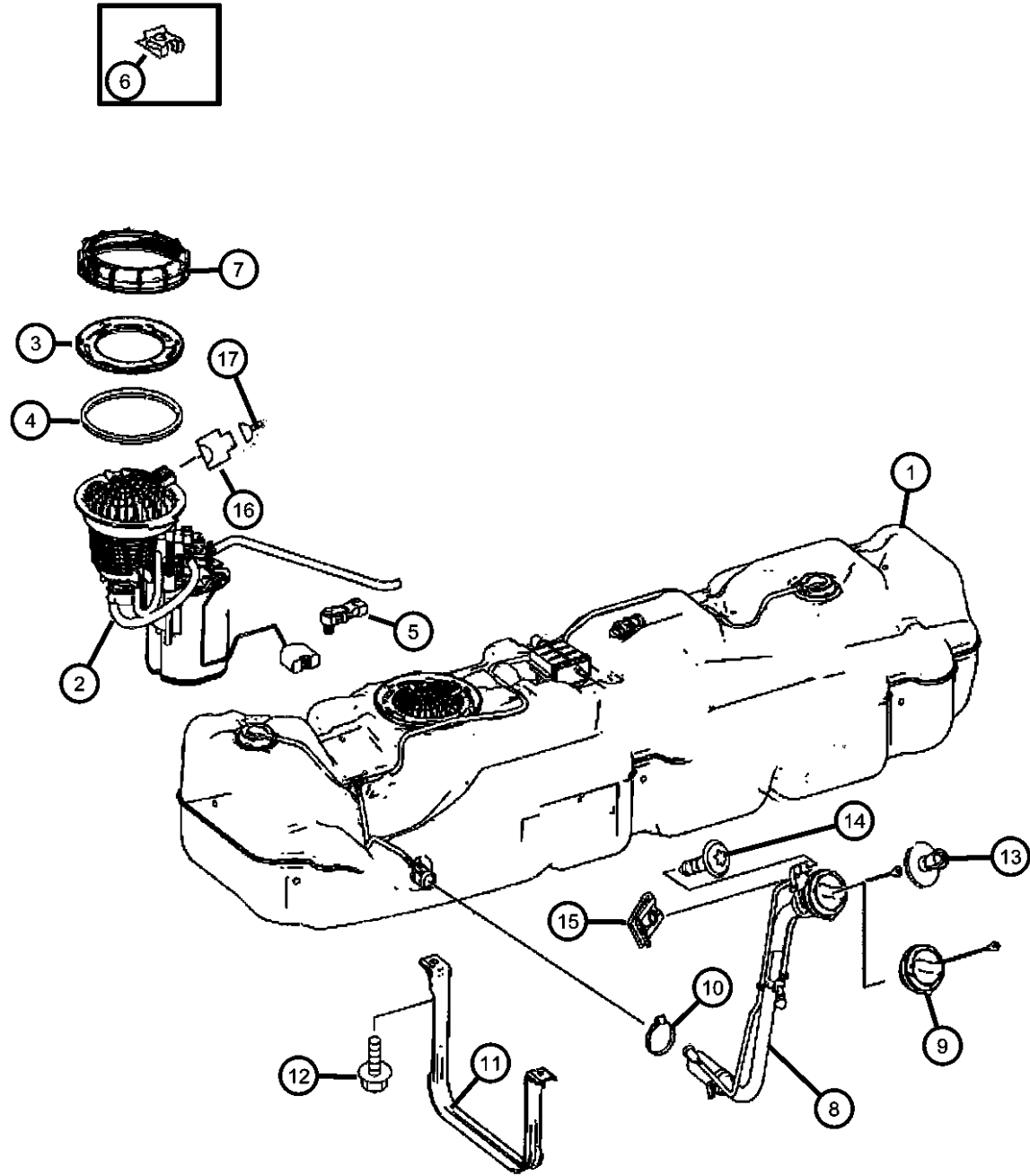
**SPRINTER (VB)**

<b>SERIES</b>	<b>LINE</b>	<b>BODY</b>	<b>ENGINE</b>	<b>TRANSMISSION</b>
L = LOWLINE	3 = HD DODGE 2WD 6 = Lt. Duty DODGE 4WD 2 = Med. Duty DODGE 2WD 7 = Med. Duty DODGE 4WD	17 = VAN WHEEL BASE 7 55 = WAGON WHEEL BASE 5 15 = VAN WHEEL BASE 5 53 = 119 WB 13 = 119 WB 05 = CAB CHASSIS WHEEL BASE 5 03 = CAB CHASSIS WHEEL BASE 3	EG2 = 3.5L V6 Gas Engine EXM = 3.0L V6 Turbo Diesel Engine	DGZ = 5-Speed Auto W5A380 Transmission

AR = use ase required - = Non illustrated part



Fuel Pump Module  
Figure 14-505



ITEM	PART NUMBER	QTY	LINE	SERIES	BODY	ENGINE	TRANS	TRIM	DESCRIPTION
1	68013486AA	1	2, 3, 6, 7	L		EG2	DGZ		TANK, Fuel
2	68013489AA	1	2, 3, 6, 7	L		EG2	DGZ		MODULE KIT, Fuel Pump/Level Unit
3	68013492AA	1	2, 3, 6, 7	L		EG2	DGZ		RING, Lock, Fuel Module
4	68013493AA	1	2, 3, 6, 7	L		EG2	DGZ		O RING
5	68013498AA	1	2, 3, 6, 7	L		EG2	DGZ		SENSOR, Pressure, [OBD2]
6	68013488AA	1	2, 3, 6, 7	L		EG2			NUT
7									RING, Lock, Fuel Module
	68013492AA	1	2, 6	L	13, 15, 17, 53, 55	EG2	DGZ		
		1	3, 7	L	03, 05	EG2	DGZ		
8	68013499AA	1	2, 3, 6, 7	L		EG2	DGZ		TUBE, Fuel Filler
9	68013500AA	1	2, 3, 6, 7	L		EG2	DGZ		CAP, Fuel Filler
10	05133494AA	1	2, 3, 6, 7	L		EG2	DGZ		CLAMP
11	68013514AA	1	2, 3, 6, 7	L		EG2, EXM	DGZ		STRAP, Fuel TankRear
12	06104042AA	4	2, 3, 6, 7	L		EG2, EXM	DGZ		SCREW
13									RIVET, Fuel Cap Tether
	05102963AA	1	2, 3, 6, 7	L	13, 15, 17, 53, 55	EG2, EXM	DGZ		
		1	3, 7	L	03, 05	EG2, EXM	DGZ		
14	06104515AA	1	2, 3, 6, 7	L		EG2, EXM	DGZ		SCREW, Fuel Filler Tube Mounting
15	68013488AA	1	2, 3, 6, 7	L		EG2			NUT
16	05135758AA	1	2, 3, 6, 7	L		EG2, EXM	DGZ		CONNECTOR, Female
17									TERMINAL
	05103877AA	AR	2, 3, 6, 7	L		EG2	DGZ		[1.5 - 2.5; MM2; M3/5]
	05133353AA	AR	2, 3, 6, 7	L		EG2	DGZ		[0.5 - 1.0 MM2; M3/5]
-18	05103663AA	AR	2, 3, 6, 7	L		EG2	DGZ		GROMMET, [0.25 - 2.5 MM2; M3/5]
-19	05120865AA	1	2, 3, 6, 7	L		EG2, EXM	DGZ		GASKET, Dummy Plug [M3/5]

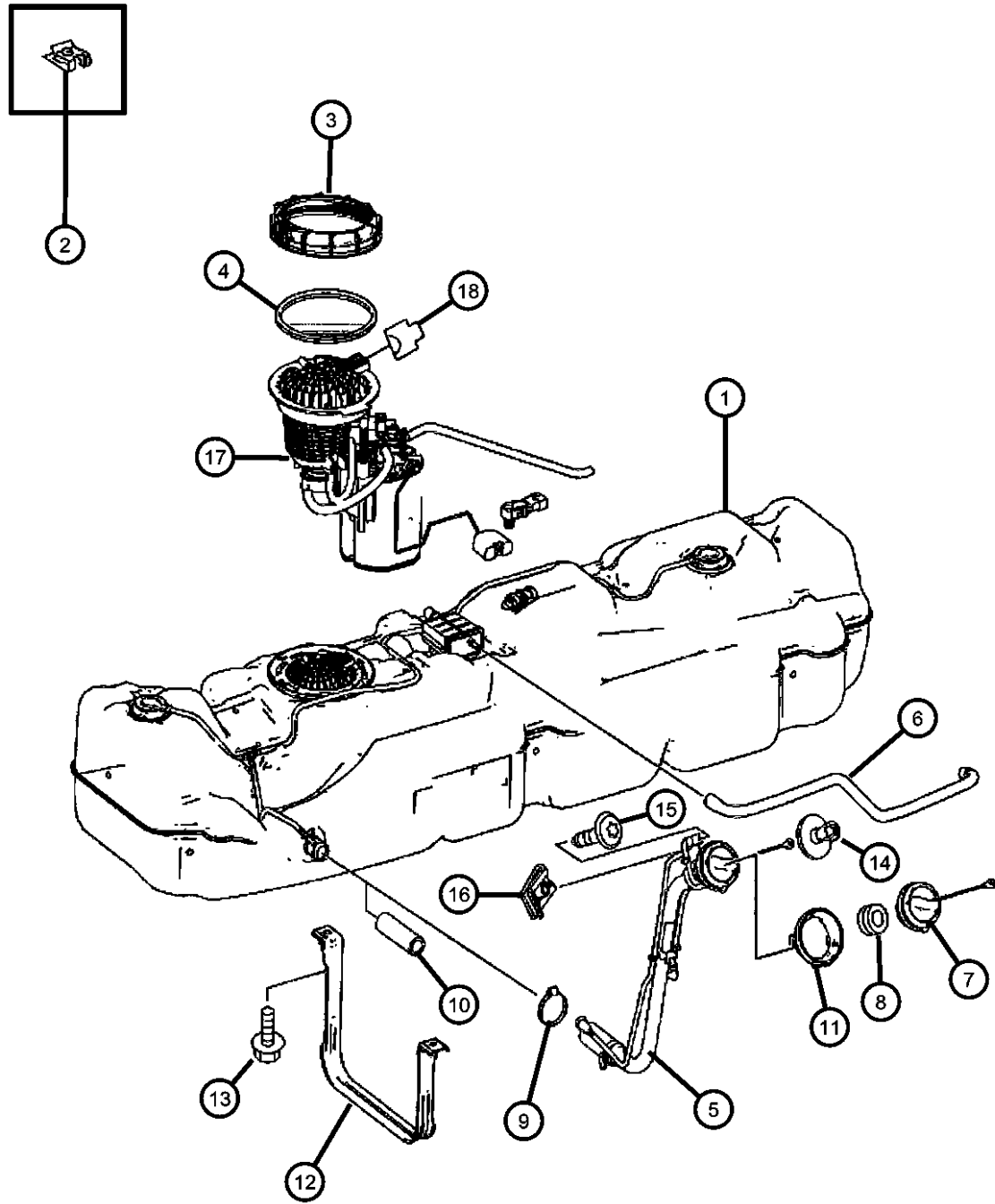
SPRINTER (VB)

SERIES	LINE	BODY	ENGINE	TRANSMISSION
L = LOWLINE	3 = HD DODGE 2WD 6 = Lt. Duty DODGE 4WD 2 = Med. Duty DODGE 2WD 7 = Med. Duty DODGE 4WD	17 = VAN WHEEL BASE 7 55 = WAGON WHEEL BASE 5 15 = VAN WHEEL BASE 5 53 = 119 WB 13 = 119 WB 05 = CAB CHASSIS WHEEL BASE 5 03 = CAB CHASSIS WHEEL BASE 3	EG2 = 3.5L V6 Gas Engine EXM = 3.0L V6 Turbo Diesel Engine	DGZ = 5-Speed Auto W5A380 Transmission

AR = use ase required - = Non illustrated part

2008 VB

Fuel Pump Module  
Figure 14-510



ITEM	PART NUMBER	QTY	LINE	SERIES	BODY	ENGINE	TRANS	TRIM	DESCRIPTION
Note: Fuel Filler Tube For Diesel Model Is Only Serviced With Complete Fuel Tank.									
1	68034061AA	1	2, 3, 6, 7	L		EXM	DGZ		TANK, Fuel
2	68013488AA	1	2, 3, 6, 7	L		EXM	DGZ		NUT
3	68017088AA	1	2, 3, 6, 7	L		EXM	DGZ		RING, Lock, Fuel Module
4									SEAL
	68017089AA	1	3, 7	L	03, 05	EXM	DGZ		
		1	2, 3, 6, 7	L	13, 15, 17, 53, 55	EXM	DGZ		
5		1							TUBE, Fuel Filler, (NOT SERVICED)
6	68013509AA	1	2, 3, 6, 7	L		EXM	DGZ		HOSE, Vent Line
7	68017092AA	1	2, 3, 6, 7	L		EXM	DGZ		CAP, Fuel Filler
8	05133408AA	1	2, 3, 6, 7	L		EXM	DGZ		GROMMET, Chassis Wiring
9	05133408AA	1							CLAMP, (NOT SERVICED)
10	68013512AA	1	2, 3, 6, 7	L		EXM	DGZ		HOSE, Filler Tube Breather Line
11	68013502AA	1	2, 3, 6, 7	L		EXM	DGZ		SEAL, Fuel Cap
12	68013514AA	1	2, 3, 6, 7	L		EG2, EXM	DGZ		STRAP, Fuel Tank Front
13	06104042AA	4	2, 3, 6, 7	L		EG2, EXM	DGZ		SCREW
14									RIVET, Fuel Cap Tether
	05102963AA	1	2, 3, 6, 7	L	13, 15, 17, 53, 55	EG2, EXM	DGZ		
		1	3, 7	L	03, 05	EG2, EXM	DGZ		
15	06104515AA	1	2, 3, 6, 7	L		EG2, EXM	DGZ		SCREW, Fuel Filler Tube Mounting
16	68013488AA	1	2, 3, 6, 7	L		EXM	DGZ		NUT
17	68013491AA	1	2, 3, 6, 7	L		EXM	DGZ		MODULE, Fuel Tank - Diesel
18	05135758AA	1	2, 3, 6, 7	L		EG2, EXM	DGZ		CONNECTOR, Female, [4 Pin / M3,5]
-19	05133353AA	AR	2, 3, 6, 7	L		EXM	DGZ		TERMINAL, [0.5 - 1.0 MM2; M3/5]

SPRINTER (VB)

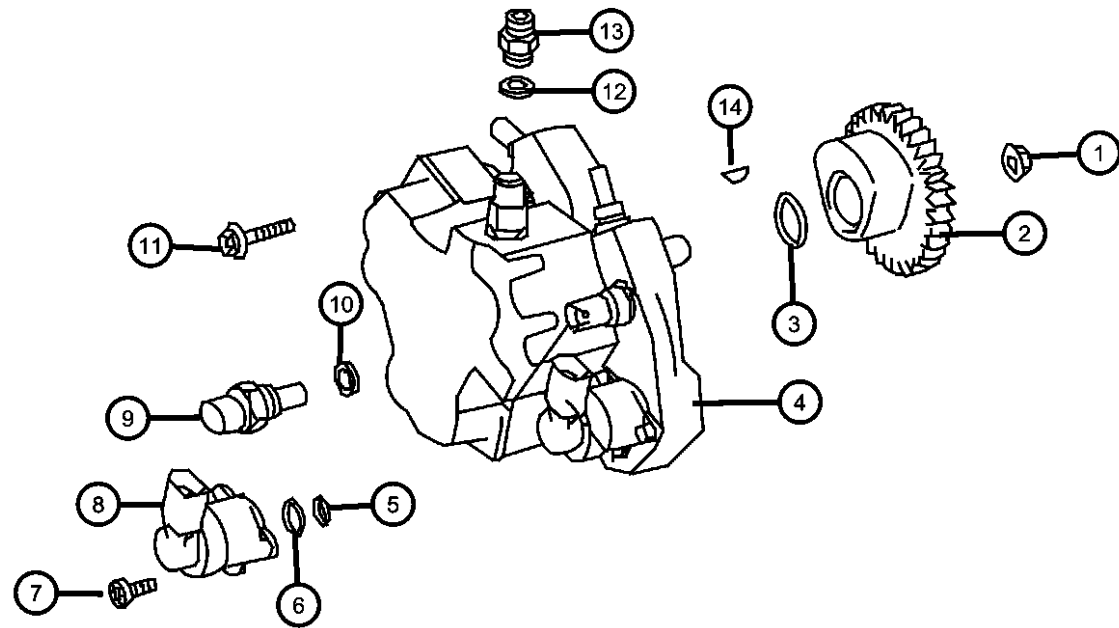
SERIES	LINE	BODY	ENGINE	TRANSMISSION
L = LOWLINE	3 = HD DODGE 2WD 6 = Lt. Duty DODGE 4WD 2 = Med. Duty DODGE 2WD 7 = Med. Duty DODGE 4WD	17 = VAN WHEEL BASE 7 55 = WAGON WHEEL BASE 5 15 = VAN WHEEL BASE 5 53 = 119 WB 13 = 119 WB 05 = CAB CHASSIS WHEEL BASE 5 03 = CAB CHASSIS WHEEL BASE 3	EG2 = 3.5L V6 Gas Engine EXM = 3.0L V6 Turbo Diesel Engine	DGZ = 5-Speed Auto W5A380 Transmission

AR = use ase required - = Non illustrated part

2008 VB

Fuel Injection Pump and Related  
Figure 14-520

ITEM	PART NUMBER	QTY	LINE	SERIES	BODY	ENGINE	TRANS	TRIM	DESCRIPTION
1	06104719AA	1	2, 3, 6, 7	L		EXM	DGZ		NUT, Hex Flange Lock, M14x1.50
2	05175601AA	1	2, 3, 6, 7	L		EXM	DGZ		GEAR, Injection Pump
3	68014061AA	1	2, 3, 6, 7	L		EXM	DGZ		GASKET
4	68014060AA	1	2, 3, 6, 7	L		EXM	DGZ		PUMP, Fuel Injection
5	05142116AA	1	2, 3, 6, 7	L		EXM	DGZ		GASKET, Injection Pump
6	05142117AA	1	2, 3, 6, 7	L		EXM	DGZ		GASKET, Injection Pump
7	05175770AA	3	2, 3, 6, 7	L		EXM	DGZ		SCREW, Valve to Housing
8	68028268AA	1	2, 3, 6, 7	L		EXM	DGZ		VALVE, Flow Control
9	05103534AA	1	2, 3, 6, 7	L		EXM	DGZ		SENDING UNIT, Temperature Gauge
10	05179226AA	1	2, 3, 6, 7	L		EXM	DGZ		GASKET
11	68014063AA	3	2, 3, 6, 7	L		EXM	DGZ		SCREW, Injection Pump to Cylinder Head
12	05175769AA	1	2, 3, 6, 7	L		EXM	DGZ		O RING
13	05175768AA	1	2, 3, 6, 7	L		EXM	DGZ		CONNECTOR, Fuel Line
14	05175602AA	1	2, 3, 6, 7	L		EXM	DGZ		KEY, Woodruff, Drive Gear to Injection Pump



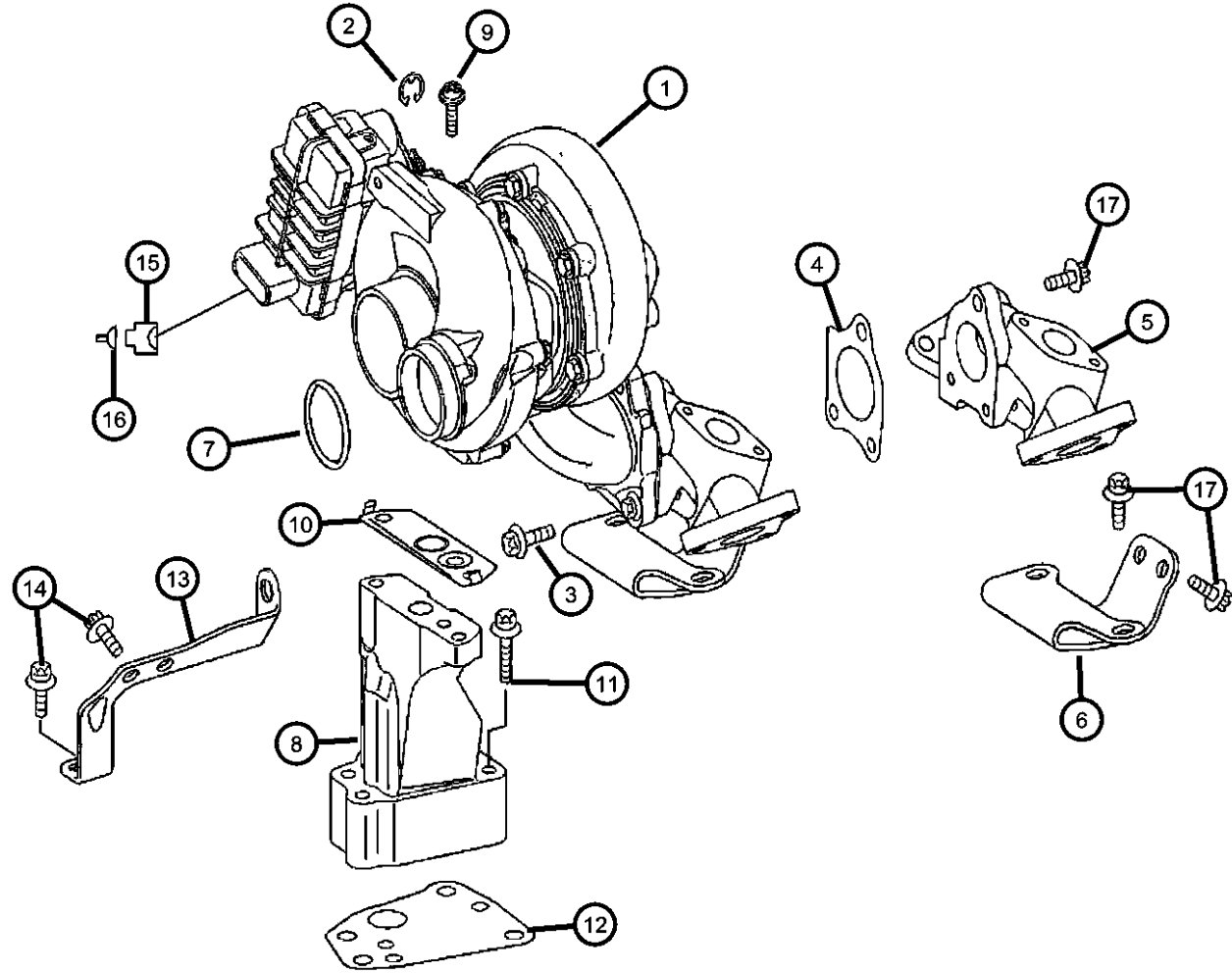
**SPRINTER (VB)**

SERIES	LINE	BODY	ENGINE	TRANSMISSION
L = LOWLINE	3 = HD DODGE 2WD 6 = Lt. Duty DODGE 4WD 2 = Med. Duty DODGE 2WD 7 = Med. Duty DODGE 4WD	17 = VAN WHEEL BASE 7 55 = WAGON WHEEL BASE 5 15 = VAN WHEEL BASE 5 53 = 119 WB 13 = 119 WB 05 = CAB CHASSIS WHEEL BASE 5 03 = CAB CHASSIS WHEEL BASE 3	EG2 = 3.5L V6 Gas Engine EXM = 3.0L V6 Turbo Diesel Engine	DGZ = 5-Speed Auto W5A380 Transmission

AR = use ase required - = Non illustrated part

2008 VB

Fuel Injection Pump and Related  
Figure 14-525



ITEM	PART NUMBER	QTY	LINE	SERIES	BODY	ENGINE	TRANS	TRIM	DESCRIPTION
1	68004666AA	1	2, 3, 6, 7	L		EXM	DGZ		TURBOCHARGER
2	05183127AA	2	2, 3, 6, 7	L		EXM	DGZ		RETAINER
3	05073720AB	3	2, 3, 6, 7	L		EXM	DGZ		BOLT, Turbocharger To Exhaust Manifold
4	05175629AA	1	2, 3, 6, 7	L		EXM	DGZ		GASKET, Turbocharger, Turbocharger To Support
5	68004669AA	1	2, 3, 6, 7	L		EXM	DGZ		MANIFOLD, Collector Pipe
6	68012295AA	1	2, 3, 6, 7	L		EXM	DGZ		BRACKET
7	05175626AA	1	2, 3, 6, 7	L		EXM	DGZ		O RING
8	05175627AA	1	2, 3, 6, 7	L		EXM	DGZ		BRACKET, Turbo Charger
9	05073710AA	2	2, 3, 6, 7	L		EXM	DGZ		SCREW
10	05175630AA	1	2, 3, 6, 7	L		EXM	DGZ		GASKET, Turbocharger
11	05133207AA	4	2, 3, 6, 7	L		EXM	DGZ		BOLT, [M8x55]
12	05175632AA	1	2, 3, 6, 7	L		EXM	DGZ		GASKET, Turbocharger
13	68012302AA	1	2, 3, 6, 7	L		EXM	DGZ		BRACKET
14	06104005AA	4	2, 3, 6, 7	L		EXM	DGZ		BOLT, 6 Lobe External Head, M6X1.00X16.00, [M6x16]
15	05120780AA	1	2, 3, 6, 7	L		EG2, EXM	DGZ		CONNECTOR, [5 Pin: Y77] [VNR] Actuator Connector
16	05133353AA	AR	2, 3, 6, 7	L		EXM	DGZ		TERMINAL
17	05073720AB	3	2, 3, 6, 7	L		EXM	DGZ		BOLT

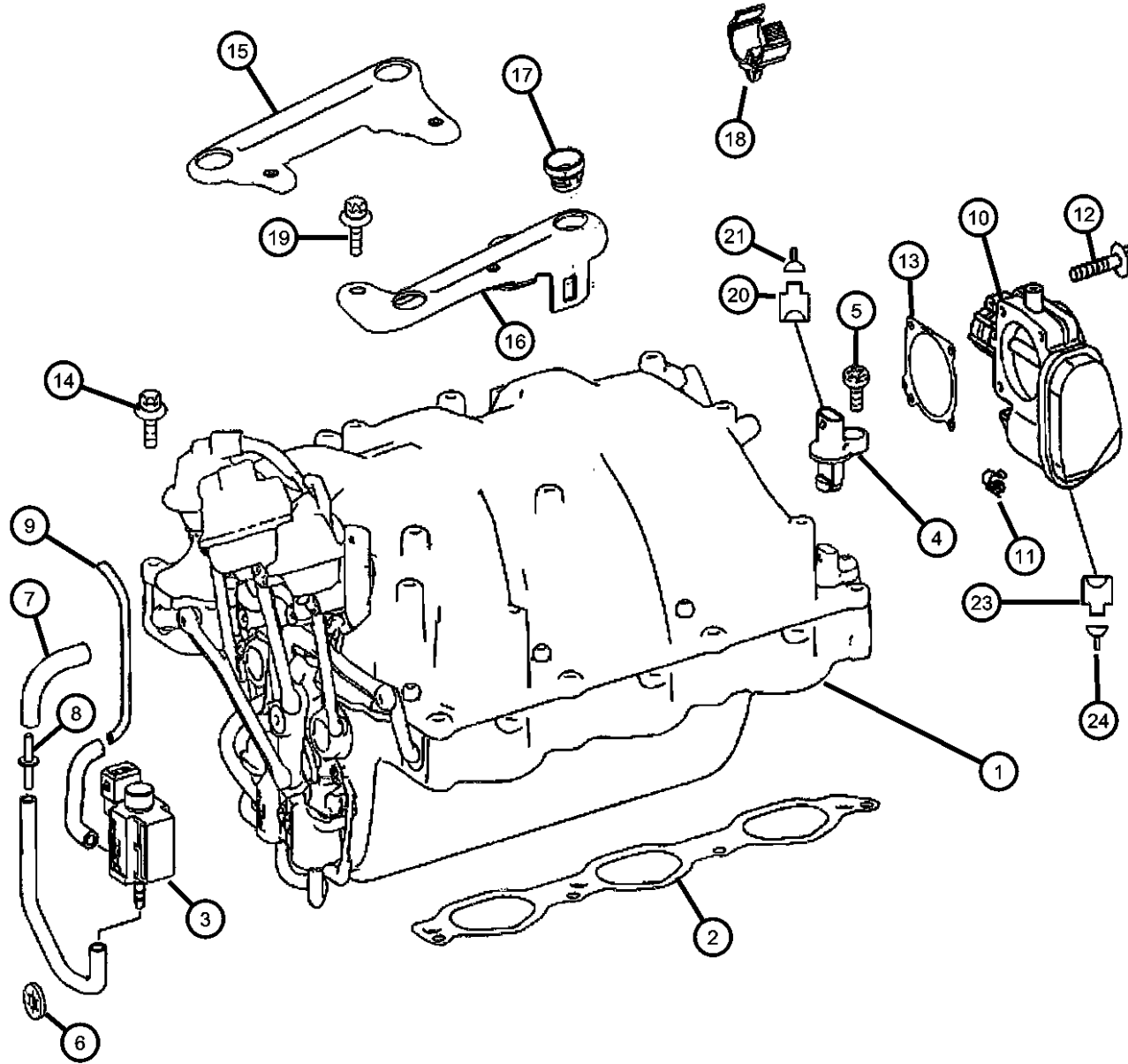
**SPRINTER (VB)**

SERIES	LINE	BODY	ENGINE	TRANSMISSION
L = LOWLINE	3 = HD DODGE 2WD 6 = Lt. Duty DODGE 4WD 2 = Med. Duty DODGE 2WD 7 = Med. Duty DODGE 4WD	17 = VAN WHEEL BASE 7 55 = WAGON WHEEL BASE 5 15 = VAN WHEEL BASE 5 53 = 119 WB 13 = 119 WB 05 = CAB CHASSIS WHEEL BASE 5 03 = CAB CHASSIS WHEEL BASE 3	EG2 = 3.5L V6 Gas Engine EXM = 3.0L V6 Turbo Diesel Engine	DGZ = 5-Speed Auto W5A380 Transmission

AR = use ase required - = Non illustrated part

2008 VB

**Throttle Body  
Figure 14-601**



ITEM	PART NUMBER	QTY	LINE	SERIES	BODY	ENGINE	TRANS	TRIM	DESCRIPTION
1	68011680AA	1	2, 3, 6, 7	L		EG2	DGZ		MANIFOLD, Intake
2	68011683AA	1	2, 3, 6, 7	L		EG2	DGZ		GASKET, Throttle Body
3	05099823AA	2	2, 3, 6, 7	L		EG2	DGZ		SOLENOID, Intake Manifold
4	68011686AA	2	2, 3, 6, 7	L		EG2	DGZ		SOLENOID, Intake Manifold, Intake Manifold [Tumble Flap] Switch
5	06104120AA	2	2, 3, 6, 7	L		EG2	DGZ		SCREW, Hex Head, M6x12, [M6x12]
6	05102929AA	11	2, 3, 6, 7	L		EG2	DGZ		PUSH NUT
7	05080390AA	1	2, 3, 6, 7	L		EG2	DGZ		HOSE, [8x3.5MM]
8	05080337AA	1	2, 3, 6, 7	L		EG2	DGZ		CONNECTOR, [4MM]
9	05125912AA	0	2, 3, 6, 7	L		EG2	DGZ		HOSE, Charge Air, [4x0.75MM]
10	05159298AA	1	2, 3, 6, 7	L		EG2	DGZ		THROTTLE BODY
11	05098164AA	1	2, 3, 6, 7	L		EG2	DGZ		BRACKET, Hose
12	68011720AA	4	2, 3, 6, 7	L		EG2	DGZ		SCREW, Throttle Body, [6x35]
13									GASKET
	68011721AA	1	2, 3, 6, 7	L		EG2	DGZ		Left, Cylinder Head
	68011723AA	1	2, 3, 6, 7	L		EG2	DGZ		Right, Cylinder Head
14	06104012AA	8	2, 3, 6, 7	L		EG2	DGZ		SCREW, Torx, M6X1.00X50
15	68011725AA	1	2, 3, 6, 7	L		EG2	DGZ		BRACKET
16	68011729AA	1	2, 3, 6, 7	L		EG2	DGZ		BRACKET
17	68005688AA	4	2, 3, 6, 7	L		EG2	DGZ		INSULATOR
18	68011733AA	1	2, 3, 6, 7	L		EG2	DGZ		INSULATOR, Wiring
19	06104675AA	4	2, 3, 6, 7	L		EG2	DGZ		BOLT, Pan Head, M6.0X1.00X14.00
20	68011285AA	1	2, 3, 6, 7	L		EG2	DGZ		CONNECTOR
21									TERMINAL
	68011877AA	AR	2, 3, 6, 7	L		EG2	DGZ		
	68011878AA	AR	2, 3, 6, 7	L		EG2, EXM	DGZ		[B28/9 B28/10]
-22	68011050AA	AR	2, 3, 6, 7	L		EG2	DGZ		GASKET, [B28/9 - B28/10]
23	05143912AA	1	2, 3, 6, 7	L		EG2, EXM	DGZ		CONNECTOR, [6 Pin M16/6]
24	05138911AA	AR	2, 3, 6, 7	L		EG2	DGZ		TERMINAL, [0.5 - 0.75 MM2; M16/6]
-25	05120859AA	99	2, 3, 6, 7	L		EG2	DGZ		GASKET, [0.9 - 1.3 MMS; M16/6]

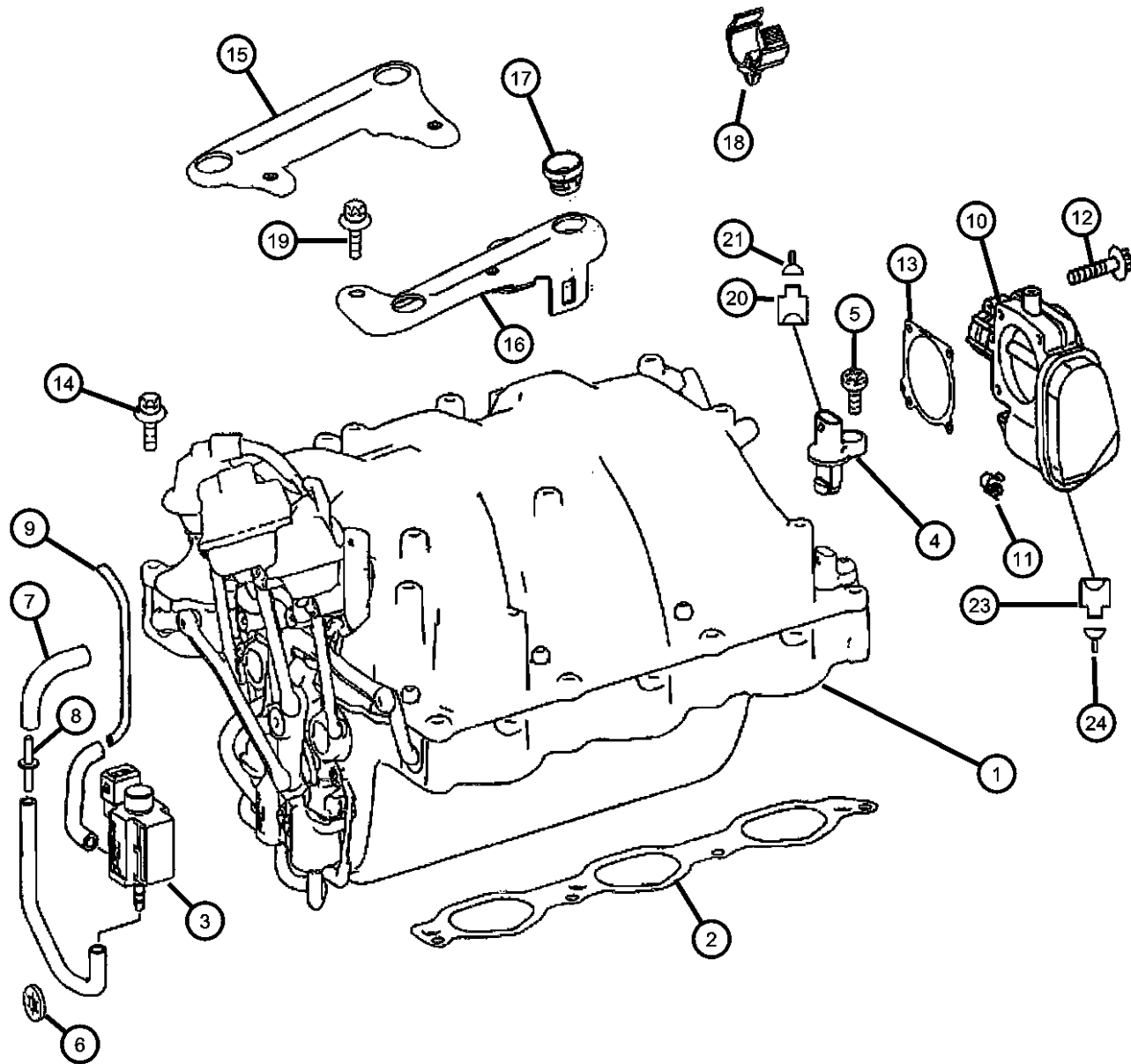
**SPRINTER (VB)**

SERIES	LINE	BODY	ENGINE	TRANSMISSION
L = LOWLINE	3 = HD DODGE 2WD 6 = Lt. Duty DODGE 4WD 2 = Med. Duty DODGE 2WD 7 = Med. Duty DODGE 4WD	17 = VAN WHEEL BASE 7 55 = WAGON WHEEL BASE 5 15 = VAN WHEEL BASE 5 53 = 119 WB 13 = 119 WB 05 = CAB CHASSIS WHEEL BASE 5 03 = CAB CHASSIS WHEEL BASE 3	EG2 = 3.5L V6 Gas Engine EXM = 3.0L V6 Turbo Diesel Engine	DGZ = 5-Speed Auto W5A380 Transmission

AR = use ase required - = Non illustrated part

Throttle Body  
Figure 14-601

ITEM	PART NUMBER	QTY	LINE	SERIES	BODY	ENGINE	TRANS	TRIM	DESCRIPTION
-26	05135804AA	1	2, 3, 6, 7	L		EG2, EXM	DGZ		TUBE, Heat Shrink, Green / [0.7 - 2.4 MM2]
-27									TUBING, Heat Shrinkable
	05135848AA	1	2, 3, 6, 7	L		EG2, EXM	DGZ		Red / [2.0 - 4.0 MM2]
	05135849AA	1	2, 3, 6, 7	L		EG2, EXM	DGZ		Blue / [3.5 - 8.0 MM2]
	05135850AA	1	2, 3, 6, 7	L		EG2, EXM	DGZ		Yellow / [7.5 - 12. MM2]
	05135851AA	1	2, 3, 6, 7	L		EG2, EXM	DGZ		Connector / [0.5 MM2]
	05135852AA	1	2, 3, 6, 7	L		EG2, EXM	DGZ		Connector / [0.8 MM2]
	05135853AA	1	2, 3, 6, 7	L		EG2, EXM	DGZ		Connector / [1.3 MM2]
	05135854AA	1	2, 3, 6, 7	L		EG2, EXM	DGZ		Connector / [2.0 MM2]



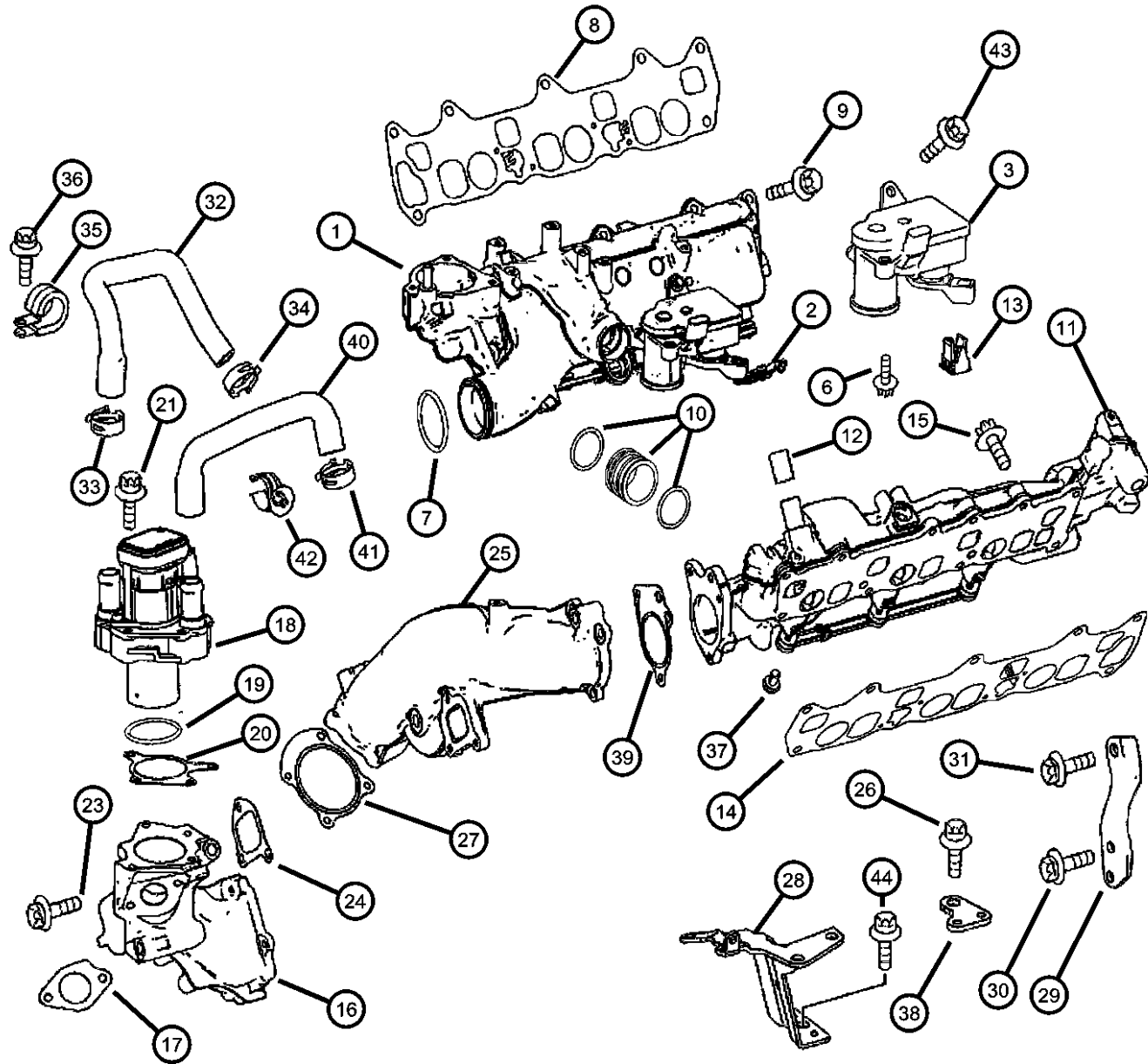
SPRINTER (VB)

SERIES	LINE	BODY	ENGINE	TRANSMISSION
L = LOWLINE	3 = HD DODGE 2WD 6 = Lt. Duty DODGE 4WD 2 = Med. Duty DODGE 2WD 7 = Med. Duty DODGE 4WD	17 = VAN WHEEL BASE 7 55 = WAGON WHEEL BASE 5 15 = VAN WHEEL BASE 5 53 = 119 WB 13 = 119 WB 05 = CAB CHASSIS WHEEL BASE 5 03 = CAB CHASSIS WHEEL BASE 3	EG2 = 3.5L V6 Gas Engine EXM = 3.0L V6 Turbo Diesel Engine	DGZ = 5-Speed Auto W5A380 Transmission

AR = use ase required - = Non illustrated part

2008 VB

**Throttle Body  
Figure 14-602**



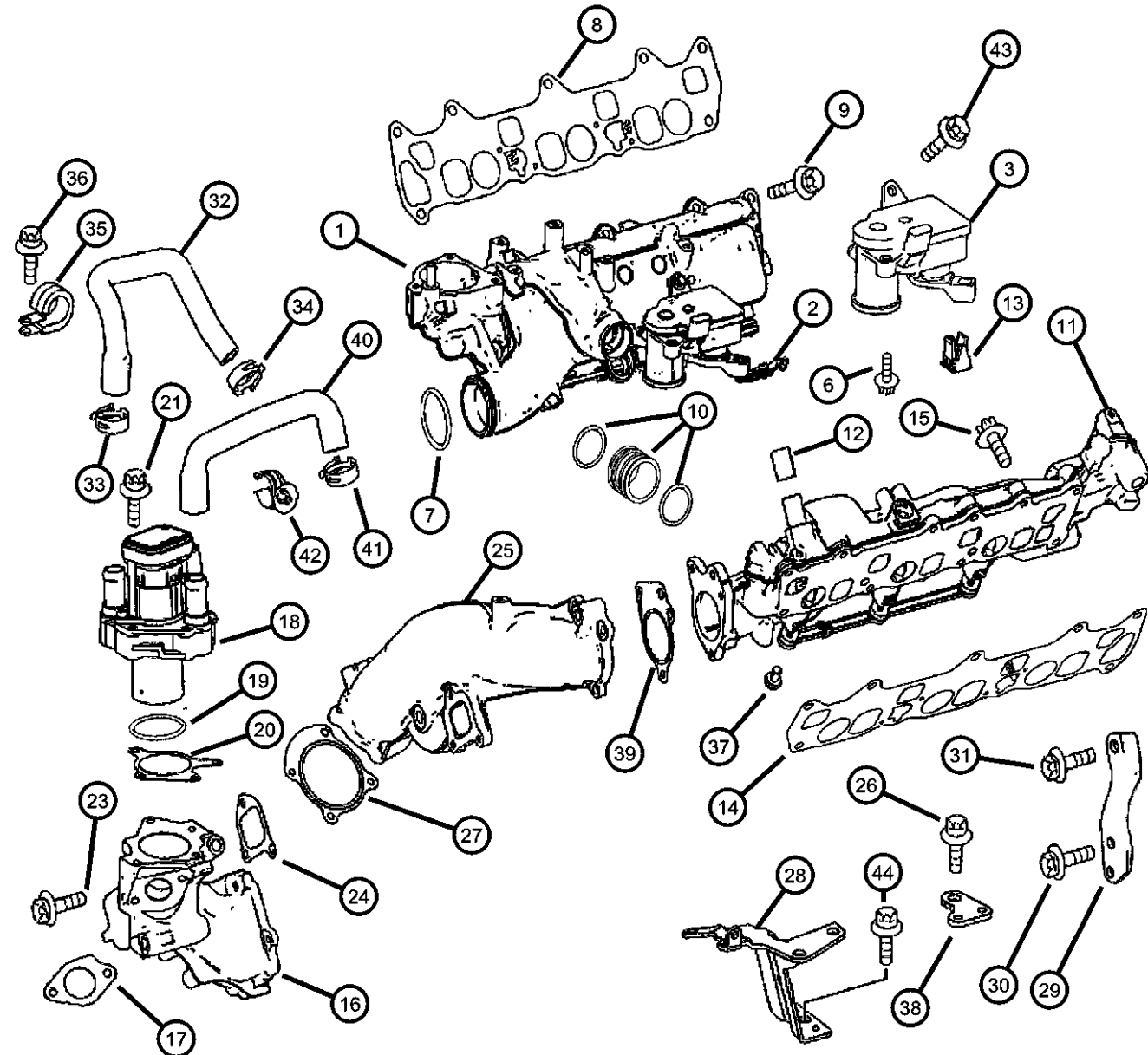
ITEM	PART NUMBER	QTY	LINE	SERIES	BODY	ENGINE	TRANS	TRIM	DESCRIPTION
NOTE: Sales Codes: [DGZ]=5 Speed Automatic Transmission [W5A380] - [Mercedes Benz] [EXM]=3.0L Turbo Diesel V-6 Engine									
1	68012303AA	1	2, 3, 6, 7	L		EXM	DGZ		MANIFOLD, IntakeRight
2	68001951AA	3	2, 3, 6, 7	L		EXM	DGZ		CLIP, Swirl Actuator
3	05175643AB	1	2, 3, 6, 7	L		EXM	DGZ		MOTOR
4	68011814AA	1	2, 3, 6, 7	L		EXM	DGZ		CONNECTOR, [4 Pin] Connector For Setting Motor
5	68011878AA	AR	2, 3, 6, 7	L		EG2, EXM	DGZ		TERMINAL, [0.22 - 0.5 MM2]
6	68012305AA	2	2, 3, 6, 7			EXM	DGZ		SCREW, [M6x12]
7	05175644AA	1	2, 3, 6, 7	L		EXM	DGZ		O RING
8	05175645AA	1	2, 3, 6, 7	L		EXM	DGZ		GASKET
9									BOLT
	05073688AB	2	2, 3, 6, 7	L		EXM	DGZ		Braket Mounting [M7x40]
	05073702AA	5	2, 3, 6, 7	L		EXM	DGZ		Charge Air Distributor Line To Head [M7x100]
	05125741AA	1	2, 3, 6, 7	L		EXM	DGZ		[M7x70]
	05175646AA	2	2, 3, 6, 7	L		EXM	DGZ		[M7x70]
10	05175668AA	1	2, 3, 6, 7	L		EXM	DGZ		SLEEVE, Insert
11	68012310AA	1	2, 3, 6, 7	L		EXM	DGZ		MANIFOLD, IntakeLeft
12	68028882AA	1	2, 3, 6, 7	L		EXM	DGZ		CONNECTOR
13	05175673AA	3	2, 3, 6, 7	L		EXM	DGZ		INSERT
14	05175645AA	1	2, 3, 6, 7	L		EXM	DGZ		GASKET
15									BOLT
	05073688AB	4	2, 3, 6, 7	L		EXM	DGZ		[M7x40]
	05073702AA	3	2, 3, 6, 7	L		EXM	DGZ		[M7x70]
	05175646AA	3	2, 3, 6, 7	L		EXM	DGZ		[M7x70]
16	68014081AA	1	2, 3, 6, 7	L		EXM	DGZ		HOUSING, Exhaust Gas Resirculation Valve
17	05175695AA	1	2, 3, 6, 7	L		EXM	DGZ		GASKET
18	68014083AA	1	2, 3, 6, 7	L		EXM	DGZ		VALVE, EGR
19	68001387AA	1	2, 3, 6, 7	L		EXM	DGZ		GASKET, EGR Valve, Exhaust Gas Recirculation Valve O-Ring
20	68014085AA	1	2, 3, 6, 7	L		EXM	DGZ		GASKET, Valve To Housing

**SPRINTER (VB)**

SERIES	LINE	BODY	ENGINE	TRANSMISSION
L = LOWLINE	3 = HD DODGE 2WD 6 = Lt. Duty DODGE 4WD 2 = Med. Duty DODGE 2WD 7 = Med. Duty DODGE 4WD	17 = VAN WHEEL BASE 7 55 = WAGON WHEEL BASE 5 15 = VAN WHEEL BASE 5 53 = 119 WB 13 = 119 WB 05 = CAB CHASSIS WHEEL BASE 5 03 = CAB CHASSIS WHEEL BASE 3	EG2 = 3.5L V6 Gas Engine EXM = 3.0L V6 Turbo Diesel Engine	DGZ = 5-Speed Auto W5A380 Transmission

AR = use ase required - = Non illustrated part

Throttle Body  
Figure 14-602



ITEM	PART NUMBER	QTY	LINE	SERIES	BODY	ENGINE	TRANS	TRIM	DESCRIPTION
21	06104683AA	2	2, 3, 6, 7	L		EXM	DGZ		BOLT, 6 Lobe External Head, M6x1.0x23.0, Valve To Distribution Line
-22	06104010AA	4	2, 3, 6, 7	L		EXM	DGZ		BOLT, M6X1.0X40, Valve To Housing
23	06104008AA	3	2, 3, 6, 7	L		EXM	DGZ		SCREW, Valve Body To Charge Air Cross Pipe [M6x30]
24	68014086AA	1	2, 3, 6, 7	L		EXM	DGZ		GASKET
25	68012320AA	1	2, 3, 6, 7	L		EXM	DGZ		MANIFOLD, Intake
26	06104032AA	1	2, 3, 6, 7	L		EXM	DGZ		SCREW, [M8x65]
27	68012326AA	1	2, 3, 6, 7	L		EXM	DGZ		GASKET
28	68012327AA	1	2, 3, 6, 7	L		EXM	DGZ		BRACKET
29	68014087AA	1	2, 3, 6, 7	L		EXM	DGZ		BRACKET
30	06104006AA	1	2, 3, 6, 7	L		EXM	DGZ		BOLT, Torx Socket Head, M6X1.00X20.00
31	06104028AA	1	2, 3, 6, 7	L		EXM	DGZ		SCREW, [M8x45]
32	68014088AA	1	2, 3, 6, 7	L		EXM	DGZ		HOSE
33	06104804AA	1	2, 3, 6, 7	L		EXM	DGZ		CLAMP
34	68004905AA	1	2, 3, 6, 7	L		EG2, EXM	DGZ		CLAMP
35	05132913AA	1	2, 3, 6, 7	L		EXM	DGZ		CLAMP
36	06104005AA	1	2, 3, 6, 7	L		EXM	DGZ		BOLT, 6 Lobe External Head, M6X1.00X16.00
37	68001951AA	3	2, 3, 6, 7	L		EXM	DGZ		CLIP, Swirl Actuator
38	68012324AA	1	2, 3, 6, 7	L		EXM	DGZ		BRACKET, Air Duct
39	68012321AA	1	2, 3, 6, 7	L		EXM	DGZ		GASKET
40	68014091AA	1	2, 3, 6, 7	L		EXM	DGZ		HOSE, HOSE
41	68004905AA	1	2, 3, 6, 7	L		EG2, EXM	DGZ		CLAMP
42	68014090AA	1	2, 3, 6, 7	L		EXM	DGZ		CLIP, CLIP
43	06104683AA	2	2, 3, 6, 7	L		EXM	DGZ		BOLT, 6 Lobe External Head, M6x1.0x23.0
44	06104004AA	1	2, 3, 6, 7	L	13, 15, 17, 53, 55	EXM	DGZ		BOLT, [M6x12]

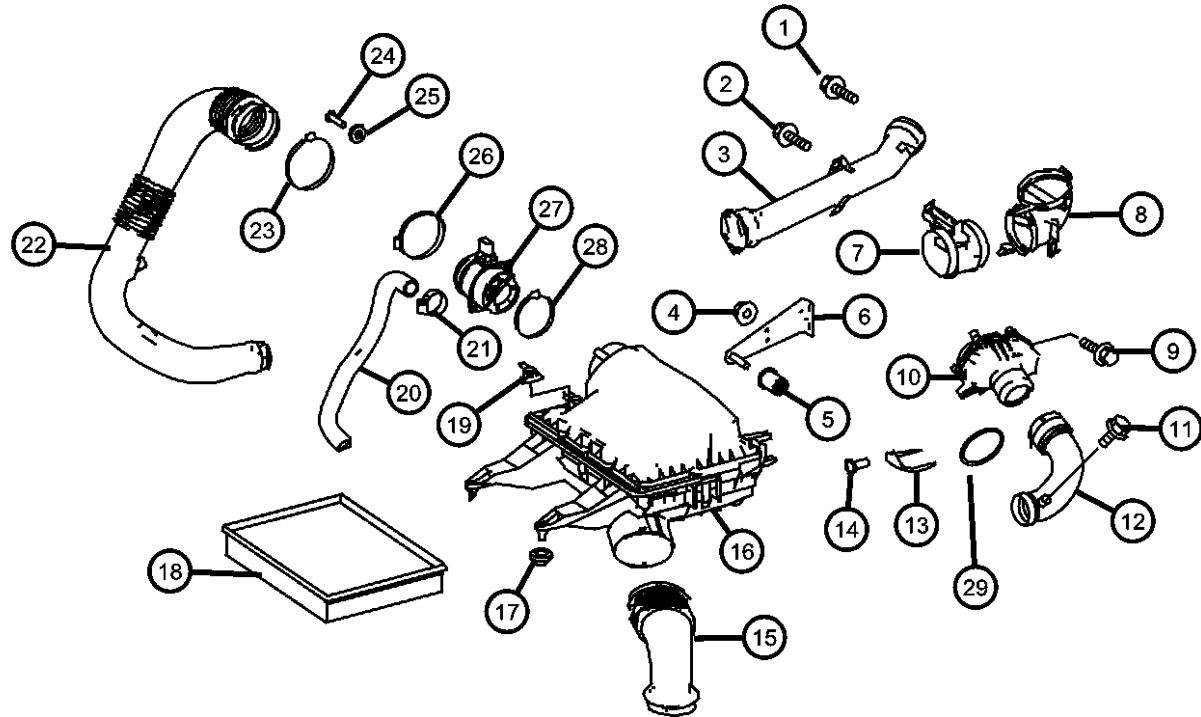
**SPRINTER (VB)**

SERIES	LINE	BODY	ENGINE	TRANSMISSION
L = LOWLINE	3 = HD DODGE 2WD 6 = Lt. Duty DODGE 4WD 2 = Med. Duty DODGE 2WD 7 = Med. Duty DODGE 4WD	17 = VAN WHEEL BASE 7 55 = WAGON WHEEL BASE 5 15 = VAN WHEEL BASE 5 53 = 119 WB 13 = 119 WB 05 = CAB CHASSIS WHEEL BASE 5 03 = CAB CHASSIS WHEEL BASE 3	EG2 = 3.5L V6 Gas Engine EXM = 3.0L V6 Turbo Diesel Engine	DGZ = 5-Speed Auto W5A380 Transmission

AR = use ase required - = Non illustrated part



**Air Cleaner and Related  
Figure 14-805**



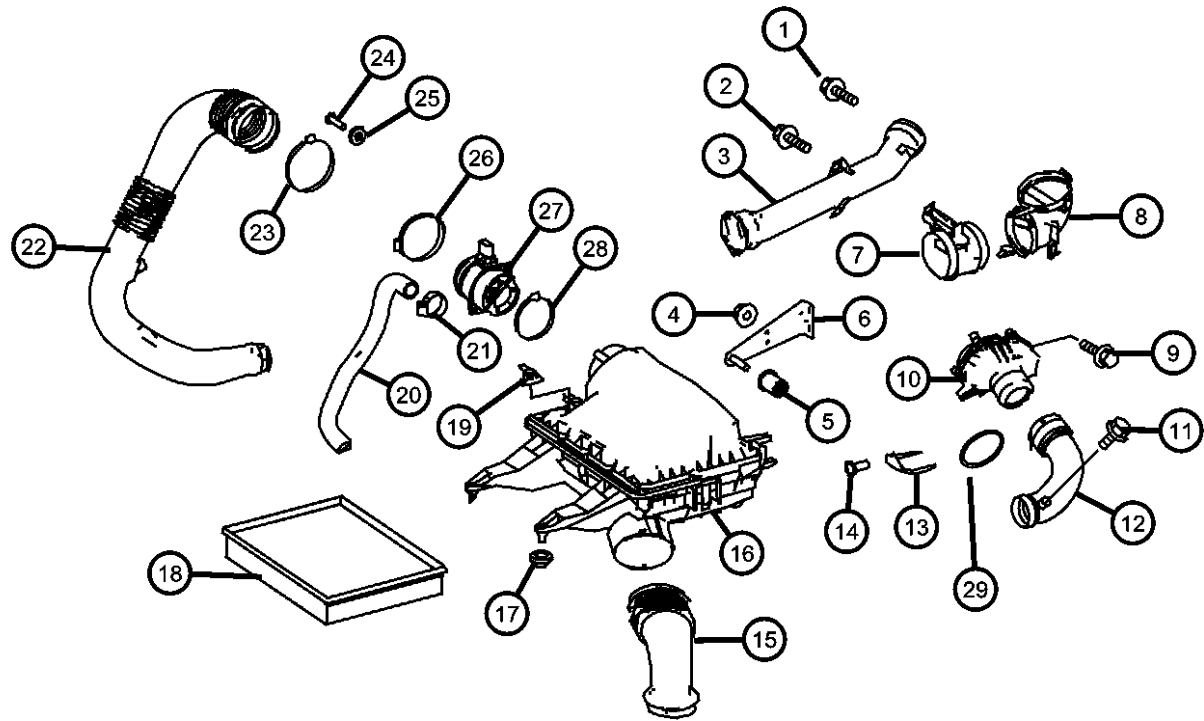
ITEM	PART NUMBER	QTY	LINE	SERIES	BODY	ENGINE	TRANS	TRIM	DESCRIPTION
1	06104005AA	3	2, 3, 6, 7	L		EG2	DGZ		BOLT, 6 Lobe External Head, M6X1.00X16.00
		3	2, 3, 6, 7	L		EXM	DGZ		
2	06104121AA	2	3, 7	L	03, 05	EG2, EXM	DGZ		SCREW, Hex Flange Head M6x10
		2	2, 3, 6, 7	L	13, 15, 17, 53, 55	EG2, EXM	DGZ		M6x10
3	68012331AA	1	2, 3, 6, 7	L		EXM	DGZ		HOSE, Air Cleaner
4	68004878AA	4	3, 7	L	03, 05	EG2, EXM	DGZ		NUT Bracket to Firewall M6
		4	2, 3, 6, 7	L	13, 15, 17, 53, 55	EG2, EXM	DGZ		Bracket to Firewall M6
5	68013677AA	2	2, 3, 6, 7	L		EG2, EXM	DGZ		GROMMET
6	68013680AA	2	2, 3, 6, 7	L		EG2, EXM	DGZ		BRACKET, Air Cleaner
7	68011734AA	1	2, 3, 6, 7	L		EG2	DGZ		SENSOR, Mass Airflow
8	68011736AA	1	2, 3, 6, 7	L		EG2	DGZ		HOUSING, Air Duct
9	06104005AA	3	2, 3, 6, 7	L		EG2	DGZ		BOLT, 6 Lobe External Head, M6X1.00X16.00
		3	2, 3, 6, 7	L		EXM	DGZ		
10	68012338AA	1	2, 3, 6, 7	L		EXM	DGZ		RESONATOR, Turbo
11	06104005AA	3	2, 3, 6, 7	L		EG2	DGZ		BOLT, 6 Lobe External Head, M6X1.00X16.00
		3	2, 3, 6, 7	L		EXM	DGZ		
12	68012330AA	1	2, 3, 6, 7	L		EXM	DGZ		HOSE, Charge Air
13	68012339AA	1	2, 3, 6, 7	L		EXM	DGZ		BRACKET, Muffler to Charge Air Manifold
14	06104633AA	1	3, 7	L	03, 05	EXM	DGZ		SCREW Noise Silencer to Bracket 5x12
		1	2, 3, 6, 7	L	13, 15, 17, 53, 55	EXM	DGZ		Noise Silencer to Bracket 5x12
15	68013681AA	1	2, 3, 6, 7	L		EG2, EXM	DGZ		HOSE, Air Cleaner
16	68013675AA	1	2, 3, 6, 7	L		EG2	DGZ		AIR CLEANER

**SPRINTER (VB)**

SERIES	LINE	BODY	ENGINE	TRANSMISSION
L = LOWLINE	3 = HD DODGE 2WD 6 = Lt. Duty DODGE 4WD 2 = Med. Duty DODGE 2WD 7 = Med. Duty DODGE 4WD	17 = VAN WHEEL BASE 7 55 = WAGON WHEEL BASE 5 15 = VAN WHEEL BASE 5 53 = 119 WB 13 = 119 WB 05 = CAB CHASSIS WHEEL BASE 5 03 = CAB CHASSIS WHEEL BASE 3	EG2 = 3.5L V6 Gas Engine EXM = 3.0L V6 Turbo Diesel Engine	DGZ = 5-Speed Auto W5A380 Transmission

AR = use ase required - = Non illustrated part

**Air Cleaner and Related  
Figure 14-805**



ITEM	PART NUMBER	QTY	LINE	SERIES	BODY	ENGINE	TRANS	TRIM	DESCRIPTION
	68017656AA	1	2, 3, 6, 7	L		EXM	DGZ		
17	05099283AA	2	2, 3, 6, 7	L		EG2, EXM	DGZ		GROMMET, Air Cleaner to Frame
18	68013676AA	1	2, 3, 6, 7	L		EG2, EXM	DGZ		FILTER, Air
19									SENSOR, Air Pressure
	05101120AB	1	2, 3, 6, 7	L		EG2	DGZ		
		1	2, 3, 6, 7	L		EXM	DGZ		
20	68013679AA	1	2, 3, 6, 7	L		EG2	DGZ		HOSE, Secondary Air Pump to Air Filter
21	06104783AA	1	2, 3, 6, 7	L		EG2	DGZ		CLAMP, Hose
22									HOSE, Air Cleaner
	68013682AA	1	2, 3, 6, 7	L		EXM	DGZ		
	68013683AA	1	2, 3, 6, 7	L		EG2	DGZ		
23	06104790AA	1	2, 3, 6, 7	L		EG2	DGZ		CLAMP, Clean Air Line to Mass Air Flow Sensor 80-100MM
24									SCREW, Tapping Round Head, M5.0X2.24X20.00
	06104635AA	2	3, 7	L	03, 05	EG2, EXM	DGZ		Mass Air Flow Sensor to Filter 5x20
		2	2, 3, 6, 7	L	13, 15, 17, 53, 55	EG2, EXM	DGZ		Mass Air Flow Sensor to Filter 5x20
25	68013678AA	2	2, 3, 6, 7	L		EG2	DGZ		WASHER
26	68013678AA	2							CLAMP, (NOT SERVICED)
27	68017661AA	1	2, 3, 6, 7	L		EXM	DGZ		SENSOR, Mass Airflow
28	06104788AA	1	2, 3, 6, 7	L		EXM	DGZ		CLAMP, Hose, Clean Air Duct 60-80MM
29	68020380AA	1	2, 3, 6, 7	L		EXM	DGZ		GASKET, Air Inlet

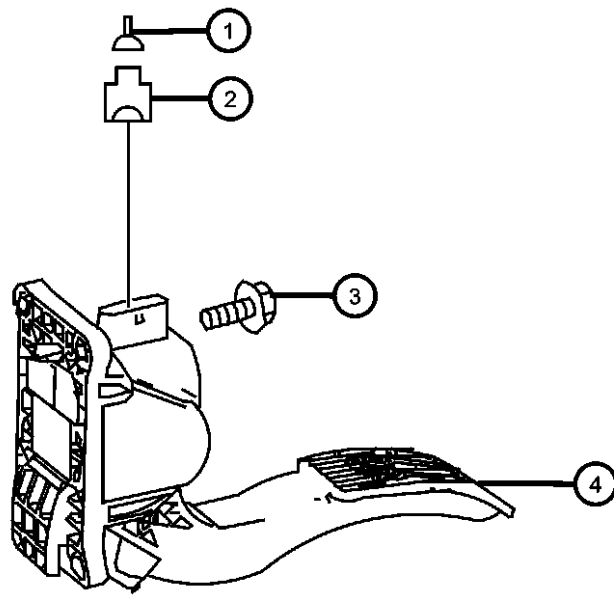
**SPRINTER (VB)**

<b>SERIES</b>	<b>LINE</b>	<b>BODY</b>	<b>ENGINE</b>	<b>TRANSMISSION</b>
L = LOWLINE	3 = HD DODGE 2WD 6 = Lt. Duty DODGE 4WD 2 = Med. Duty DODGE 2WD 7 = Med. Duty DODGE 4WD	17 = VAN WHEEL BASE 7 55 = WAGON WHEEL BASE 5 15 = VAN WHEEL BASE 5 53 = 119 WB 13 = 119 WB 05 = CAB CHASSIS WHEEL BASE 5 03 = CAB CHASSIS WHEEL BASE 3	EG2 = 3.5L V6 Gas Engine EXM = 3.0L V6 Turbo Diesel Engine	DGZ = 5-Speed Auto W5A380 Transmission

AR = use ase required - = Non illustrated part

**Accelerator Pedal and Related  
Figure 14-1005**

ITEM	PART NUMBER	QTY	LINE	SERIES	BODY	ENGINE	TRANS	TRIM	DESCRIPTION
1	68011050AA	AR	2, 3, 6, 7	L		EG2	DGZ		GASKET, Yellow B37/3
2	68011246AA	1	2, 3, 6, 7	L		EG2, EXM	DGZ		CONNECTOR, Accelerator Module [6-Pol;B37/3]
3	06104006AA	3	2, 3, 6, 7	L		EXM	DGZ		BOLT, Torx Socket Head, M6X1.00X20.00
4	68013463AA	1	2, 3, 6, 7	L		EG2, EXM	DGZ		PEDAL, Accelerator



**SPRINTER (VB)**

SERIES	LINE	BODY	ENGINE	TRANSMISSION
L = LOWLINE	3 = HD DODGE 2WD 6 = Lt. Duty DODGE 4WD 2 = Med. Duty DODGE 2WD 7 = Med. Duty DODGE 4WD	17 = VAN WHEEL BASE 7 55 = WAGON WHEEL BASE 5 15 = VAN WHEEL BASE 5 53 = 119 WB 13 = 119 WB 05 = CAB CHASSIS WHEEL BASE 5 03 = CAB CHASSIS WHEEL BASE 3	EG2 = 3.5L V6 Gas Engine EXM = 3.0L V6 Turbo Diesel Engine	DGZ = 5-Speed Auto W5A380 Transmission

AR = use ase required - = Non illustrated part

2008 VB

# Group - 17

## Rear Suspension

### Group - 17 Rear Suspension

Illustration Title

Group-Fig. No.

#### Rear Suspension and Cradle

Suspension,Rear,FWD/RWD/AWD .....Fig. 17 - 105

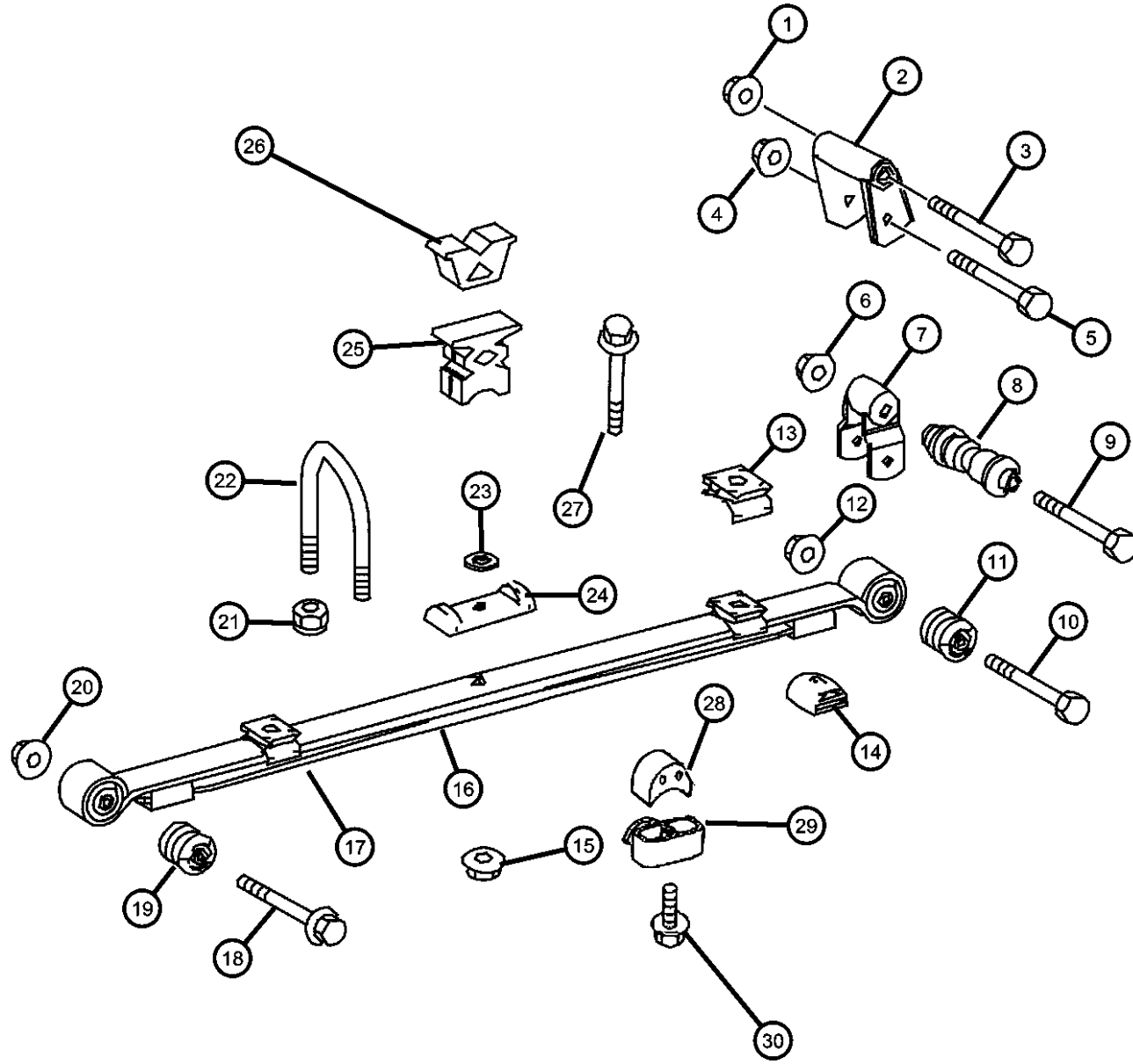
#### Rear Stabilizer Bar

Stabilizer Bar,Rear,FWD/RWD,AWD .....Fig. 17 - 205

Stabilizer Bar,Rear,FWD/RWD,AWD .....Fig. 17 - 206

<b>017-100</b> Rear Suspension and Cradle	<b>017-200</b> Rear Stabilizer Bar		
--	---------------------------------------	--	--

**Suspension,Rear,FWD/RWD/AWD  
Figure 17-105**



ITEM	PART NUMBER	QTY	LINE	SERIES	BODY	ENGINE	TRANS	TRIM	DESCRIPTION
------	-------------	-----	------	--------	------	--------	-------	------	-------------

Note:Rear Leaf Spring Bushing Only Serviced For [3500] Series Sprinter. For [2500] Must Order Rear Leaf Spring

1									NUT
	06105171AA	2	3, 7	L	03, 05	EG2, EXM	DGZ		M12x1.5
		2	2, 3, 6, 7	L	13, 15, 17, 53, 55	EG2, EXM	DGZ		M12x1.5
2	68013793AA	2	2, 3, 6, 7	L		EG2, EXM	DGZ		SHACKLE, Spring
3									BOLT
	05118734AA	2	3, 7	L	03, 05	EG2, EXM	DGZ		
		2	2, 6	L	13, 15, 17, 53, 55	EG2	DGZ		
4									NUT
	06105171AA	2	3, 7	L	03, 05	EG2, EXM	DGZ		M12x1.5
		2	2, 3, 6, 7	L	13, 15, 17, 53, 55	EG2, EXM	DGZ		M12x1.5
5									BOLT
	05125718AA	2	3, 7	L	03, 05	EG2, EXM	DGZ		Spring Shackle
		2	2, 6	L	13, 15, 17, 53, 55	EG2	DGZ		Spring Shackle
6									NUT
	06105170AA	2	3, 7	L	03, 05	EG2, EXM	DGZ		M12x1.5
		2	3, 7	L	13, 15, 17, 53, 55	EXM	DGZ		M12x1.5
7									SHACKLE, Spring
	05118655AA	2	3, 7	L	03, 05	EG2, EXM	DGZ		
		2	3, 7	L	13, 15, 17, 53, 55	EXM	DGZ		
8									BUSHING, Spring
	05118729AA	2	3, 7	L	03, 05	EG2, EXM	DGZ		
		2	3, 7	L	13, 15, 17, 53, 55	EXM	DGZ		
9	06104285AA	2	3, 7	L		EG2, EXM	DGZ		BOLT
10									BOLT
	05125718AA	2	3, 7	L	03, 05	EG2, EXM	DGZ		
		2	2, 6	L	13, 15, 17, 53, 55	EG2	DGZ		
11									BUSHING, Spring

**SPRINTER (VB)**

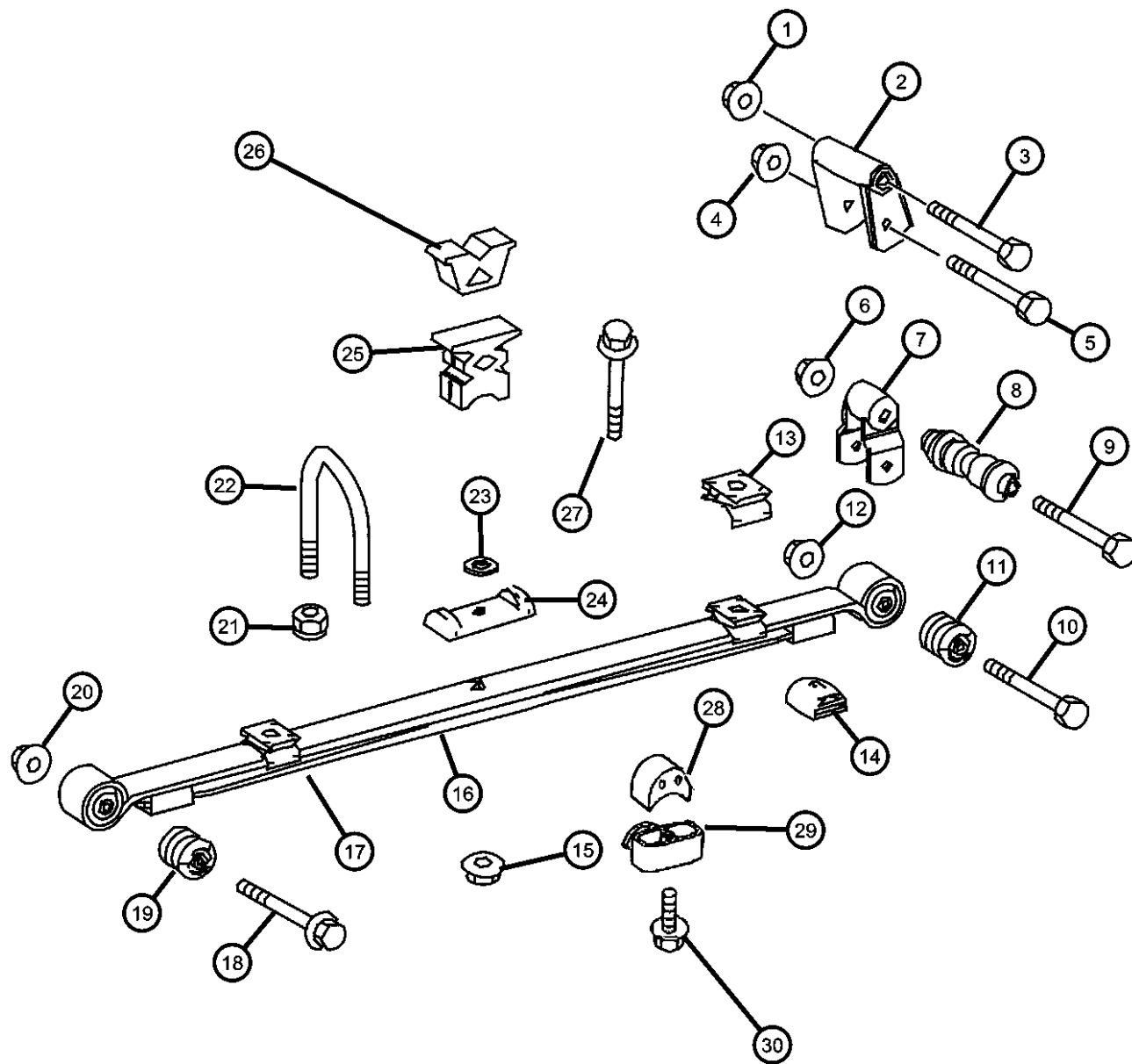
SERIES	LINE	BODY	ENGINE	TRANSMISSION
L = LOWLINE	3 = HD DODGE 2WD 6 = Lt. Duty DODGE 4WD 2 = Med. Duty DODGE 2WD 7 = Med. Duty DODGE 4WD	17 = VAN WHEEL BASE 7 55 = WAGON WHEEL BASE 5 15 = VAN WHEEL BASE 5 53 = 119 WB 13 = 119 WB 05 = CAB CHASSIS WHEEL BASE 5 03 = CAB CHASSIS WHEEL BASE 3	EG2 = 3.5L V6 Gas Engine EXM = 3.0L V6 Turbo Diesel Engine	DGZ = 5-Speed Auto W5A380 Transmission

AR = use ase required - = Non illustrated part

2008 VB

**Suspension,Rear,FWD/RWD/AWD  
Figure 17-105**

ITEM	PART NUMBER	QTY	LINE	SERIES	BODY	ENGINE	TRANS	TRIM	DESCRIPTION
	05118703AA	2	3, 7	L	03, 05	EG2, EXM	DGZ		Only For [3500] Series / See Note
		2	3, 7	L	13, 15, 17, 53, 55	EXM	DGZ		Only For [3500] Series / See Note
12	06105171AA	2	3, 7	L	03, 05	EG2, EXM	DGZ		NUT M12x1.5
		2	2, 3, 6, 7	L	13, 15, 17, 53, 55	EG2, EXM	DGZ		M12x1.5
13	68017217AA	4	3, 7	L	03, 05	EG2, EXM	DGZ		RETAINER, Spring With [3AT + XCB]
		4	2, 6	L	13, 15, 17, 53, 55	EG2, EXM	DGZ		With [XCB]
14	68013791AA	4	3, 7	L	03, 05, 13, 15, 17	EG2, EXM	DGZ		BUMPER, Jounce
15	06105170AA	2	3, 7	L	03, 05	EG2, EXM	DGZ		NUT M10
		2	2, 3, 6, 7	L	13, 15, 17, 53, 55	EG2, EXM	DGZ		M10
16	68020668AA	2	3, 7	L	03, 05	EG2, EXM	DGZ		SPRING, Rear With [XZB]
	68013784AA	2	2, 6	L	13, 15, 17, 53, 55	EG2, EXM	DGZ		One Leaf
	68013785AA	2	3, 7	L	03, 05	EG2, EXM	DGZ		With [Z2C]
		2	3, 7	L	13, 15, 17	EXM	DGZ		With [Z2C And / Or Z2B]
	68013786AA	2	3, 7	L	03, 05, 13, 15, 17	EG2, EXM	DGZ		With [SNB]
	68013788AA	2	3, 7	L	03, 05, 13, 15, 17	EG2, EXM	DGZ		With [Z2D]
17	68013781AA	2	2, 6	L	13, 15, 17	EG2, EXM	DGZ		SPRING, Rear Leaf With [3AT + XCB]
	68017214AA	2	2, 6	L	13, 15, 17	EG2, EXM	DGZ		
18	06104247AA	2	2, 6	L		EG2, EXM	DGZ		BOLT
19	05118729AA	2	3, 7	L	03, 05	EG2, EXM	DGZ		BUSHING, Spring Front
		2	3, 7	L	13, 15, 17, 53, 55	EXM	DGZ		Front
	68013792AA	4	2, 3, 6, 7	L		EG2, EXM	DGZ		Front

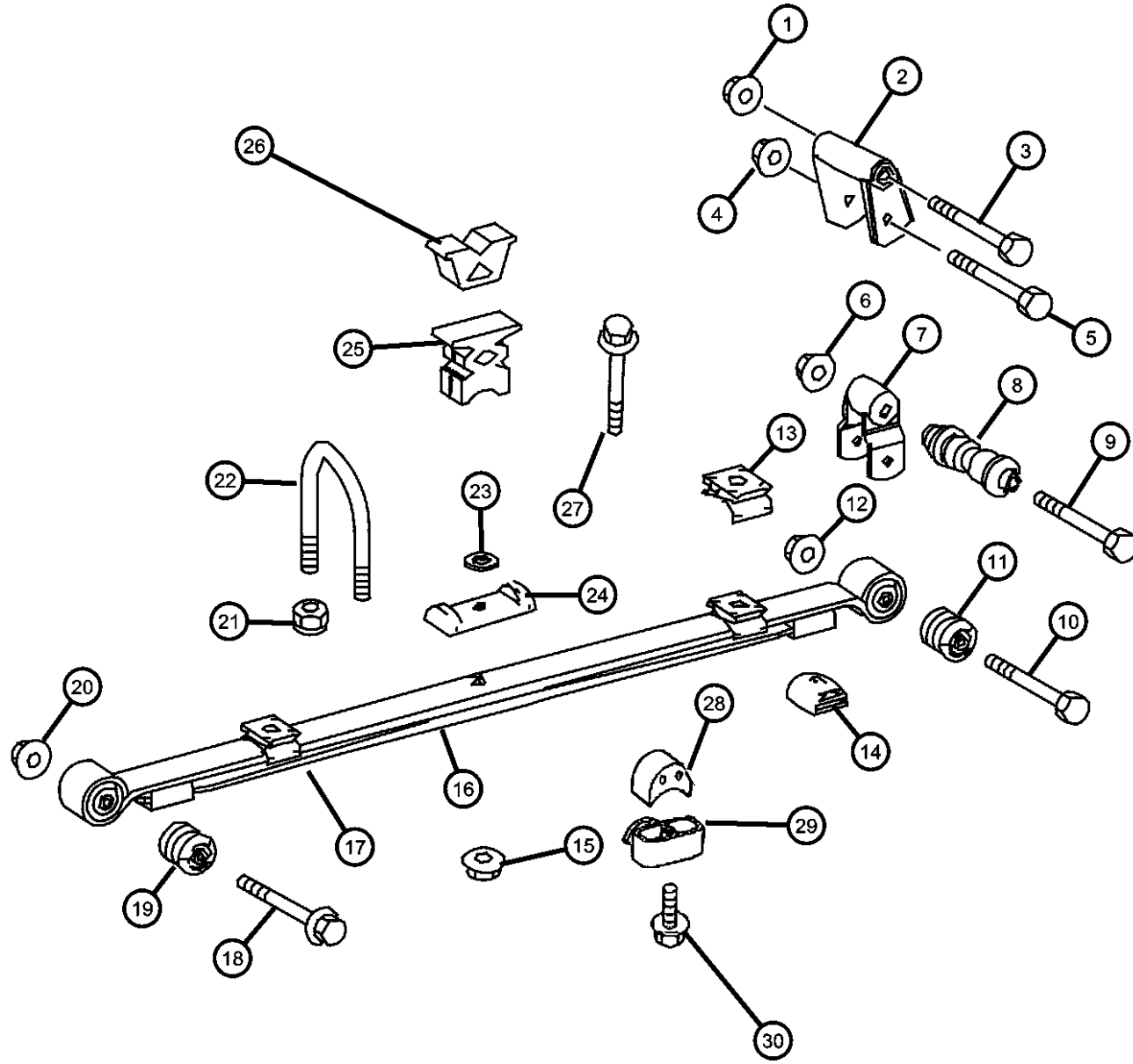


**SPRINTER (VB)**

SERIES	LINE	BODY	ENGINE	TRANSMISSION
L = LOWLINE	3 = HD DODGE 2WD 6 = Lt. Duty DODGE 4WD 2 = Med. Duty DODGE 2WD 7 = Med. Duty DODGE 4WD	17 = VAN WHEEL BASE 7 55 = WAGON WHEEL BASE 5 15 = VAN WHEEL BASE 5 53 = 119 WB 13 = 119 WB 05 = CAB CHASSIS WHEEL BASE 5 03 = CAB CHASSIS WHEEL BASE 3	EG2 = 3.5L V6 Gas Engine EXM = 3.0L V6 Turbo Diesel Engine	DGZ = 5-Speed Auto W5A380 Transmission

AR = use ase required - = Non illustrated part

**Suspension,Rear,FWD/RWD/AWD  
Figure 17-105**



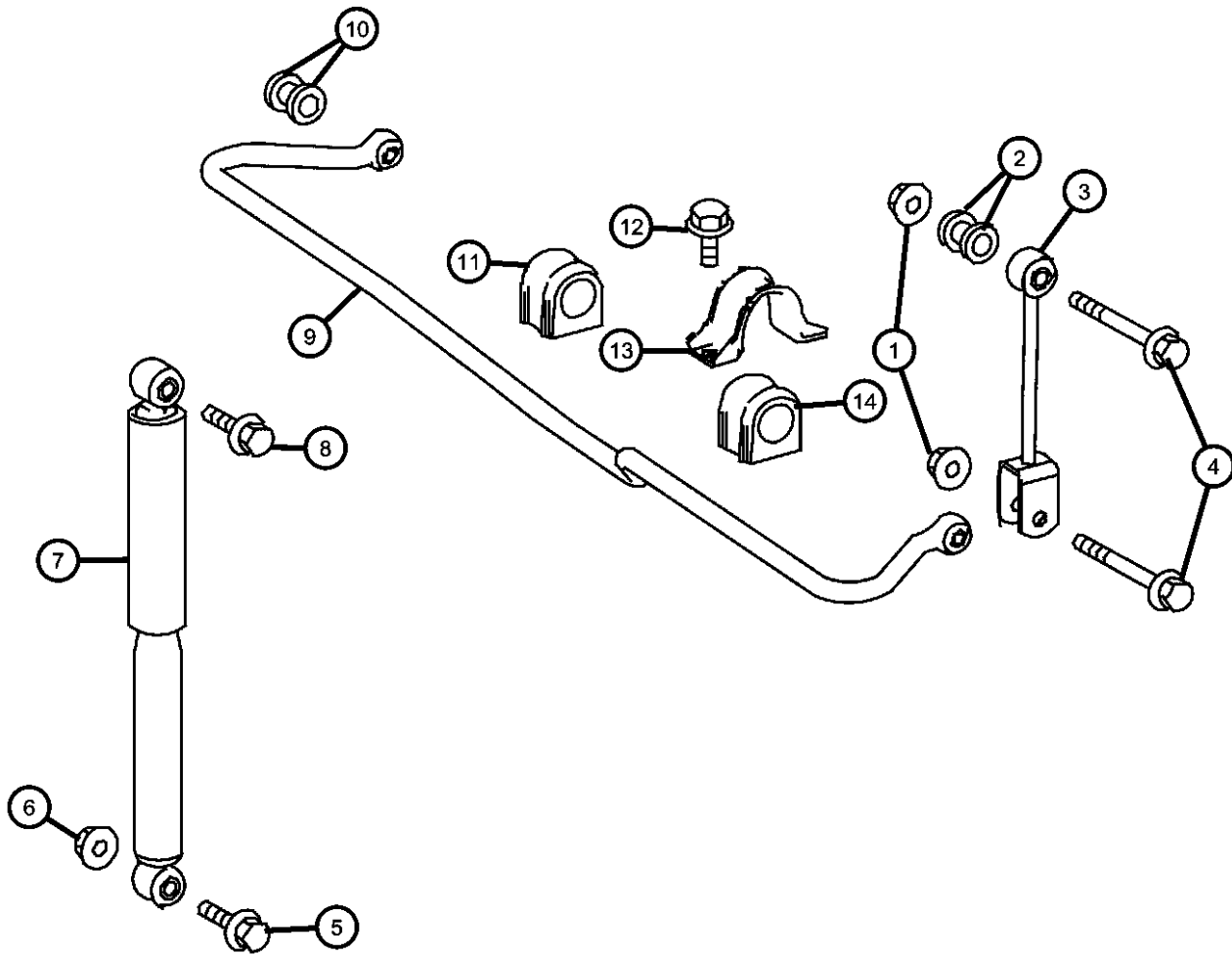
ITEM	PART NUMBER	QTY	LINE	SERIES	BODY	ENGINE	TRANS	TRIM	DESCRIPTION
20	06105171AA	2	3, 7	L	03, 05	EG2, EXM	DGZ		NUT M12x1.5
		2	2, 3, 6, 7	L	13, 15, 17, 53, 55	EG2, EXM	DGZ		M12x1.5
	06105173AA	2	3, 7	L		EG2, EXM	DGZ		
21	05103727AA	8	3, 7	L	03, 05	EG2, EXM	DGZ		NUT U-Bolt
		8	2, 3, 6, 7	L	13, 15, 17, 53, 55	EG2, EXM	DGZ		U-Bolt
22	05118765AA	4	3, 7	L	03, 05	EG2, EXM	DGZ		U-BOLT, With [Z2D+XZB]
23	05118765AA	4							WASHER, (NOT SERVICED)
24									PLATE, Rear Spring U-Bolt
	68013794AA	2	2, 6	L		EG2, EXM	DGZ		
	68013795AA	2	3, 7	L		EG2, EXM	DGZ		
25									BUMPER, Jounce
	05118759AA	2	3, 7	L		EG2, EXM	DGZ		Spring Stop
	05128586AA	2	2, 6	L		EG2, EXM	DGZ		Spring Stop
26	68023905AA	1	2, 3, 6, 7	L		EG2, EXM	DGZ		BUMPER, Spring, Rear
27									BOLT, Spring
	68013789AA	2	3, 7	L	03, 05	EG2, EXM	DGZ		
		2	3, 7	L	13, 15, 17, 53, 55	EXM	DGZ		
	68017219AA	2	3, 7	L	03, 05	EG2, EXM	DGZ		With [XZB]
28	68017223AA	2	3	L	05	EG2, EXM	DGZ		BUMPER, Jounce, With [2MR]
29	68017225AA	2	3	L	05	EG2, EXM	DGZ		BUMPER, Jounce, With [2MR]
30	68017226AA	4	3	L	05	EG2, EXM	DGZ		SCREW

**SPRINTER (VB)**

<b>SERIES</b>	<b>LINE</b>	<b>BODY</b>	<b>ENGINE</b>	<b>TRANSMISSION</b>
L = LOWLINE	3 = HD DODGE 2WD 6 = Lt. Duty DODGE 4WD 2 = Med. Duty DODGE 2WD 7 = Med. Duty DODGE 4WD	17 = VAN WHEEL BASE 7 55 = WAGON WHEEL BASE 5 15 = VAN WHEEL BASE 5 53 = 119 WB 13 = 119 WB 05 = CAB CHASSIS WHEEL BASE 5 03 = CAB CHASSIS WHEEL BASE 3	EG2 = 3.5L V6 Gas Engine EXM = 3.0L V6 Turbo Diesel Engine	DGZ = 5-Speed Auto W5A380 Transmission

AR = use ase required - = Non illustrated part

**Stabilizer Bar,Rear,FWD/RWD,AWD**  
**Figure 17-205**



ITEM	PART NUMBER	QTY	LINE	SERIES	BODY	ENGINE	TRANS	TRIM	DESCRIPTION
1	06105171AA	2	2, 6	L	13, 15, 17, 53, 55	EG2	DGZ		NUT
2	05103955AB	2	2, 3, 6, 7	L		EG2, EXM	DGZ		BUSHING, Stabilizer Bar
3	68013817AA	2	2, 6	L	13, 15, 17, 53, 55	EG2, EXM	DGZ		LINK, Stabilizer Bar
4									SCREW
	06104239AA	4	2, 6	L	13, 15, 17, 53, 55	EG2, EXM	DGZ		Torsion Bar To Link
	06104249AA	2	2, 6	L	13, 15, 17, 53, 55	EG2, EXM	DGZ		Link To Frame
5	06104241AB	2	2, 6	L	13, 15, 17, 53, 55	EG2	DGZ		BOLT AND WASHER, Hex head, M8x1.25x16.00, Shock Absorber To Rear Axle
6	06105171AA	2	2, 3, 6, 7	L	13, 15, 17, 53, 55	EG2, EXM	DGZ		NUT, M12x1.5
7	68013825AA	2	2, 6	L	13, 15, 17, 53, 55	EG2, EXM	DGZ		SHOCK ABSORBER, Suspension, Rear
8	06104267AA	2	2, 3, 6, 7	L		EG2, EXM	DGZ		SCREW
9	68013798AA	1	2, 6	L	13, 15, 17, 53, 55	EG2, EXM	DGZ		STABILIZER BAR, Rear Suspension, With [SHC]
10	05103955AB	2	2, 3, 6, 7	L		EG2, EXM	DGZ		BUSHING, Stabilizer Bar
11	68013812AA	2	2, 6	L	13, 15, 17, 53, 55	EG2, EXM	DGZ		BUSHING, Stabilizer Bar
12	68013815AA	4	2, 3, 6, 7	L		EG2, EXM	DGZ		SCREW
13	68013719AA	2	2, 3, 6, 7	L		EG2, EXM	DGZ		RETAINER, Stabilizer Bar Grommet
14	68013812AA	2	2, 6	L	13, 15, 17, 53, 55	EG2, EXM	DGZ		BUSHING, Stabilizer Bar

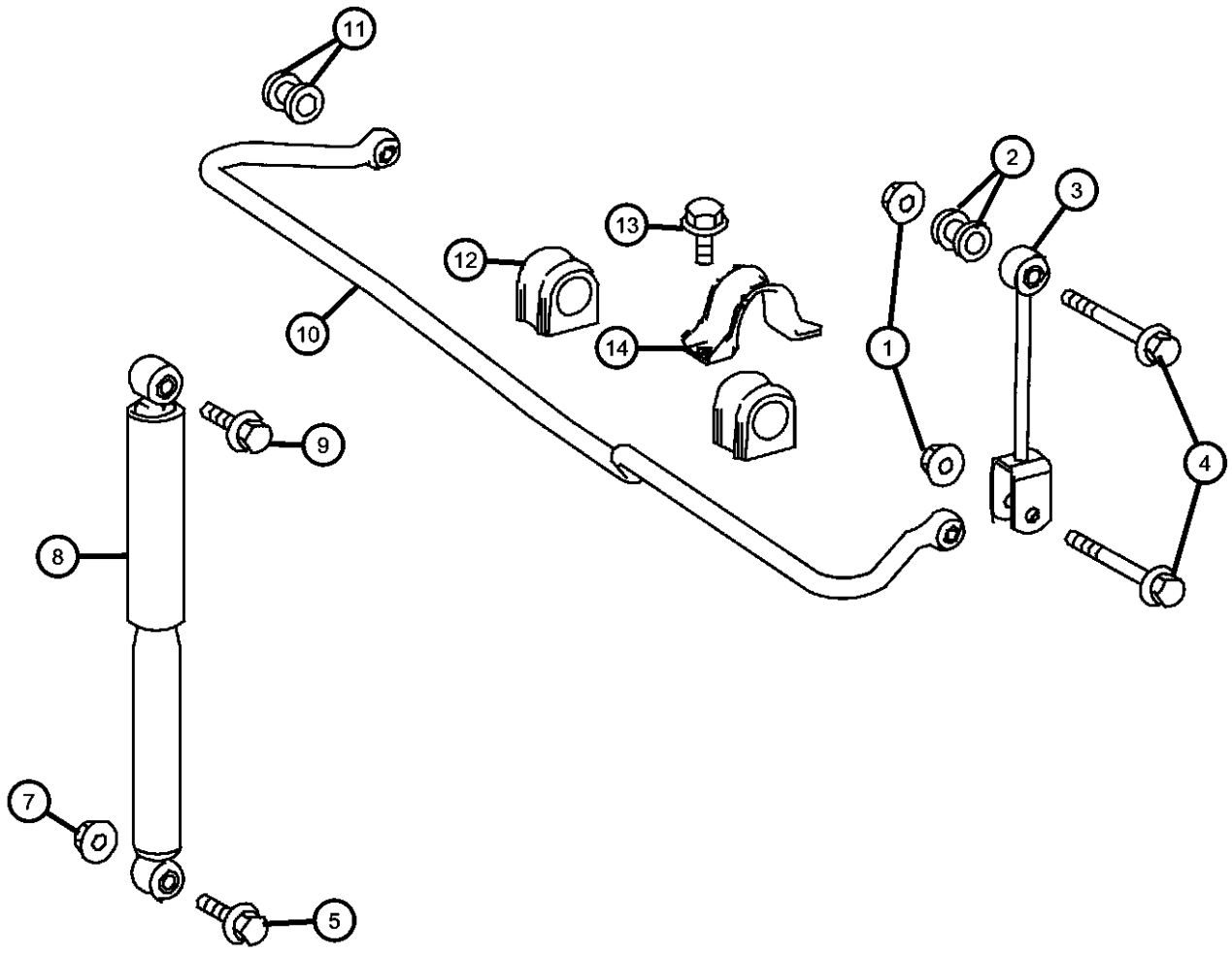
**SPRINTER (VB)**

SERIES	LINE	BODY	ENGINE	TRANSMISSION
L = LOWLINE	3 = HD DODGE 2WD 6 = Lt. Duty DODGE 4WD 2 = Med. Duty DODGE 2WD 7 = Med. Duty DODGE 4WD	17 = VAN WHEEL BASE 7 55 = WAGON WHEEL BASE 5 15 = VAN WHEEL BASE 5 53 = 119 WB 13 = 119 WB 05 = CAB CHASSIS WHEEL BASE 5 03 = CAB CHASSIS WHEEL BASE 3	EG2 = 3.5L V6 Gas Engine EXM = 3.0L V6 Turbo Diesel Engine	DGZ = 5-Speed Auto W5A380 Transmission

AR = use ase required - = Non illustrated part



**Stabilizer Bar,Rear,FWD/RWD,AWD**  
**Figure 17-206**



ITEM	PART NUMBER	QTY	LINE	SERIES	BODY	ENGINE	TRANS	TRIM	DESCRIPTION
1	06105171AA	2	3, 7	L	03, 05	EG2, EXM	DGZ		NUT
2	05103955AB	2	2, 3, 6, 7	L		EG2, EXM	DGZ		BUSHING, Stabilizer Bar
3	68013818AA	2	3, 7	L	03, 05, 13, 15, 17	EG2, EXM	DGZ		LINK, Stabilizer Bar
4									BOLT, Hex Flange Head, M14x1.50x40.00
	06104257AA	2	3, 7	L	03, 05	EG2, EXM	DGZ		
		2	2, 3, 6, 7	L	13, 15, 17, 53, 55	EG2, EXM	DGZ		
5									BOLT AND WASHER, Hex head, M8x1.25x16.00
	06104241AB	2	3, 7	L	03, 05	EG2, EXM	DGZ		
		2	3, 7	L	13, 15, 17, 53, 55	EXM	DGZ		
-6	06104263AA	2	3, 7	L		EG2, EXM	DGZ		BOLT, Hex Flange Head, M14X1.50X70.00
7	06105171AA	2	3, 7	L	03, 05	EG2, EXM	DGZ		NUT, M12x1.5
8	68013826AA	2	3, 7	L	03, 05, 13, 15, 17	EG2, EXM	DGZ		SHOCK ABSORBER, Suspension, Rear
9	68013828AA	2	3, 7	L	03, 05, 13, 15, 17	EG2, EXM	DGZ		SCREW
10									STABILIZER BAR, Rear Suspension
	68013801AA	1	3, 7	L	03, 05, 13, 15, 17	EG2, EXM	DGZ		With [SHC]
	68017230AA	1	3, 7	L	03, 05, 13, 15, 17	EG2, EXM	DGZ		With [58C]
11	68013807AA	2	3, 7	L		EG2, EXM	DGZ		BUSHING, Stabilizer Bar
12									BUSHING, Stabilizer Bar
	68013814AA	2	3, 7	L	03, 05, 13, 15, 17	EG2, EXM	DGZ		With [SHC] Sales Codes
	68017240AA	2	3, 7	L		EG2, EXM	DGZ		With [58C] Sales Codes
13									SCREW
	68013815AA	4	2, 3, 6, 7	L		EG2, EXM	DGZ		With [SHC]
	68013816AA	4	3, 7	L	03, 05, 13, 15, 17	EG2, EXM	DGZ		
14	68013811AA	2	3, 7	L	03, 05, 13, 15, 17	EG2, EXM	DGZ		RETAINER, Stabilizer Bar Grommet

**SPRINTER (VB)**

<b>SERIES</b>	<b>LINE</b>	<b>BODY</b>	<b>ENGINE</b>	<b>TRANSMISSION</b>
L = LOWLINE	3 = HD DODGE 2WD 6 = Lt. Duty DODGE 4WD 2 = Med. Duty DODGE 2WD 7 = Med. Duty DODGE 4WD	17 = VAN WHEEL BASE 7 55 = WAGON WHEEL BASE 5 15 = VAN WHEEL BASE 5 53 = 119 WB 13 = 119 WB 05 = CAB CHASSIS WHEEL BASE 5 03 = CAB CHASSIS WHEEL BASE 3	EG2 = 3.5L V6 Gas Engine EXM = 3.0L V6 Turbo Diesel Engine	DGZ = 5-Speed Auto W5A380 Transmission

AR = use ase required - = Non illustrated part

# Group - 19

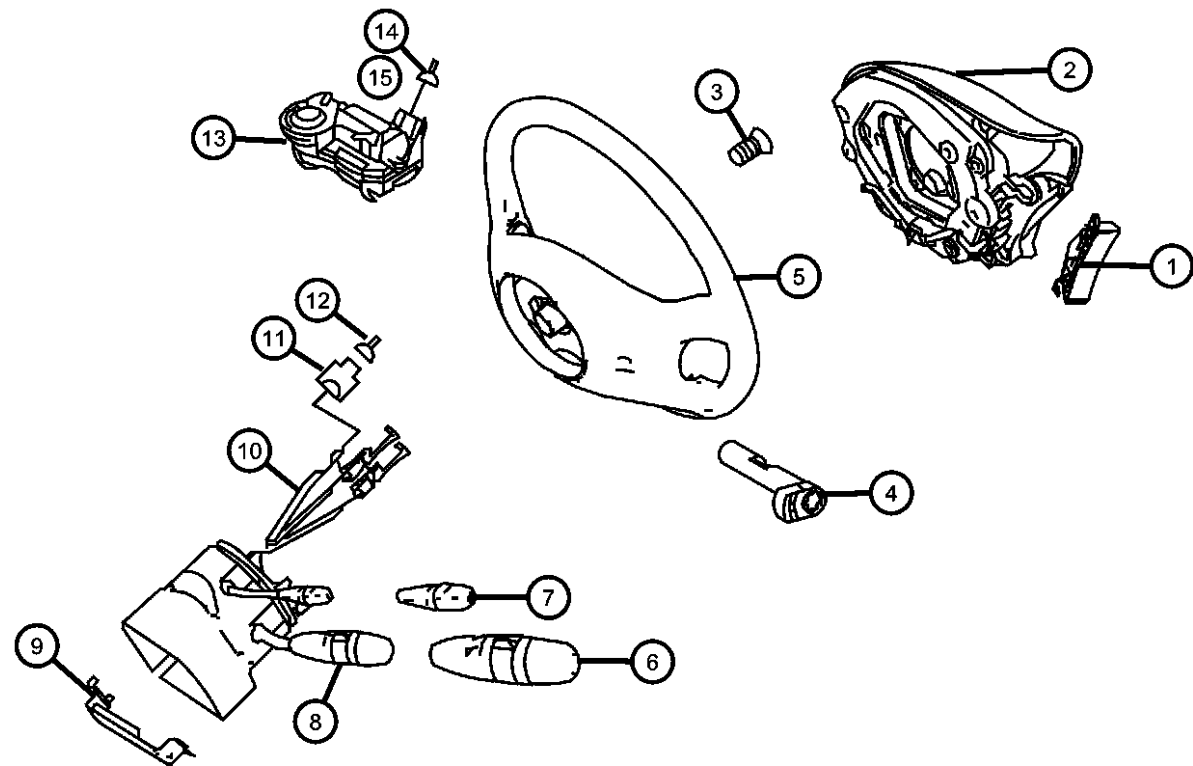
## Steering

### Group - 19 Steering

Illustration Title	Group-Fig. No.
<b>Steering Wheel</b>	
Steering Wheel Assembly .....	Fig. 19 - 105
<b>Steering Column and Intermediate Shaft</b>	
Steering Column .....	Fig. 19 - 205
<b>Steering Gear</b>	
Steering Gear - Left Hand Drive .....	Fig. 19 - 305
<b>Power Steering Pump</b>	
Power Steering Pump.....	Fig. 19 - 505
Power Steering Pump.....	Fig. 19 - 506
<b>Power Steering Hoses</b>	
Hoses, Power Steering .....	Fig. 19 - 605
Hoses, Power Steering .....	Fig. 19 - 610

<b>019-100</b> Steering Wheel	<b>019-200</b> Steering Column and Intermediate Shaft	<b>019-300</b> Steering Gear	<b>019-500</b> Power Steering Pump
<b>019-600</b> Power Steering Hoses			

**Steering Wheel Assembly  
Figure 19-105**



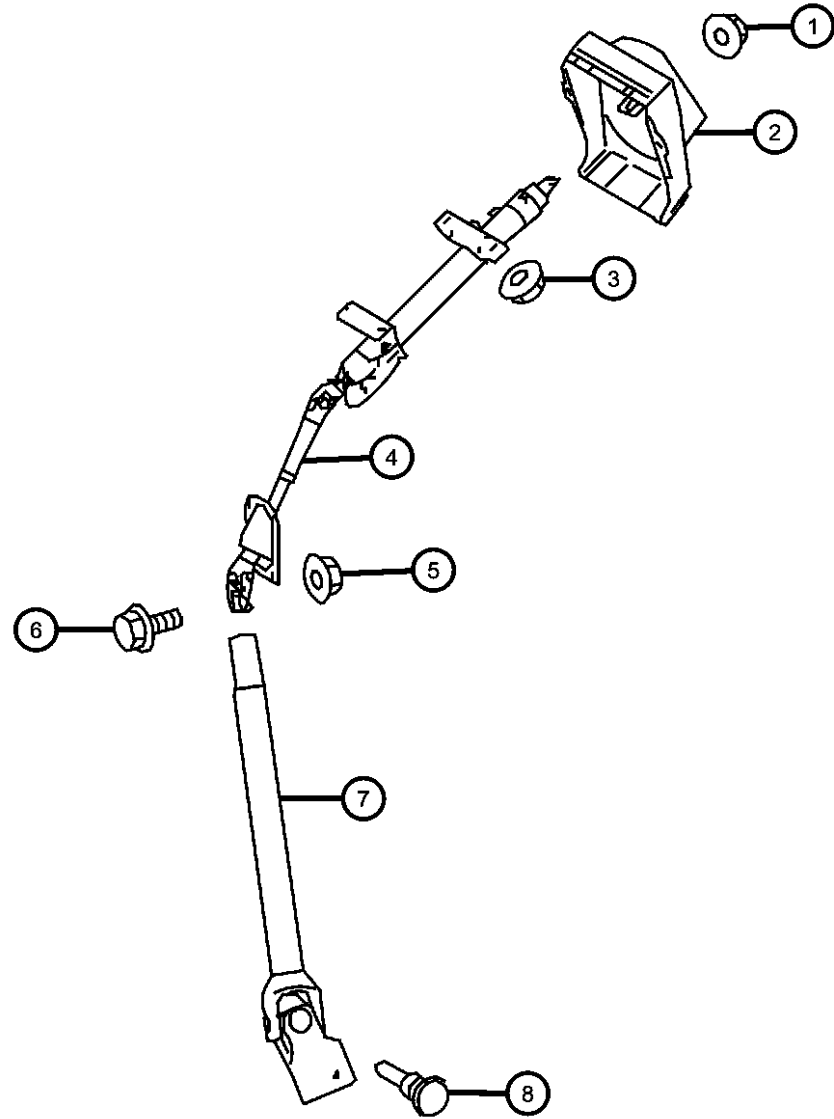
ITEM	PART NUMBER	QTY	LINE	SERIES	BODY	ENGINE	TRANS	TRIM	DESCRIPTION
1	68010427AA	1	2, 3, 6, 7	L		EG2, EXM	DGZ		SWITCH, Steering Wheel, Reconfigurable, One Pair
2	68010423AA	1	2, 3	L		EG2, EXM	DGZ		AIR BAG, Driver
	68010426AA	1	2, 3	L		EG2, EXM	DGZ		Dodge with Steering Wheel Controls
	68020911AA	1	6, 7	L		EG2, EXM	DGZ		Dodge without Steering Wheel Controls
	68020912AA	1	6, 7	L		EG2, EXM	DGZ		Freightliner with Steering Wheel Controls
									Freightliner without Steering Wheel Controls
3	04649132AA	1	2, 3, 6, 7	L		EG2, EXM	DGZ		BOLT, BOLT
		1	3, 7	L		EG2, EXM	DGZ		M16
4	68010438AA	1	2, 3, 6, 7	L		EG2, EXM	DGZ		PIN
5	68010421AA	1	2, 3, 6, 7	L		EG2, EXM	DGZ		WHEEL, Steering
6	68010446AA	1	2, 3, 6, 7	L		EG2, EXM	DGZ		COVER, Blinker Switch
7	68010447AA	1	2, 3, 6, 7	L		EG2, EXM	DGZ		COVER, Switch
8	68010448AA	1	2, 3, 6, 7	L		EG2, EXM	DGZ		SWITCH, Multifunction
9	68010457AA	1	2, 3, 6, 7	L		EG2, EXM	DGZ		BRACKET, Steering Column
10	68010451AA	1	2, 3, 6, 7	L		EG2, EXM	DGZ		CLOCKSPRING
11	05120717AA	1	3, 7	L		EG2, EXM	DGZ		CONNECTOR
		1	2, 3, 6, 7	L		EG2, EXM	DGZ		Jacket Tube Module 3-Pin,COD.A
12	05103873AA	3	3, 7	L		EG2, EXM	DGZ		Jacket Tube Module 3-Pin,COD.A
		3	2, 3, 6, 7	L		EG2, EXM	DGZ		TERMINAL
									0.75MM2 MQS
13	68010437AA	1	2, 3, 6, 7	L		EG2, EXM	DGZ		0.75MM2 MQS
14	05133370AA	2	2, 3, 6, 7	L		EG2, EXM	DGZ		MODULE, Steering Control
15									TERMINAL
	05120833AA	2	2, 3, 6, 7	L		EG2, EXM	DGZ		GASKET
	05120858AA	2	2, 3, 6, 7	L		EG2, EXM	DGZ		1.0-2.5MM;N25/5
									N26/5

**SPRINTER (VB)**

SERIES	LINE	BODY	ENGINE	TRANSMISSION
L = LOWLINE	3 = HD DODGE 2WD 6 = Lt. Duty DODGE 4WD 2 = Med. Duty DODGE 2WD 7 = Med. Duty DODGE 4WD	17 = VAN WHEEL BASE 7 55 = WAGON WHEEL BASE 5 15 = VAN WHEEL BASE 5 53 = 119 WB 13 = 119 WB 05 = CAB CHASSIS WHEEL BASE 5 03 = CAB CHASSIS WHEEL BASE 3	EG2 = 3.5L V6 Gas Engine EXM = 3.0L V6 Turbo Diesel Engine	DGZ = 5-Speed Auto W5A380 Transmission

AR = use ase required - = Non illustrated part

Steering Column  
Figure 19-205



ITEM	PART NUMBER	QTY	LINE	SERIES	BODY	ENGINE	TRANS	TRIM	DESCRIPTION
1	05097674AA	1	3, 7	L		EG2, EXM	DGZ		NUT, Hex Fastening for Lining M5
		1	2, 3, 6, 7	L		EG2, EXM	DGZ		Fastening for Lining M5
2	68004807AA	1	2, 3, 6, 7	L		EG2, EXM	DGZ		SHROUD, Steering Column
3	06105169AA	4	3, 7	L		EG2, EXM	DGZ		NUT Steering Column to Carrier M8
	68004878AA	4	2, 3, 6, 7	L		EG2, EXM	DGZ		Steering Column to Firewall M6
4	68010429AA	1	2, 3, 6, 7	L		EXM, EG2	DGZ		COLUMN, Steering
5	06105169AA	1	2, 3, 6, 7	L		EG2, EXM	DGZ		NUT
6	68010433AA	1	3, 7	L		EG2, EXM	DGZ		SCREW, Steering Column Steering Column to Steering Shaft
		1	2, 3, 6, 7	L		EG2, EXM	DGZ		Steering Column to Steering Shaft
7	68010431AA	1	3, 7	L		EG2, EXM	DGZ		SHAFT, Steering Column
		1	2, 3, 6, 7	L		EG2, EXM	DGZ		
8	05125707AA	1	2, 3, 6, 7	L		EG2, EXM	DGZ		SCREW, Steering Column

SPRINTER (VB)

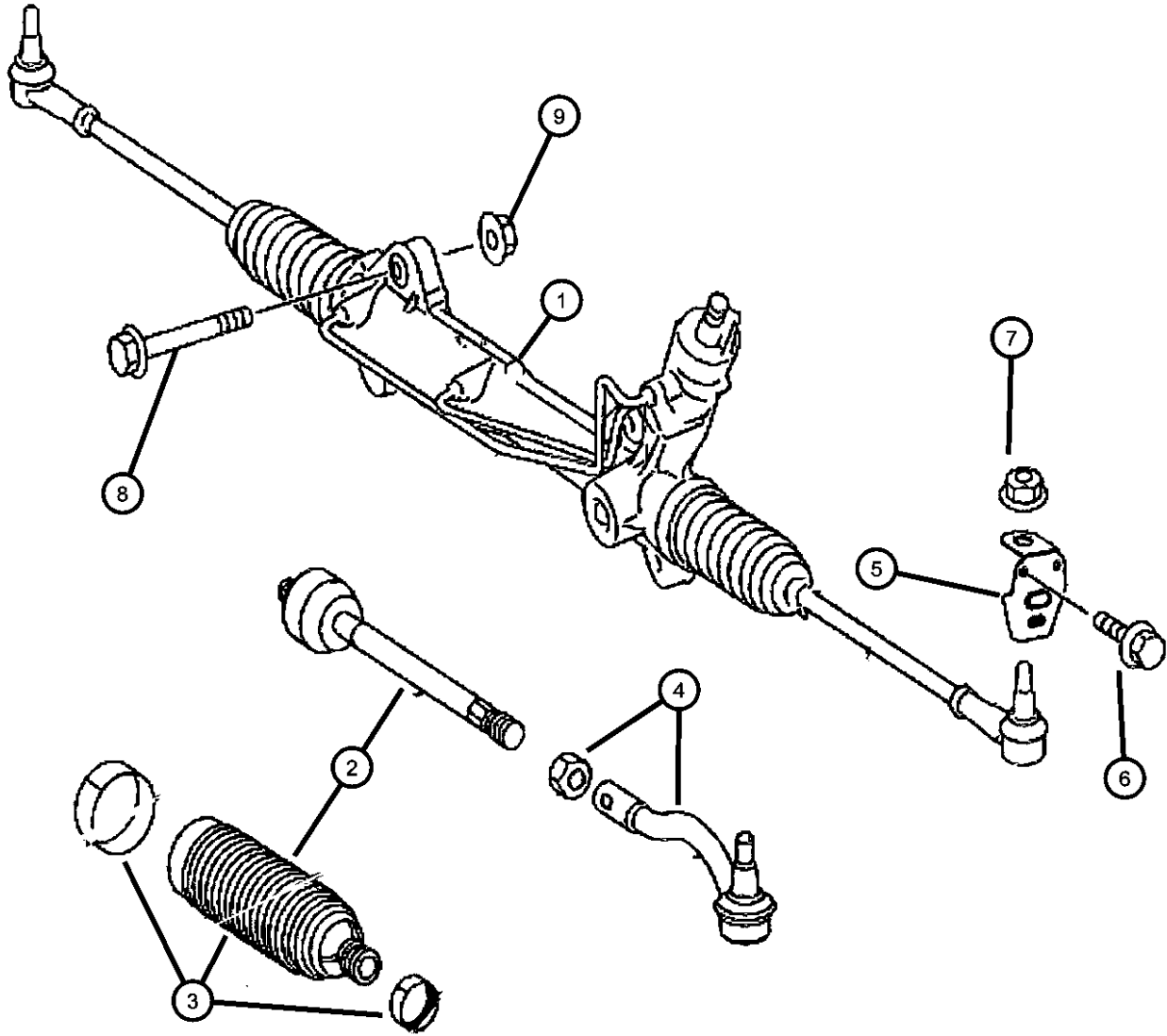
SERIES	LINE	BODY	ENGINE	TRANSMISSION
L = LOWLINE	3 = HD DODGE 2WD 6 = Lt. Duty DODGE 4WD 2 = Med. Duty DODGE 2WD 7 = Med. Duty DODGE 4WD	17 = VAN WHEEL BASE 7 55 = WAGON WHEEL BASE 5 15 = VAN WHEEL BASE 5 53 = 119 WB 13 = 119 WB 05 = CAB CHASSIS WHEEL BASE 5 03 = CAB CHASSIS WHEEL BASE 3	EG2 = 3.5L V6 Gas Engine EXM = 3.0L V6 Turbo Diesel Engine	DGZ = 5-Speed Auto W5A380 Transmission

AR = use ase required - = Non illustrated part

2008 VB

Steering Gear - Left Hand Drive  
Figure 19-305

ITEM	PART NUMBER	QTY	LINE	SERIES	BODY	ENGINE	TRANS	TRIM	DESCRIPTION
1	68012180AA	1	2, 3, 6, 7	L		EG2, EXM	DGZ		GEAR, Power Steering
2	68020843AA	2	2, 3, 6, 7	L		EG2, EXM	DGZ		END, Tie Rod, Inner Tie Rod End Package Includes Boot Repair Package [#3]
3	68020844AA	2	2, 3, 6, 7	L		EG2, EXM	DGZ		BOOT, Steering Gear
4	68020845AA	2	2, 3, 6, 7	L		EG2, EXM	DGZ		JOINT
5	68012183AA	2	2, 3, 6, 7	L		EG2, EXM	DGZ		PLATE
6	06104140AA	2	2, 3, 6, 7	L		EG2, EXM	DGZ		SCREW
7	06105172AA	2	2, 3, 6, 7	L		EG2, EXM	DGZ		NUT
8	68012181AA	4	2, 3, 6, 7	L		EG2, EXM	DGZ		BOLT
9	06105171AA	4	2, 3, 6, 7	L		EG2, EXM	DGZ		NUT



**SPRINTER (VB)**

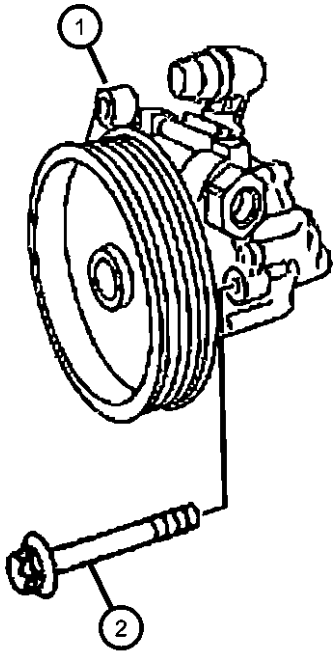
SERIES	LINE	BODY	ENGINE	TRANSMISSION
L = LOWLINE	3 = HD DODGE 2WD 6 = Lt. Duty DODGE 4WD 2 = Med. Duty DODGE 2WD 7 = Med. Duty DODGE 4WD	17 = VAN WHEEL BASE 7 55 = WAGON WHEEL BASE 5 15 = VAN WHEEL BASE 5 53 = 119 WB 13 = 119 WB 05 = CAB CHASSIS WHEEL BASE 5 03 = CAB CHASSIS WHEEL BASE 3	EG2 = 3.5L V6 Gas Engine EXM = 3.0L V6 Turbo Diesel Engine	DGZ = 5-Speed Auto W5A380 Transmission

AR = use ase required - = Non illustrated part

2008 VB

**Power Steering Pump  
Figure 19-505**

ITEM	PART NUMBER	QTY	LINE	SERIES	BODY	ENGINE	TRANS	TRIM	DESCRIPTION
1	68006168AA	1	2, 3, 6, 7	L		EG2	DGZ		PUMP, Power Steering
2	06104025AA	2	2, 3, 6, 7	L		EG2	DGZ		BOLT, Hex Flange Head, M8x1.25x30
-3									BOLT
	05136546AA	1	2, 3, 6, 7	L		EG2	DGZ		[M8x25]
	06104697AA	2	2, 3, 6, 7	L		EG2	DGZ		[M8x34]
-4	68006177AA	4	2, 3, 6, 7	L		EG2	DGZ		SCREW, [M8x44]



**SPRINTER (VB)**

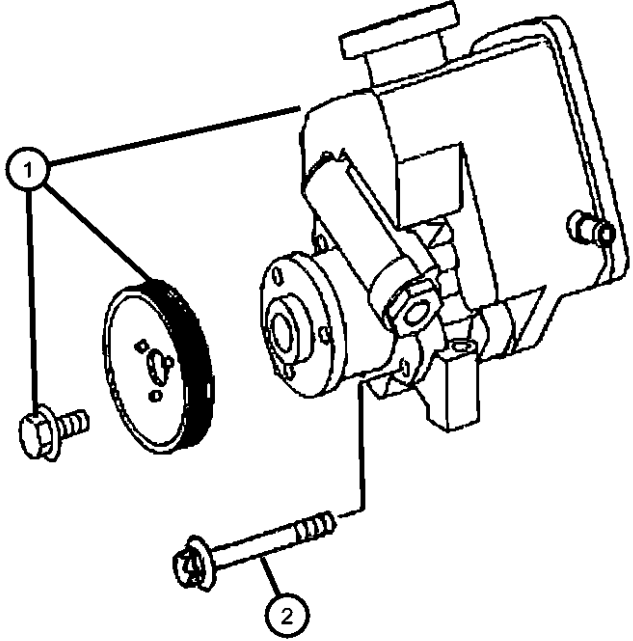
SERIES	LINE	BODY	ENGINE	TRANSMISSION
L = LOWLINE	3 = HD DODGE 2WD 6 = Lt. Duty DODGE 4WD 2 = Med. Duty DODGE 2WD 7 = Med. Duty DODGE 4WD	17 = VAN WHEEL BASE 7 55 = WAGON WHEEL BASE 5 15 = VAN WHEEL BASE 5 53 = 119 WB 13 = 119 WB 05 = CAB CHASSIS WHEEL BASE 5 03 = CAB CHASSIS WHEEL BASE 3	EG2 = 3.5L V6 Gas Engine EXM = 3.0L V6 Turbo Diesel Engine	DGZ = 5-Speed Auto W5A380 Transmission

AR = use ase required - = Non illustrated part

Power Steering Pump

Figure 19-506

ITEM	PART NUMBER	QTY	LINE	SERIES	BODY	ENGINE	TRANS	TRIM	DESCRIPTION
1	68012236AA	1	2, 3, 6, 7	L		EXM	DGZ		PUMP, Power Steering
2	05133207AA	4	2, 3, 6, 7	L		EXM	DGZ		BOLT, [M8x55]
-3	05073723AB	1	2, 3, 6, 7	L		EXM	DGZ		SCREW, [M8x20]



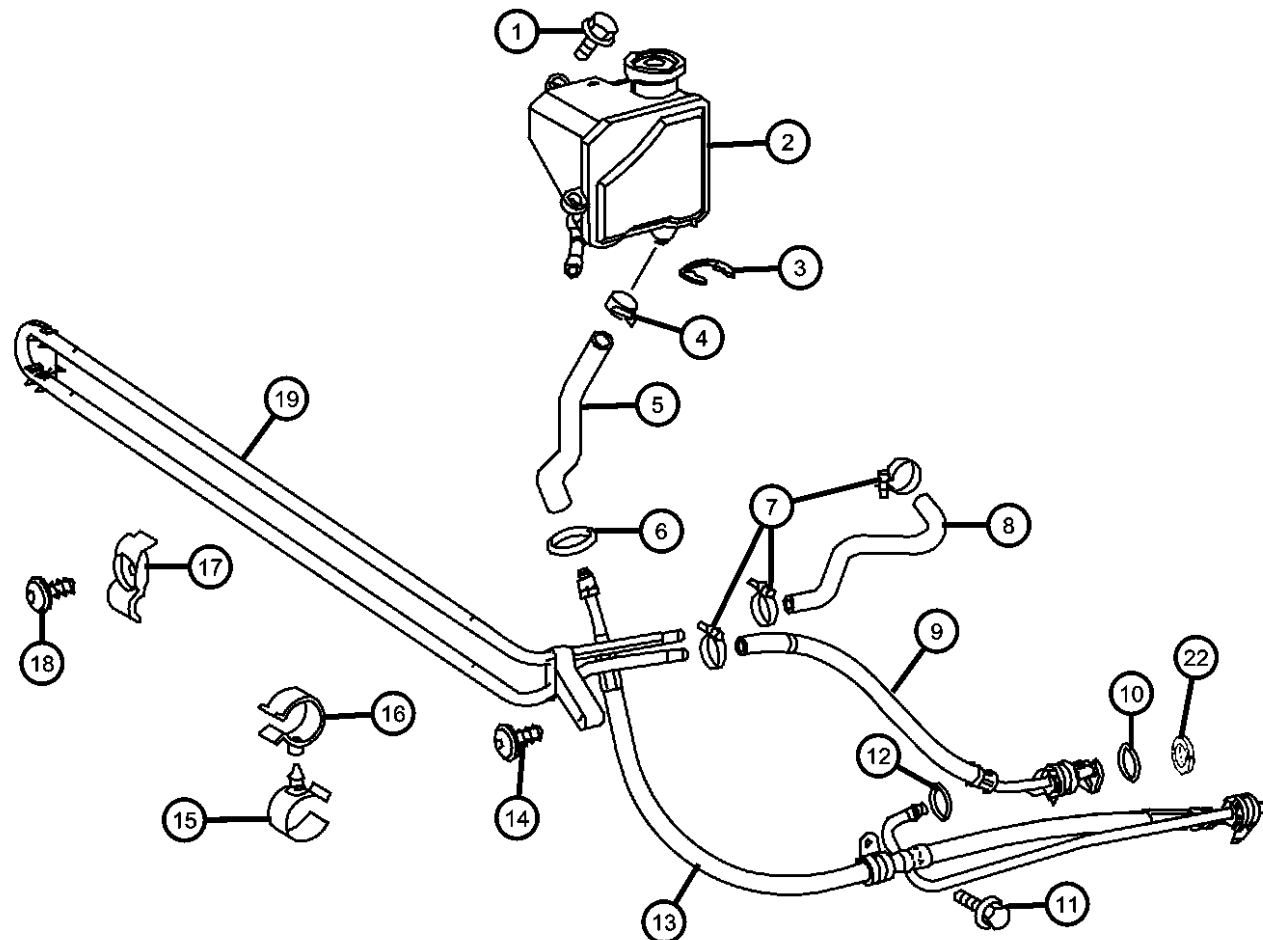
SPRINTER (VB)

SERIES	LINE	BODY	ENGINE	TRANSMISSION
L = LOWLINE	3 = HD DODGE 2WD 6 = Lt. Duty DODGE 4WD 2 = Med. Duty DODGE 2WD 7 = Med. Duty DODGE 4WD	17 = VAN WHEEL BASE 7 55 = WAGON WHEEL BASE 5 15 = VAN WHEEL BASE 5 53 = 119 WB 13 = 119 WB 05 = CAB CHASSIS WHEEL BASE 5 03 = CAB CHASSIS WHEEL BASE 3	EG2 = 3.5L V6 Gas Engine EXM = 3.0L V6 Turbo Diesel Engine	DGZ = 5-Speed Auto W5A380 Transmission

AR = use ase required - = Non illustrated part

Hoses, Power Steering  
Figure 19-605

ITEM	PART NUMBER	QTY	LINE	SERIES	BODY	ENGINE	TRANS	TRIM	DESCRIPTION
1	06104683AA	3	2, 3, 6, 7	L		EG2	DGZ		BOLT, 6 Lobe External Head, M6x1.0x23.0
2	68006175AA	1	2, 3, 6, 7	L		EG2	DGZ		RESERVOIR, Power Steering Pump
3	05189055AA	1	2, 3, 6, 7	L		EG2	DGZ		CLIP, Retaining, C Type
4	05189055AA	1							CLAMP, [26MM], (NOT SERVICED)
5	68006678AA	1	2, 3, 6, 7	L		EG2	DGZ		HOSE, Power Steering
6	05183128AA	1	2, 3, 6, 7	L		EG2, EXM	DGZ		O RING
7	05132830AA	1	2, 3, 6, 7	L		EG2, EXM	DGZ		CLAMP
8	68006678AA	1	2, 3, 6, 7	L		EG2	DGZ		HOSE, Power Steering
9									LINE, Power Steering Return
	68006671AA	1	3, 7	L		EG2, EXM	DGZ		
		1	2, 3, 6, 7	L		EG2, EXM	DGZ		
10	68006673AA	1	2, 3, 6, 7	L		EG2, EXM	DGZ		O RING, [7.66x1.78MM]
11	06104022AA	1	2, 3, 6, 7	L		EG2	DGZ		SCREW, [M8x16]
12	68006673AA	1	2, 3, 6, 7	L		EG2, EXM	DGZ		O RING
13	68006668AA	1	2, 3, 6, 7	L		EG2	DGZ		HOSE, Power Steering Pressure
14	68006685AA	4	2, 3, 6, 7	L		EG2, EXM	DGZ		SCREW
15									CLAMP, Brake Hose
	05125887AB	1	3, 7	L		EG2, EXM	DGZ		
		1	2, 3, 6, 7	L		EG2, EXM	DGZ		
16									CLIP, Brake Line
	05117625AA	1	3, 7	L		EG2, EXM	DGZ		
		1	2, 3, 6, 7	L		EG2, EXM	DGZ		
17	68006686AA	1	2, 3, 6, 7	L		EG2, EXM	DGZ		CLAMP
18	68006685AA	4	2, 3, 6, 7	L		EG2, EXM	DGZ		SCREW
19	68006683AA	1	2, 3, 6, 7	L		EG2	DGZ		LINE, Oil Cooler, With [HAB]
-20									NUT
	68004878AA	2	3, 7	L		EG2, EXM	DGZ		
		2	2, 3, 6, 7	L		EG2, EXM	DGZ		
-21	05133476AB	2	2, 3, 6, 7	L		EG2, EXM	DGZ		SCREW, Hex Flange Head, M6x1.00x20.00
22	68006672AA	1	2, 3, 6, 7	L		EG2, EXM	DGZ		O RING, Back Up O Ring

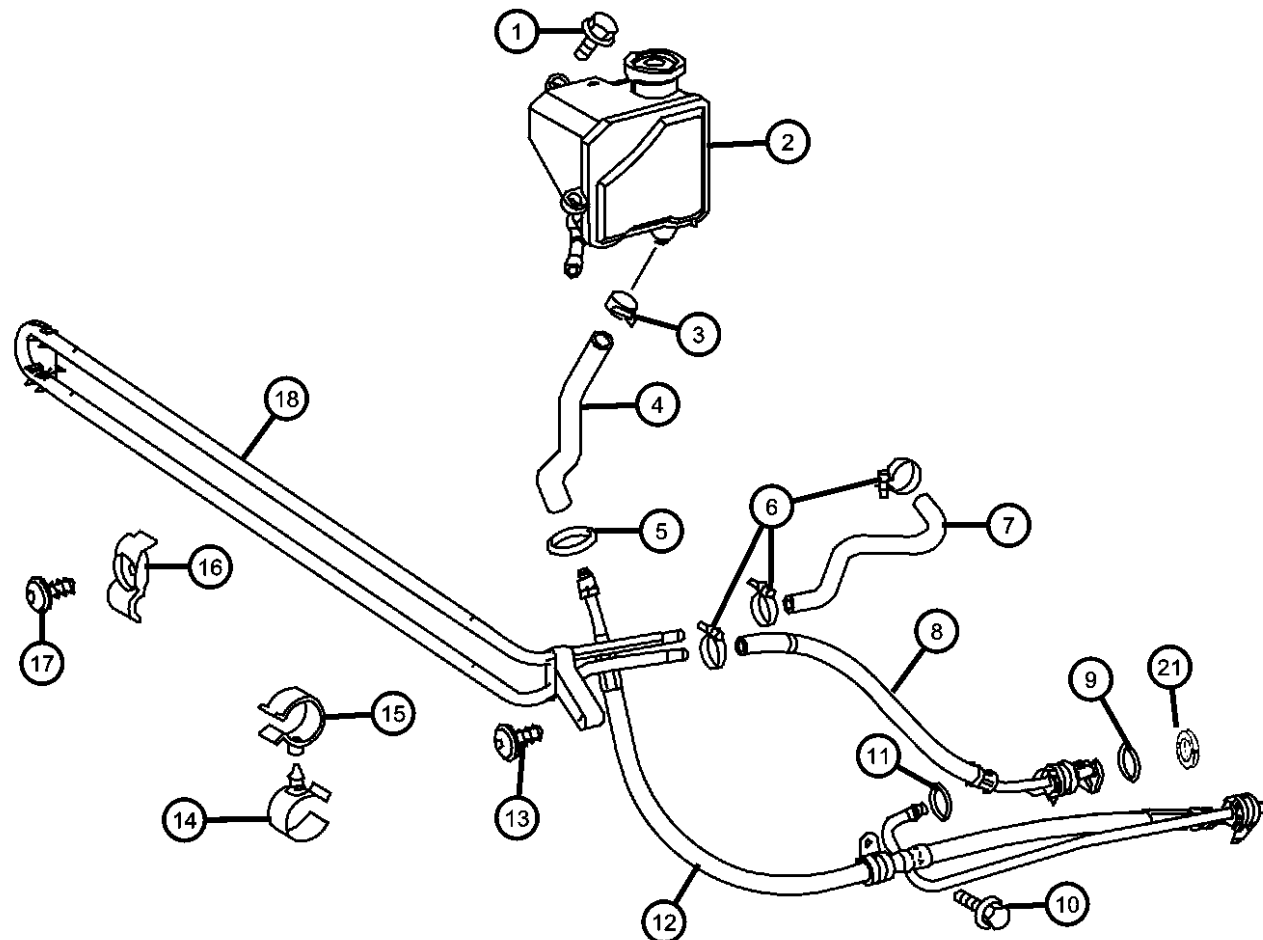


**SPRINTER (VB)**  
 SERIES      LINE      BODY      ENGINE      TRANSMISSION  
 L = LOWLINE    3 = HD DODGE 2WD    17 = VAN WHEEL BASE 7    EG2 = 3.5L V6 Gas Engine    DGZ = 5-Speed Auto W5A380  
                   6 = Lt. Duty DODGE 4WD    55 = WAGON WHEEL BASE 5    EXM = 3.0L V6 Turbo Diesel    Transmission  
                   2 = Med. Duty DODGE 2WD                                       Engine  
                   7 = Med. Duty DODGE 4WD    15 = VAN WHEEL BASE 5  
   53 = 119 WB  
   13 = 119 WB  
   05 = CAB CHASSIS WHEEL  
   BASE 5  
   03 = CAB CHASSIS WHEEL  
   BASE 3

AR = use ase required - = Non illustrated part



Hoses, Power Steering  
Figure 19-610



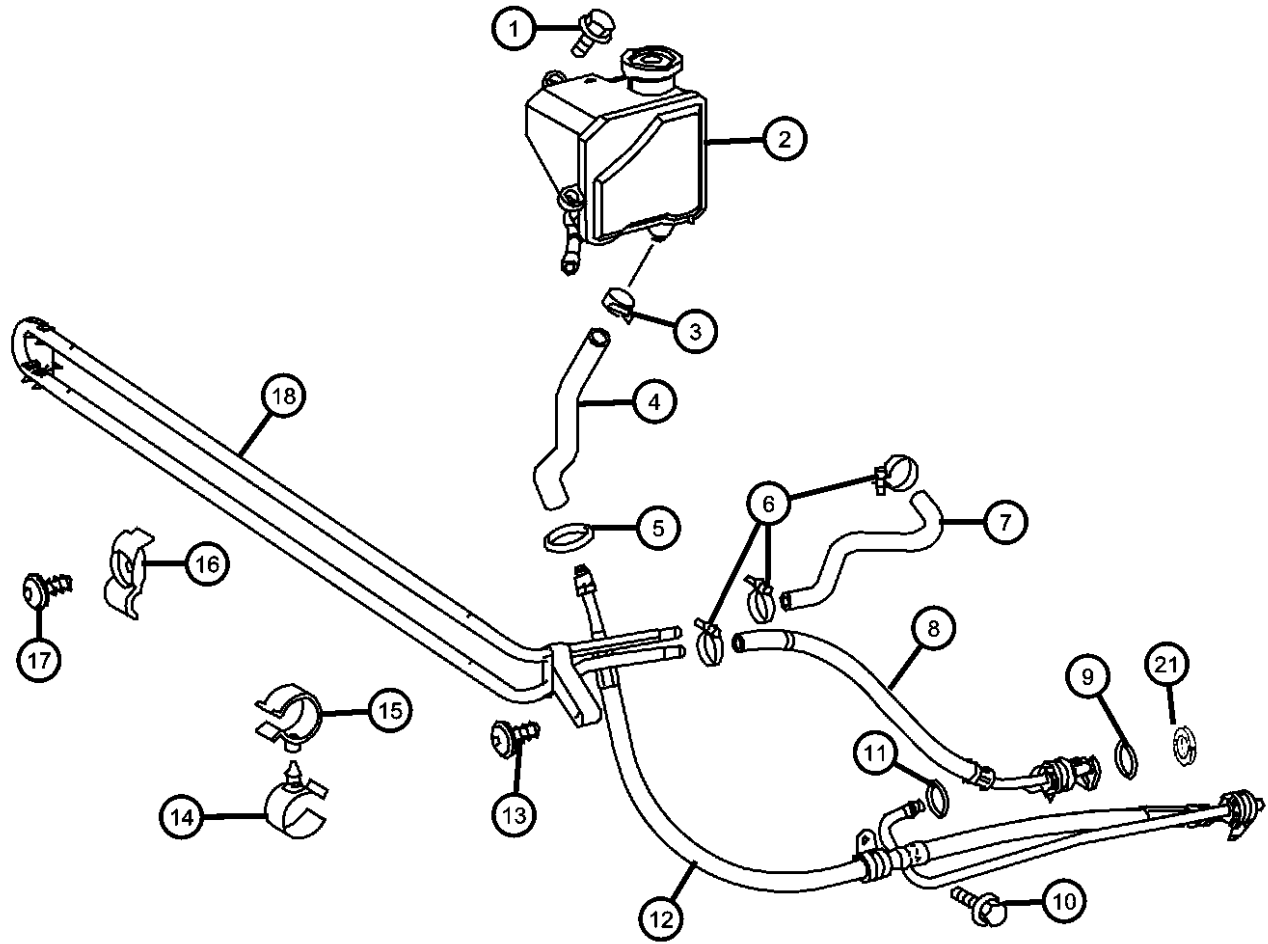
ITEM	PART NUMBER	QTY	LINE	SERIES	BODY	ENGINE	TRANS	TRIM	DESCRIPTION
1	06104683AA	3	2, 3, 6, 7	L		EXM	DGZ		BOLT, 6 Lobe External Head, M6x1.0x23.0
2	68012238AA	1	2, 3, 6, 7	L		EXM	DGZ		RESERVOIR, Power Steering Pump
3									CLAMP
	06104808AA	2	3, 7	L		EXM	DGZ		26MM
		2	2, 3, 6, 7	L		EXM	DGZ		26MM
4	68012239AA	1	2, 3, 6, 7	L		EXM	DGZ		HOSE, Power Steering
5	05183128AA	1	2, 3, 6, 7	L		EG2, EXM	DGZ		O RING
6	05132830AA	1	2, 3, 6, 7	L		EG2, EXM	DGZ		CLAMP
7	68006677AA	1	2, 3, 6, 7	L		EXM	DGZ		HOSE, Power Steering
8									LINE, Power Steering Return
	68006671AA	1	3, 7	L		EG2, EXM	DGZ		
		1	2, 3, 6, 7	L		EG2, EXM	DGZ		
9	68006673AA	1	2, 3, 6, 7	L		EG2, EXM	DGZ		O RING, 7.66x1.78MM
10									SCREW
	06104022AA	1	3, 7	L		EXM	DGZ		M8x16
		1	2, 3, 6, 7	L		EXM	DGZ		M8x16
11	68006673AA	1	2, 3, 6, 7	L		EG2, EXM	DGZ		O RING
12	68006667AA	1	2, 3, 6, 7	L		EXM	DGZ		HOSE, Power Steering Pressure
13	68006685AA	4	2, 3, 6, 7	L		EG2, EXM	DGZ		SCREW
14									CLAMP, Brake Hose
	05125887AB	1	3, 7	L		EG2, EXM	DGZ		
		1	2, 3, 6, 7	L		EG2, EXM	DGZ		
15									CLIP, Brake Line
	05117625AA	1	3, 7	L		EG2, EXM	DGZ		
		1	2, 3, 6, 7	L		EG2, EXM	DGZ		
16	68006686AA	1	2, 3, 6, 7	L		EG2, EXM	DGZ		CLAMP
17	68006685AA	4	2, 3, 6, 7	L		EG2, EXM	DGZ		SCREW
18									LINE, Oil Cooler
	68006681AA	1	2, 3, 6, 7	L		EXM	DGZ		With [HAB]
	68006682AA	1	2, 3, 6, 7	L		EXM	DGZ		Without [HAB]
-19									NUT

**SPRINTER (VB)**  
 SERIES      LINE      BODY      ENGINE      TRANSMISSION  
 L = LOWLINE    3 = HD DODGE 2WD    17 = VAN WHEEL BASE 7    EG2 = 3.5L V6 Gas Engine    DGZ = 5-Speed Auto W5A380  
                   6 = Lt. Duty DODGE 4WD    55 = WAGON WHEEL BASE 5    EXM = 3.0L V6 Turbo Diesel    Transmission  
                   2 = Med. Duty DODGE 2WD    15 = VAN WHEEL BASE 5    Engine  
                   7 = Med. Duty DODGE 4WD    53 = 119 WB  
   13 = 119 WB  
   05 = CAB CHASSIS WHEEL  
   BASE 5  
   03 = CAB CHASSIS WHEEL  
   BASE 3

AR = use ase required - = Non illustrated part

Hoses, Power Steering  
Figure 19-610

ITEM	PART NUMBER	QTY	LINE	SERIES	BODY	ENGINE	TRANS	TRIM	DESCRIPTION
	68004878AA	2	3, 7	L		EG2, EXM	DGZ		
		2	2, 3, 6, 7	L		EG2, EXM	DGZ		
-20	05133476AB	2	2, 3, 6, 7	L		EG2, EXM	DGZ		SCREW, Hex Flange Head, M6x1.00x20.00
21	68006672AA	1	2, 3, 6, 7	L		EG2, EXM	DGZ		O RING, Back Up O Ring



SPRINTER (VB)

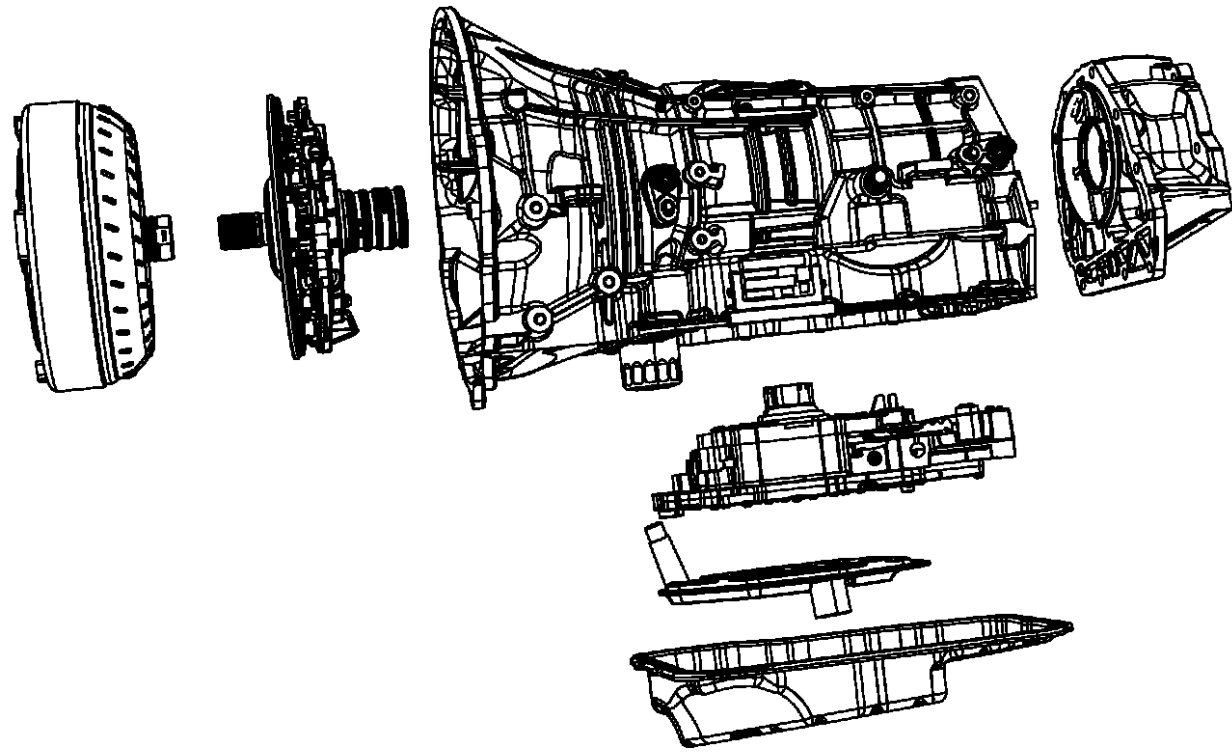
SERIES	LINE	BODY	ENGINE	TRANSMISSION
L = LOWLINE	3 = HD DODGE 2WD 6 = Lt. Duty DODGE 4WD 2 = Med. Duty DODGE 2WD 7 = Med. Duty DODGE 4WD	17 = VAN WHEEL BASE 7 55 = WAGON WHEEL BASE 5 15 = VAN WHEEL BASE 5 53 = 119 WB 13 = 119 WB 05 = CAB CHASSIS WHEEL BASE 5 03 = CAB CHASSIS WHEEL BASE 3	EG2 = 3.5L V6 Gas Engine EXM = 3.0L V6 Turbo Diesel Engine	DGZ = 5-Speed Auto W5A380 Transmission

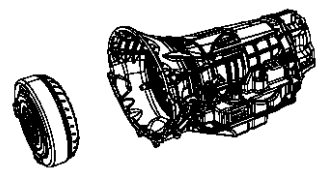
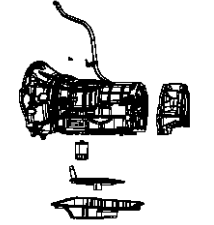
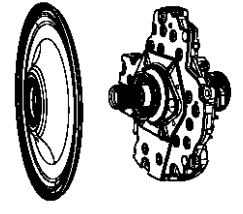

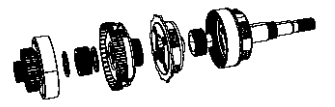
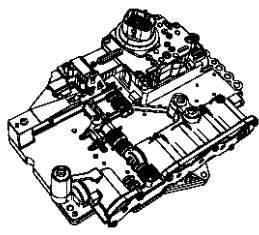
AR = use ase required - = Non illustrated part

2008 VB

# Group - 021DGZ

NAG1; W5A380; 5-Speed; Automatic Transmission



<p><b>021DGZ-100</b> Automatic Transmission / Transaxle and Torque Converter</p> 	<p><b>021DGZ-1100</b> Gearshift Controls and Related Parts</p>	<p><b>021DGZ-1200</b> Mounting and Skid Plate</p>	<p><b>021DGZ-200</b> Case, Extension, Oil Pan, and Indicator (Dipstick)</p> 
<p><b>021DGZ-300</b> Seal and Shim Packages</p>	<p><b>021DGZ-400</b> Oil Pump</p> 	<p><b>021DGZ-500</b> Clutches</p> 	<p><b>021DGZ-600</b> Gear Train</p> 
<p><b>021DGZ-800</b> Valve Body, Accumulator, Solenoid and Parking Sprag</p> 			

---

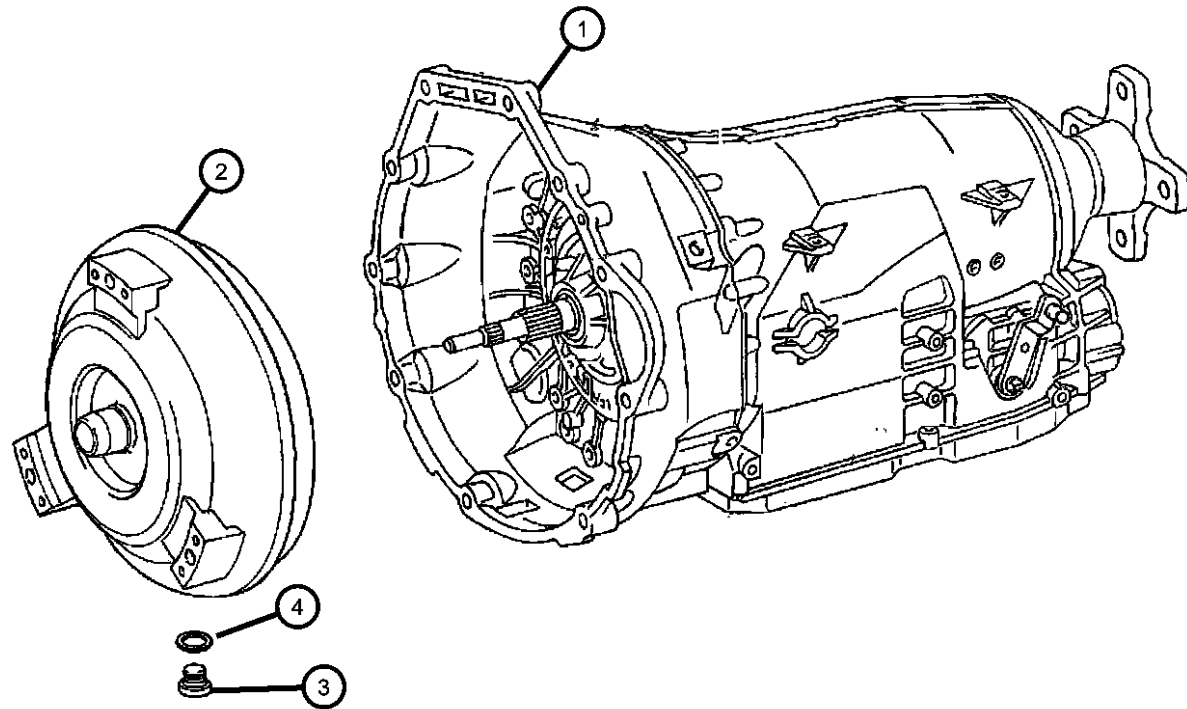
## Group - 021DGZ NAG1; W5A380; 5-Speed; Automatic Transmission

Illustration Title	Group-Fig. No.
<b>Automatic Transmission / Transaxle and Torque Converter</b>	
Transmission / Transaxle Assembly .....	Fig. 021DGZ - 105
Torque Converter .....	Fig. 021DGZ - 110
<b>Case, Extension, Oil Pan, and Indicator (Dipstick)</b>	
Case .....	Fig. 021DGZ - 205
Case Assembly .....	Fig. 021DGZ - 210
Oil Fill Tube And Related Parts .....	Fig. 021DGZ - 225
Oil Pan, Cover And Related Parts .....	Fig. 021DGZ - 230
Filters .....	Fig. 021DGZ - 235
<b>Seal and Shim Packages</b>	
Transmission Seal and Gasket Package .....	Fig. 021DGZ - 301
<b>Oil Pump</b>	
Oil Pump and Related Parts .....	Fig. 021DGZ - 420
<b>Clutches</b>	
B1 Brake Clutch .....	Fig. 021DGZ - 526
K1 Clutch Assembly .....	Fig. 021DGZ - 527
K2 Clutch Assembly .....	Fig. 021DGZ - 528
K3 Clutch Assembly [DGZ] .....	Fig. 021DGZ - 529
B2 / B3 Clutch Illustration 1 Of 3 .....	Fig. 021DGZ - 530
Multiple Disk Brake / [B2/B3] 2 Of 3 .....	Fig. 021DGZ - 531
B2 / B3 Clutch Illustration 3 Of 3 .....	Fig. 021DGZ - 532
<b>Gear Train</b>	
Front Planetary Carrier .....	Fig. 021DGZ - 611
Output Shaft With Center And Rear Planetary Gear Sets .....	Fig. 021DGZ - 612
<b>Valve Body, Accumulator, Solenoid and Parking Sprag</b>	
Valve Body And Related Parts .....	Fig. 021DGZ - 825
Connector Repair .....	Fig. 021DGZ - 826
<b>Gearshift Controls and Related Parts</b>	
Gearshift Controls .....	Fig. 021DGZ - 1105
<b>Mounting and Skid Plate</b>	
Mounting Covers And Shields .....	Fig. 021DGZ - 1205

**Transmission / Transaxle Assembly  
Figure 021DGZ-105**

ITEM	PART NUMBER	QTY	LINE	SERIES	BODY	ENGINE	TRANS	TRIM	DESCRIPTION
------	-------------	-----	------	--------	------	--------	-------	------	-------------

NOTE:  
Sales Code:  
[DGZ]=5 Speed Automatic Transmission - [W5A380]  
[EGZ]=3.5L V-6 Gas Engine [Mercedes Benz]  
[EXM]=3.0L Turbo Diesel Engine [Mercedes Benz]



1									TRANSMISSION, Automatic
	05166032AA	1	2, 3, 6, 7	L		EG2	DGZ		
	05166351AA	1	2, 3, 6, 7	L		EXM	DGZ		
2									CONVERTER, Torque
	05161459AA	1	2, 3, 6, 7	L		EG2	DGZ		
	05175947AA	1	2, 3, 6, 7	L		EXM	DGZ		
3	05080398AB	1	2, 3, 6, 7	L		EG2, EXM	DGZ		PLUG, [M10x1x11MM]
4	05080014AA	1	2, 3, 6, 7	L		EG2, EXM	DGZ		O RING
-5	05080067AA	1	2, 3, 6, 7	L		EG2, EXM	DGZ		GASKET PACKAGE, Transmission

**SPRINTER (VB)**

SERIES	LINE	BODY	ENGINE	TRANSMISSION
L = LOWLINE	3 = HD DODGE 2WD 6 = Lt. Duty DODGE 4WD 2 = Med. Duty DODGE 2WD 7 = Med. Duty DODGE 4WD	17 = VAN WHEEL BASE 7 55 = WAGON WHEEL BASE 5 15 = VAN WHEEL BASE 5 53 = 119 WB 13 = 119 WB 05 = CAB CHASSIS WHEEL BASE 5 03 = CAB CHASSIS WHEEL BASE 3	EG2 = 3.5L V6 Gas Engine EXM = 3.0L V6 Turbo Diesel Engine	DGZ = 5-Speed Auto W5A380 Transmission

AR = use ase required - = Non illustrated part

2008 VB

**Torque Converter**  
**Figure 021DGZ-110**

ITEM	PART NUMBER	QTY	LINE	SERIES	BODY	ENGINE	TRANS	TRIM	DESCRIPTION
------	-------------	-----	------	--------	------	--------	-------	------	-------------

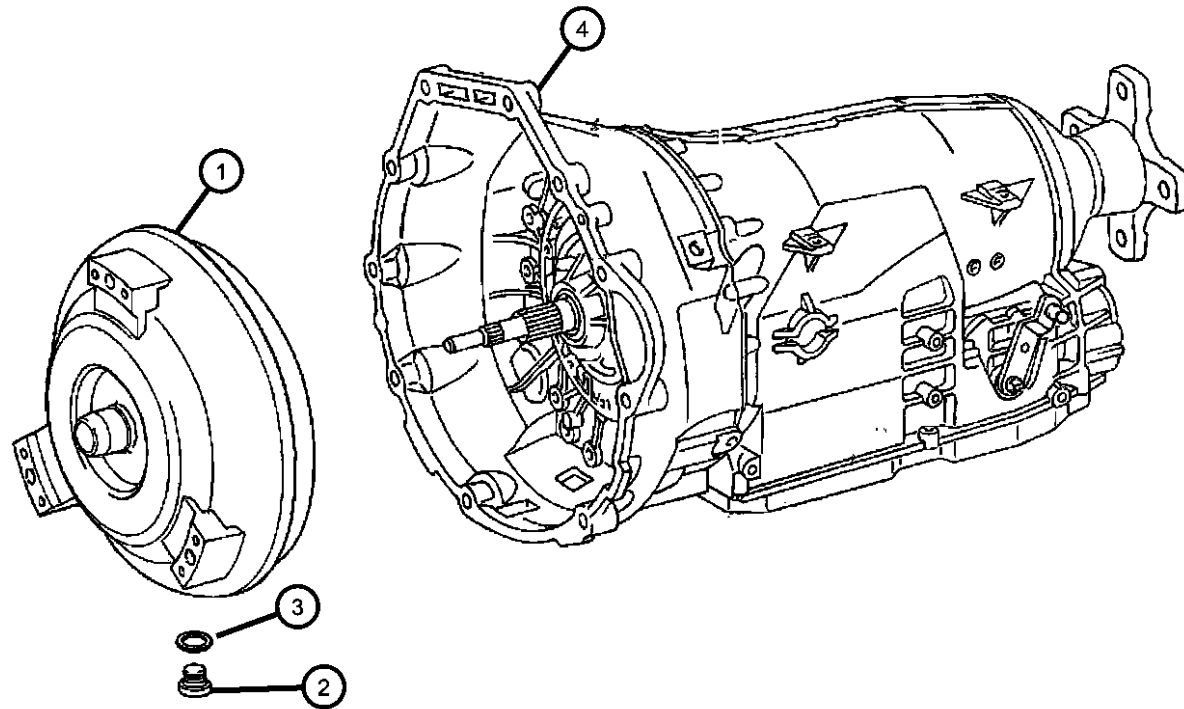
NOTE:

Sales Code:

[DGZ]=5 Speed Automatic Transmission - [W5A380]

[EGZ]=3.5L V-6 Gas Engine [Mercedes Benz]

[EXM]=3.0L Turbo Diesel Engine [Mercedes Benz]



1									CONVERTER, Torque
	05161459AA	1	2, 3, 6, 7	L		EG2	DGZ		
	05175947AA	1	2, 3, 6, 7	L		EXM	DGZ		
2	05080398AB	1	2, 3, 6, 7	L		EG2, EXM	DGZ		PLUG, [M10x11MM]
3	05080014AA	1	2, 3, 6, 7	L		EG2, EXM	DGZ		O RING
4									TRANSMISSION, Automatic
	05166032AA	1	2, 3, 6, 7	L		EG2	DGZ		
	05166351AA	1	2, 3, 6, 7	L		EXM	DGZ		
-5	05080067AA	1	2, 3, 6, 7	L		EG2, EXM	DGZ		GASKET PACKAGE, Transmission

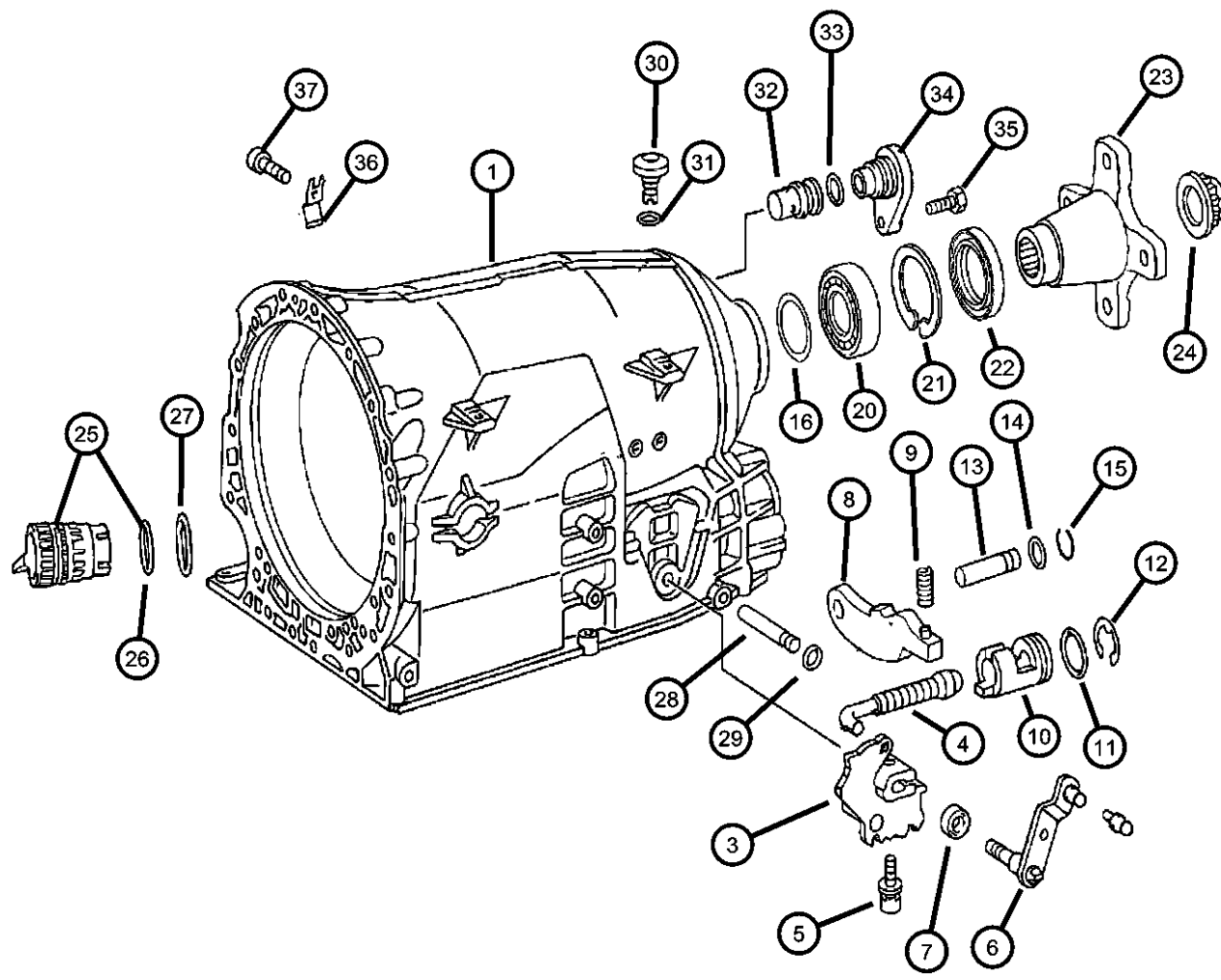
**SPRINTER (VB)**

SERIES	LINE	BODY	ENGINE	TRANSMISSION
L = LOWLINE	3 = HD DODGE 2WD 6 = Lt. Duty DODGE 4WD 2 = Med. Duty DODGE 2WD 7 = Med. Duty DODGE 4WD	17 = VAN WHEEL BASE 7 55 = WAGON WHEEL BASE 5 15 = VAN WHEEL BASE 5 53 = 119 WB 13 = 119 WB 05 = CAB CHASSIS WHEEL BASE 5 03 = CAB CHASSIS WHEEL BASE 3	EG2 = 3.5L V6 Gas Engine EXM = 3.0L V6 Turbo Diesel Engine	DGZ = 5-Speed Auto W5A380 Transmission

AR = use ase required - = Non illustrated part

2008 VB

Case  
Figure 021DGZ-205



ITEM	PART NUMBER	QTY	LINE	SERIES	BODY	ENGINE	TRANS	TRIM	DESCRIPTION
1	05117849AA	1	2, 3, 6, 7	L		EG2, EXM	DGZ		HOUSING, Transmission
-2	68004976AA	2	2, 3, 6, 7	L		EG2, EXM	DGZ		FITTING
3	05099886AA	1	2, 3, 6, 7	L		EG2, EXM	DGZ		DETENT, Gearshift
4	52108166AA	1	2, 3, 6, 7	L		EXM, EG2	DGZ		LINKAGE, Transmission
5	52108178AA	1	2, 3, 6, 7	L		EG2, EXM	DGZ		BOLT, Torx Head, M6x20
6	05138569AA	1	2, 3, 6, 7	L		EG2, EXM	DGZ		LEVER, Gearshift
7	52108170AA	1	2, 3, 6, 7	L		EG2, EXM	DGZ		SEAL, Transmission
8	52108154AA	1	2, 3, 6, 7	L		EG2, EXM	DGZ		PAWL, Parking Sprag
9	52108157AA	1	2, 3, 6, 7	L		EG2, EXM	DGZ		SPRING
10	52108176AA	1	2, 3, 6, 7	L		EG2, EXM	DGZ		GUIDE
11	52108177AA	1	2, 3, 6, 7	L		EG2, EXM	DGZ		O RING
12	52107976AA	1	2, 3, 6, 7	L		EG2, EXM	DGZ		SNAP RING
13	52108155AA	1	2, 3, 6, 7	L		EG2, EXM	DGZ		SHAFT, Parking Pawl
14	52108156AA	1	2, 3, 6, 7	L		EG2, EXM	DGZ		SEAL, Transmission
15	52107975AA	1	2, 3, 6, 7	L		EG2, EXM	DGZ		SNAP RING
16	52108230AA	AR	3, 6, 7, 2	L		EG2, EXM	DGZ		SHIM, Park & output bearing, 0.20mm
-17	52108220AA	AR	2, 3, 6, 7	L		EG2, EXM	DGZ		SHIM, Park & output bearing, 0.30mm
-18	52108231AA	AR	2, 3, 6, 7	L		EG2, EXM	DGZ		SHIM, Park & output bearing, 0.40mm
-19	52108232AA	AR	2, 3, 6, 7	L		EG2, EXM	DGZ		SHIM, Park & output bearing, 0.50mm
20	52108207AA	1	2, 3, 6, 7	L		EG2, EXM	DGZ		BEARING, Output Shaft
21	52108208AA	1	2, 3, 6, 7	L		EG2, EXM	DGZ		SNAP RING
22	52108428AA	1	2, 3, 6, 7	L		EG2, EXM	DGZ		SEAL, Output Shaft
23	05161908AA	1	2, 3, 6, 7	L		EG2, EXM	DGZ		FLANGE, Drive Shaft
24	52108234AA	1	2, 3, 6, 7	L		EG2, EXM	DGZ		NUT, Flange to Output Shaft, M26x1.5
25	68021352AA	1	2, 3, 6, 7	L		EG2, EXM	DGZ		PLUG, Adapter
26	68021352AA	1							O RING, Adapter Plug, (NOT SERVICED)

NOTE:

Sales Code:

[DGZ]=5 Speed Automatic Transmission - [W5A380]

[EGZ]=3.5L V-6 Gas Engine [Mercedes Benz]

[EXM]=3.0L Turbo Diesel Engine [Mercedes Benz]

SPRINTER (VB)

SERIES

L = LOWLINE

LINE

3 = HD DODGE 2WD  
6 = Lt. Duty DODGE 4WD  
2 = Med. Duty DODGE 2WD  
7 = Med. Duty DODGE 4WD

BODY

17 = VAN WHEEL BASE 7  
55 = WAGON WHEEL BASE 5  
15 = VAN WHEEL BASE 5  
53 = 119 WB  
13 = 119 WB  
05 = CAB CHASSIS WHEEL BASE 5  
03 = CAB CHASSIS WHEEL BASE 3

ENGINE

EG2 = 3.5L V6 Gas Engine  
EXM = 3.0L V6 Turbo Diesel Engine

TRANSMISSION

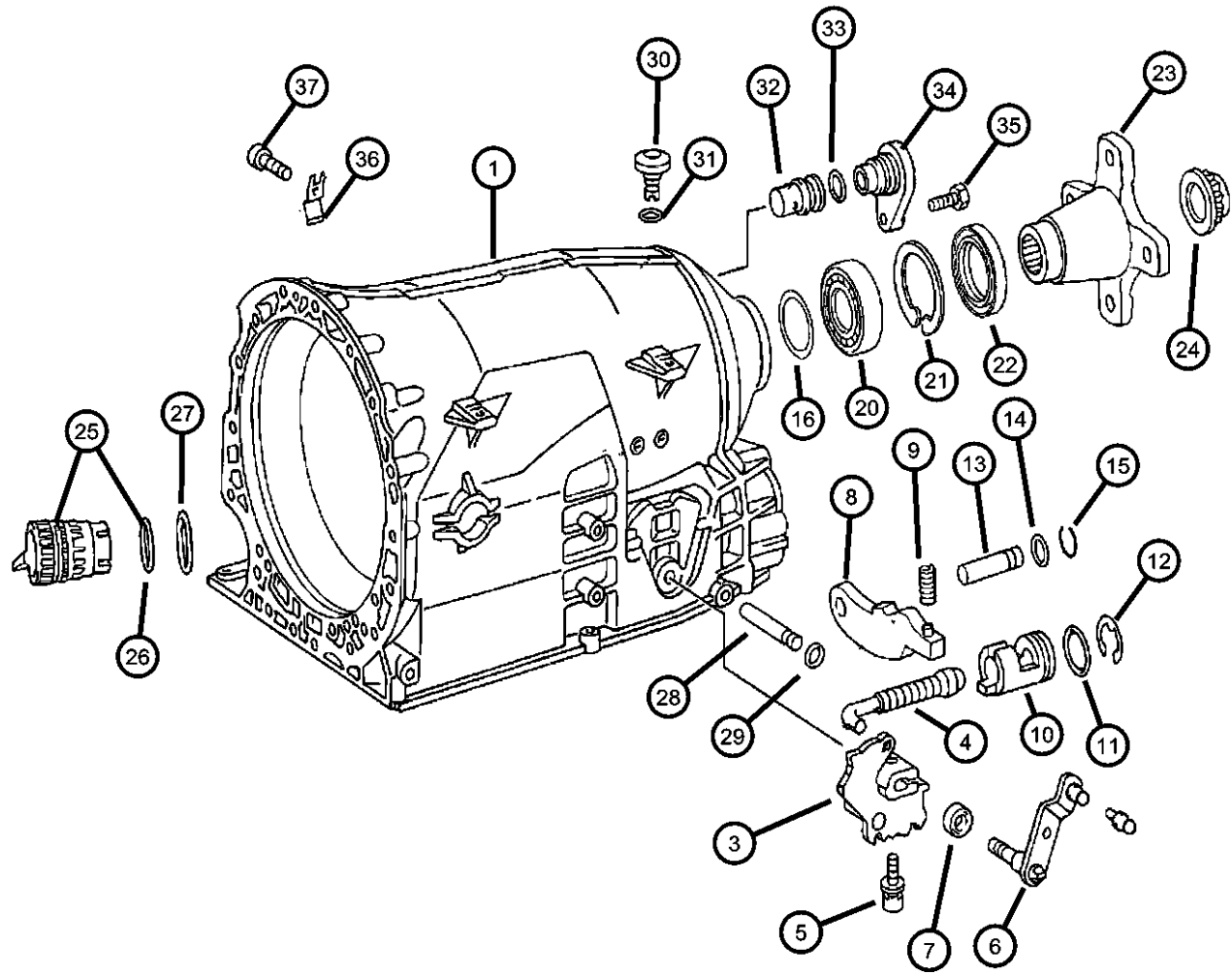
DGZ = 5-Speed Auto W5A380 Transmission

AR = use ase required - = Non illustrated part

2008 VB

Case  
Figure 021DGZ-205

ITEM	PART NUMBER	QTY	LINE	SERIES	BODY	ENGINE	TRANS	TRIM	DESCRIPTION
27	68001279AA	1	2, 3, 6, 7	L		EG2, EXM	DGZ		O RING, Adapter Plug, [31.0x2.8]
28	52108159AA	1	2, 3, 6, 7	L		EG2, EXM	DGZ		PIN
29	52108160AA	1	2, 3, 6, 7	L		EG2, EXM	DGZ		SEAL, Transmission
30	52108364AA	1	2, 3, 6, 7	L		EG2, EXM	DGZ		BREATHER, Transmission
31	52108367AA	1	2, 6, 7, 3	L		EG2, EXM	DGZ		O RING
32	05117853AA	1	2, 3, 6, 7	L		EG2, EXM	DGZ		RETAINER
33	05125908AA	1	2, 3, 6, 7	L		EG2, EXM	DGZ		O RING, Sensor
34	05117839AA	1	2, 3, 6, 7	L		EG2, EXM	DGZ		CAP, Oil Filler
35	04862644AA	1	2, 3, 6, 7	L		EG2, EXM	DGZ		SCREW, [M6x18]
36	52108179AA	1	2, 3, 6, 7	L		EG2, EXM	DGZ		SPRING
37	52108161AA	1	2, 3, 6, 7	L		EG2, EXM	DGZ		SCREW



**SPRINTER (VB)**

SERIES	LINE	BODY	ENGINE	TRANSMISSION
L = LOWLINE	3 = HD DODGE 2WD 6 = Lt. Duty DODGE 4WD 2 = Med. Duty DODGE 2WD 7 = Med. Duty DODGE 4WD	17 = VAN WHEEL BASE 7 55 = WAGON WHEEL BASE 5 15 = VAN WHEEL BASE 5 53 = 119 WB 13 = 119 WB 05 = CAB CHASSIS WHEEL BASE 5 03 = CAB CHASSIS WHEEL BASE 3	EG2 = 3.5L V6 Gas Engine EXM = 3.0L V6 Turbo Diesel Engine	DGZ = 5-Speed Auto W5A380 Transmission

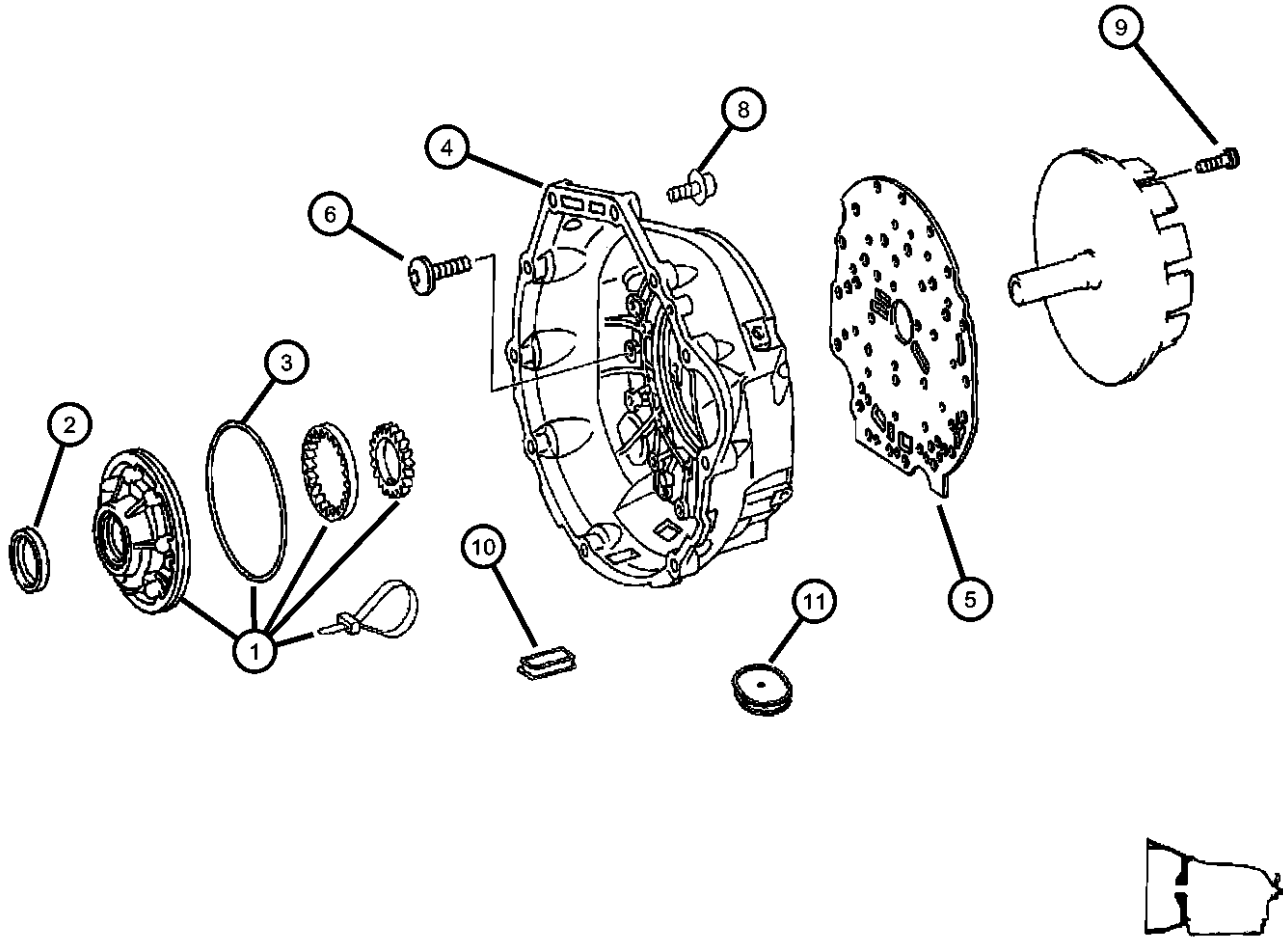
AR = use ase required - = Non illustrated part

2008 VB



**Case Assembly  
Figure 021DGZ-210**

ITEM	PART NUMBER	QTY	LINE	SERIES	BODY	ENGINE	TRANS	TRIM	DESCRIPTION
NOTE: Sales Code: [DGZ]=5 Speed Automatic Transmission - [W5A380] [EGZ]=3.5L V-6 Gas Engine [Mercedes Benz] [EXM]=3.0L Turbo Diesel Engine [Mercedes Benz]									
1	05080070AA	1	2, 3, 6, 7	L		EG2, EXM	DGZ		PUMP, Transmission Oil
2	52108424AA	1	2, 3, 6, 7	L		EG2, EXM	DGZ		SEAL
3	52107900AA	1	2, 3, 6, 7	L		EG2, EXM	DGZ		O RING, Transmission Oil Pump
4	05161462AA	1	2, 3, 6, 7	L		EG2, EXM	DGZ		HOUSING, Torque Converter
5	52108147AA	1	2, 3, 6, 7	L		EG2, EXM	DGZ		PLATE, Intermediate
6	06104158AA	2	2, 3, 6, 7	L		EG2, EXM	DGZ		BOLT, Torx Head, M8x1.25x40
-7	52108206AA	15	2, 3, 6, 7	L		EG2, EXM	DGZ		BOLT, Socket Head, M8x40, Bell Housing To Transmission Case
8	52107934AA	11	2, 3, 6, 7	L		EG2, EXM	DGZ		BOLT, Torx Head, M6x32
9	52107933AA	7	2, 3, 6, 7	L		EG2, EXM	DGZ		BOLT, Torx Head, M8x35
10	05073886AA	2	2, 3, 6, 7	L		EG2, EXM	DGZ		GASKET, Converter Housing Cover
11	53013767AA	1	2, 3, 6, 7	L		EG2, EXM	DGZ		PLUG



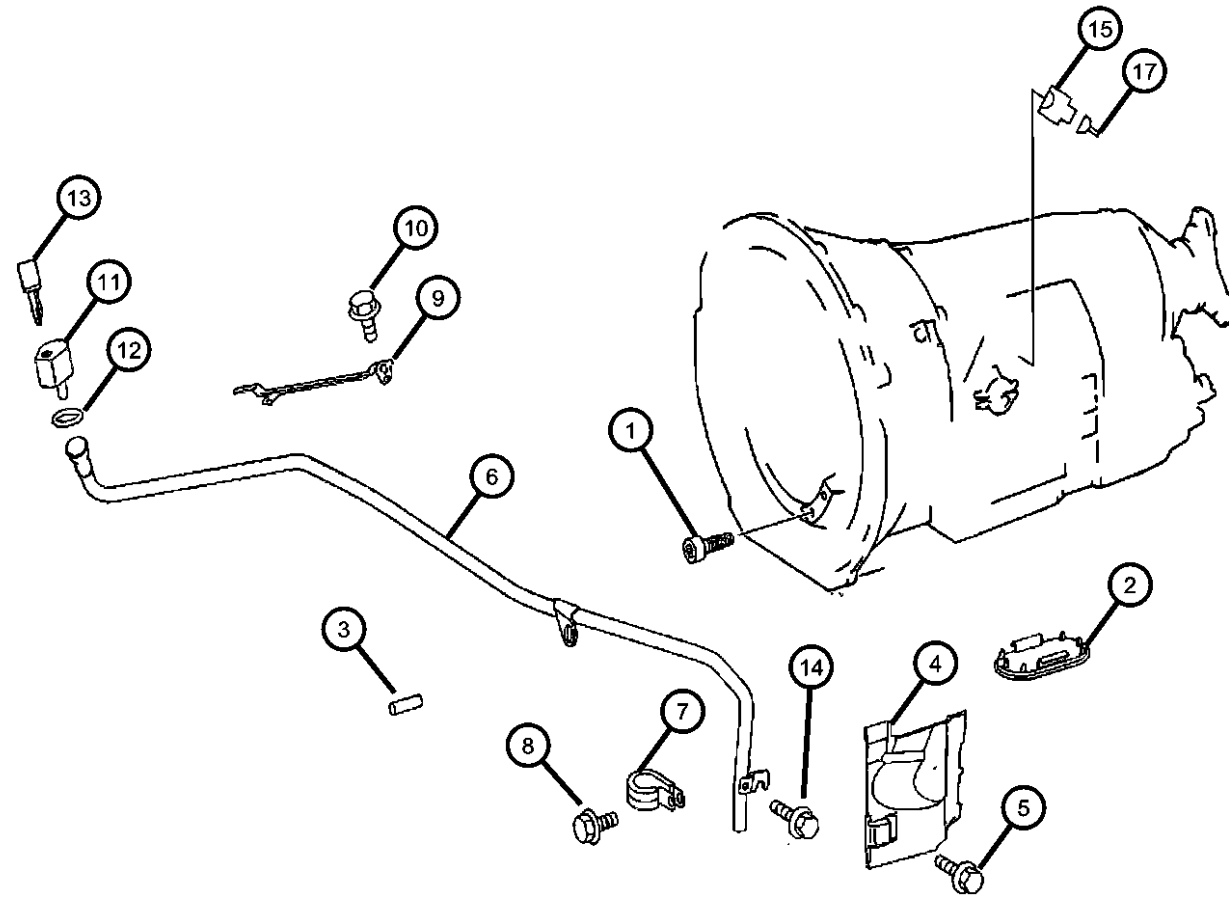
**SPRINTER (VB)**

SERIES	LINE	BODY	ENGINE	TRANSMISSION
L = LOWLINE	3 = HD DODGE 2WD 6 = Lt. Duty DODGE 4WD 2 = Med. Duty DODGE 2WD 7 = Med. Duty DODGE 4WD	17 = VAN WHEEL BASE 7 55 = WAGON WHEEL BASE 5 15 = VAN WHEEL BASE 5 53 = 119 WB 13 = 119 WB 05 = CAB CHASSIS WHEEL BASE 5 03 = CAB CHASSIS WHEEL BASE 3	EG2 = 3.5L V6 Gas Engine EXM = 3.0L V6 Turbo Diesel Engine	DGZ = 5-Speed Auto W5A380 Transmission

AR = use ase required - = Non illustrated part

2008 VB

**Oil Fill Tube And Related Parts  
Figure 021DGZ-225**



ITEM	PART NUMBER	QTY	LINE	SERIES	BODY	ENGINE	TRANS	TRIM	DESCRIPTION
NOTE: Sales Code: [DGZ]=5 Speed Automatic Transmission - [W5A380] [EGZ]=3.5L V-6 Gas Engine [Mercedes Benz] [EXM]=3.0L Turbo Diesel Engine [Mercedes Benz]									
1									SCREW
	05137660AA	2	2, 3, 6, 7	L		EG2	DGZ		Intermediate Flange To Transmission Case [M8x80]
	05191821AA	6	2, 3, 6, 7	L		EG2, EXM	DGZ		Flywheel To Torque Converter [M10x31]
	06104024AA	8	3, 7	L		EG2, EXM	DGZ		Intermediate Flange To Transmission Case [M8x25]
		8	2, 3, 6, 7	L		EG2, EXM	DGZ		Intermediate Flange To Transmission Case [M8x25]
2	68013686AA	1	2, 3, 6, 7	L		EG2, EXM	DGZ		COVER, Converter Cover At Bell Housing
3	05080447AA	1	2, 3, 6, 7	L		EG2, EXM	DGZ		PIN, Transmission To Engine Block
4	53013508AA	1	2, 3, 6, 7	L		EG2	DGZ		SHIELD, Heat
5									SCREW
	06104681AA	1	3, 7	L		EG2, EXM	DGZ		
		1	2, 6	L		EG2, EXM	DGZ		
6									TUBE
	68013688AA	1	2, 3, 6, 7	L		EXM	DGZ		
	68013687AA	1	2, 3, 6, 7	L		EG2	DGZ		
7									CLAMP, Tube Retaining
	05073938AB	2	3, 7	L		EG2	DGZ		
		2	2, 6	L		EG2	DGZ		
8	06104076AA	2	2, 3, 6, 7	L		EG2, EXM	DGZ		BOLT, Torx, M6X1.00X16.00
9	68013689AA	1	2, 3, 6, 7	L		EG2	DGZ		BRACKET
10	06104076AA	2	2, 3, 6, 7	L		EG2, EXM	DGZ		BOLT, Torx, M6X1.00X16.00
11									CAP, Oil Filler
	53013549AA	1	3, 7	L		EG2, EXM	DGZ		
		1	2, 3, 6, 7	L		EG2, EXM	DGZ		
12									SEAL, Oil Filler Tube
	05101154AA	1	3, 7	L		EG2, EXM	DGZ		
		1	2, 3, 6, 7	L		EG2, EXM	DGZ		

**SPRINTER (VB)**

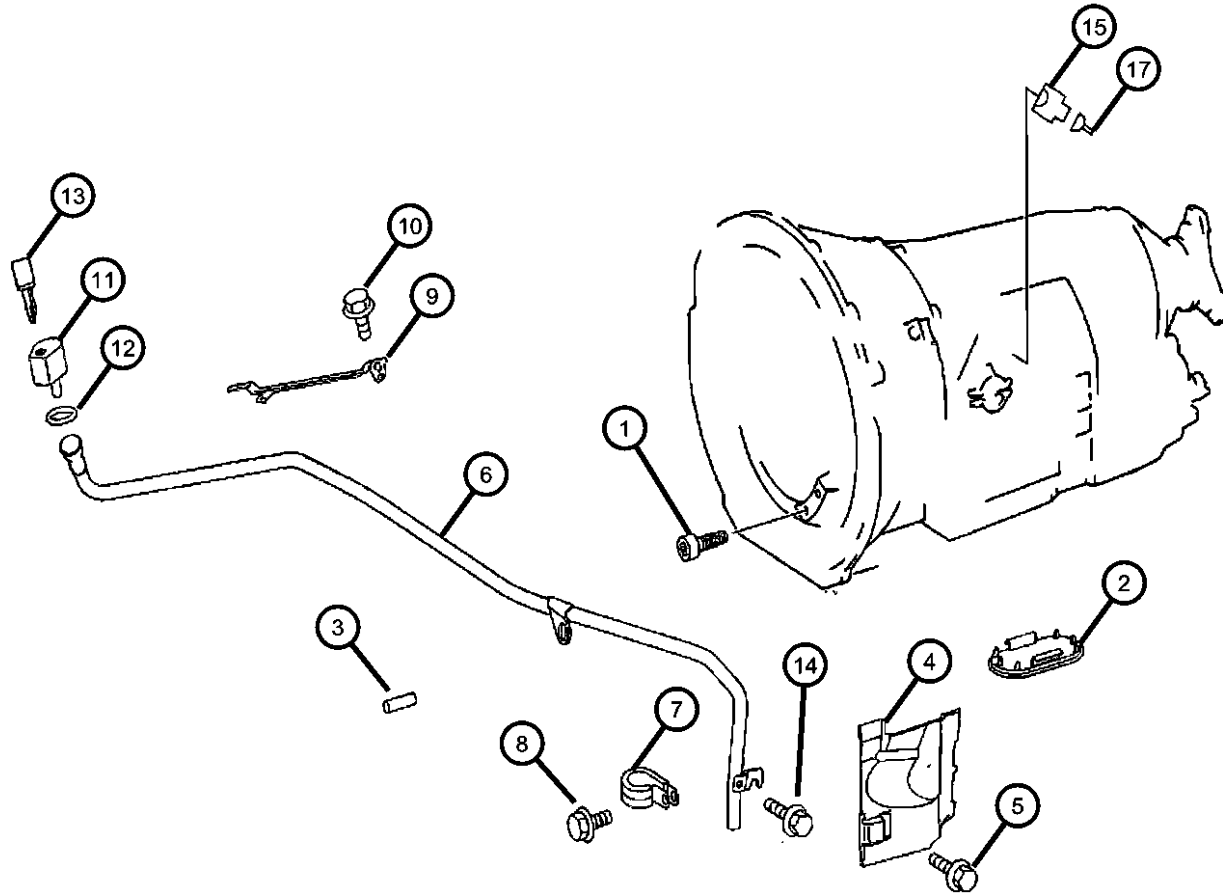
SERIES	LINE	BODY	ENGINE	TRANSMISSION
L = LOWLINE	3 = HD DODGE 2WD 6 = Lt. Duty DODGE 4WD 2 = Med. Duty DODGE 2WD 7 = Med. Duty DODGE 4WD	17 = VAN WHEEL BASE 7 55 = WAGON WHEEL BASE 5 15 = VAN WHEEL BASE 5 53 = 119 WB 13 = 119 WB 05 = CAB CHASSIS WHEEL BASE 5 03 = CAB CHASSIS WHEEL BASE 3	EG2 = 3.5L V6 Gas Engine EXM = 3.0L V6 Turbo Diesel Engine	DGZ = 5-Speed Auto W5A380 Transmission

AR = use ase required - = Non illustrated part

2008 VB

**Oil Fill Tube And Related Parts  
Figure 021DGZ-225**

ITEM	PART NUMBER	QTY	LINE	SERIES	BODY	ENGINE	TRANS	TRIM	DESCRIPTION
13									PIN
	05093746AA	1	3, 7	L		EG2, EXM	DGZ		
		1	2, 3, 6, 7	L		EG2, EXM	DGZ		
14									SCREW
	06104681AA	1	3, 7	L		EG2, EXM	DGZ		
		1	2, 3, 6, 7	L		EG2, EXM	DGZ		
15	05120265AA	1	2, 3, 6, 7	L		EG2, EXM	DGZ		CONNECTOR, [A62 / 12PIN]
-16	05120884AA	1	2, 3, 6, 7	L		EG2, EXM	DGZ		CAP, [A62]
17	05103882AA	1	2, 3, 6, 7	L					TERMINAL, [A62] Contact [0.5-1.0MM 2/JPT]



**SPRINTER (VB)**

SERIES	LINE	BODY	ENGINE	TRANSMISSION
L = LOWLINE	3 = HD DODGE 2WD 6 = Lt. Duty DODGE 4WD 2 = Med. Duty DODGE 2WD 7 = Med. Duty DODGE 4WD	17 = VAN WHEEL BASE 7 55 = WAGON WHEEL BASE 5 15 = VAN WHEEL BASE 5 53 = 119 WB 13 = 119 WB 05 = CAB CHASSIS WHEEL BASE 5 03 = CAB CHASSIS WHEEL BASE 3	EG2 = 3.5L V6 Gas Engine EXM = 3.0L V6 Turbo Diesel Engine	DGZ = 5-Speed Auto W5A380 Transmission

AR = use ase required - = Non illustrated part

2008 VB

**Oil Pan, Cover And Related Parts  
Figure 021DGZ-230**

ITEM	PART NUMBER	QTY	LINE	SERIES	BODY	ENGINE	TRANS	TRIM	DESCRIPTION
------	-------------	-----	------	--------	------	--------	-------	------	-------------

NOTE:

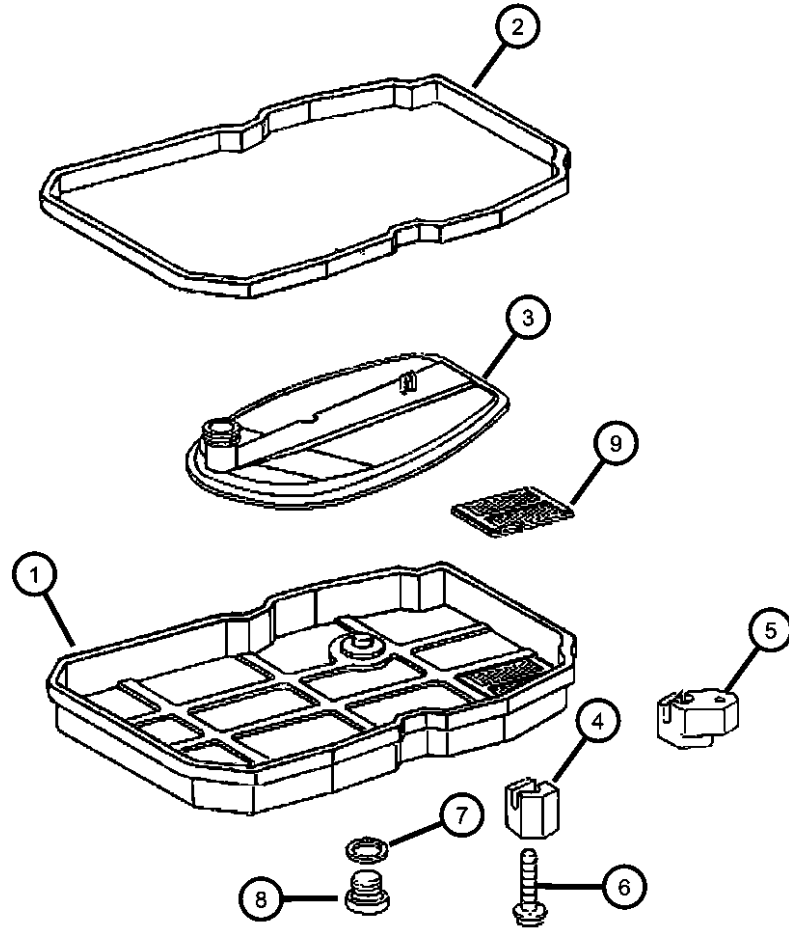
Sales Code:

[DGZ]=5 Speed Automatic Transmission - [W5A380]

[EGZ]=3.5L V-6 Gas Engine [Mercedes Benz]

[EXM]=3.0L Turbo Diesel Engine [Mercedes Benz]

1	52108326AA	1	2, 3, 6, 7	L		EG2, EXM	DGZ		PAN, Transmission Oil
2	52108332AA	1	2, 3, 6, 7	L		EG2, EXM	DGZ		GASKET, Oil Pan
3	52108325AA	1	2, 3, 6, 7	L		EG2, EXM	DGZ		FILTER, Transmission Oil
4	52108334AA	AR	2, 3, 6, 7	L		EG2, EXM	DGZ		CLAMP, Oil Pan
5	05080289AA	1	2, 3, 6, 7	L		EG2	DGZ		CLAMP, Oil Pan
6	52108270AA	6	2, 3, 6, 7	L		EG2, EXM	DGZ		BOLT, Torx Head, M6x32
7	52108330AA	1	2, 3, 6, 7	L		EG2, EXM	DGZ		SEAL, Transmission
8	05080398AB	1	2, 3, 6, 7	L		EG2, EXM	DGZ		PLUG
9	52108331AB	1	2, 3, 6, 7	L		EG2, EXM	DGZ		MAGNET



**SPRINTER (VB)**

SERIES

L = LOWLINE

LINE

3 = HD DODGE 2WD  
6 = Lt. Duty DODGE 4WD  
2 = Med. Duty DODGE 2WD  
7 = Med. Duty DODGE 4WD

BODY

17 = VAN WHEEL BASE 7  
55 = WAGON WHEEL BASE 5  
15 = VAN WHEEL BASE 5  
53 = 119 WB  
13 = 119 WB  
05 = CAB CHASSIS WHEEL  
BASE 5  
03 = CAB CHASSIS WHEEL  
BASE 3

ENGINE

EG2 = 3.5L V6 Gas Engine  
EXM = 3.0L V6 Turbo Diesel  
Engine

TRANSMISSION

DGZ = 5-Speed Auto W5A380  
Transmission

AR = use ase required - = Non illustrated part

2008 VB

**Filters**  
**Figure 021DGZ-235**

ITEM	PART NUMBER	QTY	LINE	SERIES	BODY	ENGINE	TRANS	TRIM	DESCRIPTION
------	-------------	-----	------	--------	------	--------	-------	------	-------------

NOTE:

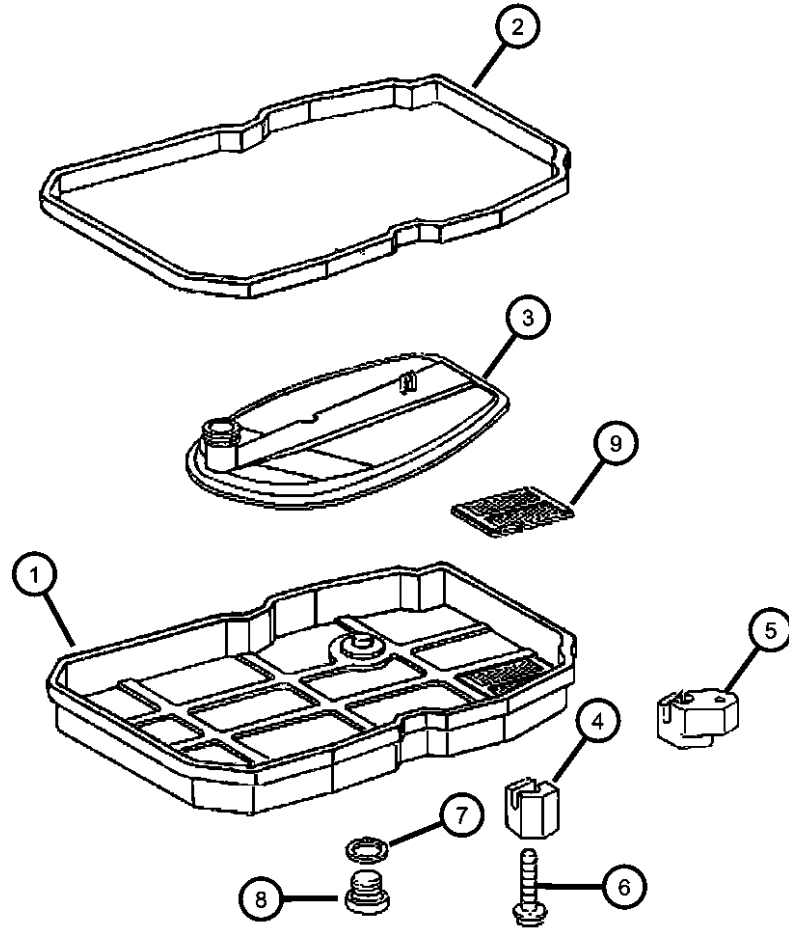
Sales Code:

[DGZ]=5 Speed Automatic Transmission - [W5A380]

[EGZ]=3.5L V-6 Gas Engine [Mercedes Benz]

[EXM]=3.0L Turbo Diesel Engine [Mercedes Benz]

1	52108326AA	1	2, 3, 6, 7	L		EG2, EXM	DGZ		PAN, Transmission Oil
2	52108332AA	1	2, 3, 6, 7	L		EG2, EXM	DGZ		GASKET, Oil Pan
3	52108325AA	1	2, 3, 6, 7	L		EG2, EXM	DGZ		FILTER, Transmission Oil
4	52108334AA	AR	2, 3, 6, 7	L		EG2, EXM	DGZ		CLAMP, Oil Pan
5	05080289AA	1	2, 3, 6, 7	L		EG2	DGZ		CLAMP, Oil Pan
6	52108270AA	6	2, 3, 6, 7	L		EG2, EXM	DGZ		BOLT, Torx Head, M6x32
7	52108330AA	1	2, 3, 6, 7	L		EG2, EXM	DGZ		SEAL, Transmission
8	05080398AB	1	2, 3, 6, 7	L		EG2, EXM	DGZ		PLUG
9	52108331AB	1	2, 3, 6, 7	L		EXM, EG2	DGZ		MAGNET



**SPRINTER (VB)**

SERIES

L = LOWLINE

LINE

3 = HD DODGE 2WD  
 6 = Lt. Duty DODGE 4WD  
 2 = Med. Duty DODGE 2WD  
 7 = Med. Duty DODGE 4WD

BODY

17 = VAN WHEEL BASE 7  
 55 = WAGON WHEEL BASE 5  
 15 = VAN WHEEL BASE 5  
 53 = 119 WB  
 13 = 119 WB  
 05 = CAB CHASSIS WHEEL  
 BASE 5  
 03 = CAB CHASSIS WHEEL  
 BASE 3

ENGINE

EG2 = 3.5L V6 Gas Engine  
 EXM = 3.0L V6 Turbo Diesel  
 Engine

TRANSMISSION

DGZ = 5-Speed Auto W5A380  
 Transmission

AR = use ase required - = Non illustrated part

2008 VB

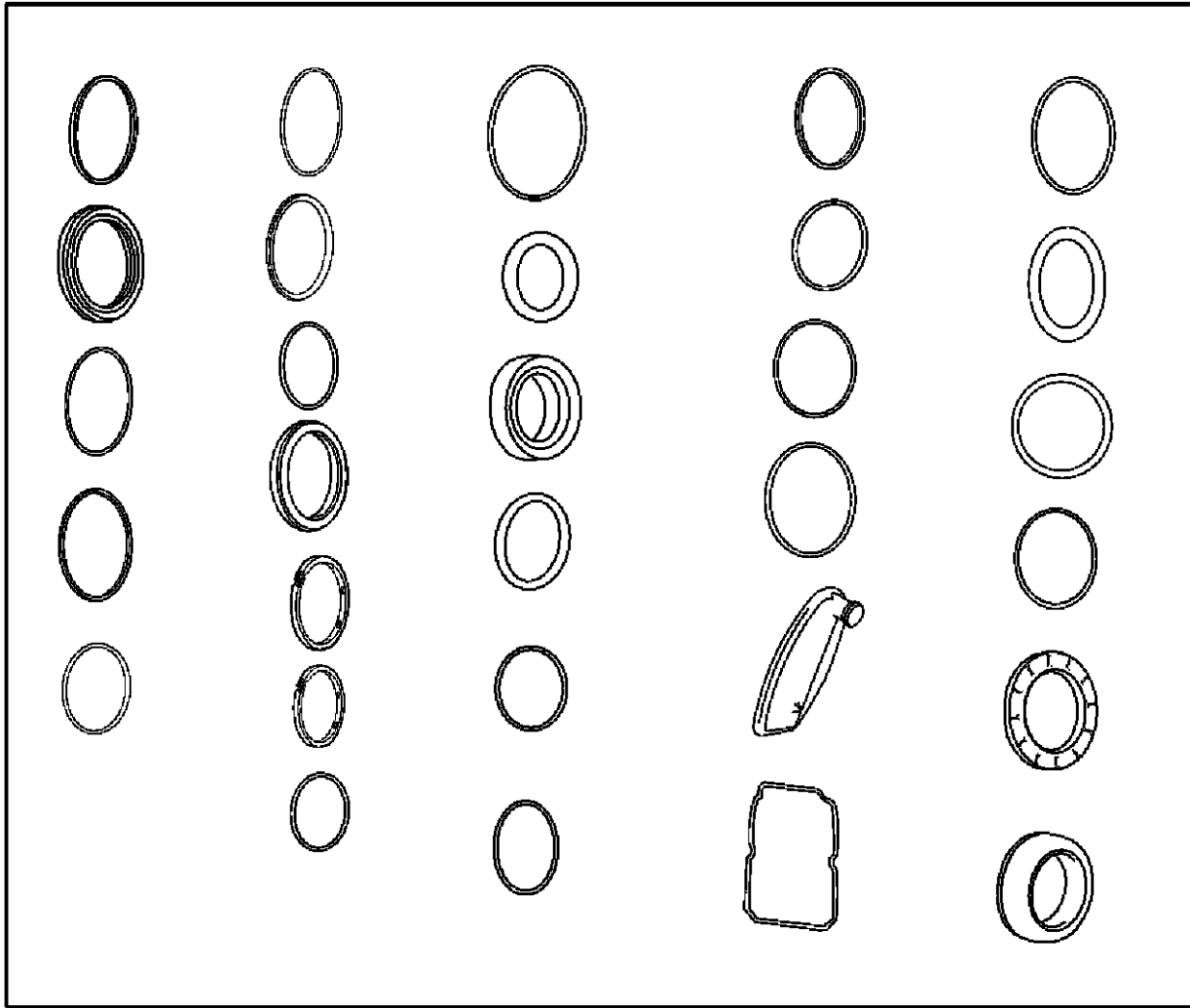
**Transmission Seal and Gasket Package  
Figure 021DGZ-301**

ITEM	PART NUMBER	QTY	LINE	SERIES	BODY	ENGINE	TRANS	TRIM	DESCRIPTION
------	-------------	-----	------	--------	------	--------	-------	------	-------------

NOTE: PARTS ILLUSTRATED ARE NOT IN SCALE OR IN CORRECT SIZE. THIS IS A GASKET AND SEAL PACKAGE. IT DOES NOT INCLUDE

1	05080067AA	1	2, 3, 6, 7	L		EG2, EXM	DGZ		GASKET PACKAGE, Transmission, See Note:
---	------------	---	------------	---	--	----------	-----	--	--

①



**SPRINTER (VB)**

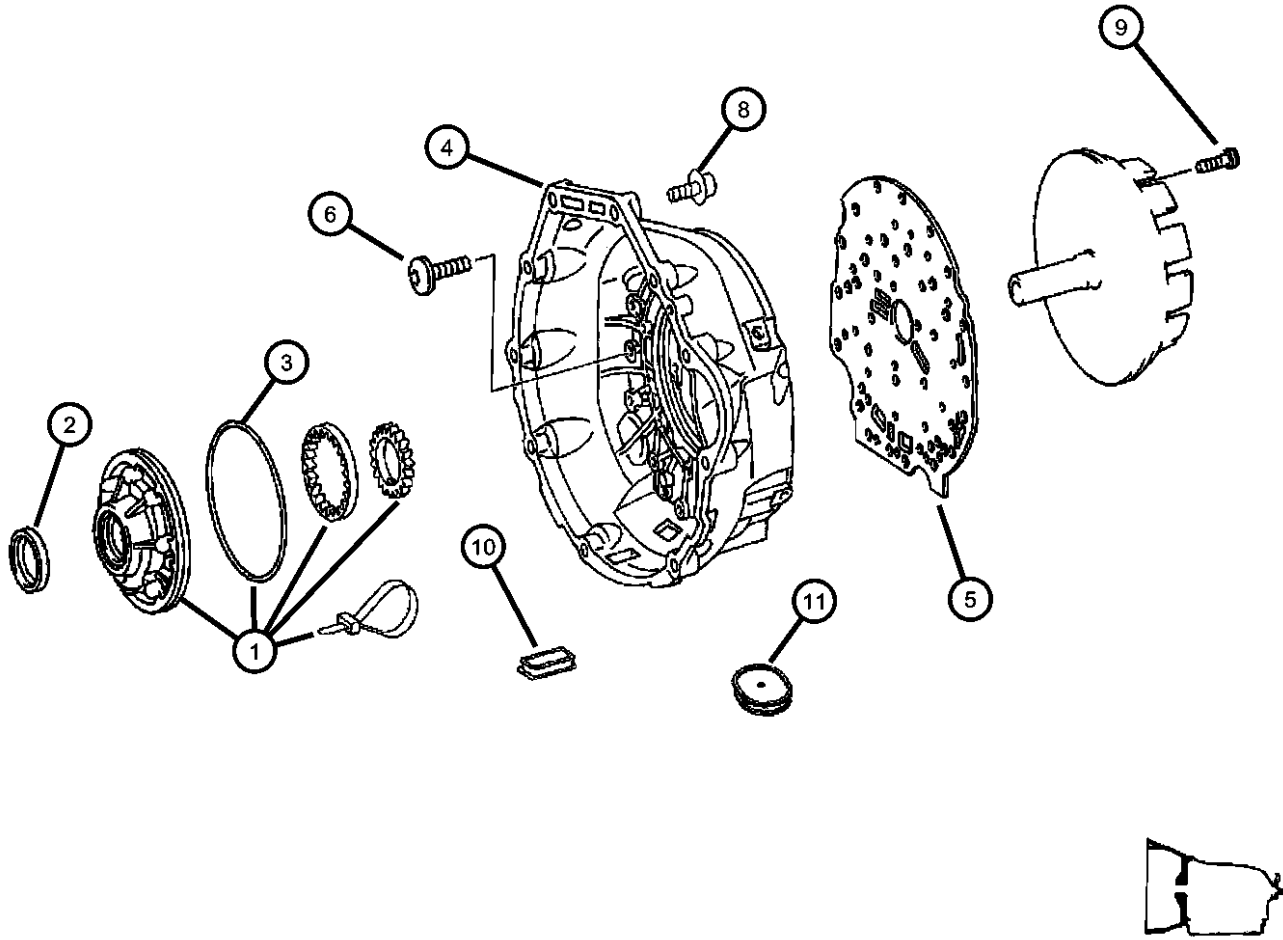
SERIES	LINE	BODY	ENGINE	TRANSMISSION
L = LOWLINE	3 = HD DODGE 2WD 6 = Lt. Duty DODGE 4WD 2 = Med. Duty DODGE 2WD 7 = Med. Duty DODGE 4WD	17 = VAN WHEEL BASE 7 55 = WAGON WHEEL BASE 5 15 = VAN WHEEL BASE 5 53 = 119 WB 13 = 119 WB 05 = CAB CHASSIS WHEEL BASE 5 03 = CAB CHASSIS WHEEL BASE 3	EG2 = 3.5L V6 Gas Engine EXM = 3.0L V6 Turbo Diesel Engine	DGZ = 5-Speed Auto W5A380 Transmission

AR = use ase required - = Non illustrated part

2008 VB

**Oil Pump and Related Parts  
Figure 021DGZ-420**

ITEM	PART NUMBER	QTY	LINE	SERIES	BODY	ENGINE	TRANS	TRIM	DESCRIPTION
NOTE: Sales Code: [DGZ]=5 Speed Automatic Transmission - [W5A380] [EGZ]=3.5L V-6 Gas Engine [Mercedes Benz] [EXM]=3.0L Turbo Diesel Engine [Mercedes Benz]									
1	05080070AA	1	2, 3, 6, 7	L		EG2, EXM	DGZ		PUMP, Transmission Oil
2	52108424AA	1	2, 3, 6, 7	L		EG2, EXM	DGZ		SEAL
3	52107900AA	1	2, 3, 6, 7	L		EG2, EXM	DGZ		O RING, Transmission Oil Pump
4	05161462AA	1	2, 3, 6, 7	L		EG2, EXM	DGZ		HOUSING, Torque Converter
5	52108147AA	1	2, 3, 6, 7	L		EG2, EXM	DGZ		PLATE, Intermediate
6	06104158AA	2	2, 3, 6, 7	L		EG2, EXM	DGZ		BOLT, Torx Head, M8x1.25x40
-7	52108206AA	15	2, 3, 6, 7	L		EG2, EXM	DGZ		BOLT, Socket Head, M8x40, Bell Housing To Transmission Case
8	52107934AA	11	2, 3, 6, 7	L		EG2, EXM	DGZ		BOLT, Torx Head, M6x32
9	52107933AA	7	2, 3, 6, 7	L		EG2, EXM	DGZ		BOLT, Torx Head, M8x35
10	05073886AA	2	2, 3, 6, 7	L		EG2, EXM	DGZ		GASKET, Converter Housing Cover
11	53013767AA	1	2, 3, 6, 7	L		EG2, EXM	DGZ		PLUG



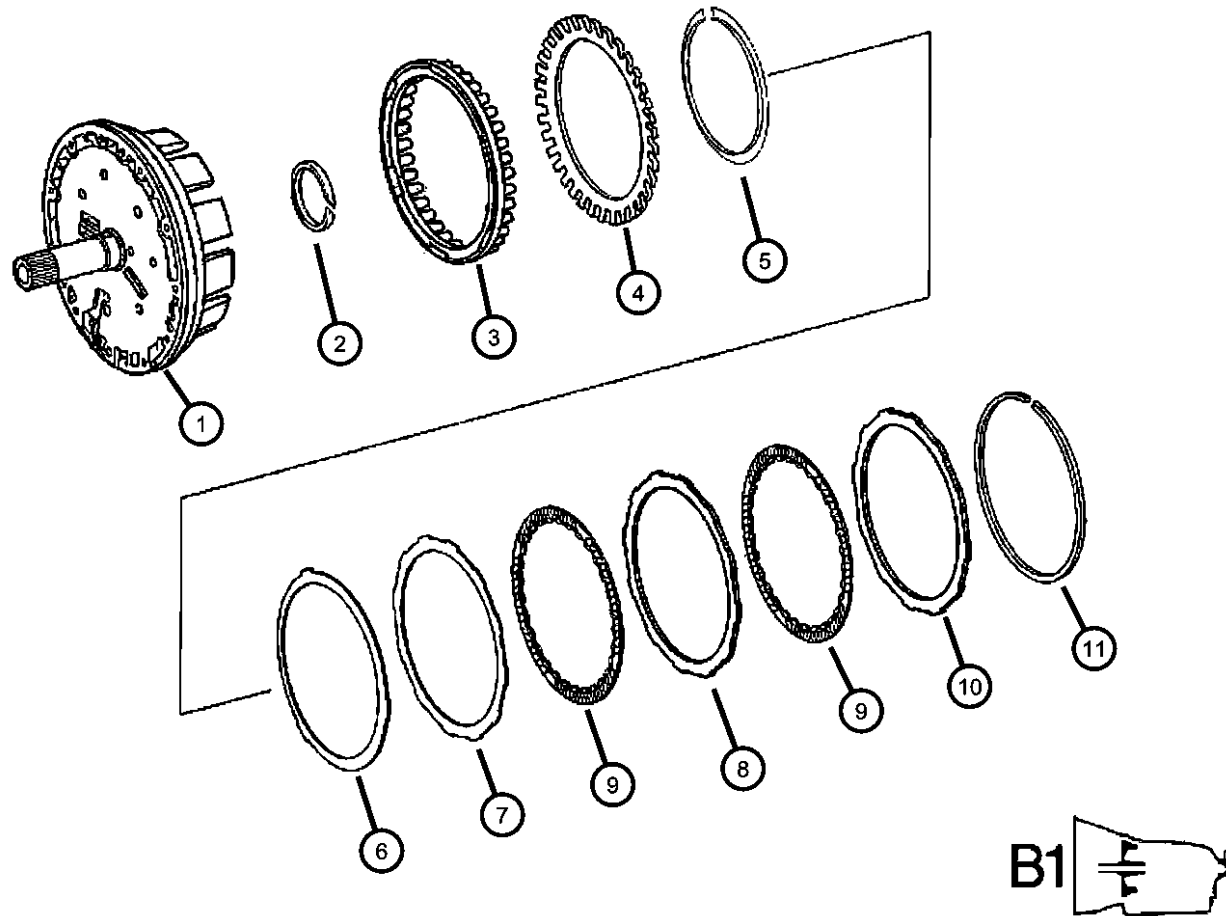
**SPRINTER (VB)**

SERIES	LINE	BODY	ENGINE	TRANSMISSION
L = LOWLINE	3 = HD DODGE 2WD 6 = Lt. Duty DODGE 4WD 2 = Med. Duty DODGE 2WD 7 = Med. Duty DODGE 4WD	17 = VAN WHEEL BASE 7 55 = WAGON WHEEL BASE 5 15 = VAN WHEEL BASE 5 53 = 119 WB 13 = 119 WB 05 = CAB CHASSIS WHEEL BASE 5 03 = CAB CHASSIS WHEEL BASE 3	EG2 = 3.5L V6 Gas Engine EXM = 3.0L V6 Turbo Diesel Engine	DGZ = 5-Speed Auto W5A380 Transmission

AR = use ase required - = Non illustrated part

**B1 Brake Clutch**  
**Figure 021DGZ-526**

ITEM	PART NUMBER	QTY	LINE	SERIES	BODY	ENGINE	TRANS	TRIM	DESCRIPTION
1	05138365AA	1	2, 3, 6, 7	L		EG2	DGZ		HOLDING CLUTCH, Outer carrier, B1
	52108539AC	1	2, 3, 6, 7	L		EXM	DGZ		
2	52108028AA	2	2, 3, 6, 7	L		EG2, EXM	DGZ		SEAL, Transmission
3	52108506AA	1	2, 3, 6, 7	L		EG2, EXM	DGZ		PISTON, B1 Clutch
4	52108023AA	1	2, 3, 6, 7	L		EG2, EXM	DGZ		SPRING, Piston Return
5	52107936AA	1	2, 3, 6, 7	L		EG2, EXM	DGZ		SNAP RING
6	52108024AA	1	2, 3, 6, 7	L		EG2, EXM	DGZ		DISC, Spring
7	52107992AA	1	2, 3, 6, 7	L		EG2, EXM	DGZ		DISC, Outer, [1.8MM]
8	52108508AA	4	2, 3, 6, 7	L		EG2, EXM	DGZ		DISC, Outer, [2.07MM]
9	52108507AA	6	2, 3, 6, 7	L		EG2, EXM	DGZ		DISC, Inner
10	52107994AA	1	2, 3, 6, 7	L		EG2, EXM	DGZ		DISC, Outer, [4.0MM]
11	52107951AA	AR	2, 3, 6, 7	L		EG2, EXM	DGZ		SNAP RING [3.2MM]
	52107952AA	AR	2, 3, 6, 7	L		EG2, EXM	DGZ		[3.5MM]
	52107949AA	AR	3, 6, 7, 2	L		EG2, EXM	DGZ		[2.6MM]
	52107950AA	AR	2, 3, 6, 7	L		EG2, EXM	DGZ		[2.9MM]



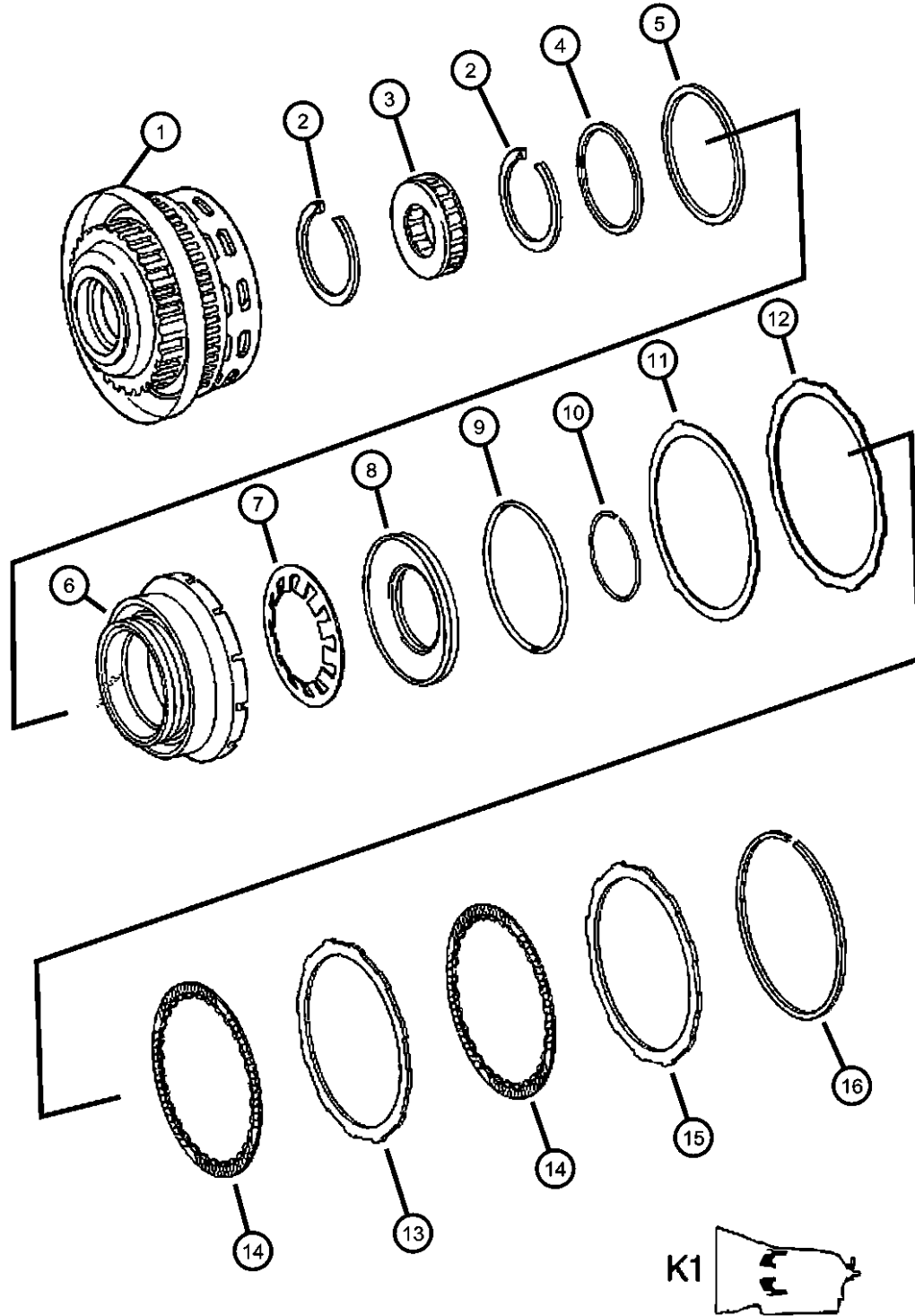
**SPRINTER (VB)**

<b>SERIES</b>	<b>LINE</b>	<b>BODY</b>	<b>ENGINE</b>	<b>TRANSMISSION</b>
L = LOWLINE	3 = HD DODGE 2WD 6 = Lt. Duty DODGE 4WD 2 = Med. Duty DODGE 2WD 7 = Med. Duty DODGE 4WD	17 = VAN WHEEL BASE 7 55 = WAGON WHEEL BASE 5 15 = VAN WHEEL BASE 5 53 = 119 WB 13 = 119 WB 05 = CAB CHASSIS WHEEL BASE 5 03 = CAB CHASSIS WHEEL BASE 3	EG2 = 3.5L V6 Gas Engine EXM = 3.0L V6 Turbo Diesel Engine	DGZ = 5-Speed Auto W5A380 Transmission

AR = use ase required - = Non illustrated part



**K1 Clutch Assembly  
Figure 021DGZ-527**



ITEM	PART NUMBER	QTY	LINE	SERIES	BODY	ENGINE	TRANS	TRIM	DESCRIPTION
------	-------------	-----	------	--------	------	--------	-------	------	-------------

NOTE:  
Sales Code:  
[DGZ]=5 Speed Automatic Transmission - [W5A380]  
[EGZ]=3.5L V-6 Gas Engine [Mercedes Benz]  
[EXM]=3.0L Turbo Diesel Engine [Mercedes Benz]

1	05183860AA	1	2, 3, 6, 7	L		EG2	DGZ		DISC, Support
2	52107955AA	2	2, 3, 6, 7	L		EG2, EXM	DGZ		SNAP RING
3	52108342AB	1	2, 3, 6, 7	L		EG2, EXM	DGZ		CLUTCH, Front Sun Gear Sprag, Freewheel Unit
4	52107938AA	1	2, 3, 6, 7	L		EG2, EXM	DGZ		SEAL, Transmission
5	52107939AA	1	2, 3, 6, 7	L		EG2, EXM	DGZ		SEAL, Transmission
6	52108059AA	1	2, 3, 6, 7	L		EG2, EXM	DGZ		PISTON, K1 Clutch
7	52108057AA	1	2, 3, 6, 7	L		EG2, EXM	DGZ		SPRING, Piston Return
8	52108058AA	1	2, 3, 6, 7	L		EG2, EXM	DGZ		RETAINER, Spring
9	52107941AA	1	2, 3, 6, 7	L		EG2, EXM	DGZ		O RING
10	52107954AA	1	2, 3, 6, 7	L		EG2, EXM	DGZ		SNAP RING
11	52108024AA	1	2, 3, 6, 7	L		EG2, EXM	DGZ		DISC, Spring
12	52107992AA	1	2, 3, 6, 7	L		EG2, EXM	DGZ		DISC, Outer, [1.8MM]
13	52108508AA	4	2, 3, 6, 7	L		EG2, EXM	DGZ		DISC, Outer, [2.07MM]
14	52108507AA	6	2, 3, 6, 7	L		EG2, EXM	DGZ		DISC, Inner
15	52107994AA	1	2, 3, 6, 7	L		EG2, EXM	DGZ		DISC, Outer, [4.0MM]
16									SNAP RING
	52107949AA	AR	2, 3, 6, 7	L		EG2, EXM	DGZ		[2.6MM]
	52107950AA	AR	2, 3, 6, 7	L		EG2, EXM	DGZ		[2.9MM]
	52107951AA	AR	2, 3, 6, 7	L		EG2, EXM	DGZ		[3.2MM]
	52107952AA	AR	2, 3, 6, 7	L		EG2, EXM	DGZ		[3.5MM]
	52108373AA	AR	2, 3, 6, 7	L		EG2, EXM	DGZ		[3.8MM]

**SPRINTER (VB)**

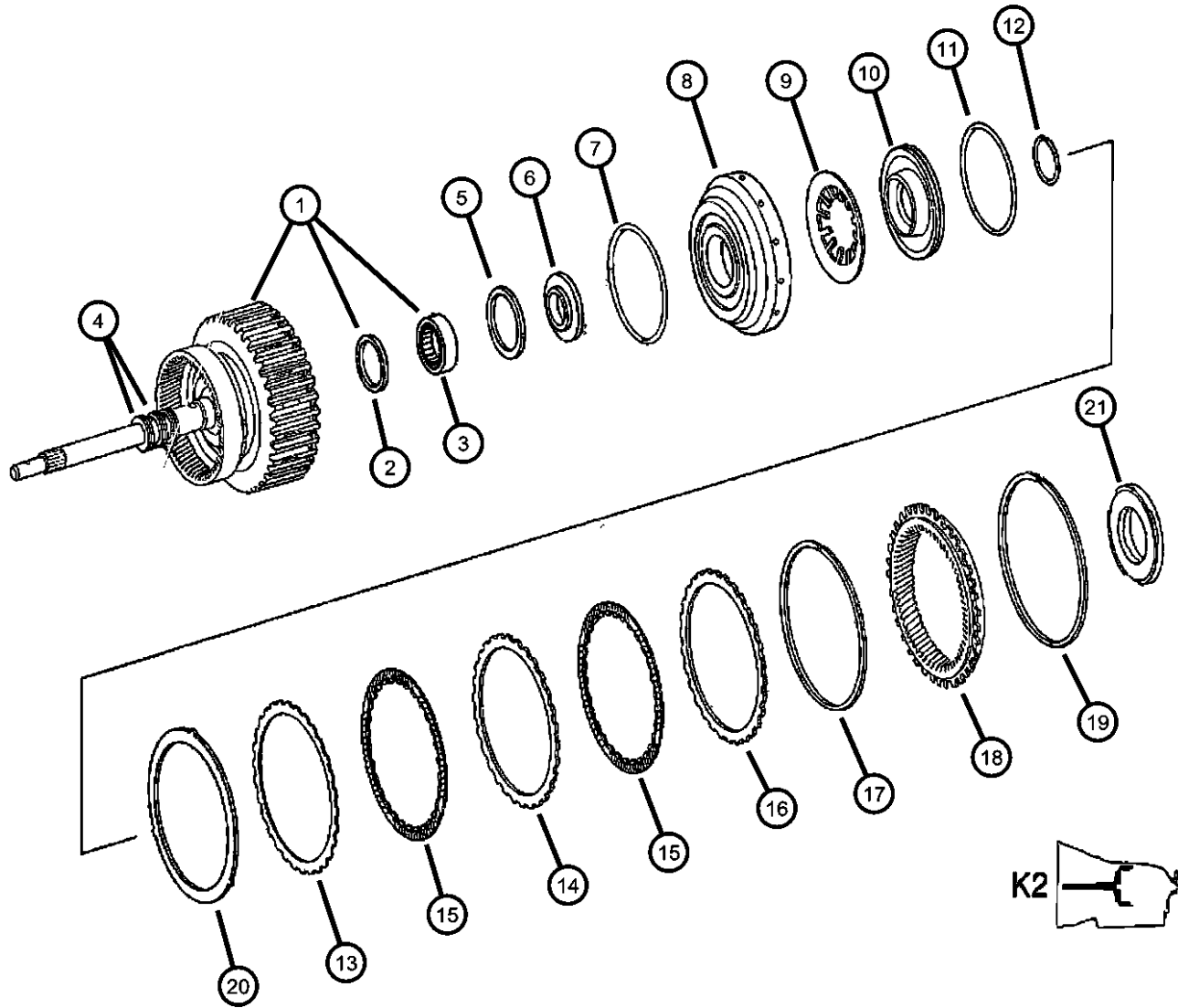
SERIES LINE  
L = LOWLINE 3 = HD DODGE 2WD  
6 = Lt. Duty DODGE 4WD  
2 = Med. Duty DODGE 2WD  
7 = Med. Duty DODGE 4WD

BODY ENGINE TRANSMISSION  
17 = VAN WHEEL BASE 7 EG2 = 3.5L V6 Gas Engine DGZ = 5-Speed Auto W5A380  
55 = WAGON WHEEL BASE 5 EXM = 3.0L V6 Turbo Diesel Transmission  
15 = VAN WHEEL BASE 5 Engine  
53 = 119 WB  
13 = 119 WB  
05 = CAB CHASSIS WHEEL  
BASE 5  
03 = CAB CHASSIS WHEEL  
BASE 3

AR = use ase required - = Non illustrated part

2008 VB

**K2 Clutch Assembly  
Figure 021DGZ-528**



ITEM	PART NUMBER	QTY	LINE	SERIES	BODY	ENGINE	TRANS	TRIM	DESCRIPTION
NOTE: Sales Code: [DGZ]=5 Speed Automatic Transmission - [W5A380] [EGZ]=3.5L V-6 Gas Engine [Mercedes Benz] [EXM]=3.0L Turbo Diesel Engine [Mercedes Benz]									
1	52108044AA	1	2, 3, 6, 7	L		EG2, EXM	DGZ		SHAFT, Input
2	52108127AA	1	2, 3, 6, 7	L		EG2, EXM	DGZ		SEAL, Transmission
3	52108126AA	1	2, 3, 6, 7	L		EG2, EXM	DGZ		NEEDLE BEARING
4	05179366AA	3	2, 3, 6, 7	L		EG2, EXM	DGZ		SEAL, Transmission
5	52108134AA	1	2, 3, 6, 7	L		EG2, EXM	DGZ		SEAL, Transmission
6	52107928AA	1	2, 3, 6, 7	L		EG2, EXM	DGZ		RETAINER, Bearing
7	52108135AA	1	2, 3, 6, 7	L		EG2, EXM	DGZ		SEAL, Input Shaft
8									PISTON, K2 Clutch
	52108136AA	1	2, 3, 6, 7	L		EXM	DGZ		
	52108517AA	1	2, 3, 6, 7	L		EG2	DGZ		
9	52108137AA	1	2, 3, 6, 7	L		EG2, EXM	DGZ		SPRING, Piston Return
10	52108138AB	1	2, 3, 6, 7	L		EG2, EXM	DGZ		RETAINER, Spring
11	52108140AA	1	2, 3, 6, 7	L		EG2, EXM	DGZ		O RING
12	52107970AA	AR	2, 3, 6, 7	L		EG2, EXM	DGZ		SNAP RING
13	52107996AA	1	2, 3, 6, 7	L		EG2, EXM	DGZ		DISC, Outer, [1.8MM]
14	05174859AA	5	2, 3, 6, 7	L		EG2, EXM	DGZ		DISC, Outer, [2.8MM]
15	52108141AB	6	2, 3, 6, 7	L		EG2, EXM	DGZ		DISC, Inner
16	05174860AA	1	2, 3, 6, 7	L		EG2, EXM	DGZ		DISC, Outer, [4.0MM]
17									SNAP RING
	52107958AA	1	2, 3, 6, 7	L		EG2, EXM	DGZ		[2.3MM]
	52107959AA	1	2, 3, 6, 7	L		EG2, EXM	DGZ		[2.6MM]
	52107960AA	1	2, 3, 6, 7	L		EG2, EXM	DGZ		[2.9MM]
	52107961AA	1	2, 3, 6, 7	L		EG2, EXM	DGZ		[3.2MM]
	52107962AA	1	2, 3, 6, 7	L		EG2, EXM	DGZ		[3.5MM]
18	52107922AA	1	2, 3, 6, 7	L		EG2, EXM	DGZ		GEAR, Rear Annulus
19	52107926AA	1	2, 3, 6, 7	L		EG2, EXM	DGZ		SNAP RING
20	52108346AA	1	2, 3, 6, 7	L		EG2, EXM	DGZ		DISC, Spring
21	05138438AA	1	2, 3, 6, 7	L		EG2, EXM	DGZ		BEARING, Thrust

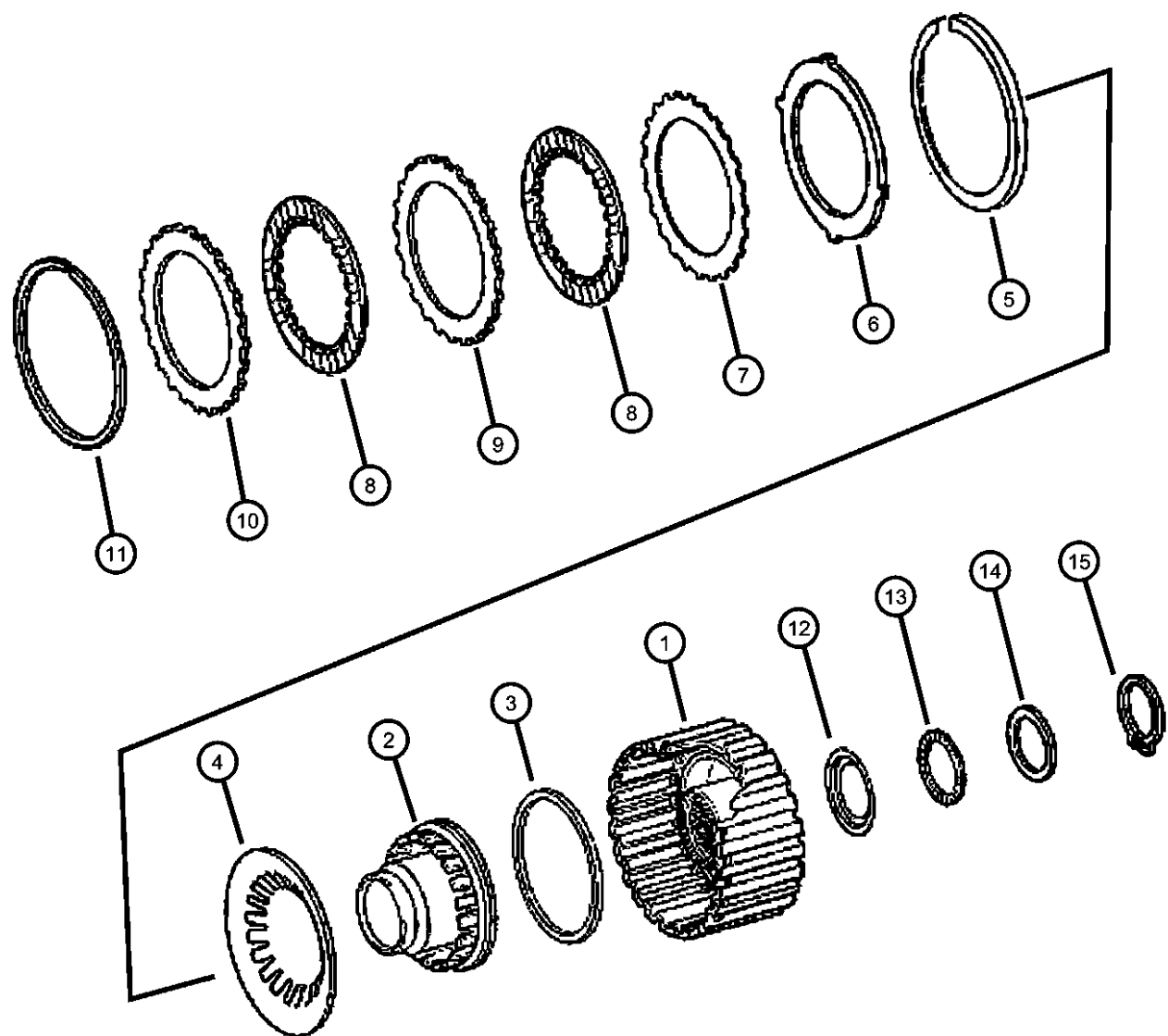
**SPRINTER (VB)**

SERIES	LINE	BODY	ENGINE	TRANSMISSION
L = LOWLINE	3 = HD DODGE 2WD 6 = Lt. Duty DODGE 4WD 2 = Med. Duty DODGE 2WD 7 = Med. Duty DODGE 4WD	17 = VAN WHEEL BASE 7 55 = WAGON WHEEL BASE 5 15 = VAN WHEEL BASE 5 53 = 119 WB 13 = 119 WB 05 = CAB CHASSIS WHEEL BASE 5 03 = CAB CHASSIS WHEEL BASE 3	EG2 = 3.5L V6 Gas Engine EXM = 3.0L V6 Turbo Diesel Engine	DGZ = 5-Speed Auto W5A380 Transmission

AR = use ase required - = Non illustrated part

### K3 Clutch Assembly [DGZ]

#### Figure 021DGZ-529



ITEM	PART NUMBER	QTY	LINE	SERIES	BODY	ENGINE	TRANS	TRIM	DESCRIPTION
NOTE: Sales Code: [DGZ]=5 Speed Automatic Transmission - [W5A380] [EGZ]=3.5L V-6 Gas Engine [Mercedes Benz] [EXM]=3.0L Turbo Diesel Engine [Mercedes Benz]									
1									RETAINER, K3 Clutch
	52108524AA	1	2, 3, 6, 7	L		EG2	DGZ		
	52108548AB	1	2, 3, 6, 7	L		EXM	DGZ		
2	52108094AA	1	2, 3, 6, 7	L		EG2, EXM	DGZ		PISTON, K3 Clutch
3	52108093AA	1	2, 3, 6, 7	L		EG2, EXM	DGZ		SEAL, Transmission
4	52108095AA	1	2, 3, 6, 7	L		EG2, EXM	DGZ		SPRING, Piston Return
5	52107968AA	1	2, 3, 6, 7	L		EG2, EXM	DGZ		SNAP RING
6	52108096AA	1	2, 3, 6, 7	L		EG2, EXM	DGZ		DISC, Spring
7	52108004AA	1	2, 3, 6, 7	L		EG2, EXM	DGZ		DISC, Outer, [1.8MM]
8	52108528AA	1	2, 3, 6, 7	L		EG2, EXM	DGZ		DISC, Inner
9	52108529AA	5	2, 3, 6, 7	L		EG2, EXM	DGZ		DISC, Outer
10	52108011AA	1	2, 3, 6, 7	L		EG2, EXM	DGZ		DISC, Outer
11									SNAP RING
	52107972AA	AR	2, 3, 6, 7	L		EG2, EXM	DGZ		[2.9MM]
	52107973AA	AR	2, 3, 6, 7	L		EG2, EXM	DGZ		[3.2MM]
	52107974AA	AR	2, 3, 6, 7	L		EG2, EXM	DGZ		[2.0MM]
	52107970AA	AR	2, 3, 6, 7	L		EG2, EXM	DGZ		[2.3MM]
	52107971AA	1	2, 3, 6, 7	L		EG2, EXM	DGZ		[2.6MM]
12	52108148AA	1	2, 3, 6, 7	L		EG2, EXM	DGZ		RETAINER, Bearing
13	52108152AA	1	2, 3, 6, 7	L		EG2, EXM	DGZ		NEEDLE BEARING
14									SPACER
	52108149AA	AR	2, 3, 6, 7	L		EG2, EXM	DGZ		[3.7MM]
	52108150AA	AR	2, 3, 6, 7	L		EG2, EXM	DGZ		[3.1MM]
	52108151AA	AR	2, 3, 6, 7	L		EG2, EXM	DGZ		[3.4MM]
15	06507358AA	1	2, 3, 6, 7	L		EG2, EXM	DGZ		SNAP RING, M35x2.5x1.5

#### SPRINTER (VB)

##### SERIES

L = LOWLINE

##### LINE

3 = HD DODGE 2WD  
6 = Lt. Duty DODGE 4WD  
2 = Med. Duty DODGE 2WD  
7 = Med. Duty DODGE 4WD

##### BODY

17 = VAN WHEEL BASE 7  
55 = WAGON WHEEL BASE 5  
15 = VAN WHEEL BASE 5  
53 = 119 WB  
13 = 119 WB  
05 = CAB CHASSIS WHEEL  
BASE 5  
03 = CAB CHASSIS WHEEL  
BASE 3

##### ENGINE

EG2 = 3.5L V6 Gas Engine  
EXM = 3.0L V6 Turbo Diesel  
Engine

##### TRANSMISSION

DGZ = 5-Speed Auto W5A380  
Transmission

AR = use ase required - = Non illustrated part

2008 VB

**B2 / B3 Clutch Illustration 1 Of 3**  
**Figure 021DGZ-530**

ITEM	PART NUMBER	QTY	LINE	SERIES	BODY	ENGINE	TRANS	TRIM	DESCRIPTION
------	-------------	-----	------	--------	------	--------	-------	------	-------------

**NOTE:**

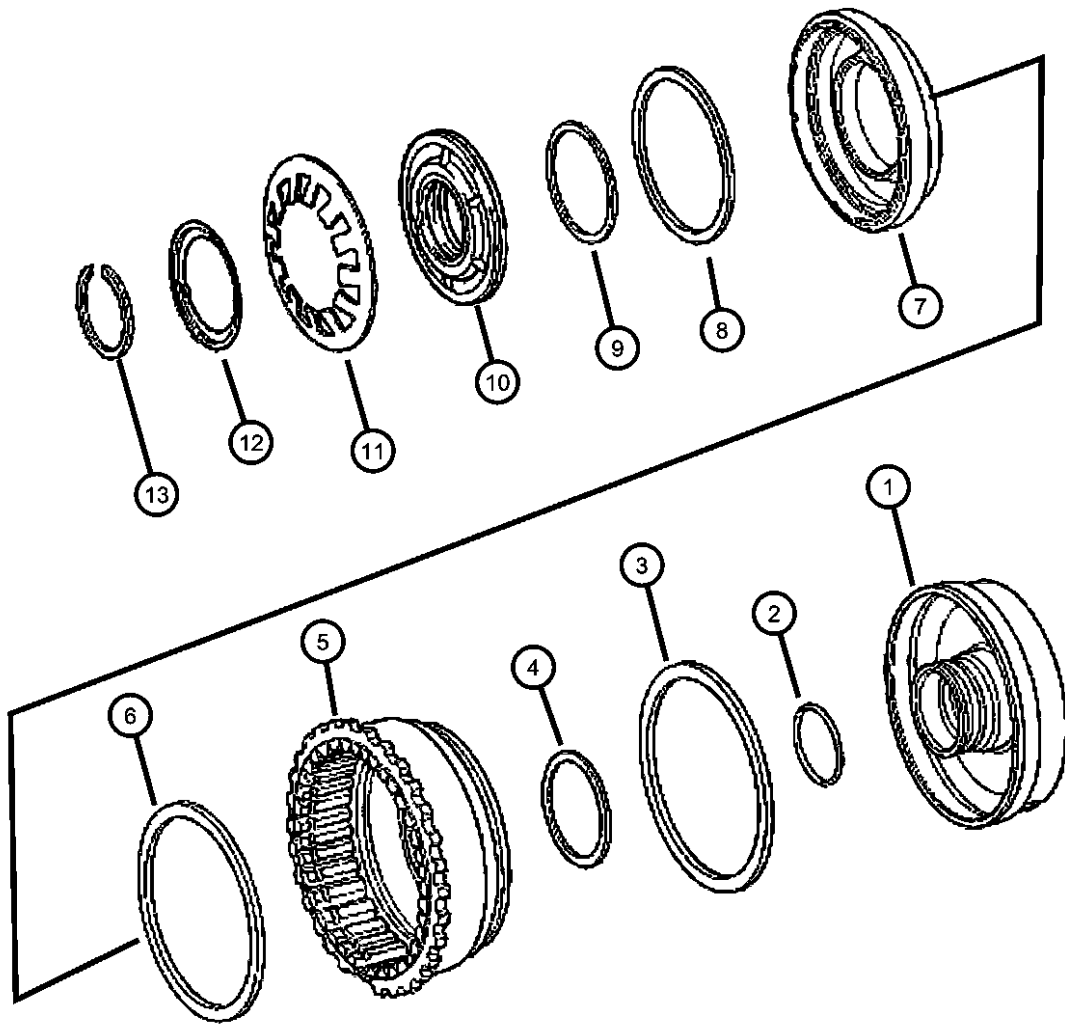
Sales Code:

[DGZ]=5 Speed Automatic Transmission - [W5A380]

[EGZ]=3.5L V-6 Gas Engine [Mercedes Benz]

[EXM]=3.0L Turbo Diesel Engine [Mercedes Benz]

1	52108182AA	1	2, 3, 6, 7	L		EG2, EXM	DGZ		PLUNGER
2	52108185AA	2	2, 3, 6, 7	L		EG2, EXM	DGZ		O RING
3	52108188AA	1	2, 3, 6, 7	L		EG2, EXM	DGZ		SEAL, Transmission
4	52108189AA	1	2, 3, 6, 7	L		EG2, EXM	DGZ		SEAL, Transmission
5	52108395AA	1	2, 3, 6, 7	L		EG2, EXM	DGZ		RETAINER, Clutch
6	52108199AA	1	2, 3, 6, 7	L		EG2, EXM	DGZ		SEAL, Transmission
7	52108191AA	1	2, 3, 6, 7	L		EG2, EXM	DGZ		PISTON, B2 Clutch
8	52108200AA	1	2, 3, 6, 7	L		EG2, EXM	DGZ		SEAL, Transmission
9	52108201AA	1	2, 3, 6, 7	L		EG2, EXM	DGZ		SEAL, Transmission
10	52108351AA	1	2, 3, 6, 7	L		EG2, EXM	DGZ		RING ASSEMBLY, Piston guide
11	52108202AA	1	2, 3, 6, 7	L		EG2, EXM	DGZ		SPRING, Piston Return
12	52108203AA	1	2, 3, 6, 7	L		EG2, EXM	DGZ		RETAINER, Spring
13	52107977AA	1	2, 3, 6, 7	L		EG2, EXM	DGZ		SNAP RING



**SPRINTER (VB)**

<b>SERIES</b>	<b>LINE</b>	<b>BODY</b>	<b>ENGINE</b>	<b>TRANSMISSION</b>
L = LOWLINE	3 = HD DODGE 2WD 6 = Lt. Duty DODGE 4WD 2 = Med. Duty DODGE 2WD 7 = Med. Duty DODGE 4WD	17 = VAN WHEEL BASE 7 55 = WAGON WHEEL BASE 5 15 = VAN WHEEL BASE 5 53 = 119 WB 13 = 119 WB 05 = CAB CHASSIS WHEEL BASE 5 03 = CAB CHASSIS WHEEL BASE 3	EG2 = 3.5L V6 Gas Engine EXM = 3.0L V6 Turbo Diesel Engine	DGZ = 5-Speed Auto W5A380 Transmission

AR = use ase required - = Non illustrated part

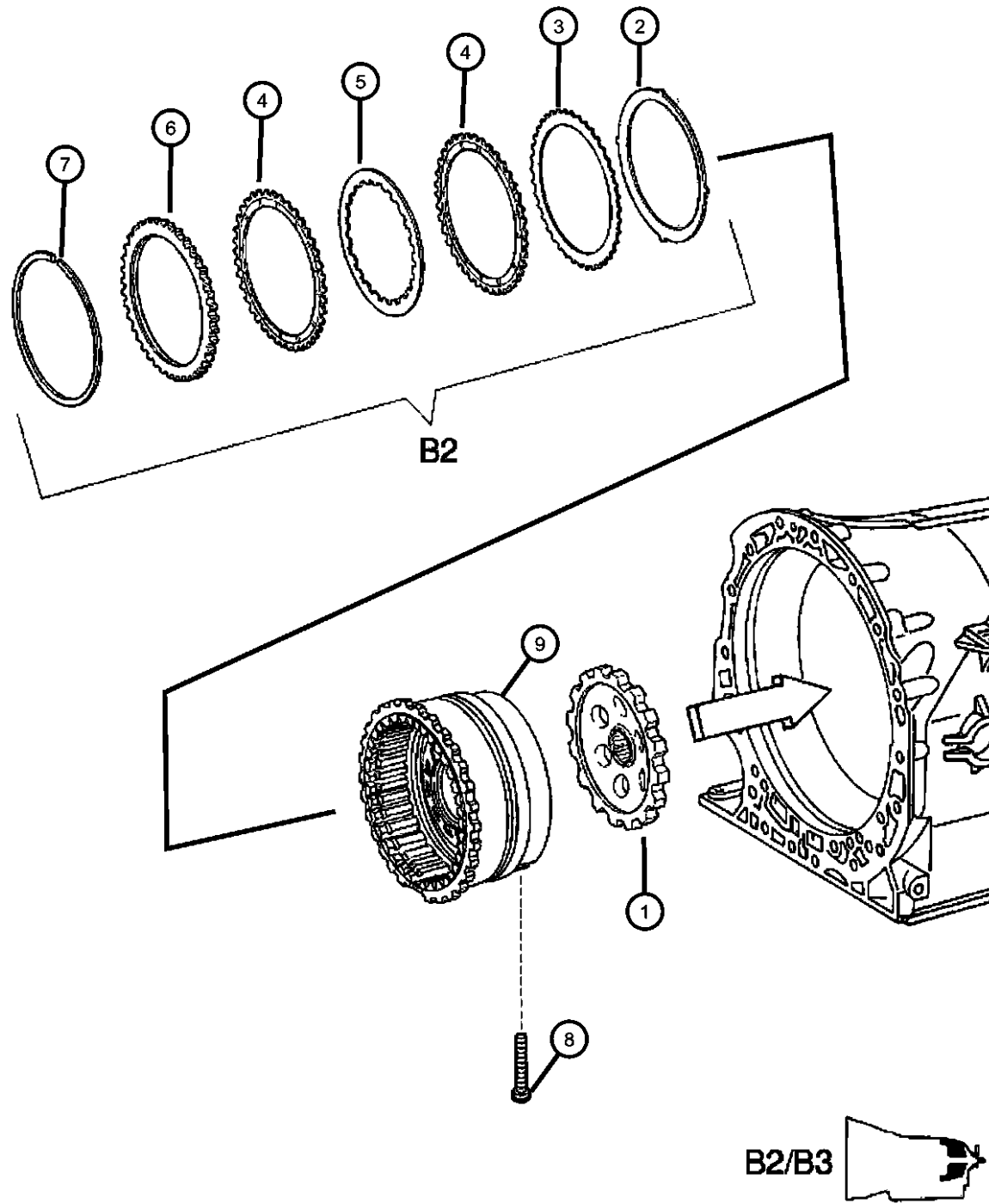
2008 VB

**Multiple Disk Brake / [B2/B3] 2 Of 3  
Figure 021DGZ-531**

ITEM	PART NUMBER	QTY	LINE	SERIES	BODY	ENGINE	TRANS	TRIM	DESCRIPTION
------	-------------	-----	------	--------	------	--------	-------	------	-------------

NOTE: Drum Package Is Not Serviced In An Assembly. Please See Illustration [#470] Callouts [1,2,3,4 & 5] To Obtain Part Numbers  
Sales Code:

[DGZ]=5 Speed Automatic Transmission - [W5A380]  
[EGZ]=3.5L V-6 Gas Engine [Mercedes Benz]  
[EXM]=3.0L Turbo Di



1	05117843AA	1	2, 3, 6, 7	L					SPRAG, Transmission Parking
2	52108354AA	1	2, 3, 6, 7	L		EG2, EXM	DGZ		DISC, Spring
3	52108013AA	1	2, 3, 6, 7	L		EG2, EXM	DGZ		DISC, Outer, [1.8MM]
4	52108572AA	5	2, 3, 6, 7	L		EG2, EXM	DGZ		DISC, Outer
5	52108015AA	4	2, 3, 6, 7	L		EG2, EXM	DGZ		DISC, Inner
6	52108014AA	1	2, 3, 6, 7	L		EG2, EXM	DGZ		DISC, Outer, [6.5MM]
7									SNAP RING
	52107979AA	AR	2, 3, 6, 7	L		EG2, EXM	DGZ		[4.1MM]
	52107980AA	AR	2, 3, 6, 7	L		EG2, EXM	DGZ		[3.8MM]
	52107981AA	AR	2, 3, 6, 7	L		EG2, EXM	DGZ		[3.5MM]
	52107982AA	AR	2, 3, 6, 7	L		EG2, EXM	DGZ		[3.2MM]
	52107983AA	AR	2, 3, 6, 7	L		EG2, EXM	DGZ		[2.9MM]
8	52108205AA	2	2, 3, 6, 7	L		EG2, EXM	DGZ		BOLT, Torx Head, M8x60
9	52108205AA	2							DRUM, Note:Drum Package Is Not Serviced In An Assembly. Please See Illustration [#470] Callouts [1,2,3,4 & 5] To Obtain Part Numbers, (NOT SERVICED)

**SPRINTER (VB)**

SERIES	LINE	BODY	ENGINE	TRANSMISSION
L = LOWLINE	3 = HD DODGE 2WD 6 = Lt. Duty DODGE 4WD 2 = Med. Duty DODGE 2WD 7 = Med. Duty DODGE 4WD	17 = VAN WHEEL BASE 7 55 = WAGON WHEEL BASE 5 15 = VAN WHEEL BASE 5 53 = 119 WB 13 = 119 WB 05 = CAB CHASSIS WHEEL BASE 5 03 = CAB CHASSIS WHEEL BASE 3	EG2 = 3.5L V6 Gas Engine EXM = 3.0L V6 Turbo Diesel Engine	DGZ = 5-Speed Auto W5A380 Transmission

AR = use ase required - = Non illustrated part

2008 VB

**B2 / B3 Clutch Illustration 3 Of 3**  
**Figure 021DGZ-532**

ITEM	PART NUMBER	QTY	LINE	SERIES	BODY	ENGINE	TRANS	TRIM	DESCRIPTION
------	-------------	-----	------	--------	------	--------	-------	------	-------------

NOTE:

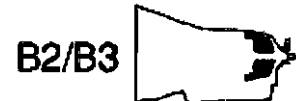
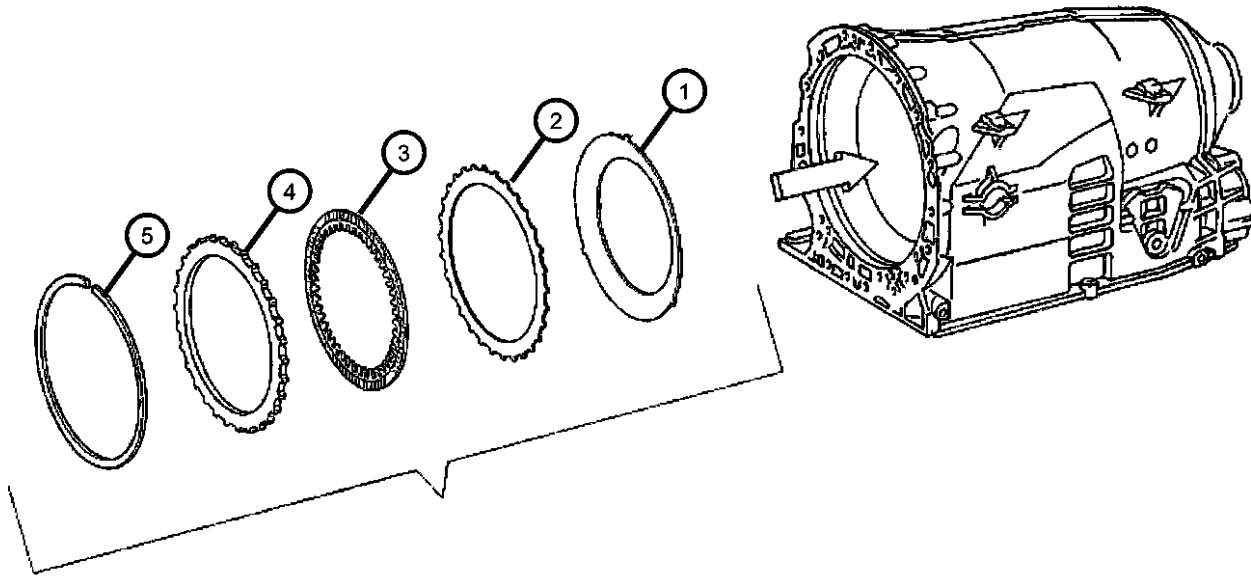
Sales Code:

[DGZ]=5 Speed Automatic Transmission - [W5A380]

[EGZ]=3.5L V-6 Gas Engine [Mercedes Benz]

[EXM]=3.0L Turbo Diesel Engine [Mercedes Benz]

1	52108356AA	1	2, 3, 6, 7	L		EG2, EXM	DGZ		DISC, Spring
2	52108017AA	5	2, 3, 6, 7	L		EG2, EXM	DGZ		DISC, Outer, [1.8MM]
3	52108573AA	4	2, 3, 6, 7	L		EG2, EXM	DGZ		DISC, Inner
4	52108018AA	1	2, 3, 6, 7	L		EG2, EXM	DGZ		DISC, Outer, [6.5MM]
5									SNAP RING
	52107986AA	AR	2, 3, 6, 7	L		EG2, EXM	DGZ		[3.5MM]
	52107987AA	AR	2, 3, 6, 7	L		EG2, EXM	DGZ		[3.8MM]
	52107988AA	AR	2, 3, 6, 7	L		EG2, EXM	DGZ		[4.1MM]
	52107989AA	AR	2, 3, 6, 7	L		EG2, EXM	DGZ		[4.4MM]
	52107990AA	AR	2, 3, 6, 7	L		EG2, EXM	DGZ		[4.8MM]
	52107985AA	AR	2, 3, 6, 7	L		EG2, EXM	DGZ		[3.2MM]



**SPRINTER (VB)**

SERIES	LINE	BODY	ENGINE	TRANSMISSION
L = LOWLINE	3 = HD DODGE 2WD 6 = Lt. Duty DODGE 4WD 2 = Med. Duty DODGE 2WD 7 = Med. Duty DODGE 4WD	17 = VAN WHEEL BASE 7 55 = WAGON WHEEL BASE 5 15 = VAN WHEEL BASE 5 53 = 119 WB 13 = 119 WB 05 = CAB CHASSIS WHEEL BASE 5 03 = CAB CHASSIS WHEEL BASE 3	EG2 = 3.5L V6 Gas Engine EXM = 3.0L V6 Turbo Diesel Engine	DGZ = 5-Speed Auto W5A380 Transmission

AR = use ase required - = Non illustrated part

2008 VB

**Front Planetary Carrier  
Figure 021DGZ-611**

ITEM	PART NUMBER	QTY	LINE	SERIES	BODY	ENGINE	TRANS	TRIM	DESCRIPTION
------	-------------	-----	------	--------	------	--------	-------	------	-------------

NOTE:

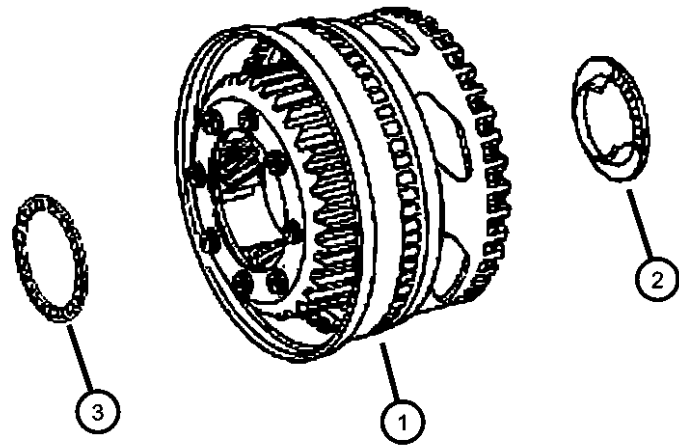
Sales Code:

[DGZ]=5 Speed Automatic Transmission - [W5A380]

[EGZ]=3.5L V-6 Gas Engine [Mercedes Benz]

[EXM]=3.0L Turbo Diesel Engine [Mercedes Benz]

1	52108513AA	1	2, 3, 6, 7	L		EG2, EXM	DGZ		CARRIER, Planetary
2	52108123AA	1	2, 3, 6, 7	L		EG2, EXM	DGZ		NEEDLE BEARING
3	52108122AA	1	2, 3, 6, 7	L		EXM, EG2	DGZ		NEEDLE BEARING



**SPRINTER (VB)**

SERIES	LINE	BODY	ENGINE	TRANSMISSION
L = LOWLINE	3 = HD DODGE 2WD 6 = Lt. Duty DODGE 4WD 2 = Med. Duty DODGE 2WD 7 = Med. Duty DODGE 4WD	17 = VAN WHEEL BASE 7 55 = WAGON WHEEL BASE 5 15 = VAN WHEEL BASE 5 53 = 119 WB 13 = 119 WB 05 = CAB CHASSIS WHEEL BASE 5 03 = CAB CHASSIS WHEEL BASE 3	EG2 = 3.5L V6 Gas Engine EXM = 3.0L V6 Turbo Diesel Engine	DGZ = 5-Speed Auto W5A380 Transmission

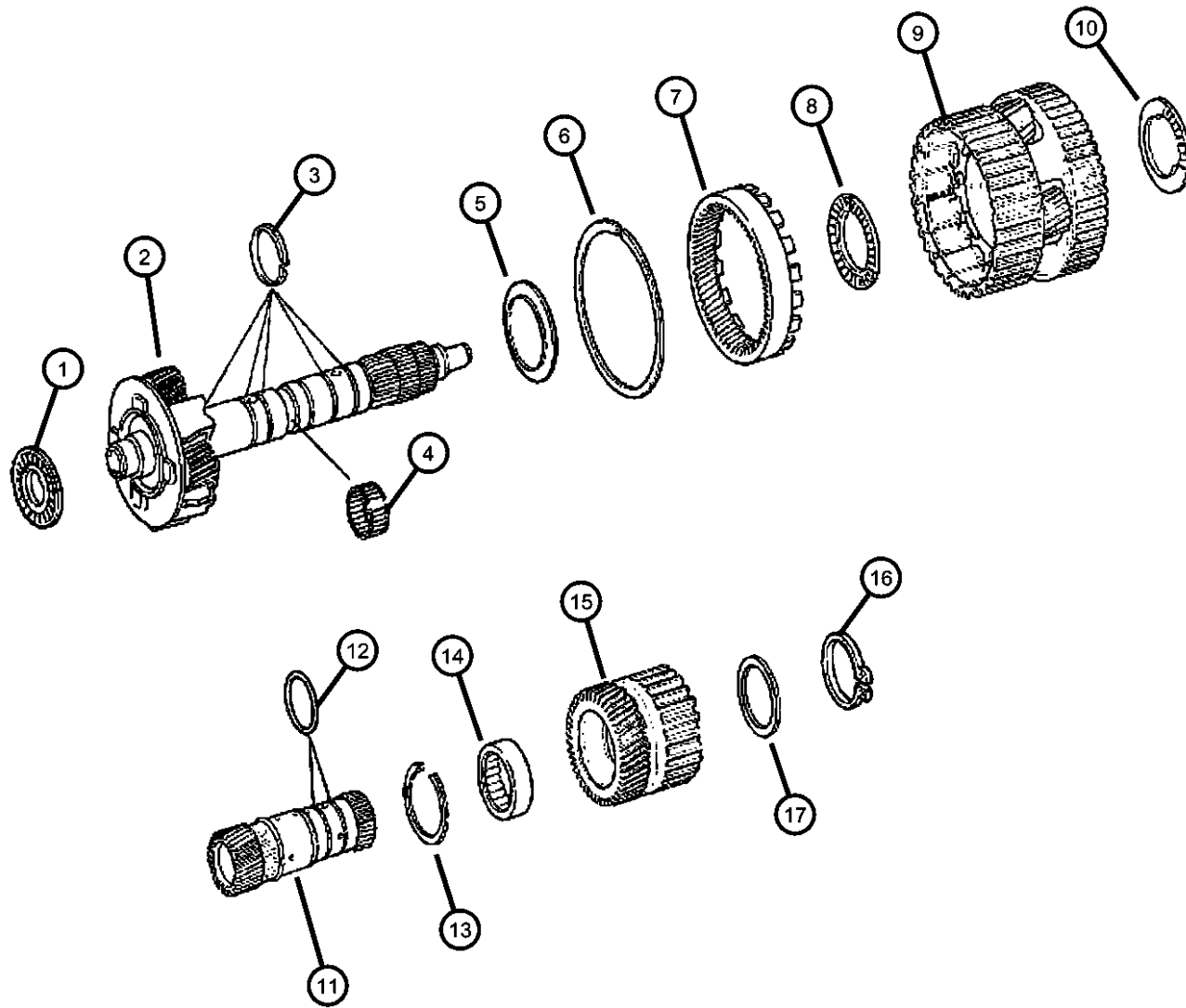
AR = use ase required - = Non illustrated part

2008 VB

**Output Shaft With Center And Rear Planetary Gear Sets**  
**Figure 021DGZ-612**

ITEM	PART NUMBER	QTY	LINE	SERIES	BODY	ENGINE	TRANS	TRIM	DESCRIPTION
------	-------------	-----	------	--------	------	--------	-------	------	-------------

NOTE:  
 Sales Code:  
 [DGZ]=5 Speed Automatic Transmission - [W5A380]  
 [EGZ]=3.5L V-6 Gas Engine [Mercedes Benz]  
 [EXM]=3.0L Turbo Diesel Engine [Mercedes Benz]



1	52107927AA	1	2, 3, 6, 7	L		EG2, EXM	DGZ		NEEDLE BEARING
2	52107929AA	1	2, 3, 6, 7	L		EG2, EXM	DGZ		SHAFT, Output
3	05179367AA	5	2, 3, 6, 7	L		EG2, EXM	DGZ		SEAL, Transmission
4	52108069AA	1	2, 3, 6, 7	L		EG2, EXM	DGZ		NEEDLE BEARING
5	52108070AA	1	2, 3, 6, 7	L		EG2, EXM	DGZ		RETAINER, Bearing
6	52108374AA	1	2, 3, 6, 7	L		EG2, EXM	DGZ		SNAP RING
7	52108376AA	1	2, 3, 6, 7	L		EG2, EXM	DGZ		GEAR, Annulus
8	52107931AA	1	2, 3, 6, 7	L		EG2, EXM	DGZ		NEEDLE BEARING
9	52108072AA	1	2, 3, 6, 7	L		EG2, EXM	DGZ		CARRIER, Planetary
10	52107932AA	1	2, 3, 6, 7	L		EG2, EXM	DGZ		NEEDLE BEARING
11	52108078AA	1	2, 3, 6, 7	L		EG2, EXM	DGZ		GEAR, Sun
12	52108085AA	2	2, 3, 6, 7	L		EG2, EXM	DGZ		O RING
13	52107966AA	1	2, 3, 6, 7	L		EG2, EXM	DGZ		SNAP RING
14	52108522AA	1	2, 3, 6, 7	L		EG2, EXM	DGZ		CLUTCH, One Way
15	52108519AA	1	2, 3, 6, 7	L		EG2, EXM	DGZ		SUN GEAR ASSEMBLY
16	52107967AA	1	2, 3, 6, 7	L		EG2, EXM	DGZ		SNAP RING
17	52108379AA	1	2, 3, 6, 7	L		EG2, EXM	DGZ		SPACER



**SPRINTER (VB)**

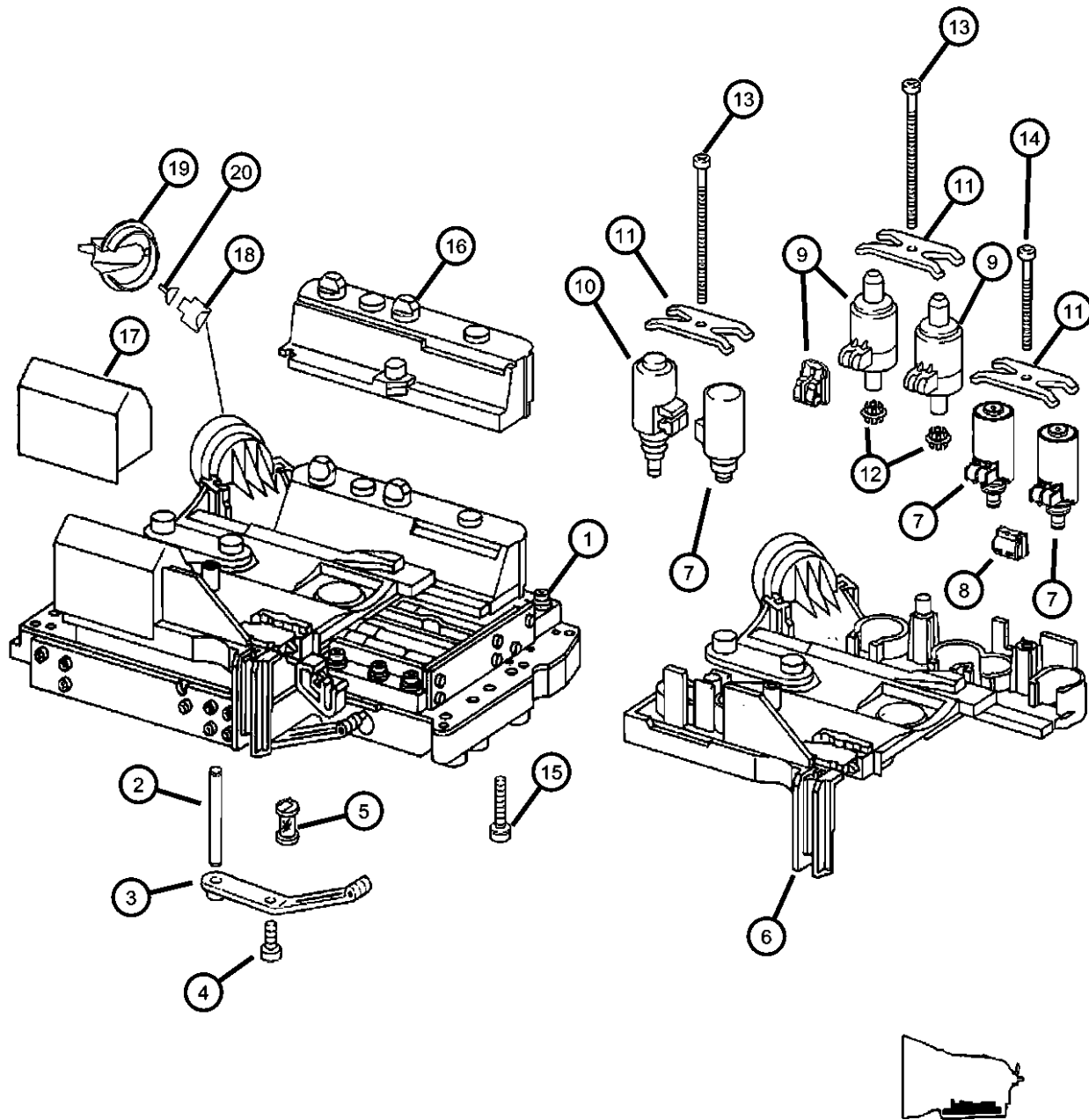
SERIES	LINE	BODY	ENGINE	TRANSMISSION
L = LOWLINE	3 = HD DODGE 2WD 6 = Lt. Duty DODGE 4WD 2 = Med. Duty DODGE 2WD 7 = Med. Duty DODGE 4WD	17 = VAN WHEEL BASE 7 55 = WAGON WHEEL BASE 5 15 = VAN WHEEL BASE 5 53 = 119 WB 13 = 119 WB 05 = CAB CHASSIS WHEEL BASE 5 03 = CAB CHASSIS WHEEL BASE 3	EG2 = 3.5L V6 Gas Engine EXM = 3.0L V6 Turbo Diesel Engine	DGZ = 5-Speed Auto W5A380 Transmission

AR = use ase required - = Non illustrated part

2008 VB



**Valve Body And Related Parts  
Figure 021DGZ-825**



ITEM	PART NUMBER	QTY	LINE	SERIES	BODY	ENGINE	TRANS	TRIM	DESCRIPTION
NOTE: Sales Code: [DGZ]=5 Speed Automatic Transmission - [W5A380] [EGZ]=3.5L V-6 Gas Engine [Mercedes Benz] [EXM]=3.0L Turbo Diesel Engine [Mercedes Benz]									
1	05138813AA	1	2, 3, 6, 7	L		EG2, EXM	DGZ		VALVE BODY, Complete
2	52108277AA	1	2, 3, 6, 7	L		EG2, EXM	DGZ		DOWEL
3	52108258AA	1	2, 3, 6, 7	L		EG2, EXM	DGZ		DETENT, Valve Body
4	52108266AB	1	2, 3, 6, 7	L		EG2, EXM	DGZ		BOLT, Torx Head, M6x12
5	52108316AA	1	2, 3, 6, 7	L		EG2, EXM	DGZ		FILTER, Transmission Oil
6	05097219AA	1	2, 3, 6, 7	L		EG2, EXM	DGZ		CONNECTOR ASSEMBLY, Electrical
7	52108313AA	3	2, 3, 6, 7	L		EG2, EXM	DGZ		SOLENOID, Transmission, [PMW] Valve / Selector VALVE
8	05134761AA	3	2, 3, 6, 7	L		EG2, EXM	DGZ		CAP, Solenoid
9	05138838AA	2	2, 3, 6, 7	L		EG2, EXM	DGZ		SOLENOID, Transmission, Pressure Control Valve
10	52108314AA	1	2, 3, 6, 7	L		EG2, EXM	DGZ		SOLENOID, Transmission, [PWM]
11	52108315AA	3	2, 3, 6, 7	L		EG2, EXM	DGZ		PLATE
12	52108316AA	1	2, 3, 6, 7	L		EXM, EG2	DGZ		FILTER, Transmission Oil
13	52108268AA	2	2, 3, 6, 7	L		EG2, EXM	DGZ		BOLT, Torx Head, M6x80
14	52108269AA	1	2, 3, 6, 7	L		EG2, EXM	DGZ		BOLT, Torx Head, M6x55
15	52108267AA	29	2, 3, 6, 7	L		EG2, EXM	DGZ		BOLT, Torx Head, M6x30
16	52108320AA	1	2, 3, 6, 7	L		EG2, EXM	DGZ		SHIELD, Transmission Solenoid
17	52108321AA	1	2, 3, 6, 7	L		EG2, EXM	DGZ		SHIELD, Transmission Solenoid
18	52108321AA	1							CONNECTOR, See Illustration [705] For Service Parts, (NOT SERVICED)
19	52108321AA	1							CAP, See Illustration [705] For Service Parts, (NOT SERVICED)
20	52108321AA	1							REPAIR KIT, See Illustration [705] For Service Parts, (NOT SERVICED)

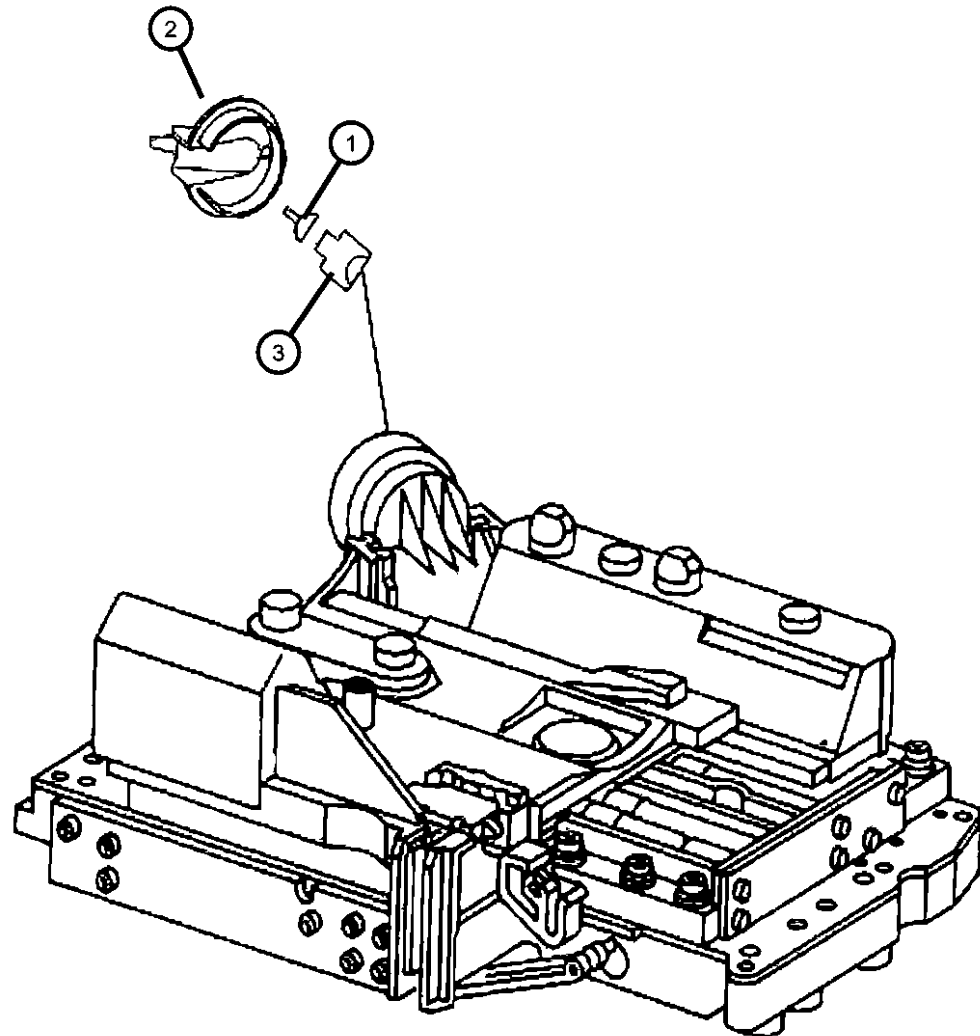
**SPRINTER (VB)**

<b>SERIES</b>	<b>LINE</b>	<b>BODY</b>	<b>ENGINE</b>	<b>TRANSMISSION</b>
L = LOWLINE	3 = HD DODGE 2WD 6 = Lt. Duty DODGE 4WD 2 = Med. Duty DODGE 2WD 7 = Med. Duty DODGE 4WD	17 = VAN WHEEL BASE 7 55 = WAGON WHEEL BASE 5 15 = VAN WHEEL BASE 5 53 = 119 WB 13 = 119 WB 05 = CAB CHASSIS WHEEL BASE 5 03 = CAB CHASSIS WHEEL BASE 3	EG2 = 3.5L V6 Gas Engine EXM = 3.0L V6 Turbo Diesel Engine	DGZ = 5-Speed Auto W5A380 Transmission

AR = use ase required - = Non illustrated part

**Connector Repair  
Figure 021DGZ-826**

ITEM	PART NUMBER	QTY	LINE	SERIES	BODY	ENGINE	TRANS	TRIM	DESCRIPTION
1	05142110AA	1	2, 3, 6, 7	L		EG2, EXM	DGZ		WIRING, Repair Harness
2	05120884AA	1	2, 3, 6, 7	L		EG2, EXM	DGZ		CAP
3	05120265AA	1	2, 3, 6, 7	L		EG2, EXM	DGZ		CONNECTOR
-4	05135804AA	1	2, 3, 6, 7	L		EG2, EXM	DGZ		TUBE, Heat Shrink, [Green / 0.7 - 2.4 MM2]
-5									TUBING, Heat Shrinkable
	05135848AA	1	2, 3, 6, 7	L		EG2, EXM	DGZ		[Red / 2.0 - 4.0 MM2]
	05135849AA	1	2, 3, 6, 7	L		EG2, EXM	DGZ		[Blue / 3.5 - 8.0 MM2]
	05135850AA	1	2, 3, 6, 7	L		EXM, EG2	DGZ		[Yellow / 7.5 - 12.0 MM2]
-6									TUBING, Heat Shrinkable
	05135851AA	1	2, 3, 6, 7	L		EG2, EXM	DGZ		Joint [0.5 MM2]
	05135852AA	1	2, 3, 6, 7	L		EG2, EXM	DGZ		Joint [0.8 MM2]
	05135853AA	1	2, 3, 6, 7	L		EG2, EXM	DGZ		Joint [1.3 MM2]
	05135854AA	1	2, 3, 6, 7	L		EG2, EXM	DGZ		Joint [2.0 MM2]



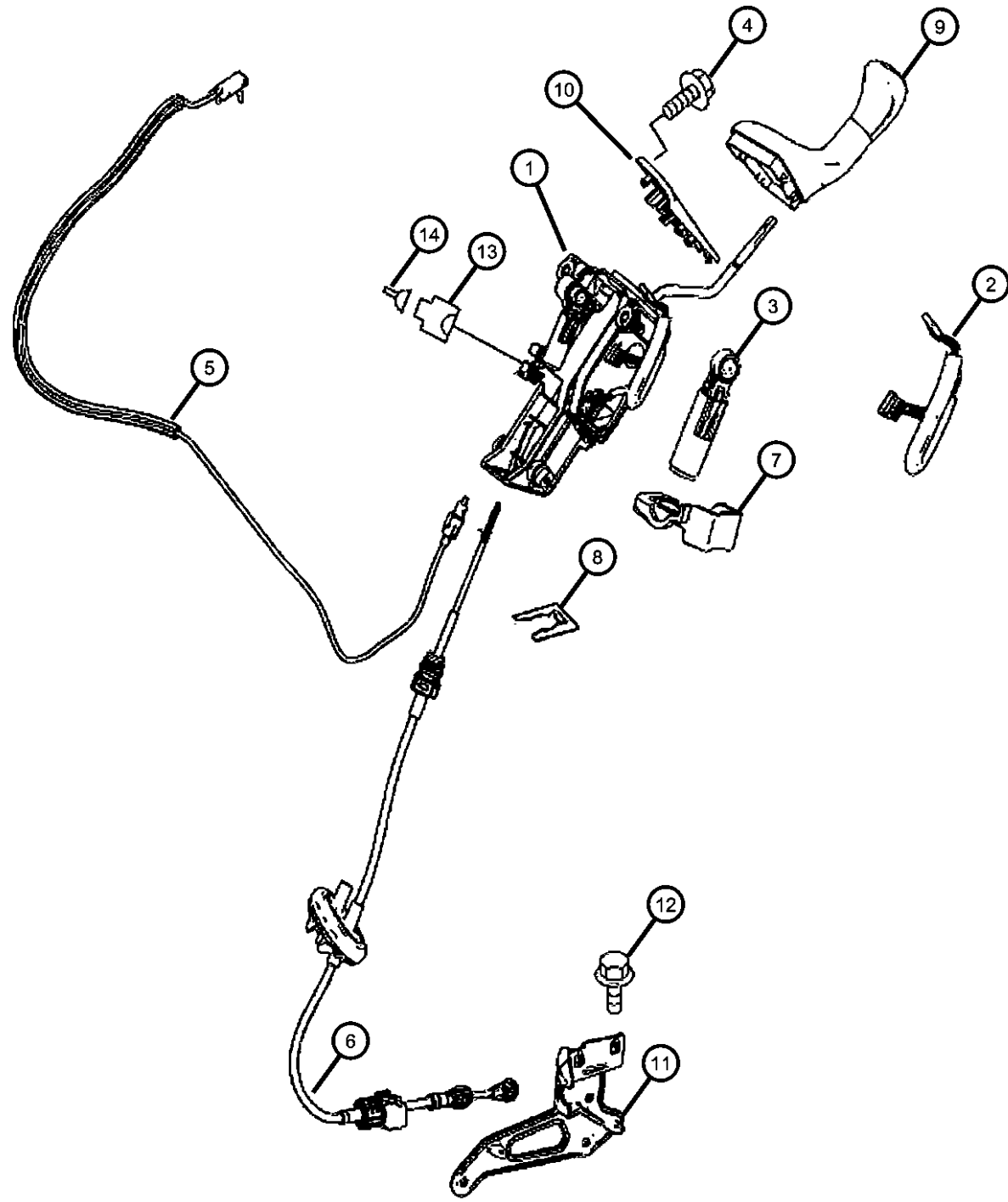
**SPRINTER (VB)**

SERIES	LINE	BODY	ENGINE	TRANSMISSION
L = LOWLINE	3 = HD DODGE 2WD 6 = Lt. Duty DODGE 4WD 2 = Med. Duty DODGE 2WD 7 = Med. Duty DODGE 4WD	17 = VAN WHEEL BASE 7 55 = WAGON WHEEL BASE 5 15 = VAN WHEEL BASE 5 53 = 119 WB 13 = 119 WB 05 = CAB CHASSIS WHEEL BASE 5 03 = CAB CHASSIS WHEEL BASE 3	EG2 = 3.5L V6 Gas Engine EXM = 3.0L V6 Turbo Diesel Engine	DGZ = 5-Speed Auto W5A380 Transmission

AR = use ase required - = Non illustrated part

2008 VB

**Gearshift Controls**  
**Figure 021DGZ-1105**



ITEM	PART NUMBER	QTY	LINE	SERIES	BODY	ENGINE	TRANS	TRIM	DESCRIPTION
------	-------------	-----	------	--------	------	--------	-------	------	-------------

NOTE:  
Sales Code:  
[DGZ]=5 Speed Automatic Transmission - [W5A380]  
[EGZ]=3.5L V-6 Gas Engine [Mercedes Benz]  
[EXM]=3.0L Turbo Diesel Engine [Mercedes Benz]

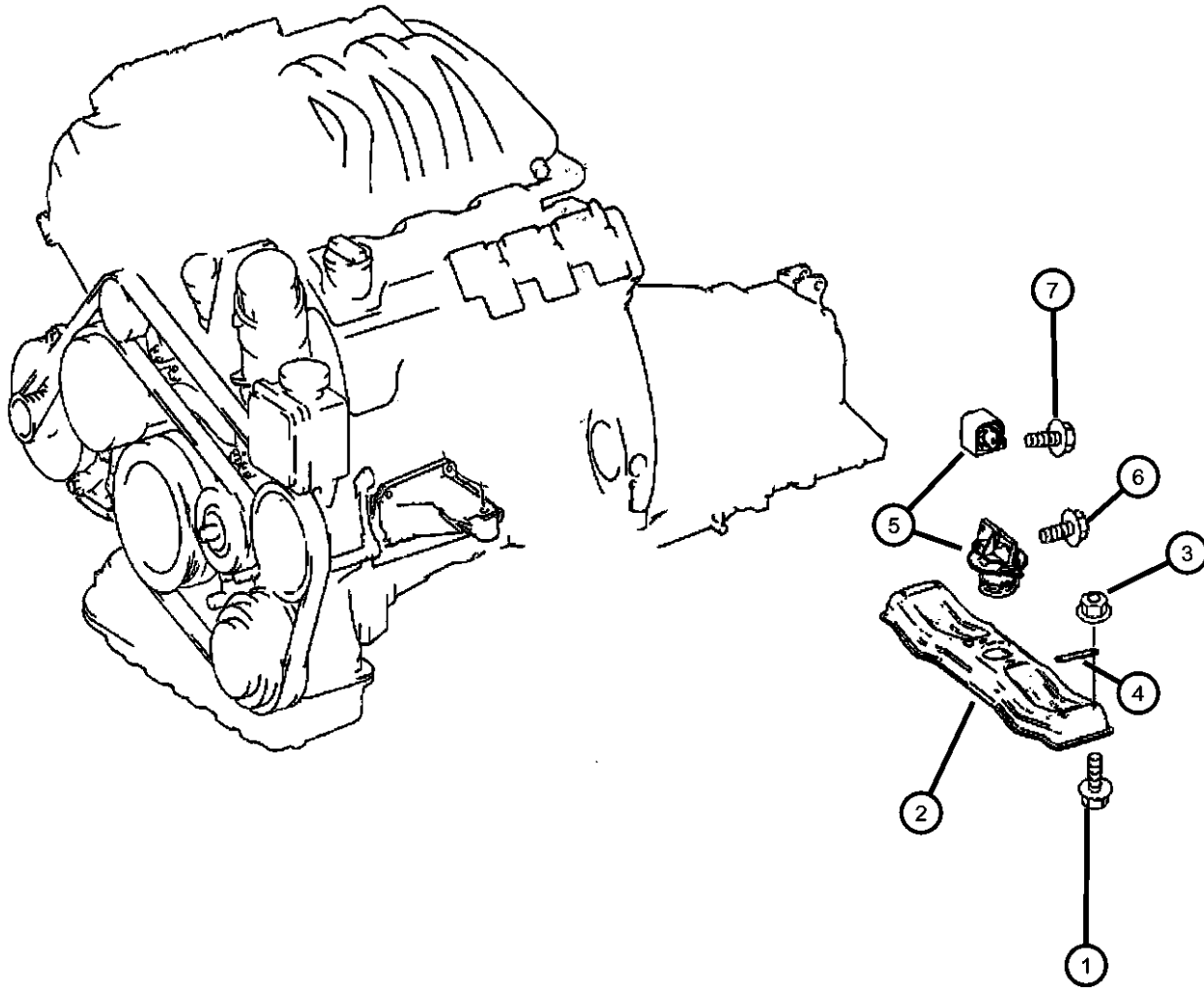
1	68012893AA	1	2, 3, 6, 7	L		EG2, EXM	DGZ		SHIFTER, Transmission
2	68027699AA	1	2, 3, 6, 7	L		EG2, EXM	DGZ		HARNESS, Wiring
3	68027702AA	1	2, 3, 6, 7	L		EG2, EXM	DGZ		ADJUSTER
4	06104025AA	2	2, 3, 6, 7	L		EG2, EXM	DGZ		BOLT, Hex Flange Head, M8x1.25x30
5	68012899AA	1	2, 3, 6, 7	L		EG2, EXM	DGZ		CABLE, Gear Selector, Inter Lock Cable
6	68012898AA	1	2, 3, 6, 7	L		EG2, EXM	DGZ		CABLE, Gear Selector
7	68027704AA	1	2, 3, 6, 7	L		EG2, EXM	DGZ		RETAINER
8									CLIP, Cable
	05117823AA	1	3, 7	L		EG2, EXM	DGZ		
		1	2, 3, 6, 7	L		EG2, EXM	DGZ		
9	68012900AA	1	2, 3, 6, 7	L		EG2, EXM	DGZ		KNOB, Gearshift
10	68012901AA	1	2, 3, 6, 7	L		EG2, EXM	DGZ		COVER, Gearshift
11	68013694AA	1	2, 3, 6, 7	L		EG2, EXM	DGZ		BRACKET, Gearshift
12	06104695AA	3	2, 3, 6, 7	L		EG2, EXM	DGZ		SCREW
13	68010053AA	1	2, 3, 6, 7	L		EG2, EXM	DGZ		CONNECTOR, [8-Pin - N1 5/5]
14									TERMINAL
	05103873AA	3	3, 7	L		EG2, EXM	DGZ		[0.75 MM2 MQS - N1 5/5]
		3	2, 3, 6, 7	L		EG2, EXM	DGZ		[0.75 MM2 MQS - N1 5/5]

<b>SPRINTER (VB)</b>		<b>BODY</b>		<b>ENGINE</b>		<b>TRANSMISSION</b>	
SERIES	LINE	17 = VAN WHEEL BASE 7	EG2 = 3.5L V6 Gas Engine	DGZ = 5-Speed Auto W5A380			
L = LOWLINE	3 = HD DODGE 2WD	55 = WAGON WHEEL BASE 5	EXM = 3.0L V6 Turbo Diesel Engine				
	6 = Lt. Duty DODGE 4WD	15 = VAN WHEEL BASE 5					
	2 = Med. Duty DODGE 2WD	53 = 119 WB					
	7 = Med. Duty DODGE 4WD	13 = 119 WB					
		05 = CAB CHASSIS WHEEL BASE 5					
		03 = CAB CHASSIS WHEEL BASE 3					

AR = use ase required - = Non illustrated part

**Mounting Covers And Shields**  
**Figure 021DGZ-1205**

ITEM	PART NUMBER	QTY	LINE	SERIES	BODY	ENGINE	TRANS	TRIM	DESCRIPTION
1	06104222AA	4	2, 3, 6, 7	L		EG2, EXM	DGZ		BOLT, Hex Flange Head, [M10x60]
2	68013724AA	1	3, 7	L		EG2, EXM	DGZ		SUPPORT
	68013734AA	1	2, 6	L		EG2, EXM	DGZ		
3	06105170AA	2	2, 3, 6, 7	L		EG2, EXM	DGZ		NUT
4	68013726AA	2	2, 3, 6, 7	L		EG2, EXM	DGZ		REINFORCEMENT, Bolt Support Brace
5	68013684AA	1	3, 7	L		EG2, EXM	DGZ		RUBBER, RUBBER-MOUNT
	68013685AA	1	2, 6	L		EG2, EXM	DGZ		
6	05097692AA	4	2, 6	L		EG2, EXM	DGZ		SCREW, M8x20, [M8x20]
7	06104215AA	2	2, 3, 6, 7	L		EG2, EXM	DGZ		BOLT, Hex Flange Head, M10x1.50x25.00



**SPRINTER (VB)**

SERIES	LINE	BODY	ENGINE	TRANSMISSION
L = LOWLINE	3 = HD DODGE 2WD	17 = VAN WHEEL BASE 7	EG2 = 3.5L V6 Gas Engine	DGZ = 5-Speed Auto W5A380
	6 = Lt. Duty DODGE 4WD	55 = WAGON WHEEL BASE 5	EXM = 3.0L V6 Turbo Diesel	Transmission
	2 = Med. Duty DODGE 2WD	15 = VAN WHEEL BASE 5	Engine	
	7 = Med. Duty DODGE 4WD	53 = 119 WB		
		13 = 119 WB		
		05 = CAB CHASSIS WHEEL		
		BASE 5		
		03 = CAB CHASSIS WHEEL		
		BASE 3		

AR = use ase required - = Non illustrated part

2008 VB

# Group - 22

## Wheels

### Group - 22 Wheels

Illustration Title

Group-Fig. No.

#### **Wheels, Tires and Hardware**

Wheels and Hardware .....Fig. 22 - 105

#### **Wheel Covers and Center Caps**

Wheels and Hardware .....Fig. 22 - 201

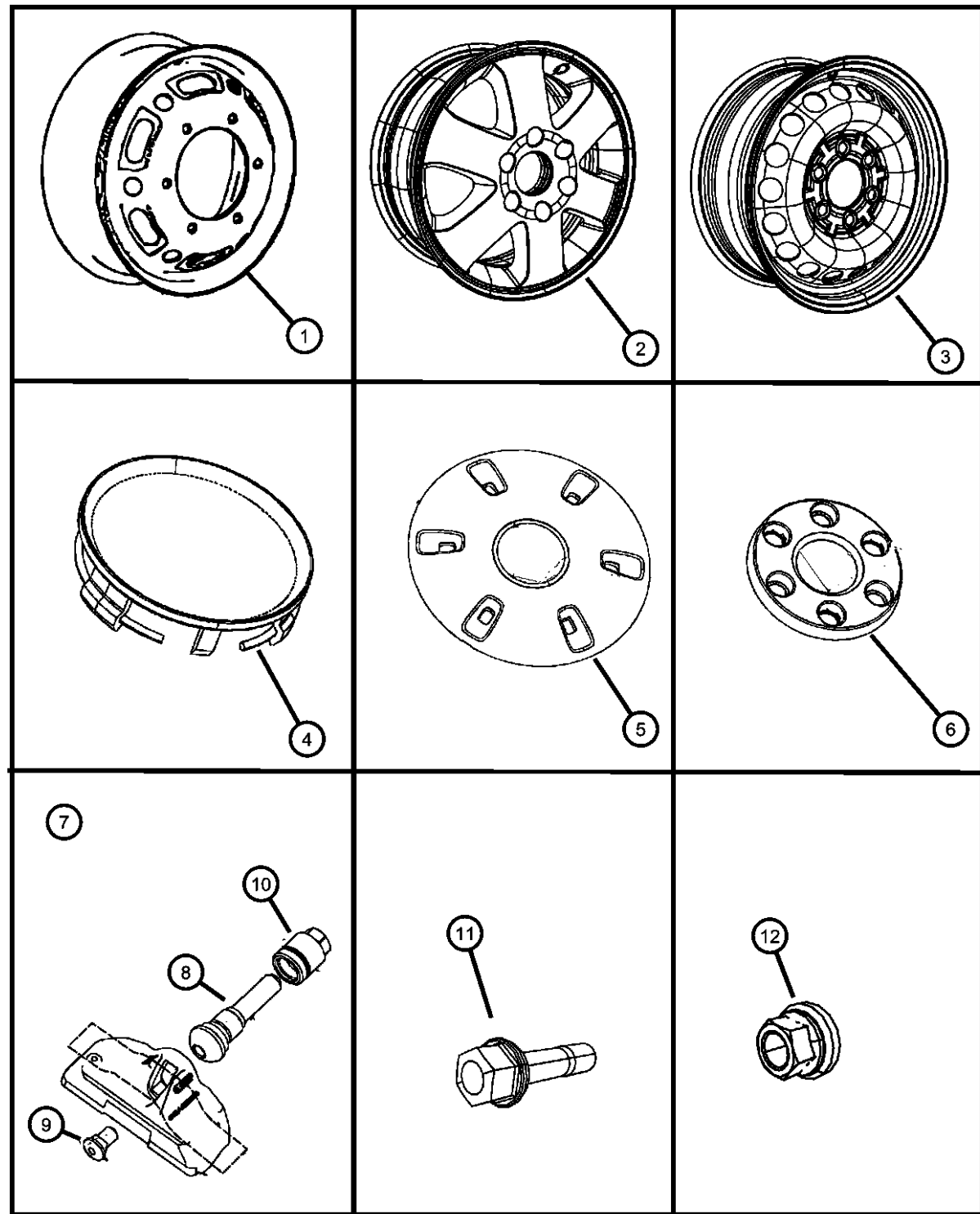
#### **Jack Stowage**

Jack Assembly .....Fig. 22 - 305

<b>022-100</b> Wheels, Tires and Hardware	<b>022-200</b> Wheel Covers and Center Caps	<b>022-300</b> Jack Stowage	
--	--	--------------------------------	--

Wheels and Hardware  
Figure 22-105

ITEM	PART NUMBER	QTY	LINE	SERIES	BODY	ENGINE	TRANS	TRIM	DESCRIPTION
1	1JJ25DX9AA	6	3, 7	L					WHEEL, Steel Black Steel Wheel / With [WWA + WDK] Without [WWW]
	1JJ25P01AA	6	3, 7	L					White Steel Wheel / With [WWW + WDK] Without [WWA]
	1JJ25SZ0AA	6	3, 7	L					Silver Steel Wheel / With [WDK] Without [-WWA-WWW]
2	68004980AA	4	2, 6	L	13, 15, 17, 53, 55				WHEEL, Aluminum, With [WNB]
	3	1VB07DX9AA	4	2, 6	L				WHEEL, Steel Black Steel Wheel / With [WWA + WDK]
		1VB07P01AA	4	2, 6	L				White Steel Wheel / With [WWW + WDK]
1VB07SZ0AA		4	2, 6	L				Silver Steel Wheel / With [WDG] Without [WWA & WWW]	
4	05104570AA	4	2, 6	L	13, 15, 17, 53, 55			CAP, Wheel Center, With [WNB]	
5	68025431AA	4	2, 6	L	13, 15, 17, 53, 55			CAP, Wheel Center, With [WDG]	
6	68025430AA	2	3, 7	L	03, 05, 13, 15, 17			CAP, Wheel Center, With [WDK]	
7	68006771AA	4	2, 6	L				SENSOR, Tire Pressure, Valve stem, With [LAB]	
8	05175255AA	1	2, 3, 6, 7	L					STEM, Wheel Valve With [WLB]
	68004983AA	2	3, 7	L					Without [LAB]
	68006772AA	99	3, 7	L					Standard Valve
	68006773AA	4	2, 6	L					With [LAB]
	9	68006774AA	4	2, 6	L				NUT, Tire Pressure Sensor, With [LAB]
10	68006775AA	4	2, 6	L				CAP, Valve stem, With [LAB]	
11	68006805AA	24	2, 6	L					BOLT Mounting Wheel Stud / With [WDG]
	68013444AA	24	2, 6	L	13, 15, 17, 53, 55				Mounting Wheel Stud / With [WNB]
	12	68013445AA	24	3, 7	L	03, 05, 13, 15, 17			NUT, With [WDK]
-13								LABEL, Tire Pressure	



SPRINTER (VB)

SERIES

L = LOWLINE

LINE

3 = HD DODGE 2WD  
6 = Lt. Duty DODGE 4WD  
2 = Med. Duty DODGE 2WD  
7 = Med. Duty DODGE 4WD

BODY

17 = VAN WHEEL BASE 7  
55 = WAGON WHEEL BASE 5  
15 = VAN WHEEL BASE 5  
53 = 119 WB  
13 = 119 WB  
05 = CAB CHASSIS WHEEL BASE 5  
03 = CAB CHASSIS WHEEL BASE 3

ENGINE

EG2 = 3.5L V6 Gas Engine  
EXM = 3.0L V6 Turbo Diesel Engine

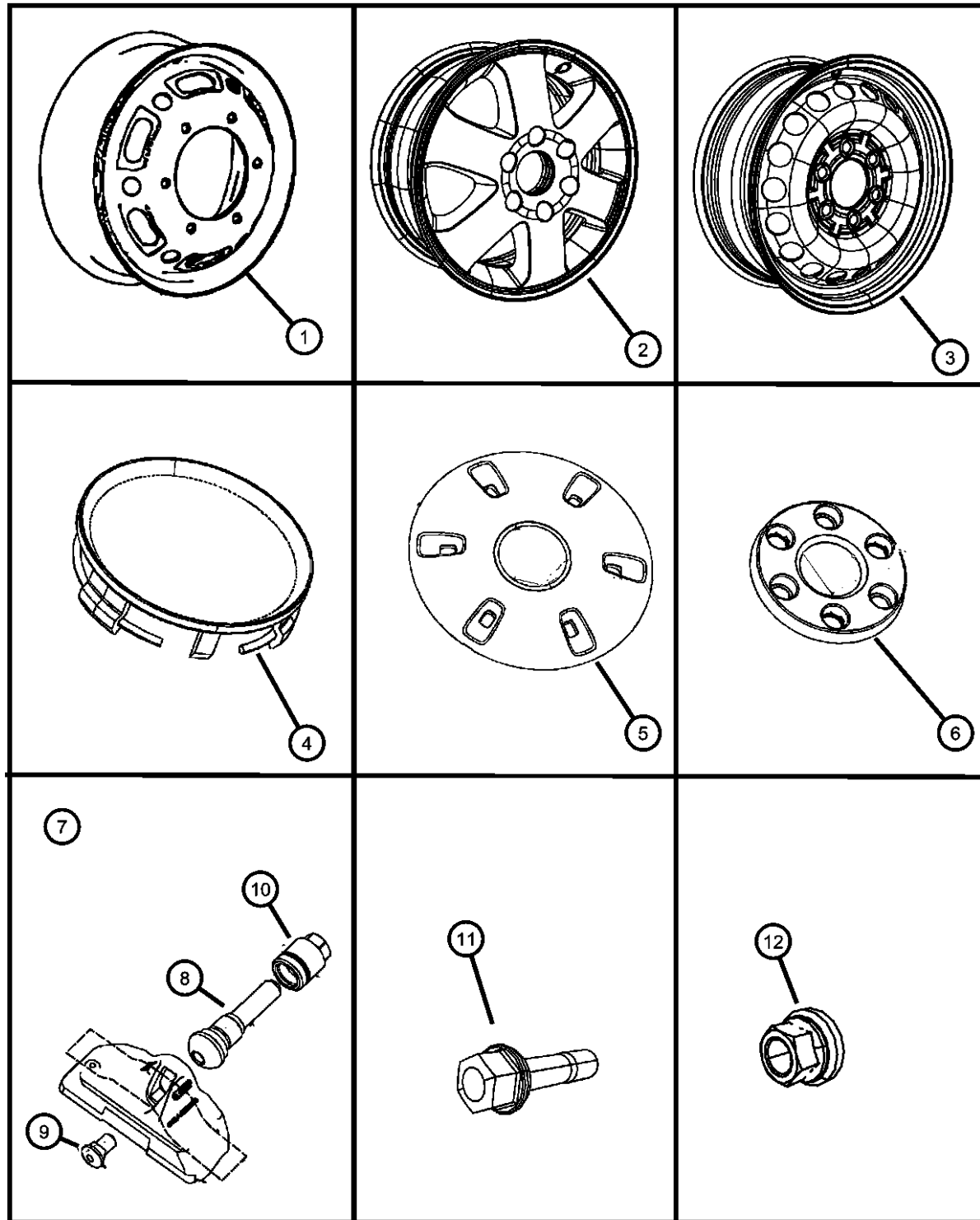
TRANSMISSION

DGZ = 5-Speed Auto W5A380 Transmission

AR = use ase required - = Non illustrated part

2008 VB

Wheels and Hardware  
Figure 22-105



ITEM	PART NUMBER	QTY	LINE	SERIES	BODY	ENGINE	TRANS	TRIM	DESCRIPTION
------	-------------	-----	------	--------	------	--------	-------	------	-------------

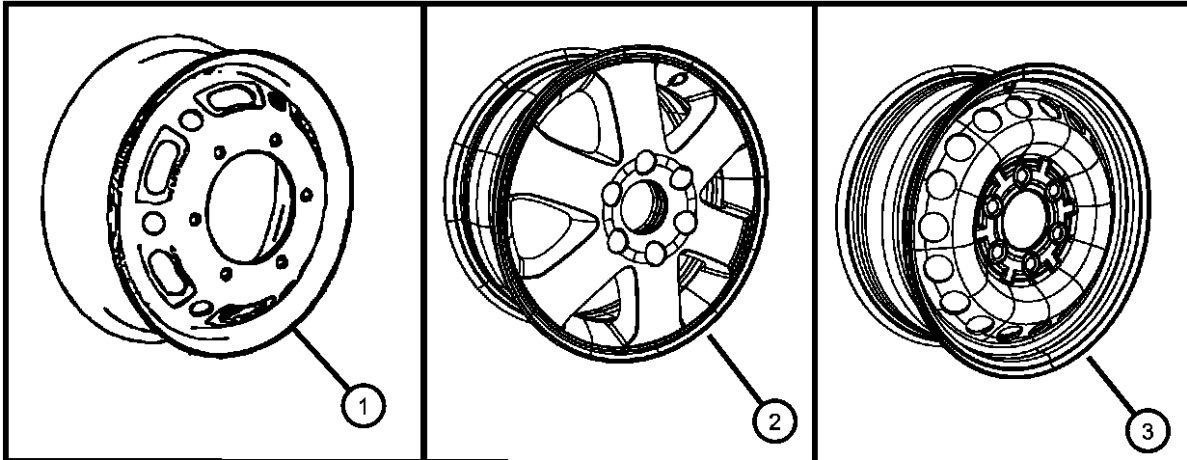
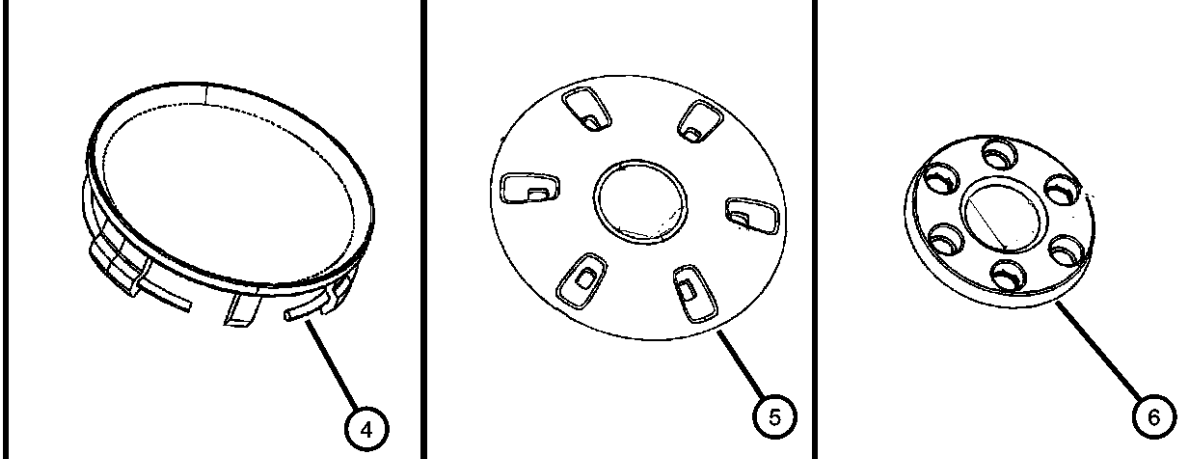
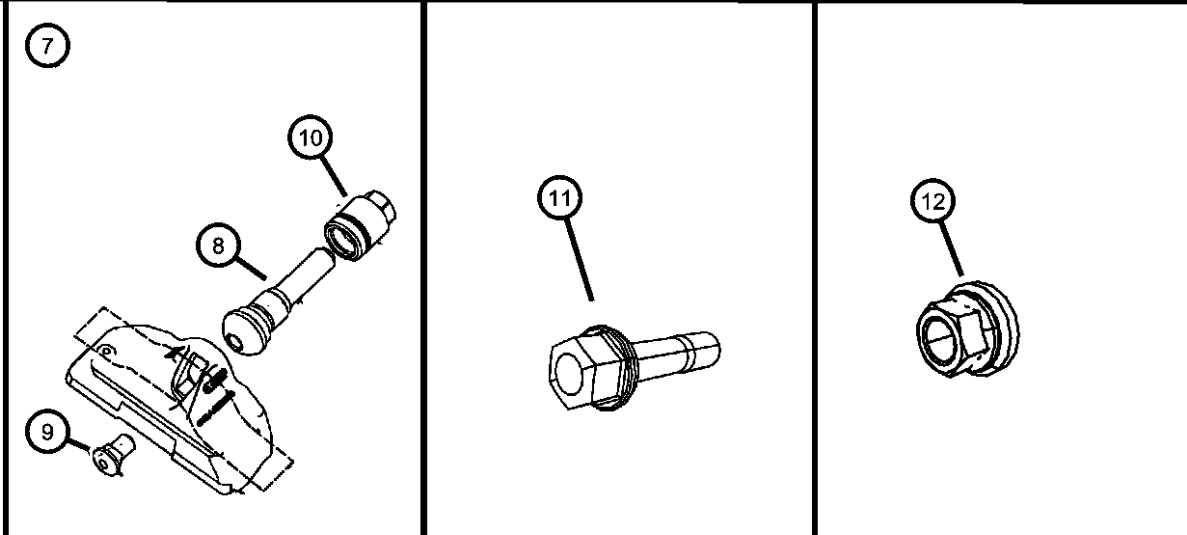
	68013454AA	1	2, 3, 6, 7	L					Without [LAB]
	68022059AA	4	2, 3, 6, 7	L					With [LAB]

SPRINTER (VB)

SERIES	LINE	BODY	ENGINE	TRANSMISSION
L = LOWLINE	3 = HD DODGE 2WD 6 = Lt. Duty DODGE 4WD 2 = Med. Duty DODGE 2WD 7 = Med. Duty DODGE 4WD	17 = VAN WHEEL BASE 7 55 = WAGON WHEEL BASE 5 15 = VAN WHEEL BASE 5 53 = 119 WB 13 = 119 WB 05 = CAB CHASSIS WHEEL BASE 5 03 = CAB CHASSIS WHEEL BASE 3	EG2 = 3.5L V6 Gas Engine EXM = 3.0L V6 Turbo Diesel Engine	DGZ = 5-Speed Auto W5A380 Transmission

AR = use ase required - = Non illustrated part

**Wheels and Hardware**  
**Figure 22-201**

ITEM	PART NUMBER	QTY	LINE	SERIES	BODY	ENGINE	TRANS	TRIM	DESCRIPTION	
	1								WHEEL, Steel	
		1JJ25DX9AA	6	3, 7	L				Black Steel Wheel / With [WWA + WDK] Without [WWW]	
		1JJ25P01AA	6	3, 7	L				White Steel Wheel / With [WWW + WDK] Without [WWA]	
		1JJ25SZ0AA	6	3, 7	L				Silver Steel Wheel / With [WDK] Without [-WWA-WWW]	
	2	68004980AA	4	2, 6	L	13, 15, 17, 53, 55			WHEEL, Aluminum, With [WNB]	
	3									WHEEL, Steel
			1VB07DX9AA	4	2, 6	L				Black Steel Wheel / With [WWA + WDG]
			1VB07P01AA	4	2, 6	L				White Steel Wheel / With [WWW + WDG]
		1VB07SZ0AA	4	2, 6	L				Silver Steel Wheel / With [WDG] Without [WWA & WWW]	
	4	05104570AA	4	2, 6	L	13, 15, 17, 53, 55			CAP, Wheel Center, With [WNB]	
	5	68025431AA	4	2, 6	L	13, 15, 17, 53, 55			CAP, Wheel Center, With [WDG]	
	6	68025430AA	2	3, 7	L	03, 05, 13, 15, 17			CAP, Wheel Center, With [WDK]	
	7	68006771AA	4	2, 6	L				SENSOR, Tire Pressure, Valve stem, With [LAB]	
	8									STEM, Wheel Valve
			05175255AA	1	2, 3, 6, 7	L				With [WLB]
			68004983AA	2	3, 7	L				Without [LAB]
			68006772AA	99	3, 7	L				Standard Valve
			68006773AA	4	2, 6	L				With [LAB]
	9	68006774AA	4	2, 6	L				NUT, Tire Pressure Sensor, With [LAB]	
		10	68006775AA	4	2, 6	L				CAP, Valve stem, With [LAB]
		11	68006805AA	24	2, 6	L				BOLT, Mounting Wheel Stud / With [WDG]
12		68013445AA	24	3, 7	L	03, 05, 13, 15, 17			NUT, With [WDK]	
-13									LABEL, Tire Pressure	
		68013454AA	1	2, 3, 6, 7	L				Without [LAB]	
	68022059AA	4	2, 3, 6, 7	L				With [LAB]		

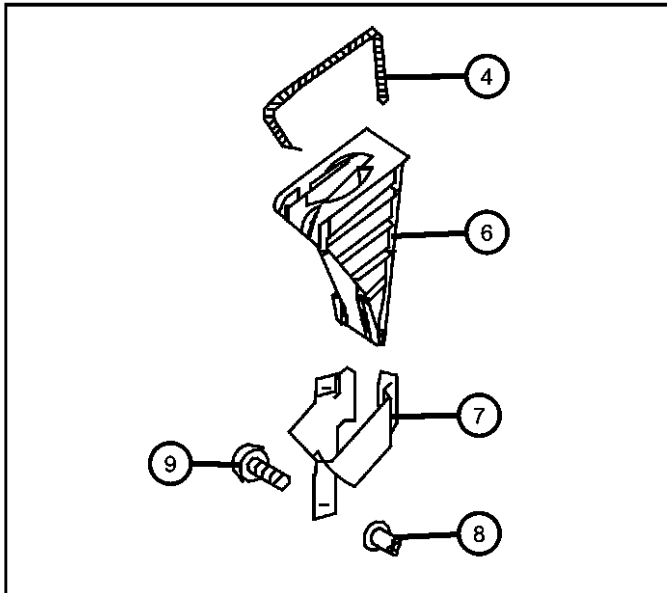
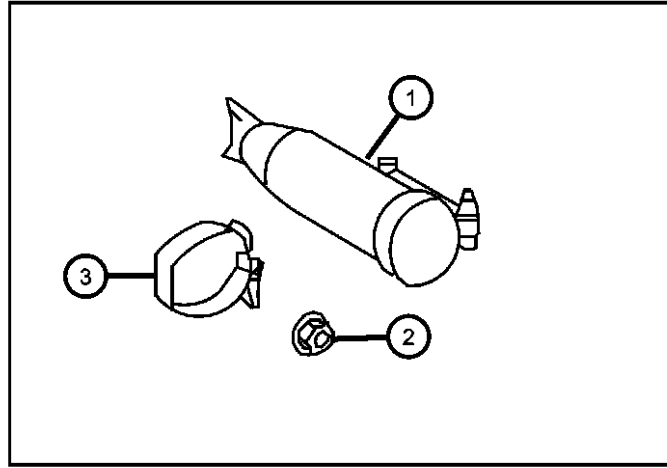
**SPRINTER (VB)**

SERIES	LINE	BODY	ENGINE	TRANSMISSION
L = LOWLINE	3 = HD DODGE 2WD 6 = Lt. Duty DODGE 4WD 2 = Med. Duty DODGE 2WD 7 = Med. Duty DODGE 4WD	17 = VAN WHEEL BASE 7 55 = WAGON WHEEL BASE 5 15 = VAN WHEEL BASE 5 53 = 119 WB 13 = 119 WB 05 = CAB CHASSIS WHEEL BASE 5 03 = CAB CHASSIS WHEEL BASE 3	EG2 = 3.5L V6 Gas Engine EXM = 3.0L V6 Turbo Diesel Engine	DGZ = 5-Speed Auto W5A380 Transmission

AR = use ase required - = Non illustrated part



Jack Assembly  
Figure 22-305



ITEM	PART NUMBER	QTY	LINE	SERIES	BODY	ENGINE	TRANS	TRIM	DESCRIPTION
1	68007087AA	1	2, 3, 6, 7	L					JACK
2	05097674AA	2	3, 7	L	03, 05				NUT, Hex Fasten Vehicle Jack M6
		2	2, 3, 6, 7	L	13, 15, 17, 53, 55				Fasten Vehicle Jack M6
3	05125276AA	1	2, 3, 6, 7	L	13, 15, 17, 53, 55				BRACKET, Jack
		1	3, 7	L	03, 05				
4	68007093AA	1	2, 3, 6, 7	L					RETAINER
-5	68007100AA	1	3, 7	L	03, 05				BRACKET
6	68007091AA	1	2, 3, 6, 7	L	03, 05, 13, 15, 17				BUMPER, Wheel Chock
7	68007099AA	1	3, 7	L	03, 05				BRACKET
8	05133486AA	4	2, 3, 6, 7	L					RIVET
9	06104121AA	4	2, 3, 6, 7	L	13, 15, 17, 53, 55				SCREW, Hex Flange Head M6x16
		2	3, 7	L	03, 05				M6x16

SPRINTER (VB)

SERIES	LINE	BODY	ENGINE	TRANSMISSION
L = LOWLINE	3 = HD DODGE 2WD 6 = Lt. Duty DODGE 4WD 2 = Med. Duty DODGE 2WD 7 = Med. Duty DODGE 4WD	17 = VAN WHEEL BASE 7 55 = WAGON WHEEL BASE 5 15 = VAN WHEEL BASE 5 53 = 119 WB 13 = 119 WB 05 = CAB CHASSIS WHEEL BASE 5 03 = CAB CHASSIS WHEEL BASE 3	EG2 = 3.5L V6 Gas Engine EXM = 3.0L V6 Turbo Diesel Engine	DGZ = 5-Speed Auto W5A380 Transmission

AR = use ase required - = Non illustrated part

2008 VB

# Group - 23

## Wiper/Washers-Miscellaneous

### Group - 23 Wiper/Washers-Miscellaneous

Illustration Title

Group-Fig. No.

#### Windshield Wiper and Washer System

Front Wiper System .....Fig. 23 - 205

Front Washer System.....Fig. 23 - 210

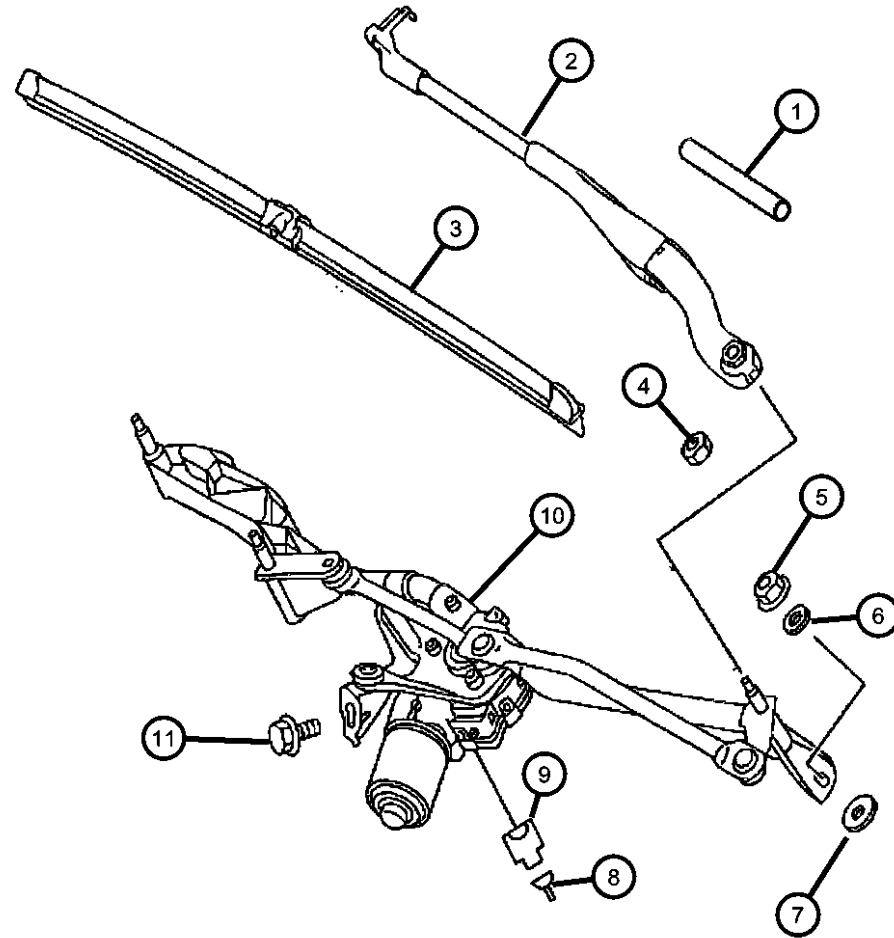
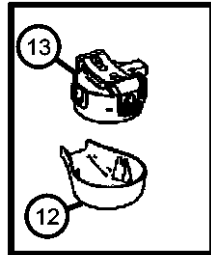
Front Headlamp Washer System .....Fig. 23 - 215

#### Rear Window Wiper and Washer

Rear Wiper System .....Fig. 23 - 305

<b>023-200</b> Windshield Wiper and Washer System	<b>023-300</b> Rear Window Wiper and Washer System		
--	---	--	--

**Front Wiper System  
Figure 23-205**



ITEM	PART NUMBER	QTY	LINE	SERIES	BODY	ENGINE	TRANS	TRIM	DESCRIPTION
1	68017463AA	117	2, 3, 6, 7	L					HOSE, Pane Washer System, Nozzles 4.3x1.9
2	68017436AA	1	3, 7	L	03, 05				Left
		1	2, 3, 6, 7	L	13, 15, 17, 53, 55				Left
	68017438AA	1	3, 7	L	03, 05				Right
		1	2, 3, 6, 7	L	13, 15, 17, 53, 55				Right
3	68017439AA	1	3, 7	L	03, 05				BLADE, Wiper Passenger
		1	2, 3, 6, 7	L	13, 15, 17, 53, 55				Passenger
	68017437AA	1	3, 7	L	03, 05				Driver
		1	2, 3, 6, 7	L	13, 15, 17, 53, 55				Driver
4	06104717AA	2	3, 7	L	03, 05				NUT, Hex Flange Lock, M10x1.50 Wiper Arm on Spindle M10
		2	2, 3, 6, 7	L	13, 15, 17, 53, 55				Wiper Arm on Spindle M10
5	68017442AA	2	2, 3, 6, 7	L					NUT, Wiper System to Cowl M22x1
6	68017443AA	2	2, 3, 6, 7	L					WASHER, Wiper System to Cowl
7	68017444AA	2	2, 3, 6, 7	L					WASHER, Wiper System to Cowl
8	05133353AA	AR	2, 3, 6, 7	L					TERMINAL, 1.5-2.5 MM2;M6/1
9	05135758AA	1	2, 3, 6, 7	L					CONNECTOR, Female
10	68017435AA	1	2, 3, 6, 7	L	13, 15, 17, 53, 55				LINKAGE ASSY, LINKAGE ASSY-W/WPR
		1	3, 7	L	03, 05				
11	06104120AA	1	3, 7	L	03, 05				SCREW, Hex Head, M6x12 Support to Bracket M6x12
		1	2, 3, 6, 7	L	13, 15, 17, 53, 55				Support to Bracket M6x12
12	68013425AA	1	2, 3, 6, 7	L					COVER, Sensor
13	68013389AA	1	2, 3, 6, 7	L					SENSOR, Rain, Rain and Light Sensor
-14									NOZZLE, Washer, Windshield

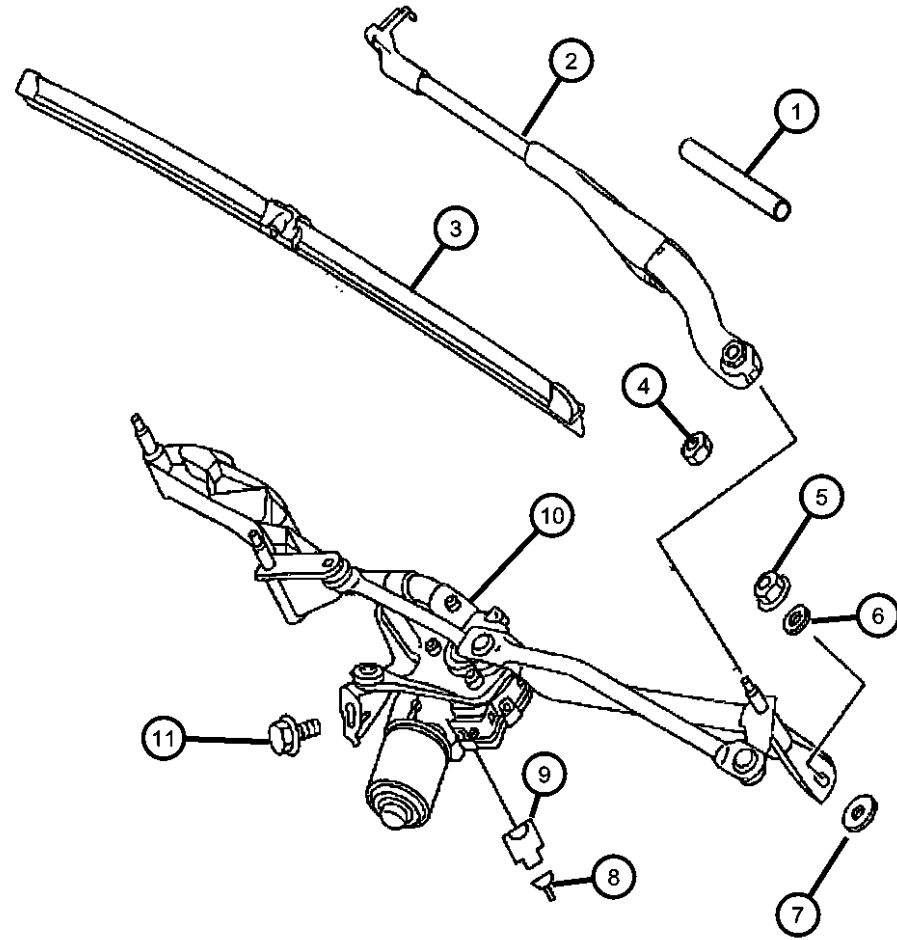
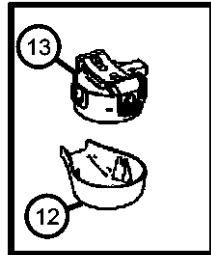
**SPRINTER (VB)**

SERIES	LINE	BODY	ENGINE	TRANSMISSION
L = LOWLINE	3 = HD DODGE 2WD 6 = Lt. Duty DODGE 4WD 2 = Med. Duty DODGE 2WD 7 = Med. Duty DODGE 4WD	17 = VAN WHEEL BASE 7 55 = WAGON WHEEL BASE 5 15 = VAN WHEEL BASE 5 53 = 119 WB 13 = 119 WB 05 = CAB CHASSIS WHEEL BASE 5 03 = CAB CHASSIS WHEEL BASE 3	EG2 = 3.5L V6 Gas Engine EXM = 3.0L V6 Turbo Diesel Engine	DGZ = 5-Speed Auto W5A380 Transmission

AR = use ase required - = Non illustrated part

Front Wiper System  
Figure 23-205

ITEM	PART NUMBER	QTY	LINE	SERIES	BODY	ENGINE	TRANS	TRIM	DESCRIPTION
	68017440AA	1	2, 3, 6, 7	L					Right
	68017441AA	1	2, 3, 6, 7	L					Left

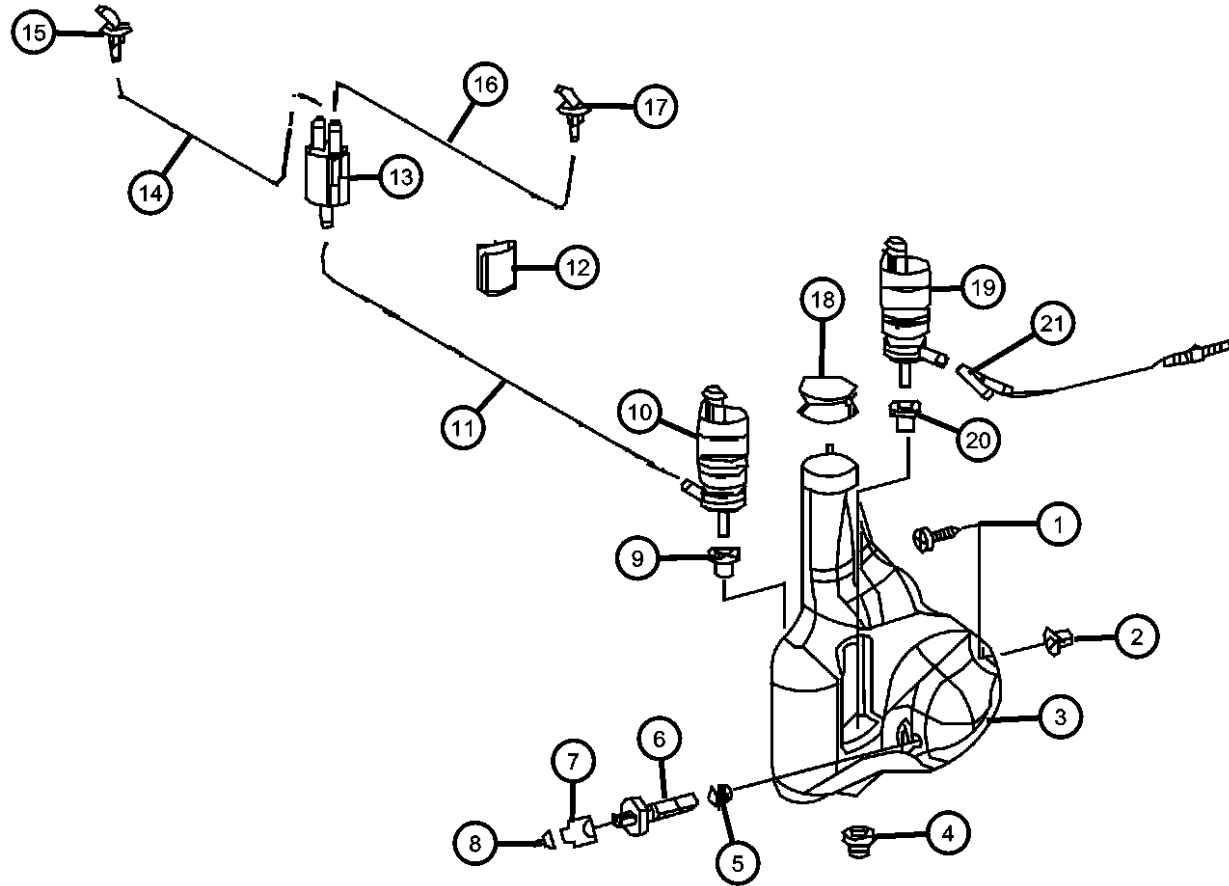


SPRINTER (VB)

SERIES	LINE	BODY	ENGINE	TRANSMISSION
L = LOWLINE	3 = HD DODGE 2WD 6 = Lt. Duty DODGE 4WD 2 = Med. Duty DODGE 2WD 7 = Med. Duty DODGE 4WD	17 = VAN WHEEL BASE 7 55 = WAGON WHEEL BASE 5 15 = VAN WHEEL BASE 5 53 = 119 WB 13 = 119 WB 05 = CAB CHASSIS WHEEL BASE 5 03 = CAB CHASSIS WHEEL BASE 3	EG2 = 3.5L V6 Gas Engine EXM = 3.0L V6 Turbo Diesel Engine	DGZ = 5-Speed Auto W5A380 Transmission

AR = use ase required - = Non illustrated part

**Front Washer System  
Figure 23-210**



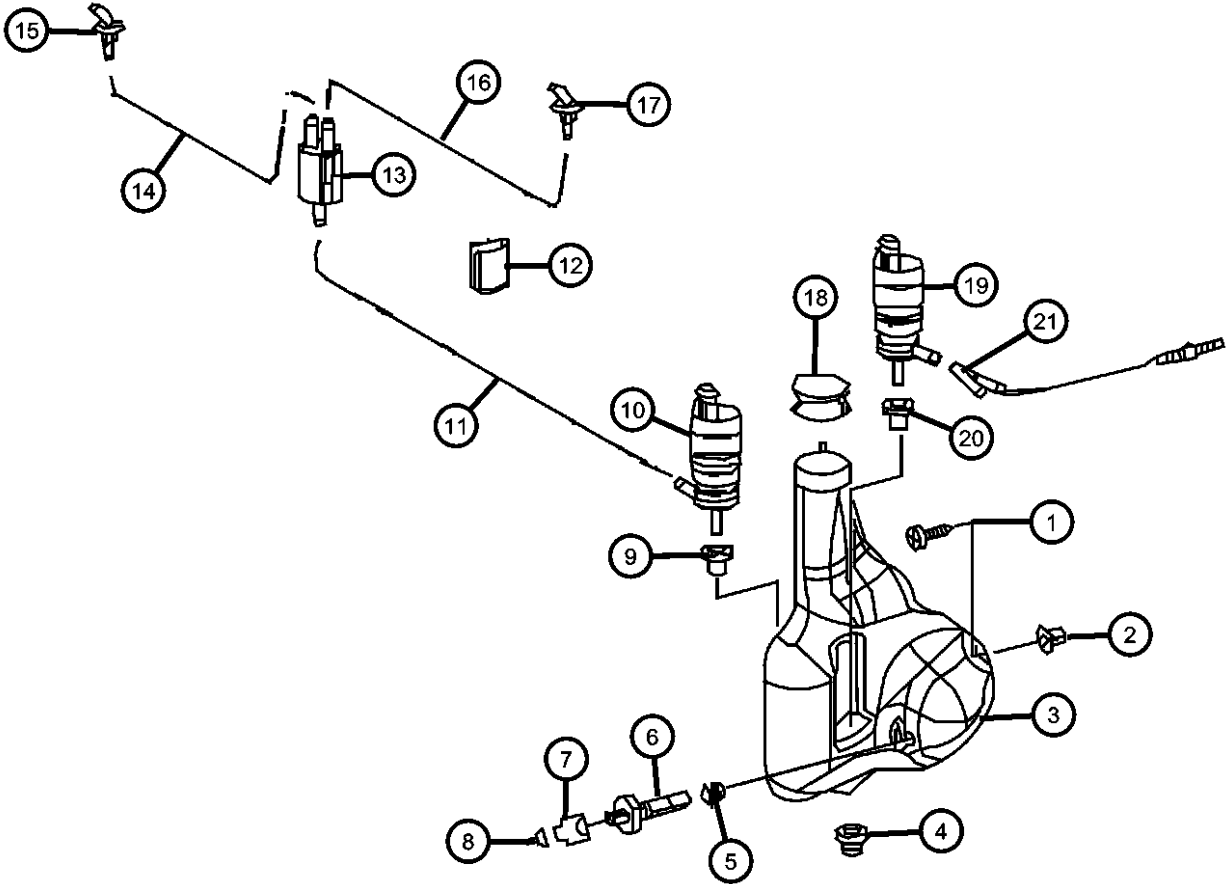
ITEM	PART NUMBER	QTY	LINE	SERIES	BODY	ENGINE	TRANS	TRIM	DESCRIPTION
1									SCREW
	06104582AA	2	3, 7	L	03, 05				
		2	2, 3, 6, 7	L	13, 15, 17, 53, 55				
2									PLUG, Push Lock
	05132725AA	2	3, 7	L	03, 05				
		2	2, 3, 6, 7	L	13, 15, 17, 53, 55				
3									RESERVOIR, Washer
	68017445AA	1	3, 7	L	03, 05				
		1	2, 3, 6, 7	L	13, 15, 17, 53, 55				
4	05120012AA	1	2, 3, 6, 7	L					GROMMET, Air Cleaner
5									GROMMET, Washer Reservoir
	05097659AA	1	3, 7	L	03, 05				
		1	2, 3, 6, 7	L	13, 15, 17, 53, 55				
6	05099273AA	1	2, 3, 6, 7	L					SENSOR, Washer Fluid Level
7	05120277AA	1	2, 3, 6, 7	L					CONNECTOR, Wiring Repair
8	05103874AA	1	2, 3, 6, 7	L					TERMINAL
9									GROMMET, Windshield Washer Pump
	05135548AA	1	3, 7	L	03, 05				
		1	2, 3, 6, 7	L	13, 15, 17, 53, 55				
10	68017447AA	1	2, 3, 6, 7	L					PUMP, Washer, Windshield
11									HOSE, Windshield Washer
	05127702AA	900	2, 3, 6, 7	L	13, 15, 17, 53, 55				
		900	3, 7	L	03, 05				
12		900							CLIP, (NOT SERVICED)
13									CHECK VALVE, Washer
	05124963AA	1	3, 7	L	03, 05				
		1	2, 3, 6, 7	L	13, 15, 17, 53, 55				
14									HOSE, Windshield Washer
	05127702AA	900	3, 7	L	03, 05				

**SPRINTER (VB)**

SERIES	LINE	BODY	ENGINE	TRANSMISSION
L = LOWLINE	3 = HD DODGE 2WD 6 = Lt. Duty DODGE 4WD 2 = Med. Duty DODGE 2WD 7 = Med. Duty DODGE 4WD	17 = VAN WHEEL BASE 7 55 = WAGON WHEEL BASE 5 15 = VAN WHEEL BASE 5 53 = 119 WB 13 = 119 WB 05 = CAB CHASSIS WHEEL BASE 5 03 = CAB CHASSIS WHEEL BASE 3	EG2 = 3.5L V6 Gas Engine EXM = 3.0L V6 Turbo Diesel Engine	DGZ = 5-Speed Auto W5A380 Transmission

AR = use ase required - = Non illustrated part

**Front Washer System  
Figure 23-210**



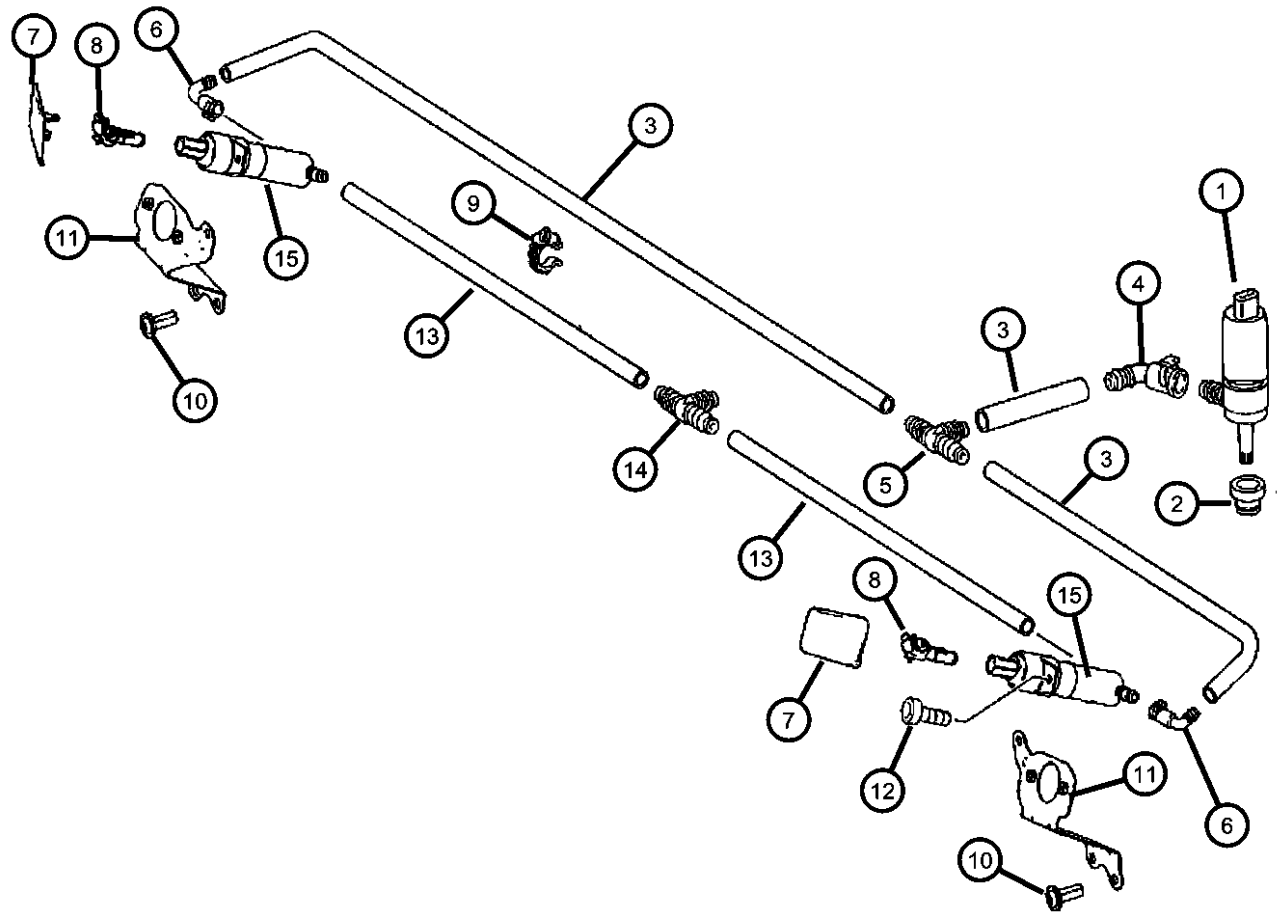
ITEM	PART NUMBER	QTY	LINE	SERIES	BODY	ENGINE	TRANS	TRIM	DESCRIPTION
15		900	2, 3, 6, 7	L	13, 15, 17, 53, 55				CONNECTOR, Washer Hose, Elbow Type
	05125061AA	2	2, 3, 6, 7	L	13, 15, 17, 53, 55				
		2	3, 7	L	03, 05				
16		900	3, 7	L	03, 05				HOSE, Windshield Washer
	05127702AA	900	3, 7	L	03, 05				
		900	2, 3, 6, 7	L	13, 15, 17, 53, 55				
17									CONNECTOR, Washer Hose, Elbow Type
	05125061AA	2	3, 7	L	03, 05				
		2	2, 3, 6, 7	L	13, 15, 17, 53, 55				
18	68017446AA	1	2, 3, 6, 7	L					CAP, Washer Reservoir
19	68017447AA	1	2, 3, 6, 7	L					PUMP, Washer, Windshield
20									GROMMET, Windshield Washer Pump
	05135548AA	1	3, 7	L	03, 05				
		1	2, 3, 6, 7	L	13, 15, 17, 53, 55				
21	68017477AA	1	2, 3, 6, 7	L	13, 15, 17, 53, 55				FITTING

**SPRINTER (VB)**

<b>SERIES</b>	<b>LINE</b>	<b>BODY</b>	<b>ENGINE</b>	<b>TRANSMISSION</b>
L = LOWLINE	3 = HD DODGE 2WD 6 = Lt. Duty DODGE 4WD 2 = Med. Duty DODGE 2WD 7 = Med. Duty DODGE 4WD	17 = VAN WHEEL BASE 7 55 = WAGON WHEEL BASE 5 15 = VAN WHEEL BASE 5 53 = 119 WB 13 = 119 WB 05 = CAB CHASSIS WHEEL BASE 5 03 = CAB CHASSIS WHEEL BASE 3	EG2 = 3.5L V6 Gas Engine EXM = 3.0L V6 Turbo Diesel Engine	DGZ = 5-Speed Auto W5A380 Transmission

AR = use ase required - = Non illustrated part

**Front Headlamp Washer System**  
**Figure 23-215**



ITEM	PART NUMBER	QTY	LINE	SERIES	BODY	ENGINE	TRANS	TRIM	DESCRIPTION
1	68017448AA	1	2, 3, 6, 7	L					PUMP, Washer, Windshield, With [JHT]
2	68017449AA	1	2, 3, 6, 7	L					GROMMET, With [JHT]
3	68017467AA	900	2, 3, 6, 7	L					HOSE, Washer, Headlamp, With [JHT]
4	68017470AA	1	2, 3, 6, 7	L					FITTING, With [JHT]
5	68017468AA	1	2, 3, 6, 7	L					FITTING, [T] Fitting / With [JHT]
6	68017469AA	2	2, 3, 6, 7	L					FITTINGRight & Left, Elbow Attaching
7									COVER
	68017472AA	1	2, 3, 6, 7	L					With [JHT], Left
	68017473AA	1	2, 3, 6, 7	L					With [JHT], Right
8									NOZZLE, Washer, Headlamp
	68017464AA	1	2, 3, 6, 7	L					With [JHT], Right
	68017465AA	1	2, 3, 6, 7	L					With [JHT], Left
9	68017471AA	5	2, 3, 6, 7	L					RETAINER, With [JHT]
10	06104643AA	6	2, 3, 6, 7	L					SCREW, With [JHT] / Bracket Mounting
11									BRACKET
	68017475AA	1	2, 3, 6, 7	L					With [JHT], Left
	68017476AA	1	2, 3, 6, 7	L					With [JHT], Right
12									SCREW, Hex Head, M6x12
	06104120AA	4	3, 7	L	03, 05				
		4	2, 3, 6, 7	L	13, 15, 17, 53, 55				
13	05133997AA	1	2, 3, 6, 7	L					HOSE, Washer, Headlamp, [10x16 MM] With [JHT]
14									CONNECTOR, Washer Hose, T
	05125060AA	1	3, 7	L	03, 05				With [JHT]
		1	2, 3, 6, 7	L	13, 15, 17, 53, 55				With [JHT]
15	68017474AA	2	2, 3, 6, 7	L					NOZZLE, Washer, Headlamp, TELESCOPIC NOZZLE

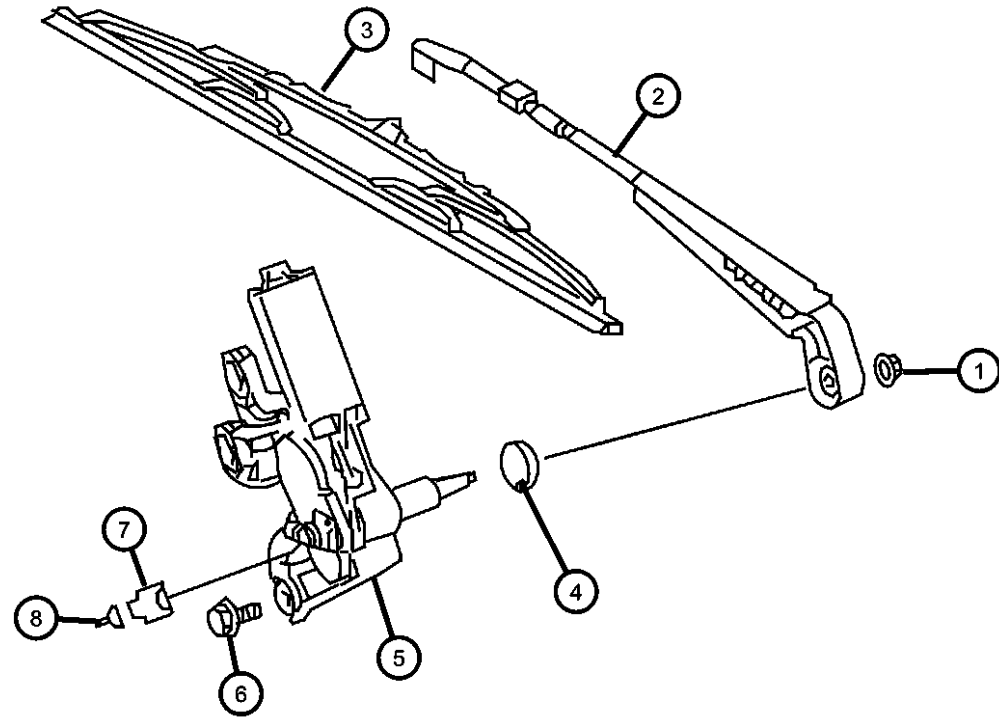
**SPRINTER (VB)**

<b>SERIES</b>	<b>LINE</b>	<b>BODY</b>	<b>ENGINE</b>	<b>TRANSMISSION</b>
L = LOWLINE	3 = HD DODGE 2WD 6 = Lt. Duty DODGE 4WD 2 = Med. Duty DODGE 2WD 7 = Med. Duty DODGE 4WD	17 = VAN WHEEL BASE 7 55 = WAGON WHEEL BASE 5 15 = VAN WHEEL BASE 5 53 = 119 WB 13 = 119 WB 05 = CAB CHASSIS WHEEL BASE 5 03 = CAB CHASSIS WHEEL BASE 3	EG2 = 3.5L V6 Gas Engine EXM = 3.0L V6 Turbo Diesel Engine	DGZ = 5-Speed Auto W5A380 Transmission

AR = use ase required - = Non illustrated part

**Rear Wiper System  
Figure 23-305**

ITEM	PART NUMBER	QTY	LINE	SERIES	BODY	ENGINE	TRANS	TRIM	DESCRIPTION
1	05126206AA	1	2, 3, 6, 7	L	13, 15, 17, 53, 55				NUT, Wiper Arm Fastening M8-8
2	68006512AA	1	2, 3, 6, 7	L	13, 15, 17, 53, 55				ARM, Wiper Right Door
	68006513AA	1	2, 3, 6, 7	L	13, 15, 17, 53, 55				Left Door
3	68006511AA	2	2, 3, 6, 7	L	13, 15, 17, 53, 55				BLADE, Wiper
4	68006509AA	2	2, 3, 6, 7	L					CAP
5	68006508AA	1	2, 3, 6, 7	L					MOTOR Left Door
	68006603AA	1	2, 3, 6, 7	L					Right Door
6	06104123AA	2	2, 3, 6, 7	L	13, 15, 17, 53, 55				SCREW
7	68011274AA	2	2, 3, 6, 7	L					CONNECTOR, [3 PiN M6/10 - M6/11]
8	05103892AA	1	2, 3, 6, 7	L					TERMINAL



**SPRINTER (VB)**

SERIES	LINE	BODY	ENGINE	TRANSMISSION
L = LOWLINE	3 = HD DODGE 2WD 6 = Lt. Duty DODGE 4WD 2 = Med. Duty DODGE 2WD 7 = Med. Duty DODGE 4WD	17 = VAN WHEEL BASE 7 55 = WAGON WHEEL BASE 5 15 = VAN WHEEL BASE 5 53 = 119 WB 13 = 119 WB 05 = CAB CHASSIS WHEEL BASE 5 03 = CAB CHASSIS WHEEL BASE 3	EG2 = 3.5L V6 Gas Engine EXM = 3.0L V6 Turbo Diesel Engine	DGZ = 5-Speed Auto W5A380 Transmission

AR = use ase required - = Non illustrated part

2008 VB



# Group - 24

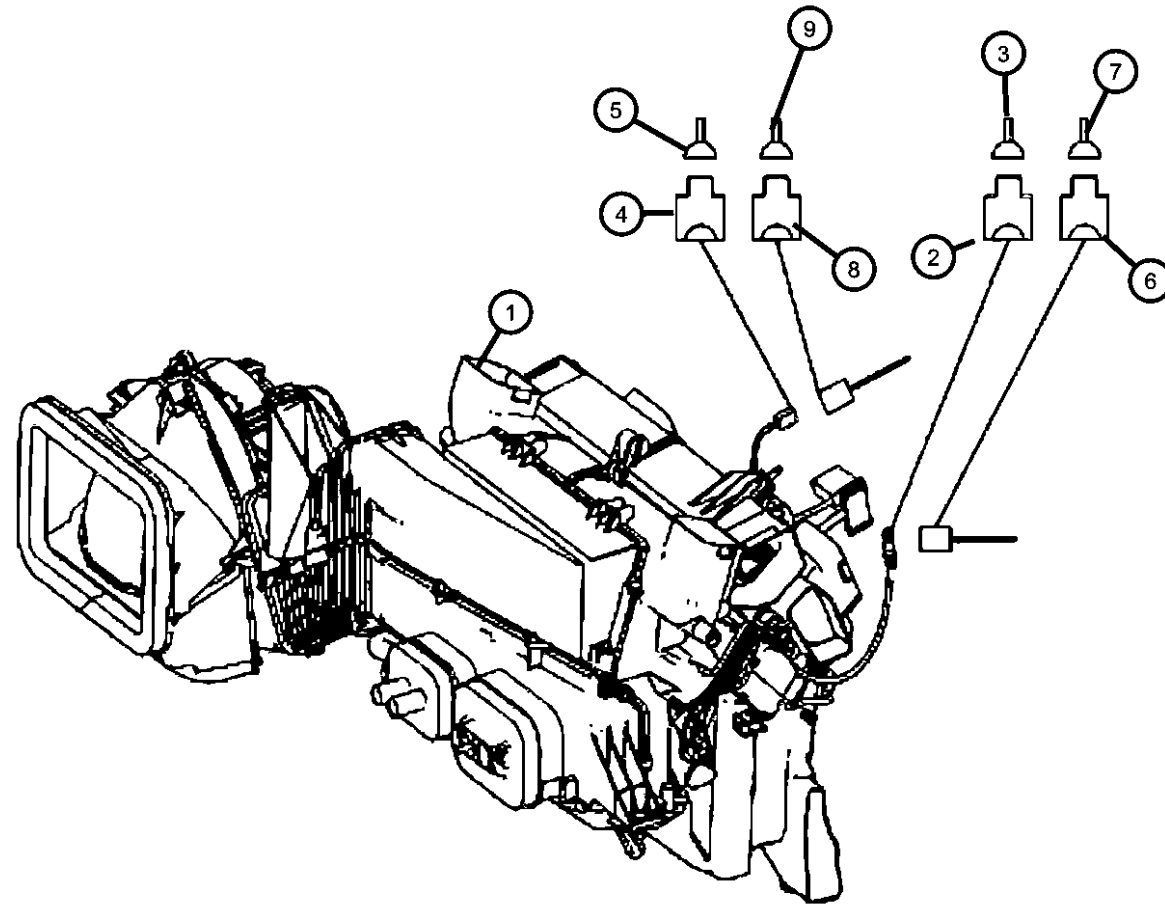
## Air Conditioners and Heaters

### Group - 24 Air Conditioners and Heaters

Illustration Title	Group-Fig. No.
<b>Air Conditioner and Heater Units</b>	
Heater And Evaporator Housing .....	Fig. 24 - 104
Heater Housing/AC with Blower .....	Fig. 24 - 105
Heat Exchange .....	Fig. 24 - 106
Ventilation Case .....	Fig. 24 - 107
Condenser And Auxiliary Fan .....	Fig. 24 - 108
Roof Mounted Ventilator .....	Fig. 24 - 109
Roof Air Conditioner Unit .....	Fig. 24 - 170
Roof Air Conditioner Unit .....	Fig. 24 - 171
Roof Air Conditioner Unit .....	Fig. 24 - 173
<b>Air Conditioner and Heater Plumbing</b>	
Rear A/C Condensed Water Drain .....	Fig. 24 - 205
Auxiliary Warm Water Heater Mounting .....	Fig. 24 - 210
Auxiliary Warm Water Heater Mounting .....	Fig. 24 - 215
Auxiliary Warm Water Heater Service Parts .....	Fig. 24 - 220
Heater Lines .....	Fig. 24 - 225
Heater Lines .....	Fig. 24 - 230
Refrigerant Lines .....	Fig. 24 - 235
Refrigerant Lines .....	Fig. 24 - 240
Refrigerant Line Routing .....	Fig. 24 - 245
Refrigerant Lines .....	Fig. 24 - 250
<b>Air Conditioner and Heater Controls</b>	
Heater Controls .....	Fig. 24 - 305
A/C and Heater Controls .....	Fig. 24 - 310
<b>Air Conditioner Compressor and Mounting</b>	
A/C Compressor .....	Fig. 24 - 405
<b>Air Ducts and Outlets</b>	
Air Ducting .....	Fig. 24 - 505
Air Duct to Roof .....	Fig. 24 - 511

<b>024-100</b> Air Conditioner and Heater Units	<b>024-200</b> Air Conditioner and Heater Plumbing	<b>024-300</b> Air Conditioner and Heater Controls	<b>024-400</b> Air Conditioner Compressor and Mounting
<b>024-500</b> Air Ducts and Outlets			

**Heater And Evaporator Housing**  
**Figure 24-104**



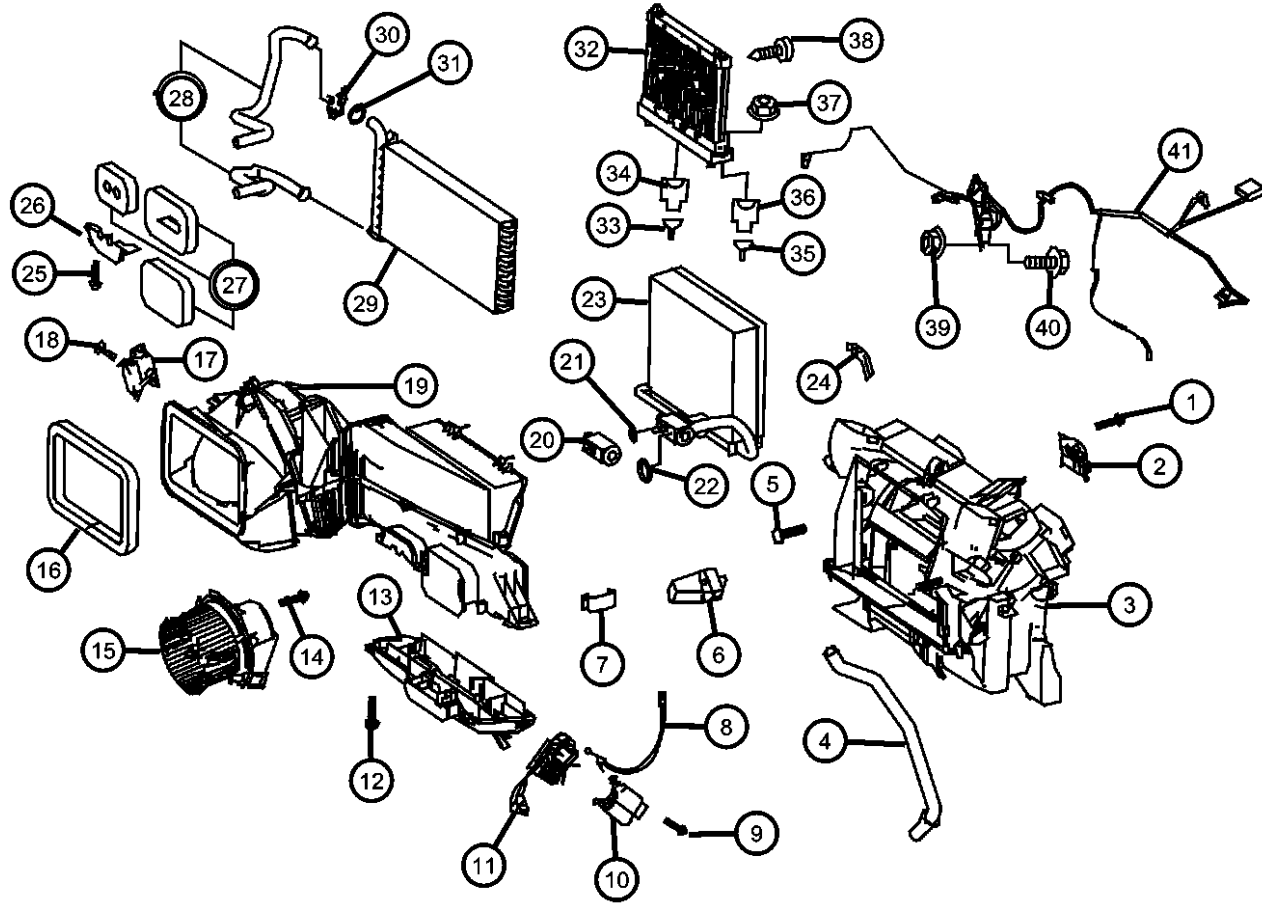
ITEM	PART NUMBER	QTY	LINE	SERIES	BODY	ENGINE	TRANS	TRIM	DESCRIPTION
Note:Housing Includes All Internal Parts									
1	68012663AA	1	2, 3, 6, 7			EG2, EXM			HOUSING, See Note:, Complete Heater/Evaporator Housing
2	05120685AA	1	2, 3, 6, 7			EG2, EXM			INSULATOR, Blower Stage [1] Plug Connector [ 1 Pin X31/ 10]
3	05133358AA	1	2, 3, 6, 7			EG2, EXM			TERMINAL, Male, [4 - 6 MM2; X31/10]
4	68011379AA	1	2, 3, 6, 7			EG2, EXM			CONNECTOR, Blower Terminal Connector [31] [1 Pin; X31/12]
5	05133379AA	AR	2, 3, 6, 7			EG2, EXM			TERMINAL, Male, [6.0 MM2; X31/9 & X31/12]
6	05120684AA	2	2, 3, 6, 7		13, 15, 17, 53, 55	EG2, EXM			CONNECTOR
		2	3, 7		03, 05	EG2, EXM			Blower Stage [1] Connector [1 Pin X31/10]
7	68016729AA	AR	2, 3, 6, 7			EG2, EXM			Blower Stage [1] Connector [1 Pin X31/10]
8	05143907AA	2	2, 3, 6, 7			EG2, EXM			TERMINAL, [0.5 - 1.0 MM2; X31/10]
9	05120606AB	AR	2, 3, 6, 7			EG2, EXM			CONNECTOR, Blower Terminal Connector [31] [1 Pin X31/12]
									TERMINAL, [4.0 MM2; X31/12]

**SPRINTER (VB)**

<b>SERIES</b>	<b>LINE</b>	<b>BODY</b>	<b>ENGINE</b>	<b>TRANSMISSION</b>
L = LOWLINE	3 = HD DODGE 2WD 6 = Lt. Duty DODGE 4WD 2 = Med. Duty DODGE 2WD 7 = Med. Duty DODGE 4WD	17 = VAN WHEEL BASE 7 55 = WAGON WHEEL BASE 5 15 = VAN WHEEL BASE 5 53 = 119 WB 13 = 119 WB 05 = CAB CHASSIS WHEEL BASE 5 03 = CAB CHASSIS WHEEL BASE 3	EG2 = 3.5L V6 Gas Engine EXM = 3.0L V6 Turbo Diesel Engine	DGZ = 5-Speed Auto W5A380 Transmission

AR = use ase required - = Non illustrated part

**Heater Housing/AC with Blower  
Figure 24-105**



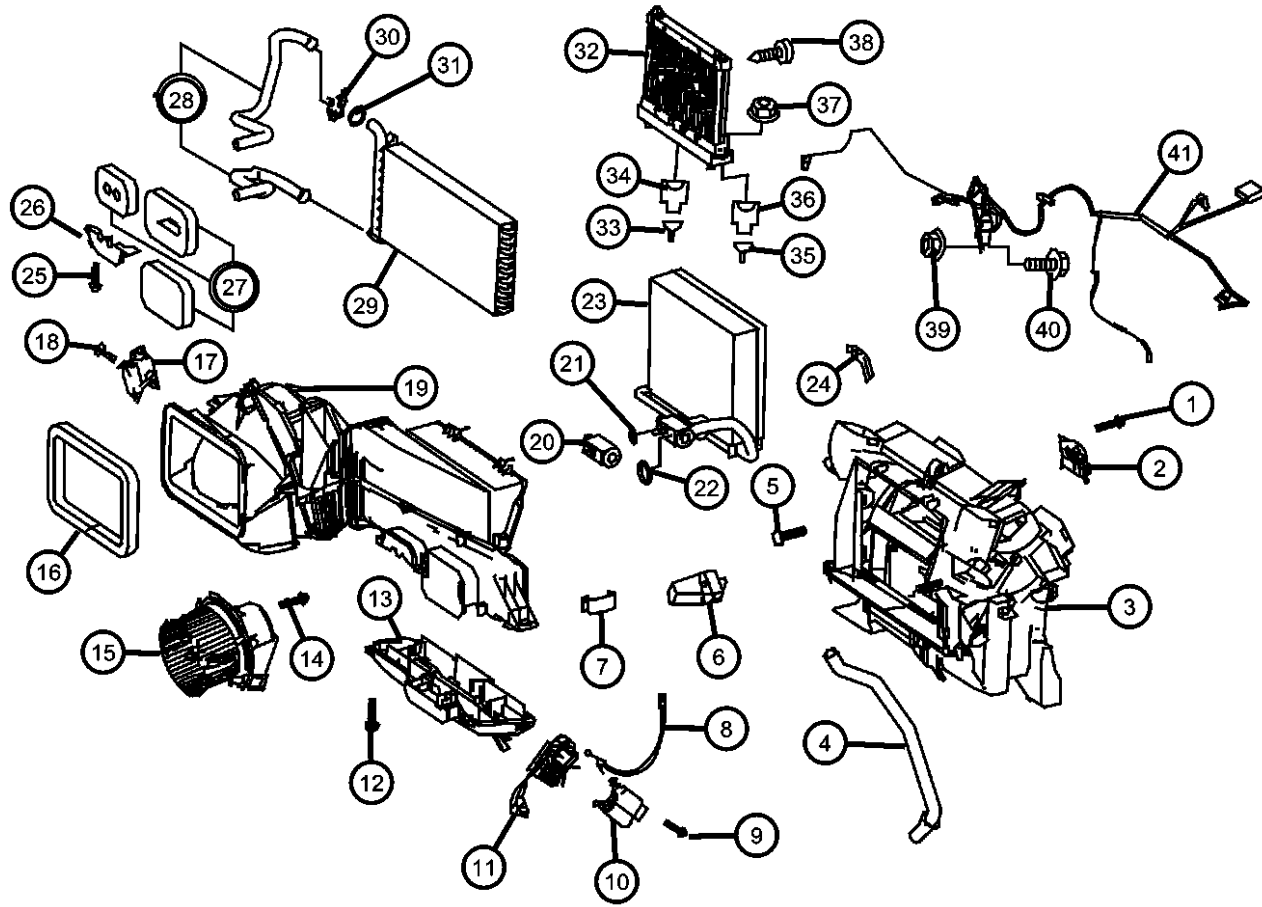
ITEM	PART NUMBER	QTY	LINE	SERIES	BODY	ENGINE	TRANS	TRIM	DESCRIPTION
1	68012630AA	2	2, 3, 6, 7			EG2, EXM			SCREW, 4x18
2	68012668AA	1	2, 3, 6, 7			EG2, EXM			ACTUATOR, A/C and Heater
3	68012673AA	1	2, 3, 6, 7			EG2, EXM			HOUSING, A/C And Heater
4	68012666AA	1	2, 3, 6, 7			EG2, EXM			HOSE, Drain
5	68012630AA	2	2, 3, 6, 7			EG2, EXM			SCREW, At Heater Case 4x18
6	68012613AA	1	2, 3, 6, 7			EG2, EXM			RESISTOR, Blower Motor
7	05133592AA	21	2, 3, 6, 7		13, 15, 17, 53, 55	EG2, EXM			CLIP, HEATER
8	68012667AA	1	2, 3, 6, 7			EG2, EXM			CABLE, A/C And Heater Control
9	68012630AA	2	2, 3, 6, 7			EG2, EXM			SCREW, Engine Fixing 4x16
10	68012669AA	1	2, 3, 6, 7			EG2, EXM			ACTUATOR, A/C and Heater
11	68012671AA	1	2, 3, 6, 7			EG2, EXM			LEVER, Panel Door
12	68012630AA	6	2, 3, 6, 7		13, 15, 17, 53, 55	EG2, EXM			SCREW, Mounting Shell 4x16
13	68012674AA	1	2, 3, 6, 7			EG2, EXM			COVER, Module
14	68012630AA	1	2, 3, 6, 7		13, 15, 17, 53, 55	EG2, EXM			SCREW, Fan Fastening 4x16
15	68012680AA	1	2, 3, 6, 7			EG2, EXM			MOTOR, Blower with Wheel
16	68012687AA	1	2, 3, 6, 7			EG2, EXM			GASKET
17	68012678AA	1	2, 3, 6, 7			EG2, EXM			ACTUATOR
18	68012630AA	2	2, 3, 6, 7			EG2, EXM			SCREW, Engine Fixing 4x16
19	68012676AA	1	2, 3, 6, 7			EG2, EXM			HOUSING, Heater
20	68012686AA	1	2, 3, 6, 7			EG2, EXM			VALVE, Expansion
21	05103930AA	1	2, 3, 6, 7		13, 15, 17, 53, 55	EG2, EXM			O RING, A/C Line, 17x2MM
22									O RING, A/C Line 10.6x2MM
	05098971AA	1	2, 3, 6, 7		13, 15, 17, 53, 55	EG2, EXM			10.6x2MM
		1	3, 7		03, 05	EG2, EXM			10.6x2MM
23	68012685AA	1	2, 3, 6, 7			EG2, EXM			EVAPORATOR, Air Conditioning
24									SENSOR, Temperature
	05103937AB	1	2, 3, 6, 7		13, 15, 17, 53, 55	EG2, EXM			
		1	3, 7		03, 05	EG2, EXM			
25	68012630AA	2	2, 3, 6, 7		13, 15, 17, 53, 55	EG2, EXM			SCREW, Bracket Mounting 4x16

**SPRINTER (VB)**

SERIES	LINE	BODY	ENGINE	TRANSMISSION
L = LOWLINE	3 = HD DODGE 2WD 6 = Lt. Duty DODGE 4WD 2 = Med. Duty DODGE 2WD 7 = Med. Duty DODGE 4WD	17 = VAN WHEEL BASE 7 55 = WAGON WHEEL BASE 5 15 = VAN WHEEL BASE 5 53 = 119 WB 13 = 119 WB 05 = CAB CHASSIS WHEEL BASE 5 03 = CAB CHASSIS WHEEL BASE 3	EG2 = 3.5L V6 Gas Engine EXM = 3.0L V6 Turbo Diesel Engine	DGZ = 5-Speed Auto W5A380 Transmission

AR = use ase required - = Non illustrated part

**Heater Housing/AC with Blower  
Figure 24-105**



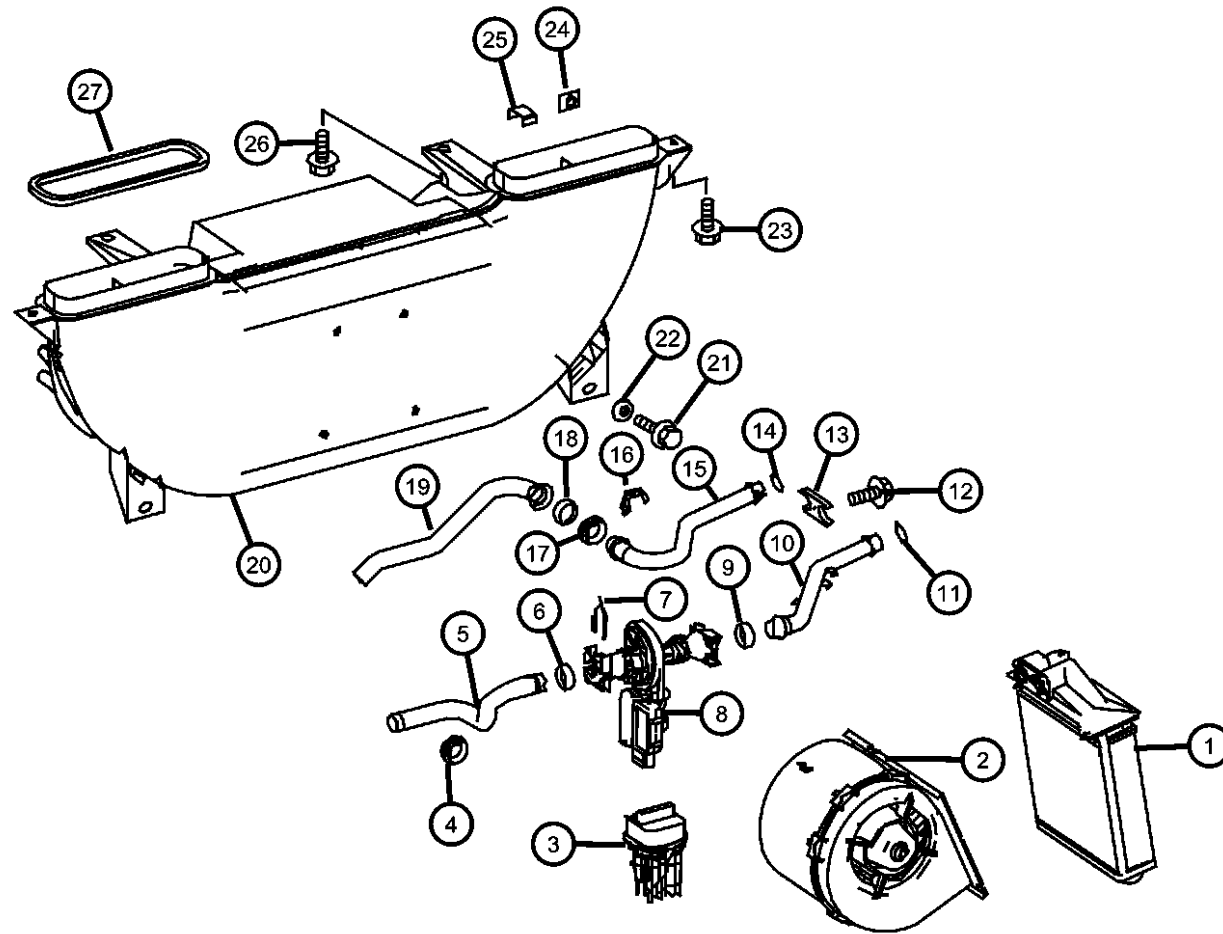
ITEM	PART NUMBER	QTY	LINE	SERIES	BODY	ENGINE	TRANS	TRIM	DESCRIPTION
26	68012684AA	1	2, 3, 6, 7			EG2, EXM			BRACKET
27	68012677AA	1	2, 3, 6, 7			EG2, EXM			SEAL, Heater Core
28	68012683AA	1	2, 3, 6, 7			EG2, EXM			HOSE, Heater
29	68012682AA	1	2, 3, 6, 7			EG2, EXM			CORE, Heater
30	68012619AA	2	2, 3, 6, 7			EG2, EXM			CLIP, Pipe Line to Heater Case
31	68012624AA	2	2, 3, 6, 7			EG2, EXM			O RING, Heating Pipe Lines
32	68012665AA	1	2, 3, 6, 7			EG2, EXM			HEATER
33	05103874AA	1	2, 3, 6, 7			EG2, EXM			TERMINAL
34	68011286AA	1	2, 3, 6, 7			EG2, EXM			CONNECTOR
35	05103874AA	1	2, 3, 6, 7			EG2, EXM			TERMINAL
36	05120277AA	1	2, 3, 6, 7			EG2, EXM			CONNECTOR, Wiring Repair
37	06105169AA	2	2, 3, 6, 7			EG2, EXM			NUT
38	68012630AA	2	2, 3, 6, 7		13, 15, 17, 53, 55	EG2, EXM			SCREW, Control Unit Fixture 4x16
39	68004878AA	3	2, 3, 6, 7		13, 15, 17, 53, 55	EG2, EXM			NUT, Attachment for Heater M6
40	05133476AB	2	2, 3, 6, 7		13, 15, 17, 53, 55	EG2, EXM			SCREW, Hex Flange Head, M6x1.00x20.00 Attachment for Heater M6x20
		2	3, 7		03, 05	EG2, EXM			Attachment for Heater M6x20
41	68012689AA	1	2, 3, 6, 7			EG2, EXM			WIRING, A/C and HEATER

**SPRINTER (VB)**

SERIES	LINE	BODY	ENGINE	TRANSMISSION
L = LOWLINE	3 = HD DODGE 2WD 6 = Lt. Duty DODGE 4WD 2 = Med. Duty DODGE 2WD 7 = Med. Duty DODGE 4WD	17 = VAN WHEEL BASE 7 55 = WAGON WHEEL BASE 5 15 = VAN WHEEL BASE 5 53 = 119 WB 13 = 119 WB 05 = CAB CHASSIS WHEEL BASE 5 03 = CAB CHASSIS WHEEL BASE 3	EG2 = 3.5L V6 Gas Engine EXM = 3.0L V6 Turbo Diesel Engine	DGZ = 5-Speed Auto W5A380 Transmission

AR = use ase required - = Non illustrated part

Heat Exchange  
Figure 24-106



ITEM	PART NUMBER	QTY	LINE	SERIES	BODY	ENGINE	TRANS	TRIM	DESCRIPTION
1	68012614AA	1	2, 3, 6, 7		13, 15, 17, 53, 55	EG2, EXM			CORE, Heater
2	05103806AA	1	2, 3, 6, 7		13, 15, 17, 53, 55	EG2, EXM			BLOWER
3	68012613AA	1	2, 3, 6, 7			EG2, EXM			RESISTOR, Blower Motor
4	05133588AA	2	2, 3, 6, 7		13, 15, 17, 53, 55	EG2, EXM			GROMMET
5	68012618AA	1	2, 3, 6, 7		13, 15, 17, 53, 55	EG2, EXM			HOSE, Heater, Return from Valve
6	68012624AA	1	2, 3, 6, 7		13, 15, 17, 53, 55	EG2, EXM			O RING, At Control Valve
7	05098481AA	2	2, 3, 6, 7		13, 15, 17, 53, 55	EG2, EXM			RETAINER, Spring
8	68012622AA	1	2, 3, 6, 7		13, 15, 17, 53, 55	EG2, EXM			VALVE, Regulating Valve
9	68012624AA	2	2, 3, 6, 7			EG2, EXM			O RING, At Control Valve
10	68012617AA	1	2, 3, 6, 7		13, 15, 17, 53, 55	EG2, EXM			HOSE, Heater, Return from Heat Exchanger
11	68012623AA	2	2, 3, 6, 7		13, 15, 17, 53, 55	EG2, EXM			O RING, Heater
12	68012621AA	1	2, 3, 6, 7		13, 15, 17, 53, 55	EG2, EXM			SCREW
13	68012620AA	1	2, 3, 6, 7		13, 15, 17, 53, 55	EG2, EXM			BRACKET
14	68012623AA	2	2, 3, 6, 7		13, 15, 17, 53, 55	EG2, EXM			O RING
15	68012616AA	1	2, 3, 6, 7		13, 15, 17, 53, 55	EG2, EXM			HOSE, Heater, Partition Point to Heater
16	68012619AA	1	2, 3, 6, 7		13, 15, 17, 53, 55	EXM, EG2			CLIP, Pipe Lines
17	05133588AA	2	2, 3, 6, 7		13, 15, 17, 53, 55	EG2, EXM			GROMMET
18	68012624AA	2	2, 3, 6, 7			EG2, EXM			O RING
19	68012615AA	1	2, 3, 6, 7		13, 15, 17, 53, 55	EG2, EXM			HOSE, Heater, Feed
20	68012611AA	1	2, 3, 6, 7		13, 15, 17, 53, 55	EG2, EXM			HOUSING, Heater, Additional Heater
21	06104121AA	2	2, 3, 6, 7		13, 15, 17, 53, 55	EG2, EXM			SCREW, Hex Flange Head, Mounting to Longitudinal Member Bottom M6x16
22	68012612AA	2	2, 3, 6, 7			EG2, EXM			WASHER, With [HDC]
23	06104580AA	2	2, 3, 6, 7		13, 15, 17, 53, 55	EG2, EXM			SCREW, Tapping, Heating to Cross Member 6.3x13

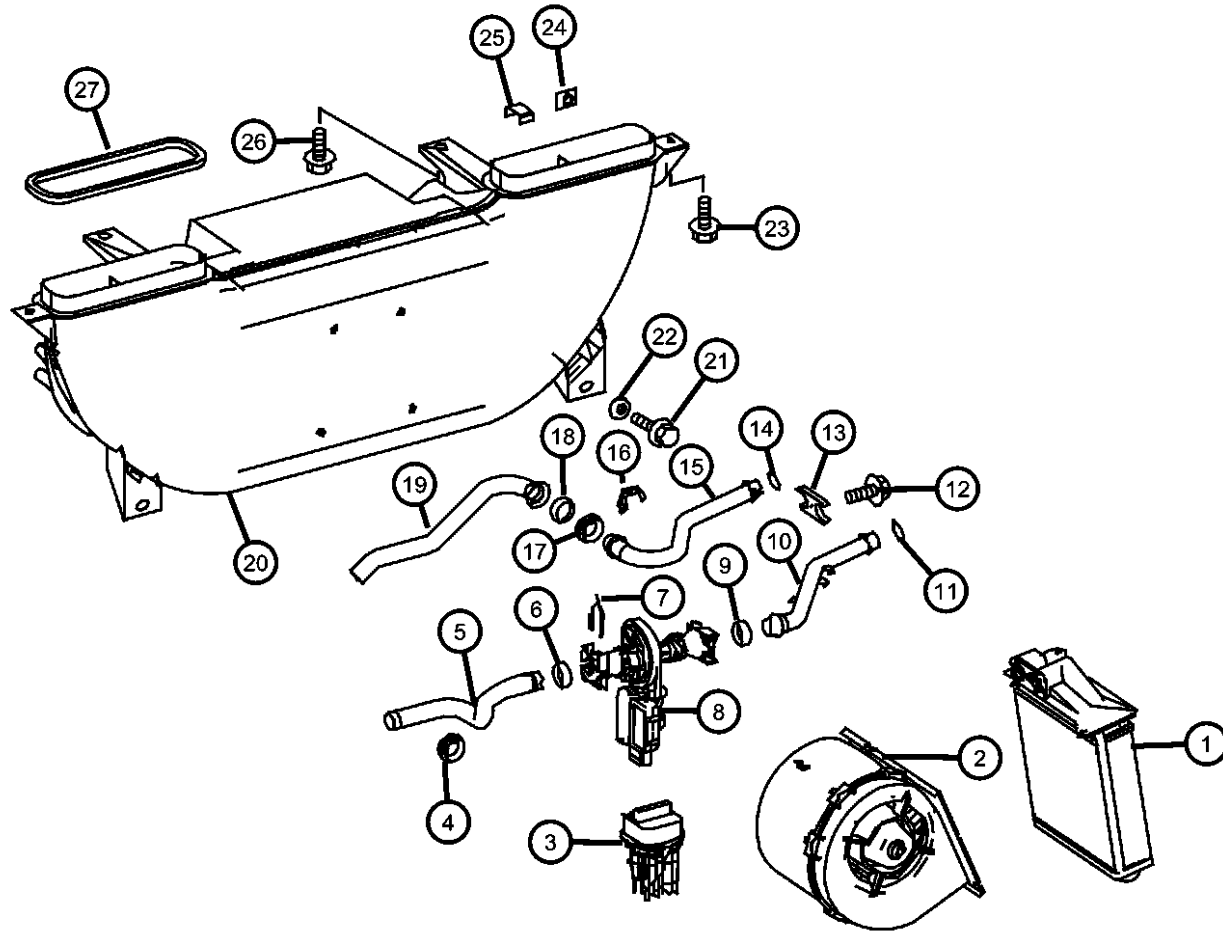
**SPRINTER (VB)**

<b>SERIES</b>	<b>LINE</b>	<b>BODY</b>	<b>ENGINE</b>	<b>TRANSMISSION</b>
L = LOWLINE	3 = HD DODGE 2WD 6 = Lt. Duty DODGE 4WD 2 = Med. Duty DODGE 2WD 7 = Med. Duty DODGE 4WD	17 = VAN WHEEL BASE 7 55 = WAGON WHEEL BASE 5 15 = VAN WHEEL BASE 5 53 = 119 WB 13 = 119 WB 05 = CAB CHASSIS WHEEL BASE 5 03 = CAB CHASSIS WHEEL BASE 3	EG2 = 3.5L V6 Gas Engine EXM = 3.0L V6 Turbo Diesel Engine	DGZ = 5-Speed Auto W5A380 Transmission

AR = use ase required - = Non illustrated part

Heat Exchange  
Figure 24-106

ITEM	PART NUMBER	QTY	LINE	SERIES	BODY	ENGINE	TRANS	TRIM	DESCRIPTION
24	68011920AA	1	2, 3, 6, 7			EG2			RETAINER, Plug Connections
25	05133592AA	21	2, 3, 6, 7		13, 15, 17, 53, 55	EG2, EXM			CLIP, HEATER, Cover to Box
26	05073723AB	2	3, 7		03, 05	EG2, EXM			SCREW Heating to Stay M8x20
		2	2, 3, 6, 7		13, 15, 17, 53, 55	EG2, EXM			Heating to Stay M8x20
27	05133593AA	2	2, 3, 6, 7		13, 15, 17, 53, 55	EG2, EXM			GASKET, Heater duct, Intake Air Duct
-28	05133486AA	2	2, 3, 6, 7		13, 15, 17, 53, 55	EG2, EXM			RIVET, Heating to Cross Member



SPRINTER (VB)

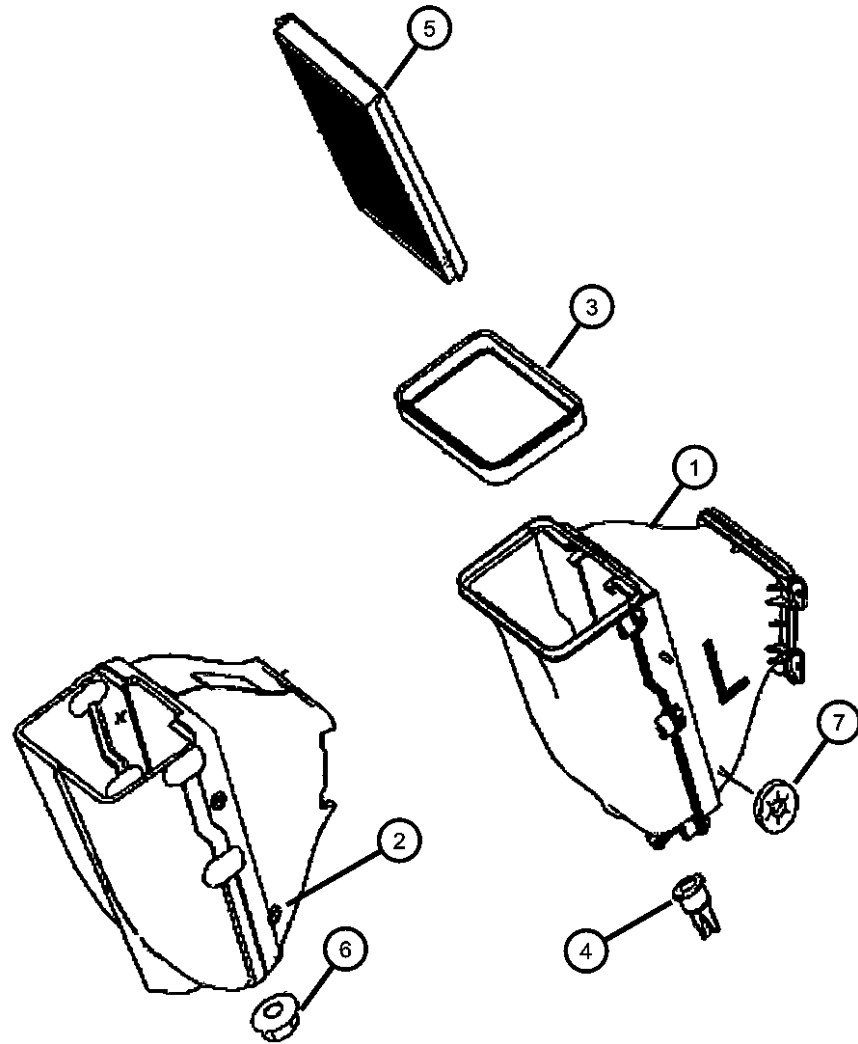
SERIES	LINE	BODY	ENGINE	TRANSMISSION
L = LOWLINE	3 = HD DODGE 2WD 6 = Lt. Duty DODGE 4WD 2 = Med. Duty DODGE 2WD 7 = Med. Duty DODGE 4WD	17 = VAN WHEEL BASE 7 55 = WAGON WHEEL BASE 5 15 = VAN WHEEL BASE 5 53 = 119 WB 13 = 119 WB 05 = CAB CHASSIS WHEEL BASE 5 03 = CAB CHASSIS WHEEL BASE 3	EG2 = 3.5L V6 Gas Engine EXM = 3.0L V6 Turbo Diesel Engine	DGZ = 5-Speed Auto W5A380 Transmission

AR = use ase required - = Non illustrated part

2008 VB

Ventilation Case  
Figure 24-107

ITEM	PART NUMBER	QTY	LINE	SERIES	BODY	ENGINE	TRANS	TRIM	DESCRIPTION
1	68012873AA	1	2, 3, 6, 7			EG2, EXM			HOUSING
2	68012874AA	1	2, 3, 6, 7			EG2, EXM			INSULATION
3	68012875AA	1	2, 3, 6, 7			EG2, EXM			SEAL
4	05101626AA	1	2, 3, 6, 7		13, 15, 17, 53, 55	EG2, EXM			TUBE, Wiper Drain Module
5	68012876AA	1	2, 3, 6, 7		03, 05	EG2, EXM			FILTER, A/C and Heater Unit
6	68004878AA	1	3, 7		03, 05	EG2, EXM			NUT
7	68012878AA	4	2, 3, 6, 7		13, 15, 17, 53, 55	EG2, EXM			WASHER, Lock



**SPRINTER (VB)**

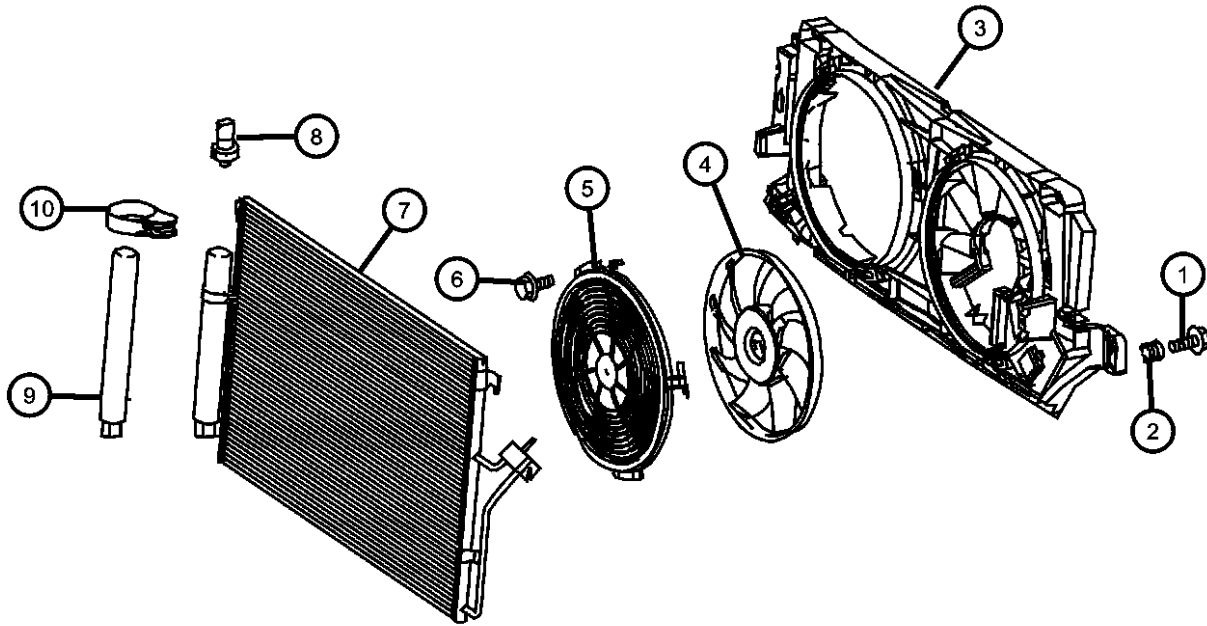
SERIES	LINE	BODY	ENGINE	TRANSMISSION
L = LOWLINE	3 = HD DODGE 2WD 6 = Lt. Duty DODGE 4WD 2 = Med. Duty DODGE 2WD 7 = Med. Duty DODGE 4WD	17 = VAN WHEEL BASE 7 55 = WAGON WHEEL BASE 5 15 = VAN WHEEL BASE 5 53 = 119 WB 13 = 119 WB 05 = CAB CHASSIS WHEEL BASE 5 03 = CAB CHASSIS WHEEL BASE 3	EG2 = 3.5L V6 Gas Engine EXM = 3.0L V6 Turbo Diesel Engine	DGZ = 5-Speed Auto W5A380 Transmission

AR = use ase required - = Non illustrated part

2008 VB

**Condenser And Auxiliary Fan  
Figure 24-108**

ITEM	PART NUMBER	QTY	LINE	SERIES	BODY	ENGINE	TRANS	TRIM	DESCRIPTION
1	68006685AA	4	2, 3, 6, 7			EG2, EXM			SCREW, Protective Grille to Radiator 5x16
2	68013663AA	4	2, 3, 6, 7			EG2, EXM			BUSHING, At Condenser
3	68013664AA	1	2, 3, 6, 7		13, 15, 17	EG2, EXM			SHROUD, Fan With [HAB+(CWC%XJW%XJ1%XJY)] With [HAB]
		1	3, 7		03, 05	EG2, EXM			FAN
4	68013666AA	1	2, 3, 6, 7		13, 15, 17	EG2, EXM			With Single & Dual Fan Set Up, Left
		1	3, 7		03, 05	EG2, EXM			With Single & Dual Fan Set Up, Left
	68013672AA	1	2, 3, 6, 7		13, 15, 17, 53, 55	EG2, EXM			With Dual Fan Set Up Only, Right
5	68013665AA	2	2, 3, 6, 7			EG2, EXM			GRILLE
6	68013667AA	3	2, 3, 6, 7			EG2, EXM			SCREW, Blower to Protective Grille
7	68013633AA	1	2, 3, 6, 7			EG2, EXM			CONDENSER, A/C
8	68019266AA	1	2, 3, 6, 7			EG2, EXM			SWITCH, A/C Pressure
9	68013634AA	1	2, 3, 6, 7			EG2, EXM			RECEIVER DRIER
10	68013635AA	1	2, 3, 6, 7			EG2, EXM			BRACKET, Drying Insert



**SPRINTER (VB)**

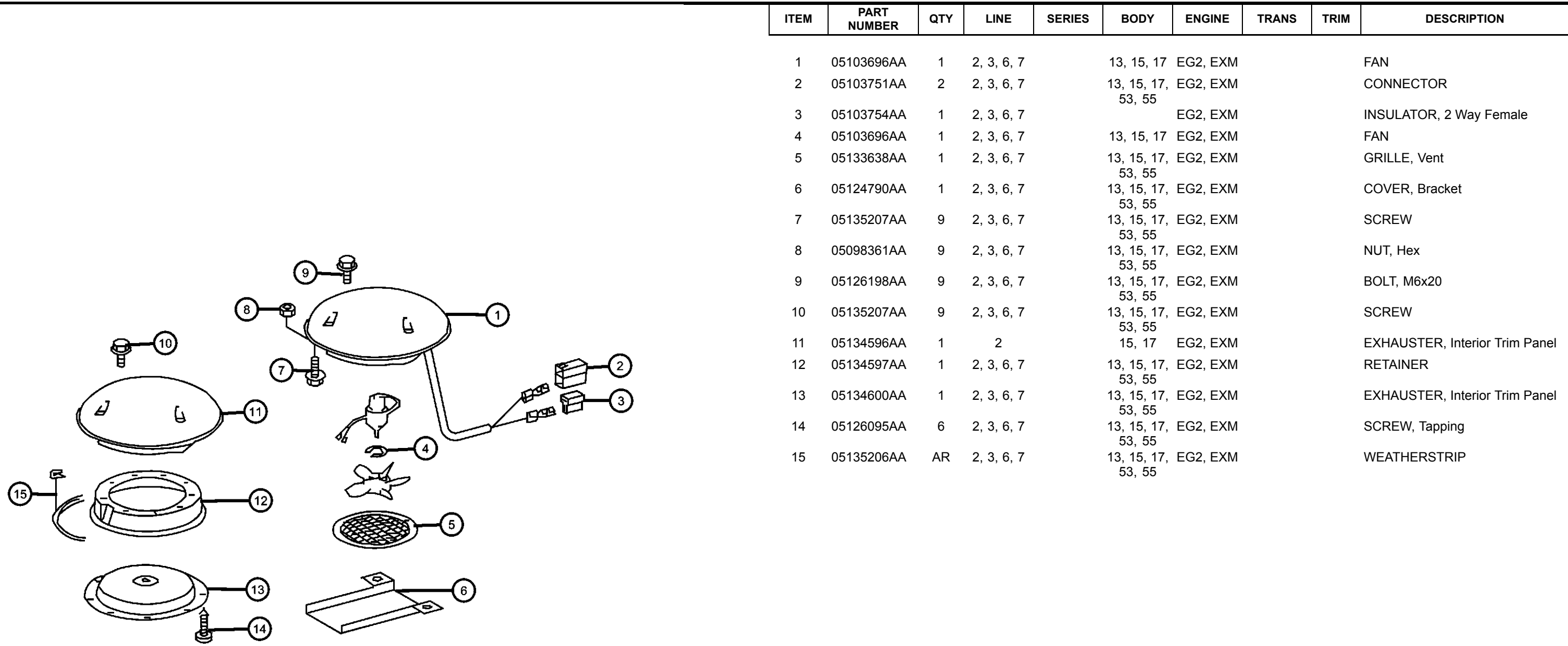
SERIES	LINE	BODY	ENGINE	TRANSMISSION
L = LOWLINE	3 = HD DODGE 2WD 6 = Lt. Duty DODGE 4WD 2 = Med. Duty DODGE 2WD 7 = Med. Duty DODGE 4WD	17 = VAN WHEEL BASE 7 55 = WAGON WHEEL BASE 5 15 = VAN WHEEL BASE 5 53 = 119 WB 13 = 119 WB 05 = CAB CHASSIS WHEEL BASE 5 03 = CAB CHASSIS WHEEL BASE 3	EG2 = 3.5L V6 Gas Engine EXM = 3.0L V6 Turbo Diesel Engine	DGZ = 5-Speed Auto W5A380 Transmission

AR = use ase required - = Non illustrated part

2008 VB



**Roof Mounted Ventilator  
Figure 24-109**



ITEM	PART NUMBER	QTY	LINE	SERIES	BODY	ENGINE	TRANS	TRIM	DESCRIPTION
1	05103696AA	1	2, 3, 6, 7		13, 15, 17	EG2, EXM			FAN
2	05103751AA	2	2, 3, 6, 7		13, 15, 17, 53, 55	EG2, EXM			CONNECTOR
3	05103754AA	1	2, 3, 6, 7			EG2, EXM			INSULATOR, 2 Way Female
4	05103696AA	1	2, 3, 6, 7		13, 15, 17	EG2, EXM			FAN
5	05133638AA	1	2, 3, 6, 7		13, 15, 17, 53, 55	EG2, EXM			GRILLE, Vent
6	05124790AA	1	2, 3, 6, 7		13, 15, 17, 53, 55	EG2, EXM			COVER, Bracket
7	05135207AA	9	2, 3, 6, 7		13, 15, 17, 53, 55	EG2, EXM			SCREW
8	05098361AA	9	2, 3, 6, 7		13, 15, 17, 53, 55	EG2, EXM			NUT, Hex
9	05126198AA	9	2, 3, 6, 7		13, 15, 17, 53, 55	EG2, EXM			BOLT, M6x20
10	05135207AA	9	2, 3, 6, 7		13, 15, 17, 53, 55	EG2, EXM			SCREW
11	05134596AA	1	2		15, 17	EG2, EXM			EXHAUSTER, Interior Trim Panel
12	05134597AA	1	2, 3, 6, 7		13, 15, 17, 53, 55	EG2, EXM			RETAINER
13	05134600AA	1	2, 3, 6, 7		13, 15, 17, 53, 55	EG2, EXM			EXHAUSTER, Interior Trim Panel
14	05126095AA	6	2, 3, 6, 7		13, 15, 17, 53, 55	EG2, EXM			SCREW, Tapping
15	05135206AA	AR	2, 3, 6, 7		13, 15, 17, 53, 55	EG2, EXM			WEATHERSTRIP

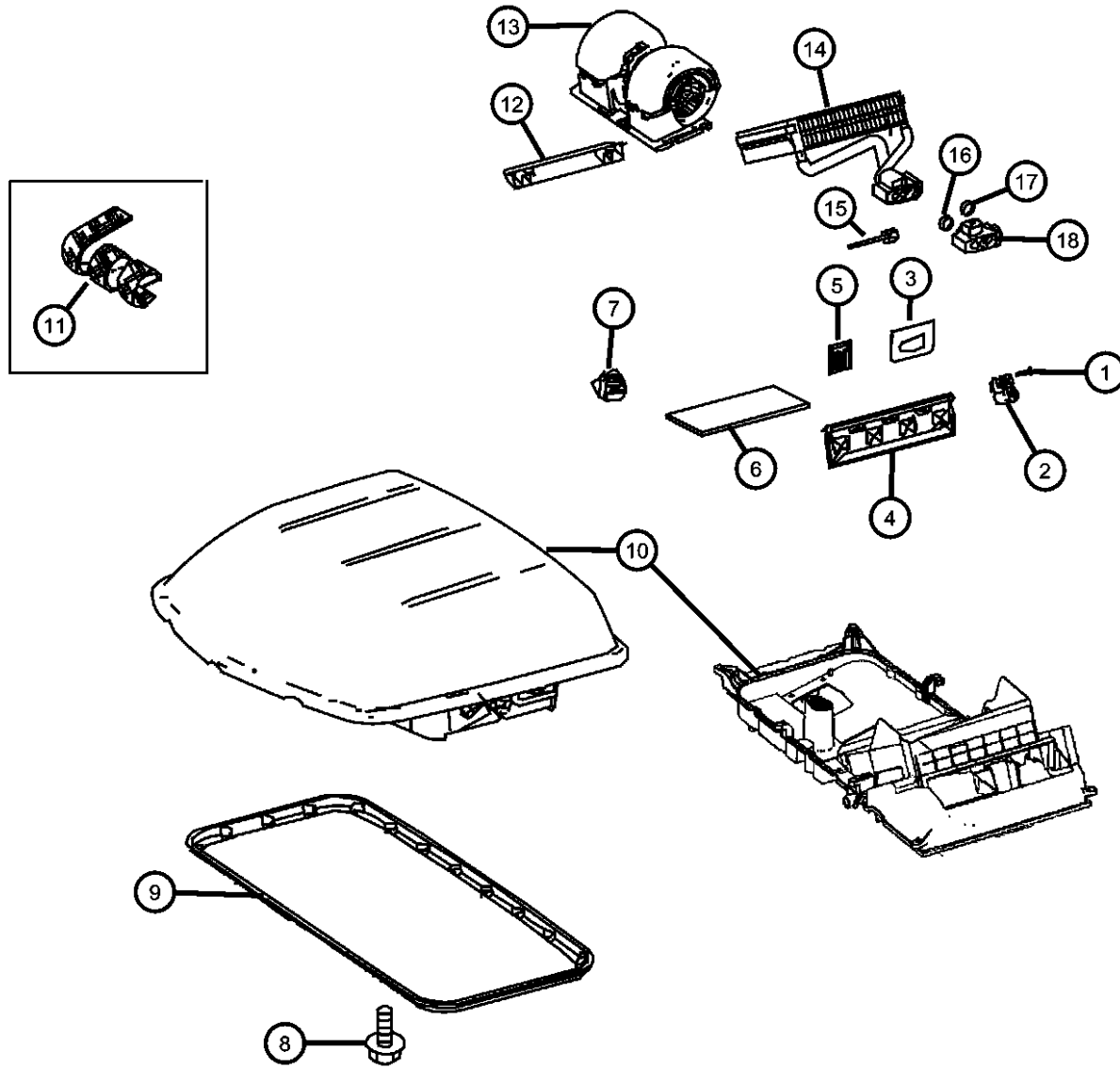
**SPRINTER (VB)**

SERIES	LINE	BODY	ENGINE	TRANSMISSION
L = LOWLINE	3 = HD DODGE 2WD 6 = Lt. Duty DODGE 4WD 2 = Med. Duty DODGE 2WD 7 = Med. Duty DODGE 4WD	17 = VAN WHEEL BASE 7 55 = WAGON WHEEL BASE 5 15 = VAN WHEEL BASE 5 53 = 119 WB 13 = 119 WB 05 = CAB CHASSIS WHEEL BASE 5 03 = CAB CHASSIS WHEEL BASE 3	EG2 = 3.5L V6 Gas Engine EXM = 3.0L V6 Turbo Diesel Engine	DGZ = 5-Speed Auto W5A380 Transmission

AR = use ase required - = Non illustrated part

2008 VB

**Roof Air Conditioner Unit  
Figure 24-170**



ITEM	PART NUMBER	QTY	LINE	SERIES	BODY	ENGINE	TRANS	TRIM	DESCRIPTION
1	68012630AA	3	2, 3, 6, 7		13, 15, 17,	EG2, EXM			SCREW, Engine Fixing 4x16 53, 55
2	68012629AA	1	2, 6		53, 55	EG2, EXM			MOTOR
3	68012636AA	1	2, 6		53, 55	EG2, EXM			SEAL, Lateral
4	68012639AA	1	2, 6		53, 55	EG2, EXM			DOOR, Air Mixing Flap
5	68011920AA	2	2, 3, 6, 7		13, 15, 17,	EG2, EXM			RETAINER, Plug Connection 53, 55
6	68012628AA	1	2, 6		53, 55	EG2, EXM			FILTER, Air
7	68012613AA	1	2, 3, 6, 7			EG2, EXM			RESISTOR, Blower Motor
8	06104118AA	22	2, 3, 6, 7		13, 15, 17,	EG2, EXM			SCREW, Torx, M5X0.8X20 53, 55
9	68012609AA	1	2, 6		53, 55	EG2, EXM			FRAME
10	68012608AA	1	2, 6		53, 55	EG2, EXM			HOUSING, Serviced as an Assembly
11	05132378AA	60	2, 3, 6, 7		13, 15, 17,	EG2, EXM			ISOLATOR 53, 55
12	68012638AA	1	2, 6		53, 55	EG2, EXM			DOOR
13	68012631AA	1	2, 6		53, 55	EG2, EXM			MOTOR, Blower with Wheel
14	68012632AA	1	2, 6		53, 55	EG2, EXM			EVAPORATOR, Air Conditioning
15	68012635AA	1	2, 6		53, 55	EG2, EXM			SENSOR, Temperature
16	05103930AA	1	2, 3, 6, 7		13, 15, 17,	EG2, EXM			O RING, A/C Line 53, 55
17	05098971AA	1	2, 3, 6, 7		13, 15, 17,	EG2, EXM			O RING, A/C Line 53, 55
18	68012634AA	1	2, 6		53, 55				VALVE, Expansion

**SPRINTER (VB)**

**SERIES**

L = LOWLINE

**LINE**

3 = HD DODGE 2WD  
6 = Lt. Duty DODGE 4WD  
2 = Med. Duty DODGE 2WD  
7 = Med. Duty DODGE 4WD

**BODY**

17 = VAN WHEEL BASE 7  
55 = WAGON WHEEL BASE 5  
15 = VAN WHEEL BASE 5  
53 = 119 WB  
13 = 119 WB  
05 = CAB CHASSIS WHEEL  
BASE 5  
03 = CAB CHASSIS WHEEL  
BASE 3

**ENGINE**

EG2 = 3.5L V6 Gas Engine  
EXM = 3.0L V6 Turbo Diesel  
Engine

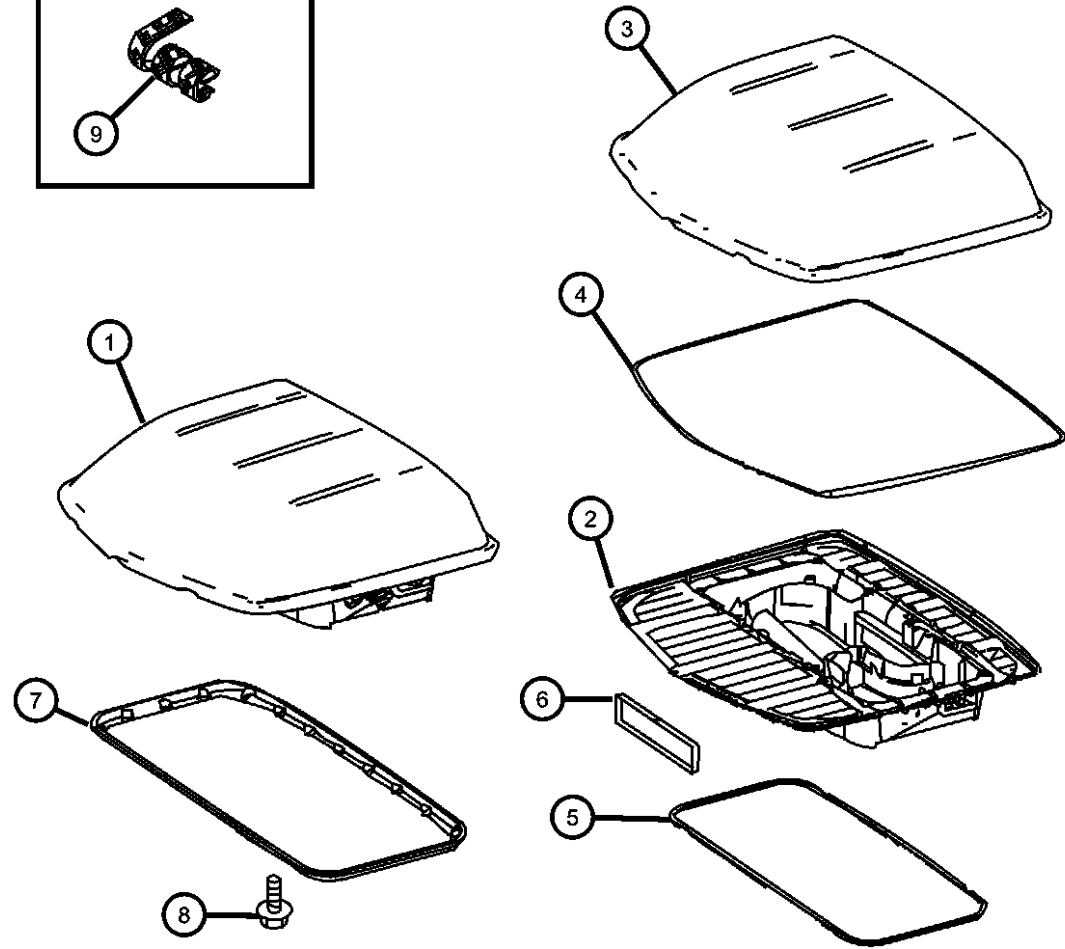
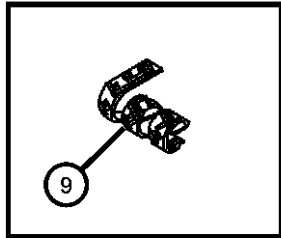
**TRANSMISSION**

DGZ = 5-Speed Auto W5A380  
Transmission

AR = use ase required - = Non illustrated part

**Roof Air Conditioner Unit  
Figure 24-171**

ITEM	PART NUMBER	QTY	LINE	SERIES	BODY	ENGINE	TRANS	TRIM	DESCRIPTION
1	68012608AA	1	2, 6		53, 55	EG2, EXM			HOUSING, Complete Housing
2	68024096AA	1	2, 6		53, 55	EG2, EXM			CONDENSER, A/C, Lower Cover
3	68012627AA	1	2, 6		53, 55	EG2, EXM			HOUSING, Upper Cover
4	68012640AA	1	2, 6		53, 55	EG2, EXM			FRAME, Seal
5	68012637AA	1	2, 6		53, 55	EG2, EXM			SEAL
6	68012641AA	1	2, 6		53, 55	EG2, EXM			FRAME, Seal, Air Outlet
7	68012609AA	1	2, 6		53, 55	EG2, EXM			FRAME, A/C Unit Seat
8	06104118AA	22	2, 3, 6, 7		13, 15, 17, 53, 55	EG2, EXM			SCREW, Torx, M5X0.8X20
9	05132378AA	60	2, 3, 6, 7		13, 15, 17, 53, 55	EG2, EXM			ISOLATOR

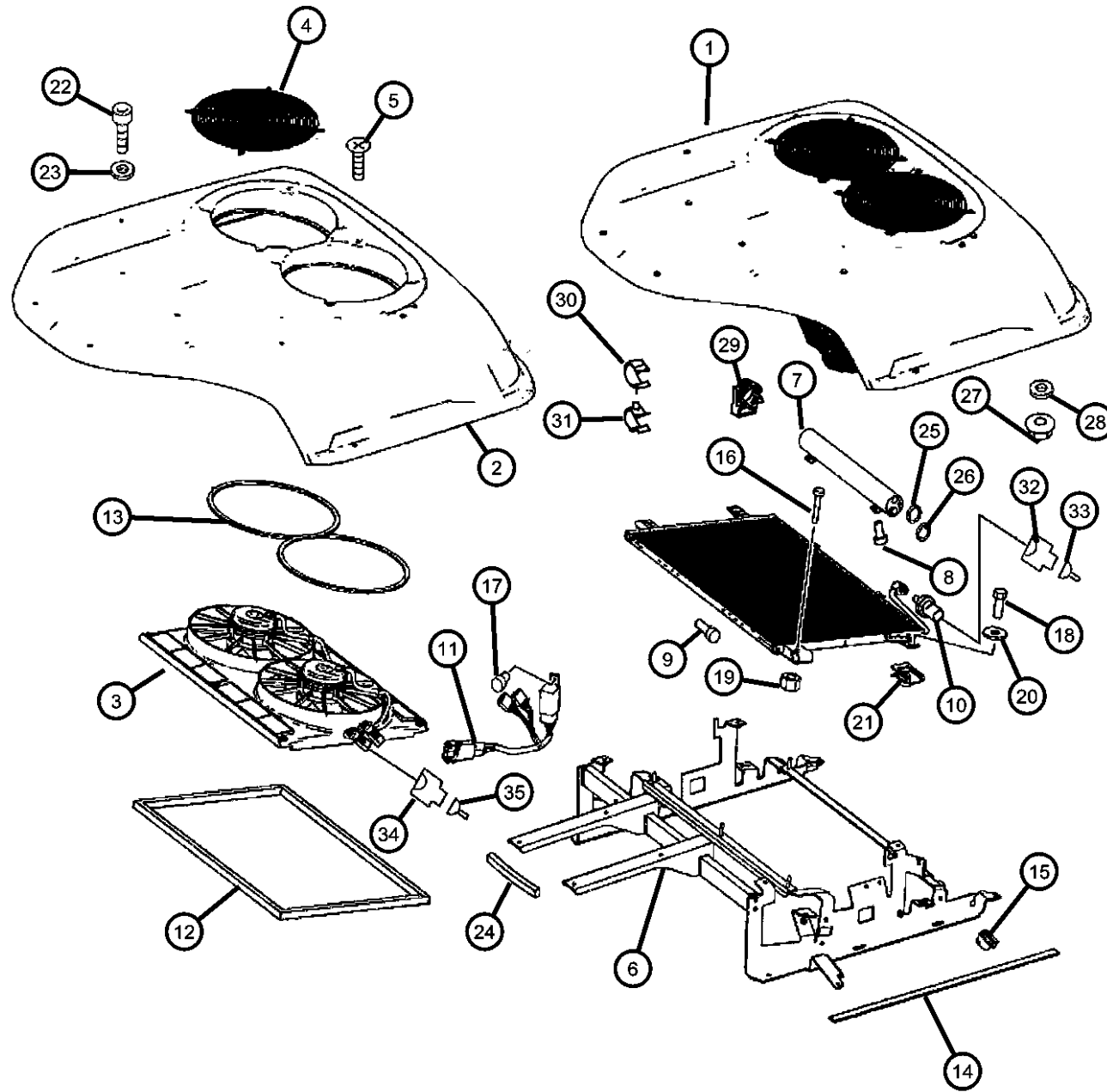


**SPRINTER (VB)**

SERIES	LINE	BODY	ENGINE	TRANSMISSION
L = LOWLINE	3 = HD DODGE 2WD 6 = Lt. Duty DODGE 4WD 2 = Med. Duty DODGE 2WD 7 = Med. Duty DODGE 4WD	17 = VAN WHEEL BASE 7 55 = WAGON WHEEL BASE 5 15 = VAN WHEEL BASE 5 53 = 119 WB 13 = 119 WB 05 = CAB CHASSIS WHEEL BASE 5 03 = CAB CHASSIS WHEEL BASE 3	EG2 = 3.5L V6 Gas Engine EXM = 3.0L V6 Turbo Diesel Engine	DGZ = 5-Speed Auto W5A380 Transmission

AR = use ase required - = Non illustrated part

**Roof Air Conditioner Unit  
Figure 24-173**



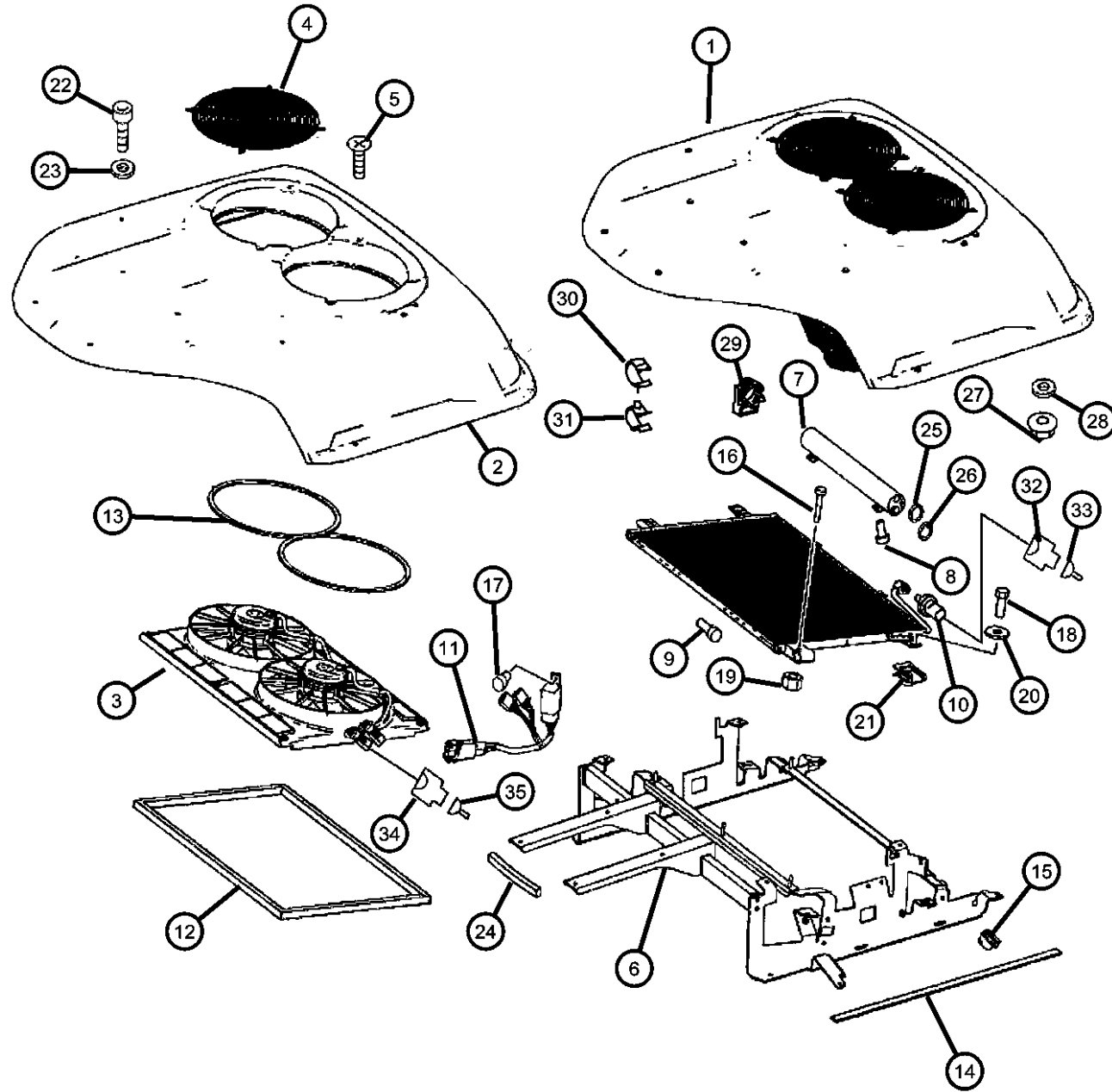
ITEM	PART NUMBER	QTY	LINE	SERIES	BODY	ENGINE	TRANS	TRIM	DESCRIPTION
1	68012610AA	1	2, 6		53, 55	EG2, EXM			CONDENSER, A/C, Complete Unit
2	68012642AA	1	2, 6		53, 55	EG2, EXM			COVER, Cover Only
3	68012643AA	1	2, 6		53, 55	EG2, EXM			MODULE, Cooling
4	68012644AA	2	2, 6		53, 55	EG2, EXM			GRILLE
5	68012645AA	8	2, 6		53, 55	EG2, EXM			SCREW
6	68012646AA	1	2, 6		53, 55	EG2, EXM			CONDENSER, A/C, Frame
7	68012647AA	1	2, 6		53, 55	EG2, EXM			DRIER, Air Conditioning Filter
8	68012648AA	2	2, 6		53, 55	EG2, EXM			SCREW
9	06104123AA	4	2, 3, 6, 7		13, 15, 17, 53, 55	EG2, EXM			SCREW
10	68012649AA	1	2, 3, 6, 7			EG2, EXM			SWITCH, A/C Pressure
11	68012650AA	1	2, 6		53, 55	EG2, EXM			WIRING
12	68012651AA	1	2, 6		53, 55	EG2, EXM			SEAL
13	68012652AA	2	2, 6		53, 55	EG2, EXM			SEAL
14	68012653AA	1	2, 6		53, 55	EG2, EXM			SEAL
15	68012654AA	2	2, 6		53, 55	EG2, EXM			CLIP
16	68012655AA	1	2, 6		53, 55	EG2, EXM			SCREW
17	05104672AA	1	2, 3, 6, 7		13, 15, 17, 53, 55	EG2, EXM			NUT, Hex
18	68012657AA	3	2, 6		53, 55	EG2, EXM			SCREW
19	68012656AA	1	2, 6		53, 55	EG2, EXM			NUT
20	05098108AA	4	2, 3, 6, 7		13, 15, 17, 53, 55	EG2, EXM			WASHER, Flat
21	68012658AA	3	2, 6		53, 55	EG2, EXM			NUT
22	68012659AA	10	2, 6		53, 55	EG2, EXM			SCREW
23	68012660AA	10	2, 6		53, 55	EG2, EXM			WASHER
24	68012661AA	1	2, 6		53, 55	EG2, EXM			SEAL
25	05098970AA	1	2, 3, 6, 7		13, 15, 17, 53, 55	EXM, EG2			O RING, A/C Line, [7.5 X 2 MM]
26	05103571AA	1	2, 3, 6, 7		53, 55	EG2, EXM			O RING, Air Conditioning Line, [9.5 X 2.5 MM]
27	06105169AA	6	2, 3, 6, 7		13, 15, 17, 53, 55	EG2, EXM			NUT
28	05142916AA	6	2, 3, 6, 7		13, 15, 17, 53, 55	EG2, EXM			WASHER
29	68012740AA	1	2, 3, 6, 7			EG2, EXM			BRACKET, Hose

**SPRINTER (VB)**

SERIES	LINE	BODY	ENGINE	TRANSMISSION
L = LOWLINE	3 = HD DODGE 2WD 6 = Lt. Duty DODGE 4WD 2 = Med. Duty DODGE 2WD 7 = Med. Duty DODGE 4WD	17 = VAN WHEEL BASE 7 55 = WAGON WHEEL BASE 5 15 = VAN WHEEL BASE 5 53 = 119 WB 13 = 119 WB 05 = CAB CHASSIS WHEEL BASE 5 03 = CAB CHASSIS WHEEL BASE 3	EG2 = 3.5L V6 Gas Engine EXM = 3.0L V6 Turbo Diesel Engine	DGZ = 5-Speed Auto W5A380 Transmission

AR = use ase required - = Non illustrated part

**Roof Air Conditioner Unit  
Figure 24-173**



ITEM	PART NUMBER	QTY	LINE	SERIES	BODY	ENGINE	TRANS	TRIM	DESCRIPTION
30	06104923AA	1	2, 6		13, 15, 17, 53, 55	EG2			CLAMP, Hose
31	06104918AA	1	2, 6		13, 15, 17, 53, 55	EG2			CLAMP, Hose
32	05120278AA	1	2, 3, 6, 7			EG2, EXM			CONNECTOR
33	05103873AA	3	2, 3, 6, 7		13, 15, 17, 53, 55	EG2, EXM			TERMINAL
34	05120761AA	1	2, 3, 6, 7			EG2, EXM			CONNECTOR
35	68016721AA	AR	2, 3, 6, 7			EG2, EXM			TERMINAL

**SPRINTER (VB)**

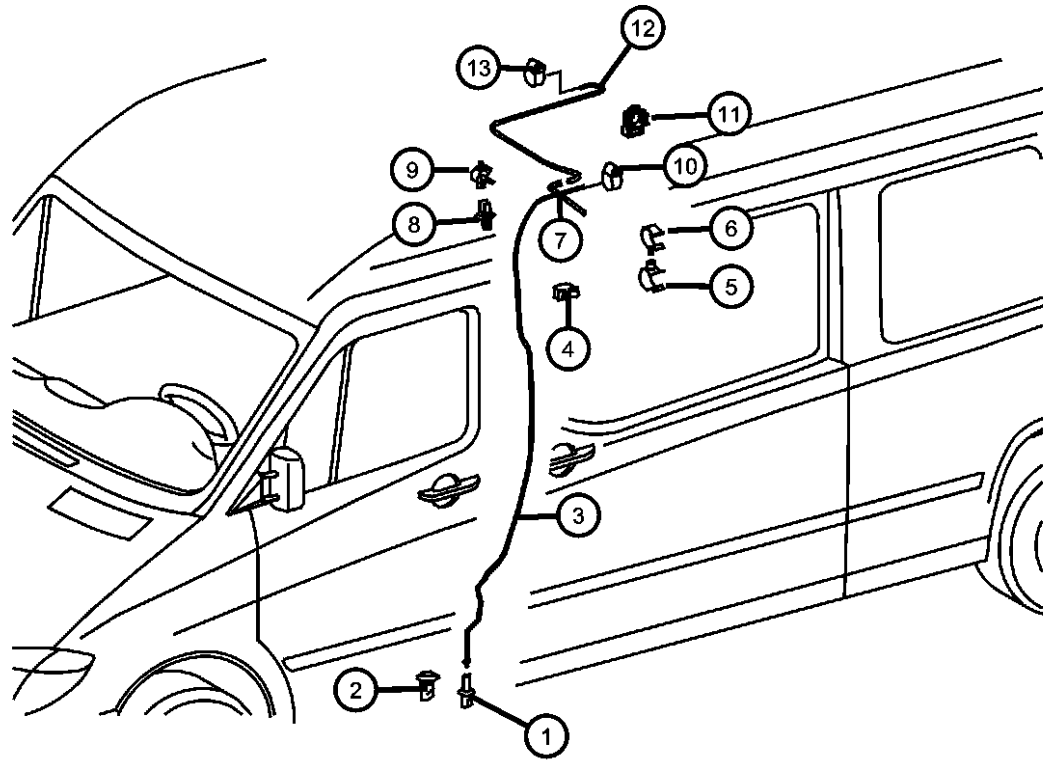
SERIES	LINE	BODY	ENGINE	TRANSMISSION
L = LOWLINE	3 = HD DODGE 2WD 6 = Lt. Duty DODGE 4WD 2 = Med. Duty DODGE 2WD 7 = Med. Duty DODGE 4WD	17 = VAN WHEEL BASE 7 55 = WAGON WHEEL BASE 5 15 = VAN WHEEL BASE 5 53 = 119 WB 13 = 119 WB 05 = CAB CHASSIS WHEEL BASE 5 03 = CAB CHASSIS WHEEL BASE 3	EG2 = 3.5L V6 Gas Engine EXM = 3.0L V6 Turbo Diesel Engine	DGZ = 5-Speed Auto W5A380 Transmission

AR = use ase required - = Non illustrated part

2008 VB

**Rear A/C Condensed Water Drain  
Figure 24-205**

ITEM	PART NUMBER	QTY	LINE	SERIES	BODY	ENGINE	TRANS	TRIM	DESCRIPTION
1	68012795AA	1	2, 6		53, 55	EG2, EXM			HOSE, Drain
2	68012793AA	1	2, 6		53, 55	EG2, EXM			GROMMET
3									HOSE, Drain
	68012791AA	1	2, 3, 6, 7		53, 55	EG2, EXM			Extra High Roof
	68012792AA	1	2, 3, 6, 7		53, 55	EG2, EXM			
4	06104775AA	11	2, 3, 6, 7		13, 15, 17, 53, 55	EG2, EXM			CLAMP, 6.5x14.5
5	06104921AA	1	2, 3, 6, 7		13, 15, 17, 53, 55	EG2, EXM			CLAMP, Fuel Line
6	06104918AA	2	2, 3, 6, 7		13, 15, 17, 53, 55	EG2, EXM			CLAMP, Hose
7									HOSE, Drain
	68012789AA	1	2, 6		53, 55	EG2, EXM			Extra High Roof
	68012790AA	1	2, 6		53, 55	EG2, EXM			
8	05096566AA	2	2, 3, 6, 7		13, 15, 17, 53, 55	EG2, EXM			CLIP, Hose
9	05080431AB	1	2, 6		53, 55	EXM, EG2			CLAMP, 11MM
10	05135881AA	4	2, 3, 6, 7		13, 15, 17, 53, 55	EXM			CLAMP
11	68012740AA	1	2, 3, 6, 7			EG2, EXM			BRACKET, Hose
12									HOSE, Drain
	68012785AA	1	2, 3, 6, 7		53, 55	EG2, EXM			Extra High Roof
	68012786AA	1	2, 3, 6, 7		53, 55	EG2, EXM			
13	05135881AA	2	2, 3, 6, 7			EG2, EXM			CLAMP



**SPRINTER (VB)**

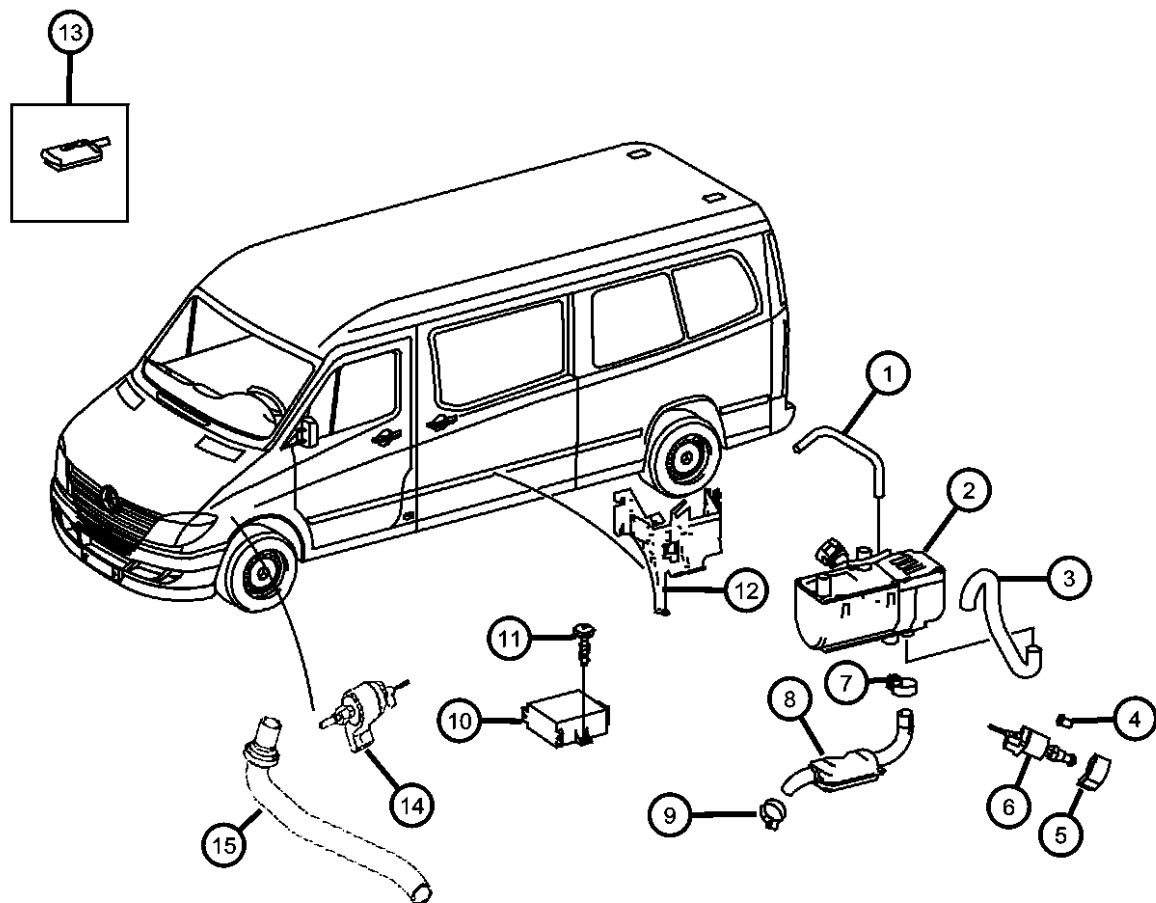
SERIES	LINE	BODY	ENGINE	TRANSMISSION
L = LOWLINE	3 = HD DODGE 2WD 6 = Lt. Duty DODGE 4WD 2 = Med. Duty DODGE 2WD 7 = Med. Duty DODGE 4WD	17 = VAN WHEEL BASE 7 55 = WAGON WHEEL BASE 5 15 = VAN WHEEL BASE 5 53 = 119 WB 13 = 119 WB 05 = CAB CHASSIS WHEEL BASE 5 03 = CAB CHASSIS WHEEL BASE 3	EG2 = 3.5L V6 Gas Engine EXM = 3.0L V6 Turbo Diesel Engine	DGZ = 5-Speed Auto W5A380 Transmission

AR = use ase required - = Non illustrated part

2008 VB

**Auxiliary Warm Water Heater Mounting  
Figure 24-210**

ITEM	PART NUMBER	QTY	LINE	SERIES	BODY	ENGINE	TRANS	TRIM	DESCRIPTION
1	68012853AA	1	2, 3, 6, 7			EXM			HOSE, Fuel
2	68026061AA	1	2, 3, 6, 7			EXM			HEATER, Supplemental Diesel Fuel
3	68012854AA	1	2, 3, 6, 7			EG2, EXM			HOSE
4	05143168AA	1	2, 3, 6, 7		13, 15, 17, 53, 55	EXM			STRAINER
5	68012850AA	1	2, 3, 6, 7			EXM			BRACKET
6	68012848AA	1	2, 3, 6, 7			EXM			PUMP, Fuel
7	05124716AA	1	2, 3, 6, 7			EG2, EXM			CLAMP, Hose
8	68012851AA	2	2, 3, 6, 7			EXM			MUFFLER, Exhaust
9	68012852AA	2	2, 3, 6, 7			EXM			CLAMP
10	68013548AA	1	2, 3, 6, 7			EG2, EXM			MODULE
11	06104566AA	2	2, 3, 6, 7		13, 15, 17, 53, 55	EG2, EXM			SCREW, Tapping
12	68012847AA	1	2, 3, 6, 7			EXM			BRACKET
13	68013547AA	1	2, 3, 6, 7			EG2, EXM			REMOTE
14	68012848AA	1	2, 3, 6, 7			EXM			PUMP, Fuel
15	68020832AA	1	2, 3, 6, 7			EG2, EXM			HOSE



**SPRINTER (VB)**

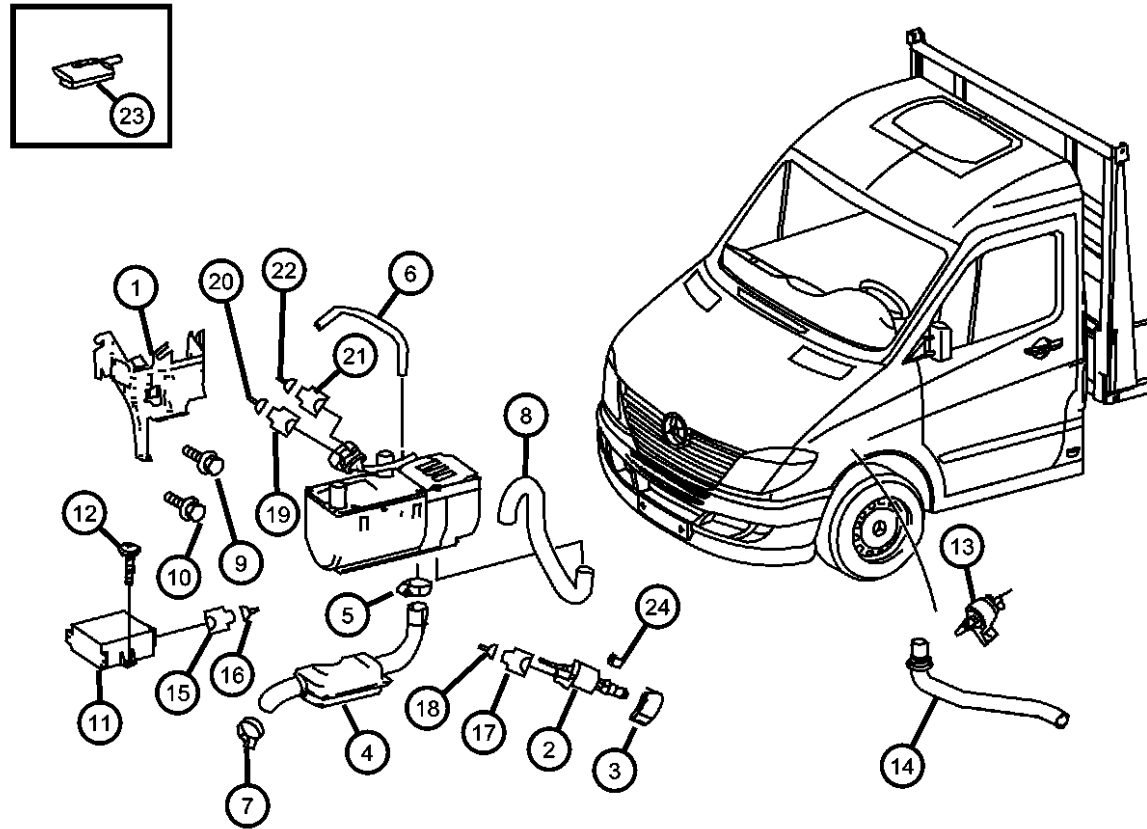
SERIES	LINE	BODY	ENGINE	TRANSMISSION
L = LOWLINE	3 = HD DODGE 2WD 6 = Lt. Duty DODGE 4WD 2 = Med. Duty DODGE 2WD 7 = Med. Duty DODGE 4WD	17 = VAN WHEEL BASE 7 55 = WAGON WHEEL BASE 5 15 = VAN WHEEL BASE 5 53 = 119 WB 13 = 119 WB 05 = CAB CHASSIS WHEEL BASE 5 03 = CAB CHASSIS WHEEL BASE 3	EG2 = 3.5L V6 Gas Engine EXM = 3.0L V6 Turbo Diesel Engine	DGZ = 5-Speed Auto W5A380 Transmission

AR = use ase required - = Non illustrated part

2008 VB

**Auxiliary Warm Water Heater Mounting  
Figure 24-215**

ITEM	PART NUMBER	QTY	LINE	SERIES	BODY	ENGINE	TRANS	TRIM	DESCRIPTION
1	68012847AA	1	2, 3, 6, 7			EXM			BRACKET
2	68012849AA	1	2, 3, 6, 7			EXM			PUMP, Fuel
3	68012850AA	1	2, 3, 6, 7			EXM			BRACKET
4	68012851AA	1	2, 3, 6, 7			EXM			MUFFLER, Exhaust
5	05124716AA	1	2, 3, 6, 7			EG2, EXM			CLAMP, Hose
6	68012853AA	2	2, 3, 6, 7			EXM			HOSE, Fuel
7	68012852AA	2	2, 3, 6, 7			EXM			CLAMP
8	68012854AA	1	2, 3, 6, 7			EG2, EXM			HOSE
9	68012855AA	2	2, 3, 6, 7			EXM			SCREW
10	05183964AA	1	2, 3, 6, 7			EXM			BOLT, Hex Flange Head, M6x1.00x10.90
11	68013548AA	1	2, 3, 6, 7			EG2, EXM			MODULE
12	06104566AA	2	2, 3, 6, 7			EG2, EXM			SCREW, Tapping
13	68012848AA	1	2, 3, 6, 7			EXM			PUMP, Fuel
14	68020832AA	1	2, 3, 6, 7			EG2, EXM			HOSE
15	05120786AA	1	2, 3, 6, 7			EG2, EXM			CONNECTOR, Stationary Heater Radio Receiver [6 Pin; A49 / 4]
16	05103882AA	1	2, 3, 6, 7						TERMINAL, [0.5 - 1.0 MM2 JPT; A49 / 4]
17	05120749AA	1	2, 3, 6, 7			EG2, EXM			CONNECTOR, Metering Pump Additional Heating [2 Pin; M46 / 1, M46 / 4]
18	05103880AA	AR	2, 3, 6, 7			EG2, EXM			TERMINAL, [0.5 - 1.0 MM2 JPT, M46 / 1, M46 / 4]
19	05133296AA	1	2, 3, 6, 7			EG2, EXM			CONNECTOR, Control Unit Independent Heating [8 Pin N33 / 3]
20	05133370AA	2	2, 3, 6, 7			EG2, EXM			TERMINAL, [1.5 - 2.5 MM2 JPT, N33 / 3]
21	68011286AA	1	2, 3, 6, 7			EG2, EXM			CONNECTOR, Control Unit Independent Heating [N33 / 3]
22	05103874AA	1	2, 3, 6, 7			EG2, EXM			TERMINAL, [0.75 MM2 MQS N33 / 3]
23	68013547AA	1	2, 3, 6, 7			EG2, EXM			REMOTE, With [XG2]
24	05143168AA	1	2, 3, 6, 7		13, 15, 17, 53, 55	EXM			STRAINER



**SPRINTER (VB)**

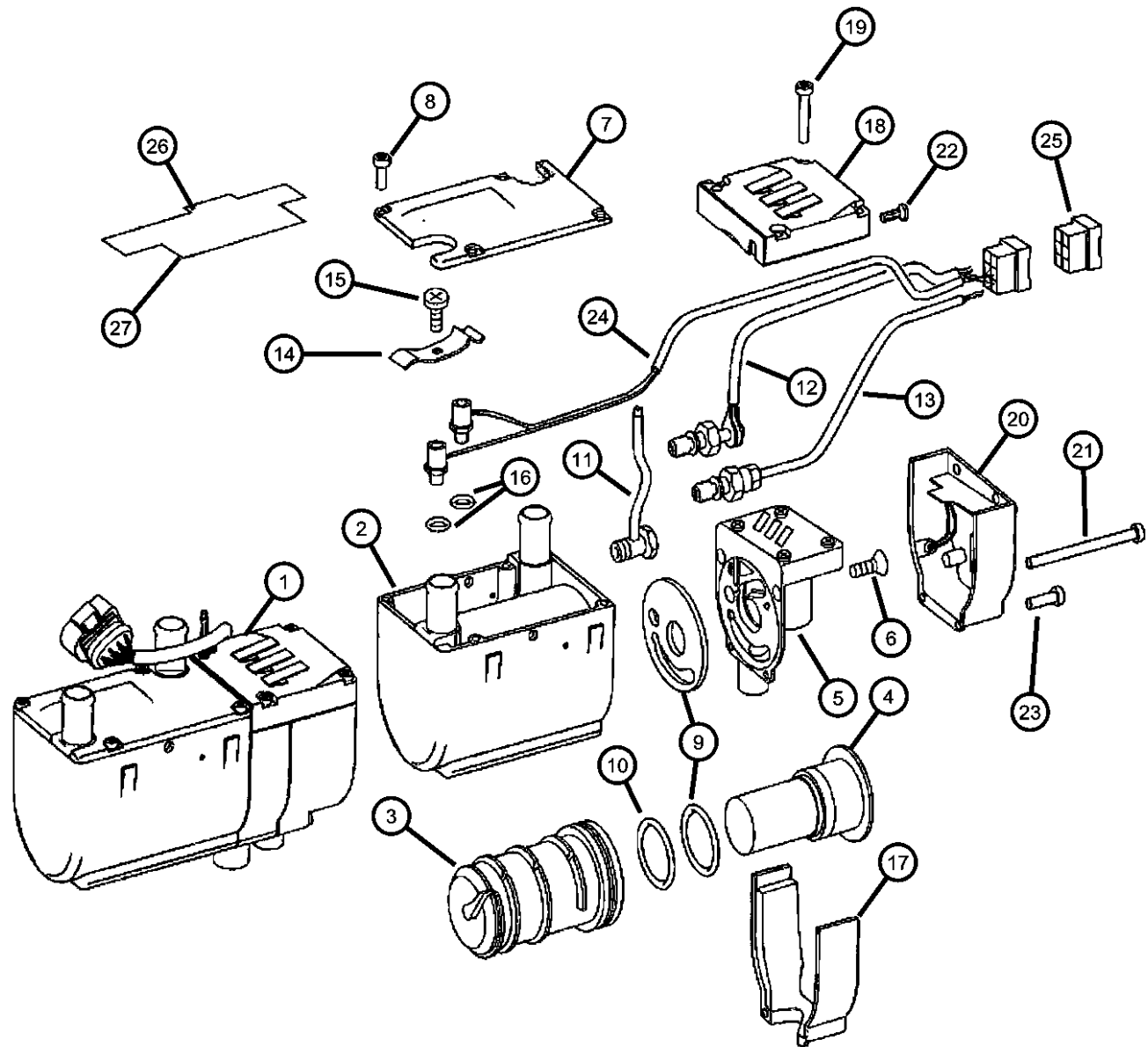
<b>SERIES</b>	<b>LINE</b>	<b>BODY</b>	<b>ENGINE</b>	<b>TRANSMISSION</b>
L = LOWLINE	3 = HD DODGE 2WD 6 = Lt. Duty DODGE 4WD 2 = Med. Duty DODGE 2WD 7 = Med. Duty DODGE 4WD	17 = VAN WHEEL BASE 7 55 = WAGON WHEEL BASE 5 15 = VAN WHEEL BASE 5 53 = 119 WB 13 = 119 WB 05 = CAB CHASSIS WHEEL BASE 5 03 = CAB CHASSIS WHEEL BASE 3	EG2 = 3.5L V6 Gas Engine EXM = 3.0L V6 Turbo Diesel Engine	DGZ = 5-Speed Auto W5A380 Transmission

AR = use ase required - = Non illustrated part



**Auxiliary Warm Water Heater Service Parts**  
**Figure 24-220**

ITEM	PART NUMBER	QTY	LINE	SERIES	BODY	ENGINE	TRANS	TRIM	DESCRIPTION
1	68026061AA	1	2, 3, 6, 7			EXM			HEATER, Supplemental Diesel Fuel, Heater Assembly
2	68012829AA	1	2, 3, 6, 7			EXM			HOUSING, Heater
3	05143171AA	1	2, 3, 6, 7			EXM			HEATER, Supplemental Diesel Fuel
4	05143170AA	1	2, 3, 6, 7			EXM			LINE, Heater
5	68012831AA	1	2, 3, 6, 7			EXM			BLOWER
6	68012837AA	3	2, 3, 6, 7			EXM			SCREW
7	05133306AA	1	2, 3, 6, 7		13, 15, 17, 53, 55	EXM			COVER, Heater Housing
8	68012836AA	1	2, 3, 6, 7		13, 15, 17, 53, 55	EXM			SCREW
9	05133307AB	1	2, 3, 6, 7		13, 15, 17, 53, 55	EXM			SEAL
10	05133309AA	1	2, 3, 6, 7		13, 15, 17, 53, 55	EXM			O RING, Heater Core
11	68012832AA	1	2, 3, 6, 7		13, 15, 17, 53, 55	EXM			FITTING, FITTING
12	05143173AA	1	2, 3, 6, 7		13, 15, 17, 53, 55	EXM			PLUG, Glow
13	05103691AA	1	2, 3, 6, 7		13, 15, 17, 53, 55	EXM			SENSOR, Temperature
14	05133313AA	1	2, 3, 6, 7		13, 15, 17, 53, 55	EXM			CLIP, Spring
15	68012836AA	1	2, 3, 6, 7		13, 15, 17, 53, 55	EXM			SCREW
16	05143176AA	2	2, 3, 6, 7		13, 15, 17, 53, 55	EXM			O RING, Temperature Sensor
17	05143179AA	1	2, 3, 6, 7		13, 15, 17, 53, 55	EXM			DUCT, Control Unit Cover
18	68012835AA	1	2, 3, 6, 7		13, 15, 17, 53, 55	EXM			COVER
19	68012840AA	4	2, 3, 6, 7		13, 15, 17, 53, 55	EXM			SCREW
20	68027643AA	1	2, 3, 6, 7			EXM			MODULE
21	68012838AA	1	2, 3, 6, 7		13, 15, 17, 53, 55	EXM			SCREW
22	68012839AA	2	2, 3, 6, 7		13, 15, 17, 53, 55	EXM			SCREW
23	68012841AA	1	2, 3, 6, 7		13, 15, 17, 53, 55	EXM			SCREW
24	68012842AA	1	2, 3, 6, 7		13, 15, 17, 53, 55	EXM			WIRING



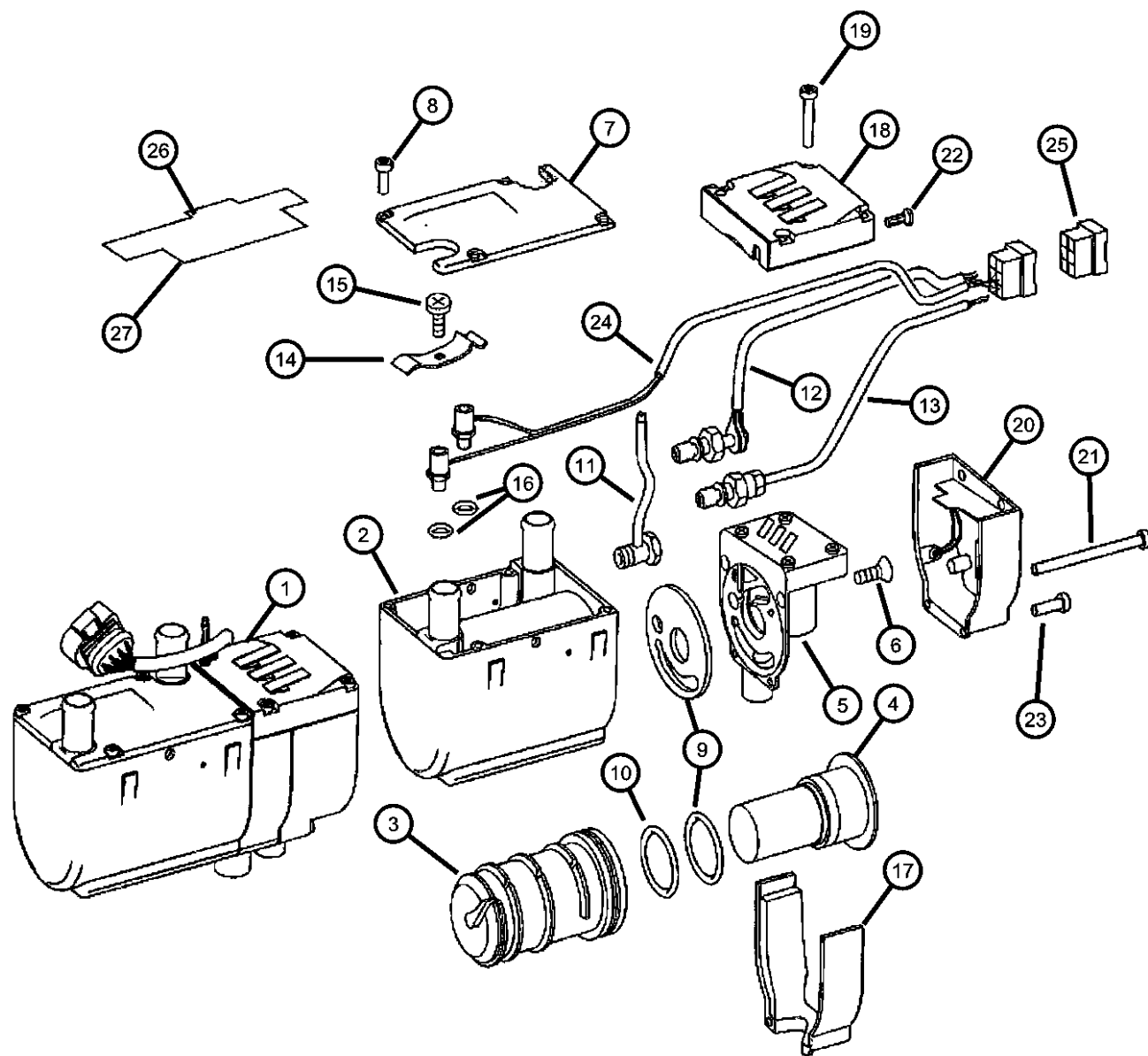
**SPRINTER (VB)**

<b>SERIES</b>	<b>LINE</b>	<b>BODY</b>	<b>ENGINE</b>	<b>TRANSMISSION</b>
L = LOWLINE	3 = HD DODGE 2WD 6 = Lt. Duty DODGE 4WD 2 = Med. Duty DODGE 2WD 7 = Med. Duty DODGE 4WD	17 = VAN WHEEL BASE 7 55 = WAGON WHEEL BASE 5 15 = VAN WHEEL BASE 5 53 = 119 WB 13 = 119 WB 05 = CAB CHASSIS WHEEL BASE 5 03 = CAB CHASSIS WHEEL BASE 3	EG2 = 3.5L V6 Gas Engine EXM = 3.0L V6 Turbo Diesel Engine	DGZ = 5-Speed Auto W5A380 Transmission

AR = use ase required - = Non illustrated part

**Auxiliary Warm Water Heater Service Parts  
Figure 24-220**

ITEM	PART NUMBER	QTY	LINE	SERIES	BODY	ENGINE	TRANS	TRIM	DESCRIPTION
25	68012843AA	1	2, 3, 6, 7		13, 15, 17, 53, 55	EXM			CONNECTOR
26	68000330AA	1	2, 3, 6, 7			EXM			INSULATION, Insulation For Covering
27	68004346AA	1	2, 3, 6, 7			EXM			INSULATION, NONE, SPRINTER, Insulation Against Moisture



**SPRINTER (VB)**

**SERIES**

L = LOWLINE  
 3 = HD DODGE 2WD  
 6 = Lt. Duty DODGE 4WD  
 2 = Med. Duty DODGE 2WD  
 7 = Med. Duty DODGE 4WD

**LINE**

**BODY**

17 = VAN WHEEL BASE 7  
 55 = WAGON WHEEL BASE 5  
 15 = VAN WHEEL BASE 5  
 53 = 119 WB  
 13 = 119 WB  
 05 = CAB CHASSIS WHEEL BASE 5  
 03 = CAB CHASSIS WHEEL BASE 3

**ENGINE**

EG2 = 3.5L V6 Gas Engine  
 EXM = 3.0L V6 Turbo Diesel Engine

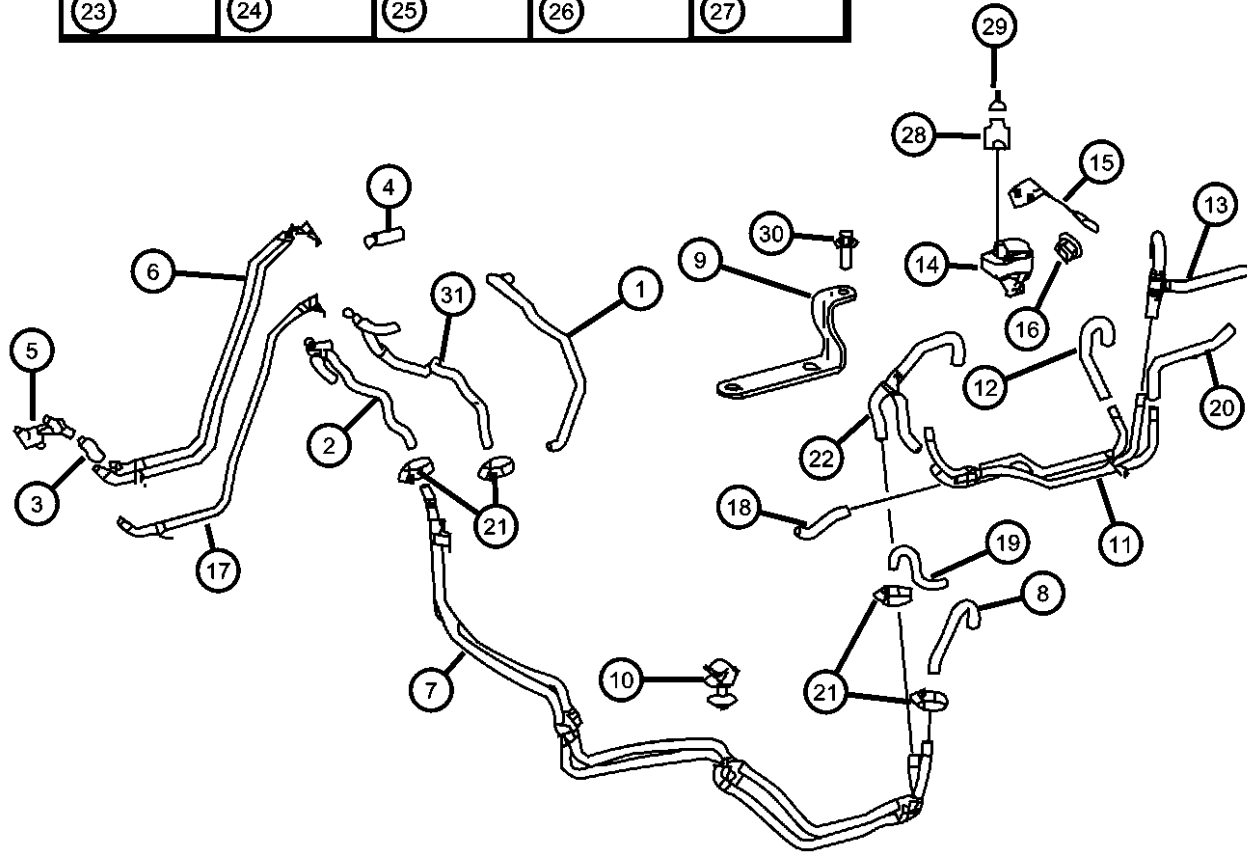
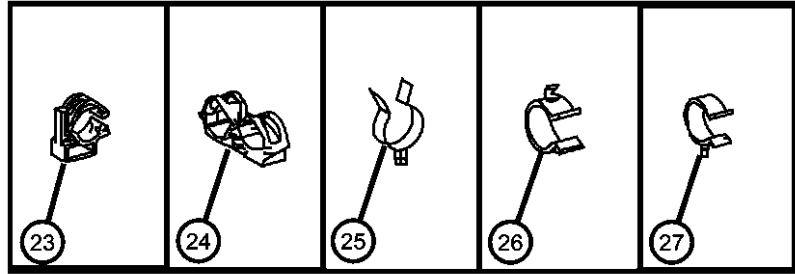
**TRANSMISSION**

DGZ = 5-Speed Auto W5A380 Transmission

AR = use ase required - = Non illustrated part

2008 VB

Heater Lines  
Figure 24-225



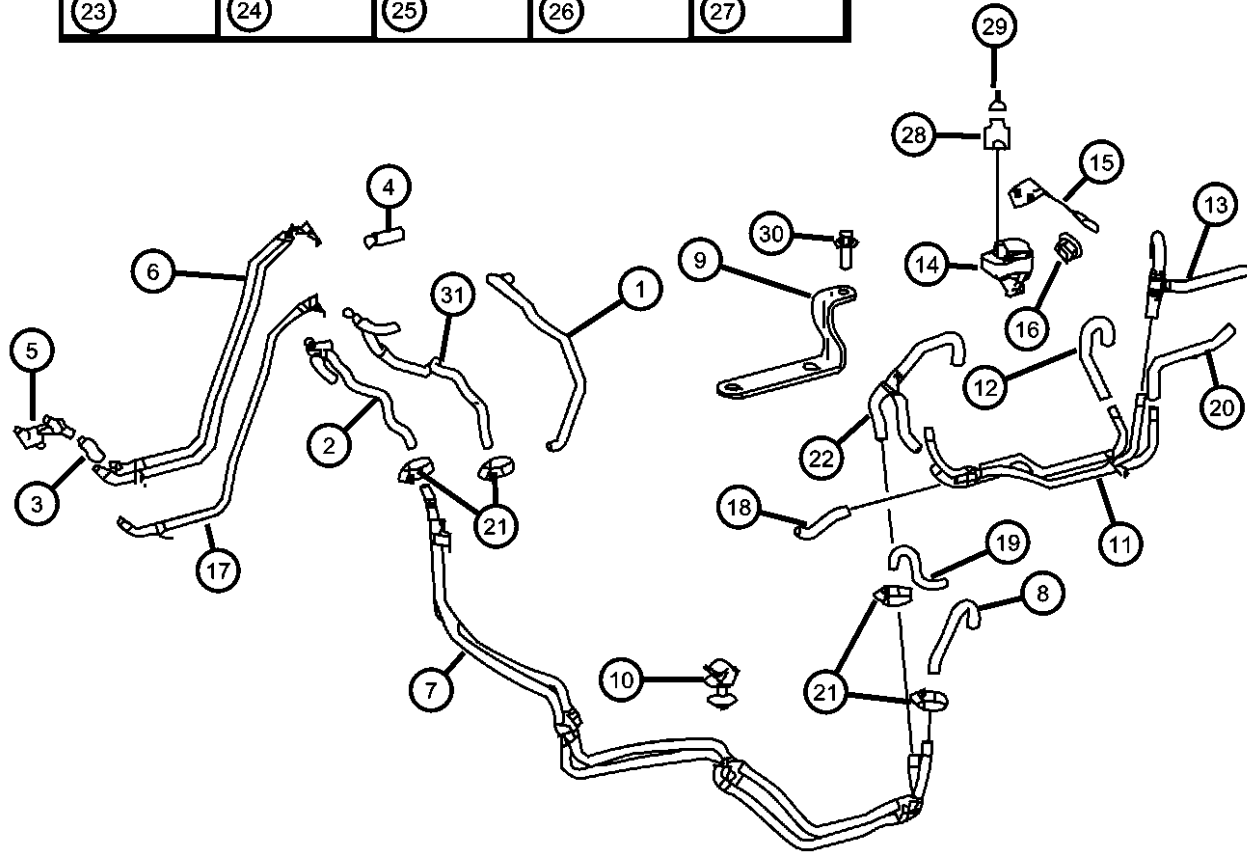
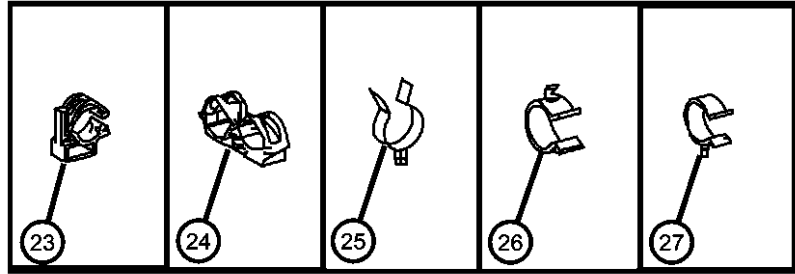
ITEM	PART NUMBER	QTY	LINE	SERIES	BODY	ENGINE	TRANS	TRIM	DESCRIPTION
1	68012703AA	1	2, 3, 6, 7			EG2			HOSE, Heater Supply Feed With [HDB Or HAB]
	68012704AA	1	2, 3, 6, 7			EG2			Feed
	68034968AA	1	2, 3, 6, 7		13, 15, 17, 53, 55	EXM			Feed
2	68012712AA	1	2, 3, 6, 7		13, 15, 17, 53, 55	EG2			HOSE, Heater Supply With [HDC+HAB]
	68012713AA	1	2, 3, 6, 7			EG2, EXM			
3	68025139AA	1	2, 3, 6, 7			EXM			HOSE
4	68025140AA	1	2, 3, 6, 7			EXM			HOSE
5	68025141AA	1	2, 3, 6, 7			EXM			VALVE, Heater Bypass
6	68025138AA	1	2, 3, 6, 7			EXM			HOSE, Heater
7	68012715AA	1	2, 3, 6, 7			EG2, EXM			HOSE, Heater
8	68012737AA	1	2, 3, 6, 7		13, 15, 17, 53, 55	EG2, EXM			HOSE, Heater, With [XBJ]
9	68012722AA	1	2, 3, 6, 7		13, 15, 17, 53, 55	EG2, EXM			HOSE, Heater, With [XG3 + HDC]
10	05117649AA	1	2, 3, 6, 7			EXM			CLIP, Hose, Hose Holder
11	68012723AA	1	2, 3, 6, 7		13, 15, 17, 53, 55	EG2, EXM			HOSE, Heater, With [XG3 + HDC]
12	68012725AA	1	2, 3, 6, 7		13, 15, 17, 53, 55	EG2, EXM			HOSE, Heater, With [XG3 + HDC]
13	68012727AA	1	2, 3, 6, 7		13, 15, 17, 53, 55	EG2, EXM			HOSE, Heater, With [XG3 + HDC]
14	68012738AA	1	2, 3, 6, 7			EG2, EXM			PUMP, Recirculating
15	68012739AA	1	2, 3, 6, 7			EG2, EXM			BRACKET
16	05096978AA	2	2, 3, 6, 7		13, 15, 17, 53, 55	EG2, EXM			NUT, Hex, M6
17	68012729AA	1	2, 3, 6, 7			EG2, EXM			HOSE, Heater Return
	68012733AA	1	2, 3, 6, 7		13, 15, 17, 53, 55	EG2			With [HDC]
18	68012734AA	1	2, 3, 6, 7		13, 15, 17, 53, 55	EG2, EXM			HOSE, Heater Return
19	68012735AA	1	2, 3, 6, 7		13, 15, 17, 53, 55	EG2			HOSE, Heater, With [HDC]
20	68012736AA	1	2, 3, 6, 7		13, 15, 17, 53, 55	EG2, EXM			HOSE, Heater

**SPRINTER (VB)**

SERIES	LINE	BODY	ENGINE	TRANSMISSION
L = LOWLINE	3 = HD DODGE 2WD 6 = Lt. Duty DODGE 4WD 2 = Med. Duty DODGE 2WD 7 = Med. Duty DODGE 4WD	17 = VAN WHEEL BASE 7 55 = WAGON WHEEL BASE 5 15 = VAN WHEEL BASE 5 53 = 119 WB 13 = 119 WB 05 = CAB CHASSIS WHEEL BASE 5 03 = CAB CHASSIS WHEEL BASE 3	EG2 = 3.5L V6 Gas Engine EXM = 3.0L V6 Turbo Diesel Engine	DGZ = 5-Speed Auto W5A380 Transmission

AR = use ase required - = Non illustrated part

Heater Lines  
Figure 24-225



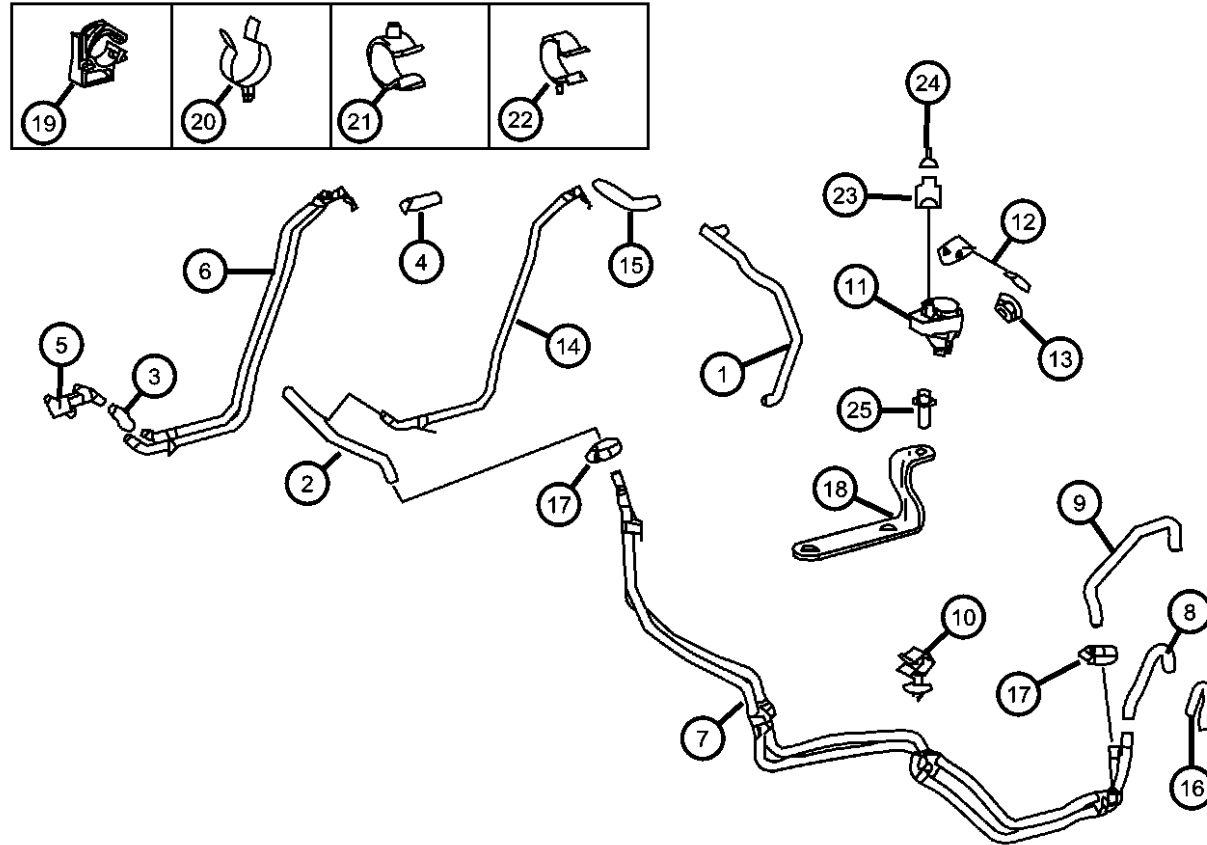
ITEM	PART NUMBER	QTY	LINE	SERIES	BODY	ENGINE	TRANS	TRIM	DESCRIPTION
21	05135881AA	6	2, 3, 6, 7		13, 15, 17, 53, 55	EXM			CLAMP
22	68012404AA	1	2, 3, 6, 7			EXM			BRACKET
23	68012740AA	1	2, 3, 6, 7			EG2, EXM			BRACKET, Hose
24	68012741AA	1	2, 3, 6, 7		13, 15, 17, 53, 55	EG2, EXM			CLAMP, Hose To Body [2 x 23-28 MM]
25	05096566AA	2	2, 3, 6, 7		13, 15, 17, 53, 55	EG2, EXM			CLIP, Hose
26									CLAMP, Hose
	06104923AA	1	2, 3, 6, 7		13, 15, 17, 53, 55	EXM			
		1	2, 6		13, 15, 17, 53, 55	EG2			
27	06104918AA	2	2, 3, 6, 7		13, 15, 17, 53, 55	EG2, EXM			CLAMP, Hose
28	05103931AA	1	2, 3, 6, 7			EG2, EXM			CONNECTOR, Recirculating Pump
29									TERMINAL
	05133353AA	AR	2, 3, 6, 7			EG2			[0.75 - 1.0 MM]
		AR	2, 3, 6, 7			EXM			[0.75 - 1.0 MM]
30									BOLT, 6 Lobe External Head, M6X1.00X16.00
	06104005AA	3	2, 3, 6, 7			EG2			
		1	2, 3, 6, 7			EXM			
31	68012733AA	1	2, 3, 6, 7		13, 15, 17, 53, 55	EG2			HOSE, Heater Return

**SPRINTER (VB)**

<b>SERIES</b>	<b>LINE</b>	<b>BODY</b>	<b>ENGINE</b>	<b>TRANSMISSION</b>
L = LOWLINE	3 = HD DODGE 2WD 6 = Lt. Duty DODGE 4WD 2 = Med. Duty DODGE 2WD 7 = Med. Duty DODGE 4WD	17 = VAN WHEEL BASE 7 55 = WAGON WHEEL BASE 5 15 = VAN WHEEL BASE 5 53 = 119 WB 13 = 119 WB 05 = CAB CHASSIS WHEEL BASE 5 03 = CAB CHASSIS WHEEL BASE 3	EG2 = 3.5L V6 Gas Engine EXM = 3.0L V6 Turbo Diesel Engine	DGZ = 5-Speed Auto W5A380 Transmission

AR = use ase required - = Non illustrated part

Heater Lines  
Figure 24-230



ITEM	PART NUMBER	QTY	LINE	SERIES	BODY	ENGINE	TRANS	TRIM	DESCRIPTION
1	68012703AA	1	2, 3, 6, 7			EG2			HOSE, Heater Supply With HDB And Or HAB]
	68012704AA	1	2, 3, 6, 7			EG2			
	68034968AA	1	3, 7		03, 05	EXM			
2	68012713AA	1	2, 3, 6, 7			EG2, EXM			HOSE, Heater Supply
3	68025139AA	1	2, 3, 6, 7			EXM			HOSE
4	68025140AA	1	2, 3, 6, 7			EXM			HOSE
5	68025141AA	1	2, 3, 6, 7			EXM			VALVE, Heater Bypass
6	68025138AA	1	2, 3, 6, 7			EXM			HOSE, Heater
7	68012715AA	1	2, 3, 6, 7			EG2, EXM			HOSE, Heater
8	68012717AA	1	2, 3, 6, 7			EG2, EXM			HOSE, Heater
9	68012718AA	1	2, 3, 6, 7			EG2, EXM			HOSE, Heater
10	68035039AA	1	2, 3, 6, 7			EXM			CLIP, Hose, Hose To Engine
11	68012738AA	1	2, 3, 6, 7			EG2, EXM			PUMP, Recirculating
12	68012739AA	1	2, 3, 6, 7			EG2, EXM			BRACKET
13	06104708AA	1	2, 3, 6, 7			EG2, EXM			NUT, Hex, M6
14	68012729AA	1	2, 3, 6, 7			EG2, EXM			HOSE, Heater Return
15	68012732AA	1	3, 7		03, 05	EG2, EXM			HOSE, Heater Return
16	68012737AA	1	3, 7		03, 05	EG2, EXM			HOSE, Heater
17	05135881AA	2	2, 3, 6, 7			EG2, EXM			CLAMP
18	68012404AA	1	2, 3, 6, 7			EXM			BRACKET
19	68012740AA	1	2, 3, 6, 7			EG2, EXM			BRACKET, Hose
20	05096566AA	1	3, 7		03, 05	EG2, EXM			CLIP, Hose
21									CLAMP, Hose
	06104923AA	1	3, 7		03, 05	EXM			
		1	3, 7		03, 05	EG2			
22	06104918AA	1	3, 7		03, 05	EG2			CLAMP, Hose
23	05103931AA	1	2, 3, 6, 7			EG2, EXM			CONNECTOR, Recirculating Pump
24									TERMINAL
	05133353AA	AR	2, 3, 6, 7			EG2			[0.75 - 1.0 MM]
		AR	2, 3, 6, 7			EXM			[0.75 - 1.0 MM]
25									BOLT, 6 Lobe External Head, M6X1.00X16.00

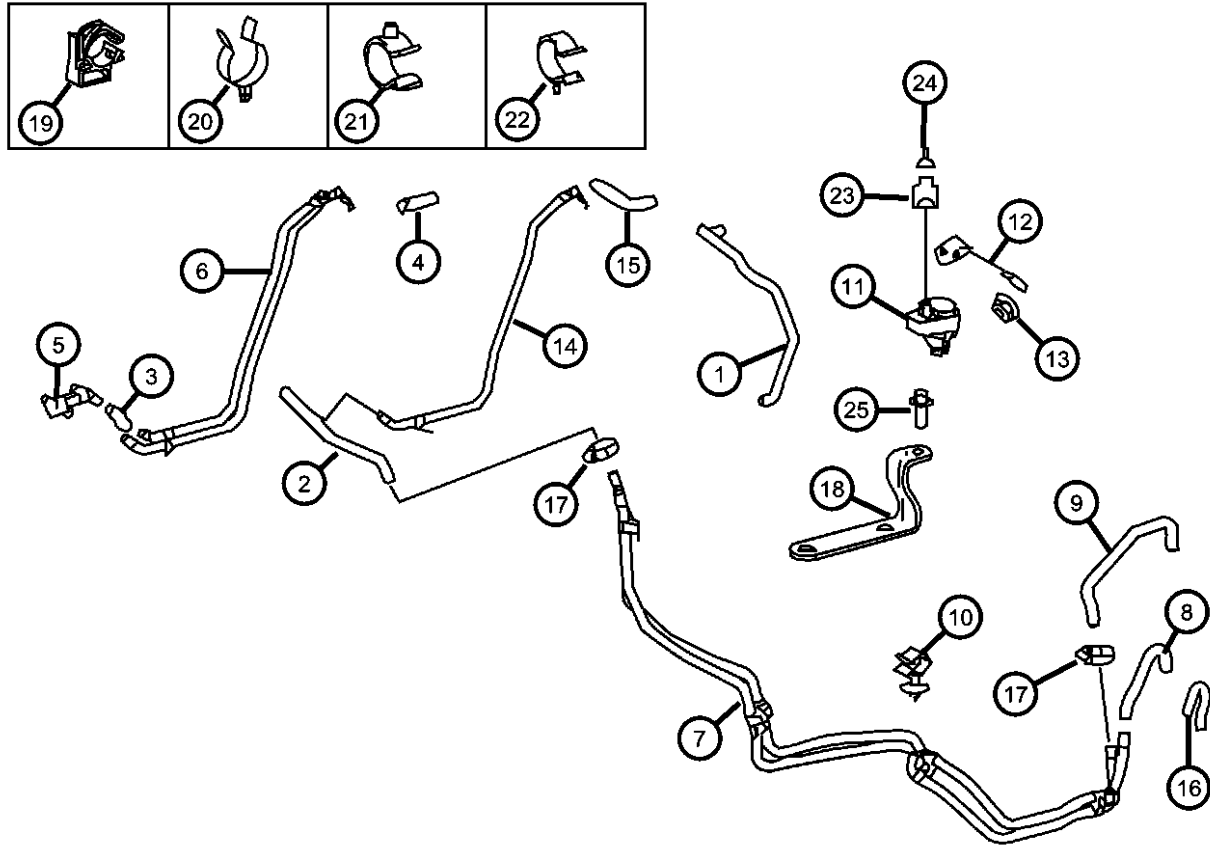
SPRINTER (VB)

SERIES	LINE	BODY	ENGINE	TRANSMISSION
L = LOWLINE	3 = HD DODGE 2WD 6 = Lt. Duty DODGE 4WD 2 = Med. Duty DODGE 2WD 7 = Med. Duty DODGE 4WD	17 = VAN WHEEL BASE 7 55 = WAGON WHEEL BASE 5 15 = VAN WHEEL BASE 5 53 = 119 WB 13 = 119 WB 05 = CAB CHASSIS WHEEL BASE 5 03 = CAB CHASSIS WHEEL BASE 3	EG2 = 3.5L V6 Gas Engine EXM = 3.0L V6 Turbo Diesel Engine	DGZ = 5-Speed Auto W5A380 Transmission

AR = use ase required - = Non illustrated part

Heater Lines  
Figure 24-230

ITEM	PART NUMBER	QTY	LINE	SERIES	BODY	ENGINE	TRANS	TRIM	DESCRIPTION
	06104005AA	3	2, 3, 6, 7			EG2			
		1	2, 3, 6, 7			EXM			



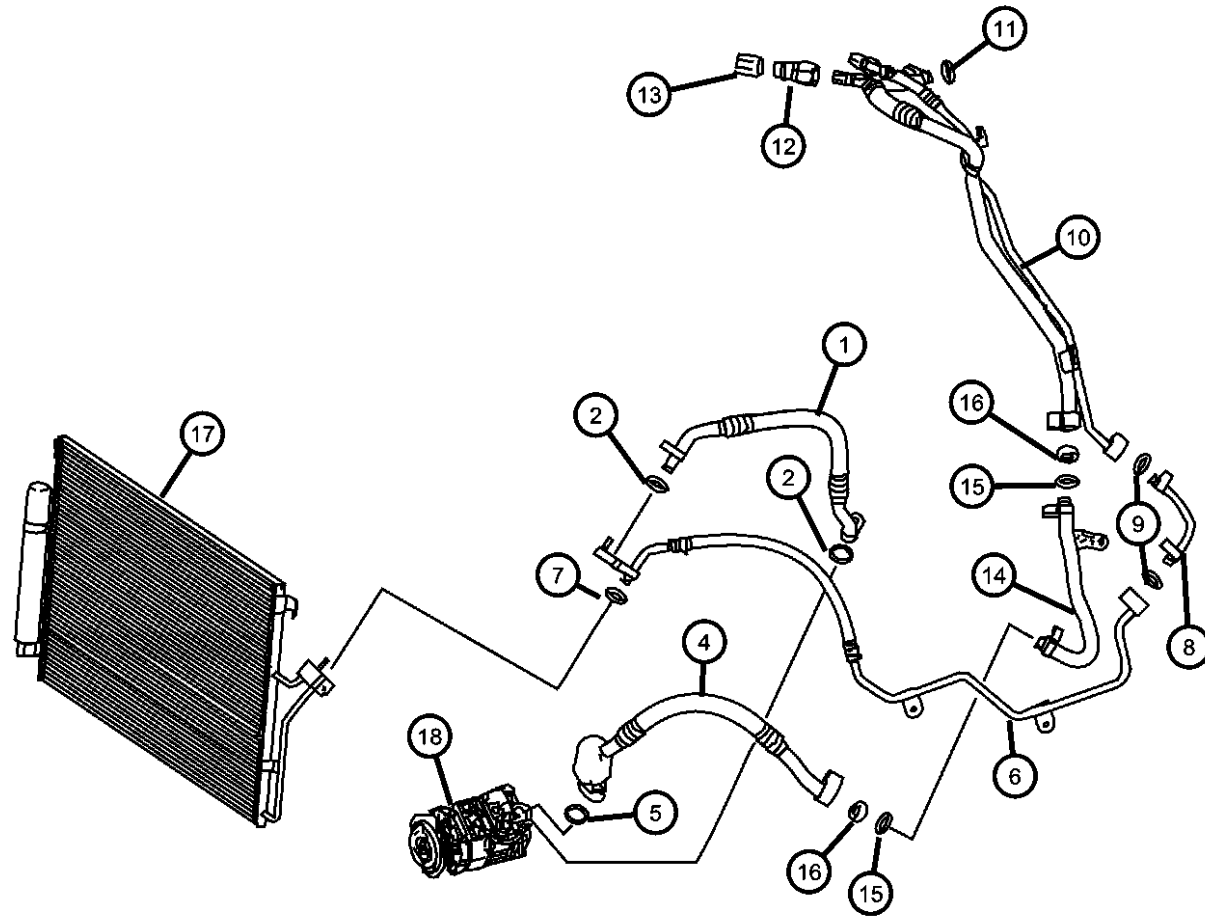
SPRINTER (VB)

SERIES	LINE	BODY	ENGINE	TRANSMISSION
L = LOWLINE	3 = HD DODGE 2WD 6 = Lt. Duty DODGE 4WD 2 = Med. Duty DODGE 2WD 7 = Med. Duty DODGE 4WD	17 = VAN WHEEL BASE 7 55 = WAGON WHEEL BASE 5 15 = VAN WHEEL BASE 5 53 = 119 WB 13 = 119 WB 05 = CAB CHASSIS WHEEL BASE 5 03 = CAB CHASSIS WHEEL BASE 3	EG2 = 3.5L V6 Gas Engine EXM = 3.0L V6 Turbo Diesel Engine	DGZ = 5-Speed Auto W5A380 Transmission

AR = use ase required - = Non illustrated part

2008 VB

Refrigerant Lines  
Figure 24-235



ITEM	PART NUMBER	QTY	LINE	SERIES	BODY	ENGINE	TRANS	TRIM	DESCRIPTION
1	68012744AA	1	2, 3, 6, 7			EXM			LINE, A/C To [A/C] Compressor
	68012745AA	1	2, 3, 6, 7			EG2			To [A/C] Compressor
2	05103571AA	1	2, 3, 6, 7			EG2, EXM			O RING, Air Conditioning Line, [9.5 x 2.5 MM]
-3	05098972AA	1	3, 7		03, 05	EXM			O RING, A/C Line, [14 x 2 MM]
4	68012754AA	1	2, 3, 6, 7			EXM			LINE, A/C Suction
	68012755AA	1	2, 3, 6, 7			EG2			
5	05103936AA	1	3, 7		03, 05	EG2			O RING, A/C Line [23.8 x 2.4 MM]
		1	3, 7		03, 05	EXM			[23.8 x 2.4 MM]
6	68012761AA	1	2, 3, 6, 7			EG2, EXM			LINE, A/C Liquid
7	05103571AA	1	2, 3, 6, 7			EG2, EXM			O RING, Air Conditioning Line, [9.5 x 2.5 MM]
8	68012764AA	1	2, 3, 6, 7			EG2, EXM			LINE, A/C
9	05103571AA	1	2, 3, 6, 7			EG2, EXM			O RING, Air Conditioning Line, [9.5 x 2.5 MM]
10	68012765AA	1	2, 3, 6, 7			EG2, EXM			LINE, A/C Suction & Discharge
11	05098972AA	1	3, 7		03, 05	EG2, EXM			O RING, A/C Line, [14 x 2 MM]
12	05098396AB	1	3, 7		03, 05	EG2, EXM			VALVE, Charging
13	05134029AA	1	3, 7		03, 05	EG2, EXM			CAP, A/C Charge Valve
14	68012773AA	1	2, 3, 6, 7			EG2, EXM			LINE, A/C
15	05138942AA	2	3, 7		03, 05	EG2, EXM			O RING, [13.7 X 2.5 MM]
16	05159481AA	2	3, 7		03, 05	EG2, EXM			GUIDE
17	68013633AA	1	2, 3, 6, 7			EG2, EXM			CONDENSER, A/C
18	68006192AA	1	2, 3, 6, 7			EG2			COMPRESSOR, Air Conditioning
	68012247AA	1	2, 3, 6, 7			EXM			

**SPRINTER (VB)**

SERIES  
L = LOWLINE

LINE  
3 = HD DODGE 2WD  
6 = Lt. Duty DODGE 4WD  
2 = Med. Duty DODGE 2WD  
7 = Med. Duty DODGE 4WD

BODY  
17 = VAN WHEEL BASE 7  
55 = WAGON WHEEL BASE 5  
15 = VAN WHEEL BASE 5  
53 = 119 WB  
13 = 119 WB  
05 = CAB CHASSIS WHEEL BASE 5  
03 = CAB CHASSIS WHEEL BASE 3

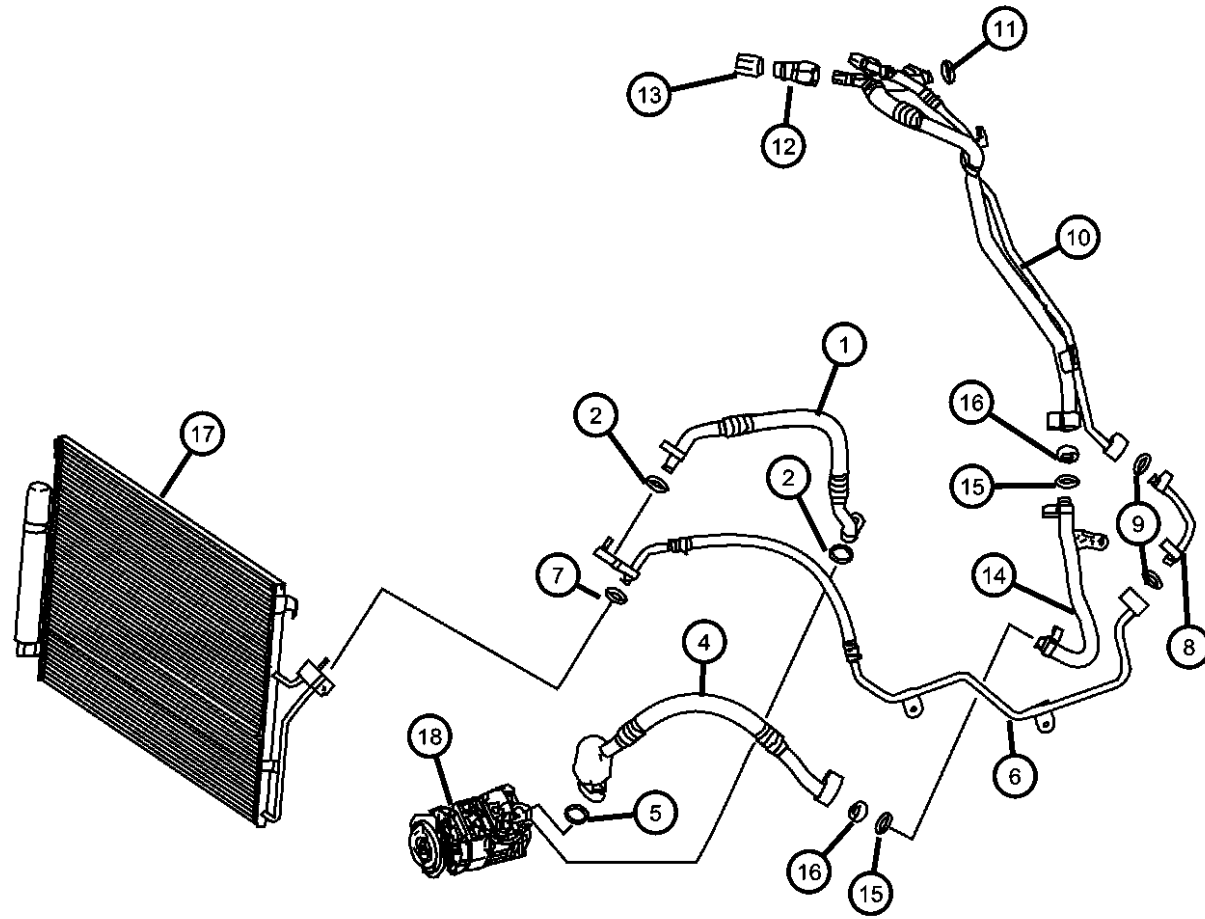
ENGINE  
EG2 = 3.5L V6 Gas Engine  
EXM = 3.0L V6 Turbo Diesel Engine

TRANSMISSION  
DGZ = 5-Speed Auto W5A380 Transmission

AR = use ase required - = Non illustrated part

2008 VB

Refrigerant Lines  
Figure 24-240



ITEM	PART NUMBER	QTY	LINE	SERIES	BODY	ENGINE	TRANS	TRIM	DESCRIPTION
1	68012744AA	1	2, 3, 6, 7			EXM			LINE, A/C To [A/C] Compressor
	68012745AA	1	2, 3, 6, 7			EG2			To [A/C] Compressor
2	05103571AA	1	2, 3, 6, 7			EG2, EXM			O RING, Air Conditioning Line, [9.5 x 2.5 MM]
-3	05098972AA	1	2, 3, 6, 7		13, 15, 17, 53, 55	EG2, EXM			O RING, A/C Line, [14 x 2 MM]
4	68012754AA	1	2, 3, 6, 7			EXM			LINE, A/C Suction
	68012755AA	1	2, 3, 6, 7			EG2			
5	05103936AA	1	2, 3, 6, 7		13, 15, 17, 53, 55	EXM			O RING, A/C Line, [23.8 x 2.4 MM]
6	68012761AA	1	2, 3, 6, 7			EG2, EXM			LINE, A/C Liquid
7	05103571AA	1	2, 3, 6, 7			EG2, EXM			O RING, Air Conditioning Line, [9.5 x 2.5 MM]
8	68012764AA	1	2, 3, 6, 7			EG2, EXM			LINE, A/C
9	05103571AA	1	2, 3, 6, 7			EG2, EXM			O RING, Air Conditioning Line, [9.5 x 2.5 MM]
10	68012765AA	1	2, 3, 6, 7			EG2, EXM			LINE, A/C Suction & Discharge
11	05098972AA	1	2, 3, 6, 7		13, 15, 17, 53, 55	EG2, EXM			O RING, A/C Line, [14 x 2 MM]
12	05098396AB	1	2, 3, 6, 7		13, 15, 17, 53, 55	EG2, EXM			VALVE, Charging
13	05134029AA	1	2, 3, 6, 7		13, 15, 17, 53, 55	EG2, EXM			CAP, A/C Charge Valve
14	68012773AA	1	2, 3, 6, 7			EG2, EXM			LINE, A/C
15	05138942AA	1	2, 3, 6, 7		13, 15, 17, 53, 55	EG2, EXM			O RING, [13.7 X 2.5 MM]
16	05159481AA	2	2, 3, 6, 7		13, 15, 17, 53, 55	EG2, EXM			GUIDE
17	68013633AA	1	2, 3, 6, 7			EG2, EXM			CONDENSER, A/C
18	68006192AA	1	2, 3, 6, 7			EG2			COMPRESSOR, Air Conditioning
	68012247AA	1	2, 3, 6, 7			EXM			

**SPRINTER (VB)**

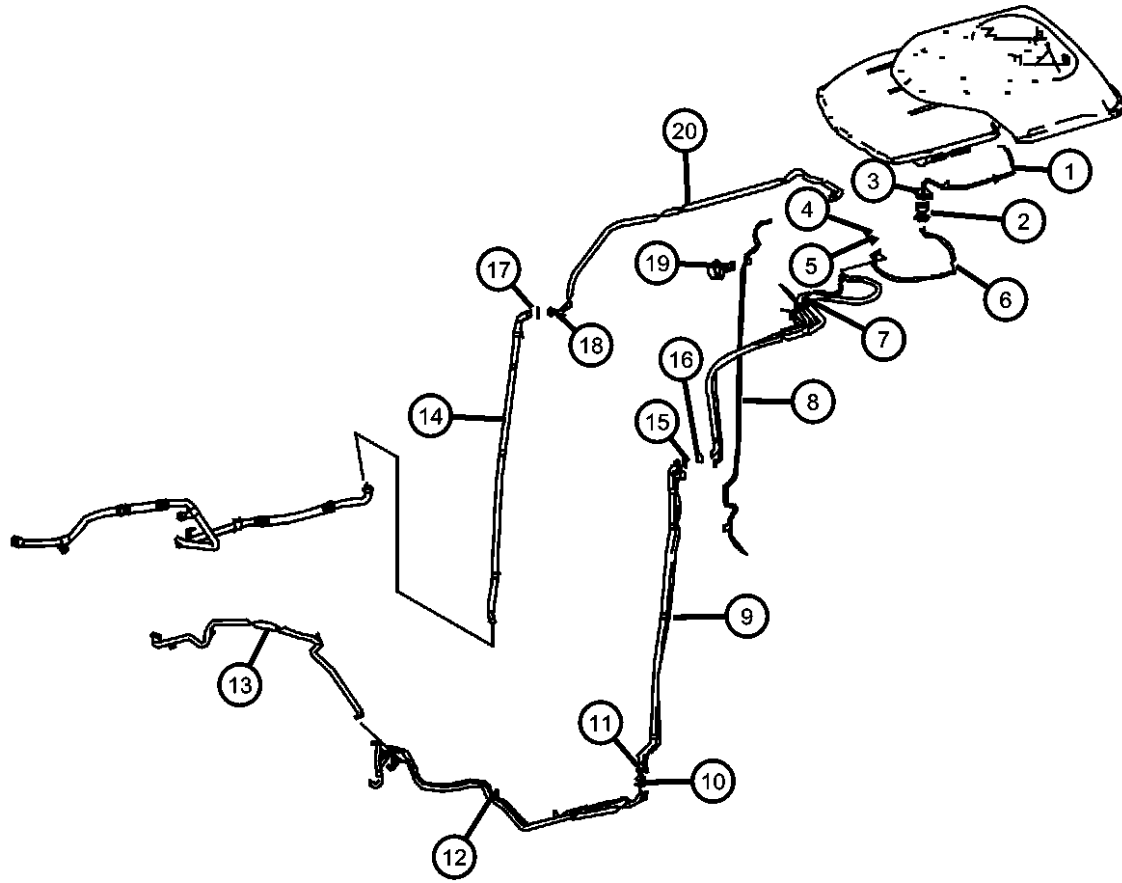
SERIES	LINE	BODY	ENGINE	TRANSMISSION
L = LOWLINE	3 = HD DODGE 2WD 6 = Lt. Duty DODGE 4WD 2 = Med. Duty DODGE 2WD 7 = Med. Duty DODGE 4WD	17 = VAN WHEEL BASE 7 55 = WAGON WHEEL BASE 5 15 = VAN WHEEL BASE 5 53 = 119 WB 13 = 119 WB 05 = CAB CHASSIS WHEEL BASE 5 03 = CAB CHASSIS WHEEL BASE 3	EG2 = 3.5L V6 Gas Engine EXM = 3.0L V6 Turbo Diesel Engine	DGZ = 5-Speed Auto W5A380 Transmission

AR = use ase required - = Non illustrated part



**Refrigerant Line Routing  
Figure 24-245**

ITEM	PART NUMBER	QTY	LINE	SERIES	BODY	ENGINE	TRANS	TRIM	DESCRIPTION
1	68012779AA	1	2, 6		53, 55	EG2, EXM			LINE, A/C
2	68012780AA	1	2, 6		53, 55	EG2, EXM			GUIDE
3	05103571AA	1	2, 3, 6, 7			EG2, EXM			O RING, Air Conditioning Line
4									GUIDE
	68012782AA	2	2, 6		53, 55	EG2, EXM			
		1	2, 3, 6, 7		13, 15, 17, 53, 55	EG2, EXM			
5	05098970AA	1	2, 3, 6, 7		13, 15, 17, 53, 55	EG2, EXM			O RING, A/C Line
6	68012784AA	1	2, 6		53, 55	EG2, EXM			LINE, A/C
7									LINE, A/C
	68012772AA	1	2, 6		53, 55	EG2, EXM			
	68012775AA	1	2, 6		53, 55	EG2, EXM			With [HBD+MWJ]
8	68009179AA	1	2, 6		53, 55	EG2, EXM			LINE, A/C
9	68012774AA	1	2, 6		53, 55	EG2, EXM			LINE, A/C
10	05138942AA	3	2, 3, 6, 7		13, 15, 17, 53, 55	EG2, EXM			O RING
11	05159481AA	2	2, 3, 6, 7		13, 15, 17, 53, 55	EG2, EXM			GUIDE
12	68012777AA	1	2, 6		53, 55	EG2, EXM			LINE, A/C
13	68012778AA	1	2, 6		53, 55	EG2, EXM			LINE, A/C
14	68012770AA	1	2, 6		53, 55	EG2, EXM			LINE, A/C
15	05098970AA	1	2, 3, 6, 7		13, 15, 17, 53, 55	EG2, EXM			O RING, A/C Line
16	05159481AA	1	2, 3, 6, 7		13, 15, 17, 53, 55	EG2, EXM			GUIDE
17	05138942AA	2	2, 3, 6, 7		13, 15, 17, 53, 55	EG2, EXM			O RING
18	05159481AA	2	2, 3, 6, 7		13, 15, 17, 53, 55	EG2, EXM			GUIDE
19	06104117AA	6	2, 3, 6, 7		17	EG2, EXM			SCREW, Hex Head, M5x16
20	68012771AA	1	2, 6		53, 55	EG2, EXM			LINE, A/C



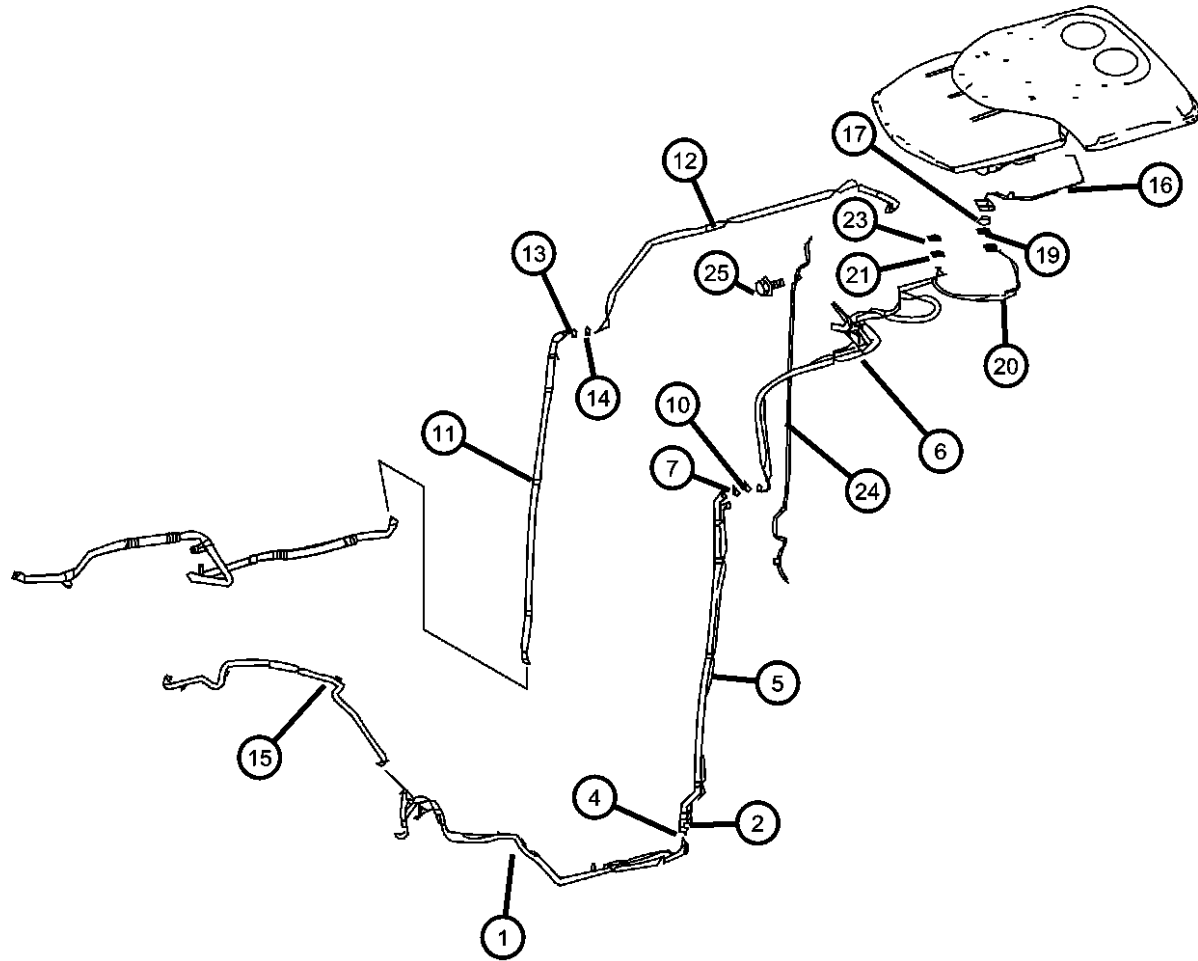
**SPRINTER (VB)**

SERIES	LINE	BODY	ENGINE	TRANSMISSION
L = LOWLINE	3 = HD DODGE 2WD 6 = Lt. Duty DODGE 4WD 2 = Med. Duty DODGE 2WD 7 = Med. Duty DODGE 4WD	17 = VAN WHEEL BASE 7 55 = WAGON WHEEL BASE 5 15 = VAN WHEEL BASE 5 53 = 119 WB 13 = 119 WB 05 = CAB CHASSIS WHEEL BASE 5 03 = CAB CHASSIS WHEEL BASE 3	EG2 = 3.5L V6 Gas Engine EXM = 3.0L V6 Turbo Diesel Engine	DGZ = 5-Speed Auto W5A380 Transmission

AR = use ase required - = Non illustrated part

2008 VB

**Refrigerant Lines  
Figure 24-250**



ITEM	PART NUMBER	QTY	LINE	SERIES	BODY	ENGINE	TRANS	TRIM	DESCRIPTION
1	68012777AA	1	2, 6		53, 55	EG2, EXM			LINE, A/C, With [HBD]
2	05138942AA	3	2, 3, 6, 7		13, 15, 17, 53, 55	EG2, EXM			O RING, [13.7 x 2.5 MM]
-3	05103571AA	1	2, 3, 6, 7		53, 55	EG2, EXM			O RING, Air Conditioning Line, [9.5 x 2.5 MM]
4	05159481AA	2	2, 3, 6, 7		13, 15, 17, 53, 55	EG2, EXM			GUIDE
5	68012774AA	1	2, 6		53, 55	EG2, EXM			LINE, A/C
6	68012775AA	1	2, 6		53, 55	EG2, EXM			LINE, A/C [HBD+MWJ]
	68012776AA	1	2, 6		53, 55	EG2, EXM			
7	05138942AA	1	2, 3, 6, 7		13, 15, 17, 53, 55	EG2, EXM			O RING, [13.7 x 2.5 MM]
-8	05098970AA	1	2, 3, 6, 7		13, 15, 17, 53, 55	EG2, EXM			O RING, A/C Line [7.5 x 2 MM]
	05098972AA	1	2, 3, 6, 7		13, 15, 17, 53, 55	EG2, EXM			[14 x 2 MM]
-9	05103571AA	1	2, 3, 6, 7			EG2, EXM			O RING, Air Conditioning Line, [9.5 x 2.5 MM]
10	05159481AA	1	2, 3, 6, 7		13, 15, 17, 53, 55	EG2, EXM			GUIDE
11	68012770AA	1	2, 6		53, 55	EG2, EXM			LINE, A/C
12	68012771AA	1	2, 6		53, 55	EG2, EXM			LINE, A/C With [HBD+MWJ]
	68012772AA	1	2, 6		53, 55	EG2, EXM			
13	05138942AA	1	2, 3, 6, 7		13, 15, 17, 53, 55	EG2, EXM			O RING, [13.7 X 2.5 MM]
14	05159481AA	2	2, 3, 6, 7		13, 15, 17, 53, 55	EG2, EXM			GUIDE
15	68012778AA	1	2, 6		53, 55	EG2, EXM			LINE, A/C
16	68012779AA	1	2, 6		53, 55	EG2, EXM			LINE, A/C From Roof Opening To Condenser
	68012781AA	1	2, 6		53, 55	EG2, EXM			From Drier To Roof Opening
17	05138942AA	1	2, 3, 6, 7		13, 15, 17, 53, 55	EG2, EXM			O RING, [13.7 x 2.5 MM]
-18	05103571AA	1	2, 3, 6, 7		53, 55	EG2, EXM			O RING, Air Conditioning Line, [9.5 x 2.5MM]
19									GUIDE

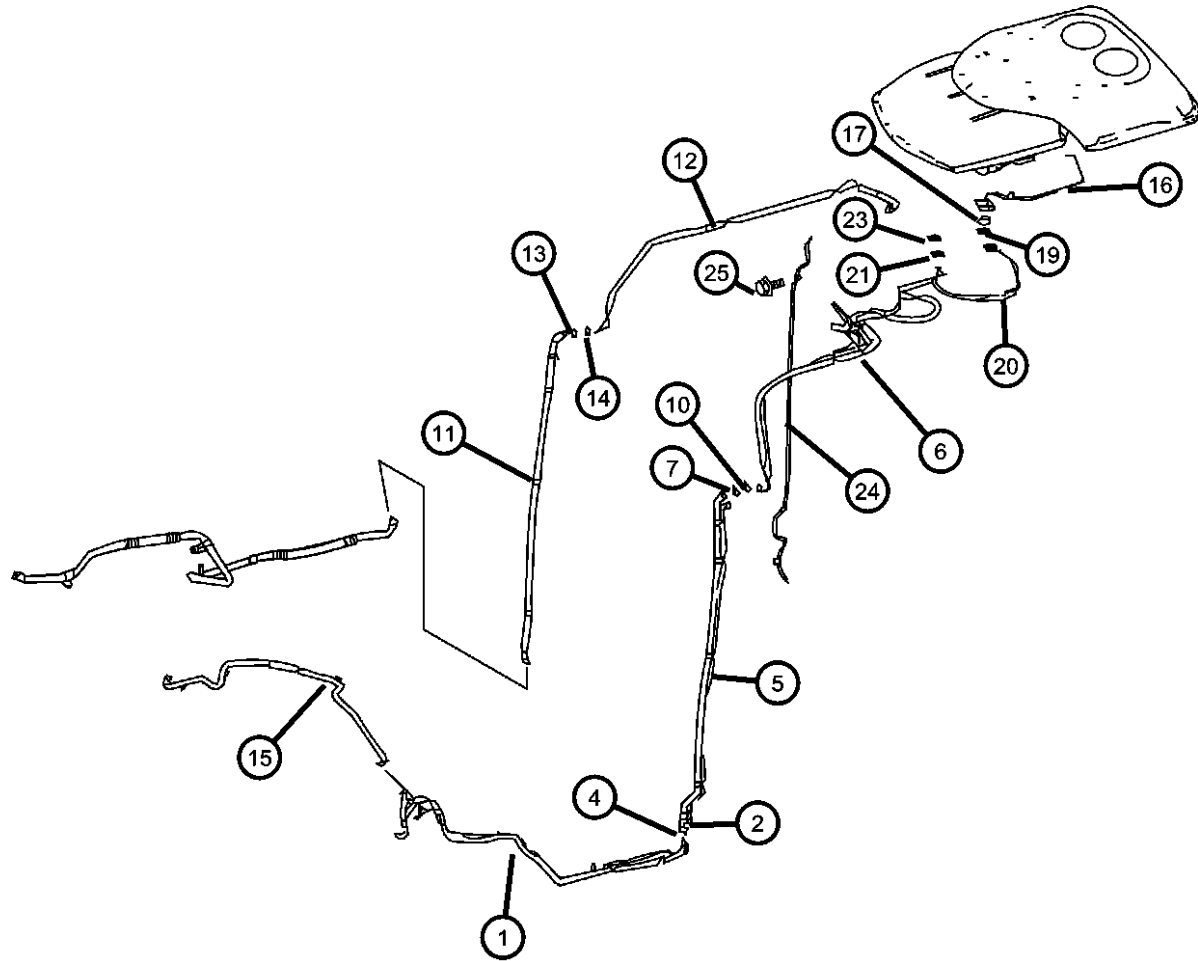
**SPRINTER (VB)**

<b>SERIES</b>	<b>LINE</b>	<b>BODY</b>	<b>ENGINE</b>	<b>TRANSMISSION</b>
L = LOWLINE	3 = HD DODGE 2WD 6 = Lt. Duty DODGE 4WD 2 = Med. Duty DODGE 2WD 7 = Med. Duty DODGE 4WD	17 = VAN WHEEL BASE 7 55 = WAGON WHEEL BASE 5 15 = VAN WHEEL BASE 5 53 = 119 WB 13 = 119 WB 05 = CAB CHASSIS WHEEL BASE 5 03 = CAB CHASSIS WHEEL BASE 3	EG2 = 3.5L V6 Gas Engine EXM = 3.0L V6 Turbo Diesel Engine	DGZ = 5-Speed Auto W5A380 Transmission

AR = use ase required - = Non illustrated part

**Refrigerant Lines  
Figure 24-250**

ITEM	PART NUMBER	QTY	LINE	SERIES	BODY	ENGINE	TRANS	TRIM	DESCRIPTION
	68012780AA	1	2, 6		53, 55	EG2, EXM			
	68012782AA	1	2, 3, 6, 7		13, 15, 17, 53, 55	EG2, EXM			Return
20	68012783AA	1	2, 6		53, 55	EG2, EXM			LINE, A/C With [HBD+MWJ]
	68012784AA	1	2, 6		53, 55	EG2, EXM			
21	05098970AA	1	2, 3, 6, 7		13, 15, 17, 53, 55	EG2, EXM			O RING, A/C Line, [7.5 x 2 MM]
-22	05103571AA	1	2, 3, 6, 7		53, 55	EG2, EXM			O RING, Air Conditioning Line, [9.5 x 2.5 MM]
23	68012782AA	1	2, 3, 6, 7		13, 15, 17, 53, 55	EG2, EXM			GUIDE
24	68009179AA	1	2, 6		53, 55	EG2, EXM			LINE, A/C
25	06104117AA	6	2, 3, 6, 7		13, 15, 17, 53, 55	EG2, EXM			SCREW, Hex Head, [M5 x 16 MM]



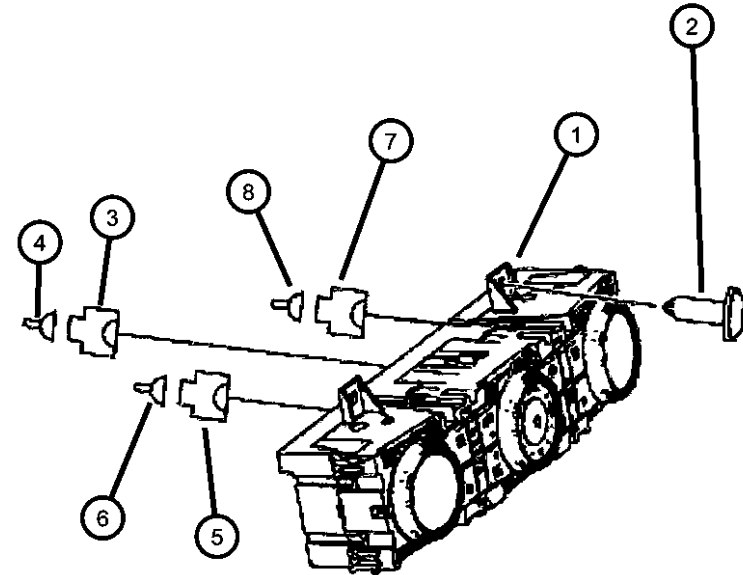
**SPRINTER (VB)**

SERIES	LINE	BODY	ENGINE	TRANSMISSION
L = LOWLINE	3 = HD DODGE 2WD 6 = Lt. Duty DODGE 4WD 2 = Med. Duty DODGE 2WD 7 = Med. Duty DODGE 4WD	17 = VAN WHEEL BASE 7 55 = WAGON WHEEL BASE 5 15 = VAN WHEEL BASE 5 53 = 119 WB 13 = 119 WB 05 = CAB CHASSIS WHEEL BASE 5 03 = CAB CHASSIS WHEEL BASE 3	EG2 = 3.5L V6 Gas Engine EXM = 3.0L V6 Turbo Diesel Engine	DGZ = 5-Speed Auto W5A380 Transmission

AR = use ase required - = Non illustrated part

2008 VB

**Heater Controls  
Figure 24-305**



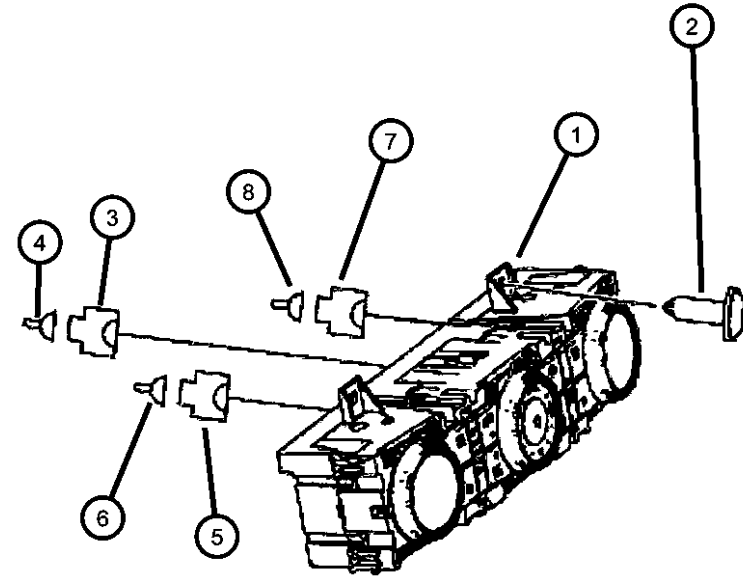
ITEM	PART NUMBER	QTY	LINE	SERIES	BODY	ENGINE	TRANS	TRIM	DESCRIPTION
NOTE: Sales Code: [DGZ]=5 Speed Automatic Transmission [EGM]=3.0L V-6 Turbo Diesel Engine [Mercedes Benz] [EG2]=3.5L V-6 Gas Engine [Mercedes Benz]									
1									CONTROL, A/C And Heater
	68012690AA	1	2, 3, 6, 7			EG2, EXM			With [HAB + HDC And / Or HBD]
	68012691AA	1	2, 3, 6, 7			EG2, EXM			With [HAB]
2	06104574AA	4	2, 3, 6, 7			EG2, EXM			SCREW, Tapping
3									CONNECTOR
	05120782AA	1	2, 3, 6, 7			EG2, EXM			[8 - Pin / S-98]
	68011209AA	1	2, 3, 6, 7			EG2, EXM			[28 - Pin / S98]
	68016738AA	1	2, 3, 6, 7			EG2, EXM			[S 98] Cover
	68016753AA	1	2, 3, 6, 7			EG2, EXM			[12 - Pin / S98]
4									TERMINAL
	05103873AA	3	3, 7		03, 05	EG2, EXM			[0.75 MM2 / MQS:S98]
		3	2, 3, 6, 7		13, 15, 17, 53, 55	EG2, EXM			[0.75 MM2 / MQS:S98]
5	68016755AA	1	2, 3, 6, 7			EG2, EXM			CONNECTOR, Wiring, [8 - Pin / S98]
6	05136771AA	AR	2, 3, 6, 7			EG2, EXM			WIRING PACKAGE, Terminal Repair, [0.5 MM2 / MSQ:S98]
7	68011345AA	1	2, 3, 6, 7			EG2, EXM			CONNECTOR, Wiring, [S98]
8	68011410AA	AR	2, 3, 6, 7			EG2, EXM			TERMINAL, [S98]

**SPRINTER (VB)**

SERIES	LINE	BODY	ENGINE	TRANSMISSION
L = LOWLINE	3 = HD DODGE 2WD 6 = Lt. Duty DODGE 4WD 2 = Med. Duty DODGE 2WD 7 = Med. Duty DODGE 4WD	17 = VAN WHEEL BASE 7 55 = WAGON WHEEL BASE 5 15 = VAN WHEEL BASE 5 53 = 119 WB 13 = 119 WB 05 = CAB CHASSIS WHEEL BASE 5 03 = CAB CHASSIS WHEEL BASE 3	EG2 = 3.5L V6 Gas Engine EXM = 3.0L V6 Turbo Diesel Engine	DGZ = 5-Speed Auto W5A380 Transmission

AR = use ase required - = Non illustrated part

**A/C and Heater Controls**  
**Figure 24-310**



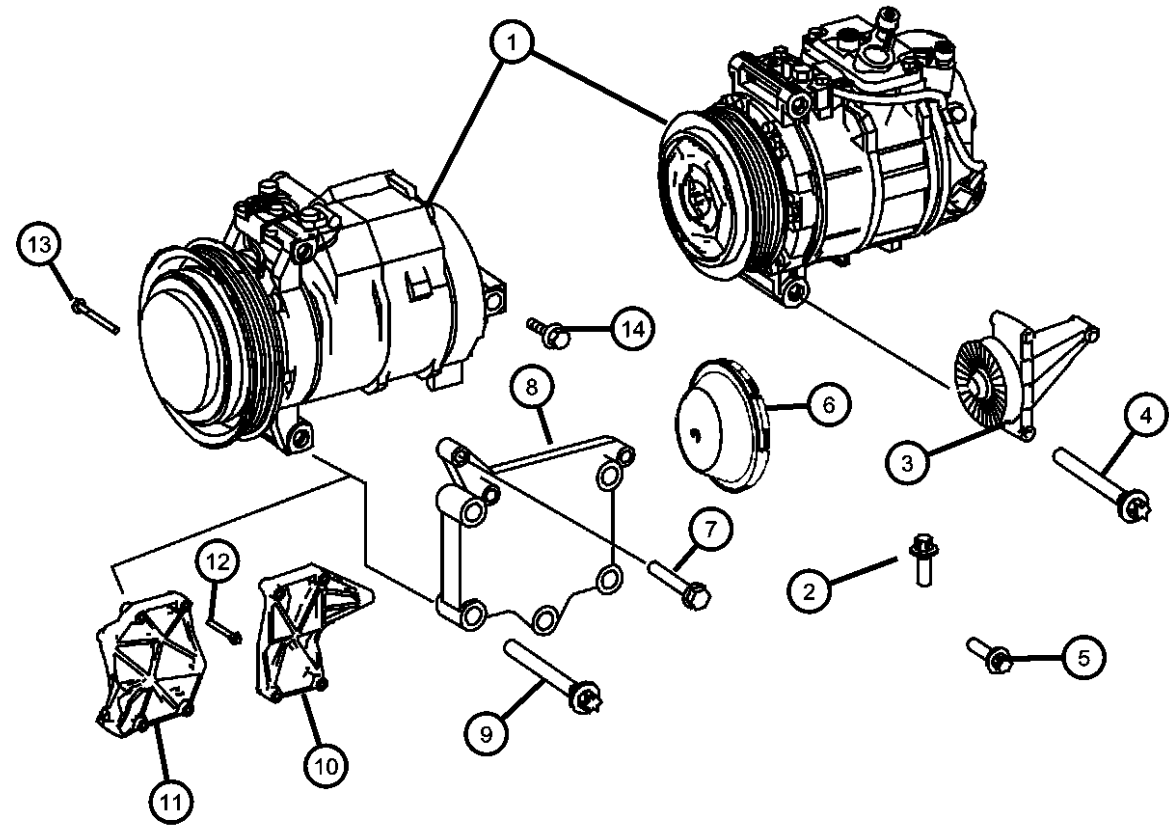
ITEM	PART NUMBER	QTY	LINE	SERIES	BODY	ENGINE	TRANS	TRIM	DESCRIPTION
NOTE: Sales Code: [DGZ]=5 Speed Automatic Transmission [EGM]=3.0L V-6 Turbo Diesel Engine [Mercedes Benz] [EG2]=3.5L V-6 Gas Engine [Mercedes Benz]									
1									CONTROL, A/C And Heater
	68012690AA	1	2, 3, 6, 7			EG2, EXM			With [HAB + HDC And / Or HBD]
	68012691AA	1	2, 3, 6, 7			EG2, EXM			With [HAB]
2	06104574AA	4	2, 3, 6, 7			EG2, EXM			SCREW, Tapping
3									CONNECTOR
	68016738AA	1	2, 3, 6, 7			EG2, EXM			[S 98] Cover
	68016753AA	1	2, 3, 6, 7			EG2, EXM			[12 - Pin / S98]
	05120782AA	1	2, 3, 6, 7			EG2, EXM			[8 - Pin / S-98]
	68011209AA	1	2, 3, 6, 7			EG2, EXM			[28 - Pin / S98]
4									TERMINAL
	05103873AA	3	3, 7		03, 05	EG2, EXM			[0.75 MM2 / MQS:S98]
		3	2, 3, 6, 7		13, 15, 17, 53, 55	EG2, EXM			[0.75 MM2 / MQS:S98]
5	68016755AA	1	2, 3, 6, 7			EG2, EXM			CONNECTOR, Wiring, [8 - Pin / S98]
6	05136771AA	AR	2, 3, 6, 7			EG2, EXM			WIRING PACKAGE, Terminal Repair, [0.5 MM2 / MSQ:S98]
7	68011345AA	1	2, 3, 6, 7			EG2, EXM			CONNECTOR, Wiring, [S98]
8	68011410AA	AR	2, 3, 6, 7			EG2, EXM			TERMINAL, [S98]

**SPRINTER (VB)**

SERIES	LINE	BODY	ENGINE	TRANSMISSION
L = LOWLINE	3 = HD DODGE 2WD 6 = Lt. Duty DODGE 4WD 2 = Med. Duty DODGE 2WD 7 = Med. Duty DODGE 4WD	17 = VAN WHEEL BASE 7 55 = WAGON WHEEL BASE 5 15 = VAN WHEEL BASE 5 53 = 119 WB 13 = 119 WB 05 = CAB CHASSIS WHEEL BASE 5 03 = CAB CHASSIS WHEEL BASE 3	EG2 = 3.5L V6 Gas Engine EXM = 3.0L V6 Turbo Diesel Engine	DGZ = 5-Speed Auto W5A380 Transmission

AR = use ase required - = Non illustrated part

**A/C Compressor  
Figure 24-405**



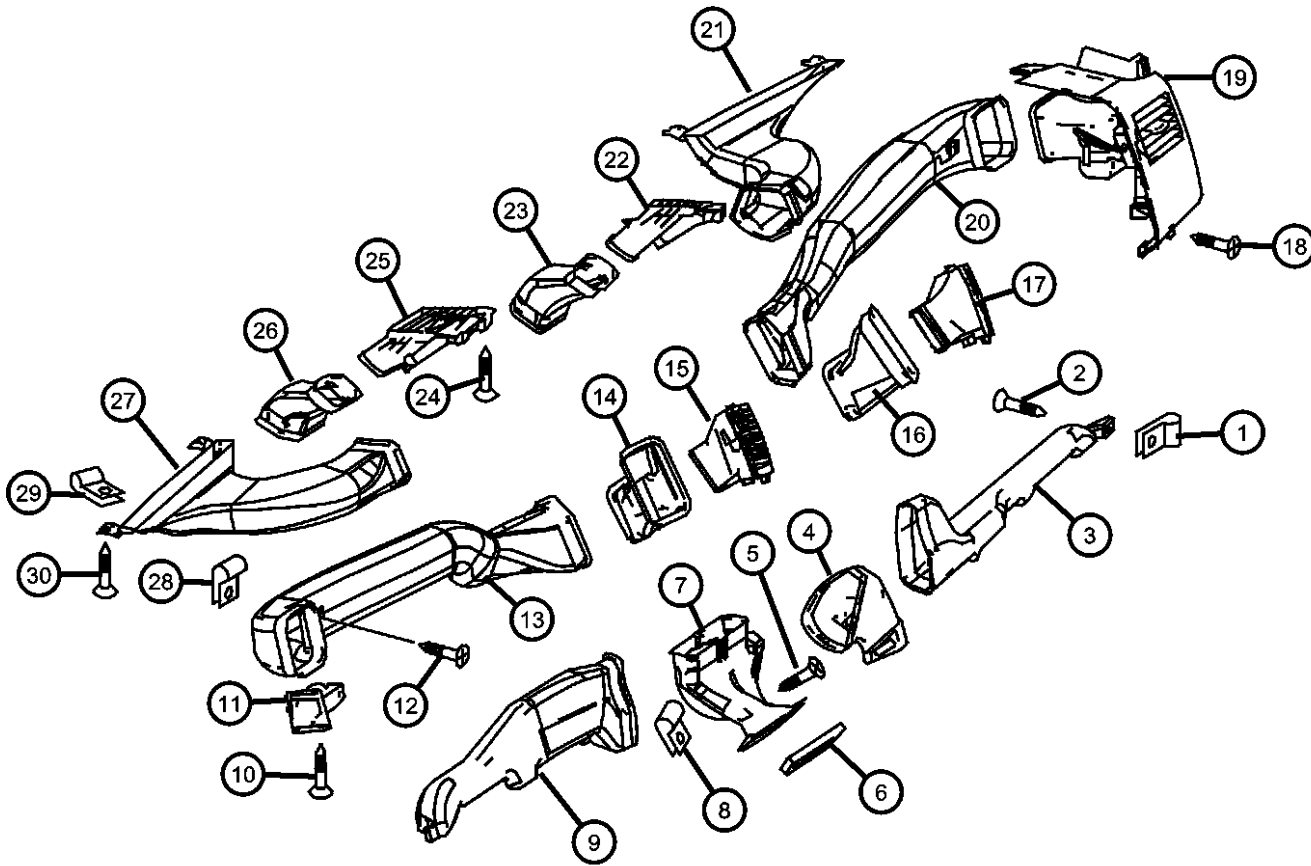
ITEM	PART NUMBER	QTY	LINE	SERIES	BODY	ENGINE	TRANS	TRIM	DESCRIPTION
1									COMPRESSOR, Air Conditioning
	68006192AA	1	2, 3, 6, 7			EG2			[HAB] Air Conditioning with Auto Temp
	68006194AA	1	2, 3, 6, 7			EG2			[HBD] Rear Heavy Duty Air Conditioning
	68012247AA	1	2, 3, 6, 7			EXM			[HAB] Air Conditioning with Auto Temp
	68012250AA	1	2, 6		53, 55	EXM			[HBD] Rear Heavy Duty Air Conditioning
2									BOLT, Hex Flange Head, M8x1.25x30
	06104025AA	1	2, 3, 6, 7		13, 15, 17, 53, 55	EG2, EXM			
		1	3, 7		03, 05	EG2, EXM			
3	05117673AA	1	2, 3, 6, 7			EG2			PULLEY, Tensioner, With Guide Pulley
4									BOLT, Hex Flange Head, M8X1.25X90.00
	06104035AA	2	3, 7		03, 05	EG2			
		2	2, 6		13, 15, 17, 53, 55	EG2			
5	06104025AA	2	2, 3, 6, 7			EG2			BOLT, Hex Flange Head, M8x1.25x30
6	05125553AA	1	2, 3, 6, 7			EG2			CAP, Screw Cover
7	05102611AA	2	2, 3, 6, 7			EG2			SCREW, M8x50
8	06104035AA	1	2, 3, 6, 7			EG2			BOLT, Hex Flange Head, M8X1.25X90.00
9	06104035AA	2	2, 3, 6, 7			EG2			BOLT, Hex Flange Head, M8X1.25X90.00
10	68012249AA	1	2, 3, 6, 7			EXM			BRACKET
11	68012248AA	1	2, 3, 6, 7			EXM			BRACKET
12	06104032AA	4	2, 3, 6, 7			EXM			SCREW, M8x65
13	06104035AA	4	2, 3, 6, 7			EXM			BOLT, Hex Flange Head, M8X1.25X90.00
14	06104035AA	4	2, 3, 6, 7			EXM			BOLT, Hex Flange Head, M8X1.25X90.00

**SPRINTER (VB)**

<b>SERIES</b>	<b>LINE</b>	<b>BODY</b>	<b>ENGINE</b>	<b>TRANSMISSION</b>
L = LOWLINE	3 = HD DODGE 2WD 6 = Lt. Duty DODGE 4WD 2 = Med. Duty DODGE 2WD 7 = Med. Duty DODGE 4WD	17 = VAN WHEEL BASE 7 55 = WAGON WHEEL BASE 5 15 = VAN WHEEL BASE 5 53 = 119 WB 13 = 119 WB 05 = CAB CHASSIS WHEEL BASE 5 03 = CAB CHASSIS WHEEL BASE 3	EG2 = 3.5L V6 Gas Engine EXM = 3.0L V6 Turbo Diesel Engine	DGZ = 5-Speed Auto W5A380 Transmission

AR = use ase required - = Non illustrated part

**Air Ducting  
Figure 24-505**



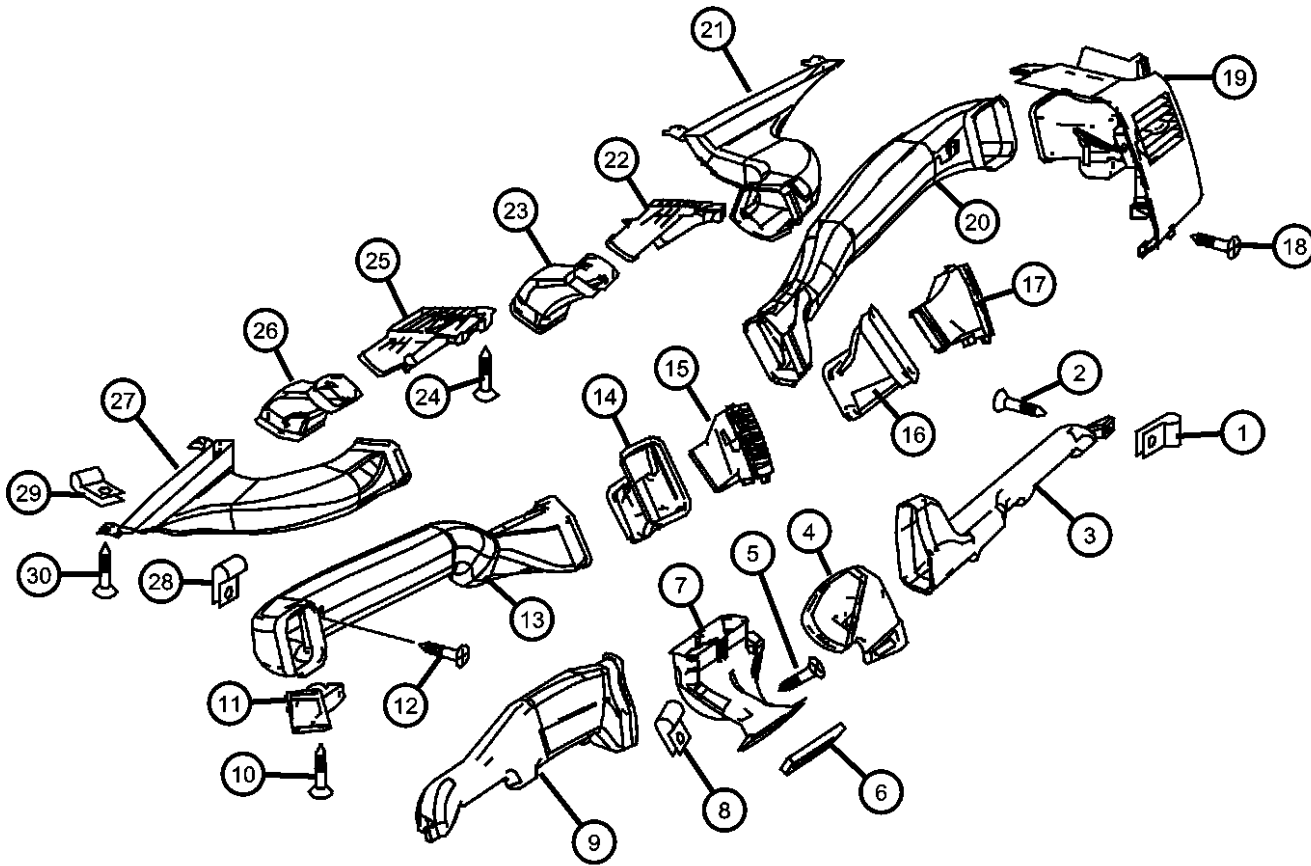
ITEM	PART NUMBER	QTY	LINE	SERIES	BODY	ENGINE	TRANS	TRIM	DESCRIPTION
1	68010366AA	2	2, 3, 6, 7		13, 15, 17, 53, 55	EG2, EXM			NUT, Spring U Type Air Duct Attachment
		2	3, 7		03, 05	EG2, EXM			Air Duct Attachment
2	06104574AA	2	2, 3, 6, 7			EG2, EXM			SCREW, Tapping Air Duct Attachment 4.8x16
		2	3, 7		03, 05	EG2, EXM			Air Duct Attachment 4.8x16
3	68010415AA	1	2, 3, 6, 7			EG2, EXM			DUCT, Floor, Leg Room, Right
4	68010419AA	1	2, 3, 6, 7		13, 15, 17, 53, 55	EG2, EXM			DUCT, Floor
		1	2, 3, 6, 7		53, 55	EG2, EXM			
5	06104574AA	1	2, 3, 6, 7			EG2, EXM			SCREW, Tapping
6	68004778AA	1	2, 3, 6, 7			EG2, EXM			SEAL, Air Duct
7	68004777AA	1	2, 3, 6, 7			EG2, EXM			DUCT, Floor Footwell Center
	68010418AA	1	2, 3, 6, 7		13, 15, 17, 53, 55	EG2, EXM			With [XGR+CW9]
8	68010366AA	1	3, 7		03, 05	EG2, EXM			NUT, Spring U Type Air Duct Attachment
		1	2, 3, 6, 7		13, 15, 17, 53, 55	EG2, EXM			Air Duct Attachment
9	68004776AA	1	2, 3, 6, 7			EG2, EXM			DUCT, Floor, Leg room, Left
10	06104510AA	2	2, 3, 6, 7			EG2, EXM			SCREW, Tapping, ST4.8x32-R
11	68010413AA	1	2, 3, 6, 7			EG2, EXM			DUCT, AIR, Outside, Left
12	06104574AA	4	2, 3, 6, 7			EG2, EXM			SCREW, Tapping
13	68004780AA	1	2, 3, 6, 7			EG2, EXM			DUCT, AIR, Top, Left
14	68004775AA	1	2, 3, 6, 7			EG2, EXM			DUCT, AIR, Central, Left
15	68004766AA	1	2, 3, 6, 7			EG2, EXM			OUTLET, Air Conditioning & Heater, Central, Left
16	68004774AA	1	2, 3, 6, 7			EG2, EXM			DUCT, AIR, Central, Right
17	68004767AA	1	2, 3, 6, 7			EG2, EXM			OUTLET, Air Conditioning & Heater, Central, Right
18	06104574AA	6	3, 7		03, 05	EG2, EXM			SCREW, Tapping, Mounting Nozzle 4.8x16
19									OUTLET, Air Conditioning & Heater

**SPRINTER (VB)**

SERIES	LINE	BODY	ENGINE	TRANSMISSION
L = LOWLINE	3 = HD DODGE 2WD 6 = Lt. Duty DODGE 4WD 2 = Med. Duty DODGE 2WD 7 = Med. Duty DODGE 4WD	17 = VAN WHEEL BASE 7 55 = WAGON WHEEL BASE 5 15 = VAN WHEEL BASE 5 53 = 119 WB 13 = 119 WB 05 = CAB CHASSIS WHEEL BASE 5 03 = CAB CHASSIS WHEEL BASE 3	EG2 = 3.5L V6 Gas Engine EXM = 3.0L V6 Turbo Diesel Engine	DGZ = 5-Speed Auto W5A380 Transmission

AR = use ase required - = Non illustrated part

**Air Ducting  
Figure 24-505**



ITEM	PART NUMBER	QTY	LINE	SERIES	BODY	ENGINE	TRANS	TRIM	DESCRIPTION
	68004771AA	1	2, 3, 6, 7			EG2, EXM			Lateral, Left
	68004772AA	1	2, 3, 6, 7			EG2, EXM			Lateral, Right
20	68010417AA	1	2, 3, 6, 7			EG2, EXM			DUCT, AIR, Outside, Right
21	68010414AA	1	2, 3, 6, 7			EG2, EXM			DUCT, Defroster, Windshield, Right
22	68004769AA	1	2, 3, 6, 7			EG2, EXM			OUTLET, Air Conditioning & Heater, Long-Range Nozzle, Right
23	68010416AA	1	2, 3, 6, 7			EG2, EXM			DUCT, AIR, Long-Range Nozzle, Right
24	06104574AA	4	2, 3, 6, 7			EG2, EXM			SCREW, Tapping
25	68004768AA	1	2, 3, 6, 7			EG2, EXM			OUTLET, Air Conditioning & Heater, Long-Range Nozzle, Left
26	68004779AA	1	2, 3, 6, 7			EG2, EXM			DUCT, AIR, Long-Range Nozzle, Left
27	68004773AA	1	2, 3, 6, 7			EG2, EXM			DUCT, Defroster, Windshield, Left
28									NUT, Spring U Type
	68010366AA	2	3, 7		03, 05	EG2, EXM			Air Duct Attachment
		2	2, 3, 6, 7		13, 15, 17, 53, 55	EG2, EXM			Air Duct Attachment
29	68010366AA	2	2, 3, 6, 7		13, 15, 17, 53, 55	EG2, EXM			NUT, Spring U Type
30	06104574AA	4	2, 3, 6, 7			EG2, EXM			SCREW, Tapping

**SPRINTER (VB)**

<b>SERIES</b>	<b>LINE</b>	<b>BODY</b>	<b>ENGINE</b>	<b>TRANSMISSION</b>
L = LOWLINE	3 = HD DODGE 2WD 6 = Lt. Duty DODGE 4WD 2 = Med. Duty DODGE 2WD 7 = Med. Duty DODGE 4WD	17 = VAN WHEEL BASE 7 55 = WAGON WHEEL BASE 5 15 = VAN WHEEL BASE 5 53 = 119 WB 13 = 119 WB 05 = CAB CHASSIS WHEEL BASE 5 03 = CAB CHASSIS WHEEL BASE 3	EG2 = 3.5L V6 Gas Engine EXM = 3.0L V6 Turbo Diesel Engine	DGZ = 5-Speed Auto W5A380 Transmission

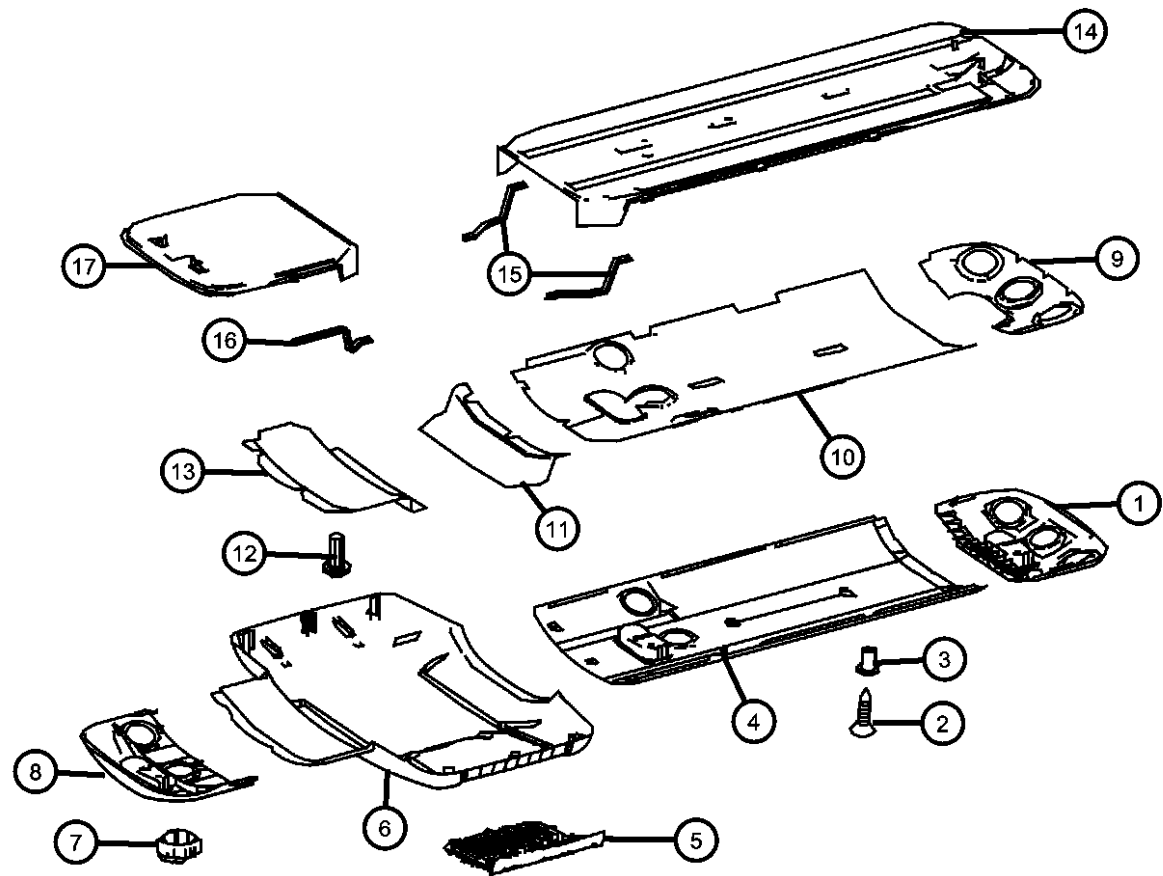
AR = use ase required - = Non illustrated part

2008 VB



**Air Duct to Roof  
Figure 24-511**

ITEM	PART NUMBER	QTY	LINE	SERIES	BODY	ENGINE	TRANS	TRIM	DESCRIPTION
1	1GZ43XDVAA	1	2, 6		53, 55	EG2, EXM			PANEL
2	05104609AA	3	2, 3, 6, 7		13, 15, 17, 53, 55	EG2, EXM			SCREW, Air Duct Attachment 4.8x13
3	68012814AA	8	2, 6		53, 55	EG2, EXM			BUSHING, Air Duct Attachment
4	1GZ43XDVAA	1	2, 6		53, 55	EG2, EXM			PANEL
5	1HE31XDVAA	1	2, 6		53, 55	EG2, EXM			GRILLE
6	1GZ45XDVAA	1	2, 6		53, 55	EG2, EXM			COVER, Center Distribution
7	68012824AA	9	2, 6		53, 55	EG2, EXM			VENT
8	1GZ42XDVAA	1	2, 3, 6, 7		53, 55	EG2, EXM			COVER, Center Distribution Front
9	1GZ44XDVAA	1	2, 6		53, 55	EG2, EXM			PANEL
10	1GZ43XDVAA	1	2, 6		53, 55	EG2, EXM			PANEL
11	68012821AA	1	2, 6		53, 55	EG2, EXM			INSULATOR
12	68012820AA	1	2, 6		53, 55	EG2, EXM			INSULATOR
13	06104625AA	2	2, 3, 6, 7		13, 15, 17, 53, 55	EG2, EXM			SCREW
14	68012810AA	1	2, 6		53, 55	EG2, EXM			DUCT
15	68012811AA	2	2, 6		53, 55	EG2, EXM			SEAL
16	68012808AA	2	2, 6		53, 55	EG2, EXM			SEAL
17	68012807AA	1	2, 6		53, 55	EG2, EXM			DUCT



**SPRINTER (VB)**

SERIES	LINE	BODY	ENGINE	TRANSMISSION
L = LOWLINE	3 = HD DODGE 2WD 6 = Lt. Duty DODGE 4WD 2 = Med. Duty DODGE 2WD 7 = Med. Duty DODGE 4WD	17 = VAN WHEEL BASE 7 55 = WAGON WHEEL BASE 5 15 = VAN WHEEL BASE 5 53 = 119 WB 13 = 119 WB 05 = CAB CHASSIS WHEEL BASE 5 03 = CAB CHASSIS WHEEL BASE 3	EG2 = 3.5L V6 Gas Engine EXM = 3.0L V6 Turbo Diesel Engine	DGZ = 5-Speed Auto W5A380 Transmission

AR = use ase required - = Non illustrated part

2008 VB

# Group - 25

## Emission Controls

### Group - 25 Emission Controls

Illustration Title

Group-Fig. No.

#### EGR System

Change Over Valve and EGR Cooler.....Fig. 25 - 205

#### Vacuum Canister/Leak Detection Pump

Vapor Canister and Leak Detection Pump .....Fig. 25 - 305

#### Emission Harness

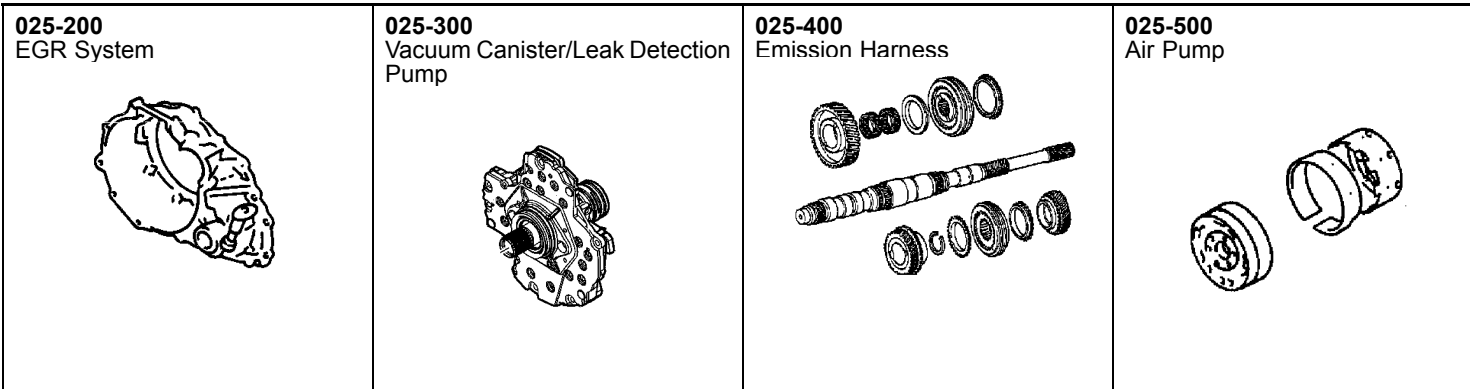
Emission Control Vacuum Harness .....Fig. 25 - 405

Change Over Valve .....Fig. 25 - 410

#### Air Pump

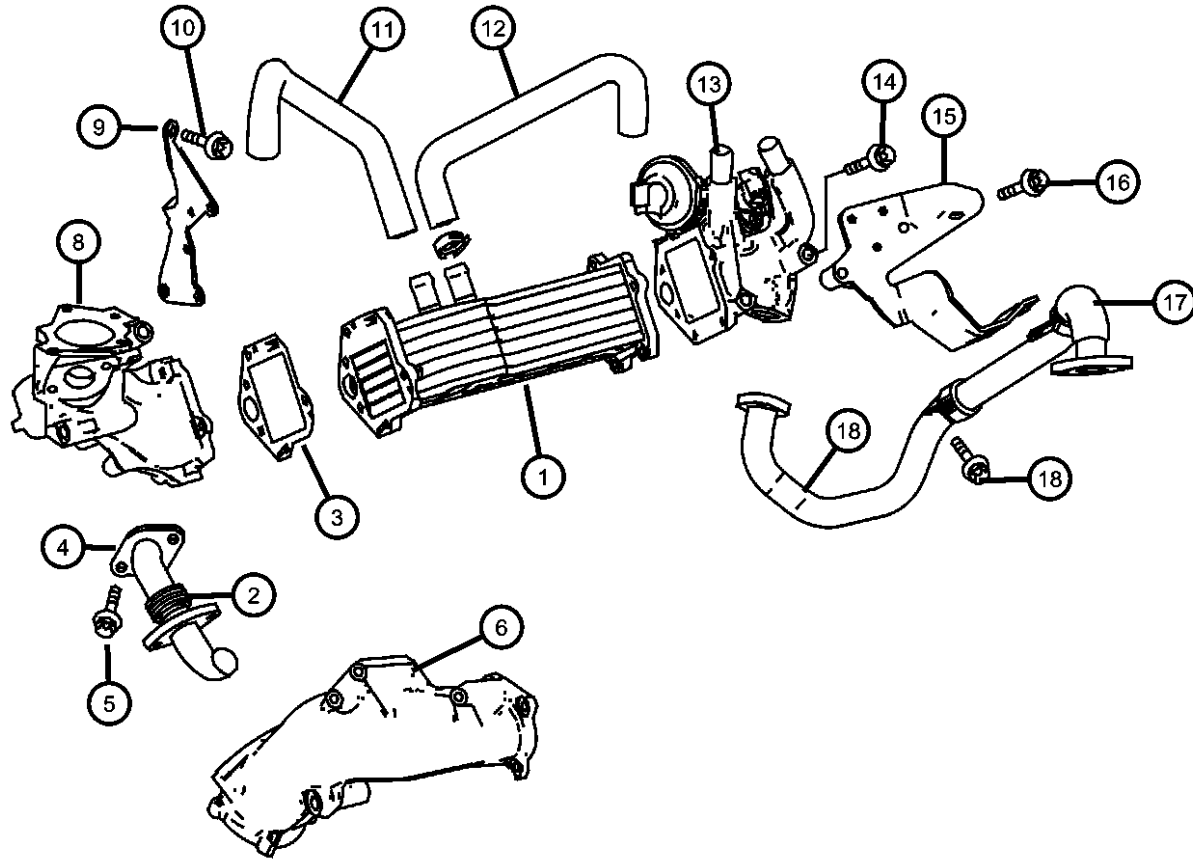
Air Pump and Related .....Fig. 25 - 505

Vacuum Pump.....Fig. 25 - 510



**Change Over Valve and EGR Cooler  
Figure 25-205**

ITEM	PART NUMBER	QTY	LINE	SERIES	BODY	ENGINE	TRANS	TRIM	DESCRIPTION
NOTES: EGR Valve Is Located In Illustration [#1025] Intake Manifold Illustration Sales Code [EXM] = 3.0L V6 Turbo Diesel Engine									
1	68014095AA	1	2, 3, 6, 7			EXM	DGZ		COOLER
2	68012322AA	1	2, 3, 6, 7			EXM	DGZ		TUBE
3	68014096AA	1	2, 3, 6, 7			EXM	DGZ		GASKET
4	05175695AA	1	2, 3, 6, 7			EXM	DGZ		GASKET
5	06104682AA	2	2, 3, 6, 7			EXM	DGZ		BOLT, [M6x19]
6	68012320AA	1	2, 3, 6, 7			EXM	DGZ		MANIFOLD, Intake, Transverse Tube Charge Air Pipe
-7	68012326AA	1	2, 3, 6, 7			EXM	DGZ		GASKET
8	68014081AA	1	2, 3, 6, 7			EXM	DGZ		HOUSING
9	68014098AA	1	2, 3, 6, 7			EXM	DGZ		BRACKET
10	05137660AA	2	2, 3, 6, 7			EXM	DGZ		SCREW
11	68014092AA	1	2, 3, 6, 7			EXM	DGZ		HOSE
12	68014093AA	1	2, 3, 6, 7			EXM	DGZ		HOSE
13	68014099AA	1	2, 3, 6, 7			EXM	DGZ		VALVE
14	06104036AA	2	2, 3, 6, 7			EXM	DGZ		SCREW
15	68014097AA	1	2, 3, 6, 7			EXM	DGZ		BRACKET
16	06104005AA	1	2, 3, 6, 7			EXM	DGZ		BOLT, 6 Lobe External Head, M6X1.00X16.00
17	68014094AA	1	2, 3, 6, 7			EXM	DGZ		TUBE
18	06104004AA	2	2, 3, 6, 7			EXM	DGZ		BOLT



**SPRINTER (VB)**

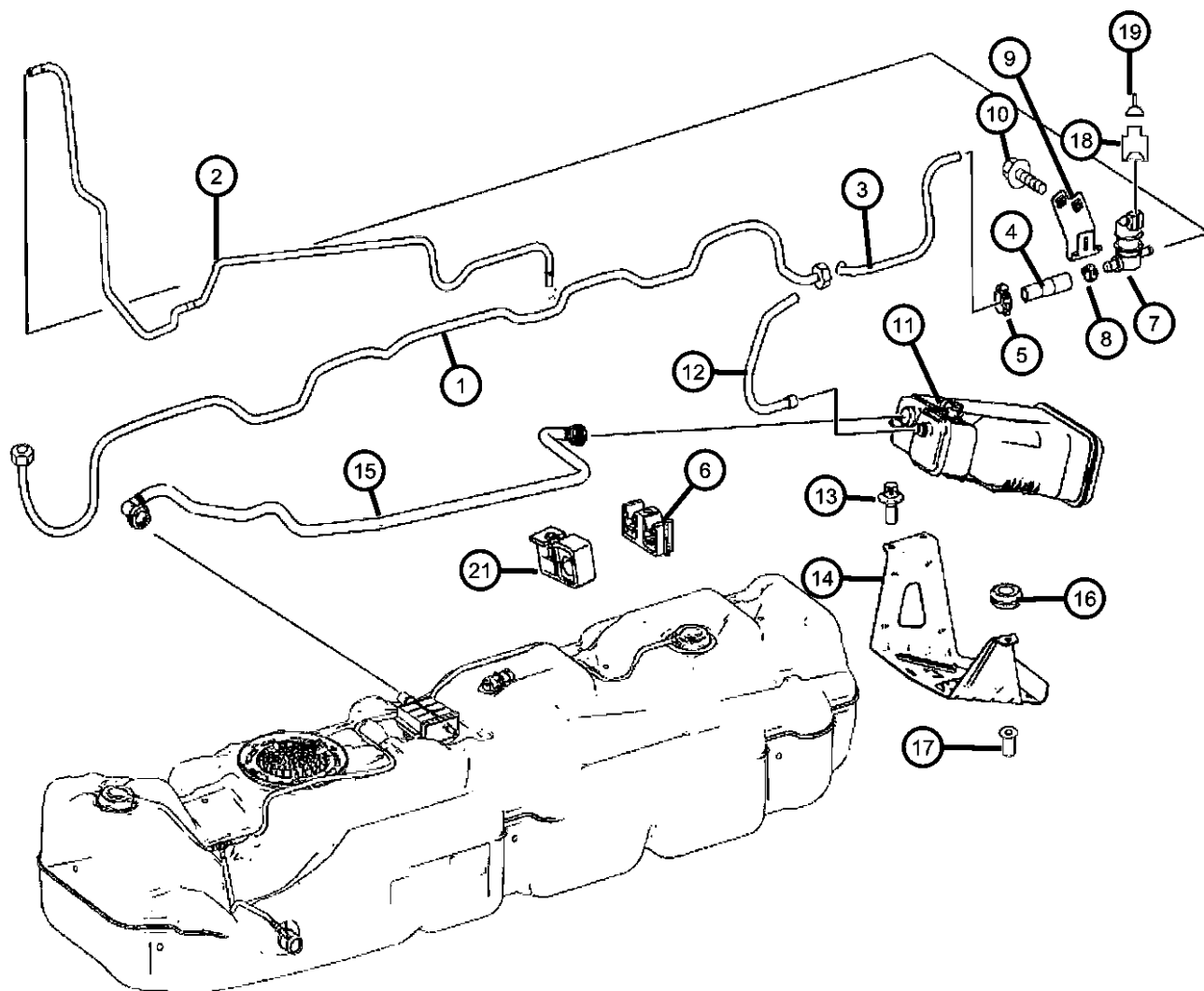
SERIES	LINE	BODY	ENGINE	TRANSMISSION
L = LOWLINE	3 = HD DODGE 2WD 6 = Lt. Duty DODGE 4WD 2 = Med. Duty DODGE 2WD 7 = Med. Duty DODGE 4WD	17 = VAN WHEEL BASE 7 55 = WAGON WHEEL BASE 5 15 = VAN WHEEL BASE 5 53 = 119 WB 13 = 119 WB 05 = CAB CHASSIS WHEEL BASE 5 03 = CAB CHASSIS WHEEL BASE 3	EG2 = 3.5L V6 Gas Engine EXM = 3.0L V6 Turbo Diesel Engine	DGZ = 5-Speed Auto W5A380 Transmission

AR = use ase required - = Non illustrated part

2008 VB

### Vapor Canister and Leak Detection Pump

Figure 25-305



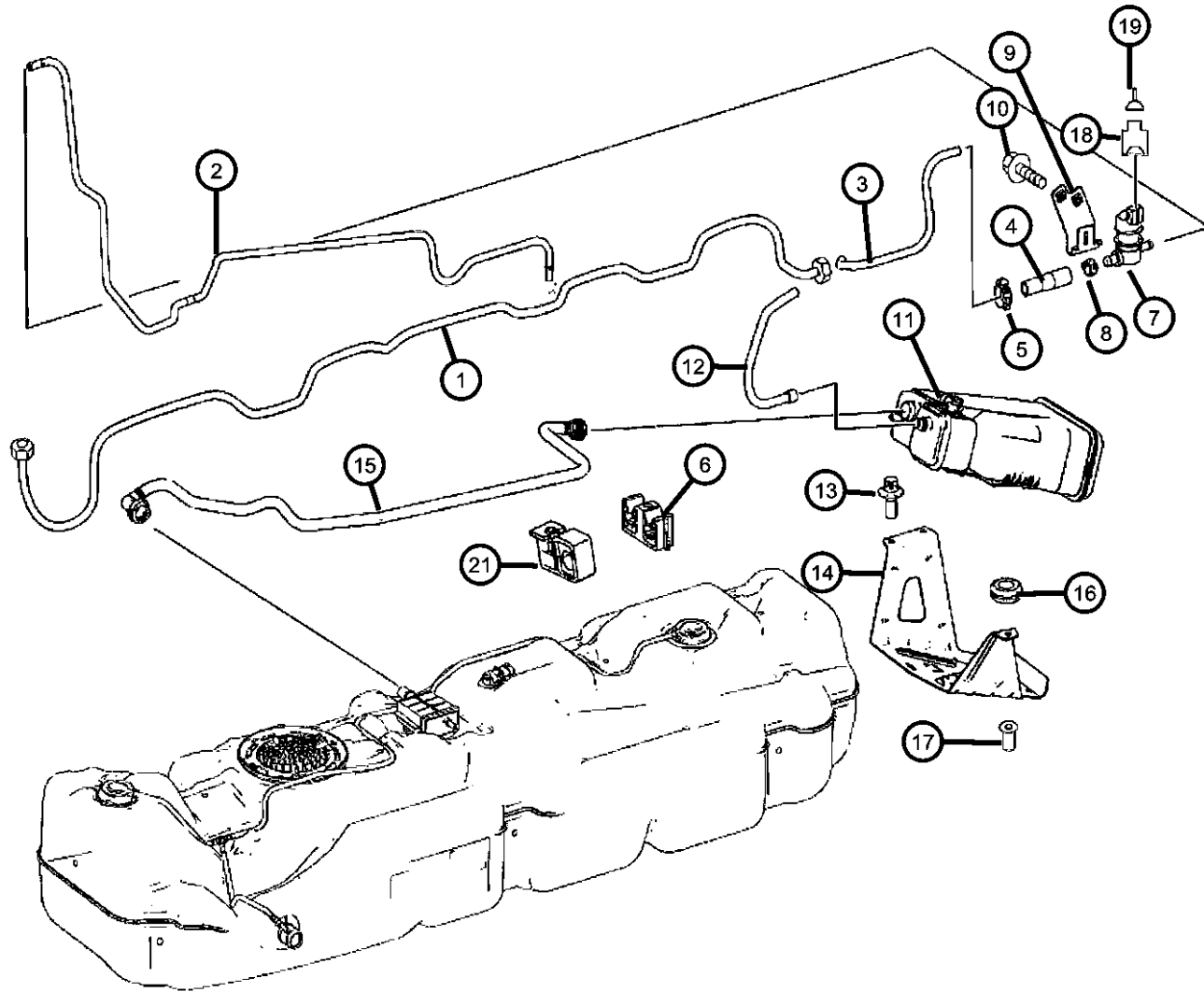
ITEM	PART NUMBER	QTY	LINE	SERIES	BODY	ENGINE	TRANS	TRIM	DESCRIPTION
1	68013533AA	1	3, 7		05	EG2	DGZ		HOSE, Purge
	68013534AA	1	2, 6		13, 15, 17, 53, 55	EG2	DGZ		
		1	3		05	EG2	DGZ		
2	68013537AA	1	2, 6		13, 15, 17, 53, 55	EG2	DGZ		HOSE, Purge
		1	3, 7		03, 05	EG2	DGZ		
3	68013539AA	1	2, 3, 6, 7			EG2	DGZ		HOSE, Purge
4	68023887AA	1	2, 6		13, 15, 17, 53, 55	EG2	DGZ		HOSE, HOSE Regeneration Line
		1	3		05	EG2			
5	06104822AA	1	2, 3, 6, 7			EG2	DGZ		CLAMP, Hose
6	05137250AA	4	2, 3, 6			EG2	DGZ		CLIP, Regeneration Line
7	68028735AA	1	2, 3, 6, 7			EG2	DGZ		VALVE, Purge Control
8	05080439AB	1	3, 7		03, 05	EG2	DGZ		CLAMP
		1	2, 6		13, 15, 17, 53, 55	EG2	DGZ		
9	68013540AA	1	3, 7		03, 05	EG2	DGZ		BRACKET, Valve Regeneration Valve
		1	2, 6		13, 15, 17, 53, 55	EG2	DGZ		
10	05126197AA	2	2, 3, 6, 7			EG2	DGZ		SCREW, Bracket To Canister
11	68013541AA	1	2, 3, 6, 7			EG2	DGZ		CANISTER, Fuel Vapor, Charcoal Canister
12	68013542AA	1	3, 7		03, 05	EG2	DGZ		HOSE, Breather
		1	2, 6		13, 15, 17, 53, 55	EG2	DGZ		
13	06104022AB	1	2, 3, 6, 7			EG2	DGZ		SCREW
14	68020914AA	1	3, 7		03, 05, 13, 15, 17	EG2	DGZ		BRACKET, Vapor Canister

**SPRINTER (VB)**

SERIES	LINE	BODY	ENGINE	TRANSMISSION
L = LOWLINE	3 = HD DODGE 2WD 6 = Lt. Duty DODGE 4WD 2 = Med. Duty DODGE 2WD 7 = Med. Duty DODGE 4WD	17 = VAN WHEEL BASE 7 55 = WAGON WHEEL BASE 5 15 = VAN WHEEL BASE 5 53 = 119 WB 13 = 119 WB 05 = CAB CHASSIS WHEEL BASE 5 03 = CAB CHASSIS WHEEL BASE 3	EG2 = 3.5L V6 Gas Engine EXM = 3.0L V6 Turbo Diesel Engine	DGZ = 5-Speed Auto W5A380 Transmission

AR = use ase required - = Non illustrated part

Vapor Canister and Leak Detection Pump  
Figure 25-305



ITEM	PART NUMBER	QTY	LINE	SERIES	BODY	ENGINE	TRANS	TRIM	DESCRIPTION
	68020915AA	1	2, 6		13, 15, 17, 53, 55	EG2	DGZ		
		1	3		05	EG2	DGZ		
15	68013545AA	1	3, 7		05	EG2	DGZ		HOSE, Breather
	68013546AA	1	2, 6			EG2	DGZ		
16	05097181AA	1	3, 7		03, 05	EG2	DGZ		GROMMET
		1	2, 6		13, 15, 17, 53, 55	EG2	DGZ		
17	06105175AA	3	3, 7		03, 05	EG2	DGZ		NUTSERT, Rivet
		3	2, 6		13, 15, 17, 53, 55	EG2	DGZ		
18	05120749AA	1	2, 3, 6, 7			EG2, EXM	DGZ		CONNECTOR, Regeneration Valve [2PIN; Y58/1]
19	05103880AA	AR	2, 3, 6, 7			EG2, EXM	DGZ		TERMINAL, [0.5 - 1.0 MM2; JPT; Y58/1]
-20	05103661AA	1	2, 3, 6, 7			EG2, EXM	DGZ		GASKET [0.5 - 1.0 MM; Y58/1]
	05120858AA	2	2, 3, 6, 7			EG2, EXM	DGZ		Dummy Plug [Y58/1]
21	68013535AA	2	3, 7		05	EG2	DGZ		RETAINER

**SPRINTER (VB)**

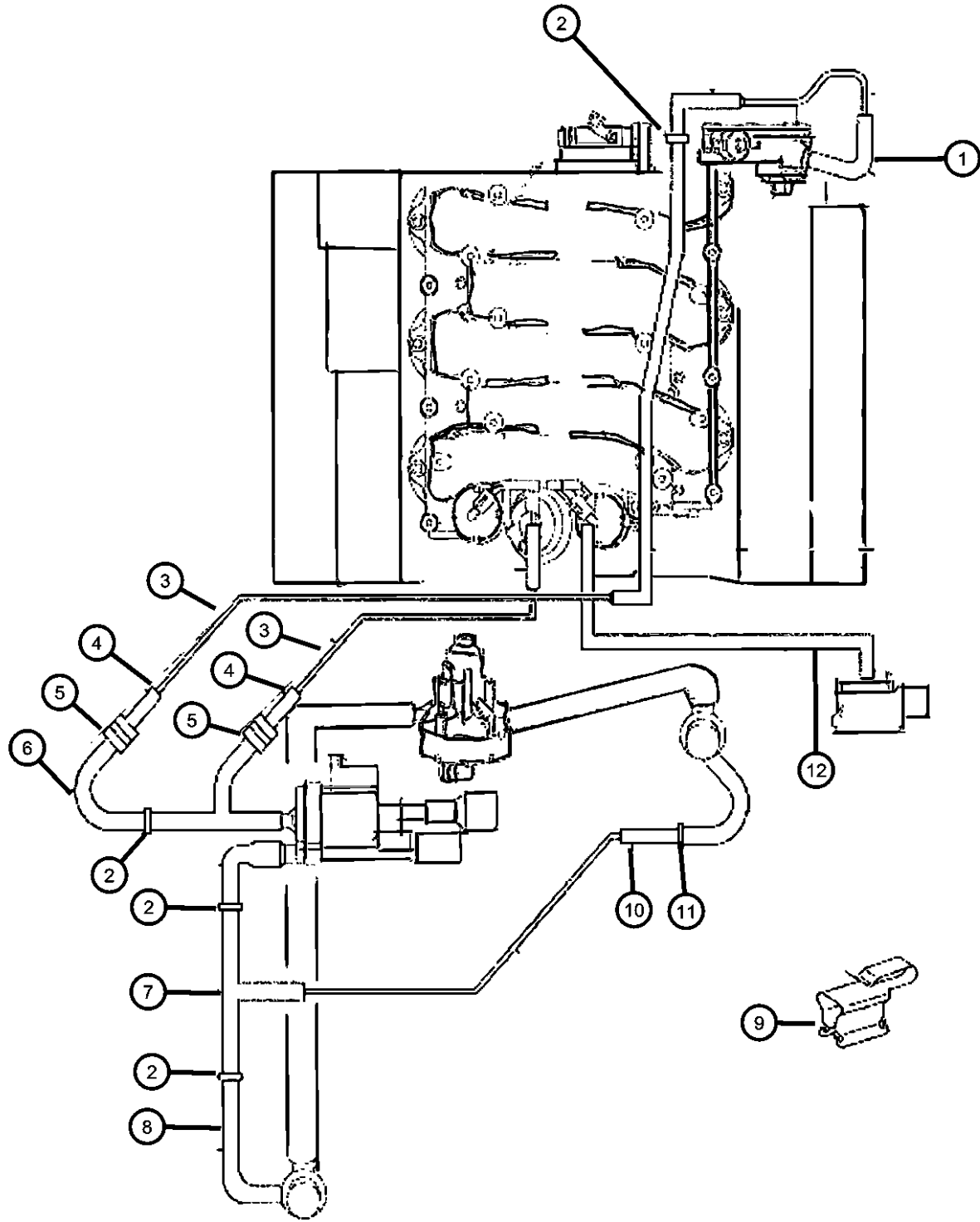
SERIES LINE  
L = LOWLINE 3 = HD DODGE 2WD  
6 = Lt. Duty DODGE 4WD  
2 = Med. Duty DODGE 2WD  
7 = Med. Duty DODGE 4WD

BODY ENGINE TRANSMISSION  
17 = VAN WHEEL BASE 7 EG2 = 3.5L V6 Gas Engine DGZ = 5-Speed Auto W5A380  
55 = WAGON WHEEL BASE 5 EXM = 3.0L V6 Turbo Diesel Transmission  
15 = VAN WHEEL BASE 5 Engine  
53 = 119 WB  
13 = 119 WB  
05 = CAB CHASSIS WHEEL BASE 5  
03 = CAB CHASSIS WHEEL BASE 3

AR = use ase required - = Non illustrated part

2008 VB

**Emission Control Vacuum Harness  
Figure 25-405**



ITEM	PART NUMBER	QTY	LINE	SERIES	BODY	ENGINE	TRANS	TRIM	DESCRIPTION
1	05097187AA	1	2, 3, 6, 7			EG2	DGZ		HOSE
2	05080337AA	1	2, 3, 6, 7			EG2	DGZ		CONNECTOR
3	05098831AA	21	2, 3, 6, 7			EG2	DGZ		HOSE, Vacuum
4	05097844AA	900	2, 3, 6, 7		13, 15, 17, 53, 55	EG2, EXM	DGZ		HOSE
5	05096374AC	1	2, 3, 6, 7			EG2	DGZ		VALVE, Check
6	05097187AA	1	2, 3, 6, 7			EG2	DGZ		HOSE
7	05117460AA	1	2, 3, 6, 7			EG2	DGZ		HOSE, HOSE
8	05080390AA	1	2, 3, 6, 7			EG2	DGZ		HOSE
9	05098353AA	1	2, 3, 6, 7			EG2	DGZ		CLAMP, Cable
10	05097844AA	900	2, 3, 6, 7		13, 15, 17, 53, 55	EG2, EXM	DGZ		HOSE
11	05080337AA	1	2, 3, 6, 7			EG2	DGZ		CONNECTOR, Vacuum Lines
12	05097844AA	900	2, 3, 6, 7		13, 15, 17, 53, 55	EG2, EXM	DGZ		HOSE

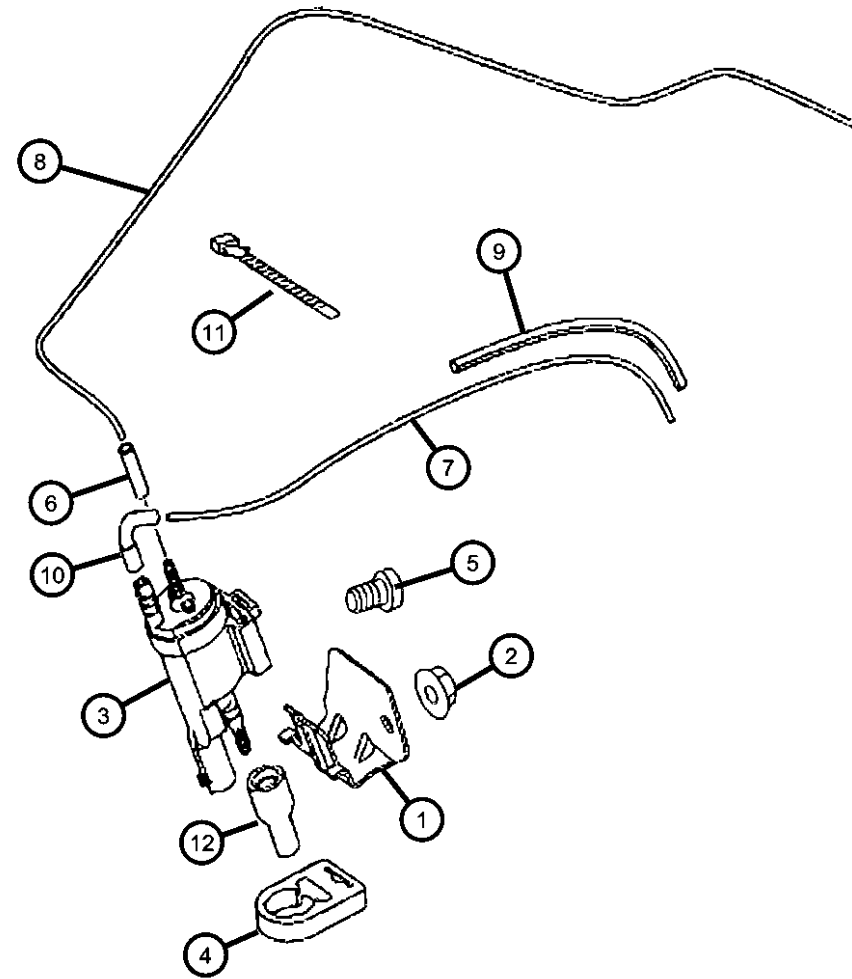
**SPRINTER (VB)**

<b>SERIES</b>	<b>LINE</b>	<b>BODY</b>	<b>ENGINE</b>	<b>TRANSMISSION</b>
L = LOWLINE	3 = HD DODGE 2WD	17 = VAN WHEEL BASE 7	EG2 = 3.5L V6 Gas Engine	DGZ = 5-Speed Auto W5A380
	6 = Lt. Duty DODGE 4WD	55 = WAGON WHEEL BASE 5	EXM = 3.0L V6 Turbo Diesel Engine	Transmission
	2 = Med. Duty DODGE 2WD	15 = VAN WHEEL BASE 5		
	7 = Med. Duty DODGE 4WD	53 = 119 WB		
		13 = 119 WB		
		05 = CAB CHASSIS WHEEL BASE 5		
		03 = CAB CHASSIS WHEEL BASE 3		

AR = use ase required - = Non illustrated part

2008 VB

**Change Over Valve  
Figure 25-410**



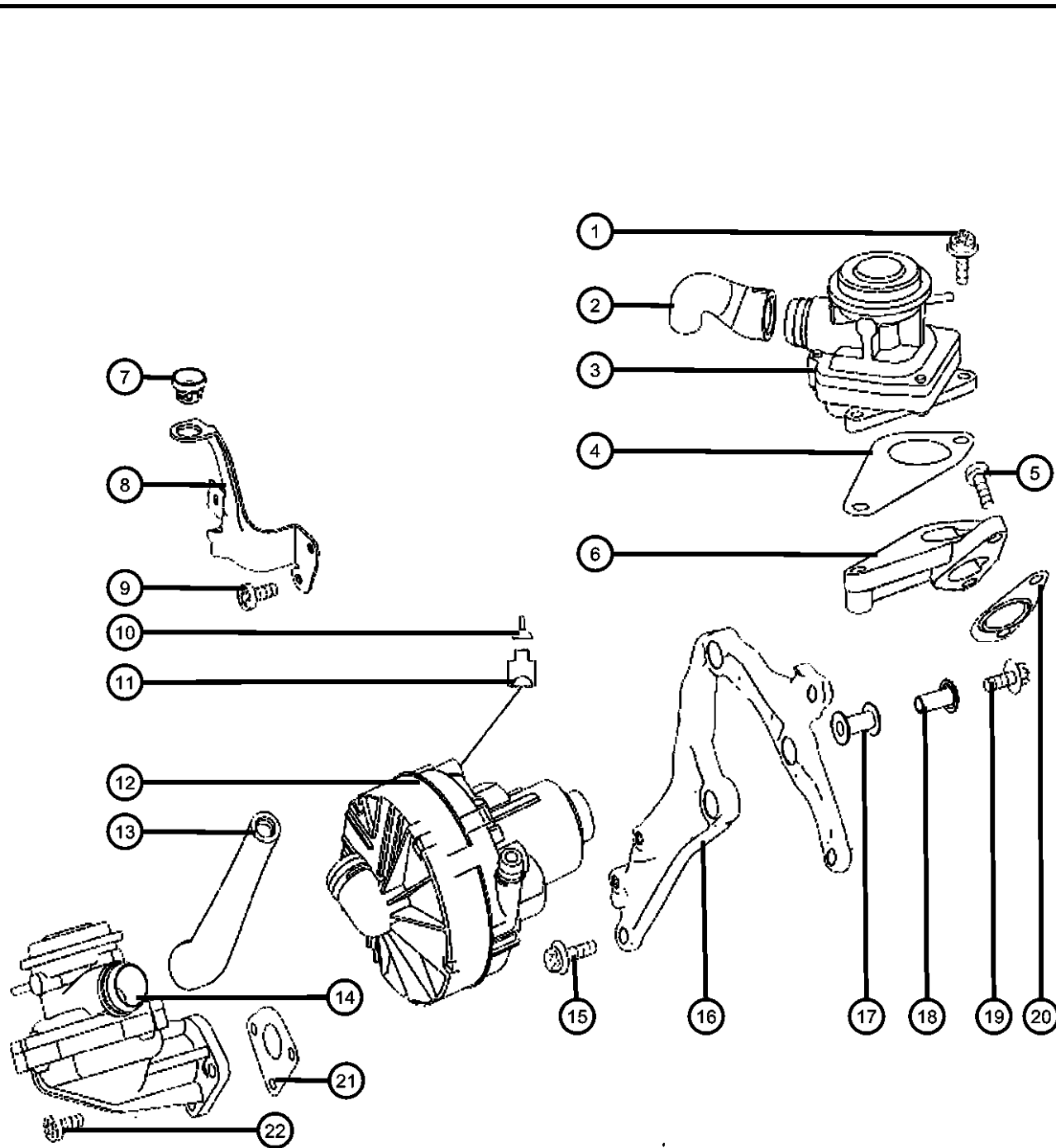
ITEM	PART NUMBER	QTY	LINE	SERIES	BODY	ENGINE	TRANS	TRIM	DESCRIPTION
1	68005318AA	1	2, 3, 6, 7			EXM	DGZ		BRACKET
2									NUT
	68004878AA	1	3, 7		03, 05	EG2, EXM	DGZ		
		1	2, 3, 6, 7		13, 15, 17, 53, 55	EG2, EXM	DGZ		
3									SOLENOID, Vacuum
	05099822AA	1	2, 3, 6, 7		13, 15, 17, 53, 55	EXM	DGZ		
		1	3, 7		03, 05	EXM	DGZ		
4									BRACKET, Vacuum Valve
	05119974AA	1	2, 3, 6, 7		13, 15, 17, 53, 55	EXM	DGZ		
		1	3, 7		03, 05	EXM	DGZ		
5	06104004AA	1	2, 3, 6, 7			EXM	DGZ		BOLT
6	06104004AA	1							HOSE 1 METER, Roll Stock, (NOT SERVICED)
7	05125911AA	22	2, 3, 6, 7			EXM	DGZ		HOSE, Vacuum
8	05125911AA	22	2, 3, 6, 7			EXM	DGZ		HOSE, Vacuum, From Change Over Valve To Check Valve
9									HOSE
	05097844AA	4	2, 3, 6, 7		13, 15, 17, 53, 55	EXM	DGZ		[8x3.5MM]
		4	3, 7		03, 05	EXM	DGZ		[8x3.5MM]
10									HOSE, HOSE
	05117462AA	1	2, 3, 6, 7		13, 15, 17, 53, 55	EXM	DGZ		Molded Hose
		1	3, 7		03, 05	EXM	DGZ		Molded Hose
11									STRAP
	05096424AA	1	2, 6		13, 15, 17, 53, 55	EXM	DGZ		
		1	3, 7		03, 05	EXM	DGZ		
12	05097188AA	1	2, 3, 6, 7		13, 15, 17, 53, 55	EXM	DGZ		BOOT

**SPRINTER (VB)**

<b>SERIES</b>	<b>LINE</b>	<b>BODY</b>	<b>ENGINE</b>	<b>TRANSMISSION</b>
L = LOWLINE	3 = HD DODGE 2WD 6 = Lt. Duty DODGE 4WD 2 = Med. Duty DODGE 2WD 7 = Med. Duty DODGE 4WD	17 = VAN WHEEL BASE 7 55 = WAGON WHEEL BASE 5 15 = VAN WHEEL BASE 5 53 = 119 WB 13 = 119 WB 05 = CAB CHASSIS WHEEL BASE 5 03 = CAB CHASSIS WHEEL BASE 3	EG2 = 3.5L V6 Gas Engine EXM = 3.0L V6 Turbo Diesel Engine	DGZ = 5-Speed Auto W5A380 Transmission

AR = use ase required - = Non illustrated part

**Air Pump and Related  
Figure 25-505**



ITEM	PART NUMBER	QTY	LINE	SERIES	BODY	ENGINE	TRANS	TRIM	DESCRIPTION
1	68005186AA	3	2, 3, 6, 7			EG2	DGZ		SCREW
2	68011778AA	1	2, 3, 6, 7			EG2	DGZ		HOSE
3	68011787AA	1	2, 3, 6, 7			EG2	DGZ		VALVE
4	68011789AA	1	2, 3, 6, 7			EG2	DGZ		GASKET
5	68005186AA	2	2, 3, 6, 7			EG2	DGZ		SCREW
6	68011790AA	1	2, 3, 6, 7			EG2	DGZ		VALVE
7	68005688AA	1	2, 3, 6, 7			EG2	DGZ		INSULATOR
8	68011785AA	1	2, 3, 6, 7			EG2	DGZ		BRACKET, Air Pump
9	06104675AA	5	2, 3, 6, 7			EG2	DGZ		BOLT, Pan Head, M6.0X1.00X14.00
10	05133478AA	AR	2, 3, 6, 7			EG2	DGZ		TERMINAL
11	05138040AA	1	2, 3, 6, 7			EG2	DGZ		CONNECTOR
12	68011776AA	1	2, 3, 6, 7			EG2	DGZ		PUMP, Air
13	68011781AA	1	2, 3, 6, 7			EG2	DGZ		HOSE
14	68011792AA	1	2, 3, 6, 7			EG2	DGZ		VALVE
15	68005186AA	3	2, 3, 6, 7			EG2	DGZ		SCREW
16	68011774AA	1	2, 3, 6, 7			EG2	DGZ		BRACKET, Air Pump
17	05135456AA	3	2, 3, 6, 7			EG2	DGZ		DAMPER, Shock Absorber
18	68011775AA	3	2, 3, 6, 7			EG2	DGZ		SPACER
19	06104124AA	3	2, 3, 6, 7			EG2	DGZ		BOLT, Hex Flange Head, M6X1.0X30.00
20	68011788AA	1	2, 3, 6, 7			EG2	DGZ		GASKET
21	68011793AA	1	2, 3, 6, 7			EG2	DGZ		GASKET
22	68005186AA	3	2, 3, 6, 7			EG2	DGZ		SCREW

**SPRINTER (VB)**

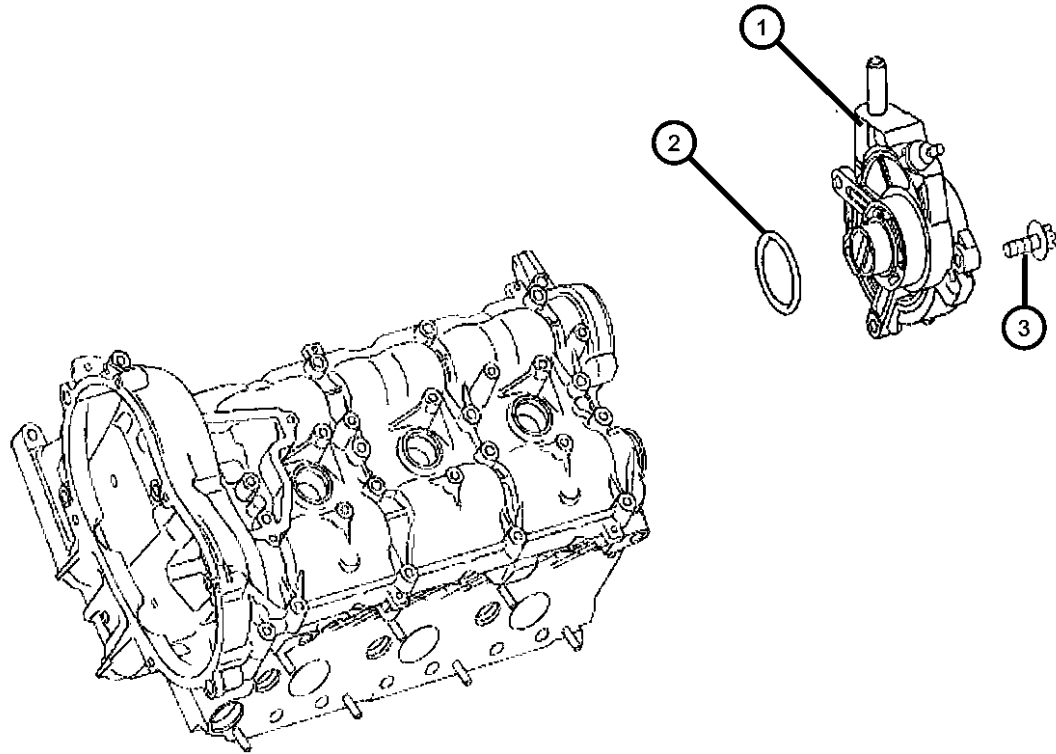
SERIES	LINE	BODY	ENGINE	TRANSMISSION
L = LOWLINE	3 = HD DODGE 2WD 6 = Lt. Duty DODGE 4WD 2 = Med. Duty DODGE 2WD 7 = Med. Duty DODGE 4WD	17 = VAN WHEEL BASE 7 55 = WAGON WHEEL BASE 5 15 = VAN WHEEL BASE 5 53 = 119 WB 13 = 119 WB 05 = CAB CHASSIS WHEEL BASE 5 03 = CAB CHASSIS WHEEL BASE 3	EG2 = 3.5L V6 Gas Engine EXM = 3.0L V6 Turbo Diesel Engine	DGZ = 5-Speed Auto W5A380 Transmission

AR = use ase required - = Non illustrated part



Vacuum Pump  
Figure 25-510

ITEM	PART NUMBER	QTY	LINE	SERIES	BODY	ENGINE	TRANS	TRIM	DESCRIPTION
1	68017743AA	1	2, 3, 6, 7			EG2	DGZ		PUMP, Air, Vacuum Pump
2	68028233AA	1	2, 3, 6, 7			EG2	DGZ		O RING
3	06104006AA	4	2, 3, 6, 7			EG2	DGZ		BOLT, Torx Socket Head, M6X1.00X20.00



**SPRINTER (VB)**

SERIES	LINE	BODY	ENGINE	TRANSMISSION
L = LOWLINE	3 = HD DODGE 2WD 6 = Lt. Duty DODGE 4WD 2 = Med. Duty DODGE 2WD 7 = Med. Duty DODGE 4WD	17 = VAN WHEEL BASE 7 55 = WAGON WHEEL BASE 5 15 = VAN WHEEL BASE 5 53 = 119 WB 13 = 119 WB 05 = CAB CHASSIS WHEEL BASE 5 03 = CAB CHASSIS WHEEL BASE 3	EG2 = 3.5L V6 Gas Engine EXM = 3.0L V6 Turbo Diesel Engine	DGZ = 5-Speed Auto W5A380 Transmission

AR = use ase required - = Non illustrated part

# Group - 26

## Labels

## Group - 26 Labels

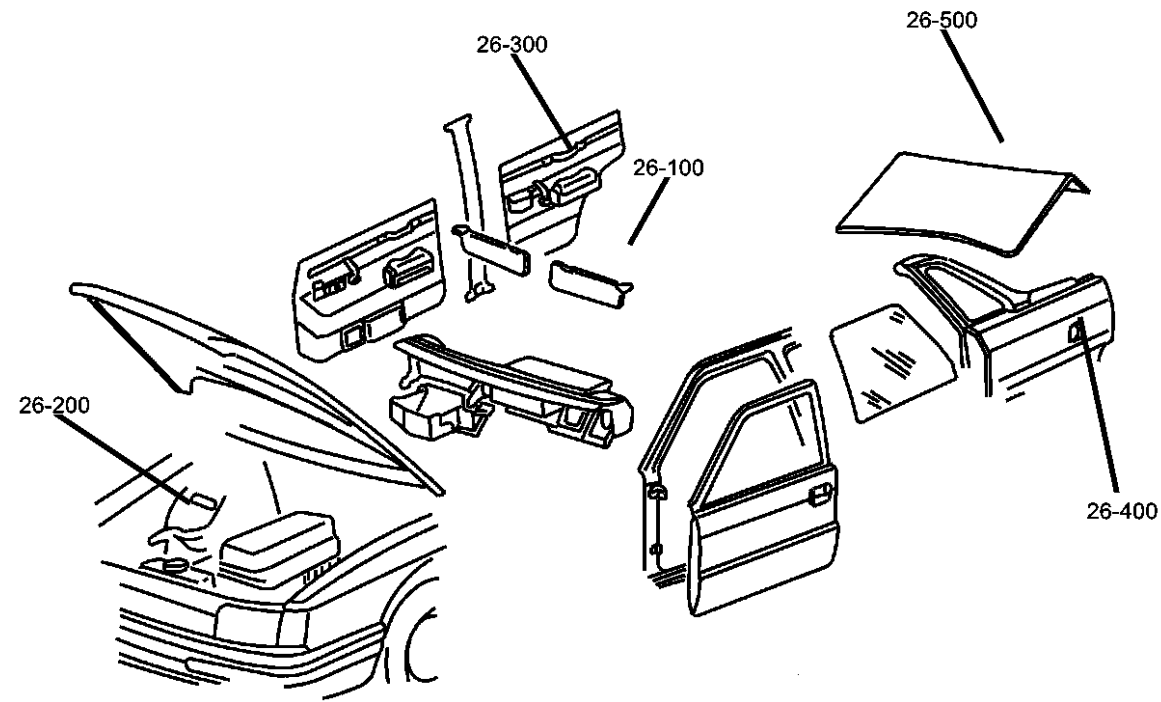


Illustration Title

Group-Fig. No.

### Interior

Visor.....Fig. 26 - 105

### Under Hood

Other, Battery.....Fig. 26 - 225

### Doors

Tire .....Fig. 26 - 305

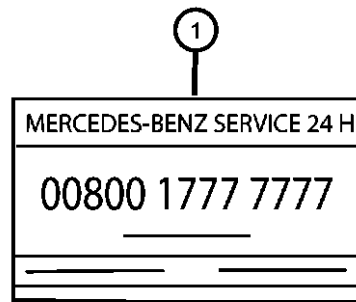
### Exterior

Fuel Door .....Fig. 26 - 405

<p><b>026-100</b> Interior</p>	<p><b>026-200</b> Under Hood</p>	<p><b>026-300</b> Doors</p>	<p><b>026-400</b> Exterior</p>
------------------------------------	--------------------------------------	---------------------------------	------------------------------------

Visor  
Figure 26-105

ITEM	PART NUMBER	QTY	LINE	SERIES	BODY	ENGINE	TRANS	TRIM	DESCRIPTION
1	05104450AA	1		L	03, 05	EG2, EXM			GUIDE
-2	68005381AA	1		L	13, 15, 17, 53, 55	EG2, EXM			LABEL, Warning
-3	68005380AA	1		L	13, 15, 17, 53, 55	EG2, EXM			LABEL, Air Conditioner



**SPRINTER (VB)**

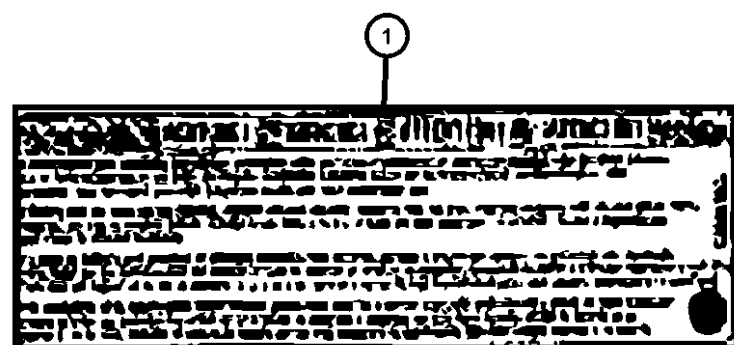
SERIES	LINE	BODY	ENGINE	TRANSMISSION
L = LOWLINE	3 = HD DODGE 2WD	17 = VAN WHEEL BASE 7	EG2 = 3.5L V6 Gas Engine	DGZ = 5-Speed Auto W5A380
	6 = Lt. Duty DODGE 4WD	55 = WAGON WHEEL BASE 5	EXM = 3.0L V6 Turbo Diesel Engine	Transmission
	2 = Med. Duty DODGE 2WD	15 = VAN WHEEL BASE 5		
	7 = Med. Duty DODGE 4WD	53 = 119 WB		
		13 = 119 WB		
		05 = CAB CHASSIS WHEEL BASE 5		
		03 = CAB CHASSIS WHEEL BASE 3		

AR = use ase required - = Non illustrated part

2008 VB

Other, Battery  
Figure 26-225

ITEM	PART NUMBER	QTY	LINE	SERIES	BODY	ENGINE	TRANS	TRIM	DESCRIPTION
1	68015895AA	1		L		EG2, EXM			LABEL, Battery



**SPRINTER (VB)**

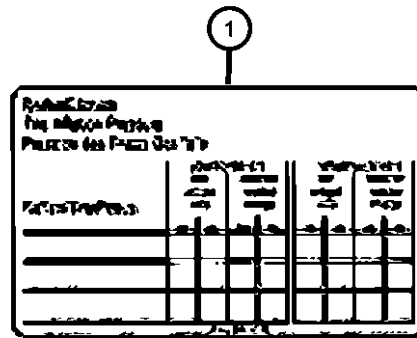
SERIES	LINE	BODY	ENGINE	TRANSMISSION
L = LOWLINE	3 = HD DODGE 2WD 6 = Lt. Duty DODGE 4WD 2 = Med. Duty DODGE 2WD 7 = Med. Duty DODGE 4WD	17 = VAN WHEEL BASE 7 55 = WAGON WHEEL BASE 5 15 = VAN WHEEL BASE 5 53 = 119 WB 13 = 119 WB 05 = CAB CHASSIS WHEEL BASE 5 03 = CAB CHASSIS WHEEL BASE 3	EG2 = 3.5L V6 Gas Engine EXM = 3.0L V6 Turbo Diesel Engine	DGZ = 5-Speed Auto W5A380 Transmission

AR = use ase required - = Non illustrated part

2008 VB

Tire  
Figure 26-305

ITEM	PART NUMBER	QTY	LINE	SERIES	BODY	ENGINE	TRANS	TRIM	DESCRIPTION
1	68022059AA	4		L		EG2, EXM			LABEL, Tire Pressure



**SPRINTER (VB)**

SERIES	LINE	BODY	ENGINE	TRANSMISSION
L = LOWLINE	3 = HD DODGE 2WD 6 = Lt. Duty DODGE 4WD 2 = Med. Duty DODGE 2WD 7 = Med. Duty DODGE 4WD	17 = VAN WHEEL BASE 7 55 = WAGON WHEEL BASE 5 15 = VAN WHEEL BASE 5 53 = 119 WB 13 = 119 WB 05 = CAB CHASSIS WHEEL BASE 5 03 = CAB CHASSIS WHEEL BASE 3	EG2 = 3.5L V6 Gas Engine EXM = 3.0L V6 Turbo Diesel Engine	DGZ = 5-Speed Auto W5A380 Transmission

AR = use ase required - = Non illustrated part

2008 VB

Fuel Door  
Figure 26-405

ITEM	PART NUMBER	QTY	LINE	SERIES	BODY	ENGINE	TRANS	TRIM	DESCRIPTION
1	68025191AA	1		L		EXM			LABEL, Fuel
-2	68013523AA	1		L		EXM			LABEL, Warning, Refuelling Plate in English



**SPRINTER (VB)**

SERIES	LINE	BODY	ENGINE	TRANSMISSION
L = LOWLINE	3 = HD DODGE 2WD 6 = Lt. Duty DODGE 4WD 2 = Med. Duty DODGE 2WD 7 = Med. Duty DODGE 4WD	17 = VAN WHEEL BASE 7 55 = WAGON WHEEL BASE 5 15 = VAN WHEEL BASE 5 53 = 119 WB 13 = 119 WB 05 = CAB CHASSIS WHEEL BASE 5 03 = CAB CHASSIS WHEEL BASE 3	EG2 = 3.5L V6 Gas Engine EXM = 3.0L V6 Turbo Diesel Engine	DGZ = 5-Speed Auto W5A380 Transmission

AR = use ase required - = Non illustrated part

2008 VB

# Group - 27

## Glass

### Group - 27 Glass

Illustration Title

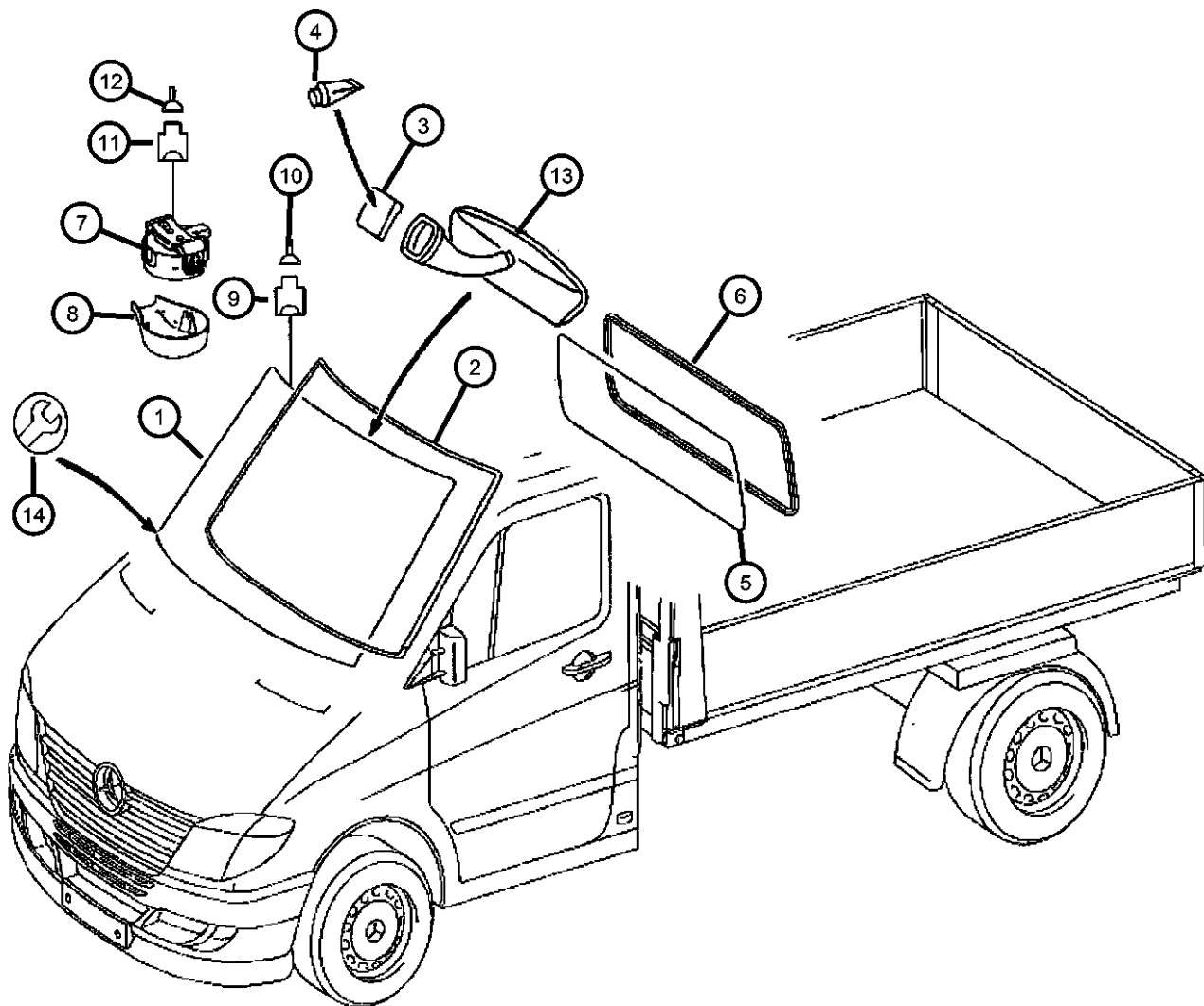
Group-Fig. No.

#### Glass and Interior Rear View Mirror

Windshield & Rear Glass .....	Fig. 27 - 105
Windshield, Partition & Roof Glass .....	Fig. 27 - 110
Windshield .....	Fig. 27 - 115
Rear Cargo Door Glass .....	Fig. 27 - 120
Sliding Door Glass .....	Fig. 27 - 125
Driver & Passenger Door Glass .....	Fig. 27 - 130
Fixed Glass Without Sliding Door .....	Fig. 27 - 135
Rear Side Glass .....	Fig. 27 - 140
Rear Side And Quarter Glass .....	Fig. 27 - 145
Window & Head Side Airbag .....	Fig. 27 - 150

<b>027-100</b> Glass and Interior Rear View Mirror			
--	--	--	--

Windshield & Rear Glass  
Figure 27-105



ITEM	PART NUMBER	QTY	LINE	SERIES	BODY	ENGINE	TRANS	TRIM	DESCRIPTION
1	68018758AA	1	2, 3, 6, 7	L					WINDSHIELD With [GBG + NHW]
	68018759AA	1	2, 3, 6, 7	L					With [GBE + NHW]
	68018760AA	1	2, 3, 6, 7	L					With [GBB] Or [GBE]
2	68018762AA	1	7, 2, 3, 6	L					SEAL, Windshield
3	05104241AA	1	3, 7	L	03, 05				BUTTON, Rear View Mirror
4	05125662AB	1	2, 3, 6, 7	L					ADHESIVE
5	05104249AA	1	3, 7	L	03, 05				GLASS, Backlite, Fixed With [GEV]
	05122357AA	1	3, 7	L	03, 05				With [GEV+GBE]
6	05104250AA	1	3, 7	L	03, 05				WEATHERSTRIP With [GEV]
	05104251AA	1	3, 7	L	03, 05				With [GEV+CBJ]
7	68013389AA	1	2, 3, 6, 7	L					SENSOR, Rain, With [NHW]
8	68013425AA	1	2, 3, 6, 7	L					COVER, With [NHW]
9	68011379AA	1	2, 3, 6, 7	L					CONNECTOR [1 Pin / R22/2] With [NHW+GBG]
		1	2, 3, 6, 7	L					[1 Pin / R22/2] With [NHW]
10	05133379AA	AR	2, 3, 6, 7	L					TERMINAL, Male, [6.0 MM2; R22/2]
11	05120717AA	1	3, 7	L	03, 05				CONNECTOR, Rain & Light Sensor [3 Pin / B38/2]
12	05103873AA	3	3, 7	L	03, 05				TERMINAL, [0.75 MM2; MQS; B38/2]
13	05104435AA	1	2, 3, 6, 7	L					MIRROR, Inside Rear View With [GNA] Without [NHW]
	68017272AA	1	2, 3, 6, 7	L					With [GNA + NHW]
14	05104594AA	1	3, 7	L	03, 05				REPAIR KIT, Windshield

**SPRINTER (VB)**

**SERIES**

L = LOWLINE

**LINE**

3 = HD DODGE 2WD  
6 = Lt. Duty DODGE 4WD  
2 = Med. Duty DODGE 2WD  
7 = Med. Duty DODGE 4WD

**BODY**

17 = VAN WHEEL BASE 7  
55 = WAGON WHEEL BASE 5  
15 = VAN WHEEL BASE 5  
53 = 119 WB  
13 = 119 WB  
05 = CAB CHASSIS WHEEL BASE 5  
03 = CAB CHASSIS WHEEL BASE 3

**ENGINE**

EG2 = 3.5L V6 Gas Engine  
EXM = 3.0L V6 Turbo Diesel Engine

**TRANSMISSION**

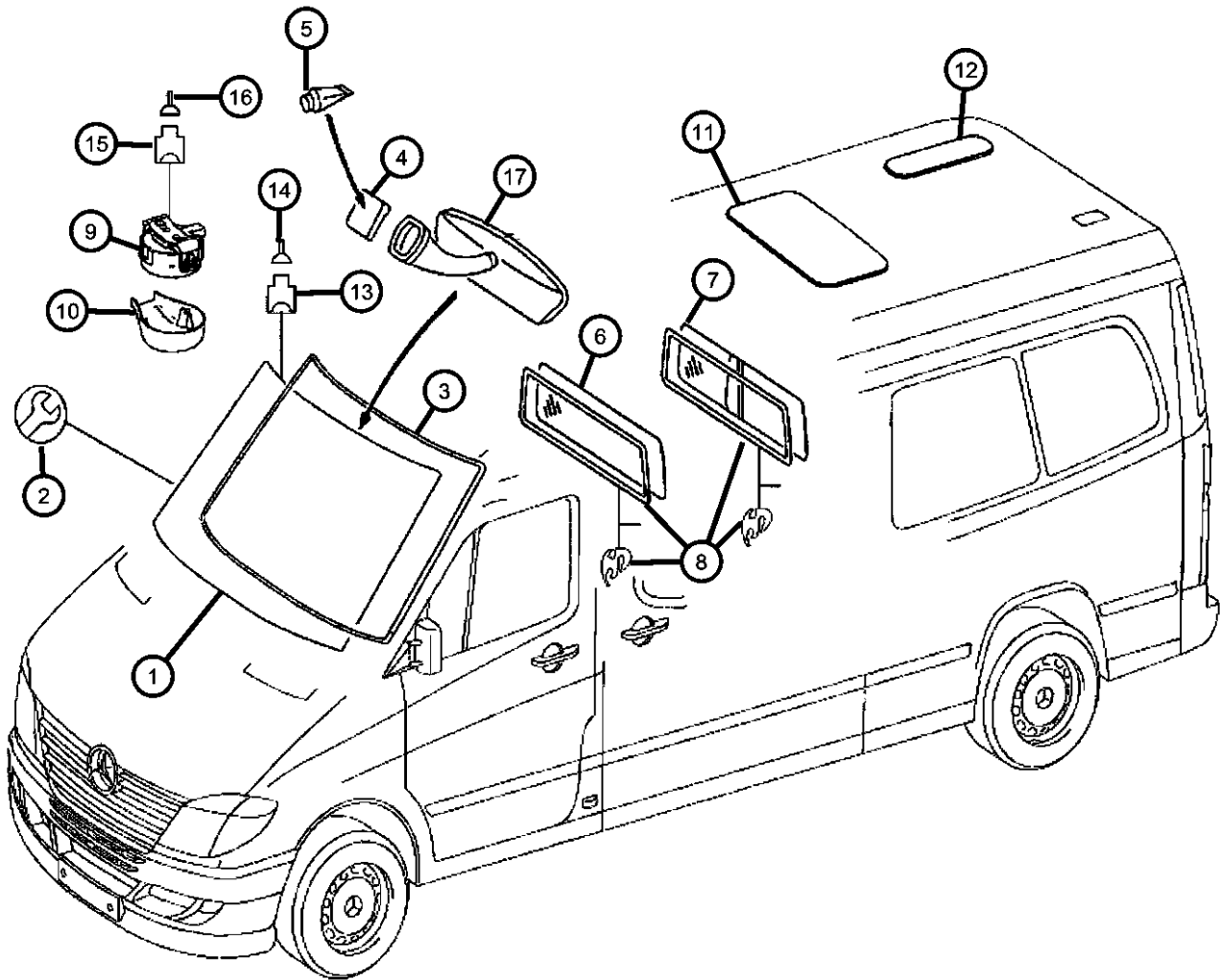
DGZ = 5-Speed Auto W5A380 Transmission

AR = use ase required - = Non illustrated part

2008 VB



**Windshield, Partition & Roof Glass**  
**Figure 27-110**



ITEM	PART NUMBER	QTY	LINE	SERIES	BODY	ENGINE	TRANS	TRIM	DESCRIPTION
------	-------------	-----	------	--------	------	--------	-------	------	-------------

NOTE: This Is The Rear Cargo Fixed Glass. This Is Not The Power Sun Roof Replacement Glass.

1									WINDSHIELD
	68018758AA	1	2, 3, 6, 7	L					With [GBG + NHW]
	68018759AA	1	2, 3, 6, 7	L					With [GBE + NHW]
	68018760AA	1	2, 3, 6, 7	L					With [GBB] Or [GBE]
2	05104594AA	1	2, 3, 6, 7	L	13, 15, 17, 53, 55				REPAIR KIT, Windshield
3	68018762AA	1	2, 3, 6, 7	L					SEAL, Windshield
4	05104241AA	1	2, 3, 6, 7	L	13, 15, 17, 53, 55				BUTTON, Rear View Mirror
5	05125662AB	1	2, 3, 6, 7	L					ADHESIVE
6	05104249AA	1	2, 3, 6, 7	L	13, 15, 17				GLASS, Backlite, Fixed
7	05104236AA	1	2, 3, 6, 7	L	13, 15, 17				GLASS, Backlite, Sliding
8									WEATHERSTRIP
	05104250AA	1	2, 3, 6, 7	L	13, 15, 17				Fixed Rear Glass
	05104251AA	1	2, 3, 6, 7	L	13, 15, 17				Sliding Rear Glass
9	68013389AA	1	2, 3, 6, 7	L					SENSOR, Rain, With [NHW]
10	68013425AA	1	2, 3, 6, 7	L					COVER, With [NHM]
11	68018824AA	2	2, 3, 6, 7	L	13, 15, 17				GLASS, Sunroof, See NOTE: Fixed Rear Cargo Roof Glass, With [GFW] Without [MX2]
12	68018825AA	2	2, 3, 6, 7	L	15, 17				GLASS, Sunroof, See NOTE: Fixed Rear Cargo Roof Glass, With [GFW + MWJ]
13									CONNECTOR
	68011379AA	1	2, 3, 6, 7	L					[1 Pin; R22/2] With [NHW+GBG]
		1	2, 3, 6, 7	L					[1 Pin; R22/2] With [NHW]
14	05133379AA	AR	2, 3, 6, 7	L					TERMINAL, Male, [6.0 MM2; R22/2] With [NHW]
15	05120717AA	1	2, 3, 6, 7	L	13, 15, 17, 53, 55				CONNECTOR
16	05103873AA	AR	2, 3, 6, 7	L					TERMINAL, [0.75 MM2; MQS; B38/2]
17									MIRROR, Inside Rear View
	05104435AA	1	2, 3, 6, 7	L					With [GNA] Without [NHW]
	68017272AA	1	2, 3, 6, 7	L					With [GNA + NHW]

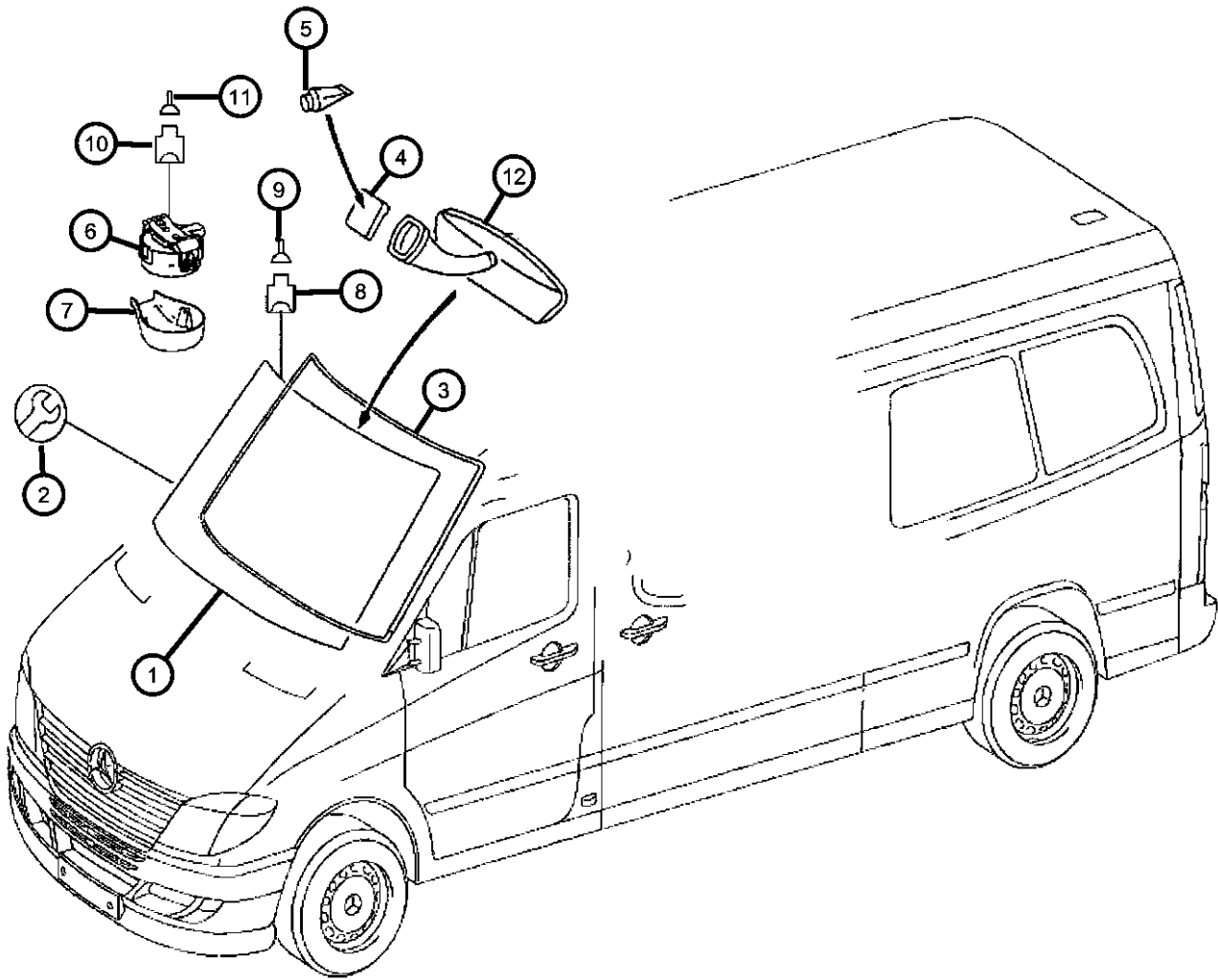
**SPRINTER (VB)**

SERIES	LINE	BODY	ENGINE	TRANSMISSION
L = LOWLINE	3 = HD DODGE 2WD 6 = Lt. Duty DODGE 4WD 2 = Med. Duty DODGE 2WD 7 = Med. Duty DODGE 4WD	17 = VAN WHEEL BASE 7 55 = WAGON WHEEL BASE 5 15 = VAN WHEEL BASE 5 53 = 119 WB 13 = 119 WB 05 = CAB CHASSIS WHEEL BASE 5 03 = CAB CHASSIS WHEEL BASE 3	EG2 = 3.5L V6 Gas Engine EXM = 3.0L V6 Turbo Diesel Engine	DGZ = 5-Speed Auto W5A380 Transmission

AR = use ase required - = Non illustrated part

2008 VB

Windshield  
Figure 27-115



ITEM	PART NUMBER	QTY	LINE	SERIES	BODY	ENGINE	TRANS	TRIM	DESCRIPTION
1	68018758AA	1	2, 3, 6, 7	L					WINDSHIELD With [GBG + NHW]
	68018759AA	1	2, 3, 6, 7	L					With [GBE + NHW]
	68018760AA	1	2, 3, 6, 7	L					With [GBB] Or With [GBE]
2	05104594AA	1	2, 3, 6, 7	L	13, 15, 17, 53, 55				REPAIR KIT, Windshield
3	68018762AA	1	2, 3, 6, 7	L					SEAL, Windshield
4	05104241AA	1	2, 3, 6, 7	L	13, 15, 17, 53, 55				BUTTON, Rear View Mirror
5	05125662AB	1	6, 7, 2, 3	L					ADHESIVE
6	68013389AA	1	2, 3, 6, 7	L					SENSOR, Rain, With [NHW]
7	68013425AA	1	2, 3, 6, 7	L					COVER, With [NHM]
8	68011379AA	1	2, 3, 6, 7	L					CONNECTOR [1 Pin; R22/2] With [NHW+GBG]
		1	2, 3, 6, 7	L					[1 Pin; R22/2] With [NHW]
9	05133379AA	AR	2, 3, 6, 7	L					TERMINAL, Male, [6.0 MM2; R22/2] With [NHW]
10	05120717AA	1	2, 3, 6, 7	L	13, 15, 17, 53, 55				CONNECTOR
11	05103873AA	AR	2, 3, 6, 7	L					TERMINAL, [0.75 MM2; MQS; B38/2]
12	05104435AA	1	2, 3, 6, 7	L					MIRROR, Inside Rear View With [GNA] Without [NHW]
	68017272AA	1	2, 3, 6, 7	L					With [GNA + NHW]

**SPRINTER (VB)**

**SERIES**

L = LOWLINE

**LINE**

3 = HD DODGE 2WD  
6 = Lt. Duty DODGE 4WD  
2 = Med. Duty DODGE 2WD  
7 = Med. Duty DODGE 4WD

**BODY**

17 = VAN WHEEL BASE 7  
55 = WAGON WHEEL BASE 5  
15 = VAN WHEEL BASE 5  
53 = 119 WB  
13 = 119 WB  
05 = CAB CHASSIS WHEEL  
BASE 5  
03 = CAB CHASSIS WHEEL  
BASE 3

**ENGINE**

EG2 = 3.5L V6 Gas Engine  
EXM = 3.0L V6 Turbo Diesel  
Engine

**TRANSMISSION**

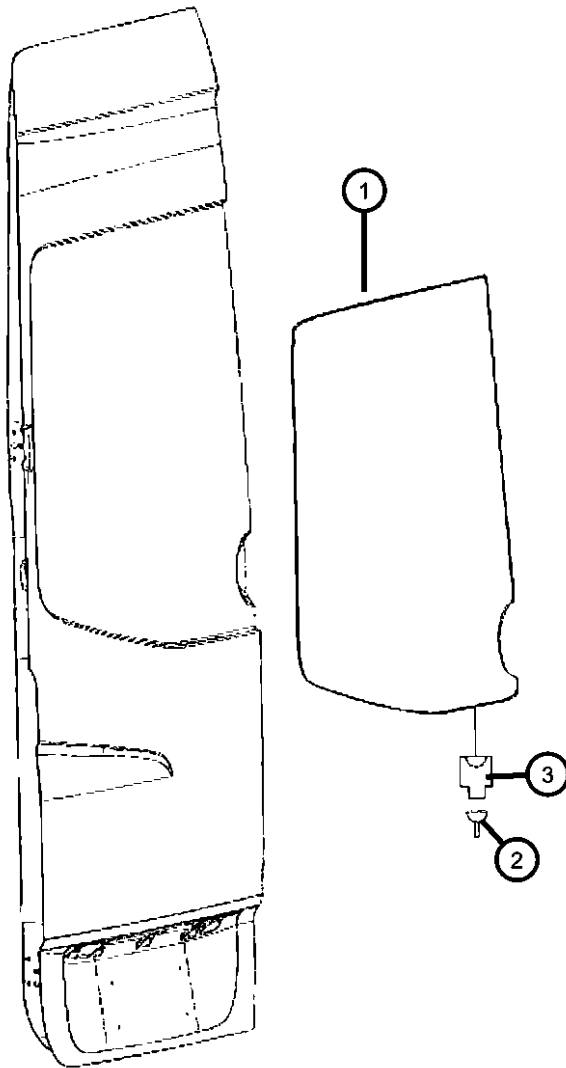
DGZ = 5-Speed Auto W5A380  
Transmission

AR = use ase required - = Non illustrated part

2008 VB

**Rear Cargo Door Glass  
Figure 27-120**

ITEM	PART NUMBER	QTY	LINE	SERIES	BODY	ENGINE	TRANS	TRIM	DESCRIPTION
1									GLASS, Cargo Door
	68006474AA	1	2, 3, 6, 7	L	13, 15, 17, 53, 55				Left
	68006475AA	1	2, 3, 6, 7	L	55, 13, 15, 17, 53				With [GFA], Left
	68006477AA	1	2, 3, 6, 7	L	13, 15, 17, 53, 55				With [GAE + GFA], Left
	68006582AA	1	2, 3, 6, 7	L	13, 15, 17, 53, 55				Right
	68006583AA	1	2, 3, 6, 7	L	13, 15, 17, 53, 55				With [GFA], Right
	68006585AA	1	2, 3, 6, 7	L	13, 15, 17, 53, 55				With [GAE + GFA], Right
2	05133366AA	99	2, 3, 6, 7	L	13, 15, 17, 53, 55				TERMINAL, Male
3	05103858AA	4	2, 3, 6, 7	L	55, 13, 15, 17, 53				CONNECTOR



**SPRINTER (VB)**

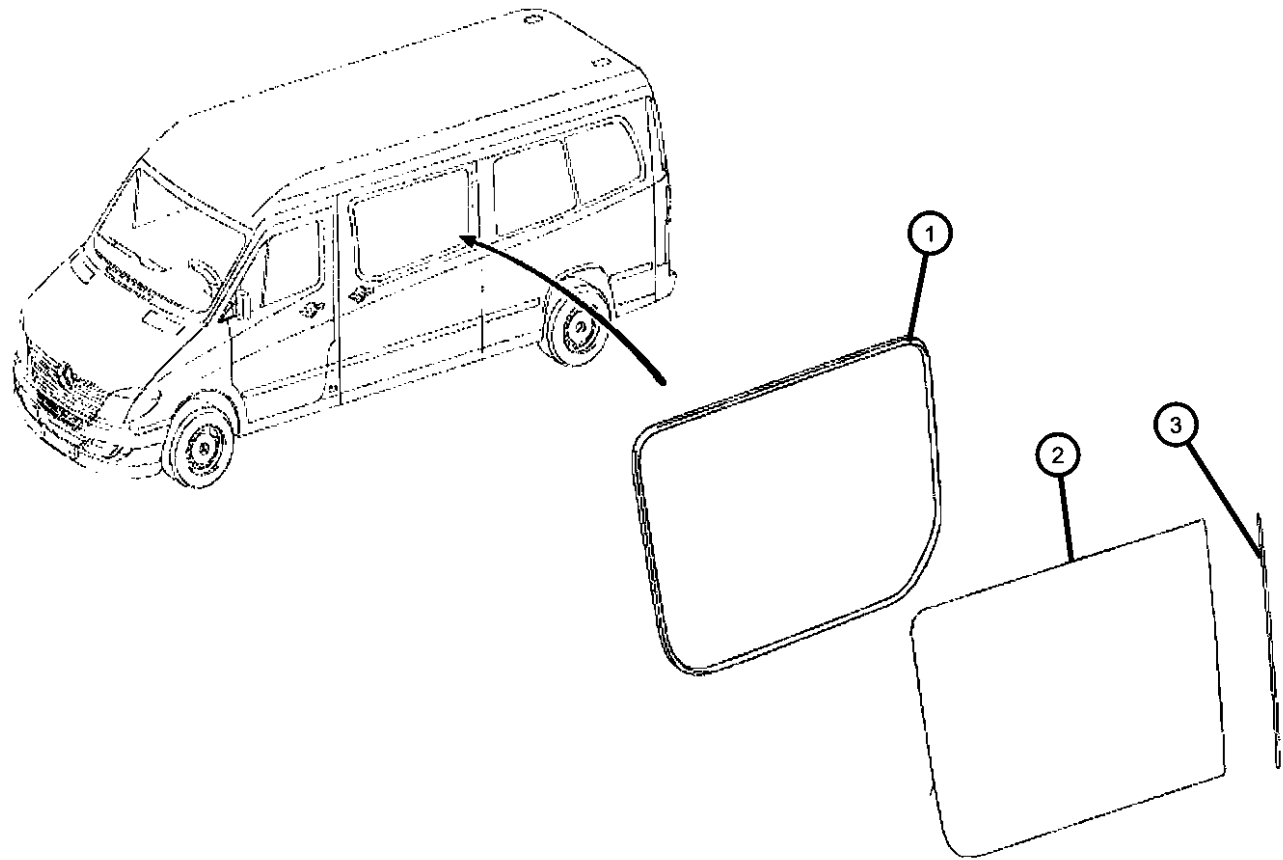
SERIES	LINE	BODY	ENGINE	TRANSMISSION
L = LOWLINE	3 = HD DODGE 2WD 6 = Lt. Duty DODGE 4WD 2 = Med. Duty DODGE 2WD 7 = Med. Duty DODGE 4WD	17 = VAN WHEEL BASE 7 55 = WAGON WHEEL BASE 5 15 = VAN WHEEL BASE 5 53 = 119 WB 13 = 119 WB 05 = CAB CHASSIS WHEEL BASE 5 03 = CAB CHASSIS WHEEL BASE 3	EG2 = 3.5L V6 Gas Engine EXM = 3.0L V6 Turbo Diesel Engine	DGZ = 5-Speed Auto W5A380 Transmission

AR = use ase required - = Non illustrated part

2008 VB

**Sliding Door Glass  
Figure 27-125**

ITEM	PART NUMBER	QTY	LINE	SERIES	BODY	ENGINE	TRANS	TRIM	DESCRIPTION
1	68010256AA	1	2, 3, 6, 7	L	13, 15, 17, 53, 55				WEATHERSTRIP, Sliding Door GlassRight & Left, Sliding, Door GLASS, Sliding Door
2	68010247AA	1	2, 3, 6, 7	L	15, 17, 53, 13, 55				Right
	68010248AA	1	2, 3, 6, 7	L	13, 15, 17, 53, 55				With [GAE], Right
	68017376AA	1	2, 3, 6, 7	L	13, 15, 17, 53, 55				Left
	68017377AA	1	2, 3, 6, 7	L	13, 15, 17, 53, 55				With [GAE], Left
3	68010255AA	1	2, 3, 6, 7	L					SEAL



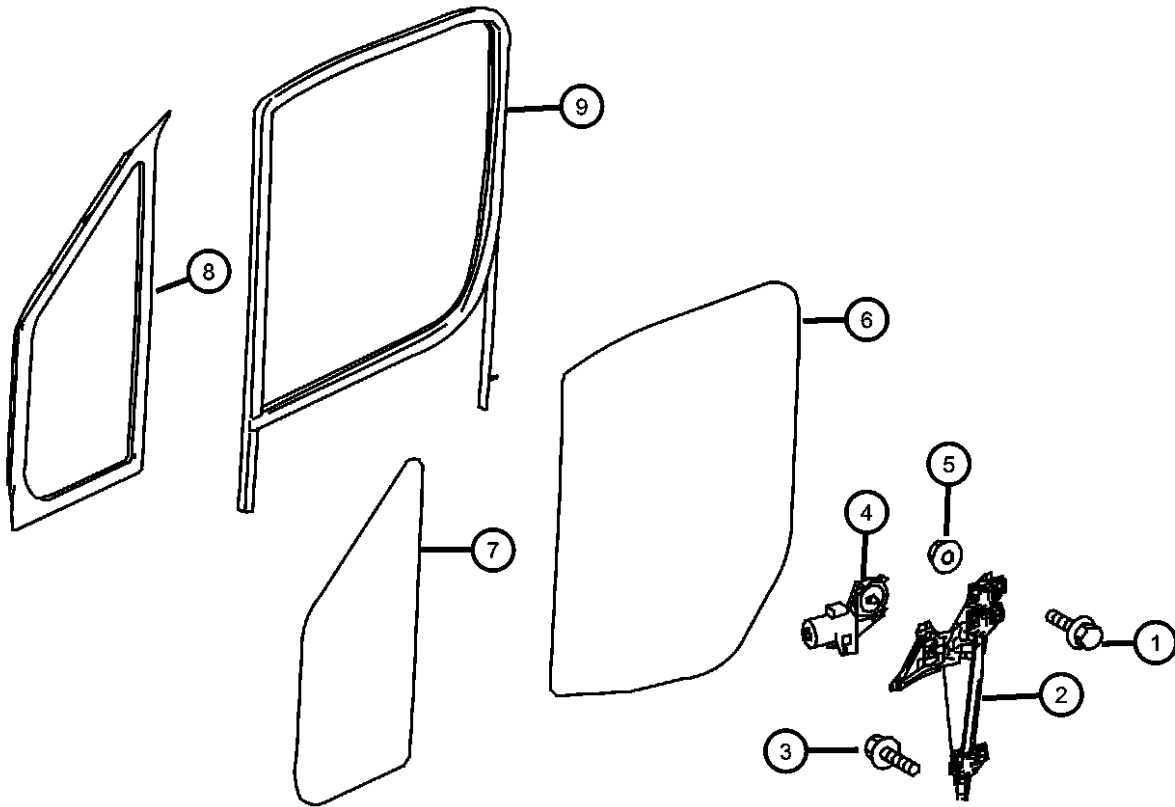
**SPRINTER (VB)**

SERIES	LINE	BODY	ENGINE	TRANSMISSION
L = LOWLINE	3 = HD DODGE 2WD 6 = Lt. Duty DODGE 4WD 2 = Med. Duty DODGE 2WD 7 = Med. Duty DODGE 4WD	17 = VAN WHEEL BASE 7 55 = WAGON WHEEL BASE 5 15 = VAN WHEEL BASE 5 53 = 119 WB 13 = 119 WB 05 = CAB CHASSIS WHEEL BASE 5 03 = CAB CHASSIS WHEEL BASE 3	EG2 = 3.5L V6 Gas Engine EXM = 3.0L V6 Turbo Diesel Engine	DGZ = 5-Speed Auto W5A380 Transmission

AR = use ase required - = Non illustrated part

2008 VB

**Driver & Passenger Door Glass  
Figure 27-130**



ITEM	PART NUMBER	QTY	LINE	SERIES	BODY	ENGINE	TRANS	TRIM	DESCRIPTION
1	06104004AA	2	2, 3, 6, 7	L	13, 15, 17, 53, 55				BOLT M6x12
		1	2, 3, 6, 7	L					M6x12
2	68010026AA	1	2, 3, 6, 7	L					REGULATOR, Front Door Window Left
	68010110AA	1	2, 3, 6, 7	L					Right
3	68010027AA	3	2, 3, 6, 7	L					SCREW, Motor at Window Lifter, Right & Left
4	68010028AA	1	7, 3	L	03, 05				MOTOR, Window Regulator, Front Door Right
		1	2, 3, 6, 7	L	13, 15, 17, 53, 55				Right
	68010029AA	1	3, 7	L	03, 05				Left
		1	2, 3, 6, 7	L	13, 15, 17, 53, 55				Left
5	05097674AA	2	3, 7	L	03, 05				NUT, Hex Door Power Window M6, Right & Left
		2	2, 3, 6, 7	L	13, 15, 17, 53, 55				Door Power Window M6, Right & Left
6	68010025AA	1	2, 3, 6, 7	L					GLASS, Front Door Heat Absorbing, Left
	68010109AA	1	2, 3, 6, 7	L					Heat Absorbing, Right
7	68010022AA	1	2, 3, 6, 7	L					GLASS, Front Door Vent Left
	68010106AA	1	2, 3, 6, 7	L					Right
8	68010023AA	1	3, 7	L	03, 05				SEAL, Window Opening Left
		1	2, 3, 6, 7	L	13, 15, 17, 53, 55				Left
	68010107AA	1	3, 7	L	03, 05				Right
		1	2, 3, 6, 7	L	13, 15, 17, 53, 55				Right
9									FRAME, Door Glass

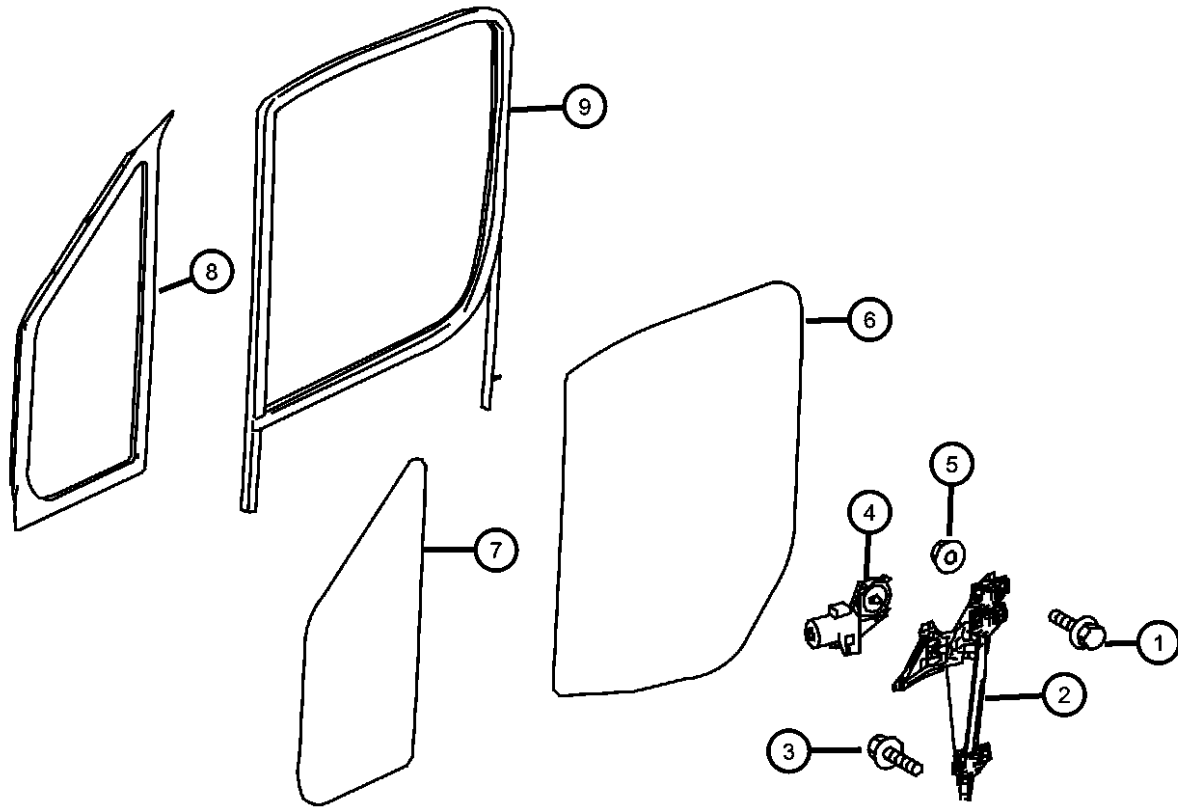
**SPRINTER (VB)**

SERIES	LINE	BODY	ENGINE	TRANSMISSION
L = LOWLINE	3 = HD DODGE 2WD 6 = Lt. Duty DODGE 4WD 2 = Med. Duty DODGE 2WD 7 = Med. Duty DODGE 4WD	17 = VAN WHEEL BASE 7 55 = WAGON WHEEL BASE 5 15 = VAN WHEEL BASE 5 53 = 119 WB 13 = 119 WB 05 = CAB CHASSIS WHEEL BASE 5 03 = CAB CHASSIS WHEEL BASE 3	EG2 = 3.5L V6 Gas Engine EXM = 3.0L V6 Turbo Diesel Engine	DGZ = 5-Speed Auto W5A380 Transmission

AR = use ase required - = Non illustrated part

**Driver & Passenger Door Glass**  
**Figure 27-130**

ITEM	PART NUMBER	QTY	LINE	SERIES	BODY	ENGINE	TRANS	TRIM	DESCRIPTION
	68010030AA	1	2, 3, 6, 7	L					Left Door
	68010111AA	1	2, 3, 6, 7	L					Right Door



**SPRINTER (VB)**

SERIES	LINE	BODY	ENGINE	TRANSMISSION
L = LOWLINE	3 = HD DODGE 2WD	17 = VAN WHEEL BASE 7	EG2 = 3.5L V6 Gas Engine	DGZ = 5-Speed Auto W5A380
	6 = Lt. Duty DODGE 4WD	55 = WAGON WHEEL BASE 5	EXM = 3.0L V6 Turbo Diesel	Transmission
	2 = Med. Duty DODGE 2WD	15 = VAN WHEEL BASE 5	Engine	
	7 = Med. Duty DODGE 4WD	53 = 119 WB		
		13 = 119 WB		
		05 = CAB CHASSIS WHEEL		
		BASE 5		
		03 = CAB CHASSIS WHEEL		
		BASE 3		

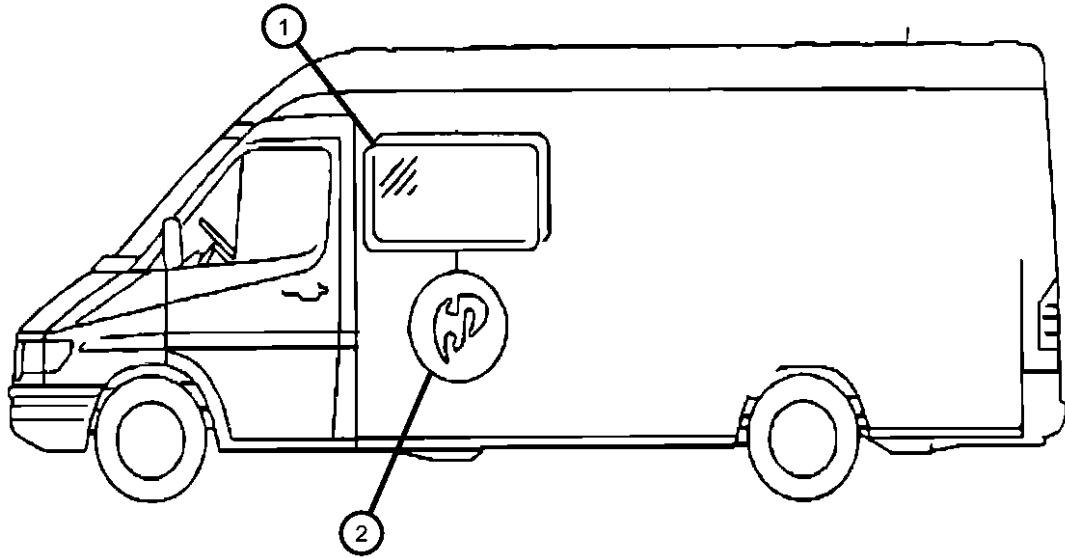
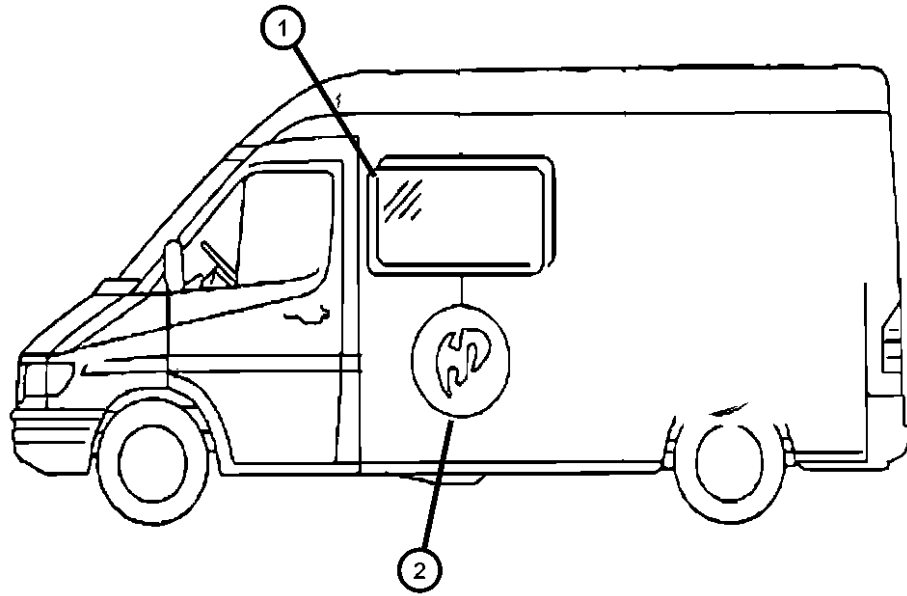
AR = use ase required - = Non illustrated part

**Fixed Glass Without Sliding Door**  
**Figure 27-135**

ITEM	PART NUMBER	QTY	LINE	SERIES	BODY	ENGINE	TRANS	TRIM	DESCRIPTION
------	-------------	-----	------	--------	------	--------	-------	------	-------------

Note: Fixed Glass Only Without Sliding Door

1									GLASS, Bodyside Window, See Note
	68018764AA	1	2, 3, 6, 7	L	15, 17, 53, 55, 13				Left
	68018765AA	1	2, 3, 6, 7	L	13, 15, 17, 53, 55				With [GAE], Left
	68018767AA	1	2, 3, 6, 7	L	13, 15, 17				Right
	68018768AA	1	2, 3, 6, 7	L	13, 15, 17				With [GAE]
2	68018791AA	1	2, 3, 6, 7	L	13, 15, 17, 53, 55				SEAL, Window Opening Right & Left



**SPRINTER (VB)**

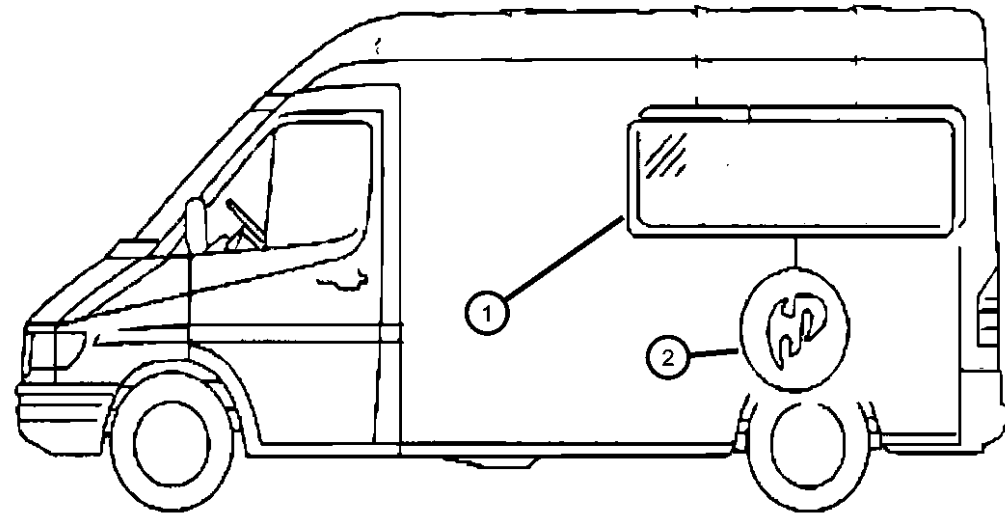
SERIES	LINE	BODY	ENGINE	TRANSMISSION
L = LOWLINE	3 = HD DODGE 2WD	17 = VAN WHEEL BASE 7	EG2 = 3.5L V6 Gas Engine	DGZ = 5-Speed Auto W5A380
	6 = Lt. Duty DODGE 4WD	55 = WAGON WHEEL BASE 5	EXM = 3.0L V6 Turbo Diesel Engine	Transmission
	2 = Med. Duty DODGE 2WD	15 = VAN WHEEL BASE 5		
	7 = Med. Duty DODGE 4WD	53 = 119 WB		
		13 = 119 WB		
		05 = CAB CHASSIS WHEEL BASE 5		
		03 = CAB CHASSIS WHEEL BASE 3		

AR = use ase required - = Non illustrated part

2008 VB

Rear Side Glass  
Figure 27-140

ITEM	PART NUMBER	QTY	LINE	SERIES	BODY	ENGINE	TRANS	TRIM	DESCRIPTION
1									GLASS, Quarter
	68018781AA	1	2, 3, 6, 7	L	13				With [GES + GKE], Left
	68018782AA	1	2, 3, 6, 7	L	13, 53				With [GES] Without [GKE], Left
	68018783AA	1	2, 3, 6, 7	L	13				With [GES + GAE + GKE], Left
	68018784AA	1	2, 3, 6, 7	L	13, 53				With [GES + GAE] Without [GKE], Left
	68018787AA	1	2, 3, 6, 7	L	13, 53				With [GKA + GEU], Right
	68018788AA	1	2, 3, 6, 7	L	13				With [GEU + GK9], Right
	68018789AA	1	2, 3, 6, 7	L	13, 53				With [GKA + GEU + GAE], Right
	68018790AA	1	2, 3, 6, 7	L	13				With [GK9 + GEU + GAE], Right
2	68018797AA	1	2, 3, 6, 7	L	13, 53				SEAL, Window Opening Right & Left



**SPRINTER (VB)**

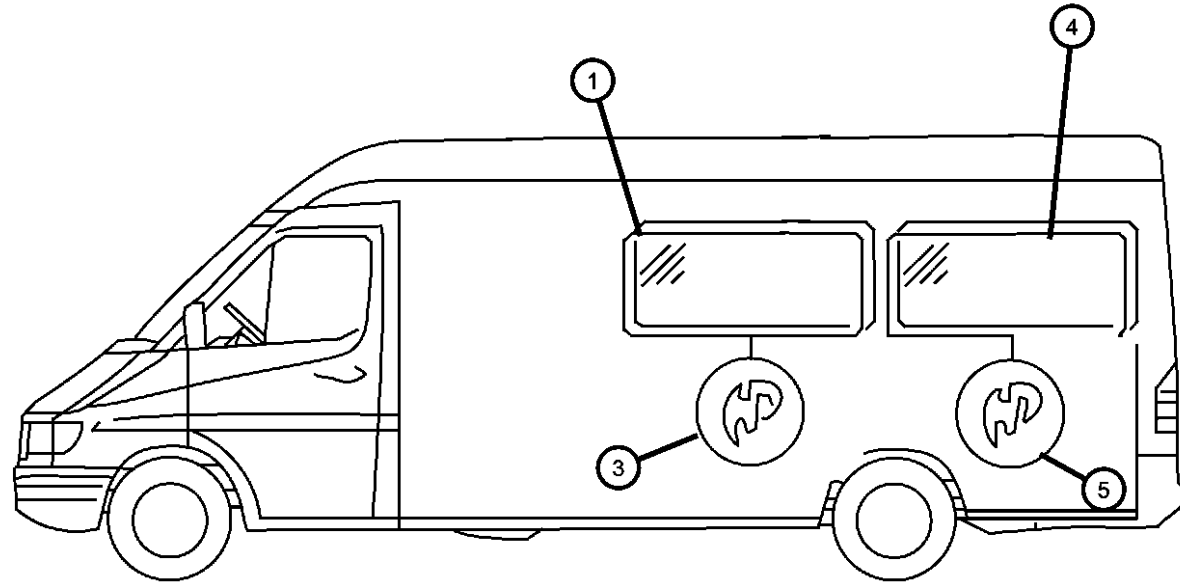
SERIES	LINE	BODY	ENGINE	TRANSMISSION
L = LOWLINE	3 = HD DODGE 2WD 6 = Lt. Duty DODGE 4WD 2 = Med. Duty DODGE 2WD 7 = Med. Duty DODGE 4WD	17 = VAN WHEEL BASE 7 55 = WAGON WHEEL BASE 5 15 = VAN WHEEL BASE 5 53 = 119 WB 13 = 119 WB 05 = CAB CHASSIS WHEEL BASE 5 03 = CAB CHASSIS WHEEL BASE 3	EG2 = 3.5L V6 Gas Engine EXM = 3.0L V6 Turbo Diesel Engine	DGZ = 5-Speed Auto W5A380 Transmission

AR = use ase required - = Non illustrated part

2008 VB



Rear Side And Quarter Glass  
Figure 27-145



ITEM	PART NUMBER	QTY	LINE	SERIES	BODY	ENGINE	TRANS	TRIM	DESCRIPTION
1									GLASS, Bodyside Window
	68018771AA	1	2, 3, 6, 7	L	15, 17, 55				With [GEL] Without [GKE], Left
	68018772AA	1	2, 3, 6, 7	L	15, 17				With [GEL + GAE + GKE], Left
	68018773AA	1	2, 3, 6, 7	L	15, 17, 55				With [GEL + GAE] Without [GKE], Left
	68018774AA	1	2, 3, 6, 7	L	13, 15, 17, 53, 55				With [GMA] Only
	68018775AA	1	2, 3, 6, 7	L	15, 17, 55				With [GKA + GEQ], Right
	68018776AA	1	2, 3, 6, 7	L	15, 17				With [GK9 + GEQ], Right
	68018777AA	1	2, 3, 6, 7	L	15, 17, 55				With [GKA + GEQ + GKE], Right
	68018778AA	1	2, 3, 6, 7	L	15, 17				With [GK9 + GAE + GEQ], Right
	68018770AA	1	2, 3, 6, 7	L	15, 17				With [GKE + GEL], Left
-2	1KT94NCVAA	5	2, 6	L	55				CAP, With [GMA] Protective Caps For Screws / Emergency Window Only
3									SEAL, Window Opening
	68018793AA	1	2, 3, 6, 7	L	15, 17, 55				
	68018799AA	1	2, 3, 6, 7	L	13, 15, 17, 53, 55				With [GMA] Only
4									GLASS, Quarter
	68018779AA	1	2, 3, 6, 7	L	15, 17, 55				With [GES], Left
	68018780AA	1	2, 3, 6, 7	L	15, 17, 55				With [GES + GAE], Left
	68018785AA	1	2, 3, 6, 7	L	15, 17, 55				With [GEU], Right
	68018786AA	1	2, 3, 6, 7	L	15, 17, 55				With [GEU + GAE], Right
5	68018795AA	1	2, 3, 6, 7	L	15, 17, 55				SEAL, Window Opening

SPRINTER (VB)

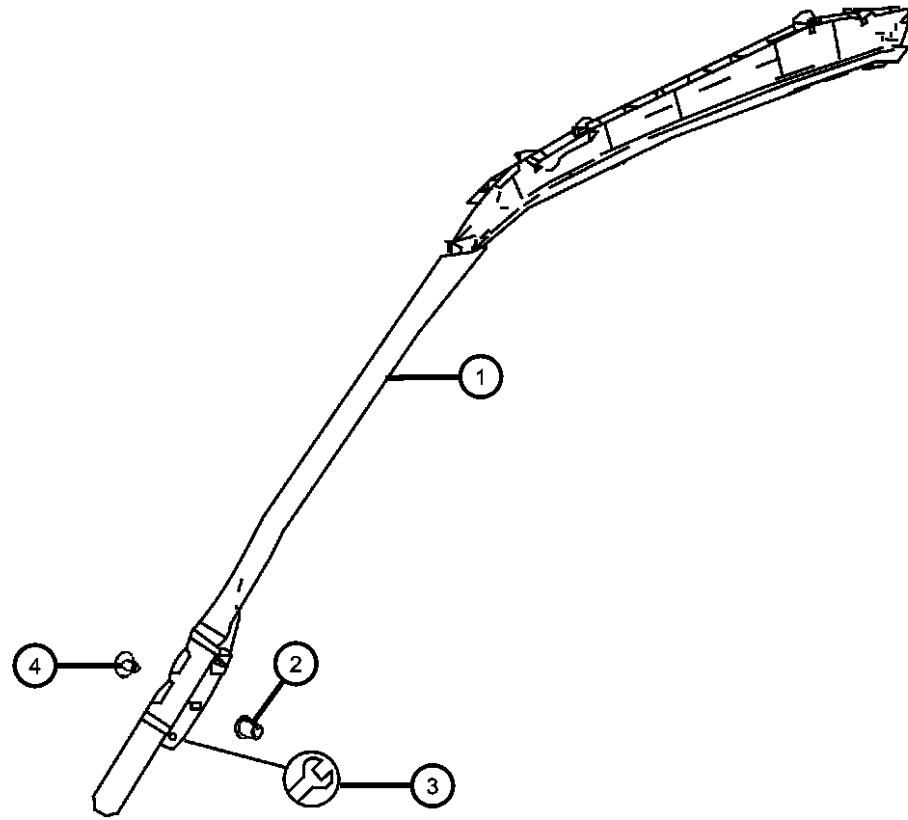
SERIES	LINE	BODY	ENGINE	TRANSMISSION
L = LOWLINE	3 = HD DODGE 2WD 6 = Lt. Duty DODGE 4WD 2 = Med. Duty DODGE 2WD 7 = Med. Duty DODGE 4WD	17 = VAN WHEEL BASE 7 55 = WAGON WHEEL BASE 5 15 = VAN WHEEL BASE 5 53 = 119 WB 13 = 119 WB 05 = CAB CHASSIS WHEEL BASE 5 03 = CAB CHASSIS WHEEL BASE 3	EG2 = 3.5L V6 Gas Engine EXM = 3.0L V6 Turbo Diesel Engine	DGZ = 5-Speed Auto W5A380 Transmission

AR = use ase required - = Non illustrated part

2008 VB

**Window & Head Side Airbag  
Figure 27-150**

ITEM	PART NUMBER	QTY	LINE	SERIES	BODY	ENGINE	TRANS	TRIM	DESCRIPTION
1	1HD69NC-VAA	1	2, 3, 6, 7	L					AIR BAG, Side Curtain Left
	1HD70NC-VAA	1	2, 3, 6, 7	L					Right
2	05133486AA	4	2, 3, 6, 7	L					RIVET
3	68016751AA	2	2, 3, 6, 7	L					CONNECTOR
4	68014337AA	8	2, 3, 6, 7	L					SCREW



**SPRINTER (VB)**

SERIES	LINE	BODY	ENGINE	TRANSMISSION
L = LOWLINE	3 = HD DODGE 2WD 6 = Lt. Duty DODGE 4WD 2 = Med. Duty DODGE 2WD 7 = Med. Duty DODGE 4WD	17 = VAN WHEEL BASE 7 55 = WAGON WHEEL BASE 5 15 = VAN WHEEL BASE 5 53 = 119 WB 13 = 119 WB 05 = CAB CHASSIS WHEEL BASE 5 03 = CAB CHASSIS WHEEL BASE 3	EG2 = 3.5L V6 Gas Engine EXM = 3.0L V6 Turbo Diesel Engine	DGZ = 5-Speed Auto W5A380 Transmission

AR = use ase required - = Non illustrated part

2008 VB

# Group - 30

## Doors, Door Mirrors and Related Parts

### Group - 30 Doors, Door Mirrors and Related Parts

Illustration Title

Group-Fig. No.

#### Front Door

Front Door .....	Fig. 30 - 110
Front Door - Window Regulator & Glass 2500/3500 Series .....	Fig. 30 - 120
Door Handle & Lock Set .....	Fig. 30 - 130
Door Panelling .....	Fig. 30 - 140

#### Rear Door

Rear Door, Shell .....	Fig. 30 - 205
Rear Door, Hinges .....	Fig. 30 - 210

#### Sliding Cargo Door

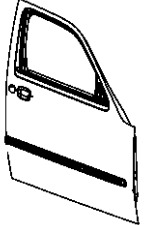
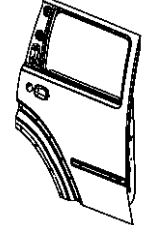
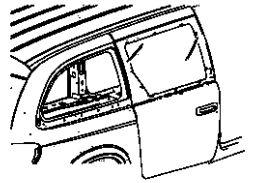
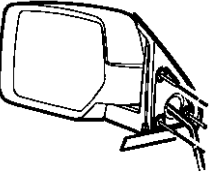
Sliding Door .....	Fig. 30 - 305
Door Drive Mechanism .....	Fig. 30 - 310
Sliding Door Rail & Suspension .....	Fig. 30 - 320
Sliding Door , Inside Handle & Locking System .....	Fig. 30 - 330

#### Dual and Single Cargo Door

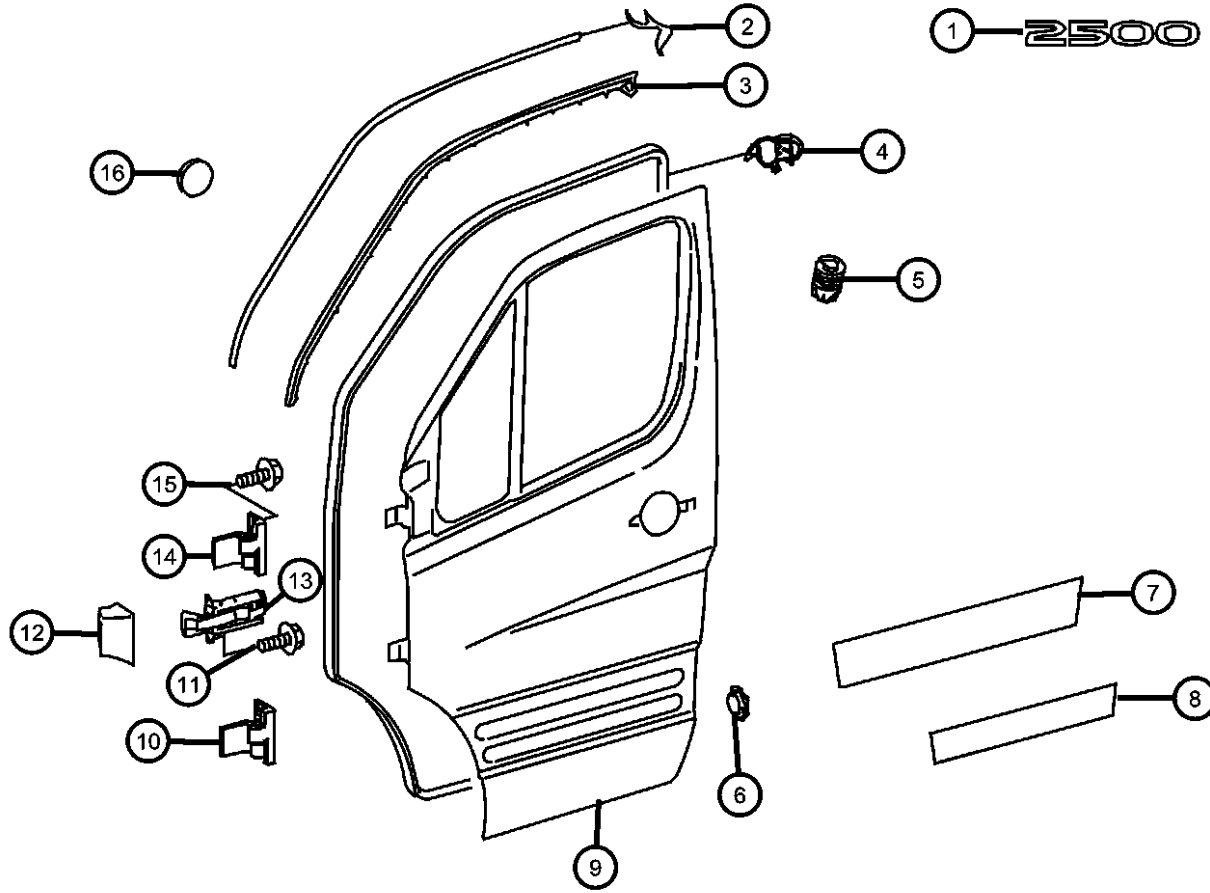
Dual Door, Hardware Components .....	Fig. 30 - 420
Dual Door, Hardware Components .....	Fig. 30 - 430
Dual Door Hardware Components .....	Fig. 30 - 440

#### Exterior Mirror

Mirror, Exterior, Outside Rear View Mirror .....	Fig. 30 - 510
--	---------------

<p><b>030-100</b> Front Door</p> 	<p><b>030-200</b> Rear Door</p> 	<p><b>030-300</b> Sliding Cargo Door</p> 	<p><b>030-400</b> Dual and Single Cargo Door</p>
<p><b>030-500</b> Exterior Mirror</p> 			

Front Door  
Figure 30-110



ITEM	PART NUMBER	QTY	LINE	SERIES	BODY	ENGINE	TRANS	TRIM	DESCRIPTION
1	55077331AB	2	2	L	13, 15, 17, 53, 55				NAMEPLATE, Ram 2500
2	68005103AA	1	2, 3, 6, 7	L					SEAL, Door, Top, Right Door
3	68009959AA	1	2, 3, 6, 7	L					SEAL, Door, Front, Left Door
4	68014670AA	2	2, 3, 6, 7	L					SEAL, Door
5	05104944AA	1	2, 3, 6, 7	L	13, 15, 17, 53, 55				BUMPER, Door, Door Rear, Bottom Left
6	68006360AA	5	2, 3, 6, 7	L	13, 15, 17, 53, 55				PLUG, Body
7	68009713AA	1	3, 7	L	03, 05				INSULATION, Top, Left Door
8	68006519AA	1	2, 3, 6, 7	L	13, 15, 17, 53, 55				INSULATION, Left Door
9	68009944AA	1	2, 3, 6, 7	L					DOOR, Front Left
10	68010067AA	1	2, 3, 6, 7	L					DOOR, Front Right
11	68010074AA	1	3, 7	L	03, 05				HINGE, Door Bottom Right
12	68018257AA	1	2, 3, 6, 7	L	13, 15, 17, 53, 55				HINGE, Door Bottom Right
13	68009966AA	3	2, 3, 6, 7	L					SCREW
14	68009967AA	2	2, 3, 6, 7	L					SEAL, Door Check
15	68009966AA	1	3, 7	L	03, 05				CHECK, Front Door
16	68009954AA	1	2, 3, 6, 7	L	13, 15, 17, 53, 55				HINGE, Door Top Left
	68009954AA	1	3, 7	L	03, 05				HINGE, Door Top Left
	68010073AA	1	2, 3, 6, 7	L	13, 15, 17, 53, 55				HINGE, Door Top Right
	68010073AA	1	3, 7	L	03, 05				HINGE, Door Top Right
15	06104076AA	3	2, 3, 6, 7	L					BOLT, Torx, M6X1.00X16.00, Hinge Top Left
16									FOIL, Insulator

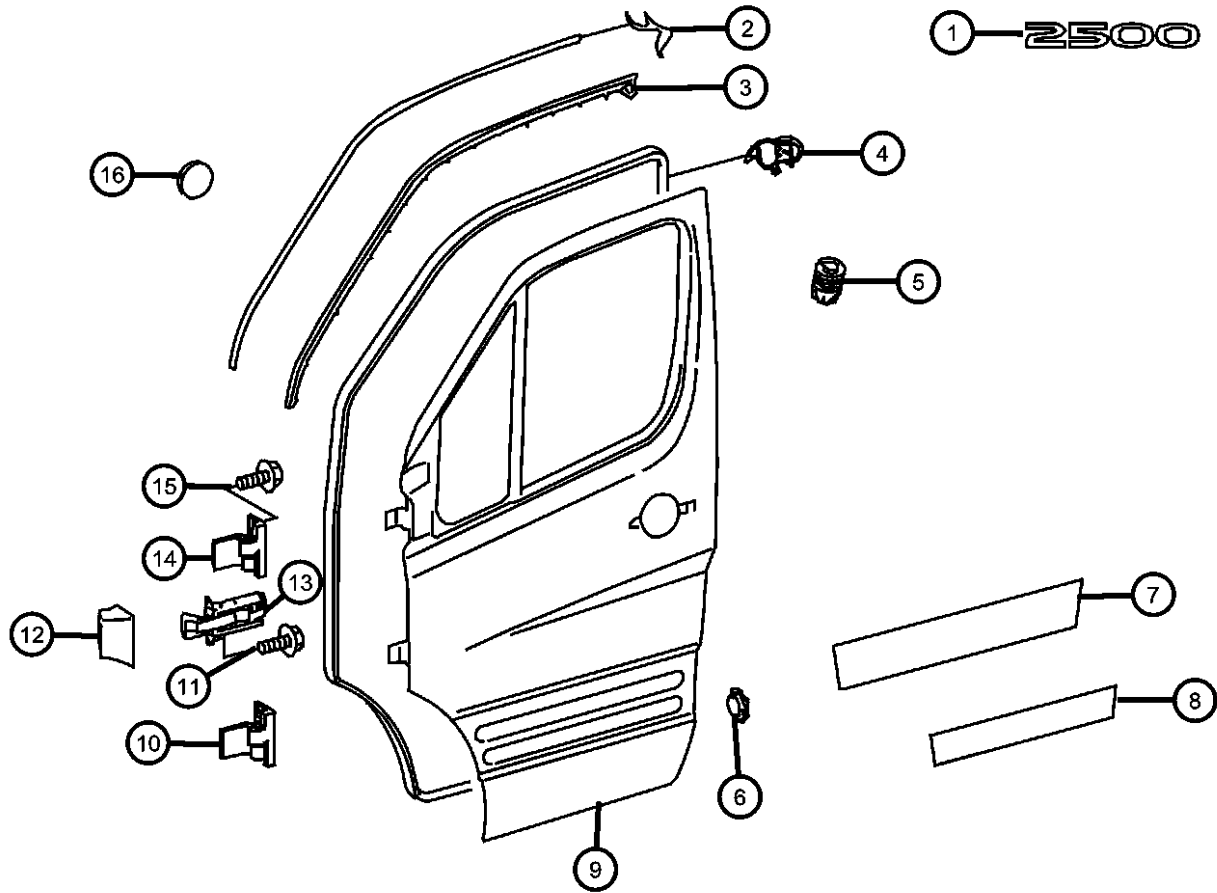
SPRINTER (VB)

SERIES	LINE	BODY	ENGINE	TRANSMISSION
L = LOWLINE	3 = HD DODGE 2WD 6 = Lt. Duty DODGE 4WD 2 = Med. Duty DODGE 2WD 7 = Med. Duty DODGE 4WD	17 = VAN WHEEL BASE 7 55 = WAGON WHEEL BASE 5 15 = VAN WHEEL BASE 5 53 = 119 WB 13 = 119 WB 05 = CAB CHASSIS WHEEL BASE 5 03 = CAB CHASSIS WHEEL BASE 3	EG2 = 3.5L V6 Gas Engine EXM = 3.0L V6 Turbo Diesel Engine	DGZ = 5-Speed Auto W5A380 Transmission

AR = use ase required - = Non illustrated part

Front Door  
Figure 30-110

ITEM	PART NUMBER	QTY	LINE	SERIES	BODY	ENGINE	TRANS	TRIM	DESCRIPTION
	05099253AA	1	2, 3, 6, 7	L	13, 15, 17,				22MM
		1	3, 7	L	53, 55				22MM

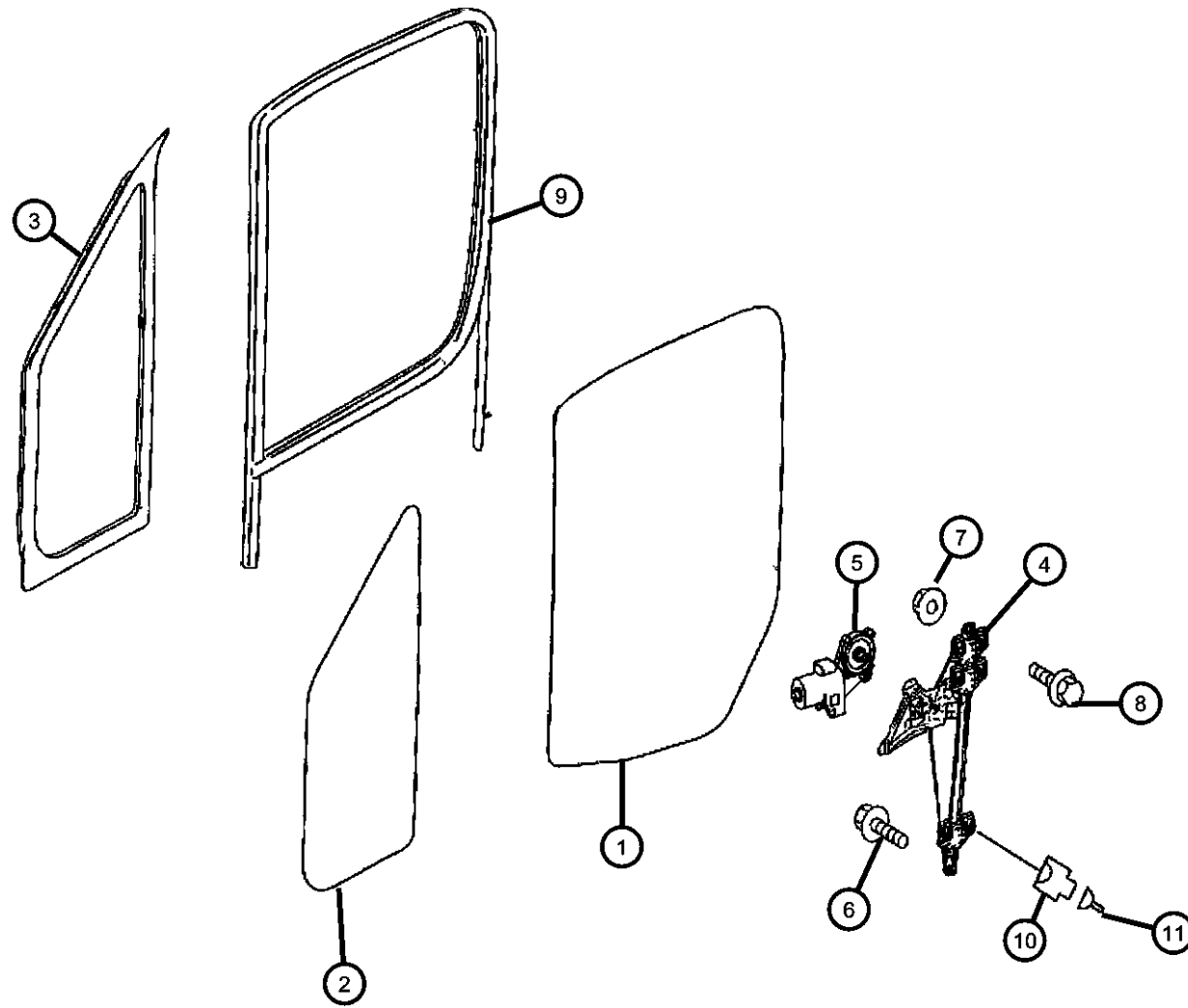


SPRINTER (VB)

SERIES	LINE	BODY	ENGINE	TRANSMISSION
L = LOWLINE	3 = HD DODGE 2WD	17 = VAN WHEEL BASE 7	EG2 = 3.5L V6 Gas Engine	DGZ = 5-Speed Auto W5A380
	6 = Lt. Duty DODGE 4WD	55 = WAGON WHEEL BASE 5	EXM = 3.0L V6 Turbo Diesel	Transmission
	2 = Med. Duty DODGE 2WD	15 = VAN WHEEL BASE 5	Engine	
	7 = Med. Duty DODGE 4WD	53 = 119 WB		
		13 = 119 WB		
		05 = CAB CHASSIS WHEEL		
		BASE 5		
		03 = CAB CHASSIS WHEEL		
		BASE 3		

AR = use ase required - = Non illustrated part

**Front Door - Window Regulator & Glass 2500/3500 Series  
Figure 30-120**



ITEM	PART NUMBER	QTY	LINE	SERIES	BODY	ENGINE	TRANS	TRIM	DESCRIPTION
1	68010025AA	1	2, 3, 6, 7	L					GLASS, Front Door Left
	68010109AA	1	2, 3, 6, 7	L					Right
2	68010106AA	1	2, 3, 6, 7	L					GLASS, Front Door Vent Right
	68010022AA	1	2, 3, 6, 7	L					Left
3	68010023AA	1	3, 7	L	03, 05				SEAL, Window Opening Left
		1	2, 3, 6, 7	L	13, 15, 17, 53, 55				Left
	68010107AA	1	3, 7	L	03, 05				Right
		1	2, 3, 6, 7	L	13, 15, 17, 53, 55				Right
4	68010026AA	1	2, 3, 6, 7	L					REGULATOR, Front Door Window Left
	68010110AA	1	2, 3, 6, 7	L					Right
5	68010028AA	1	3, 7	L	03, 05				MOTOR, Window Regulator, Front Door Right
		1	2, 3, 6, 7	L	13, 15, 17, 53, 55				Right
	68010029AA	1	3, 7	L	03, 05				Left
		1	2, 3, 6, 7	L	13, 15, 17, 53, 55				Left
6	68010027AA	2	2, 3	L					SCREW, Motor To Window Regulator, Right & Left
									NUT, Hex
7	05097674AA	2	3, 7	L	03, 05				Window Regulator To Door, Right And Left
		2	2, 3, 6, 7	L	13, 15, 17, 53, 55				Window Regulator To Door, Right And Left
8	06104004AA	2	2, 3, 6, 7	L					BOLT, Window Regulator To Door
9	68010030AA	1	2, 3, 6, 7	L					FRAME, Door Glass Left
	68010111AA	1	2, 3, 6, 7	L					Right

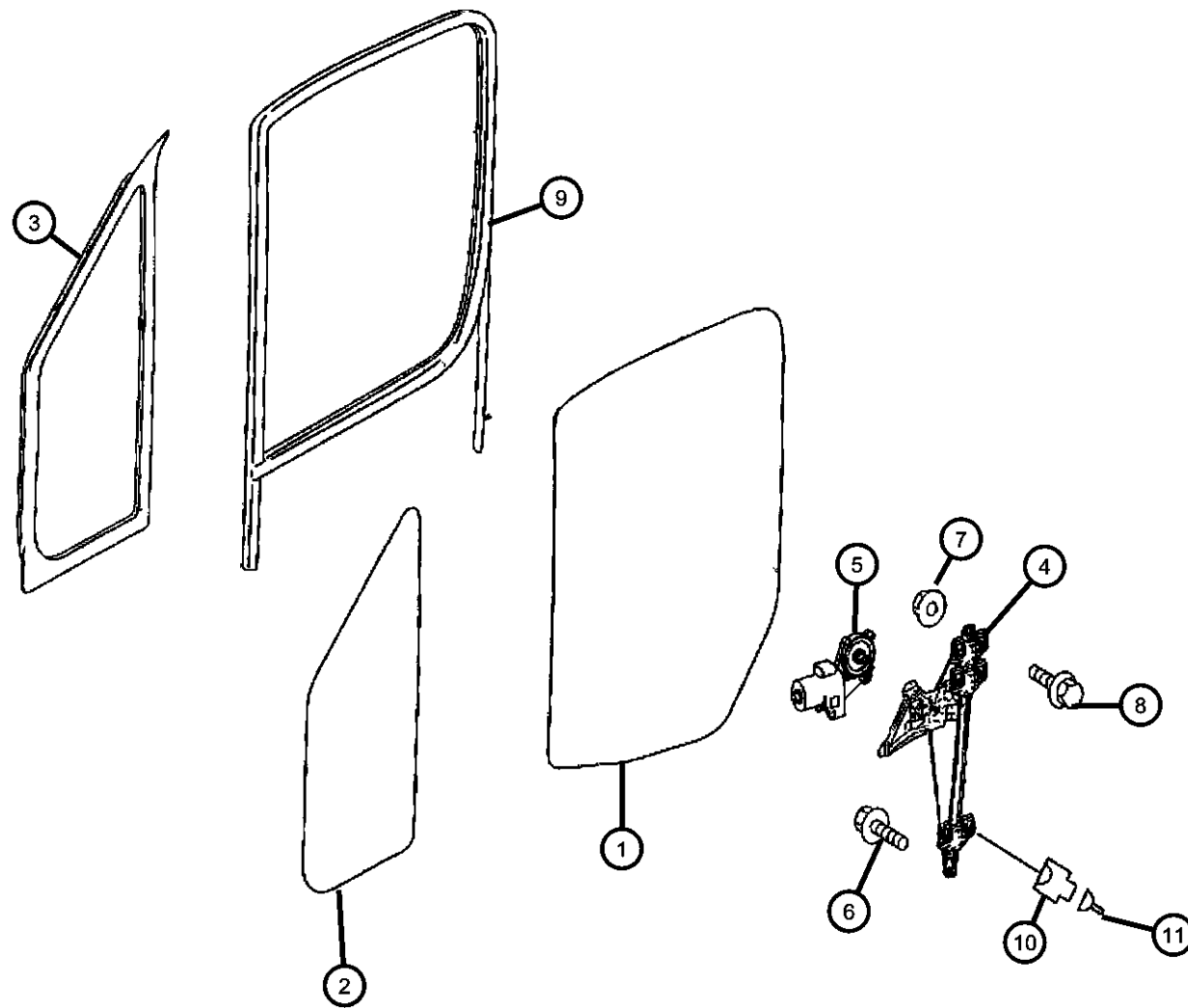
**SPRINTER (VB)**

SERIES	LINE	BODY	ENGINE	TRANSMISSION
L = LOWLINE	3 = HD DODGE 2WD 6 = Lt. Duty DODGE 4WD 2 = Med. Duty DODGE 2WD 7 = Med. Duty DODGE 4WD	17 = VAN WHEEL BASE 7 55 = WAGON WHEEL BASE 5 15 = VAN WHEEL BASE 5 53 = 119 WB 13 = 119 WB 05 = CAB CHASSIS WHEEL BASE 5 03 = CAB CHASSIS WHEEL BASE 3	EG2 = 3.5L V6 Gas Engine EXM = 3.0L V6 Turbo Diesel Engine	DGZ = 5-Speed Auto W5A380 Transmission

AR = use ase required - = Non illustrated part

**Front Door - Window Regulator & Glass 2500/3500 Series**  
**Figure 30-120**

ITEM	PART NUMBER	QTY	LINE	SERIES	BODY	ENGINE	TRANS	TRIM	DESCRIPTION
10	68011302AA	1	2, 3, 6, 7	L					CONNECTOR, [2 Pin; M10/1], Right & Left TERMINAL, [1.5 - 2.5 MM2; JPT; M10/1]
11	05133370AA	2	2, 3, 6, 7	L					



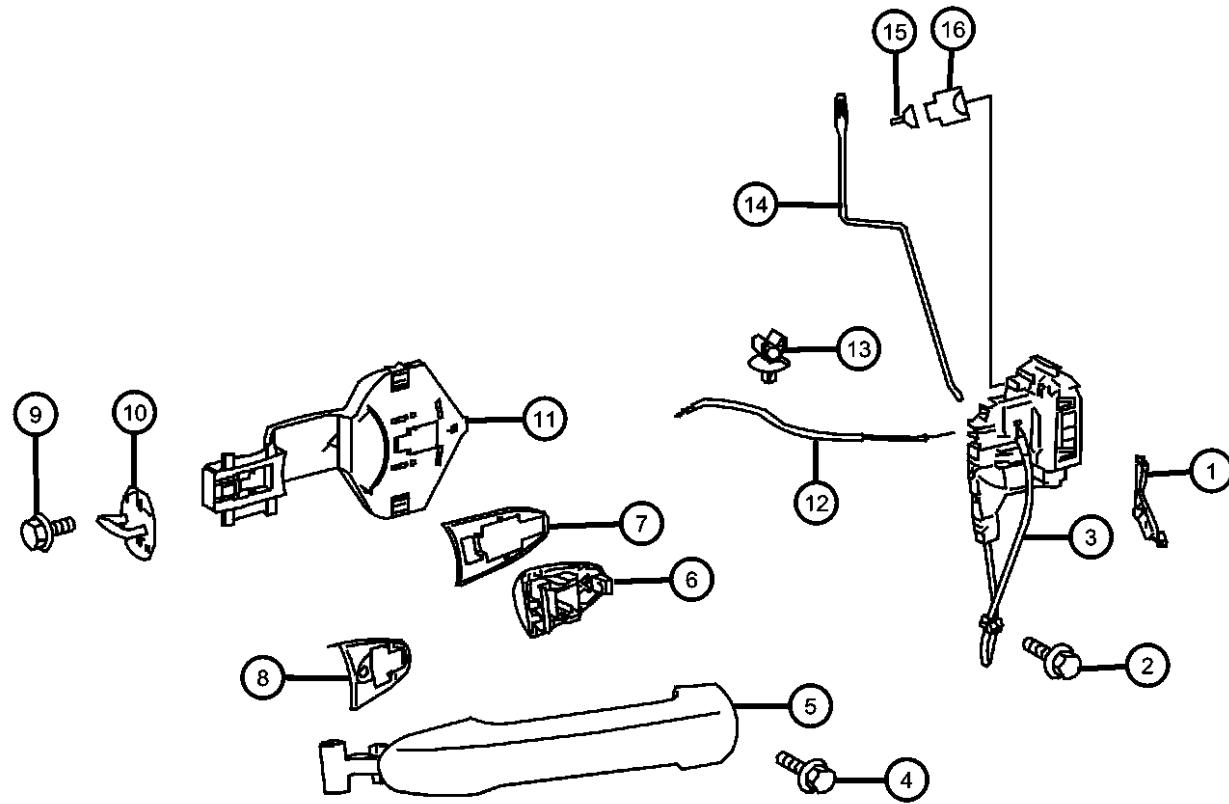
**SPRINTER (VB)**

SERIES	LINE	BODY	ENGINE	TRANSMISSION
L = LOWLINE	3 = HD DODGE 2WD	17 = VAN WHEEL BASE 7	EG2 = 3.5L V6 Gas Engine	DGZ = 5-Speed Auto W5A380
	6 = Lt. Duty DODGE 4WD	55 = WAGON WHEEL BASE 5	EXM = 3.0L V6 Turbo Diesel	Transmission
	2 = Med. Duty DODGE 2WD	15 = VAN WHEEL BASE 5	Engine	
	7 = Med. Duty DODGE 4WD	53 = 119 WB		
		13 = 119 WB		
		05 = CAB CHASSIS WHEEL		
		BASE 5		
		03 = CAB CHASSIS WHEEL		
		BASE 3		

AR = use ase required - = Non illustrated part

2008 VB

**Door Handle & Lock Set  
Figure 30-130**



ITEM	PART NUMBER	QTY	LINE	SERIES	BODY	ENGINE	TRANS	TRIM	DESCRIPTION
1	68010017AA	1	2, 3, 6, 7	L					COVER, Lock Housing
2	05101576AA	3	2, 3, 6, 7	L	13, 15, 17, 53, 55				SCREW, M6x16 M6x14
3	68017889AA	1	2, 3, 6, 7	L					LATCH, Front Door Left
	68017891AA	1	2, 3, 6, 7	L					Right
4	06104136AA	1	3, 7	L	03, 05				SCREW M5x16
		1	2, 3, 6, 7	L	13, 15, 17, 53, 55				M5x16
5	68010005AA	2	2, 3, 6, 7	L					HANDLE, Front Door COVER
6	68010099AA	1	3, 7	L	03, 05				
		1	2, 3, 6, 7	L	13, 15, 17, 53, 55				
7	68010009AA	1	2, 3, 6, 7	L					PADRear Left
8	68010008AA	1	2, 3, 6, 7	L					PADFront Left
9	05103715AA	2	2, 3, 6, 7	L	13, 15, 17, 53, 55				SCREW Locking Eye to Body M21-8.8
		2	3, 7	L	03, 05				Locking Eye to Body M21-8.8
10	68006469AA	1	2, 3, 6, 7	L					LATCH, Door, Right & Left
11	68010006AA	1	2, 3, 6, 7	L					BRACKET, Door Handle Right Door
	68010007AA	1	2, 3, 6, 7	L					Left Door
12	68010018AA	1	2, 3, 6, 7	L					CABLE Left Door
	68010104AA	1	2, 3, 6, 7	L					Right Door
13	68009854AA	1	2, 3, 6, 7	L					RETAINER
14	68010015AA	1	2, 3, 6, 7	L					KNOB AND LINK, Door Latch Left Door
	68010103AA	1	2, 3, 6, 7	L					Right Door

**SPRINTER (VB)**

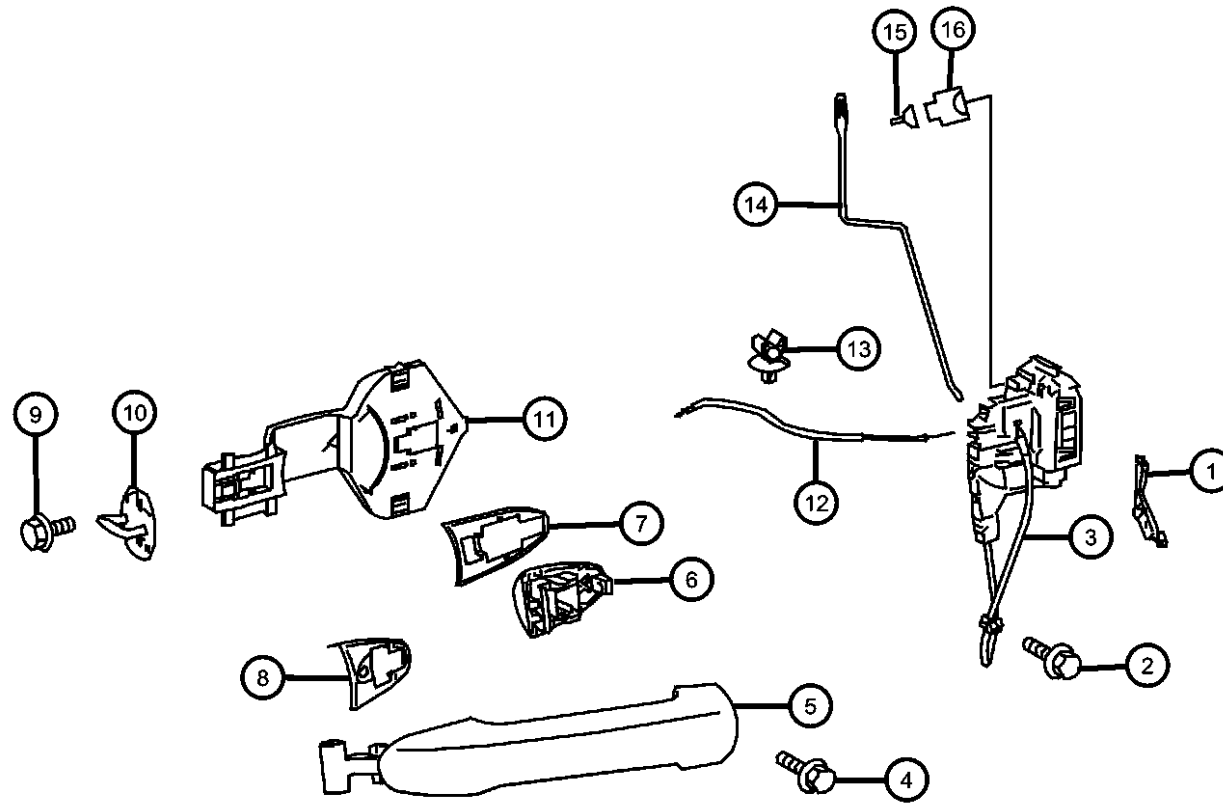
SERIES	LINE	BODY	ENGINE	TRANSMISSION
L = LOWLINE	3 = HD DODGE 2WD 6 = Lt. Duty DODGE 4WD 2 = Med. Duty DODGE 2WD 7 = Med. Duty DODGE 4WD	17 = VAN WHEEL BASE 7 55 = WAGON WHEEL BASE 5 15 = VAN WHEEL BASE 5 53 = 119 WB 13 = 119 WB 05 = CAB CHASSIS WHEEL BASE 5 03 = CAB CHASSIS WHEEL BASE 3	EG2 = 3.5L V6 Gas Engine EXM = 3.0L V6 Turbo Diesel Engine	DGZ = 5-Speed Auto W5A380 Transmission

AR = use ase required - = Non illustrated part



**Door Handle & Lock Set  
Figure 30-130**

ITEM	PART NUMBER	QTY	LINE	SERIES	BODY	ENGINE	TRANS	TRIM	DESCRIPTION
15	05161599AA	AR	2, 3, 6, 7	L					SEAL, Wiring
16	68011245AA	1	2, 3, 6, 7	L					CONNECTOR, 4-Pin,M14/6

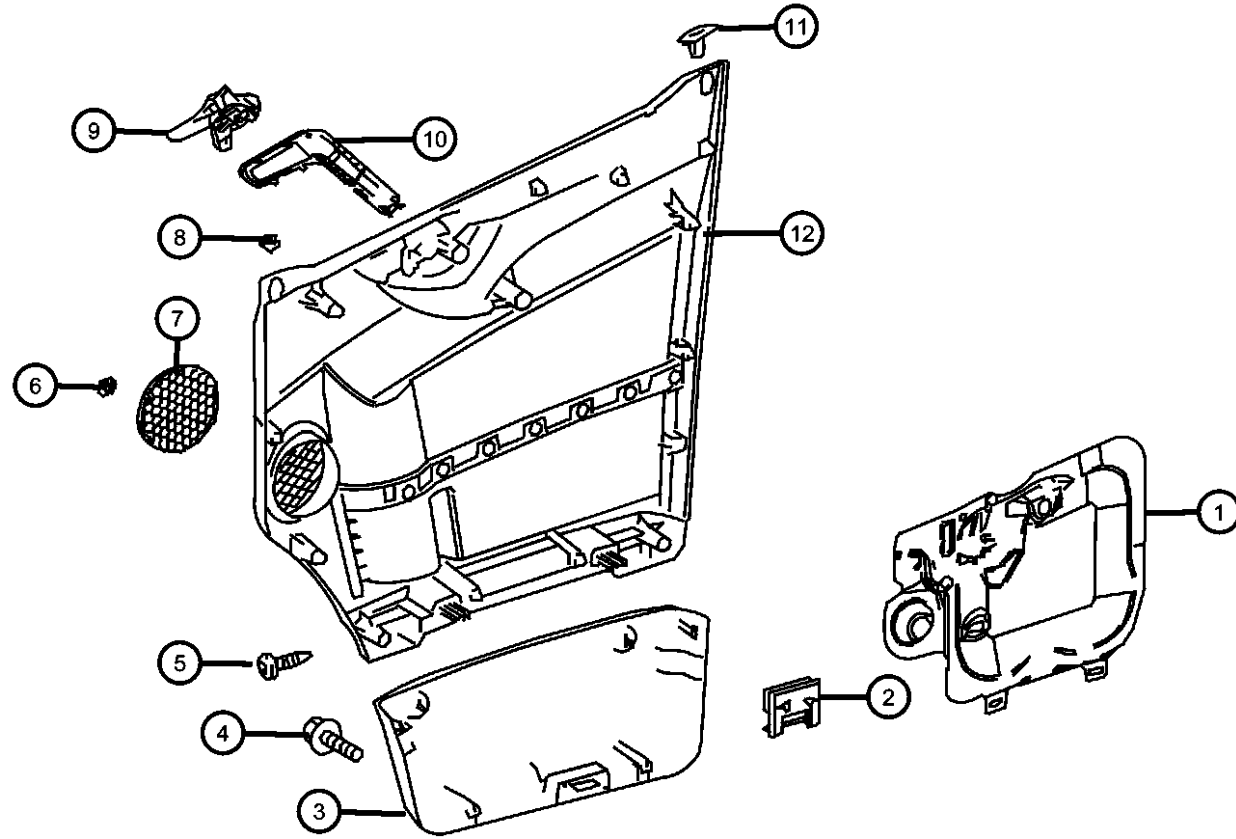


**SPRINTER (VB)**

SERIES	LINE	BODY	ENGINE	TRANSMISSION
L = LOWLINE	3 = HD DODGE 2WD 6 = Lt. Duty DODGE 4WD 2 = Med. Duty DODGE 2WD 7 = Med. Duty DODGE 4WD	17 = VAN WHEEL BASE 7 55 = WAGON WHEEL BASE 5 15 = VAN WHEEL BASE 5 53 = 119 WB 13 = 119 WB 05 = CAB CHASSIS WHEEL BASE 5 03 = CAB CHASSIS WHEEL BASE 3	EG2 = 3.5L V6 Gas Engine EXM = 3.0L V6 Turbo Diesel Engine	DGZ = 5-Speed Auto W5A380 Transmission

AR = use ase required - = Non illustrated part

Door Panelling  
Figure 30-140



ITEM	PART NUMBER	QTY	LINE	SERIES	BODY	ENGINE	TRANS	TRIM	DESCRIPTION
1	68010044AA	1	2, 3, 6, 7	L					SHIELD, Door Right
	68010045AA	1	2, 3, 6, 7	L					Left
2	05123763AA	2	2, 3, 6, 7	L	13, 15, 17, 53, 55				BEZEL, Door Trim Panel
		2	3, 7	L	03, 05				
3	1HE39XDVAA	1	2, 3, 6, 7	L					PANEL, Front Door Trim Left
	1HE40XDVAA	1	2, 3, 6, 7	L					Right
4	06104140AA	2	2, 3, 6, 7	L	13, 15, 17, 53, 55				SCREW Panelling Mounting M6x16, Right & Left
		2	3, 7	L	03, 05				Panelling Mounting M6x16, Right & Left
5	06104666AA	1	2, 3, 6, 7	L					SCREW
6	1HH69XDVAA	2	2, 3, 6, 7	L					COVER, Door Panelling, Right & Left
7	1HE42XDVAA	2	2, 3, 6, 7	L					GRILLE, Speaker
8	68006484AA	11	2, 3, 6, 7	L					RETAINER
9	1HE52XDVAA	1	2, 3, 6, 7	L					HANDLE, Inside Release Right
	1HE51XDVAA	1	2, 3, 6, 7	L					Left
10	68010036AA	1	2, 3, 6, 7	L					COVER Handle, Left
	68010115AA	1	2, 3, 6, 7	L					Handle, Right
11	1HE43XDVAA	1	2, 3, 6, 7	L					BEZEL, Lock Knob Right
	1HE44XDVAA	1	2, 3, 6, 7	L					Left
12	1HE36XDVAA	1	2, 3, 6, 7	L					PANEL, Front Door Left Door
	1HE37XDVAA	1	2, 3, 6, 7	L					Right Door

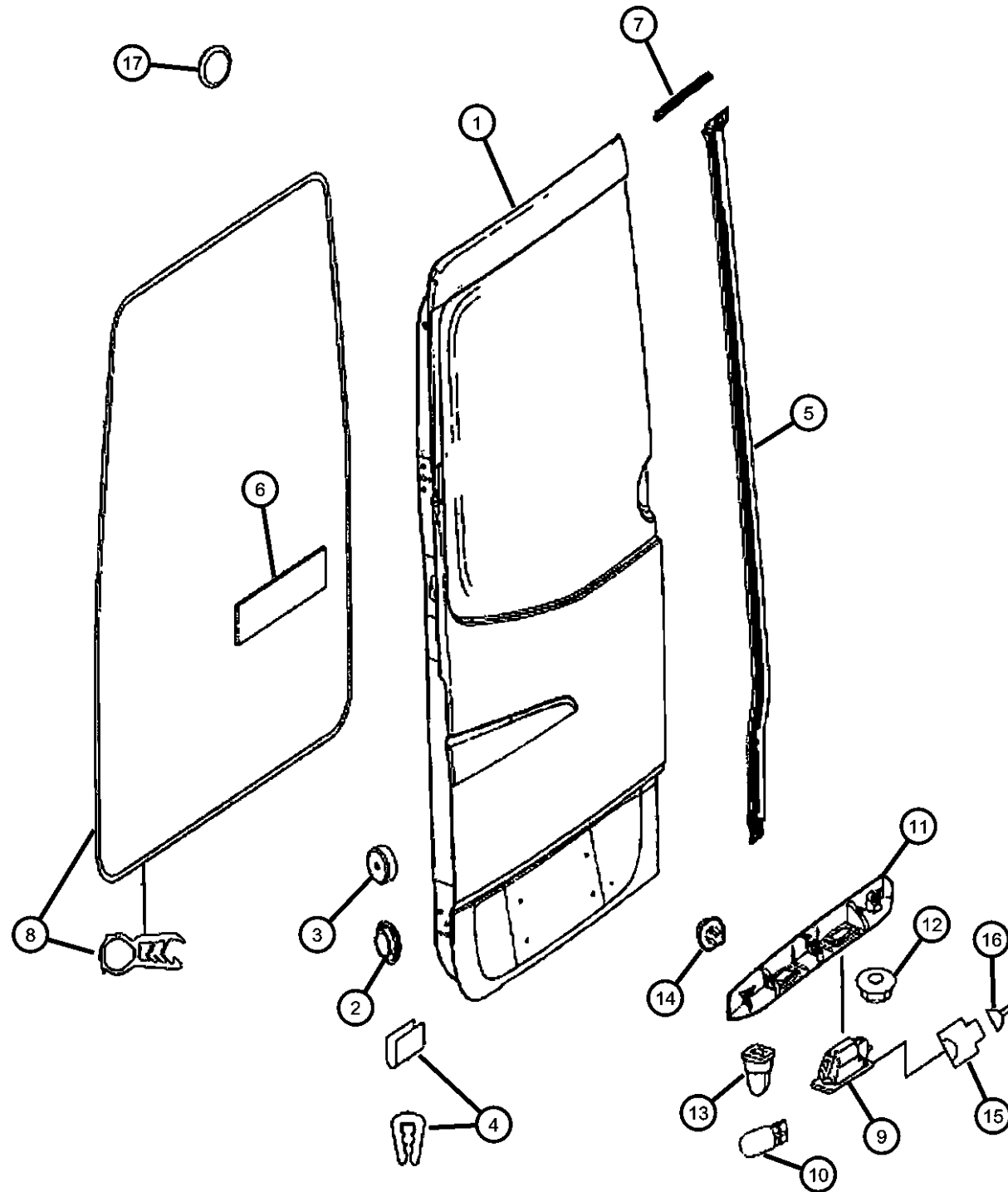
SPRINTER (VB)

SERIES	LINE	BODY	ENGINE	TRANSMISSION
L = LOWLINE	3 = HD DODGE 2WD 6 = Lt. Duty DODGE 4WD 2 = Med. Duty DODGE 2WD 7 = Med. Duty DODGE 4WD	17 = VAN WHEEL BASE 7 55 = WAGON WHEEL BASE 5 15 = VAN WHEEL BASE 5 53 = 119 WB 13 = 119 WB 05 = CAB CHASSIS WHEEL BASE 5 03 = CAB CHASSIS WHEEL BASE 3	EG2 = 3.5L V6 Gas Engine EXM = 3.0L V6 Turbo Diesel Engine	DGZ = 5-Speed Auto W5A380 Transmission

AR = use ase required - = Non illustrated part

2008 VB

Rear Door, Shell  
Figure 30-205



ITEM	PART NUMBER	QTY	LINE	SERIES	BODY	ENGINE	TRANS	TRIM	DESCRIPTION
1									DOOR, Rear Cargo
	68006382AA	1	2, 3, 6, 7	L	13, 15, 17, 53, 55				With Window, With High Roof, Left
	68006384AA	1	2, 3, 6, 7	L	13, 15, 17, 53, 55				Without Window, With High Roof, Left
	68006386AA	1	2, 3, 6, 7	L	13, 15, 17, 53, 55				With Window, Left
	68006388AA	1	2, 3, 6, 7	L	13, 15, 17, 53, 55				Without Window, Left
	68006523AA	1	2, 3, 6, 7	L	13, 15, 17, 53, 55				With Window, With High Roof, Right
	68006525AA	1	2, 3, 6, 7	L	13, 15, 17, 53, 55				Without Window, With High Roof, Right
	68006527AA	1	2, 3, 6, 7	L	13, 15, 17, 53, 55				With Window, Right
	68006529AA	1	2, 3, 6, 7	L	13, 15, 17, 53, 55				Without Window, Right
2									PLUG, Body
	68006360AA	1	2, 3, 6, 7	L	13, 15, 17, 53, 55				15mm
	68006445AA	1	2, 3, 6, 7	L	13, 15, 17, 53, 55				30mm
3	68006446AA	1	2, 3, 6, 7	L	13, 15, 17, 53, 55				STOPPER
4	05135206AA	AR	2, 3, 6, 7	L	13, 15, 17, 53, 55				WEATHERSTRIP
5	68006500AA	1	2, 3, 6, 7	L	13, 15, 17, 53, 55				SEAL, Door, High Roof, Left Door
6									INSULATION
	68006518AA	1	2, 3, 6, 7	L	13, 15, 17, 53, 55				With Rear Floor Insulation [HGR], Right & Left
	68006519AA	1	2, 3, 6, 7	L	13, 15, 17, 53, 55				, Right & Left
7	68014675AA	1	2, 3, 6, 7	L	13, 15, 17, 53, 55				SEAL, Door
8									WEATHERSTRIP, Cargo Door
	68014672AA	1	2, 3, 6, 7	L	13, 15, 17, 53, 55				High Roof
	68014673AA	1	2, 3, 6, 7	L	13, 15, 17, 53, 55				
9	68006502AA	2	2, 3, 6, 7	L	13, 15, 17, 53, 55				LAMP, License
10	05096968AB	2	2, 3, 6, 7	L					BULB, 12V 5W

SPRINTER (VB)

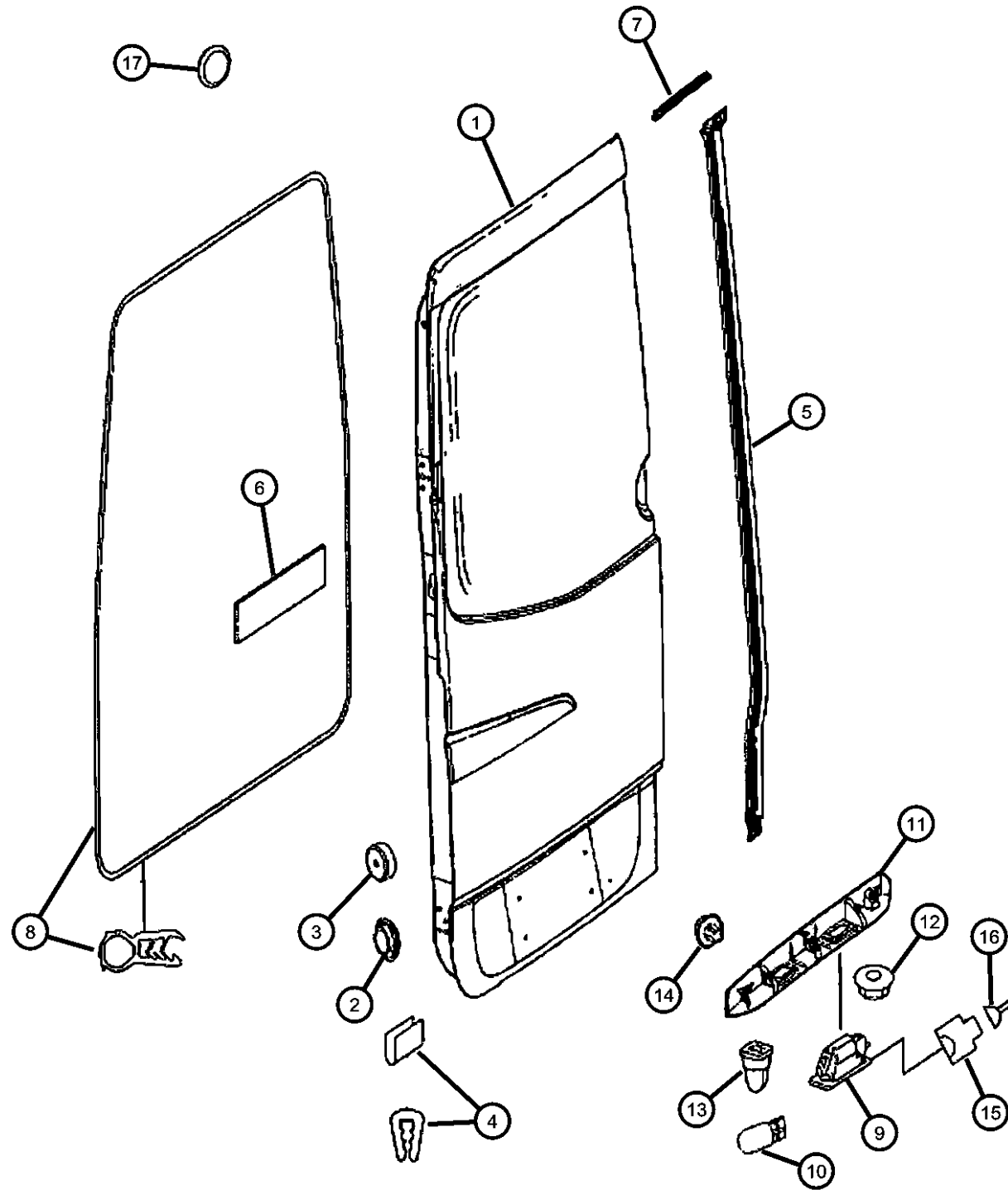
SERIES	LINE	BODY	ENGINE	TRANSMISSION
L = LOWLINE	3 = HD DODGE 2WD	17 = VAN WHEEL BASE 7	EG2 = 3.5L V6 Gas Engine	DGZ = 5-Speed Auto W5A380
	6 = Lt. Duty DODGE 4WD	55 = WAGON WHEEL BASE 5	EXM = 3.0L V6 Turbo Diesel Engine	Transmission
	2 = Med. Duty DODGE 2WD	15 = VAN WHEEL BASE 5		
	7 = Med. Duty DODGE 4WD	53 = 119 WB		
		13 = 119 WB		
		05 = CAB CHASSIS WHEEL BASE 5		
		03 = CAB CHASSIS WHEEL BASE 3		

AR = use ase required - = Non illustrated part

2008 VB

Rear Door, Shell  
Figure 30-205

ITEM	PART NUMBER	QTY	LINE	SERIES	BODY	ENGINE	TRANS	TRIM	DESCRIPTION
11	1HE84XDVAA	1	2, 3, 6, 7	L	13, 15, 17, 53, 55				COVER, Lamp
12	68006505AA	2	2, 3, 6, 7	L	13, 15, 17, 53, 55				NUT
13	68006507AA	4	2, 3, 6, 7	L	13, 15, 17, 53, 55				RETAINER
14	68006504AA	3	2, 3, 6, 7	L					RETAINER
15	68011339AA	2	2, 3, 6, 7	L					CONNECTOR
16	05138912AA	AR	2, 3, 6, 7	L					TERMINAL
17	68006560AA	1	2, 3, 6, 7	L	13, 15, 17, 53, 55				PLUGRight



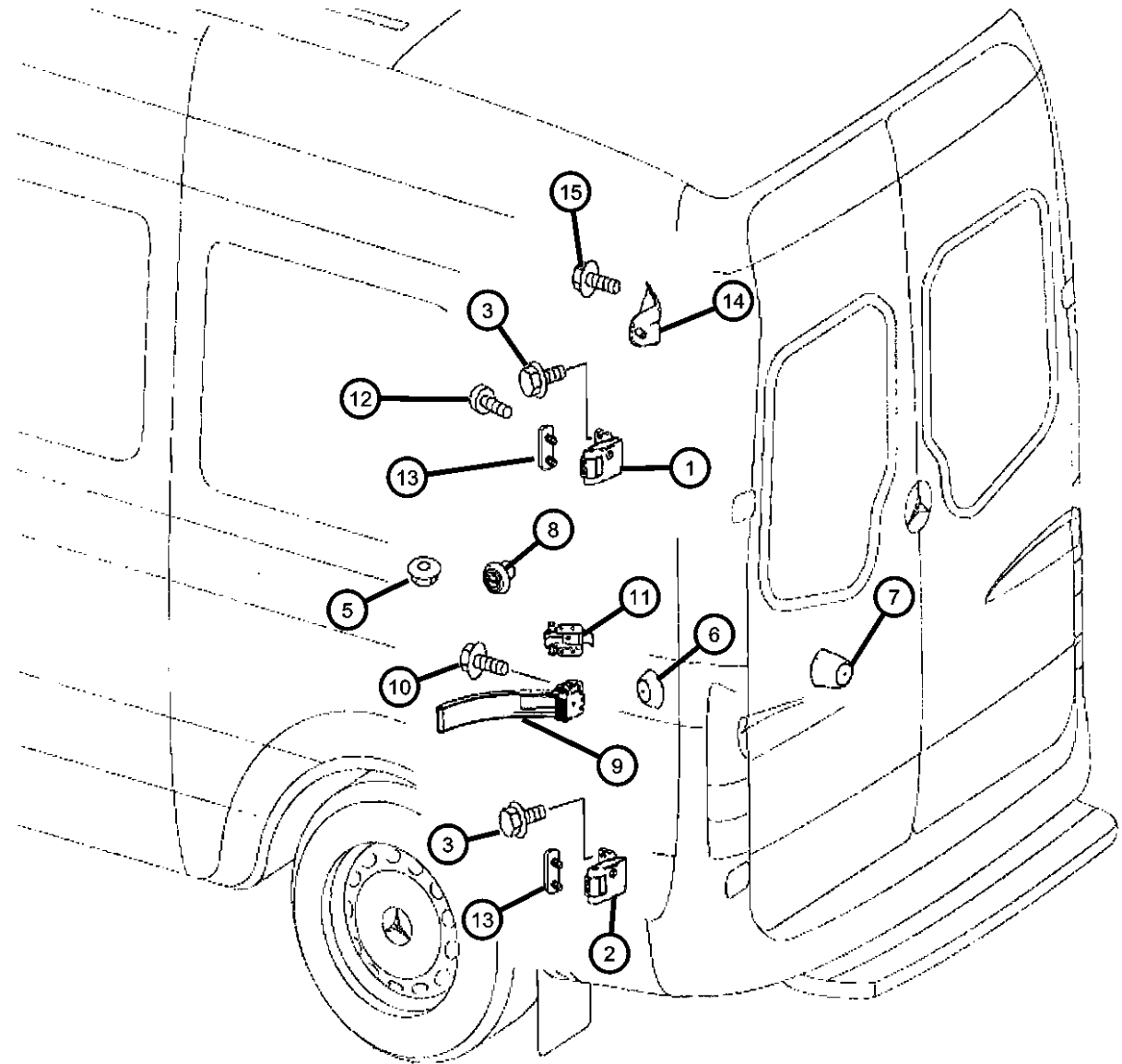
SPRINTER (VB)

SERIES	LINE	BODY	ENGINE	TRANSMISSION
L = LOWLINE	3 = HD DODGE 2WD 6 = Lt. Duty DODGE 4WD 2 = Med. Duty DODGE 2WD 7 = Med. Duty DODGE 4WD	17 = VAN WHEEL BASE 7 55 = WAGON WHEEL BASE 5 15 = VAN WHEEL BASE 5 53 = 119 WB 13 = 119 WB 05 = CAB CHASSIS WHEEL BASE 5 03 = CAB CHASSIS WHEEL BASE 3	EG2 = 3.5L V6 Gas Engine EXM = 3.0L V6 Turbo Diesel Engine	DGZ = 5-Speed Auto W5A380 Transmission

AR = use ase required - = Non illustrated part

2008 VB

Rear Door, Hinges  
Figure 30-210



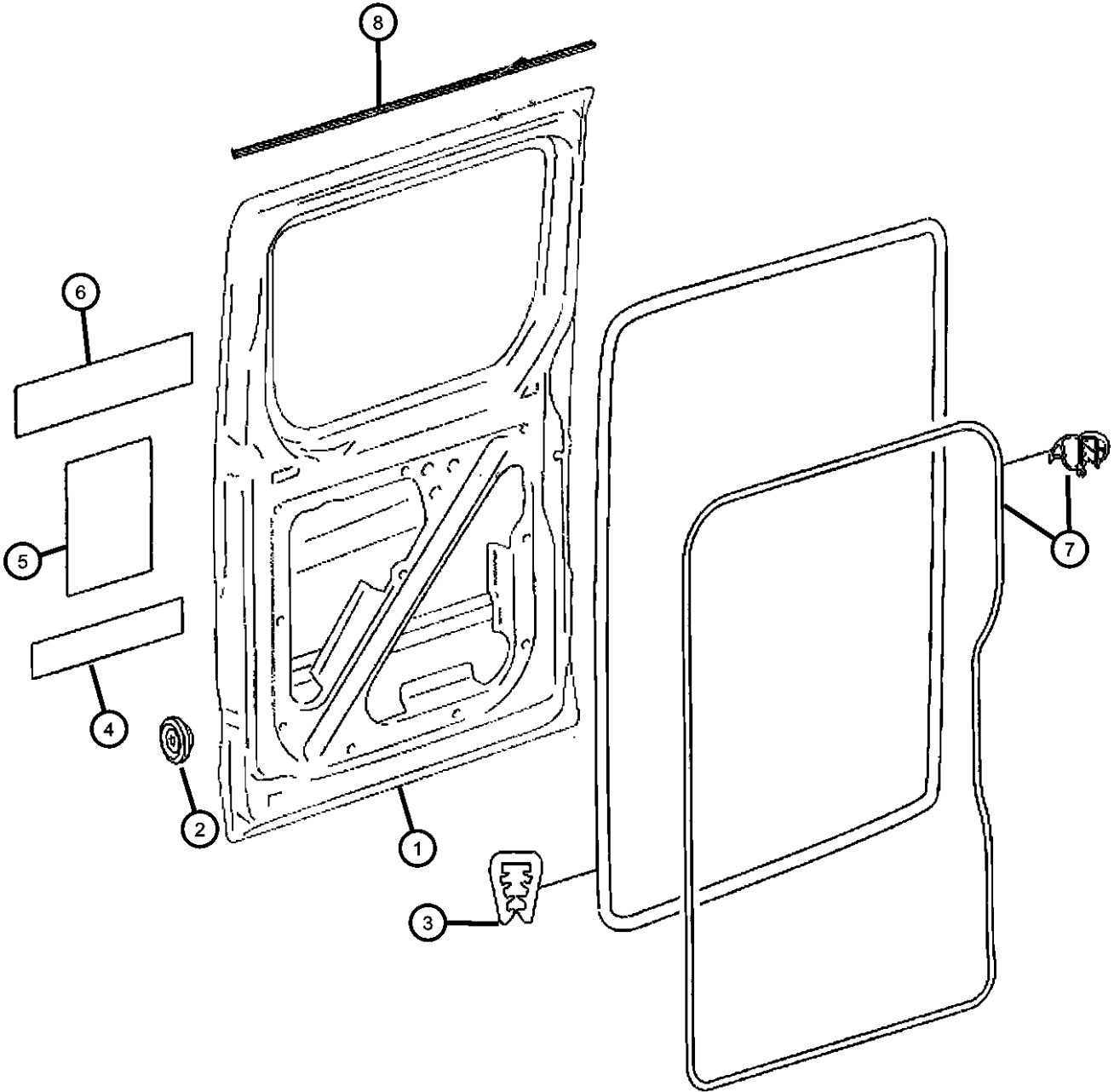
ITEM	PART NUMBER	QTY	LINE	SERIES	BODY	ENGINE	TRANS	TRIM	DESCRIPTION
1	68006452AA	1	2, 3, 6, 7	L	13, 15, 17, 53, 55				HINGE, Rear Door Top, Left
	68006454AA	1	2, 3, 6, 7	L	13, 15, 17, 53, 55				With [GLF], Top, Right
	68006562AA	1	2, 3, 6, 7	L	13, 15, 17, 53, 55				Top, Right
2	68006456AA	1	2, 3, 6, 7	L	13, 15, 17, 53, 55				HINGE, Rear Door With [GLF], Lower, Right
	68006563AA	1	2, 3, 6, 7	L	13, 15, 17, 53, 55				, Lower, Right
	68006453AA	1	3, 6, 7, 2	L	13, 15, 17, 53, 55				Lower, Left
3	06104155AA	12	2, 3, 6, 7	L	13, 15, 17, 53, 55				SCREW, [M8x25]
-4	06104157AB	12	2, 3, 6, 7	L	13, 15, 17, 53, 55				BOLT, Torx Head, M8x1.25x35.00
5	06104726AB	1	2, 3, 6, 7	L	13, 15, 17, 53, 55				NUT AND WASHER, Hex, M8x1.25
6	68006458AA	2	2, 3, 6, 7	L	15, 17, 55				BRACKET, Rubber Stop
7	68006459AA	2	2, 3, 6, 7	L	13, 15, 17, 53, 55				BRACKET, Rubber Stop At Door
8	68006461AA	2	2, 3, 6, 7	L					BUMPER, Door, Magnet
9	68006463AA	1	2, 3, 6, 7	L	13, 15, 17, 53, 55				BRACKET, Cargo Door Hinge, With [GLF], Right & Left
10	05104610AA	6	2, 3, 6, 7	L	13, 15, 17, 53, 55				SCREW [M8x16]
	06104141AA	2	2, 3, 6, 7	L	13, 15, 17, 53, 55				[M6x12]
11	68006464AA	1	2, 3, 6, 7	L	13, 15, 17, 53, 55				BRACKET, Cargo Door Hinge PillarRight & Left
12	06104141AA	4	2, 3, 6, 7	L	13, 15, 17, 53, 55				SCREW, [M6x12]
13	68006465AA	2	6, 7, 2, 3	L	13, 15, 17, 53, 55				STOPPERRight & Left
14	68008799AA	2	2, 3, 6, 7	L	13, 15, 17, 53, 55				BRACKET
15	05073723AB	6	2, 3, 6, 7	L	13, 15, 17, 53, 55				SCREW, [M8x20]

**SPRINTER (VB)**

SERIES	LINE	BODY	ENGINE	TRANSMISSION
L = LOWLINE	3 = HD DODGE 2WD 6 = Lt. Duty DODGE 4WD 2 = Med. Duty DODGE 2WD 7 = Med. Duty DODGE 4WD	17 = VAN WHEEL BASE 7 55 = WAGON WHEEL BASE 5 15 = VAN WHEEL BASE 5 53 = 119 WB 13 = 119 WB 05 = CAB CHASSIS WHEEL BASE 5 03 = CAB CHASSIS WHEEL BASE 3	EG2 = 3.5L V6 Gas Engine EXM = 3.0L V6 Turbo Diesel Engine	DGZ = 5-Speed Auto W5A380 Transmission

AR = use ase required - = Non illustrated part

Sliding Door  
Figure 30-305



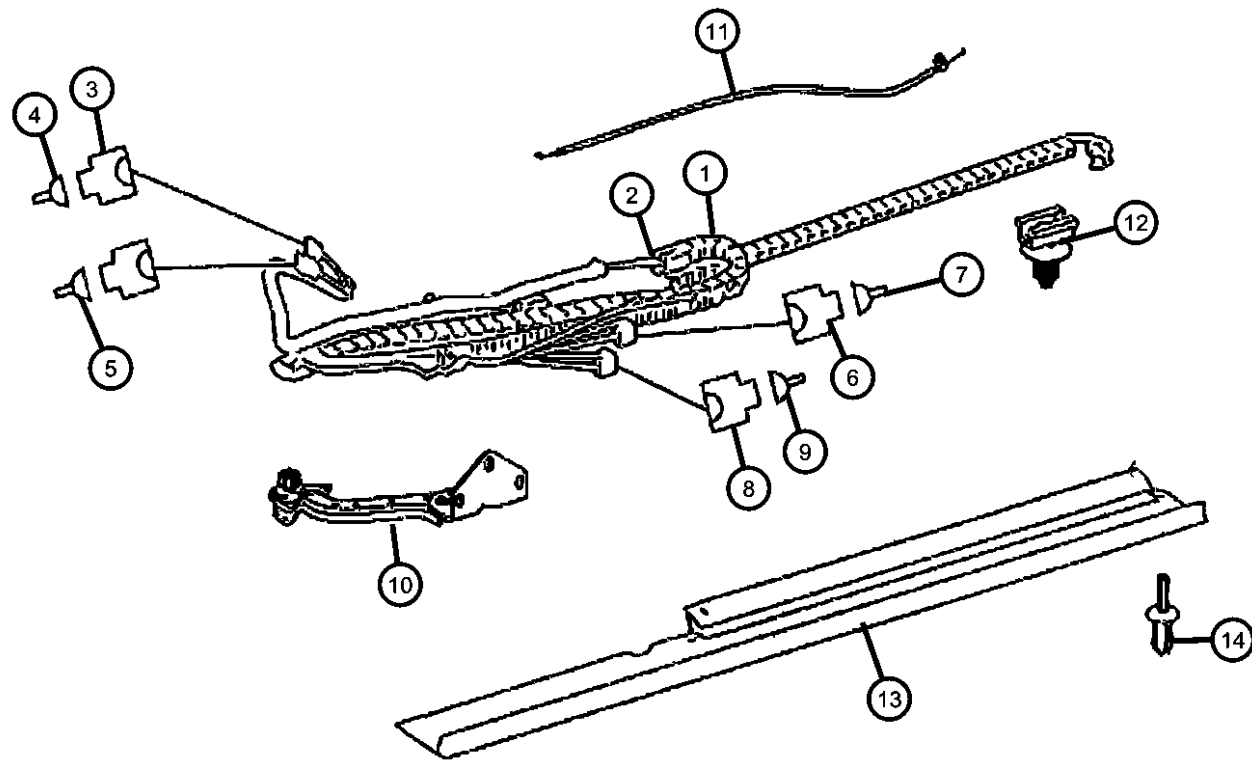
ITEM	PART NUMBER	QTY	LINE	SERIES	BODY	ENGINE	TRANS	TRIM	DESCRIPTION
1	68010123AA	1	2, 3, 6, 7	L	13, 15, 17, 53, 55				DOOR, Side Cargo Without Window, High Roof, Right
	68010124AA	1	2, 3, 6, 7	L	13, 15, 17, 53, 55				With Window, High Roof, Right
	68010125AA	1	2, 3, 6, 7	L	13, 15, 17, 53, 55				With Window, Right
	68010126AA	1	2, 3, 6, 7	L	13, 15, 17, 53, 55				Without Window, Right
	68017330AA	1	2, 3, 6, 7	L	13, 15, 17, 53, 55				Without Window, High Roof, Left
	68017331AA	1	2, 3, 6, 7	L	13, 15, 17, 53, 55				With Window, High Roof, Left
	68017332AA	1	2, 3, 6, 7	L	13, 15, 17, 53, 55				With Window, Left
	68017333AA	1	2, 3, 6, 7	L	13, 15, 17, 53, 55				Without Window, Left
2	68006360AA	5	2, 3, 6, 7	L	13, 15, 17, 53, 55				PLUG, Body
3	04862639AA	1	2, 3, 6, 7	L	13, 15, 17, 53, 55				WEATHERSTRIP, Cargo Door
4	68006518AA	1	2, 3, 6, 7	L	13, 15, 17, 53, 55				INSULATION
5	68010358AA	1	2, 3, 6, 7	L	13, 15, 17, 53, 55				INSULATION
6	68006519AA	1	2, 3, 6, 7	L	13, 15, 17, 53, 55				INSULATION
		1	3, 7	L	03, 05				
7	68014676AA	1	2, 3, 6, 7	L	13, 15, 17, 53, 55				WEATHERSTRIP, Cargo Door With High Roof, Left
	68014678AA	1	2, 3, 6, 7	L	13, 15, 17				With Low Roof, Left
	68014684AA	1	2, 3, 6, 7	L	13, 15, 17				With High Roof, Right
	68014687AA	1	2, 3, 6, 7	L	13, 15, 17, 53, 55				With Low Roof, Right
8	68014700AA	1	2, 3, 6, 7	L	13, 15, 17, 53, 55				WEATHERSTRIP, Cargo Door

SPRINTER (VB)

SERIES	LINE	BODY	ENGINE	TRANSMISSION
L = LOWLINE	3 = HD DODGE 2WD 6 = Lt. Duty DODGE 4WD 2 = Med. Duty DODGE 2WD 7 = Med. Duty DODGE 4WD	17 = VAN WHEEL BASE 7 55 = WAGON WHEEL BASE 5 15 = VAN WHEEL BASE 5 53 = 119 WB 13 = 119 WB 05 = CAB CHASSIS WHEEL BASE 5 03 = CAB CHASSIS WHEEL BASE 3	EG2 = 3.5L V6 Gas Engine EXM = 3.0L V6 Turbo Diesel Engine	DGZ = 5-Speed Auto W5A380 Transmission

AR = use ase required - = Non illustrated part

**Door Drive Mechanism  
Figure 30-310**



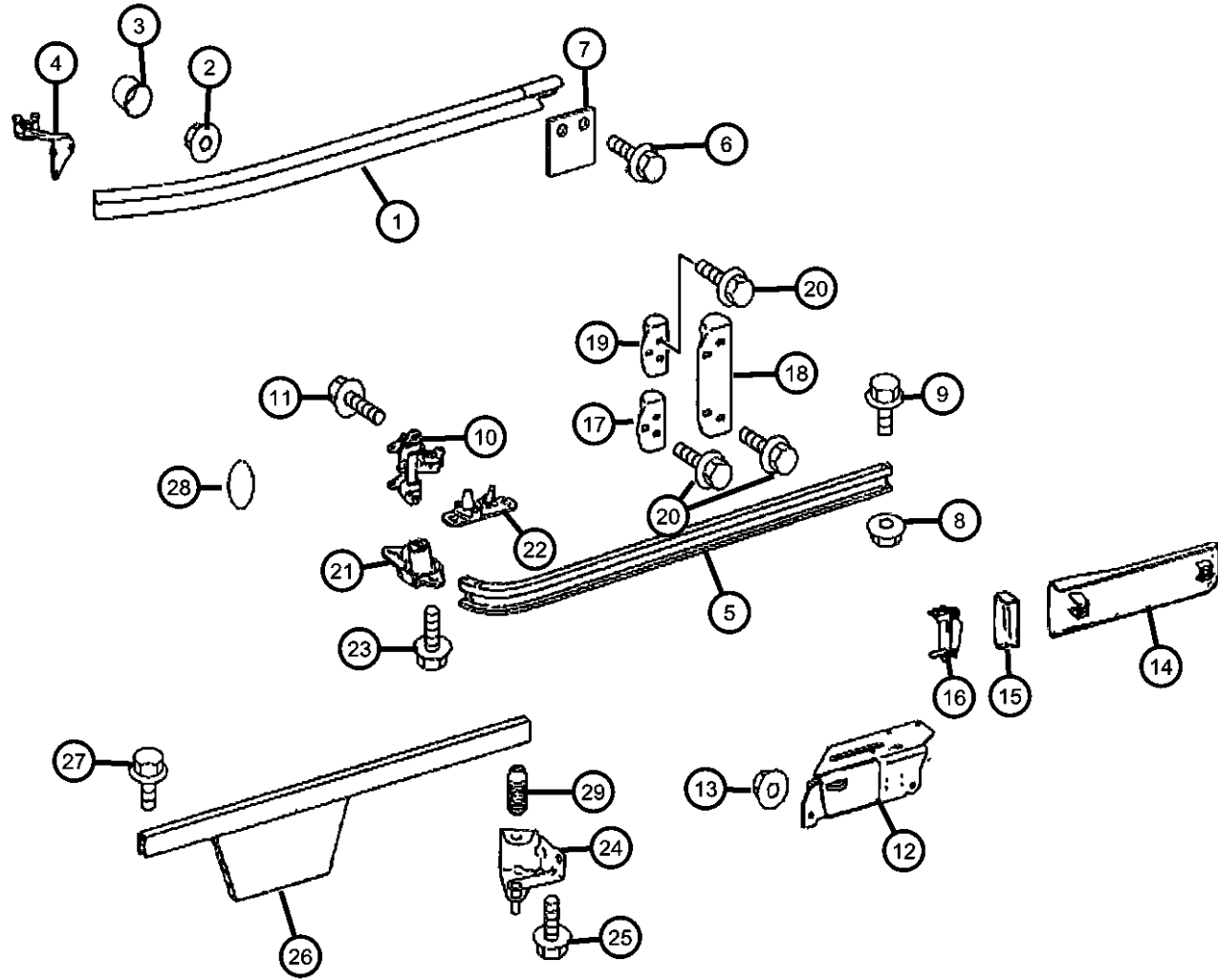
ITEM	PART NUMBER	QTY	LINE	SERIES	BODY	ENGINE	TRANS	TRIM	DESCRIPTION
1	68010307AA	1	2, 3, 6, 7	L	13, 15, 17, 53, 55				WIRE TRACK, Sliding Door Left
2	68010306AA	1	2, 3, 6, 7	L	13, 15, 17, 53, 55				WIRE TRACK, Sliding Door Right With [RC5]
	68010312AA	1	2, 3, 6, 7	L	13, 15, 17, 53, 55				With [GKA]
3	68011362AA	1	2, 3, 6, 7	L					CONNECTOR
4	68016714AA	1	2, 3, 6, 7	L					TERMINAL
5	05133990AA	99	3, 7	L	03, 05				TERMINAL, Male
		99	2, 3, 6, 7	L	13, 15, 17, 53, 55				
6	68011254AA	1	2, 3, 6, 7	L	13, 15, 17				CONNECTOR
		1	2, 3, 6, 7	L	03, 05, 53, 55				
7	05133945AA	AR	2, 3, 6, 7	L					TERMINAL
8	05120260AA	1	2, 3, 6, 7	L	13, 15, 17, 53, 55				INSULATOR, 6 Way
		1	3, 7	L	03, 05				
9	05103873AA	3	2, 3, 6, 7	L	13, 15, 17, 53, 55				TERMINAL
10	68017385AA	1	2, 3, 6, 7	L	13, 15, 17, 53, 55				SLIDER, Body HardwareLeft
11	68017384AA	1	2, 3, 6, 7	L	13, 15, 17, 53, 55				CABLELeft
12	68013413AA	1	2, 3, 6, 7	L	13, 15, 17, 53, 55				CLIP, Retainer
		1	3, 7	L	03, 05				
13	68017387AA	1	2, 3, 6, 7	L	13, 15, 17, 53, 55				FOIL, Insulator, Without [CWC],[XJW],[XJ1] or [GEX]
14	06104903AA	1	2, 3, 6, 7	L	13, 15, 17, 53, 55				RIVET

**SPRINTER (VB)**

SERIES	LINE	BODY	ENGINE	TRANSMISSION
L = LOWLINE	3 = HD DODGE 2WD 6 = Lt. Duty DODGE 4WD 2 = Med. Duty DODGE 2WD 7 = Med. Duty DODGE 4WD	17 = VAN WHEEL BASE 7 55 = WAGON WHEEL BASE 5 15 = VAN WHEEL BASE 5 53 = 119 WB 13 = 119 WB 05 = CAB CHASSIS WHEEL BASE 5 03 = CAB CHASSIS WHEEL BASE 3	EG2 = 3.5L V6 Gas Engine EXM = 3.0L V6 Turbo Diesel Engine	DGZ = 5-Speed Auto W5A380 Transmission

AR = use ase required - = Non illustrated part

**Sliding Door Rail & Suspension  
Figure 30-320**



ITEM	PART NUMBER	QTY	LINE	SERIES	BODY	ENGINE	TRANS	TRIM	DESCRIPTION
1	68010186AA	1	2, 3, 6, 7	L	13, 15, 17, 53, 55				RAIL, Slider Door Upper With [GXQ] Two Stage Sliding Door, Right
	68010187AA	1	2, 3, 6, 7	L	13, 15, 17, 53, 55				Upper With [GXQ] Two Stage Sliding Door, Left
	68010188AA	1	2, 3, 6, 7	L	13, 15, 17, 53, 55				Upper Without [GXQ] Two Stage Sliding Door, Right
	68010189AA	1	2, 3, 6, 7	L	13, 15, 17, 53, 55				Upper Without [GXQ] Two Stage Sliding Door, Left
2	68010192AA	8	2, 3, 6, 7	L	13, 15, 17, 53, 55				NUT
3	05126256AA	1	2, 3, 6, 7	L	15, 55				CAP
4	68010193AA	1	2, 3, 6, 7	L	13, 15, 17, 53, 55				SLIDER, Body Hardware Right
	68017366AA	1	2, 3, 6, 7	L	13, 15, 17, 53, 55				Left
5	68018802AA	1	2, 3, 6, 7	L	13, 15, 17, 53, 55				RAIL, Slider Door Right
	68018803AA	1	2, 3, 6, 7	L	13, 15, 17, 53, 55				Left
6	68010198AA	1	2, 3, 6, 7	L	13, 15, 17, 53, 55				SCREW
7	68018801AA	1	2, 3, 6, 7	L	13, 15, 17, 53, 55				PAD
8	68010192AA	8	2, 3, 6, 7	L	13, 15, 17, 53, 55				NUT
9	68010198AA	1	2, 3, 6, 7	L	13, 15, 17, 53, 55				SCREW
10	68010199AA	1	2, 3, 6, 7	L	13, 15, 17, 53, 55				SLIDER, Body Hardware With [GKA] Right Sliding Door, Right
	68017367AA	1	2, 3, 6, 7	L	13, 15, 17, 53, 55				With [GKE] Left Sliding Door, Left
11	06104153AA	3	2, 3, 6, 7	L	13, 15, 17, 53, 55				SCREW
12	68010210AA	1	2, 3, 6, 7	L	13, 15, 17, 53, 55				BRACKET Right
	68010211AA	1	2, 3, 6, 7	L	13, 15, 17, 53, 55				Left

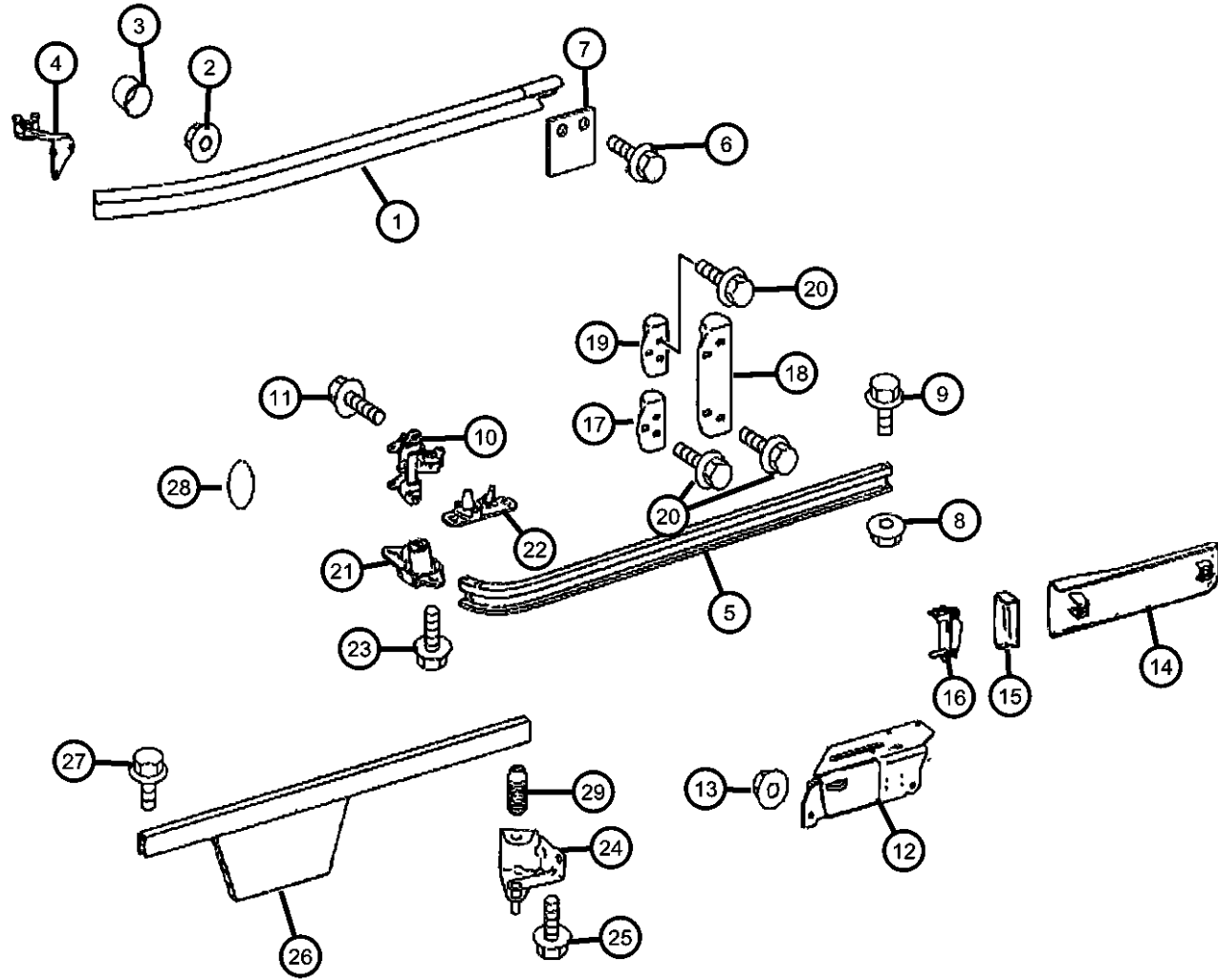
**SPRINTER (VB)**

SERIES	LINE	BODY	ENGINE	TRANSMISSION
L = LOWLINE	3 = HD DODGE 2WD 6 = Lt. Duty DODGE 4WD 2 = Med. Duty DODGE 2WD 7 = Med. Duty DODGE 4WD	17 = VAN WHEEL BASE 7 55 = WAGON WHEEL BASE 5 15 = VAN WHEEL BASE 5 53 = 119 WB 13 = 119 WB 05 = CAB CHASSIS WHEEL BASE 5 03 = CAB CHASSIS WHEEL BASE 3	EG2 = 3.5L V6 Gas Engine EXM = 3.0L V6 Turbo Diesel Engine	DGZ = 5-Speed Auto W5A380 Transmission

AR = use ase required - = Non illustrated part



**Sliding Door Rail & Suspension**  
Figure 30-320



ITEM	PART NUMBER	QTY	LINE	SERIES	BODY	ENGINE	TRANS	TRIM	DESCRIPTION
13	68004878AA	2	2, 3, 6, 7	L	13, 15, 17, 53, 55				NUT
		2	3, 7	L	03, 05				
14	68018806AA	2	2, 3, 6, 7	L	13, 53				COVER Right
	68018807AA	2	3, 7	L	13, 53				Left
		2	2, 6	L	13, 53				Left
15	68018808AA	1	2, 6	L	13, 15, 17, 53, 55				COVER Right
	68018809AA	1	2, 6	L	13, 15, 17, 53, 55				Left
16	68018810AA	1	2, 3, 6, 7	L	13, 15, 17, 53, 55				CAP Right
	68018811AA	1	2, 6	L	13, 15, 17, 53, 55				Left
17	68010203AA	1	2, 3, 6, 7	L	13, 15, 17, 53, 55				BUMPER, RubberRight & Left
18	68010204AA	1	2, 3, 6, 7	L	13, 15, 17, 53, 55				BUMPER, RubberRight & Left
19	68010202AA	1	2, 3, 6, 7	L	13, 15, 17, 53, 55				BUMPER, RubberRight & Left
20	06104153AA	3	2, 3, 6, 7	L	13, 15, 17, 53, 55				SCREW
21	68010205AA	2	2, 3, 6, 7	L	13, 15, 17, 53, 55				SLIDER, Body Hardware
22	68010206AA	2	2, 3, 6, 7	L	13, 15, 17, 53, 55				WEDGE, Sliding Door
23	06104142AA	2	2, 3, 6, 7	L	13, 15, 17, 53, 55				SCREW, Pan Head, M6x1.00x16.00
24	68010207AA	1	2, 3, 6, 7	L	13, 15, 17, 53, 55				BRACKETRight
25	06104152AA	2	2, 3, 6, 7	L	13, 15, 17, 53, 55				SCREW
26	68010209AA	1	2, 3, 6, 7	L	13, 15, 17, 53, 55				REINFORCEMENT Right
	68017369AA	1	2, 3, 6, 7	L	13, 15, 17, 53, 55				Left

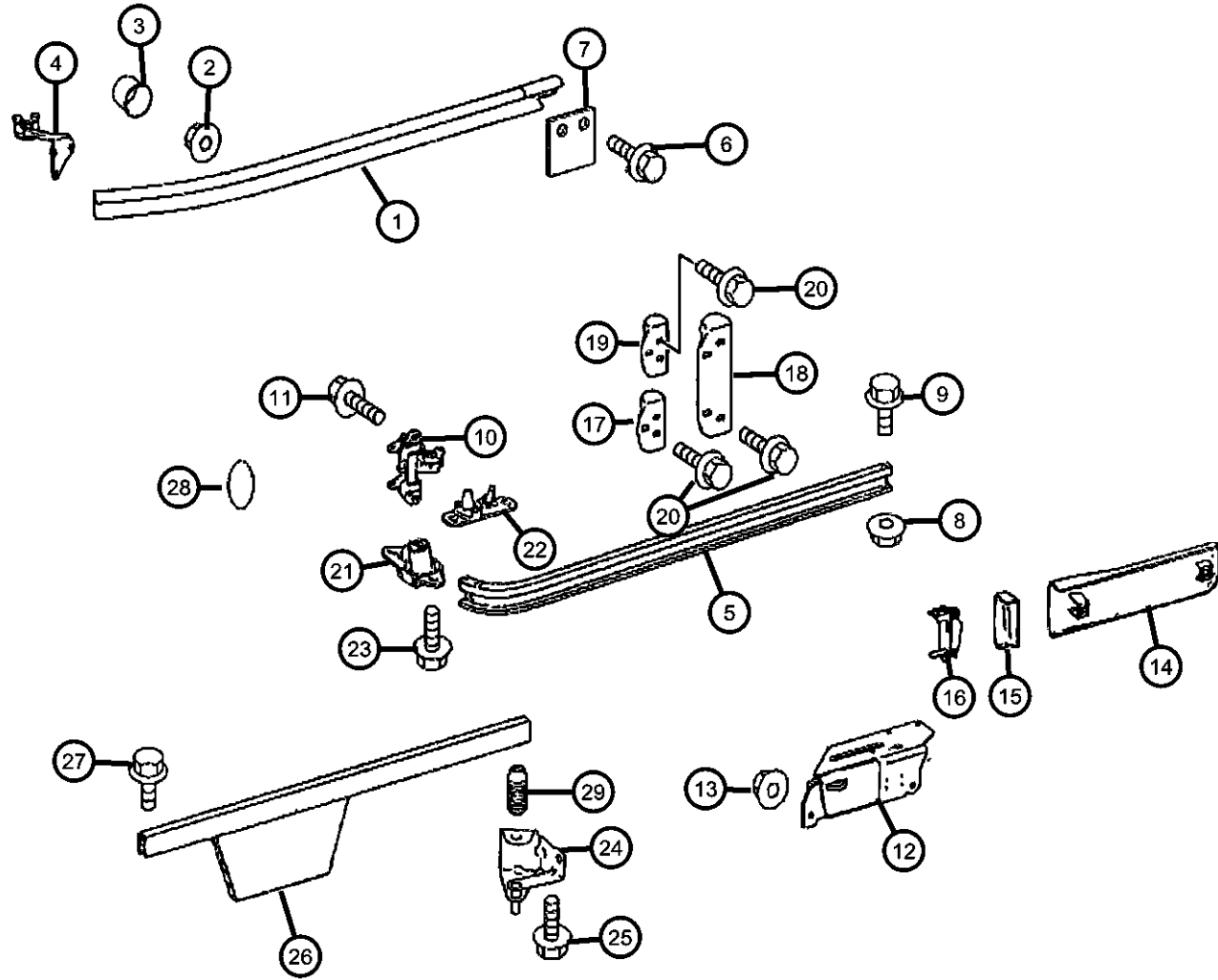
**SPRINTER (VB)**

SERIES	LINE	BODY	ENGINE	TRANSMISSION
L = LOWLINE	3 = HD DODGE 2WD 6 = Lt. Duty DODGE 4WD 2 = Med. Duty DODGE 2WD 7 = Med. Duty DODGE 4WD	17 = VAN WHEEL BASE 7 55 = WAGON WHEEL BASE 5 15 = VAN WHEEL BASE 5 53 = 119 WB 13 = 119 WB 05 = CAB CHASSIS WHEEL BASE 5 03 = CAB CHASSIS WHEEL BASE 3	EG2 = 3.5L V6 Gas Engine EXM = 3.0L V6 Turbo Diesel Engine	DGZ = 5-Speed Auto W5A380 Transmission

AR = use ase required - = Non illustrated part

2008 VB

**Sliding Door Rail & Suspension  
Figure 30-320**



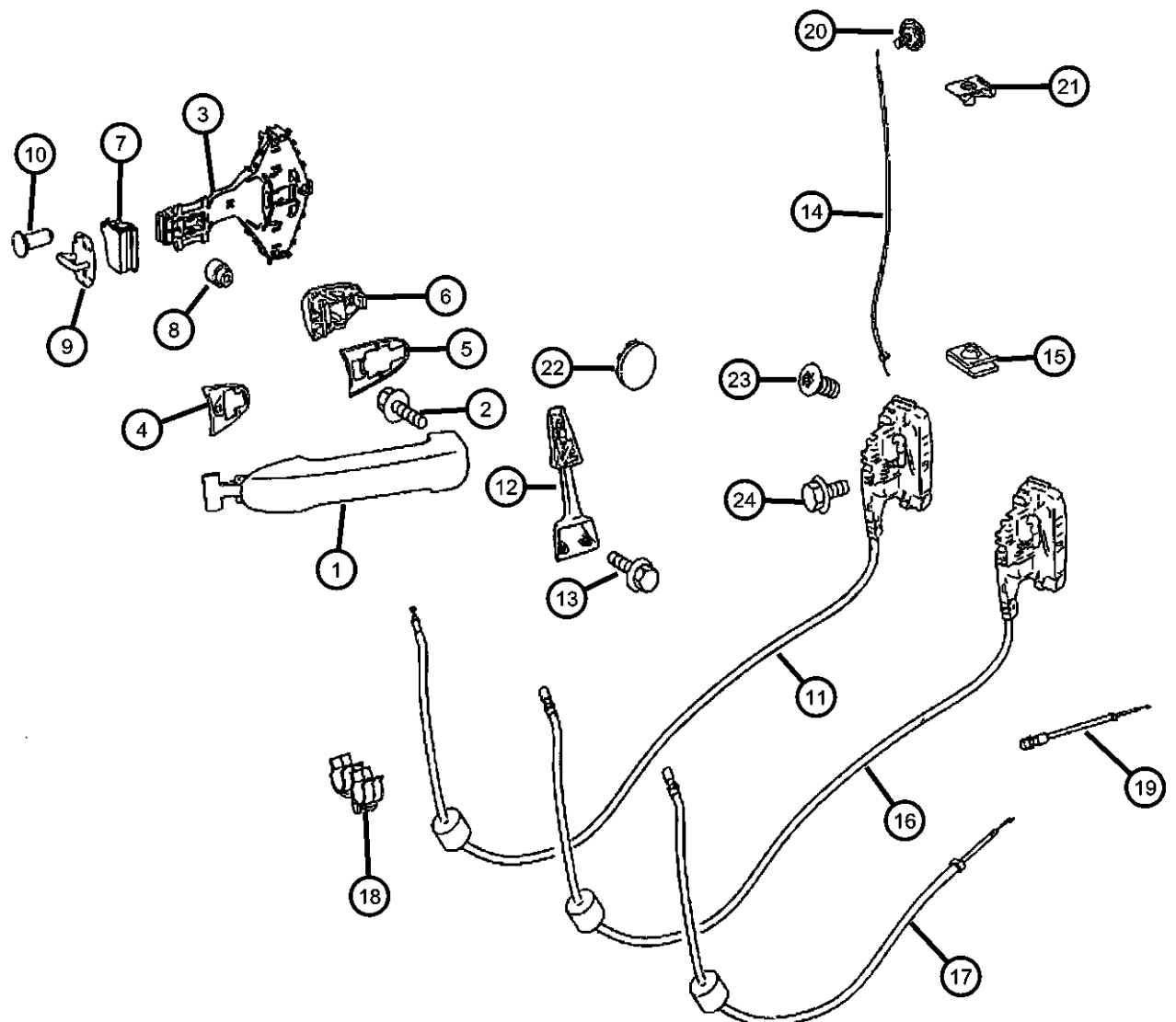
ITEM	PART NUMBER	QTY	LINE	SERIES	BODY	ENGINE	TRANS	TRIM	DESCRIPTION
27	06104129AA	3	3, 7	L	03, 05				SCREW
		3	2, 3, 6, 7	L	13, 15, 17, 53, 55				
28	05099253AA	1	3, 7	L	03, 05				FOIL, Insulator
		1	2, 3, 6, 7	L	13, 15, 17, 53, 55				
29	68010208AA	2	2, 3, 6, 7	L	13, 15, 17, 53, 55				BUMPER, Rubber

**SPRINTER (VB)**

SERIES	LINE	BODY	ENGINE	TRANSMISSION
L = LOWLINE	3 = HD DODGE 2WD 6 = Lt. Duty DODGE 4WD 2 = Med. Duty DODGE 2WD 7 = Med. Duty DODGE 4WD	17 = VAN WHEEL BASE 7 55 = WAGON WHEEL BASE 5 15 = VAN WHEEL BASE 5 53 = 119 WB 13 = 119 WB 05 = CAB CHASSIS WHEEL BASE 5 03 = CAB CHASSIS WHEEL BASE 3	EG2 = 3.5L V6 Gas Engine EXM = 3.0L V6 Turbo Diesel Engine	DGZ = 5-Speed Auto W5A380 Transmission

AR = use ase required - = Non illustrated part

**Sliding Door , Inside Handle & Locking System**  
**Figure 30-330**



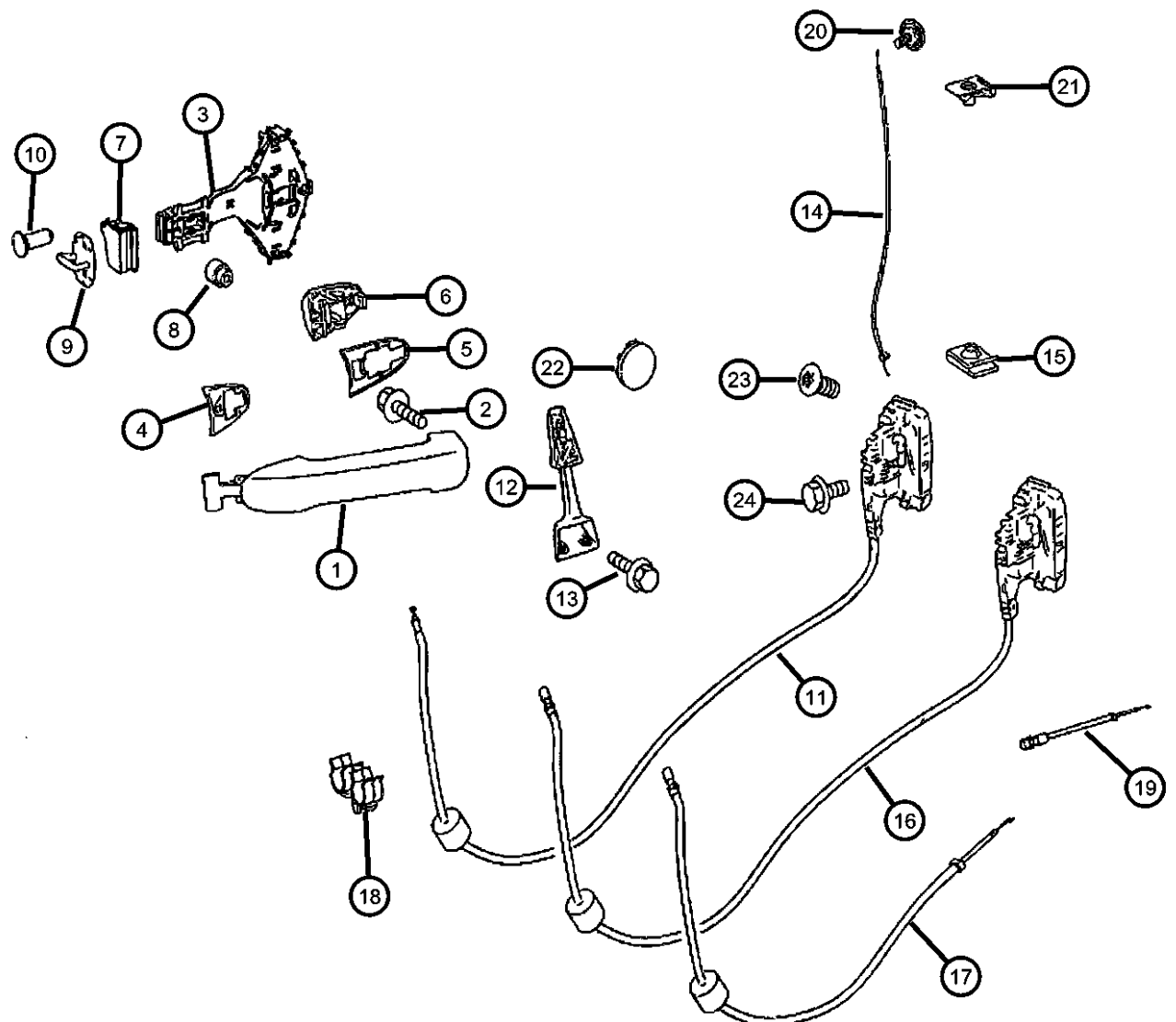
ITEM	PART NUMBER	QTY	LINE	SERIES	BODY	ENGINE	TRANS	TRIM	DESCRIPTION
1	68006564AA	1	2, 3, 6, 7	L	13, 15, 17, 53, 55				HANDLE, Front And Sliding DoorRight & Left
2	06104136AA	1	2, 3, 6, 7	L	13, 15, 17, 53, 55				SCREW
3									BRACKET, Door Handle
	68010226AA	1	2, 3, 6, 7	L	13, 15, 17, 53, 55				Right
	68010227AA	1	2, 3	L	13, 15, 17, 53, 55				Left
4	68010008AA	1	2, 3, 6, 7	L					PADFront, Right & Left
5	68010009AA	1	2, 3, 6, 7	L					PADRear, Right & Left
6	68010228AA	1	2, 3, 6, 7	L	13, 15, 17, 53, 55				CAP, Door Lock Cylinder
7									COVER
	68010230AA	1	2, 3, 6, 7	L	13, 15, 17, 53, 55				Right
	68010231AA	1	2, 3	L	13, 15, 17, 53, 55				Left
8	68010229AA	1	2, 3, 6, 7	L	13, 15, 17, 53, 55				BUSHING
9	68010232AA	1	2, 3, 6, 7	L	13, 15, 17, 53, 55				STRIKER, Door Latch
10	05103715AA	2	2, 3, 6, 7	L	13, 15, 17, 53, 55				SCREW
11									LOCK, Side Cargo Door
	68010224AA	1	2, 3, 6, 7	L	13, 15, 17, 53, 55				With High Roof / With [GKA], Right
	68010225AA	1	2, 3, 6, 7	L	13, 15, 17, 53, 55				With High Roof / With [GKE], Left
12									HANDLE, Sliding Door Assist
	68010233AA	1	2, 3, 6, 7	L	13, 15, 17, 53, 55				Left
	68017374AA	1	2, 3, 6, 7	L	13, 15, 17, 53, 55				Right
13	06104123AA	3	2, 3, 6, 7	L	13, 15, 17, 53, 55				SCREW
14									CABLE
	68010237AA	1	2, 3, 6, 7	L	13, 15, 17, 53, 55				Right
	68017375AA	1	2, 3, 6, 7	L	13, 15, 17, 53, 55				Left

**SPRINTER (VB)**

SERIES	LINE	BODY	ENGINE	TRANSMISSION
L = LOWLINE	3 = HD DODGE 2WD 6 = Lt. Duty DODGE 4WD 2 = Med. Duty DODGE 2WD 7 = Med. Duty DODGE 4WD	17 = VAN WHEEL BASE 7 55 = WAGON WHEEL BASE 5 15 = VAN WHEEL BASE 5 53 = 119 WB 13 = 119 WB 05 = CAB CHASSIS WHEEL BASE 5 03 = CAB CHASSIS WHEEL BASE 3	EG2 = 3.5L V6 Gas Engine EXM = 3.0L V6 Turbo Diesel Engine	DGZ = 5-Speed Auto W5A380 Transmission

AR = use ase required - = Non illustrated part

**Sliding Door , Inside Handle & Locking System**  
**Figure 30-330**



ITEM	PART NUMBER	QTY	LINE	SERIES	BODY	ENGINE	TRANS	TRIM	DESCRIPTION
15	68010238AA	2	2, 3, 6, 7	L	13, 15, 17, 53, 55				CLIP
16	68010239AA	1	2, 3, 6, 7	L	13, 15, 17, 53, 55				CABLE, Catch, Cable
17	68010240AA	1	2, 3, 6, 7	L	13, 15, 17, 53, 55				CABLE, Control Cable
18	68020509AA	1	2, 3, 6, 7	L	13, 15, 17, 53, 55				RETAINER
19	68010242AA	1	2, 3, 6, 7	L	13, 15, 17, 53, 55				KNOB AND LINK, Door Latch
20	68010246AA	1	2, 3, 6, 7	L	13, 15, 17, 53, 55				BRACKET
21	06104744AA	1	2, 3, 6, 7	L	13, 15, 17, 53, 55				NUT, Locking
22	1HQ50P01AA	1	2, 3, 6, 7	L					COVER White
	1HQ50XD-VAA	1	2, 3, 6, 7	L					Gray
23	05101576AA	3	2, 3, 6, 7	L	13, 15, 17, 53, 55				SCREW, M6x16
		3	3, 7	L	03, 05				
24	06104141AA	2	2, 3, 6, 7	L	13, 15, 17, 53, 55				SCREW M6x12
	68000329AA	1	2, 3, 6, 7	L	13, 15, 17, 53, 55				M5x25

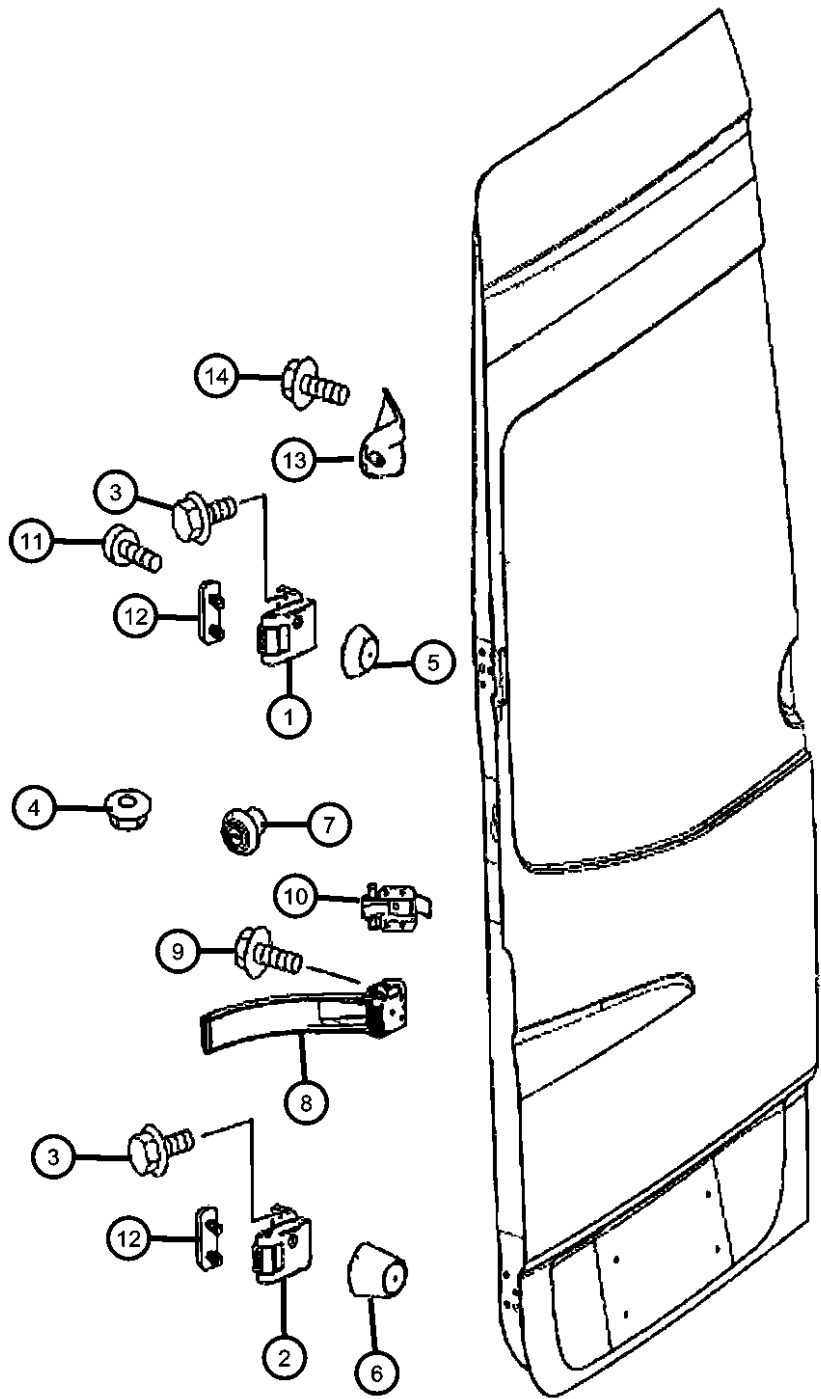
**SPRINTER (VB)**

SERIES	LINE	BODY	ENGINE	TRANSMISSION
L = LOWLINE	3 = HD DODGE 2WD 6 = Lt. Duty DODGE 4WD 2 = Med. Duty DODGE 2WD 7 = Med. Duty DODGE 4WD	17 = VAN WHEEL BASE 7 55 = WAGON WHEEL BASE 5 15 = VAN WHEEL BASE 5 53 = 119 WB 13 = 119 WB 05 = CAB CHASSIS WHEEL BASE 5 03 = CAB CHASSIS WHEEL BASE 3	EG2 = 3.5L V6 Gas Engine EXM = 3.0L V6 Turbo Diesel Engine	DGZ = 5-Speed Auto W5A380 Transmission

AR = use ase required - = Non illustrated part

**Dual Door, Hardware Components**  
**Figure 30-420**

ITEM	PART NUMBER	QTY	LINE	SERIES	BODY	ENGINE	TRANS	TRIM	DESCRIPTION
1	68006454AA	1	2, 3, 6, 7	L	13, 15, 17, 53, 55				HINGE, Rear Door With Sales Code [GLF], Top, Right
	68006562AA	1	2, 3, 6, 7	L	13, 15, 17, 53, 55				Without Sales Code [GLF], Top, Right
	68006452AA	1	2, 3, 6, 7	L	13, 15, 17, 53, 55				Without Sales Code [GLF], Top, Left
2	68006453AA	1	2, 3, 6, 7	L	13, 15, 17, 53, 55				HINGE, Rear Door Without Sales Code [GLF], Lower, Left
	68006456AA	1	7, 2, 3, 6	L	13, 15, 17, 53, 55				With Sales Code [GLF], Lower, Right
	68006563AA	1	2, 3, 6, 7	L	13, 15, 17, 53, 55				Without Sales Code [GLF], Lower, Right
3	06104155AA	12	2, 3, 6, 7	L	15, 17, 53, 55, 13				SCREW, Upper
4	06104726AB	1	2, 3, 6, 7	L	13, 15, 17, 53, 55				NUT AND WASHER, Hex, M8x1.25
5	68006458AA	2	2, 3, 6, 7	L	15, 17, 55				BRACKET, Without Rear Wiper
6	68006459AA	2	2, 3, 6, 7	L	17, 53, 55, 13, 15				BRACKET Without [GKG]
	68006460AA	1	2, 3, 6, 7	L	13, 53				With [GKG]
7	68006461AA	2	2, 3, 6, 7	L					BUMPER, Door, Magnet
8	68006463AA	1	2, 3, 6, 7	L	13, 15, 17, 53, 55				BRACKET, Cargo Door Hinge Right & Left
9	05104610AA	6	2, 3, 6, 7	L	13, 15, 17, 53, 55				SCREW, With [GLF]
10	68006464AA	1	2, 3, 6, 7	L	13, 15, 17, 53, 55				BRACKET, Cargo Door Hinge Pillar Right & Left
11	06104141AA	4	2, 3, 6, 7	L	13, 15, 17, 53, 55				SCREW
12	68006465AA	2	2, 3, 6, 7	L	13, 15, 17, 53, 55				STOPPER
13	68008799AA	2	2, 3, 6, 7	L	13, 15, 17, 53, 55				BRACKET
14	05073723AB	6	3, 7	L	03, 05				SCREW With [GLF]
		6	6, 7, 2, 3	L	13, 15, 17, 53, 55				With [GLF]



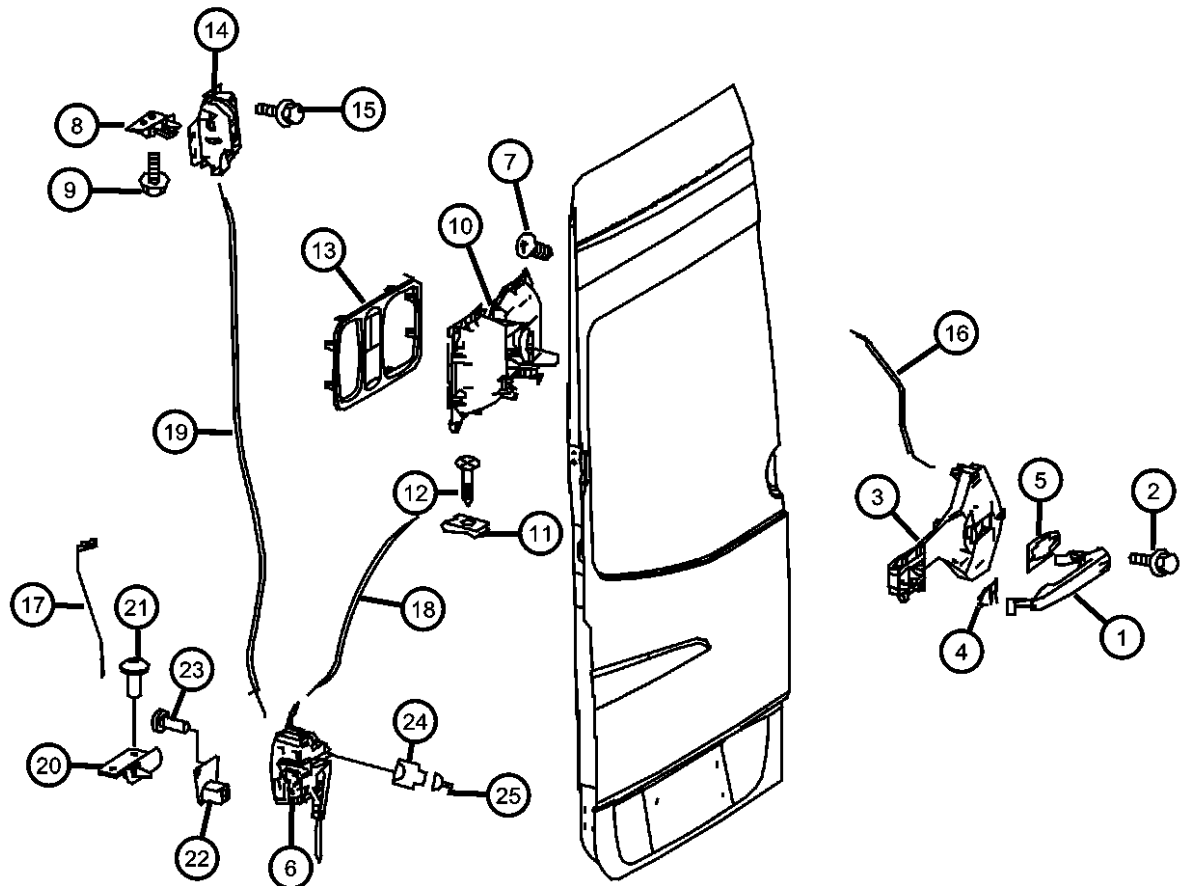
**SPRINTER (VB)**

<b>SERIES</b>	<b>LINE</b>	<b>BODY</b>	<b>ENGINE</b>	<b>TRANSMISSION</b>
L = LOWLINE	3 = HD DODGE 2WD 6 = Lt. Duty DODGE 4WD 2 = Med. Duty DODGE 2WD 7 = Med. Duty DODGE 4WD	17 = VAN WHEEL BASE 7 55 = WAGON WHEEL BASE 5 15 = VAN WHEEL BASE 5 53 = 119 WB 13 = 119 WB 05 = CAB CHASSIS WHEEL BASE 5 03 = CAB CHASSIS WHEEL BASE 3	EG2 = 3.5L V6 Gas Engine EXM = 3.0L V6 Turbo Diesel Engine	DGZ = 5-Speed Auto W5A380 Transmission

AR = use ase required - = Non illustrated part

2008 VB

**Dual Door,Hardware Components**  
**Figure 30-430**



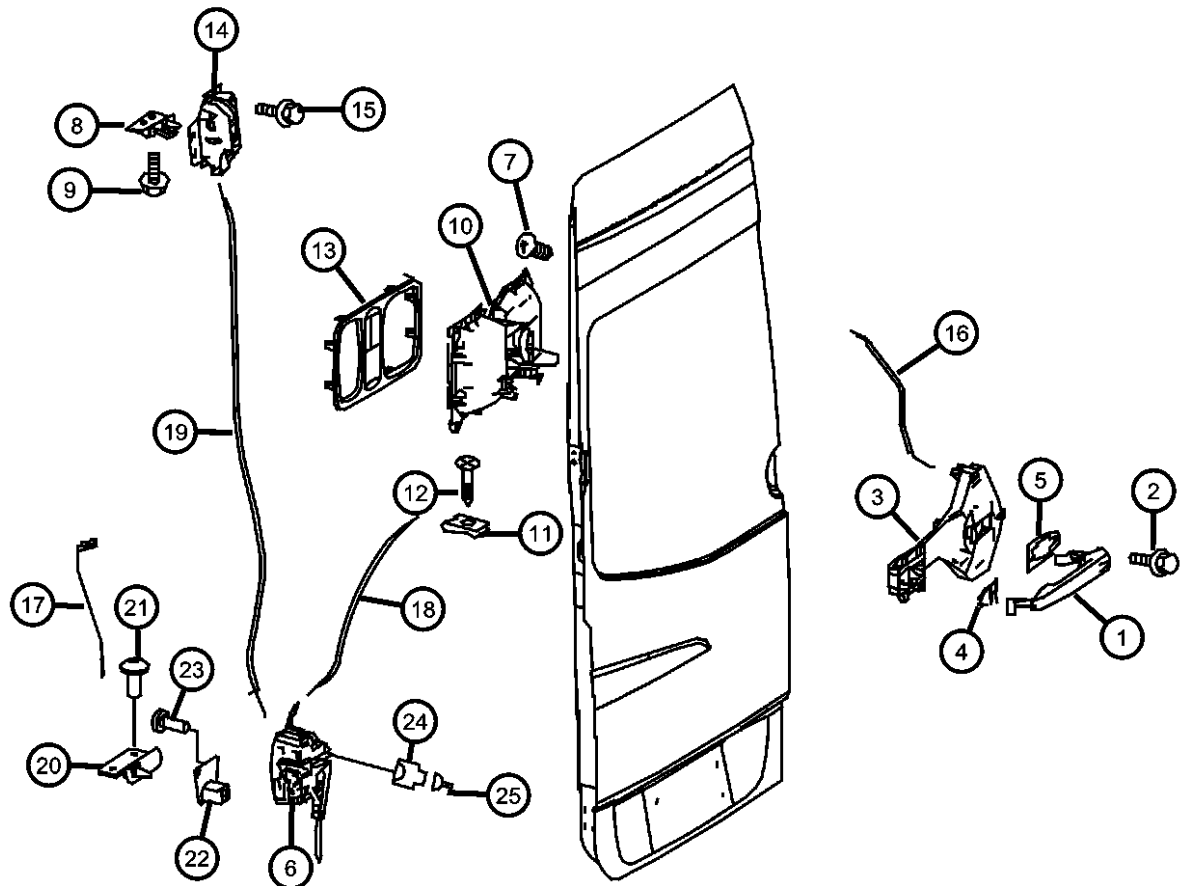
ITEM	PART NUMBER	QTY	LINE	SERIES	BODY	ENGINE	TRANS	TRIM	DESCRIPTION
1	68006564AA	1	2, 3, 6, 7	L	13, 15, 17, 53, 55				HANDLE, Front And Sliding Door
2	06104136AA	1	2, 3, 6, 7	L	13, 15, 17, 53, 55				SCREW
3	68006565AA	1	2, 3, 6, 7	L	13, 15, 17, 53, 55				BRACKET, Door Handle
4	68006566AA	1	2, 3, 6, 7	L	13, 15, 17, 53, 55				RETAINER
5	68006567AA	1	2, 3, 6, 7	L	13, 15, 17, 53, 55				RETAINER
6	68017888AA	1	2, 3, 6, 7	L	13, 15, 17, 53, 55				LATCH, Rear Door
7									SCREW, M6x16
	05101576AA	3	2, 3, 6, 7	L	13, 15, 17, 53, 55				
		3	3, 7	L	03, 05				
8	68006466AA	1	2, 3, 6, 7	L	13, 15, 17, 53, 55				STRIKER, Door
9									SCREW
	06104129AA	2	2, 3, 6, 7	L	13, 15, 17, 53, 55				
		2	3, 7	L	03, 05				
10									HANDLE, Inside Release
	1HE50XDVAA	1	2, 3, 6, 7	L	13, 15, 17, 53, 55				[A6]
		1	2, 3, 6, 7	L	13, 15, 17, 53, 55				[E7]
		1	2, 3, 6, 7	L	13, 15, 17, 53, 55				[F7]
11									NUT, Spring
	68006573AA	8	2, 3, 6, 7	L	13, 15, 17, 53, 55				
		14	3, 7	L	03, 05				
12									SCREW, Tapping
	06104566AA	8	2, 3, 6, 7	L	13, 15, 17, 53, 55				
		2	3, 7	L	03, 05				
13									COVER
	1HS08NCVAA	1	2, 3, 6, 7	L	13, 15, 17, 53, 55				[A6]

**SPRINTER (VB)**

SERIES	LINE	BODY	ENGINE	TRANSMISSION
L = LOWLINE	3 = HD DODGE 2WD 6 = Lt. Duty DODGE 4WD 2 = Med. Duty DODGE 2WD 7 = Med. Duty DODGE 4WD	17 = VAN WHEEL BASE 7 55 = WAGON WHEEL BASE 5 15 = VAN WHEEL BASE 5 53 = 119 WB 13 = 119 WB 05 = CAB CHASSIS WHEEL BASE 5 03 = CAB CHASSIS WHEEL BASE 3	EG2 = 3.5L V6 Gas Engine EXM = 3.0L V6 Turbo Diesel Engine	DGZ = 5-Speed Auto W5A380 Transmission

AR = use ase required - = Non illustrated part

**Dual Door,Hardware Components  
Figure 30-430**



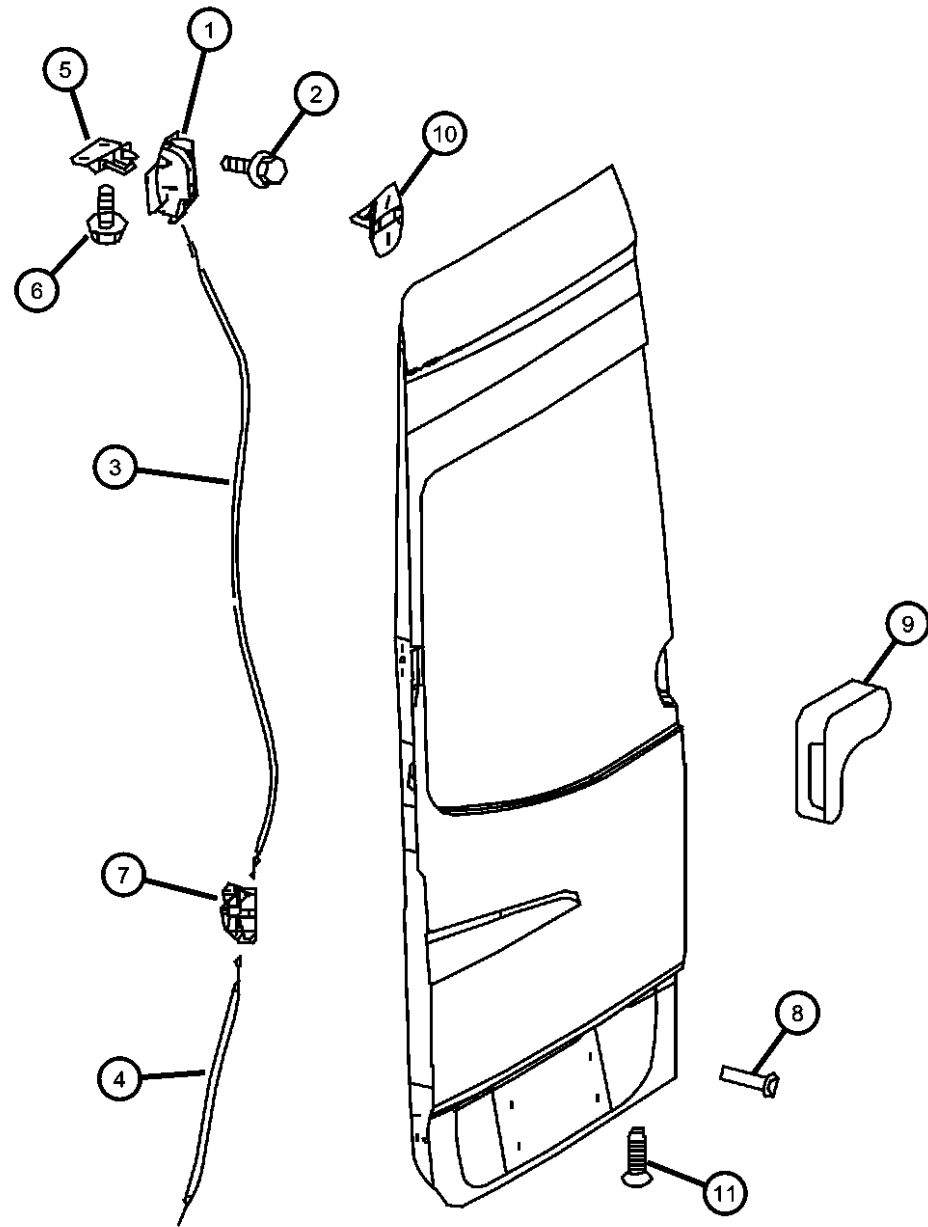
ITEM	PART NUMBER	QTY	LINE	SERIES	BODY	ENGINE	TRANS	TRIM	DESCRIPTION
		1	2, 3, 6, 7	L	13, 15, 17, 53, 55				[E7]
		1	2, 3, 6, 7	L	13, 15, 17, 53, 55				[F7]
14	68006470AA	1	2, 3, 6, 7	L	13, 15, 17, 53, 55				LOCK, Door
15	06104142AA	3	2, 3, 6, 7	L	13, 15, 17, 53, 55				SCREW, Pan Head, M6x1.00x16.00
16	68006575AA	1	2, 3, 6, 7	L	13, 15, 17, 53, 55				CABLE
17	68006576AA	1	2, 3, 6, 7	L	13, 15, 17, 53, 55				ROD, Lock
18	68006577AA	1	2, 3, 6, 7	L	13, 15, 17, 53, 55				ROD, Lock
19									CABLE
	68006578AA	1	2, 3, 6, 7	L	13, 15, 17, 53, 55				
	68006579AA	1	2, 3, 6, 7	L	13, 15, 17, 53, 55				High Roof
20	68006580AA	1	2, 3, 6, 7	L	13, 15, 17, 53, 55				GUIDE, Door Stabilizer
21									SCREW
	06104129AA	2	3, 7	L	03, 05				
		3	2, 3, 6, 7	L	13, 15, 17, 53, 55				
22	68006581AA	1	2, 3, 6, 7	L	13, 15, 17, 53, 55				GUIDE, Door Stabilizer
23	06104142AA	2	2, 3, 6, 7	L	13, 15, 17, 53, 55				SCREW, Pan Head, M6x1.00x16.00
24	68011434AA	1	2, 3, 6, 7	L					CONNECTOR
25	68013248AA	AR	2, 3, 6, 7	L					TERMINAL

**SPRINTER (VB)**

SERIES	LINE	BODY	ENGINE	TRANSMISSION
L = LOWLINE	3 = HD DODGE 2WD 6 = Lt. Duty DODGE 4WD 2 = Med. Duty DODGE 2WD 7 = Med. Duty DODGE 4WD	17 = VAN WHEEL BASE 7 55 = WAGON WHEEL BASE 5 15 = VAN WHEEL BASE 5 53 = 119 WB 13 = 119 WB 05 = CAB CHASSIS WHEEL BASE 5 03 = CAB CHASSIS WHEEL BASE 3	EG2 = 3.5L V6 Gas Engine EXM = 3.0L V6 Turbo Diesel Engine	DGZ = 5-Speed Auto W5A380 Transmission

AR = use ase required - = Non illustrated part

**Dual Door Hardware Components**  
**Figure 30-440**



ITEM	PART NUMBER	QTY	LINE	SERIES	BODY	ENGINE	TRANS	TRIM	DESCRIPTION
1	68006470AA	2	2, 3, 6, 7	L	13, 15, 17, 53, 55				LOCK, Door
2	06104142AA	2	2, 3, 6, 7	L	13, 15, 17, 53, 55				SCREW, Pan Head, M6x1.00x16.00
3									CABLE
	68006471AA	1	2, 3, 6, 7	L	13, 15, 17, 53, 55				Top Left, High Roof
	68006472AA	1	2, 3, 6, 7	L	13, 15, 17, 53, 55				Top Left
4	68006473AA	1	2, 3, 6, 7	L	13, 15, 17, 53, 55				CABLE, Bottom Left
5	68006466AA	2	2, 3, 6, 7	L	13, 15, 17, 53, 55				STRIKER, Door
6	06104129AA	4	2, 3, 6, 7	L	13, 15, 17, 53, 55				SCREW
7	68006467AA	1	2, 3, 6, 7	L	13, 15, 17, 53, 55				LATCH
8	06104661AA	2	2, 3, 6, 7	L	13, 15, 17, 53, 55				SCREW
9	1HG35NC-VAA	1	2, 3, 6, 7	L	13, 15, 17, 53, 55				HANDLE, Rear Door Exterior
10	68006469AA	1	2, 3, 6, 7	L					LATCH
11	05103715AA	2	2, 3, 6, 7	L	13, 15, 17, 53, 55				SCREW

**SPRINTER (VB)**

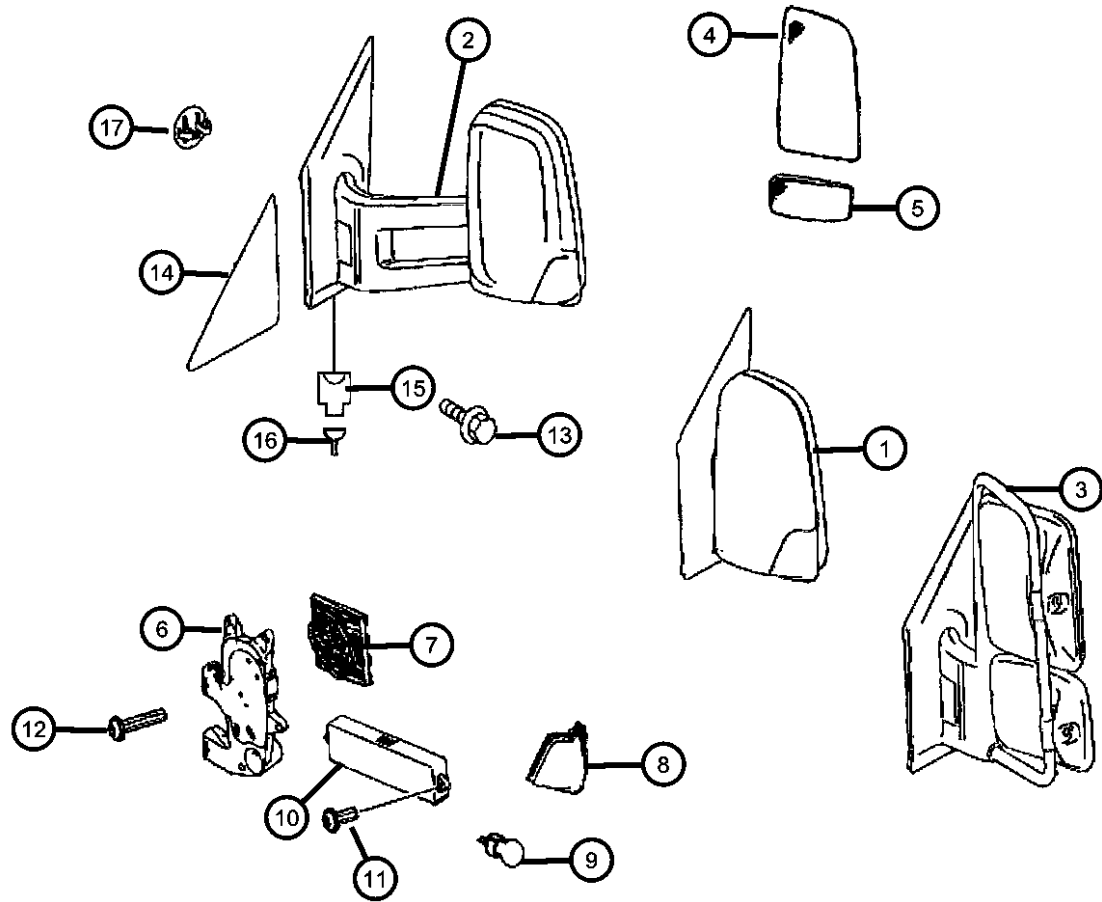
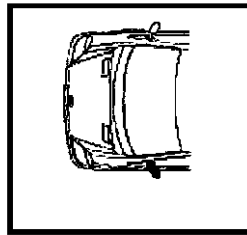
SERIES	LINE	BODY	ENGINE	TRANSMISSION
L = LOWLINE	3 = HD DODGE 2WD 6 = Lt. Duty DODGE 4WD 2 = Med. Duty DODGE 2WD 7 = Med. Duty DODGE 4WD	17 = VAN WHEEL BASE 7 55 = WAGON WHEEL BASE 5 15 = VAN WHEEL BASE 5 53 = 119 WB 13 = 119 WB 05 = CAB CHASSIS WHEEL BASE 5 03 = CAB CHASSIS WHEEL BASE 3	EG2 = 3.5L V6 Gas Engine EXM = 3.0L V6 Turbo Diesel Engine	DGZ = 5-Speed Auto W5A380 Transmission

AR = use ase required - = Non illustrated part

2008 VB



**Mirror, Exterior, Outside Rear View Mirror**  
**Figure 30-510**



ITEM	PART NUMBER	QTY	LINE	SERIES	BODY	ENGINE	TRANS	TRIM	DESCRIPTION
NOTES: Sales Codes: [GTB] = Power Heated Mirrors									
1									MIRROR, Outside Rearview
	68009980AA	1	2, 3, 6, 7	L					With [GTB] Without [XAG], Right
	68009981AA	1	2, 3, 6, 7	L					With [GTB] Without [XAG], Left
	68009988AA	1	2, 3, 6, 7	L	03, 05, 13, 15, 17				Without [GTB & XAG], Right
	68009989AA	1	2, 3, 6, 7	L	03, 05, 13, 15, 17				Without [GTB & XAG], Left
	68009982AA	1	2, 3, 6, 7	L	13, 15, 17, 53, 55				With [GTB & XAG], Right
	68009983AA	1	2, 3, 6, 7	L	13, 15, 17, 53, 55				With [GTB & XAG], Left
2									MIRROR, Outside Rearview
	68009974AA	1	3, 7	L	03, 05				With [XZE] Without [GTB], Right
	68009975AA	1	3, 7	L	03, 05				With [XZE] Without [GTB], Left
	68009976AA	1	3, 7	L	03, 05				With [XZE+GTB], Right
	68009977AA	1	3, 7	L	03, 05				With [XZE+GTB], Left
3									MIRROR, Outside Rearview
	68009978AA	1	3, 7	L	03, 05				With [GYA] / For United Parcel Service [UPS] / Brown In Color, Left
		1	2, 3, 6, 7	L	13, 15, 17				With [GYA] / For United Parcel Service [UPS] / Brown In Color, Left
	68009979AA	1	2, 3, 6, 7	L	03, 05, 13, 15, 17				With [GYB] / Black In Color, Left
	68009989AA	1	2, 3, 6, 7	L	03, 05, 13, 15, 17				With [GYB] / Black In Color, Right
	68010088AA	1	3, 7	L	03, 05				With [GYA] / For United Parcel Service [UPS] / Brown In Color, Right
		1	2, 3, 6, 7	L	13, 15, 17				With [GYA] / For United Parcel Service [UPS] / Brown In Color, Right
4									GLASS, Mirror Replacement
	68009992AA	1	2, 3, 6, 7	L	13, 15, 17				Without [XAG], Left, Upper
	68009993AA	1	2, 3, 6, 7	L	13, 15, 17, 53, 55				With [GTB + XAG], Left, Upper

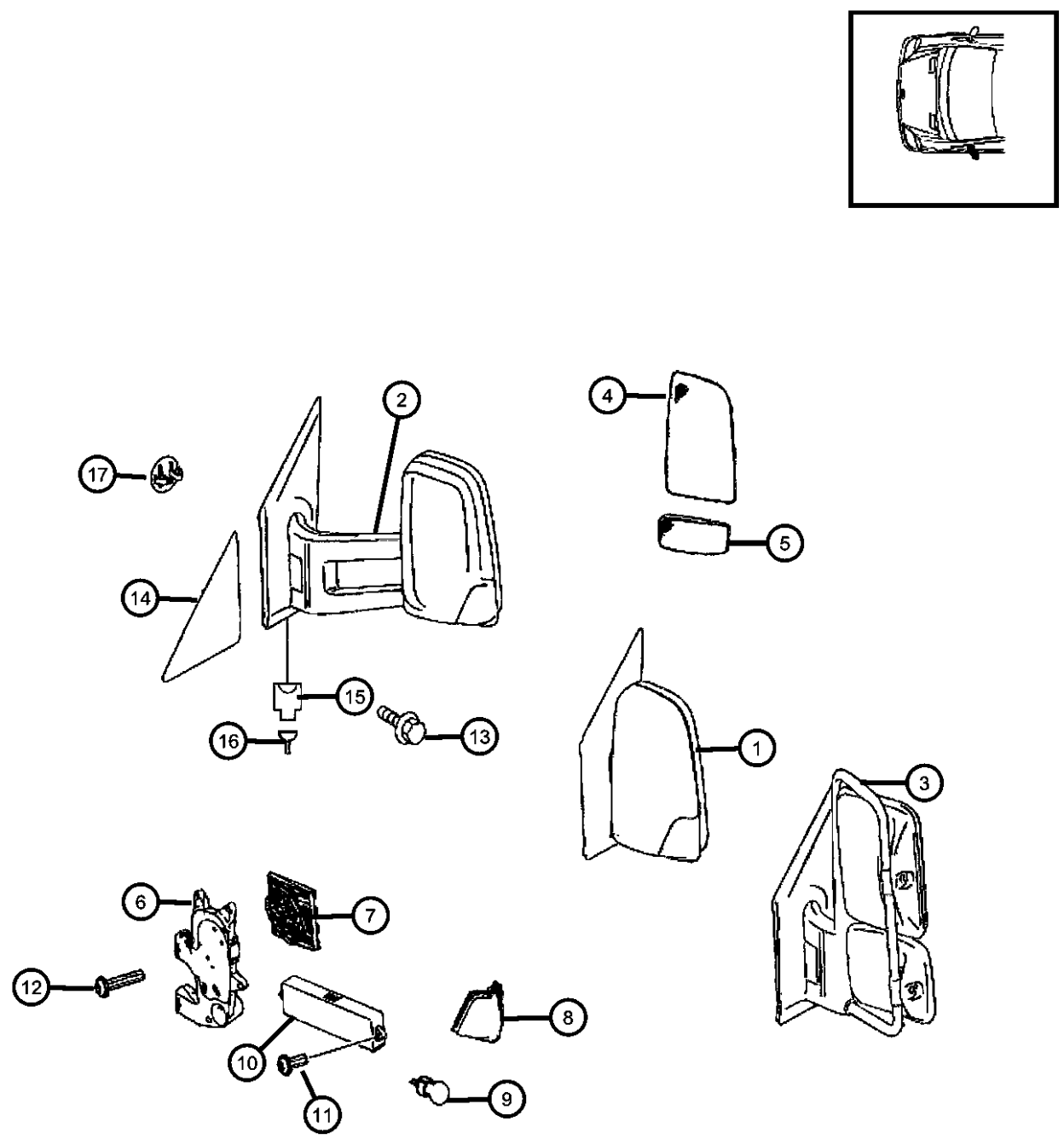
**SPRINTER (VB)**

SERIES	LINE	BODY	ENGINE	TRANSMISSION
L = LOWLINE	3 = HD DODGE 2WD 6 = Lt. Duty DODGE 4WD 2 = Med. Duty DODGE 2WD 7 = Med. Duty DODGE 4WD	17 = VAN WHEEL BASE 7 55 = WAGON WHEEL BASE 5 15 = VAN WHEEL BASE 5 53 = 119 WB 13 = 119 WB 05 = CAB CHASSIS WHEEL BASE 5 03 = CAB CHASSIS WHEEL BASE 3	EG2 = 3.5L V6 Gas Engine EXM = 3.0L V6 Turbo Diesel Engine	DGZ = 5-Speed Auto W5A380 Transmission

AR = use ase required - = Non illustrated part

Mirror, Exterior, Outside Rear View Mirror  
Figure 30-510

ITEM	PART NUMBER	QTY	LINE	SERIES	BODY	ENGINE	TRANS	TRIM	DESCRIPTION
	68010092AA	1	3, 7	L	03, 05				With [XZE] Without [GTB], Right, Upper
		1	2, 3, 6, 7	L	13, 15, 17				Without [XAG], Right, Upper
	68010118AA	1	2, 3, 6, 7	L	13, 15, 17, 53, 55				With [GTB + XAG], Right, Upper
		1	3, 7	L	03, 05				With [XZE] Without [GTB], Left, Upper
5									GLASS, Mirror Replacement
	68009995AA	1	2, 3, 6, 7	L					Without [GYA] & Without [GYB], Lower, Left
	68010093AA	1	2, 3, 6, 7	L					Without [GYA] & Without [GYB], Lower, Right
6									MOTOR, Mirror
	68009997AA	1	3, 7	L	03, 05				With [GTB], Right & Left
		1	2, 3, 6, 7	L	13, 15, 17, 53, 55				With [GTB], Right & Left
7	68009996AA	1	2, 3, 6, 7	L					ADJUSTER, Without [GTB] Manual Mirror
8									LAMP, Side Repeater
	68010001AA	1	2, 3, 6, 7	L					Left
	68010096AA	1	2, 3, 6, 7	L					Right
9	68010004AA	1	2, 3, 6, 7	L					SOCKET, Socket & Bulb
10									DISPLAY, Parking Assist
	68010003AA	1	2, 3, 6, 7	L	13, 15, 17, 53, 55				With [GTB & XAG], Left
	68010120AA	1	2, 3, 6, 7	L	13, 15, 17, 53, 55				With [GTB & XAG], Right
11	06104625AA	2	2, 3, 6, 7	L	13, 15, 17, 53, 55				SCREW
12	06104629AA	4	2, 3, 6, 7	L	13, 15, 17, 53, 55				SCREW, Mirror Motor Mounting
13									SCREW, Hex Flange Head
	06104121AA	2	2, 3, 6, 7	L	13, 15, 17, 53, 55				Mirror Assembly To Door [M6x16]
		2	3, 7	L	03, 05				Mirror Assembly To Door [M6x16]
14									COVER, Mirror Flag
	68009990AA	1	2, 3, 6, 7	L					Left
	68010090AA	1	2, 3, 6, 7	L					Right

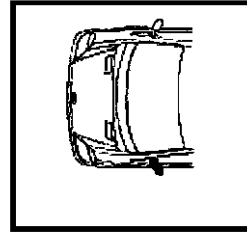


**SPRINTER (VB)**

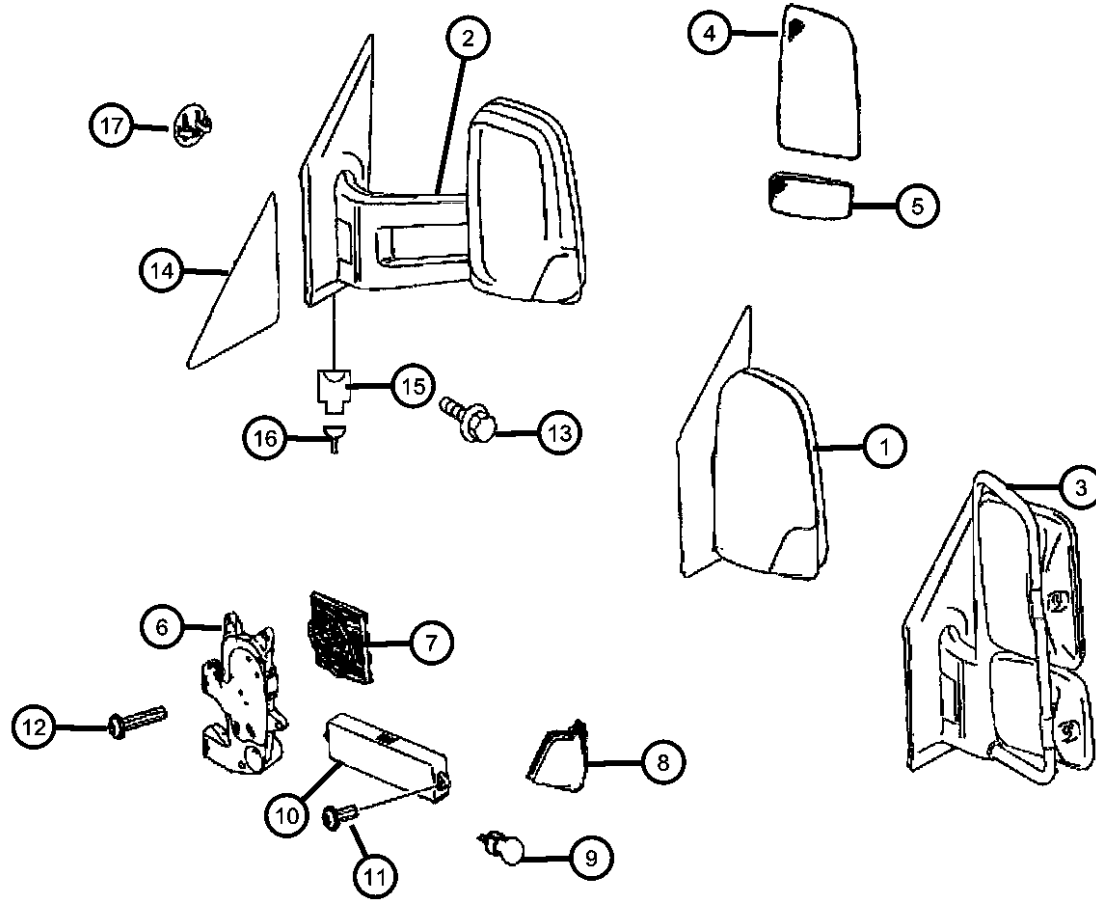
SERIES	LINE	BODY	ENGINE	TRANSMISSION
L = LOWLINE	3 = HD DODGE 2WD 6 = Lt. Duty DODGE 4WD 2 = Med. Duty DODGE 2WD 7 = Med. Duty DODGE 4WD	17 = VAN WHEEL BASE 7 55 = WAGON WHEEL BASE 5 15 = VAN WHEEL BASE 5 53 = 119 WB 13 = 119 WB 05 = CAB CHASSIS WHEEL BASE 5 03 = CAB CHASSIS WHEEL BASE 3	EG2 = 3.5L V6 Gas Engine EXM = 3.0L V6 Turbo Diesel Engine	DGZ = 5-Speed Auto W5A380 Transmission

AR = use ase required - = Non illustrated part

Mirror, Exterior, Outside Rear View Mirror  
Figure 30-510



ITEM	PART NUMBER	QTY	LINE	SERIES	BODY	ENGINE	TRANS	TRIM	DESCRIPTION
15	05120260AA	1	2, 3, 6, 7	L	13, 15, 17, 53, 55				INSULATOR, 6 Way [6 Pin / M21/6]
		1	3, 7	L	03, 05				[6 Pin / M21/6]
16	05103873AA	3	3, 7	L	03, 05				TERMINAL [.75 MM2 MQS;M21/6]
		3	2, 3, 6, 7	L	13, 15, 17, 53, 55				[.75 MM2 MQS;M21/6]
17	05125552AA	1	3, 7	L	03, 05				PLUG, Body Screw Cover
		1	2, 3, 6, 7	L	13, 15, 17, 53, 55				Screw Cover



SPRINTER (VB)

SERIES	LINE	BODY	ENGINE	TRANSMISSION
L = LOWLINE	3 = HD DODGE 2WD 6 = Lt. Duty DODGE 4WD 2 = Med. Duty DODGE 2WD 7 = Med. Duty DODGE 4WD	17 = VAN WHEEL BASE 7 55 = WAGON WHEEL BASE 5 15 = VAN WHEEL BASE 5 53 = 119 WB 13 = 119 WB 05 = CAB CHASSIS WHEEL BASE 5 03 = CAB CHASSIS WHEEL BASE 3	EG2 = 3.5L V6 Gas Engine EXM = 3.0L V6 Turbo Diesel Engine	DGZ = 5-Speed Auto W5A380 Transmission

AR = use ase required - = Non illustrated part

2008 VB

# Group - 40

## Exterior Ornamentation

### Group - 40 Exterior Ornamentation

Illustration Title

Group-Fig. No.

#### Moldings and Ornamentation

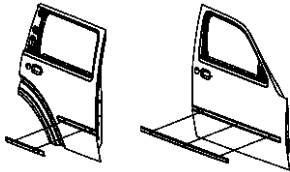
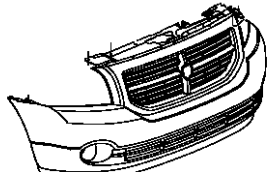
Exterior Ornamentation Moldings .....Fig. 40 - 205

Exterior Ornamentation Moldings .....Fig. 40 - 210

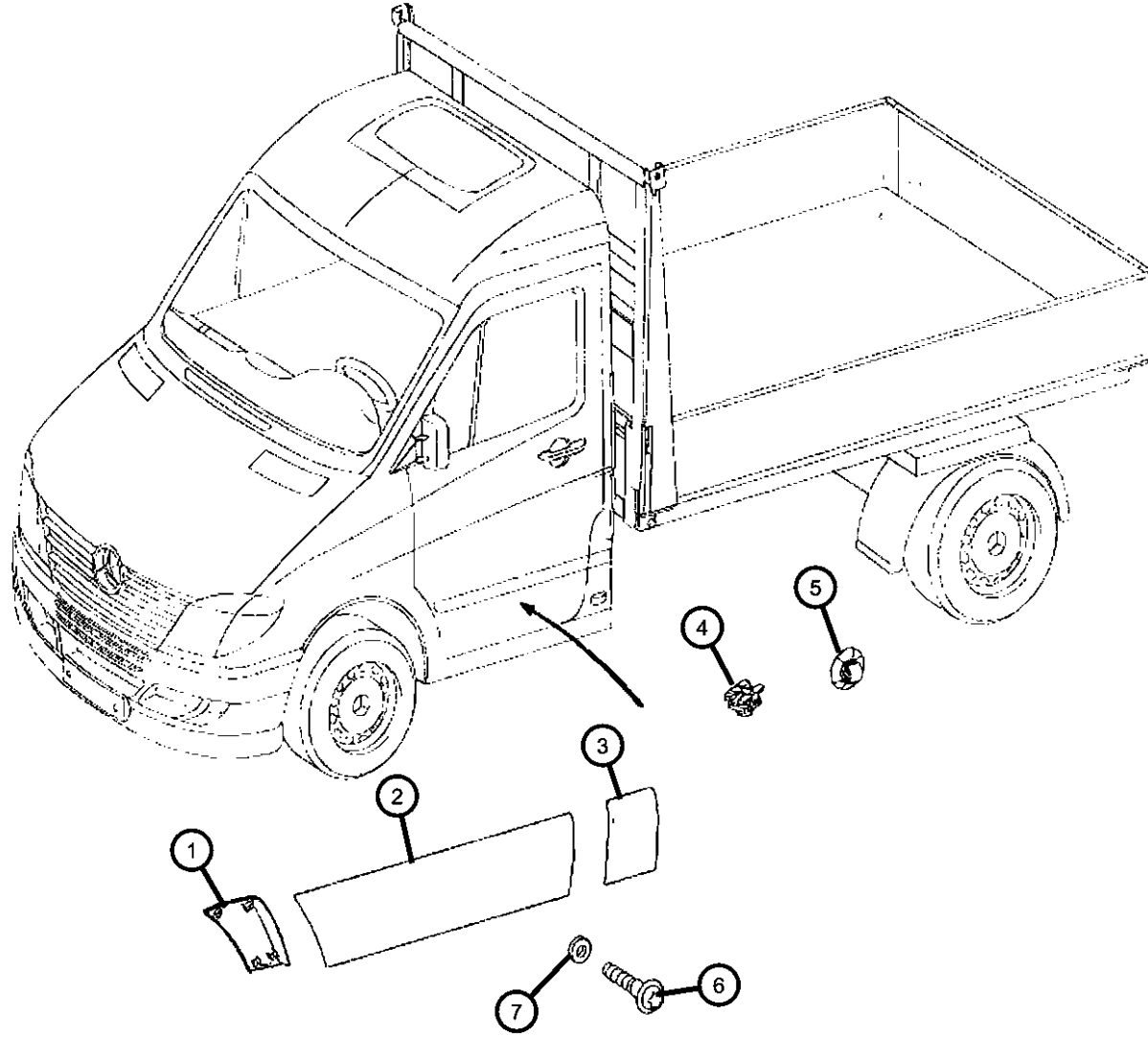
Exterior Ornamentation Splash Guards .....Fig. 40 - 220

#### Grilles

Grilles .....Fig. 40 - 405

<p><b>040-200</b> Moldings and Ornamentation</p> 	<p><b>040-400</b> Grilles</p> 		
---	---	--	--

**Exterior Ornamentation Moldings  
Figure 40-205**



ITEM	PART NUMBER	QTY	LINE	SERIES	BODY	ENGINE	TRANS	TRIM	DESCRIPTION
1	1HB77P01AA	1	2, 3, 6, 7	L					MOLDING, Fender Right
	1JD64P01AA	1	2, 3, 6, 7	L					Left
2	1HB75P01AA	1	2, 3, 6, 7	L					MOLDING, Front Door Left
	1HB76P01AA	1	2, 3, 6, 7	L					Right
3	1HE95P01AA	1	3, 7	L	03, 05				MOLDING, Cab Left
	1HE96P01AA	1	3, 7	L	03, 05				Right
4	68014789AA	AR	3, 7	L	03, 05				CLIP, Molding
5	68014794AA	AR	3, 7	L	03, 05				CLIP, Molding
6	06104633AA	2	3, 7	L	03, 05				SCREW
7	68010043AA	2	2, 3, 6, 7	L					WASHER

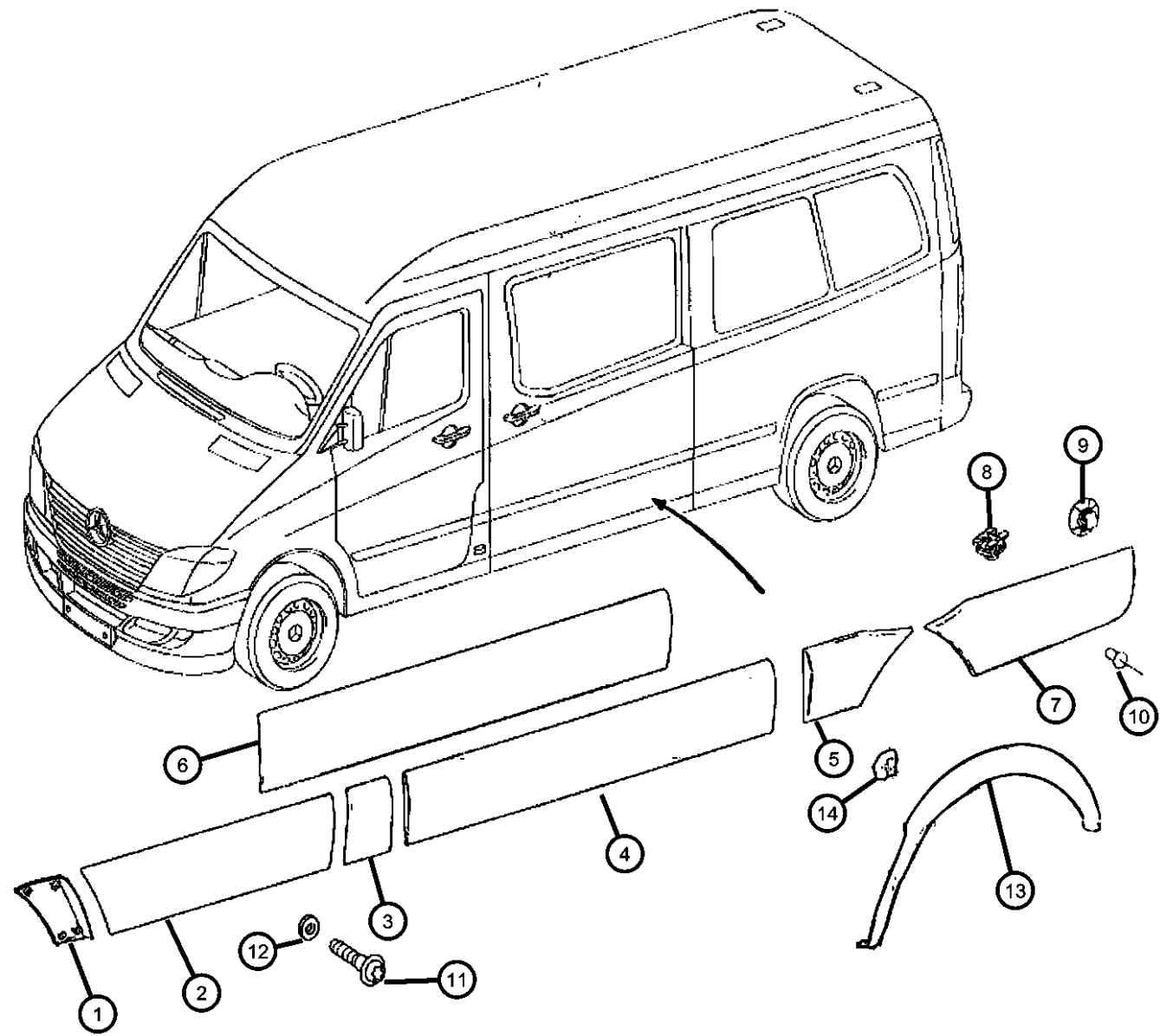
**SPRINTER (VB)**

SERIES	LINE	BODY	ENGINE	TRANSMISSION
L = LOWLINE	3 = HD DODGE 2WD 6 = Lt. Duty DODGE 4WD 2 = Med. Duty DODGE 2WD 7 = Med. Duty DODGE 4WD	17 = VAN WHEEL BASE 7 55 = WAGON WHEEL BASE 5 15 = VAN WHEEL BASE 5 53 = 119 WB 13 = 119 WB 05 = CAB CHASSIS WHEEL BASE 5 03 = CAB CHASSIS WHEEL BASE 3	EG2 = 3.5L V6 Gas Engine EXM = 3.0L V6 Turbo Diesel Engine	DGZ = 5-Speed Auto W5A380 Transmission

AR = use ase required - = Non illustrated part

Exterior Ornamentation Moldings  
Figure 40-210

ITEM	PART NUMBER	QTY	LINE	SERIES	BODY	ENGINE	TRANS	TRIM	DESCRIPTION
1	1HB77P01AA	1	2, 3, 6, 7	L					MOLDING, Fender White, Right
	1HB77XDVAA	1	2, 3, 6, 7	L					Gray, Right
	1JD64P01AA	1	2, 3, 6, 7	L					White, Left
	1JD64XDVAA	1	2, 3, 6, 7	L					Gray, Left
2	1HB75P01AA	1	2, 3, 6, 7	L					MOLDING, Front Door White, Left
	1HB75XDVAA	1	2, 3, 6, 7	L					Gray, Left
	1HB76P01AA	1	2, 3, 6, 7	L					White, Right
	1HB76XDVAA	1	2, 3, 6, 7	L					Gray, Right
3	1HB78P01AA	1	2, 3, 6, 7	L	13, 15, 17, 53, 55				MOLDING, B-Pillar White, Left
	1HB78XDVAA	1	2, 3, 6, 7	L	13, 15, 17, 53, 55				Gray, Left
	1HB79P01AA	1	2, 3, 6, 7	L	13, 15, 17, 53, 55				White, Right
	1HB79XDVAA	1	2, 3, 6, 7	L	13, 15, 17, 53, 55				Gray, Right
4	1HB80P01AA	1	2, 3, 6, 7	L	13, 15, 17, 53, 55				MOLDING, Sliding Door White, Left
	1HB80XDVAA	1	2, 3, 6, 7	L	13, 15, 17, 53, 55				Gray, Left
5	1HB81P01AA	1	2, 3, 6, 7	L	15, 17, 55				MOLDING, Body Side White, Left
	1HB81XDVAA	1	2, 3, 6, 7	L	15, 17, 55				Gray, Left
	1HB82P01AA	1	2, 3, 6, 7	L	15, 17, 55				White, Right
	1HB82XDVAA	1	2, 3, 6, 7	L	15, 17, 55				Gray, Right
	1HB83P01AA	1	2, 3, 6, 7	L	13, 53				White, Left
	1HB83XDVAA	1	2, 3, 6, 7	L	13, 53				Gray, Left
	1HB84P01AA	1	2, 3, 6, 7	L	13, 53				White, Right
	1HB84XDVAA	1	2, 3, 6, 7	L	13, 53				Gray, Right
6	1HB80P01AA	1	2, 3, 6, 7	L	13, 15, 17, 53, 55				MOLDING, Sliding Door White, Left

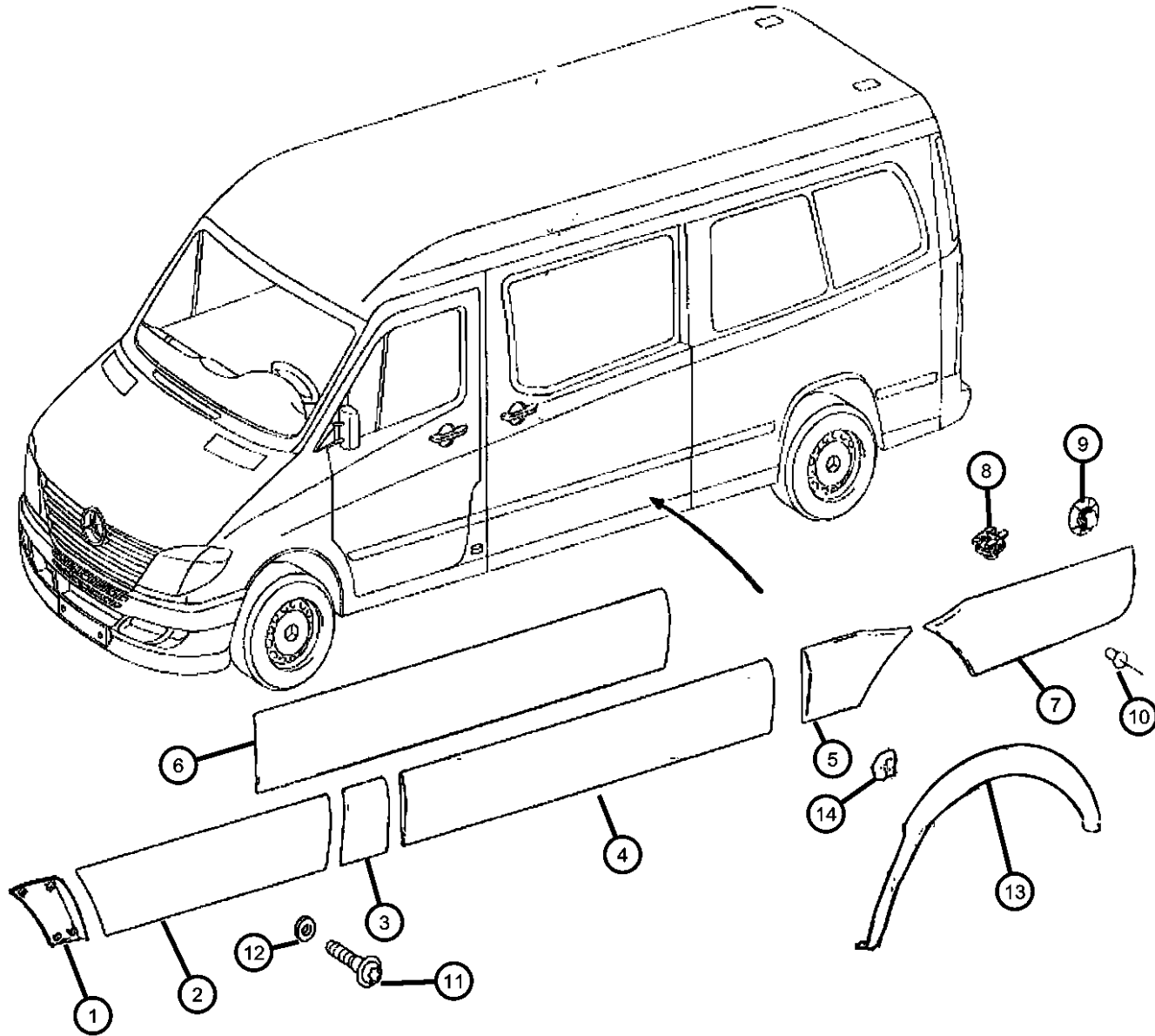


SPRINTER (VB)

SERIES	LINE	BODY	ENGINE	TRANSMISSION
L = LOWLINE	3 = HD DODGE 2WD 6 = Lt. Duty DODGE 4WD 2 = Med. Duty DODGE 2WD 7 = Med. Duty DODGE 4WD	17 = VAN WHEEL BASE 7 55 = WAGON WHEEL BASE 5 15 = VAN WHEEL BASE 5 53 = 119 WB 13 = 119 WB 05 = CAB CHASSIS WHEEL BASE 5 03 = CAB CHASSIS WHEEL BASE 3	EG2 = 3.5L V6 Gas Engine EXM = 3.0L V6 Turbo Diesel Engine	DGZ = 5-Speed Auto W5A380 Transmission

AR = use ase required - = Non illustrated part

**Exterior Ornamentation Moldings  
Figure 40-210**



ITEM	PART NUMBER	QTY	LINE	SERIES	BODY	ENGINE	TRANS	TRIM	DESCRIPTION
7	1HB80XDVAA	1	2, 3, 6, 7	L	13, 15, 17, 53, 55				Gray, Left
									MOLDING, Body Side
	1HB85P01AA	1	2, 3, 6, 7	L	13, 53				White, Left
	1HB85XDVAA	1	2, 3, 6, 7	L	13, 53				Gray, Left
	1HB86P01AA	1	2, 3, 6, 7	L	13, 53				White, Right
	1HB86XDVAA	1	2, 3, 6, 7	L	13, 53				Gray, Right
	1HB87P01AA	1	2, 3, 6, 7	L	15, 55				White, Left
	1HB87XDVAA	1	2, 3, 6, 7	L	15, 55				Gray, Left
	1HB88P01AA	1	2, 3, 6, 7	L	15, 55				White, Right
	1HB88XDVAA	1	2, 3, 6, 7	L	15, 55				Gray, Right
	1HB89P01AA	1	2, 3, 6, 7	L	17				White, Left
	1HB89XDVAA	1	2, 3, 6, 7	L	17				Gray, Left
	1HB90P01AA	1	2, 3, 6, 7	L	17				White, Right
	1HB90XDVAA	1	2, 3, 6, 7	L	17				Gray, Right
8	68014789AA	AR	3, 7	L	03, 05				CLIP, Molding
		AR	2, 3, 6, 7	L	13, 15, 17, 53, 55				
9	68014794AA	AR	3, 7	L	03, 05				CLIP, Molding
		AR	2, 3, 6, 7	L	13, 15, 17, 53, 55				
10	1AR96DX9AA	3	3, 7	L	03, 05				RIVET, Plastic
		3	2, 3, 6, 7	L	13, 15, 17, 53, 55				
11	06104633AA	1	2, 3, 6, 7	L					SCREW
12	68010043AA	2	2, 3, 6, 7	L					WASHER
13	1HE92XDVAA	1	2, 3, 6, 7	L	13, 15, 17, 53, 55				MOLDING, Wheel Opening Flare Right

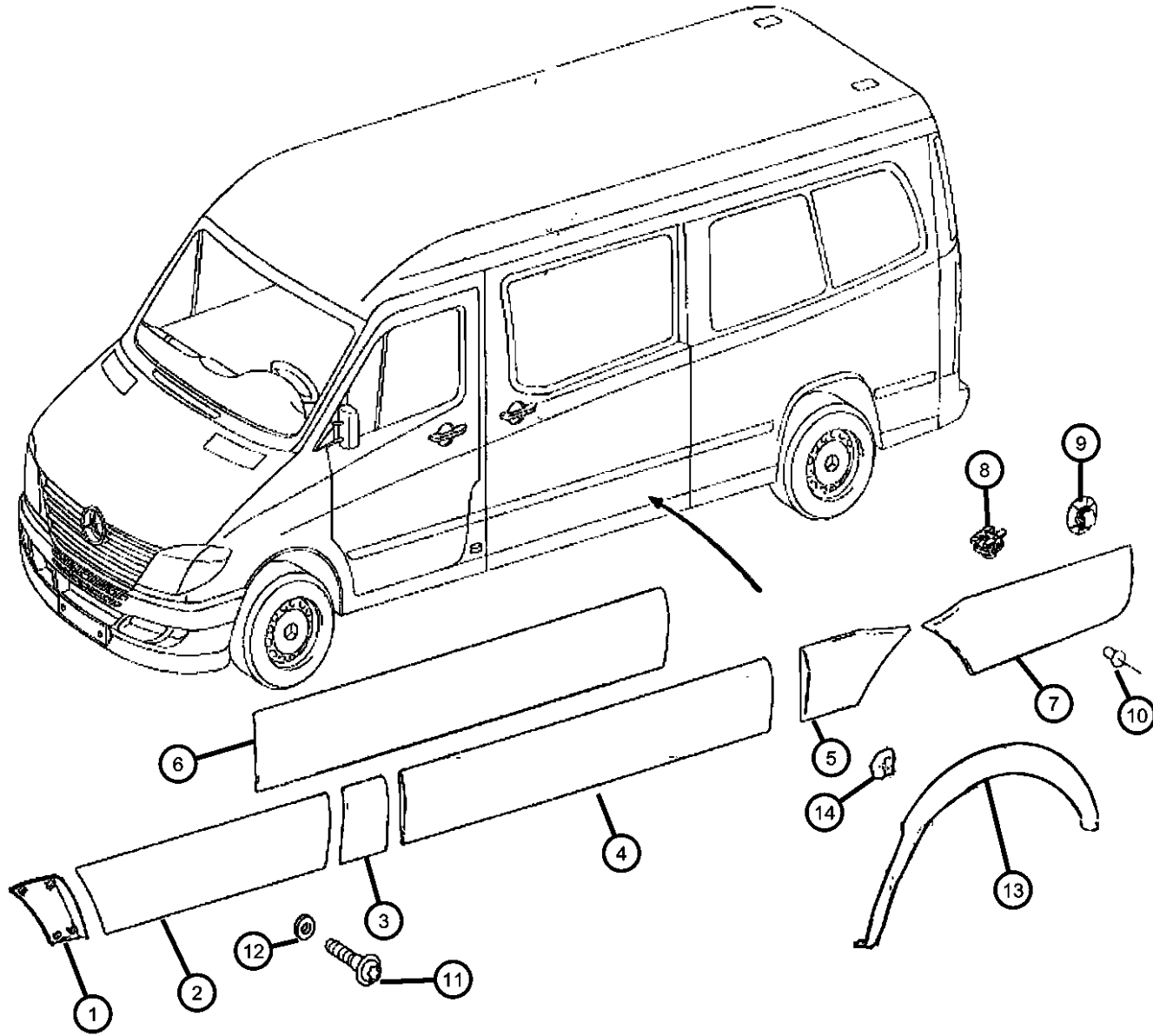
**SPRINTER (VB)**

SERIES	LINE	BODY	ENGINE	TRANSMISSION
L = LOWLINE	3 = HD DODGE 2WD 6 = Lt. Duty DODGE 4WD 2 = Med. Duty DODGE 2WD 7 = Med. Duty DODGE 4WD	17 = VAN WHEEL BASE 7 55 = WAGON WHEEL BASE 5 15 = VAN WHEEL BASE 5 53 = 119 WB 13 = 119 WB 05 = CAB CHASSIS WHEEL BASE 5 03 = CAB CHASSIS WHEEL BASE 3	EG2 = 3.5L V6 Gas Engine EXM = 3.0L V6 Turbo Diesel Engine	DGZ = 5-Speed Auto W5A380 Transmission

AR = use ase required - = Non illustrated part

**Exterior Ornamentation Moldings  
Figure 40-210**

ITEM	PART NUMBER	QTY	LINE	SERIES	BODY	ENGINE	TRANS	TRIM	DESCRIPTION
	1HE93XDVAA	1	2, 3, 6, 7	L	13, 15, 17, 53, 55				Left
14	68014795AA	1	2, 3, 6, 7	L	13, 15, 17, 53, 55				CLIP



**SPRINTER (VB)**

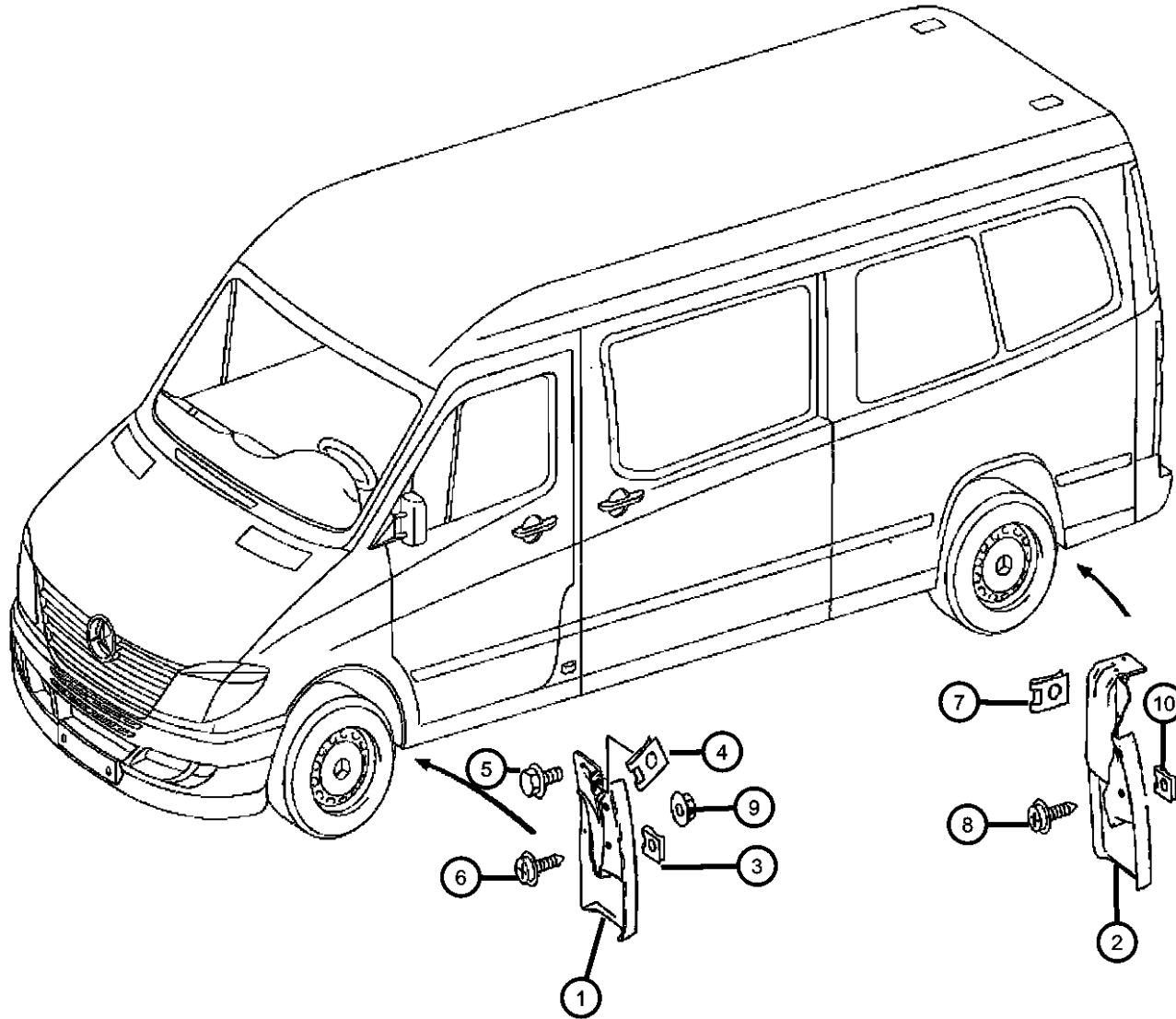
SERIES	LINE	BODY	ENGINE	TRANSMISSION
L = LOWLINE	3 = HD DODGE 2WD 6 = Lt. Duty DODGE 4WD 2 = Med. Duty DODGE 2WD 7 = Med. Duty DODGE 4WD	17 = VAN WHEEL BASE 7 55 = WAGON WHEEL BASE 5 15 = VAN WHEEL BASE 5 53 = 119 WB 13 = 119 WB 05 = CAB CHASSIS WHEEL BASE 5 03 = CAB CHASSIS WHEEL BASE 3	EG2 = 3.5L V6 Gas Engine EXM = 3.0L V6 Turbo Diesel Engine	DGZ = 5-Speed Auto W5A380 Transmission

AR = use ase required - = Non illustrated part

2008 VB



**Exterior Ornamentation Splash Guards**  
**Figure 40-220**



ITEM	PART NUMBER	QTY	LINE	SERIES	BODY	ENGINE	TRANS	TRIM	DESCRIPTION
1	1HE90DX9AA	1	2, 3, 6, 7	L					GUARD, Splash Left
	1HE91DX9AA	1	2, 3, 6, 7	L					Right
2	1HQ54DX9AA	1	2, 6	L	13, 15, 17, 53, 55				GUARD, Splash Right
	1HQ55DX9AA	1	2, 6	L	13, 15, 17, 53, 55				Left
3	06104737AA	4	2, 3, 6, 7	L	13, 15, 17, 53, 55				CLIP, CLIP-SPRING
4	06104735AA	4	2, 3, 6, 7	L	13, 15, 17, 53, 55				CLIP, Spring
		4	3, 7	L	03, 05				
5	06104635AA	2	2, 3, 6, 7	L	13, 15, 17, 53, 55				SCREW, Tapping Round Head, M5.0X2.24X20.00
6	06104615AA	8	3, 7	L	03, 05				SCREW, Tapping
		8	2, 3, 6, 7	L	13, 15, 17, 53, 55				
7	06104737AA	4	2, 3, 6, 7	L	13, 15, 17, 53, 55				CLIP, CLIP-SPRING
8	06104615AA	8	3, 7	L	03, 05				SCREW, Tapping
		8	2, 3, 6, 7	L	13, 15, 17, 53, 55				
9	68004878AA	4	2, 3, 6, 7	L	13, 15, 17, 53, 55				NUT
10	68004878AA	4							CLIP, (NOT SERVICED)

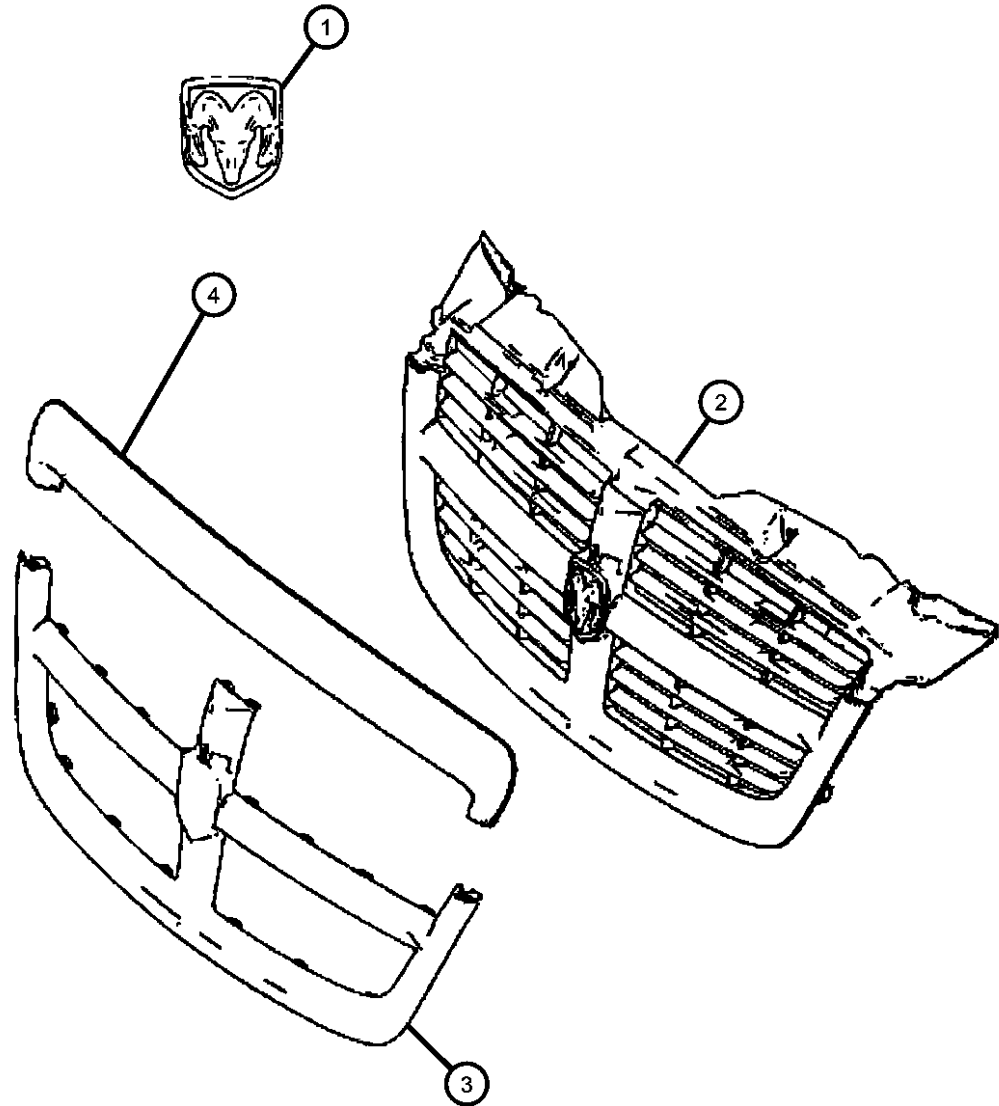
**SPRINTER (VB)**

<b>SERIES</b>	<b>LINE</b>	<b>BODY</b>	<b>ENGINE</b>	<b>TRANSMISSION</b>
L = LOWLINE	3 = HD DODGE 2WD 6 = Lt. Duty DODGE 4WD 2 = Med. Duty DODGE 2WD 7 = Med. Duty DODGE 4WD	17 = VAN WHEEL BASE 7 55 = WAGON WHEEL BASE 5 15 = VAN WHEEL BASE 5 53 = 119 WB 13 = 119 WB 05 = CAB CHASSIS WHEEL BASE 5 03 = CAB CHASSIS WHEEL BASE 3	EG2 = 3.5L V6 Gas Engine EXM = 3.0L V6 Turbo Diesel Engine	DGZ = 5-Speed Auto W5A380 Transmission

AR = use ase required - = Non illustrated part

**Grilles  
Figure 40-405**

ITEM	PART NUMBER	QTY	LINE	SERIES	BODY	ENGINE	TRANS	TRIM	DESCRIPTION
1	68006601AA	1	2, 3	L					MEDALLION, Ram Head
2	1HQ77DX9AA	1	6, 7	L					GRILLE, Radiator, [Freightliner]
3	1GY48DX9AA	1	2, 3	L					GRILLE, Radiator
4	68020895AA	1	6, 7	L					MOLDING, Hood, Includes Name Plate [Freightliner]



**SPRINTER (VB)**

SERIES	LINE	BODY	ENGINE	TRANSMISSION
L = LOWLINE	3 = HD DODGE 2WD	17 = VAN WHEEL BASE 7	EG2 = 3.5L V6 Gas Engine	DGZ = 5-Speed Auto W5A380
	6 = Lt. Duty DODGE 4WD	55 = WAGON WHEEL BASE 5	EXM = 3.0L V6 Turbo Diesel	Transmission
	2 = Med. Duty DODGE 2WD	15 = VAN WHEEL BASE 5	Engine	
	7 = Med. Duty DODGE 4WD	53 = 119 WB		
		13 = 119 WB		
		05 = CAB CHASSIS WHEEL		
		BASE 5		
		03 = CAB CHASSIS WHEEL		
		BASE 3		

AR = use ase required - = Non illustrated part

2008 VB

# Group - 50

## Interior Trim

### Group - 50 Interior Trim

Illustration Title

Group-Fig. No.

#### Headliners-Visors-Assist Straps

Sun Visor & Inside Mirror .....	Fig. 50 - 105
Sun Visor & Inside Mirror .....	Fig. 50 - 110
Headliner.....	Fig. 50 - 115
Headliner - Rail System.....	Fig. 50 - 145
Headliner - Rail System.....	Fig. 50 - 146

#### Panels-Moldings-Scuff Plates, Pillar, Cowl, 1/4 Panel Trim and Cargo Covers

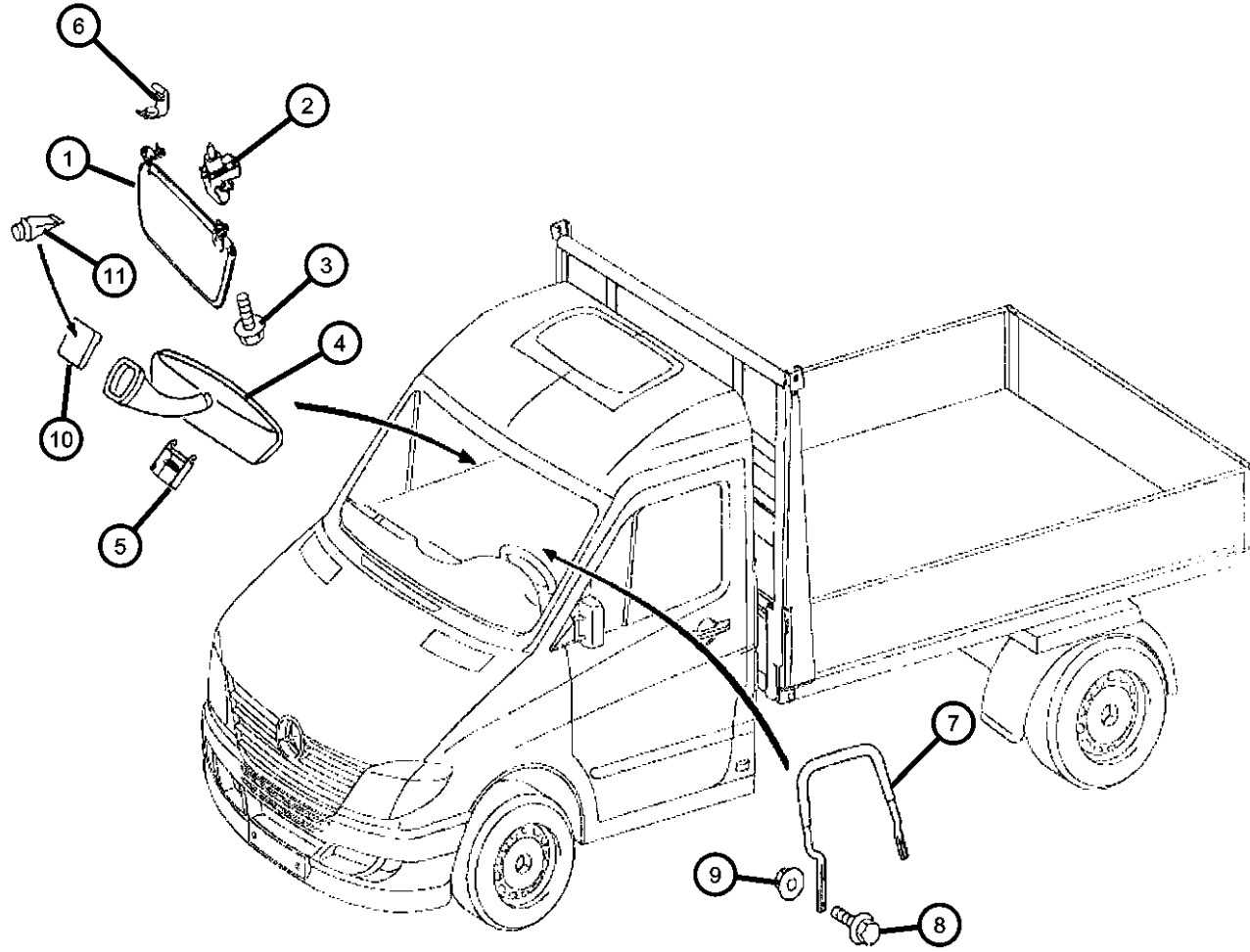
Interior Moldings And Pillars.....	Fig. 50 - 202
Rear Wall Panel .....	Fig. 50 - 205
Interior Moldings and Pillars.....	Fig. 50 - 210
Quarter Trim Panel.....	Fig. 50 - 215
Rear Cab Trim Panel .....	Fig. 50 - 220
Inner Paneling Sidewall, Plastic.....	Fig. 50 - 225
Inner Paneling Sidewall, Fabric .....	Fig. 50 - 230
Window Airbag, Head Side Airbag.....	Fig. 50 - 250
Cargo Organizer, Cargo Retainers.....	Fig. 50 - 275
Cargo Organizer Partition Wall/Load Protection .....	Fig. 50 - 280
Cargo Organizer Partition Wall with Sliding Door.....	Fig. 50 - 285

#### Carpets, Floor Mats, Load Floor, and Silencers

Foot Rest .....	Fig. 50 - 345
Load Floor Cargo.....	Fig. 50 - 355

<p><b>050-100</b> Headliners-Visors-Assist Straps</p>	<p><b>050-200</b> Panels-Moldings-Scuff Plates, Pillar, Cowl, 1/4 Panel Trim and Cargo Covers</p>	<p><b>050-300</b> Carpets, Floor Mats, Load Floor, and Silencers</p>	
---	---	--	--

**Sun Visor & Inside Mirror**  
**Figure 50-105**



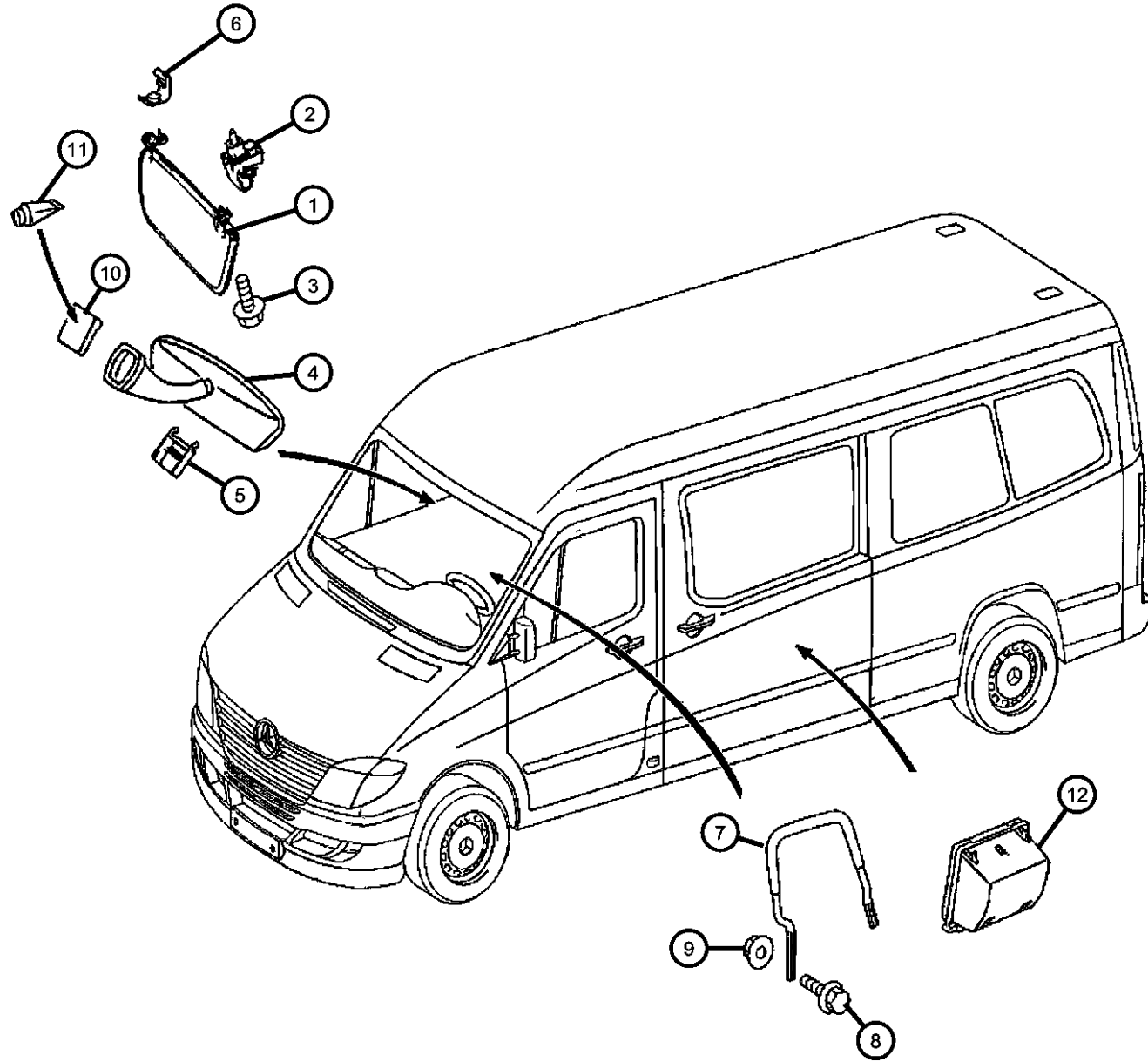
ITEM	PART NUMBER	QTY	LINE	SERIES	BODY	ENGINE	TRANS	TRIM	DESCRIPTION
1									VISOR
	1GY42KDVA	1	2, 3, 6, 7	L				*A6	Left
		1	2, 3, 6, 7	L				*E7	Left
		1	2, 3, 6, 7	L				*F7	Left
	1GY43KDVA	1	2, 3, 6, 7	L				*A6	Right
		1	2, 3, 6, 7	L				*E7	Right
		1	2, 3, 6, 7	L				*F7	Right
2									RETAINER, Visor
	1HQ43KD-VAA	2	2, 3, 6, 7	L				*E7	Right & Left
		2	2, 3, 6, 7	L				*F7	Right & Left
		2	2, 3, 6, 7	L				*A6	Right & Left
3	68014329AA	4	2, 3, 6, 7	L					SCREW, [M6x25]
4									MIRROR, Inside Rear View
	05104435AA	1	2, 3, 6, 7	L					With [GNA] Without [NHW]
	68017272AA	1	2, 3, 6, 7	L					With [GNA + NHW]
5	68017273AA	1	2, 3, 6, 7	L					COVER
6									CLIP, Visor
	1HB00XDVA	2	2, 3, 6, 7	L				*A6	
		2	2, 3, 6, 7	L				*E7	
		2	2, 3, 6, 7	L				*F7	
7									RETAINER
	1HE41DX9AA	1	2, 3, 6, 7	L				*A6	With [CSV], Left
		1	2, 3, 6, 7	L				*E7	With [CSV], Left
		1	2, 3, 6, 7	L				*F7	With [CSV], Left
	1HE85DX9AA	1	3, 7	L	03, 05			*A6	With [CSV], Right
		1	3, 7	L	03, 05			*E7	With [CSV], Right
		1	3, 7	L	03, 05			*F7	With [CSV], Right
8	06104157AB	3	3, 7	L	03, 05				BOLT, Torx Head, M8x1.25x35.00
9	06105169AA	2	3, 7	L	03, 05				NUT, [M8]
10	05104241AA	1	3, 7	L	03, 05				BUTTON, Rear View Mirror
11	05125662AB	1	2, 3, 6, 7	L					ADHESIVE

**SPRINTER (VB)**

<b>SERIES</b>	<b>LINE</b>	<b>BODY</b>	<b>ENGINE</b>	<b>TRANSMISSION</b>
L = LOWLINE	3 = HD DODGE 2WD 6 = Lt. Duty DODGE 4WD 2 = Med. Duty DODGE 2WD 7 = Med. Duty DODGE 4WD	17 = VAN WHEEL BASE 7 55 = WAGON WHEEL BASE 5 15 = VAN WHEEL BASE 5 53 = 119 WB 13 = 119 WB 05 = CAB CHASSIS WHEEL BASE 5 03 = CAB CHASSIS WHEEL BASE 3	EG2 = 3.5L V6 Gas Engine EXM = 3.0L V6 Turbo Diesel Engine	DGZ = 5-Speed Auto W5A380 Transmission

AR = use ase required - = Non illustrated part

**Sun Visor & Inside Mirror**  
**Figure 50-110**



ITEM	PART NUMBER	QTY	LINE	SERIES	BODY	ENGINE	TRANS	TRIM	DESCRIPTION
1	1GY42KDVAA	1	2, 3, 6, 7	L					VISOR
		1	2, 3, 6, 7	L				*A6	
		1	2, 3, 6, 7	L				*E7	
		1	2, 3, 6, 7	L				*F7	
2	1HQ43KD-VAA	2	2, 3, 6, 7	L				*E7	RETAINER, Visor
3	68014329AA	4	2, 3, 6, 7	L					SCREW
4	05104435AA	1	2, 3, 6, 7	L					MIRROR, Inside Rear View
		1	2, 3, 6, 7	L					With [GNA] Day/Night Mirror
	68017272AA	1	2, 3, 6, 7	L					With [NHW] Light and Rain Sensor
5	68017273AA	1	2, 3, 6, 7	L					COVER
6	1HB00XDVAA	2	2, 3, 6, 7	L				*A6	CLIP, VisorRight & Left
7	1HE41DX9AA	1	2, 3, 6, 7	L					RETAINER, Interior Double Seat Assist Handle
		1	2, 3, 6, 7	L				*A6	[A6]
		1	2, 3, 6, 7	L				*E7	[E7]
		1	2, 3, 6, 7	L				*F7	[F7]
8	06104157AB	3	3, 7	L	03, 05				BOLT, Torx Head, M8x1.25x35.00
		3	2, 3, 6, 7	L	13, 15, 17, 53, 55				
9	06105169AA	3	2, 3, 6, 7	L					NUT
10	05104241AA	1	3, 7	L	03, 05				BUTTON, Rear View Mirror
		1	2, 3, 6, 7	L	13, 15, 17, 53, 55				
11	05073862AA	2	2, 3, 6, 7	L					ADHESIVE
12	05124222AA	2	2, 6	L	53, 55				ASHTRAY

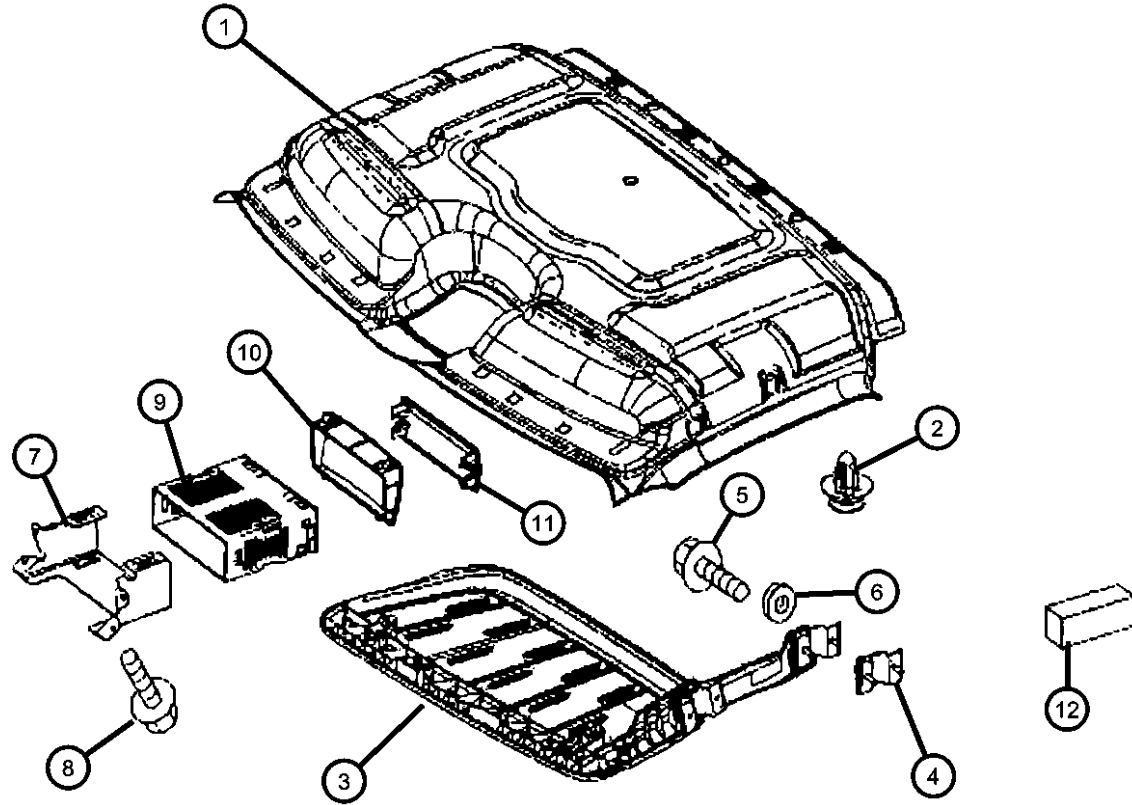
**SPRINTER (VB)**

SERIES	LINE	BODY	ENGINE	TRANSMISSION
L = LOWLINE	3 = HD DODGE 2WD 6 = Lt. Duty DODGE 4WD 2 = Med. Duty DODGE 2WD 7 = Med. Duty DODGE 4WD	17 = VAN WHEEL BASE 7 55 = WAGON WHEEL BASE 5 15 = VAN WHEEL BASE 5 53 = 119 WB 13 = 119 WB 05 = CAB CHASSIS WHEEL BASE 5 03 = CAB CHASSIS WHEEL BASE 3	EG2 = 3.5L V6 Gas Engine EXM = 3.0L V6 Turbo Diesel Engine	DGZ = 5-Speed Auto W5A380 Transmission

AR = use ase required - = Non illustrated part

Headliner  
Figure 50-115

ITEM	PART NUMBER	QTY	LINE	SERIES	BODY	ENGINE	TRANS	TRIM	DESCRIPTION
1	1HA89ADVAA	1	2, 3, 6, 7	L				*A6	HEADLINER Front
		1	2, 3, 6, 7	L				*E7	Front
		1	2, 3, 6, 7	L				*F7	Front
2	05125569AA	4	3, 7	L	05, 03				CLIP, Headlining
3	1HA97XDVAA	1	2, 3, 6, 7	L				*A6	TRAY, Cargo With [CTB]
		1	2, 3, 6, 7	L				*E7	With [CTB]
		1	2, 3, 6, 7	L				*F7	With [CTB]
4	68014271AA	4	2, 3, 6, 7	L					BRACKET, With [CTB]
5	68004879AA	8	2, 3, 6, 7	L					SCREW, With [CTB]
6	05133908AA	4	3, 7	L	03, 05				WASHER, With [CTB]
7	68014285AA	1	2, 3, 6, 7	L					BRACKET
8	06104120AA	4	3, 7	L	03, 05				SCREW, Hex Head, M6x12, With [CK7]
9	1HB93CSTAA	1	3, 7	L	03, 05			*A6	BRACKET With [CK7]
		1	3, 7	L	03, 05			*E7	With [CK7]
		1	3, 7	L	03, 05			*F7	With [CK7]
10	1HA99XDVAA	1	2, 3, 6, 7	L				*A6	BEZEL With [CK7]
		1	2, 3, 6, 7	L				*E7	With [CK7]
		1	2, 3, 6, 7	L				*F7	With [CK7]
11	1HB94CSTAA	1	2, 3, 6, 7	L					COVER, With [CK7]
12	68014291AA	1	3, 7	L	03, 05				INSULATOR
-13	68031882AA	2	2, 3, 6, 7	L					INSULATION



**SPRINTER (VB)**

SERIES	LINE	BODY	ENGINE	TRANSMISSION
L = LOWLINE	3 = HD DODGE 2WD 6 = Lt. Duty DODGE 4WD 2 = Med. Duty DODGE 2WD 7 = Med. Duty DODGE 4WD	17 = VAN WHEEL BASE 7 55 = WAGON WHEEL BASE 5 15 = VAN WHEEL BASE 5 53 = 119 WB 13 = 119 WB 05 = CAB CHASSIS WHEEL BASE 5 03 = CAB CHASSIS WHEEL BASE 3	EG2 = 3.5L V6 Gas Engine EXM = 3.0L V6 Turbo Diesel Engine	DGZ = 5-Speed Auto W5A380 Transmission

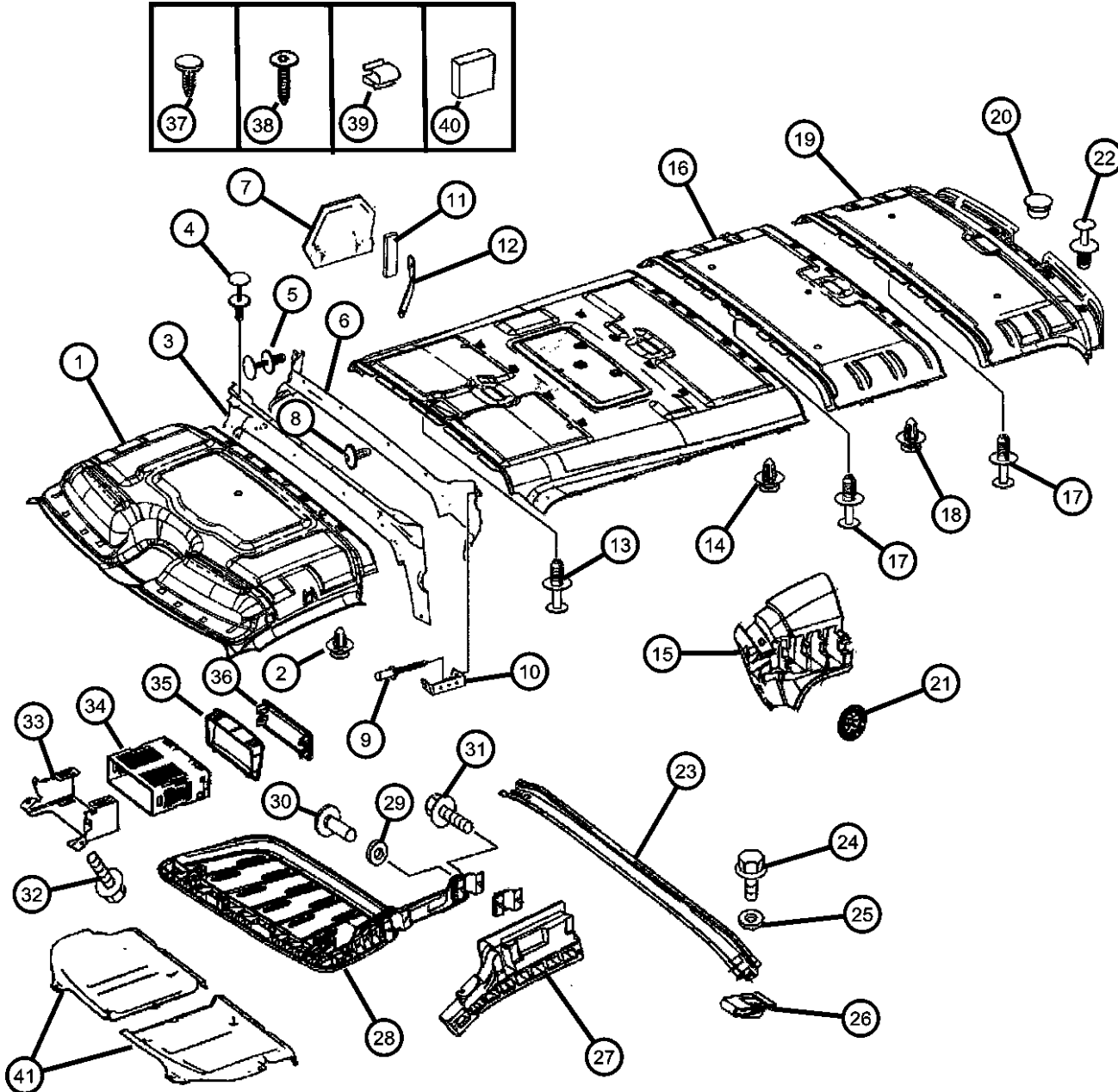
AR = use ase required - = Non illustrated part

2008 VB

**Headliner - Rail System**  
**Figure 50-145**

ITEM	PART NUMBER	QTY	LINE	SERIES	BODY	ENGINE	TRANS	TRIM	DESCRIPTION
------	-------------	-----	------	--------	------	--------	-------	------	-------------

Sales Codes  
 [CJ4] = Side Front Air Bag  
 [CK7] = Front Overhead Storage Bin  
 [GWA] = Sunroof



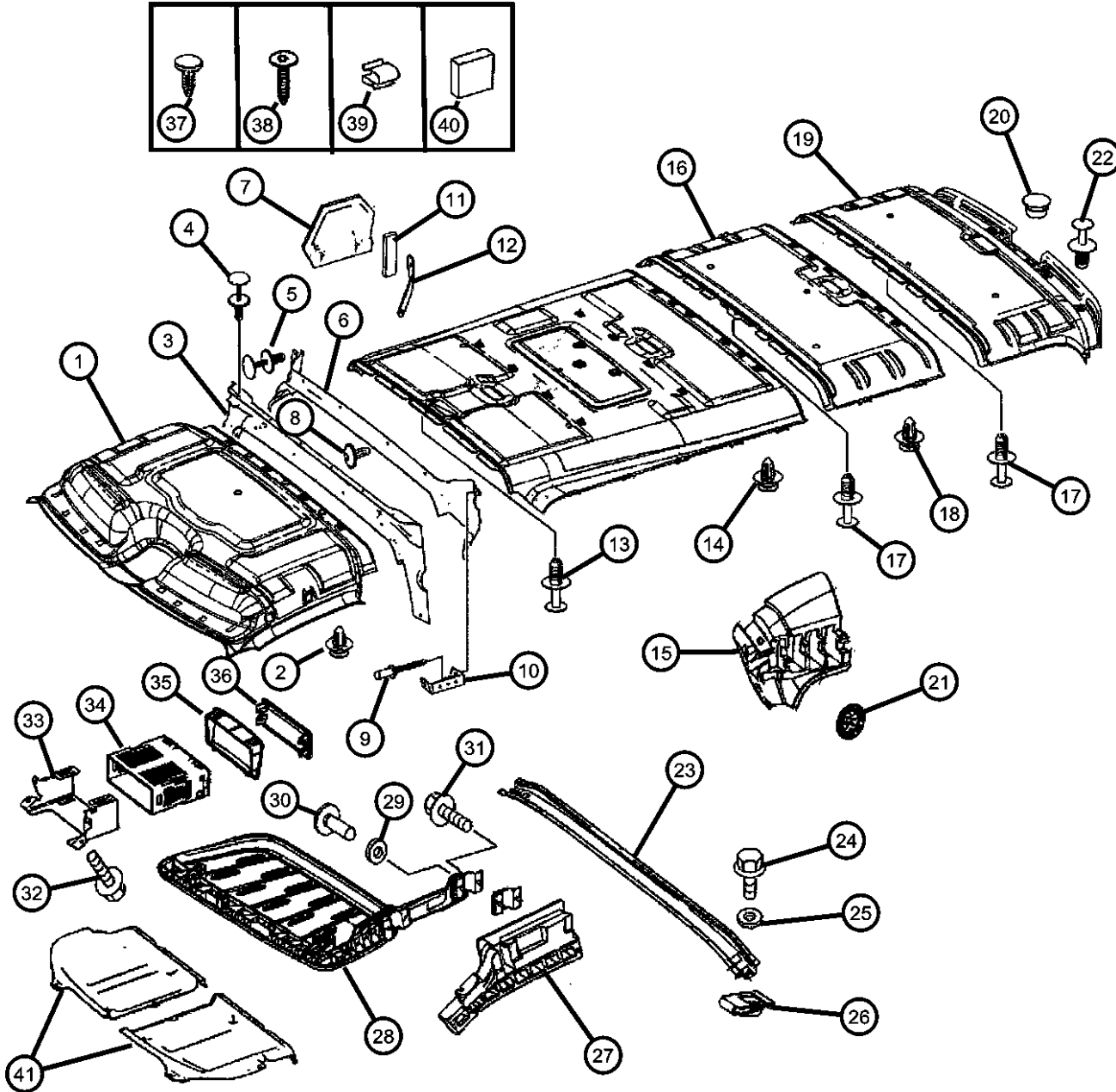
ITEM	PART NUMBER	QTY	LINE	SERIES	BODY	ENGINE	TRANS	TRIM	DESCRIPTION
1									HEADLINER
	1HA89ADVAA	1	2, 3, 6, 7	L				*A6	[A4A6]
		1	2, 3, 6, 7	L				*E7	[A4E7]
		1	2, 3, 6, 7	L				*F7	[A4F7]
	1HA89TDVAA	1	2, 3, 6, 7	L				*A6	[A7A6]
		1	6, 7, 3, 2	L				*E7	[A7E7]
		1	2, 3, 6, 7	L				*F7	[A7F7]
	1HA90ADVAA	1	2, 3, 6, 7	L				*A6	[A4A6] With [GWA + CK7]
		1	2, 3, 6, 7	L				*E7	[A4E7] With [GWA + CK7]
		1	2, 3, 6, 7	L				*F7	[A4F7] With [GWA + CK7]
	1HA90TDVAA	1	2, 3, 6, 7	L				*A6	[A7A6] With [GWA + CK7]
		1	2, 3, 6, 7	L				*E7	[A7E7] With [GWA + CK7]
		1	2, 3, 6, 7	L				*F7	[A7F7] With [GWA + CK7]
	1HA91ADVAA	1	2, 6	L	13, 53			*A6	[A4A6] With [GWA]
		1	2, 6	L	13, 53			*E7	[A4E7] With [GWA]
		1	2, 6	L	13, 53			*F7	[A4F7] With [GWA]
	1HA91TDVAA	1	2, 6	L	13, 53			*A6	[A7A6] With [GWA]
		1	2, 6	L	13, 53			*E7	[A7E7] With [GWA]
		1	2, 6	L	13, 53			*F7	[A7F7] With [GWA]
	1HA92ADVAA	1	2, 3, 6, 7	L				*A6	[A4A6] With [CK7]
		1	2, 3, 6, 7	L				*E7	[A4E7] With [CK7]
		1	2, 3, 6, 7	L				*F7	[A4F7] With [CK7]
	1HA92TDVAA	1	2, 3, 6, 7	L				*A6	[A7A6] With [CK7]
		1	2, 3, 6, 7	L				*E7	[A7E7] With [CK7]
		1	2, 3, 6, 7	L				*F7	[A7F7] With [CK7]
	1HA93ADVAA	1	2, 3, 6, 7	L				*A6	[A4A6] With [CJ4 + GWA]
		1	2, 3, 6, 7	L				*E7	[A4E7] With [CJ4 + GWA]
		1	2, 3, 6, 7	L				*F7	[A4F7] With [CJ4 + GWA]
	1HA93TDVAA	1	2, 3, 6, 7	L				*A6	[A7A6] With [CJ4 + GWA]

**SPRINTER (VB)**

<b>SERIES</b>	<b>LINE</b>	<b>BODY</b>	<b>ENGINE</b>	<b>TRANSMISSION</b>
L = LOWLINE	3 = HD DODGE 2WD 6 = Lt. Duty DODGE 4WD 2 = Med. Duty DODGE 2WD 7 = Med. Duty DODGE 4WD	17 = VAN WHEEL BASE 7 55 = WAGON WHEEL BASE 5 15 = VAN WHEEL BASE 5 53 = 119 WB 13 = 119 WB 05 = CAB CHASSIS WHEEL BASE 5 03 = CAB CHASSIS WHEEL BASE 3	EG2 = 3.5L V6 Gas Engine EXM = 3.0L V6 Turbo Diesel Engine	DGZ = 5-Speed Auto W5A380 Transmission

AR = use ase required - = Non illustrated part

Headliner - Rail System  
Figure 50-145



ITEM	PART NUMBER	QTY	LINE	SERIES	BODY	ENGINE	TRANS	TRIM	DESCRIPTION
		1	2, 3, 6, 7	L				*E7	[A7E7] With [CJ4 + GWA]
		1	2, 3, 6, 7	L				*F7	[A7F7] With [CJ4 + GWA]
	1HA94ADVAA	1	2, 3, 6, 7	L				*A6	[A4A6] With [CJ4+CK7+GWA]
		1	2, 3, 6, 7	L				*E7	[A4E7] With [CJ4+CK7+GWA]
		1	2, 3, 6, 7	L				*F7	[A4F7] With [CJ4+CK7+GWA]
	1HA94TDVAA	1	2, 3, 6, 7	L				*A6	[A7A6] With [CJ4+CK7+GWA]
		1	2, 3, 6, 7	L				*E7	[A7E7] With [CJ4+CK7+GWA]
		1	2, 3, 6, 7	L				*F7	[A7F7] With [CJ4+CK7+GWA]
	1HA95ADVAA	1	2, 3, 6, 7	L				*A6	[A4A6] With [CJ4+CK7]
		1	2, 3, 6, 7	L				*E7	[A4E7] With [CJ4+CK7]
		1	2, 3, 6, 7	L				*F7	[A4F7] With [CJ4+CK7]
	1HA95TDVAA	1	2, 3, 6, 7	L				*A6	[A7A6] With [CJ4+CK7]
		1	2, 3, 6, 7	L				*E7	[A7E7] With [CJ4+CK7]
		1	2, 3, 6, 7	L				*F7	[A7F7] With [CJ4+CK7]
	1HA96ADVAA	1	2, 3, 6, 7	L				*A6	[A4A6] With [CJ4]
		1	2, 3, 6, 7	L				*E7	[A4E7] With [CJ4]
		1	2, 3, 6, 7	L				*F7	[A4F7] With [CJ4]
	1HA96TDVAA	1	2, 3, 6, 7	L				*A6	[A7A6] With [CJ4]
		1	2, 3, 6, 7	L				*E7	[A7E7] With [CJ4]
		1	2, 3, 6, 7	L				*F7	[A7F7] With [CJ4]
2	05125569AA	4	2, 3, 6, 7	L	13, 15, 17, 53, 55				CLIP, Headlining
3									PANEL
	1HC42XDVAA	1	2, 3, 6, 7	L	13, 15, 17			*A6	
		1	2, 3, 6, 7	L	13, 15, 17			*E7	
		1	2, 3, 6, 7	L	13, 15, 17			*F7	
4	68006483AA	18	2, 3, 6, 7	L	13, 15, 17, 53, 55				RIVET
5									RIVET
	1HC04NC-VAA	2	2, 3, 6, 7	L				*A6	
		2	2, 3, 6, 7	L				*E7	
		2	2, 3, 6, 7	L				*F7	

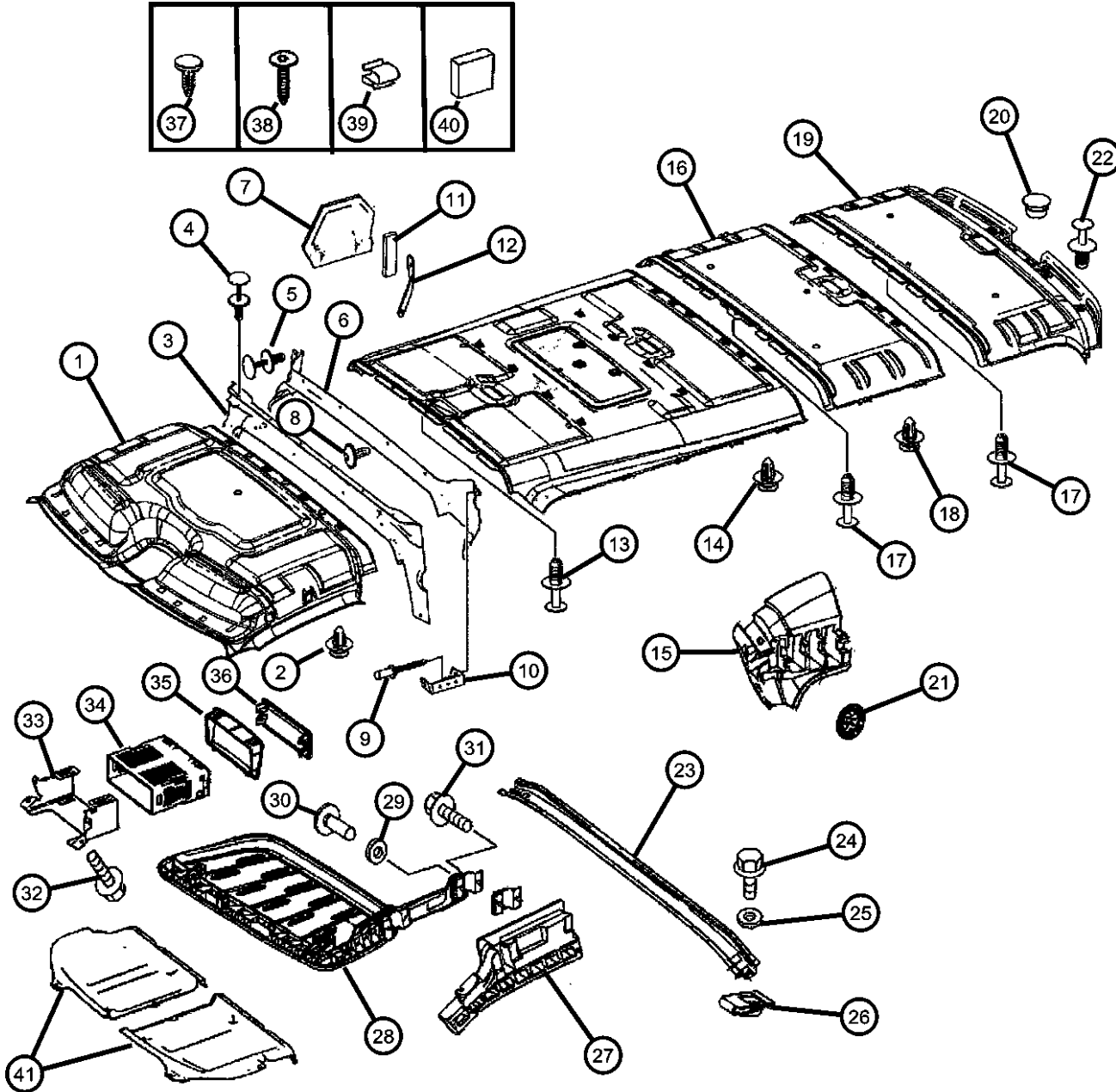
SPRINTER (VB)

SERIES	LINE	BODY	ENGINE	TRANSMISSION
L = LOWLINE	3 = HD DODGE 2WD 6 = Lt. Duty DODGE 4WD 2 = Med. Duty DODGE 2WD 7 = Med. Duty DODGE 4WD	17 = VAN WHEEL BASE 7 55 = WAGON WHEEL BASE 5 15 = VAN WHEEL BASE 5 53 = 119 WB 13 = 119 WB 05 = CAB CHASSIS WHEEL BASE 5 03 = CAB CHASSIS WHEEL BASE 3	EG2 = 3.5L V6 Gas Engine EXM = 3.0L V6 Turbo Diesel Engine	DGZ = 5-Speed Auto W5A380 Transmission

AR = use ase required - = Non illustrated part



Headliner - Rail System  
Figure 50-145



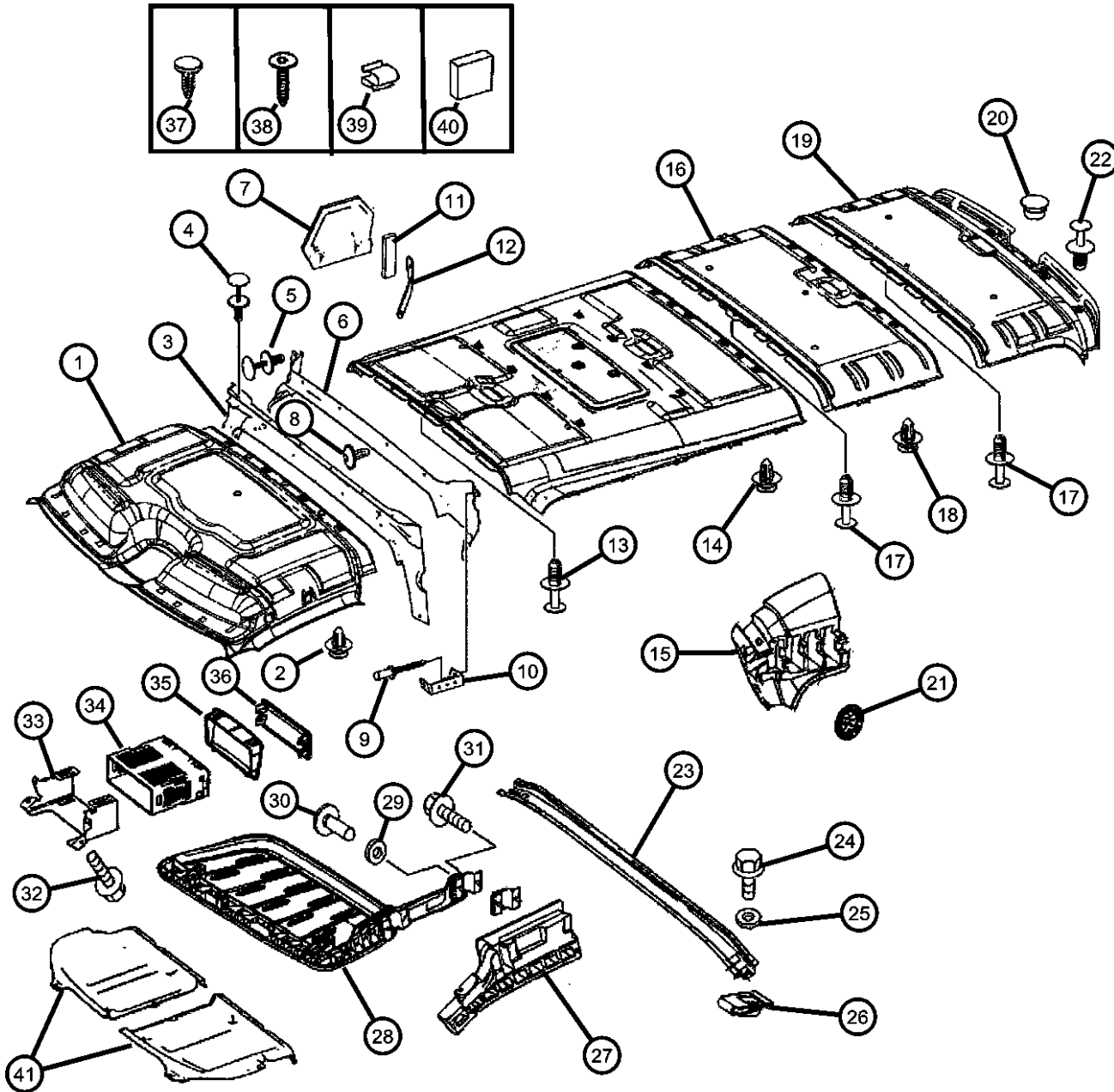
ITEM	PART NUMBER	QTY	LINE	SERIES	BODY	ENGINE	TRANS	TRIM	DESCRIPTION
6									COVER
	1HC00XDVAA	1	2, 3, 6, 7	L	13, 15, 17			*A6	With [GK9]
		1	2, 3, 6, 7	L	13, 15, 17			*E7	With [GK9]
		1	2, 3, 6, 7	L	13, 15, 17			*F7	With [GK9]
	1HC01XDVAA	1	2, 3, 6, 7	L	13, 15, 17, 53, 55			*A6	With [GKA + GKE]
		1	2, 3, 6, 7	L	13, 15, 17, 53, 55			*E7	With [GKA + GKE]
		1	2, 3, 6, 7	L	13, 15, 17, 53, 55			*F7	With [GKA + GKE]
	1HC02XDVAA	1	2, 3, 6, 7	L	13, 15, 17, 53, 55			*A6	With [GKA]
		1	2, 3, 6, 7	L	13, 15, 17, 53, 55			*E7	With [GKA]
		1	2, 3, 6, 7	L	13, 15, 17, 53, 55			*F7	With [GKA]
	1HC03XDVAA	1	2, 3, 6, 7	L	13, 15, 17, 53, 55			*A6	With [GKE]
		1	2, 3, 6, 7	L	13, 15, 17, 53, 55			*E7	With [GKE]
		1	2, 3, 6, 7	L	13, 15, 17, 53, 55			*F7	With [GKE]
7	68014282AA	1	2, 3, 6, 7	L	13, 15, 17				COVER
8									RIVET, Plastic
	1AR96DX9AA	1	2, 3, 6, 7	L	13, 15, 17, 53, 55			*A6	
		1	2, 3, 6, 7	L	13, 15, 17, 53, 55			*E7	
		1	2, 3, 6, 7	L	13, 15, 17, 53, 55			*F7	
9	05134061AA	8	2, 3, 6, 7	L	13, 15, 17, 53, 55				RIVET
10	68014184AA	2	2, 3, 6, 7	L					BRACKET
11	68014185AA	1	2, 3, 6, 7	L	13, 15, 17, 53, 55				SPACER
12	68014186AA	1	2, 3, 6, 7	L	13, 15, 17, 53, 55				BRACKET
13									RIVET, Plastic
	1AR96DX9AA	8	2, 3, 6, 7	L	13, 15, 17, 53, 55			*A6	

SPRINTER (VB)

SERIES	LINE	BODY	ENGINE	TRANSMISSION
L = LOWLINE	3 = HD DODGE 2WD 6 = Lt. Duty DODGE 4WD 2 = Med. Duty DODGE 2WD 7 = Med. Duty DODGE 4WD	17 = VAN WHEEL BASE 7 55 = WAGON WHEEL BASE 5 15 = VAN WHEEL BASE 5 53 = 119 WB 13 = 119 WB 05 = CAB CHASSIS WHEEL BASE 5 03 = CAB CHASSIS WHEEL BASE 3	EG2 = 3.5L V6 Gas Engine EXM = 3.0L V6 Turbo Diesel Engine	DGZ = 5-Speed Auto W5A380 Transmission

AR = use ase required - = Non illustrated part

**Headliner - Rail System**  
**Figure 50-145**



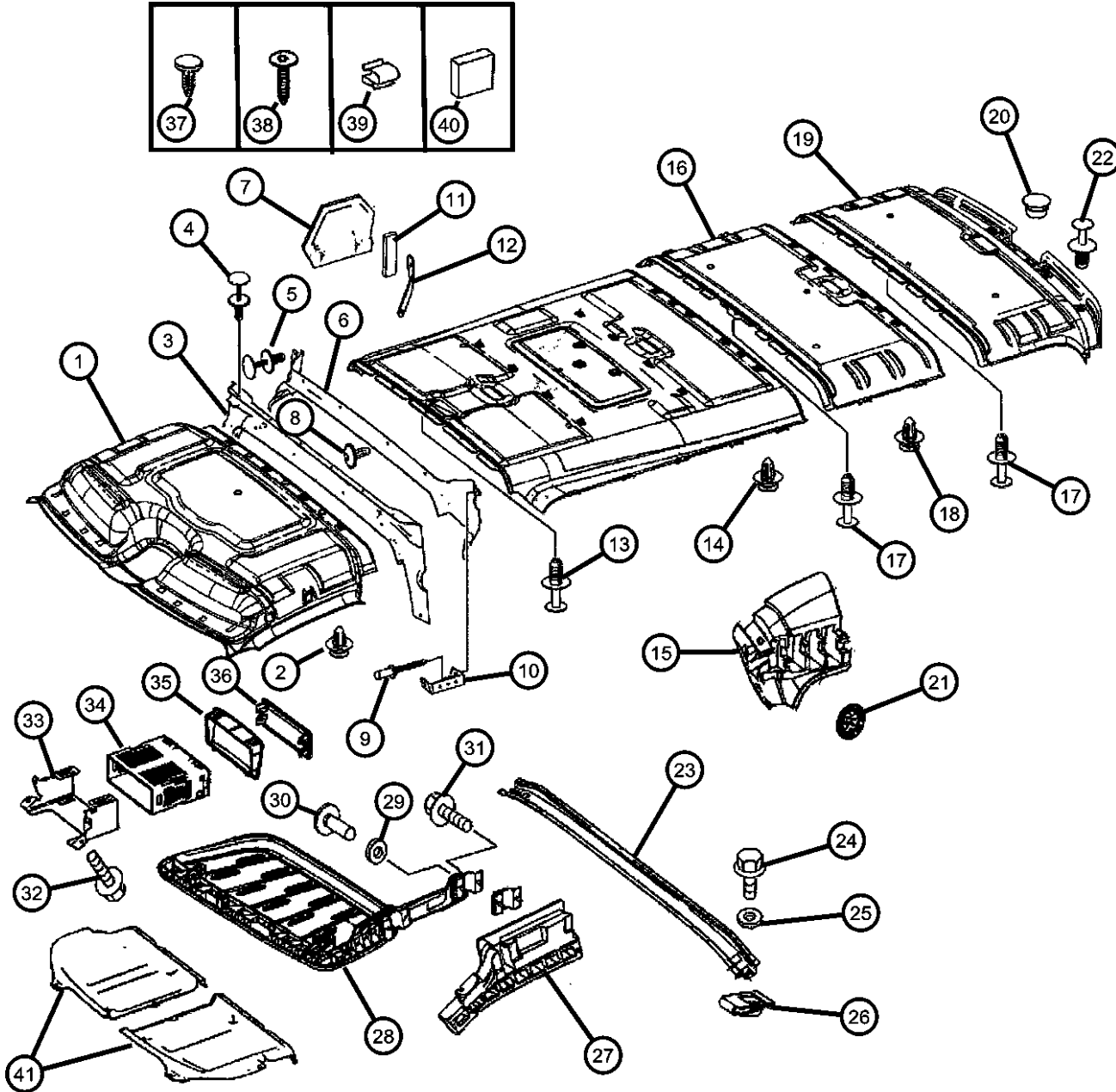
ITEM	PART NUMBER	QTY	LINE	SERIES	BODY	ENGINE	TRANS	TRIM	DESCRIPTION
		8	2, 3, 6, 7	L	13, 15, 17, 53, 55			*E7	
		8	2, 3, 6, 7	L	13, 15, 17, 53, 55			*F7	
14	05125569AA	4	2, 3, 6, 7	L	13, 15, 17, 53, 55				CLIP, Headlining
15	1JE54NCVAA	1	2, 6	L	13, 15, 17			*F7	INSULATOR, Anti Rattle Left
	1JE55NCVAA	1	2, 6	L	13, 15, 17			*E7	
	1JE55NCVAA	1	2, 6	L	13, 15, 17, 53, 55			*A6	Right
16	1HC33XDVAA	2	2, 3, 6, 7	L	13, 53			*A6	HEADLINER
		2	2, 3, 6, 7	L	13, 53			*E7	
		2	2, 3, 6, 7	L	13, 53			*F7	
17	1AR96DX9AA	8	2, 3, 6, 7	L	13, 15, 17, 53, 55			*A6	RIVET, Plastic
		8	2, 3, 6, 7	L	13, 15, 17, 53, 55			*E7	
		8	2, 3, 6, 7	L	13, 15, 17, 53, 55			*F7	
18	05125569AA	4	2, 3, 6, 7	L	13, 15, 17, 53, 55				CLIP, Headlining
19	1HC36XDVAA	1	2, 3, 6, 7	L	13, 53			*A6	HEADLINER
20	1HC40NCVAA	4	2, 3, 6, 7	L	13, 15, 17, 53, 55			*A6	CAP
		4	2, 3, 6, 7	L	13, 15, 17, 53, 55			*E7	
		4	2, 3, 6, 7	L	13, 15, 17, 53, 55			*F7	
21	68004747AA	2	2, 3, 6, 7	L	13, 15, 17, 53, 55				WASHER, Spring
22	1HC32NCVAA	AR	2, 3, 6, 7	L	13, 15, 17, 53, 55				RIVET
23	68014272AA	1	2, 3, 6, 7	L	13, 15, 17				BOW, Roof
24	68010354AA	1	2, 3, 6, 7	L	13, 15, 17, 53, 55				SCREW

**SPRINTER (VB)**

SERIES	LINE	BODY	ENGINE	TRANSMISSION
L = LOWLINE	3 = HD DODGE 2WD 6 = Lt. Duty DODGE 4WD 2 = Med. Duty DODGE 2WD 7 = Med. Duty DODGE 4WD	17 = VAN WHEEL BASE 7 55 = WAGON WHEEL BASE 5 15 = VAN WHEEL BASE 5 53 = 119 WB 13 = 119 WB 05 = CAB CHASSIS WHEEL BASE 5 03 = CAB CHASSIS WHEEL BASE 3	EG2 = 3.5L V6 Gas Engine EXM = 3.0L V6 Turbo Diesel Engine	DGZ = 5-Speed Auto W5A380 Transmission

AR = use ase required - = Non illustrated part

Headliner - Rail System  
Figure 50-145



ITEM	PART NUMBER	QTY	LINE	SERIES	BODY	ENGINE	TRANS	TRIM	DESCRIPTION
25	05104639AA	2	2, 3, 6, 7	L	13, 15, 17, 53, 55				WASHER
26	06104736AA	6	2, 3, 6, 7	L					NUT, Clip-On
27	68014292AA	1	2, 6	L	13, 15, 17, 53, 55				INSULATION Right
	68014293AA	1	2, 6	L	13, 15, 17, 53, 55				Left
28	1HA97XDVAA	1	2, 3, 6, 7	L					TRAY, Cargo *A6 Left
		1	2, 3, 6, 7	L					*E7 Left
		1	2, 3, 6, 7	L					*F7 Left
	1HA98XDVAA	1	2, 3, 6, 7	L					*A6 Right
		1	2, 3, 6, 7	L					*E7 Right
		1	2, 3, 6, 7	L					*F7 Right
29	05133908AA	4	2, 3, 6, 7	L	13, 15, 17, 53, 55				WASHER
30	05161856AB	1	2, 3, 6, 7	L					SCREW
31	68004879AA	8	2, 3, 6, 7	L					SCREW
32	06104120AA	4	2, 3, 6, 7	L	13, 15, 17, 53, 55				SCREW, Hex Head, M6x12
33	68014285AA	1	2, 3, 6, 7	L					BRACKET
34	1HB93CSTAA	1	2, 3, 6, 7	L	13, 15, 17, 53, 55				BRACKET *A6
		1	2, 3, 6, 7	L	13, 15, 17, 53, 55				*E7
		1	2, 3, 6, 7	L	13, 15, 17, 53, 55				*F7
35	1HA99XDVAA	1	2, 3, 6, 7	L					BEZEL *A6
		1	2, 3, 6, 7	L					*E7
		1	2, 3, 6, 7	L					*F7
36	1HB94CSTAA	1	2, 3, 6, 7	L					COVER
37	05103817AA	2	2, 3, 6, 7	L	13, 15, 17, 53, 55				PLUG

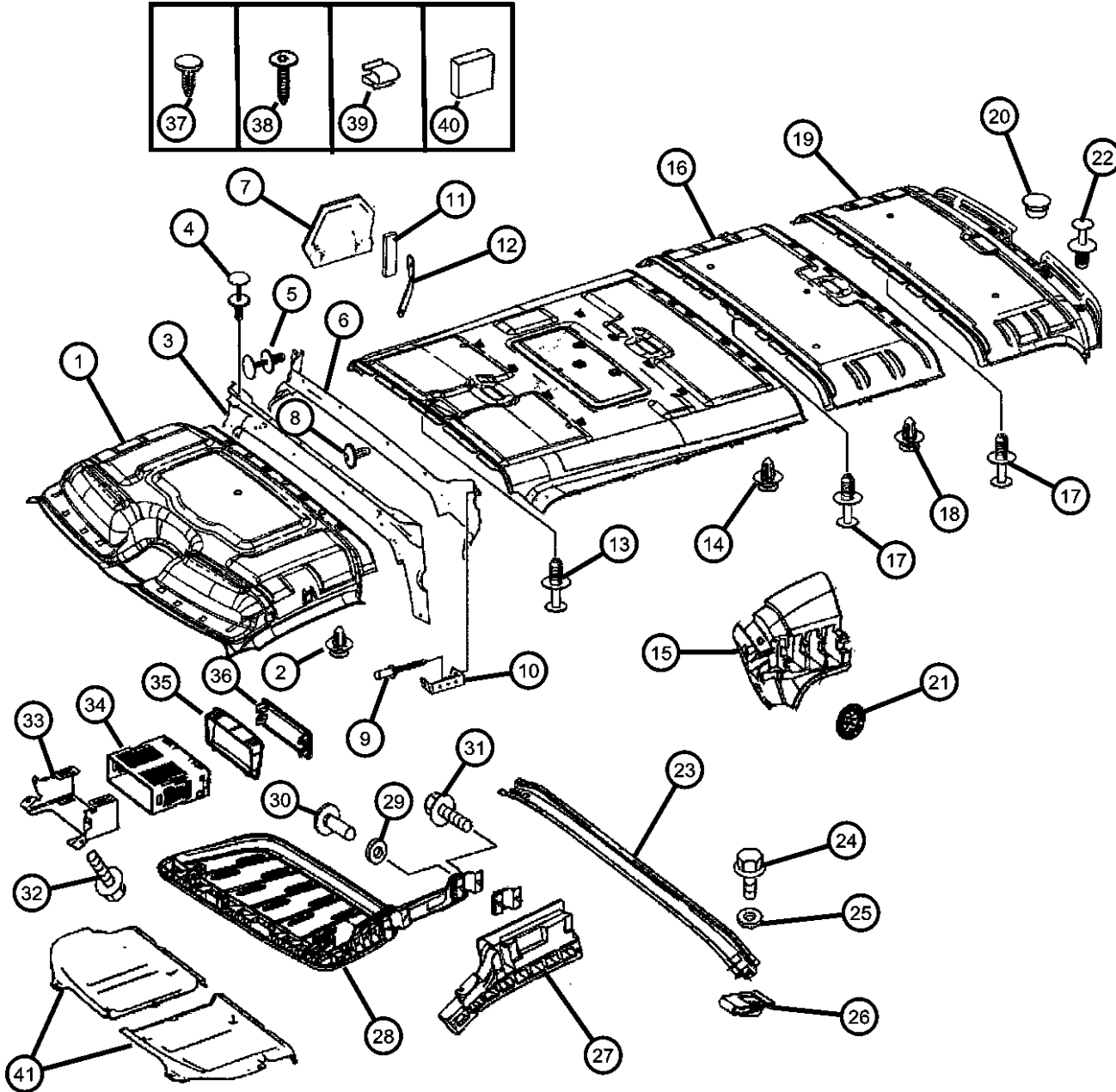
SPRINTER (VB)

SERIES	LINE	BODY	ENGINE	TRANSMISSION
L = LOWLINE	3 = HD DODGE 2WD 6 = Lt. Duty DODGE 4WD 2 = Med. Duty DODGE 2WD 7 = Med. Duty DODGE 4WD	17 = VAN WHEEL BASE 7 55 = WAGON WHEEL BASE 5 15 = VAN WHEEL BASE 5 53 = 119 WB 13 = 119 WB 05 = CAB CHASSIS WHEEL BASE 5 03 = CAB CHASSIS WHEEL BASE 3	EG2 = 3.5L V6 Gas Engine EXM = 3.0L V6 Turbo Diesel Engine	DGZ = 5-Speed Auto W5A380 Transmission

AR = use ase required - = Non illustrated part

**Headliner - Rail System**  
**Figure 50-145**

ITEM	PART NUMBER	QTY	LINE	SERIES	BODY	ENGINE	TRANS	TRIM	DESCRIPTION
38	68009926AA	10	2, 3, 6, 7	L	13, 15, 17, 53, 55				SCREW
39	68014280AA	5	2, 3, 6, 7	L	13, 15, 17, 53, 55				CLIP
40	68014291AA	2	2, 3, 6, 7	L	13, 15, 17, 53, 55				INSULATOR
41									BELLY PAN, Front
	1JF80AA7AA	1	2, 3, 6, 7	L	13, 15, 17, 53, 55			*AL	Right
		1	2, 3, 6, 7	L	13, 15, 17, 53, 55			*E7	Right
		1	2, 3, 6, 7	L	13, 15, 17, 53, 55			*F7	Right
	1JF81AA7AA	1	2, 3, 6, 7	L	13, 15, 17, 53, 55			*AL	Left
		1	2, 3, 6, 7	L	13, 15, 17, 53, 55			*E7	Left
		1	2, 3, 6, 7	L	13, 15, 17, 53, 55			*F7	Left

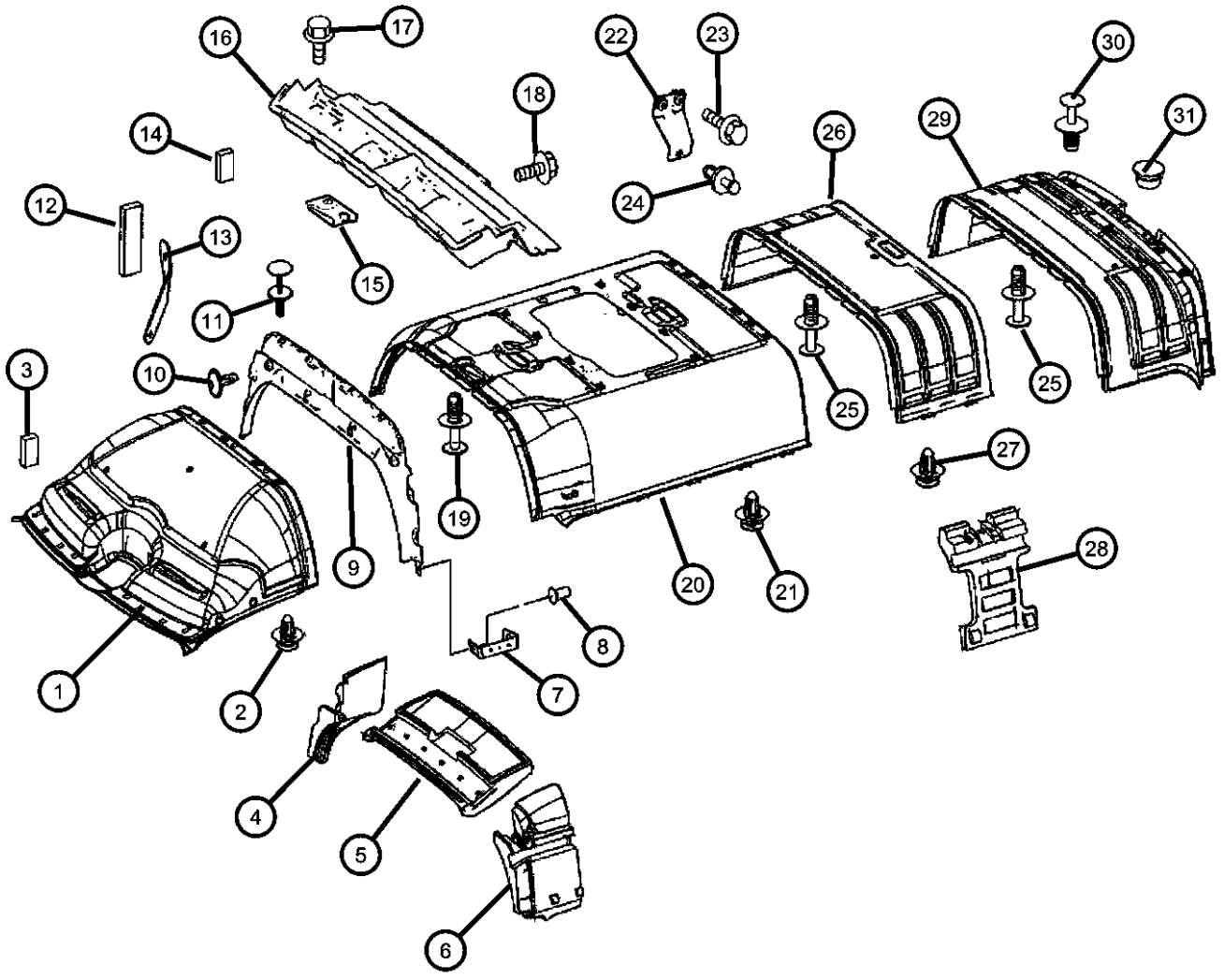


**SPRINTER (VB)**

SERIES	LINE	BODY	ENGINE	TRANSMISSION
L = LOWLINE	3 = HD DODGE 2WD 6 = Lt. Duty DODGE 4WD 2 = Med. Duty DODGE 2WD 7 = Med. Duty DODGE 4WD	17 = VAN WHEEL BASE 7 55 = WAGON WHEEL BASE 5 15 = VAN WHEEL BASE 5 53 = 119 WB 13 = 119 WB 05 = CAB CHASSIS WHEEL BASE 5 03 = CAB CHASSIS WHEEL BASE 3	EG2 = 3.5L V6 Gas Engine EXM = 3.0L V6 Turbo Diesel Engine	DGZ = 5-Speed Auto W5A380 Transmission

AR = use ase required - = Non illustrated part

Headliner - Rail System  
Figure 50-146

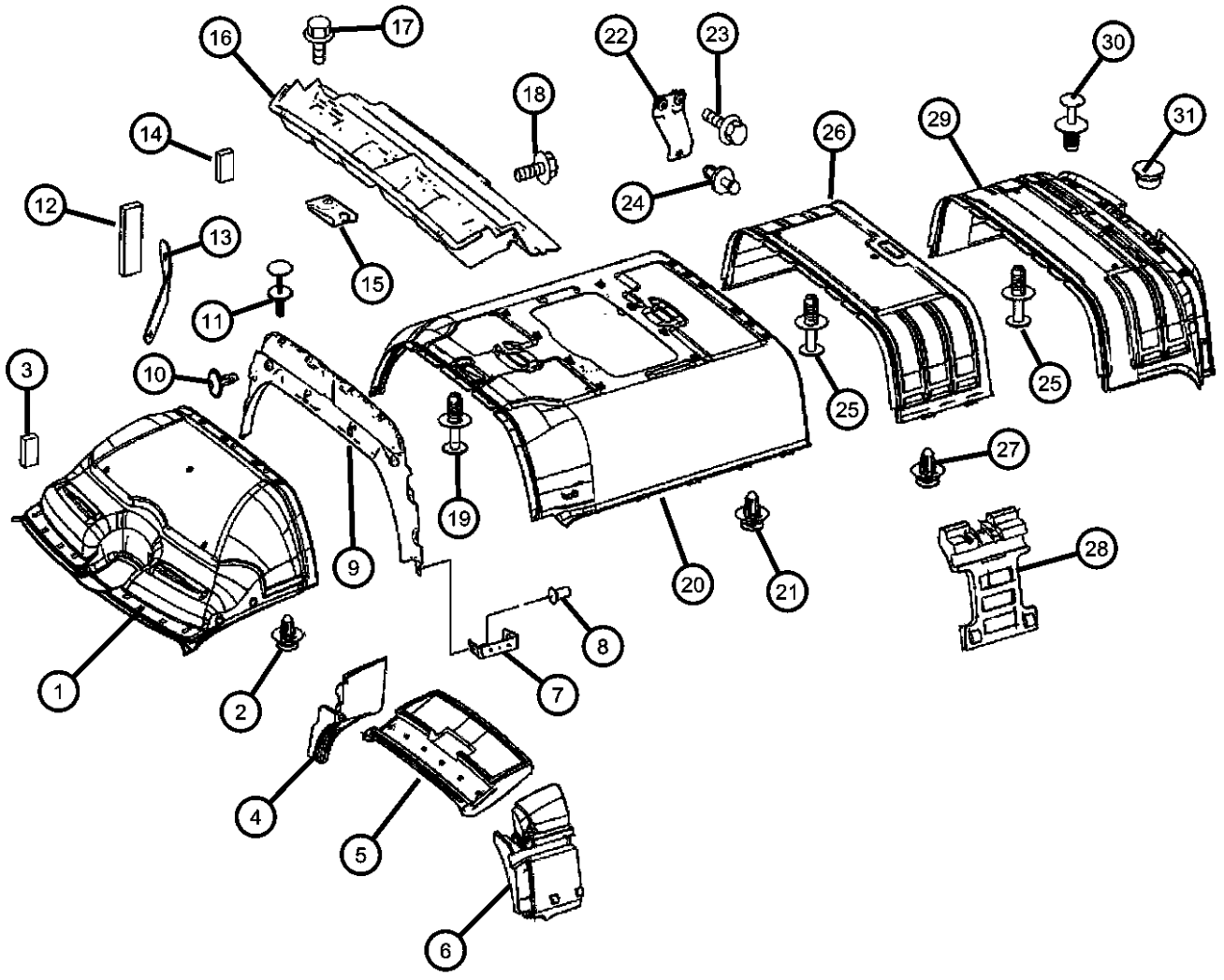


ITEM	PART NUMBER	QTY	LINE	SERIES	BODY	ENGINE	TRANS	TRIM	DESCRIPTION
1									HEADLINER
	1HA89ADVAA	1	2, 3, 6, 7	L				*A6	[A4A6]
		1	2, 3, 6, 7	L				*E7	[A4E7]
		1	2, 3, 6, 7	L				*F7	[A4F7]
	1HA89TDVAA	1	2, 3, 6, 7	L				*A6	[A7A6]
		1	2, 3, 6, 7	L				*E7	[A7E7]
		1	2, 3, 6, 7	L				*F7	[A7F7]
	1HA92ADVAA	1	2, 3, 6, 7	L				*A6	[A4A6] With [CK7]
		1	2, 3, 6, 7	L				*E7	[A4E7] With [CK7]
		1	2, 3, 6, 7	L				*F7	[A4F7] With [CK7]
	1HA92TDVAA	1	2, 3, 6, 7	L				*A6	[A7A6] With [CK7]
		1	2, 3, 6, 7	L				*E7	[A7E7] With [CK7]
		1	2, 3, 6, 7	L				*F7	[A7F7] With [CK7]
	1HA95ADVAA	1	2, 3, 6, 7	L				*A6	[A4A6] With [CJ4+CK7]
		1	2, 3, 6, 7	L				*E7	[A4E7] With [CJ4+CK7]
		1	2, 3, 6, 7	L				*F7	[A4F7] With [CJ4+CK7]
	1HA95TDVAA	1	2, 3, 6, 7	L				*A6	[A7A6] With [CJ4+CK7]
		1	2, 3, 6, 7	L				*E7	[A7E7] With [CJ4+CK7]
		1	2, 3, 6, 7	L				*F7	[A7F7] With [CJ4+CK7]
	1HA96ADVAA	1	2, 3, 6, 7	L				*A6	[A4A6] With [CJ4]
		1	2, 3, 6, 7	L				*E7	[A4E7] With [CJ4]
		1	2, 3, 6, 7	L				*F7	[A4F7] With [CJ4]
	1HA96TDVAA	1	2, 3, 6, 7	L				*A6	[A7A6] With [CJ4]
		1	2, 3, 6, 7	L				*E7	[A7E7] With [CJ4]
		1	2, 3, 6, 7	L				*F7	[A7F7] With [CJ4]
	1HB96KDVA	1	2, 3, 6, 7	L	13, 15, 17, 53, 55			*A6	[DVA6] With [MWJ%MX2%MX1+CK7]
		1	2, 3, 6, 7	L	13, 15, 17, 53, 55			*E7	[DVE7] With [MWJ%MX2%MX1+CK7]
		1	2, 3, 6, 7	L	13, 15, 17, 53, 55			*F7	[DVF7] With [MWJ%MX2%MX1+CK7]
	1HB97KDVA	1	2, 3, 6, 7	L	13, 15, 17, 53, 55			*A6	[DVA6] With [MWJ%MX2%MX1+CJ4+CK7]
		1	2, 3, 6, 7	L	13, 15, 17, 53, 55			*E7	[DVE7] With [MWJ%MX2%MX1+CJ4+CK7]

**SPRINTER (VB)**  
 SERIES LINE BODY ENGINE TRANSMISSION  
 L = LOWLINE 3 = HD DODGE 2WD 17 = VAN WHEEL BASE 7 EG2 = 3.5L V6 Gas Engine DGZ = 5-Speed Auto W5A380  
 6 = Lt. Duty DODGE 4WD 55 = WAGON WHEEL BASE 5 EXM = 3.0L V6 Turbo Diesel Transmission  
 2 = Med. Duty DODGE 2WD 15 = VAN WHEEL BASE 5 Engine  
 7 = Med. Duty DODGE 4WD 53 = 119 WB  
 13 = 119 WB  
 05 = CAB CHASSIS WHEEL  
 BASE 5  
 03 = CAB CHASSIS WHEEL  
 BASE 3

AR = use ase required - = Non illustrated part

**Headliner - Rail System**  
**Figure 50-146**



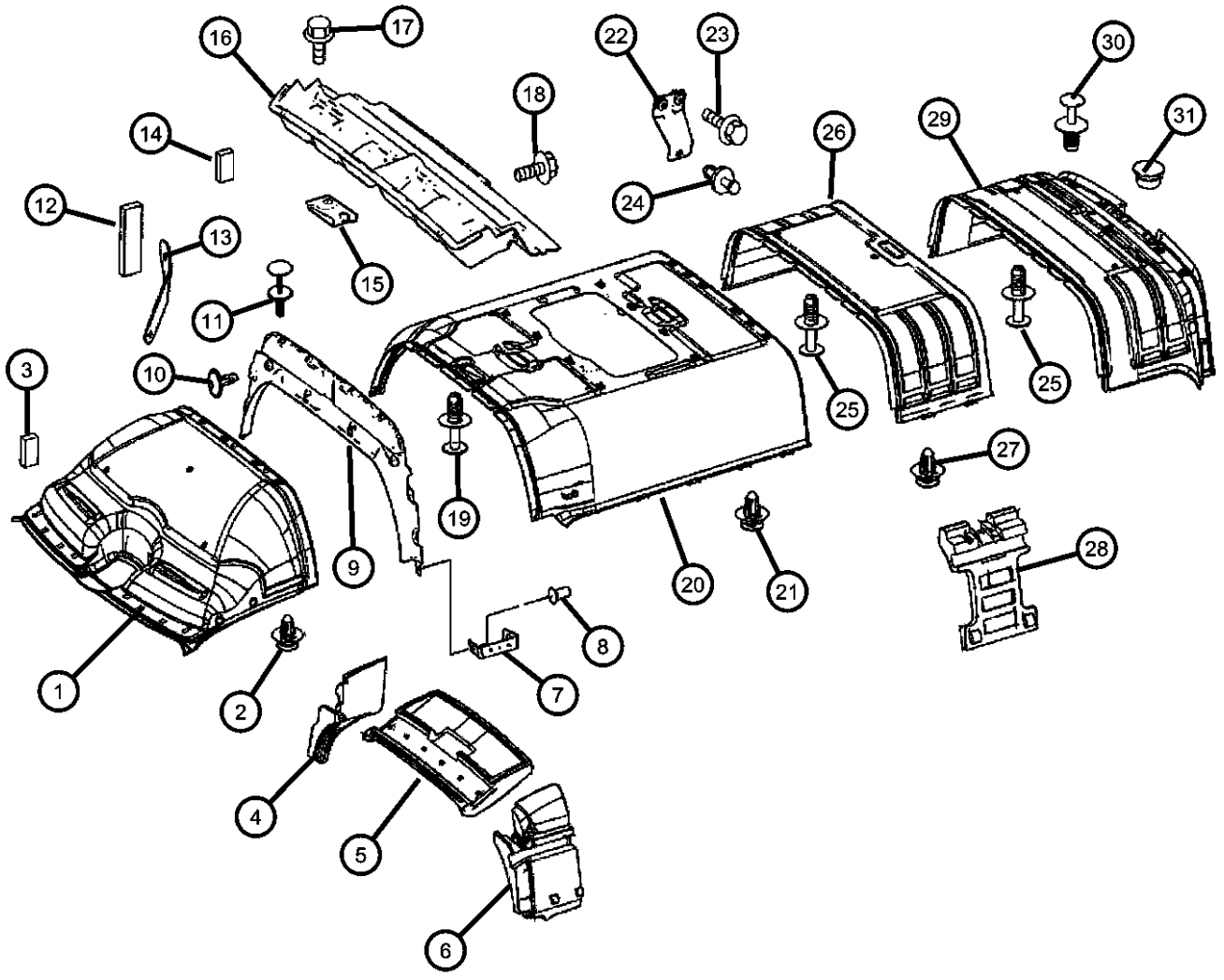
ITEM	PART NUMBER	QTY	LINE	SERIES	BODY	ENGINE	TRANS	TRIM	DESCRIPTION
		1	2, 3, 6, 7	L	13, 15, 17, 53, 55			*F7	[DVF7] With [MWJ%MX2%MX1+CJ4+CK7]
	1HB98KDVA	1	2, 3, 6, 7	L	13, 15, 17, 53, 55			*A6	[DVA6] With [MWJ%MX2%MX1+CJ4]
		1	2, 3, 6, 7	L	13, 15, 17, 53, 55			*E7	[DVE7] With [MWJ%MX2%MX1+CJ4]
		1	2, 3, 6, 7	L	13, 15, 17, 53, 55			*F7	[DVF7] With [MWJ%MX2%MX1+CJ4]
	1HB98XDVA	1	2, 3, 6, 7	L	13, 15, 17, 53, 55			*A6	[A4A6] With [MWJ%MX2%MX1+CJ4]
		1	2, 3, 6, 7	L	13, 15, 17, 53, 55			*A6	[A7A6] With [MWJ%MX2%MX1+CJ4]
		1	2, 3, 6, 7	L	13, 15, 17, 53, 55			*E7	[A4E7] With [MWJ%MX2%MX1+CJ4]
		1	2, 3, 6, 7	L	13, 15, 17, 53, 55			*E7	[A7E7] With [MWJ%MX2%MX1+CJ4]
		1	2, 3, 6, 7	L	13, 15, 17, 53, 55			*F7	[A4F7] With [MWJ%MX2%MX1+CJ4]
		1	2, 3, 6, 7	L	13, 15, 17, 53, 55			*F7	[A7F7] With [MWJ%MX2%MX1+CJ4]
	1HB99KDVA	1	2, 3, 6, 7	L	13, 15, 17, 53, 55				All [DV] Order Codes With [MWJ%MX2%MX1+4XK]
2	05125569AA	4	2, 3, 6, 7	L	13, 15, 17, 53, 55				CLIP, Headlining
3	68010358AA	2	2, 3, 6, 7	L	13, 15, 17, 53, 55				INSULATION
4									INSULATION
	68014302AA	1	2, 6	L	13, 15, 17, 53, 55				Center, Right
	68014303AA	1	2, 3, 6, 7	L	13, 15, 17, 53, 55				With [GK9], Center, Right
	68014317AA	1	2, 3, 6, 7	L	13, 15, 17, 53, 55				Center, Left
	68014320AA	1	2, 3, 6, 7	L	53, 55, 13, 15, 17				Right
5									INSULATION
	68014324AA	1	2, 6	L	13, 15, 17, 53, 55				With [CTA]
	68014325AA	1	2, 6	L	13, 15, 17, 53, 55				
6									INSULATION
	68014297AA	1	2, 6	L	13, 15, 17, 53, 55				Left

**SPRINTER (VB)**

SERIES	LINE	BODY	ENGINE	TRANSMISSION
L = LOWLINE	3 = HD DODGE 2WD 6 = Lt. Duty DODGE 4WD 2 = Med. Duty DODGE 2WD 7 = Med. Duty DODGE 4WD	17 = VAN WHEEL BASE 7 55 = WAGON WHEEL BASE 5 15 = VAN WHEEL BASE 5 53 = 119 WB 13 = 119 WB 05 = CAB CHASSIS WHEEL BASE 5 03 = CAB CHASSIS WHEEL BASE 3	EG2 = 3.5L V6 Gas Engine EXM = 3.0L V6 Turbo Diesel Engine	DGZ = 5-Speed Auto W5A380 Transmission

AR = use ase required - = Non illustrated part

**Headliner - Rail System**  
**Figure 50-146**



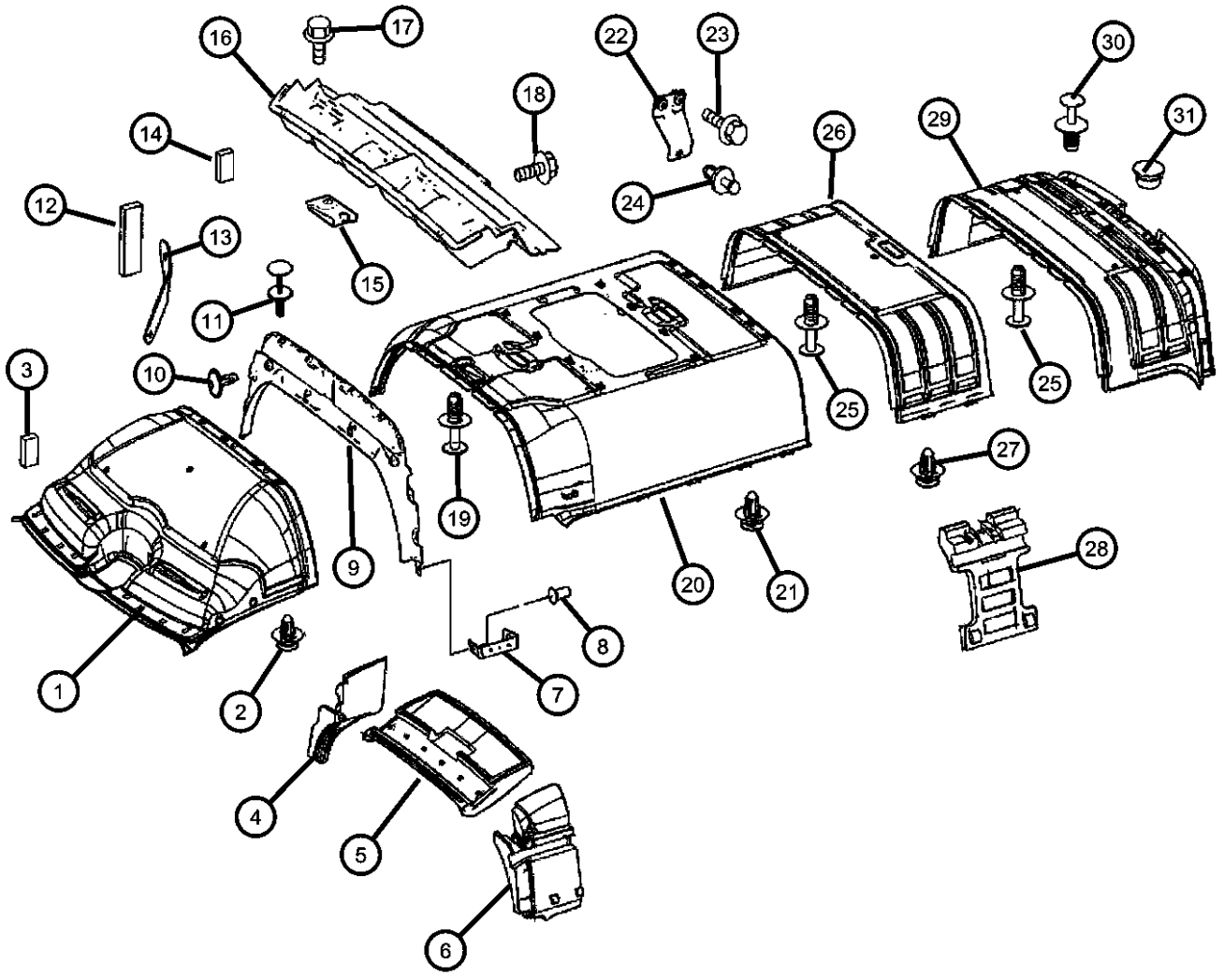
ITEM	PART NUMBER	QTY	LINE	SERIES	BODY	ENGINE	TRANS	TRIM	DESCRIPTION
	68014298AA	1	2, 6	L	15, 17, 53, 55, 13				Right
7	68014184AA	2	2, 3, 6, 7	L					BRACKET
8	05134061AA	8	2, 3, 6, 7	L	13, 15, 17, 53, 55				RIVET
9									PANEL
	1HC05XDVAA	1	2, 3, 6, 7	L	13, 15, 17, 53, 55			*A6	With [MX2] or [MX1] and [[GKA] [GKE]
		1	2, 3, 6, 7	L	13, 15, 17, 53, 55			*E7	With [MX2] or [MX1] and [[GKA] [GKE]
		1	2, 3, 6, 7	L	13, 15, 17, 53, 55			*F7	With [MX2] or [MX1] and [[GKA] [GKE]
	1HC06XDVAA	1	2, 3, 6, 7	L	13, 15, 17, 53, 55			*A6	With [MX2] or [MX1] and [[GKA]
		1	2, 3, 6, 7	L	13, 15, 17, 53, 55			*E7	With [MX2] or [MX1] and [[GKA]
		1	2, 3, 6, 7	L	13, 15, 17, 53, 55			*F7	With [MX2] or [MX1] and [[GKA]
	1HC07XDVAA	1	2, 3, 6, 7	L	13, 15, 17, 53, 55			*A6	With [MX2] or [MX1] and [[GKE]
		1	2, 3, 6, 7	L	13, 15, 17, 53, 55			*E7	With [MX2] or [MX1] and [[GKE]
		1	2, 3, 6, 7	L	13, 15, 17, 53, 55			*F7	With [MX2] or [MX1] and [[GKE]
	1HC08XDVAA	1	2, 3, 6, 7	L	13, 15, 17, 53, 55			*A6	With [MWJ] [GKA] or [GKE]
		1	2, 3, 6, 7	L	13, 15, 17, 53, 55			*E7	With [MWJ] [GKA] or [GKE]
		1	2, 3, 6, 7	L	13, 15, 17, 53, 55			*F7	With [MWJ] [GKA] or [GKE]
	1HC09XDVAA	1	2, 3, 6, 7	L	13, 15, 17, 53, 55			*A6	With [MWJ] [GKA]
		1	2, 3, 6, 7	L	13, 15, 17, 53, 55			*E7	With [MWJ] [GKA]
		1	2, 3, 6, 7	L	13, 15, 17, 53, 55			*F7	With [MWJ] [GKA]
	1HC10XDVAA	1	2, 3, 6, 7	L	13, 15, 17			*A6	With [MWJ] [GKE]
		1	2, 3, 6, 7	L	13, 15, 17			*E7	With [MWJ] [GKE]
		1	2, 3, 6, 7	L	13, 15, 17			*F7	With [MWJ] [GKE]
	1HC12XDVAA	1	2, 3, 6, 7	L	13, 15, 17			*A6	With [MWJ] [GK9]
		1	2, 3, 6, 7	L	13, 15, 17			*E7	With [MWJ] [GK9]

**SPRINTER (VB)**

<b>SERIES</b>	<b>LINE</b>	<b>BODY</b>	<b>ENGINE</b>	<b>TRANSMISSION</b>
L = LOWLINE	3 = HD DODGE 2WD 6 = Lt. Duty DODGE 4WD 2 = Med. Duty DODGE 2WD 7 = Med. Duty DODGE 4WD	17 = VAN WHEEL BASE 7 55 = WAGON WHEEL BASE 5 15 = VAN WHEEL BASE 5 53 = 119 WB 13 = 119 WB 05 = CAB CHASSIS WHEEL BASE 5 03 = CAB CHASSIS WHEEL BASE 3	EG2 = 3.5L V6 Gas Engine EXM = 3.0L V6 Turbo Diesel Engine	DGZ = 5-Speed Auto W5A380 Transmission

AR = use ase required - = Non illustrated part

**Headliner - Rail System**  
**Figure 50-146**



ITEM	PART NUMBER	QTY	LINE	SERIES	BODY	ENGINE	TRANS	TRIM	DESCRIPTION
		1	2, 3, 6, 7	L	13, 15, 17			*F7	With [MWJ] [GK9]
	1HC13XDVAA	1	2, 3, 6, 7	L	13, 15, 17			*A6	With [MX2] or [MX1] and [[GK9]
		1	2, 3, 6, 7	L	13, 15, 17			*E7	With [MX2] or [MX1] and [[GK9]
		1	2, 3, 6, 7	L	13, 15, 17			*F7	With [MX2] or [MX1] and [[GK9]
10	68009926AA	5	2, 3, 6, 7	L	13, 15, 17				SCREW
11									RIVET
	1HC04NC-VAA	2	2, 3, 6, 7	L				*A6	
		2	2, 3, 6, 7	L				*E7	
		2	2, 3, 6, 7	L				*F7	
12	68014185AA	1	2, 3, 6, 7	L	17, 53, 55, 13, 15				SPACER
13	68014186AA	1	2, 3, 6, 7	L	13, 15, 17, 53, 55				BRACKET
14	68010773AA	1	2, 3, 6, 7	L	13, 15, 17, 53, 55				INSULATION
15	06104737AA	4	2, 3, 6, 7	L	13, 15, 17, 53, 55				CLIP, CLIP-SPRING
16									PANEL, Roof
	1HC43NC-VAA	1	2, 3, 6, 7	L	13, 15, 17, 53, 55			*AL	
		1	2, 3, 6, 7	L	13, 15, 17, 53, 55			*E7	
		1	2, 3, 6, 7	L	13, 15, 17, 53, 55			*F7	
17	68009926AA	10	2, 3, 6, 7	L	13, 15, 17, 53, 55				SCREW
18	06104505AA	2	2, 3, 6, 7	L	13, 15, 17, 53, 55				SCREW
19									RIVET, Plastic
	1AR96DX9AA	8	2, 3, 6, 7	L	13, 15, 17, 53, 55			*A6	
		8	2, 3, 6, 7	L	13, 15, 17, 53, 55			*E7	
		8	2, 3, 6, 7	L	13, 15, 17, 53, 55			*F7	
20		8							HEADLINER, Center, (NOT SERVICED)
21	05125569AA	4	2, 3, 6, 7	L	13, 15, 17, 53, 55				CLIP, Headlining

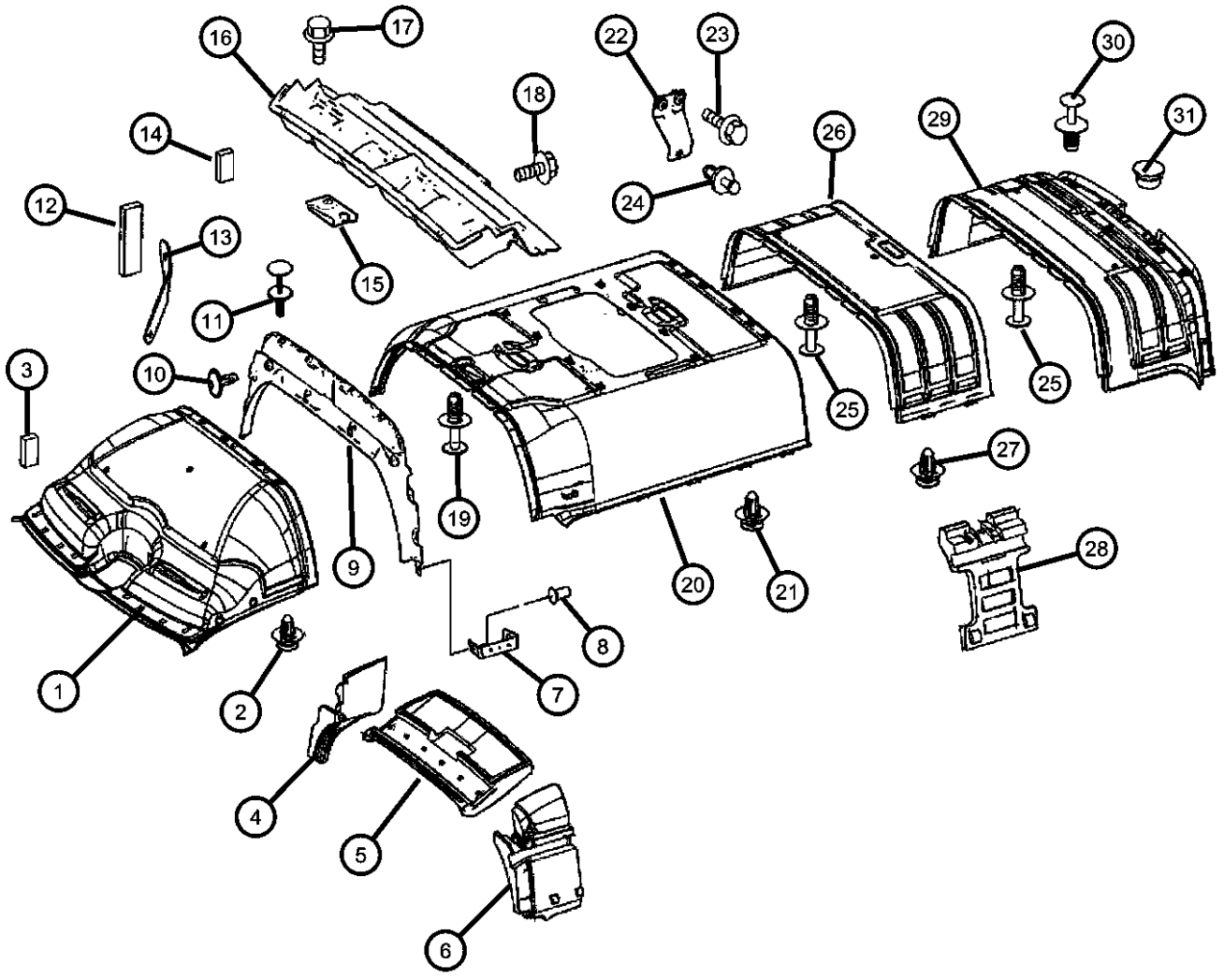
**SPRINTER (VB)**

SERIES	LINE	BODY	ENGINE	TRANSMISSION
L = LOWLINE	3 = HD DODGE 2WD 6 = Lt. Duty DODGE 4WD 2 = Med. Duty DODGE 2WD 7 = Med. Duty DODGE 4WD	17 = VAN WHEEL BASE 7 55 = WAGON WHEEL BASE 5 15 = VAN WHEEL BASE 5 53 = 119 WB 13 = 119 WB 05 = CAB CHASSIS WHEEL BASE 5 03 = CAB CHASSIS WHEEL BASE 3	EG2 = 3.5L V6 Gas Engine EXM = 3.0L V6 Turbo Diesel Engine	DGZ = 5-Speed Auto W5A380 Transmission

AR = use ase required - = Non illustrated part



**Headliner - Rail System**  
**Figure 50-146**



ITEM	PART NUMBER	QTY	LINE	SERIES	BODY	ENGINE	TRANS	TRIM	DESCRIPTION
22	68014234AA	2	2, 3, 6, 7	L	13, 15, 17, 53, 55				BRACKET
23	06104513AA	4	2, 3, 6, 7	L	13, 15, 17, 53, 55				SCREW
24									RIVET
	1HC04NC-VAA	2	2, 3, 6, 7	L				*A6	
		2	2, 3, 6, 7	L				*E7	
		2	2, 3, 6, 7	L				*F7	
25									RIVET, Plastic
	1AR96DX9AA	8	2, 3, 6, 7	L	13, 15, 17, 53, 55			*A6	
		8	2, 3, 6, 7	L	13, 15, 17, 53, 55			*E7	
		8	2, 3, 6, 7	L	13, 15, 17, 53, 55			*F7	
26									HEADLINER
	1HC34TDVAA	1	2, 3, 6, 7	L	15, 55			*A6	[A7A6]
		1	2, 3, 6, 7	L	15, 55			*E7	[A7E7]
		1	2, 3, 6, 7	L	55, 15			*F7	[A7F7]
27	05125569AA	4	2, 3, 6, 7	L	13, 15, 17, 53, 55				CLIP, Headlining
28	68014294AA	1	2, 6	L	13, 15, 17, 53, 55				INSULATION
29									HEADLINER
	1HC37KDVAA	1	2, 3, 6, 7	L	13, 53			*A6	
		1	2, 3, 6, 7	L	13, 53			*E7	
		1	2, 3, 6, 7	L	13, 53			*F7	
30	1HC32NC-VAA	AR	2, 3, 6, 7	L	13, 15, 17, 53, 55				RIVET
31									CAP
	1HC40NC-VAA	4	2, 3, 6, 7	L	13, 15, 17, 53, 55			*A6	
		4	2, 3, 6, 7	L	13, 15, 17, 53, 55			*E7	
		4	2, 3, 6, 7	L	13, 15, 17, 53, 55			*F7	

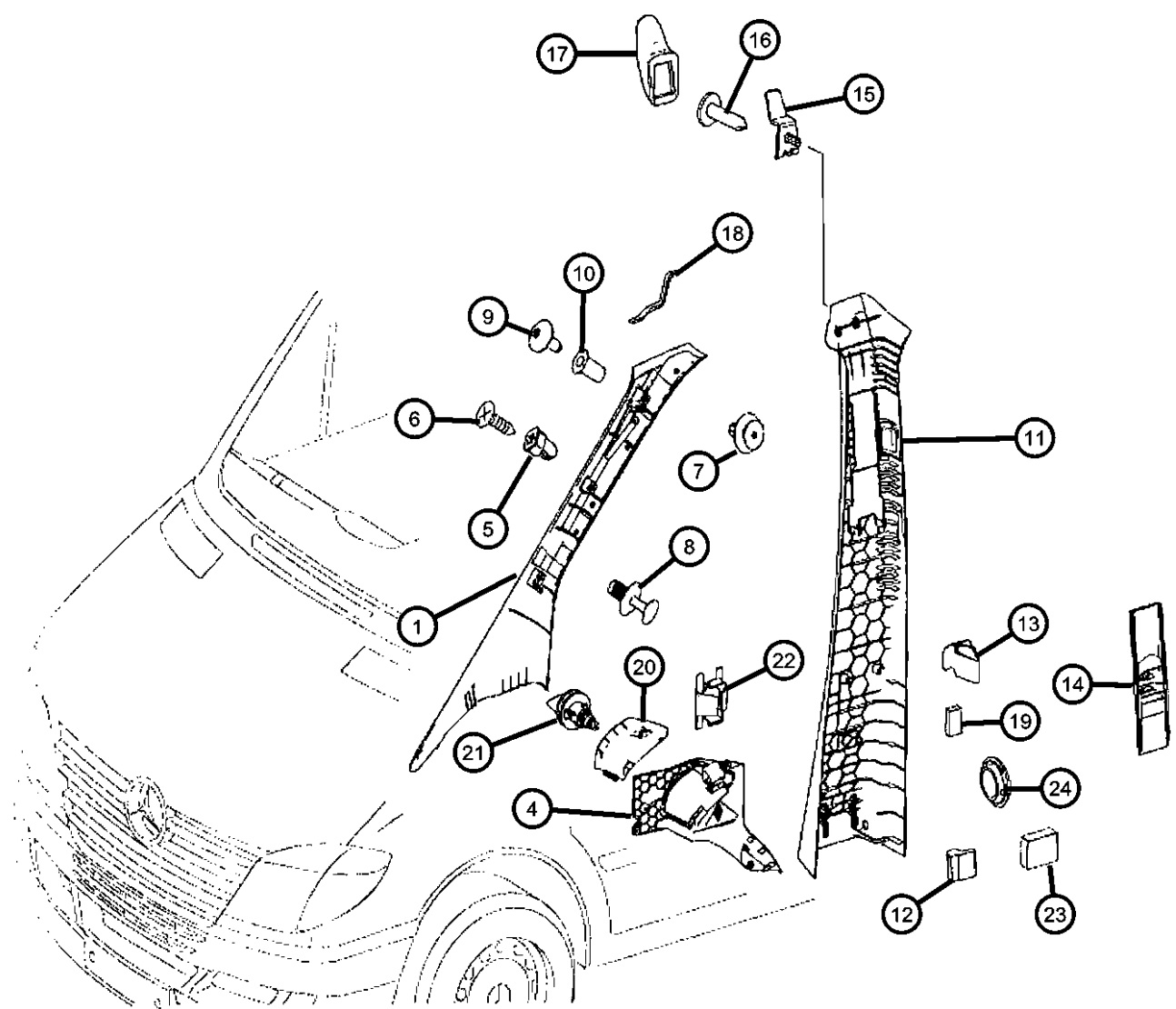
**SPRINTER (VB)**

SERIES	LINE	BODY	ENGINE	TRANSMISSION
L = LOWLINE	3 = HD DODGE 2WD 6 = Lt. Duty DODGE 4WD 2 = Med. Duty DODGE 2WD 7 = Med. Duty DODGE 4WD	17 = VAN WHEEL BASE 7 55 = WAGON WHEEL BASE 5 15 = VAN WHEEL BASE 5 53 = 119 WB 13 = 119 WB 05 = CAB CHASSIS WHEEL BASE 5 03 = CAB CHASSIS WHEEL BASE 3	EG2 = 3.5L V6 Gas Engine EXM = 3.0L V6 Turbo Diesel Engine	DGZ = 5-Speed Auto W5A380 Transmission

AR = use ase required - = Non illustrated part

**Interior Moldings And Pillars**  
**Figure 50-202**

ITEM	PART NUMBER	QTY	LINE	SERIES	BODY	ENGINE	TRANS	TRIM	DESCRIPTION
1	1JZ46NCVAA	1	2, 3, 6, 7	L					PANEL, A Pillar, Without [CJ4], Left
-2	1MS97NC-VAA	1	3, 7	L	03, 05, 13, 15, 17				PANEL, A Pillar Trim, Without [CJ4], Right
-3									MOLDING, A-PILLAR
	1HB04XDVAA	1	2, 3, 6, 7	L					With [CJ4], Right
	1HB05XDVAA	1	2, 3, 6, 7	L					With [CJ4], Left
4									PANEL
	1HA87XDVAA	1	6, 7, 2, 3	L				*E7	Right
		1	2, 3, 6, 7	L				*F7	Right
	1HA85XDVAA	1	2, 3, 6, 7	L				*A6	Left
		1	2, 3, 6, 7	L				*E7	Left
		1	2, 3, 6, 7	L				*F7	Left
		1	2, 3, 6, 7	L				*A6	Right
5	05098837AB	4	2, 3, 6, 7	L					NUT, Plastic Snap-in
6	06104574AA	1	2, 3, 6, 7	L					SCREW, Tapping, [4.8 x 16 MM], Right & Left
7	68006504AA	3	2, 3, 6, 7	L					RETAINERUpper
8									RIVET, Plastic
	1AR96DX9AA	3	3, 7	L	03, 05			*A6	Lower
		3	3, 7	L	03, 05			*E7	Lower
		3	3, 7	L	03, 05			*F7	Lower
9	68014337AA	8	2, 3, 6, 7	L					SCREW, [M6x16], Upper
10	05133486AA	4	2, 3, 6, 7	L					RIVET
11	1HB07NCVAA	1	3, 7	L	03, 05				PANEL, B PillarRight
12	68030968AA	1	2, 3, 6, 7	L	03, 05, 13, 15, 17				INSULATOR
13	68014360AA	4	2, 3, 6, 7	L					CLAMP
14									PANEL, B Pillar
	68014362AA	1	7, 2, 3, 6	L					Right
	68014363AA	1	2, 3, 6, 7	L					Left
15	05124273AA	1	3, 7	L	03, 05				HOOK, Coat
16	06104575AA	1	3, 7	L	03, 05				SCREW, Tapping, M4.8X1.6X19.0
17	0ZF49CS8AA	1	2, 3, 6, 7	L					HOOK, Coat
18	68012811AA	2	2, 3, 6, 7	L					SEAL



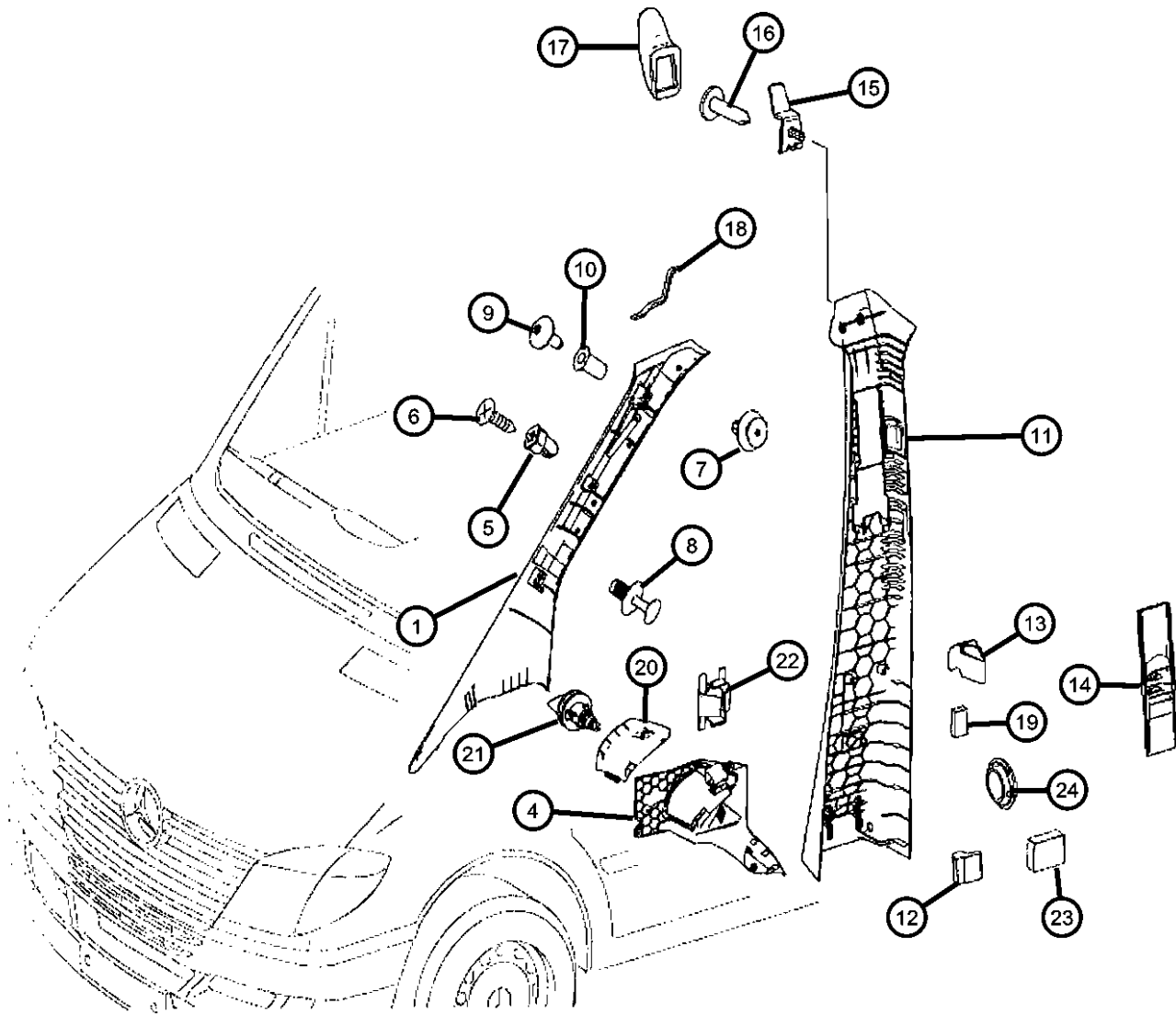
**SPRINTER (VB)**

SERIES	LINE	BODY	ENGINE	TRANSMISSION
L = LOWLINE	3 = HD DODGE 2WD 6 = Lt. Duty DODGE 4WD 2 = Med. Duty DODGE 2WD 7 = Med. Duty DODGE 4WD	17 = VAN WHEEL BASE 7 55 = WAGON WHEEL BASE 5 15 = VAN WHEEL BASE 5 53 = 119 WB 13 = 119 WB 05 = CAB CHASSIS WHEEL BASE 5 03 = CAB CHASSIS WHEEL BASE 3	EG2 = 3.5L V6 Gas Engine EXM = 3.0L V6 Turbo Diesel Engine	DGZ = 5-Speed Auto W5A380 Transmission

AR = use ase required - = Non illustrated part

**Interior Moldings And Pillars  
Figure 50-202**

ITEM	PART NUMBER	QTY	LINE	SERIES	BODY	ENGINE	TRANS	TRIM	DESCRIPTION
19	68010773AA	3	3, 7	L	03, 05				INSULATION
20	1HA86NCVAA	1	2, 3, 6, 7	L					COVER
21	68014164AA	1	2, 3, 6, 7	L					RETAINER
22	68014165AA	1	2, 3, 6, 7	L					RETAINER
23	68014291AA	1	3, 7	L	03, 05				INSULATOR
24	68006359AA	2	3, 7	L	03, 05				PLUG, Body



**SPRINTER (VB)**

SERIES	LINE	BODY	ENGINE	TRANSMISSION
L = LOWLINE	3 = HD DODGE 2WD 6 = Lt. Duty DODGE 4WD 2 = Med. Duty DODGE 2WD 7 = Med. Duty DODGE 4WD	17 = VAN WHEEL BASE 7 55 = WAGON WHEEL BASE 5 15 = VAN WHEEL BASE 5 53 = 119 WB 13 = 119 WB 05 = CAB CHASSIS WHEEL BASE 5 03 = CAB CHASSIS WHEEL BASE 3	EG2 = 3.5L V6 Gas Engine EXM = 3.0L V6 Turbo Diesel Engine	DGZ = 5-Speed Auto W5A380 Transmission

AR = use ase required - = Non illustrated part

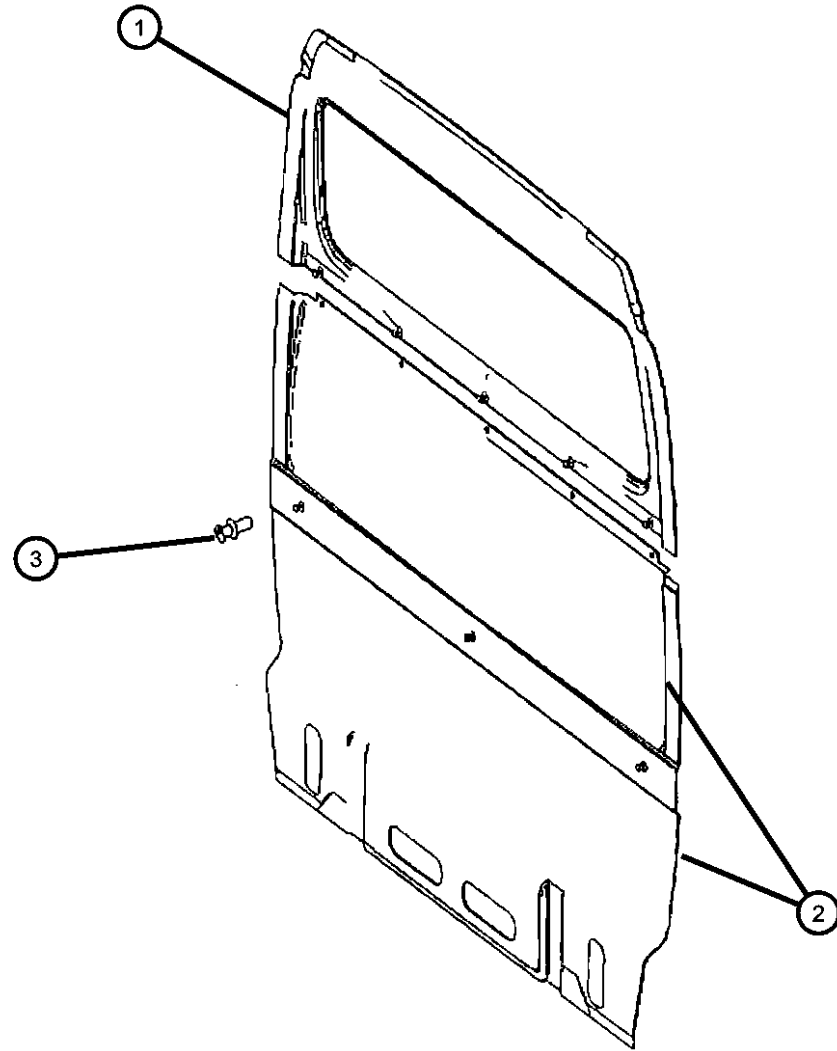
2008 VB

Rear Wall Panel  
Figure 50-205

ITEM	PART NUMBER	QTY	LINE	SERIES	BODY	ENGINE	TRANS	TRIM	DESCRIPTION
------	-------------	-----	------	--------	------	--------	-------	------	-------------

NOTE: REAR PANEL DOES NOT HAVE OPENING FOR REAR GLASS. IF VEHICLE HAS REAR GLASS, DEALER MUST CUT OUT OR MODIFY

1	1HB09ADVAA	1	3, 7	L	03, 05				PANEL, Cab Back, SEE NOTE
2	1HB10NCVAA	1	2, 3, 6, 7	L	03, 05, 13, 15, 17				PANEL, Cab Back
3	05174538AB	8	2, 3, 6, 7	L					RIVET



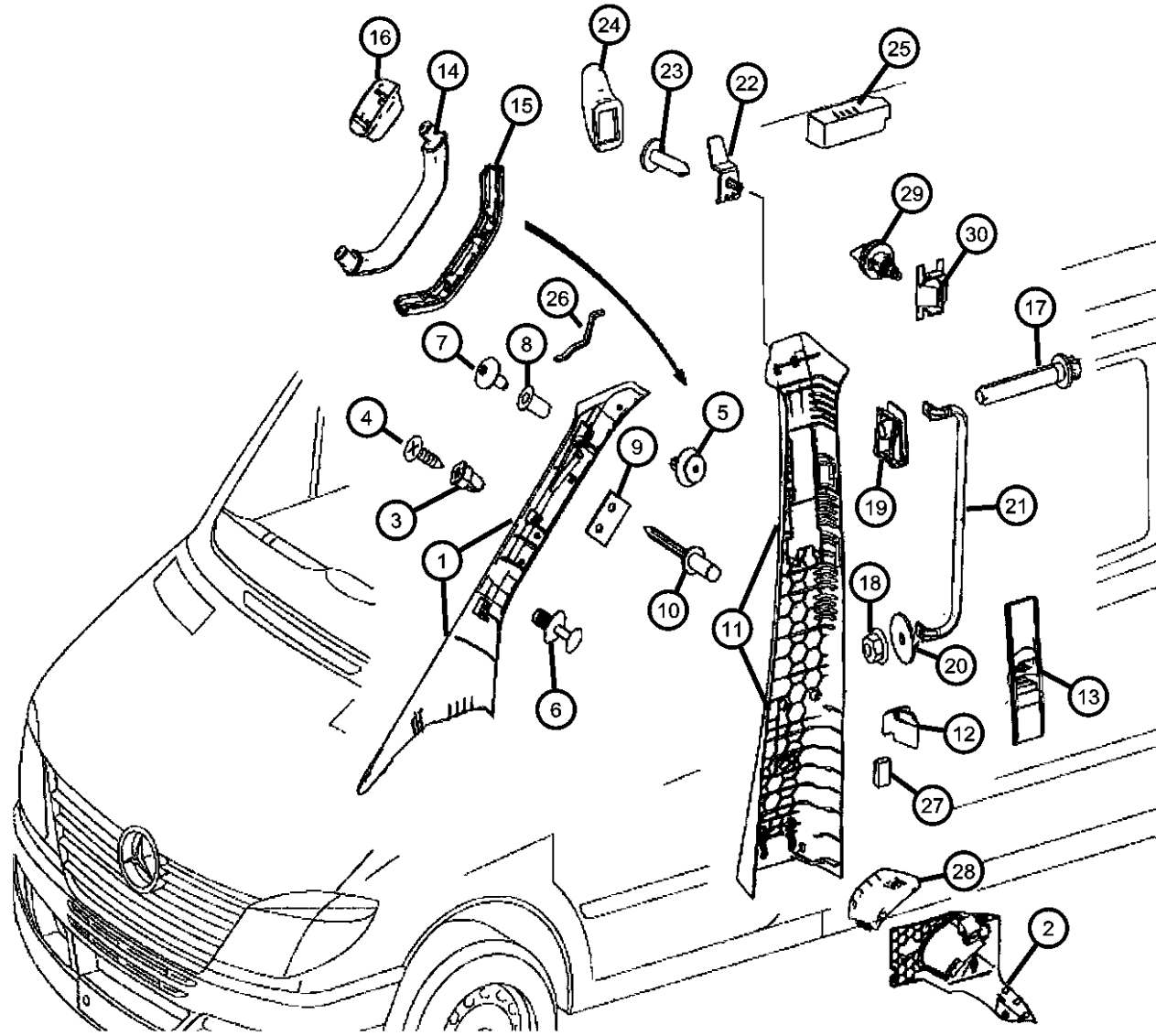
**SPRINTER (VB)**

SERIES	LINE	BODY	ENGINE	TRANSMISSION
L = LOWLINE	3 = HD DODGE 2WD 6 = Lt. Duty DODGE 4WD 2 = Med. Duty DODGE 2WD 7 = Med. Duty DODGE 4WD	17 = VAN WHEEL BASE 7 55 = WAGON WHEEL BASE 5 15 = VAN WHEEL BASE 5 53 = 119 WB 13 = 119 WB 05 = CAB CHASSIS WHEEL BASE 5 03 = CAB CHASSIS WHEEL BASE 3	EG2 = 3.5L V6 Gas Engine EXM = 3.0L V6 Turbo Diesel Engine	DGZ = 5-Speed Auto W5A380 Transmission

AR = use ase required - = Non illustrated part

2008 VB

**Interior Moldings and Pillars  
Figure 50-210**



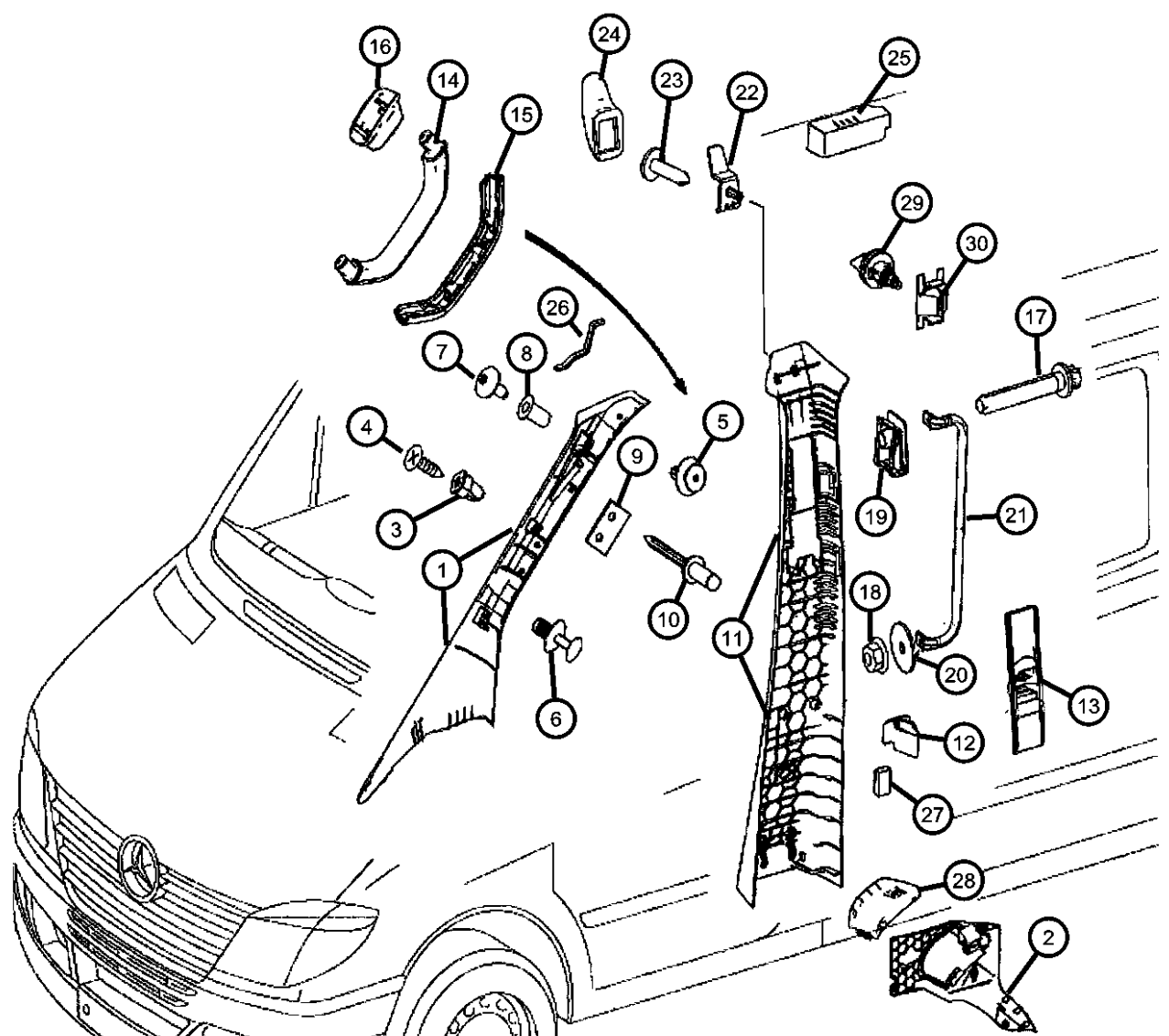
ITEM	PART NUMBER	QTY	LINE	SERIES	BODY	ENGINE	TRANS	TRIM	DESCRIPTION
1	1HB03NCVAA	1	2, 3, 6, 7	L					PANEL, A Pillar Trim, A-Pillar Upper
2									PANEL, A-Pillar Lower
	1HA85XDVAA	1	2, 3, 6, 7	L				*A6	[A6], Left
		1	2, 3, 6, 7	L				*E7	[E7], Left
		1	2, 3, 6, 7	L				*F7	[F7], Left
	1HA87XDVAA	1	2, 3, 6, 7	L				*A6	[A6], Right
		1	2, 3, 6, 7	L				*E7	[E7], Right
		1	2, 3, 6, 7	L				*F7	[F7], Right
3	05098837AB	4	2, 3, 6, 7	L					NUT, Plastic Snap-in
4									SCREW, Tapping
	06104574AA	2	3, 7	L	03, 05				Right & Left
		2	2, 3, 6, 7	L	13, 15, 17, 53, 55				Right & Left
5	68006504AA	3	2, 3, 6, 7	L					RETAINER
6									RIVET, Plastic
	1AR96DX9AA	3	2, 3, 6, 7	L	13, 15, 17, 53, 55			*A6	[A6], Right & Left
		3	2, 3, 6, 7	L	13, 15, 17, 53, 55			*E7	[E7], Right & Left
		3	2, 3, 6, 7	L	13, 15, 17, 53, 55			*F7	[F7], Right & Left
7	68014337AA	8	2, 3, 6, 7	L					SCREW
8	05133486AA	2	2, 3, 6, 7	L	13, 15, 17, 53, 55				RIVET
9	68014338AA	4	2, 3, 6, 7	L					BRACKET, A-Pillar
10	68014338AA	4							RIVET, (NOT SERVICED)
11									PANEL, B Pillar
	1HC44XDVAA	1	2, 3, 6, 7	L	13, 15, 17, 53, 55			*A6	[A6] With [GKE] Left Sliding Door, No Glass, Left
		1	2, 3, 6, 7	L	13, 15, 17, 53, 55			*E7	[E7] With [GKE] Left Sliding Door, No Glass, Left
		1	2, 3, 6, 7	L	13, 15, 17, 53, 55			*F7	[F7] With [GKE] Left Sliding Door, No Glass, Left
	1HC47XDVAA	1	2, 3, 6, 7	L	13, 15, 17, 53, 55			*A6	[A6] With [GKE] Left Sliding Door No Glass, With [CS1] Sliding Door Assist Handle, Left

**SPRINTER (VB)**

SERIES	LINE	BODY	ENGINE	TRANSMISSION
L = LOWLINE	3 = HD DODGE 2WD 6 = Lt. Duty DODGE 4WD 2 = Med. Duty DODGE 2WD 7 = Med. Duty DODGE 4WD	17 = VAN WHEEL BASE 7 55 = WAGON WHEEL BASE 5 15 = VAN WHEEL BASE 5 53 = 119 WB 13 = 119 WB 05 = CAB CHASSIS WHEEL BASE 5 03 = CAB CHASSIS WHEEL BASE 3	EG2 = 3.5L V6 Gas Engine EXM = 3.0L V6 Turbo Diesel Engine	DGZ = 5-Speed Auto W5A380 Transmission

AR = use ase required - = Non illustrated part

**Interior Moldings and Pillars  
Figure 50-210**



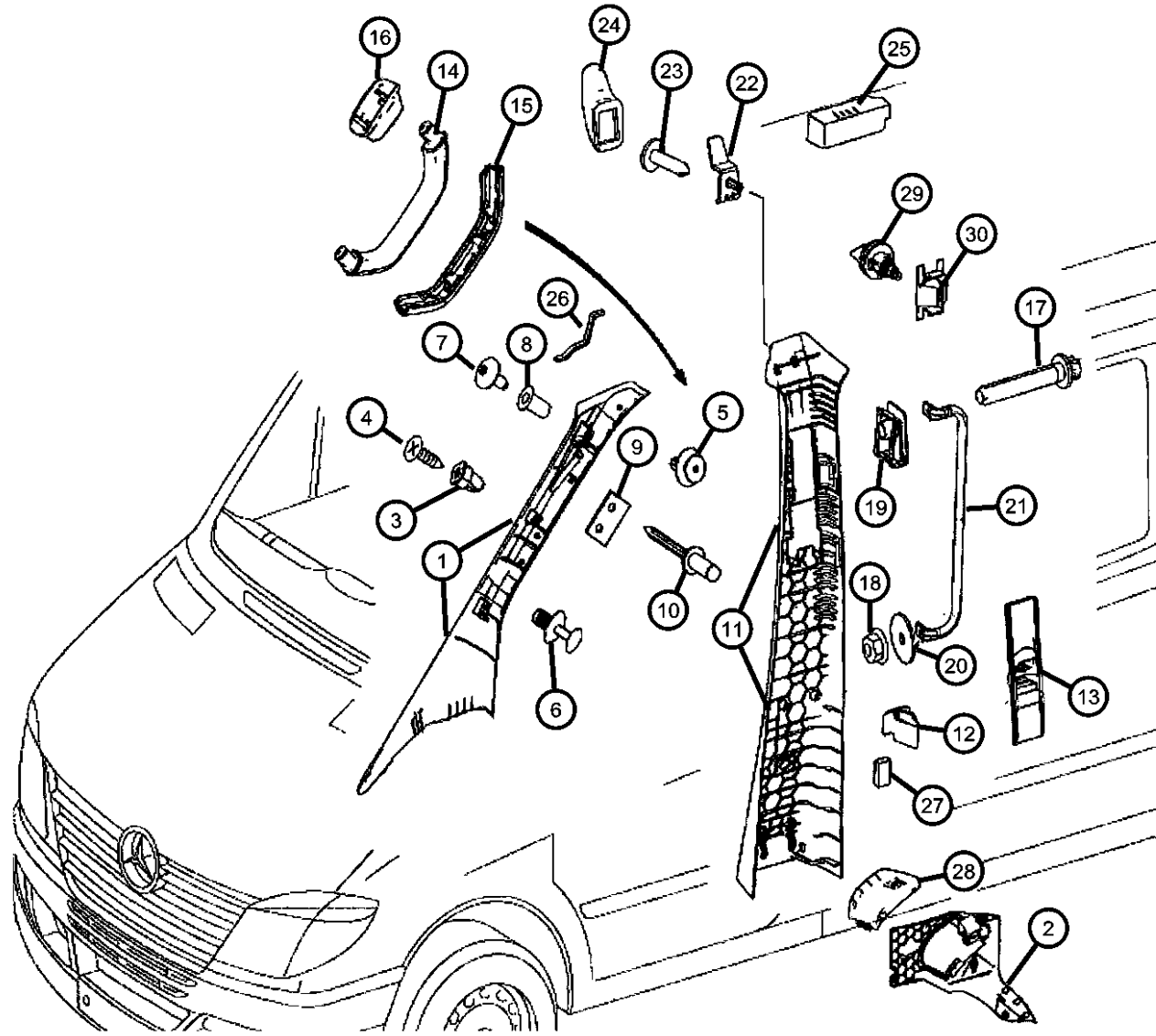
ITEM	PART NUMBER	QTY	LINE	SERIES	BODY	ENGINE	TRANS	TRIM	DESCRIPTION
		1	2, 3, 6, 7	L	13, 15, 17, 53, 55			*E7	[E7] With [GKE] Left Sliding Door No Glass,With [CS1] Sloding Door Assist Handle, Left
		1	2, 3, 6, 7	L	13, 15, 17, 53, 55			*F7	[F7] With [GKE] Left Sliding Door No Glass,With [CS1] Sloding Door Assist Handle, Left
	1HC48NC-VAA	1	2, 3, 6, 7	L	13, 15, 17, 53, 55			*A6	[A6] With [4XK] Paneling Under Roof, Left
		1	2, 3, 6, 7	L	13, 15, 17, 53, 55			*E7	[E7] With [4XK] Paneling Under Roof, Left
		1	2, 3, 6, 7	L	13, 15, 17, 53, 55			*F7	[F7] With [4XK] Paneling Under Roof, Left
		1	2, 6	L	13, 15, 17, 53, 55			*A6	[A6] With [4Z1 or 4XS] National Version for Canada or USA, Left
		1	2, 6	L	13, 15, 17, 53, 55			*E7	[E7] With [4Z1 or 4XS] National Version for Canada or USA, Left
		1	2, 6	L	13, 15, 17, 53, 55			*F7	[F7] With [4Z1 or 4XS] National Version for Canada or USA, Left
	1HC66XDVAA	1	2, 3, 6, 7	L	13, 15, 17, 53, 55			*A6	[A6] With [GKA] Right Sliding Door and [CS1] Sliding Door Assist Handle, Right
		1	2, 3, 6, 7	L	13, 15, 17, 53, 55			*E7	[E7] With [GKA] Right Sliding Door and [CS1] Sliding Door Assist Handle, Right
		1	2, 3, 6, 7	L	13, 15, 17, 53, 55			*F7	[F7] With [GKA] Right Sliding Door and [CS1] Sliding Door Assist Handle, Right
12	68014360AA	4	2, 3, 6, 7	L					CLAMP
13	68014363AA	1	2, 3, 6, 7	L					PANEL, B Pillar
14	1HC58XDVAA	1	2, 3, 6, 7	L	13, 15, 17, 53, 55				HANDLE, Grab, [GKA%GKE+CS1]
15									COVER, Handle
	1HC59XDVAA	1	2, 3, 6, 7	L	13, 15, 17, 53, 55			*A6	[A6] With [CS1] Sliding Door Assist Handle,With [GKE] Left Sliding Door
		1	2, 3, 6, 7	L	13, 15, 17, 53, 55			*E7	[E7] With [CS1] Sliding Door Assist Handle,With [GKE] Left Sliding Door
		1	2, 3, 6, 7	L	13, 15, 17, 53, 55			*F7	[F7] With [CS1] Sliding Door Assist Handle,With [GKE] Left Sliding Door

**SPRINTER (VB)**

<b>SERIES</b>	<b>LINE</b>	<b>BODY</b>	<b>ENGINE</b>	<b>TRANSMISSION</b>
L = LOWLINE	3 = HD DODGE 2WD 6 = Lt. Duty DODGE 4WD 2 = Med. Duty DODGE 2WD 7 = Med. Duty DODGE 4WD	17 = VAN WHEEL BASE 7 55 = WAGON WHEEL BASE 5 15 = VAN WHEEL BASE 5 53 = 119 WB 13 = 119 WB 05 = CAB CHASSIS WHEEL BASE 5 03 = CAB CHASSIS WHEEL BASE 3	EG2 = 3.5L V6 Gas Engine EXM = 3.0L V6 Turbo Diesel Engine	DGZ = 5-Speed Auto W5A380 Transmission

AR = use ase required - = Non illustrated part

**Interior Moldings and Pillars**  
**Figure 50-210**



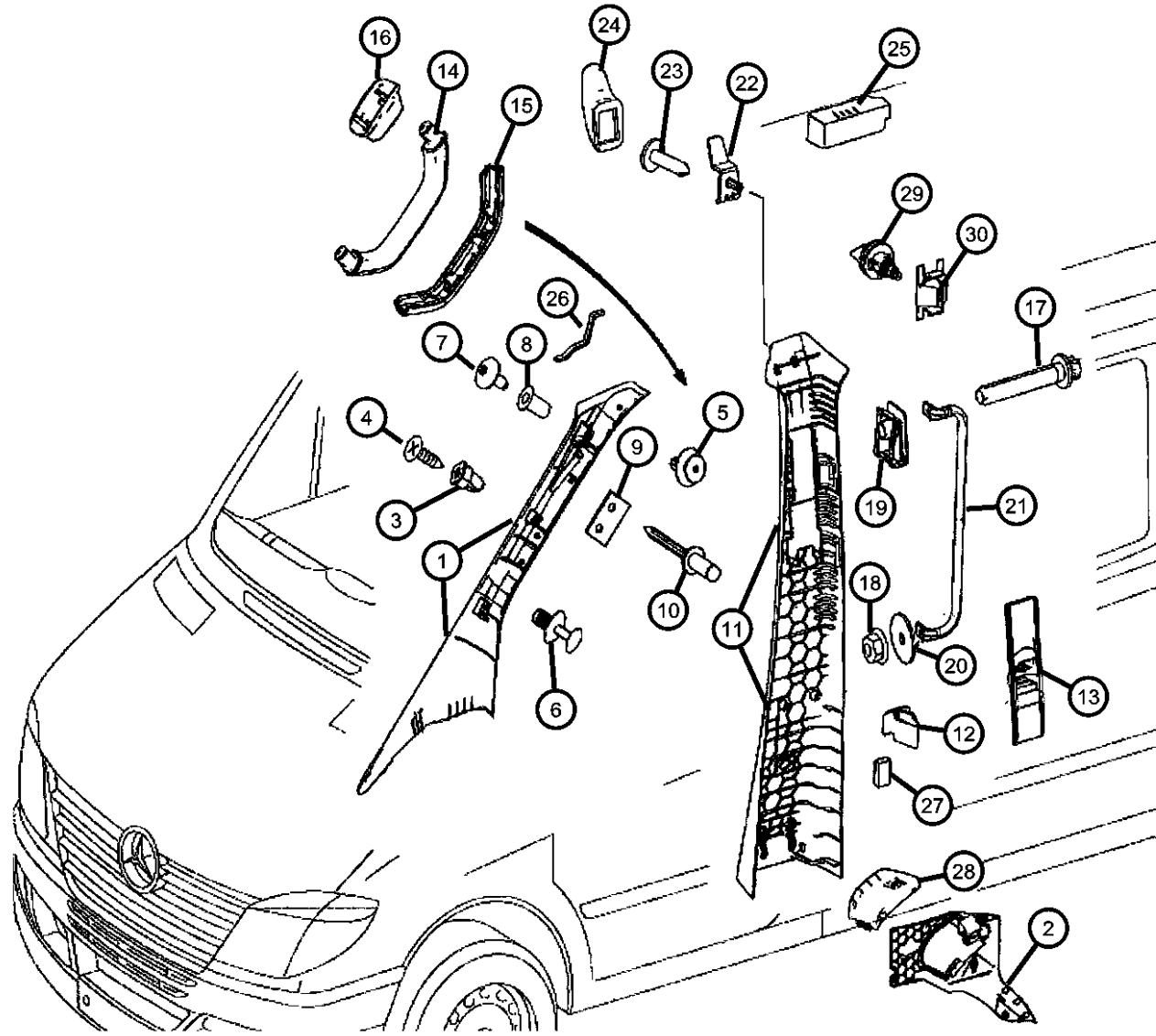
ITEM	PART NUMBER	QTY	LINE	SERIES	BODY	ENGINE	TRANS	TRIM	DESCRIPTION
		1	2, 3, 6, 7	L	13, 15, 17, 53, 55			*A6	[A6] With [CS1] Sliding Door Assist Handle,With [GKA] Right Sliding Door
		1	2, 3, 6, 7	L	13, 15, 17, 53, 55			*E7	[E7] With [CS1] Sliding Door Assist Handle,With [GKA] Right Sliding Door
		1	2, 3, 6, 7	L	13, 15, 17, 53, 55			*F7	[F7] With [CS1] Sliding Door Assist Handle,With [GKA] Right Sliding Door
16									COVER, Handle
	1HC60XDVAA	1	2, 3, 6, 7	L	13, 15, 17, 53, 55			*A6	[A6] Driver Upper
		1	2, 3, 6, 7	L	13, 15, 17, 53, 55			*E7	[E7] Driver Upper
		1	2, 3, 6, 7	L	13, 15, 17, 53, 55			*F7	[F7] Driver Upper
	1HC61XDVAA	1	2, 3, 6, 7	L	13, 15, 17, 53, 55			*A6	[A6] Driver Bottom of Handle
		1	2, 3, 6, 7	L	13, 15, 17, 53, 55			*E7	[E7] Driver Bottom of Handle
		1	2, 3, 6, 7	L	13, 15, 17, 53, 55			*F7	[F7] Driver Bottom of Handle
	1HQ44NC-VAA	1	2, 3, 6, 7	L	13, 15, 17, 53, 55			*F7	[F7] Passenger Upper
		1	2, 3, 6, 7	L	13, 15, 17, 53, 55			*E7	[E7] Passenger Upper
		1	2, 3, 6, 7	L	13, 15, 17, 53, 55			*A6	[A6] Passenger Upper
	1HQ48NC-VAA	1	2, 3, 6, 7	L	13, 15, 17, 53, 55			*A6	[A6] Passenger Lower
		1	2, 3, 6, 7	L	13, 15, 17, 53, 55			*E7	[E7] Passenger Lower
		1	2, 3, 6, 7	L	13, 15, 17, 53, 55			*F7	[F7] Passenger Lower
17	68014367AA	2	2, 3, 6, 7	L	13, 15, 17, 53, 55				SCREW, Grab Handle Attachment, M6X35
18	68004878AA	2	2, 3, 6, 7	L	13, 15, 17, 53, 55				NUT, Grab Handle Attachment
19	06104748AA	2	2, 3, 6, 7	L	13, 15, 17, 53, 55				CLIP, Grab Handle Attachment
20	68014373AA	2	2, 3, 6, 7	L	13, 15, 17				WASHER, Grab Handle Attachment
21	68014364AA	1	2, 3, 6, 7	L	13, 15, 17, 53, 55				HANDLE, Grab

**SPRINTER (VB)**

<b>SERIES</b>	<b>LINE</b>	<b>BODY</b>	<b>ENGINE</b>	<b>TRANSMISSION</b>
L = LOWLINE	3 = HD DODGE 2WD 6 = Lt. Duty DODGE 4WD 2 = Med. Duty DODGE 2WD 7 = Med. Duty DODGE 4WD	17 = VAN WHEEL BASE 7 55 = WAGON WHEEL BASE 5 15 = VAN WHEEL BASE 5 53 = 119 WB 13 = 119 WB 05 = CAB CHASSIS WHEEL BASE 5 03 = CAB CHASSIS WHEEL BASE 3	EG2 = 3.5L V6 Gas Engine EXM = 3.0L V6 Turbo Diesel Engine	DGZ = 5-Speed Auto W5A380 Transmission

AR = use ase required - = Non illustrated part

**Interior Moldings and Pillars**  
**Figure 50-210**



ITEM	PART NUMBER	QTY	LINE	SERIES	BODY	ENGINE	TRANS	TRIM	DESCRIPTION
22	05124273AA	1	3, 7	L	03, 05				HOOK, Coat
		1	2, 3, 6, 7	L	13, 15, 17, 53, 55				
23	06104575AA	1	2, 3, 6, 7	L					SCREW, Tapping, M4.8X1.6X19.0
24	0ZF49XDVAA	1	2, 3, 6, 7	L	13, 15, 17, 53, 55			*A6	[A6] HOOK, Coat
		1	2, 3, 6, 7	L	13, 15, 17, 53, 55			*E7	[E7]
		1	2, 3, 6, 7	L	13, 15, 17, 53, 55			*F7	[F7]
25	1JB87NCVAA	1	2, 3, 6, 7	L	13, 15, 17, 53, 55			*A6	[A6] COVER
		1	2, 3, 6, 7	L	13, 15, 17, 53, 55			*E7	[E7]
		1	2, 3, 6, 7	L	13, 15, 17, 53, 55			*F7	[F7]
26	68012811AA	2	2, 6	L	53, 55				SEAL
27	68010773AA	3	3, 7	L	03, 05				INSULATION
		3	2, 3, 6, 7	L	13, 15, 17, 53, 55				
28	1HA86XDVAA	1	2, 3, 6, 7	L				*A6	[A6] COVER
		1	2, 3, 6, 7	L				*E7	[E7]
		1	2, 3, 6, 7	L				*F7	[F7]
29	68014164AA	1	2, 3, 6, 7	L					RETAINER
30	68014165AA	1	2, 3, 6, 7	L					RETAINER

**SPRINTER (VB)**

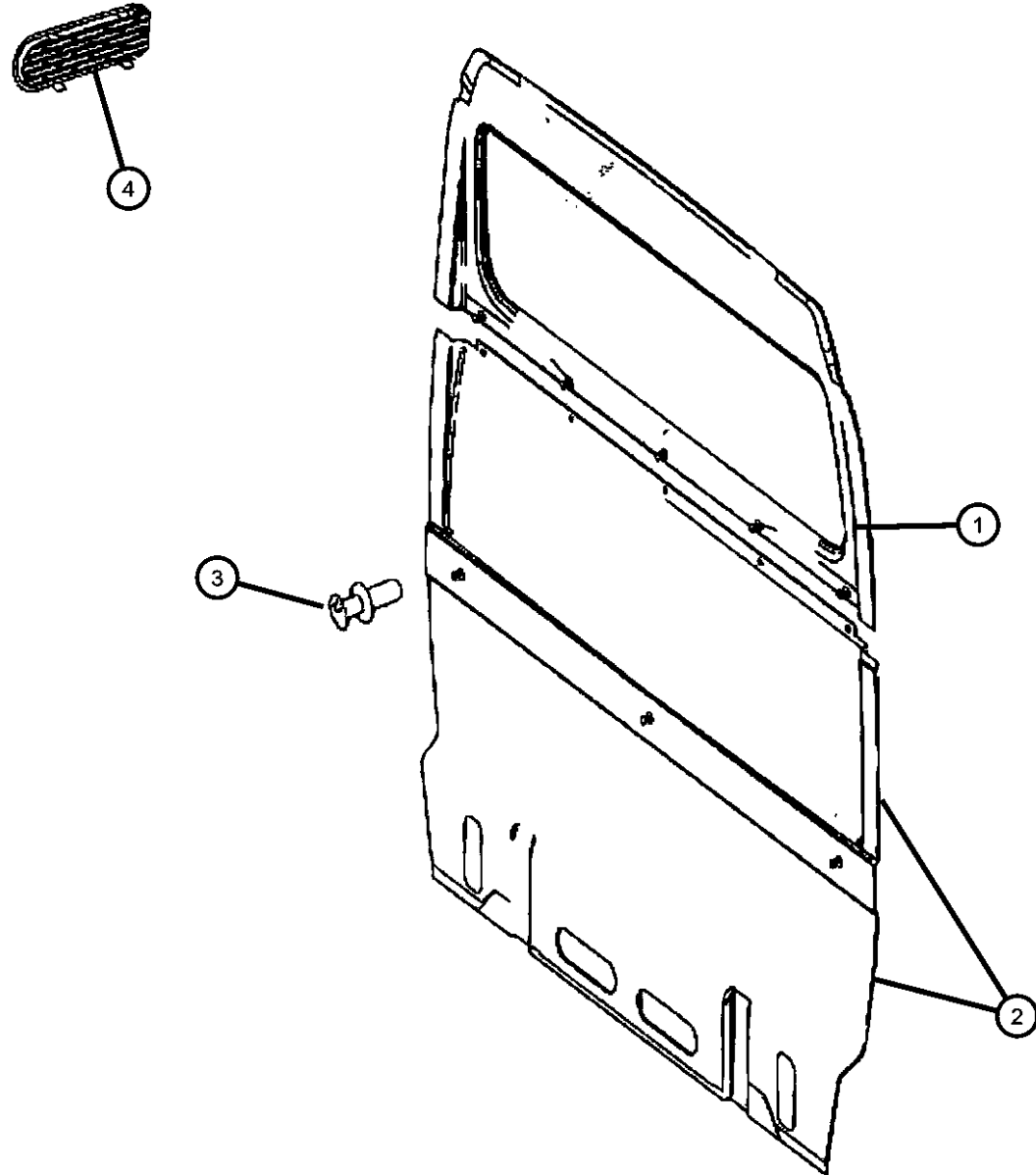
<b>SERIES</b>	<b>LINE</b>	<b>BODY</b>	<b>ENGINE</b>	<b>TRANSMISSION</b>
L = LOWLINE	3 = HD DODGE 2WD 6 = Lt. Duty DODGE 4WD 2 = Med. Duty DODGE 2WD 7 = Med. Duty DODGE 4WD	17 = VAN WHEEL BASE 7 55 = WAGON WHEEL BASE 5 15 = VAN WHEEL BASE 5 53 = 119 WB 13 = 119 WB 05 = CAB CHASSIS WHEEL BASE 5 03 = CAB CHASSIS WHEEL BASE 3	EG2 = 3.5L V6 Gas Engine EXM = 3.0L V6 Turbo Diesel Engine	DGZ = 5-Speed Auto W5A380 Transmission

AR = use ase required - = Non illustrated part



Quarter Trim Panel  
Figure 50-215

ITEM	PART NUMBER	QTY	LINE	SERIES	BODY	ENGINE	TRANS	TRIM	DESCRIPTION
1									PANEL, Cab Back
	1HD62ADVAA	1	2, 3, 6, 7	L	13, 15, 17			*A6	[A6] With [XJW] Cargo Partition with Windows With [CBJ] Inner Panelling Equipment
		1	2, 3, 6, 7	L	13, 15, 17			*E7	[E7] With [XJW] Cargo Partition with Windows With [CBJ] Inner Panelling Equipment
		1	2, 3, 6, 7	L	13, 15, 17			*F7	[F7] With [XJW] Cargo Partition with Windows With [CBJ] Inner Panelling Equipment
	1HD63ADVAA	1	2, 3, 6, 7	L	13, 15, 17			*A6	[A6] [CWC Cargo Partition with [CBJ] Inner Panelling, Inner Equipment
		1	2, 3, 6, 7	L	13, 15, 17			*E7	[E7] [CWC Cargo Partition with [CBJ] Inner Panelling, Inner Equipment
		1	2, 3, 6, 7	L	13, 15, 17			*F7	[F7] [CWC Cargo Partition with [CBJ] Inner Panelling, Inner Equipment
	1HD64ADVAA	1	2, 3, 6, 7	L	13, 15, 17			*A6	[A6] [MWJ] High Roof with [XJW] Cargo Partition with Windows with [CBJ] Inner Panelling, Inner Equipment
		1	2, 3, 6, 7	L	13, 15, 17			*E7	[E7] [MWJ] High Roof with [XJW] Cargo Partition with Windows with [CBJ] Inner Panelling, Inner Equipment
		1	2, 3, 6, 7	L	13, 15, 17			*F7	[F7] [MWJ] High Roof with [XJW] Cargo Partition with Windows with [CBJ] Inner Panelling, Inner Equipment
	1HD65ADVAA	1	2, 3, 6, 7	L	13, 15, 17			*A6	[A6] [MWJ] High Roof with [CWC] Cargo Partition with [CBJ] Inner Panelling, Inner Equipment
		1	2, 3, 6, 7	L	13, 15, 17			*E7	[E7] [MWJ] High Roof with [CWC] Cargo Partition with [CBJ] Inner Panelling, Inner Equipment
		1	2, 3, 6, 7	L	13, 15, 17			*F7	[F7] [MWJ] High Roof with [CWC] Cargo Partition with [CBJ] Inner Panelling, Inner Equipment
2									PANEL, Cab Back
	1HD66ADVAA	1	2, 3, 6, 7	L	03, 05, 13, 15, 17			*A6	[A6]
		1	2, 3, 6, 7	L	03, 05, 13, 15, 17			*E7	[E7]



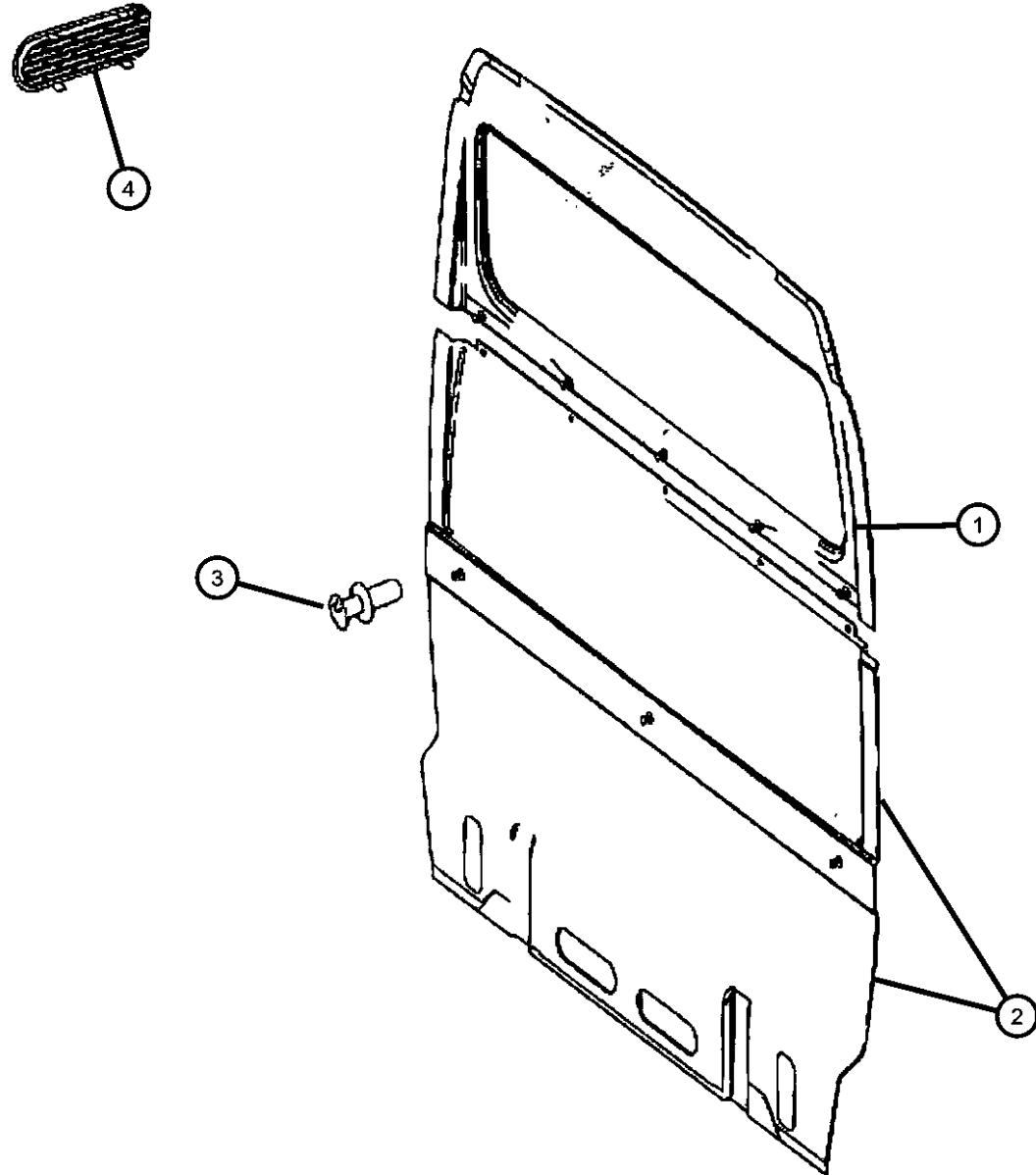
SPRINTER (VB)

SERIES	LINE	BODY	ENGINE	TRANSMISSION
L = LOWLINE	3 = HD DODGE 2WD 6 = Lt. Duty DODGE 4WD 2 = Med. Duty DODGE 2WD 7 = Med. Duty DODGE 4WD	17 = VAN WHEEL BASE 7 55 = WAGON WHEEL BASE 5 15 = VAN WHEEL BASE 5 53 = 119 WB 13 = 119 WB 05 = CAB CHASSIS WHEEL BASE 5 03 = CAB CHASSIS WHEEL BASE 3	EG2 = 3.5L V6 Gas Engine EXM = 3.0L V6 Turbo Diesel Engine	DGZ = 5-Speed Auto W5A380 Transmission

AR = use ase required - = Non illustrated part

Quarter Trim Panel  
Figure 50-215

ITEM	PART NUMBER	QTY	LINE	SERIES	BODY	ENGINE	TRANS	TRIM	DESCRIPTION
		1	2, 3, 6, 7	L	03, 05, 13, 15, 17			*F7	[F7]
3	05174538AB	8	3, 7	L	03, 05			*A6	[A6]
		8	3, 7	L	03, 05			*E7	[E7]
		8	3, 7	L	03, 05			*F7	[F7]
		8	2, 3, 6, 7	L	13, 15, 17, 53, 55			*A6	[A6]
		8	2, 3, 6, 7	L	13, 15, 17, 53, 55			*E7	[E7]
		8	2, 3, 6, 7	L	13, 15, 17, 53, 55			*F7	[F7]
4	05123426AA	2	2, 3, 6, 7	L	13, 15, 17				EXHAUSTER, Quarter Panel



SPRINTER (VB)

SERIES	LINE	BODY	ENGINE	TRANSMISSION
L = LOWLINE	3 = HD DODGE 2WD	17 = VAN WHEEL BASE 7	EG2 = 3.5L V6 Gas Engine	DGZ = 5-Speed Auto W5A380
	6 = Lt. Duty DODGE 4WD	55 = WAGON WHEEL BASE 5	EXM = 3.0L V6 Turbo Diesel Engine	Transmission
	2 = Med. Duty DODGE 2WD	15 = VAN WHEEL BASE 5		
	7 = Med. Duty DODGE 4WD	53 = 119 WB		
		13 = 119 WB		
		05 = CAB CHASSIS WHEEL BASE 5		
		03 = CAB CHASSIS WHEEL BASE 3		

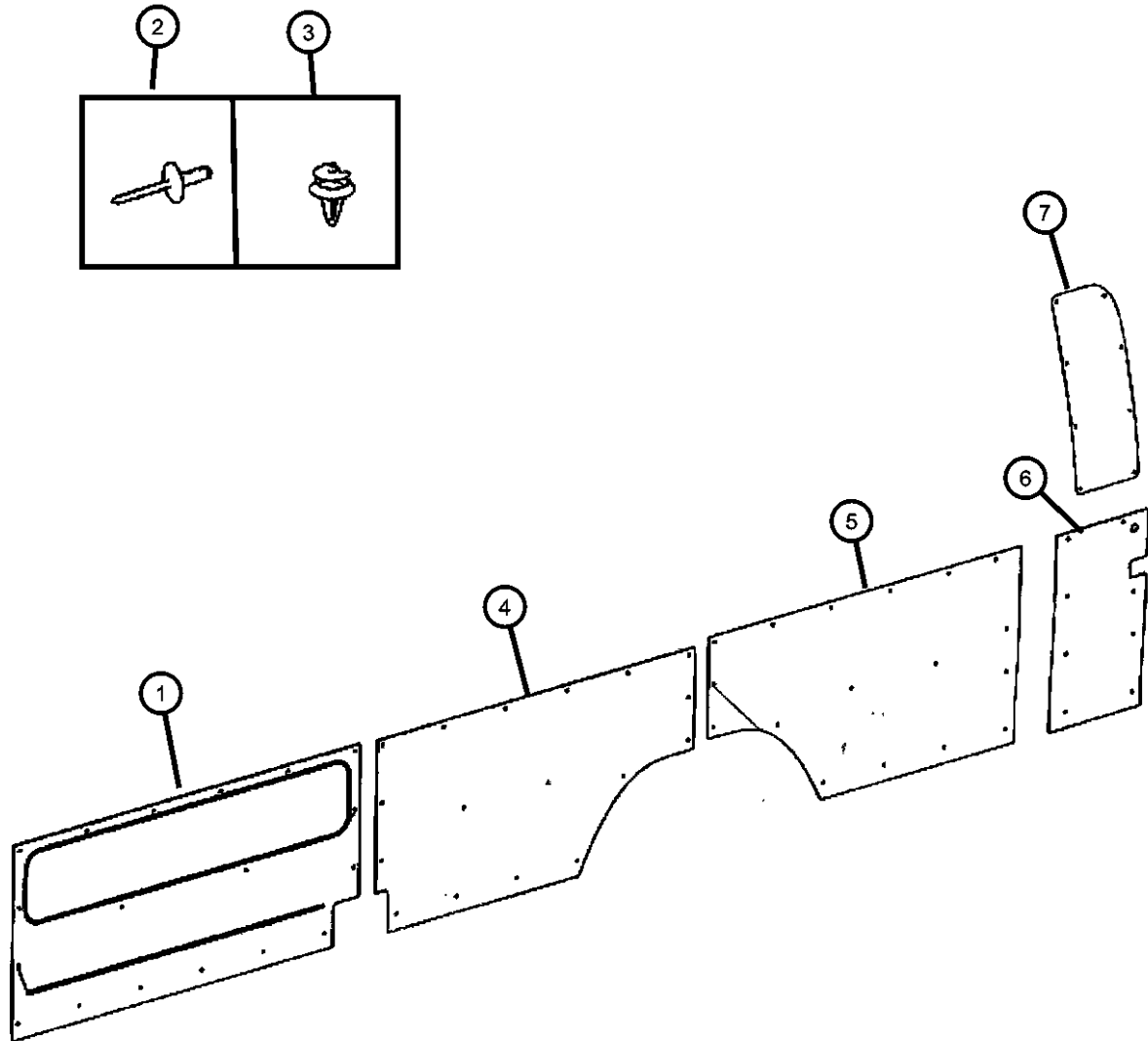
AR = use ase required - = Non illustrated part

2008 VB

**Rear Cab Trim Panel  
Figure 50-220**

ITEM	PART NUMBER	QTY	LINE	SERIES	BODY	ENGINE	TRANS	TRIM	DESCRIPTION
------	-------------	-----	------	--------	------	--------	-------	------	-------------

NOTES: Sales Codes:  
 [CMG] = Half Laminated Wood Cargo Panel  
 [CMP] = Wall Liner - Carpeted  
 [CV9] = Rear Ash Trays  
 [5CF] = 144 inch Wheelbase  
 [5CG] = 177 inch Wheelbase  
 [5CK] = 177 inch Wheelbase Extended



1	1HD28XDVAA	1	2, 3, 6, 7	L	13, 15, 17				PANEL, Quarter Trim
		1	2, 3, 6, 7	L	13, 15, 17			*A6	[A6] [CMG] Cargo Area to Belt Panelling, Right
		1	2, 3, 6, 7	L	13, 15, 17			*E7	[E7] [CMG] Cargo Area to Belt Panelling, Right
		1	2, 3, 6, 7	L	13, 15, 17			*F7	[F7] [CMG] Cargo Area to Belt Panelling, Right
	1HD29XDVAA	1	2, 3, 6, 7	L	13, 15, 17			*A6	[A6] [CMG] Cargo Area to Belt Panelling, Left
		1	2, 3, 6, 7	L	13, 15, 17			*E7	[E7] [CMG] Cargo Area to Belt Panelling, Left
		1	2, 3, 6, 7	L	13, 15, 17			*F7	[F7] [CMG] Cargo Area to Belt Panelling, Left
2	68006483AA	6	2, 3, 6, 7	L	13, 15, 17, 53, 55				RIVET
3	68005152AA	99	2, 3, 6, 7	L	13, 15, 17, 53, 55				FASTENER
4	1HB67XDVAA	1	2, 3, 6, 7	L	15, 17, 55				PANEL, Quarter Trim
		1	2, 3, 6, 7	L	15, 17, 55			*A6	[A6] With [CMP]
		1	2, 3, 6, 7	L	15, 17, 55			*E7	[E7] With [CMP]
		1	2, 3, 6, 7	L	15, 17, 55			*F7	[F7] With [CMP]
	1HD31NC-VAA	1	2, 3, 6, 7	L	13, 15, 17, 53, 55			*AL	[AL] With [CMP] [5CF] and [CV9]
		1	2, 3, 6, 7	L	13, 15, 17, 53, 55			*E7	[E7] With [CMP] [5CF] and [CV9]
		1	2, 3, 6, 7	L	13, 15, 17, 53, 55			*F7	[F7] With [CMP] [5CF] and [CV9]
	1HD33XDVAA	1	2, 3, 6, 7	L	13			*A6	[A6] With [CMP]
		1	2, 3, 6, 7	L	13			*E7	[E7] With [CMP]
		1	2, 3, 6, 7	L	13			*F7	[F7] With [CMP]
	1HD37TR-MAA	1	2, 3, 6, 7	L	13, 53			*A6	[A6] With [CMP]
		1	2, 3, 6, 7	L	13, 53			*E7	[E7] With [CMP]
		1	2, 3, 6, 7	L	13, 53			*F7	[F7] With [CMP]

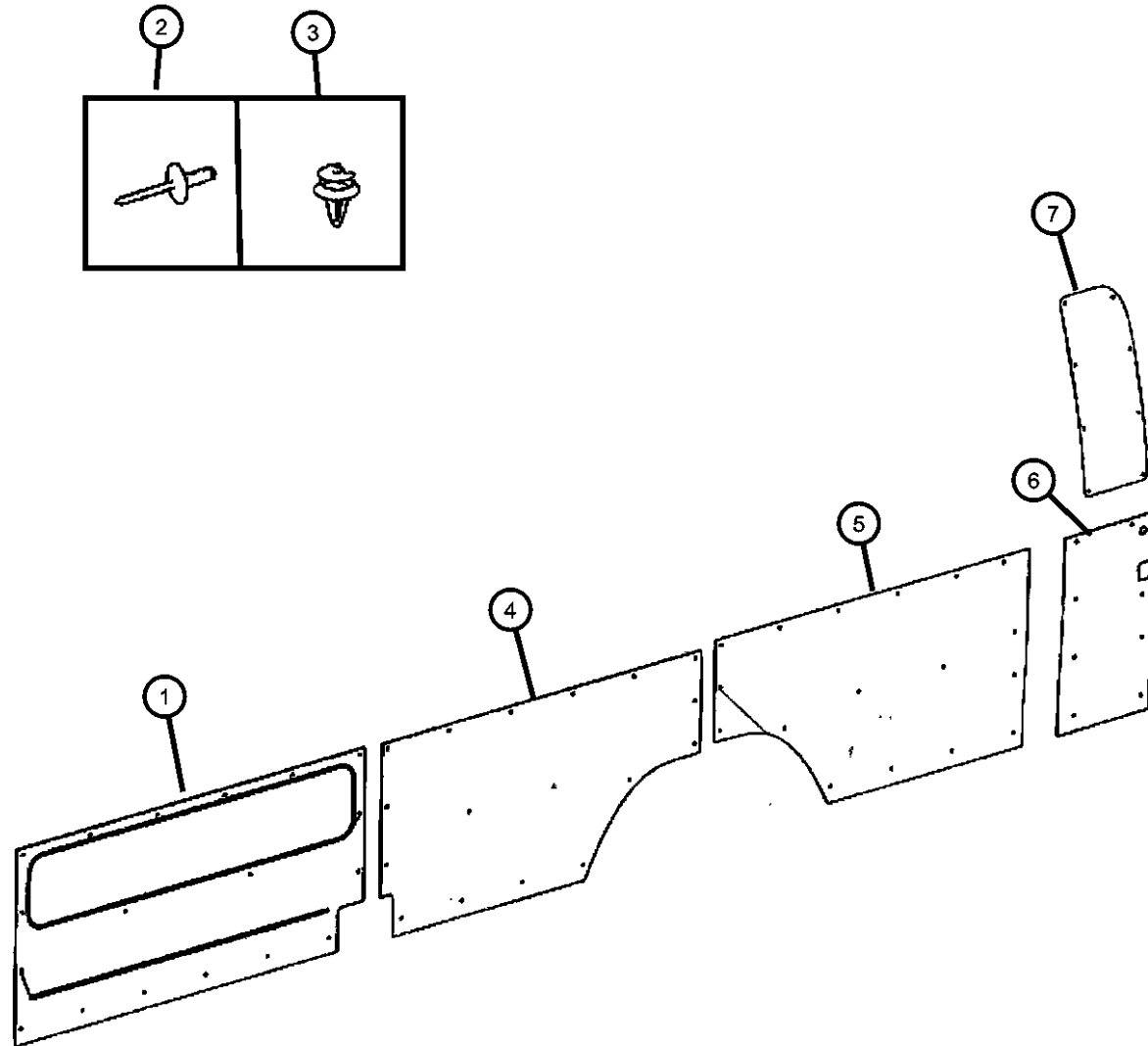
**SPRINTER (VB)**

SERIES	LINE	BODY	ENGINE	TRANSMISSION
L = LOWLINE	3 = HD DODGE 2WD 6 = Lt. Duty DODGE 4WD 2 = Med. Duty DODGE 2WD 7 = Med. Duty DODGE 4WD	17 = VAN WHEEL BASE 7 55 = WAGON WHEEL BASE 5 15 = VAN WHEEL BASE 5 53 = 119 WB 13 = 119 WB 05 = CAB CHASSIS WHEEL BASE 5 03 = CAB CHASSIS WHEEL BASE 3	EG2 = 3.5L V6 Gas Engine EXM = 3.0L V6 Turbo Diesel Engine	DGZ = 5-Speed Auto W5A380 Transmission

AR = use ase required - = Non illustrated part

2008 VB

Rear Cab Trim Panel  
Figure 50-220



ITEM	PART NUMBER	QTY	LINE	SERIES	BODY	ENGINE	TRANS	TRIM	DESCRIPTION
	1HD39NC-VAA	1	2, 3, 6, 7	L	15, 17, 55			*A6	[A6] With [5CG or 5CK] with [CMP] and [CV9]
		1	2, 3, 6, 7	L	15, 17, 55			*E7	[E7] With [5CG or 5CK] with [CMP] and [CV9]
		1	2, 3, 6, 7	L	15, 17, 55			*F7	[F7] With [5CG or 5CK] with [CMP] and [CV9]
	1HD44XDVAA	1	2, 3, 6, 7	L	15, 17, 55			*A6	[A6] With 5CG or 5CK] with [CMG]
		1	2, 3, 6, 7	L	15, 17, 55			*E7	[E7] With 5CG or 5CK] with [CMG]
		1	2, 3, 6, 7	L	17, 55, 15			*F7	[F7] With 5CG or 5CK] with [CMG]
5									PANEL, Quarter Trim
	1HB70XDVAA	1	2, 3, 6, 7	L	17			*A6	[A6] With [CMP]
		1	2, 3, 6, 7	L	17			*E7	[E7] With [CMP]
		1	2, 3, 6, 7	L	17			*F7	[F7] With [CMP]
	1HD50XDVAA	1	2, 3, 6, 7	L	17			*A6	[A6] With [CMG]
		1	2, 3, 6, 7	L	17			*E7	[E7] With [CMG]
		1	2, 3, 6, 7	L	17			*F7	[F7] With [CMG]
6									PANEL, Quarter Trim
	1HD54XDVAA	1	2, 3, 6, 7	L	17			*A6	[A6] With [5CK], Right
		1	2, 3, 6, 7	L	17			*E7	[E7] With [5CK], Right
		1	2, 3, 6, 7	L	17			*F7	[F7] With [5CK], Right
	1HD55XDVAA	1	2, 3, 6, 7	L	17			*A6	[A6] With [5CK], Left
		1	2, 3, 6, 7	L	17			*E7	[E7] With [5CK], Left
		1	2, 3, 6, 7	L	17			*F7	[F7] With [5CK], Left
	1HD56XDVAA	1	2, 3, 6, 7	L	17			*A6	[A6] With [CMG], Right
		1	2, 3, 6, 7	L	17			*E7	[E7] With [CMG], Right
		1	2, 3, 6, 7	L	17			*F7	[F7] With [CMG], Right
	1HD57XDVAA	1	2, 3, 6, 7	L	17			*A6	[A6] With [CMG], Left
		1	2, 3, 6, 7	L	17			*E7	[E7] With [CMG], Left
		1	2, 3, 6, 7	L	17			*F7	[F7] With [CMG], Left
7									PANEL, Quarter Trim
	1HD58XDVAA	1	2, 3, 6, 7	L	17			*A6	[A6] With [5CK], Right
		1	2, 3, 6, 7	L	17			*E7	[E7] With [5CK], Right

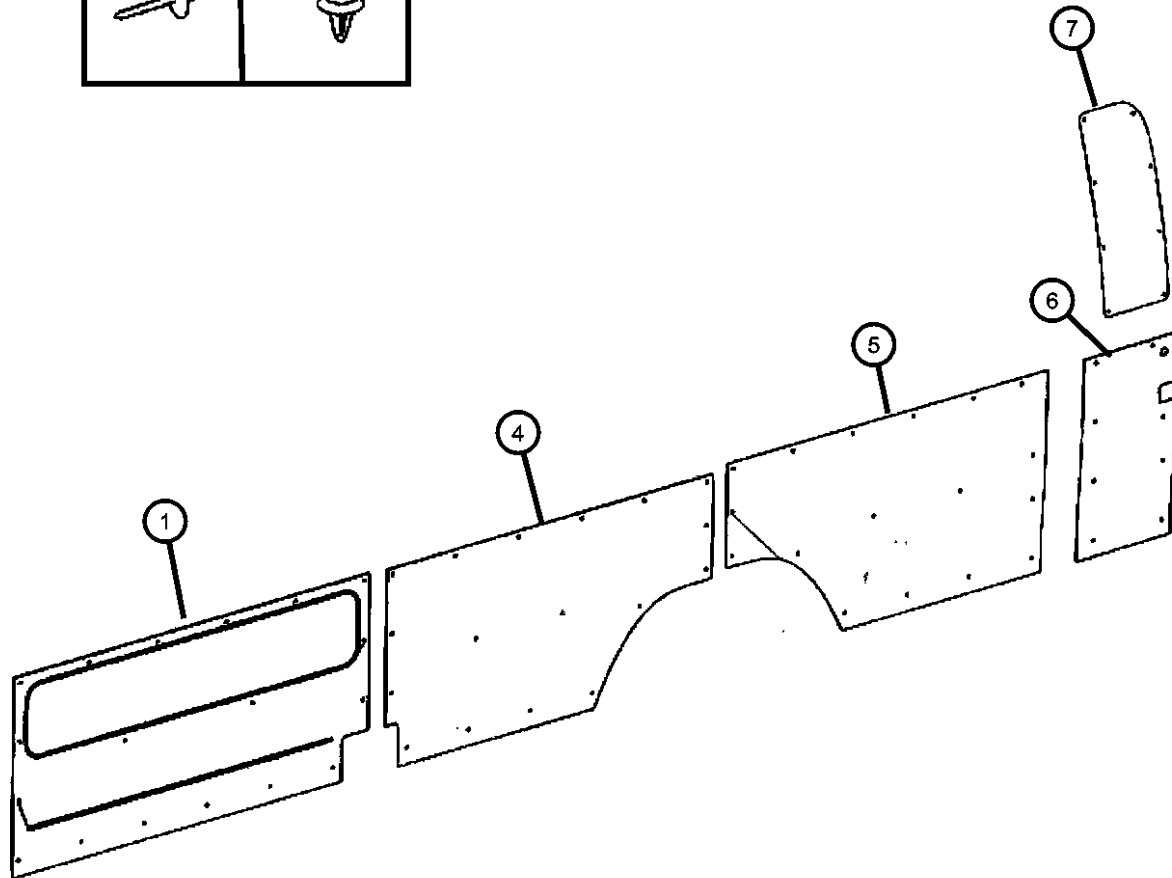
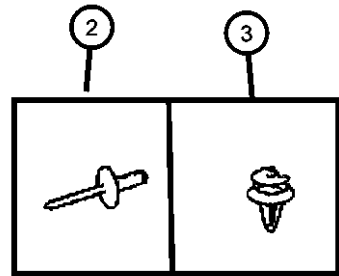
**SPRINTER (VB)**

SERIES	LINE	BODY	ENGINE	TRANSMISSION
L = LOWLINE	3 = HD DODGE 2WD 6 = Lt. Duty DODGE 4WD 2 = Med. Duty DODGE 2WD 7 = Med. Duty DODGE 4WD	17 = VAN WHEEL BASE 7 55 = WAGON WHEEL BASE 5 15 = VAN WHEEL BASE 5 53 = 119 WB 13 = 119 WB 05 = CAB CHASSIS WHEEL BASE 5 03 = CAB CHASSIS WHEEL BASE 3	EG2 = 3.5L V6 Gas Engine EXM = 3.0L V6 Turbo Diesel Engine	DGZ = 5-Speed Auto W5A380 Transmission

AR = use ase required - = Non illustrated part

Rear Cab Trim Panel  
Figure 50-220

ITEM	PART NUMBER	QTY	LINE	SERIES	BODY	ENGINE	TRANS	TRIM	DESCRIPTION
		1	2, 3, 6, 7	L	17			*F7	[F7] With [SCK], Right
	1HD59XDVAA	1	2, 3, 6, 7	L	17			*A6	[A6] With [5CK], Left
		1	2, 3, 6, 7	L	17			*E7	[E7] With [5CK], Left
		1	2, 3, 6, 7	L	17			*F7	[F7] With [5CK], Left
	1HD60XDVAA	1	2, 3, 6, 7	L	17			*A6	[A6] With [CMG], Right
		1	2, 3, 6, 7	L	17			*E7	[E7] With [CMG], Right
		1	2, 3, 6, 7	L	17			*F7	[F7] With [CMG], Right
	1HD61XDVAA	1	2, 3, 6, 7	L	17			*A6	[A6] With [CMG], Left
		1	2, 3, 6, 7	L	17			*E7	[E7] With [CMG], Left
		1	2, 3, 6, 7	L	17			*F7	[F7] With [CMG], Left



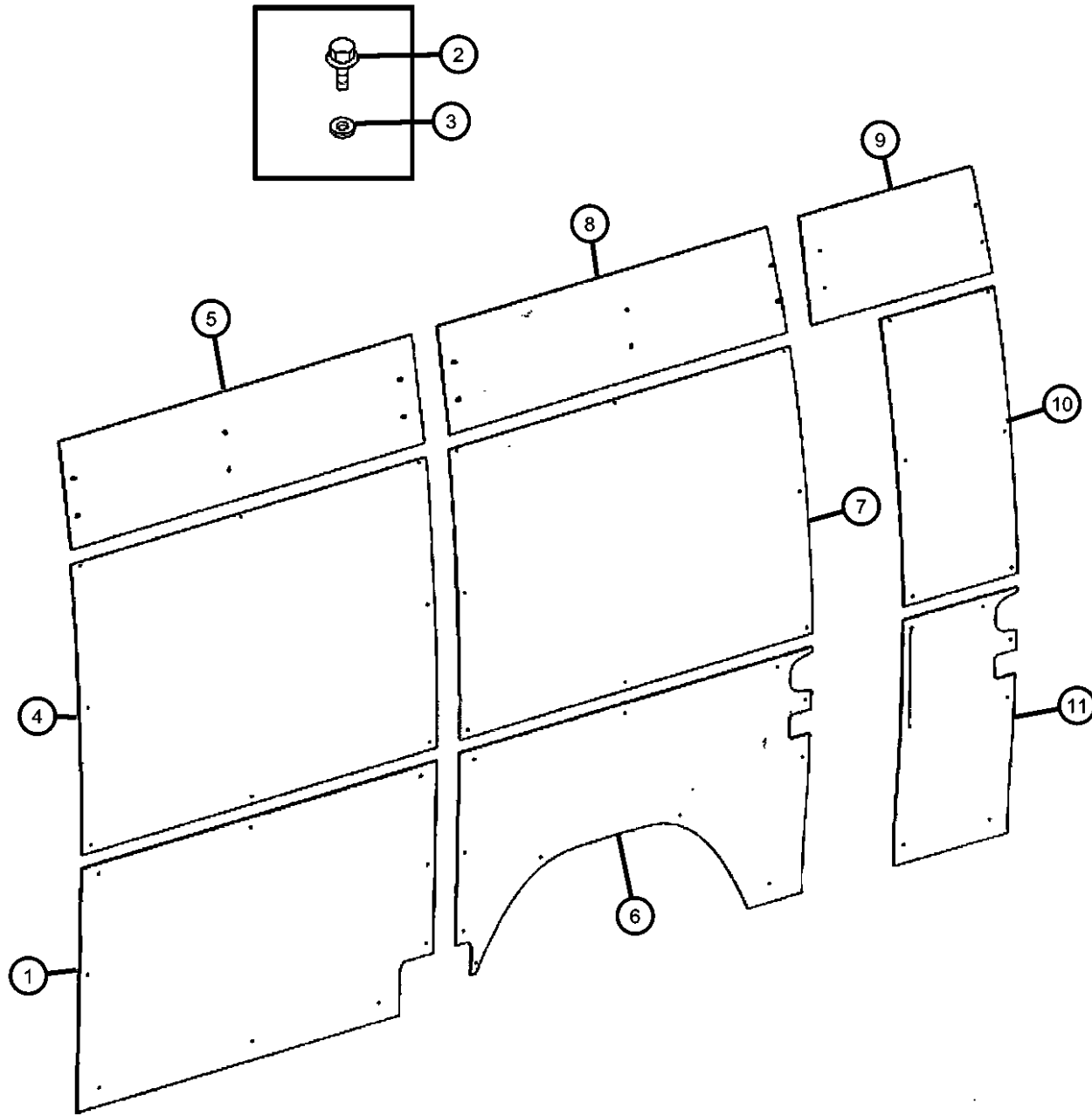
SPRINTER (VB)

SERIES	LINE	BODY	ENGINE	TRANSMISSION
L = LOWLINE	3 = HD DODGE 2WD	17 = VAN WHEEL BASE 7	EG2 = 3.5L V6 Gas Engine	DGZ = 5-Speed Auto W5A380
	6 = Lt. Duty DODGE 4WD	55 = WAGON WHEEL BASE 5	EXM = 3.0L V6 Turbo Diesel Engine	Transmission
	2 = Med. Duty DODGE 2WD	15 = VAN WHEEL BASE 5		
	7 = Med. Duty DODGE 4WD	53 = 119 WB		
		13 = 119 WB		
		05 = CAB CHASSIS WHEEL BASE 5		
		03 = CAB CHASSIS WHEEL BASE 3		

AR = use ase required - = Non illustrated part

2008 VB

**Inner Paneling Sidewall, Plastic**  
**Figure 50-225**



ITEM	PART NUMBER	QTY	LINE	SERIES	BODY	ENGINE	TRANS	TRIM	DESCRIPTION
------	-------------	-----	------	--------	------	--------	-------	------	-------------

NOTES: Sales Codes:  
 [CTE] = Panel Van Interior Lining Panel  
 [GLF] = Rear Hinged Doors  
 [LDB] = Cargo Compartment Lamp  
 [5CF] = 144 inch Wheelbase  
 [5CG] = 170 inch Wheelbase  
 [5CK] = 170 inch Wheelbase Extended

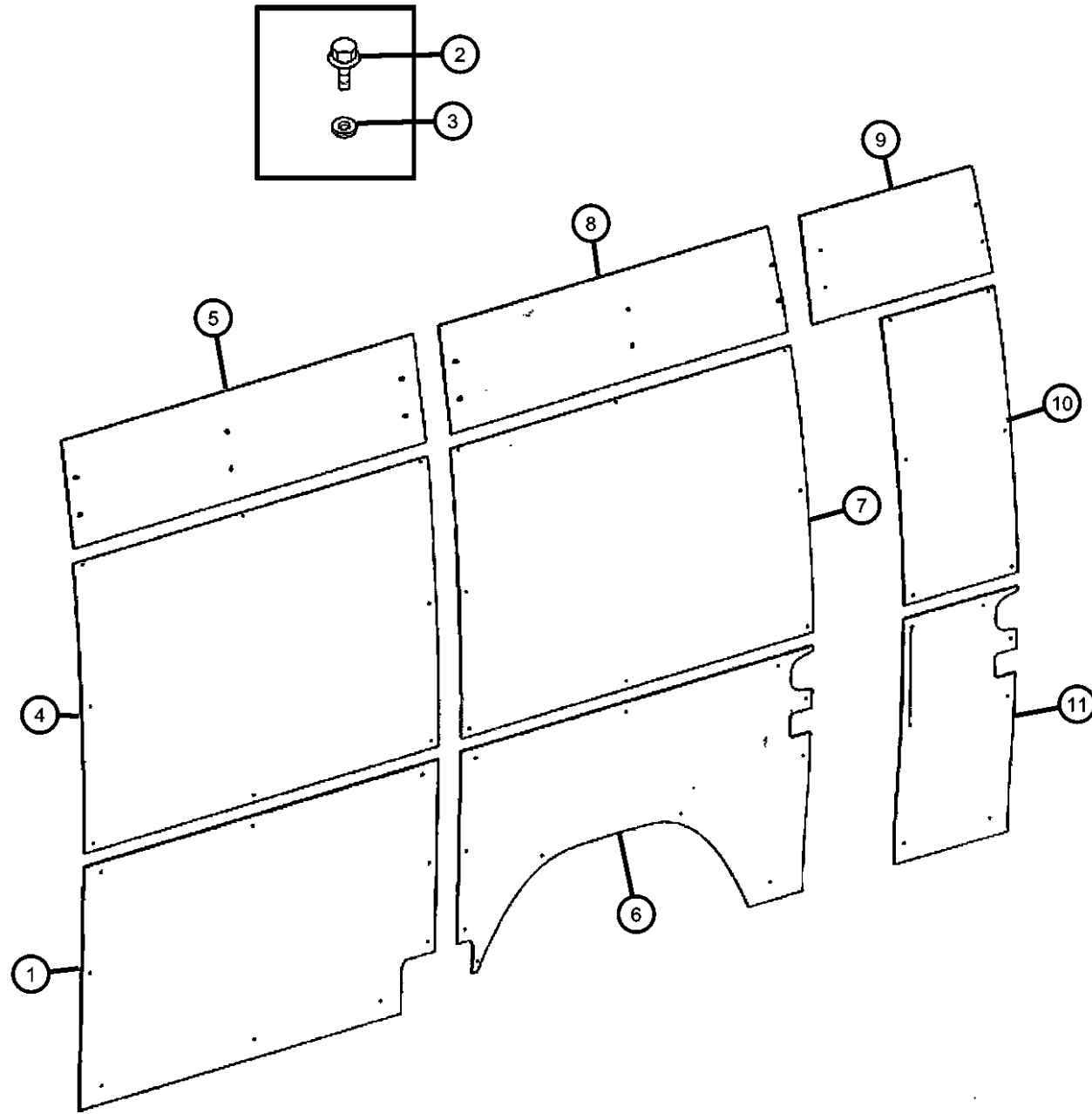
1	1JE10NCVAA	1	2, 3, 6, 7	L	13, 15, 17, 53, 55			*AL	PANEL, Quarter Trim [AL]
		1	2, 3, 6, 7	L	13, 15, 55, 17, 53			*E7	[E7]
		1	2, 3, 6, 7	L	13, 15, 17, 53, 55			*F7	[F7]
2	06104117AA	8	2, 3, 6, 7	L	13, 15, 17, 53, 55				SCREW, Hex Head
3	05125754AA	AR	2, 3, 6, 7	L					WASHER
4	1JE18NCVAA	1	2, 3, 6, 7	L	13, 15, 17, 53, 55			*AL	PANEL, Quarter Trim [AL]
		1	2, 3, 6, 7	L	13, 15, 17, 53, 55			*E7	[E7]
		1	2, 3, 6, 7	L	13, 15, 17, 53, 55			*F7	[F7]
5	1JE24NCVAA	1	2, 3, 6, 7	L	13, 15, 17, 53, 55			*AL	PANEL, Quarter Trim [AL], Right
		1	2, 3, 6, 7	L	13, 15, 17, 53, 55			*E7	[E7], Right
		1	2, 3, 6, 7	L	13, 15, 17, 53, 55			*F7	[F7], Right
	1JE25NCVAA	1	2, 3, 6, 7	L					Left
6	1JE27NCVAA	1	2, 3, 6, 7	L	13, 15, 17, 53, 55			*AL	PANEL, Quarter Trim [AL] With [5CF] and [CTE], Right & Left
		1	2, 3, 6, 7	L	13, 15, 17, 53, 55			*E7	[E7] With [5CF] and [CTE], Right & Left
		1	2, 3, 6, 7	L	13, 15, 17, 53, 55			*F7	[F7] With [5CF] and [CTE], Right & Left
	1JE28NCVAA	1	2, 3, 6, 7	L	17, 53, 55, 13, 15			*AL	[AL] With [5CF] and [GLF], Right & Left
		1	2, 3, 6, 7	L	13, 15, 17, 53, 55			*E7	[E7] With [5CF] and [GLF], Right & Left

**SPRINTER (VB)**

SERIES	LINE	BODY	ENGINE	TRANSMISSION
L = LOWLINE	3 = HD DODGE 2WD 6 = Lt. Duty DODGE 4WD 2 = Med. Duty DODGE 2WD 7 = Med. Duty DODGE 4WD	17 = VAN WHEEL BASE 7 55 = WAGON WHEEL BASE 5 15 = VAN WHEEL BASE 5 53 = 119 WB 13 = 119 WB 05 = CAB CHASSIS WHEEL BASE 5 03 = CAB CHASSIS WHEEL BASE 3	EG2 = 3.5L V6 Gas Engine EXM = 3.0L V6 Turbo Diesel Engine	DGZ = 5-Speed Auto W5A380 Transmission

AR = use ase required - = Non illustrated part

Inner Paneling Sidewall, Plastic  
Figure 50-225



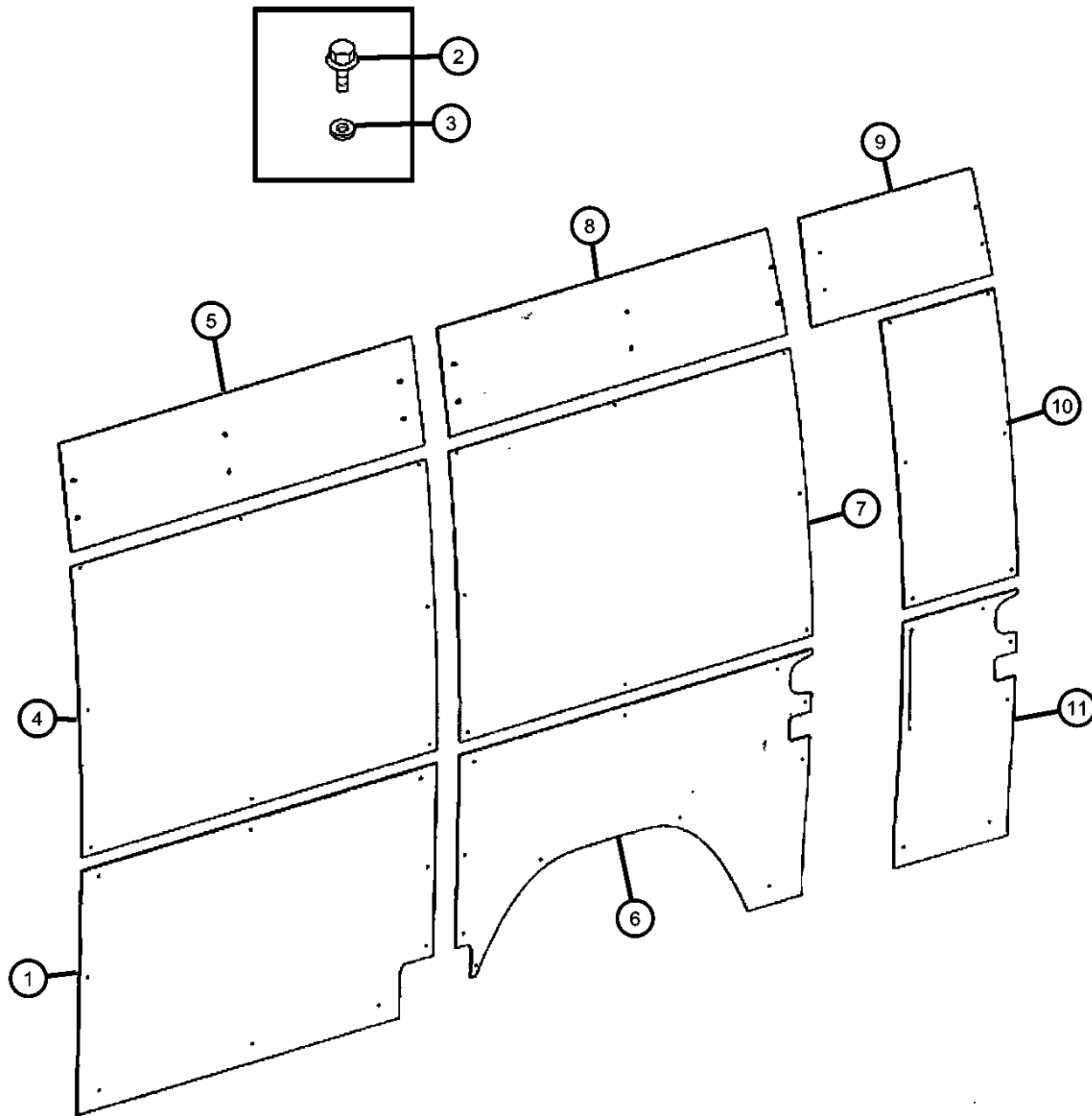
ITEM	PART NUMBER	QTY	LINE	SERIES	BODY	ENGINE	TRANS	TRIM	DESCRIPTION
		1	2, 3, 6, 7	L	13, 15, 17, 53, 55			*F7	[F7] With [5CF] and [GLF], Right & Left
	1JE29NCVAA	1	2, 3, 6, 7	L	13, 15, 17, 53, 55			*AL	[AL] With [5CG] and [CTE], Right & Left
		1	2, 3, 6, 7	L	13, 15, 17, 53, 55			*E7	[E7] With [5CG] and [CTE], Right & Left
	1JE30NCVAA	1	2, 3, 6, 7	L	13, 15, 17, 53, 55			*F7	[F7] With [5CG] and [CTE], Right & Left
		1	2, 3, 6, 7	L	13, 15, 17			*AL	[AL] With [5CG] [CTE] and [GLF], Right & Left
		1	2, 3, 6, 7	L	13, 15, 17			*E7	[E7] With [5CG] [CTE] and [GLF], Right & Left
		1	2, 3, 6, 7	L	13, 15, 17			*F7	[F7] With [5CG] [CTE] and [GLF], Right & Left
	1JE31NCVAA	1	2, 3, 6, 7	L	13, 15, 17			*AL	[AL] With 5CK and [CTE], Right & Left
		1	2, 3, 6, 7	L	13, 15, 17			*E7	[E7] With 5CK and [CTE], Right & Left
		1	2, 3, 6, 7	L	13, 15, 17			*F7	[F7] With 5CK and [CTE], Right & Left
7									PANEL, Quarter Trim
	1JE32NCVAA	1	2, 3, 6, 7	L	13, 15, 17			*AL	[AL] With [5CG], Right & Left
		1	2, 3, 6, 7	L	13, 15, 17			*E7	[E7] With [5CG], Right & Left
		1	2, 3, 6, 7	L	13, 15, 17			*F7	[F7] With [5CG], Right & Left
	1JE45NCVAA	1	2, 3, 6, 7	L	13, 15, 17			*AL	[AL] With [5CF], Right & Left
		1	2, 3, 6, 7	L	13, 15, 17			*E7	[E7] With [5CF], Right & Left
		1	2, 3, 6, 7	L	13, 15, 17			*F7	[F7] With [5CF], Right & Left
8									PANEL, Quarter Trim
	1JE46NCVAA	1	2, 3, 6, 7	L	13, 15, 17			*AL	[AL] With [5CG] and [CTE]
		1	2, 3, 6, 7	L	13, 15, 17			*E7	[E7] With [5CG] and [CTE]
		1	2, 3, 6, 7	L	13, 15, 17			*F7	[F7] With [5CG] and [CTE]
	1JE47NCVAA	1	2, 3, 6, 7	L	13, 15, 17			*AL	[AL] With [5CG] [CTE] and [LDB]
		1	2, 3, 6, 7	L	13, 15, 17			*E7	[E7] With [5CG] [CTE] and [LDB]
		1	2, 3, 6, 7	L	13, 15, 17			*F7	[F7] With [5CG] [CTE] and [LDB]
	1JE48NCVAA	1	2, 3, 6, 7	L	13, 15, 17			*AL	[AL] With [5CK] and [CTE]
		1	2, 3, 6, 7	L	13, 15, 17			*E7	[E7] With [5CK] and [CTE]
		1	2, 3, 6, 7	L	13, 15, 17			*F7	[F7] With [5CK] and [CTE]

**SPRINTER (VB)**

SERIES	LINE	BODY	ENGINE	TRANSMISSION
L = LOWLINE	3 = HD DODGE 2WD 6 = Lt. Duty DODGE 4WD 2 = Med. Duty DODGE 2WD 7 = Med. Duty DODGE 4WD	17 = VAN WHEEL BASE 7 55 = WAGON WHEEL BASE 5 15 = VAN WHEEL BASE 5 53 = 119 WB 13 = 119 WB 05 = CAB CHASSIS WHEEL BASE 5 03 = CAB CHASSIS WHEEL BASE 3	EG2 = 3.5L V6 Gas Engine EXM = 3.0L V6 Turbo Diesel Engine	DGZ = 5-Speed Auto W5A380 Transmission

AR = use ase required - = Non illustrated part

**Inner Paneling Sidewall, Plastic**  
**Figure 50-225**



ITEM	PART NUMBER	QTY	LINE	SERIES	BODY	ENGINE	TRANS	TRIM	DESCRIPTION
9	1JE49NCVAA	1	2, 3, 6, 7	L	13, 15, 17			*AL	PANEL, Quarter Trim [AL] With [CTE]
		1	2, 3, 6, 7	L	13, 15, 17			*E7	[E7] With [CTE]
		1	2, 3, 6, 7	L	13, 15, 17			*F7	[F7] With [CTE]
	1JE50NCVAA	1	2, 3, 6, 7	L	13, 15, 17			*AL	[AL] With [CTE] and [GLF]
		1	2, 3, 6, 7	L	13, 15, 17			*E7	[E7] With [CTE] and [GLF]
		1	2, 3, 6, 7	L	13, 15, 17			*F7	[F7] With [CTE] and [GLF]
10	1JE51NCVAA	1	2, 3, 6, 7	L	13, 15, 17			*F7	PANEL, Quarter Trim [F7]
		1	2, 3, 6, 7	L	13, 15, 17			*AL	[AL]
		1	2, 3, 6, 7	L	15, 17, 13			*E7	[E7]
11	1JE52NCVAA	1	2, 3, 6, 7	L	13, 15, 17				PANEL, Quarter Trim Left
	1JE53NCVAA	1	2, 3, 6, 7	L	13, 15, 17			*AL	[AL], Right
		1	2, 3, 6, 7	L	13, 15, 17			*E7	[E7], Right
		1	2, 3, 6, 7	L	13, 15, 17			*F7	[F7], Right

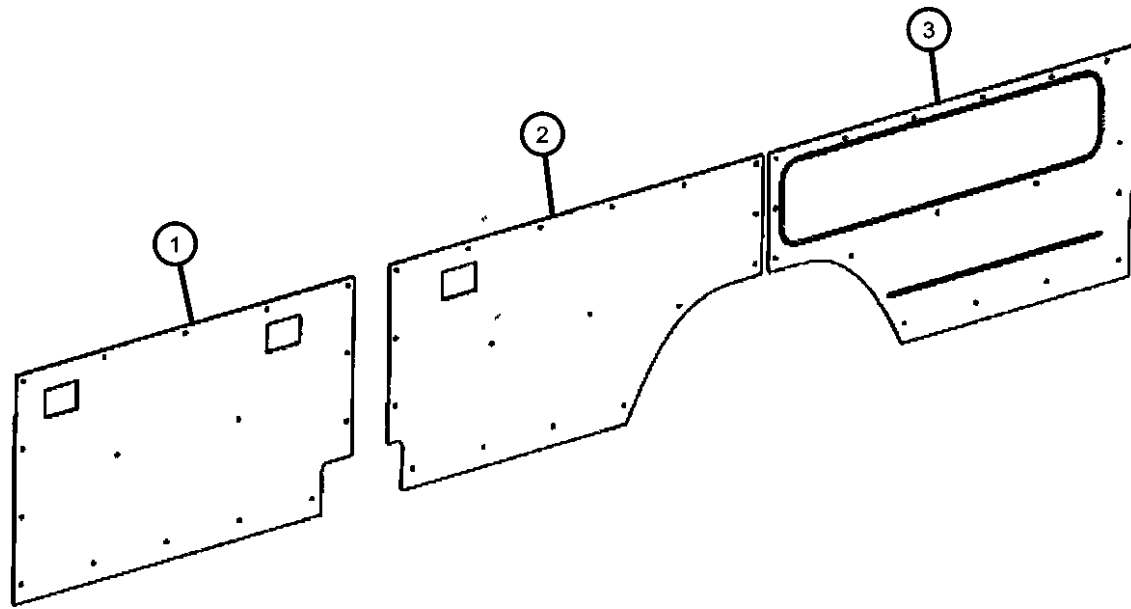
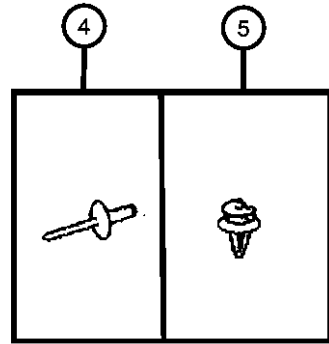
**SPRINTER (VB)**

SERIES	LINE	BODY	ENGINE	TRANSMISSION
L = LOWLINE	3 = HD DODGE 2WD	17 = VAN WHEEL BASE 7	EG2 = 3.5L V6 Gas Engine	DGZ = 5-Speed Auto W5A380
	6 = Lt. Duty DODGE 4WD	55 = WAGON WHEEL BASE 5	EXM = 3.0L V6 Turbo Diesel	Transmission
	2 = Med. Duty DODGE 2WD	15 = VAN WHEEL BASE 5	Engine	
	7 = Med. Duty DODGE 4WD	53 = 119 WB		
		13 = 119 WB		
		05 = CAB CHASSIS WHEEL		
		BASE 5		
		03 = CAB CHASSIS WHEEL		
		BASE 3		

AR = use ase required - = Non illustrated part



**Inner Paneling Sidewall, Fabric**  
**Figure 50-230**



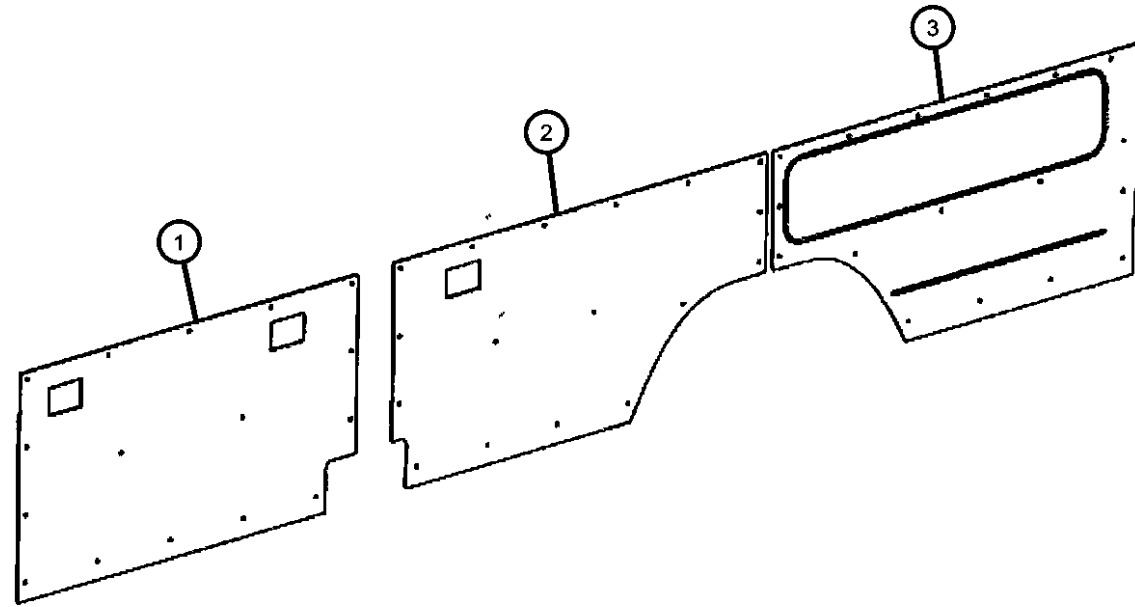
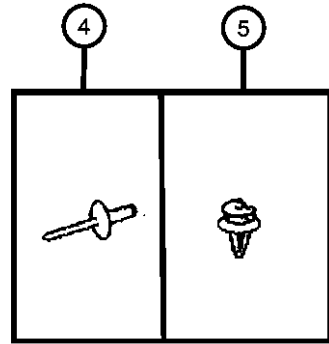
ITEM	PART NUMBER	QTY	LINE	SERIES	BODY	ENGINE	TRANS	TRIM	DESCRIPTION
1									PANEL, Quarter Trim
	1HD241E7AA	1	2, 3, 6, 7	L	53, 55			*A6	[A6] With [RC5] Speaker Package, Right
		1	2, 3, 6, 7	L	53, 55			*E7	[E7] With [RC5] Speaker Package, Right
		1	2, 3, 6, 7	L	53, 55			*F7	[F7] With [RC5] Speaker Package, Right
	1HD251E7AA	1	2, 3, 6, 7	L	53, 55			*A6	[A6] With [RC5] Speaker Package, Left
		1	2, 3, 6, 7	L	53, 55			*E7	[E7] With [RC5] Speaker Package, Left
		1	2, 3, 6, 7	L	53, 55			*F7	[F7] With [RC5] Speaker Package, Left
	1HD261E7AA	1	2, 3, 6, 7	L	53, 55			*A6	[A6] Without [RC5] Speaker Package, Right
		1	2, 3, 6, 7	L	53, 55			*E7	[E7] Without [RC5] Speaker Package, Right
		1	2, 3, 6, 7	L	53, 55			*F7	[F7] Without [RC5] Speaker Package, Right
	1HD271E7AA	1	2, 3, 6, 7	L	53, 55			*A6	[A6] Without [RC5] Speaker Package, Left
		1	2, 3, 6, 7	L	53, 55			*E7	[E7] Without [RC5] Speaker Package, Left
		1	2, 3, 6, 7	L	53, 55			*F7	[F7] Without [RC5] Speaker Package, Left
2									PANEL, Quarter Trim
	1HD211E7AA	1	2, 6	L	53			*A6	[A6] With [CV9] Rear Ash Trays without [RC5] Speaker Package, Left
		1	2, 6	L	53			*E7	[E7] With [CV9] Rear Ash Trays without [RC5] Speaker Package, Left
		1	2, 6	L	53			*F7	[F7] With [CV9] Rear Ash Trays without [RC5] Speaker Package, Left
	1HD351E7AA	1	2, 6	L	53			*A6	[A6] With [CV9] Rear Ash Trays with [RC5] Speaker Package, Left
		1	2, 6	L	13, 53			*E7	[E7] With [CV9] Rear Ash Trays with [RC5] Speaker Package, Left
		1	2, 6	L	13, 53			*F7	[F7] With [CV9] Rear Ash Trays with [RC5] Speaker Package, Left

**SPRINTER (VB)**

SERIES	LINE	BODY	ENGINE	TRANSMISSION
L = LOWLINE	3 = HD DODGE 2WD 6 = Lt. Duty DODGE 4WD 2 = Med. Duty DODGE 2WD 7 = Med. Duty DODGE 4WD	17 = VAN WHEEL BASE 7 55 = WAGON WHEEL BASE 5 15 = VAN WHEEL BASE 5 53 = 119 WB 13 = 119 WB 05 = CAB CHASSIS WHEEL BASE 5 03 = CAB CHASSIS WHEEL BASE 3	EG2 = 3.5L V6 Gas Engine EXM = 3.0L V6 Turbo Diesel Engine	DGZ = 5-Speed Auto W5A380 Transmission

AR = use ase required - = Non illustrated part

**Inner Paneling Sidewall, Fabric  
Figure 50-230**



ITEM	PART NUMBER	QTY	LINE	SERIES	BODY	ENGINE	TRANS	TRIM	DESCRIPTION
	1HD41NC-VAA	1	2, 3, 6, 7	L	55			*A6	[A6] With [CV9] Rear Ash Trays with [RC5] Speaker Package, Left
		1	3, 2, 7, 6	L	55			*E7	[E7] With [CV9] Rear Ash Trays with [RC5] Speaker Package, Left
		1	2, 3, 6, 7	L	55			*F7	[F7] With [CV9] Rear Ash Trays with [RC5] Speaker Package, Left
3									PANEL, Quarter Trim
	1HD531E7AA	1	2, 3, 6, 7	L	13, 15, 17, 53, 55			*AL	[AL], Right
		1	2, 3, 6, 7	L	13, 15, 17, 53, 55			*E7	[E7], Right
		1	2, 3, 6, 7	L	13, 15, 17, 53, 55			*F7	[F7], Right
4	68006483AA	12	2, 3, 6, 7	L	13, 15, 17, 53, 55				RIVET
5	68005152AA	12	2, 3, 6, 7	L	13, 15, 17, 53, 55				FASTENER

**SPRINTER (VB)**

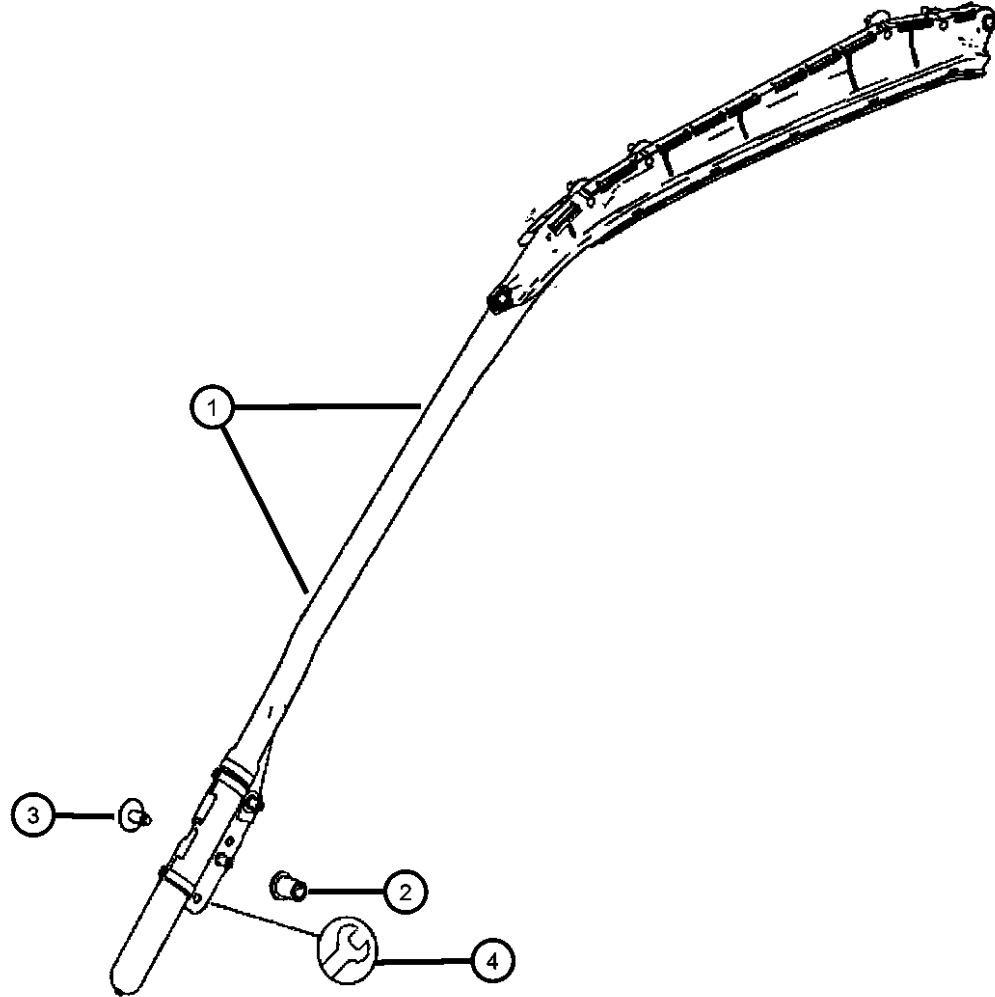
SERIES	LINE	BODY	ENGINE	TRANSMISSION
L = LOWLINE	3 = HD DODGE 2WD 6 = Lt. Duty DODGE 4WD 2 = Med. Duty DODGE 2WD 7 = Med. Duty DODGE 4WD	17 = VAN WHEEL BASE 7 55 = WAGON WHEEL BASE 5 15 = VAN WHEEL BASE 5 53 = 119 WB 13 = 119 WB 05 = CAB CHASSIS WHEEL BASE 5 03 = CAB CHASSIS WHEEL BASE 3	EG2 = 3.5L V6 Gas Engine EXM = 3.0L V6 Turbo Diesel Engine	DGZ = 5-Speed Auto W5A380 Transmission

AR = use ase required - = Non illustrated part

2008 VB

**Window Airbag, Head Side Airbag  
Figure 50-250**

ITEM	PART NUMBER	QTY	LINE	SERIES	BODY	ENGINE	TRANS	TRIM	DESCRIPTION
1									AIR BAG, Side Curtain
	1HD69NC-VAA	1	2, 3, 6, 7	L				*A6	[A6], Left
		1	2, 3, 6, 7	L				*E7	[E7], Left
		1	2, 3, 6, 7	L				*F7	[F7], Left
	1HD70NC-VAA	1	2, 3, 6, 7	L				*A6	[A6], Right
		1	2, 3, 6, 7	L				*E7	[E7], Right
		1	2, 3, 6, 7	L				*F7	[F7], Right
2	05133486AA	4	2, 3, 6, 7	L					RIVET
3	68014337AA	8	2, 3, 6, 7	L					SCREW
4	68016751AA	2	2, 3, 6, 7	L					CONNECTORRight & Left



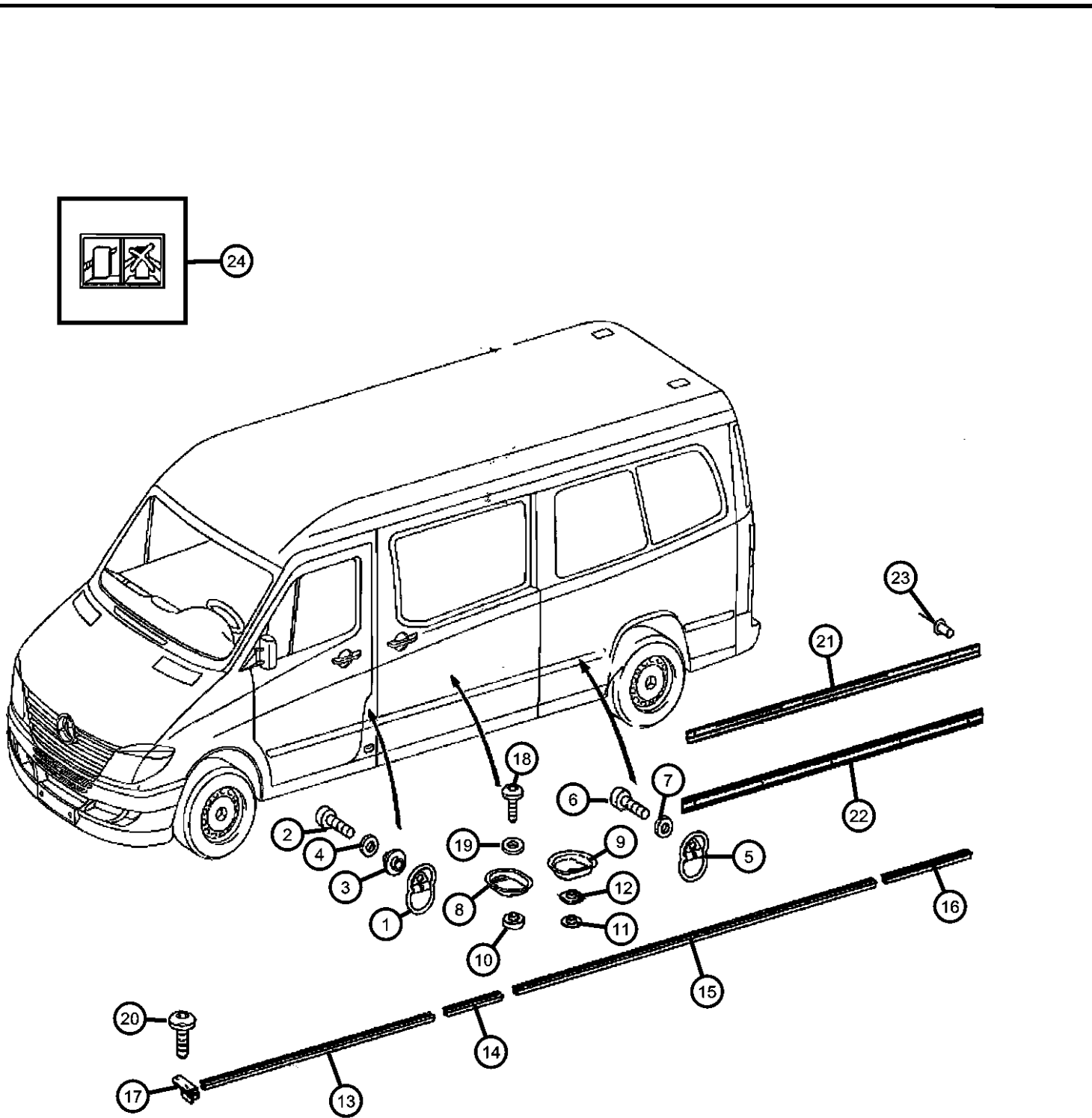
**SPRINTER (VB)**

SERIES	LINE	BODY	ENGINE	TRANSMISSION
L = LOWLINE	3 = HD DODGE 2WD 6 = Lt. Duty DODGE 4WD 2 = Med. Duty DODGE 2WD 7 = Med. Duty DODGE 4WD	17 = VAN WHEEL BASE 7 55 = WAGON WHEEL BASE 5 15 = VAN WHEEL BASE 5 53 = 119 WB 13 = 119 WB 05 = CAB CHASSIS WHEEL BASE 5 03 = CAB CHASSIS WHEEL BASE 3	EG2 = 3.5L V6 Gas Engine EXM = 3.0L V6 Turbo Diesel Engine	DGZ = 5-Speed Auto W5A380 Transmission

AR = use ase required - = Non illustrated part

2008 VB

**Cargo Organizer, Cargo Retainers**  
**Figure 50-275**



ITEM	PART NUMBER	QTY	LINE	SERIES	BODY	ENGINE	TRANS	TRIM	DESCRIPTION
1	05170492AA	2	2, 3, 6, 7	L	13, 15, 17, 53, 55				RETAINER
2	05103816AA	2	2, 3, 6, 7	L	13, 15, 17, 53, 55				BOLT, Hex Head
		14	3, 7	L	17				
3	68015030AA	2	2, 3, 6, 7	L	13, 15, 17, 53, 55				SPACER
4	05103726AB	2	2, 3, 6, 7	L	13, 15, 17, 53, 55				WASHER
5	05170492AA	2	2, 3, 6, 7	L	13, 15, 17, 53, 55				RETAINER
6	05103816AA	2	2, 3, 6, 7	L	13, 15, 17, 53, 55				BOLT, Hex Head
		14	3, 7	L	17				
7	05142916AA	6	2, 3, 6, 7	L	13, 15, 17, 53, 55				WASHER
		14	3, 7	L	17				
8	05170494AA	99	2, 3, 6, 7	L	13, 15, 17, 53, 55				RETAINER, Case and Load Securing
9	68015034AA	12	2, 3, 6, 7	L	13, 15, 17, 53, 55				RETAINER
10	68015032AA	2	2, 3, 6, 7	L	13, 15, 17, 53, 55				SPACER [11MM] Case and Load Securing
	68015033AA	2	2, 3, 6, 7	L	13, 15, 17, 53, 55				[13MM] Case and Load Securing
11	68015036AA	2	2, 3, 6, 7	L	53, 55, 13, 15, 17				BUSHING
12	68015035AA	8	2, 3, 6, 7	L	13, 15, 17, 53, 55				BUSHING
13	68015039AA	2	3, 7	L	13				RAIL
14	68015040AA	2	3, 7	L	15, 17				RAIL
15	68015041AA	2	3, 7	L	15, 17				RAIL
	68015042AA	2	3, 7	L	13				
16	68015046AA	2	3, 7	L	17				RAIL
17									CAP

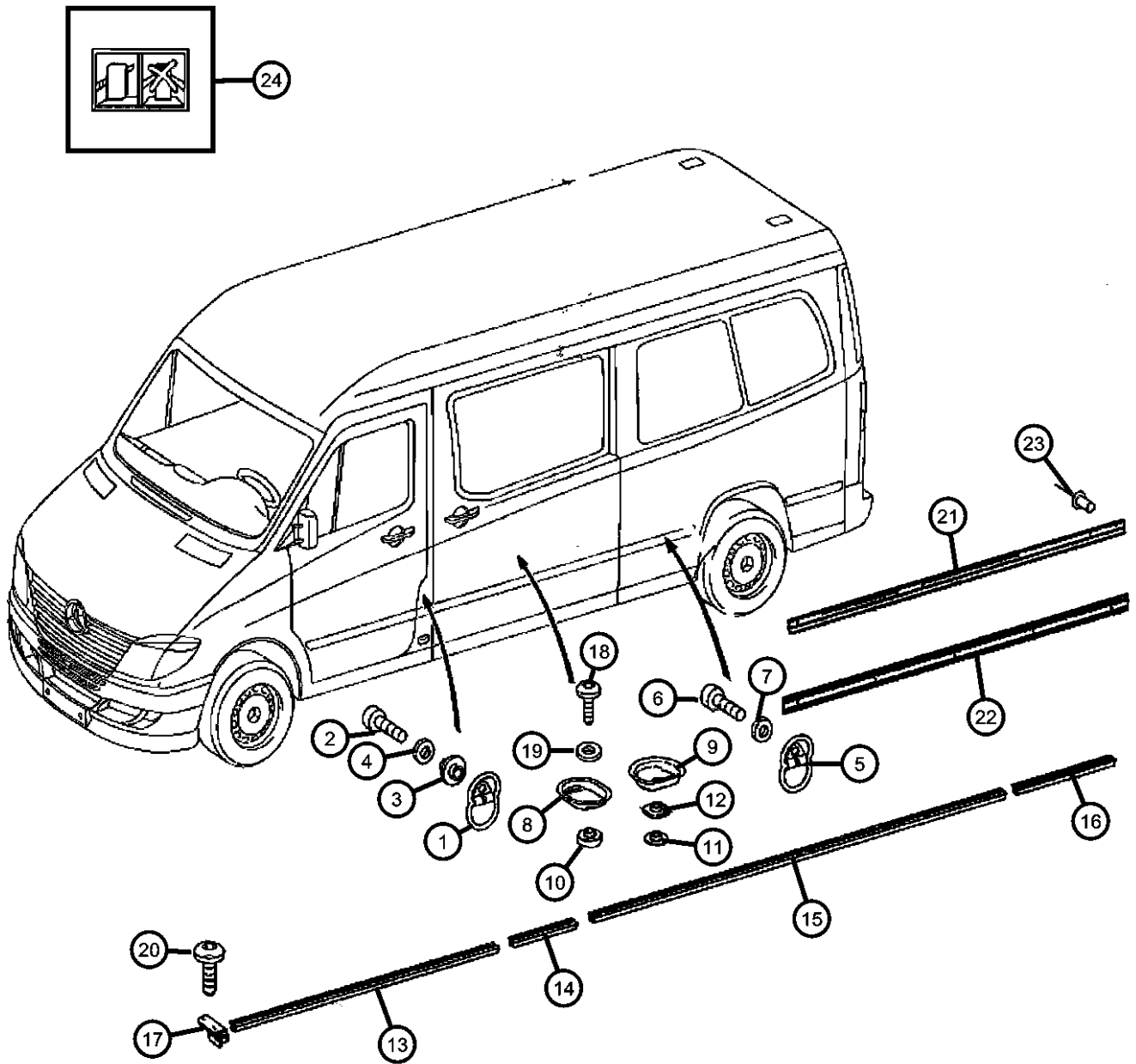
**SPRINTER (VB)**

<b>SERIES</b>	<b>LINE</b>	<b>BODY</b>	<b>ENGINE</b>	<b>TRANSMISSION</b>
L = LOWLINE	3 = HD DODGE 2WD 6 = Lt. Duty DODGE 4WD 2 = Med. Duty DODGE 2WD 7 = Med. Duty DODGE 4WD	17 = VAN WHEEL BASE 7 55 = WAGON WHEEL BASE 5 15 = VAN WHEEL BASE 5 53 = 119 WB 13 = 119 WB	EG2 = 3.5L V6 Gas Engine EXM = 3.0L V6 Turbo Diesel Engine	DGZ = 5-Speed Auto W5A380 Transmission
		05 = CAB CHASSIS WHEEL BASE 5 03 = CAB CHASSIS WHEEL BASE 3		

AR = use ase required - = Non illustrated part

**Cargo Organizer, Cargo Retainers**  
**Figure 50-275**

ITEM	PART NUMBER	QTY	LINE	SERIES	BODY	ENGINE	TRANS	TRIM	DESCRIPTION
	68015047AA	4	2, 6	L	13, 15, 17				
		8	3, 7	L	15				
		12	3, 7	L	17				
18	05103816AA	2	2, 3, 6, 7	L	13, 15, 17, 53, 55				BOLT, Hex Head
		14	3, 7	L	17				
19	05142916AA	6	2, 3, 6, 7	L	13, 15, 17, 53, 55				WASHER
		14	3, 7	L	17				
		12	2, 6	L	17				
20	06104496AA	2	3, 7	L	03, 05				SCREW
		2	2, 3, 6, 7	L	15, 17, 53, 55, 13				
21	68008778AA	2	2, 3, 6, 7	L	15, 17				RAIL Rear Top, Right & Left
		4	6, 7, 2, 3	L	13				Rear Top, Right & Left
22	68008784AA	2	2, 3, 6, 7	L	15, 17				RAIL Rear Bottom, Right & Left
		4	2, 3, 6, 7	L	13				Rear Bottom, Right & Left
	68008786AA	2	2, 3, 6, 7	L	15, 17				Central Bottom, Right & Left
23	05125821AA	4	2, 3, 6, 7	L	13, 15, 17, 53, 55				RIVET
		9	2, 3, 6, 7	L	17				
24	05124356AA	1	2, 3, 6, 7	L	13, 15, 17, 53, 55				LABEL

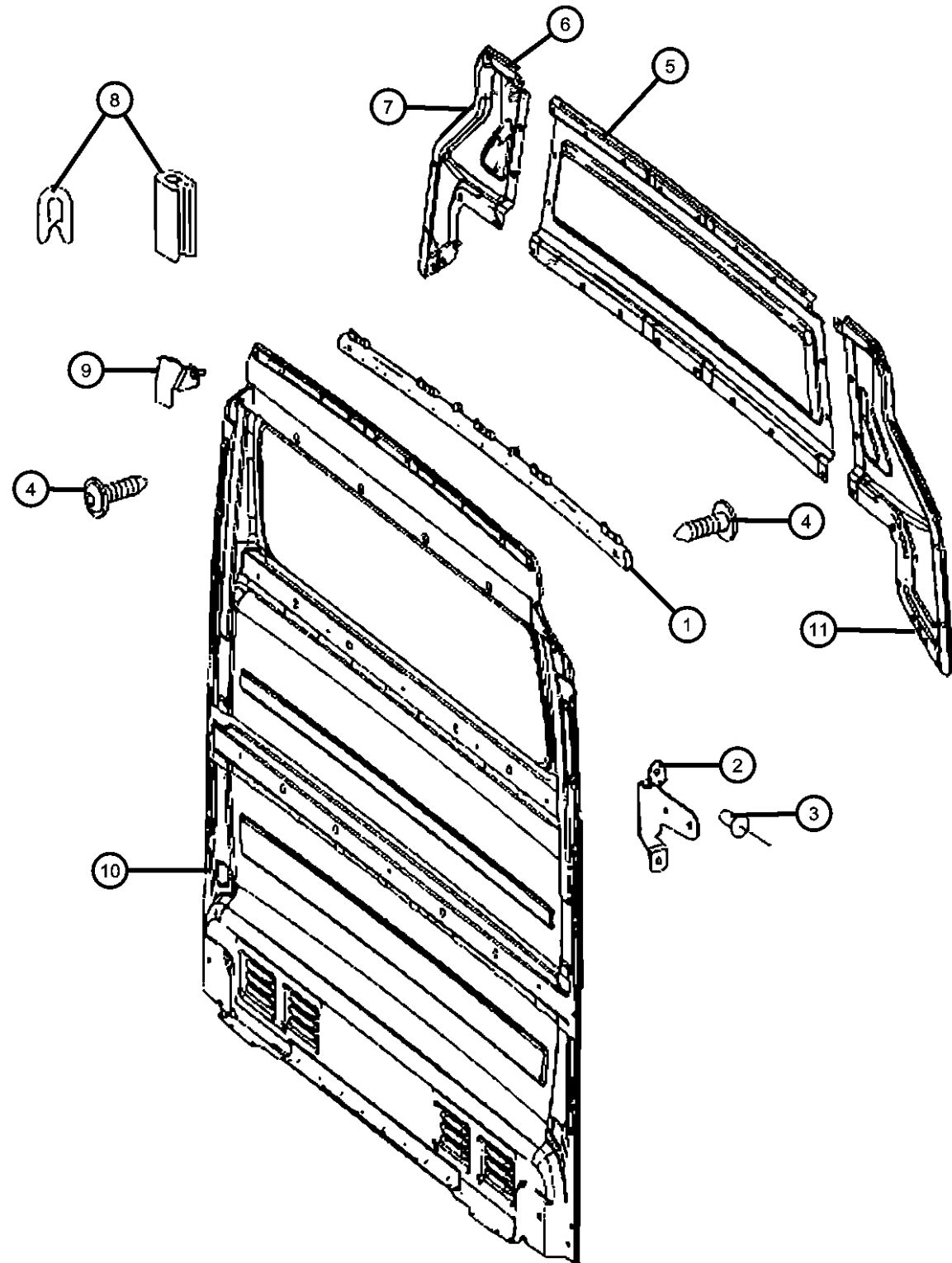


**SPRINTER (VB)**

<b>SERIES</b>	<b>LINE</b>	<b>BODY</b>	<b>ENGINE</b>	<b>TRANSMISSION</b>
L = LOWLINE	3 = HD DODGE 2WD 6 = Lt. Duty DODGE 4WD 2 = Med. Duty DODGE 2WD 7 = Med. Duty DODGE 4WD	17 = VAN WHEEL BASE 7 55 = WAGON WHEEL BASE 5 15 = VAN WHEEL BASE 5 53 = 119 WB 13 = 119 WB 05 = CAB CHASSIS WHEEL BASE 5 03 = CAB CHASSIS WHEEL BASE 3	EG2 = 3.5L V6 Gas Engine EXM = 3.0L V6 Turbo Diesel Engine	DGZ = 5-Speed Auto W5A380 Transmission

AR = use ase required - = Non illustrated part

**Cargo Organizer Partition Wall/Load Protection**  
**Figure 50-280**



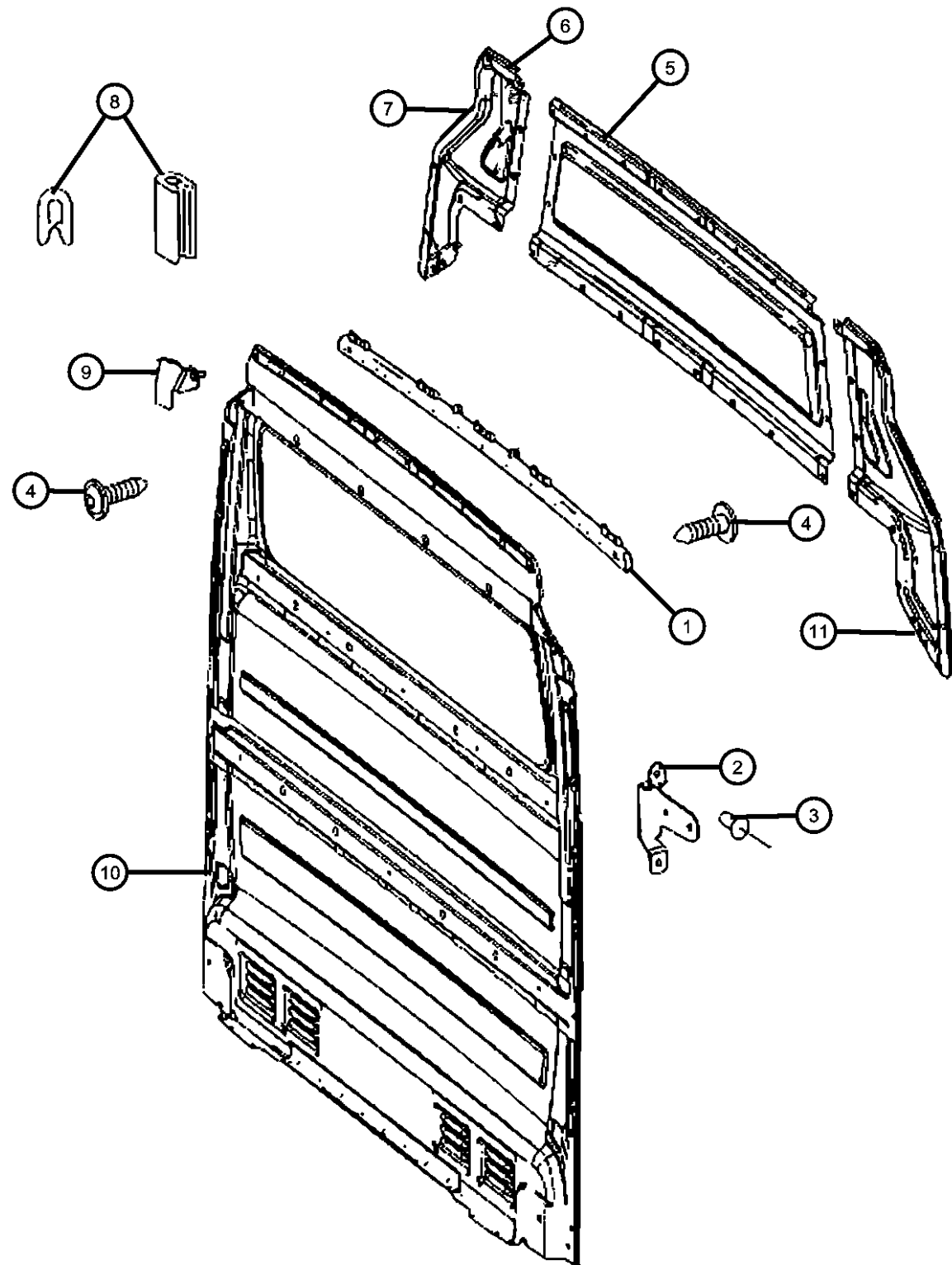
ITEM	PART NUMBER	QTY	LINE	SERIES	BODY	ENGINE	TRANS	TRIM	DESCRIPTION
1	68009928AA	1	2, 3, 6, 7	L	13, 15, 17				REINFORCEMENT
	68009929AA	1	3, 7	L	13, 15, 17				
2	68009897AA	1	2, 3, 6, 7	L	13, 15, 17, 53, 55				BRACKET Left
	68009898AA	1	2, 3, 6, 7	L	13, 15, 17, 53, 55				Right
3	05133554AA	16	2, 3, 6, 7	L	13, 15, 17, 53, 55				RIVET
4	68009926AA	5	2, 3, 6, 7	L	13, 15, 17				SCREW
		10	2, 3, 6, 7	L	13, 15, 17, 53, 55				
5	68009899AA	1	2, 6	L	13, 15, 17, 53, 55				COVER, Cargo Compartment, With [MWJ]
6	68009920AA	1	2, 6	L	13, 15, 17				COVER, Cargo Compartment Contains Inner 68009922aa
		1	3, 7	L	13, 15, 17, 53, 55				Contains Inner 68009922aa
	68009921AA	1	2, 6	L	13, 15, 17				Contains Inner 68009925aa
7	68009922AA	1	2, 3, 6, 7	L	53, 55, 57				COVER, Cargo Compartment
	68009925AA	1	3, 7	L	13, 15, 17				
8	05134108AA	2	2, 3, 6, 7	L	13, 15, 17, 53, 55				WEATHERSTRIP, Glass
9	68009936AA	1	3, 7	L	13, 15, 17				BRACKET Right
	68009937AA	1	3, 7	L	13, 15, 17				Left
10	68009882AA	1	2, 6	L	13, 15, 17				PARTITION, Cargo [-FF4+DS1]
	68009883AA	1	2, 6	L	13, 15, 17				[-FF4+DS0]
11	68009903AA	1	2, 3, 6, 7	L	13, 15, 17				COVER, Cargo Compartment
	68009911AA	1	2, 3, 6, 7	L	53, 55, 57				With [MWJ]

**SPRINTER (VB)**

SERIES	LINE	BODY	ENGINE	TRANSMISSION
L = LOWLINE	3 = HD DODGE 2WD 6 = Lt. Duty DODGE 4WD 2 = Med. Duty DODGE 2WD 7 = Med. Duty DODGE 4WD	17 = VAN WHEEL BASE 7 55 = WAGON WHEEL BASE 5 15 = VAN WHEEL BASE 5 53 = 119 WB 13 = 119 WB 05 = CAB CHASSIS WHEEL BASE 5 03 = CAB CHASSIS WHEEL BASE 3	EG2 = 3.5L V6 Gas Engine EXM = 3.0L V6 Turbo Diesel Engine	DGZ = 5-Speed Auto W5A380 Transmission

AR = use ase required - = Non illustrated part

**Cargo Organizer Partition Wall/Load Protection  
Figure 50-280**



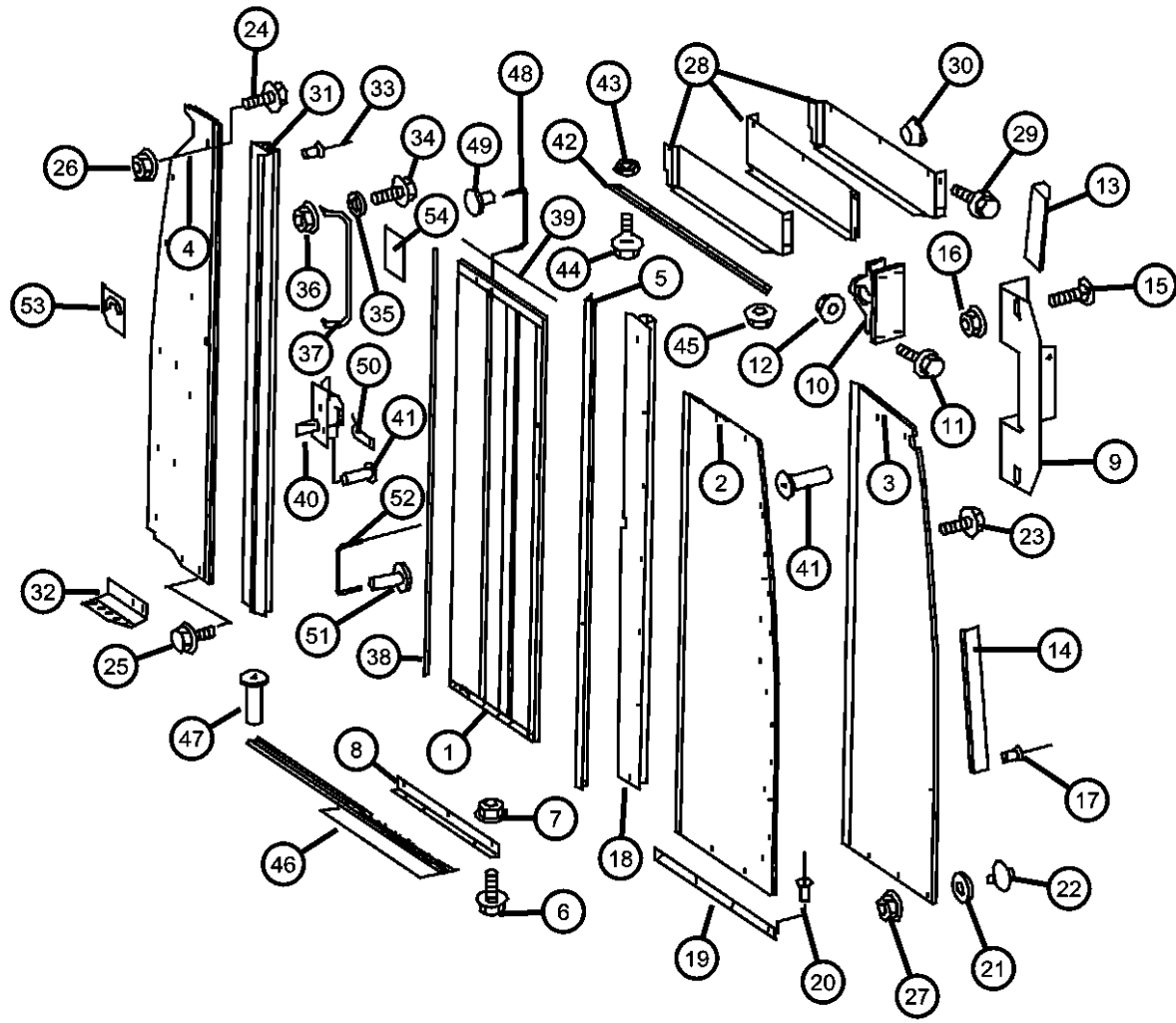
ITEM	PART NUMBER	QTY	LINE	SERIES	BODY	ENGINE	TRANS	TRIM	DESCRIPTION
	68009912AA	1	2, 6	L	13, 15, 17, 53, 55				With [MWJ + GKE]
	68009915AA	1	3, 7	L	13, 15, 17				With [MWJ + GKE]

**SPRINTER (VB)**

SERIES	LINE	BODY	ENGINE	TRANSMISSION
L = LOWLINE	3 = HD DODGE 2WD 6 = Lt. Duty DODGE 4WD 2 = Med. Duty DODGE 2WD 7 = Med. Duty DODGE 4WD	17 = VAN WHEEL BASE 7 55 = WAGON WHEEL BASE 5 15 = VAN WHEEL BASE 5 53 = 119 WB 13 = 119 WB 05 = CAB CHASSIS WHEEL BASE 5 03 = CAB CHASSIS WHEEL BASE 3	EG2 = 3.5L V6 Gas Engine EXM = 3.0L V6 Turbo Diesel Engine	DGZ = 5-Speed Auto W5A380 Transmission

AR = use ase required - = Non illustrated part

**Cargo Organizer Partition Wall with Sliding Door**  
**Figure 50-285**



ITEM	PART NUMBER	QTY	LINE	SERIES	BODY	ENGINE	TRANS	TRIM	DESCRIPTION
NOTES: Sales Codes: [MWJ] = Roof - High [MX1] = Roof - Mega Painted Body Color [MX2] = Roof - White									
1	68015179AA	1	2, 3, 6, 7	L	13, 15, 17				DOOR
2	68015164AA	1	2, 3, 6, 7	L	13, 15, 17				PANEL, Cargo compartment
3	68015173AA	1	2, 3, 6, 7	L	13, 15, 17				PARTITION, Cargo
4	68015156AA	1	2, 3, 6, 7	L	13, 15, 17				PARTITION, Cargo
5	68015165AA	1	2, 3, 6, 7	L	13, 15, 17				RAIL
6	05137660AA	4	2, 3, 6, 7	L	13, 15, 17, 53, 55				SCREW
7	06104707AA	3	2, 3, 6, 7	L	13, 15, 17, 53, 55				NUT, M5
8	68015167AA	1	2, 3, 6, 7	L	13, 15, 17				BRACKET
9	05104305AA	1	2, 3, 6, 7	L	13, 15, 17, 53, 55				STOP
10	05104419AA	1	2, 3, 6, 7	L	13, 15, 17, 53, 55				ADJUSTER, Cargo Door
11	05104652AA	4	2, 3, 6, 7	L	13, 15, 17, 53, 55				SCREW
12	05104660AA	4	2, 3, 6, 7	L	13, 15, 17, 53, 55				NUT
13	05104427AA	2	6, 7, 2, 3	L	13, 15, 17, 53, 55				BUMPER, Rubber
14	68015168AA	1	2, 3, 6, 7	L	13, 15, 17				RAIL
	68015171AA	1	2, 3, 6, 7	L	13, 15, 17				Without [MWJ] or [MX2] or [MX1]
15	05126132AA	2	2, 3, 6, 7	L	13, 15, 17, 53, 55				BOLT, Hex Head
16	06105169AA	4	2, 3, 6, 7	L					NUT
17	68015172AA	10	2, 3, 6, 7	L	13, 15, 17				RIVET
18	68015175AA	1	2, 3, 6, 7	L	13, 15, 17				RAIL, Cargo Compartment With [MWJ] or [MX2] or [MX1]
	68015176AA	1	2, 3, 6, 7	L	13, 15, 17				
19	68015177AA	1	2, 3, 6, 7	L	13, 15, 17				BRACKET
20	05125812AA	8	2, 3, 6, 7	L	13, 15, 17, 53, 55				RIVET
21	68013678AA	2	2, 3, 6, 7	L					WASHER

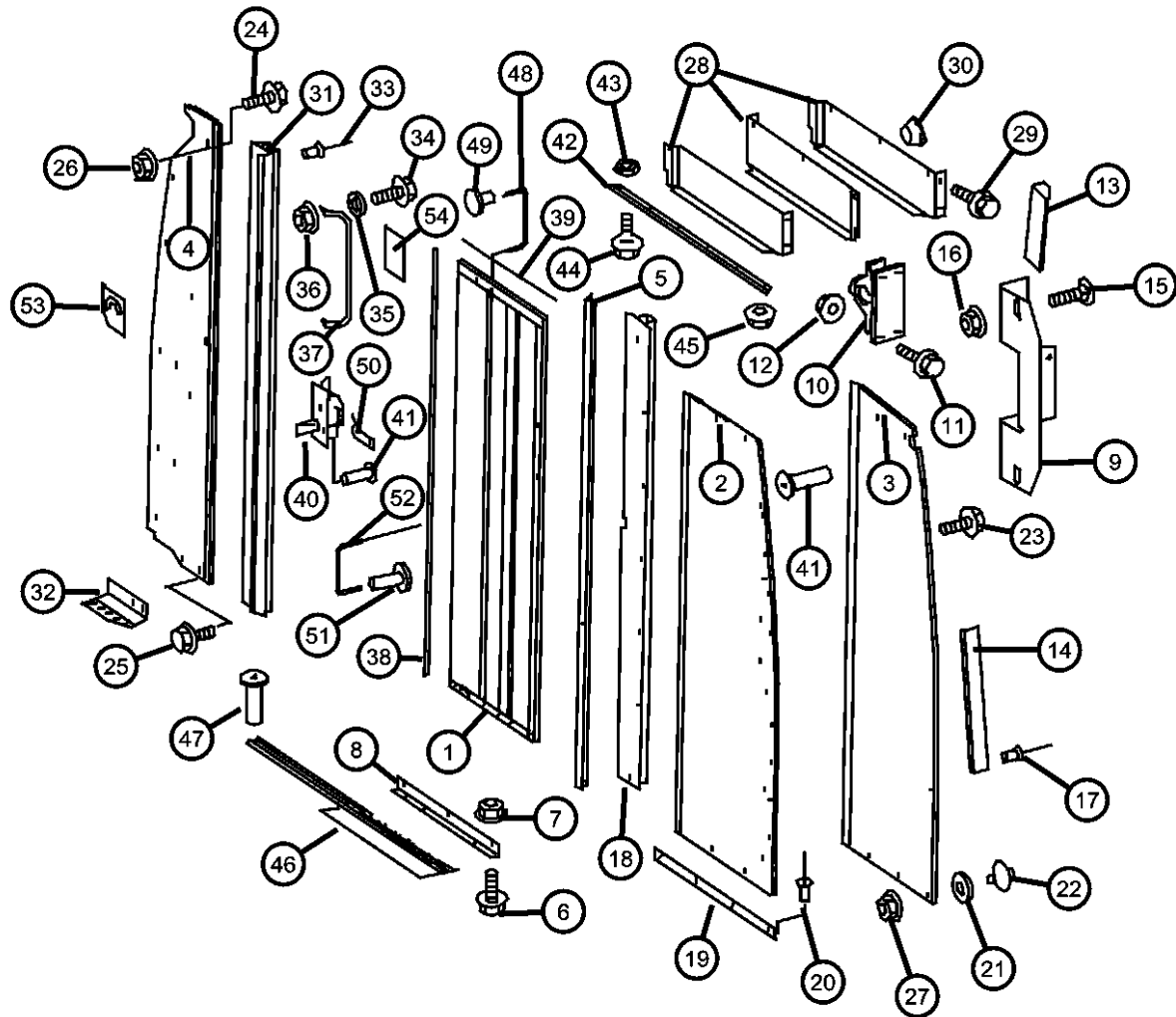
**SPRINTER (VB)**

SERIES	LINE	BODY	ENGINE	TRANSMISSION
L = LOWLINE	3 = HD DODGE 2WD 6 = Lt. Duty DODGE 4WD 2 = Med. Duty DODGE 2WD 7 = Med. Duty DODGE 4WD	17 = VAN WHEEL BASE 7 55 = WAGON WHEEL BASE 5 15 = VAN WHEEL BASE 5 53 = 119 WB 13 = 119 WB 05 = CAB CHASSIS WHEEL BASE 5 03 = CAB CHASSIS WHEEL BASE 3	EG2 = 3.5L V6 Gas Engine EXM = 3.0L V6 Turbo Diesel Engine	DGZ = 5-Speed Auto W5A380 Transmission

AR = use ase required - = Non illustrated part



**Cargo Organizer Partition Wall with Sliding Door**  
**Figure 50-285**



ITEM	PART NUMBER	QTY	LINE	SERIES	BODY	ENGINE	TRANS	TRIM	DESCRIPTION
22	68015161AA	3	2, 3, 6, 7	L	13, 15, 17				SCREW
23	68015161AA	3	2, 3, 6, 7	L	13, 15, 17				SCREW
24	05137660AA	4	2, 3, 6, 7	L	13, 15, 17, 53, 55				SCREW
25	06104709AA	2	2, 3, 6, 7	L	13, 15, 17, 53, 55				NUT, Hex Flange, M8x1.25
26	68015178AA	5	7, 2, 3, 6	L	13, 15, 17				SCREW
27	06104707AA	1	2, 3, 6, 7	L	13, 15, 17, 53, 55				NUT, M5
28	68015208AA	1	2, 3, 6, 7	L	13, 15, 17				PANEL
29	05125748AA	3	2, 3, 6, 7	L	13, 15, 17, 53, 55				SCREW, Exhaust Bracket Mounting
30	05096373AB	3	2, 3, 6, 7	L	13, 15, 17, 53, 55				PLUG
31	68015157AA	1	2, 3, 6, 7	L	13, 15, 17				RAIL, Cargo Compartment, With [MWJ] or [MX2] or [MX1] BRACKET
32	68015159AA	1	2, 3, 6, 7	L	13, 15, 17				BRACKET
33	05125812AA	5	2, 3, 6, 7	L	13, 15, 17, 53, 55				RIVET
34	05096986AA	4	2, 3, 6, 7	L					BOLT
35	05142916AA	6	2, 3, 6, 7	L	13, 15, 17, 53, 55				WASHER
36	06104709AA	2	2, 3, 6, 7	L	13, 15, 17, 53, 55				NUT, Hex Flange, M8x1.25
37	05132107AA	2	2, 3, 6, 7	L					HANDLE, Door Pull
38	68015160AA	1	2, 3, 6, 7	L	13, 15, 17				SEAL
39	68030733AA	1	2, 3, 6, 7	L	13, 15, 17				EDGE GUARD SECTION, NONE, SPRINTER
40	68015162AA	1	2, 3, 6, 7	L	13, 15, 17				LOCK, Door
41	05104623AA	8	2, 3, 6, 7	L	13, 15, 17, 53, 55				RIVET
42	68015181AA	1	2, 3, 6, 7	L	13, 15, 17				RAIL
43	05126208AA	4	2, 3, 6, 7	L	13, 15, 17, 53, 55				NUT, Hex
44	05125721AA	2	2, 3, 6, 7	L	13, 15, 17, 53, 55				BOLT
45	06104707AA	1	2, 3, 6, 7	L	13, 15, 17, 53, 55				NUT, M5
46	68015183AA	1	2, 3, 6, 7	L	15, 17, 13				PLATE, Scuff

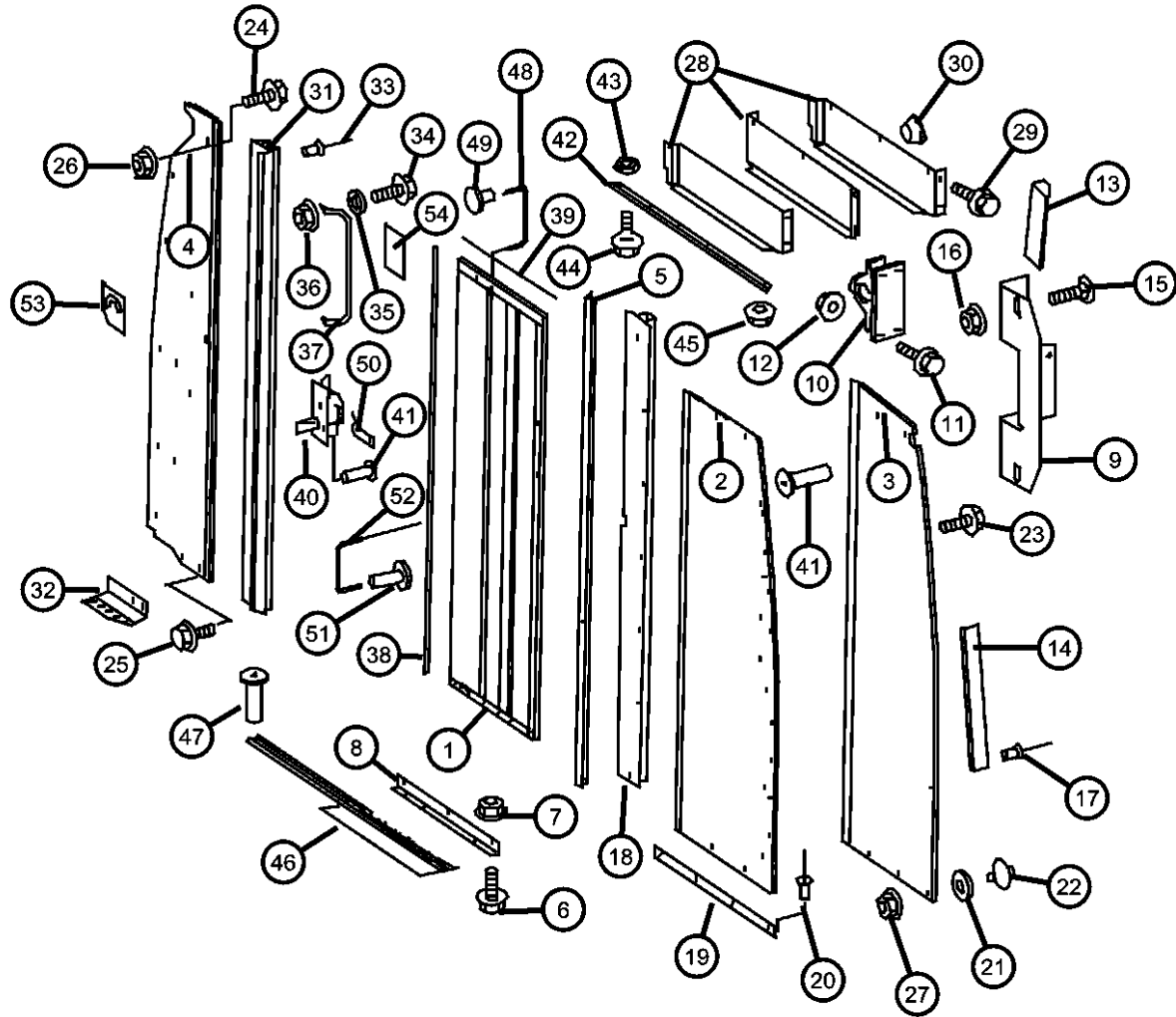
**SPRINTER (VB)**

SERIES	LINE	BODY	ENGINE	TRANSMISSION
L = LOWLINE	3 = HD DODGE 2WD 6 = Lt. Duty DODGE 4WD 2 = Med. Duty DODGE 2WD 7 = Med. Duty DODGE 4WD	17 = VAN WHEEL BASE 7 55 = WAGON WHEEL BASE 5 15 = VAN WHEEL BASE 5 53 = 119 WB 13 = 119 WB 05 = CAB CHASSIS WHEEL BASE 5 03 = CAB CHASSIS WHEEL BASE 3	EG2 = 3.5L V6 Gas Engine EXM = 3.0L V6 Turbo Diesel Engine	DGZ = 5-Speed Auto W5A380 Transmission

AR = use ase required - = Non illustrated part

**Cargo Organizer Partition Wall with Sliding Door**  
**Figure 50-285**

ITEM	PART NUMBER	QTY	LINE	SERIES	BODY	ENGINE	TRANS	TRIM	DESCRIPTION
47	05104623AA	4	2, 3, 6, 7	L	13, 15, 17, 53, 55				RIVET
48	68015185AA	1	2, 3, 6, 7	L	15, 17, 13				HANDLE, Cargo Door Interior
49	06104119AA	4	2, 3, 6, 7	L	13, 15, 17				SCREW
50	68015184AA	1	2, 3, 6, 7	L	13, 15, 17				LATCH
51	06104121AA	4	2, 3, 6, 7	L	13, 15, 17, 53, 55				SCREW, Hex Flange Head
52	05123663AA	1	2, 3, 6, 7	L	13, 15, 17				HANDLE, Cargo Door Interior
53	05121146AA	1	2, 3, 6, 7	L	13, 15, 17, 53, 55				LABEL
54	05121162AA	1	2, 3, 6, 7	L	13, 15, 17, 53, 55				LABEL, Warning



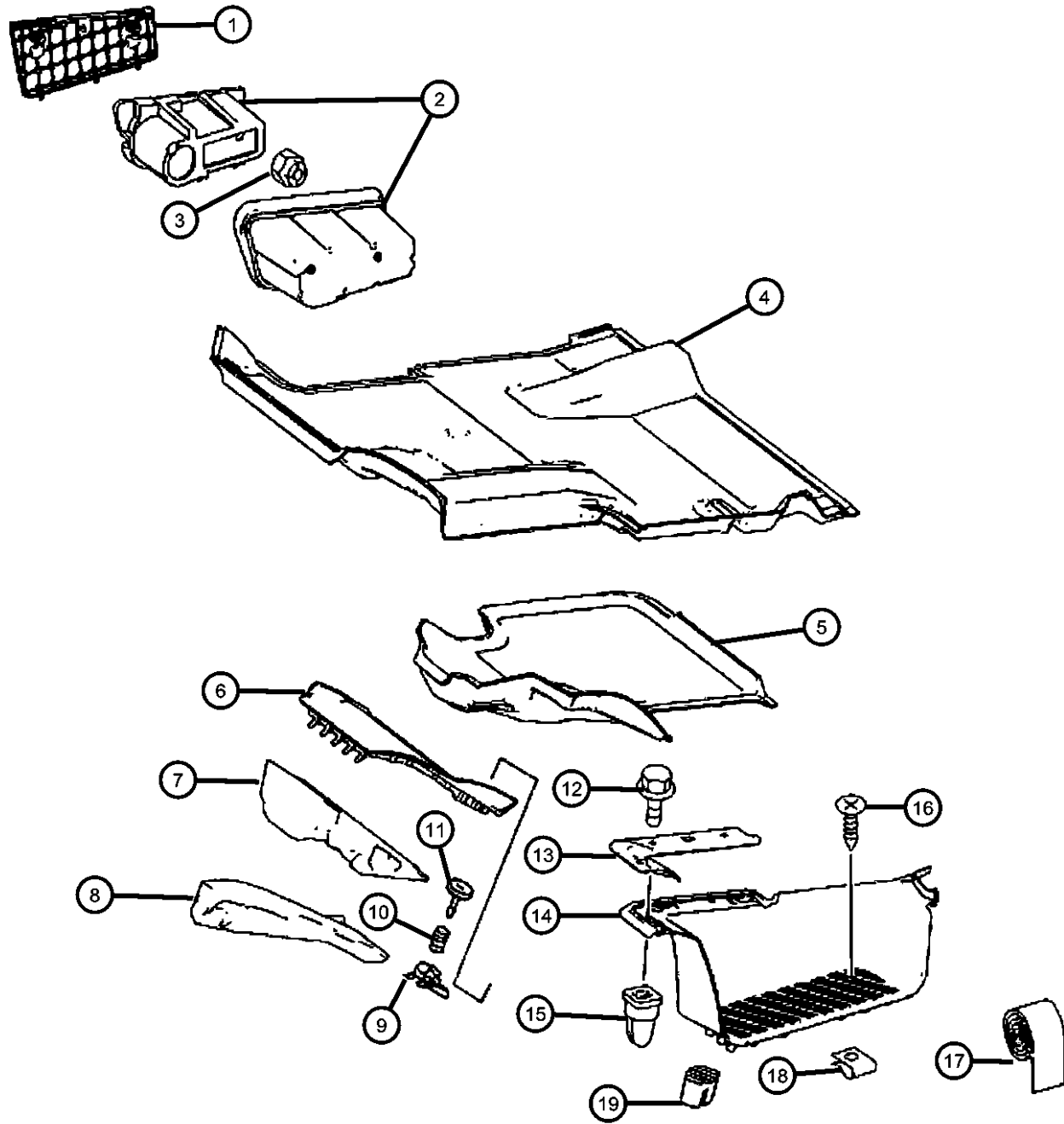
**SPRINTER (VB)**

SERIES	LINE	BODY	ENGINE	TRANSMISSION
L = LOWLINE	3 = HD DODGE 2WD 6 = Lt. Duty DODGE 4WD 2 = Med. Duty DODGE 2WD 7 = Med. Duty DODGE 4WD	17 = VAN WHEEL BASE 7 55 = WAGON WHEEL BASE 5 15 = VAN WHEEL BASE 5 53 = 119 WB 13 = 119 WB 05 = CAB CHASSIS WHEEL BASE 5 03 = CAB CHASSIS WHEEL BASE 3	EG2 = 3.5L V6 Gas Engine EXM = 3.0L V6 Turbo Diesel Engine	DGZ = 5-Speed Auto W5A380 Transmission

AR = use ase required - = Non illustrated part

2008 VB

Foot Rest  
Figure 50-345



ITEM	PART NUMBER	QTY	LINE	SERIES	BODY	ENGINE	TRANS	TRIM	DESCRIPTION
------	-------------	-----	------	--------	------	--------	-------	------	-------------

NOTES: Sales Codes:  
 [CD2] = Delete Passenger Seat Riser  
 [CK8] = Delete Front Floor Mat/Carpet  
 [CWC] = Full Width Cargo Divider  
 [CW9] = Dual Passenger Seat  
 [XGR] = Rear Seat Heat Ducts  
 [XJW] = Cargo Partition w/Window  
 [XJ1] = Cargo Partition w/Sliding Window

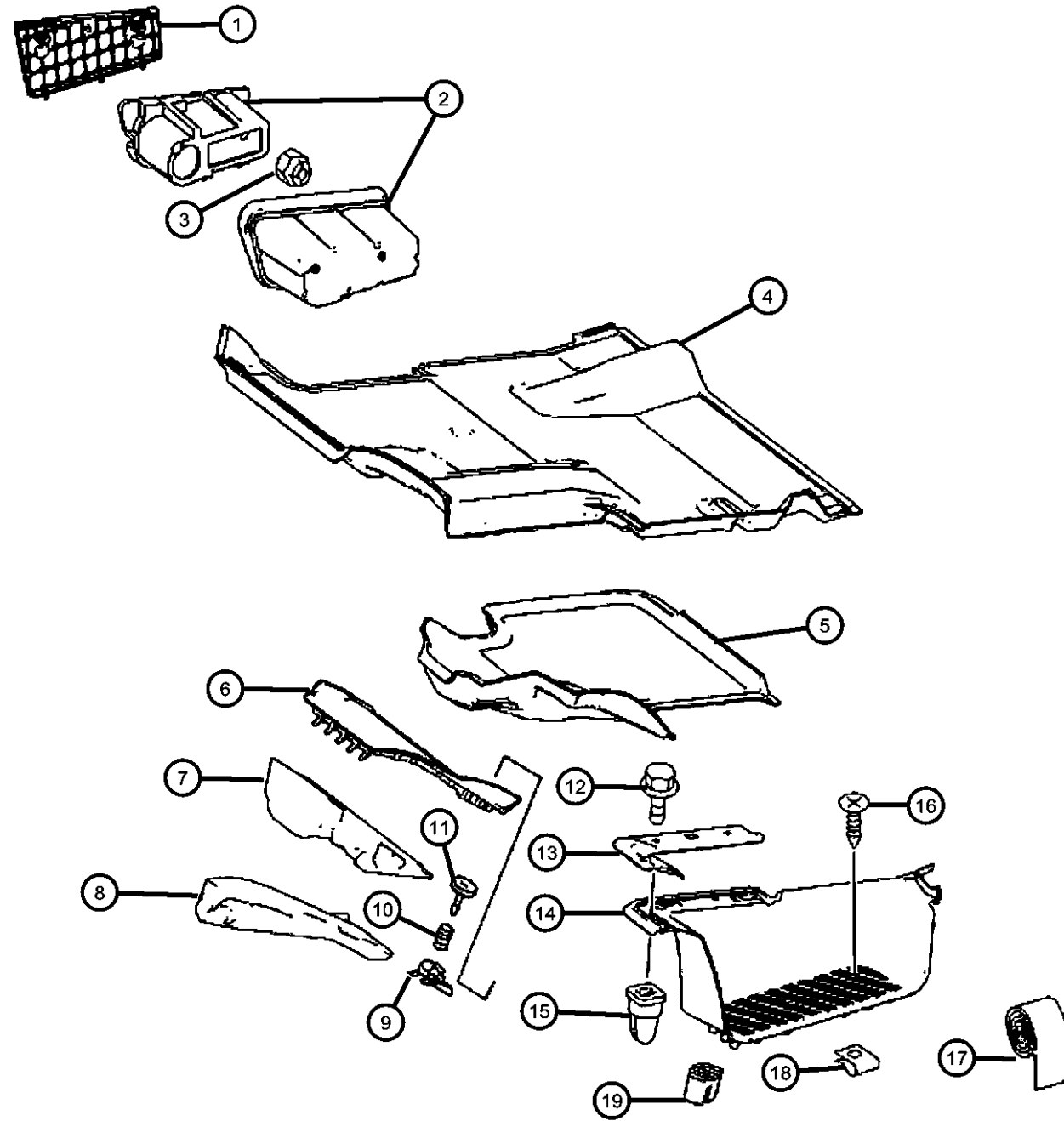
1									COVER
	1HB30XDVAA	1	2, 3, 6, 7	L				*A6	
		1	2, 3, 6, 7	L				*E7	
		1	2, 3, 6, 7	L				*F7	
2									BIN, Storage
	1HB32XDVAA	1	2, 3, 6, 7	L				*A6	
		1	2, 3, 6, 7	L				*E7	
		1	2, 3, 6, 7	L				*F7	
3	05096978AA	6	2, 3, 6, 7	L	13, 15, 17, 53, 55				NUT, Hex, M6
4									CARPET, Floor
	1HB14BDVAA	1	2, 3, 6, 7	L	53, 55			*A6	[A6] With [XGR][CW9] or [XJW] or [XJ1] without [CD2] or [CX8]
		1	7, 2, 3, 6	L	53, 55			*E7	[E7] With [XGR][CW9] or [XJW] or [XJ1] without [CD2] or [CX8]
		1	2, 3, 6, 7	L	53, 55			*F7	[F7] With [XGR][CW9] or [XJW] or [XJ1] without [CD2] or [CX8]
	1HB15BDVAA	1	2, 3, 6, 7	L	13, 15, 17			*A6	[A6] With [CWC] or [XJW] or [XJ1] without [CD2] or [CW9] or [XGR]
		1	2, 3, 6, 7	L	13, 15, 17			*E7	[E7] With [CWC] or [XJW] or [XJ1] without [CD2] or [CW9] or [XGR]
		1	2, 3, 6, 7	L	13, 15, 17			*F7	[F7] With [CWC] or [XJW] or [XJ1] without [CD2] or [CW9] or [XGR]
	1HB16BDVAA	1	2, 3, 6, 7	L	13, 15, 17			*AL	[AL] With [CW9] and [CWC] or [XJW] or [XJ1] without [XJR]
		1	3, 6, 7, 2	L	13, 15, 17			*E7	[E7] With [CW9] and [CWC] or [XJW] or [XJ1] without [XJR]
		1	2, 3, 6, 7	L	13, 15, 17			*F7	[F7] With [CW9] and [CWC] or [XJW] or [XJ1] without [XJR]

**SPRINTER (VB)**

SERIES	LINE	BODY	ENGINE	TRANSMISSION
L = LOWLINE	3 = HD DODGE 2WD	17 = VAN WHEEL BASE 7	EG2 = 3.5L V6 Gas Engine	DGZ = 5-Speed Auto W5A380
	6 = Lt. Duty DODGE 4WD	55 = WAGON WHEEL BASE 5	EXM = 3.0L V6 Turbo Diesel Engine	Transmission
	2 = Med. Duty DODGE 2WD	15 = VAN WHEEL BASE 5		
	7 = Med. Duty DODGE 4WD	53 = 119 WB		
		13 = 119 WB		
		05 = CAB CHASSIS WHEEL BASE 5		
		03 = CAB CHASSIS WHEEL BASE 3		

AR = use ase required - = Non illustrated part

Foot Rest  
Figure 50-345



ITEM	PART NUMBER	QTY	LINE	SERIES	BODY	ENGINE	TRANS	TRIM	DESCRIPTION
	1HB17BDVAA	1	2, 3, 6, 7	L	13, 15, 17, 53, 55			*AL	[AL] With [XGR] without [CX9] or [CD2] or [CK8]
		1	2, 3, 6, 7	L	13, 15, 17, 53, 55			*E7	[E7] With [XGR] without [CX9] or [CD2] or [CK8]
		1	2, 3, 6, 7	L	13, 15, 17, 53, 55			*F7	[F7] With [XGR] without [CX9] or [CD2] or [CK8]
	1HB18BDVAA	1	2, 3, 6, 7	L	13, 15, 17			*A6	[AL] Without [CD2] or [CW9] or [XGR]
		1	2, 3, 6, 7	L	13, 15, 17			*E7	[E7] Without [CD2] or [CW9] or [XGR]
		1	2, 3, 6, 7	L	13, 15, 17			*F7	[F7] Without [CD2] or [CW9] or [XGR]
	1HB22BDVAA	1	2, 3, 6, 7	L	13, 15, 17, 53, 55			*AL	[AL] With [CW9] without [CK8] or [CWC] or [XJW] or [XJ1]
		1	2, 3, 6, 7	L	13, 15, 17, 53, 55			*E7	[E7] With [CW9] without [CK8] or [CWC] or [XJW] or [XJ1]
		1	2, 3, 6, 7	L	13, 15, 17, 53, 55			*F7	[F7] With [CW9] without [CK8] or [CWC] or [XJW] or [XJ1]
5									CARPET, Floor
	1HB21BDVAA	1	2, 3, 6, 7	L	13, 15, 17, 53, 55			*AL	[AL]
		1	2, 3, 6, 7	L	13, 15, 17, 53, 55			*E7	[E7]
		1	2, 3, 6, 7	L	13, 15, 17, 53, 55			*F7	[F7]
6									COVER
	1HB25XDVAA	1	2, 3, 6, 7	L				*A6	
		1	2, 3, 6, 7	L				*E7	
		1	2, 3, 6, 7	L				*F7	
7	68010621AA	1	2, 3, 6, 7	L					SUPPORT, Footrest
8	68010623AA	1	2, 3, 6, 7	L					FOOTREST
9									CLIP
	05125587AA	1	3, 7	L	03, 05				
		1	2, 3, 6, 7	L	13, 15, 17, 53, 55				
10									SPRING
	05125845AA	1	7, 3	L	03, 05				
		1	2, 3, 6, 7	L	13, 15, 17, 53, 55				

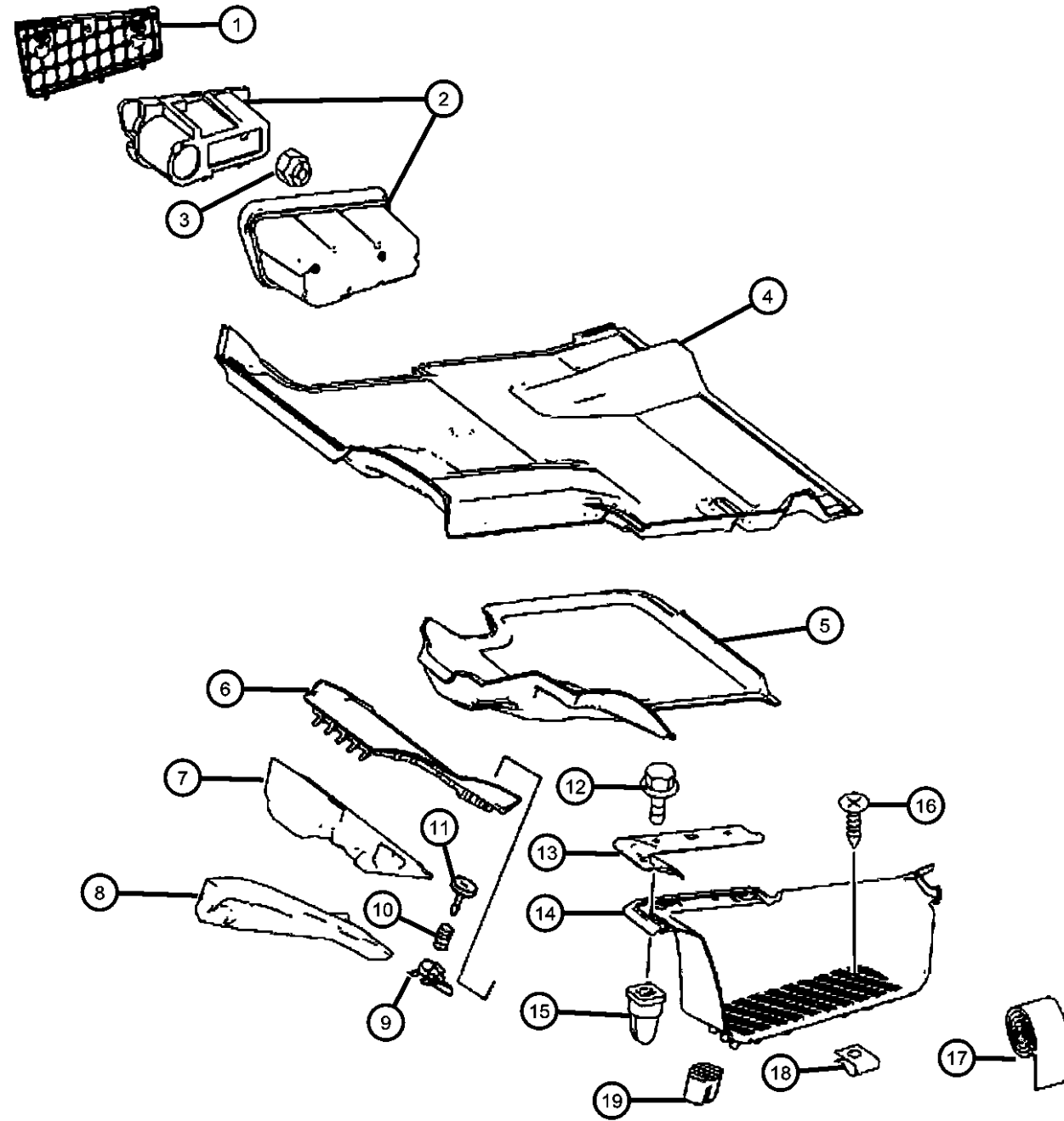
SPRINTER (VB)

SERIES	LINE	BODY	ENGINE	TRANSMISSION
L = LOWLINE	3 = HD DODGE 2WD 6 = Lt. Duty DODGE 4WD 2 = Med. Duty DODGE 2WD 7 = Med. Duty DODGE 4WD	17 = VAN WHEEL BASE 7 55 = WAGON WHEEL BASE 5 15 = VAN WHEEL BASE 5 53 = 119 WB 13 = 119 WB 05 = CAB CHASSIS WHEEL BASE 5 03 = CAB CHASSIS WHEEL BASE 3	EG2 = 3.5L V6 Gas Engine EXM = 3.0L V6 Turbo Diesel Engine	DGZ = 5-Speed Auto W5A380 Transmission

AR = use ase required - = Non illustrated part

2008 VB

Foot Rest  
Figure 50-345



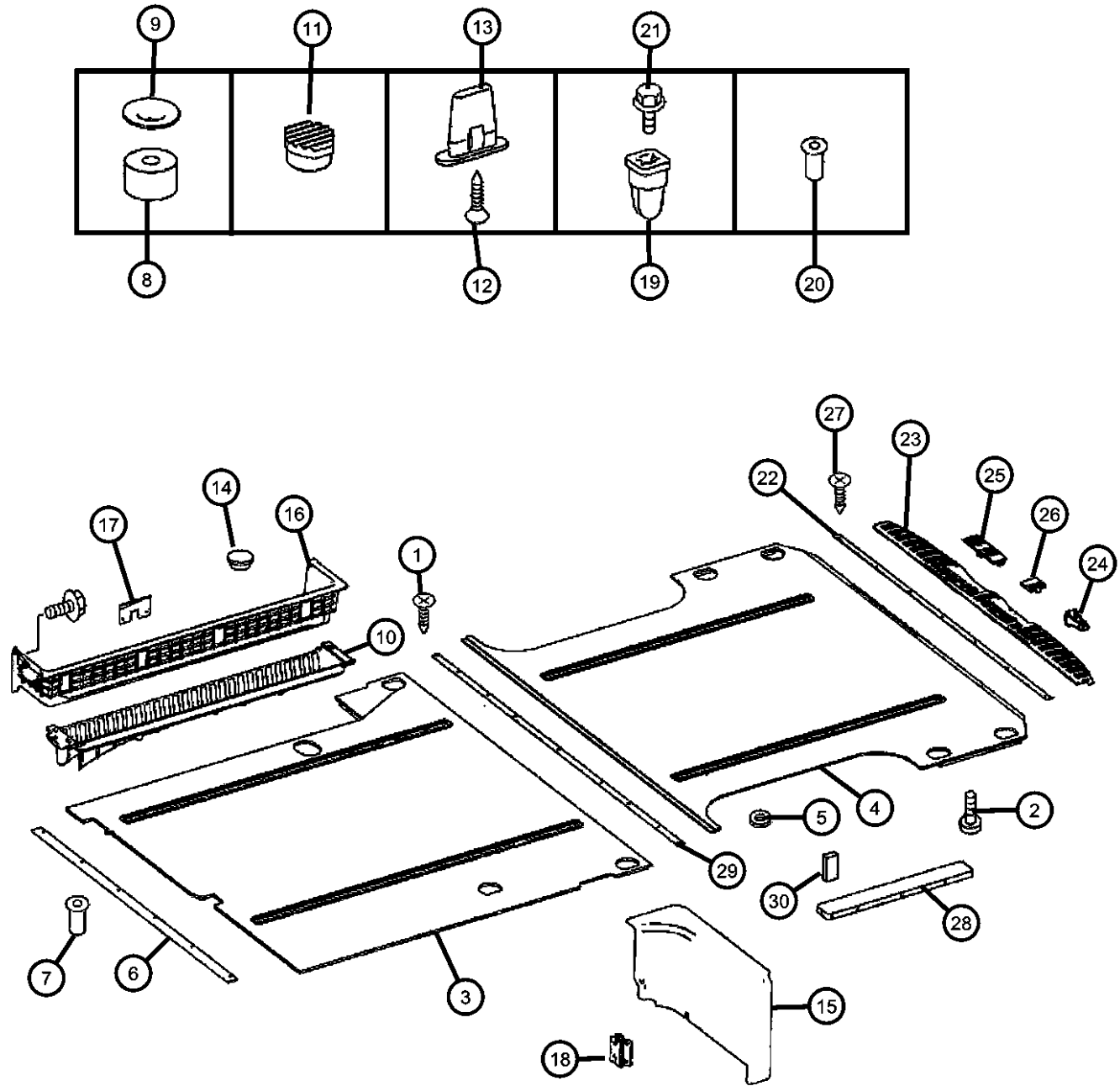
ITEM	PART NUMBER	QTY	LINE	SERIES	BODY	ENGINE	TRANS	TRIM	DESCRIPTION
11	05122665AA	1	2, 3, 6, 7	L	13, 15, 17, 53, 55			*A6	FASTENER
		1	2, 3, 6, 7	L	13, 15, 17, 53, 55			*E7	
		1	2, 3, 6, 7	L	13, 15, 17, 53, 55			*F7	
		1	3, 7	L	03, 05			*A6	
		1	3, 7	L	03, 05			*E7	
		1	3, 7	L	03, 05			*F7	
12	68004673AA	2	2, 3, 6, 7	L					SCREW
13									COVER
	1HB29XDVAA	1	2, 3, 6, 7	L				*A6	Left
		1	2, 3, 6, 7	L				*E7	Left
		1	2, 3, 6, 7	L				*F7	Left
	1HB31XDVAA	1	2, 3, 6, 7	L				*A6	Right
		1	2, 3, 6, 7	L				*E7	Right
		1	2, 3, 6, 7	L				*F7	Right
14									PLATE, Scuff
	1HB26XDVAA	1	2, 3, 6, 7	L				*A6	Left
		1	6, 7, 2, 3	L				*E7	Left
		1	2, 3, 6, 7	L				*F7	Left
	1HB27XDVAA	1	2, 3, 6, 7	L				*A6	Right
		1	2, 3, 6, 7	L				*E7	Right
		1	2, 3, 6, 7	L				*F7	Right
15	05098837AB	4	2, 3, 6, 7	L					NUT, Plastic Snap-in
16	06104575AA	1	2, 3, 6, 7	L					SCREW, Tapping, M4.8X1.6X19.0
17	68009864AA	AR	2, 3, 6, 7	L					TAPE
18	06104736AA	6	2, 3, 6, 7	L					NUT, Clip-On
19									PLUG
	1HB28XDVAA	6	2, 3, 6, 7	L				*A6	
		6	2, 3, 6, 7	L				*E7	
		6	2, 3, 6, 7	L				*F7	

SPRINTER (VB)

SERIES	LINE	BODY	ENGINE	TRANSMISSION
L = LOWLINE	3 = HD DODGE 2WD 6 = Lt. Duty DODGE 4WD 2 = Med. Duty DODGE 2WD 7 = Med. Duty DODGE 4WD	17 = VAN WHEEL BASE 7 55 = WAGON WHEEL BASE 5 15 = VAN WHEEL BASE 5 53 = 119 WB 13 = 119 WB 05 = CAB CHASSIS WHEEL BASE 5 03 = CAB CHASSIS WHEEL BASE 3	EG2 = 3.5L V6 Gas Engine EXM = 3.0L V6 Turbo Diesel Engine	DGZ = 5-Speed Auto W5A380 Transmission

AR = use ase required - = Non illustrated part

Load Floor Cargo  
Figure 50-355



ITEM	PART NUMBER	QTY	LINE	SERIES	BODY	ENGINE	TRANS	TRIM	DESCRIPTION
1	68010627AA	1	2, 3, 6, 7	L	13, 15, 17, 53, 55				SCREW
2	68010736AA	2	2, 3, 6, 7	L	55, 13, 15, 17, 53				SCREW
3	68010670AA	1	2, 6	L	13, 15, 17, 53, 55				FLOOR, Wooden With [GKA] Right Sliding Door, With [XJY] Cargo Partition w/Sliding Door, With [CW1] Rear Cargo Tie Down Rain System
		1	3, 7	L	15, 17, 55				With [GKA] Right Sliding Door, With [XJY] Cargo Partition w/Sliding Door, With [CW1] Rear Cargo Tie Down Rain System
	68010675AA	1	2, 6	L	13, 15, 17, 53, 55				With [GKE] Left Sliding Door, No Glass, With [GK9] Without Right Sliding Door, With [XJY] Cargo Partition With Sliding Door, With [CW1] Rear Cargo Tie Down Rail System
		1	3, 7	L	17, 55, 15				With [GKE] Left Sliding Door, No Glass, With [GK9] Without Right Sliding Door, With [XJY] Cargo Partition With Sliding Door, With [CW1] Rear Cargo Tie Down Rail System
	68010679AA	1	2, 6	L	13, 15, 17, 53, 55				With [HDC] Rear Auxiliary Heater, With or Without Right and Left Sliding Door,
		1	3, 7	L	15, 17, 55				With [HDC] Rear Auxiliary Heater, With or Without Right and Left Sliding Door,
	68010686AA	1	3, 7	L	13, 53				With [5CF] 144' WB, With [XJY] Cargo Partition w/Sliding Door, With [HDC] Rear Auxiliary Heater, With [GKE] Left Sliding Door, No Glass
4	68010704AA	1	3, 7	L	15, 55				FLOOR, Wooden With [CW1] Rear Cargo Tie Down Rain System
	68010708AA	1	2, 6	L	15, 55				With [CW1] Rear Cargo Tie Down Rain System
	68010725AA	1	3, 7	L	17				With [CW1] Rear Cargo Tie Down Rain System
	68010728AA	1	2, 6	L	17				With [CW1] Rear Cargo Tie Down Rain System

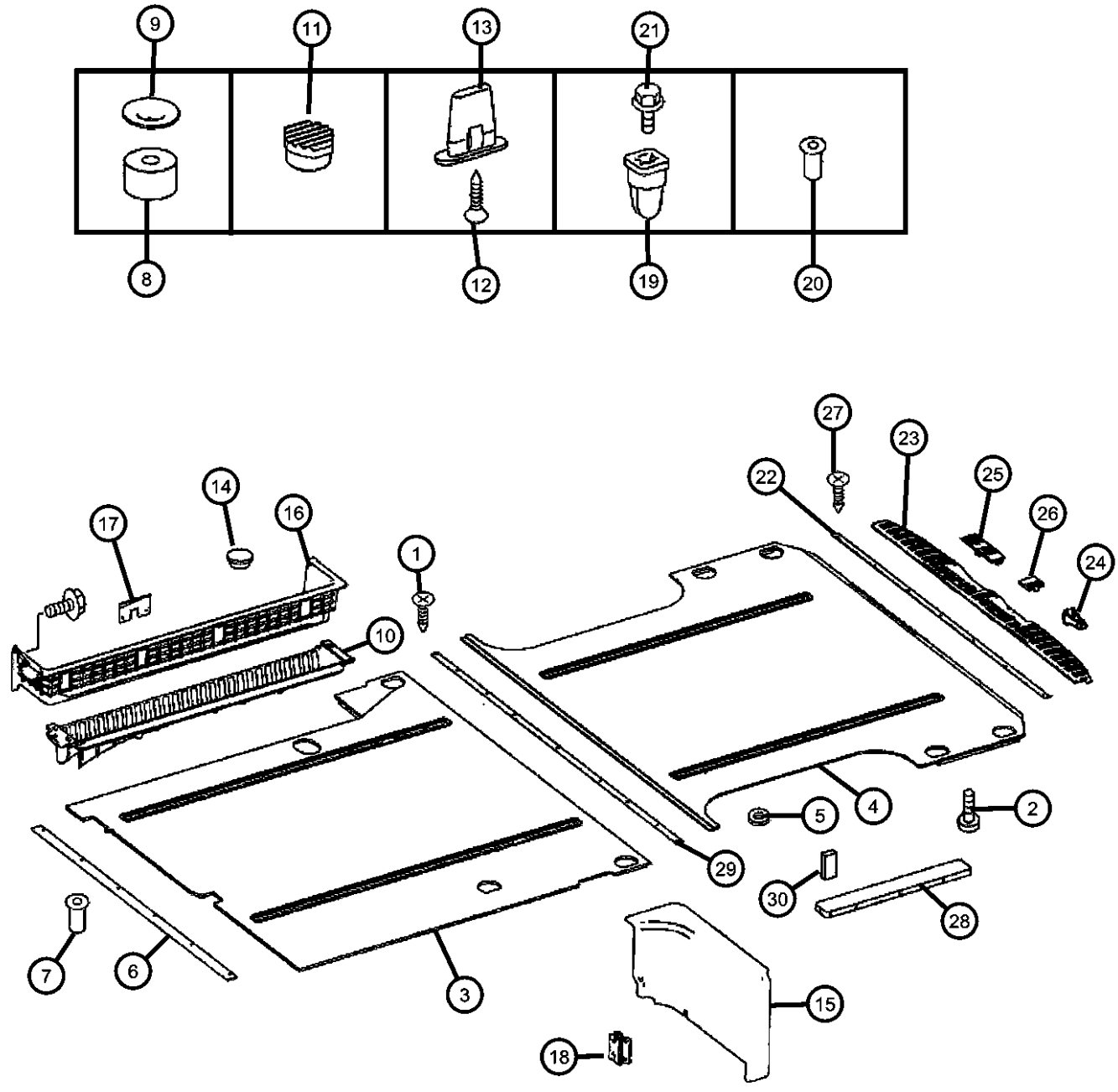
**SPRINTER (VB)**

SERIES	LINE	BODY	ENGINE	TRANSMISSION
L = LOWLINE	3 = HD DODGE 2WD 6 = Lt. Duty DODGE 4WD 2 = Med. Duty DODGE 2WD 7 = Med. Duty DODGE 4WD	17 = VAN WHEEL BASE 7 55 = WAGON WHEEL BASE 5 15 = VAN WHEEL BASE 5 53 = 119 WB 13 = 119 WB 05 = CAB CHASSIS WHEEL BASE 5 03 = CAB CHASSIS WHEEL BASE 3	EG2 = 3.5L V6 Gas Engine EXM = 3.0L V6 Turbo Diesel Engine	DGZ = 5-Speed Auto W5A380 Transmission

AR = use ase required - = Non illustrated part

Load Floor Cargo  
Figure 50-355

ITEM	PART NUMBER	QTY	LINE	SERIES	BODY	ENGINE	TRANS	TRIM	DESCRIPTION
5	68010654AA	20	2, 6	L	13, 53				WASHER
		20	3, 7	L	13, 53				
		24	2, 6	L	15, 55				
		24	3, 7	L	15, 55				
		26	2, 6	L	17				
		28	7, 3	L	17				
6	68010733AA	1	2, 3, 6, 7	L	13, 15, 17, 53, 55				MOLDING, Cargo Area Carpet
		1	2, 3, 6, 7	L	13, 15, 17, 53, 55				
		1	2, 3, 6, 7	L	13, 15, 17, 53, 55				
7	06105175AA	2	2, 3, 6, 7	L	13, 15, 17, 53, 55				NUTSERT, Rivet
		2	3, 7	L	03, 05				
		3	3, 7	L	13, 15, 17, 53, 55				
8	68010737AA	2	2, 3, 6, 7	L	15, 17, 53, 55, 13				BUSHING
9	68010738AA	2	2, 3, 6, 7	L	13, 15, 17, 53, 55				COVER
10	1HB33DX8AA	1	2, 3, 6, 7	L	13, 15, 17, 53, 55			*A6	[A6], Left
		1	2, 3, 6, 7	L	13, 15, 17, 53, 55			*E7	[E7], Left
		1	2, 3, 6, 7	L	13, 15, 17, 53, 55			*F7	[F7], Left
	1HB36DX8AA	1	2, 3, 6, 7	L	13, 15, 17, 53, 55			*A6	[A6], Right
		1	2, 3, 6, 7	L	13, 15, 17, 53, 55			*E7	[E7], Right
		1	2, 3, 6, 7	L	13, 15, 17, 53, 55			*F7	[F7], Right
11								PLUG	



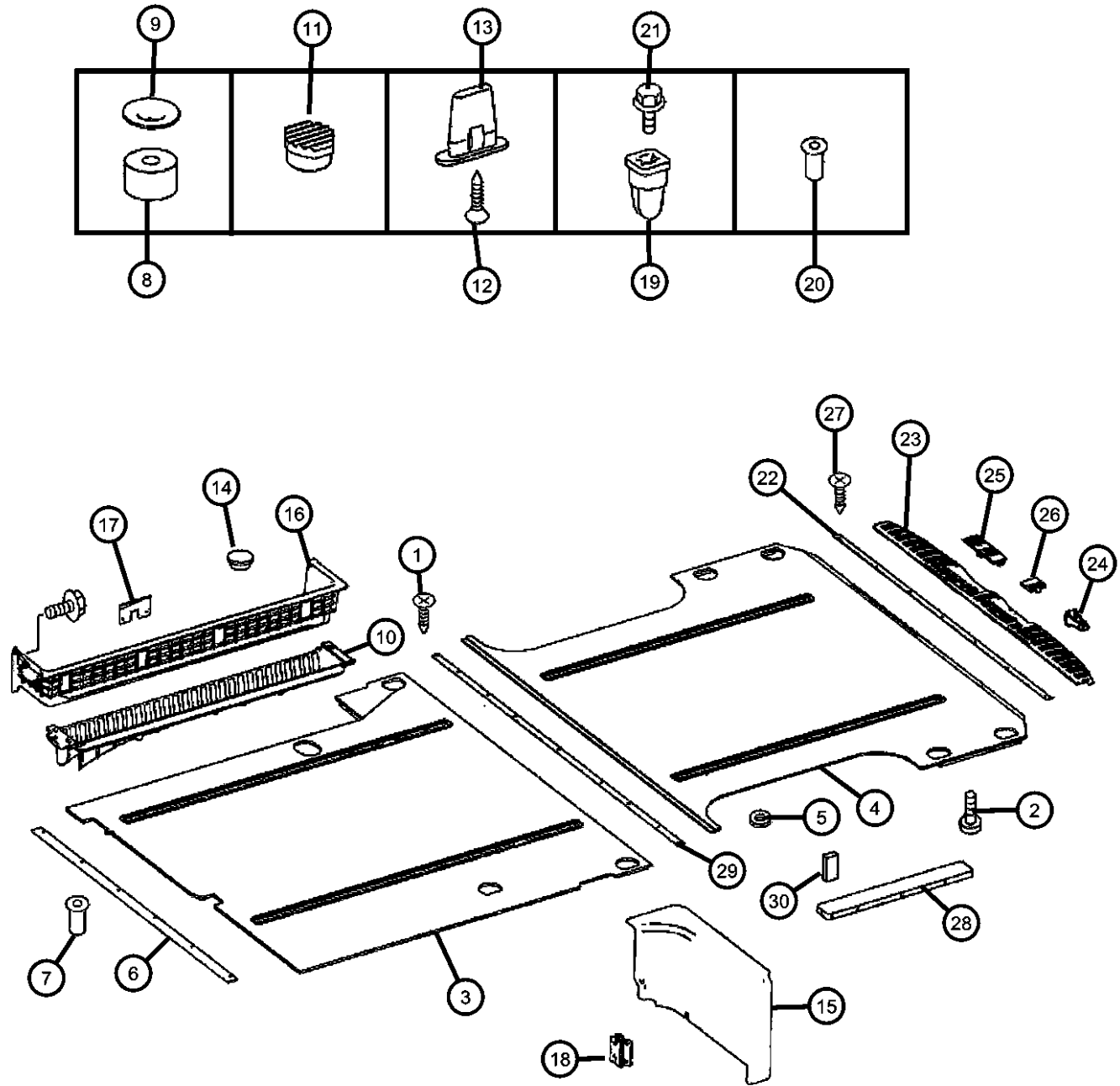
**SPRINTER (VB)**

SERIES	LINE	BODY	ENGINE	TRANSMISSION
L = LOWLINE	3 = HD DODGE 2WD 6 = Lt. Duty DODGE 4WD 2 = Med. Duty DODGE 2WD 7 = Med. Duty DODGE 4WD	17 = VAN WHEEL BASE 7 55 = WAGON WHEEL BASE 5 15 = VAN WHEEL BASE 5 53 = 119 WB 13 = 119 WB 05 = CAB CHASSIS WHEEL BASE 5 03 = CAB CHASSIS WHEEL BASE 3	EG2 = 3.5L V6 Gas Engine EXM = 3.0L V6 Turbo Diesel Engine	DGZ = 5-Speed Auto W5A380 Transmission

AR = use ase required - = Non illustrated part

Load Floor Cargo  
Figure 50-355

ITEM	PART NUMBER	QTY	LINE	SERIES	BODY	ENGINE	TRANS	TRIM	DESCRIPTION
	1HB34DX8AA	1	2, 3, 6, 7	L	13, 15, 17, 53, 55			*A6	[A6]
		1	2, 3, 6, 7	L	13, 15, 17, 53, 55			*E7	[E7]
		1	2, 3, 6, 7	L	13, 15, 17, 53, 55			*F7	[F7]
12	06104150AA	1	2, 3, 6, 7	L	17, 53, 55, 13, 15				SCREW, Sliding Door Entrance M6 x 60
13	68029953AA	1	2, 3, 6, 7	L	13, 15, 17, 53, 55				INSERT
14	1HB35DX8AA	1	2, 3, 6, 7	L	13, 15, 17, 53, 55			*A6	[A6]
		1	2, 3, 6, 7	L	13, 15, 17, 53, 55			*E7	[E7]
		1	2, 3, 6, 7	L	13, 15, 17, 53, 55			*F7	[F7]
15		1							PLUG, (NOT SERVICED),
16	1HB38NCVAA	1	2, 3, 6, 7	L	13, 15, 17, 53, 55			*E7	[E7] Without [LBB] Lamps
		1	2, 3, 6, 7	L	13, 15, 17, 53, 55			*A6	[A6] Without [LBB] Lamps
		1	2, 3, 6, 7	L	13, 15, 17, 53, 55			*F7	[F7] Without [LBB] Lamps
17	05125584AA	1	2, 3, 6, 7	L	03, 05				CLIP, Floor Trim
		1	2, 3, 6, 7	L	13, 15, 17, 53, 55				
18	05101464AA	2	2, 3, 6, 7	L	13, 15, 17, 53, 55				CLIPRight & Left
19	05098837AB	2	2, 3, 6, 7	L					NUT, Plastic Snap-in
20	05134061AA	8	2, 3, 6, 7	L	13, 15, 17, 53, 55				RIVET
21	05104609AA	2	2, 3, 6, 7	L	15, 17, 53, 55, 13				SCREW 4.8 X 13
		4	3, 7	L	03, 05				4.8 X 13
22	68010771AA	1	2, 3, 6, 7	L	13, 15, 17, 53, 55				MOLDING, Cargo Area Carpet
23									SILL COVER, Interior



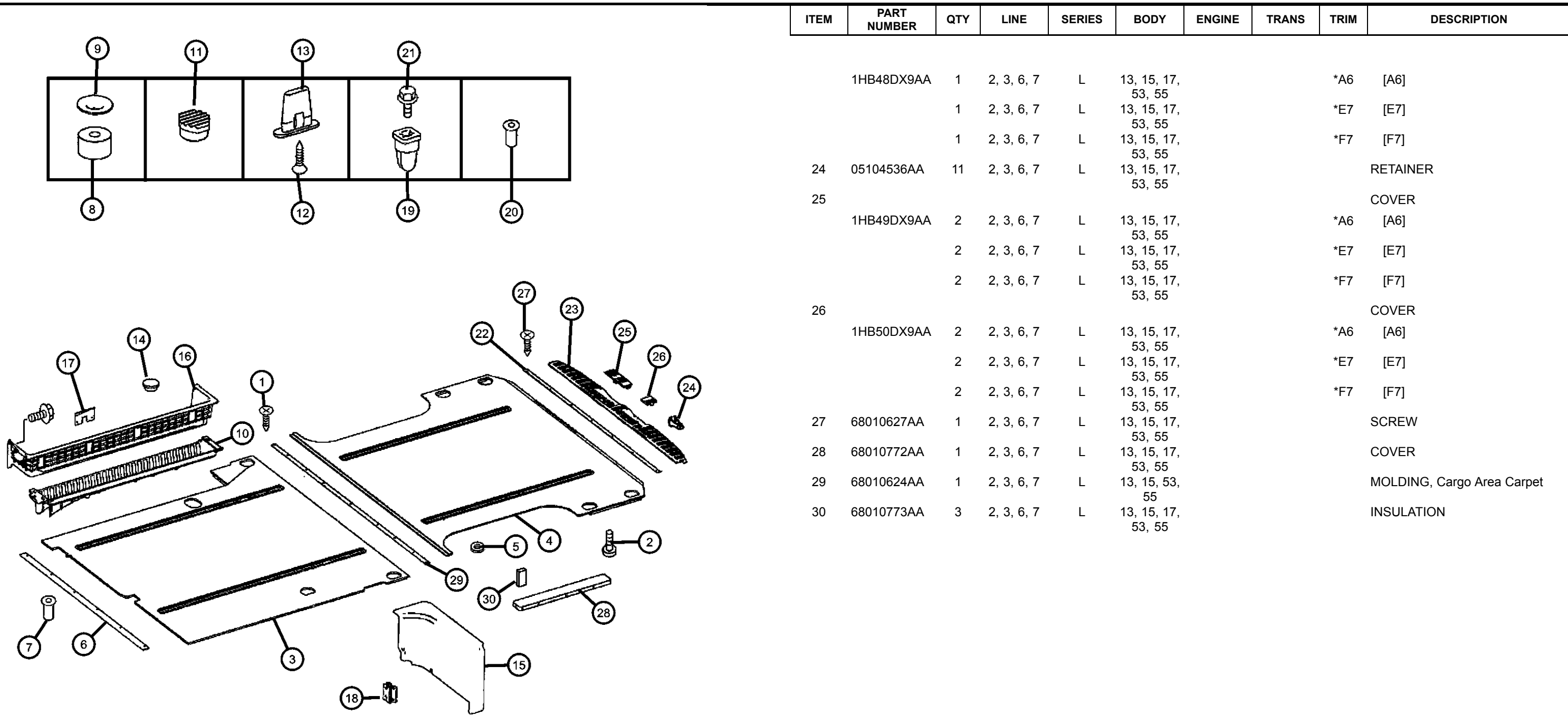
**SPRINTER (VB)**

SERIES	LINE	BODY	ENGINE	TRANSMISSION
L = LOWLINE	3 = HD DODGE 2WD 6 = Lt. Duty DODGE 4WD 2 = Med. Duty DODGE 2WD 7 = Med. Duty DODGE 4WD	17 = VAN WHEEL BASE 7 55 = WAGON WHEEL BASE 5 15 = VAN WHEEL BASE 5 53 = 119 WB 13 = 119 WB 05 = CAB CHASSIS WHEEL BASE 5 03 = CAB CHASSIS WHEEL BASE 3	EG2 = 3.5L V6 Gas Engine EXM = 3.0L V6 Turbo Diesel Engine	DGZ = 5-Speed Auto W5A380 Transmission

AR = use ase required - = Non illustrated part



Load Floor Cargo  
Figure 50-355



ITEM	PART NUMBER	QTY	LINE	SERIES	BODY	ENGINE	TRANS	TRIM	DESCRIPTION
	1HB48DX9AA	1	2, 3, 6, 7	L	13, 15, 17, 53, 55			*A6	[A6]
		1	2, 3, 6, 7	L	13, 15, 17, 53, 55			*E7	[E7]
		1	2, 3, 6, 7	L	13, 15, 17, 53, 55			*F7	[F7]
24	05104536AA	11	2, 3, 6, 7	L	13, 15, 17, 53, 55				RETAINER
25									COVER
	1HB49DX9AA	2	2, 3, 6, 7	L	13, 15, 17, 53, 55			*A6	[A6]
		2	2, 3, 6, 7	L	13, 15, 17, 53, 55			*E7	[E7]
		2	2, 3, 6, 7	L	13, 15, 17, 53, 55			*F7	[F7]
26									COVER
	1HB50DX9AA	2	2, 3, 6, 7	L	13, 15, 17, 53, 55			*A6	[A6]
		2	2, 3, 6, 7	L	13, 15, 17, 53, 55			*E7	[E7]
		2	2, 3, 6, 7	L	13, 15, 17, 53, 55			*F7	[F7]
27	68010627AA	1	2, 3, 6, 7	L	13, 15, 17, 53, 55				SCREW
28	68010772AA	1	2, 3, 6, 7	L	13, 15, 17, 53, 55				COVER
29	68010624AA	1	2, 3, 6, 7	L	13, 15, 53, 55				MOLDING, Cargo Area Carpet
30	68010773AA	3	2, 3, 6, 7	L	13, 15, 17, 53, 55				INSULATION

**SPRINTER (VB)**

SERIES	LINE	BODY	ENGINE	TRANSMISSION
L = LOWLINE	3 = HD DODGE 2WD 6 = Lt. Duty DODGE 4WD 2 = Med. Duty DODGE 2WD 7 = Med. Duty DODGE 4WD	17 = VAN WHEEL BASE 7 55 = WAGON WHEEL BASE 5 15 = VAN WHEEL BASE 5 53 = 119 WB 13 = 119 WB 05 = CAB CHASSIS WHEEL BASE 5 03 = CAB CHASSIS WHEEL BASE 3	EG2 = 3.5L V6 Gas Engine EXM = 3.0L V6 Turbo Diesel Engine	DGZ = 5-Speed Auto W5A380 Transmission

AR = use ase required - = Non illustrated part

# Group - 60

## Body Sheet Metal Except Doors

<b>060-100</b> Floor Pans	<b>060-1000</b> Sunroof	<b>060-1300</b> Sport Bar or Luggage Rack	<b>060-200</b> Plugs
<b>060-300</b> Fenders	<b>060-400</b> Hood and Hood Release	<b>060-500</b> Cowl and Dash Panel	<b>060-600</b> Aperture Panel and Pillar Supports
<b>060-700</b> Pick-up Box and Fuel Filler Door	<b>060-900</b> Roof		

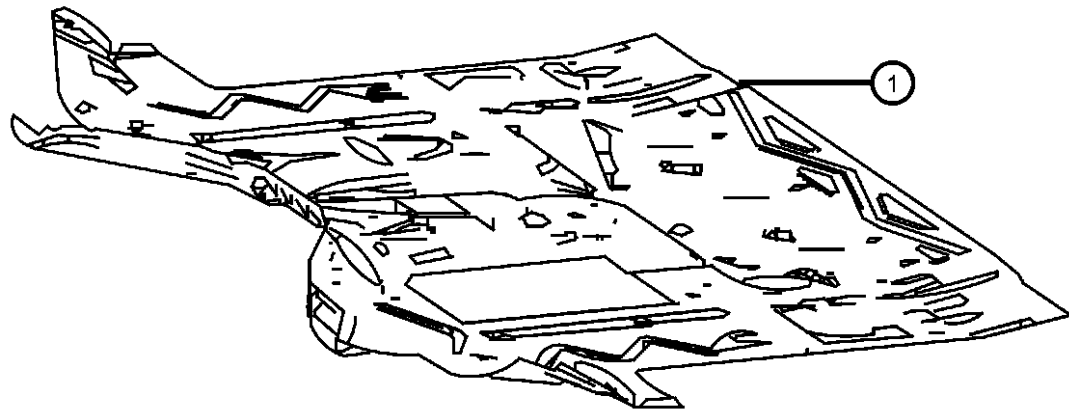
---

## Group - 60 Body Sheet Metal Except Doors

Illustration Title	Group-Fig. No.
<b>Floor Pans</b>	
Front Floor Pan.....	Fig. 60 - 105
Center and Rear Floor Pan.....	Fig. 60 - 130
Rear Floor Pan.....	Fig. 60 - 150
Battery Support.....	Fig. 60 - 185
<b>Plugs</b>	
Body Plugs.....	Fig. 60 - 210
Body Plugs.....	Fig. 60 - 220
Ventilation Flap.....	Fig. 60 - 230
Ventilation Flap.....	Fig. 60 - 240
<b>Fenders</b>	
Front Fender.....	Fig. 60 - 305
Front Fender.....	Fig. 60 - 310
<b>Hood and Hood Release</b>	
Hood And Related Parts.....	Fig. 60 - 405
<b>Cowl and Dash Panel</b>	
Cowl Panel.....	Fig. 60 - 505
Dash Panel.....	Fig. 60 - 550
Dash Panel.....	Fig. 60 - 555
Passenger Compartment Damping.....	Fig. 60 - 560
<b>Aperture Panel and Pillar Supports</b>	
Front Aperture Panel.....	Fig. 60 - 605
Front Aperture Panel.....	Fig. 60 - 606
Front Aperture Panel.....	Fig. 60 - 607
Front Aperture Panel.....	Fig. 60 - 608
Rear Aperture (Quarter) Panel.....	Fig. 60 - 651
Rear Aperture (Quarter) Panel.....	Fig. 60 - 652
Rear Aperture (Quarter) Panel.....	Fig. 60 - 653
Rear Aperture (Quarter) Panel.....	Fig. 60 - 654
D-Pillar.....	Fig. 60 - 685
D-Pillar.....	Fig. 60 - 686
D-Pillar.....	Fig. 60 - 687
D-Pillar Side Panel Inner, Right.....	Fig. 60 - 688
<b>Pick-up Box and Fuel Filler Door</b>	
Fuel Filler Housing And Door.....	Fig. 60 - 775
<b>Roof</b>	
Roof Panel.....	Fig. 60 - 905
Roof Panel.....	Fig. 60 - 906
Roof Panel.....	Fig. 60 - 907
Roof Panel.....	Fig. 60 - 908
Super High Roof.....	Fig. 60 - 910
High Roof Panel.....	Fig. 60 - 915
Low Roof Panel.....	Fig. 60 - 920
<b>Sunroof</b>	
Sunroof Glass and Component Parts.....	Fig. 60 - 1005
Sunroof Drain Hoses.....	Fig. 60 - 1050
<b>Sport Bar or Luggage Rack</b>	
Roof Rack.....	Fig. 60 - 1305

Front Floor Pan  
Figure 60-105

ITEM	PART NUMBER	QTY	LINE	SERIES	BODY	ENGINE	TRANS	TRIM	DESCRIPTION
1	68008207AA	1	2, 3, 6, 7						PAN, Floor



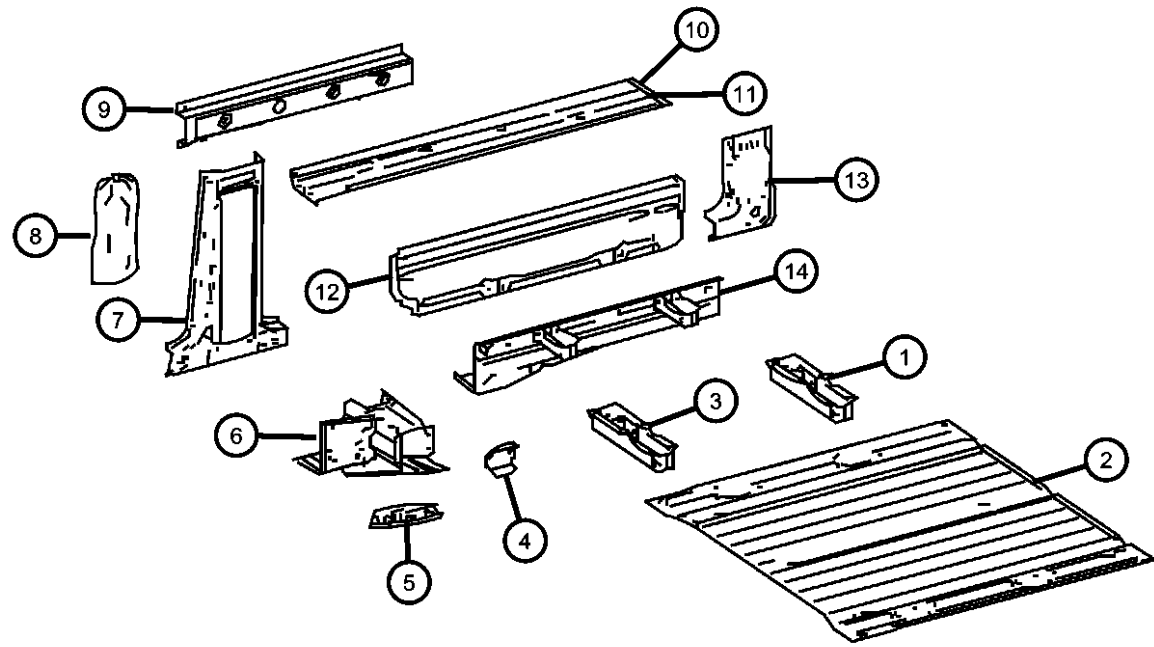
**SPRINTER (VB)**

SERIES	LINE	BODY	ENGINE	TRANSMISSION
L = LOWLINE	3 = HD DODGE 2WD	17 = VAN WHEEL BASE 7	EG2 = 3.5L V6 Gas Engine	DGZ = 5-Speed Auto W5A380
	6 = Lt. Duty DODGE 4WD	55 = WAGON WHEEL BASE 5	EXM = 3.0L V6 Turbo Diesel Engine	Transmission
	2 = Med. Duty DODGE 2WD	15 = VAN WHEEL BASE 5		
	7 = Med. Duty DODGE 4WD	53 = 119 WB		
		13 = 119 WB		
		05 = CAB CHASSIS WHEEL BASE 5		
		03 = CAB CHASSIS WHEEL BASE 3		

AR = use ase required - = Non illustrated part

2008 VB

**Center and Rear Floor Pan  
Figure 60-130**



ITEM	PART NUMBER	QTY	LINE	SERIES	BODY	ENGINE	TRANS	TRIM	DESCRIPTION
1	68008250AA	1	2, 3, 6, 7		13, 15, 17, 53, 55				CROSSMEMBER, Front Frame, Outside, Left
2	68008223AA	1	2, 3, 6, 7		13, 15, 17, 53, 55				PAN, Center Floor, Central
3	68008250AA	1	2, 3, 6, 7		13, 15, 17, 53, 55				CROSSMEMBER, Front Frame, Outside, Right
4	68008213AA	2	2, 3, 6, 7						BRACKET, Crash Sensor
5	68008222AA	1	2, 3, 6, 7						SEAL, Central Floor
6									BRACKET
	68008260AA	1	2, 3, 6, 7		13, 15, 17, 53, 55				B-Pillar on the Left
	68008272AA	1	2, 3, 6, 7		13, 15, 17, 53, 55				B-Pillar on the Right
7									PILLAR, Side Cargo Door
	68008266AA	1	2, 3, 6, 7		13, 15, 17, 53, 55				B-Pillar on the Left
	68008275AA	1	2, 3, 6, 7		13, 15, 17, 53, 55				B-Pillar on the Right
8	68008217AA	1	2, 3, 6, 7						INSULATION, B-Pillar
9	68008298AA	1	2, 3, 6, 7		13, 15, 17, 53, 55				SUPPORT, Sill ReinforcementRight & Left
10									PAN, Floor
	68008234AA	1	2, 3, 6, 7		13, 15, 17				Central Right, Outside
	68008236AA	1	2, 3, 6, 7		13, 15, 17, 53, 55				Central Left, Outside
11	68008236AA	1	2, 3, 6, 7		13, 15, 17, 53, 55				PAN, Floor, With Additional Auxiliary Heater
12									SUPPORT, Sill Reinforcement
	68008253AA	1	2, 3, 6, 7		13, 15, 17, 53, 55				Outside, Left
	68008258AA	1	2, 3, 6, 7		13, 15, 17, 53, 55				Outside, Right
13									PILLAR, Side Cargo Door
	68008276AA	1	2, 3, 6, 7		13, 15, 17, 53, 55				C-Pillar, Left
	68008279AA	1	2, 3, 6, 7		13, 15, 17, 53, 55				C-Pillar, Right
14									PANEL

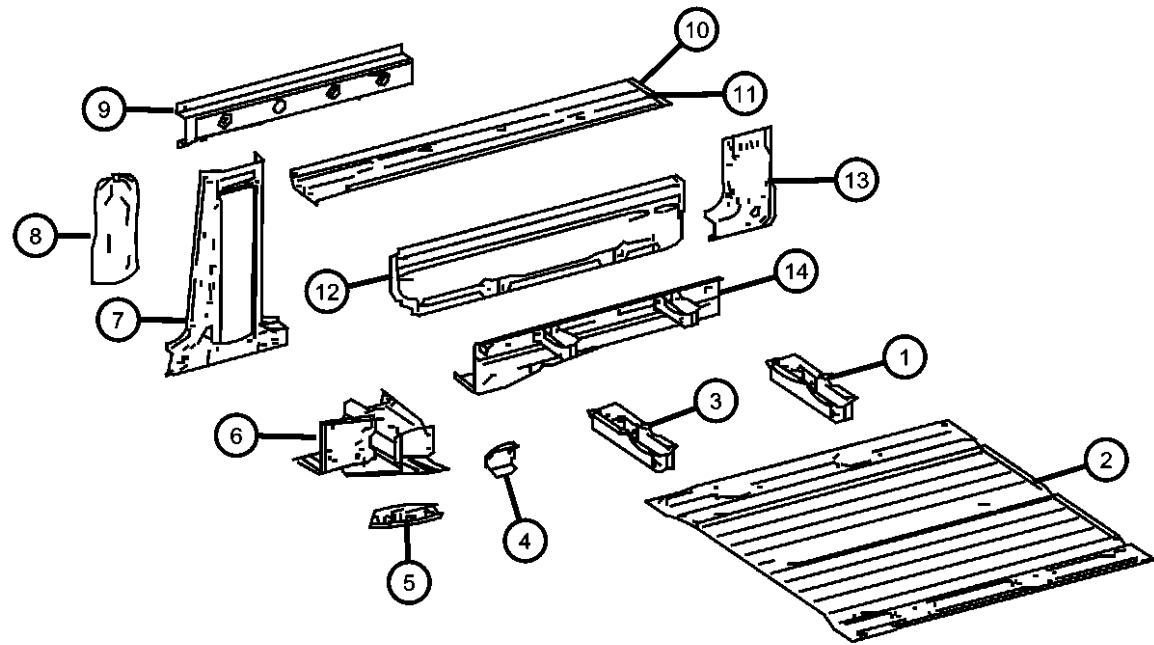
**SPRINTER (VB)**

SERIES	LINE	BODY	ENGINE	TRANSMISSION
L = LOWLINE	3 = HD DODGE 2WD 6 = Lt. Duty DODGE 4WD 2 = Med. Duty DODGE 2WD 7 = Med. Duty DODGE 4WD	17 = VAN WHEEL BASE 7 55 = WAGON WHEEL BASE 5 15 = VAN WHEEL BASE 5 53 = 119 WB 13 = 119 WB 05 = CAB CHASSIS WHEEL BASE 5 03 = CAB CHASSIS WHEEL BASE 3	EG2 = 3.5L V6 Gas Engine EXM = 3.0L V6 Turbo Diesel Engine	DGZ = 5-Speed Auto W5A380 Transmission

AR = use ase required - = Non illustrated part

**Center and Rear Floor Pan  
Figure 60-130**

ITEM	PART NUMBER	QTY	LINE	SERIES	BODY	ENGINE	TRANS	TRIM	DESCRIPTION
	68008289AA	1	2, 3, 6, 7		13, 15, 17, 53, 55				Front Left
	68008294AA	1	2, 3, 6, 7		13, 15, 17, 53, 55				Left Rear Entrance



**SPRINTER (VB)**

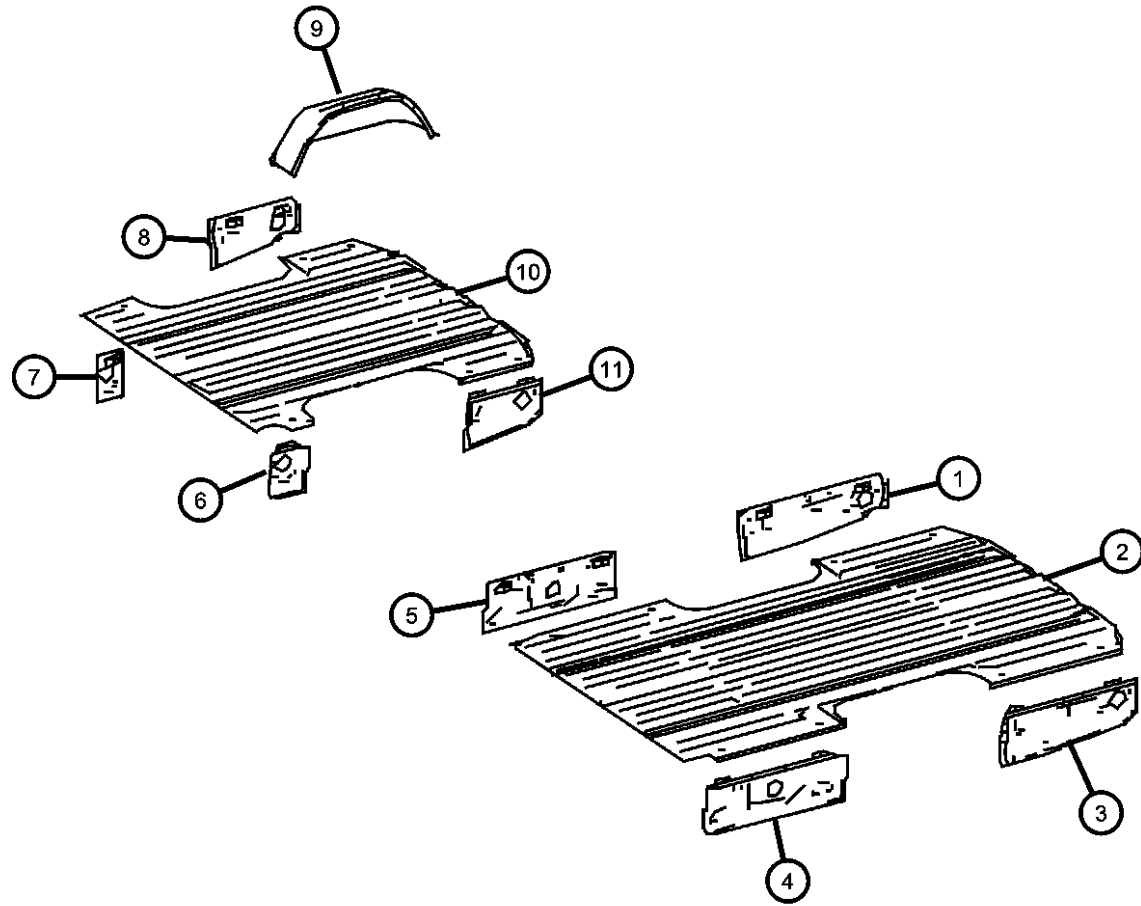
SERIES	LINE	BODY	ENGINE	TRANSMISSION
L = LOWLINE	3 = HD DODGE 2WD 6 = Lt. Duty DODGE 4WD 2 = Med. Duty DODGE 2WD 7 = Med. Duty DODGE 4WD	17 = VAN WHEEL BASE 7 55 = WAGON WHEEL BASE 5 15 = VAN WHEEL BASE 5 53 = 119 WB 13 = 119 WB 05 = CAB CHASSIS WHEEL BASE 5 03 = CAB CHASSIS WHEEL BASE 3	EG2 = 3.5L V6 Gas Engine EXM = 3.0L V6 Turbo Diesel Engine	DGZ = 5-Speed Auto W5A380 Transmission

AR = use ase required - = Non illustrated part

2008 VB

Rear Floor Pan  
Figure 60-150

ITEM	PART NUMBER	QTY	LINE	SERIES	BODY	ENGINE	TRANS	TRIM	DESCRIPTION
1	68008352AA	1	2, 3, 6, 7		15, 55				SUPPORT
2	68008303AA	1	2, 3, 6, 7		13, 15, 17, 53, 55				PANELRear
3	68008353AA	1	2, 3, 6, 7		15, 55				SUPPORT
4	68008334AA	1	2, 3, 6, 7		15, 17, 55				SUPPORT, C-Pillar Left
5	68008341AA	1	2, 3, 6, 7		15, 17, 55				SUPPORT, C-Pillar Right
6	68008333AA	1	2, 3, 6, 7		13, 53				SUPPORT, C-Pillar Left
7	68008340AA	1	2, 3, 6, 7		13, 53				SUPPORT, C-Pillar Right
8	68008350AA	1	2, 3, 6, 7		13, 53				SUPPORT, Rear Right
9	68008346AA	2	2, 6		13, 15, 17, 53, 55				PANEL, Wheelhouse
10	68008307AA	1	2, 6		13, 53				PAN, Rear Floor
11	68008351AA	1	2, 3, 6, 7		13, 53				SUPPORT, Rear Left



SPRINTER (VB)

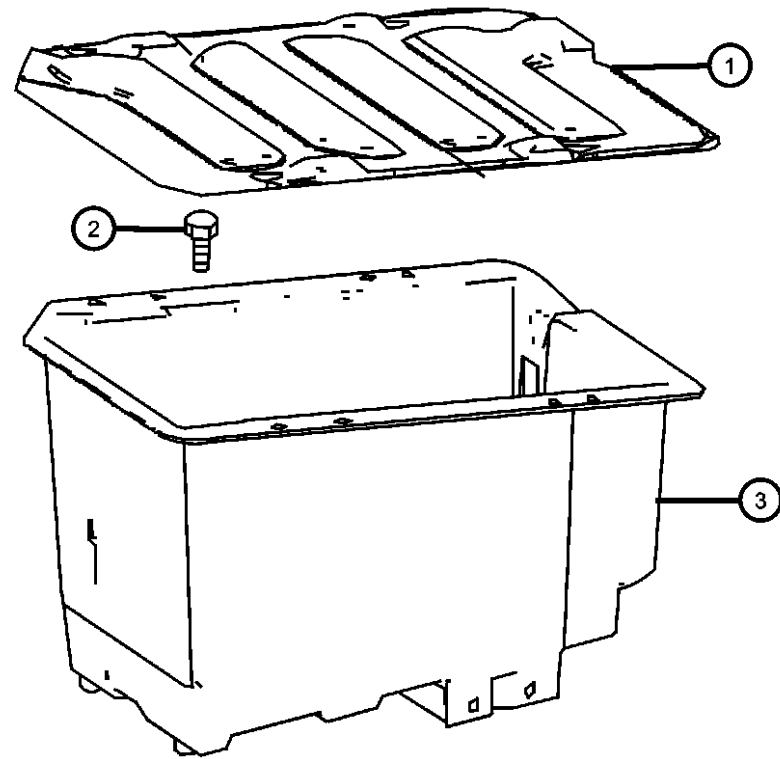
SERIES	LINE	BODY	ENGINE	TRANSMISSION
L = LOWLINE	3 = HD DODGE 2WD 6 = Lt. Duty DODGE 4WD 2 = Med. Duty DODGE 2WD 7 = Med. Duty DODGE 4WD	17 = VAN WHEEL BASE 7 55 = WAGON WHEEL BASE 5 15 = VAN WHEEL BASE 5 53 = 119 WB 13 = 119 WB 05 = CAB CHASSIS WHEEL BASE 5 03 = CAB CHASSIS WHEEL BASE 3	EG2 = 3.5L V6 Gas Engine EXM = 3.0L V6 Turbo Diesel Engine	DGZ = 5-Speed Auto W5A380 Transmission

AR = use ase required - = Non illustrated part

2008 VB

**Battery Support  
Figure 60-185**

ITEM	PART NUMBER	QTY	LINE	SERIES	BODY	ENGINE	TRANS	TRIM	DESCRIPTION
1	68006358AA	1	2, 3, 6, 7						COVER
2	05126197AA	2	2, 3, 6, 7						SCREW
3	68006357AA	1	2, 3, 6, 7						TRAY, Battery



**SPRINTER (VB)**

SERIES	LINE	BODY	ENGINE	TRANSMISSION
L = LOWLINE	3 = HD DODGE 2WD	17 = VAN WHEEL BASE 7	EG2 = 3.5L V6 Gas Engine	DGZ = 5-Speed Auto W5A380
	6 = Lt. Duty DODGE 4WD	55 = WAGON WHEEL BASE 5	EXM = 3.0L V6 Turbo Diesel Engine	Transmission
	2 = Med. Duty DODGE 2WD	15 = VAN WHEEL BASE 5		
	7 = Med. Duty DODGE 4WD	53 = 119 WB		
		13 = 119 WB		
		05 = CAB CHASSIS WHEEL BASE 5		
		03 = CAB CHASSIS WHEEL BASE 3		

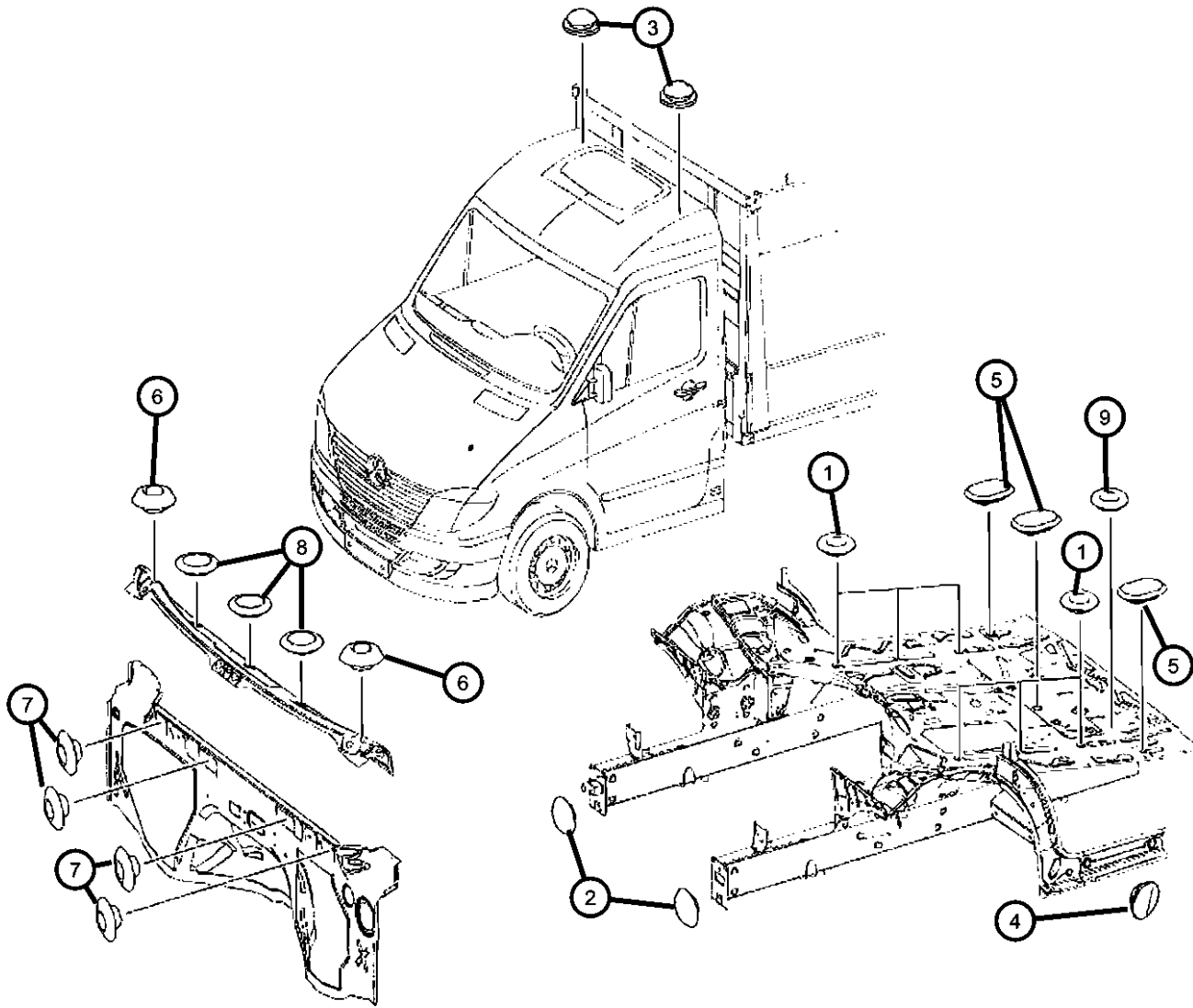
AR = use ase required - = Non illustrated part

2008 VB



**Body Plugs  
Figure 60-210**

ITEM	PART NUMBER	QTY	LINE	SERIES	BODY	ENGINE	TRANS	TRIM	DESCRIPTION
1									PLUG, Body
	68006359AA	2	3, 7		03, 05				Front Floor [20MM]
	68006360AA	5	3, 7		03, 05				Front Floor [15MM]
	68036735AA	1	2, 3, 6, 7						Front Floor Below Passenger Seat [22.9 x 32.4MM]
2	68006361AA	2	3, 7		03, 05				PLUG, Body, Front Frame [10MM]
3	05098417AA	2	3, 7		03, 05				PLUG, Roof, Inside [15.5MM]
4	68006953AA	1	2, 3, 6, 7		13, 15, 17, 53, 55				PLUG, [36 MM]
5									PLUG, Body
	68006364AA	AR	2, 3, 6, 7						Front Floor [15x25MM]
	68006954AA	1	2, 3, 6, 7						Front Floor [27x41MM]
6	05103253AA	2	3, 7		03, 05				PLUG, Body, Window Sill Support [10MM]
7	68006362AA	5	3, 7		03, 05				PLUG, Body, Fire Wall [12MM]
8	68006363AA	3	3, 7		03, 05				PLUG, At Window Sill Support [25MM]
9	68006360AA	5	3, 7		03, 05				PLUG, Body, Below Seats [15MM]



**SPRINTER (VB)**

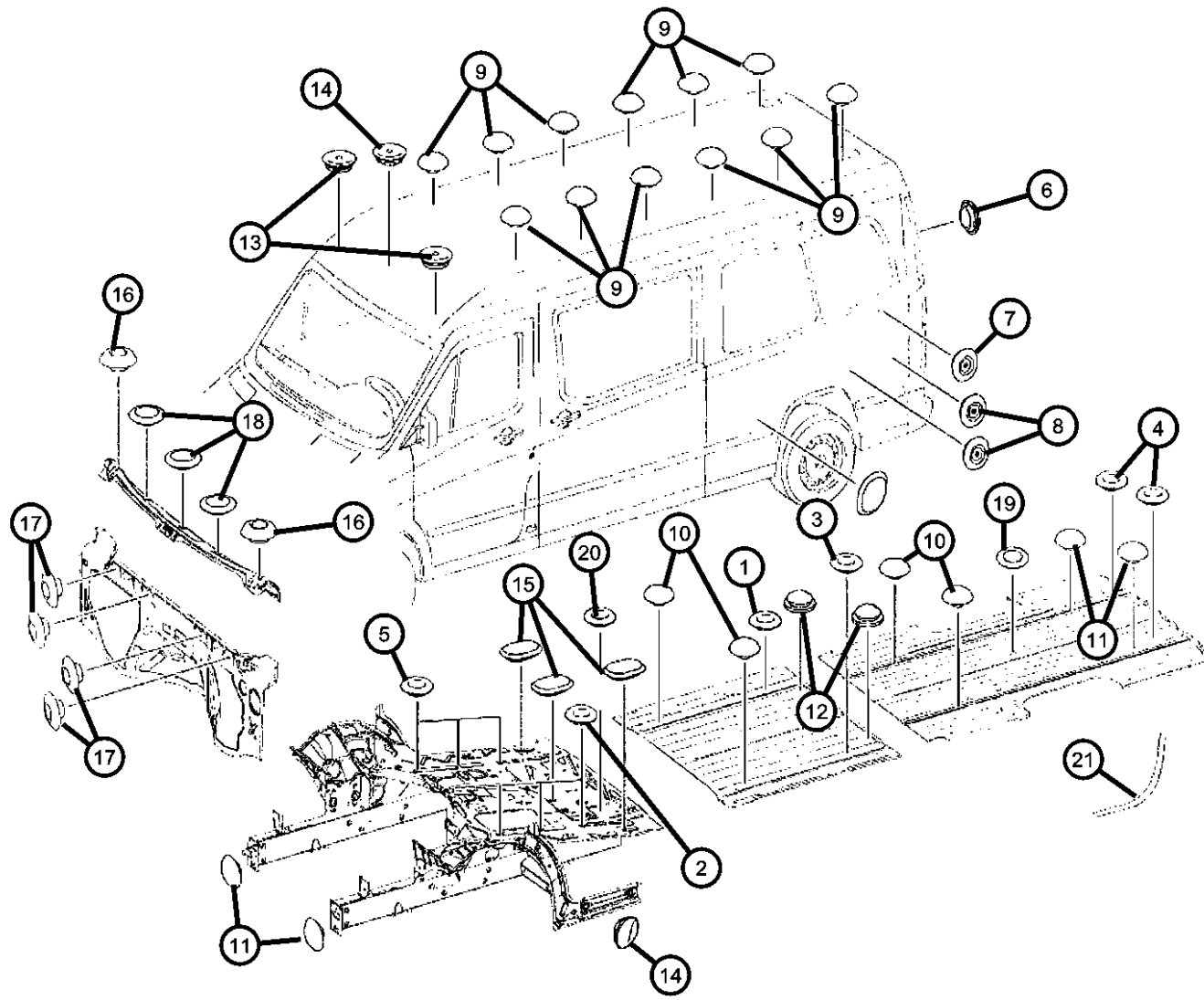
SERIES	LINE	BODY	ENGINE	TRANSMISSION
L = LOWLINE	3 = HD DODGE 2WD 6 = Lt. Duty DODGE 4WD 2 = Med. Duty DODGE 2WD 7 = Med. Duty DODGE 4WD	17 = VAN WHEEL BASE 7 55 = WAGON WHEEL BASE 5 15 = VAN WHEEL BASE 5 53 = 119 WB 13 = 119 WB 05 = CAB CHASSIS WHEEL BASE 5 03 = CAB CHASSIS WHEEL BASE 3	EG2 = 3.5L V6 Gas Engine EXM = 3.0L V6 Turbo Diesel Engine	DGZ = 5-Speed Auto W5A380 Transmission

AR = use ase required - = Non illustrated part

2008 VB

Body Plugs  
Figure 60-220

ITEM	PART NUMBER	QTY	LINE	SERIES	BODY	ENGINE	TRANS	TRIM	DESCRIPTION
1	68008280AA	2	2, 3, 6, 7		13, 15, 17, 53, 55				PLUG, Central Floor [35MM]
2									PLUG, Body
	68006359AA	2	2, 3, 6, 7		13, 15, 17, 53, 55				Front Floor [20MM]
	68006360AA	5	2, 3, 6, 7		13, 15, 17, 53, 55				Front Floor [15MM]
3	68006359AA	10	2, 3, 6, 7		13, 15, 17, 53, 55				PLUG, Body, Central Floor [20MM]
4	68006359AA	10	2, 3, 6, 7		13, 15, 17, 53, 55				PLUG, Body, Rear Floor [20MM]
5	68036735AA	1	2, 3, 6, 7						PLUG, Body, Below Passenger Seat [22.9x34.4MM]
6	68006359AA	1	2, 3, 6, 7		13, 15, 17, 53, 55				PLUG, Body, Rear End, Door [20MM]
7	68006360AA	5	2, 3, 6, 7		13, 15, 17, 53, 55				PLUG, Body, Side Panel [15MM]
8	68008280AA	2	2, 3, 6, 7		13, 15, 17, 53, 55				PLUG, Side Panel [35MM]
9									PLUG, Body
	68006361AA	16	2, 3, 6, 7		53, 13				Roof [10MM] / Up To Chassis [S 162103 / 01/31/07] Or Up To Chassis [A 960009 / 11/23/06]
	68026461AA	16	2, 3, 6, 7		13, 53				Roof [18.5MM] / After Chassis [S 162104 / 01/31/07] Or After Chassis [A 962845 / 02/21/07]
		22	2, 3, 6, 7		15, 55				
10	68006361AA	4	2, 3, 6, 7		13, 15, 17, 53, 55				PLUG, Body, Floor Plate [10 MM]
11	68006361AA	2	2, 3, 6, 7		13, 15, 17, 53, 55				PLUG, Body, Front Frame Area [10MM]
12	05096545AA	2	2, 3, 6, 7		13, 15, 17, 53, 55				PLUG, Body, Rubber Buffer [12MM]
13	68042921AA	2	2, 3, 6, 7		13, 15, 17, 53, 55				PLUG, Roof [40MM]
14	68006953AA	1	2, 3, 6, 7		13, 15, 17, 53, 55				PLUG, Roof & Frame [25MM]
15									PLUG, Body
	68006954AA	1	2, 3, 6, 7						Front Floor [27x41MM]
	68006364AA	AR	2, 3, 6, 7						Front Floor & Side Panel [15x25MM]
16	05103253AA	2	2, 3, 6, 7		13, 15, 17, 53, 55				PLUG, Body, Window Sill Support [10MM]



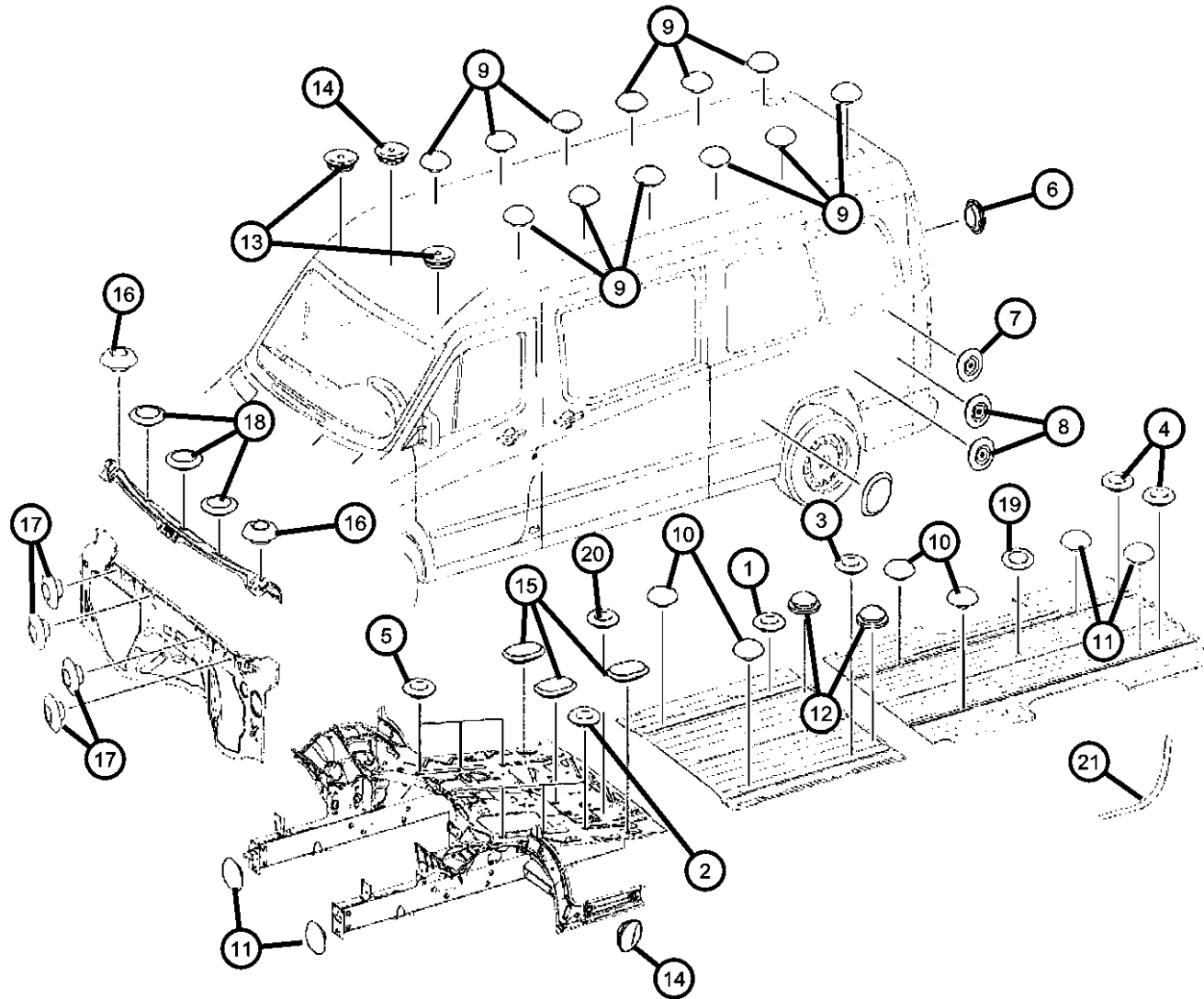
**SPRINTER (VB)**

SERIES	LINE	BODY	ENGINE	TRANSMISSION
L = LOWLINE	3 = HD DODGE 2WD 6 = Lt. Duty DODGE 4WD 2 = Med. Duty DODGE 2WD 7 = Med. Duty DODGE 4WD	17 = VAN WHEEL BASE 7 55 = WAGON WHEEL BASE 5 15 = VAN WHEEL BASE 5 53 = 119 WB 13 = 119 WB 05 = CAB CHASSIS WHEEL BASE 5 03 = CAB CHASSIS WHEEL BASE 3	EG2 = 3.5L V6 Gas Engine EXM = 3.0L V6 Turbo Diesel Engine	DGZ = 5-Speed Auto W5A380 Transmission

AR = use ase required - = Non illustrated part

Body Plugs  
Figure 60-220

ITEM	PART NUMBER	QTY	LINE	SERIES	BODY	ENGINE	TRANS	TRIM	DESCRIPTION
17	68006362AA	5	2, 3, 6, 7		13, 15, 17, 53, 55				PLUG, Body, At Fire Wall [12MM]
18	68006363AA	3	2, 3, 6, 7		13, 15, 17, 53, 55				PLUG, Window Sill Support [25MM]
19	68008281AA	1	2, 6		53, 55				GROMMET, Central Floor [29.59MM]
20	68006360AA	5	2, 3, 6, 7		13, 15, 17, 53, 55				PLUG, Body, Floor Below Front Seats [15MM]
21	05114444AA	8	2, 3, 6, 7		55, 13, 15, 17, 53				TAPE



**SPRINTER (VB)**

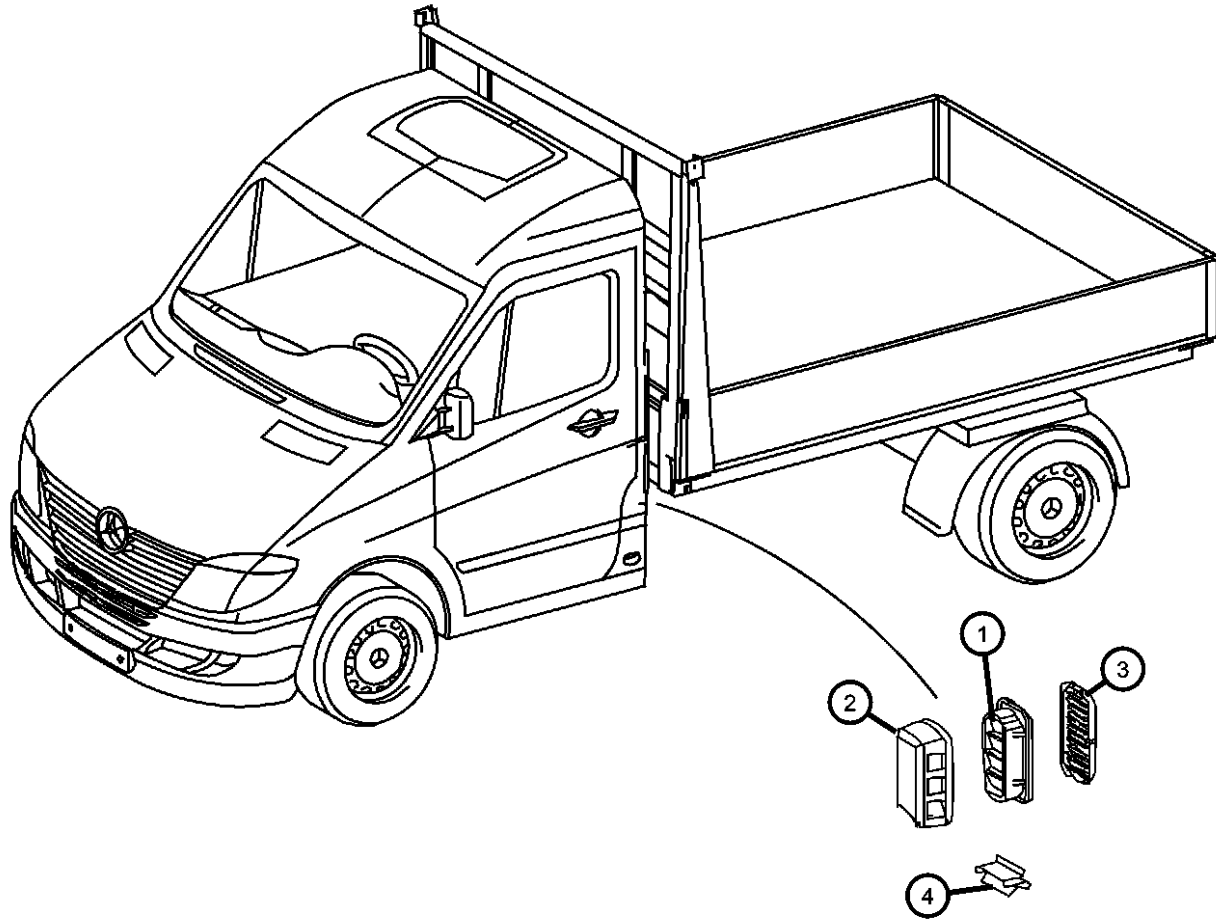
SERIES	LINE	BODY	ENGINE	TRANSMISSION
L = LOWLINE	3 = HD DODGE 2WD	17 = VAN WHEEL BASE 7	EG2 = 3.5L V6 Gas Engine	DGZ = 5-Speed Auto W5A380
	6 = Lt. Duty DODGE 4WD	55 = WAGON WHEEL BASE 5	EXM = 3.0L V6 Turbo Diesel	Transmission
	2 = Med. Duty DODGE 2WD	15 = VAN WHEEL BASE 5	Engine	
	7 = Med. Duty DODGE 4WD	53 = 119 WB		
		13 = 119 WB		
		05 = CAB CHASSIS WHEEL		
		BASE 5		
		03 = CAB CHASSIS WHEEL		
		BASE 3		

AR = use ase required - = Non illustrated part

2008 VB

Ventilation Flap  
Figure 60-230

ITEM	PART NUMBER	QTY	LINE	SERIES	BODY	ENGINE	TRANS	TRIM	DESCRIPTION
1	05104472AA	2	3, 7		03, 05				EXHAUSTER, Quarter Panel, Flap
2	05124736AA	1	3, 7		03, 05				EXHAUSTER, Quarter Panel, Duct
3	05124903AA	2	3, 7		03, 05				EXHAUSTER, Quarter Panel, Grille
4	05125858AA	2	3, 7		03, 05				CLIP, U Type



**SPRINTER (VB)**

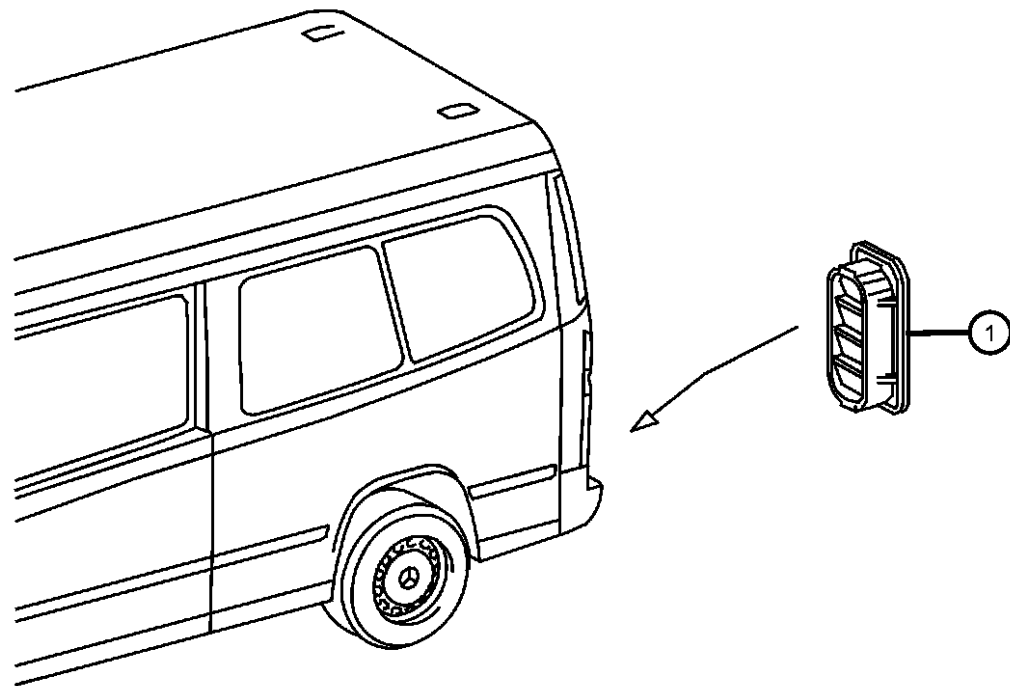
SERIES	LINE	BODY	ENGINE	TRANSMISSION
L = LOWLINE	3 = HD DODGE 2WD 6 = Lt. Duty DODGE 4WD 2 = Med. Duty DODGE 2WD 7 = Med. Duty DODGE 4WD	17 = VAN WHEEL BASE 7 55 = WAGON WHEEL BASE 5 15 = VAN WHEEL BASE 5 53 = 119 WB 13 = 119 WB 05 = CAB CHASSIS WHEEL BASE 5 03 = CAB CHASSIS WHEEL BASE 3	EG2 = 3.5L V6 Gas Engine EXM = 3.0L V6 Turbo Diesel Engine	DGZ = 5-Speed Auto W5A380 Transmission

AR = use ase required - = Non illustrated part

2008 VB

Ventilation Flap  
Figure 60-240

ITEM	PART NUMBER	QTY	LINE	SERIES	BODY	ENGINE	TRANS	TRIM	DESCRIPTION
1	05104472AA	2	2, 3, 6, 7		13, 15, 17, 53, 55				EXHAUSTER, Quarter Panel



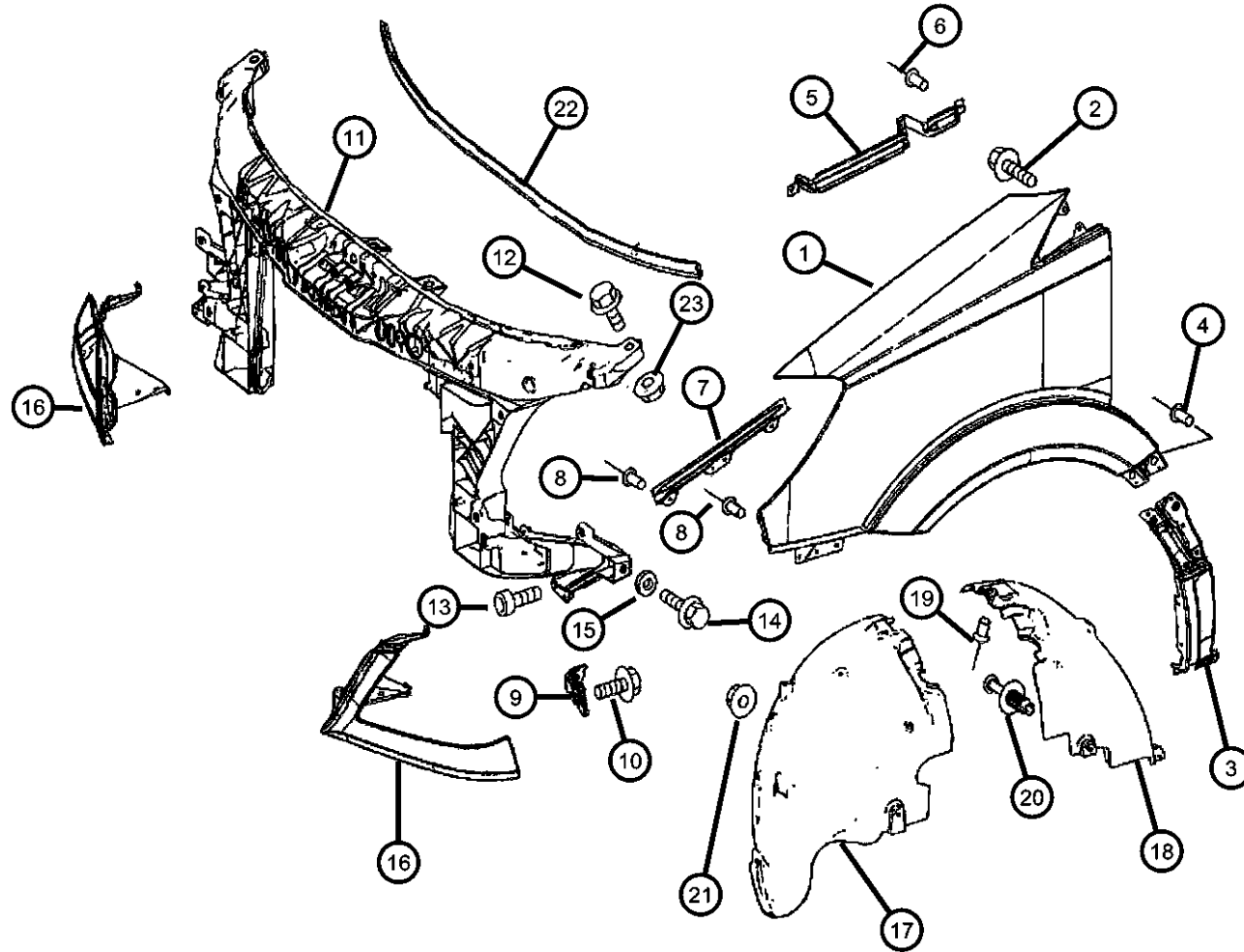
**SPRINTER (VB)**

SERIES	LINE	BODY	ENGINE	TRANSMISSION
L = LOWLINE	3 = HD DODGE 2WD 6 = Lt. Duty DODGE 4WD 2 = Med. Duty DODGE 2WD 7 = Med. Duty DODGE 4WD	17 = VAN WHEEL BASE 7 55 = WAGON WHEEL BASE 5 15 = VAN WHEEL BASE 5 53 = 119 WB 13 = 119 WB 05 = CAB CHASSIS WHEEL BASE 5 03 = CAB CHASSIS WHEEL BASE 3	EG2 = 3.5L V6 Gas Engine EXM = 3.0L V6 Turbo Diesel Engine	DGZ = 5-Speed Auto W5A380 Transmission

AR = use ase required - = Non illustrated part

2008 VB

Front Fender  
Figure 60-305



ITEM	PART NUMBER	QTY	LINE	SERIES	BODY	ENGINE	TRANS	TRIM	DESCRIPTION
1	68009869AA	1	2, 3, 6, 7						FENDER, Front Left
	68009877AA	1	2, 3, 6, 7						Right
2	06104120AA	4	2, 3, 6, 7		13, 15, 17, 53, 55				SCREW, Hex Head, M6x12
3	68009871AA	1	2, 3, 6, 7						EXTENSION, Fender Left
	68009880AA	1	2, 3, 6, 7						Right
4	68009873AA	2	2, 3, 6, 7		13, 15, 17, 53, 55				RIVET, Blind
5	68004962AA	1	2, 3, 6, 7						SUPPORT, Fender Left
	68004963AA	1	2, 3, 6, 7						Right
6	68009873AA	3	2, 3, 6, 7						RIVET, Blind
7	68009874AA	1	2, 3, 6, 7						SUPPORT, Fender Left
	68009875AA	1	2, 3, 6, 7						Right
8	68009873AA	3	2, 3, 6, 7						RIVET, Blind
9	1HE32XDVAA	1	2, 3, 6, 7						RETAINER [A6], Right
	1HE33XDVAA	1	2, 3, 6, 7						[A6], Left
10	06104634AA	2	2, 3, 6, 7						SCREW, Console
11	68014737AA	1	2, 3, 6, 7						SUPPORT, Radiator
12	05135858AA	2	2, 3, 6, 7						BOLT, Hex Head
13	68010553AA	2	2, 3, 6, 7		13, 15, 17, 53, 55				BOLT, Hex Head
14	06104025AA	4	2, 3, 6, 7						BOLT, Hex Flange Head, M8x1.25x30
15	05098108AA	4	2, 3, 6, 7		13, 15, 17, 53, 55				WASHER, Flat
16	68005391AA	1	2, 3, 6, 7		13, 15, 17, 53, 55				PANEL, Headlamp support Left
		1	3, 7		03, 05				Left
	68005392AA	1	2, 3, 6, 7		13, 15, 17, 53, 55				With Wiper, Left

**SPRINTER (VB)**

**SERIES**

L = LOWLINE

**LINE**

3 = HD DODGE 2WD  
6 = Lt. Duty DODGE 4WD  
2 = Med. Duty DODGE 2WD  
7 = Med. Duty DODGE 4WD

**BODY**

17 = VAN WHEEL BASE 7  
55 = WAGON WHEEL BASE 5  
15 = VAN WHEEL BASE 5  
53 = 119 WB  
13 = 119 WB  
05 = CAB CHASSIS WHEEL  
BASE 5  
03 = CAB CHASSIS WHEEL  
BASE 3

**ENGINE**

EG2 = 3.5L V6 Gas Engine  
EXM = 3.0L V6 Turbo Diesel  
Engine

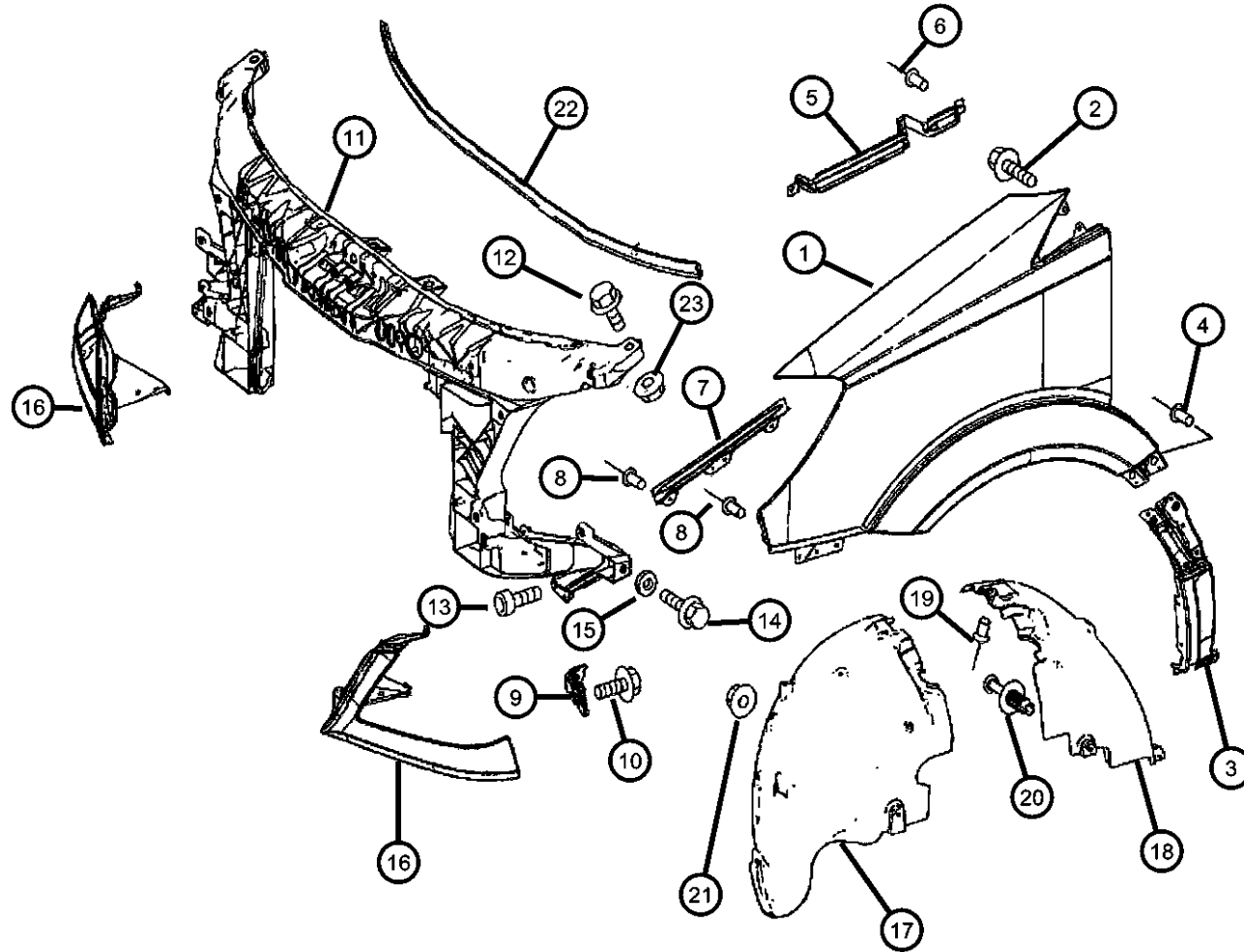
**TRANSMISSION**

DGZ = 5-Speed Auto W5A380  
Transmission

AR = use ase required - = Non illustrated part

2008 VB

Front Fender  
Figure 60-305



ITEM	PART NUMBER	QTY	LINE	SERIES	BODY	ENGINE	TRANS	TRIM	DESCRIPTION
		1	3, 7		03, 05				With Wiper, Left
	68005393AA	1	3, 7		03, 05				With Wiper, Right
		1	2, 3, 6, 7		13, 15, 17, 53, 55				With Wiper, Right
	68005394AA	1	3, 7		03, 05				Right
		1	2, 3, 6, 7		13, 15, 17, 53, 55				Right
17	68014738AA	1	3, 7		03, 05				WHEELHOUSE, Front Inner Right
		1	2, 3, 6, 7		13, 15, 17, 53, 55				Right
	68014739AA	1	3, 7		03, 05				Left
		1	2, 3, 6, 7		13, 15, 17, 53, 55				Left
18	68014740AA	1	3, 7		03, 05				WHEELHOUSE, Front Inner, Rear Right
		1	2, 3, 6, 7		13, 15, 17, 53, 55				Right
	68014741AA	1	3, 7		03, 05				Left
		1	2, 3, 6, 7		13, 15, 17, 53, 55				Left
19	1AR96DX9AA	8	2, 3, 6, 7		13, 15, 17, 53, 55				RIVET, Plastic, Lining of Wheelhouse
20	05166238AA	4	2, 3, 6, 7		13, 15, 17, 53, 55				RIVET, Plastic
21	06104914AA	12	2, 3, 6, 7						NUT, Plastic, Wheelhouse Lining
22	68014742AA	1	2, 3, 6, 7						SEAL, Engine Hood
23	05125760AA	2	3, 7		03, 05				NUT, Hex Flange Lock
		2	2, 3, 6, 7		13, 15, 17, 53, 55				

SPRINTER (VB)

SERIES

L = LOWLINE

LINE

3 = HD DODGE 2WD  
6 = Lt. Duty DODGE 4WD  
2 = Med. Duty DODGE 2WD  
7 = Med. Duty DODGE 4WD

BODY

17 = VAN WHEEL BASE 7  
55 = WAGON WHEEL BASE 5  
15 = VAN WHEEL BASE 5  
53 = 119 WB  
13 = 119 WB  
05 = CAB CHASSIS WHEEL  
BASE 5  
03 = CAB CHASSIS WHEEL  
BASE 3

ENGINE

EG2 = 3.5L V6 Gas Engine  
EXM = 3.0L V6 Turbo Diesel  
Engine

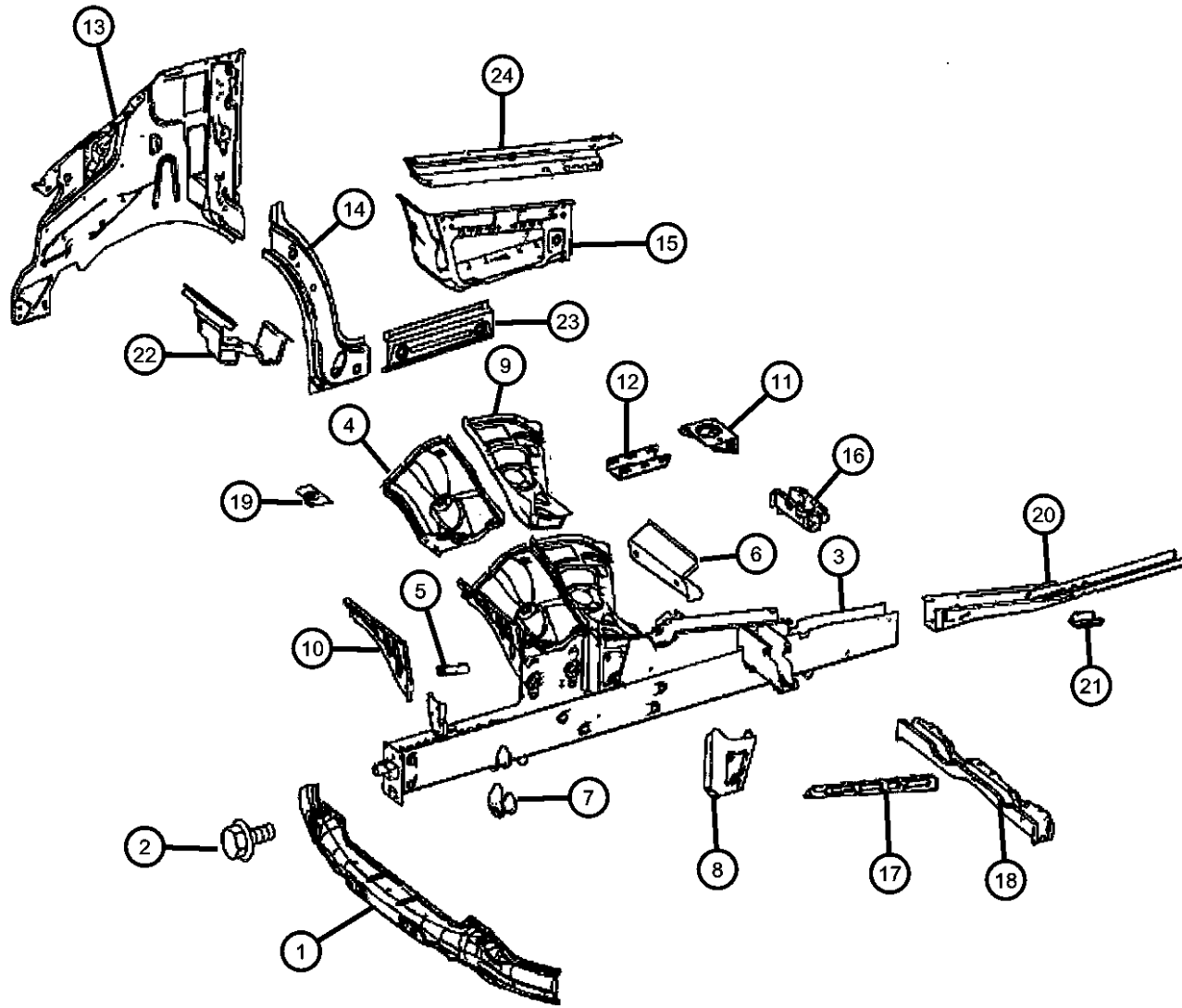
TRANSMISSION

DGZ = 5-Speed Auto W5A380  
Transmission

AR = use ase required - = Non illustrated part

2008 VB

Front Fender  
Figure 60-310



ITEM	PART NUMBER	QTY	LINE	SERIES	BODY	ENGINE	TRANS	TRIM	DESCRIPTION
1	68006349AA	1	2, 3, 6, 7						REINFORCEMENT, Front Bumper
2	05073723AB	6	3, 7		03, 05				SCREW
		6	2, 3, 6, 7		13, 15, 17, 53, 55				
	06104024AA	2	3, 7		03, 05				
		2	2, 3, 6, 7		13, 15, 17, 53, 55				
3	68006247AA	1	3, 7		03, 05				RAIL, Front Side Rail Front
		1	2, 3, 6, 7		13, 15, 17, 53, 55				Left
	68006284AA	1	2, 3, 6, 7						Right
4	68006263AA	1	2, 3, 6, 7						WHEELHOUSE
	68006290AA	1	2, 3, 6, 7						Left
		1	2, 3, 6, 7						Right
5	68006265AA	1	2, 3, 6, 7						BRACKET, Brake Hose
	68006286AA	1	2, 3, 6, 7						Left
		1	2, 3, 6, 7						Right
6	68006251AA	1	3, 7		03, 05				RAIL, Front Crossmember
		1	2, 3, 6, 7		13, 15, 17, 53, 55				
7	68006253AA	1	3, 7		03, 05				REINFORCEMENT, Front Side Rail, Jacking
		1	2, 3, 6, 7		13, 15, 17, 53, 55				
8	68006257AA	1	2, 3, 6, 7		13, 15, 17, 53, 55				REINFORCEMENT, Front Side Rail
	68006287AA	1	2, 3, 6, 7						Left
		1	3, 7		03, 05				Right
		1	3, 7		03, 05				Left
9	68006261AA	1	2, 3, 6, 7						WHEELHOUSE
	68006288AA	1	2, 3, 6, 7						Left
		1	2, 3, 6, 7						Right

SPRINTER (VB)

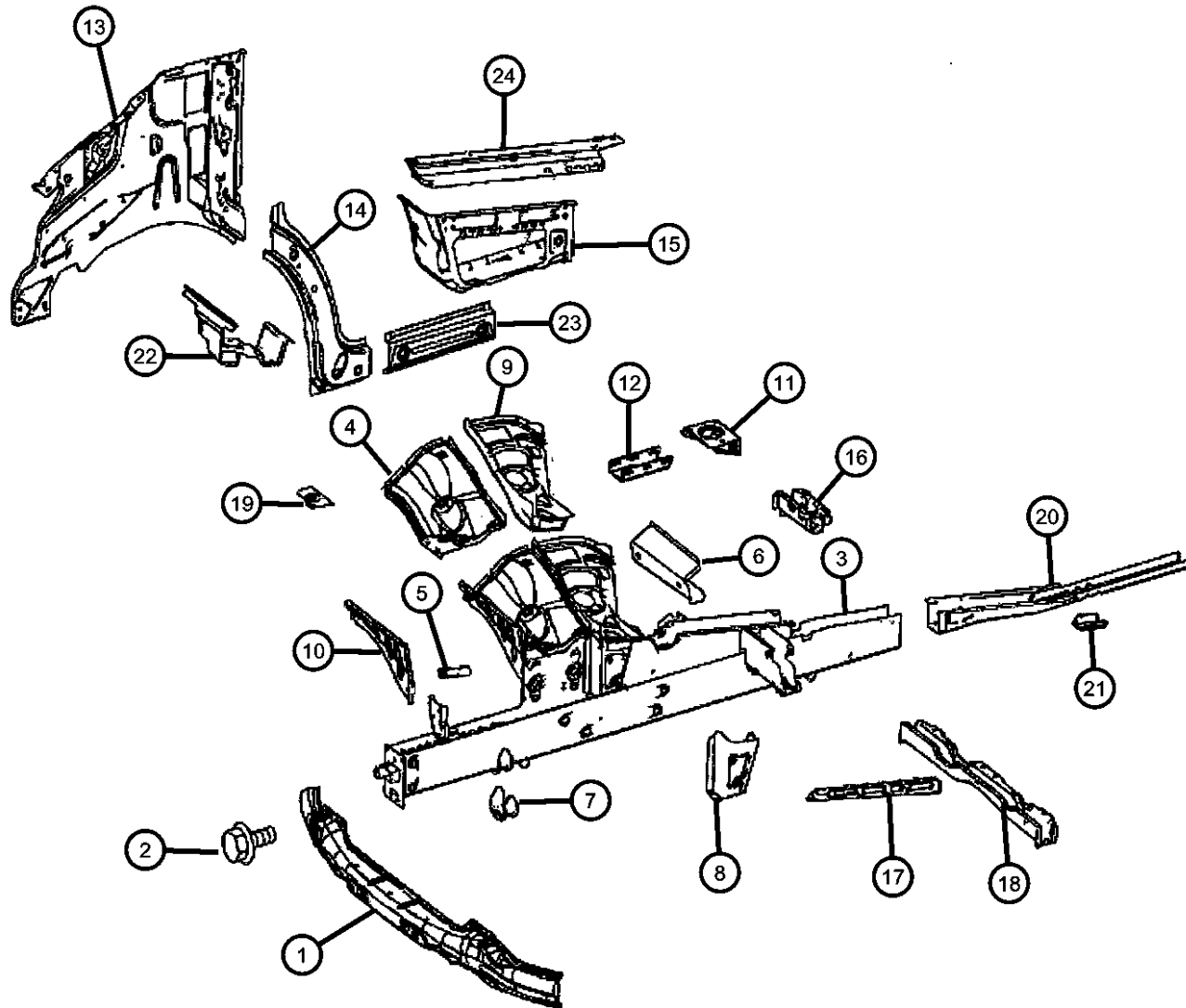
SERIES	LINE	BODY	ENGINE	TRANSMISSION
L = LOWLINE	3 = HD DODGE 2WD 6 = Lt. Duty DODGE 4WD 2 = Med. Duty DODGE 2WD 7 = Med. Duty DODGE 4WD	17 = VAN WHEEL BASE 7 55 = WAGON WHEEL BASE 5 15 = VAN WHEEL BASE 5 53 = 119 WB 13 = 119 WB 05 = CAB CHASSIS WHEEL BASE 5 03 = CAB CHASSIS WHEEL BASE 3	EG2 = 3.5L V6 Gas Engine EXM = 3.0L V6 Turbo Diesel Engine	DGZ = 5-Speed Auto W5A380 Transmission

AR = use ase required - = Non illustrated part

2008 VB



Front Fender  
Figure 60-310



ITEM	PART NUMBER	QTY	LINE	SERIES	BODY	ENGINE	TRANS	TRIM	DESCRIPTION
10									REINFORCEMENT, Front Side Rail
	68006262AA	1	3, 7		03, 05				Left
		1	2, 3, 6, 7		13, 15, 17, 53, 55				Left
	68006289AA	1	2, 3, 6, 7						Right
11	68006298AA	1	2, 3, 6, 7						BRACKET, Exhaust
12	68006278AA	2	2, 3, 6, 7						REINFORCEMENT, Front Side Rail
13	68006300AA	1	2, 3, 6, 7						PANEL, Fender
14									PANEL, Body Side Aperture
	68006328AA	1	2, 3, 6, 7						Left
	68006330AA	1	2, 3, 6, 7						Right
15									STEP PAD, Side Step
	68006332AA	1	2, 3, 6, 7						Left
	68006333AA	1	2, 3, 6, 7						Right
16									SUPPORT
	68006343AA	1	2, 3, 6, 7						Left
	68006345AA	1	2, 3, 6, 7						Right
17	68006320AA	1	2, 3, 6, 7						REINFORCEMENT
18	68006334AA	1	2, 3, 6, 7						CROSSMEMBER, Front Floor
19	68006337AA	3	2, 3, 6, 7						REINFORCEMENT
20	68006339AA	2	2, 3, 6, 7						REINFORCEMENT, Front Side Rail
21	05129604AA	1	2, 3, 6, 7						BRACKET, Wiring
22	68006347AA	1	2, 3, 6, 7						BRACKET, Jack
23									PANEL, Body Side Aperture
	68006329AA	1	2, 3, 6, 7						Left
	68006331AA	1	2, 3, 6, 7						Right
24	68006341AA	1	2, 3, 6, 7						REINFORCEMENT

SPRINTER (VB)

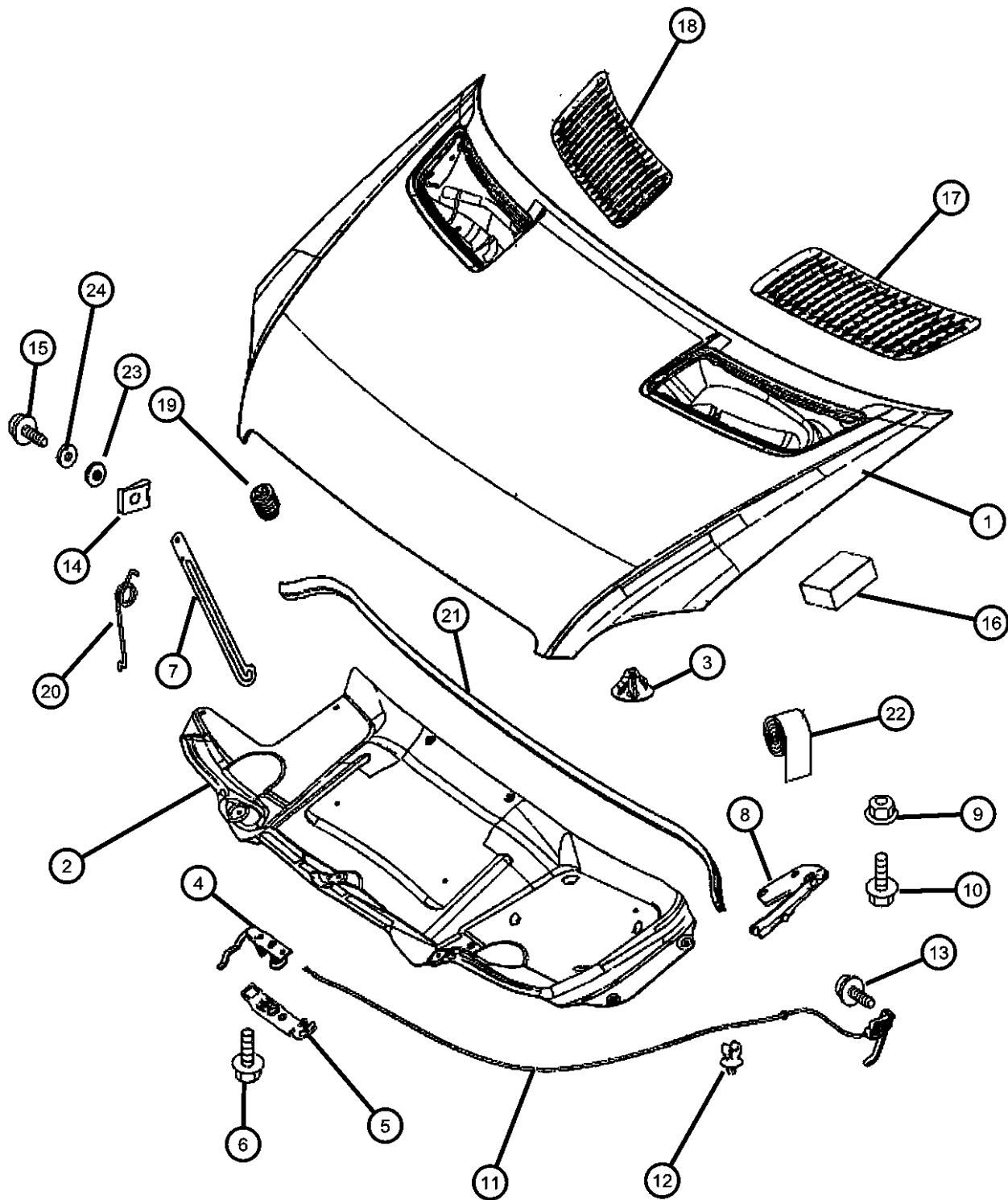
SERIES LINE  
L = LOWLINE 3 = HD DODGE 2WD  
6 = Lt. Duty DODGE 4WD  
2 = Med. Duty DODGE 2WD  
7 = Med. Duty DODGE 4WD

BODY ENGINE TRANSMISSION  
17 = VAN WHEEL BASE 7 EG2 = 3.5L V6 Gas Engine DGZ = 5-Speed Auto W5A380  
55 = WAGON WHEEL BASE 5 EXM = 3.0L V6 Turbo Diesel Transmission  
15 = VAN WHEEL BASE 5 Engine  
53 = 119 WB  
13 = 119 WB  
05 = CAB CHASSIS WHEEL BASE 5  
03 = CAB CHASSIS WHEEL BASE 3

AR = use ase required - = Non illustrated part

2008 VB

Hood And Related Parts  
Figure 60-405



ITEM	PART NUMBER	QTY	LINE	SERIES	BODY	ENGINE	TRANS	TRIM	DESCRIPTION
1	68009834AA	1	2, 3, 6, 7						HOOD
2	68009866AA	1	2, 3, 6, 7						INSULATION, Hood
3	68009867AA	12	2, 3, 6, 7		13, 15, 17, 53, 55				RIVET
		12	3, 7		03, 05				
4	68009851AA	1	2, 3, 6, 7		13, 15, 17, 53, 55				LATCH, Hood
		1	3, 7		03, 05				
5	68009852AA	1	2, 3, 6, 7		13, 15, 17, 53, 55				LATCH, Hood
		1	3, 7		03, 05				
6	06104124AA	2	2, 3, 6, 7		13, 15, 17, 53, 55				BOLT, Hex Flange Head, M6X1.0X30.00
		2	3, 7		03, 05				
7	68009856AA	1	2, 3, 6, 7						PROP, Hood
8	68009848AA	1	2, 3, 6, 7		13, 15, 17, 53, 55				HINGE, Hood Left
		1	3, 7		03, 05				Left
	68009849AA	1	2, 3, 6, 7		13, 15, 17, 53, 55				Right
		1	3, 7		03, 05				Right
9	06105169AA	2	3, 7		03, 05				NUT
		2	2, 3, 6, 7		13, 15, 17, 53, 55				
10	06104153AA	2	2, 3, 6, 7		13, 15, 17, 53, 55				SCREW
11	68009853AA	1	2, 3, 6, 7		13, 15, 17, 53, 55				CABLE, Hood Release
		1	3, 7		03, 05				
12	68009854AA	1	2, 3, 6, 7						RETAINER

SPRINTER (VB)

SERIES

L = LOWLINE

LINE

3 = HD DODGE 2WD  
6 = Lt. Duty DODGE 4WD  
2 = Med. Duty DODGE 2WD  
7 = Med. Duty DODGE 4WD

BODY

17 = VAN WHEEL BASE 7  
55 = WAGON WHEEL BASE 5  
15 = VAN WHEEL BASE 5  
53 = 119 WB  
13 = 119 WB  
05 = CAB CHASSIS WHEEL  
BASE 5  
03 = CAB CHASSIS WHEEL  
BASE 3

ENGINE

EG2 = 3.5L V6 Gas Engine  
EXM = 3.0L V6 Turbo Diesel  
Engine

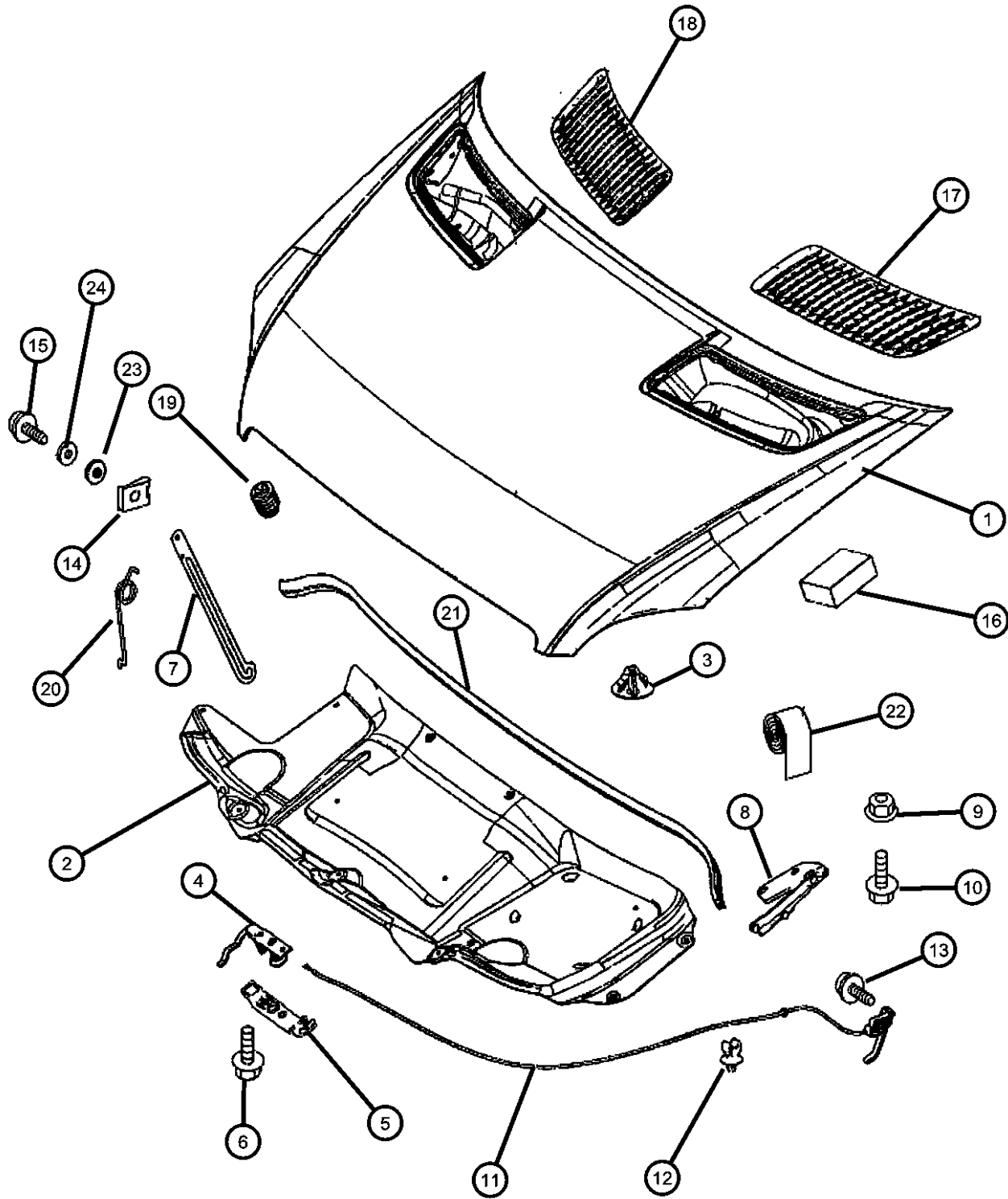
TRANSMISSION

DGZ = 5-Speed Auto W5A380  
Transmission

AR = use ase required - = Non illustrated part

2008 VB

Hood And Related Parts  
Figure 60-405



ITEM	PART NUMBER	QTY	LINE	SERIES	BODY	ENGINE	TRANS	TRIM	DESCRIPTION
13	06104666AA	2	2, 3, 6, 7						SCREW
14	05126111AA	1	2, 3, 6, 7						CLIP, Hood
15	06104666AA	1	6, 7, 2, 3						SCREW
16	68014291AA	1	2, 3, 6, 7		13, 15, 17, 53, 55 03, 05				INSULATOR
17	1GY46DX9AA	1	3, 7						GRILLE, HoodLeft
18	1GY47DX9AA	1	2, 3, 6, 7						GRILLE, HoodRight
19	68009862AA	4	2, 3, 6, 7						BUMPER, Hood
20	05104546AA	1	2, 3, 6, 7		13, 15, 17, 53, 55 03, 05				SPRING
21	68009861AA	1	3, 7						SEAL, Hood
22	68009864AA	AR	2, 3, 6, 7						TAPE
23	68009864AA	AR							BUSHING, (NOT SERVICED)
24	68009860AA	2	2, 3, 6, 7						WASHER
-25	68018131AA	1	2, 3, 6, 7						WASHER

SPRINTER (VB)

SERIES LINE  
L = LOWLINE 3 = HD DODGE 2WD  
6 = Lt. Duty DODGE 4WD  
2 = Med. Duty DODGE 2WD  
7 = Med. Duty DODGE 4WD

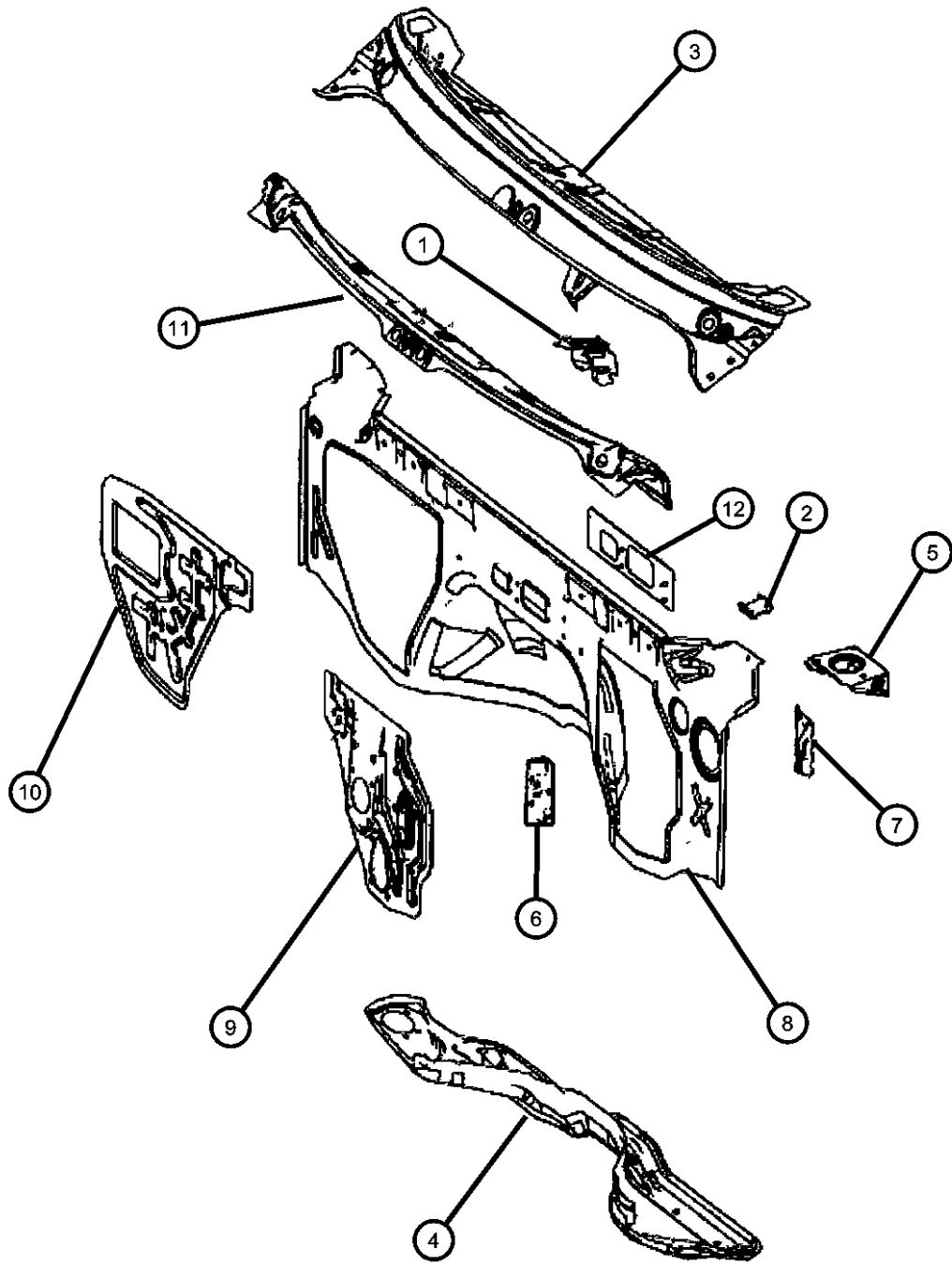
BODY ENGINE TRANSMISSION  
17 = VAN WHEEL BASE 7 EG2 = 3.5L V6 Gas Engine DGZ = 5-Speed Auto W5A380  
55 = WAGON WHEEL BASE 5 EXM = 3.0L V6 Turbo Diesel Transmission  
15 = VAN WHEEL BASE 5 Engine  
53 = 119 WB  
13 = 119 WB  
05 = CAB CHASSIS WHEEL  
BASE 5  
03 = CAB CHASSIS WHEEL  
BASE 3

AR = use ase required - = Non illustrated part

2008 VB

**Cowl Panel  
Figure 60-505**

ITEM	PART NUMBER	QTY	LINE	SERIES	BODY	ENGINE	TRANS	TRIM	DESCRIPTION
1	68006310AA	1	2, 3, 6, 7						BRACKET, Cowl Top
2	68006311AA	4	2, 3, 6, 7						REINFORCEMENT
3	68006316AA	1	2, 3, 6, 7						PANEL, Cowl Top
4	68006322AA	1	2, 3, 6, 7						PANEL, Dash
5	68006323AA	1	2, 3, 6, 7						BRACKET, Sensor
6	68006325AA	2	2, 3, 6, 7						BRACKET
7	68006326AA	1	2, 3, 6, 7						BRACKET, Pedal
8	68006306AA	1	2, 3, 6, 7						PANEL, Dash
9	68006304AA	1	2, 3, 6, 7						PANEL, DashLower
10	68006307AA	1	2, 3, 6, 7						PANEL, Dash
11	68006309AA	1	3, 6, 7, 2						PANEL, Cowl Top
12	68006314AA	1	2, 3, 6, 7						PLATE



**SPRINTER (VB)**

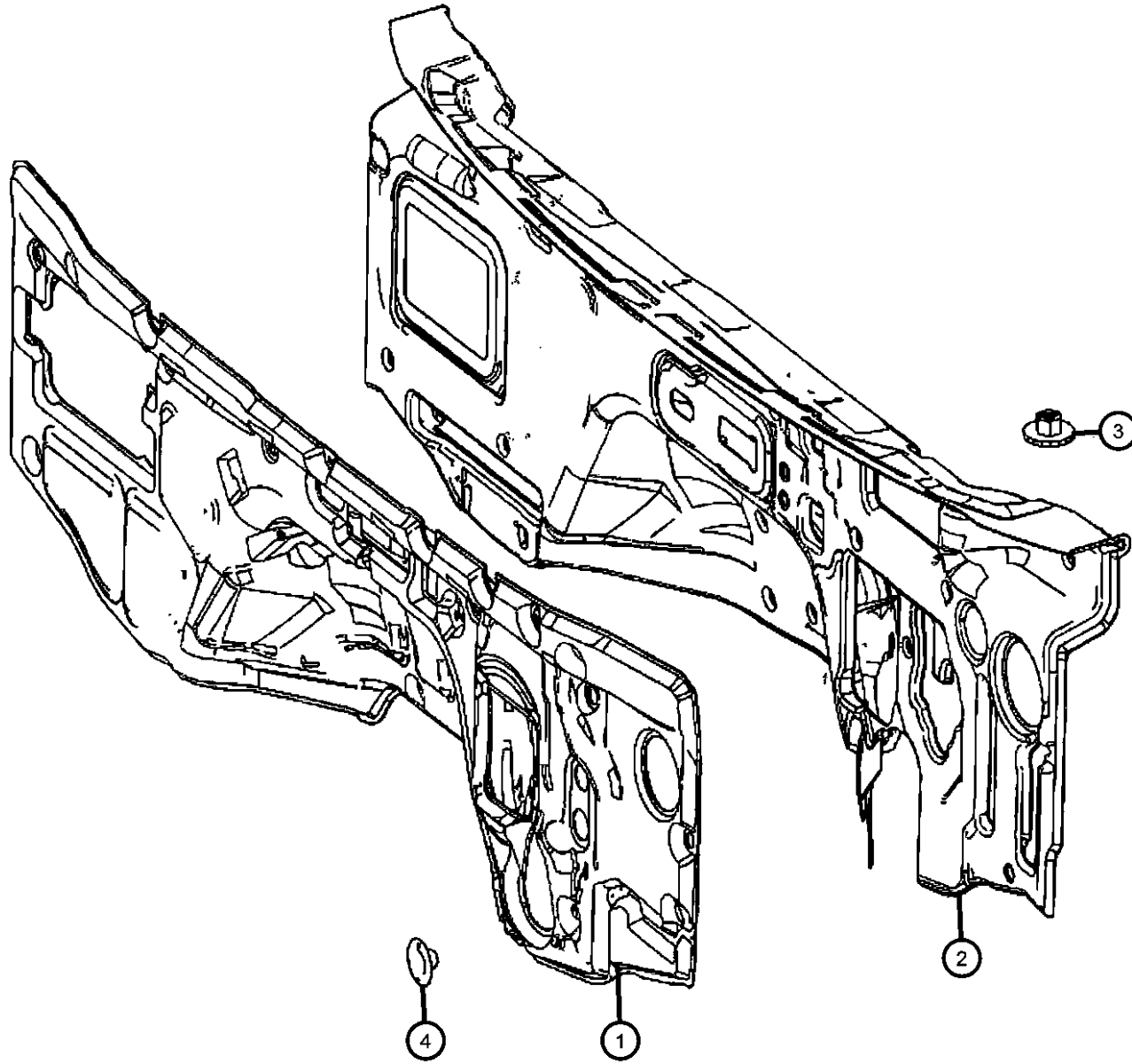
SERIES	LINE	BODY	ENGINE	TRANSMISSION
L = LOWLINE	3 = HD DODGE 2WD	17 = VAN WHEEL BASE 7	EG2 = 3.5L V6 Gas Engine	DGZ = 5-Speed Auto W5A380
	6 = Lt. Duty DODGE 4WD	55 = WAGON WHEEL BASE 5	EXM = 3.0L V6 Turbo Diesel	Transmission
	2 = Med. Duty DODGE 2WD	15 = VAN WHEEL BASE 5	Engine	
	7 = Med. Duty DODGE 4WD	53 = 119 WB		
		13 = 119 WB		
		05 = CAB CHASSIS WHEEL		
		BASE 5		
		03 = CAB CHASSIS WHEEL		
		BASE 3		

AR = use ase required - = Non illustrated part

2008 VB

**Dash Panel  
Figure 60-550**

ITEM	PART NUMBER	QTY	LINE	SERIES	BODY	ENGINE	TRANS	TRIM	DESCRIPTION
1	68004961AA	1	2, 3, 6, 7						SILENCER, Dash Panel, Fire Wall
2	68006367AA	1	2, 3, 6, 7						SILENCER, Dash Panel, Fire Wall
3									SNAP
	05097042AA	11	3, 7		03, 05				
		11	2, 3, 6, 7		13, 15, 17, 53, 55				
4									PLUG, Button
	05097041AA	7	3, 7		03, 05				
		7	2, 3, 6, 7		13, 15, 17, 53, 55				



**SPRINTER (VB)**

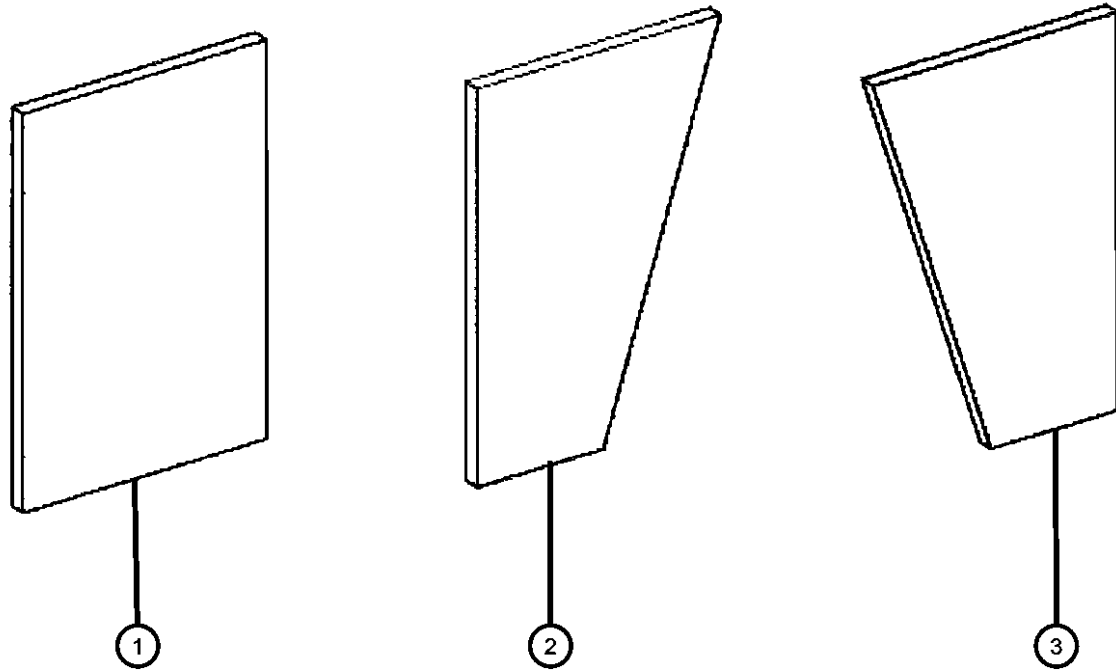
SERIES	LINE	BODY	ENGINE	TRANSMISSION
L = LOWLINE	3 = HD DODGE 2WD	17 = VAN WHEEL BASE 7	EG2 = 3.5L V6 Gas Engine	DGZ = 5-Speed Auto W5A380
	6 = Lt. Duty DODGE 4WD	55 = WAGON WHEEL BASE 5	EXM = 3.0L V6 Turbo Diesel	Transmission
	2 = Med. Duty DODGE 2WD	15 = VAN WHEEL BASE 5	Engine	
	7 = Med. Duty DODGE 4WD	53 = 119 WB		
		13 = 119 WB		
		05 = CAB CHASSIS WHEEL		
		BASE 5		
		03 = CAB CHASSIS WHEEL		
		BASE 3		

AR = use ase required - = Non illustrated part

2008 VB

**Dash Panel  
Figure 60-555**

ITEM	PART NUMBER	QTY	LINE	SERIES	BODY	ENGINE	TRANS	TRIM	DESCRIPTION
1	68010358AA	4	2, 3, 6, 7		15, 55				INSULATION
		6	2, 3, 6, 7		17				
		3	2, 3, 6, 7		13, 53				
2	68014724AA	1	2, 3, 6, 7		13, 15, 17, 53, 55				INSULATOR
3	68014726AA	1	2, 3, 6, 7		13, 15, 17, 53, 55				INSULATION



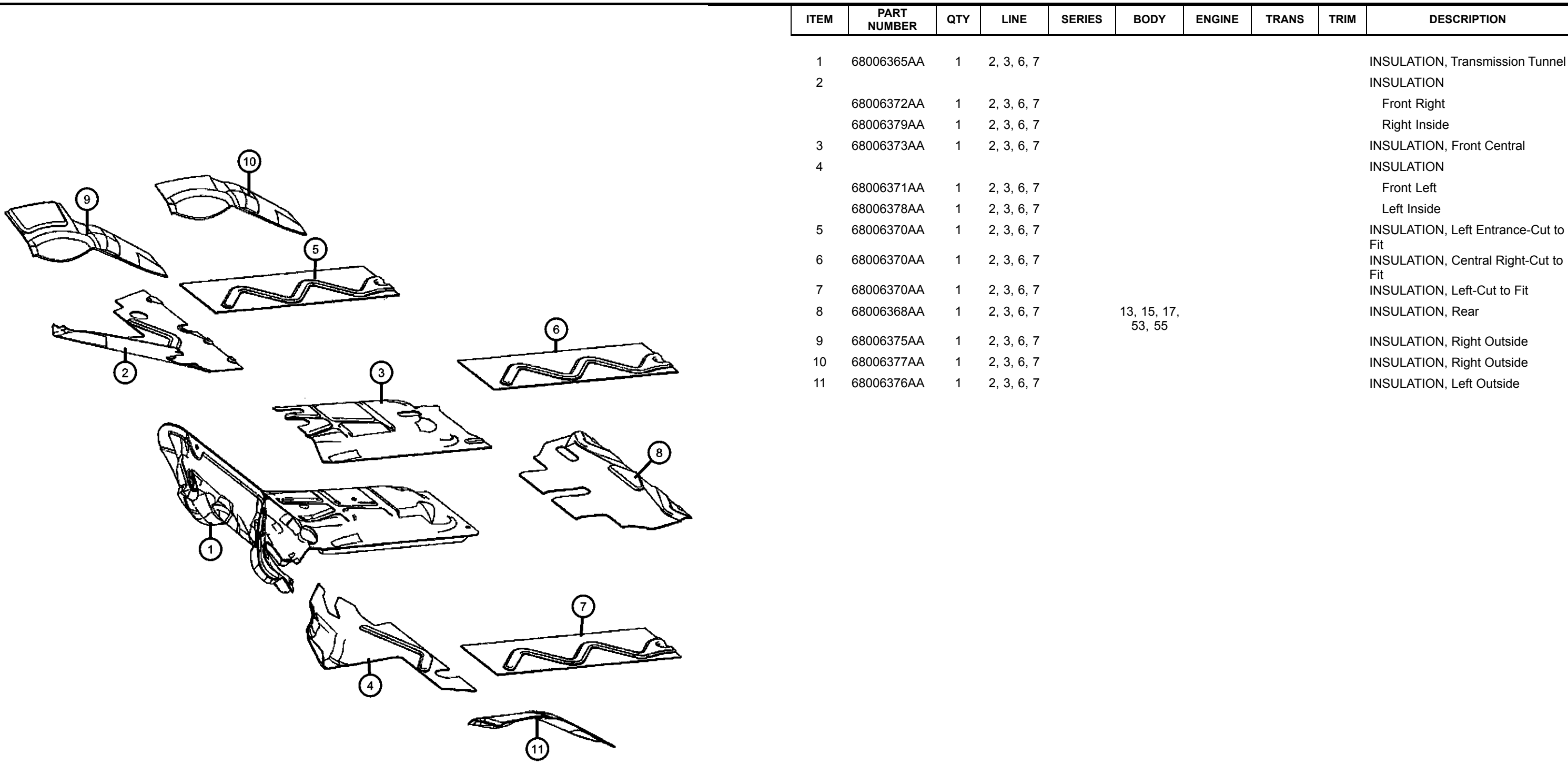
**SPRINTER (VB)**

SERIES	LINE	BODY	ENGINE	TRANSMISSION
L = LOWLINE	3 = HD DODGE 2WD	17 = VAN WHEEL BASE 7	EG2 = 3.5L V6 Gas Engine	DGZ = 5-Speed Auto W5A380
	6 = Lt. Duty DODGE 4WD	55 = WAGON WHEEL BASE 5	EXM = 3.0L V6 Turbo Diesel Engine	Transmission
	2 = Med. Duty DODGE 2WD	15 = VAN WHEEL BASE 5		
	7 = Med. Duty DODGE 4WD	53 = 119 WB		
		13 = 119 WB		
		05 = CAB CHASSIS WHEEL		
		BASE 5		
		03 = CAB CHASSIS WHEEL		
		BASE 3		

AR = use ase required - = Non illustrated part

2008 VB

**Passenger Compartment Damping  
Figure 60-560**

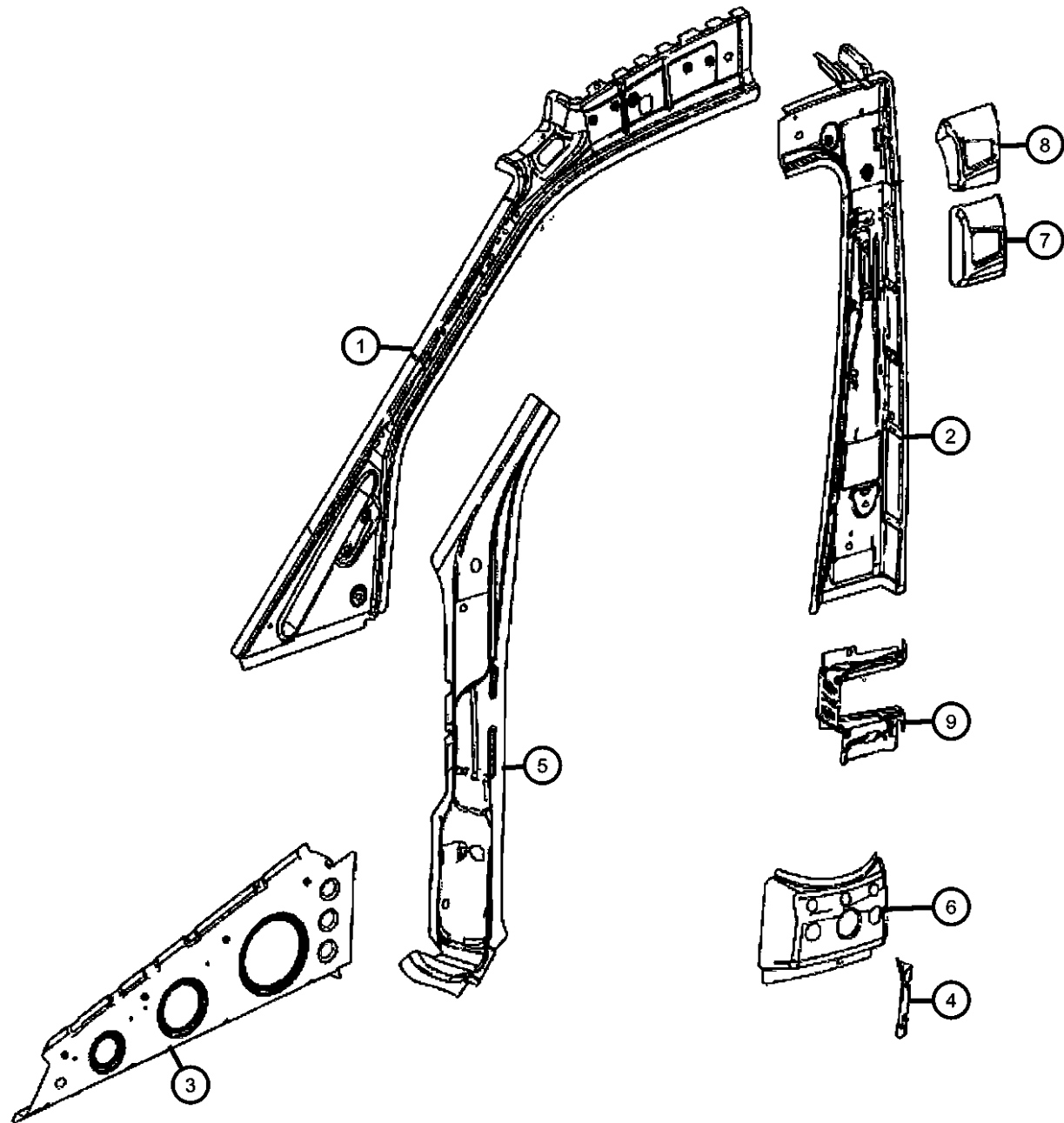


ITEM	PART NUMBER	QTY	LINE	SERIES	BODY	ENGINE	TRANS	TRIM	DESCRIPTION
1	68006365AA	1	2, 3, 6, 7						INSULATION, Transmission Tunnel
2									INSULATION
	68006372AA	1	2, 3, 6, 7						Front Right
	68006379AA	1	2, 3, 6, 7						Right Inside
3	68006373AA	1	2, 3, 6, 7						INSULATION, Front Central
4									INSULATION
	68006371AA	1	2, 3, 6, 7						Front Left
	68006378AA	1	2, 3, 6, 7						Left Inside
5	68006370AA	1	2, 3, 6, 7						INSULATION, Left Entrance-Cut to Fit
6	68006370AA	1	2, 3, 6, 7						INSULATION, Central Right-Cut to Fit
7	68006370AA	1	2, 3, 6, 7						INSULATION, Left-Cut to Fit
8	68006368AA	1	2, 3, 6, 7		13, 15, 17, 53, 55				INSULATION, Rear
9	68006375AA	1	2, 3, 6, 7						INSULATION, Right Outside
10	68006377AA	1	2, 3, 6, 7						INSULATION, Right Outside
11	68006376AA	1	2, 3, 6, 7						INSULATION, Left Outside

<b>SPRINTER (VB)</b>				
SERIES	LINE	BODY	ENGINE	TRANSMISSION
L = LOWLINE	3 = HD DODGE 2WD 6 = Lt. Duty DODGE 4WD 2 = Med. Duty DODGE 2WD 7 = Med. Duty DODGE 4WD	17 = VAN WHEEL BASE 7 55 = WAGON WHEEL BASE 5 15 = VAN WHEEL BASE 5 53 = 119 WB 13 = 119 WB 05 = CAB CHASSIS WHEEL BASE 5 03 = CAB CHASSIS WHEEL BASE 3	EG2 = 3.5L V6 Gas Engine EXM = 3.0L V6 Turbo Diesel Engine	DGZ = 5-Speed Auto W5A380 Transmission

AR = use ase required - = Non illustrated part

**Front Aperture Panel  
Figure 60-605**



ITEM	PART NUMBER	QTY	LINE	SERIES	BODY	ENGINE	TRANS	TRIM	DESCRIPTION
1	68005113AA	1	2, 3, 6, 7						PANEL, A PillarTop, Left
2	68008693AA	1	2, 3, 6, 7		13, 15, 17, 53, 55				PANEL, B Pillar Without [GKE], Left
	68008694AA	1	6, 7, 2, 3		13, 15, 17, 53, 55				With [MWJ or MX1 or MX2], Left
	68008697AA	1	2, 3, 6, 7		13, 15, 17, 53, 55				With [CTA] With [MWJ or MX1 or MX2], Left
	68029947AA	1	2, 3, 6, 7		13, 15, 17, 53, 55				With [MX1 or MX2] Without [GKE], Left
	68029948AA	1	2, 3, 6, 7		13, 15, 17, 53, 55				With [CTA] With [MX1 or MX2] Without [GKE], Left
3	68008424AA	1	2, 3, 6, 7						REINFORCEMENT, Cowl Side, Side Member, Front Left
4	68008521AA	1	2, 3, 6, 7		13, 15, 17, 53, 55				BRACKET, Angle B-Pillar on the Left
5	68008425AA	1	2, 3, 6, 7						PANEL, Cowl Side, Left Hinge Reinforcement
6	68008524AA	1	2, 3, 6, 7		13, 15, 17, 53, 55				REINFORCEMENT, Locking Wedge,Bottom-With [GKE], Left
7	68008527AA	1	2, 3, 6, 7		13, 15, 17				REINFORCEMENT, B-Pillar, Locking Wedge Top-With [GKE], Left
8	68008526AA	1	2, 3, 6, 7		13, 15, 17				REINFORCEMENT, B-Pillar, Locking Wedge Top-With [MWJ or MX1 or MX2] With [GKE], Left
9	68008530AA	1	2, 3, 6, 7		13, 15, 17, 53, 55				PILLAR, Front Door Lock, Locking Eye, Left

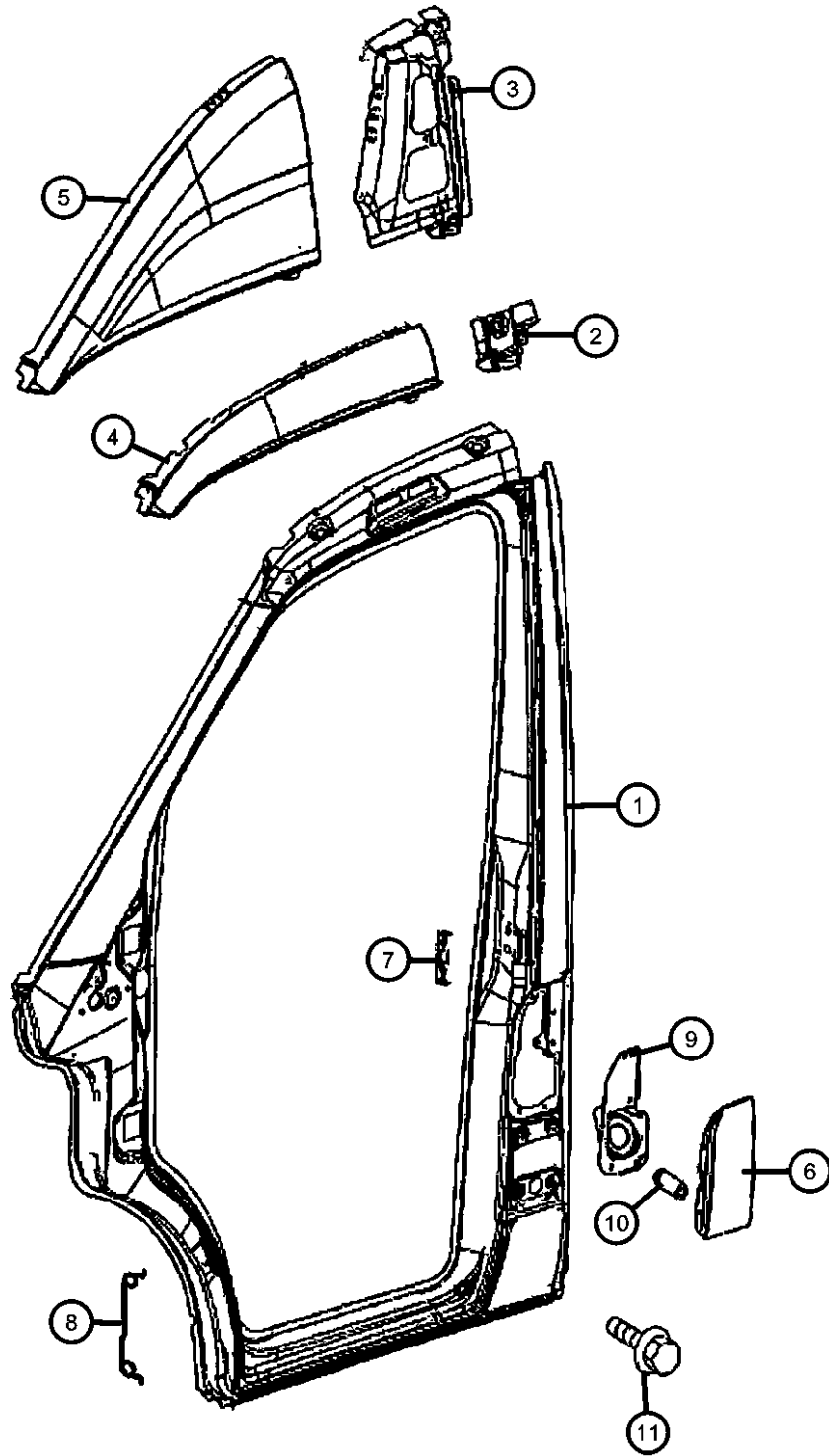
**SPRINTER (VB)**

SERIES	LINE	BODY	ENGINE	TRANSMISSION
L = LOWLINE	3 = HD DODGE 2WD 6 = Lt. Duty DODGE 4WD 2 = Med. Duty DODGE 2WD 7 = Med. Duty DODGE 4WD	17 = VAN WHEEL BASE 7 55 = WAGON WHEEL BASE 5 15 = VAN WHEEL BASE 5 53 = 119 WB 13 = 119 WB 05 = CAB CHASSIS WHEEL BASE 5 03 = CAB CHASSIS WHEEL BASE 3	EG2 = 3.5L V6 Gas Engine EXM = 3.0L V6 Turbo Diesel Engine	DGZ = 5-Speed Auto W5A380 Transmission

AR = use ase required - = Non illustrated part



**Front Aperture Panel  
Figure 60-606**



ITEM	PART NUMBER	QTY	LINE	SERIES	BODY	ENGINE	TRANS	TRIM	DESCRIPTION
1	68008451AA	1	2, 3, 6, 7		13, 15, 17, 53, 55				APERTURE, Body Side Door Without [MWJ or MX1 or MX2], Left
	68008452AA	1	2, 3, 6, 7		13, 15, 17, 53, 55				With [MWJ or MX1 or MX2], Left
2	68005109AA	1	2, 3, 6, 7		13, 15, 17, 53, 55				BRACKET, B-Pillar B-Pillar With [GKE], Top, Left
	68005110AA	1	2, 3, 6, 7		13, 15, 17, 53, 55				B-Pillar Without [GKE], Top, Left
3	68008495AA	1	2, 3, 6, 7		13, 15, 17, 53, 55				PANEL, Body Side Aperture B-Pillar With [MWJ or MX1 or MX2] + [GKE], Top, Left
	68008496AA	1	2, 3, 6, 7		13, 15, 17, 53, 55				B-Pillar With [MWJ or MX1 or MX2], Top, Left
4	68008512AA	1	2, 3, 6, 7		13, 15, 17, 53, 55				PANEL, Roof, Roof Left Front Rail Without [MWJ or MX1 or MX2]
5	68008513AA	1	2, 3, 6, 7		13, 15, 17, 53, 55				PANEL, Roof, Roof Left Front Rail With [MWJ or MX1 or MX2]
6	68008440AA	1	2, 3, 6, 7						DOOR, Fuel Fill
7	68008443AA	1	2, 3, 6, 7						BRACKET, Fuel Fill Door
8	05104408AA	1	3, 7		03, 05				SPRING, Fuel Filler Door
		1	2, 3, 6, 7		13, 15, 17, 53, 55				
9		1							FILLER, Fuel Filler Tube Mounting, (NOT SERVICED)
10	68008447AA	2	2, 3, 6, 7						BUMPER, Fuel Door
11	06104120AA	6	7, 2, 3, 6						SCREW, Hex Head, M6x12, Fuel Fill Door, Mounting

**SPRINTER (VB)**

SERIES      LINE  
L = LOWLINE    3 = HD DODGE 2WD  
                  6 = Lt. Duty DODGE 4WD  
                  2 = Med. Duty DODGE 2WD  
                  7 = Med. Duty DODGE 4WD

BODY  
17 = VAN WHEEL BASE 7  
55 = WAGON WHEEL BASE 5  
15 = VAN WHEEL BASE 5  
53 = 119 WB  
13 = 119 WB  
05 = CAB CHASSIS WHEEL  
BASE 5  
03 = CAB CHASSIS WHEEL  
BASE 3

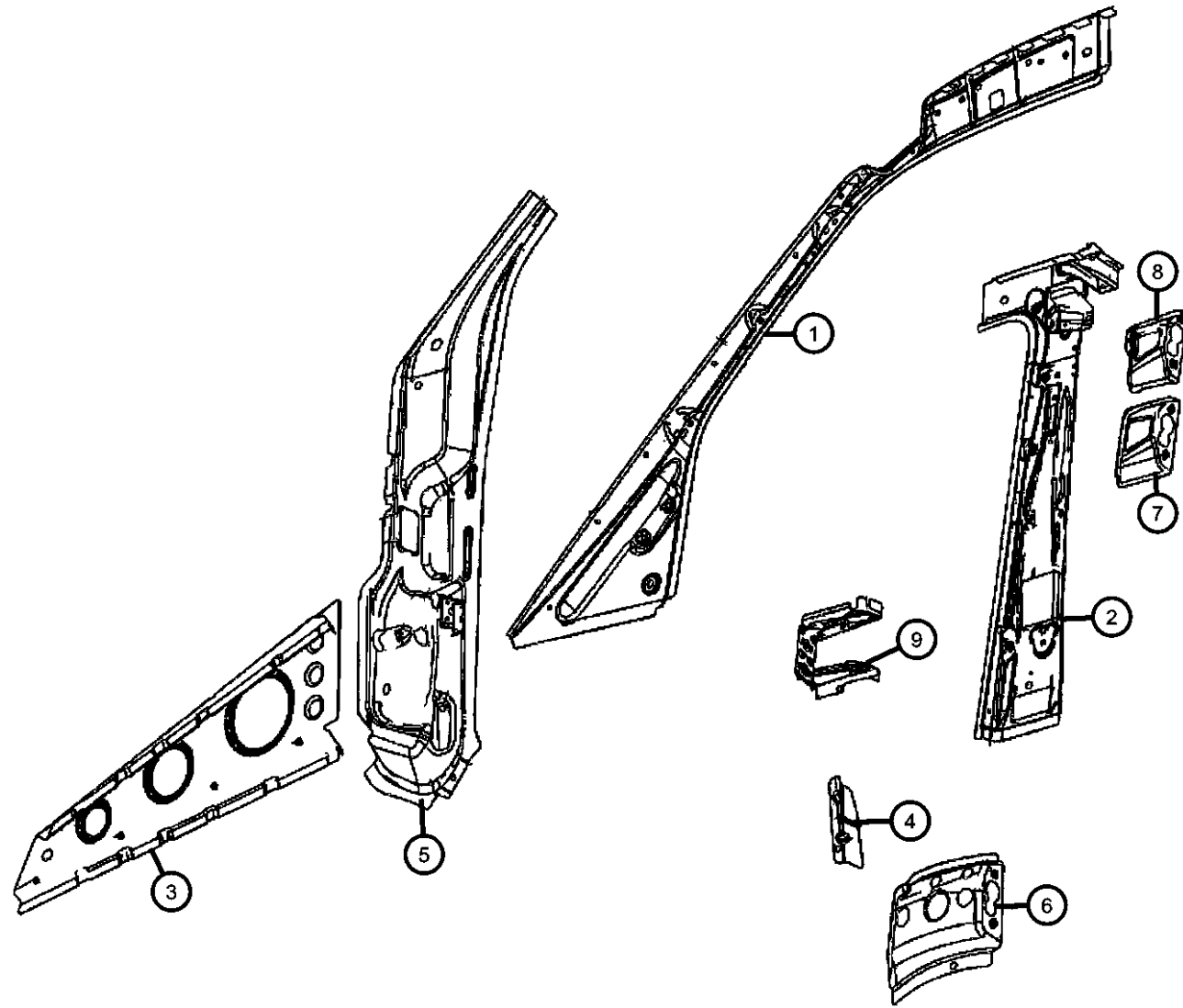
ENGINE  
EG2 = 3.5L V6 Gas Engine  
EXM = 3.0L V6 Turbo Diesel  
Engine

TRANSMISSION  
DGZ = 5-Speed Auto W5A380  
Transmission

AR = use ase required    - = Non illustrated part

2008 VB

**Front Aperture Panel  
Figure 60-607**



ITEM	PART NUMBER	QTY	LINE	SERIES	BODY	ENGINE	TRANS	TRIM	DESCRIPTION
1	68005138AA	1	2, 3, 6, 7						PANEL, A PillarTop, Right
2	68008696AA	1	2, 3, 6, 7						PANEL, B-Pillar With [CTA+MWJ Or MX2 Or MX1]
	68009312AA	1	2, 3, 6, 7		13, 15, 17				With [GK9], Right
	68009313AA	1	2, 3, 6, 7		13, 15, 17, 53, 55				With [MWJ or MX1 or MX2] +[GK9], Right
	68029941AA	1	2, 3, 6, 7		13, 15, 17, 53, 55				With [MX1 or MX2] Without [GKA], Right
	68029946AA	1	2, 3, 6, 7		13, 15, 17, 53, 55				With [CTA]+MX1 or MX2] Without [GKA], Right
3	68009199AA	1	2, 3, 6, 7						REINFORCEMENT, Cowl Side, Side Member, Front, Right
4	68009208AA	1	2, 3, 6, 7		13, 15, 17, 53, 55				BRACKET, Angel B Pillar on the Right With [GK9]
5	68009200AA	1	2, 3, 6, 7						PANEL, Cowl Side, Right Hinge Reinforcement
6	68009202AA	1	2, 3, 6, 7		13, 15, 17, 53, 55				REINFORCEMENT, Locking Wedge Bottom With [GKA], Right
7	68009205AA	1	2, 3, 6, 7		13, 15, 17, 53, 55				REINFORCEMENT, B-Pillar, Locking Wedge Top With [GKA], Right
8	68009204AA	1	2, 3, 6, 7		13, 15, 17, 53, 55				REINFORCEMENT, B-Pillar, Locking Wedge Top With [MWJ or MX1 or MX2] With [GKA], Right
9	68009209AA	1	2, 3, 6, 7		13, 15, 17, 53, 55				PILLAR, Front Door Lock, Locking Eye Without [MWJ or MX1 or MX2] With [GKA], Right

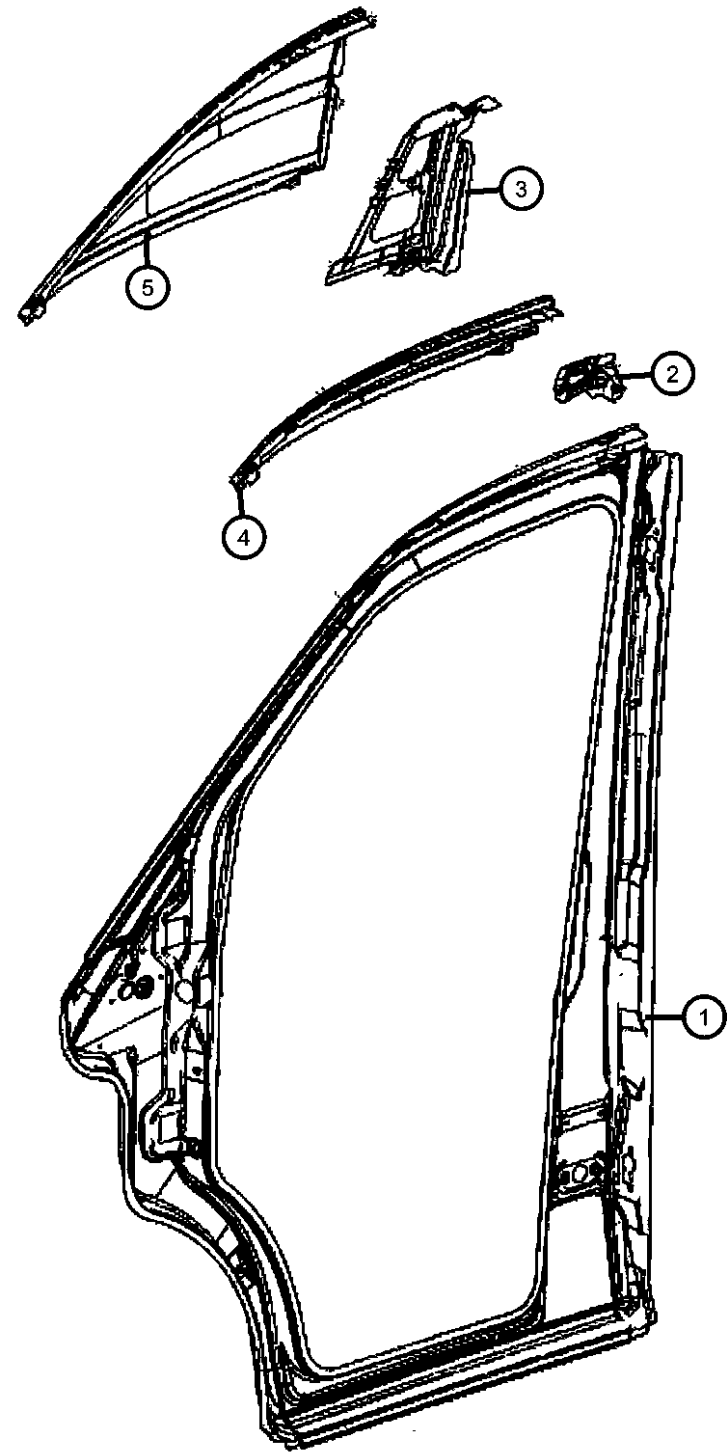
**SPRINTER (VB)**

SERIES	LINE	BODY	ENGINE	TRANSMISSION
L = LOWLINE	3 = HD DODGE 2WD 6 = Lt. Duty DODGE 4WD 2 = Med. Duty DODGE 2WD 7 = Med. Duty DODGE 4WD	17 = VAN WHEEL BASE 7 55 = WAGON WHEEL BASE 5 15 = VAN WHEEL BASE 5 53 = 119 WB 13 = 119 WB 05 = CAB CHASSIS WHEEL BASE 5 03 = CAB CHASSIS WHEEL BASE 3	EG2 = 3.5L V6 Gas Engine EXM = 3.0L V6 Turbo Diesel Engine	DGZ = 5-Speed Auto W5A380 Transmission

AR = use ase required - = Non illustrated part

2008 VB

**Front Aperture Panel  
Figure 60-608**



ITEM	PART NUMBER	QTY	LINE	SERIES	BODY	ENGINE	TRANS	TRIM	DESCRIPTION
1	68009141AA	1	2, 3, 6, 7		13, 15, 17, 53, 55				APERTURE, Body Side Door Without [MWJ or MX1 or MX2], Right
	68009142AA	1	2, 3, 6, 7		13, 15, 17, 53, 55				With [MWJ or MX1 or MX2], Right
2	68005134AA	1	2, 3, 6, 7		13, 15, 17, 53, 55				BRACKET, B-Pillar B-Pillar With [GKA], Top, Right
	68009211AA	1	2, 3, 6, 7		13, 15, 17, 53, 55				B-Pillar Without [GKA], Top, Right
3	68005136AA	1	2, 3, 6, 7		13, 15, 17, 53, 55				PANEL, Body Side Aperture With [MWJ or MX1 or MX2] + [GK9], Top, Right
	68005137AA	1	2, 3, 6, 7		13, 15, 17, 53, 55				Without [MWJ or MX1 or MX2], Top, Right
4	68009188AA	1	2, 3, 6, 7		13, 15, 17, 53, 55				PANEL, Roof, Right Front Roof Rail Without [MWJ or MX1 or MX2]
5	68009189AA	1	2, 3, 6, 7		13, 15, 17, 53, 55				PANEL, Roof, Right Front Roof Rail With [MWJ or MX1 or MX2]

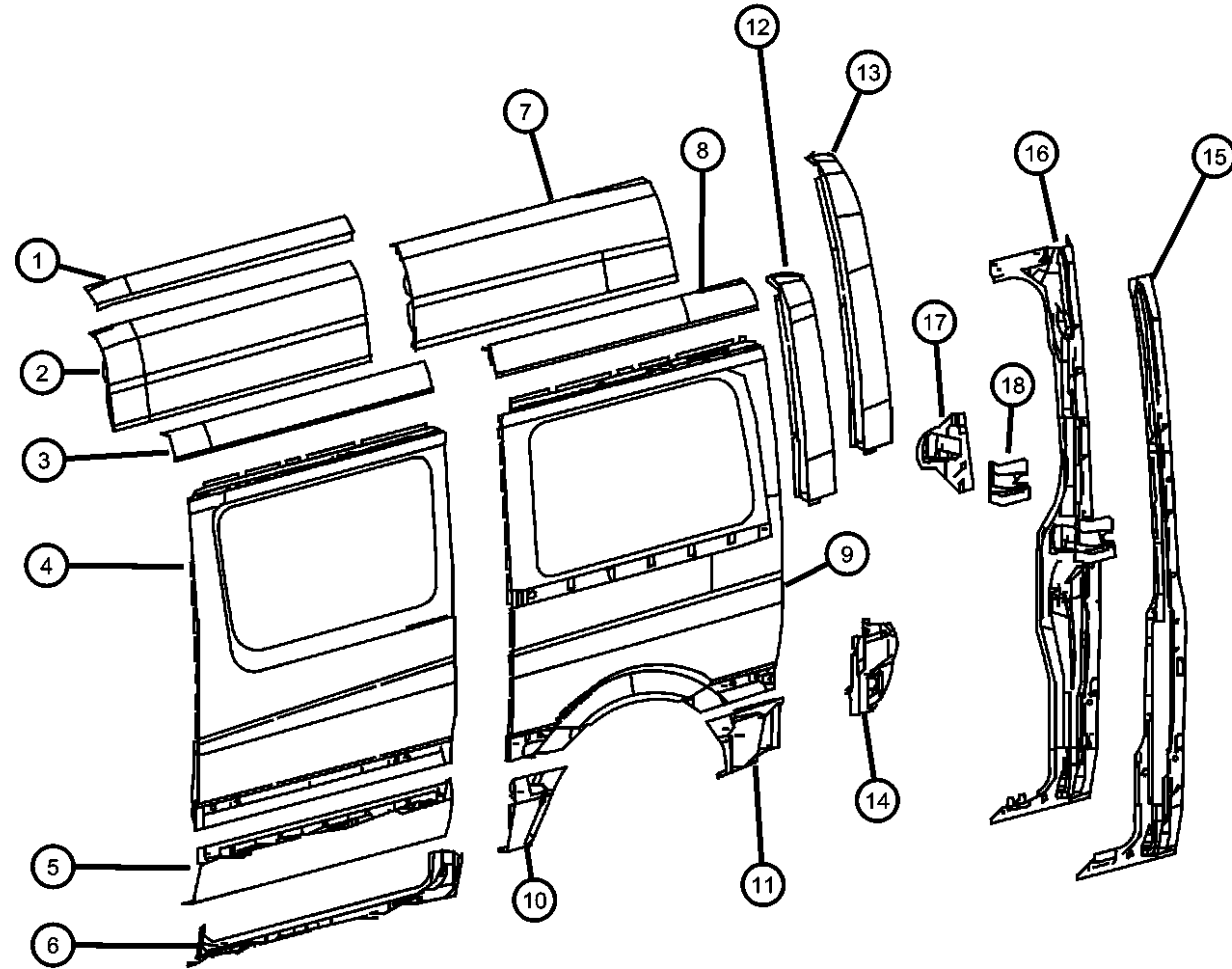
**SPRINTER (VB)**

SERIES	LINE	BODY	ENGINE	TRANSMISSION
L = LOWLINE	3 = HD DODGE 2WD 6 = Lt. Duty DODGE 4WD 2 = Med. Duty DODGE 2WD 7 = Med. Duty DODGE 4WD	17 = VAN WHEEL BASE 7 55 = WAGON WHEEL BASE 5 15 = VAN WHEEL BASE 5 53 = 119 WB 13 = 119 WB 05 = CAB CHASSIS WHEEL BASE 5 03 = CAB CHASSIS WHEEL BASE 3	EG2 = 3.5L V6 Gas Engine EXM = 3.0L V6 Turbo Diesel Engine	DGZ = 5-Speed Auto W5A380 Transmission

AR = use ase required - = Non illustrated part

2008 VB

**Rear Aperture (Quarter) Panel  
Figure 60-651**



ITEM	PART NUMBER	QTY	LINE	SERIES	BODY	ENGINE	TRANS	TRIM	DESCRIPTION
1	68008503AA	1	2, 3, 6, 7		13, 15, 17, 53, 55				PANEL, Roof
2	68008504AA	1	2, 3, 6, 7		13, 15, 17, 53, 55				PANEL, Roof
3	68008511AA	1	2, 3, 6, 7		13, 53				PANEL, Roof
4	68008462AA	1	7, 2, 3, 6		13, 15, 17, 53, 55				PANEL, Body Side
5	68008493AA	1	2, 3, 6, 7		13, 15, 17, 53, 55				ROCKER
6	68008519AA	1	2, 3, 6, 7		13, 15, 17, 53, 55				PANEL, Sill
7	68008512AA	1	2, 3, 6, 7		13, 15, 17, 53, 55				PANEL, Roof
	68008516AA	1	2, 3, 6, 7		13, 53				[5CF]
	68008518AA	1	2, 3, 6, 7		15, 55				[5CG]
8	68008517AA	1	2, 3, 6, 7		13, 53				PANEL, Roof
9	68008517AA	1							PANEL, Body Side Rear, (NOT SERVICED)
10	68008466AA	1	2, 3, 6, 7		13, 53				PANEL, Wheelhouse [5CF]
	68008467AA	1	2, 3, 6, 7		15, 17, 55				
11	68008489AA	1	2, 3, 6, 7		13, 53				PANEL, Wheelhouse [5CF]
	68008490AA	1	2, 3, 6, 7		15, 55				[5CG]
12	68008531AA	1	2, 3, 6, 7		13, 15, 17, 53, 55				PANEL, D Pillar, Side Panel Outside D_Pillar
13	68008532AA	1	2, 3, 6, 7		13, 15, 17, 53, 55				PANEL, D Pillar
14	68008533AA	1	2, 3, 6, 7		13, 15, 17, 53, 55				EXTENSION, D Pillar Lower
15	68008669AA	1	2, 3, 6, 7		13, 15, 17, 53, 55				PANEL, D Pillar
	68008671AA	1	2, 3, 6, 7		13, 15, 17, 53, 55				High or Super High Roof
16	68008667AA	1	2, 3, 6, 7		13, 15, 17, 53, 55				PILLAR, Side Cargo Door High Roof and Super High Roof

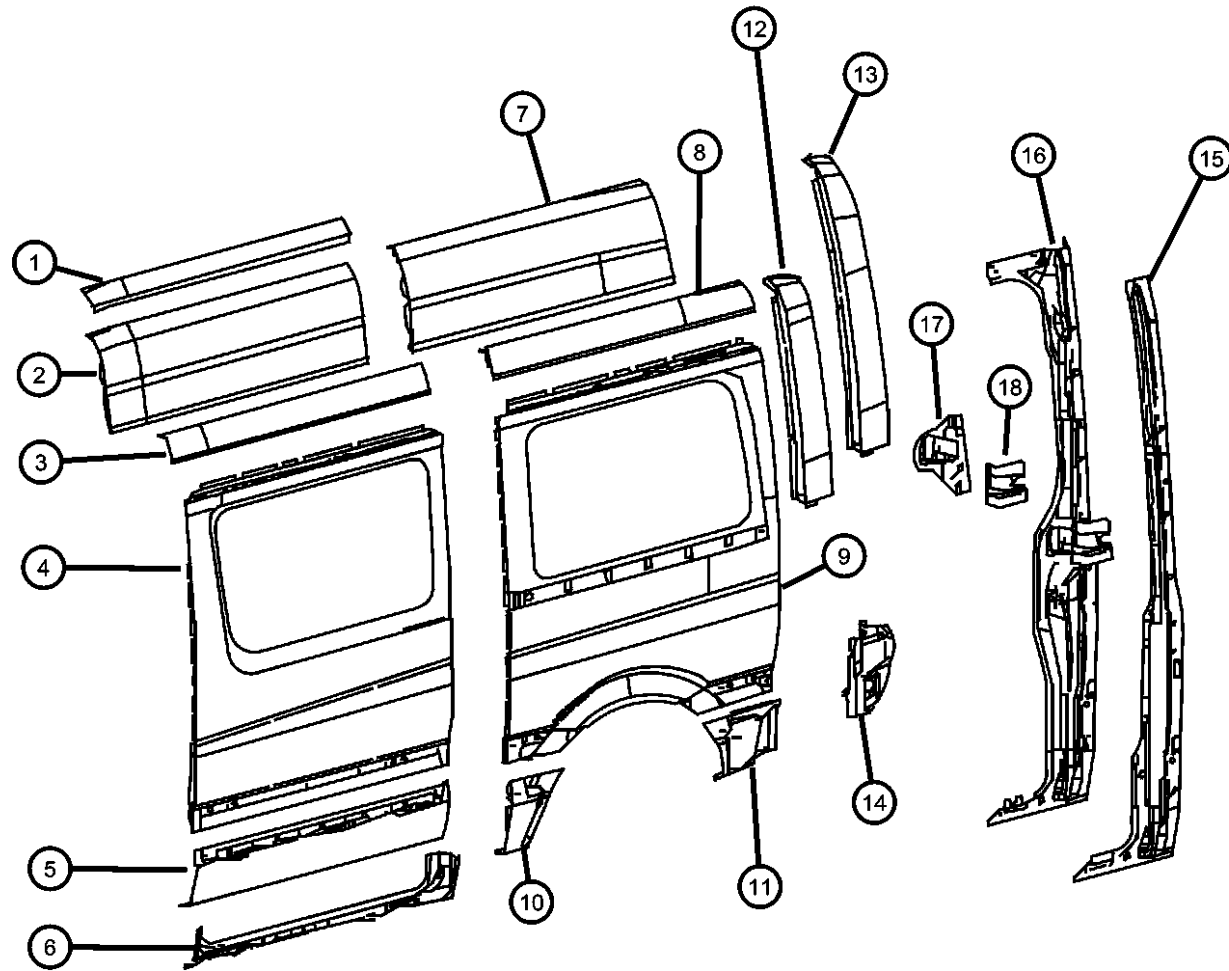
**SPRINTER (VB)**

<b>SERIES</b>	<b>LINE</b>	<b>BODY</b>	<b>ENGINE</b>	<b>TRANSMISSION</b>
L = LOWLINE	3 = HD DODGE 2WD 6 = Lt. Duty DODGE 4WD 2 = Med. Duty DODGE 2WD 7 = Med. Duty DODGE 4WD	17 = VAN WHEEL BASE 7 55 = WAGON WHEEL BASE 5 15 = VAN WHEEL BASE 5 53 = 119 WB 13 = 119 WB 05 = CAB CHASSIS WHEEL BASE 5 03 = CAB CHASSIS WHEEL BASE 3	EG2 = 3.5L V6 Gas Engine EXM = 3.0L V6 Turbo Diesel Engine	DGZ = 5-Speed Auto W5A380 Transmission

AR = use ase required - = Non illustrated part

Rear Aperture (Quarter) Panel  
Figure 60-651

ITEM	PART NUMBER	QTY	LINE	SERIES	BODY	ENGINE	TRANS	TRIM	DESCRIPTION
	68008673AA	1	2, 3, 6, 7		13, 15, 17, 53, 55				Standard
17	68008662AA	1	2, 3, 6, 7		13, 15, 17, 53, 55				PLATE
18	68008665AA	1	7, 2, 3, 6		13, 15, 17, 53, 55				PLATE

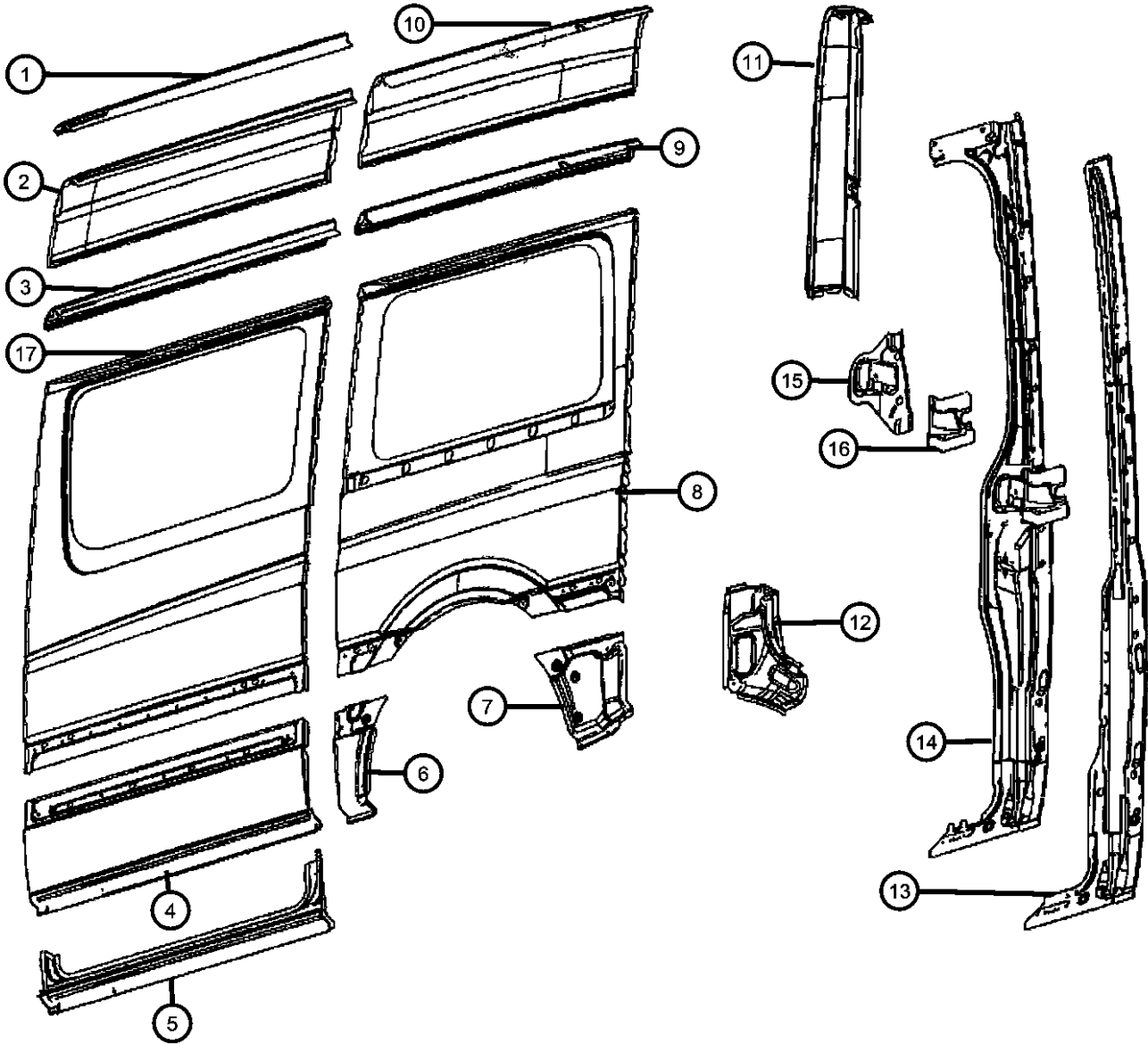


**SPRINTER (VB)**

SERIES	LINE	BODY	ENGINE	TRANSMISSION
L = LOWLINE	3 = HD DODGE 2WD 6 = Lt. Duty DODGE 4WD 2 = Med. Duty DODGE 2WD 7 = Med. Duty DODGE 4WD	17 = VAN WHEEL BASE 7 55 = WAGON WHEEL BASE 5 15 = VAN WHEEL BASE 5 53 = 119 WB 13 = 119 WB 05 = CAB CHASSIS WHEEL BASE 5 03 = CAB CHASSIS WHEEL BASE 3	EG2 = 3.5L V6 Gas Engine EXM = 3.0L V6 Turbo Diesel Engine	DGZ = 5-Speed Auto W5A380 Transmission

AR = use ase required - = Non illustrated part

**Rear Aperture (Quarter) Panel  
Figure 60-652**



ITEM	PART NUMBER	QTY	LINE	SERIES	BODY	ENGINE	TRANS	TRIM	DESCRIPTION
1	68009182AA	1	2, 3, 6, 7		13, 15, 17, 53, 55				PANEL, Roof
2	68009181AA	1	2, 3, 6, 7		13, 15, 17, 53, 55				PANEL, Roof
3									PANEL, Roof
	68009186AA	1	2, 3, 6, 7		13, 53				
	68009187AA	1	2, 3, 6, 7		13, 15, 17, 53, 55				
4	68009195AA	1	2, 3, 6, 7		13, 15, 17, 53, 55				PANEL, Body Side
5	68009196AA	1	2, 3, 6, 7		13, 15, 17, 53, 55				ROCKER
6	68009157AA	1	2, 3, 6, 7		15, 17, 55				PANEL, Wheelhouse
7									PANEL, Wheelhouse
	68005132AA	1	2, 3, 6, 7		17				
	68008488AA	1	2, 3, 6, 7		13, 53				
	68009177AA	1	2, 3, 6, 7		15, 55				
8	68009177AA	1							PANEL, Rear Body, (NOT SERVICED)
9	68009193AA	1	2, 3, 6, 7		13, 53				PANEL, Roof
10									PANEL, Roof
	68005133AA	1	2, 3, 6, 7		17				
	68009192AA	1	2, 3, 6, 7		13, 53				
	68009194AA	1	2, 3, 6, 7		15, 55				
11	68009194AA	1							PANEL, D Pillar, (NOT SERVICED)
12	68009214AA	1	2, 3, 6, 7		13, 15, 17, 53, 55				REINFORCEMENT
13									PANEL, D Pillar
	68008668AA	1	6, 7, 2, 3		13, 15, 17, 53, 55				High and Super High Roof
	68008670AA	1	2, 3, 6, 7		13, 15, 17, 53, 55				
14									PILLAR, Side Cargo Door
	68008666AA	1	2, 3, 6, 7		13, 15, 17, 53, 55				High and Super High Roof
	68008672AA	1	2, 3, 6, 7		13, 15, 17, 53, 55				
15	68006310AA	1	2, 3, 6, 7						BRACKET

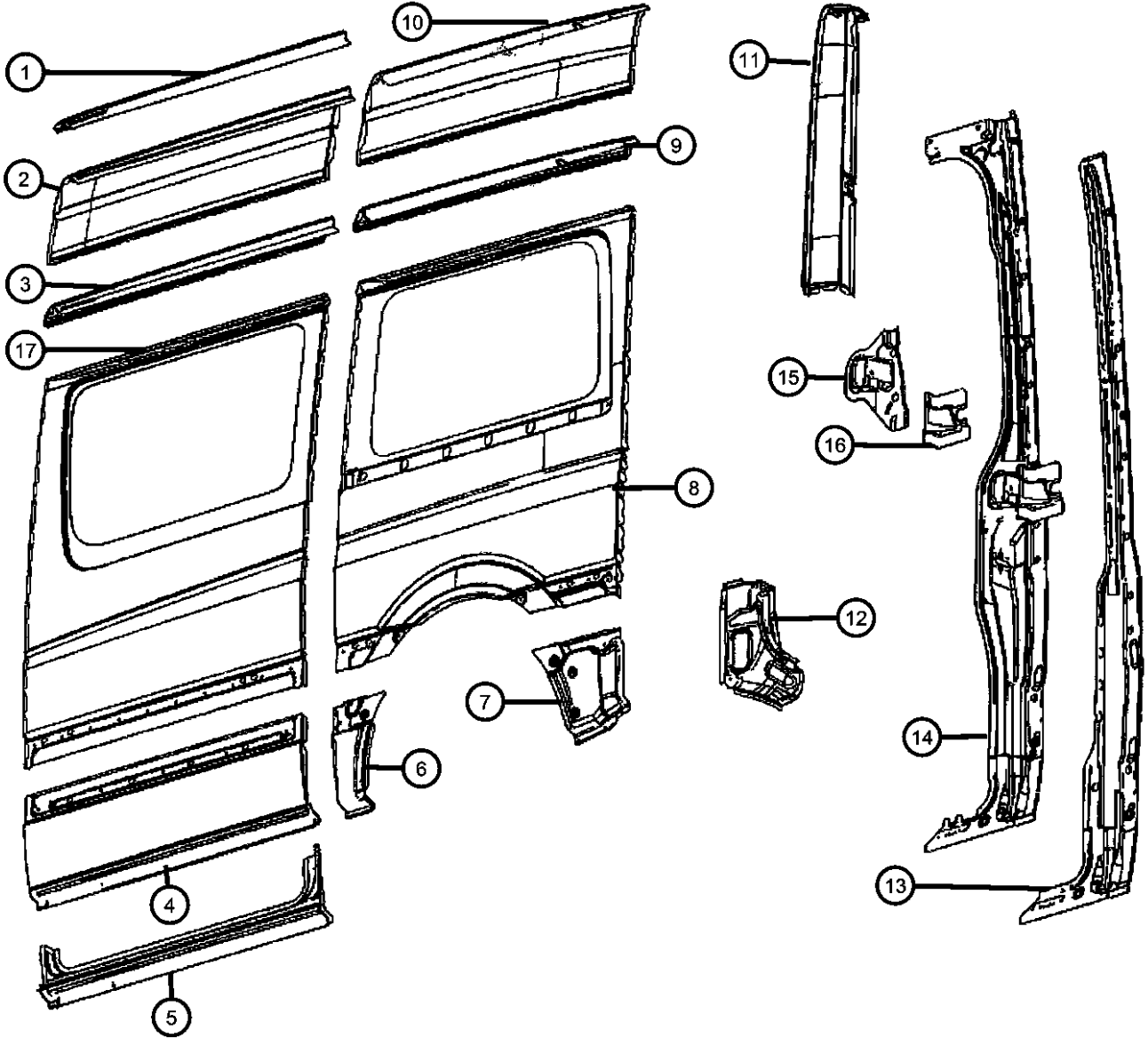
**SPRINTER (VB)**

<b>SERIES</b>	<b>LINE</b>	<b>BODY</b>	<b>ENGINE</b>	<b>TRANSMISSION</b>
L = LOWLINE	3 = HD DODGE 2WD 6 = Lt. Duty DODGE 4WD 2 = Med. Duty DODGE 2WD 7 = Med. Duty DODGE 4WD	17 = VAN WHEEL BASE 7 55 = WAGON WHEEL BASE 5 15 = VAN WHEEL BASE 5 53 = 119 WB 13 = 119 WB 05 = CAB CHASSIS WHEEL BASE 5 03 = CAB CHASSIS WHEEL BASE 3	EG2 = 3.5L V6 Gas Engine EXM = 3.0L V6 Turbo Diesel Engine	DGZ = 5-Speed Auto W5A380 Transmission

AR = use ase required - = Non illustrated part

Rear Aperture (Quarter) Panel  
Figure 60-652

ITEM	PART NUMBER	QTY	LINE	SERIES	BODY	ENGINE	TRANS	TRIM	DESCRIPTION
16	68008664AA	1	2, 3, 6, 7		13, 15, 17, 53, 55				PLATE
17	68009152AA	1	2, 3, 6, 7		13, 15, 17, 53, 55				PANEL, Body Side

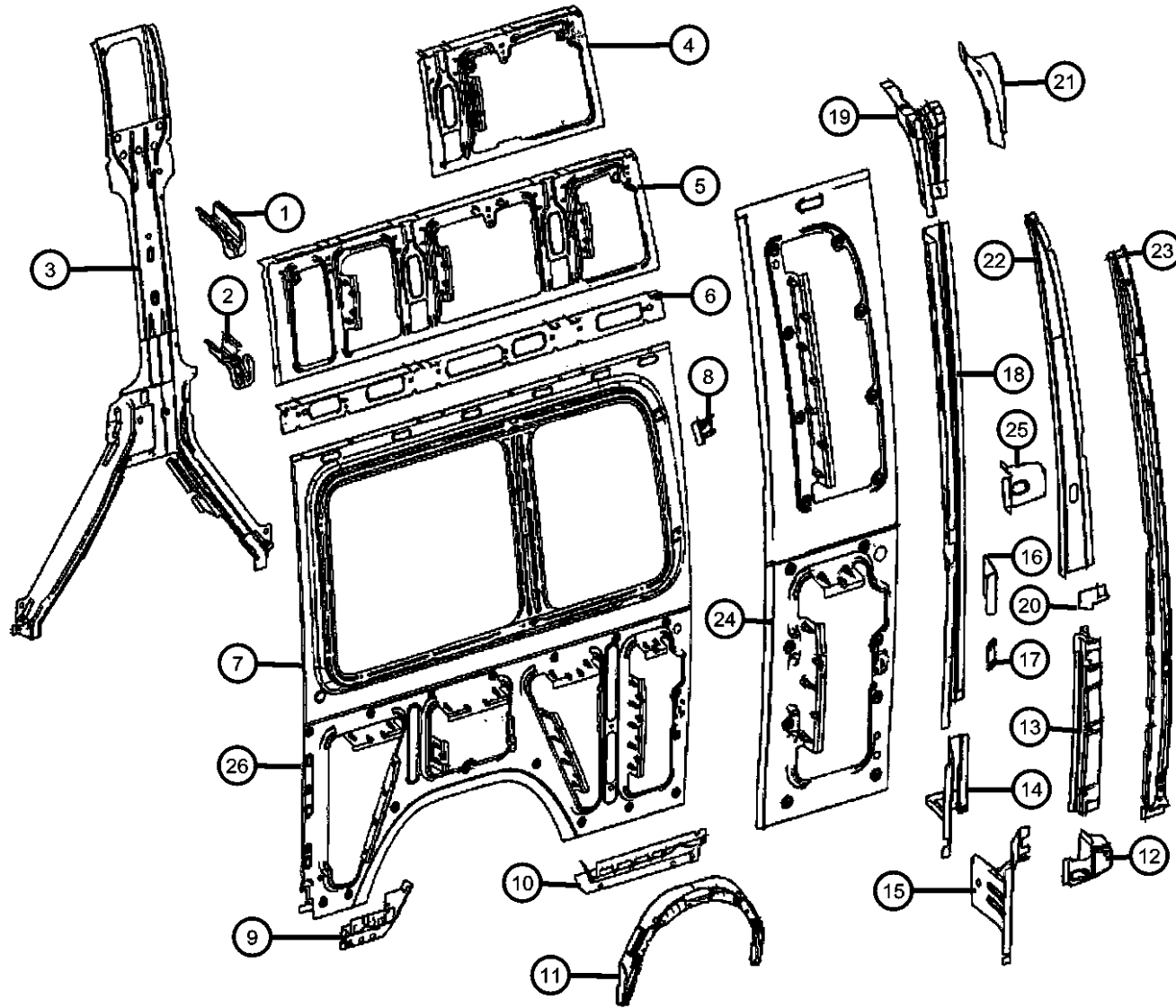


**SPRINTER (VB)**

SERIES	LINE	BODY	ENGINE	TRANSMISSION
L = LOWLINE	3 = HD DODGE 2WD 6 = Lt. Duty DODGE 4WD 2 = Med. Duty DODGE 2WD 7 = Med. Duty DODGE 4WD	17 = VAN WHEEL BASE 7 55 = WAGON WHEEL BASE 5 15 = VAN WHEEL BASE 5 53 = 119 WB 13 = 119 WB 05 = CAB CHASSIS WHEEL BASE 5 03 = CAB CHASSIS WHEEL BASE 3	EG2 = 3.5L V6 Gas Engine EXM = 3.0L V6 Turbo Diesel Engine	DGZ = 5-Speed Auto W5A380 Transmission

AR = use ase required - = Non illustrated part

Rear Aperture (Quarter) Panel  
Figure 60-653



ITEM	PART NUMBER	QTY	LINE	SERIES	BODY	ENGINE	TRANS	TRIM	DESCRIPTION
1	68008615AA	5	2, 3, 6, 7		13, 15, 17, 53, 55				BRACKET
		3	2, 3, 6, 7		13, 53				
2	68008654AA	1	2, 3, 6, 7		13, 15, 17				BRACKET, C pillar
3	68008742AA	1	2, 3, 6, 7		15, 17, 55				REINFORCEMENT, Side Panel
4	68008651AA	1	2, 3, 6, 7		17				REINFORCEMENT, Roof Panel
5	68008627AA	1	2, 3, 6, 7		17				REINFORCEMENT, Roof Panel
	68008641AA	1	2, 3, 6, 7		13, 53				
	68008645AA	1	2, 3, 6, 7		15, 55				
6	68008643AA	1	2, 3, 6, 7		13, 53				REINFORCEMENT, Roof Panel
7	68008709AA	1	3, 6, 7, 2		13, 53				PANEL
8	68008738AA	1	2, 3, 6, 7		13, 15, 17, 53, 55				REINFORCEMENT
9	68008727AA	1	2, 3, 6, 7		13, 53				REINFORCEMENT, Side Panel
	68008731AA	1	2, 3, 6, 7		15, 17, 55				
10	68008715AA	1	2, 3, 6, 7		13, 53				REINFORCEMENT, Side Panel
	68008717AA	1	2, 3, 6, 7		15, 55				
	68008719AA	1	2, 3, 6, 7		17				
11	68008765AA	1	2, 3, 6, 7						PANEL, Wheelhouse
12	68008538AA	1	2, 3, 6, 7		13, 15, 17, 53, 55				REINFORCEMENT
13	68008549AA	1	2, 3, 6, 7		13, 15, 17, 53, 55				REINFORCEMENT
14	68008759AA	1	2, 3, 6, 7		13, 15, 17, 53, 55				BRACKET
15	68008760AA	1	2, 3, 6, 7		13, 15, 17, 53, 55				REINFORCEMENT
16	68008763AA	1	2, 3, 6, 7		13, 15, 17, 53, 55				REINFORCEMENT
17	68008757AA	1	2, 3, 6, 7		13, 15, 17, 53, 55				BRACKET
18	68008755AA	1	2, 3, 6, 7		13, 15, 17, 53, 55				PANEL, D Pillar

SPRINTER (VB)

SERIES

L = LOWLINE

LINE

3 = HD DODGE 2WD  
6 = Lt. Duty DODGE 4WD  
2 = Med. Duty DODGE 2WD  
7 = Med. Duty DODGE 4WD

BODY

17 = VAN WHEEL BASE 7  
55 = WAGON WHEEL BASE 5  
15 = VAN WHEEL BASE 5  
53 = 119 WB  
13 = 119 WB  
05 = CAB CHASSIS WHEEL BASE 5  
03 = CAB CHASSIS WHEEL BASE 3

ENGINE

EG2 = 3.5L V6 Gas Engine  
EXM = 3.0L V6 Turbo Diesel Engine

TRANSMISSION

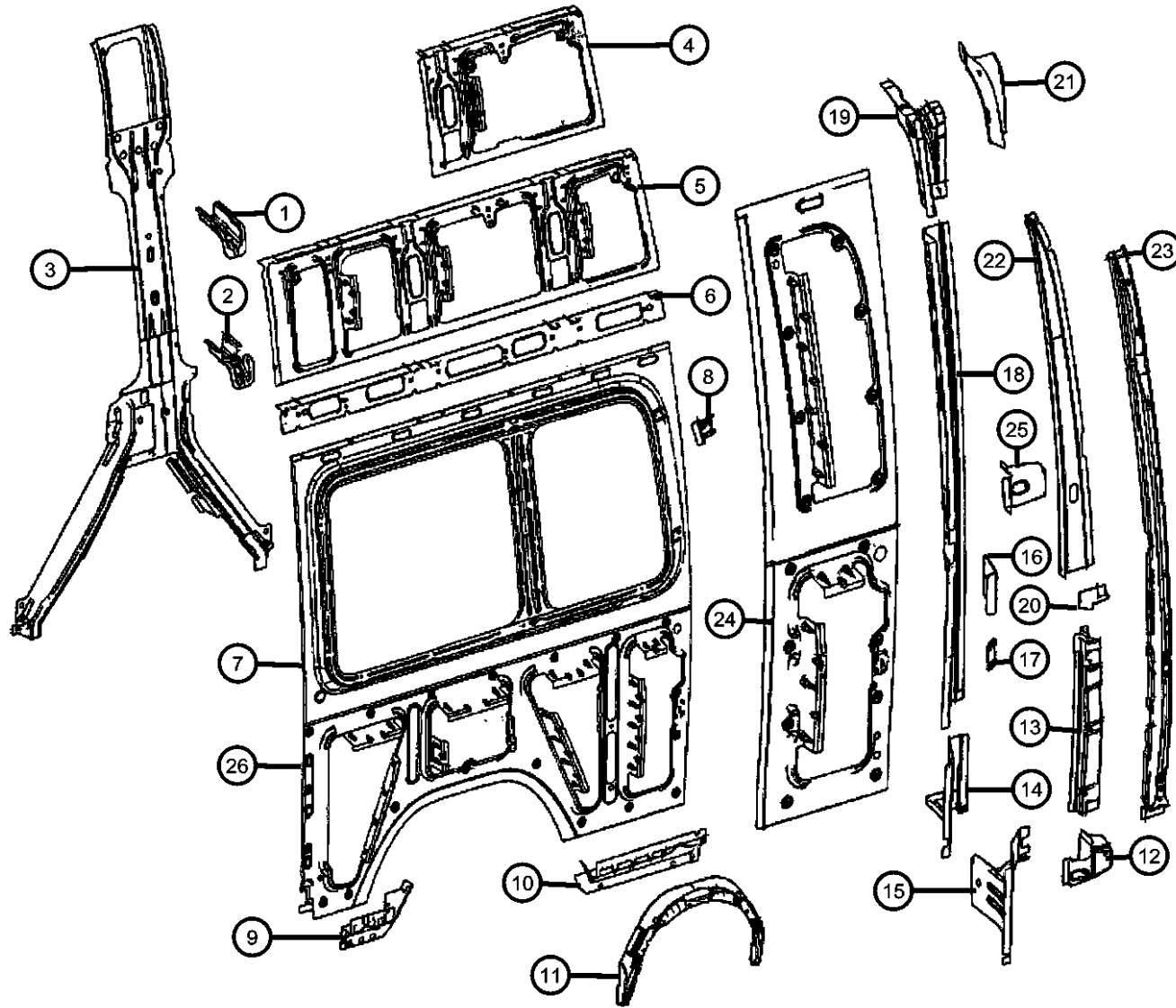
DGZ = 5-Speed Auto W5A380 Transmission

AR = use ase required - = Non illustrated part

2008 VB



Rear Aperture (Quarter) Panel  
Figure 60-653



ITEM	PART NUMBER	QTY	LINE	SERIES	BODY	ENGINE	TRANS	TRIM	DESCRIPTION
19	68005124AA	1	6, 7, 2, 3		13, 15, 17, 53, 55				BRACKET, D Pillar With High or Mega Roof
	68008752AA	1	2, 3, 6, 7		13, 15, 17, 53, 55				
20	68007551AA	4	3, 7		03, 05				BRACKET REINFORCEMENT
21	68008761AA	1	2, 3, 6, 7		13, 15, 17, 53, 55				With High or Mega Roof
	68008762AA	1	2, 3, 6, 7		13, 15, 17, 53, 55				
22	68008552AA	1	2, 3, 6, 7		13, 15, 17, 53, 55				BRACKET With High or Mega Roof
	68008553AA	1	2, 3, 6, 7		13, 15, 17, 53, 55				
23	68008747AA	1	2, 3, 6, 7		17				PANEL, D Pillar
24	68008705AA	1	2, 3, 6, 7		17				PANEL, Side Inner
25	68008544AA	1	2, 3, 6, 7		13, 15, 17, 53, 55				REINFORCEMENT, Hinge Pillar
26	68008711AA	1	2, 3, 6, 7		15, 17, 55				PANEL, Side

SPRINTER (VB)

SERIES LINE  
L = LOWLINE 3 = HD DODGE 2WD  
6 = Lt. Duty DODGE 4WD  
2 = Med. Duty DODGE 2WD  
7 = Med. Duty DODGE 4WD

BODY  
17 = VAN WHEEL BASE 7  
55 = WAGON WHEEL BASE 5  
15 = VAN WHEEL BASE 5  
53 = 119 WB  
13 = 119 WB  
05 = CAB CHASSIS WHEEL  
BASE 5  
03 = CAB CHASSIS WHEEL  
BASE 3

ENGINE  
EG2 = 3.5L V6 Gas Engine  
EXM = 3.0L V6 Turbo Diesel  
Engine

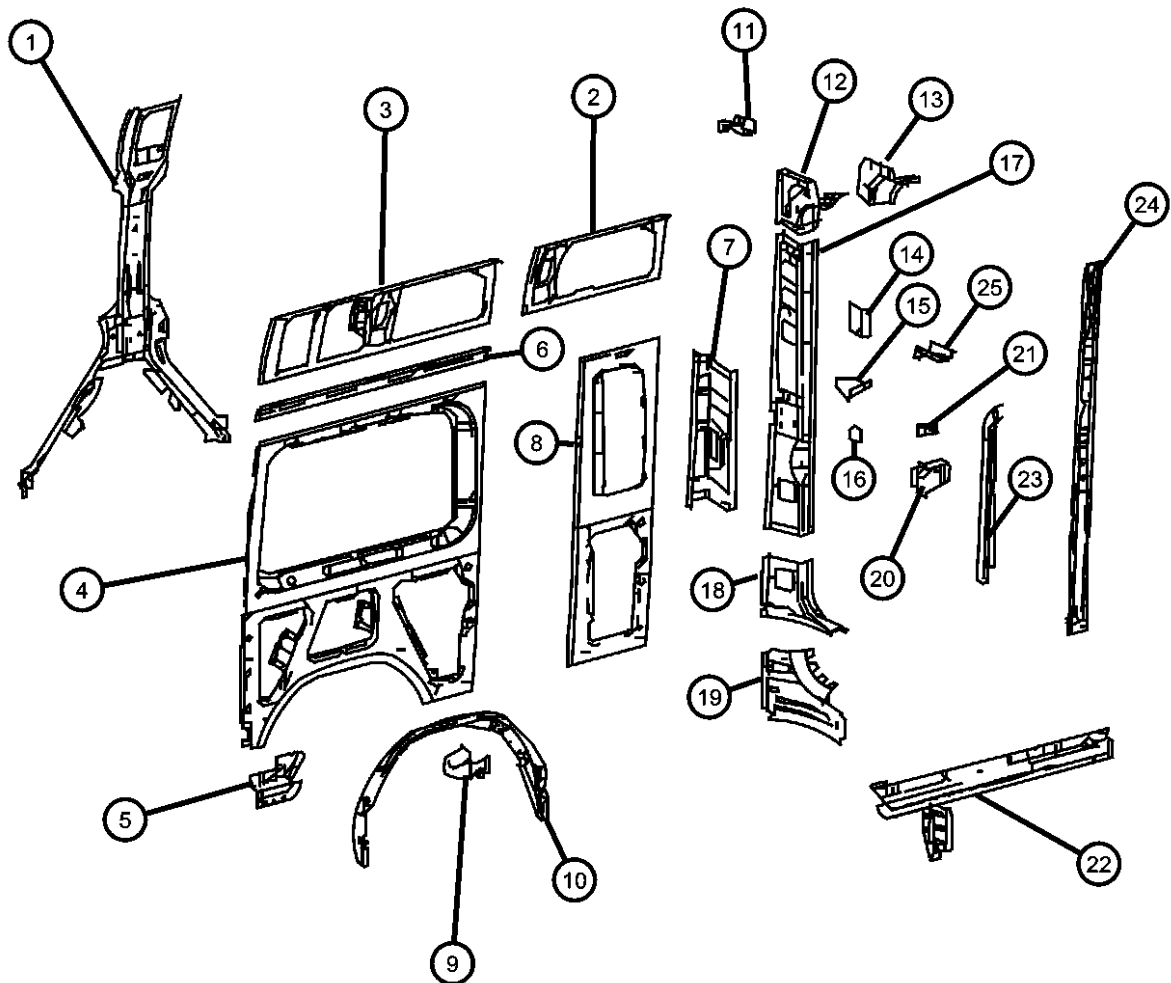
TRANSMISSION  
DGZ = 5-Speed Auto W5A380  
Transmission

AR = use ase required - = Non illustrated part

2008 VB

**Rear Aperture (Quarter) Panel  
Figure 60-654**

ITEM	PART NUMBER	QTY	LINE	SERIES	BODY	ENGINE	TRANS	TRIM	DESCRIPTION
1	68009330AA	1	2, 3, 6, 7		15, 17, 55				REINFORCEMENT, Side Panel
2	68008650AA	1	2, 3, 6, 7		17				REINFORCEMENT, Roof Panel
3									REINFORCEMENT, Roof Panel
	68008644AA	1	2, 3, 6, 7		15, 55				[5CG]
	68009272AA	1	2, 3, 6, 7		17				
	68008640AA	1	2, 3, 6, 7		13, 53				[5CF]
4	68008710AA	1	2, 3, 6, 7		15, 17, 55				PANEL, Side, Side Panel Inside Rear
5	68008730AA	1	2, 3, 6, 7		15, 17, 55				REINFORCEMENT, Side Panel
6	68008642AA	1	2, 3, 6, 7		13, 53				REINFORCEMENT, Roof Panel, Side Panel Inside, Roof Rail
7	68009232AA	1	2, 3, 6, 7		13, 15, 17, 53, 55				REINFORCEMENT, Side Panel Outside D-Pillar
8	68009319AA	1	2, 3, 6, 7		17				PANEL, Inner
9	68009224AA	1	2, 3, 6, 7		13, 15, 17, 53, 55				REINFORCEMENT, Hinge Bottom Right
10									PANEL, Wheelhouse
	68009347AA	1	2, 3, 6, 7						[ZU7]
	68009351AA	1	3, 7		13, 15, 17				
11									BRACKET
	68008615AA	5	2, 3, 6, 7		13, 15, 17, 53, 55				[T16]
	68008655AA	3	2, 3, 6, 7		13, 15, 17, 53, 55				[D05]
12									PLATE
	68005147AA	1	2, 3, 6, 7		13, 15, 17, 53, 55				[D03,D05,D06] Side Panel Inside D-Pillar
	68009338AA	1	2, 3, 6, 7		13, 15, 17, 53, 55				
13									REINFORCEMENT
	68009345AA	1	2, 3, 6, 7		13, 15, 17, 53, 55				
	68009346AA	1	2, 3, 6, 7		13, 15, 17, 53, 55				High or Super High Roof
14	68008763AA	1	7, 2, 3, 6		13, 15, 17, 53, 55				REINFORCEMENT
15	68009233AA	1	2, 3, 6, 7		13, 15, 17, 53, 55				BRACKET
16	68008757AA	1	2, 3, 6, 7		13, 15, 17, 53, 55				BRACKET



**SPRINTER (VB)**

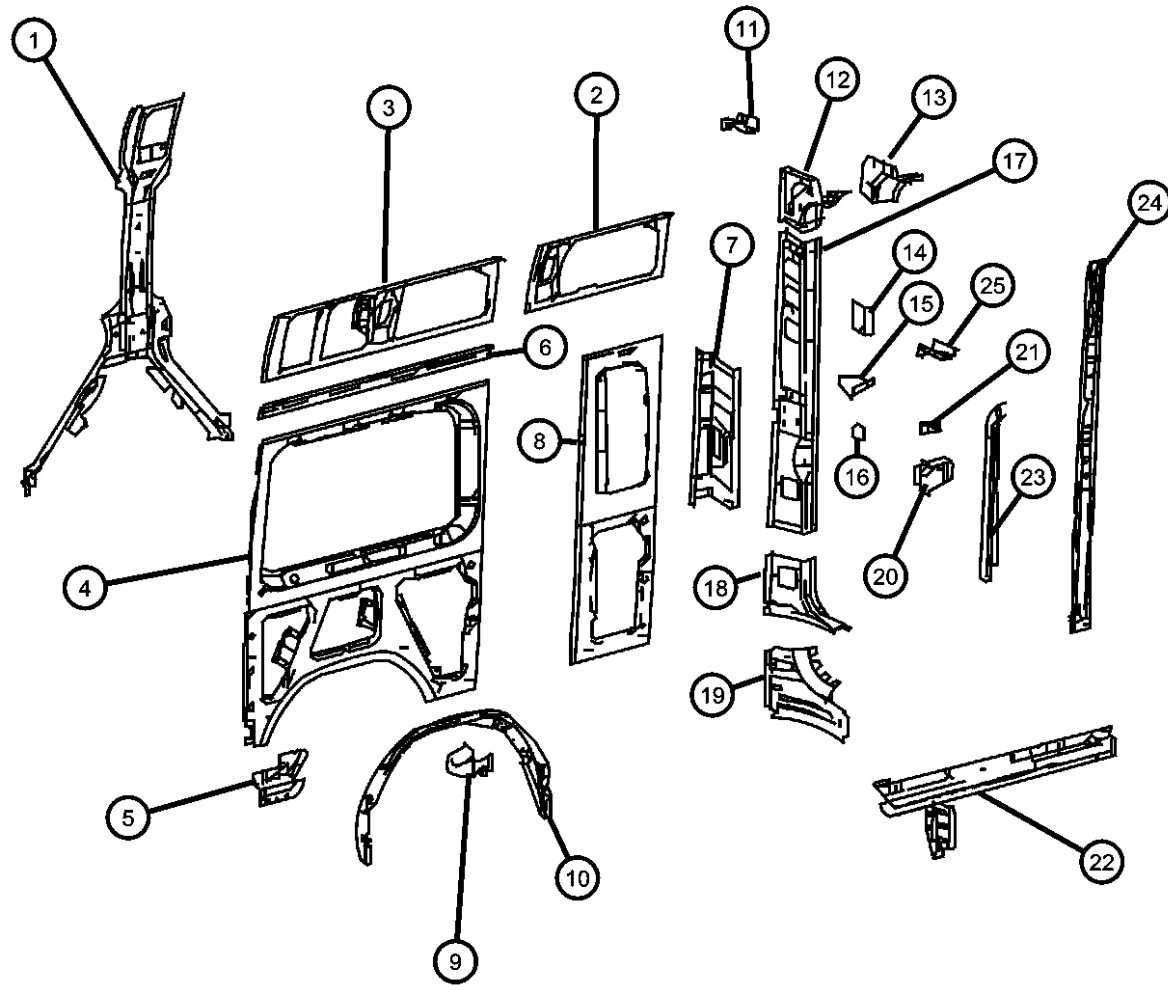
SERIES	LINE	BODY	ENGINE	TRANSMISSION
L = LOWLINE	3 = HD DODGE 2WD 6 = Lt. Duty DODGE 4WD 2 = Med. Duty DODGE 2WD 7 = Med. Duty DODGE 4WD	17 = VAN WHEEL BASE 7 55 = WAGON WHEEL BASE 5 15 = VAN WHEEL BASE 5 53 = 119 WB 13 = 119 WB 05 = CAB CHASSIS WHEEL BASE 5 03 = CAB CHASSIS WHEEL BASE 3	EG2 = 3.5L V6 Gas Engine EXM = 3.0L V6 Turbo Diesel Engine	DGZ = 5-Speed Auto W5A380 Transmission

AR = use ase required - = Non illustrated part

2008 VB

Rear Aperture (Quarter) Panel  
Figure 60-654

ITEM	PART NUMBER	QTY	LINE	SERIES	BODY	ENGINE	TRANS	TRIM	DESCRIPTION
17	68008754AA	1	2, 3, 6, 7		13, 15, 17, 53, 55				PANEL, D Pillar
18	68009343AA	1	2, 3, 6, 7		13, 15, 17, 53, 55				REINFORCEMENT
19	68009344AA	1	2, 3, 6, 7		13, 15, 17, 53, 55				REINFORCEMENT
20	68009219AA	1	2, 3, 6, 7		13, 15, 17, 53, 55				REINFORCEMENT
21									REINFORCEMENT
	68009326AA	1	2, 3, 6, 7		13, 15, 17, 53, 55				
	68009328AA	1	2, 3, 6, 7		13, 15, 17, 53, 55				Side Panel Outside D-Pillar
22									REINFORCEMENT, Side Panel
	68008716AA	1	2, 3, 6, 7		15, 55				Side Panel Inside -Rear
	68008718AA	1	2, 3, 6, 7		17				
23									PLATE
	68009231AA	1	2, 3, 6, 7		13, 15, 17, 53, 55				High and Super High Roof
	68009230AA	1	2, 3, 6, 7		13, 15, 17, 53, 55				
24	68009335AA	1	2, 3, 6, 7		17				PANEL, D Pillar
25	68009778AA	1	2, 3, 6, 7		13, 15, 17, 53, 55				BRACKET, Roof, Roof Bow



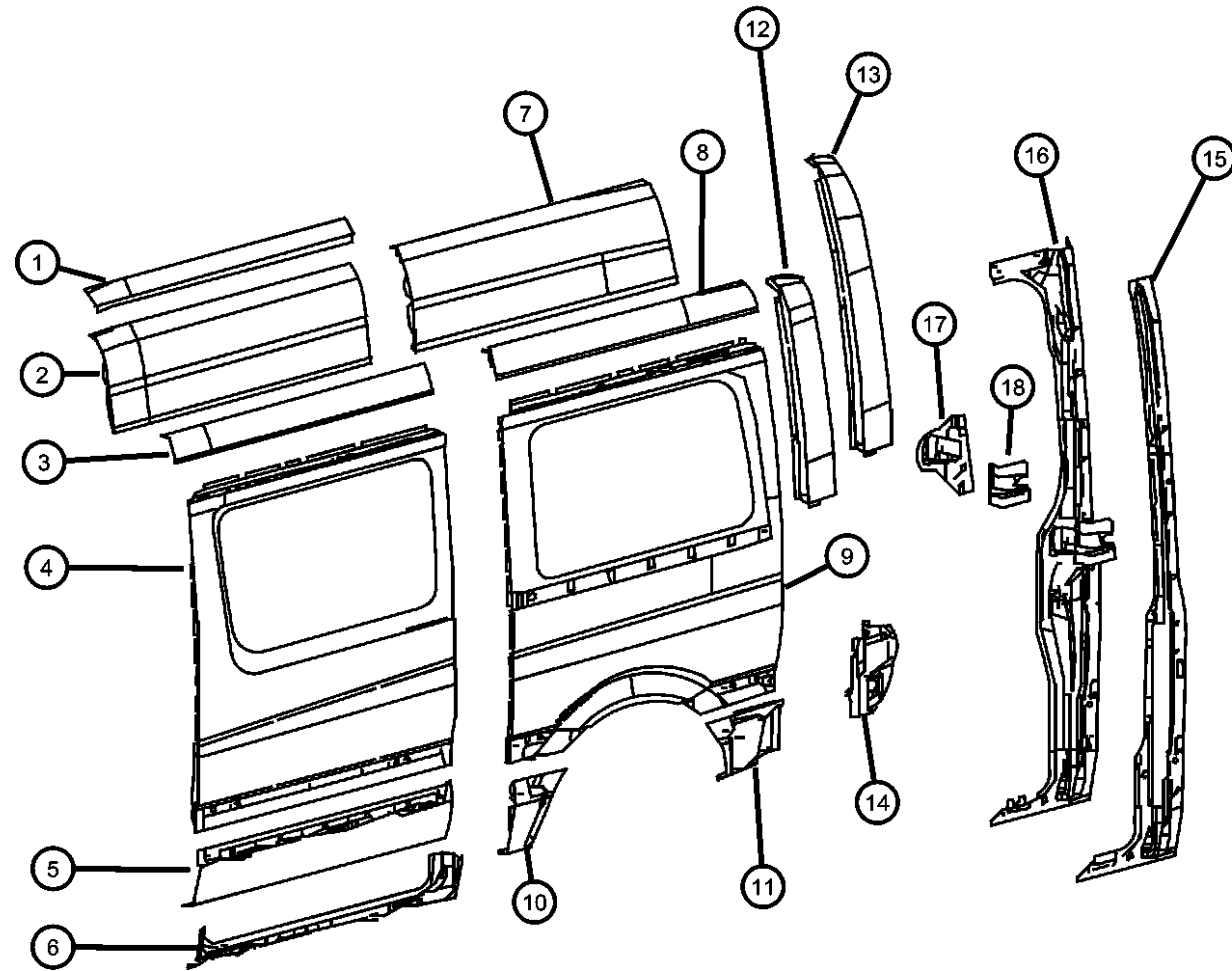
SPRINTER (VB)

SERIES	LINE	BODY	ENGINE	TRANSMISSION
L = LOWLINE	3 = HD DODGE 2WD 6 = Lt. Duty DODGE 4WD 2 = Med. Duty DODGE 2WD 7 = Med. Duty DODGE 4WD	17 = VAN WHEEL BASE 7 55 = WAGON WHEEL BASE 5 15 = VAN WHEEL BASE 5 53 = 119 WB 13 = 119 WB 05 = CAB CHASSIS WHEEL BASE 5 03 = CAB CHASSIS WHEEL BASE 3	EG2 = 3.5L V6 Gas Engine EXM = 3.0L V6 Turbo Diesel Engine	DGZ = 5-Speed Auto W5A380 Transmission

AR = use ase required - = Non illustrated part

2008 VB

D-Pillar,  
Figure 60-685



ITEM	PART NUMBER	QTY	LINE	SERIES	BODY	ENGINE	TRANS	TRIM	DESCRIPTION
1	68008503AA	1	2, 3, 6, 7		13, 15, 17, 53, 55				PANEL, Roof
2	68008504AA	1	2, 3, 6, 7		13, 15, 17, 53, 55				PANEL, Roof
3	68008511AA	1	2, 3, 6, 7		13, 53				PANEL, Roof
4	68008462AA	1	2, 3, 6, 7		13, 15, 17, 53, 55				PANEL, Body Side
5	68008493AA	1	7, 2, 3, 6		13, 15, 17, 53, 55				ROCKER
6	68008519AA	1	2, 3, 6, 7		13, 15, 17, 53, 55				PANEL, Sill
7	68008512AA	1	2, 3, 6, 7		13, 15, 17, 53, 55				PANEL, Roof
	68008516AA	1	2, 3, 6, 7		13, 53				[5CF]
	68008518AA	1	2, 3, 6, 7		15, 55				[5CG]
8	68008517AA	1	2, 3, 6, 7		13, 53				PANEL, Roof
9	68008517AA	1							PANEL, Body Side Rear, (NOT SERVICED)
10	68008466AA	1	2, 3, 6, 7		13, 53				PANEL, Wheelhouse [5CF]
	68008467AA	1	2, 3, 6, 7		15, 17, 55				
11	68008489AA	1	2, 3, 6, 7		13, 53				PANEL, Wheelhouse [5CF]
	68008490AA	1	2, 3, 6, 7		15, 55				[5CG]
12	68008531AA	1	2, 3, 6, 7		13, 15, 17, 53, 55				PANEL, D Pillar, Side Panel Outside D_Pillar
13	68008532AA	1	2, 3, 6, 7		13, 15, 17, 53, 55				PANEL, D Pillar
14	68008533AA	1	2, 3, 6, 7		13, 15, 17, 53, 55				EXTENSION, D Pillar Lower
15	68008669AA	1	2, 3, 6, 7		13, 15, 17, 53, 55				PANEL, D Pillar
	68008671AA	1	2, 3, 6, 7		13, 15, 17, 53, 55				High or Super High Roof
16	68008667AA	1	2, 3, 6, 7		13, 15, 17, 53, 55				PILLAR, Side Cargo Door High Roof and Super High Roof

**SPRINTER (VB)**

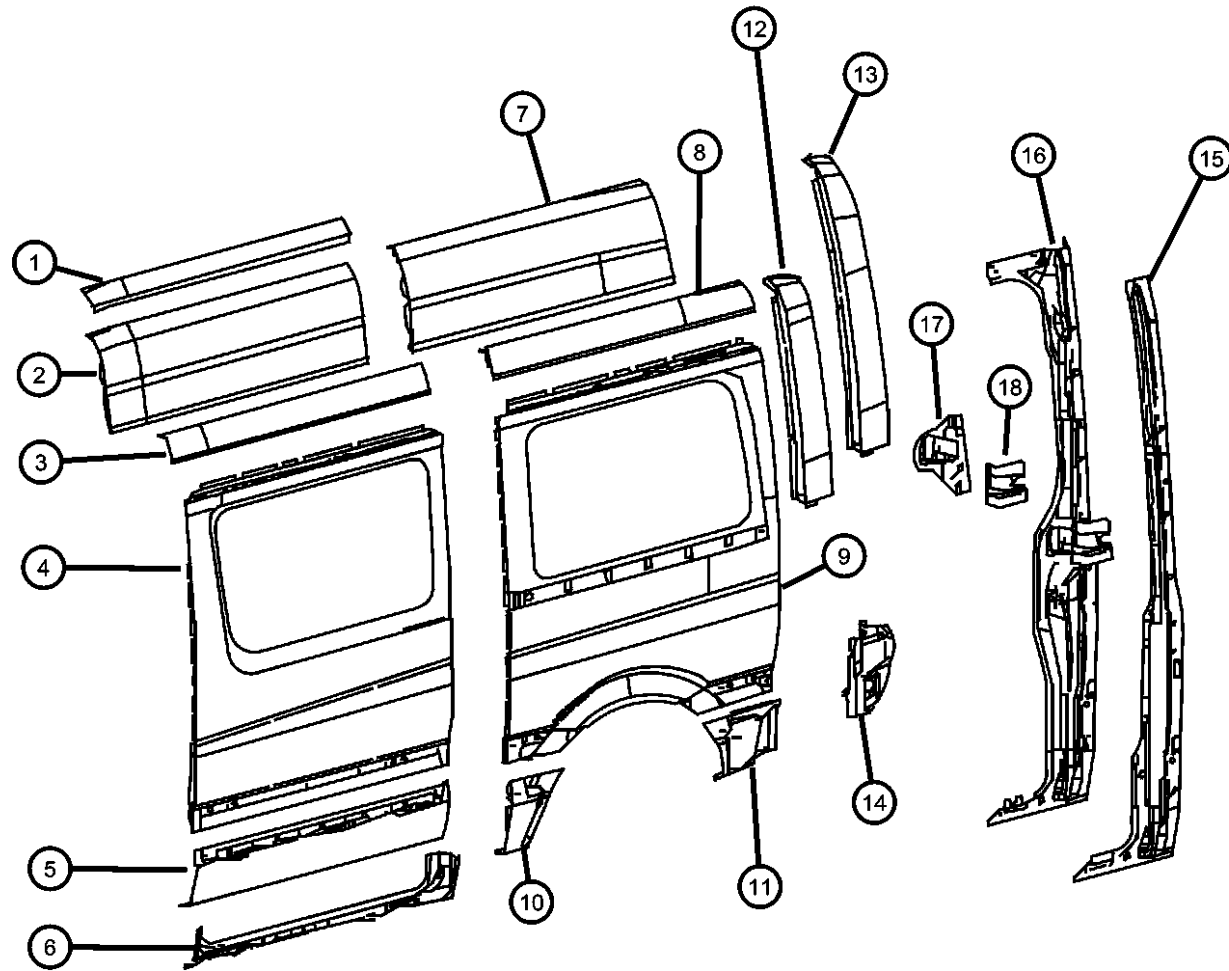
SERIES	LINE	BODY	ENGINE	TRANSMISSION
L = LOWLINE	3 = HD DODGE 2WD 6 = Lt. Duty DODGE 4WD 2 = Med. Duty DODGE 2WD 7 = Med. Duty DODGE 4WD	17 = VAN WHEEL BASE 7 55 = WAGON WHEEL BASE 5 15 = VAN WHEEL BASE 5 53 = 119 WB 13 = 119 WB 05 = CAB CHASSIS WHEEL BASE 5 03 = CAB CHASSIS WHEEL BASE 3	EG2 = 3.5L V6 Gas Engine EXM = 3.0L V6 Turbo Diesel Engine	DGZ = 5-Speed Auto W5A380 Transmission

AR = use ase required - = Non illustrated part

2008 VB

D-Pillar,  
Figure 60-685

ITEM	PART NUMBER	QTY	LINE	SERIES	BODY	ENGINE	TRANS	TRIM	DESCRIPTION
	68008673AA	1	2, 3, 6, 7		13, 15, 17, 53, 55				Standard
17	68008662AA	1	2, 3, 6, 7		13, 15, 17, 53, 55				PLATE
18	68008665AA	1	2, 3, 6, 7		13, 15, 17, 53, 55				PLATE



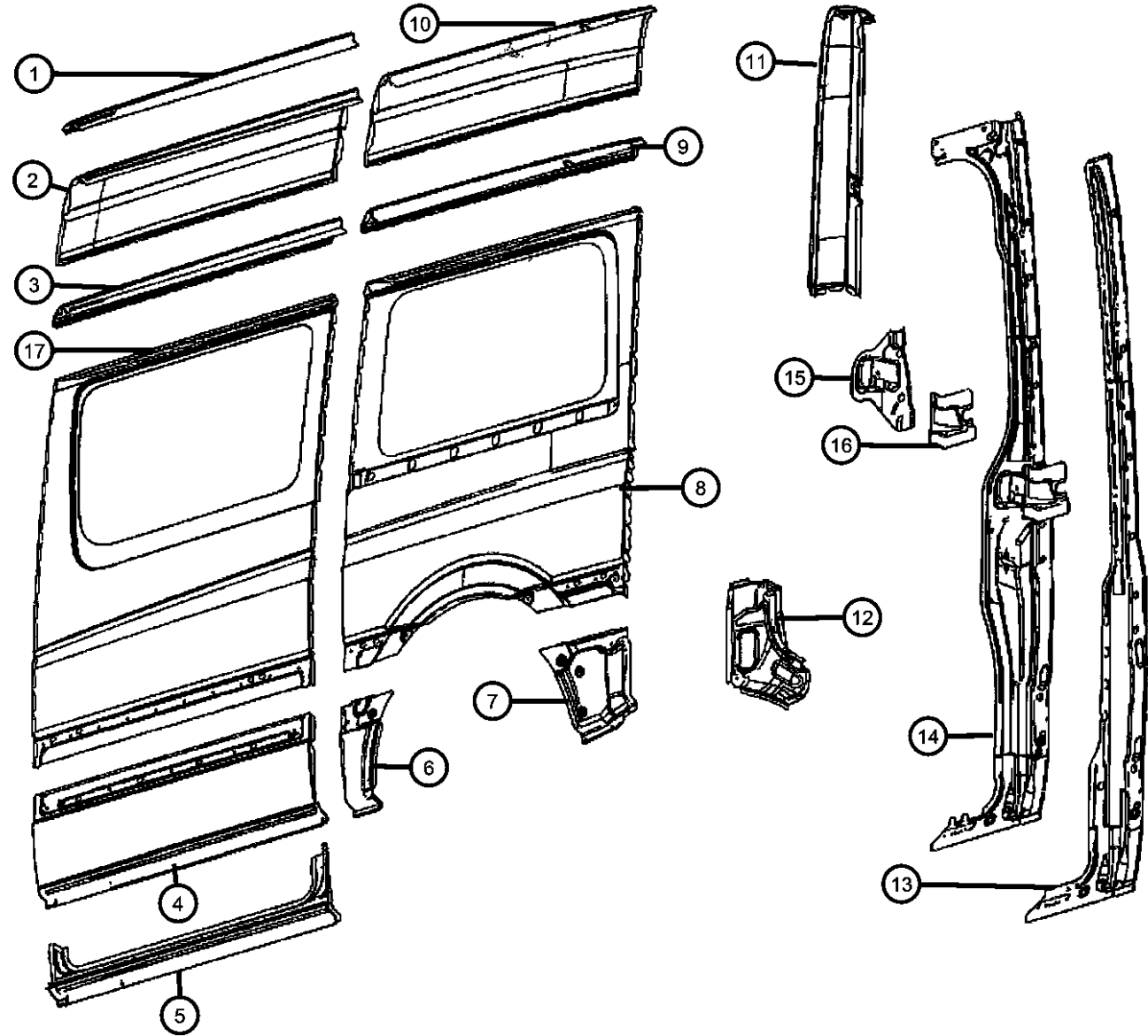
**SPRINTER (VB)**

SERIES	LINE	BODY	ENGINE	TRANSMISSION
L = LOWLINE	3 = HD DODGE 2WD 6 = Lt. Duty DODGE 4WD 2 = Med. Duty DODGE 2WD 7 = Med. Duty DODGE 4WD	17 = VAN WHEEL BASE 7 55 = WAGON WHEEL BASE 5 15 = VAN WHEEL BASE 5 53 = 119 WB 13 = 119 WB 05 = CAB CHASSIS WHEEL BASE 5 03 = CAB CHASSIS WHEEL BASE 3	EG2 = 3.5L V6 Gas Engine EXM = 3.0L V6 Turbo Diesel Engine	DGZ = 5-Speed Auto W5A380 Transmission

AR = use ase required - = Non illustrated part

2008 VB

D-Pillar  
Figure 60-686



ITEM	PART NUMBER	QTY	LINE	SERIES	BODY	ENGINE	TRANS	TRIM	DESCRIPTION
1	68009182AA	1	3, 6, 7, 2		13, 15, 17, 53, 55				PANEL, Roof
2	68009181AA	1	2, 3, 6, 7		13, 15, 17, 53, 55				PANEL, Roof
3									PANEL, Roof
	68009186AA	1	2, 3, 6, 7		13, 53				
	68009187AA	1	2, 3, 6, 7		13, 15, 17, 53, 55				
4	68009195AA	1	2, 3, 6, 7		13, 15, 17, 53, 55				PANEL, Body Side
5	68009196AA	1	2, 3, 6, 7		13, 15, 17, 53, 55				ROCKER
6	68009157AA	1	2, 3, 6, 7		15, 17, 55				PANEL, Wheelhouse
7									PANEL, Wheelhouse
	68005132AA	1	2, 3, 6, 7		17				
	68008488AA	1	2, 3, 6, 7		13, 53				
	68009177AA	1	2, 3, 6, 7		15, 55				
8	68009177AA	1							PANEL, Rear Body, (NOT SERVICED)
9	68009193AA	1	2, 3, 6, 7		13, 53				PANEL, Roof
10									PANEL, Roof
	68005133AA	1	2, 3, 6, 7		17				
	68009192AA	1	2, 3, 6, 7		13, 53				
	68009194AA	1	2, 3, 6, 7		15, 55				
11	68009194AA	1							PANEL, D Pillar, (NOT SERVICED)
12	68009214AA	1	2, 3, 6, 7		13, 15, 17, 53, 55				REINFORCEMENT
13									PANEL, D Pillar
	68008668AA	1	2, 3, 6, 7		13, 15, 17, 53, 55				
	68008670AA	1	6, 7, 2, 3		13, 15, 17, 53, 55				High and Super High Roof
14									PILLAR, Side Cargo Door
	68008666AA	1	2, 3, 6, 7		13, 15, 17, 53, 55				High and Super High Roof
	68008672AA	1	2, 3, 6, 7		13, 15, 17, 53, 55				
15	68006310AA	1	2, 3, 6, 7						BRACKET

**SPRINTER (VB)**

**SERIES**

L = LOWLINE

**LINE**

3 = HD DODGE 2WD  
6 = Lt. Duty DODGE 4WD  
2 = Med. Duty DODGE 2WD  
7 = Med. Duty DODGE 4WD

**BODY**

17 = VAN WHEEL BASE 7  
55 = WAGON WHEEL BASE 5  
15 = VAN WHEEL BASE 5  
53 = 119 WB  
13 = 119 WB  
05 = CAB CHASSIS WHEEL BASE 5  
03 = CAB CHASSIS WHEEL BASE 3

**ENGINE**

EG2 = 3.5L V6 Gas Engine  
EXM = 3.0L V6 Turbo Diesel Engine

**TRANSMISSION**

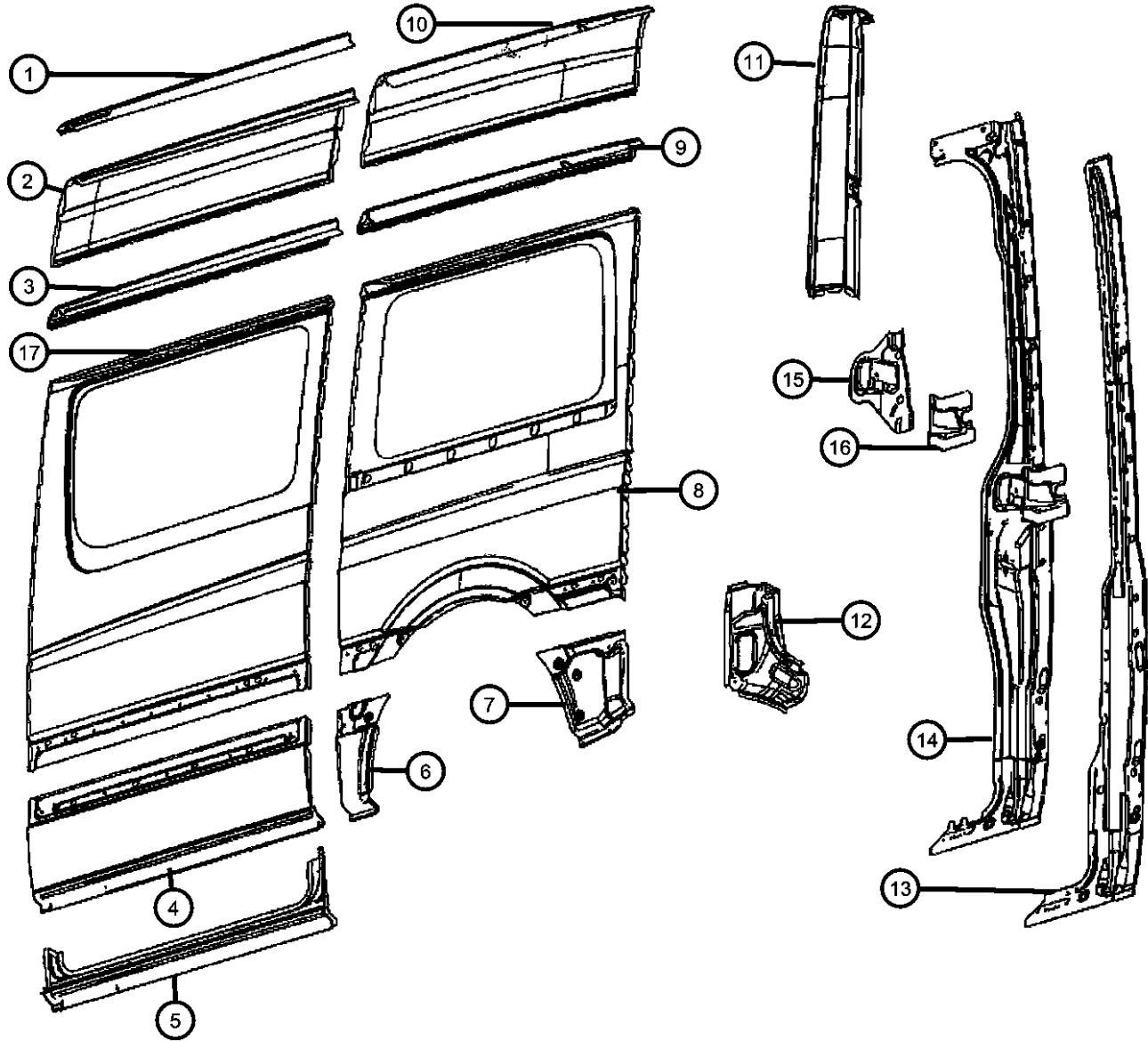
DGZ = 5-Speed Auto W5A380 Transmission

AR = use ase required - = Non illustrated part

2008 VB

D-Pillar  
Figure 60-686

ITEM	PART NUMBER	QTY	LINE	SERIES	BODY	ENGINE	TRANS	TRIM	DESCRIPTION
16	68008664AA	1	2, 3, 6, 7		13, 15, 17, 53, 55				PLATE
17	68009152AA	1	2, 3, 6, 7		13, 15, 17, 53, 55				PANEL, Body Side



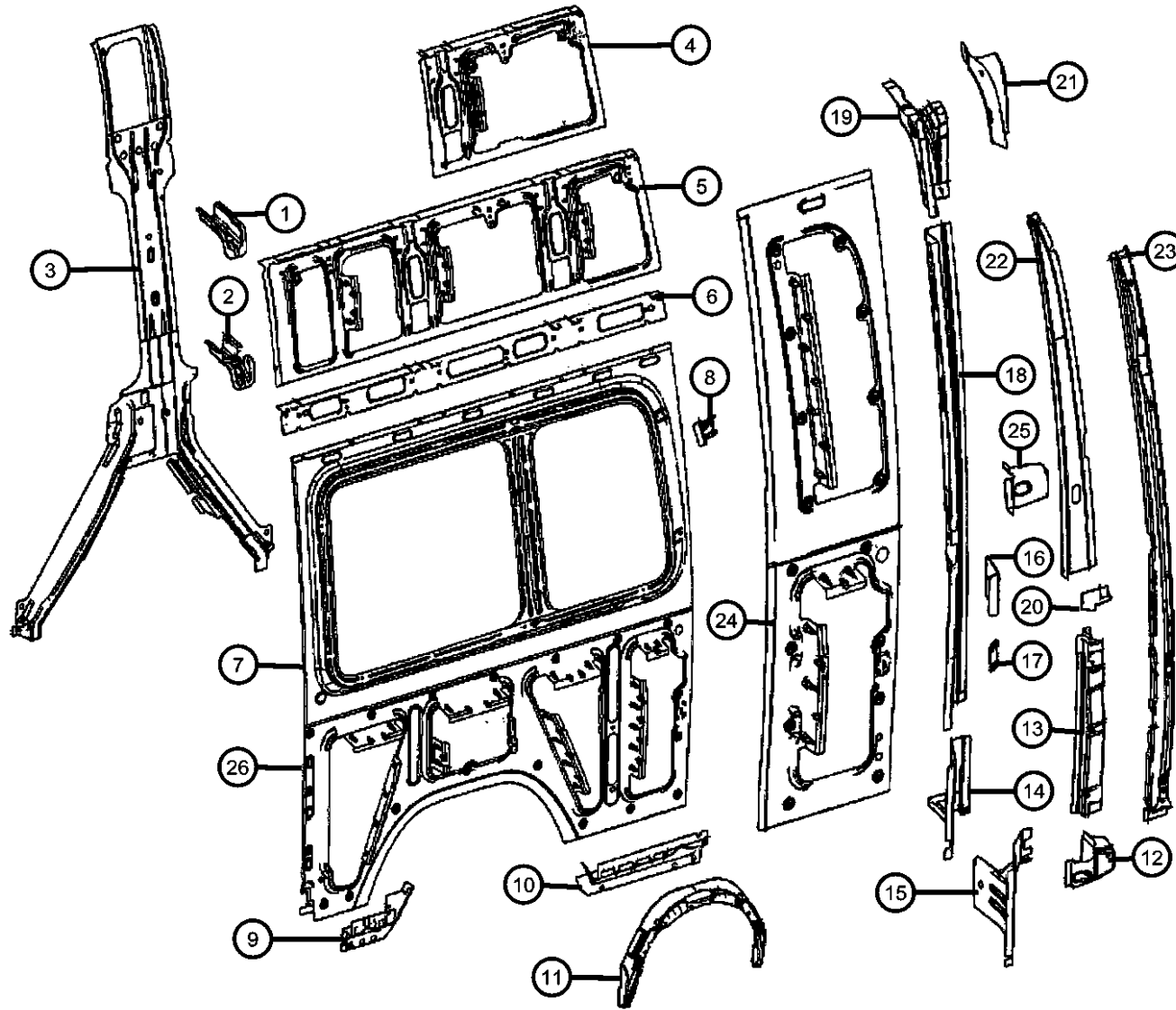
**SPRINTER (VB)**

SERIES	LINE	BODY	ENGINE	TRANSMISSION
L = LOWLINE	3 = HD DODGE 2WD 6 = Lt. Duty DODGE 4WD 2 = Med. Duty DODGE 2WD 7 = Med. Duty DODGE 4WD	17 = VAN WHEEL BASE 7 55 = WAGON WHEEL BASE 5 15 = VAN WHEEL BASE 5 53 = 119 WB 13 = 119 WB 05 = CAB CHASSIS WHEEL BASE 5 03 = CAB CHASSIS WHEEL BASE 3	EG2 = 3.5L V6 Gas Engine EXM = 3.0L V6 Turbo Diesel Engine	DGZ = 5-Speed Auto W5A380 Transmission

AR = use ase required - = Non illustrated part

2008 VB

D-Pillar  
Figure 60-687



ITEM	PART NUMBER	QTY	LINE	SERIES	BODY	ENGINE	TRANS	TRIM	DESCRIPTION
1	68008615AA	5	2, 3, 6, 7		13, 15, 17, 53, 55				BRACKET
		3	2, 3, 6, 7		13, 53				
2	68008654AA	1	2, 3, 6, 7		13, 15, 17				BRACKET, C pillar
3	68008742AA	1	2, 3, 6, 7		15, 17, 55				REINFORCEMENT, Side Panel
4	68008651AA	1	2, 3, 6, 7		17				REINFORCEMENT, Roof Panel
5	68008627AA	1	2, 3, 6, 7		17				REINFORCEMENT, Roof Panel
	68008641AA	1	2, 3, 6, 7		13, 53				
	68008645AA	1	2, 3, 6, 7		15, 55				
6	68008643AA	1	2, 3, 6, 7		13, 53				REINFORCEMENT, Roof Panel
7	68008709AA	1	2, 3, 6, 7		13, 53				PANEL
8	68008738AA	1	3, 6, 7, 2		13, 15, 17, 53, 55				REINFORCEMENT
9	68008727AA	1	2, 3, 6, 7		13, 53				REINFORCEMENT, Side Panel
	68008731AA	1	2, 3, 6, 7		15, 17, 55				
10	68008715AA	1	2, 3, 6, 7		13, 53				REINFORCEMENT, Side Panel
	68008717AA	1	2, 3, 6, 7		15, 55				
	68008719AA	1	2, 3, 6, 7		17				
11	68008765AA	1	2, 3, 6, 7						PANEL, Wheelhouse
12	68008538AA	1	2, 3, 6, 7		13, 15, 17, 53, 55				REINFORCEMENT
13	68008549AA	1	2, 3, 6, 7		13, 15, 17, 53, 55				REINFORCEMENT
14	68008759AA	1	2, 3, 6, 7		13, 15, 17, 53, 55				BRACKET
15	68008760AA	1	2, 3, 6, 7		13, 15, 17, 53, 55				REINFORCEMENT
16	68008763AA	1	2, 3, 6, 7		13, 15, 17, 53, 55				REINFORCEMENT
17	68008757AA	1	2, 3, 6, 7		13, 15, 17, 53, 55				BRACKET
18	68008755AA	1	2, 3, 6, 7		13, 15, 17, 53, 55				PANEL, D Pillar

**SPRINTER (VB)**

**SERIES**

L = LOWLINE

**LINE**

3 = HD DODGE 2WD  
6 = Lt. Duty DODGE 4WD  
2 = Med. Duty DODGE 2WD  
7 = Med. Duty DODGE 4WD

**BODY**

17 = VAN WHEEL BASE 7  
55 = WAGON WHEEL BASE 5  
15 = VAN WHEEL BASE 5  
53 = 119 WB  
13 = 119 WB  
05 = CAB CHASSIS WHEEL BASE 5  
03 = CAB CHASSIS WHEEL BASE 3

**ENGINE**

EG2 = 3.5L V6 Gas Engine  
EXM = 3.0L V6 Turbo Diesel Engine

**TRANSMISSION**

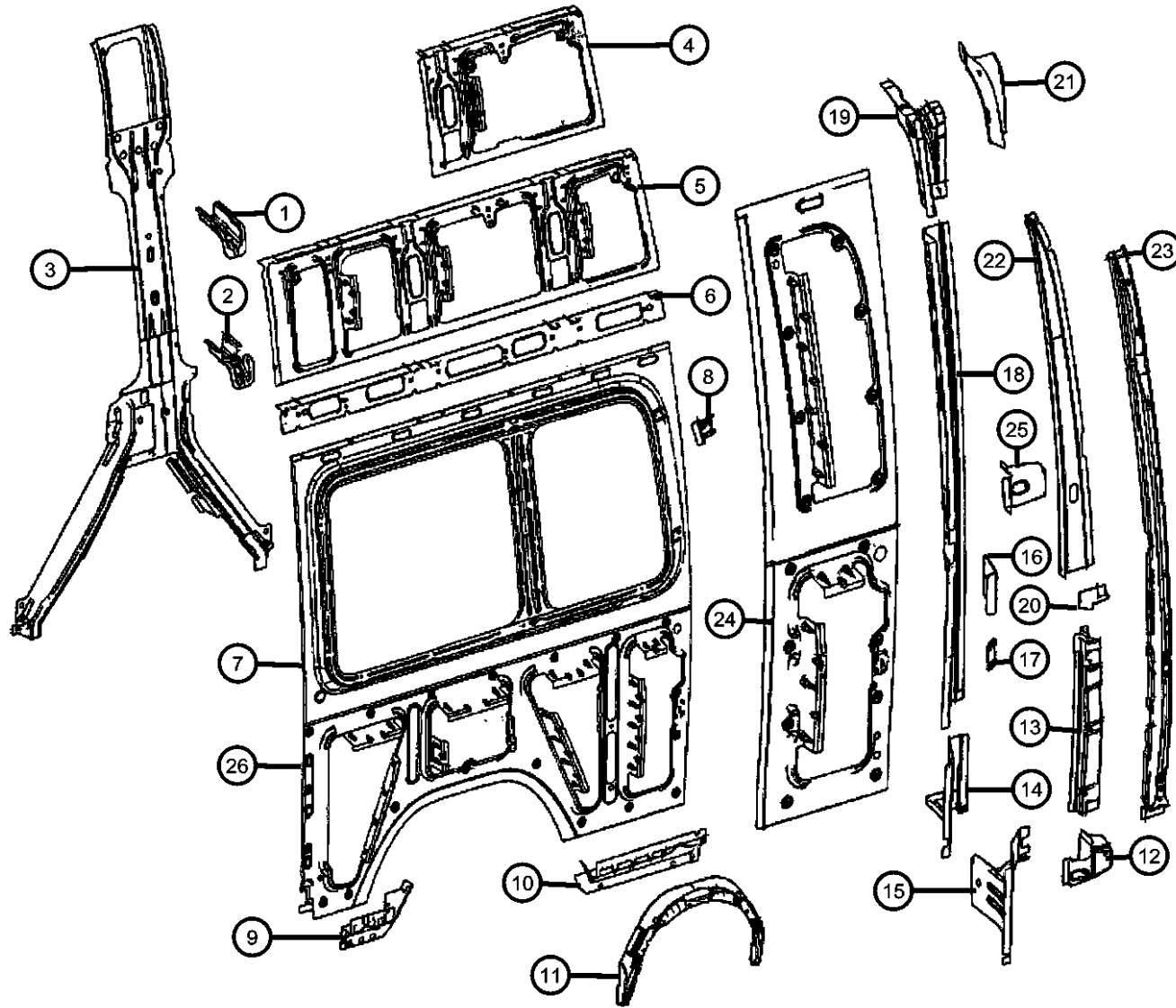
DGZ = 5-Speed Auto W5A380 Transmission

AR = use ase required - = Non illustrated part

2008 VB



D-Pillar  
Figure 60-687



ITEM	PART NUMBER	QTY	LINE	SERIES	BODY	ENGINE	TRANS	TRIM	DESCRIPTION
19	68005124AA	1	2, 3, 6, 7		13, 15, 17, 53, 55				BRACKET, D Pillar With High or Mega Roof
	68008752AA	1	6, 7, 2, 3		13, 15, 17, 53, 55				
20	68007551AA	4	3, 7		03, 05				BRACKET REINFORCEMENT
21	68008761AA	1	2, 3, 6, 7		13, 15, 17, 53, 55				
	68008762AA	1	2, 3, 6, 7		13, 15, 17, 53, 55				With High or Mega Roof
22	68008553AA	1	2, 3, 6, 7		13, 15, 17, 53, 55				BRACKET With High or Mega Roof
	68008552AA	1	2, 3, 6, 7		13, 15, 17, 53, 55				
23	68008747AA	1	2, 3, 6, 7		17				PANEL, D Pillar
24	68008705AA	1	2, 3, 6, 7		17				PANEL, Side Inner
25	68008544AA	1	2, 3, 6, 7		13, 15, 17, 53, 55				REINFORCEMENT, Hinge Pillar
26	68008711AA	1	2, 3, 6, 7		15, 17, 55				PANEL, Side

**SPRINTER (VB)**

**SERIES**

L = LOWLINE  
3 = HD DODGE 2WD  
6 = Lt. Duty DODGE 4WD  
2 = Med. Duty DODGE 2WD  
7 = Med. Duty DODGE 4WD

**LINE**

**BODY**

17 = VAN WHEEL BASE 7  
55 = WAGON WHEEL BASE 5  
15 = VAN WHEEL BASE 5  
53 = 119 WB  
13 = 119 WB  
05 = CAB CHASSIS WHEEL  
BASE 5  
03 = CAB CHASSIS WHEEL  
BASE 3

**ENGINE**

EG2 = 3.5L V6 Gas Engine  
EXM = 3.0L V6 Turbo Diesel  
Engine

**TRANSMISSION**

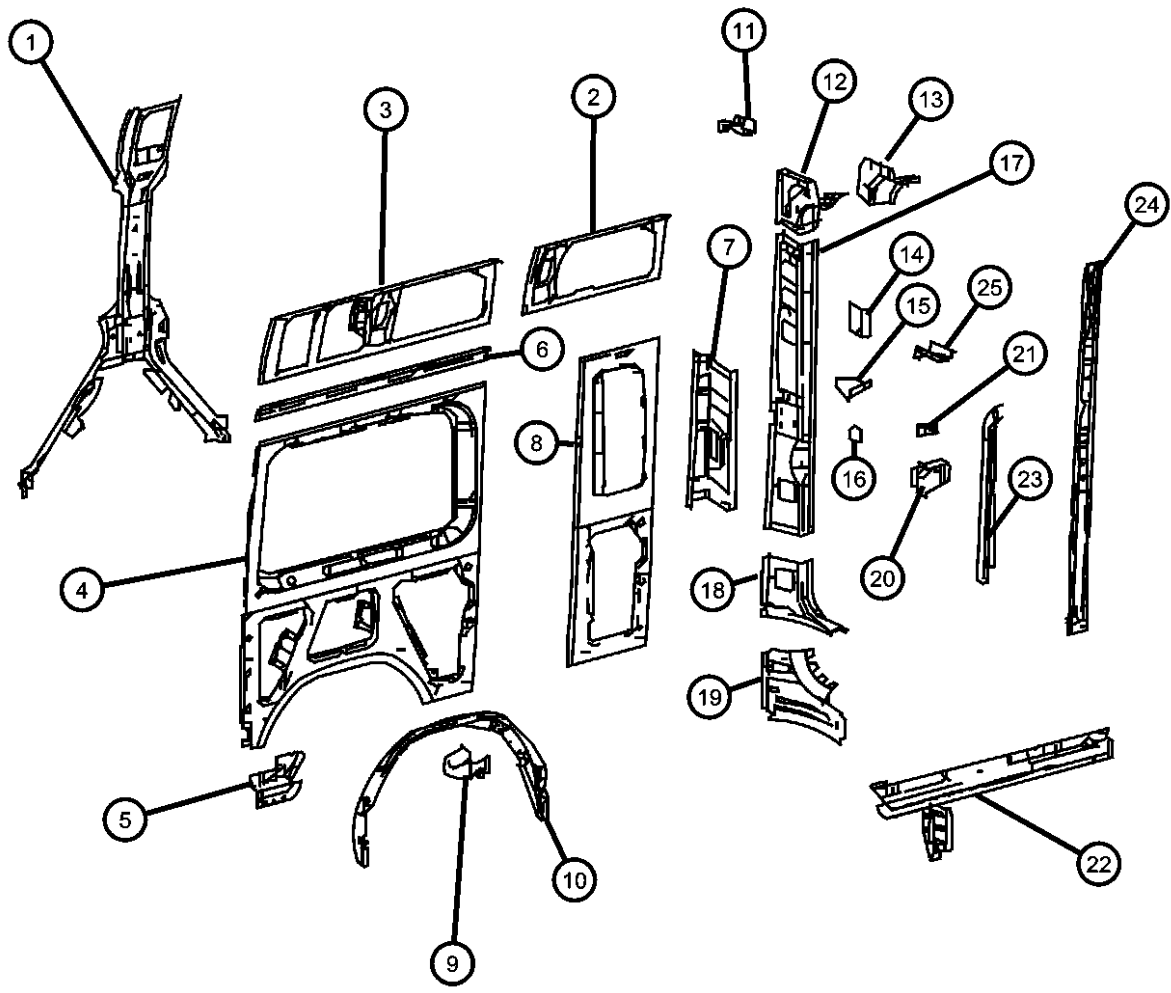
DGZ = 5-Speed Auto W5A380  
Transmission

AR = use ase required - = Non illustrated part

2008 VB

**D-Pillar Side Panel Inner, Right**  
**Figure 60-688**

ITEM	PART NUMBER	QTY	LINE	SERIES	BODY	ENGINE	TRANS	TRIM	DESCRIPTION
1	68009330AA	1	2, 3, 6, 7		15, 17, 55				REINFORCEMENT, Side Panel
2	68008650AA	1	2, 3, 6, 7		17				REINFORCEMENT, Roof Panel
3									REINFORCEMENT, Roof Panel
	68008640AA	1	2, 3, 6, 7		13, 53				[5CF]
	68008644AA	1	2, 3, 6, 7		15, 55				[5CG]
	68009272AA	1	2, 3, 6, 7		17				
4	68008710AA	1	2, 3, 6, 7		15, 17, 55				PANEL, Side, Side Panel Inside Rear
5	68008730AA	1	2, 3, 6, 7		15, 17, 55				REINFORCEMENT, Side Panel
6	68008642AA	1	2, 3, 6, 7		13, 53				REINFORCEMENT, Roof Panel, Side Panel Inside, Roof Rail
7	68009232AA	1	2, 3, 6, 7		13, 15, 17, 53, 55				REINFORCEMENT, Side Panel Outside D-Pillar
8	68009319AA	1	2, 3, 6, 7		17				PANEL, Inner
9	68009224AA	1	2, 3, 6, 7		13, 15, 17, 53, 55				REINFORCEMENT, Hinge Bottom Right
10									PANEL, Wheelhouse
	68009347AA	1	2, 3, 6, 7						[ZU7]
	68009351AA	1	3, 7		13, 15, 17				
11									BRACKET
	68008615AA	5	2, 3, 6, 7		13, 15, 17, 53, 55				[T16]
	68008655AA	3	2, 3, 6, 7		13, 15, 17, 53, 55				[D05]
12									PLATE
	68005147AA	1	2, 3, 6, 7		13, 15, 17, 53, 55				[D03,D05,D06] Side Panel Inside D-Pillar
	68009338AA	1	2, 3, 6, 7		13, 15, 17, 53, 55				
13									REINFORCEMENT
	68009345AA	1	2, 3, 6, 7		13, 15, 17, 53, 55				
	68009346AA	1	2, 3, 6, 7		13, 15, 17, 53, 55				High or Super High Roof
14	68008763AA	1	2, 3, 6, 7		13, 15, 17, 53, 55				REINFORCEMENT
15	68009233AA	1	7, 2, 3, 6		13, 15, 17, 53, 55				BRACKET
16	68008757AA	1	2, 3, 6, 7		13, 15, 17, 53, 55				BRACKET



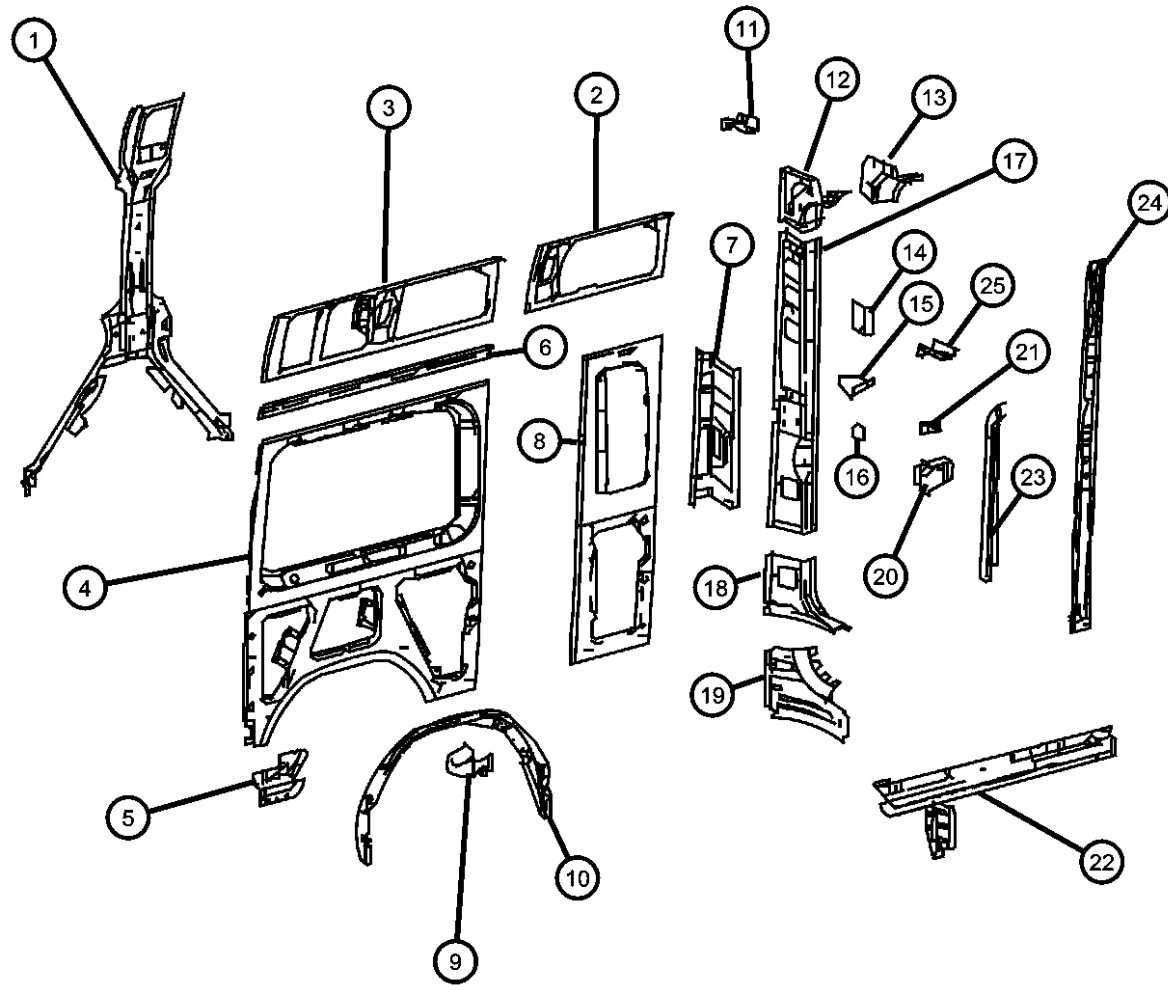
**SPRINTER (VB)**

SERIES	LINE	BODY	ENGINE	TRANSMISSION
L = LOWLINE	3 = HD DODGE 2WD 6 = Lt. Duty DODGE 4WD 2 = Med. Duty DODGE 2WD 7 = Med. Duty DODGE 4WD	17 = VAN WHEEL BASE 7 55 = WAGON WHEEL BASE 5 15 = VAN WHEEL BASE 5 53 = 119 WB 13 = 119 WB 05 = CAB CHASSIS WHEEL BASE 5 03 = CAB CHASSIS WHEEL BASE 3	EG2 = 3.5L V6 Gas Engine EXM = 3.0L V6 Turbo Diesel Engine	DGZ = 5-Speed Auto W5A380 Transmission

AR = use ase required - = Non illustrated part

**D-Pillar Side Panel Inner, Right**  
**Figure 60-688**

ITEM	PART NUMBER	QTY	LINE	SERIES	BODY	ENGINE	TRANS	TRIM	DESCRIPTION
17	68008754AA	1	2, 3, 6, 7		13, 15, 17, 53, 55				PANEL, D Pillar
18	68009343AA	1	2, 3, 6, 7		13, 15, 17, 53, 55				REINFORCEMENT
19	68009344AA	1	2, 3, 6, 7		13, 15, 17, 53, 55				REINFORCEMENT
20	68009219AA	1	2, 3, 6, 7		13, 15, 17, 53, 55				REINFORCEMENT
21									REINFORCEMENT
	68009326AA	1	2, 3, 6, 7		13, 15, 17, 53, 55				
	68009328AA	1	2, 3, 6, 7		13, 15, 17, 53, 55				Side Panel Outside D-Pillar
22									REINFORCEMENT, Side Panel
	68008716AA	1	2, 3, 6, 7		15, 55				Side Panel Inside -Rear
	68008718AA	1	2, 3, 6, 7		17				
23									PLATE
	68009230AA	1	2, 3, 6, 7		13, 15, 17, 53, 55				
	68009231AA	1	2, 3, 6, 7		13, 15, 17, 53, 55				High and Super High Roof
24	68009335AA	1	2, 3, 6, 7		17				PANEL, D Pillar
25	68009778AA	1	2, 3, 6, 7		13, 15, 17, 53, 55				BRACKET, Roof, Roof Bow



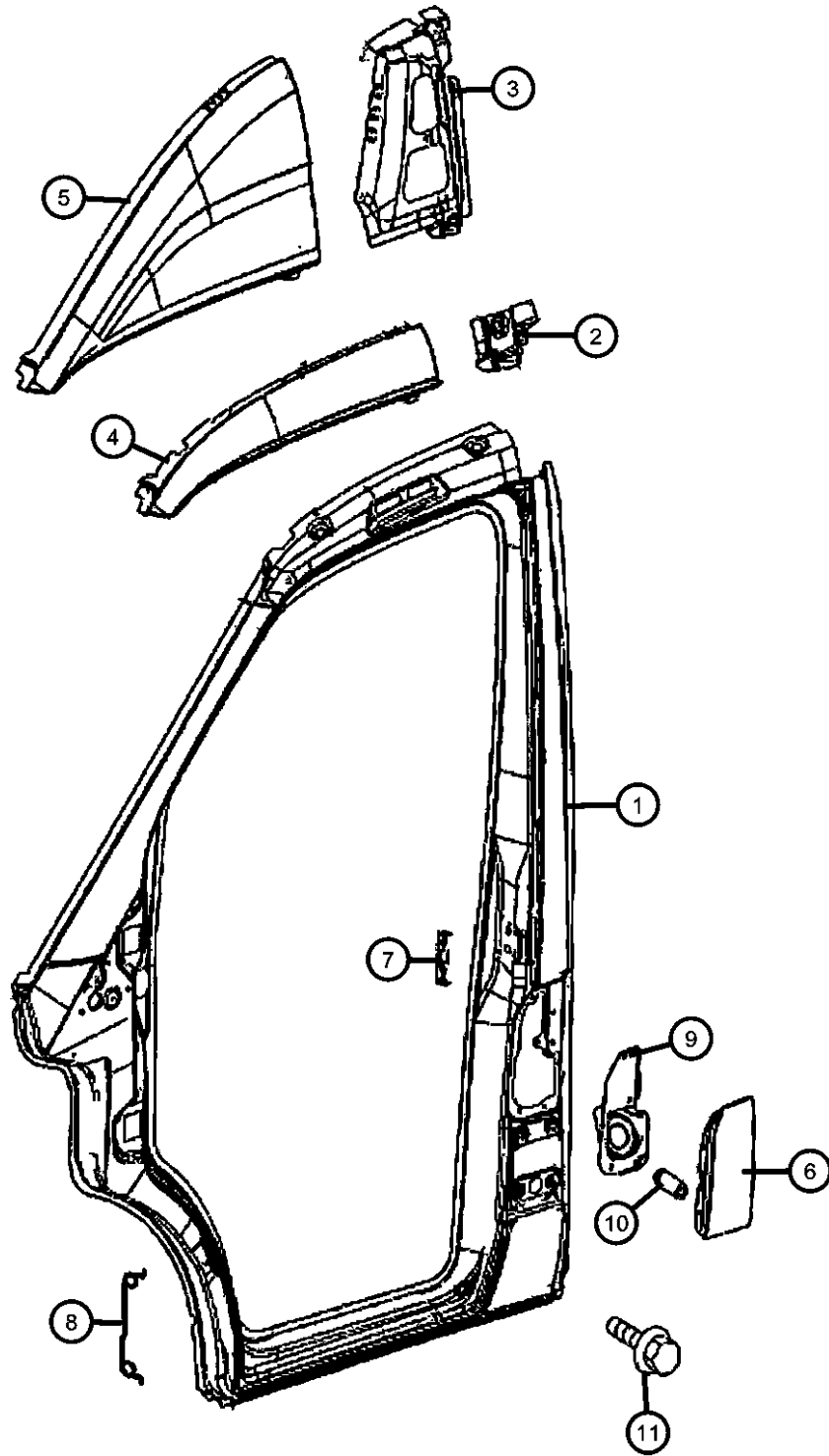
**SPRINTER (VB)**

SERIES	LINE	BODY	ENGINE	TRANSMISSION
L = LOWLINE	3 = HD DODGE 2WD 6 = Lt. Duty DODGE 4WD 2 = Med. Duty DODGE 2WD 7 = Med. Duty DODGE 4WD	17 = VAN WHEEL BASE 7 55 = WAGON WHEEL BASE 5 15 = VAN WHEEL BASE 5 53 = 119 WB 13 = 119 WB 05 = CAB CHASSIS WHEEL BASE 5 03 = CAB CHASSIS WHEEL BASE 3	EG2 = 3.5L V6 Gas Engine EXM = 3.0L V6 Turbo Diesel Engine	DGZ = 5-Speed Auto W5A380 Transmission

AR = use ase required - = Non illustrated part

2008 VB

**Fuel Filler Housing And Door**  
**Figure 60-775**



ITEM	PART NUMBER	QTY	LINE	SERIES	BODY	ENGINE	TRANS	TRIM	DESCRIPTION
1	68008451AA	1	2, 3, 6, 7		13, 15, 17, 53, 55				APERTURE, Body Side Door Without [MWJ or MX1 or MX2], Left
	68008452AA	1	2, 3, 6, 7		13, 15, 17, 53, 55				With [MWJ or MX1 or MX2], Left
2	68005109AA	1	2, 3, 6, 7		13, 15, 17, 53, 55				BRACKET, B-Pillar B-Pillar With [GKE], Top, Left
	68005110AA	1	2, 3, 6, 7		13, 15, 17, 53, 55				B-Pillar Without [GKE], Top, Left
3	68008495AA	1	2, 3, 6, 7		13, 15, 17, 53, 55				PANEL, Body Side Aperture B-Pillar With [MWJ or MX1 or MX2] + [GKE], Top, Left
	68008496AA	1	2, 3, 6, 7		13, 15, 17, 53, 55				B-Pillar With [MWJ or MX1 or MX2], Top, Left
4	68008512AA	1	2, 3, 6, 7		13, 15, 17, 53, 55				PANEL, Roof, Roof Left Front Rail Without [MWJ or MX1 or MX2]
5	68008513AA	1	3, 6, 7, 2		13, 15, 17, 53, 55				PANEL, Roof, Roof Left Front Rail With [MWJ or MX1 or MX2]
6	68008440AA	1	2, 3, 6, 7						DOOR, Fuel Fill
7	68008443AA	1	2, 3, 6, 7						BRACKET, Fuel Fill Door
8	05104408AA	1	3, 7		03, 05				SPRING, Fuel Filler Door
		1	2, 3, 6, 7		13, 15, 17, 53, 55				
9		1							FILLER, Fuel Filler Tube Mounting, (NOT SERVICED)
10	68008447AA	2	2, 3, 6, 7						BUMPER, Fuel Door
11	06104120AA	6	2, 3, 6, 7						SCREW, Hex Head, M6x12, Fuel Fill Door, Mounting

**SPRINTER (VB)**

SERIES      LINE  
L = LOWLINE    3 = HD DODGE 2WD  
                  6 = Lt. Duty DODGE 4WD  
                  2 = Med. Duty DODGE 2WD  
                  7 = Med. Duty DODGE 4WD

BODY  
17 = VAN WHEEL BASE 7  
55 = WAGON WHEEL BASE 5  
15 = VAN WHEEL BASE 5  
53 = 119 WB  
13 = 119 WB  
05 = CAB CHASSIS WHEEL  
BASE 5  
03 = CAB CHASSIS WHEEL  
BASE 3

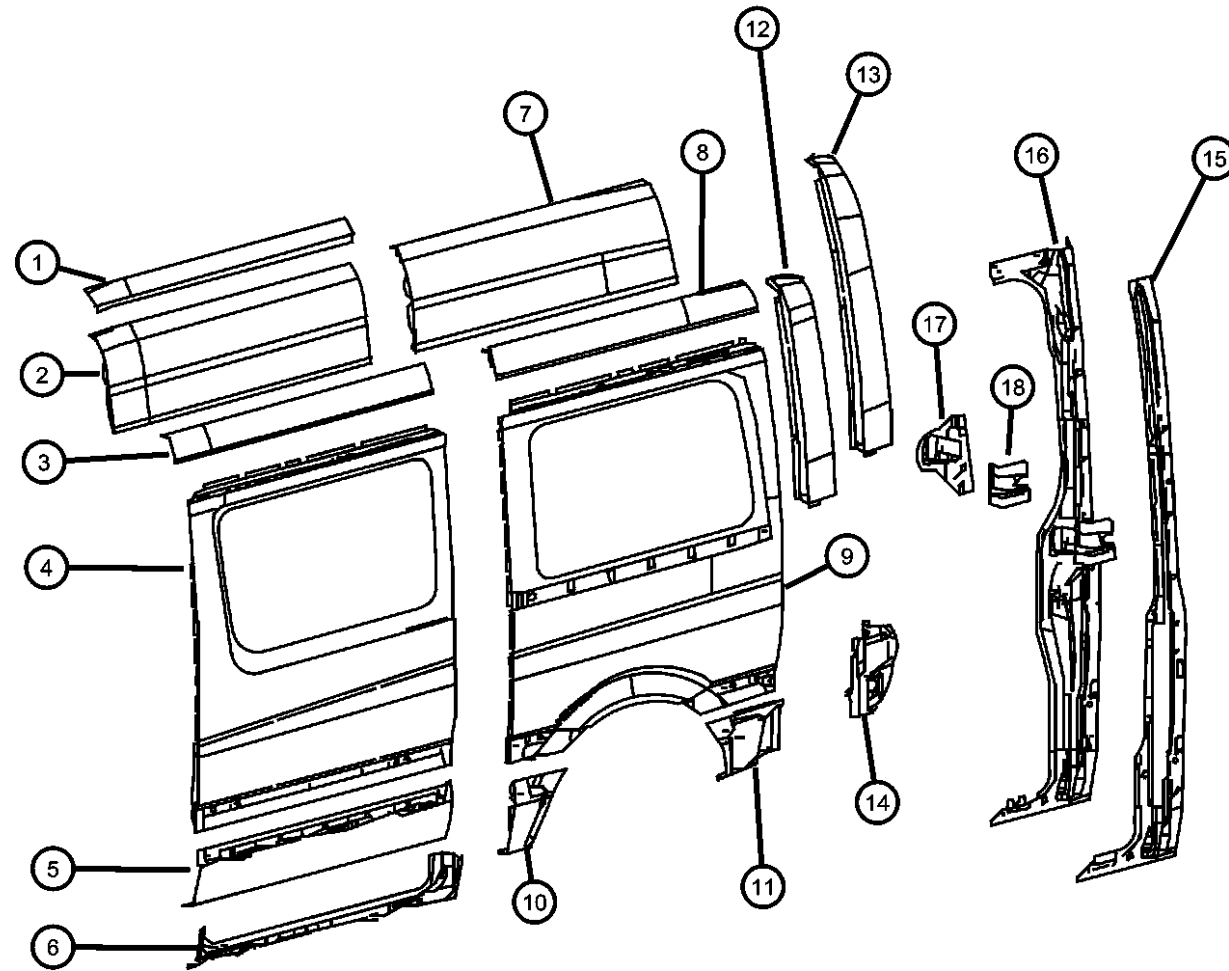
ENGINE  
EG2 = 3.5L V6 Gas Engine  
EXM = 3.0L V6 Turbo Diesel  
Engine

TRANSMISSION  
DGZ = 5-Speed Auto W5A380  
Transmission

AR = use ase required    - = Non illustrated part

2008 VB

Roof Panel  
Figure 60-905



ITEM	PART NUMBER	QTY	LINE	SERIES	BODY	ENGINE	TRANS	TRIM	DESCRIPTION
1	68008503AA	1	2, 3, 6, 7		13, 15, 17, 53, 55				PANEL, Roof
2	68008504AA	1	2, 3, 6, 7		13, 15, 17, 53, 55				PANEL, Roof
3	68008511AA	1	2, 3, 6, 7		13, 53				PANEL, Roof
4	68008462AA	1	2, 3, 6, 7		13, 15, 17, 53, 55				PANEL, Body Side
5	68008493AA	1	2, 3, 6, 7		13, 15, 17, 53, 55				ROCKER
6	68008519AA	1	2, 3, 6, 7		13, 15, 17, 53, 55				PANEL, Sill
7	68008512AA	1	2, 3, 6, 7		13, 15, 17, 53, 55				PANEL, Roof
	68008516AA	1	2, 3, 6, 7		13, 53				[5CF]
	68008518AA	1	2, 3, 6, 7		15, 55				[5CG]
8	68008517AA	1	2, 3, 6, 7		13, 53				PANEL, Roof
9	68008517AA	1							PANEL, Body Side Rear, (NOT SERVICED)
10	68008466AA	1	2, 3, 6, 7		13, 53				PANEL, Wheelhouse [5CF]
	68008467AA	1	2, 3, 6, 7		15, 17, 55				
11	68008489AA	1	2, 3, 6, 7		13, 53				PANEL, Wheelhouse [5CF]
	68008490AA	1	2, 3, 6, 7		15, 55				[5CG]
12	68008531AA	1	2, 3, 6, 7		13, 15, 17, 53, 55				PANEL, D Pillar, Side Panel Outside D_Pillar
13	68008532AA	1	2, 3, 6, 7		13, 15, 17, 53, 55				PANEL, D Pillar
14	68008533AA	1	2, 3, 6, 7		13, 15, 17, 53, 55				EXTENSION, D Pillar Lower
15	68008669AA	1	2, 3, 6, 7		13, 15, 17, 53, 55				PANEL, D Pillar
	68008671AA	1	2, 3, 6, 7		13, 15, 17, 53, 55				High or Super High Roof
16	68008667AA	1	2, 3, 6, 7		13, 15, 17, 53, 55				PILLAR, Side Cargo Door High Roof and Super High Roof

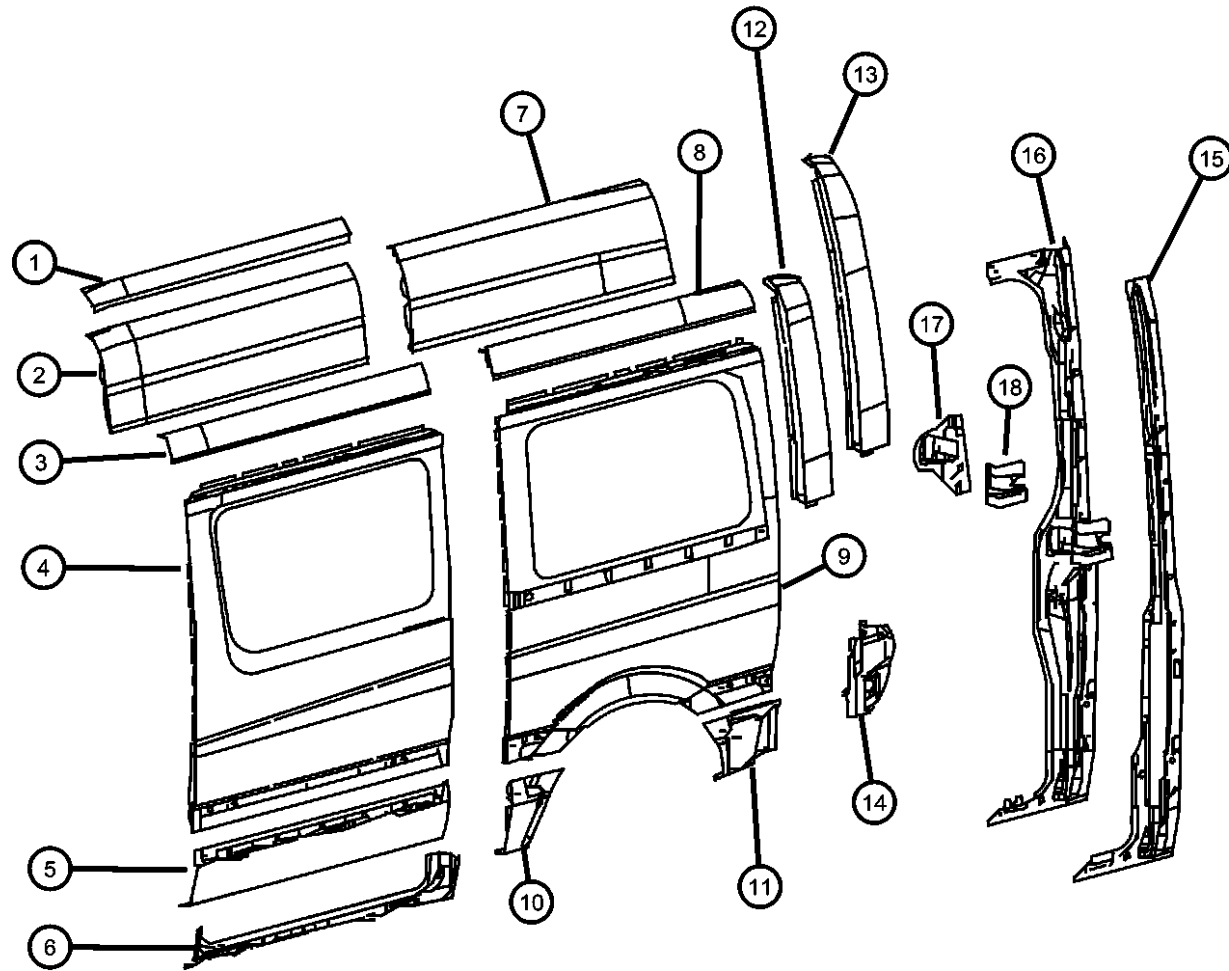
**SPRINTER (VB)**

SERIES	LINE	BODY	ENGINE	TRANSMISSION
L = LOWLINE	3 = HD DODGE 2WD 6 = Lt. Duty DODGE 4WD 2 = Med. Duty DODGE 2WD 7 = Med. Duty DODGE 4WD	17 = VAN WHEEL BASE 7 55 = WAGON WHEEL BASE 5 15 = VAN WHEEL BASE 5 53 = 119 WB 13 = 119 WB 05 = CAB CHASSIS WHEEL BASE 5 03 = CAB CHASSIS WHEEL BASE 3	EG2 = 3.5L V6 Gas Engine EXM = 3.0L V6 Turbo Diesel Engine	DGZ = 5-Speed Auto W5A380 Transmission

AR = use ase required - = Non illustrated part

Roof Panel  
Figure 60-905

ITEM	PART NUMBER	QTY	LINE	SERIES	BODY	ENGINE	TRANS	TRIM	DESCRIPTION
	68008673AA	1	2, 3, 6, 7		13, 15, 17, 53, 55				Standard
17	68008662AA	1	2, 3, 6, 7		13, 15, 17, 53, 55				PLATE
18	68008665AA	1	2, 3, 6, 7		13, 15, 17, 53, 55				PLATE



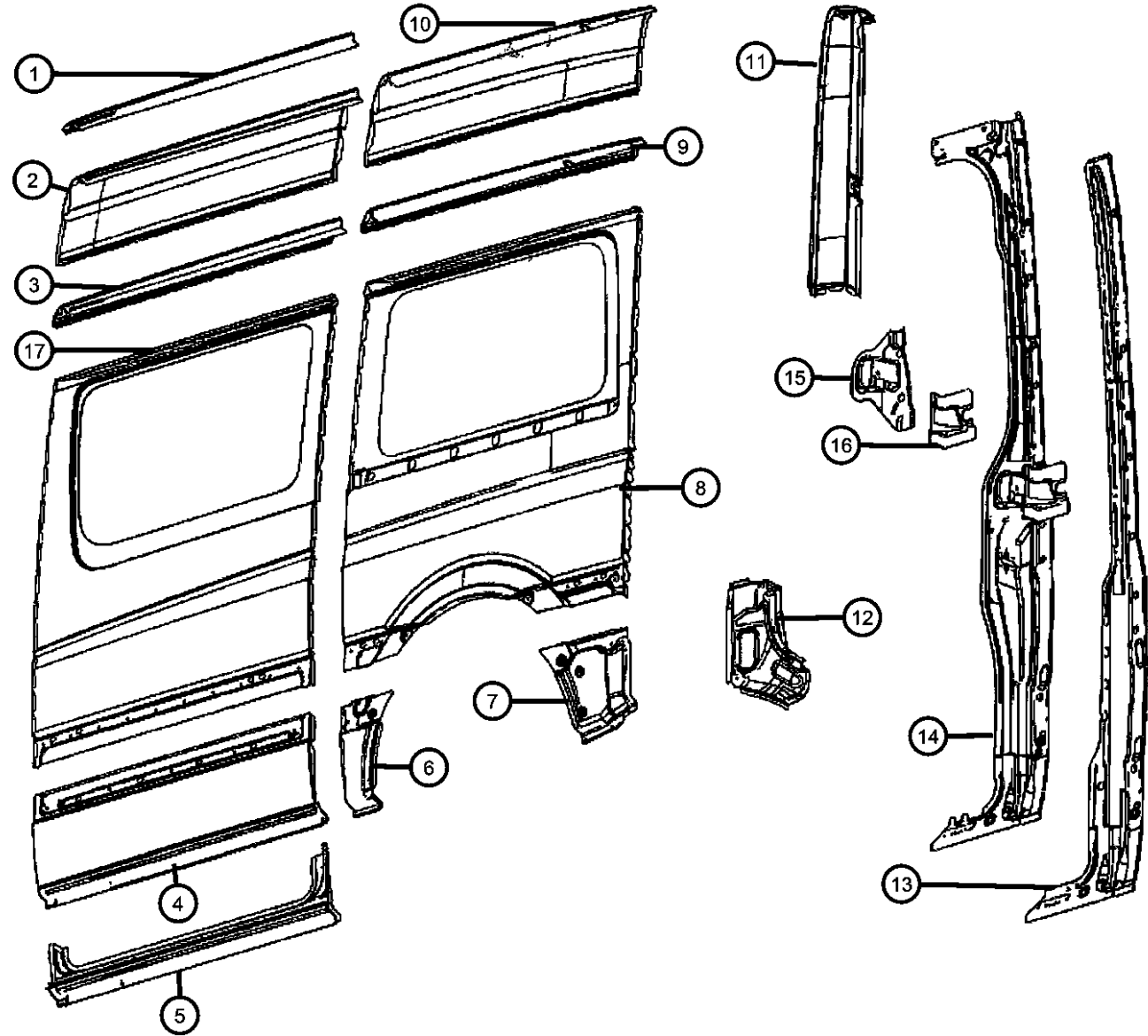
**SPRINTER (VB)**

SERIES	LINE	BODY	ENGINE	TRANSMISSION
L = LOWLINE	3 = HD DODGE 2WD 6 = Lt. Duty DODGE 4WD 2 = Med. Duty DODGE 2WD 7 = Med. Duty DODGE 4WD	17 = VAN WHEEL BASE 7 55 = WAGON WHEEL BASE 5 15 = VAN WHEEL BASE 5 53 = 119 WB 13 = 119 WB 05 = CAB CHASSIS WHEEL BASE 5 03 = CAB CHASSIS WHEEL BASE 3	EG2 = 3.5L V6 Gas Engine EXM = 3.0L V6 Turbo Diesel Engine	DGZ = 5-Speed Auto W5A380 Transmission

AR = use ase required - = Non illustrated part

2008 VB

Roof Panel  
Figure 60-906



ITEM	PART NUMBER	QTY	LINE	SERIES	BODY	ENGINE	TRANS	TRIM	DESCRIPTION
1	68009182AA	1	2, 3, 6, 7		13, 15, 17, 53, 55				PANEL, Roof
2	68009181AA	1	2, 3, 6, 7		13, 15, 17, 53, 55				PANEL, Roof
3									PANEL, Roof
	68009186AA	1	2, 3, 6, 7		13, 53				
	68009187AA	1	2, 3, 6, 7		13, 15, 17, 53, 55				
4	68009195AA	1	2, 3, 6, 7		13, 15, 17, 53, 55				PANEL, Body Side
5	68009196AA	1	2, 3, 6, 7		13, 15, 17, 53, 55				ROCKER
6	68009157AA	1	2, 3, 6, 7		15, 17, 55				PANEL, Wheelhouse
7									PANEL, Wheelhouse
	68005132AA	1	2, 3, 6, 7		17				
	68008488AA	1	2, 3, 6, 7		13, 53				
	68009177AA	1	2, 3, 6, 7		15, 55				
8	68009177AA	1							PANEL, Rear Body, (NOT SERVICED)
9	68009193AA	1	2, 3, 6, 7		13, 53				PANEL, Roof
10									PANEL, Roof
	68005133AA	1	2, 3, 6, 7		17				
	68009192AA	1	2, 3, 6, 7		13, 53				
	68009194AA	1	2, 3, 6, 7		15, 55				
11	68009194AA	1							PANEL, D Pillar, (NOT SERVICED)
12	68009214AA	1	2, 3, 6, 7		13, 15, 17, 53, 55				REINFORCEMENT
13									PANEL, D Pillar
	68008668AA	1	2, 3, 6, 7		13, 15, 17, 53, 55				
	68008670AA	1	2, 3, 6, 7		13, 15, 17, 53, 55				High and Super High Roof
14									PILLAR, Side Cargo Door
	68008672AA	1	2, 3, 6, 7		13, 15, 17, 53, 55				
	68008666AA	1	2, 3, 6, 7		13, 15, 17, 53, 55				High and Super High Roof
15	68006310AA	1	2, 3, 6, 7						BRACKET

**SPRINTER (VB)**

**SERIES**

L = LOWLINE  
 3 = HD DODGE 2WD  
 6 = Lt. Duty DODGE 4WD  
 2 = Med. Duty DODGE 2WD  
 7 = Med. Duty DODGE 4WD

**LINE**

**BODY**

17 = VAN WHEEL BASE 7  
 55 = WAGON WHEEL BASE 5  
 15 = VAN WHEEL BASE 5  
 53 = 119 WB  
 13 = 119 WB  
 05 = CAB CHASSIS WHEEL BASE 5  
 03 = CAB CHASSIS WHEEL BASE 3

**ENGINE**

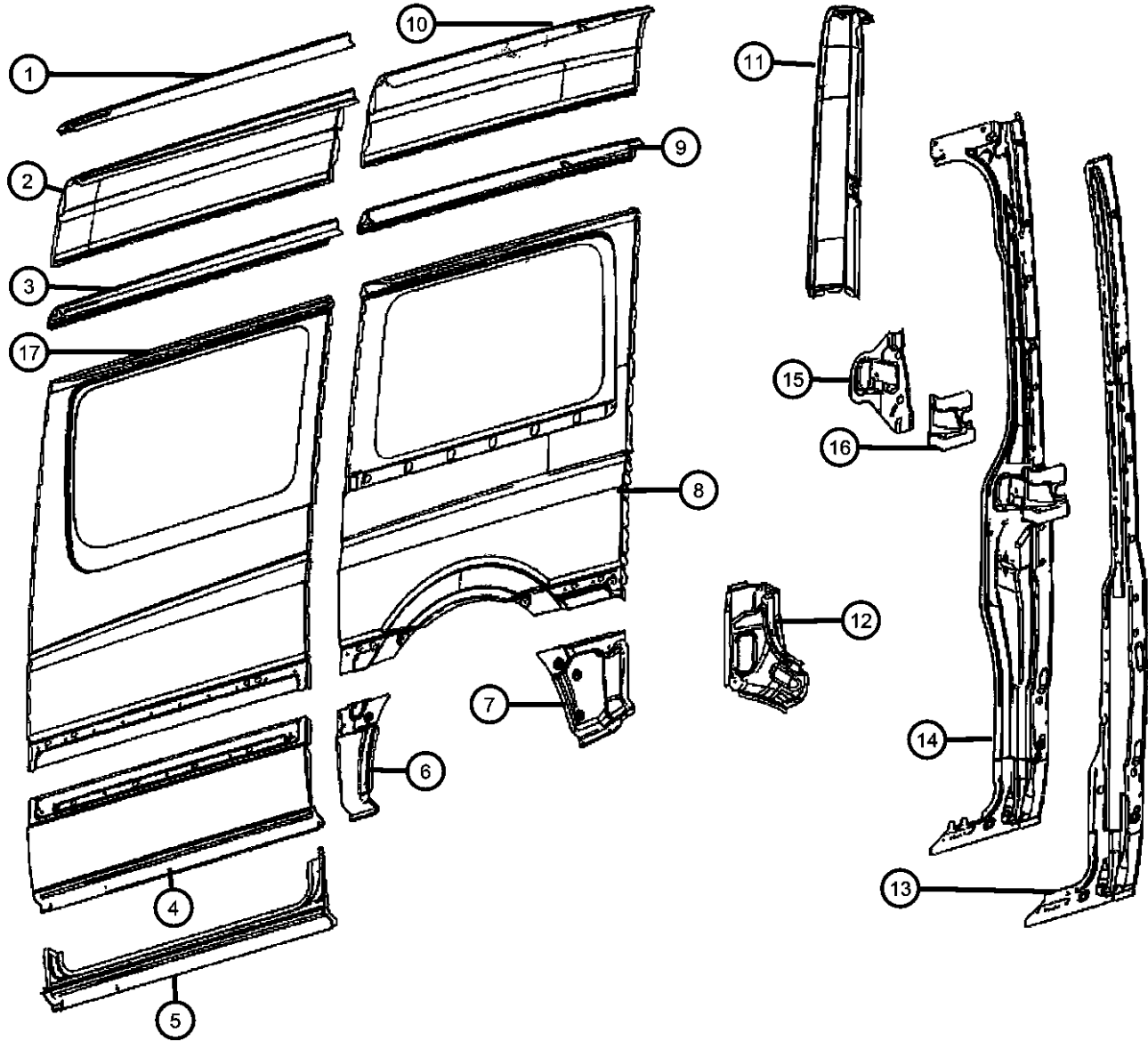
EG2 = 3.5L V6 Gas Engine  
 EXM = 3.0L V6 Turbo Diesel Engine

**TRANSMISSION**

DGZ = 5-Speed Auto W5A380 Transmission

Roof Panel  
Figure 60-906

ITEM	PART NUMBER	QTY	LINE	SERIES	BODY	ENGINE	TRANS	TRIM	DESCRIPTION
16	68008664AA	1	2, 3, 6, 7		13, 15, 17, 53, 55				PLATE
17	68009152AA	1	2, 3, 6, 7		13, 15, 17, 53, 55				PANEL, Body Side



**SPRINTER (VB)**

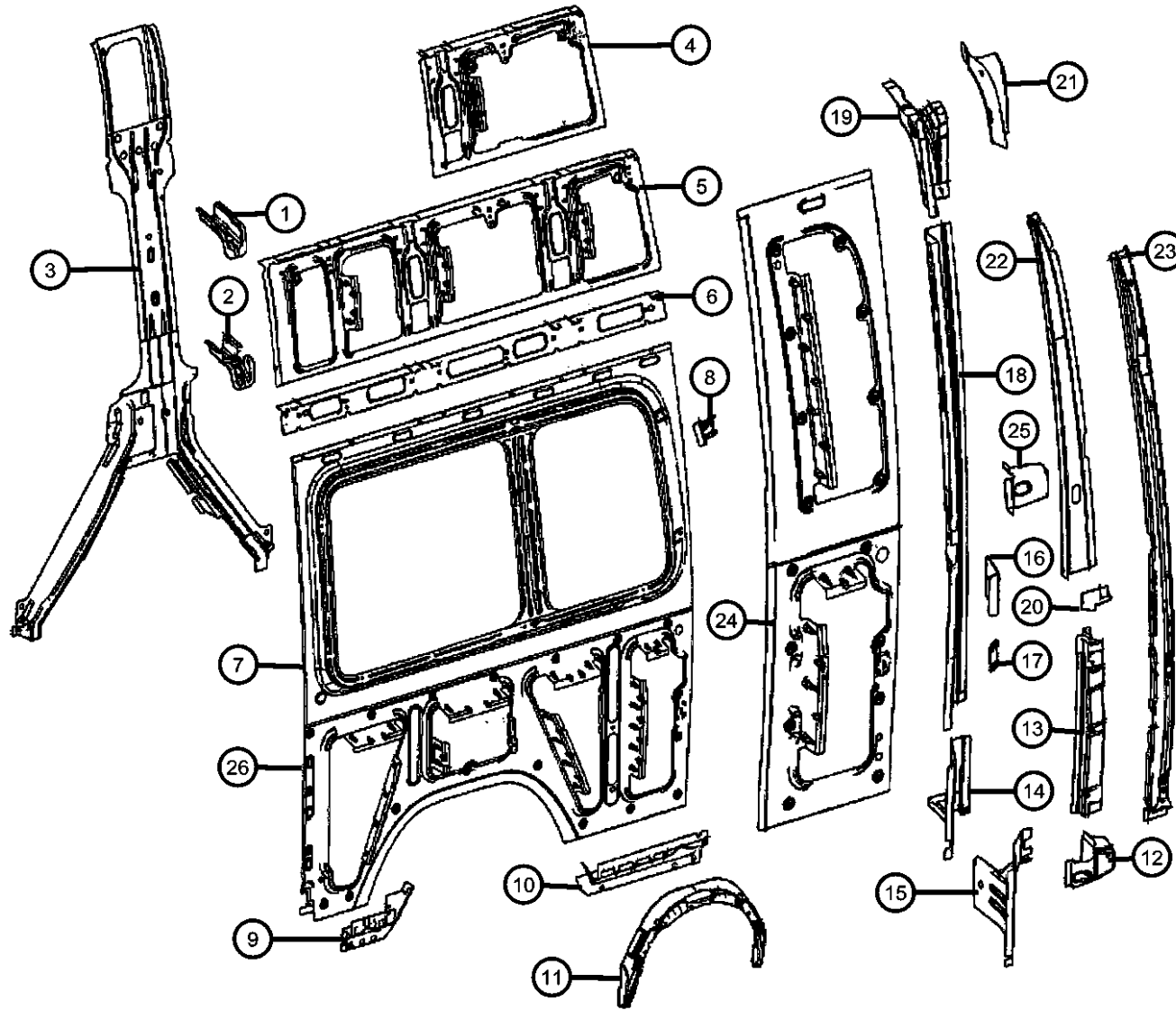
SERIES	LINE	BODY	ENGINE	TRANSMISSION
L = LOWLINE	3 = HD DODGE 2WD 6 = Lt. Duty DODGE 4WD 2 = Med. Duty DODGE 2WD 7 = Med. Duty DODGE 4WD	17 = VAN WHEEL BASE 7 55 = WAGON WHEEL BASE 5 15 = VAN WHEEL BASE 5 53 = 119 WB 13 = 119 WB 05 = CAB CHASSIS WHEEL BASE 5 03 = CAB CHASSIS WHEEL BASE 3	EG2 = 3.5L V6 Gas Engine EXM = 3.0L V6 Turbo Diesel Engine	DGZ = 5-Speed Auto W5A380 Transmission

AR = use ase required - = Non illustrated part

2008 VB



Roof Panel  
Figure 60-907



ITEM	PART NUMBER	QTY	LINE	SERIES	BODY	ENGINE	TRANS	TRIM	DESCRIPTION
1									BRACKET
	68008614AA	2	2, 3, 6, 7						
	68008615AA	5	2, 3, 6, 7		13, 15, 17, 53, 55				
		3	2, 3, 6, 7		13, 53				
2	68008654AA	1	2, 3, 6, 7		13, 15, 17				BRACKET, C pillar
3	68008742AA	1	2, 3, 6, 7		15, 17, 55				REINFORCEMENT, Side Panel
4	68008651AA	1	2, 3, 6, 7		17				REINFORCEMENT, Roof Panel
5									REINFORCEMENT, Roof Panel
	68008627AA	1	2, 3, 6, 7		17				
	68008641AA	1	2, 3, 6, 7		13, 53				
	68008645AA	1	2, 3, 6, 7		15, 55				
6	68008643AA	1	2, 3, 6, 7		13, 53				REINFORCEMENT, Roof Panel
7	68008709AA	1	2, 3, 6, 7		13, 53				PANEL
8	68008738AA	1	2, 3, 6, 7		13, 15, 17, 53, 55				REINFORCEMENT
9									REINFORCEMENT, Side Panel
	68008727AA	1	2, 3, 6, 7		13, 53				
	68008731AA	1	2, 3, 6, 7		15, 17, 55				
10									REINFORCEMENT, Side Panel
	68008715AA	1	2, 3, 6, 7		13, 53				
	68008717AA	1	2, 3, 6, 7		15, 55				
	68008719AA	1	2, 3, 6, 7		17				
11	68008765AA	1	2, 3, 6, 7						PANEL, Wheelhouse
12	68008538AA	1	2, 3, 6, 7		13, 15, 17, 53, 55				REINFORCEMENT
13	68008549AA	1	2, 3, 6, 7		13, 15, 17, 53, 55				REINFORCEMENT
14	68008759AA	1	2, 3, 6, 7		13, 15, 17, 53, 55				BRACKET
15	68008760AA	1	2, 3, 6, 7		13, 15, 17, 53, 55				REINFORCEMENT
16	68008763AA	1	2, 3, 6, 7		13, 15, 17, 53, 55				REINFORCEMENT
17	68008757AA	1	2, 3, 6, 7		13, 15, 17, 53, 55				BRACKET

**SPRINTER (VB)**

**SERIES**

L = LOWLINE  
 3 = HD DODGE 2WD  
 6 = Lt. Duty DODGE 4WD  
 2 = Med. Duty DODGE 2WD  
 7 = Med. Duty DODGE 4WD

**LINE**

**BODY**

17 = VAN WHEEL BASE 7  
 55 = WAGON WHEEL BASE 5  
 15 = VAN WHEEL BASE 5  
 53 = 119 WB  
 13 = 119 WB  
 05 = CAB CHASSIS WHEEL BASE 5  
 03 = CAB CHASSIS WHEEL BASE 3

**ENGINE**

EG2 = 3.5L V6 Gas Engine  
 EXM = 3.0L V6 Turbo Diesel Engine

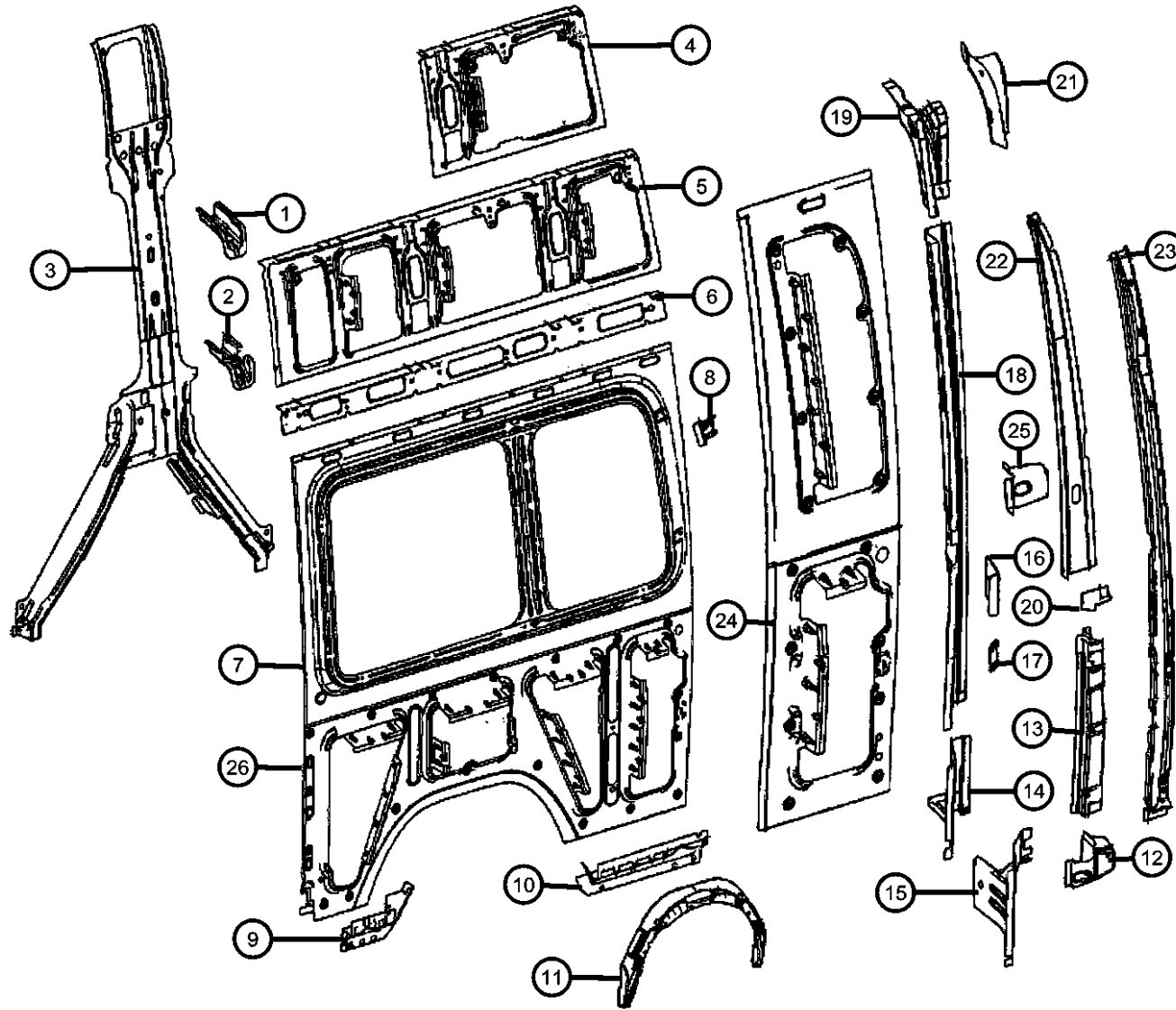
**TRANSMISSION**

DGZ = 5-Speed Auto W5A380 Transmission

AR = use ase required - = Non illustrated part

2008 VB

Roof Panel  
Figure 60-907



ITEM	PART NUMBER	QTY	LINE	SERIES	BODY	ENGINE	TRANS	TRIM	DESCRIPTION
18	68008755AA	1	2, 3, 6, 7		13, 15, 17, 53, 55				PANEL, D Pillar
19	68005124AA	1	2, 3, 6, 7		13, 15, 17, 53, 55				BRACKET, D Pillar With High or Mega Roof
	68008752AA	1	2, 3, 6, 7		13, 15, 17, 53, 55				
20	68007551AA	4	3, 7		03, 05				BRACKET
21	68008761AA	1	2, 3, 6, 7		13, 15, 17, 53, 55				REINFORCEMENT
	68008762AA	1	2, 3, 6, 7		13, 15, 17, 53, 55				With High or Mega Roof
22	68008552AA	1	2, 3, 6, 7		13, 15, 17, 53, 55				BRACKET
	68008553AA	1	2, 3, 6, 7		13, 15, 17, 53, 55				With High or Mega Roof
23	68008747AA	1	2, 3, 6, 7		17				PANEL, D Pillar
24	68008705AA	1	2, 3, 6, 7		17				PANEL, Side Inner
25	68008544AA	1	2, 3, 6, 7		13, 15, 17, 53, 55				REINFORCEMENT, Hinge Pillar
26	68008711AA	1	2, 3, 6, 7		15, 17, 55				PANEL, Side

**SPRINTER (VB)**

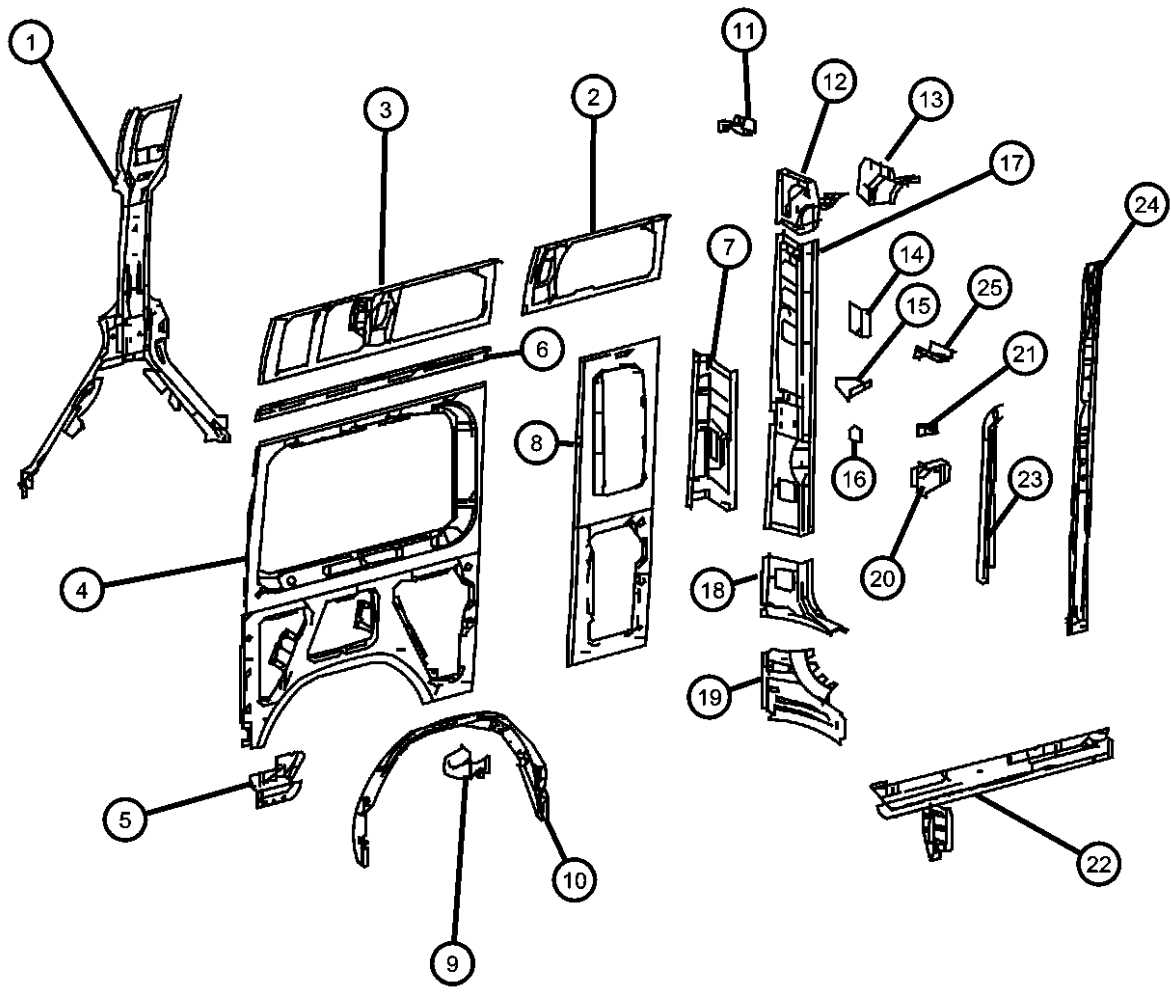
<b>SERIES</b>	<b>LINE</b>	<b>BODY</b>	<b>ENGINE</b>	<b>TRANSMISSION</b>
L = LOWLINE	3 = HD DODGE 2WD 6 = Lt. Duty DODGE 4WD 2 = Med. Duty DODGE 2WD 7 = Med. Duty DODGE 4WD	17 = VAN WHEEL BASE 7 55 = WAGON WHEEL BASE 5 15 = VAN WHEEL BASE 5 53 = 119 WB 13 = 119 WB 05 = CAB CHASSIS WHEEL BASE 5 03 = CAB CHASSIS WHEEL BASE 3	EG2 = 3.5L V6 Gas Engine EXM = 3.0L V6 Turbo Diesel Engine	DGZ = 5-Speed Auto W5A380 Transmission

AR = use ase required - = Non illustrated part

2008 VB

Roof Panel  
Figure 60-908

ITEM	PART NUMBER	QTY	LINE	SERIES	BODY	ENGINE	TRANS	TRIM	DESCRIPTION
1	68009330AA	1	2, 3, 6, 7		15, 17, 55				REINFORCEMENT, Side Panel
2	68008650AA	1	2, 3, 6, 7		17				REINFORCEMENT, Roof Panel
3									REINFORCEMENT, Roof Panel
	68009272AA	1	2, 3, 6, 7		17				
	68008640AA	1	2, 3, 6, 7		13, 53				[5CF]
	68008644AA	1	2, 3, 6, 7		15, 55				[5CG]
4	68008710AA	1	2, 3, 6, 7		15, 17, 55				PANEL, Side, Side Panel Inside Rear
5	68008730AA	1	2, 3, 6, 7		15, 17, 55				REINFORCEMENT, Side Panel
6	68008642AA	1	2, 3, 6, 7		13, 53				REINFORCEMENT, Roof Panel, Side Panel Inside, Roof Rail
7	68009232AA	1	2, 3, 6, 7		13, 15, 17, 53, 55				REINFORCEMENT, Side Panel Outside D-Pillar
8	68009319AA	1	2, 3, 6, 7		17				PANEL, Inner
9	68009224AA	1	2, 3, 6, 7		13, 15, 17, 53, 55				REINFORCEMENT, Hinge Bottom Right
10									PANEL, Wheelhouse
	68009347AA	1	2, 3, 6, 7						[ZU7]
	68009351AA	1	3, 7		13, 15, 17				
11									BRACKET
	68008655AA	3	2, 3, 6, 7		13, 15, 17, 53, 55				[D05]
	68008614AA	2	2, 3, 6, 7						[D03+T16]
	68008615AA	5	2, 3, 6, 7		13, 15, 17, 53, 55				[T16]
12									PLATE
	68005147AA	1	2, 3, 6, 7		13, 15, 17, 53, 55				[D03,D05,D06] Side Panel Inside D-Pillar
	68009338AA	1	2, 3, 6, 7		13, 15, 17, 53, 55				
13									REINFORCEMENT
	68009345AA	1	2, 3, 6, 7		13, 15, 17, 53, 55				High or Super High Roof
	68009346AA	1	2, 3, 6, 7		13, 15, 17, 53, 55				
14	68008763AA	1	2, 3, 6, 7		13, 15, 17, 53, 55				REINFORCEMENT
15	68009233AA	1	2, 3, 6, 7		13, 15, 17, 53, 55				BRACKET



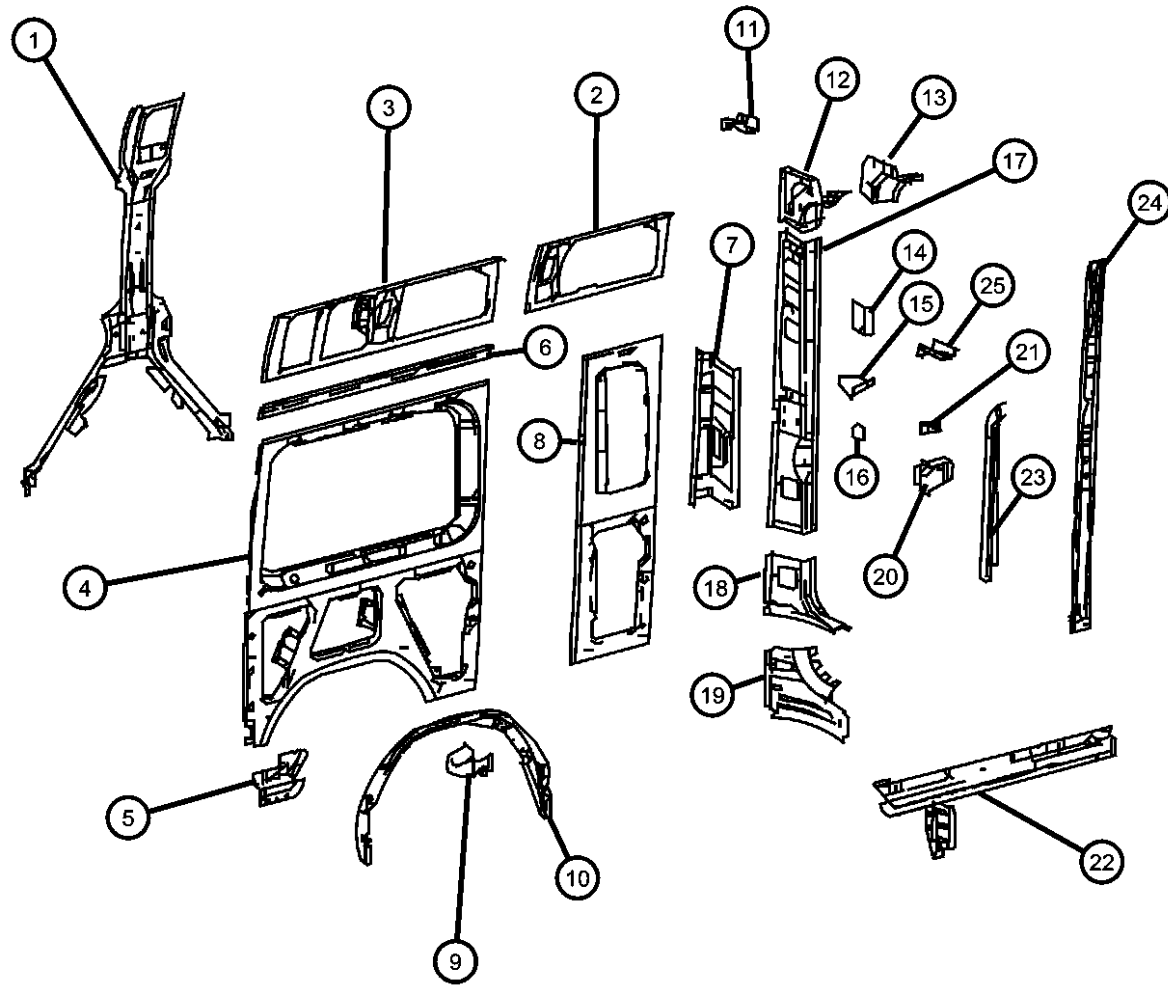
**SPRINTER (VB)**

SERIES	LINE	BODY	ENGINE	TRANSMISSION
L = LOWLINE	3 = HD DODGE 2WD 6 = Lt. Duty DODGE 4WD 2 = Med. Duty DODGE 2WD 7 = Med. Duty DODGE 4WD	17 = VAN WHEEL BASE 7 55 = WAGON WHEEL BASE 5 15 = VAN WHEEL BASE 5 53 = 119 WB 13 = 119 WB 05 = CAB CHASSIS WHEEL BASE 5 03 = CAB CHASSIS WHEEL BASE 3	EG2 = 3.5L V6 Gas Engine EXM = 3.0L V6 Turbo Diesel Engine	DGZ = 5-Speed Auto W5A380 Transmission

AR = use ase required - = Non illustrated part

**Roof Panel  
Figure 60-908**

ITEM	PART NUMBER	QTY	LINE	SERIES	BODY	ENGINE	TRANS	TRIM	DESCRIPTION
16	68008757AA	1	2, 3, 6, 7		13, 15, 17, 53, 55				BRACKET
17	68008754AA	1	2, 3, 6, 7		13, 15, 17, 53, 55				PANEL, D Pillar
18	68009343AA	1	2, 3, 6, 7		13, 15, 17, 53, 55				REINFORCEMENT
19	68009344AA	1	2, 3, 6, 7		13, 15, 17, 53, 55				REINFORCEMENT
20	68009219AA	1	2, 3, 6, 7		13, 15, 17, 53, 55				REINFORCEMENT
21	68009326AA	1	2, 3, 6, 7		13, 15, 17, 53, 55				REINFORCEMENT
	68009328AA	1	2, 3, 6, 7		13, 15, 17, 53, 55				Side Panel Outside D-Pillar
22	68008716AA	1	2, 3, 6, 7		15, 55				REINFORCEMENT, Side Panel Side Panel Inside -Rear
	68008718AA	1	2, 3, 6, 7		17				
23	68009230AA	1	2, 3, 6, 7		13, 15, 17, 53, 55				PLATE
	68009231AA	1	2, 3, 6, 7		13, 15, 17, 53, 55				High and Super High Roof
24	68009335AA	1	2, 3, 6, 7		17				PANEL, D Pillar
25	68009778AA	1	2, 3, 6, 7		13, 15, 17, 53, 55				BRACKET, Roof, Roof Bow

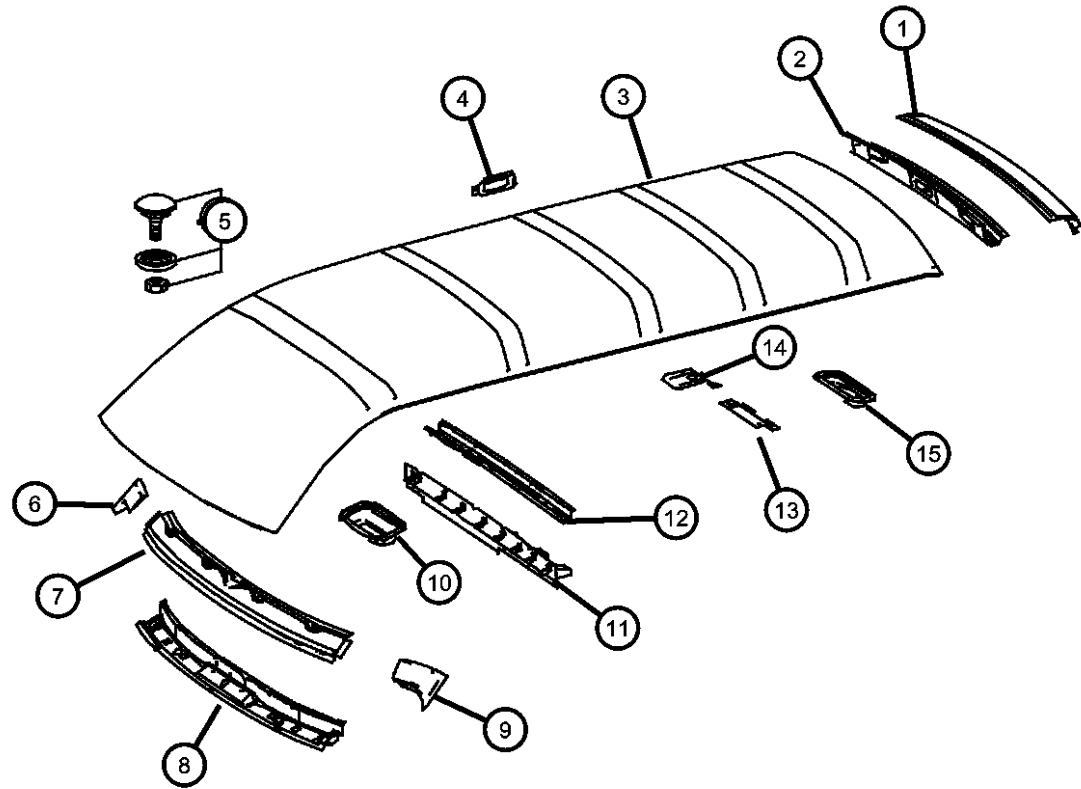


**SPRINTER (VB)**

SERIES	LINE	BODY	ENGINE	TRANSMISSION
L = LOWLINE	3 = HD DODGE 2WD 6 = Lt. Duty DODGE 4WD 2 = Med. Duty DODGE 2WD 7 = Med. Duty DODGE 4WD	17 = VAN WHEEL BASE 7 55 = WAGON WHEEL BASE 5 15 = VAN WHEEL BASE 5 53 = 119 WB 13 = 119 WB 05 = CAB CHASSIS WHEEL BASE 5 03 = CAB CHASSIS WHEEL BASE 3	EG2 = 3.5L V6 Gas Engine EXM = 3.0L V6 Turbo Diesel Engine	DGZ = 5-Speed Auto W5A380 Transmission

AR = use ase required - = Non illustrated part

**Super High Roof  
Figure 60-910**



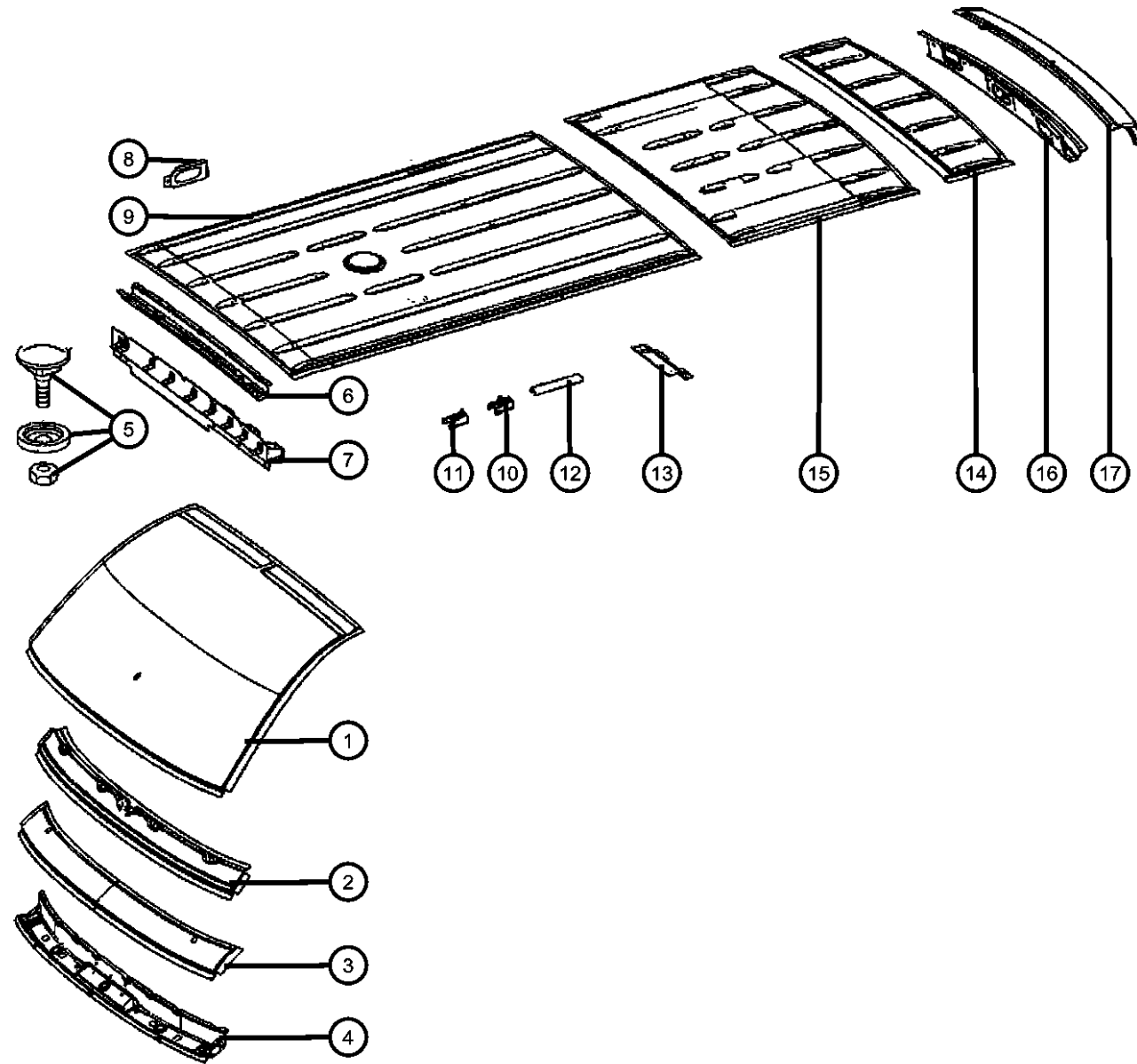
ITEM	PART NUMBER	QTY	LINE	SERIES	BODY	ENGINE	TRANS	TRIM	DESCRIPTION
1	68009752AA	1	2, 3, 6, 7		13, 15, 17, 53, 55				SUPPORT, Roof With [LPA]
	68009754AA	1	2, 3, 6, 7		13, 15, 17, 53, 55				Without [LPA]
2	68009757AA	1	2, 3, 6, 7		13, 15, 17, 53, 55				SUPPORT, Roof
3	68030769AA	1	2, 3, 6, 7		15				ROOF Without [NHY]
	68030773AA	1	2, 3, 6, 7		17				
	68030775AA	1	2, 3, 6, 7		17				With [5CK] [58N]
	68030761AA	1	2, 3, 6, 7		15				
4	68009791AA	1	2, 3, 6, 7		13, 15, 17, 53, 55				BRACKET, Cargo Lamp
5	68013418AA	1	2, 3, 6, 7						COVER
6	68033263AA	1	2, 3, 6, 7						COVERLeft
7	68009715AA	1	2, 3, 6, 7		13, 15, 17, 53, 55				SUPPORT, Roof
		1	3, 7		03, 05				
8	68009764AA	1	2, 3, 6, 7						SUPPORT, Roof
9	68033264AA	1	2, 3, 6, 7						COVERRight
10	68033254AA	1	2, 3, 6, 7						BRACKET
11	68009778AA	1	2, 3, 6, 7		13, 15, 17, 53, 55				BRACKET, Roof
12	68009770AA	6	2, 3, 6, 7		13, 15, 17, 53, 55				BOW, Roof
	68009771AA	6	2, 3, 6, 7		13, 53				With [CTA]
13	68009780AA	2	2, 3, 6, 7		13, 15, 17, 53, 55				BRACKET, Cargo Lamp
14	68009779AA	2	2, 3, 6, 7		15, 17				BRACKET, Cargo Lamp
15	68017908AA	1	2, 3, 6, 7		13, 15, 17, 53, 55				BRACKET

**SPRINTER (VB)**

<b>SERIES</b>	<b>LINE</b>	<b>BODY</b>	<b>ENGINE</b>	<b>TRANSMISSION</b>
L = LOWLINE	3 = HD DODGE 2WD 6 = Lt. Duty DODGE 4WD 2 = Med. Duty DODGE 2WD 7 = Med. Duty DODGE 4WD	17 = VAN WHEEL BASE 7 55 = WAGON WHEEL BASE 5 15 = VAN WHEEL BASE 5 53 = 119 WB 13 = 119 WB 05 = CAB CHASSIS WHEEL BASE 5 03 = CAB CHASSIS WHEEL BASE 3	EG2 = 3.5L V6 Gas Engine EXM = 3.0L V6 Turbo Diesel Engine	DGZ = 5-Speed Auto W5A380 Transmission

AR = use ase required - = Non illustrated part

High Roof Panel  
Figure 60-915



ITEM	PART NUMBER	QTY	LINE	SERIES	BODY	ENGINE	TRANS	TRIM	DESCRIPTION
1	68009718AA	1	2, 3, 6, 7		13, 15, 17, 53, 55				PANEL, Roof
2	68009715AA	1	2, 3, 6, 7		13, 15, 17, 53, 55				SUPPORT, Roof
3	68009719AA	1	3, 7		03, 05				SUPPORT, Roof
4	68009764AA	1	2, 3, 6, 7						SUPPORT, Roof
5	68013418AA	1	2, 3, 6, 7						COVER
6	68009770AA	6	2, 3, 6, 7		13, 15, 17, 53, 55				BOW, Roof
7	68009778AA	1	2, 3, 6, 7		13, 15, 17, 53, 55				BRACKET, Roof
8	68009791AA	1	2, 3, 6, 7		13, 15, 17, 53, 55				BRACKET, Cargo Lamp
9	68009728AA	1	2, 3, 6, 7		13, 15, 17, 53, 55				PANEL, Roof
10	68009792AA	2	2, 3, 6, 7		53, 55				BOW, Roof
11	68009794AA	4	2, 3, 6, 7		53, 55				BOW, Roof
12	68014272AA	1	2, 3, 6, 7		13, 15, 17, 53, 55				BOW, Roof
13	68009780AA	2	2, 3, 6, 7		13, 15, 17, 53, 55				BRACKET, Cargo Lamp
14	68009746AA	1	2, 3, 6, 7		13, 15, 53, 55				PANEL, Roof
15	68009751AA	2	2, 3, 6, 7		15, 17, 55				PANEL, Roof
16	68009757AA	1	2, 3, 6, 7		13, 15, 17, 53, 55				SUPPORT, Roof
17	68009754AA	1	2, 3, 6, 7		13, 15, 17, 53, 55				SUPPORT, Roof

SPRINTER (VB)

SERIES

L = LOWLINE

LINE

3 = HD DODGE 2WD  
6 = Lt. Duty DODGE 4WD  
2 = Med. Duty DODGE 2WD  
7 = Med. Duty DODGE 4WD

BODY

17 = VAN WHEEL BASE 7  
55 = WAGON WHEEL BASE 5  
15 = VAN WHEEL BASE 5  
53 = 119 WB  
13 = 119 WB  
05 = CAB CHASSIS WHEEL  
BASE 5  
03 = CAB CHASSIS WHEEL  
BASE 3

ENGINE

EG2 = 3.5L V6 Gas Engine  
EXM = 3.0L V6 Turbo Diesel  
Engine

TRANSMISSION

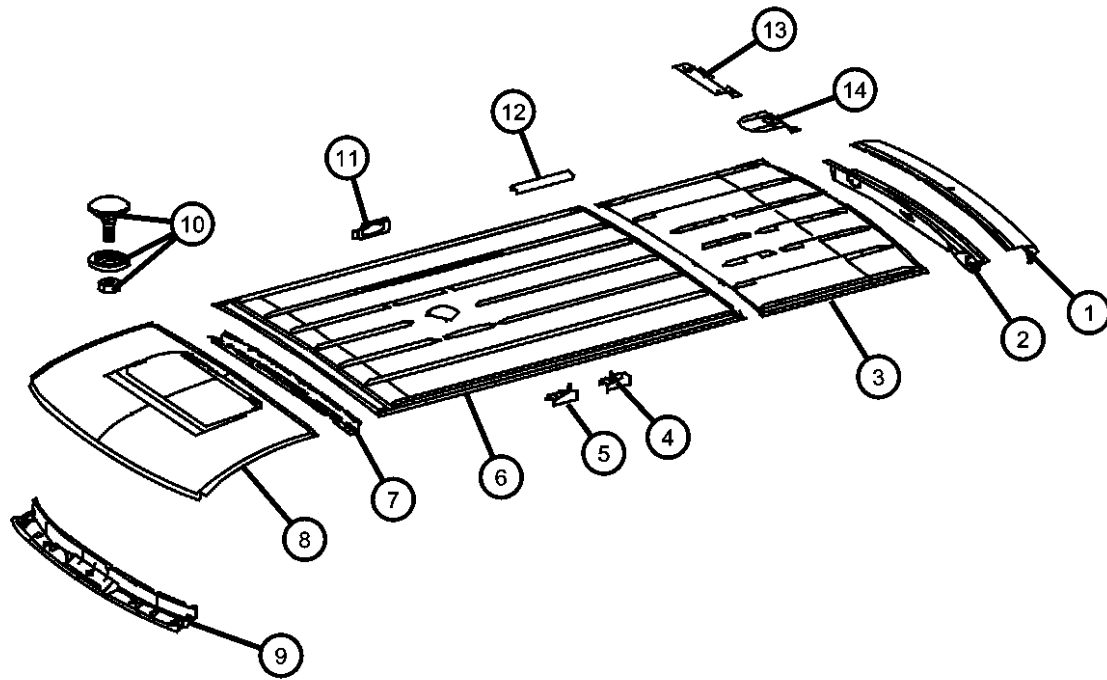
DGZ = 5-Speed Auto W5A380  
Transmission

AR = use ase required - = Non illustrated part

2008 VB

**Low Roof Panel  
Figure 60-920**

ITEM	PART NUMBER	QTY	LINE	SERIES	BODY	ENGINE	TRANS	TRIM	DESCRIPTION
1	68009755AA	1	2, 3, 6, 7		13, 15, 17, 53, 55				SUPPORT, Roof
2	68009756AA	1	2, 3, 6, 7		13, 15, 17, 53, 55				SUPPORT, Roof
3	68009749AA	1	2, 3, 6, 7		13, 53				PANEL, RoofRear
4	68009792AA	2	2, 3, 6, 7		53, 55				BOW, Roof
5	68009794AA	4	2, 3, 6, 7		53, 55				BOW, Roof
6	68009727AA	1	2, 3, 6, 7		13, 15, 17, 53, 55				PANEL, RoofCenter
7	68009771AA	6	2, 3, 6, 7		13, 53				BOW, Roof
8	68009717AA	1	2, 3, 6, 7						PANEL, Roof
9	68009764AA	1	2, 3, 6, 7						SUPPORT, Roof
10	68013418AA	1	2, 3, 6, 7						COVER
11	68009791AA	1	2, 3, 6, 7		13, 15, 17, 53, 55				BRACKET, Cargo Lamp
12	68009795AA	2	2, 3, 6, 7		53, 55				BRACKET
13	68009780AA	2	2, 3, 6, 7		13, 15, 17, 53, 55				BRACKET, Cargo Lamp
14	68009779AA	2	2, 3, 6, 7		15, 17				BRACKET, Cargo Lamp



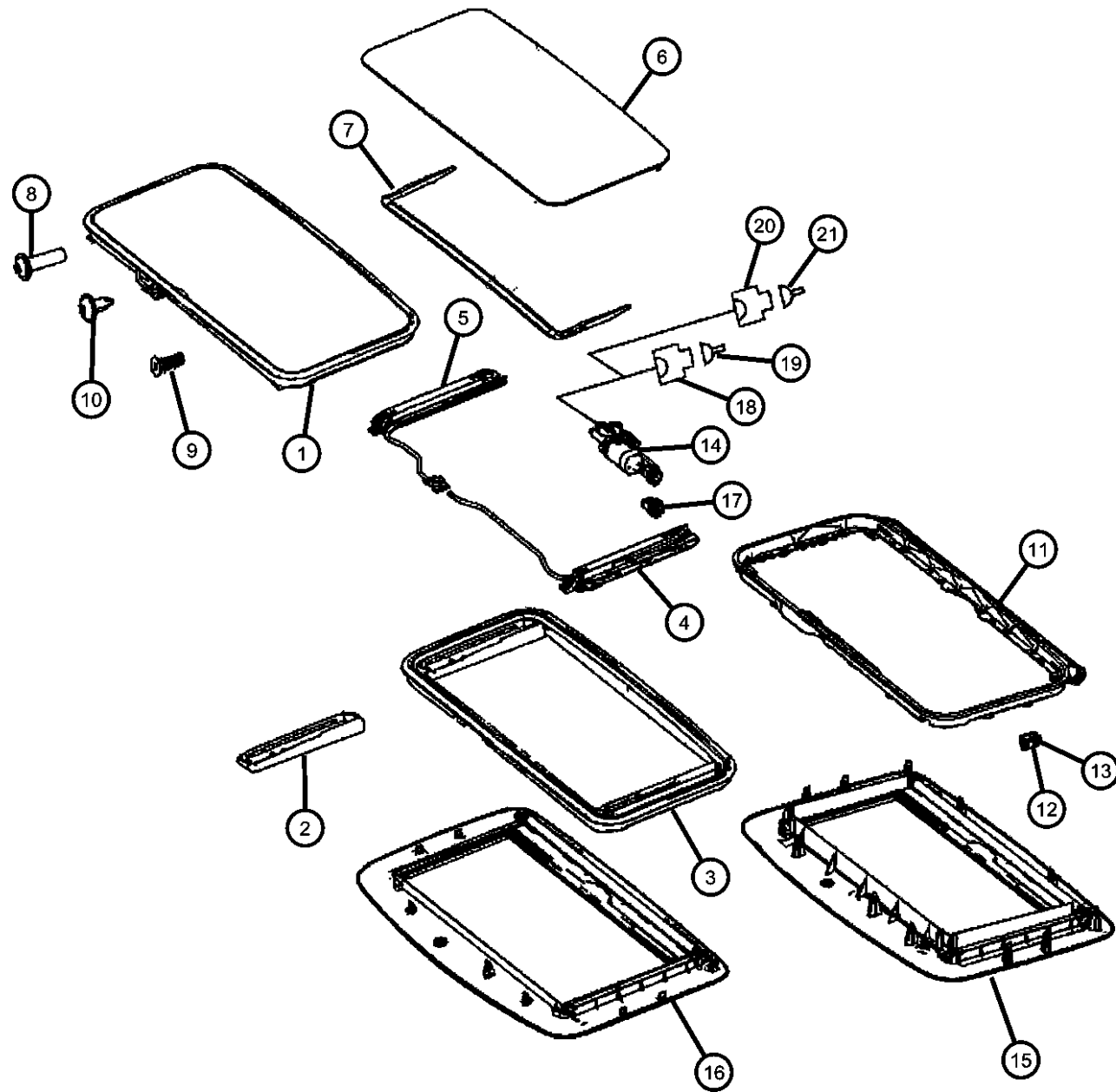
**SPRINTER (VB)**

SERIES	LINE	BODY	ENGINE	TRANSMISSION
L = LOWLINE	3 = HD DODGE 2WD 6 = Lt. Duty DODGE 4WD 2 = Med. Duty DODGE 2WD 7 = Med. Duty DODGE 4WD	17 = VAN WHEEL BASE 7 55 = WAGON WHEEL BASE 5 15 = VAN WHEEL BASE 5 53 = 119 WB 13 = 119 WB 05 = CAB CHASSIS WHEEL BASE 5 03 = CAB CHASSIS WHEEL BASE 3	EG2 = 3.5L V6 Gas Engine EXM = 3.0L V6 Turbo Diesel Engine	DGZ = 5-Speed Auto W5A380 Transmission

AR = use ase required - = Non illustrated part

2008 VB

**Sunroof Glass and Component Parts  
Figure 60-1005**



ITEM	PART NUMBER	QTY	LINE	SERIES	BODY	ENGINE	TRANS	TRIM	DESCRIPTION
1	68018812AA	1	2, 6		53, 55				GLASS, Sunroof With [GW9 And Or GWA]
		1	2, 3, 6, 7		03, 05, 13, 53, 55				With [GW9 And Or GWA]
2	68018814AA	1	2, 3, 6, 7		03, 05, 53, 55				RAIL, Roof With [GW9 And Or GWA]
		1	2, 3, 6, 7		13, 15, 17				With [GW9 And Or GWA]
3	68018815AA	1	2, 3, 6, 7		03, 05, 53, 55				FRAME, Sunroof With [GW9 And Or GWA]
		1	2, 3, 6, 7		13, 15, 17				With [GW9 And Or GWA]
4	68018817AA	1	2, 3, 6, 7		03, 05, 53, 55				GUIDE, Sunroof Track With [GW9 And Or GWA], Left Rear
		1	2, 3, 6, 7		13, 15, 17				With [GW9 And Or GWA], Left Front
5	68018816AA	1	2, 3, 6, 7		03, 05, 53, 55				GUIDE, Sunroof Track With [GW9 And Or GWA], Right Rear
		1	2, 3, 6, 7		13, 15, 17				With [GW9 And Or GWA], Right Front
6	68018818AA	1	2, 3, 6, 7		03, 05, 53, 55				SUNSHADE, Sunroof With [GW9 And Or GWA]
		1	2, 3, 6, 7		13, 15, 17				With [GW9 And Or GWA]
7	68018819AA	1	2, 3, 6, 7		03, 05, 53, 55				DEFLECTOR, Sunroof Wind With [GW9 And Or GWA]
		1	2, 3, 6, 7		13, 15, 17				With [GW9 And Or GWA]
8	06104635AA	15	3, 7		03, 05				SCREW, Tapping Round Head, M5.0X2.24X20.00 With [GW9 And Or GWA]
		15	2, 3, 6, 7		13, 15, 17, 53, 55				With [GW9 And Or GWA], Rear
		15	2, 3, 6, 7		13, 15, 17, 53, 55				With [GW9 And Or GWA], Front
9	06104658AA	8	2, 3, 6, 7		13, 15, 17				SCREW, 5x16 With [GW9 And Or GWA]

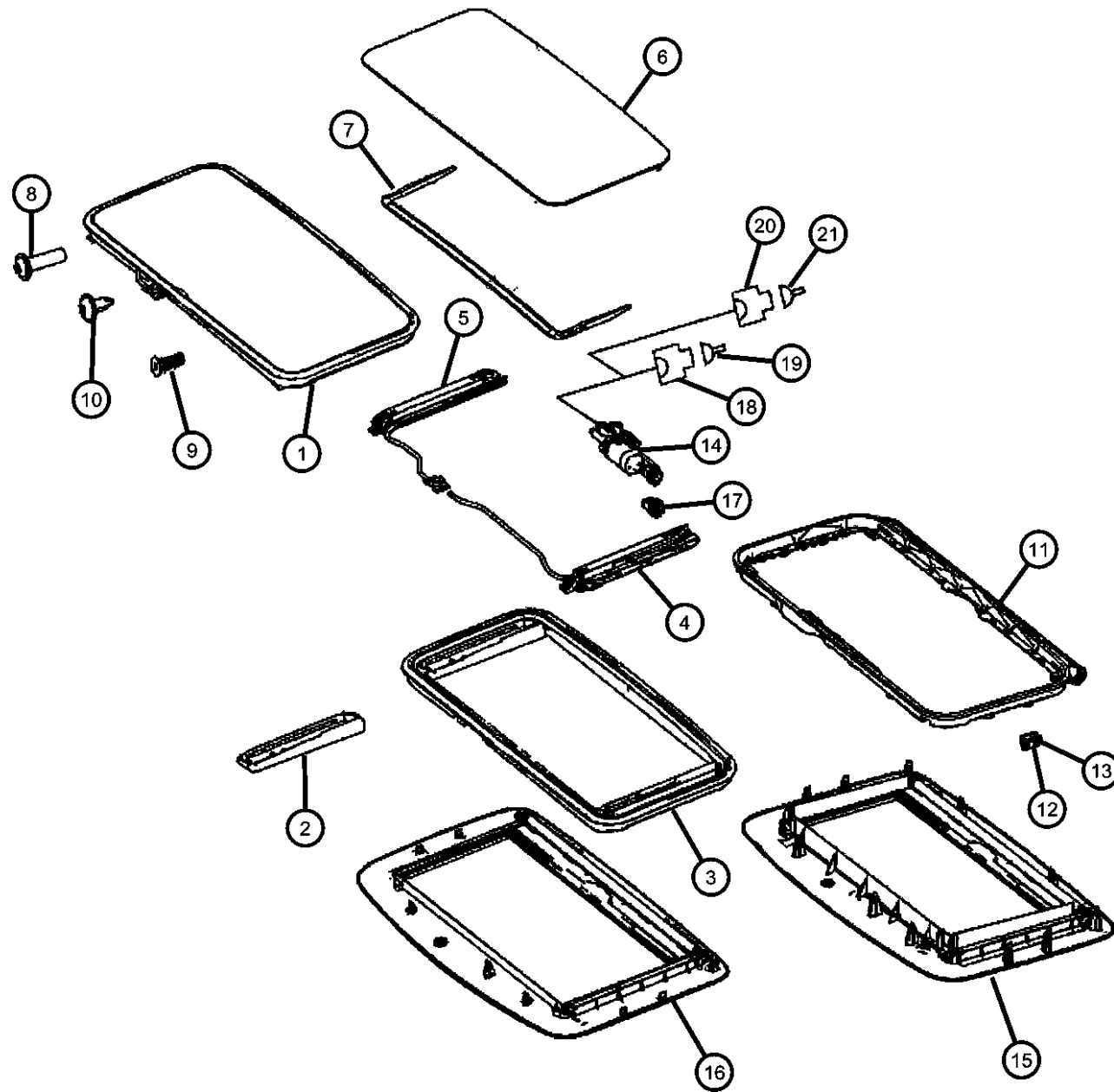
**SPRINTER (VB)**

SERIES	LINE	BODY	ENGINE	TRANSMISSION
L = LOWLINE	3 = HD DODGE 2WD 6 = Lt. Duty DODGE 4WD 2 = Med. Duty DODGE 2WD 7 = Med. Duty DODGE 4WD	17 = VAN WHEEL BASE 7 55 = WAGON WHEEL BASE 5 15 = VAN WHEEL BASE 5 53 = 119 WB 13 = 119 WB 05 = CAB CHASSIS WHEEL BASE 5 03 = CAB CHASSIS WHEEL BASE 3	EG2 = 3.5L V6 Gas Engine EXM = 3.0L V6 Turbo Diesel Engine	DGZ = 5-Speed Auto W5A380 Transmission

AR = use ase required - = Non illustrated part



**Sunroof Glass and Component Parts  
Figure 60-1005**



ITEM	PART NUMBER	QTY	LINE	SERIES	BODY	ENGINE	TRANS	TRIM	DESCRIPTION
		8	2, 3, 6, 7		03, 05, 53, 55				With [GW9 And Or GWA]
10	68018813AA	2	2, 3, 6, 7		03, 05, 53, 55				SCREW, Sun Roof With [GW9 And Or GWA]
		2	2, 3, 6, 7		13, 15, 17				With [GW9 And Or GWA]
11	68018820AA	1	2, 3, 6, 7		13, 15, 17, 53, 55				FRAME, Sunroof With [GW9 And Or GWA]
		1	2, 3, 6, 7		03, 05				With [GW9 And Or GWA]
12	68018821AA	1	2, 3, 6, 7		03, 05, 53, 55				CLIP, Sunroof With [GW9 And Or GWA]
		1	2, 3, 6, 7		13, 15, 17				With [GW9 And Or GWA]
13	68020388AA	11	2, 3, 6, 7						CLIP, Retainer, Parts Kit - Clips / With [GW9 And Or GWA]
14	68018822AA	1	3, 7		03, 05				MOTOR/MODULE, Sunroof With [GW9 And Or GWA], Front
		1	2, 3, 6, 7		13, 15, 17, 53, 55				With [GW9 And Or GWA], Front
		1	2, 3, 6, 7		13, 15, 17, 53, 55				With [GW9 And Or GWA], Rear
15	68018827AA	1	2, 3, 6, 7		13, 15, 17, 53, 55				TRIM, Sunroof opening, Rear Cover Only / With [GW9]
16	68018823AA	1	2, 3, 6, 7		03, 05, 53, 55				COVER, Sunroof Mechanism, Front Cover Only / With [GWA]
17	68011368AA	1	2, 3, 6, 7		03, 05, 53, 55				CONNECTOR, Wiring [6 Pin]
		1	2, 3, 6, 7		13, 15, 17				[6 Pin]
18	68011254AA	1	2, 3, 6, 7		13, 15, 17				CONNECTOR Rear Connector [6-Pin]
		1	2, 3, 6, 7		03, 05, 53, 55				Rear Connector [6-Pin]
19	05133945AA	AR	2, 3, 6, 7						TERMINAL, [1.0 - 2.5 MM]
20	68011254AA	1	2, 3, 6, 7		13, 15, 17				CONNECTOR [6 - PIN]

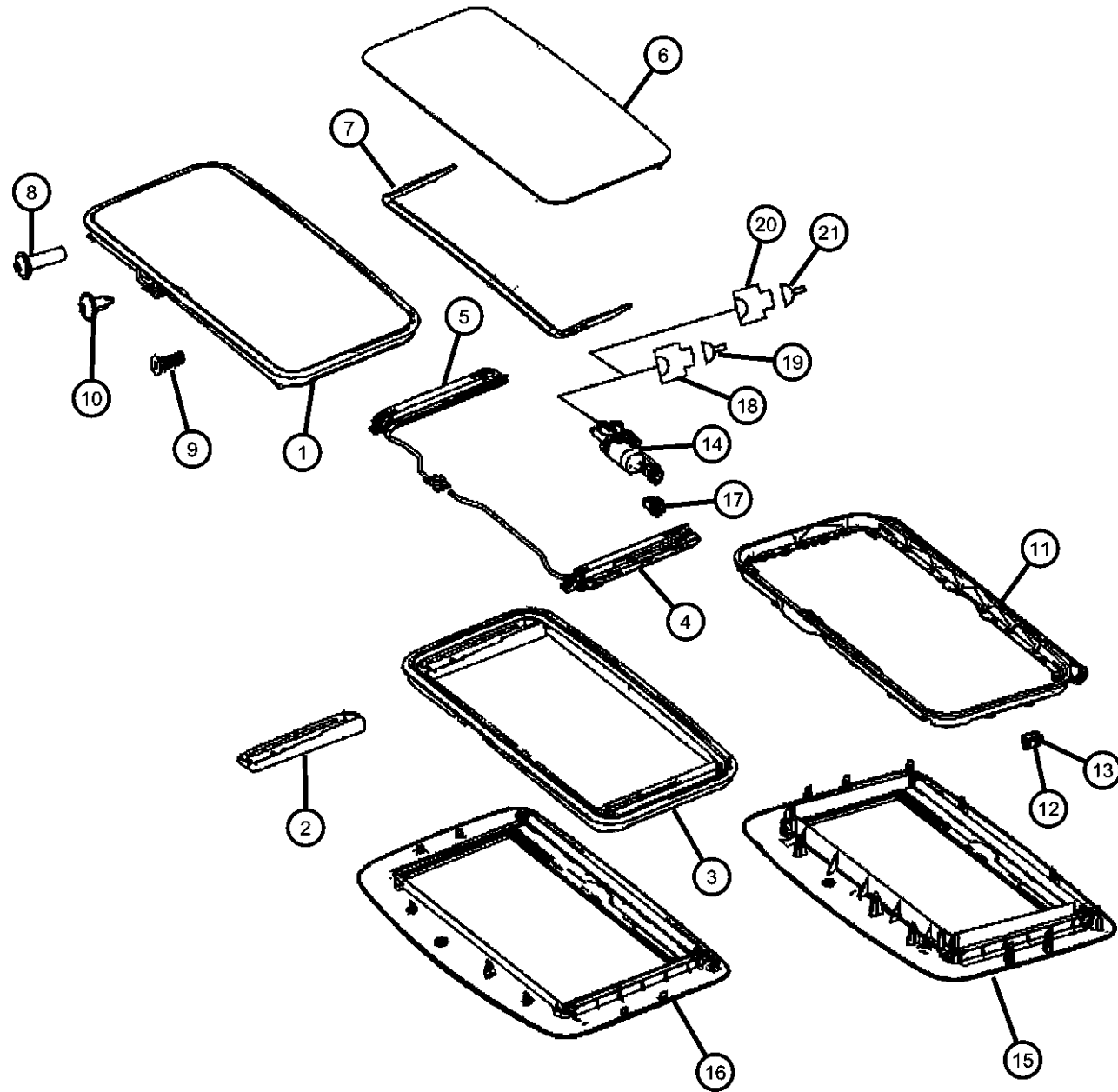
**SPRINTER (VB)**

<b>SERIES</b>	<b>LINE</b>	<b>BODY</b>	<b>ENGINE</b>	<b>TRANSMISSION</b>
L = LOWLINE	3 = HD DODGE 2WD 6 = Lt. Duty DODGE 4WD 2 = Med. Duty DODGE 2WD 7 = Med. Duty DODGE 4WD	17 = VAN WHEEL BASE 7 55 = WAGON WHEEL BASE 5 15 = VAN WHEEL BASE 5 53 = 119 WB 13 = 119 WB 05 = CAB CHASSIS WHEEL BASE 5 03 = CAB CHASSIS WHEEL BASE 3	EG2 = 3.5L V6 Gas Engine EXM = 3.0L V6 Turbo Diesel Engine	DGZ = 5-Speed Auto W5A380 Transmission

AR = use ase required - = Non illustrated part

**Sunroof Glass and Component Parts**  
**Figure 60-1005**

ITEM	PART NUMBER	QTY	LINE	SERIES	BODY	ENGINE	TRANS	TRIM	DESCRIPTION
		1	2, 3, 6, 7		03, 05, 53, 55				[6 - PIN]
21									TERMINAL
	05133945AA	AR	2, 3, 6, 7						[0.5 - 1.0 MM]
	05143897AA	AR	2, 3, 6, 7						[1.0 - 2.5 MM]



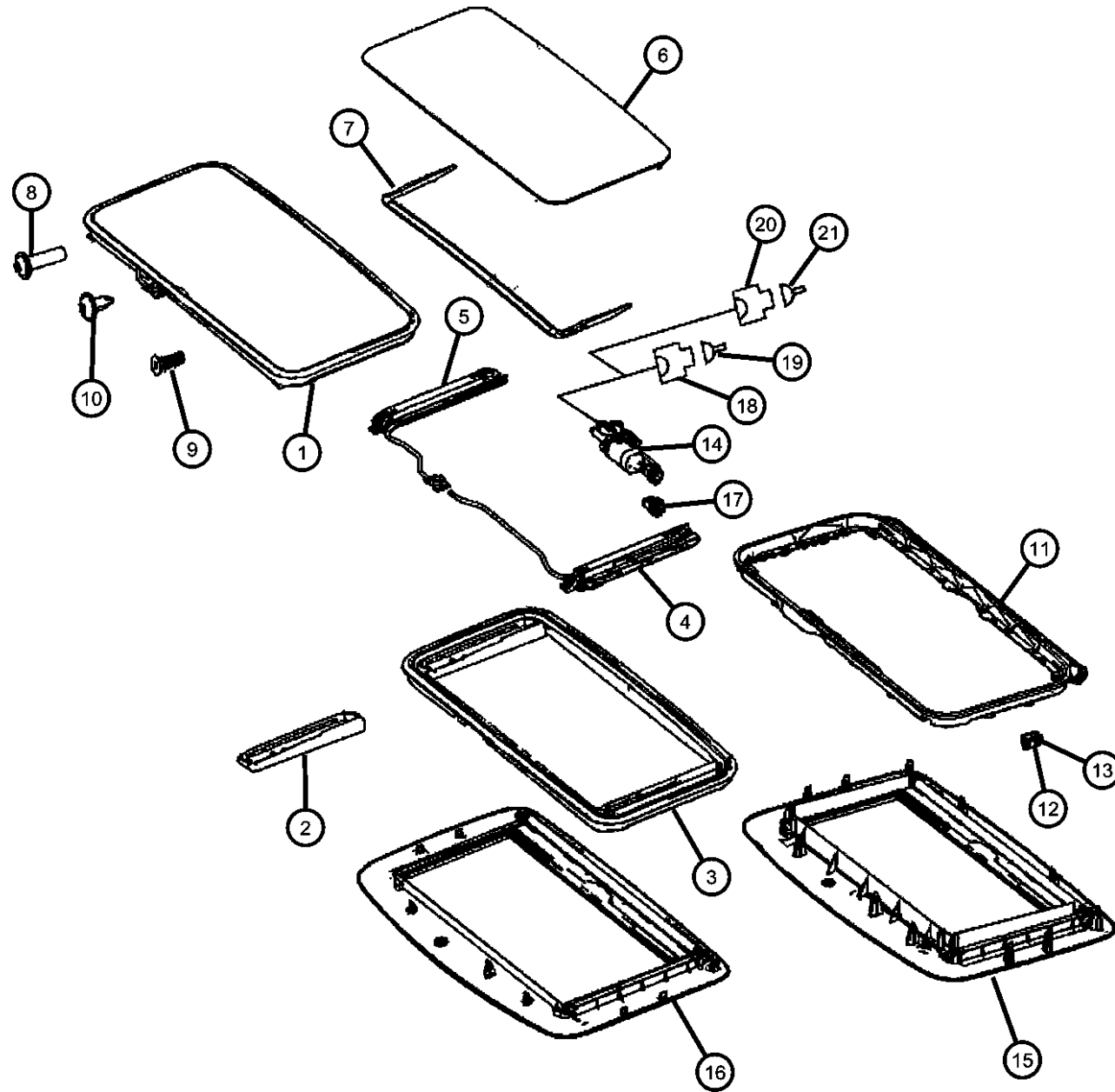
**SPRINTER (VB)**

SERIES	LINE	BODY	ENGINE	TRANSMISSION
L = LOWLINE	3 = HD DODGE 2WD 6 = Lt. Duty DODGE 4WD 2 = Med. Duty DODGE 2WD 7 = Med. Duty DODGE 4WD	17 = VAN WHEEL BASE 7 55 = WAGON WHEEL BASE 5 15 = VAN WHEEL BASE 5 53 = 119 WB 13 = 119 WB 05 = CAB CHASSIS WHEEL BASE 5 03 = CAB CHASSIS WHEEL BASE 3	EG2 = 3.5L V6 Gas Engine EXM = 3.0L V6 Turbo Diesel Engine	DGZ = 5-Speed Auto W5A380 Transmission

AR = use ase required - = Non illustrated part

2008 VB

**Sunroof Drain Hoses**  
**Figure 60-1050**



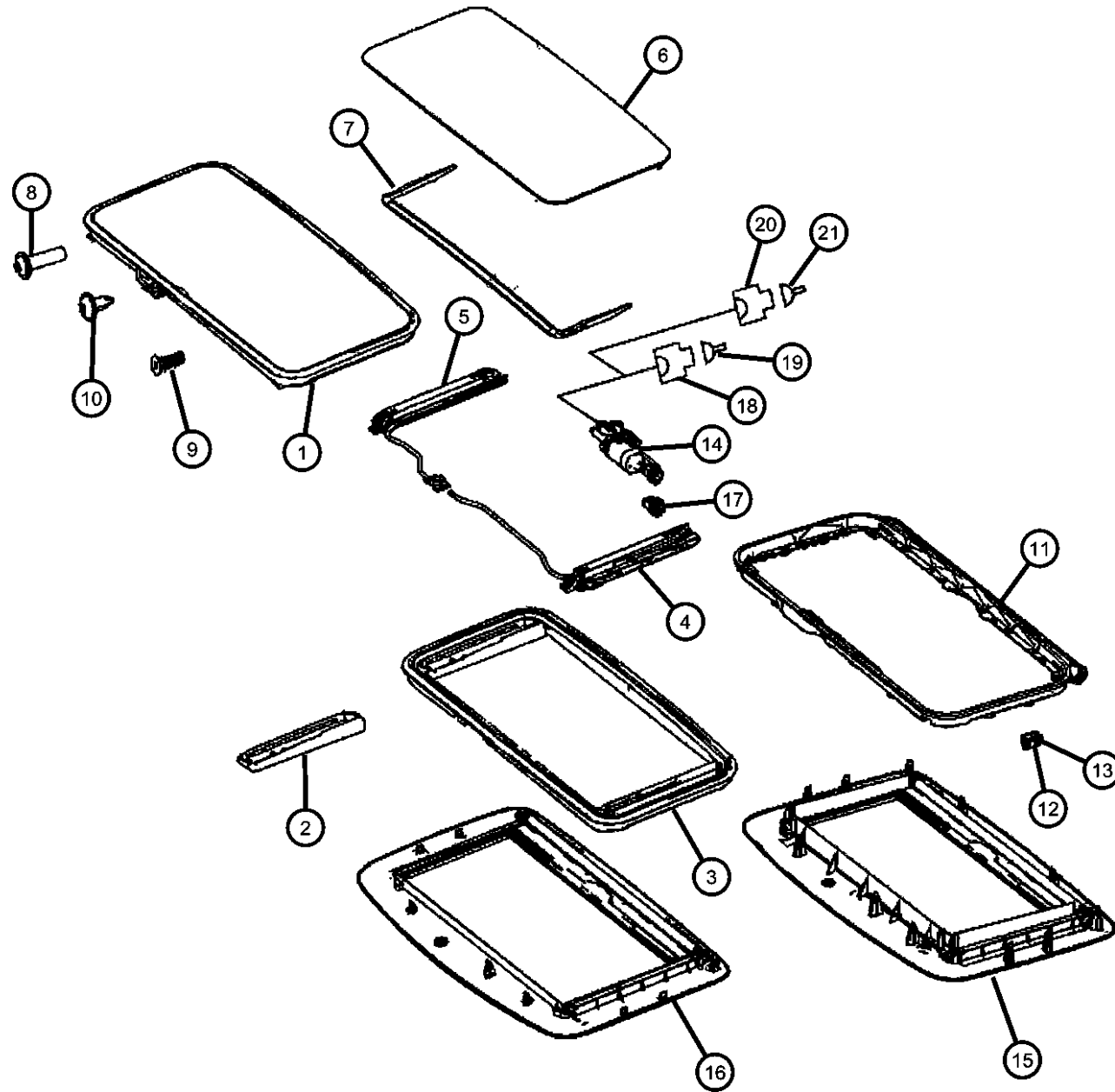
ITEM	PART NUMBER	QTY	LINE	SERIES	BODY	ENGINE	TRANS	TRIM	DESCRIPTION
1	68018812AA	1	2, 6		53, 55				GLASS, Sunroof With [GW9 And Or GWA]
		1	2, 3, 6, 7		03, 05, 13, 53, 55				With [GW9 And Or GWA]
2	68018814AA	1	2, 3, 6, 7		03, 05, 53, 55				RAIL, Roof With [GW9 And Or GWA]
		1	2, 3, 6, 7		13, 15, 17				With [GW9 And Or GWA]
3	68018815AA	1	2, 3, 6, 7		03, 05, 53, 55				FRAME, Sunroof With [GW9 And Or GWA]
		1	2, 3, 6, 7		13, 15, 17				With [GW9 And Or GWA]
4	68018817AA	1	2, 3, 6, 7		03, 05, 53, 55				GUIDE, Sunroof Track With [GW9 And Or GWA], Left Rear
		1	2, 3, 6, 7		13, 15, 17				With [GW9 And Or GWA], Left Front
5	68018816AA	1	2, 3, 6, 7		03, 05, 53, 55				GUIDE, Sunroof Track With [GW9 And Or GWA], Right Rear
		1	2, 3, 6, 7		13, 15, 17				With [GW9 And Or GWA], Right Front
6	68018818AA	1	2, 3, 6, 7		03, 05, 53, 55				SUNSHADE, Sunroof With [GW9 And Or GWA]
		1	2, 3, 6, 7		13, 15, 17				With [GW9 And Or GWA]
7	68018819AA	1	2, 3, 6, 7		03, 05, 53, 55				DEFLECTOR, Sunroof Wind With [GW9 And Or GWA]
		1	2, 3, 6, 7		13, 15, 17				With [GW9 And Or GWA]
8	06104635AA	15	3, 7		03, 05				SCREW, Tapping Round Head, M5.0X2.24X20.00 With [GW9 And Or GWA]
		15	2, 3, 6, 7		13, 15, 17, 53, 55				With [GW9 And Or GWA], Rear
		15	2, 3, 6, 7		13, 15, 17, 53, 55				With [GW9 And Or GWA], Front
9	06104658AA	8	2, 3, 6, 7		03, 05, 53, 55				SCREW, 5x16 With [GW9 And Or GWA]

**SPRINTER (VB)**

<b>SERIES</b>	<b>LINE</b>	<b>BODY</b>	<b>ENGINE</b>	<b>TRANSMISSION</b>
L = LOWLINE	3 = HD DODGE 2WD 6 = Lt. Duty DODGE 4WD 2 = Med. Duty DODGE 2WD 7 = Med. Duty DODGE 4WD	17 = VAN WHEEL BASE 7 55 = WAGON WHEEL BASE 5 15 = VAN WHEEL BASE 5 53 = 119 WB 13 = 119 WB 05 = CAB CHASSIS WHEEL BASE 5 03 = CAB CHASSIS WHEEL BASE 3	EG2 = 3.5L V6 Gas Engine EXM = 3.0L V6 Turbo Diesel Engine	DGZ = 5-Speed Auto W5A380 Transmission

AR = use ase required - = Non illustrated part

**Sunroof Drain Hoses  
Figure 60-1050**



ITEM	PART NUMBER	QTY	LINE	SERIES	BODY	ENGINE	TRANS	TRIM	DESCRIPTION
		8	2, 3, 6, 7		13, 15, 17				With [GW9 And Or GWA]
10									SCREW, Sun Roof
	68018813AA	2	2, 3, 6, 7		03, 05, 53, 55				With [GW9 And Or GWA]
		2	2, 3, 6, 7		13, 15, 17				With [GW9 And Or GWA]
11									FRAME, Sunroof
	68018820AA	1	2, 3, 6, 7		13, 15, 17, 53, 55				With [GW9 And Or GWA]
		1	2, 3, 6, 7		03, 05				With [GW9 And Or GWA]
12									CLIP, Sunroof
	68018821AA	1	2, 3, 6, 7		03, 05, 53, 55				With [GW9 And Or GWA]
		1	2, 3, 6, 7		13, 15, 17				With [GW9 And Or GWA]
13	68020388AA	11	2, 3, 6, 7						CLIP, Retainer, Parts Kit - Clips / With [GW9 And Or GWA]
14									MOTOR/MODULE, Sunroof
	68018822AA	1	3, 7		03, 05				With [GW9 And Or GWA], Front
		1	2, 3, 6, 7		13, 15, 17, 53, 55				With [GW9 And Or GWA], Front
		1	2, 3, 6, 7		13, 15, 17, 53, 55				With [GW9 And Or GWA], Rear
15	68018827AA	1	2, 3, 6, 7		13, 15, 17, 53, 55				TRIM, Sunroof opening, Rear Cover Only / With [GW9]
16	68018823AA	1	2, 3, 6, 7		03, 05, 53, 55				COVER, Sunroof Mechanism, Front Cover Only / With [GWA]
17									CONNECTOR, Wiring
	68011368AA	1	2, 3, 6, 7		03, 05, 53, 55				[6 Pin]
		1	2, 3, 6, 7		13, 15, 17				[6 Pin]
18									CONNECTOR
	68011254AA	1	2, 3, 6, 7		13, 15, 17				Rear Connector [6-Pin]
		1	2, 3, 6, 7		03, 05, 53, 55				Rear Connector [6-Pin]
19	05133945AA	AR	2, 3, 6, 7						TERMINAL, [1.0 - 2.5 MM]
20									CONNECTOR
	68011254AA	1	2, 3, 6, 7		13, 15, 17				[6 - PIN]
		1	2, 3, 6, 7		03, 05, 53, 55				[6 - PIN]

**SPRINTER (VB)**

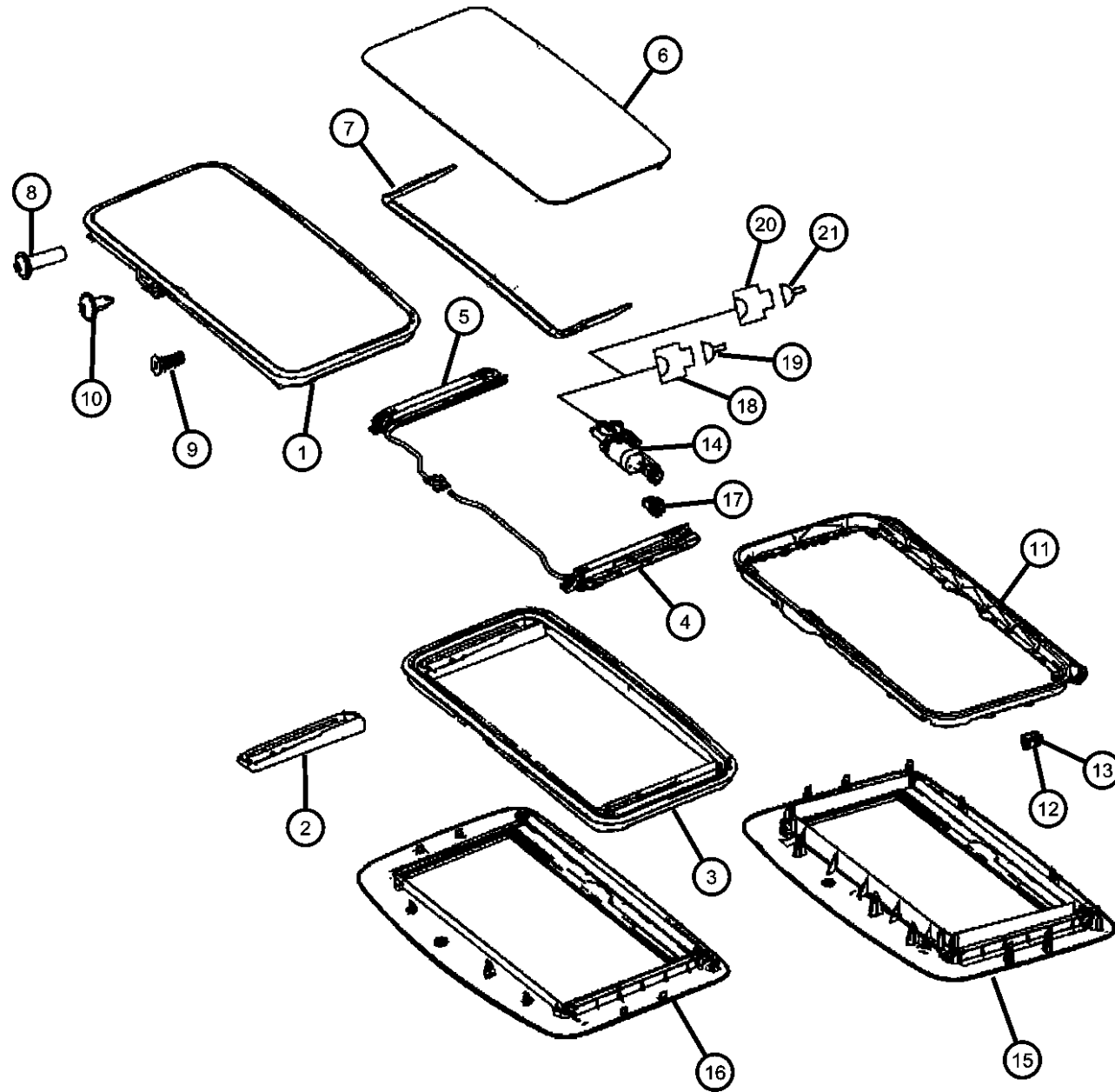
SERIES	LINE	BODY	ENGINE	TRANSMISSION
L = LOWLINE	3 = HD DODGE 2WD 6 = Lt. Duty DODGE 4WD 2 = Med. Duty DODGE 2WD 7 = Med. Duty DODGE 4WD	17 = VAN WHEEL BASE 7 55 = WAGON WHEEL BASE 5 15 = VAN WHEEL BASE 5 53 = 119 WB 13 = 119 WB 05 = CAB CHASSIS WHEEL BASE 5 03 = CAB CHASSIS WHEEL BASE 3	EG2 = 3.5L V6 Gas Engine EXM = 3.0L V6 Turbo Diesel Engine	DGZ = 5-Speed Auto W5A380 Transmission

AR = use ase required - = Non illustrated part

**Sunroof Drain Hoses  
Figure 60-1050**

ITEM	PART NUMBER	QTY	LINE	SERIES	BODY	ENGINE	TRANS	TRIM	DESCRIPTION
------	-------------	-----	------	--------	------	--------	-------	------	-------------

21									TERMINAL
	05133945AA	AR	2, 3, 6, 7						[0.5 - 1.0 MM]
	05143897AA	AR	2, 3, 6, 7						[1.0 - 2.5 MM]



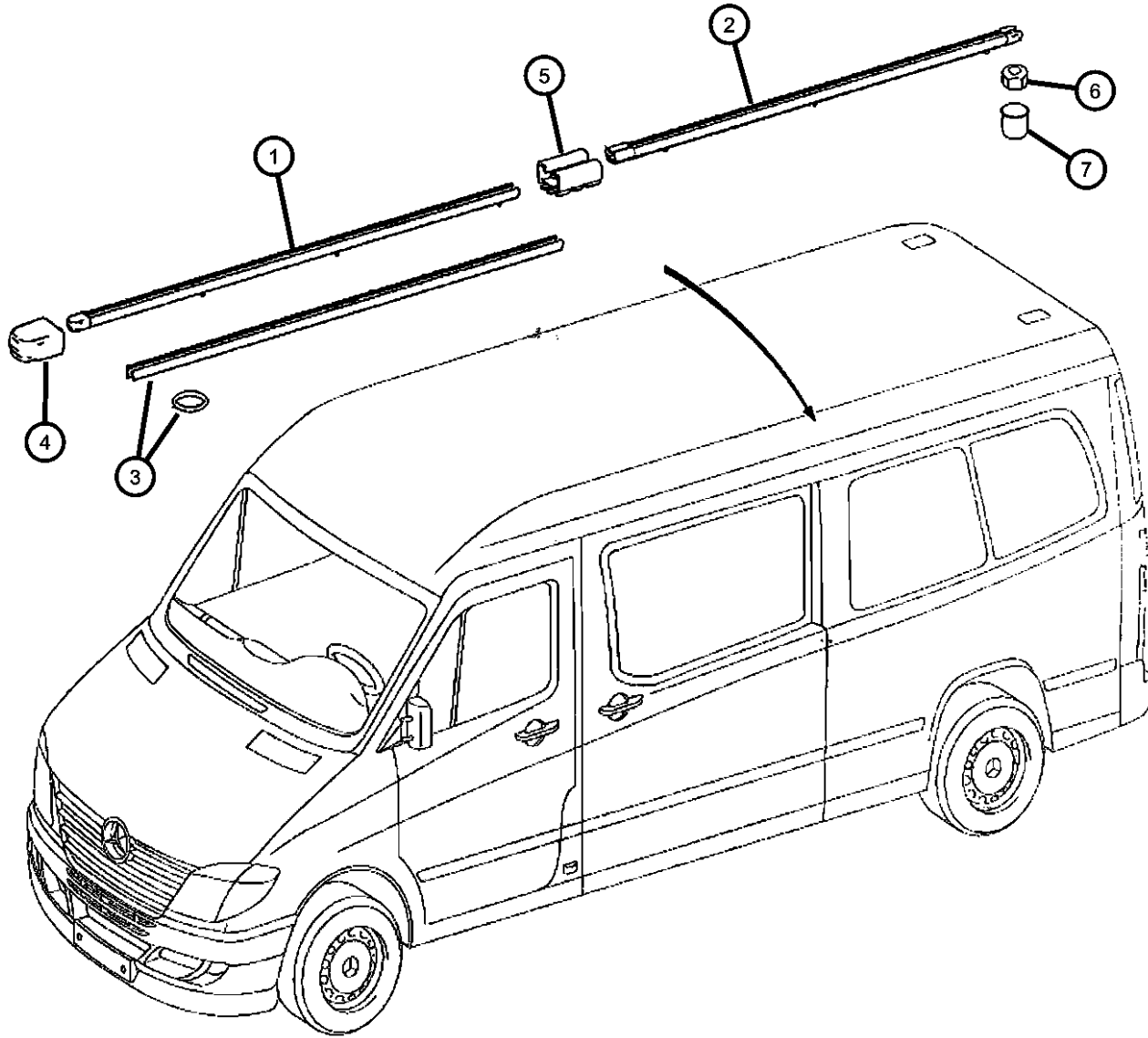
**SPRINTER (VB)**

SERIES	LINE	BODY	ENGINE	TRANSMISSION
L = LOWLINE	3 = HD DODGE 2WD 6 = Lt. Duty DODGE 4WD 2 = Med. Duty DODGE 2WD 7 = Med. Duty DODGE 4WD	17 = VAN WHEEL BASE 7 55 = WAGON WHEEL BASE 5 15 = VAN WHEEL BASE 5 53 = 119 WB 13 = 119 WB 05 = CAB CHASSIS WHEEL BASE 5 03 = CAB CHASSIS WHEEL BASE 3	EG2 = 3.5L V6 Gas Engine EXM = 3.0L V6 Turbo Diesel Engine	DGZ = 5-Speed Auto W5A380 Transmission

AR = use ase required - = Non illustrated part

2008 VB

**Roof Rack  
Figure 60-1305**



ITEM	PART NUMBER	QTY	LINE	SERIES	BODY	ENGINE	TRANS	TRIM	DESCRIPTION
1	68017893AA	2	2, 3, 6, 7		13, 15, 17, 53, 55				RAIL, RoofRight And Left
2	68017894AA	2	2, 3, 6, 7		15, 55				RAIL, Roof, 170 Inch Wheel Base, Right And Left
3	68017897AA	1	2, 3, 6, 7		13, 15, 17, 53, 55				SEAL
4	68017898AA	1	2, 3, 6, 7		13, 15, 17, 53, 55				COVER
5	68017899AA	1	2, 3, 6, 7		13, 15, 17, 53, 55				BRACKET
6									NUT, Hex
	05098361AA	16	2, 3, 6, 7		13, 53				
		22	2, 3, 6, 7		15, 55				
7	05126256AA	1	2, 3, 6, 7		15, 55				CAP

**SPRINTER (VB)**

SERIES	LINE	BODY	ENGINE	TRANSMISSION
L = LOWLINE	3 = HD DODGE 2WD 6 = Lt. Duty DODGE 4WD 2 = Med. Duty DODGE 2WD 7 = Med. Duty DODGE 4WD	17 = VAN WHEEL BASE 7 55 = WAGON WHEEL BASE 5 15 = VAN WHEEL BASE 5 53 = 119 WB 13 = 119 WB 05 = CAB CHASSIS WHEEL BASE 5 03 = CAB CHASSIS WHEEL BASE 3	EG2 = 3.5L V6 Gas Engine EXM = 3.0L V6 Turbo Diesel Engine	DGZ = 5-Speed Auto W5A380 Transmission

AR = use ase required - = Non illustrated part

2008 VB