

VIN PLATE DECODING INFORMATION

1	2	3	4	5	6	7	8	9	10	11	12 thru 17
Country	Make	Vehicle Type	Other	Line	Series	Body Style	Engine	Check Digit	Model Year	Assy. Plant	Sequence No.

The following table interprets the VIN Plate position shown above.

Position	Interpretation	Codes = Description
1	Country of Origin	W = DaimlerChrysler AG
2	Assembler	D = Sprinter
3	Vehicle Type	W = Dodge Bus X = Dodge Incomplete 8 = Dodge Multipurpose Passenger Vehicle 0 = Dodge Wagon P = Freightliner Incomplete R = Freightliner Multipurpose Passenger Vehicle Y = Freightliner Wagon 1 = Sprinter Cab-Chassis 3 = Sprinter Multipurpose Passenger Vehicle 5 = Sprinter Multipurpose Passenger Vehicle 2 = Sprinter Truck
4	GVWR & Pass. Safety	W = 4 X 2 Multipurpose Passenger Vehicle Y = 4 X 2 Truck P = 4 X 2 - U.S. B = 4 X 4 - Canada X = 4 X 2 Cab-Chassis
5	Vehicle Line	D = Combine with position 6
6	Series	1 = 2500C/C2500/P2500 3000 mm 15 in. wheel 8,001 - 9,000 lbs. Class G 2 = 2500C/C2500/P2500 3550 mm 15 in. wheel 8,001 - 9,000 lbs. Class G 6 = 2500C/C2500/P2500 3567 mm 16in. wheel 8,001 - 9,000 lbs. Class G 3 = 2500C/C2500/P2500 4025 mm 15 in. wheel 8,001 - 9,000 lbs. Class G 7 = 2500C/C2500/P2500 4042 mm 16in. wheel 8,001 - 9,000 lbs. Class G 8 = 3500C 3567 mm 16in. wheel 10,001 - 14,000 lbs. Class 3 9 = 3500C 4042 mm 16 in. wheel 10,001 - 14,000 lbs. Class 3 4 = 3500C/C3500 3550 mm 15 in. wheel 9,001 - 10,000 lbs. Class H 5 = 3500C/C3500 4025 mm 15 in. wheel 9,001 - 10,000 lbs. Class H
7	Body Style	4 = Combine with position 8
8	Engine	3 = 2.7L 45 State Diesel, Hydraulic Brakes 2 = 2.7L 50 State Diesel, Hydraulic Brakes 4 = 2.7L 50 State Diesel, Hydraulic Brakes 1 = 2.7L I-5 Diesel, Hydraulic Brakes
9	Check Digit	0 = Check Digit
10	Model Year	7 = 2007
11	Assembly Plant	5 = Dusseldorf R = Dusseldorf
12 thru 17	Vehicle Build Sequence	Model Year Assembly Sequence

Group - 2

Front Suspension & Drive

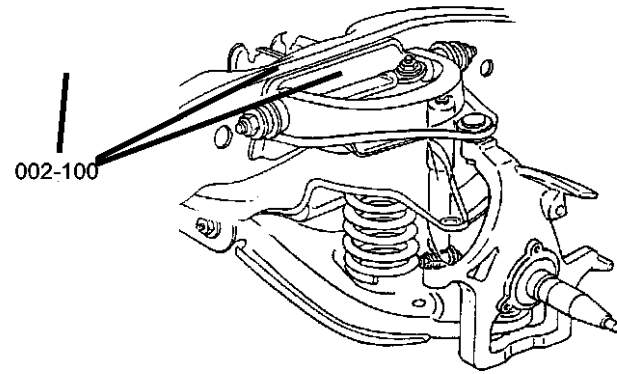
Group - 2 Front Suspension & Drive

Illustration Title

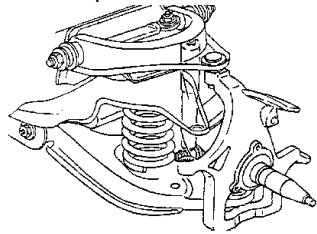
Group-Fig. No.

Front Suspension

Front Suspension Leaf Spring.....	Fig. 2 - 110
Front Suspension Leaf Spring.....	Fig. 2 - 120
Front Axle Torsion Bar.....	Fig. 2 - 130
Front Axle Torsion Bar.....	Fig. 2 - 140
Front Axle Support.....	Fig. 2 - 150
Steering Knuckle & Control Arm.....	Fig. 2 - 160
Steering Knuckle & Control Arm.....	Fig. 2 - 170



002-100
Front Suspension

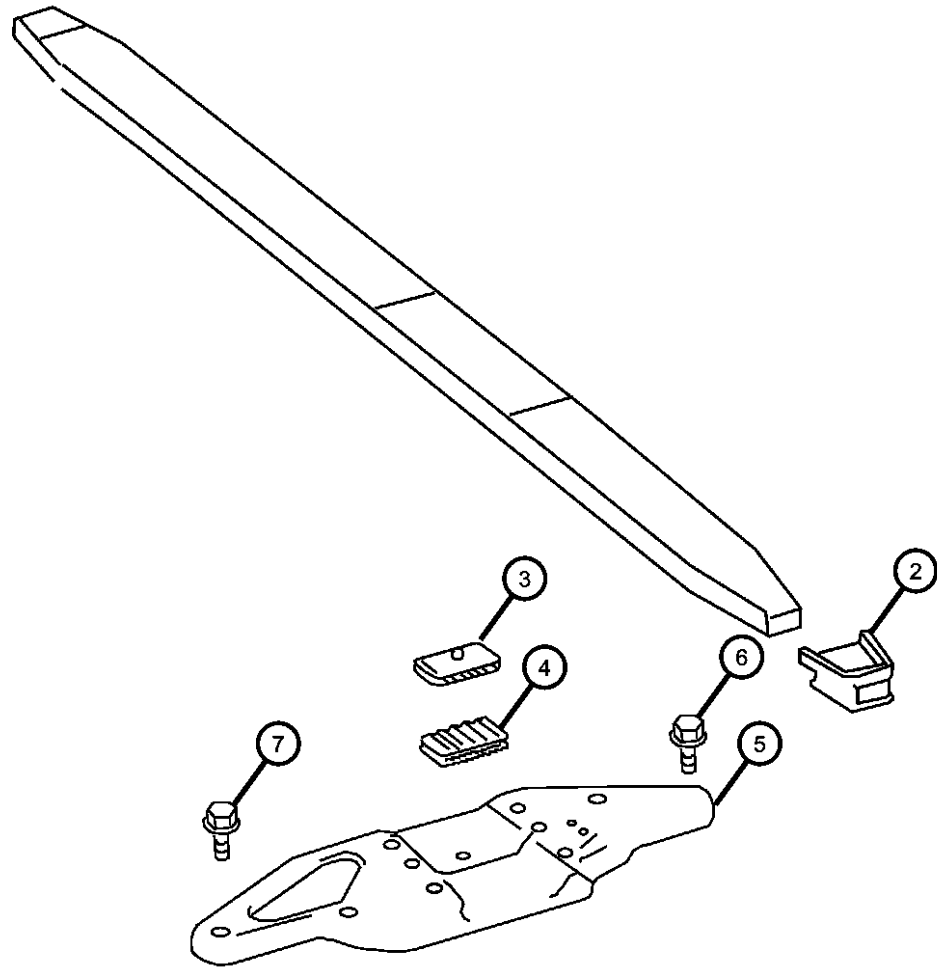


**Front Suspension Leaf Spring
Figure 2-110**

ITEM	PART NUMBER	QTY	LINE	SERIES	BODY	ENGINE	TRANS	TRIM	DESCRIPTION
------	-------------	-----	------	--------	------	--------	-------	------	-------------

NOTE:
Sales Codes:

-1	68012186AA	1	2, 3, 6, 7	L					SPRING, Front Leaf
2	68012188AA	2	2, 3, 6, 7	L					SEAT, SpringOutside
3	68012189AA	2	2, 3, 6, 7	L					SEAT, SpringTop
4	68012190AA	2	2, 3, 6, 7	L					SEAT, SpringLower
5									PLATE, Suspension
	68012192AA	1	2, 3, 6, 7	L					Right
	68012193AA	1	2, 3, 6, 7	L					Left
6									BOLT
	05136546AA	14	2, 3, 6, 7	L	55, 13, 15, 17, 53				Plate To Body Support [M8 x 25MM]
		14	3, 7	L	03, 05				Plate To Body Support [M8 x 25MM]
7	68007013AA	6	2, 3, 6, 7	L					SCREW, Plate To Body [M12x1.5x40-12.9MM]



SPRINTER (VB)

SERIES	LINE	BODY	ENGINE	TRANSMISSION
L = LOWLINE	3 = HD DODGE 2WD 2 = Med. Duty DODGE 2WD	03 = CAB CHASSIS WHEEL BASE 3 05 = CAB CHASSIS WHEEL BASE 5 13 = 119 WB 53 = 119 WB 15 = VAN WHEEL BASE 5 55 = WAGON WHEEL BASE 5 17 = VAN WHEEL BASE 7	EG2 = 3.5L V6 Gas Engine EXM = 3.0L V6 Turbo Diesel Engine	DGZ = 5-Speed Auto W5A380 Transmission

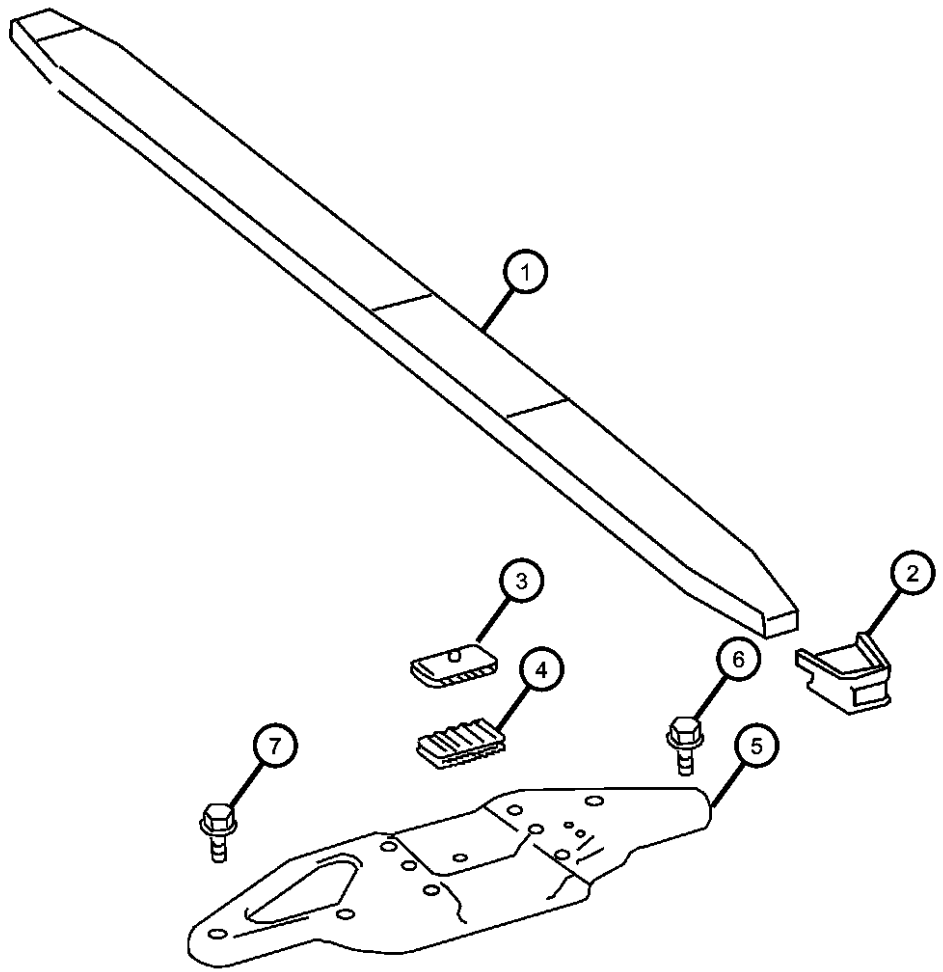
AR = use ase required - = Non illustrated part

2007 VB

**Front Suspension Leaf Spring
Figure 2-120**

ITEM	PART NUMBER	QTY	LINE	SERIES	BODY	ENGINE	TRANS	TRIM	DESCRIPTION
------	-------------	-----	------	--------	------	--------	-------	------	-------------

NOTE:
Sales Codes:
[DKH]=Reinforced Front Axle
[SHK]=Camper Body Stabilizer



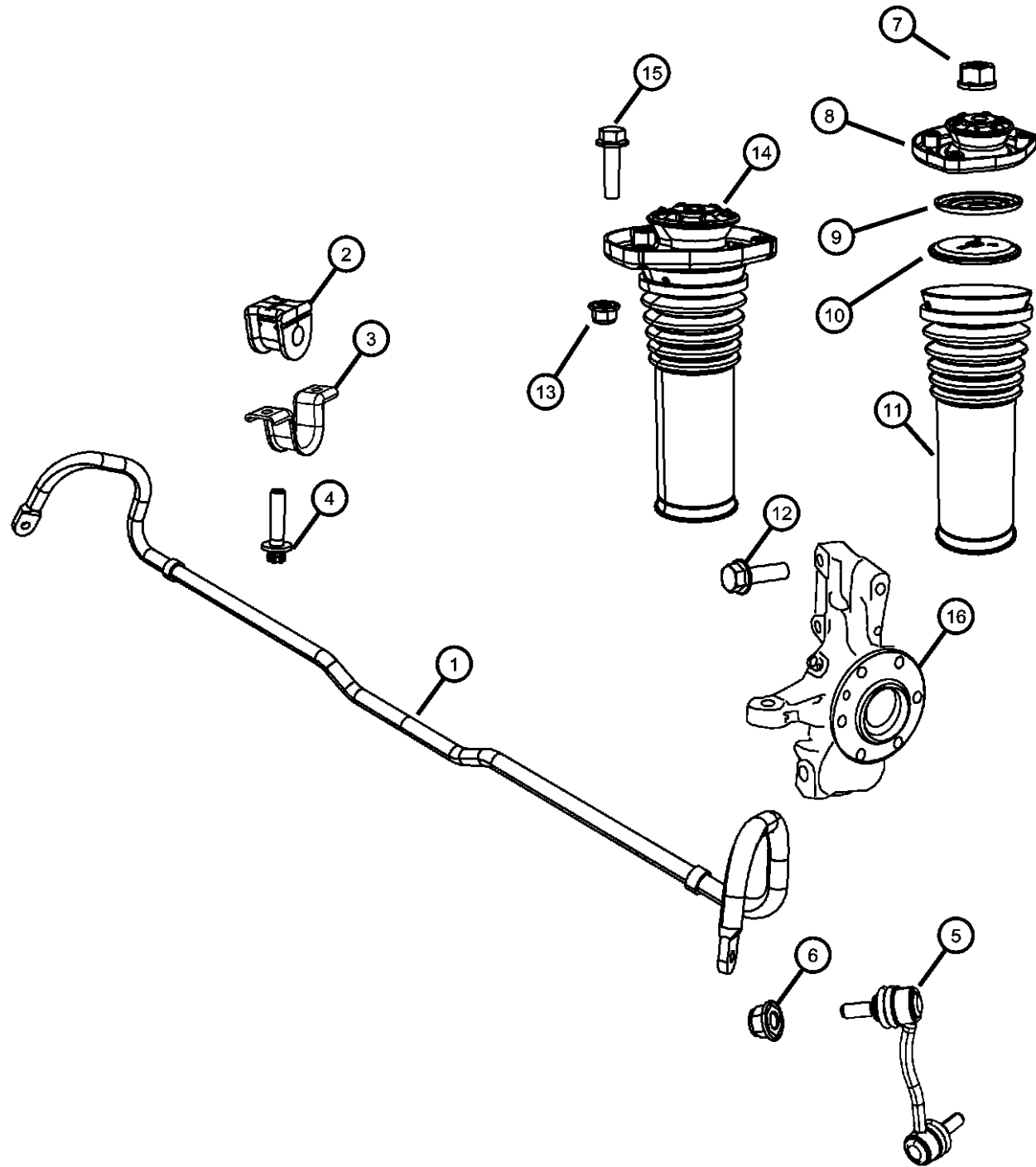
1									SPRING, Front Leaf
	68012186AA	1	7, 2, 3, 6	L					With [DKH] And Or [SHK]
	68012187AA	1	3, 7	L					
2	68012188AA	2	2, 3, 6, 7	L					SEAT, SpringOutside
3	68012189AA	2	2, 3, 6, 7	L					SEAT, SpringTop
4	68012190AA	2	2, 3, 6, 7	L					SEAT, SpringLower
5									PLATE, Suspension
	68012193AA	1	2, 3, 6, 7	L					Left
	68012192AA	1	2, 3, 6, 7	L					Right
6	05136546AA	14	3, 7	L	03, 05				BOLT, Plate To Body Support [M8 x 25MM]
7	68007013AA	6	2, 3, 6, 7	L					SCREW, Plate To Body [M12x1.5x40-12.9MM]

SPRINTER (VB)

SERIES	LINE	BODY	ENGINE	TRANSMISSION
L = LOWLINE	3 = HD DODGE 2WD 2 = Med. Duty DODGE 2WD	03 = CAB CHASSIS WHEEL BASE 3 05 = CAB CHASSIS WHEEL BASE 5 13 = 119 WB 53 = 119 WB 15 = VAN WHEEL BASE 5 55 = WAGON WHEEL BASE 5 17 = VAN WHEEL BASE 7	EG2 = 3.5L V6 Gas Engine EXM = 3.0L V6 Turbo Diesel Engine	DGZ = 5-Speed Auto W5A380 Transmission

AR = use ase required - = Non illustrated part

Front Axle Torsion Bar
Figure 2-130



ITEM	PART NUMBER	QTY	LINE	SERIES	BODY	ENGINE	TRANS	TRIM	DESCRIPTION
NOTE: Sales Code: [DKH]=Reinforced Front Axle [SHA]=Front Stabilizer Bar [SHJ]=Front Stabilizer Bar									
1	68013715AA	1	2, 3, 6, 7	L					BAR, Front Sway [SHJ]
	68013716AA	1	2, 6	L	17				[SHA]
2	68013717AA	2	2, 3, 6, 7	L					BUSHING [SHJ]
	68013718AA	2	2, 3, 6, 7	L					[SHA]
3	68013719AA	2	2, 3, 6, 7	L					RETAINER, Stabilizer Bar Grommet, Torsion Bar
4	06104042AA	4	3, 6, 7, 2	L					SCREW
5	68013720AA	1	2, 3, 6, 7	L					LINK, Stabilizer Bar Right
	68013721AA	1	2, 3, 6, 7	L					Left
6	06105171AA	4	2, 3, 6, 7	L	15, 13, 17, 53, 55				NUT, [M12x1.5] Torsion Bar to Rod
7	05125760AA	2	2, 3, 6, 7	L	13, 15, 17, 53, 55				NUT, Hex Flange Lock
8	68013708AA	2	2, 3, 6, 7	L					BUSHING, Shock Absorber
9	68013711AA	2	2, 3, 6, 7	L					BUSHING, Shock AbsorberTop
10	68013710AA	2	2, 3, 6, 7	L					BUSHING, Shock Absorber, Bottom
11	68013709AA	2	2, 3, 6, 7	L					SHIELD, Shock Absorber Dust
12	68013712AA	1	2, 3, 6, 7	L					BOLT, Camber Adjustment
13	06105172AA	1	2, 3, 6, 7	L					NUT, Damper to Steering Knuckle
14	68013697AA	2	2, 3, 6, 7	L					ABSORBER, Shock
	68013698AA	2	2, 3, 6, 7	L	17, 53, 55, 13, 15				With [SEA] And Or [SHK]
	68013696AA	2	2, 3, 6, 7	L	13, 15, 17, 53, 55				With [DKH]
15	68017592AA	4	2, 3, 6, 7	L					SCREW, Shock Absorber to Steering Knuckle,Bottom
16									KNUCKLE, Front

SPRINTER (VB)

SERIES	LINE	BODY	ENGINE	TRANSMISSION
L = LOWLINE	3 = HD DODGE 2WD 2 = Med. Duty DODGE 2WD	03 = CAB CHASSIS WHEEL BASE 3 05 = CAB CHASSIS WHEEL BASE 5 13 = 119 WB 53 = 119 WB 15 = VAN WHEEL BASE 5 55 = WAGON WHEEL BASE 5 17 = VAN WHEEL BASE 7	EG2 = 3.5L V6 Gas Engine EXM = 3.0L V6 Turbo Diesel Engine	DGZ = 5-Speed Auto W5A380 Transmission

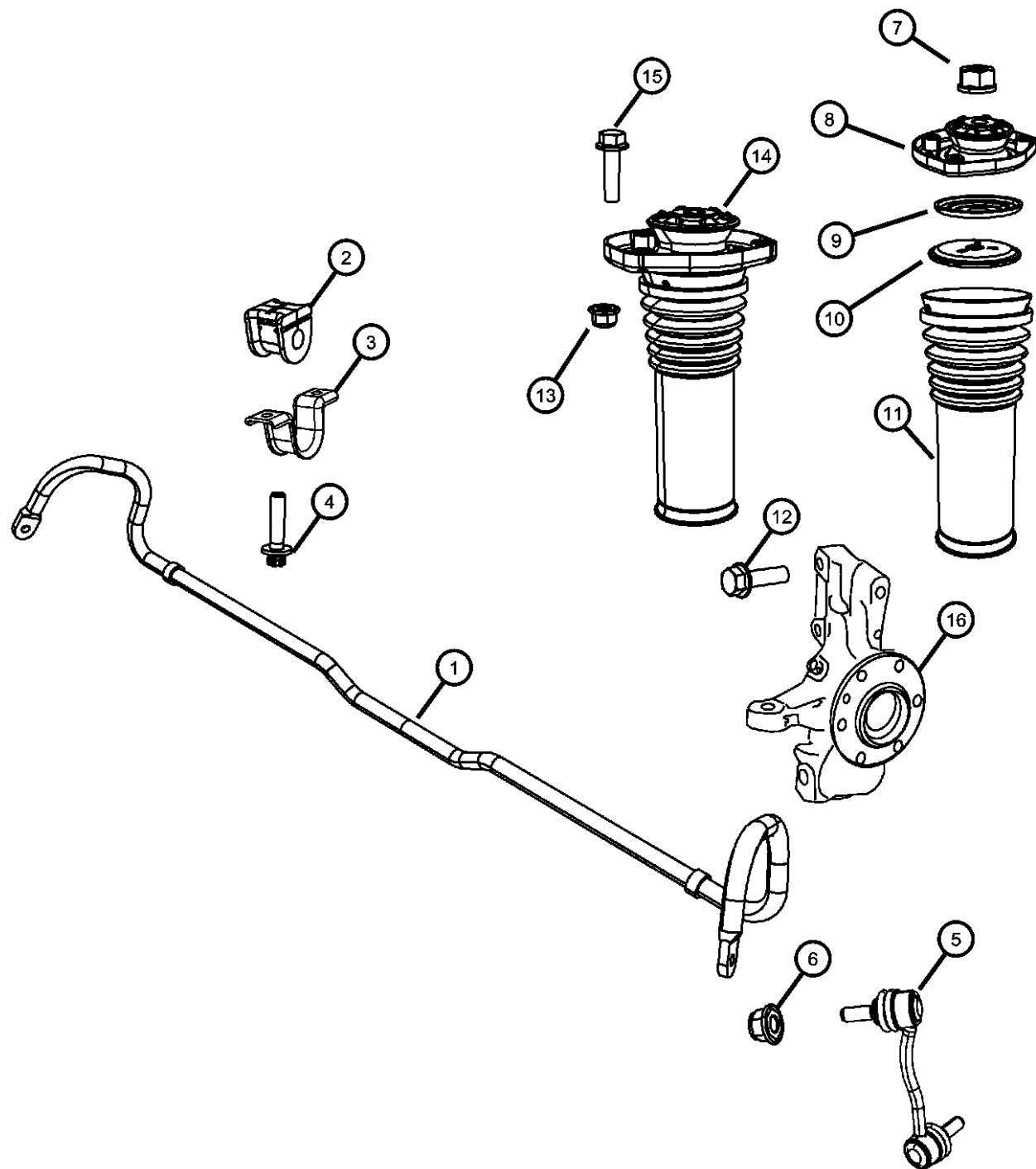
AR = use ase required - = Non illustrated part

2007 VB

Front Axle Torsion Bar
Figure 2-130

ITEM	PART NUMBER	QTY	LINE	SERIES	BODY	ENGINE	TRANS	TRIM	DESCRIPTION
------	-------------	-----	------	--------	------	--------	-------	------	-------------

	68006694AA	1	2, 6	L					Right
	68006695AA	1	2, 6	L					Left



SPRINTER (VB)

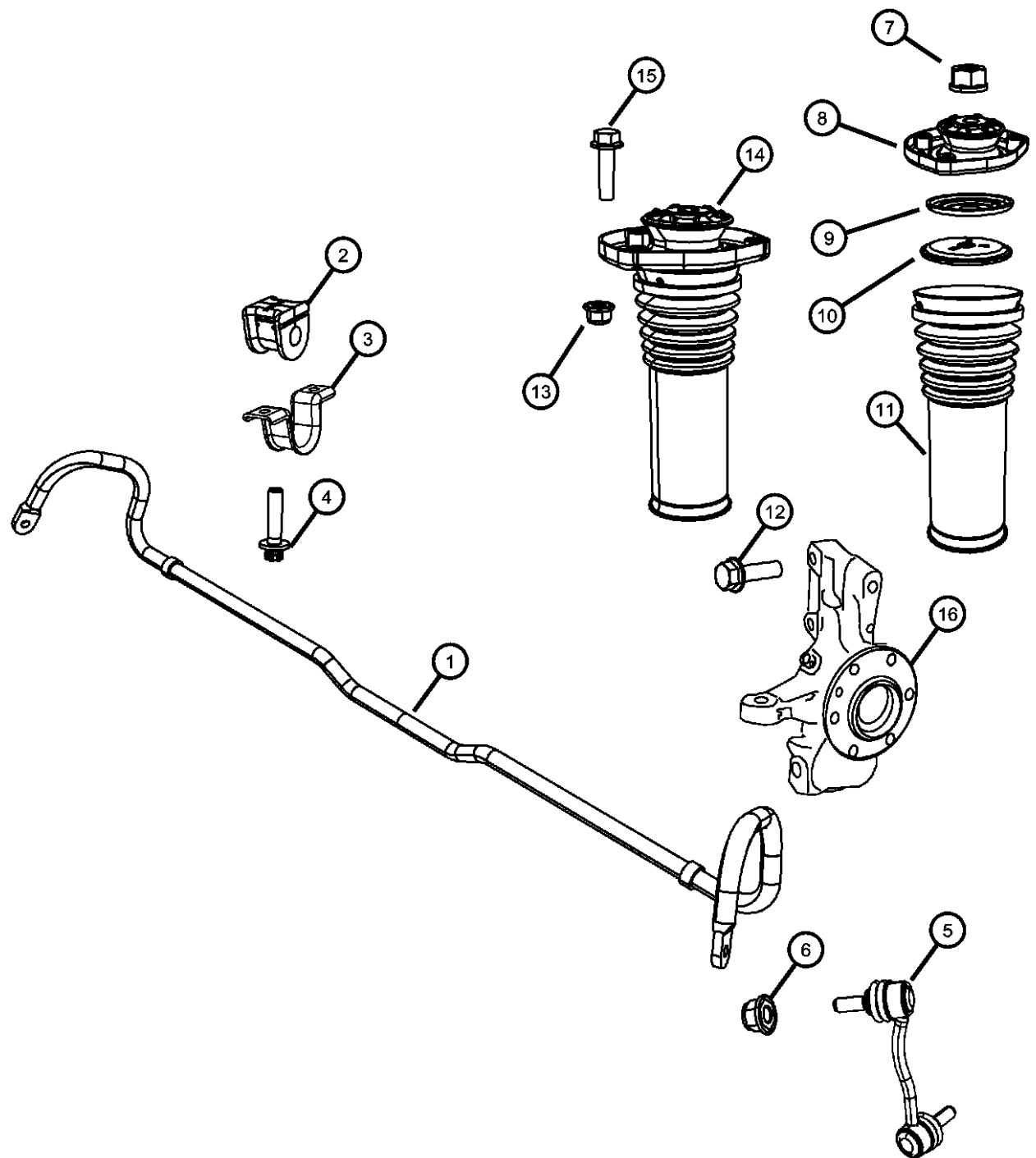
SERIES	LINE
L = LOWLINE	3 = HD DODGE 2WD 2 = Med. Duty DODGE 2WD

BODY	ENGINE	TRANSMISSION
03 = CAB CHASSIS WHEEL BASE 3	EG2 = 3.5L V6 Gas Engine	DGZ = 5-Speed Auto W5A380 Transmission
05 = CAB CHASSIS WHEEL BASE 5	EXM = 3.0L V6 Turbo Diesel Engine	
13 = 119 WB		
53 = 119 WB		
15 = VAN WHEEL BASE 5		
55 = WAGON WHEEL BASE 5		
17 = VAN WHEEL BASE 7		

AR = use ase required - = Non illustrated part

2007 VB

Front Axle Torsion Bar
Figure 2-140



ITEM	PART NUMBER	QTY	LINE	SERIES	BODY	ENGINE	TRANS	TRIM	DESCRIPTION
NOTE: Sales Code: [DKH]=Reinforced Front Axle [SHA]=Front Stabilizer Bar [SHJ]=Front Stabilizer Bar									
1	68013715AA	1	2, 3, 6, 7	L					BAR, Front Sway With [SHJ]
	68013716AA	1	3, 7	L	03, 05, 13, 15, 17				With [SHA]
2	68013717AA	2	2, 3, 6, 7	L					BUSHING With [SHJ]
	68013718AA	2	2, 3, 6, 7	L					With [SHA]
3	68013719AA	2	2, 3, 6, 7	L					RETAINER, Stabilizer Bar Grommet, Torsion Bar
4	06104042AA	4	2, 3, 6, 7	L					SCREW
5	68013721AA	1	2, 3, 6, 7	L					LINK, Stabilizer Bar Left
	68013720AA	1	2, 3, 6, 7	L					Right
6	06105171AA	4	3, 7	L	03, 05				NUT
7	05125760AA	2	3, 7	L	03, 05				NUT, Hex Flange Lock
8	68013708AA	2	2, 3, 6, 7	L					BUSHING, Shock Absorber
9	68013711AA	2	2, 3, 6, 7	L					BUSHING, Shock AbsorberTop
10	68013710AA	2	2, 3, 6, 7	L					BUSHING, Shock Absorber, Bottom
11	68013709AA	2	2, 3, 6, 7	L					SHIELD, Shock Absorber Dust
12	68013712AA	1	2, 3, 6, 7	L					BOLT, Camber Adjustment
13	06105172AA	1	2, 3, 6, 7	L					NUT, Damper to Steering Knuckle
14	68013697AA	2	2, 3, 6, 7	L					ABSORBER, Shock
	68013698AA	2	2, 3, 6, 7	L	13, 15, 17, 53, 55				With [DKH]
15	68017592AA	4	2, 3, 6, 7	L					SCREW, Shock Absorber to Steering Knuckle,Bottom
16	68006692AA	1	3, 7	L					KNUCKLE, Front Right
	68006693AA	1	3, 7	L					Left

SPRINTER (VB)

SERIES	LINE	BODY	ENGINE	TRANSMISSION
L = LOWLINE	3 = HD DODGE 2WD 2 = Med. Duty DODGE 2WD	03 = CAB CHASSIS WHEEL BASE 3 05 = CAB CHASSIS WHEEL BASE 5 13 = 119 WB 53 = 119 WB 15 = VAN WHEEL BASE 5 55 = WAGON WHEEL BASE 5 17 = VAN WHEEL BASE 7	EG2 = 3.5L V6 Gas Engine EXM = 3.0L V6 Turbo Diesel Engine	DGZ = 5-Speed Auto W5A380 Transmission

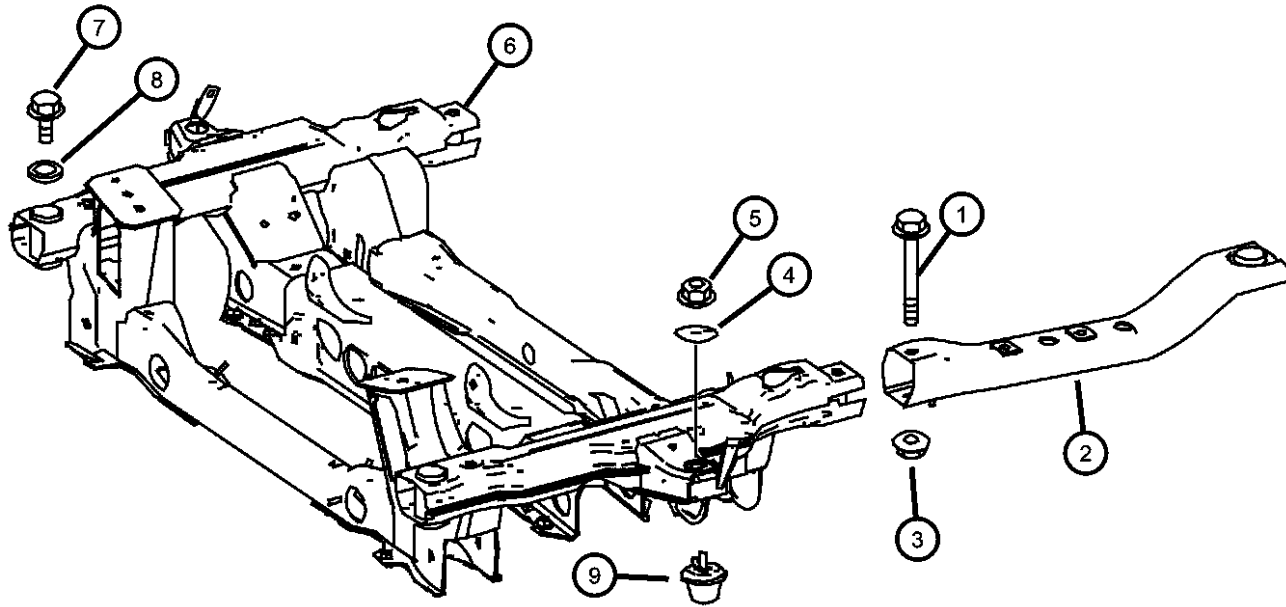
AR = use ase required - = Non illustrated part

**Front Axle Support
Figure 2-150**

ITEM	PART NUMBER	QTY	LINE	SERIES	BODY	ENGINE	TRANS	TRIM	DESCRIPTION
------	-------------	-----	------	--------	------	--------	-------	------	-------------

NOTE:
Sales Code:

1									SCREW
	06104265AA	2	3, 7	L	03, 05				[M14x1.5x90]
		2	2, 3, 6, 7	L	13, 15, 17, 53, 55				[M14x1.5x90]
2	68013725AA	2	2, 3, 6, 7	L					RAIL, Frame Front, Alongside
3									NUT
	06105172AA	2	2, 3, 6, 7	L	13, 15, 17, 53, 55				[M14x1.5]
		2	3, 7	L					[M14x1.5]
4	68012162AA	2	2, 6	L					WASHER
5	06105169AA	2	2, 3, 6, 7	L					NUT
6									CRADLE, Front Suspension
	68012158AA	1	2, 6	L					
	68012159AA	1	3, 7	L					
7									BOLT
	68013728AA	2	2, 3, 6, 7	L					Front
	68013730AA	2	2, 3, 6, 7	L					Center
	68013731AA	2	2, 3, 6, 7	L					Rear
8	68013729AA	2	2, 3, 6, 7	L					WASHER
9	68012161AA	2	7, 2, 3, 6	L					BUMPER, Suspension Jounce



SPRINTER (VB)

SERIES	LINE	BODY	ENGINE	TRANSMISSION
L = LOWLINE	3 = HD DODGE 2WD 2 = Med. Duty DODGE 2WD	03 = CAB CHASSIS WHEEL BASE 3 05 = CAB CHASSIS WHEEL BASE 5 13 = 119 WB 53 = 119 WB 15 = VAN WHEEL BASE 5 55 = WAGON WHEEL BASE 5 17 = VAN WHEEL BASE 7	EG2 = 3.5L V6 Gas Engine EXM = 3.0L V6 Turbo Diesel Engine	DGZ = 5-Speed Auto W5A380 Transmission

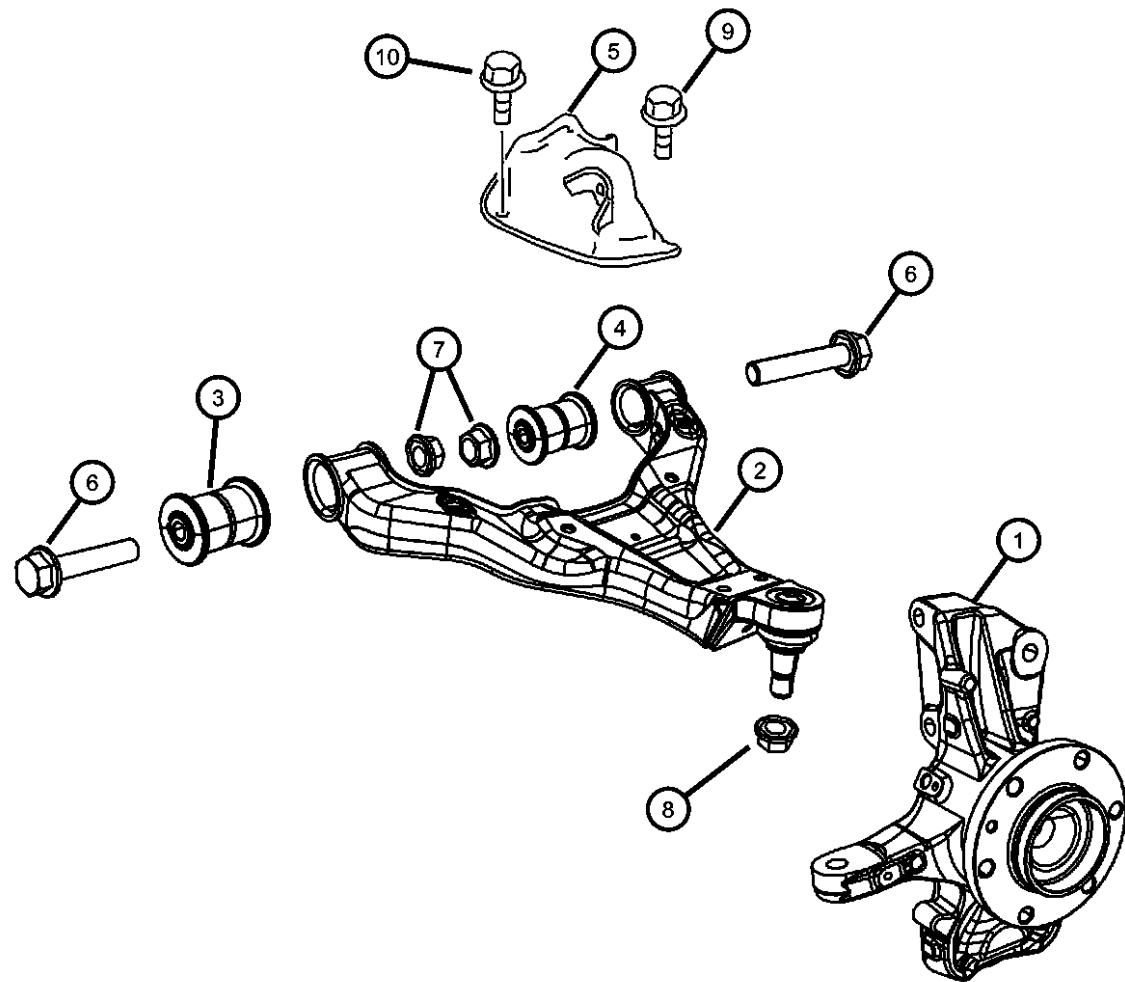
AR = use ase required - = Non illustrated part

2007 VB

Steering Knuckle & Control Arm Figure 2-160

ITEM	PART NUMBER	QTY	LINE	SERIES	BODY	ENGINE	TRANS	TRIM	DESCRIPTION
------	-------------	-----	------	--------	------	--------	-------	------	-------------

Note: Knuckle Includes: Hub, Wheel Bearing, & Knuckle. Hub & Wheel Bearing Are Not Serviced.
Sales Codes:



1	68006692AA	1	3, 7	L					KNUCKLE, Front, See Note: Right
	68006693AA	1	3, 7	L					Left
	68006694AA	1	2, 6	L					Right
	68006695AA	1	2, 6	L					Left
2	68012164AA	1	2, 3, 6, 7	L					ARM, Control Right
	68012165AA	1	2, 3, 6, 7	L					Left
3	68012169AA	1	2, 3, 6, 7	L					BUSHING, Control ArmFront, Right & Left
4	68012176AA	1	2, 3, 6, 7	L					BUSHING, Control ArmRear, Right & Left
5	68012179AA	1	3, 6, 7, 2	L					PANEL, Front Wheelhouse Up Travel Stop Plate, Left
	68012178AA	1	2, 3, 6, 7	L					Up Travel Stop Plate, Right
6	68012157AA	4	2, 3, 6, 7	L					BOLT, Hex Head, Control Arm Support
7	06105172AA	4	3, 7	L	03, 05				NUT
		4	2, 3, 6, 7	L	13, 15, 17, 53, 55				Control Arm To Support [M14 x 1.5MM] Control Arm To Support [M14 x 1.5MM]
8	05136123AA	2	2, 3, 6, 7	L	13, 15, 17, 53, 55				NUT, Ball Joint Lower Ball Joint To Steering Knuckle
		2	3, 7	L	03, 05				Lower Ball Joint To Steering Knuckle
9	05133865AA	4	2, 3, 6, 7	L					SCREW, Plate To Transverse Control Arm [M10x35]
10	68012177AA	4	2, 3, 6, 7	L	13, 15, 17, 53, 55				SCREW, Hex Flange Head Plate To Transverse Control Arm [M12x1.5x60]
		4	3, 7	L	03, 05				Plate To Transverse Control Arm [M12x1.5x60]

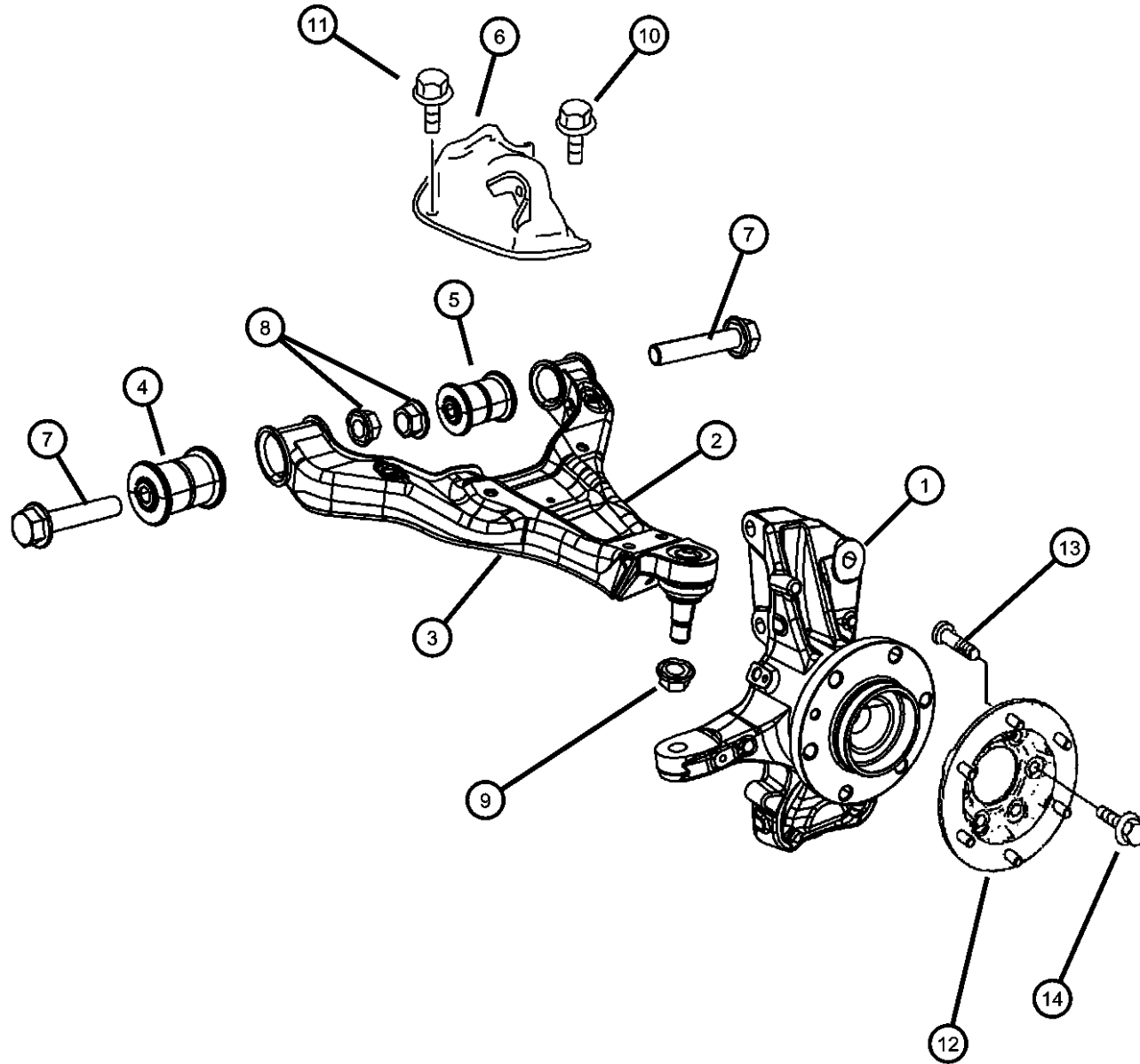
SPRINTER (VB)

SERIES	LINE	BODY	ENGINE	TRANSMISSION
L = LOWLINE	3 = HD DODGE 2WD 2 = Med. Duty DODGE 2WD	03 = CAB CHASSIS WHEEL BASE 3 05 = CAB CHASSIS WHEEL BASE 5 13 = 119 WB 53 = 119 WB 15 = VAN WHEEL BASE 5 55 = WAGON WHEEL BASE 5 17 = VAN WHEEL BASE 7	EG2 = 3.5L V6 Gas Engine EXM = 3.0L V6 Turbo Diesel Engine	DGZ = 5-Speed Auto W5A380 Transmission

AR = use ase required - = Non illustrated part

2007 VB

Steering Knuckle & Control Arm Figure 2-170



ITEM	PART NUMBER	QTY	LINE	SERIES	BODY	ENGINE	TRANS	TRIM	DESCRIPTION
Note:Knuckle Includes: Hub, Wheel Bearing, & Knuckle. Hub & Wheel Bearing Are Not Serviced. Sales Codes:									
1	68006692AA	1	3, 7	L					KNUCKLE, Front, See Note: Right
	68006693AA	1	3, 7	L					Left
2	68012166AA	1	3, 7	L	03, 05, 13, 15, 17				ARM, Lower Control, Front With [SHK], Right
	68012167AA	1	3, 7	L	03, 05, 13, 15, 17				With [SHK], Left
3	68012164AA	1	2, 3, 6, 7	L					ARM, Control Right
	68012165AA	1	2, 3, 6, 7	L					Left
4	68012169AA	1	2, 3, 6, 7	L					BUSHING, Control ArmFront, Right & Left
5	68012176AA	1	2, 3, 6, 7	L					BUSHING, Control ArmRear, Right & Left
6	68012178AA	1	6, 7, 2, 3	L					PANEL, Front Wheelhouse Up Travel Stop Plate, Right
	68012179AA	1	2, 3, 6, 7	L					Up Travel Stop Plate, Left
7	68012157AA	4	2, 3, 6, 7	L					BOLT, Hex Head, Control Arm Support
8	06105172AA	1	2, 3, 6, 7	L					NUT, Control Arm To Support [M14 x 1.5MM]
9	05136123AA	1							NUT, Ball Joint, Lower Ball Joint To Steering Knuckle
10	05133865AA	4	2, 3, 6, 7	L					SCREW, Plate To Transverse Control Arm [M10x35]
11	68012177AA	4	3, 7	L	03, 05				SCREW, Hex Flange Head, Plate To Transverse Control Arm [M12x1.5x60]
12	68021230AA	2	3, 7	L	03, 05, 13, 15, 17				HUB Wheel Adapter / Up To [10/31/2006]
	68025213AA	2	3, 7	L	03, 05, 13, 15, 17				Wheel Adapter / After [10/31/2006]
13	04862627AA	6	3, 7	L					STUD, Wheel, With [WDK]
14									SCREW, Hex Flange Head

SPRINTER (VB)

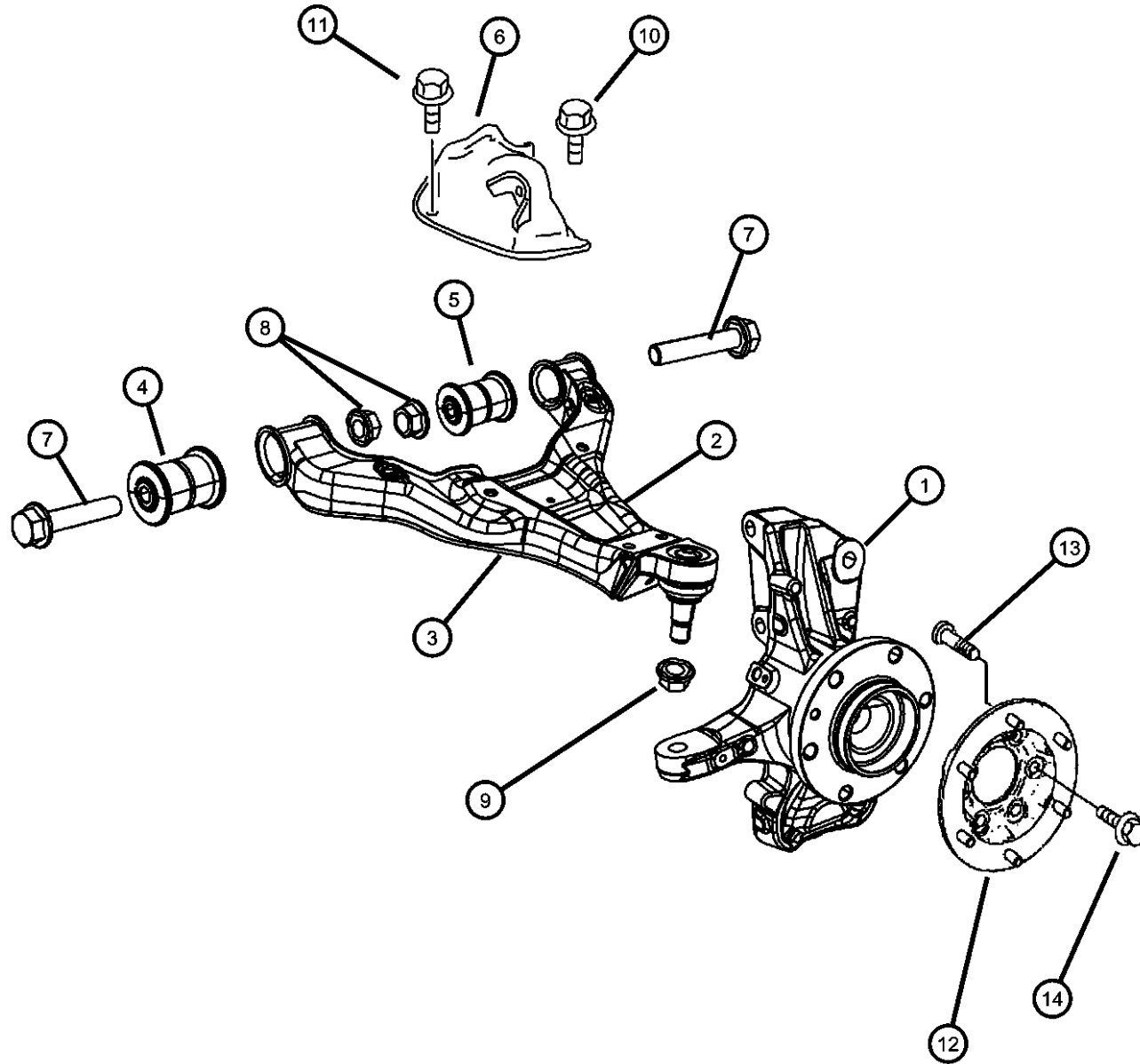
SERIES	LINE	BODY	ENGINE	TRANSMISSION
L = LOWLINE	3 = HD DODGE 2WD 2 = Med. Duty DODGE 2WD	03 = CAB CHASSIS WHEEL BASE 3 05 = CAB CHASSIS WHEEL BASE 5 13 = 119 WB 53 = 119 WB 15 = VAN WHEEL BASE 5 55 = WAGON WHEEL BASE 5 17 = VAN WHEEL BASE 7	EG2 = 3.5L V6 Gas Engine EXM = 3.0L V6 Turbo Diesel Engine	DGZ = 5-Speed Auto W5A380 Transmission

AR = use ase required - = Non illustrated part

Steering Knuckle & Control Arm
Figure 2-170

ITEM	PART NUMBER	QTY	LINE	SERIES	BODY	ENGINE	TRANS	TRIM	DESCRIPTION
------	-------------	-----	------	--------	------	--------	-------	------	-------------

	06104121AA	2	2, 3, 6, 7	L	13, 15, 17,				
		2	3, 7	L	53, 55				
					03, 05				



SPRINTER (VB)

SERIES	LINE	BODY	ENGINE	TRANSMISSION
L = LOWLINE	3 = HD DODGE 2WD 2 = Med. Duty DODGE 2WD	03 = CAB CHASSIS WHEEL BASE 3 05 = CAB CHASSIS WHEEL BASE 5 13 = 119 WB 53 = 119 WB 15 = VAN WHEEL BASE 5 55 = WAGON WHEEL BASE 5 17 = VAN WHEEL BASE 7	EG2 = 3.5L V6 Gas Engine EXM = 3.0L V6 Turbo Diesel Engine	DGZ = 5-Speed Auto W5A380 Transmission

AR = use ase required - = Non illustrated part

2007 VB

Group - 3

Rear Axle

Group - 3 Rear Axle

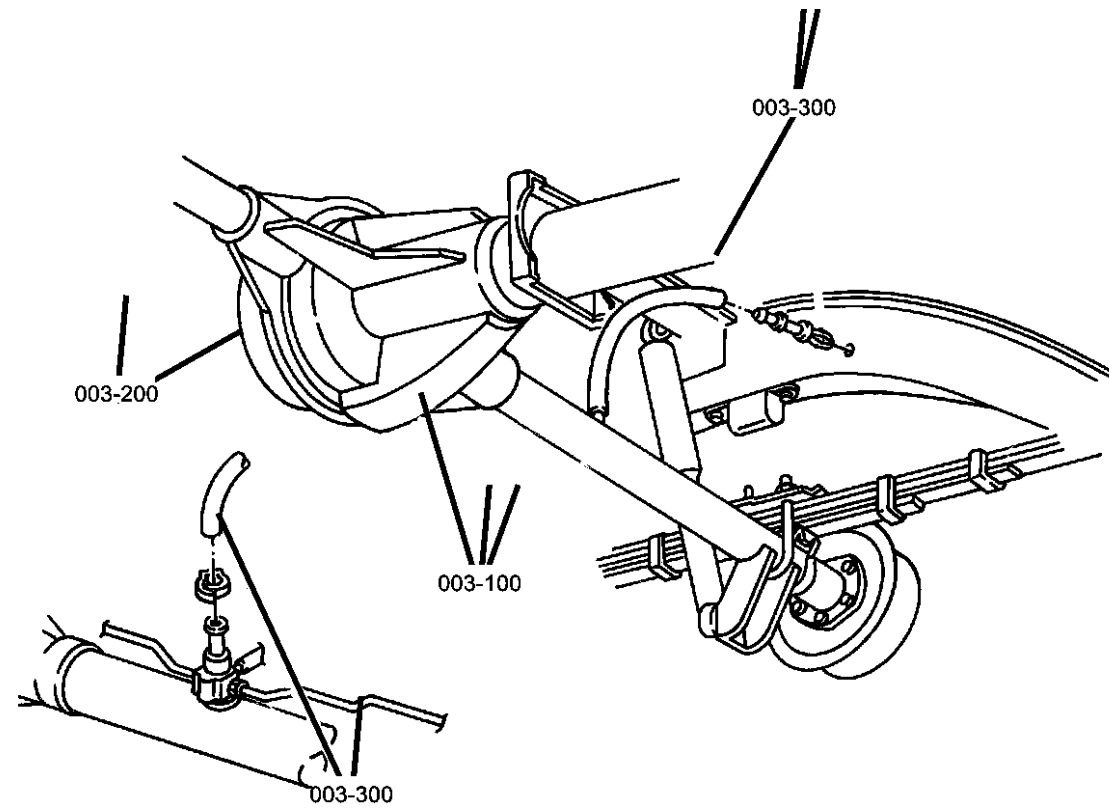


Illustration Title

Group-Fig. No.

Rear Axle

Rear Axle Assembly	Fig. 3 - 110
Rear Axle Assembly	Fig. 3 - 120

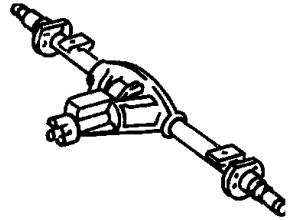
Differential and Housing

Internal Differential Parts	Fig. 3 - 210
Internal Differential Parts	Fig. 3 - 220
Dynamic Headlamp Range Control	Fig. 3 - 230

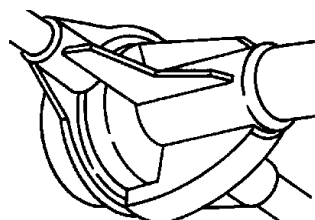
Rear Axle Vent

Axle Vent & Differential Cover	Fig. 3 - 310
--------------------------------------	--------------

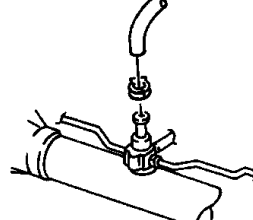
003-100
Rear Axle



003-200
Differential and Housing



003-300
Rear Axle Vent

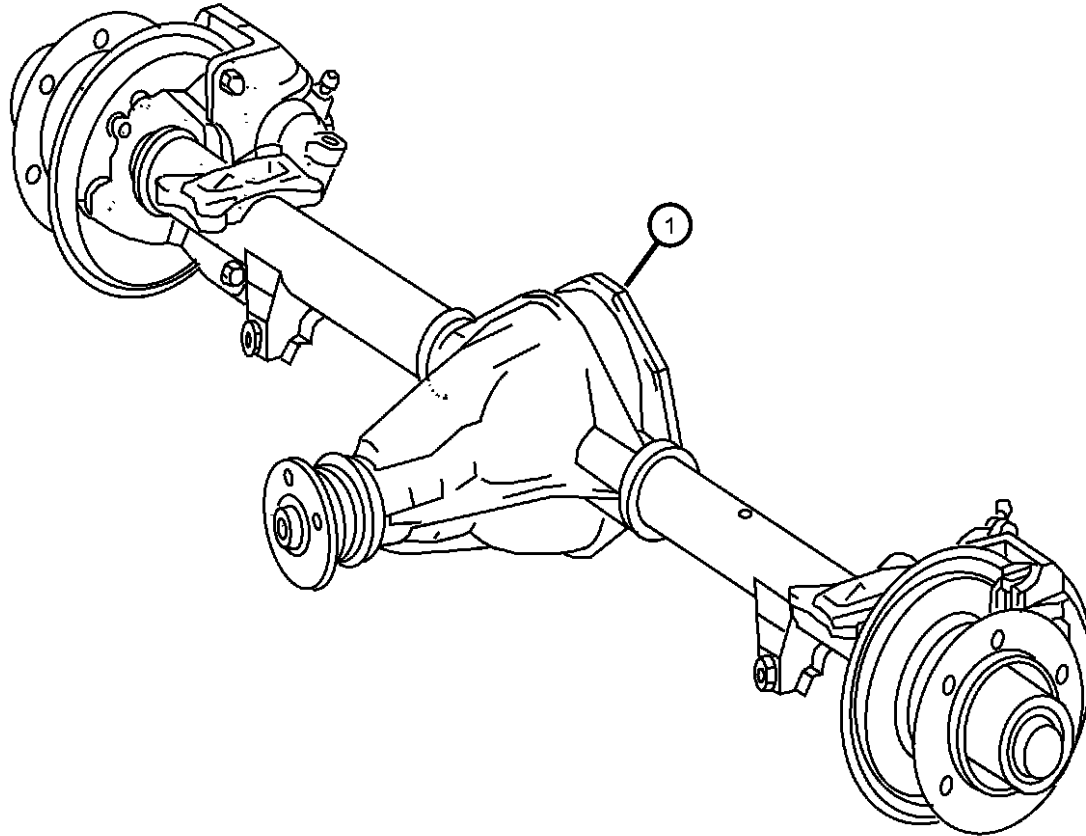


**Rear Axle Assembly
Figure 3-110**

ITEM	PART NUMBER	QTY	LINE	SERIES	BODY	ENGINE	TRANS	TRIM	DESCRIPTION
------	-------------	-----	------	--------	------	--------	-------	------	-------------

NOTE: Axle Housing Is Not Serviced. If Axle Housing Is Needed, Complete Service Axle Must Be Ordered.

Sales Codes:
[DMF]=4.10 Axle Ratio
[DMH]=3.92 Axle Ratio
[DML]=5.10 Axle Ratio
[DMN]=4.72 Axle Ratio



1									AXLE, Service Rear, See Note:
	04862645AA	1	2, 6	L	13, 15, 17, 53, 55				With [DMH]
	04862646AA	1	2, 6	L	13, 15, 17, 53, 55				With [DMN]
	04862647AA	1	2, 6	L	53, 55, 13, 15, 17				With [DMF]
	04862648AA	1	2, 6	L	13, 15, 17, 53, 55				With [DML]

SPRINTER (VB)

SERIES	LINE	BODY	ENGINE	TRANSMISSION
L = LOWLINE	3 = HD DODGE 2WD 2 = Med. Duty DODGE 2WD	03 = CAB CHASSIS WHEEL BASE 3 05 = CAB CHASSIS WHEEL BASE 5 13 = 119 WB 53 = 119 WB 15 = VAN WHEEL BASE 5 55 = WAGON WHEEL BASE 5 17 = VAN WHEEL BASE 7	EG2 = 3.5L V6 Gas Engine EXM = 3.0L V6 Turbo Diesel Engine	DGZ = 5-Speed Auto W5A380 Transmission

AR = use ase required - = Non illustrated part

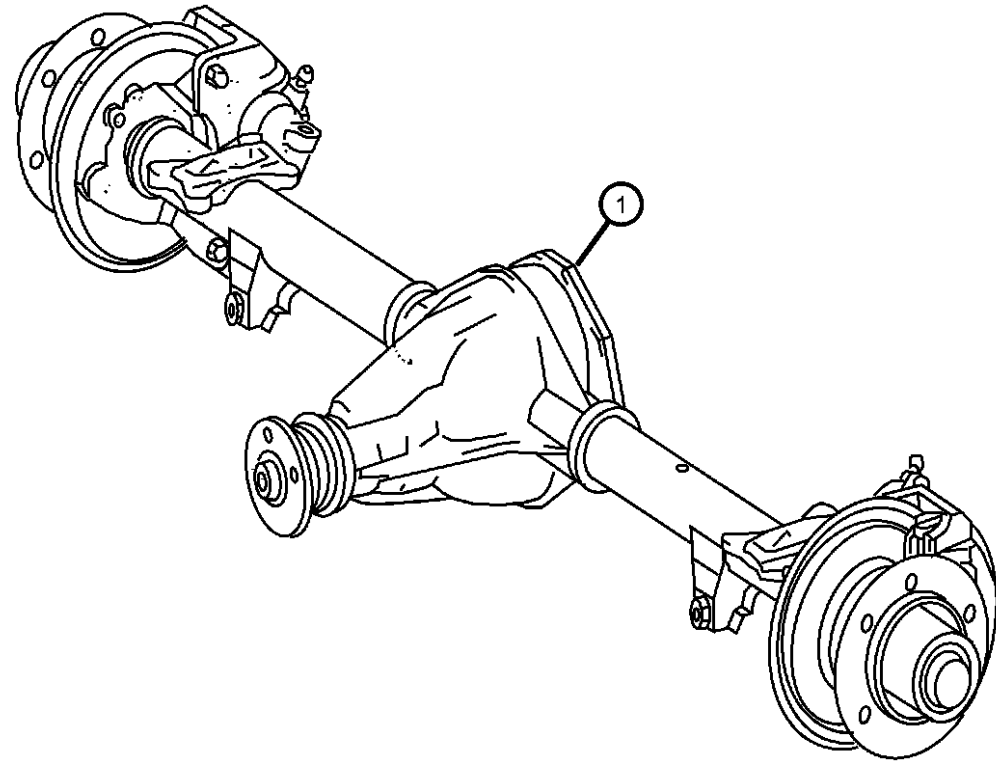
2007 VB

**Rear Axle Assembly
Figure 3-120**

ITEM	PART NUMBER	QTY	LINE	SERIES	BODY	ENGINE	TRANS	TRIM	DESCRIPTION
------	-------------	-----	------	--------	------	--------	-------	------	-------------

NOTE: Axle Housing Is Not Serviced. If Axle Housing Is Needed, Complete Service Axle Must Be Ordered.

Sales Codes:
 [DMF]=4.10 Axle Ratio
 [DMH]=3.92 Axle Ratio
 [DML]=5.10 Axle Ratio
 [DMN]=4.72 Axle Ratio



1									AXLE, Service Rear
	04862649AA	1	3, 7	L	03, 05, 13, 15, 17				With [DMH]
	04862650AA	1	3, 7	L	03, 05, 13, 15, 17				With [DMF]
	04862651AA	1	3	L	05				With [DMN]
	04862652AA	1	3	L	05				With [DML]

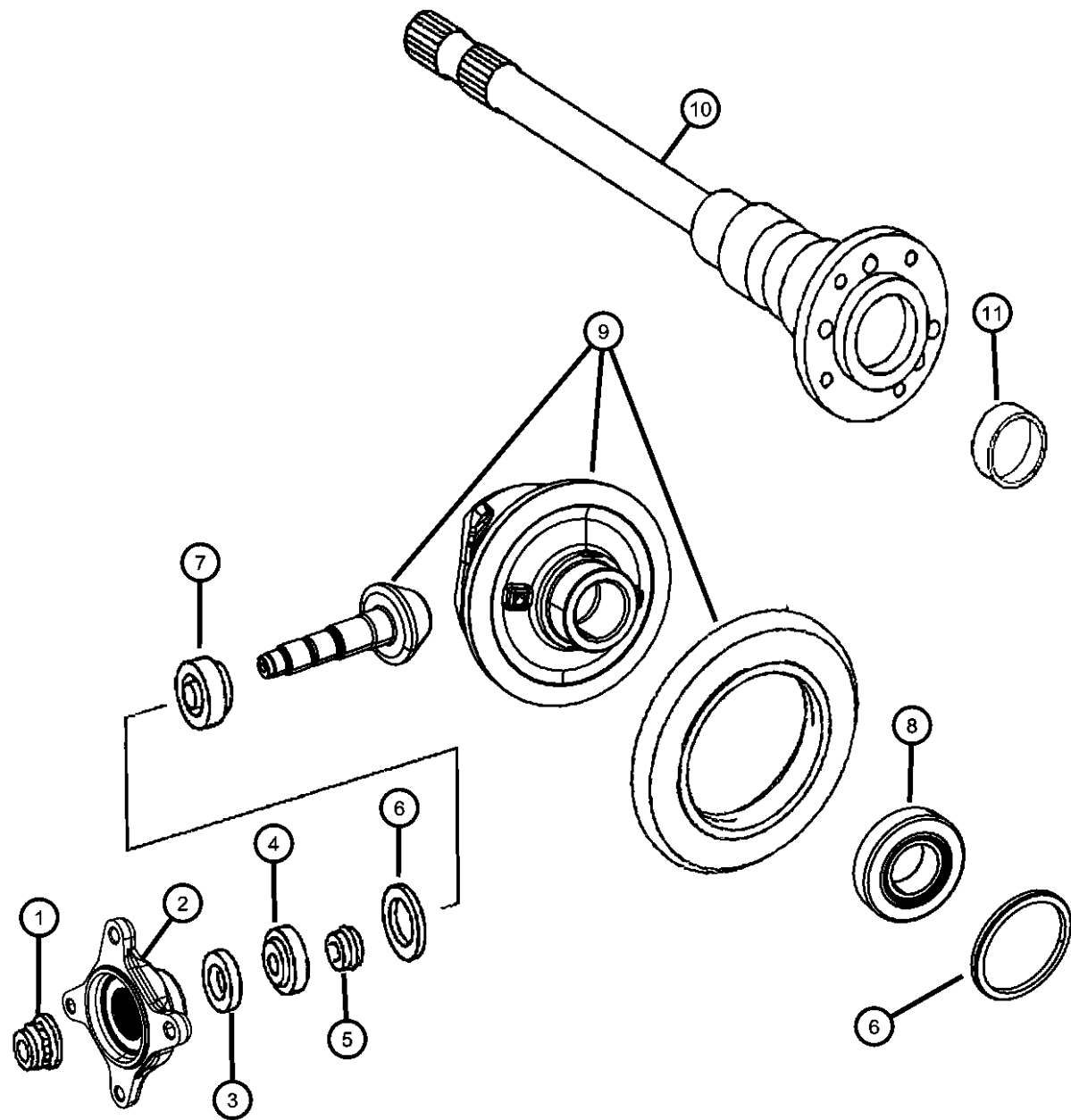
SPRINTER (VB)

SERIES	LINE	BODY	ENGINE	TRANSMISSION
L = LOWLINE	3 = HD DODGE 2WD 2 = Med. Duty DODGE 2WD	03 = CAB CHASSIS WHEEL BASE 3 05 = CAB CHASSIS WHEEL BASE 5 13 = 119 WB 53 = 119 WB 15 = VAN WHEEL BASE 5 55 = WAGON WHEEL BASE 5 17 = VAN WHEEL BASE 7	EG2 = 3.5L V6 Gas Engine EXM = 3.0L V6 Turbo Diesel Engine	DGZ = 5-Speed Auto W5A380 Transmission

AR = use ase required - = Non illustrated part

2007 VB

**Internal Differential Parts
Figure 3-210**



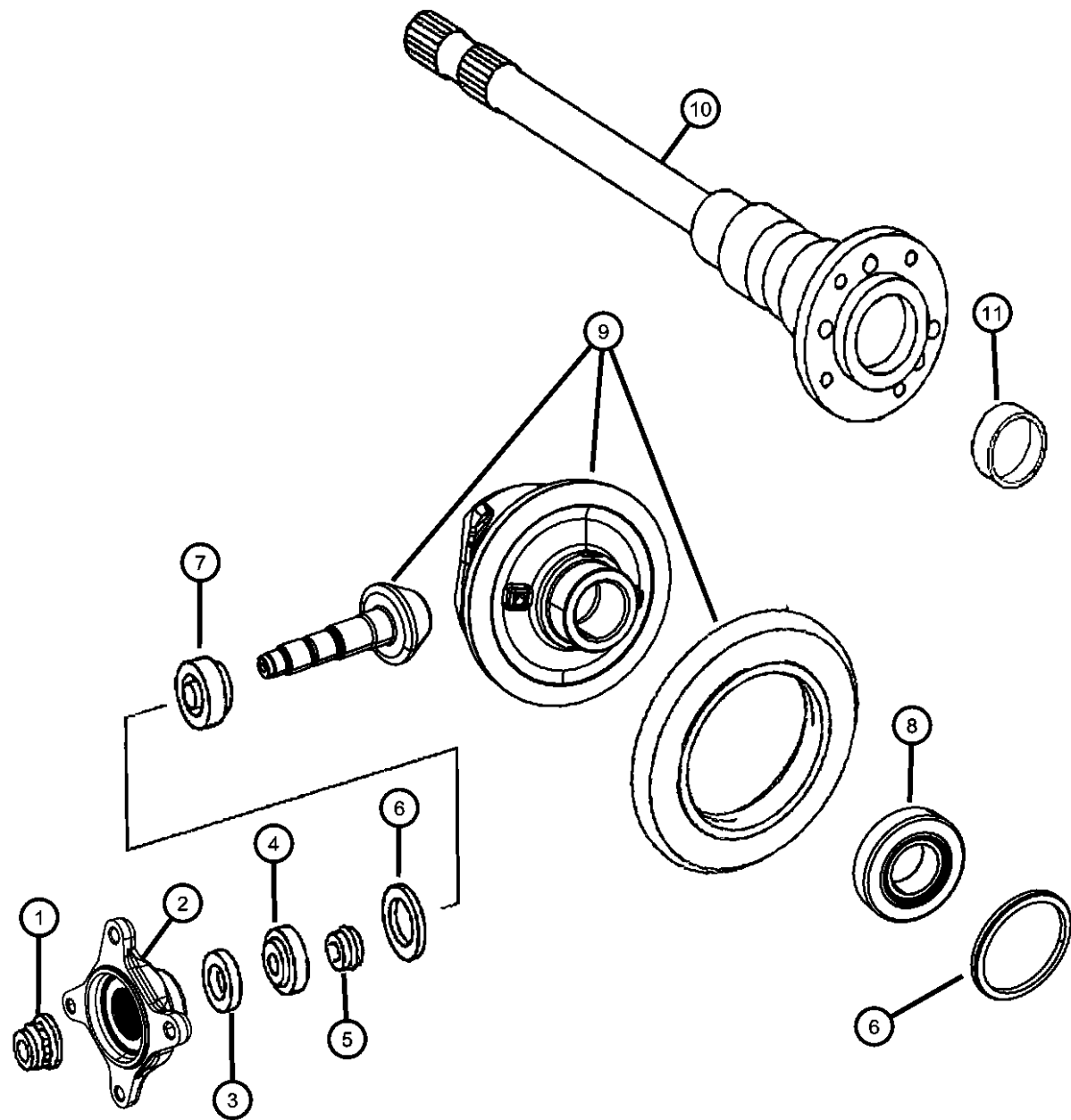
ITEM	PART NUMBER	QTY	LINE	SERIES	BODY	ENGINE	TRANS	TRIM	DESCRIPTION
NOTE:Housing, Ring & Pinion, Shims, Washers & Gears, Are Only Service In The Ring & Pinion Differential Assembly / Callout [#9] Sales Code: [DMF]=4.10 Axle Ratio [DMH]=3.92 Axle Ratio [DML]=5.10 Axle Ratio [DMN]=4.72 Axle Ratio									
1	68018934AA	1	2, 6	L	13, 15, 17, 53, 55				NUT, Pinion Yoke, With Special Version Code [35-504232 / 06 / 07 / 09 / 10]
2	68018931AA	1	2, 6	L	13, 15, 17, 53, 55				FLANGE, Center Differential, With Special Version Code [35-504232 / 06 / 07 / 09 / 10]
3	68019031AA	1	2, 6	L	13, 15, 17, 53, 55				SEAL, Differential Bearing, With Special Version Code [35-504232 / 06 / 07 / 09 / 10]
4	68018980AA	1	2, 6	L	13, 15, 17, 53, 55				BEARING, Pinion Outer Drive Pinion Front / With Special Version Code [35-504232 / 06 / 07 / 09 / 10] Interchangeable With [68018981AA], Outer
	68018981AA	1	2, 6	L	13, 15, 17, 53, 55				Drive Pinion Front / With Special Version Code [35-504232 / 06 / 07 / 09 / 10] Interchangeable With [68018980AA], Outer
5	68019018AA	1	2, 6	L	13, 15, 17, 53, 55				SPACER, With Special Version Code [35-504232 / 06 / 07 / 09 / 10]
6	68018935AA	3	2, 6	L	13, 15, 17, 53, 55				WASHER, Differential [4.90MM] With Special Version Code [35-504232 / 06 / 07 / 09 / 10]
	68018936AA	3	2, 6	L	13, 15, 17, 53, 55				[5.00MM] With Special Version Code [35-504232 / 06 / 07 / 09 / 10]
	68018938AA	3	2, 6	L	13, 15, 17, 53, 55				[5.10MM] With Special Version Code [35-504232 / 06 / 07 / 09 / 10]
	68018940AA	3	2, 6	L	13, 15, 17, 53, 55				[5.20MM] With Special Version Code [35-504232 / 06 / 07 / 09 / 10]
	68018948AA	3	2, 6	L	13, 15, 17, 53, 55				[5.30MM] With Special Version Code [35-504232 / 06 / 07 / 09 / 10]

SPRINTER (VB)

SERIES	LINE	BODY	ENGINE	TRANSMISSION
L = LOWLINE	3 = HD DODGE 2WD 2 = Med. Duty DODGE 2WD	03 = CAB CHASSIS WHEEL BASE 3 05 = CAB CHASSIS WHEEL BASE 5 13 = 119 WB 53 = 119 WB 15 = VAN WHEEL BASE 5 55 = WAGON WHEEL BASE 5 17 = VAN WHEEL BASE 7	EG2 = 3.5L V6 Gas Engine EXM = 3.0L V6 Turbo Diesel Engine	DGZ = 5-Speed Auto W5A380 Transmission

AR = use ase required - = Non illustrated part

**Internal Differential Parts
Figure 3-210**



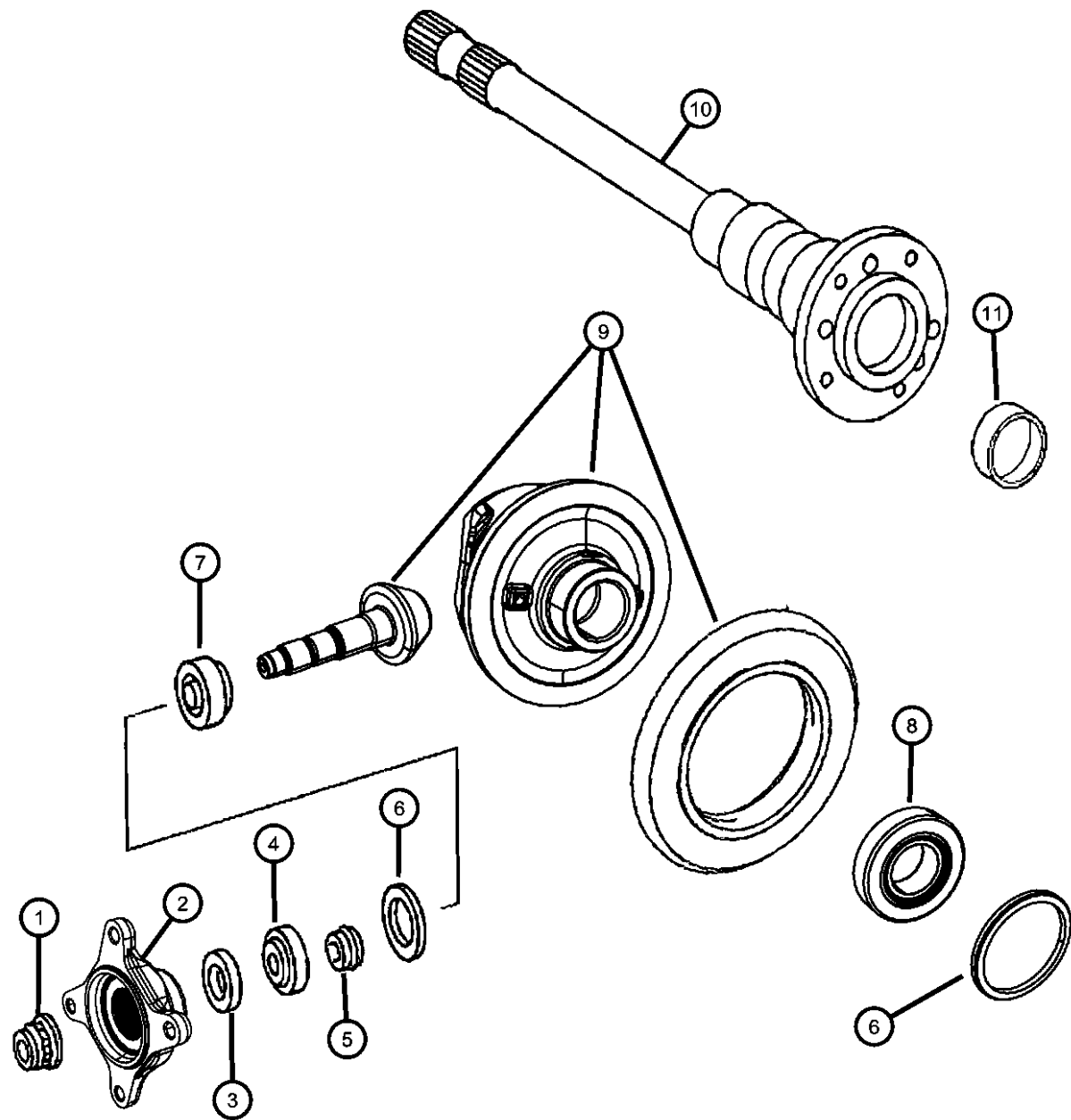
ITEM	PART NUMBER	QTY	LINE	SERIES	BODY	ENGINE	TRANS	TRIM	DESCRIPTION
	68018949AA	3	2, 6	L	13, 15, 17, 53, 55				[5.40MM] With Special Version Code [35-504232 / 06 / 07 / 09 / 10]
	68018961AA	3	2, 6	L	13, 15, 17, 53, 55				[5.50MM] With Special Version Code [35-504232 / 06 / 07 / 09 / 10]
	68018962AA	3	2, 6	L	13, 15, 17, 53, 55				[5.60MM] With Special Version Code [35-504232 / 06 / 07 / 09 / 10]
	68018963AA	3	2, 6	L	13, 15, 17, 53, 55				[5.70MM] With Special Version Code [35-504232 / 06 / 07 / 09 / 10]
	68018964AA	3	2, 6	L	13, 15, 17, 53, 55				[5.80MM] With Special Version Code [35-504232 / 06 / 07 / 09 / 10]
	68018965AA	3	2, 6	L	13, 15, 17, 53, 55				[5.90MM] With Special Version Code [35-504232 / 06 / 07 / 09 / 10]
	68018966AA	3	2, 6	L	13, 15, 17, 53, 55				[6.00MM] With Special Version Code [35-504232 / 06 / 07 / 09 / 10]
	68018969AA	3	2, 6	L	13, 15, 17, 53, 55				[6.10MM] With Special Version Code [35-504232 / 06 / 07 / 09 / 10]
	68018971AA	3	2, 6	L	13, 15, 17, 53, 55				[6.20MM] With Special Version Code [35-504232 / 06 / 07 / 09 / 10]
	68018972AA	3	2, 6	L	13, 15, 17, 53, 55				[6.30MM] With Special Version Code [35-504232 / 06 / 07 / 09 / 10]
	68018974AA	3	2, 6	L	13, 15, 17, 53, 55				[6.38MM] With Special Version Code [35-504232 / 06 / 07 / 09 / 10]
7	68018997AA	1	2, 6	L	13, 15, 17, 53, 55				BEARING, Pinion Inner Interchangeable With [68018998AA] / With Special Version Code [35-504232 / 06 / 07 / 09 / 10], Inner
	68018998AA	1	2, 6	L	13, 15, 17, 53, 55				Interchangeable With [68018997AA] / With Special Version Code [35-504232 / 06 / 07 / 09 / 10], Inner
8									BEARING, Axle

SPRINTER (VB)

SERIES	LINE	BODY	ENGINE	TRANSMISSION
L = LOWLINE	3 = HD DODGE 2WD 2 = Med. Duty DODGE 2WD	03 = CAB CHASSIS WHEEL BASE 3 05 = CAB CHASSIS WHEEL BASE 5 13 = 119 WB 53 = 119 WB 15 = VAN WHEEL BASE 5 55 = WAGON WHEEL BASE 5 17 = VAN WHEEL BASE 7	EG2 = 3.5L V6 Gas Engine EXM = 3.0L V6 Turbo Diesel Engine	DGZ = 5-Speed Auto W5A380 Transmission

AR = use ase required - = Non illustrated part

**Internal Differential Parts
Figure 3-210**



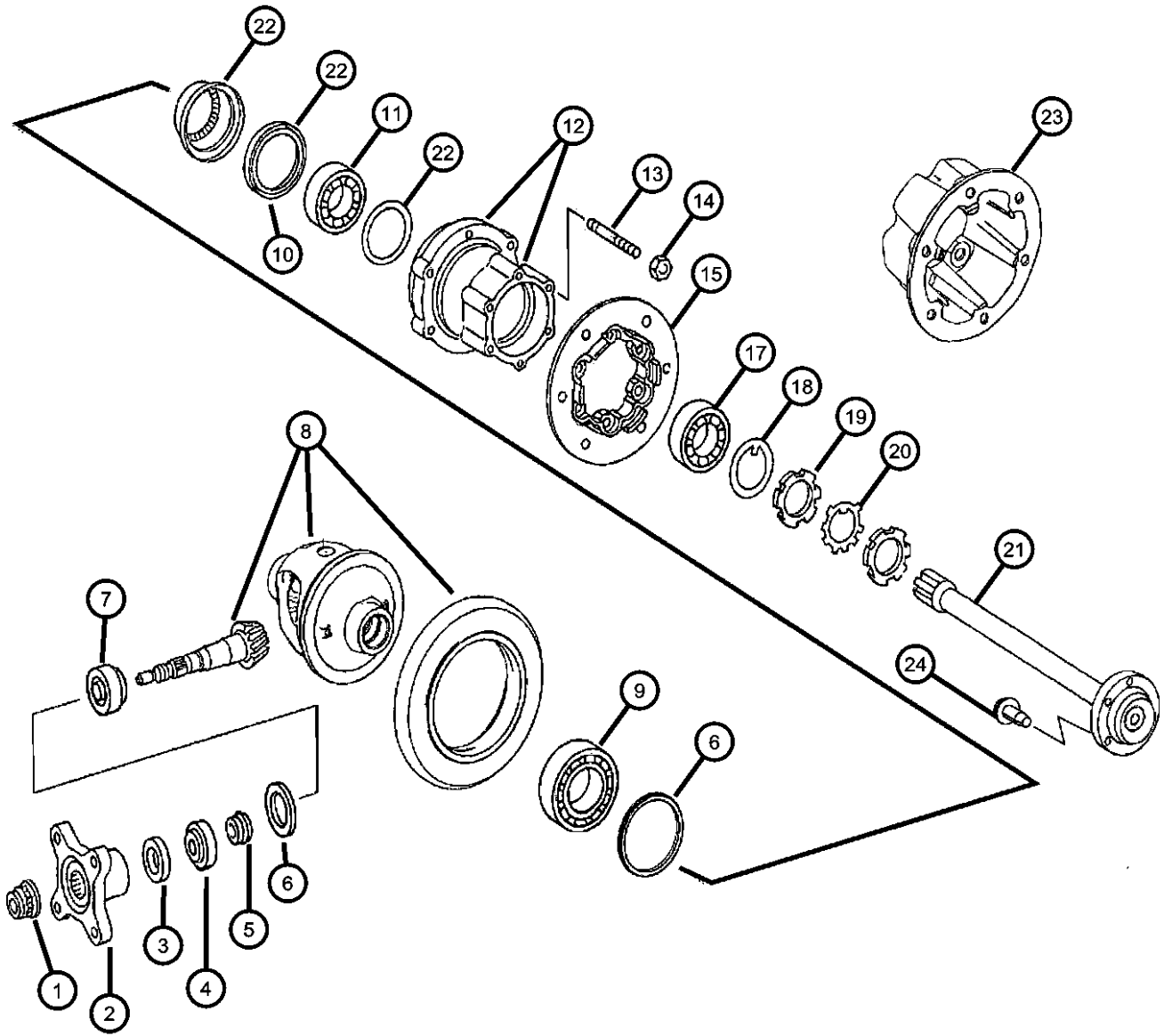
ITEM	PART NUMBER	QTY	LINE	SERIES	BODY	ENGINE	TRANS	TRIM	DESCRIPTION
	68019036AA	2	2, 6	L	13, 15, 17, 53, 55				With Special Version [35-504232 / 06 / 07 / 09 / 10] / Interchangeable With [68019039AA]
	68019039AA	2	2, 6	L	13, 15, 17, 53, 55				With Special Version [35-504232 / 06 / 07 / 09 / 10] / Interchangeable With [68019036AA]
9	68019064AA	1	2, 6	L	13, 15, 17, 53, 55				DIFFERENTIAL, Rear Axle With [DML] / With Special Version Code [35-504232 / 06] / See Note
	68019072AA	1	2, 6	L	13, 15, 17, 53, 55				With [DMN] / With Special Version Code [35-504232 / 07] / See Note
	68019086AA	1	2, 6	L	13, 15, 17, 53, 55				With [DMF] / With Special Version Code [35-504232 / 09] / See Note
	68019087AA	1	2, 6	L	13, 15, 17, 53, 55				With [DMH] / With Special Version Code [35-504232 / 10] / See Note
10	68019095AA	1	2, 6	L	13, 15, 17, 53, 55				SHAFT, Axle With Special Version Code [35-504008 / 89], Left
	68019135AA	1	2, 6	L	13, 15, 17, 53, 55				With Special Version Code [35-504008 / 89], Right
11	04862654AA	2	2, 6	L	13, 15, 17, 53, 55				PLUG, Expansion, With Special Version Code [35-504008 / 89]

SPRINTER (VB)

SERIES	LINE	BODY	ENGINE	TRANSMISSION
L = LOWLINE	3 = HD DODGE 2WD 2 = Med. Duty DODGE 2WD	03 = CAB CHASSIS WHEEL BASE 3 05 = CAB CHASSIS WHEEL BASE 5 13 = 119 WB 53 = 119 WB 15 = VAN WHEEL BASE 5 55 = WAGON WHEEL BASE 5 17 = VAN WHEEL BASE 7	EG2 = 3.5L V6 Gas Engine EXM = 3.0L V6 Turbo Diesel Engine	DGZ = 5-Speed Auto W5A380 Transmission

AR = use ase required - = Non illustrated part

**Internal Differential Parts
Figure 3-220**



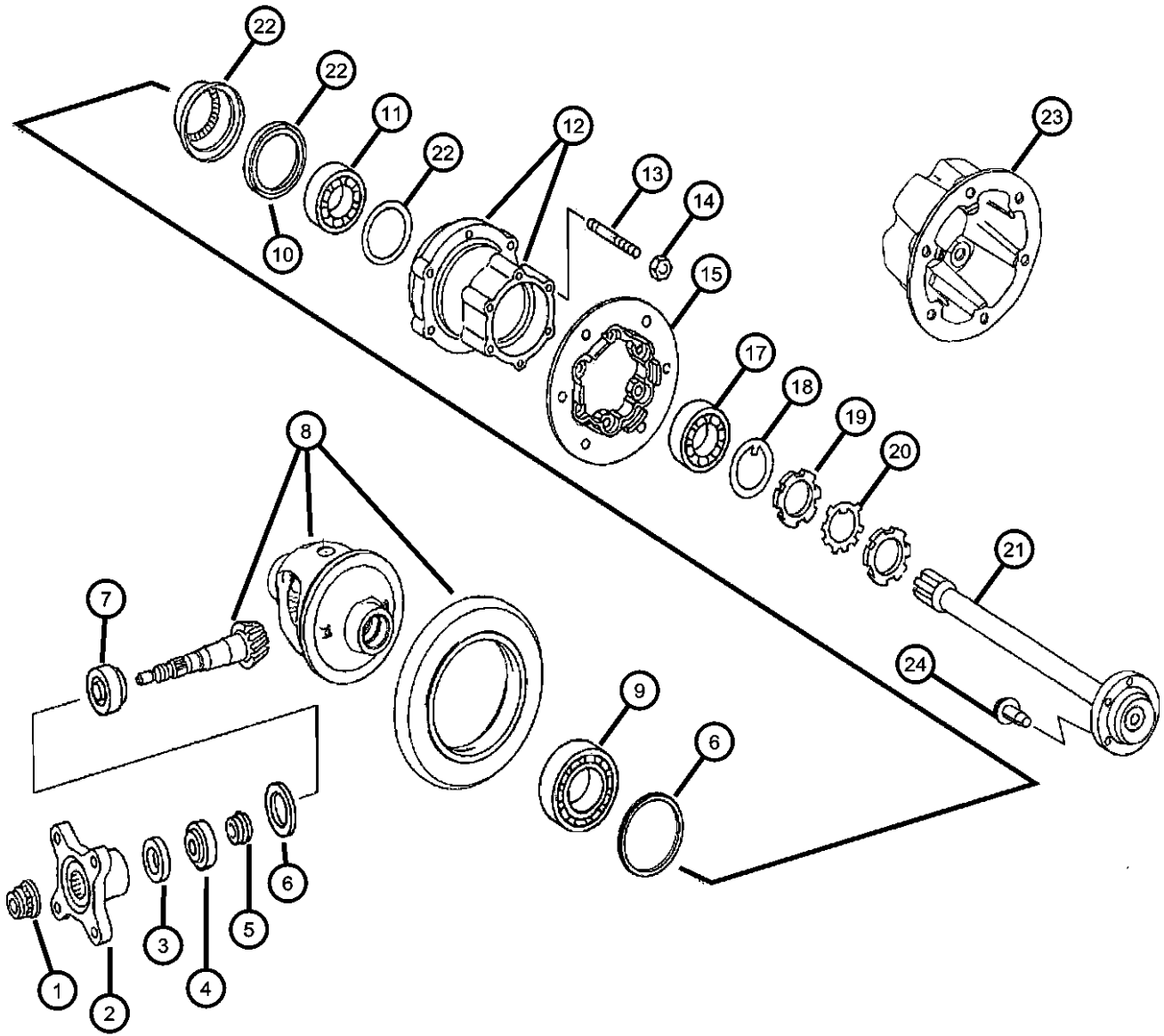
ITEM	PART NUMBER	QTY	LINE	SERIES	BODY	ENGINE	TRANS	TRIM	DESCRIPTION
NOTE:Housing, Ring & Pinion, Shims, Washers & Gears, Are Only Service In The Ring & Pinion Differential Assembly / Callout [#8]									
1	68018934AA	1	3, 7	L	03, 05, 13, 15, 17				NUT, Pinion Yoke, With Special Version Code [35-504232 / 12 / 13 / 15 / 16]
2	68018931AA	1	3, 7	L	03, 05, 13, 15, 17				FLANGE, Center Differential, With Special Version Code [35-504232 / 12 / 13 / 15 / 16]
3	68019031AA	1	3, 7	L	13, 15, 17, 03, 05				SEAL, Differential Bearing, Drive Pinion Seal / With Special Version Code [35-504232 / 12 / 13 / 15 / 16], Front
4	68018980AA	1	3, 7	L	03, 05, 13, 15, 17				BEARING, Pinion Outer
	68018981AA	1	3, 7	L	03, 05, 13, 15, 17				Drive Pinion Front Bearing / Interchangeable With [68018991AA] / With Special Version Code [35-504232 / 12 / 13 / 15 / 16]
5	68019018AA	1	3, 7	L	03, 05, 13, 15, 17				Drive Pinion Front Bearing / Interchangeable With [68018990AA] / With Special Version Code [35-504232 / 12 / 13 / 15 / 16]
6	68018935AA	3	3, 7	L	03, 05, 13, 15, 17				SPACER, With Special Version Code [35-504232 / 12 / 13 / 15 / 16]
	68018938AA	3	3, 7	L	03, 05, 13, 15, 17				WASHER, Differential
	68018940AA	3	3, 7	L	03, 05, 13, 15, 17				[4.90MM] Drive Pinion Rear / With Special Version Code [35-504232 / 12 / 13 / 15 / 16]
	68018936AA	3	3, 7	L	03, 05, 13, 15, 17				[5.10MM] Drive Pinion Rear / With Special Version Code [35-504232 / 12 / 13 / 15 / 16]
	68018949AA	3	3, 7	L	03, 05, 13, 15, 17				[5.20MM] Drive Pinion Rear / With Special Version Code [35-504232 / 12 / 13 / 15 / 16]
	68018948AA	3	3, 7	L	03, 05, 13, 15, 17				[5.00MM] Drive Pinion Rear / With Special Version Code [35-504232 / 12 / 13 / 15 / 16]
									[5.40MM] Drive Pinion Rear / With Special Version Code [35-504232 / 12 / 13 / 15 / 16]
									[5.30MM] Drive Pinion Rear / With Special Version Code [35-504232 / 12 / 13 / 15 / 16]

SPRINTER (VB)

SERIES	LINE	BODY	ENGINE	TRANSMISSION
L = LOWLINE	3 = HD DODGE 2WD 2 = Med. Duty DODGE 2WD	03 = CAB CHASSIS WHEEL BASE 3 05 = CAB CHASSIS WHEEL BASE 5 13 = 119 WB 53 = 119 WB 15 = VAN WHEEL BASE 5 55 = WAGON WHEEL BASE 5 17 = VAN WHEEL BASE 7	EG2 = 3.5L V6 Gas Engine EXM = 3.0L V6 Turbo Diesel Engine	DGZ = 5-Speed Auto W5A380 Transmission

AR = use ase required - = Non illustrated part

**Internal Differential Parts
Figure 3-220**



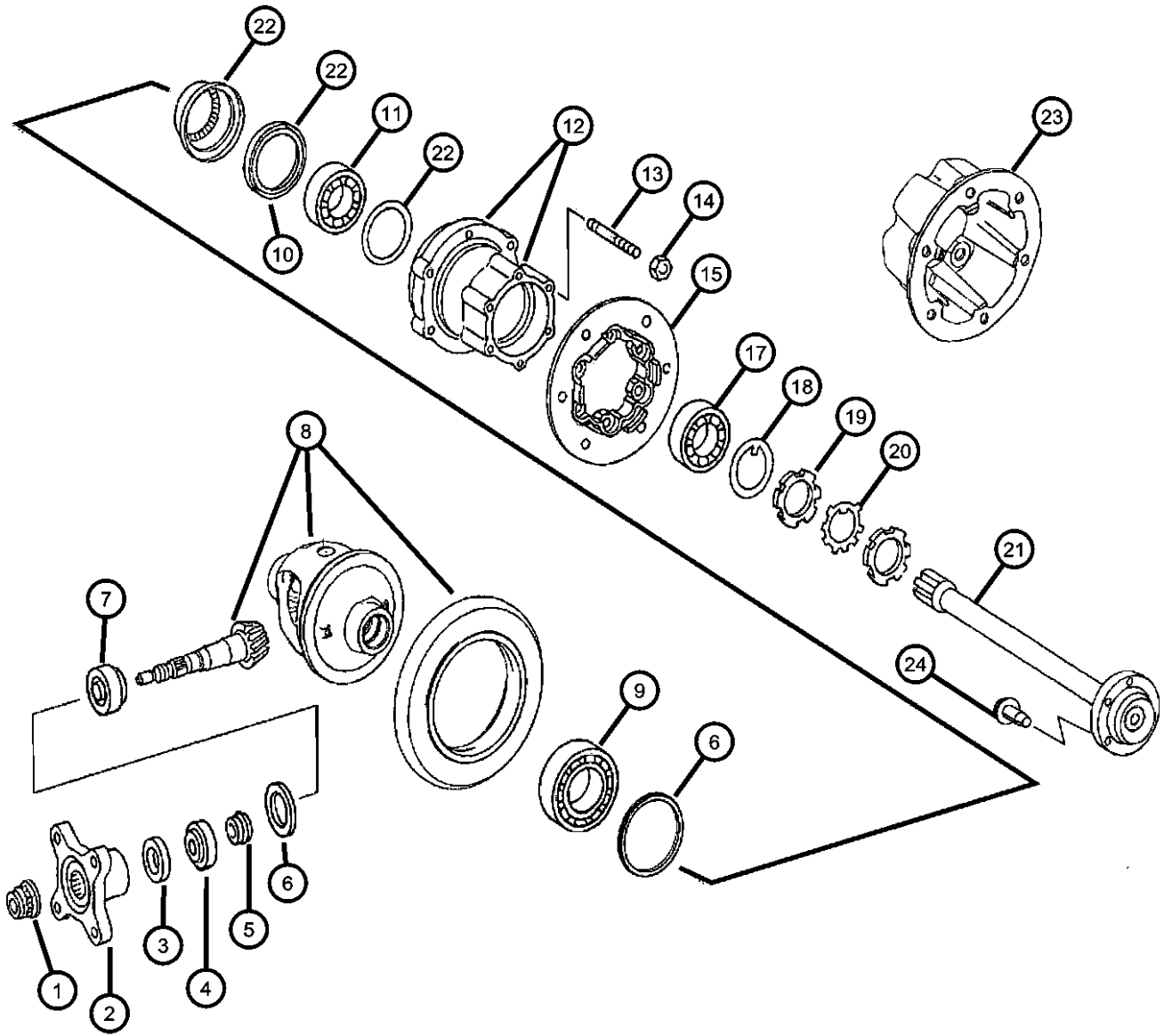
ITEM	PART NUMBER	QTY	LINE	SERIES	BODY	ENGINE	TRANS	TRIM	DESCRIPTION
	68018963AA	3	3, 7	L	03, 05, 13, 15, 17				[5.70MM] Drive Pinion Rear / With Special Version Code [35-504232 / 12 / 13 / 15 / 16]
	68018961AA	3	3, 7	L	03, 05, 13, 15, 17				[5.50MM] Drive Pinion Rear / With Special Version Code [35-504232 / 12 / 13 / 15 / 16]
	68018962AA	3	3, 7	L	15, 17, 03, 05, 13				[5.60MM] Drive Pinion Rear / With Special Version Code [35-504232 / 12 / 13 / 15 / 16]
	68018964AA	3	3, 7	L	03, 05, 13, 15, 17				[5.80MM] Drive Pinion Rear / With Special Version Code [35-504232 / 12 / 13 / 15 / 16]
	68018965AA	3	3, 7	L	17, 03, 05, 13, 15				[5.90MM] Drive Pinion Rear / With Special Version Code [35-504232 / 12 / 13 / 15 / 16]
	68018969AA	3	3, 7	L	03, 05, 13, 15, 17				[6.10MM] Drive Pinion Rear / With Special Version Code [35-504232 / 12 / 13 / 15 / 16]
	68018971AA	3	3, 7	L	03, 05, 13, 15, 17				[6.20MM] Drive Pinion Rear / With Special Version Code [35-504232 / 12 / 13 / 15 / 16]
	68018966AA	3	3, 7	L	03, 05, 13, 15, 17				[6.00MM] Drive Pinion Rear / With Special Version Code [35-504232 / 12 / 13 / 15 / 16]
	68018972AA	3	3, 7	L	03, 05, 13, 15, 17				[6.30MM] Drive Pinion Rear / With Special Version Code [35-504232 / 12 / 13 / 15 / 16]
	68018974AA	3	3, 7	L	03, 05, 13, 15, 17				[6.38MM] Drive Pinion Rear / With Special Version Code [35-504232 / 12 / 13 / 15 / 16]
7	68018997AA	1	3, 7	L	03, 05, 13, 15, 17				BEARING, Pinion Inner Drive Pinion Rear / Interchangeable With [68018998AA] / With Special Version Code [35-504232 / 12 / 13 / 16 / 16]
	68018998AA	1	3, 7	L	03, 05, 13, 15, 17				Drive Pinion Rear / Interchangeable With [68018997AA] / With Special Version Code [35-504232 / 12 / 13 / 16 / 16]
8	68019064AA	1	3, 7	L	03, 05, 13, 15, 17				DIFFERENTIAL, Rear Axle With [DML] / Special Version Code [35-504232 / 12]

SPRINTER (VB)

SERIES	LINE	BODY	ENGINE	TRANSMISSION
L = LOWLINE	3 = HD DODGE 2WD 2 = Med. Duty DODGE 2WD	03 = CAB CHASSIS WHEEL BASE 3 05 = CAB CHASSIS WHEEL BASE 5 13 = 119 WB 53 = 119 WB 15 = VAN WHEEL BASE 5 55 = WAGON WHEEL BASE 5 17 = VAN WHEEL BASE 7	EG2 = 3.5L V6 Gas Engine EXM = 3.0L V6 Turbo Diesel Engine	DGZ = 5-Speed Auto W5A380 Transmission

AR = use ase required - = Non illustrated part

**Internal Differential Parts
Figure 3-220**



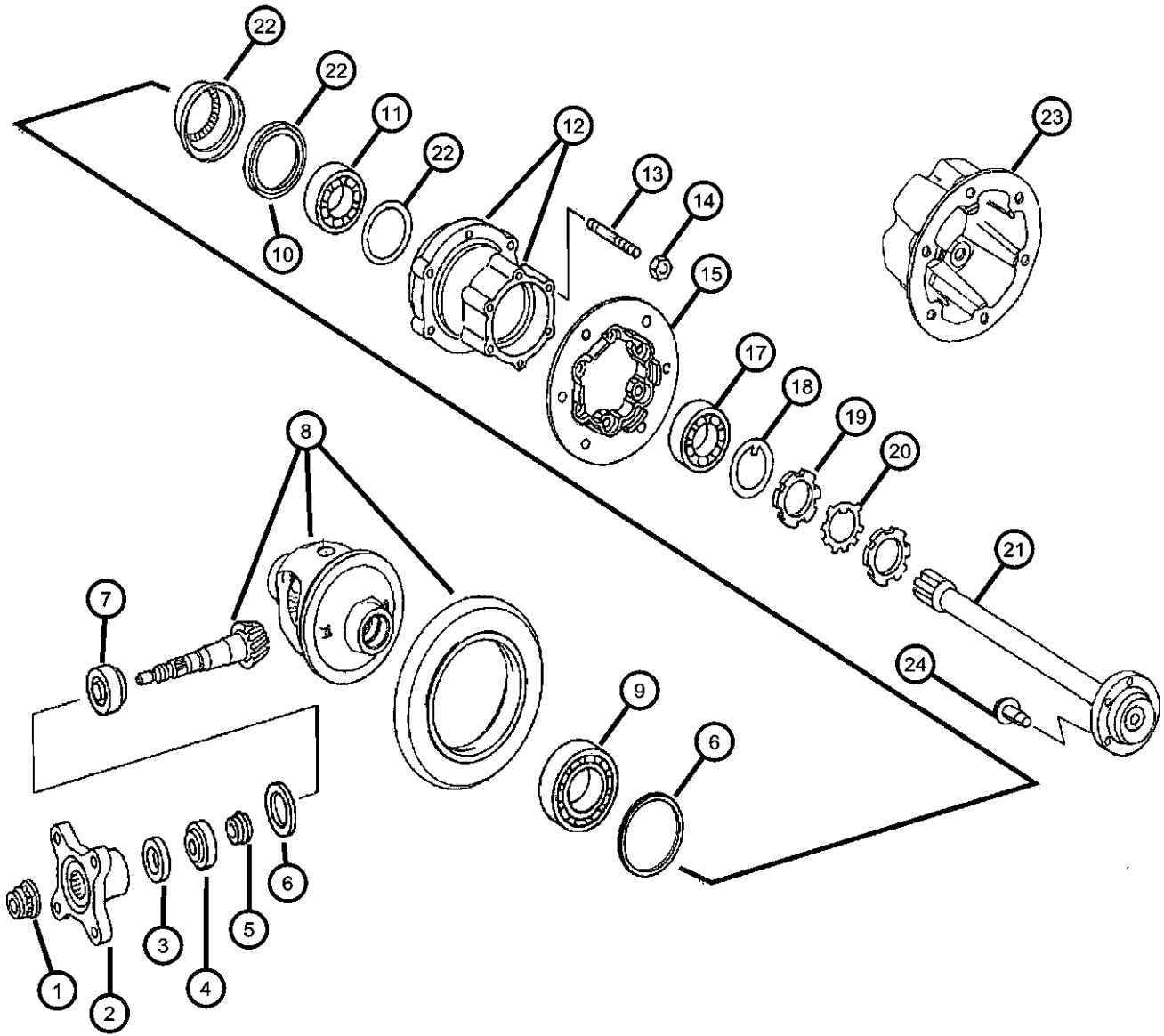
ITEM	PART NUMBER	QTY	LINE	SERIES	BODY	ENGINE	TRANS	TRIM	DESCRIPTION
	68019072AA	1	3, 7	L	03, 05, 13, 15, 17				With [DMN] / Special Version Code [35-504232 / 13]
	68019086AA	1	3, 7	L	03, 05, 13, 15, 17				With [DMF] / Special Version Code [35-504232 / 15]
	68019087AA	1	3, 7	L	03, 05, 13, 15, 17				With [DMH] / Special Version Code [35-504232 / 16]
9	68019036AA	2	3, 7	L	03, 05, 13, 15, 17				BEARING, Axle Interchangeable With [68019039AA] / Special Version Code [35-504232 / 12 / 13 / 15 / 16]
	68019039AA	2	3, 7	L	03, 05, 13, 15, 17				Interchangeable With [68019036AA] / Special Version Code [35-504232 / 12 / 13 / 15 / 16]
10	68026074AA	1	3, 7	L	03, 05, 13, 15, 17				SEAL, Axle Shaft, With Special Version Code [35-504019 / 69], Inner
11	68026071AA	1	3, 7	L	03, 05, 13, 15, 17				BEARING, Tapered Roller Interchangeable With [68026072AA & 68026073AA] / With Special Version Code [35-504019 / 69]
	68026072AA	1	3, 7	L	03, 05, 13, 15, 17				Interchangeable With [68026071AA & 68026073AA] / With Special Version Code [35-504019 / 69]
	68026073AA	1	3, 7	L	03, 05, 13, 15, 17				Interchangeable With [68026071AA & 68026072AA] / With Special Version Code [35-504019 / 69]
12	68026067AA	1	3, 7	L	03, 05, 13, 15, 17				HUB, Rear Wheel Interchangeable With [68026068AA] / With Special Version Code [35-504019 / 69]
	68026068AB	1	3, 7	L	03, 05, 13, 15, 17				Interchangeable With [68026067AA] / With Special Version Code [35-504019 / 69]
13	05134714AA	1	3, 7	L	03, 05, 13, 15, 17				STUD, Hub
14	05134715AA	12	3, 7	L	03, 05, 13, 15, 17				NUT, Hex Lock, With Special Version Code [35-504000 / 04]

SPRINTER (VB)

SERIES	LINE	BODY	ENGINE	TRANSMISSION
L = LOWLINE	3 = HD DODGE 2WD 2 = Med. Duty DODGE 2WD	03 = CAB CHASSIS WHEEL BASE 3 05 = CAB CHASSIS WHEEL BASE 5 13 = 119 WB 53 = 119 WB 15 = VAN WHEEL BASE 5 55 = WAGON WHEEL BASE 5 17 = VAN WHEEL BASE 7	EG2 = 3.5L V6 Gas Engine EXM = 3.0L V6 Turbo Diesel Engine	DGZ = 5-Speed Auto W5A380 Transmission

AR = use ase required - = Non illustrated part

**Internal Differential Parts
Figure 3-220**



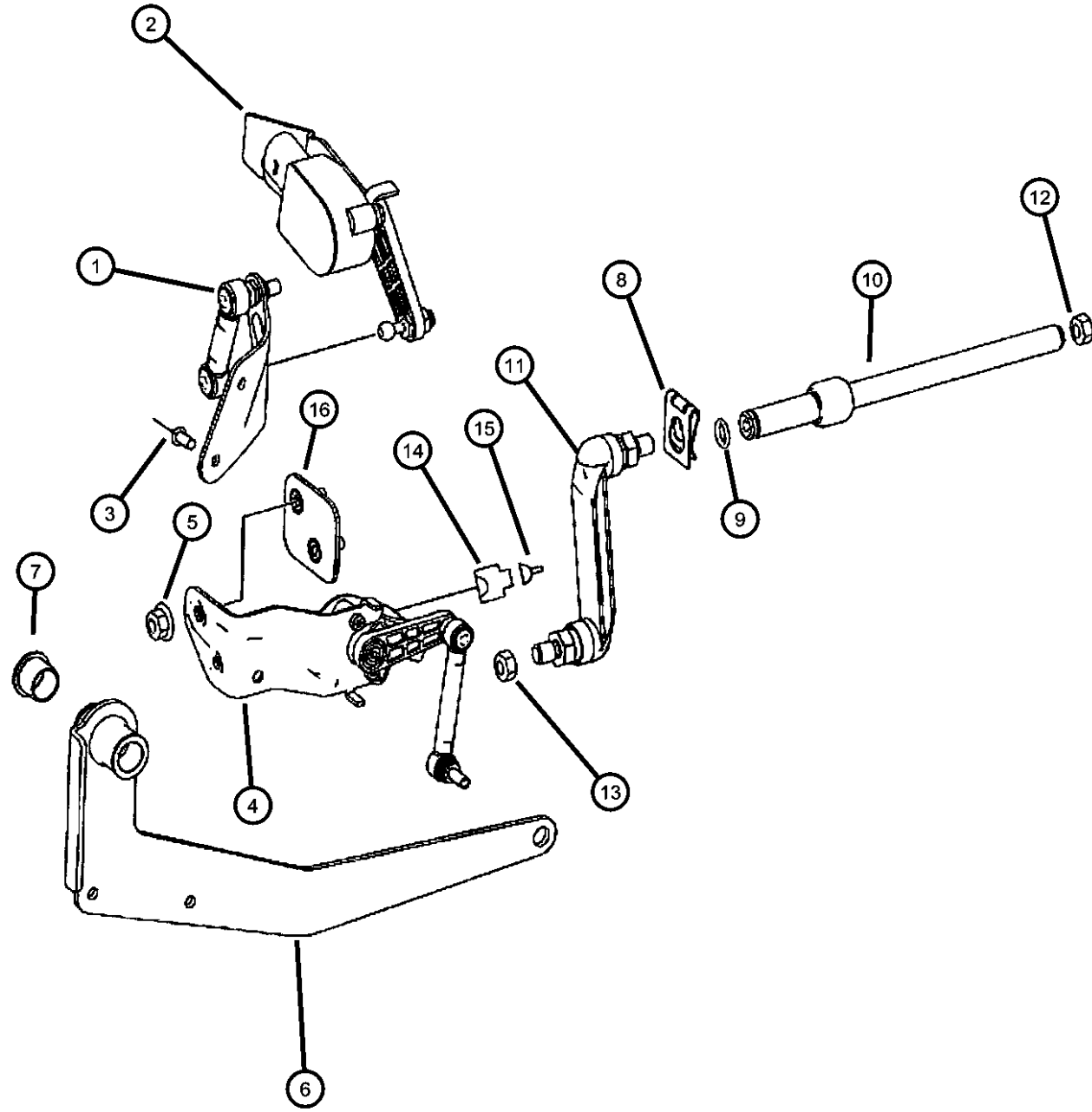
ITEM	PART NUMBER	QTY	LINE	SERIES	BODY	ENGINE	TRANS	TRIM	DESCRIPTION
15	68026053AA	1	3, 7	L	03, 05, 13, 15, 17				FLANGE, Axle Output, With Special Version Code [35-504306 / 09]
-16	04862627AA	6	3, 7	L					STUD, Wheel, Rear Axle Only. Do Not Use On Front Wheel Hubs.
17	68026069AA	1	3, 7	L	03, 05, 13, 15, 17				BEARING, Tapered Roller Interchangeable With [68026070AA] / With Special Version Code [35-504019 / 69], Outer
	68026070AA	1	3, 7	L	03, 05, 13, 15, 17				Interchangeable With [68026069AA] / With Special Version Code [35-504019 / 69], Outer
18	68025302AA	2	3, 7	L	03, 05, 13, 15, 17				PLATE, PLATE-LOCK, With Special Version Code [35-504000 / 04]
19	68025301AA	4	3, 7	L	03, 05, 13, 15, 17				NUT, Axle Hub, With Special Version Code [35-504000 / 04]
20	68025297AA	2	3, 7	L	03, 05, 13, 15, 17				WASHER, Axle Hub, With Special Version Code [35-504000 / 04], Outer
21	68026047AA	1	3, 7	L	03, 05, 13, 15, 17				SHAFT, Axle With Special Version Code [35-504008 / 90], Left
	68026052AA	1	3, 7	L	03, 05, 13, 15, 17				With Special Version Code [35-504008 / 90], Right
22	04862662AA	2	3, 7	L	03, 05, 13, 15, 17				TONE RING, Sensor, This Includes [Tone Ring, Shaft Seal & Washer] These Parts Must Be Replaced As A Set.
23	68026053AA	1	3, 7	L	03, 05, 13, 15, 17				FLANGE, Axle Output
24	68026054AA	6	3, 7	L	03, 05, 13, 15, 17				BOLT, Hub

SPRINTER (VB)

SERIES	LINE	BODY	ENGINE	TRANSMISSION
L = LOWLINE	3 = HD DODGE 2WD 2 = Med. Duty DODGE 2WD	03 = CAB CHASSIS WHEEL BASE 3 05 = CAB CHASSIS WHEEL BASE 5 13 = 119 WB 53 = 119 WB 15 = VAN WHEEL BASE 5 55 = WAGON WHEEL BASE 5 17 = VAN WHEEL BASE 7	EG2 = 3.5L V6 Gas Engine EXM = 3.0L V6 Turbo Diesel Engine	DGZ = 5-Speed Auto W5A380 Transmission

AR = use ase required - = Non illustrated part

**Dynamic Headlamp Range Control
Figure 3-230**



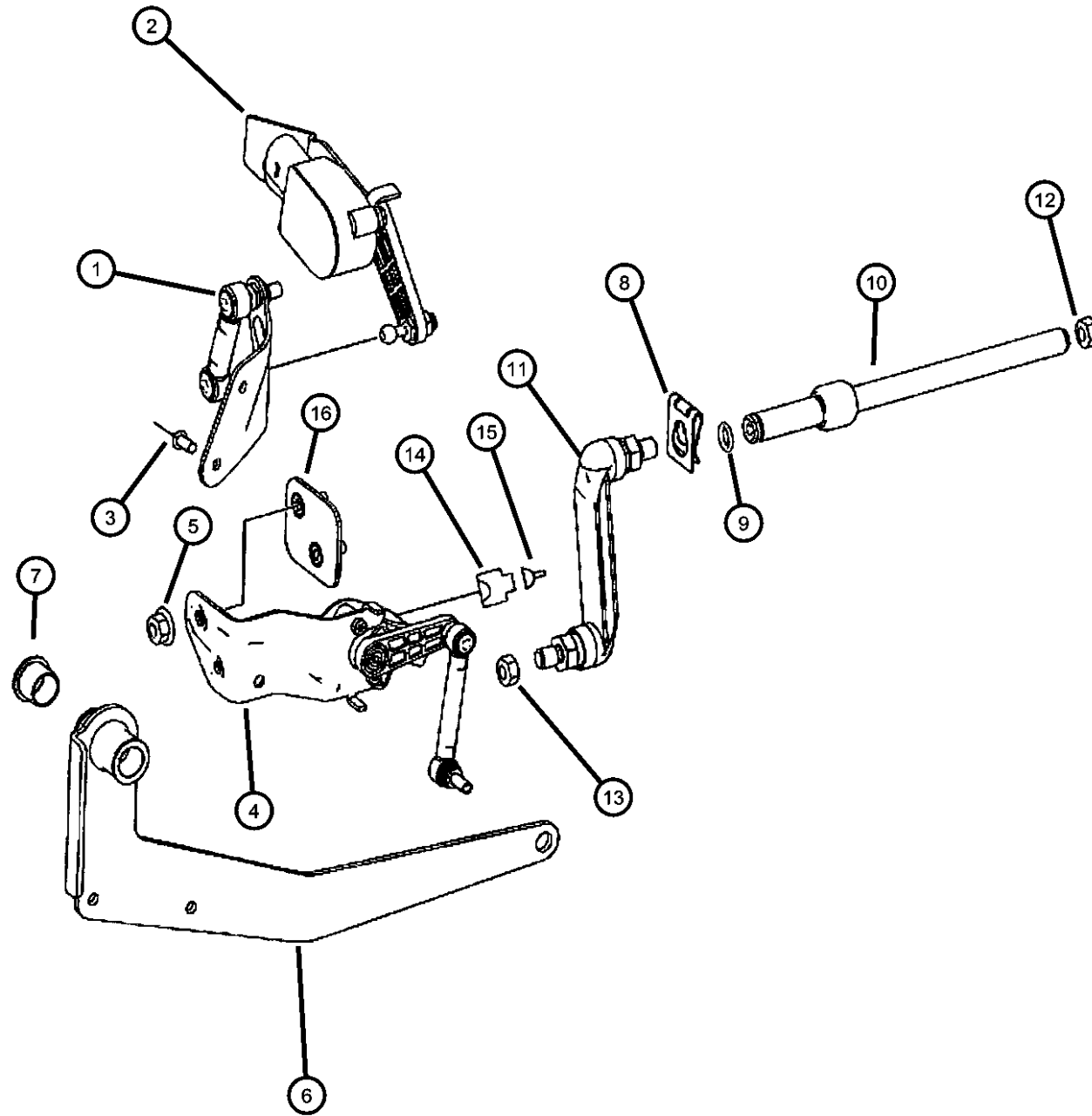
ITEM	PART NUMBER	QTY	LINE	SERIES	BODY	ENGINE	TRANS	TRIM	DESCRIPTION
1	68013738AA	1	2, 3, 6, 7	L	13, 15, 17, 53, 55				BRACKET With [LM2]
		1	3, 7	L	03, 05				With [LM2]
2	68013739AA	1	2, 3, 6, 7	L	13, 15, 17, 53, 55				BRACKET With [LM2]
		1	3, 7	L	03, 05				With [LM2]
3	05125819AA	4	3, 7	L	03, 05				RIVET
		4	2, 3, 6, 7	L	13, 15, 17, 53, 55				
4	68013834AA	1	2, 3, 6, 7	L					VALVE, Load sensing, [LM2] Altitude Sensor
5	68004878AA	2	3, 7	L	03, 05				NUT Sensor To Bracket [M6]
		2	2, 3, 6, 7	L	13, 15, 17, 53, 55				Sensor To Bracket [M6]
6	05119337AA	1	3, 7	L	03, 05				LEVER, Load Sensing
		1	2, 6	L	13, 15, 17, 53, 55				
7	05096550AA	2	3, 7	L	03, 05				BUSHING, Pedal Shaft
		2	2, 3, 6, 7	L	13, 15, 17, 53, 55				
8	68003170AA	1	2, 3, 6, 7	L					CLIP
9	68004877AA	1	2, 3, 6, 7	L					WASHER
10	68013836AA	1	2, 3, 6, 7	L					PIN
11	05103920AA	1	3, 7	L	03, 05				LINK, Load Sensing Sensor To Rear Axle
		1	2, 3, 6, 7	L	13, 15, 17, 53, 55				Sensor To Rear Axle
12	06105172AA	1	2, 3, 6, 7	L					NUT Lever To Pivot Pin
	68004878AA	1	3, 7	L	03, 05				Lever To Bolt, Rear Axle Carrier

SPRINTER (VB)

SERIES	LINE	BODY	ENGINE	TRANSMISSION
L = LOWLINE	3 = HD DODGE 2WD 2 = Med. Duty DODGE 2WD	03 = CAB CHASSIS WHEEL BASE 3 05 = CAB CHASSIS WHEEL BASE 5 13 = 119 WB 53 = 119 WB 15 = VAN WHEEL BASE 5 55 = WAGON WHEEL BASE 5 17 = VAN WHEEL BASE 7	EG2 = 3.5L V6 Gas Engine EXM = 3.0L V6 Turbo Diesel Engine	DGZ = 5-Speed Auto W5A380 Transmission

AR = use ase required - = Non illustrated part

**Dynamic Headlamp Range Control
Figure 3-230**



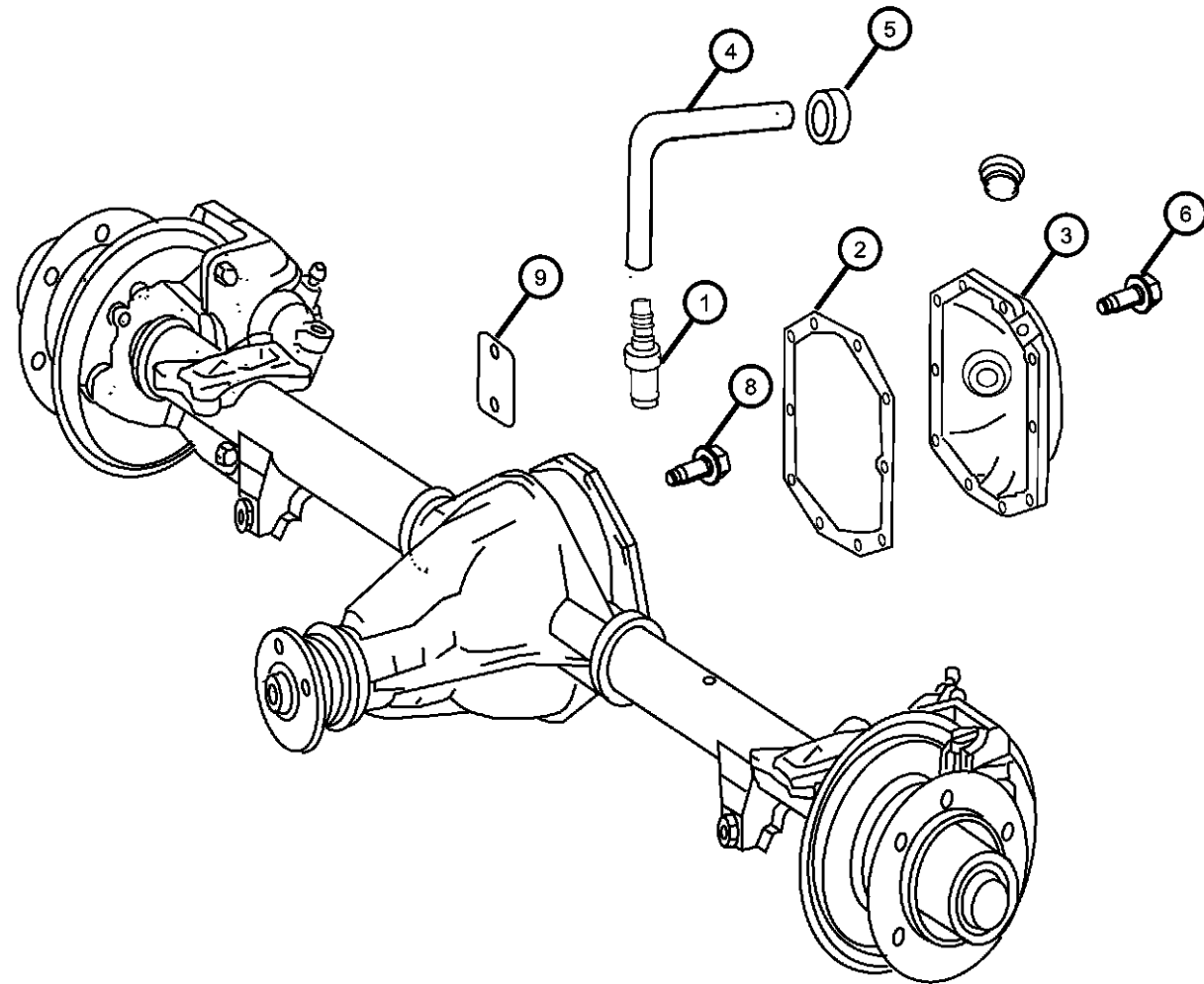
ITEM	PART NUMBER	QTY	LINE	SERIES	BODY	ENGINE	TRANS	TRIM	DESCRIPTION
		1	2, 3, 6, 7	L	13, 15, 17, 53, 55				Lever To Bolt, Rear Axle Carrier
13	06105170AA	2	2, 3, 6, 7	L	13, 15, 17, 53, 55				NUT Rod To Lever [M6]
		2	3, 7	L	03, 05				Rod To Lever [M6]
14	68011431AA	1	2, 3, 6, 7	L					CONNECTOR, Rear Axle Sensor, Headlamp Range Adjustment [A51]
15	68016725AA	1	2, 3, 6, 7	L					TERMINAL, [A51] Connector
16	68013840AA	1	3, 7	L	13, 15, 17				BRACKET

SPRINTER (VB)

SERIES	LINE	BODY	ENGINE	TRANSMISSION
L = LOWLINE	3 = HD DODGE 2WD 2 = Med. Duty DODGE 2WD	03 = CAB CHASSIS WHEEL BASE 3 05 = CAB CHASSIS WHEEL BASE 5 13 = 119 WB 53 = 119 WB 15 = VAN WHEEL BASE 5 55 = WAGON WHEEL BASE 5 17 = VAN WHEEL BASE 7	EG2 = 3.5L V6 Gas Engine EXM = 3.0L V6 Turbo Diesel Engine	DGZ = 5-Speed Auto W5A380 Transmission

AR = use ase required - = Non illustrated part

**Axle Vent & Differential Cover
Figure 3-310**



ITEM	PART NUMBER	QTY	LINE	SERIES	BODY	ENGINE	TRANS	TRIM	DESCRIPTION
1	05103948AA	1	3, 7	L	03, 05, 13, 15, 17				VENT, Axle
		1	2, 6	L	13, 15, 17, 53, 55				
2	68018926AA	1	2, 6	L	13, 15, 17, 53, 55				GASKET, Differential Cover
									With Special Version Number [35-504000 / 17]
	68025238AA	1	3, 7	L	03, 05, 13, 15, 17				With Special Version Number [35-504000 / 04]
3	68025233AA	1	3, 7	L	03, 05, 13, 15, 17				COVER, Differential
	68018924AA	1	2, 6	L	13, 15, 17, 53, 55				
4	05104076AA	1	3, 7	L	03, 05				HOSE, Axle Vent
		1	2, 3, 6, 7	L	13, 15, 17, 53, 55				
5	05133520AA	1	2, 3, 6, 7	L					GROMMET
6	04862663AA	10	2, 6	L					BOLT, Differential Cover
									With Special Version Number [35 504000/10/17] & [35 504232/06/07/09/10]
	68025239AA	1	3, 7	L	03, 05, 13, 15, 17				With Special Version Number [35 504000/04]
-7	05133796AA	1	2, 3, 6, 7	L					PLUG
									Drain Plug
	05134372AA	1	3, 7	L	03, 05, 13, 15, 17				Fill Plug
		1	2, 6	L	13, 15, 17, 53, 55				Fill Plug
8	06104243AA	4	3, 7	L	03, 05, 13, 15, 17				SCREW
									Bearing Cover To Axle / With Special Version Numbers [504232 / 09 / 10 / 12 / 13 / 15 / 16]

SPRINTER (VB)

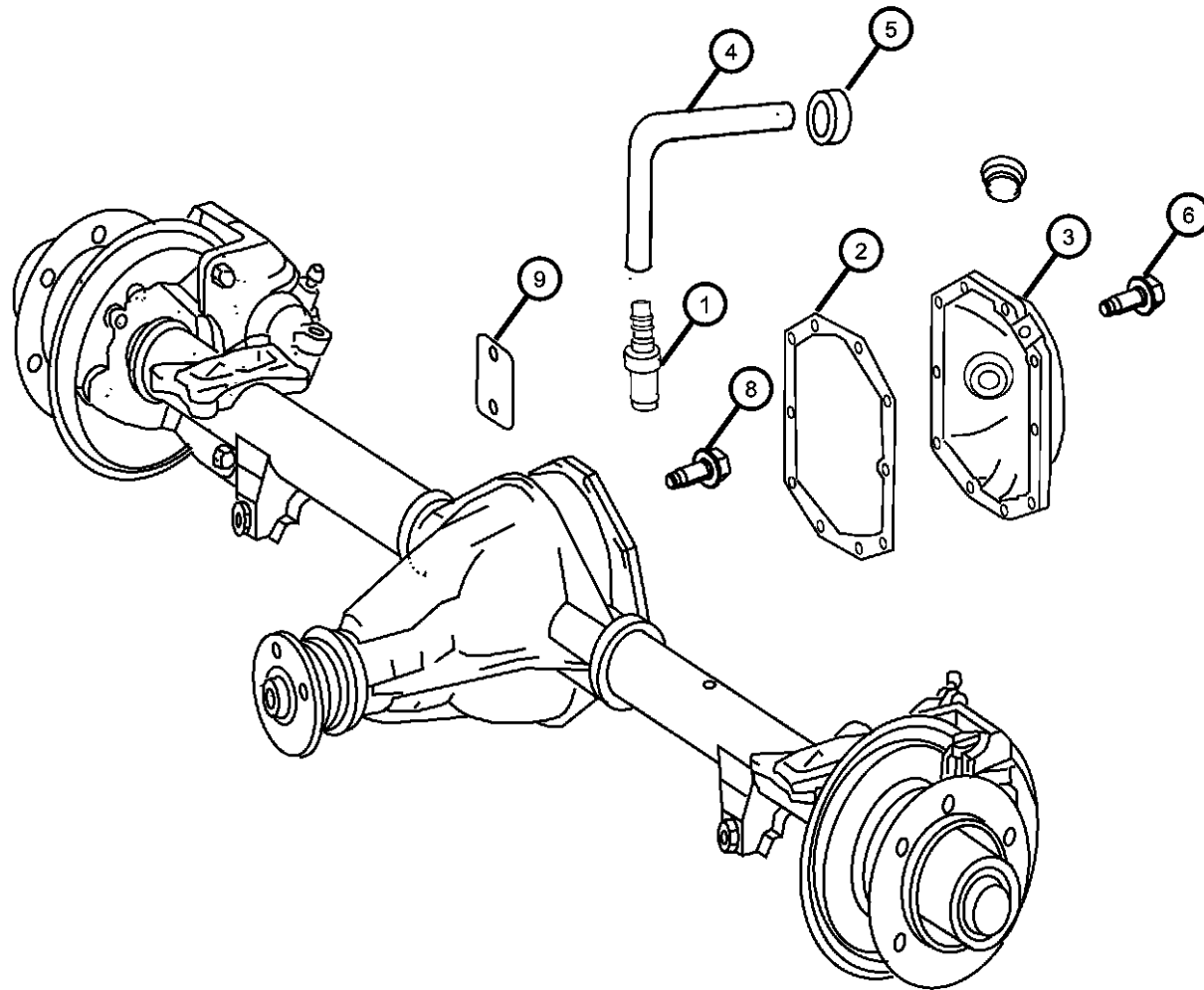
SERIES	LINE	BODY	ENGINE	TRANSMISSION
L = LOWLINE	3 = HD DODGE 2WD 2 = Med. Duty DODGE 2WD	03 = CAB CHASSIS WHEEL BASE 3 05 = CAB CHASSIS WHEEL BASE 5 13 = 119 WB 53 = 119 WB 15 = VAN WHEEL BASE 5 55 = WAGON WHEEL BASE 5 17 = VAN WHEEL BASE 7	EG2 = 3.5L V6 Gas Engine EXM = 3.0L V6 Turbo Diesel Engine	DGZ = 5-Speed Auto W5A380 Transmission

AR = use ase required - = Non illustrated part

2007 VB

**Axle Vent & Differential Cover
Figure 3-310**

ITEM	PART NUMBER	QTY	LINE	SERIES	BODY	ENGINE	TRANS	TRIM	DESCRIPTION
		4	2, 6	L	13, 15, 17, 53, 55				Bearing Cover To Axle / With Special Version Numbers [504232 / 09 / 10 / 12 / 13 / 15 / 16
9		4							PLATE, Identification Information Tag Not Serviced, (NOT SERVICED),



SPRINTER (VB)

SERIES	LINE	BODY	ENGINE	TRANSMISSION
L = LOWLINE	3 = HD DODGE 2WD 2 = Med. Duty DODGE 2WD	03 = CAB CHASSIS WHEEL BASE 3 05 = CAB CHASSIS WHEEL BASE 5 13 = 119 WB 53 = 119 WB 15 = VAN WHEEL BASE 5 55 = WAGON WHEEL BASE 5 17 = VAN WHEEL BASE 7	EG2 = 3.5L V6 Gas Engine EXM = 3.0L V6 Turbo Diesel Engine	DGZ = 5-Speed Auto W5A380 Transmission

AR = use ase required - = Non illustrated part

2007 VB

Group - 4

Parking Brake

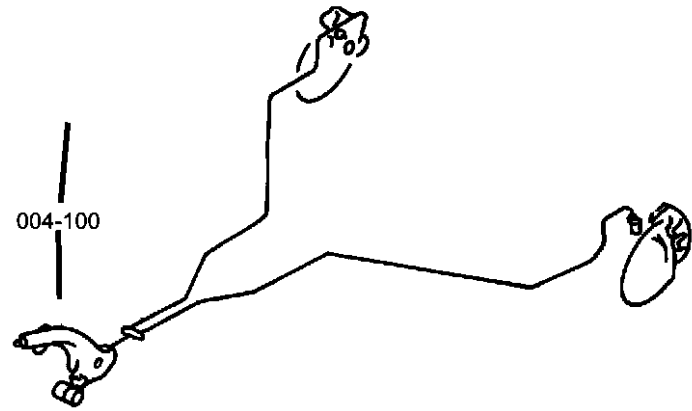
Group - 4 Parking Brake

Group-Fig. No.

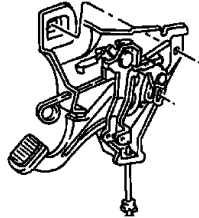
Illustration Title

Parking Brake Lever and Cables

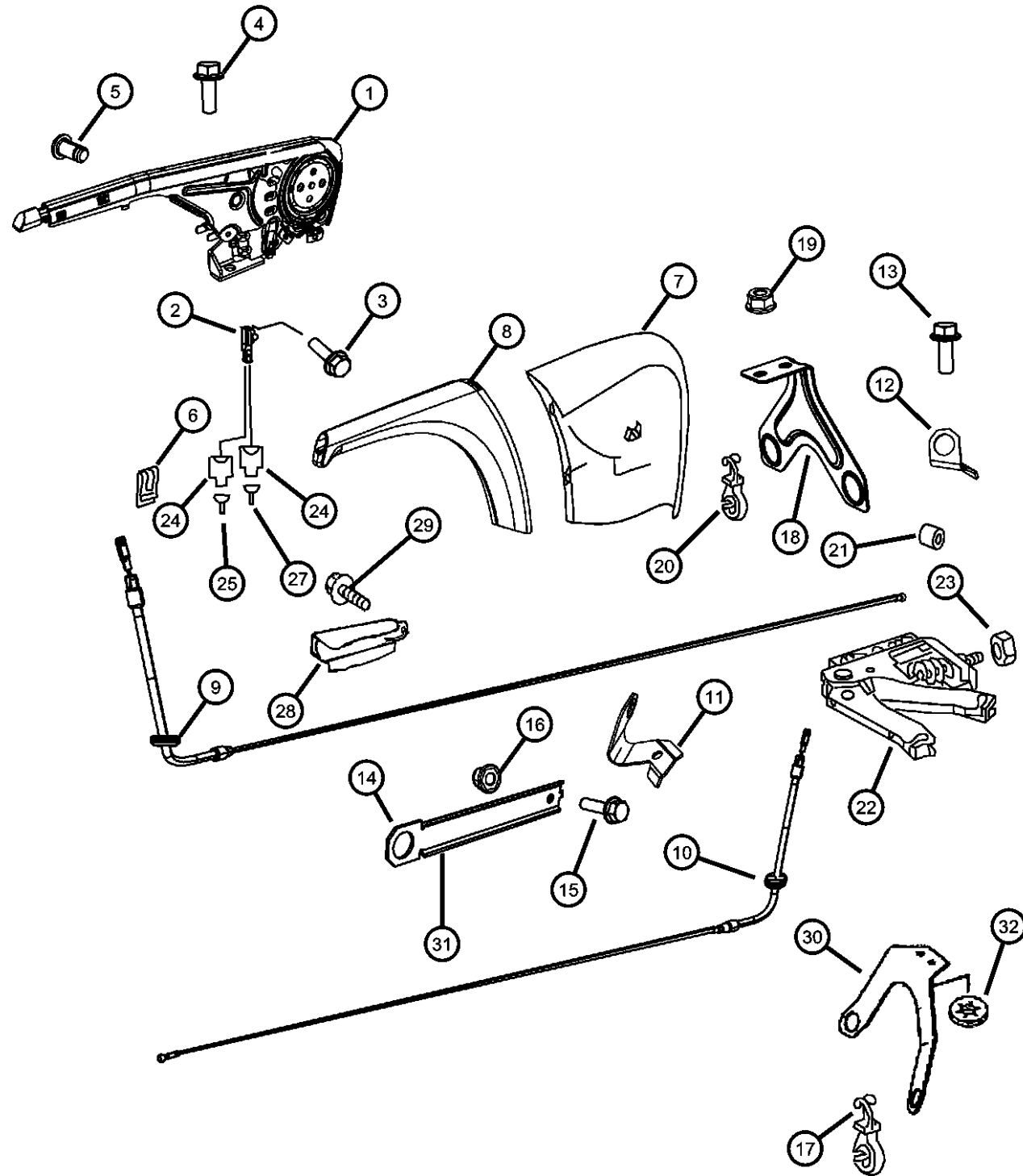
Parking Brake Lever	Fig. 4 - 110
Parking Brake / Single Rear Wheel.....	Fig. 4 - 140
Parking Brake / Dual Rear Wheel.....	Fig. 4 - 150



004-100
Parking Brake Lever and Cables



**Parking Brake Lever
Figure 4-110**



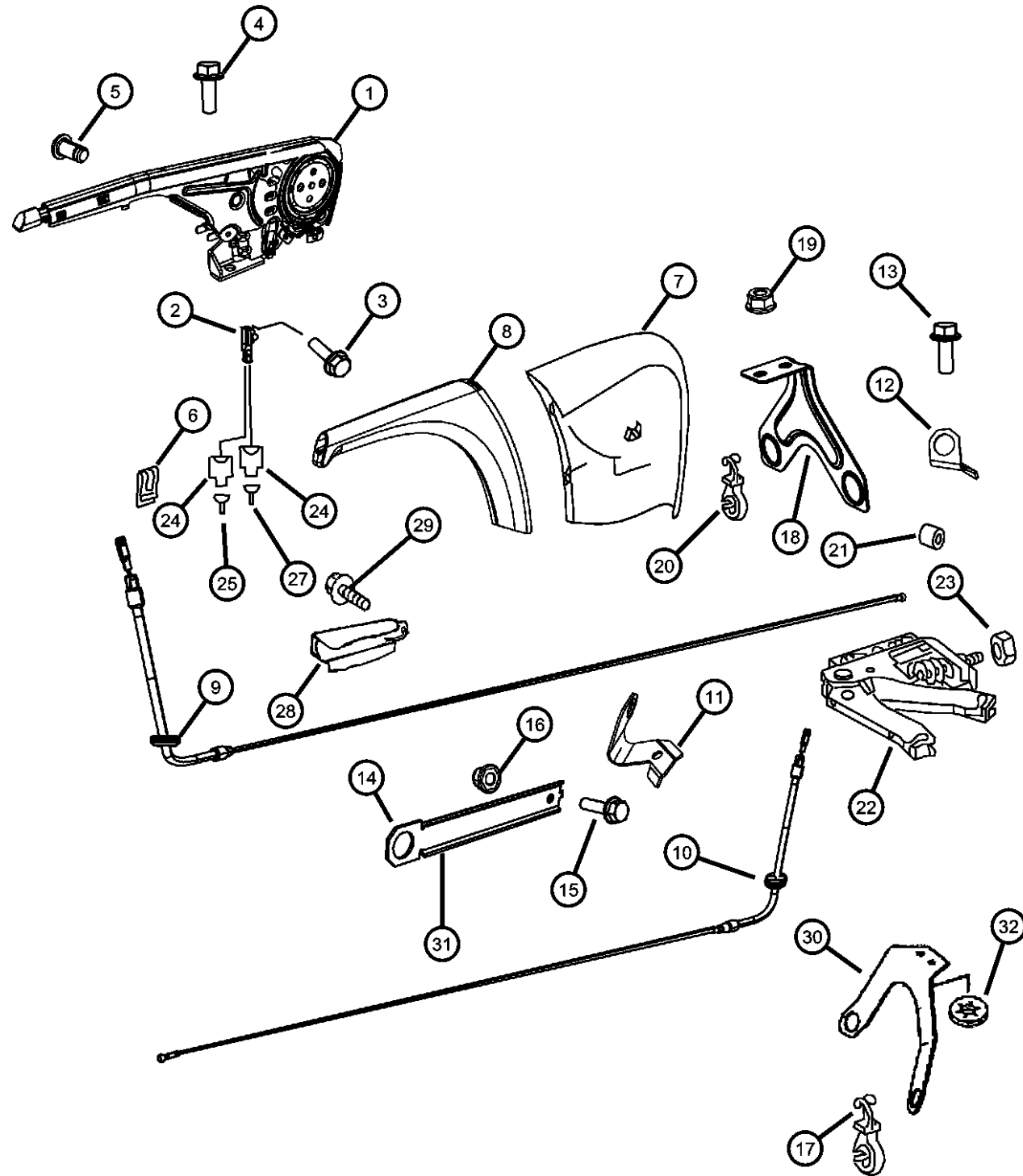
ITEM	PART NUMBER	QTY	LINE	SERIES	BODY	ENGINE	TRANS	TRIM	DESCRIPTION
1	68013464AA	1	2, 3, 6, 7						LEVER, Parking Brake
2	05103540AA	1	3, 7		03, 05				SWITCH, Parking Brake
		1	2, 3, 6, 7		13, 15, 17, 53, 55				Hand Brake Tell-Tale Lamp
3	05175204AA	1	2, 3, 6, 7						SCREW, Switch Fastening [M5x12]
4	06104215AA	2	3, 7		03, 05				BOLT
		2	2, 3, 6, 7		13, 15, 17, 53, 55				Mounting, Lever To Seat Frame [M10x25]
5	05140886AA	1	2, 3, 6, 7						PIN, Parking Brake Handle, Brake Cable To Hand Brake Lever
6	05126243AA	1	2, 3, 6, 7						CLIP, Retaining, Pin To Hand Brake Lever
7	68013465AA	1	2, 3, 6, 7						COVER
8	68013466AA	1	2, 3, 6, 7						HANDLE
9	68013473AA	1	2, 3, 6, 7		03, 13, 53				CABLE, Parking Brake
	68013474AA	1	2, 3, 6, 7		05, 15, 17, 55				Front
10	68013780AA	2	2, 6		13, 15, 17, 53, 55				CABLE, Parking Brake
11	68013467AA	1	2, 3, 6, 7						BRACKETLeft
12	68013468AA	1	2, 3, 6, 7						BRACKETRight
13	68004878AA	2	2, 3, 6, 7		13, 15, 17, 53, 55				NUT, [M6]
14	05119274AA	1	2, 6		13, 15, 17, 53, 55				BRACKET
	05119277AA	1	2, 6		13, 15, 17, 53, 55				Left
		1	2, 6		13, 15, 17, 53, 55				Right
15	05073723AB	2	2, 3, 6, 7		13, 15, 17, 53, 55				SCREW, Bracket To Shock Absorber Bracket [M8x20]
16	06105169AA	2	3, 6, 7, 2						NUT, Bracket To Shock Absorber Bracket [M8]

SPRINTER (VB)

SERIES	LINE	BODY	ENGINE	TRANSMISSION
L = LOWLINE	3 = HD DODGE 2WD 2 = Med. Duty DODGE 2WD	03 = CAB CHASSIS WHEEL BASE 3 05 = CAB CHASSIS WHEEL BASE 5 13 = 119 WB 53 = 119 WB 15 = VAN WHEEL BASE 5 55 = WAGON WHEEL BASE 5 17 = VAN WHEEL BASE 7	EG2 = 3.5L V6 Gas Engine EXM = 3.0L V6 Turbo Diesel Engine	DGZ = 5-Speed Auto W5A380 Transmission

AR = use ase required - = Non illustrated part

**Parking Brake Lever
Figure 4-110**



ITEM	PART NUMBER	QTY	LINE	SERIES	BODY	ENGINE	TRANS	TRIM	DESCRIPTION
17	05119283AA	2	2, 6		13, 15, 17, 53, 55				CLIP, Parking Brake Cable, At Bracket
18	68013470AA	1	2, 6		13, 53				BRACKET, To Under Floor Center
19	68004878AA	2	2, 6		13, 15, 17, 53, 55				NUT, Bracket To Substructure [M6]
20	05119283AA	2	2, 6		13, 15, 17, 53, 55				CLIP, Parking Brake Cable, At Bracket
21	05098414AA	2	2, 6		13, 15, 17, 53, 55				PIN, PIN
22									ADJUSTER, Parking Brake
	68013478AA	1	2, 3, 6, 7						With [2ZD]
	68013479AA	1	3, 7		03, 05				With [2ZD]
		1	3, 7		13, 15, 17				NUT
23									NUT
	05126206AA	1	2, 3, 6, 7						To Adjuster [M8-8]
	06105170AA	2	2, 3, 6, 7						Adjuster To Bearing Bracket [M10]
24	05120696AA	1	2, 3, 6, 7		03, 05, 13, 15, 17				CONNECTOR, Parking Brake Inspection Switch 1 - Pin [S12]
25	05133365AA	1	2, 3, 6, 7		03, 05, 13, 15, 17				TERMINAL, Female, [S12]
-26	05133504AA	1	2, 3, 6, 7		03, 05, 13, 15, 17				TERMINAL, Parking Brake Inspection Switch [S12]
27	05133367AA	1	2, 3, 6, 7		03, 05, 13, 15, 17				PLUG, Terminal [S12]
28									BOOT
	68013476AA	1	3, 7						Right
	68013477AA	1	3, 7						Left
29	06104140AA	4	3, 7		03, 05				SCREW, Protective Cap To Rear Axle [M6x10]
30	68013471AA	1	3, 7						BRACKET, Cable To Frame
31									BRACKET, Parking Brake
	68013469AA	2	3, 7						To Chassis Date [03/30/2007]
	68026526AA	2	3, 7						After Chassis Date [03/30/2007]
32	68026526AA	2							WASHER, Lock, (NOT SERVICED),

SPRINTER (VB)

SERIES LINE
L = LOWLINE 3 = HD DODGE 2WD
 2 = Med. Duty DODGE 2WD

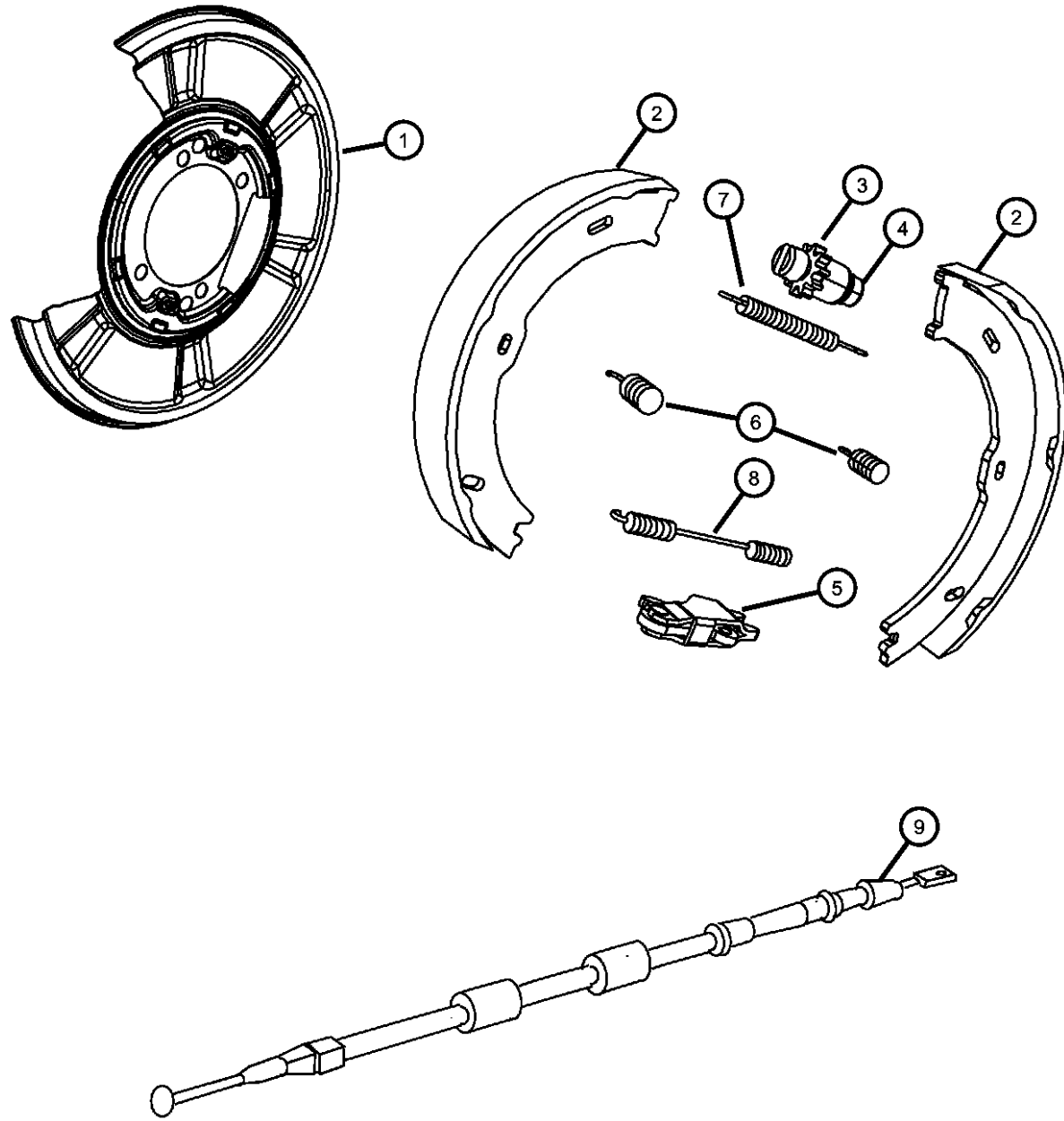
BODY
03 = CAB CHASSIS WHEEL BASE 3
05 = CAB CHASSIS WHEEL BASE 5
13 = 119 WB
53 = 119 WB
15 = VAN WHEEL BASE 5
55 = WAGON WHEEL BASE 5
17 = VAN WHEEL BASE 7

ENGINE
EG2 = 3.5L V6 Gas Engine
EXM = 3.0L V6 Turbo Diesel Engine

TRANSMISSION
DGZ = 5-Speed Auto W5A380 Transmission

AR = use ase required - = Non illustrated part

**Parking Brake / Single Rear Wheel
Figure 4-140**



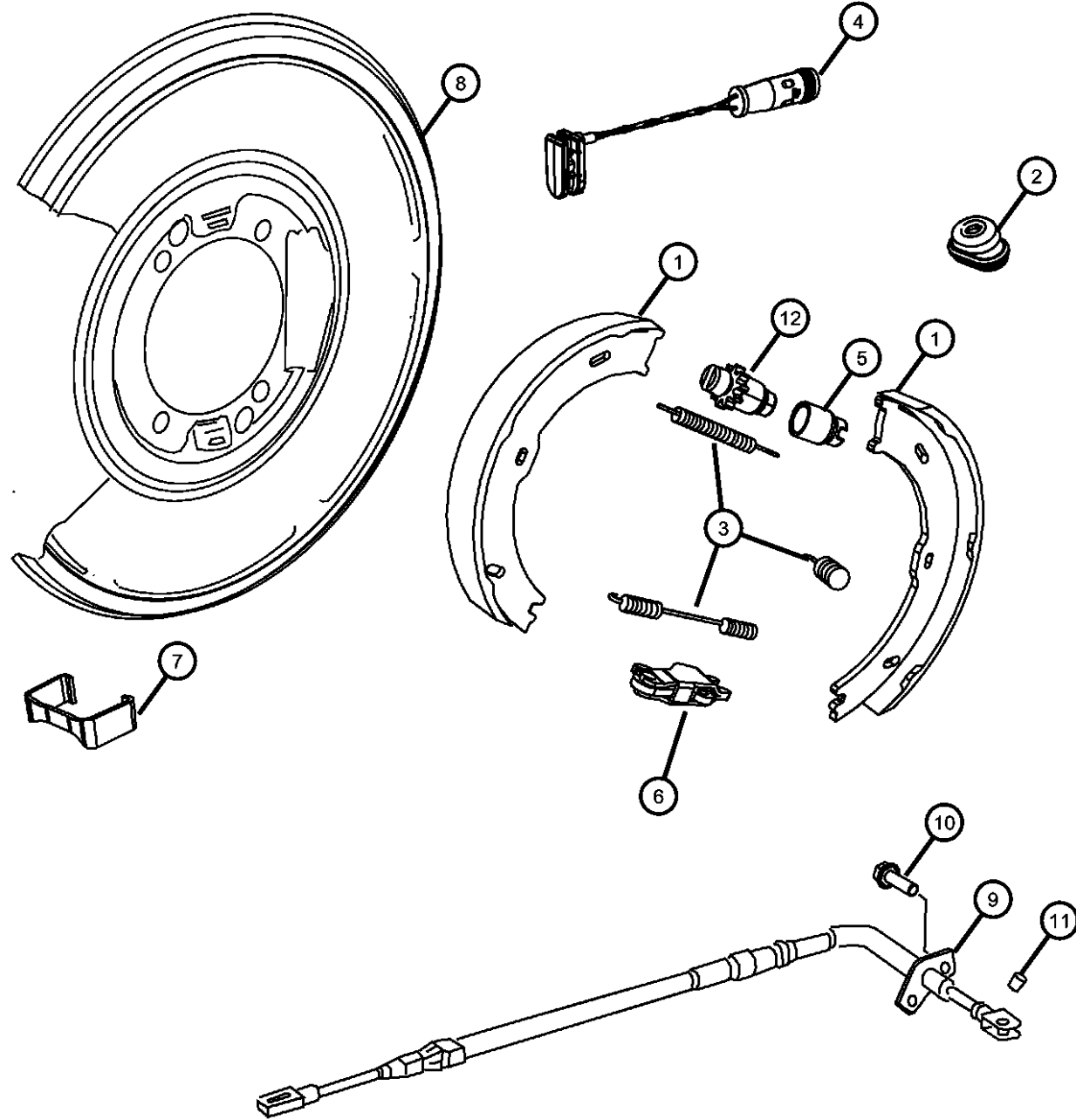
ITEM	PART NUMBER	QTY	LINE	SERIES	BODY	ENGINE	TRANS	TRIM	DESCRIPTION
NOTE: Sales Code: [DGZ]=5 Speed Automatic Transmission - [W5A380] [EGZ]=3.5L V-6 Gas Engine [Mercedes Benz] [EXM]=3.0L Turbo Diesel Engine [Mercedes Benz]									
1	68013766AA	2	6, 2		13, 15, 17, 53, 55				BACKING PLATE, With Special Version Code [42-504012 / 10]
2	68019140AA	1	2, 6		13, 15, 17, 53, 55				SHOE AND LINING, Parking Brake, Includes: All Moving Parts / Special Version Code [42-504016 / 07]
3	05139234AA	2	2, 6		13, 15, 17, 53, 55				ADJUSTER, Parking Brake, With Special Version Code [42-504016 / 07]
4	05139233AA	2	2, 6		13, 15, 17, 53, 55				BUSHING, With Special Version Code [42-504016 / 07]
5	05101691AA	2	2, 6		13, 15, 17, 53, 55				PLATE, Brake Shoe Guide, With Special Version Code [42-504016 / 07]
6	05098005AA	4	2, 6		13, 15, 17, 53, 55				SPRING, Brake Shoe Hold Down, With Special Version Code [42-504016 / 07]
7	05098006AA	2	2, 6		13, 15, 17, 53, 55				SPRING, Brake Shoe to Shoe, With Special Version Code [42-504016 / 07]
8	05139480AA	2	2, 6		13, 15, 17, 53, 55				SPRING, Brake Shoe to Shoe, With Special Version Code [42-504016 / 07]
9	68013780AA	2	2, 6		13, 15, 17, 53, 55				CABLE, Parking Brake, With Special Version Code [42-504013 / 06]
-10	05098414AA	2	2, 6		13, 15, 17, 53, 55				PIN, PIN

SPRINTER (VB)

SERIES	LINE	BODY	ENGINE	TRANSMISSION
L = LOWLINE	3 = HD DODGE 2WD 2 = Med. Duty DODGE 2WD	03 = CAB CHASSIS WHEEL BASE 3 05 = CAB CHASSIS WHEEL BASE 5 13 = 119 WB 53 = 119 WB 15 = VAN WHEEL BASE 5 55 = WAGON WHEEL BASE 5 17 = VAN WHEEL BASE 7	EG2 = 3.5L V6 Gas Engine EXM = 3.0L V6 Turbo Diesel Engine	DGZ = 5-Speed Auto W5A380 Transmission

AR = use ase required - = Non illustrated part

**Parking Brake / Dual Rear Wheel
Figure 4-150**



ITEM	PART NUMBER	QTY	LINE	SERIES	BODY	ENGINE	TRANS	TRIM	DESCRIPTION
NOTE: Sales Code: [DGZ]=5 Speed Automatic Transmission - [W5A380] [EGZ]=3.5L V-6 Gas Engine [Mercedes Benz] [EXM]=3.0L Turbo Diesel Engine [Mercedes Benz]									
1	68026168AA	1	3, 7		03, 05, 13, 15, 17				SHOE AND LINING, Parking Brake, Note: Shoe Kit Includes Springs, Adjuster & Related Parts, With Special Version Code [42 504016 / 08 / 10]
2	04862657AA	2	3, 7		03, 05, 13, 15, 17				BUSHING, With Special Version Code [42 504016 / 08 / 10]
3	04862656AA	2	3, 7		03, 05, 13, 15, 17				SPRING KIT, Brake Shoe Hold Down, With Special Version Code [42 504016 / 08 / 10]
4	68006717AA	2	2, 6		13, 15, 17, 53, 55				SENSOR, Brake wear
5	68013778AA	2	3, 7		05, 13, 15, 17, 03				BUSHING, With Special Version Code [42 504016 / 08 / 10] & [35 504000 / 04]
6	04862658AA	1	3, 7		03, 05, 13, 15, 17				RETAINER With Special Version Code [42 504016 / 08 / 10], Left
	04862660AA	1	3, 7		03, 05, 13, 15, 17				With Special Version Code [42 504016 / 08 / 10], Right
7	68013779AA	1	3, 7		03, 05, 13, 15, 17				PAD, PAD, With Special Version Code [42 504016 / 08 / 10] & [35 504000 / 04]
8	04862655AA	1	3, 7		03, 05, 13, 15, 17				BACKING PLATE With Special Version Code [42 504016 / 08 / 10], Left
	04862661AA	1	3, 7		03, 05, 13, 15, 17				With Special Version Code [42 504016 / 08 / 10], Right
9	68013475AA	2	3, 7		03, 05, 13, 15, 17				CABLE, Parking Brake
10	05098124AA	2	3, 7		03, 05, 13, 15, 17				SCREW, With Special Version Code [35 504000/04]
11	05098414AA	2	3, 7		03, 05, 13, 15, 17				PIN, PIN, With Special Version Code [35 504000/04]
12	68013478AA	1	2, 3, 6, 7						ADJUSTER, Parking Brake

SPRINTER (VB)

SERIES	LINE	BODY	ENGINE	TRANSMISSION
L = LOWLINE	3 = HD DODGE 2WD 2 = Med. Duty DODGE 2WD	03 = CAB CHASSIS WHEEL BASE 3 05 = CAB CHASSIS WHEEL BASE 5 13 = 119 WB 53 = 119 WB 15 = VAN WHEEL BASE 5 55 = WAGON WHEEL BASE 5 17 = VAN WHEEL BASE 7	EG2 = 3.5L V6 Gas Engine EXM = 3.0L V6 Turbo Diesel Engine	DGZ = 5-Speed Auto W5A380 Transmission

AR = use ase required - = Non illustrated part

Group - 5

Service Brakes

Group - 5 Service Brakes

Illustration Title

Group-Fig. No.

Front Brakes

Brakes, Front Fig. 5 - 110
 Brakes, Front Fig. 5 - 120

Rear Brakes

Rear Brakes Fig. 5 - 210
 Rear Brakes Fig. 5 - 220

Power Brake Booster

Brake Booster Fig. 5 - 310
 Brake & Engine Vacuum Lines Fig. 5 - 320
 Vacuum Pump Fig. 5 - 330

Brake Master Cylinder

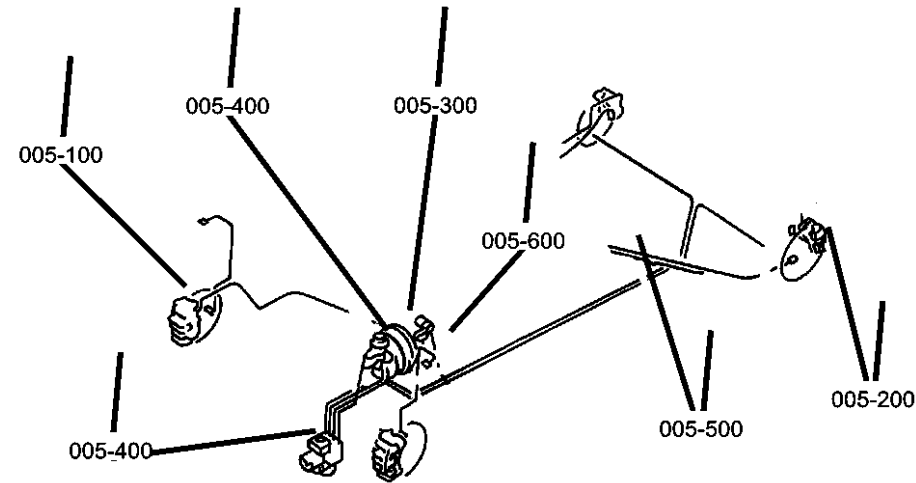
Brake Master Cylinder Fig. 5 - 410
 Hydraulic Control Unit Fig. 5 - 420

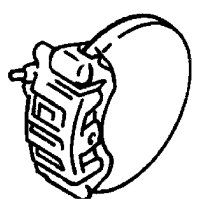
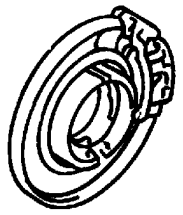
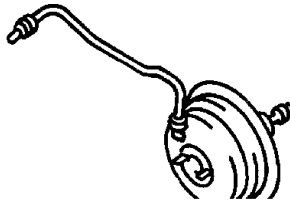
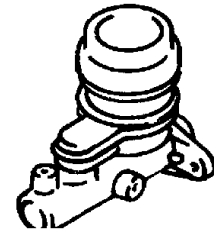
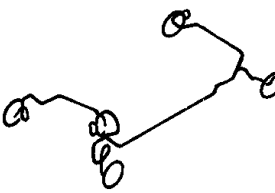

Brake Lines and Hoses

Brake Lines Fig. 5 - 510
 Brake Lines Fig. 5 - 520
 Brake Lines Fig. 5 - 530

Brake Pedals

Brake Pedal Fig. 5 - 610



<p>005-100 Front Brakes</p> 	<p>005-200 Rear Brakes</p> 	<p>005-300 Power Brake Booster</p> 	<p>005-400 Brake Master Cylinder</p> 
<p>005-500 Brake Lines and Hoses</p> 	<p>005-600 Brake Pedals</p> 		

Brakes, Front
Figure 5-110

ITEM	PART NUMBER	QTY	LINE	SERIES	BODY	ENGINE	TRANS	TRIM	DESCRIPTION
------	-------------	-----	------	--------	------	--------	-------	------	-------------

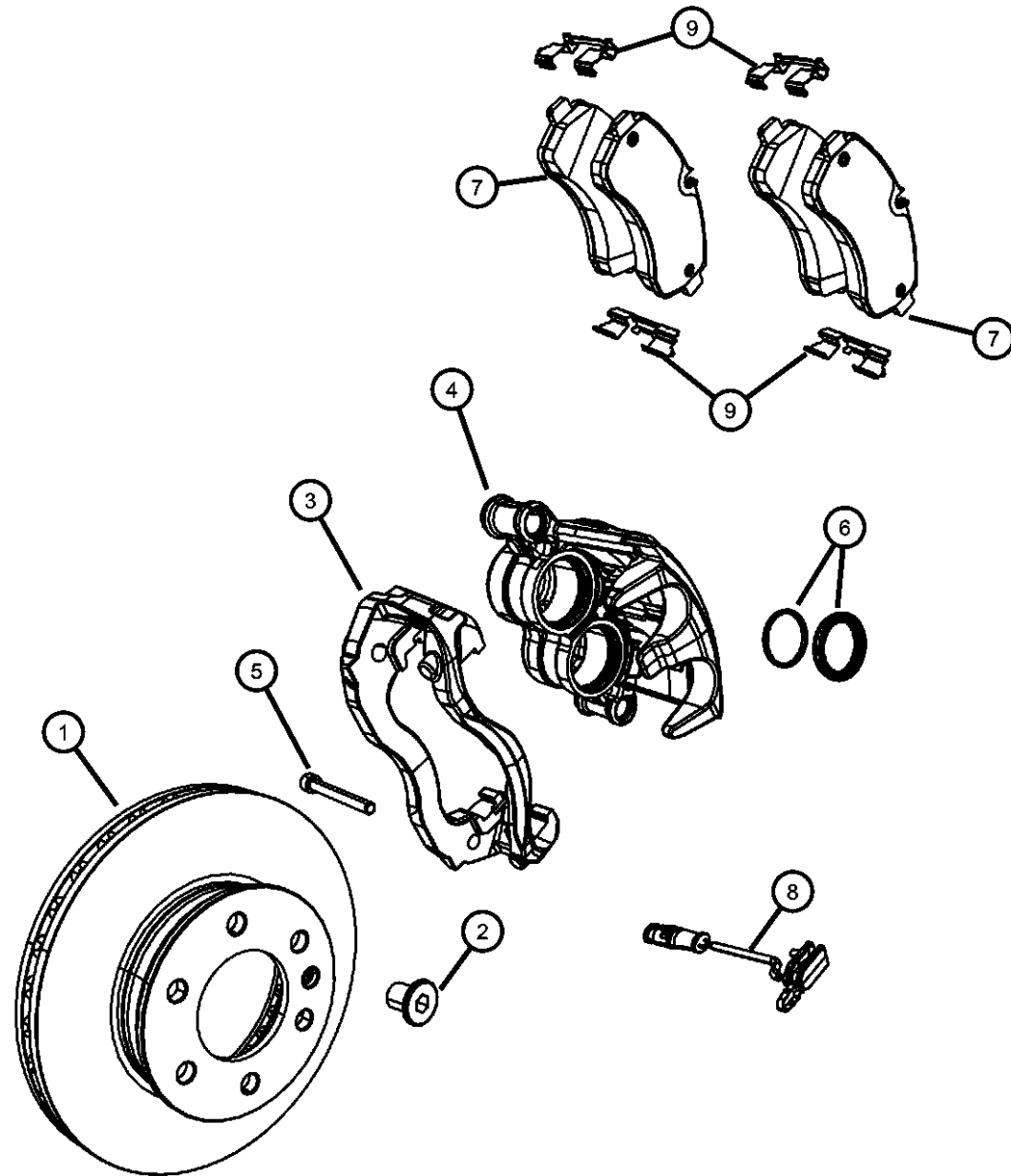
NOTE: Seal Kit Does Not Include Caliper Pistons. Caliper Pistons Only Serviced With Caliper.

Sales Codes:

[DGZ]=5 Speed Automatic Transmission [W5A380]/ Mercedes Benz

[EXM]=3.0L V-6 Turbo Diesel Engine

[EG2]=3.5L V-6 Gas Engine



1	68006716AA	1	2, 3, 6, 7		13, 15, 17, 53, 55				ROTOR, BrakeFront Brake Disc
2	05140611AA	2	2, 6		13, 15, 17, 53, 55				SCREW, Set, Brake Disc To Wheel Hub [M8x12MM]
3	68006724AA	2	2, 6						ADAPTER, Disc Brake Caliper
4	68006723AA	1	2, 6						CALIPER, Disc Brake Left
	68006735AA	1	2, 6						Right
5	06104257AA	2	2, 3, 6, 7		13, 15, 17, 53, 55				BOLT, Hex Flange Head, M14x1.50x40.00
6	68006731AA	2	2, 6						SEAL, Caliper Piston, Caliper Piston Seal Kit
7	68006732AA	1	2, 6						PAD, Disc Brake
8	68006717AA	2	2, 6		13, 15, 17, 53, 55				SENSOR, Brake wear
9	68032643AA	2	2, 3, 6, 7						CLIP, Brake Anti-Rattle

SPRINTER (VB)

SERIES LINE
L = LOWLINE 3 = HD DODGE 2WD
2 = Med. Duty DODGE 2WD

BODY ENGINE TRANSMISSION
03 = CAB CHASSIS WHEEL BASE 3 EG2 = 3.5L V6 Gas Engine DGZ = 5-Speed Auto W5A380
05 = CAB CHASSIS WHEEL BASE 5 EXM = 3.0L V6 Turbo Diesel Transmission
13 = 119 WB
53 = 119 WB
15 = VAN WHEEL BASE 5
55 = WAGON WHEEL BASE 5
17 = VAN WHEEL BASE 7

AR = use ase required - = Non illustrated part

2007 VB

**Brakes, Front
Figure 5-120**

ITEM	PART NUMBER	QTY	LINE	SERIES	BODY	ENGINE	TRANS	TRIM	DESCRIPTION
------	-------------	-----	------	--------	------	--------	-------	------	-------------

NOTE: Seal Kit Does Not Include Caliper Pistons. Caliper Pistons Only Serviced With Caliper.

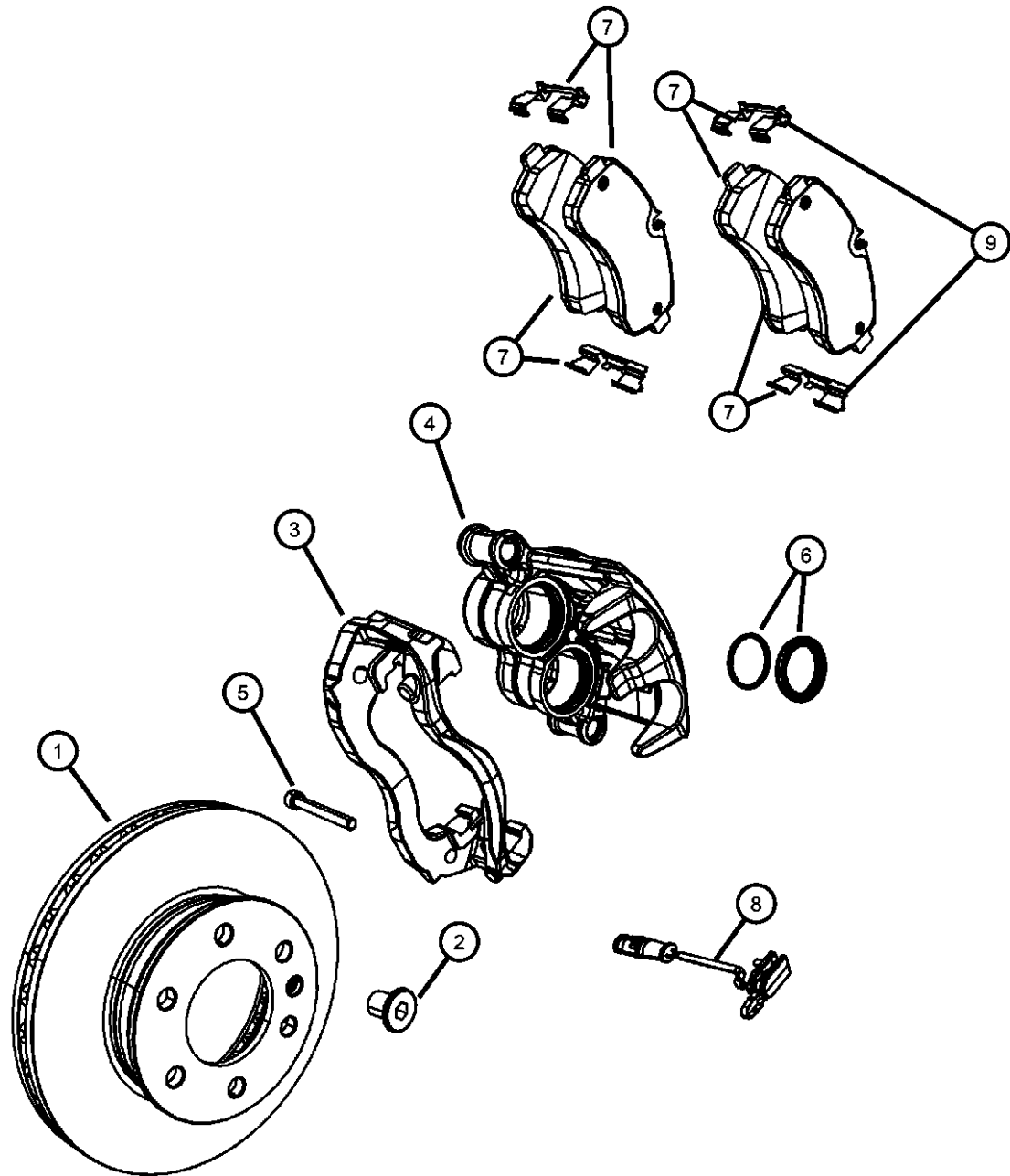
Sales Codes:

[DGZ]=5 Speed Automatic Transmission [W5A380]/ Mercedes Benz

[EXM]=3.0L V-6 Turbo Diesel Engine

[EG2]=3.5L V-6 Gas Engine

1	68006716AA	1	3, 7		03, 05				ROTOR, BrakeFront Brake Disc
2	05140611AA	2	3, 7		03, 05				SCREW, Set, Brake Disc To Wheel Hub [M8x12MM]
3	68006726AA	2	3, 7						ADAPTER, Disc Brake Caliper
4									CALIPER, Disc Brake
	68006725AA	1	3, 7						Left
	68006736AA	1	3, 7						Right
5									BOLT, Hex Flange Head, M14x1.50x40.00
	06104257AA	4	3, 7		03, 05				
	05140611AA	1	3, 7		03, 05				
6	68006733AA	2	3, 7						SEAL, Caliper Piston, Caliper Piston Seal Kit
7	68006734AA	1	3, 7						BRAKE PAD
8	68006717AA	4	3, 7		03, 05, 13, 15, 17				SENSOR, Brake wear
9	68032643AA	2	2, 3, 6, 7						CLIP, Brake Anti-Rattle



SPRINTER (VB)

SERIES LINE
L = LOWLINE 3 = HD DODGE 2WD
2 = Med. Duty DODGE 2WD

BODY
03 = CAB CHASSIS WHEEL BASE 3
05 = CAB CHASSIS WHEEL BASE 5
13 = 119 WB
53 = 119 WB
15 = VAN WHEEL BASE 5
55 = WAGON WHEEL BASE 5
17 = VAN WHEEL BASE 7

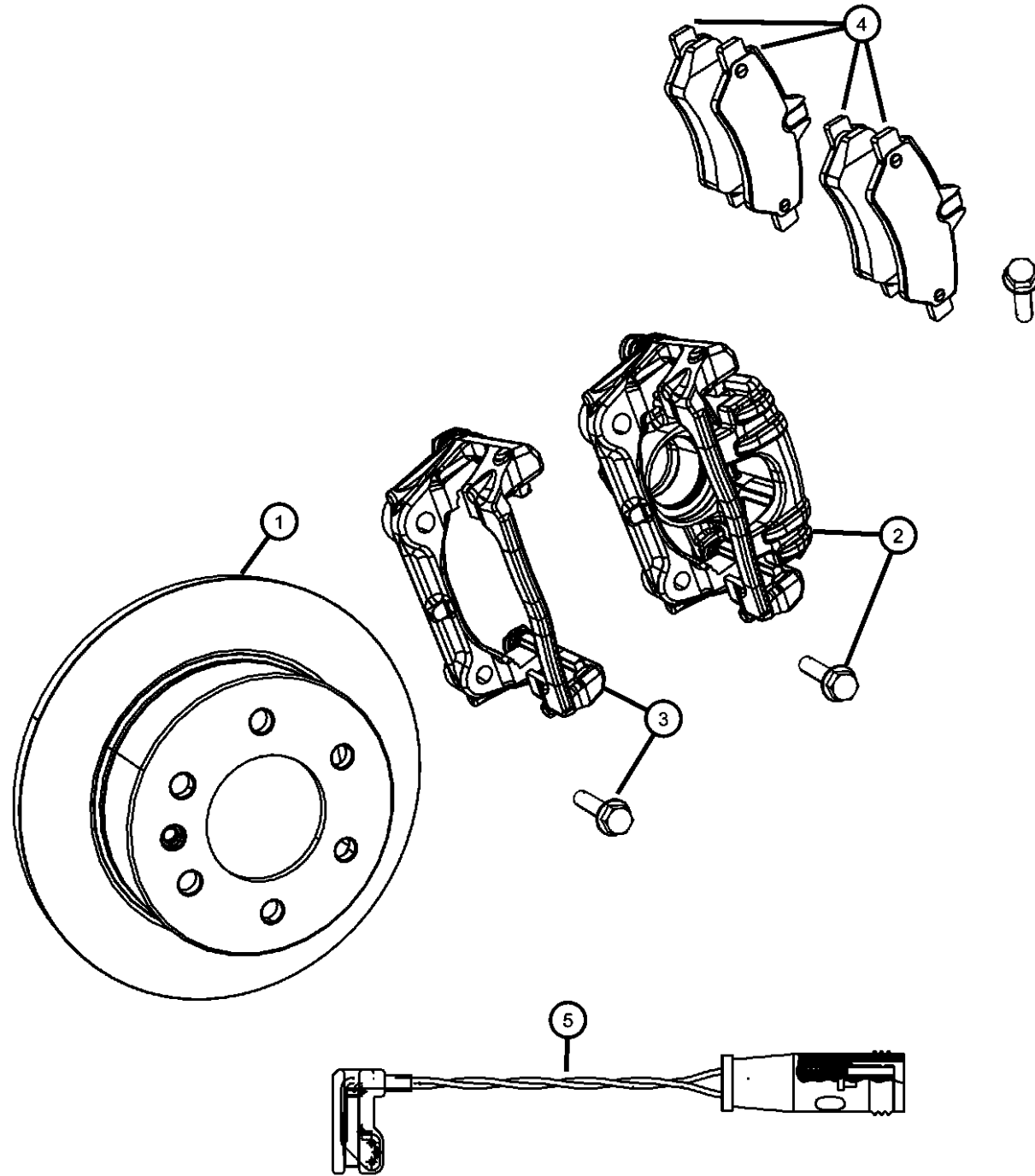
ENGINE
EG2 = 3.5L V6 Gas Engine
EXM = 3.0L V6 Turbo Diesel Engine

TRANSMISSION
DGZ = 5-Speed Auto W5A380 Transmission

AR = use ase required - = Non illustrated part

2007 VB

Rear Brakes
Figure 5-210



ITEM	PART NUMBER	QTY	LINE	SERIES	BODY	ENGINE	TRANS	TRIM	DESCRIPTION
------	-------------	-----	------	--------	------	--------	-------	------	-------------

NOTE: Seal Kit Or Rear Caliper Piston Kit Not Serviced. If Needed, Brake Caliper Must Be Replaced.
Sales Codes:

1	68013764AA	2	2, 6		13, 15, 17, 53, 55				ROTOR, Brake, With Special Version Code [42 504025 / 20]
2	68019136AA	1	2, 6		13, 15, 17, 53, 55				CALIPER, Disc Brake [Bosch] Special Version Code [42 504025 / 20] / Does Not Include Brake Caliper Adapter, Left
	68019137AA	1	2, 6		13, 15, 17, 53, 55				[Bosch] Special Version Code [42 504025 / 20] / Does Not Include Brake Caliper Adapter, Right
3	68019138AA	1	2, 6		13, 15, 17, 53, 55				ADAPTER, Disc Brake Caliper [Bosch] Special Version Code [42 504025 / 20], Left
	68019139AA	1	2, 6		13, 15, 17, 53, 55				[Bosch] Special Version Code [42 504025 / 20], Right
4	04862602AA	1	2, 6		13, 15, 17, 53, 55				PAD KIT, Disc Brake, [Galfer] Brand / With Special Version Code [42 504025 / 20]
5	68013762AA	4	2, 6		13, 15, 17, 53, 55				SENSOR, Brake wear, [2500] Series Only, Rear

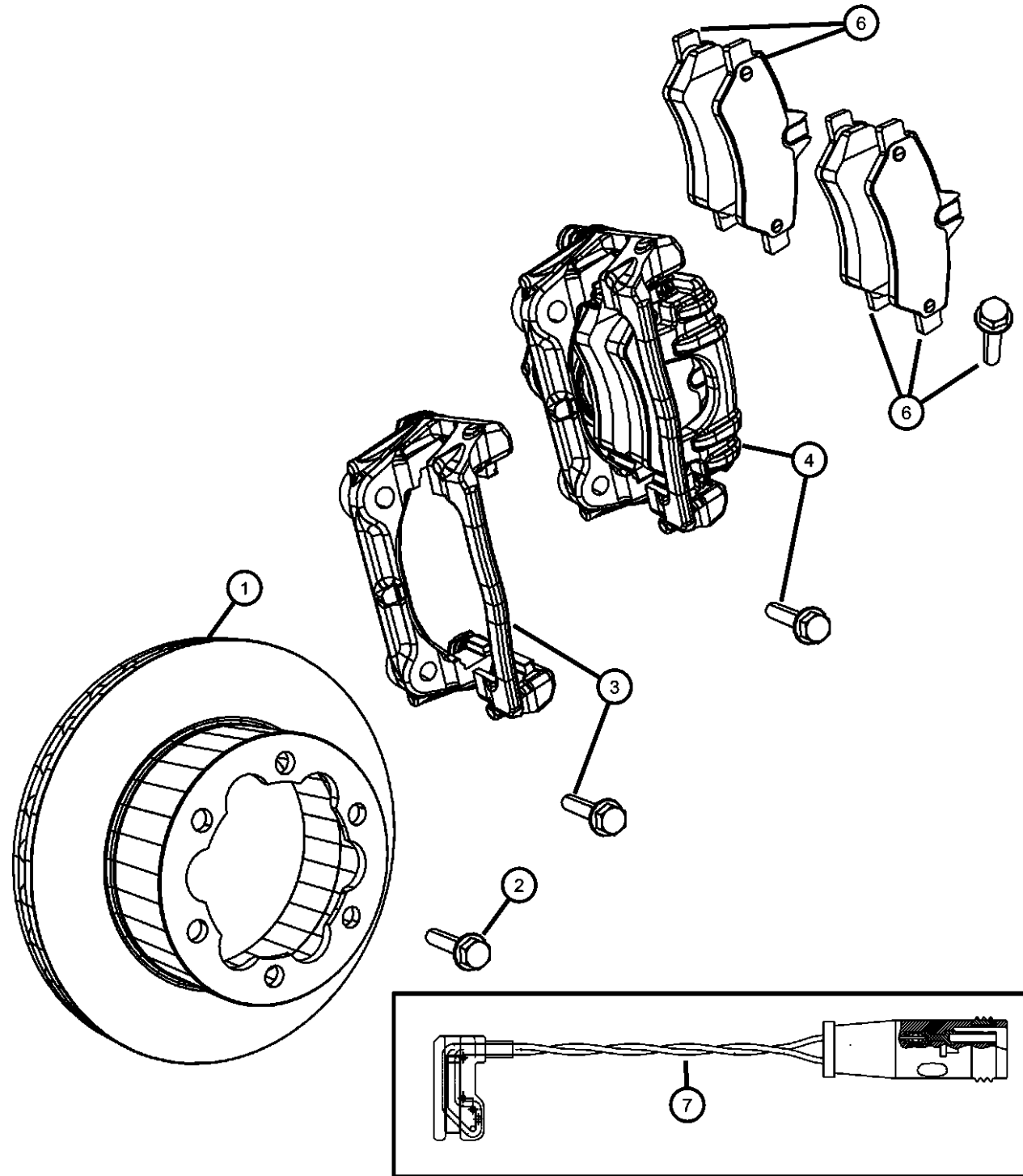
SPRINTER (VB)

SERIES	LINE	BODY	ENGINE	TRANSMISSION
L = LOWLINE	3 = HD DODGE 2WD 2 = Med. Duty DODGE 2WD	03 = CAB CHASSIS WHEEL BASE 3 05 = CAB CHASSIS WHEEL BASE 5 13 = 119 WB 53 = 119 WB 15 = VAN WHEEL BASE 5 55 = WAGON WHEEL BASE 5 17 = VAN WHEEL BASE 7	EG2 = 3.5L V6 Gas Engine EXM = 3.0L V6 Turbo Diesel Engine	DGZ = 5-Speed Auto W5A380 Transmission

AR = use ase required - = Non illustrated part

2007 VB

Rear Brakes
Figure 5-220



ITEM	PART NUMBER	QTY	LINE	SERIES	BODY	ENGINE	TRANS	TRIM	DESCRIPTION
------	-------------	-----	------	--------	------	--------	-------	------	-------------

NOTE: Seal Kit Or Rear Caliper Piston Kit Not Serviced. If Needed, Brake Caliper Must Be Replaced.
Sales Codes:

1	68013765AA	2	3, 7		03, 05, 13, 15, 17				ROTOR, Brake, Rear Wheel Hub Special Version Code [35 504019 / 69] / Caliper Special Version Code [504025 / 37 / 53]
2	06104258AA	6	3, 7		03, 05, 13, 15, 17				SCREW, Hex Flange Head, Brake Rotor To Hub / Special Version Code [35 504019 / 69]
3	68026166AA	1	3, 7		03, 05, 13, 15, 17				BOLT, Brake Mounting Brake Anchor & Bolt / With Special Version Code [42 504025 / 37], Left
	68026167AA	1	3, 7		03, 05, 13, 15, 17				Brake Anchor & Bolt / With Special Version Code [42 504025 / 53], Right
4	68025560AA	1	3, 7		03, 05, 13, 15, 17				CALIPER, Disc Brake, Left, [Bosch] Without Brake Anchor & Brake Pads / Includes Mounting Bolt / With Special Version Code [35 504025 / 37]
-5	68025561AA	1	3, 7		03, 05, 13, 15, 17				CALIPER, Disc Brake, Right, [Bosch] Without Brake Anchor & Brake Pads / Includes Mounting Bolt / With Special Version Code [35 504025 / 53]
6	04862603AA	1	3, 7		03, 05, 13, 15, 17				PAD KIT, Disc Brake, [Federal Mogul Brand] With Special Version Code [42 504025 / 37 / 53]
7	68006717AA	4	3, 7		03, 05, 13, 15, 17				SENSOR, Brake wear, [3500] Series Only / Sensor For Front & Rear Brakes, Front And Rear

SPRINTER (VB)

SERIES LINE
L = LOWLINE 3 = HD DODGE 2WD
 2 = Med. Duty DODGE 2WD

BODY
03 = CAB CHASSIS WHEEL
BASE 3
05 = CAB CHASSIS WHEEL
BASE 5
13 = 119 WB
53 = 119 WB
15 = VAN WHEEL BASE 5
55 = WAGON WHEEL BASE 5
17 = VAN WHEEL BASE 7

ENGINE
EG2 = 3.5L V6 Gas Engine
EXM = 3.0L V6 Turbo Diesel
Engine

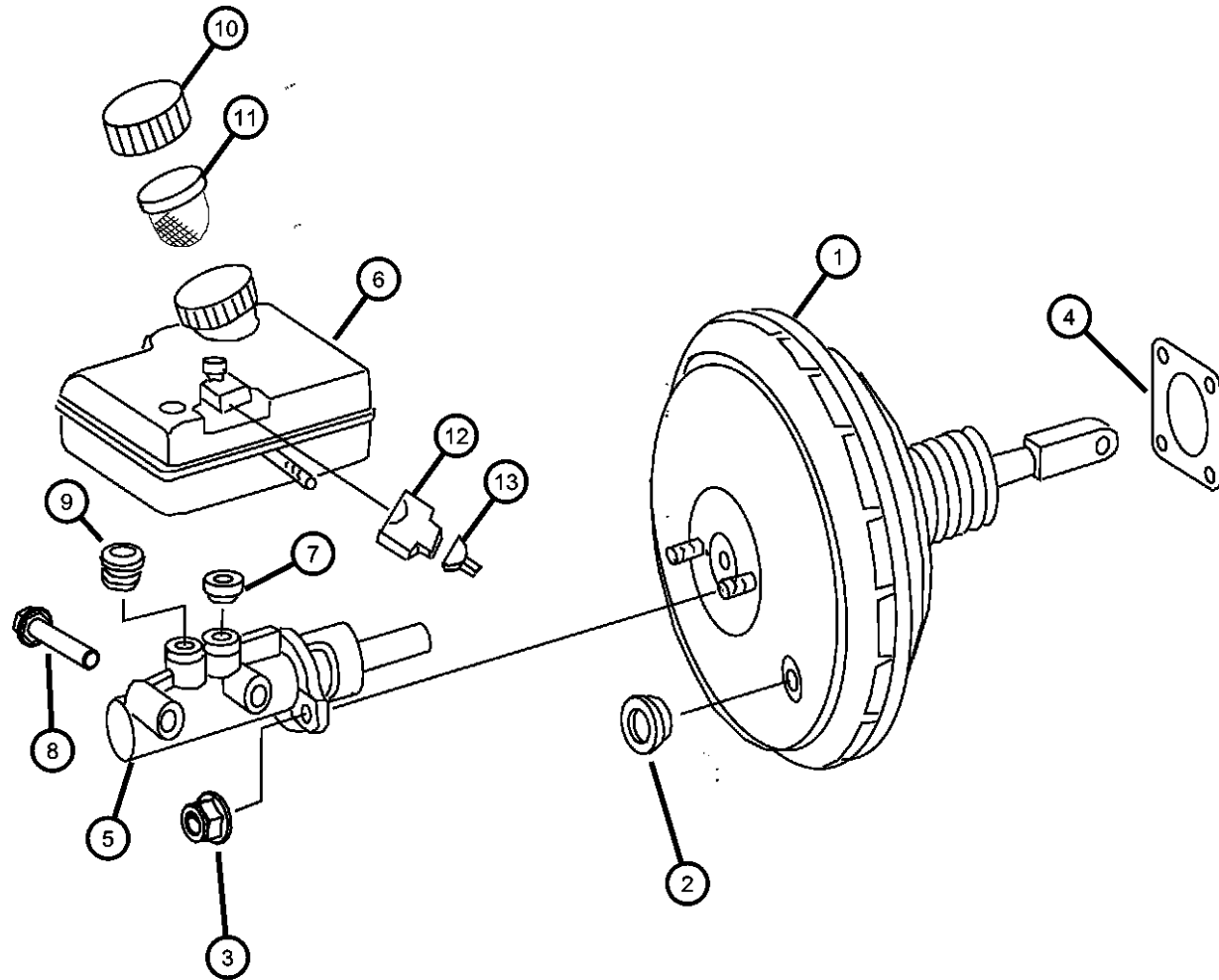
TRANSMISSION
DGZ = 5-Speed Auto W5A380
Transmission

AR = use ase required - = Non illustrated part

2007 VB

**Brake Booster
Figure 5-310**

ITEM	PART NUMBER	QTY	LINE	SERIES	BODY	ENGINE	TRANS	TRIM	DESCRIPTION
1	68013551AA	1	2, 3, 6, 7						BOOSTER, Power Brake
2	05133696AA	1	2, 3, 6, 7						GASKET, Vacuum Line To Brake Booster
3	05126237AA	3	2, 3, 6, 7						NUT, Hex
4	05119386AA	1	2, 3, 6, 7						GASKET, Booster To Dash
5	68005054AA	1	2, 3, 6, 7						MASTER CYLINDER, Brake
6									RESERVOIR, Brake Master Cylinder
	68005056AA	1	3, 7						
	68005057AA	1	2, 6						
7	68005058AA	1	2, 3, 6, 7						SEAL, Brake Cylinder To Reservoir
8	68005059AA	1	2, 3, 6, 7						SCREW
9	68005060AA	1	2, 3, 6, 7						SEAL, Brake Cylinder To Reservoir
10	68013552AA	1	2, 3, 6, 7						CAP, Master Cylinder Reservoir
11	05098371AB	1	2, 3, 6, 7						FILTER, Brake Master Cylinder
12	05120277AA	1	2, 3, 6, 7						CONNECTOR, Wiring Repair, 2 Pin Connector [S11]
13	05103874AA	1	2, 3, 6, 7						TERMINAL, [0.75MM] [S11] Contact
-14	05120860AA	1	2, 3, 6, 7						GASKET, Connector Gasket [1.6 / 1.9MM] [S11] Contact



SPRINTER (VB)

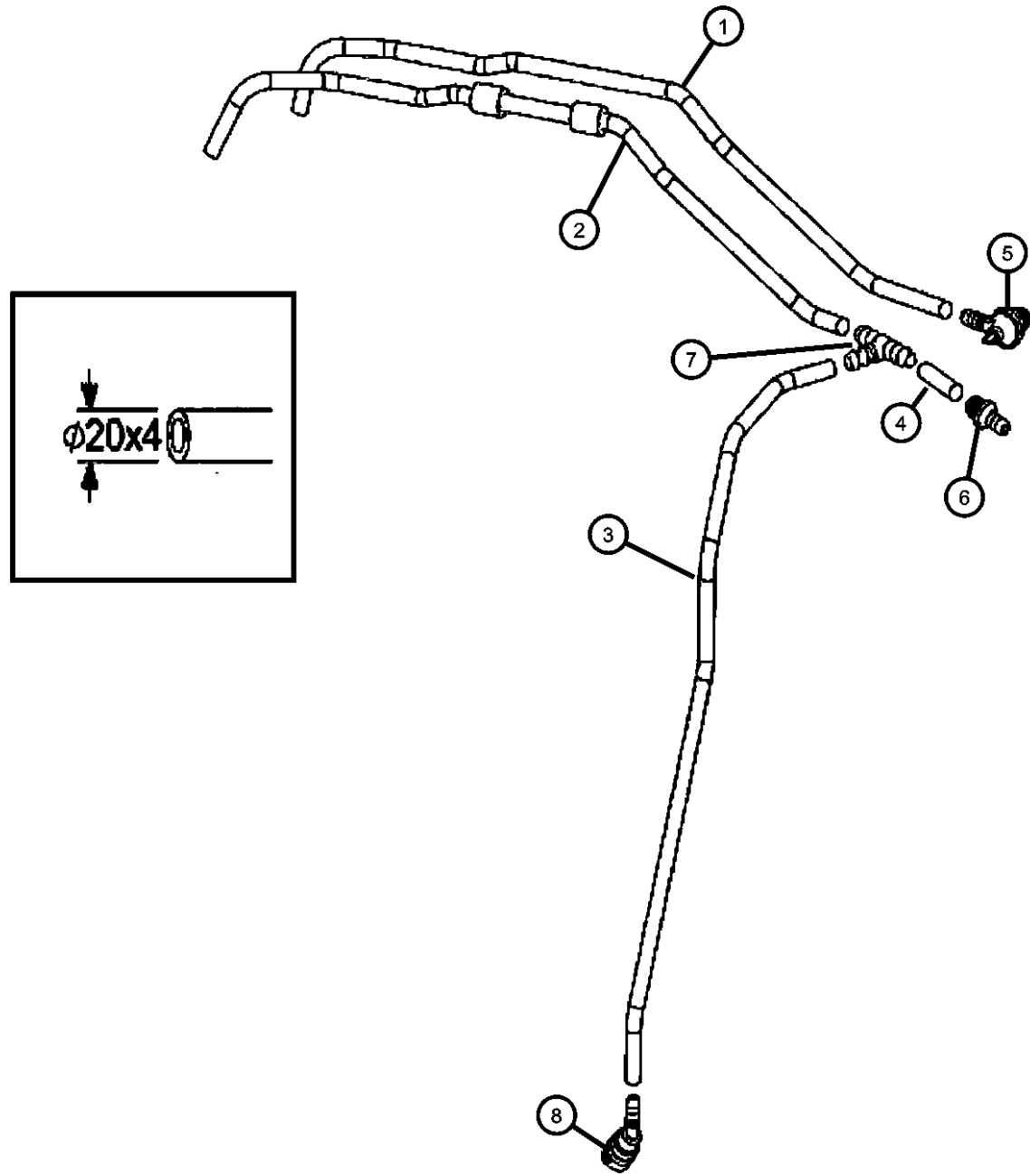
SERIES	LINE	BODY	ENGINE	TRANSMISSION
L = LOWLINE	3 = HD DODGE 2WD 2 = Med. Duty DODGE 2WD	03 = CAB CHASSIS WHEEL BASE 3 05 = CAB CHASSIS WHEEL BASE 5 13 = 119 WB 53 = 119 WB 15 = VAN WHEEL BASE 5 55 = WAGON WHEEL BASE 5 17 = VAN WHEEL BASE 7	EG2 = 3.5L V6 Gas Engine EXM = 3.0L V6 Turbo Diesel Engine	DGZ = 5-Speed Auto W5A380 Transmission

AR = use ase required - = Non illustrated part

2007 VB

Brake & Engine Vacuum Lines
Figure 5-320

ITEM	PART NUMBER	QTY	LINE	SERIES	BODY	ENGINE	TRANS	TRIM	DESCRIPTION
1	68013560AA	1	2, 3, 6, 7						HOSE, Vacuum, [EG2]
2	68013556AA	1	2, 6						HOSE, Vacuum
	68013556AB	3	3, 7						
3	68013556AB	3	3, 7						HOSE, Vacuum, T-Fitting To Tank
4	68013559AA	1	3, 7		03, 05, 13, 15, 17				HOSE, Vacuum
5	05119362AA	1	2, 3, 6, 7						VALVE, Brake Booster Check CONNECTOR
6	05126007AA	1	2, 3, 6, 7		13, 15, 17, 53, 55				
		1	2, 3, 6, 7		03, 05				
7	05174298AA	1	3, 7						FITTING
8	05125804AA	1	3, 7						COUPLING, Male



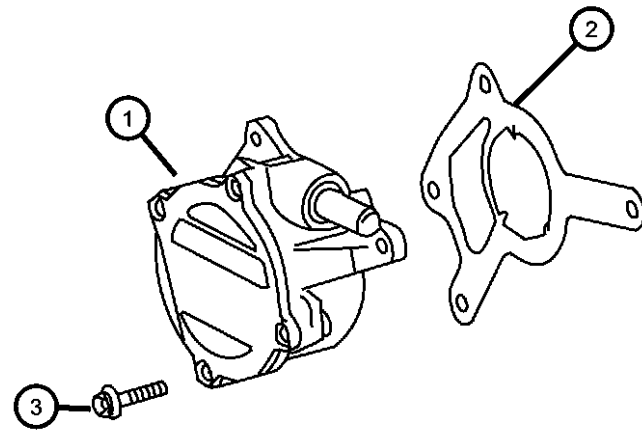
SPRINTER (VB)

SERIES	LINE	BODY	ENGINE	TRANSMISSION
L = LOWLINE	3 = HD DODGE 2WD 2 = Med. Duty DODGE 2WD	03 = CAB CHASSIS WHEEL BASE 3 05 = CAB CHASSIS WHEEL BASE 5 13 = 119 WB 53 = 119 WB 15 = VAN WHEEL BASE 5 55 = WAGON WHEEL BASE 5 17 = VAN WHEEL BASE 7	EG2 = 3.5L V6 Gas Engine EXM = 3.0L V6 Turbo Diesel Engine	DGZ = 5-Speed Auto W5A380 Transmission

AR = use ase required - = Non illustrated part

Vacuum Pump
Figure 5-330

ITEM	PART NUMBER	QTY	LINE	SERIES	BODY	ENGINE	TRANS	TRIM	DESCRIPTION
1	05175907AA	1	2, 3, 6, 7						PUMP, Vacuum
2	05175755AA	1	2, 3, 6, 7						GASKET, Vacuum Pump
3	06104006AA	4	2, 3, 6, 7						BOLT, Torx Socket Head, M6X1.00X20.00



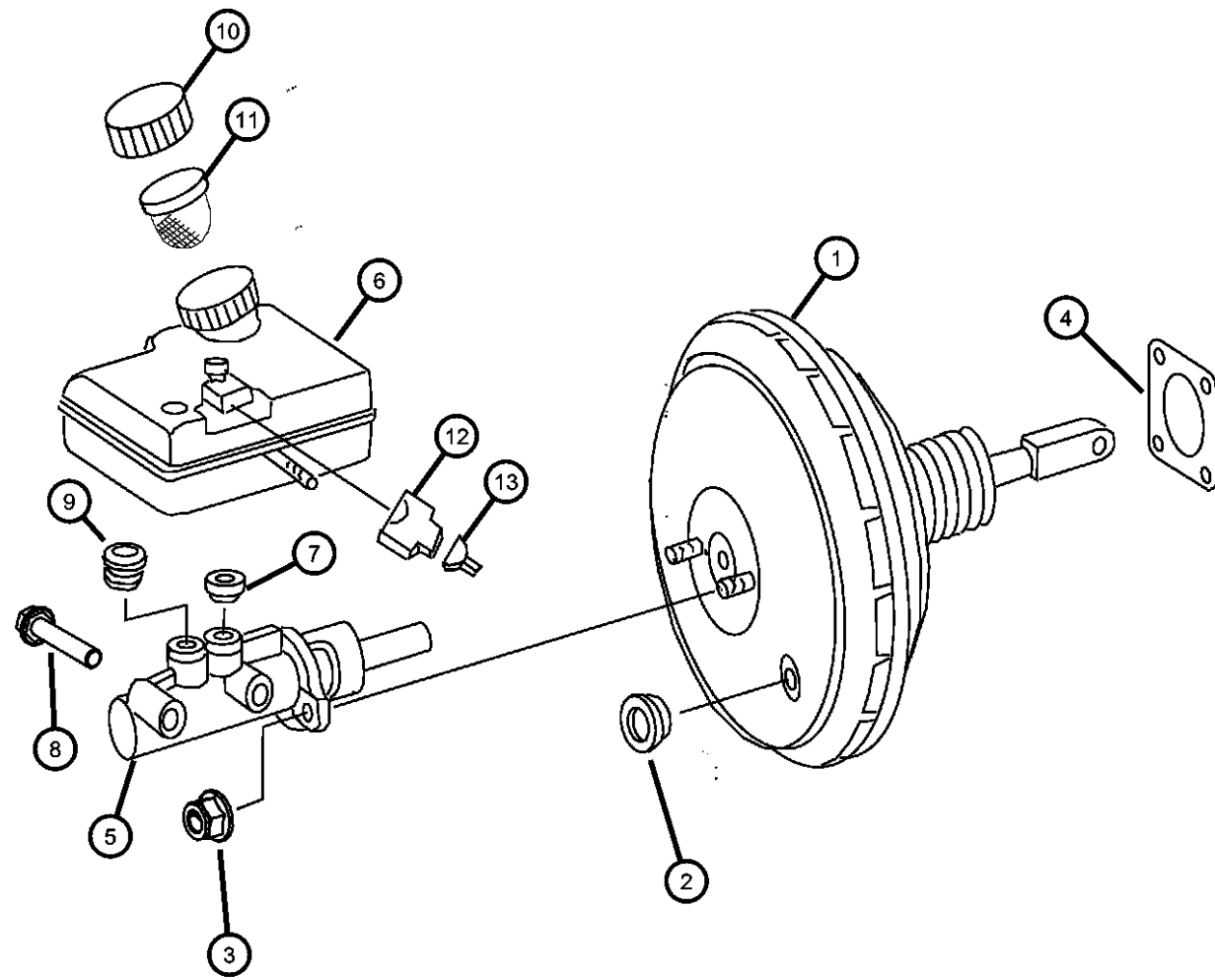
SPRINTER (VB)

SERIES	LINE	BODY	ENGINE	TRANSMISSION
L = LOWLINE	3 = HD DODGE 2WD 2 = Med. Duty DODGE 2WD	03 = CAB CHASSIS WHEEL BASE 3 05 = CAB CHASSIS WHEEL BASE 5 13 = 119 WB 53 = 119 WB 15 = VAN WHEEL BASE 5 55 = WAGON WHEEL BASE 5 17 = VAN WHEEL BASE 7	EG2 = 3.5L V6 Gas Engine EXM = 3.0L V6 Turbo Diesel Engine	DGZ = 5-Speed Auto W5A380 Transmission

AR = use ase required - = Non illustrated part

2007 VB

**Brake Master Cylinder
Figure 5-410**



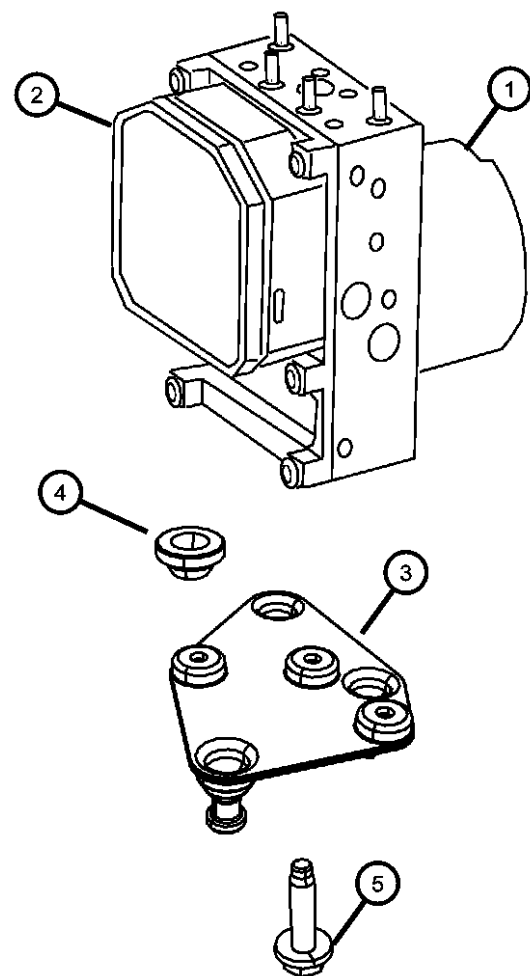
ITEM	PART NUMBER	QTY	LINE	SERIES	BODY	ENGINE	TRANS	TRIM	DESCRIPTION
1	68013551AA	1	2, 3, 6, 7						BOOSTER, Power Brake
2	05133696AA	1	2, 3, 6, 7						GASKET, Vacuum Line To Brake Booster
3	05126237AA	3	2, 6		13, 15, 17, 53, 55				NUT, Hex
		3	2, 3, 6, 7		03, 05, 13, 15, 17				
4	05119386AA	1	2, 3, 6, 7						GASKET, Booster To Dash
5	68005054AA	1	2, 3, 6, 7						MASTER CYLINDER, Brake
6	68005056AA	1	3, 7						RESERVOIR, Brake Master Cylinder
	68005057AA	1	2, 6						
7	68005058AA	1	2, 3, 6, 7						SEAL, Brake Cylinder To Reservoir
8	68005059AA	1	2, 3, 6, 7						SCREW
9	68005060AA	1	2, 3, 6, 7						SEAL, Brake Cylinder To Reservoir
10	68013552AA	1	2, 3, 6, 7						CAP, Master Cylinder Reservoir
11	05098371AB	1	2, 3, 6, 7						FILTER, Brake Master Cylinder
12	05120277AA	1	2, 3, 6, 7						CONNECTOR, Wiring Repair, 2 Pin Connector [S11]
13	05103874AA	1	2, 3, 6, 7						TERMINAL, [0.75MM] [S11] Contact
-14	05120860AA	1	2, 3, 6, 7						GASKET, Connector Gasket [1.6 / 1.9MM] [S11] Contact

SPRINTER (VB)

SERIES	LINE	BODY	ENGINE	TRANSMISSION
L = LOWLINE	3 = HD DODGE 2WD 2 = Med. Duty DODGE 2WD	03 = CAB CHASSIS WHEEL BASE 3 05 = CAB CHASSIS WHEEL BASE 5 13 = 119 WB 53 = 119 WB 15 = VAN WHEEL BASE 5 55 = WAGON WHEEL BASE 5 17 = VAN WHEEL BASE 7	EG2 = 3.5L V6 Gas Engine EXM = 3.0L V6 Turbo Diesel Engine	DGZ = 5-Speed Auto W5A380 Transmission

AR = use ase required - = Non illustrated part

**Hydraulic Control Unit
Figure 5-420**



ITEM	PART NUMBER	QTY	LINE	SERIES	BODY	ENGINE	TRANS	TRIM	DESCRIPTION
NOTE: Sales Codes; [BNB]=Electronic Stability Program									
1	68026562AA	1	2, 6						CONTROL UNIT, Anti-Lock Brake With [BNB]
	68026567AA	1	3, 7						With [BNB]
2	68013572AA	1	2, 6		13, 15, 17, 53, 55				MODULE, Anti-lock Brakes With [BNB]
	68022025AA	1	3, 7		03, 05, 13, 15, 17				With [BNB]
3	68013573AA	1	2, 3, 6, 7						BRACKET, Hydraulic Control Unit
4	05099283AA	3	3, 7		03, 05				GROMMET
		3	2, 3, 6, 7		13, 15, 17, 53, 55				
5	06104142AA	2	3, 7		03, 05				SCREW Mounting
		2	2, 3, 6, 7		13, 15, 17, 53, 55				Mounting

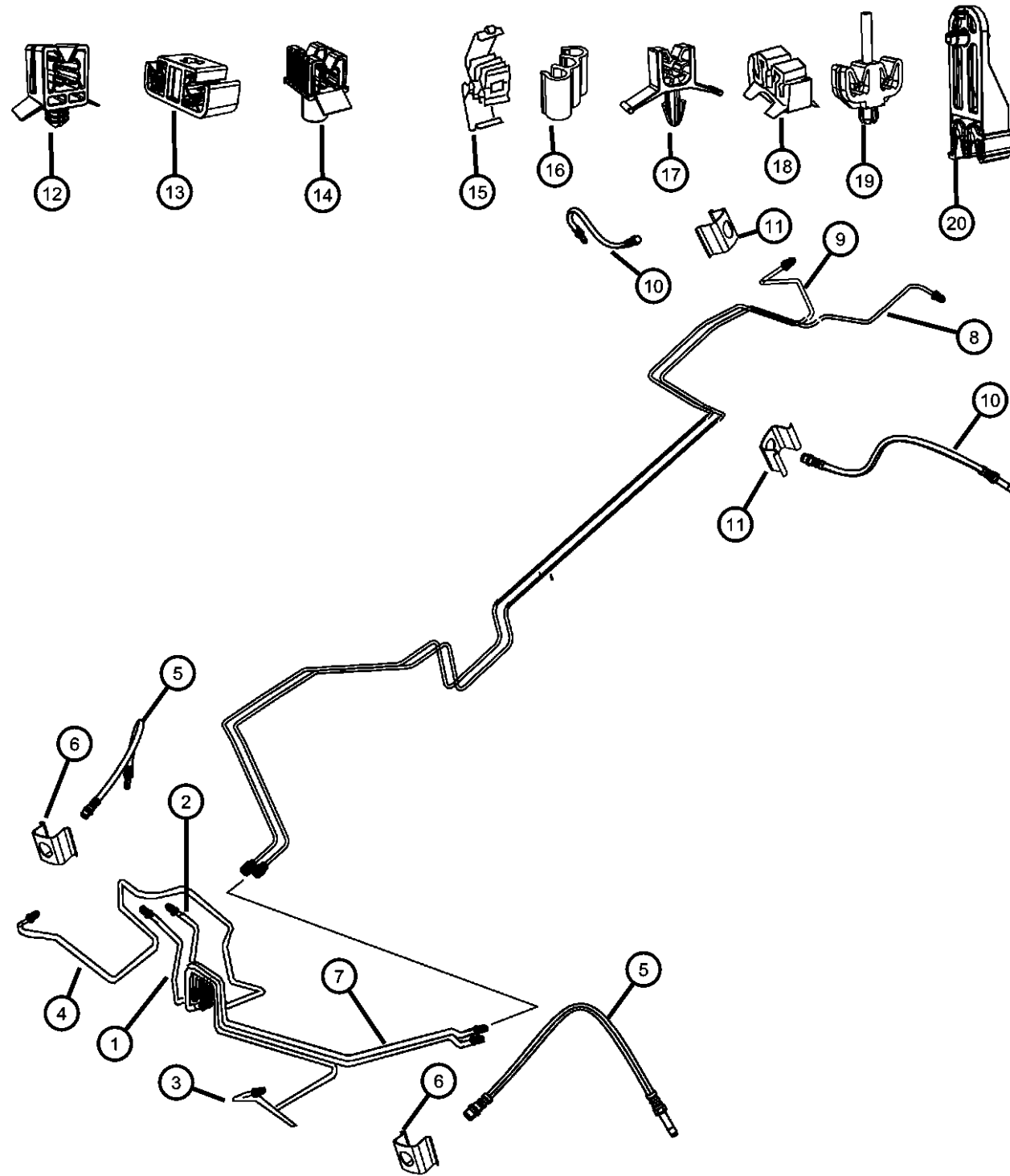
SPRINTER (VB)

SERIES	LINE	BODY	ENGINE	TRANSMISSION
L = LOWLINE	3 = HD DODGE 2WD 2 = Med. Duty DODGE 2WD	03 = CAB CHASSIS WHEEL BASE 3 05 = CAB CHASSIS WHEEL BASE 5 13 = 119 WB 53 = 119 WB 15 = VAN WHEEL BASE 5 55 = WAGON WHEEL BASE 5 17 = VAN WHEEL BASE 7	EG2 = 3.5L V6 Gas Engine EXM = 3.0L V6 Turbo Diesel Engine	DGZ = 5-Speed Auto W5A380 Transmission

AR = use ase required - = Non illustrated part

2007 VB

Brake Lines
Figure 5-510



ITEM	PART NUMBER	QTY	LINE	SERIES	BODY	ENGINE	TRANS	TRIM	DESCRIPTION
NOTE: BRAKE LINES ARE TO BE ADAPTED OR MODIFIED TO FIT. BRAKE LINE FITTINGS NOT SERVICED, MUST ORDER BRAKE LINE.									
1	68013579AA	1	2, 3, 6, 7						TUBE, Brake
2	68013579AA	1	2, 3, 6, 7						TUBE, Brake, Master Cylinder To Hydraulic Unit Connection [HZ1] / See Note, Right
3	05133717AA	1	2, 3, 6, 7						TUBE, Brake, Hydraulic Unit To Hose Bracket [VL] [4.75x7x1590 MM] / See Note, Left
4	05136111AA	1	2, 3, 6, 7						TUBE, Brake, Hydraulic Assembly To Hose Bracket / [RF], Right
5	68013581AA	2	2, 3, 6, 7						HOSE, Brake Right & Left, Front
6	05098140AA	2	2, 3, 6, 7		13, 15, 17,				CLIP, Spring, Brake Hose To Bracket, Right & Left
7	05133712AA	2	2, 3, 6, 7		53, 55				TUBE, Brake, Hydraulic Unit To Separation Point / [HL] / [4.75x0.7x1395 MM] / See Note, Right & Left
8	68013599AA	1	2, 6		13, 53				TUBE, Brake, From Separation Point At Front To Left Rear Axle
9	68013594AA	1	2, 6		13, 53				TUBE, Brake, From Separation Point At Front To Right Rear Axle
10	68013582AA	2	2, 6		13, 15, 17,				HOSE, Brake, Rear Axle Hose, Right & Left
11	05098140AA	2	2, 3, 6, 7		53, 55				CLIP, Spring, Brake Hose To Bracket
12	68011037AA	1	2, 3, 6, 7		13, 15, 17,				RETAINER, Brake Line Holder
13	68013615AA	1	2, 3, 6, 7		53, 55				RETAINER, Brake Line Holder
14	68011033AA	1	2, 3, 6, 7						RETAINER, Brake Line Holder
15	68013611AA	1	2, 3, 6, 7		13, 15, 17,				CLAMP, Brake, Brake Line
16	05119689AA	1	2, 3, 6, 7		53, 55				CLIP, Brake Line
17	05119329AA	4	2, 3, 6, 7		13, 15, 17,				CLIP, Brake Line
18	68013612AA	3	2, 3, 6, 7		53, 55				RETAINER
19	68013612AA	3	2, 3, 6, 7						RETAINER
20	68013614AA	4	2, 3, 6, 7						BRACKET

SPRINTER (VB)

SERIES LINE
L = LOWLINE 3 = HD DODGE 2WD
 2 = Med. Duty DODGE 2WD

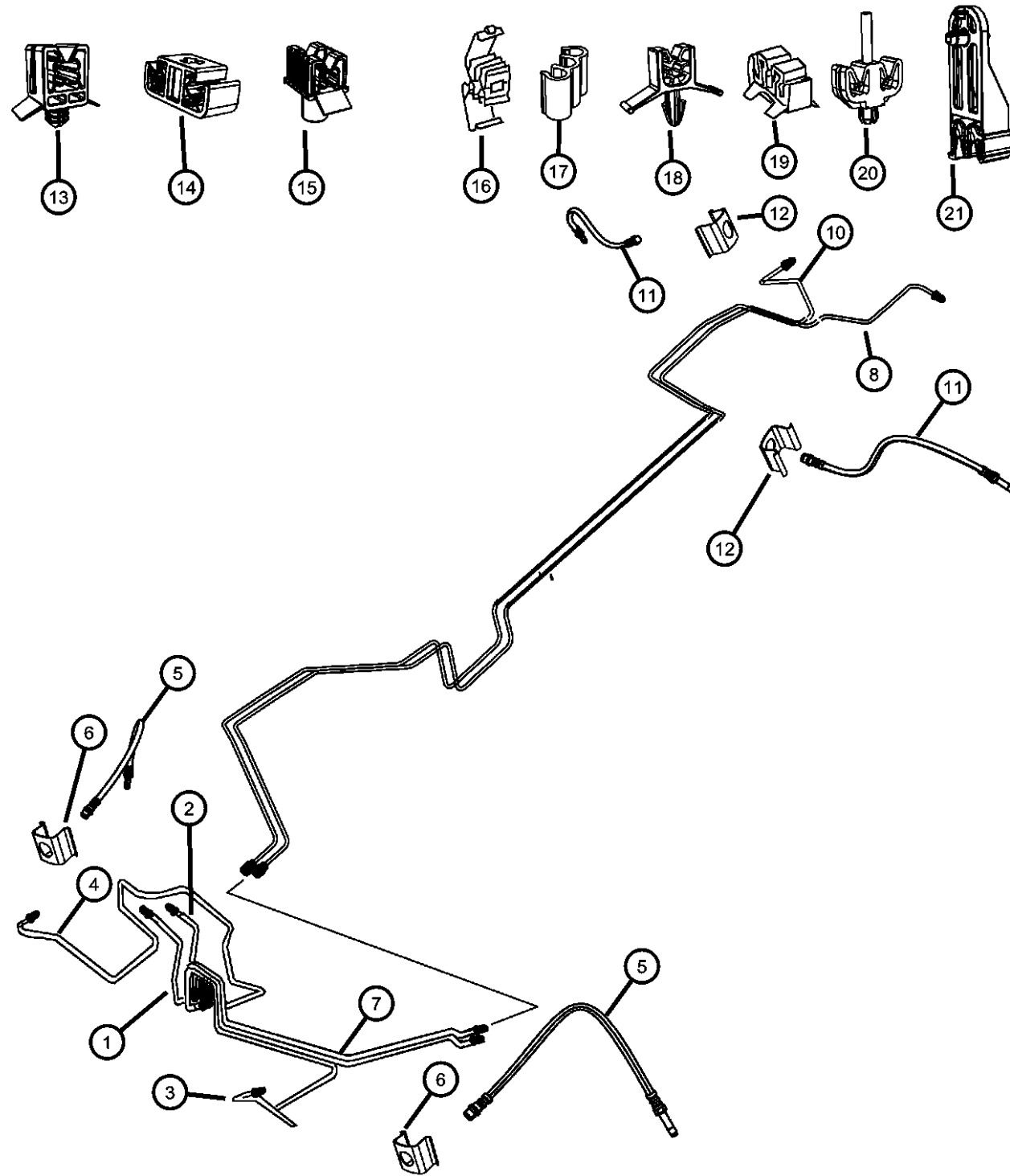
BODY
03 = CAB CHASSIS WHEEL BASE 3
05 = CAB CHASSIS WHEEL BASE 5
13 = 119 WB
53 = 119 WB
15 = VAN WHEEL BASE 5
55 = WAGON WHEEL BASE 5
17 = VAN WHEEL BASE 7

ENGINE
EG2 = 3.5L V6 Gas Engine
EXM = 3.0L V6 Turbo Diesel Engine

TRANSMISSION
DGZ = 5-Speed Auto W5A380 Transmission

AR = use ase required - = Non illustrated part

Brake Lines
Figure 5-520



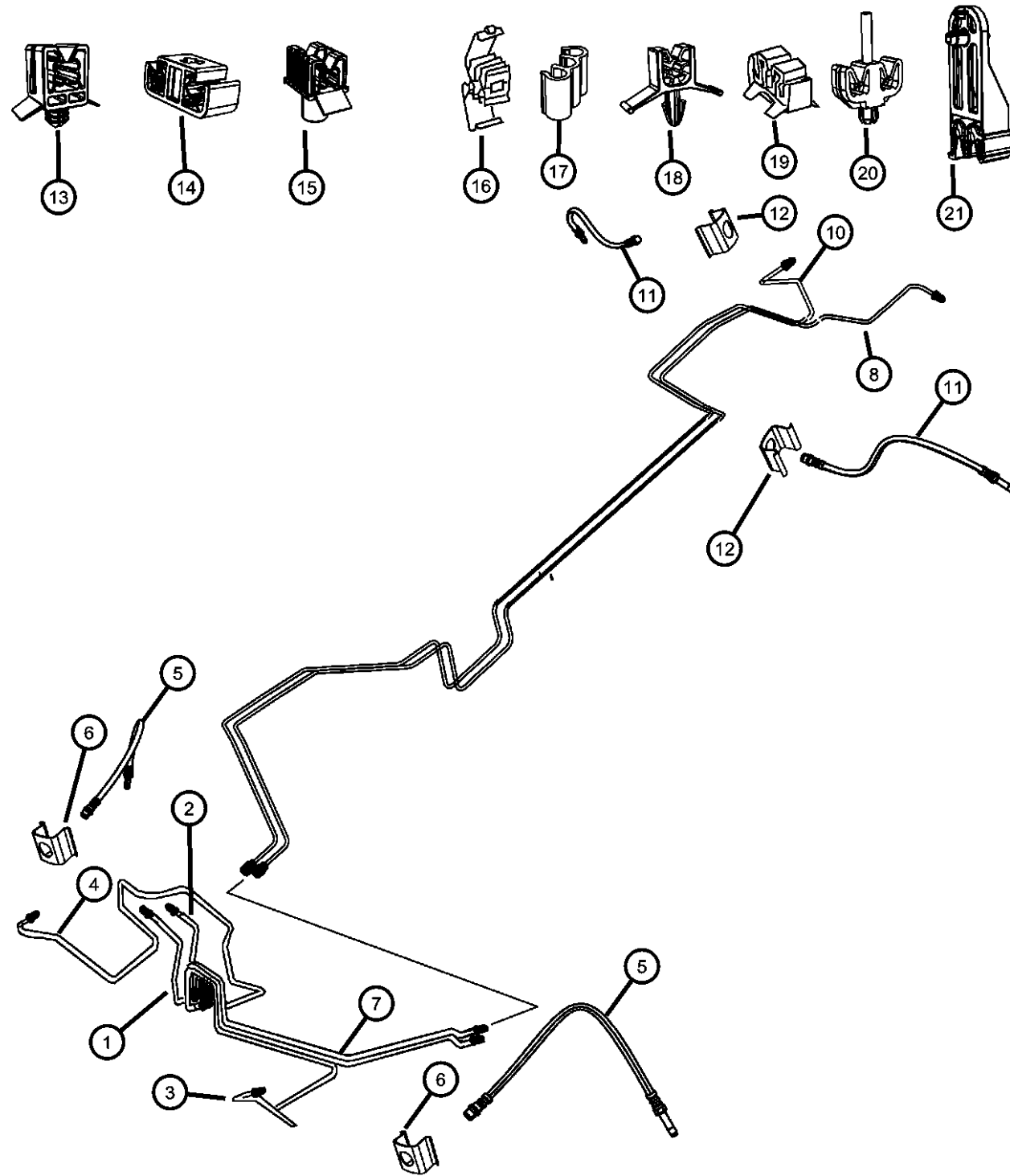
ITEM	PART NUMBER	QTY	LINE	SERIES	BODY	ENGINE	TRANS	TRIM	DESCRIPTION
NOTE: BRAKE LINES ARE TO BE ADAPTED OR MODIFIED TO FIT. BRAKE LINE FITTINGS NOT SERVICED, MUST ORDER BRAKE LINE.									
1	68013575AA	1	2, 3, 6, 7						TUBE, Brake, Master Cylinder To Hydraulic Unit Connection [HZ2] / See Note
2	68013579AA	1	2, 3, 6, 7						TUBE, Brake, Master Cylinder To Hydraulic Unit Connection [HZ1] / See Note
3	05133717AA	1	2, 3, 6, 7						TUBE, Brake, Hydraulic Unit [VL] To Hose Bracket [4.75x0.7x1590 MM] / See Note, Left
4	05136111AA	1	2, 3, 6, 7						TUBE, Brake, Hydraulic Assembly To Hose [RF] / See Note, Right
5	68013581AA	2	2, 3, 6, 7						HOSE, Brake, Brake Hose, Right & Left
6	05098140AA	2	2, 3, 6, 7		13, 15, 17, 53, 55				CLIP, Spring, Brake Hose To Bracket
7	05133712AA	2	2, 3, 6, 7						TUBE, Brake, [HL] Hydraulic Unit To Separation Point [4.75x0.7x1395 MM] / See Note, Right & Left, Front
8	04862640AA	1	3, 7		13, 53				TUBE, Brake
-9	05125769AA	1	3, 7						NUT, Brake Line End Nut
10	68013620AA	1	7, 3		15, 17, 55				TUBE, Brake, From Separation Point To Right Rear Axle / See Note, Right
11	68013583AA	2	3, 7						HOSE, Brake Right & Left
12	05098140AA	2	2, 3, 6, 7		13, 15, 17, 53, 55				CLIP, Spring, Brake Hose To Bracket
13	68011037AA	1	2, 3, 6, 7		13, 15, 17, 53, 55				RETAINER, Brake Line Holder
14	68013615AA	1	2, 3, 6, 7						RETAINER, Brake Line Holder
15	68011033AA	1	2, 3, 6, 7						RETAINER, Brake Line Holder
16	68013611AA	1	2, 3, 6, 7						CLAMP, Brake
17	05119689AA	1	2, 3, 6, 7		13, 15, 17, 53, 55				CLIP, Brake Line, Brake Line Holder
18	05119329AA	4	2, 3, 6, 7		13, 15, 17, 53, 55				CLIP, Brake Line
19	68013612AA	3	2, 3, 6, 7						RETAINER
20	68013613AA	3	2, 3, 6, 7						RETAINER
21	68013614AA	4	2, 3, 6, 7						BRACKET

SPRINTER (VB)

SERIES	LINE	BODY	ENGINE	TRANSMISSION
L = LOWLINE	3 = HD DODGE 2WD 2 = Med. Duty DODGE 2WD	03 = CAB CHASSIS WHEEL BASE 3 05 = CAB CHASSIS WHEEL BASE 5 13 = 119 WB 53 = 119 WB 15 = VAN WHEEL BASE 5 55 = WAGON WHEEL BASE 5 17 = VAN WHEEL BASE 7	EG2 = 3.5L V6 Gas Engine EXM = 3.0L V6 Turbo Diesel Engine	DGZ = 5-Speed Auto W5A380 Transmission

AR = use ase required - = Non illustrated part

Brake Lines
Figure 5-530



ITEM	PART NUMBER	QTY	LINE	SERIES	BODY	ENGINE	TRANS	TRIM	DESCRIPTION
NOTE: BRAKE LINES ARE TO BE ADAPTED OR MODIFIED TO FIT. BRAKE LINE FITTINGS NOT SERVICED, MUST ORDER BRAKE LINE.									
1	68013575AA	1	2, 3, 6, 7						TUBE, Brake, Master Cylinder To Hydraulic Unit Connection [HZ2] / See Note
2	68013579AA	1	2, 3, 6, 7						TUBE, Brake, Master Cylinder To Hydraulic Unit Connection [HZ1] / See Note
3	05133717AA	1	2, 3, 6, 7						TUBE, Brake, Hydraulic Unit [VL] To Hose Bracket [4.75x0.7x1590 MM] / See Note, Left
4	05136111AA	1	2, 3, 6, 7						TUBE, Brake, Hydraulic Assembly To Hose [RF] / See Note, Right
5	68013581AA	2	2, 3, 6, 7						HOSE, Brake, Brake Hose, Right & Left
6	05098140AA	2	3, 7		03, 05				CLIP, Spring, Brake Hose To Bracket
7	05133712AA	2	2, 3, 6, 7						TUBE, Brake, [HL] Hydraulic Unit To Separation Point [4.75x0.7x1395 MM] / See Note, Right & Left, Front
8									TUBE, Brake
	68013607AA	1	3, 7		03				Separation Point To Left Rear Axle, Left
	68013608AA	1	3, 7		05				Separation Point To Left Rear Axle, Left
-9	05125769AA	1	3, 7						NUT, Brake Line End Nut
10									TUBE, Brake
	05133729AA	1	3, 7		03				Separation Point To Rear Axle, Right
	05133731AA	1	3, 7		05				Separation Point To Rear Axle, Right
11	68013583AA	2	3, 7						HOSE, Brake Right & Left
12	68011037AA	1	3, 7		03, 05				RETAINER, Brake Line Holder
13	68013615AA	1	2, 3, 6, 7						RETAINER, Brake Line Holder
14	68013615AA	1	2, 3, 6, 7						RETAINER, Brake Line Holder
15	68011033AA	1	7, 2, 3, 6						RETAINER, Brake Line Holder
16	68013611AA	1	2, 3, 6, 7						CLAMP, Brake
17	05119329AA	4	3, 7		03, 05				CLIP, Brake Line, Brake Line Holder
18	68013612AA	3	2, 3, 6, 7						RETAINER, Brake Line Holder
19	68013612AA	3	2, 3, 6, 7						RETAINER

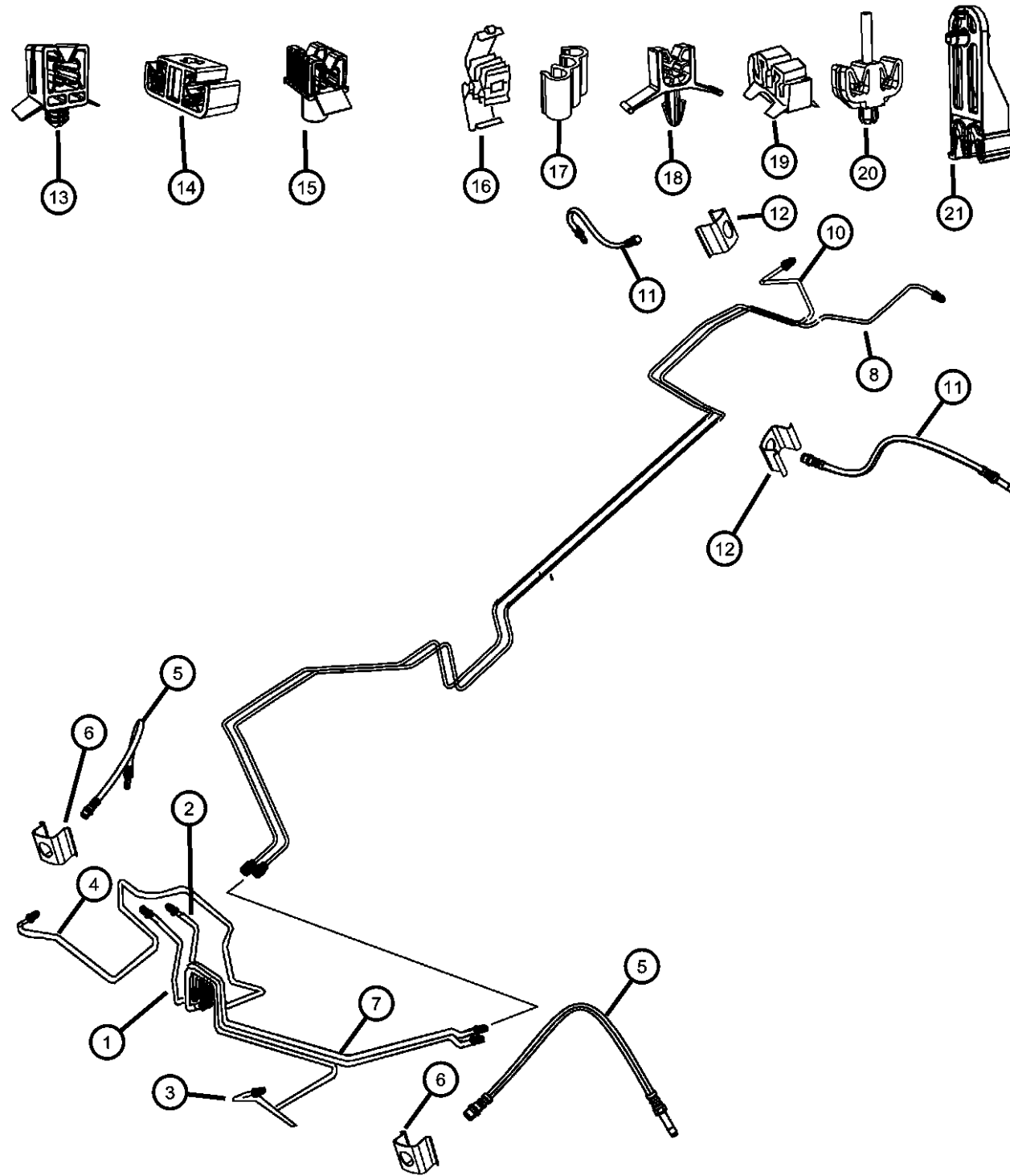
SPRINTER (VB)

SERIES LINE
L = LOWLINE 3 = HD DODGE 2WD
 2 = Med. Duty DODGE 2WD

BODY ENGINE TRANSMISSION
03 = CAB CHASSIS WHEEL BASE 3 EG2 = 3.5L V6 Gas Engine DGZ = 5-Speed Auto W5A380
05 = CAB CHASSIS WHEEL BASE 5 EXM = 3.0L V6 Turbo Diesel Transmission
13 = 119 WB
53 = 119 WB
15 = VAN WHEEL BASE 5
55 = WAGON WHEEL BASE 5
17 = VAN WHEEL BASE 7

AR = use ase required - = Non illustrated part

**Brake Lines
Figure 5-530**



ITEM	PART NUMBER	QTY	LINE	SERIES	BODY	ENGINE	TRANS	TRIM	DESCRIPTION
------	-------------	-----	------	--------	------	--------	-------	------	-------------

20	68013613AA	3	2, 3, 6, 7						RETAINER
21	68013614AA	4	2, 3, 6, 7						BRACKET

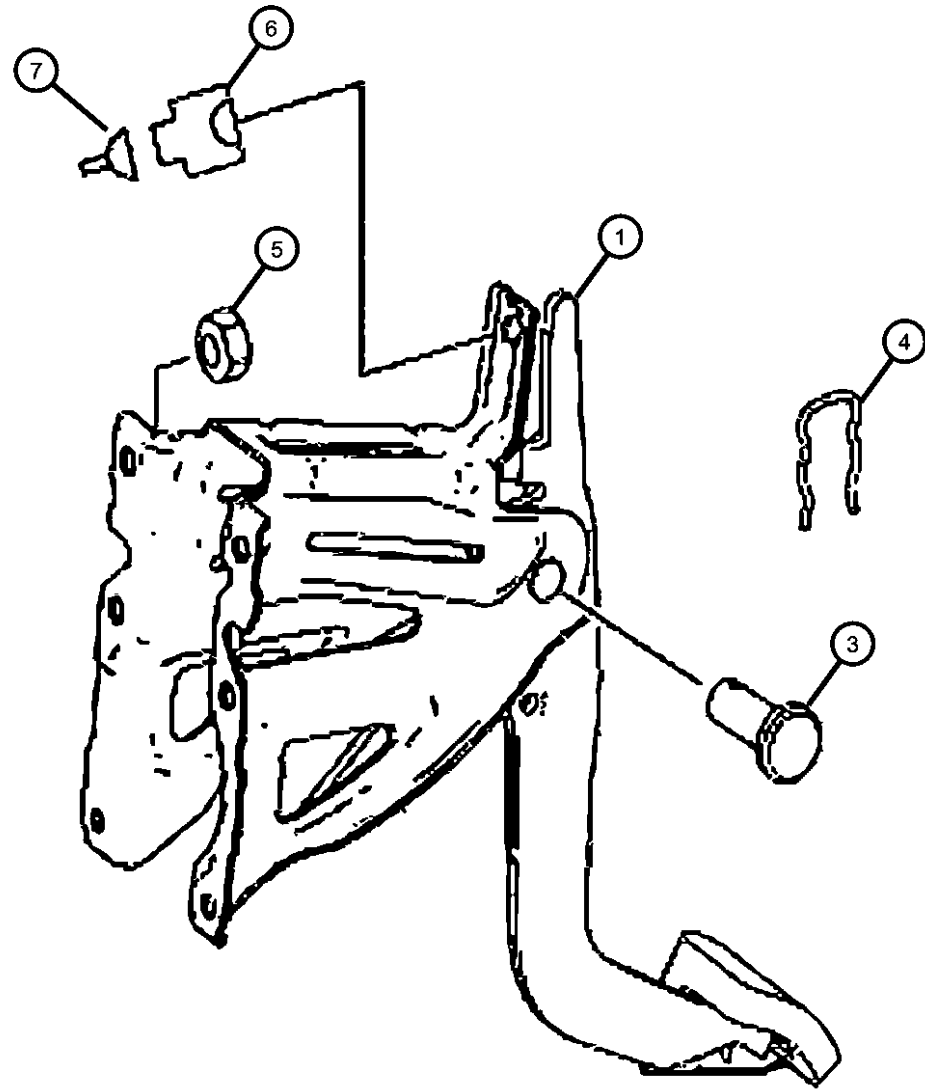
SPRINTER (VB)

SERIES	LINE	BODY	ENGINE	TRANSMISSION
L = LOWLINE	3 = HD DODGE 2WD 2 = Med. Duty DODGE 2WD	03 = CAB CHASSIS WHEEL BASE 3 05 = CAB CHASSIS WHEEL BASE 5 13 = 119 WB 53 = 119 WB 15 = VAN WHEEL BASE 5 55 = WAGON WHEEL BASE 5 17 = VAN WHEEL BASE 7	EG2 = 3.5L V6 Gas Engine EXM = 3.0L V6 Turbo Diesel Engine	DGZ = 5-Speed Auto W5A380 Transmission

AR = use ase required - = Non illustrated part

**Brake Pedal
Figure 5-610**

ITEM	PART NUMBER	QTY	LINE	SERIES	BODY	ENGINE	TRANS	TRIM	DESCRIPTION
1	68013455AA	1	2, 3, 6, 7						PEDAL, Brake, Includes Mounting Braket / See Note
2	68013459AA	1	2, 3, 6, 7						PIN, Brake Pedal Pivot Shaft
3	05097670AA	1	2, 3, 6, 7						CLIP, Spring
4	06105169AA	6	2, 3, 6, 7						NUT
5	68011261AA	1	2, 3, 6, 7						CONNECTOR, Stop Light Switch Connectop [S 9/1]
6	05103892AA	1	2, 3, 6, 7						TERMINAL, Terminal Stop Light Switch [0.5/1.0 MM2 MCP: S 9/1]
7	68013457AA	1	2, 3, 6, 7						PAD, Pedal
8	68013458AA	1	2, 3, 6, 7						SPRING



SPRINTER (VB)

SERIES	LINE	BODY	ENGINE	TRANSMISSION
L = LOWLINE	3 = HD DODGE 2WD 2 = Med. Duty DODGE 2WD	03 = CAB CHASSIS WHEEL BASE 3 05 = CAB CHASSIS WHEEL BASE 5 13 = 119 WB 53 = 119 WB 15 = VAN WHEEL BASE 5 55 = WAGON WHEEL BASE 5 17 = VAN WHEEL BASE 7	EG2 = 3.5L V6 Gas Engine EXM = 3.0L V6 Turbo Diesel Engine	DGZ = 5-Speed Auto W5A380 Transmission

AR = use ase required - = Non illustrated part

Group - 7

Cooling

Group - 7 Cooling

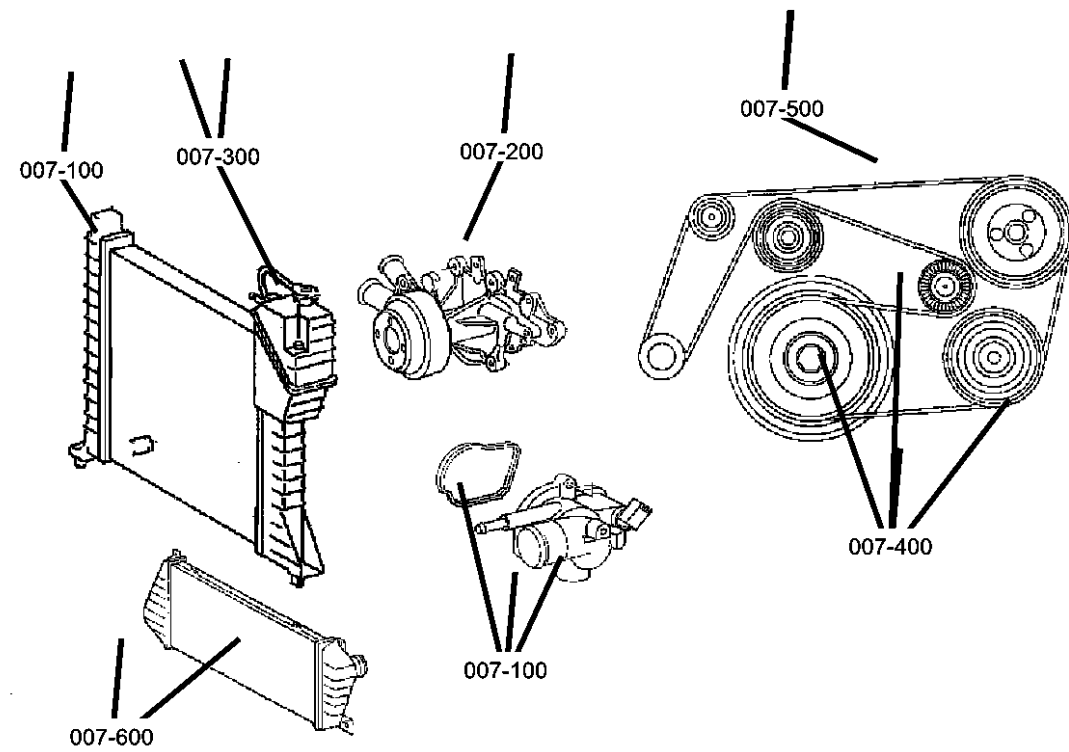


Illustration Title

Group-Fig. No.

Radiator and Related Parts

Radiator & Related Parts	Fig. 7 - 110
Fan & Fan Clutch	Fig. 7 - 115
Intercooler	Fig. 7 - 120

Water Pump and Related Parts

Water Pump	Fig. 7 - 210
Water Pump	Fig. 7 - 220

Tank, Coolant Engine

Tank & Hoses [EXM]	Fig. 7 - 310
Tank & Hoses [EG2]	Fig. 7 - 330

Pulleys and Related Parts

Belt Tensioner & Pulleys	Fig. 7 - 410
Belt Tensioner & Pulleys	Fig. 7 - 420

Drive Belts

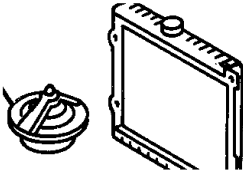
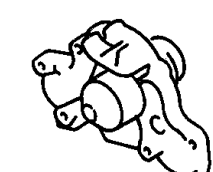
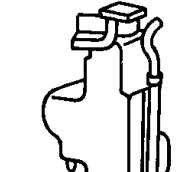
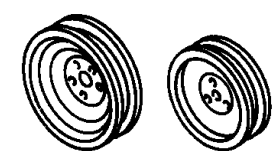
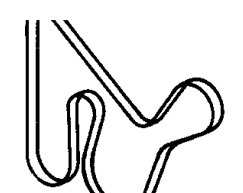
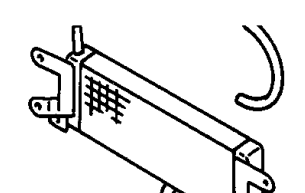
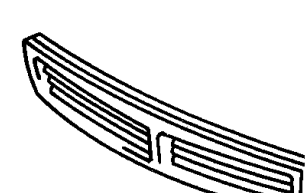
Accessory Belts	Fig. 7 - 510
-----------------------	--------------

Lines, Transmission Oil Cooler

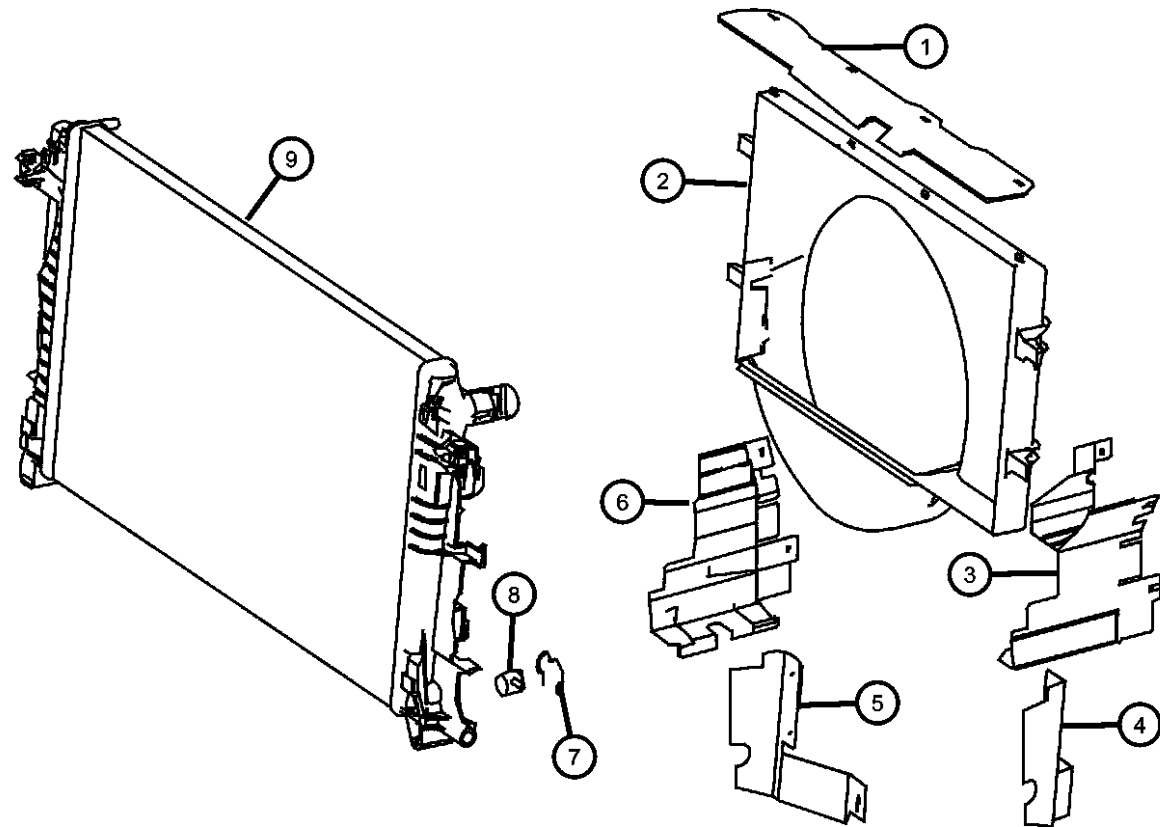
Transmission Cooling	Fig. 7 - 610
----------------------------	--------------

Grilles

Front Grille	Fig. 7 - 710
--------------------	--------------

<p>007-100 Radiator and Related Parts</p> 	<p>007-200 Water Pump and Related Parts</p> 	<p>007-300 Tank, Coolant Engine</p> 	<p>007-400 Pulleys and Related Parts</p> 
<p>007-500 Drive Belts</p> 	<p>007-600 Lines, Transmission Oil Cooler</p> 	<p>007-700 Grilles</p> 	

Radiator & Related Parts
Figure 7-110



ITEM	PART NUMBER	QTY	LINE	SERIES	BODY	ENGINE	TRANS	TRIM	DESCRIPTION
1	68013660AA	1	3, 7			EG2, EXM	DGZ		COVER, Radiator Top
		1	2, 3, 6, 7			EG2, EXM	DGZ		Top
2	68013658AA	1	2, 3, 6, 7			EXM	DGZ		SHROUD, Fan
	68013659AA	1	2, 3, 6, 7			EG2	DGZ		
3	68004913AA	1	2, 3, 6, 7			EG2, EXM	DGZ		SHIELD, Side, Radiator CoolingLeft
4	68004917AA	1	3, 7			EXM	DGZ		COVER, Radiator Lower Left Hand
		1	2, 3, 6, 7			EXM	DGZ		Lower Left Hand
5	68004916AA	1	3, 7			EXM	DGZ		COVER, Radiator Lower Right Hand
		1	2, 3, 6, 7			EXM	DGZ		Lower Right Hand
6	68004914AA	1	2, 3, 6, 7			EG2, EXM	DGZ		SHIELD, Side, Radiator CoolingRight
7	68004816AA	1	2, 3, 6, 7			EG2, EXM	DGZ		CLAMP
8	68013632AA	1	2, 3, 6, 7			EG2, EXM	DGZ		DRAINCOCK, Radiator
9	68013630AA	1	2, 3, 6, 7			EG2, EXM	DGZ		RADIATOR

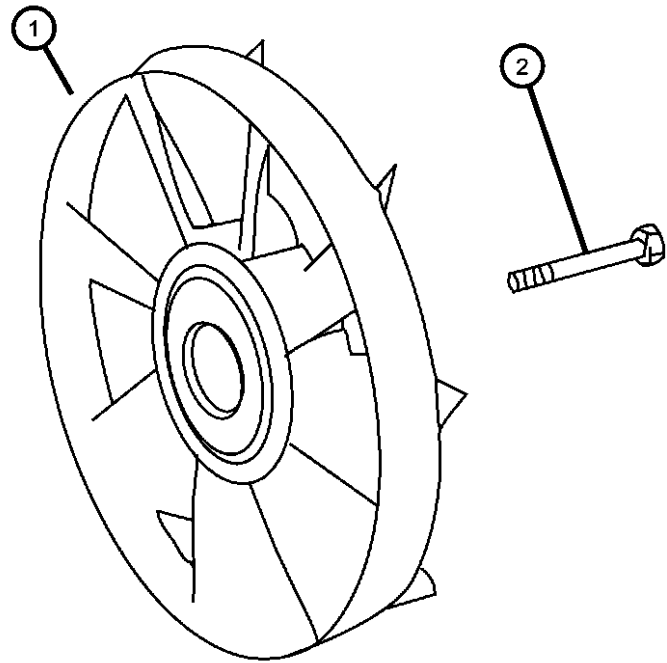
SPRINTER (VB)

SERIES	LINE	BODY	ENGINE	TRANSMISSION
L = LOWLINE	3 = HD DODGE 2WD 2 = Med. Duty DODGE 2WD	03 = CAB CHASSIS WHEEL BASE 3 05 = CAB CHASSIS WHEEL BASE 5 13 = 119 WB 53 = 119 WB 15 = VAN WHEEL BASE 5 55 = WAGON WHEEL BASE 5 17 = VAN WHEEL BASE 7	EG2 = 3.5L V6 Gas Engine EXM = 3.0L V6 Turbo Diesel Engine	DGZ = 5-Speed Auto W5A380 Transmission

AR = use ase required - = Non illustrated part

Fan & Fan Clutch
Figure 7-115

ITEM	PART NUMBER	QTY	LINE	SERIES	BODY	ENGINE	TRANS	TRIM	DESCRIPTION
1	68012412AA	1	2, 3, 6, 7			EXM	DGZ		FAN, Cooling VISCOUS FAN
	68012413AA	1	2, 3, 6, 7			EG2	DGZ		VISCOUS FAN
2	05126141AA	1	2, 3, 6, 7			EG2, EXM	DGZ		SCREW, Fan To Water Pump



SPRINTER (VB)

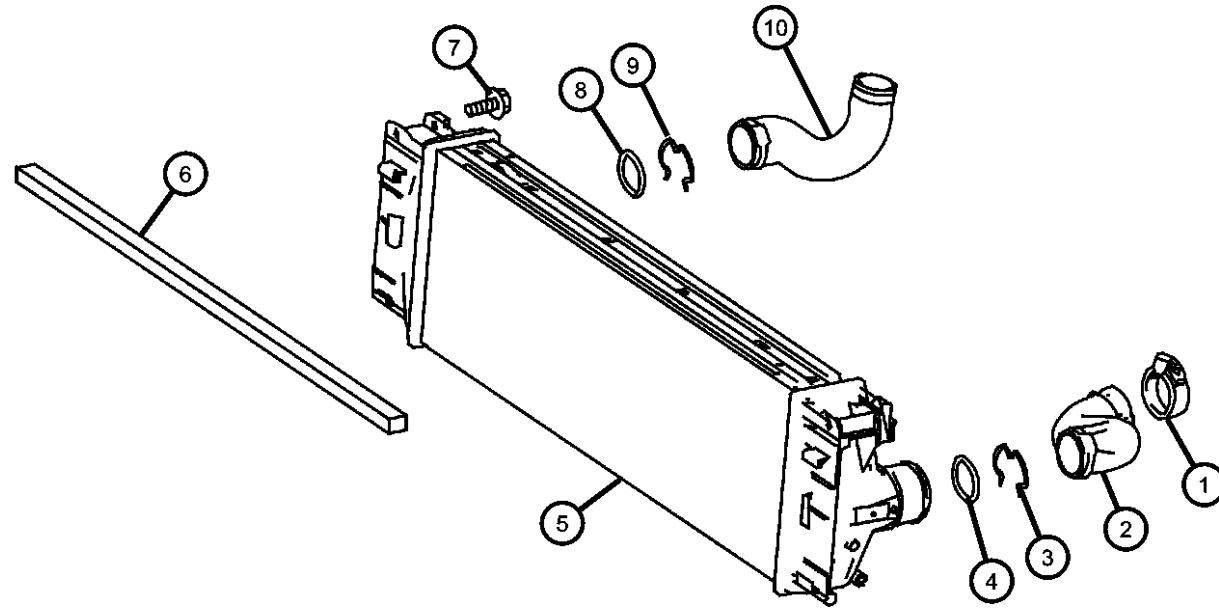
SERIES	LINE	BODY	ENGINE	TRANSMISSION
L = LOWLINE	3 = HD DODGE 2WD 2 = Med. Duty DODGE 2WD	03 = CAB CHASSIS WHEEL BASE 3 05 = CAB CHASSIS WHEEL BASE 5 13 = 119 WB 53 = 119 WB 15 = VAN WHEEL BASE 5 55 = WAGON WHEEL BASE 5 17 = VAN WHEEL BASE 7	EG2 = 3.5L V6 Gas Engine EXM = 3.0L V6 Turbo Diesel Engine	DGZ = 5-Speed Auto W5A380 Transmission

AR = use ase required - = Non illustrated part

2007 VB

Intercooler
Figure 7-120

ITEM	PART NUMBER	QTY	LINE	SERIES	BODY	ENGINE	TRANS	TRIM	DESCRIPTION
1	06104788AA	1	2, 3, 6, 7			EXM	DGZ		CLAMP, Hose
2	68013655AA	1	2, 3, 6, 7			EXM	DGZ		HOSE, Charge Air CoolerRight
3	68013654AA	1	2, 3, 6, 7			EXM	DGZ		SPRING
4									SEAL, Charge Air Cooler Hose
	68013653AA	1	3, 7			EXM	DGZ		
		1	2, 3, 6, 7			EXM	DGZ		
5	68013636AA	1	2, 3, 6, 7			EXM	DGZ		INTERCOOLER
6									COVER, Radiator
	68004897AA	1	3, 7			EXM	DGZ		
		1	2, 3, 6, 7			EXM	DGZ		
7	06104014AA	2	3, 7			EXM	DGZ		SCREW
8									SEAL, Charge Air Cooler Hose
	68013653AA	1	3, 7			EXM	DGZ		
		1	2, 3, 6, 7			EXM	DGZ		
9	68013654AA	1	2, 3, 6, 7			EXM	DGZ		SPRING
10	68013652AA	1	2, 3, 6, 7			EXM	DGZ		HOSE, Turbo to Charge Air Cooler, Bottom



SPRINTER (VB)

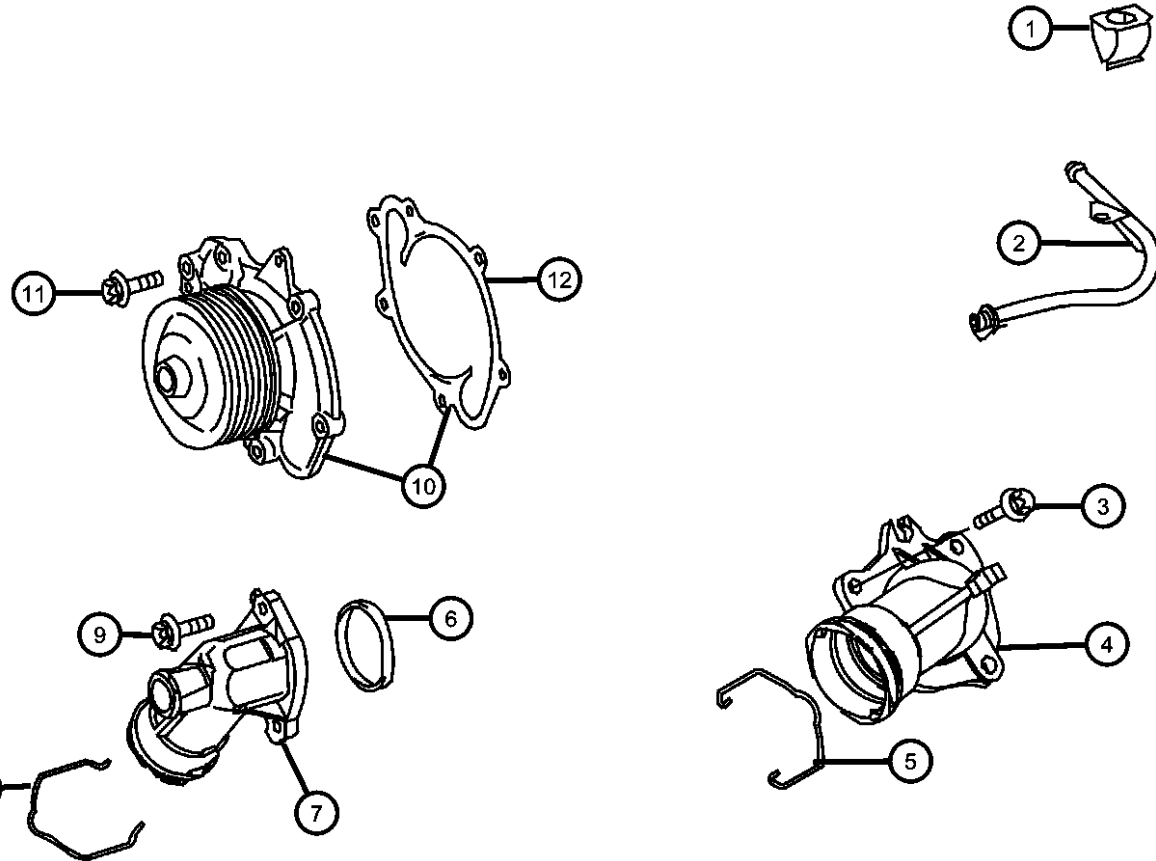
SERIES	LINE	BODY	ENGINE	TRANSMISSION
L = LOWLINE	3 = HD DODGE 2WD 2 = Med. Duty DODGE 2WD	03 = CAB CHASSIS WHEEL BASE 3 05 = CAB CHASSIS WHEEL BASE 5 13 = 119 WB 53 = 119 WB 15 = VAN WHEEL BASE 5 55 = WAGON WHEEL BASE 5 17 = VAN WHEEL BASE 7	EG2 = 3.5L V6 Gas Engine EXM = 3.0L V6 Turbo Diesel Engine	DGZ = 5-Speed Auto W5A380 Transmission

AR = use ase required - = Non illustrated part

2007 VB

**Water Pump
Figure 7-210**

ITEM	PART NUMBER	QTY	LINE	SERIES	BODY	ENGINE	TRANS	TRIM	DESCRIPTION
1	68014052AA	1	2, 3, 6, 7			EXM	DGZ		CLAMP
2	68014047AA	1	2, 3, 6, 7			EXM	DGZ		HOSE
3	06104004AA	1	2, 3, 6, 7			EXM	DGZ		BOLT, Thermostat to Fitting M6x12
4	68014045AA	1	2, 3, 6, 7			EXM	DGZ		THERMOSTAT, Heated
5									CLIP, CLIP-SPRING
	05175821AA	1	3, 7			EG2, EXM	DGZ		26,84
		1	2, 3, 6, 7			EXM	DGZ		26,84
		1	7, 3			EXM	DGZ		26,84
6	05175584AA	1	2, 3, 6, 7			EXM	DGZ		GASKET, Thermostat, Pipe Socket to Cylinder Crankcase
7	68014141AA	1	2, 3, 6, 7			EXM	DGZ		HOUSING, Thermostat
8									CLIP, CLIP-SPRING
	05175821AA	1	3, 7			EG2, EXM	DGZ		26,84
		1	2, 3, 6, 7			EXM	DGZ		26,84
		1	3, 7			EXM	DGZ		26,84
9	06104006AA	2	2, 3, 6, 7			EXM	DGZ		BOLT, Pipe Socket to Cylinder Crankcase M6x20
10	05175580AA	1	2, 3, 6, 7			EXM	DGZ		PUMP, Water, Parts Kit
11	05175582AA	6	2, 3, 6, 7			EXM	DGZ		SCREW, M6x25-8.8MK
12	05175581AA	1	2, 3, 6, 7			EXM	DGZ		GASKET, Water Pump

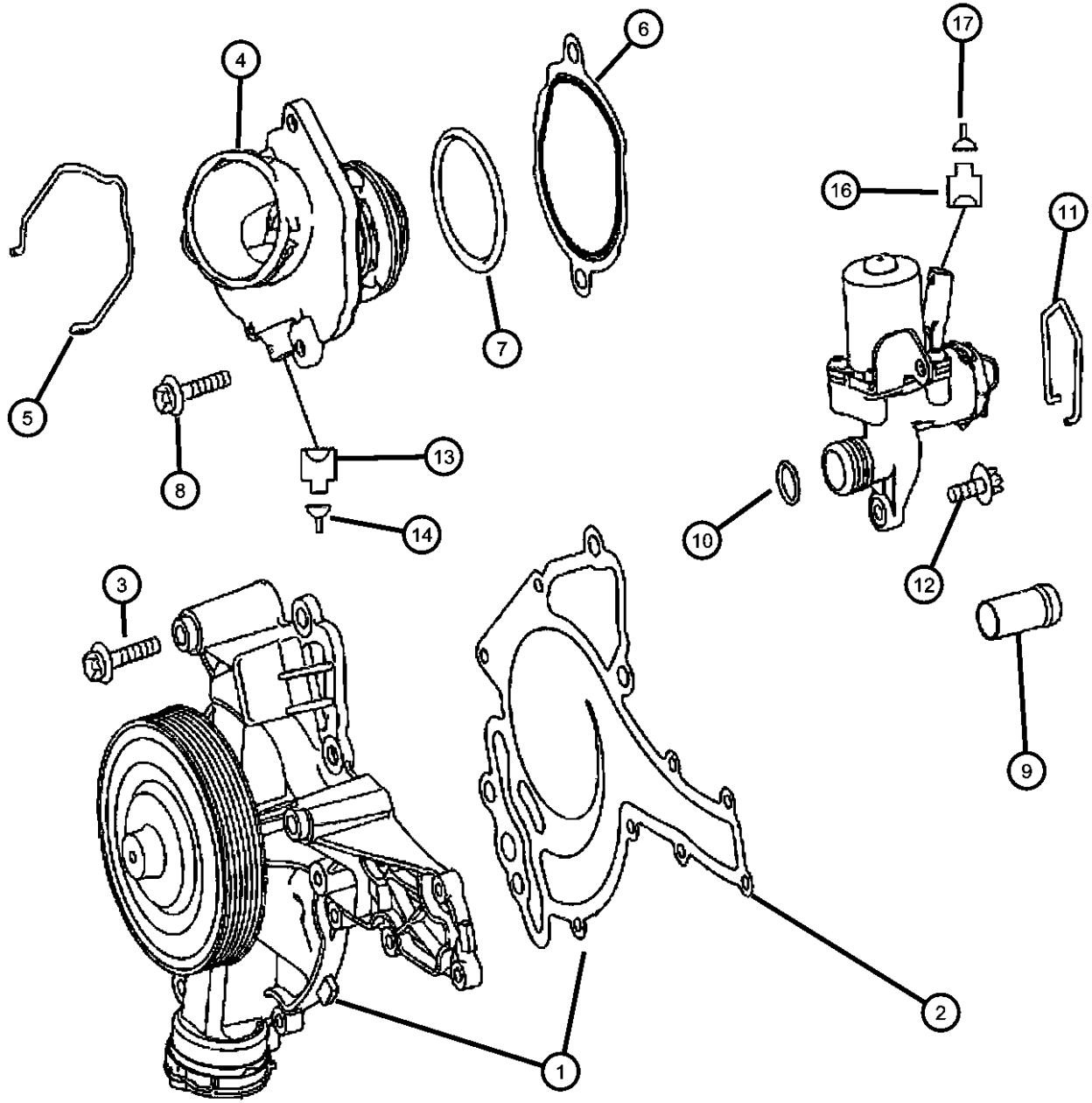


SPRINTER (VB)

SERIES	LINE	BODY	ENGINE	TRANSMISSION
L = LOWLINE	3 = HD DODGE 2WD 2 = Med. Duty DODGE 2WD	03 = CAB CHASSIS WHEEL BASE 3 05 = CAB CHASSIS WHEEL BASE 5 13 = 119 WB 53 = 119 WB 15 = VAN WHEEL BASE 5 55 = WAGON WHEEL BASE 5 17 = VAN WHEEL BASE 7	EG2 = 3.5L V6 Gas Engine EXM = 3.0L V6 Turbo Diesel Engine	DGZ = 5-Speed Auto W5A380 Transmission

AR = use ase required - = Non illustrated part

**Water Pump
Figure 7-220**



ITEM	PART NUMBER	QTY	LINE	SERIES	BODY	ENGINE	TRANS	TRIM	DESCRIPTION
1	68013932AA	1	2, 3, 6, 7			EG2	DGZ		PUMP, Water, Includes Gasket
2	68013945AA	1	2, 3, 6, 7			EG2	DGZ		GASKET, Water Pump, Also Included With Water Pump
3	05073898AA	8	2, 3, 6, 7			EG2	DGZ		Water Pump To Timing Case
	06104037AB	1	2, 3, 6, 7			EG2	DGZ		[M8x110] Water Pump To Timing Case
	68013947AA	3	2, 3, 6, 7			EG2	DGZ		[M8x75] Water Pump To Timing Case
4	68013949AA	1	2, 3, 6, 7			EG2	DGZ		THERMOSTAT
5	68013641AA	1	2, 3, 6, 7			EG2	DGZ		SPRING
6	68013950AA	1	2, 3, 6, 7			EG2	DGZ		GASKET, Water Pump
7	68013951AA	1	7, 2, 3, 6			EG2	DGZ		O-RING
8	05073898AA	2	2, 3, 6, 7			EG2	DGZ		SCREW
9	68013953AA	1	2, 3, 6, 7			EG2	DGZ		FITTING
10	68013954AA	2	2, 3, 6, 7			EG2	DGZ		O RING
11	68013955AA	1	2, 3, 6, 7			EG2	DGZ		SPRING
12	06104142AA	2	2, 3, 6, 7			EG2	DGZ		SCREW
13	68011798AA	1	2, 3, 6, 7			EG2	DGZ		CONNECTOR, [Y110] Connector
14									TERMINAL
	68011877AA	AR	2, 3, 6, 7			EG2	DGZ		Thermostat
	68011878AA	AR	2, 3, 6, 7			EG2	DGZ		[Y110] Connector
-15	68011050AA	AR	2, 3, 6, 7			EG2	DGZ		GASKET, Thermostat Connector
16	68011798AA	1	2, 3, 6, 7			EG2	DGZ		CONNECTOR, [Y12/2] Connector
17									TERMINAL
	68011877AA	AR	2, 3, 6, 7			EG2	DGZ		Therminal
	68011878AA	AR	2, 3, 6, 7			EG2	DGZ		[Y16/2] Connector
-18	68011050AA	AR	2, 3, 6, 7			EG2	DGZ		GASKET

SPRINTER (VB)

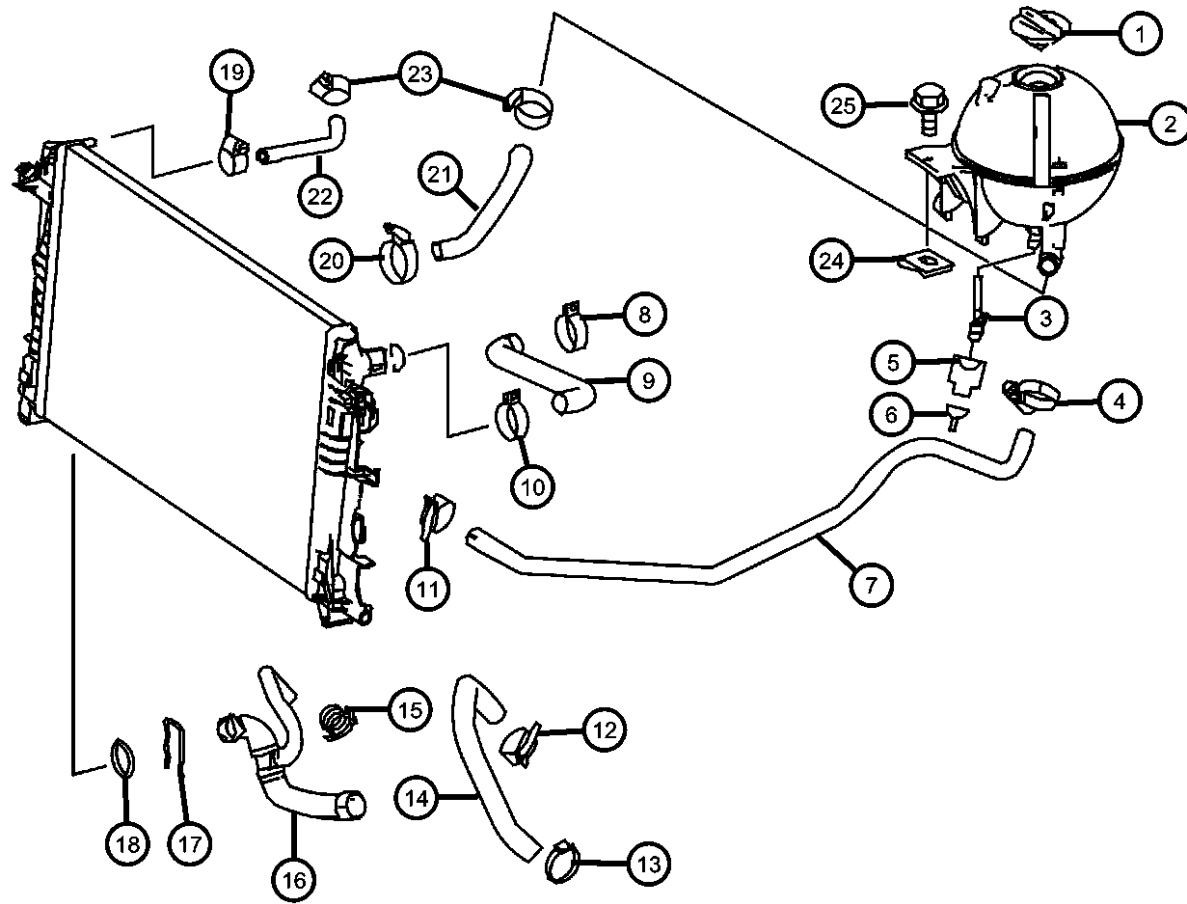
SERIES LINE
 L = LOWLINE 3 = HD DODGE 2WD
 2 = Med. Duty DODGE 2WD

BODY ENGINE TRANSMISSION
 03 = CAB CHASSIS WHEEL EG2 = 3.5L V6 Gas Engine DGZ = 5-Speed Auto W5A380
 BASE 3 EXM = 3.0L V6 Turbo Diesel Transmission
 05 = CAB CHASSIS WHEEL Engine
 BASE 5
 13 = 119 WB
 53 = 119 WB
 15 = VAN WHEEL BASE 5
 55 = WAGON WHEEL BASE 5
 17 = VAN WHEEL BASE 7

AR = use ase required - = Non illustrated part

2007 VB

Tank & Hoses [EXM]
Figure 7-310



ITEM	PART NUMBER	QTY	LINE	SERIES	BODY	ENGINE	TRANS	TRIM	DESCRIPTION
1	68004911AA	1	2, 3, 6, 7			EG2, EXM	DGZ		CAP, Coolant Recovery Bottle
2	68004910AA	1	2, 3, 6, 7			EXM	DGZ		BOTTLE, Coolant Recovery
3	68013657AA	1	2, 3, 6, 7			EG2, EXM	DGZ		SENSOR, Coolant Level
4	68013657AA	1							CLAMP, (NOT SERVICED)
5	05120273AA	1	2, 3, 6, 7			EG2, EXM	DGZ		HOUSING, Coolant Level 2-Pin,S41
6	05103874AA	1	2, 3, 6, 7			EG2, EXM	DGZ		TERMINAL, 0.75MM2,MQA,S41
7	68013651AA	1	2, 3, 6, 7			EXM	DGZ		HOSE, Engine Breathing
8									CLAMP, HOSE CLAMP
	06105105AA	1	3, 7			EXM	DGZ		Hose to Thermostat
		1	2, 3, 6, 7			EXM	DGZ		Hose to Thermostat
9	68013638AA	1	2, 3, 6, 7			EXM	DGZ		HOSE, RadiatorUpper
10	68013642AA	1	2, 3, 6, 7			EG2, EXM	DGZ		CLAMP, Hose to Radiator
11									CLAMP
	05133496AA	1	3, 7			EXM	DGZ		Fluid Reservoir Breather Hose 14-24/8.3MM
		1	2, 3, 6, 7			EXM	DGZ		Fluid Reservoir Breather Hose 14-24/8.3MM
12									CLAMP, HOSE CLAMP
	06104813AA	1	3, 7			EG2, EXM	DGZ		Heating By Cooling Water 32/12MM
		1	2, 3, 6, 7			EG2, EXM	DGZ		Heating By Cooling Water 32/12MM
13									CLAMP, HOSE CLAMP
	06105105AA	1	3, 7			EXM	DGZ		Cooling Water Hose to Water Pump
		1	2, 3, 6, 7			EXM	DGZ		Cooling Water Hose to Water Pump
14	68013649AA	1	2, 3, 6, 7			EXM	DGZ		HOSE, Bottom
15	06104806AA	1	2, 3, 6, 7			EXM	DGZ		CLAMP, Heating Hose to Heating Pipe, Return 23-26MM
16									HOSE, Radiator
	68013644AA	1	2, 3, 6, 7			EXM	DGZ		With Heavy Duty [A/C]
	68025109AA	1	2, 3, 6, 7			EXM	DGZ		
	68025114AA	1	2, 3, 6, 7			EXM	DGZ		With Dual [A/C] Compressor
17	05175821AA	1	2, 3, 6, 7			EXM	DGZ		CLIP, CLIP-SPRING, 26,84
18	68013648AA	1	2, 3, 6, 7			EXM	DGZ		SEAL, 36,3MM

SPRINTER (VB)

SERIES LINE
L = LOWLINE 3 = HD DODGE 2WD
2 = Med. Duty DODGE 2WD

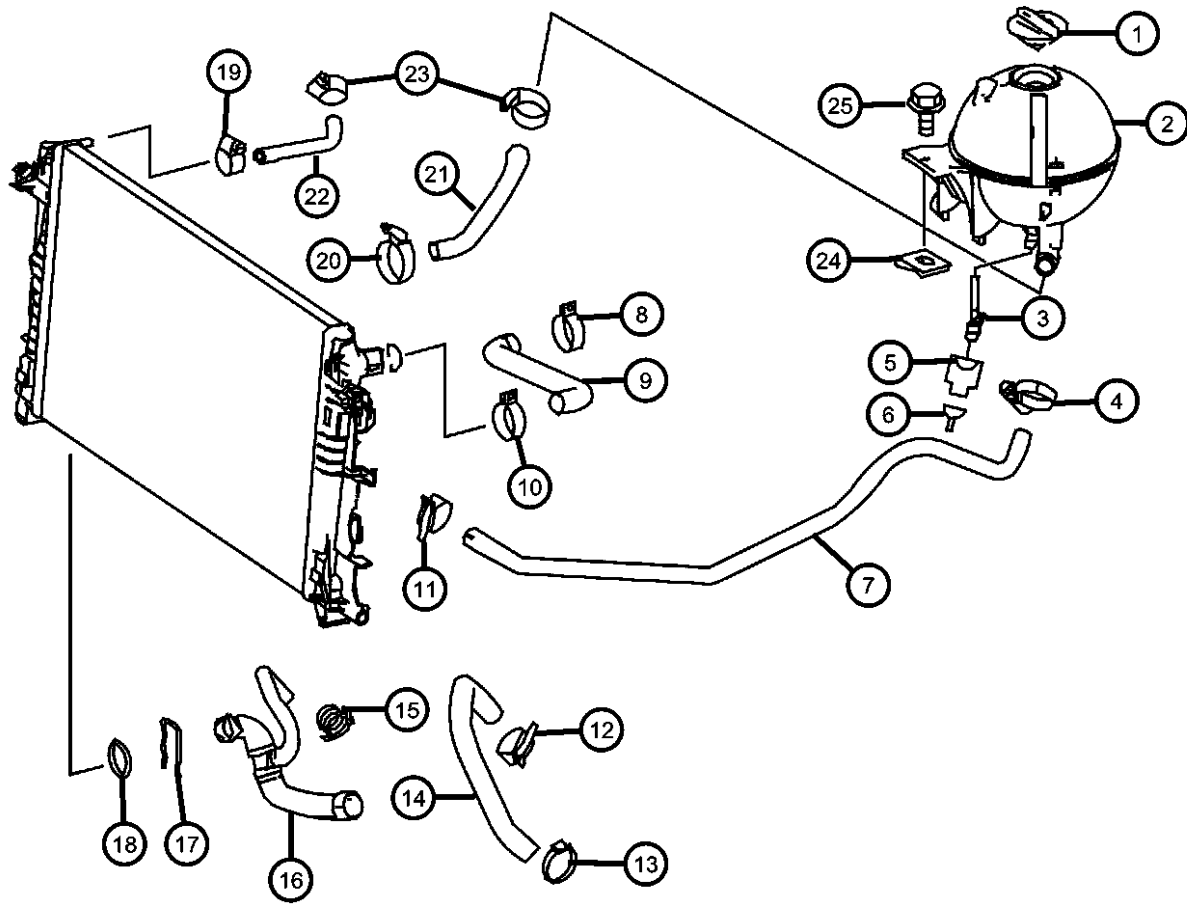
BODY ENGINE TRANSMISSION
03 = CAB CHASSIS WHEEL EG2 = 3.5L V6 Gas Engine DGZ = 5-Speed Auto W5A380
BASE 3 EXM = 3.0L V6 Turbo Diesel Transmission
05 = CAB CHASSIS WHEEL Engine
BASE 5
13 = 119 WB
53 = 119 WB
15 = VAN WHEEL BASE 5
55 = WAGON WHEEL BASE 5
17 = VAN WHEEL BASE 7

AR = use ase required - = Non illustrated part

2007 VB

Tank & Hoses [EXM]
Figure 7-310

ITEM	PART NUMBER	QTY	LINE	SERIES	BODY	ENGINE	TRANS	TRIM	DESCRIPTION
19	68004905AA	1	2, 3, 6, 7			EXM	DGZ		CLAMP, Filling Hose to Radiator
20	05133496AA	1	2, 3, 6, 7			EXM	DGZ		CLAMP, Radiator De-Aeration Hose 14-24/8.3MM
21	68004902AA	1	2, 3, 6, 7			EG2, EXM	DGZ		HOSE, Coolant, Heating Hose to Radiator Breathing Hose
22									HOSE, Coolant
	68013650AA	1	3, 7			EG2, EXM	DGZ		Cooling-Water-Line Breathing
		1	2, 3, 6, 7			EG2, EXM	DGZ		Cooling-Water-Line Breathing
23	06104813AA	1	2, 3, 6, 7			EG2, EXM	DGZ		CLAMP, HOSE CLAMP, Filling Hose to Expansion Tank 32/12MM
24									CLIP
	06104748AA	1	3, 7			EG2, EXM	DGZ		Reservoir to Support
		1	2, 3, 6, 7			EG2, EXM	DGZ		Reservoir to Support
25									SCREW
	05161856AB	1	3, 7			EG2, EXM	DGZ		Reservoir to Support M6x20
		1	2, 3, 6, 7			EG2, EXM	DGZ		Reservoir to Support M6x20
-26	68012406AA	1	2, 3, 6, 7			EG2	DGZ		MANIFOLD
-27	06104687AA	1	2, 3, 6, 7			EG2, EXM	DGZ		SCREW, M6x43



SPRINTER (VB)

SERIES LINE
L = LOWLINE 3 = HD DODGE 2WD
 2 = Med. Duty DODGE 2WD

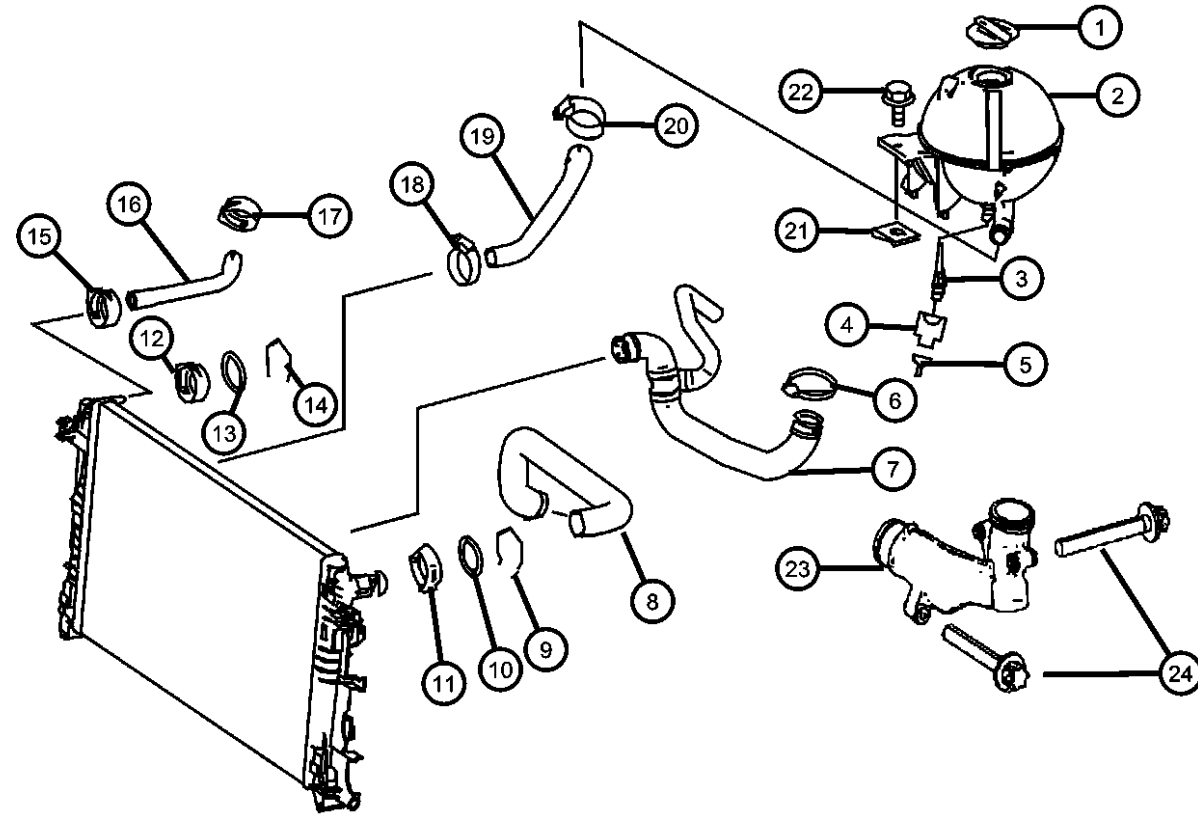
BODY ENGINE
03 = CAB CHASSIS WHEEL EG2 = 3.5L V6 Gas Engine
BASE 3 EXM = 3.0L V6 Turbo Diesel
05 = CAB CHASSIS WHEEL Engine
BASE 5
13 = 119 WB
53 = 119 WB
15 = VAN WHEEL BASE 5
55 = WAGON WHEEL BASE 5
17 = VAN WHEEL BASE 7

TRANSMISSION
DGZ = 5-Speed Auto W5A380
Transmission

AR = use ase required - = Non illustrated part

2007 VB

Tank & Hoses [EG2]
Figure 7-330



ITEM	PART NUMBER	QTY	LINE	SERIES	BODY	ENGINE	TRANS	TRIM	DESCRIPTION
1	68004911AA	1	2, 3, 6, 7			EG2, EXM	DGZ		CAP, Coolant Recovery Bottle
2	68013656AA	1	2, 3, 6, 7			EG2	DGZ		BOTTLE, Coolant Recovery
3	68013657AA	1	2, 3, 6, 7			EG2, EXM	DGZ		SENSOR, Coolant Level
4	05120273AA	1	2, 3, 6, 7			EG2, EXM	DGZ		HOUSING, Coolant Level 2-PIN,S41
5	05103874AA	1	2, 3, 6, 7			EG2, EXM	DGZ		TERMINAL
6									CLAMP, HOSE CLAMP
	06105105AA	1	3, 7			EG2	DGZ		Cooling Water Hose to Water Pump
		1	2, 6			EG2	DGZ		Cooling Water Hose to Water Pump
7	68013647AA	1	2, 3, 6, 7			EG2	DGZ		HOSE, RadiatorLower
8	68013639AA	1	2, 3, 6, 7			EG2	DGZ		HOSE, RadiatorUpper
9	68013641AA	1	2, 6, 7, 3			EG2	DGZ		SPRING, 27,43MM
10	68013640AA	1	2, 3, 6, 7			EG2	DGZ		SEAL, 36,3MM
11	68013642AA	1	2, 3, 6, 7			EG2, EXM	DGZ		CLAMP, Hose to Radiator
12	06104813AA	1	2, 3, 6, 7			EG2	DGZ		CLAMP, HOSE CLAMP, Heating By Cooling Water 32/12MM
13	68013648AA	1	2, 3, 6, 7			EG2	DGZ		SEAL, 36,3MM
14									CLIP, CLIP-SPRING
	05175821AA	1	3, 7			EG2	DGZ		
		1	2, 6			EG2	DGZ		
15	68004905AA	1	2, 3, 6, 7			EG2, EXM	DGZ		CLAMP, Filling Hose to Radiator
16									HOSE, Coolant
	68013650AA	1	2, 3, 6, 7			EG2, EXM	DGZ		Cooling-Water-Line Breathing
		1	3, 7			EG2, EXM	DGZ		Cooling-Water-Line Breathing
17									CLAMP, HOSE CLAMP
	06104813AA	1	2, 3, 6, 7			EG2	DGZ		Filling Hose to Expansion Tank 32/12MM
		1	2, 6			EG2	DGZ		Filling Hose to Expansion Tank 32/12MM
18	05133494AA	1	2, 3, 6, 7			EG2	DGZ		CLAMP, Radiator De-Aeration Hose 14-24/8.3MM
19	68004902AA	1	2, 3, 6, 7			EG2, EXM	DGZ		HOSE, Coolant, Heating Hose to Radiator Breathing Hose
20	68004902AA	1							CLAMP, (NOT SERVICED)
21									CLIP

SPRINTER (VB)

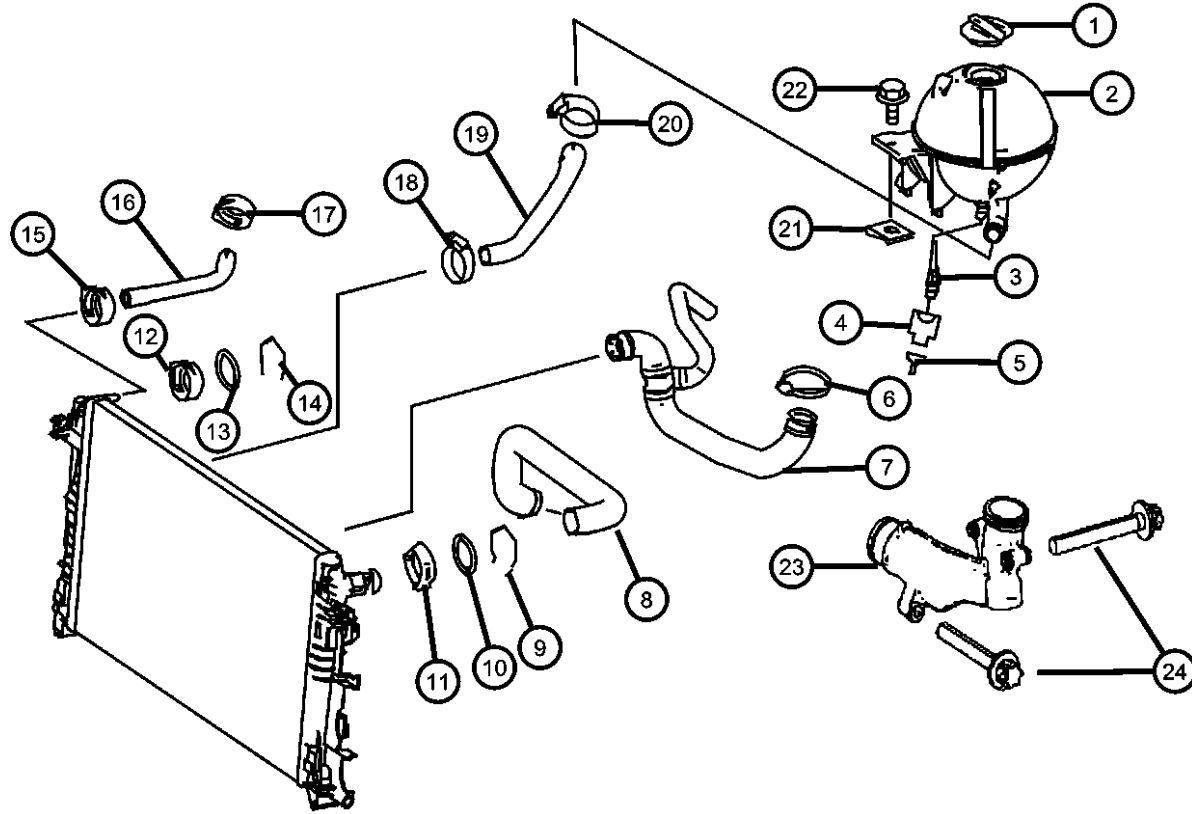
SERIES LINE
L = LOWLINE 3 = HD DODGE 2WD
2 = Med. Duty DODGE 2WD

BODY ENGINE TRANSMISSION
03 = CAB CHASSIS WHEEL EG2 = 3.5L V6 Gas Engine DGZ = 5-Speed Auto W5A380
BASE 3 EXM = 3.0L V6 Turbo Diesel Transmission
05 = CAB CHASSIS WHEEL Engine
BASE 5
13 = 119 WB
53 = 119 WB
15 = VAN WHEEL BASE 5
55 = WAGON WHEEL BASE 5
17 = VAN WHEEL BASE 7

AR = use ase required - = Non illustrated part

Tank & Hoses [EG2]
Figure 7-330

ITEM	PART NUMBER	QTY	LINE	SERIES	BODY	ENGINE	TRANS	TRIM	DESCRIPTION
	06104748AA	1	2, 3, 6, 7			EG2, EXM	DGZ		Reservoir to Support
		1	3, 7			EG2, EXM	DGZ		Reservoir to Support
22	05161856AB	1	2, 3, 6, 7			EG2, EXM	DGZ		SCREW, Reservoir to Support M6x20
23	68012406AA	1	3, 6, 7, 2			EG2	DGZ		MANIFOLD, Water Elbow
24	06104687AA	2	2, 6			EG2	DGZ		SCREW [M6x43]
		2	3, 7			EG2	DGZ		[M6x43]



SPRINTER (VB)

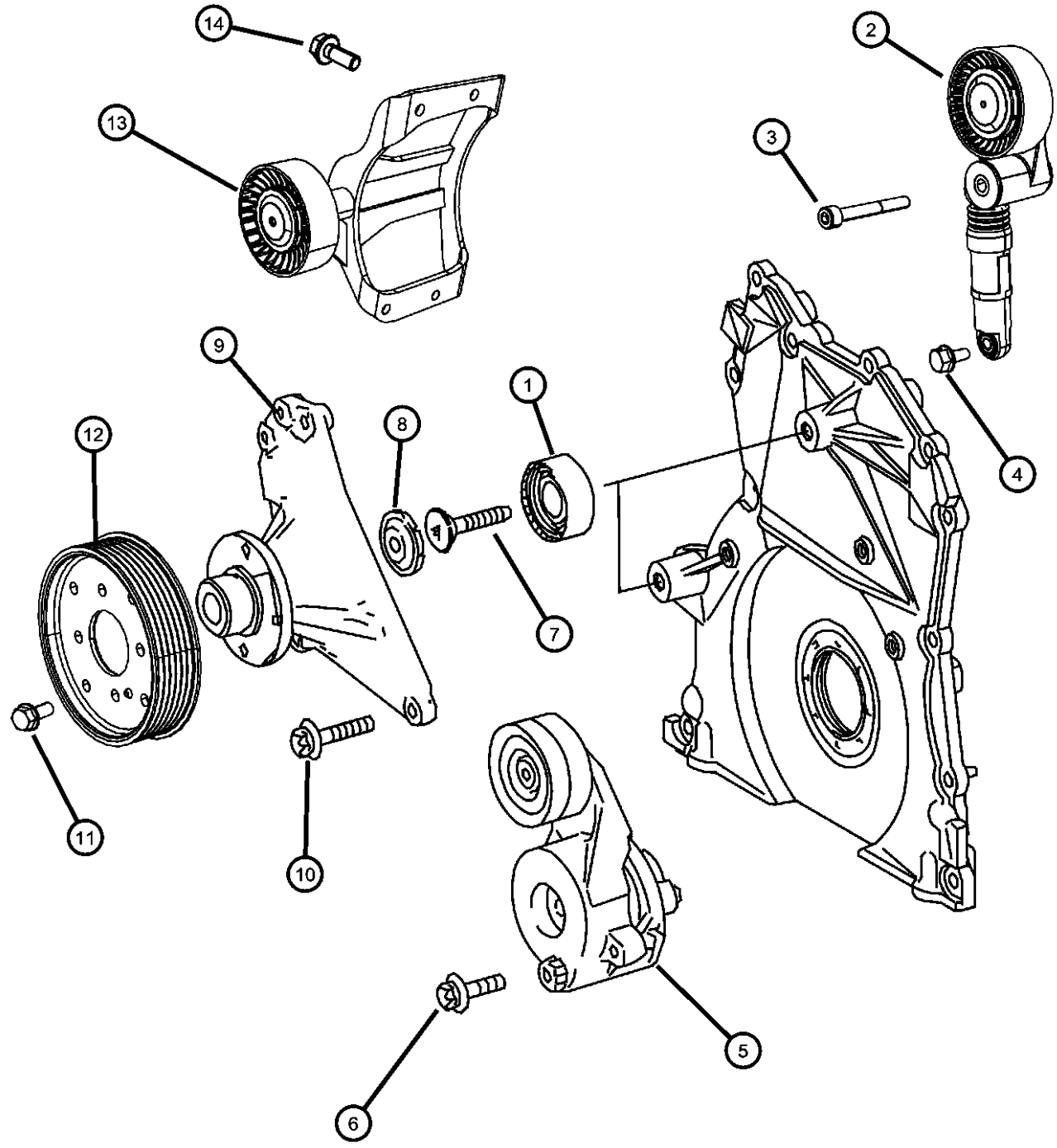
SERIES LINE
L = LOWLINE 3 = HD DODGE 2WD
 2 = Med. Duty DODGE 2WD

BODY ENGINE
03 = CAB CHASSIS WHEEL EG2 = 3.5L V6 Gas Engine
BASE 3 EXM = 3.0L V6 Turbo Diesel
05 = CAB CHASSIS WHEEL Engine
BASE 5
13 = 119 WB
53 = 119 WB
15 = VAN WHEEL BASE 5
55 = WAGON WHEEL BASE 5
17 = VAN WHEEL BASE 7

TRANSMISSION
DGZ = 5-Speed Auto W5A380
Transmission

AR = use ase required - = Non illustrated part

Belt Tensioner & Pulleys
Figure 7-410



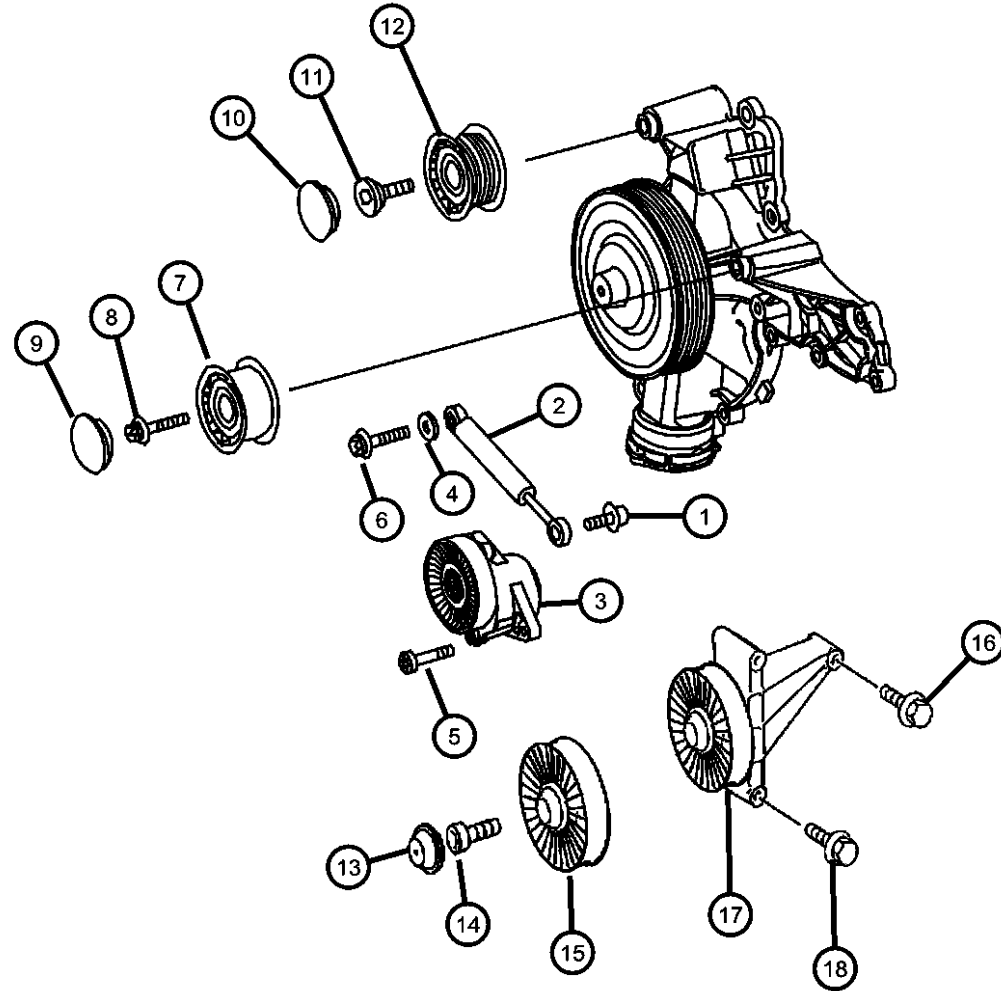
ITEM	PART NUMBER	QTY	LINE	SERIES	BODY	ENGINE	TRANS	TRIM	DESCRIPTION
1	05175589AB	2	2, 3, 6, 7			EXM	DGZ		PULLEY, Idler
2	68021256AA	1	2, 3, 6, 7			EXM	DGZ		PULLEY, Tensioner, With [HBD]
3	68012417AA	1	2, 3, 6, 7			EXM	DGZ		SCREW
4									SCREW
	05126229AA	1	2, 3, 6, 7			EXM	DGZ		[M8x30]
	05183964AA	4	2, 3, 6, 7			EXM	DGZ		[M6x10]
5	05175588AA	1	2, 3, 6, 7			EXM	DGZ		TENSIONER, Belt
6									SCREW
	06104226AA	2	3, 7			EXM	DGZ		[M10x90]
		2	2, 3, 6, 7			EXM	DGZ		[M10x90]
7	05073902AA	2	2, 3, 6, 7			EXM	DGZ		BOLT
8	05080250AA	2	2, 3, 6, 7			EXM	DGZ		CAP, CAP
9	68014055AA	1	6, 7, 2, 3			EXM	DGZ		BRACKET
10	06104684AA	1	2, 3, 6, 7			EXM	DGZ		BOLT, [M6x28]
11	05183964AA	4	2, 3, 6, 7			EXM	DGZ		SCREW, [M6x10]
12	68012421AA	1	2, 3, 6, 7			EXM	DGZ		PULLEY, Tensioner
13	68012463AA	1	2, 3, 6, 7			EXM	DGZ		PULLEY
14	68012459AA	4	2, 3, 6, 7			EXM	DGZ		BOLT, [M8x95]

SPRINTER (VB)

SERIES	LINE	BODY	ENGINE	TRANSMISSION
L = LOWLINE	3 = HD DODGE 2WD 2 = Med. Duty DODGE 2WD	03 = CAB CHASSIS WHEEL BASE 3 05 = CAB CHASSIS WHEEL BASE 5 13 = 119 WB 53 = 119 WB 15 = VAN WHEEL BASE 5 55 = WAGON WHEEL BASE 5 17 = VAN WHEEL BASE 7	EG2 = 3.5L V6 Gas Engine EXM = 3.0L V6 Turbo Diesel Engine	DGZ = 5-Speed Auto W5A380 Transmission

AR = use ase required - = Non illustrated part

Belt Tensioner & Pulleys
Figure 7-420



ITEM	PART NUMBER	QTY	LINE	SERIES	BODY	ENGINE	TRANS	TRIM	DESCRIPTION
1	05097832AA	1	2, 3, 6, 7			EG2	DGZ		BOLT, Torx
2	68020887AA	1	2, 3, 6, 7			EG2	DGZ		ABSORBER, Shock, To Belt Tensioner & Water Pump
3	04862624AA	1	2, 3, 6, 7			EG2	DGZ		TENSIONER, Belt
4									WASHER, Flat
	05098108AA	4	2, 3, 6, 7			EG2, EXM	DGZ		Shock Absorber on Water Pump
		4	3, 7			EG2, EXM	DGZ		Shock Absorber on Water Pump
5	05073680AA	1	2, 3, 6, 7			EG2	DGZ		SCREW, Belt Tightener to Timing Case
6	06104697AA	2	2, 3, 6, 7			EG2	DGZ		BOLT, Shock Absorber on Water Pump M8x34
7	68020889AA	1	2, 3, 6, 7			EG2	DGZ		PULLEY, Tensioner
8	04862626AA	1	2, 3, 6, 7			EG2	DGZ		SCREW, Sheave Pulley at Water Pump
9	05080250AA	1	2, 3, 6, 7			EG2	DGZ		CAP, CAP
10	05080250AA	1	2, 3, 6, 7			EG2	DGZ		CAP, CAP
11	05073717AA	1	2, 3, 6, 7			EG2	DGZ		SCREW, Sheave Pulley at Water Pump M8
12	68023936AA	1	2, 3, 6, 7			EG2	DGZ		PULLEY, Tensioner
13	05125553AA	1	2, 3, 6, 7			EG2	DGZ		CAP, Screw Cover
14	05126143AA	1	2, 3, 6, 7			EG2	DGZ		SCREW, [M10x50 - 10.9]
15	05117690AA	1	2, 3, 6, 7			EG2	DGZ		PULLEY, Tensioner
16	06104035AA	3	2, 3, 6, 7			EG2	DGZ		BOLT, [M8x90]
17	05117673AA	1	2, 3, 6, 7			EG2	DGZ		PULLEY, Tensioner
18	06104031AA	1	2, 3, 6, 7			EG2	DGZ		SCREW, [M8x60]

SPRINTER (VB)

SERIES LINE
L = LOWLINE 3 = HD DODGE 2WD
 2 = Med. Duty DODGE 2WD

BODY ENGINE
03 = CAB CHASSIS WHEEL EG2 = 3.5L V6 Gas Engine
BASE 3 EXM = 3.0L V6 Turbo Diesel
05 = CAB CHASSIS WHEEL Engine
BASE 5
13 = 119 WB
53 = 119 WB
15 = VAN WHEEL BASE 5
55 = WAGON WHEEL BASE 5
17 = VAN WHEEL BASE 7

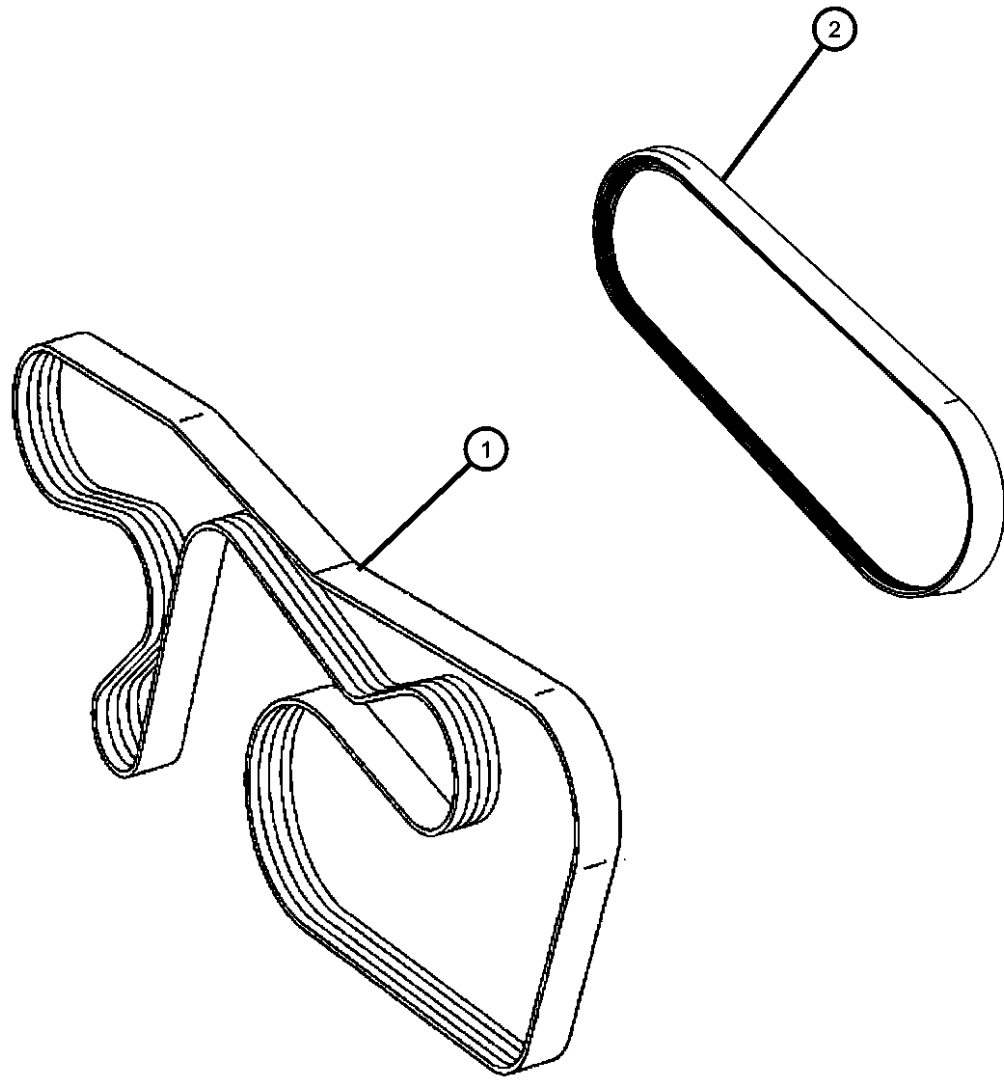
TRANSMISSION
DGZ = 5-Speed Auto W5A380
Transmission

AR = use ase required - = Non illustrated part

2007 VB

Accessory Belts
Figure 7-510

ITEM	PART NUMBER	QTY	LINE	SERIES	BODY	ENGINE	TRANS	TRIM	DESCRIPTION
1									BELT, Accessory Drive
	04891587AA	1	2, 3, 6, 7			EXM	DGZ		With [HAB]
	68012426AA	1	2, 3, 6, 7			EXM	DGZ		With [HBD]
	68012429AA	1	2, 3, 6, 7			EG2	DGZ		With [HAB]
	68012436AA	1	2, 6			EG2	DGZ		With [HBD]
2	68012438AA	1	2, 3, 6, 7			EXM	DGZ		BELT, Accessory Drive, Short [Dummy] Belt



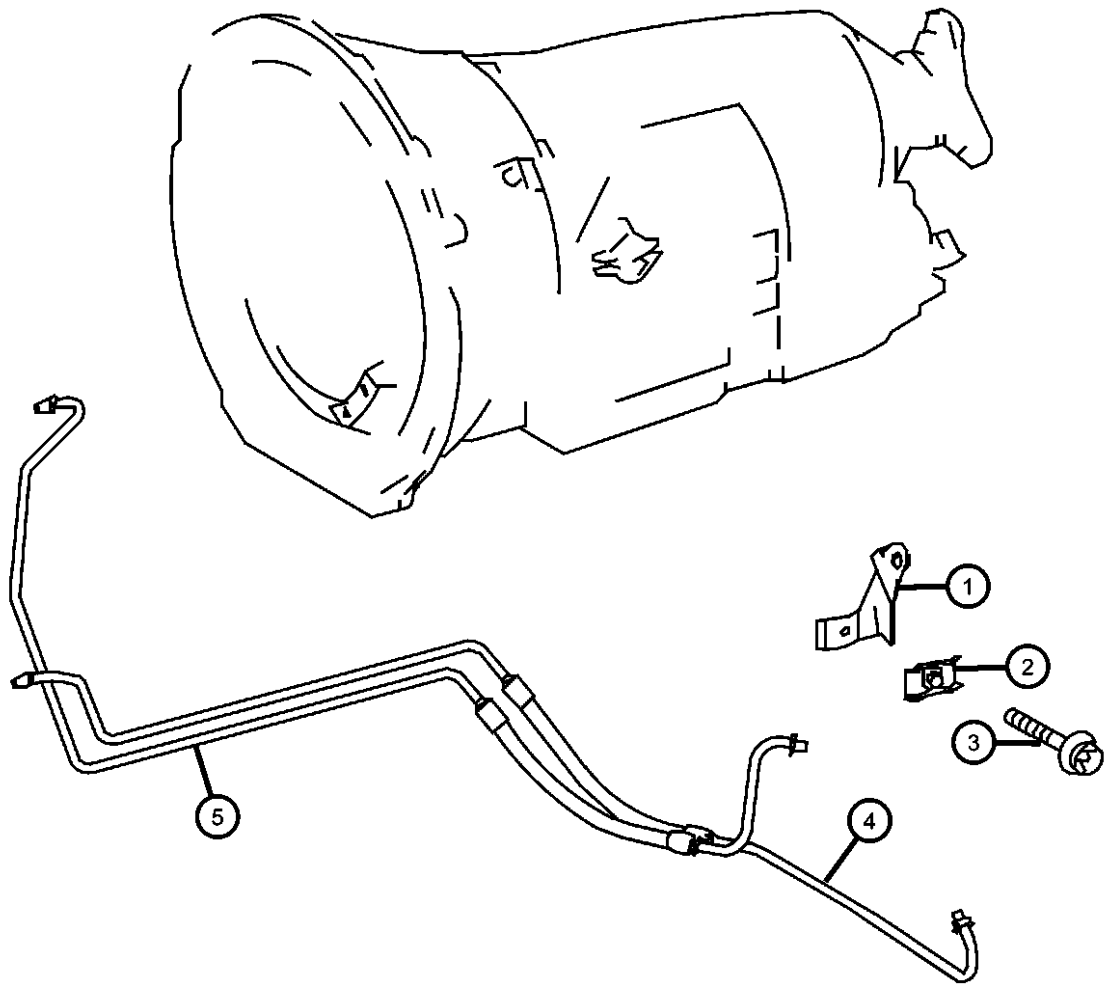
SPRINTER (VB)

SERIES	LINE	BODY	ENGINE	TRANSMISSION
L = LOWLINE	3 = HD DODGE 2WD 2 = Med. Duty DODGE 2WD	03 = CAB CHASSIS WHEEL BASE 3 05 = CAB CHASSIS WHEEL BASE 5 13 = 119 WB 53 = 119 WB 15 = VAN WHEEL BASE 5 55 = WAGON WHEEL BASE 5 17 = VAN WHEEL BASE 7	EG2 = 3.5L V6 Gas Engine EXM = 3.0L V6 Turbo Diesel Engine	DGZ = 5-Speed Auto W5A380 Transmission

AR = use ase required - = Non illustrated part

**Transmission Cooling
Figure 7-610**

ITEM	PART NUMBER	QTY	LINE	SERIES	BODY	ENGINE	TRANS	TRIM	DESCRIPTION
1	68004975AA	1	2, 3, 6, 7			EG2, EXM	DGZ		BRACKET, Transmission Oil Cooler
2	05137249AA	1	2, 3, 6, 7			EG2, EXM	DGZ		CLAMP, Lines to Bracket
3	06104681AA	1	2, 3, 6, 7			EG2	DGZ		SCREW M6x15
		1	2, 3, 6, 7			EXM	DGZ		M6x15
4	68006215AA	1	2, 3, 6, 7			EG2, EXM	DGZ		TUBE AND HOSE, Oil Cooler, Feed
5	68006237AA	1	2, 3, 6, 7			EG2, EXM	DGZ		TUBE AND HOSE, Oil CoolerReturn



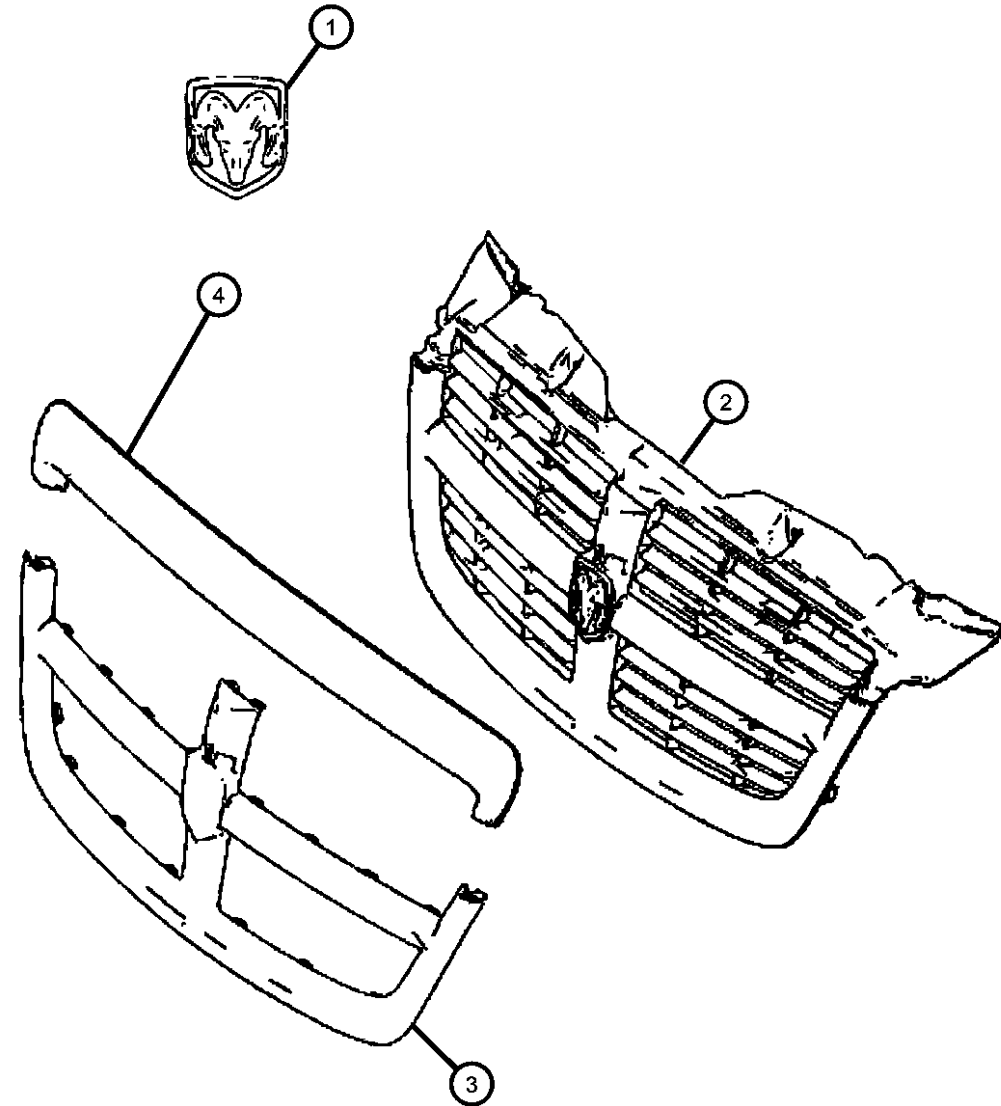
SPRINTER (VB)

SERIES	LINE	BODY	ENGINE	TRANSMISSION
L = LOWLINE	3 = HD DODGE 2WD 2 = Med. Duty DODGE 2WD	03 = CAB CHASSIS WHEEL BASE 3 05 = CAB CHASSIS WHEEL BASE 5 13 = 119 WB 53 = 119 WB 15 = VAN WHEEL BASE 5 55 = WAGON WHEEL BASE 5 17 = VAN WHEEL BASE 7	EG2 = 3.5L V6 Gas Engine EXM = 3.0L V6 Turbo Diesel Engine	DGZ = 5-Speed Auto W5A380 Transmission

AR = use ase required - = Non illustrated part

Front Grille
Figure 7-710

ITEM	PART NUMBER	QTY	LINE	SERIES	BODY	ENGINE	TRANS	TRIM	DESCRIPTION
1	68006601AA	1	2, 3			EG2, EXM	DGZ		MEDALLION, Ram Head
2	1GY48DX9AA	1	2, 3			EG2, EXM	DGZ		GRILLE, Radiator [Dodge]
	1HQ77DX9AA	1	6, 7			EG2, EXM	DGZ		[Freightliner]
3	68014809AA	1	3			EG2, EXM	DGZ		COVER, Radiator
		1	2, 3			EG2, EXM	DGZ		
4	1HE94DX9AA	1	2, 3			EG2, EXM	DGZ		MOLDING, Hood
	68020895AA	1	6, 7			EG2, EXM	DGZ		Includes Name Plate [Freightliner]



SPRINTER (VB)

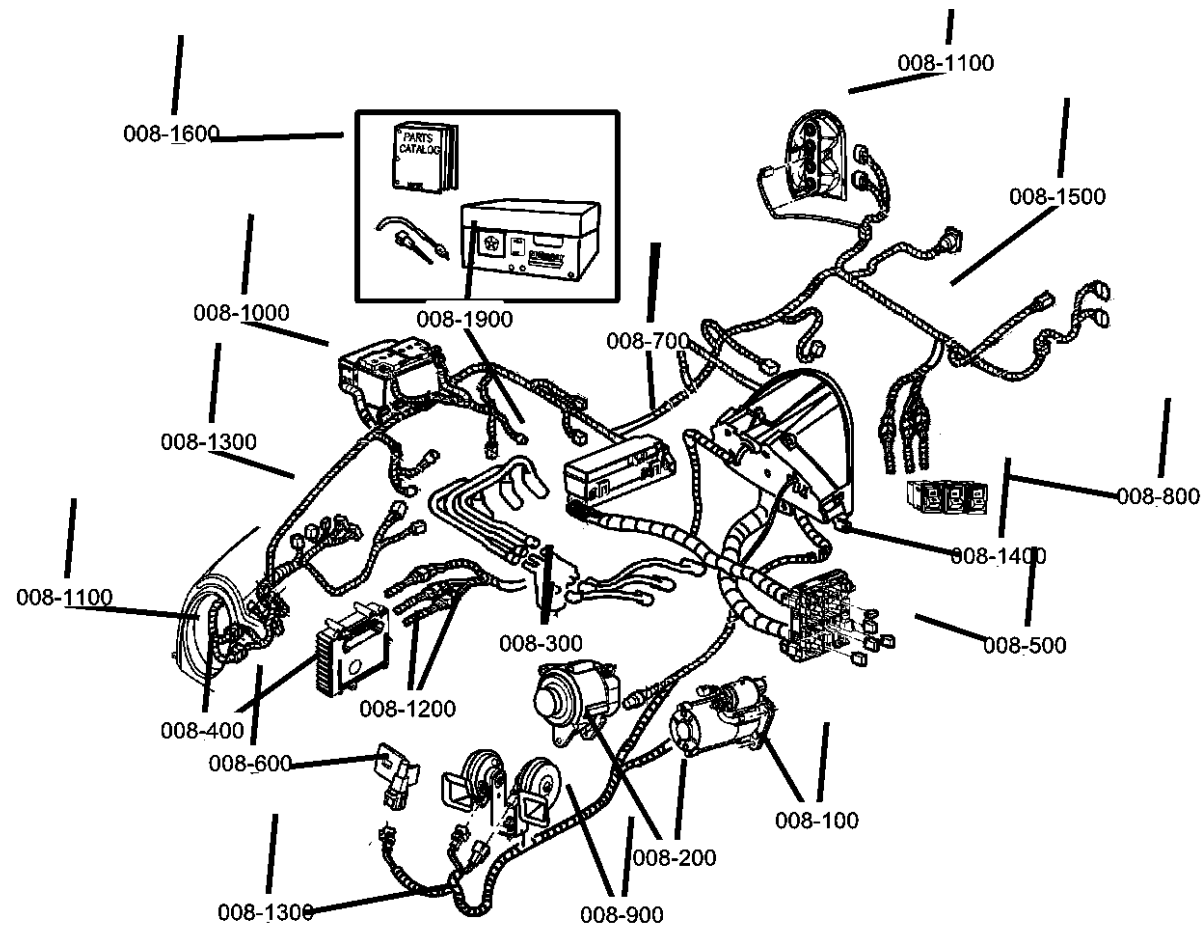
SERIES	LINE	BODY	ENGINE	TRANSMISSION
L = LOWLINE	3 = HD DODGE 2WD 2 = Med. Duty DODGE 2WD	03 = CAB CHASSIS WHEEL BASE 3 05 = CAB CHASSIS WHEEL BASE 5 13 = 119 WB 53 = 119 WB 15 = VAN WHEEL BASE 5 55 = WAGON WHEEL BASE 5 17 = VAN WHEEL BASE 7	EG2 = 3.5L V6 Gas Engine EXM = 3.0L V6 Turbo Diesel Engine	DGZ = 5-Speed Auto W5A380 Transmission

AR = use ase required - = Non illustrated part

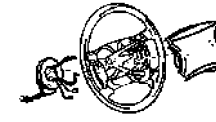
2007 VB

Group - 8

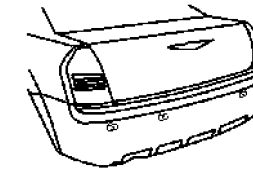
Electrical



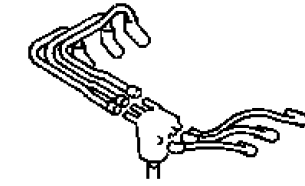
008-1700
Air Bag Systems



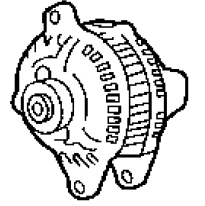
008-1800
Park Assist



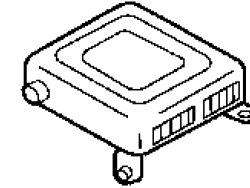
008-1900
Spark Plugs-Cables-Coils



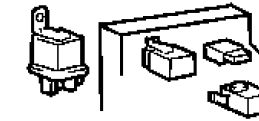
008-200
Alternators



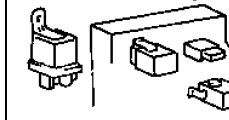
008-400
Modules



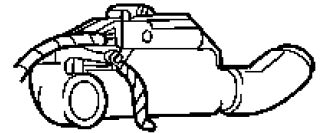
008-500
Relays



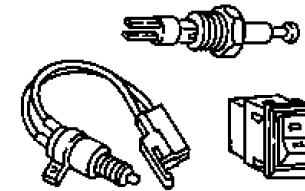
008-600
Sensors



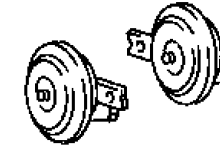
008-700
Single Board Engine Controllers



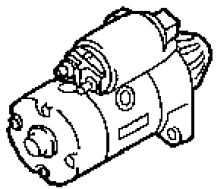
008-800
Switches



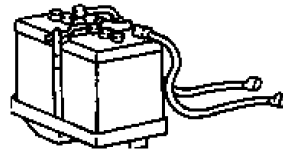
008-900
Horns



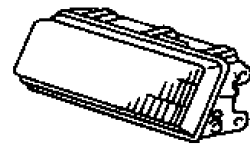
008-100
Starters



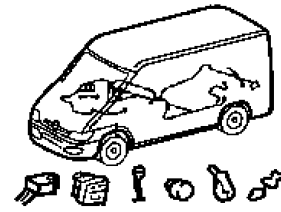
008-1000
Battery Tray and Cables



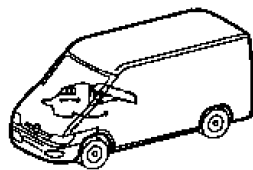
008-1100
Lamps - Front, Rear and Courtesy



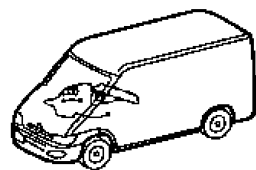
008-1200
Wiring-Engine & Related Parts



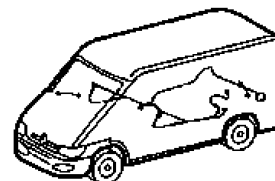
008-1300
Wiring-Headlamp to Dash



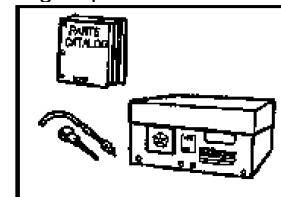
008-1400
Wiring-Instrument Panel



008-1500
Wiring-Body & Accessories



008-1600
Wiring Repair



Group - 8 Electrical

Illustration Title

Group-Fig. No.

Starters	
Starter	Fig. 8 - 110

Alternators	
Alternator	Fig. 8 - 210

Modules	
Engine Control Modules	Fig. 8 - 405
Transmission Control Unit	Fig. 8 - 410
Fuse Box / Body Controller	Fig. 8 - 415
Electronic Stability Program (ESP)	Fig. 8 - 420
Tire Pressure Check	Fig. 8 - 425
Trailer Coupling	Fig. 8 - 430
Horn & Outboard Temperature Sensor	Fig. 8 - 435
Belt Locking Retractor,Airbag & Sidebag	Fig. 8 - 440
Auxiliary Heater Control Unit	Fig. 8 - 445
Air Bag Control Unit	Fig. 8 - 450

Relays	
Relay, Fusebox And Control Modules Seat Frame	Fig. 8 - 510

Sensors	
Brake Pad Wear Indicator & Speed Sensor	Fig. 8 - 610
Engine Sensors & Related Parts	Fig. 8 - 620
Engine Sensors & Related Parts	Fig. 8 - 630
Ignition Coil & Spark Plug	Fig. 8 - 640
Side Impact Airbag Sensors	Fig. 8 - 650

Single Board Engine Controllers	
Engine Control Module	Fig. 8 - 710

Switches	
Switches - Instrument Panel / [1 Of 2]	Fig. 8 - 810
Switches - Instrument Panel & Center Console / [2 Of 2]	Fig. 8 - 815
Door Trim Panel	Fig. 8 - 820

Horns	
Horns	Fig. 8 - 910
Audible Reverse Signal Horn	Fig. 8 - 920

Battery Tray and Cables	
Battery Tray	Fig. 8 - 1010
Auxiliary Battery Tray, Battery Cable & Contactor	Fig. 8 - 1020

Lamps - Front, Rear and Courtesy	
Head Lamp Unit,Turn Signal & Lamp at Side	Fig. 8 - 1110
Rear Stop Lamps	Fig. 8 - 1120
Rear Stop Lamp & License Plate Lamp	Fig. 8 - 1140
Interior Lamp,Contact Switch	Fig. 8 - 1150
Clearance Roof Lamps	Fig. 8 - 1160

Wiring-Engine & Related Parts	
Engine Wiring Harness	Fig. 8 - 1210
Engine Wiring Harness	Fig. 8 - 1220

Wiring-Headlamp to Dash	
Headlamp To Dash / Body Harness	Fig. 8 - 1310
Headlamp To Dash / Body Harness	Fig. 8 - 1320

Wiring-Instrument Panel	
Instrument Panel Wiring Harness	Fig. 8 - 1410
Headlamp Range Adjustment Harness	Fig. 8 - 1420

Wiring-Body & Accessories

Frame Mounted Cable Harness	Fig. 8 - 1505
Wiring Harness - Fuel Tank	Fig. 8 - 1510
Front Door Wiring Harness & Control Module	Fig. 8 - 1515
Rear Door Wiring Harness & Control Module	Fig. 8 - 1525
Cable Cover & Ducts	Fig. 8 - 1530
Anti-Theft Alarm System	Fig. 8 - 1535
Cooling Module Harness	Fig. 8 - 1540
Wiring Harness - Roof	Fig. 8 - 1545
Sliding Door Wiring Harness	Fig. 8 - 1550

Wiring Repair	
Wiring Harness Tie Straps & Related Parts	Fig. 8 - 1610

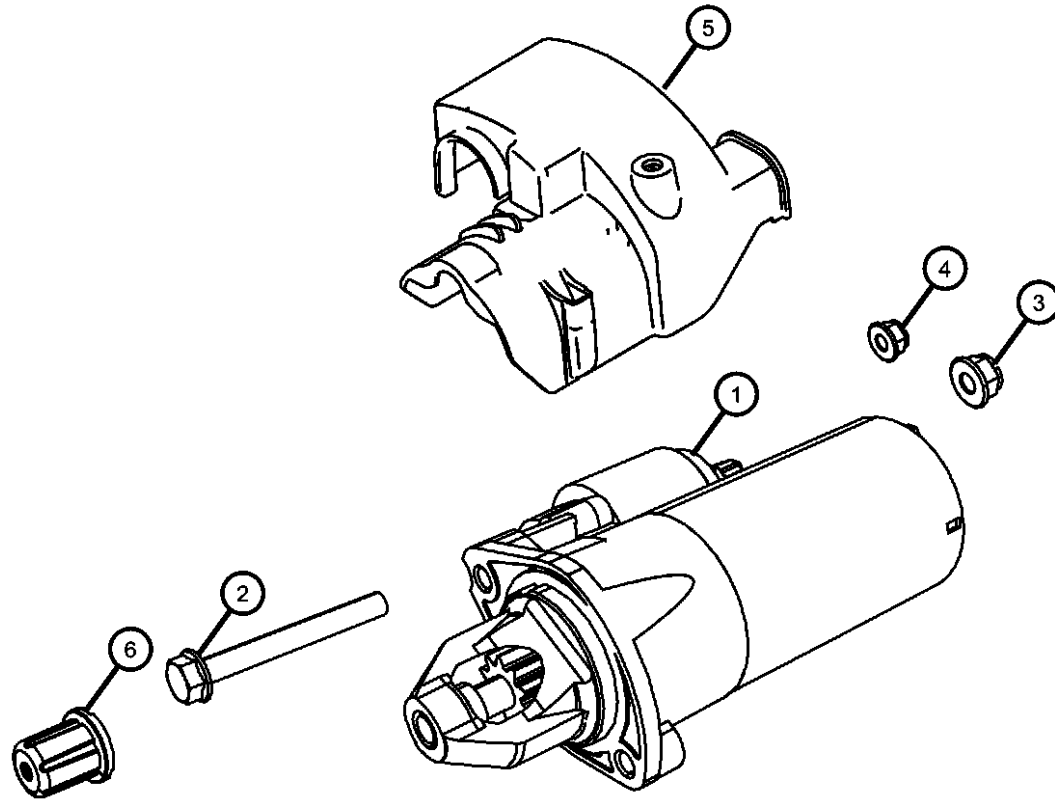
Air Bag Systems	
Drivers Air Bag & Clock Spring	Fig. 8 - 1710

Park Assist	
Parktronic System (PTS)	Fig. 8 - 1805
Audible Reversing Signal	Fig. 8 - 1810

Spark Plugs-Cables-Coils	
Ignition System	Fig. 8 - 1905

Starter
Figure 8-110

ITEM	PART NUMBER	QTY	LINE	SERIES	BODY	ENGINE	TRANS	TRIM	DESCRIPTION
Note:									
Sales Codes:									
1									STARTER, Engine
	68011829AB	1	2, 3, 6, 7	L		EG2	DGZ		[Bosch] Brand
	68012448AB	1	2, 3, 6, 7	L		EXM	DGZ		[Bosch] Brand
2									SCREW
	06104226AA	2	3, 7	L	03, 05	EG2, EXM	DGZ		Starter To Engine Block
		2	2, 6	L	13, 15, 17, 53, 55	EG2, EXM	DGZ		Starter To Engine Block
3	05097674AA	1	2, 3, 6, 7	L	13, 15, 17, 53, 55	EG2, EXM	DGZ		NUT, Hex, Wiring Harness To Starter / Circuit [50] [M6]
4									NUT
	06104709AA	1	3, 7	L	03, 05	EG2, EXM	DGZ		Wiring Harness To Starter / Circuit [30] [M8]
		1	2, 3, 6, 7	L	13, 15, 17, 53, 55	EG2, EXM	DGZ		Wiring Harness To Starter / Circuit [30] [M8]
5	68012494AA	1	2, 3, 6, 7	L		EXM	DGZ		COVER, Starter, Wiring Harness To Starter / [Circuit [30/50]
6									CAP, Nut
	05099209AB	1	3, 7	L	03, 05	EG2, EXM	DGZ		Wiring Harness To Starter / Circuit [30]
		1	2, 6	L	17, 53, 55, 13, 15	EG2, EXM	DGZ		Wiring Harness To Starter / Circuit [30]



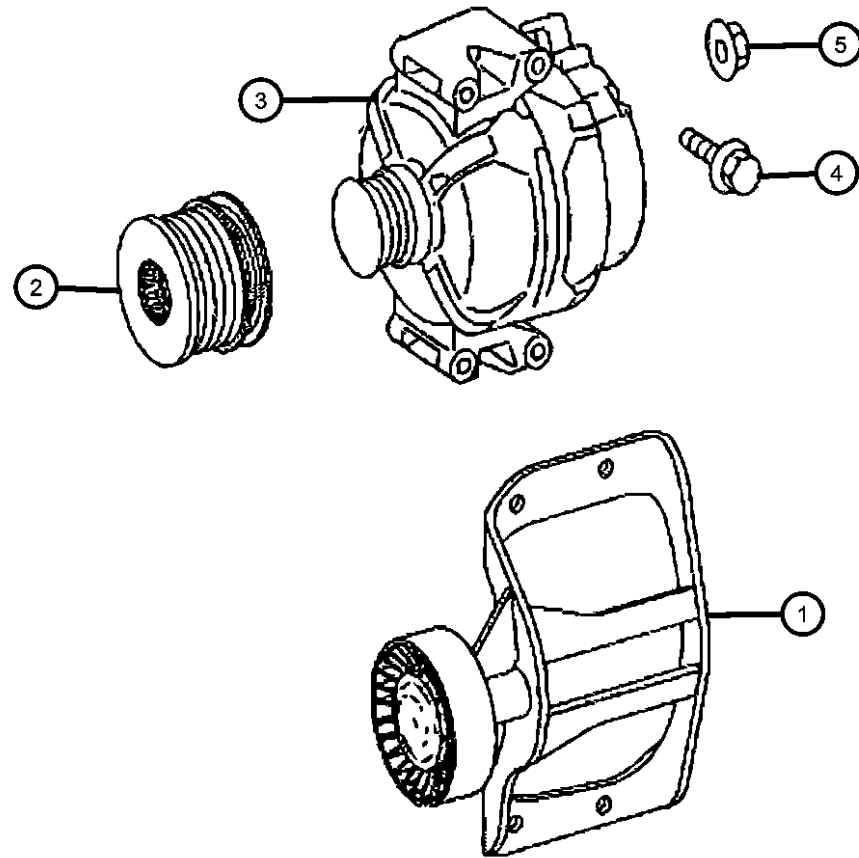
SPRINTER (VB)

SERIES	LINE	BODY	ENGINE	TRANSMISSION
L = LOWLINE	3 = HD DODGE 2WD 2 = Med. Duty DODGE 2WD	03 = CAB CHASSIS WHEEL BASE 3 05 = CAB CHASSIS WHEEL BASE 5 13 = 119 WB 53 = 119 WB 15 = VAN WHEEL BASE 5 55 = WAGON WHEEL BASE 5 17 = VAN WHEEL BASE 7	EG2 = 3.5L V6 Gas Engine EXM = 3.0L V6 Turbo Diesel Engine	DGZ = 5-Speed Auto W5A380 Transmission

AR = use ase required - = Non illustrated part

2007 VB

Alternator
Figure 8-210



ITEM	PART NUMBER	QTY	LINE	SERIES	BODY	ENGINE	TRANS	TRIM	DESCRIPTION
1	68012463AA	1	2, 3, 6, 7	L		EXM	DGZ		PULLEY
2	05175811AA	1	2, 3, 6, 7	L		EXM	DGZ		PULLEY, Alternator
3									ALTERNATOR
	04801250AC	1	2, 3, 6, 7	L		EXM	DGZ		Valeo 14V/180A;14V/180A
	68011841AA	1	2, 3, 6, 7	L		EG2	DGZ		Bosch 14V/180A;14V/180A / With [BAD]
	68011843AA	1	2, 3, 6, 7	L		EG2	DGZ		Bosch 14V/220A With [BAJ]
	68022877AB	1	2, 3, 6, 7	L		EXM	DGZ		With [BAJ Or HBD]
4									BOLT
	06104035AA	4	2, 3, 6, 7	L		EG2	DGZ		Mounting Generator [M8x90]
	68012459AA	4	2, 3, 6, 7	L		EXM	DGZ		Alternator Mounting[M8x95]
5									NUT
	06104709AA	1	7, 2, 3, 6	L	13, 15, 17, 53, 55	EXM	DGZ		Wiring Harness to Alternator Circuit 30 M8
		1	3, 7	L	03, 05	EXM	DGZ		Wiring Harness to Alternator Circuit 30 M8

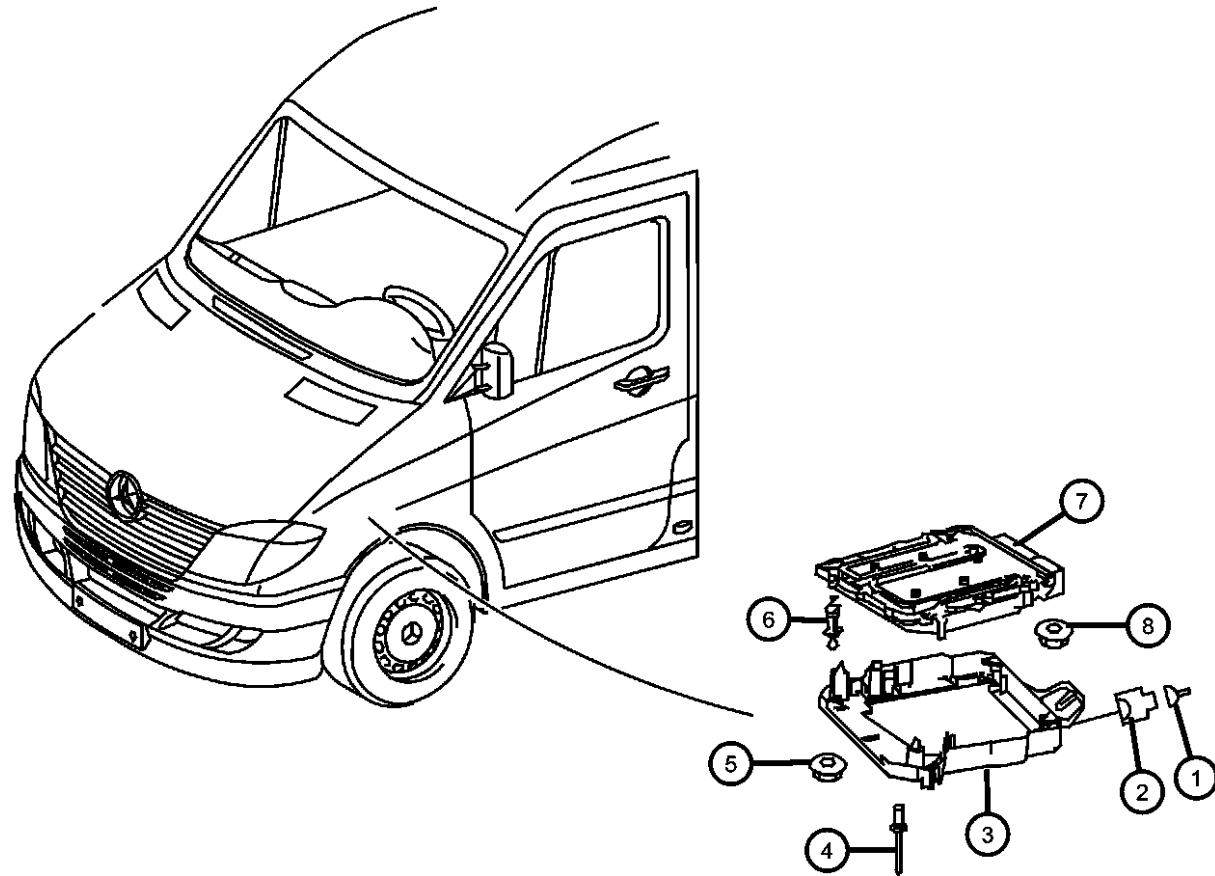
SPRINTER (VB)

SERIES	LINE	BODY	ENGINE	TRANSMISSION
L = LOWLINE	3 = HD DODGE 2WD 2 = Med. Duty DODGE 2WD	03 = CAB CHASSIS WHEEL BASE 3 05 = CAB CHASSIS WHEEL BASE 5 13 = 119 WB 53 = 119 WB 15 = VAN WHEEL BASE 5 55 = WAGON WHEEL BASE 5 17 = VAN WHEEL BASE 7	EG2 = 3.5L V6 Gas Engine EXM = 3.0L V6 Turbo Diesel Engine	DGZ = 5-Speed Auto W5A380 Transmission

AR = use ase required - = Non illustrated part

2007 VB

**Engine Control Modules
Figure 8-405**



ITEM	PART NUMBER	QTY	LINE	SERIES	BODY	ENGINE	TRANS	TRIM	DESCRIPTION
1									TERMINAL
	05103873AA	3	3, 7	L	03, 05	EG2, EXM	DGZ		
		3	2, 3, 6, 7	L	13, 15, 17, 53, 55	EG2, EXM	DGZ		
2	05120278AA	1	2, 3, 6, 7	L		EG2	DGZ		CONNECTOR
3	68013397AA	1	2, 3, 6, 7	L		EXM	DGZ		BRACKET, Engine Control Module
4	68013397AA	1							RIVET, (NOT SERVICED)
5									NUT
	68004878AA	1	2, 3, 6, 7	L	13, 15, 17, 53, 55	EG2, EXM	DGZ		Bracket to Body M6
		1	3, 7	L	03, 05	EXM	DGZ		Bracket to Body M6
6	68011848AA	2	2, 3, 6, 7	L		EG2	DGZ		RETAINER, Engine Control Module
7									MODULE, Powertrain Control
	68013393AA	1	3, 7	L	03, 05	EG2	DGZ		Up To [08/31/2006]
		1	2, 6	L	13, 15, 17, 53, 55	EG2	DGZ		Up To [08/31/2006]
	68018165AA	1	2, 3, 6, 7	L		EXM	DGZ		Up To [01/31/2007]
	68022860AA	1	2, 3, 6, 7	L		EG2			After [08/31/2006]
	68028085AA	1	2, 3, 6, 7	L		EXM	DGZ		After [01/31/2007]
8	68004878AA	4	2, 3, 6, 7	L	53, 55, 13, 15, 17	EG2, EXM	DGZ		NUT, Control Unit Fixture M6

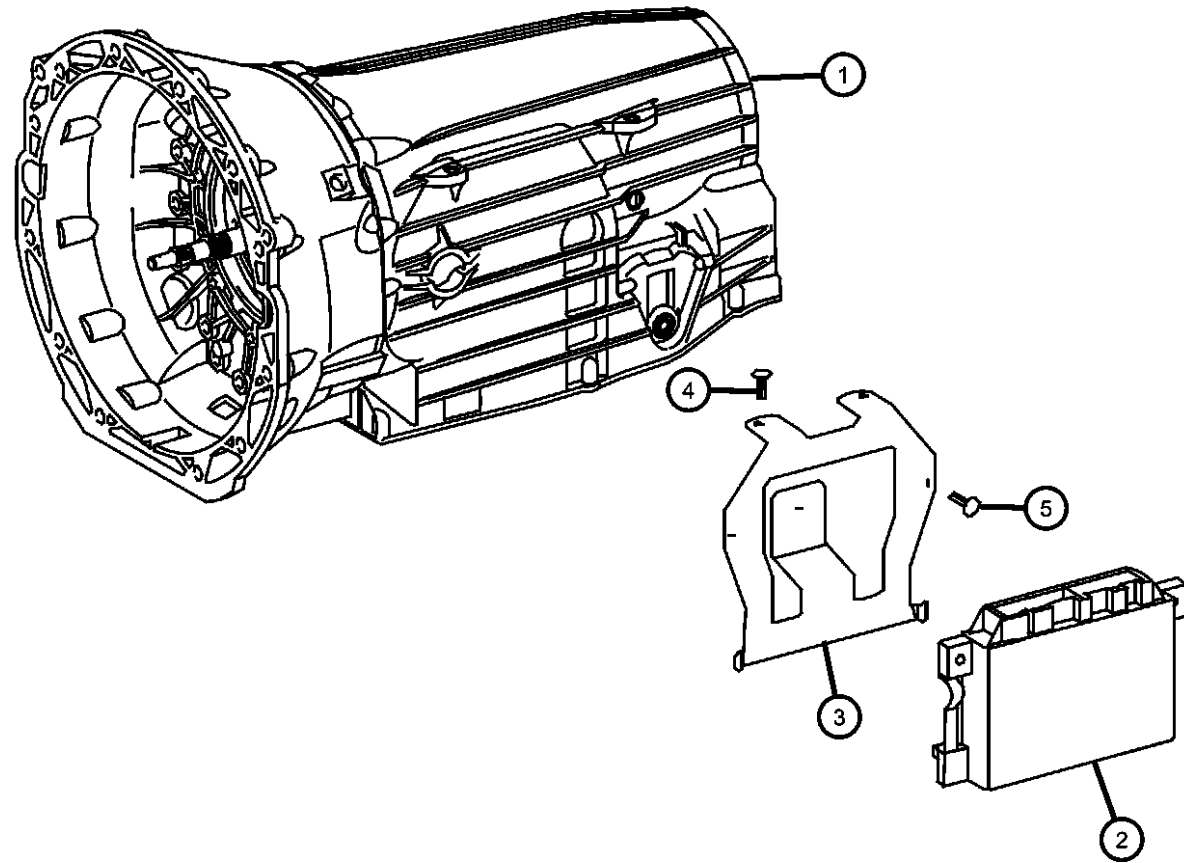
SPRINTER (VB)

SERIES	LINE	BODY	ENGINE	TRANSMISSION
L = LOWLINE	3 = HD DODGE 2WD 2 = Med. Duty DODGE 2WD	03 = CAB CHASSIS WHEEL BASE 3 05 = CAB CHASSIS WHEEL BASE 5 13 = 119 WB 53 = 119 WB 15 = VAN WHEEL BASE 5 55 = WAGON WHEEL BASE 5 17 = VAN WHEEL BASE 7	EG2 = 3.5L V6 Gas Engine EXM = 3.0L V6 Turbo Diesel Engine	DGZ = 5-Speed Auto W5A380 Transmission

AR = use ase required - = Non illustrated part

2007 VB

**Transmission Control Unit
Figure 8-410**



ITEM	PART NUMBER	QTY	LINE	SERIES	BODY	ENGINE	TRANS	TRIM	DESCRIPTION
1	68004878AA	4							TRANSMISSION, See Transmission Section, (NOT SERVICED)
2	68005316AA	1	2, 3, 6, 7	L		EXM	DGZ		MODULE, Transmission Control
	68013398AA	1	2, 3, 6, 7	L		EG2	DGZ		
3	68013402AA	1	2, 3, 6, 7	L		EXM, EG2	DGZ		BRACKET, Module
4									SCREW, Tapping
	06104566AA	3	3, 7	L	03, 05	EG2, EXM	DGZ		Bracket Mounting 4.2x13
		3	2, 3, 6, 7	L	13, 15, 17, 53, 55	EG2, EXM	DGZ		Bracket Mounting 4.2x13
5									SCREW
	06104567AA	2	3, 7	L	03, 05	EG2, EXM	DGZ		Control Unit to Bracket 4.2x16
		2	6, 7, 2, 3	L	13, 15, 17, 53, 55	EG2, EXM	DGZ		Control Unit to Bracket 4.2x16
-6									CONNECTOR
	05120838AA	1	2, 3, 6, 7	L		EG2, EXM	DGZ		[18 Pin N15/3]
	05120839AA	1	2, 3, 6, 7	L		EG2, EXM	DGZ		[12 Pin N15/3]
	68011208AA	1	2, 3, 6, 7	L		EG2, EXM	DGZ		[N15/3] Connector At Transmission Control Unit

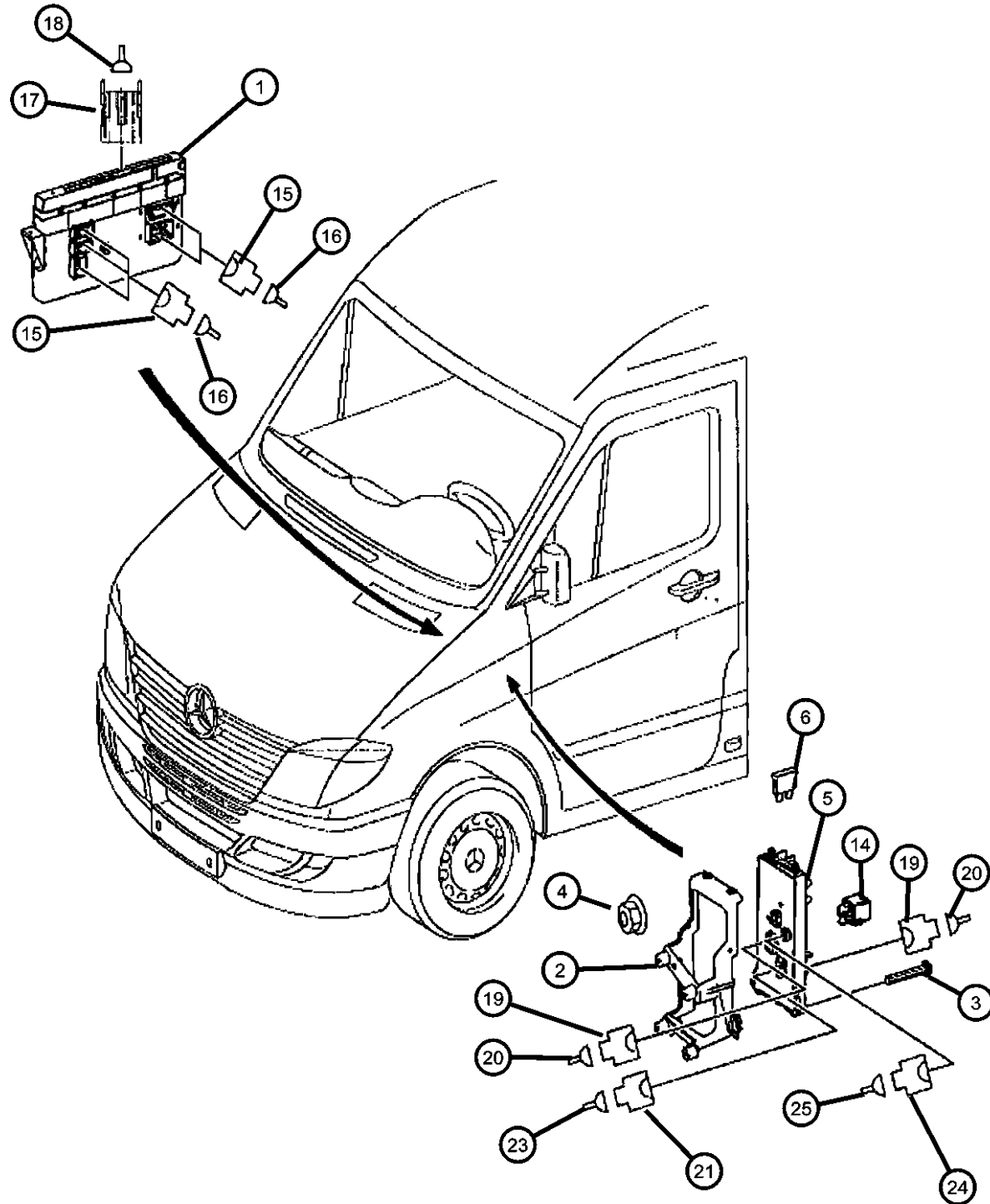
SPRINTER (VB)

SERIES	LINE	BODY	ENGINE	TRANSMISSION
L = LOWLINE	3 = HD DODGE 2WD 2 = Med. Duty DODGE 2WD	03 = CAB CHASSIS WHEEL BASE 3 05 = CAB CHASSIS WHEEL BASE 5 13 = 119 WB 53 = 119 WB 15 = VAN WHEEL BASE 5 55 = WAGON WHEEL BASE 5 17 = VAN WHEEL BASE 7	EG2 = 3.5L V6 Gas Engine EXM = 3.0L V6 Turbo Diesel Engine	DGZ = 5-Speed Auto W5A380 Transmission

AR = use ase required - = Non illustrated part

2007 VB

Fuse Box / Body Controller
Figure 8-415



ITEM	PART NUMBER	QTY	LINE	SERIES	BODY	ENGINE	TRANS	TRIM	DESCRIPTION
1	68013368AA	1	2, 3, 6, 7	L		EG2, EXM	DGZ		MODULE, Body Controller
2	68013376AA	1	2, 3, 6, 7	L		EG2, EXM	DGZ		BRACKET, Central Electrical System
3	68013376AA	1							SCREW, (NOT SERVICED)
4									NUT
	68004878AA	4	3, 7	L	03, 05	EG2, EXM	DGZ		Mounting, Electrical Center [M6]
		4	2, 3, 6, 7	L	13, 15, 17, 53, 55	EG2, EXM	DGZ		Mounting, Electrical Center [M6]
5	68013375AA	1	2, 3, 6, 7	L		EG2, EXM	DGZ		BLOCK, Fuse
6									FUSE, Mini, 5 Amp, Tan
	05101465AA	99	3, 7	L	03, 05	EG2, EXM	DGZ		
		99	2, 3, 6, 7	L	13, 15, 17, 53, 55	EG2, EXM	DGZ		
-7									FUSE, Blade Type, 7.5 AMP
	05101466AA	99	3, 7	L	03, 05	EG2, EXM	DGZ		
		99	2, 3, 6, 7	L	13, 15, 17, 53, 55	EG2, EXM	DGZ		
-8									FUSE, Standard, 10 AMP, Red
	05104643AA	99	3, 7	L	03, 05	EG2, EXM	DGZ		
		99	2, 3, 6, 7	L	13, 15, 17, 53, 55	EG2, EXM	DGZ		
-9									FUSE, Standard, 15 AMP, Light Blue
	05101467AA	99	3, 7	L	03, 05	EG2, EXM	DGZ		
		99	2, 3, 6, 7	L	13, 15, 17, 53, 55	EG2, EXM	DGZ		
-10									FUSE, Blade Type, 20 AMP, Yellow
	05101468AA	99	3, 7	L	03, 05	EG2, EXM	DGZ		
		99	2, 3, 6, 7	L	13, 15, 17, 53, 55	EG2, EXM	DGZ		
-11									FUSE
	05104644AA	99	3, 7	L	03, 05	EG2, EXM	DGZ		[25 Amps]
		99	2, 3, 6, 7	L	53, 55, 13, 15, 17	EG2, EXM	DGZ		[25 Amps]
-12									FUSE
	05101469AA	99	3, 7	L	03, 05	EG2, EXM	DGZ		[30 Amp]
		99	2, 3, 6, 7	L	13, 15, 17, 53, 55	EG2, EXM	DGZ		[30 Amp]

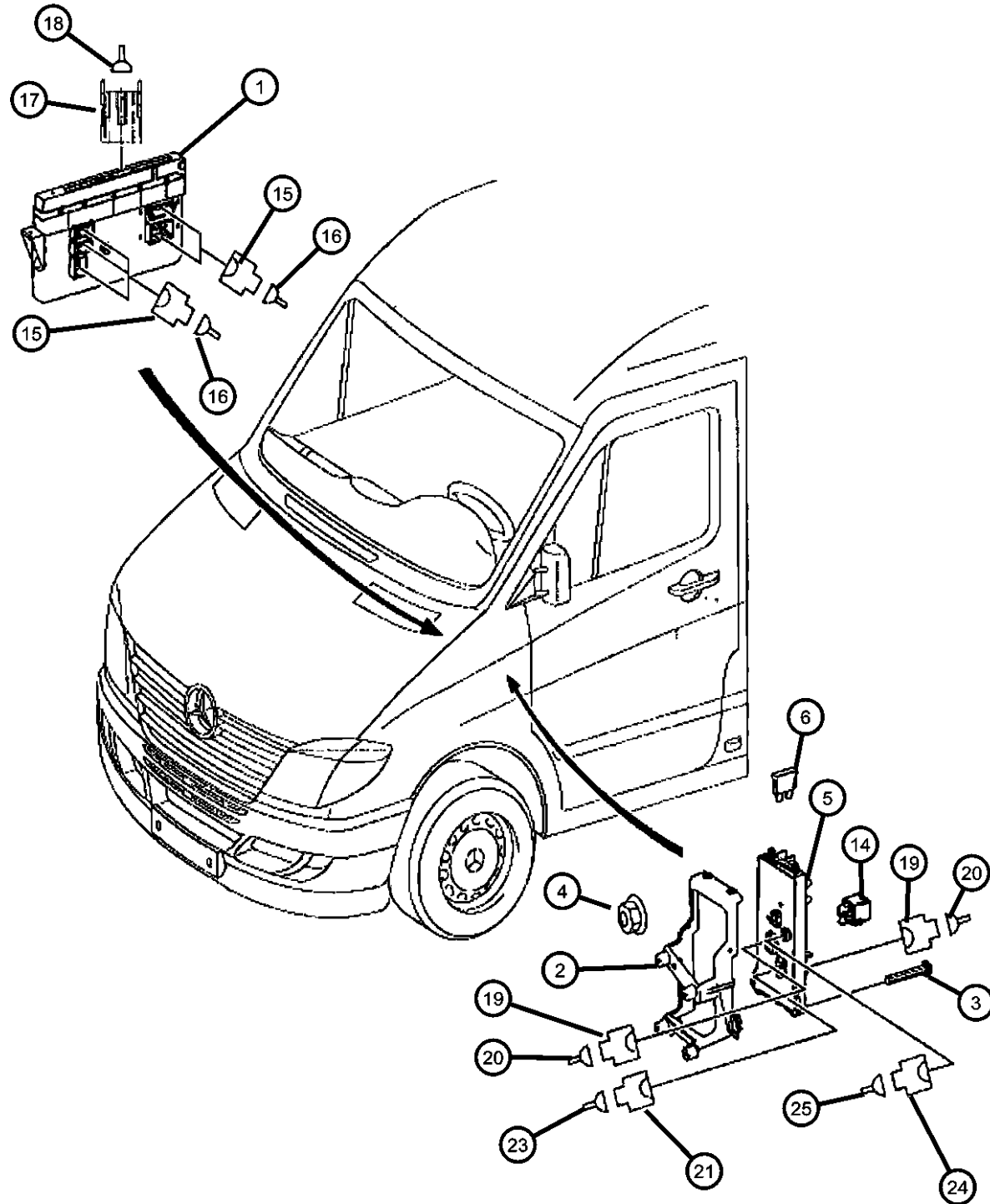
SPRINTER (VB)

SERIES	LINE	BODY	ENGINE	TRANSMISSION
L = LOWLINE	3 = HD DODGE 2WD 2 = Med. Duty DODGE 2WD	03 = CAB CHASSIS WHEEL BASE 3 05 = CAB CHASSIS WHEEL BASE 5 13 = 119 WB 53 = 119 WB 15 = VAN WHEEL BASE 5 55 = WAGON WHEEL BASE 5 17 = VAN WHEEL BASE 7	EG2 = 3.5L V6 Gas Engine EXM = 3.0L V6 Turbo Diesel Engine	DGZ = 5-Speed Auto W5A380 Transmission

AR = use ase required - = Non illustrated part

2007 VB

Fuse Box / Body Controller
Figure 8-415



ITEM	PART NUMBER	QTY	LINE	SERIES	BODY	ENGINE	TRANS	TRIM	DESCRIPTION
-13	68005061AA	AR	2, 3, 6, 7	L		EG2, EXM	DGZ		TERMINAL, [25 Amp]
14									RELAY
	05101505AA	1	3, 7	L	03, 05	EG2, EXM	DGZ		Windshield Wiper [On / Off]
		1	3, 7	L	03, 05	EG2, EXM	DGZ		Starter Motor / Terminal [50]
		1	2, 3, 6, 7	L	13, 15, 17, 53, 55	EG2, EXM	DGZ		Starter Motor / Terminal [50]
		1	2, 3, 6, 7	L	13, 15, 17, 53, 55	EG2, EXM	DGZ		Windshield Wiper [On / Off]
		1	2, 3, 6, 7	L	13, 15, 17, 53, 55	EG2, EXM	DGZ		Windshield Wiper Stage [1 / 2]
	05103560AA	1	3, 7	L	03, 05	EG2, EXM	DGZ		Fuel Pump & Horn
		1	2, 3, 6, 7	L	13, 15, 17, 53, 55	EG2, EXM	DGZ		Fuel Pump & Horn
		1	3, 7	L	03, 05	EG2, EXM	DGZ		Windshield Wiper Stage [1 / 2]
	05120360AA	1	2, 6	L	13, 15, 17, 53, 55	EG2	DGZ		Ignition / Terminal [15]
		1	2, 3, 6, 7	L	13, 15, 17, 53, 55	EG2, EXM	DGZ		Ignition / Terminal [15]
		1	2, 3, 6, 7	L	13, 15, 17, 53, 55	EG2, EXM	DGZ		Engine Control / Terminal [87]
		1	2, 3, 6, 7	L	13, 15, 17, 53, 55	EG2, EXM	DGZ		Circuit [15R]
		1	3, 7	L	03, 05	EG2, EXM	DGZ		Circuit [15R]
		1	3, 7	L	03, 05	EG2, EXM	DGZ		Engine Control / Terminal [87]
15									CONNECTOR
	05103750AA	1	2, 3, 6, 7	L		EG2, EXM	DGZ		[18 Pin / N10]
	05120753AA	1	2, 3, 6, 7	L		EG2, EXM	DGZ		[24 Pin / N10]
	05120754AA	1	2, 3, 6, 7	L		EG2, EXM	DGZ		[52 Pin / N10]
	68011229AA	1	2, 3, 6, 7	L		EG2, EXM	DGZ		[6 Pin / N10]
	68011289AA	1	2, 3, 6, 7	L		EG2, EXM	DGZ		[20 Pin / N10]
16									TERMINAL
	05103873AA	3	3, 7	L	03, 05	EG2, EXM	DGZ		[0.75 MM2 / MQS N10]
		3	2, 3, 6, 7	L	13, 15, 17, 53, 55	EG2, EXM	DGZ		[0.75 MM2 / MQS N10]
17	05133407AA	1	2, 3, 6, 7	L		EG2, EXM	DGZ		BLOCK, Fuse, Fuse Holder / Air Conditioner [F69]
18	68016737AA	AR	2, 3, 6, 7	L		EG2, EXM	DGZ		TERMINAL, [6.0 - 10.0 MM2]

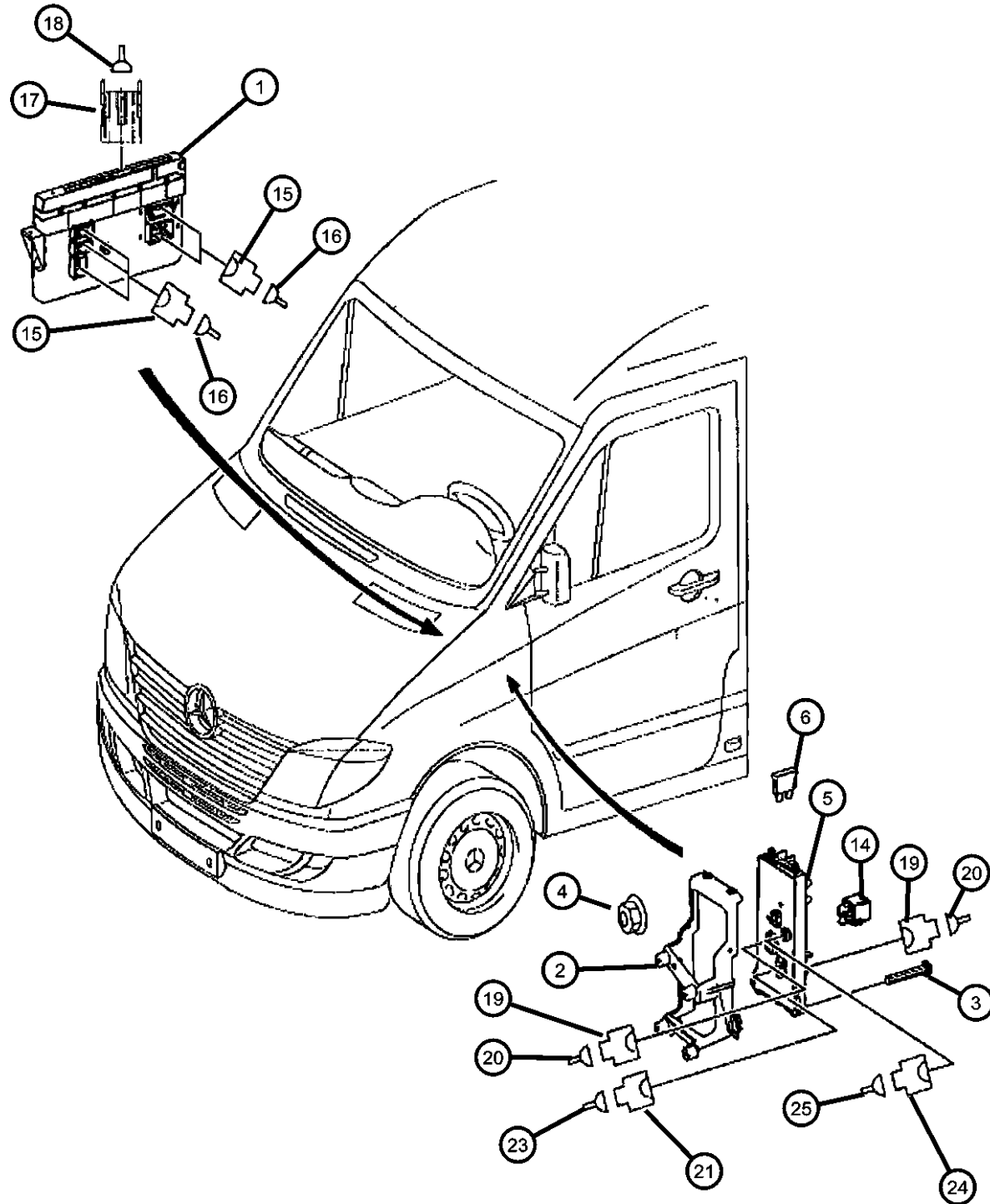
SPRINTER (VB)

SERIES	LINE	BODY	ENGINE	TRANSMISSION
L = LOWLINE	3 = HD DODGE 2WD 2 = Med. Duty DODGE 2WD	03 = CAB CHASSIS WHEEL BASE 3 05 = CAB CHASSIS WHEEL BASE 5 13 = 119 WB 53 = 119 WB 15 = VAN WHEEL BASE 5 55 = WAGON WHEEL BASE 5 17 = VAN WHEEL BASE 7	EG2 = 3.5L V6 Gas Engine EXM = 3.0L V6 Turbo Diesel Engine	DGZ = 5-Speed Auto W5A380 Transmission

AR = use ase required - = Non illustrated part

2007 VB

Fuse Box / Body Controller
Figure 8-415



ITEM	PART NUMBER	QTY	LINE	SERIES	BODY	ENGINE	TRANS	TRIM	DESCRIPTION
19	68011348AA	1	2, 3, 6, 7	L		EG2, EXM	DGZ		CONNECTOR [15 Pin K40/9]
	68011398AA	1	2, 3, 6, 7	L		EG2, EXM	DGZ		[18 Pin K40/9]
20	05103892AA	1	2, 3, 6, 7	L		EG2, EXM	DGZ		TERMINAL [0.5 - 1.0 MM2 MCP;K40/9]
	05103893AA	AR	2, 3, 6, 7	L		EG2, EXM	DGZ		[1.5 - 2.5 MM2;K40/9]
21	68011273AA	1	2, 3, 6, 7	L		EG2, EXM	DGZ		CONNECTOR [3 Pin; K40/9]
	68016735AA	1	2, 3, 6, 7	L		EG2, EXM	DGZ		[14 Pin; K40/9]
-22	68016736AA	1	2, 3, 6, 7	L		EG2, EXM	DGZ		COVER, Fuseblock, [K40/9]
23	68011163AA	AR	2, 3, 6, 7	L		EG2, EXM	DGZ		TERMINAL, [16-25 QMM; K40/9]
24	05143907AA	2	3, 7	L	05, 03	EG2, EXM	DGZ		CONNECTOR [1 Pin / K40/9]
		2	2, 3, 6, 7	L	13, 15, 17, 53, 55	EG2, EXM	DGZ		[1 Pin / K40/9]
25	05103873AA	3	2, 3, 6, 7	L	13, 15, 17, 53, 55	EG2, EXM	DGZ		TERMINAL [.075 MM2: MQ2 K40/9]
		3	3, 7	L	03, 05	EG2, EXM	DGZ		[.075 MM2: MQ2 K40/9]

SPRINTER (VB)

SERIES LINE
L = LOWLINE 3 = HD DODGE 2WD
2 = Med. Duty DODGE 2WD

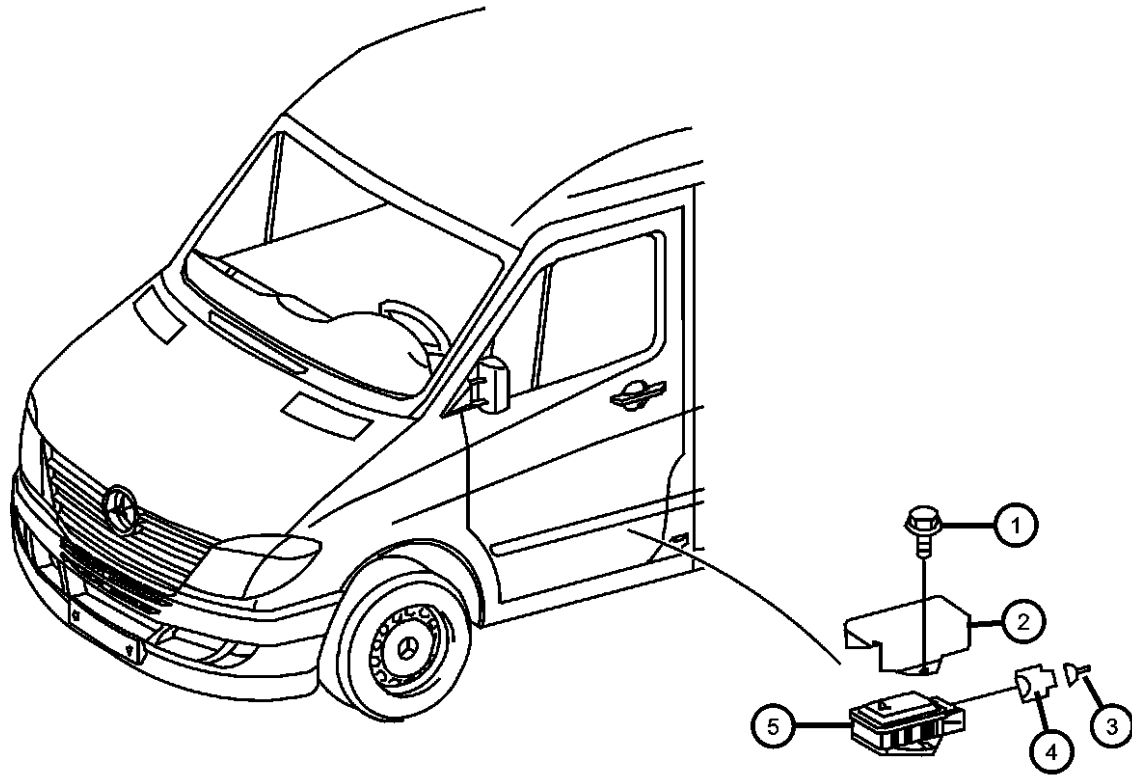
BODY ENGINE TRANSMISSION
03 = CAB CHASSIS WHEEL EG2 = 3.5L V6 Gas Engine DGZ = 5-Speed Auto W5A380
BASE 3 EXM = 3.0L V6 Turbo Diesel Transmission
05 = CAB CHASSIS WHEEL Engine
BASE 5
13 = 119 WB
53 = 119 WB
15 = VAN WHEEL BASE 5
55 = WAGON WHEEL BASE 5
17 = VAN WHEEL BASE 7

AR = use ase required - = Non illustrated part

2007 VB

**Electronic Stability Program (ESP)
Figure 8-420**

ITEM	PART NUMBER	QTY	LINE	SERIES	BODY	ENGINE	TRANS	TRIM	DESCRIPTION
1									SCREW
	06104142AA	2	3, 7	L	03, 05	EG2, EXM	DGZ		Cap M6x16
		2	2, 3, 6, 7	L	13, 15, 17, 53, 55	EXM, EG2	DGZ		Cap M6x16
2	05129653AA	1	2, 3, 6, 7	L		EG2, EXM	DGZ		COVER, Fuseblock, Turn Rate Sensor
3									TERMINAL
	05103873AA	3	3, 7	L	03, 05	EG2, EXM	DGZ		0.75 MM2,MQS;B24/15
		3	2, 3, 6, 7	L	13, 15, 17, 53, 55	EG2, EXM	DGZ		0.75 MM2,MQS;B24/15
4	68011286AA	1	2, 3, 6, 7	L		EG2, EXM	DGZ		CONNECTOR, Turn Rate Sensor 4-PIN,B24/15
5	68013423AA	1	2, 3, 6, 7	L		EG2, EXM	DGZ		SENSOR, Yaw Rate, Turn Rate Sensor



SPRINTER (VB)

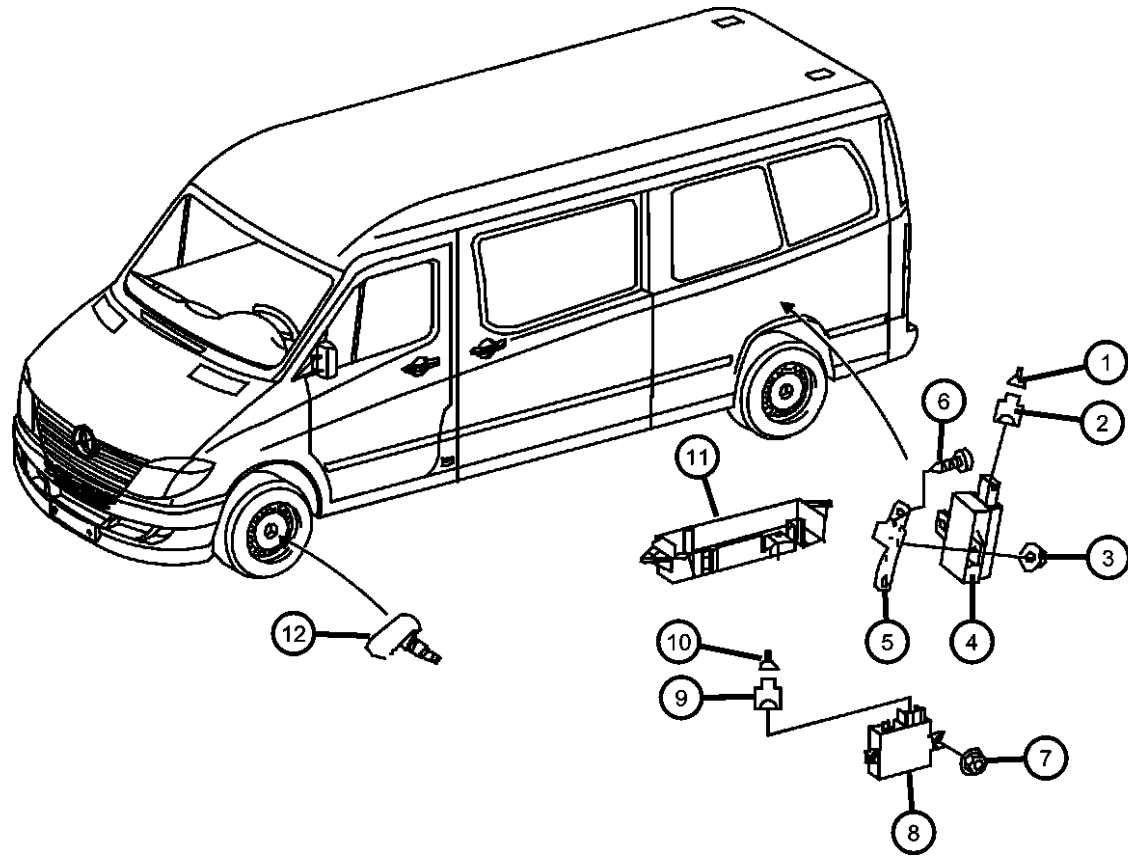
SERIES	LINE	BODY	ENGINE	TRANSMISSION
L = LOWLINE	3 = HD DODGE 2WD 2 = Med. Duty DODGE 2WD	03 = CAB CHASSIS WHEEL BASE 3 05 = CAB CHASSIS WHEEL BASE 5 13 = 119 WB 53 = 119 WB 15 = VAN WHEEL BASE 5 55 = WAGON WHEEL BASE 5 17 = VAN WHEEL BASE 7	EG2 = 3.5L V6 Gas Engine EXM = 3.0L V6 Turbo Diesel Engine	DGZ = 5-Speed Auto W5A380 Transmission

AR = use ase required - = Non illustrated part

2007 VB

**Tire Pressure Check
Figure 8-425**

ITEM	PART NUMBER	QTY	LINE	SERIES	BODY	ENGINE	TRANS	TRIM	DESCRIPTION
1	05103874AA	1	2, 3, 6, 7	L		EG2, EXM	DGZ		TERMINAL
2	68011286AA	1	2, 3, 6, 7	L		EG2, EXM	DGZ		CONNECTOR
3									NUT
	68004878AA	2	3, 7	L	03, 05	EG2, EXM	DGZ		Bracket to Floor M6
		2	2, 3, 6, 7	L	13, 15, 17, 53, 55	EG2, EXM	DGZ		Bracket to Floor M6
	68026696AA	2	2, 6	L	13, 15, 17, 53, 55	EG2, EXM	DGZ		Bracket To Floor
4	68013414AA	2	2, 6	L		EG2, EXM	DGZ		MODULE, Low Tire Pressure Warning
5	68013426AA	1	2, 6	L		EG2, EXM	DGZ		BRACKET, Antenna
6	06104566AA	2	2, 3, 6, 7	L		EG2, EXM	DGZ		SCREW, Tapping, Protective Cap to Bracket 4.2x13
7									NUT
	68004878AA	2	3, 7	L	13, 15, 17, 53, 55	EXM	DGZ		Control Unit Fixture M6
		2	3, 7	L	03, 05	EXM	DGZ		Control Unit Fixture M6
8	68019246AA	1	2, 6	L		EG2, EXM	DGZ		MODULE, Low Tire Pressure Warning
9	05103750AA	1	2, 3, 6, 7	L		EG2, EXM	DGZ		CONNECTOR, Tire Pressure Monitor Control Module 18-PIN;N88/1
10									TERMINAL
	05103873AA	3	3, 7	L	03, 05	EG2, EXM	DGZ		0.75 MM2 MQS;N88/1
		3	2, 3, 6, 7	L	13, 15, 17, 53, 55	EG2, EXM	DGZ		0.75 MM2 MQS;N88/1
11	68004810AA	1	2, 3, 6, 7	L		EG2, EXM	DGZ		COVER, Antenna
12	68006771AA	4	2, 6	L		EG2, EXM	DGZ		SENSOR, Tire Pressure, Valve stem



SPRINTER (VB)

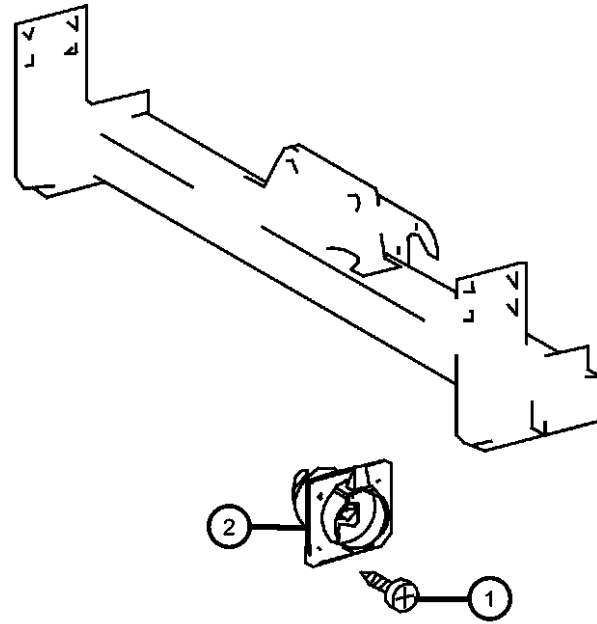
SERIES	LINE	BODY	ENGINE	TRANSMISSION
L = LOWLINE	3 = HD DODGE 2WD 2 = Med. Duty DODGE 2WD	03 = CAB CHASSIS WHEEL BASE 3 05 = CAB CHASSIS WHEEL BASE 5 13 = 119 WB 53 = 119 WB 15 = VAN WHEEL BASE 5 55 = WAGON WHEEL BASE 5 17 = VAN WHEEL BASE 7	EG2 = 3.5L V6 Gas Engine EXM = 3.0L V6 Turbo Diesel Engine	DGZ = 5-Speed Auto W5A380 Transmission

AR = use ase required - = Non illustrated part

2007 VB

**Trailer Coupling
Figure 8-430**

ITEM	PART NUMBER	QTY	LINE	SERIES	BODY	ENGINE	TRANS	TRIM	DESCRIPTION
1	05104609AA	4	2, 3, 6, 7	L		EG2, EXM	DGZ		SCREW, Socket Mounting 4.8x13
2	05127261AA	1	2, 3, 6, 7	L		EG2, EXM	DGZ		CONNECTOR, 7 Way



SPRINTER (VB)

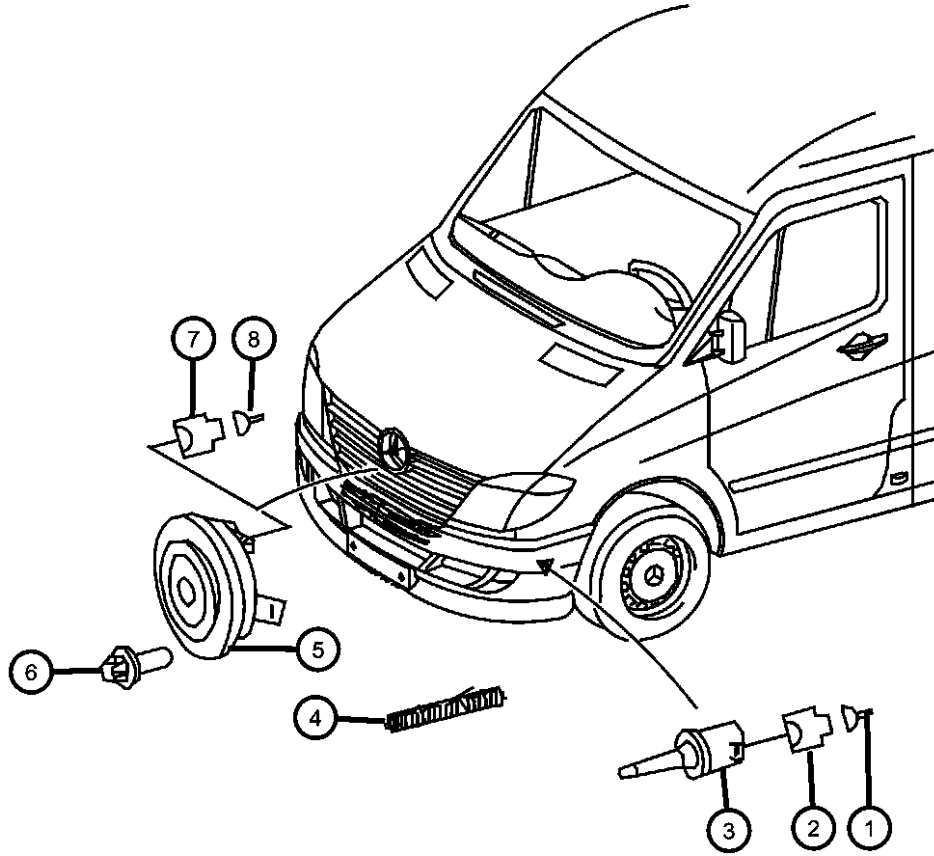
SERIES	LINE	BODY	ENGINE	TRANSMISSION
L = LOWLINE	3 = HD DODGE 2WD 2 = Med. Duty DODGE 2WD	03 = CAB CHASSIS WHEEL BASE 3 05 = CAB CHASSIS WHEEL BASE 5 13 = 119 WB 53 = 119 WB 15 = VAN WHEEL BASE 5 55 = WAGON WHEEL BASE 5 17 = VAN WHEEL BASE 7	EG2 = 3.5L V6 Gas Engine EXM = 3.0L V6 Turbo Diesel Engine	DGZ = 5-Speed Auto W5A380 Transmission

AR = use ase required - = Non illustrated part

2007 VB

Horn & Outboard Temperature Sensor
Figure 8-435

ITEM	PART NUMBER	QTY	LINE	SERIES	BODY	ENGINE	TRANS	TRIM	DESCRIPTION
1	05103873AA	3	3, 7	L	03, 05	EG2, EXM	DGZ		TERMINAL 0.75 MM2,MQS;B14
		3	2, 3, 6, 7	L	13, 15, 17, 53, 55	EG2, EXM	DGZ		0.75 MM2,MQS;B14
2	05120277AA	1	2, 3, 6, 7	L		EG2, EXM	DGZ		CONNECTOR, Wiring Repair, Sensor of Outside Temperature Indicator 2-PIN,B14
3	05101096AA	1	3, 7	L	03, 05	EG2, EXM	DGZ		SENSOR, Ambient Temperature Outboard Temperature Feeler
		1	2, 3, 6, 7	L	13, 15, 17, 53, 55	EG2, EXM	DGZ		Outboard Temperature Feeler
4	05133388AA	1	2, 3, 6, 7	L		EG2, EXM	DGZ		TUBE, Heat Shrink, H1,H18,H18/1 HORN
5	05120370AA	1	3, 7	L	03, 05	EG2, EXM	DGZ		
		1	2, 3, 6, 7	L	13, 15, 17, 53, 55	EG2, EXM	DGZ		
6	05073723AB	1	2, 3, 6, 7	L		EXM	DGZ		SCREW, Horn Mounting M8x20
7	05166277AA	1	2, 3, 6, 7	L		EG2, EXM	DGZ		CONNECTOR, 2-PIN,H1
8	68011404AA	AR	2, 3, 6, 7	L		EG2, EXM	DGZ		TERMINAL, H1



SPRINTER (VB)

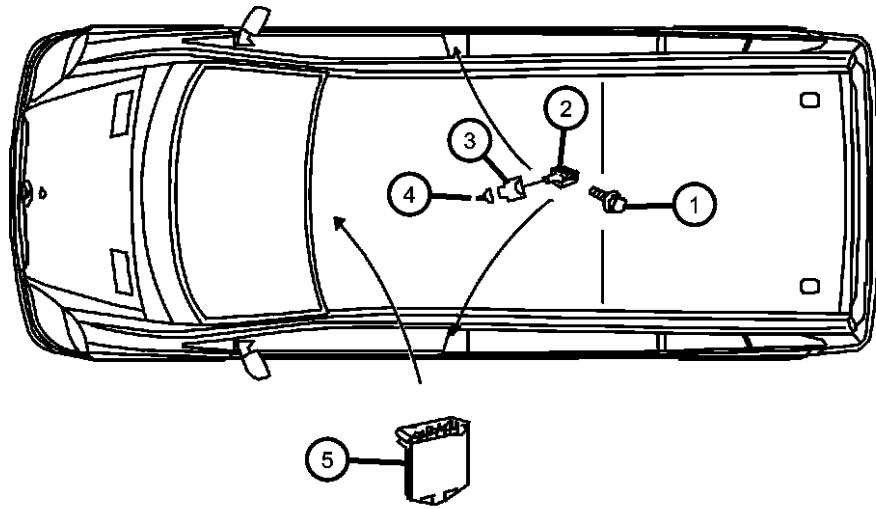
SERIES	LINE	BODY	ENGINE	TRANSMISSION
L = LOWLINE	3 = HD DODGE 2WD 2 = Med. Duty DODGE 2WD	03 = CAB CHASSIS WHEEL BASE 3 05 = CAB CHASSIS WHEEL BASE 5 13 = 119 WB 53 = 119 WB 15 = VAN WHEEL BASE 5 55 = WAGON WHEEL BASE 5 17 = VAN WHEEL BASE 7	EG2 = 3.5L V6 Gas Engine EXM = 3.0L V6 Turbo Diesel Engine	DGZ = 5-Speed Auto W5A380 Transmission

AR = use ase required - = Non illustrated part

2007 VB

**Belt Locking Retractor,Airbag & Sidebag
Figure 8-440**

ITEM	PART NUMBER	QTY	LINE	SERIES	BODY	ENGINE	TRANS	TRIM	DESCRIPTION
1									SCREW
	06104188AA	2	3, 7	L	03, 05	EG2, EXM	DGZ		Control Unit to Bracket
		2	2, 3, 6, 7	L	13, 15, 17, 53, 55	EG2, EXM	DGZ		Control Unit to Bracket
2	68013424AA	2	2, 3, 6, 7	L		EG2, EXM	DGZ		SENSOR, Side Airbag Impact
3	68011282AA	2	2, 3, 6, 7	L		EG2, EXM	DGZ		CONNECTOR, Sensor Sidebag 2-PIN;A53,A54
4	05103874AA	1	2, 3, 6, 7	L		EG2, EXM	DGZ		TERMINAL, 0.75MM2,MQS,A53,A54
5	68023545AA	1	2, 3, 6, 7	L		EG2, EXM	DGZ		MODULE, Air Bag Control



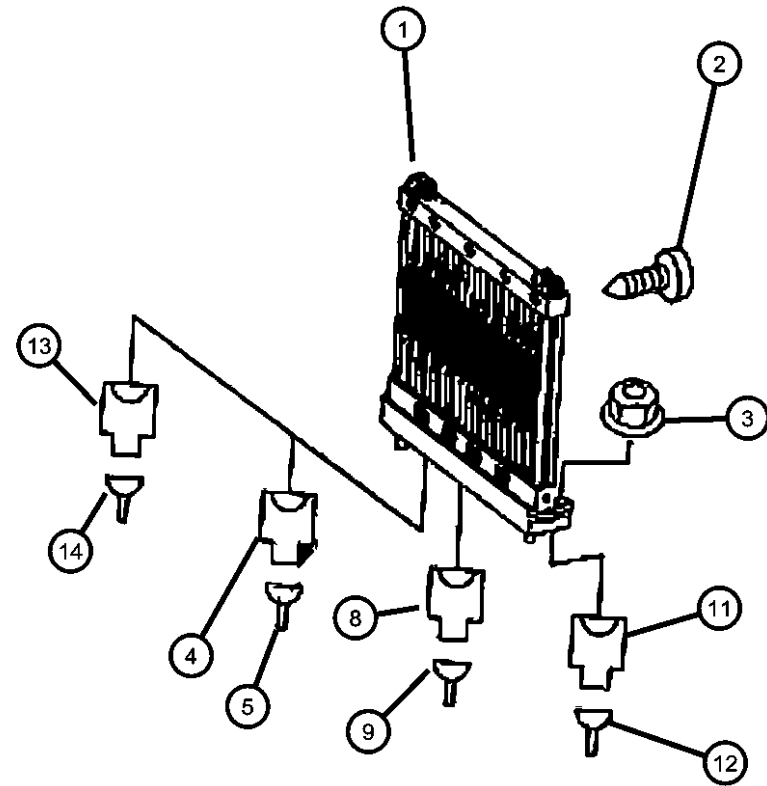
SPRINTER (VB)

SERIES	LINE	BODY	ENGINE	TRANSMISSION
L = LOWLINE	3 = HD DODGE 2WD 2 = Med. Duty DODGE 2WD	03 = CAB CHASSIS WHEEL BASE 3 05 = CAB CHASSIS WHEEL BASE 5 13 = 119 WB 53 = 119 WB 15 = VAN WHEEL BASE 5 55 = WAGON WHEEL BASE 5 17 = VAN WHEEL BASE 7	EG2 = 3.5L V6 Gas Engine EXM = 3.0L V6 Turbo Diesel Engine	DGZ = 5-Speed Auto W5A380 Transmission

AR = use ase required - = Non illustrated part

2007 VB

**Auxiliary Heater Control Unit
Figure 8-445**



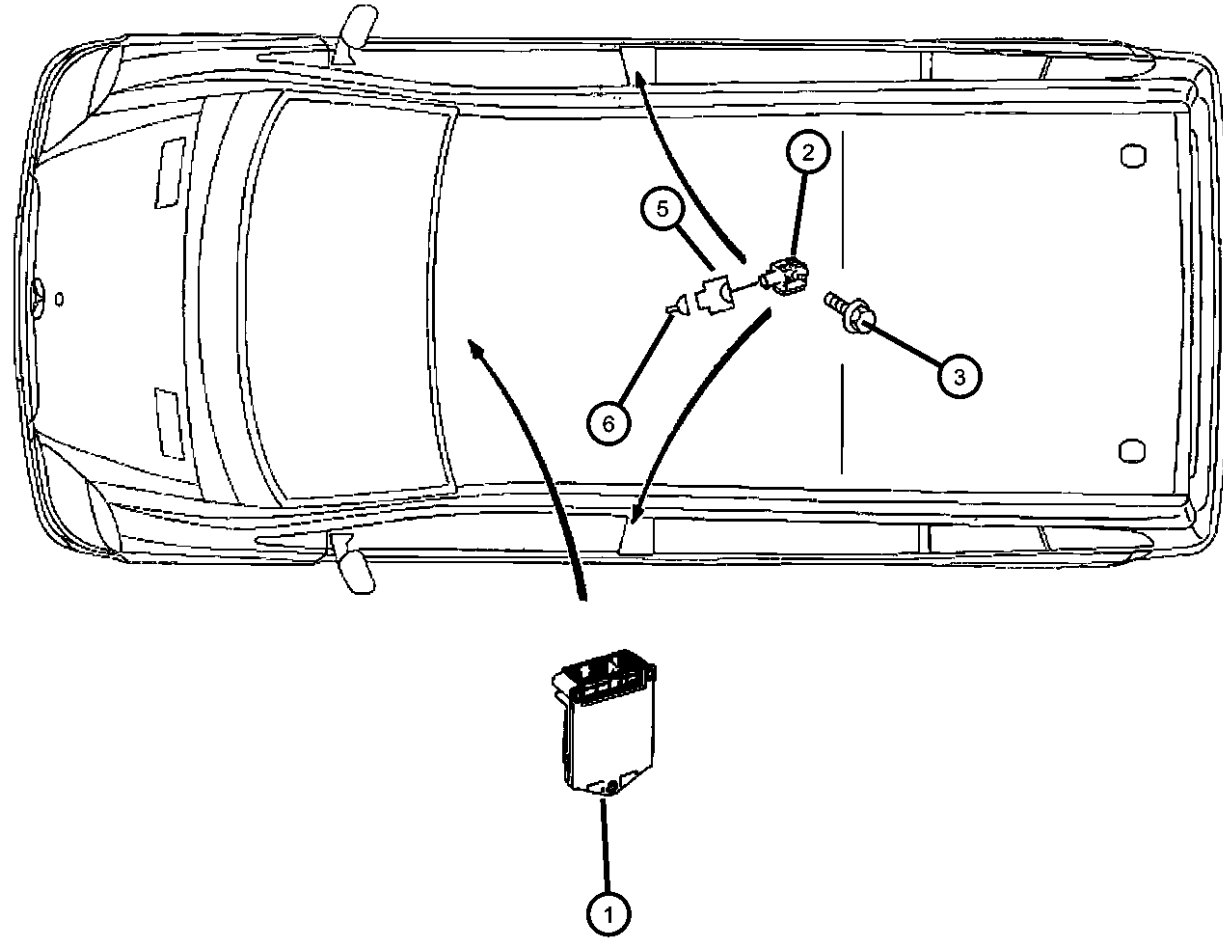
ITEM	PART NUMBER	QTY	LINE	SERIES	BODY	ENGINE	TRANS	TRIM	DESCRIPTION
1	68012665AA	1	2, 3, 6, 7	L		EG2, EXM	DGZ		HEATER, Electric Power Heater Control Module / With [HB9]
2	68012630AA	2	2, 3, 6, 7	L	13, 15, 17, 53, 55	EG2, EXM	DGZ		SCREW, [M4x16] Module Mounting
3	06105169AA	2	2, 3, 6, 7	L		EXM, EG2	DGZ		NUT, Heater Module Mounting [M8]
4	05133296AA	1	2, 3, 6, 7	L		EG2, EXM	DGZ		CONNECTOR, [N33/2]
5									TERMINAL
	05103880AA	AR	2, 3, 6, 7	L		EG2, EXM	DGZ		[0.5 - 1.0 MM2 / JPT;N33/2]
	05133370AA	2	2, 3, 6, 7	L		EG2, EXM	DGZ		[1.5 - 2.5 MM2 JPT; N33/2]
-6									GASKET
	05103661AA	1	2, 3, 6, 7	L		EG2, EXM	DGZ		[0.5 - 1.0 MM; N33/2]
	05120833AA	2	2, 3, 6, 7	L		EG2, EXM	DGZ		[1.0 - 2.5 MM; N33/2]
-7	05120833AA	2	2, 3, 6, 7	L		EG2, EXM	DGZ		GASKET, [N33/2]
8	68011286AA	1	2, 3, 6, 7	L		EG2, EXM	DGZ		CONNECTOR, [4 Pin / N33/2]
9	05103874AA	1	2, 3, 6, 7	L		EG2, EXM	DGZ		TERMINAL, [.75 MM2, MQS; N33/2]
-10	05120860AA	1	2, 3, 6, 7	L		EG2, EXM	DGZ		GASKET, [1.6 - 1.9 MM2; N33/2]
11	05120277AA	1	2, 3, 6, 7	L		EG2, EXM	DGZ		CONNECTOR, Wiring Repair, Temperature Sensor / [2 Pin B10/6]]
12	05120860AA	1	7, 2, 3, 6	L		EG2, EXM	DGZ		GASKET, [1.6 - 1.9 MM2; B10/6]
13	68011231AA	1	2, 3, 6, 7	L		EG2, EXM	DGZ		CONNECTOR, [PTC] Heater Booster / 4 Pin N33/4
14	05103873AA	3	2, 3, 6, 7	L	13, 15, 17, 53, 55	EG2, EXM	DGZ		TERMINAL, [.75 MM2 MQS; N33/4]

SPRINTER (VB)

SERIES	LINE	BODY	ENGINE	TRANSMISSION
L = LOWLINE	3 = HD DODGE 2WD 2 = Med. Duty DODGE 2WD	03 = CAB CHASSIS WHEEL BASE 3 05 = CAB CHASSIS WHEEL BASE 5 13 = 119 WB 53 = 119 WB 15 = VAN WHEEL BASE 5 55 = WAGON WHEEL BASE 5 17 = VAN WHEEL BASE 7	EG2 = 3.5L V6 Gas Engine EXM = 3.0L V6 Turbo Diesel Engine	DGZ = 5-Speed Auto W5A380 Transmission

AR = use ase required - = Non illustrated part

**Air Bag Control Unit
Figure 8-450**



ITEM	PART NUMBER	QTY	LINE	SERIES	BODY	ENGINE	TRANS	TRIM	DESCRIPTION
1	68029747AA	1	2, 3, 6, 7	L		EXM	DGZ		MODULE, Air Bag Control With Auxiliary Diesel Heater / With Or Without Front, Side & Curtain Airbags
	68029750AA	1	2, 3, 6, 7	L		EG2, EXM	DGZ		With Front, Side & Curtain Airbags / Without Auxiliary Diesel Heater
	68029771AA	1	2, 3, 6, 7	L		EG2, EXM	DGZ		Standard Front Drivers & Passenger Airbag Only
2	68013424AA	2	3, 6, 7, 2	L		EG2, EXM	DGZ		SENSOR, Side Airbag Impact, Window & Thorax Air Bag Sensor
3	06104188AA	2	2, 3, 6, 7	L	13, 15, 17, 53, 55	EG2, EXM	DGZ		SCREW, Control Unit To Bracket [M6x55]
-4	06104004AA	1	2, 3, 6, 7	L		EXM	DGZ		BOLT, Control Unit To Floor [M6x12]
5	68011282AA	2	2, 3, 6, 7	L		EG2, EXM	DGZ		CONNECTOR, Side Air Bag [2 Pin A53/A54]
6	05103874AA	1	2, 3, 6, 7	L		EG2, EXM	DGZ		TERMINAL, [.75MM2; MQS; A53/A54]2
-7	05120860AA	1	2, 3, 6, 7	L		EG2, EXM	DGZ		GASKET, [1.6 - 1.9 MM2 / A53/A54]

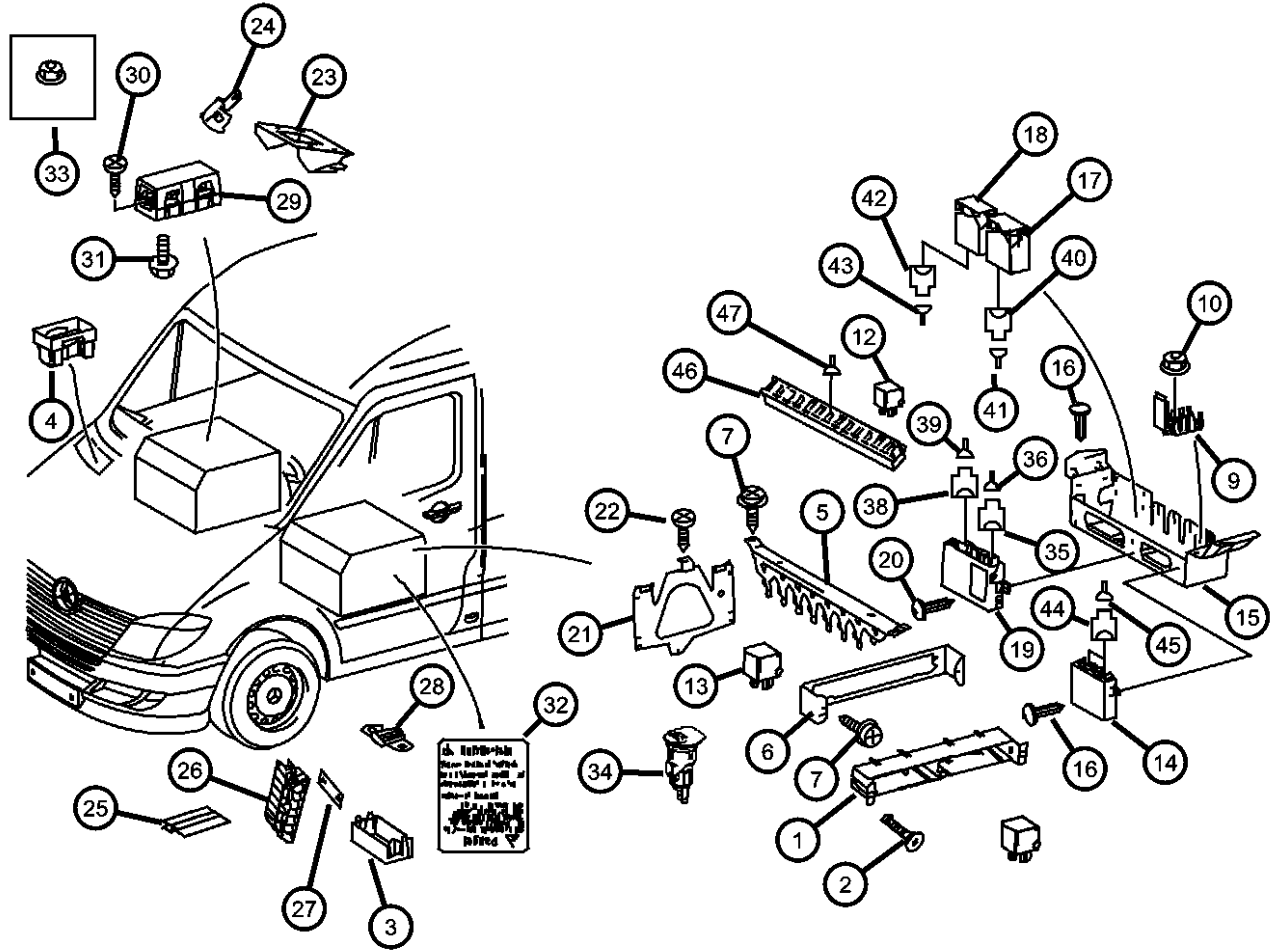
SPRINTER (VB)

SERIES	LINE	BODY	ENGINE	TRANSMISSION
L = LOWLINE	3 = HD DODGE 2WD 2 = Med. Duty DODGE 2WD	03 = CAB CHASSIS WHEEL BASE 3 05 = CAB CHASSIS WHEEL BASE 5 13 = 119 WB 53 = 119 WB 15 = VAN WHEEL BASE 5 55 = WAGON WHEEL BASE 5 17 = VAN WHEEL BASE 7	EG2 = 3.5L V6 Gas Engine EXM = 3.0L V6 Turbo Diesel Engine	DGZ = 5-Speed Auto W5A380 Transmission

AR = use ase required - = Non illustrated part

2007 VB

Relay, Fusebox And Control Modules Seat Frame
Figure 8-510



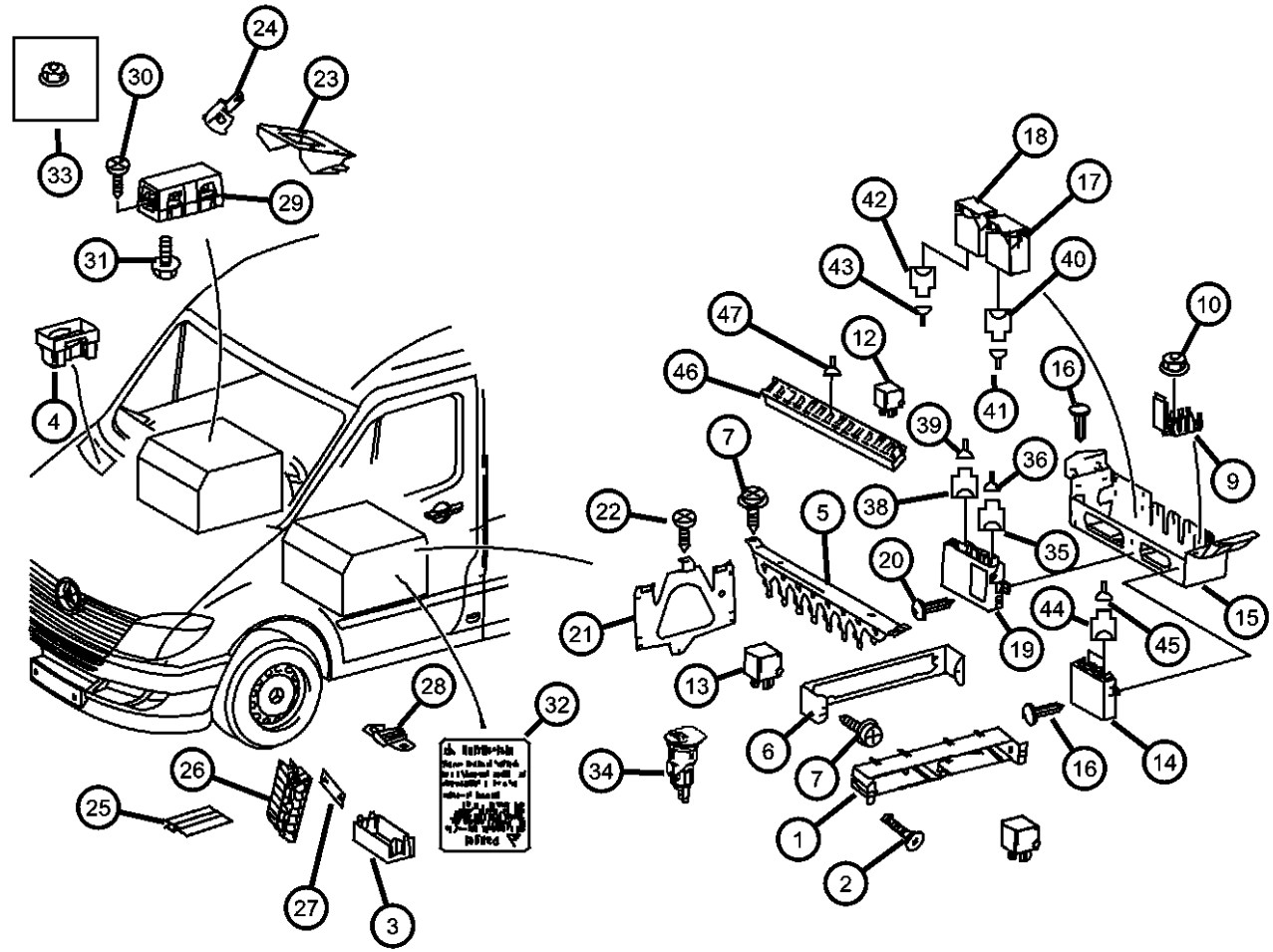
ITEM	PART NUMBER	QTY	LINE	SERIES	BODY	ENGINE	TRANS	TRIM	DESCRIPTION
1	05120507AA	1	2, 3, 6, 7	L	13, 15, 17, 53, 55	EG2, EXM	DGZ		CONNECTOR
2	68033265AA	2	2, 3, 6, 7	L		EG2, EXM	DGZ		SCREW
3	68013387AA	1	2, 3, 6, 7	L		EG2, EXM	DGZ		BRACKET
4	05139184AA	1	2, 3, 6, 7	L	13, 15, 17, 53, 55	EG2, EXM	DGZ		CONNECTOR
5	68011039AA	1	2, 3, 6, 7	L		EG2, EXM	DGZ		BRACKET, Relay
6	68011038AA	1	2, 3, 6, 7	L		EG2, EXM	DGZ		BRACKET, Relay
7	06104527AA	2	2, 3, 6, 7	L	13, 15, 17, 53, 55	EG2, EXM	DGZ		SCREW, [4.2x13]
-8	06104566AA	2	2, 3, 6, 7	L		EG2, EXM	DGZ		SCREW, Tapping, [4.2x13]
9	05120249AA	2	2, 3, 6, 7	L		EG2, EXM	DGZ		RETAINER
10	05097674AA	2	2, 3, 6, 7	L	13, 15, 17, 53, 55	EG2, EXM	DGZ		NUT, Hex, Terminal Block To Seat Box [M6]
-11	05104660AA	4	2, 3, 6, 7	L	13, 15, 17, 53, 55	EG2, EXM	DGZ		NUT, Terminal Block To Seat Box [M4]
12									RELAY
	05103560AA	1	2, 3, 6, 7	L	13, 15, 17, 53, 55	EG2, EXM	DGZ		[HDC / HDB / 3JV / XG3 / HAB] / [K15/3 Pos. 7]
		1	2, 3, 6, 7	L	13, 15, 17, 53, 55	EG2, EXM	DGZ		[3EN] / Circuit [15 K88, Pos1]
		1	2, 3, 6, 7	L	13, 15, 17, 53, 55	EG2, EXM	DGZ		[JHT] / [K2, Pos. 4]
		1	2, 3, 6, 7	L	13, 15, 17, 53, 55	EG2, EXM	DGZ		[LCQ] / [GEX]
13									RELAY
	05101505AA	1	2, 3, 6, 7	L	13, 15, 17, 53, 55	EG2, EXM	DGZ		With [GFA] Or With [GFA + LSA]
		1	2, 3, 6, 7	L	13, 15, 17, 53, 55	EG2, EXM	DGZ		With [GBG]
		1	2, 3, 6, 7	L	13, 15, 17, 53, 55	EG2, EXM	DGZ		With [HDB] And Or [XG3] + [HAB]
		1	2, 3, 6, 7	L	13, 15, 17, 53, 55	EG2, EXM	DGZ		With [BNB]
	05103560AA	1	2, 3, 6, 7	L	15, 17, 53, 55, 13	EG2, EXM	DGZ		Revolving Signal Lamp
	05120360AB	1	2, 3, 6, 7	L		EG2	DGZ		With [GBG, XFK, DGZ, XEY, 3EN, XBE, XA3, NHX, CK7, XFM, NXF, GEH]
		1	2, 3, 6, 7	L		EG2, EXM	DGZ		Secondary Air Pump [EG2]
14	68013383AA	1	2, 3, 6, 7	L	13, 15, 17, 53, 55	EG2, EXM	DGZ		MODULE, With [XCF, NXF]

SPRINTER (VB)

SERIES	LINE	BODY	ENGINE	TRANSMISSION
L = LOWLINE	3 = HD DODGE 2WD 2 = Med. Duty DODGE 2WD	03 = CAB CHASSIS WHEEL BASE 3 05 = CAB CHASSIS WHEEL BASE 5 13 = 119 WB 53 = 119 WB 15 = VAN WHEEL BASE 5 55 = WAGON WHEEL BASE 5 17 = VAN WHEEL BASE 7	EG2 = 3.5L V6 Gas Engine EXM = 3.0L V6 Turbo Diesel Engine	DGZ = 5-Speed Auto W5A380 Transmission

AR = use ase required - = Non illustrated part

Relay, Fusebox And Control Modules Seat Frame
Figure 8-510



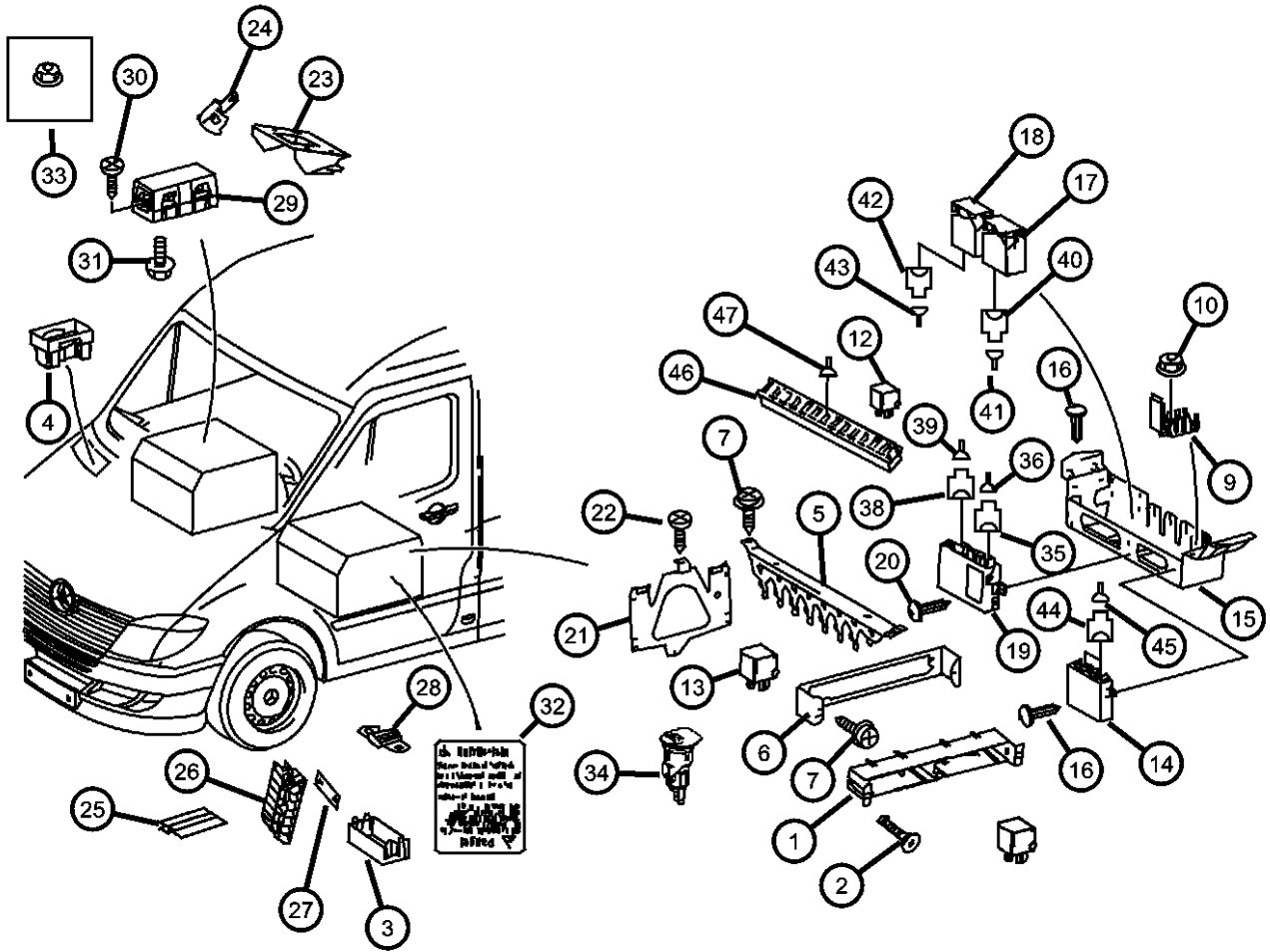
ITEM	PART NUMBER	QTY	LINE	SERIES	BODY	ENGINE	TRANS	TRIM	DESCRIPTION
15	68013390AA	1	2, 3, 6, 7	L		EG2, EXM	DGZ		BLOCK, Fuse, Control Unit Holder
16	06104566AA	3	2, 3, 6, 7	L	13, 15, 17, 53, 55	EG2, EXM	DGZ		SCREW, Tapping, [4.2x13]
17	05139996AA	1	2, 3, 6, 7	L	13, 15, 17, 53, 55	EG2, EXM	DGZ		FLASHER MODULE, FLASHER MODULE-TURN SIGNAL
18	68013386AA	1	2, 3, 6, 7	L		EG2, EXM	DGZ		MODULE, HID Ballast
19	68013388AA	1	2, 3, 6, 7	L	13, 15, 17, 53, 55	EG2, EXM	DGZ		MODULE, Trailer Tow
20	06104566AA	2	2, 3, 6, 7	L	13, 15, 17, 53, 55	EG2, EXM	DGZ		SCREW, Tapping, [4.2x13]
21	68013405AA	1	2, 3, 6, 7	L	13, 15, 17, 53, 55	EG2, EXM	DGZ		BRACKET
22	06104566AA	2	2, 3, 6, 7	L		EG2, EXM	DGZ		SCREW, Tapping
23	68020664AA	1	2, 3, 6, 7	L		EG2, EXM	DGZ		BRACKET, Prefuse Box
24	68018580AA	1	2, 3, 6, 7	L		EG2, EXM	DGZ		BRACKET, Prefuse Box Bracket Suport
25	68015892AA	1	2, 3, 6, 7	L		EG2, EXM	DGZ		COVER, Prefuse Box Cover
26	68015893AA	1	2, 3, 6, 7	L		EG2, EXM	DGZ		HOLDER, Fuse, Prefuse / Fuse Box
27	68015894AA	1	2, 3, 6, 7	L		EG2, EXM	DGZ		FUSE, Holder, Contact Rail / Prefuse Box
28									FUSE
	05104596AA	1	2, 3, 6, 7	L		EG2, EXM	DGZ		[200A]
	68011191AA	AR	2, 3, 6, 7	L		EG2, EXM	DGZ		[40A / F59]
	68011192AA	AR	2, 3, 6, 7	L		EG2, EXM	DGZ		[80A / F59]
	68011194AA	99	2, 3, 6, 7	L		EG2, EXM	DGZ		[150A / F59]
29	68025370AA	1	2, 3, 6, 7	L		EG2, EXM	DGZ		COVER, Fuse Box
30	06104566AA	2	7, 2, 3, 6	L		EG2, EXM	DGZ		SCREW, Tapping
31	06104709AA	2	2, 3, 6, 7	L	13, 15, 17, 53, 55	EG2, EXM	DGZ		NUT, Hex Flange, M8x1.25
32									LABEL, Warning
	05121112AA	1	2, 3, 6, 7	L	13, 15, 17, 53, 55	EG2	DGZ		
	68006926AA	1	2, 3, 6, 7	L		EXM	DGZ		
33	68004878AA	2	2, 3, 6, 7	L	13, 15, 17, 53, 55	EG2, EXM	DGZ		NUT
34	68011041AA	1	2, 3, 6, 7	L		EG2, EXM	DGZ		POWER OUTLET
35									CONNECTOR

SPRINTER (VB)

SERIES	LINE	BODY	ENGINE	TRANSMISSION
L = LOWLINE	3 = HD DODGE 2WD 2 = Med. Duty DODGE 2WD	03 = CAB CHASSIS WHEEL BASE 3 05 = CAB CHASSIS WHEEL BASE 5 13 = 119 WB 53 = 119 WB 15 = VAN WHEEL BASE 5 55 = WAGON WHEEL BASE 5 17 = VAN WHEEL BASE 7	EG2 = 3.5L V6 Gas Engine EXM = 3.0L V6 Turbo Diesel Engine	DGZ = 5-Speed Auto W5A380 Transmission

AR = use ase required - = Non illustrated part

Relay, Fusebox And Control Modules Seat Frame
Figure 8-510



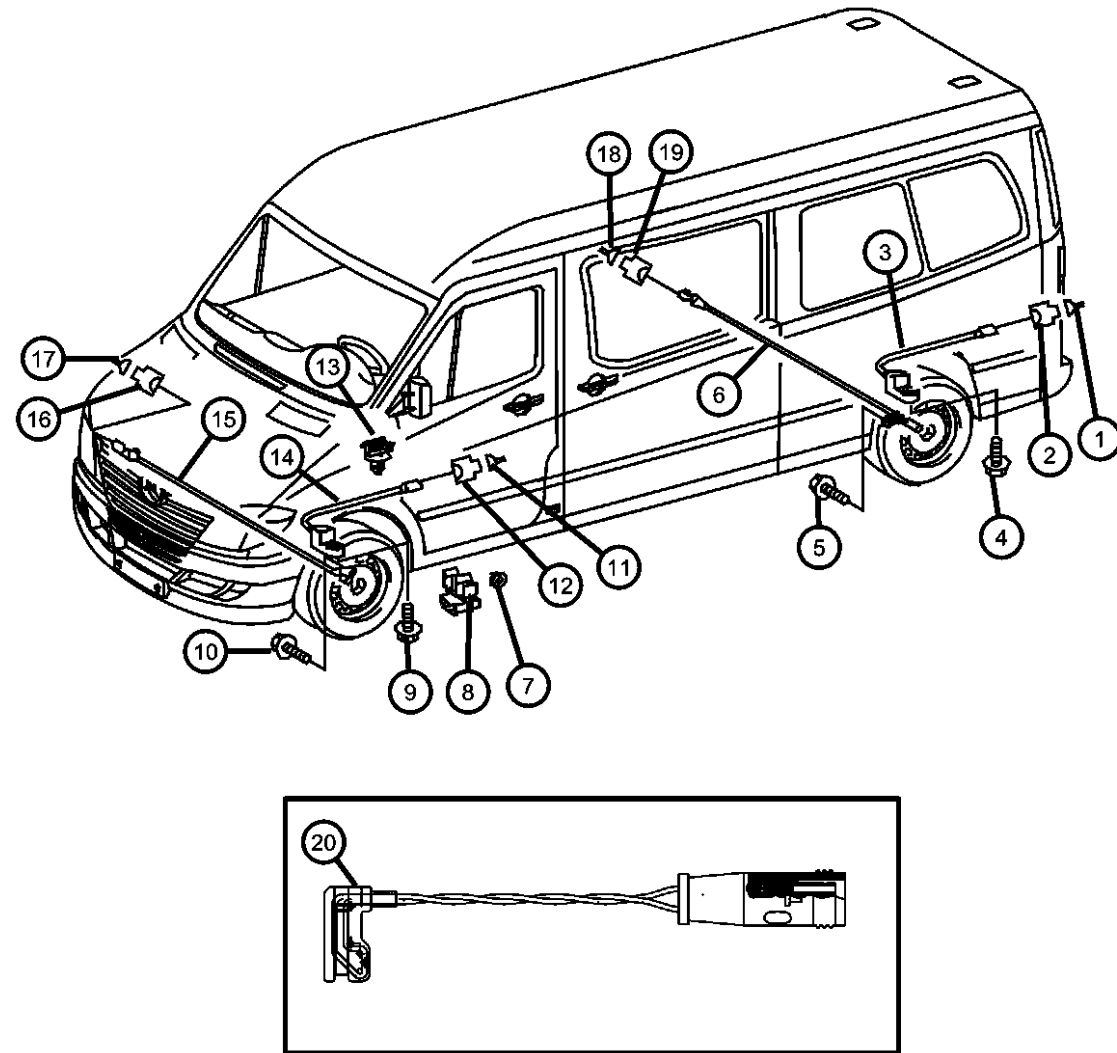
ITEM	PART NUMBER	QTY	LINE	SERIES	BODY	ENGINE	TRANS	TRIM	DESCRIPTION
	68011235AA	1	2, 3, 6, 7	L		EG2, EXM	DGZ		[4 Pin: N28/1]
	68011247AA	1	2, 3, 6, 7	L		EG2, EXM	DGZ		[4 Pin: N28/1] Control Unit Trailer Recognition Connector
36	68011247AA	1	2, 3, 6, 7	L		EG2, EXM	DGZ		CONNECTOR, Terminal, Terminal / [0.75 - 1.0 MM2; SLK N28/1]
-37	05143897AA	AR	2, 3, 6, 7	L	53, 55, 03, 05	EG2, EXM	DGZ		[1.5 - 2.5 MM2; SLK; N28/1]
		AR	2, 3, 6, 7	L	13, 15, 17	EG2, EXM	DGZ		[1.5 - 2.5 MM2; SLK; N28/1]
38	68011195AA	1	2, 3, 6, 7	L		EG2, EXM	DGZ		CONNECTOR, [8 Pin; N28/1] Control Unit Recognition Connector
39	05103873AA	3	2, 3, 6, 7	L	13, 15, 17, 53, 55	EG2, EXM	DGZ		TERMINAL, [0.75 MM2 MQS; N28/1]
40	68011399AA	1	2, 3, 6, 7	L		EG2, EXM	DGZ		CONNECTOR, [21 Pin; N9/1] Additional Flasher Module
41									TERMINAL
	05103892AA	1	2, 3, 6, 7	L		EG2, EXM	DGZ		[0.5 - 1.0 MM2 MCP; N9/1]
	05103893AA	AR	2, 3, 6, 7	L		EG2, EXM	DGZ		[1.5 - 2.5 MM2 MCP; N9/1]
42									CONNECTOR
	68011083AA	1	2, 3, 6, 7	L		EG2, EXM	DGZ		[26 Pol / N71] Headlamp Leveling System
	68011190AA	1	2, 3, 6, 7	L		EG2, EXM	DGZ		[26 Pol / N71] Contact Carrier
43	05103873AA	AR	2, 3, 6, 7	L		EG2, EXM	DGZ		TERMINAL, [0.75 MM2 MQS; N71]
44	68011399AA	1	2, 3, 6, 7	L		EG2, EXM	DGZ		CONNECTOR, Parameterizable Special Module [PSM] Control Unit [21 Pin; N26/15]
45									TERMINAL
	05103882AA	1	2, 3, 6, 7	L					[0.5 - 1.0 MM2 MCP; N26/15]
	05103893AA	AR	2, 3, 6, 7	L		EG2, EXM	DGZ		[1.5 - 2.5 MM2 MCP; N26/15]
46	05120374AA	1	2, 3, 6, 7	L		EG2, EXM	DGZ		CONNECTOR, Relay Support
47									TERMINAL, Female
	05133360AA	AR	2, 3, 6, 7	L		EG2, EXM	DGZ		[K100/1]
	05133362AA	AR	2, 3, 6, 7	L		EG2, EXM	DGZ		[1 - 2.5 MM2; K100/1]

SPRINTER (VB)

SERIES	LINE	BODY	ENGINE	TRANSMISSION
L = LOWLINE	3 = HD DODGE 2WD 2 = Med. Duty DODGE 2WD	03 = CAB CHASSIS WHEEL BASE 3 05 = CAB CHASSIS WHEEL BASE 5 13 = 119 WB 53 = 119 WB 15 = VAN WHEEL BASE 5 55 = WAGON WHEEL BASE 5 17 = VAN WHEEL BASE 7	EG2 = 3.5L V6 Gas Engine EXM = 3.0L V6 Turbo Diesel Engine	DGZ = 5-Speed Auto W5A380 Transmission

AR = use ase required - = Non illustrated part

Brake Pad Wear Indicator & Speed Sensor
Figure 8-610



ITEM	PART NUMBER	QTY	LINE	SERIES	BODY	ENGINE	TRANS	TRIM	DESCRIPTION
1	05103874AA	1	2, 3, 6, 7	L		EG2, EXM	DGZ		TERMINAL
2	68011299AA	4	2, 3, 6, 7	L		EG2, EXM	DGZ		CONNECTOR, Rear Axle Brake Lining Wear Indicator 2-PIN;X88/15;X88/16
3									WIRING, Brake Indicator
	68013838AA	2	2, 6	L		EG2, EXM	DGZ		On Rear Axle
	68013839AA	2	3, 7	L		EG2, EXM	DGZ		On Rear Axle
4									SCREW
	06104076AA	2	3, 7	L	03, 05	EG2, EXM	DGZ		Fastening Sensor to Rear Axle M6x16
		2	2, 3, 6, 7	L	13, 15, 17, 53, 55	EG2, EXM	DGZ		Fastening Sensor to Rear Axle M6x16
5									SCREW
	06104076AA	2	3, 7	L	03, 05	EG2, EXM	DGZ		Sensor to Rear Axle M6x16
		2	2, 3, 6, 7	L	13, 15, 17, 53, 55	EG2, EXM	DGZ		Sensor to Rear Axle M6x16
6									SENSOR, Wheel Speed
	68013830AA	1	2, 6	L	13, 15, 17, 53, 55	EG2, EXM	DGZ		Rear Left
	68013831AA	1	3, 7	L	03, 05, 13, 15, 17	EG2, EXM	DGZ		Rear Left
	68013832AA	1	2, 6	L	13, 15, 17, 53, 55	EG2, EXM	DGZ		Rear, Right
	68013833AA	1	3, 7	L	03, 05, 13, 15, 17	EG2, EXM	DGZ		Rear, Right
7									NUT, Hex
	05097674AA	2	3, 7	L	03, 05	EG2, EXM	DGZ		Fastening Bracket Left M6
		2	2, 3, 6, 7	L	13, 15, 17, 53, 55	EG2, EXM	DGZ		Fastening Bracket Left M6
8	68013737AA	4	2, 3, 6, 7	L		EG2, EXM	DGZ		BRACKET, Cable Harness to Support
9	06104076AA	2	2, 3, 6, 7	L		EG2, EXM	DGZ		SCREW, Fastening Sensor to Rear Axle M6x16
10	06104076AA	2	2, 3, 6, 7	L		EG2, EXM	DGZ		SCREW, Fastening Sensor to Front Axle M6x16
11	05103874AA	1	2, 3, 6, 7	L		EG2, EXM	DGZ		TERMINAL
12	68011299AA	4	2, 3, 6, 7	L		EG2, EXM	DGZ		CONNECTOR, Front Axle Brake Lining Wear Indicator 2-PIN;X88/13;X88/14
13									CLIP, Retainer

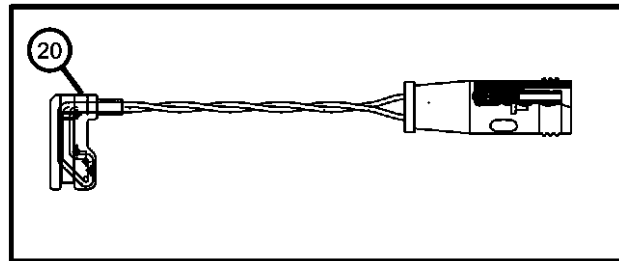
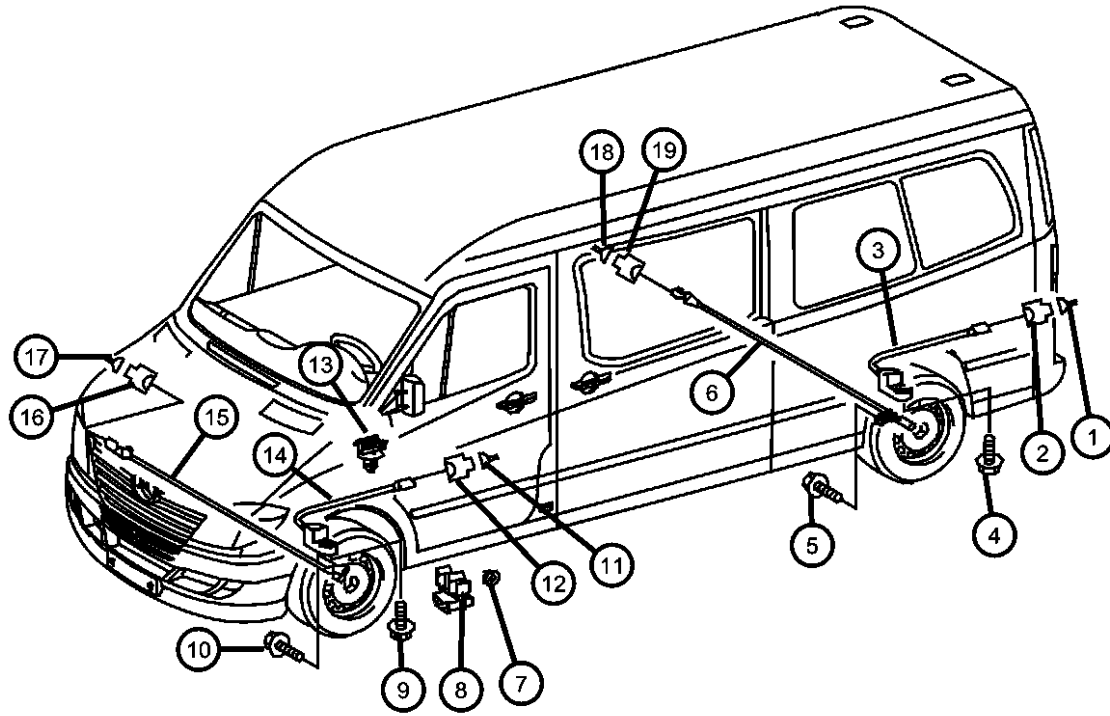
SPRINTER (VB)

SERIES	LINE	BODY	ENGINE	TRANSMISSION
L = LOWLINE	3 = HD DODGE 2WD 2 = Med. Duty DODGE 2WD	03 = CAB CHASSIS WHEEL BASE 3 05 = CAB CHASSIS WHEEL BASE 5 13 = 119 WB 53 = 119 WB 15 = VAN WHEEL BASE 5 55 = WAGON WHEEL BASE 5 17 = VAN WHEEL BASE 7	EG2 = 3.5L V6 Gas Engine EXM = 3.0L V6 Turbo Diesel Engine	DGZ = 5-Speed Auto W5A380 Transmission

AR = use ase required - = Non illustrated part

**Brake Pad Wear Indicator & Speed Sensor
Figure 8-610**

ITEM	PART NUMBER	QTY	LINE	SERIES	BODY	ENGINE	TRANS	TRIM	DESCRIPTION
	68013413AA	1	2, 3, 6, 7	L	13, 15, 17, 53, 55	EG2, EXM	DGZ		
		1	3, 7	L	03, 05	EG2, EXM	DGZ		
14	68013736AA	2	2, 3, 6, 7	L		EG2, EXM	DGZ		WIRING, Brake Indicator, Front Axle Brake Lining Wear Indicator
15	68013735AA	2	2, 3, 6, 7	L		EG2, EXM	DGZ		SENSOR, Wheel Speed, Front Axle
16	05120277AA	1	2, 3, 6, 7	L		EG2, EXM	DGZ		CONNECTOR, Wiring Repair, Left Front RPM Sensor Connector 2-PIN;X62/26;X62/27
17	05103874AA	1	2, 3, 6, 7	L		EG2, EXM	DGZ		TERMINAL
18	05103874AA	1	2, 3, 6, 7	L		EG2, EXM	DGZ		TERMINAL
19	05120277AA	1	2, 3, 6, 7	L		EG2, EXM	DGZ		CONNECTOR, Wiring Repair
20									SENSOR, Brake wear
	68006717AA	4	3, 7	L	03, 05, 13, 15, 17	EG2, EXM	DGZ		[3500] Only / Front & Rear Brake Wear Sensors, Front And Rear
		2	2, 6	L	13, 15, 17, 53, 55	EG2, EXM	DGZ		[2500] Series Front Brake Wear Sensor, Front
	68013762AA	4	2, 6	L	13, 15, 17, 53, 55	EG2, EXM	DGZ		[2500] Only / Rear Brake Wear Sensors, Rear



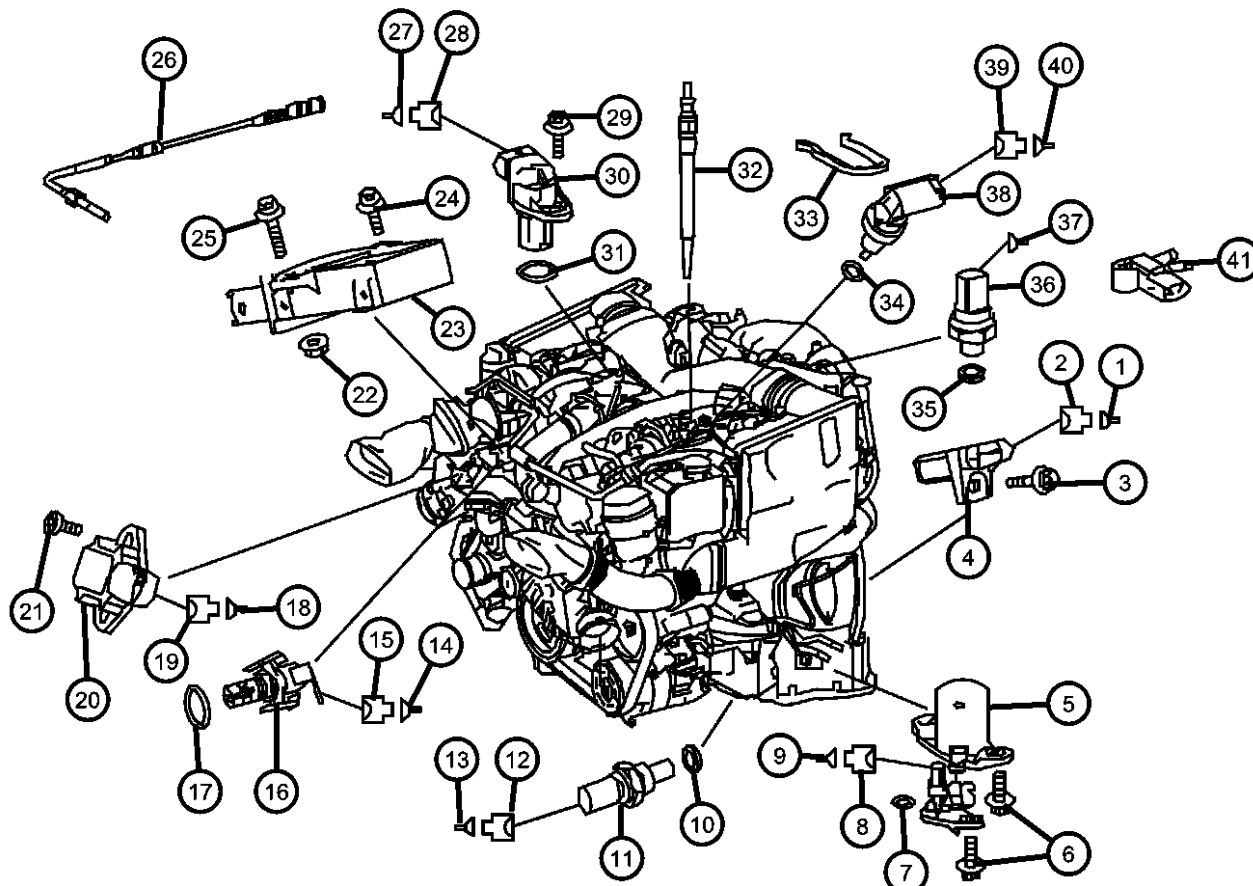
SPRINTER (VB)

SERIES	LINE	BODY	ENGINE	TRANSMISSION
L = LOWLINE	3 = HD DODGE 2WD 2 = Med. Duty DODGE 2WD	03 = CAB CHASSIS WHEEL BASE 3 05 = CAB CHASSIS WHEEL BASE 5 13 = 119 WB 53 = 119 WB 15 = VAN WHEEL BASE 5 55 = WAGON WHEEL BASE 5 17 = VAN WHEEL BASE 7	EG2 = 3.5L V6 Gas Engine EXM = 3.0L V6 Turbo Diesel Engine	DGZ = 5-Speed Auto W5A380 Transmission

AR = use ase required - = Non illustrated part

2007 VB

**Engine Sensors & Related Parts
Figure 8-620**



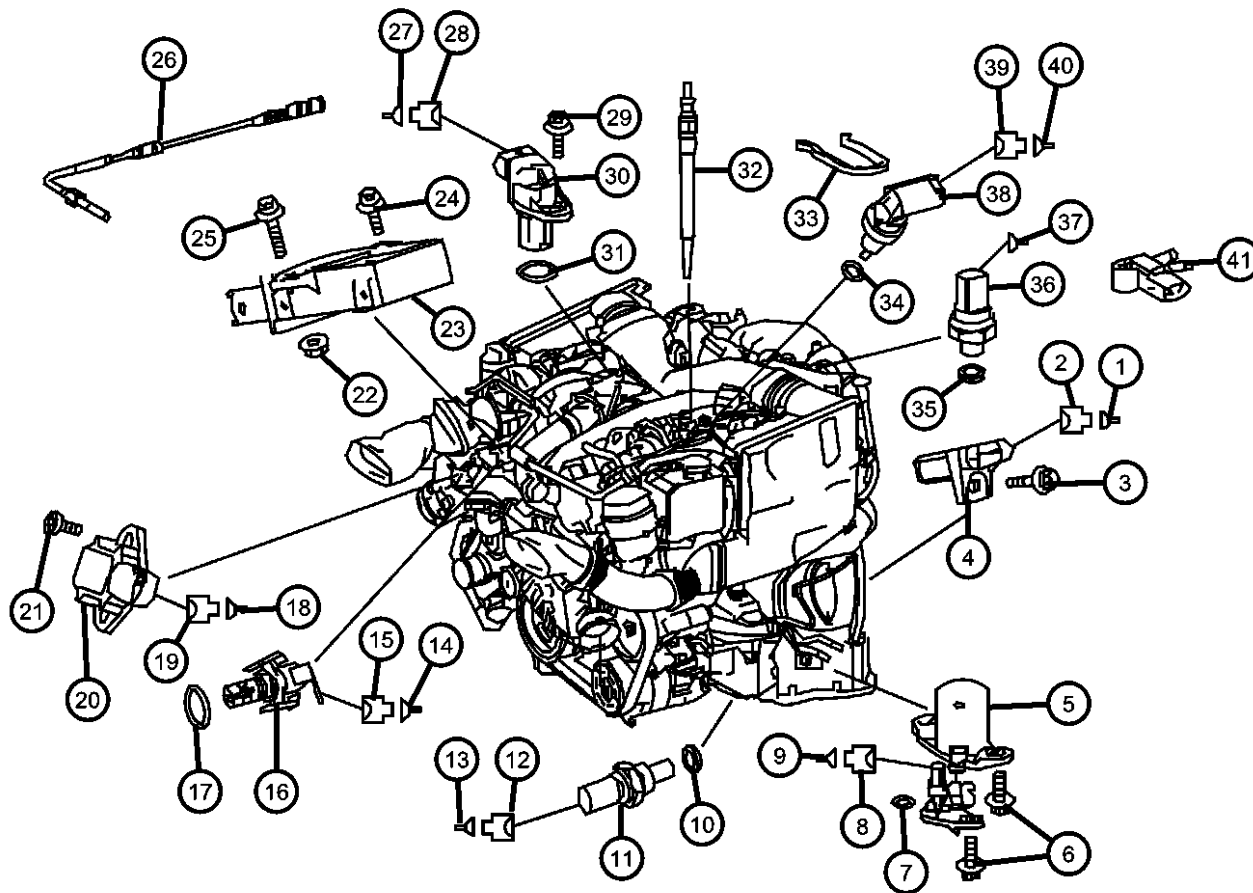
ITEM	PART NUMBER	QTY	LINE	SERIES	BODY	ENGINE	TRANS	TRIM	DESCRIPTION
1	05133353AA	AR	2, 3, 6, 7	L		EXM	DGZ		TERMINAL, [0.25 - 0.50 MM2;L5]
2	05138030AA	4	2, 3, 6, 7	L		EXM	DGZ		CONNECTOR, [3 Pin L5]
3	05179387AA	1	2, 3, 6, 7	L		EXM	DGZ		SCREW, Sender Unit to Cylinder Crankcase [6x16]
4	05175763AA	1	2, 3, 6, 7	L		EG2, EXM	DGZ		SENSOR, Crankshaft Position
5	05137394AB	1	2, 3, 6, 7	L		EXM	DGZ		SENSOR, Oil Level
6	06104682AA	3	2, 3, 6, 7	L		EXM	DGZ		BOLT, Sender Unit To Oil Pan [M6x19]
7	05103567AA	1	2, 3, 6, 7	L		EXM	DGZ		SEAL RING
8	05120278AA	1	2, 3, 6, 7	L		EG2, EXM	DGZ		CONNECTOR
9	68011878AA	AR	2, 3, 6, 7	L		EG2, EXM	DGZ		TERMINAL, [0.22 - 0.5 MM2;S43]
10	06507454AA	1	2, 3, 6, 7	L		EXM	DGZ		WASHER, Banjo
11	05103534AB	1	2, 3, 6, 7	L		EXM	DGZ		SENDING UNIT, Temperature Gauge
12	05120277AA	1	2, 3, 6, 7	L		EG2, EXM	DGZ		CONNECTOR, Wiring Repair
13	05138861AA	AR	2, 3, 6, 7	L		EXM	DGZ		TERMINAL, [0.5 MM2 MQS; B 1]
14	05138861AA	AR	2, 3, 6, 7	L		EXM	DGZ		TERMINAL, [0.5 MM2 MQS; B17]
15	05120277AA	1	2, 3, 6, 7	L		EG2, EXM	DGZ		CONNECTOR, Wiring Repair, Intake Air Temperature Sensor 2-PIN;B17
16	04862635AA	1	2, 3, 6, 7	L		EXM	DGZ		SENSOR, Temperature
17	05179491AA	1	2, 3, 6, 7	L		EXM	DGZ		O RING, [11x2.0MM]
18	05138861AA	AR	2, 3, 6, 7	L		EXM	DGZ		TERMINAL, [.5 MM2 MQS]
19	05120278AA	1	2, 3, 6, 7	L		EG2, EXM	DGZ		CONNECTOR, [3 PIN]
20	05117545AB	1	2, 3, 6, 7	L		EXM	DGZ		SENSOR, MAP
21	06104649AB	2	2, 3, 6, 7	L	13, 15, 17	EG2, EXM	DGZ		SCREW, Pressure Sensor Attachment [K60x16]
22	05097674AA	1	2, 3, 6, 7	L		EXM	DGZ		NUT, Hex
23	68013182AA	1	2, 3, 6, 7	L		EXM	DGZ		MODULE, Glow Plug
24	06104005AA	4	2, 3, 6, 7	L		EXM	DGZ		BOLT, Bracket to Cylinder Head M6x16
25	06104012AA	1	2, 3, 6, 7	L		EXM	DGZ		SCREW
26	68014084AA	1	2, 3, 6, 7	L		EXM	DGZ		SENSOR, Temperature
27	05133353AA	AR	2, 3, 6, 7	L		EXM	DGZ		TERMINAL, [0.25 - 0.5 MM2; B6/1]
28	05138030AA	4	2, 3, 6, 7	L		EXM	DGZ		CONNECTOR, [3 PIN; B6/1]
29	06104682AA	1	2, 3, 6, 7	L		EXM	DGZ		BOLT, [M6x19]

SPRINTER (VB)

SERIES	LINE	BODY	ENGINE	TRANSMISSION
L = LOWLINE	3 = HD DODGE 2WD 2 = Med. Duty DODGE 2WD	03 = CAB CHASSIS WHEEL BASE 3 05 = CAB CHASSIS WHEEL BASE 5 13 = 119 WB 53 = 119 WB 15 = VAN WHEEL BASE 5 55 = WAGON WHEEL BASE 5 17 = VAN WHEEL BASE 7	EG2 = 3.5L V6 Gas Engine EXM = 3.0L V6 Turbo Diesel Engine	DGZ = 5-Speed Auto W5A380 Transmission

AR = use ase required - = Non illustrated part

Engine Sensors & Related Parts
Figure 8-620



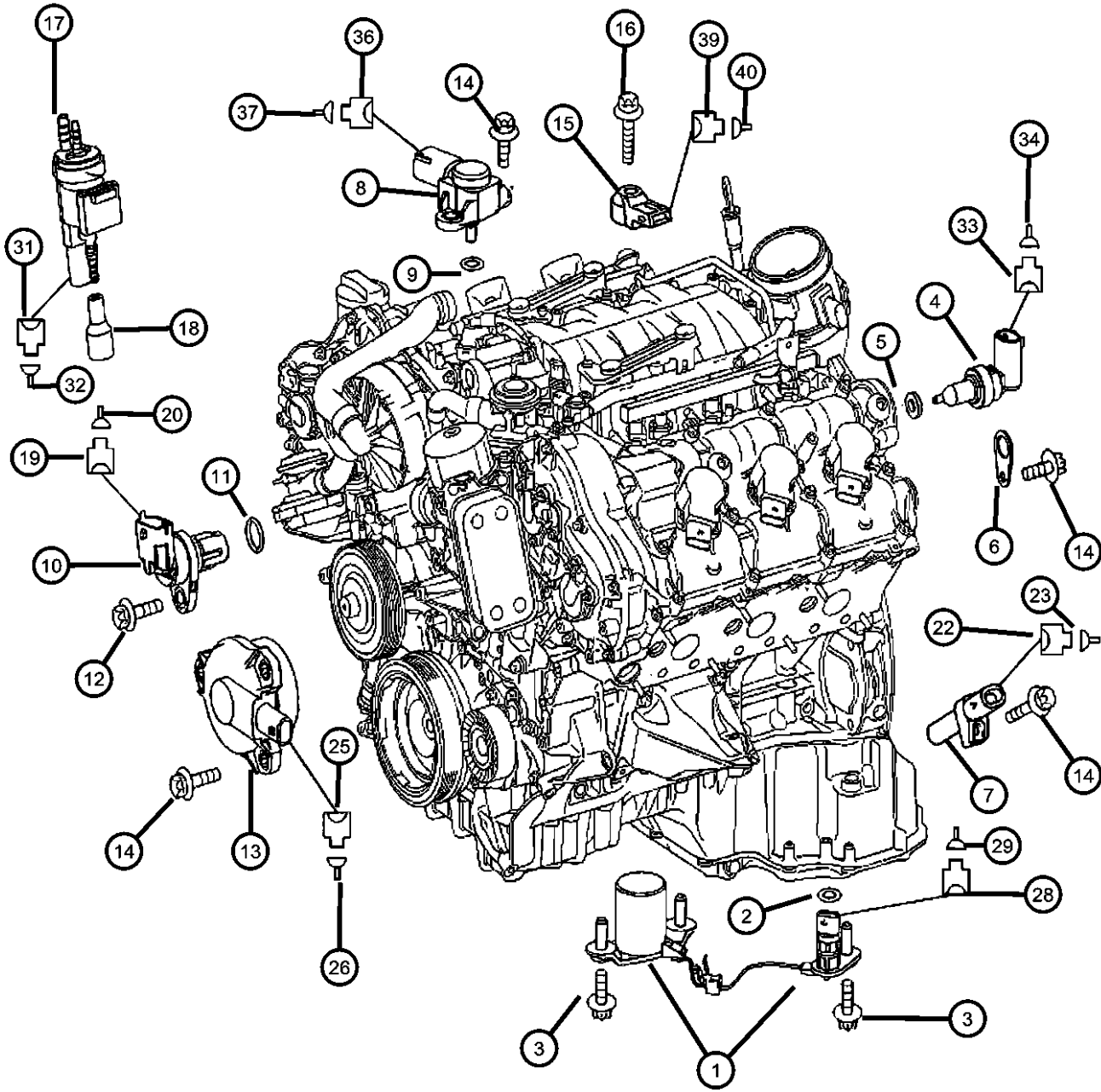
ITEM	PART NUMBER	QTY	LINE	SERIES	BODY	ENGINE	TRANS	TRIM	DESCRIPTION
30	05175762AA	1	2, 3, 6, 7	L		EXM	DGZ		SENSOR, Camshaft
31	05183535AA	1	2, 3, 6, 7	L		EXM	DGZ		O RING
32	05175756AA	6	2, 3, 6, 7	L		EXM	DGZ		GLOW PLUG
33	05080149AA	1	2, 3, 6, 7	L		EXM	DGZ		CLIP
34	05080148AA	1	2, 3, 6, 7	L		EXM	DGZ		O RING
35	05104683AB	1	2, 3, 6, 7	L		EXM	DGZ		O RING, Pressure Sensor
36	05175812AA	1	2, 3, 6, 7	L		EXM	DGZ		SENSOR, Pressure, Exhaust Back Pressure
37	05138861AA	AR	2, 3, 6, 7	L		EXM	DGZ		TERMINAL, [MM2 MQS B60]
38	05175764AA	1	2, 3, 6, 7	L		EG2, EXM	DGZ		SENSOR, Air Temperature, Cooling Water
39	05120277AA	1	2, 3, 6, 7	L		EG2, EXM	DGZ		CONNECTOR, Wiring Repair, Refrigerant Temperature Sensor 2-PIN
40	05138861AA	AR	2, 3, 6, 7	L		EXM	DGZ		TERMINAL, [0.5 MM2 MQS; B 11/4]
41	68012053AA	1	2, 3, 6, 7	L		EXM	DGZ		SENSOR, Pressure, Air Cleaner Maintenance Indication

SPRINTER (VB)

SERIES	LINE	BODY	ENGINE	TRANSMISSION
L = LOWLINE	3 = HD DODGE 2WD 2 = Med. Duty DODGE 2WD	03 = CAB CHASSIS WHEEL BASE 3 05 = CAB CHASSIS WHEEL BASE 5 13 = 119 WB 53 = 119 WB 15 = VAN WHEEL BASE 5 55 = WAGON WHEEL BASE 5 17 = VAN WHEEL BASE 7	EG2 = 3.5L V6 Gas Engine EXM = 3.0L V6 Turbo Diesel Engine	DGZ = 5-Speed Auto W5A380 Transmission

AR = use ase required - = Non illustrated part

Engine Sensors & Related Parts
Figure 8-630



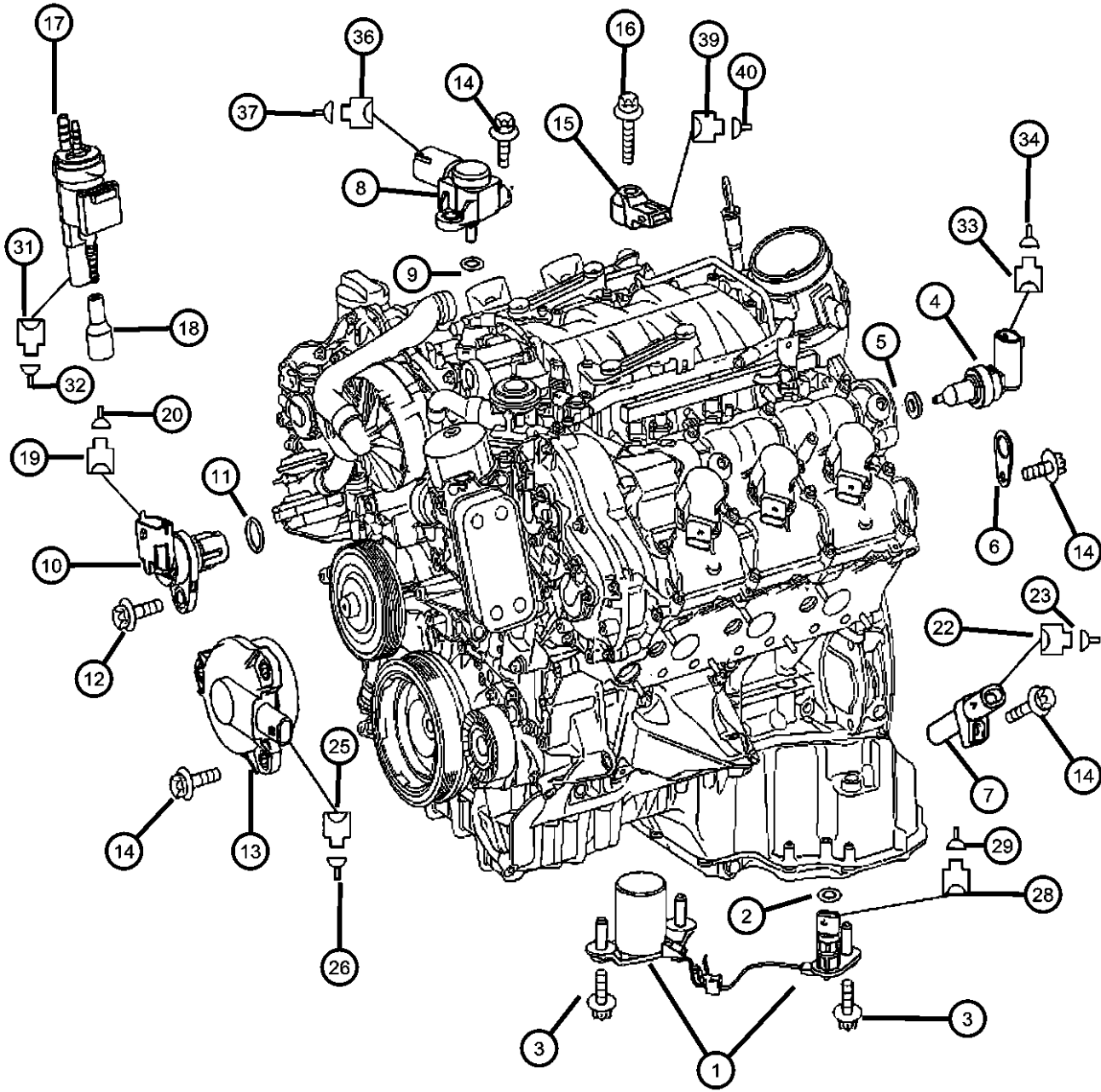
ITEM	PART NUMBER	QTY	LINE	SERIES	BODY	ENGINE	TRANS	TRIM	DESCRIPTION
1	05175760AA	1	2, 3, 6, 7	L		EG2, EXM	DGZ		SENSOR, Oil Level
2	05175761AA	1	2, 3, 6, 7	L		EG2	DGZ		O RING
3	06104682AA	2	2, 3, 6, 7	L		EG2	DGZ		BOLT, Oil Lever Contactor To Oil Pan & Plug To Oil Pan [M6x19]
4	05175764AA	1	2, 3, 6, 7	L		EG2, EXM	DGZ		SENSOR, Air Temperature
5	05080148AA	1	2, 3, 6, 7	L		EG2	DGZ		O RING
6	68011850AA	1	2, 3, 6, 7	L		EG2	DGZ		BRACKET
7	05175763AA	1	2, 3, 6, 7	L		EG2, EXM	DGZ		SENSOR, Crankshaft Position
8	05101120AB	1	2, 3, 6, 7	L		EG2	DGZ		SENSOR, Air Pressure, Cylinder Cover, Right
9	05101160AA	1	2, 3, 6, 7	L		EG2	DGZ		O RING
10	05137706AA	4	2, 3, 6, 7	L		EG2	DGZ		SENSOR, Camshaft, Cylinder Cover, Left
11	05101153AA	4	2, 3, 6, 7	L		EG2	DGZ		O RING
12	06104076AA	4	2, 3, 6, 7	L		EG2	DGZ		SCREW, Camshaft Sensor To Cylinder Cover [M6x16]
13	68011851AA	4	2, 3, 6, 7	L		EG2	DGZ		ADJUSTER, Camshaft Adjuster
14	06104142AA	1	2, 3, 6, 7	L		EG2	DGZ		SCREW, Sensor To Engine [M6x16]
15	68011852AA	2	2, 3, 6, 7	L		EG2	DGZ		SENSOR, Knock
16	06104089AA	2	2, 3, 6, 7	L		EG2	DGZ		BOLT
17	05099822AA	1	2, 3, 6, 7	L		EG2	DGZ		SOLENOID, Vacuum
18	05097188AA	1	2, 3, 6, 7	L		EG2	DGZ		BOOT, Air Injection Valve
19									CONNECTOR
	05138030AA	4	2, 3, 6, 7	L		EG2	DGZ		Hall Type Sensor Camshaft [3 PIN ; B6/4 - B6/7]
	05143908AA	4	2, 3, 6, 7	L		EG2	DGZ		Hall Type Sensor Camshaft [B6/4 - B6/7]
20	05133353AA	AR	2, 3, 6, 7	L		EG2	DGZ		TERMINAL, [0.5 - 1.0 MM2; B6/4 - B6/7]
-21	05103663AA	AR	2, 3, 6, 7	L		EG2	DGZ		GROMMET, [0.25 - 1.0 MMS; B6/4 - B6/7]
22									CONNECTOR
	05143908AA	1	2, 3, 6, 7	L		EG2	DGZ		[L5]
	05138030AA	1	2, 3, 6, 7	L		EG2	DGZ		[3 Pin L5]
23	05133353AA	AR	2, 3, 6, 7	L		EG2	DGZ		TERMINAL, [0.5 - 1.0 MM2; L5]
-24	05103663AA	AR	2, 3, 6, 7	L		EG2	DGZ		GROMMET, [0.25 - 1.0 MM2; L5]

SPRINTER (VB)

SERIES	LINE	BODY	ENGINE	TRANSMISSION
L = LOWLINE	3 = HD DODGE 2WD 2 = Med. Duty DODGE 2WD	03 = CAB CHASSIS WHEEL BASE 3 05 = CAB CHASSIS WHEEL BASE 5 13 = 119 WB 53 = 119 WB 15 = VAN WHEEL BASE 5 55 = WAGON WHEEL BASE 5 17 = VAN WHEEL BASE 7	EG2 = 3.5L V6 Gas Engine EXM = 3.0L V6 Turbo Diesel Engine	DGZ = 5-Speed Auto W5A380 Transmission

AR = use ase required - = Non illustrated part

Engine Sensors & Related Parts
Figure 8-630



ITEM	PART NUMBER	QTY	LINE	SERIES	BODY	ENGINE	TRANS	TRIM	DESCRIPTION
25	68011798AA	4	2, 3, 6, 7	L		EG2	DGZ		CONNECTOR, [Y49/4 - Y49/7]
26	68011877AA	AR	2, 3, 6, 7	L		EG2	DGZ		TERMINAL, [Y49/4 - Y49-7]
-27	68011050AA	AR	2, 3, 6, 7	L		EG2	DGZ		GASKET, [Y49/4 - Y49/7]
28	68011243AA	1	2, 3, 6, 7	L		EG2	DGZ		CONNECTOR, Oil Lever Sending Unit [S43]
29	68011878AA	AR	2, 3, 6, 7	L		EG2, EXM	DGZ		TERMINAL, [0.22 - 0.5 MM2; S43]
-30	68011050AA	AR	2, 3, 6, 7	L		EG2	DGZ		GASKET, Oil Sending Unit [S43]
31	05120277AA	1	2, 3, 6, 7	L		EG2, EXM	DGZ		CONNECTOR, Wiring Repair, [2 Pin: Y59/2]
32	05138861AA	AR	7, 2, 3, 6	L		EG2	DGZ		TERMINAL, [0.5 MM2 MQS; Y59/2]
33	05120277AA	1	2, 3, 6, 7	L		EG2, EXM	DGZ		CONNECTOR, Wiring Repair, [2 Pin; B11/4]
34	05138861AA	AR	2, 3, 6, 7	L		EG2	DGZ		TERMINAL, [0.5 MM2 MQS; B11/4]
-35	05120859AA	99	2, 3, 6, 7	L		EG2	DGZ		GASKET, [0.9 - 1.3; MM2 B11/4]
36	05120278AA	1	2, 3, 6, 7	L		EG2	DGZ		CONNECTOR, [3 Pin; B28]
37	05138861AA	AR	2, 3, 6, 7	L		EG2	DGZ		TERMINAL, [0.5 MM2 MQS; B28]
-38	05120859AA	99	2, 3, 6, 7	L		EG2	DGZ		GASKET, [0.9 - 1.3 MM2; B28]
39	05143904AA	2	2, 3, 6, 7	L		EG2	DGZ		CONNECTOR, [2 Pin, A16/1, A16/2]
40	05133353AA	AR	2, 3, 6, 7	L		EG2	DGZ		TERMINAL, [0.5 - 1.0 MM2, A16/1 / A16/2]
-41	05103663AA	AR	2, 3, 6, 7	L		EG2	DGZ		GROMMET, [0.25 - 1.0 MM2; A16/1 A16/2]
-42	05159404AA	1	2, 3, 6, 7	L		EG2	DGZ		STRAP, Ground

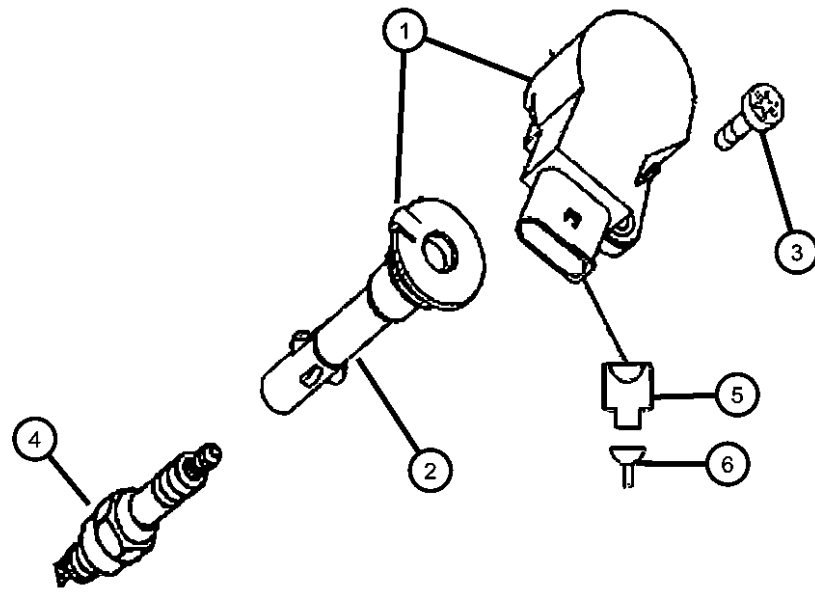
SPRINTER (VB)

SERIES	LINE	BODY	ENGINE	TRANSMISSION
L = LOWLINE	3 = HD DODGE 2WD 2 = Med. Duty DODGE 2WD	03 = CAB CHASSIS WHEEL BASE 3 05 = CAB CHASSIS WHEEL BASE 5 13 = 119 WB 53 = 119 WB 15 = VAN WHEEL BASE 5 55 = WAGON WHEEL BASE 5 17 = VAN WHEEL BASE 7	EG2 = 3.5L V6 Gas Engine EXM = 3.0L V6 Turbo Diesel Engine	DGZ = 5-Speed Auto W5A380 Transmission

AR = use ase required - = Non illustrated part

**Ignition Coil & Spark Plug
Figure 8-640**

ITEM	PART NUMBER	QTY	LINE	SERIES	BODY	ENGINE	TRANS	TRIM	DESCRIPTION
1	68011844AA	6	2, 3, 6, 7	L		EG2	DGZ		COIL, Ignition
2	68011847AA	6	2, 3, 6, 7	L		EG2	DGZ		CABLE, Ignition Coil
3	06104143AA	12	2, 3, 6, 7	L		EG2	DGZ		SCREW, M6X1.0X20.0
4	68005667AA	3	2, 3, 6, 7	L		EG2	DGZ		SPARKPLUG, Engine
5	68011251AA	6	2, 3, 6, 7	L		EG2	DGZ		CONNECTOR, [4 Pin T1/1- T1/6]
6									TERMINAL
	05103877AA	AR	2, 3, 6, 7	L		EG2	DGZ		[1.5 - 2.5 MM2; T1/1 T1/6]
	05133353AA	AR	2, 3, 6, 7	L		EG2	DGZ		[0.5 - 1.0 MM2; T1/1 - T1/6]
-7									GROMMET
	05103663AA	AR	2, 3, 6, 7	L		EG2	DGZ		[0.25 - 1.0 MM2; T1/1 - T1/6]
	05120864AA	99	2, 3, 6, 7	L		EG2	DGZ		[1.01 - 2.5 MM2; T1/1 - T1/6]



SPRINTER (VB)

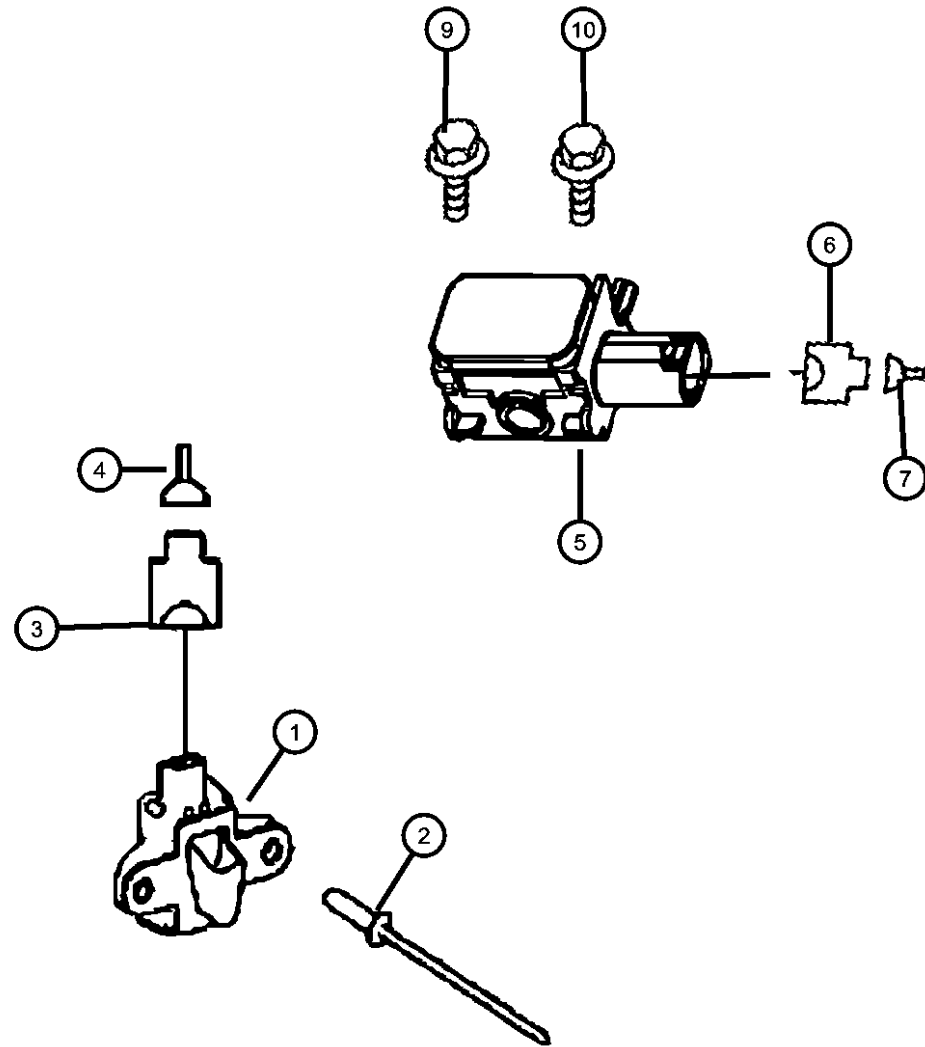
SERIES	LINE	BODY	ENGINE	TRANSMISSION
L = LOWLINE	3 = HD DODGE 2WD 2 = Med. Duty DODGE 2WD	03 = CAB CHASSIS WHEEL BASE 3 05 = CAB CHASSIS WHEEL BASE 5 13 = 119 WB 53 = 119 WB 15 = VAN WHEEL BASE 5 55 = WAGON WHEEL BASE 5 17 = VAN WHEEL BASE 7	EG2 = 3.5L V6 Gas Engine EXM = 3.0L V6 Turbo Diesel Engine	DGZ = 5-Speed Auto W5A380 Transmission

AR = use ase required - = Non illustrated part

2007 VB

**Side Impact Airbag Sensors
Figure 8-650**

ITEM	PART NUMBER	QTY	LINE	SERIES	BODY	ENGINE	TRANS	TRIM	DESCRIPTION
1	68010057AA	2	2, 3, 6, 7	L		EG2, EXM	DGZ		SENSOR, Side Airbag Impact, Front Door Mounted Sensor, Front Door Side Air Bags / Front Door Mounted, Right & Left
2	68005431AA	2	2, 3, 6, 7	L		EG2, EXM	DGZ		RIVET, Sensor Mounting
3	68011227AA	1	2, 3, 6, 7	L		EG2, EXM	DGZ		CONNECTOR, [3 Pin / B48/7]
4									TERMINAL
	05103873AA	3	3, 7	L	03, 05	EG2, EXM	DGZ		[0.75 MM2 MSQ; B48/7]
		3	2, 3, 6, 7	L	13, 15, 17, 53, 55	EG2, EXM	DGZ		[0.75 MM2 MSQ; B48/7]
5	68013424AA	2	2, 3, 6, 7	L		EG2, EXM	DGZ		SENSOR, Side Airbag Impact, Body Mounted Sensor, Window & Thorax Air Bag Sensor
6	68011282AA	2	2, 3, 6, 7	L		EG2, EXM	DGZ		CONNECTOR, [2 Pin A53/A54]
7	05103874AA	1	2, 3, 6, 7	L		EG2, EXM	DGZ		TERMINAL, [0.75 MM2 A53/A54]
-8	05120860AA	1	2, 3, 6, 7	L		EG2, EXM	DGZ		GASKET, [1.6 - 1.9MM2 / A53/A54]
9	06104188AA	1	2, 3, 6, 7	L		EXM	DGZ		SCREW, Control Unit To Bracket [6x55]
10	06104004AA	1	2, 3, 6, 7	L		EG2	DGZ		BOLT, Control Unit To Floor [6x12]



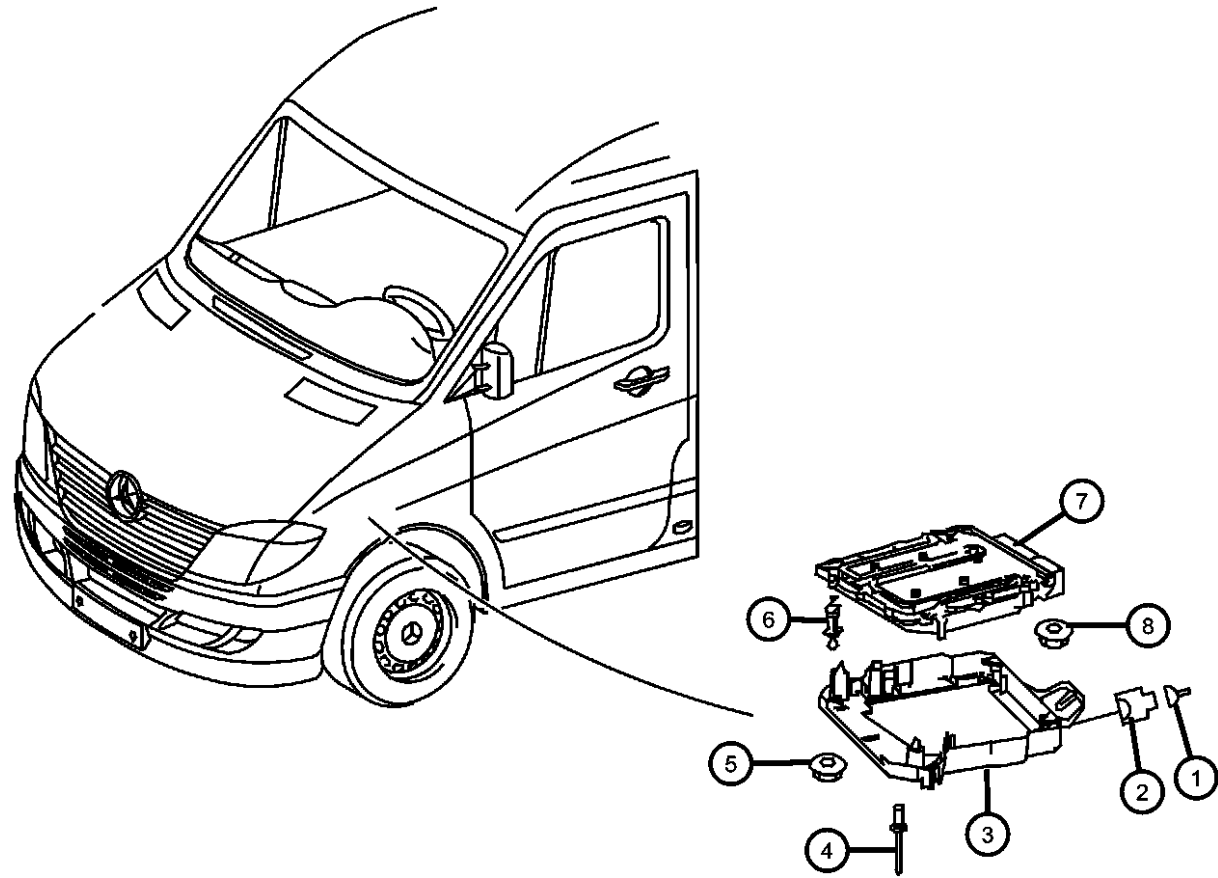
SPRINTER (VB)

SERIES	LINE	BODY	ENGINE	TRANSMISSION
L = LOWLINE	3 = HD DODGE 2WD 2 = Med. Duty DODGE 2WD	03 = CAB CHASSIS WHEEL BASE 3 05 = CAB CHASSIS WHEEL BASE 5 13 = 119 WB 53 = 119 WB 15 = VAN WHEEL BASE 5 55 = WAGON WHEEL BASE 5 17 = VAN WHEEL BASE 7	EG2 = 3.5L V6 Gas Engine EXM = 3.0L V6 Turbo Diesel Engine	DGZ = 5-Speed Auto W5A380 Transmission

AR = use ase required - = Non illustrated part

2007 VB

**Engine Control Module
Figure 8-710**



ITEM	PART NUMBER	QTY	LINE	SERIES	BODY	ENGINE	TRANS	TRIM	DESCRIPTION
1									TERMINAL
	05103873AA	3	3, 7	L	03, 05	EG2, EXM	DGZ		
		3	2, 3, 6, 7	L	13, 15, 17, 53, 55	EG2, EXM	DGZ		
2	05120278AA	1	2, 3, 6, 7	L		EG2	DGZ		CONNECTOR
3	68013397AA	1	2, 3, 6, 7	L		EXM	DGZ		BRACKET, Engine Control Module
4	68013397AA	1							RIVET, (NOT SERVICED)
5									NUT
	68004878AA	1	2, 3, 6, 7	L	13, 15, 17, 53, 55	EG2, EXM	DGZ		Bracket to Body M6
		1	3, 7	L	03, 05	EXM	DGZ		Bracket to Body M6
6	68011848AA	2	2, 3, 6, 7	L		EG2	DGZ		RETAINER, Engine Control Module
7									MODULE, Powertrain Control
	68013393AA	1	3, 7	L	03, 05	EG2	DGZ		Up To [08/31/2006]
		1	2, 6	L	13, 15, 17, 53, 55	EG2	DGZ		Up To [08/31/2006]
	68018165AA	1	2, 3, 6, 7	L		EXM	DGZ		Up To [01/31/2007]
	68022860AA	1	2, 3, 6, 7	L		EG2			After [08/31/2006]
	68028085AA	1	2, 3, 6, 7	L		EXM	DGZ		After [01/31/2007]
8	68004878AA	4	2, 3, 6, 7	L	13, 15, 17, 53, 55	EG2, EXM	DGZ		NUT, Control Unit Fixture M6

SPRINTER (VB)

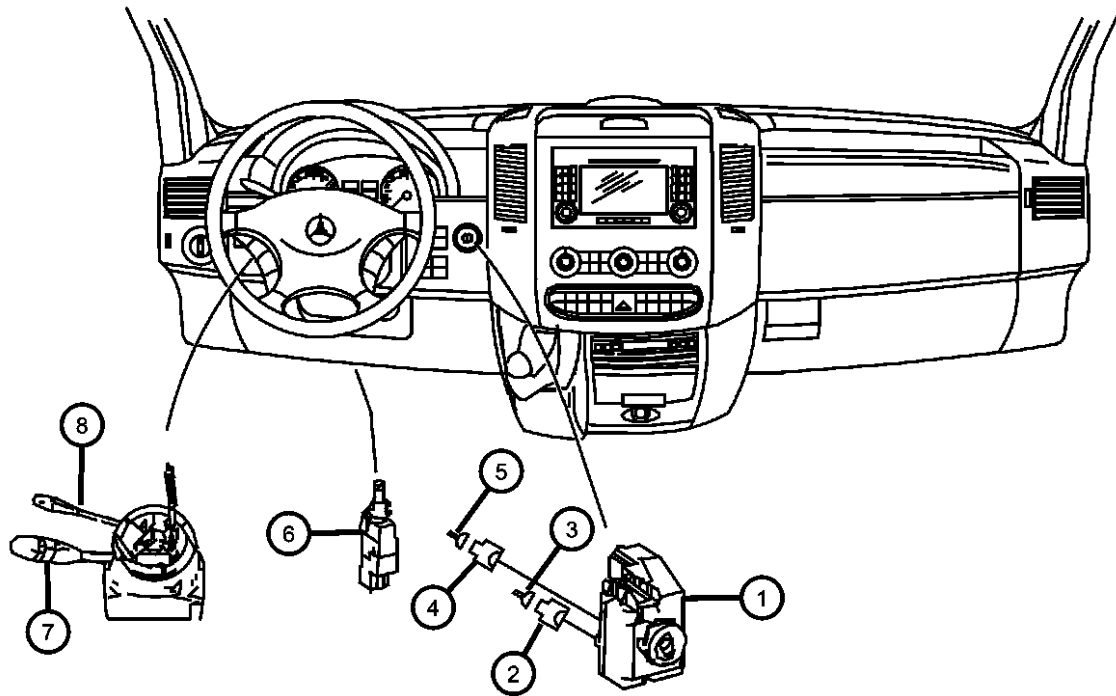
SERIES	LINE	BODY	ENGINE	TRANSMISSION
L = LOWLINE	3 = HD DODGE 2WD 2 = Med. Duty DODGE 2WD	03 = CAB CHASSIS WHEEL BASE 3 05 = CAB CHASSIS WHEEL BASE 5 13 = 119 WB 53 = 119 WB 15 = VAN WHEEL BASE 5 55 = WAGON WHEEL BASE 5 17 = VAN WHEEL BASE 7	EG2 = 3.5L V6 Gas Engine EXM = 3.0L V6 Turbo Diesel Engine	DGZ = 5-Speed Auto W5A380 Transmission

AR = use ase required - = Non illustrated part

2007 VB

**Switches - Instrument Panel / [1 Of 2]
Figure 8-810**

ITEM	PART NUMBER	QTY	LINE	SERIES	BODY	ENGINE	TRANS	TRIM	DESCRIPTION
1	68023969AA	1	2, 3, 6, 7	L		EG2, EXM	DGZ		CYLINDER, Ignition Lock
2	68011195AA	1	2, 3, 6, 7	L		EG2, EXM	DGZ		CONNECTOR Ignition Starter Switch Black 8-PIN;N73
	68011198AA	1	2, 3, 6, 7	L		EG2, EXM	DGZ		Ignition Starter Switch Transparent 8-PIN,N73
	68011212AA	1	2, 3, 6, 7	L		EG2, EXM	DGZ		Ignition Starter Switch Blue 8-PIN;COD.C;N73
3	05103873AA	3	3, 7	L	03, 05	EG2, EXM	DGZ		TERMINAL
		3	2, 3, 6, 7	L	13, 15, 17, 53, 55	EG2, EXM	DGZ		
4	68011266AA	1	2, 3, 6, 7	L		EG2, EXM	DGZ		CONNECTOR, Ignition Starter Switch Black 5-PIN;N73
5	68016713AA	AR	2, 3, 6, 7	L		EG2, EXM	DGZ		TERMINAL
6	68022569AA	1	2, 3, 6, 7	L		EG2, EXM	DGZ		SWITCH, Stop Lamp
7	68010448AA	1	2, 3, 6, 7	L		EG2, EXM	DGZ		SWITCH, Multifunction Without [NHM]
	68010449AA	1	2, 3, 6, 7	L		EG2, EXM	DGZ		With [NHM]
	68026805AA	1	2, 3, 6, 7	L	13, 15, 17, 53, 55	EG2, EXM	DGZ		With [GEH]
	68026806AA	1	2, 3, 6, 7	L		EG2, EXM	DGZ		Without [GEH]
8	68010454AA	1	2, 3, 6, 7	L		EG2, EXM	DGZ		SWITCH, Speed Control, Cruise Control Tempomat



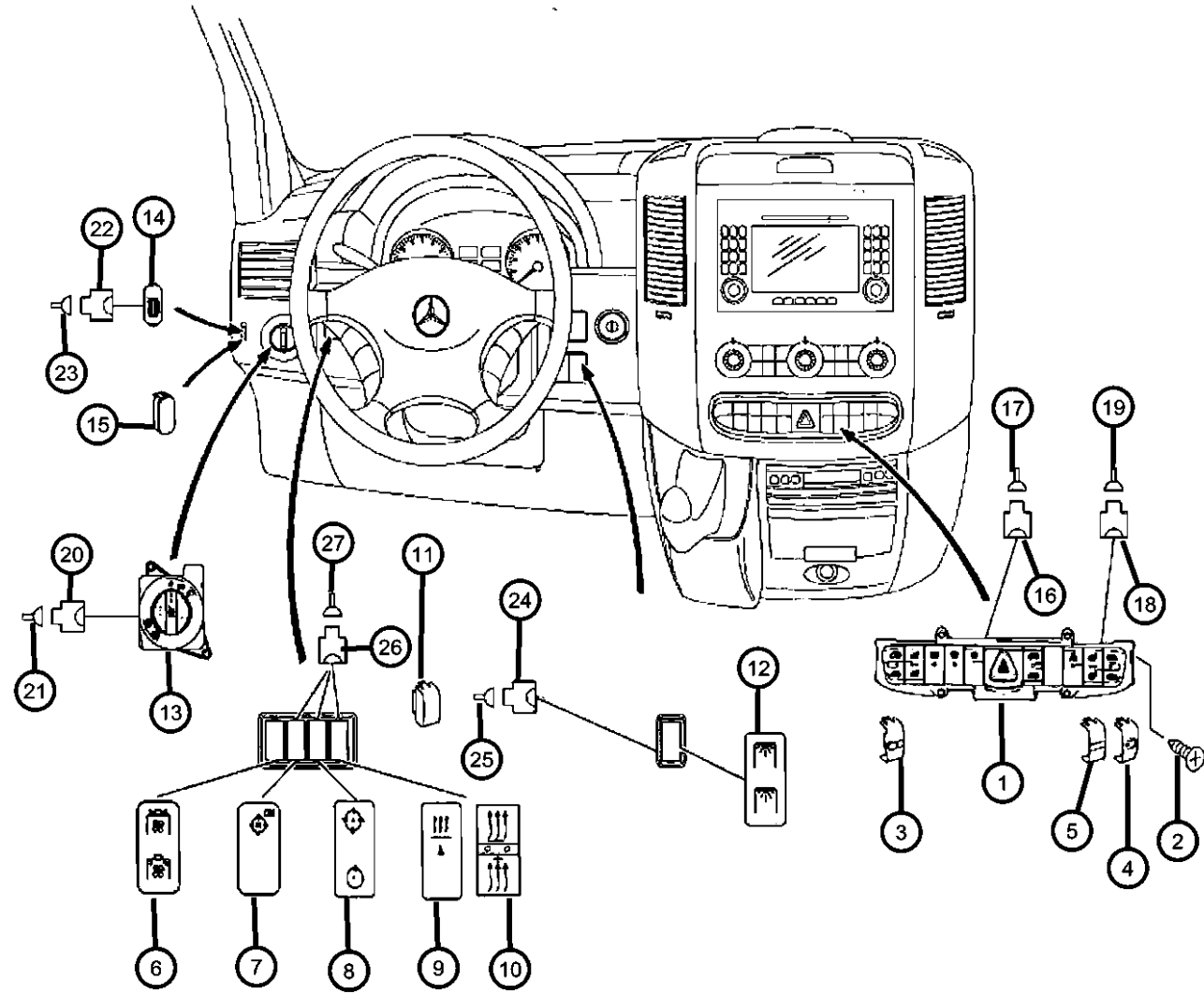
SPRINTER (VB)

SERIES	LINE	BODY	ENGINE	TRANSMISSION
L = LOWLINE	3 = HD DODGE 2WD 2 = Med. Duty DODGE 2WD	03 = CAB CHASSIS WHEEL BASE 3 05 = CAB CHASSIS WHEEL BASE 5 13 = 119 WB 53 = 119 WB 15 = VAN WHEEL BASE 5 55 = WAGON WHEEL BASE 5 17 = VAN WHEEL BASE 7	EG2 = 3.5L V6 Gas Engine EXM = 3.0L V6 Turbo Diesel Engine	DGZ = 5-Speed Auto W5A380 Transmission

AR = use ase required - = Non illustrated part

2007 VB

Switches - Instrument Panel & Center Console / [2 Of 2]
Figure 8-815



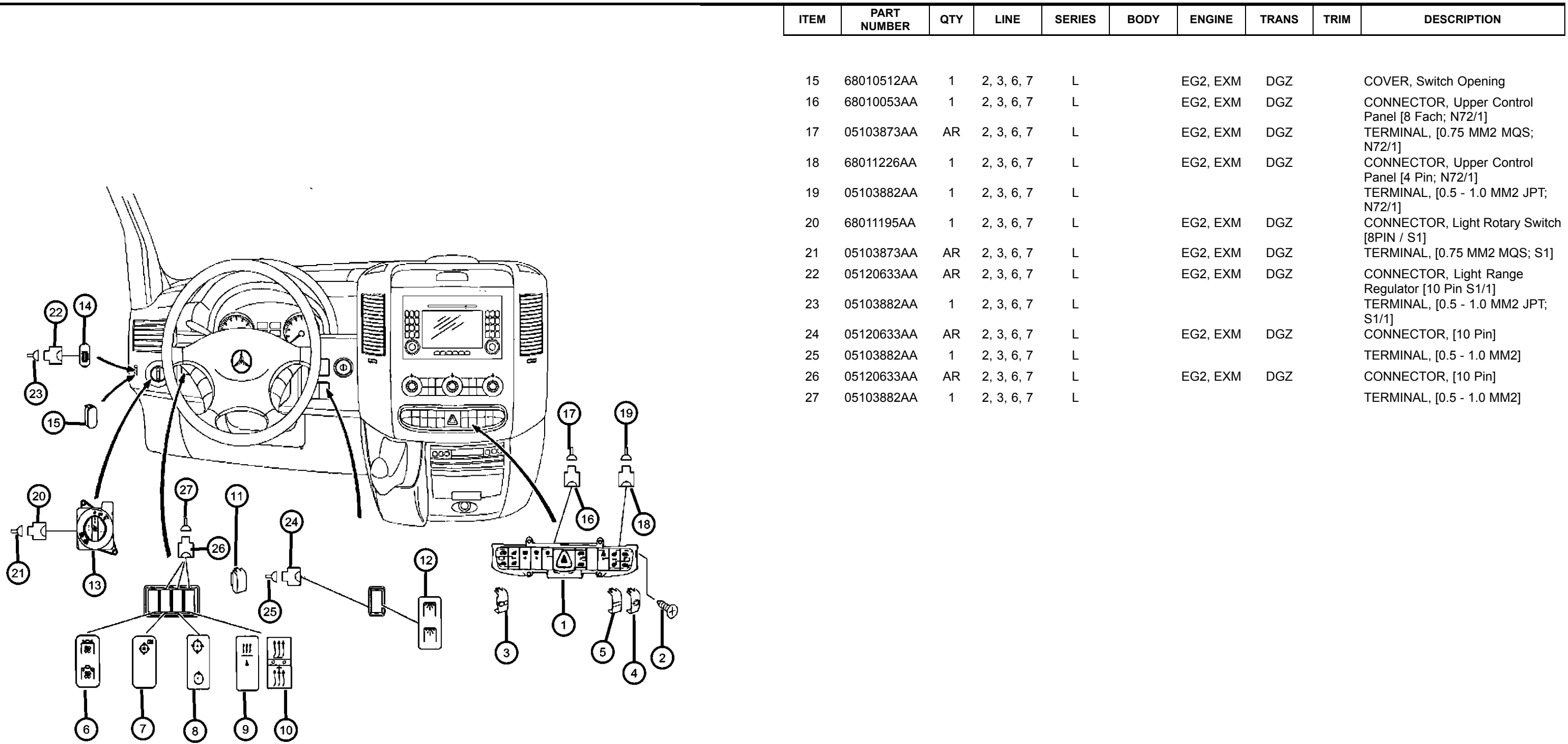
ITEM	PART NUMBER	QTY	LINE	SERIES	BODY	ENGINE	TRANS	TRIM	DESCRIPTION
1	68010482AA	1	2, 3, 6, 7	L		EG2, EXM	DGZ		SWITCH, Hazard Warning With [CMC% CMB+XAG% GBG% GFA]
	68010483AA	1	2, 3, 6, 7	L		EG2, EXM	DGZ		With [XAG Or GBG Or GFA]
	68010484AA	1	3, 7	L	03, 05	EG2, EXM	DGZ		With [BNB]
	68010514AA	1	2, 3, 6, 7	L	13, 15, 17, 53, 55	EG2, EXM	DGZ		
	68010515AA	1	2, 6	L	15, 17, 13	EG2, EXM	DGZ		With [46B]
		1	3, 7	L	05	EXM, EG2			With [46B]
2	05098128AA	4	3, 7	L	03, 05	EG2, EXM	DGZ		SCREW, Tapping
		4	2, 3, 6, 7	L	13, 15, 17, 53, 55	EG2, EXM	DGZ		
3	68010487AA	1	2, 3, 6, 7	L		EG2, EXM	DGZ		COVER, Switch Opening
4	68010488AA	1	2, 3, 6, 7	L		EG2, EXM	DGZ		COVER, Switch Opening
5	68010489AA	AR	2, 3, 6, 7	L		EG2, EXM	DGZ		COVER, Switch Opening
6	68010516AA	1	2, 3, 6, 7	L	13, 15, 17	EG2, EXM	DGZ		SWITCH, Instrument Panel, With [NHX]
7	68010492AA	1	2, 3, 6, 7	L		EG2, EXM	DGZ		SWITCH, With [XFM % NXF]
8	68010496AA	1	2, 3, 6, 7	L		EG2, EXM	DGZ		SWITCH, With [NXF]
9	68010500AA	1	2, 3, 6, 7	L		EG2, EXM	DGZ		SWITCH, With [3JV]
10	68010499AA	1	2, 3, 6, 7	L		EG2, EXM	DGZ		SWITCH, Instrument Panel, With [HDB % XG3]
11	68010502AA	7	2, 3, 6, 7	L		EG2, EXM	DGZ		COVER, Switch Opening, Blind Cover
12	68010494AA	1	3, 7	L	03, 05	EG2, EXM	DGZ		SWITCH, Instrument Panel With [XZG]
	68010501AA	1	3, 7	L	03, 05	EG2, EXM	DGZ		With [XBE]
	68010517AA	1	2, 3, 6, 7	L	13, 15, 17, 53, 55	EG2, EXM	DGZ		With [LCQ]
13	68010503AA	1	2, 3, 6, 7	L		EG2, EXM	DGZ		SWITCH, Headlamp With [LNJ + NHM + 42B]
	68010505AA	1	2, 3, 6, 7	L		EG2, EXM	DGZ		With [LNJ + 42B]
	68010507AA	1	7, 2, 3, 6	L		EG2, EXM	DGZ		With [NHM + 42B]
	68010510AA	1	2, 3, 6, 7	L		EG2, EXM	DGZ		
14	68010511AA	1	2, 3, 6, 7	L		EG2, EXM	DGZ		SWITCH, Headlamp Leveling

SPRINTER (VB)

SERIES	LINE	BODY	ENGINE	TRANSMISSION
L = LOWLINE	3 = HD DODGE 2WD 2 = Med. Duty DODGE 2WD	03 = CAB CHASSIS WHEEL BASE 3 05 = CAB CHASSIS WHEEL BASE 5 13 = 119 WB 53 = 119 WB 15 = VAN WHEEL BASE 5 55 = WAGON WHEEL BASE 5 17 = VAN WHEEL BASE 7	EG2 = 3.5L V6 Gas Engine EXM = 3.0L V6 Turbo Diesel Engine	DGZ = 5-Speed Auto W5A380 Transmission

AR = use ase required - = Non illustrated part

Switches - Instrument Panel & Center Console / [2 Of 2]
Figure 8-815



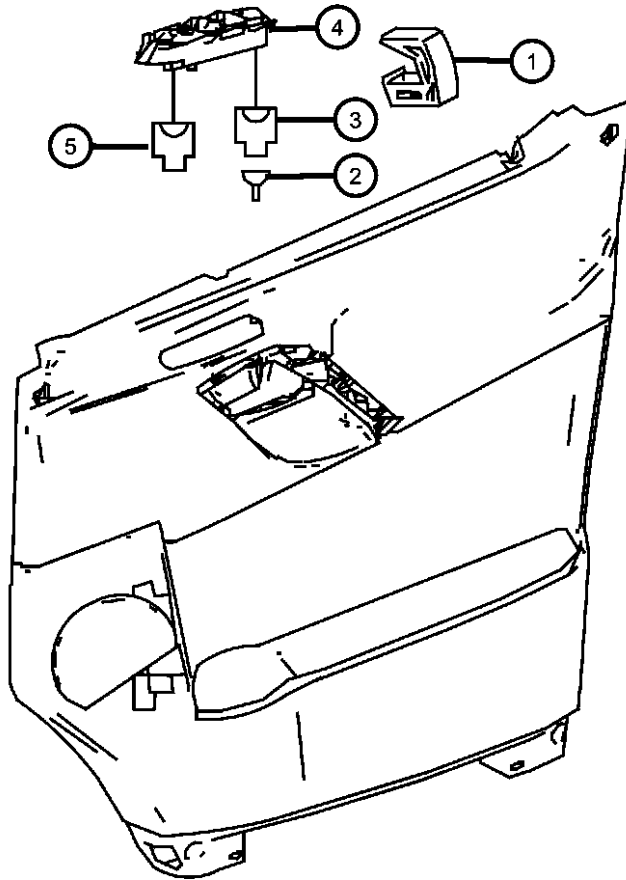
ITEM	PART NUMBER	QTY	LINE	SERIES	BODY	ENGINE	TRANS	TRIM	DESCRIPTION
15	68010512AA	1	2, 3, 6, 7	L		EG2, EXM	DGZ		COVER, Switch Opening
16	68010053AA	1	2, 3, 6, 7	L		EG2, EXM	DGZ		CONNECTOR, Upper Control Panel [8 Fach; N72/1]
17	05103873AA	AR	2, 3, 6, 7	L		EG2, EXM	DGZ		TERMINAL, [0.75 MM2 MQS; N72/1]
18	68011226AA	1	2, 3, 6, 7	L		EG2, EXM	DGZ		CONNECTOR, Upper Control Panel [4 Pin; N72/1]
19	05103882AA	1	2, 3, 6, 7	L					TERMINAL, [0.5 - 1.0 MM2 JPT; N72/1]
20	68011195AA	1	2, 3, 6, 7	L		EG2, EXM	DGZ		CONNECTOR, Light Rotary Switch [8PIN / S1]
21	05103873AA	AR	2, 3, 6, 7	L		EG2, EXM	DGZ		TERMINAL, [0.75 MM2 MQS; S1]
22	05120633AA	AR	2, 3, 6, 7	L		EG2, EXM	DGZ		CONNECTOR, Light Range Regulator [10 Pin S1/1]
23	05103882AA	1	2, 3, 6, 7	L					TERMINAL, [0.5 - 1.0 MM2 JPT; S1/1]
24	05120633AA	AR	2, 3, 6, 7	L		EG2, EXM	DGZ		CONNECTOR, [10 Pin]
25	05103882AA	1	2, 3, 6, 7	L					TERMINAL, [0.5 - 1.0 MM2]
26	05120633AA	AR	2, 3, 6, 7	L		EG2, EXM	DGZ		CONNECTOR, [10 Pin]
27	05103882AA	1	2, 3, 6, 7	L					TERMINAL, [0.5 - 1.0 MM2]

SPRINTER (VB)

SERIES	LINE	BODY	ENGINE	TRANSMISSION
L = LOWLINE	3 = HD DODGE 2WD 2 = Med. Duty DODGE 2WD	03 = CAB CHASSIS WHEEL BASE 3 05 = CAB CHASSIS WHEEL BASE 5 13 = 119 WB 53 = 119 WB 15 = VAN WHEEL BASE 5 55 = WAGON WHEEL BASE 5 17 = VAN WHEEL BASE 7	EG2 = 3.5L V6 Gas Engine EXM = 3.0L V6 Turbo Diesel Engine	DGZ = 5-Speed Auto W5A380 Transmission

AR = use ase required - = Non illustrated part

**Door Trim Panel
Figure 8-820**



ITEM	PART NUMBER	QTY	LINE	SERIES	BODY	ENGINE	TRANS	TRIM	DESCRIPTION
1	68010052AA	1	2, 3, 6, 7	L		EG2, EXM	DGZ		BRACKET
2	68010054AA	AR	2, 3, 6, 7	L		EG2, EXM	DGZ		TERMINAL
3									CONNECTOR
	05120717AA	1	3, 7	L	03, 05	EG2, EXM	DGZ		Triple 3-PIN,COD.A
		1	2, 3, 6, 7	L	13, 15, 17, 53, 55	EG2, EXM	DGZ		Triple 3-PIN,COD.A
4									SWITCH, Power Window
	68010048AA	1	2, 3, 6, 7	L		EG2, EXM	DGZ		Left
	68010050AA	1	2, 3, 6, 7	L		EG2, EXM	DGZ		With [GTB], Left
	68010051AA	1	2, 6	L	53, 55	EG2, EXM	DGZ		
	68010117AA	1	2, 3, 6, 7	L		EG2, EXM	DGZ		Right
5	68010053AA	1	2, 3, 6, 7	L		EG2, EXM	DGZ		CONNECTOR

SPRINTER (VB)

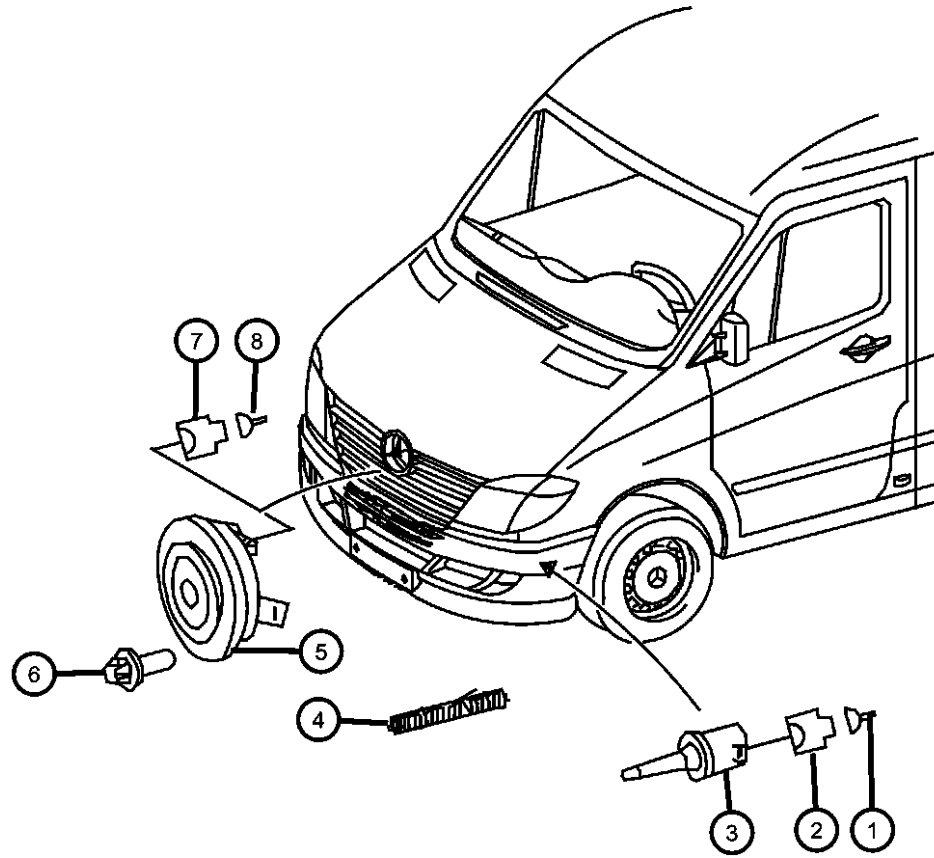
SERIES	LINE	BODY	ENGINE	TRANSMISSION
L = LOWLINE	3 = HD DODGE 2WD 2 = Med. Duty DODGE 2WD	03 = CAB CHASSIS WHEEL BASE 3 05 = CAB CHASSIS WHEEL BASE 5 13 = 119 WB 53 = 119 WB 15 = VAN WHEEL BASE 5 55 = WAGON WHEEL BASE 5 17 = VAN WHEEL BASE 7	EG2 = 3.5L V6 Gas Engine EXM = 3.0L V6 Turbo Diesel Engine	DGZ = 5-Speed Auto W5A380 Transmission

AR = use ase required - = Non illustrated part

2007 VB

Horns
Figure 8-910

ITEM	PART NUMBER	QTY	LINE	SERIES	BODY	ENGINE	TRANS	TRIM	DESCRIPTION
1									TERMINAL
	05103873AA	3	3, 7	L	03, 05	EG2, EXM	DGZ		0.75 MM2,MQS;B14
		3	2, 3, 6, 7	L	13, 15, 17, 53, 55	EG2, EXM	DGZ		0.75 MM2,MQS;B14
2	05120277AA	1	2, 3, 6, 7	L		EG2, EXM	DGZ		CONNECTOR, Wiring Repair, Sensor of Outside Temperature Indicator 2-PIN,B14
3									SENSOR, Ambient Temperature
	05101096AA	1	3, 7	L	03, 05	EG2, EXM	DGZ		Outboard Temperature Feeler
		1	2, 3, 6, 7	L	13, 15, 17, 53, 55	EG2, EXM	DGZ		Outboard Temperature Feeler
4	05133388AA	1	2, 3, 6, 7	L		EG2, EXM	DGZ		TUBE, Heat Shrink, H1,H18,H18/1
5									HORN
	05120370AA	1	3, 7	L	03, 05	EG2, EXM	DGZ		
		1	2, 3, 6, 7	L	13, 15, 17, 53, 55	EG2, EXM	DGZ		
6	05073723AB	1	2, 3, 6, 7	L		EXM	DGZ		SCREW, Horn Mounting M8x20
7	05166277AA	1	2, 3, 6, 7	L		EG2, EXM	DGZ		CONNECTOR, 2-PIN,H1
8	68011404AA	AR	2, 3, 6, 7	L		EG2, EXM	DGZ		TERMINAL, H1



SPRINTER (VB)

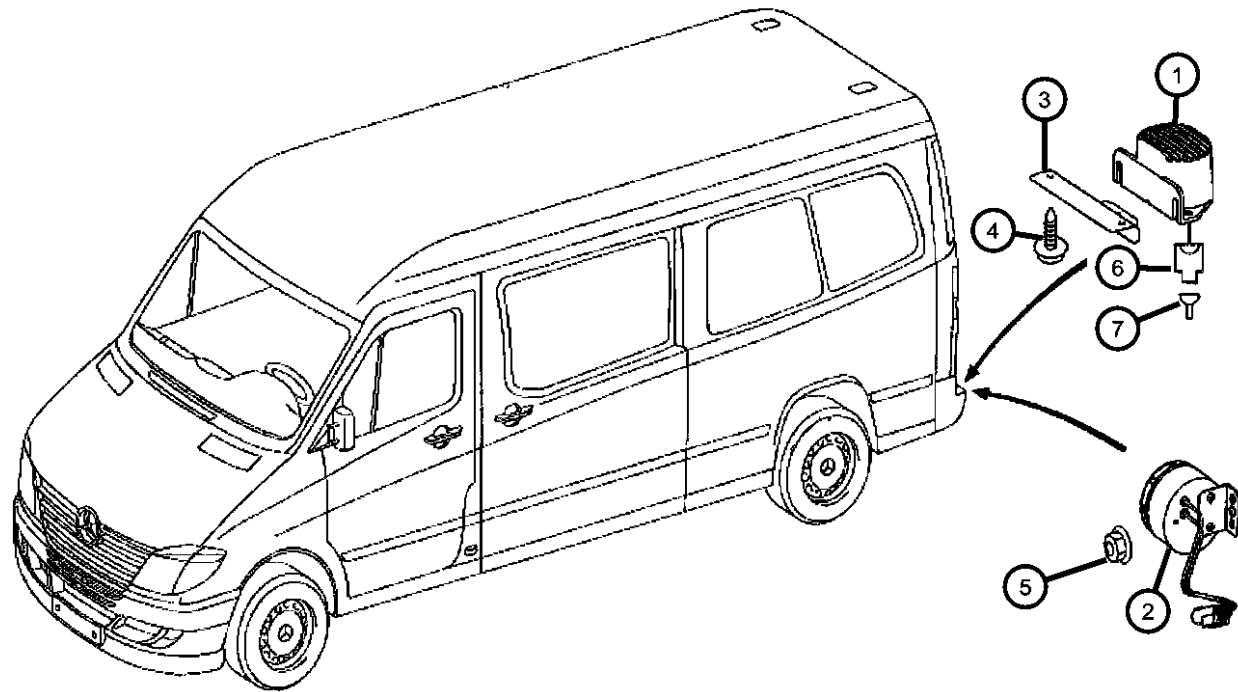
SERIES	LINE	BODY	ENGINE	TRANSMISSION
L = LOWLINE	3 = HD DODGE 2WD 2 = Med. Duty DODGE 2WD	03 = CAB CHASSIS WHEEL BASE 3 05 = CAB CHASSIS WHEEL BASE 5 13 = 119 WB 53 = 119 WB 15 = VAN WHEEL BASE 5 55 = WAGON WHEEL BASE 5 17 = VAN WHEEL BASE 7	EG2 = 3.5L V6 Gas Engine EXM = 3.0L V6 Turbo Diesel Engine	DGZ = 5-Speed Auto W5A380 Transmission

AR = use ase required - = Non illustrated part

2007 VB

**Audible Reverse Signal Horn
Figure 8-920**

ITEM	PART NUMBER	QTY	LINE	SERIES	BODY	ENGINE	TRANS	TRIM	DESCRIPTION
1	05135946AA	1	2, 3, 6, 7	L	13, 15, 17, 53, 55	EG2, EXM	DGZ		HORN, End Crossmember Inner / With [XAW] Sales Codes
2	68024748AA	1	2, 3, 6, 7	L		EG2, EXM	DGZ		HORN, End Of Crossmember Inner / Pulse Sender Unit
3	05135596AA	1	2, 3, 6, 7	L	13, 15, 17, 53, 55	EG2, EXM	DGZ		BRACKET, Horn
4	06104565AA	2	2, 3, 6, 7	L		EG2, EXM	DGZ		SCREW, [4.2x9.5]
5	68004878AA	1	2, 3, 6, 7	L	13, 15, 17, 53, 55	EG2, EXM	DGZ		NUT, [M6]
6	05120277AA	1	2, 3, 6, 7	L		EG2, EXM	DGZ		CONNECTOR, Wiring Repair, [2 Pin / H3/4]
7	05103874AA	1	2, 3, 6, 7	L		EG2, EXM	DGZ		TERMINAL, [0.75 MM2; MQS; H3/4]
-8	05120860AA	1	2, 3, 6, 7	L		EG2, EXM	DGZ		GASKET, [1.6 - 1.9 MM2; H3/4]



SPRINTER (VB)

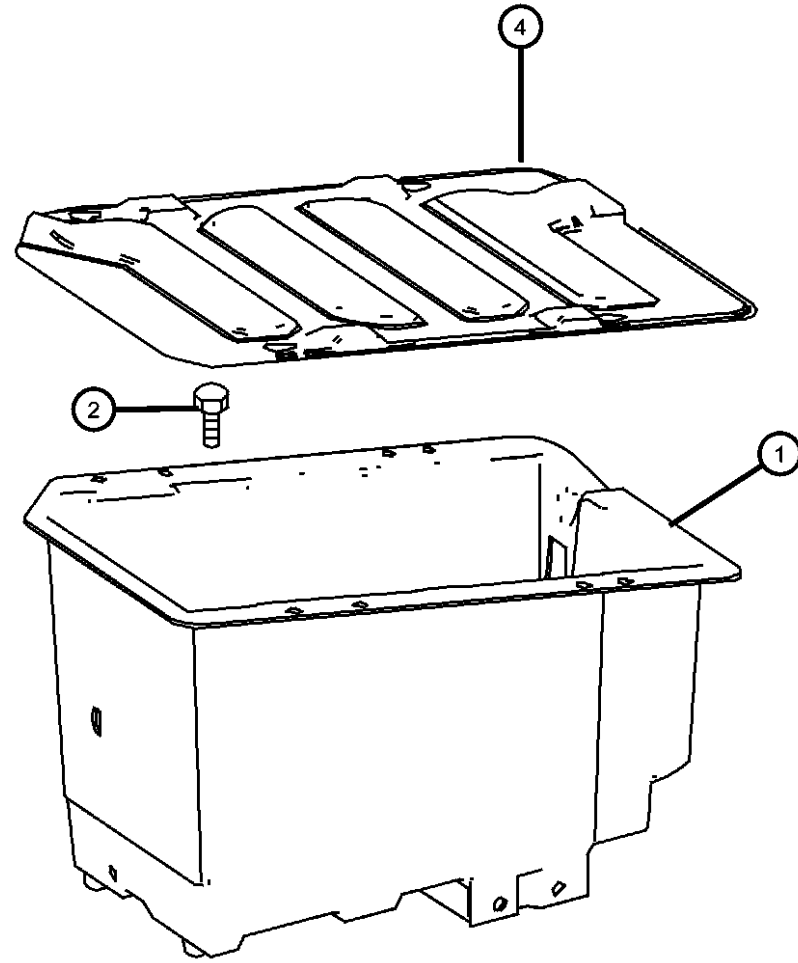
SERIES	LINE	BODY	ENGINE	TRANSMISSION
L = LOWLINE	3 = HD DODGE 2WD 2 = Med. Duty DODGE 2WD	03 = CAB CHASSIS WHEEL BASE 3 05 = CAB CHASSIS WHEEL BASE 5 13 = 119 WB 53 = 119 WB 15 = VAN WHEEL BASE 5 55 = WAGON WHEEL BASE 5 17 = VAN WHEEL BASE 7	EG2 = 3.5L V6 Gas Engine EXM = 3.0L V6 Turbo Diesel Engine	DGZ = 5-Speed Auto W5A380 Transmission

AR = use ase required - = Non illustrated part

2007 VB

**Battery Tray
Figure 8-1010**

ITEM	PART NUMBER	QTY	LINE	SERIES	BODY	ENGINE	TRANS	TRIM	DESCRIPTION
1	68006357AA	1	2, 3, 6, 7	L		EG2, EXM	DGZ		TRAY, Battery, In Passenger Compartment
2	05126197AA	2	2, 6	L	13, 15, 17, 53, 55	EG2	DGZ		SCREW, Console To Frame [M6x12]
-3									SCREW, Hex Head, M6x12
	06104120AA	4	3, 7	L	03, 05	EXM, EG2	DGZ		Mounting Cover & Console To Frame
		4	2, 3, 6, 7	L	13, 15, 17, 53, 55	EG2, EXM	DGZ		Mounting Cover & Console To Frame
4	68006358AA	1	2, 3, 6, 7	L		EG2, EXM	DGZ		COVER, Battery Cover



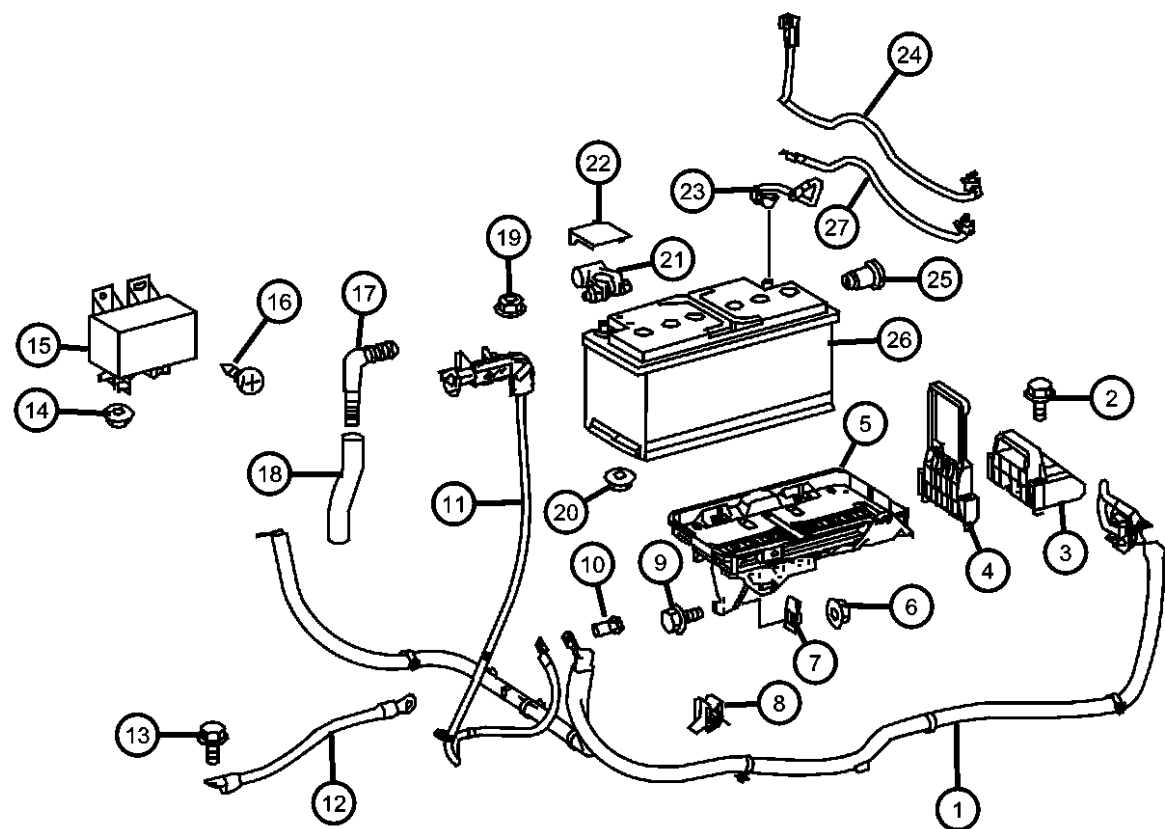
SPRINTER (VB)

SERIES	LINE	BODY	ENGINE	TRANSMISSION
L = LOWLINE	3 = HD DODGE 2WD 2 = Med. Duty DODGE 2WD	03 = CAB CHASSIS WHEEL BASE 3 05 = CAB CHASSIS WHEEL BASE 5 13 = 119 WB 53 = 119 WB 15 = VAN WHEEL BASE 5 55 = WAGON WHEEL BASE 5 17 = VAN WHEEL BASE 7	EG2 = 3.5L V6 Gas Engine EXM = 3.0L V6 Turbo Diesel Engine	DGZ = 5-Speed Auto W5A380 Transmission

AR = use ase required - = Non illustrated part

2007 VB

Auxiliary Battery Tray, Battery Cable & Contactor
Figure 8-1020



ITEM	PART NUMBER	QTY	LINE	SERIES	BODY	ENGINE	TRANS	TRIM	DESCRIPTION
1	68011460AA	1	2, 3, 6, 7	L		EXM	DGZ		HARNESS, Wiring
	68011461AA	1	2, 3, 6, 7	L		EG2	DGZ		
2	06104191AA	2	3, 7	L	03, 05	EG2, EXM	DGZ		BOLT Battery Fastening M6x70
		2	6, 7, 2, 3	L	13, 15, 17, 53, 55	EG2, EXM	DGZ		Battery Fastening M6x70
3	68011030AA	1	2, 3, 6, 7	L		EG2, EXM	DGZ		BRACKET, Battery
4	68011031AA	1	2, 3, 6, 7	L		EG2, EXM	DGZ		BRACKET, Battery
5	68011034AA	1	2, 3, 6, 7	L		EG2, EXM	DGZ		TRAY, Battery, Auxiliary Battery Tray With Sales Code [BC1]
6	68004878AA	1	3, 7	L	03, 05	EG2, EXM	DGZ		NUT Support to Firewall M6
		1	2, 3, 6, 7	L	13, 15, 17, 53, 55	EG2, EXM	DGZ		Support to Firewall M6
7	05133420AA	2	2, 3, 6, 7	L		EG2, EXM	DGZ		NUT, Clip-On, M6
8	68011037AA	1	3, 7	L	03, 05	EG2, EXM	DGZ		RETAINER Drain Hose
		1	2, 3, 6, 7	L	13, 15, 17, 53, 55	EG2, EXM	DGZ		Drain Hose
9	05183964AA	2	7, 3	L	03, 05	EG2, EXM	DGZ		SCREW M6x10
		2	2, 3, 6, 7	L	13, 15, 17, 53, 55	EG2, EXM	DGZ		M6x10
10	68011453AA	1	2, 3, 6, 7	L		EG2, EXM	DGZ		NUT
11	68011449AA	1	2, 3, 6, 7	L		EXM	DGZ		HARNESS, Wiring Jump Starting Point
	68011450AA	1	3, 7	L	03, 05	EG2	DGZ		Jump Starting Point
		1	2, 6	L	13, 15, 17, 53, 55	EG2	DGZ		Jump Starting Point
12	05120226AA	1	2, 3, 6, 7	L		EG2, EXM	DGZ		STRAP, Ground, Engine Support,Left to Longtudinal Member
13	06104022AB	2	3, 7	L	03, 05	EG2, EXM	DGZ		SCREW, Ground Strap Mounting M8x16
14	68004878AA	2	3, 7	L	03, 05	EG2, EXM	DGZ		NUT

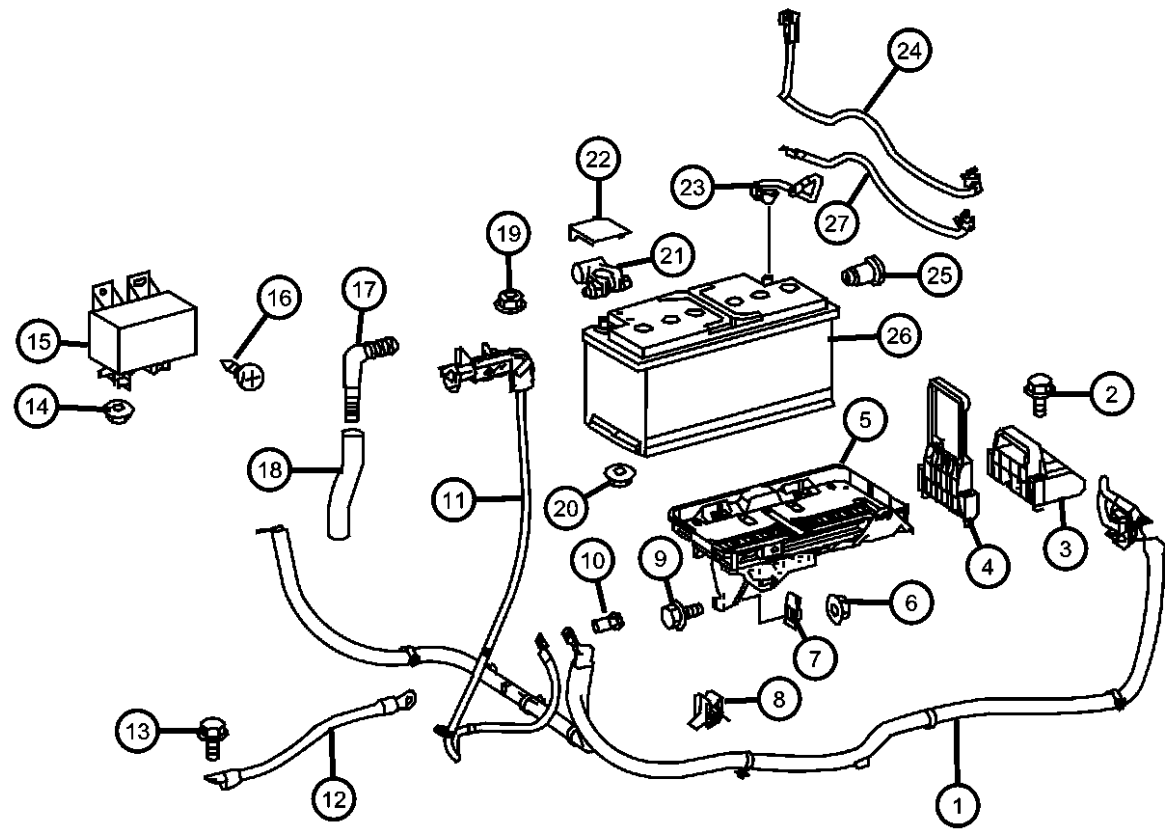
SPRINTER (VB)

SERIES	LINE	BODY	ENGINE	TRANSMISSION
L = LOWLINE	3 = HD DODGE 2WD 2 = Med. Duty DODGE 2WD	03 = CAB CHASSIS WHEEL BASE 3 05 = CAB CHASSIS WHEEL BASE 5 13 = 119 WB 53 = 119 WB 15 = VAN WHEEL BASE 5 55 = WAGON WHEEL BASE 5 17 = VAN WHEEL BASE 7	EG2 = 3.5L V6 Gas Engine EXM = 3.0L V6 Turbo Diesel Engine	DGZ = 5-Speed Auto W5A380 Transmission

AR = use ase required - = Non illustrated part

2007 VB

Auxiliary Battery Tray, Battery Cable & Contactor
Figure 8-1020



ITEM	PART NUMBER	QTY	LINE	SERIES	BODY	ENGINE	TRANS	TRIM	DESCRIPTION
		2	2, 3, 6, 7	L	13, 15, 17, 53, 55	EG2, EXM	DGZ		
15	05120361AA	1	3, 7	L	03, 05	EG2, EXM	DGZ		RELAY Cut-Off Relay
		1	2, 3, 6, 7	L	13, 15, 17, 53, 55	EG2, EXM	DGZ		Cut-Off Relay
16	06104566AA	2	2, 3, 6, 7	L		EG2, EXM	DGZ		SCREW, Tapping
17	05125802AA	1	2, 3, 6, 7	L	13, 15, 17, 53, 55	EG2, EXM	DGZ		ELBOW, Male Adapter To Battery
		1	2, 3, 6, 7	L	03, 05	EG2, EXM	DGZ		To Battery
18	05125962AA	40	2, 3, 6, 7	L		EG2, EXM	DGZ		HOSE, Battery Vent, 5x1MM
19	06105169AA	1	2, 3, 6, 7	L		EG2, EXM	DGZ		NUT, Fuse Box to Battery Case M8
20	68004878AA	2	6, 7, 2, 3	L	13, 15, 17, 53, 55	EG2, EXM	DGZ		NUT Battery Mounting M6
		2	3, 7	L	03, 05	EG2, EXM	DGZ		Battery Mounting M6
21	05120949AA	1	2, 3, 6, 7	L		EG2, EXM	DGZ		TERMINAL, Battery Heavy Duty
	68011027AA	1	2, 3, 6, 7	L		EG2, EXM	DGZ		
22	05098850AA	1	3, 7	L	03, 05	EG2, EXM	DGZ		COVER, Battery Terminal
		1	2, 3, 6, 7	L	13, 15, 17, 53, 55	EG2, EXM	DGZ		
23	68011458AA	1	2, 3, 6, 7	L		EG2, EXM	DGZ		STRAP, Ground, Additional Battery
24	68011454AA	1	2, 3, 6, 7	L		EG2, EXM	DGZ		HARNESS, Wiring, From Battery to Frame
25	05099303AA	1	3, 7	L	03, 05	EG2, EXM	DGZ		PLUG To Battery 6x8MM
		1	2, 3, 6, 7	L	13, 15, 17, 53, 55	EG2, EXM	DGZ		To Battery 6x8MM
26	05133941AA	1	3, 7	L	03, 05	EG2, EXM	DGZ		BATTERY 12V/100AH / Auxiliary Battery
	BB049850AA	1	2, 3, 6, 7	L	13, 15, 17, 53, 55	EG2, EXM	DGZ		Mopar Replacement Battery (72 Series) 12V/100AH / Auxiliary Battery

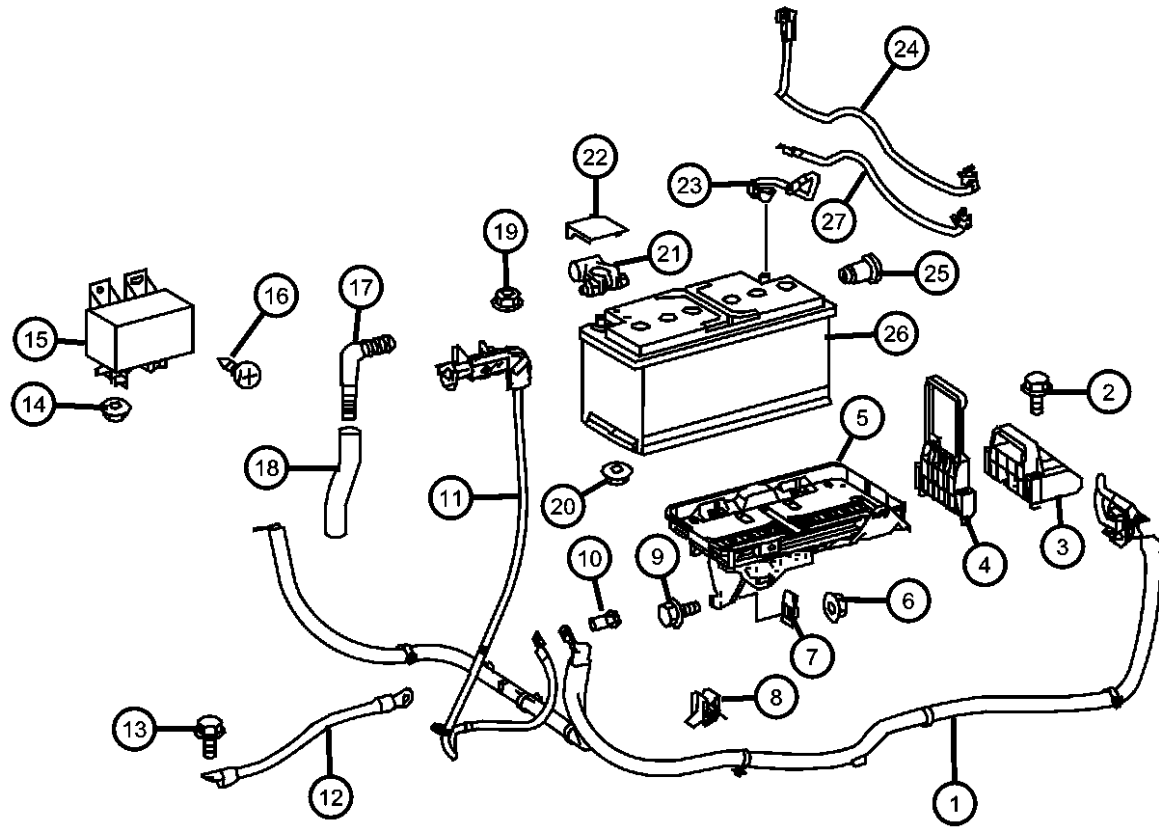
SPRINTER (VB)

SERIES	LINE	BODY	ENGINE	TRANSMISSION
L = LOWLINE	3 = HD DODGE 2WD 2 = Med. Duty DODGE 2WD	03 = CAB CHASSIS WHEEL BASE 3 05 = CAB CHASSIS WHEEL BASE 5 13 = 119 WB 53 = 119 WB 15 = VAN WHEEL BASE 5 55 = WAGON WHEEL BASE 5 17 = VAN WHEEL BASE 7	EG2 = 3.5L V6 Gas Engine EXM = 3.0L V6 Turbo Diesel Engine	DGZ = 5-Speed Auto W5A380 Transmission

AR = use ase required - = Non illustrated part

Auxiliary Battery Tray, Battery Cable & Contactor
Figure 8-1020

ITEM	PART NUMBER	QTY	LINE	SERIES	BODY	ENGINE	TRANS	TRIM	DESCRIPTION
	BB049850AA								Mopar Replacement Battery (72 Series)
	05134258AA	1	2, 3, 6, 7	L		EG2, EXM	DGZ		Starter Battery
27	68011464AA	1	2, 3, 6, 7	L		EG2, EXM	DGZ		STRAP, Ground, Ground to Frame



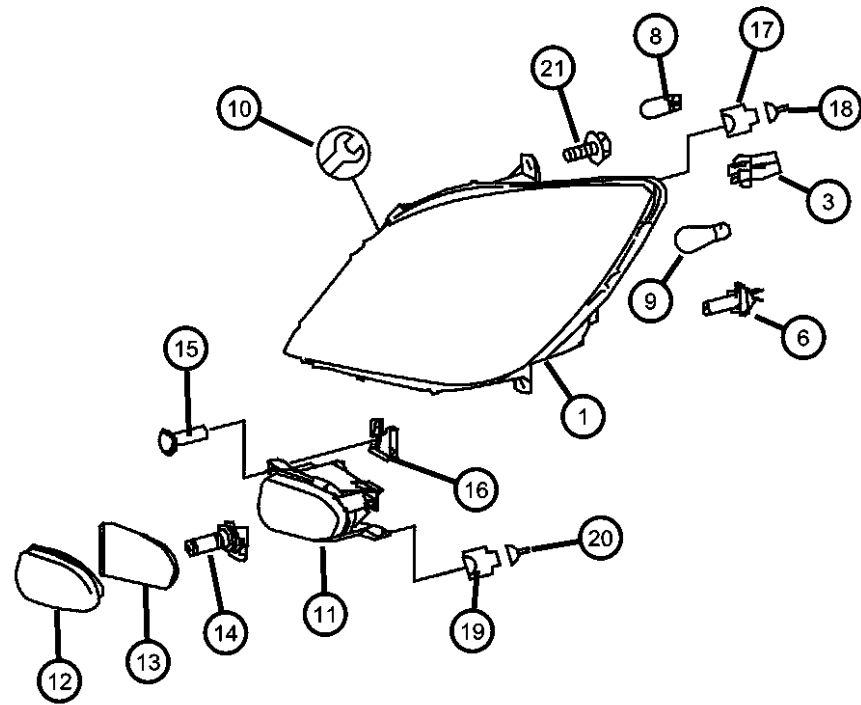
SPRINTER (VB)

SERIES	LINE	BODY	ENGINE	TRANSMISSION
L = LOWLINE	3 = HD DODGE 2WD 2 = Med. Duty DODGE 2WD	03 = CAB CHASSIS WHEEL BASE 3 05 = CAB CHASSIS WHEEL BASE 5 13 = 119 WB 53 = 119 WB 15 = VAN WHEEL BASE 5 55 = WAGON WHEEL BASE 5 17 = VAN WHEEL BASE 7	EG2 = 3.5L V6 Gas Engine EXM = 3.0L V6 Turbo Diesel Engine	DGZ = 5-Speed Auto W5A380 Transmission

AR = use ase required - = Non illustrated part

2007 VB

Head Lamp Unit, Turn Signal & Lamp at Side
Figure 8-1110



ITEM	PART NUMBER	QTY	LINE	SERIES	BODY	ENGINE	TRANS	TRIM	DESCRIPTION
1									LAMP, Headlamp Park And Turn
	68004882AA	1	2, 3, 6, 7	L		EG2, EXM	DGZ		With [LM2], Right
	68004883AA	1	2, 3, 6, 7	L		EG2, EXM	DGZ		With [LM2], Left
	68012120AA	1	2, 3, 6, 7	L		EG2, EXM	DGZ		Without [LM2], Right
	68012121AA	1	2, 3, 6, 7	L		EXM, EG2	DGZ		Without [LM2], Left
-2	68012126AA	2	2, 3, 6, 7	L		EG2, EXM	DGZ		MOTOR, Light Range Adjuster
3	05133959AA	2	2, 3, 6, 7	L		EG2, EXM	DGZ		SOCKET, Lamp
-4	68012127AA	2	2, 3, 6, 7	L		EG2, EXM	DGZ		MODULE, With [LM3]
-5	68012128AA	2	2, 3, 6, 7	L		EG2, EXM	DGZ		SOCKET, Lamp, With [LM3]
6									BULB, Headlamp, H-7
	05104684AA	6	2, 3, 6, 7	L		EG2, EXM	DGZ		Headlamp, Fog Lamp, Corner Lamp With [LNJ]
		4	2, 3, 6, 7	L		EG2, EXM	DGZ		Without [LNJ]
-7	68012130AA	2	2, 3, 6, 7	L		EG2, EXM	DGZ		BULB, Xenon Headlamp Bulb [LM3]
8	68012129AA	2	2, 3, 6, 7	L		EG2, EXM	DGZ		BULB, Parking Lamp [12V / 5W]
9	05104662AA	2	2, 3, 6, 7	L		EG2, EXM	DGZ		BULB, Blinker [12V / 21W]
10									BRACKET
	68012122AA	1	2, 3, 6, 7	L		EG2, EXM	DGZ		Headlamp Mounting Tabs Kit, Right
	68012123AA	1	2, 3, 6, 7	L		EG2, EXM	DGZ		Headlamp Mounting Tabs Kit, Left
11									LAMP, Fog
	68024972AA	1	2, 3, 6, 7	L		EG2, EXM	DGZ		Right
	68024973AA	1	2, 3, 6, 7	L		EG2, EXM	DGZ		Left
12									LENS
	68012132AA	1	2, 3, 6, 7	L		EG2, EXM	DGZ		Left
	68012137AA	1	2, 3, 6, 7	L		EG2, EXM	DGZ		Right
13	68012133AA	2	2, 3, 6, 7	L		EG2, EXM	DGZ		SEAL Right & Left
14	68012135AA	2	2, 3, 6, 7	L		EG2, EXM	DGZ		BULB, Fog Lamp, 12V 55W
15	06104599AA	4	2, 3, 6, 7	L		EG2, EXM	DGZ		SCREW, Tapping, [4.8x19]
16	68012139AA	4	2, 3, 6, 7	L		EG2, EXM	DGZ		RETAINER
17	05103896AA	2	2, 3, 6, 7	L		EG2, EXM	DGZ		CONNECTOR, [E1, E1/6, E2, E2/6], Right & Left
18	05103898AA	AR	2, 3, 6, 7	L		EG2, EXM	DGZ		TERMINAL, Female, [0.5 - 1.0 MM2]

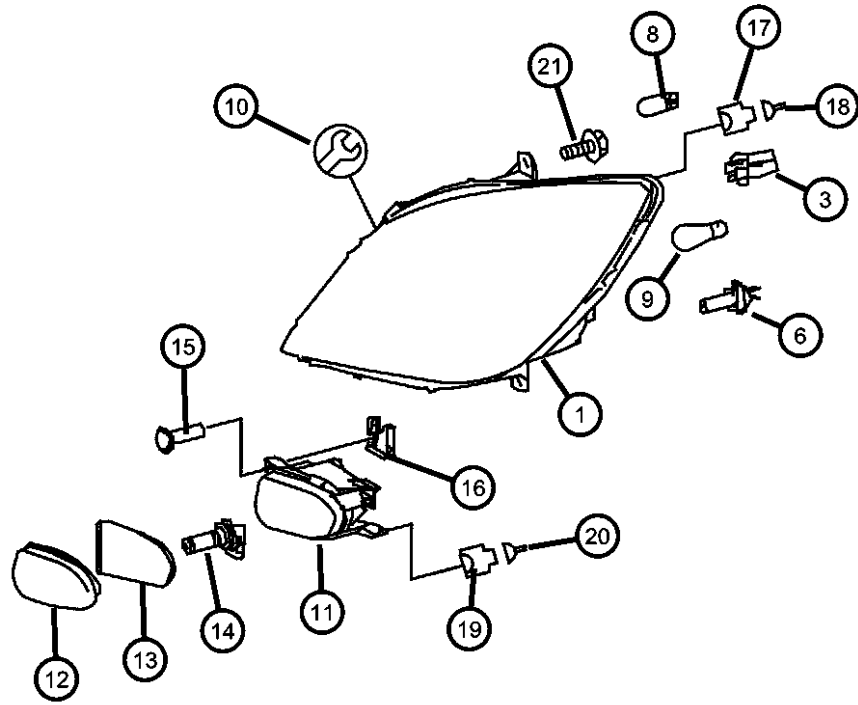
SPRINTER (VB)

SERIES	LINE	BODY	ENGINE	TRANSMISSION
L = LOWLINE	3 = HD DODGE 2WD 2 = Med. Duty DODGE 2WD	03 = CAB CHASSIS WHEEL BASE 3 05 = CAB CHASSIS WHEEL BASE 5 13 = 119 WB 53 = 119 WB 15 = VAN WHEEL BASE 5 55 = WAGON WHEEL BASE 5 17 = VAN WHEEL BASE 7	EG2 = 3.5L V6 Gas Engine EXM = 3.0L V6 Turbo Diesel Engine	DGZ = 5-Speed Auto W5A380 Transmission

AR = use ase required - = Non illustrated part

Head Lamp Unit, Turn Signal & Lamp at Side
Figure 8-1110

ITEM	PART NUMBER	QTY	LINE	SERIES	BODY	ENGINE	TRANS	TRIM	DESCRIPTION
19	68011295AA	2	2, 3, 6, 7	L		EG2, EXM	DGZ		CONNECTOR, Wiring, Fog Lamp [2 Pin; E5/1, E5/2], Right & Left TERMINAL
20	05133353AA	AR	2, 3, 6, 7	L		EG2	DGZ		[0.5 - 1.0 MM2]
		AR	2, 3, 6, 7	L		EXM	DGZ		[0.5 - 1.0 MM2]
21	68004879AA	8	2, 3, 6, 7	L		EG2, EXM	DGZ		SCREW, Headlamp Mounting



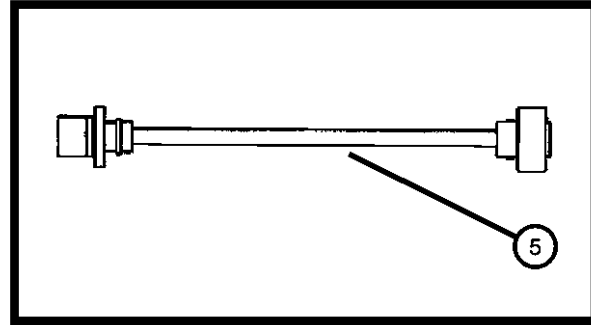
SPRINTER (VB)

SERIES	LINE	BODY	ENGINE	TRANSMISSION
L = LOWLINE	3 = HD DODGE 2WD 2 = Med. Duty DODGE 2WD	03 = CAB CHASSIS WHEEL BASE 3 05 = CAB CHASSIS WHEEL BASE 5 13 = 119 WB 53 = 119 WB 15 = VAN WHEEL BASE 5 55 = WAGON WHEEL BASE 5 17 = VAN WHEEL BASE 7	EG2 = 3.5L V6 Gas Engine EXM = 3.0L V6 Turbo Diesel Engine	DGZ = 5-Speed Auto W5A380 Transmission

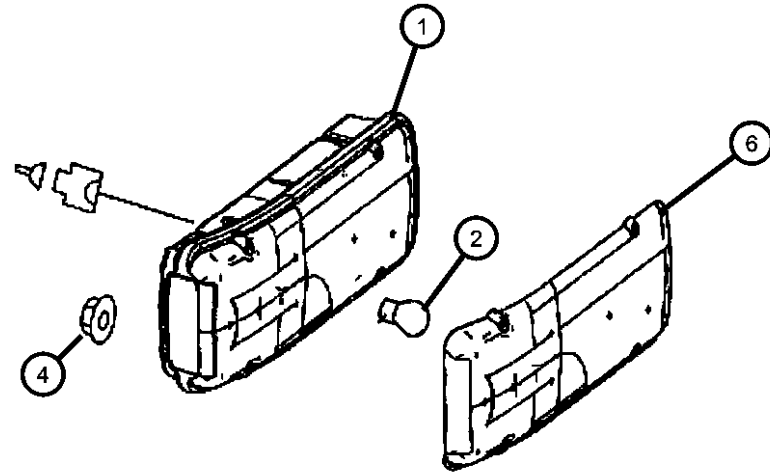
AR = use ase required - = Non illustrated part

2007 VB

Rear Stop Lamps
Figure 8-1120



ITEM	PART NUMBER	QTY	LINE	SERIES	BODY	ENGINE	TRANS	TRIM	DESCRIPTION
1	68012140AA	1	3, 7	L	03, 05	EG2, EXM	DGZ		LAMP, Tail Stop Turn Right
	68012141AA	1	3, 7	L	03, 05	EG2, EXM	DGZ		Left
2	05104649AA	2	2, 3, 6, 7	L		EG2, EXM	DGZ		BULB [12V - 5W]
	05104662AA	2	2, 3, 6, 7	L		EG2, EXM	DGZ		Orange [12V - 21W]
-3	L0007506	2	2, 3, 6, 7	L		EG2, EXM	DGZ		BULB, P25-1, [12V - 21W]
4	06105169AA	4	3, 7	L	03, 05	EG2, EXM	DGZ		NUT
5	68016790AA	2	3, 7	L	03, 05	EG2, EXM	DGZ		WIRING
6	68031562AA	1	3, 7	L	03, 05	EG2, EXM	DGZ		LENS, Taillamp Left
	68031563AA	1	3, 7	L	03, 05	EG2, EXM	DGZ		Right



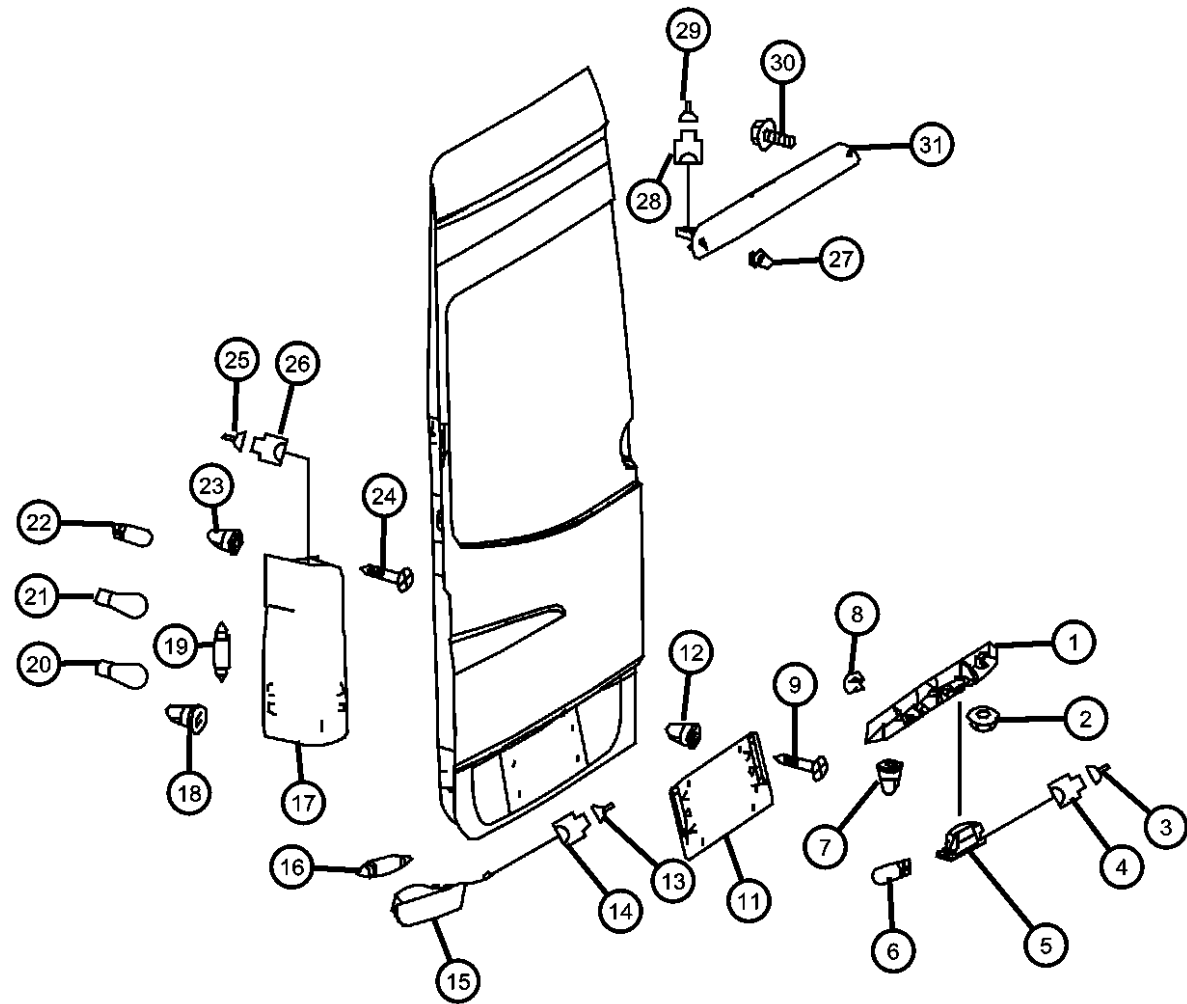
SPRINTER (VB)

SERIES	LINE	BODY	ENGINE	TRANSMISSION
L = LOWLINE	3 = HD DODGE 2WD 2 = Med. Duty DODGE 2WD	03 = CAB CHASSIS WHEEL BASE 3 05 = CAB CHASSIS WHEEL BASE 5 13 = 119 WB 53 = 119 WB 15 = VAN WHEEL BASE 5 55 = WAGON WHEEL BASE 5 17 = VAN WHEEL BASE 7	EG2 = 3.5L V6 Gas Engine EXM = 3.0L V6 Turbo Diesel Engine	DGZ = 5-Speed Auto W5A380 Transmission

AR = use ase required - = Non illustrated part

2007 VB

**Rear Stop Lamp & License Plate Lamp
Figure 8-1140**



ITEM	PART NUMBER	QTY	LINE	SERIES	BODY	ENGINE	TRANS	TRIM	DESCRIPTION
1	1HE84XDVAA	1	2, 3, 6, 7	L	13, 15, 17, 53, 55	EG2, EXM	DGZ		COVER, Lamp
2	68006505AA	2	2, 3, 6, 7	L	13, 15, 17, 53, 55	EG2, EXM	DGZ		NUT
3	05138912AA	AR	2, 3, 6, 7	L		EG2, EXM	DGZ		TERMINAL, E19/1.E19/2
4	68011339AA	2	2, 3, 6, 7	L		EG2, EXM	DGZ		CONNECTOR, E19/2
5	68006502AA	2	2, 3, 6, 7	L	13, 15, 17, 53, 55	EG2, EXM	DGZ		LAMP, License
6	05104608AA	1	2, 3, 6, 7	L	13, 15, 17, 53, 55	EG2, EXM	DGZ		BULB, 12V 5W, License Plate Lamp 12V-5W
7	68006507AA	4	2, 3, 6, 7	L	13, 15, 17, 53, 55	EG2, EXM	DGZ		RETAINER, Covering to Door
8	68006504AA	3	2, 3, 6, 7	L		EG2, EXM	DGZ		RETAINER, Covering to Door
9	06104632AA	4	2, 3, 6, 7	L	13, 15, 17, 53, 55	EG2, EXM	DGZ		SCREW, Hex Head, Rear License Plate Fastening M5x10
-10	06104567AA	2	3, 7	L	03, 05	EG2, EXM	DGZ		SCREW
		2	2, 3, 6, 7	L	13, 15, 17, 53, 55	EG2, EXM	DGZ		License Plate To License Plate Bracket
11	68006506AA	1	2, 3, 6, 7	L	13, 15, 17, 53, 55	EG2, EXM	DGZ		License Plate To License Plate Bracket
12	68006507AA	4	2, 3, 6, 7	L	13, 15, 17, 53, 55	EG2, EXM	DGZ		BRACKET, Rear License Plate Fastening
13	05120860AA	1	2, 3, 6, 7	L		EG2, EXM	DGZ		RETAINER, Rear License Plate Fastening
14	05120277AA	1	2, 3, 6, 7	L		EG2, EXM	DGZ		FASTENING GASKET
15	68012886AA	1	2, 3, 6, 7	L	13, 15, 17, 53, 55	EG2, EXM	DGZ		REFLECTOR, NONE, SPRINTER Right
	68012887AA	1	2, 3, 6, 7	L	13, 15, 17, 53, 55	EG2, EXM	DGZ		Left
16	L0007506	2	2, 3, 6, 7	L		EG2, EXM	DGZ		BULB, P25-1
17	68012882AA	1	2, 6	L	13, 15, 53, 55, 57	EG2, EXM	DGZ		LAMP, Tail Stop Turn Right
	68012883AA	1	2, 6	L	13, 15, 53, 55, 57	EG2, EXM	DGZ		Left
18	68012881AA	6	2, 3, 6, 7	L	13, 15, 17, 53, 55	EG2, EXM	DGZ		RETAINER, Attachment Tail Lamp
19	05104647AA	2	2, 3, 6, 7	L	13, 15, 17, 53, 55	EG2, EXM	DGZ		BULB, TAIL LAMP

SPRINTER (VB)

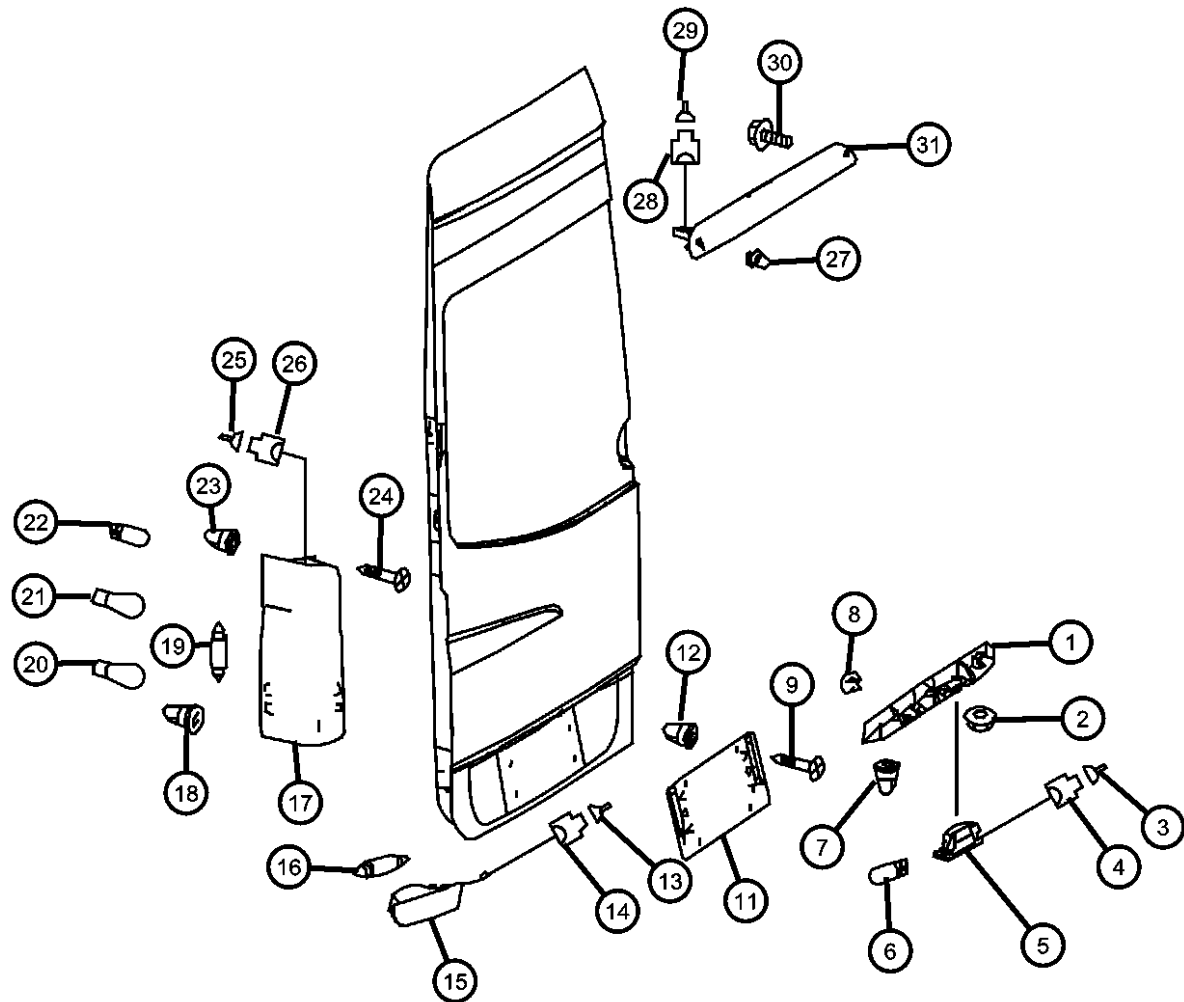
SERIES	LINE	BODY	ENGINE	TRANSMISSION
L = LOWLINE	3 = HD DODGE 2WD 2 = Med. Duty DODGE 2WD	03 = CAB CHASSIS WHEEL BASE 3 05 = CAB CHASSIS WHEEL BASE 5 13 = 119 WB 53 = 119 WB 15 = VAN WHEEL BASE 5 55 = WAGON WHEEL BASE 5 17 = VAN WHEEL BASE 7	EG2 = 3.5L V6 Gas Engine EXM = 3.0L V6 Turbo Diesel Engine	DGZ = 5-Speed Auto W5A380 Transmission

AR = use ase required - = Non illustrated part

2007 VB

**Rear Stop Lamp & License Plate Lamp
Figure 8-1140**

ITEM	PART NUMBER	QTY	LINE	SERIES	BODY	ENGINE	TRANS	TRIM	DESCRIPTION
20	05104662AA	2	2, 3, 6, 7	L		EG2, EXM	DGZ		BULB, Blinker Light 12V-21W
21	L0007506	2	2, 3, 6, 7	L		EG2, EXM	DGZ		BULB, P25-1, Stop/Tail Rear Fog Lights
22	05104649AA	2	2, 3, 6, 7	L		EG2, EXM	DGZ		BULB, Tail Light 12V-5W
23	05098837AB	4	2, 3, 6, 7	L	13, 15, 17, 53, 55	EG2, EXM	DGZ		NUT, Plastic Snap-in, Tail Lamp to Body
24	05104609AA	6	2, 3, 6, 7	L	13, 15, 17, 53, 55	EG2, EXM	DGZ		SCREW, Tail Lamp to Body 4.8x13
25	05103892AA	1	2, 3, 6, 7	L		EG2, EXM	DGZ		TERMINAL
26	05138860AA	2	2, 3, 6, 7	L	13, 15, 17, 53, 55	EG2, EXM	DGZ		CONNECTOR, Taillamps 8-PIN;E3,E4, Right & Left
27	05098837AB	2	2, 3, 6, 7	L	13, 15, 17	EG2, EXM	DGZ		NUT, Plastic Snap-in, Auxiliary Stop Lamp to Body
28	05138029AA	1	2, 3, 6, 7	L		EG2, EXM	DGZ		CONNECTOR, 3rd.Stop Lamp 2-PIN;E21
29	05103873AA	3	2, 3, 6, 7	L	13, 15, 17, 53, 55	EG2, EXM	DGZ		TERMINAL
30	06104505AA	2	2, 3, 6, 7	L	13, 15, 17, 53, 55	EG2, EXM	DGZ		SCREW, Auxiliary Stop Lamp to Body 4.8x13
31	68012885AA	1	2, 3, 6, 7	L	15, 17, 53, 55, 13	EG2, EXM	DGZ		LAMP, Center High Mounted Stop



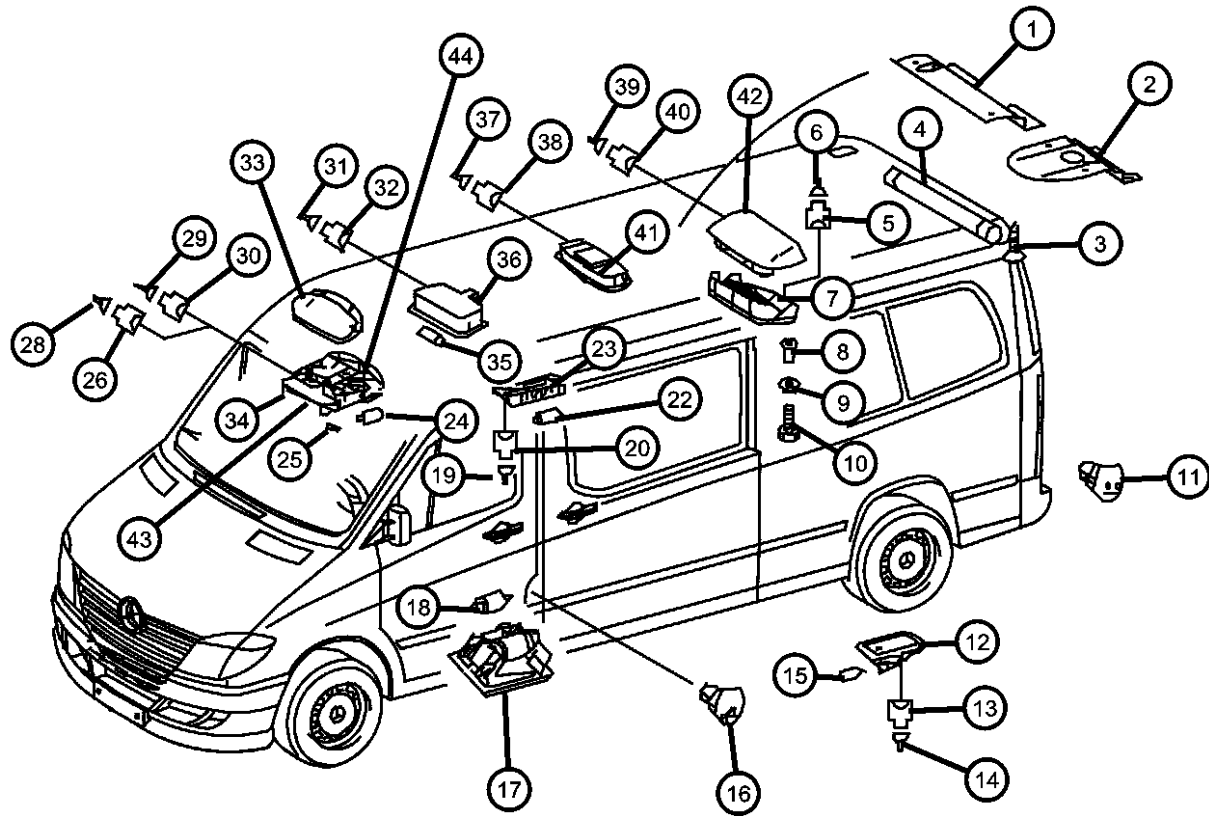
SPRINTER (VB)

SERIES	LINE	BODY	ENGINE	TRANSMISSION
L = LOWLINE	3 = HD DODGE 2WD 2 = Med. Duty DODGE 2WD	03 = CAB CHASSIS WHEEL BASE 3 05 = CAB CHASSIS WHEEL BASE 5 13 = 119 WB 53 = 119 WB 15 = VAN WHEEL BASE 5 55 = WAGON WHEEL BASE 5 17 = VAN WHEEL BASE 7	EG2 = 3.5L V6 Gas Engine EXM = 3.0L V6 Turbo Diesel Engine	DGZ = 5-Speed Auto W5A380 Transmission

AR = use ase required - = Non illustrated part

2007 VB

**Interior Lamp,Contact Switch
Figure 8-1150**



ITEM	PART NUMBER	QTY	LINE	SERIES	BODY	ENGINE	TRANS	TRIM	DESCRIPTION
1	68009780AA	2	2, 3, 6, 7	L	13, 15, 17, 53, 55	EG2, EXM	DGZ		BRACKET, Cargo Lamp
2	68009779AA	2	2, 3, 6, 7	L	15, 17	EG2, EXM	DGZ		BRACKET, Cargo Lamp
3	06104527AA	6	2, 3, 6, 7	L	17, 53, 55, 13, 15	EG2, EXM	DGZ		SCREW
4	05133563AA	2	2, 3, 6, 7	L	13, 15, 17, 53, 55	EG2, EXM	DGZ		BULB, 12V 8W
5	68011322AA	2	2, 3, 6, 7	L		EG2, EXM	DGZ		ISOLATOR, [E17/9 Or E17/10] Front Door Lamp
6	05103871AA	AR	2, 3, 6, 7	L		EG2, EXM	DGZ		TERMINAL, Female
7	68017617AA	1	2, 3, 6, 7	L	13, 15, 17	EG2, EXM	DGZ		BRACKET
8									RIVET, NONE, SPRINTER
	05174643AA	2	2, 3, 6, 7	L	13, 15, 17, 53, 55	EG2, EXM	DGZ		
		2	2, 3, 6, 7	L	53, 55	EG2, EXM	DGZ		
9	05104639AA	2	2, 3, 6, 7	L	13, 15, 17, 53, 55	EG2, EXM	DGZ		WASHER, Bracket Mounting
10	68010354AA	2	2, 3, 6, 7	L	13, 15, 17, 53, 55	EG2, EXM	DGZ		SCREW
11	68011041AA	1	2, 3, 6, 7	L		EXM, EG2	DGZ		POWER OUTLET
12	05103765AA	2	2, 3, 6, 7	L	13, 15, 17, 53, 55	EG2, EXM	DGZ		LAMP, Courtesy
13	05120749AA	1	2, 3, 6, 7	L		EG2, EXM	DGZ		CONNECTOR, Courtesy Lamp 2-PIN
14	05103880AA	AR	2, 3, 6, 7	L		EG2, EXM	DGZ		TERMINAL
15	05104608AA	1	2, 3, 6, 7	L	13, 15, 17, 53, 55	EG2, EXM	DGZ		BULB, 12V 5W, 12V-5W
16	68011041AA	1	2, 3, 6, 7	L		EG2, EXM	DGZ		POWER OUTLET, Seat Case Left,Front
17	68017601AA	2	2, 3, 6, 7	L		EG2, EXM	DGZ		LAMP, Courtesy
18	05096968AA	1	2, 3, 6, 7	L	13, 15, 17, 53, 55	EG2, EXM	DGZ		BULB, 12V 5W, Courtesy Lamp 12V-5W
19	05103920AA	1	2, 3, 6, 7	L	13, 15, 17, 53, 55	EG2, EXM	DGZ		LINK, Load Sensing
20	05120514AA	AR	2, 3, 6, 7	L		EG2, EXM	DGZ		TERMINAL, Female
-21	68011232AA	1	2, 3, 6, 7	L		EG2, EXM	DGZ		CONNECTOR, Wiring, [4 Pin / E15/3; E15/38]
22	68017600AA	AR	2, 3, 6, 7	L	13, 15, 17, 53, 55	EG2, EXM	DGZ		BULB
23	68017599AA	1	2, 3, 6, 7	L	53, 55, 13, 15, 17	EG2, EXM	DGZ		LAMP, Cargo, 1st.Row of Passenger Seats

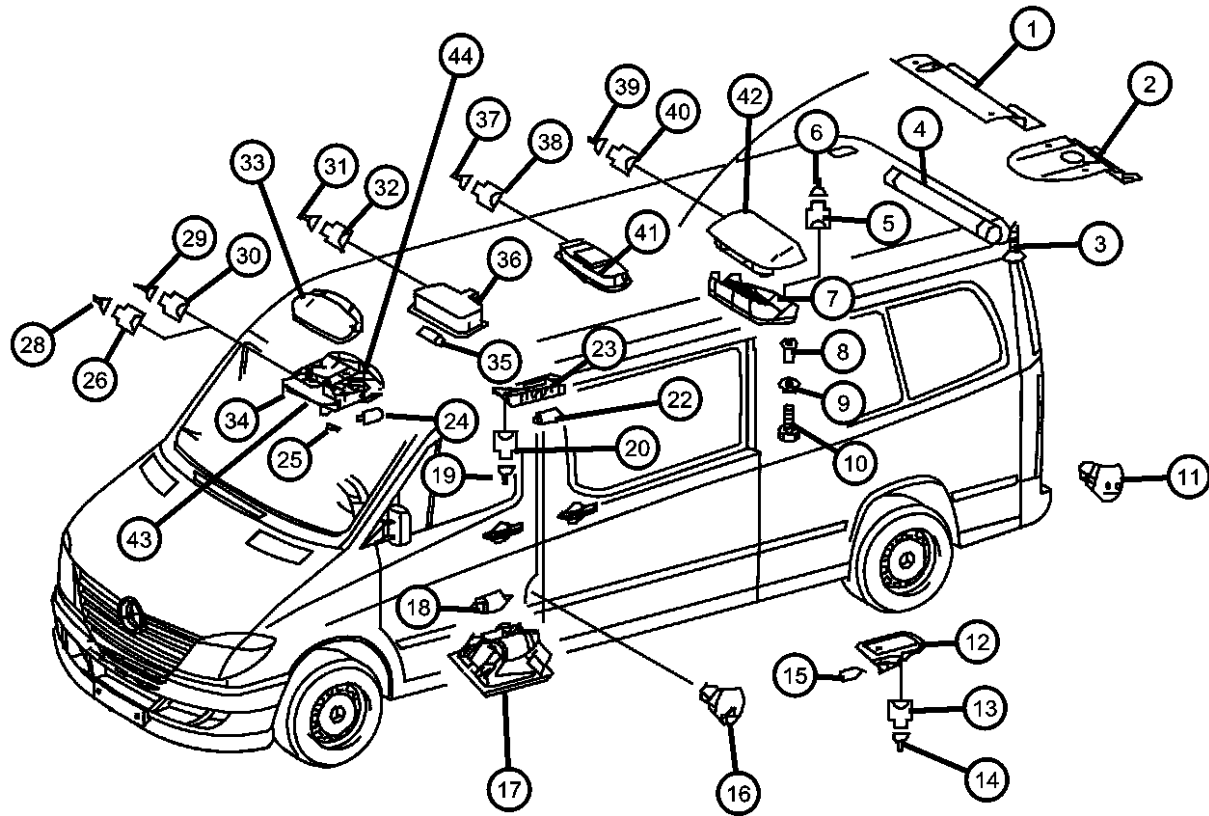
SPRINTER (VB)

SERIES	LINE	BODY	ENGINE	TRANSMISSION
L = LOWLINE	3 = HD DODGE 2WD 2 = Med. Duty DODGE 2WD	03 = CAB CHASSIS WHEEL BASE 3 05 = CAB CHASSIS WHEEL BASE 5 13 = 119 WB 53 = 119 WB 15 = VAN WHEEL BASE 5 55 = WAGON WHEEL BASE 5 17 = VAN WHEEL BASE 7	EG2 = 3.5L V6 Gas Engine EXM = 3.0L V6 Turbo Diesel Engine	DGZ = 5-Speed Auto W5A380 Transmission

AR = use ase required - = Non illustrated part

2007 VB

**Interior Lamp,Contact Switch
Figure 8-1150**



ITEM	PART NUMBER	QTY	LINE	SERIES	BODY	ENGINE	TRANS	TRIM	DESCRIPTION
24	05175455AA	4	2, 3, 6, 7	L	13, 15, 17, 53, 55	EG2, EXM	DGZ		BULB, 12V 6W
25	05101488AA	4	2, 3, 6, 7	L	13, 15, 17, 53, 55	EG2, EXM	DGZ		SOCKET, Instrument Cluster
26									CONNECTOR, Wiring
	68011262AA	1	2, 3, 6, 7	L		EG2, EXM	DGZ		Overhead Control Panel, Blue
	68011265AA	1	2, 3, 6, 7	L		EG2, EXM	DGZ		Overhead Control Panel,Transparent
-27	68011264AA	1	2, 3, 6, 7	L		EG2, EXM	DGZ		CONNECTOR, [6 Pin N70]
28									TERMINAL
	05103873AA	3	2, 3, 6, 7	L	13, 15, 17, 53, 55	EG2, EXM	DGZ		
		3	3, 7	L	03, 05	EG2, EXM	DGZ		
29									TERMINAL
	05103873AA	3	3, 7	L	03, 05	EG2, EXM	DGZ		
		3	2, 3, 6, 7	L	13, 15, 17, 53, 55	EG2, EXM	DGZ		
30	05101166AA	1	2, 3, 6, 7	L		EG2, EXM	DGZ		CONNECTOR
31	05103882AA	1	2, 3, 6, 7	L					TERMINAL
32	05120545AA	1	2, 3, 6, 7	L		EXM, EG2	DGZ		CONNECTOR, Dome Lamp,Front
33	68017602AA	1	2, 3, 6, 7	L		EG2, EXM	DGZ		COVER
34	68017604AA	1	2, 3, 6, 7	L		EG2, EXM	DGZ		LAMP, Reading
35	05104645AA	1	2, 3, 6, 7	L	13, 15, 17, 53, 55	EG2, EXM	DGZ		BULB
36	05104459AA	1	2, 3, 6, 7	L		EG2, EXM	DGZ		LAMP, CargoFront
37	05120514AA	AR	2, 3, 6, 7	L		EG2, EXM	DGZ		TERMINAL, Female
38	68011322AA	2	2, 3, 6, 7	L		EG2, EXM	DGZ		ISOLATOR, [E15/35] Loading Compartment Lamp
39									TERMINAL
	05103873AA	3	3, 7	L	03, 05	EG2, EXM	DGZ		
		3	2, 3, 6, 7	L	13, 15, 17, 53, 55	EG2, EXM	DGZ		
40	68011235AA	1	2, 3, 6, 7	L		EG2, EXM	DGZ		CONNECTOR, [6 Pin / B27/1]
41	68017598AA	1	2, 3, 6, 7	L	13, 15, 17, 53, 55	EG2, EXM	DGZ		LAMP, Cargo
42	68017616AA	1	2, 3, 6, 7	L	13, 15, 17	EG2, EXM	DGZ		SENSOR, Loading Compartment Lamp

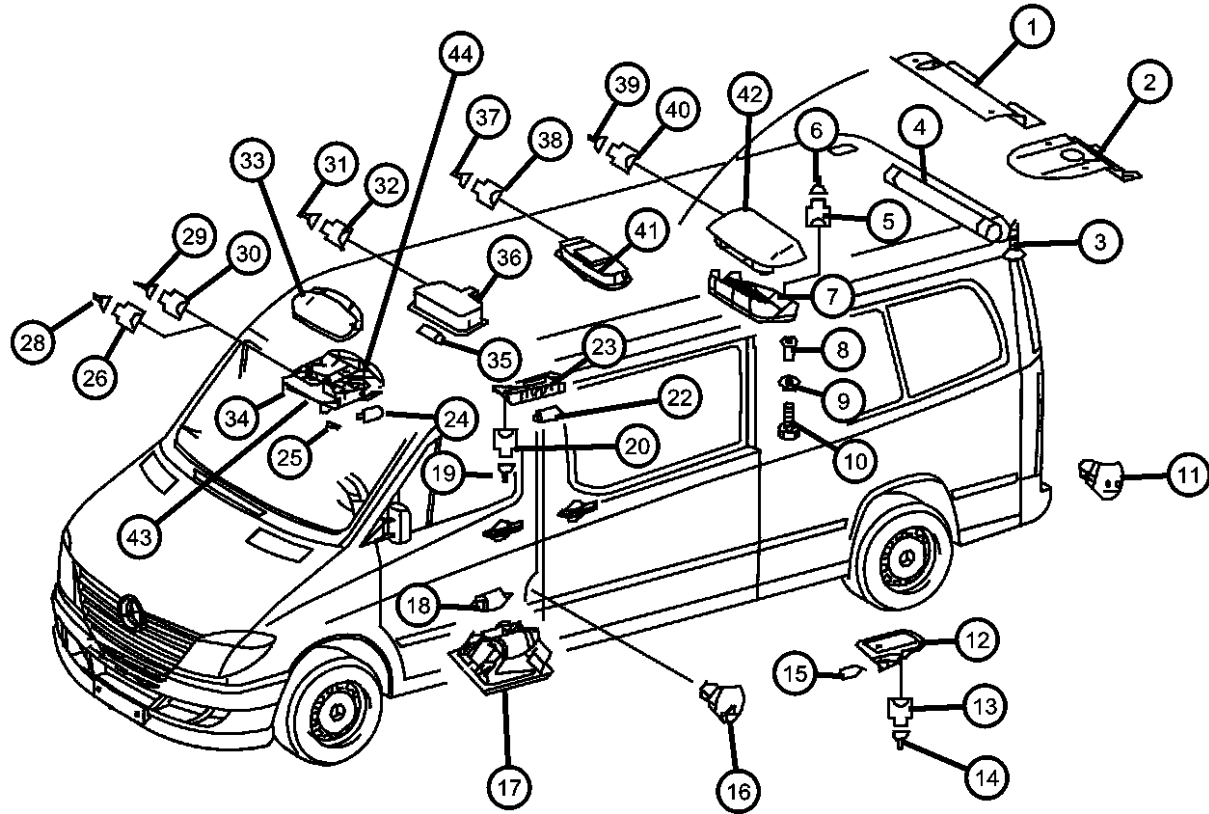
SPRINTER (VB)

SERIES	LINE	BODY	ENGINE	TRANSMISSION
L = LOWLINE	3 = HD DODGE 2WD 2 = Med. Duty DODGE 2WD	03 = CAB CHASSIS WHEEL BASE 3 05 = CAB CHASSIS WHEEL BASE 5 13 = 119 WB 53 = 119 WB 15 = VAN WHEEL BASE 5 55 = WAGON WHEEL BASE 5 17 = VAN WHEEL BASE 7	EG2 = 3.5L V6 Gas Engine EXM = 3.0L V6 Turbo Diesel Engine	DGZ = 5-Speed Auto W5A380 Transmission

AR = use ase required - = Non illustrated part

**Interior Lamp,Contact Switch
Figure 8-1150**

ITEM	PART NUMBER	QTY	LINE	SERIES	BODY	ENGINE	TRANS	TRIM	DESCRIPTION
43	04862636AA	1	2, 3, 6, 7	L		EG2, EXM	DGZ		LAMP, Front Combination, With [CUN+NHW]
44	68004968AA	1	2, 3, 6, 7	L		EG2, EXM	DGZ		CONSOLE, Overhead With [GWA Or GW9+NHW Or CUN]
	68004970AA	1	2, 3, 6, 7	L		EG2, EXM	DGZ		With [CUN+NHW+LSA]
	68004971AA	1	2, 3, 6, 7	L		EG2, EXM	DGZ		With [GWA Or GW9+LSA+NHW+CUN]



SPRINTER (VB)

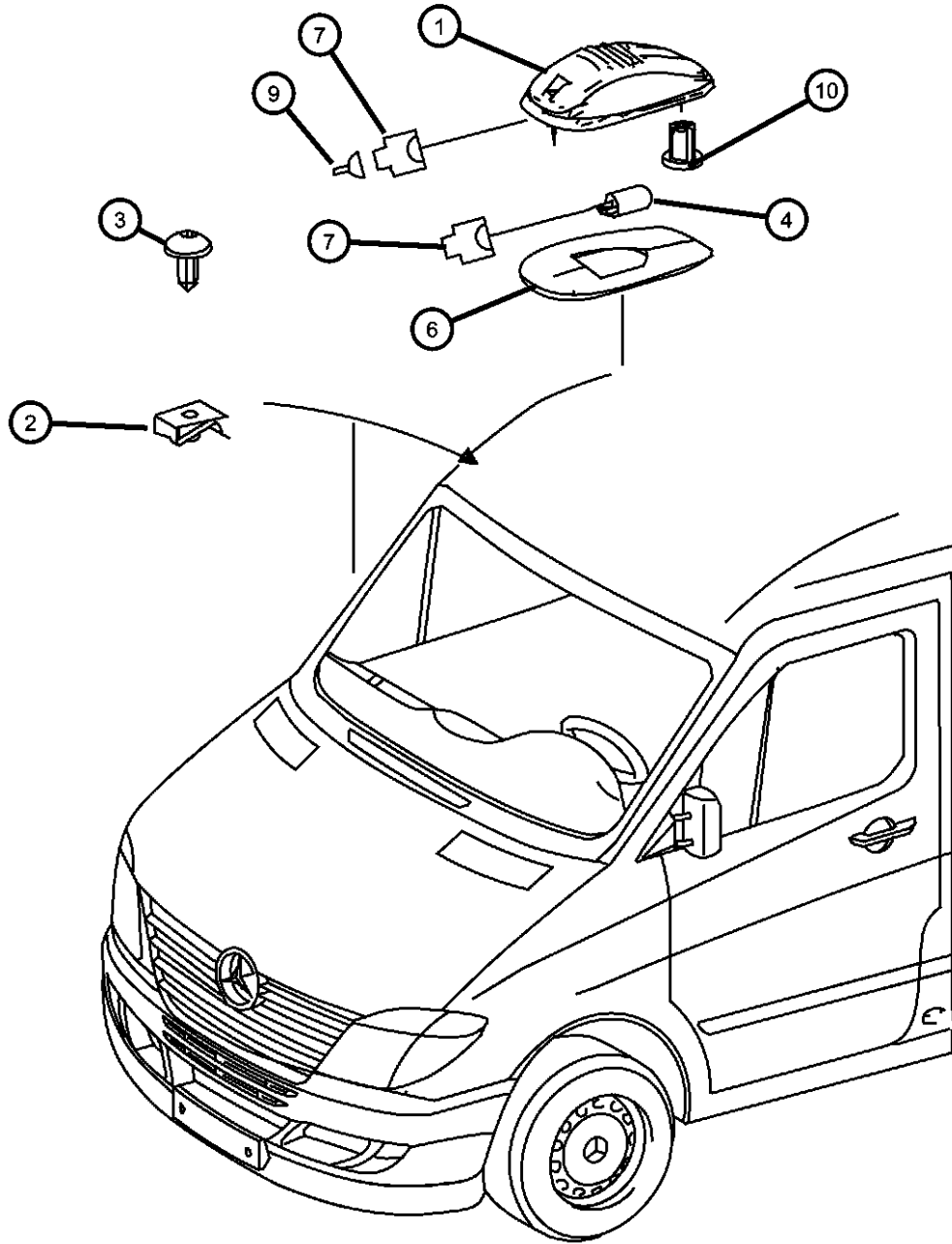
SERIES	LINE	BODY	ENGINE	TRANSMISSION
L = LOWLINE	3 = HD DODGE 2WD 2 = Med. Duty DODGE 2WD	03 = CAB CHASSIS WHEEL BASE 3 05 = CAB CHASSIS WHEEL BASE 5 13 = 119 WB 53 = 119 WB 15 = VAN WHEEL BASE 5 55 = WAGON WHEEL BASE 5 17 = VAN WHEEL BASE 7	EG2 = 3.5L V6 Gas Engine EXM = 3.0L V6 Turbo Diesel Engine	DGZ = 5-Speed Auto W5A380 Transmission

AR = use ase required - = Non illustrated part

2007 VB

Clearance Roof Lamps
Figure 8-1160

ITEM	PART NUMBER	QTY	LINE	SERIES	BODY	ENGINE	TRANS	TRIM	DESCRIPTION
1	68012153AA	3	3, 7	L	03, 05	EG2, EXM	DGZ		LAMP
2	68012153AA	3							CLIP, Instrument Panel, (NOT SERVICED)
3	06104565AA	2	2, 3, 6, 7	L		EG2, EXM	DGZ		SCREW
4	05104608AA	3	3, 7	L	03, 05	EG2, EXM	DGZ		BULB, 12V 5W
-5	68012129AA	2	2, 3, 6, 7	L		EG2, EXM	DGZ		BULB
6	68012156AA	5	3, 7	L	03, 05	EG2, EXM	DGZ		GASKET
7	05103655AA	6	3, 7	L	03, 05	EG2, EXM	DGZ		SOCKET, Roof Lamp
-8	05103754AA	1	2, 3, 6, 7	L		EG2, EXM	DGZ		INSULATOR, 2 Way Female
9	05133359AA	AR	2, 3, 6, 7	L		EG2, EXM	DGZ		TERMINAL, Female, [0.5 - 1.0 MM2; 6.3; E46/1, E46/2, E46/3]
10	68038097AA	6	3, 7	L	03, 05	EG2, EXM	DGZ		RETAINER



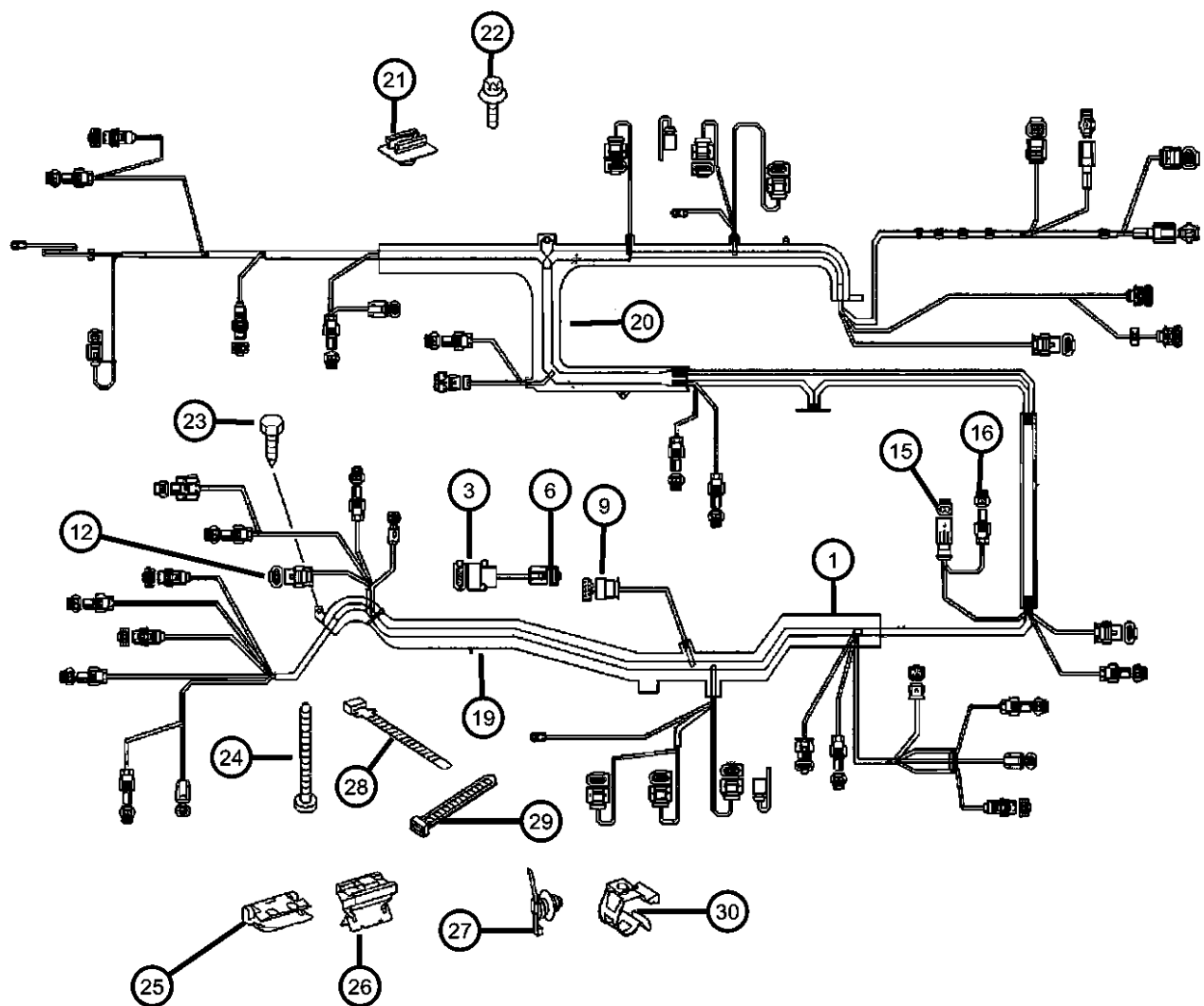
SPRINTER (VB)

SERIES	LINE	BODY	ENGINE	TRANSMISSION
L = LOWLINE	3 = HD DODGE 2WD 2 = Med. Duty DODGE 2WD	03 = CAB CHASSIS WHEEL BASE 3 05 = CAB CHASSIS WHEEL BASE 5 13 = 119 WB 53 = 119 WB 15 = VAN WHEEL BASE 5 55 = WAGON WHEEL BASE 5 17 = VAN WHEEL BASE 7	EG2 = 3.5L V6 Gas Engine EXM = 3.0L V6 Turbo Diesel Engine	DGZ = 5-Speed Auto W5A380 Transmission

AR = use ase required - = Non illustrated part

2007 VB

**Engine Wiring Harness
Figure 8-1210**



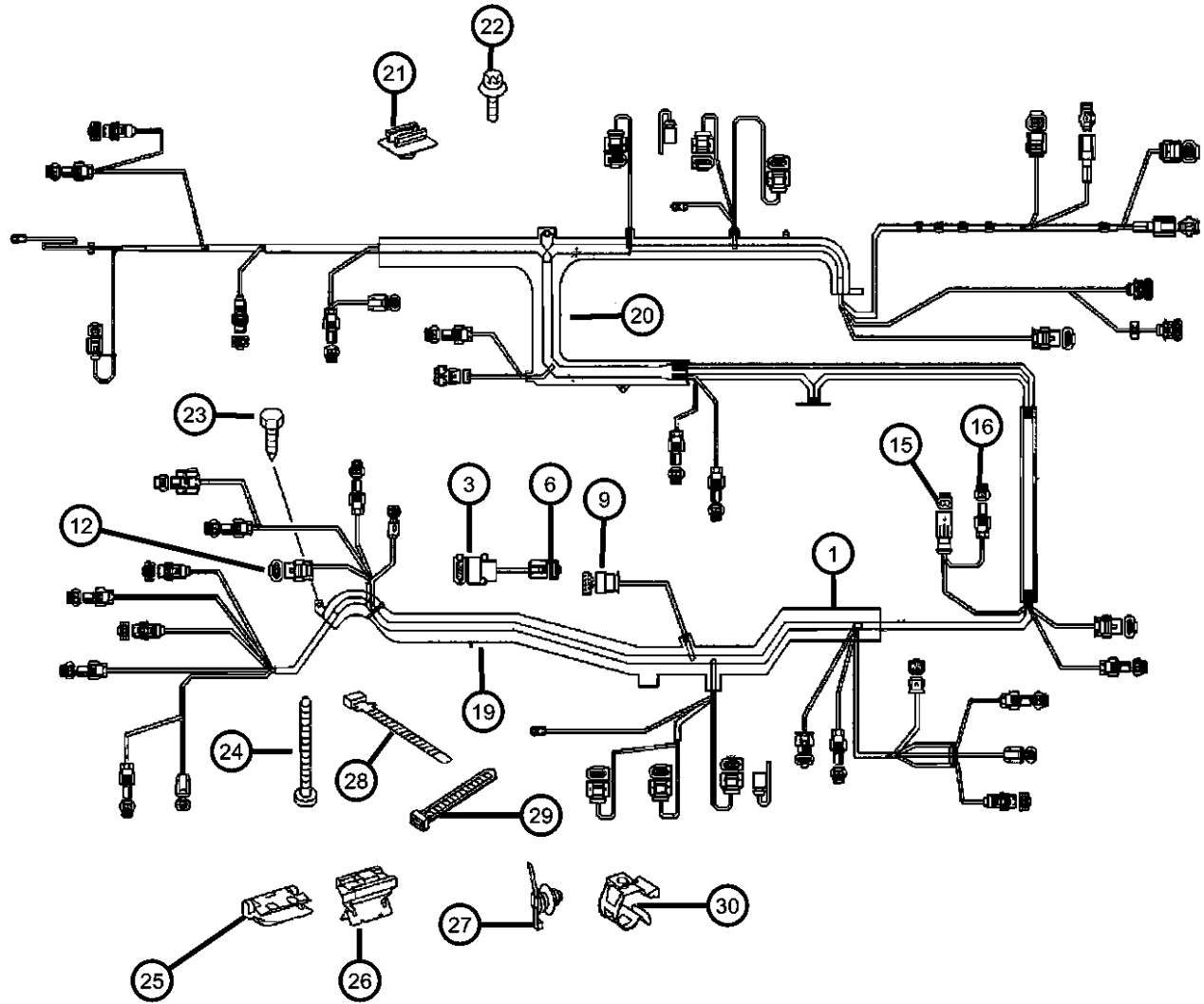
ITEM	PART NUMBER	QTY	LINE	SERIES	BODY	ENGINE	TRANS	TRIM	DESCRIPTION
1	68011857AA	1	2, 3, 6, 7	L		EG2	DGZ		WIRING, Engine
-2	68005411AA	1	2, 3, 6, 7	L		EG2	DGZ		WIRING, Starter / Generator Harness
3	68011337AA	1	2, 3, 6, 7	L		EG2, EXM	DGZ		CONNECTOR
-4									GROMMET
	05103663AA	AR	2, 3, 6, 7	L		EG2	DGZ		Insulator Grommet / Blue [0.25 - 1.0 MM2]
	05120864AA	99	2, 3, 6, 7	L		EG2	DGZ		Insulator Grommet / Red [1.01 - 2.5 MM2]
-5	05120865AA	1	2, 3, 6, 7	L		EG2, EXM	DGZ		SEAL, Wiring, Green
6	68011283AA	1	2, 3, 6, 7	L		EG2, EXM	DGZ		CONNECTOR, [8Pin; X26]
-7									GASKET
	05120865AA	1	2, 3, 6, 7	L		EG2, EXM	DGZ		Green
	05138031AA	1	2, 3, 6, 7	L		EG2	DGZ		White
-8									GROMMET
	05103663AA	AR	2, 3, 6, 7	L		EG2	DGZ		[Blue 0.25 - 1.0 MM2]
	05120864AA	99	2, 3, 6, 7	L		EG2	DGZ		[Red 1.01 - 2.5 MM2]
9	68011377AA	1	2, 3, 6, 7	L		EG2	DGZ		CONNECTOR, [8 Pin; X26]
-10									TERMINAL
	68011882AA	AR	2, 3, 6, 7	L		EG2	DGZ		[0.75 - 1.0 MMS; X26]
	68011883AA	AR	2, 3, 6, 7	L		EG2	DGZ		[1.5 - 2.5 MM2; X26]
-11									GROMMET
	05103663AA	AR	2, 3, 6, 7	L		EG2	DGZ		[0.25 - 1.0 MM2; X26]
	05120864AA	99	2, 3, 6, 7	L		EG2	DGZ		[1.01 - 2.5 MM2; X26]
12	68011816AA	1	2, 3, 6, 7	L		EG2	DGZ		CONNECTOR, [X205]
-13									TERMINAL
	68011877AA	AR	2, 3, 6, 7	L		EG2	DGZ		[X205] Terminal
	68011878AA	AR	2, 3, 6, 7	L		EG2, EXM	DGZ		[X205]
-14	05161599AA	AR	2, 3, 6, 7	L		EG2	DGZ		SEAL, Wiring
15	68011329AA	1	2, 3, 6, 7	L		EG2	DGZ		CONNECTOR, [X26]
16	68011884AA	99	2, 3, 6, 7	L		EG2	DGZ		CONNECTOR, [X26]
-17	68011883AA	AR	2, 3, 6, 7	L		EG2	DGZ		TERMINAL, [1.5 - 2.5 MM2; X26]
-18									GASKET
	05120872AA	99	2, 3, 6, 7	L		EG2	DGZ		[1.5 - 2.5 MMS; X26]

SPRINTER (VB)

SERIES	LINE	BODY	ENGINE	TRANSMISSION
L = LOWLINE	3 = HD DODGE 2WD 2 = Med. Duty DODGE 2WD	03 = CAB CHASSIS WHEEL BASE 3 05 = CAB CHASSIS WHEEL BASE 5 13 = 119 WB 53 = 119 WB 15 = VAN WHEEL BASE 5 55 = WAGON WHEEL BASE 5 17 = VAN WHEEL BASE 7	EG2 = 3.5L V6 Gas Engine EXM = 3.0L V6 Turbo Diesel Engine	DGZ = 5-Speed Auto W5A380 Transmission

AR = use ase required - = Non illustrated part

**Engine Wiring Harness
Figure 8-1210**



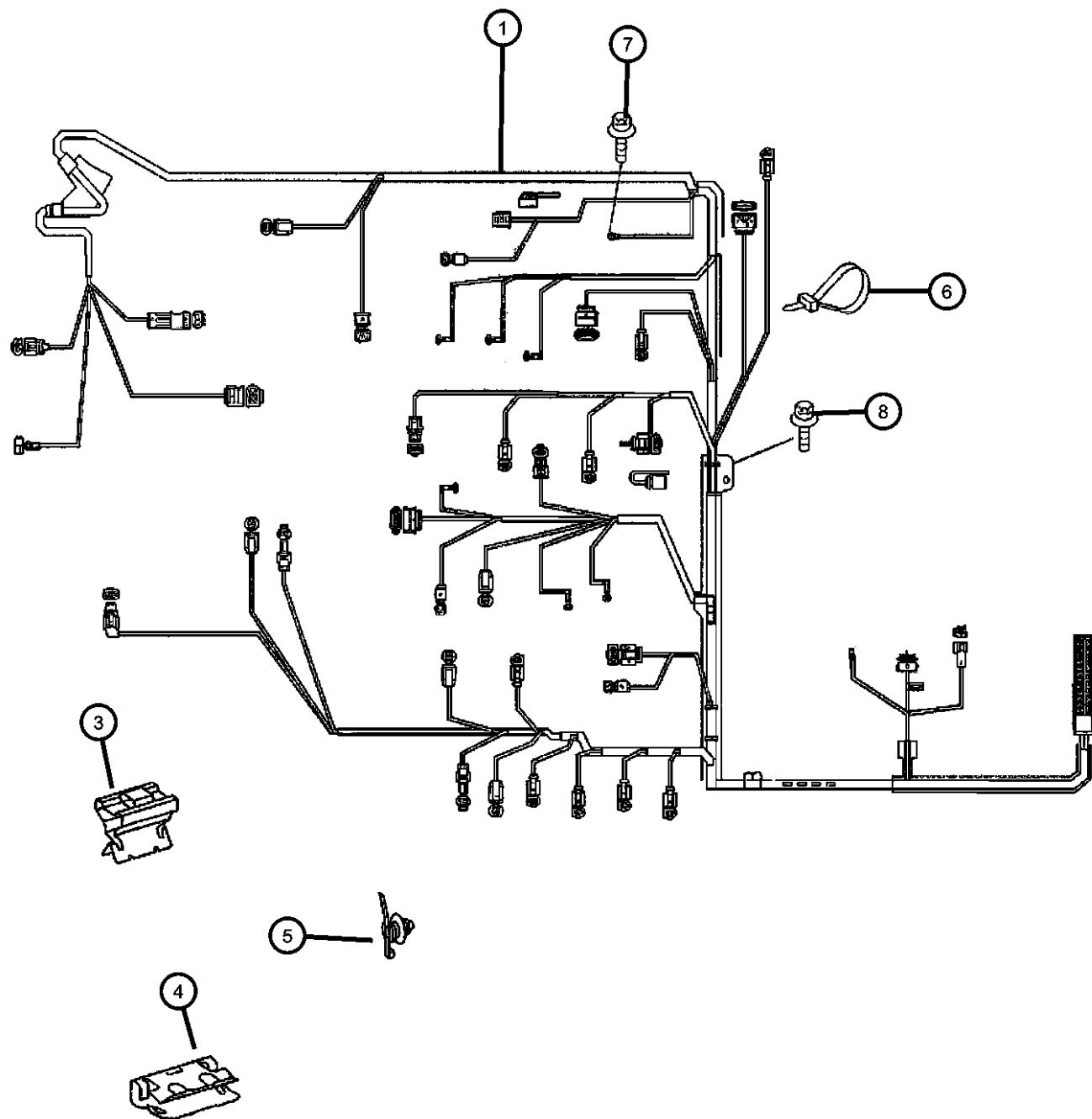
ITEM	PART NUMBER	QTY	LINE	SERIES	BODY	ENGINE	TRANS	TRIM	DESCRIPTION
	68011060AA	99	2, 3, 6, 7	L		EG2	DGZ		[4.0 MM2; X26]
19	68011795AA	1	2, 3, 6, 7	L		EG2	DGZ		RETAINER, Cable Rail
20	68011797AA	1	2, 3, 6, 7	L		EG2	DGZ		RETAINER, Cable Rail
21	68011920AA	1	2, 3, 6, 7	L		EG2	DGZ		RETAINER, Harness To Cylinder Cover
22									BOLT
	06104004AA	2	2, 3, 6, 7	L	13, 15, 17, 53, 55	EG2, EXM	DGZ		Harness To Cylinder Cover [M6x12]
	06104005AA	6	2, 3, 6, 7	L		EG2	DGZ		Harness To Cylinder Cover [M6x16]
23	05179069AA	1	2, 3, 6, 7	L		EG2	DGZ		SCREW, Tapping
24	06104675AA	3	2, 3, 6, 7	L		EG2	DGZ		SCREW, Harness To Intake Manifold [6x14]
25	68011872AA	4	2, 3, 6, 7	L		EG2	DGZ		CLIP
26	05159403AA	1	2, 3, 6, 7	L		EG2, EXM	DGZ		BRACKET
27	06104770AA	2	2, 3, 6, 7	L		EG2, EXM	DGZ		STRAP, [260x3.3 MM]
28	05096424AA	1	2, 3, 6, 7	L		EG2	DGZ		STRAP, Cable Rail To Filler Pipe[3.4x375 MM]
29									STRAP, Tie
	05080475AB	3	3, 7	L	03, 05	EG2	DGZ		[4.6x279 MM]
		3	2, 3, 6, 7	L	13, 15, 17, 53, 55	EG2, EXM	DGZ		[4.6x279 MM]
	06104762AA	1	2, 3, 6, 7	L		EG2	DGZ		[4.8x300 MM]
30	68011880AA	1	2, 3, 6, 7	L		EG2	DGZ		CLAMP

SPRINTER (VB)

SERIES	LINE	BODY	ENGINE	TRANSMISSION
L = LOWLINE	3 = HD DODGE 2WD 2 = Med. Duty DODGE 2WD	03 = CAB CHASSIS WHEEL BASE 3 05 = CAB CHASSIS WHEEL BASE 5 13 = 119 WB 53 = 119 WB 15 = VAN WHEEL BASE 5 55 = WAGON WHEEL BASE 5 17 = VAN WHEEL BASE 7	EG2 = 3.5L V6 Gas Engine EXM = 3.0L V6 Turbo Diesel Engine	DGZ = 5-Speed Auto W5A380 Transmission

AR = use ase required - = Non illustrated part

**Engine Wiring Harness
Figure 8-1220**



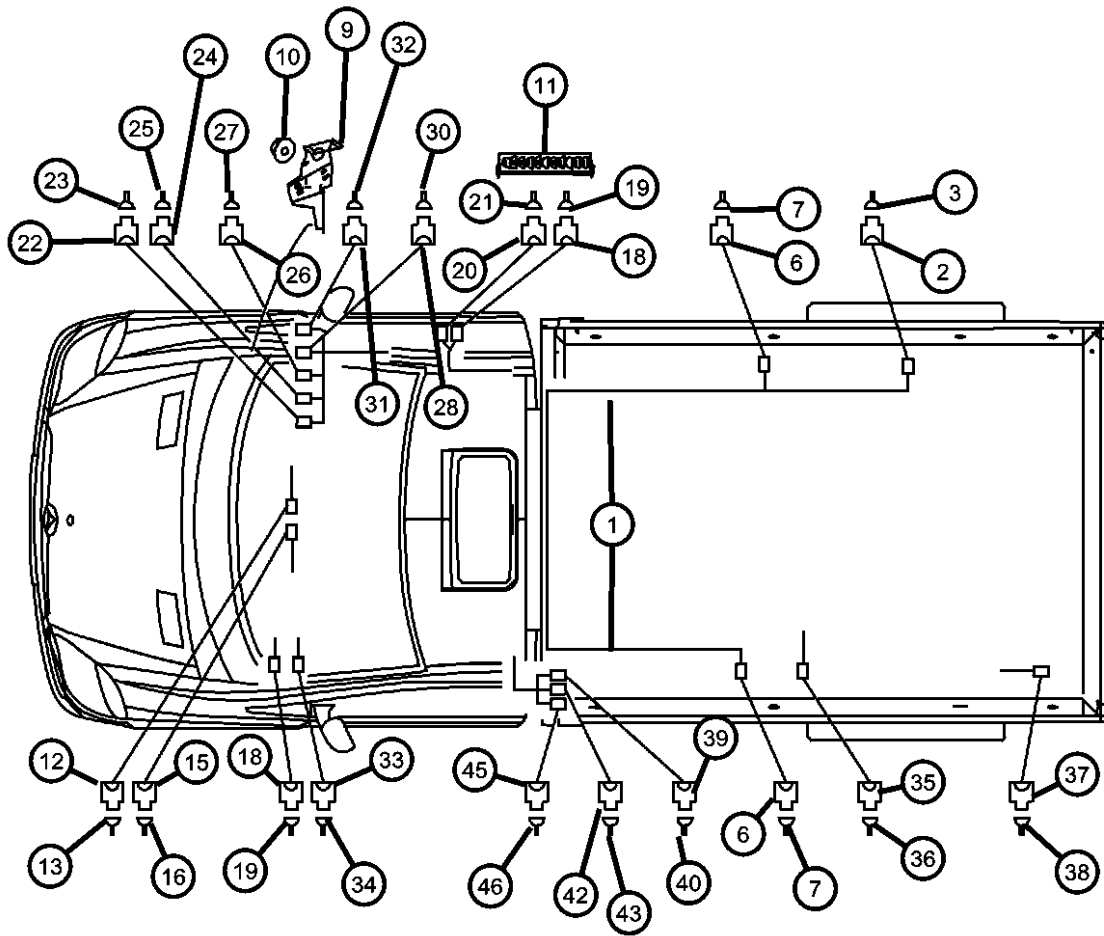
ITEM	PART NUMBER	QTY	LINE	SERIES	BODY	ENGINE	TRANS	TRIM	DESCRIPTION
1	68012488AA	1	2, 3, 6, 7	L		EXM	DGZ		WIRING, Engine Without [HBD]
	68015048AA	1	2, 3, 6, 7	L		EXM	DGZ		With [HBD]
-2	68005413AA	1	2, 3, 6, 7	L		EXM	DGZ		WIRING, Starter / Generator Harness
3	05159403AA	1	2, 3, 6, 7	L		EG2, EXM	DGZ		BRACKET, [13X18 MM]
4	68011872AA	4	2, 3, 6, 7	L		EXM	DGZ		CLIP
5	06104770AA	4	2, 3, 6, 7	L		EG2, EXM	DGZ		STRAP, [260x3.3MM]
6	05080475AB	1	2, 3, 6, 7	L	13, 15, 17, 53, 55	EXM	DGZ		STRAP, Tie [4.6x279MM]
		1	3, 7	L	03, 05	EXM	DGZ		[4.6x279MM]
7	06104006AA	3	2, 3, 6, 7	L		EXM	DGZ		BOLT, [M6x20]
8	06104681AA	1	2, 3, 6, 7	L		EXM	DGZ		SCREW, [M6x15]

SPRINTER (VB)

SERIES	LINE	BODY	ENGINE	TRANSMISSION
L = LOWLINE	3 = HD DODGE 2WD 2 = Med. Duty DODGE 2WD	03 = CAB CHASSIS WHEEL BASE 3 05 = CAB CHASSIS WHEEL BASE 5 13 = 119 WB 53 = 119 WB 15 = VAN WHEEL BASE 5 55 = WAGON WHEEL BASE 5 17 = VAN WHEEL BASE 7	EG2 = 3.5L V6 Gas Engine EXM = 3.0L V6 Turbo Diesel Engine	DGZ = 5-Speed Auto W5A380 Transmission

AR = use ase required - = Non illustrated part

**Headlamp To Dash / Body Harness
Figure 8-1310**



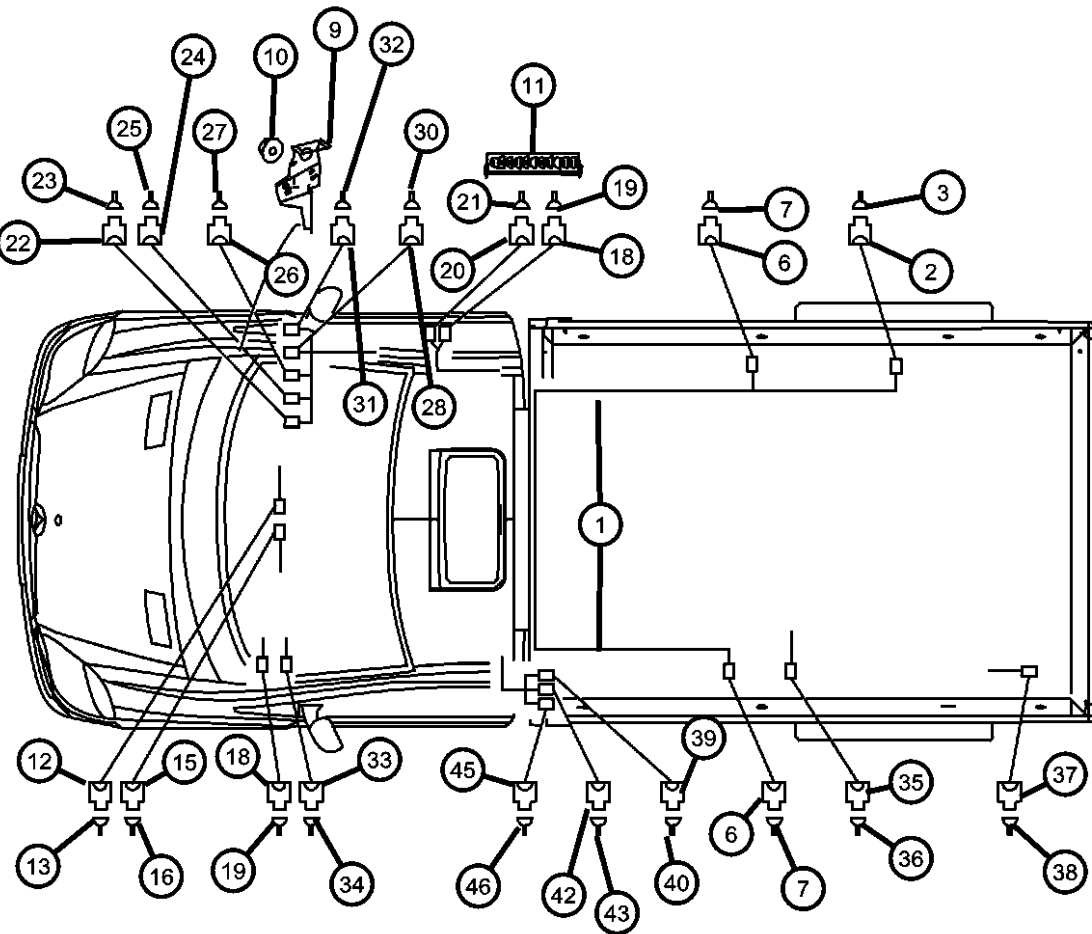
ITEM	PART NUMBER	QTY	LINE	SERIES	BODY	ENGINE	TRANS	TRIM	DESCRIPTION
1	68013432AA	1	2, 3, 6, 7	L		EG2, EXM	DGZ		WIRING, Body
2	68011283AA	1	2, 3, 6, 7	L		EG2, EXM	DGZ		CONNECTOR, Tank Connector [8 Pin; X25/15]
3									TERMINAL
	05103877AA	AR	2, 3, 6, 7	L		EG2	DGZ		[1.5 - 2.5 MM2; X25/15]
	05133353AA	AR	2, 3, 6, 7	L		EG2	DGZ		[0.5 - 1.0 MM2; X25/15]
		AR	2, 3, 6, 7	L		EXM	DGZ		[0.5 - 1.0 MM2; X25/15]
-4	05103663AA	AR	2, 3, 6, 7	L		EG2	DGZ		GROMMET, [0.25 - 1.0 MM2; X25/15]
-5	05120865AA	1	2, 3, 6, 7	L		EG2, EXM	DGZ		GASKET, [X25/15]
6	05138039AA	1	2, 3, 6, 7	L		EG2, EXM	DGZ		INSULATOR, Connector, Side Marker Lamps [3 Pin; X57/8 / X57/9]
7	05142198AA	1	2, 3, 6, 7	L		EG2, EXM	DGZ		TERMINAL, [X57/8 / X57/9]
-8	05120860AA	1	2, 3, 6, 7	L		EG2, EXM	DGZ		GASKET, [1.6 - 1.9 MM2; X57/8; X57/9]
9	68013391AA	1	2, 3, 6, 7	L		EG2, EXM	DGZ		BRACKET, [Can] Connector To [A] Pillar, Right
10	68004878AA	2	3, 7	L	03, 05	EG2, EXM	DGZ		NUT
11	68015320AA	1	2, 3, 6, 7	L		EG2, EXM	DGZ		CONNECTOR, Pontential Distributor [22 Pin]
12	05120277AA	1	2, 3, 6, 7	L		EG2, EXM	DGZ		CONNECTOR, Wiring Repair, Transmission Neutral Position Connector [2 Pin; X162]
13	05103874AA	1	2, 3, 6, 7	L		EG2, EXM	DGZ		TERMINAL, [0.75 MM2; MQS; X162]
-14	05120860AA	1	2, 3, 6, 7	L		EG2, EXM	DGZ		GASKET, [1.6 - 1.9 MM2; MQS; X162]
15	05142197AA	2	2, 3, 6, 7	L		EG2, EXM	DGZ		INSULATOR, 2 Way, Connector Transmission Neutral / [2 Pin; X162]
16	05142198AA	1	2, 3, 6, 7	L		EG2, EXM	DGZ		TERMINAL, [0.75 MM2; MQS X162]
-17	05120860AA	1	2, 3, 6, 7	L		EG2, EXM	DGZ		GASKET, [1.6 - 1.9 MM2 X162]
18	05101166AA	1	2, 3, 6, 7	L		EG2, EXM	DGZ		CONNECTOR, Can [B] Voltage Distributor [2 Pin MQS; X30/24]
19	05103873AA	AR	7, 2, 3, 6	L		EG2, EXM	DGZ		TERMINAL, [0.75 MM2]
20	68011270AA	1	2, 3, 6, 7	L		EG2, EXM	DGZ		CONNECTOR, Can Bus [C] [3 Pin MQS; X30/27]
21	05103873AA	AR	2, 3, 6, 7	L		EG2, EXM	DGZ		TERMINAL, [0.75 MM2]

SPRINTER (VB)

SERIES	LINE	BODY	ENGINE	TRANSMISSION
L = LOWLINE	3 = HD DODGE 2WD 2 = Med. Duty DODGE 2WD	03 = CAB CHASSIS WHEEL BASE 3 05 = CAB CHASSIS WHEEL BASE 5 13 = 119 WB 53 = 119 WB 15 = VAN WHEEL BASE 5 55 = WAGON WHEEL BASE 5 17 = VAN WHEEL BASE 7	EG2 = 3.5L V6 Gas Engine EXM = 3.0L V6 Turbo Diesel Engine	DGZ = 5-Speed Auto W5A380 Transmission

AR = use ase required - = Non illustrated part

**Headlamp To Dash / Body Harness
Figure 8-1310**



ITEM	PART NUMBER	QTY	LINE	SERIES	BODY	ENGINE	TRANS	TRIM	DESCRIPTION
22	05120260AA	1	3, 7	L	03, 05	EG2, EXM	DGZ		INSULATOR, 6 Way, Cockpit Interior Plug Connector [6 Pin X169/7]
23	05103873AA	AR	2, 3, 6, 7	L		EG2, EXM	DGZ		TERMINAL, [0.75 MM2]
24	68011252AA	1	2, 3, 6, 7	L		EG2, EXM	DGZ		CONNECTOR, Cockpit Interior Plug Connector [14 Pin X18/49]
25	05143897AA	AR	2, 3, 6, 7	L	53, 55, 03, 05	EG2, EXM	DGZ		TERMINAL [1.5 - 2.5 MM2; SLK 2.8; X 18/49]
	68016713AA	AR	2, 3, 6, 7	L		EG2, EXM	DGZ		[4.0 MM2 SLK 2.8, X18/49]
26	05120727AA	1	2, 3, 6, 7	L		EG2, EXM	DGZ		CONNECTOR, Cockpit Interior Plug Connector [18 Pin MQS; X18/55]
27	05103873AA	AR	2, 3, 6, 7	L		EG2, EXM	DGZ		TERMINAL, [0.75 MM2]
28	68016716AA	1	2, 3, 6, 7	L		EG2, EXM	DGZ		CONNECTOR, Wiring, Cockpit Interior Plug Connector [10 Pin, X18/60]
-29	68016718AA	1	2, 3, 6, 7	L		EG2, EXM	DGZ		CONNECTOR, Contact Carrier For [#28], Contact Carrier [10 Pin] For [#28]
30	05103873AA	AR	2, 3, 6, 7	L		EG2, EXM	DGZ		TERMINAL, [0.75 MM2]
31	68011253AA	1	2, 3, 6, 7	L		EG2, EXM	DGZ		CONNECTOR, Cockpit Interior Plug Connector [4 Pin SLK 2.8; X18/64]
32	05143897AA	AR	2, 3, 6, 7	L	03, 05, 53, 55	EG2, EXM	DGZ		TERMINAL, [1.5 - 2.5 MM2; SLK 2.8, X18/64]
33	05143907AA	1	6, 7, 2, 3	L		EG2, EXM	DGZ		CONNECTOR, Cockpit Interior Plug Connector [1 Pin LSK 8; X4/49]
34	68016737AA	AR	2, 3, 6, 7	L		EG2, EXM	DGZ		TERMINAL, [6.0 - 10.0 MM2; X4/49]
35	05120260AA	1	3, 7	L	03, 05	EG2, EXM	DGZ		INSULATOR, 6 Way, Connector [3] Way / Dump Truck [6 Pin X167]
36	05103873AA	AR	2, 3, 6, 7	L		EG2, EXM	DGZ		TERMINAL, [0.75 MM2]
37	05120618AA	2	2, 3, 6, 7	L		EG2, EXM	DGZ		INSULATOR, Tail Lift Connector [7 Pin X168]
38	05133385AA	AR	2, 3, 6, 7	L		EG2, EXM	DGZ		TERMINAL, Female, Round [X168]
39	05143912AA	1	2, 3, 6, 7	L		EG2	DGZ		CONNECTOR Conector Low Frame [6 Pin, X176/1]

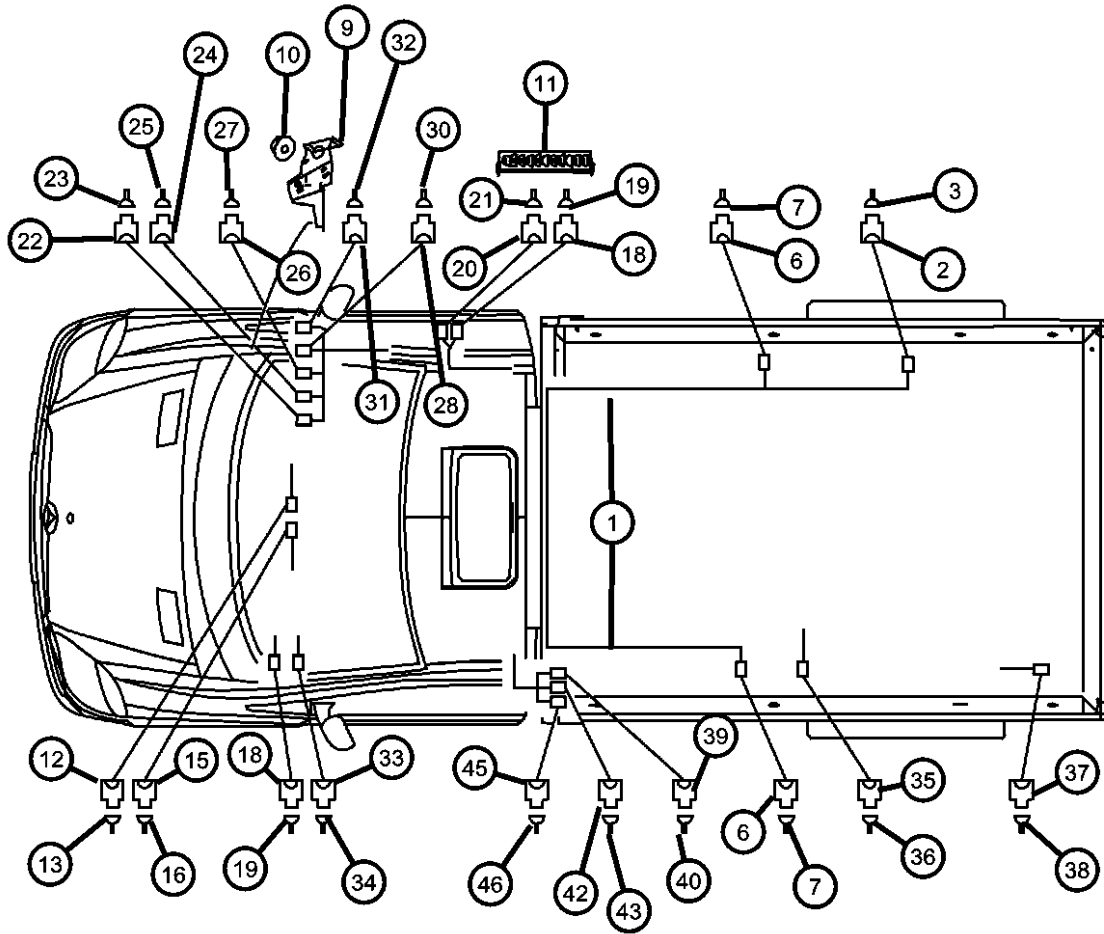
SPRINTER (VB)

SERIES	LINE	BODY	ENGINE	TRANSMISSION
L = LOWLINE	3 = HD DODGE 2WD 2 = Med. Duty DODGE 2WD	03 = CAB CHASSIS WHEEL BASE 3 05 = CAB CHASSIS WHEEL BASE 5 13 = 119 WB 53 = 119 WB 15 = VAN WHEEL BASE 5 55 = WAGON WHEEL BASE 5 17 = VAN WHEEL BASE 7	EG2 = 3.5L V6 Gas Engine EXM = 3.0L V6 Turbo Diesel Engine	DGZ = 5-Speed Auto W5A380 Transmission

AR = use ase required - = Non illustrated part

**Headlamp To Dash / Body Harness
Figure 8-1310**

ITEM	PART NUMBER	QTY	LINE	SERIES	BODY	ENGINE	TRANS	TRIM	DESCRIPTION
		1	2, 3, 6, 7	L		EXM	DGZ		Conector Low Frame [6 Pin, X176/1]
40	05103874AA	1	2, 3, 6, 7	L		EG2, EXM	DGZ		TERMINAL, [0.75MM2]
-41	05120860AA	1	2, 3, 6, 7	L		EG2, EXM	DGZ		GASKET, [1.6 - 1.9 MM2; X176/1]
42	68011301AA	1	2, 3, 6, 7	L		EG2, EXM	DGZ		CONNECTOR, Connector Low Frame [6 Pin / COD. B X176/2]
43	05103874AA	1	2, 3, 6, 7	L		EG2, EXM	DGZ		TERMINAL, [0.75 MM2]
-44	05120860AA	1	2, 3, 6, 7	L		EG2, EXM	DGZ		GASKET, [1.6 - 1.9 MM2 / X176/2]
45	05120768AA	1	2, 3, 6, 7	L		EG2, EXM	DGZ		INSULATOR, FEMALE, Coupling [18 Pin] Low Frame Connector [X176/3]
46	05174907AA	99	2, 3, 6, 7	L		EG2, EXM	DGZ		TERMINAL, [0.75 - 1.0 MM2 / X172/3]
-47	68016742AA	99	3, 6, 7, 2	L		EG2, EXM	DGZ		TERMINAL, [1.5 - 2.5 MM2 / X176/3]
-48	05103663AA	AR	2, 3, 6, 7	L		EG2	DGZ		GROMMET, [0.25 - 1.0 MM2 / X176/3]
-49	05120865AA	1	2, 3, 6, 7	L		EG2, EXM	DGZ		GASKET, Dummy Plug [X176/3]



SPRINTER (VB)

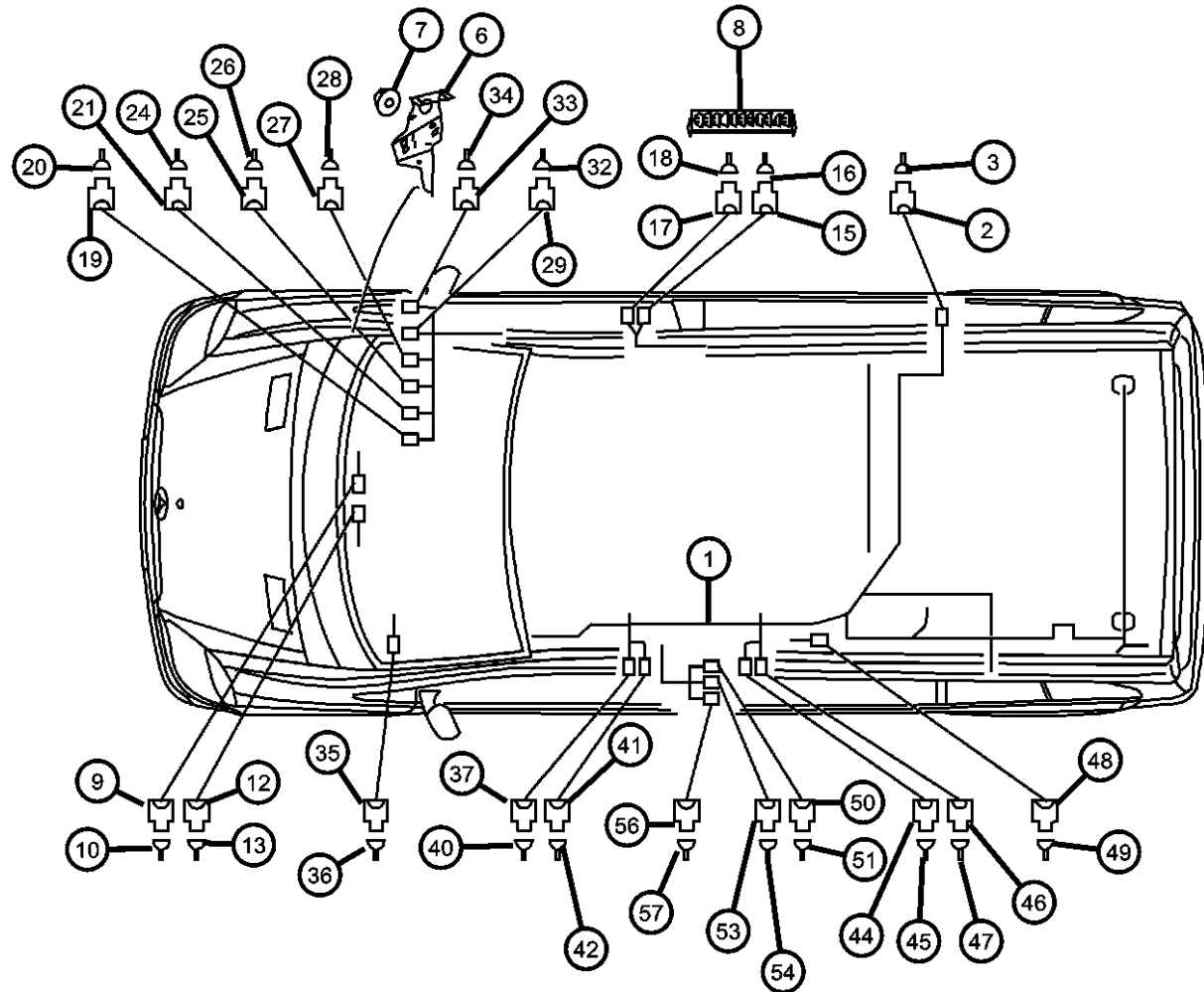
SERIES	LINE	BODY	ENGINE	TRANSMISSION
L = LOWLINE	3 = HD DODGE 2WD 2 = Med. Duty DODGE 2WD	03 = CAB CHASSIS WHEEL BASE 3 05 = CAB CHASSIS WHEEL BASE 5 13 = 119 WB 53 = 119 WB 15 = VAN WHEEL BASE 5 55 = WAGON WHEEL BASE 5 17 = VAN WHEEL BASE 7	EG2 = 3.5L V6 Gas Engine EXM = 3.0L V6 Turbo Diesel Engine	DGZ = 5-Speed Auto W5A380 Transmission

AR = use ase required - = Non illustrated part

2007 VB

**Headlamp To Dash / Body Harness
Figure 8-1320**

ITEM	PART NUMBER	QTY	LINE	SERIES	BODY	ENGINE	TRANS	TRIM	DESCRIPTION
1	68013432AA	1	2, 3, 6, 7	L		EG2, EXM	DGZ		WIRING, Body
2	68011283AA	1	2, 3, 6, 7	L		EG2, EXM	DGZ		CONNECTOR, Tank Connector [8 Pin SLK 2.8, X25/15]
3									TERMINAL
	05133353AA	AR	2, 3, 6, 7	L		EG2	DGZ		[0.75 - 1.0 MM2 SLK 2.8 X25/15]
		AR	2, 3, 6, 7	L		EXM	DGZ		[0.75 - 1.0 MM2 SLK 2.8 X25/15]
-4									TERMINAL
	05103877AA	AR	2, 3, 6, 7	L		EG2	DGZ		[1.5 - 2.5 MM2 SLK 2.8, X25 / 15]
		AR	2, 3, 6, 7	L		EXM	DGZ		[1.5 - 2.5 MM2 SLK 2.8, X25 / 15]
-5	05103663AA	AR	2, 3, 6, 7	L		EG2	DGZ		GROMMET
6	68013391AA	1	2, 3, 6, 7	L		EG2, EXM	DGZ		BRACKET, Can Connector To [A] Pillar Right
7									NUT
	68004878AA	3	7, 2, 3, 6	L	53, 55	EG2, EXM	DGZ		
		2	2, 3, 6, 7	L	13, 15, 17, 53, 55	EG2, EXM	DGZ		
8	68015320AA	1	2, 3, 6, 7	L		EG2, EXM	DGZ		CONNECTOR, Potential Distributor [22 Pin]
9	05120277AA	1	2, 3, 6, 7	L		EG2, EXM	DGZ		CONNECTOR, Wiring Repair, Connector Transmission Neutral [2 Pin MQS; X162]
10	05103874AA	1	2, 3, 6, 7	L		EG2, EXM	DGZ		TERMINAL, [0.75 MM2]
-11	05120860AA	1	2, 3, 6, 7	L		EG2, EXM	DGZ		GASKET, [1.6 - 1.9 MM2, X162]
12	05142197AA	2	2, 3, 6, 7	L		EG2, EXM	DGZ		INSULATOR, 2 Way, Connector Transmission Neutral [2 Pin, X162]
13	05142198AA	1	2, 3, 6, 7	L		EG2, EXM	DGZ		TERMINAL, [0.75 MM2]
-14	05120860AA	1	2, 3, 6, 7	L		EG2, EXM	DGZ		GASKET, [1.6 - 1.9 MM2, X162]
15	05101166AA	1	2, 3, 6, 7	L		EG2, EXM	DGZ		CONNECTOR, Can [B] Voltage Distributor [2 Pin MQS, X30]
16	05103873AA	AR	2, 3, 6, 7	L		EG2, EXM	DGZ		TERMINAL, [0.75 MM2]
17									CONNECTOR
	68011269AA	1	2, 3, 6, 7	L		EG2, EXM	DGZ		Can Bus [C] [2 Pin MQS, X30]
	68011270AA	1	2, 3, 6, 7	L		EG2, EXM	DGZ		Can Bus [C] [3 Pin MQS, X30]
18	05103873AA	AR	2, 3, 6, 7	L		EG2, EXM	DGZ		TERMINAL, [0.75 MM2]
19	05120260AA	1	2, 3, 6, 7	L	13, 15, 17, 53, 55	EG2, EXM	DGZ		INSULATOR, 6 Way, Cockpit Interior Plug Connector [6 Pin, X169/7]

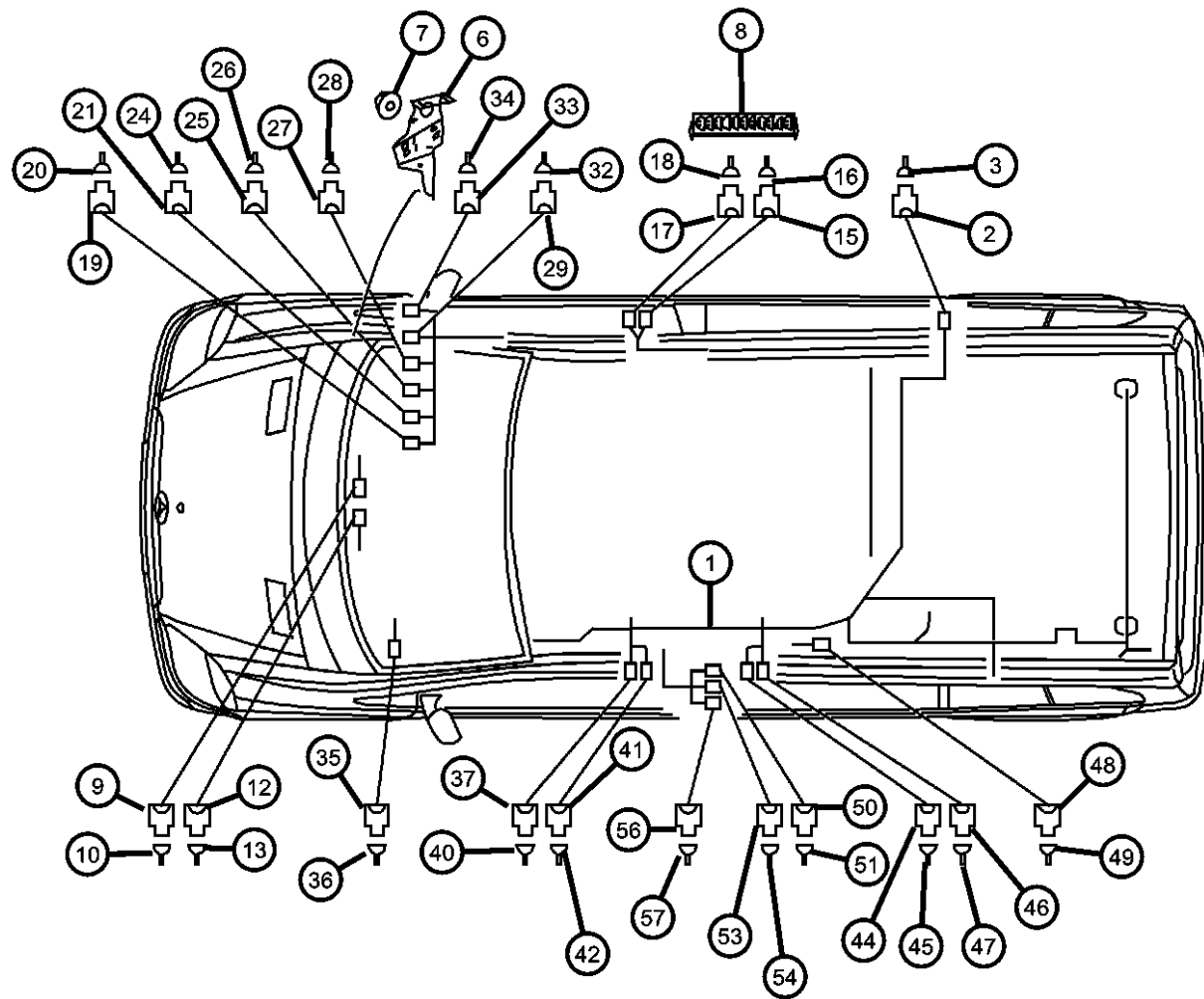


SPRINTER (VB)

SERIES	LINE	BODY	ENGINE	TRANSMISSION
L = LOWLINE	3 = HD DODGE 2WD 2 = Med. Duty DODGE 2WD	03 = CAB CHASSIS WHEEL BASE 3 05 = CAB CHASSIS WHEEL BASE 5 13 = 119 WB 53 = 119 WB 15 = VAN WHEEL BASE 5 55 = WAGON WHEEL BASE 5 17 = VAN WHEEL BASE 7	EG2 = 3.5L V6 Gas Engine EXM = 3.0L V6 Turbo Diesel Engine	DGZ = 5-Speed Auto W5A380 Transmission

AR = use ase required - = Non illustrated part

**Headlamp To Dash / Body Harness
Figure 8-1320**



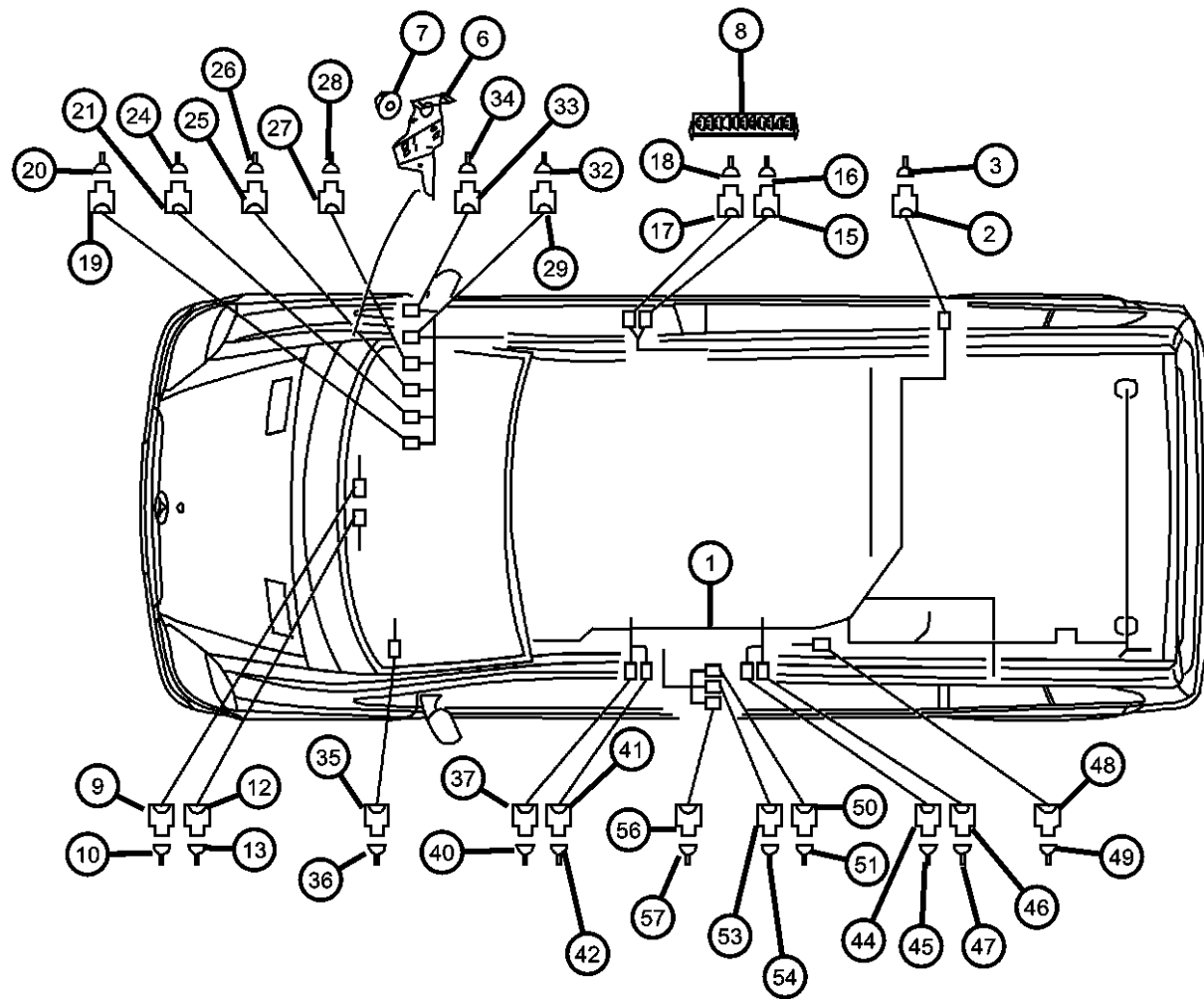
ITEM	PART NUMBER	QTY	LINE	SERIES	BODY	ENGINE	TRANS	TRIM	DESCRIPTION
20	05103873AA	AR	2, 3, 6, 7	L		EG2, EXM	DGZ		TERMINAL, [0.75 MM2]
21	68011209AA	1	2, 3, 6, 7	L		EG2, EXM	DGZ		CONNECTOR, Cockpit Interior Plug Connector [28 Pin MQS, X18/56]
-22	68016738AA	1	2, 3, 6, 7	L		EG2, EXM	DGZ		CONNECTOR, Cover For Call Out [21]
-23	68016739AA	1	2, 3, 6, 7	L		EG2, EXM	DGZ		CONNECTOR, Wiring, Cap For Callout [21]
24	05103873AA	AR	2, 3, 6, 7	L		EG2, EXM	DGZ		TERMINAL, [0.75 MM2]
25	68011252AA	1	2, 3, 6, 7	L		EG2, EXM	DGZ		CONNECTOR, Cockpit Interior Connector [14 Pin, X18/49]
26									TERMINAL
	05143897AA	AR	2, 3, 6, 7	L	03, 05, 53, 55	EG2, EXM	DGZ		[1.5 - 2.5 MM2; SLK 2.8, X18/49]
	68016713AA	AR	2, 3, 6, 7	L		EG2, EXM	DGZ		[4.0 MM2; SLK 2.8, X18/49]
27	05120727AA	1	2, 3, 6, 7	L		EG2, EXM	DGZ		CONNECTOR, Cockpit Interior Plug Connector [18 Pin MQS; X18/55]
28	05103873AA	AR	2, 3, 6, 7	L		EG2, EXM	DGZ		TERMINAL, [0.75 MM2]
29	68016716AA	1	6, 7, 2, 3	L		EG2, EXM	DGZ		CONNECTOR, Wiring, Cockpit Interior Plug Connector [10 Pin; X18/60]
-30	68016717AA	1	2, 3, 6, 7	L		EG2, EXM	DGZ		COVER, Cover For Callout [29]
-31	68016718AA	1	2, 3, 6, 7	L		EG2, EXM	DGZ		CONNECTOR, Contact Carrier [10 Pin MQS] For Callout [29]
32	05103873AA	AR	2, 3, 6, 7	L		EG2, EXM	DGZ		TERMINAL, [0.75 MM2]
33	68011253AA	1	2, 3, 6, 7	L		EG2, EXM	DGZ		CONNECTOR, Cockpit Interior Plug Connector [4 Pin SLK 2.8; X18/64]
34	05143897AA	AR	2, 3, 6, 7	L	03, 05, 53, 55	EG2, EXM	DGZ		TERMINAL, [1.5 - 2.5 MM2; SLK 2.8, X18/64]
35	05143907AA	1	2, 3, 6, 7	L		EG2, EXM	DGZ		CONNECTOR, Cockpit Plug Connector [1 Pin SLK 8, X4/49]
36	68016737AA	AR	3, 6, 7, 2	L		EG2, EXM	DGZ		TERMINAL, [6.0 - 10.0 MM2; X4/49]
37	68011209AA	1	2, 3, 6, 7	L		EG2, EXM	DGZ		CONNECTOR, Interior Roof Connector [28 Pin; MQS, X18/52]
-38	68016738AA	1	2, 3, 6, 7	L		EG2, EXM	DGZ		CONNECTOR, Cover For Callout [37]
-39	68016739AA	1	2, 3, 6, 7	L		EG2, EXM	DGZ		CONNECTOR, Wiring, Cap For Callout [37]

SPRINTER (VB)

SERIES	LINE	BODY	ENGINE	TRANSMISSION
L = LOWLINE	3 = HD DODGE 2WD 2 = Med. Duty DODGE 2WD	03 = CAB CHASSIS WHEEL BASE 3 05 = CAB CHASSIS WHEEL BASE 5 13 = 119 WB 53 = 119 WB 15 = VAN WHEEL BASE 5 55 = WAGON WHEEL BASE 5 17 = VAN WHEEL BASE 7	EG2 = 3.5L V6 Gas Engine EXM = 3.0L V6 Turbo Diesel Engine	DGZ = 5-Speed Auto W5A380 Transmission

AR = use ase required - = Non illustrated part

**Headlamp To Dash / Body Harness
Figure 8-1320**



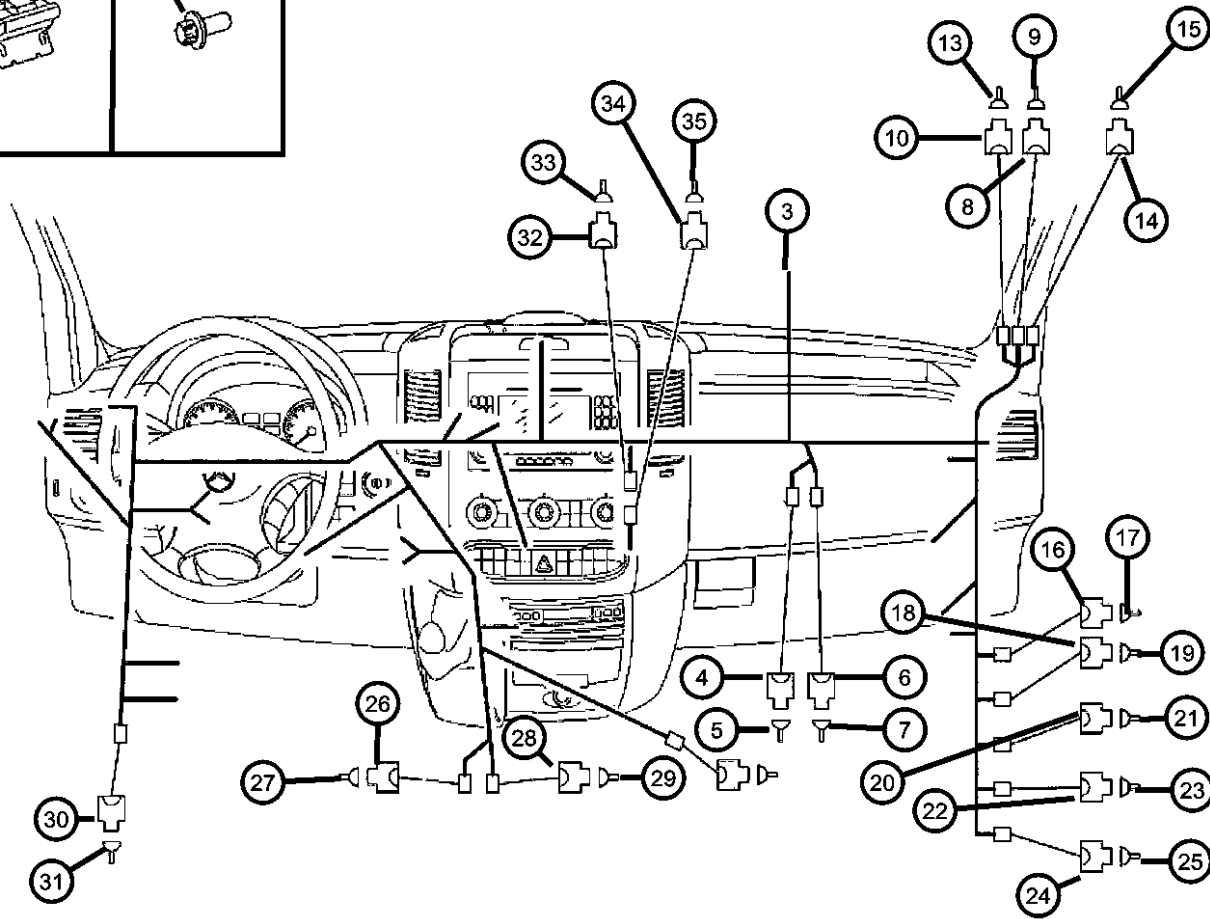
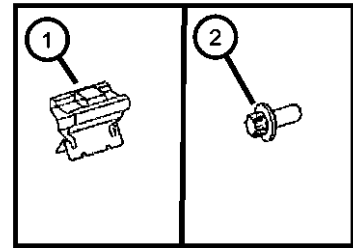
ITEM	PART NUMBER	QTY	LINE	SERIES	BODY	ENGINE	TRANS	TRIM	DESCRIPTION
40	05133990AA	99	2, 3, 6, 7	L	13, 15, 17, 53, 55	EG2, EXM	DGZ		TERMINAL, Male, [0.75 MM2]
41	68011252AA	1	2, 3, 6, 7	L		EG2, EXM	DGZ		CONNECTOR, Interior Roof Connector [14 Pin; X18/53]
42	05133945AA	AR	2, 3, 6, 7	L	13, 15, 17, 53, 55	EG2, EXM	DGZ		TERMINAL, [0.75 - 1.0 MM2]
-43	68016713AA	AR	2, 3, 6, 7	L		EG2, EXM	DGZ		TERMINAL, [4.0 MM2; SLK 2.8, X18/53]
44	05143907AA	1	2, 3, 6, 7	L		EG2, EXM	DGZ		CONNECTOR, Connector Roof Air Conditioning [1 Pin]
45	68016737AA	AR	2, 3, 6, 7	L		EG2, EXM	DGZ		TERMINAL, [6.0 - 10.0 MM2; X53/8]
46	05143907AA	1	2, 3, 6, 7	L		EG2, EXM	DGZ		CONNECTOR, Connector Roof Airconditioner [1 Pin; LSK 8, X53/8]
47	68016737AA	AR	2, 3, 6, 7	L		EG2, EXM	DGZ		TERMINAL, [6.0 - 10.0 MM2; X53/9]
48	05120618AA	2	2, 3, 6, 7	L		EG2, EXM	DGZ		INSULATOR, Stationary Heater Plug Connector [7 Pin; X72/10]
49	05133386AA	1	2, 3, 6, 7	L		EG2, EXM	DGZ		TERMINAL, Female, Contact Spring
50	05143912AA	1	6, 7, 2, 3	L		EG2	DGZ		CONNECTOR Connector Low Frame [6 Pin, X176/1]
		1	2, 3, 6, 7	L		EXM	DGZ		Connector Low Frame [6 Pin, X176/1]
51	05103874AA	1	2, 3, 6, 7	L		EG2, EXM	DGZ		TERMINAL, [0.75 MM2 MQS, X176/1]
-52	05120860AA	1	2, 3, 6, 7	L		EG2, EXM	DGZ		GASKET, [1.6 - 1.9 MM2; X176/1]
53	68011301AA	1	2, 3, 6, 7	L		EG2, EXM	DGZ		CONNECTOR, Connector Low Frame [6 Pin, COD. [B] X176/2]
54	05103874AA	1	2, 3, 6, 7	L		EG2, EXM	DGZ		TERMINAL, [0.75 MM2]
-55	05120860AA	1	2, 3, 6, 7	L		EG2, EXM	DGZ		GASKET, [1.6 - 1.9 MM2; X176/2]
56	05120768AA	1	2, 3, 6, 7	L		EG2, EXM	DGZ		INSULATOR, FEMALE, Connector Low Frame [18P] [X176/3]
57	05174907AA	99	2, 3, 6, 7	L		EG2, EXM	DGZ		TERMINAL [0.75 - 1.0 MM2; X176/3]
	68016742AA	99	2, 3, 6, 7	L		EG2, EXM	DGZ		[1.5 - 2.5 MM2; X176/3]
-58	05103663AA	AR	2, 3, 6, 7	L		EG2	DGZ		GROMMET, [0.25 - 1.0 MM2; X176/3]
-59	05120865AA	1	2, 3, 6, 7	L		EG2, EXM	DGZ		GASKET, Dummy Plug [X176/3]

SPRINTER (VB)

SERIES	LINE	BODY	ENGINE	TRANSMISSION
L = LOWLINE	3 = HD DODGE 2WD 2 = Med. Duty DODGE 2WD	03 = CAB CHASSIS WHEEL BASE 3 05 = CAB CHASSIS WHEEL BASE 5 13 = 119 WB 53 = 119 WB 15 = VAN WHEEL BASE 5 55 = WAGON WHEEL BASE 5 17 = VAN WHEEL BASE 7	EG2 = 3.5L V6 Gas Engine EXM = 3.0L V6 Turbo Diesel Engine	DGZ = 5-Speed Auto W5A380 Transmission

AR = use ase required - = Non illustrated part

**Instrument Panel Wiring Harness
Figure 8-1410**



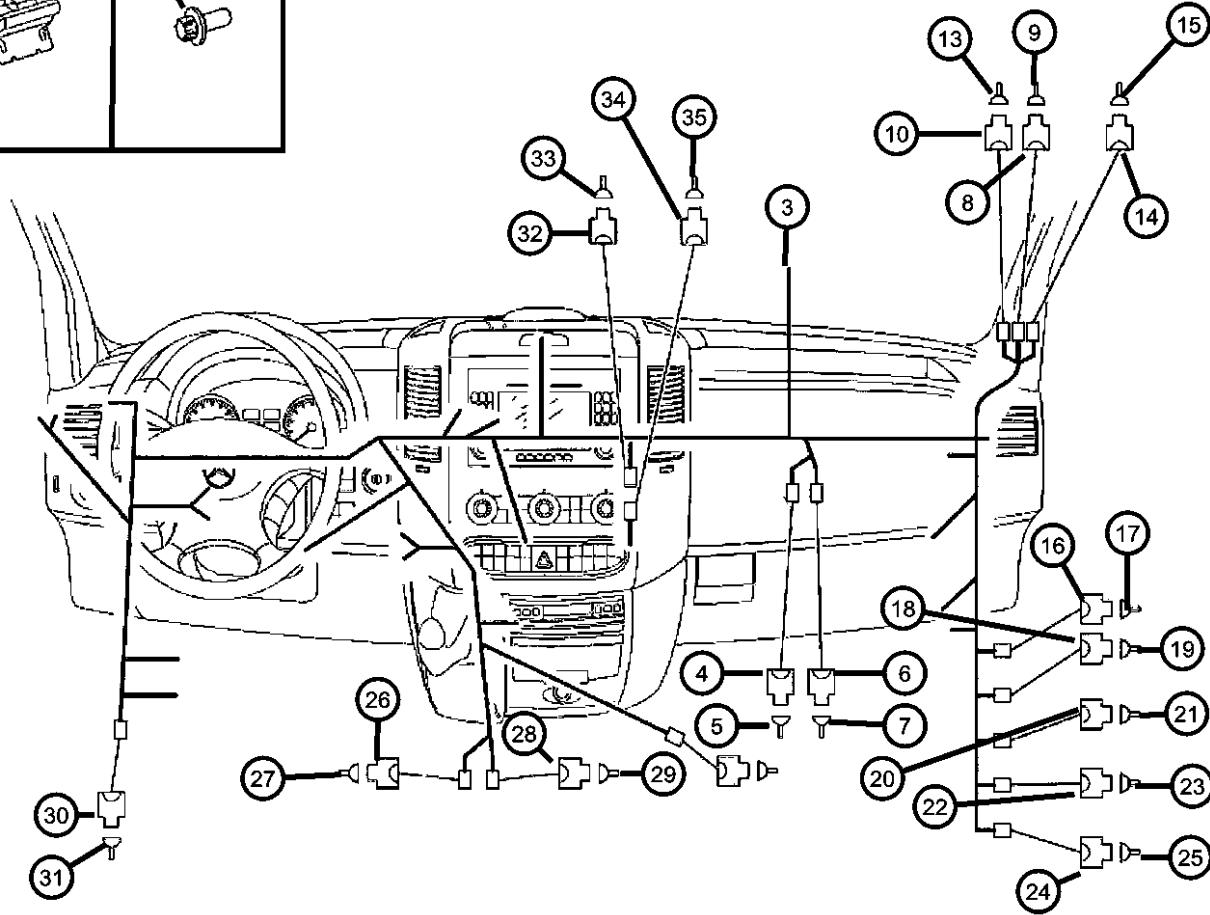
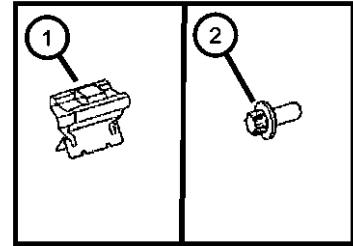
ITEM	PART NUMBER	QTY	LINE	SERIES	BODY	ENGINE	TRANS	TRIM	DESCRIPTION
1	05159403AA	1	2, 3, 6, 7	L		EG2, EXM	DGZ		BRACKET, Harness To Side Member
2	05073723AB	1	2, 3, 6, 7	L		EXM	DGZ		SCREW
3	68013433AA	1	2, 3, 6, 7	L		EG2, EXM	DGZ		WIRING, Instrument Panel
4	68011328AA	1	2, 3, 6, 7	L		EG2, EXM	DGZ		CONNECTOR, Wiring, [2 Pin ; X28/46]
5	68016728AA	AR	2, 3, 6, 7	L		EG2, EXM	DGZ		TERMINAL, [X28/46]
6	68011280AA	1	2, 3, 6, 7	L		EG2, EXM	DGZ		CONNECTOR, Wiring, [2 Pin; X28/46]
7	68016727AA	AR	2, 3, 6, 7	L		EG2, EXM	DGZ		TERMINAL, [X28/46]
8									CONNECTOR
	68011254AA	1	2, 3, 6, 7	L	13, 15, 17	EG2, EXM	DGZ		Cockpit Roof Connector [6 Pin; X18 / 23]
		1	2, 3, 6, 7	L	03, 05, 53, 55	EG2, EXM	DGZ		Cockpit Roof Connector [6 Pin; X18 / 23]
9									TERMINAL
	05143897AA	AR	2, 3, 6, 7	L	03, 05, 53, 55	EG2, EXM	DGZ		[1.0 - 2.5 MM2: X18/23]
		AR	2, 3, 6, 7	L	13, 15, 17	EG2, EXM	DGZ		[1.0 - 2.5 MM2: X18/23]
10	68011209AA	1	2, 3, 6, 7	L		EG2, EXM	DGZ		CONNECTOR, Cockpit Connector Roof [28 Pin; X18/51]
-11	68016738AA	1	2, 3, 6, 7	L		EG2, EXM	DGZ		CONNECTOR, Cover For Callout [# 10]
-12	68016739AA	1	2, 3, 6, 7	L		EG2, EXM	DGZ		CONNECTOR, Wiring, Cover Cap To Callout [#10]
13									TERMINAL
	05103873AA	3	3, 7	L	03, 05	EG2, EXM	DGZ		[0.75 MM2 MQS; X18/51]
		3	2, 3, 6, 7	L	13, 15, 17, 53, 55	EG2, EXM	DGZ		[0.75 MM2 MQS; X18/51]
14	05103754AA	1	2, 3, 6, 7	L		EG2, EXM	DGZ		INSULATOR, 2 Way Female, Cockpit Connector Roof [2 Pin; X85/22]
15	05133359AA	AR	2, 3, 6, 7	L		EG2, EXM	DGZ		TERMINAL, Female, [0.5 - 1.0 MM2; / 6.3; X85/22]
16									INSULATOR, 6 Way
	05120260AA	1	2, 3, 6, 7	L	13, 15, 17, 53, 55	EG2, EXM	DGZ		Cockpit / Interior Plug [6-Pin; X169/7]
		1	3, 7	L	03, 05	EG2, EXM	DGZ		Cockpit / Interior Plug [6-Pin; X169/7]
17									TERMINAL, Male

SPRINTER (VB)

SERIES	LINE	BODY	ENGINE	TRANSMISSION
L = LOWLINE	3 = HD DODGE 2WD 2 = Med. Duty DODGE 2WD	03 = CAB CHASSIS WHEEL BASE 3 05 = CAB CHASSIS WHEEL BASE 5 13 = 119 WB 53 = 119 WB 15 = VAN WHEEL BASE 5 55 = WAGON WHEEL BASE 5 17 = VAN WHEEL BASE 7	EG2 = 3.5L V6 Gas Engine EXM = 3.0L V6 Turbo Diesel Engine	DGZ = 5-Speed Auto W5A380 Transmission

AR = use ase required - = Non illustrated part

Instrument Panel Wiring Harness
Figure 8-1410



ITEM	PART NUMBER	QTY	LINE	SERIES	BODY	ENGINE	TRANS	TRIM	DESCRIPTION
	05133990AA	99	2, 3, 6, 7	L	13, 15, 17, 53, 55	EG2, EXM	DGZ		[0.75 MM2; X169/7]
		99	3, 7	L	03, 05	EG2, EXM	DGZ		[0.75 MM2; X169/7]
18	68011342AA	1	2, 3, 6, 7	L		EG2, EXM	DGZ		CONNECTOR, [28 Pin; x18/56]
19									TERMINAL, Male
	05133990AA	99	2, 3, 6, 7	L	13, 15, 17, 53, 55	EG2, EXM	DGZ		[0.75 MM2; X18/56]
		99	3, 7	L	03, 05	EG2, EXM	DGZ		[0.75 MM2; X18/56]
20	68011327AA	1	2, 3, 6, 7	L		EG2, EXM	DGZ		CONNECTOR, Wiring, [18 Pin; X15/55]
21									TERMINAL, Male
	05133990AA	99	2, 3, 6, 7	L	13, 15, 17, 53, 55	EG2, EXM	DGZ		[0.75 MM2; X18/55]
		99	3, 7	L	03, 05	EG2, EXM	DGZ		[0.75 MM2; X18/55]
22	68011378AA	1	2, 3, 6, 7	L		EG2, EXM	DGZ		CONNECTOR, [10 Pin; X18/60]
23									TERMINAL, Male
	05133990AA	99	2, 3, 6, 7	L	13, 15, 17, 53, 55	EG2, EXM	DGZ		[0.75 MM2; X18/60]
		99	3, 7	L	03, 05	EG2, EXM	DGZ		[0.75 MM2; X18/60]
24	68011362AA	1	2, 3, 6, 7	L		EG2, EXM	DGZ		CONNECTOR, [4 Pin; X18/64]
25	68013258AA	AR	2, 3, 6, 7	L		EG2, EXM	DGZ		TERMINAL, [1.0 - 2.5 MM2; X18/64]
26	68011358AA	1	2, 3, 6, 7	L		EG2, EXM	DGZ		CONNECTOR, Wiring, Tach Connector [4 Pin; X2/5]
27	68013257AA	AR	2, 3, 6, 7	L		EG2, EXM	DGZ		TERMINAL, [0.5 - 1.0 MM2; X2/5]
28	68011358AA	1	2, 3, 6, 7	L		EG2, EXM	DGZ		CONNECTOR, Wiring, [4 Pin; X2/7]
29	68013257AA	AR	2, 3, 6, 7	L		EG2, EXM	DGZ		TERMINAL, [0.5 - 1.0 MM2; X2/7]
30	68011379AA	1	2, 3, 6, 7	L		EG2, EXM	DGZ		CONNECTOR, [1 Pin; X4/49]
31	68016741AA	AR	2, 3, 6, 7	L		EG2, EXM	DGZ		TERMINAL, [X4/49]
32	68011229AA	1	2, 3, 6, 7	L		EG2, EXM	DGZ		CONNECTOR, Back Up Aid [6 Pin; X170]
33									TERMINAL
	05103873AA	3	3, 7	L	03, 05	EXM, EG2	DGZ		[0.75 MM2; MQS X170]
		3	2, 3, 6, 7	L	13, 15, 17, 53, 55	EG2, EXM	DGZ		[0.75 MM2; MQS X170]
34	68011344AA	1	2, 3, 6, 7	L	13, 15, 17	EG2, EXM	DGZ		CONNECTOR, Back Up Aid [6 Pin; X170]

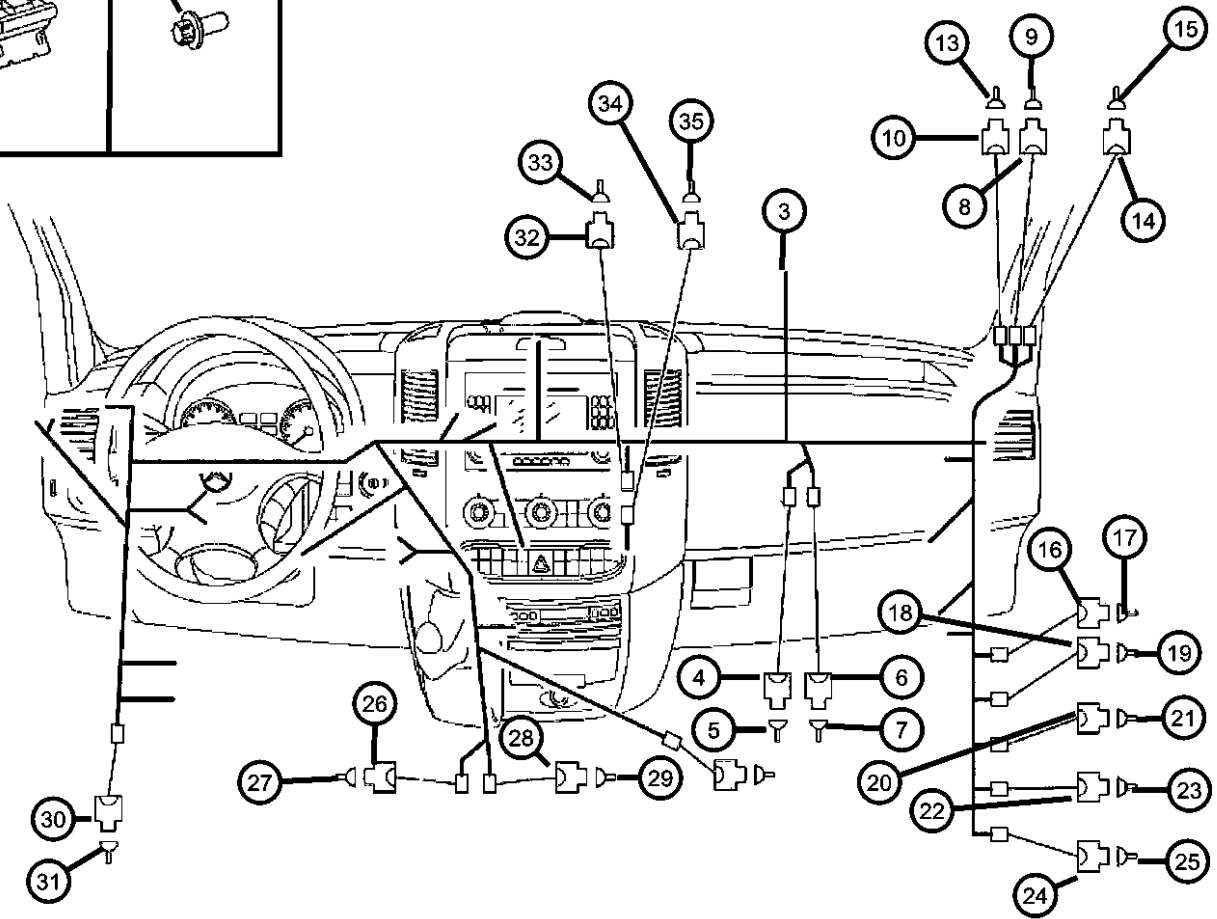
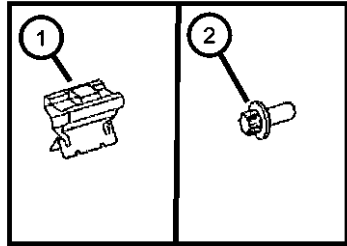
SPRINTER (VB)

SERIES	LINE	BODY	ENGINE	TRANSMISSION
L = LOWLINE	3 = HD DODGE 2WD 2 = Med. Duty DODGE 2WD	03 = CAB CHASSIS WHEEL BASE 3 05 = CAB CHASSIS WHEEL BASE 5 13 = 119 WB 53 = 119 WB 15 = VAN WHEEL BASE 5 55 = WAGON WHEEL BASE 5 17 = VAN WHEEL BASE 7	EG2 = 3.5L V6 Gas Engine EXM = 3.0L V6 Turbo Diesel Engine	DGZ = 5-Speed Auto W5A380 Transmission

AR = use ase required - = Non illustrated part

**Instrument Panel Wiring Harness
Figure 8-1410**

ITEM	PART NUMBER	QTY	LINE	SERIES	BODY	ENGINE	TRANS	TRIM	DESCRIPTION
35	05133990AA	99	2, 3, 6, 7	L	13, 15, 17, 53, 55	EG2, EXM	DGZ		TERMINAL, Male [0.75 MM2; X170]
		99	3, 7	L	03, 05	EG2, EXM	DGZ		[0.75 MM2; X170]



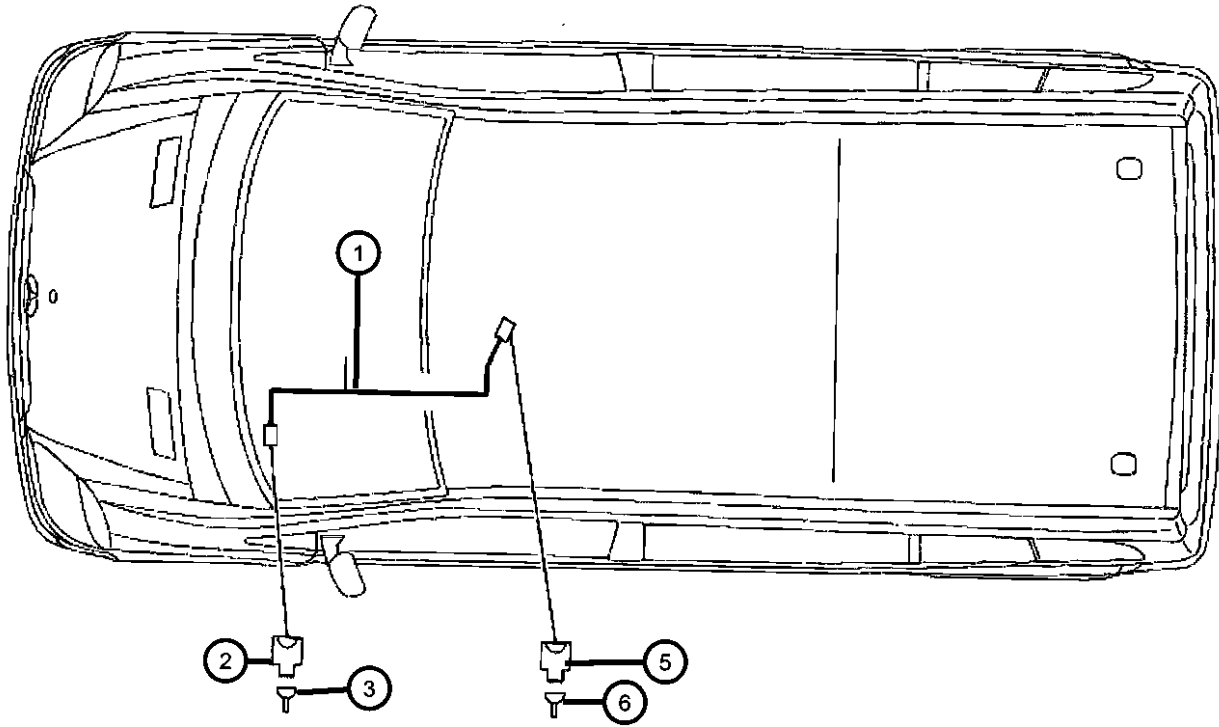
SPRINTER (VB)

SERIES	LINE	BODY	ENGINE	TRANSMISSION
L = LOWLINE	3 = HD DODGE 2WD 2 = Med. Duty DODGE 2WD	03 = CAB CHASSIS WHEEL BASE 3 05 = CAB CHASSIS WHEEL BASE 5 13 = 119 WB 53 = 119 WB 15 = VAN WHEEL BASE 5 55 = WAGON WHEEL BASE 5 17 = VAN WHEEL BASE 7	EG2 = 3.5L V6 Gas Engine EXM = 3.0L V6 Turbo Diesel Engine	DGZ = 5-Speed Auto W5A380 Transmission

AR = use ase required - = Non illustrated part

**Headlamp Range Adjustment Harness
Figure 8-1420**

ITEM	PART NUMBER	QTY	LINE	SERIES	BODY	ENGINE	TRANS	TRIM	DESCRIPTION
1	68011457AA	1	2, 3	L		EG2, EXM	DGZ		WIRING, With [LM3]
2	05120278AA	1	7, 2, 3, 6	L		EG2, EXM	DGZ		CONNECTOR, [3 Pin; X62/72]
3	05103874AA	1	2, 3, 6, 7	L		EG2, EXM	DGZ		TERMINAL, [0.75 MM2; MQS; X62/72]
-4	05120860AA	1	2, 3, 6, 7	L		EG2, EXM	DGZ		GASKET, [1.6 - 1.9 MM2; MQS; X62/72]
5	05138039AA	1	2, 3, 6, 7	L		EG2, EXM	DGZ		INSULATOR, [3 Pin; X62/72]
6	05103880AA	AR	2, 3, 6, 7	L		EG2, EXM	DGZ		TERMINAL, [0.5 -1.0 MM2; JPT; X62/72]
-7	05103661AA	1	2, 3, 6, 7	L		EG2, EXM	DGZ		GASKET, [0.5-1.0 MM; X62/72]



SPRINTER (VB)

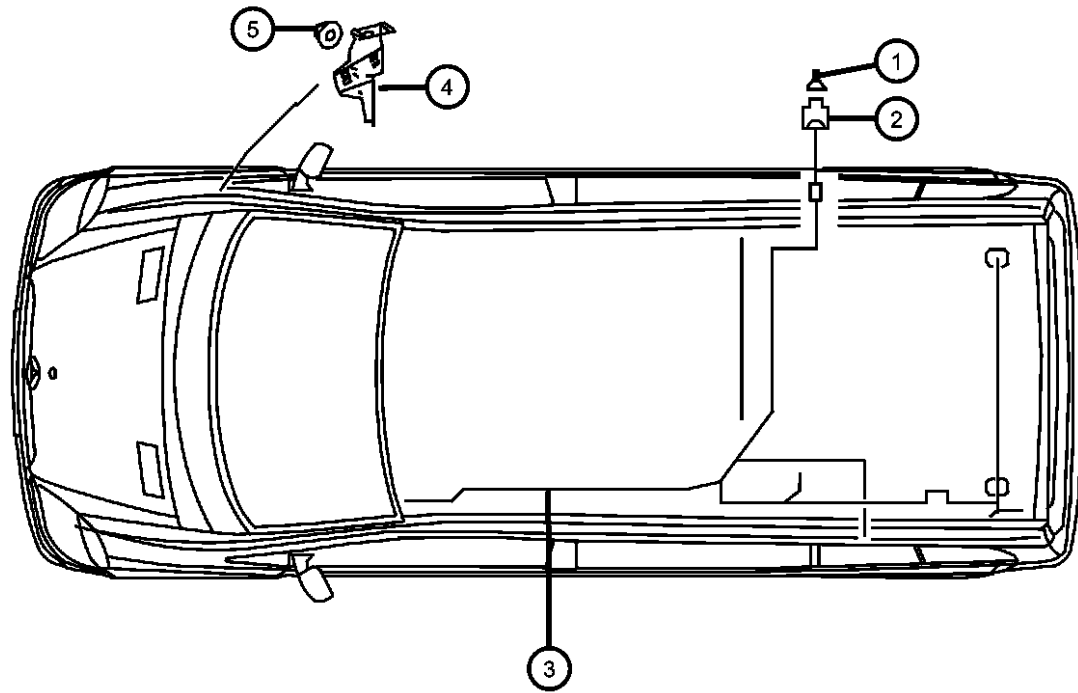
SERIES	LINE	BODY	ENGINE	TRANSMISSION
L = LOWLINE	3 = HD DODGE 2WD 2 = Med. Duty DODGE 2WD	03 = CAB CHASSIS WHEEL BASE 3 05 = CAB CHASSIS WHEEL BASE 5 13 = 119 WB 53 = 119 WB 15 = VAN WHEEL BASE 5 55 = WAGON WHEEL BASE 5 17 = VAN WHEEL BASE 7	EG2 = 3.5L V6 Gas Engine EXM = 3.0L V6 Turbo Diesel Engine	DGZ = 5-Speed Auto W5A380 Transmission

AR = use ase required - = Non illustrated part

2007 VB

**Frame Mounted Cable Harness
Figure 8-1505**

ITEM	PART NUMBER	QTY	LINE	SERIES	BODY	ENGINE	TRANS	TRIM	DESCRIPTION
1	05133353AA	AR	2, 3, 6, 7	L		EG2	DGZ		TERMINAL
2	68011283AA	1	2, 3, 6, 7	L		EG2, EXM	DGZ		CONNECTOR, Tank Connector [8-PIN;x25/15]
3	68013432AA	1	2, 3, 6, 7	L		EG2, EXM	DGZ		WIRING, Body
4	68013391AA	1	2, 3, 6, 7	L		EG2, EXM	DGZ		BRACKET
5									NUT
	68004878AA	2	3, 7	L	03, 05	EXM	DGZ		Bracket Mounting [M6]
		2	2, 3, 6, 7	L	13, 15, 17, 53, 55	EG2, EXM	DGZ		Bracket Mounting [M6]



SPRINTER (VB)

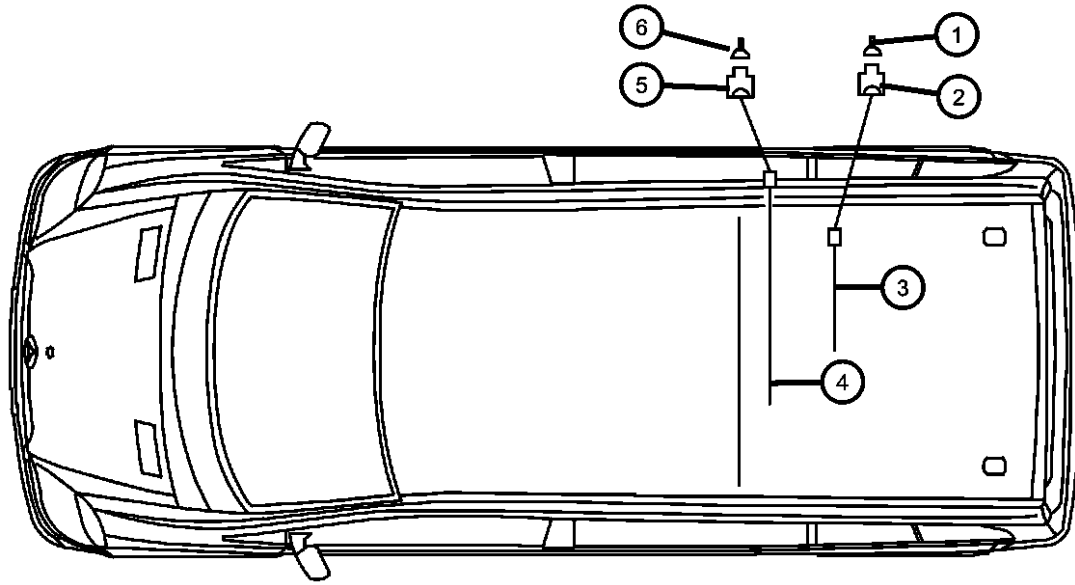
SERIES	LINE	BODY	ENGINE	TRANSMISSION
L = LOWLINE	3 = HD DODGE 2WD 2 = Med. Duty DODGE 2WD	03 = CAB CHASSIS WHEEL BASE 3 05 = CAB CHASSIS WHEEL BASE 5 13 = 119 WB 53 = 119 WB 15 = VAN WHEEL BASE 5 55 = WAGON WHEEL BASE 5 17 = VAN WHEEL BASE 7	EG2 = 3.5L V6 Gas Engine EXM = 3.0L V6 Turbo Diesel Engine	DGZ = 5-Speed Auto W5A380 Transmission

AR = use ase required - = Non illustrated part

2007 VB

Wiring Harness - Fuel Tank
Figure 8-1510

ITEM	PART NUMBER	QTY	LINE	SERIES	BODY	ENGINE	TRANS	TRIM	DESCRIPTION
1	05120734AA	1	2, 3, 6, 7	L		EG2, EXM	DGZ		TERMINAL, Male, [1.0-2.5 MM2;x25/16]
2	05120685AA	1	2, 3, 6, 7	L		EG2, EXM	DGZ		INSULATOR, Connector,Tank Filler [1-PIN;x25/16]
3	68013518AA	1	2, 3, 6, 7	L		EG2, EXM	DGZ		STRAP, Ground
4									WIRING, Fuel Tank
	68013519AA	1	2, 3, 6, 7	L		EXM	DGZ		Fuel Level Sensor
	68013520AA	1	2, 3, 6, 7	L		EG2	DGZ		Fuel Level Sensor
5	68011337AA	1	2, 3, 6, 7	L		EG2, EXM	DGZ		CONNECTOR, Tank Connector [8-PIN;x25/15]
6	68016743AA	1	2, 3, 6, 7	L		EG2, EXM	DGZ		TERMINAL, [X25/16]



SPRINTER (VB)

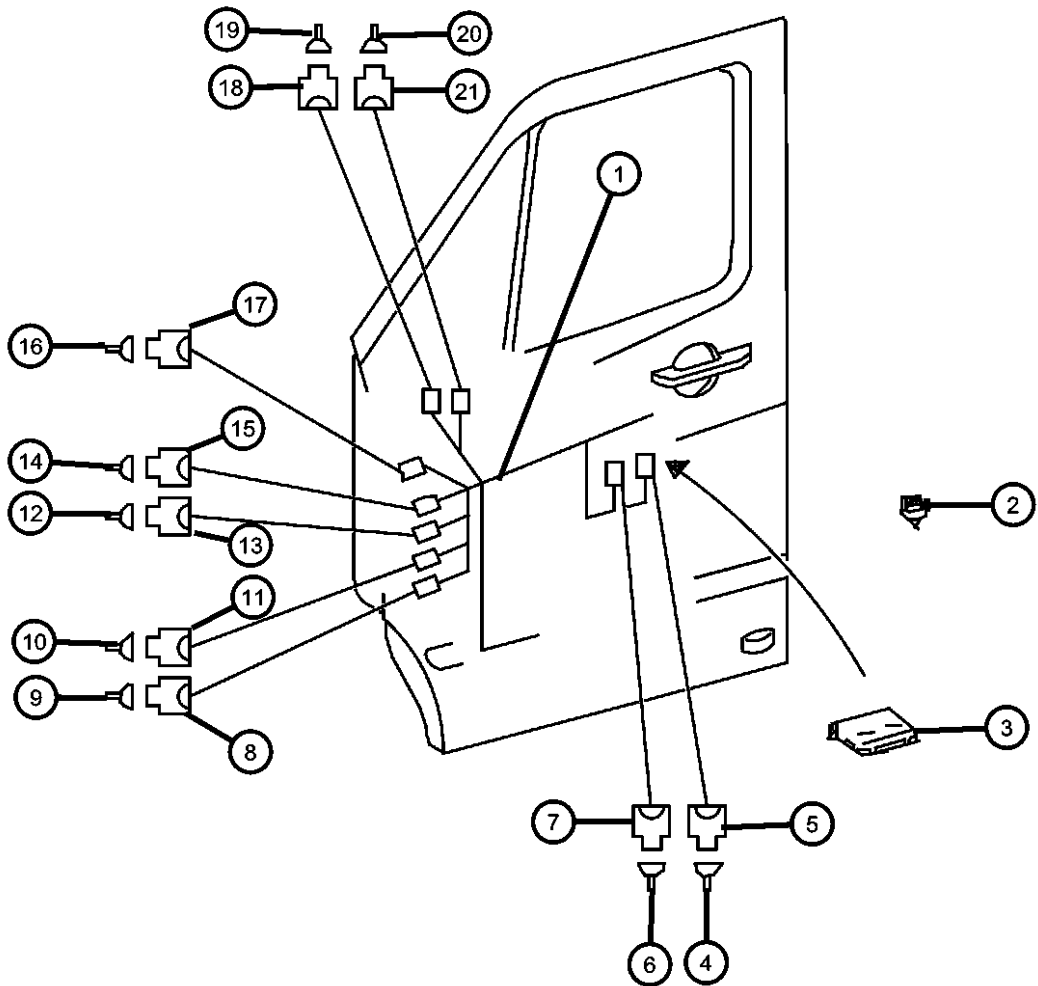
SERIES	LINE	BODY	ENGINE	TRANSMISSION
L = LOWLINE	3 = HD DODGE 2WD 2 = Med. Duty DODGE 2WD	03 = CAB CHASSIS WHEEL BASE 3 05 = CAB CHASSIS WHEEL BASE 5 13 = 119 WB 53 = 119 WB 15 = VAN WHEEL BASE 5 55 = WAGON WHEEL BASE 5 17 = VAN WHEEL BASE 7	EG2 = 3.5L V6 Gas Engine EXM = 3.0L V6 Turbo Diesel Engine	DGZ = 5-Speed Auto W5A380 Transmission

AR = use ase required - = Non illustrated part

2007 VB

Front Door Wiring Harness & Control Module Figure 8-1515

ITEM	PART NUMBER	QTY	LINE	SERIES	BODY	ENGINE	TRANS	TRIM	DESCRIPTION
1	68013435AA	1	2, 3, 6, 7	L		EG2, EXM	DGZ		WIRING, Door Left
	68013436AA	1	2, 3, 6, 7	L		EG2, EXM	DGZ		Right
2	68013413AA	2	2, 3, 6, 7	L	13, 15, 17, 53, 55	EG2, EXM	DGZ		CLIP, Retainer Entrance Lamp Separation Point 6.5-7MM
		2	3, 7	L	03, 05	EG2, EXM	DGZ		Entrance Lamp Separation Point 6.5-7MM
3	68010055AA	1	2, 3, 6, 7	L		EG2, EXM	DGZ		MODULE, Door Left Door
	68029085AA	1	2, 3, 6, 7	L		EG2, EXM	DGZ		With [GTB] Or [LBB] Or [JKG]
4	68011253AA	1	2, 3, 6, 7	L		EG2, EXM	DGZ		CONNECTOR, Door Control Unit 4-PIN;N69/1
5	68016713AA	AR	3, 6, 7, 2	L		EG2, EXM	DGZ		TERMINAL
6									TERMINAL
	05103873AA	3	3, 7	L	03, 05	EG2, EXM	DGZ		
		3	2, 3, 6, 7	L	13, 15, 17, 53, 55	EG2, EXM	DGZ		
7									CONNECTOR
	05138859AA	1	2, 3, 6, 7	L			DGZ		Door Control Unit 4-PIN;N69/1
	68011270AA	1	2, 3, 6, 7	L		EG2, EXM	DGZ		Door Control Unit 3-PIN;N69/1
	68011289AA	1	2, 3, 6, 7	L		EG2, EXM	DGZ		Door Control Unit 20-PIN;N69/1
8	68016718AA	1	2, 3, 6, 7	L		EG2, EXM	DGZ		CONNECTOR, Door Separation Point 10-PIN;X35/2
9									TERMINAL
	05103873AA	3	3, 7	L	03, 05	EG2, EXM	DGZ		
		3	2, 3, 6, 7	L	13, 15, 17, 53, 55	EG2, EXM	DGZ		
10	68016714AA	1	2, 3, 6, 7	L		EG2, EXM	DGZ		TERMINAL
11	68011362AA	1	2, 3, 6, 7	L		EG2, EXM	DGZ		CONNECTOR
12	68016713AA	AR	2, 3, 6, 7	L		EG2, EXM	DGZ		TERMINAL
13	68011253AA	1	2, 3, 6, 7	L		EG2, EXM	DGZ		CONNECTOR
14	05133990AA	3	2, 3, 6, 7	L	13, 15, 17, 53, 55	EG2, EXM	DGZ		TERMINAL, Male
15									CONNECTOR
	68011360AA	1	2, 3, 6, 7	L		EG2, EXM	DGZ		Door Separation Point 4-PIN;X35/1



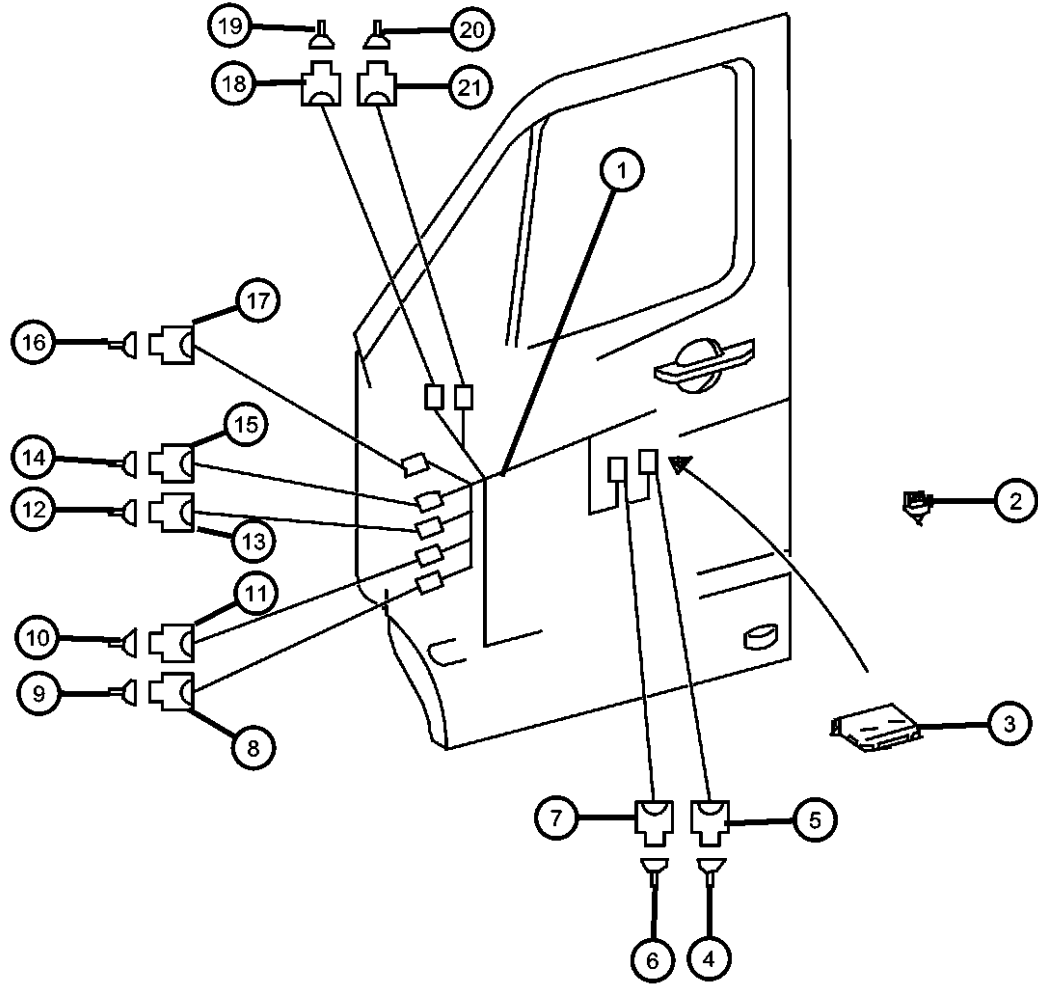
SPRINTER (VB)

SERIES	LINE	BODY	ENGINE	TRANSMISSION
L = LOWLINE	3 = HD DODGE 2WD 2 = Med. Duty DODGE 2WD	03 = CAB CHASSIS WHEEL BASE 3 05 = CAB CHASSIS WHEEL BASE 5 13 = 119 WB 53 = 119 WB 15 = VAN WHEEL BASE 5 55 = WAGON WHEEL BASE 5 17 = VAN WHEEL BASE 7	EG2 = 3.5L V6 Gas Engine EXM = 3.0L V6 Turbo Diesel Engine	DGZ = 5-Speed Auto W5A380 Transmission

AR = use ase required - = Non illustrated part

Front Door Wiring Harness & Control Module
Figure 8-1515

ITEM	PART NUMBER	QTY	LINE	SERIES	BODY	ENGINE	TRANS	TRIM	DESCRIPTION
	68011361AA	1	6, 7, 2, 3	L		EG2, EXM	DGZ		Door Separation Point 2-PIN;X35/44
	68011378AA	1	2, 3, 6, 7	L		EG2, EXM	DGZ		Door Separation Point 10-PIN;X35/2
16	68016713AA	AR	2, 3, 6, 7	L		EG2, EXM	DGZ		TERMINAL
17	05101166AA	1	2, 3, 6, 7	L		EG2, EXM	DGZ		CONNECTOR
18									CONNECTOR
	05120717AA	1	2, 3, 6, 7	L	13, 15, 17,	EG2, EXM	DGZ		Outside Rearview Mirror Plug Connection 3-PIN,COD.A;X141/4
		1	3, 7	L	03, 05	EG2, EXM	DGZ		Outside Rearview Mirror Plug Connection 3-PIN,COD.A;X141/4
19									TERMINAL
	05103873AA	3	3, 7	L	03, 05	EG2, EXM	DGZ		
		3	2, 3, 6, 7	L	13, 15, 17,	EG2, EXM	DGZ		
					53, 55				
20	05133990AA	3	2, 3, 6, 7	L	13, 15, 17,	EG2, EXM	DGZ		TERMINAL, Male
					53, 55				
21	05183532AA	1	2, 3, 6, 7	L	13, 15, 17,	EG2, EXM	DGZ		CONNECTOR
					53, 55				



SPRINTER (VB)

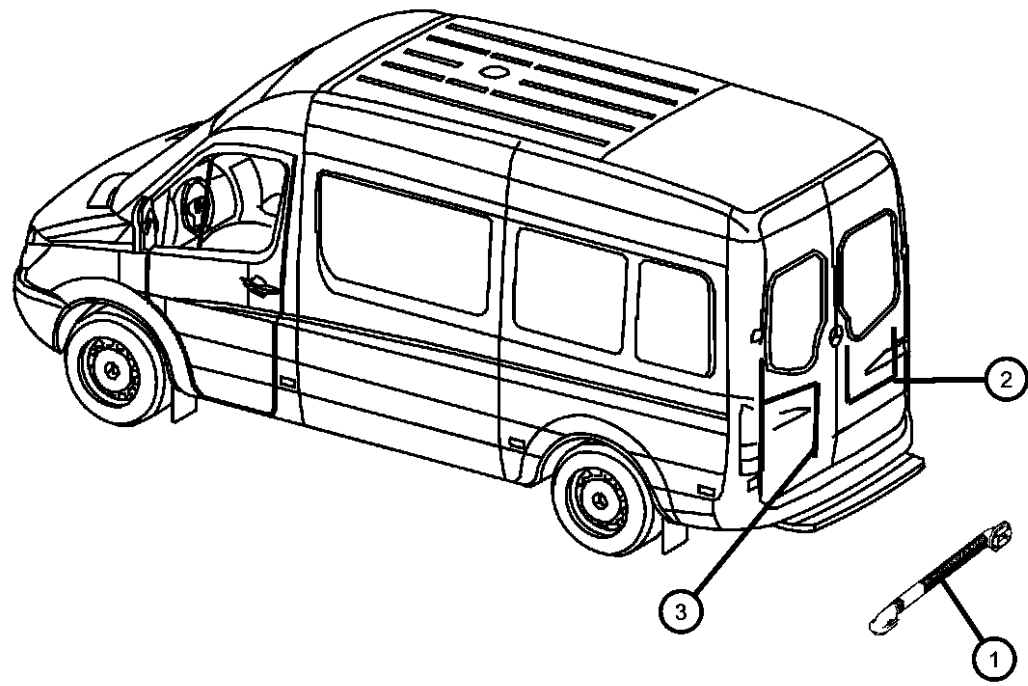
SERIES	LINE	BODY	ENGINE	TRANSMISSION
L = LOWLINE	3 = HD DODGE 2WD 2 = Med. Duty DODGE 2WD	03 = CAB CHASSIS WHEEL BASE 3 05 = CAB CHASSIS WHEEL BASE 5 13 = 119 WB 53 = 119 WB 15 = VAN WHEEL BASE 5 55 = WAGON WHEEL BASE 5 17 = VAN WHEEL BASE 7	EG2 = 3.5L V6 Gas Engine EXM = 3.0L V6 Turbo Diesel Engine	DGZ = 5-Speed Auto W5A380 Transmission

AR = use ase required - = Non illustrated part

2007 VB

Rear Door Wiring Harness & Control Module
Figure 8-1525

ITEM	PART NUMBER	QTY	LINE	SERIES	BODY	ENGINE	TRANS	TRIM	DESCRIPTION
1	68015890AA	1	2, 3, 6, 7	L	13, 15, 17,	EG2, EXM	DGZ		COVER
2	68013443AA	1	2, 3, 6, 7	L	13, 15, 17,	EG2, EXM	DGZ		WIRING, Body
3	68013442AA	1	2, 3, 6, 7	L	13, 15, 17,	EG2, EXM	DGZ		WIRING, Body



SPRINTER (VB)

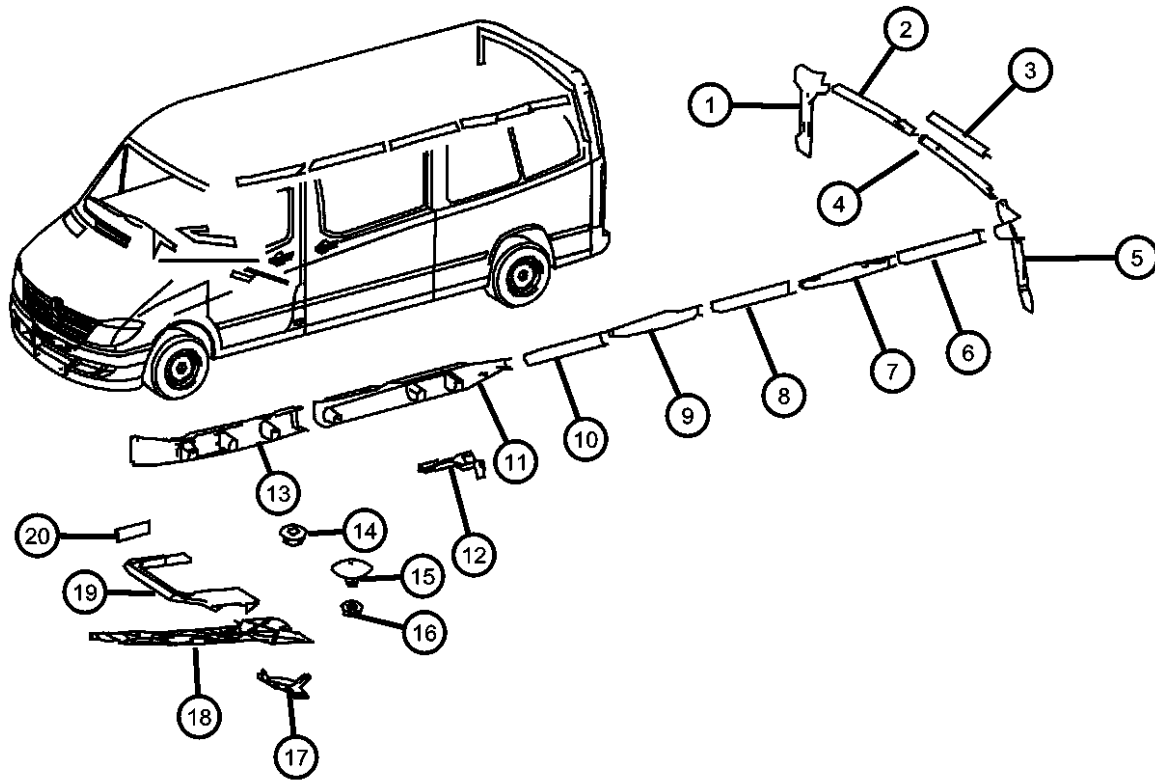
SERIES	LINE	BODY	ENGINE	TRANSMISSION
L = LOWLINE	3 = HD DODGE 2WD 2 = Med. Duty DODGE 2WD	03 = CAB CHASSIS WHEEL BASE 3 05 = CAB CHASSIS WHEEL BASE 5 13 = 119 WB 53 = 119 WB 15 = VAN WHEEL BASE 5 55 = WAGON WHEEL BASE 5 17 = VAN WHEEL BASE 7	EG2 = 3.5L V6 Gas Engine EXM = 3.0L V6 Turbo Diesel Engine	DGZ = 5-Speed Auto W5A380 Transmission

AR = use ase required - = Non illustrated part

2007 VB

Cable Cover & Ducts
Figure 8-1530

ITEM	PART NUMBER	QTY	LINE	SERIES	BODY	ENGINE	TRANS	TRIM	DESCRIPTION
1	68014262AA	1	2, 3, 6, 7	L	13, 15, 17	EG2, EXM	DGZ		SHIELD, Wiring
2	68014265AA	1	6, 7, 2, 3	L	13, 15, 17	EG2, EXM	DGZ		SHIELD, Wiring
3	68014266AA	1	2, 3, 6, 7	L	13, 15, 17	EG2, EXM	DGZ		SHIELD, Wiring
4	68014264AA	1	2, 3, 6, 7	L	13, 15, 17	EG2, EXM	DGZ		SHIELD, Wiring
5	68014260AA	1	2, 3, 6, 7	L	13, 15, 17	EG2, EXM	DGZ		SHIELD, Wiring
6	68005285AA	1	2, 3, 6, 7	L	53	EG2, EXM	DGZ		TUBE
7	68014259AA	1	2, 3, 6, 7	L	13, 15, 17	EG2, EXM	DGZ		SHIELD, Wiring
8	68005283AA	2	2, 3, 6, 7	L	13, 53	EG2, EXM	DGZ		SHIELD, Wiring
9									SHIELD, Wiring
	68005282AA	4	2, 3, 6, 7	L	15, 17, 55	EG2, EXM	DGZ		
		2	2, 3, 6, 7	L	13, 53	EG2, EXM	DGZ		
10	68014248AA	1	2, 3, 6, 7	L	13, 15, 17	EG2, EXM	DGZ		SHIELD, Wiring
11									SHIELD, Wiring
	68014253AA	1	2, 3, 6, 7	L	13, 15, 17	EG2, EXM	DGZ		D03+T19
	68014256AA	1	2, 3, 6, 7	L	13, 53	EG2, EXM	DGZ		T19
12	68016704AA	1	2, 3, 6, 7	L	13, 15, 17, 53, 55	EG2, EXM	DGZ		SHIELD, Wiring
13									SHIELD, Wiring
	68014250AA	1	7, 2, 3, 6	L	13, 53	EG2, EXM	DGZ		T19
	68014251AA	1	2, 3, 6, 7	L	13, 15, 17	EG2, EXM	DGZ		D03+T19
14									NUT
	68004878AA	1	3, 7	L	03, 05	EG2, EXM	DGZ		Mounting Cover M6
		2	2, 3, 6, 7	L	13, 15, 17, 53, 55	EG2, EXM	DGZ		Mounting Cover M6
15	68014252AA	3	2, 3, 6, 7	L	13, 15, 17, 53, 55	EG2, EXM	DGZ		RETAINER, Cable Duct Fastening
16	68014257AA	1	2, 3, 6, 7	L	13, 15, 17, 53, 55	EG2, EXM	DGZ		WASHER
17	68014257AA	1							WASHER, (NOT SERVICED)
18	68016711AA	1	2, 3, 6, 7	L		EG2, EXM	DGZ		SHIELD, Wiring
19	68015889AA	1	2, 3, 6, 7	L	05, 13, 15, 17	EG2, EXM	DGZ		SHIELD, Wiring, Floor Channel Extension
20	05135206AA	200	2, 3, 6, 7	L	13, 15, 17, 53, 55	EG2, EXM	DGZ		WEATHERSTRIP, Cable Duct



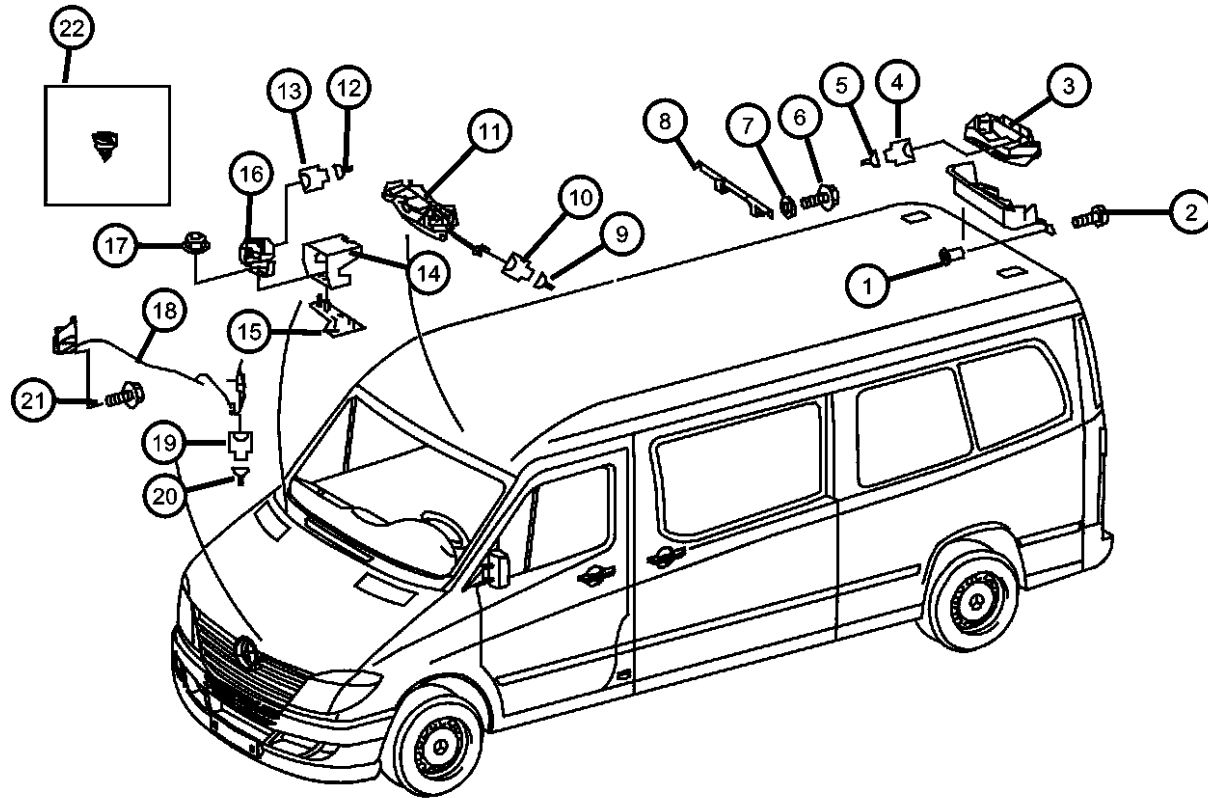
SPRINTER (VB)

SERIES	LINE	BODY	ENGINE	TRANSMISSION
L = LOWLINE	3 = HD DODGE 2WD 2 = Med. Duty DODGE 2WD	03 = CAB CHASSIS WHEEL BASE 3 05 = CAB CHASSIS WHEEL BASE 5 13 = 119 WB 53 = 119 WB 15 = VAN WHEEL BASE 5 55 = WAGON WHEEL BASE 5 17 = VAN WHEEL BASE 7	EG2 = 3.5L V6 Gas Engine EXM = 3.0L V6 Turbo Diesel Engine	DGZ = 5-Speed Auto W5A380 Transmission

AR = use ase required - = Non illustrated part

**Anti-Theft Alarm System
Figure 8-1535**

ITEM	PART NUMBER	QTY	LINE	SERIES	BODY	ENGINE	TRANS	TRIM	DESCRIPTION
1	05174643AA	2	2, 3, 6, 7	L	13, 15, 17, 53, 55	EG2, EXM	DGZ		RIVET, NONE, SPRINTER Bracket Mounting
		2	2, 3, 6, 7	L	53, 55	EG2, EXM	DGZ		Bracket Mounting
2	68013429AA	1	2, 3, 6, 7	L		EG2, EXM	DGZ		BRACKET
3	0ZF50RC3AA	2	2, 3, 6, 7	L	13, 15, 17, 53, 55	EG2, EXM	DGZ		SWITCH, Loading Compartment
4	05120636AA	1	2, 3, 6, 7	L		EG2, EXM	DGZ		CONNECTOR, Interior Motion Sensor 4-PINB44/2
5	68016730AA	AR	2, 3, 6, 7	L		EXM, EG2	DGZ		TERMINAL
6	68010354AA	2	2, 3, 6, 7	L	13, 15, 17, 53, 55	EG2, EXM	DGZ		SCREW, Bracket Mounting M5x16
7	05104639AA	2	2, 3, 6, 7	L	13, 15, 17, 53, 55	EG2, EXM	DGZ		WASHER, Bracket Mounting
8	68013428AA	1	2, 3, 6, 7	L		EG2, EXM	DGZ		BRACKET, Sensor,Front
9	68016730AA	AR	2, 3, 6, 7	L		EG2, EXM	DGZ		TERMINAL
10	05120636AA	1	2, 3, 6, 7	L		EG2, EXM	DGZ		CONNECTOR, Interior Motion Sensor
11	68017615AA	1	2, 3, 6, 7	L		EG2, EXM	DGZ		SENSOR, Interior Sensor
12	68016719AA	AR	2, 3, 6, 7	L		EG2, EXM	DGZ		TERMINAL, H3/1
13	68011397AA	1	2, 3, 6, 7	L		EG2, EXM	DGZ		CONNECTOR, Wiring, Alarm Horn H3/1
14	68029376AA	1	2, 3, 6, 7	L		EG2, EXM	DGZ		COVER, Anti-Theft Alarm System
15	68004682AA	1	2, 3, 6, 7	L		EG2, EXM	DGZ		BRACKET
16	68013410AA	1	2, 3, 6, 7	L		EG2, EXM	DGZ		SIREN, Alarm
17	68004878AA	3	2, 3, 6, 7	L	13, 15, 17, 53, 55	EG2, EXM	DGZ		NUT Alarm Siren to A-Pillar
		3	3, 7	L	03, 05	EG2, EXM	DGZ		Alarm Siren to A-Pillar
18	68013411AA	1	2, 3, 6, 7	L		EG2, EXM	DGZ		SWITCH, Security Alarm
19	05120277AA	1	2, 3, 6, 7	L		EG2, EXM	DGZ		CONNECTOR, Wiring Repair
20	68016719AA	AR	2, 3, 6, 7	L		EG2, EXM	DGZ		TERMINAL
21	06104634AA	2	2, 3, 6, 7	L		EG2, EXM	DGZ		SCREW, Console
22	68013413AA	1	2, 3, 6, 7	L	13, 15, 17, 53, 55	EG2, EXM	DGZ		CLIP, Retainer



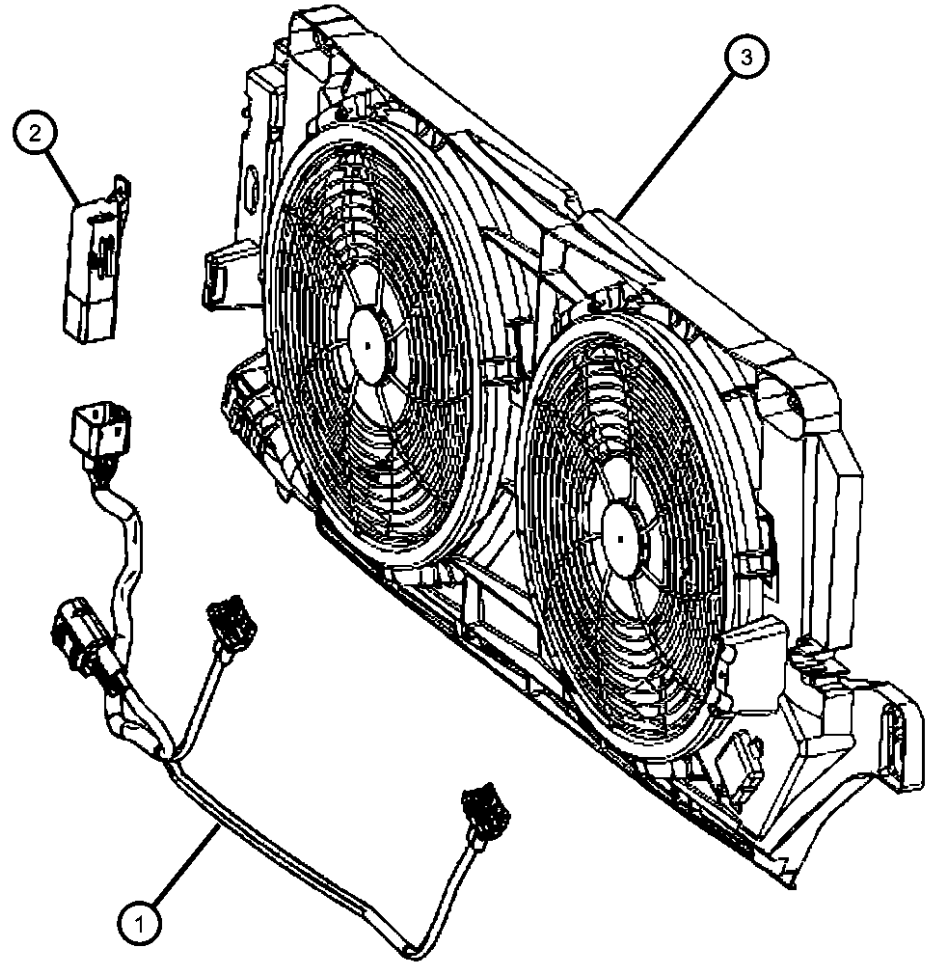
SPRINTER (VB)

SERIES	LINE	BODY	ENGINE	TRANSMISSION
L = LOWLINE	3 = HD DODGE 2WD 2 = Med. Duty DODGE 2WD	03 = CAB CHASSIS WHEEL BASE 3 05 = CAB CHASSIS WHEEL BASE 5 13 = 119 WB 53 = 119 WB 15 = VAN WHEEL BASE 5 55 = WAGON WHEEL BASE 5 17 = VAN WHEEL BASE 7	EG2 = 3.5L V6 Gas Engine EXM = 3.0L V6 Turbo Diesel Engine	DGZ = 5-Speed Auto W5A380 Transmission

AR = use ase required - = Non illustrated part

**Cooling Module Harness
Figure 8-1540**

ITEM	PART NUMBER	QTY	LINE	SERIES	BODY	ENGINE	TRANS	TRIM	DESCRIPTION
1	68013668AA	1	2, 3, 6, 7	L	13, 15, 17	EG2, EXM	DGZ		WIRING Single Auxiliary Fan
	68013673AA	1	2, 3, 6, 7	L	13, 15, 17, 53, 55	EG2, EXM	DGZ		Dual Auxiliary Fan
2	68013669AA	1	2, 3, 6, 7	L	13, 15, 17	EG2, EXM	DGZ		RELAY With [HAB+(CWC%XJW%XJ1%XJY)]
	68013674AA	1	2, 3, 6, 7	L	13, 15, 17, 53, 55	EG2, EXM	DGZ		With [HAB]
3	68013674AA	1							MODULE, Cooling, (NOT SERVICED),



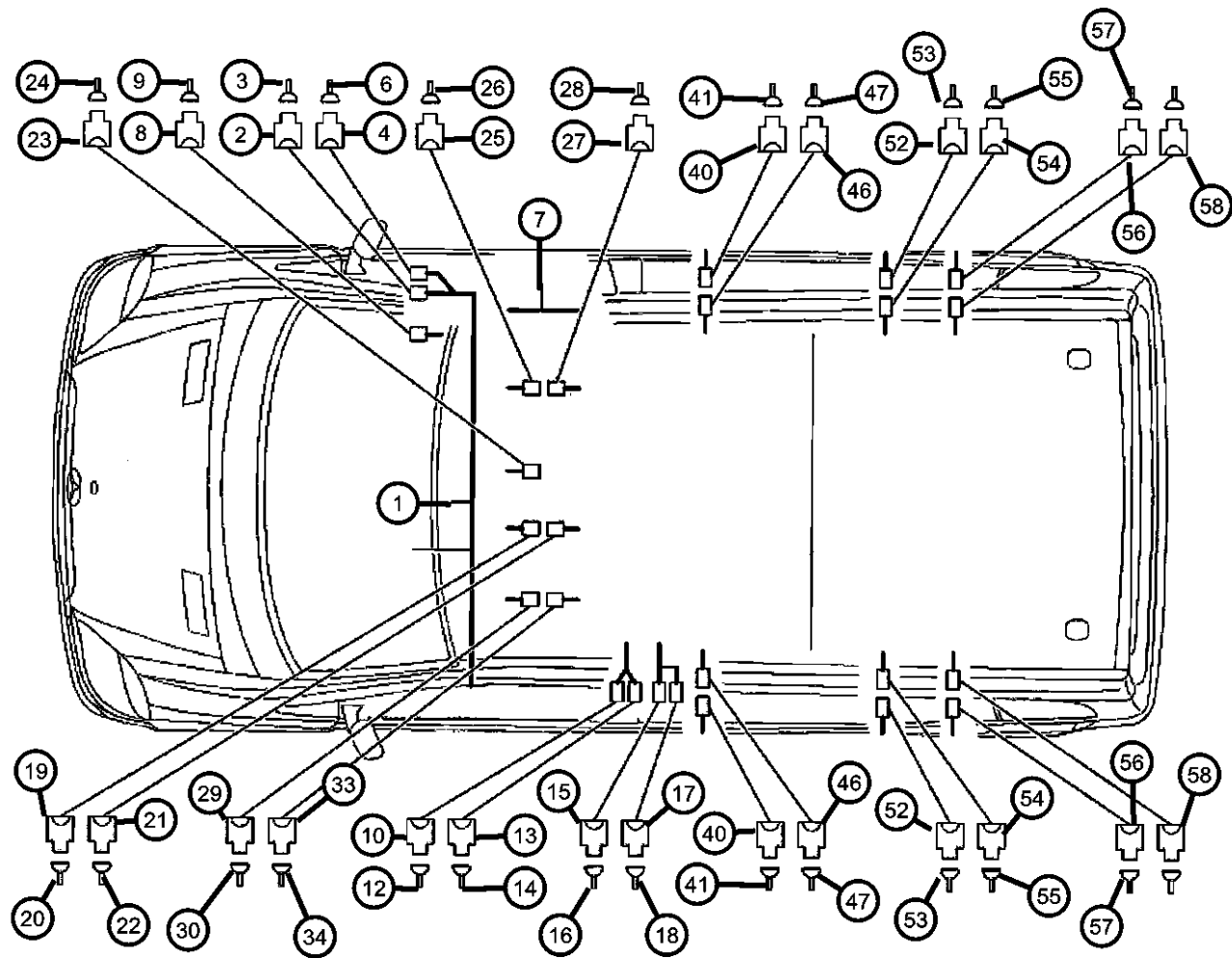
SPRINTER (VB)

SERIES	LINE	BODY	ENGINE	TRANSMISSION
L = LOWLINE	3 = HD DODGE 2WD 2 = Med. Duty DODGE 2WD	03 = CAB CHASSIS WHEEL BASE 3 05 = CAB CHASSIS WHEEL BASE 5 13 = 119 WB 53 = 119 WB 15 = VAN WHEEL BASE 5 55 = WAGON WHEEL BASE 5 17 = VAN WHEEL BASE 7	EG2 = 3.5L V6 Gas Engine EXM = 3.0L V6 Turbo Diesel Engine	DGZ = 5-Speed Auto W5A380 Transmission

AR = use ase required - = Non illustrated part

2007 VB

Wiring Harness - Roof
Figure 8-1545



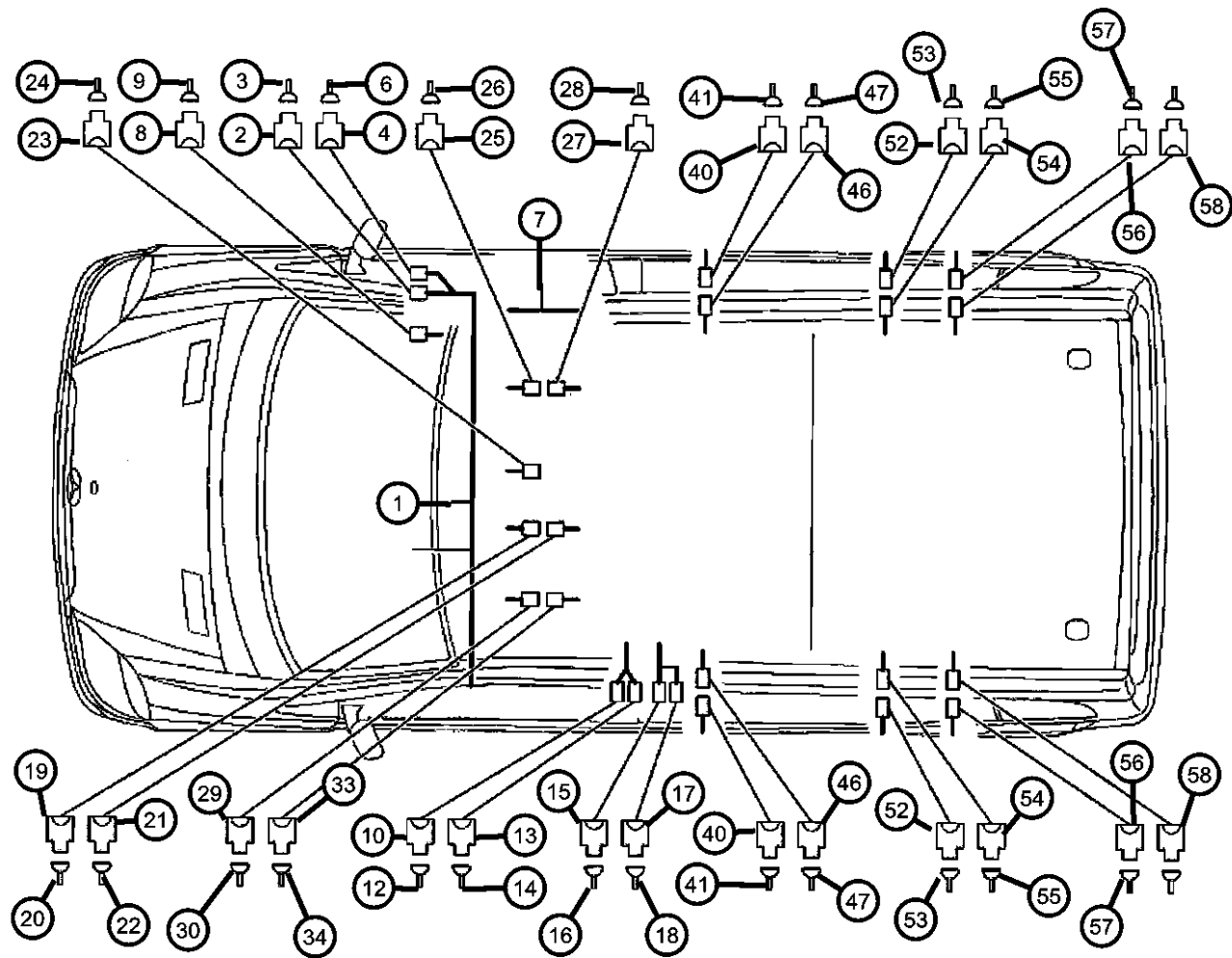
ITEM	PART NUMBER	QTY	LINE	SERIES	BODY	ENGINE	TRANS	TRIM	DESCRIPTION
1	68013434AA	1	2, 3, 6, 7	L		EG2, EXM	DGZ		WIRING, Body, Roof Harness
2	68011368AA	1	2, 3, 6, 7	L	53, 55, 03, 05	EG2, EXM	DGZ		CONNECTOR, Wiring Connector Cockpit Roof [6 Pin; X18/23]
		1	2, 3, 6, 7	L	13, 15, 17	EG2, EXM	DGZ		Connector Cockpit Roof [6 Pin; X18/23]
3	68013258AA	AR	2, 3, 6, 7	L		EG2, EXM	DGZ		TERMINAL, [1.0 - 2.5 MM2; X18/23]
4	68011342AA	1	2, 3, 6, 7	L		EG2, EXM	DGZ		CONNECTOR, [28 Pin; X15/51]
-5	68016717AA	1	2, 3, 6, 7	L		EG2, EXM	DGZ		COVER, Cover For Callout [#4]
6	05133990AA	3	2, 3, 6, 7	L	13, 15, 17, 53, 55	EG2, EXM	DGZ		TERMINAL, Male, [0.75 MM2; X18/51]
7	05174404AA	3	3, 7	L	03, 05	EG2, EXM	DGZ		WIRING, Roof Lamps
8	05120734AA	1	2, 3, 6, 7	L		EG2, EXM	DGZ		TERMINAL, Male, [1.0 -2.5 MM2; X85/22]
9	05103751AA	1	2, 3, 6, 7	L	13, 15, 17, 53, 55	EG2, EXM	DGZ		CONNECTOR, [X85/22]
10	68011342AA	1	2, 3, 6, 7	L		EXM, EG2	DGZ		CONNECTOR, [28 Pin; X18/52]
-11	68016717AA	1	2, 3, 6, 7	L		EG2, EXM	DGZ		COVER, Cover For Callout [#10]
12	05133990AA	3	2, 3, 6, 7	L	13, 15, 17, 53, 55	EG2, EXM	DGZ		TERMINAL, Male, [0.75 MM2; X18/52]
13	05138024AA	1	2, 3, 6, 7	L		EG2, EXM	DGZ		CONNECTOR
14	68013257AA	AR	2, 3, 6, 7	L		EG2, EXM	DGZ		TERMINAL [0.5 - 1.0 MM2; X18/53]
	68013258AA	AR	2, 3, 6, 7	L		EG2, EXM	DGZ		[1.0 - 2.5 MM2; X18/53]
	68016714AA	1	2, 3, 6, 7	L		EG2, EXM	DGZ		[4.0 MM2; X18/53]
15	68011379AA	1	2, 3, 6, 7	L		EG2, EXM	DGZ		CONNECTOR, Roof Air [1 Pin; X53/8]
16	68016741AA	AR	2, 3, 6, 7	L		EG2, EXM	DGZ		TERMINAL, [X53/8]
17	68011379AA	1	2, 3, 6, 7	L		EG2, EXM	DGZ		CONNECTOR, Roof Air [1Pin; X53/9]
18	68016741AA	AR	2, 3, 6, 7	L		EG2, EXM	DGZ		TERMINAL, [X53/9]
19	68011229AA	1	2, 3, 6, 7	L		EG2, EXM	DGZ		CONNECTOR, Connector, Backup Camera; [6Pin; X169]
20	05103873AA	3	2, 3, 6, 7	L	13, 15, 17, 53, 55	EG2, EXM	DGZ		TERMINAL, [0.75 MM2; MQS; X169]
21	68011344AA	1	2, 3, 6, 7	L	13, 15, 17	EG2, EXM	DGZ		CONNECTOR Connector, Backup Camera [6 Pin; X169]

SPRINTER (VB)

SERIES	LINE	BODY	ENGINE	TRANSMISSION
L = LOWLINE	3 = HD DODGE 2WD 2 = Med. Duty DODGE 2WD	03 = CAB CHASSIS WHEEL BASE 3 05 = CAB CHASSIS WHEEL BASE 5 13 = 119 WB 53 = 119 WB 15 = VAN WHEEL BASE 5 55 = WAGON WHEEL BASE 5 17 = VAN WHEEL BASE 7	EG2 = 3.5L V6 Gas Engine EXM = 3.0L V6 Turbo Diesel Engine	DGZ = 5-Speed Auto W5A380 Transmission

AR = use ase required - = Non illustrated part

Wiring Harness - Roof
Figure 8-1545



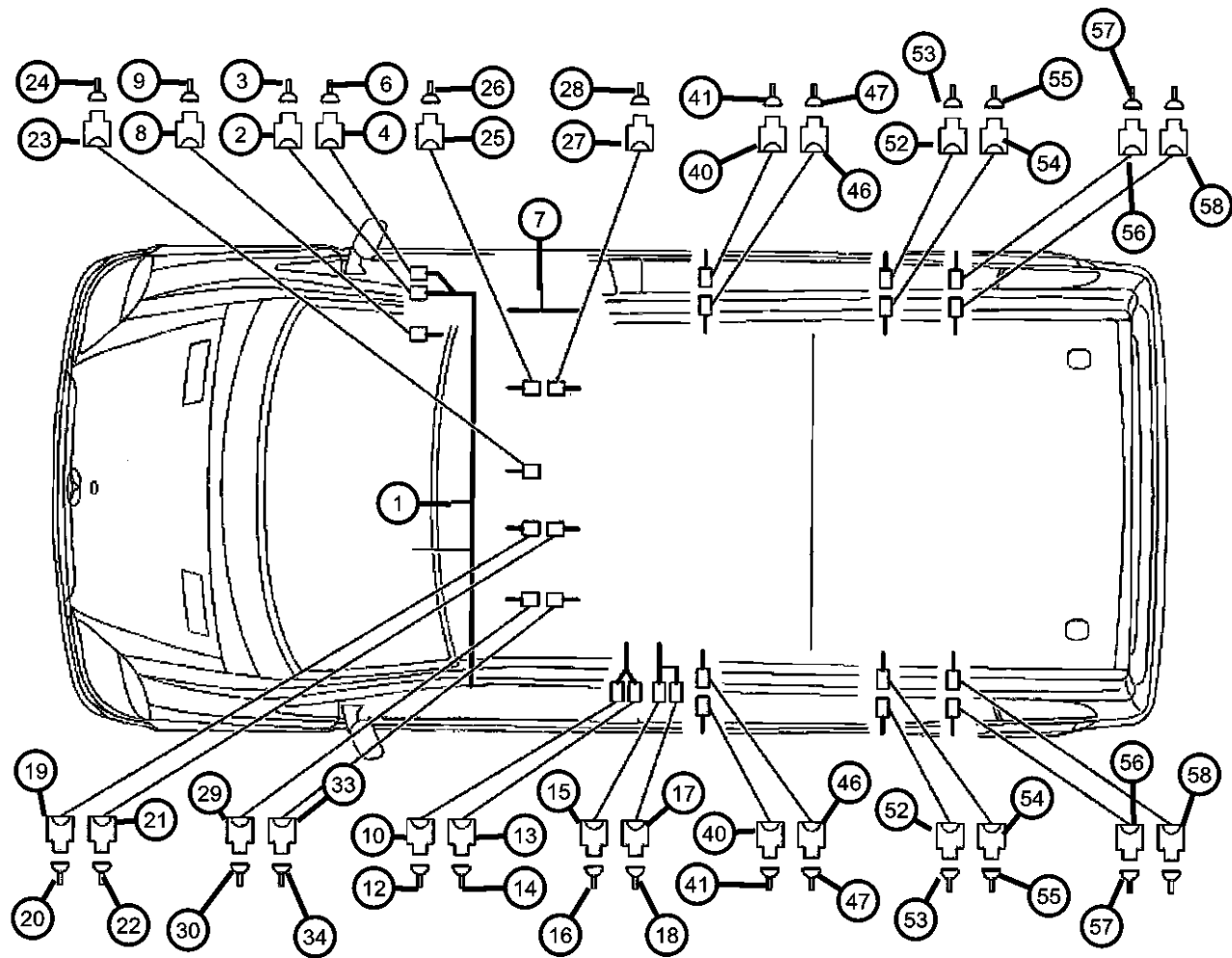
ITEM	PART NUMBER	QTY	LINE	SERIES	BODY	ENGINE	TRANS	TRIM	DESCRIPTION
		1	2, 3, 6, 7	L	53, 55	EG2, EXM	DGZ		Connector, Backup Camera [6 Pin; X169]
22	05133990AA	3	2, 3, 6, 7	L	13, 15, 17, 53, 55	EG2, EXM	DGZ		TERMINAL, Male, [0.75 MM2; X169]
23	68011231AA	1	2, 3, 6, 7	L		EG2, EXM	DGZ		CONNECTOR, Connector, Roof Din-Slot; [4 Pin; X178]
24	05103873AA	3	2, 3, 6, 7	L	13, 15, 17, 53, 55	EG2, EXM	DGZ		TERMINAL, [0.75 MM2 MQS; X178]
25	05120728AA	2	2, 3, 6, 7	L		EG2, EXM	DGZ		CONNECTOR, Roof [EDW/MRA; 2 Pin; X42/28]
26	05103873AA	3	2, 3, 6, 7	L	13, 15, 17, 53, 55	EG2, EXM	DGZ		TERMINAL, [0.75 MM2 MQS; X42/28]
27	68011374AA	1	2, 3, 6, 7	L		EG2, EXM	DGZ		CONNECTOR, [2 Pin; X42/28]
28	05133990AA	3	2, 3, 6, 7	L	13, 15, 17, 53, 55	EG2, EXM	DGZ		TERMINAL, Male, [0.75 MM2; X42/28]
29	68011288AA	1	2, 3, 6, 7	L		EG2, EXM	DGZ		CONNECTOR
30	05103663AA	AR	2, 3, 6, 7	L		EG2	DGZ		GROMMET, [0.25 - 1.0 MM2; X64/14]
-31	05120865AA	1	2, 3, 6, 7	L		EG2, EXM	DGZ		GASKET, Dummy Plug [X64/14]
-32	68016724AA	AR	2, 3, 6, 7	L		EG2, EXM	DGZ		TERMINAL, [X64/14]
33	68011365AA	1	2, 3, 6, 7	L		EG2, EXM	DGZ		CONNECTOR, Wiring
34	68011882AA	AR	2, 3, 6, 7	L		EG2	DGZ		TERMINAL, [0.75 - 1.0mm2; x64/14]
-35	05103663AA	AR	2, 3, 6, 7	L		EG2	DGZ		GROMMET, [0.25 - 1.0mm2; x64/14]
-36	05120865AA	1	2, 3, 6, 7	L		EG2, EXM	DGZ		GASKET, [Dummy] Plug [X64/14]
-37	68016724AA	AR	2, 3, 6, 7	L		EG2, EXM	DGZ		TERMINAL, [X64/14]
-38	68011056AA	1	2, 3, 6, 7	L		EG2, EXM	DGZ		GASKET
-39	68011057AA	1	2, 3, 6, 7	L		EG2, EXM	DGZ		GASKET
40	05120751AA	1	2, 3, 6, 7	L		EG2, EXM	DGZ		CONNECTOR, Wiring
41	05103880AA	AR	2, 3, 6, 7	L		EG2, EXM	DGZ		TERMINAL, [0.5 -1.0 MM2 JPT; X174/1; X174/2]
-42	05103661AA	1	2, 3, 6, 7	L		EG2, EXM	DGZ		GASKET, [0.5 - 1.0 MM; X174/1; X174/2]
-43	05120858AA	2	2, 3, 6, 7	L		EG2, EXM	DGZ		GASKET, [Dummy] Plug [X174/1; X174/2]
-44	05133370AA	2	2, 3, 6, 7	L		EG2, EXM	DGZ		TERMINAL, Contact Spring [1.5 - 2.5 MM2 JPT; X174/1; X174/2]
-45	05120833AA	2	2, 3, 6, 7	L		EG2, EXM	DGZ		GASKET, [1.0 - 2.5MM; X174/1; X174/2]

SPRINTER (VB)

SERIES	LINE	BODY	ENGINE	TRANSMISSION
L = LOWLINE	3 = HD DODGE 2WD 2 = Med. Duty DODGE 2WD	03 = CAB CHASSIS WHEEL BASE 3 05 = CAB CHASSIS WHEEL BASE 5 13 = 119 WB 53 = 119 WB 15 = VAN WHEEL BASE 5 55 = WAGON WHEEL BASE 5 17 = VAN WHEEL BASE 7	EG2 = 3.5L V6 Gas Engine EXM = 3.0L V6 Turbo Diesel Engine	DGZ = 5-Speed Auto W5A380 Transmission

AR = use ase required - = Non illustrated part

Wiring Harness - Roof
Figure 8-1545



ITEM	PART NUMBER	QTY	LINE	SERIES	BODY	ENGINE	TRANS	TRIM	DESCRIPTION
46	68011336AA	1	2, 3, 6, 7	L		EG2, EXM	DGZ		CONNECTOR
47	68016743AA	1	2, 3, 6, 7	L		EG2, EXM	DGZ		TERMINAL, Flat Plug [X174/1; X174/2]
-48	05103663AA	AR	2, 3, 6, 7	L		EG2	DGZ		GROMMET, [0.25 - 1.0 MM2; X174/1; X174/2]
-49	05120865AA	1	2, 3, 6, 7	L		EG2, EXM	DGZ		GASKET, [Dummy] Plug [X174/1; X174/2]
-50	68011883AA	AR	2, 3, 6, 7	L		EG2	DGZ		TERMINAL, Flat Plug [1.5 - 2.5 MM2; X174/1; X174/2]
-51	05120864AA	99	2, 3, 6, 7	L		EG2	DGZ		GROMMET, Grommet [1.01 - 2.5 MM2; X174/1; X174/2]
52	05120717AA	1	2, 3, 6, 7	L	13, 15, 17, 53, 55	EG2, EXM	DGZ		CONNECTOR Connector Central Locking Motor [3 Pin; X43/11; X43/2], Right & Left, Rear Door
		1	3, 7	L	03, 05	EG2, EXM	DGZ		Connector Central Locking Motor [3 Pin; X43/11; X43/2], Right & Left, Rear Door
53	05103873AA	AR	2, 3, 6, 7	L		EG2, EXM	DGZ		TERMINAL, [0.75 MM2 MQS; X43/11; X43/12]
54	05183532AA	1	2, 3, 6, 7	L	13, 15, 17, 53, 55	EG2, EXM	DGZ		CONNECTOR, Central Locking Motor [3 Pin X43/11; X43/12], Right & Left, Rear Door
55	05133990AA	3	2, 3, 6, 7	L	13, 15, 17, 53, 55	EG2, EXM	DGZ		TERMINAL, Male, [0.75 MM2; X43/11; X43/12]
56	68011231AA	1	2, 3, 6, 7	L		EG2, EXM	DGZ		CONNECTOR, 68011247AA [4 Pin; X8/20], Right, Rear
	68011253AA	1	2, 3, 6, 7	L		EG2, EXM	DGZ		[4 Pin; X8/23], Left, Rear
	68011254AA	1	2, 3, 6, 7	L	13, 15, 17	EG2, EXM	DGZ		[6 Pin; X8/21], Right, Rear
		1	2, 3, 6, 7	L	03, 05, 53, 55	EG2, EXM	DGZ		[6 Pin; X8/21], Right, Rear
57	05103873AA	AR	2, 3, 6, 7	L		EG2, EXM	DGZ		TERMINAL [0.75 MM2 MQS; X8/20]
	05133945AA	AR	2, 3, 6, 7	L	13, 15, 17, 53, 55	EG2, EXM	DGZ		Contact Spring [0.5 - 1.0 MM2 SLK; X8/22; X8/21]
	68016713AA	AR	2, 3, 6, 7	L		EXM, EG2	DGZ		[2.5 - 4.0 MM2 SLK; X8/21; X8/23]
58	68011357AA	1	2, 3, 6, 7	L		EG2, EXM	DGZ		CONNECTOR [4 Pin; X8/22], Left, Rear Door
	68011360AA	1	2, 3, 6, 7	L		EG2, EXM	DGZ		[4 Pin; X8/20], Right, Rear Door

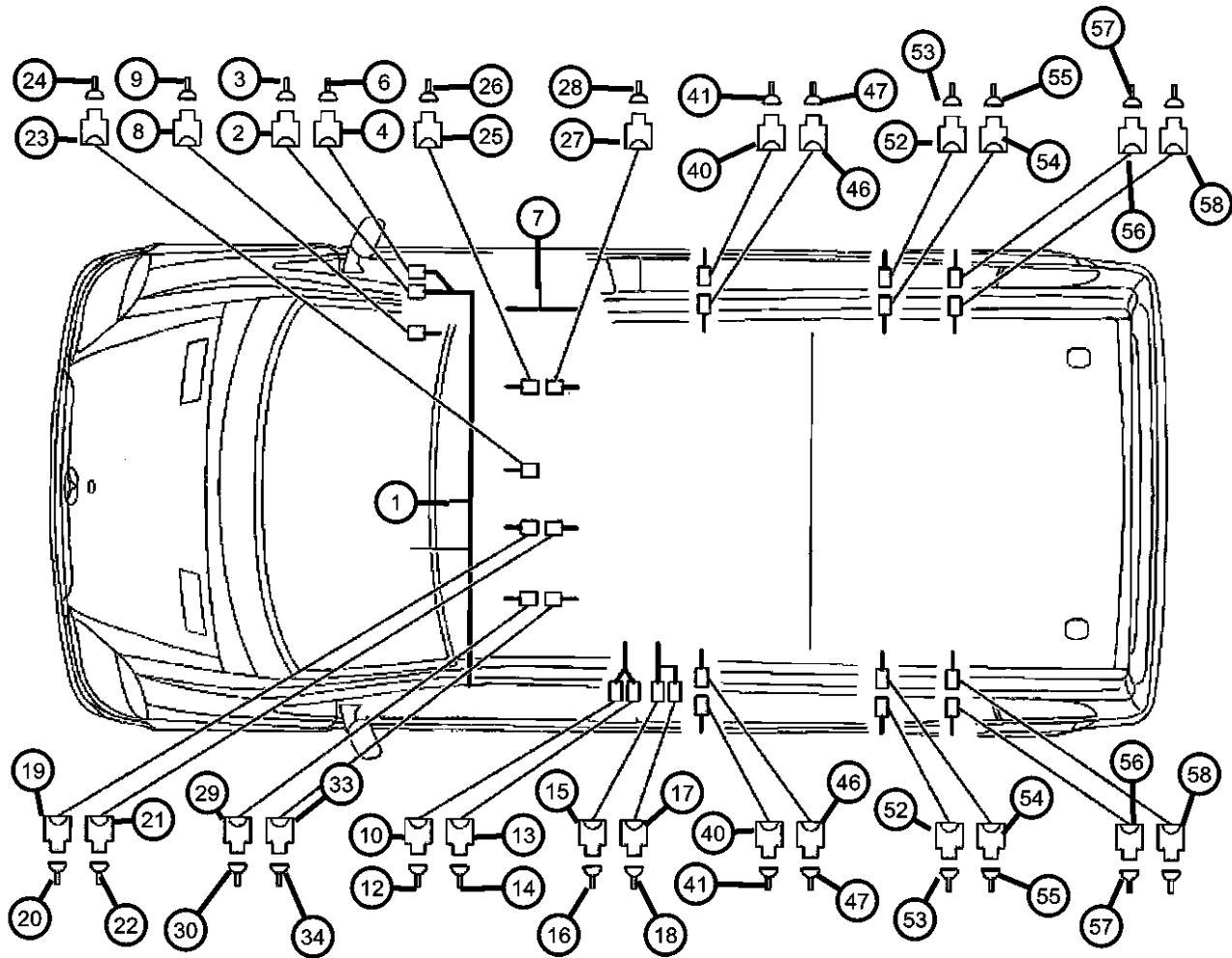
SPRINTER (VB)

SERIES	LINE	BODY	ENGINE	TRANSMISSION
L = LOWLINE	3 = HD DODGE 2WD 2 = Med. Duty DODGE 2WD	03 = CAB CHASSIS WHEEL BASE 3 05 = CAB CHASSIS WHEEL BASE 5 13 = 119 WB 53 = 119 WB 15 = VAN WHEEL BASE 5 55 = WAGON WHEEL BASE 5 17 = VAN WHEEL BASE 7	EG2 = 3.5L V6 Gas Engine EXM = 3.0L V6 Turbo Diesel Engine	DGZ = 5-Speed Auto W5A380 Transmission

AR = use ase required - = Non illustrated part

Wiring Harness - Roof
Figure 8-1545

ITEM	PART NUMBER	QTY	LINE	SERIES	BODY	ENGINE	TRANS	TRIM	DESCRIPTION
-59	68011362AA	1	2, 3, 6, 7	L		EG2, EXM	DGZ		[4 Pin; X8/23], Left, Rear Door CONNECTOR, Wiring
	68011368AA	1	2, 3, 6, 7	L	03, 05, 53, 55	EG2, EXM	DGZ		[6 Pin; X8/21], Right, Rear Door
		1	2, 3, 6, 7	L	13, 15, 17	EG2, EXM	DGZ		[6 Pin; X8/21], Right, Rear Door
-60	05133990AA	3	2, 3, 6, 7	L	13, 15, 17, 53, 55	EG2, EXM	DGZ		TERMINAL, Male, [0.75 MM2; X8/20]
-61									TERMINAL
	68013257AA	AR	2, 3, 6, 7	L		EG2, EXM	DGZ		[0.5 - 1.0 MM2; X8/21]
	68013258AA	AR	2, 3, 6, 7	L		EG2, EXM	DGZ		[1.0 -2.5 MM2; X8/21; X8/23]



SPRINTER (VB)

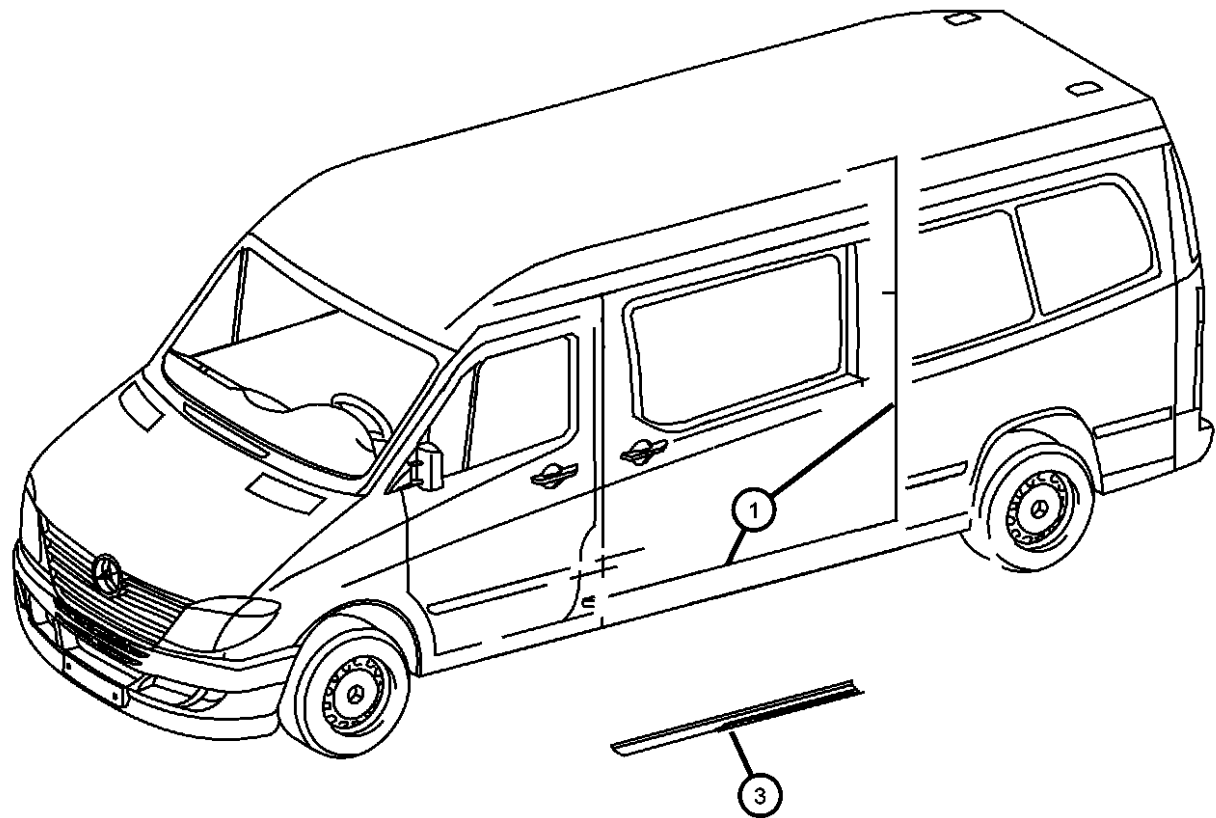
SERIES	LINE	BODY	ENGINE	TRANSMISSION
L = LOWLINE	3 = HD DODGE 2WD 2 = Med. Duty DODGE 2WD	03 = CAB CHASSIS WHEEL BASE 3 05 = CAB CHASSIS WHEEL BASE 5 13 = 119 WB 53 = 119 WB 15 = VAN WHEEL BASE 5 55 = WAGON WHEEL BASE 5 17 = VAN WHEEL BASE 7	EG2 = 3.5L V6 Gas Engine EXM = 3.0L V6 Turbo Diesel Engine	DGZ = 5-Speed Auto W5A380 Transmission

AR = use ase required - = Non illustrated part

2007 VB

**Sliding Door Wiring Harness
Figure 8-1550**

ITEM	PART NUMBER	QTY	LINE	SERIES	BODY	ENGINE	TRANS	TRIM	DESCRIPTION
1	68013440AA	1	2, 3, 6, 7	L	13, 15, 17	EG2, EXM	DGZ		WIRING, Sliding Door Left
-2	68013441AA	1	2, 3, 6, 7	L	13, 15, 17, 53, 55	EG2, EXM	DGZ		WIRING, Sliding Door Right
3	68010314AA	1	2, 3, 6, 7	L	13, 15, 17, 53, 55	EG2, EXM	DGZ		SHIELD, Wiring With [CWC] OR With [CWC + XJW] Or With [CWC + XJ1] OR With [CWC + GEX], Right
	68010315AA	1	2, 3, 6, 7	L	13, 15, 17, 53, 55	EG2, EXM	DGZ		, Right



SPRINTER (VB)

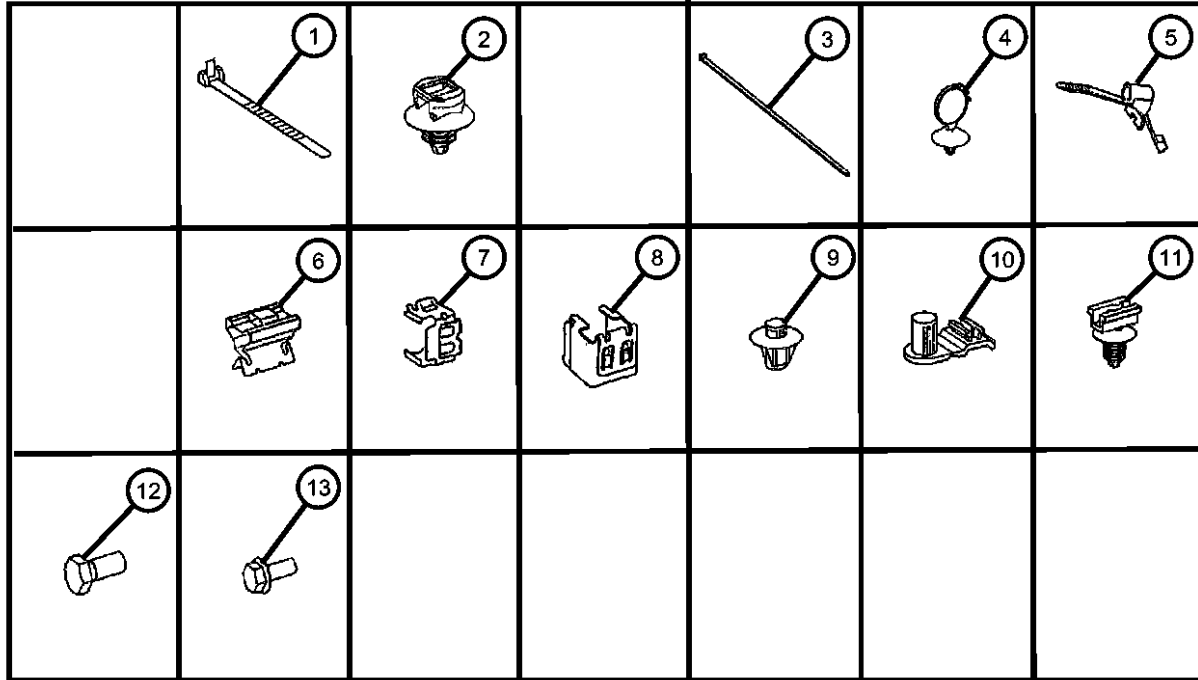
SERIES	LINE	BODY	ENGINE	TRANSMISSION
L = LOWLINE	3 = HD DODGE 2WD 2 = Med. Duty DODGE 2WD	03 = CAB CHASSIS WHEEL BASE 3 05 = CAB CHASSIS WHEEL BASE 5 13 = 119 WB 53 = 119 WB 15 = VAN WHEEL BASE 5 55 = WAGON WHEEL BASE 5 17 = VAN WHEEL BASE 7	EG2 = 3.5L V6 Gas Engine EXM = 3.0L V6 Turbo Diesel Engine	DGZ = 5-Speed Auto W5A380 Transmission

AR = use ase required - = Non illustrated part

2007 VB

**Wiring Harness Tie Straps & Related Parts
Figure 8-1610**

ITEM	PART NUMBER	QTY	LINE	SERIES	BODY	ENGINE	TRANS	TRIM	DESCRIPTION
1	06104758AA	99	3, 7	L	03, 05	EG2, EXM	DGZ		TIE STRAP [2.8x100 MM]
			2, 3, 6, 7	L	13, 15, 17, 53, 55	EG2, EXM	DGZ		[2.8x100 MM]
2	06104770AA	2	2, 3, 6, 7	L		EG2, EXM	DGZ		STRAP, [260x3.3 MM]
3	06104762AA	1	2, 3, 6, 7	L		EG2	DGZ		STRAP, Tie, [4.8x300 MM]
4	05126078AA	99	3, 7	L	03, 05	EG2, EXM	DGZ		TIE STRAP, Push In [4.6x190 MM]
			2, 3, 6, 7	L	13, 15, 17, 53, 55	EG2, EXM	DGZ		[4.6x190 MM]
5	06104771AA	99	2, 3, 6, 7	L		EG2, EXM	DGZ		CLIP, Cable, [4.8x151 MM]
6	05159403AA	1	2, 3, 6, 7	L		EG2, EXM	DGZ		BRACKET, [13x18 MM]
7	68012055AA	AR	2, 3, 6, 7	L		EG2, EXM	DGZ		CLAMP
8	68013438AA	99	2, 3, 6, 7	L		EG2, EXM	DGZ		CLIP, Spring
9	05097059AA	99	3, 7	L	03, 05	EXM, EG2	DGZ		FASTENER
			2, 3, 6, 7	L	13, 15, 17, 53, 55	EG2, EXM	DGZ		
10	68013439AA	99	2, 3, 6, 7	L		EG2, EXM	DGZ		BRACKET
11	68013413AA	1	3, 7	L	03, 05	EG2, EXM	DGZ		CLIP, Retainer [6.5 - 7.0 mm]
			2, 3, 6, 7	L	13, 15, 17, 53, 55	EG2, EXM	DGZ		[6.5 - 7.0 mm]
12	05097692AA	99	3, 7	L	03, 05	EG2, EXM	DGZ		SCREW, M8x20
			2, 3, 6, 7	L	13, 15, 17, 53, 55	EG2, EXM	DGZ		
13	05126234AA	99	2, 3, 6, 7	L		EG2, EXM	DGZ		SCREW, [M6X16 MM]



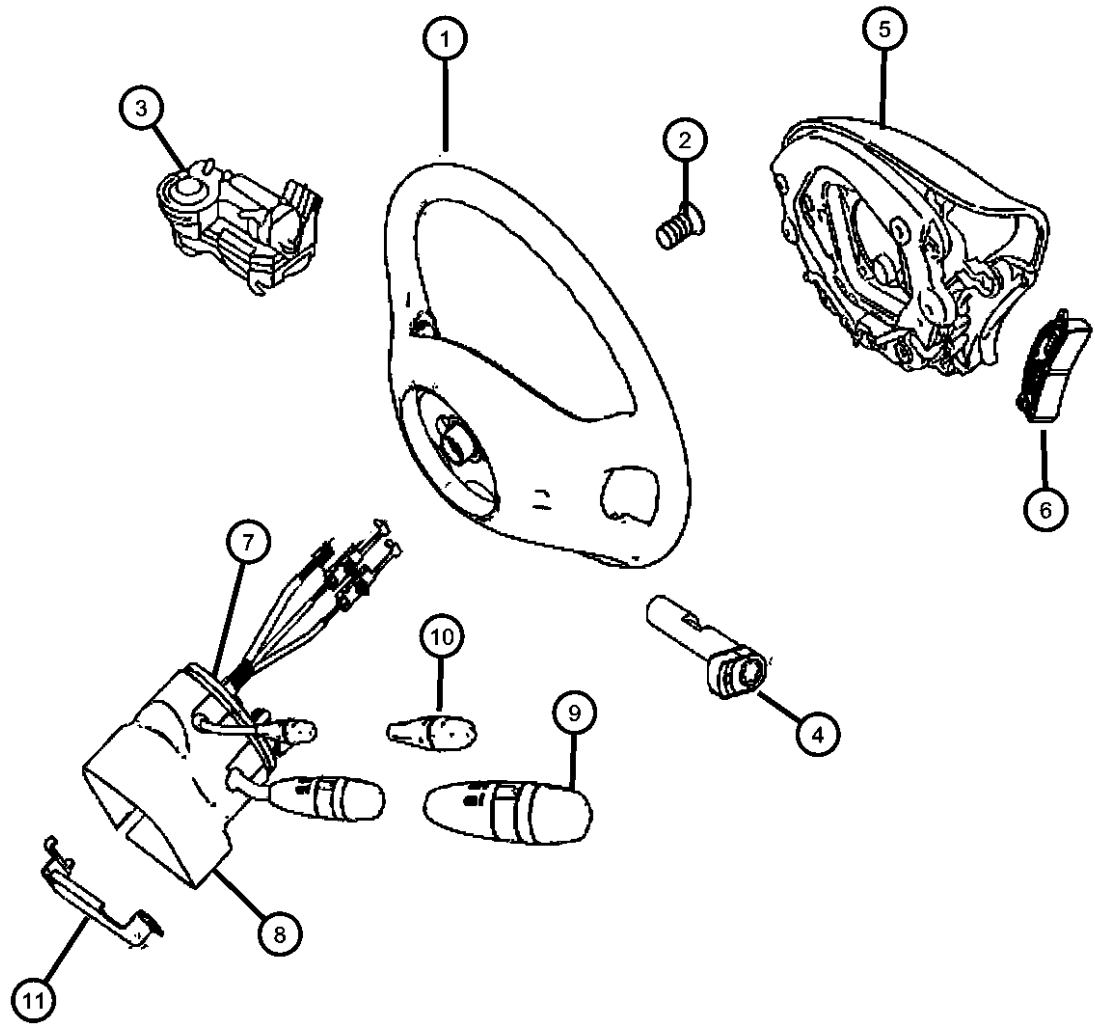
SPRINTER (VB)

SERIES	LINE	BODY	ENGINE	TRANSMISSION
L = LOWLINE	3 = HD DODGE 2WD 2 = Med. Duty DODGE 2WD	03 = CAB CHASSIS WHEEL BASE 3 05 = CAB CHASSIS WHEEL BASE 5 13 = 119 WB 53 = 119 WB 15 = VAN WHEEL BASE 5 55 = WAGON WHEEL BASE 5 17 = VAN WHEEL BASE 7	EG2 = 3.5L V6 Gas Engine EXM = 3.0L V6 Turbo Diesel Engine	DGZ = 5-Speed Auto W5A380 Transmission

AR = use ase required - = Non illustrated part

**Drivers Air Bag & Clock Spring
Figure 8-1710**

ITEM	PART NUMBER	QTY	LINE	SERIES	BODY	ENGINE	TRANS	TRIM	DESCRIPTION
1	68010421AA	1	2, 3, 6, 7	L		EG2, EXM	DGZ		WHEEL, Steering
2	04649132AA	1	3, 7	L	03, 05	EG2, EXM	DGZ		BOLT, BOLT Steering Wheel To Steering Column [M16]
3	68010437AA	1	2, 3, 6, 7	L	13, 15, 17, 53, 55	EG2, EXM	DGZ		MODULE, Steering Control
4	68010438AA	1	2, 3, 6, 7	L		EG2, EXM	DGZ		PIN
5	68010423AA	1	2, 3	L		EXM, EG2	DGZ		AIR BAG, Driver With [SCK+MG4]
	68010426AA	1	2, 3	L		EG2, EXM	DGZ		With [MG4]
	68020911AA	1	6, 7	L		EG2, EXM	DGZ		With [SCK+MGQ]
	68020912AA	1	6, 7	L		EG2, EXM	DGZ		With [MGQ]
6	68010427AA	1	2, 3, 6, 7	L		EG2, EXM	DGZ		SWITCH, Steering Wheel, Reconfigurable CLOCKSPRING
7	68010451AA	1	2, 3, 6, 7	L		EG2, EXM	DGZ		With [BNB]
	68029347AA	1	2, 3, 6, 7	L		EG2, EXM	DGZ		With [BNB]
8	68010448AA	1	2, 3, 6, 7	L		EG2, EXM	DGZ		SHROUD, Steering Column
	68010449AA	1	2, 3, 6, 7	L		EG2, EXM	DGZ		With [NHM]
9	68010446AA	1	2, 3, 6, 7	L		EG2, EXM	DGZ		COVER, Without [NHM]
10	68010447AA	1	2, 3, 6, 7	L		EG2, EXM	DGZ		COVER, Switch, With [NHM]
11	68010457AA	1	2, 3, 6, 7	L		EG2, EXM	DGZ		BRACKET, Steering Column



SPRINTER (VB)

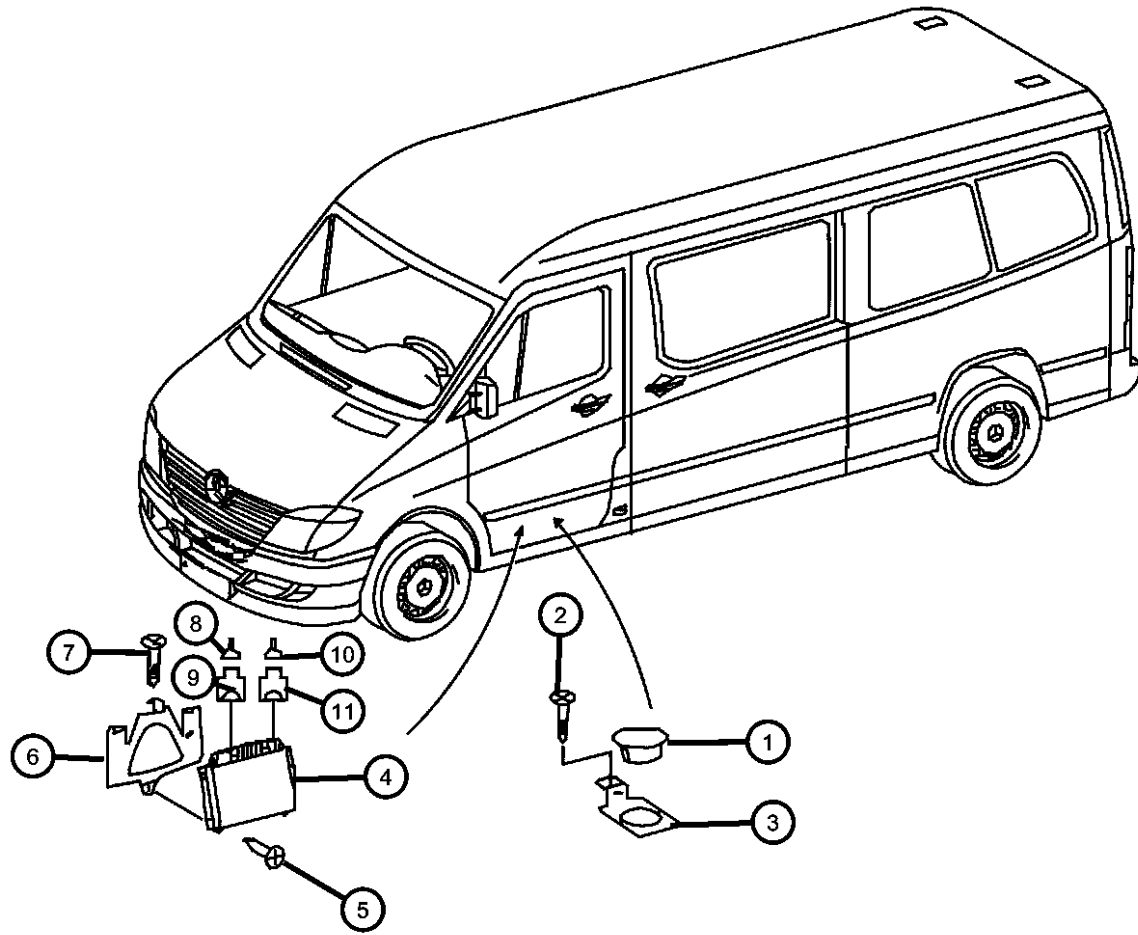
SERIES	LINE	BODY	ENGINE	TRANSMISSION
L = LOWLINE	3 = HD DODGE 2WD 2 = Med. Duty DODGE 2WD	03 = CAB CHASSIS WHEEL BASE 3 05 = CAB CHASSIS WHEEL BASE 5 13 = 119 WB 53 = 119 WB 15 = VAN WHEEL BASE 5 55 = WAGON WHEEL BASE 5 17 = VAN WHEEL BASE 7	EG2 = 3.5L V6 Gas Engine EXM = 3.0L V6 Turbo Diesel Engine	DGZ = 5-Speed Auto W5A380 Transmission

AR = use ase required - = Non illustrated part

2007 VB

**Parktronic System (PTS)
Figure 8-1805**

ITEM	PART NUMBER	QTY	LINE	SERIES	BODY	ENGINE	TRANS	TRIM	DESCRIPTION
1	68013409AA	1	2, 3, 6, 7	L	13, 15, 17, 53, 55	EG2, EXM	DGZ		BUZZER, Warning, Park Assist
2	06104566AA	2	2, 3, 6, 7	L	13, 15, 17, 53, 55	EG2, EXM	DGZ		SCREW, Tapping, Bracket Mounting 4.2x13
3	68013392AA	1	2, 3, 6, 7	L	13, 15, 17, 53, 55	EG2, EXM	DGZ		BRACKET, Buzzer
4	68013406AA	1	2, 3, 6, 7	L	13, 15, 17, 53, 55	EG2, EXM	DGZ		MODULE, Parking Assist
5	06104567AA	2	2, 3, 6, 7	L	13, 15, 17, 53, 55	EG2, EXM	DGZ		SCREW, Control Unit to Bracket 4.2x16
6	68013405AA	1	2, 3, 6, 7	L	13, 15, 17, 53, 55	EG2, EXM	DGZ		BRACKET, Control Unit
7	06104566AA	2	2, 3, 6, 7	L	13, 15, 17, 53, 55	EG2, EXM	DGZ		SCREW, Tapping, Bracket Mounting 4.2x13
8	05103882AA	1	2, 3, 6, 7	L					TERMINAL
9	05120838AA	1	2, 3, 6, 7	L		EG2, EXM	DGZ		CONNECTOR
10	05133369AA	AR	2, 3, 6, 7	L		EG2, EXM	DGZ		TERMINAL, Female
11	05120771AA	1	2, 3, 6, 7	L		EG2, EXM	DGZ		CONNECTOR



SPRINTER (VB)

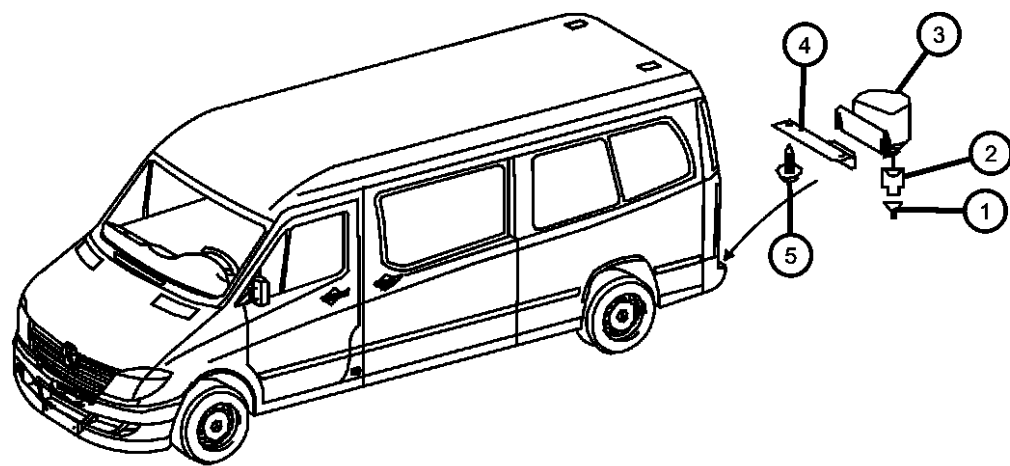
SERIES	LINE	BODY	ENGINE	TRANSMISSION
L = LOWLINE	3 = HD DODGE 2WD 2 = Med. Duty DODGE 2WD	03 = CAB CHASSIS WHEEL BASE 3 05 = CAB CHASSIS WHEEL BASE 5 13 = 119 WB 53 = 119 WB 15 = VAN WHEEL BASE 5 55 = WAGON WHEEL BASE 5 17 = VAN WHEEL BASE 7	EG2 = 3.5L V6 Gas Engine EXM = 3.0L V6 Turbo Diesel Engine	DGZ = 5-Speed Auto W5A380 Transmission

AR = use ase required - = Non illustrated part

2007 VB

**Audible Reversing Signal
Figure 8-1810**

ITEM	PART NUMBER	QTY	LINE	SERIES	BODY	ENGINE	TRANS	TRIM	DESCRIPTION
1	05120860AA	1	2, 3, 6, 7	L		EG2, EXM	DGZ		GASKET
2	05120277AA	1	2, 3, 6, 7	L		EG2, EXM	DGZ		CONNECTOR, Wiring Repair, Backup Warning System 2-PIN;H3/4
3	05135946AA	1	3, 7	L	03, 05	EG2, EXM	DGZ		HORN End Crossmember Inner
		1	2, 3, 6, 7	L	13, 15, 17, 53, 55	EG2, EXM	DGZ		End Crossmember Inner
4	05135596AA	1	3, 7	L	03, 05	EG2, EXM	DGZ		BRACKET, Horn
		1	2, 3, 6, 7	L	13, 15, 17, 53, 55	EG2, EXM	DGZ		
5	06104565AA	2	2, 3, 6, 7	L		EXM, EG2	DGZ		SCREW, Horn to Bracket 4.2x9.5



SPRINTER (VB)

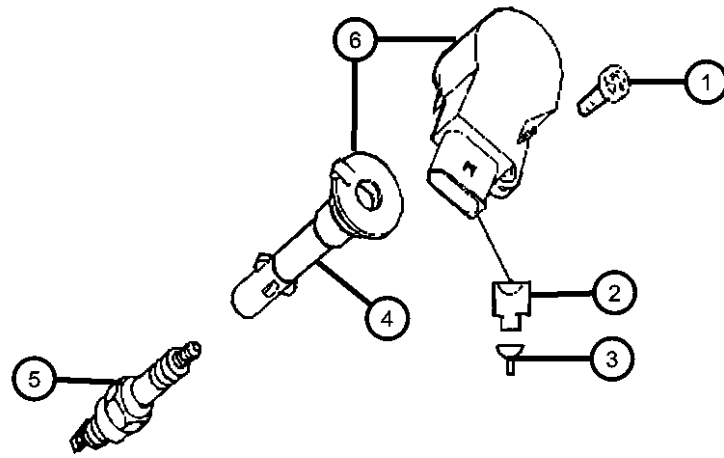
SERIES	LINE	BODY	ENGINE	TRANSMISSION
L = LOWLINE	3 = HD DODGE 2WD 2 = Med. Duty DODGE 2WD	03 = CAB CHASSIS WHEEL BASE 3 05 = CAB CHASSIS WHEEL BASE 5 13 = 119 WB 53 = 119 WB 15 = VAN WHEEL BASE 5 55 = WAGON WHEEL BASE 5 17 = VAN WHEEL BASE 7	EG2 = 3.5L V6 Gas Engine EXM = 3.0L V6 Turbo Diesel Engine	DGZ = 5-Speed Auto W5A380 Transmission

AR = use ase required - = Non illustrated part

2007 VB

**Ignition System
Figure 8-1905**

ITEM	PART NUMBER	QTY	LINE	SERIES	BODY	ENGINE	TRANS	TRIM	DESCRIPTION
1	06104143AA	2	2, 3, 6, 7	L		EG2	DGZ		SCREW, M6X1.0X20.0, Ignition Coil on Cylinder Head Cover M6x20
2	68011251AA	1	2, 3, 6, 7	L		EG2	DGZ		CONNECTOR, Ignition Cou 4-PIN
3	05133353AA	AR	2, 3, 6, 7	L		EG2	DGZ		TERMINAL
4	68011847AA	6	2, 3, 6, 7	L		EG2	DGZ		CABLE, Ignition Coil
5	68005667AB	3	2, 3, 6, 7	L		EG2	DGZ		SPARKPLUG, Engine
6	68011844AA	6	2, 3, 6, 7	L		EG2	DGZ		COIL, Ignition



SPRINTER (VB)

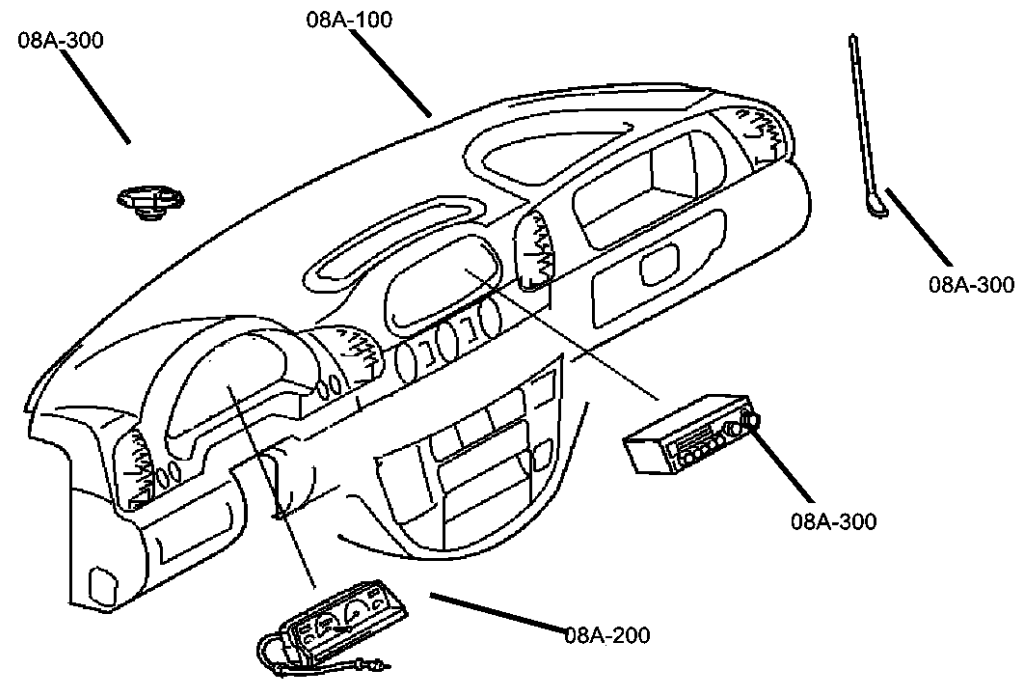
SERIES	LINE	BODY	ENGINE	TRANSMISSION
L = LOWLINE	3 = HD DODGE 2WD 2 = Med. Duty DODGE 2WD	03 = CAB CHASSIS WHEEL BASE 3 05 = CAB CHASSIS WHEEL BASE 5 13 = 119 WB 53 = 119 WB 15 = VAN WHEEL BASE 5 55 = WAGON WHEEL BASE 5 17 = VAN WHEEL BASE 7	EG2 = 3.5L V6 Gas Engine EXM = 3.0L V6 Turbo Diesel Engine	DGZ = 5-Speed Auto W5A380 Transmission

AR = use ase required - = Non illustrated part

2007 VB

Group - 08A

Instrument Panel and Radios and Consoles



Group - 08A Instrument Panel and Radios and Consoles

Illustration Title

Group-Fig. No.

Instrument Panel

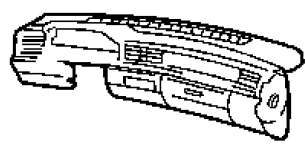
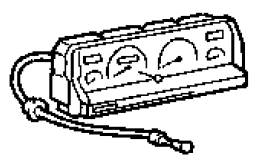
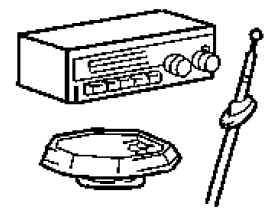
Instrument Panel Frame	Fig. 08A - 110
Instrument Panel	Fig. 08A - 115
Instrument Panel Bezel & Related Parts	Fig. 08A - 120
Front Passenger Airbag	Fig. 08A - 125
Parktronic System (PTS)	Fig. 08A - 130

Instrument Panel Cluster

Instrument Panel Cluster	Fig. 08A - 205
--------------------------------	----------------

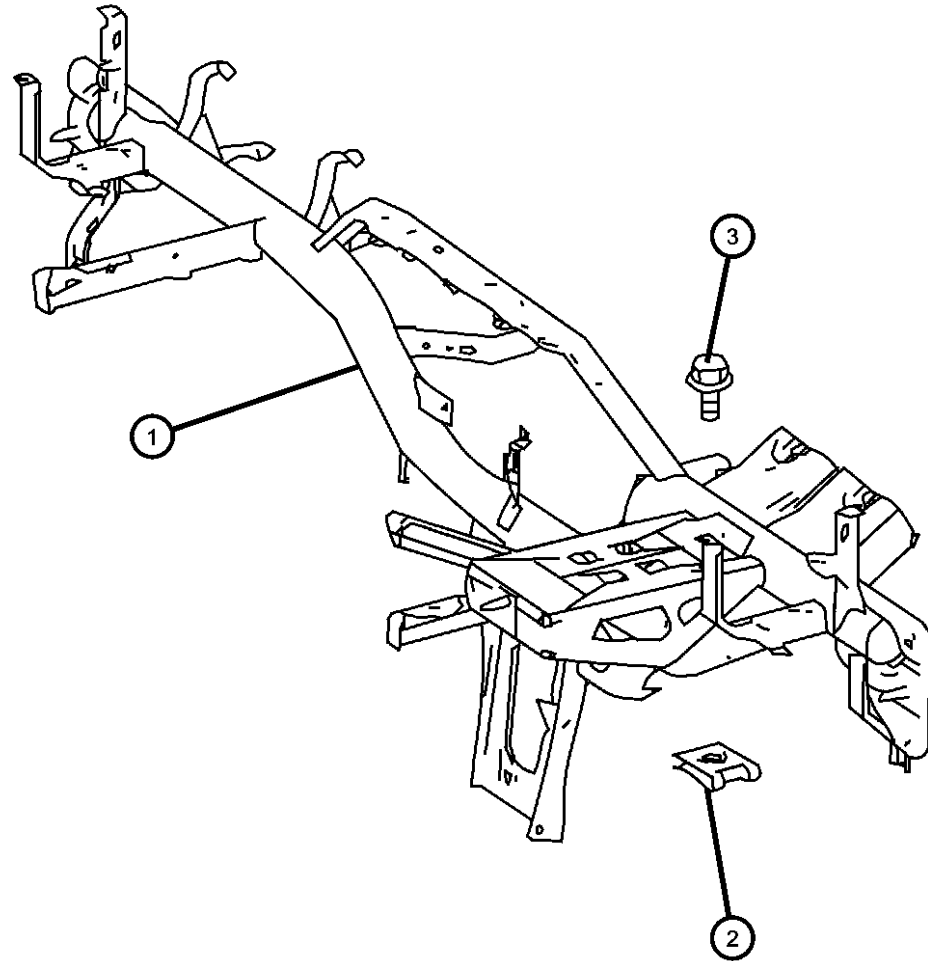
Radio, Antenna, and Speakers

Radio	Fig. 08A - 310
Antenna	Fig. 08A - 320
Speakers	Fig. 08A - 330
Telecommunication / Car Phone	Fig. 08A - 340

<p>08A-100 Instrument Panel</p> 	<p>08A-200 Instrument Panel Cluster</p> 	<p>08A-300 Radio, Antenna, and Speakers</p> 	
---	--	---	--

**Instrument Panel Frame
Figure 08A-110**

ITEM	PART NUMBER	QTY	LINE	SERIES	BODY	ENGINE	TRANS	TRIM	DESCRIPTION
1	68004781AA	1	2, 3, 6, 7	L		EG2, EXM	DGZ		FRAME, Instrument Panel
2	68006573AA	8	2, 3, 6, 7	L	13, 15, 17, 53, 55	EG2, EXM	DGZ		NUT, Spring
		14	3, 7	L	03, 05	EG2, EXM	DGZ		
3	05137660AA	4	3, 7	L	03, 05	EG2, EXM	DGZ		SCREW Frame To Body [M8 x 80]
		4	2, 3, 6, 7	L	13, 15, 17, 53, 55	EG2, EXM	DGZ		Frame To Body [M8 x 80]
	06104024AA	8	3, 7	L	03, 05	EG2, EXM	DGZ		Frame To Body [M8 x 25]
		8	2, 3, 6, 7	L	13, 15, 17, 53, 55	EG2, EXM	DGZ		Frame To Body [M8 x 25]



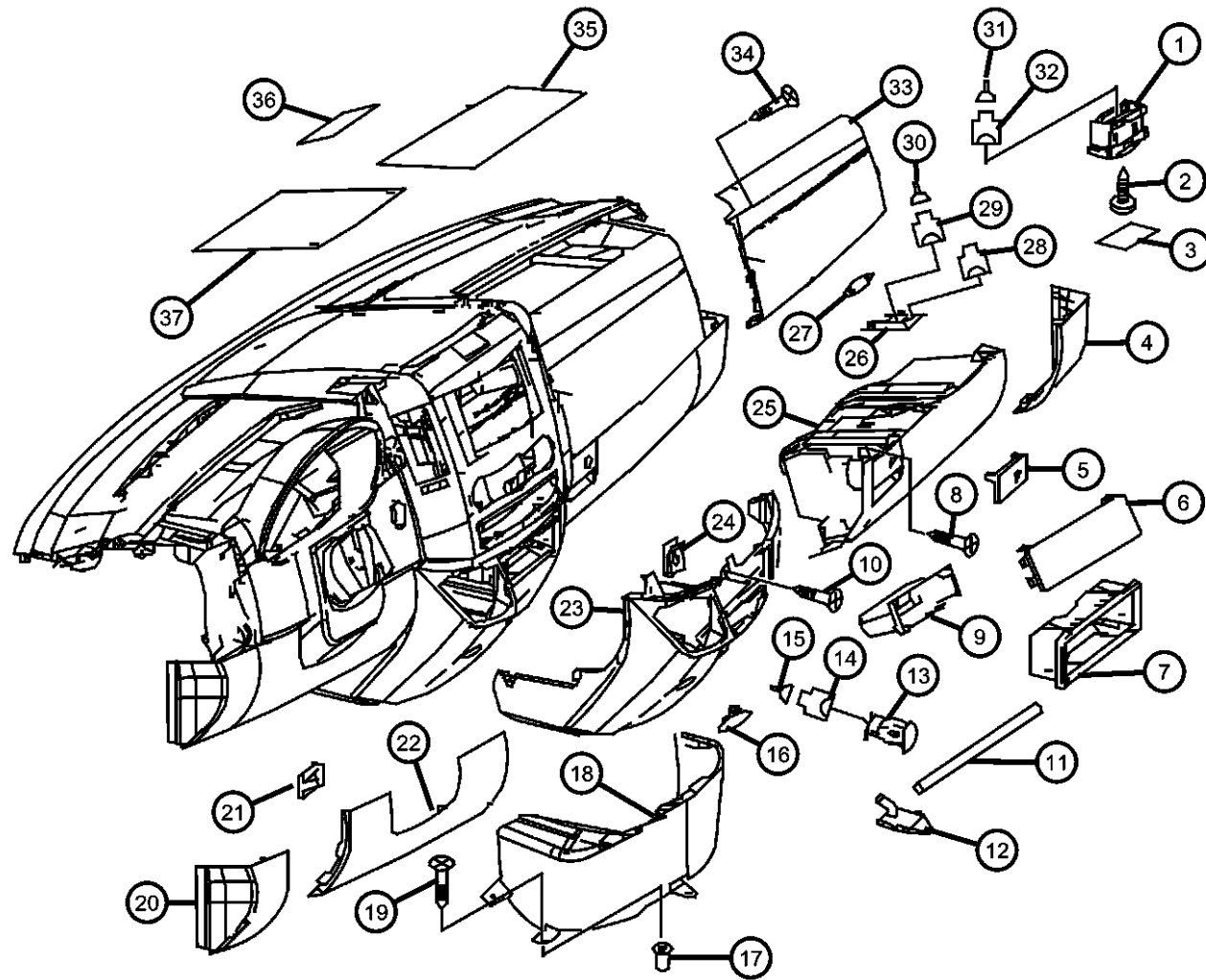
SPRINTER (VB)

SERIES	LINE	BODY	ENGINE	TRANSMISSION
L = LOWLINE	3 = HD DODGE 2WD 2 = Med. Duty DODGE 2WD	03 = CAB CHASSIS WHEEL BASE 3 05 = CAB CHASSIS WHEEL BASE 5 13 = 119 WB 53 = 119 WB 15 = VAN WHEEL BASE 5 55 = WAGON WHEEL BASE 5 17 = VAN WHEEL BASE 7	EG2 = 3.5L V6 Gas Engine EXM = 3.0L V6 Turbo Diesel Engine	DGZ = 5-Speed Auto W5A380 Transmission

AR = use ase required - = Non illustrated part

2007 VB

**Instrument Panel
Figure 08A-115**



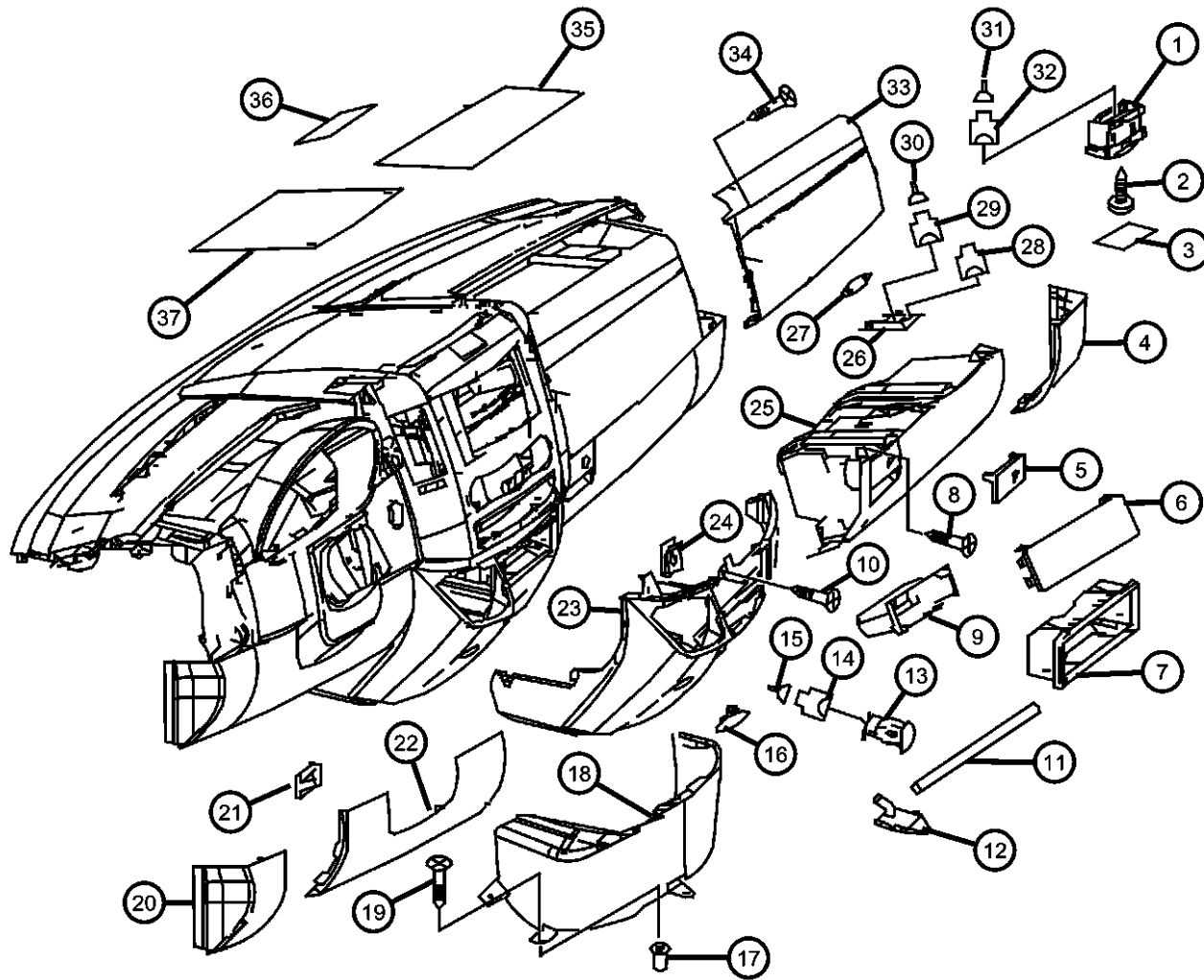
ITEM	PART NUMBER	QTY	LINE	SERIES	BODY	ENGINE	TRANS	TRIM	DESCRIPTION
1	05098297AA	1	3, 7	L	03, 05	EG2, EXM	DGZ		BRACKET, Diagnostic Module
		1	2, 3, 6, 7	L	13, 15, 17, 53, 55	EG2, EXM	DGZ		
2	05098297AA	1	3, 7	L	03, 05	EG2, EXM	DGZ		BRACKET, Diagnostic Module
		1	2, 3, 6, 7	L	13, 15, 17, 53, 55	EG2, EXM	DGZ		
3	05123547AA	1	3, 7	L	03, 05	EG2, EXM	DGZ		PAD, Headlining
		1	2, 3, 6, 7	L	13, 15, 17, 53, 55	EG2, EXM	DGZ		
4	68004759AA	1	2, 3, 6, 7	L		EG2, EXM	DGZ		CAP, Instrument Panel End
5	68010389AA	1	2, 3, 6, 7	L		EG2, EXM	DGZ		LATCH, Glovebox
	68010390AA	1	2, 3, 6, 7	L		EG2, EXM	DGZ		[JKA] Locking Glove Box COVER, Radio Opening
6	05103928AA	1	3, 7	L	03, 05	EG2, EXM	DGZ		
		1	2, 3, 6, 7	L	13, 15, 17, 53, 55	EG2, EXM	DGZ		
7	68010402AA	1	2, 3, 6, 7	L		EG2, EXM	DGZ		BRACKET, CD Changer
8	06104574AA	6	3, 7	L	03, 05	EG2, EXM	DGZ		SCREW, Tapping, Glove Compartment to Instrument Panel 4.8x16
9	68010400AA	1	2, 3, 6, 7	L		EG2, EXM	DGZ		BIN, Instrument Panel
10	06104574AA	6	3, 7	L	03, 05	EG2, EXM	DGZ		SCREW, Tapping, Console to Instrument Panel 4.8x16
11	68010393AA	1	2, 3, 6, 7	L		EG2, EXM	DGZ		HOSE, Glove Compartment
12	68010392AA	1	2, 3, 6, 7	L		EG2, EXM	DGZ		DUCT, AIR, Glove Compartment
13	68010399AA	1	2, 3, 6, 7	L		EG2, EXM	DGZ		POWER OUTLET, 12V
14	05103754AA	1	2, 3, 6, 7	L		EG2, EXM	DGZ		INSULATOR, 2 Way Female, Plug Socket 2-PIN
15	68016729AA	AR	2, 3, 6, 7	L		EG2, EXM	DGZ		TERMINAL
16	68010397AA	1	2, 3, 6, 7	L		EG2, EXM	DGZ		PLUG, Emergency Unlocking Mechanism
17	05098837AB	4	3, 7	L	03, 05	EG2, EXM	DGZ		NUT, Plastic Snap-in Panelling to Instrument Panel

SPRINTER (VB)

SERIES	LINE	BODY	ENGINE	TRANSMISSION
L = LOWLINE	3 = HD DODGE 2WD 2 = Med. Duty DODGE 2WD	03 = CAB CHASSIS WHEEL BASE 3 05 = CAB CHASSIS WHEEL BASE 5 13 = 119 WB 53 = 119 WB 15 = VAN WHEEL BASE 5 55 = WAGON WHEEL BASE 5 17 = VAN WHEEL BASE 7	EG2 = 3.5L V6 Gas Engine EXM = 3.0L V6 Turbo Diesel Engine	DGZ = 5-Speed Auto W5A380 Transmission

AR = use ase required - = Non illustrated part

**Instrument Panel
Figure 08A-115**



ITEM	PART NUMBER	QTY	LINE	SERIES	BODY	ENGINE	TRANS	TRIM	DESCRIPTION
		4	2, 3, 6, 7	L	13, 15, 17, 53, 55	EG2, EXM	DGZ		Panelling to Instrument Panel
18	68004765AA	1	2, 3, 6, 7	L	13, 15, 17, 53, 55	EG2, EXM	DGZ		COVER, Footwell Center
19	06104574AA	4	2, 3, 6, 7	L		EG2, EXM	DGZ		SCREW, Tapping, Panelling to Instrument Panel 4.8x16
20	68010406AA	1	2, 3, 6, 7	L		EG2, EXM	DGZ		CAP, Instrument Panel End, Left Outside Bottom
21	68010404AA	1	2, 3, 6, 7	L		EG2, EXM	DGZ		CLAMP, Bottom Covering
22	68010403AA	1	2, 3, 6, 7	L		EG2, EXM	DGZ		COVER, Instrument Panel, Steering Column Opening, Bottom
23	68010396AA	1	2, 3, 6, 7	L		EG2, EXM	DGZ		COVER, Instrument Panel, Gearshift Mechanism
24	68010398AA	2	2, 3, 6, 7	L		EG2, EXM	DGZ		CLIP, Console to Instrument Panel
25	68010387AA	1	2, 3, 6, 7	L		EG2, EXM	DGZ		GLOVE BOX, Instrument Panel
	68010388AA	1	2, 3, 6, 7	L		EG2, EXM	DGZ		[JKA] Locking Glove Compartment
26	68010391AA	1	2, 3, 6, 7	L		EG2, EXM	DGZ		LAMP, Glove Box
27	05096968AA	1	3, 7	L	03, 05	EG2, EXM	DGZ		BULB, 12V 5W
		1	2, 3, 6, 7	L	13, 15, 17, 53, 55	EG2, EXM	DGZ		Glove Compartment Interior Light 12V-5W
28	68004757AA	1	2, 3, 6, 7	L		EG2, EXM	DGZ		CONNECTOR, 2-PIN
29	68004757AA	1	2, 3, 6, 7	L		EG2, EXM	DGZ		CONNECTOR, Glove Compartment Lighting 2-PIN
30	05103882AA	1	2, 3, 6, 7	L					TERMINAL
31	05120274AA	1	2, 3, 6, 7	L		EG2, EXM	DGZ		INSULATOR, Diagnosis Box 16-PIN;xX11
32	68016730AA	AR	2, 3, 6, 7	L		EG2, EXM	DGZ		TERMINAL, X11
33	68010384AA	1	2, 3, 6, 7	L	05, 13, 15, 17	EG2, EXM	DGZ		COVER, Instrument Panel
34	06104574AA	4	2, 3, 6, 7	L		EG2, EXM	DGZ		SCREW, Tapping, Covering to Instrument Panel 4.8x16
35	68010409AA	1	2, 3, 6, 7	L		EG2, EXM	DGZ		REINFORCEMENT, Stowage Tray, Right
36	68010401AA	2	2, 3, 6, 7	L		EG2, EXM	DGZ		REINFORCEMENT
37									REINFORCEMENT

SPRINTER (VB)

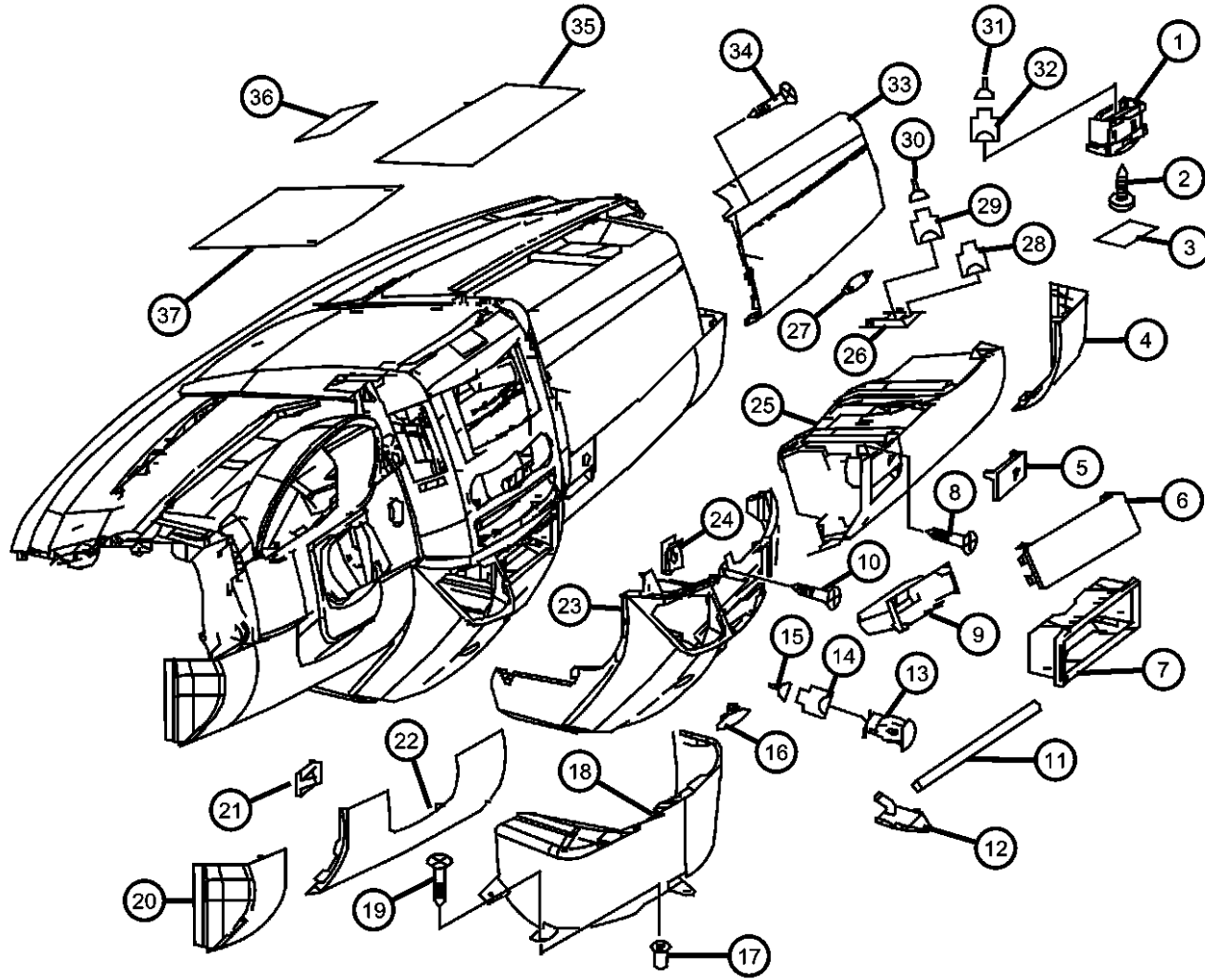
SERIES	LINE	BODY	ENGINE	TRANSMISSION
L = LOWLINE	3 = HD DODGE 2WD 2 = Med. Duty DODGE 2WD	03 = CAB CHASSIS WHEEL BASE 3 05 = CAB CHASSIS WHEEL BASE 5 13 = 119 WB 53 = 119 WB 15 = VAN WHEEL BASE 5 55 = WAGON WHEEL BASE 5 17 = VAN WHEEL BASE 7	EG2 = 3.5L V6 Gas Engine EXM = 3.0L V6 Turbo Diesel Engine	DGZ = 5-Speed Auto W5A380 Transmission

AR = use ase required - = Non illustrated part

2007 VB

Instrument Panel
Figure 08A-115

ITEM	PART NUMBER	QTY	LINE	SERIES	BODY	ENGINE	TRANS	TRIM	DESCRIPTION
	68010407AA	1	2, 3, 6, 7	L		EG2, EXM	DGZ		
	68010408AA	1	2, 3, 6, 7	L		EG2, EXM	DGZ		[CXG] Hinged Lid for Center Stack Bin



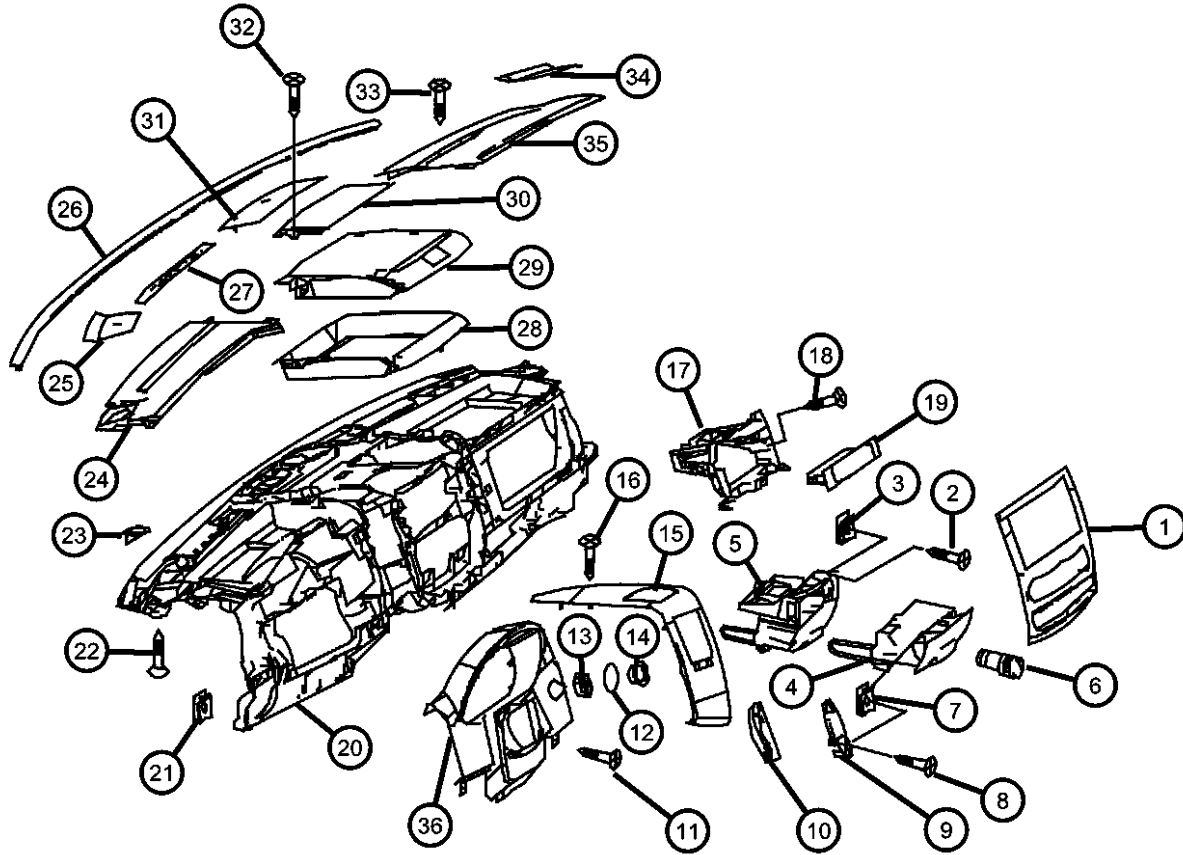
SPRINTER (VB)

SERIES	LINE	BODY	ENGINE	TRANSMISSION
L = LOWLINE	3 = HD DODGE 2WD 2 = Med. Duty DODGE 2WD	03 = CAB CHASSIS WHEEL BASE 3 05 = CAB CHASSIS WHEEL BASE 5 13 = 119 WB 53 = 119 WB 15 = VAN WHEEL BASE 5 55 = WAGON WHEEL BASE 5 17 = VAN WHEEL BASE 7	EG2 = 3.5L V6 Gas Engine EXM = 3.0L V6 Turbo Diesel Engine	DGZ = 5-Speed Auto W5A380 Transmission

AR = use ase required - = Non illustrated part

2007 VB

**Instrument Panel Bezel & Related Parts
Figure 08A-120**



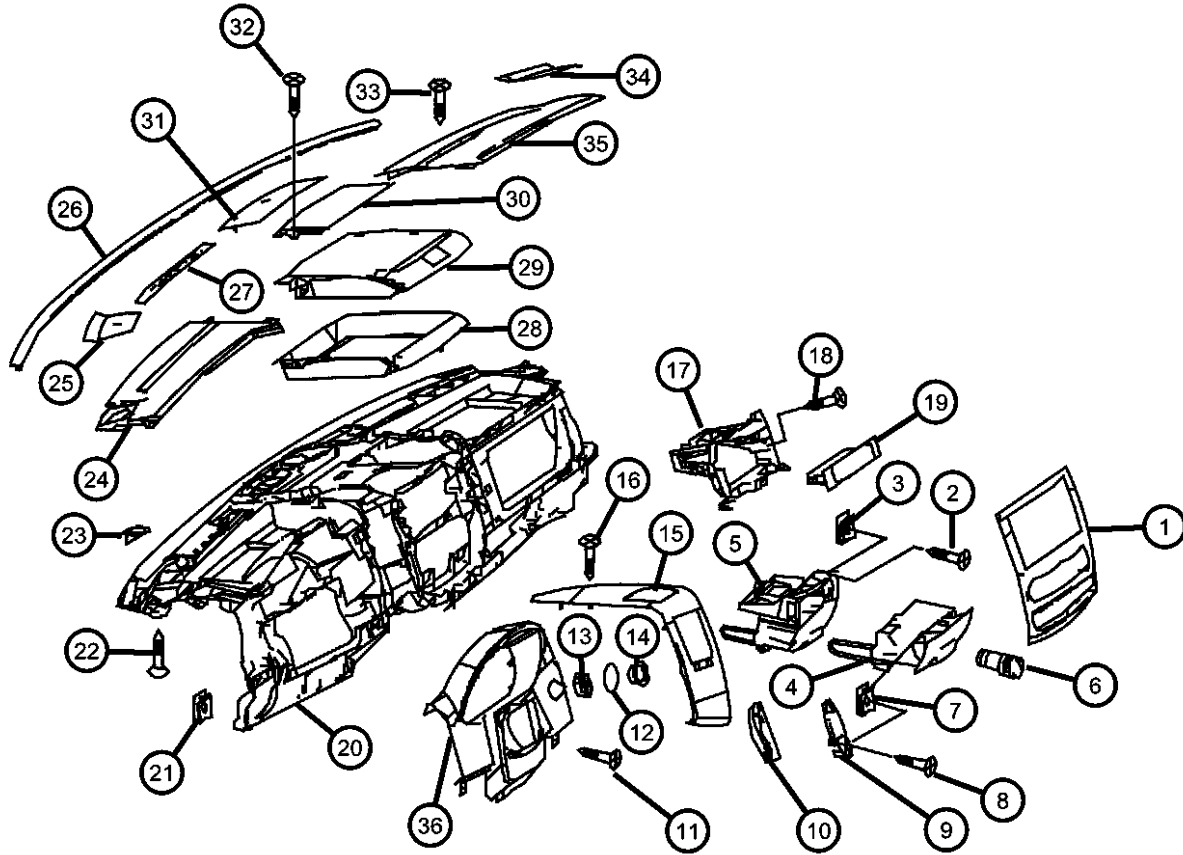
ITEM	PART NUMBER	QTY	LINE	SERIES	BODY	ENGINE	TRANS	TRIM	DESCRIPTION
1	68010405AA	1	2, 3, 6, 7	L		EG2, EXM	DGZ		BEZEL, Instrument Panel, Central Top
2	06104574AA	3	3, 7	L	03, 05	EG2, EXM	DGZ		SCREW, Tapping, Insert Mounting 4.8x16
3									NUT, Spring U Type
	68010366AA	2	2, 3, 6, 7	L	13, 15, 17, 53, 55	EG2, EXM	DGZ		Insert Mounting
		2	3, 7	L	03, 05	EG2, EXM	DGZ		Insert Mounting
4	68004763AA	1	2, 3, 6, 7	L		EG2, EXM	DGZ		ASHTRAY, Instrument panel
5	68004761AA	1	2, 3, 6, 7	L		EG2, EXM	DGZ		ASHTRAY, Instrument panel
6									ELEMENT, Cigar Lighter
	05103679AA	1	3, 7	L	03, 05	EG2, EXM	DGZ		
		1	2, 3, 6, 7	L	13, 15, 17, 53, 55	EG2, EXM	DGZ		
7									NUT, Spring U Type
	68010366AA	3	3, 7	L	03, 05	EG2, EXM	DGZ		Console to Instrument Panel
		3	2, 3, 6, 7	L	13, 15, 17, 53, 55	EG2, EXM	DGZ		Console to Instrument Panel
8									SCREW, Tapping
	06104574AA	3	2, 3, 6, 7	L		EG2, EXM	DGZ		Console to Instrument Panel 4.8x16
		3	3, 7	L	03, 05	EG2, EXM	DGZ		Console to Instrument Panel 4.8x16
9	68004755AA	1	2, 3, 6, 7	L		EG2, EXM	DGZ		BRACKET, Cell Phone
10	68010386AA	1	2, 3, 6, 7	L		EG2, EXM	DGZ		BRACKET
11	06104574AA	7	2, 3, 6, 7	L	13, 15, 17, 53, 55	EG2, EXM	DGZ		SCREW, Tapping
12	68023477AA	1	2, 3, 6, 7	L		EG2, EXM	DGZ		RING
13	68023477AA	1							SPACER, (NOT SERVICED)
14	68007010AA	1	2, 3, 6, 7	L		EG2, EXM	DGZ		RING, Ignition Lock
15									COVER
	68010394AA	1	2, 3, 6, 7	L		EG2, EXM	DGZ		Left,Central
	68010395AA	1	2, 3, 6, 7	L		EG2, EXM	DGZ		Right,Central
16									SCREW, Tapping
	06104574AA	4	2, 3, 6, 7	L		EG2, EXM	DGZ		Mounting Plate Cover 4.8x16
		4	3, 7	L	03, 05	EG2, EXM	DGZ		Mounting Plate Cover 4.8x16
17									BRACKET, Radio

SPRINTER (VB)

SERIES	LINE	BODY	ENGINE	TRANSMISSION
L = LOWLINE	3 = HD DODGE 2WD 2 = Med. Duty DODGE 2WD	03 = CAB CHASSIS WHEEL BASE 3 05 = CAB CHASSIS WHEEL BASE 5 13 = 119 WB 53 = 119 WB 15 = VAN WHEEL BASE 5 55 = WAGON WHEEL BASE 5 17 = VAN WHEEL BASE 7	EG2 = 3.5L V6 Gas Engine EXM = 3.0L V6 Turbo Diesel Engine	DGZ = 5-Speed Auto W5A380 Transmission

AR = use ase required - = Non illustrated part

Instrument Panel Bezel & Related Parts
Figure 08A-120



ITEM	PART NUMBER	QTY	LINE	SERIES	BODY	ENGINE	TRANS	TRIM	DESCRIPTION
	68010369AA	1	2, 3, 6, 7	L		EG2, EXM	DGZ		Radio Set
	68004754AA	1	2, 3, 6, 7	L		EG2, EXM	DGZ		Navigation
18									SCREW, Tapping
	06104574AA	2	2, 3, 6, 7	L		EG2, EXM	DGZ		Console Mounting 4.8x16
		2	3, 7	L	03, 05	EG2, EXM	DGZ		Console Mounting 4.8x16
19	68010370AA	1	2, 3, 6, 7	L		EG2, EXM	DGZ		BEZEL, Instrument Panel, Central Console
20	68010364AA	1	2, 3, 6, 7	L		EG2, EXM	DGZ		PANEL, Instrument
21									NUT, Spring U Type
	68010366AA	63	3, 7	L	03, 05	EG2, EXM	DGZ		Instrument Panel to Body
		63	2, 3, 6, 7	L	13, 15, 17, 53, 55	EG2, EXM	DGZ		Instrument Panel to Body
22	06104506AA	1	2, 3, 6, 7	L		EG2, EXM	DGZ		SCREW, Self-Tapping, Instrument Panel to Body 4.8x16
23	68010368AA	1	2, 3, 6, 7	L		EG2, EXM	DGZ		CLIP, Spring
24	68010372AA	1	2, 3, 6, 7	L		EG2, EXM	DGZ		COVER, Instrument Panel, Defroster Left
25	68010374AA	1	2, 3, 6, 7	L		EG2, EXM	DGZ		GRILLE, Speaker, Loud-speaker,Left
26	68010371AA	1	2, 3, 6, 7	L		EG2, EXM	DGZ		SEAL, Windshield
27									GRILLE
	68010380AA	1	2, 3, 6, 7	L		EG2, EXM	DGZ		Defroster, Left
	68010381AA	1	2, 3, 6, 7	L		EG2, EXM	DGZ		Defroster,Right
28	68010376AA	1	2, 3, 6, 7	L		EG2, EXM	DGZ		BIN, Storage, Central Top
29	68010377AA	1	2, 3, 6, 7	L		EG2, EXM	DGZ		BIN, Storage, Central Top
30									COVER, Instrument Panel
	68010412AA	1	2, 3, 6, 7	L	13, 15, 17, 53, 55	EXM, EG2	DGZ		With [XAG]
	68010378AA	1	2, 3, 6, 7	L		EG2, EXM	DGZ		Without [CXG]
31	68010379AA	1	2, 3, 6, 7	L		EG2, EXM	DGZ		COVER, Instrument Panel, Central Loudspeaker
32									SCREW, Tapping
	06104574AA	4	2, 3, 6, 7	L		EG2, EXM	DGZ		Storage Box Fastening 4.8x16
		4	3, 7	L	03, 05	EG2, EXM	DGZ		Storage Box Fastening 4.8x16
33	06104574AA	7	3, 7	L	03, 05	EG2, EXM	DGZ		SCREW, Tapping, Mounting Cover 4.8x16

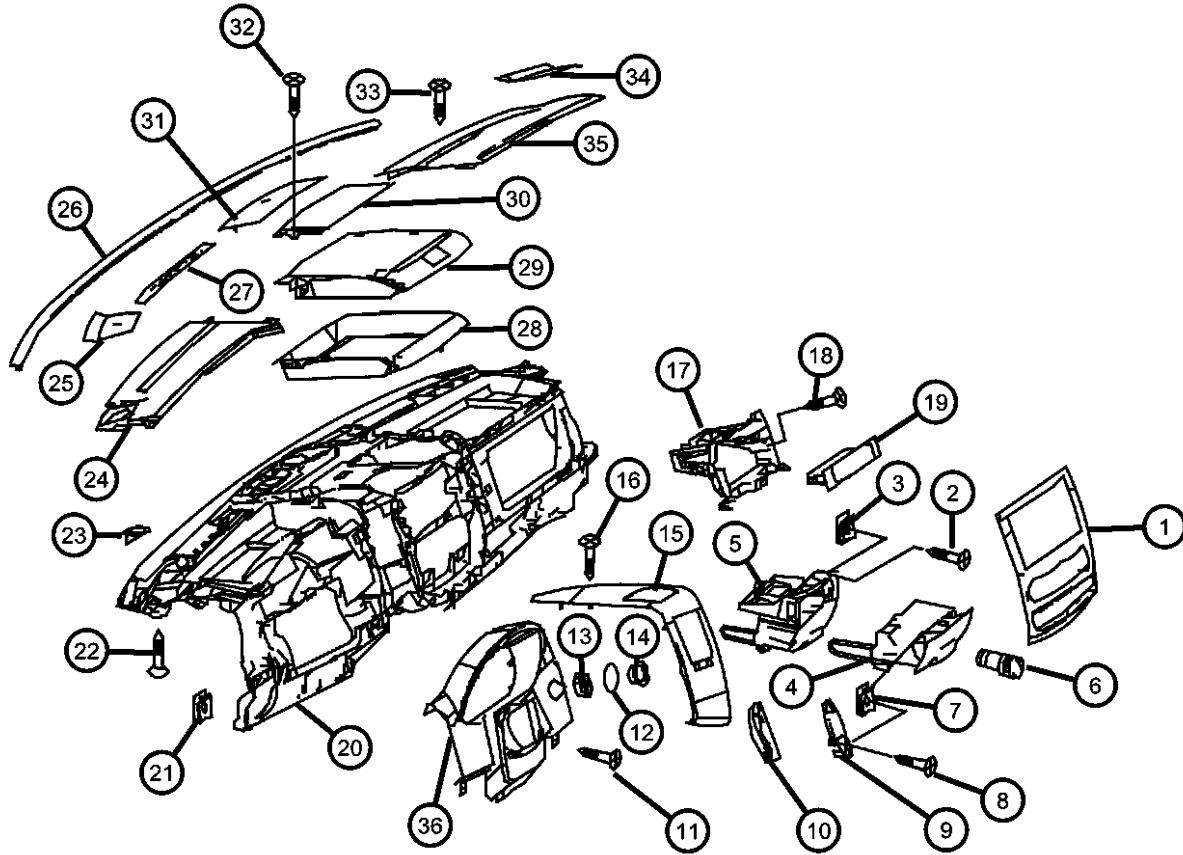
SPRINTER (VB)

SERIES	LINE	BODY	ENGINE	TRANSMISSION
L = LOWLINE	3 = HD DODGE 2WD 2 = Med. Duty DODGE 2WD	03 = CAB CHASSIS WHEEL BASE 3 05 = CAB CHASSIS WHEEL BASE 5 13 = 119 WB 53 = 119 WB 15 = VAN WHEEL BASE 5 55 = WAGON WHEEL BASE 5 17 = VAN WHEEL BASE 7	EG2 = 3.5L V6 Gas Engine EXM = 3.0L V6 Turbo Diesel Engine	DGZ = 5-Speed Auto W5A380 Transmission

AR = use ase required - = Non illustrated part

Instrument Panel Bezel & Related Parts
Figure 08A-120

ITEM	PART NUMBER	QTY	LINE	SERIES	BODY	ENGINE	TRANS	TRIM	DESCRIPTION
34	68010375AA	1	2, 3, 6, 7	L		EG2, EXM	DGZ		GRILLE, Speaker, Loud-speaker,Right
35	68010373AA	1	2, 3, 6, 7	L		EG2, EXM	DGZ		COVER, Instrument Panel, Defroster,Right
36	68010383AA	1	2, 3, 6, 7	L		EG2, EXM	DGZ		BEZEL, Cluster



SPRINTER (VB)

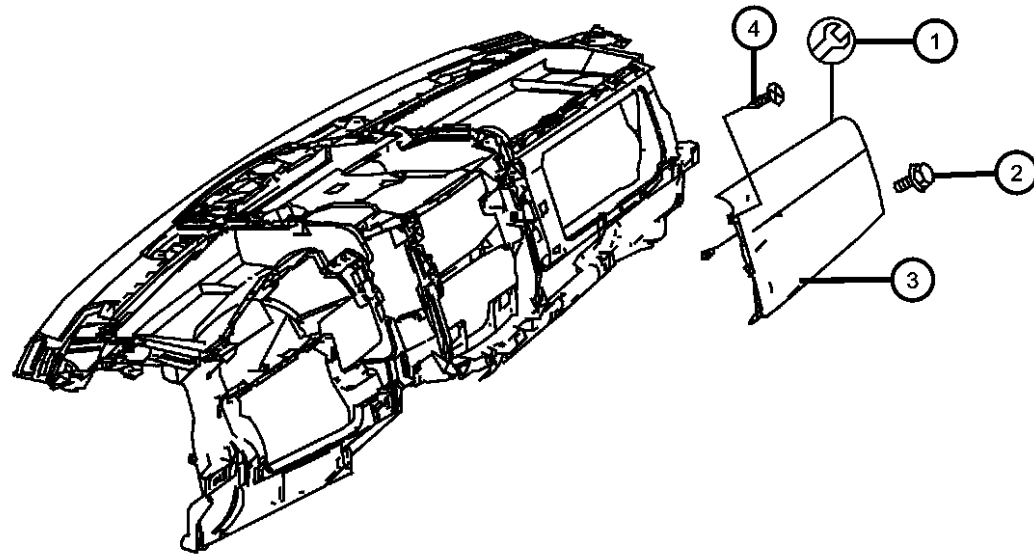
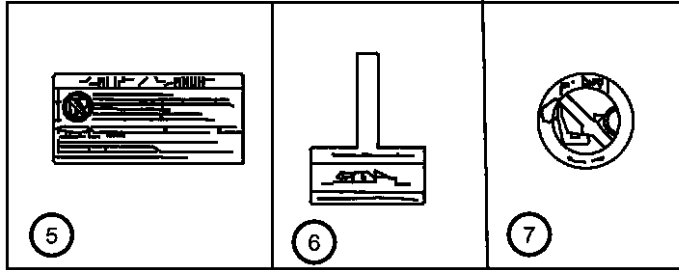
SERIES	LINE	BODY	ENGINE	TRANSMISSION
L = LOWLINE	3 = HD DODGE 2WD 2 = Med. Duty DODGE 2WD	03 = CAB CHASSIS WHEEL BASE 3 05 = CAB CHASSIS WHEEL BASE 5 13 = 119 WB 53 = 119 WB 15 = VAN WHEEL BASE 5 55 = WAGON WHEEL BASE 5 17 = VAN WHEEL BASE 7	EG2 = 3.5L V6 Gas Engine EXM = 3.0L V6 Turbo Diesel Engine	DGZ = 5-Speed Auto W5A380 Transmission

AR = use ase required - = Non illustrated part

2007 VB

**Front Passenger Airbag
Figure 08A-125**

ITEM	PART NUMBER	QTY	LINE	SERIES	BODY	ENGINE	TRANS	TRIM	DESCRIPTION
1	68016726AA	2	2, 3, 6, 7	L		EG2, EXM	DGZ		CONNECTOR, Wiring, Airbag, Passenger Side 2-PIN
2	68010411AA	4	2, 3, 6, 7	L		EG2, EXM	DGZ		SCREW
3	68010410AA	1	2, 3, 6, 7	L		EG2, EXM	DGZ		AIR BAG, Passenger
4	06104574AA	4	2, 3, 6, 7	L		EG2, EXM	DGZ		SCREW, Tapping, 4.8x16
5	05096859AA	2	2, 3, 6, 7	L		EG2, EXM	DGZ		LABEL, Air Bag Warning, German/English
6	05161821AA	1	2, 3, 6, 7	L		EG2, EXM	DGZ		LABEL, Airbag, Stuck to Glove Compartment
7	05096894AA	1	2, 3, 6, 7	L		EG2, EXM	DGZ		LABEL, Airbag



SPRINTER (VB)

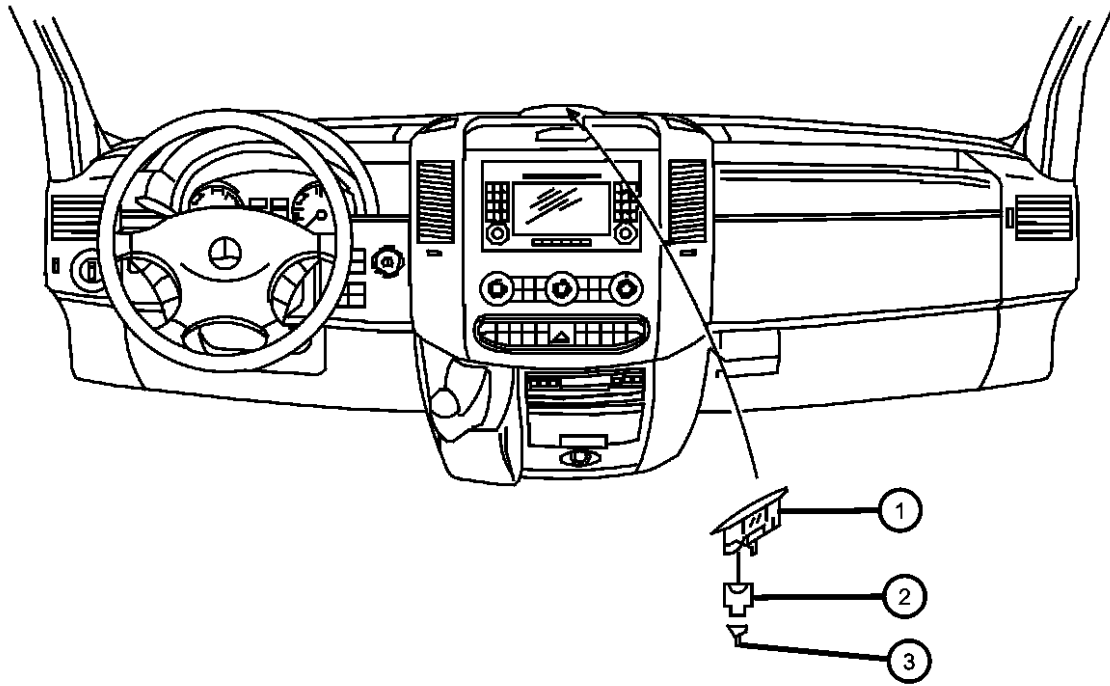
SERIES	LINE	BODY	ENGINE	TRANSMISSION
L = LOWLINE	3 = HD DODGE 2WD 2 = Med. Duty DODGE 2WD	03 = CAB CHASSIS WHEEL BASE 3 05 = CAB CHASSIS WHEEL BASE 5 13 = 119 WB 53 = 119 WB 15 = VAN WHEEL BASE 5 55 = WAGON WHEEL BASE 5 17 = VAN WHEEL BASE 7	EG2 = 3.5L V6 Gas Engine EXM = 3.0L V6 Turbo Diesel Engine	DGZ = 5-Speed Auto W5A380 Transmission

AR = use ase required - = Non illustrated part

2007 VB

**Parktronic System (PTS)
Figure 08A-130**

ITEM	PART NUMBER	QTY	LINE	SERIES	BODY	ENGINE	TRANS	TRIM	DESCRIPTION
1	68010513AA	1	2, 3, 6, 7	L	13, 15, 17,	EG2, EXM	DGZ		DISPLAY, Parking Assist
2	05183532AA	1	2, 3, 6, 7	L	13, 15, 17,	EG2, EXM	DGZ		CONNECTOR
3	05133990AA	3	2, 3, 6, 7	L	13, 15, 17,	EG2, EXM	DGZ		TERMINAL, Male



SPRINTER (VB)

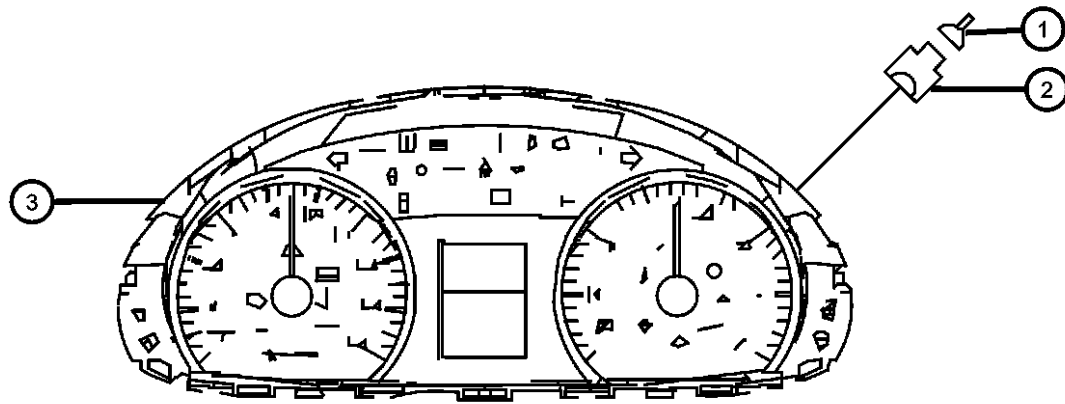
SERIES	LINE	BODY	ENGINE	TRANSMISSION
L = LOWLINE	3 = HD DODGE 2WD 2 = Med. Duty DODGE 2WD	03 = CAB CHASSIS WHEEL BASE 3 05 = CAB CHASSIS WHEEL BASE 5 13 = 119 WB 53 = 119 WB 15 = VAN WHEEL BASE 5 55 = WAGON WHEEL BASE 5 17 = VAN WHEEL BASE 7	EG2 = 3.5L V6 Gas Engine EXM = 3.0L V6 Turbo Diesel Engine	DGZ = 5-Speed Auto W5A380 Transmission

AR = use ase required - = Non illustrated part

2007 VB

**Instrument Panel Cluster
Figure 08A-205**

ITEM	PART NUMBER	QTY	LINE	SERIES	BODY	ENGINE	TRANS	TRIM	DESCRIPTION
1									TERMINAL
	05103873AA	3	3, 7	L	03, 05	EG2, EXM	DGZ		
		3	2, 3, 6, 7	L	13, 15, 17, 53, 55	EG2, EXM	DGZ		
2		3							SOCKET, (NOT SERVICED)
3									CLUSTER, Instrument Panel
	68010463AA	1	2, 3, 6, 7	L		EXM	DGZ		With [JAV + 3SL]
	68010464AA	1	2, 3, 6, 7	L		EXM	DGZ		With [3SL]
	68010465AA	1	2, 3, 6, 7	L		EG2	DGZ		With [JAV]
	68010467AA	1	2, 3, 6, 7	L		EG2	DGZ		With [3SL] Without [JAV]
	68019248AA	1	2, 3	L		EXM	DGZ		With [JAV] Without [3SL]
	68019258AA	1	2, 3	L		EXM	DGZ		Without [-3SL And -JAV]



SPRINTER (VB)

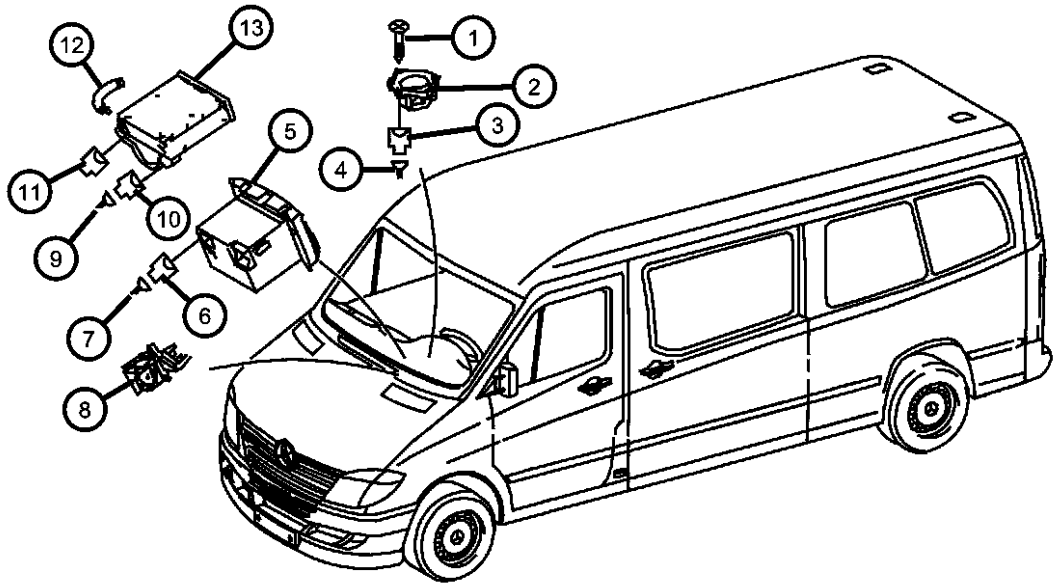
SERIES	LINE	BODY	ENGINE	TRANSMISSION
L = LOWLINE	3 = HD DODGE 2WD 2 = Med. Duty DODGE 2WD	03 = CAB CHASSIS WHEEL BASE 3 05 = CAB CHASSIS WHEEL BASE 5 13 = 119 WB 53 = 119 WB 15 = VAN WHEEL BASE 5 55 = WAGON WHEEL BASE 5 17 = VAN WHEEL BASE 7	EG2 = 3.5L V6 Gas Engine EXM = 3.0L V6 Turbo Diesel Engine	DGZ = 5-Speed Auto W5A380 Transmission

AR = use ase required - = Non illustrated part

2007 VB

**Radio
Figure 08A-310**

ITEM	PART NUMBER	QTY	LINE	SERIES	BODY	ENGINE	TRANS	TRIM	DESCRIPTION
1	06104574AA	2	2, 3, 6, 7	L		EG2, EXM	DGZ		SCREW, Tapping, Center Fill 4.8x16
2	68010542AA	1	2, 3, 6, 7	L		EG2, EXM	DGZ		SPEAKER, Center
3	05101166AA	1	2, 3, 6, 7	L		EG2, EXM	DGZ		CONNECTOR, Center Fill Speaker 2-PIN;H4/27
4									TERMINAL
	05103873AA	3	3, 7	L	03, 05	EG2, EXM	DGZ		
		3	2, 3, 6, 7	L	13, 15, 17, 53, 55	EG2, EXM	DGZ		
5									RADIO, AM/FM with CD
	68010518AA	1	2, 3, 6, 7	L		EG2, EXM	DGZ		With [RBV]
	68010520AA	1	2, 3, 6, 7	L		EG2, EXM	DGZ		With [RBE]
6	05101166AA	1	2, 3, 6, 7	L		EG2, EXM	DGZ		CONNECTOR, Additional Fan Operating Unit 2-PIN;M4/12
7									TERMINAL
	05103873AA	3	2, 3, 6, 7	L	13, 15, 17, 53, 55	EG2, EXM	DGZ		
		3	3, 7	L	03, 05	EG2, EXM	DGZ		
8	68010529AA	1	2, 3, 6, 7	L		EG2, EXM	DGZ		BRACKET, Operating Unit
9									TERMINAL
	05103873AA	3	3, 7	L	03, 05	EG2, EXM	DGZ		
		3	2, 3, 6, 7	L	13, 15, 17, 53, 55	EG2, EXM	DGZ		
10	05120717AA	1	2, 3, 6, 7	L	13, 15, 17, 53, 55	EG2, EXM	DGZ		CONNECTOR, CD Changer 3-PIN
11	68011188AA	1	2, 3, 6, 7	L		EG2, EXM	DGZ		CONNECTOR, CD Changer Most A2/6
12	68011088AA	1	2, 3, 6, 7	L		EG2, EXM	DGZ		COVER, CD Changer A2/6
13	68010533AA	1	2, 3, 6, 7	L		EG2, EXM	DGZ		PLAYER KIT, CD Changer - 6 Disc



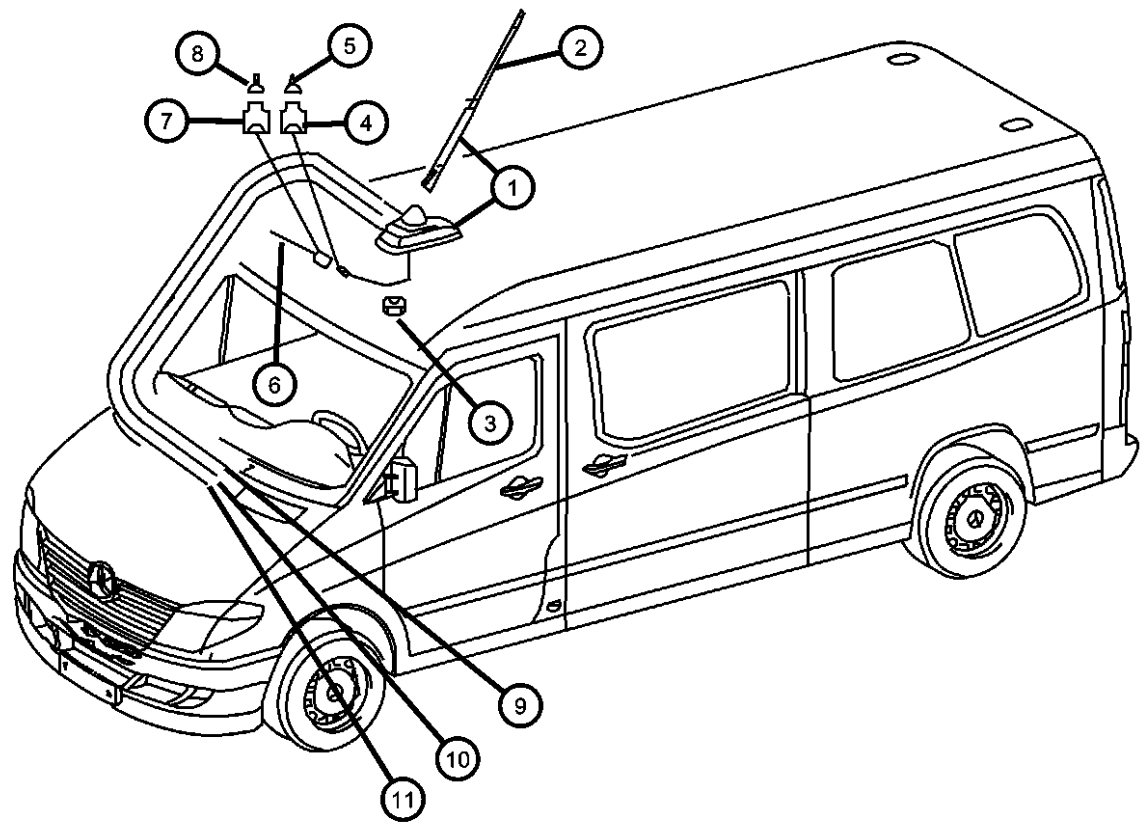
SPRINTER (VB)

SERIES	LINE	BODY	ENGINE	TRANSMISSION
L = LOWLINE	3 = HD DODGE 2WD 2 = Med. Duty DODGE 2WD	03 = CAB CHASSIS WHEEL BASE 3 05 = CAB CHASSIS WHEEL BASE 5 13 = 119 WB 53 = 119 WB 15 = VAN WHEEL BASE 5 55 = WAGON WHEEL BASE 5 17 = VAN WHEEL BASE 7	EG2 = 3.5L V6 Gas Engine EXM = 3.0L V6 Turbo Diesel Engine	DGZ = 5-Speed Auto W5A380 Transmission

AR = use ase required - = Non illustrated part

2007 VB

**Antenna
Figure 08A-320**



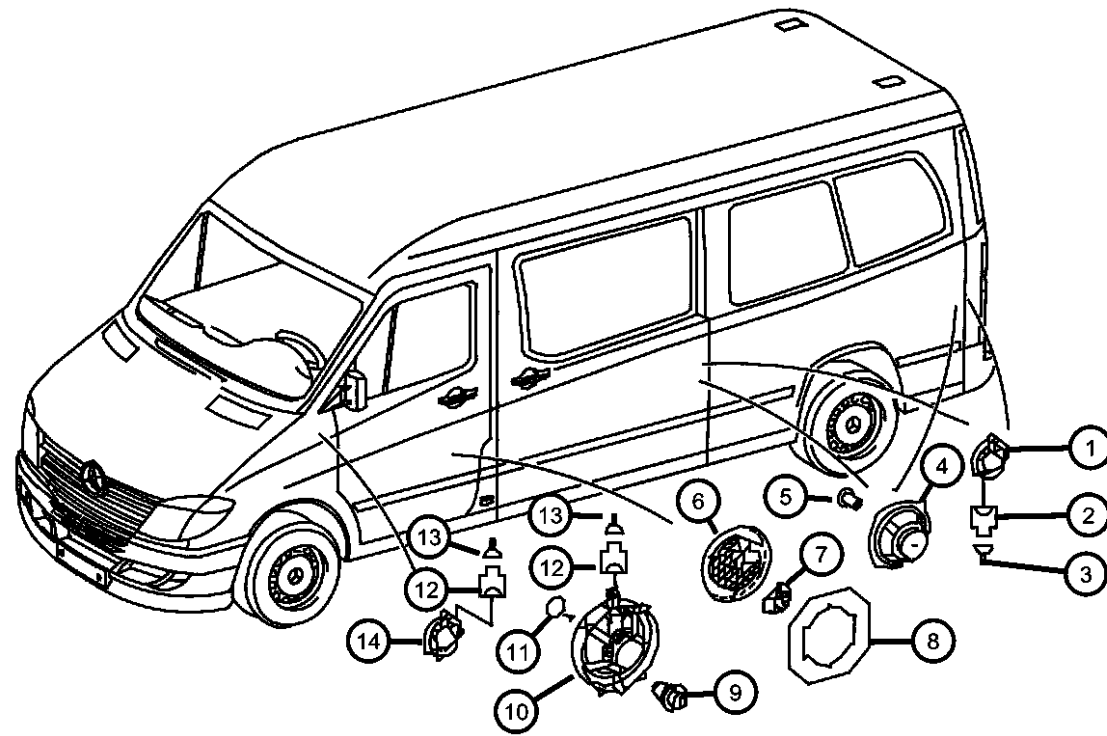
ITEM	PART NUMBER	QTY	LINE	SERIES	BODY	ENGINE	TRANS	TRIM	DESCRIPTION
1									ANTENNA
	68013417AA	1	2, 3, 6, 7	L		EG2, EXM	DGZ		With [RBV And Or RBE + XFV] Mobile Phone System
	68013419AA	1	2, 3, 6, 7	L		EG2, EXM	DGZ		[RBV Or RBE Or RA9] Radio / Mast & Base
	68013420AA	1	2, 3, 6, 7	L		EG2, EXM	DGZ		[RB4 Or RDK] [GPS] Global Positioning System / Mast & Base
2	68013421AA	1	2, 3, 6, 7	L		EG2, EXM	DGZ		MAST, Antenna
3									NUT
	68004878AA	1	3, 7	L	03, 05	EG2, EXM	DGZ		Antenna Base Mounting / [M6]
		1	2, 3, 6, 7	L	13, 15, 17, 53, 55	EG2, EXM	DGZ		Antenna Base Mounting / [M6]
	68013422AA	1	2, 3, 6, 7	L		EG2, EXM	DGZ		Antenna Base Mounting
4	05120685AA	1	2, 3, 6, 7	L		EG2, EXM	DGZ		INSULATOR, Antenna Amplifier / [1 Pin A2/18]
5	05120734AA	1	2, 3, 6, 7	L		EG2, EXM	DGZ		TERMINAL, Male, [1.0 - 2.5 MM2; A2/18]
6	68016034AA	1	2, 3, 6, 7	L	13, 15, 17, 53, 55	EG2, EXM	DGZ		CABLE, Antenna, Ground Connection Antenna With [MX2 Or MX1]
7	68011322AA	2	2, 3, 6, 7	L		EG2, EXM	DGZ		ISOLATOR, Antenna Amplifier [A2/18]
8	05103871AA	AR	2, 3, 6, 7	L		EG2, EXM	DGZ		TERMINAL, Female, [1.5 - 2.5 MM2; A2/18]
9	68011524AA	1	2, 3, 6, 7	L		EG2, EXM	DGZ		CABLE, Antenna, Operating Unit [3.643 MM]
10	68011558AA	1	3, 6, 7, 2	L		EG2, EXM	DGZ		CABLE, Antenna, Telephone Cable [3.559 MM]
11	68013437AA	1	2, 3, 6, 7	L		EG2, EXM	DGZ		CABLE, Antenna, [GPS] Global Positioning System [3.578 MM]

SPRINTER (VB)

SERIES	LINE	BODY	ENGINE	TRANSMISSION
L = LOWLINE	3 = HD DODGE 2WD 2 = Med. Duty DODGE 2WD	03 = CAB CHASSIS WHEEL BASE 3 05 = CAB CHASSIS WHEEL BASE 5 13 = 119 WB 53 = 119 WB 15 = VAN WHEEL BASE 5 55 = WAGON WHEEL BASE 5 17 = VAN WHEEL BASE 7	EG2 = 3.5L V6 Gas Engine EXM = 3.0L V6 Turbo Diesel Engine	DGZ = 5-Speed Auto W5A380 Transmission

AR = use ase required - = Non illustrated part

**Speakers
Figure 08A-330**



ITEM	PART NUMBER	QTY	LINE	SERIES	BODY	ENGINE	TRANS	TRIM	DESCRIPTION
1	68010541AA	4	2, 3, 6, 7	L		EG2, EXM	DGZ		SPEAKER, Rear
2	05101166AA	1	2, 3, 6, 7	L		EG2, EXM	DGZ		CONNECTOR
3									TERMINAL
	05103873AA	3	3, 7	L	03, 05	EG2, EXM	DGZ		
		3	2, 3, 6, 7	L	13, 15, 17, 53, 55	EG2, EXM	DGZ		
4	68013427AA	4	2, 3, 6, 7	L	53, 55	EG2, EXM	DGZ		SPEAKER, Rear
5	05133554AA	16	2, 3, 6, 7	L	13, 15, 17, 53, 55	EG2, EXM	DGZ		RIVET
6	1HB60XDVAA	4	2, 3, 6, 7	L	53, 55	EG2, EXM	DGZ		GRILLE, Speaker
7	1HB61XDVAA	1	2, 3, 6, 7	L	53, 55	EG2, EXM	DGZ		GRILLE, Speaker
8	68010291AA	1	2, 3, 6, 7	L	13, 15, 17, 53, 55	EG2, EXM	DGZ		REINFORCEMENT
9	68010062AA	8	3, 7	L		EG2, EXM	DGZ		RETAINER
10	68010059AA	2	3, 6, 7, 2	L		EG2, EXM	DGZ		SPEAKER, Front Door
11	68010063AA	8	2, 3, 6, 7	L		EG2, EXM	DGZ		SCREW, SCREW
12	05101166AA	1	2, 3, 6, 7	L		EG2, EXM	DGZ		CONNECTOR
13									TERMINAL
	05103873AA	3	3, 7	L	03, 05	EG2, EXM	DGZ		
		3	2, 3, 6, 7	L	13, 15, 17, 53, 55	EG2, EXM	DGZ		
14	68010541AA	4	2, 3, 6, 7	L		EG2, EXM	DGZ		SPEAKER, Rear
-15	68016759AA	2	2, 3, 6, 7	L		EG2, EXM	DGZ		CONNECTOR, Wiring, Speaker Contact [H4/83 / H4/80]

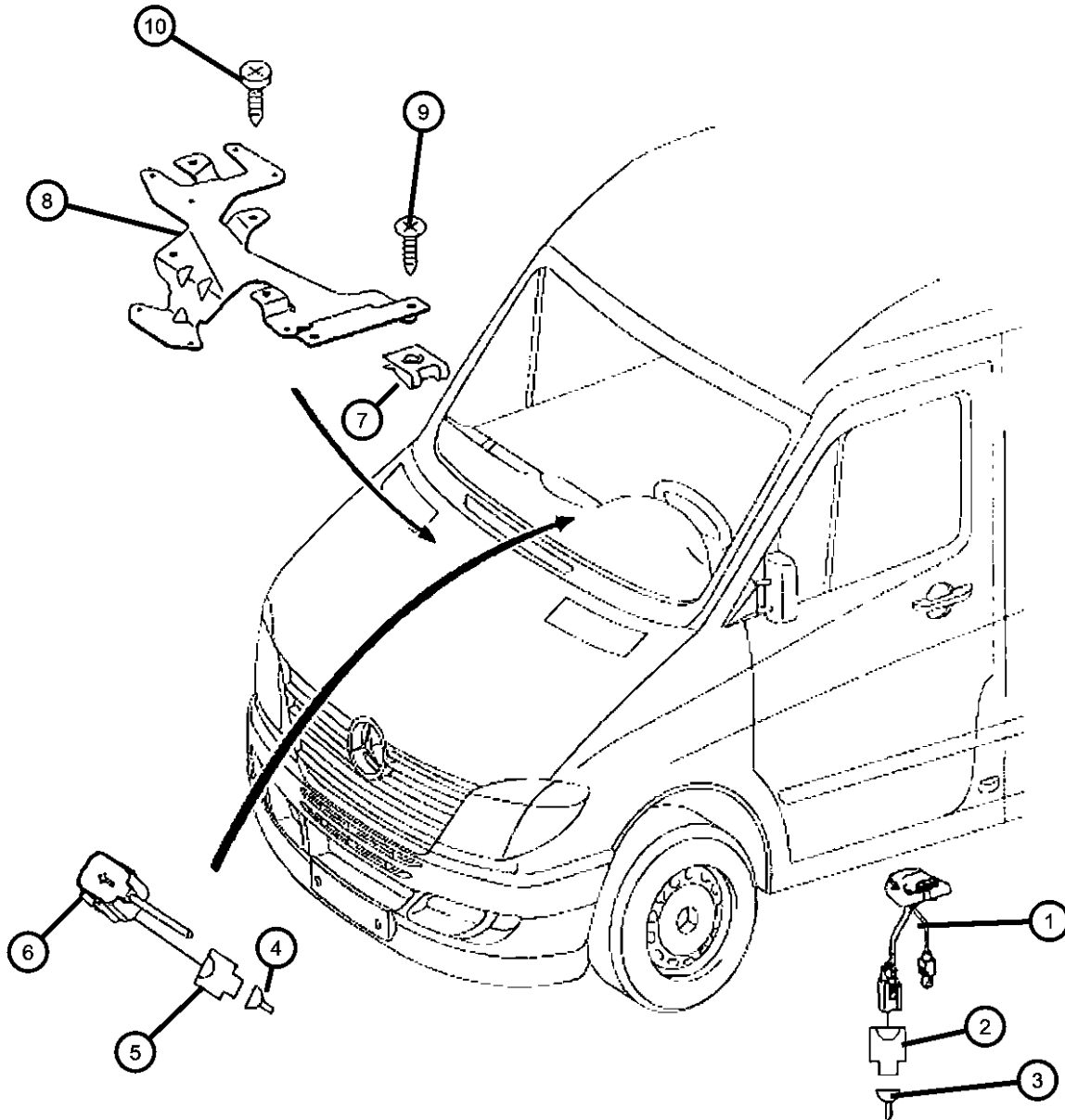
SPRINTER (VB)

SERIES	LINE	BODY	ENGINE	TRANSMISSION
L = LOWLINE	3 = HD DODGE 2WD 2 = Med. Duty DODGE 2WD	03 = CAB CHASSIS WHEEL BASE 3 05 = CAB CHASSIS WHEEL BASE 5 13 = 119 WB 53 = 119 WB 15 = VAN WHEEL BASE 5 55 = WAGON WHEEL BASE 5 17 = VAN WHEEL BASE 7	EG2 = 3.5L V6 Gas Engine EXM = 3.0L V6 Turbo Diesel Engine	DGZ = 5-Speed Auto W5A380 Transmission

AR = use ase required - = Non illustrated part

**Telecommunication / Car Phone
Figure 08A-340**

ITEM	PART NUMBER	QTY	LINE	SERIES	BODY	ENGINE	TRANS	TRIM	DESCRIPTION
1									PLATE, Intermediate
	68010539AA	1	3, 7	L	03, 05	EG2, EXM	DGZ		Mobile Phone Pre-Installation
		1	2, 3, 6, 7	L	53, 55, 13, 15, 17	EG2, EXM	DGZ		Mobile Phone Pre-Installation
2	68011378AA	1	7, 2, 3, 6	L		EG2, EXM	DGZ		CONNECTOR, CTEL Bracket 10-PIN;A34/7
3	68016758AA	AR	2, 3, 6, 7	L		EG2, EXM	DGZ		TERMINAL, 0.5 MM2;A34/7
4									TERMINAL
	05103873AA	3	3, 7	L	03, 05	EG2, EXM	DGZ		0.75 MM2 MQS;B25
		3	2, 3, 6, 7	L	13, 15, 17, 53, 55	EG2, EXM	DGZ		0.75 MM2 MQS;B25
5	05101166AA	1	2, 3, 6, 7	L		EG2, EXM	DGZ		CONNECTOR, Microphone Hands-Free System 2-PIN;B25
6	68010540AA	1	6, 7, 2, 3	L		EG2, EXM	DGZ		MICROPHONE, Audio
7									NUT, Spring
	68006573AA	3	3, 7	L	03, 05	EXM, EG2	DGZ		At Bracket
		3	2, 3, 6, 7	L	13, 15, 17, 53, 55	EG2, EXM	DGZ		At Bracket
8									BRACKET
	68010538AA	1	3, 7	L	03, 05	EG2, EXM	DGZ		Control Units
		1	2, 3, 6, 7	L	13, 15, 17, 53, 55	EG2, EXM	DGZ		Control Units
9	06104574AA	3	2, 3, 6, 7	L		EG2, EXM	DGZ		SCREW, Tapping, Bracket Mounting 4.8x16
10	06104566AA	4	2, 3, 6, 7	L	53, 55	EG2, EXM	DGZ		SCREW, Tapping, Plate to Console 4.2x13



SPRINTER (VB)

SERIES	LINE	BODY	ENGINE	TRANSMISSION
L = LOWLINE	3 = HD DODGE 2WD 2 = Med. Duty DODGE 2WD	03 = CAB CHASSIS WHEEL BASE 3 05 = CAB CHASSIS WHEEL BASE 5 13 = 119 WB 53 = 119 WB 15 = VAN WHEEL BASE 5 55 = WAGON WHEEL BASE 5 17 = VAN WHEEL BASE 7	EG2 = 3.5L V6 Gas Engine EXM = 3.0L V6 Turbo Diesel Engine	DGZ = 5-Speed Auto W5A380 Transmission

AR = use ase required - = Non illustrated part

2007 VB

Group - 9

Engine Mounting

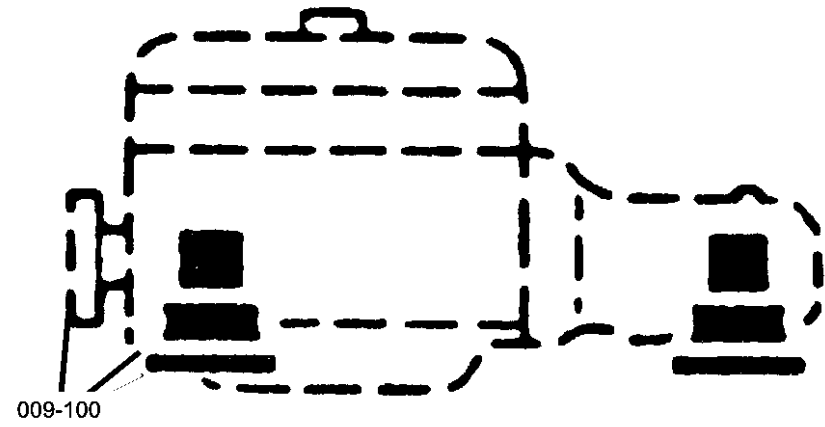
Group - 9 Engine Mounting

Illustration Title

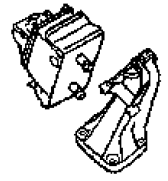
Group-Fig. No.

Engine Mounting

Engine Mount And Bracket.....	Fig. 9 - 110
Engine Mount And Bracket.....	Fig. 9 - 120
Transmission Mount And Bracket.....	Fig. 9 - 130



009-100

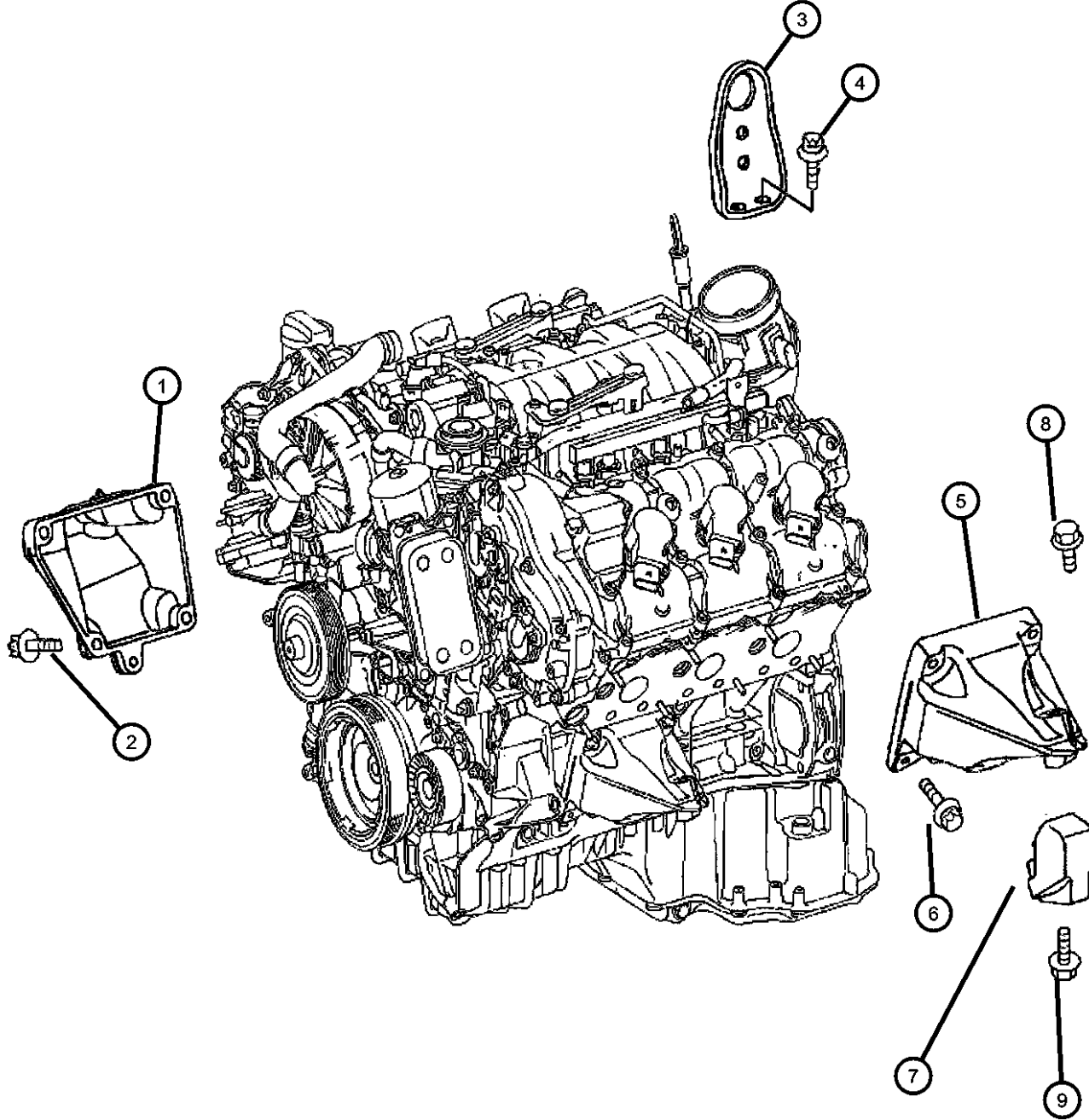
<p>009-100 Engine Mounting</p> 			
---	--	--	--

**Engine Mount And Bracket
Figure 9-110**

ITEM	PART NUMBER	QTY	LINE	SERIES	BODY	ENGINE	TRANS	TRIM	DESCRIPTION
------	-------------	-----	------	--------	------	--------	-------	------	-------------

NOTE:
Sales Code:
[DGZ]=5 Speed Automatic Transmission [W5A380]
[EG2]=3.5L V-6 Gas Engine [Mercedes Benz]

1	68013869AA	1	2, 6			EG2	DGZ		SUPPORT, Engine Right
		1	3, 7			EG2	DGZ		Right
2	05096986AA	4	2, 3, 6, 7			EG2	DGZ		BOLT
3	68013870AA	2	2, 3, 6, 7			EG2	DGZ		EYE, Tow
4	68013871AA	4	2, 3, 6, 7			EG2	DGZ		SCREW
5	68013868AA	1	2, 6			EG2	DGZ		SUPPORT, Engine Left
		1	3, 7			EG2	DGZ		Left
6	05096986AA	4	2, 3, 6, 7			EG2	DGZ		BOLT
7	68005194AA	2	2, 3, 6, 7			EG2	DGZ		BRACKET AND INSULATOR, Engine MountingRight & Left
8	06104041AA	2	2, 3, 6, 7		EG2, EXM		DGZ		SCREW, [M10x16], Right And Left, Lower
9	06104223AA	2	3, 7		EG2, EXM		DGZ		BOLT, [M10x65], Right & Left, Upper



SPRINTER (VB)
SERIES LINE
L = LOWLINE 3 = HD DODGE 2WD
 2 = Med. Duty DODGE 2WD

BODY	ENGINE	TRANSMISSION
03 = CAB CHASSIS WHEEL BASE 3	EG2 = 3.5L V6 Gas Engine	DGZ = 5-Speed Auto W5A380 Transmission
05 = CAB CHASSIS WHEEL BASE 5	EXM = 3.0L V6 Turbo Diesel Engine	
13 = 119 WB		
53 = 119 WB		
15 = VAN WHEEL BASE 5		
55 = WAGON WHEEL BASE 5		
17 = VAN WHEEL BASE 7		

AR = use ase required - = Non illustrated part

2007 VB

**Engine Mount And Bracket
Figure 9-120**

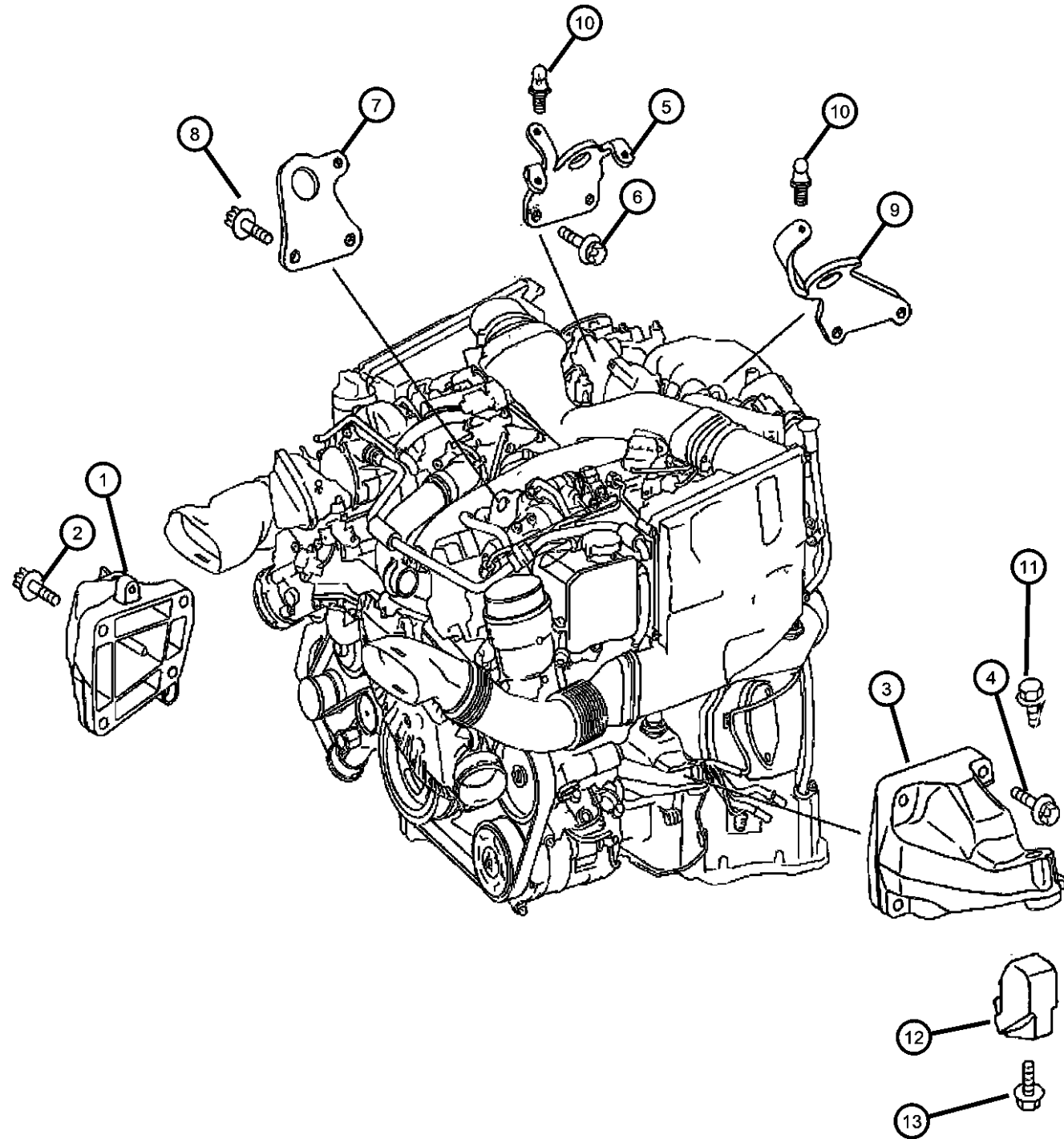
ITEM	PART NUMBER	QTY	LINE	SERIES	BODY	ENGINE	TRANS	TRIM	DESCRIPTION
1	68006041AA	1	2, 3, 6, 7			EXM	DGZ		SUPPORT, Engine
2	06104028AA	1	2, 3, 6, 7			EXM	DGZ		SCREW, [M8x42]
3	68006050AA	1	2, 3, 6, 7			EXM	DGZ		SUPPORT, Engine
4	06104028AA	1	2, 3, 6, 7			EXM	DGZ		SCREW, [M8x45]
5	68006052AA	1	2, 3, 6, 7			EXM	DGZ		RING
6	05073701AA	2	2, 3, 6, 7			EXM	DGZ		SCREW, [M7x20]
7	68006053AA	1	2, 3, 6, 7			EXM	DGZ		RING
8	05073701AA	2	2, 3, 6, 7			EXM	DGZ		SCREW, [M7x20]
9	68003536AA	1	2, 3, 6, 7			EXM	DGZ		BRACKET, Engine Lift
10	05179385AA	6	2, 3, 6, 7			EXM	DGZ		PIN, Locating, Engine Cover
11	06104041AA	2	2, 3, 6, 7			EG2, EXM	DGZ		SCREW, [M10x16], Right or Left, Lower
12	68005193AA	2	2, 3, 6, 7			EXM	DGZ		BRACKET AND INSULATOR, Engine Mounting Right & Left
13	06104223AA	2	2, 3, 6, 7			EG2, EXM	DGZ		BOLT, [M10x65], Right or Left, Upper

NOTES:

Sales Code:

[DGZ]=5 Speed Automatic Transmission [W5A380]

[EXM] = 3.0L V6 Turbo Diesel Engine



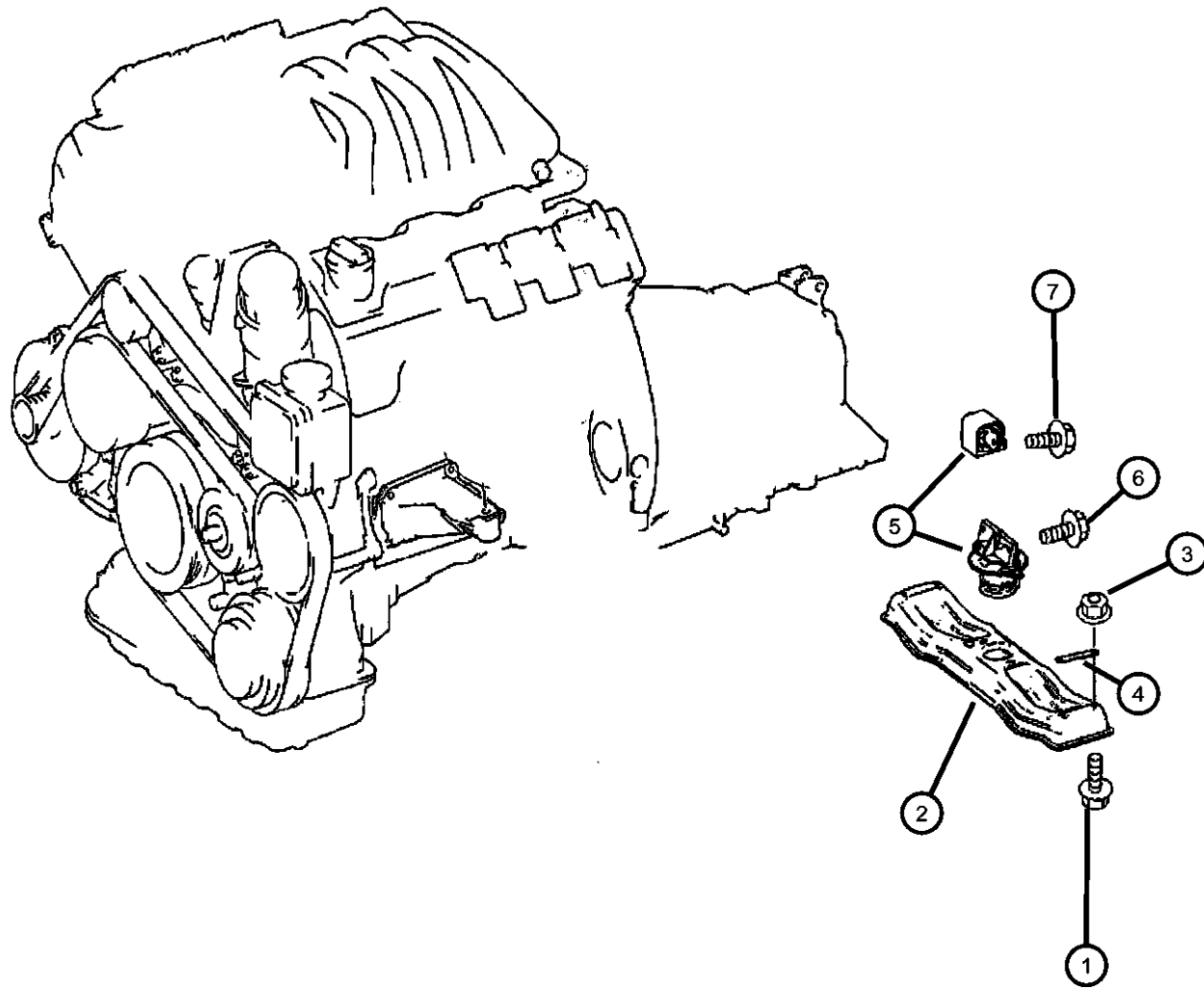
SPRINTER (VB)

SERIES LINE
L = LOWLINE 3 = HD DODGE 2WD
 2 = Med. Duty DODGE 2WD

BODY	ENGINE	TRANSMISSION
03 = CAB CHASSIS WHEEL BASE 3	EG2 = 3.5L V6 Gas Engine	DGZ = 5-Speed Auto W5A380 Transmission
05 = CAB CHASSIS WHEEL BASE 5	EXM = 3.0L V6 Turbo Diesel Engine	
13 = 119 WB		
53 = 119 WB		
15 = VAN WHEEL BASE 5		
55 = WAGON WHEEL BASE 5		
17 = VAN WHEEL BASE 7		

AR = use ase required - = Non illustrated part

**Transmission Mount And Bracket
Figure 9-130**



ITEM	PART NUMBER	QTY	LINE	SERIES	BODY	ENGINE	TRANS	TRIM	DESCRIPTION
1	06104222AA	4	2, 3, 6, 7			EG2, EXM	DGZ		BOLT, Hex Flange Head, [M10x60]
2	68013724AA	1	3, 7			EG2, EXM	DGZ		SUPPORT
	68013734AA	1	2, 6			EG2, EXM	DGZ		
3	06105170AA	2	2, 3, 6, 7			EG2, EXM	DGZ		NUT
4	68013726AA	2	2, 3, 6, 7			EG2, EXM	DGZ		REINFORCEMENT, Bolt Support Brace
5	68013684AA	1	3, 7			EG2, EXM	DGZ		RUBBER, RUBBER-MOUNT
	68013685AA	1	2, 6			EG2, EXM	DGZ		
6	05097692AA	4	2, 6			EG2, EXM	DGZ		SCREW, M8x20, [M8x20]
7	06104215AA	2	3, 7			EG2, EXM	DGZ		BOLT [M10x25]
		2	2, 3, 6, 7			EG2, EXM	DGZ		[M10x25]

SPRINTER (VB)

SERIES LINE
L = LOWLINE 3 = HD DODGE 2WD
 2 = Med. Duty DODGE 2WD

BODY
03 = CAB CHASSIS WHEEL
BASE 3
05 = CAB CHASSIS WHEEL
BASE 5
13 = 119 WB
53 = 119 WB
15 = VAN WHEEL BASE 5
55 = WAGON WHEEL BASE 5
17 = VAN WHEEL BASE 7

ENGINE
EG2 = 3.5L V6 Gas Engine
EXM = 3.0L V6 Turbo Diesel
Engine

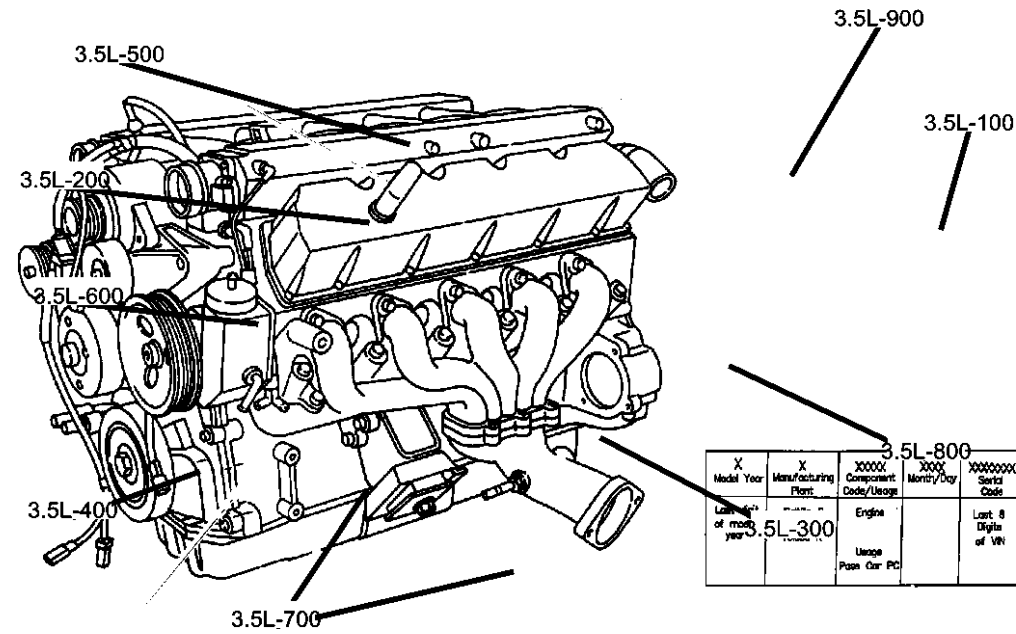
TRANSMISSION
DGZ = 5-Speed Auto W5A380
Transmission

AR = use ase required - = Non illustrated part

2007 VB

Group - 3.5L

Engine 3.5L Six Cylinder

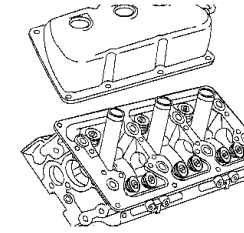


X Model Year	X Manufacturing Plant	XXXXX Component Code/Usage	XXXX Month/Day	XXXXXXXX Serial Code
Last digit of model year	Sattilo S Trenton T Tokoo K	Engine 3.5L - 3.5L Usage Pass Car PC Truck T		Last 8 Digits of VIN

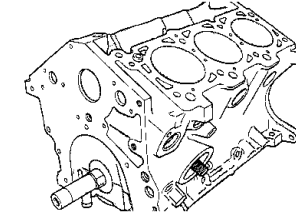
3.5L-100 Engine Identification

X Model Year	X Manufacturing Plant	XXXXX Component Code/Usage	XXXX Month/Day	XXXXXXXX Serial Code
Last digit of model year	Sattilo S Trenton T Tokoo K	Engine 3.5L - 3.5L Usage Pass Car PC Truck T		Last 8 Digits of VIN

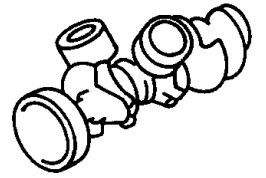
3.5L-200 Cylinder Head



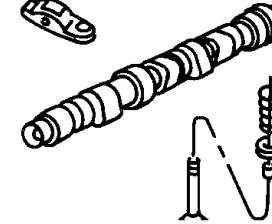
3.5L-300 Cylinder Block



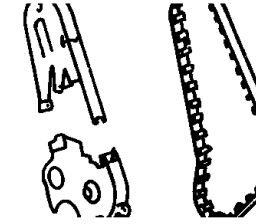
3.5L-400 Crankshaft, Piston and Driveplate



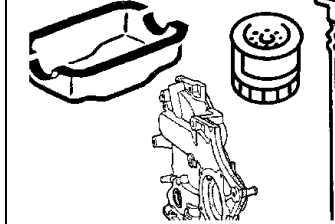
3.5L-500 Camshafts & Valves



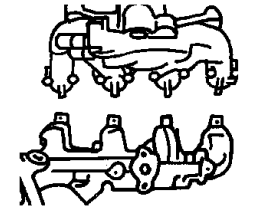
3.5L-600 Timing Belt and Cover



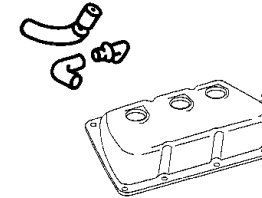
3.5L-700 Engine Oiling



3.5L-800 Manifolds



3.5L-900 Crankcase Ventilation



Group - 3.5L Engine 3.5L Six Cylinder

Illustration Title	Group-Fig. No.
Engine Identification	
Engine Identification & Engine Assembly	Fig. 3.5L - 110
Cylinder Head	
Cylinder Head	Fig. 3.5L - 210
Cylinder Block	
Cylinder Block	Fig. 3.5L - 310
Crankshaft, Piston and Driveplate	
Crankshaft & Bearings	Fig. 3.5L - 410
Piston & Connecting Rod	Fig. 3.5L - 420
Balance Shaft	Fig. 3.5L - 430
Camshafts & Valves	
Camshaft & Camshaft Gears	Fig. 3.5L - 510
Intake & Exhaust Valves	Fig. 3.5L - 520
Timing Chain & Adjuster	Fig. 3.5L - 530
Timing Case	Fig. 3.5L - 540
Timing Belt and Cover	
Timing Chain & Adjuster	Fig. 3.5L - 610
Engine Oiling	
Oil Pump	Fig. 3.5L - 710
Engine Oil Pan & Engine Oil Level Indicator [EG2]	Fig. 3.5L - 720
Oil Filter & Oil Cooler	Fig. 3.5L - 730
Manifolds	
Intake Manifold	Fig. 3.5L - 810
Exhaust Manifold	Fig. 3.5L - 820
Crankcase Ventilation	
Engine Ventilation	Fig. 3.5L - 910

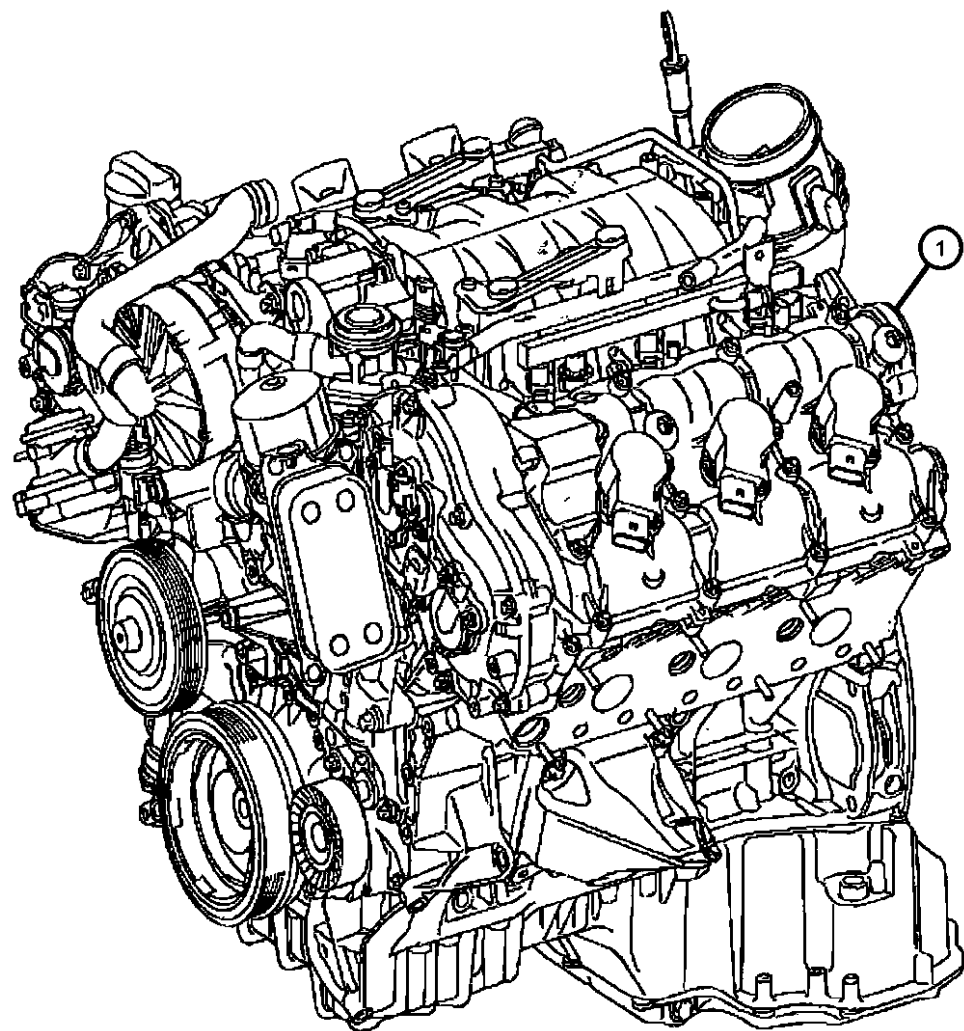
**Engine Identification & Engine Assembly
Figure 3.5L-110**

ITEM	PART NUMBER	QTY	LINE	SERIES	BODY	ENGINE	TRANS	TRIM	DESCRIPTION
------	-------------	-----	------	--------	------	--------	-------	------	-------------

NOTE: "The New Replacement Engine Will Have A Different Upper, Lower Oil Pan And Vibration Damper. These Parts Must Be Removed From The Sales Codes:

[DGZ]=5 Speed Automatic Transmission [W5A380]
[EG2]=3.5L V-6 Gas Engine - [Mercedes Benz]

1	68013133AA	1	2, 3, 6, 7			EG2	DGZ		ENGINE, Complete, See Note
---	------------	---	------------	--	--	-----	-----	--	----------------------------



SPRINTER (VB)

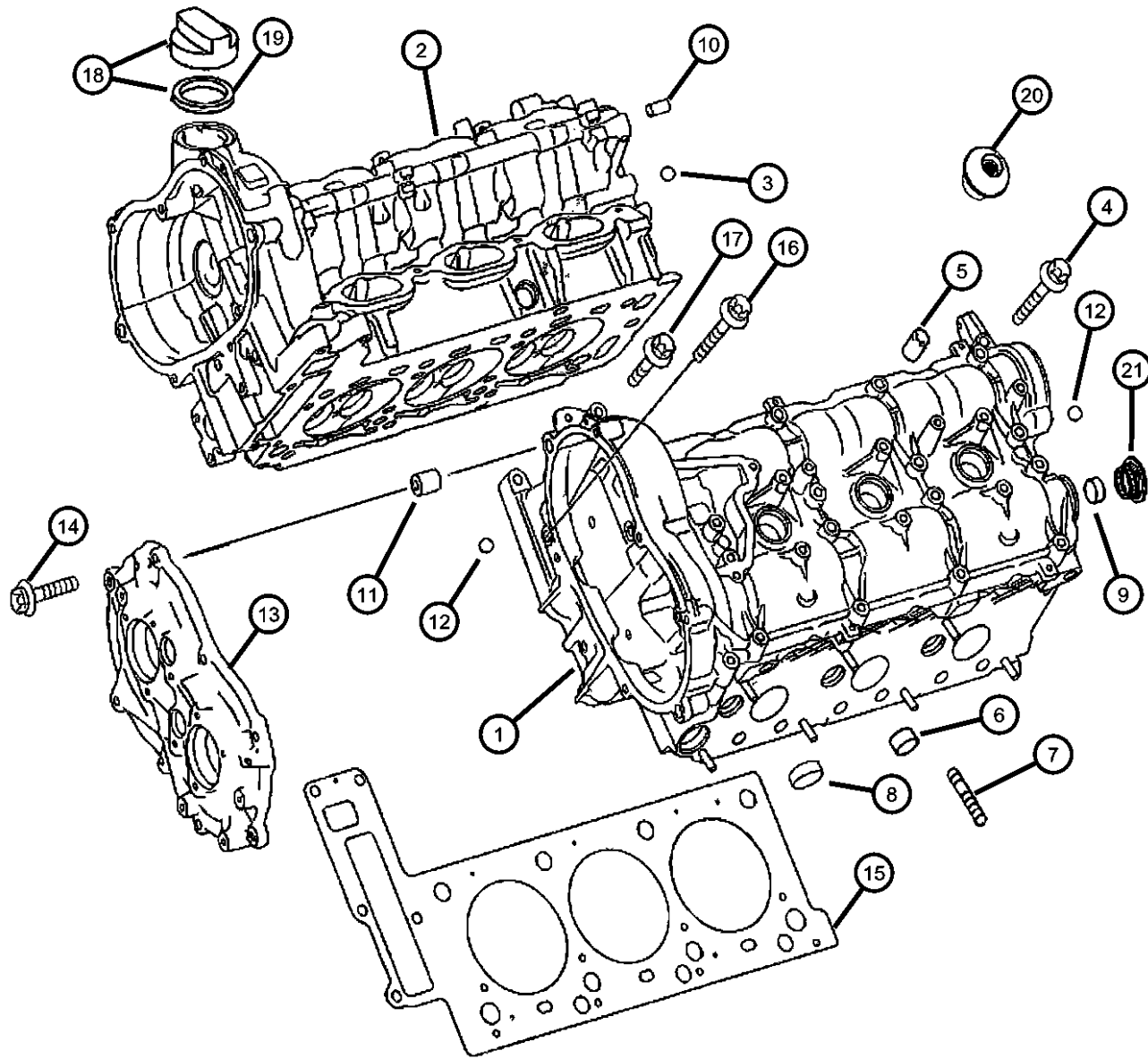
SERIES	LINE	BODY	ENGINE	TRANSMISSION
L = LOWLINE	3 = HD DODGE 2WD 2 = Med. Duty DODGE 2WD	03 = CAB CHASSIS WHEEL BASE 3 05 = CAB CHASSIS WHEEL BASE 5 13 = 119 WB 53 = 119 WB 15 = VAN WHEEL BASE 5 55 = WAGON WHEEL BASE 5 17 = VAN WHEEL BASE 7	EG2 = 3.5L V6 Gas Engine EXM = 3.0L V6 Turbo Diesel Engine	DGZ = 5-Speed Auto W5A380 Transmission

AR = use ase required - = Non illustrated part

2007 VB

**Cylinder Head
Figure 3.5L-210**

ITEM	PART NUMBER	QTY	LINE	SERIES	BODY	ENGINE	TRANS	TRIM	DESCRIPTION
NOTE: Sales Codes: [DGZ]=5 Speed Automatic Transmission [W5A380] [EG2]=3.5L V-6 Gas Engine - [Mercedes Benz]									
1	68005676AA	1	2, 3, 6, 7			EG2	DGZ		HEAD, Cylinder, Left
2	68005627AA	1	2, 3, 6, 7			EG2	DGZ		HEAD, Cylinder, Right
3	05080045AA	1	2, 3, 6, 7			EG2	DGZ		BALL
4	05073688AB	18	2, 3, 6, 7			EG2	DGZ		BOLT, [M7x40], Right & Left
5	68005643AA	2	2, 3, 6, 7			EG2	DGZ		PIN, Dowel, Valve Cover To Cylinder Head, Right & Left
6	05098815AA	8	2, 3, 6, 7			EG2	DGZ		PLUG, Coolant Core Plug
7	05099276AA	7	2, 3, 6, 7			EG2	DGZ		STUD, Exhaust Manifold To Head, Right & Left
8	05098818AA	1	2, 3, 6, 7			EG2	DGZ		PLUG, Expansion
9	05098815AA	2	2, 3, 6, 7			EG2	DGZ		PLUG
10	68005645AA	2	2, 3, 6, 7			EG2	DGZ		PIN, Dowel
11	05097092AA	2	2, 3, 6, 7			EG2	DGZ		PIN, Dowel
12	05080045AA	2	2, 3, 6, 7			EG2	DGZ		BALL, Oil Duct & Timing Chain Cover
13									COVER, Timing Belt
	68005647AA	1	2, 3, 6, 7			EG2	DGZ		Left
	68005682AA	1	2, 3, 6, 7			EG2	DGZ		Right
14	06104008AA	7	2, 3, 6, 7			EG2	DGZ		SCREW
15									GASKET, Cylinder Head, Left
	68005671AA	1	2, 3, 6, 7			EG2	DGZ		Right
	68005687AA	1	2, 3, 6, 7			EG2	DGZ		Left
16	68005672AA	8	2, 3, 6, 7			EG2	DGZ		BOLT, Cylinder Head To Block
17	68005673AA	2	2, 3, 6, 7			EG2	DGZ		SCREW
18	05175447AA	1	2, 3, 6, 7			EG2	DGZ		CAP, Oil Filler
19	05080088AA	1	2, 3, 6, 7			EG2	DGZ		SEAL, Oil Fill Cap
20	05101527AA	4	2, 3, 6, 7			EG2	DGZ		GROMMET
21	68005669AA	2	2, 3, 6, 7			EG2	DGZ		PLUG, Expansion



SPRINTER (VB)

SERIES	LINE	BODY	ENGINE	TRANSMISSION
L = LOWLINE	3 = HD DODGE 2WD 2 = Med. Duty DODGE 2WD	03 = CAB CHASSIS WHEEL BASE 3 05 = CAB CHASSIS WHEEL BASE 5 13 = 119 WB 53 = 119 WB 15 = VAN WHEEL BASE 5 55 = WAGON WHEEL BASE 5 17 = VAN WHEEL BASE 7	EG2 = 3.5L V6 Gas Engine EXM = 3.0L V6 Turbo Diesel Engine	DGZ = 5-Speed Auto W5A380 Transmission

AR = use ase required - = Non illustrated part

Cylinder Block Figure 3.5L-310

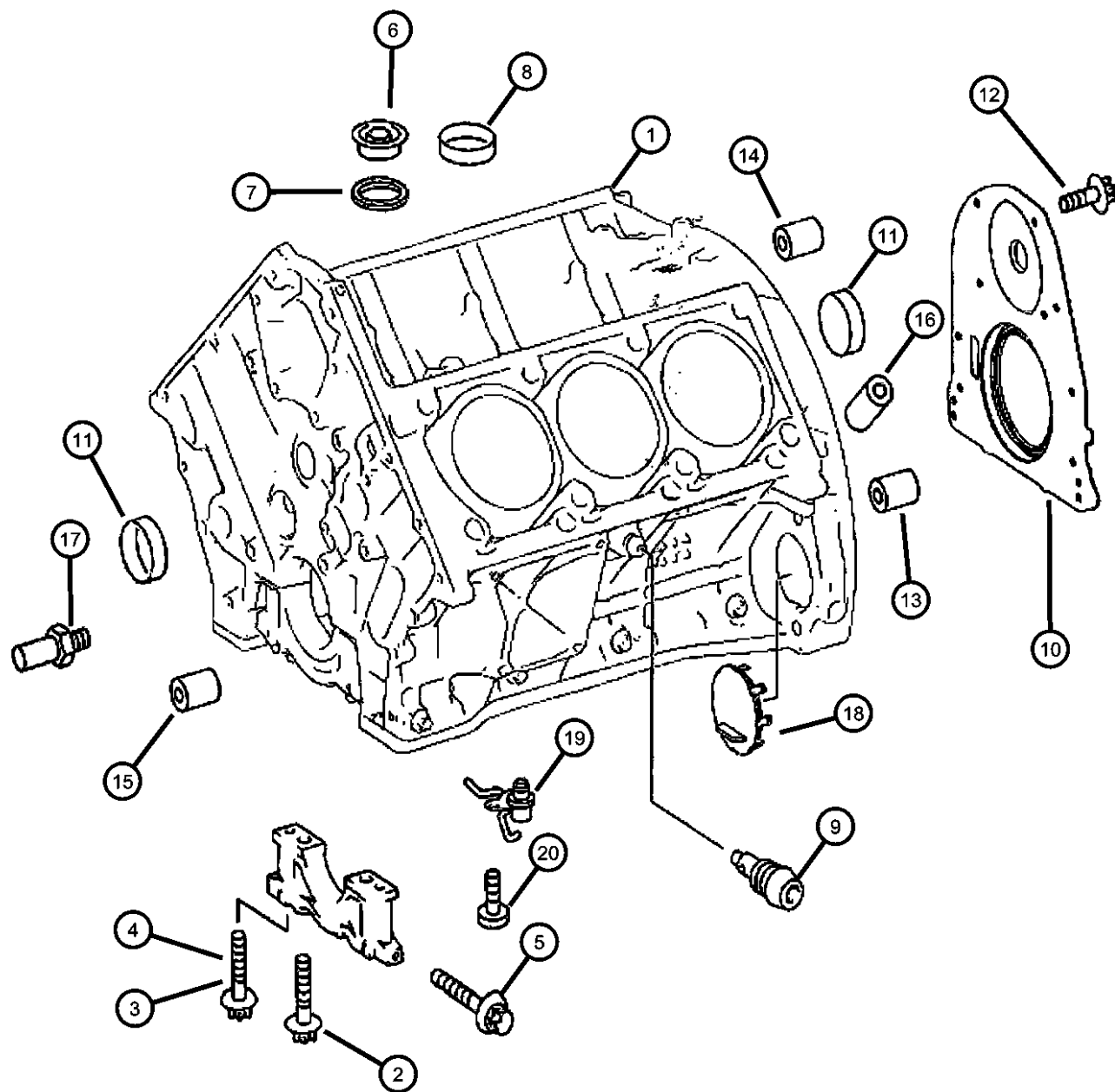
ITEM	PART NUMBER	QTY	LINE	SERIES	BODY	ENGINE	TRANS	TRIM	DESCRIPTION
------	-------------	-----	------	--------	------	--------	-------	------	-------------

NOTE: If Engine Block Is Damage Or Short Block Is Needed, Complete Engine Must Be Ordered. Short Block Is Not Serviced.

Sales Codes:

[DGZ]=5 Speed Automatic Transmission [W5A380]

[EG2]=3.5L V-6 Gas Engine - [Mercedes Benz]



1	68005669AA	2							BLOCK, Engine Cylinder, See Note, (NOT SERVICED)
2	05096962AA	8	2, 3, 6, 7			EG2	DGZ		BOLT, Main Bearing Cap, [M10X90 - 8.8]
3	05096961AA	8	2, 3, 6, 7			EG2	DGZ		BOLT, Main Bearing Cap, [M8X75 - 8.8]
4	05098813AA	6	2, 3, 6, 7			EG2	DGZ		BOLT, [M8X40 - 10.9]
5	68005187AA	2	2, 3, 6, 7			EG2	DGZ		BOLT, [M8X70 - 10.9]
6	05073837AA	1	2, 3, 6, 7			EG2	DGZ		PLUG, Screw, Cylinder Block
7	05101157AA	1	2, 3, 6, 7			EG2	DGZ		O RING
8	05073860AA	2	2, 3, 6, 7			EG2	DGZ		PLUG, Expansion, Expansion Plug To Oil Passage
9	05097164AA	2	2, 3, 6, 7			EG2	DGZ		PLUG, Drain, Coolant Drain Plug In Block
10	68013857AA	1	2, 3, 6, 7			EG2	DGZ		RETAINER, Crankshaft Rear Oil Seal
11	05098815AA	2	2, 3, 6, 7			EG2	DGZ		PLUG, Rear Block Expansion Plug
12	06104075AA	11	2, 3, 6, 7			EG2	DGZ		BOLT, Cover To Block [M6x12]
13	05099279AA	2	2, 3, 6, 7			EG2	DGZ		DOWEL PIN
14	05097167AA	2	2, 3, 6, 7			EG2	DGZ		DOWEL PIN
15	05097092AA	2	2, 3, 6, 7			EG2	DGZ		PIN, Dowel
16	05097166AA	4	2, 3, 6, 7			EG2	DGZ		PIN, Dowel
17	05098422AA	4	2, 3, 6, 7			EG2	DGZ		PIN, Belt Tensioner
18	68013692AA	1	2, 3, 6, 7			EG2	DGZ		COVER
19	68013867AA	3	2, 3, 6, 7			EG2	DGZ		JET, Piston Oil Cooler
20	68006033AA	3	2, 3, 6, 7			EG2	DGZ		BOLT, [M6x16.5MM]

SPRINTER (VB)

SERIES LINE
L = LOWLINE 3 = HD DODGE 2WD
 2 = Med. Duty DODGE 2WD

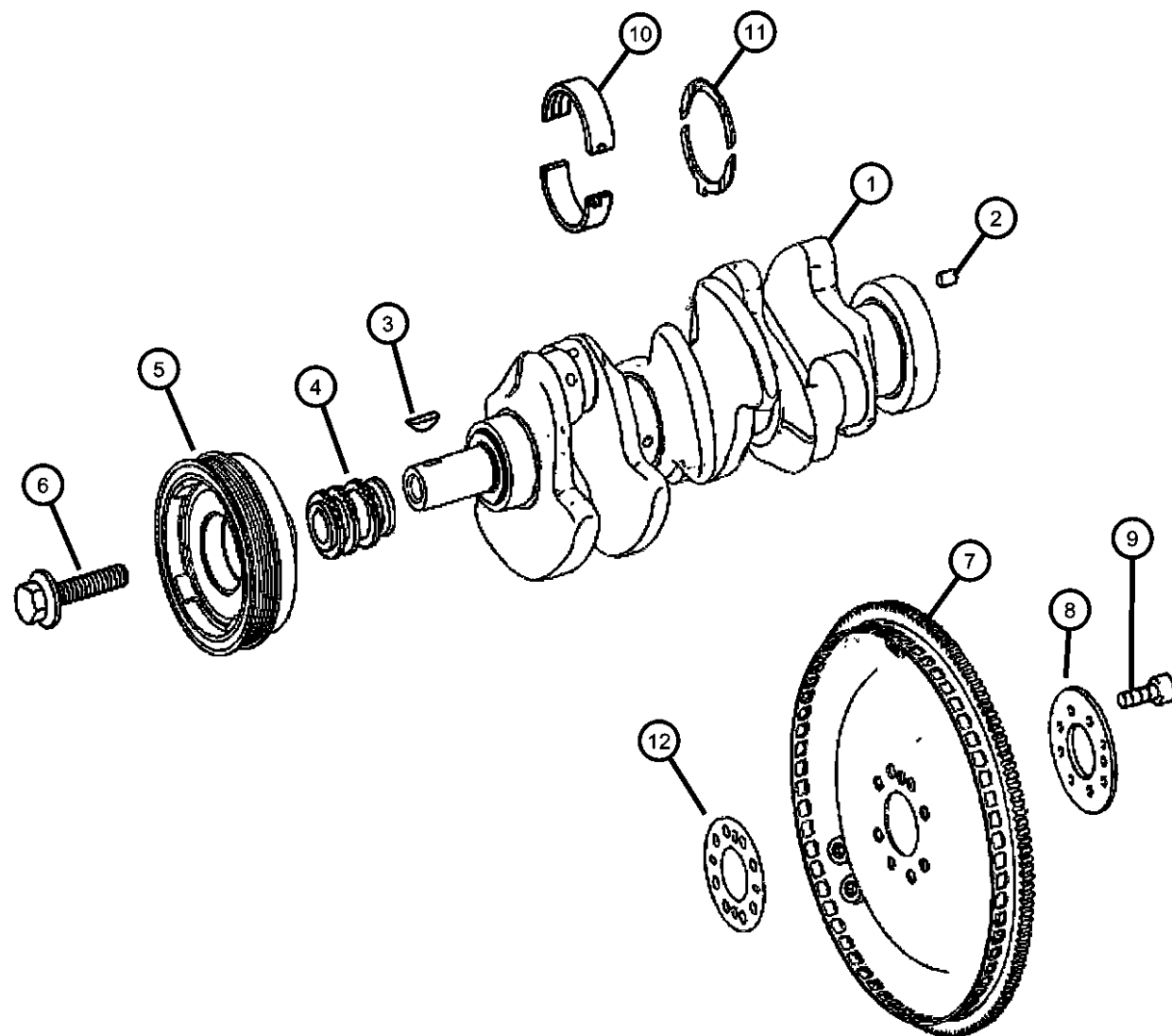
BODY ENGINE
03 = CAB CHASSIS WHEEL EG2 = 3.5L V6 Gas Engine
BASE 3 EXM = 3.0L V6 Turbo Diesel
05 = CAB CHASSIS WHEEL Engine
BASE 5
13 = 119 WB
53 = 119 WB
15 = VAN WHEEL BASE 5
55 = WAGON WHEEL BASE 5
17 = VAN WHEEL BASE 7

TRANSMISSION
DGZ = 5-Speed Auto W5A380
Transmission

AR = use ase required - = Non illustrated part

2007 VB

Crankshaft & Bearings Figure 3.5L-410



ITEM	PART NUMBER	QTY	LINE	SERIES	BODY	ENGINE	TRANS	TRIM	DESCRIPTION
------	-------------	-----	------	--------	------	--------	-------	------	-------------

NOTE: Bearings Only Serviced By Color, Standard Size Only. Please Refer To Service Manual For Additional Information. If Crankshaft Is Damaged Sales Codes:

[DGZ]=5 Speed Automatic Transmission [W5A380]
[EG2]=3.5L V-6 Gas Engine - [Mercedes Benz]

1	68005554AA	1	2, 3, 6, 7			EG2	DGZ		CRANKSHAFT
2	05080024AA	1	2, 3, 6, 7			EG2	DGZ		DOWEL PIN
3	05101484AA	1	2, 3, 6, 7			EG2	DGZ		KEY, Woodruff
4	68005557AA	1	2, 3, 6, 7			EG2	DGZ		SPROCKET, Crankshaft
5	68005278AA	1	2, 3, 6, 7			EG2	DGZ		DAMPER, Crankshaft
6	05098411AA	1	2, 3, 6, 7			EG2	DGZ		BOLT, Hex Head
7	68005618AA	1	2, 3, 6, 7			EG2	DGZ		FLEX PLATE
8	05139838AA	1	2, 3, 6, 7			EG2	DGZ		PLATE, Flexplate Backing
9	05159260AA	8	2, 3, 6, 7			EG2	DGZ		SCREW, [10x1x18.5]
10									BEARING, Crankshaft
	04862608AA	3	2, 3, 6, 7			EG2	DGZ		Color [Blue]
	04862609AA	3	2, 3, 6, 7			EG2	DGZ		Color [Yellow]
	04862610AA	3	2, 3, 6, 7			EG2	DGZ		Color [Red]
11									THRUST BEARING
	68005567AA	2	2, 3, 6, 7			EG2	DGZ		Upper
	68005569AA	2	2, 3, 6, 7			EG2	DGZ		Lower
12	68005616AA	1	2, 3, 6, 7			EG2	DGZ		PLATE, Flexplate Backing

SPRINTER (VB)

SERIES	LINE	BODY	ENGINE	TRANSMISSION
L = LOWLINE	3 = HD DODGE 2WD 2 = Med. Duty DODGE 2WD	03 = CAB CHASSIS WHEEL BASE 3 05 = CAB CHASSIS WHEEL BASE 5 13 = 119 WB 53 = 119 WB 15 = VAN WHEEL BASE 5 55 = WAGON WHEEL BASE 5 17 = VAN WHEEL BASE 7	EG2 = 3.5L V6 Gas Engine EXM = 3.0L V6 Turbo Diesel Engine	DGZ = 5-Speed Auto W5A380 Transmission

AR = use ase required - = Non illustrated part

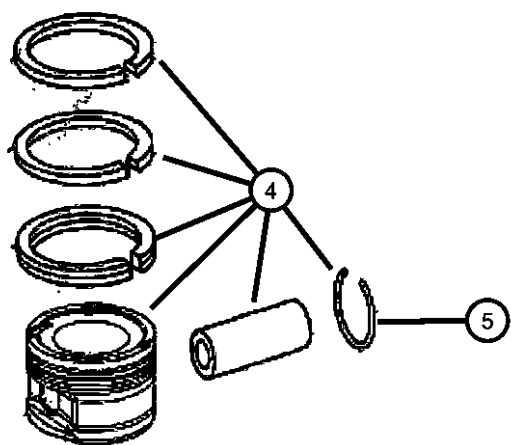
2007 VB

**Piston & Connecting Rod
Figure 3.5L-420**

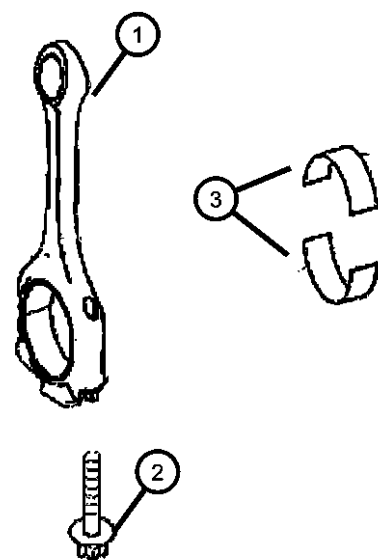
ITEM	PART NUMBER	QTY	LINE	SERIES	BODY	ENGINE	TRANS	TRIM	DESCRIPTION
------	-------------	-----	------	--------	------	--------	-------	------	-------------

NOTE: Piston & Rings Are Only Serviced Standard Size. Size Listed In Catalog. If Cylinder Bore Is Larger Than Size Listed For Pistons Service Parts Sales Codes:

[DGZ]=5 Speed Automatic Transmission [W5A380]
[EG2]=3.5L V-6 Gas Engine - [Mercedes Benz]



1	68005585AA	6	2, 3, 6, 7			EG2	DGZ		ROD, Connecting
2	68005588AA	12	2, 3, 6, 7			EG2	DGZ		BOLT, Connecting Rod
3	68005594AA	6	2, 3, 6, 7			EG2	DGZ		BEARING KIT, Connecting Rod
4									PISTON, See Note:
	68005595AA	6	2, 3, 6, 7			EG2	DGZ		Cylinder Bore Size [92.9 MM]
	68028234AA	6	2, 3, 6, 7			EG2	DGZ		Cylinder Bore Size [93.0 MM]
5	05098880AA	3	2, 3, 6, 7			EG2	DGZ		RING



SPRINTER (VB)

SERIES	LINE	BODY	ENGINE	TRANSMISSION
L = LOWLINE	3 = HD DODGE 2WD 2 = Med. Duty DODGE 2WD	03 = CAB CHASSIS WHEEL BASE 3 05 = CAB CHASSIS WHEEL BASE 5 13 = 119 WB 53 = 119 WB 15 = VAN WHEEL BASE 5 55 = WAGON WHEEL BASE 5 17 = VAN WHEEL BASE 7	EG2 = 3.5L V6 Gas Engine EXM = 3.0L V6 Turbo Diesel Engine	DGZ = 5-Speed Auto W5A380 Transmission

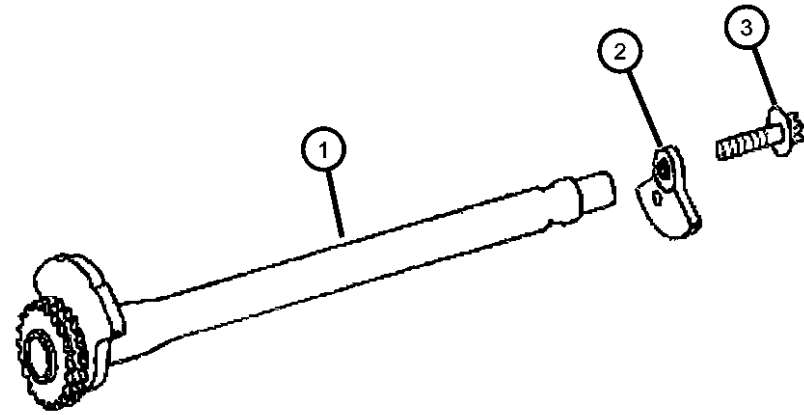
AR = use ase required - = Non illustrated part

2007 VB

**Balance Shaft
Figure 3.5L-430**

ITEM	PART NUMBER	QTY	LINE	SERIES	BODY	ENGINE	TRANS	TRIM	DESCRIPTION
1	68005572AA	1	2, 3, 6, 7			EG2	DGZ		SHAFT, Balance
2	68005580AA	1	2, 3, 6, 7			EG2	DGZ		COUNTERWEIGHT, Balance shaft
3	68005581AA	1	2, 3, 6, 7			EG2	DGZ		SCREW

NOTE:
Sales Codes:
[DGZ]=5 Speed Automatic Transmission [W5A380]
[EG2]=3.5L V-6 Gas Engine - [Mercedes Benz]

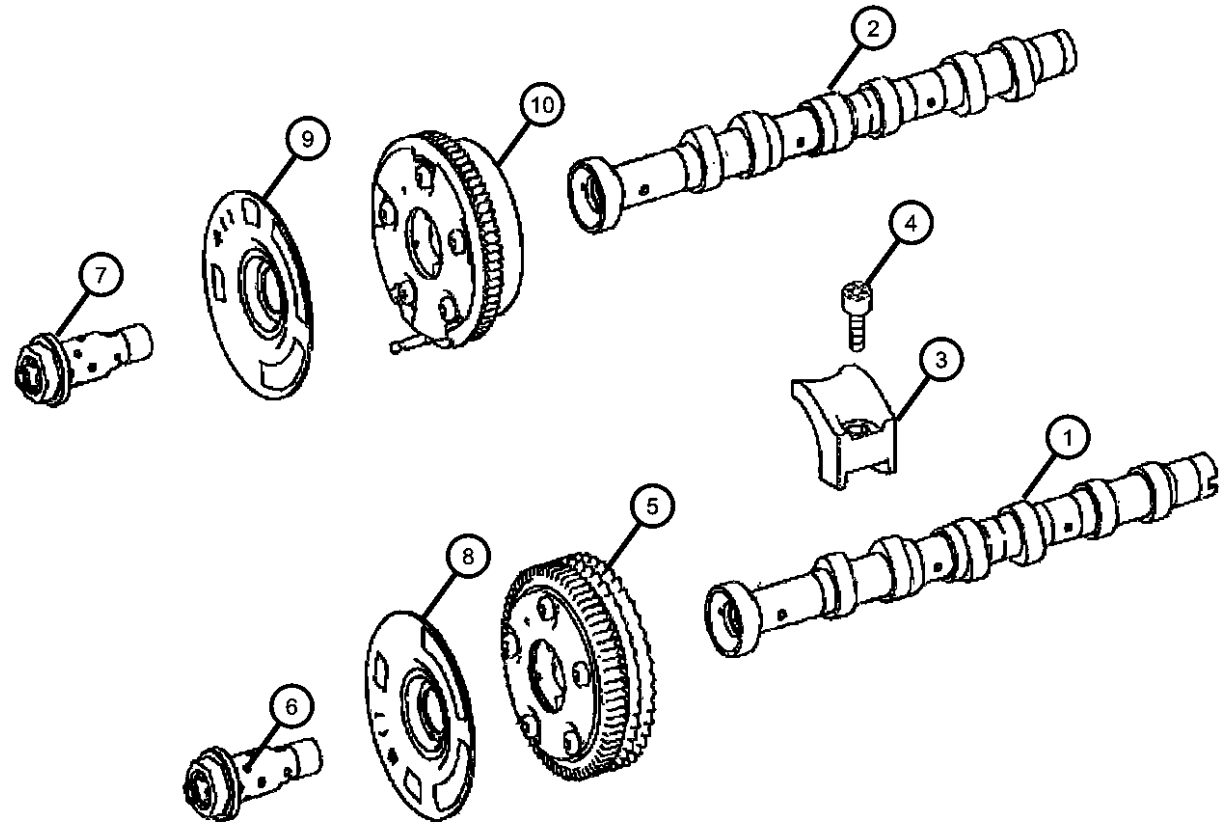


SPRINTER (VB)

SERIES	LINE	BODY	ENGINE	TRANSMISSION
L = LOWLINE	3 = HD DODGE 2WD 2 = Med. Duty DODGE 2WD	03 = CAB CHASSIS WHEEL BASE 3 05 = CAB CHASSIS WHEEL BASE 5 13 = 119 WB 53 = 119 WB 15 = VAN WHEEL BASE 5 55 = WAGON WHEEL BASE 5 17 = VAN WHEEL BASE 7	EG2 = 3.5L V6 Gas Engine EXM = 3.0L V6 Turbo Diesel Engine	DGZ = 5-Speed Auto W5A380 Transmission

AR = use ase required - = Non illustrated part

Camshaft & Camshaft Gears
Figure 3.5L-510



ITEM	PART NUMBER	QTY	LINE	SERIES	BODY	ENGINE	TRANS	TRIM	DESCRIPTION
NOTE: Sales Codes: [DGZ]=5 Speed Automatic Transmission [W5A380] [EG2]=3.5L V-6 Gas Engine - [Mercedes Benz]									
1	68005650AA	1	2, 3, 6, 7			EG2	DGZ		CAMSHAFT, Intake Left
	68005683AA	1	2, 3, 6, 7			EG2	DGZ		Right
2	68005652AA	1	2, 3, 6, 7			EG2	DGZ		CAMSHAFT, Exhaust Right
	68005685AA	1	2, 3, 6, 7			EG2	DGZ		Left
3	68005654AA	4	2, 3, 6, 7			EG2	DGZ		CAP, Camshaft Bearing
4	05137503AA	2	2, 3, 6, 7			EG2	DGZ		SCREW, [M6x25MM], Right & Left
5	68013890AA	1	2, 3, 6, 7			EG2	DGZ		GEAR, Camshaft Intake, Left
	68013899AA	1	2, 3, 6, 7			EG2	DGZ		Intake, Right
6	68013891AA	2	2, 3, 6, 7			EG2	DGZ		VALVE Intake
7	68013895AA	2	2, 3, 6, 7			EG2	DGZ		VALVE Exhaust
8	68013900AA	1	2, 3, 6, 7			EG2	DGZ		PHASER, Camshaft Intake, Right
	68013892AA	1	2, 3, 6, 7			EG2	DGZ		Intake, Left
9	68013896AA	1	2, 3, 6, 7			EG2	DGZ		PHASER, Camshaft Exhaust, Left
	68013901AA	1	2, 3, 6, 7			EG2	DGZ		Exhaust, Right
10	68013893AA	1	2, 3, 6, 7			EG2	DGZ		GEAR, Camshaft Exhaust

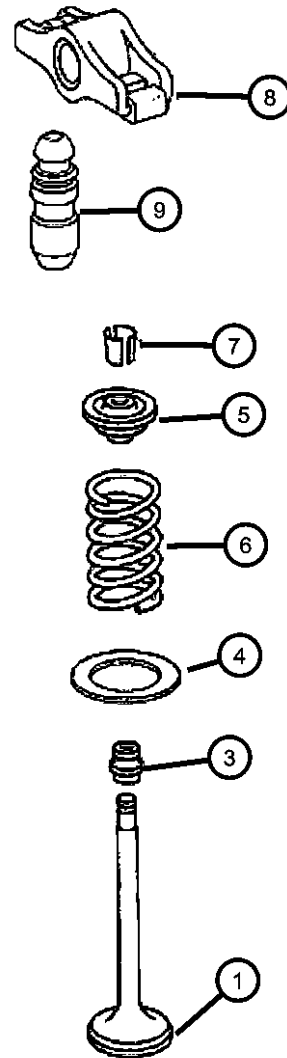
SPRINTER (VB)

SERIES	LINE	BODY	ENGINE	TRANSMISSION
L = LOWLINE	3 = HD DODGE 2WD 2 = Med. Duty DODGE 2WD	03 = CAB CHASSIS WHEEL BASE 3 05 = CAB CHASSIS WHEEL BASE 5 13 = 119 WB 53 = 119 WB 15 = VAN WHEEL BASE 5 55 = WAGON WHEEL BASE 5 17 = VAN WHEEL BASE 7	EG2 = 3.5L V6 Gas Engine EXM = 3.0L V6 Turbo Diesel Engine	DGZ = 5-Speed Auto W5A380 Transmission

AR = use ase required - = Non illustrated part

2007 VB

Intake & Exhaust Valves
Figure 3.5L-520



ITEM	PART NUMBER	QTY	LINE	SERIES	BODY	ENGINE	TRANS	TRIM	DESCRIPTION
NOTE: Sales Codes: [DGZ]=5 Speed Automatic Transmission [W5A380] [EG2]=3.5L V-6 Gas Engine - [Mercedes Benz]									
1	68005655AA	6	2, 3, 6, 7			EG2	DGZ		VALVE, Intake, StandardIntake, Right & Left
-2	68005657AA	6	2, 3, 6, 7			EG2	DGZ		VALVE, Exhaust, StandardExhaust, Right & Left
3	05175438AA	6	2, 3, 6, 7			EG2	DGZ		SEAL, Valve GuideIntake And Exhaust
4	68005660AA	12	2, 3, 6, 7			EG2	DGZ		SEAT, Valve Spring
5	68005662AA	12	2, 3, 6, 7			EG2	DGZ		RETAINER, Valve Spring
6	68005663AA	12	2, 3, 6, 7			EG2	DGZ		SPRING, Valve
7	05175399AA	24	2, 3, 6, 7			EG2	DGZ		LOCK, Valve Spring Retainer
8	68005648AA	12	2, 3, 6, 7			EG2	DGZ		ARM, Rocker
9	05175440AA	12	2, 3, 6, 7			EG2	DGZ		ADJUSTER, Valve Lash

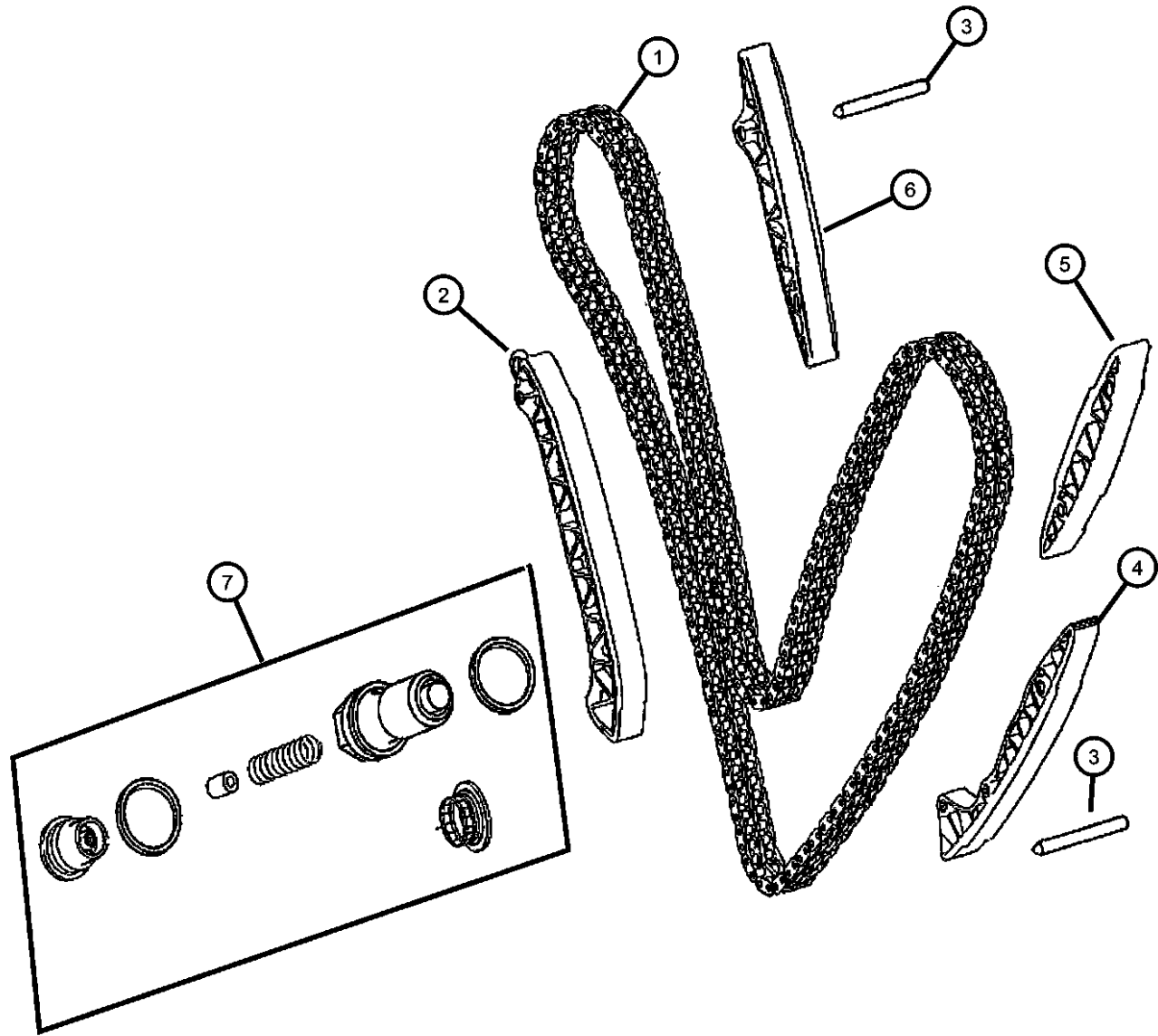
SPRINTER (VB)

SERIES	LINE	BODY	ENGINE	TRANSMISSION
L = LOWLINE	3 = HD DODGE 2WD 2 = Med. Duty DODGE 2WD	03 = CAB CHASSIS WHEEL BASE 3 05 = CAB CHASSIS WHEEL BASE 5 13 = 119 WB 53 = 119 WB 15 = VAN WHEEL BASE 5 55 = WAGON WHEEL BASE 5 17 = VAN WHEEL BASE 7	EG2 = 3.5L V6 Gas Engine EXM = 3.0L V6 Turbo Diesel Engine	DGZ = 5-Speed Auto W5A380 Transmission

AR = use ase required - = Non illustrated part

Timing Chain & Adjuster
Figure 3.5L-530

ITEM	PART NUMBER	QTY	LINE	SERIES	BODY	ENGINE	TRANS	TRIM	DESCRIPTION
NOTE: Internal Or Seals Parts For Tensioner Are Not Serviced. Must Replace Tensioner.									
Sales Codes:									
[DGZ]=5 Speed Automatic Transmission [W5A380]									
[EG2]=3.5L V-6 Gas Engine - [Mercedes Benz]									
1	68013908AA	1	2, 3, 6, 7			EG2	DGZ		CHAIN, Timing
2	68013902AA	1	2, 3, 6, 7			EG2	DGZ		GUIDE, Timing Chain
3	05098422AA	4	2, 3, 6, 7			EG2	DGZ		PIN, Belt Tensioner, Guide To Cylinder Head
4	68013904AA	1	2, 3, 6, 7			EG2	DGZ		GUIDE, Timing Chain
5	68013906AA	1	2, 3, 6, 7			EG2	DGZ		GUIDE, Timing Chain
6	68013907AA	1	2, 3, 6, 7			EG2	DGZ		GUIDE, Timing Chain
7	68013910AA	1	2, 3, 6, 7			EG2	DGZ		TENSIONER, Chain



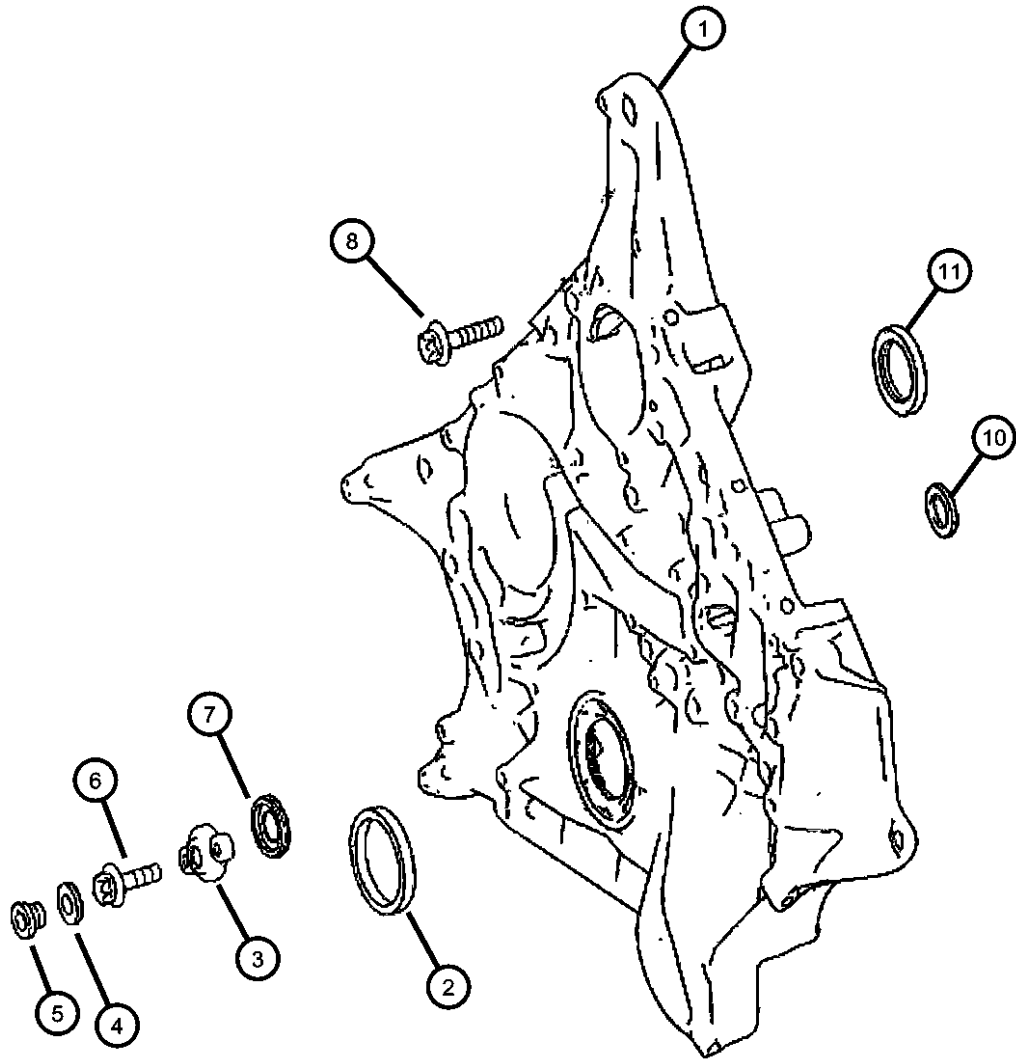
SPRINTER (VB)

SERIES	LINE	BODY	ENGINE	TRANSMISSION
L = LOWLINE	3 = HD DODGE 2WD 2 = Med. Duty DODGE 2WD	03 = CAB CHASSIS WHEEL BASE 3 05 = CAB CHASSIS WHEEL BASE 5 13 = 119 WB 53 = 119 WB 15 = VAN WHEEL BASE 5 55 = WAGON WHEEL BASE 5 17 = VAN WHEEL BASE 7	EG2 = 3.5L V6 Gas Engine EXM = 3.0L V6 Turbo Diesel Engine	DGZ = 5-Speed Auto W5A380 Transmission

AR = use ase required - = Non illustrated part

**Timing Case
Figure 3.5L-540**

ITEM	PART NUMBER	QTY	LINE	SERIES	BODY	ENGINE	TRANS	TRIM	DESCRIPTION
NOTE: Sales Codes: [DGZ]=5 Speed Automatic Transmission [W5A380] [EG2]=3.5L V-6 Gas Engine - [Mercedes Benz]									
1	68013873AA	1	2, 3, 6, 7			EG2	DGZ		COVER, Timing Case
2	05073675AB	1	2, 3, 6, 7			EG2	DGZ		SEAL, Crankshaft Oil, Front
3	68013874AA	1	2, 3, 6, 7			EG2	DGZ		COVER
4	05096976AA	1	2, 3, 6, 7			EG2	DGZ		SEAL
5	06104463AA	1	2, 3, 6, 7			EG2	DGZ		PLUG
6	06104683AA	2	2, 3, 6, 7			EG2	DGZ		SCREW, [M6x23]
7	68013875AA	1	2, 3, 6, 7			EG2	DGZ		GASKET
8	06104035AA	1	2, 3, 6, 7			EG2	DGZ		BOLT, [M8x90]
-9									SCREW
	06104028AA	3	2, 3, 6, 7			EG2	DGZ		[M8x45]
	06104032AA	6	2, 3, 6, 7			EG2	DGZ		[M8x65]
10	05098920AA	1	2, 3, 6, 7			EG2	DGZ		SEAL
11	68013876AA	1	2, 3, 6, 7			EG2	DGZ		SEAL



SPRINTER (VB)

SERIES	LINE	BODY	ENGINE	TRANSMISSION
L = LOWLINE	3 = HD DODGE 2WD 2 = Med. Duty DODGE 2WD	03 = CAB CHASSIS WHEEL BASE 3 05 = CAB CHASSIS WHEEL BASE 5 13 = 119 WB 53 = 119 WB 15 = VAN WHEEL BASE 5 55 = WAGON WHEEL BASE 5 17 = VAN WHEEL BASE 7	EG2 = 3.5L V6 Gas Engine EXM = 3.0L V6 Turbo Diesel Engine	DGZ = 5-Speed Auto W5A380 Transmission

AR = use ase required - = Non illustrated part

Timing Chain & Adjuster
Figure 3.5L-610

ITEM	PART NUMBER	QTY	LINE	SERIES	BODY	ENGINE	TRANS	TRIM	DESCRIPTION
------	-------------	-----	------	--------	------	--------	-------	------	-------------

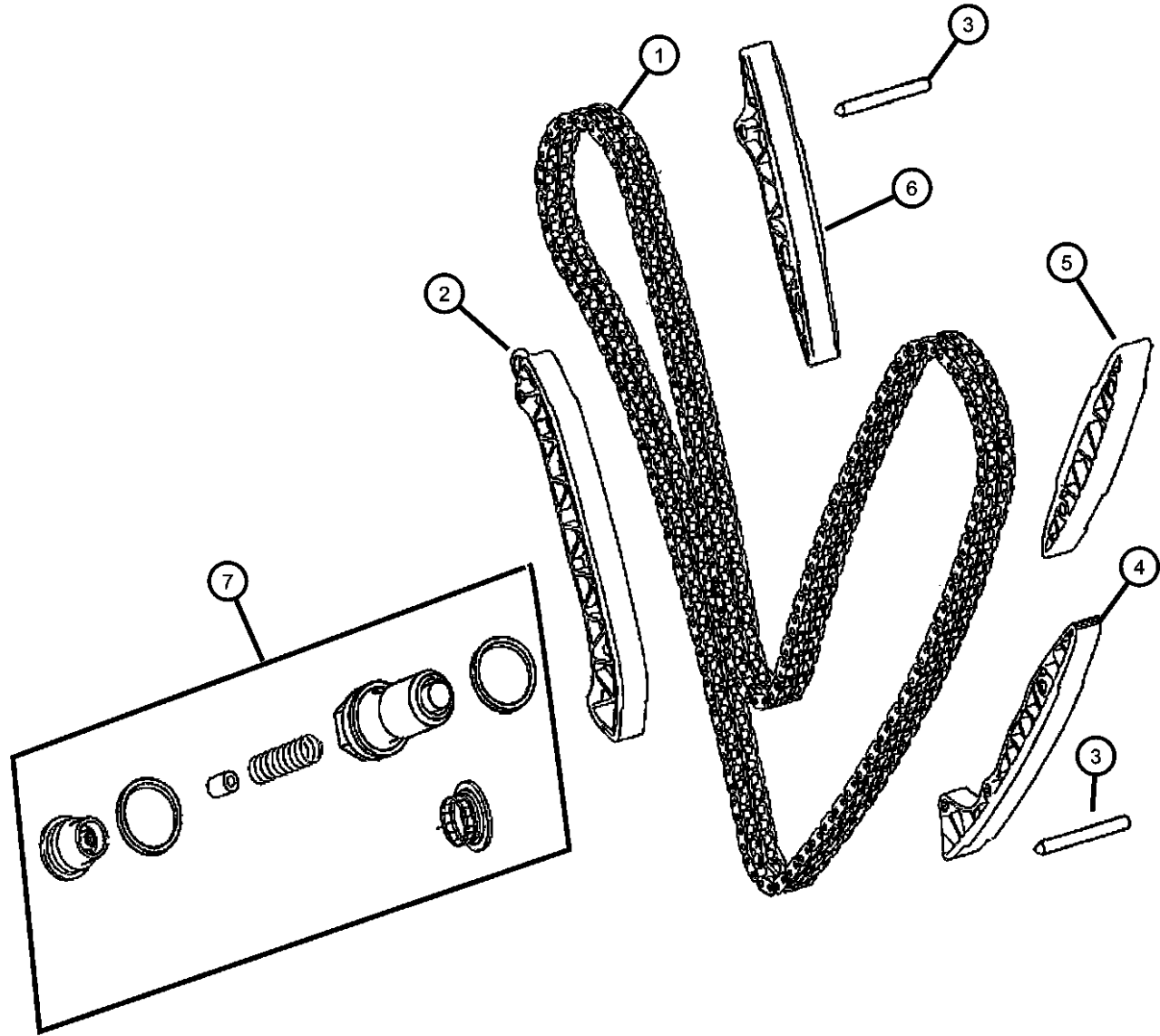
NOTE: Internal Or Seals Parts For Tensioner Are Not Serviced. Must Replace Tensioner.

Sales Codes:

[DGZ]=5 Speed Automatic Transmission [W5A380]

[EG2]=3.5L V-6 Gas Engine - [Mercedes Benz]

1	68013908AA	1	2, 3, 6, 7			EG2	DGZ		CHAIN, Timing
2	68013902AA	1	2, 3, 6, 7			EG2	DGZ		GUIDE, Timing Chain
3	05098422AA	4	2, 3, 6, 7			EG2	DGZ		PIN, Belt Tensioner, Guide To Cylinder Head
4	68013904AA	1	6, 7, 2, 3			EG2	DGZ		GUIDE, Timing Chain
5	68013906AA	1	2, 3, 6, 7			EG2	DGZ		GUIDE, Timing Chain
6	68013907AA	1	2, 3, 6, 7			EG2	DGZ		GUIDE, Timing Chain
7	68013910AA	1	2, 3, 6, 7			EG2	DGZ		TENSIONER, Chain



SPRINTER (VB)

SERIES	LINE	BODY	ENGINE	TRANSMISSION
L = LOWLINE	3 = HD DODGE 2WD 2 = Med. Duty DODGE 2WD	03 = CAB CHASSIS WHEEL BASE 3 05 = CAB CHASSIS WHEEL BASE 5 13 = 119 WB 53 = 119 WB 15 = VAN WHEEL BASE 5 55 = WAGON WHEEL BASE 5 17 = VAN WHEEL BASE 7	EG2 = 3.5L V6 Gas Engine EXM = 3.0L V6 Turbo Diesel Engine	DGZ = 5-Speed Auto W5A380 Transmission

AR = use ase required - = Non illustrated part

2007 VB

**Oil Pump
Figure 3.5L-710**

ITEM	PART NUMBER	QTY	LINE	SERIES	BODY	ENGINE	TRANS	TRIM	DESCRIPTION
------	-------------	-----	------	--------	------	--------	-------	------	-------------

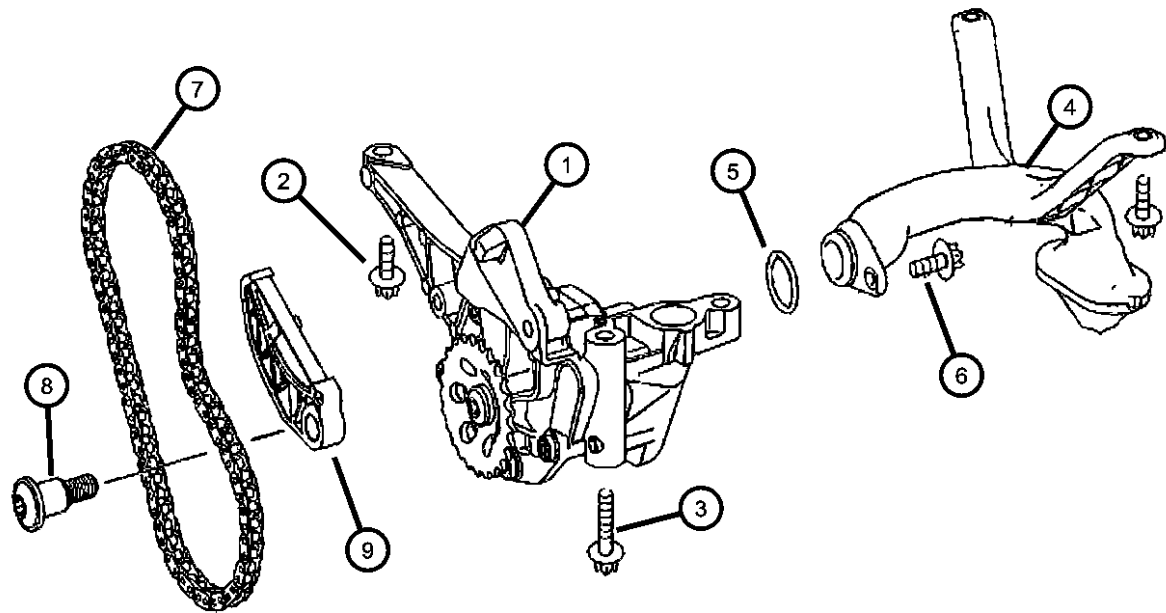
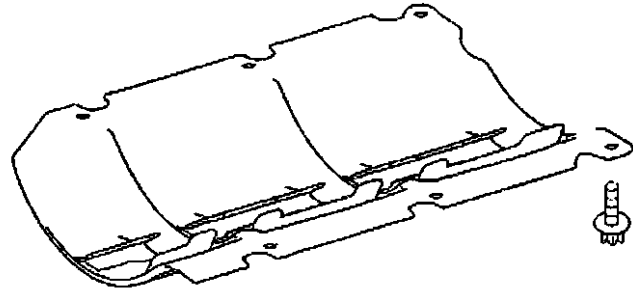
NOTE:

Sales Codes:

[DGZ]=5 Speed Automatic Transmission [W5A380]

[EG2]=3.5L V-6 Gas Engine - [Mercedes Benz]

1	68013912AA	1	2, 3, 6, 7			EG2	DGZ		PUMP, Engine Oil
2	05175526AA	2	2, 3, 6, 7			EG2	DGZ		BOLT, Oil Pump To Crankcase
3	06104163AA	1	2, 3, 6, 7			EG2	DGZ		SCREW, Oil Pump To Crankcase
4	68013915AA	1	2, 3, 6, 7			EG2	DGZ		TUBE, Oil Pickup
5	68013916AA	1	2, 3, 6, 7			EG2	DGZ		SEAL, Oil Pick Up Tube, Oil Pickup Tube To Oil Pump
6	06104007AA	2	2, 3, 6, 7			EG2	DGZ		SCREW, Oil Pick Up Tube To Oil Pump
7	68004876AA	1	2, 3, 6, 7			EG2	DGZ		CHAIN, Pump Drive
8	68013918AA	1	2, 3, 6, 7			EG2	DGZ		BOLT
9	68013919AA	1	2, 3, 6, 7			EG2	DGZ		GUIDE, Timing Chain



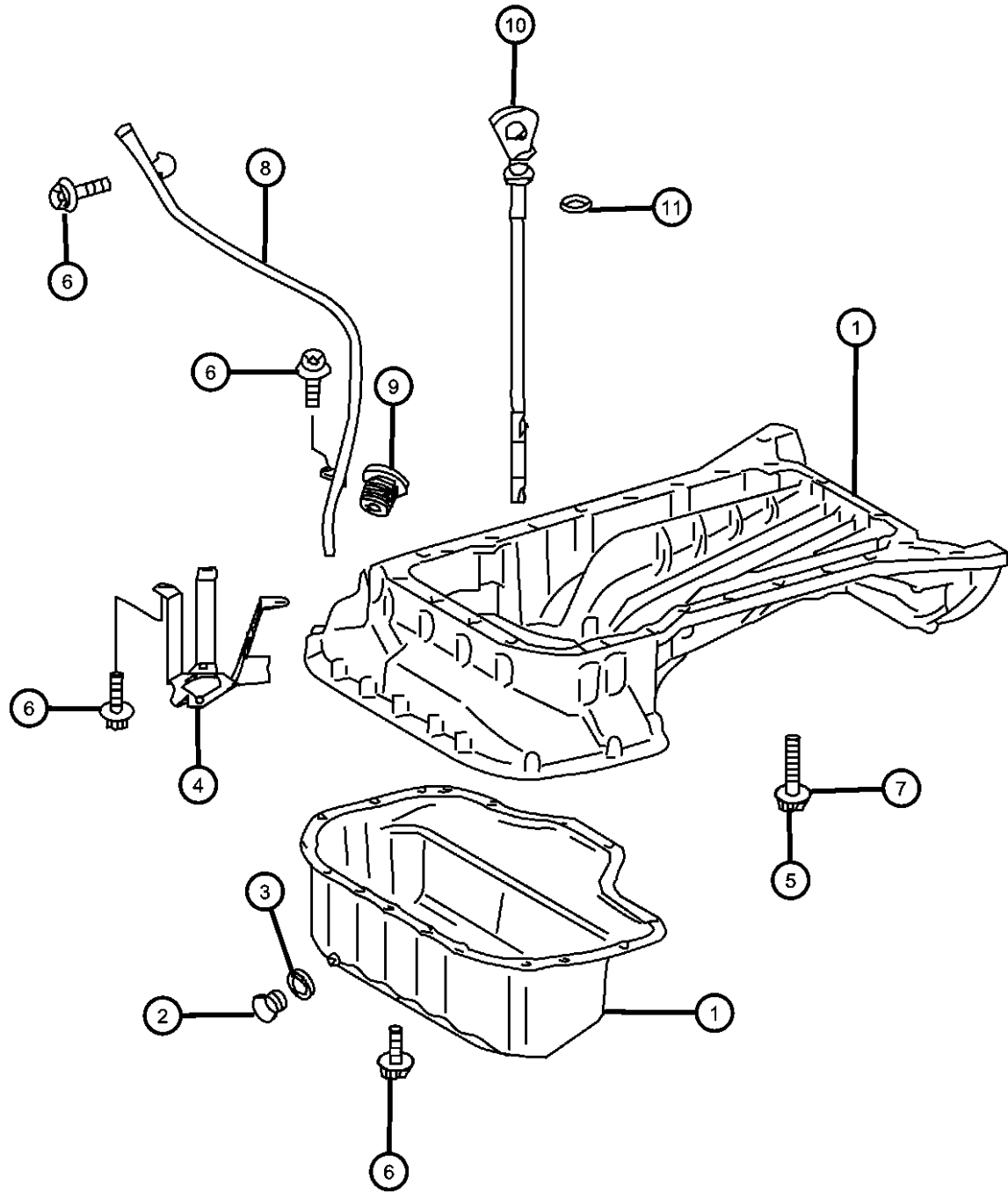
SPRINTER (VB)

SERIES	LINE	BODY	ENGINE	TRANSMISSION
L = LOWLINE	3 = HD DODGE 2WD 2 = Med. Duty DODGE 2WD	03 = CAB CHASSIS WHEEL BASE 3 05 = CAB CHASSIS WHEEL BASE 5 13 = 119 WB 53 = 119 WB 15 = VAN WHEEL BASE 5 55 = WAGON WHEEL BASE 5 17 = VAN WHEEL BASE 7	EG2 = 3.5L V6 Gas Engine EXM = 3.0L V6 Turbo Diesel Engine	DGZ = 5-Speed Auto W5A380 Transmission

AR = use ase required - = Non illustrated part

2007 VB

**Engine Oil Pan & Engine Oil Level Indicator [EG2]
Figure 3.5L-720**



ITEM	PART NUMBER	QTY	LINE	SERIES	BODY	ENGINE	TRANS	TRIM	DESCRIPTION
NOTE: Sales Codes: [DGZ]=5 Speed Automatic Transmission [W5A380] [EG2]=3.5L V-6 Gas Engine - [Mercedes Benz]									
1									PAN, Oil
	68013877AA	1	2, 3, 6, 7			EG2	DGZ		Upper
	68013881AA	1	2, 3, 6, 7			EG2	DGZ		Lower
2	05073945AA	1	2, 3, 6, 7			EG2	DGZ		PLUG, Oil Drain
3	05073946AA	1	2, 3, 6, 7			EG2	DGZ		GASKET, Drain Plug
4	68013878AA	1	2, 3, 6, 7			EG2	DGZ		BRACKET
5	06104025AA	2	2, 3, 6, 7			EG2	DGZ		BOLT, Hex Flange Head, M8x1.25x30, Oil Pan To Cylinder Block, Mounting
6									BOLT
	06104075AA	1	2, 3, 6, 7			EG2	DGZ		Engine Oil Indicator Tube To Cylinder Head [M6x12], Mounting
	06104682AA	1	2, 3, 6, 7			EG2	DGZ		Engine Oil Indicator Tube To Oil Pan [M6x19], Mounting
		3	2, 3, 6, 7			EG2	DGZ		Bracket [M6x19], Mounting
		13	2, 3, 6, 7			EG2	DGZ		Lower Oil Pan To Upper Oil Pan [M6x19], Mounting
7									SCREW
	05073692AA	2	2, 3, 6, 7			EG2	DGZ		Oil Pan To Crankcase Cover Rear, Mounting
	06104007AA	16	3, 6, 7, 2			EG2	DGZ		Oil Pan To Cylinder Block [M6x25], Mounting
		6	2, 3, 6, 7			EG2	DGZ		Oil Pan To Timing Case Cover [M6x25], Mounting
8	68013859AA	1	2, 3, 6, 7			EG2	DGZ		TUBE, Engine Oil Indicator
9	05096486AA	1	2, 3, 6, 7			EG2, EXM	DGZ		SEAL, Engine Oil Indicator tube
10	68013866AA	1	6, 7, 2, 3			EG2	DGZ		INDICATOR, Engine Oil Level
11	05073943AA	1	2, 3, 6, 7			EG2, EXM	DGZ		O RING, Engine Oil Indicator

SPRINTER (VB)

SERIES LINE
L = LOWLINE 3 = HD DODGE 2WD
 2 = Med. Duty DODGE 2WD

BODY
03 = CAB CHASSIS WHEEL
BASE 3
05 = CAB CHASSIS WHEEL
BASE 5
13 = 119 WB
53 = 119 WB
15 = VAN WHEEL BASE 5
55 = WAGON WHEEL BASE 5
17 = VAN WHEEL BASE 7

ENGINE
EG2 = 3.5L V6 Gas Engine
EXM = 3.0L V6 Turbo Diesel
Engine

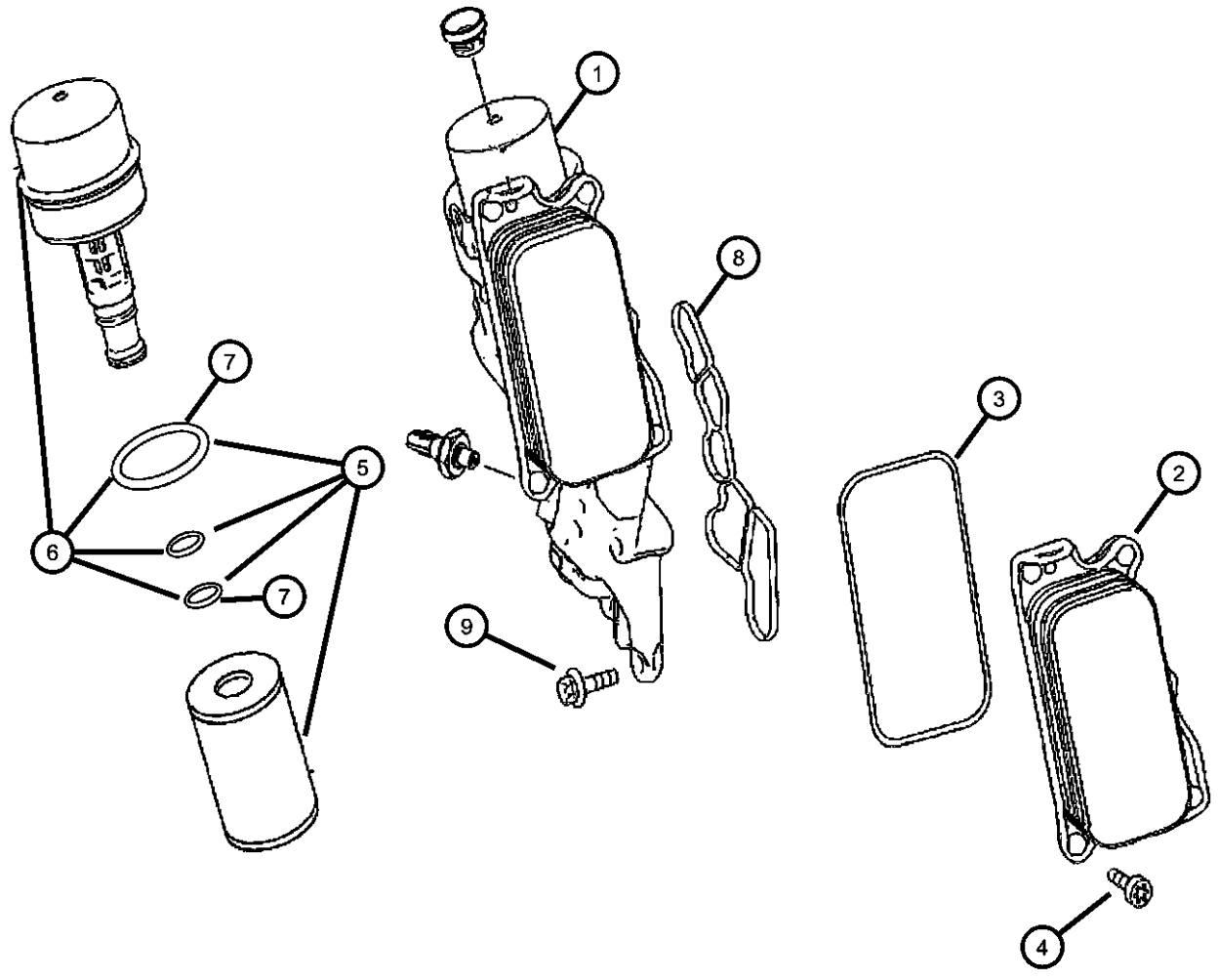
TRANSMISSION
DGZ = 5-Speed Auto W5A380
Transmission

AR = use ase required - = Non illustrated part

2007 VB

**Oil Filter & Oil Cooler
Figure 3.5L-730**

ITEM	PART NUMBER	QTY	LINE	SERIES	BODY	ENGINE	TRANS	TRIM	DESCRIPTION
NOTE: Sales Codes: [DGZ]=5 Speed Automatic Transmission [W5A380] [EG2]=3.5L V-6 Gas Engine - [Mercedes Benz]									
1	68013921AA	1	2, 3, 6, 7			EG2	DGZ		COOLER, Oil, Includes:Oil Filter, Oil Cooler, Oil Filter / Oil Cooler Adapter To Engine
2	68013923AA	1	2, 3, 6, 7			EG2	DGZ		COOLER, Oil, Oil Cooler Only
3	68013924AA	1	2, 3, 6, 7			EG2	DGZ		GASKET, Oil Cooler
4	06104675AA	5	2, 3, 6, 7			EG2	DGZ		SCREW
5	05102905AB	1	2, 3, 6, 7			EG2	DGZ		FILTER, Engine Oil
6	68013926AA	1	2, 3, 6, 7			EG2	DGZ		CAP AND FILTER ASSEMBLY, OIL, Includes: Cap & Orings
7	05080242AA	1	2, 3, 6, 7			EG2	DGZ		O RING
8	68013928AA	1	2, 3, 6, 7			EG2	DGZ		GASKET, Oil Filter Adapter
9	05073680AA	1	2, 3, 6, 7						SCREW Torx Head / Self Taping Thread [29MM] [M8x10.9]
	05137660AA	2	2, 3, 6, 7			EG2, EXM	DGZ		[M8x80]
	06104036AA	2	2, 3, 6, 7			EG2	DGZ		[M8x100]
	06104698AA	1	2, 3, 6, 7			EG2	DGZ		[M8.0x1.25x54.0]



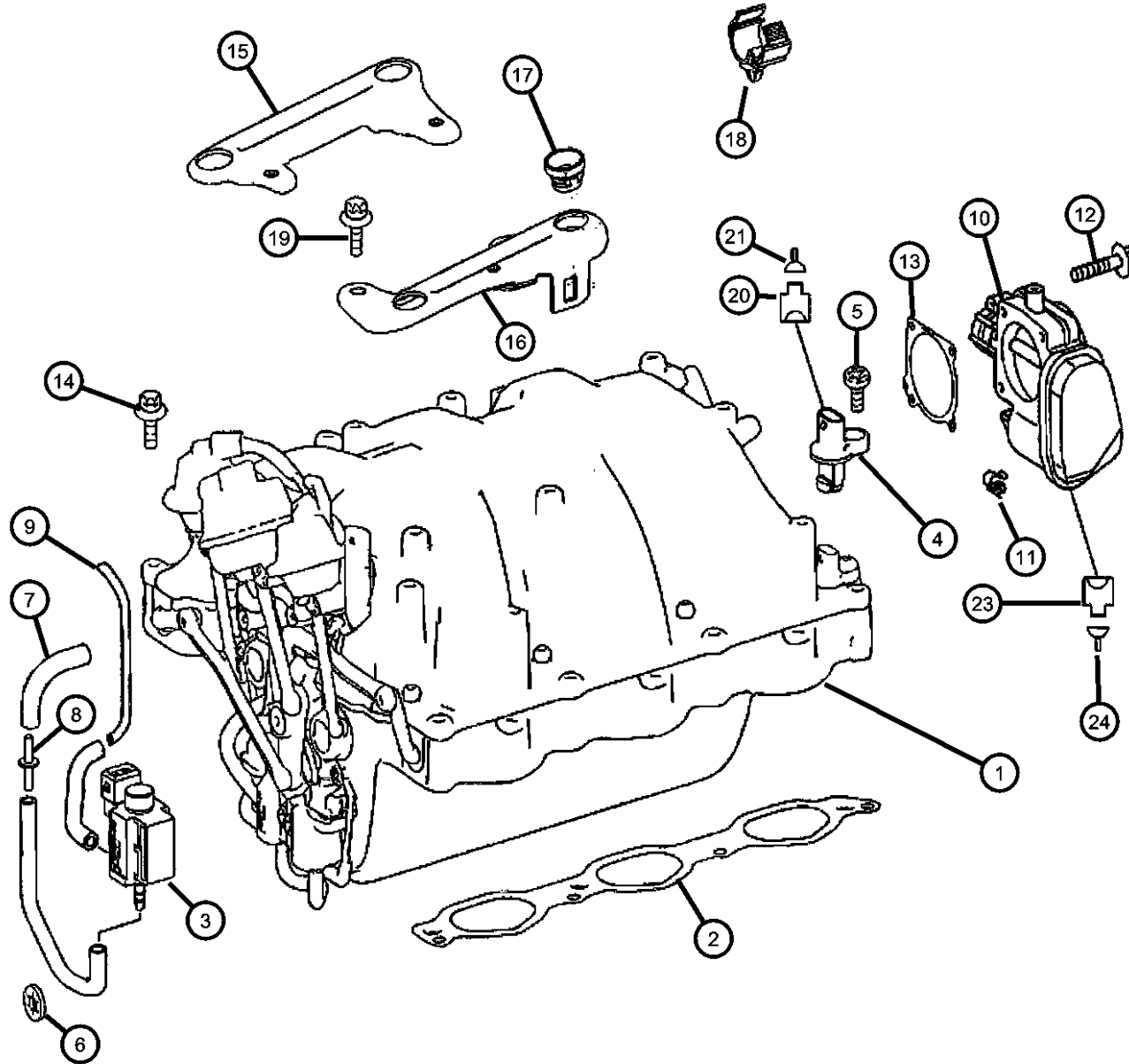
SPRINTER (VB)

SERIES	LINE	BODY	ENGINE	TRANSMISSION
L = LOWLINE	3 = HD DODGE 2WD 2 = Med. Duty DODGE 2WD	03 = CAB CHASSIS WHEEL BASE 3 05 = CAB CHASSIS WHEEL BASE 5 13 = 119 WB 53 = 119 WB 15 = VAN WHEEL BASE 5 55 = WAGON WHEEL BASE 5 17 = VAN WHEEL BASE 7	EG2 = 3.5L V6 Gas Engine EXM = 3.0L V6 Turbo Diesel Engine	DGZ = 5-Speed Auto W5A380 Transmission

AR = use ase required - = Non illustrated part

2007 VB

**Intake Manifold
Figure 3.5L-810**



ITEM	PART NUMBER	QTY	LINE	SERIES	BODY	ENGINE	TRANS	TRIM	DESCRIPTION
1	68011680AA	1	2, 3, 6, 7			EG2	DGZ		MANIFOLD, Intake
2	68011683AA	1	2, 3, 6, 7			EG2	DGZ		GASKET, Throttle Body
3	05099823AA	2	2, 3, 6, 7			EG2	DGZ		SOLENOID, Intake Manifold
4	68011686AA	2	2, 3, 6, 7			EG2	DGZ		SOLENOID, Intake Manifold, Intake Manifold [Tumble Flap] Switch
5	06104120AA	2	2, 3, 6, 7			EG2	DGZ		SCREW, Hex Head, M6x12, [M6x12]
6	05102929AA	11	2, 3, 6, 7			EG2	DGZ		PUSH NUT
7	05080390AA	1	2, 3, 6, 7			EG2	DGZ		HOSE, [8x3.5MM]
8	05080337AA	1	2, 3, 6, 7			EG2	DGZ		CONNECTOR, [4MM]
9	05125912AA	0	2, 3, 6, 7			EG2	DGZ		HOSE, Charge Air, [4x0.75MM]
10	05159298AA	1	2, 3, 6, 7			EG2	DGZ		THROTTLE BODY
11	05098164AA	1	2, 3, 6, 7			EG2	DGZ		BRACKET, Hose
12	68011720AA	4	2, 3, 6, 7			EG2	DGZ		SCREW, Throttle Body, [6x35]
13									GASKET
	68011721AA	1	2, 3, 6, 7			EG2	DGZ		Left, Cylinder Head
	68011723AA	1	2, 3, 6, 7			EG2	DGZ		Right, Cylinder Head
14	06104012AA	8	2, 3, 6, 7			EG2	DGZ		SCREW, [M6x50]
15	68011725AA	1	2, 3, 6, 7			EG2	DGZ		BRACKET
16	68011729AA	1	2, 3, 6, 7			EG2	DGZ		BRACKET
17	68005688AA	4	2, 3, 6, 7			EG2	DGZ		INSULATOR
18	68011733AA	1	2, 3, 6, 7			EG2	DGZ		INSULATOR, Wiring
19	06104675AA	4	2, 3, 6, 7			EG2	DGZ		SCREW, Module Bracket To Intake Manifold [M6x14
20	68011285AA	1	2, 3, 6, 7			EG2	DGZ		CONNECTOR
21									TERMINAL
	68011877AA	AR	2, 3, 6, 7			EG2	DGZ		
	68011878AA	AR	2, 3, 6, 7			EG2, EXM	DGZ		[B28/9 B28/10]
-22	68011050AA	AR	2, 3, 6, 7			EG2	DGZ		GASKET, [B28/9 - B28/10]
23	05143912AA	1	2, 3, 6, 7			EG2	DGZ		CONNECTOR, [6 Pin M16/6]
24	05138911AA	AR	2, 3, 6, 7			EG2	DGZ		TERMINAL, [0.5 - 0.75 MM2; M16/6]
-25	05120859AA	99	2, 3, 6, 7			EG2	DGZ		GASKET, [0.9 - 1.3 MMS; M16/6]

SPRINTER (VB)

SERIES LINE
L = LOWLINE 3 = HD DODGE 2WD
 2 = Med. Duty DODGE 2WD

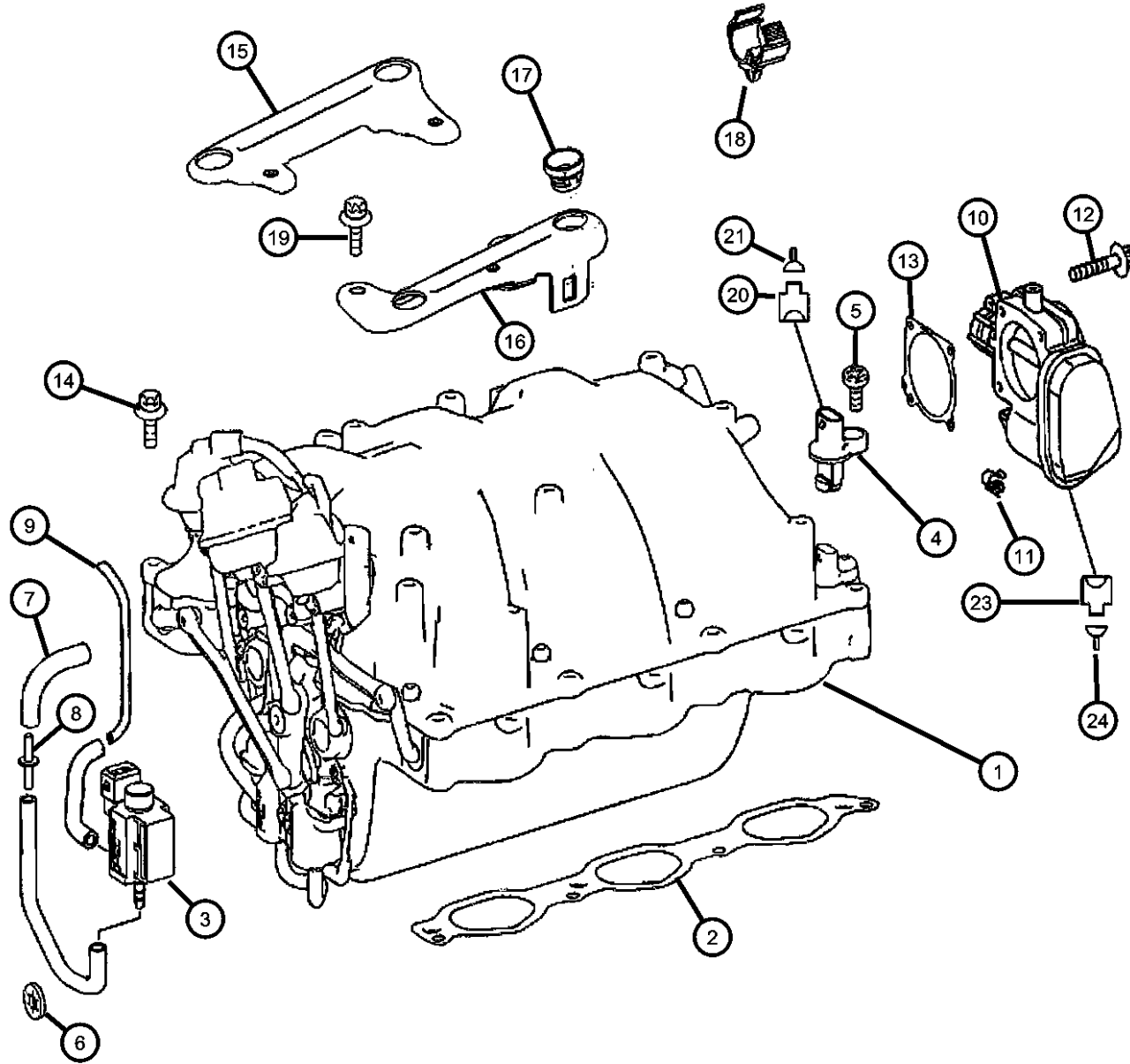
BODY
03 = CAB CHASSIS WHEEL BASE 3
05 = CAB CHASSIS WHEEL BASE 5
13 = 119 WB
53 = 119 WB
15 = VAN WHEEL BASE 5
55 = WAGON WHEEL BASE 5
17 = VAN WHEEL BASE 7

ENGINE TRANSMISSION
EG2 = 3.5L V6 Gas Engine DGZ = 5-Speed Auto W5A380
EXM = 3.0L V6 Turbo Diesel Transmission

AR = use ase required - = Non illustrated part

Intake Manifold
Figure 3.5L-810

ITEM	PART NUMBER	QTY	LINE	SERIES	BODY	ENGINE	TRANS	TRIM	DESCRIPTION
-26	05135804AA	1	2, 3, 6, 7			EG2, EXM	DGZ		TUBE, Heat Shrink, Green / [0.7 - 2.4 MM2]
-27									TUBING, Heat Shrinkable
	05135848AA	1	2, 3, 6, 7			EG2, EXM	DGZ		Red / [2.0 - 4.0 MM2]
	05135849AA	1	2, 3, 6, 7			EG2, EXM	DGZ		Blue / [3.5 - 8.0 MM2]
	05135850AA	1	2, 3, 6, 7			EG2, EXM	DGZ		Yellow / [7.5 - 12. MM2]
	05135851AA	1	2, 3, 6, 7			EG2, EXM	DGZ		Connector / [0.5 MM2]
	05135852AA	1	2, 3, 6, 7			EG2, EXM	DGZ		Connector / [0.8 MM2]
	05135853AA	1	2, 3, 6, 7			EG2, EXM	DGZ		Connector / [1.3 MM2]
	05135854AA	1	2, 3, 6, 7			EG2, EXM	DGZ		Connector / [2.0 MM2]



SPRINTER (VB)

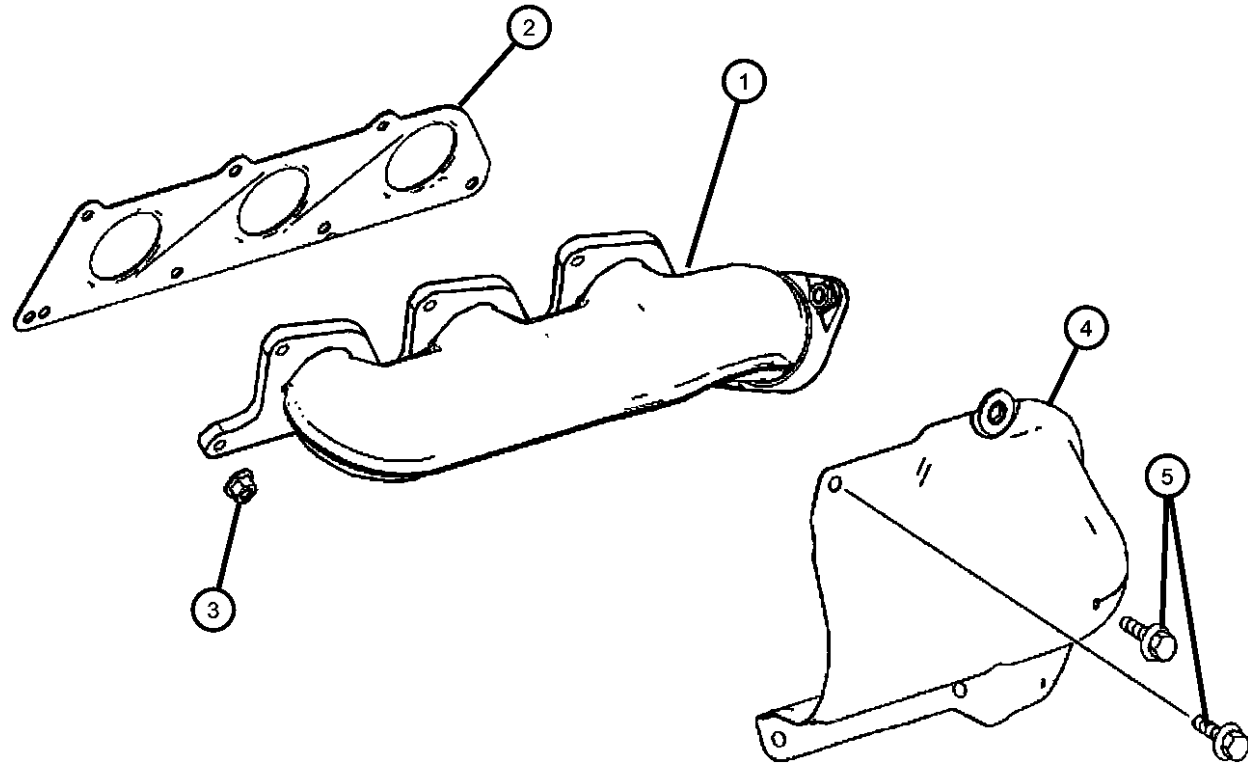
SERIES	LINE	BODY	ENGINE	TRANSMISSION
L = LOWLINE	3 = HD DODGE 2WD 2 = Med. Duty DODGE 2WD	03 = CAB CHASSIS WHEEL BASE 3 05 = CAB CHASSIS WHEEL BASE 5 13 = 119 WB 53 = 119 WB 15 = VAN WHEEL BASE 5 55 = WAGON WHEEL BASE 5 17 = VAN WHEEL BASE 7	EG2 = 3.5L V6 Gas Engine EXM = 3.0L V6 Turbo Diesel Engine	DGZ = 5-Speed Auto W5A380 Transmission

AR = use ase required - = Non illustrated part

2007 VB

**Exhaust Manifold
Figure 3.5L-820**

ITEM	PART NUMBER	QTY	LINE	SERIES	BODY	ENGINE	TRANS	TRIM	DESCRIPTION
1									MANIFOLD, Exhaust
	68011745AA	1	2, 3, 6, 7			EG2	DGZ		Right
	68011752AA	1	2, 3, 6, 7			EG2	DGZ		Left
2	68021682AA	2	2, 3, 6, 7			EG2	DGZ		GASKET, Exhaust ManifoldRight & Left
3	06104728AA	7	2, 3, 6, 7			EG2	DGZ		NUT, Exhaust Manifold
4	06104728AA	7							SHIELD, Heat, (NOT SERVICED)
5	06104005AA	3	2, 3, 6, 7			EG2	DGZ		BOLT



SPRINTER (VB)

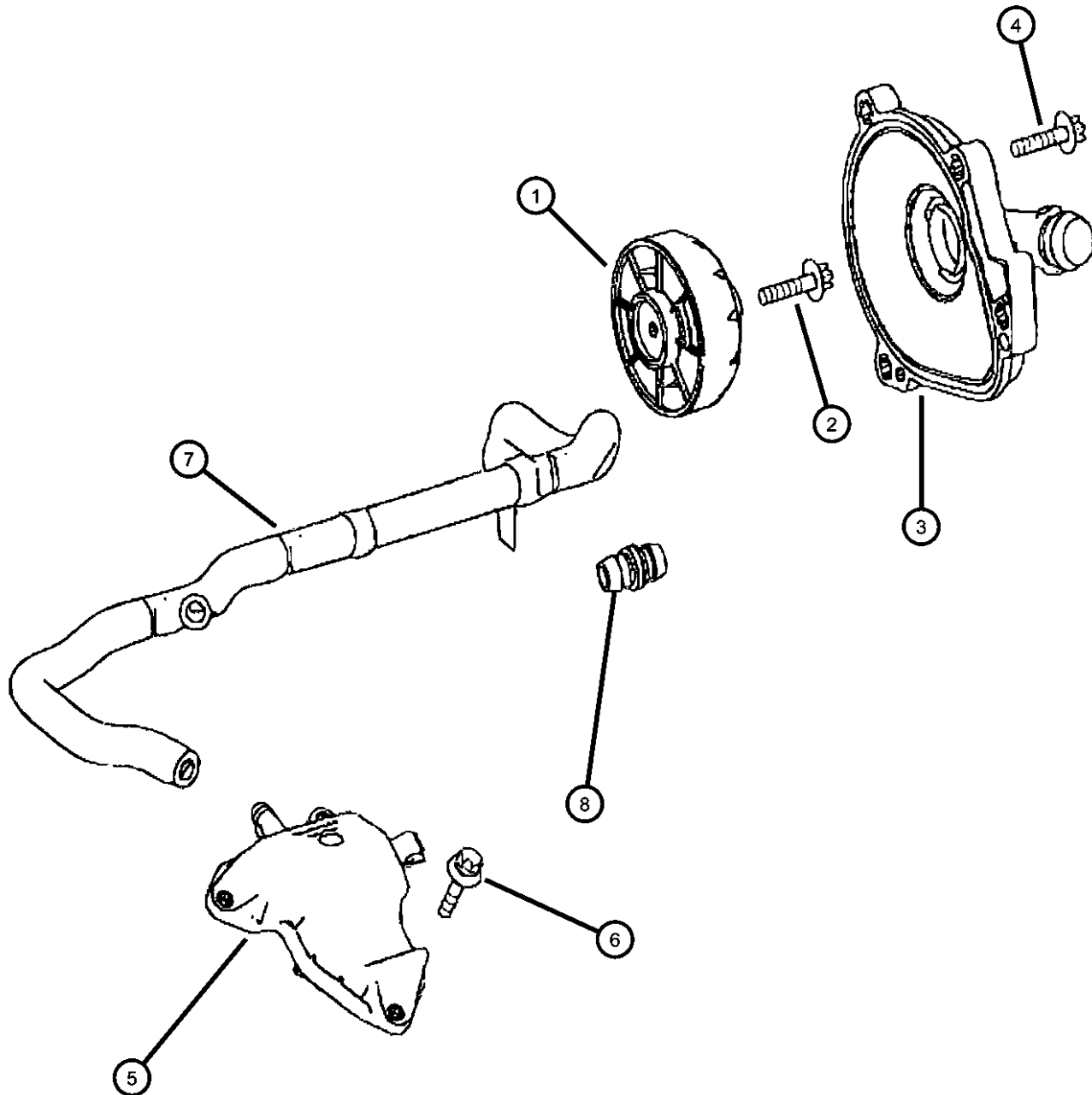
SERIES	LINE	BODY	ENGINE	TRANSMISSION
L = LOWLINE	3 = HD DODGE 2WD 2 = Med. Duty DODGE 2WD	03 = CAB CHASSIS WHEEL BASE 3 05 = CAB CHASSIS WHEEL BASE 5 13 = 119 WB 53 = 119 WB 15 = VAN WHEEL BASE 5 55 = WAGON WHEEL BASE 5 17 = VAN WHEEL BASE 7	EG2 = 3.5L V6 Gas Engine EXM = 3.0L V6 Turbo Diesel Engine	DGZ = 5-Speed Auto W5A380 Transmission

AR = use ase required - = Non illustrated part

2007 VB

**Engine Ventilation
Figure 3.5L-910**

ITEM	PART NUMBER	QTY	LINE	SERIES	BODY	ENGINE	TRANS	TRIM	DESCRIPTION
1	68013305AA	1	2, 3, 6, 7			EG2	DGZ		PAN, Oil
2	68013306AA	1	2, 3, 6, 7			EG2	DGZ		SCREW, [M6x30]
3	68013307AA	1	2, 3, 6, 7			EG2	DGZ		HOUSING
4	06104007AA	4	2, 3, 6, 7			EG2	DGZ		SCREW, [M6x25]
5	68013310AA	1	2, 3, 6, 7			EG2	DGZ		COVER
6	06104005AA	3	2, 3, 6, 7			EG2	DGZ		BOLT
7	68013299AA	1	2, 3, 6, 7			EG2	DGZ		HOSE
8	68013303AA	3	2, 3, 6, 7			EG2	DGZ		CONNECTOR



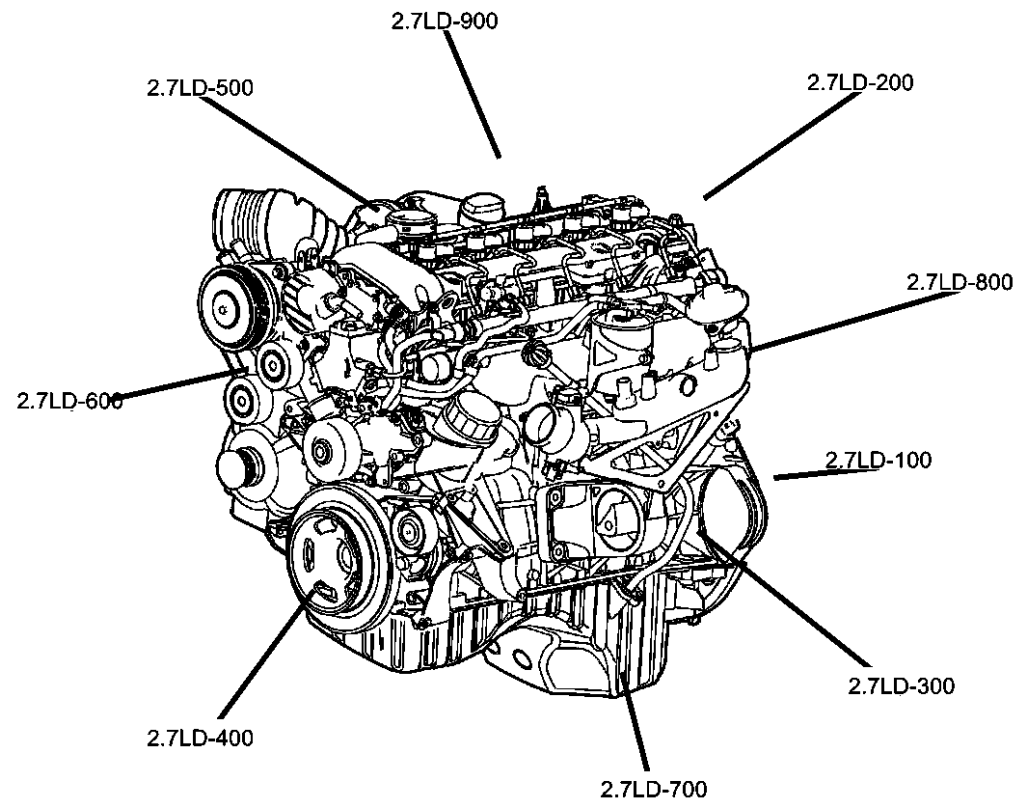
SPRINTER (VB)

SERIES	LINE	BODY	ENGINE	TRANSMISSION
L = LOWLINE	3 = HD DODGE 2WD 2 = Med. Duty DODGE 2WD	03 = CAB CHASSIS WHEEL BASE 3 05 = CAB CHASSIS WHEEL BASE 5 13 = 119 WB 53 = 119 WB 15 = VAN WHEEL BASE 5 55 = WAGON WHEEL BASE 5 17 = VAN WHEEL BASE 7	EG2 = 3.5L V6 Gas Engine EXM = 3.0L V6 Turbo Diesel Engine	DGZ = 5-Speed Auto W5A380 Transmission

AR = use ase required - = Non illustrated part

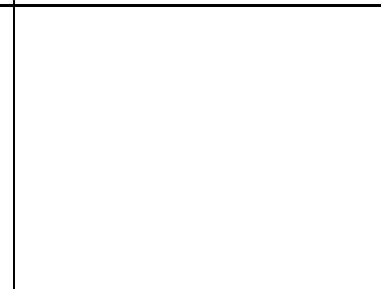
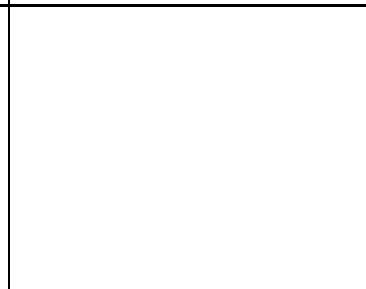
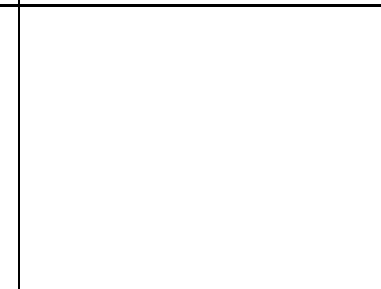
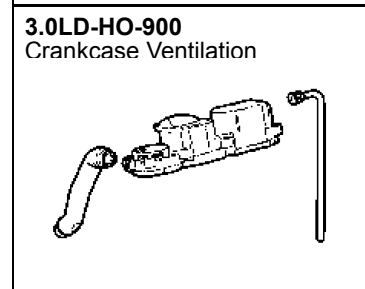
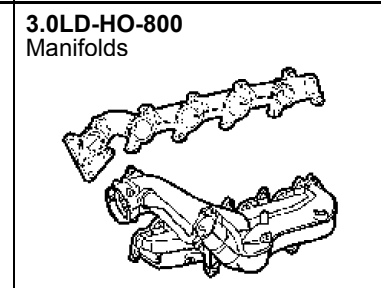
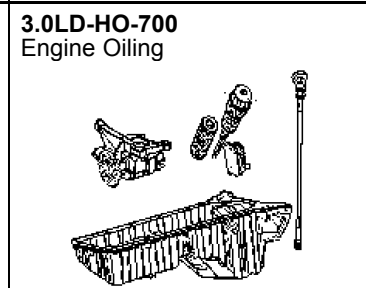
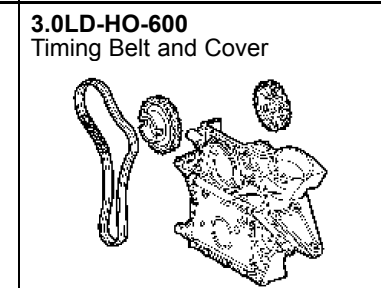
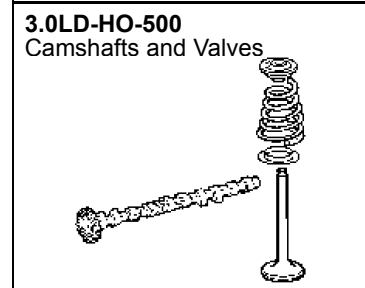
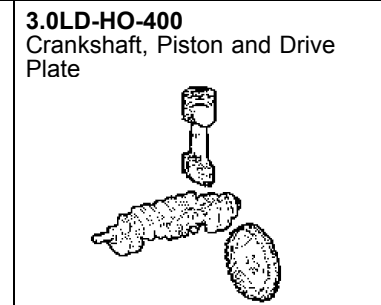
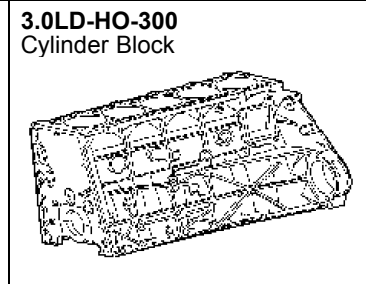
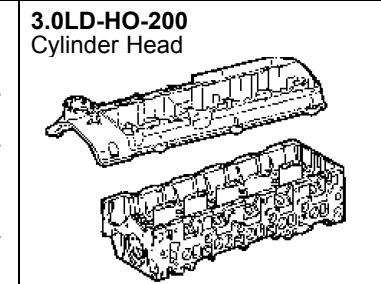
Group - 3.0LD-HO

3.0L Diesel - Mercedes Benz [EXM]



3.0LD-HO-100
Engine Identification

X Model Year	X Manufacturing Plant	XXXXX Component Code/Usage	XXXX Month/Day	XXXXXXXXXX Serial Code
Last digit of model year	S Settle S T Trenton T K Tokyo K	Engine 3.0L - 3.0L Usage Pass Car PC Truck T		Last 8 Digits of VIN



Group - 3.0LD-HO 3.0L Diesel - Mercedes Benz [EXM]

Illustration Title	Group-Fig. No.
Engine Identification	
Engine I.D.	Fig. 3.0LD-HO - 110
Cylinder Head	
Cylinder Head	Fig. 3.0LD-HO - 210
Cylinder Head Cover Shields.....	Fig. 3.0LD-HO - 220
Cylinder Block	
Cylinder Block	Fig. 3.0LD-HO - 310
Crankshaft, Piston and Drive Plate	
Crankshaft & Flywheel.....	Fig. 3.0LD-HO - 410
Balance Shaft	Fig. 3.0LD-HO - 420
Piston & Connecting Rod.....	Fig. 3.0LD-HO - 430
Camshafts and Valves	
Camshaft & Chain Drive	Fig. 3.0LD-HO - 510
Valves	Fig. 3.0LD-HO - 520
Timing Belt and Cover	
Timing Cover	Fig. 3.0LD-HO - 610
Engine Oiling	
Oil Pan	Fig. 3.0LD-HO - 710
Oil Pump	Fig. 3.0LD-HO - 720
Oil Filter & Oil Cooler	Fig. 3.0LD-HO - 730
Oil Filler Neck & Oil Indicator.....	Fig. 3.0LD-HO - 740
Manifolds	
Intake Manifold	Fig. 3.0LD-HO - 810
Intake Manifold Crossover.....	Fig. 3.0LD-HO - 820
Exhaust Manifold.....	Fig. 3.0LD-HO - 830
Exhaust Gas Recirculation Cooler	Fig. 3.0LD-HO - 840
Turbocharger	Fig. 3.0LD-HO - 850
Crankcase Ventilation	
Engine Breathing.....	Fig. 3.0LD-HO - 910

**Engine I.D.
Figure 3.0LD-HO-110**

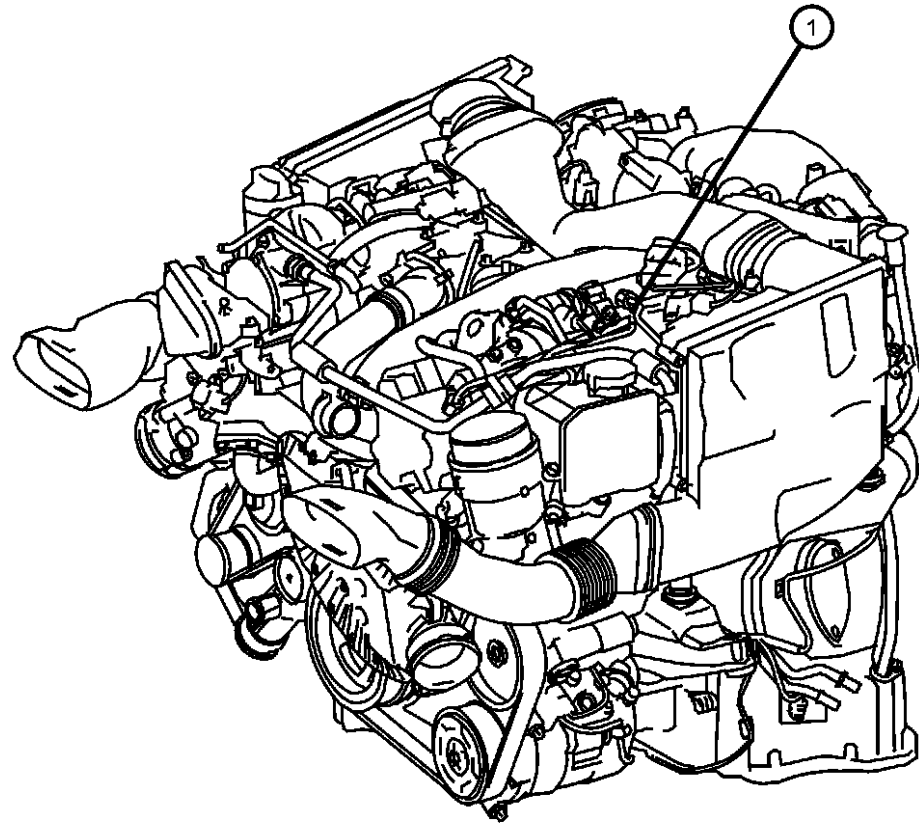
ITEM	PART NUMBER	QTY	LINE	SERIES	BODY	ENGINE	TRANS	TRIM	DESCRIPTION
------	-------------	-----	------	--------	------	--------	-------	------	-------------

NOTES:

Sales Code

[EXM] = 3.0L V6 Turbo Diesel Engine

1	68006004AA	1	2, 3, 6, 7			EXM	DGZ		ENGINE, Complete
---	------------	---	------------	--	--	-----	-----	--	------------------



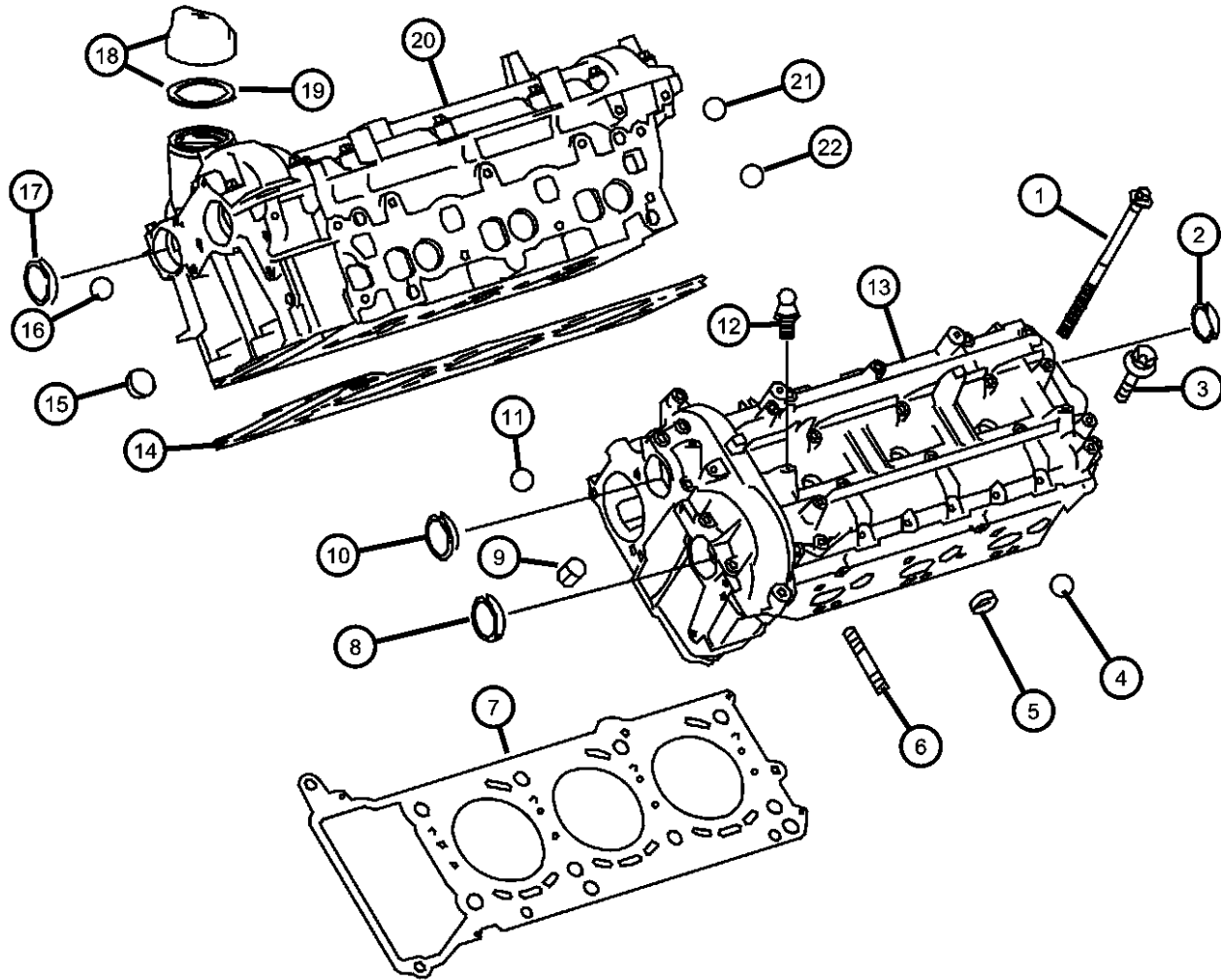
SPRINTER (VB)

SERIES	LINE	BODY	ENGINE	TRANSMISSION
L = LOWLINE	3 = HD DODGE 2WD 2 = Med. Duty DODGE 2WD	03 = CAB CHASSIS WHEEL BASE 3 05 = CAB CHASSIS WHEEL BASE 5 13 = 119 WB 53 = 119 WB 15 = VAN WHEEL BASE 5 55 = WAGON WHEEL BASE 5 17 = VAN WHEEL BASE 7	EG2 = 3.5L V6 Gas Engine EXM = 3.0L V6 Turbo Diesel Engine	DGZ = 5-Speed Auto W5A380 Transmission

AR = use ase required - = Non illustrated part

2007 VB

Cylinder Head
Figure 3.0LD-HO-210



ITEM	PART NUMBER	QTY	LINE	SERIES	BODY	ENGINE	TRANS	TRIM	DESCRIPTION
NOTES: Sales Codes: [EXM] = 3.0L V6 Turbo Diesel Engine									
1									BOLT
	05096986AA	1	2, 3, 6, 7			EXM	DGZ		M8x35
	05175446AA	8	2, 3, 6, 7			EXM	DGZ		
	06104035AA	4	3, 7			EXM	DGZ		M8x90
		4	2, 3, 6, 7			EXM	DGZ		M8x90
2	05175442AA	1	7, 2, 3, 6			EXM	DGZ		PLUG, Core
3									BOLT
	06104006AA	6	2, 3, 6, 7			EXM	DGZ		Cylinder Head Cover to Cylinder M6x20, Right
		5	2, 3, 6, 7			EXM	DGZ		Cylinder Head Cover to Cylinder M6x20, Left
	06104009AA	23	2, 3, 6, 7			EXM	DGZ		Cylinder Head Cover to Cylinder M6x35, Right
		23	2, 3, 6, 7			EXM	DGZ		Cylinder Head Cover to Cylinder M6x35, Left
4	05138265AA	3	2, 3, 6, 7			EXM	DGZ		BALL, Valve Cooling Bore Outlet Lock
5	05080026AB	3	2, 3, 6, 7			EXM	DGZ		PLUG, CoreRight & Left
6	05080027AA	6	2, 3, 6, 7			EXM	DGZ		STUD, Exhaust Manifold to Cylinder Head, Right & Left
7	05175445AA	1	2, 3, 6, 7			EXM	DGZ		GASKET, Cylinder Head, LeftLeft
8	05175442AA	1	2, 3, 6, 7			EXM	DGZ		PLUG, Core, Camshaft 40 MM
9	05175383AA	4	2, 3, 6, 7			EXM	DGZ		DOWEL PIN, Timing Case to Cylinder Crankcase
10	05175442AA	1	2, 3, 6, 7			EXM	DGZ		PLUG, Core, Camshaft 40MM
11	05175442AA	1							BALL, Serviced with Cylinder Head, (NOT SERVICED)
12	05179385AA	1	2, 3, 6, 7			EXM	DGZ		PIN, Locating, Attachment,Engine Cover
13	05175342AB	1	2, 3, 6, 7			EXM	DGZ		HEAD, CylinderLeft
14	05175444AA	1	2, 3, 6, 7			EXM	DGZ		GASKET, Cylinder Head, LeftRight
15	05080026AB	3	2, 3, 6, 7			EXM	DGZ		PLUG, CoreRight & Left
16	05175317AA	6	2, 3, 6, 7			EXM	DGZ		BALL, Cap,Oil Bore
17	05175442AA	1	2, 3, 6, 7			EXM	DGZ		PLUG, Core, Camshaft 40MM

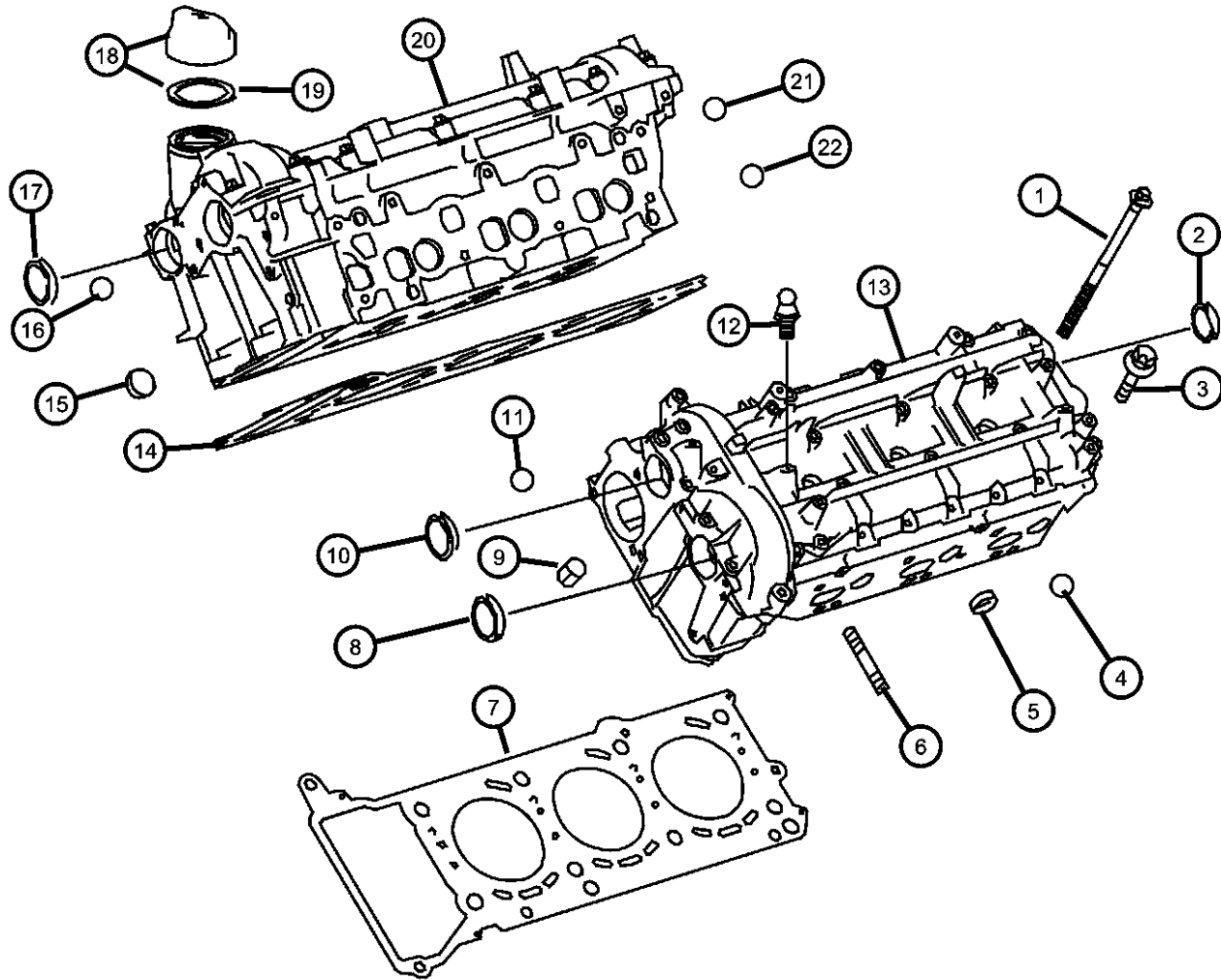
SPRINTER (VB)

SERIES	LINE	BODY	ENGINE	TRANSMISSION
L = LOWLINE	3 = HD DODGE 2WD 2 = Med. Duty DODGE 2WD	03 = CAB CHASSIS WHEEL BASE 3 05 = CAB CHASSIS WHEEL BASE 5 13 = 119 WB 53 = 119 WB 15 = VAN WHEEL BASE 5 55 = WAGON WHEEL BASE 5 17 = VAN WHEEL BASE 7	EG2 = 3.5L V6 Gas Engine EXM = 3.0L V6 Turbo Diesel Engine	DGZ = 5-Speed Auto W5A380 Transmission

AR = use ase required - = Non illustrated part

Cylinder Head
Figure 3.0LD-HO-210

ITEM	PART NUMBER	QTY	LINE	SERIES	BODY	ENGINE	TRANS	TRIM	DESCRIPTION
18	05175447AA	1	2, 3, 6, 7			EXM	DGZ		CAP, Oil Filler, Cylinder Head Cover, Right
19	05080088AA	1	2, 3, 6, 7			EXM	DGZ		SEAL, Oil Fill Cap
20	05175342AB	1	2, 3, 6, 7			EXM	DGZ		HEAD, CylinderRight
21	05175317AA	6	2, 3, 6, 7			EXM	DGZ		BALL, To Plug Oil Return Bore
22	05175317AA	6							BALL, Serviced with Cylinder Head, (NOT SERVICED)



SPRINTER (VB)

SERIES	LINE	BODY	ENGINE	TRANSMISSION
L = LOWLINE	3 = HD DODGE 2WD 2 = Med. Duty DODGE 2WD	03 = CAB CHASSIS WHEEL BASE 3 05 = CAB CHASSIS WHEEL BASE 5 13 = 119 WB 53 = 119 WB 15 = VAN WHEEL BASE 5 55 = WAGON WHEEL BASE 5 17 = VAN WHEEL BASE 7	EG2 = 3.5L V6 Gas Engine EXM = 3.0L V6 Turbo Diesel Engine	DGZ = 5-Speed Auto W5A380 Transmission

AR = use ase required - = Non illustrated part

Cylinder Head Cover Shields
Figure 3.0LD-HO-220

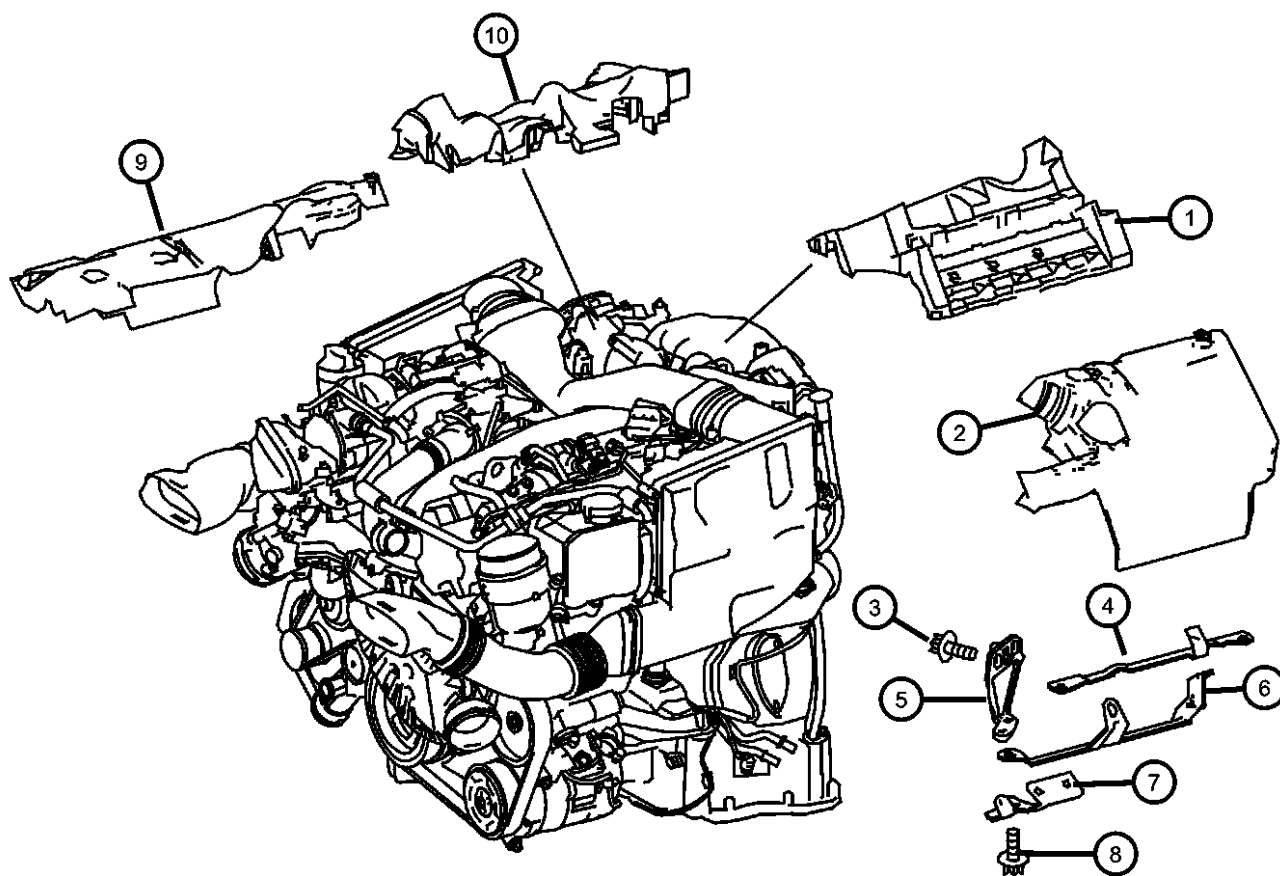
ITEM	PART NUMBER	QTY	LINE	SERIES	BODY	ENGINE	TRANS	TRIM	DESCRIPTION
------	-------------	-----	------	--------	------	--------	-------	------	-------------

NOTES:

Sales Code

[EXM] = 3.0L V6 Turbo Diesel Engine

1	68012371AA	1	2, 3, 6, 7			EXM	DGZ		COVER, Left-ZJ9
2	68012372AA	1	2, 3, 6, 7			EXM	DGZ		COVER, Engine, ZJ9
3	06104006AA	2	2, 3, 6, 7			EXM	DGZ		BOLT, Bracket to Cylinder Head Cover M6x20
4	68012387AA	1	2, 3, 6, 7			EXM	DGZ		BRACKET, Engine Covering
5	68012388AA	1	2, 3, 6, 7			EXM	DGZ		BRACKET, Engine Covering
6	68012388AA	1	2, 3, 6, 7			EXM	DGZ		BRACKET, Engine Covering
7	68012390AA	1	2, 3, 6, 7			EXM	DGZ		BRACKET, Engine Covering
8	06104004AA	1	2, 3, 6, 7			EXM	DGZ		BOLT, Bracket to Cylinder Head M6x12
9	68012385AA	1	2, 3, 6, 7			EXM	DGZ		COVER, Engine
10	68012369AA	1	2, 3, 6, 7			EXM	DGZ		COVERRight



SPRINTER (VB)

SERIES LINE
L = LOWLINE 3 = HD DODGE 2WD
 2 = Med. Duty DODGE 2WD

BODY
03 = CAB CHASSIS WHEEL BASE 3
05 = CAB CHASSIS WHEEL BASE 5
13 = 119 WB
53 = 119 WB
15 = VAN WHEEL BASE 5
55 = WAGON WHEEL BASE 5
17 = VAN WHEEL BASE 7

ENGINE
EG2 = 3.5L V6 Gas Engine
EXM = 3.0L V6 Turbo Diesel Engine

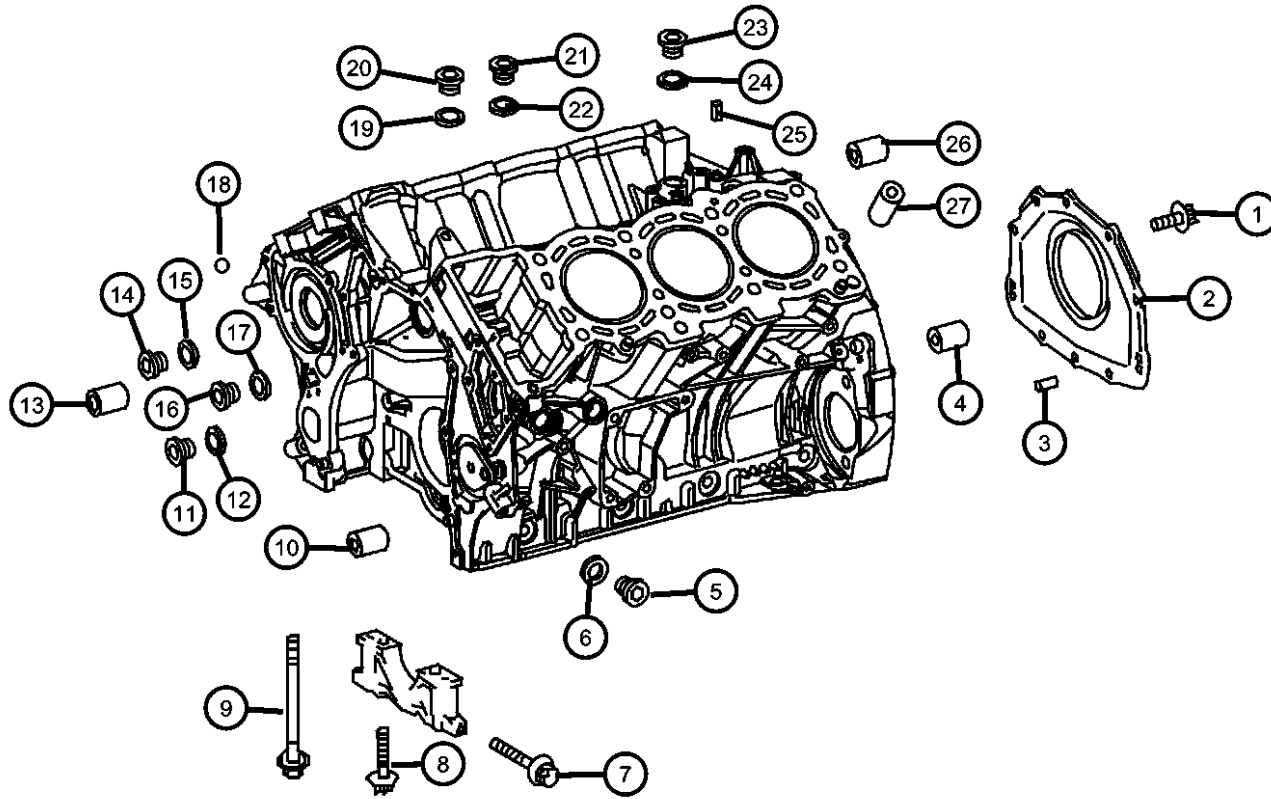
TRANSMISSION
DGZ = 5-Speed Auto W5A380 Transmission

AR = use ase required - = Non illustrated part

2007 VB

Cylinder Block
Figure 3.0LD-HO-310

ITEM	PART NUMBER	QTY	LINE	SERIES	BODY	ENGINE	TRANS	TRIM	DESCRIPTION
NOTES: Sales Code: [EXM] = 3.0L V6 Turbo Diesel Engine									
1	06104006AA	1	2, 3, 6, 7			EXM	DGZ		BOLT, Cover Attachment M6x20
2	68006029AA	1	2, 3, 6, 7			EXM	DGZ		RETAINER AND SEAL, Crankshaft Rear Oil, Cylinder Crankcase
3	05099279AA	2	2, 3, 6, 7			EG2	DGZ		DOWEL PIN
4	05097167AA	2	2, 3, 6, 7			EG2	DGZ		DOWEL PIN, Transmission to Crankcase
5	06104470AA	1	2, 3, 6, 7			EXM	DGZ		PLUG, Pipe, Oil Feed
6	05073866AA	1	2, 3, 6, 7			EXM	DGZ		O RING
7	06104218AA	8	2, 3, 6, 7			EXM	DGZ		BOLT, Crankshaft Bearing Cap to Crankcase, Transverse M10x40
8	05175321AA	13	2, 3, 6, 7			EXM	DGZ		BOLT, Crankshaft Bearing Cap to Cylinder Crankcase
9	05175322AA	3	2, 3, 6, 7			EXM	DGZ		BOLT, Crankshaft Bearing Cap to Cylinder Crankcase
10	05073868AA	4	2, 3, 6, 7			EXM	DGZ		DOWEL PIN, Timing Case to Cylinder Crankcase
11	06104476AA	1	2, 3, 6, 7			EXM	DGZ		PLUG, Pipe, Left Water Supply
12	05133840AA	1	2, 3, 6, 7			EXM	DGZ		O RING
13	68006024AA	1	2, 3, 6, 7			EXM	DGZ		BUSHING
14	06104468AA	1	2, 3, 6, 7			EXM	DGZ		PLUG, Pipe, Water Return
15	05175316AA	1	2, 3, 6, 7			EXM	DGZ		O RING
16	06104470AA	1	2, 3, 6, 7			EXM	DGZ		PLUG, Pipe, Differential Shaft
17	05073866AA	1	2, 3, 6, 7			EXM	DGZ		O RING
18	05175317AA	6	2, 3, 6, 7			EXM	DGZ		BALL, Oil Return Vacuum Pump
19	05133840AA	1	2, 3, 6, 7			EXM	DGZ		O RING
20	06104476AA	1	2, 3, 6, 7			EXM	DGZ		PLUG, Pipe
21	06104472AA	2	2, 3, 6, 7			EXM	DGZ		PLUG, Pipe, Differential Shaft
22	05175309AA	2	2, 3, 6, 7			EXM	DGZ		O RING
23	06104464AA	1	2, 3, 6, 7			EXM	DGZ		PLUG, Pipe, Feed
24	05175317AA	6	2, 3, 6, 7			EXM	DGZ		BALL, Oil Return Vacuum Pump
25	05083930AA	2	2, 3, 6, 7			EXM	DGZ		DOWEL PIN, Turbocharger to Crankcase



SPRINTER (VB)

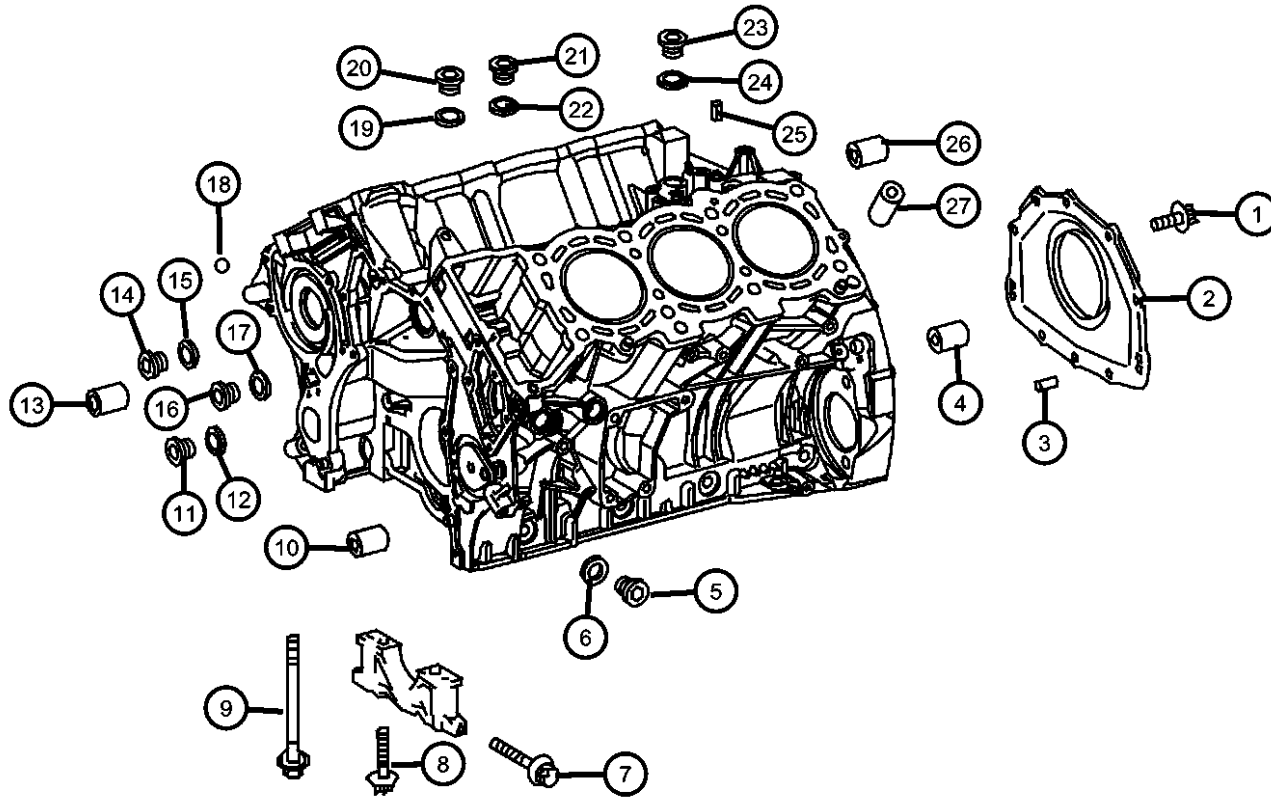
SERIES	LINE	BODY	ENGINE	TRANSMISSION
L = LOWLINE	3 = HD DODGE 2WD 2 = Med. Duty DODGE 2WD	03 = CAB CHASSIS WHEEL BASE 3 05 = CAB CHASSIS WHEEL BASE 5 13 = 119 WB 53 = 119 WB 15 = VAN WHEEL BASE 5 55 = WAGON WHEEL BASE 5 17 = VAN WHEEL BASE 7	EG2 = 3.5L V6 Gas Engine EXM = 3.0L V6 Turbo Diesel Engine	DGZ = 5-Speed Auto W5A380 Transmission

AR = use ase required - = Non illustrated part

2007 VB

Cylinder Block
Figure 3.0LD-HO-310

ITEM	PART NUMBER	QTY	LINE	SERIES	BODY	ENGINE	TRANS	TRIM	DESCRIPTION
26	05175323AA	1	2, 3, 6, 7			EXM	DGZ		BUSHING, Crankshaft, Differential Shaft to Crankcase
27	05073868AA	4	2, 3, 6, 7			EXM	DGZ		DOWEL PIN, Cylinder Head to Cylinder Crankcase



SPRINTER (VB)

SERIES	LINE	BODY	ENGINE	TRANSMISSION
L = LOWLINE	3 = HD DODGE 2WD 2 = Med. Duty DODGE 2WD	03 = CAB CHASSIS WHEEL BASE 3 05 = CAB CHASSIS WHEEL BASE 5 13 = 119 WB 53 = 119 WB 15 = VAN WHEEL BASE 5 55 = WAGON WHEEL BASE 5 17 = VAN WHEEL BASE 7	EG2 = 3.5L V6 Gas Engine EXM = 3.0L V6 Turbo Diesel Engine	DGZ = 5-Speed Auto W5A380 Transmission

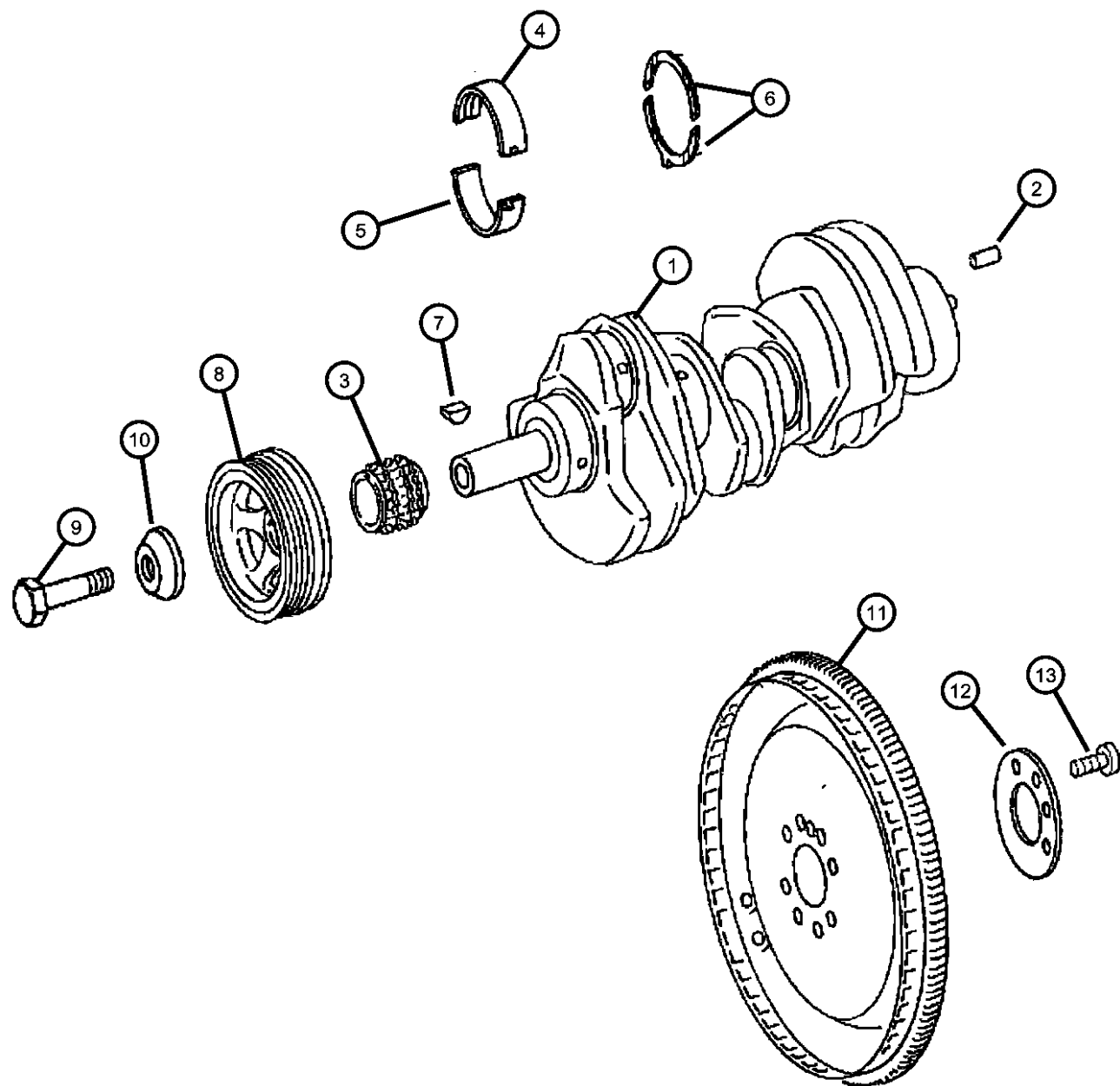
AR = use ase required - = Non illustrated part

**Crankshaft & Flywheel
Figure 3.0LD-HO-410**

ITEM	PART NUMBER	QTY	LINE	SERIES	BODY	ENGINE	TRANS	TRIM	DESCRIPTION
------	-------------	-----	------	--------	------	--------	-------	------	-------------

NOTE: Bearings Only Serviced By Color, Standard Size Only. Over Size Bearings Are Not Serviced. Please Refer To Service Manual For Additional Sales Code

[EXM] = 3.0L V6 Turbo Diesel Engine



1	05179462AA	1	2, 3, 6, 7			EXM	DGZ		CRANKSHAFT AND KEY
2	05080024AA	1	2, 3, 6, 7			EXM	DGZ		DOWEL PIN
3	05175345AA	1	2, 3, 6, 7			EXM	DGZ		GEAR, Crankshaft
4									BEARING, Crankshaft
	05179441AA	4	2, 3, 6, 7			EXM	DGZ		Bearing Color [Blue], Upper, Crank Shaft, Bearing
	05179442AA	4	2, 3, 6, 7			EXM	DGZ		Bearing Color [Yellow], Upper, Crank Shaft, Bearing
	05179443AA	4	2, 3, 6, 7			EXM	DGZ		Bearing Color [Red], Upper, Crank Shaft, Bearing
5									BEARING, Crankshaft
	05179444AA	4	2, 3, 6, 7			EXM	DGZ		Bearing Color [Blue], Lower, Crankshaft, Bearing
	05179445AA	4	2, 3, 6, 7			EXM	DGZ		Bearing Color [Yellow], Lower, Crankshaft, Bearing
	05179446AA	4	2, 3, 6, 7			EXM	DGZ		Bearing Color [Red], Lower, Crankshaft, Bearing
6									THRUST BEARING
	05175357AA	2	2, 3, 6, 7			EXM	DGZ		Standard Size [2.15MM]
	05175358AA	2	2, 3, 6, 7			EXM	DGZ		Standard Size [2.20MM]
7	05101484AB	1	7, 2, 3, 6			EXM	DGZ		KEY, Woodruff
8	68013978AA	1	2, 3, 6, 7			EXM	DGZ		DAMPER, Crankshaft
9	06104301AA	1	2, 3, 6, 7			EXM	DGZ		BOLT
10	05080005AA	1	2, 3, 6, 7			EXM	DGZ		WASHER
11	05175957AA	1	2, 3, 6, 7			EXM	DGZ		FLEX PLATE
12	05139838AA	1	2, 3, 6, 7			EXM	DGZ		PLATE, Flexplate Backing
13	05073700AB	8	2, 3, 6, 7			EXM	DGZ		SCREW

SPRINTER (VB)

SERIES LINE
L = LOWLINE 3 = HD DODGE 2WD
2 = Med. Duty DODGE 2WD

BODY ENGINE TRANSMISSION
03 = CAB CHASSIS WHEEL EG2 = 3.5L V6 Gas Engine DGZ = 5-Speed Auto W5A380
BASE 3 EXM = 3.0L V6 Turbo Diesel Transmission
05 = CAB CHASSIS WHEEL Engine
BASE 5
13 = 119 WB
53 = 119 WB
15 = VAN WHEEL BASE 5
55 = WAGON WHEEL BASE 5
17 = VAN WHEEL BASE 7

AR = use ase required - = Non illustrated part

2007 VB

Balance Shaft
Figure 3.0LD-HO-420

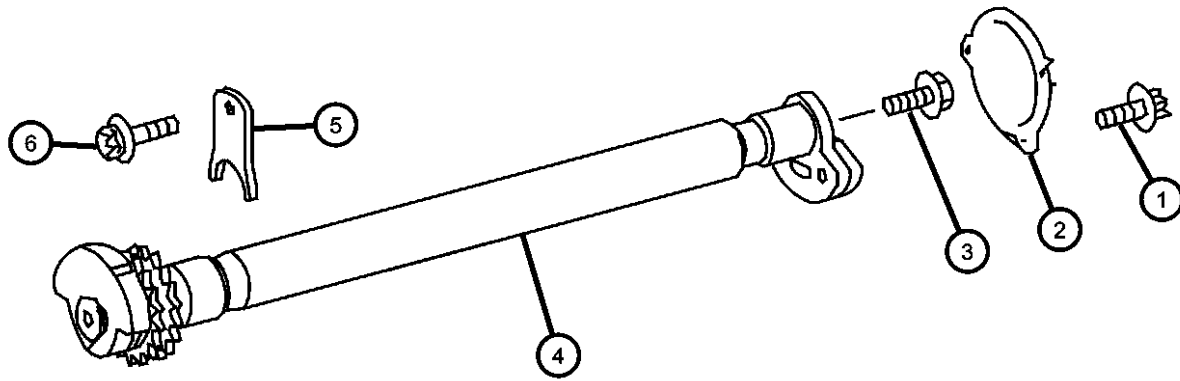
ITEM	PART NUMBER	QTY	LINE	SERIES	BODY	ENGINE	TRANS	TRIM	DESCRIPTION
------	-------------	-----	------	--------	------	--------	-------	------	-------------

NOTES:

Sales Code

[EXM] = 3.0L V6 Turbo Diesel Engine

1	06104004AA	3	2, 3, 6, 7			EXM	DGZ		BOLT, Cover Attachment M6x12
2	05175362AB	1	2, 3, 6, 7			EXM	DGZ		COVER, Balance Shaft
3	05102898AA	1	2, 3, 6, 7			EXM	DGZ		SCREW, M8x50
4	05175346AA	1	2, 3, 6, 7			EXM	DGZ		SHAFT, Balance
5	05175360AA	1	2, 3, 6, 7			EXM	DGZ		WASHER
6	06104005AA	1	2, 3, 6, 7			EXM	DGZ		BOLT, M6x16



SPRINTER (VB)

SERIES	LINE	BODY	ENGINE	TRANSMISSION
L = LOWLINE	3 = HD DODGE 2WD 2 = Med. Duty DODGE 2WD	03 = CAB CHASSIS WHEEL BASE 3 05 = CAB CHASSIS WHEEL BASE 5 13 = 119 WB 53 = 119 WB 15 = VAN WHEEL BASE 5 55 = WAGON WHEEL BASE 5 17 = VAN WHEEL BASE 7	EG2 = 3.5L V6 Gas Engine EXM = 3.0L V6 Turbo Diesel Engine	DGZ = 5-Speed Auto W5A380 Transmission

AR = use ase required - = Non illustrated part

2007 VB

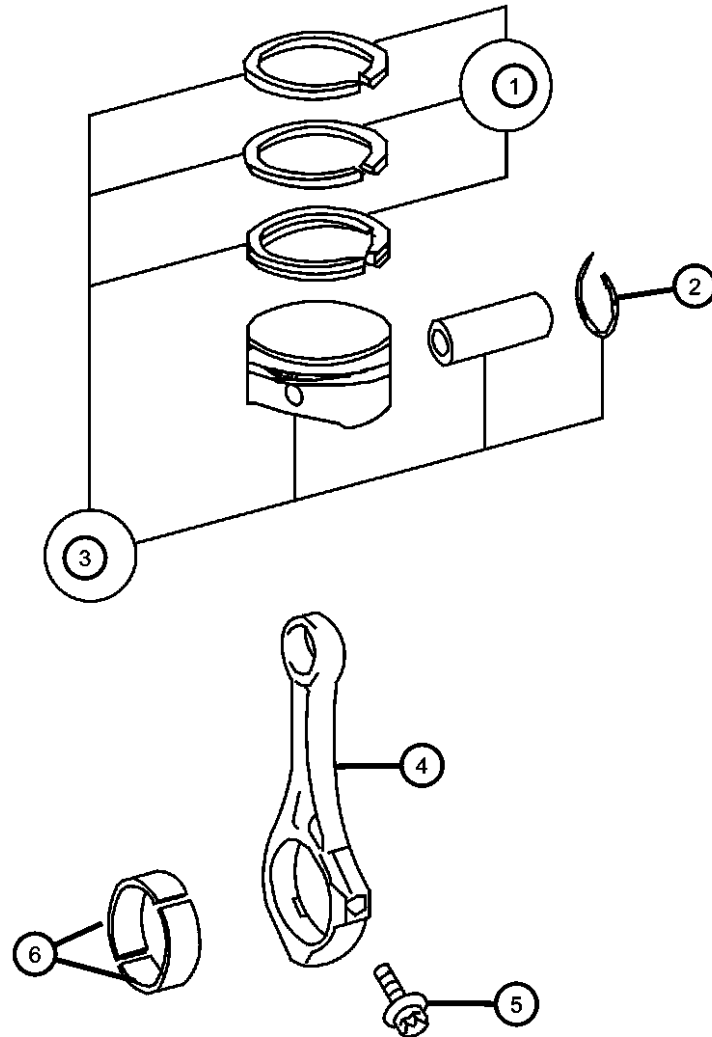
**Piston & Connecting Rod
Figure 3.0LD-HO-430**

ITEM	PART NUMBER	QTY	LINE	SERIES	BODY	ENGINE	TRANS	TRIM	DESCRIPTION
1	05175364AA	3	2, 3, 6, 7			EXM	DGZ		RING, Piston, Parts Kit
2	05080034AA	6	2, 3, 6, 7			EXM	DGZ		RING KIT, Piston Din 73130-C30x2.0, Right
		6	2, 3, 6, 7			EXM	DGZ		Din 73130-C30x2.0, Left
3	68013987AA	3	2, 3, 6, 7			EXM	DGZ		PISTON & PIN ASSY, StandardRight
4	68013979AA	6	2, 3, 6, 7			EXM	DGZ		ROD, Connecting
5	05179418AA	12	2, 3, 6, 7			EXM	DGZ		BOLT, Connecting Rod
6	05175363AB	6	2, 3, 6, 7			EXM	DGZ		BEARING, Connecting Rod, STD., Parts Kit

NOTES:

Sales Code

[EXM] = 3.0L V6 Turbo Diesel Engine



SPRINTER (VB)

SERIES	LINE	BODY	ENGINE	TRANSMISSION
L = LOWLINE	3 = HD DODGE 2WD 2 = Med. Duty DODGE 2WD	03 = CAB CHASSIS WHEEL BASE 3 05 = CAB CHASSIS WHEEL BASE 5 13 = 119 WB 53 = 119 WB 15 = VAN WHEEL BASE 5 55 = WAGON WHEEL BASE 5 17 = VAN WHEEL BASE 7	EG2 = 3.5L V6 Gas Engine EXM = 3.0L V6 Turbo Diesel Engine	DGZ = 5-Speed Auto W5A380 Transmission

AR = use ase required - = Non illustrated part

2007 VB

**Camshaft & Chain Drive
Figure 3.0LD-HO-510**

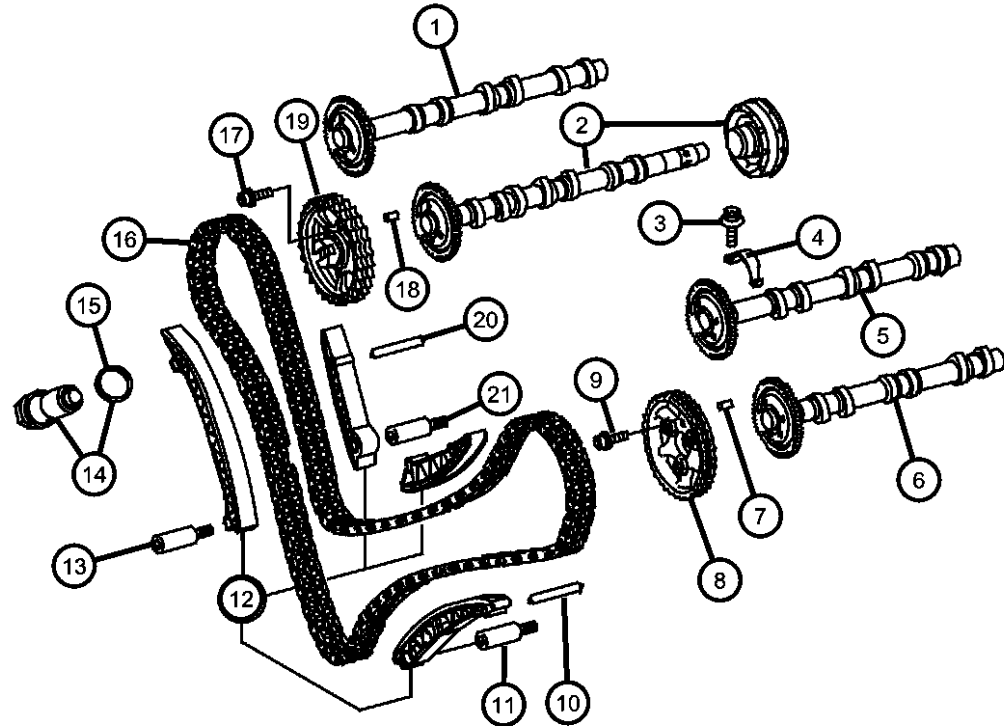
ITEM	PART NUMBER	QTY	LINE	SERIES	BODY	ENGINE	TRANS	TRIM	DESCRIPTION
------	-------------	-----	------	--------	------	--------	-------	------	-------------

NOTES:

Sales Code

[EXM] = 3.0L V6 Turbo Diesel Engine

1	68017930AA	1	2, 3, 6, 7			EXM	DGZ		CAMSHAFT, ExhaustRight
2	05175451AA	1	2, 3, 6, 7			EXM			CAMSHAFT, IntakeRight
3	06104075AA	8	2, 3, 6, 7			EXM	DGZ		BOLT, Bracket Mounting M6x12
4	05175448AA	4	2, 3, 6, 7			EXM	DGZ		CAP, Camshaft Bearing
5	05175452AA	1	2, 3, 6, 7			EXM			CAMSHAFT, IntakeLeft
6	05175454AA	1	2, 3, 6, 7			EXM	DGZ		CAMSHAFT, ExhaustLeft
7	05175456AA	1	2, 3, 6, 7			EXM	DGZ		PIN, Dowel
8	05175458AA	1	2, 3, 6, 7			EXM	DGZ		GEAR, Camshaft, Exhaust, Left
9	05073901AA	6	2, 3, 6, 7			EXM	DGZ		BOLT
10	05175460AA	3	2, 3, 6, 7			EXM	DGZ		DOWEL PIN, Sliding Rail to Cylinder Crankcase
11	05175459AA	3	2, 3, 6, 7			EXM	DGZ		DOWEL PIN, Guide Rail to Crankcase Right
12	05175511AA	1	2, 3, 6, 7			EXM	DGZ		GUIDE, Timing Chain, Repair Kit
13	05175459AA	3	2, 3, 6, 7			EXM	DGZ		DOWEL PIN, Sliding Rail to Cylinder Crankcase
14	68017937AA	1	2, 3, 6, 7			EXM	DGZ		TENSIONER, Chain
15	05125905AA	1	2, 3, 6, 7			EXM	DGZ		O RING
16	05175510AA	1	2, 3, 6, 7			EXM	DGZ		CHAIN, Timing
17	05073901AA	6	2, 3, 6, 7			EXM	DGZ		BOLT
18	05175456AA	1	2, 3, 6, 7			EXM	DGZ		PIN, Dowel, Inlet, Right
19	05080110AA	1	2, 3, 6, 7			EXM	DGZ		GEAR, Camshaft, Inlet, Right
20	05175460AA	3	2, 3, 6, 7			EXM	DGZ		DOWEL PIN, Sliding Rail to Cylinder Crankcase
21	05175459AA	3	2, 3, 6, 7			EXM	DGZ		DOWEL PIN, Guide Rail to Crankcase Right



SPRINTER (VB)

SERIES LINE
L = LOWLINE 3 = HD DODGE 2WD
 2 = Med. Duty DODGE 2WD

BODY
03 = CAB CHASSIS WHEEL BASE 3
05 = CAB CHASSIS WHEEL BASE 5
13 = 119 WB
53 = 119 WB
15 = VAN WHEEL BASE 5
55 = WAGON WHEEL BASE 5
17 = VAN WHEEL BASE 7

ENGINE
EG2 = 3.5L V6 Gas Engine
EXM = 3.0L V6 Turbo Diesel Engine

TRANSMISSION
DGZ = 5-Speed Auto W5A380 Transmission

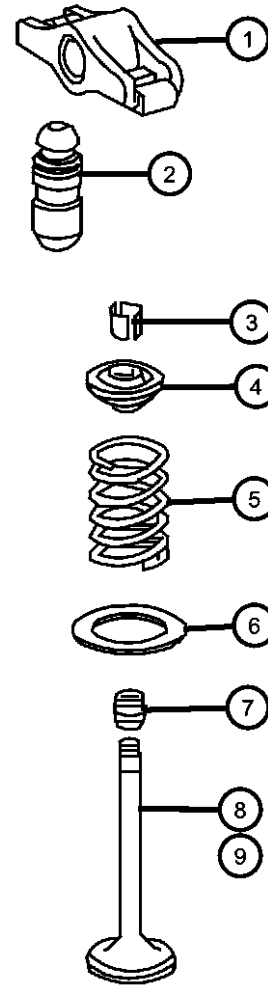
AR = use ase required - = Non illustrated part

2007 VB

Valves
Figure 3.0LD-HO-520

ITEM	PART NUMBER	QTY	LINE	SERIES	BODY	ENGINE	TRANS	TRIM	DESCRIPTION
------	-------------	-----	------	--------	------	--------	-------	------	-------------

NOTES:
Sales Code
[EXM] = 3.0L V6 Turbo Diesel Engine



1	05175441AA	24	2, 3, 6, 7			EXM	DGZ		ROCKER ARM, Inlet and Exhaust ValveRight & Left
2	05175440AA	24	2, 3, 6, 7			EXM	DGZ		ADJUSTER, Valve Lash
3	05175399AA	24	2, 3, 6, 7			EG2	DGZ		LOCK, Valve Spring RetainerRight & Left
4	05175400AA	24	2, 3, 6, 7			EXM	DGZ		RETAINER, Valve SpringTop
5	05175398AA	6	2, 3, 6, 7			EXM	DGZ		SPRING, Valve, Intake, Right & Left
6	05175401AA	24	2, 3, 6, 7			EXM	DGZ		RETAINER, Valve Spring, Bottom
7	05175438AA	6	2, 3, 6, 7			EG2	DGZ		SEAL, Valve Guide
8	05175396AA	6	2, 3, 6, 7			EXM	DGZ		VALVE, Intake, StandardRight & Left
9	05175397AA	6	2, 3, 6, 7			EXM	DGZ		VALVE, Exhaust, StandardRight & Left

SPRINTER (VB)

SERIES	LINE	BODY	ENGINE	TRANSMISSION
L = LOWLINE	3 = HD DODGE 2WD 2 = Med. Duty DODGE 2WD	03 = CAB CHASSIS WHEEL BASE 3 05 = CAB CHASSIS WHEEL BASE 5 13 = 119 WB 53 = 119 WB 15 = VAN WHEEL BASE 5 55 = WAGON WHEEL BASE 5 17 = VAN WHEEL BASE 7	EG2 = 3.5L V6 Gas Engine EXM = 3.0L V6 Turbo Diesel Engine	DGZ = 5-Speed Auto W5A380 Transmission

AR = use ase required - = Non illustrated part

2007 VB

**Timing Cover
Figure 3.0LD-HO-610**

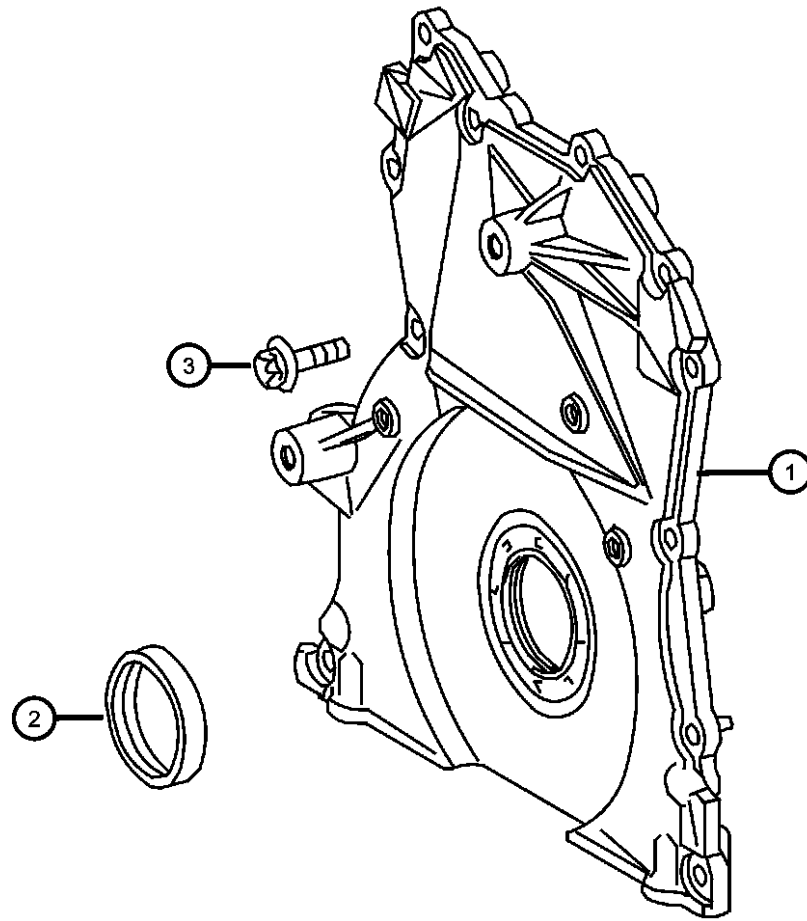
ITEM	PART NUMBER	QTY	LINE	SERIES	BODY	ENGINE	TRANS	TRIM	DESCRIPTION
------	-------------	-----	------	--------	------	--------	-------	------	-------------

NOTES:

Sales Code

[EXM] = 3.0L V6 Turbo Diesel Engine

1	05175337AA	1	2, 3, 6, 7			EXM	DGZ		COVER, Timing Case
2	05073675AB	1	2, 3, 6, 7			EG2	DGZ		SEAL, Crankshaft Oil, Front, Radial-Lip Type Oil Seal
3	05175338AA	12	2, 3, 6, 7			EXM	DGZ		BOLT, M6x20 MK

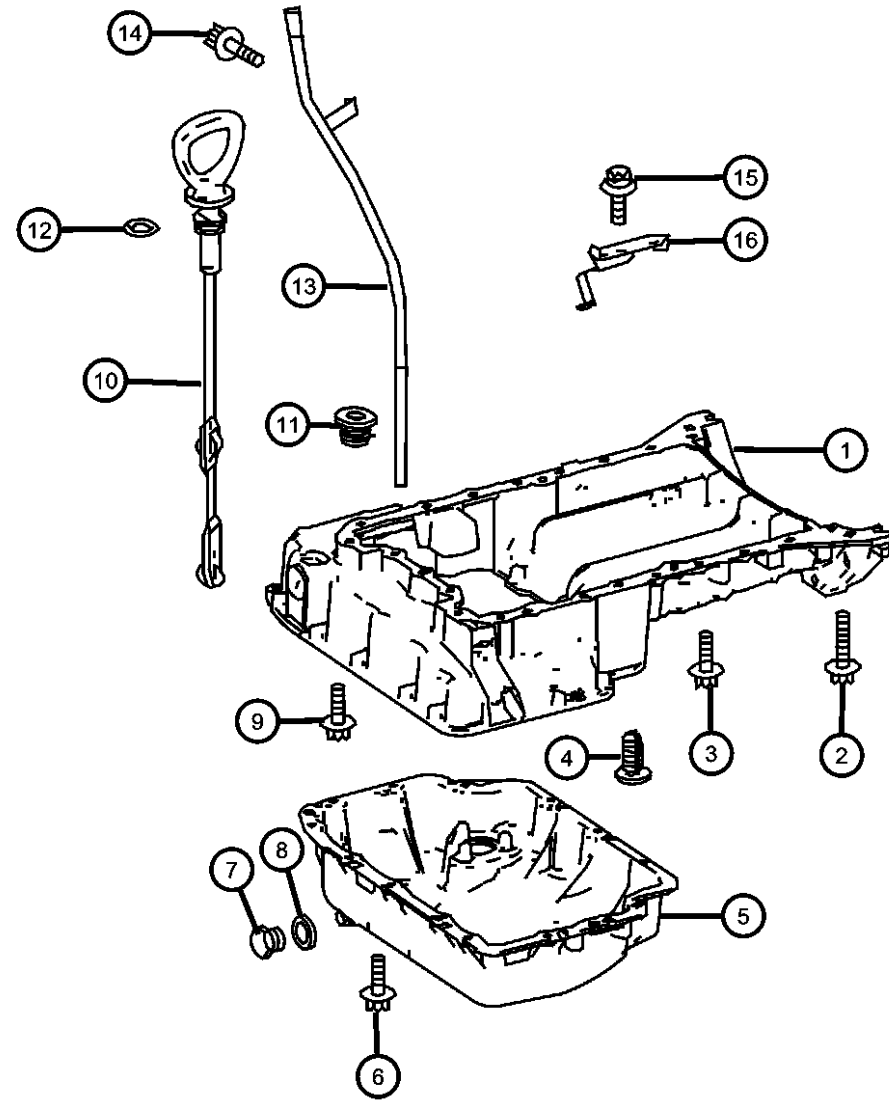


SPRINTER (VB)

SERIES	LINE	BODY	ENGINE	TRANSMISSION
L = LOWLINE	3 = HD DODGE 2WD	03 = CAB CHASSIS WHEEL BASE 3	EG2 = 3.5L V6 Gas Engine	DGZ = 5-Speed Auto W5A380 Transmission
	2 = Med. Duty DODGE 2WD	05 = CAB CHASSIS WHEEL BASE 5	EXM = 3.0L V6 Turbo Diesel Engine	
		13 = 119 WB		
		53 = 119 WB		
		15 = VAN WHEEL BASE 5		
		55 = WAGON WHEEL BASE 5		
		17 = VAN WHEEL BASE 7		

AR = use ase required - = Non illustrated part

Oil Pan
Figure 3.0LD-HO-710



ITEM	PART NUMBER	QTY	LINE	SERIES	BODY	ENGINE	TRANS	TRIM	DESCRIPTION
NOTES: Sales Code [EXM] = 3.0L V6 Turbo Diesel Engine									
1	68006066AA	1	2, 3, 6, 7			EXM	DGZ		PAN, OilUpper
2									SCREW
	06104024AA	2	3, 7			EG2, EXM	DGZ		Oil Pan to Cylinder Crankcase M8x25
		2	2, 3, 6, 7			EG2, EXM	DGZ		Oil Pan to Cylinder Crankcase M8x25
3	06104009AA	2	2, 3, 6, 7			EG2, EXM	DGZ		BOLT, Bracket to Oil Pan M6x35
4	05175339AA	2	2, 3, 6, 7			EXM	DGZ		BRACKET, Oil Pan
5	68006079AA	1	2, 3, 6, 7			EXM	DGZ		PAN, OilLower
6	68006084AA	14	2, 3, 6, 7			EXM	DGZ		SCREW, Upper Pan to Lower
7	05073945AA	1	2, 3, 6, 7			EG2	DGZ		PLUG, Oil Drain
8	05073946AA	1	2, 3, 6, 7			EXM	DGZ		GASKET, Drain Plug
9	06104684AA	1	2, 3, 6, 7			EXM	DGZ		BOLT, Upper Part of Oil Pan to Crankcase M6x28
10	68006137AA	1	2, 3, 6, 7			EXM	DGZ		INDICATOR, Engine Oil Level
11	05096486AA	1	2, 3, 6, 7			EG2	DGZ		SEAL, Suction Pipe to Oil Pan
12	05073943AA	1	2, 3, 6, 7			EXM	DGZ		O RING
13	68006098AA	1	2, 3, 6, 7			EXM	DGZ		TUBE, Engine Oil Indicator
14	05183964AA	1	2, 3, 6, 7			EXM	DGZ		SCREW, Oil Suction Pipe to Oil Pan M6x10
15	06104681AA	2	2, 3, 6, 7			EXM	DGZ		SCREW, Bracket to Cylinder Head Cover M6x15
16	68006148AA	1	2, 3, 6, 7			EXM	DGZ		BRACKET

SPRINTER (VB)

SERIES LINE
L = LOWLINE 3 = HD DODGE 2WD
 2 = Med. Duty DODGE 2WD

BODY ENGINE TRANSMISSION
03 = CAB CHASSIS WHEEL BASE 3 EG2 = 3.5L V6 Gas Engine DGZ = 5-Speed Auto W5A380
05 = CAB CHASSIS WHEEL BASE 5 EXM = 3.0L V6 Turbo Diesel Engine Transmission
13 = 119 WB
53 = 119 WB
15 = VAN WHEEL BASE 5
55 = WAGON WHEEL BASE 5
17 = VAN WHEEL BASE 7

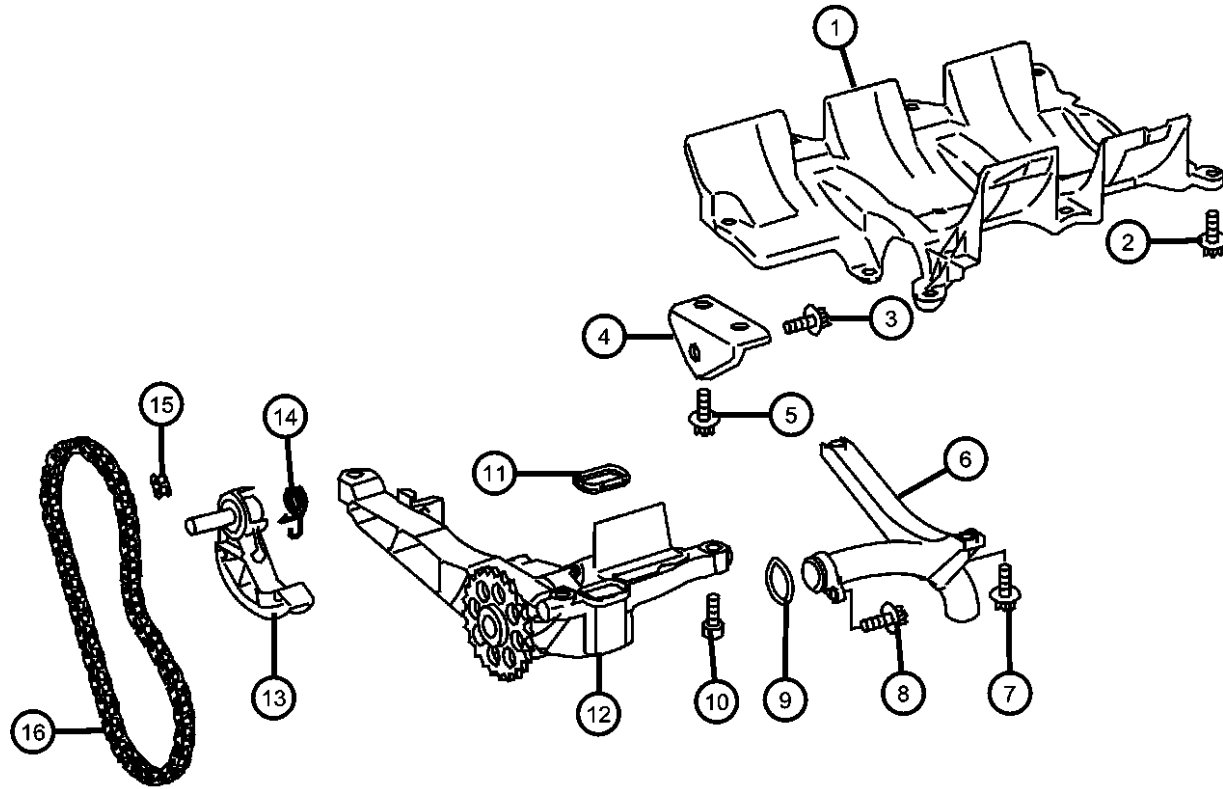
AR = use ase required - = Non illustrated part

Oil Pump Figure 3.0LD-HO-720

ITEM	PART NUMBER	QTY	LINE	SERIES	BODY	ENGINE	TRANS	TRIM	DESCRIPTION
------	-------------	-----	------	--------	------	--------	-------	------	-------------

NOTES:
Sales Code
[EXM] = 3.0L V6 Turbo Diesel Engine

1	68017821AA	1	2, 3, 6, 7			EXM	DGZ		SLINGER, Oil
2	06104682AA	7	2, 3, 6, 7			EXM	DGZ		BOLT, M6x19
3	06104004AA	2	2, 3, 6, 7			EXM	DGZ		BOLT, Bracket to Oil Pump M6x12
4	05175528AA	1	2, 3, 6, 7			EXM	DGZ		BRACKET, At Oil Pump
5	06104682AA	1	2, 3, 6, 7			EXM	DGZ		BOLT, Bracket to Oil Pump M6x19
6	68014037AA	1	2, 3, 6, 7			EXM	DGZ		TUBE, Oil Pickup
7	06104682AA	2	2, 3, 6, 7			EXM	DGZ		BOLT, Intake Manifold to Cylinder Crankcase M6x19
8	06104682AA	1	2, 3, 6, 7			EXM	DGZ		BOLT, Suction Pipe to Oil Pump M6x19
9	05175523AA	1	2, 3, 6, 7			EXM	DGZ		O RING
10	05175526AA	3	2, 3, 6, 7			EXM	DGZ		BOLT, Oil Pump on Crankcase
11	05175527AA	1	2, 3, 6, 7			EXM	DGZ		GASKET, Oil Pump
12	05179493AA	1	2, 3, 6, 7			EXM	DGZ		PUMP, Engine Oil
13	05175524AA	1	2, 3, 6, 7			EXM	DGZ		GUIDE, Timing Chain, Suction Basket to Oil Pump Housing
14	05175525AA	1	2, 3, 6, 7			EXM	DGZ		SPRING, At Clamp
15	05080129AA	1	2, 3, 6, 7			EXM	DGZ		LINK, Chain
16	05080128AA	1	2, 3, 6, 7			EXM	DGZ		CHAIN, Oil Pump Drive



SPRINTER (VB)

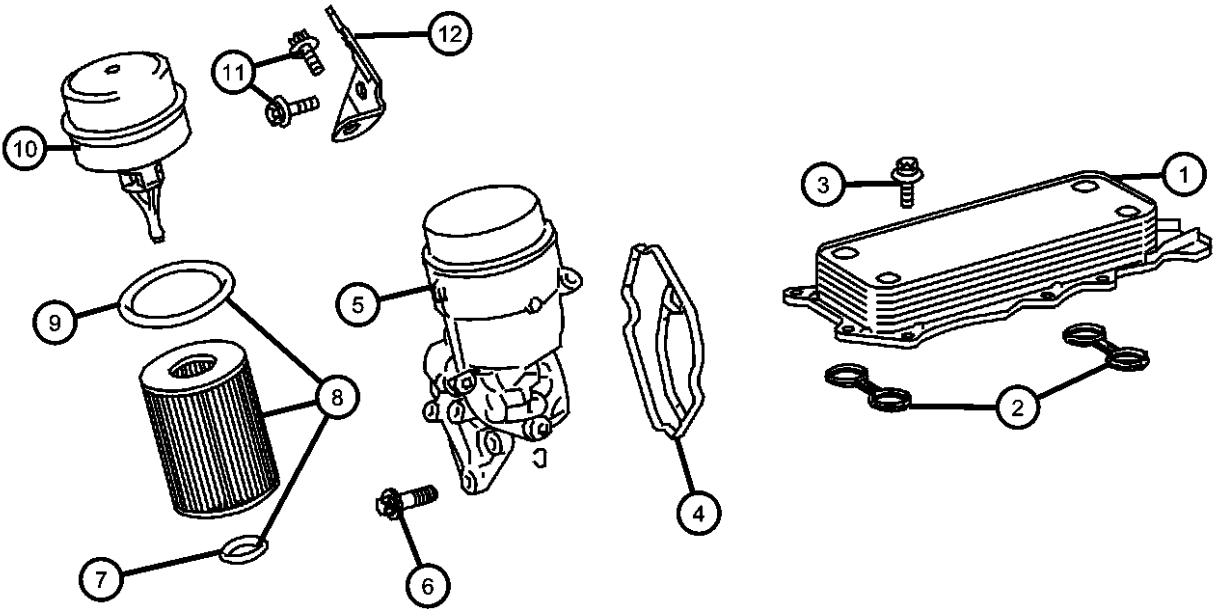
SERIES	LINE	BODY	ENGINE	TRANSMISSION
L = LOWLINE	3 = HD DODGE 2WD 2 = Med. Duty DODGE 2WD	03 = CAB CHASSIS WHEEL BASE 3 05 = CAB CHASSIS WHEEL BASE 5 13 = 119 WB 53 = 119 WB 15 = VAN WHEEL BASE 5 55 = WAGON WHEEL BASE 5 17 = VAN WHEEL BASE 7	EG2 = 3.5L V6 Gas Engine EXM = 3.0L V6 Turbo Diesel Engine	DGZ = 5-Speed Auto W5A380 Transmission

AR = use ase required - = Non illustrated part

2007 VB

**Oil Filter & Oil Cooler
Figure 3.0LD-HO-730**

ITEM	PART NUMBER	QTY	LINE	SERIES	BODY	ENGINE	TRANS	TRIM	DESCRIPTION
NOTES: Sales Code [EXM] = 3.0L V6 Turbo Diesel Engine									
1	05179360AB	1	7, 2, 3, 6			EXM	DGZ		COOLER, Oil
2	05175579AA	2	2, 3, 6, 7			EXM	DGZ		GASKET, Oil Cooler to Cylinder Crankcase
3	05170732AA	10	2, 3, 6, 7			EXM	DGZ		SCREW, Oil Cooler to Cylinder Crankcase
4	05175574AA	1	2, 3, 6, 7			EXM	DGZ		GASKET, Oil Filter Housing, Oil Filter to Cylinder Crankcase
5	05175569AA	1	2, 3, 6, 7			EXM	DGZ		HOUSING, Oil Filter
6	05175577AA	4	2, 3, 6, 7			EXM	DGZ		BOLT, Oil Filter to Cylinder Crankcase M7x25 MK
7	05175573AA	1	2, 3, 6, 7			EXM	DGZ		O RING, Rod
8	05175571AA	1	2, 3, 6, 7			EXM	DGZ		FILTER, Engine Oil
9	05175572AA	1	2, 3, 6, 7			EXM	DGZ		O RING, On Cover
10	05175570AA	1	2, 3, 6, 7			EXM	DGZ		CAP, Oil Filter Housing
11	06104681AA	1	2, 3, 6, 7			EXM	DGZ		SCREW, Bracket to Oil Filter M6x15
12	05175847AA	1	2, 3, 6, 7			EXM	DGZ		BRACKET, Oil Filter to Cylinder Head
-13	05175847AA	1	2, 3, 6, 7			EXM	DGZ		BRACKET, Oil Filter To Cylinder Head



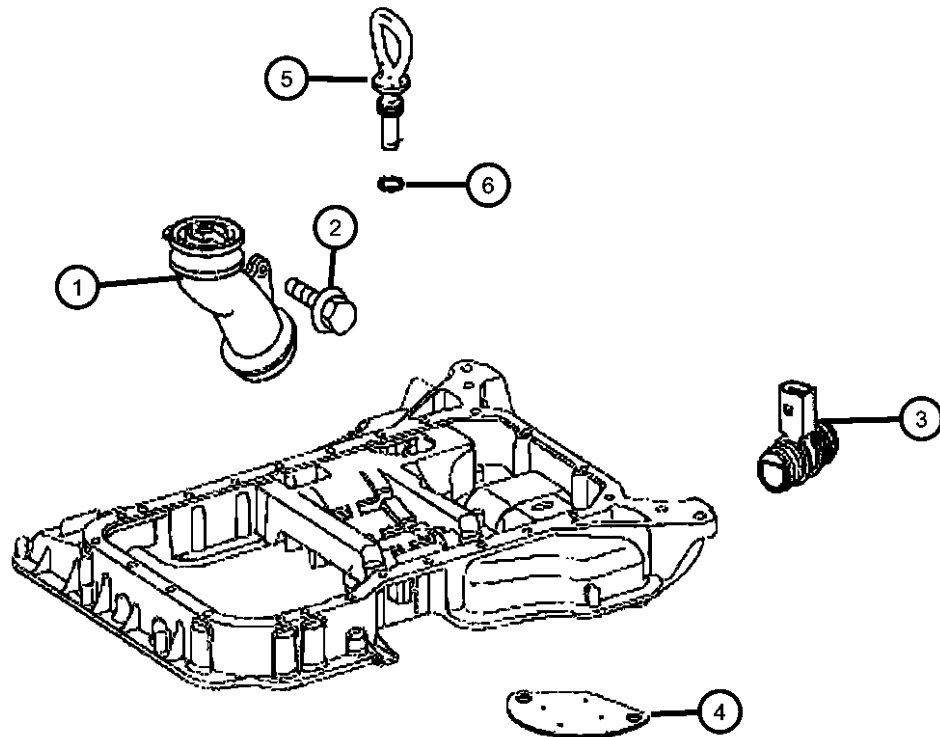
SPRINTER (VB)

SERIES	LINE	BODY	ENGINE	TRANSMISSION
L = LOWLINE	3 = HD DODGE 2WD 2 = Med. Duty DODGE 2WD	03 = CAB CHASSIS WHEEL BASE 3 05 = CAB CHASSIS WHEEL BASE 5 13 = 119 WB 53 = 119 WB 15 = VAN WHEEL BASE 5 55 = WAGON WHEEL BASE 5 17 = VAN WHEEL BASE 7	EG2 = 3.5L V6 Gas Engine EXM = 3.0L V6 Turbo Diesel Engine	DGZ = 5-Speed Auto W5A380 Transmission

AR = use ase required - = Non illustrated part

Oil Filler Neck & Oil Indicator
Figure 3.0LD-HO-740

ITEM	PART NUMBER	QTY	LINE	SERIES	BODY	ENGINE	TRANS	TRIM	DESCRIPTION
1	68012402AA	1	2, 3, 6, 7			EXM	DGZ		HOUSING, Oil Fill
2	06104004AA	1	2, 3, 6, 7			EXM	DGZ		BOLT, [M6x16]
3	05117289AA	1	2, 3, 6, 7			EXM	DGZ		TUBE, Crankcase Vent Valve, Crankcase Breathing
4	05175810AA	1	2, 3, 6, 7			EXM	DGZ		COVER, Access Cover Crankcase
5	68006137AA	1	2, 3, 6, 7			EXM	DGZ		INDICATOR, Engine Oil Level
6	05073943AA	1	2, 3, 6, 7			EG2, EXM	DGZ		O RING



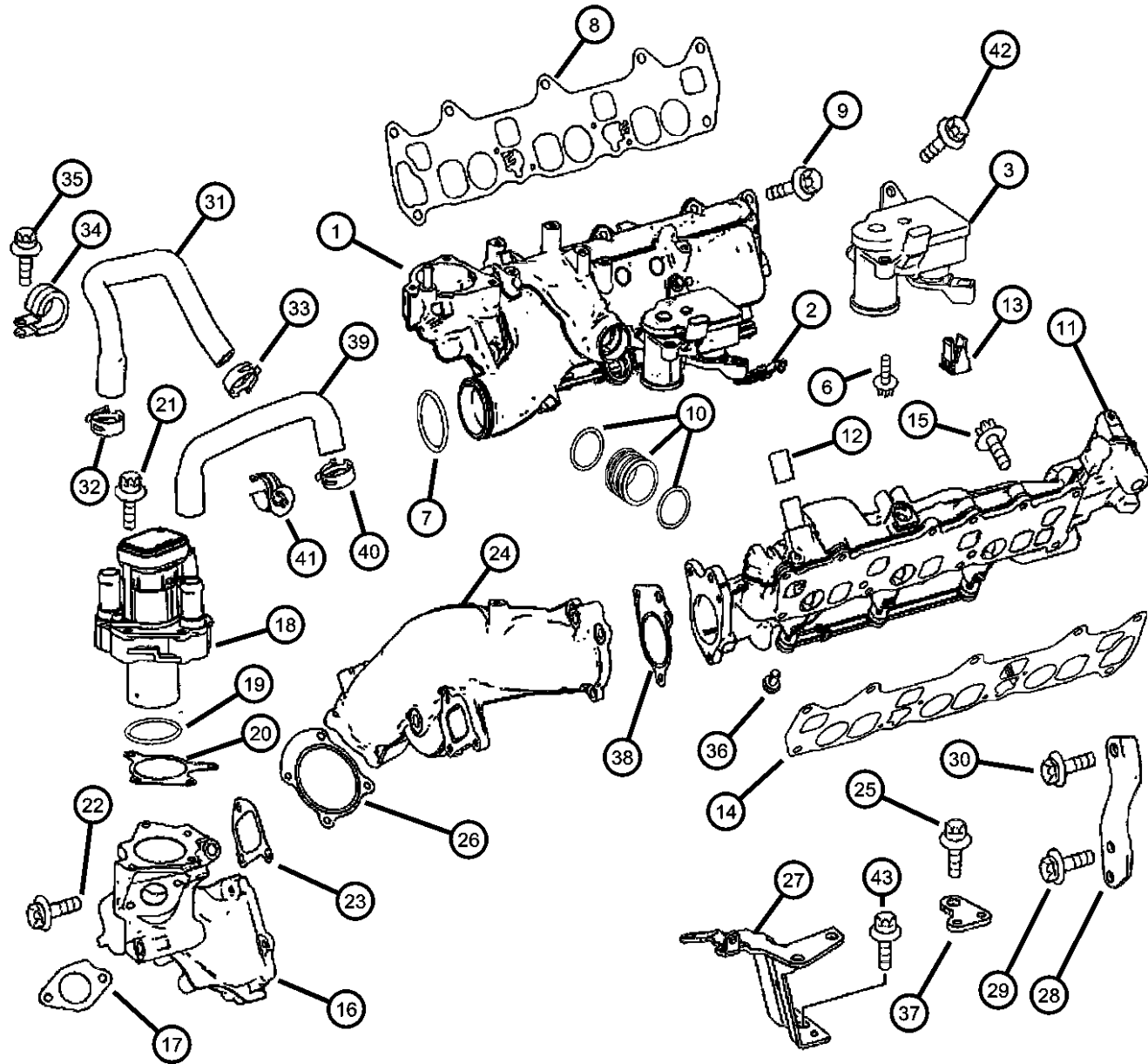
SPRINTER (VB)

SERIES	LINE	BODY	ENGINE	TRANSMISSION
L = LOWLINE	3 = HD DODGE 2WD 2 = Med. Duty DODGE 2WD	03 = CAB CHASSIS WHEEL BASE 3 05 = CAB CHASSIS WHEEL BASE 5 13 = 119 WB 53 = 119 WB 15 = VAN WHEEL BASE 5 55 = WAGON WHEEL BASE 5 17 = VAN WHEEL BASE 7	EG2 = 3.5L V6 Gas Engine EXM = 3.0L V6 Turbo Diesel Engine	DGZ = 5-Speed Auto W5A380 Transmission

AR = use ase required - = Non illustrated part

2007 VB

Intake Manifold
Figure 3.0LD-HO-810



ITEM	PART NUMBER	QTY	LINE	SERIES	BODY	ENGINE	TRANS	TRIM	DESCRIPTION
NOTE: Sales Codes: [DGZ]=5 Speed Automatic Transmission [W5A380] - [Mercedes Benz] [EXM]=3.0L Turbo Diesel V-6 Engine									
1	68012303AA	1	2, 3, 6, 7			EXM	DGZ		MANIFOLD, IntakeRight
2	68001951AA	3	2, 3, 6, 7			EXM	DGZ		CLIP, Swirl Actuator
3	05175643AB	1	2, 3, 6, 7			EXM	DGZ		MOTOR
4	68011814AA	1	2, 3, 6, 7			EXM	DGZ		CONNECTOR, [4 Pin] Connector For Setting Motor
5	68011878AA	AR	2, 3, 6, 7			EG2, EXM	DGZ		TERMINAL, [0.22 - 0.5 MM2]
6	68012305AA	2	2, 3, 6, 7			EXM	DGZ		SCREW, [M6x12]
7	05175644AA	1	2, 3, 6, 7			EXM	DGZ		O RING
8	05175645AA	1	2, 3, 6, 7			EXM	DGZ		GASKET
9									BOLT
	05073688AB	2	2, 3, 6, 7			EXM	DGZ		Bracket Mounting [M7x40]
	05073702AA	5	2, 3, 6, 7			EXM	DGZ		Charge Air Distributor Line To Head
	05125741AA	1	2, 3, 6, 7			EXM	DGZ		[M7x100]
	05175646AA	2	2, 3, 6, 7			EXM	DGZ		[M7x70]
10	05175668AA	1	2, 3, 6, 7			EXM	DGZ		SLEEVE, Insert
11	68012310AA	1	2, 3, 6, 7			EXM	DGZ		MANIFOLD, IntakeLeft
12	68028882AA	1	2, 3, 6, 7			EXM	DGZ		CONNECTOR
13	05175673AA	3	2, 3, 6, 7			EXM	DGZ		INSERT
14	05175645AA	1	2, 3, 6, 7			EXM	DGZ		GASKET
15									BOLT
	05073688AB	4	2, 3, 6, 7			EXM	DGZ		[M7x40]
	05073702AA	3	2, 3, 6, 7			EXM	DGZ		[M7x70]
	05175646AA	3	2, 3, 6, 7			EXM	DGZ		[M7x70]
16	68014081AA	1	2, 3, 6, 7			EXM	DGZ		HOUSING, Exhaust Gas Resirculation Valve
17	05175695AA	1	2, 3, 6, 7			EXM	DGZ		GASKET
18	68014083AA	1	2, 3, 6, 7			EXM	DGZ		VALVE, EGR
19	68001387AA	1	2, 3, 6, 7			EXM	DGZ		GASKET, EGR Valve, Exhaust Gas Recirculation Valve O-Ring
20	68014085AA	1	2, 3, 6, 7			EXM	DGZ		GASKET, Valve To Housing

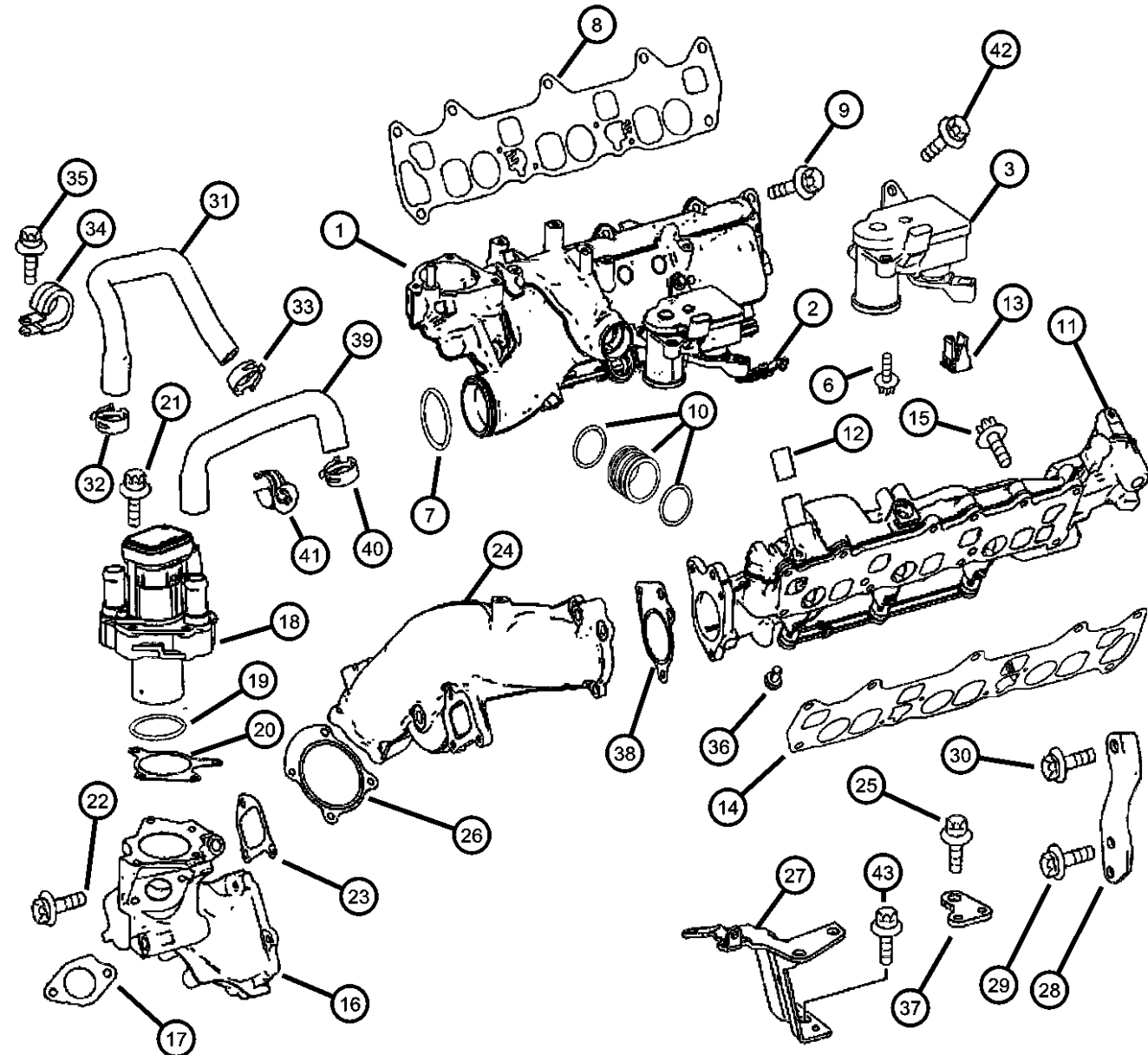
SPRINTER (VB)

SERIES LINE
L = LOWLINE 3 = HD DODGE 2WD
2 = Med. Duty DODGE 2WD

BODY ENGINE TRANSMISSION
03 = CAB CHASSIS WHEEL BASE 3 EG2 = 3.5L V6 Gas Engine DGZ = 5-Speed Auto W5A380
05 = CAB CHASSIS WHEEL BASE 5 EXM = 3.0L V6 Turbo Diesel Engine Transmission
13 = 119 WB
53 = 119 WB
15 = VAN WHEEL BASE 5
55 = WAGON WHEEL BASE 5
17 = VAN WHEEL BASE 7

AR = use ase required - = Non illustrated part

Intake Manifold
Figure 3.0LD-HO-810



ITEM	PART NUMBER	QTY	LINE	SERIES	BODY	ENGINE	TRANS	TRIM	DESCRIPTION
21	06104010AA	4	2, 3, 6, 7			EXM	DGZ		SCREW Valve To Housing [M6x40]
	06104683AA	2	2, 3, 6, 7			EXM	DGZ		Valve To Distribution Line [M6x23]
22	06104008AA	3	2, 3, 6, 7			EXM	DGZ		SCREW, Valve Body To Charge Air Cross Pipe [M6x30]
23	68014086AA	1	2, 3, 6, 7			EXM	DGZ		GASKET
24	68012320AA	1	2, 3, 6, 7			EXM	DGZ		MANIFOLD, Intake
25	06104032AA	1	2, 3, 6, 7			EXM	DGZ		SCREW, [M8x65]
26	68012326AA	1	2, 3, 6, 7			EXM	DGZ		GASKET
27	68012327AA	1	2, 3, 6, 7			EXM	DGZ		BRACKET
28	68014087AA	1	2, 3, 6, 7			EXM	DGZ		BRACKET
29	06104006AA	2	2, 3, 6, 7			EXM	DGZ		BOLT, [M6x20]
30	06104028AA	1	2, 3, 6, 7			EXM	DGZ		SCREW, [M8x45]
31	68014088AA	1	2, 3, 6, 7			EXM	DGZ		HOSE
32	06104804AA	1	2, 3, 6, 7			EXM	DGZ		CLAMP
33	68004905AA	1	2, 3, 6, 7			EG2, EXM	DGZ		CLAMP
34	05132913AA	1	2, 3, 6, 7			EXM	DGZ		CLAMP
35	06104005AA	1	3, 7			EXM	DGZ		BOLT, [M6x16]
36	68001951AA	3	2, 3, 6, 7			EXM	DGZ		CLIP, Swirl Actuator
37	68012324AA	1	2, 3, 6, 7			EXM	DGZ		BRACKET, Air Duct
38	68012321AA	1	2, 3, 6, 7			EXM	DGZ		GASKET
39	68014091AA	1	6, 7, 2, 3			EXM	DGZ		HOSE, HOSE
40	68004905AA	1	2, 3, 6, 7			EG2, EXM	DGZ		CLAMP
41	68014090AA	1	2, 3, 6, 7			EXM	DGZ		CLIP, CLIP
42	06104683AA	3	2, 3, 6, 7			EXM	DGZ		SCREW, [M6x23]
43	06104004AA	1	2, 3, 6, 7			EXM	DGZ		BOLT, [M6x12]

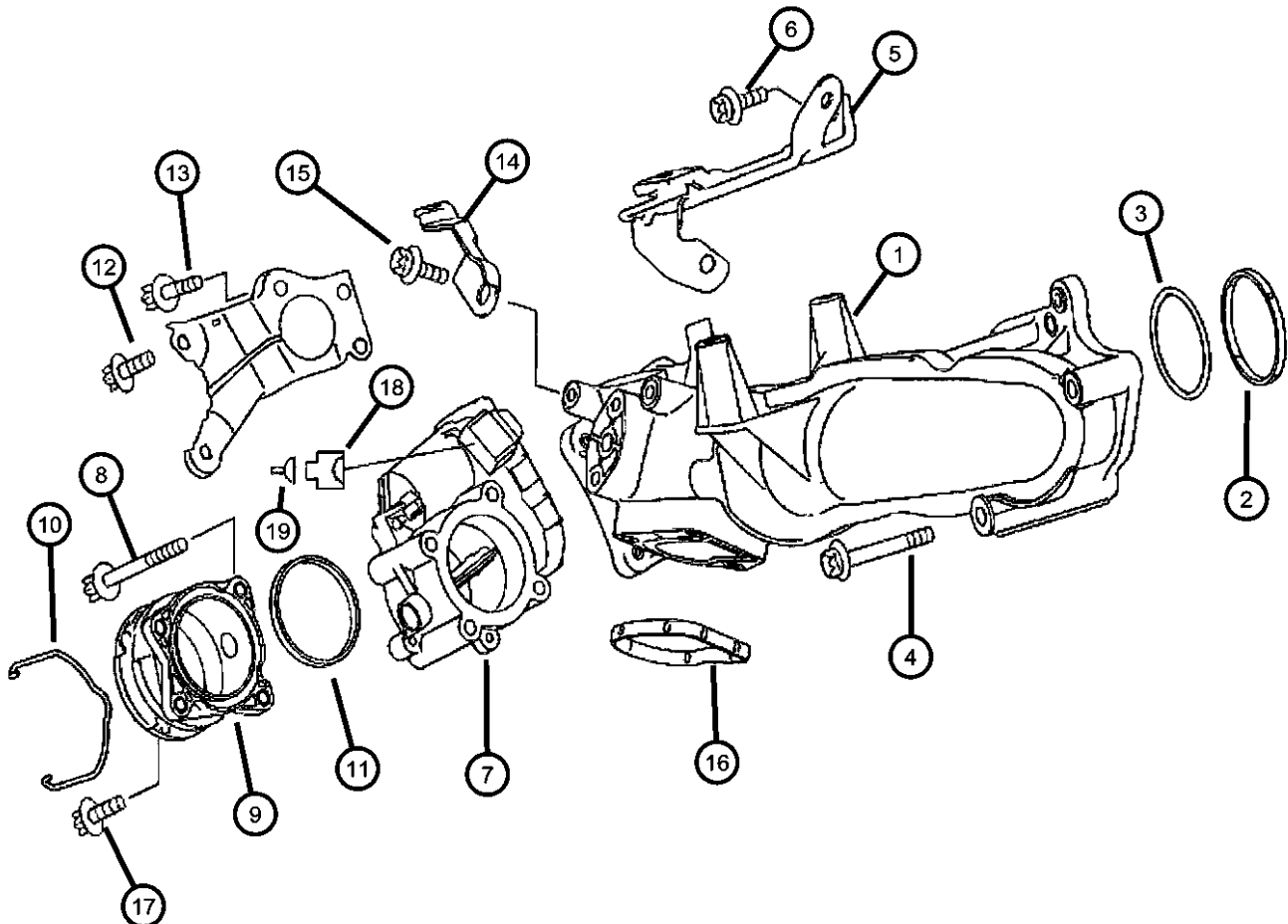
SPRINTER (VB)

SERIES	LINE	BODY	ENGINE	TRANSMISSION
L = LOWLINE	3 = HD DODGE 2WD 2 = Med. Duty DODGE 2WD	03 = CAB CHASSIS WHEEL BASE 3 05 = CAB CHASSIS WHEEL BASE 5 13 = 119 WB 53 = 119 WB 15 = VAN WHEEL BASE 5 55 = WAGON WHEEL BASE 5 17 = VAN WHEEL BASE 7	EG2 = 3.5L V6 Gas Engine EXM = 3.0L V6 Turbo Diesel Engine	DGZ = 5-Speed Auto W5A380 Transmission

AR = use ase required - = Non illustrated part

**Intake Manifold Crossover
Figure 3.0LD-HO-820**

ITEM	PART NUMBER	QTY	LINE	SERIES	BODY	ENGINE	TRANS	TRIM	DESCRIPTION
NOTE: Sales Codes: [DGZ]=5 Speed Automatic Transmission [W5A380] - [Mercedes Benz] [EXM]=3.0L Turbo Diesel V-6 Engine									
1	68012320AA	1	2, 3, 6, 7			EXM	DGZ		MANIFOLD, Intake, Crossover Pipe
2	05175710AA	1	2, 3, 6, 7			EXM	DGZ		O RING
3	68012321AA	1	2, 3, 6, 7			EXM	DGZ		GASKET
4									SCREW
	06104018AA	1	2, 3, 6, 7			EXM	DGZ		[M6x90]
	06104188AA	1	2, 3, 6, 7			EXM	DGZ		[M6x55]
5	68012324AA	1	2, 3, 6, 7			EXM	DGZ		BRACKET, Air Duct
6	06104032AA	1	2, 3, 6, 7			EXM	DGZ		SCREW, [M8x65]
7	68012325AA	1	2, 3, 6, 7			EXM	DGZ		THROTTLE BODY, Service Manual Name [EGR] Airflow Valve
8									SCREW
	05175723AA	3	7, 2, 3, 6			EXM	DGZ		[M5x80]
	05175726AA	1	2, 3, 6, 7			EXM	DGZ		[M5x90]
9	05175728AA	1	2, 3, 6, 7			EXM	DGZ		FLANGE, Intake throttle
10	05080315AA	1	2, 3, 6, 7			EXM	DGZ		SPRING
11	05175729AA	1	2, 3, 6, 7			EXM	DGZ		GASKET
12	06104683AA	3	3, 7			EXM	DGZ		SCREW, [M6x23]
13	06104005AA	2	2, 3, 6, 7			EXM	DGZ		BOLT, [M6x16]
14	68012389AA	1	2, 3, 6, 7			EXM	DGZ		BRACKET
15	06104004AA	1	2, 3, 6, 7			EXM	DGZ		BOLT, [M6x12]
16	05175712AA	1	2, 3, 6, 7			EXM	DGZ		GASKET
17	06104683AA	3	2, 3, 6, 7			EXM	DGZ		SCREW, [M6x23]
18	05143912AA	1	2, 3, 6, 7			EXM	DGZ		CONNECTOR
19	05138911AA	AR	2, 3, 6, 7			EXM	DGZ		TERMINAL, [.05-.075 MM]
-20	05138038AA	1	2, 3, 6, 7						PLUG, [S33] Connector
-21	05120860AA	1	2, 3, 6, 7			EG2, EXM	DGZ		GASKET, [1.6-1.9MM / MM2] [S33] Connector



SPRINTER (VB)

SERIES LINE
L = LOWLINE 3 = HD DODGE 2WD
 2 = Med. Duty DODGE 2WD

BODY
03 = CAB CHASSIS WHEEL BASE 3
05 = CAB CHASSIS WHEEL BASE 5
13 = 119 WB
53 = 119 WB
15 = VAN WHEEL BASE 5
55 = WAGON WHEEL BASE 5
17 = VAN WHEEL BASE 7

ENGINE
EG2 = 3.5L V6 Gas Engine
EXM = 3.0L V6 Turbo Diesel Engine

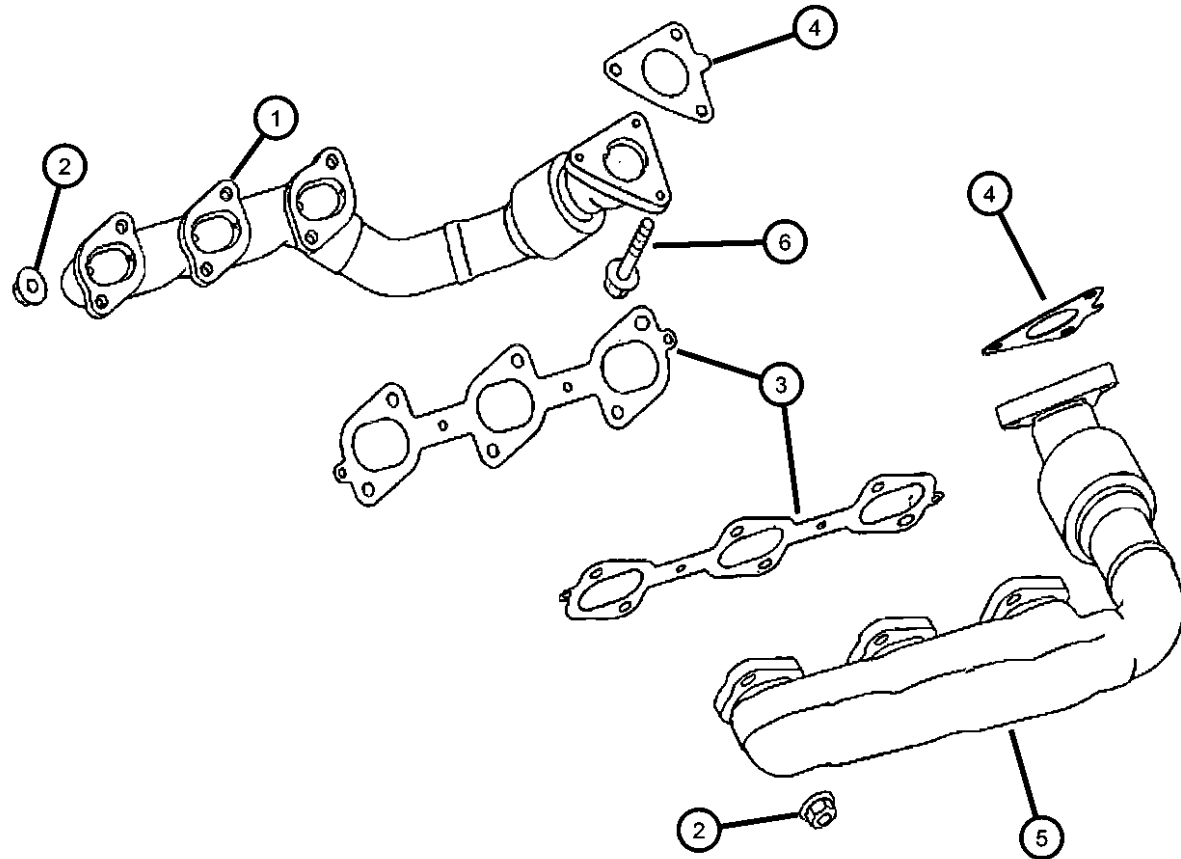
TRANSMISSION
DGZ = 5-Speed Auto W5A380 Transmission

AR = use ase required - = Non illustrated part

2007 VB

**Exhaust Manifold
Figure 3.0LD-HO-830**

ITEM	PART NUMBER	QTY	LINE	SERIES	BODY	ENGINE	TRANS	TRIM	DESCRIPTION
NOTE: Sales Codes: [DGZ]=5 Speed Automatic Transmission [W5A380] - [Mercedes Benz] [EXM]=3.0L Turbo Diesel V-6 Engine									
1	05175746AA	1	2, 3, 6, 7			EXM	DGZ		MANIFOLD, ExhaustRight
2	06104729AA	6	2, 3, 6, 7			EXM	DGZ		NUT
3	05175748AA	2	2, 3, 6, 7			EXM	DGZ		GASKET, Exhaust ManifoldRight & Left
4	05175751AA	1	2, 3, 6, 7			EXM	DGZ		GASKET, Exhaust manifold, To exhaust collector
5	05175747AA	1	2, 3, 6, 7			EXM	DGZ		MANIFOLD, ExhaustLeft
6	05073720AC	3	2, 3, 6, 7			EXM	DGZ		SCREW



SPRINTER (VB)

SERIES	LINE	BODY	ENGINE	TRANSMISSION
L = LOWLINE	3 = HD DODGE 2WD 2 = Med. Duty DODGE 2WD	03 = CAB CHASSIS WHEEL BASE 3 05 = CAB CHASSIS WHEEL BASE 5 13 = 119 WB 53 = 119 WB 15 = VAN WHEEL BASE 5 55 = WAGON WHEEL BASE 5 17 = VAN WHEEL BASE 7	EG2 = 3.5L V6 Gas Engine EXM = 3.0L V6 Turbo Diesel Engine	DGZ = 5-Speed Auto W5A380 Transmission

AR = use ase required - = Non illustrated part

2007 VB

**Exhaust Gas Recirculation Cooler
Figure 3.0LD-HO-840**

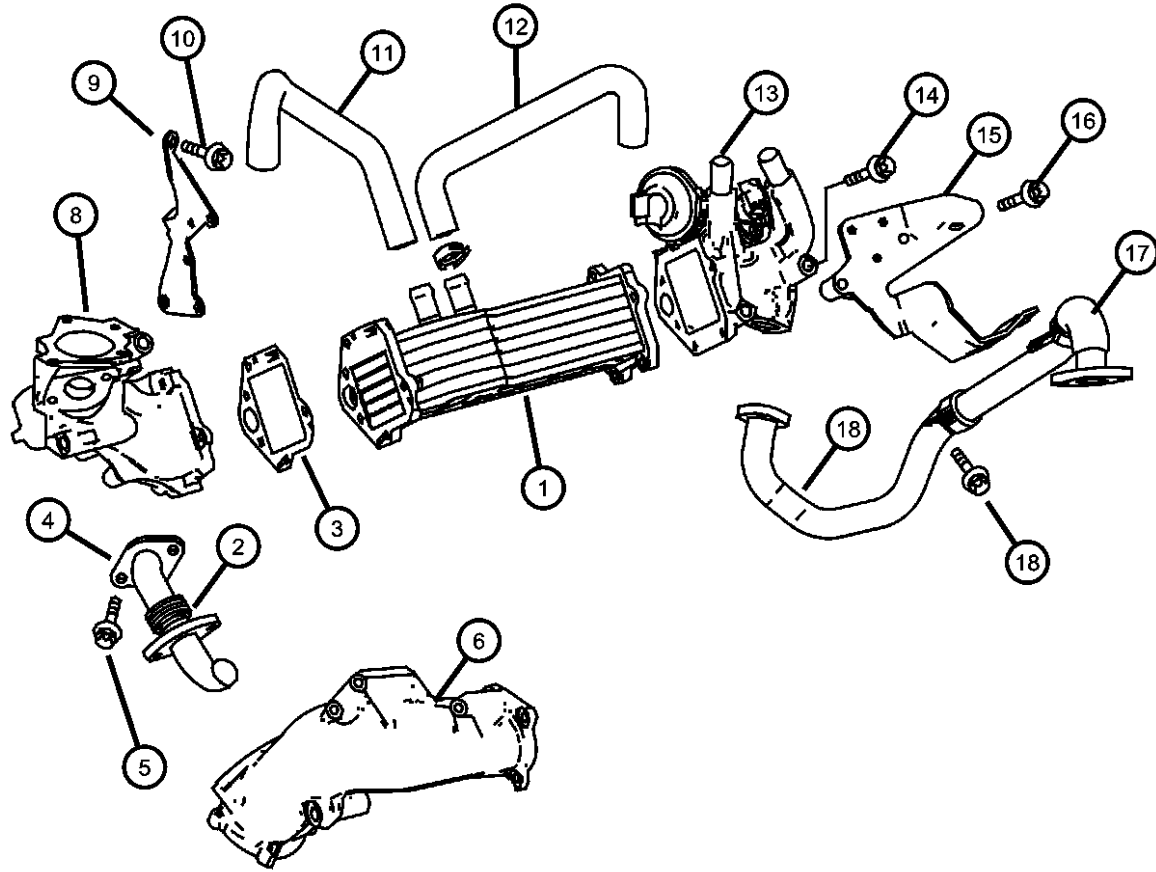
ITEM	PART NUMBER	QTY	LINE	SERIES	BODY	ENGINE	TRANS	TRIM	DESCRIPTION
------	-------------	-----	------	--------	------	--------	-------	------	-------------

NOTES:

Sales Code

[EXM] = 3.0L V6 Turbo Diesel Engine

1	68014095AA	1	2, 3, 6, 7			EXM	DGZ		COOLER
2	68012322AA	1	2, 3, 6, 7			EXM	DGZ		TUBE
3	68014096AA	1	2, 3, 6, 7			EXM	DGZ		GASKET
4	05175695AA	1	2, 3, 6, 7			EXM	DGZ		GASKET
5	06104682AA	2	2, 3, 6, 7			EXM	DGZ		BOLT, [M6x19]
6	68012320AA	1	2, 3, 6, 7			EXM	DGZ		MANIFOLD, Intake, Transverse Tube Charge Air Pipe
-7	68012326AA	1	2, 3, 6, 7			EXM	DGZ		GASKET
8	68014081AA	1	2, 3, 6, 7			EXM	DGZ		HOUSING
9	68014098AA	1	2, 3, 6, 7			EXM	DGZ		BRACKET
10	05137660AA	2	2, 3, 6, 7			EXM	DGZ		SCREW
11	68014092AA	1	2, 3, 6, 7			EXM	DGZ		HOSE
12	68014093AA	1	2, 3, 6, 7			EXM	DGZ		HOSE
13	68014099AA	1	2, 3, 6, 7			EXM	DGZ		VALVE
14	06104036AA	2	2, 3, 6, 7			EXM	DGZ		SCREW
15	68014097AA	1	2, 3, 6, 7			EXM	DGZ		BRACKET
16	06104005AA	3	2, 3, 6, 7			EXM	DGZ		BOLT
17	68014094AA	1	2, 3, 6, 7			EXM	DGZ		TUBE
18	06104004AA	2	2, 3, 6, 7			EXM	DGZ		BOLT



SPRINTER (VB)

SERIES LINE
L = LOWLINE 3 = HD DODGE 2WD
 2 = Med. Duty DODGE 2WD

BODY
03 = CAB CHASSIS WHEEL
BASE 3
05 = CAB CHASSIS WHEEL
BASE 5
13 = 119 WB
53 = 119 WB
15 = VAN WHEEL BASE 5
55 = WAGON WHEEL BASE 5
17 = VAN WHEEL BASE 7

ENGINE
EG2 = 3.5L V6 Gas Engine
EXM = 3.0L V6 Turbo Diesel
Engine

TRANSMISSION
DGZ = 5-Speed Auto W5A380
Transmission

AR = use ase required - = Non illustrated part

2007 VB

Turbocharger
Figure 3.0LD-HO-850

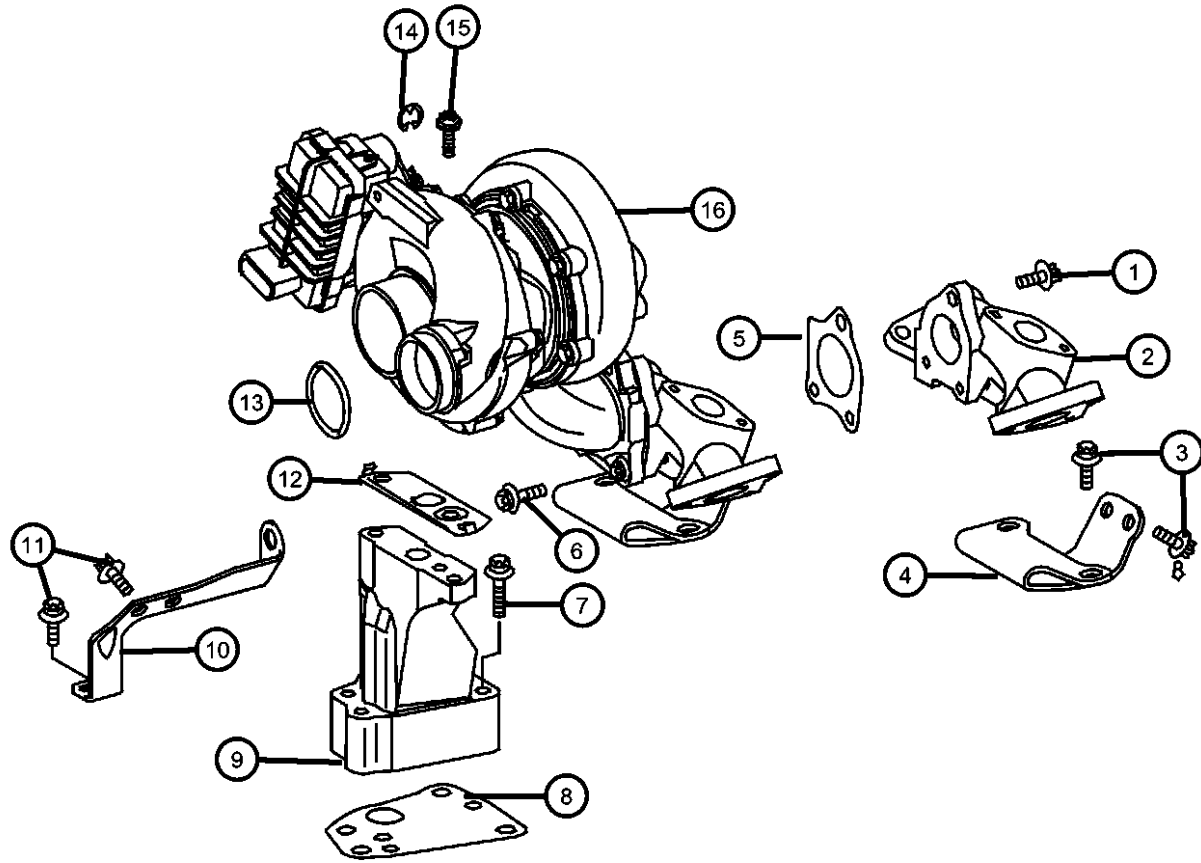
ITEM	PART NUMBER	QTY	LINE	SERIES	BODY	ENGINE	TRANS	TRIM	DESCRIPTION
------	-------------	-----	------	--------	------	--------	-------	------	-------------

NOTES:

Sales Code

[EXM] = 3.0L V6 Turbo Diesel Engine

1	05073720AC	3	2, 3, 6, 7			EXM	DGZ		SCREW, Turbocharger to Exhaust Manifold
2	68004669AA	1	2, 3, 6, 7			EXM	DGZ		MANIFOLD
3	05073720AC	2	3, 6, 7, 2			EXM	DGZ		SCREW, Support Brace to Collector
4	68012295AA	1	2, 3, 6, 7			EXM	DGZ		BRACKET
5	05175629AA	1	2, 3, 6, 7			EXM	DGZ		GASKET, Turbocharger
6	05073720AC	2	2, 3, 6, 7			EXM	DGZ		SCREW, Bracket Mounting
7	05133207AA	4	2, 3, 6, 7			EXM	DGZ		BOLT, Support to Cylinder Crankcase M8x55
8	05175632AA	1	2, 3, 6, 7			EXM	DGZ		GASKET, Turbocharger
9	05175627AA	1	2, 3, 6, 7			EXM	DGZ		BRACKET, Turbo Charger
10	68012302AA	1	2, 3, 6, 7			EXM	DGZ		BRACKET
11	06104005AA	4	2, 3, 6, 7			EXM	DGZ		BOLT, Stay to Charge Air Distributor Line M6x16
12	05175630AA	1	2, 3, 6, 7			EXM	DGZ		GASKET, Turbocharger, Stay to Cylinder Head
13	05175626AA	1	2, 3, 6, 7			EXM	DGZ		O RING
14	05183127AA	2	2, 3, 6, 7			EXM	DGZ		RETAINING RING
15	05073710AA	2	2, 3, 6, 7			EXM	DGZ		SCREW, Turbocharger on Support
16	68019589AA	1	2, 3, 6, 7			EXM	DGZ		TURBOCHARGER



SPRINTER (VB)

SERIES LINE
L = LOWLINE 3 = HD DODGE 2WD
 2 = Med. Duty DODGE 2WD

BODY
03 = CAB CHASSIS WHEEL BASE 3
05 = CAB CHASSIS WHEEL BASE 5
13 = 119 WB
53 = 119 WB
15 = VAN WHEEL BASE 5
55 = WAGON WHEEL BASE 5
17 = VAN WHEEL BASE 7

ENGINE
EG2 = 3.5L V6 Gas Engine
EXM = 3.0L V6 Turbo Diesel Engine

TRANSMISSION
DGZ = 5-Speed Auto W5A380 Transmission

AR = use ase required - = Non illustrated part

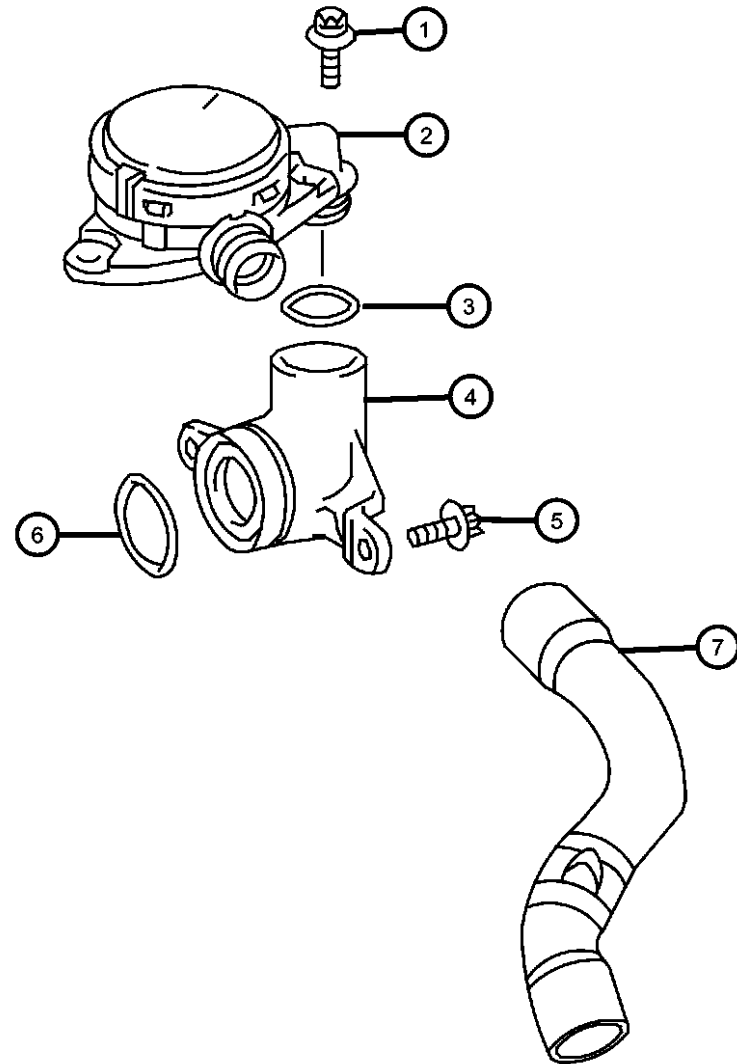
2007 VB

**Engine Breathing
Figure 3.0LD-HO-910**

ITEM	PART NUMBER	QTY	LINE	SERIES	BODY	ENGINE	TRANS	TRIM	DESCRIPTION
------	-------------	-----	------	--------	------	--------	-------	------	-------------

NOTES:
Sales Code:
[EXM] = 3.0L V6 Turbo Diesel Engine

1	06104682AA	3	2, 3, 6, 7			EXM	DGZ		BOLT, Valve to Cylinder Head Cover M6x19
2	68014022AA	1	2, 3, 6, 7			EXM	DGZ		VALVE, PCV, Pressure Control Valve-ZJ9
3	05175515AA	1	2, 3, 6, 7			EXM	DGZ		O RING
4	05175512AA	1	2, 3, 6, 7			EXM	DGZ		COVER
5	06104005AA	2	2, 3, 6, 7			EXM	DGZ		BOLT, Cover at Cylinder Head M6x16
6	05175513AA	1	2, 3, 6, 7			EXM	DGZ		O RING
7	68014024AA	1	2, 3, 6, 7			EXM	DGZ		HOSE, Pressure Valve to Intake Pipe



SPRINTER (VB)

SERIES	LINE	BODY	ENGINE	TRANSMISSION
L = LOWLINE	3 = HD DODGE 2WD 2 = Med. Duty DODGE 2WD	03 = CAB CHASSIS WHEEL BASE 3 05 = CAB CHASSIS WHEEL BASE 5 13 = 119 WB 53 = 119 WB 15 = VAN WHEEL BASE 5 55 = WAGON WHEEL BASE 5 17 = VAN WHEEL BASE 7	EG2 = 3.5L V6 Gas Engine EXM = 3.0L V6 Turbo Diesel Engine	DGZ = 5-Speed Auto W5A380 Transmission

AR = use ase required - = Non illustrated part

2007 VB

Group - 11

Exhaust

Group - 11 Exhaust

Illustration Title

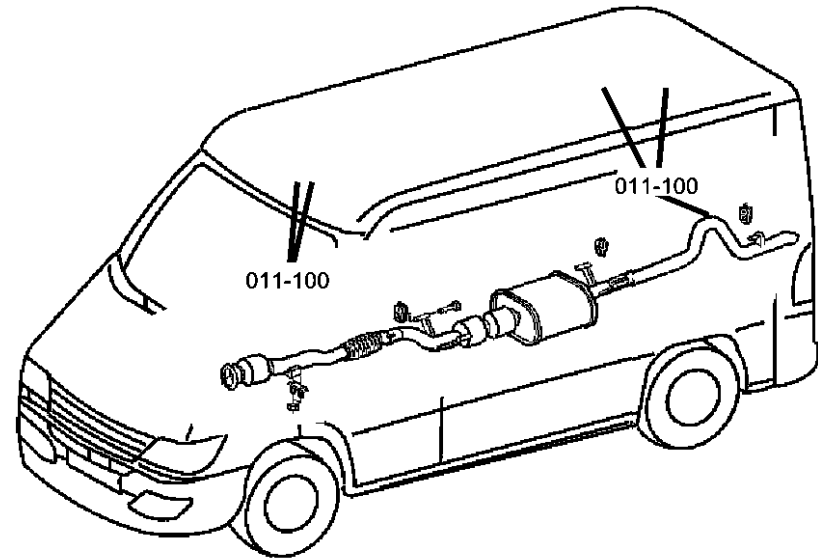
Group-Fig. No.

Exhaust System

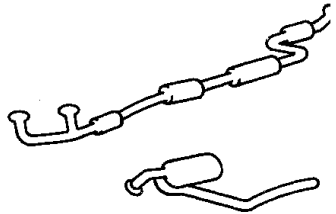
Exhaust System / Van / Wagon	Fig. 11 - 105
Exhaust System / Van / Wagon	Fig. 11 - 115
Exhaust System / Cab Chassis	Fig. 11 - 120
Exhaust System / Cab Chassis	Fig. 11 - 125

Heat Shields

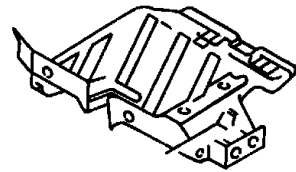
Heat Shields	Fig. 11 - 210
--------------------	---------------



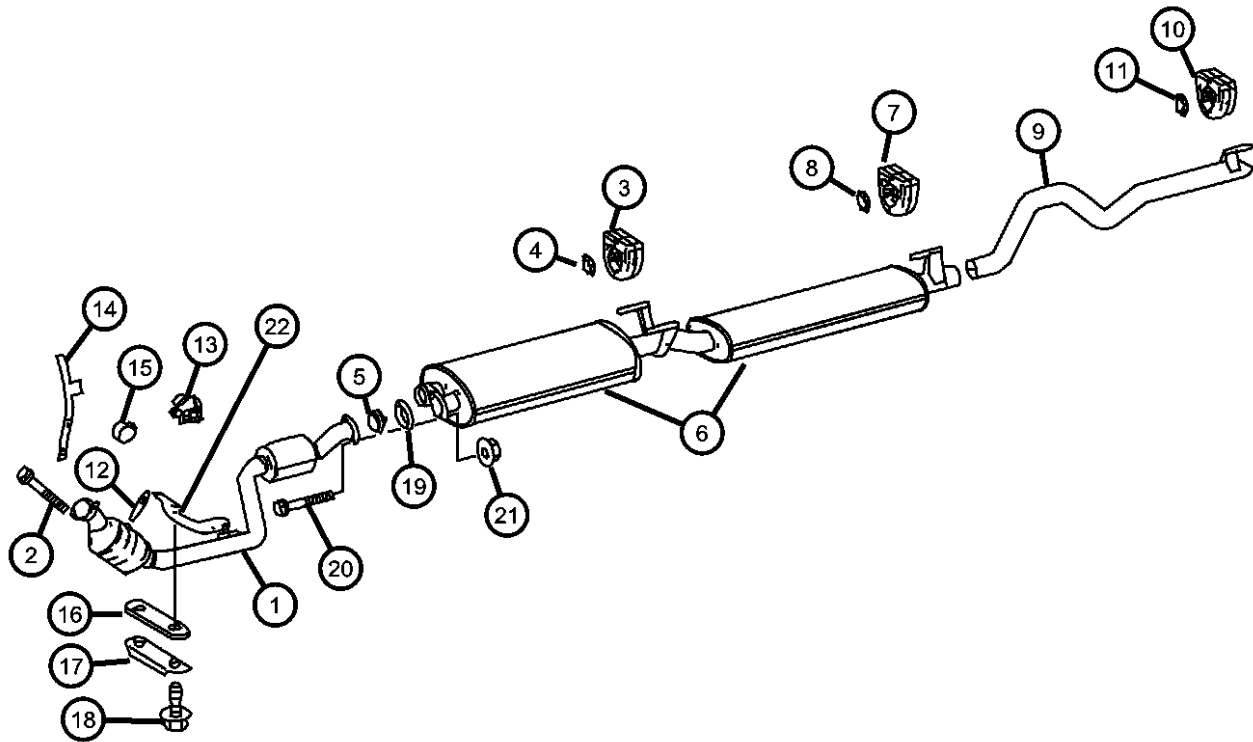
011-100
Exhaust System



011-200
Heat Shields



**Exhaust System / Van / Wagon
Figure 11-105**



ITEM	PART NUMBER	QTY	LINE	SERIES	BODY	ENGINE	TRANS	TRIM	DESCRIPTION
1									EXHAUST
	68011980AA	1	2, 3, 6, 7	L		EG2	DGZ		Left
	68011987AA	1	2, 3, 6, 7	L		EG2	DGZ		Right
2	05096743AA	4	2, 6	L	13, 15, 17, 53, 55	EG2	DGZ		SCREW, Converter to Manifold, Exhaust To Exhaust Manifold
3	05104109AA	4	2, 6	L	13, 15, 17, 53, 55	EG2	DGZ		INSULATOR, Exhaust
4	05134656AA	2	2, 6	L	13, 15, 17, 53, 55	EG2	DGZ		BOLT, M8, Lock Nut
5									SEAL, Exhaust
	68012078AA	1	2, 3	L		EG2	DGZ		Muffler Intake, Left
	68028791AA	1	2, 3, 6, 7	L		EG2	DGZ		Muffler Intake, Right
6	68012005AA	1	2, 6	L	13, 15, 17, 53, 55	EG2	DGZ		MUFFLER, Exhaust
7	05104109AA	1	2, 6	L	13, 15, 17, 53, 55	EG2	DGZ		INSULATOR, Exhaust
8	05134656AA	1	2, 6	L	53, 55, 13, 15, 17	EG2	DGZ		BOLT, M8, Lock Nut
9									TAILPIPE, Exhaust
	68012013AA	1	2, 6	L	15, 17, 55	EG2	DGZ		
	68012016AA	1	2, 6	L	13, 53	EG2	DGZ		
10	05104109AA	1	2, 6	L	13, 15, 17, 53, 55	EG2	DGZ		INSULATOR, Exhaust
11	05134656AA	1	2, 6	L	13, 15, 17, 53, 55	EG2	DGZ		BOLT, M8, Lock Nut
12									SENSOR, Oxygen
	05135667AA	1	2, 6	L	13, 15, 17, 53, 55	EG2	DGZ		Up Stream, Left
	68012050AA	1	2, 3, 6, 7	L		EG2	DGZ		Up Stream, Right
	68012058AA	2	2, 3, 6, 7	L		EG2	DGZ		Downstream
13	68012056AA	4	2, 3, 6, 7	L		EG2	DGZ		CLAMP, Oxygen Sensor Clip
14									BRACKET
	68012059AA	1	2, 3, 6, 7	L		EG2	DGZ		Oxygen Sensor Bracket At Transmission, Left
	68012060AA	1	2, 3, 6, 7	L		EG2	DGZ		Oxygen Sensor Bracket At Transmission, Right
15	68011872AA	3	2, 3, 6, 7	L		EG2	DGZ		CLIP, Oxygen Sensor Clip
16	68012076AA	2	2, 3, 6, 7	L		EG2, EXM	DGZ		BRACKET, Base To Transmission

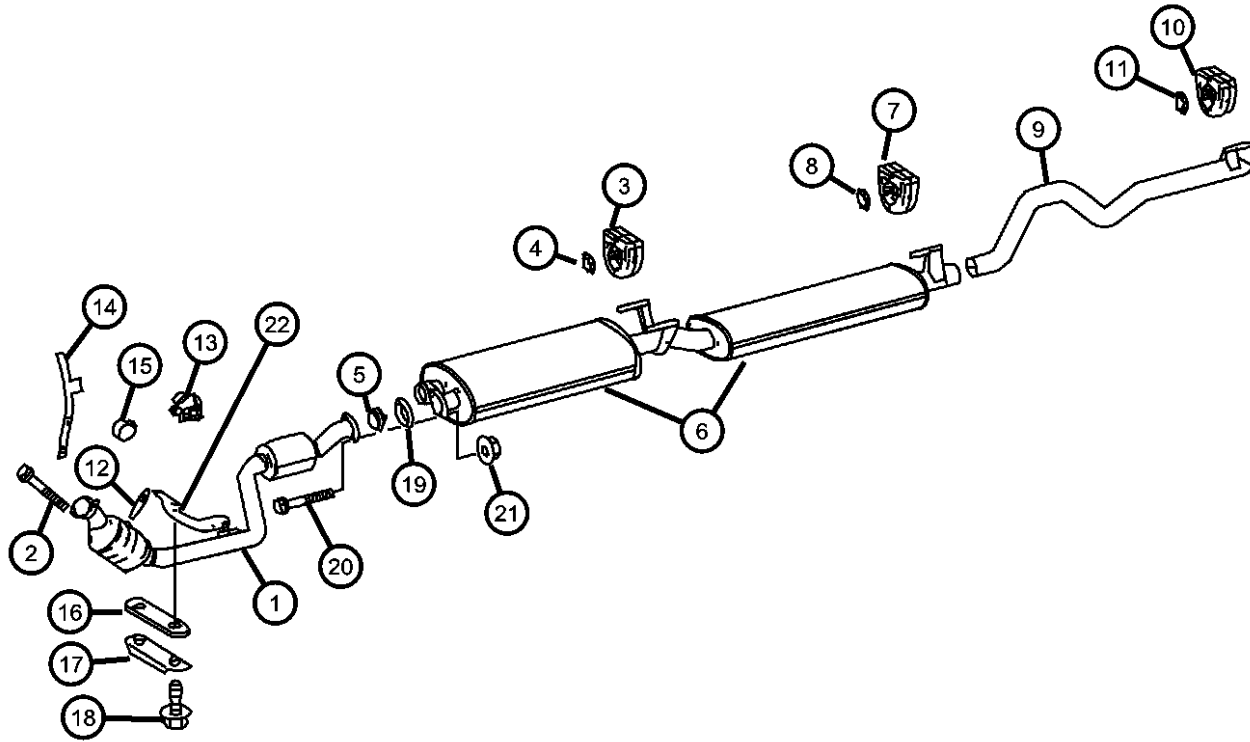
SPRINTER (VB)

SERIES	LINE	BODY	ENGINE	TRANSMISSION
L = LOWLINE	3 = HD DODGE 2WD 2 = Med. Duty DODGE 2WD	03 = CAB CHASSIS WHEEL BASE 3 05 = CAB CHASSIS WHEEL BASE 5 13 = 119 WB 53 = 119 WB 15 = VAN WHEEL BASE 5 55 = WAGON WHEEL BASE 5 17 = VAN WHEEL BASE 7	EG2 = 3.5L V6 Gas Engine EXM = 3.0L V6 Turbo Diesel Engine	DGZ = 5-Speed Auto W5A380 Transmission

AR = use ase required - = Non illustrated part

**Exhaust System / Van / Wagon
Figure 11-105**

ITEM	PART NUMBER	QTY	LINE	SERIES	BODY	ENGINE	TRANS	TRIM	DESCRIPTION
17	68012077AA	1	2, 3, 6, 7	L		EG2, EXM	DGZ		BRACKET
18	06104025AA	2	2, 3, 6, 7	L	13, 15, 17, 53, 55	EG2, EXM	DGZ		SCREW, Hex Flange Head, M8X1.25X30.0
19	68012079AA	1	2, 3, 6, 7	L		EG2	DGZ		FLANGE, Exhaust Pipe
20	05125722AA	3	2, 3, 6, 7	L		EG2	DGZ		SCREW, SCREW, Flange To Exhaust Muffler
21	05126237AA	3	2, 3, 6, 7	L	03, 05, 13, 15, 17	EG2, EXM	DGZ		NUT, Hex, Flange To Exhaust Muffler
22									BRACKET
	68012082AA	1	2, 3, 6, 7	L		EG2	DGZ		Exhaust Pipe To Transmission, Left
	68012083AA	1	2, 3, 6, 7	L		EG2	DGZ		Exhaust Pipe To Transmission, Right



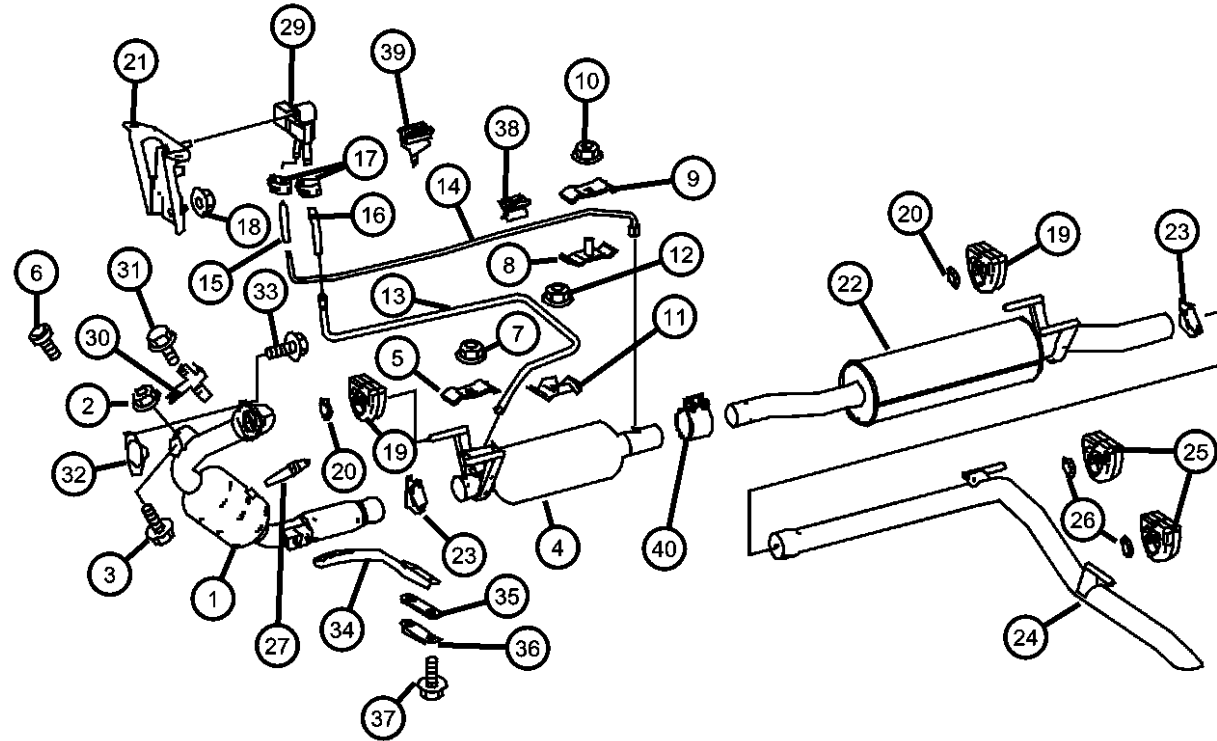
SPRINTER (VB)

SERIES	LINE	BODY	ENGINE	TRANSMISSION
L = LOWLINE	3 = HD DODGE 2WD 2 = Med. Duty DODGE 2WD	03 = CAB CHASSIS WHEEL BASE 3 05 = CAB CHASSIS WHEEL BASE 5 13 = 119 WB 53 = 119 WB 15 = VAN WHEEL BASE 5 55 = WAGON WHEEL BASE 5 17 = VAN WHEEL BASE 7	EG2 = 3.5L V6 Gas Engine EXM = 3.0L V6 Turbo Diesel Engine	DGZ = 5-Speed Auto W5A380 Transmission

AR = use ase required - = Non illustrated part

2007 VB

**Exhaust System / Van / Wagon
Figure 11-115**



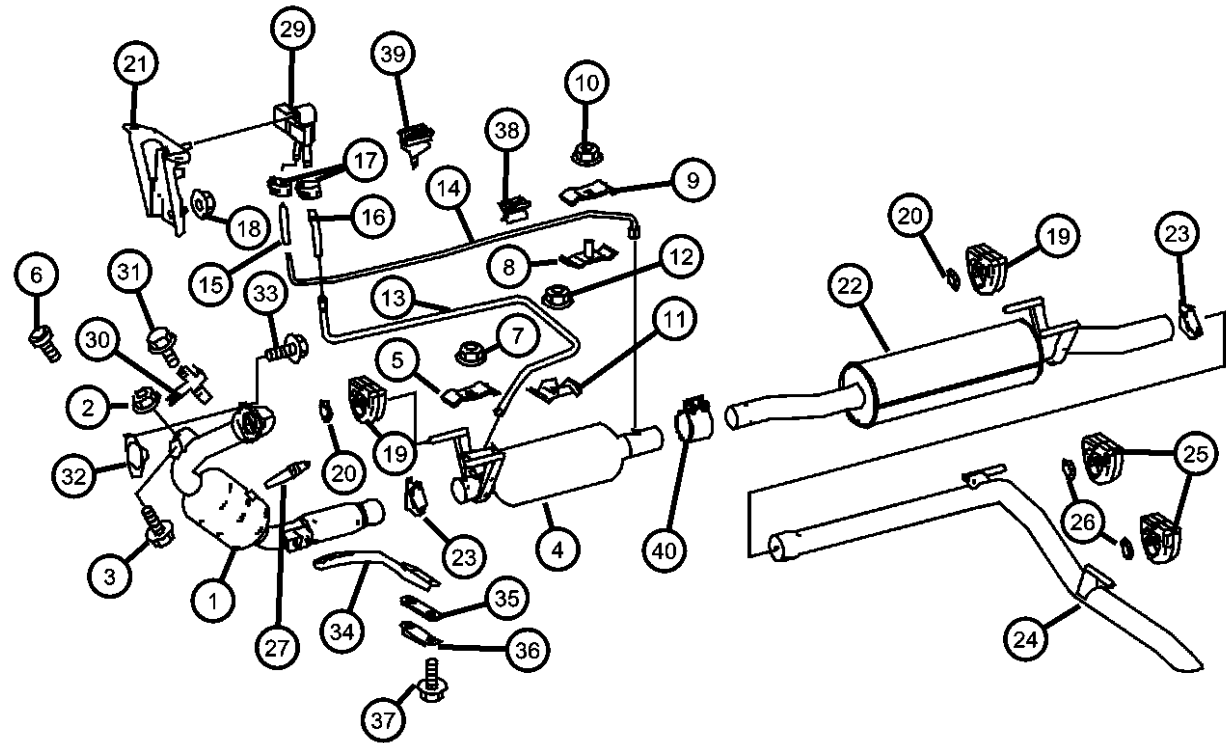
ITEM	PART NUMBER	QTY	LINE	SERIES	BODY	ENGINE	TRANS	TRIM	DESCRIPTION
1	68011935AA	1	2, 3, 6, 7	L	13, 15, 17, 53, 55	EXM	DGZ		EXHAUST
2	06104709AA	2	2, 3, 6, 7	L	13, 15, 17, 53, 55	EG2, EXM	DGZ		NUT, Hex Flange, M8x1.25, Exhaust To Cylinder Head
3	05073723AB	1	2, 3, 6, 7	L	13, 15, 17, 53, 55	EXM	DGZ		SCREW, Exhaust To Cylinder Head
4	68011959AA	1	2, 3, 6, 7	L		EXM	DGZ		FILTER ASSY, DIESEL PARTICULATE
5	68011970AA	2	2, 3, 6, 7	L	17, 53, 55, 13, 15	EXM	DGZ		BRACKET, Exhaust
6	06104005AA	3	2, 3, 6, 7	L	13, 15, 17, 53, 55	EXM	DGZ		BOLT, 6 Lobe External Head, M6X1.00X16.00, Bracket To Cylinder Head
7	68004878AA	2	2, 3, 6, 7	L	13, 15, 17, 53, 55	EG2, EXM	DGZ		NUT
8	68011971AA	1	2, 3, 6, 7	L		EXM	DGZ		BRACKET, Hose
9	68011970AA	2	2, 3, 6, 7	L	13, 15, 17, 53, 55	EXM	DGZ		BRACKET, Exhaust
10	68004878AA	2	2, 3, 6, 7	L	13, 15, 17, 53, 55	EG2, EXM	DGZ		NUT
11	68011972AA	1	2, 3, 6, 7	L		EXM	DGZ		BRACKET, Hose
12	68004878AA	2	2, 3, 6, 7	L	13, 15, 17, 53, 55	EG2, EXM	DGZ		NUT
13	68011973AA	1	2, 3, 6, 7	L		EXM	DGZ		HOSE, Delivery Line To Particulate Filter
14	68005200AA	1	2, 3, 6, 7	L		EXM	DGZ		HOSE, Delivery Line To Particulate Filter
15	68011975AA	1	2, 3, 6, 7	L		EXM	DGZ		HOSE
16	68011976AA	1	2, 3, 6, 7	L		EXM	DGZ		HOSE
17	05080439AB	2	2, 3, 6, 7	L	13, 15, 17, 53, 55	EXM	DGZ		CLAMP
18	68004878AA	2	2, 3, 6, 7	L	13, 15, 17, 53, 55	EG2, EXM	DGZ		NUT
19	05104109AA	4	3, 7	L	13, 15, 17, 53, 55	EXM	DGZ		INSULATOR, Exhaust
20	05134656AA	4	3, 7	L	53, 55, 13, 15, 17	EXM	DGZ		BOLT, M8, Lock Nut
21	68011977AA	1	2, 3, 6, 7	L	13, 15, 17, 53, 55	EXM	DGZ		BRACKET, Exhaust
22	68011992AA	1	2, 3, 6, 7	L		EXM	DGZ		MUFFLER, Exhaust With [NEP]
	68011993AA	1	2, 3, 6, 7	L	13, 15, 17, 53, 55	EXM	DGZ		

SPRINTER (VB)

SERIES	LINE	BODY	ENGINE	TRANSMISSION
L = LOWLINE	3 = HD DODGE 2WD 2 = Med. Duty DODGE 2WD	03 = CAB CHASSIS WHEEL BASE 3 05 = CAB CHASSIS WHEEL BASE 5 13 = 119 WB 53 = 119 WB 15 = VAN WHEEL BASE 5 55 = WAGON WHEEL BASE 5 17 = VAN WHEEL BASE 7	EG2 = 3.5L V6 Gas Engine EXM = 3.0L V6 Turbo Diesel Engine	DGZ = 5-Speed Auto W5A380 Transmission

AR = use ase required - = Non illustrated part

**Exhaust System / Van / Wagon
Figure 11-115**



ITEM	PART NUMBER	QTY	LINE	SERIES	BODY	ENGINE	TRANS	TRIM	DESCRIPTION
23	68012004AA	1	2, 3, 6, 7	L		EXM	DGZ		CLAMP
24									TAILPIPE, Exhaust
	68012012AA	1	2, 6	L	15, 17, 55	EXM	DGZ		
	68012015AA	1	2, 6	L	13, 53	EXM	DGZ		
	68012018AA	1	3, 7	L	15	EXM	DGZ		
	68012022AA	1	3, 7	L	13	EXM	DGZ		
	68012024AA	1	3, 7	L	17	EXM	DGZ		
25	05104109AA	4	3, 7	L	13, 15, 53, 55, 17	EXM	DGZ		INSULATOR, Exhaust
26									BOLT, M8
	05134656AA	1	2, 3, 6, 7	L	13, 53	EXM	DGZ		Lock Nut
		2	2, 3, 6, 7	L	15, 17, 55	EXM	DGZ		Lock Nut
27	05135667AA	1	2, 3, 6, 7	L		EXM	DGZ		SENSOR, Oxygen, Upstream
-28									SENSOR, Temperature
	68012051AA	1	2, 3, 6, 7	L		EXM	DGZ		Diesel Oxidation Catalytic Converter
	68012052AA	1	2, 3, 6, 7	L		EXM	DGZ		Oxygen Sensor Upstream Particulate Filter
29	68012053AA	1	2, 3, 6, 7	L		EXM	DGZ		SENSOR, Pressure
30	68012057AA	1	2, 3, 6, 7	L		EXM	DGZ		BRACKET, Oxygen Sensor To Oil Pan
31	06104681AA	2	2, 3, 6, 7	L		EXM	DGZ		SCREW
32	68012070AA	1	2, 3, 6, 7	L	13, 15, 17, 53, 55	EXM	DGZ		SEAL
33	68012071AA	3	2, 3, 6, 7	L		EXM	DGZ		SCREW, From Turbocharger To Exhaust Muffler
34	68012072AA	1	2, 3, 6, 7	L		EXM	DGZ		BRACKET
35	68012076AA	2	2, 3, 6, 7	L		EG2, EXM	DGZ		BRACKET
36	68012077AA	1	2, 3, 6, 7	L		EG2, EXM	DGZ		BRACKET
37	06104025AA	2	2, 3, 6, 7	L		EXM	DGZ		SCREW, Hex Flange Head, M8X1.25X30.0
38	05159403AA	1	2, 3, 6, 7	L		EG2, EXM	DGZ		BRACKET
39	68013413AA	1	2, 3, 6, 7	L		EG2, EXM	DGZ		CLIP, Retainer
40									CLAMP, Exhaust

SPRINTER (VB)

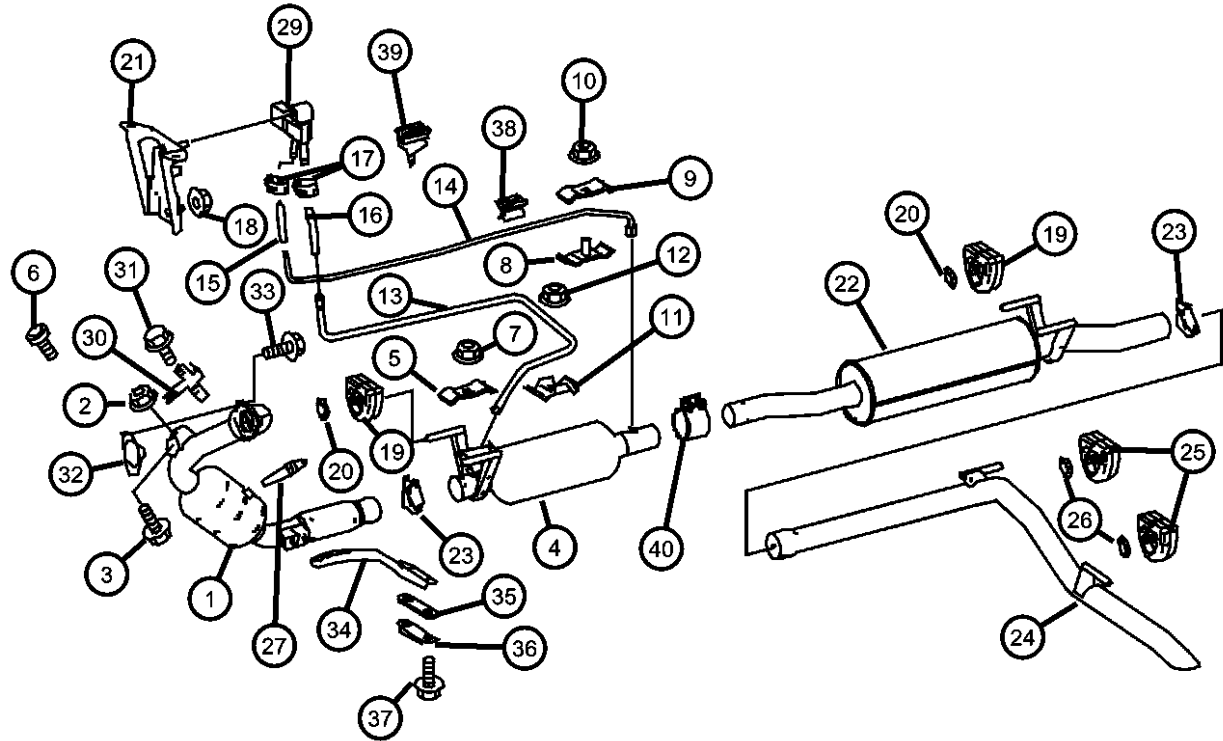
SERIES	LINE	BODY	ENGINE	TRANSMISSION
L = LOWLINE	3 = HD DODGE 2WD 2 = Med. Duty DODGE 2WD	03 = CAB CHASSIS WHEEL BASE 3 05 = CAB CHASSIS WHEEL BASE 5 13 = 119 WB 53 = 119 WB 15 = VAN WHEEL BASE 5 55 = WAGON WHEEL BASE 5 17 = VAN WHEEL BASE 7	EG2 = 3.5L V6 Gas Engine EXM = 3.0L V6 Turbo Diesel Engine	DGZ = 5-Speed Auto W5A380 Transmission

AR = use ase required - = Non illustrated part

2007 VB

**Exhaust System / Van / Wagon
Figure 11-115**

ITEM	PART NUMBER	QTY	LINE	SERIES	BODY	ENGINE	TRANS	TRIM	DESCRIPTION
	68012081AA	1	2, 3, 6, 7	L	13, 15, 17, 53, 55	EXM	DGZ		
	68012084AA	1	2, 3, 6, 7	L		EXM	DGZ		

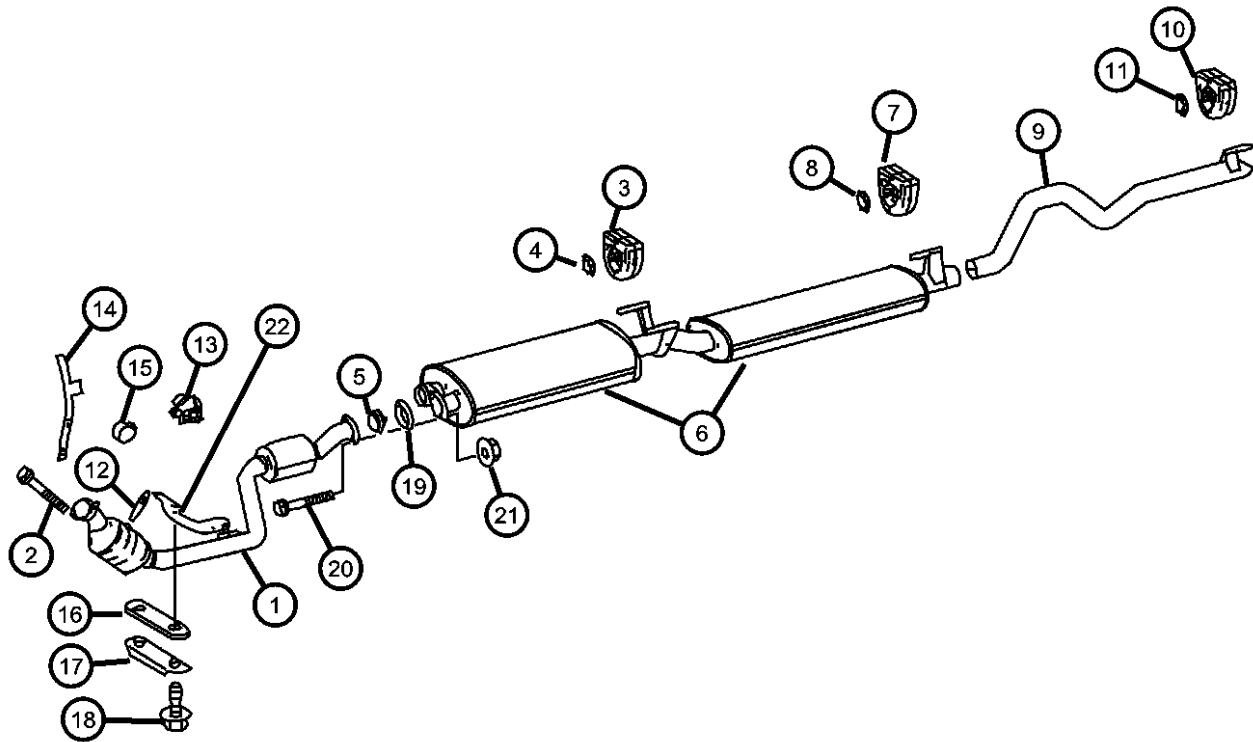


SPRINTER (VB)

SERIES	LINE	BODY	ENGINE	TRANSMISSION
L = LOWLINE	3 = HD DODGE 2WD 2 = Med. Duty DODGE 2WD	03 = CAB CHASSIS WHEEL BASE 3 05 = CAB CHASSIS WHEEL BASE 5 13 = 119 WB 53 = 119 WB 15 = VAN WHEEL BASE 5 55 = WAGON WHEEL BASE 5 17 = VAN WHEEL BASE 7	EG2 = 3.5L V6 Gas Engine EXM = 3.0L V6 Turbo Diesel Engine	DGZ = 5-Speed Auto W5A380 Transmission

AR = use ase required - = Non illustrated part

**Exhaust System / Cab Chassis
Figure 11-120**



ITEM	PART NUMBER	QTY	LINE	SERIES	BODY	ENGINE	TRANS	TRIM	DESCRIPTION
1									EXHAUST
	68011980AA	1	2, 3, 6, 7	L		EG2	DGZ		Left
	68011987AA	1	2, 3, 6, 7	L		EG2	DGZ		Right
2	05096743AA	2	3, 7	L	03, 05	EG2	DGZ		SCREW, Converter to Manifold, Exhaust To Exhaust Manifold
3	05104109AA	4	3, 7	L	03, 05	EG2	DGZ		INSULATOR, Exhaust
4	05134656AA	2	3, 7	L	03, 05	EG2	DGZ		BOLT, M8, Lock Nut
5									SEAL, Exhaust
	68012078AA	1	2, 3	L		EG2	DGZ		Muffler Intake, Left
	68028791AA	1	2, 3, 6, 7	L		EG2	DGZ		Muffler Intake, Right
6	68012005AA	1	3, 7	L	03, 05	EG2	DGZ		MUFFLER, Exhaust
7	05104109AA	1	3, 7	L	03, 05	EG2	DGZ		INSULATOR, Exhaust
8	05134656AA	2	3, 7	L	03, 05	EG2	DGZ		BOLT, M8, Lock Nut
9	68029190AA	1	3	L	05	EG2	DGZ		TAILPIPE, Exhaust
10	05104109AA	1	3, 7	L	03, 05	EG2	DGZ		INSULATOR, Exhaust
11	05134656AA	2	3, 7	L	03, 05	EG2	DGZ		BOLT, M8
12									SENSOR, Oxygen
	68012050AA	1	2, 3, 6, 7	L		EG2	DGZ		Up Stream, Right
	68012058AA	2	2, 3, 6, 7	L		EG2	DGZ		Downstream,
13	68012056AA	4	2, 3, 6, 7	L		EG2	DGZ		CLAMP, Oxygen Sensor Clip
14									BRACKET
	68012059AA	1	2, 3, 6, 7	L		EG2	DGZ		Oxygen Sensor Bracket At Transmission, Left
	68012060AA	1	2, 3, 6, 7	L		EG2	DGZ		Oxygen Sensor Bracket At Transmission, Right
15	68011872AA	3	2, 3, 6, 7	L		EG2	DGZ		CLIP, Oxygen Sensor Clip
16	68012076AA	2	2, 3, 6, 7	L		EG2, EXM	DGZ		BRACKET, Base To Transmission
17	68012077AA	1	2, 3, 6, 7	L		EG2, EXM	DGZ		BRACKET
18	06104025AA	2	3, 7	L	03, 05	EG2, EXM	DGZ		SCREW, Hex Flange Head, M8X1.25X30.0
19	68012079AA	1	2, 3, 6, 7	L		EG2	DGZ		FLANGE, Exhaust Pipe
20	05125722AA	3	2, 3, 6, 7	L		EG2	DGZ		SCREW, SCREW, Flange To Exhaust Muffler
21	05126237AA	3	2, 3, 6, 7	L	03, 05, 13, 15, 17	EG2, EXM	DGZ		NUT, Hex, Flange To Exhaust Muffler
22									BRACKET

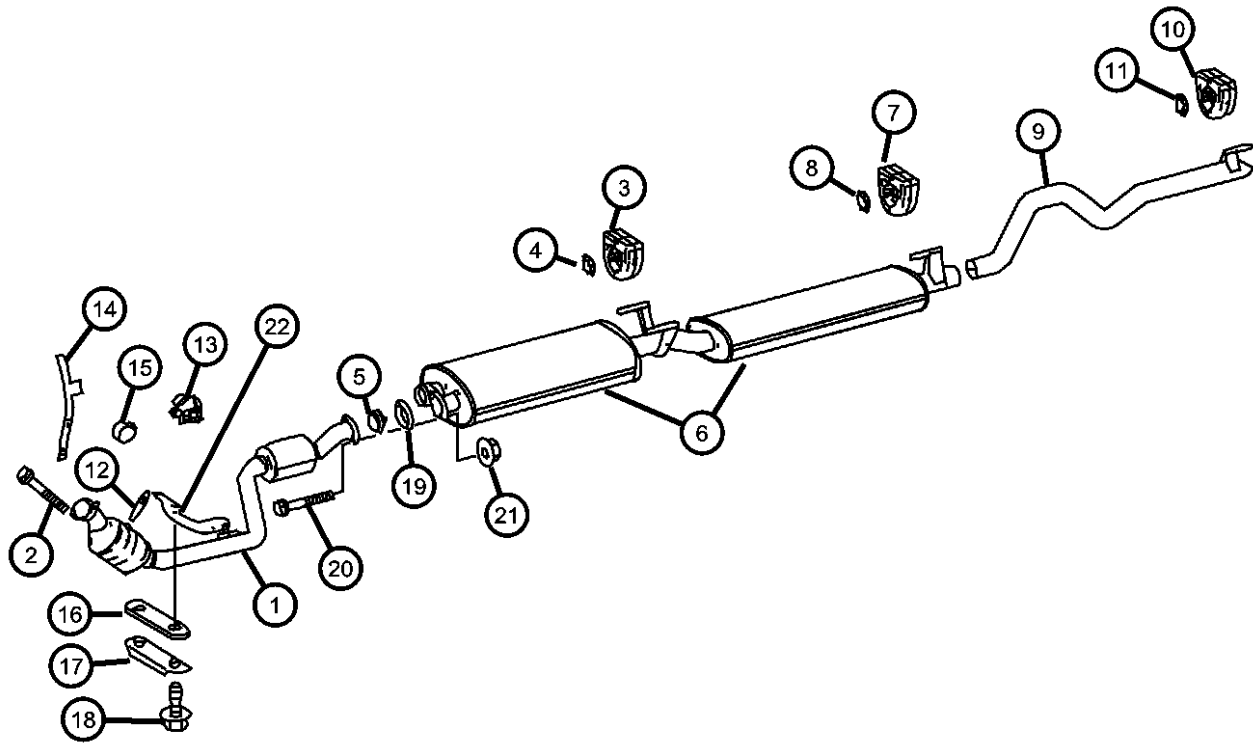
SPRINTER (VB)

SERIES	LINE	BODY	ENGINE	TRANSMISSION
L = LOWLINE	3 = HD DODGE 2WD 2 = Med. Duty DODGE 2WD	03 = CAB CHASSIS WHEEL BASE 3 05 = CAB CHASSIS WHEEL BASE 5 13 = 119 WB 53 = 119 WB 15 = VAN WHEEL BASE 5 55 = WAGON WHEEL BASE 5 17 = VAN WHEEL BASE 7	EG2 = 3.5L V6 Gas Engine EXM = 3.0L V6 Turbo Diesel Engine	DGZ = 5-Speed Auto W5A380 Transmission

AR = use ase required - = Non illustrated part

Exhaust System / Cab Chassis
Figure 11-120

ITEM	PART NUMBER	QTY	LINE	SERIES	BODY	ENGINE	TRANS	TRIM	DESCRIPTION
	68012082AA	1	2, 3, 6, 7	L		EG2	DGZ		Exhaust Pipe To Transmission, Left
	68012083AA	1	2, 3, 6, 7	L		EG2	DGZ		Exhaust Pipe To Transmission, Right



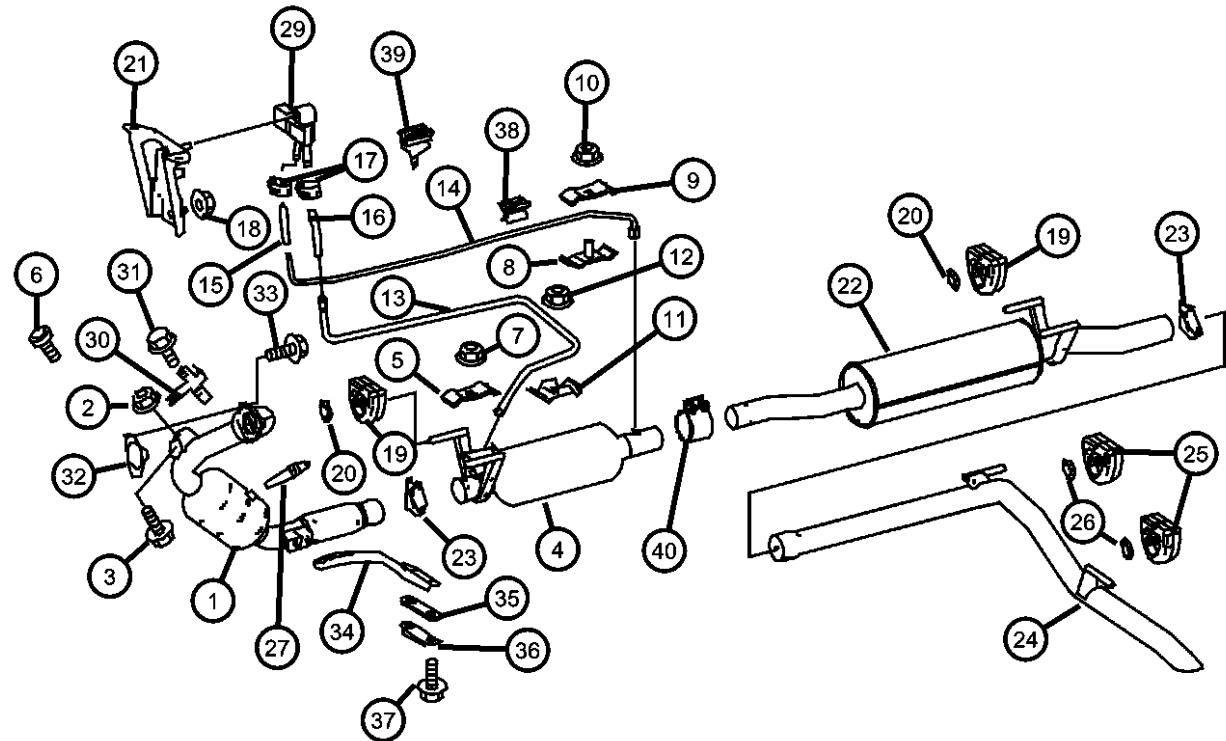
SPRINTER (VB)

SERIES	LINE	BODY	ENGINE	TRANSMISSION
L = LOWLINE	3 = HD DODGE 2WD 2 = Med. Duty DODGE 2WD	03 = CAB CHASSIS WHEEL BASE 3 05 = CAB CHASSIS WHEEL BASE 5 13 = 119 WB 53 = 119 WB 15 = VAN WHEEL BASE 5 55 = WAGON WHEEL BASE 5 17 = VAN WHEEL BASE 7	EG2 = 3.5L V6 Gas Engine EXM = 3.0L V6 Turbo Diesel Engine	DGZ = 5-Speed Auto W5A380 Transmission

AR = use ase required - = Non illustrated part

2007 VB

Exhaust System / Cab Chassis
Figure 11-125



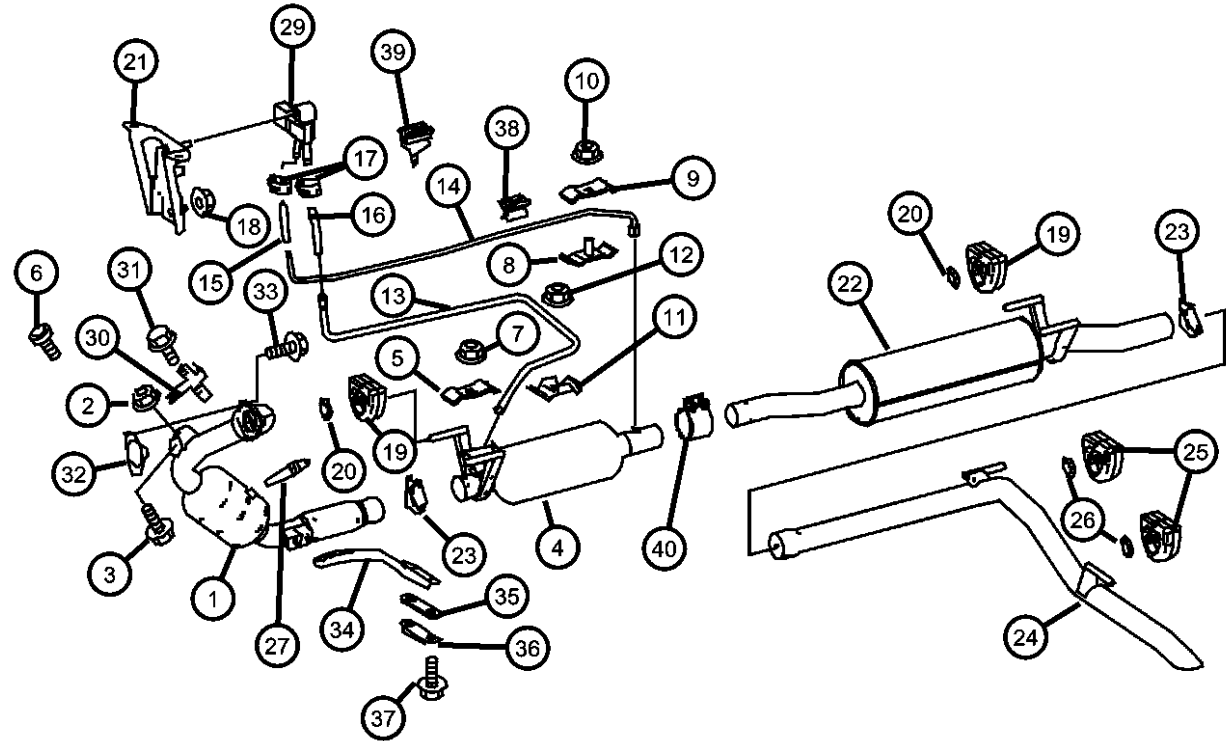
ITEM	PART NUMBER	QTY	LINE	SERIES	BODY	ENGINE	TRANS	TRIM	DESCRIPTION
1	68011935AA	1	3, 7	L	03, 05	EXM	DGZ		EXHAUST
2	06104709AA	1	3, 7	L	03, 05	EXM	DGZ		NUT, Hex Flange, M8x1.25, Exhaust To Cylinder Head
3	05073723AB	1	3, 7	L	03, 05	EXM	DGZ		SCREW, Exhaust To Cylinder Head
4	68011959AA	1	2, 3, 6, 7	L		EXM	DGZ		FILTER ASSY, DIESEL PARTICULATE
5	68011970AA	2	3, 7	L	03, 05	EXM	DGZ		BRACKET, Exhaust
6	06104005AA	1	3, 7	L	03, 05	EXM	DGZ		BOLT, 6 Lobe External Head, M6X1.00X16.00, Bracket To Cylinder Head
7	68004878AA	2	3, 7	L	03, 05	EG2, EXM	DGZ		NUT
8	68011971AA	1	2, 3, 6, 7	L		EXM	DGZ		BRACKET, Hose
9	68011970AA	2	3, 7	L	03, 05	EXM	DGZ		BRACKET, Exhaust
10	68004878AA	2	3, 7	L	03, 05	EG2, EXM	DGZ		NUT
11	68011972AA	1	2, 3, 6, 7	L		EXM	DGZ		BRACKET, Hose
12	68004878AA	2	3, 7	L	03, 05	EG2, EXM	DGZ		NUT
13	68011973AA	1	2, 3, 6, 7	L		EXM	DGZ		HOSE, Delivery Line To Particulate Filter
14	68005200AA	1	2, 3, 6, 7	L		EXM	DGZ		HOSE, Delivery Line To Particulate Filter
15	68011975AA	1	2, 3, 6, 7	L		EXM	DGZ		HOSE
16	68011976AA	1	2, 3, 6, 7	L		EXM	DGZ		HOSE
17	05080439AB	2	2, 3, 6, 7	L		EXM	DGZ		CLAMP
18	68004878AA	2	3, 7	L	03, 05	EG2, EXM	DGZ		NUT
19	05104109AA	4	3, 7	L	03, 05	EXM	DGZ		INSULATOR, Exhaust
20	05134656AA	4	3, 7	L	03, 05	EXM	DGZ		BOLT, M8
21	68011977AA	1	7, 3	L	03, 05	EXM	DGZ		BRACKET, Exhaust
22									MUFFLER, Exhaust
	68011992AA	1	2, 3, 6, 7	L		EXM	DGZ		With [NEP]
	68011993AA	1	3, 7	L	03, 05	EXM	DGZ		
23	68012004AA	1	2, 3, 6, 7	L		EXM	DGZ		CLAMP
24									TAILPIPE, Exhaust
	68029189AA	1	3, 7	L	05	EXM	DGZ		
	68012102AA	1	3, 7	L	03	EXM	DGZ		
25	05104109AA	4	3, 7	L	03, 05	EXM	DGZ		INSULATOR, Exhaust

SPRINTER (VB)

SERIES	LINE	BODY	ENGINE	TRANSMISSION
L = LOWLINE	3 = HD DODGE 2WD 2 = Med. Duty DODGE 2WD	03 = CAB CHASSIS WHEEL BASE 3 05 = CAB CHASSIS WHEEL BASE 5 13 = 119 WB 53 = 119 WB 15 = VAN WHEEL BASE 5 55 = WAGON WHEEL BASE 5 17 = VAN WHEEL BASE 7	EG2 = 3.5L V6 Gas Engine EXM = 3.0L V6 Turbo Diesel Engine	DGZ = 5-Speed Auto W5A380 Transmission

AR = use ase required - = Non illustrated part

Exhaust System / Cab Chassis
Figure 11-125



ITEM	PART NUMBER	QTY	LINE	SERIES	BODY	ENGINE	TRANS	TRIM	DESCRIPTION
26	05134656AA	4	3, 7	L	03, 05	EXM	DGZ		BOLT, M8
27	05135667AA	1	2, 3, 6, 7	L		EXM	DGZ		SENSOR, Oxygen, Upstream
-28									SENSOR, Temperature
	68012051AA	1	2, 3, 6, 7	L		EXM	DGZ		Diesel Oxidation Catalytic Converter
	68012052AA	1	2, 3, 6, 7	L		EXM	DGZ		
29	68012053AA	1	2, 3, 6, 7	L		EXM	DGZ		SENSOR, Pressure
30	68012057AA	1	2, 3, 6, 7	L		EXM	DGZ		BRACKET, Oxygen Sensor To Oil Pan
31	06104681AA	2	2, 3, 6, 7	L		EXM	DGZ		SCREW
32	68012070AA	1	3, 7	L	03, 05	EXM	DGZ		SEAL
33	68012071AA	3	2, 3, 6, 7	L		EXM	DGZ		SCREW, From Turbocharger To Exhaust Muffler
34	68012072AA	1	2, 3, 6, 7	L		EXM	DGZ		BRACKET
35	68012076AA	2	2, 3, 6, 7	L		EG2, EXM	DGZ		BRACKET
36	68012077AA	1	2, 3, 6, 7	L		EG2, EXM	DGZ		BRACKET
37	06104025AA	2	2, 3, 6, 7	L		EXM	DGZ		SCREW, Hex Flange Head, M8X1.25X30.0
38	05159403AA	1	2, 3, 6, 7	L		EG2, EXM	DGZ		BRACKET
39	68013413AA	1	2, 3, 6, 7	L		EG2, EXM	DGZ		CLIP, Retainer
40									CLAMP, Exhaust
	68012081AA	1	3, 7	L	03, 05	EXM	DGZ		
	68012084AA	1	2, 3, 6, 7	L		EXM	DGZ		

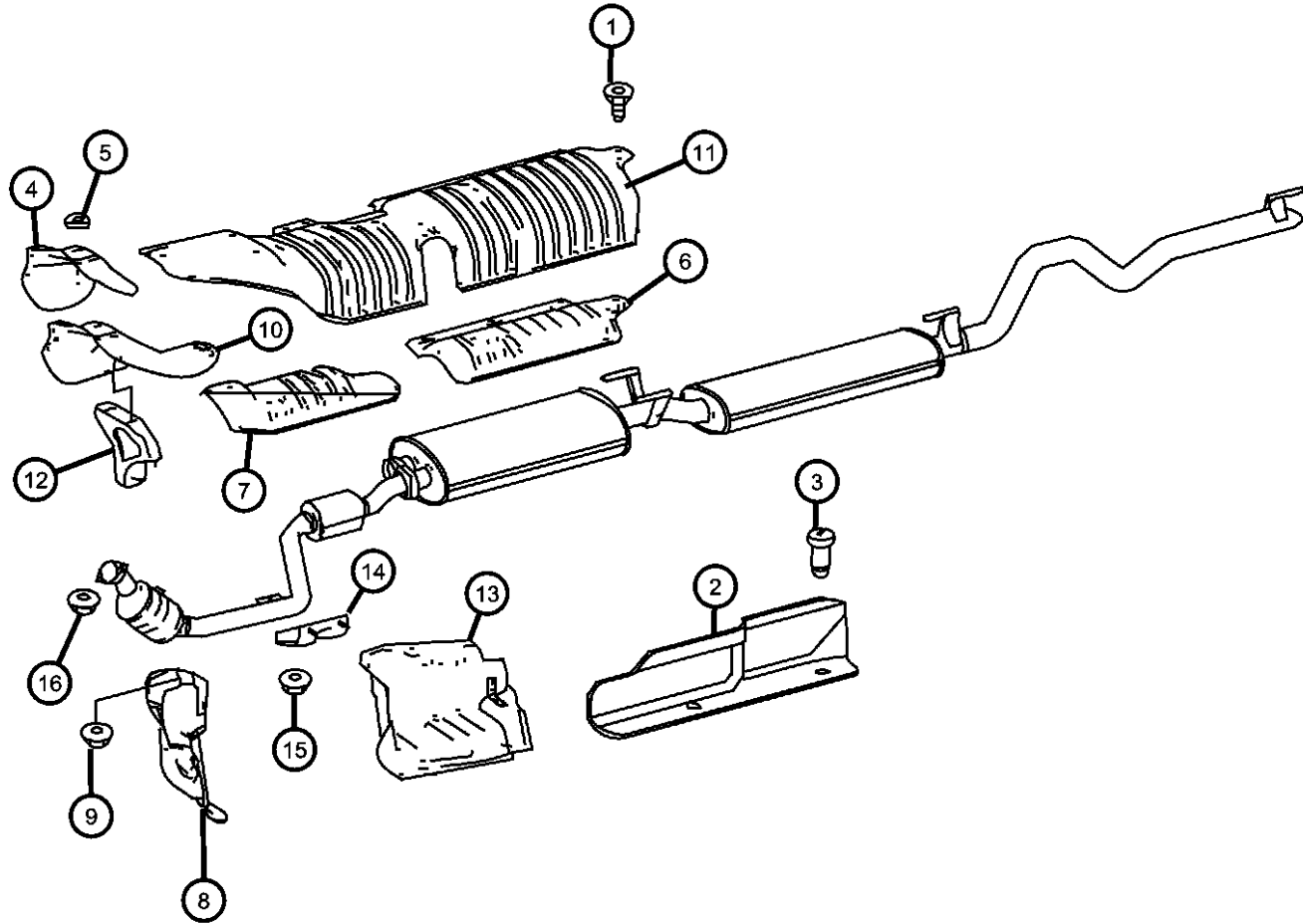
SPRINTER (VB)

SERIES	LINE	BODY	ENGINE	TRANSMISSION
L = LOWLINE	3 = HD DODGE 2WD 2 = Med. Duty DODGE 2WD	03 = CAB CHASSIS WHEEL BASE 3 05 = CAB CHASSIS WHEEL BASE 5 13 = 119 WB 53 = 119 WB 15 = VAN WHEEL BASE 5 55 = WAGON WHEEL BASE 5 17 = VAN WHEEL BASE 7	EG2 = 3.5L V6 Gas Engine EXM = 3.0L V6 Turbo Diesel Engine	DGZ = 5-Speed Auto W5A380 Transmission

AR = use ase required - = Non illustrated part

2007 VB

Heat Shields
Figure 11-210



ITEM	PART NUMBER	QTY	LINE	SERIES	BODY	ENGINE	TRANS	TRIM	DESCRIPTION
1	06104681AA	1	2, 3, 6, 7	L		EG2	DGZ		SCREW
		1	2, 3, 6, 7	L		EXM	DGZ		
2	68004815AA	1	2, 3, 6, 7	L		EG2	DGZ		SHIELD, Heat
3	06104675AA	5	2, 3, 6, 7	L		EG2	DGZ		SCREW
4	68012061AA	1	2, 3, 6, 7	L		EXM	DGZ		SHIELD, Heat
5	68004747AA	2	2, 3, 6, 7	L		EG2, EXM	DGZ		WASHER, Spring
6	68012062AA	1	2, 3, 6, 7	L		EXM	DGZ		SHIELD, Heat, Protective Plate Main Muffler
7	68005202AA	1	2, 3, 6, 7	L		EXM	DGZ		SHIELD, Heat, Protective Plate Particulate Filter
8	68004744AA	1	2, 3, 6, 7	L		EXM	DGZ		PLATE, Protective Plate Fuel Tank
9									NUT
	68004878AA	2	3, 7	L	03, 05	EG2, EXM	DGZ		
		2	2, 3, 6, 7	L	13, 15, 17, 53, 55	EG2, EXM	DGZ		
10									SHIELD, Heat
	68012064AA	1	2, 3, 6, 7	L		EG2	DGZ		Right
	68012065AA	1	2, 3, 6, 7	L		EG2	DGZ		Left
11	68005203AA	1	2, 3, 6, 7	L		EG2	DGZ		SHIELD, Heat, Protective Plate Main Muffler
12	68012066AA	1	2, 3, 6, 7	L		EG2	DGZ		BRACKET, Heat Shield
13	68005204AA	1	2, 3, 6, 7	L		EG2	DGZ		SHIELD, Heat, Battery Protective Plate
14	68012067AA	1	2, 3, 6, 7	L		EG2	DGZ		BRACKET, Battery
15									NUT
	68004878AA	2	3, 7	L	03, 05	EG2, EXM	DGZ		
		2	2, 3, 6, 7	L	13, 15, 17, 53, 55	EG2, EXM	DGZ		
16	68012080AA	1	2, 3, 6, 7	L		EG2	DGZ		NUT

SPRINTER (VB)

SERIES	LINE	BODY	ENGINE	TRANSMISSION
L = LOWLINE	3 = HD DODGE 2WD 2 = Med. Duty DODGE 2WD	03 = CAB CHASSIS WHEEL BASE 3 05 = CAB CHASSIS WHEEL BASE 5 13 = 119 WB 53 = 119 WB 15 = VAN WHEEL BASE 5 55 = WAGON WHEEL BASE 5 17 = VAN WHEEL BASE 7	EG2 = 3.5L V6 Gas Engine EXM = 3.0L V6 Turbo Diesel Engine	DGZ = 5-Speed Auto W5A380 Transmission

AR = use ase required - = Non illustrated part

2007 VB

Group - 13

Frames and Bumpers

Group - 13 Frames and Bumpers

Illustration Title

Group-Fig. No.

Frames

Attaching Parts, FrameFig. 13 - 150

Front Bumper and Fascia

Front FasciaFig. 13 - 205

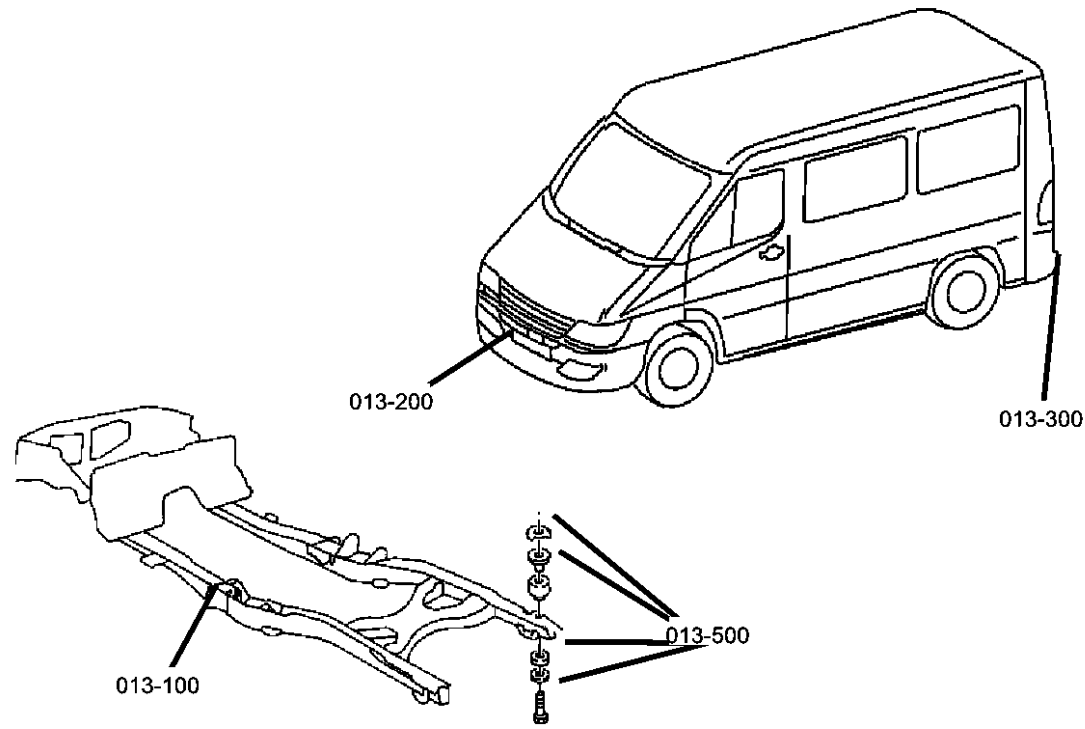
Rear Bumper and Fascia

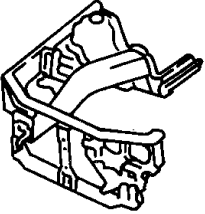
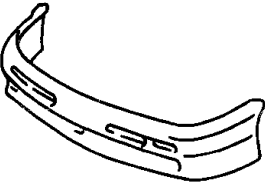

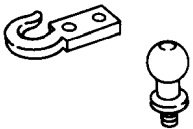
Rear Bumper & Rear Back Up SensorsFig. 13 - 305

Trailer Tow

Rear Cross Member and Tow HookFig. 13 - 605

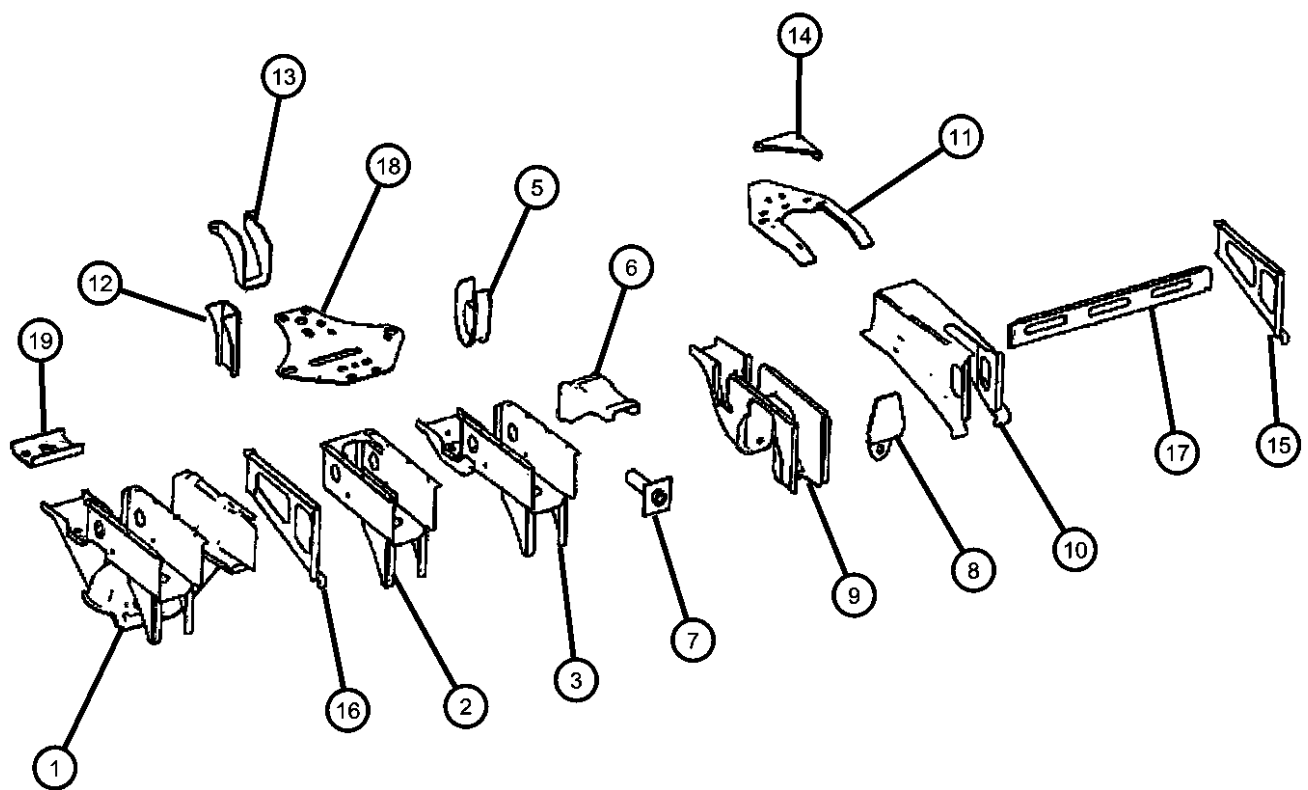
Rear Trailer HitchFig. 13 - 610



<p>013-100 Frames</p> 	<p>013-200 Front Bumper and Fascia</p> 	<p>013-300 Rear Bumper and Fascia</p> 	<p>013-600 Trailer Tow</p> 
--	---	---	---

Attaching Parts, Frame
Figure 13-150

ITEM	PART NUMBER	QTY	LINE	SERIES	BODY	ENGINE	TRANS	TRIM	DESCRIPTION
1									BRACKET, Crossmember
	68007839AA	1	2, 6	L	15, 17, 55				Left
	68007843AA	1	2, 6	L	13, 53				Left
	68007868AA	1	2, 6	L	15, 17, 55				Right
	68007871AA	1	2, 6	L	13, 53				Right
2									BRACKET, Crossmember
	68007840AA	2	3, 7	L	15, 17				
	68007844AA	2	3, 7	L	13				
3									BRACKET, Crossmember
	68007879AA	1	2, 3, 6, 7	L	15, 17, 55				Left
	68007882AA	1	2, 3, 6, 7	L	15, 17, 55				Right
-4									BRACKET, Hose
	68007392AA	2	2, 3, 6, 7	L	13, 15, 17, 53, 55				
		1	3, 7	L	03, 05				
5	68007885AA	2	2, 6	L	13, 15, 17, 53, 55				BRACKET, Jack
6	68009792AA	2	2, 3, 6, 7	L	53, 55				SUPPORT
7	68007402AA	2	2, 6	L	13, 15, 17, 53, 55				REINFORCEMENT
8	68007894AA	4	3, 7	L	13, 15, 17				BRACKET
9	68007813AA	2	2, 6	L	13, 15, 17, 53, 55				SUPPORT, Rear Spring
10	68007902AA	2	3, 7	L	13, 15, 17				SUPPORT, Rear Spring
11	68007904AA	2	3, 7	L	13, 15, 17				PLATE
12	68007599AA	1	3, 7	L	03, 05, 13, 15, 17				BRACKET, Spring
13	68007602AA	1	3, 7	L	03, 05, 13, 15, 17				SUPPORT
14	68007905AA	2	3, 7	L	17, 13, 15				REINFORCEMENT
15	68007909AA	2	2, 3, 6, 7	L	15, 17, 55				BRACE
16	68007911AA	2	2, 3, 6, 7	L	15, 17, 55				BRACE
17	68007912AA	2	3, 7	L	17				REINFORCEMENT
18									REINFORCEMENT
	68007913AA	1	3, 7	L	13, 15, 17				Left
	68007914AA	1	3, 7	L	13, 15, 17				Right



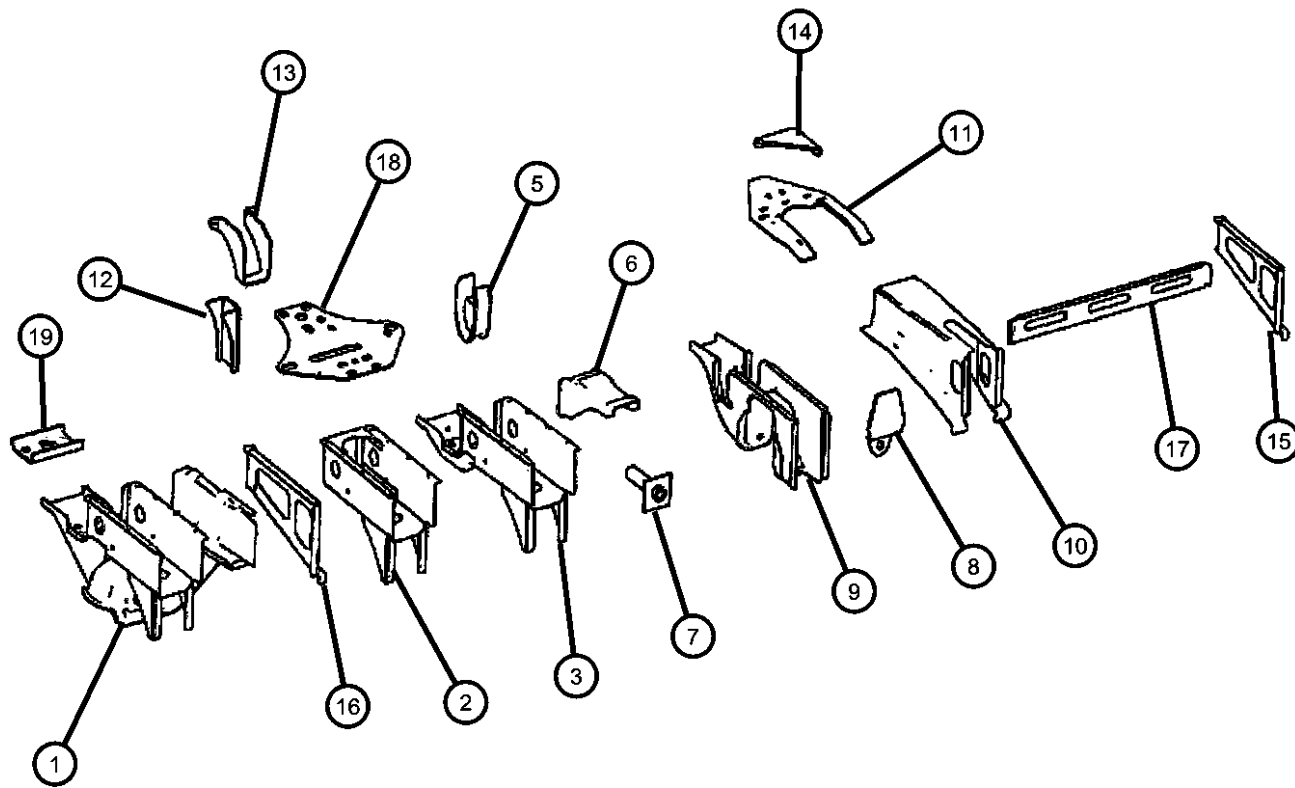
SPRINTER (VB)

SERIES	LINE	BODY	ENGINE	TRANSMISSION
L = LOWLINE	3 = HD DODGE 2WD 2 = Med. Duty DODGE 2WD	03 = CAB CHASSIS WHEEL BASE 3 05 = CAB CHASSIS WHEEL BASE 5 13 = 119 WB 53 = 119 WB 15 = VAN WHEEL BASE 5 55 = WAGON WHEEL BASE 5 17 = VAN WHEEL BASE 7	EG2 = 3.5L V6 Gas Engine EXM = 3.0L V6 Turbo Diesel Engine	DGZ = 5-Speed Auto W5A380 Transmission

AR = use ase required - = Non illustrated part

Attaching Parts, Frame
Figure 13-150

ITEM	PART NUMBER	QTY	LINE	SERIES	BODY	ENGINE	TRANS	TRIM	DESCRIPTION
19									BRACKET
	68007609AA	1	3, 7	L	03, 05				
		1	3, 7	L	13, 53				

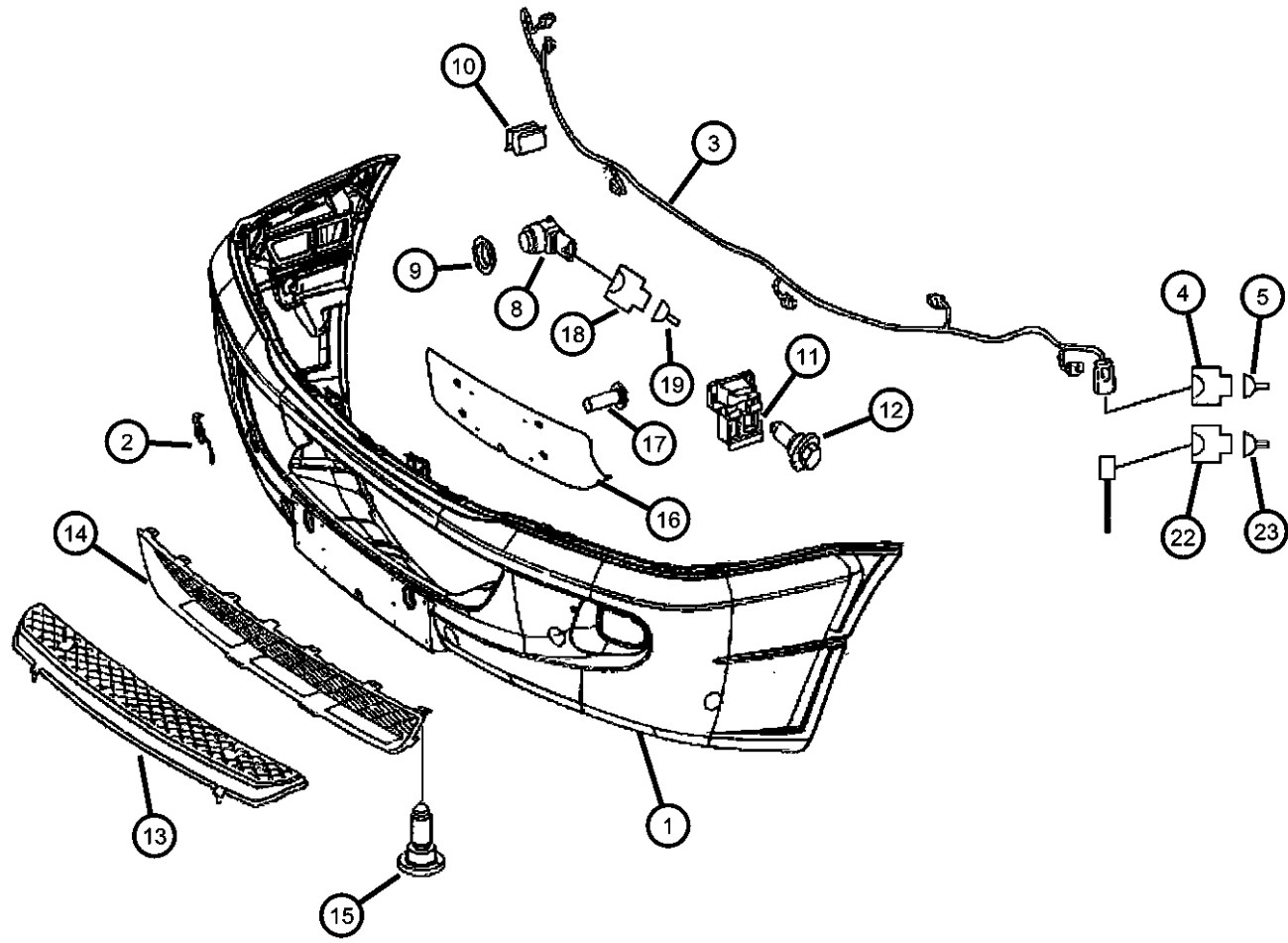


SPRINTER (VB)

SERIES	LINE	BODY	ENGINE	TRANSMISSION
L = LOWLINE	3 = HD DODGE 2WD 2 = Med. Duty DODGE 2WD	03 = CAB CHASSIS WHEEL BASE 3 05 = CAB CHASSIS WHEEL BASE 5 13 = 119 WB 53 = 119 WB 15 = VAN WHEEL BASE 5 55 = WAGON WHEEL BASE 5 17 = VAN WHEEL BASE 7	EG2 = 3.5L V6 Gas Engine EXM = 3.0L V6 Turbo Diesel Engine	DGZ = 5-Speed Auto W5A380 Transmission

AR = use ase required - = Non illustrated part

Front Fascia
Figure 13-205



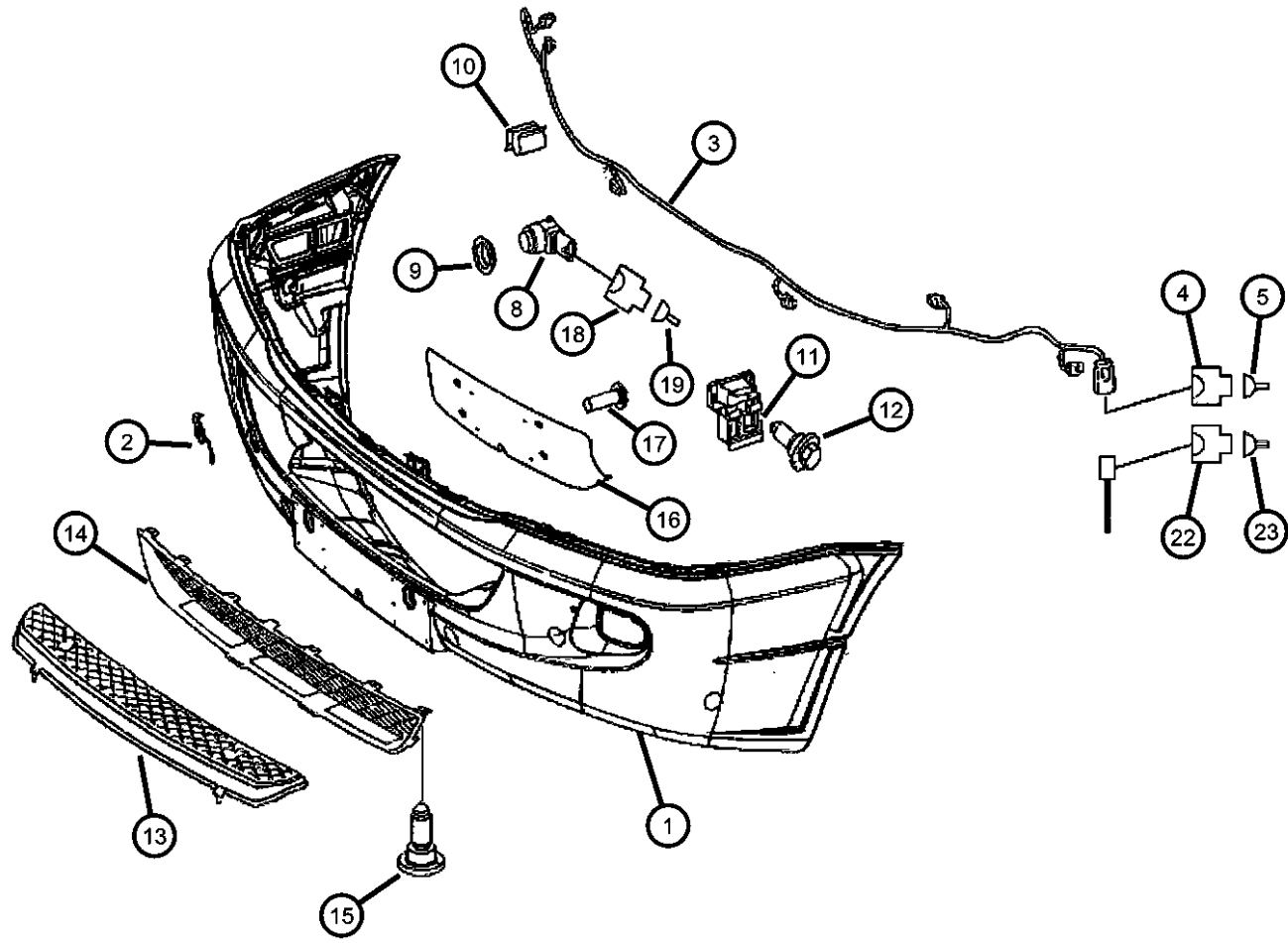
ITEM	PART NUMBER	QTY	LINE	SERIES	BODY	ENGINE	TRANS	TRIM	DESCRIPTION
1									FASCIA, Front
	1GY39XDVAA	1	2, 3, 6, 7	L	13, 15, 17, 53, 55				Gray, With Parksense [XAG] and Fog Lamps [LNJ]
	1GY39P01AA	1	2, 3, 6, 7	L	13, 15, 17, 53, 55				White, With Parksense [XAG] and Fog Lamps [LNJ]
	1GY40XDVAA	1	2, 3, 6, 7	L					Gray, With Fog Lamps [LNJ] Without Parksense [XAG]
	1GY40P01AA	1	2, 3, 6, 7	L					White, With Fog Lamps [LNJ] Without Parksense [XAG]
	1GY41XDVAA	1	2, 3, 6, 7	L	13, 15, 17, 53, 55				Gray, With Parksense [XAG] Without Fog Lamps [LNJ]
	1GY41P01AA	1	2, 3, 6, 7	L	13, 15, 17, 53, 55				White, With Parksense [XAG] Without Fog Lamps [LNJ]
	1VB09P01AA	1	2, 3, 6, 7	L					White, Without Parksense [XAG] Without Fog Lamps [LNJ]
	1VB09XDVAA	1	2, 3, 6, 7	L					Gray, Without Parksense [XAG] Without Fog Lamps [LNJ]
2									COVER, Tow Eye
	1HQ50P01AA	1	2, 3, 6, 7	L					White
	1HQ50XD-VAA	1	2, 3, 6, 7	L					Gray
3	68010558AA	1	2, 3, 6, 7	L	13, 15, 17, 53, 55				WIRING, Parksense
4	68011283AA	1	2, 3, 6, 7	L					CONNECTOR
5	05133353AA	AR	2, 3, 6, 7	L					TERMINAL
-6	05103663AA	AR	2, 3, 6, 7	L					GROMMET
-7									PLUG
	05138038AA	1	2, 3, 6, 7	L	03, 05, 13, 15, 17, 53, 55, 57				
8	68010557AA	6	2, 3, 6, 7	L	13, 15, 17, 53, 55				SENSOR, Park Assist
9	05120375AA	6	2, 3, 6, 7	L	13, 15, 17, 53, 55				SPACER, Sensor
10	68010560AA	6	2, 3, 6, 7	L	13, 15, 17, 53, 55				CLIP
11									BRACKET, Front Bumper
	68010550AA	1	3, 7	L	03, 05				Right
		1	2, 3, 6, 7	L	13, 15, 17, 53, 55				Right
	68010551AA	1	3, 7	L	03, 05				Left

SPRINTER (VB)

SERIES	LINE	BODY	ENGINE	TRANSMISSION
L = LOWLINE	3 = HD DODGE 2WD 2 = Med. Duty DODGE 2WD	03 = CAB CHASSIS WHEEL BASE 3 05 = CAB CHASSIS WHEEL BASE 5 13 = 119 WB 53 = 119 WB 15 = VAN WHEEL BASE 5 55 = WAGON WHEEL BASE 5 17 = VAN WHEEL BASE 7	EG2 = 3.5L V6 Gas Engine EXM = 3.0L V6 Turbo Diesel Engine	DGZ = 5-Speed Auto W5A380 Transmission

AR = use ase required - = Non illustrated part

Front Fascia
Figure 13-205



ITEM	PART NUMBER	QTY	LINE	SERIES	BODY	ENGINE	TRANS	TRIM	DESCRIPTION
		1	2, 3, 6, 7	L	13, 15, 17, 53, 55				Left
12	05103728AA	2	3, 7	L	03, 05				SCREW
		2	2, 3, 6, 7	L	13, 15, 17, 53, 55				
13	1HA76XDVAA	1	2, 3, 6, 7	L					PLATE
14	1HA77DX9AA	1	2, 3, 6, 7	L					GRILLE, Fascia
15	68010553AA	4	3, 7	L	03, 05				BOLT, Hex Head
		2	2, 3, 6, 7	L	13, 15, 17, 53, 55				Side Guide At Front Module
		4	2, 3, 6, 7	L	13, 15, 17, 53, 55				Step Plate at Support
		2	3, 7	L	03, 05				Side Guide At Front Module
		2	3, 7	L	03, 05				Step Plate at Support
16	68010554AA	1	3, 7	L	03, 05				BRACKET, License Plate
		1	2, 3, 6, 7	L	13, 15, 17, 53, 55				
17	68010555AA	4	2, 3, 6, 7	L					SCREW, License Plate Molding to Bumper
18	68011244AA	1	2, 3, 6, 7	L					CONNECTOR, Parksense Sensor
19	68011878AA	AR	2, 3, 6, 7	L					TERMINAL
-20	68011050AA	AR	2, 3, 6, 7	L					GASKET
-21	68011051AA	AR	2, 3, 6, 7	L					GASKET
22	68011377AA	1	2, 3, 6, 7	L					CONNECTOR
23	68011882AA	AR	2, 3, 6, 7	L					CONNECTOR

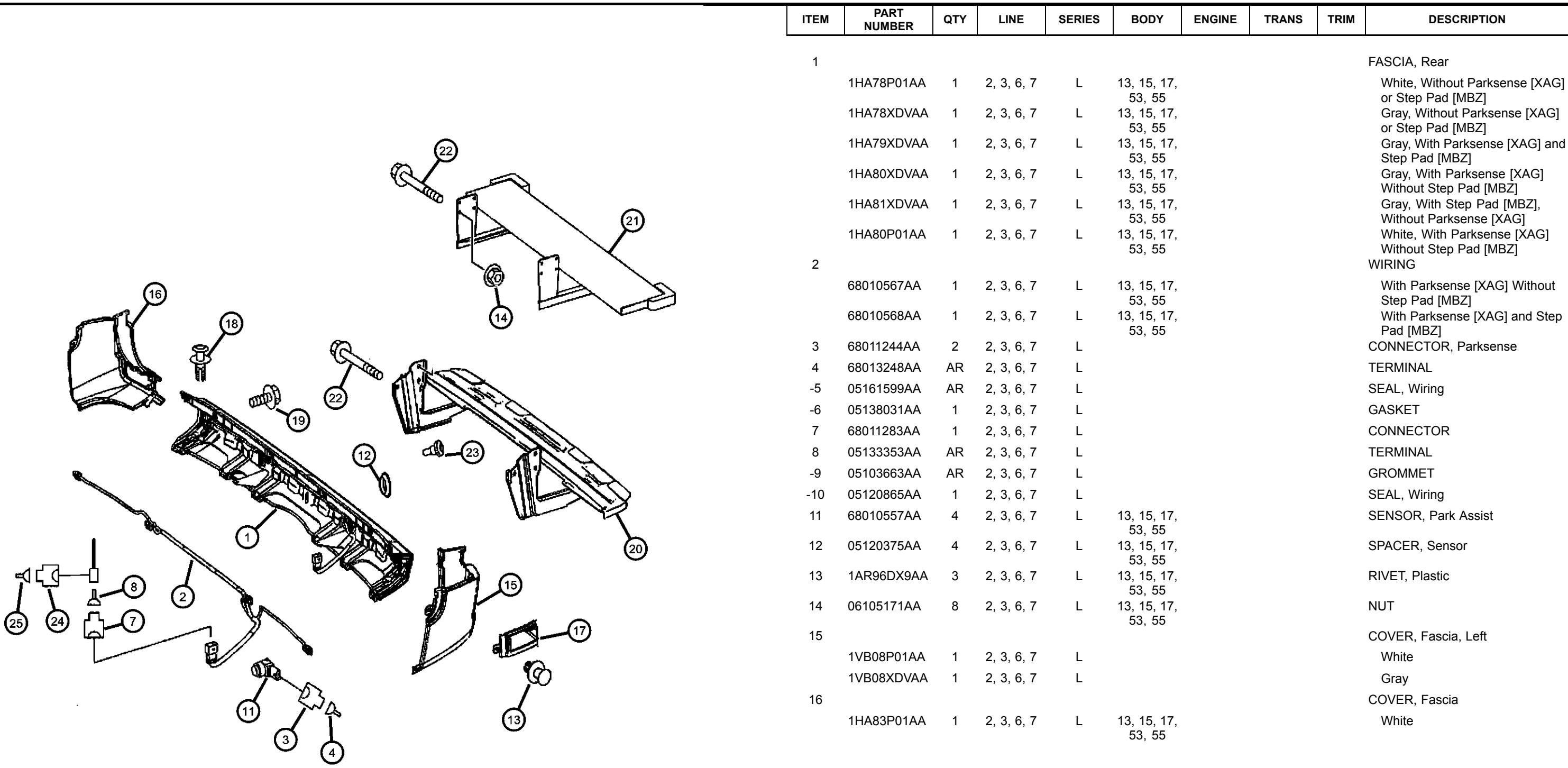
SPRINTER (VB)

SERIES	LINE	BODY	ENGINE	TRANSMISSION
L = LOWLINE	3 = HD DODGE 2WD 2 = Med. Duty DODGE 2WD	03 = CAB CHASSIS WHEEL BASE 3 05 = CAB CHASSIS WHEEL BASE 5 13 = 119 WB 53 = 119 WB 15 = VAN WHEEL BASE 5 55 = WAGON WHEEL BASE 5 17 = VAN WHEEL BASE 7	EG2 = 3.5L V6 Gas Engine EXM = 3.0L V6 Turbo Diesel Engine	DGZ = 5-Speed Auto W5A380 Transmission

AR = use ase required - = Non illustrated part

2007 VB

Rear Bumper & Rear Back Up Sensors
Figure 13-305



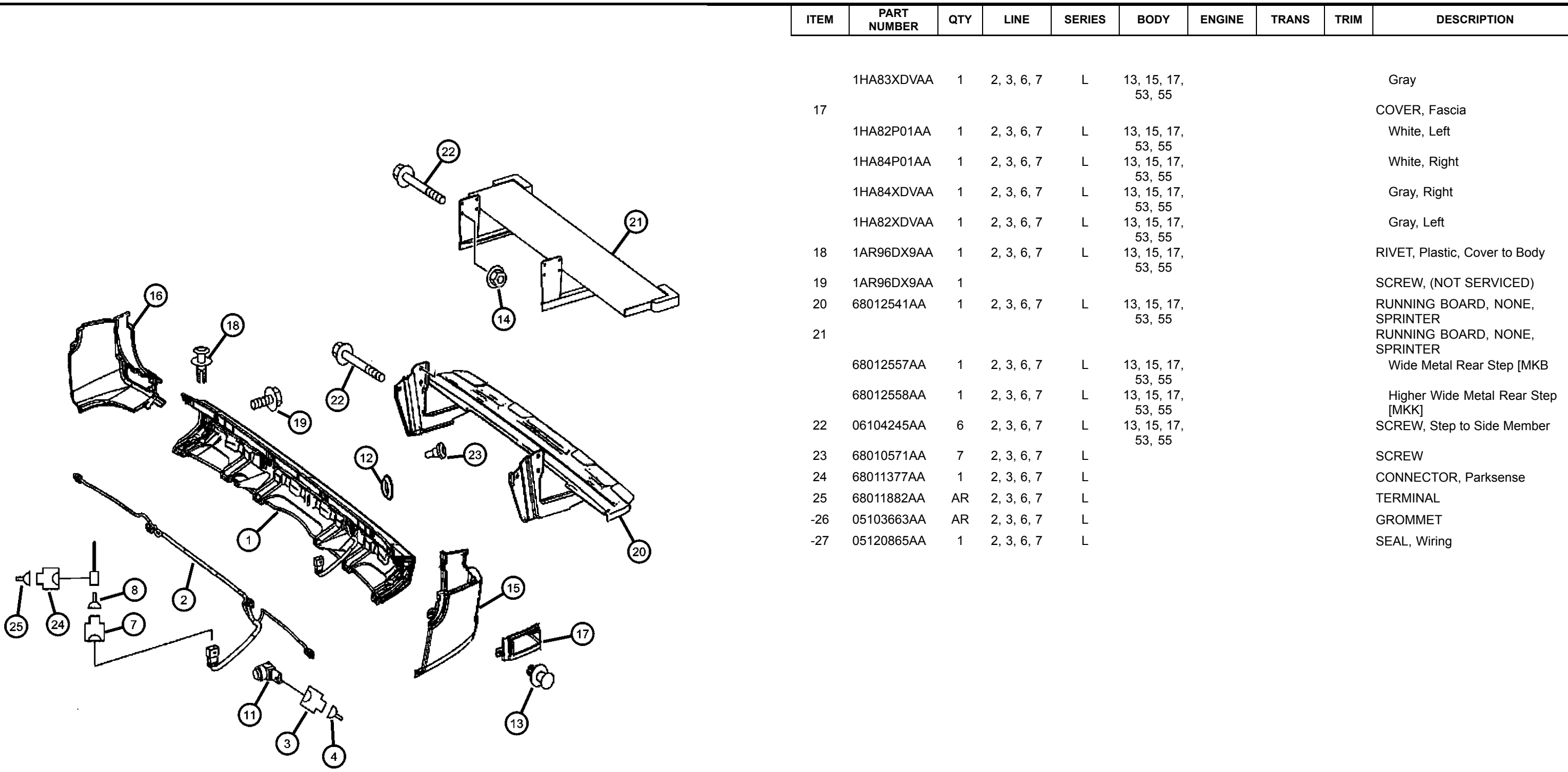
ITEM	PART NUMBER	QTY	LINE	SERIES	BODY	ENGINE	TRANS	TRIM	DESCRIPTION
1									FASCIA, Rear
	1HA78P01AA	1	2, 3, 6, 7	L	13, 15, 17, 53, 55				White, Without Parksense [XAG] or Step Pad [MBZ]
	1HA78XDVAA	1	2, 3, 6, 7	L	13, 15, 17, 53, 55				Gray, Without Parksense [XAG] or Step Pad [MBZ]
	1HA79XDVAA	1	2, 3, 6, 7	L	13, 15, 17, 53, 55				Gray, With Parksense [XAG] and Step Pad [MBZ]
	1HA80XDVAA	1	2, 3, 6, 7	L	13, 15, 17, 53, 55				Gray, With Parksense [XAG] Without Step Pad [MBZ]
	1HA81XDVAA	1	2, 3, 6, 7	L	13, 15, 17, 53, 55				Gray, With Step Pad [MBZ], Without Parksense [XAG]
	1HA80P01AA	1	2, 3, 6, 7	L	13, 15, 17, 53, 55				White, With Parksense [XAG] Without Step Pad [MBZ]
2									WIRING
	68010567AA	1	2, 3, 6, 7	L	13, 15, 17, 53, 55				With Parksense [XAG] Without Step Pad [MBZ]
	68010568AA	1	2, 3, 6, 7	L	13, 15, 17, 53, 55				With Parksense [XAG] and Step Pad [MBZ]
3	68011244AA	2	2, 3, 6, 7	L					CONNECTOR, Parksense
4	68013248AA	AR	2, 3, 6, 7	L					TERMINAL
-5	05161599AA	AR	2, 3, 6, 7	L					SEAL, Wiring
-6	05138031AA	1	2, 3, 6, 7	L					GASKET
7	68011283AA	1	2, 3, 6, 7	L					CONNECTOR
8	05133353AA	AR	2, 3, 6, 7	L					TERMINAL
-9	05103663AA	AR	2, 3, 6, 7	L					GROMMET
-10	05120865AA	1	2, 3, 6, 7	L					SEAL, Wiring
11	68010557AA	4	2, 3, 6, 7	L	13, 15, 17, 53, 55				SENSOR, Park Assist
12	05120375AA	4	2, 3, 6, 7	L	13, 15, 17, 53, 55				SPACER, Sensor
13	1AR96DX9AA	3	2, 3, 6, 7	L	13, 15, 17, 53, 55				RIVET, Plastic
14	06105171AA	8	2, 3, 6, 7	L	13, 15, 17, 53, 55				NUT
15									COVER, Fascia, Left
	1VB08P01AA	1	2, 3, 6, 7	L					White
	1VB08XDVAA	1	2, 3, 6, 7	L					Gray
16									COVER, Fascia
	1HA83P01AA	1	2, 3, 6, 7	L	13, 15, 17, 53, 55				White

SPRINTER (VB)

SERIES	LINE	BODY	ENGINE	TRANSMISSION
L = LOWLINE	3 = HD DODGE 2WD 2 = Med. Duty DODGE 2WD	03 = CAB CHASSIS WHEEL BASE 3 05 = CAB CHASSIS WHEEL BASE 5 13 = 119 WB 53 = 119 WB 15 = VAN WHEEL BASE 5 55 = WAGON WHEEL BASE 5 17 = VAN WHEEL BASE 7	EG2 = 3.5L V6 Gas Engine EXM = 3.0L V6 Turbo Diesel Engine	DGZ = 5-Speed Auto W5A380 Transmission

AR = use ase required - = Non illustrated part

Rear Bumper & Rear Back Up Sensors
Figure 13-305



ITEM	PART NUMBER	QTY	LINE	SERIES	BODY	ENGINE	TRANS	TRIM	DESCRIPTION
	1HA83XDVAA	1	2, 3, 6, 7	L	13, 15, 17, 53, 55				Gray
17									COVER, Fascia
	1HA82P01AA	1	2, 3, 6, 7	L	13, 15, 17, 53, 55				White, Left
	1HA84P01AA	1	2, 3, 6, 7	L	13, 15, 17, 53, 55				White, Right
	1HA84XDVAA	1	2, 3, 6, 7	L	13, 15, 17, 53, 55				Gray, Right
	1HA82XDVAA	1	2, 3, 6, 7	L	13, 15, 17, 53, 55				Gray, Left
18	1AR96DX9AA	1	2, 3, 6, 7	L	13, 15, 17, 53, 55				RIVET, Plastic, Cover to Body
19	1AR96DX9AA	1							SCREW, (NOT SERVICED)
20	68012541AA	1	2, 3, 6, 7	L	13, 15, 17, 53, 55				RUNNING BOARD, NONE, SPRINTER
21									RUNNING BOARD, NONE, SPRINTER
	68012557AA	1	2, 3, 6, 7	L	13, 15, 17, 53, 55				Wide Metal Rear Step [MKB]
	68012558AA	1	2, 3, 6, 7	L	13, 15, 17, 53, 55				Higher Wide Metal Rear Step [MKK]
22	06104245AA	6	2, 3, 6, 7	L	13, 15, 17, 53, 55				SCREW, Step to Side Member
23	68010571AA	7	2, 3, 6, 7	L					SCREW
24	68011377AA	1	2, 3, 6, 7	L					CONNECTOR, Parksense
25	68011882AA	AR	2, 3, 6, 7	L					TERMINAL
-26	05103663AA	AR	2, 3, 6, 7	L					GROMMET
-27	05120865AA	1	2, 3, 6, 7	L					SEAL, Wiring

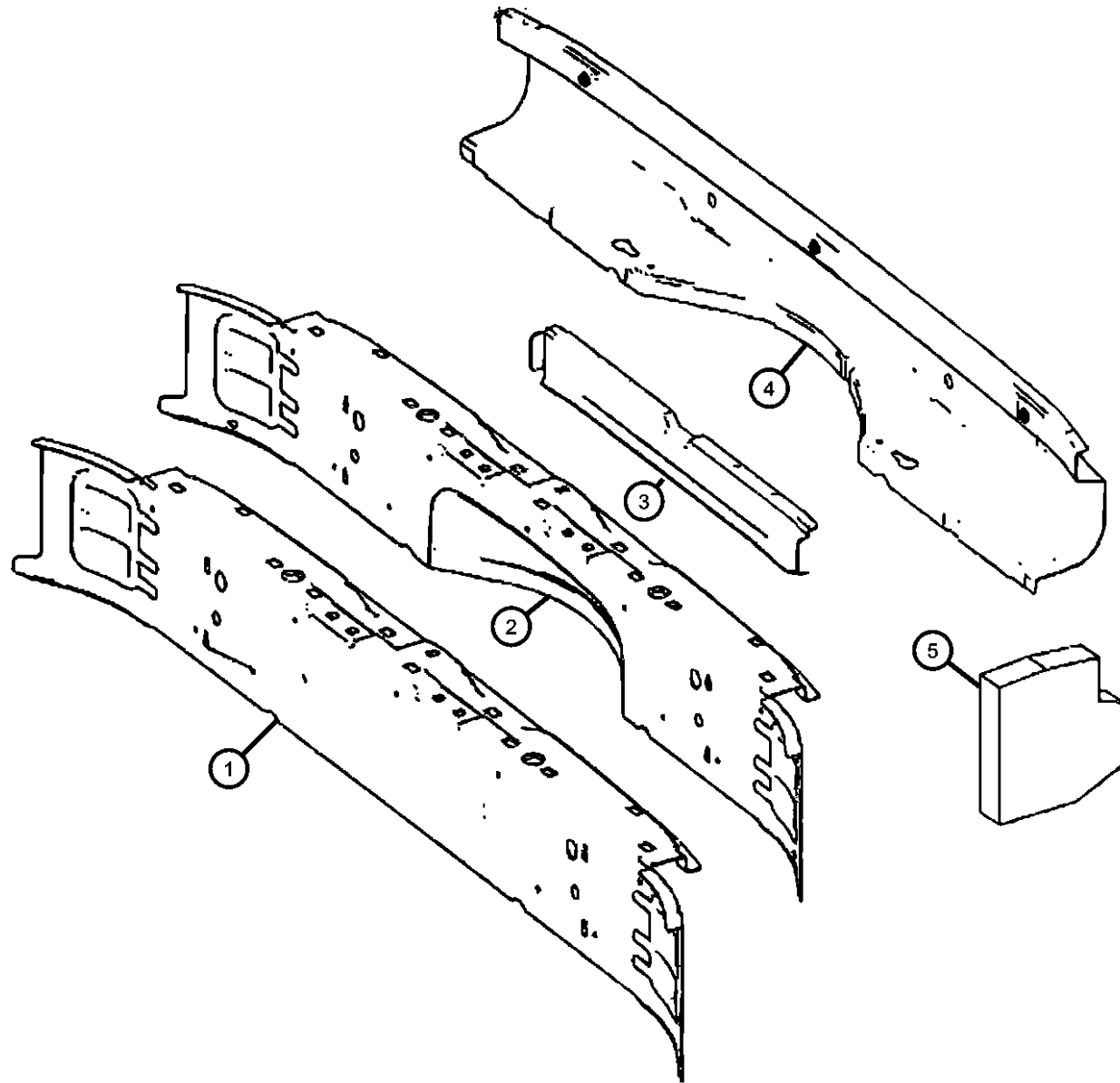
SPRINTER (VB)

SERIES	LINE	BODY	ENGINE	TRANSMISSION
L = LOWLINE	3 = HD DODGE 2WD 2 = Med. Duty DODGE 2WD	03 = CAB CHASSIS WHEEL BASE 3 05 = CAB CHASSIS WHEEL BASE 5 13 = 119 WB 53 = 119 WB 15 = VAN WHEEL BASE 5 55 = WAGON WHEEL BASE 5 17 = VAN WHEEL BASE 7	EG2 = 3.5L V6 Gas Engine EXM = 3.0L V6 Turbo Diesel Engine	DGZ = 5-Speed Auto W5A380 Transmission

AR = use ase required - = Non illustrated part

Rear Cross Member and Tow Hook
Figure 13-605

ITEM	PART NUMBER	QTY	LINE	SERIES	BODY	ENGINE	TRANS	TRIM	DESCRIPTION
1	68007823AA	1	2, 3, 6, 7	L	13, 15, 17, 53, 55				REINFORCEMENT, Bumper
2	68007822AA	1	2, 3, 6, 7	L	13, 15, 53, 55				REINFORCEMENT, Rear Bumper
3	68007838AA	2	3, 7	L	13, 15, 17, 53, 55				REINFORCEMENT, Bumper
4	68007833AA	1	2, 3, 6, 7	L	13, 15, 17, 53, 55				REINFORCEMENT, Rear Bumper
5	68007831AA	2	2, 3, 6, 7	L	13, 15, 17, 53, 55				SEAL



SPRINTER (VB)

SERIES	LINE	BODY	ENGINE	TRANSMISSION
L = LOWLINE	3 = HD DODGE 2WD 2 = Med. Duty DODGE 2WD	03 = CAB CHASSIS WHEEL BASE 3 05 = CAB CHASSIS WHEEL BASE 5 13 = 119 WB 53 = 119 WB 15 = VAN WHEEL BASE 5 55 = WAGON WHEEL BASE 5 17 = VAN WHEEL BASE 7	EG2 = 3.5L V6 Gas Engine EXM = 3.0L V6 Turbo Diesel Engine	DGZ = 5-Speed Auto W5A380 Transmission

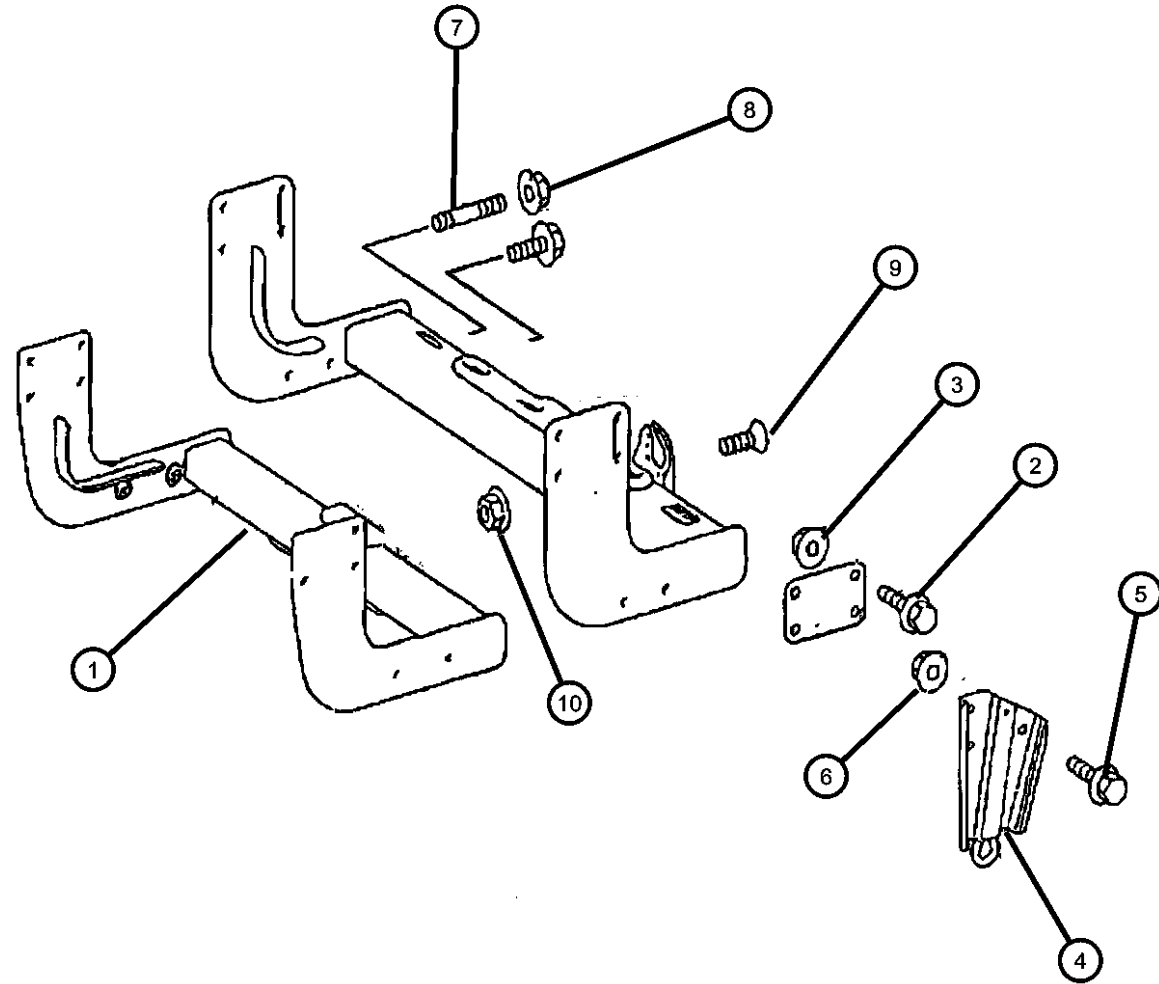
AR = use ase required - = Non illustrated part

2007 VB

Rear Trailer Hitch
Figure 13-610

ITEM	PART NUMBER	QTY	LINE	SERIES	BODY	ENGINE	TRANS	TRIM	DESCRIPTION
------	-------------	-----	------	--------	------	--------	-------	------	-------------

Note: Parts shown in illustration without reference numbers are not serviced at this time.



1	68012499AA	1	2, 6	L					HITCH, Trailer
	68012504AA	1	3, 7	L	15, 17				
	68012505AA	1	3, 7	L	13				
	68012569AA	1	3, 7	L	03, 05				
2	06104245AA	8	2, 3, 6, 7	L	13, 15, 17, 53, 55				SCREW
		8	3, 7	L	03, 05				
3	06105171AA	8	2, 3, 6, 7	L	55, 13, 15, 17, 53				NUT
		8	3, 7	L	03, 05				
4	68012511AA	2	2, 3, 6, 7	L					HOOK, Tow
5	06104245AA	3	2, 3, 6, 7	L	13, 15, 17, 53, 55				SCREW
6	06105171AA	3	2, 3, 6, 7	L	13, 15, 17, 53, 55				NUT
7	05128448AA	1	3, 7	L	15, 17				SCREW
		1	2, 6	L					
8	06105170AA	4	3, 7	L	03, 05				NUT
9	05125745AA	1	3, 7	L	15, 17				SCREW
		1	2, 6	L					
10	06105170AA	2	2, 3, 6, 7	L					NUT

SPRINTER (VB)

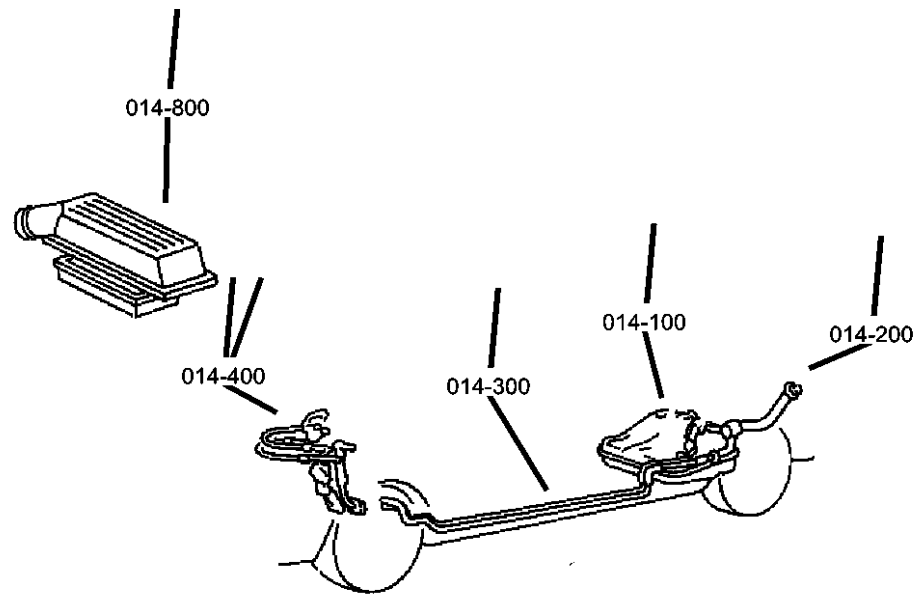
SERIES	LINE	BODY	ENGINE	TRANSMISSION
L = LOWLINE	3 = HD DODGE 2WD 2 = Med. Duty DODGE 2WD	03 = CAB CHASSIS WHEEL BASE 3 05 = CAB CHASSIS WHEEL BASE 5 13 = 119 WB 53 = 119 WB 15 = VAN WHEEL BASE 5 55 = WAGON WHEEL BASE 5 17 = VAN WHEEL BASE 7	EG2 = 3.5L V6 Gas Engine EXM = 3.0L V6 Turbo Diesel Engine	DGZ = 5-Speed Auto W5A380 Transmission

AR = use ase required - = Non illustrated part

2007 VB

Group - 14

Fuel

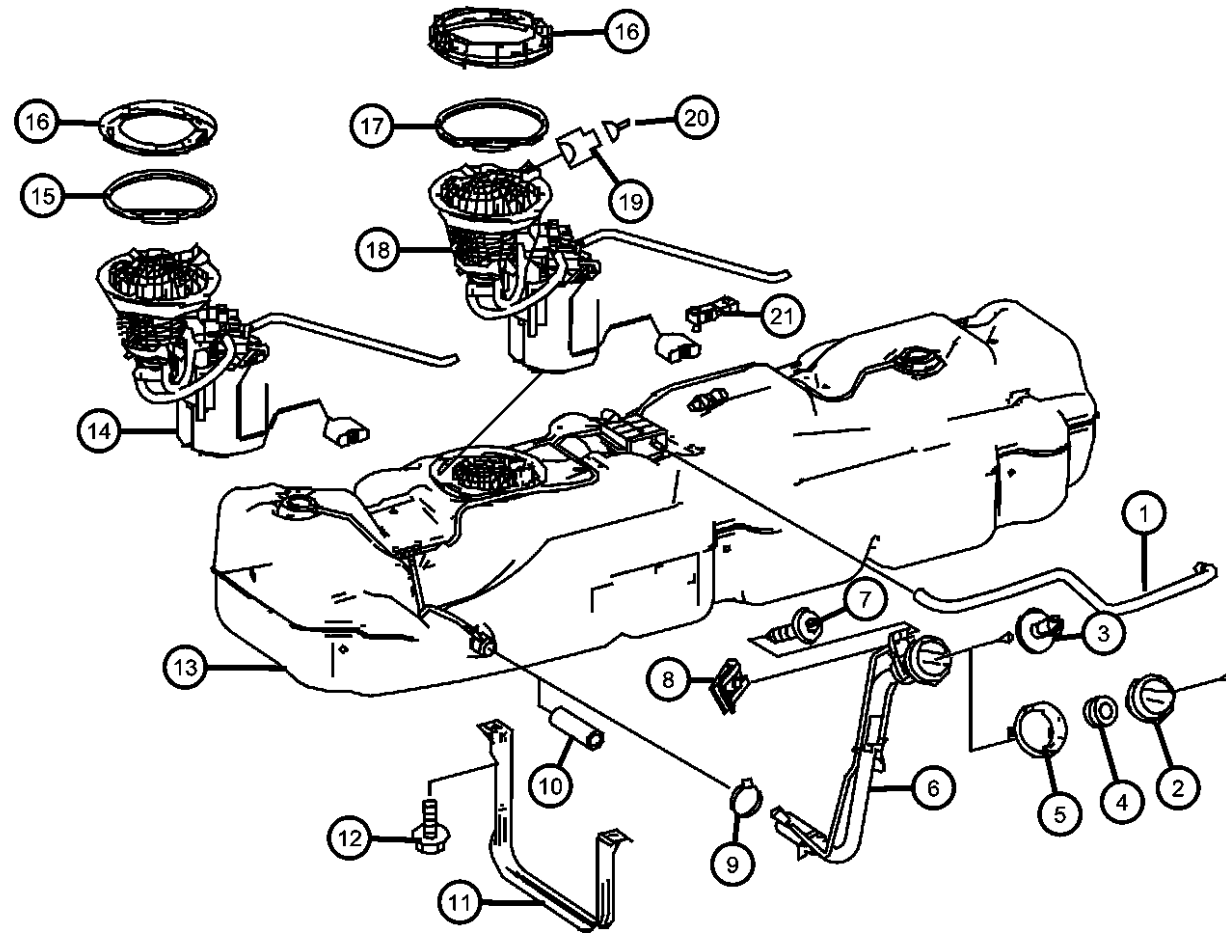


Group - 14 Fuel

Illustration Title	Group-Fig. No.
Tank, Fuel	
Fuel Tank	Fig. 14 - 110
Fuel Tank Filler Tube	
Fuel Tank Filler Tube.....	Fig. 14 - 210
Fuel Lines	
Fuel Lines - Gas.....	Fig. 14 - 310
Fuel Lines - Diesel	Fig. 14 - 320
Fuel Line - Tank to Heating.....	Fig. 14 - 330
Fuel Filter & Fuel Return Lines.....	Fig. 14 - 340
Fuel Filter & Service Sensor.....	Fig. 14 - 350
Fuel Rail	
Fuel Rail	Fig. 14 - 410
Fuel Rail	Fig. 14 - 420
Fuel Pump and Sending Unit	
Fuel Pump & Sending Unit	Fig. 14 - 510
Fuel Pump & Sending Unit	Fig. 14 - 520
Fuel Injection Pump & Turbo Charger	
High Pressure Pump.....	Fig. 14 - 610
Turbocharger	Fig. 14 - 620
Air Cleaner	
Air Cleaner.....	Fig. 14 - 810
Accelerator Pedal	
Accelerator Pedal	Fig. 14 - 1110

014-100 Tank, Fuel 	014-1100 Accelerator Pedal 	014-200 Fuel Tank Filler Tube 	014-300 Fuel Lines
014-400 Fuel Rail 	014-500 Fuel Pump and Sending Unit 	014-600 Fuel Injection Pump & Turbo Charger 	014-800 Air Cleaner

Fuel Tank
Figure 14-110



ITEM	PART NUMBER	QTY	LINE	SERIES	BODY	ENGINE	TRANS	TRIM	DESCRIPTION
1	68013509AA	1	2, 3, 6, 7	L		EXM	DGZ		HOSE, Breather Line
2									CAP, Fuel Filler
	68013500AA	1	2, 3, 6, 7	L		EG2	DGZ		
	68017092AA	1	2, 3, 6, 7	L		EXM	DGZ		
3									RIVET, Fuel Cap Tether
	05102963AA	1	2, 3, 6, 7	L	13, 15, 17, 53, 55	EG2, EXM	DGZ		5.2MM
		1	3, 7	L	03, 05	EG2, EXM	DGZ		5.2MM
4	05133408AA	1	2, 3, 6, 7	L		EXM	DGZ		GROMMET, Chassis Wiring, Breather Line 26x25x15
5	68013502AA	1	2, 3, 6, 7	L		EXM	DGZ		SEAL, Fuel Cap
6	68013499AA	1	2, 3, 6, 7	L		EG2	DGZ		TUBE, Fuel Filler, See Note:
7	06104120AA	1	2, 3, 6, 7	L		EG2, EXM	DGZ		SCREW, Hex Head, M6x12
8	68013488AA	1	2, 3, 6, 7	L		EXM	DGZ		NUT, Filler Pipe to Frame
9	05133494AA	1	3, 6, 7, 2	L		EG2	DGZ		CLAMP, Filler Pipe to Fuel Tank 25-40x13-SW8-W3
10	68013512AA	1	2, 3, 6, 7	L		EXM	DGZ		HOSE, Breather Line
11	68013514AA	1	2, 3, 6, 7	L		EG2, EXM	DGZ		STRAP, Fuel Tank
12	06104042AA	4	2, 3, 6, 7	L		EG2, EXM	DGZ		SCREW, Attachment Strap
13									TANK, Fuel
	68013485AA	1	2, 3, 6, 7	L		EXM	DGZ		
	68013486AA	1	2, 3, 6, 7	L		EG2	DGZ		
	68034449AA	1	3	L	05	EG2	DGZ		With [XFZ+AMG%AMK]
14	68013489AA	1	2, 3, 6, 7	L		EG2	DGZ		MODULE KIT, Fuel Pump/Level Unit
15	68013493AA	1	2, 3, 6, 7	L		EG2	DGZ		O RING
16	68013492AA	1	2, 3, 6, 7	L		EG2	DGZ		RING, Lock, Fuel Module
17	68013492AA	1							RING, (NOT SERVICED)
18	68013490AA	1	2, 3, 6, 7	L		EXM	DGZ		MODULE, Fuel Tank - Diesel
19	05135758AA	1	2, 3, 6, 7	L		EG2, EXM	DGZ		CONNECTOR, Female
20									TERMINAL
	05103877AA	AR	2, 3, 6, 7	L		EG2	DGZ		1.5-2.5MM2;M3/5

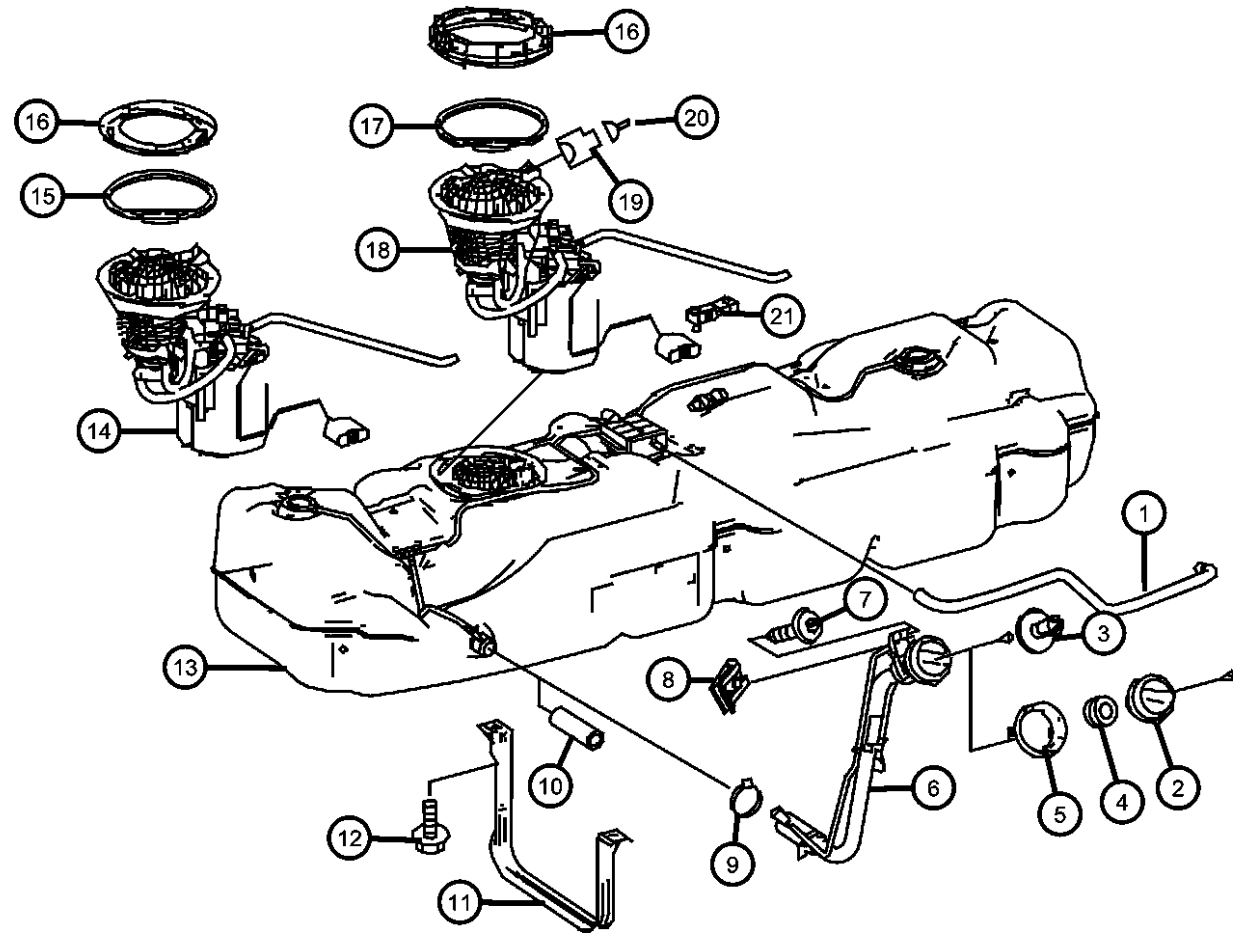
SPRINTER (VB)

SERIES	LINE	BODY	ENGINE	TRANSMISSION
L = LOWLINE	3 = HD DODGE 2WD 2 = Med. Duty DODGE 2WD	03 = CAB CHASSIS WHEEL BASE 3 05 = CAB CHASSIS WHEEL BASE 5 13 = 119 WB 53 = 119 WB 15 = VAN WHEEL BASE 5 55 = WAGON WHEEL BASE 5 17 = VAN WHEEL BASE 7	EG2 = 3.5L V6 Gas Engine EXM = 3.0L V6 Turbo Diesel Engine	DGZ = 5-Speed Auto W5A380 Transmission

AR = use ase required - = Non illustrated part

Fuel Tank
Figure 14-110

ITEM	PART NUMBER	QTY	LINE	SERIES	BODY	ENGINE	TRANS	TRIM	DESCRIPTION
	05133353AA	AR	2, 3, 6, 7	L		EG2	DGZ		0.5-1.0MM2;M3/5
21	68013498AA	1	2, 3, 6, 7	L		EG2	DGZ		SENSOR, Pressure, OBD 2

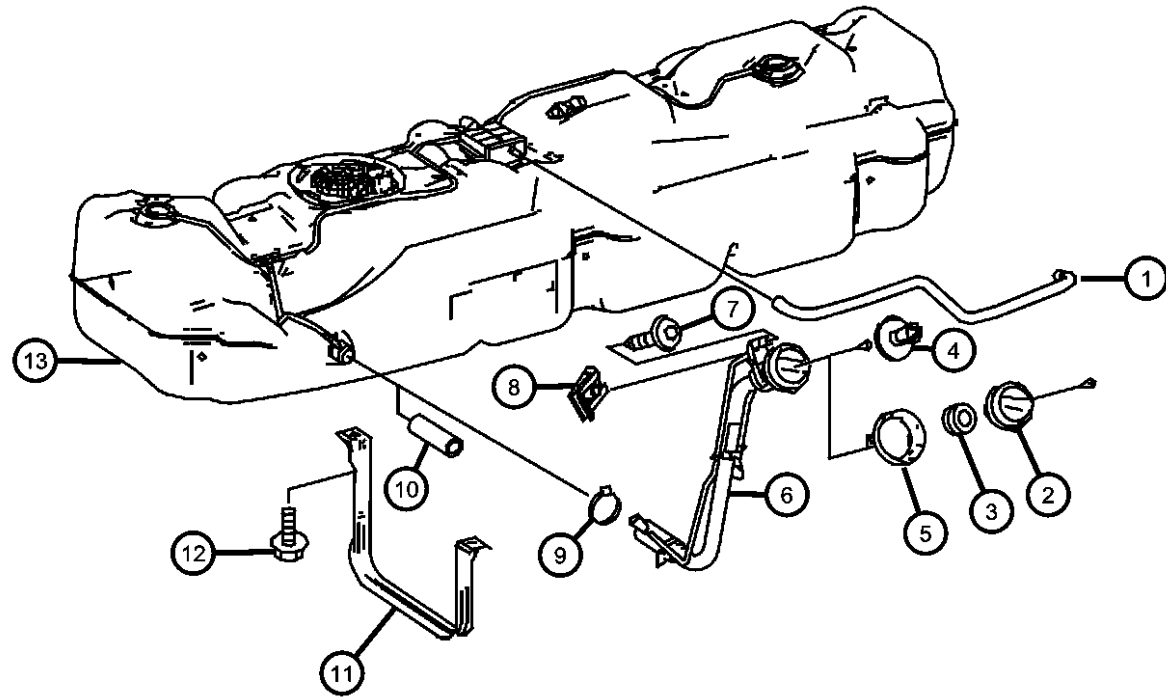


SPRINTER (VB)

SERIES	LINE	BODY	ENGINE	TRANSMISSION
L = LOWLINE	3 = HD DODGE 2WD 2 = Med. Duty DODGE 2WD	03 = CAB CHASSIS WHEEL BASE 3 05 = CAB CHASSIS WHEEL BASE 5 13 = 119 WB 53 = 119 WB 15 = VAN WHEEL BASE 5 55 = WAGON WHEEL BASE 5 17 = VAN WHEEL BASE 7	EG2 = 3.5L V6 Gas Engine EXM = 3.0L V6 Turbo Diesel Engine	DGZ = 5-Speed Auto W5A380 Transmission

AR = use ase required - = Non illustrated part

**Fuel Tank Filler Tube
Figure 14-210**



ITEM	PART NUMBER	QTY	LINE	SERIES	BODY	ENGINE	TRANS	TRIM	DESCRIPTION
1	68013509AA	1	2, 3, 6, 7	L		EXM	DGZ		HOSE, Breather Line
2									CAP, Fuel Filler
	68013500AA	1	2, 3, 6, 7	L		EG2	DGZ		
	68017092AA	1	2, 3, 6, 7	L		EXM	DGZ		
3									RIVET, Fuel Cap Tether
	05102963AA	1	2, 3, 6, 7	L	13, 15, 17, 53, 55	EG2, EXM	DGZ		5.2MM
		1	3, 7	L	03, 05	EG2, EXM	DGZ		5.2MM
4	05133408AA	1	2, 3, 6, 7	L		EXM	DGZ		GROMMET, Chassis Wiring, Breather Line 26x25x15
5	68013502AA	1	2, 3, 6, 7	L		EXM	DGZ		SEAL, Fuel Cap
6	68013499AA	1	2, 3, 6, 7	L		EG2	DGZ		TUBE, Fuel Filler, See Note:
7	06104120AA	1	2, 3, 6, 7	L		EG2, EXM	DGZ		SCREW, Hex Head, M6x12
8	68013488AA	1	7, 2, 3, 6	L		EXM	DGZ		NUT, Filler Pipe to Frame
9									CLAMP
	05132913AA	1	2, 3, 6, 7	L		EXM	DGZ		Filler Pipe to Fuel Tank 25-40x13-SW8-W3
	05133494AA	1	2, 3, 6, 7	L		EG2	DGZ		Filler Pipe to Fuel Tank 25-40x13-SW8-W3
10	68013512AA	1	2, 3, 6, 7	L		EXM	DGZ		HOSE, Breather Line
11	68013514AA	1	2, 3, 6, 7	L		EG2, EXM	DGZ		STRAP, Fuel Tank
12	06104042AA	4	2, 3, 6, 7	L		EG2, EXM	DGZ		SCREW, Attachment Strap
13									TANK, Fuel
	68013485AA	1	2, 3, 6, 7	L		EXM	DGZ		
	68013486AA	1	2, 3, 6, 7	L		EG2	DGZ		

SPRINTER (VB)

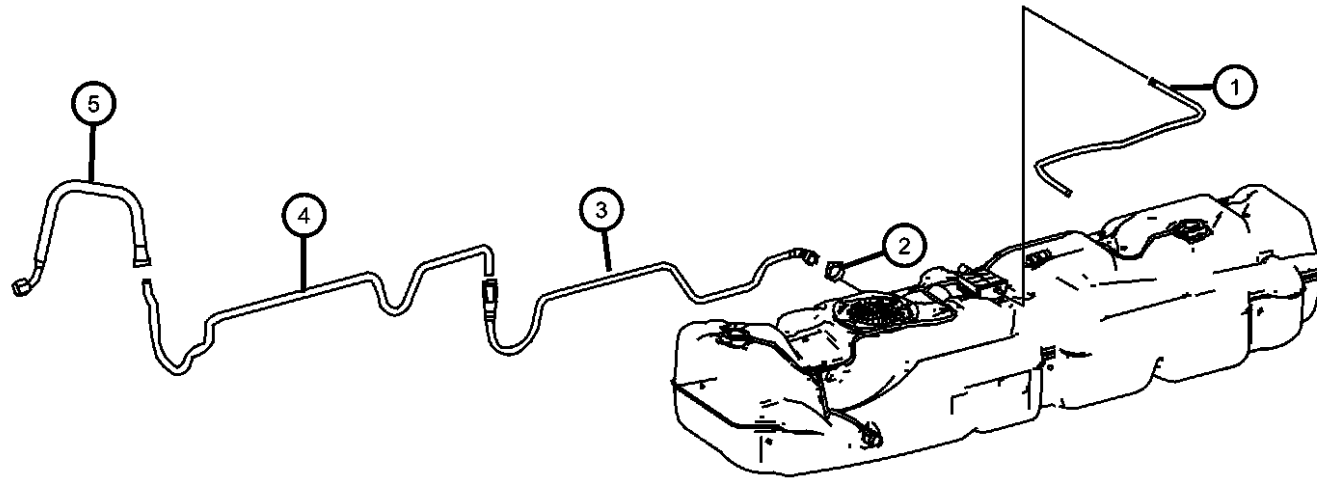
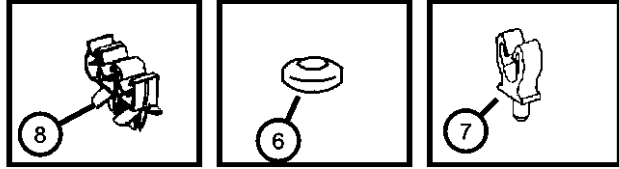
SERIES	LINE	BODY	ENGINE	TRANSMISSION
L = LOWLINE	3 = HD DODGE 2WD 2 = Med. Duty DODGE 2WD	03 = CAB CHASSIS WHEEL BASE 3 05 = CAB CHASSIS WHEEL BASE 5 13 = 119 WB 53 = 119 WB 15 = VAN WHEEL BASE 5 55 = WAGON WHEEL BASE 5 17 = VAN WHEEL BASE 7	EG2 = 3.5L V6 Gas Engine EXM = 3.0L V6 Turbo Diesel Engine	DGZ = 5-Speed Auto W5A380 Transmission

AR = use ase required - = Non illustrated part

2007 VB

Fuel Lines - Gas
Figure 14-310

ITEM	PART NUMBER	QTY	LINE	SERIES	BODY	ENGINE	TRANS	TRIM	DESCRIPTION
1	68013506AA	1	2, 3, 6, 7	L		EG2	DGZ		TUBE, Fuel
2	06104819AA	2	2, 3, 6, 7	L		EXM	DGZ		TIE STRAP, 11.5MM
3	68013495AA	1	2, 3, 6, 7	L		EG2	DGZ		TUBE, Fuel Supply
4	68013531AA	1	2, 3, 6, 7	L		EG2	DGZ		TUBE, Fuel Supply
5	68013532AA	1	2, 3, 6, 7	L		EG2	DGZ		TUBE, Fuel Supply
	68017801AA	1	2, 3, 6, 7	L		EG2	DGZ		Up To Chassis Build Date [08/31/2006] After Chassis Build Date [08/31/2006]
6	68013507AA	1	2, 3, 6, 7	L		EG2	DGZ		GROMMET, Chafe Protection to Console,B-Pillar
7	68013516AA	1	2, 3, 6, 7	L	13, 15, 17, 53, 55	EG2	DGZ		RETAINER
8	68013508AA	2	2, 3, 6, 7	L		EG2, EXM	DGZ		RETAINER



SPRINTER (VB)

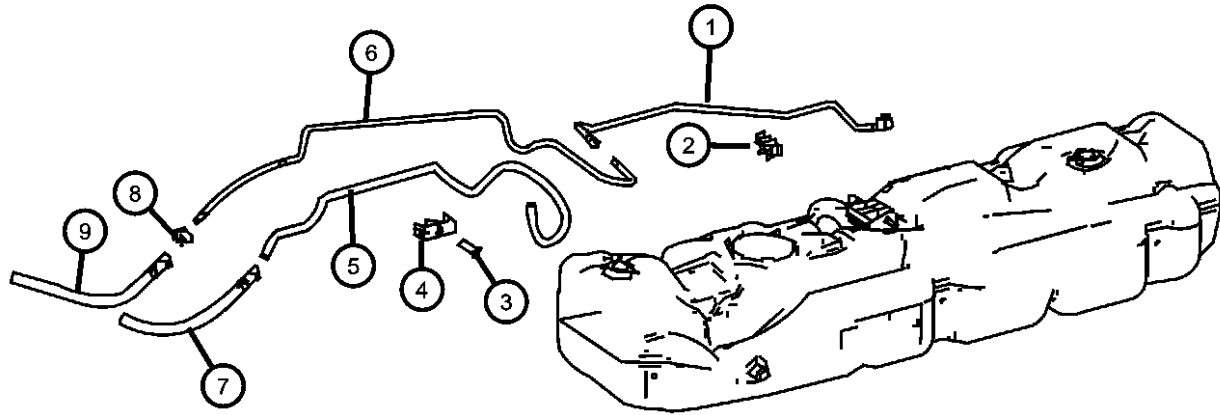
SERIES	LINE	BODY	ENGINE	TRANSMISSION
L = LOWLINE	3 = HD DODGE 2WD 2 = Med. Duty DODGE 2WD	03 = CAB CHASSIS WHEEL BASE 3 05 = CAB CHASSIS WHEEL BASE 5 13 = 119 WB 53 = 119 WB 15 = VAN WHEEL BASE 5 55 = WAGON WHEEL BASE 5 17 = VAN WHEEL BASE 7	EG2 = 3.5L V6 Gas Engine EXM = 3.0L V6 Turbo Diesel Engine	DGZ = 5-Speed Auto W5A380 Transmission

AR = use ase required - = Non illustrated part

2007 VB

Fuel Lines - Diesel
Figure 14-320

ITEM	PART NUMBER	QTY	LINE	SERIES	BODY	ENGINE	TRANS	TRIM	DESCRIPTION
1	68013494AA	1	2, 3, 6, 7	L		EXM	DGZ		TUBE, Fuel Supply
2	68013508AA	2	2, 3, 6, 7	L		EG2	DGZ		RETAINER, Fuel Line to Fuel Tank
3									BOLT, Hex Head
	05133748AA	2	3, 7	L	03, 05	EXM	DGZ		M6x20
		2	2, 3, 6, 7	L	13, 15, 17, 53, 55	EXM	DGZ		M6x20
4	05137250AA	4	2, 3, 6, 7	L		EXM	DGZ		CLIP, Feed Line to Return Line
5	68013527AA	1	2, 3, 6, 7	L		EXM	DGZ		TUBE, Fuel Return Line
6	68013525AA	1	2, 3, 6, 7	L		EXM	DGZ		TUBE, Fuel Supply
7	68013528AA	1	2, 3, 6, 7	L		EXM	DGZ		TUBE, Fuel Return Line
8	68013529AA	1	2, 3, 6, 7	L		EXM	DGZ		CLAMP, Hose
9	68013526AA	1	2, 3, 6, 7	L		EXM	DGZ		TUBE, Fuel Supply



SPRINTER (VB)

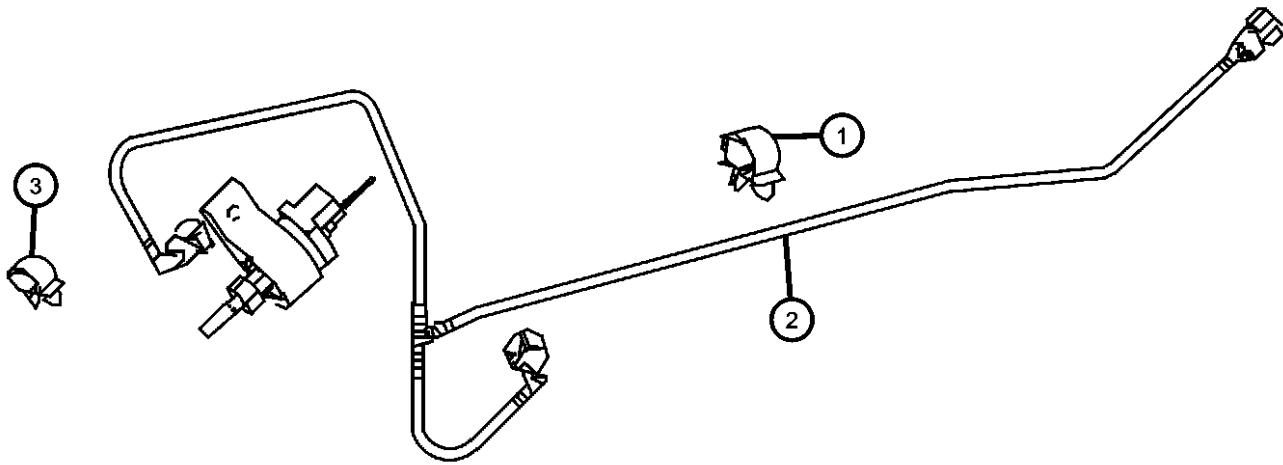
SERIES	LINE	BODY	ENGINE	TRANSMISSION
L = LOWLINE	3 = HD DODGE 2WD 2 = Med. Duty DODGE 2WD	03 = CAB CHASSIS WHEEL BASE 3 05 = CAB CHASSIS WHEEL BASE 5 13 = 119 WB 53 = 119 WB 15 = VAN WHEEL BASE 5 55 = WAGON WHEEL BASE 5 17 = VAN WHEEL BASE 7	EG2 = 3.5L V6 Gas Engine EXM = 3.0L V6 Turbo Diesel Engine	DGZ = 5-Speed Auto W5A380 Transmission

AR = use ase required - = Non illustrated part

2007 VB

Fuel Line - Tank to Heating
Figure 14-330

ITEM	PART NUMBER	QTY	LINE	SERIES	BODY	ENGINE	TRANS	TRIM	DESCRIPTION
1	05103736AA	2	2, 3, 6, 7	L	15, 17, 53, 55, 13	EG2, EXM	DGZ		CLAMP, 6.5x12.8MM
2	68012825AA	1	2, 3, 6, 7	L	13, 15, 17, 53, 55	EXM	DGZ		TUBE, Fuel With [XG3]
	68012826AA	1	2, 3, 6, 7	L	13, 15, 17, 53, 55	EXM	DGZ		With [3JV And Or HDB]
3	05103736AA	2	2, 3, 6, 7	L	13, 15, 17, 53, 55	EG2, EXM	DGZ		CLAMP, 6.5x12.8MM



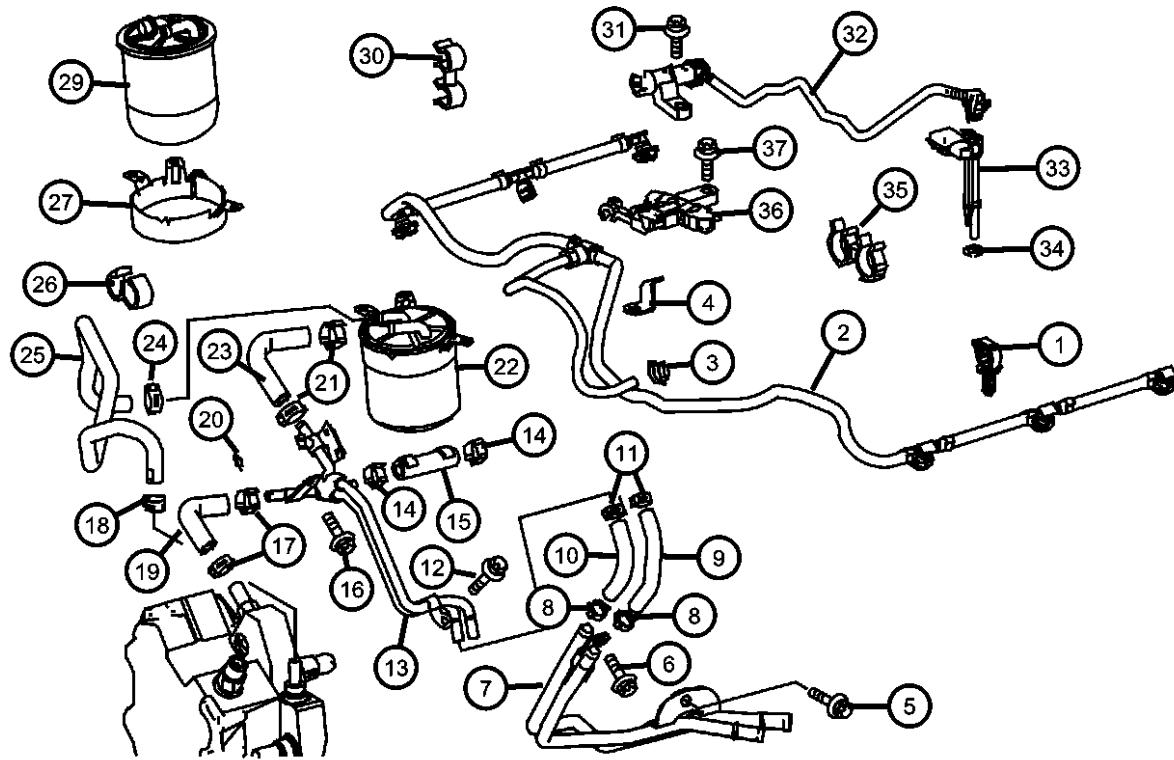
SPRINTER (VB)

SERIES	LINE	BODY	ENGINE	TRANSMISSION
L = LOWLINE	3 = HD DODGE 2WD 2 = Med. Duty DODGE 2WD	03 = CAB CHASSIS WHEEL BASE 3 05 = CAB CHASSIS WHEEL BASE 5 13 = 119 WB 53 = 119 WB 15 = VAN WHEEL BASE 5 55 = WAGON WHEEL BASE 5 17 = VAN WHEEL BASE 7	EG2 = 3.5L V6 Gas Engine EXM = 3.0L V6 Turbo Diesel Engine	DGZ = 5-Speed Auto W5A380 Transmission

AR = use ase required - = Non illustrated part

2007 VB

Fuel Filter & Fuel Return Lines
Figure 14-340



ITEM	PART NUMBER	QTY	LINE	SERIES	BODY	ENGINE	TRANS	TRIM	DESCRIPTION
1	68005721AA	1	2, 3, 6, 7	L		EXM	DGZ		RETAINER
2	68005720AA	1	2, 3, 6, 7	L		EXM	DGZ		TUBE, Fuel Return
3									CLAMP
	05080439AB	1	3, 7	L	03, 05	EG2	DGZ		
		1	2, 6	L	13, 15, 17, 53, 55	EG2	DGZ		
		1	2, 3, 6, 7	L		EXM	DGZ		
4	05175596AA	1	2, 3, 6, 7	L		EXM	DGZ		BRACKET
5	06104085AA	1	2, 3, 6, 7	L		EXM	DGZ		SCREW
6									BOLT
	06104005AA	1	3, 7	L	03, 05	EXM	DGZ		M6x16
		1	2, 3, 6, 7	L	13, 15, 17, 53, 55	EXM	DGZ		M6x16
		3	2, 3, 6, 7	L		EG2	DGZ		M6x16
7	68005709AA	1	2, 3, 6, 7	L		EXM	DGZ		TUBE, Fuel
8	05126026AA	2	2, 3, 6, 7	L		EXM	DGZ		CLAMP, Hose
9	68005702AA	1	2, 3, 6, 7	L		EXM	DGZ		TUBE, Fuel
10	05175592AB	1	2, 3, 6, 7	L		EXM	DGZ		TUBE, Fuel
11	05126026AA	2	6, 7, 2, 3	L		EXM	DGZ		CLAMP, Hose
12									SCREW
	06104681AA	1	3, 7	L	03, 05	EG2, EXM	DGZ		M6x15
		1	2, 6	L	13, 15, 17, 53, 55	EG2, EXM	DGZ		M6x15
13	68005713AA	1	2, 3, 6, 7	L		EXM	DGZ		TUBE, Fuel
14									CLAMP
	05080439AB	1	3, 7	L	03, 05	EG2	DGZ		12.5-13.5/8MM
		1	2, 6	L	13, 15, 17, 53, 55	EG2	DGZ		12.5-13.5/8MM
		1	2, 3, 6, 7	L		EXM	DGZ		12.5-13.5/8MM
15	68005707AA	1	2, 3, 6, 7	L		EXM	DGZ		HOSE, Fuel
16									BOLT
	06104004AA	1	3, 7	L	03, 05	EXM	DGZ		M6x12
		1	2, 3, 6, 7	L	13, 15, 17, 53, 55	EXM	DGZ		M6x12
		1	2, 3, 6, 7	L		EG2	DGZ		M6x12

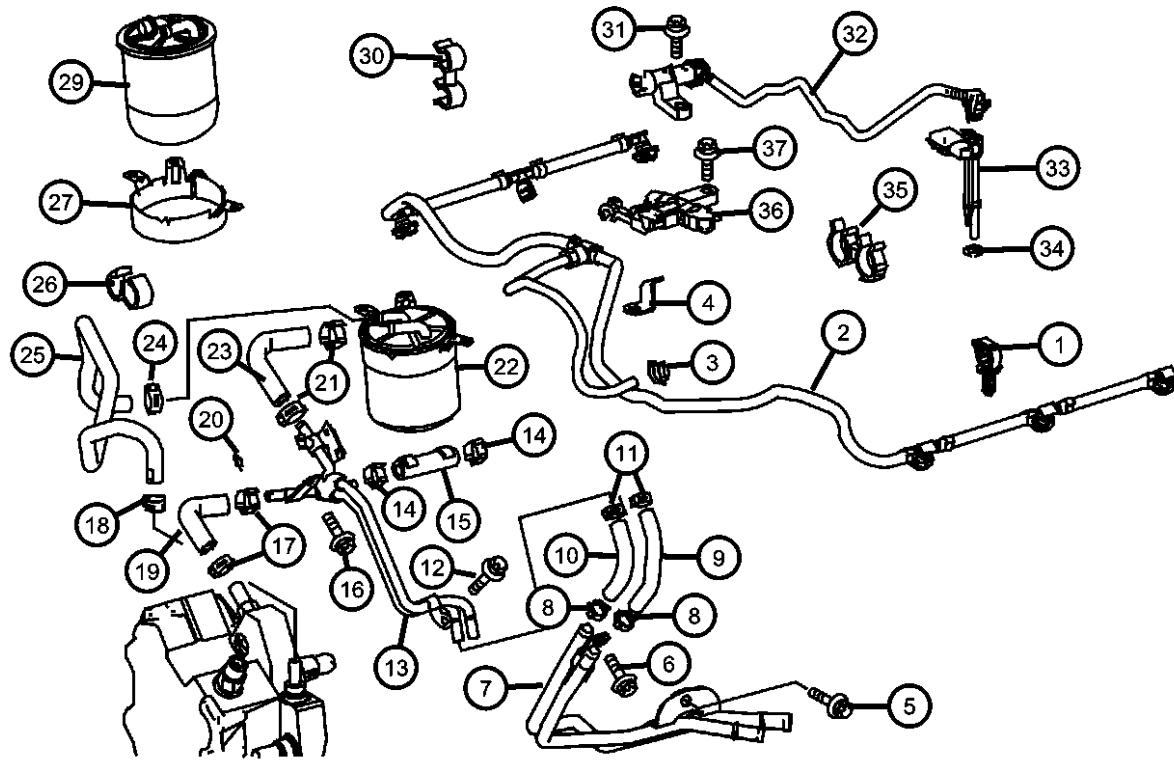
SPRINTER (VB)

SERIES	LINE	BODY	ENGINE	TRANSMISSION
L = LOWLINE	3 = HD DODGE 2WD 2 = Med. Duty DODGE 2WD	03 = CAB CHASSIS WHEEL BASE 3 05 = CAB CHASSIS WHEEL BASE 5 13 = 119 WB 53 = 119 WB 15 = VAN WHEEL BASE 5 55 = WAGON WHEEL BASE 5 17 = VAN WHEEL BASE 7	EG2 = 3.5L V6 Gas Engine EXM = 3.0L V6 Turbo Diesel Engine	DGZ = 5-Speed Auto W5A380 Transmission

AR = use ase required - = Non illustrated part

2007 VB

Fuel Filter & Fuel Return Lines
Figure 14-340



ITEM	PART NUMBER	QTY	LINE	SERIES	BODY	ENGINE	TRANS	TRIM	DESCRIPTION
17	05126026AA	2	2, 3, 6, 7	L		EXM	DGZ		CLAMP, Hose
18	05080439AB	1	3, 7	L	03, 05	EG2	DGZ		CLAMP 12.5-13.5/8MM
		1	2, 6	L	13, 15, 17, 53, 55	EG2	DGZ		12.5-13.5/8MM
		1	2, 3, 6, 7	L		EXM	DGZ		12.5-13.5/8MM
19	68025119AA	1	2, 3, 6, 7	L	55, 13, 15, 17, 53	EXM	DGZ		HOSE, Fuel High Pressure Pump to Fuel Line
		1	3, 7	L	03, 05	EXM	DGZ		High Pressure Pump to Fuel Line
20	68005701AA	1	2, 3, 6, 7	L		EXM	DGZ		CLAMP
21	05126026AA	2	7, 2, 3, 6	L		EXM	DGZ		CLAMP, Hose
22	05175429AB	1	2, 3, 6, 7	L		EXM	DGZ		FILTER, Fuel
23	68005715AA	1	2, 3, 6, 7	L		EXM	DGZ		HOSE, Fuel, Separation Point for Filter
24	05080439AB	1	3, 7	L	03, 05	EG2	DGZ		CLAMP
		1	2, 6	L	13, 15, 17, 53, 55	EG2	DGZ		
		1	2, 3, 6, 7	L		EXM	DGZ		
25	68005717AA	1	2, 3, 6, 7	L		EXM	DGZ		HOSE, Fuel, At Injection Pump
26	05170616AA	1	2, 3, 6, 7	L		EXM	DGZ		CLAMP
27	68005729AA	1	2, 3, 6, 7	L		EXM	DGZ		BRACKET, Fuel Filter
-28	68021057AA	1	2, 3, 6, 7	L		EXM	DGZ		BRACKET, Holder
29	05175429AB	1	2, 3, 6, 7	L		EXM	DGZ		FILTER, Fuel
30	68005734AA	2	2, 3, 6, 7	L		EXM	DGZ		CLAMP, CLAMP
31	06104006AA	1	2, 3, 6, 7	L		EXM	DGZ		BOLT, M6x20
32	68021058AA	1	2, 3, 6, 7	L		EXM	DGZ		HOSE, Fuel
33	05117542AA	1	2, 3, 6, 7	L		EXM	DGZ		SENSOR, Fuel/Water, Water Level
34	05138876AA	1	2, 3, 6, 7	L		EXM	DGZ		O RING
35	05127508AA	1	2, 3, 6, 7	L		EXM	DGZ		CLAMP, Hose, 14-16MM
36	05175595AA	1	2, 3, 6, 7	L		EXM	DGZ		BRACKET
37									SCREW

SPRINTER (VB)

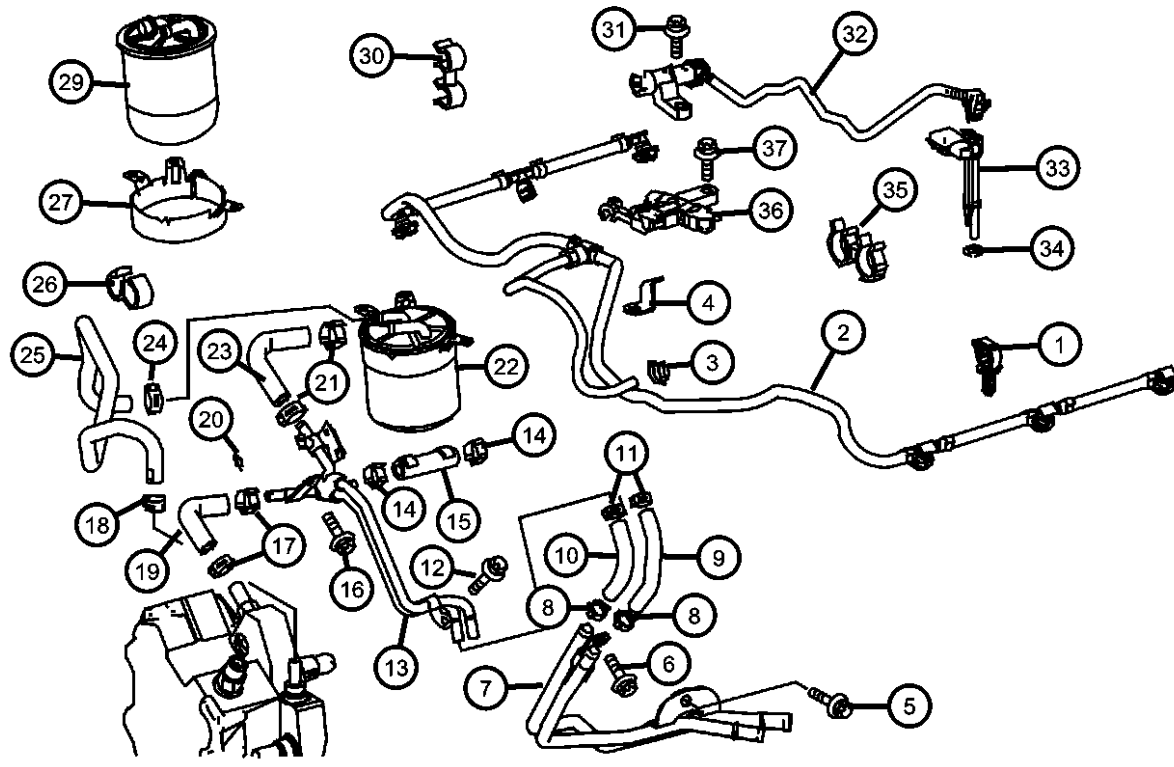
SERIES	LINE	BODY	ENGINE	TRANSMISSION
L = LOWLINE	3 = HD DODGE 2WD 2 = Med. Duty DODGE 2WD	03 = CAB CHASSIS WHEEL BASE 3 05 = CAB CHASSIS WHEEL BASE 5 13 = 119 WB 53 = 119 WB 15 = VAN WHEEL BASE 5 55 = WAGON WHEEL BASE 5 17 = VAN WHEEL BASE 7	EG2 = 3.5L V6 Gas Engine EXM = 3.0L V6 Turbo Diesel Engine	DGZ = 5-Speed Auto W5A380 Transmission

AR = use ase required - = Non illustrated part

2007 VB

Fuel Filter & Fuel Return Lines
Figure 14-340

ITEM	PART NUMBER	QTY	LINE	SERIES	BODY	ENGINE	TRANS	TRIM	DESCRIPTION
	06104683AA	2	2, 3, 6, 7	L		EG2	DGZ		M6x23
		2	2, 3, 6, 7	L		EXM	DGZ		M6x23



SPRINTER (VB)

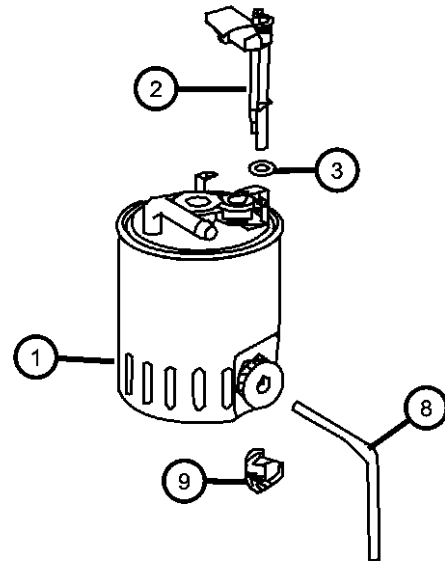
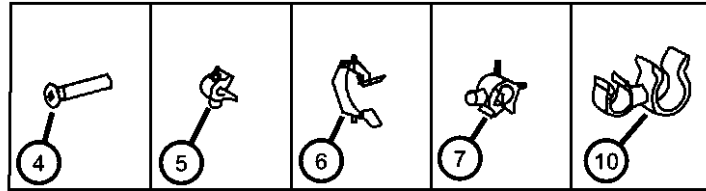
SERIES	LINE	BODY	ENGINE	TRANSMISSION
L = LOWLINE	3 = HD DODGE 2WD 2 = Med. Duty DODGE 2WD	03 = CAB CHASSIS WHEEL BASE 3 05 = CAB CHASSIS WHEEL BASE 5 13 = 119 WB 53 = 119 WB 15 = VAN WHEEL BASE 5 55 = WAGON WHEEL BASE 5 17 = VAN WHEEL BASE 7	EG2 = 3.5L V6 Gas Engine EXM = 3.0L V6 Turbo Diesel Engine	DGZ = 5-Speed Auto W5A380 Transmission

AR = use ase required - = Non illustrated part

2007 VB

Fuel Filter & Service Sensor
Figure 14-350

ITEM	PART NUMBER	QTY	LINE	SERIES	BODY	ENGINE	TRANS	TRIM	DESCRIPTION
1	05175429AA	1	2, 3, 6, 7	L		EXM	DGZ		FILTER, Fuel
2	05117542AA	1	2, 3, 6, 7	L		EXM	DGZ		SENSOR, Fuel/Water
3	05179861AA	2	2, 3, 6, 7	L		EXM	DGZ		O RING
4	05073900AA	1	2, 3, 6, 7	L		EXM	DGZ		SCREW, To Fuel Filter
5	05080431AB	1	2, 6	L	53, 55	EG2, EXM	DGZ		CLAMP, Hose To Fuel Filter [11 MM]
6	06104925AA	1	2, 3, 6, 7	L		EXM	DGZ		CLAMP, To Fuel Filter [38 MM]
7									CLIP, Retaining
	06104924AA	1	3, 7	L	03, 05	EXM	DGZ		Drain Hose [11 MM]
		1	6, 7, 2, 3	L	13, 15, 17, 53, 55	EXM	DGZ		Drain Hose [11 MM]
8									HOSE
	05138943AA	1	2, 3, 6, 7	L	13, 15, 17, 53, 55	EXM	DGZ		
		1	3, 7	L	03, 05	EXM	DGZ		
9	68020907AA	2	2, 3, 6, 7	L		EXM	DGZ		CLIP, Drain Hose [18 x 14 MM]
10	68020908AA	1	2, 3, 6, 7	L		EXM	DGZ		BRACKET



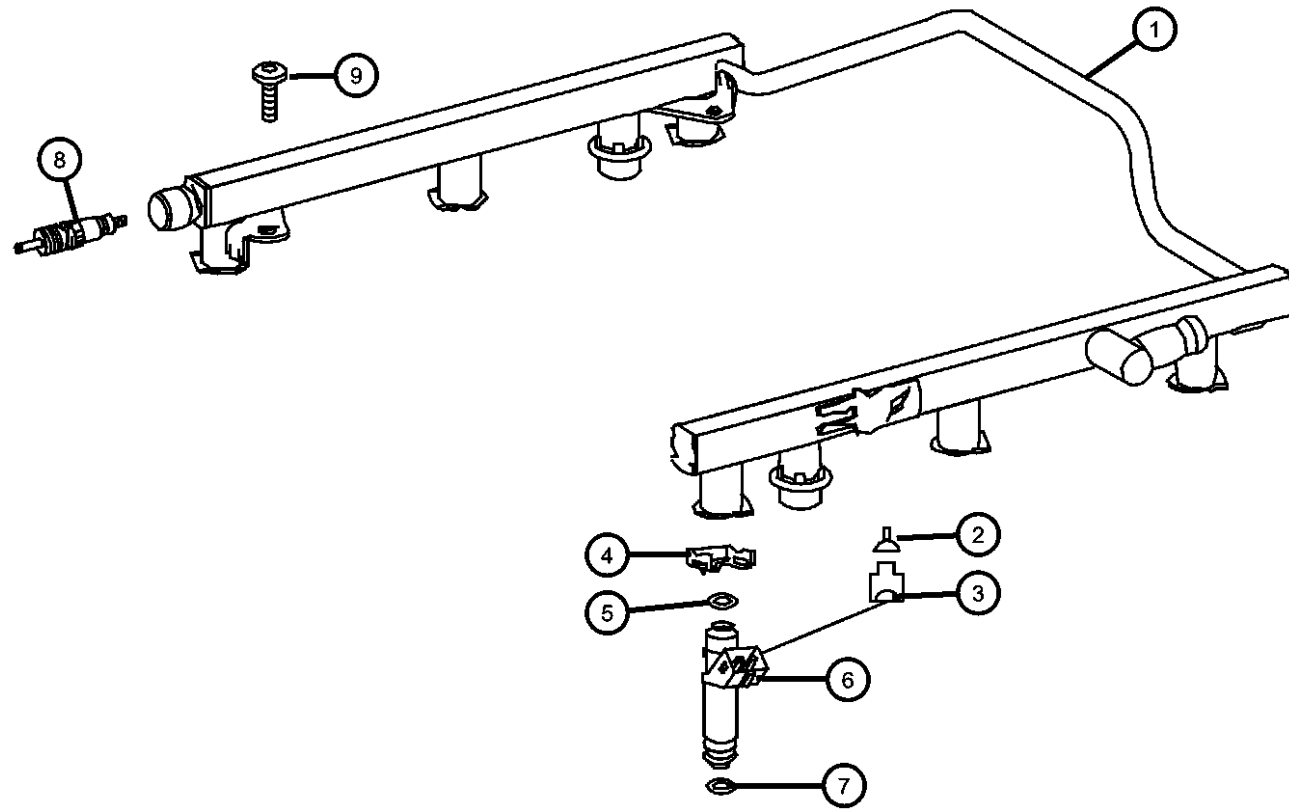
SPRINTER (VB)

SERIES	LINE	BODY	ENGINE	TRANSMISSION
L = LOWLINE	3 = HD DODGE 2WD 2 = Med. Duty DODGE 2WD	03 = CAB CHASSIS WHEEL BASE 3 05 = CAB CHASSIS WHEEL BASE 5 13 = 119 WB 53 = 119 WB 15 = VAN WHEEL BASE 5 55 = WAGON WHEEL BASE 5 17 = VAN WHEEL BASE 7	EG2 = 3.5L V6 Gas Engine EXM = 3.0L V6 Turbo Diesel Engine	DGZ = 5-Speed Auto W5A380 Transmission

AR = use ase required - = Non illustrated part

2007 VB

Fuel Rail
Figure 14-410



ITEM	PART NUMBER	QTY	LINE	SERIES	BODY	ENGINE	TRANS	TRIM	DESCRIPTION
1	68011691AA	1	2, 3, 6, 7	L		EG2	DGZ		RAIL, Fuel
2	68011877AA	AR	2, 3, 6, 7	L		EG2	DGZ		TERMINAL
3	68011801AA	6	2, 3, 6, 7	L		EG2	DGZ		CONNECTOR
4	05097191AA	6	2, 3, 6, 7	L		EG2	DGZ		CLIP, Fuel Injector
5	05101151AA	6	2, 3, 6, 7	L		EG2	DGZ		O RING, Fuel Injector
6	68011710AA	6	2, 3, 6, 7	L		EG2	DGZ		INJECTOR, Fuel
7	68011714AA	6	2, 3, 6, 7	L		EG2	DGZ		O RING, Fuel Injector
8	05101486AA	1	2, 3, 6, 7	L		EG2	DGZ		VALVE
9									SCREW
	06104681AA	4	3, 7	L	03, 05	EG2	DGZ		Fuel Distributor to Intake Manifold M6x15
		4	2, 6	L	13, 15, 17, 53, 55	EG2	DGZ		Fuel Distributor to Intake Manifold M6x15

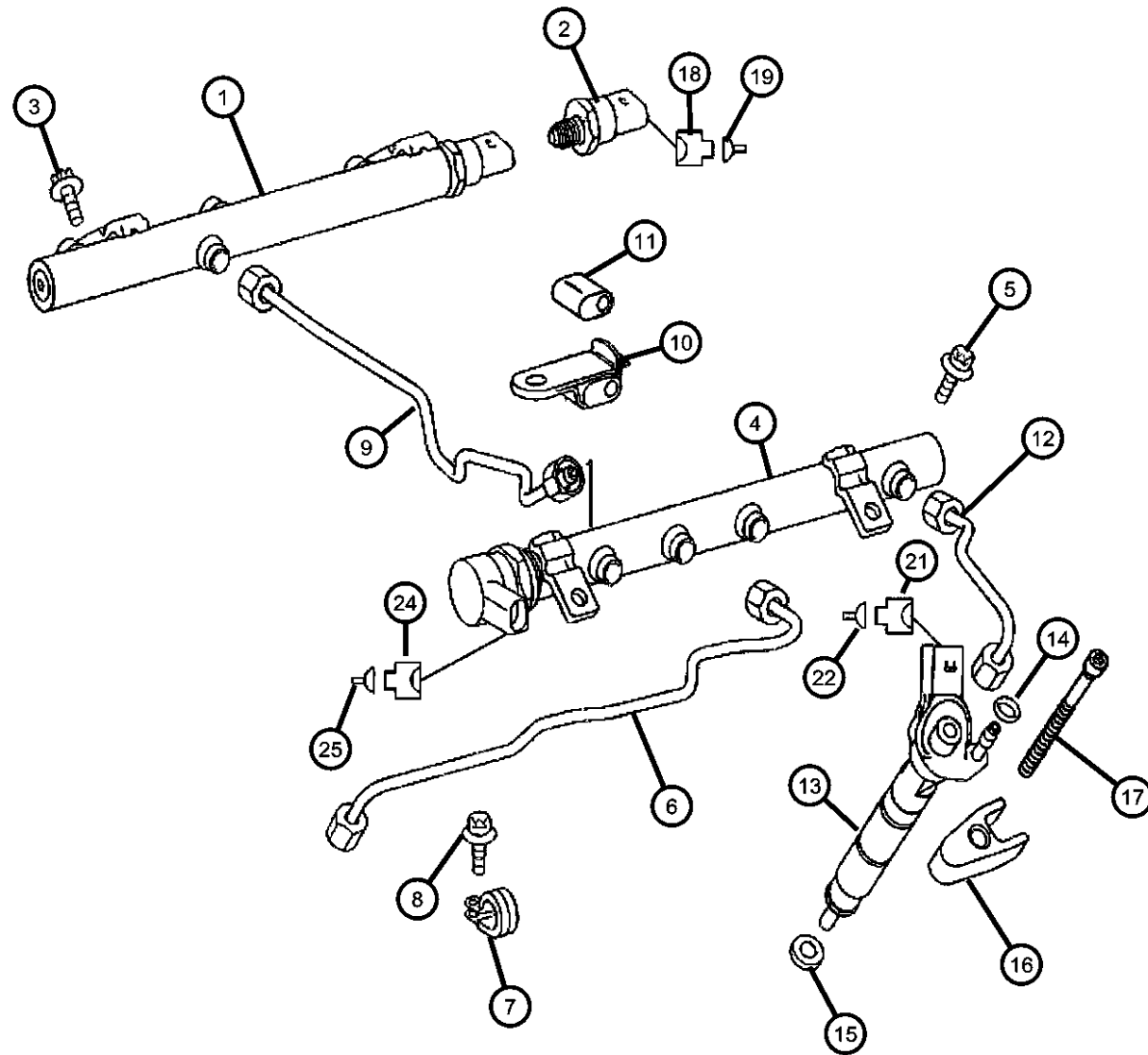
SPRINTER (VB)

SERIES	LINE	BODY	ENGINE	TRANSMISSION
L = LOWLINE	3 = HD DODGE 2WD 2 = Med. Duty DODGE 2WD	03 = CAB CHASSIS WHEEL BASE 3 05 = CAB CHASSIS WHEEL BASE 5 13 = 119 WB 53 = 119 WB 15 = VAN WHEEL BASE 5 55 = WAGON WHEEL BASE 5 17 = VAN WHEEL BASE 7	EG2 = 3.5L V6 Gas Engine EXM = 3.0L V6 Turbo Diesel Engine	DGZ = 5-Speed Auto W5A380 Transmission

AR = use ase required - = Non illustrated part

2007 VB

Fuel Rail
Figure 14-420



ITEM	PART NUMBER	QTY	LINE	SERIES	BODY	ENGINE	TRANS	TRIM	DESCRIPTION
1	68014064AA	1	2, 3, 6, 7	L		EXM	DGZ		DISTRIBUTOR, FuelRight
2	68014067AA	1	2, 3, 6, 7	L		EXM	DGZ		SENDING UNIT, Fuel
3	05073701AA	2	2, 3, 6, 7	L		EXM	DGZ		SCREW, Fuel Rail To Head [M7x20]
4	68014068AA	1	2, 3, 6, 7	L		EXM	DGZ		DISTRIBUTOR, FuelLeft
5	05073701AA	2	2, 3, 6, 7	L		EXM	DGZ		SCREW, Fuel Rail To Cylinder Head [M7x20]
6	05175612AA	1	2, 3, 6, 7	L		EXM	DGZ		TUBE, Fuel Injector Supply, From High Pressure Pump To Fuel Rail
7	05126113AA	1	2, 3, 6, 7	L		EXM	DGZ		CLAMP, Delivery Line To Cylinder Cover
8	06104682AA	1	2, 3, 6, 7	L		EXM	DGZ		BOLT, Delivery Line To Cylinder Head Cover [6x19]
9	05175618AA	1	2, 3, 6, 7	L		EXM	DGZ		TUBE, Crossover Fuel Line
10	05080296AA	2	2, 3, 6, 7	L		EXM	DGZ		BRACKET, Tube, Delivery Line To Cylinder Cover
11	05080297AA	2	2, 3, 6, 7	L		EXM	DGZ		SHIM, Rubber Insert
12	05175619AA	3	2, 3, 6, 7	L		EXM	DGZ		TUBERight & Left
13									INJECTOR, Fuel
	68014079AA	6	2, 3, 6, 7	L		EXM	DGZ		Up To Engine Assembly Number [40346214] / Engine Assembly Built Date [01/02/2007]
	68028404AA	6	2, 3, 6, 7	L		EXM	DGZ		Arter Engine Assembly Number [40346214] / Engine Assembly Built Date [01/02/2007]
14	68014080AA	6	2, 3, 6, 7	L		EXM	DGZ		O RING, Injector To Leak Line
15	05080301AA	3	2, 3, 6, 7	L		EXM	DGZ		O RING, Fuel Injector
16	05175620AA	6	2, 3, 6, 7	L		EXM	DGZ		BRACKET, Fuel Line
17	68001053AA	3	2, 3, 6, 7	L		EXM	DGZ		SCREW, Injector To Cylinder Head [M6x79], Right & Left
18	05120759AA	1	2, 3, 6, 7	L		EG2, EXM	DGZ		CONNECTOR, [3 Pin / B4/7 - B4/6]
19	05133353AA	AR	2, 3, 6, 7	L		EXM	DGZ		TERMINAL, [0.25 - 0.5 MM2; B4/7 B4/6]
-20	05103661AA	1	2, 3, 6, 7	L		EG2, EXM	DGZ		GASKET, [0.5 - 1.0 MM2; B4/7; B4/6]
21	05103931AA	6	2, 3, 6, 7	L		EXM	DGZ		CONNECTOR, Fuel Injector Connector [2 Pin; Y76/1 - Y76/6; Y110/1 - Y110/6]
22	05133353AA	AR	2, 3, 6, 7	L		EXM	DGZ		TERMINAL, Fuel Injector Connector [MM2; Y76/1 - Y76/6; Y110/1 - Y110/6]

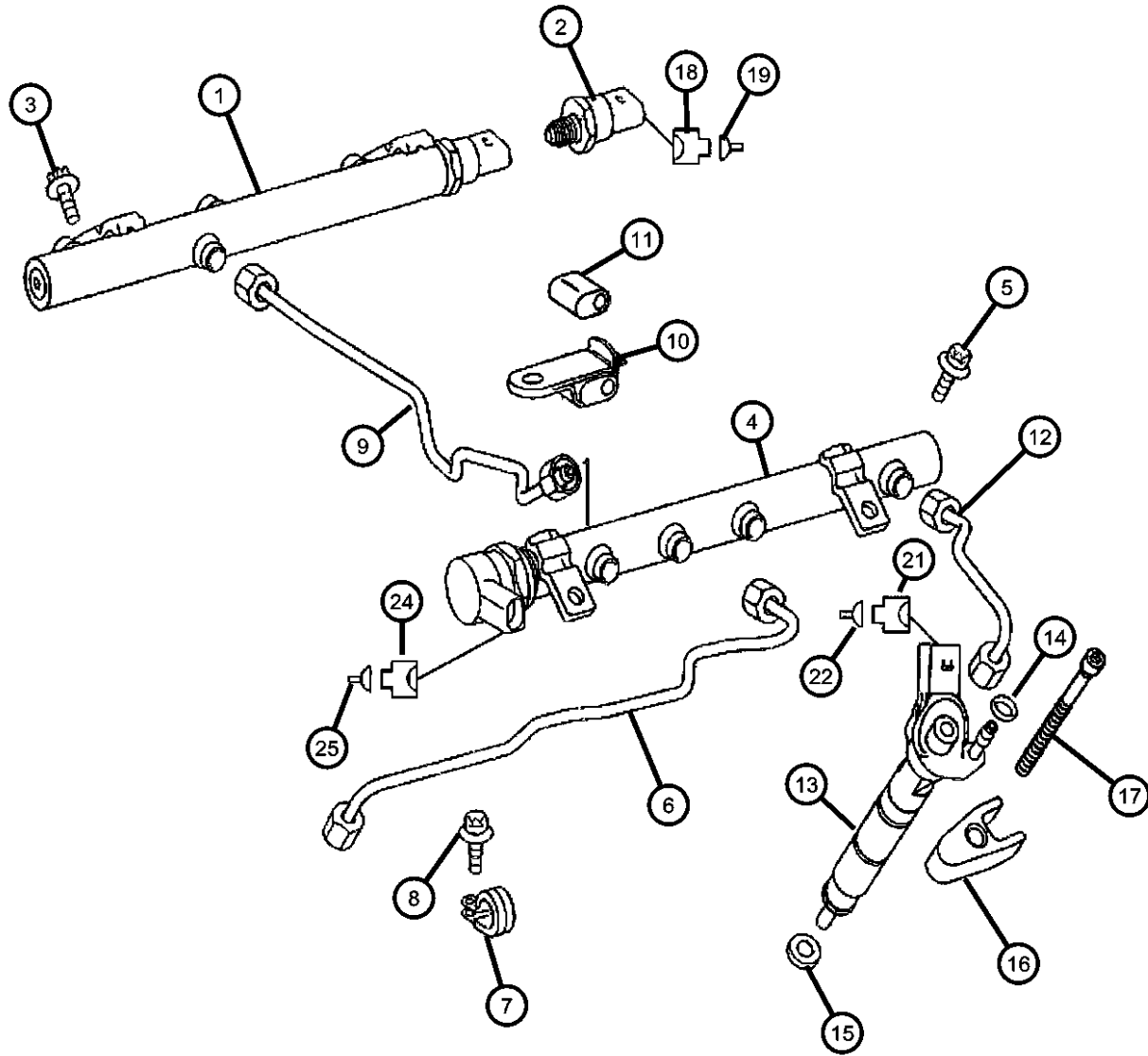
SPRINTER (VB)

SERIES	LINE	BODY	ENGINE	TRANSMISSION
L = LOWLINE	3 = HD DODGE 2WD 2 = Med. Duty DODGE 2WD	03 = CAB CHASSIS WHEEL BASE 3 05 = CAB CHASSIS WHEEL BASE 5 13 = 119 WB 53 = 119 WB 15 = VAN WHEEL BASE 5 55 = WAGON WHEEL BASE 5 17 = VAN WHEEL BASE 7	EG2 = 3.5L V6 Gas Engine EXM = 3.0L V6 Turbo Diesel Engine	DGZ = 5-Speed Auto W5A380 Transmission

AR = use ase required - = Non illustrated part

Fuel Rail
Figure 14-420

ITEM	PART NUMBER	QTY	LINE	SERIES	BODY	ENGINE	TRANS	TRIM	DESCRIPTION
-23	05103661AA	1	2, 3, 6, 7	L		EG2, EXM	DGZ		GASKET, Connector Gasket [MM;Y76/1 - Y76/6; Y110/1 - Y110/6]
24	05135841AA	1	2, 6, 7	L		EXM	DGZ		CONNECTOR, [2Pin; B; Y74]
25	05133353AA	AR	2, 3, 6, 7	L		EXM	DGZ		TERMINAL, Pressure Valve [.05 - 1.0; MM2; Y74]
-26	05103661AA	1	2, 3, 6, 7	L		EG2, EXM	DGZ		GASKET, Pressure Valve [.05 - 1.0; MM2; Y74]



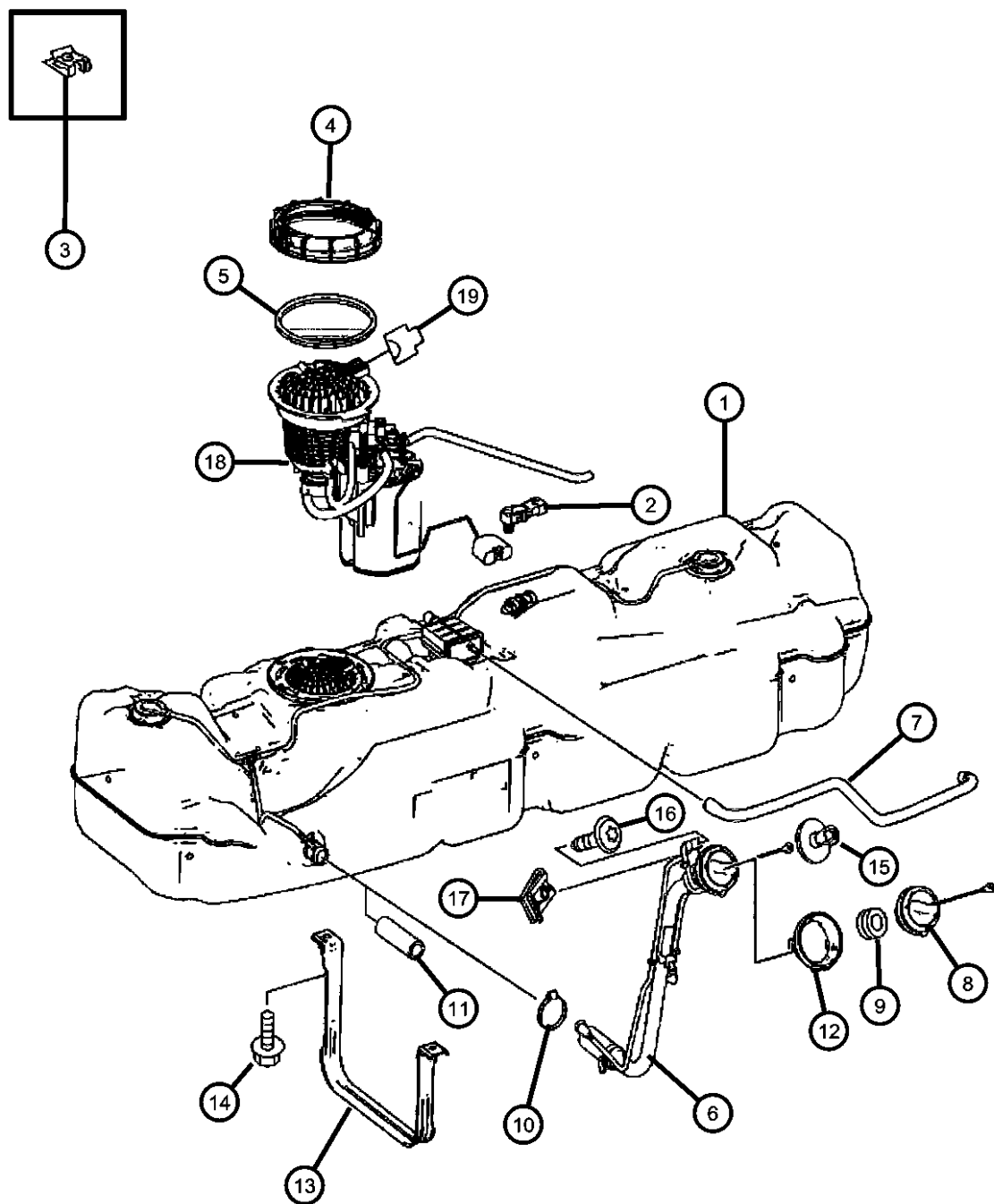
SPRINTER (VB)

SERIES	LINE	BODY	ENGINE	TRANSMISSION
L = LOWLINE	3 = HD DODGE 2WD 2 = Med. Duty DODGE 2WD	03 = CAB CHASSIS WHEEL BASE 3 05 = CAB CHASSIS WHEEL BASE 5 13 = 119 WB 53 = 119 WB 15 = VAN WHEEL BASE 5 55 = WAGON WHEEL BASE 5 17 = VAN WHEEL BASE 7	EG2 = 3.5L V6 Gas Engine EXM = 3.0L V6 Turbo Diesel Engine	DGZ = 5-Speed Auto W5A380 Transmission

AR = use ase required - = Non illustrated part

2007 VB

Fuel Pump & Sending Unit
Figure 14-510



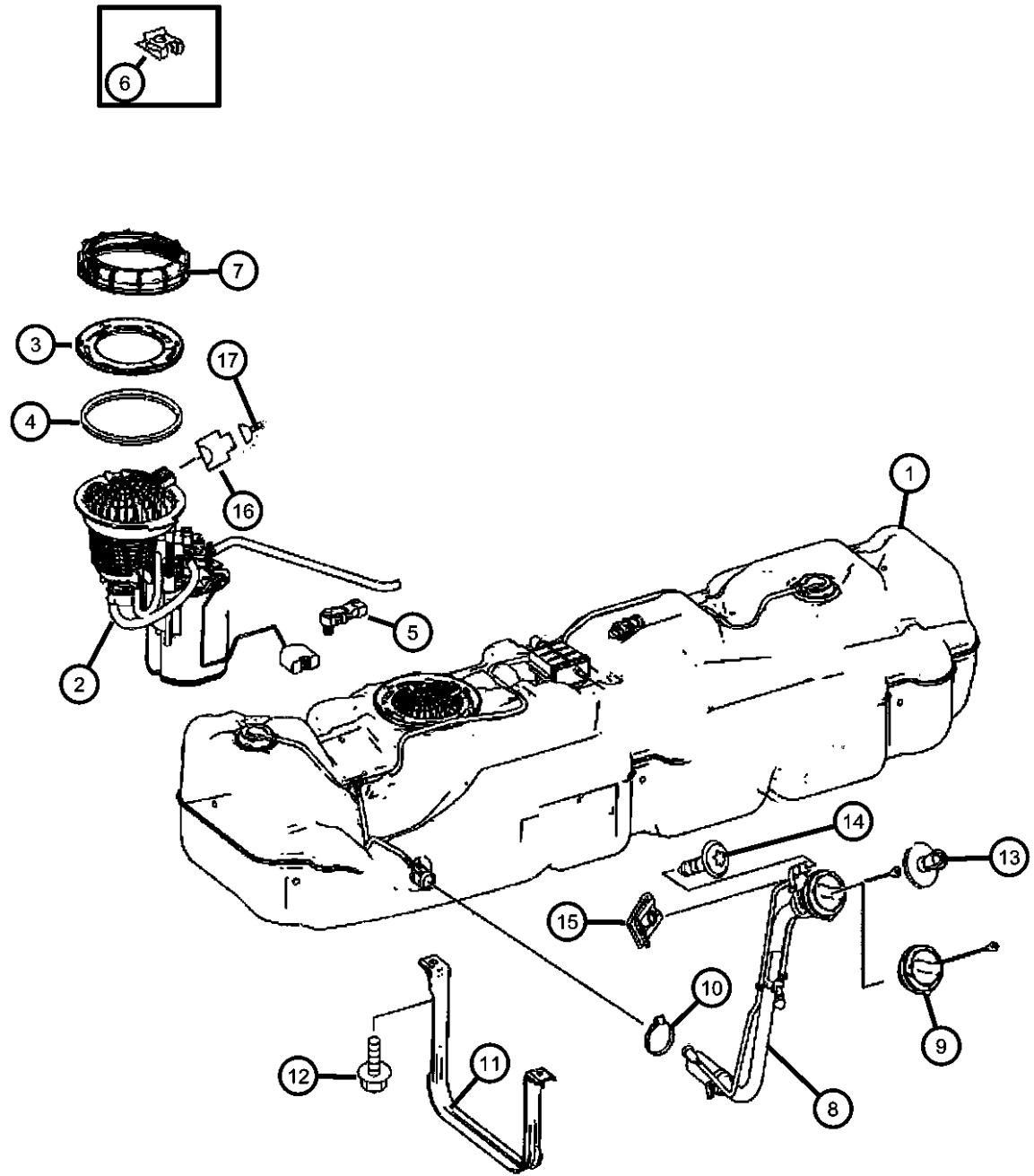
ITEM	PART NUMBER	QTY	LINE	SERIES	BODY	ENGINE	TRANS	TRIM	DESCRIPTION
Note: Fuel Filler Tube For Diesel Model Is Only Serviced With Complete Fuel Tank.									
1	68013485AA	1	2, 3, 6, 7	L		EXM	DGZ		TANK, Fuel
2	68013498AA	1	2, 6	L	13, 15, 17, 53, 55	EG2, EXM	DGZ		SENSOR, Pressure
3	68013488AA	1	2, 3, 6, 7	L		EXM	DGZ		NUT
4	68017088AA	1	2, 3, 6, 7	L		EXM	DGZ		RING, Lock, Fuel Module
5	68017089AA	1	3, 7	L	03, 05	EXM	DGZ		SEAL
		1	2, 3, 6, 7	L	13, 15, 17, 53, 55	EXM	DGZ		
6		1							TUBE, Fuel Filler, (NOT SERVICED)
7	68013509AA	1	2, 3, 6, 7	L		EXM	DGZ		HOSE, Vent Line
8	68017092AA	1	2, 3, 6, 7	L		EXM	DGZ		CAP, Fuel Filler
9	05133408AA	1	2, 3, 6, 7	L		EXM	DGZ		GROMMET, Chassis Wiring
10	05133408AA	1							CLAMP, (NOT SERVICED)
11	68013512AA	1	3, 6, 7, 2	L		EXM	DGZ		HOSE, Filler Tube Breather Line
12	68013502AA	1	2, 3, 6, 7	L		EXM	DGZ		SEAL, Fuel Cap
13									STRAP, Fuel Tank
	68013514AA	1	2, 3, 6, 7	L		EG2, EXM	DGZ		Front
	68013515AA	2	2, 3, 6, 7	L		EG2, EXM	DGZ		Rear
14	06104042AA	4	2, 3, 6, 7	L		EG2, EXM	DGZ		SCREW
15									RIVET, Fuel Cap Tether
	05102963AA	1	2, 3, 6, 7	L	13, 15, 17, 53, 55	EG2, EXM	DGZ		
		1	3, 7	L	03, 05	EG2, EXM	DGZ		
16	06104515AA	1	6, 7, 2, 3	L		EG2, EXM	DGZ		SCREW, Fuel Filler Tube Mounting
17	68013488AA	1	2, 3, 6, 7	L		EXM	DGZ		NUT
18									MODULE, Fuel Tank - Diesel
	68013490AA	1	2, 3, 6, 7	L		EXM	DGZ		With [HDB] / Auxiliary Heater
	68013491AA	1	2, 3, 6, 7	L		EXM	DGZ		
19	05135758AA	1	2, 3, 6, 7	L		EG2, EXM	DGZ		CONNECTOR, Female, [4 Pin / M3,5]
-20	05133353AA	AR	2, 3, 6, 7	L		EXM	DGZ		TERMINAL, [0.5 - 1.0 MM2; M3/5]

SPRINTER (VB)

SERIES	LINE	BODY	ENGINE	TRANSMISSION
L = LOWLINE	3 = HD DODGE 2WD 2 = Med. Duty DODGE 2WD	03 = CAB CHASSIS WHEEL BASE 3 05 = CAB CHASSIS WHEEL BASE 5 13 = 119 WB 53 = 119 WB 15 = VAN WHEEL BASE 5 55 = WAGON WHEEL BASE 5 17 = VAN WHEEL BASE 7	EG2 = 3.5L V6 Gas Engine EXM = 3.0L V6 Turbo Diesel Engine	DGZ = 5-Speed Auto W5A380 Transmission

AR = use ase required - = Non illustrated part

Fuel Pump & Sending Unit
Figure 14-520



ITEM	PART NUMBER	QTY	LINE	SERIES	BODY	ENGINE	TRANS	TRIM	DESCRIPTION
1	68013486AA	1	2, 3, 6, 7	L		EG2	DGZ		TANK, Fuel
2	68013489AA	1	2, 3, 6, 7	L		EG2	DGZ		MODULE KIT, Fuel Pump/Level Unit
3	68013492AA	1	2, 3, 6, 7	L		EG2	DGZ		RING, Lock, Fuel Module
4	68013493AA	1	2, 3, 6, 7	L		EG2	DGZ		O RING
5	68013498AA	1	2, 3, 6, 7	L		EG2	DGZ		SENSOR, Pressure, [OBD2]
6	68013488AA	1	2, 3, 6, 7	L		EG2			NUT
7									RING, Lock, Fuel Module
	68013492AA	1	2, 6	L	13, 15, 17, 53, 55	EG2	DGZ		
		1	3, 7	L	03, 05	EG2	DGZ		
8	68013499AA	1	2, 3, 6, 7	L		EG2	DGZ		TUBE, Fuel Filler
9	68013500AA	1	2, 3, 6, 7	L		EG2	DGZ		CAP, Fuel Filler
10	05133494AA	1	2, 3, 6, 7	L		EG2	DGZ		CLAMP
11									STRAP, Fuel Tank
	68013515AA	2	2, 3, 6, 7	L		EG2, EXM	DGZ		Front
	68013514AA	1	2, 3, 6, 7	L		EG2, EXM	DGZ		Rear
12	06104042AA	4	2, 3, 6, 7	L		EG2, EXM	DGZ		SCREW
13									RIVET, Fuel Cap Tether
	05102963AA	1	2, 3, 6, 7	L	13, 15, 17, 53, 55	EG2, EXM	DGZ		
		1	3, 7	L	03, 05	EG2, EXM	DGZ		
14	06104515AA	1	2, 3, 6, 7	L		EG2, EXM	DGZ		SCREW, Fuel Filler Tube Mounting
15	68013488AA	1	2, 3, 6, 7	L		EG2			NUT
16	05135758AA	1	2, 3, 6, 7	L		EG2, EXM	DGZ		CONNECTOR, Female
17									TERMINAL
	05103877AA	AR	2, 3, 6, 7	L		EG2	DGZ		[1.5 - 2.5; MM2; M3/5]
	05133353AA	AR	2, 3, 6, 7	L		EG2	DGZ		[0.5 - 1.0 MM2; M3/5]
-18	05103663AA	AR	2, 3, 6, 7	L		EG2	DGZ		GROMMET, [0.25 - 2.5 MM2; M3/5]
-19	05120865AA	1	2, 3, 6, 7	L		EG2, EXM	DGZ		GASKET, Dummy Plug [M3/5]

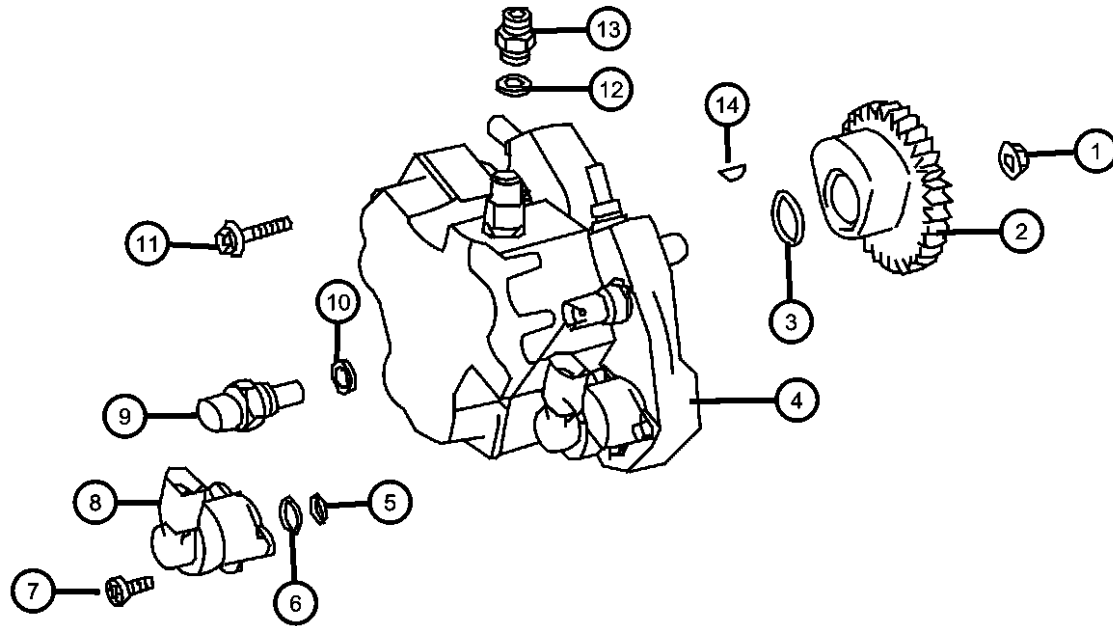
SPRINTER (VB)

SERIES	LINE	BODY	ENGINE	TRANSMISSION
L = LOWLINE	3 = HD DODGE 2WD 2 = Med. Duty DODGE 2WD	03 = CAB CHASSIS WHEEL BASE 3 05 = CAB CHASSIS WHEEL BASE 5 13 = 119 WB 53 = 119 WB 15 = VAN WHEEL BASE 5 55 = WAGON WHEEL BASE 5 17 = VAN WHEEL BASE 7	EG2 = 3.5L V6 Gas Engine EXM = 3.0L V6 Turbo Diesel Engine	DGZ = 5-Speed Auto W5A380 Transmission

AR = use ase required - = Non illustrated part

**High Pressure Pump
Figure 14-610**

ITEM	PART NUMBER	QTY	LINE	SERIES	BODY	ENGINE	TRANS	TRIM	DESCRIPTION
1	06104719AA	1	2, 3, 6, 7	L		EXM	DGZ		NUT, M14x1.5
2	05175601AA	1	2, 3, 6, 7	L		EXM	DGZ		GEAR, Injection Pump
3	68014061AA	1	2, 3, 6, 7	L		EXM	DGZ		GASKET
4	68014060AA	1	2, 3, 6, 7	L		EXM	DGZ		PUMP
5	05142116AA	1	2, 3, 6, 7	L		EXM	DGZ		GASKET, Injection Pump
6	05142117AA	1	2, 3, 6, 7	L		EXM	DGZ		GASKET, Injection Pump
7	05175770AA	3	2, 3, 6, 7	L		EXM	DGZ		SCREW, Valve to Housing
8	68014062AA	1	2, 3, 6, 7	L		EXM	DGZ		VALVE, Flow Control
9	05103534AA	1	2, 3, 6, 7	L		EXM	DGZ		SENDING UNIT, Temperature Gauge
10	05179226AA	1	2, 3, 6, 7	L		EXM	DGZ		GASKET
11	68014063AA	3	2, 3, 6, 7	L		EXM	DGZ		SCREW, Injection Pump to Cylinder Head
12	05175769AA	1	2, 3, 6, 7	L		EXM	DGZ		O RING
13	05175768AA	1	2, 3, 6, 7	L		EXM	DGZ		CONNECTOR, Fuel Line
14	05175602AA	1	2, 3, 6, 7	L		EXM	DGZ		KEY, Woodruff, Drive Gear to Injection Pump

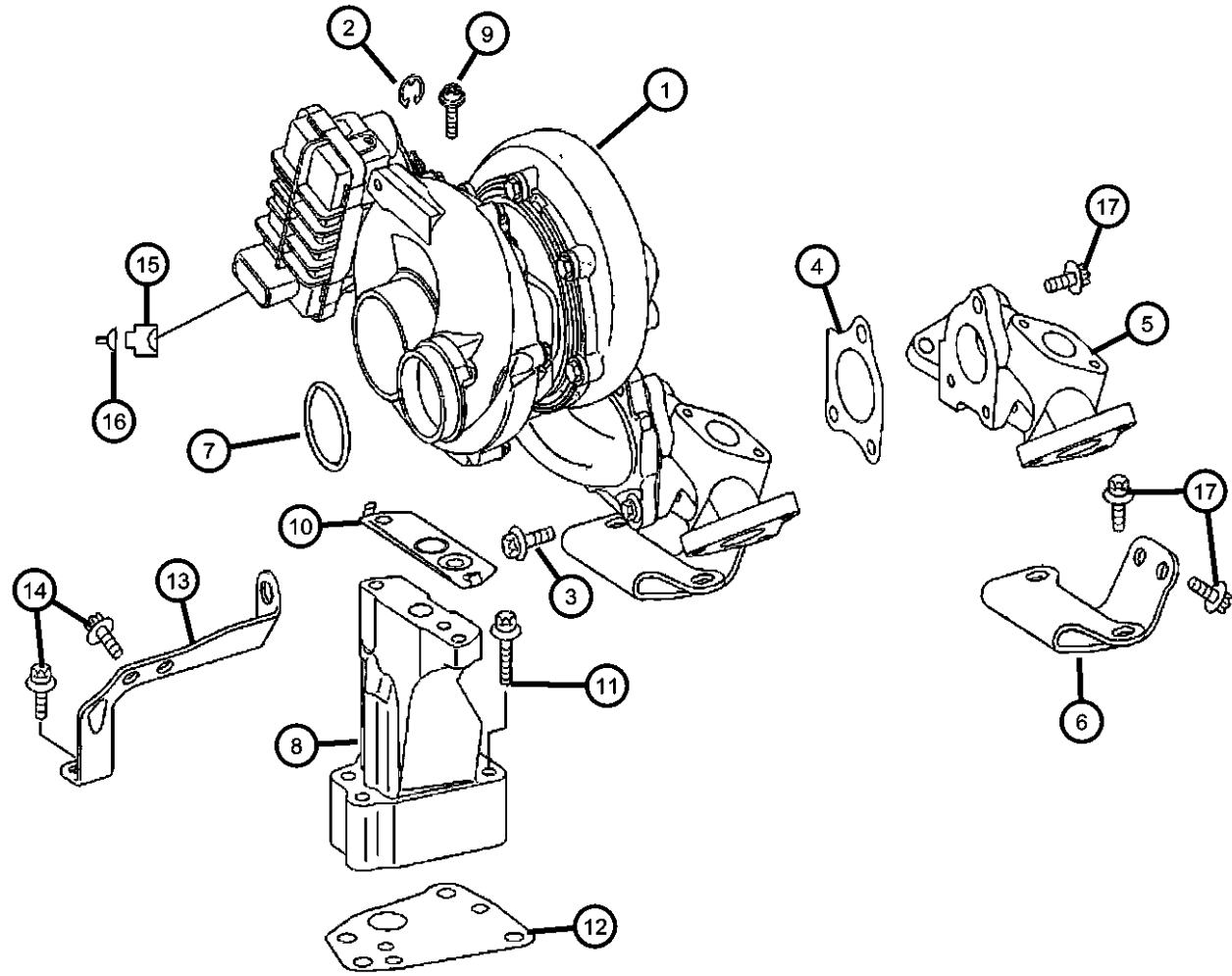


SPRINTER (VB)

SERIES	LINE	BODY	ENGINE	TRANSMISSION
L = LOWLINE	3 = HD DODGE 2WD 2 = Med. Duty DODGE 2WD	03 = CAB CHASSIS WHEEL BASE 3 05 = CAB CHASSIS WHEEL BASE 5 13 = 119 WB 53 = 119 WB 15 = VAN WHEEL BASE 5 55 = WAGON WHEEL BASE 5 17 = VAN WHEEL BASE 7	EG2 = 3.5L V6 Gas Engine EXM = 3.0L V6 Turbo Diesel Engine	DGZ = 5-Speed Auto W5A380 Transmission

AR = use ase required - = Non illustrated part

Turbocharger
Figure 14-620



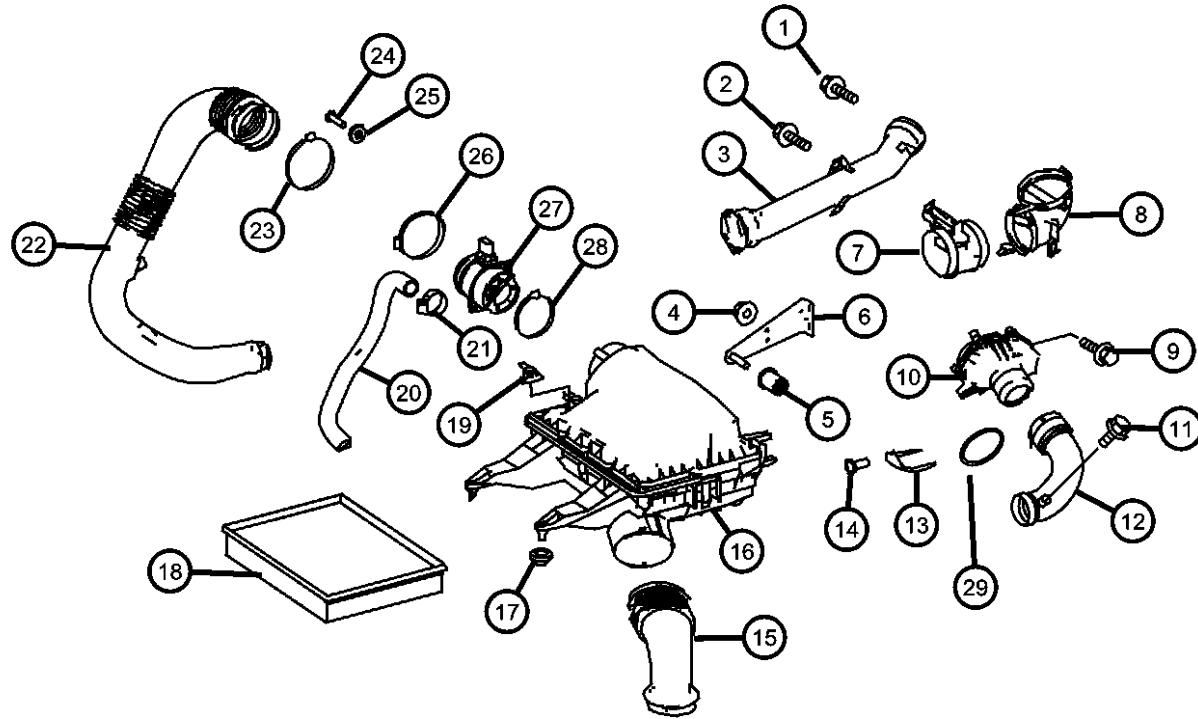
ITEM	PART NUMBER	QTY	LINE	SERIES	BODY	ENGINE	TRANS	TRIM	DESCRIPTION
1	68004666AA	1	2, 6, 7, 3	L		EXM	DGZ		TURBOCHARGER
2	05183127AA	2	2, 3, 6, 7	L		EXM	DGZ		RETAINING RING
3	05073720AB	3	2, 3, 6, 7	L		EXM	DGZ		BOLT, Turbocharger To Exhaust Manifold
4	05175629AA	1	2, 3, 6, 7	L		EXM	DGZ		GASKET, Turbocharger, Turbocharger To Support
5	68004669AA	1	2, 3, 6, 7	L		EXM	DGZ		MANIFOLD, Collector Pipe
6	68012295AA	1	2, 3, 6, 7	L		EXM	DGZ		BRACKET
7	05175626AA	1	2, 3, 6, 7	L		EXM	DGZ		O RING
8	05175627AA	1	2, 3, 6, 7	L		EXM	DGZ		BRACKET, Turbo Charger
9	05073710AA	2	2, 3, 6, 7	L		EXM	DGZ		SCREW
10	05175630AA	1	2, 3, 6, 7	L		EXM	DGZ		GASKET, Turbocharger
11	05133207AA	4	2, 3, 6, 7	L		EXM	DGZ		BOLT, [M8x55]
12	05175632AA	1	2, 3, 6, 7	L		EXM	DGZ		GASKET, Turbocharger
13	68012302AA	1	2, 3, 6, 7	L		EXM	DGZ		BRACKET
14	06104005AA	4	2, 3, 6, 7	L		EXM	DGZ		BOLT, 6 Lobe External Head, M6X1.00X16.00, [M6x16]
15	05120780AA	1	2, 3, 6, 7	L		EG2, EXM	DGZ		CONNECTOR, [5 Pin: Y77] [VNR] Actuator Connector
16	05133353AA	AR	2, 3, 6, 7	L		EXM	DGZ		TERMINAL
17	05073720AB	3	2, 3, 6, 7	L		EXM	DGZ		BOLT

SPRINTER (VB)

SERIES	LINE	BODY	ENGINE	TRANSMISSION
L = LOWLINE	3 = HD DODGE 2WD 2 = Med. Duty DODGE 2WD	03 = CAB CHASSIS WHEEL BASE 3 05 = CAB CHASSIS WHEEL BASE 5 13 = 119 WB 53 = 119 WB 15 = VAN WHEEL BASE 5 55 = WAGON WHEEL BASE 5 17 = VAN WHEEL BASE 7	EG2 = 3.5L V6 Gas Engine EXM = 3.0L V6 Turbo Diesel Engine	DGZ = 5-Speed Auto W5A380 Transmission

AR = use ase required - = Non illustrated part

**Air Cleaner
Figure 14-810**



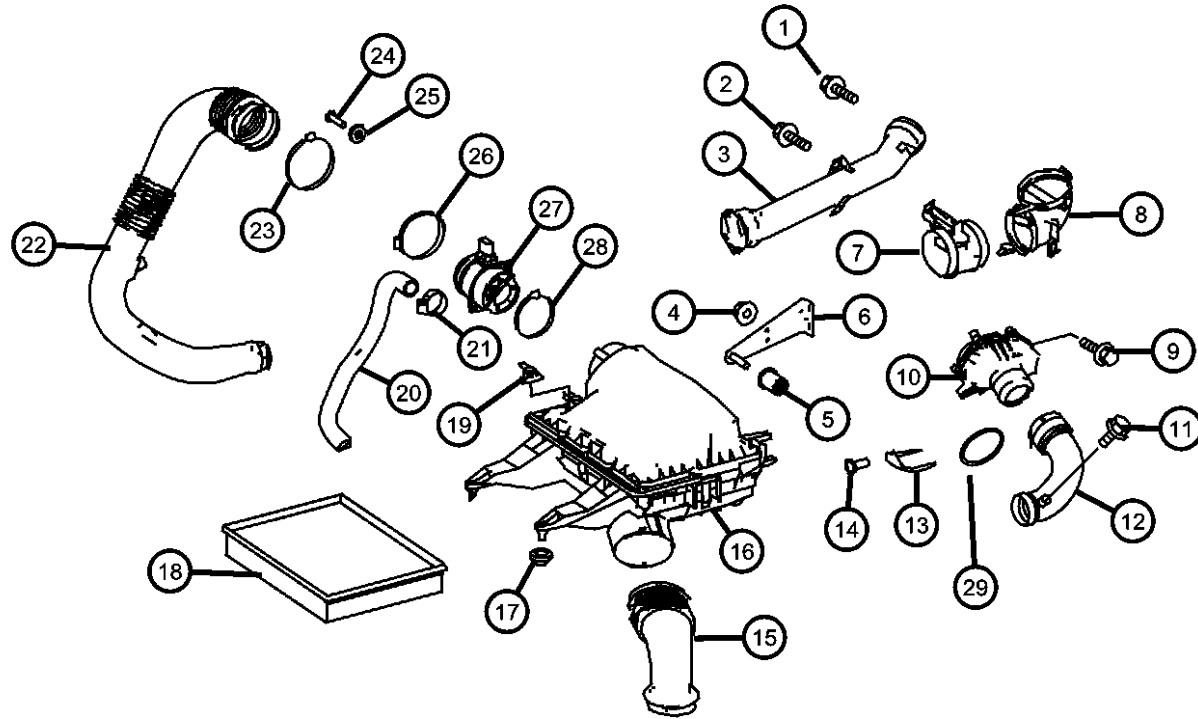
ITEM	PART NUMBER	QTY	LINE	SERIES	BODY	ENGINE	TRANS	TRIM	DESCRIPTION
1	06104005AA	1	3, 7	L	03, 05	EXM	DGZ		BOLT M6x16
		1	2, 3, 6, 7	L	13, 15, 17, 53, 55	EXM	DGZ		M6x16
2	06104121AA	2	3, 7	L	03, 05	EG2, EXM	DGZ		SCREW, Hex Flange Head M6x10
		2	2, 3, 6, 7	L	15, 17, 53, 55, 13	EG2, EXM	DGZ		M6x10
3	68012331AA	1	2, 3, 6, 7	L		EXM	DGZ		HOSE, Air Cleaner
4	68004878AA	4	3, 7	L	03, 05	EG2, EXM	DGZ		NUT Bracket to Firewall M6
		4	2, 3, 6, 7	L	13, 15, 17, 53, 55	EG2, EXM	DGZ		Bracket to Firewall M6
5	68013677AA	2	2, 3, 6, 7	L		EG2, EXM	DGZ		GROMMET
6	68013680AA	2	2, 3, 6, 7	L		EG2, EXM	DGZ		BRACKET, Air Cleaner
7	68011734AA	1	2, 3, 6, 7	L		EG2	DGZ		SENSOR, Mass Airflow
8	68011736AA	1	2, 3, 6, 7	L		EG2	DGZ		HOUSING, Air Duct
9	06104005AA	3	3, 7	L	03, 05	EXM	DGZ		BOLT Intake Muffler to Oil Filter M6x16
		3	2, 3, 6, 7	L	13, 15, 17, 53, 55	EXM	DGZ		Intake Muffler to Oil Filter M6x16
10	68012338AA	1	2, 3, 6, 7	L		EXM	DGZ		RESONATOR, Turbo
11	06104005AA	1	2, 3, 6, 7	L		EXM	DGZ		BOLT, Charging Air Line to Bracket M6x16
12	68012330AA	1	2, 3, 6, 7	L		EXM	DGZ		HOSE, Charge Air
13	68012339AA	1	3, 7	L	03, 05	EXM	DGZ		BRACKET Muffler to Charge Air Manifold
		1	2, 3, 6, 7	L	53, 55, 13, 15, 17	EXM	DGZ		Muffler to Charge Air Manifold
14	06104633AA	1	3, 7	L	03, 05	EXM	DGZ		SCREW Noise Silencer to Bracket 5x12
		1	2, 3, 6, 7	L	13, 15, 17, 53, 55	EXM	DGZ		Noise Silencer to Bracket 5x12
15	68013681AA	1	2, 3, 6, 7	L		EG2, EXM	DGZ		HOSE, Air Cleaner
16	68013675AA	1	2, 3, 6, 7	L		EG2	DGZ		AIR CLEANER

SPRINTER (VB)

SERIES	LINE	BODY	ENGINE	TRANSMISSION
L = LOWLINE	3 = HD DODGE 2WD 2 = Med. Duty DODGE 2WD	03 = CAB CHASSIS WHEEL BASE 3 05 = CAB CHASSIS WHEEL BASE 5 13 = 119 WB 53 = 119 WB 15 = VAN WHEEL BASE 5 55 = WAGON WHEEL BASE 5 17 = VAN WHEEL BASE 7	EG2 = 3.5L V6 Gas Engine EXM = 3.0L V6 Turbo Diesel Engine	DGZ = 5-Speed Auto W5A380 Transmission

AR = use ase required - = Non illustrated part

**Air Cleaner
Figure 14-810**



ITEM	PART NUMBER	QTY	LINE	SERIES	BODY	ENGINE	TRANS	TRIM	DESCRIPTION
	68017656AA	1	2, 3, 6, 7	L		EXM	DGZ		
17	05099283AA	2	2, 3, 6, 7	L		EG2, EXM	DGZ		GROMMET, Air Cleaner to Frame
18	68013676AA	1	2, 3, 6, 7	L		EG2, EXM	DGZ		FILTER, Air
19									SENSOR, Air Pressure
	05101120AB	1	2, 3, 6, 7	L		EG2	DGZ		
		1	2, 3, 6, 7	L		EXM	DGZ		
20	68013679AA	1	2, 3, 6, 7	L		EG2	DGZ		HOSE, Secondary Air Pump to Air Filter
21	06104783AA	1	2, 3, 6, 7	L		EG2	DGZ		CLAMP, Hose
22									HOSE, Air Cleaner
	68013682AA	1	2, 3, 6, 7	L		EXM	DGZ		
	68013683AA	1	2, 3, 6, 7	L		EG2	DGZ		
23	06104790AA	1	2, 3, 6, 7	L		EG2	DGZ		CLAMP, Clean Air Line to Mass Air Flow Sensor 80-100MM
24									SCREW
	06104635AA	2	3, 7	L	03, 05	EG2, EXM	DGZ		Mass Air Flow Sensor to Filter 5x20
		2	2, 3, 6, 7	L	13, 15, 17, 53, 55	EG2, EXM	DGZ		Mass Air Flow Sensor to Filter 5x20
25	68013678AA	2	2, 3, 6, 7	L		EG2	DGZ		WASHER
26	68013678AA	2							CLAMP, (NOT SERVICED)
27	68017661AA	1	2, 3, 6, 7	L		EXM	DGZ		SENSOR, Mass Airflow
28	06104788AA	1	2, 3, 6, 7	L		EXM	DGZ		CLAMP, Hose, Clean Air Duct 60-80MM
29	68020380AA	1	2, 3, 6, 7	L		EXM	DGZ		GASKET, Air Inlet

SPRINTER (VB)

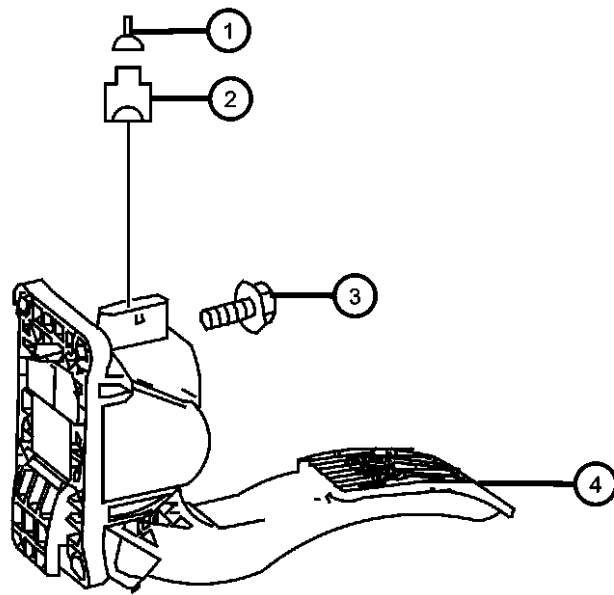
SERIES	LINE	BODY	ENGINE	TRANSMISSION
L = LOWLINE	3 = HD DODGE 2WD 2 = Med. Duty DODGE 2WD	03 = CAB CHASSIS WHEEL BASE 3 05 = CAB CHASSIS WHEEL BASE 5 13 = 119 WB 53 = 119 WB 15 = VAN WHEEL BASE 5 55 = WAGON WHEEL BASE 5 17 = VAN WHEEL BASE 7	EG2 = 3.5L V6 Gas Engine EXM = 3.0L V6 Turbo Diesel Engine	DGZ = 5-Speed Auto W5A380 Transmission

AR = use ase required - = Non illustrated part

2007 VB

**Accelerator Pedal
Figure 14-1110**

ITEM	PART NUMBER	QTY	LINE	SERIES	BODY	ENGINE	TRANS	TRIM	DESCRIPTION
1	68011050AA	AR	2, 3, 6, 7	L		EG2	DGZ		GASKET, Yellow B37/3
2	68011246AA	1	2, 3, 6, 7	L		EG2, EXM	DGZ		CONNECTOR, Accelerator Module [6-Pol;B37/3]
3	06104006AA	3	2, 3, 6, 7	L		EXM	DGZ		BOLT, Accelerator Pedal to Bracket M6x20
4	68013463AA	1	2, 3, 6, 7	L		EXM, EG2	DGZ		PEDAL, Accelerator



SPRINTER (VB)

SERIES	LINE	BODY	ENGINE	TRANSMISSION
L = LOWLINE	3 = HD DODGE 2WD 2 = Med. Duty DODGE 2WD	03 = CAB CHASSIS WHEEL BASE 3 05 = CAB CHASSIS WHEEL BASE 5 13 = 119 WB 53 = 119 WB 15 = VAN WHEEL BASE 5 55 = WAGON WHEEL BASE 5 17 = VAN WHEEL BASE 7	EG2 = 3.5L V6 Gas Engine EXM = 3.0L V6 Turbo Diesel Engine	DGZ = 5-Speed Auto W5A380 Transmission

AR = use ase required - = Non illustrated part

2007 VB

Group - 16

Propeller Shafts and U-Joints

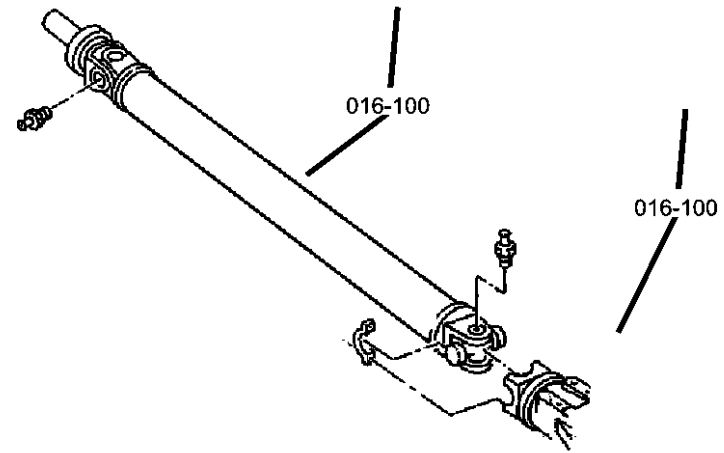
Group - 16 Propeller Shafts and U-Joints

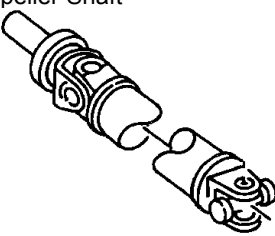
Illustration Title

Group-Fig. No.

Propeller Shaft

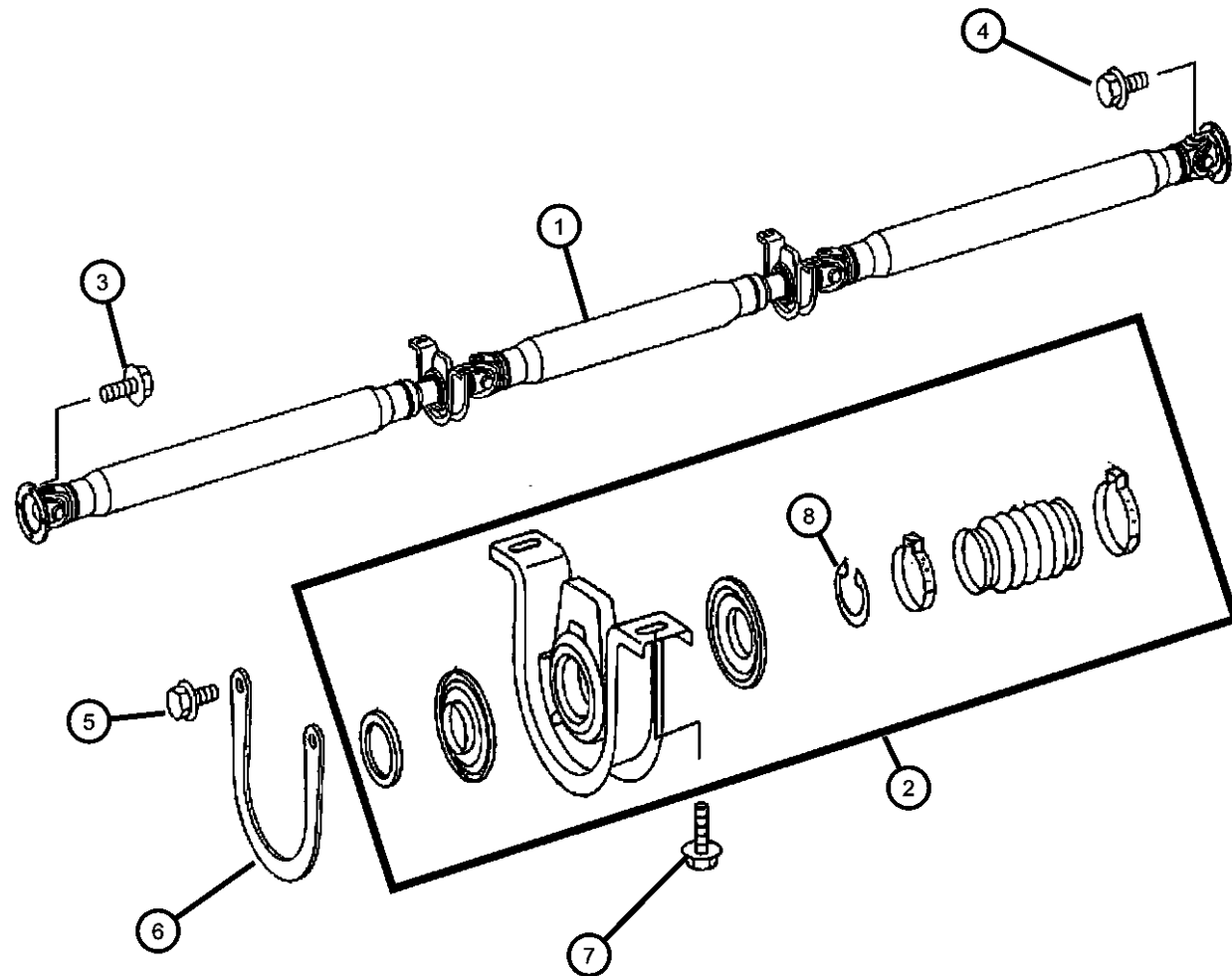
Driveshaft / [2500 & 3500] Series.....	Fig. 16 - 110
Driveshaft / [2500 & 3500] Series.....	Fig. 16 - 120
Driveshaft / [2500 & 3500] Series.....	Fig. 16 - 130
Driveshaft / [2500] Series.....	Fig. 16 - 140
Driveshaft / [3500] Series.....	Fig. 16 - 150



<p>016-100 Propeller Shaft</p> 			
--	--	--	--

**Driveshaft / [2500 & 3500] Series
Figure 16-110**

ITEM	PART NUMBER	QTY	LINE	SERIES	BODY	ENGINE	TRANS	TRIM	DESCRIPTION
1	68006632AA	1	2, 3, 6, 7	L	03, 13, 53	EG2	DGZ		SHAFT, Drive, [3] Piece Drive Shaft
2	68006649AA	1	2, 3, 6, 7	L		EG2, EXM	DGZ		CENTER BEARING, Drive Shaft
3	68017251AA	4	2, 3, 6, 7	L		EG2, EXM	DGZ		BOLT, Drive Shaft To Transmission
4	68017251AA	4	2, 3, 6, 7	L		EG2, EXM	DGZ		BOLT, Drive Shaft To Rear Axle
5	06507218AB	4	2, 3, 6, 7	L	13, 15, 17, 53, 55	EG2, EXM	DGZ		SCREW, [M8x12]
6	68006655AA	2	2, 3, 6, 7	L		EG2, EXM	DGZ		STRAP, Prop Shaft
7	06104235AA	4	2, 3, 6, 7	L		EG2, EXM	DGZ		BOLT, [M12x1.5x35-10.9]
8	68006651AA	1	2, 3, 6, 7	L		EG2, EXM	DGZ		RING, Lock Ring



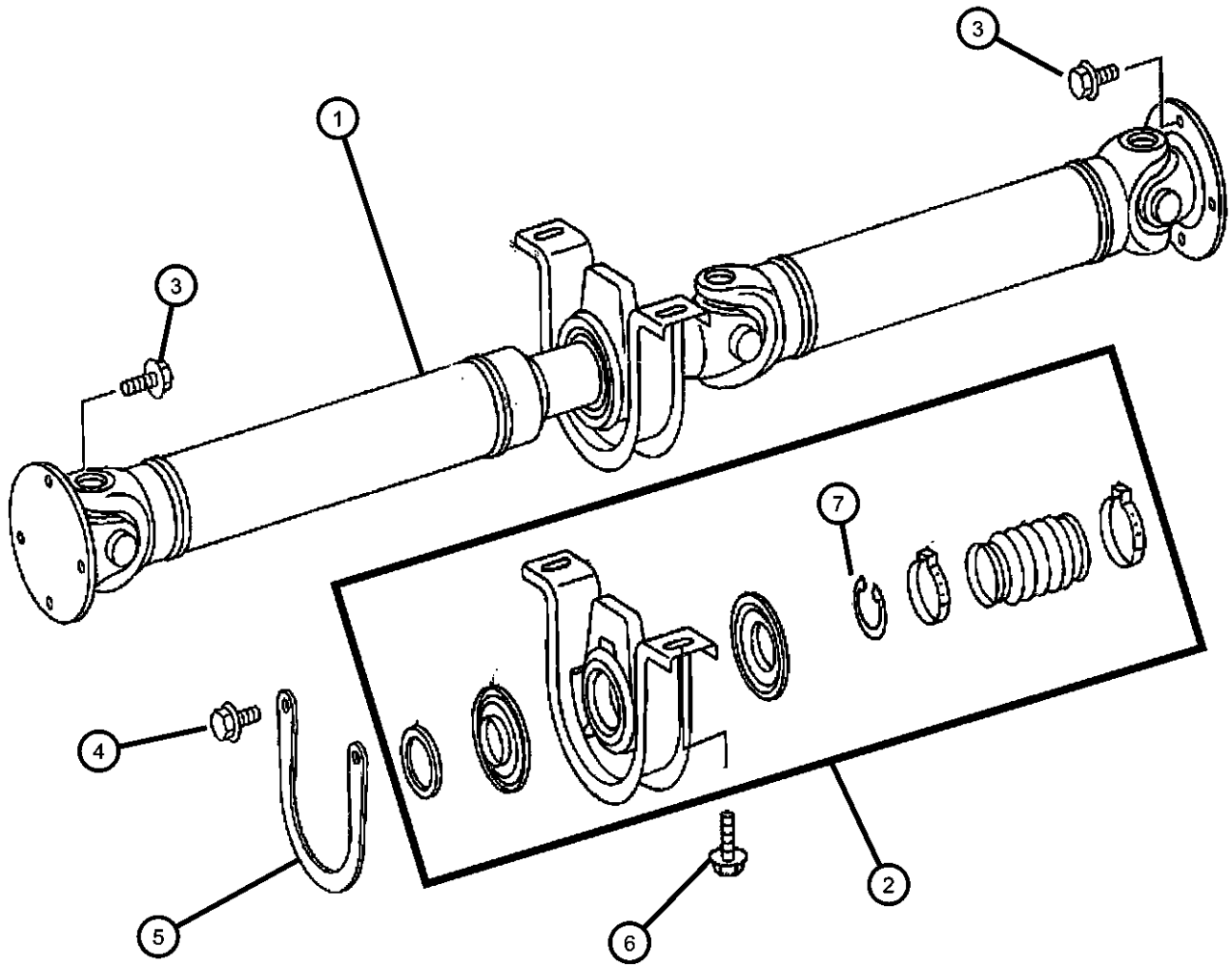
SPRINTER (VB)

SERIES	LINE	BODY	ENGINE	TRANSMISSION
L = LOWLINE	3 = HD DODGE 2WD 2 = Med. Duty DODGE 2WD	03 = CAB CHASSIS WHEEL BASE 3 05 = CAB CHASSIS WHEEL BASE 5 13 = 119 WB 53 = 119 WB 15 = VAN WHEEL BASE 5 55 = WAGON WHEEL BASE 5 17 = VAN WHEEL BASE 7	EG2 = 3.5L V6 Gas Engine EXM = 3.0L V6 Turbo Diesel Engine	DGZ = 5-Speed Auto W5A380 Transmission

AR = use ase required - = Non illustrated part

2007 VB

Driveshaft / [2500 & 3500] Series
Figure 16-120



ITEM	PART NUMBER	QTY	LINE	SERIES	BODY	ENGINE	TRANS	TRIM	DESCRIPTION
1	68006622AA	1	2, 3, 6, 7	L	03, 13, 53	EXM	DGZ		SHAFT, Drive
2	68006649AA	1	2, 3, 6, 7	L		EXM, EG2	DGZ		CENTER BEARING, Drive Shaft
3	68017251AA	4	2, 3, 6, 7	L		EG2, EXM	DGZ		BOLT, Driveshaft To Transmission
4	06507218AB	4	2, 3, 6, 7	L	13, 15, 17, 53, 55	EG2, EXM	DGZ		SCREW, [M8x12]
5	68006655AA	2	2, 3, 6, 7	L		EG2, EXM	DGZ		STRAP, Prop Shaft
6	06104235AA	4	2, 3, 6, 7	L		EG2, EXM	DGZ		BOLT, [M12x1.5x35-10.9]
7	68006651AA	1	2, 3, 6, 7	L		EG2, EXM	DGZ		RING

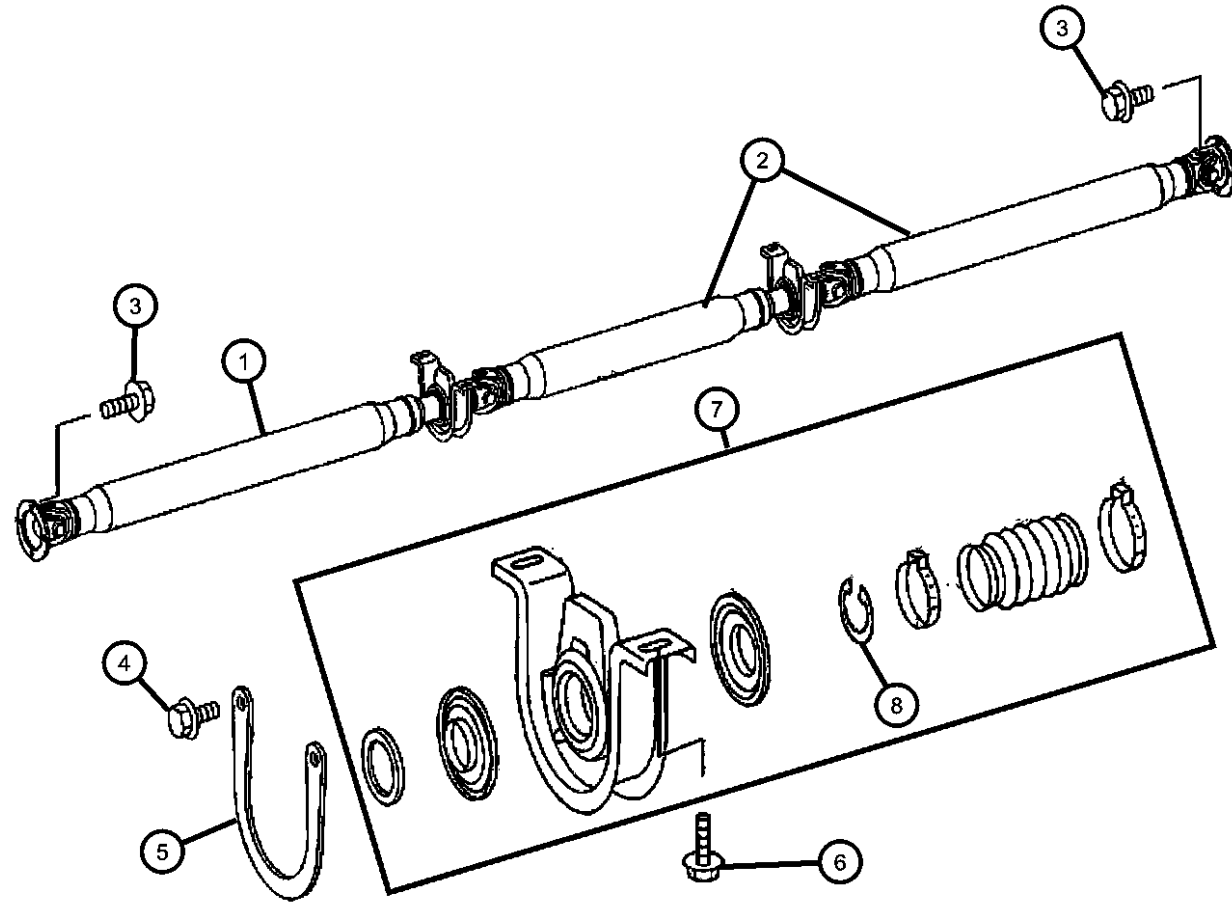
SPRINTER (VB)

SERIES	LINE	BODY	ENGINE	TRANSMISSION
L = LOWLINE	3 = HD DODGE 2WD 2 = Med. Duty DODGE 2WD	03 = CAB CHASSIS WHEEL BASE 3 05 = CAB CHASSIS WHEEL BASE 5 13 = 119 WB 53 = 119 WB 15 = VAN WHEEL BASE 5 55 = WAGON WHEEL BASE 5 17 = VAN WHEEL BASE 7	EG2 = 3.5L V6 Gas Engine EXM = 3.0L V6 Turbo Diesel Engine	DGZ = 5-Speed Auto W5A380 Transmission

AR = use ase required - = Non illustrated part

2007 VB

**Driveshaft / [2500 & 3500] Series
Figure 16-130**



ITEM	PART NUMBER	QTY	LINE	SERIES	BODY	ENGINE	TRANS	TRIM	DESCRIPTION
1	68006641AA	1	2, 3, 6, 7	L	05, 15, 17, 55	EG2	DGZ		SHAFT, DriveFront
2	68006638AA	1	2, 3, 6, 7	L	05, 15, 17, 55	EG2	DGZ		SHAFT, DriveRear
3	68017251AA	4	2, 3, 6, 7	L		EG2, EXM	DGZ		BOLT, Driveshaft To Transmission / Driveshaft To Rear Axle
4	06507218AB	4	2, 3, 6, 7	L	13, 15, 17, 53, 55	EG2, EXM	DGZ		SCREW, [M8x12] Rebound Strap To Substructure
5	68006655AA	2	2, 3, 6, 7	L		EG2, EXM	DGZ		STRAP, Prop Shaft, Rebound Strap
6	06104235AA	4	2, 3, 6, 7	L		EG2, EXM	DGZ		BOLT, [M12x1.5x35-10.9]
7									CENTER BEARING, Drive Shaft
	68006649AA	1	2, 3, 6, 7	L		EG2, EXM	DGZ		Front
	68031836AA	1	2, 3, 6, 7	L	05, 15, 17, 55	EG2	DGZ		Rear
8	68006651AA	1	2, 3, 6, 7	L		EG2, EXM	DGZ		RING

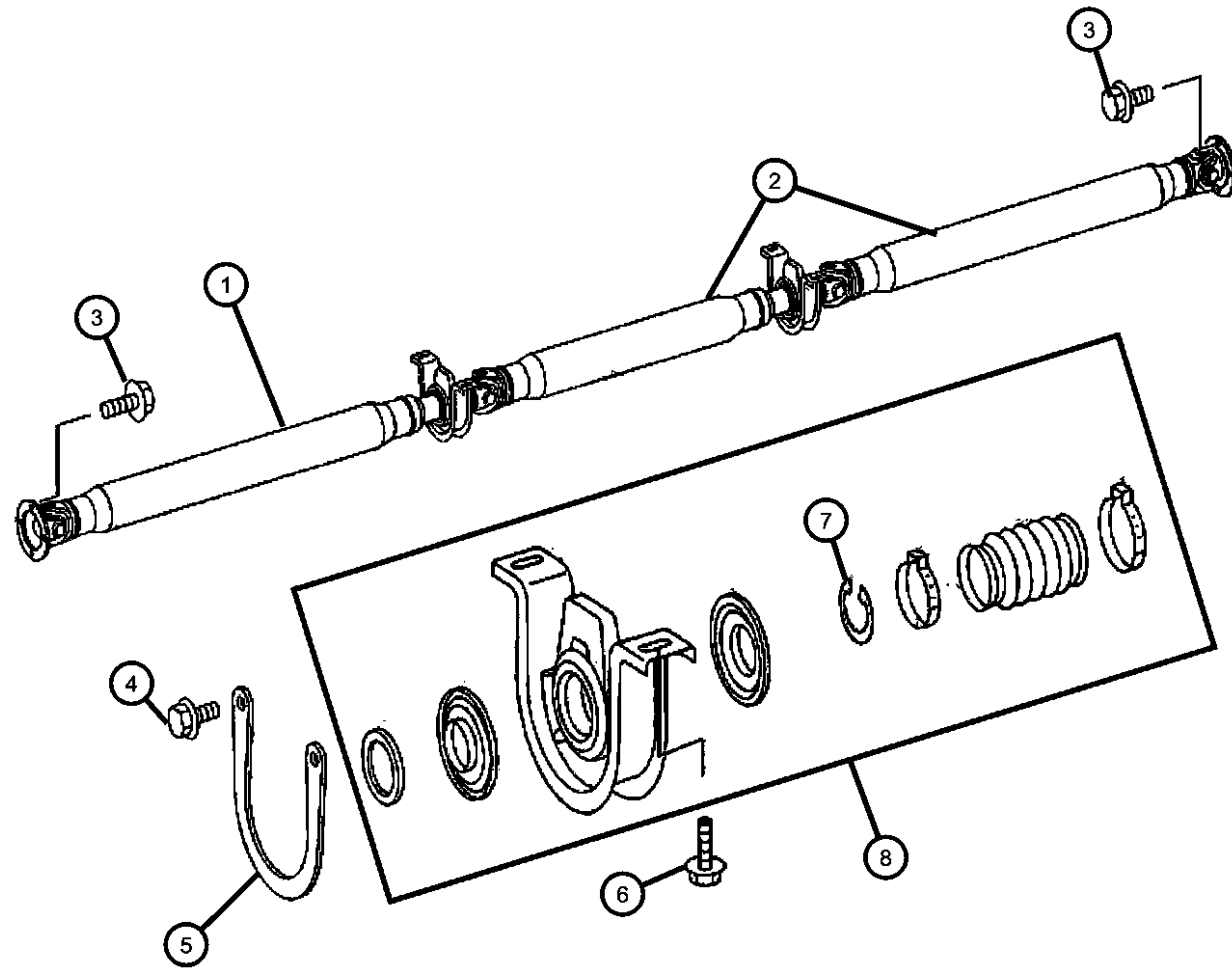
SPRINTER (VB)

SERIES	LINE	BODY	ENGINE	TRANSMISSION
L = LOWLINE	3 = HD DODGE 2WD 2 = Med. Duty DODGE 2WD	03 = CAB CHASSIS WHEEL BASE 3 05 = CAB CHASSIS WHEEL BASE 5 13 = 119 WB 53 = 119 WB 15 = VAN WHEEL BASE 5 55 = WAGON WHEEL BASE 5 17 = VAN WHEEL BASE 7	EG2 = 3.5L V6 Gas Engine EXM = 3.0L V6 Turbo Diesel Engine	DGZ = 5-Speed Auto W5A380 Transmission

AR = use ase required - = Non illustrated part

2007 VB

**Driveshaft / [2500] Series
Figure 16-140**



ITEM	PART NUMBER	QTY	LINE	SERIES	BODY	ENGINE	TRANS	TRIM	DESCRIPTION
1	68006640AA	1	2, 3, 6, 7	L	05, 15, 17, 55	EXM	DGZ		SHAFT, DriveFront
2	68006638AA	1	2, 6	L	15, 17, 55	EXM	DGZ		SHAFT, DriveRear
3	68017251AA	4	2, 3, 6, 7	L		EG2, EXM	DGZ		BOLT, Driveshaft To Transmission / Driveshaft To Rear Axle
4	06507218AB	4	2, 3, 6, 7	L	13, 15, 17, 53, 55	EG2, EXM	DGZ		SCREW, [M8x12] / Rebound Strap To Substructure
5	68006655AA	2	2, 3, 6, 7	L		EG2, EXM	DGZ		STRAP, Prop Shaft, Rebound Strap
6	06104235AA	4	2, 3, 6, 7	L		EG2, EXM	DGZ		BOLT, [M12x1.5x35 - 10.9] / Bearing To Substructure
7	68006651AA	1	2, 3, 6, 7	L		EG2, EXM	DGZ		RING
8									CENTER BEARING, Drive Shaft
	68006649AA	1	2, 3, 6, 7	L		EG2, EXM	DGZ		Front
	68031836AA	1	2, 6	L	15, 17, 55	EXM	DGZ		Rear

SPRINTER (VB)

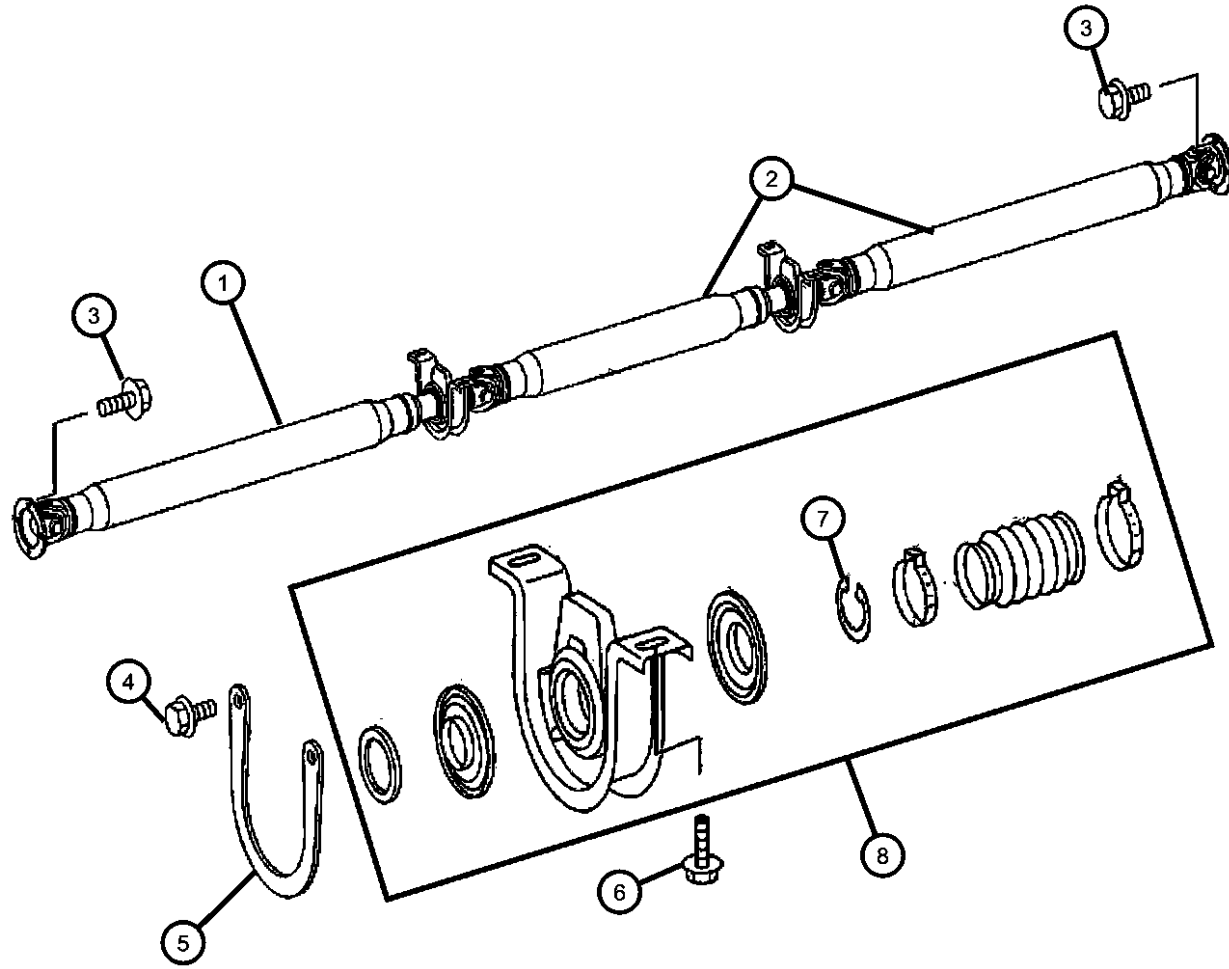
SERIES	LINE	BODY	ENGINE	TRANSMISSION
L = LOWLINE	3 = HD DODGE 2WD 2 = Med. Duty DODGE 2WD	03 = CAB CHASSIS WHEEL BASE 3 05 = CAB CHASSIS WHEEL BASE 5 13 = 119 WB 53 = 119 WB 15 = VAN WHEEL BASE 5 55 = WAGON WHEEL BASE 5 17 = VAN WHEEL BASE 7	EG2 = 3.5L V6 Gas Engine EXM = 3.0L V6 Turbo Diesel Engine	DGZ = 5-Speed Auto W5A380 Transmission

AR = use ase required - = Non illustrated part

2007 VB

Driveshaft / [3500] Series
Figure 16-150

ITEM	PART NUMBER	QTY	LINE	SERIES	BODY	ENGINE	TRANS	TRIM	DESCRIPTION
1	68006640AA	1	2, 3, 6, 7	L	05, 15, 17, 55	EXM	DGZ		SHAFT, DriveFront
2	68006637AA	1	3, 7	L	05, 15, 17	EXM	DGZ		SHAFT, DriveRear
3	68017251AA	4	2, 3, 6, 7	L		EG2, EXM	DGZ		BOLT, Driveshaft To Transmission / Driveshaft To Rear Axle
4	06507218AB	4	2, 3, 6, 7	L	13, 15, 17, 53, 55	EG2, EXM	DGZ		SCREW, [M8x12] / Rebound Strap To Substructure
5	68006655AA	2	2, 3, 6, 7	L		EG2, EXM	DGZ		STRAP, Prop Shaft, Rebound Strap
6	06104235AA	4	2, 3, 6, 7	L		EG2, EXM	DGZ		BOLT, [M12x1.5x35 - 10.9] / Bearing To Substructure
7	68006651AA	1	2, 3, 6, 7	L		EXM, EG2	DGZ		RING
8	68006649AA	1	2, 3, 6, 7	L		EG2, EXM	DGZ		CENTER BEARING, Drive ShaftFront



SPRINTER (VB)

SERIES	LINE	BODY	ENGINE	TRANSMISSION
L = LOWLINE	3 = HD DODGE 2WD 2 = Med. Duty DODGE 2WD	03 = CAB CHASSIS WHEEL BASE 3 05 = CAB CHASSIS WHEEL BASE 5 13 = 119 WB 53 = 119 WB 15 = VAN WHEEL BASE 5 55 = WAGON WHEEL BASE 5 17 = VAN WHEEL BASE 7	EG2 = 3.5L V6 Gas Engine EXM = 3.0L V6 Turbo Diesel Engine	DGZ = 5-Speed Auto W5A380 Transmission

AR = use ase required - = Non illustrated part

2007 VB

Group - 17

Rear Suspension

Group - 17 Rear Suspension

Group-Fig. No.

Illustration Title

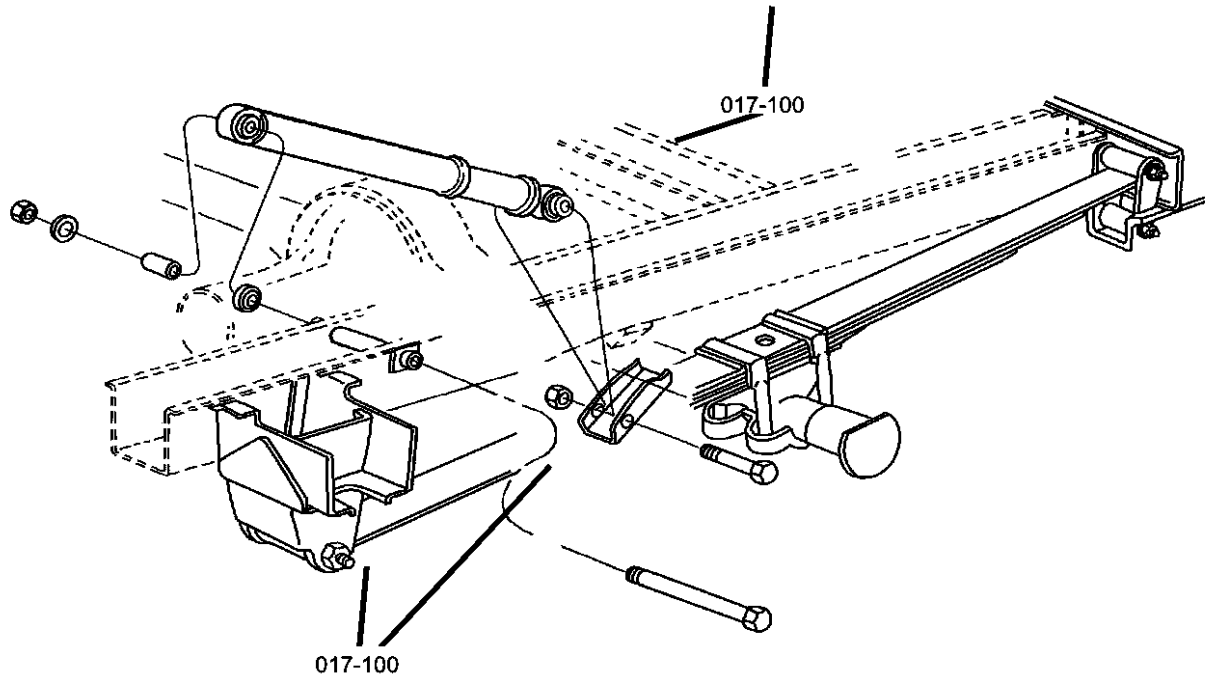
Rear Suspension

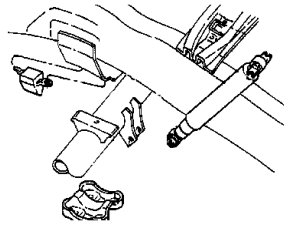
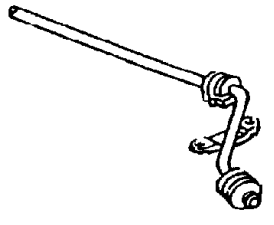
Rear Springs.....Fig. 17 - 110

Rear Stabilizer

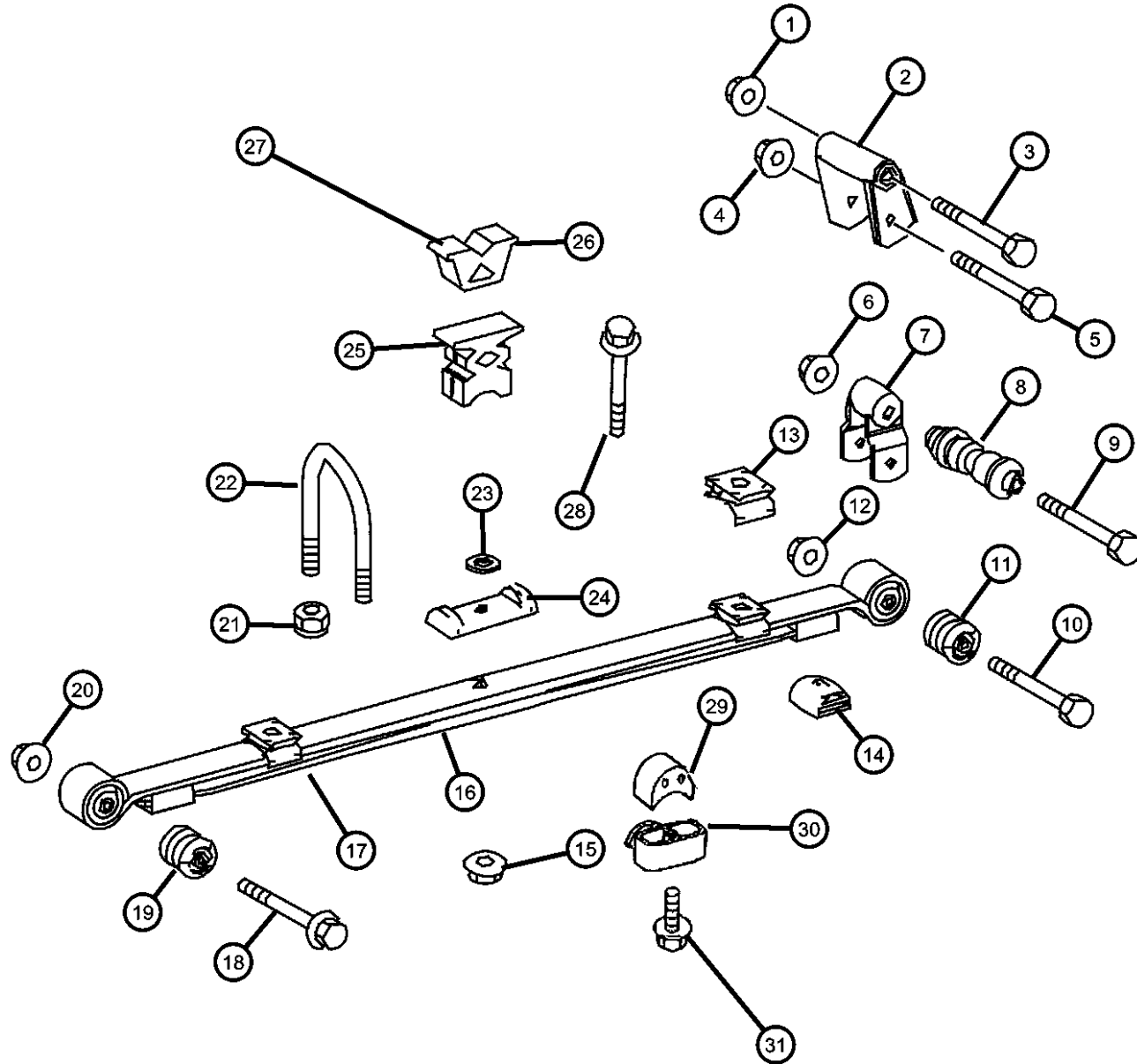
Rear Shocks & Stabilizer BarFig. 17 - 210

Rear Shocks & Stabilizer BarFig. 17 - 220



<p>017-100 Rear Suspension</p> 	<p>017-200 Rear Stabilizer</p> 		
--	---	--	--

Rear Springs
Figure 17-110



ITEM	PART NUMBER	QTY	LINE	SERIES	BODY	ENGINE	TRANS	TRIM	DESCRIPTION
------	-------------	-----	------	--------	------	--------	-------	------	-------------

Note:Rear Leaf Spring Bushing Only Serviced For [3500] Series Sprinter. For [2500] Must Order Rear Leaf Spring

1									NUT
	06105171AA	2	3, 7	L	03, 05	EG2, EXM	DGZ		M12x1.5
		2	2, 3, 6, 7	L	13, 15, 17, 53, 55	EG2, EXM	DGZ		M12x1.5
2	68013793AA	2	2, 3, 6, 7	L		EG2, EXM	DGZ		SHACKLE, Spring
3									BOLT
	05118734AA	2	2, 6	L	13, 15, 17, 53, 55	EG2	DGZ		
	06104285AA	2	3, 7	L		EG2, EXM	DGZ		
4									NUT
	06105171AA	2	3, 7	L	03, 05	EG2, EXM	DGZ		M12x1.5
		2	2, 3, 6, 7	L	13, 15, 17, 53, 55	EG2, EXM	DGZ		M12x1.5
5									BOLT
	05125718AA	2	3, 7	L	03, 05	EG2, EXM	DGZ		Spring Shackle
		2	2, 6	L	13, 15, 17, 53, 55	EG2	DGZ		Spring Shackle
6									NUT
	06105170AA	2	3, 7	L	03, 05	EG2, EXM	DGZ		M12x1.5
		2	3, 7	L	13, 15, 17, 53, 55	EXM	DGZ		M12x1.5
7									SHACKLE, Spring
	05118655AA	2	3, 7	L	03, 05	EG2, EXM	DGZ		
		2	3, 7	L	13, 15, 17, 53, 55	EXM	DGZ		
8									BUSHING, Spring
	05118729AA	2	3, 7	L	03, 05	EG2, EXM	DGZ		
		2	3, 7	L	13, 15, 17, 53, 55	EXM	DGZ		
9									BOLT
	05118734AA	2	2, 6	L	13, 15, 17, 53, 55	EG2	DGZ		
	06104285AA	2	3, 7	L		EG2, EXM	DGZ		
10									BOLT
	05125718AA	2	3, 7	L	03, 05	EG2, EXM	DGZ		

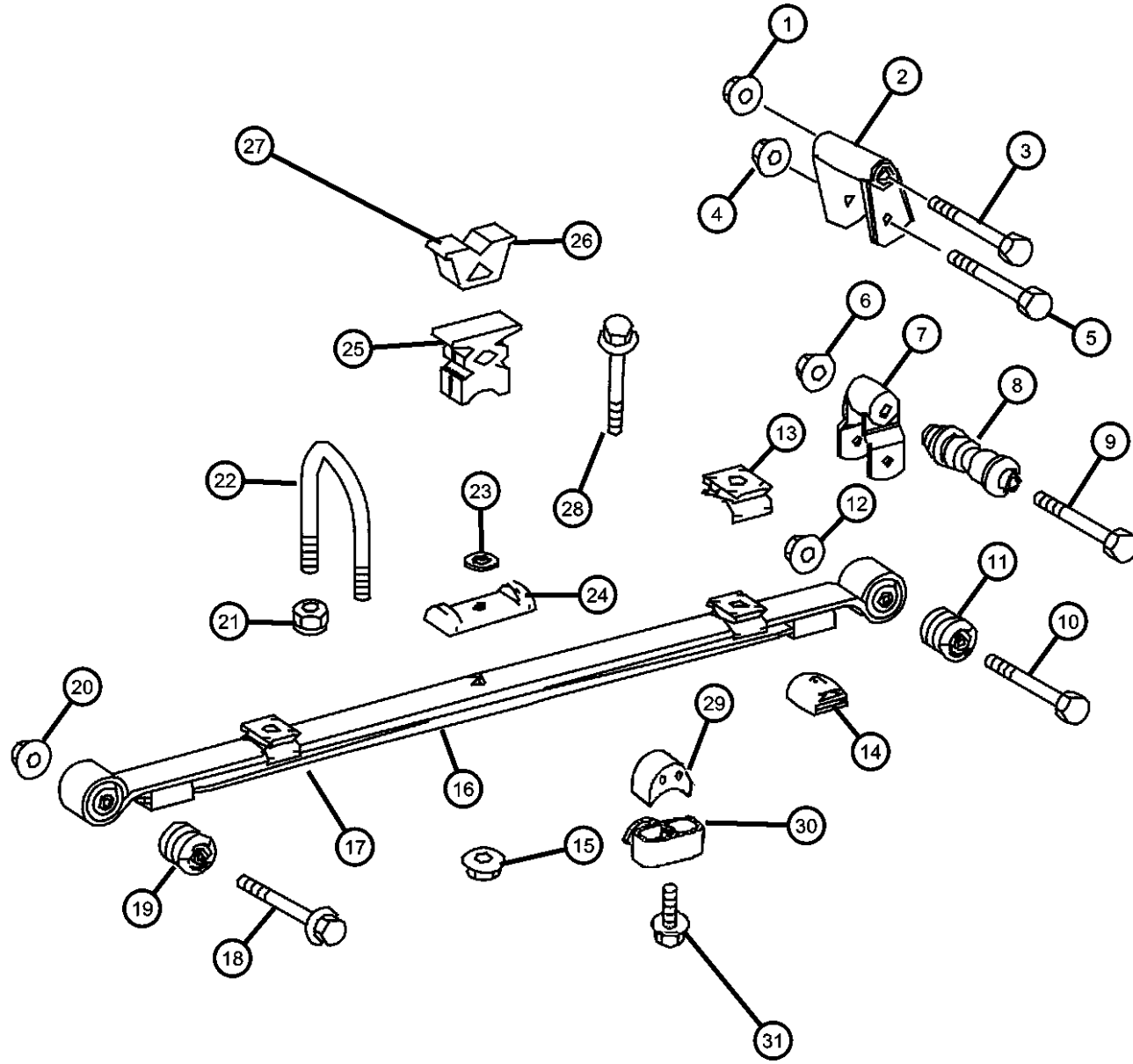
SPRINTER (VB)

SERIES	LINE	BODY	ENGINE	TRANSMISSION
L = LOWLINE	3 = HD DODGE 2WD 2 = Med. Duty DODGE 2WD	03 = CAB CHASSIS WHEEL BASE 3 05 = CAB CHASSIS WHEEL BASE 5 13 = 119 WB 53 = 119 WB 15 = VAN WHEEL BASE 5 55 = WAGON WHEEL BASE 5 17 = VAN WHEEL BASE 7	EG2 = 3.5L V6 Gas Engine EXM = 3.0L V6 Turbo Diesel Engine	DGZ = 5-Speed Auto W5A380 Transmission

AR = use ase required - = Non illustrated part

2007 VB

Rear Springs
Figure 17-110



ITEM	PART NUMBER	QTY	LINE	SERIES	BODY	ENGINE	TRANS	TRIM	DESCRIPTION
		2	2, 6	L	13, 15, 17, 53, 55	EG2	DGZ		
11	05118703AA	2	3, 7	L	03, 05	EG2, EXM	DGZ		BUSHING, Spring Only For [3500] Series / See Note
		2	3, 7	L	13, 15, 17, 53, 55	EXM	DGZ		Only For [3500] Series / See Note
12	06105171AA	2	3, 7	L	03, 05	EG2, EXM	DGZ		NUT M12x1.5
		2	2, 3, 6, 7	L	13, 15, 17, 53, 55	EG2, EXM	DGZ		M12x1.5
13	68017217AA	4	3, 7	L	03, 05	EG2, EXM	DGZ		RETAINER, Spring With [3AT + XCB]
	68017218AA	4	2, 6	L	13, 15, 17, 53, 55	EG2, EXM	DGZ		With [3B4 + XCB]
		4	2, 6	L	13, 15, 17, 53, 55	EG2, EXM	DGZ		With [XCB]
14	68013790AA	4	2, 6	L	53, 55	EG2, EXM	DGZ		BUMPER, Jounce
	68013791AA	4	3, 7	L	03, 05, 13, 15, 17	EG2, EXM	DGZ		
15	06105170AA	2	3, 7	L	03, 05	EG2, EXM	DGZ		NUT M10
		2	2, 3, 6, 7	L	13, 15, 17, 53, 55	EG2, EXM	DGZ		M10
16	68013785AA	2	3, 7	L	03, 05	EG2, EXM	DGZ		SPRING, Rear With [Z2C]
		2	7, 3	L	13, 15, 17	EXM	DGZ		With [Z2C And / Or Z2B]
	68013786AA	2	3, 7	L	03, 05, 13, 15, 17	EG2, EXM	DGZ		With [SNB]
	68013788AA	2	3, 7	L	03, 05, 13, 15, 17	EG2, EXM	DGZ		With [Z2D]
	68013829AA	2	2, 6	L	53, 55	EG2, EXM	DGZ		With [3B4]
	68020668AA	2	3, 7	L	03, 05	EG2, EXM	DGZ		With [XZB]
	68013784AA	2	2, 6	L	13, 15, 17, 53, 55	EG2, EXM	DGZ		One Leaf
17	68013781AA	2	2, 6	L	13, 15, 17	EG2, EXM	DGZ		SPRING, Rear Leaf

SPRINTER (VB)

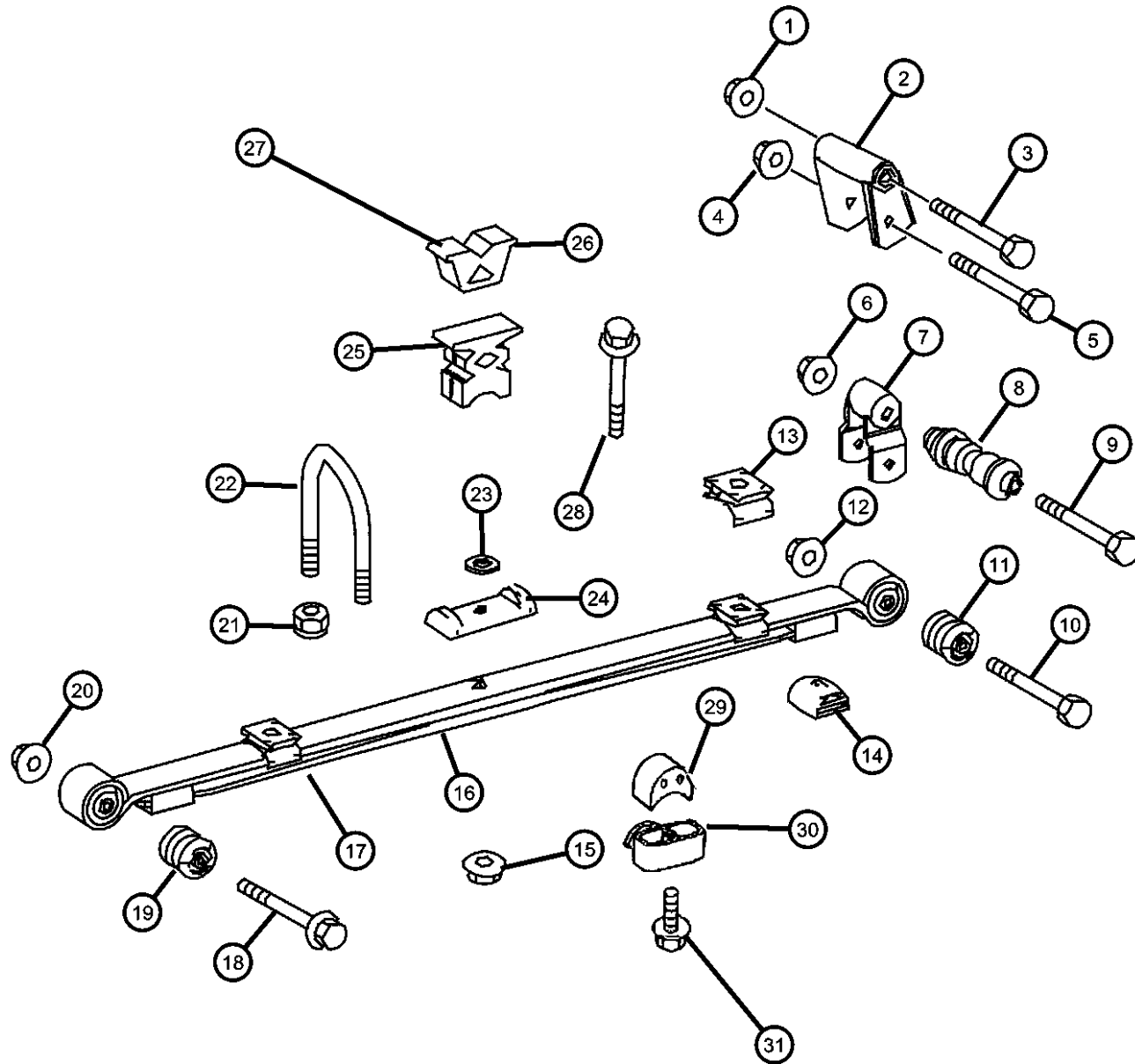
SERIES LINE
L = LOWLINE 3 = HD DODGE 2WD
2 = Med. Duty DODGE 2WD

BODY ENGINE TRANSMISSION
03 = CAB CHASSIS WHEEL EG2 = 3.5L V6 Gas Engine DGZ = 5-Speed Auto W5A380
BASE 3 EXM = 3.0L V6 Turbo Diesel Transmission
05 = CAB CHASSIS WHEEL Engine
BASE 5
13 = 119 WB
53 = 119 WB
15 = VAN WHEEL BASE 5
55 = WAGON WHEEL BASE 5
17 = VAN WHEEL BASE 7

AR = use ase required - = Non illustrated part

2007 VB

Rear Springs
Figure 17-110



ITEM	PART NUMBER	QTY	LINE	SERIES	BODY	ENGINE	TRANS	TRIM	DESCRIPTION
	68017214AA	2	2, 6	L	13, 15, 17	EG2, EXM	DGZ		With [3AT + XCB]
	68017250AA	2	2, 6	L	53, 55	EG2, EXM	DGZ		With [3B4 + XCB]
18	06104247AA	2	2, 6	L		EG2, EXM	DGZ		BOLT
19									BUSHING, Spring
	05118729AA	2	3, 7	L	03, 05	EG2, EXM	DGZ		Front
	68013792AA	4	2, 3, 6, 7	L		EG2, EXM	DGZ		Front
		2	3, 7	L	13, 15, 17, 53, 55	EXM	DGZ		Front
20									NUT
	06105171AA	2	3, 7	L	03, 05	EG2, EXM	DGZ		M12x1.5
		2	2, 3, 6, 7	L	13, 15, 17, 53, 55	EG2, EXM	DGZ		M12x1.5
	06105173AA	2	3, 7	L		EG2, EXM	DGZ		
21									NUT
	05103727AA	8	3, 7	L	03, 05	EG2, EXM	DGZ		U-Bolt
		8	2, 3, 6, 7	L	13, 15, 17, 53, 55	EG2, EXM	DGZ		U-Bolt
22									U-BOLT
	05104069AA	4	3, 7	L	03, 05	EG2, EXM	DGZ		With [Z2D+SNB]
		4	2, 6	L	13, 15, 17, 53, 55	EG2	DGZ		
	05104070AA	4	3, 7	L	03, 05	EG2, EXM	DGZ		With [SNB And / Or XZB]
		4	3, 7	L	13, 15, 17, 53, 55	EXM	DGZ		With [Z2D+SNB]
		4	3, 7	L	03, 05	EG2, EXM	DGZ		
	05118765AA	4	3, 7	L	03, 05	EG2, EXM	DGZ		With [Z2D+XZB]
23	05118765AA	4							WASHER, (NOT SERVICED),
24									PLATE, Rear Spring U-Bolt
	68013794AA	2	2, 6	L		EG2, EXM	DGZ		
	68013795AA	2	3, 7	L		EG2, EXM	DGZ		
25									BUMPER, Jounce
	05128586AA	2	3, 7	L	03, 05	EG2	DGZ		Spring Stop
		2	2, 6	L	13, 15, 17, 53, 55	EG2	DGZ		Spring Stop
26	05118762AA	2	2, 3, 6, 7	L		EG2, EXM	DGZ		BUMPER, Jounce

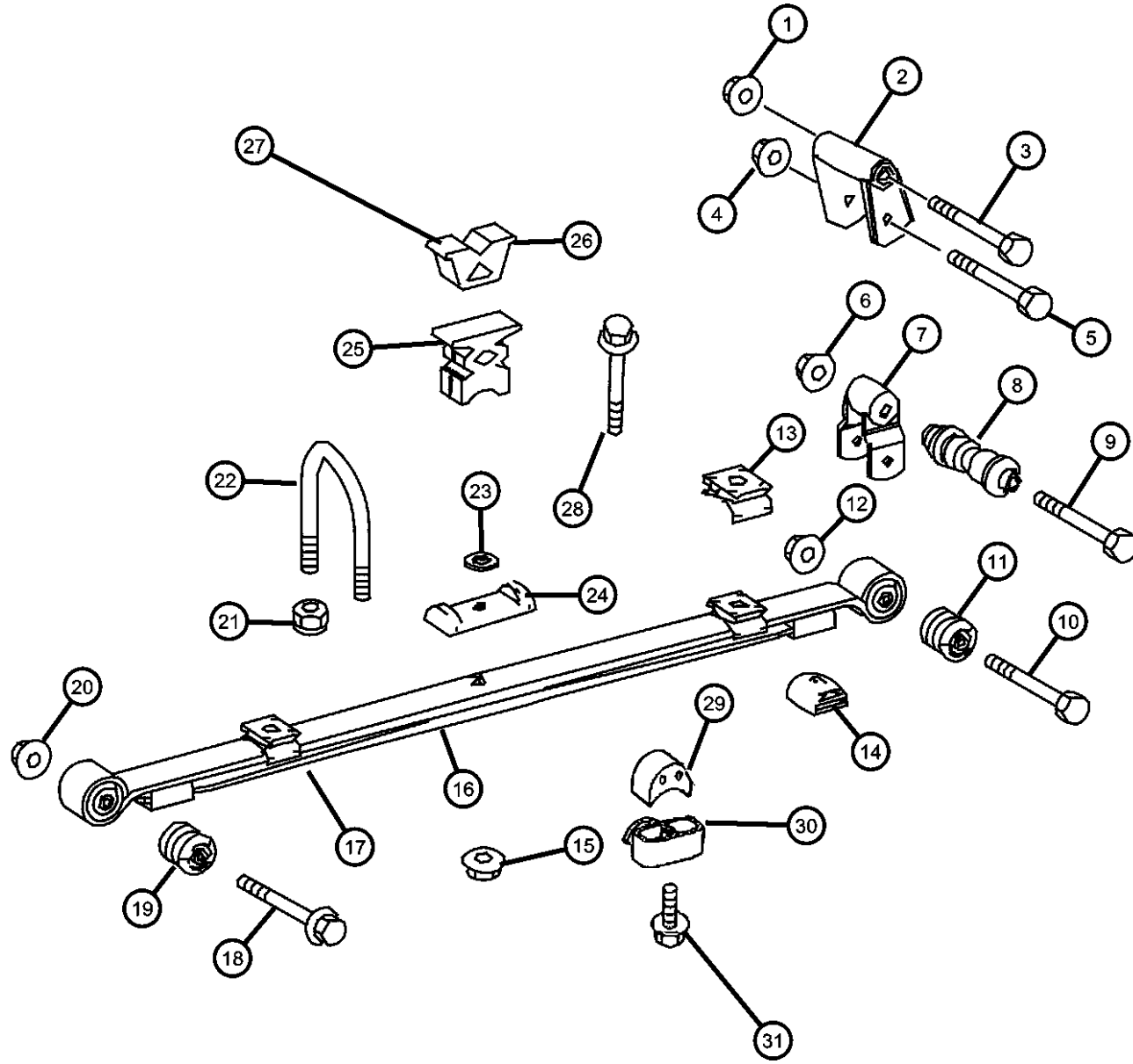
SPRINTER (VB)

SERIES	LINE	BODY	ENGINE	TRANSMISSION
L = LOWLINE	3 = HD DODGE 2WD 2 = Med. Duty DODGE 2WD	03 = CAB CHASSIS WHEEL BASE 3 05 = CAB CHASSIS WHEEL BASE 5 13 = 119 WB 53 = 119 WB 15 = VAN WHEEL BASE 5 55 = WAGON WHEEL BASE 5 17 = VAN WHEEL BASE 7	EG2 = 3.5L V6 Gas Engine EXM = 3.0L V6 Turbo Diesel Engine	DGZ = 5-Speed Auto W5A380 Transmission

AR = use ase required - = Non illustrated part

Rear Springs
Figure 17-110

ITEM	PART NUMBER	QTY	LINE	SERIES	BODY	ENGINE	TRANS	TRIM	DESCRIPTION
27	05118759AA	2	3, 7	L	03, 05	EG2, EXM	DGZ		BUMPER, Spring, Rear
		2	3, 7	L	13, 15, 17	EG2, EXM	DGZ		
28	68013789AA	2	3, 7	L	03, 05	EG2, EXM	DGZ		BOLT, Spring
		2	3, 7	L	13, 15, 17, 53, 55	EXM	DGZ		
	68017219AA	2	3, 7	L	03, 05	EG2, EXM	DGZ		With [XZB]
29	68017223AA	2	3	L	05	EG2, EXM	DGZ		BUMPER, Jounce, With [2MR]
30	68017225AA	2	3	L	05	EG2, EXM	DGZ		BUMPER, Jounce, With [2MR]
31	68017226AA	2	3, 7	L	03, 05, 13, 15, 17	EG2, EXM	DGZ		SCREW, Isolator To Base



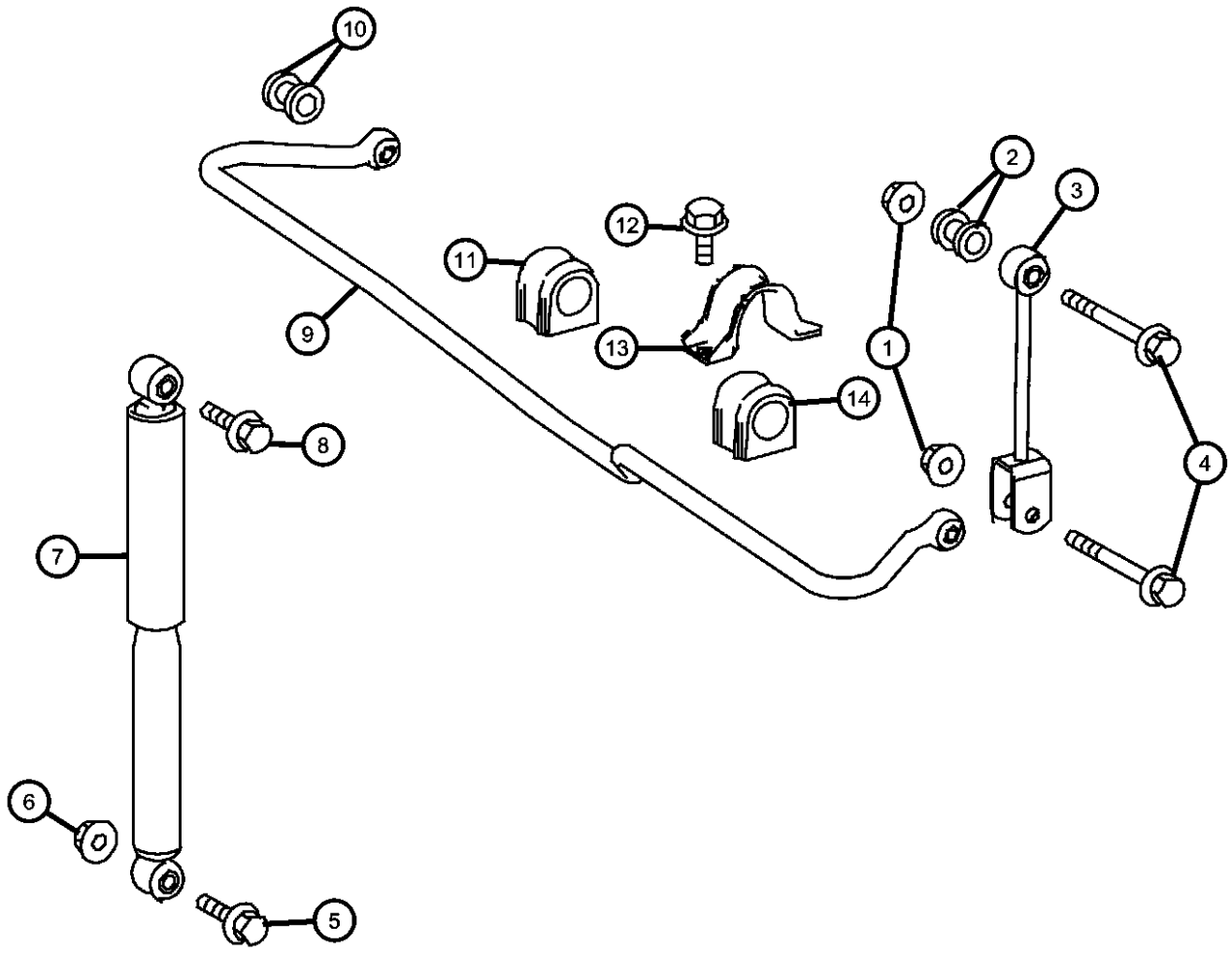
SPRINTER (VB)

SERIES	LINE	BODY	ENGINE	TRANSMISSION
L = LOWLINE	3 = HD DODGE 2WD 2 = Med. Duty DODGE 2WD	03 = CAB CHASSIS WHEEL BASE 3 05 = CAB CHASSIS WHEEL BASE 5 13 = 119 WB 53 = 119 WB 15 = VAN WHEEL BASE 5 55 = WAGON WHEEL BASE 5 17 = VAN WHEEL BASE 7	EG2 = 3.5L V6 Gas Engine EXM = 3.0L V6 Turbo Diesel Engine	DGZ = 5-Speed Auto W5A380 Transmission

AR = use ase required - = Non illustrated part

2007 VB

Rear Shocks & Stabilizer Bar
Figure 17-210



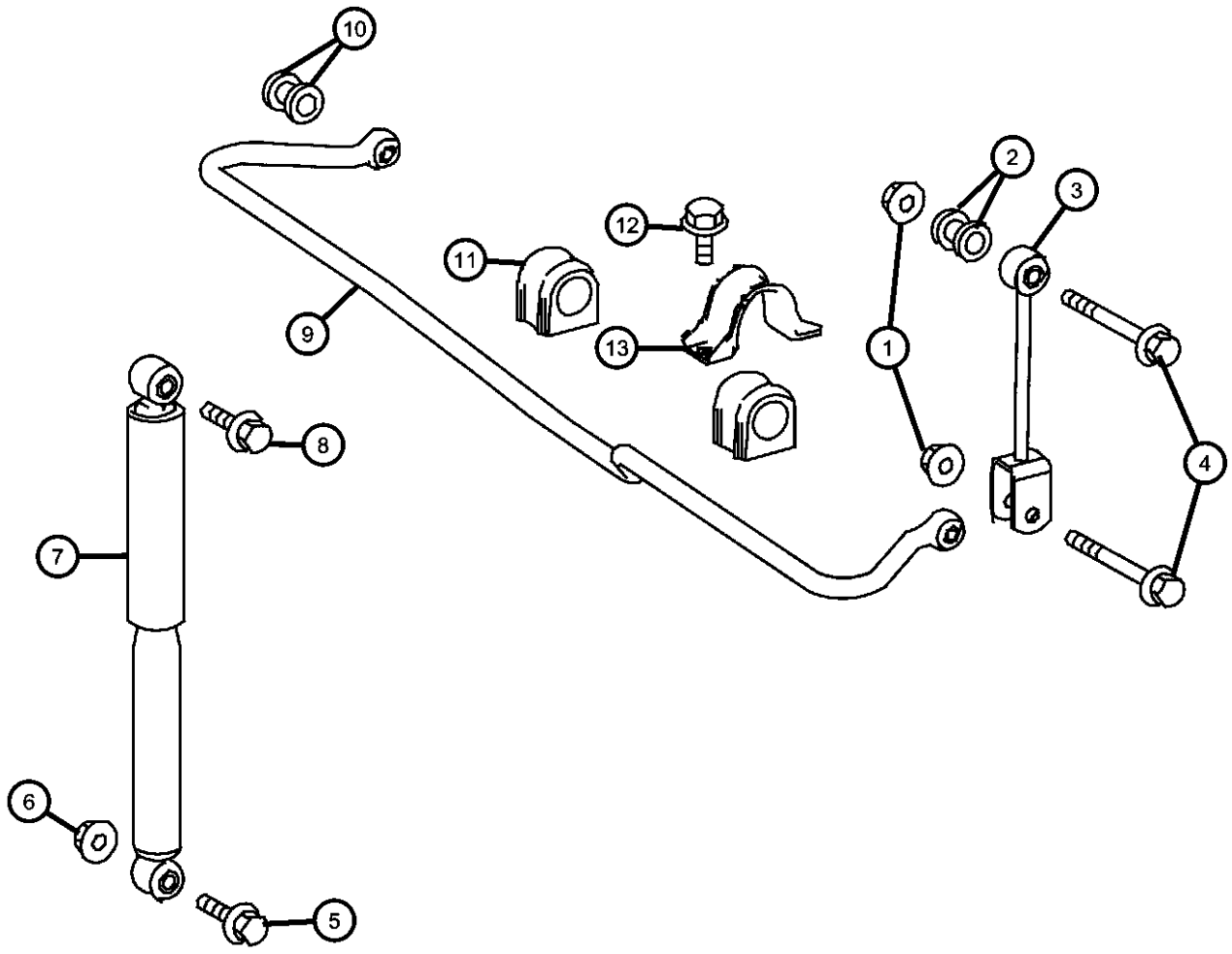
ITEM	PART NUMBER	QTY	LINE	SERIES	BODY	ENGINE	TRANS	TRIM	DESCRIPTION
1	05080289AA	1	2, 3, 6, 7	L		EG2	DGZ		NUT
	06105171AA	2	2, 6	L	13, 15, 17, 53, 55	EG2	DGZ		
2	05103955AA	2	2, 3, 6, 7	L		EG2, EXM	DGZ		BUSHING, Stabilizer Bar
3	68013817AA	2	2, 6	L	13, 15, 17, 53, 55	EG2, EXM	DGZ		LINK, Stabilizer Bar
4	06104239AA	4	2, 6	L	13, 15, 17, 53, 55	EG2, EXM	DGZ		SCREW Torsion Bar To Link
	06104249AA	2	2, 6	L	13, 15, 17, 53, 55	EG2, EXM	DGZ		Link To Frame
5	06104241AB	2	2, 6	L	13, 15, 17, 53, 55	EG2	DGZ		SCREW, Shock Absorber To Rear Axle
6	06105171AA	2	2, 3, 6, 7	L	13, 15, 17, 53, 55	EG2, EXM	DGZ		NUT, M12x1.5
7	68013825AA	2	2, 6	L	13, 15, 17, 53, 55	EG2, EXM	DGZ		SHOCK ABSORBER, Suspension, Rear
8	06104267AA	2	2, 3, 6, 7	L		EG2, EXM	DGZ		SCREW
9	68005320AA	1	2, 6	L		EG2, EXM	DGZ		STABILIZER BAR, Rear Suspension With [58C]
	68013798AA	1	2, 6	L	13, 15, 17, 53, 55	EG2, EXM	DGZ		With [SHC]
10	05103955AA	2	2, 3, 6, 7	L		EG2, EXM	DGZ		BUSHING, Stabilizer Bar
11	68013812AA	2	2, 6	L	13, 15, 17, 53, 55	EG2, EXM	DGZ		BUSHING, Stabilizer Bar
12	68013815AA	4	2, 3, 6, 7	L		EG2, EXM	DGZ		SCREW
13	68013810AA	2	2, 6	L		EG2, EXM	DGZ		RETAINER, Stabilizer Bar Grommet
14	68013812AA	2	2, 6	L	53, 55, 13, 15, 17	EG2, EXM	DGZ		BUSHING, Stabilizer Bar

SPRINTER (VB)

SERIES	LINE	BODY	ENGINE	TRANSMISSION
L = LOWLINE	3 = HD DODGE 2WD 2 = Med. Duty DODGE 2WD	03 = CAB CHASSIS WHEEL BASE 3 05 = CAB CHASSIS WHEEL BASE 5 13 = 119 WB 53 = 119 WB 15 = VAN WHEEL BASE 5 55 = WAGON WHEEL BASE 5 17 = VAN WHEEL BASE 7	EG2 = 3.5L V6 Gas Engine EXM = 3.0L V6 Turbo Diesel Engine	DGZ = 5-Speed Auto W5A380 Transmission

AR = use ase required - = Non illustrated part

Rear Shocks & Stabilizer Bar
Figure 17-220



ITEM	PART NUMBER	QTY	LINE	SERIES	BODY	ENGINE	TRANS	TRIM	DESCRIPTION
1	06105171AA	2	3, 7	L	03, 05	EG2, EXM	DGZ		NUT
2	05103955AA	2	2, 3, 6, 7	L		EG2, EXM	DGZ		BUSHING, Stabilizer Bar
3	68013818AA	2	3, 7	L	03, 05, 13, 15, 17	EG2, EXM	DGZ		LINK, Stabilizer Bar
4	06104257AA	2	3, 7	L	03, 05	EG2, EXM	DGZ		SCREW
5									SCREW
	06104241AB	2	3, 7	L	03, 05	EG2, EXM	DGZ		
	06104263AA	2	3, 7	L		EG2, EXM	DGZ		
6	06105171AA	2	3, 7	L	03, 05	EG2, EXM	DGZ		NUT, M12x1.5
7									SHOCK ABSORBER, Suspension, Rear
	68013826AA	2	3, 7	L	03, 05, 13, 15, 17	EG2, EXM	DGZ		
	68013827AA	2	3, 7	L	03, 05	EG2, EXM	DGZ		With [SHK]
	68017247AA	2	3	L	05	EG2, EXM	DGZ		With [2MR+SHK+AMK]
8	68013828AA	2	3, 7	L	03, 05, 13, 15, 17	EG2, EXM	DGZ		SCREW
9									STABILIZER BAR, Rear Suspension
	68013801AA	1	3, 7	L	03, 05, 13, 15, 17	EG2, EXM	DGZ		With [SHC]
	68017230AA	1	3, 7	L	03, 05, 13, 15, 17	EG2, EXM	DGZ		With [58C]
10									BUSHING, Stabilizer Bar
	05103955AA	2	2, 3, 6, 7	L		EG2, EXM	DGZ		With [SHC] Or With [SHK]
	68013807AA	2	3, 7	L		EG2, EXM	DGZ		
11									BUSHING, Stabilizer Bar
	68013814AA	2	3, 7	L	03, 05, 13, 15, 17	EG2, EXM	DGZ		With [SHC] Sales Codes
	68017240AA	2	3, 7	L		EG2, EXM	DGZ		With [58C] Sales Codes
12									SCREW
	68013815AA	4	2, 3, 6, 7	L		EG2, EXM	DGZ		With [SHC]
	68013816AA	4	3, 7	L	03, 05, 13, 15, 17	EG2, EXM	DGZ		
13	68013811AA	2	3, 7	L	03, 05, 13, 15, 17	EG2, EXM	DGZ		RETAINER, Stabilizer Bar Grommet

SPRINTER (VB)

SERIES	LINE	BODY	ENGINE	TRANSMISSION
L = LOWLINE	3 = HD DODGE 2WD 2 = Med. Duty DODGE 2WD	03 = CAB CHASSIS WHEEL BASE 3 05 = CAB CHASSIS WHEEL BASE 5 13 = 119 WB 53 = 119 WB 15 = VAN WHEEL BASE 5 55 = WAGON WHEEL BASE 5 17 = VAN WHEEL BASE 7	EG2 = 3.5L V6 Gas Engine EXM = 3.0L V6 Turbo Diesel Engine	DGZ = 5-Speed Auto W5A380 Transmission

AR = use ase required - = Non illustrated part

Group - 19

Steering

Group - 19 Steering

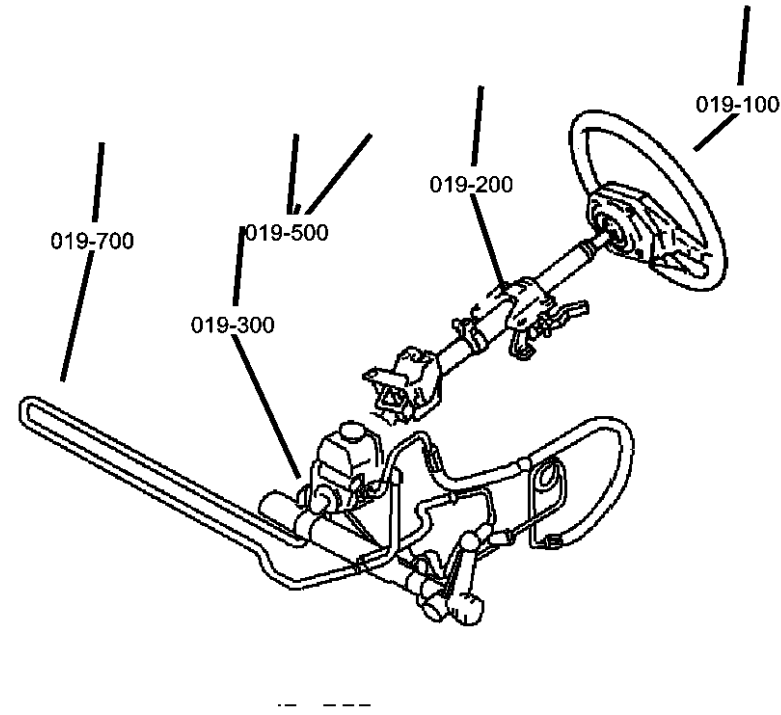


Illustration Title

Group-Fig. No.

Steering Wheel

Steering Wheel and Related Fig. 19 - 110

Steering Column

Column, Steering..... Fig. 19 - 210

Steering Gear

Gear, Steering Fig. 19 - 310

Power Steering Pump

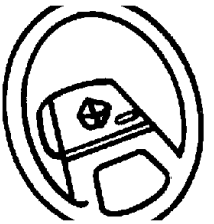
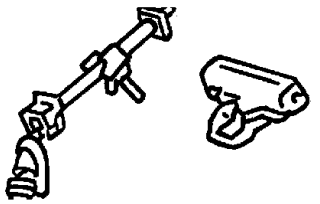
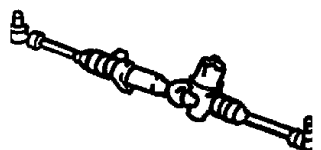
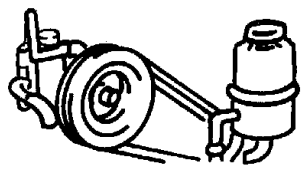
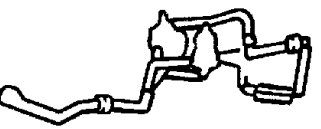
Pump, Power Steering Fig. 19 - 510

Pump, Power Steering..... Fig. 19 - 520

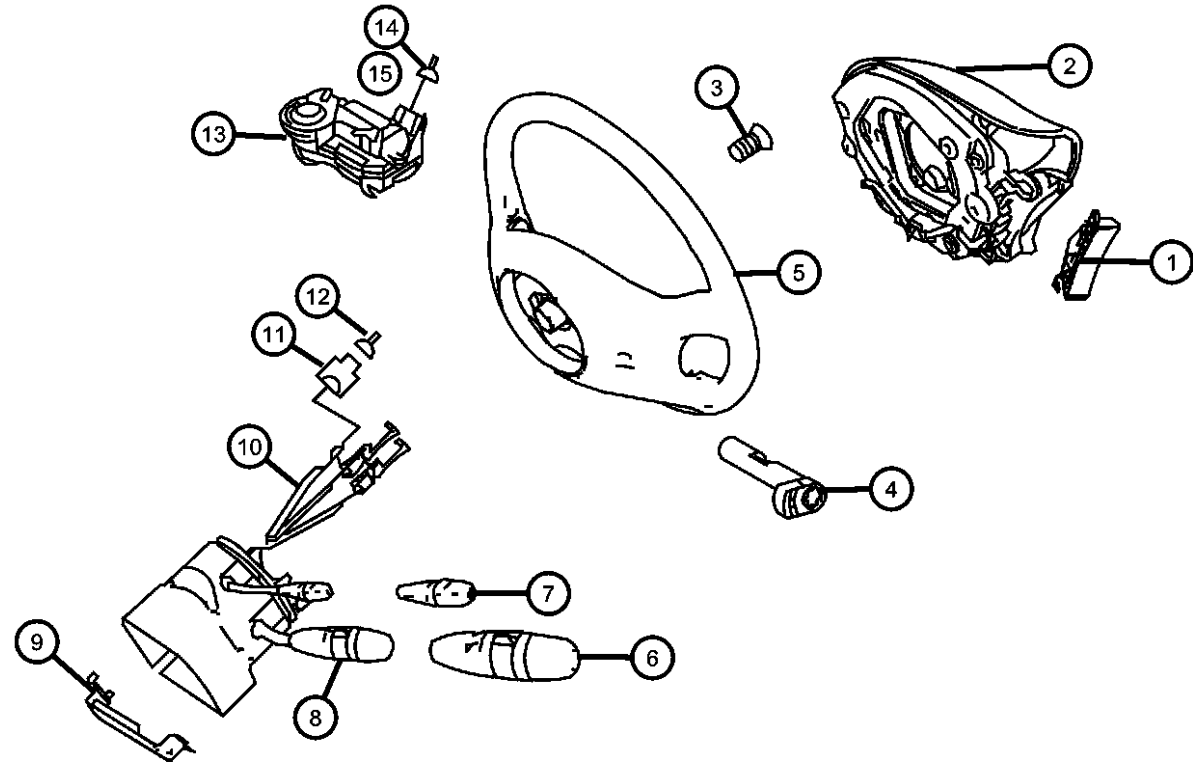
Power Steering Hoses

Power Steering Reservoir & Cooler..... Fig. 19 - 710

Power Steering Reservoir & Cooler..... Fig. 19 - 720

<p>019-100 Steering Wheel</p> 	<p>019-200 Steering Column</p> 	<p>019-300 Steering Gear</p> 	<p>019-500 Power Steering Pump</p> 
<p>019-700 Power Steering Hoses</p> 			

**Steering Wheel and Related
Figure 19-110**



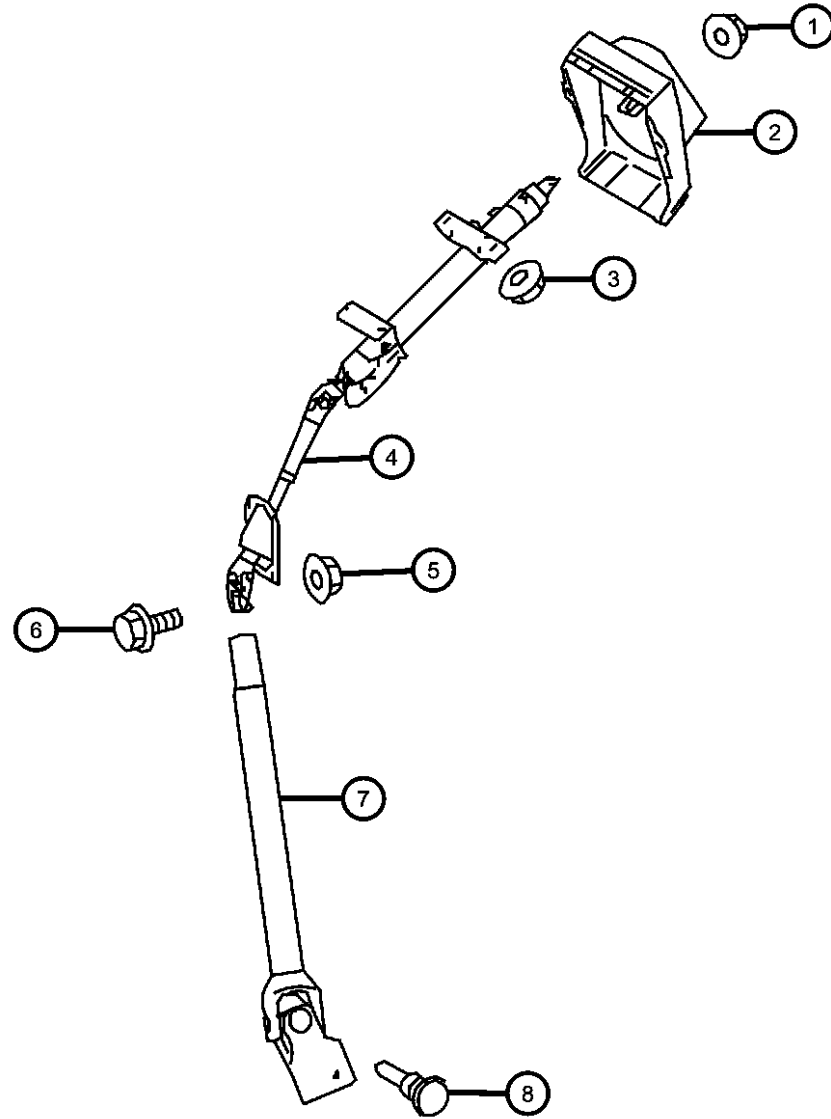
ITEM	PART NUMBER	QTY	LINE	SERIES	BODY	ENGINE	TRANS	TRIM	DESCRIPTION
1	68010427AA	1	2, 3, 6, 7	L		EG2, EXM	DGZ		SWITCH, Steering Wheel, Reconfigurable, One Pair
2	68010423AA	1	2, 3	L		EG2, EXM	DGZ		Dodge with Steering Wheel Controls
	68010426AA	1	2, 3	L		EG2, EXM	DGZ		Dodge without Steering Wheel Controls
	68020911AA	1	6, 7	L		EG2, EXM	DGZ		Freightliner with Steering Wheel Controls
	68020912AA	1	6, 7	L		EG2, EXM	DGZ		Freightliner without Steering Wheel Controls
3	04649132AA	1	2, 3, 6, 7	L	13, 15, 17, 53, 55	EG2, EXM	DGZ		BOLT, BOLT M16
		1	3, 7	L	03, 05	EG2, EXM	DGZ		M16
4	68010438AA	1	2, 3, 6, 7	L		EG2, EXM	DGZ		PIN
5	68010421AA	1	2, 3, 6, 7	L		EG2, EXM	DGZ		WHEEL, Steering
6	68010446AA	1	2, 3, 6, 7	L		EG2, EXM	DGZ		COVER, Blinker Switch
7	68010447AA	1	2, 3, 6, 7	L		EG2, EXM	DGZ		COVER, Switch
8	68010449AA	1	2, 3, 6, 7	L		EG2, EXM	DGZ		SHROUD, Steering Column, Steering Column Jacket Tube
9	68010457AA	1	2, 3, 6, 7	L		EG2, EXM	DGZ		BRACKET, Steering Column
10	68010451AA	1	2, 3, 6, 7	L		EG2, EXM	DGZ		CLOCKSPRING
11	05120717AA	1	3, 7	L	03, 05	EG2, EXM	DGZ		CONNECTOR Jacket Tube Module 3-Pin,COD.A
		1	2, 3, 6, 7	L	13, 15, 17, 53, 55	EG2, EXM	DGZ		Jacket Tube Module 3-Pin,COD.A
12	05103873AA	3	3, 7	L	03, 05	EG2, EXM	DGZ		TERMINAL 0.75MM2 MQS
		3	2, 3, 6, 7	L	13, 15, 17, 53, 55	EG2, EXM	DGZ		0.75MM2 MQS
13	68010437AA	1	2, 3, 6, 7	L		EG2, EXM	DGZ		MODULE, Steering Control
14	05133370AA	2	2, 3, 6, 7	L		EG2, EXM	DGZ		TERMINAL, Female, 1.5-2.5MM2 JPT;N26/5
15	05120833AA	2	2, 3, 6, 7	L		EG2, EXM	DGZ		GASKET 1.0-2.5MM;N25/5
	05120858AA	2	2, 3, 6, 7	L		EG2, EXM	DGZ		N26/5

SPRINTER (VB)

SERIES	LINE	BODY	ENGINE	TRANSMISSION
L = LOWLINE	3 = HD DODGE 2WD 2 = Med. Duty DODGE 2WD	03 = CAB CHASSIS WHEEL BASE 3 05 = CAB CHASSIS WHEEL BASE 5 13 = 119 WB 53 = 119 WB 15 = VAN WHEEL BASE 5 55 = WAGON WHEEL BASE 5 17 = VAN WHEEL BASE 7	EG2 = 3.5L V6 Gas Engine EXM = 3.0L V6 Turbo Diesel Engine	DGZ = 5-Speed Auto W5A380 Transmission

AR = use ase required - = Non illustrated part

Column, Steering
Figure 19-210



ITEM	PART NUMBER	QTY	LINE	SERIES	BODY	ENGINE	TRANS	TRIM	DESCRIPTION
1	05097674AA	1	2, 3, 6, 7	L	13, 15, 17, 53, 55	EG2, EXM	DGZ		NUT, Hex Fastening for Lining M5
		1	3, 7	L	03, 05	EG2, EXM	DGZ		Fastening for Lining M5
2	68004807AA	1	2, 3, 6, 7	L		EG2, EXM	DGZ		SHROUD, Steering Column
3	06105169AA	4	3, 7	L	03, 05	EG2, EXM	DGZ		NUT Steering Column to Carrier M8
	68004878AA	4	2, 3, 6, 7	L	13, 15, 17, 53, 55	EG2, EXM	DGZ		Steering Column to Firewall M6
4	68010429AA	1	2, 3, 6, 7	L		EG2, EXM	DGZ		COLUMN, Steering
5	06105169AA	1	2, 3, 6, 7	L		EG2, EXM	DGZ		NUT
6	68010433AA	1	3, 7	L	03, 05	EG2, EXM	DGZ		SCREW, Steering Column Steering Column to Steering Shaft
		1	2, 3, 6, 7	L	13, 15, 17, 53, 55	EG2, EXM	DGZ		Steering Column to Steering Shaft
7	68010431AA	1	3, 7	L	03, 05	EG2, EXM	DGZ		SHAFT, Steering Column
		1	2, 3, 6, 7	L	13, 15, 17, 53, 55	EG2, EXM	DGZ		
8	05125707AA	1	2, 3, 6, 7	L	13, 15, 17, 53, 55	EG2, EXM	DGZ		SCREW, Steering Column
		1	2, 3, 6, 7	L	03, 05	EG2, EXM	DGZ		

SPRINTER (VB)

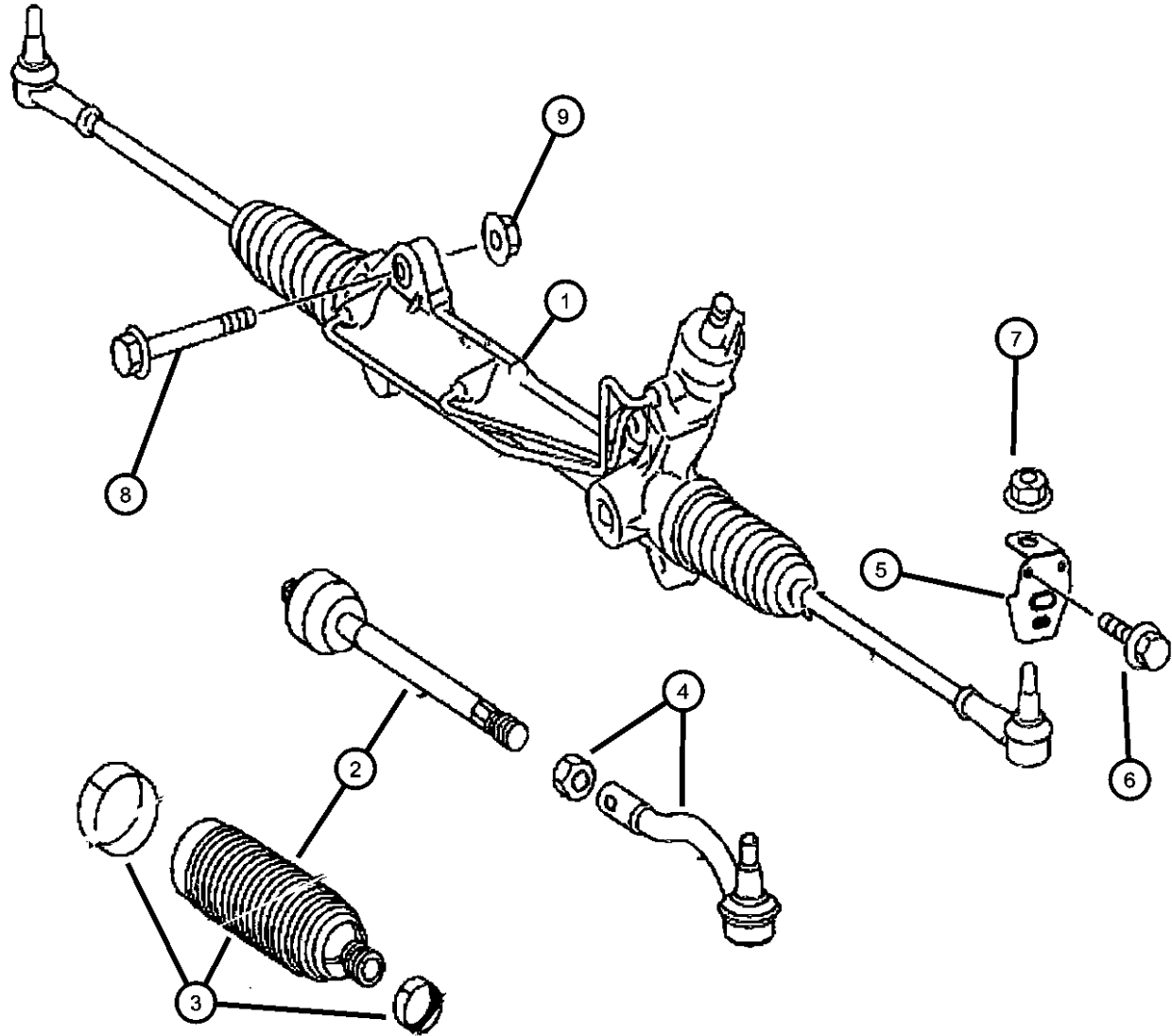
SERIES	LINE	BODY	ENGINE	TRANSMISSION
L = LOWLINE	3 = HD DODGE 2WD 2 = Med. Duty DODGE 2WD	03 = CAB CHASSIS WHEEL BASE 3 05 = CAB CHASSIS WHEEL BASE 5 13 = 119 WB 53 = 119 WB 15 = VAN WHEEL BASE 5 55 = WAGON WHEEL BASE 5 17 = VAN WHEEL BASE 7	EG2 = 3.5L V6 Gas Engine EXM = 3.0L V6 Turbo Diesel Engine	DGZ = 5-Speed Auto W5A380 Transmission

AR = use ase required - = Non illustrated part

2007 VB

Gear, Steering
Figure 19-310

ITEM	PART NUMBER	QTY	LINE	SERIES	BODY	ENGINE	TRANS	TRIM	DESCRIPTION
1	68012180AA	1	2, 3, 6, 7	L		EG2, EXM	DGZ		GEAR, Power Steering
2	68020843AA	2	2, 3, 6, 7	L		EG2, EXM	DGZ		END, Tie Rod, Inner Tie Rod End Package Includes Boot Repair Package [#3]
3	68020844AA	2	2, 3, 6, 7	L		EG2, EXM	DGZ		BOOT, Steering Gear
4	68020845AA	2	2, 3, 6, 7	L		EG2, EXM	DGZ		JOINT
5	68012183AA	2	6, 7, 2, 3	L		EG2, EXM	DGZ		PLATE
6	06104140AA	2	2, 3, 6, 7	L	13, 15, 17, 53, 55	EG2, EXM	DGZ		SCREW
7	06105172AA	2	2, 3, 6, 7	L	13, 15, 17, 53, 55	EG2, EXM	DGZ		NUT
8	68012181AA	4	2, 3, 6, 7	L		EG2, EXM	DGZ		BOLT
9	06105171AA	4	2, 3, 6, 7	L	13, 15, 17, 53, 55	EG2, EXM	DGZ		NUT



SPRINTER (VB)

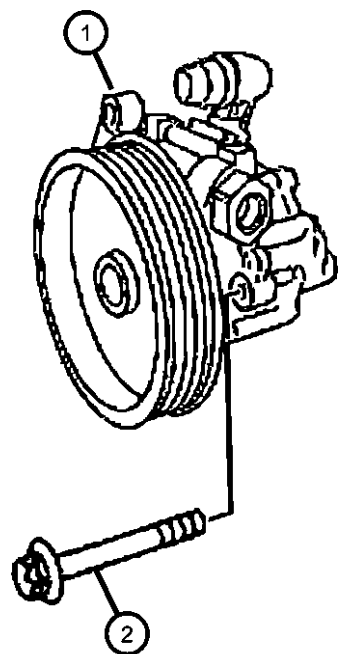
SERIES	LINE	BODY	ENGINE	TRANSMISSION
L = LOWLINE	3 = HD DODGE 2WD 2 = Med. Duty DODGE 2WD	03 = CAB CHASSIS WHEEL BASE 3 05 = CAB CHASSIS WHEEL BASE 5 13 = 119 WB 53 = 119 WB 15 = VAN WHEEL BASE 5 55 = WAGON WHEEL BASE 5 17 = VAN WHEEL BASE 7	EG2 = 3.5L V6 Gas Engine EXM = 3.0L V6 Turbo Diesel Engine	DGZ = 5-Speed Auto W5A380 Transmission

AR = use ase required - = Non illustrated part

2007 VB

**Pump, Power Steering
Figure 19-510**

ITEM	PART NUMBER	QTY	LINE	SERIES	BODY	ENGINE	TRANS	TRIM	DESCRIPTION
1	68006168AA	1	2, 3, 6, 7	L		EG2	DGZ		PUMP, Power Steering
2	06104025AA	2	2, 3, 6, 7	L		EG2	DGZ		SCREW, Hex Flange Head, M8X1.25X30.0, [8x30]
-3	05136546AA	1	2, 3, 6, 7	L		EG2	DGZ		[M8x25]
	06104697AA	2	2, 3, 6, 7	L		EG2	DGZ		[M8x34]
-4	68006177AA	4	2, 3, 6, 7	L		EG2	DGZ		SCREW, [M8x44]



SPRINTER (VB)

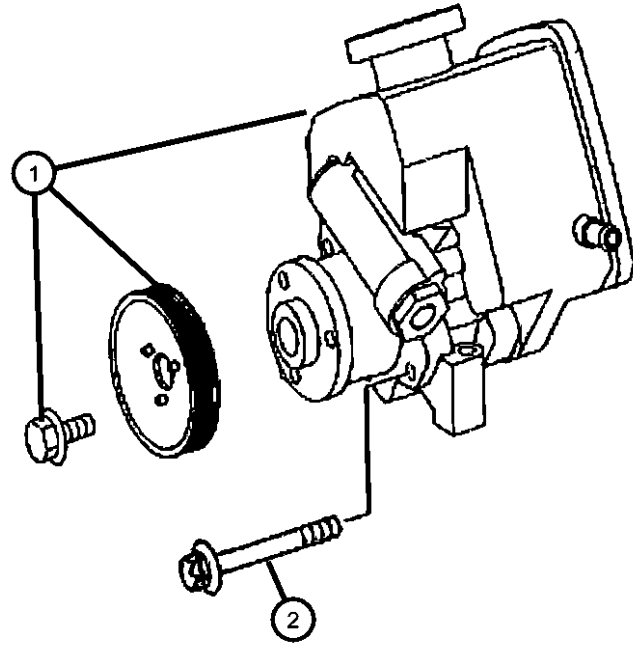
SERIES	LINE	BODY	ENGINE	TRANSMISSION
L = LOWLINE	3 = HD DODGE 2WD 2 = Med. Duty DODGE 2WD	03 = CAB CHASSIS WHEEL BASE 3 05 = CAB CHASSIS WHEEL BASE 5 13 = 119 WB 53 = 119 WB 15 = VAN WHEEL BASE 5 55 = WAGON WHEEL BASE 5 17 = VAN WHEEL BASE 7	EG2 = 3.5L V6 Gas Engine EXM = 3.0L V6 Turbo Diesel Engine	DGZ = 5-Speed Auto W5A380 Transmission

AR = use ase required - = Non illustrated part

2007 VB

**Pump, Power Steering
Figure 19-520**

ITEM	PART NUMBER	QTY	LINE	SERIES	BODY	ENGINE	TRANS	TRIM	DESCRIPTION
1	68012236AA	1	2, 3, 6, 7	L		EXM	DGZ		PUMP, Power Steering
2	05133207AA	4	2, 3, 6, 7	L		EXM	DGZ		BOLT, [M8x55]
-3	05073723AB	1	2, 3, 6, 7	L		EXM	DGZ		SCREW, [M8x20]
-4	06104025AA	2	2, 3, 6, 7	L		EXM	DGZ		SCREW, Hex Flange Head, M8X1.25X30.0, [M8x30]



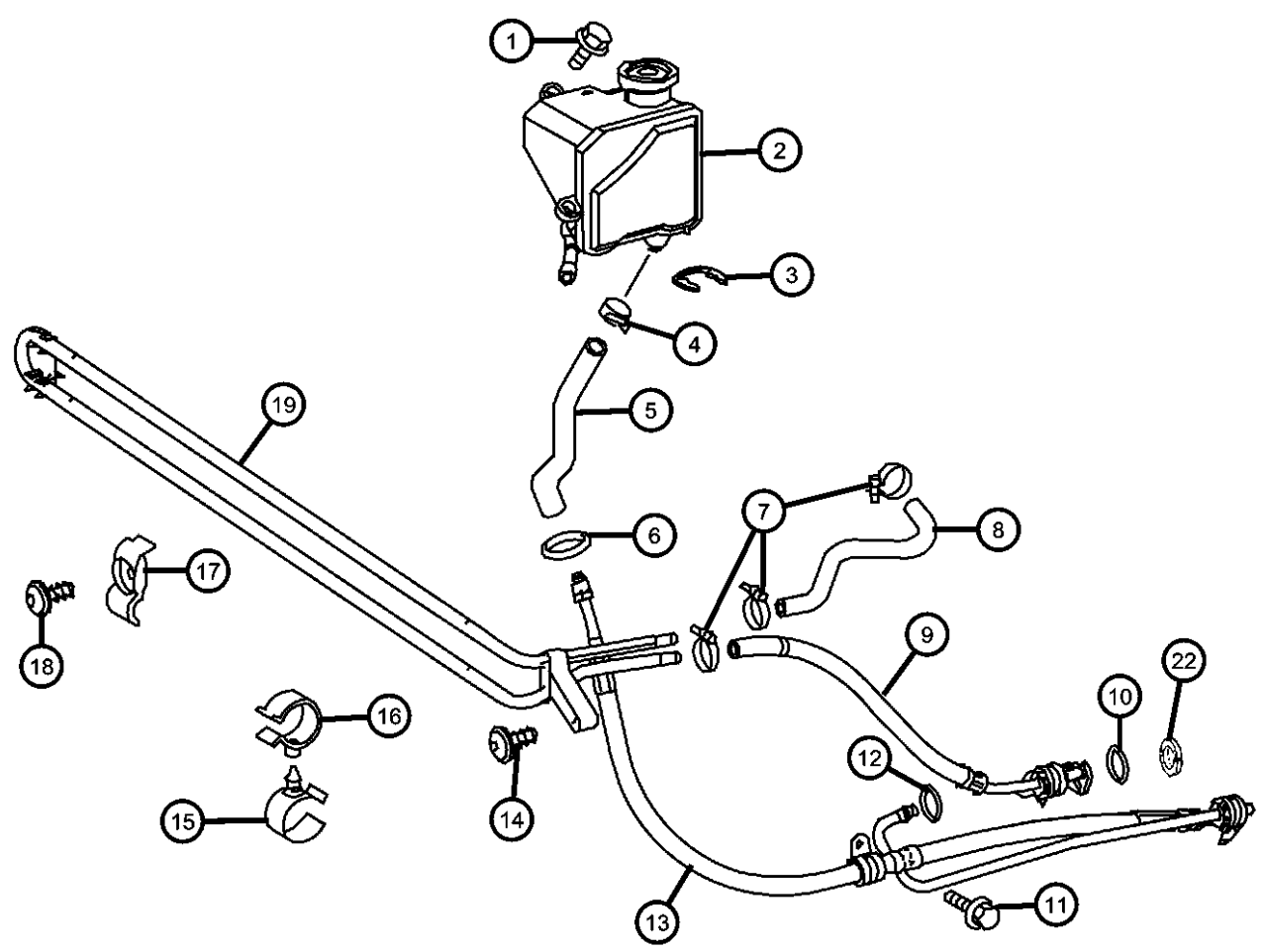
SPRINTER (VB)

SERIES	LINE	BODY	ENGINE	TRANSMISSION
L = LOWLINE	3 = HD DODGE 2WD 2 = Med. Duty DODGE 2WD	03 = CAB CHASSIS WHEEL BASE 3 05 = CAB CHASSIS WHEEL BASE 5 13 = 119 WB 53 = 119 WB 15 = VAN WHEEL BASE 5 55 = WAGON WHEEL BASE 5 17 = VAN WHEEL BASE 7	EG2 = 3.5L V6 Gas Engine EXM = 3.0L V6 Turbo Diesel Engine	DGZ = 5-Speed Auto W5A380 Transmission

AR = use ase required - = Non illustrated part

**Power Steering Reservoir & Cooler
Figure 19-710**

ITEM	PART NUMBER	QTY	LINE	SERIES	BODY	ENGINE	TRANS	TRIM	DESCRIPTION
1	06104683AA	3	2, 3, 6, 7	L		EG2	DGZ		SCREW, [M6x23]
2	68006175AA	1	2, 3, 6, 7	L		EG2	DGZ		RESERVOIR, Power Steering Pump
3	05189055AA	1	2, 3, 6, 7	L		EG2	DGZ		CLIP, Retaining, C Type
4	05189055AA	1							CLAMP, [26MM], (NOT SERVICED)
5	68006678AA	1	2, 3, 6, 7	L		EG2	DGZ		HOSE, Power Steering
6	05183128AA	1	2, 3, 6, 7	L		EG2	DGZ		O RING, [7.65 x 1.63 MM]
7	05132830AA	1	2, 3, 6, 7	L		EG2, EXM	DGZ		CLAMP
8	68006678AA	1	2, 3, 6, 7	L		EG2	DGZ		HOSE, Power Steering
9									LINE, Power Steering Return
	68006671AA	1	3, 7	L	03, 05	EG2, EXM	DGZ		
		1	2, 3, 6, 7	L	13, 15, 17, 53, 55	EG2, EXM	DGZ		
10	68006673AA	1	2, 3, 6, 7	L		EG2, EXM	DGZ		O RING, [7.66x1.78MM]
11	06104022AA	1	2, 3, 6, 7	L		EG2	DGZ		SCREW, [M8x16]
12	68006673AA	1	2, 3, 6, 7	L		EG2, EXM	DGZ		O RING
13	68006668AA	1	2, 3, 6, 7	L		EG2	DGZ		HOSE, Power Steering Pressure
14	68006685AA	4	2, 3, 6, 7	L		EG2, EXM	DGZ		SCREW
15									CLAMP, Brake Hose
	05125887AB	1	3, 7	L	03, 05	EG2, EXM	DGZ		
		1	2, 3, 6, 7	L	13, 15, 17, 53, 55	EG2, EXM	DGZ		
16									CLIP, Brake Line
	05117625AA	1	2, 3, 6, 7	L	13, 15, 17, 53, 55	EG2, EXM	DGZ		
		1	3, 7	L	03, 05	EG2, EXM	DGZ		
17	68006686AA	1	2, 3, 6, 7	L		EG2, EXM	DGZ		CLAMP
18	68006685AA	4	2, 3, 6, 7	L		EG2, EXM	DGZ		SCREW
19	68006683AA	1	2, 3, 6, 7	L		EG2	DGZ		LINE, Oil Cooler, With [HAB]
-20									NUT
	68004878AA	2	3, 7	L	03, 05	EG2, EXM	DGZ		
		2	2, 3, 6, 7	L	13, 15, 17, 53, 55	EG2, EXM	DGZ		
-21									SCREW

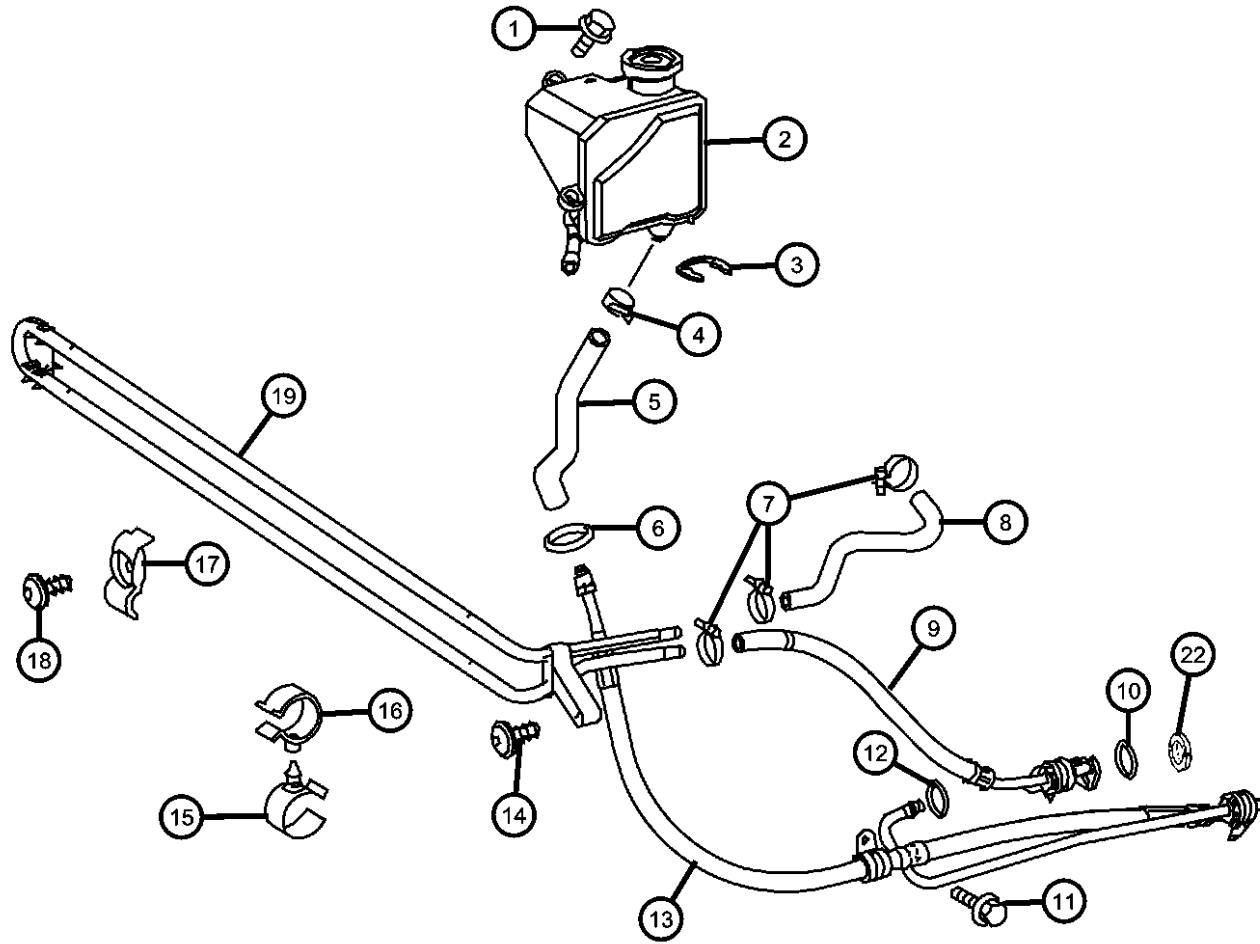


SPRINTER (VB)

SERIES	LINE	BODY	ENGINE	TRANSMISSION
L = LOWLINE	3 = HD DODGE 2WD 2 = Med. Duty DODGE 2WD	03 = CAB CHASSIS WHEEL BASE 3 05 = CAB CHASSIS WHEEL BASE 5 13 = 119 WB 53 = 119 WB 15 = VAN WHEEL BASE 5 55 = WAGON WHEEL BASE 5 17 = VAN WHEEL BASE 7	EG2 = 3.5L V6 Gas Engine EXM = 3.0L V6 Turbo Diesel Engine	DGZ = 5-Speed Auto W5A380 Transmission

Power Steering Reservoir & Cooler
Figure 19-710

ITEM	PART NUMBER	QTY	LINE	SERIES	BODY	ENGINE	TRANS	TRIM	DESCRIPTION
	05133476AB	2	2, 3, 6, 7	L	13, 15, 17, 53, 55	EG2, EXM	DGZ		
		2	3, 7	L	03, 05	EG2, EXM	DGZ		
22	68006672AA	1	2, 3, 6, 7	L		EG2, EXM	DGZ		O RING, Back Up O Ring



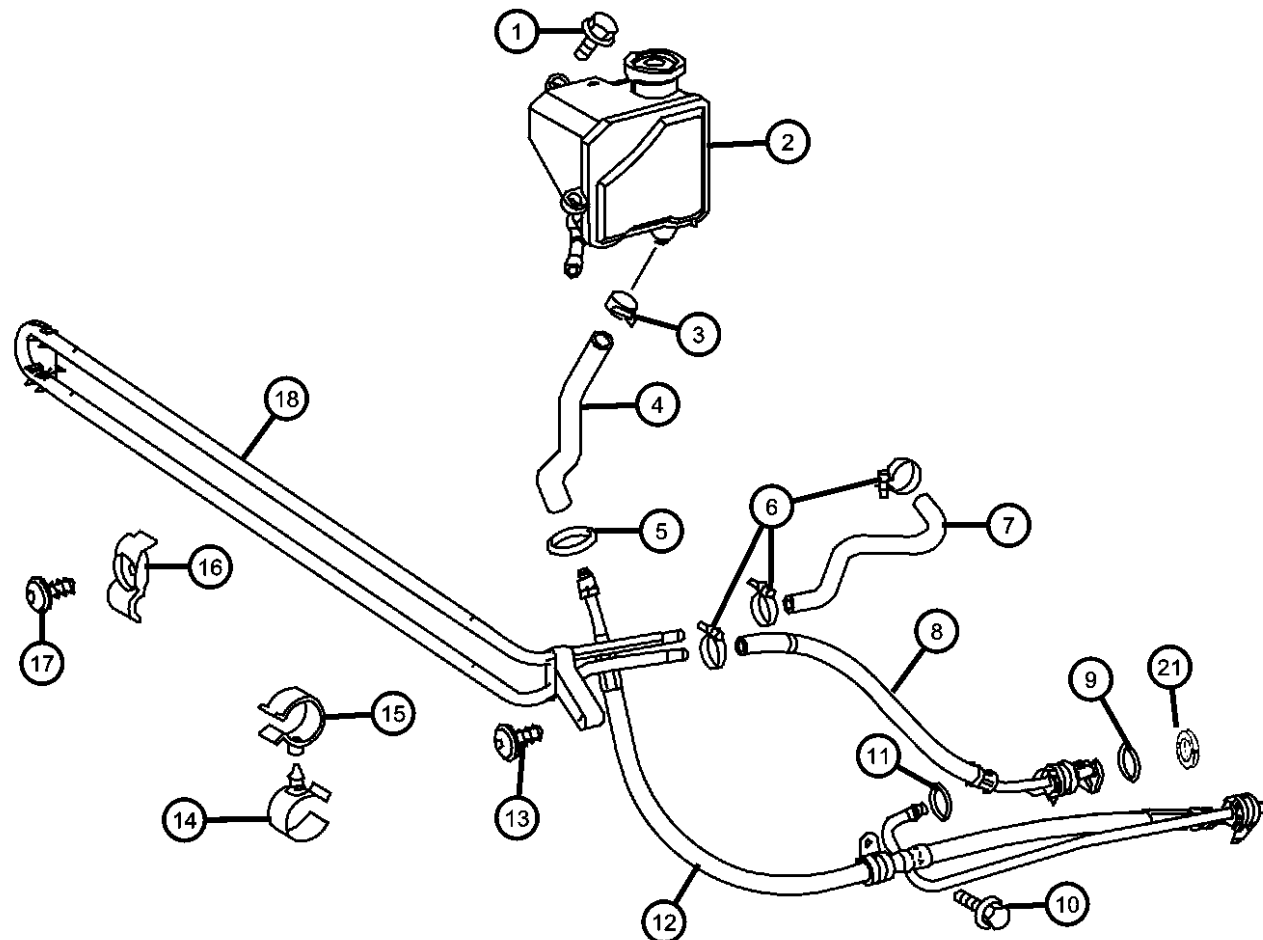
SPRINTER (VB)

SERIES	LINE	BODY	ENGINE	TRANSMISSION
L = LOWLINE	3 = HD DODGE 2WD 2 = Med. Duty DODGE 2WD	03 = CAB CHASSIS WHEEL BASE 3 05 = CAB CHASSIS WHEEL BASE 5 13 = 119 WB 53 = 119 WB 15 = VAN WHEEL BASE 5 55 = WAGON WHEEL BASE 5 17 = VAN WHEEL BASE 7	EG2 = 3.5L V6 Gas Engine EXM = 3.0L V6 Turbo Diesel Engine	DGZ = 5-Speed Auto W5A380 Transmission

AR = use ase required - = Non illustrated part

2007 VB

**Power Steering Reservoir & Cooler
Figure 19-720**



ITEM	PART NUMBER	QTY	LINE	SERIES	BODY	ENGINE	TRANS	TRIM	DESCRIPTION
1	06104683AA	3	3, 7	L	03, 05	EXM	DGZ		SCREW M6x23
		3	2, 3, 6, 7	L	13, 15, 17, 53, 55	EXM	DGZ		M6x23
2	68012238AA	1	2, 3, 6, 7	L		EXM	DGZ		RESERVOIR, Power Steering Pump
3	06104808AA	2	3, 7	L	03, 05	EXM	DGZ		CLAMP 26MM
		2	2, 3, 6, 7	L	13, 15, 17, 53, 55	EXM	DGZ		26MM
4	68012239AA	1	6, 7, 2, 3	L		EXM	DGZ		HOSE, Power Steering
5	05183128AA	1	3, 7	L	03, 05	EG2, EXM	DGZ		O RING
		1	6, 2	L	13, 15, 17, 53, 55	EG2, EXM	DGZ		
6	05132830AA	1	2, 3, 6, 7	L		EG2, EXM	DGZ		CLAMP
7	68006677AA	1	2, 3, 6, 7	L		EXM	DGZ		HOSE, Power Steering
8	68006671AA	1	3, 7	L	03, 05	EG2, EXM	DGZ		LINE, Power Steering Return
		1	2, 3, 6, 7	L	13, 15, 17, 53, 55	EG2, EXM	DGZ		
9	68006673AA	1	2, 3, 6, 7	L		EG2, EXM	DGZ		O RING, 7.66x1.78MM
10	06104022AA	1	7, 3	L	03, 05	EXM	DGZ		SCREW M8x16
		1	2, 3, 6, 7	L	13, 15, 17, 53, 55	EXM	DGZ		M8x16
11	68006673AA	1	2, 3, 6, 7	L		EG2, EXM	DGZ		O RING
12	68006667AA	1	2, 3, 6, 7	L		EXM	DGZ		HOSE, Power Steering Pressure
13	68006685AA	4	2, 3, 6, 7	L		EG2, EXM	DGZ		SCREW
14	05125887AB	1	3, 7	L	03, 05	EG2, EXM	DGZ		CLAMP, Brake Hose
		1	2, 3, 6, 7	L	13, 15, 17, 53, 55	EG2, EXM	DGZ		
15	05117625AA	1	7, 3	L	03, 05	EG2, EXM	DGZ		CLIP, Brake Line
		1	2, 3, 6, 7	L	13, 15, 17, 53, 55	EG2, EXM	DGZ		

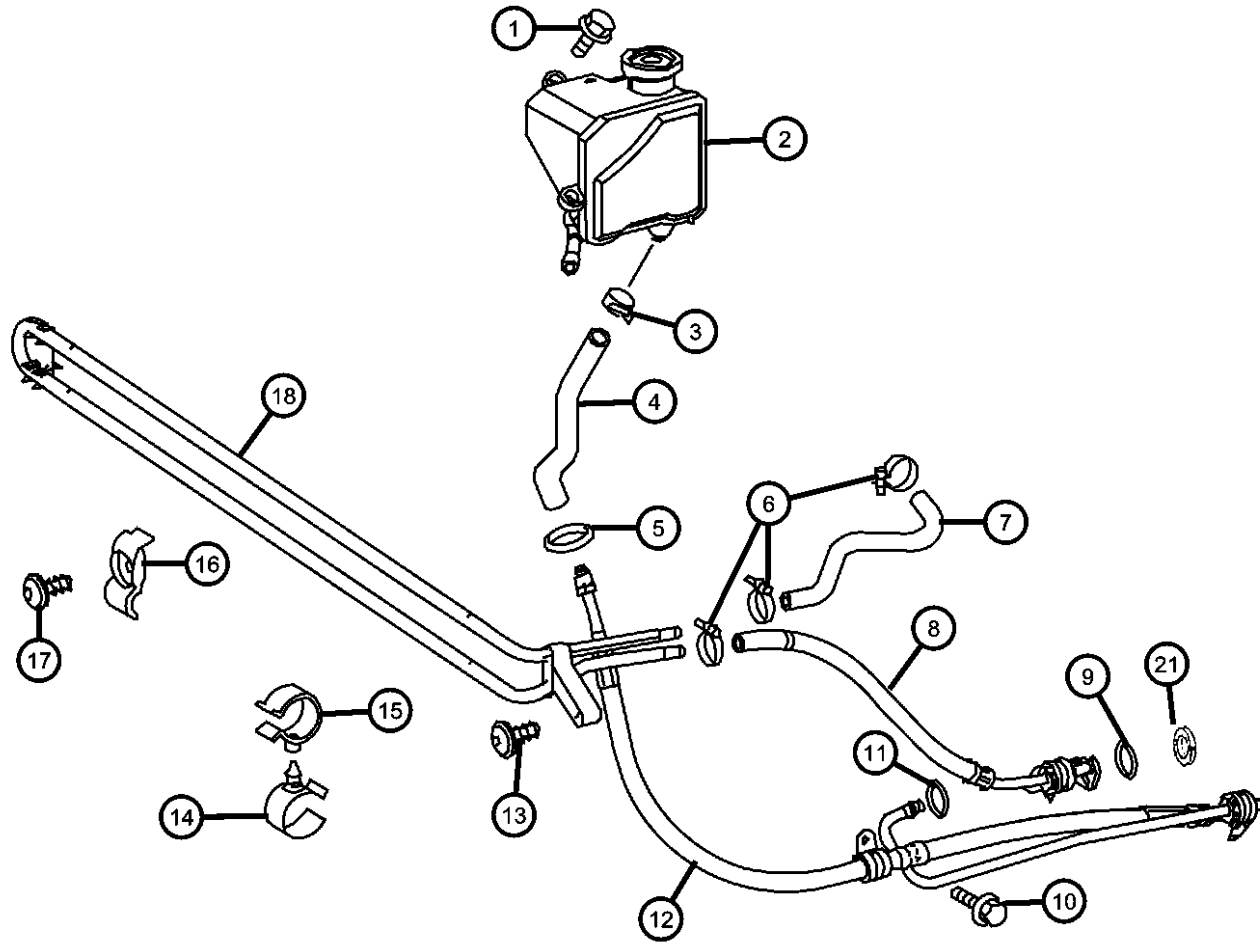
SPRINTER (VB)
 SERIES LINE BODY ENGINE TRANSMISSION
 L = LOWLINE 3 = HD DODGE 2WD 03 = CAB CHASSIS WHEEL BASE 3 EG2 = 3.5L V6 Gas Engine DGZ = 5-Speed Auto W5A380 Transmission
 2 = Med. Duty DODGE 2WD 05 = CAB CHASSIS WHEEL BASE 5 EXM = 3.0L V6 Turbo Diesel Engine

13 = 119 WB
 53 = 119 WB
 15 = VAN WHEEL BASE 5
 55 = WAGON WHEEL BASE 5
 17 = VAN WHEEL BASE 7

AR = use ase required - = Non illustrated part

Power Steering Reservoir & Cooler
Figure 19-720

ITEM	PART NUMBER	QTY	LINE	SERIES	BODY	ENGINE	TRANS	TRIM	DESCRIPTION
16	68006686AA	1	2, 3, 6, 7	L		EG2, EXM	DGZ		CLAMP
17	68006685AA	4	2, 3, 6, 7	L		EG2, EXM	DGZ		SCREW
18	68006681AA	1	6, 7, 2, 3	L		EXM	DGZ		LINE, Oil Cooler With [HAB]
	68006682AA	1	2, 3, 6, 7	L		EXM	DGZ		Without [HAB]
-19	68004878AA	2	3, 7	L	03, 05	EG2, EXM	DGZ		NUT
		2	2, 3, 6, 7	L	13, 15, 17, 53, 55	EG2, EXM	DGZ		
-20	05133476AB	2	2, 3, 6, 7	L	13, 15, 17, 53, 55	EG2, EXM	DGZ		SCREW
		2	3, 7	L	03, 05	EG2, EXM	DGZ		
21	68006672AA	1	3, 6, 7, 2	L		EG2, EXM	DGZ		O RING, Back Up O Ring



SPRINTER (VB)

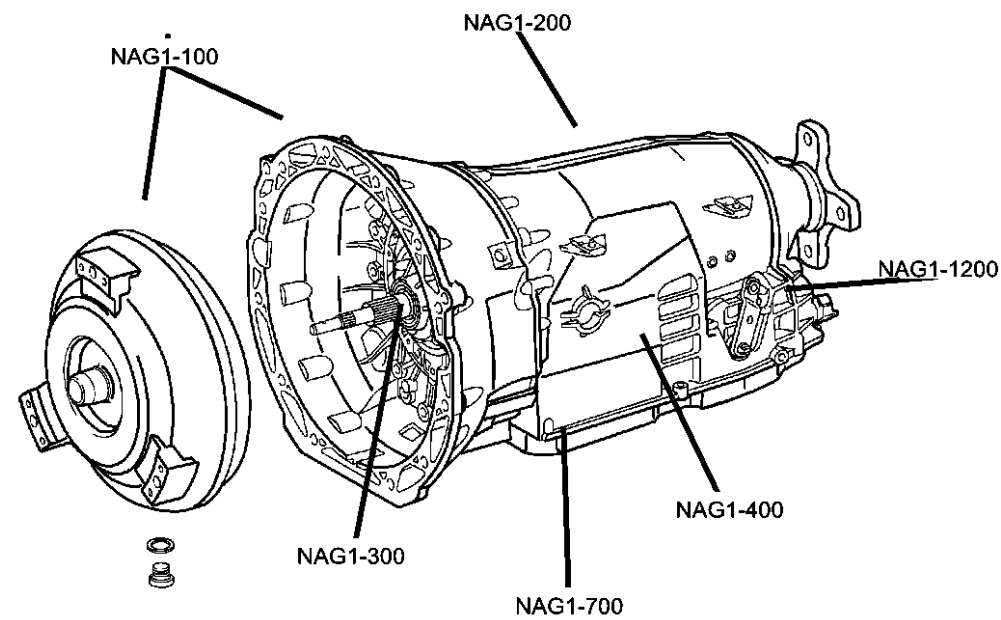
SERIES	LINE	BODY	ENGINE	TRANSMISSION
L = LOWLINE	3 = HD DODGE 2WD 2 = Med. Duty DODGE 2WD	03 = CAB CHASSIS WHEEL BASE 3 05 = CAB CHASSIS WHEEL BASE 5 13 = 119 WB 53 = 119 WB 15 = VAN WHEEL BASE 5 55 = WAGON WHEEL BASE 5 17 = VAN WHEEL BASE 7	EG2 = 3.5L V6 Gas Engine EXM = 3.0L V6 Turbo Diesel Engine	DGZ = 5-Speed Auto W5A380 Transmission

AR = use ase required - = Non illustrated part

2007 VB

Group - NAG1

Automatic Transmission 5 Speed [DGZ]



Group - NAG1 Automatic Transmission 5 Speed [DGZ]

Illustration Title

Group-Fig. No.

Transmission Assembly

Transmission Assembly Fig. NAG1 - 110

Case and Extension

Converter Housing & Oil Pump Fig. NAG1 - 210
 Transmission Case, Rear Fig. NAG1 - 220
 Oil Filler Tube & Related Parts Fig. NAG1 - 230

Oil Pump

Oil Pump Fig. NAG1 - 310

Gear Train

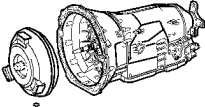
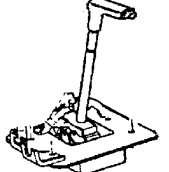
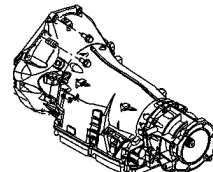
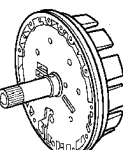
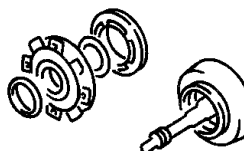
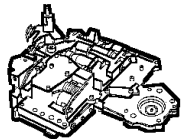
Laminated Brake / [B1] Fig. NAG1 - 410
 Front Planetary Gear Train, Clutch / [K1] Fig. NAG1 - 420
 Front Planetary Gear Train / [K1] Fig. NAG1 - 430
 Clutch / [K2] Output Shaft Fig. NAG1 - 440
 Center Planetary Set / Output Shaft / [MPLS/HPLS] Fig. NAG1 - 450
 Clutch / [K3] Fig. NAG1 - 460
 Multiple Disk Brake / [B2/B3] Fig. NAG1 - 470
 Multiple Disk Brake / [B2/B3] Fig. NAG1 - 480
 Multiple Disk Brake / [B2/B3] Fig. NAG1 - 490

Valve Body

Harness To Valve Body Connector Repair Fig. NAG1 - 705
 Electronic Hydraulic Control Unit Fig. NAG1 - 710
 Oil Pan & Filter Fig. NAG1 - 720

Gearshift Controls

Gearshift Control Fig. NAG1 - 1210

<p>NAG1-100 Transmission Assembly</p> 	<p>NAG1-1200 Gearshift Controls</p> 	<p>NAG1-200 Case and Extension</p> 	<p>NAG1-300 Oil Pump</p> 
<p>NAG1-400 Gear Train</p> 	<p>NAG1-700 Valve Body</p> 		

**Transmission Assembly
Figure NAG1-110**

ITEM	PART NUMBER	QTY	LINE	SERIES	BODY	ENGINE	TRANS	TRIM	DESCRIPTION
------	-------------	-----	------	--------	------	--------	-------	------	-------------

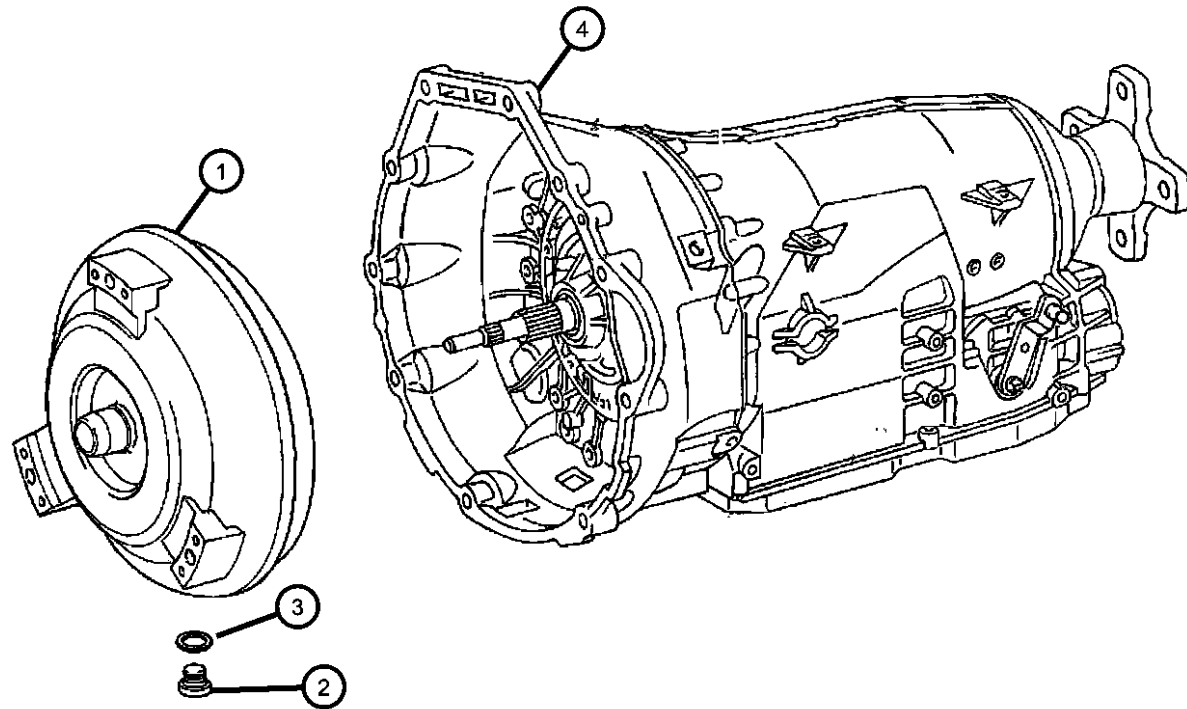
NOTE:

Sales Code:

[DGZ]=5 Speed Automatic Transmission - [W5A380]

[EGZ]=3.5L V-6 Gas Engine [Mercedes Benz]

[EXM]=3.0L Turbo Diesel Engine [Mercedes Benz]



1									CONVERTER, Torque
	05161459AA	1	2, 3, 6, 7	L		EG2	DGZ		
	05175947AA	1	2, 3, 6, 7	L		EXM	DGZ		
2	05080398AB	1	2, 3, 6, 7	L		EG2, EXM	DGZ		PLUG, [M10x1x11MM]
3	05080014AA	1	2, 3, 6, 7	L		EG2, EXM	DGZ		O RING
4									TRANSMISSION, Automatic
	05166032AA	1	2, 3, 6, 7	L		EG2	DGZ		
	05166351AA	1	2, 3, 6, 7	L		EXM	DGZ		
-5	05080067AA	1	2, 3, 6, 7	L		EG2, EXM	DGZ		GASKET PACKAGE, Transmission

SPRINTER (VB)

SERIES	LINE	BODY	ENGINE	TRANSMISSION
L = LOWLINE	3 = HD DODGE 2WD 2 = Med. Duty DODGE 2WD	03 = CAB CHASSIS WHEEL BASE 3 05 = CAB CHASSIS WHEEL BASE 5 13 = 119 WB 53 = 119 WB 15 = VAN WHEEL BASE 5 55 = WAGON WHEEL BASE 5 17 = VAN WHEEL BASE 7	EG2 = 3.5L V6 Gas Engine EXM = 3.0L V6 Turbo Diesel Engine	DGZ = 5-Speed Auto W5A380 Transmission

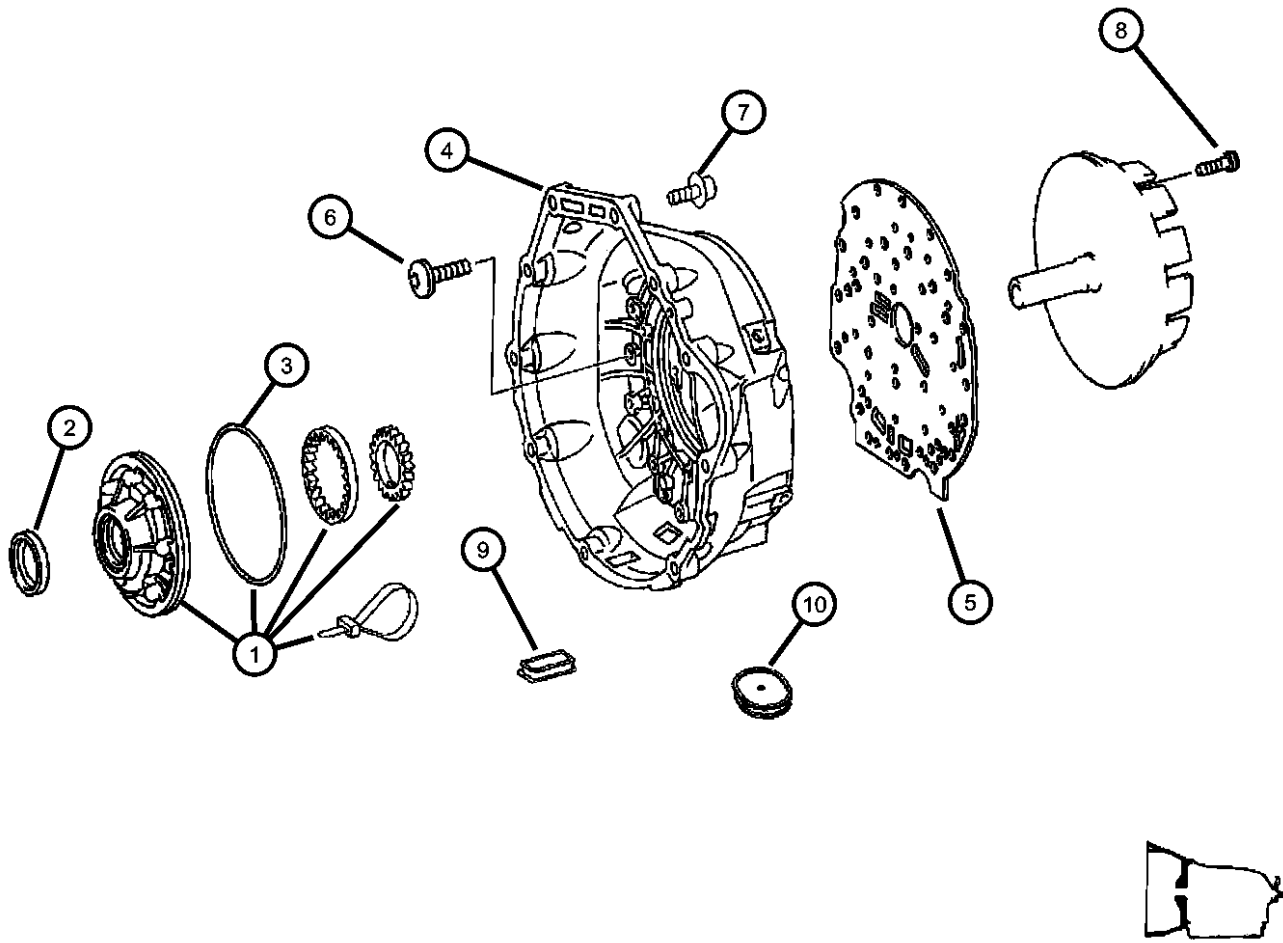
AR = use ase required - = Non illustrated part

2007 VB

**Converter Housing & Oil Pump
Figure NAG1-210**

ITEM	PART NUMBER	QTY	LINE	SERIES	BODY	ENGINE	TRANS	TRIM	DESCRIPTION
------	-------------	-----	------	--------	------	--------	-------	------	-------------

NOTE:
Sales Code:
[DGZ]=5 Speed Automatic Transmission - [W5A380]
[EGZ]=3.5L V-6 Gas Engine [Mercedes Benz]
[EXM]=3.0L Turbo Diesel Engine [Mercedes Benz]



1	05080070AA	1	2, 3, 6, 7	L		EG2, EXM	DGZ		PUMP, Transmission Oil
2	52108424AA	1	2, 3, 6, 7	L		EG2, EXM	DGZ		SEAL
3	52107900AA	1	2, 3, 6, 7	L		EG2, EXM	DGZ		O RING
4	05161462AA	1	2, 3, 6, 7	L		EG2, EXM	DGZ		HOUSING, Torque Converter
5	52108147AA	1	2, 3, 6, 7	L		EG2, EXM	DGZ		PLATE, Intermediate
6	06104158AA	2	2, 3, 6, 7	L		EG2, EXM	DGZ		SCREW [M8x40]
	52108206AA	15	2, 3, 6, 7	L		EG2, EXM	DGZ		Bell Housing To Transmission Case [M8x40]
7	52107934AA	11	2, 3, 6, 7	L		EG2, EXM	DGZ		SCREW, Transmission To Engine Block
8	52107933AA	7	2, 3, 6, 7	L		EG2, EXM	DGZ		SCREW, Intermediate Plate & Disc Support To Bell Housing
9	05073886AA	2	2, 3, 6, 7	L		EG2, EXM	DGZ		GASKET, Converter Housing Cover
10	53013767AA	1	2, 3, 6, 7	L		EG2, EXM	DGZ		GASKET, Converter Housing Cover

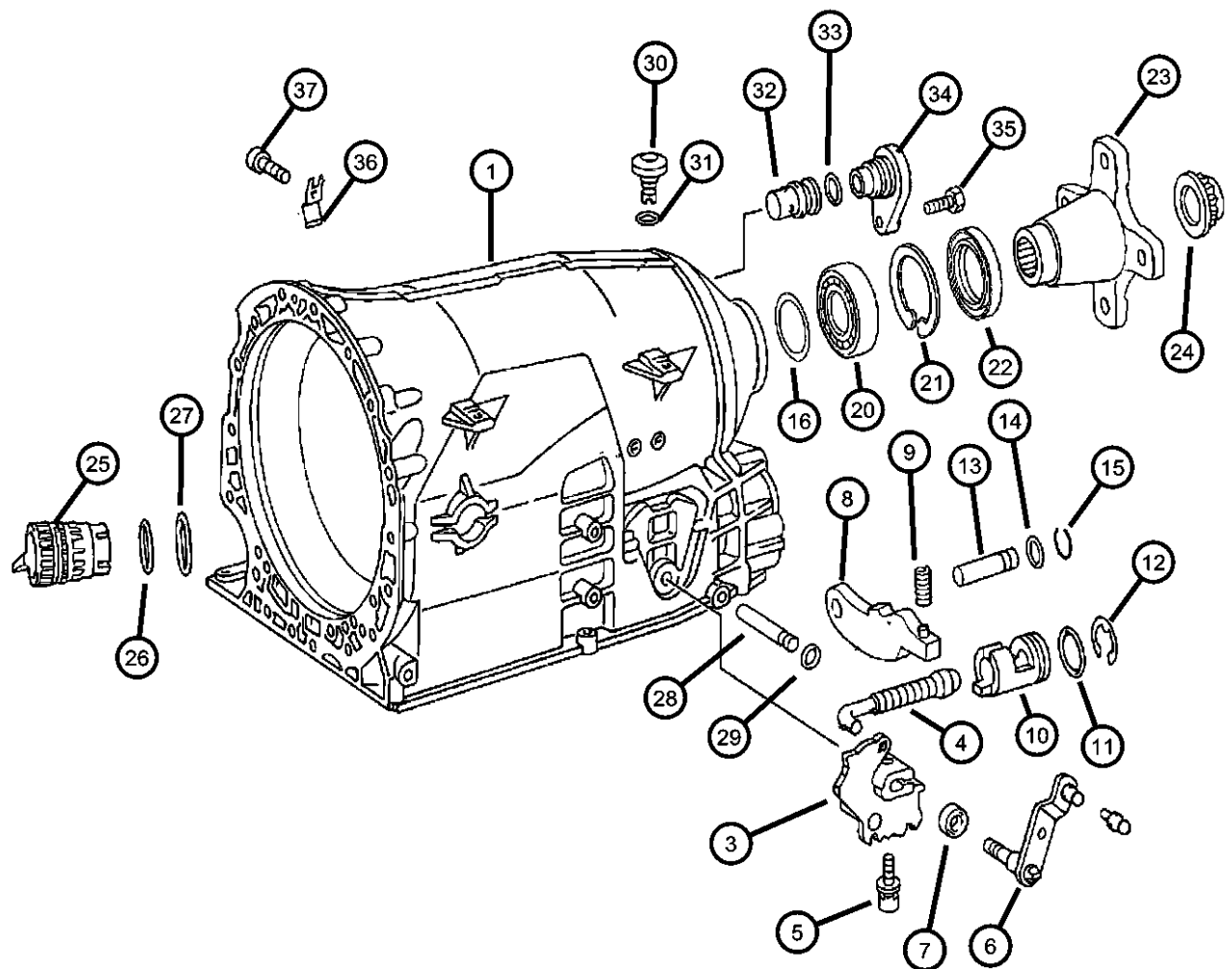
SPRINTER (VB)

SERIES	LINE	BODY	ENGINE	TRANSMISSION
L = LOWLINE	3 = HD DODGE 2WD 2 = Med. Duty DODGE 2WD	03 = CAB CHASSIS WHEEL BASE 3 05 = CAB CHASSIS WHEEL BASE 5 13 = 119 WB 53 = 119 WB 15 = VAN WHEEL BASE 5 55 = WAGON WHEEL BASE 5 17 = VAN WHEEL BASE 7	EG2 = 3.5L V6 Gas Engine EXM = 3.0L V6 Turbo Diesel Engine	DGZ = 5-Speed Auto W5A380 Transmission

AR = use ase required - = Non illustrated part

2007 VB

**Transmission Case, Rear
Figure NAG1-220**



ITEM	PART NUMBER	QTY	LINE	SERIES	BODY	ENGINE	TRANS	TRIM	DESCRIPTION
1	05117849AA	1	2, 3, 6, 7	L		EG2, EXM	DGZ		HOUSING, Transmission
-2	68004976AA	2	2, 3, 6, 7	L		EG2, EXM	DGZ		FITTING, Transmission Cooler Lines
3	05099886AA	1	2, 3, 6, 7	L		EG2, EXM	DGZ		DETENT, Gearshift
4	52108166AA	1	2, 3, 6, 7	L		EG2, EXM	DGZ		LINKAGE, Transmission
5	52108178AA	1	2, 3, 6, 7	L		EG2, EXM	DGZ		SCREW
6	05138569AA	1	2, 3, 6, 7	L		EG2, EXM	DGZ		LEVER, Gearshift
7	52108170AA	1	2, 3, 6, 7	L		EG2, EXM	DGZ		SEAL, Transmission
8	52108154AA	1	2, 3, 6, 7	L		EG2, EXM	DGZ		PAWL, Parking Sprag
9	52108157AA	1	2, 3, 6, 7	L		EG2, EXM	DGZ		SPRING
10	52108176AA	1	2, 3, 6, 7	L		EG2, EXM	DGZ		GUIDE
11	52108177AA	1	2, 3, 6, 7	L		EG2, EXM	DGZ		SEAL, Transmission
12	52107976AA	1	2, 3, 6, 7	L		EG2, EXM	DGZ		SNAP RING
13	52108155AA	1	2, 3, 6, 7	L		EG2, EXM	DGZ		PIN
14	52108156AA	1	2, 3, 6, 7	L		EG2, EXM	DGZ		SEAL, Transmission
15	52107975AA	1	2, 3, 6, 7	L		EG2, EXM	DGZ		SNAP RING
16	52108230AA	AR	2, 3, 6, 7	L		EG2, EXM	DGZ		SHIM, Park & output bearing, 0.20mm
-17	52108220AA	AR	2, 3, 6, 7	L		EG2, EXM	DGZ		SHIM, Park & output bearing, 0.30mm
-18	52108231AA	AR	2, 3, 6, 7	L		EG2, EXM	DGZ		SHIM, Park & output bearing, 0.40mm
-19	52108232AA	AR	2, 3, 6, 7	L		EG2, EXM	DGZ		SHIM, Park & output bearing, 0.50mm
20	52108207AA	1	2, 3, 6, 7	L		EG2, EXM	DGZ		BEARING, Ball
21	52108208AA	1	2, 3, 6, 7	L		EG2, EXM	DGZ		LOCK, Mounting
22	52108428AA	1	2, 3, 6, 7	L		EG2, EXM	DGZ		SEAL, Transmission
23	05161908AA	1	2, 3, 6, 7	L		EG2, EXM	DGZ		FLANGE, Drive Shaft
24	52108234AA	1	2, 3, 6, 7	L		EG2, EXM	DGZ		NUT
25	05189122AA	1	2, 3, 6, 7	L		EG2, EXM	DGZ		PLUG, Adapter
26	68001278AA	1	2, 3, 6, 7	L		EG2, EXM	DGZ		O RING, Adapter Plug, [36.1x3.4]

NOTE:

Sales Code:

[DGZ]=5 Speed Automatic Transmission - [W5A380]

[EGZ]=3.5L V-6 Gas Engine [Mercedes Benz]

[EXM]=3.0L Turbo Diesel Engine [Mercedes Benz]

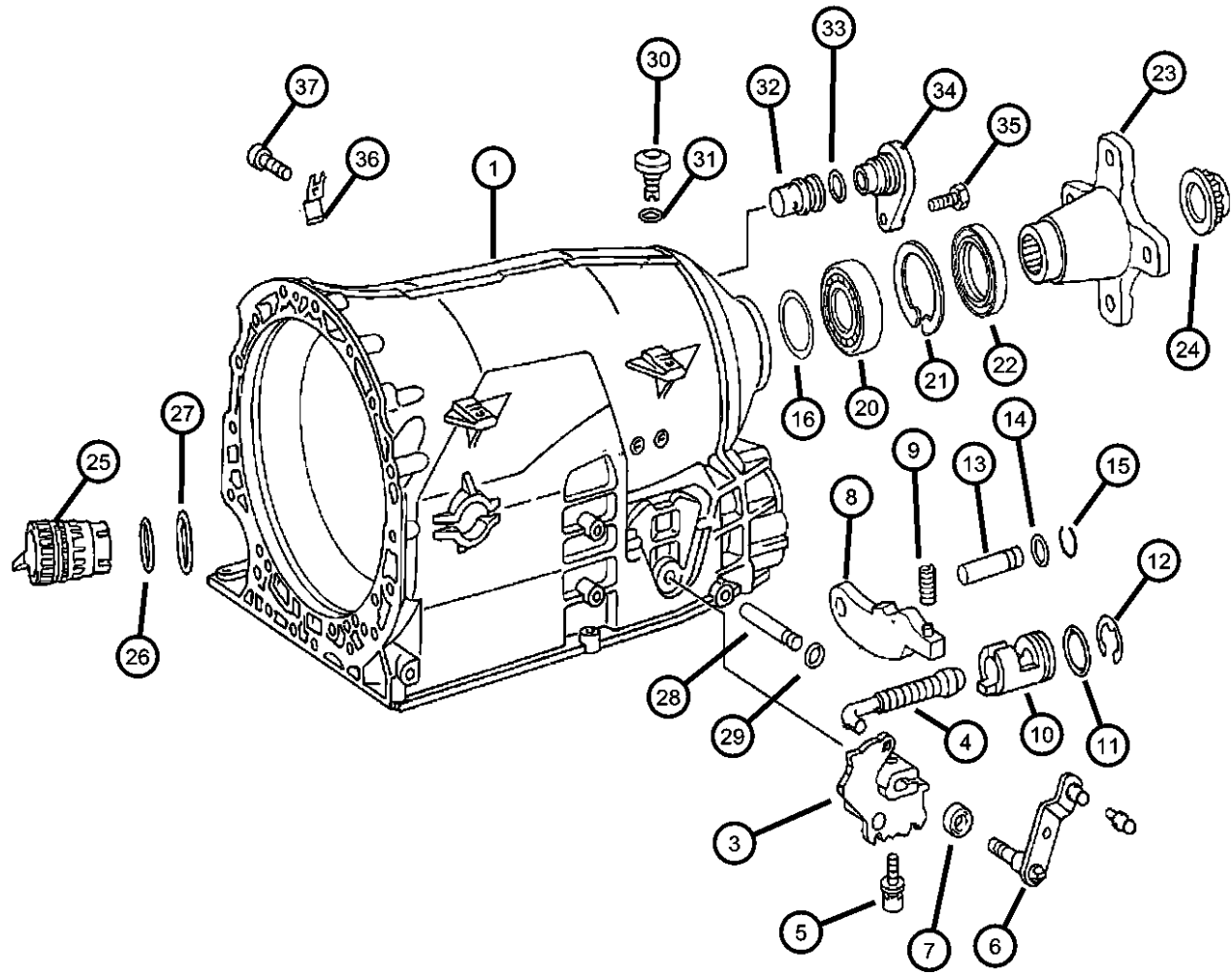
SPRINTER (VB)

SERIES	LINE	BODY	ENGINE	TRANSMISSION
L = LOWLINE	3 = HD DODGE 2WD 2 = Med. Duty DODGE 2WD	03 = CAB CHASSIS WHEEL BASE 3 05 = CAB CHASSIS WHEEL BASE 5 13 = 119 WB 53 = 119 WB 15 = VAN WHEEL BASE 5 55 = WAGON WHEEL BASE 5 17 = VAN WHEEL BASE 7	EG2 = 3.5L V6 Gas Engine EXM = 3.0L V6 Turbo Diesel Engine	DGZ = 5-Speed Auto W5A380 Transmission

AR = use ase required - = Non illustrated part

Transmission Case, Rear
Figure NAG1-220

ITEM	PART NUMBER	QTY	LINE	SERIES	BODY	ENGINE	TRANS	TRIM	DESCRIPTION
27	68001279AA	1	2, 3, 6, 7	L		EG2, EXM	DGZ		O RING, Adapter Plug, [31.0x2.8]
28	52108159AA	1	2, 3, 6, 7	L		EG2, EXM	DGZ		PIN
29	52108160AA	1	2, 3, 6, 7	L		EG2, EXM	DGZ		SEAL, Transmission
30	52108364AA	1	2, 3, 6, 7	L		EG2, EXM	DGZ		BREATHER, Transmission
31	52108367AA	1	2, 3, 6, 7	L		EG2, EXM	DGZ		SEAL, Transmission
32	05117853AA	1	2, 3, 6, 7	L		EG2, EXM	DGZ		RETAINER
33	05125908AA	1	2, 3, 6, 7	L		EG2, EXM	DGZ		O RING, Sensor
34	05117839AA	1	2, 3, 6, 7	L		EG2, EXM	DGZ		CAP, Oil Filler
35	04862644AA	1	2, 3, 6, 7	L		EG2, EXM	DGZ		SCREW, [M6x18]
36	52108179AA	1	2, 3, 6, 7	L		EG2, EXM	DGZ		SPRING
37	52108161AA	1	2, 3, 6, 7	L		EG2, EXM	DGZ		SCREW



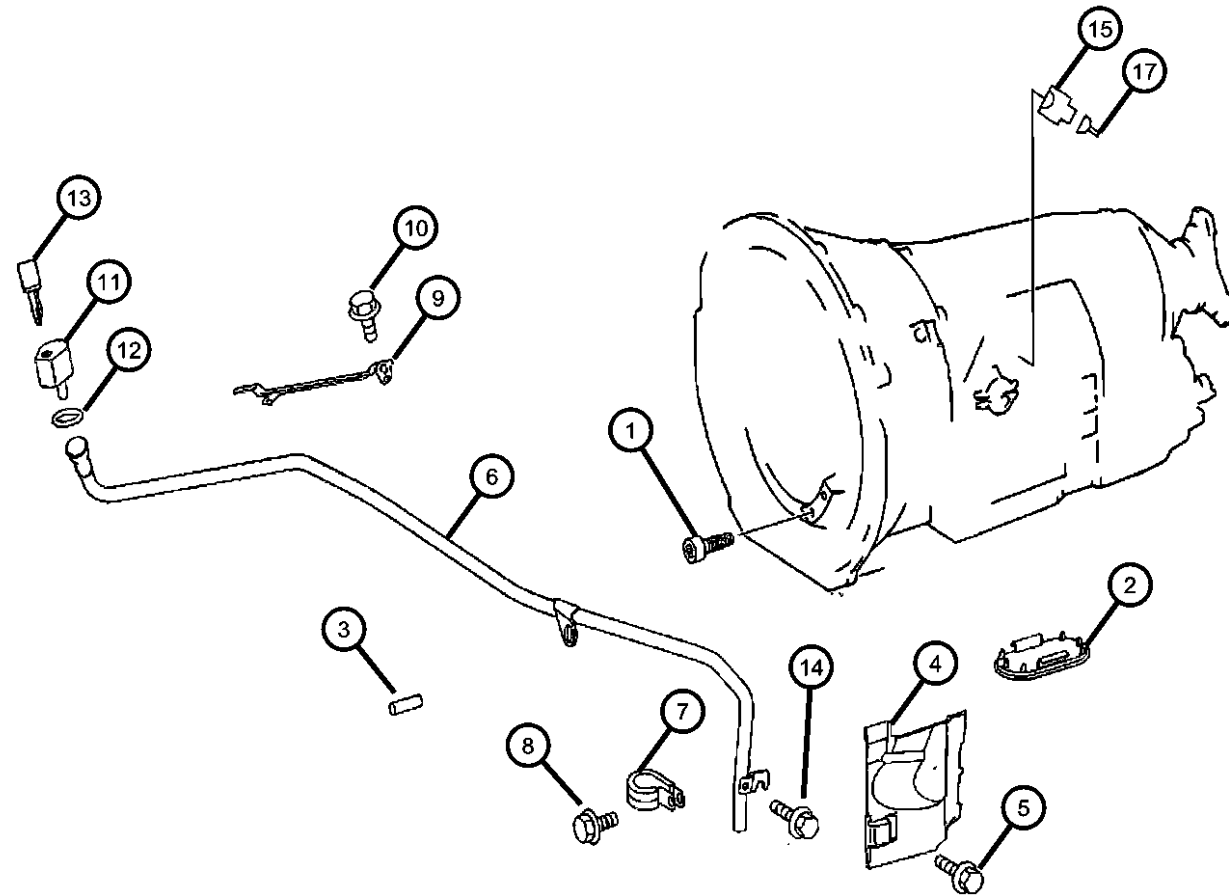
SPRINTER (VB)

SERIES	LINE	BODY	ENGINE	TRANSMISSION
L = LOWLINE	3 = HD DODGE 2WD 2 = Med. Duty DODGE 2WD	03 = CAB CHASSIS WHEEL BASE 3 05 = CAB CHASSIS WHEEL BASE 5 13 = 119 WB 53 = 119 WB 15 = VAN WHEEL BASE 5 55 = WAGON WHEEL BASE 5 17 = VAN WHEEL BASE 7	EG2 = 3.5L V6 Gas Engine EXM = 3.0L V6 Turbo Diesel Engine	DGZ = 5-Speed Auto W5A380 Transmission

AR = use ase required - = Non illustrated part

2007 VB

**Oil Filler Tube & Related Parts
Figure NAG1-230**



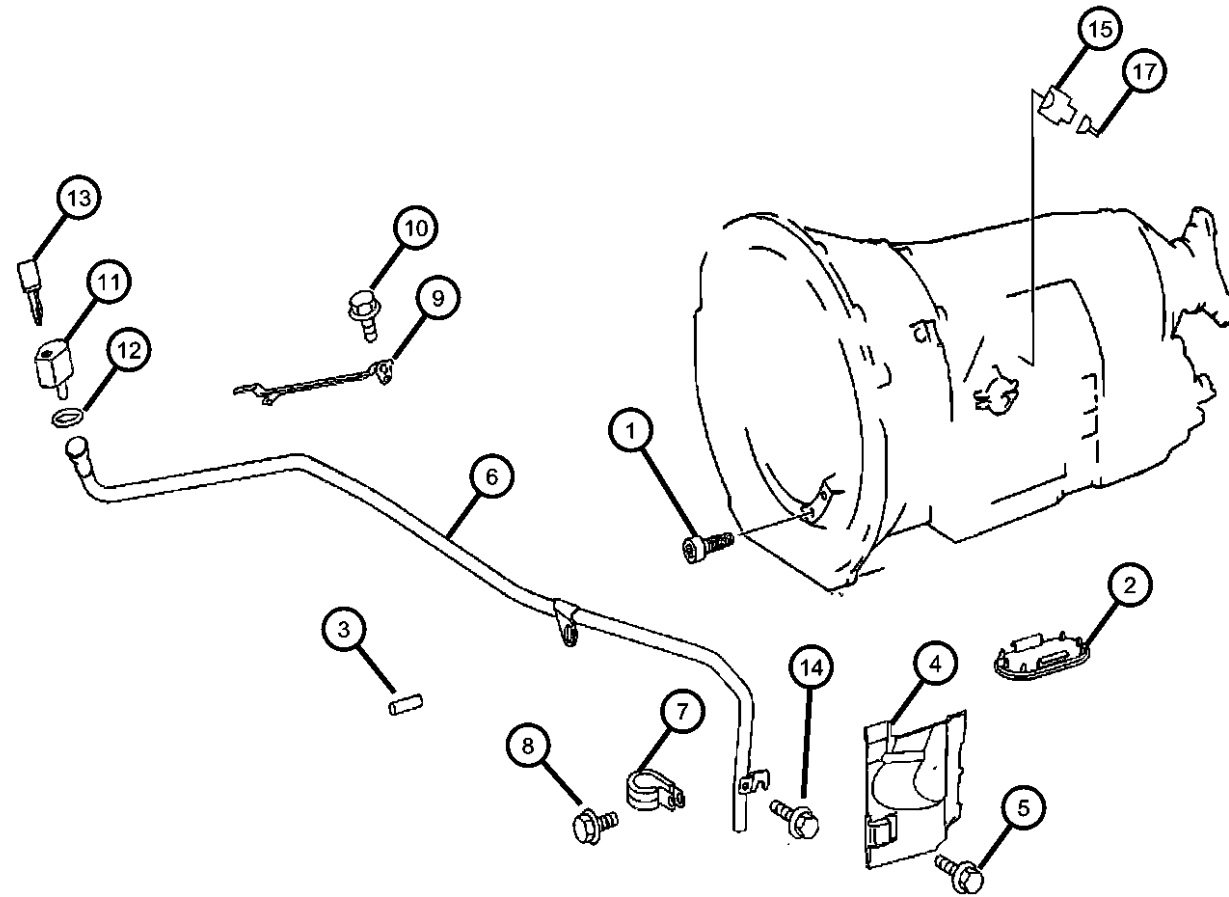
ITEM	PART NUMBER	QTY	LINE	SERIES	BODY	ENGINE	TRANS	TRIM	DESCRIPTION
NOTE: Sales Code: [DGZ]=5 Speed Automatic Transmission - [W5A380] [EGZ]=3.5L V-6 Gas Engine [Mercedes Benz] [EXM]=3.0L Turbo Diesel Engine [Mercedes Benz]									
1									SCREW
	05137660AA	2	2, 3, 6, 7	L		EG2	DGZ		Intermediate Flange To Transmission Case [M8x80]
	05191821AA	6	2, 3, 6, 7	L		EG2, EXM	DGZ		Flywheel To Torque Converter [M10x31]
	06104024AA	8	3, 7	L		EG2, EXM	DGZ		Intermediate Flange To Transmission Case [M8x25]
		8	2, 3, 6, 7	L		EG2, EXM	DGZ		Intermediate Flange To Transmission Case [M8x25]
2	68013686AA	1	2, 3, 6, 7	L		EG2, EXM	DGZ		COVER, Converter Cover At Bell Housing
3	05080447AA	1	2, 3, 6, 7	L		EG2, EXM	DGZ		PIN, Transmission To Engine Block
4	53013508AA	1	2, 3, 6, 7	L		EG2	DGZ		SHIELD, Heat
5									SCREW
	06104681AA	1	3, 7	L		EG2, EXM	DGZ		
		1	2, 6	L		EG2, EXM	DGZ		
6									TUBE
	68013687AA	1	2, 3, 6, 7	L		EG2	DGZ		
	68013688AA	1	2, 3, 6, 7	L		EXM	DGZ		
7									CLAMP, Tube Retaining
	05073938AB	2	3, 7	L		EG2	DGZ		
		2	2, 6	L		EG2	DGZ		
8	06104076AA	2	2, 3, 6, 7	L		EG2, EXM	DGZ		SCREW
9	68013689AA	1	2, 3, 6, 7	L		EG2	DGZ		BRACKET
10	06104076AA	2	2, 3, 6, 7	L		EXM	DGZ		SCREW
11									CAP, Oil Filler
	53013549AA	1	3, 7	L		EG2, EXM	DGZ		
		1	2, 3, 6, 7	L		EG2, EXM	DGZ		
12									SEAL, Oil Filler Tube
	05101154AA	1	3, 7	L		EG2, EXM	DGZ		
		1	2, 3, 6, 7	L		EG2, EXM	DGZ		

SPRINTER (VB)

SERIES	LINE	BODY	ENGINE	TRANSMISSION
L = LOWLINE	3 = HD DODGE 2WD 2 = Med. Duty DODGE 2WD	03 = CAB CHASSIS WHEEL BASE 3 05 = CAB CHASSIS WHEEL BASE 5 13 = 119 WB 53 = 119 WB 15 = VAN WHEEL BASE 5 55 = WAGON WHEEL BASE 5 17 = VAN WHEEL BASE 7	EG2 = 3.5L V6 Gas Engine EXM = 3.0L V6 Turbo Diesel Engine	DGZ = 5-Speed Auto W5A380 Transmission

AR = use ase required - = Non illustrated part

**Oil Filler Tube & Related Parts
Figure NAG1-230**



ITEM	PART NUMBER	QTY	LINE	SERIES	BODY	ENGINE	TRANS	TRIM	DESCRIPTION
13									PIN
	05093746AA	1	3, 7	L		EG2, EXM	DGZ		
		1	2, 3, 6, 7	L		EG2, EXM	DGZ		
14									SCREW
	06104681AA	1	3, 7	L		EG2, EXM	DGZ		
		1	2, 3, 6, 7	L		EG2, EXM	DGZ		
15	05120265AA	1	2, 3, 6, 7	L		EXM, EG2	DGZ		CONNECTOR, [A62 / 12PIN]
-16	05120884AA	1	2, 3, 6, 7	L		EG2, EXM	DGZ		CAP, [A62]
17	05103882AA	1	2, 3, 6, 7	L					TERMINAL, [A62] Contact [0.5-1.0MM 2/JPT]

SPRINTER (VB)

SERIES	LINE	BODY	ENGINE	TRANSMISSION
L = LOWLINE	3 = HD DODGE 2WD 2 = Med. Duty DODGE 2WD	03 = CAB CHASSIS WHEEL BASE 3 05 = CAB CHASSIS WHEEL BASE 5 13 = 119 WB 53 = 119 WB 15 = VAN WHEEL BASE 5 55 = WAGON WHEEL BASE 5 17 = VAN WHEEL BASE 7	EG2 = 3.5L V6 Gas Engine EXM = 3.0L V6 Turbo Diesel Engine	DGZ = 5-Speed Auto W5A380 Transmission

AR = use ase required - = Non illustrated part

**Oil Pump
Figure NAG1-310**

ITEM	PART NUMBER	QTY	LINE	SERIES	BODY	ENGINE	TRANS	TRIM	DESCRIPTION
------	-------------	-----	------	--------	------	--------	-------	------	-------------

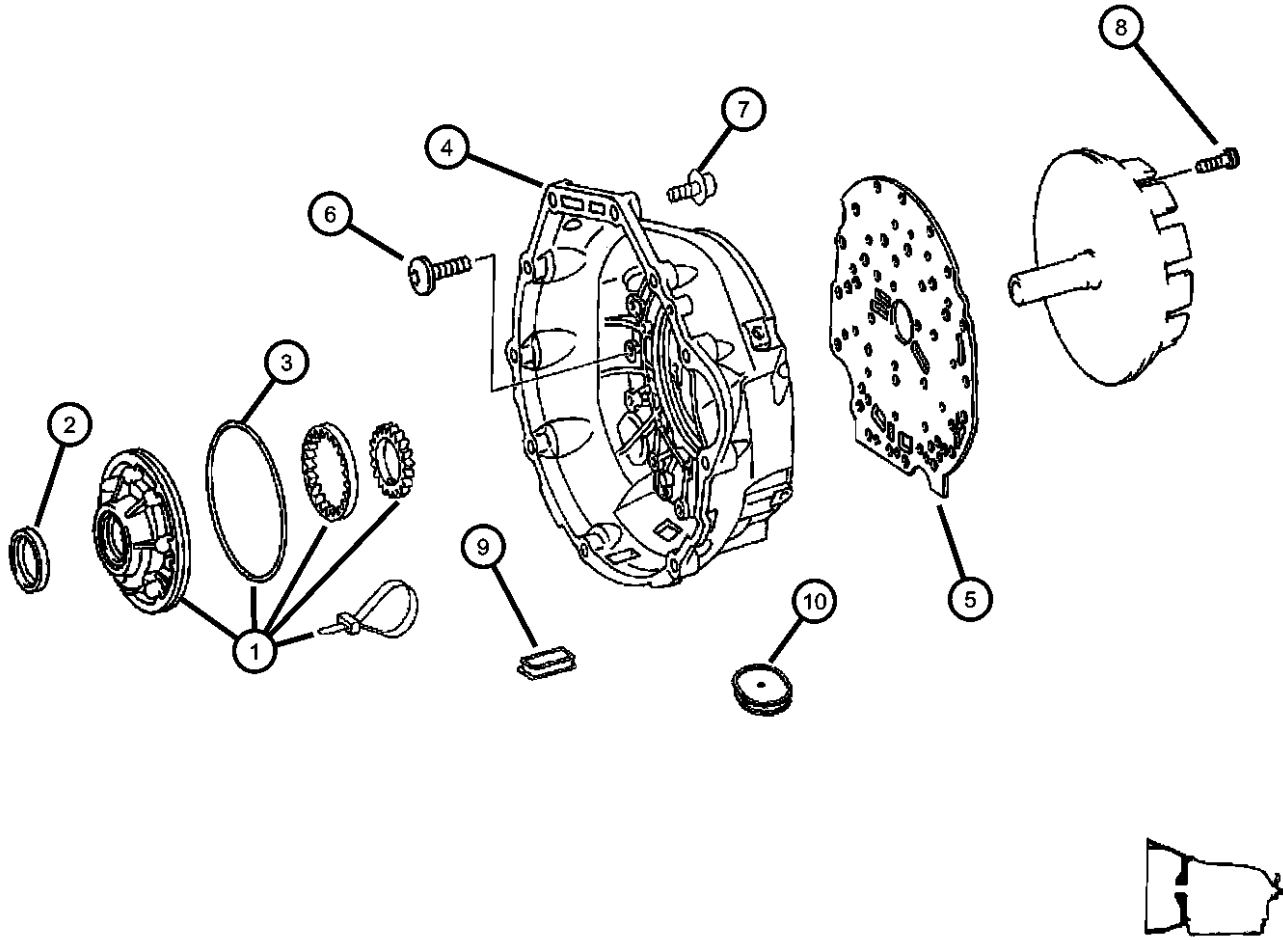
NOTE:

Sales Code:

[DGZ]=5 Speed Automatic Transmission - [W5A380]

[EGZ]=3.5L V-6 Gas Engine [Mercedes Benz]

[EXM]=3.0L Turbo Diesel Engine [Mercedes Benz]



1	05080070AA	1	2, 3, 6, 7	L		EG2, EXM	DGZ		PUMP, Transmission Oil
2	52108424AA	1	2, 3, 6, 7	L		EG2, EXM	DGZ		SEAL
3	52107900AA	1	2, 3, 6, 7	L		EG2, EXM	DGZ		O RING
4	05161462AA	1	2, 3, 6, 7	L		EG2, EXM	DGZ		HOUSING, Torque Converter
5	52108147AA	1	2, 3, 6, 7	L		EG2, EXM	DGZ		PLATE, Intermediate
6	06104158AA	2	2, 3, 6, 7	L		EG2, EXM	DGZ		SCREW [M8x40]
	52108206AA	15	2, 3, 6, 7	L		EG2, EXM	DGZ		Bell Housing To Transmission Case [M8x40]
7	52107934AA	11	2, 3, 6, 7	L		EG2, EXM	DGZ		SCREW, Transmission To Engine Block
8	52107933AA	7	2, 3, 6, 7	L		EG2, EXM	DGZ		SCREW, Intermediate Plate & Disc Support To Bell Housing
9	05073886AA	2	2, 3, 6, 7	L		EG2, EXM	DGZ		GASKET, Converter Housing Cover
10	53013767AA	1	2, 3, 6, 7	L		EG2, EXM	DGZ		GASKET, Converter Housing Cover

SPRINTER (VB)

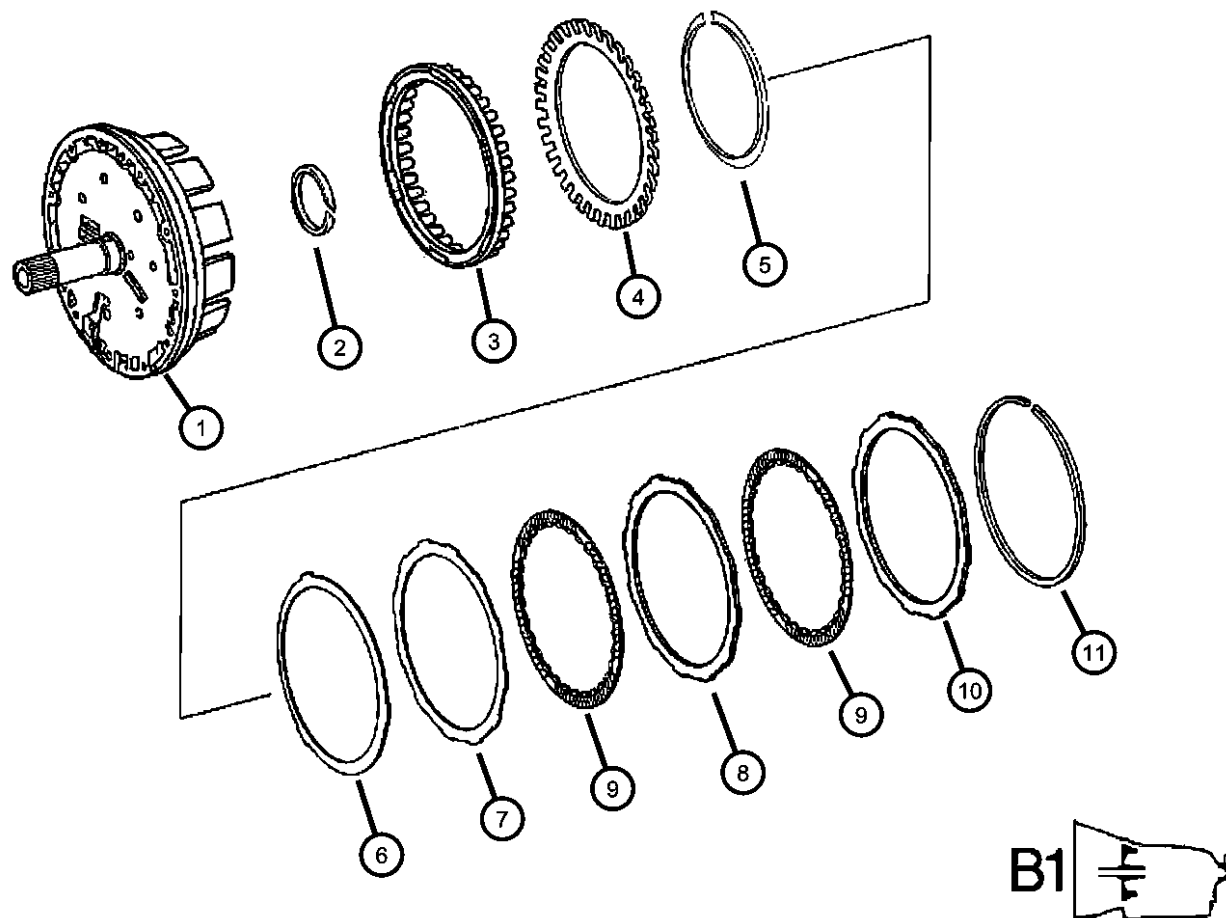
SERIES	LINE	BODY	ENGINE	TRANSMISSION
L = LOWLINE	3 = HD DODGE 2WD 2 = Med. Duty DODGE 2WD	03 = CAB CHASSIS WHEEL BASE 3 05 = CAB CHASSIS WHEEL BASE 5 13 = 119 WB 53 = 119 WB 15 = VAN WHEEL BASE 5 55 = WAGON WHEEL BASE 5 17 = VAN WHEEL BASE 7	EG2 = 3.5L V6 Gas Engine EXM = 3.0L V6 Turbo Diesel Engine	DGZ = 5-Speed Auto W5A380 Transmission

AR = use ase required - = Non illustrated part

2007 VB

Laminated Brake / [B1]
Figure NAG1-410

ITEM	PART NUMBER	QTY	LINE	SERIES	BODY	ENGINE	TRANS	TRIM	DESCRIPTION
1	05138365AA	1	2, 3, 6, 7	L		EG2	DGZ		HOLDING CLUTCH, Outer carrier, B1
	52108539AC	1	2, 3, 6, 7	L		EXM	DGZ		
2	52108028AA	2	2, 3, 6, 7	L		EG2, EXM	DGZ		SEAL, Transmission
3	52108506AA	1	2, 3, 6, 7	L		EG2, EXM	DGZ		PISTON
4	52108023AA	1	2, 3, 6, 7	L		EG2, EXM	DGZ		DISC, Spring
5	52107936AA	1	2, 3, 6, 7	L		EG2, EXM	DGZ		SNAP RING
6	52108024AA	1	2, 3, 6, 7	L		EG2, EXM	DGZ		DISC, Spring
7	52107992AA	1	2, 3, 6, 7	L		EG2, EXM	DGZ		DISC, Outer, [1.8MM]
8	52108508AA	4	2, 3, 6, 7	L		EXM, EG2	DGZ		DISC, Outer, [2.07MM]
9	52108507AA	4	2, 3, 6, 7	L		EG2, EXM	DGZ		DISC, Inner
10	52107994AA	1	2, 3, 6, 7	L		EG2, EXM	DGZ		DISC, Outer, [4.0MM]
11	52107949AA	AR	2, 3, 6, 7	L		EG2, EXM	DGZ		SNAP RING [2.6MM]
	52107950AA	AR	2, 3, 6, 7	L		EG2, EXM	DGZ		[2.9MM]
	52107951AA	AR	3, 6, 7, 2	L		EG2, EXM	DGZ		[3.2MM]
	52107952AA	AR	2, 3, 6, 7	L		EG2, EXM	DGZ		[3.5MM]



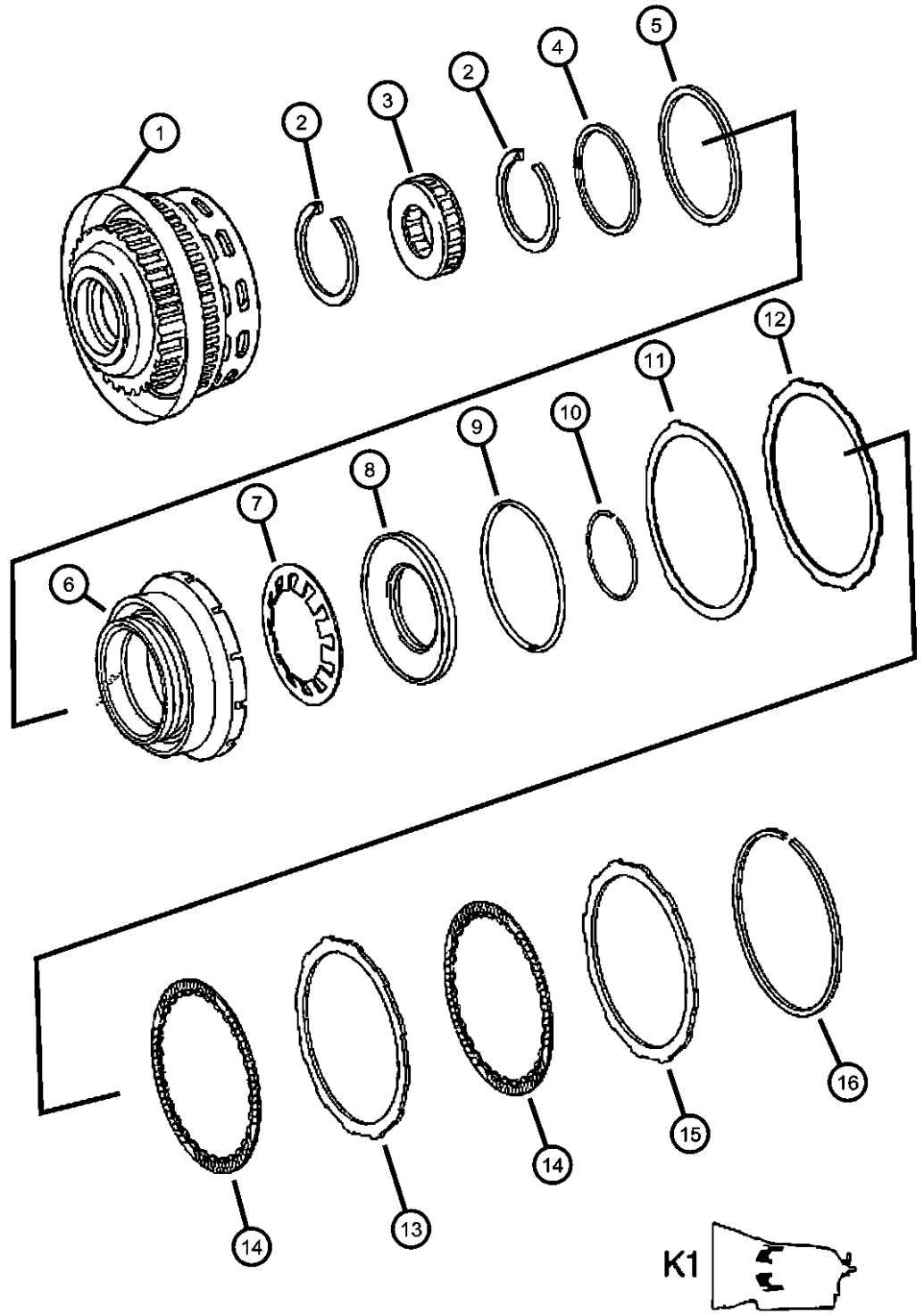
SPRINTER (VB)

SERIES	LINE	BODY	ENGINE	TRANSMISSION
L = LOWLINE	3 = HD DODGE 2WD 2 = Med. Duty DODGE 2WD	03 = CAB CHASSIS WHEEL BASE 3 05 = CAB CHASSIS WHEEL BASE 5 13 = 119 WB 53 = 119 WB 15 = VAN WHEEL BASE 5 55 = WAGON WHEEL BASE 5 17 = VAN WHEEL BASE 7	EG2 = 3.5L V6 Gas Engine EXM = 3.0L V6 Turbo Diesel Engine	DGZ = 5-Speed Auto W5A380 Transmission

AR = use ase required - = Non illustrated part

2007 VB

**Front Planetary Gear Train, Clutch / [K1]
Figure NAG1-420**



ITEM	PART NUMBER	QTY	LINE	SERIES	BODY	ENGINE	TRANS	TRIM	DESCRIPTION
NOTE: Sales Code: [DGZ]=5 Speed Automatic Transmission - [W5A380] [EGZ]=3.5L V-6 Gas Engine [Mercedes Benz] [EXM]=3.0L Turbo Diesel Engine [Mercedes Benz]									
1									DISC, Support
	05183859AA	1	2, 3, 6, 7	L		EXM	DGZ		
	05183860AA	1	2, 3, 6, 7	L		EG2	DGZ		
2	52107955AA	2	2, 3, 6, 7	L		EG2, EXM	DGZ		SNAP RING
3	52108342AB	1	2, 3, 6, 7	L		EG2, EXM	DGZ		CLUTCH, Front Sun Gear Sprag, Freewheel Unit
4	52107938AA	1	2, 3, 6, 7	L		EG2, EXM	DGZ		SEAL, Transmission
5	52107939AA	1	2, 3, 6, 7	L		EG2, EXM	DGZ		SEAL, Transmission
6	52108059AA	1	2, 3, 6, 7	L		EG2, EXM	DGZ		PISTON
7	52108057AA	1	2, 3, 6, 7	L		EG2, EXM	DGZ		DISC, Spring
8	52108058AA	1	2, 3, 6, 7	L		EG2, EXM	DGZ		SPRING, Retainer
9	52107941AA	1	2, 3, 6, 7	L		EG2, EXM	DGZ		SEAL, Transmission
10	52107954AA	1	2, 3, 6, 7	L		EG2, EXM	DGZ		SNAP RING
11	52108024AA	1	2, 3, 6, 7	L		EG2, EXM	DGZ		DISC, Spring
12	52107992AA	1	2, 3, 6, 7	L		EXM, EG2	DGZ		DISC, Outer, [1.8MM]
13	52108508AA	4	2, 3, 6, 7	L		EG2, EXM	DGZ		DISC, Outer, [2.07MM]
14	52108507AA	4	2, 3, 6, 7	L		EG2, EXM	DGZ		DISC, Inner
15	52107994AA	1	2, 3, 6, 7	L		EG2, EXM	DGZ		DISC, Outer, [4.0MM]
16									SNAP RING
	52107949AA	AR	2, 3, 6, 7	L		EG2, EXM	DGZ		[2.6MM]
	52107950AA	AR	2, 3, 6, 7	L		EG2, EXM	DGZ		[2.9MM]
	52107951AA	AR	2, 3, 6, 7	L		EG2, EXM	DGZ		[3.2MM]
	52107952AA	AR	2, 3, 6, 7	L		EG2, EXM	DGZ		[3.5MM]
	52108373AA	AR	2, 3, 6, 7	L		EG2, EXM	DGZ		[3.8MM]

SPRINTER (VB)
 SERIES LINE BODY ENGINE TRANSMISSION
 L = LOWLINE 3 = HD DODGE 2WD 03 = CAB CHASSIS WHEEL BASE 3 EG2 = 3.5L V6 Gas Engine DGZ = 5-Speed Auto W5A380 Transmission
 2 = Med. Duty DODGE 2WD 05 = CAB CHASSIS WHEEL BASE 5 EXM = 3.0L V6 Turbo Diesel Engine

13 = 119 WB
 53 = 119 WB
 15 = VAN WHEEL BASE 5
 55 = WAGON WHEEL BASE 5
 17 = VAN WHEEL BASE 7

AR = use ase required - = Non illustrated part

**Front Planetary Gear Train / [K1]
Figure NAG1-430**

ITEM	PART NUMBER	QTY	LINE	SERIES	BODY	ENGINE	TRANS	TRIM	DESCRIPTION
------	-------------	-----	------	--------	------	--------	-------	------	-------------

NOTE:

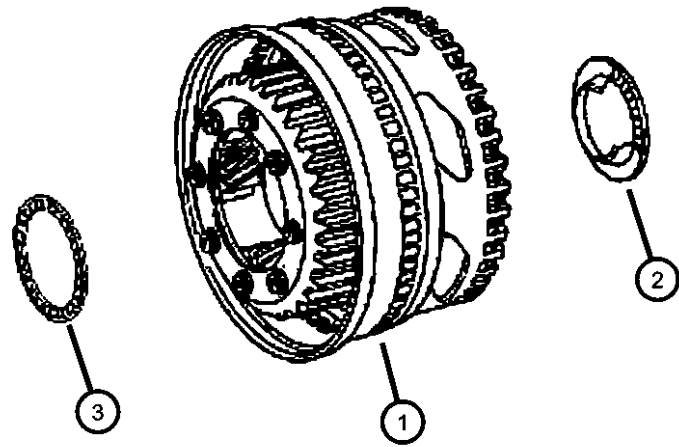
Sales Code:

[DGZ]=5 Speed Automatic Transmission - [W5A380]

[EGZ]=3.5L V-6 Gas Engine [Mercedes Benz]

[EXM]=3.0L Turbo Diesel Engine [Mercedes Benz]

1	52108513AA	1	2, 3, 6, 7	L		EG2, EXM	DGZ		CARRIER, Planetary
2	52108123AA	1	2, 3, 6, 7	L		EG2, EXM	DGZ		NEEDLE BEARING
3	52108122AA	1	2, 3, 6, 7	L		EG2, EXM	DGZ		NEEDLE BEARING



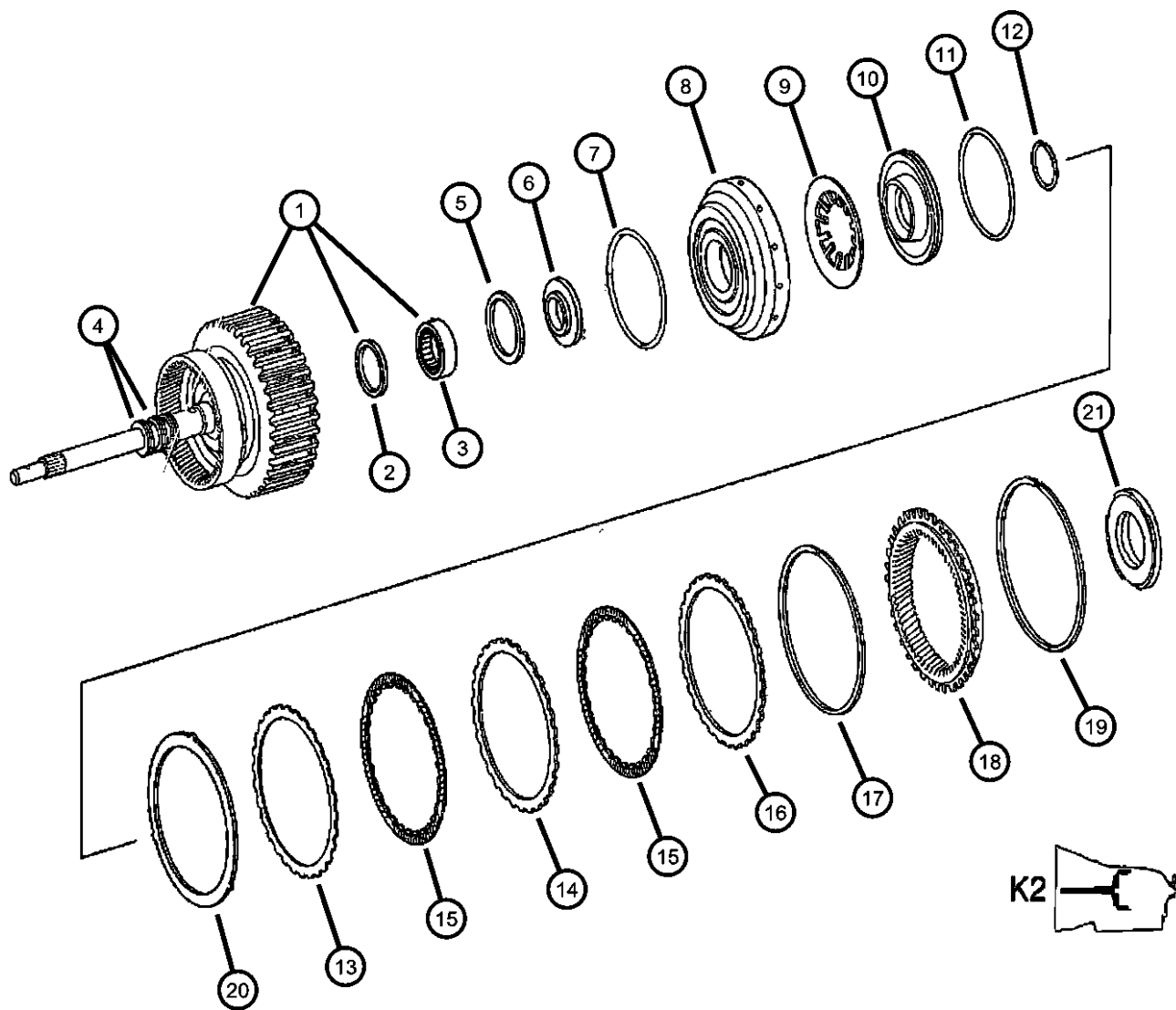
SPRINTER (VB)

SERIES	LINE	BODY	ENGINE	TRANSMISSION
L = LOWLINE	3 = HD DODGE 2WD 2 = Med. Duty DODGE 2WD	03 = CAB CHASSIS WHEEL BASE 3 05 = CAB CHASSIS WHEEL BASE 5 13 = 119 WB 53 = 119 WB 15 = VAN WHEEL BASE 5 55 = WAGON WHEEL BASE 5 17 = VAN WHEEL BASE 7	EG2 = 3.5L V6 Gas Engine EXM = 3.0L V6 Turbo Diesel Engine	DGZ = 5-Speed Auto W5A380 Transmission

AR = use ase required - = Non illustrated part

2007 VB

**Clutch / [K2] Output Shaft
Figure NAG1-440**



ITEM	PART NUMBER	QTY	LINE	SERIES	BODY	ENGINE	TRANS	TRIM	DESCRIPTION
NOTE: Sales Code: [DGZ]=5 Speed Automatic Transmission - [W5A380] [EGZ]=3.5L V-6 Gas Engine [Mercedes Benz] [EXM]=3.0L Turbo Diesel Engine [Mercedes Benz]									
1	52108044AA	1	2, 3, 6, 7	L		EG2, EXM	DGZ		SHAFT, Input
2	52108127AA	1	2, 3, 6, 7	L		EG2, EXM	DGZ		SEAL, Transmission
3	52108126AA	1	2, 3, 6, 7	L		EG2, EXM	DGZ		NEEDLE BEARING
4	05179366AA	3	2, 3, 6, 7	L		EG2, EXM	DGZ		SEAL, Transmission
5	52108134AA	1	2, 3, 6, 7	L		EG2, EXM	DGZ		SEAL, Transmission
6	52107928AA	1	2, 3, 6, 7	L		EG2, EXM	DGZ		PLATE
7	52108135AA	1	2, 3, 6, 7	L		EG2, EXM	DGZ		SEAL, Input Shaft
8									PISTON
	52108136AA	1	2, 3, 6, 7	L		EXM	DGZ		
	52108517AA	1	2, 3, 6, 7	L		EG2	DGZ		
9	52108137AA	1	2, 3, 6, 7	L		EG2, EXM	DGZ		DISC, Spring
10	52108138AB	1	2, 3, 6, 7	L		EG2, EXM	DGZ		SPRING, Retainer
11	52108140AA	1	2, 3, 6, 7	L		EG2, EXM	DGZ		SEAL, Transmission
12	52107970AA	AR	2, 3, 6, 7	L		EG2, EXM	DGZ		SNAP RING
13	52107996AA	1	2, 3, 6, 7	L		EG2, EXM	DGZ		DISC, Outer, [1.8MM]
14	05174859AA	5	2, 3, 6, 7	L		EG2, EXM	DGZ		DISC, Outer, [2.8MM]
15	52108141AB	6	2, 3, 6, 7	L		EG2, EXM	DGZ		DISC, Inner
16	05174860AA	1	2, 3, 6, 7	L		EG2, EXM	DGZ		DISC, Outer, [4.0MM]
17									SNAP RING
	52107958AA	1	2, 3, 6, 7	L		EG2, EXM	DGZ		[2.3MM]
	52107959AA	1	2, 3, 6, 7	L		EG2, EXM	DGZ		[2.6MM]
	52107960AA	1	2, 3, 6, 7	L		EG2, EXM	DGZ		[2.9MM]
	52107961AA	1	2, 3, 6, 7	L		EG2, EXM	DGZ		[3.2MM]
	52107962AA	1	2, 3, 6, 7	L		EG2, EXM	DGZ		[3.5MM]
18	52107922AA	1	2, 3, 6, 7	L		EG2, EXM	DGZ		GEAR, Rear Annulus
19	52107926AA	1	2, 3, 6, 7	L		EG2, EXM	DGZ		SNAP RING
20	52108346AA	1	2, 3, 6, 7	L		EG2, EXM	DGZ		DISC, Spring
21	52107927AA	1	2, 3, 6, 7	L		EG2, EXM	DGZ		NEEDLE BEARING

SPRINTER (VB)

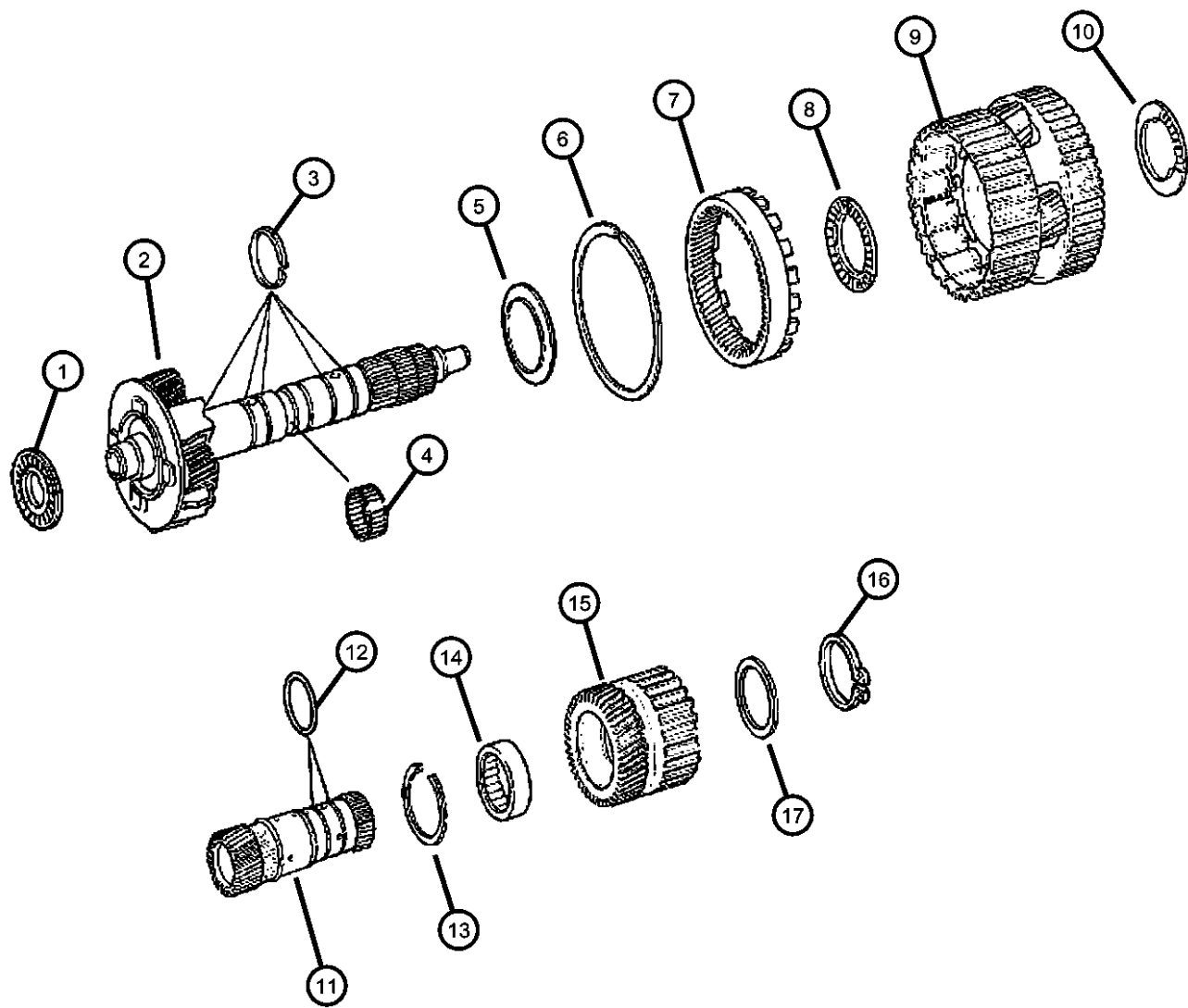
SERIES	LINE	BODY	ENGINE	TRANSMISSION
L = LOWLINE	3 = HD DODGE 2WD 2 = Med. Duty DODGE 2WD	03 = CAB CHASSIS WHEEL BASE 3 05 = CAB CHASSIS WHEEL BASE 5 13 = 119 WB 53 = 119 WB 15 = VAN WHEEL BASE 5 55 = WAGON WHEEL BASE 5 17 = VAN WHEEL BASE 7	EG2 = 3.5L V6 Gas Engine EXM = 3.0L V6 Turbo Diesel Engine	DGZ = 5-Speed Auto W5A380 Transmission

AR = use ase required - = Non illustrated part

**Center Planetary Set / Output Shaft / [MPLS/HPLS]
Figure NAG1-450**

ITEM	PART NUMBER	QTY	LINE	SERIES	BODY	ENGINE	TRANS	TRIM	DESCRIPTION
------	-------------	-----	------	--------	------	--------	-------	------	-------------

NOTE:
Sales Code:
[DGZ]=5 Speed Automatic Transmission - [W5A380]
[EGZ]=3.5L V-6 Gas Engine [Mercedes Benz]
[EXM]=3.0L Turbo Diesel Engine [Mercedes Benz]

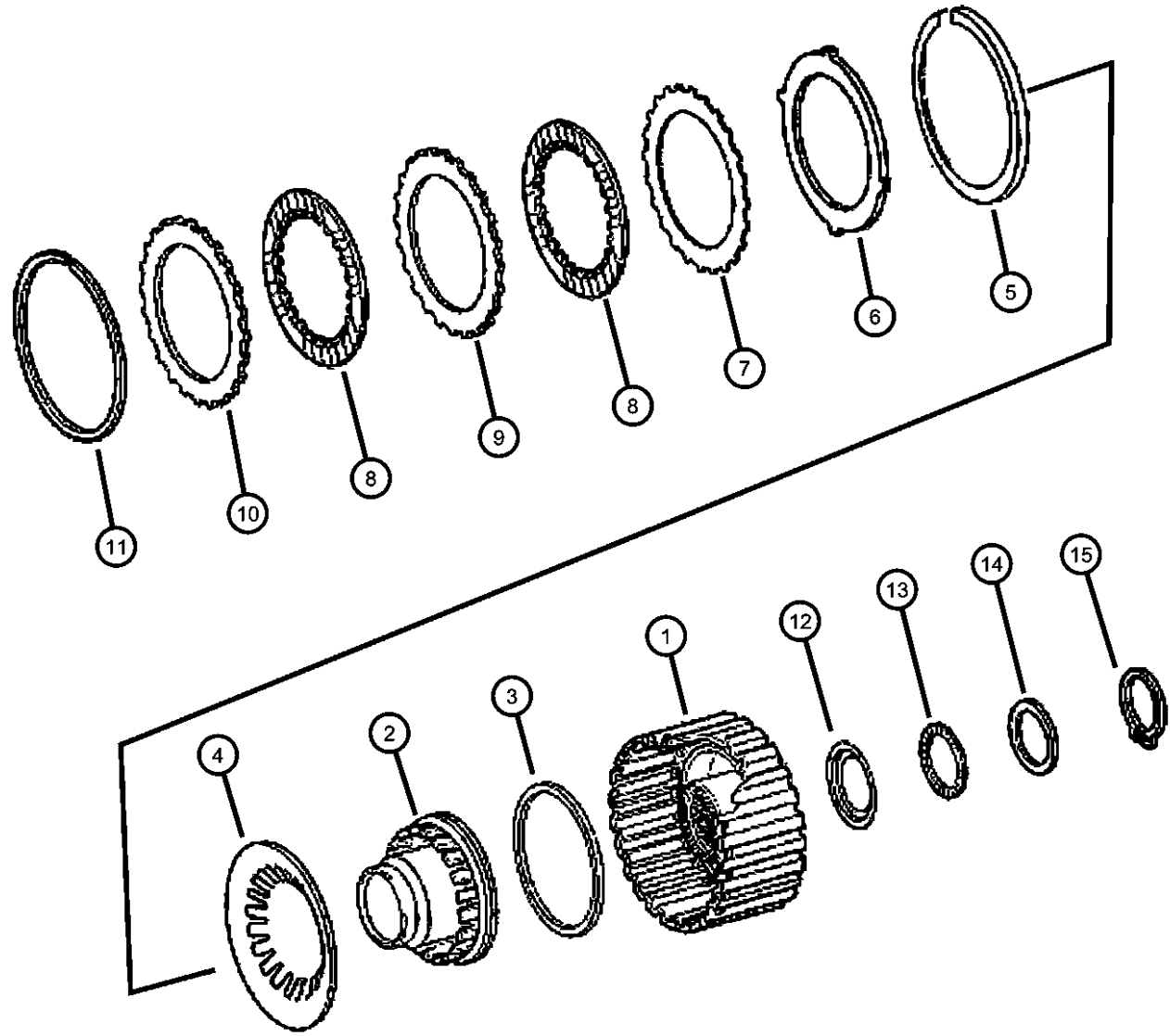


1	52107927AA	1	2, 3, 6, 7	L		EG2, EXM	DGZ		NEEDLE BEARING
2	52107929AA	1	2, 3, 6, 7	L		EG2, EXM	DGZ		SHAFT, Output
3	05179367AA	5	2, 3, 6, 7	L		EG2, EXM	DGZ		SEAL, Transmission
4	52108069AA	1	2, 3, 6, 7	L		EG2, EXM	DGZ		NEEDLE BEARING
5	52108070AA	1	2, 3, 6, 7	L		EG2, EXM	DGZ		PLATE
6	52108374AA	1	2, 3, 6, 7	L		EG2, EXM	DGZ		SNAP RING
7	52108376AA	1	2, 3, 6, 7	L		EG2, EXM	DGZ		GEAR, Annulus
8	52107931AA	1	2, 3, 6, 7	L		EG2, EXM	DGZ		NEEDLE BEARING
9	52108072AA	1	2, 3, 6, 7	L		EG2, EXM	DGZ		CARRIER, Planetary
10	52107932AA	1	2, 3, 6, 7	L		EG2, EXM	DGZ		NEEDLE BEARING
11	52108078AA	1	2, 3, 6, 7	L		EG2, EXM	DGZ		GEAR, Sun
12	52108085AA	2	2, 3, 6, 7	L		EG2, EXM	DGZ		SEAL, Transmission
13	52107966AA	1	2, 3, 6, 7	L		EG2, EXM	DGZ		SNAP RING
14	52108522AA	1	2, 3, 6, 7	L		EG2, EXM	DGZ		BEARING, Output Shaft, Freewheel Unit
15	52108519AA	1	2, 3, 6, 7	L		EG2, EXM	DGZ		GEAR, Sun
16	52107967AA	1	2, 3, 6, 7	L		EG2, EXM	DGZ		SNAP RING
17	52108379AA	1	2, 3, 6, 7	L		EG2, EXM	DGZ		SPACER



SPRINTER (VB)				
SERIES	LINE	BODY	ENGINE	TRANSMISSION
L = LOWLINE	3 = HD DODGE 2WD 2 = Med. Duty DODGE 2WD	03 = CAB CHASSIS WHEEL BASE 3 05 = CAB CHASSIS WHEEL BASE 5 13 = 119 WB 53 = 119 WB 15 = VAN WHEEL BASE 5 55 = WAGON WHEEL BASE 5 17 = VAN WHEEL BASE 7	EG2 = 3.5L V6 Gas Engine EXM = 3.0L V6 Turbo Diesel Engine	DGZ = 5-Speed Auto W5A380 Transmission

Clutch / [K3]
Figure NAG1-460



ITEM	PART NUMBER	QTY	LINE	SERIES	BODY	ENGINE	TRANS	TRIM	DESCRIPTION
1									RETAINER, Clutch
	52108524AA	1	2, 3, 6, 7	L		EG2	DGZ		
	52108548AB	1	2, 3, 6, 7	L		EXM	DGZ		
2	52108094AA	1	2, 3, 6, 7	L		EG2, EXM	DGZ		PISTON
3	52108093AA	1	2, 3, 6, 7	L		EG2, EXM	DGZ		SEAL, Transmission
4	52108095AA	1	2, 3, 6, 7	L		EG2, EXM	DGZ		DISC, Spring
5	52107968AA	1	2, 3, 6, 7	L		EG2, EXM	DGZ		SNAP RING
6	52108096AA	1	2, 3, 6, 7	L		EG2, EXM	DGZ		DISC, Spring
7	52108004AA	1	2, 3, 6, 7	L		EG2, EXM	DGZ		DISC, Outer, [1.8MM]
8	52108528AA	1	2, 3, 6, 7	L		EG2, EXM	DGZ		DISC, Inner
9	52108529AA	5	2, 3, 6, 7	L		EG2, EXM	DGZ		DISC, Outer
10	52108011AA	1	2, 3, 6, 7	L		EG2, EXM	DGZ		DISC, Outer
11									SNAP RING
	52107970AA	AR	2, 3, 6, 7	L		EG2, EXM	DGZ		[2.3MM]
	52107972AA	AR	2, 3, 6, 7	L		EG2, EXM	DGZ		[2.9MM]
	52107973AA	AR	2, 3, 6, 7	L		EG2, EXM	DGZ		[3.2MM]
	52107974AA	AR	2, 3, 6, 7	L		EG2, EXM	DGZ		[2.0MM]
	52107971AA	1	2, 3, 6, 7	L		EG2, EXM	DGZ		[2.6MM]
12	52108148AA	1	2, 3, 6, 7	L		EXM, EG2	DGZ		SPACER
13	52108152AA	1	2, 3, 6, 7	L		EG2, EXM	DGZ		NEEDLE BEARING
14									PLATE
	52108149AA	AR	2, 3, 6, 7	L		EG2, EXM	DGZ		[3.7MM]
	52108150AA	AR	2, 3, 6, 7	L		EG2, EXM	DGZ		[3.1MM]
	52108151AA	AR	2, 3, 6, 7	L		EG2, EXM	DGZ		[3.4MM]
15	06507358AA	1	2, 3, 6, 7	L		EG2, EXM	DGZ		RING

SPRINTER (VB)

SERIES	LINE	BODY	ENGINE	TRANSMISSION
L = LOWLINE	3 = HD DODGE 2WD 2 = Med. Duty DODGE 2WD	03 = CAB CHASSIS WHEEL BASE 3 05 = CAB CHASSIS WHEEL BASE 5 13 = 119 WB 53 = 119 WB 15 = VAN WHEEL BASE 5 55 = WAGON WHEEL BASE 5 17 = VAN WHEEL BASE 7	EG2 = 3.5L V6 Gas Engine EXM = 3.0L V6 Turbo Diesel Engine	DGZ = 5-Speed Auto W5A380 Transmission

AR = use ase required - = Non illustrated part

**Multiple Disk Brake / [B2/B3]
Figure NAG1-470**

ITEM	PART NUMBER	QTY	LINE	SERIES	BODY	ENGINE	TRANS	TRIM	DESCRIPTION
------	-------------	-----	------	--------	------	--------	-------	------	-------------

NOTE:

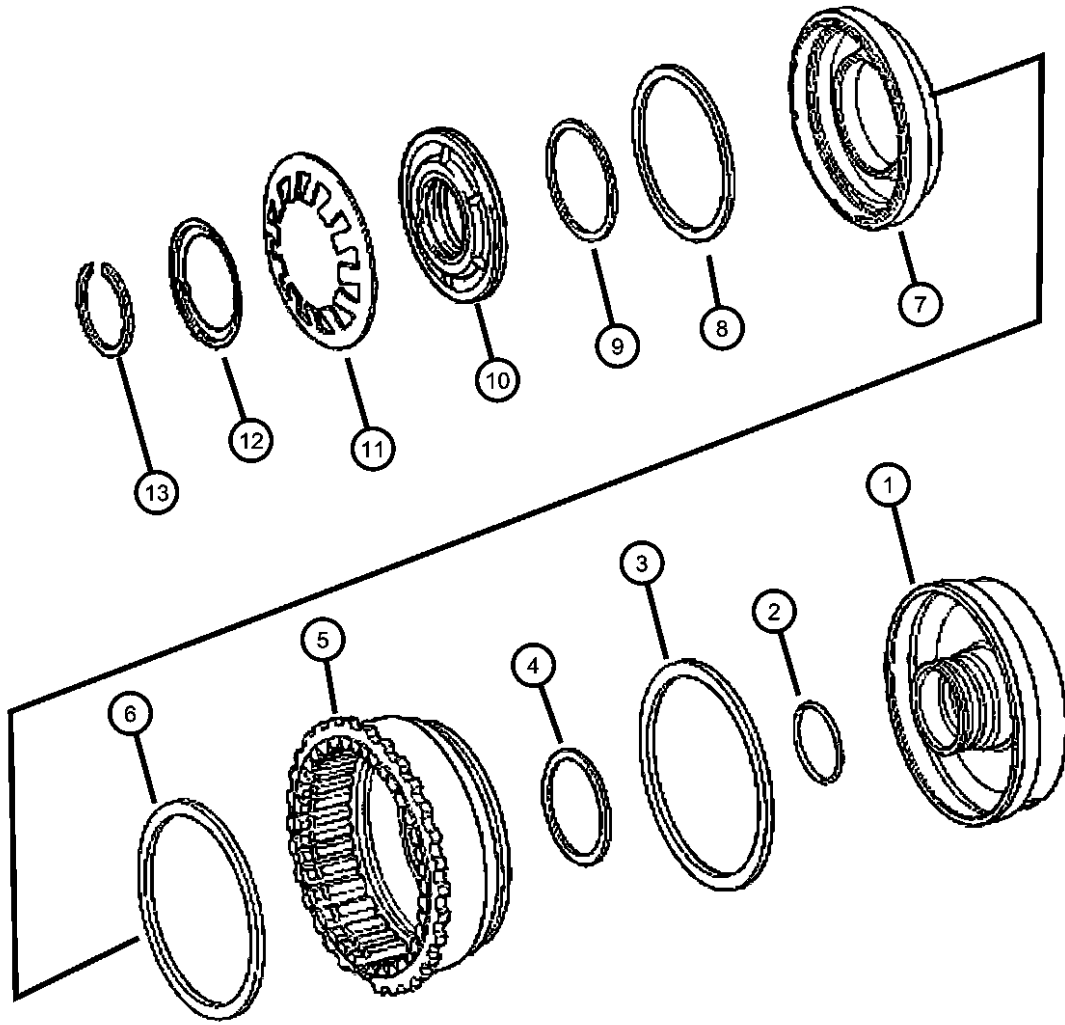
Sales Code:

[DGZ]=5 Speed Automatic Transmission - [W5A380]

[EGZ]=3.5L V-6 Gas Engine [Mercedes Benz]

[EXM]=3.0L Turbo Diesel Engine [Mercedes Benz]

1	52108182AA	1	2, 3, 6, 7	L		EG2, EXM	DGZ		PLUNGER
2	52108185AA	2	2, 3, 6, 7	L		EG2, EXM	DGZ		SEAL, Transmission
3	52108188AA	1	2, 3, 6, 7	L		EG2, EXM	DGZ		SEAL, Transmission
4	52108189AA	1	2, 3, 6, 7	L		EG2, EXM	DGZ		SEAL, Transmission
5	52108395AA	1	2, 3, 6, 7	L		EG2, EXM	DGZ		PISTON
6	52108199AA	1	2, 3, 6, 7	L		EG2, EXM	DGZ		SEAL, Transmission
7	52108191AA	1	2, 3, 6, 7	L		EG2, EXM	DGZ		PISTON
8	52108200AA	1	2, 3, 6, 7	L		EG2, EXM	DGZ		SEAL, Transmission
9	52108201AA	1	2, 3, 6, 7	L		EG2, EXM	DGZ		SEAL, Transmission
10	52108351AA	1	2, 3, 6, 7	L		EG2, EXM	DGZ		RING, Piston
11	52108202AA	1	2, 3, 6, 7	L		EG2, EXM	DGZ		DISC, Spring
12	52108203AA	1	2, 3, 6, 7	L		EG2, EXM	DGZ		SPRING, Retainer
13	52107977AA	1	2, 3, 6, 7	L		EG2, EXM	DGZ		SNAP RING



SPRINTER (VB)

SERIES	LINE	BODY	ENGINE	TRANSMISSION
L = LOWLINE	3 = HD DODGE 2WD 2 = Med. Duty DODGE 2WD	03 = CAB CHASSIS WHEEL BASE 3 05 = CAB CHASSIS WHEEL BASE 5 13 = 119 WB 53 = 119 WB 15 = VAN WHEEL BASE 5 55 = WAGON WHEEL BASE 5 17 = VAN WHEEL BASE 7	EG2 = 3.5L V6 Gas Engine EXM = 3.0L V6 Turbo Diesel Engine	DGZ = 5-Speed Auto W5A380 Transmission

AR = use ase required - = Non illustrated part

2007 VB

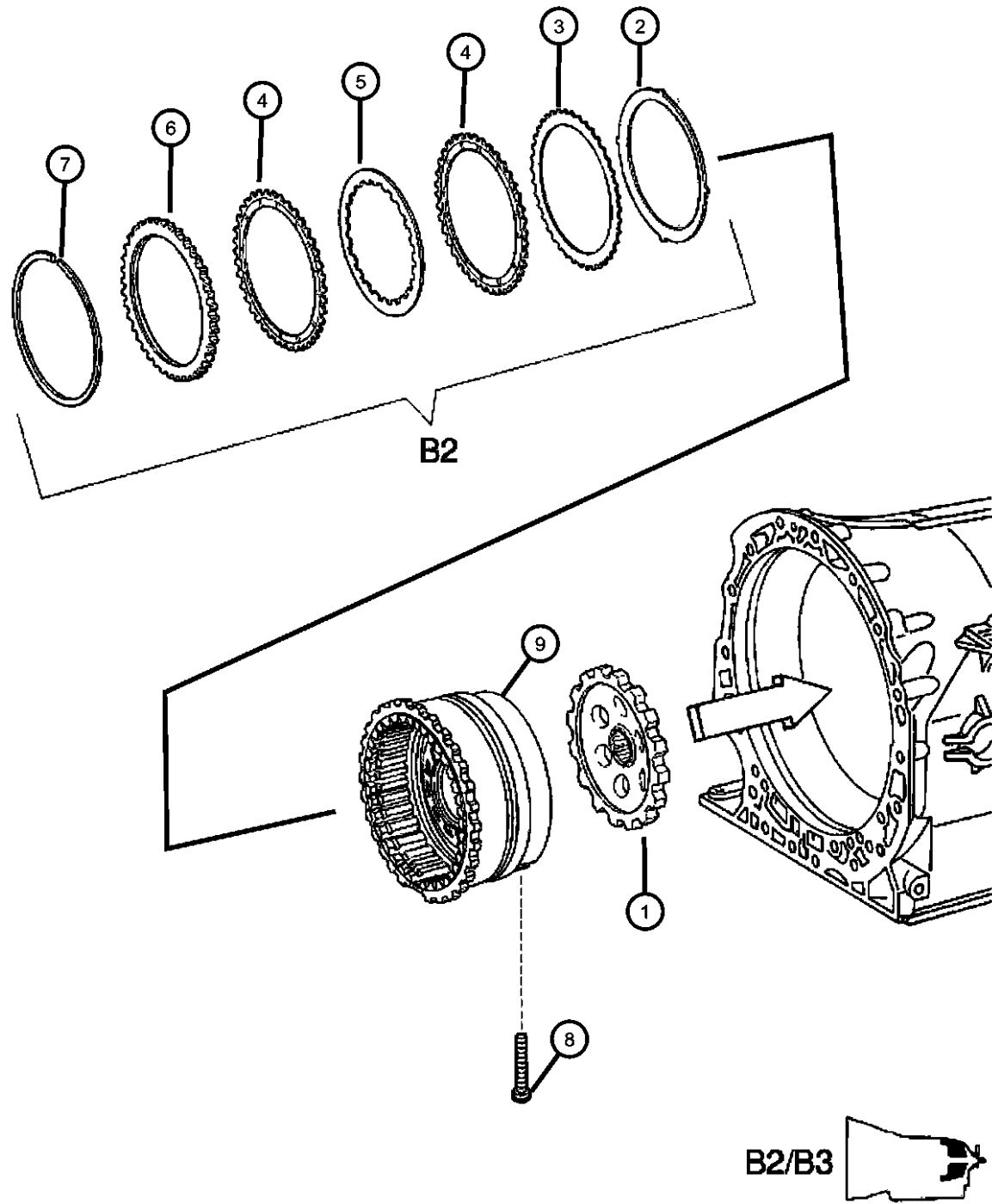
**Multiple Disk Brake / [B2/B3]
Figure NAG1-480**

ITEM	PART NUMBER	QTY	LINE	SERIES	BODY	ENGINE	TRANS	TRIM	DESCRIPTION
------	-------------	-----	------	--------	------	--------	-------	------	-------------

NOTE: Drum Package Is Not Serviced In An Assembly. Please See Illustration [#470] Callouts [1,2,3,4 & 5] To Obtain Part Numbers
Sales Code:

[DGZ]=5 Speed Automatic Transmission - [W5A380]
[EGZ]=3.5L V-6 Gas Engine [Mercedes Benz]
[EXM]=3.0L Turbo Diesel Engine [Mercedes Benz]

1	05117843AA	1	2, 3, 6, 7	L					SPRAG, Transmission Parking
2	52108354AA	1	2, 3, 6, 7	L		EG2, EXM	DGZ		DISC, Spring
3	52108013AA	1	2, 3, 6, 7	L		EXM, EG2	DGZ		DISC, Outer, [1.8MM]
4	52108572AA	5	2, 3, 6, 7	L		EG2, EXM	DGZ		DISC, Outer
5	52108015AA	4	2, 3, 6, 7	L		EG2, EXM	DGZ		DISC, Inner
6	52108014AA	1	2, 3, 6, 7	L		EG2, EXM	DGZ		DISC, Outer, [6.5MM]
7									SNAP RING
	52107979AA	AR	2, 3, 6, 7	L		EG2, EXM	DGZ		[4.1MM]
	52107980AA	AR	2, 3, 6, 7	L		EG2, EXM	DGZ		[3.8MM]
	52107981AA	AR	2, 3, 6, 7	L		EG2, EXM	DGZ		[3.5MM]
	52107982AA	AR	2, 3, 6, 7	L		EG2, EXM	DGZ		[3.2MM]
	52107983AA	AR	2, 3, 6, 7	L		EG2, EXM	DGZ		[2.9MM]
8	52108205AA	2	2, 3, 6, 7	L		EG2, EXM	DGZ		SCREW
9	52108205AA	2							DRUM, Note:Drum Package Is Not Serviced In An Assembly. Please See Illustration [#470] Callouts [1,2,3,4 & 5] To Obtain Part Numbers, (NOT SERVICED)



SPRINTER (VB)

SERIES	LINE	BODY	ENGINE	TRANSMISSION
L = LOWLINE	3 = HD DODGE 2WD 2 = Med. Duty DODGE 2WD	03 = CAB CHASSIS WHEEL BASE 3 05 = CAB CHASSIS WHEEL BASE 5 13 = 119 WB 53 = 119 WB 15 = VAN WHEEL BASE 5 55 = WAGON WHEEL BASE 5 17 = VAN WHEEL BASE 7	EG2 = 3.5L V6 Gas Engine EXM = 3.0L V6 Turbo Diesel Engine	DGZ = 5-Speed Auto W5A380 Transmission

AR = use ase required - = Non illustrated part

2007 VB

**Multiple Disk Brake / [B2/B3]
Figure NAG1-490**

ITEM	PART NUMBER	QTY	LINE	SERIES	BODY	ENGINE	TRANS	TRIM	DESCRIPTION
------	-------------	-----	------	--------	------	--------	-------	------	-------------

NOTE:

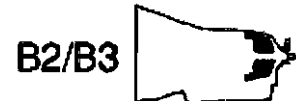
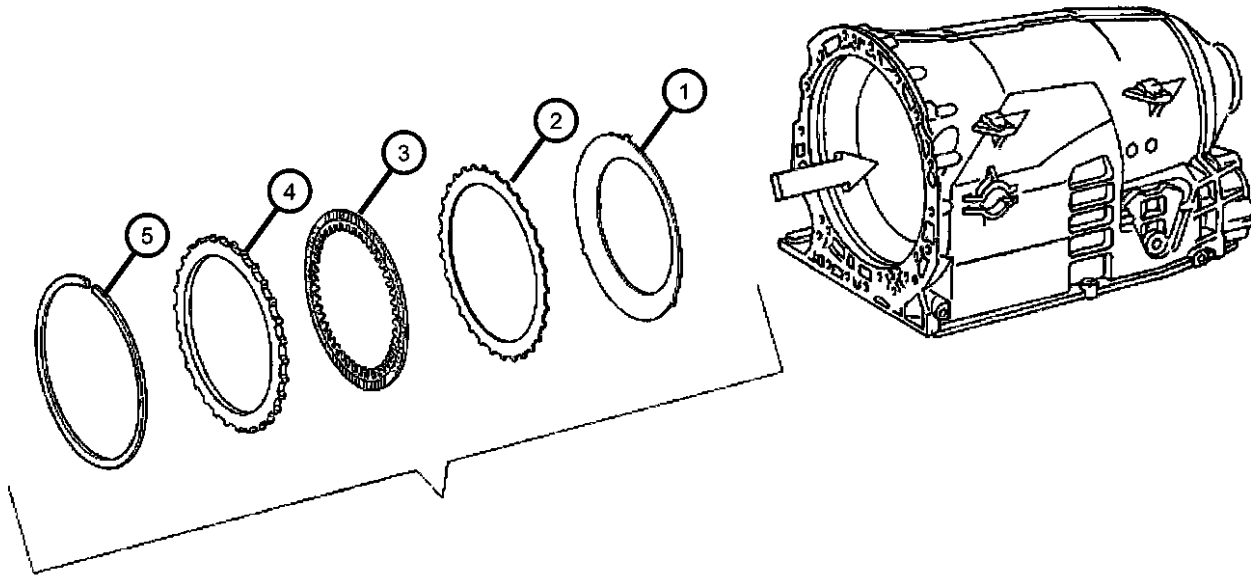
Sales Code:

[DGZ]=5 Speed Automatic Transmission - [W5A380]

[EGZ]=3.5L V-6 Gas Engine [Mercedes Benz]

[EXM]=3.0L Turbo Diesel Engine [Mercedes Benz]

1	52108356AA	1	2, 3, 6, 7	L		EG2, EXM	DGZ		DISC, Spring
2	52108017AA	5	2, 3, 6, 7	L		EG2, EXM	DGZ		DISC, Outer, [1.8MM]
3	52108573AA	4	2, 3, 6, 7	L		EG2, EXM	DGZ		DISC, Inner
4	52108018AA	1	2, 3, 6, 7	L		EG2, EXM	DGZ		DISC, Outer, [6.5MM]
5									SNAP RING
	52107990AA	AR	2, 3, 6, 7	L		EG2, EXM	DGZ		[4.8MM]
	52107985AA	AR	2, 3, 6, 7	L		EG2, EXM	DGZ		[3.2MM]
	52107986AA	AR	2, 3, 6, 7	L		EG2, EXM	DGZ		[3.5MM]
	52107987AA	AR	2, 3, 6, 7	L		EG2, EXM	DGZ		[3.8MM]
	52107988AA	AR	2, 3, 6, 7	L		EG2, EXM	DGZ		[4.1MM]
	52107989AA	AR	2, 3, 6, 7	L		EG2, EXM	DGZ		[4.4MM]



SPRINTER (VB)

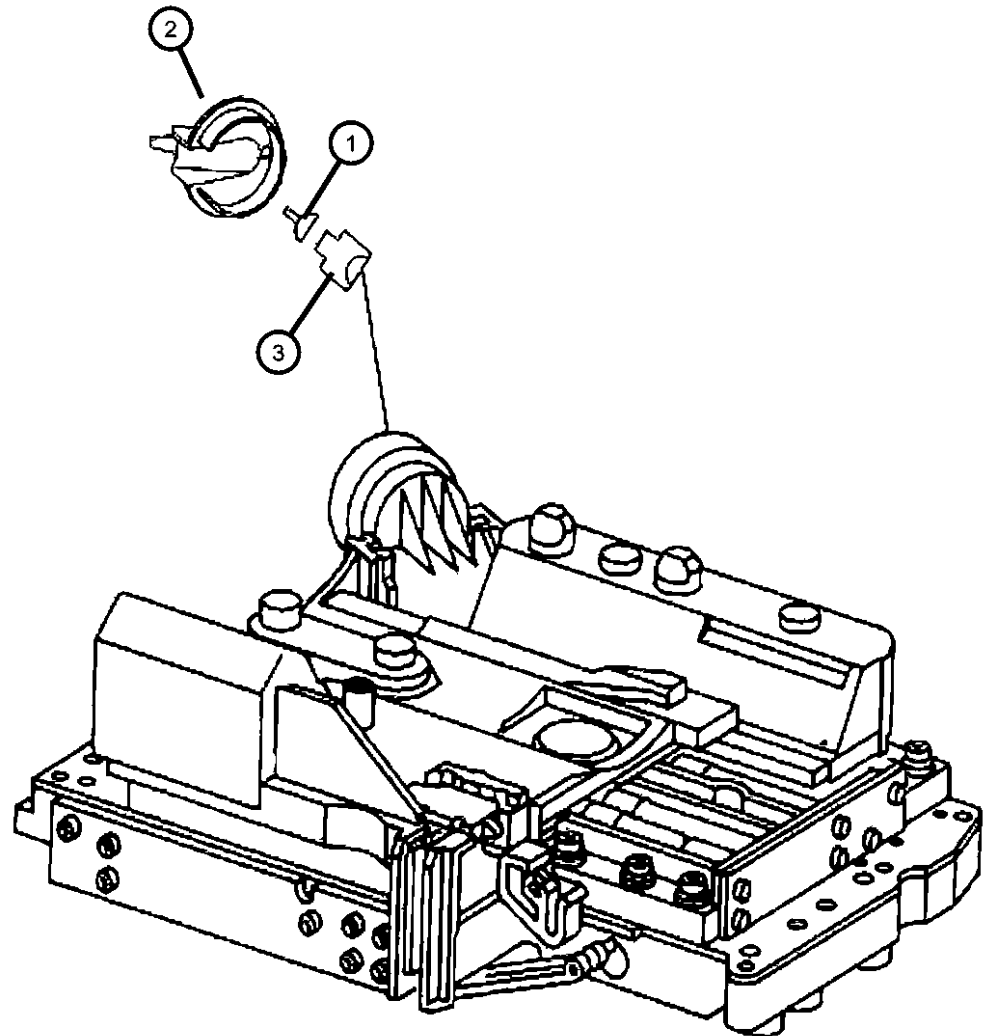
SERIES	LINE	BODY	ENGINE	TRANSMISSION
L = LOWLINE	3 = HD DODGE 2WD 2 = Med. Duty DODGE 2WD	03 = CAB CHASSIS WHEEL BASE 3 05 = CAB CHASSIS WHEEL BASE 5 13 = 119 WB 53 = 119 WB 15 = VAN WHEEL BASE 5 55 = WAGON WHEEL BASE 5 17 = VAN WHEEL BASE 7	EG2 = 3.5L V6 Gas Engine EXM = 3.0L V6 Turbo Diesel Engine	DGZ = 5-Speed Auto W5A380 Transmission

AR = use ase required - = Non illustrated part

2007 VB

**Harness To Valve Body Connector Repair
Figure NAG1-705**

ITEM	PART NUMBER	QTY	LINE	SERIES	BODY	ENGINE	TRANS	TRIM	DESCRIPTION
1	05142110AA	1	2, 3, 6, 7	L		EG2, EXM	DGZ		WIRING, Repair Harness
2	05120884AA	1	2, 3, 6, 7	L		EG2, EXM	DGZ		CAP
3	05120265AA	1	2, 3, 6, 7	L		EG2, EXM	DGZ		CONNECTOR
-4	05135804AA	1	2, 3, 6, 7	L		EG2, EXM	DGZ		TUBE, Heat Shrink, [Green / 0.7 - 2.4 MM2]
-5									TUBING, Heat Shrinkable
	05135848AA	1	2, 3, 6, 7	L		EG2, EXM	DGZ		[Red / 2.0 - 4.0 MM2]
	05135849AA	1	2, 3, 6, 7	L		EG2, EXM	DGZ		[Blue / 3.5 - 8.0 MM2]
	05135850AA	1	2, 3, 6, 7	L		EG2, EXM	DGZ		[Yellow / 7.5 - 12.0 MM2]
-6									TUBING, Heat Shrinkable
	05135851AA	1	2, 3, 6, 7	L		EG2, EXM	DGZ		Joint [0.5 MM2]
	05135852AA	1	2, 3, 6, 7	L		EG2, EXM	DGZ		Joint [0.8 MM2]
	05135853AA	1	2, 3, 6, 7	L		EG2, EXM	DGZ		Joint [1.3 MM2]
	05135854AA	1	2, 3, 6, 7	L		EG2, EXM	DGZ		Joint [2.0 MM2]



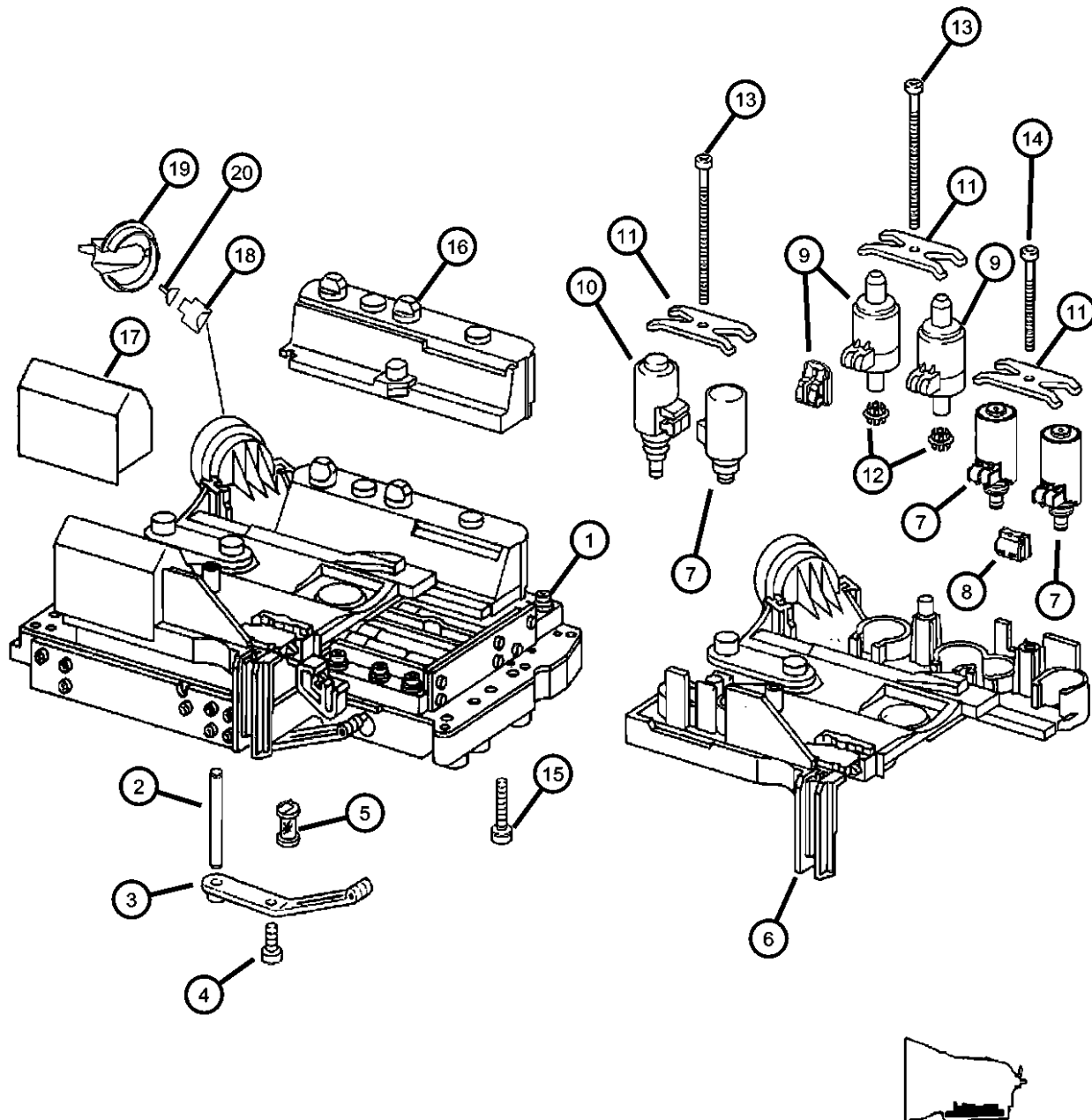
SPRINTER (VB)

SERIES	LINE	BODY	ENGINE	TRANSMISSION
L = LOWLINE	3 = HD DODGE 2WD 2 = Med. Duty DODGE 2WD	03 = CAB CHASSIS WHEEL BASE 3 05 = CAB CHASSIS WHEEL BASE 5 13 = 119 WB 53 = 119 WB 15 = VAN WHEEL BASE 5 55 = WAGON WHEEL BASE 5 17 = VAN WHEEL BASE 7	EG2 = 3.5L V6 Gas Engine EXM = 3.0L V6 Turbo Diesel Engine	DGZ = 5-Speed Auto W5A380 Transmission

AR = use ase required - = Non illustrated part

2007 VB

**Electronic Hydraulic Control Unit
Figure NAG1-710**



ITEM	PART NUMBER	QTY	LINE	SERIES	BODY	ENGINE	TRANS	TRIM	DESCRIPTION
NOTE: Sales Code: [DGZ]=5 Speed Automatic Transmission - [W5A380] [EGZ]=3.5L V-6 Gas Engine [Mercedes Benz] [EXM]=3.0L Turbo Diesel Engine [Mercedes Benz]									
1	05138813AA	1	2, 3, 6, 7	L		EG2, EXM	DGZ		VALVE BODY, Complete
2	52108277AA	1	2, 3, 6, 7	L		EG2, EXM	DGZ		DOWEL
3	52108258AA	1	2, 3, 6, 7	L		EG2, EXM	DGZ		SPRING, Detent-Plate Leaf Spring
4	52108266AA	1	2, 3, 6, 7	L		EG2, EXM	DGZ		SCREW
5	52108304AA	1	2, 3, 6, 7	L		EG2, EXM	DGZ		FILTER, Transmission Oil
6	05097219AA	1	2, 3, 6, 7	L		EG2, EXM	DGZ		VALVE BODY, Electronics Only
7	52108313AA	3	2, 3, 6, 7	L		EG2, EXM	DGZ		SOLENOID, Transmission, [PMW] Valve / Selector Valve
8	05134761AA	3	2, 3, 6, 7	L		EG2, EXM	DGZ		COVER, Valve Body, Solenoid Connector Cap
9	05138838AA	2	2, 3, 6, 7	L		EG2, EXM	DGZ		SOLENOID, Transmission, Pressure Control Valve
10	52108314AA	1	2, 3, 6, 7	L		EG2, EXM	DGZ		SOLENOID, Transmission, [PWM]
11	52108315AA	3	2, 3, 6, 7	L		EG2, EXM	DGZ		PLATE
12	52108316AA	2	2, 3, 6, 7	L		EG2, EXM	DGZ		FILTER, Transmission Oil
13	52108268AA	2	2, 3, 6, 7	L		EXM, EG2	DGZ		SCREW
14	52108269AA	1	2, 3, 6, 7	L		EG2, EXM	DGZ		SCREW
15	52108267AA	29	2, 3, 6, 7	L		EG2, EXM	DGZ		SCREW
16	52108320AA	1	2, 3, 6, 7	L		EG2, EXM	DGZ		SHIELD, Transmission Solenoid
17	52108321AA	1	2, 3, 6, 7	L		EG2, EXM	DGZ		SHIELD, Transmission Solenoid
18	52108321AA	1							CONNECTOR, See Illustration [705] For Service Parts, (NOT SERVICED)
19	52108321AA	1							CAP, See Illustration [705] For Service Parts, (NOT SERVICED)
20	52108321AA	1							REPAIR KIT, See Illustration [705] For Service Parts, (NOT SERVICED)

SPRINTER (VB)

SERIES	LINE	BODY	ENGINE	TRANSMISSION
L = LOWLINE	3 = HD DODGE 2WD 2 = Med. Duty DODGE 2WD	03 = CAB CHASSIS WHEEL BASE 3 05 = CAB CHASSIS WHEEL BASE 5 13 = 119 WB 53 = 119 WB 15 = VAN WHEEL BASE 5 55 = WAGON WHEEL BASE 5 17 = VAN WHEEL BASE 7	EG2 = 3.5L V6 Gas Engine EXM = 3.0L V6 Turbo Diesel Engine	DGZ = 5-Speed Auto W5A380 Transmission

AR = use ase required - = Non illustrated part

**Oil Pan & Filter
Figure NAG1-720**

ITEM	PART NUMBER	QTY	LINE	SERIES	BODY	ENGINE	TRANS	TRIM	DESCRIPTION
------	-------------	-----	------	--------	------	--------	-------	------	-------------

NOTE:

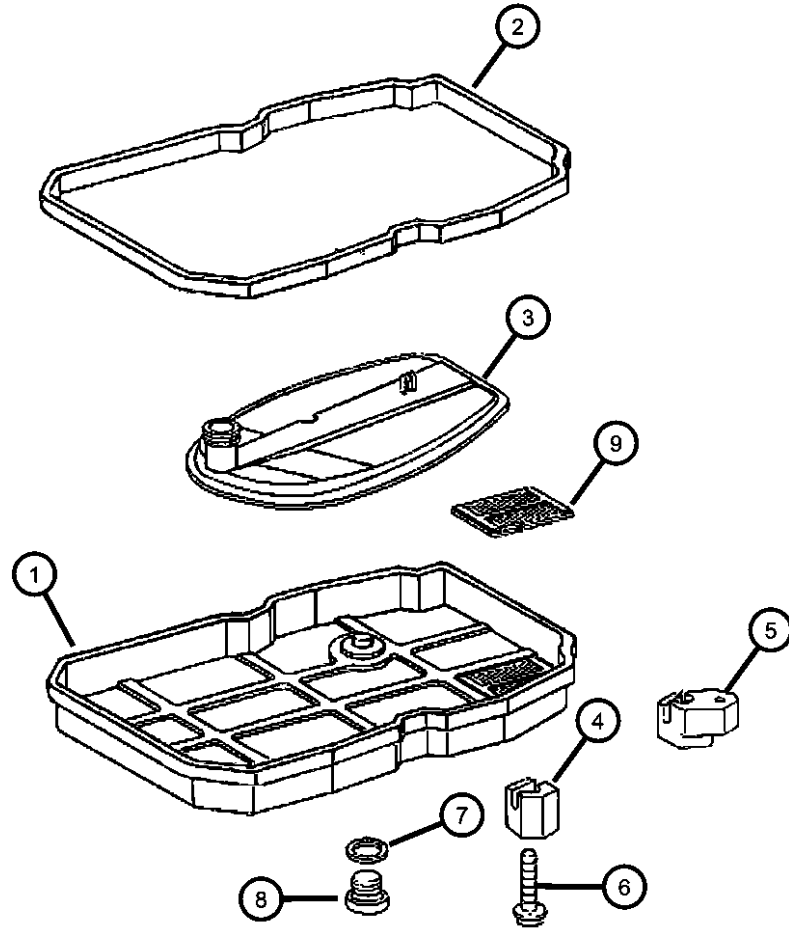
Sales Code:

[DGZ]=5 Speed Automatic Transmission - [W5A380]

[EGZ]=3.5L V-6 Gas Engine [Mercedes Benz]

[EXM]=3.0L Turbo Diesel Engine [Mercedes Benz]

1	52108326AA	1	2, 3, 6, 7	L		EG2, EXM	DGZ		PAN, Transmission Oil
2	52108332AA	1	2, 3, 6, 7	L		EG2, EXM	DGZ		GASKET
3	52108325AA	1	2, 3, 6, 7	L		EG2, EXM	DGZ		FILTER, Transmission Oil
4	52108334AA	AR	2, 3, 6, 7	L		EG2, EXM	DGZ		NUT
5	05080289AA	1	2, 3, 6, 7	L		EG2	DGZ		NUT
6	52108270AA	6	2, 3, 6, 7	L		EG2, EXM	DGZ		SCREW
7	52108330AA	1	2, 3, 6, 7	L		EG2, EXM	DGZ		SEAL, Transmission
8	05080398AB	1	2, 3, 6, 7	L		EG2, EXM	DGZ		PLUG
9	52108331AB	1	2, 3, 6, 7	L		EG2, EXM	DGZ		MAGNET



SPRINTER (VB)

SERIES

L = LOWLINE

LINE

3 = HD DODGE 2WD

2 = Med. Duty DODGE 2WD

BODY

03 = CAB CHASSIS WHEEL

BASE 3

05 = CAB CHASSIS WHEEL

BASE 5

13 = 119 WB

53 = 119 WB

15 = VAN WHEEL BASE 5

55 = WAGON WHEEL BASE 5

17 = VAN WHEEL BASE 7

ENGINE

EG2 = 3.5L V6 Gas Engine

EXM = 3.0L V6 Turbo Diesel

Engine

TRANSMISSION

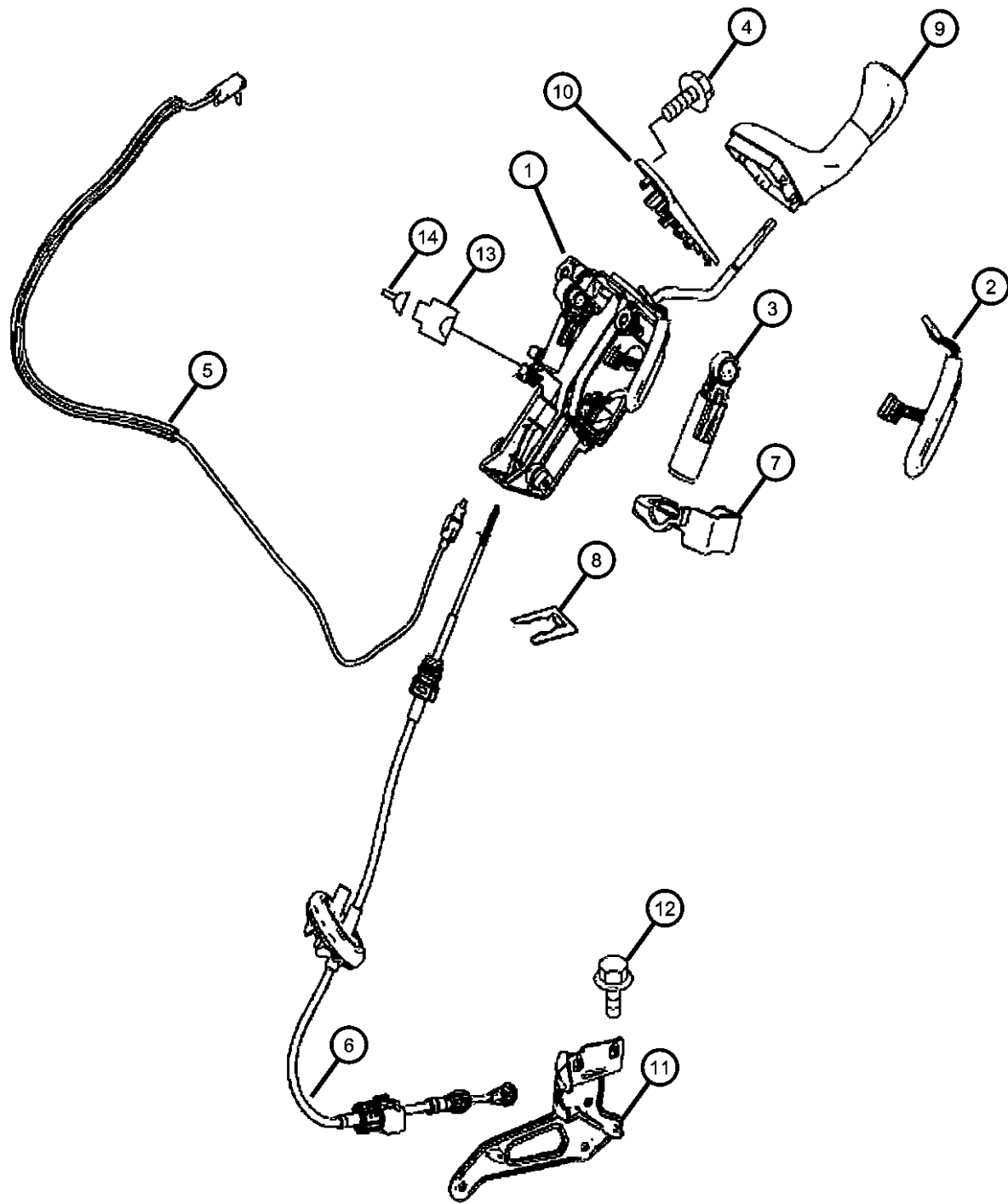
DGZ = 5-Speed Auto W5A380

Transmission

AR = use ase required - = Non illustrated part

2007 VB

**Gearshift Control
Figure NAG1-1210**



ITEM	PART NUMBER	QTY	LINE	SERIES	BODY	ENGINE	TRANS	TRIM	DESCRIPTION
NOTE: Sales Code: [DGZ]=5 Speed Automatic Transmission - [W5A380] [EGZ]=3.5L V-6 Gas Engine [Mercedes Benz] [EXM]=3.0L Turbo Diesel Engine [Mercedes Benz]									
1	68012893AA	1	2, 3, 6, 7	L		EG2, EXM	DGZ		SHIFTER, Transmission
2	68027699AA	1	2, 3, 6, 7	L		EG2, EXM	DGZ		HARNESS, Wiring
3	68027702AA	1	2, 3, 6, 7	L		EG2, EXM	DGZ		ADJUSTER
4									BOLT
	06104025AA	2	3, 7	L		EXM, EG2	DGZ		
		2	2, 6	L		EG2, EXM	DGZ		
5	68012899AA	1	2, 3, 6, 7	L		EG2, EXM	DGZ		CABLE, Gear Selector, Inter Lock Cable
6	68012898AA	1	2, 3, 6, 7	L		EG2, EXM	DGZ		CABLE, Gear Selector
7	68027704AA	1	2, 3, 6, 7	L		EG2, EXM	DGZ		RETAINER
8									CLIP, Cable
	05117823AA	1	3, 7	L		EG2, EXM	DGZ		
		1	2, 3, 6, 7	L		EG2, EXM	DGZ		
9	68012900AA	1	2, 3, 6, 7	L		EG2, EXM	DGZ		KNOB, Gearshift
10	68012901AA	1	2, 3, 6, 7	L		EG2, EXM	DGZ		COVER, Gearshift
11	68013694AA	1	2, 3, 6, 7	L		EG2, EXM	DGZ		BRACKET, Gearshift
12	06104695AA	3	2, 3, 6, 7	L		EG2, EXM	DGZ		SCREW
13	68010053AA	1	2, 3, 6, 7	L		EG2, EXM	DGZ		CONNECTOR, [8-Pin - N1 5/5]
14									TERMINAL
	05103873AA	3	2, 3, 6, 7	L		EG2, EXM	DGZ		[0.75 MM2 MQS - N1 5/5]
		3	3, 7	L		EG2, EXM	DGZ		[0.75 MM2 MQS - N1 5/5]

SPRINTER (VB)

SERIES	LINE	BODY	ENGINE	TRANSMISSION
L = LOWLINE	3 = HD DODGE 2WD 2 = Med. Duty DODGE 2WD	03 = CAB CHASSIS WHEEL BASE 3 05 = CAB CHASSIS WHEEL BASE 5 13 = 119 WB 53 = 119 WB 15 = VAN WHEEL BASE 5 55 = WAGON WHEEL BASE 5 17 = VAN WHEEL BASE 7	EG2 = 3.5L V6 Gas Engine EXM = 3.0L V6 Turbo Diesel Engine	DGZ = 5-Speed Auto W5A380 Transmission

AR = use ase required - = Non illustrated part

Group - 22

Wheels, Covers and Jacks

Group - 22 Wheels, Covers and Jacks

Illustration Title

Group-Fig. No.

Wheels and Hardware

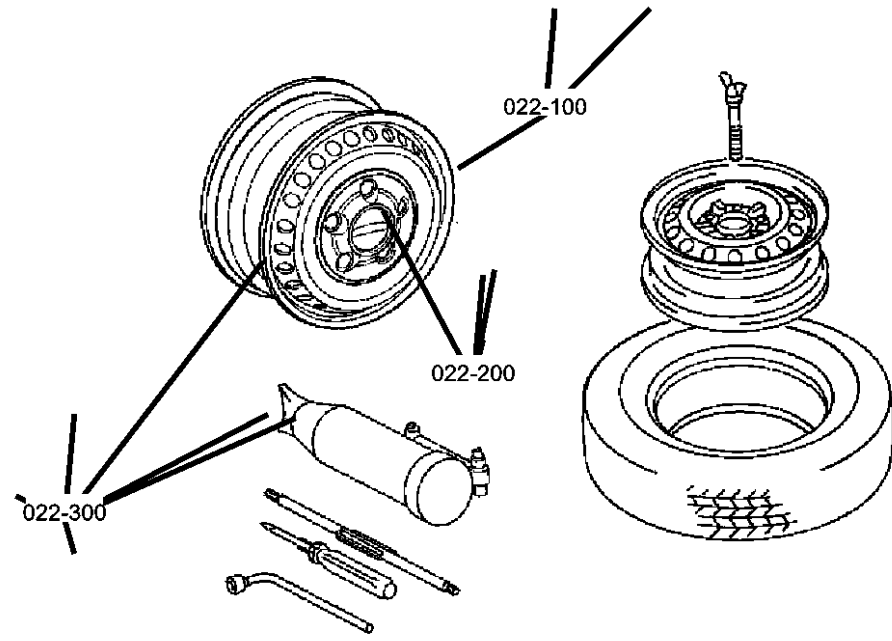
Wheels Fig. 22 - 110

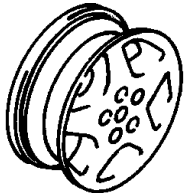
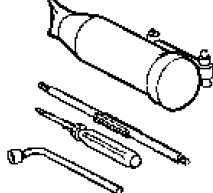
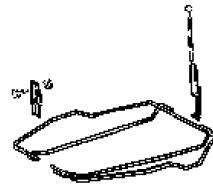
Jack Stowage

Jack Fig. 22 - 305

Spare Tire Stowage

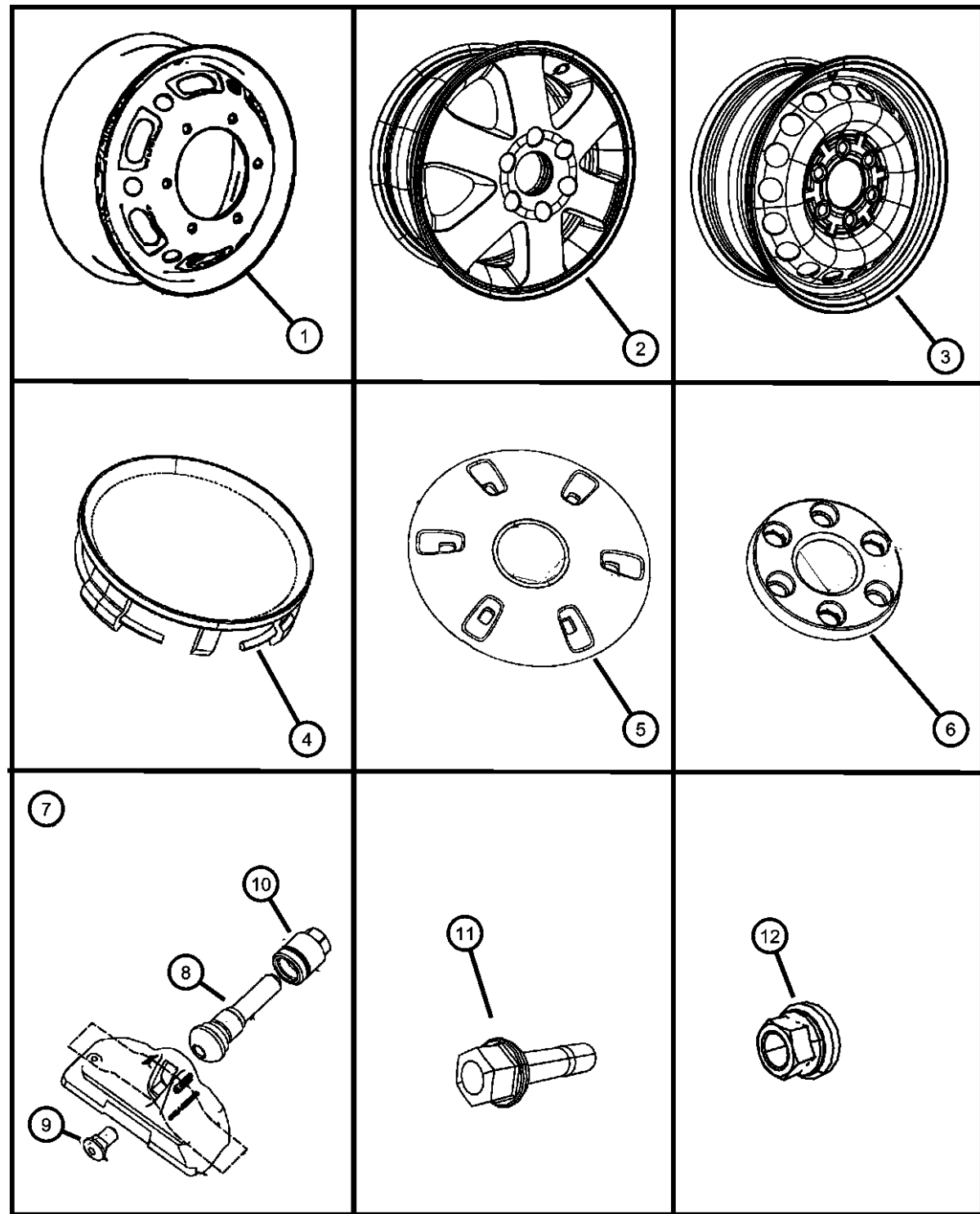
Spare Tire Carrier Fig. 22 - 405



<p>022-100 Wheels and Hardware</p> 	<p>022-300 Jack Stowage</p> 	<p>022-400 Spare Tire Stowage</p> 	
---	--	---	--

Wheels
Figure 22-110

ITEM	PART NUMBER	QTY	LINE	SERIES	BODY	ENGINE	TRANS	TRIM	DESCRIPTION
1	1JJ25DX9AA	6	3, 7	L					WHEEL, Steel Black Steel Wheel / With [WWA + WDK] Without [WWW]
	1JJ25P01AA	6	3, 7	L					White Steel Wheel / With [WWW + WDK] Without [WWA]
	1JJ25SZ0AA	6	3, 7	L					Silver Steel Wheel / With [WDK] Without [-WWA-WWW]
2	68004980AA	4	2, 6	L	13, 15, 17, 53, 55				WHEEL, Aluminum, With [WNB]
	3	1VB07DX9AA	4	2, 6	L				WHEEL, Steel Black Steel Wheel / With [WWA + WDK]
		1VB07P01AA	4	2, 6	L				White Steel Wheel / With [WWW + WDK]
1VB07SZ0AA		4	2, 6	L				Silver Steel Wheel / With [WDG] Without [WWA & WWW]	
4	05104570AA	4	2, 6	L	13, 15, 17, 53, 55			CAP, Wheel Center, With [WNB]	
5	68025431AA	4	2, 6	L	13, 15, 17, 53, 55			CAP, Wheel Center, With [WDG]	
6	68025430AA	2	3, 7	L	03, 05, 13, 15, 17			CAP, Wheel Center, With [WDK]	
7	68006771AA	4	2, 6	L				SENSOR, Tire Pressure, Valve stem, With [LAB]	
8	05175255AA	1	2, 3, 6, 7	L					STEM, Wheel Valve With [WLB]
	68004983AA	2	3, 7	L					Without [LAB]
	68006772AA	99	3, 7	L					Standard Valve
	68006773AA	4	2, 6	L					With [LAB]
9	68006774AA	4	2, 6	L				NUT, Tire Pressure Sensor, With [LAB]	
10	68006775AA	4	2, 6	L				CAP, Valve stem, With [LAB]	
11	68006805AA	24	2, 6	L					BOLT Mounting Wheel Stud / With [WDG]
	68013444AA	24	2, 6	L	13, 15, 17, 53, 55				Mounting Wheel Stud / With [WNB]
	12	68013445AA	24	3, 7	L	03, 05, 13, 15, 17			NUT, With [WDK]
-13	68022059AA	4	2, 6	L	13, 15, 17, 53, 55				LABEL, Tire Pressure, With [LAB]



SPRINTER (VB)

SERIES LINE

L = LOWLINE 3 = HD DODGE 2WD
2 = Med. Duty DODGE 2WD

BODY

03 = CAB CHASSIS WHEEL BASE 3
05 = CAB CHASSIS WHEEL BASE 5
13 = 119 WB
53 = 119 WB
15 = VAN WHEEL BASE 5
55 = WAGON WHEEL BASE 5
17 = VAN WHEEL BASE 7

ENGINE

EG2 = 3.5L V6 Gas Engine
EXM = 3.0L V6 Turbo Diesel Engine

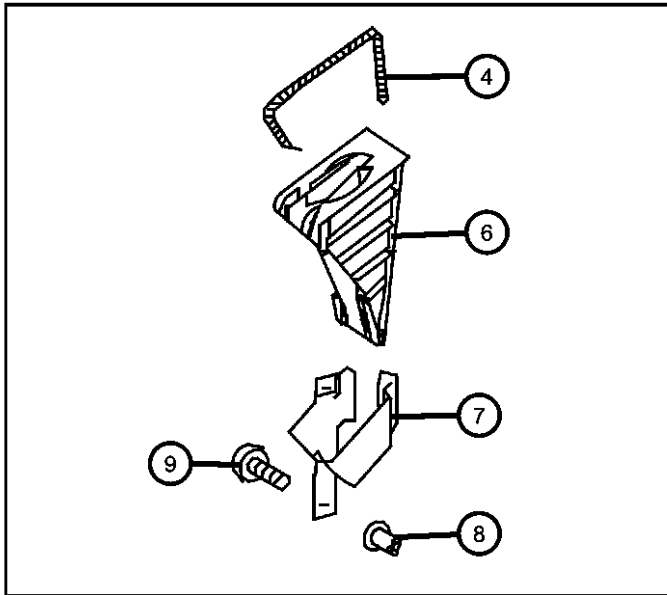
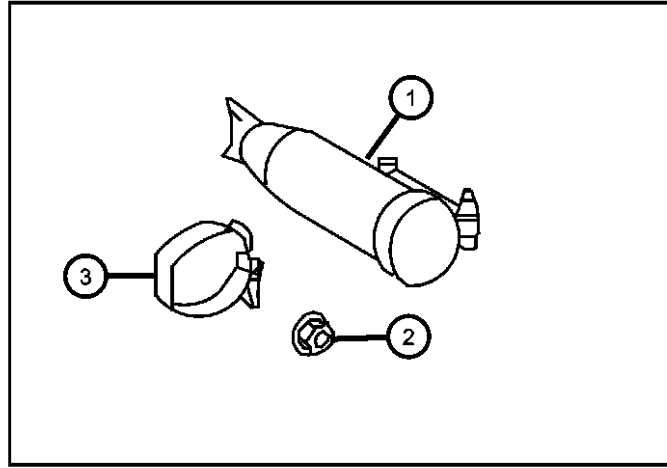
TRANSMISSION

DGZ = 5-Speed Auto W5A380 Transmission

AR = use ase required - = Non illustrated part

2007 VB

Jack
Figure 22-305



ITEM	PART NUMBER	QTY	LINE	SERIES	BODY	ENGINE	TRANS	TRIM	DESCRIPTION
1	68007087AA	1	2, 3, 6, 7	L					JACK
2	05097674AA	2	3, 7	L	03, 05				NUT, Hex Fasten Vehicle Jack M6
		2	2, 3, 6, 7	L	13, 15, 17, 53, 55				Fasten Vehicle Jack M6
3	05125276AA	1	2, 3, 6, 7	L	13, 15, 17, 53, 55				BRACKET, Jack
		1	3, 7	L	03, 05				
4	68007093AA	1	3, 7	L	13, 15, 17				RETAINER
-5	68007100AA	1	3, 7	L	03, 05				BRACKET
6	68007091AA	1	2, 3, 6, 7	L	03, 05, 13, 15, 17				BUMPER, Wheel Chock
7	68007099AA	1	3, 7	L	03, 05				BRACKET
8	05133486AA	4	2, 3, 6, 7	L					RIVET
9	06104121AA	4	2, 3, 6, 7	L	13, 15, 17, 53, 55				SCREW, Hex Flange Head M6x16
		2	3, 7	L	03, 05				M6x16

SPRINTER (VB)

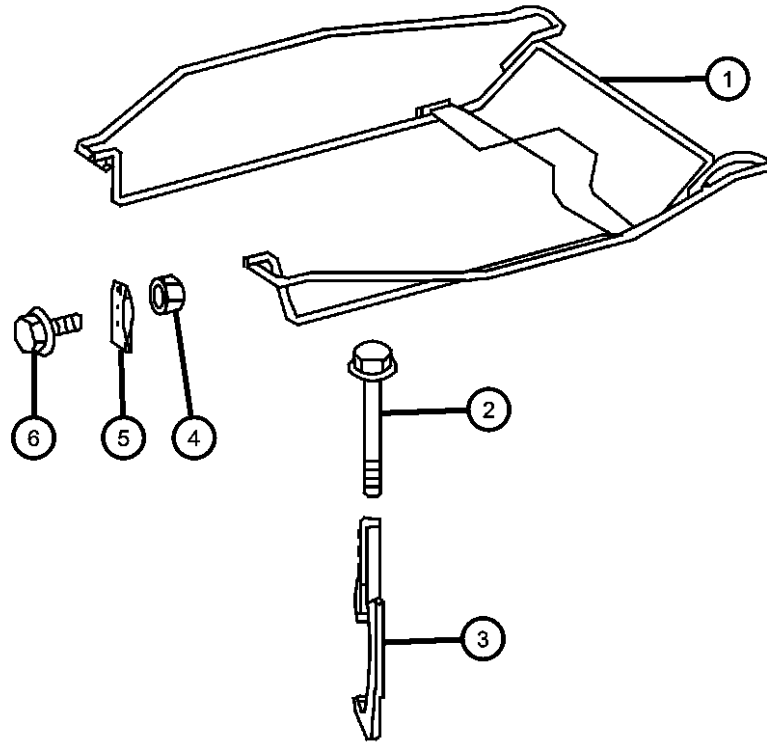
SERIES	LINE	BODY	ENGINE	TRANSMISSION
L = LOWLINE	3 = HD DODGE 2WD 2 = Med. Duty DODGE 2WD	03 = CAB CHASSIS WHEEL BASE 3 05 = CAB CHASSIS WHEEL BASE 5 13 = 119 WB 53 = 119 WB 15 = VAN WHEEL BASE 5 55 = WAGON WHEEL BASE 5 17 = VAN WHEEL BASE 7	EG2 = 3.5L V6 Gas Engine EXM = 3.0L V6 Turbo Diesel Engine	DGZ = 5-Speed Auto W5A380 Transmission

AR = use ase required - = Non illustrated part

2007 VB

**Spare Tire Carrier
Figure 22-405**

ITEM	PART NUMBER	QTY	LINE	SERIES	BODY	ENGINE	TRANS	TRIM	DESCRIPTION
1	68012514AA	1	2, 3, 6, 7	L					BRACKET, Spare Tire
	68012518AA	1	3, 7	L	13, 15, 17				[TBN] Underslung Tire Carrier
2	05119022AA	2	2, 6	L	13, 15, 17, 53, 55				[Z2D] GVW Rating-8510# with [TBN] Underslung Tire Carrier
3	05118920AA	2	2, 6	L	13, 15, 17, 53, 55				SCREW, Spare Tire
4	06105169AA	4	2, 3, 6, 7	L					HOOK, Spare Tire Attach
5	05104081AA	2	2, 3, 6, 7	L	13, 15, 17, 53, 55				NUT, M8
		2	3, 7	L	03, 05				PLATE, Spare Tire
6	06104022AB	4	2, 3, 6, 7	L	13, 15, 17, 53, 55				SCREW
		4	3, 7	L	03, 05				M8x16
									M8x16



SPRINTER (VB)

SERIES	LINE	BODY	ENGINE	TRANSMISSION
L = LOWLINE	3 = HD DODGE 2WD 2 = Med. Duty DODGE 2WD	03 = CAB CHASSIS WHEEL BASE 3 05 = CAB CHASSIS WHEEL BASE 5 13 = 119 WB 53 = 119 WB 15 = VAN WHEEL BASE 5 55 = WAGON WHEEL BASE 5 17 = VAN WHEEL BASE 7	EG2 = 3.5L V6 Gas Engine EXM = 3.0L V6 Turbo Diesel Engine	DGZ = 5-Speed Auto W5A380 Transmission

AR = use ase required - = Non illustrated part

2007 VB

Group - 23D

Wiper/Lock Cylinder and Keys

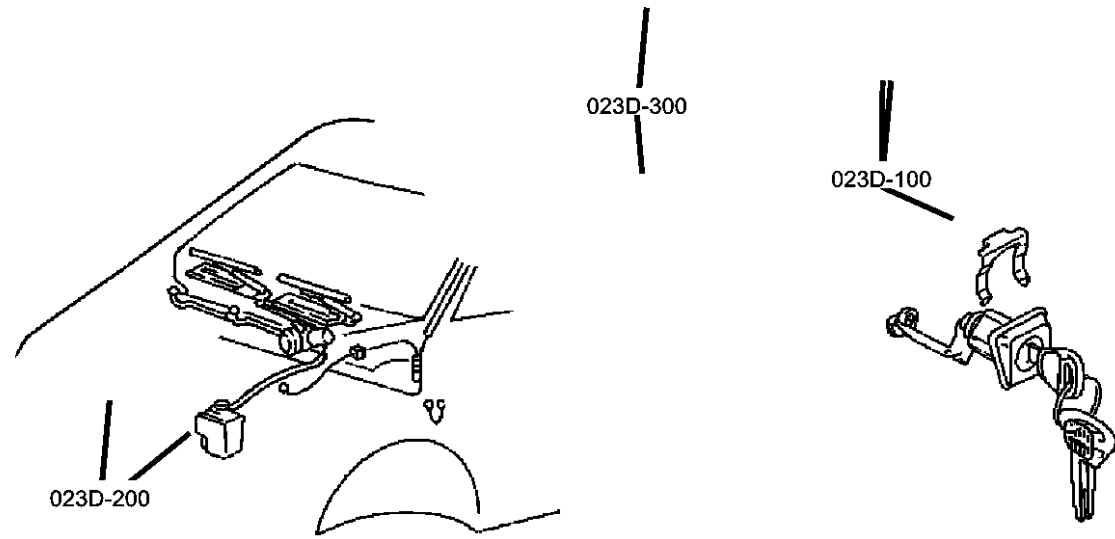
Group - 23D Wiper/Lock Cylinder and Keys

Illustration Title

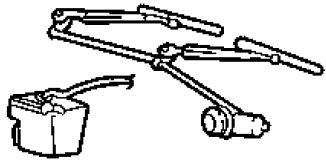
Group-Fig. No.

Windshield Wiper and Washer Systems

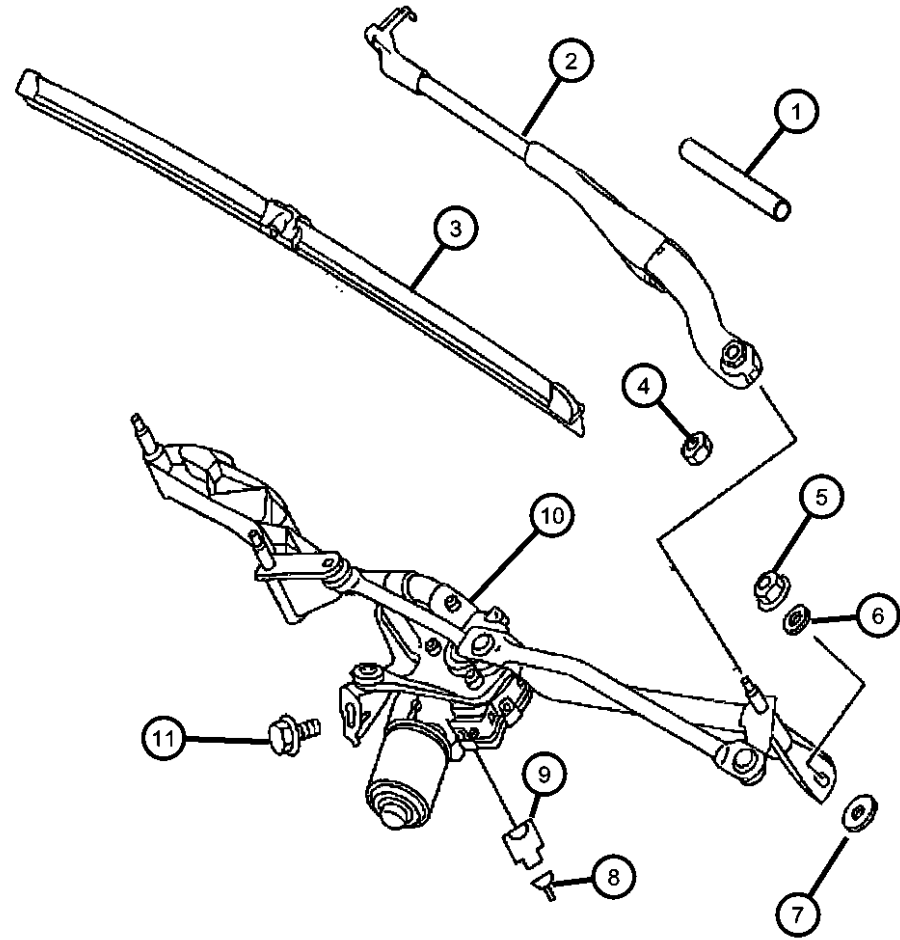
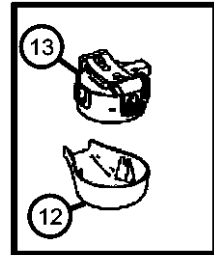
Front Windshield Wipers.....	Fig. 23D - 210
Rear Windshield Wiper	Fig. 23D - 220
Windsheild Cleaning Pumps & Reservoir	Fig. 23D - 230
Head Lamp Cleaning System	Fig. 23D - 240



23D-200
Windshield Wiper and Washer
Systems



**Front Windshield Wipers
Figure 23D-210**



ITEM	PART NUMBER	QTY	LINE	SERIES	BODY	ENGINE	TRANS	TRIM	DESCRIPTION
1	68017463AA	117	2, 3, 6, 7						HOSE, Pane Washer System, Nozzles 4.3x1.9
2	68017436AA	1	3, 7		03, 05				Left
		1	2, 3, 6, 7		17, 53, 55,				Left
	68017438AA	1	3, 7		13, 15				Right
		1	2, 3, 6, 7		03, 05				Right
3	68017437AA	1	3, 7		03, 05				BLADE, Wiper Driver
		1	2, 3, 6, 7		13, 15, 17,				Driver
	68017439AA	1	3, 7		53, 55				Passenger
		1	7, 2, 3, 6		03, 05				Passenger
4	06104717AA	2	2, 3, 6, 7		13, 15, 17,				NUT, Hex Flange Lock, M14x1.50
		2	3, 7		53, 55				Wiper Arm on Spindle M10
5	68017442AA	2	2, 3, 6, 7		03, 05				Wiper Arm on Spindle M10
6	68017443AA	2	2, 3, 6, 7						NUT, Wiper System to Cowl M22x1
7	68017444AA	2	2, 3, 6, 7						WASHER, Wiper System to Cowl
8	05133353AA	AR	2, 3, 6, 7						WASHER, Wiper System to Cowl
9	05135758AA	1	2, 3, 6, 7						TERMINAL, 1.5-2.5 MM2;M6/1
10	68017435AA	1	3, 7		03, 05				CONNECTOR, Female
		1	2, 3, 6, 7		13, 15, 17,				LINKAGE ASSY, LINKAGE ASSY-W/WPR
11	06104120AA	1	3, 7		03, 05				SCREW, Hex Head, M6x12
		1	2, 3, 6, 7		13, 15, 17,				Support to Bracket M6x12
		1	2, 3, 6, 7		53, 55				Support to Bracket M6x12
12	68013425AA	1	2, 3, 6, 7						COVER, Sensor
13	68013389AA	1	2, 3, 6, 7						SENSOR, Rain, Rain and Light
-14									Sensor
									NOZZLE, Washer, Windshield

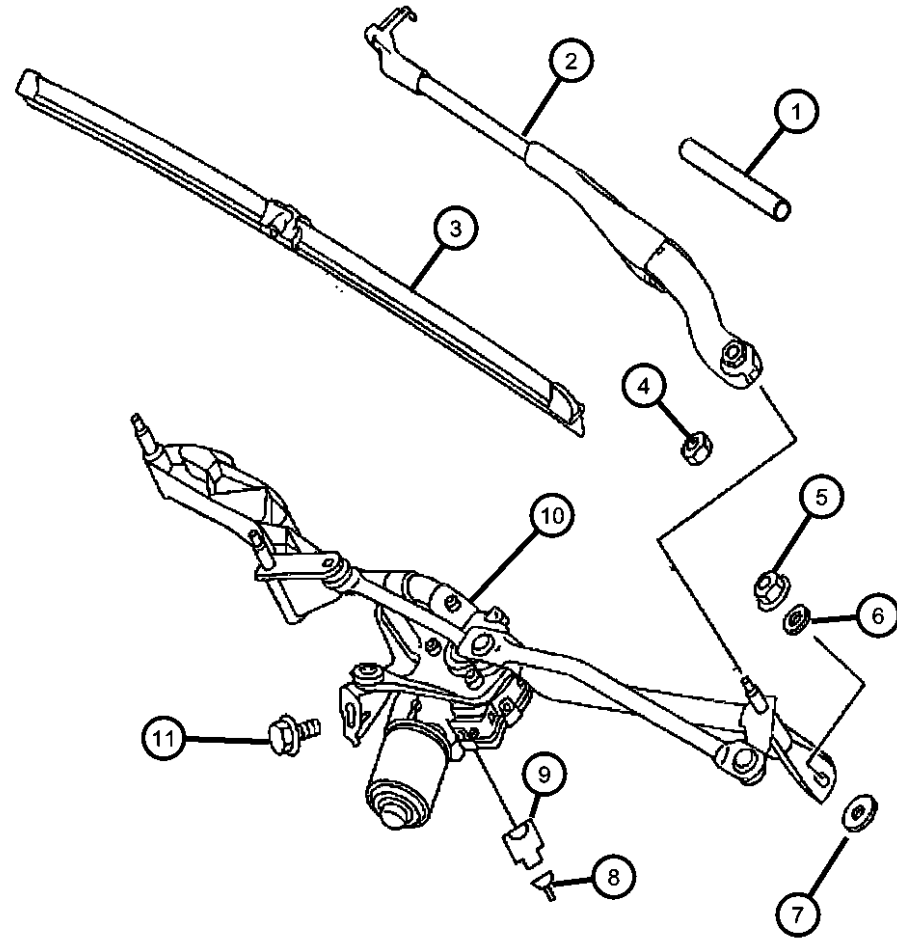
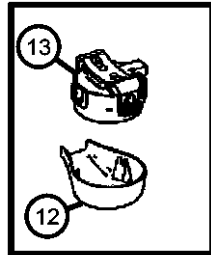
SPRINTER (VB)

SERIES	LINE	BODY	ENGINE	TRANSMISSION
L = LOWLINE	3 = HD DODGE 2WD 2 = Med. Duty DODGE 2WD	03 = CAB CHASSIS WHEEL BASE 3 05 = CAB CHASSIS WHEEL BASE 5 13 = 119 WB 53 = 119 WB 15 = VAN WHEEL BASE 5 55 = WAGON WHEEL BASE 5 17 = VAN WHEEL BASE 7	EG2 = 3.5L V6 Gas Engine EXM = 3.0L V6 Turbo Diesel Engine	DGZ = 5-Speed Auto W5A380 Transmission

AR = use ase required - = Non illustrated part

Front Windshield Wipers
Figure 23D-210

ITEM	PART NUMBER	QTY	LINE	SERIES	BODY	ENGINE	TRANS	TRIM	DESCRIPTION
	68017440AA	1	2, 3, 6, 7						Right
	68017441AA	1	2, 3, 6, 7						Left



SPRINTER (VB)

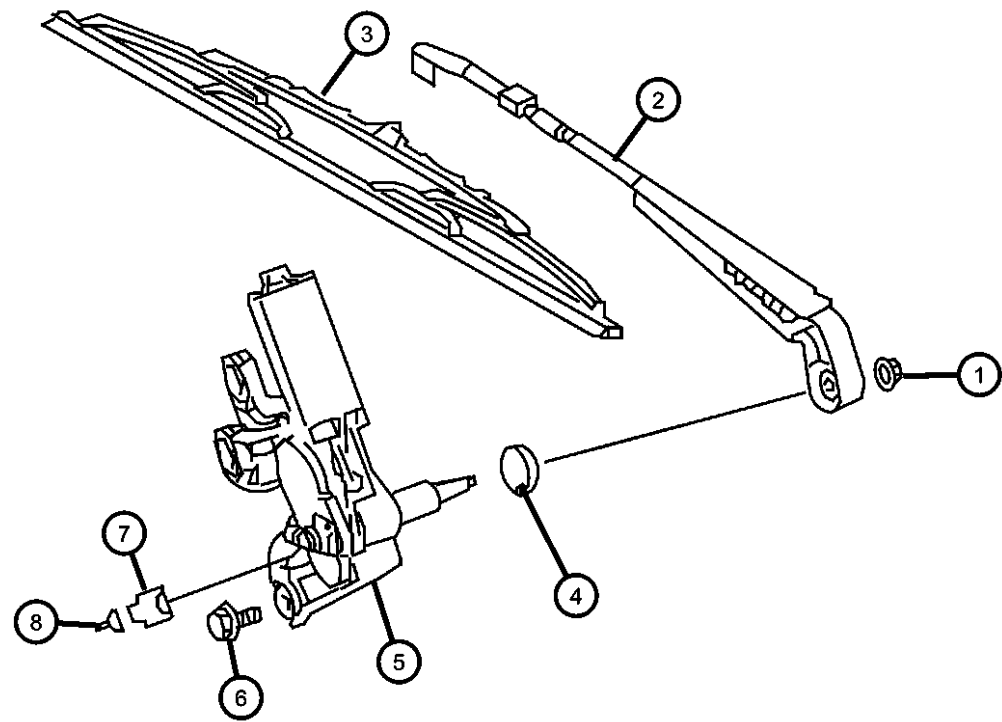
SERIES	LINE	BODY	ENGINE	TRANSMISSION
L = LOWLINE	3 = HD DODGE 2WD 2 = Med. Duty DODGE 2WD	03 = CAB CHASSIS WHEEL BASE 3 05 = CAB CHASSIS WHEEL BASE 5 13 = 119 WB 53 = 119 WB 15 = VAN WHEEL BASE 5 55 = WAGON WHEEL BASE 5 17 = VAN WHEEL BASE 7	EG2 = 3.5L V6 Gas Engine EXM = 3.0L V6 Turbo Diesel Engine	DGZ = 5-Speed Auto W5A380 Transmission

AR = use ase required - = Non illustrated part

2007 VB

**Rear Windshield Wiper
Figure 23D-220**

ITEM	PART NUMBER	QTY	LINE	SERIES	BODY	ENGINE	TRANS	TRIM	DESCRIPTION
1	05126206AA	1	2, 3, 6, 7		13, 15, 17, 53, 55				NUT, Wiper Arm Fastening M8-8
2	68006512AA	1	2, 3, 6, 7		13, 15, 17, 53, 55				ARM, Wiper Right Door
	68006513AA	1	2, 3, 6, 7		13, 15, 17, 53, 55				Left Door
3	68006511AA	2	2, 3, 6, 7		13, 15, 17, 53, 55				BLADE, Wiper
4	68006509AA	2	2, 3, 6, 7		13, 15, 17, 53, 55				CAP
5	68006508AA	1	2, 3, 6, 7		13, 15, 17, 53, 55				MOTOR Left Door
	68006603AA	1	2, 3, 6, 7		13, 15, 17, 53, 55				Right Door
6	06104123AA	3	2, 3, 6, 7		13, 15, 17, 53, 55				SCREW
7	68011274AA	2	2, 3, 6, 7						CONNECTOR, [3 PiN M6/10 - M6/11]
8	05103892AA	1	3, 6, 7, 2						TERMINAL



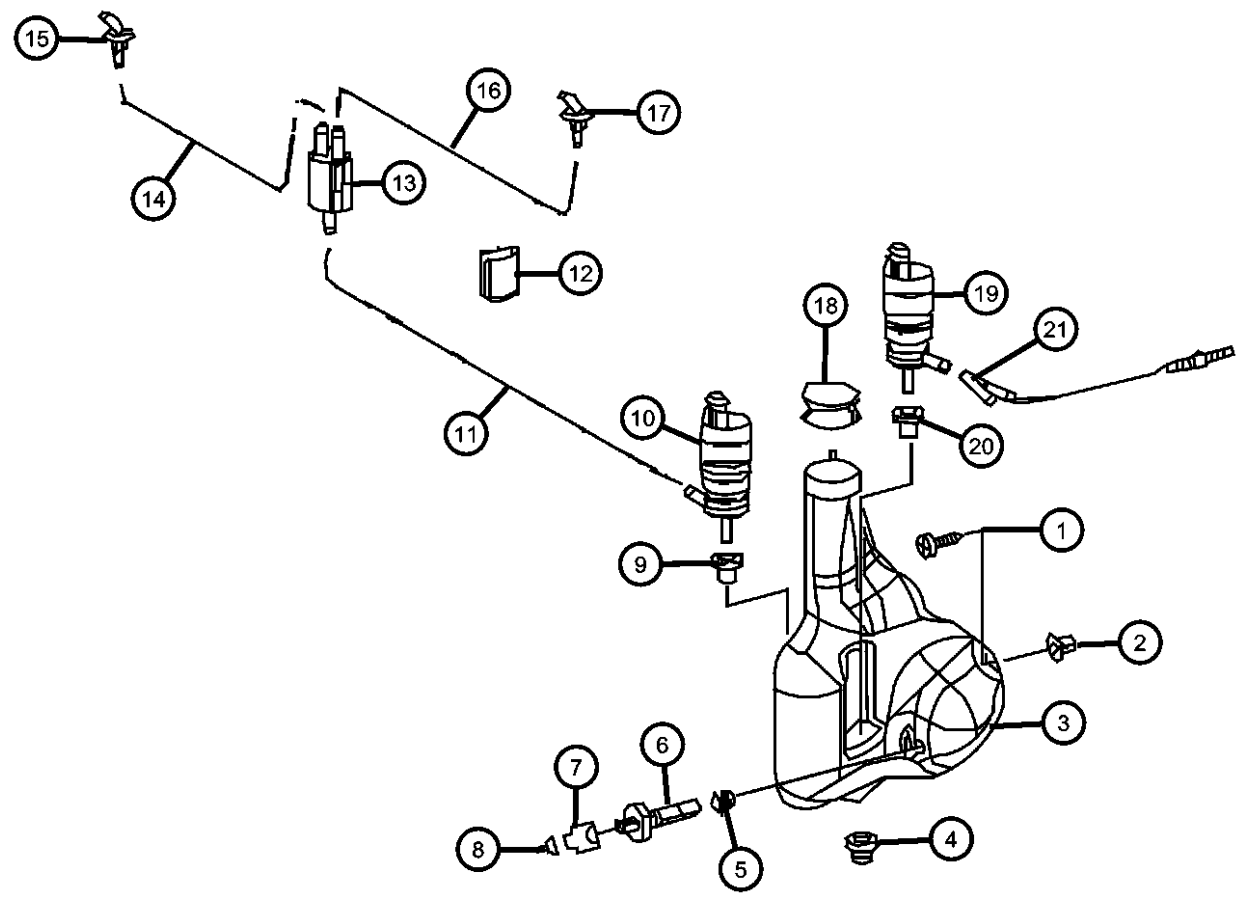
SPRINTER (VB)

SERIES	LINE	BODY	ENGINE	TRANSMISSION
L = LOWLINE	3 = HD DODGE 2WD 2 = Med. Duty DODGE 2WD	03 = CAB CHASSIS WHEEL BASE 3 05 = CAB CHASSIS WHEEL BASE 5 13 = 119 WB 53 = 119 WB 15 = VAN WHEEL BASE 5 55 = WAGON WHEEL BASE 5 17 = VAN WHEEL BASE 7	EG2 = 3.5L V6 Gas Engine EXM = 3.0L V6 Turbo Diesel Engine	DGZ = 5-Speed Auto W5A380 Transmission

AR = use ase required - = Non illustrated part

2007 VB

Windshield Cleaning Pumps & Reservoir
Figure 23D-230



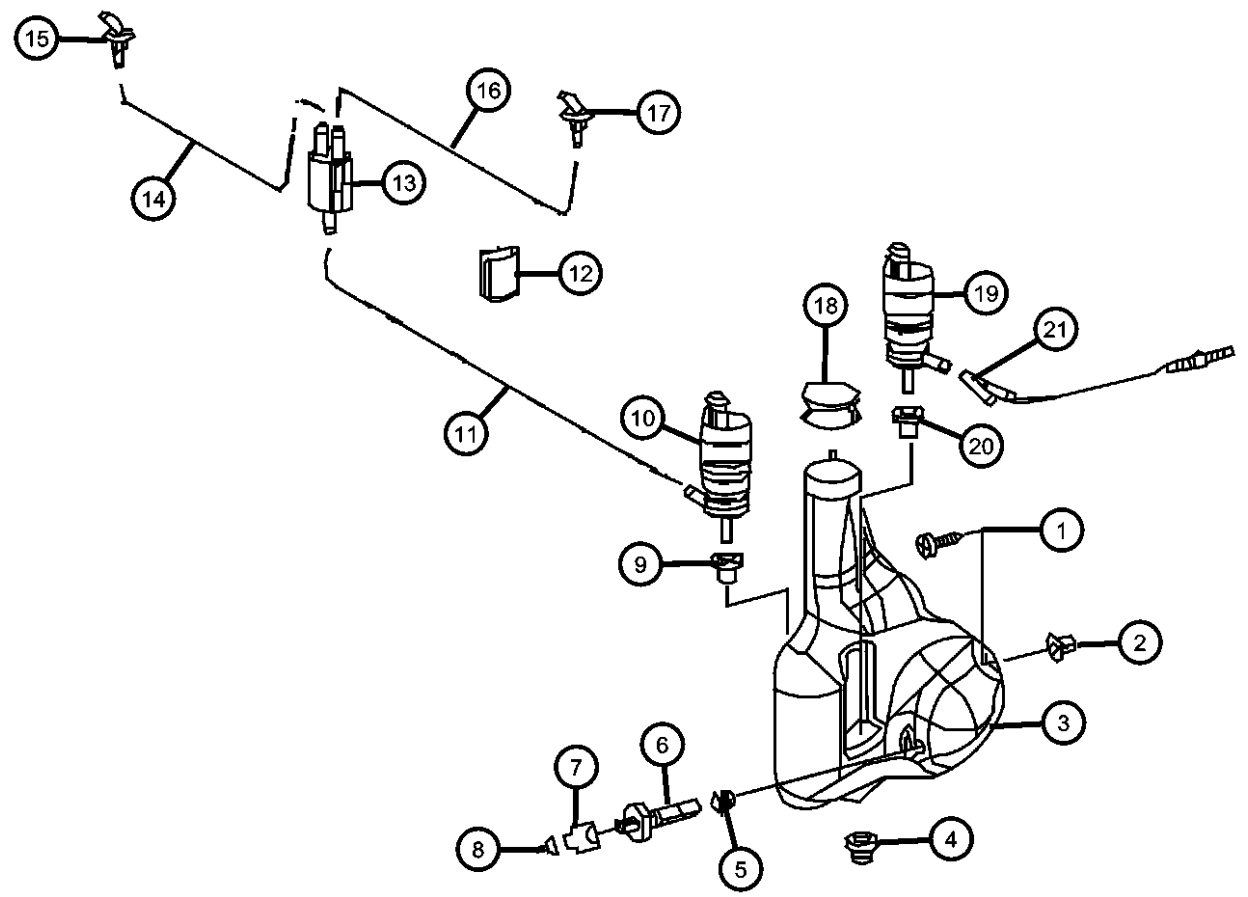
ITEM	PART NUMBER	QTY	LINE	SERIES	BODY	ENGINE	TRANS	TRIM	DESCRIPTION
1	06104582AA	2	3, 7		03, 05				SCREW
		2	2, 3, 6, 7		13, 15, 17, 53, 55				
2	05132725AA	2	3, 7		03, 05				PLUG, Push Lock
		2	2, 3, 6, 7		13, 15, 17, 53, 55				
3	68017445AA	1	3, 7		03, 05				RESERVOIR, Washer
		1	2, 3, 6, 7		13, 15, 17, 53, 55				
4	05120012AA	1	2, 3, 6, 7						GROMMET, Air Cleaner
5	05097659AA	1	7, 3		03, 05				GROMMET, Washer Reservoir
		1	2, 3, 6, 7		13, 15, 17, 53, 55				
6	05099273AA	1	2, 3, 6, 7						SENSOR, Washer Fluid Level
7	05120277AA	1	2, 3, 6, 7						CONNECTOR, Wiring Repair
8	05103874AA	1	2, 3, 6, 7						TERMINAL
9	05135548AA	1	3, 7		03, 05				GROMMET, Windshield Washer Pump
		1	2, 3, 6, 7		13, 15, 17, 53, 55				
10	68017447AA	1	2, 3, 6, 7						PUMP, Washer, Windshield
11	05127702AA	900	3, 7		05, 03				HOSE, Windshield Washer
		900	2, 3, 6, 7		13, 15, 17, 53, 55				
12		900							CLIP, (NOT SERVICED)
13	05124963AA	1	3, 7		03, 05				CHECK VALVE, Washer
		1	2, 3, 6, 7		13, 15, 17, 53, 55				
14	05127702AA	900	3, 7		03, 05				HOSE, Windshield Washer

SPRINTER (VB)

SERIES	LINE	BODY	ENGINE	TRANSMISSION
L = LOWLINE	3 = HD DODGE 2WD 2 = Med. Duty DODGE 2WD	03 = CAB CHASSIS WHEEL BASE 3 05 = CAB CHASSIS WHEEL BASE 5 13 = 119 WB 53 = 119 WB 15 = VAN WHEEL BASE 5 55 = WAGON WHEEL BASE 5 17 = VAN WHEEL BASE 7	EG2 = 3.5L V6 Gas Engine EXM = 3.0L V6 Turbo Diesel Engine	DGZ = 5-Speed Auto W5A380 Transmission

AR = use ase required - = Non illustrated part

**Windshield Cleaning Pumps & Reservoir
Figure 23D-230**



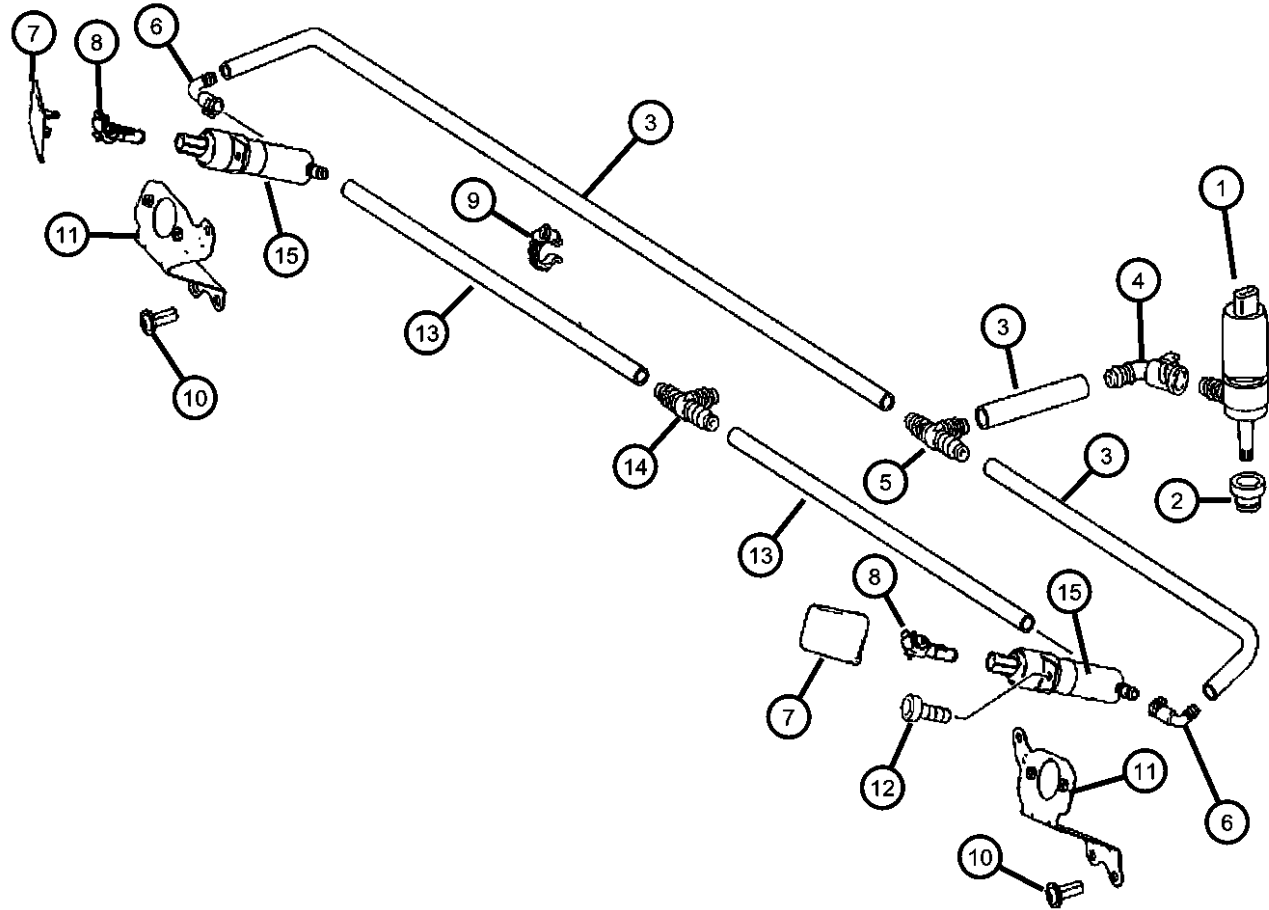
ITEM	PART NUMBER	QTY	LINE	SERIES	BODY	ENGINE	TRANS	TRIM	DESCRIPTION
15		900	2, 3, 6, 7		13, 15, 17, 53, 55				CONNECTOR, Washer Hose, Elbow Type
	05125061AA	2	3, 7		03, 05				
16		2	2, 3, 6, 7		13, 15, 17, 53, 55				HOSE, Windshield Washer
	05127702AA	900	3, 7		03, 05				
		900	2, 3, 6, 7		13, 15, 17, 53, 55				
17									CONNECTOR, Washer Hose, Elbow Type
	05125061AA	2	3, 7		03, 05				
		2	2, 3, 6, 7		13, 15, 17, 53, 55				
18	68017446AA	1	2, 3, 6, 7						CAP, Washer Reservoir
19	68017447AA	1	2, 3, 6, 7						PUMP, Washer, Windshield
20									GROMMET, Windshield Washer Pump
	05135548AA	1	3, 7		03, 05				
		1	2, 3, 6, 7		13, 15, 17, 53, 55				
21	68017477AA	1	2, 3, 6, 7		13, 15, 17, 53, 55				FITTING

SPRINTER (VB)

SERIES	LINE	BODY	ENGINE	TRANSMISSION
L = LOWLINE	3 = HD DODGE 2WD 2 = Med. Duty DODGE 2WD	03 = CAB CHASSIS WHEEL BASE 3 05 = CAB CHASSIS WHEEL BASE 5 13 = 119 WB 53 = 119 WB 15 = VAN WHEEL BASE 5 55 = WAGON WHEEL BASE 5 17 = VAN WHEEL BASE 7	EG2 = 3.5L V6 Gas Engine EXM = 3.0L V6 Turbo Diesel Engine	DGZ = 5-Speed Auto W5A380 Transmission

AR = use ase required - = Non illustrated part

Head Lamp Cleaning System Figure 23D-240



ITEM	PART NUMBER	QTY	LINE	SERIES	BODY	ENGINE	TRANS	TRIM	DESCRIPTION
1	68017448AA	1	2, 3, 6, 7						PUMP, Washer, Windshield, With [JHT]
2	68017449AA	1	2, 3, 6, 7						GROMMET, With [JHT]
3	68017467AA	900	2, 3, 6, 7						HOSE, Washer, Headlamp, With [JHT]
4	68017470AA	1	2, 3, 6, 7						FITTING, With [JHT]
5	68017468AA	1	2, 3, 6, 7						FITTING, [T] Fitting / With [JHT]
6	68017469AA	2	7, 2, 3, 6						FITTINGRight & Left, Elbow Attaching
7									COVER
	68017472AA	1	2, 3, 6, 7						With [JHT], Left
	68017473AA	1	2, 3, 6, 7						With [JHT], Right
8									NOZZLE, Washer, Headlamp
	68017464AA	1	2, 3, 6, 7						With [JHT], Right
	68017465AA	1	2, 3, 6, 7						With [JHT], Left
9	68017471AA	5	2, 3, 6, 7						RETAINER, With [JHT]
10	06104643AA	6	2, 3, 6, 7						SCREW, With [JHT] / Bracket Mounting
11									BRACKET
	68017475AA	1	2, 3, 6, 7						With [JHT], Left
	68017476AA	1	2, 3, 6, 7						With [JHT], Right
12									SCREW, Hex Head, M6x12
	06104120AA	4	3, 7		03, 05				
		4	2, 3, 6, 7		13, 15, 17, 53, 55				
13	05133997AA	1	2, 3, 6, 7						HOSE, Washer, Headlamp, [10x16 MM] With [JHT]
14									CONNECTOR, Washer Hose, T
	05125060AA	1	3, 7		03, 05				With [JHT]
		1	2, 3, 6, 7		13, 15, 17, 53, 55				With [JHT]
15	68017474AA	2	2, 3, 6, 7						NOZZLE, Washer, Headlamp, TELESCOPIC NOZZLE

SPRINTER (VB)

SERIES LINE
L = LOWLINE 3 = HD DODGE 2WD
 2 = Med. Duty DODGE 2WD

BODY
03 = CAB CHASSIS WHEEL BASE 3
05 = CAB CHASSIS WHEEL BASE 5
13 = 119 WB
53 = 119 WB
15 = VAN WHEEL BASE 5
55 = WAGON WHEEL BASE 5
17 = VAN WHEEL BASE 7

ENGINE
EG2 = 3.5L V6 Gas Engine
EXM = 3.0L V6 Turbo Diesel Engine

TRANSMISSION
DGZ = 5-Speed Auto W5A380 Transmission

AR = use ase required - = Non illustrated part

2007 VB

Group - 24

Air Conditioning & Heater

Group - 24 Air Conditioning & Heater

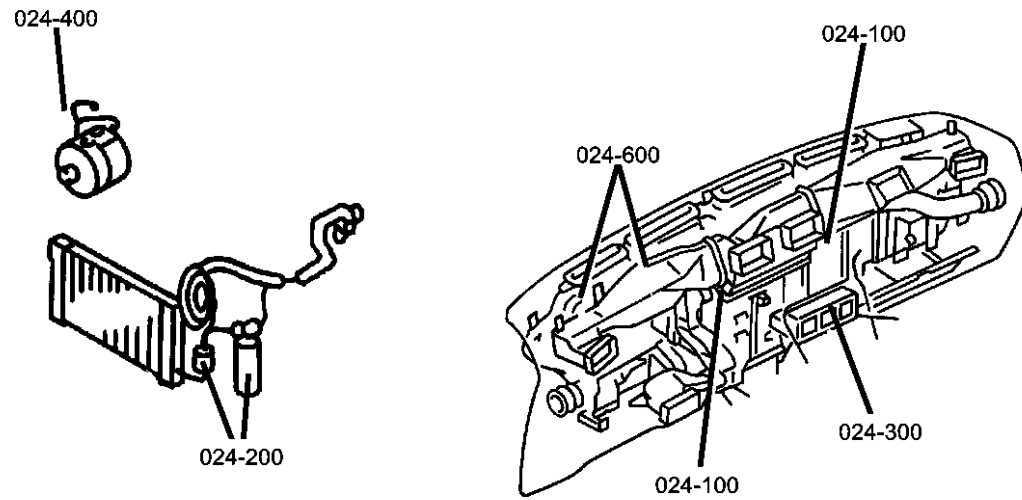


Illustration Title

Group-Fig. No.

Air Conditioner and Heater Units

Ventilation Case	Fig. 24 - 110
Heater Housing/AC with Blower	Fig. 24 - 120
Heat Exchange	Fig. 24 - 125
Condenser & Auxiliary Fan	Fig. 24 - 130
Roof Mounted Ventilator	Fig. 24 - 135
Air Conditioner on Roof	Fig. 24 - 140
Air Conditioner on Roof	Fig. 24 - 145
Air Conditioner on Roof	Fig. 24 - 180
Rear A/C Condensed Water Lines	Fig. 24 - 190

Air Conditioner and Heater Plumbing

Rear A/C Condensed Water Drain	Fig. 24 - 205
Auxiliary Warm Water Heater Mounting / Cargo & Passenger Van	Fig. 24 - 210
Auxiliary Warm Water Heater Mounting / Cab Chassis	Fig. 24 - 215
Auxiliary Warm Water Heater Service Parts	Fig. 24 - 220
Heater Lines	Fig. 24 - 225
Heater Lines	Fig. 24 - 230
Refrigerant Lines / Chassis Cab	Fig. 24 - 235
Refrigerant Lines / Cargo / Passenger Van	Fig. 24 - 240
Refrigerant Line Routing/Rear A/C	Fig. 24 - 245
Refrigerant Lines / Rear Air Conditioner	Fig. 24 - 250

Air Conditioner and Heater Controls

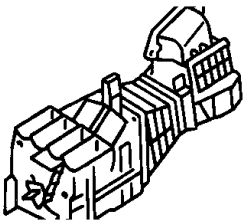
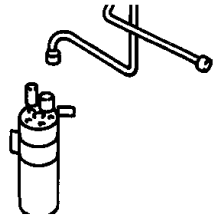
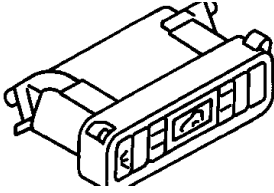
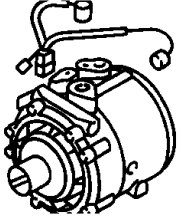
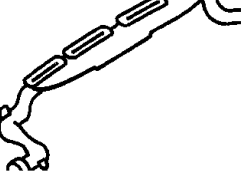
Air Conditioner & Heater Control	Fig. 24 - 310
--	---------------

Air Conditioning Compressor

A/C Compressor	Fig. 24 - 405
----------------------	---------------

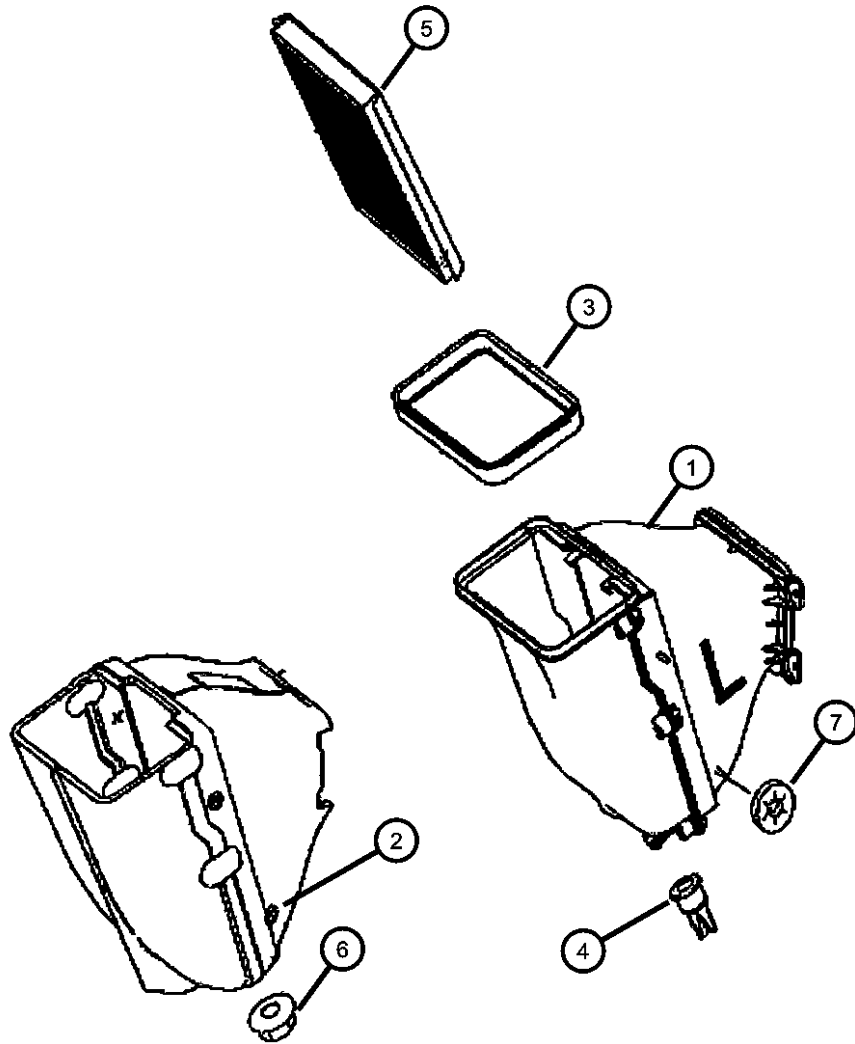
Air Ducts and Outlets

Air Ducting	Fig. 24 - 610
Air Duct to Floor / Cargo / Passenger Van	Fig. 24 - 640
Air Ducts With Rear Air Conditioner	Fig. 24 - 650

<p>024-100 Air Conditioner and Heater Units</p> 	<p>024-200 Air Conditioner and Heater Plumbing</p> 	<p>024-300 Air Conditioner and Heater Controls</p> 	<p>024-400 Air Conditioning Compressor</p> 
<p>024-600 Air Ducts and Outlets</p> 			

Ventilation Case
Figure 24-110

ITEM	PART NUMBER	QTY	LINE	SERIES	BODY	ENGINE	TRANS	TRIM	DESCRIPTION
1	68012873AA	1	2, 3, 6, 7			EG2, EXM			HOUSING
2	68012874AA	1	2, 3, 6, 7			EG2, EXM			INSULATION
3	68012875AA	1	2, 3, 6, 7			EG2, EXM			SEAL
4	05101626AA	1	2, 3, 6, 7		13, 15, 17, 53, 55	EG2, EXM			TUBE, Wiper Drain Module
5	68012876AA	1	2, 3, 6, 7		03, 05	EG2, EXM			FILTER, A/C and Heater Unit
6	68004878AA	1	3, 7		03, 05	EG2, EXM			NUT
7	68012878AA	4	2, 3, 6, 7		13, 15, 17, 53, 55	EG2, EXM			WASHER, Lock



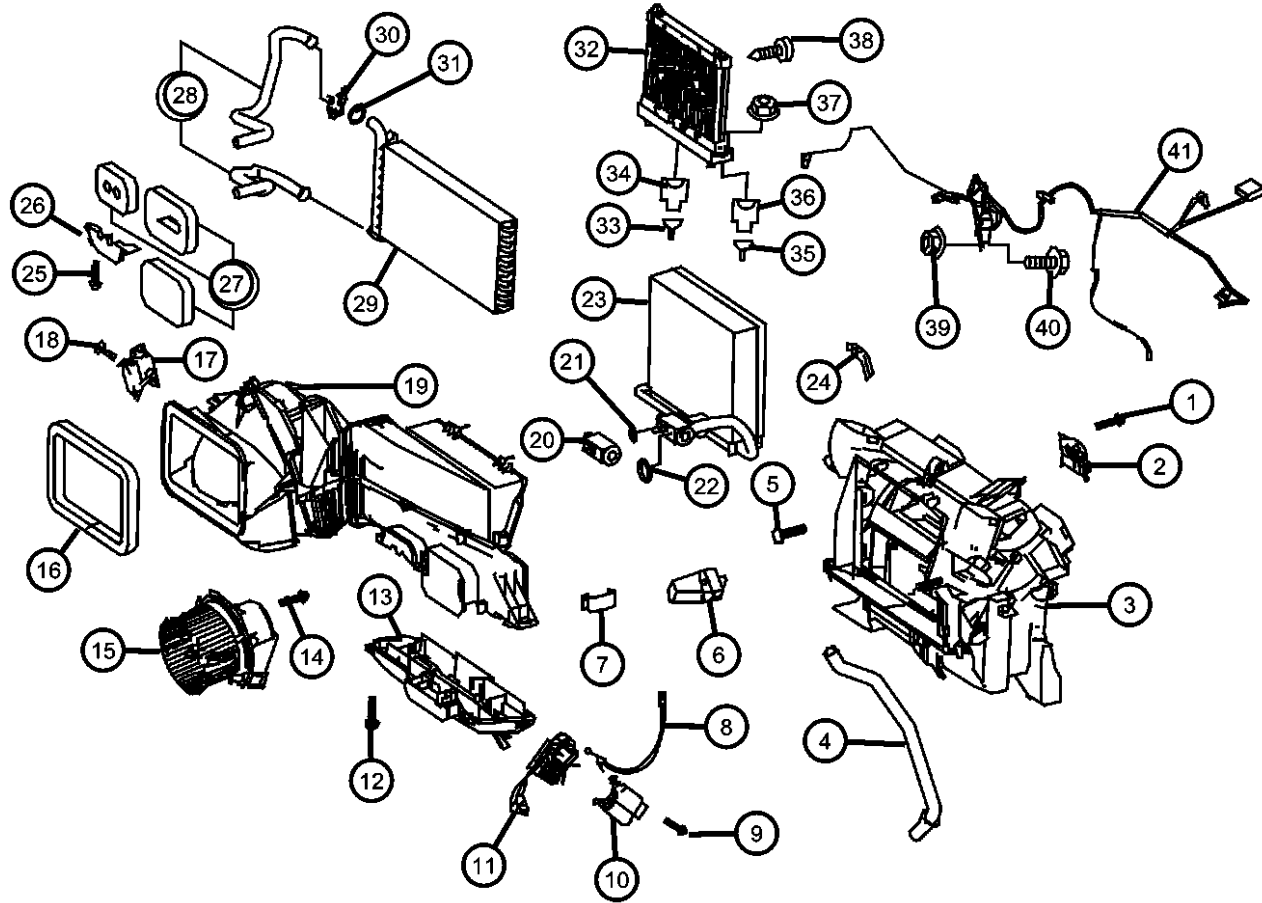
SPRINTER (VB)

SERIES	LINE	BODY	ENGINE	TRANSMISSION
L = LOWLINE	3 = HD DODGE 2WD 2 = Med. Duty DODGE 2WD	03 = CAB CHASSIS WHEEL BASE 3 05 = CAB CHASSIS WHEEL BASE 5 13 = 119 WB 53 = 119 WB 15 = VAN WHEEL BASE 5 55 = WAGON WHEEL BASE 5 17 = VAN WHEEL BASE 7	EG2 = 3.5L V6 Gas Engine EXM = 3.0L V6 Turbo Diesel Engine	DGZ = 5-Speed Auto W5A380 Transmission

AR = use ase required - = Non illustrated part

2007 VB

Heater Housing/AC with Blower
Figure 24-120



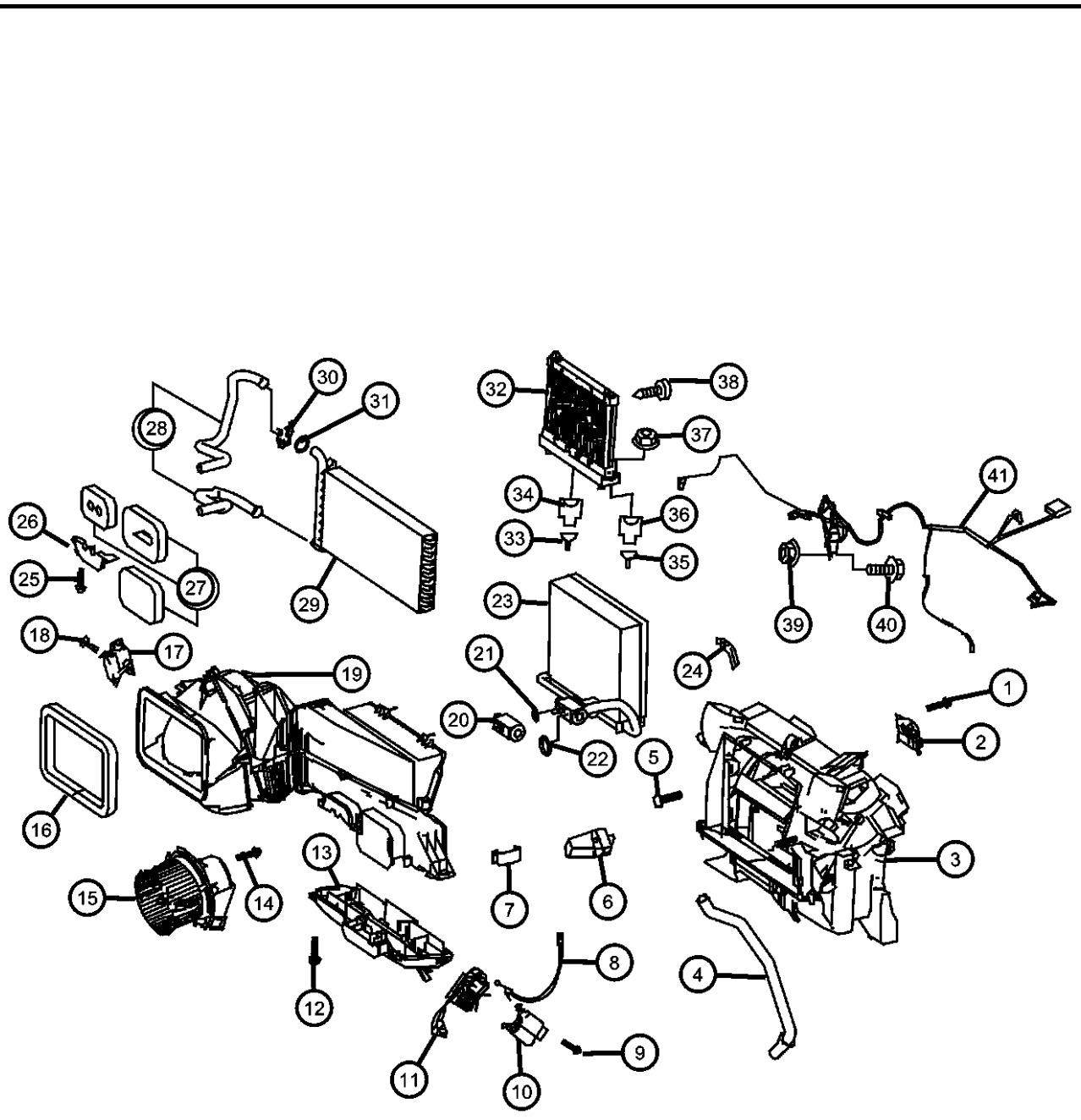
ITEM	PART NUMBER	QTY	LINE	SERIES	BODY	ENGINE	TRANS	TRIM	DESCRIPTION
1	68012630AA	2	2, 3, 6, 7			EG2, EXM			SCREW, 4x18
2	68012668AA	1	2, 3, 6, 7			EG2, EXM			ACTUATOR, A/C and Heater
3	68012673AA	1	6, 7, 2, 3			EG2, EXM			HOUSING, A/C And Heater
4	68012666AA	1	2, 3, 6, 7			EG2, EXM			HOSE, Drain
5	68012630AA	2	2, 3, 6, 7			EG2, EXM			SCREW, At Heater Case 4x18
6	68012613AA	1	2, 3, 6, 7			EG2, EXM			RESISTOR, Blower Motor
7	05133592AA	21	2, 3, 6, 7		13, 15, 17, 53, 55	EG2, EXM			CLIP, HEATER
8	68012667AA	1	2, 3, 6, 7			EG2, EXM			CABLE, A/C And Heater Control
9	68012630AA	2	2, 3, 6, 7			EG2, EXM			SCREW, Engine Fixing 4x16
10	68012669AA	1	2, 3, 6, 7			EG2, EXM			ACTUATOR, A/C and Heater
11	68012671AA	1	2, 3, 6, 7			EG2, EXM			LEVER, Panel Door
12	68012630AA	6	2, 3, 6, 7		13, 15, 17, 53, 55	EG2, EXM			SCREW, Mounting Shell 4x16
13	68012674AA	1	2, 3, 6, 7			EG2, EXM			COVER, Module
14	68012630AA	1	2, 3, 6, 7		13, 15, 17, 53, 55	EG2, EXM			SCREW, Fan Fastening 4x16
15	68012680AA	1	2, 3, 6, 7			EG2, EXM			MOTOR, Blower with Wheel
16	68012687AA	1	2, 3, 6, 7			EG2, EXM			GASKET
17	68012678AA	1	7, 2, 3, 6			EXM, EG2			ACTUATOR
18	68012630AA	2	2, 3, 6, 7			EG2, EXM			SCREW, Engine Fixing 4x16
19	68012676AA	1	2, 3, 6, 7			EG2, EXM			HOUSING, Heater
20	68012686AA	1	2, 3, 6, 7			EG2, EXM			VALVE, Expansion
21	05103930AA	1	2, 3, 6, 7		13, 15, 17, 53, 55	EG2, EXM			O RING, A/C Line, 17x2MM
22									O RING, A/C Line
	05098971AA	1	2, 3, 6, 7		13, 15, 17, 53, 55	EG2, EXM			10.6x2MM
		1	3, 7		03, 05	EG2, EXM			10.6x2MM
23	68012685AA	1	2, 3, 6, 7			EG2, EXM			EVAPORATOR, Air Conditioning
24									SENSOR, Temperature
	05103937AB	1	2, 3, 6, 7		13, 15, 17, 53, 55	EG2, EXM			
		1	3, 7		03, 05	EG2, EXM			
25	68012630AA	2	2, 3, 6, 7		13, 15, 17, 53, 55	EG2, EXM			SCREW, Bracket Mounting 4x16

SPRINTER (VB)
 SERIES LINE BODY ENGINE TRANSMISSION
 L = LOWLINE 3 = HD DODGE 2WD 03 = CAB CHASSIS WHEEL BASE 3 EG2 = 3.5L V6 Gas Engine DGZ = 5-Speed Auto W5A380 Transmission
 2 = Med. Duty DODGE 2WD 05 = CAB CHASSIS WHEEL BASE 5 EXM = 3.0L V6 Turbo Diesel Engine

13 = 119 WB
 53 = 119 WB
 15 = VAN WHEEL BASE 5
 55 = WAGON WHEEL BASE 5
 17 = VAN WHEEL BASE 7

AR = use ase required - = Non illustrated part

**Heater Housing/AC with Blower
Figure 24-120**



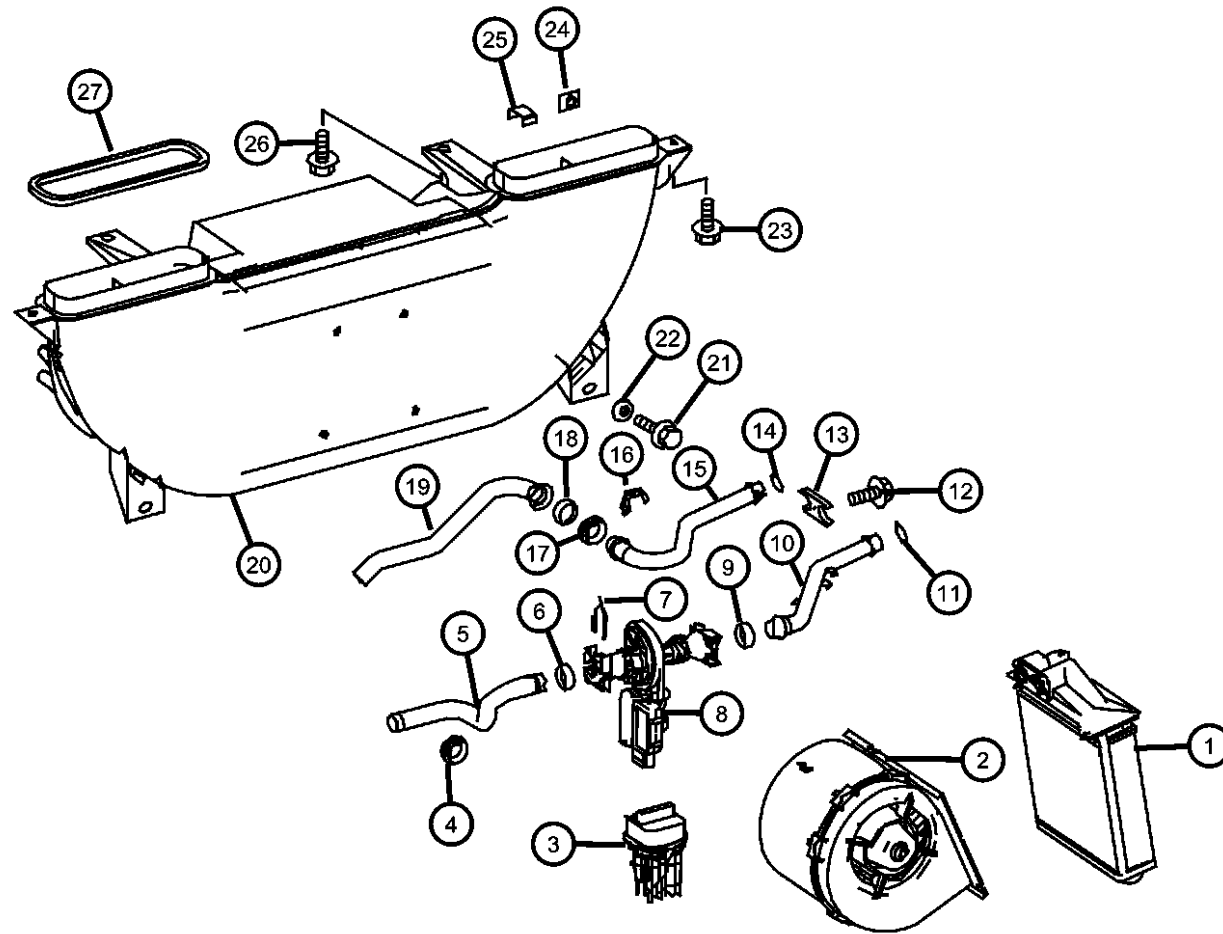
ITEM	PART NUMBER	QTY	LINE	SERIES	BODY	ENGINE	TRANS	TRIM	DESCRIPTION
26	68012684AA	1	2, 3, 6, 7			EG2, EXM			BRACKET
27	68012677AA	1	2, 3, 6, 7			EG2, EXM			SEAL, Heater Core
28	68012683AA	1	2, 3, 6, 7			EG2, EXM			HOSE, Heater
29	68012682AA	1	2, 3, 6, 7			EG2, EXM			CORE, Heater
30	68012619AA	2	2, 3, 6, 7			EG2, EXM			CLIP, Pipe Line to Heater Case
31	68012624AA	2	2, 3, 6, 7			EG2, EXM			O RING, Heating Pipe Lines
32	68012665AA	1	2, 3, 6, 7			EG2, EXM			HEATER
33	05103874AA	1	2, 3, 6, 7			EG2, EXM			TERMINAL
34	68011286AA	1	2, 3, 6, 7			EG2, EXM			CONNECTOR
35	05103874AA	1	2, 3, 6, 7			EG2, EXM			TERMINAL
36	05120277AA	1	2, 3, 6, 7			EG2, EXM			CONNECTOR, Wiring Repair
37	06105169AA	2	2, 3, 6, 7			EG2, EXM			NUT
38	68012630AA	2	2, 3, 6, 7		13, 15, 17, 53, 55	EG2, EXM			SCREW, Control Unit Fixture 4x16
39	68004878AA	3	2, 3, 6, 7		13, 15, 17, 53, 55	EG2, EXM			NUT, Attachment for Heater M6
40	05133476AB	2	2, 3, 6, 7		13, 15, 17, 53, 55	EG2, EXM			SCREW, Attachment for Heater M6x20
41	68012689AA	1	2, 3, 6, 7			EG2, EXM			WIRING, A/C and HEATER

SPRINTER (VB)

SERIES	LINE	BODY	ENGINE	TRANSMISSION
L = LOWLINE	3 = HD DODGE 2WD 2 = Med. Duty DODGE 2WD	03 = CAB CHASSIS WHEEL BASE 3 05 = CAB CHASSIS WHEEL BASE 5 13 = 119 WB 53 = 119 WB 15 = VAN WHEEL BASE 5 55 = WAGON WHEEL BASE 5 17 = VAN WHEEL BASE 7	EG2 = 3.5L V6 Gas Engine EXM = 3.0L V6 Turbo Diesel Engine	DGZ = 5-Speed Auto W5A380 Transmission

AR = use ase required - = Non illustrated part

Heat Exchange
Figure 24-125



ITEM	PART NUMBER	QTY	LINE	SERIES	BODY	ENGINE	TRANS	TRIM	DESCRIPTION
1	68012614AA	1	2, 3, 6, 7		13, 15, 17, 53, 55	EG2, EXM			CORE, Heater
2	05103806AA	1	2, 3, 6, 7		13, 15, 17, 53, 55	EG2, EXM			BLOWER
3	68012613AA	1	2, 3, 6, 7			EG2, EXM			RESISTOR, Blower Motor
4	05133588AA	2	3, 6, 7, 2		13, 15, 17, 53, 55	EG2, EXM			GROMMET
5	68012618AA	1	2, 3, 6, 7		13, 15, 17, 53, 55	EG2, EXM			HOSE, Heater, Return from Valve
6	68012624AA	1	2, 3, 6, 7		13, 15, 17, 53, 55	EG2, EXM			O RING, At Control Valve
7	05098481AA	2	2, 3, 6, 7		13, 15, 17, 53, 55	EG2, EXM			RETAINER, Spring
8	68012622AA	1	2, 3, 6, 7		13, 15, 17, 53, 55	EG2, EXM			VALVE, Regulating Valve
9	68012624AA	2	2, 3, 6, 7			EG2, EXM			O RING, At Control Valve
10	68012617AA	1	2, 3, 6, 7		13, 15, 17, 53, 55	EG2, EXM			HOSE, Heater, Return from Heat Exchanger
11	68012623AA	2	2, 3, 6, 7		13, 15, 17, 53, 55	EG2, EXM			O RING, Heater
12	68012621AA	1	2, 3, 6, 7		13, 15, 17, 53, 55	EG2, EXM			SCREW
13	68012620AA	1	2, 3, 6, 7		53, 55, 13, 15, 17	EG2, EXM			BRACKET
14	68012623AA	2	2, 3, 6, 7		13, 15, 17, 53, 55	EG2, EXM			O RING
15	68012616AA	1	2, 3, 6, 7		13, 15, 17, 53, 55	EG2, EXM			HOSE, Heater, Partition Point to Heater
16	68012619AA	1	2, 3, 6, 7		13, 15, 17, 53, 55	EG2, EXM			CLIP, Pipe Lines
17	05133588AA	2	2, 3, 6, 7		13, 15, 17, 53, 55	EG2, EXM			GROMMET
18	68012624AA	2	6, 7, 2, 3			EG2, EXM			O RING
19	68012615AA	1	2, 3, 6, 7		13, 15, 17, 53, 55	EG2, EXM			HOSE, Heater, Feed
20	68012611AA	1	2, 3, 6, 7		13, 15, 17, 53, 55	EG2, EXM			HOUSING, Heater, Additional Heater
21	06104121AA	2	2, 3, 6, 7		13, 15, 17, 53, 55	EG2, EXM			SCREW, Hex Flange Head, Mounting to Longitudinal Member Bottom M6x16
22	68012612AA	2	2, 3, 6, 7			EG2, EXM			WASHER, With [HDC]
23	06104580AA	2	2, 3, 6, 7		13, 15, 17, 53, 55	EG2, EXM			SCREW, Tapping, Heating to Cross Member 6.3x13

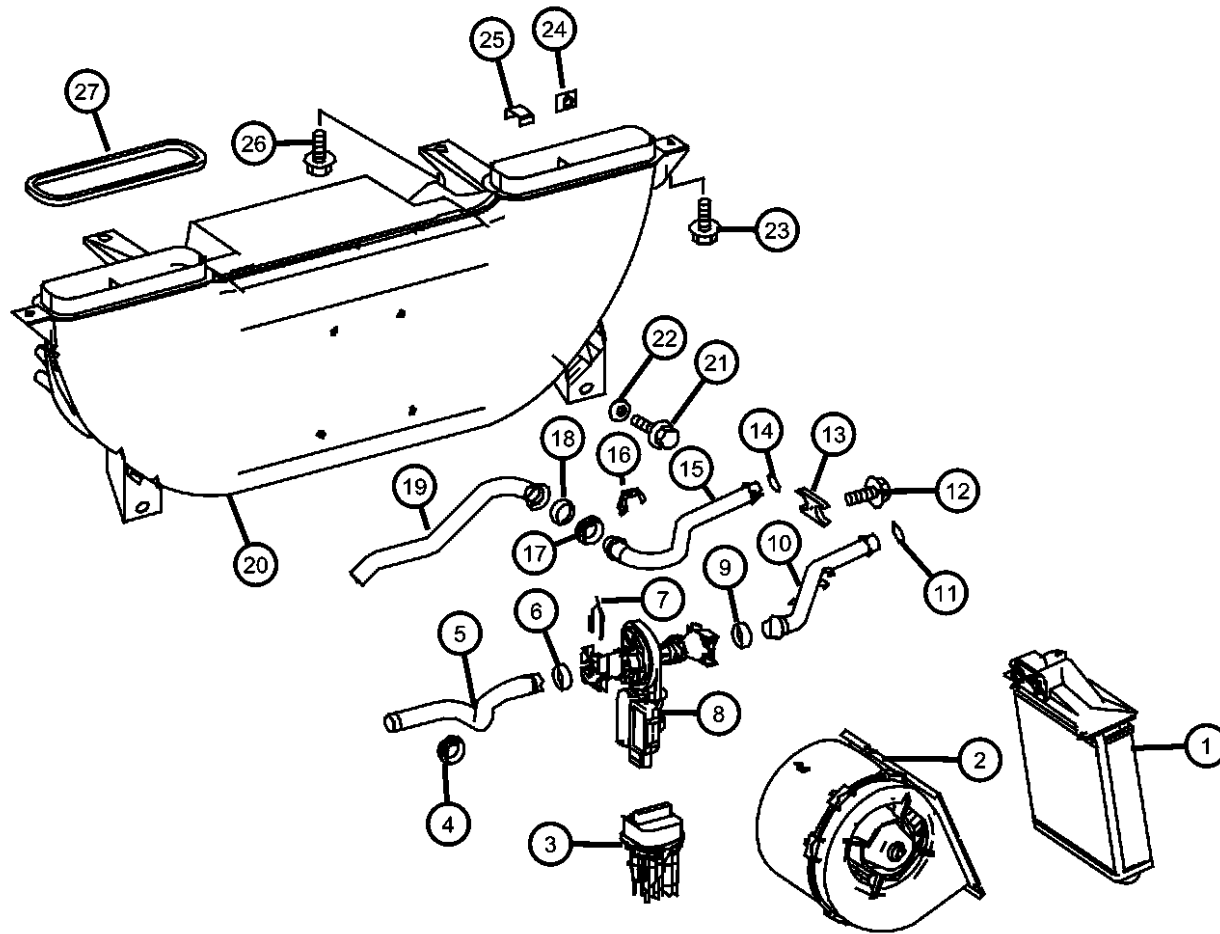
SPRINTER (VB)

SERIES	LINE	BODY	ENGINE	TRANSMISSION
L = LOWLINE	3 = HD DODGE 2WD 2 = Med. Duty DODGE 2WD	03 = CAB CHASSIS WHEEL BASE 3 05 = CAB CHASSIS WHEEL BASE 5 13 = 119 WB 53 = 119 WB 15 = VAN WHEEL BASE 5 55 = WAGON WHEEL BASE 5 17 = VAN WHEEL BASE 7	EG2 = 3.5L V6 Gas Engine EXM = 3.0L V6 Turbo Diesel Engine	DGZ = 5-Speed Auto W5A380 Transmission

AR = use ase required - = Non illustrated part

Heat Exchange
Figure 24-125

ITEM	PART NUMBER	QTY	LINE	SERIES	BODY	ENGINE	TRANS	TRIM	DESCRIPTION
24	68011920AA	1	2, 3, 6, 7			EG2			RETAINER, Plug Connections
25	05133592AA	21	2, 3, 6, 7		13, 15, 17, 53, 55	EG2, EXM			CLIP, HEATER, Cover to Box
26	05073723AB	2	3, 7		03, 05	EG2, EXM			SCREW Heating to Stay M8x20
		2	2, 3, 6, 7		13, 15, 17, 53, 55	EG2, EXM			Heating to Stay M8x20
27	05133593AA	2	2, 3, 6, 7		17, 53, 55, 13, 15	EG2, EXM			GASKET, Heater duct, Intake Air Duct
-28	05133486AA	2	2, 3, 6, 7		13, 15, 17, 53, 55	EG2, EXM			RIVET, Heating to Cross Member



SPRINTER (VB)

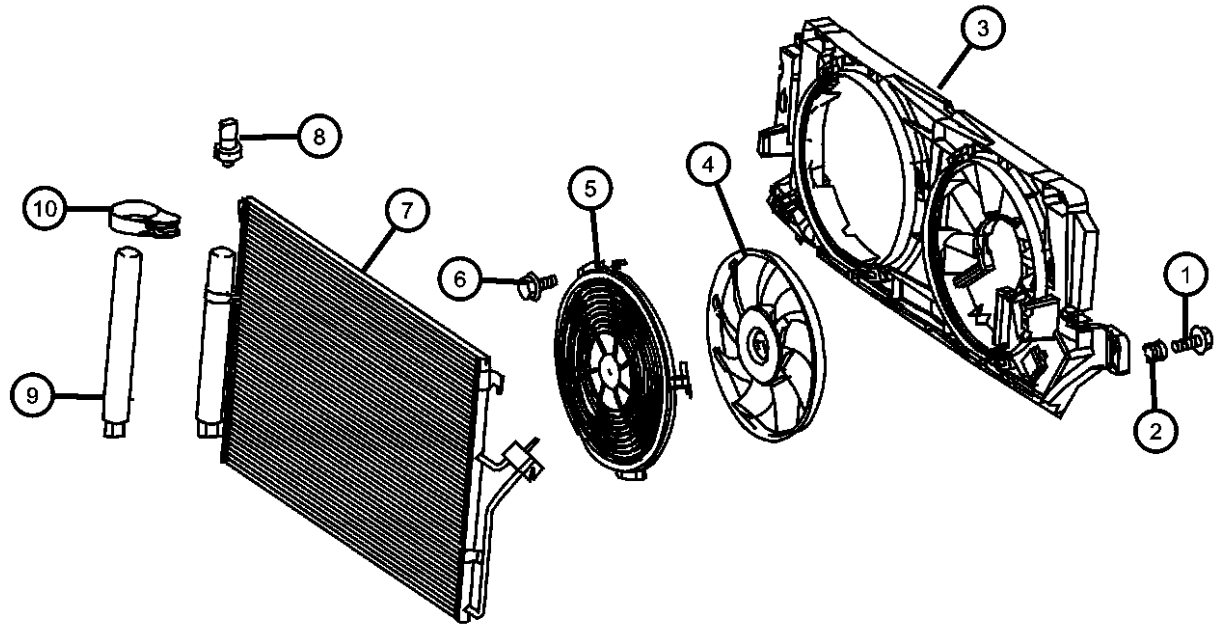
SERIES	LINE	BODY	ENGINE	TRANSMISSION
L = LOWLINE	3 = HD DODGE 2WD 2 = Med. Duty DODGE 2WD	03 = CAB CHASSIS WHEEL BASE 3 05 = CAB CHASSIS WHEEL BASE 5 13 = 119 WB 53 = 119 WB 15 = VAN WHEEL BASE 5 55 = WAGON WHEEL BASE 5 17 = VAN WHEEL BASE 7	EG2 = 3.5L V6 Gas Engine EXM = 3.0L V6 Turbo Diesel Engine	DGZ = 5-Speed Auto W5A380 Transmission

AR = use ase required - = Non illustrated part

2007 VB

**Condenser & Auxiliary Fan
Figure 24-130**

ITEM	PART NUMBER	QTY	LINE	SERIES	BODY	ENGINE	TRANS	TRIM	DESCRIPTION
1	68006685AA	4	2, 3, 6, 7			EG2, EXM			SCREW, Protective Grille to Radiator 5x16
2	68013663AA	4	2, 3, 6, 7			EG2, EXM			BUSHING, At Condenser
3	68013664AA	1	2, 3, 6, 7		13, 15, 17	EG2, EXM			SHROUD, Fan With [HAB+(CWC%XJW%XJ1%XJY)] With [HAB]
	68013671AA	1	2, 3, 6, 7		13, 15, 17, 53, 55	EG2, EXM			With [HAB]
4	68013666AA	1	2, 3, 6, 7		13, 15, 17	EG2, EXM			FAN With Single & Dual Fan Set Up, Left
	68013672AA	1	2, 3, 6, 7		13, 15, 17, 53, 55	EG2, EXM			With Single & Dual Fan Set Up, Left With Dual Set Up Only, Right
5	68013665AA	1	2, 3, 6, 7		13, 15, 17	EG2, EXM			GRILLE With Single Fan
		1	3, 7		03, 05	EG2, EXM			With Single Fan
		2	2, 3, 6, 7		13, 15, 17, 53, 55	EG2, EXM			With Dual Fan
6	68013667AA	3	2, 3, 6, 7			EG2, EXM			SCREW, Blower to Protective Grille
7	68013633AA	1	2, 3, 6, 7			EG2, EXM			CONDENSER, A/C
8	68019266AA	1	2, 3, 6, 7			EG2, EXM			SWITCH, A/C Pressure
9	68013634AA	1	2, 3, 6, 7			EG2, EXM			RECEIVER DRIER
10	68013635AA	1	2, 3, 6, 7			EG2, EXM			BRACKET, Drying Insert

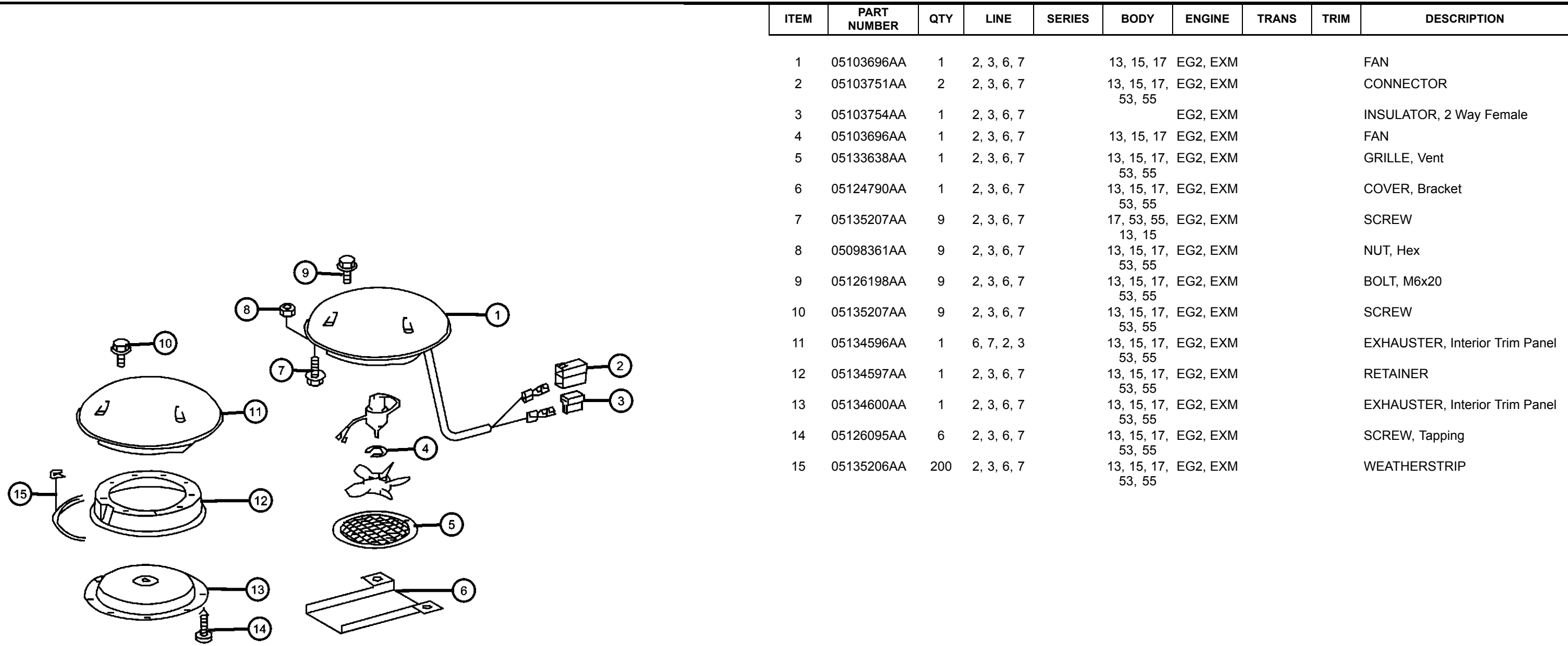


SPRINTER (VB)

SERIES	LINE	BODY	ENGINE	TRANSMISSION
L = LOWLINE	3 = HD DODGE 2WD 2 = Med. Duty DODGE 2WD	03 = CAB CHASSIS WHEEL BASE 3 05 = CAB CHASSIS WHEEL BASE 5 13 = 119 WB 53 = 119 WB 15 = VAN WHEEL BASE 5 55 = WAGON WHEEL BASE 5 17 = VAN WHEEL BASE 7	EG2 = 3.5L V6 Gas Engine EXM = 3.0L V6 Turbo Diesel Engine	DGZ = 5-Speed Auto W5A380 Transmission

AR = use ase required - = Non illustrated part

**Roof Mounted Ventilator
Figure 24-135**



ITEM	PART NUMBER	QTY	LINE	SERIES	BODY	ENGINE	TRANS	TRIM	DESCRIPTION
1	05103696AA	1	2, 3, 6, 7		13, 15, 17	EG2, EXM			FAN
2	05103751AA	2	2, 3, 6, 7		13, 15, 17, 53, 55	EG2, EXM			CONNECTOR
3	05103754AA	1	2, 3, 6, 7			EG2, EXM			INSULATOR, 2 Way Female
4	05103696AA	1	2, 3, 6, 7		13, 15, 17	EG2, EXM			FAN
5	05133638AA	1	2, 3, 6, 7		13, 15, 17, 53, 55	EG2, EXM			GRILLE, Vent
6	05124790AA	1	2, 3, 6, 7		13, 15, 17, 53, 55	EG2, EXM			COVER, Bracket
7	05135207AA	9	2, 3, 6, 7		17, 53, 55, 13, 15	EG2, EXM			SCREW
8	05098361AA	9	2, 3, 6, 7		13, 15, 17, 53, 55	EG2, EXM			NUT, Hex
9	05126198AA	9	2, 3, 6, 7		13, 15, 17, 53, 55	EG2, EXM			BOLT, M6x20
10	05135207AA	9	2, 3, 6, 7		13, 15, 17, 53, 55	EG2, EXM			SCREW
11	05134596AA	1	6, 7, 2, 3		13, 15, 17, 53, 55	EG2, EXM			EXHAUSTER, Interior Trim Panel
12	05134597AA	1	2, 3, 6, 7		13, 15, 17, 53, 55	EG2, EXM			RETAINER
13	05134600AA	1	2, 3, 6, 7		13, 15, 17, 53, 55	EG2, EXM			EXHAUSTER, Interior Trim Panel
14	05126095AA	6	2, 3, 6, 7		13, 15, 17, 53, 55	EG2, EXM			SCREW, Tapping
15	05135206AA	200	2, 3, 6, 7		13, 15, 17, 53, 55	EG2, EXM			WEATHERSTRIP

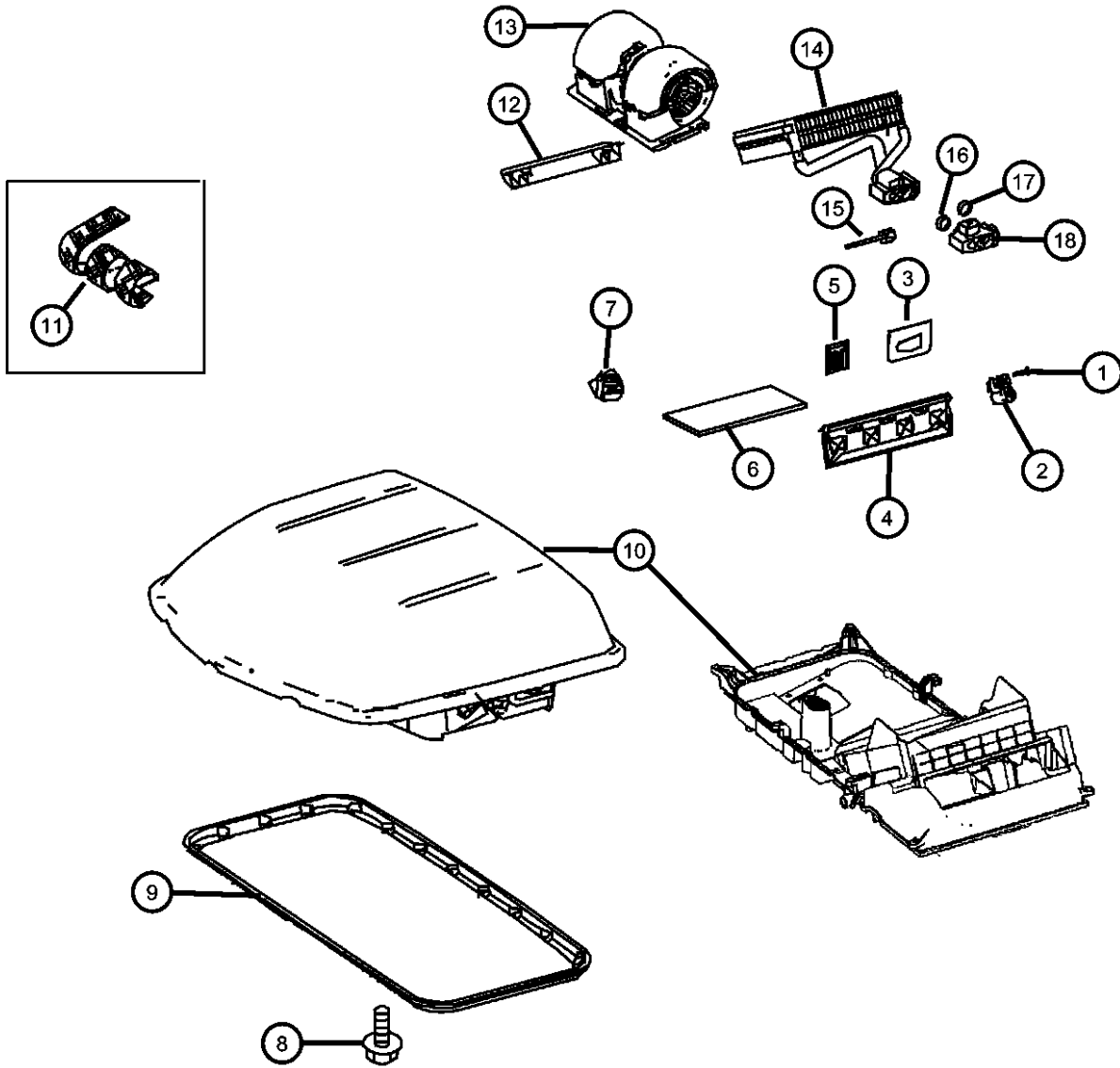
SPRINTER (VB)

SERIES	LINE	BODY	ENGINE	TRANSMISSION
L = LOWLINE	3 = HD DODGE 2WD 2 = Med. Duty DODGE 2WD	03 = CAB CHASSIS WHEEL BASE 3 05 = CAB CHASSIS WHEEL BASE 5 13 = 119 WB 53 = 119 WB 15 = VAN WHEEL BASE 5 55 = WAGON WHEEL BASE 5 17 = VAN WHEEL BASE 7	EG2 = 3.5L V6 Gas Engine EXM = 3.0L V6 Turbo Diesel Engine	DGZ = 5-Speed Auto W5A380 Transmission

AR = use ase required - = Non illustrated part

**Air Conditioner on Roof
Figure 24-140**

ITEM	PART NUMBER	QTY	LINE	SERIES	BODY	ENGINE	TRANS	TRIM	DESCRIPTION
1	68012630AA	3	2, 3, 6, 7		13, 15, 17, 53, 55	EG2, EXM			SCREW, Engine Fixing 4x16
2	68012629AA	1	2, 6		53, 55	EG2, EXM			MOTOR
3	68012636AA	1	2, 6		53, 55	EG2, EXM			SEAL, Lateral
4	68012639AA	1	2, 6		53, 55	EG2, EXM			DOOR, Air Mixing Flap
5	68011920AA	2	2, 3, 6, 7		13, 15, 17, 53, 55	EG2, EXM			RETAINER, Plug Connection
6	68012628AA	1	2, 6		53, 55	EG2, EXM			FILTER, Air
7	68012613AA	1	2, 3, 6, 7			EG2, EXM			RESISTOR, Blower Motor
8	06104118AA	22	2, 3, 6, 7		13, 15, 17, 53, 55	EG2, EXM			SCREW, Frame Bracket M5x20
9	68012609AA	1	2, 6		53, 55	EG2, EXM			FRAME
10	68012608AA	1	2, 6		53, 55	EG2, EXM			HOUSING, Serviced as an Assembly
11	05132378AA	60	2, 3, 6, 7		13, 15, 17, 53, 55	EG2, EXM			ISOLATOR
12	68012638AA	1	2, 6		53, 55	EG2, EXM			DOOR
13	68012631AA	1	2, 6		53, 55	EG2, EXM			MOTOR, Blower with Wheel
14	68012632AA	1	2, 6		53, 55	EG2, EXM			EVAPORATOR, Air Conditioning
15	68012635AA	1	2, 6		53, 55	EG2, EXM			SENSOR, Temperature
16	05103930AA	1	2, 3, 6, 7		13, 15, 17, 53, 55	EG2, EXM			O RING, A/C Line
17	05098971AA	1	2, 3, 6, 7		13, 15, 17, 53, 55	EG2, EXM			O RING, A/C Line
18	68012634AA	1	2, 6		53, 55				VALVE, Expansion



SPRINTER (VB)

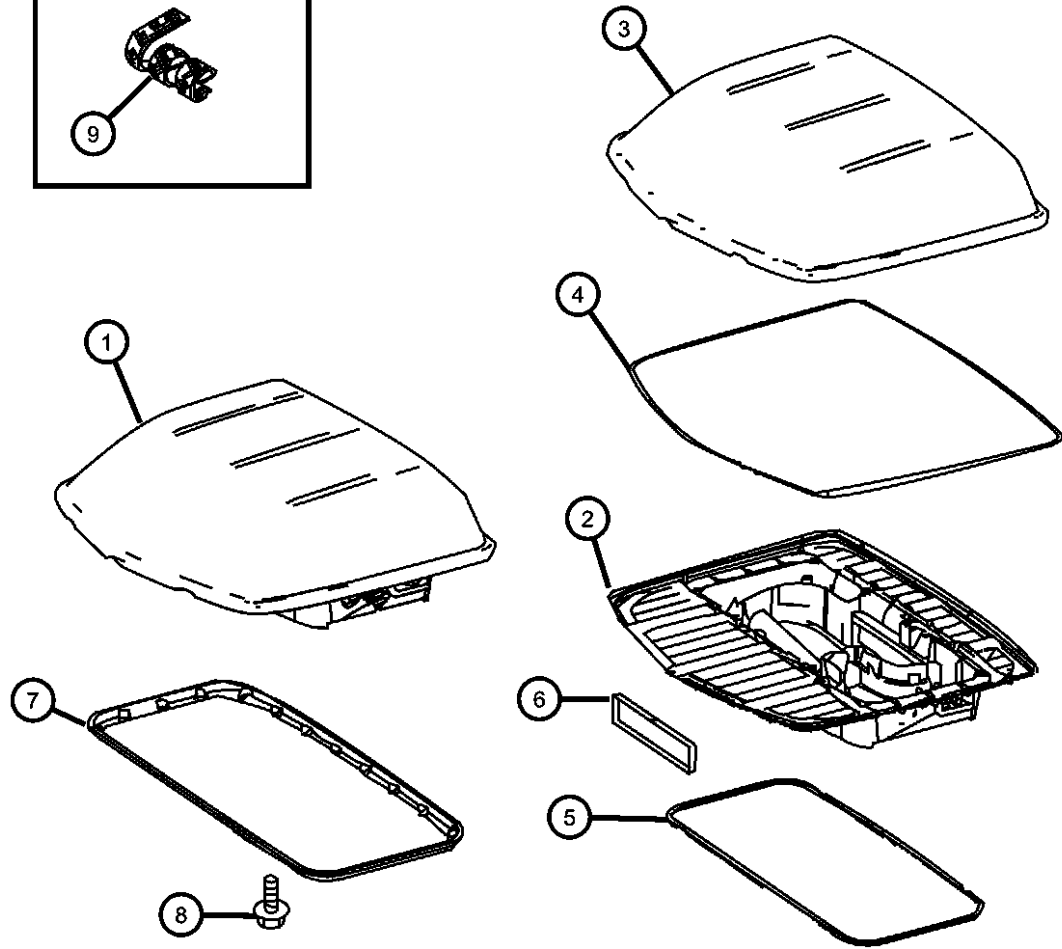
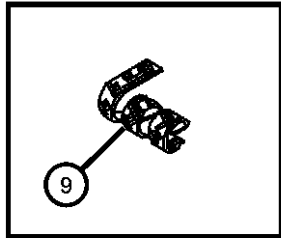
SERIES	LINE	BODY	ENGINE	TRANSMISSION
L = LOWLINE	3 = HD DODGE 2WD 2 = Med. Duty DODGE 2WD	03 = CAB CHASSIS WHEEL BASE 3 05 = CAB CHASSIS WHEEL BASE 5 13 = 119 WB 53 = 119 WB 15 = VAN WHEEL BASE 5 55 = WAGON WHEEL BASE 5 17 = VAN WHEEL BASE 7	EG2 = 3.5L V6 Gas Engine EXM = 3.0L V6 Turbo Diesel Engine	DGZ = 5-Speed Auto W5A380 Transmission

AR = use ase required - = Non illustrated part

2007 VB

**Air Conditioner on Roof
Figure 24-145**

ITEM	PART NUMBER	QTY	LINE	SERIES	BODY	ENGINE	TRANS	TRIM	DESCRIPTION
1	68012608AA	1	2, 6		53, 55	EG2, EXM			HOUSING, Complete Housing
2	68024096AA	1	2, 6		53, 55	EG2, EXM			CONDENSER, A/C, Lower Cover
3	68012627AA	1	2, 6		53, 55	EG2, EXM			HOUSING, Upper Cover
4	68012640AA	1	2, 6		53, 55	EG2, EXM			FRAME, Seal
5	68012637AA	1	2, 6		53, 55	EG2, EXM			SEAL
6	68012641AA	1	2, 6		53, 55	EG2, EXM			FRAME, Seal, Air Outlet
7	68012609AA	1	2, 6		53, 55	EG2, EXM			FRAME, A/C Unit Seat
8	06104118AA	22	2, 3, 6, 7		13, 15, 17, 53, 55	EG2, EXM			SCREW, Torx, M5X0.8X20
9	05132378AA	60	2, 3, 6, 7		13, 15, 17, 53, 55	EG2, EXM			ISOLATOR

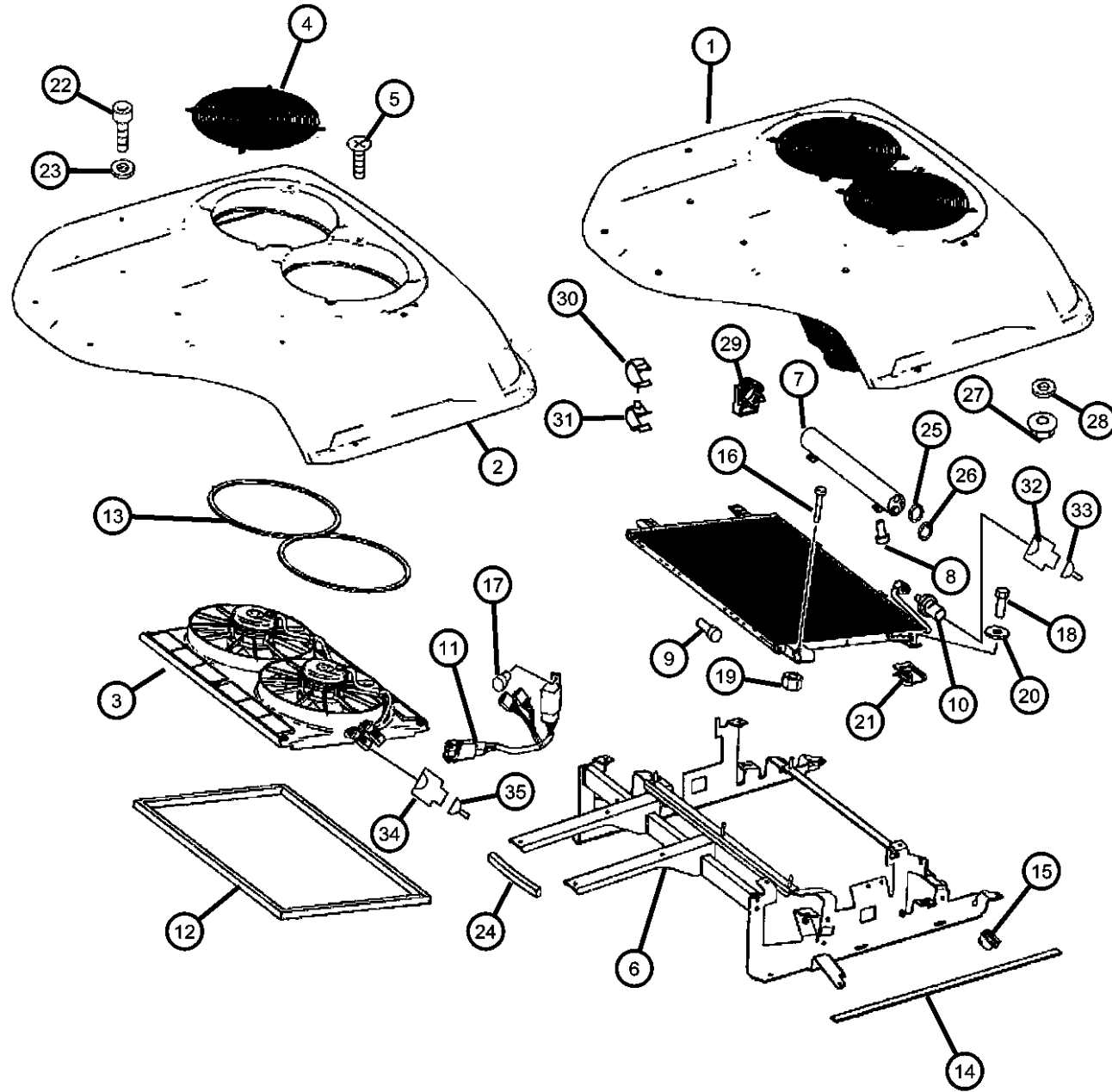


SPRINTER (VB)

SERIES	LINE	BODY	ENGINE	TRANSMISSION
L = LOWLINE	3 = HD DODGE 2WD 2 = Med. Duty DODGE 2WD	03 = CAB CHASSIS WHEEL BASE 3 05 = CAB CHASSIS WHEEL BASE 5 13 = 119 WB 53 = 119 WB 15 = VAN WHEEL BASE 5 55 = WAGON WHEEL BASE 5 17 = VAN WHEEL BASE 7	EG2 = 3.5L V6 Gas Engine EXM = 3.0L V6 Turbo Diesel Engine	DGZ = 5-Speed Auto W5A380 Transmission

AR = use ase required - = Non illustrated part

**Air Conditioner on Roof
Figure 24-180**



ITEM	PART NUMBER	QTY	LINE	SERIES	BODY	ENGINE	TRANS	TRIM	DESCRIPTION
1	68012610AA	1	2, 6		53, 55	EG2, EXM			CONDENSER, A/C, Complete Unit
2	68012642AA	1	2, 6		53, 55	EG2, EXM			COVER, Cover Only
3	68012643AA	1	2, 6		53, 55	EG2, EXM			MODULE, Cooling
4	68012644AA	2	2, 6		53, 55	EG2, EXM			GRILLE
5	68012645AA	8	2, 6		53, 55	EG2, EXM			SCREW
6	68012646AA	1	2, 6		53, 55	EG2, EXM			CONDENSER, A/C, Frame
7	68012647AA	1	2, 6		53, 55	EG2, EXM			DRIER, Air Conditioning Filter
8	68012648AA	2	2, 6		53, 55	EG2, EXM			SCREW
9	06104123AA	4	2, 3, 6, 7		13, 15, 17, 53, 55	EG2, EXM			SCREW
10	68012649AA	1	2, 3, 6, 7			EG2, EXM			SWITCH, A/C Pressure
11	68012650AA	1	2, 6		53, 55	EG2, EXM			WIRING
12	68012651AA	1	2, 6		53, 55	EG2, EXM			SEAL
13	68012652AA	2	2, 6		53, 55	EG2, EXM			SEAL
14	68012653AA	1	2, 6		53, 55	EG2, EXM			SEAL
15	68012654AA	2	2, 6		53, 55	EG2, EXM			CLIP
16	68012655AA	1	2, 6		53, 55	EG2, EXM			SCREW
17	05104672AA	1	2, 3, 6, 7		13, 15, 17, 53, 55	EG2, EXM			NUT, Hex
18	68012657AA	3	2, 6		53, 55	EG2, EXM			SCREW
19	68012656AA	1	2, 6		53, 55	EG2, EXM			NUT
20	05098108AA	4	2, 3, 6, 7		13, 15, 17, 53, 55	EG2, EXM			WASHER, Flat
21	68012658AA	3	2, 6		53, 55	EG2, EXM			NUT
22	68012659AA	10	2, 6		53, 55	EG2, EXM			SCREW
23	68012660AA	10	2, 6		53, 55	EG2, EXM			WASHER
24	68012661AA	1	2, 6		53, 55	EG2, EXM			SEAL
25	05098970AA	1	2, 3, 6, 7		13, 15, 17, 53, 55	EG2, EXM			O RING, A/C Line, [7.5 X 2 MM]
26	05103571AA	1	2, 3, 6, 7		53, 55	EG2, EXM			O RING, Air Conditioning Line, [9.5 X 2.5 MM]
27	06105169AA	6	2, 3, 6, 7		13, 15, 17, 53, 55	EG2, EXM			NUT
28	05142916AA	6	2, 3, 6, 7		53, 55, 13, 15, 17	EG2, EXM			WASHER
29	68012740AA	1	2, 3, 6, 7			EG2, EXM			BRACKET, Hose

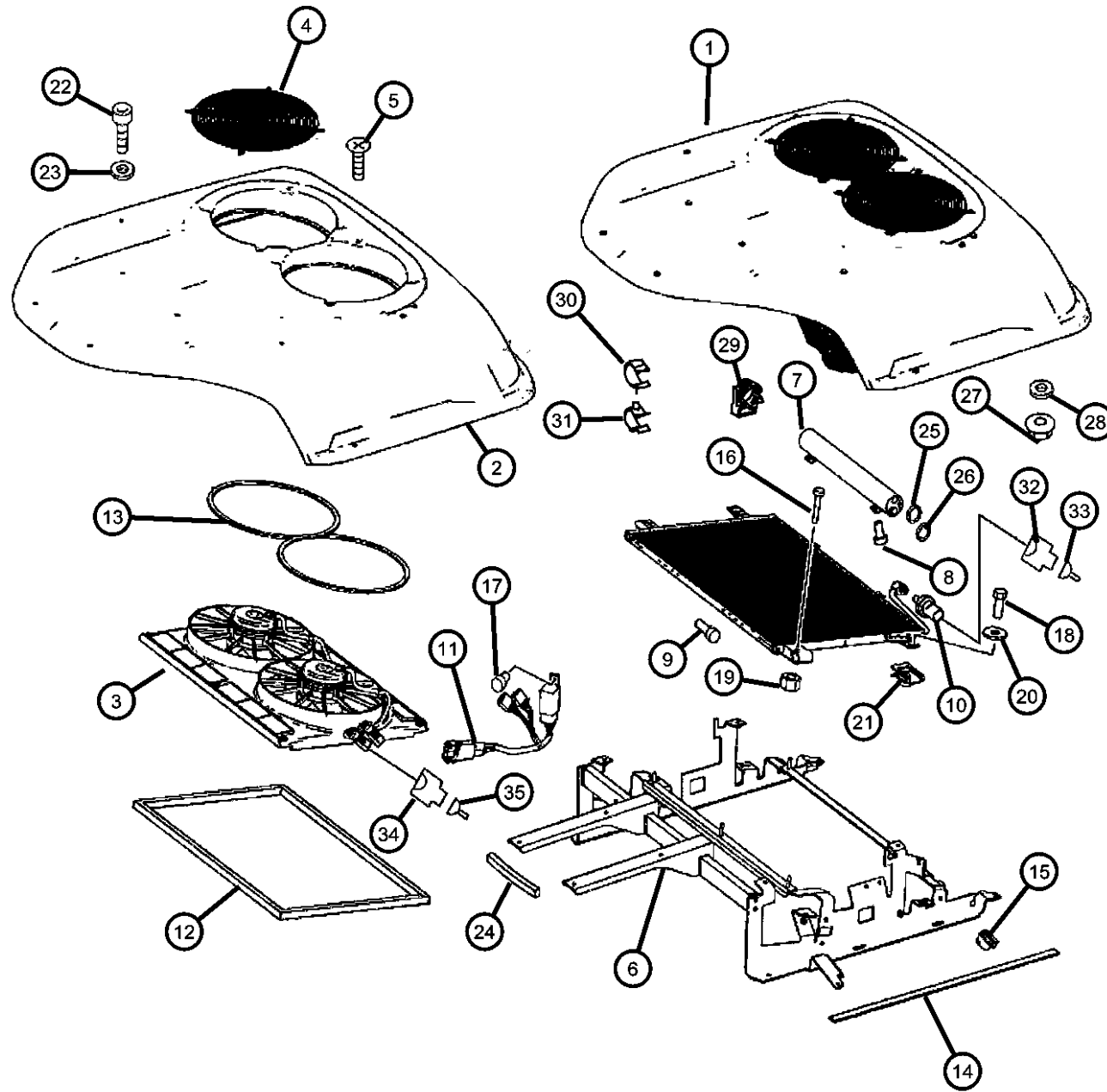
SPRINTER (VB)

SERIES LINE
L = LOWLINE 3 = HD DODGE 2WD
 2 = Med. Duty DODGE 2WD

BODY	ENGINE	TRANSMISSION
03 = CAB CHASSIS WHEEL BASE 3	EG2 = 3.5L V6 Gas Engine	DGZ = 5-Speed Auto W5A380 Transmission
05 = CAB CHASSIS WHEEL BASE 5	EXM = 3.0L V6 Turbo Diesel Engine	
13 = 119 WB		
53 = 119 WB		
15 = VAN WHEEL BASE 5		
55 = WAGON WHEEL BASE 5		
17 = VAN WHEEL BASE 7		

AR = use ase required - = Non illustrated part

**Air Conditioner on Roof
Figure 24-180**



ITEM	PART NUMBER	QTY	LINE	SERIES	BODY	ENGINE	TRANS	TRIM	DESCRIPTION
30	06104923AA	1	2, 6		13, 15, 17, 53, 55	EG2			CLAMP, Hose
31	06104918AA	1	2, 6		13, 15, 17, 53, 55	EG2			CLAMP, Hose
32	05120278AA	1	2, 3, 6, 7			EG2			CONNECTOR
33	05103873AA	3	2, 3, 6, 7		13, 15, 17, 53, 55	EG2, EXM			TERMINAL
34	05120761AA	1	2, 3, 6, 7			EG2, EXM			CONNECTOR
35	68016721AA	AR	2, 3, 6, 7			EG2, EXM			TERMINAL

SPRINTER (VB)

SERIES LINE
L = LOWLINE 3 = HD DODGE 2WD
 2 = Med. Duty DODGE 2WD

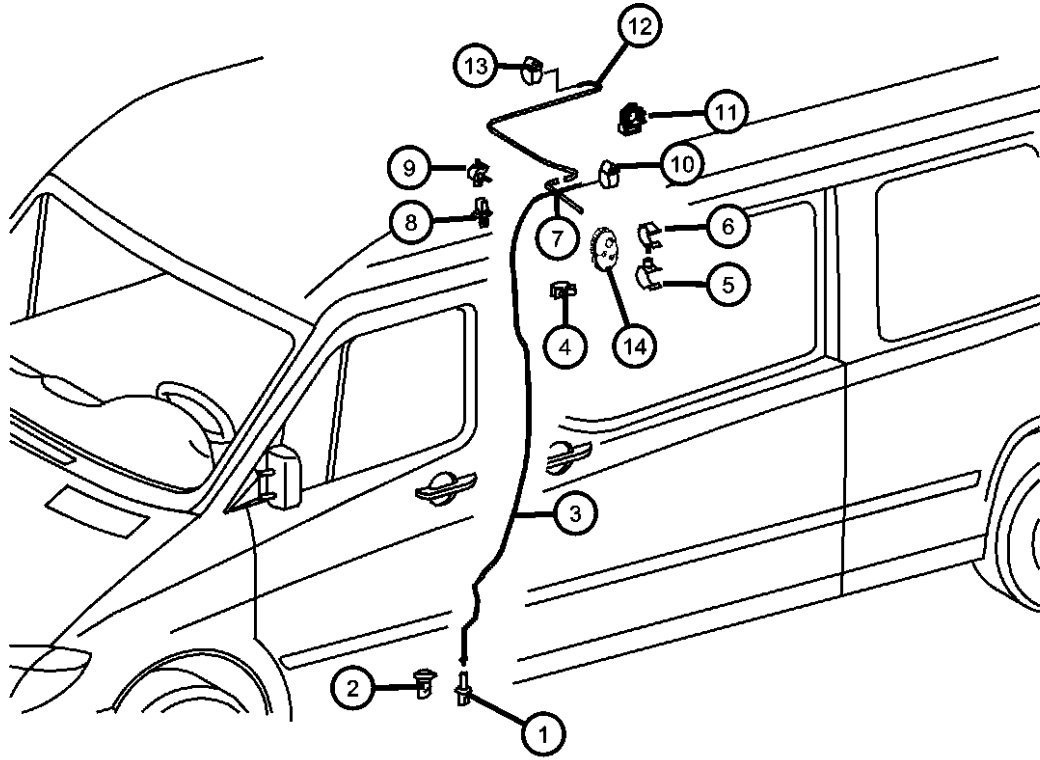
BODY ENGINE
03 = CAB CHASSIS WHEEL BASE 3
05 = CAB CHASSIS WHEEL BASE 5
13 = 119 WB
53 = 119 WB
15 = VAN WHEEL BASE 5
55 = WAGON WHEEL BASE 5
17 = VAN WHEEL BASE 7
EG2 = 3.5L V6 Gas Engine
EXM = 3.0L V6 Turbo Diesel Engine

TRANSMISSION
DGZ = 5-Speed Auto W5A380 Transmission

AR = use ase required - = Non illustrated part

Rear A/C Condensed Water Lines
Figure 24-190

ITEM	PART NUMBER	QTY	LINE	SERIES	BODY	ENGINE	TRANS	TRIM	DESCRIPTION
1	68012795AA	1	2, 6		53, 55	EG2, EXM			HOSE, Drain
2	68012793AA	1	2, 6		53, 55	EG2, EXM			GROMMET
3	68012792AA	1	2, 3, 6, 7		53, 55	EG2, EXM			HOSE, Drain
4	06104775AA	11	2, 3, 6, 7		13, 15, 17, 53, 55	EG2, EXM			CLAMP, 6.5x14.5
5	06104921AA	1	2, 3, 6, 7		13, 15, 17, 53, 55	EG2, EXM			CLAMP, Fuel Line
6	06104918AA	2	2, 3, 6, 7		13, 15, 17, 53, 55	EG2, EXM			CLAMP, Hose, 22-24-12MM
7	68012790AA	1	2, 6		53, 55	EG2, EXM			HOSE, Drain
8	05096566AA	2	2, 3, 6, 7		17, 53, 55, 13, 15	EG2, EXM			CLIP, Hose
9	05080431AB	1	2, 6		53, 55	EG2, EXM			CLAMP, 11MM
10	05135881AA	2	2, 3, 6, 7			EG2, EXM			CLAMP
11	68012740AA	1	2, 3, 6, 7			EG2, EXM			BRACKET, Hose
12	68012785AA	1	2, 3, 6, 7		53, 55	EG2, EXM			HOSE, Drain
13	05135881AA	2	2, 3, 6, 7			EXM, EG2			CLAMP
14	68012794AA	2	2, 3, 6, 7		13, 15, 17, 53, 55	EG2, EXM			GROMMET



SPRINTER (VB)

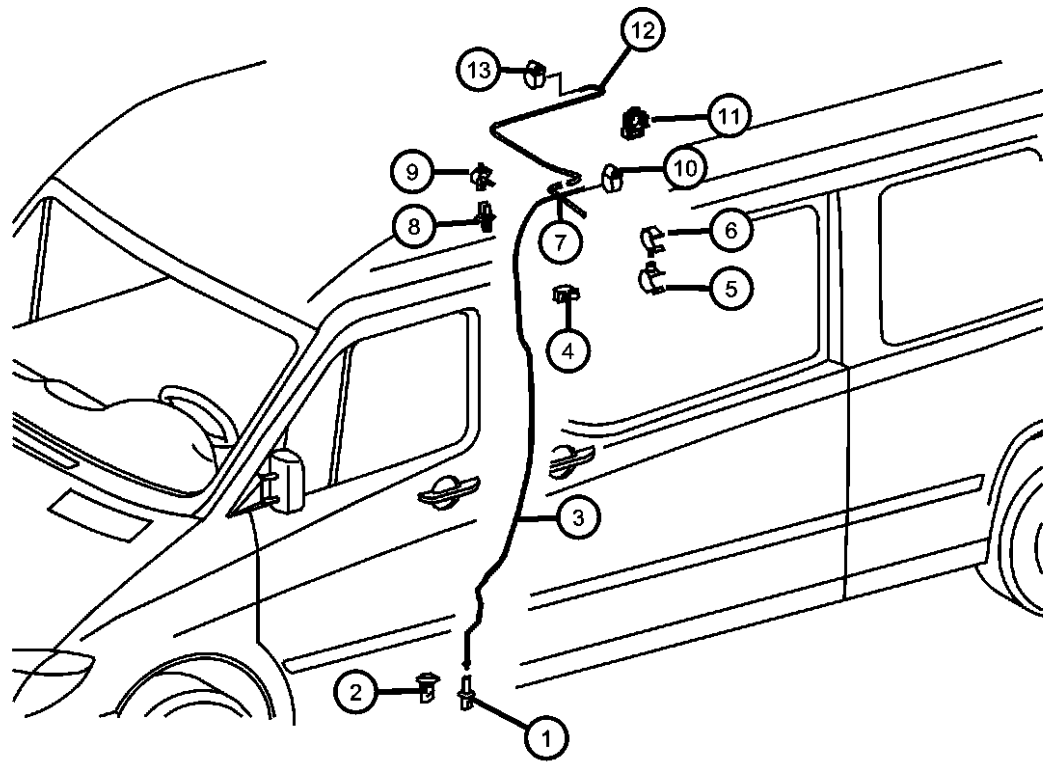
SERIES	LINE	BODY	ENGINE	TRANSMISSION
L = LOWLINE	3 = HD DODGE 2WD 2 = Med. Duty DODGE 2WD	03 = CAB CHASSIS WHEEL BASE 3 05 = CAB CHASSIS WHEEL BASE 5 13 = 119 WB 53 = 119 WB 15 = VAN WHEEL BASE 5 55 = WAGON WHEEL BASE 5 17 = VAN WHEEL BASE 7	EG2 = 3.5L V6 Gas Engine EXM = 3.0L V6 Turbo Diesel Engine	DGZ = 5-Speed Auto W5A380 Transmission

AR = use ase required - = Non illustrated part

2007 VB

**Rear A/C Condensed Water Drain
Figure 24-205**

ITEM	PART NUMBER	QTY	LINE	SERIES	BODY	ENGINE	TRANS	TRIM	DESCRIPTION
1	68012795AA	1	2, 6		53, 55	EG2, EXM			HOSE, Drain
2	68012793AA	1	2, 6		53, 55	EG2, EXM			GROMMET
3									HOSE, Drain
	68012791AA	1	2, 3, 6, 7		53, 55	EG2, EXM			Extra High Roof
	68012792AA	1	2, 3, 6, 7		53, 55	EG2, EXM			
4	06104775AA	11	2, 3, 6, 7		13, 15, 17, 53, 55	EG2, EXM			CLAMP, 6.5x14.5
5	06104921AA	1	2, 3, 6, 7		13, 15, 17, 53, 55	EG2, EXM			CLAMP, Fuel Line
6	06104918AA	2	2, 3, 6, 7		13, 15, 17, 53, 55	EG2, EXM			CLAMP, Hose, 22-24-12MM
7									HOSE, Drain
	68012789AA	1	2, 6		53, 55	EG2, EXM			Extra High Roof
	68012790AA	1	2, 6		53, 55	EG2, EXM			
8	05096566AA	2	2, 3, 6, 7		13, 15, 17, 53, 55	EG2, EXM			CLIP, Hose
9	05080431AB	1	2, 6		53, 55	EG2, EXM			CLAMP, 11MM
10	05135881AA	2	2, 3, 6, 7			EG2, EXM			CLAMP
11	68012740AA	1	2, 3, 6, 7			EG2, EXM			BRACKET, Hose
12									HOSE, Drain
	68012785AA	1	2, 3, 6, 7		53, 55	EG2, EXM			Extra High Roof
	68012786AA	1	2, 3, 6, 7		53, 55	EG2, EXM			
13	05135881AA	2	2, 3, 6, 7			EG2, EXM			CLAMP



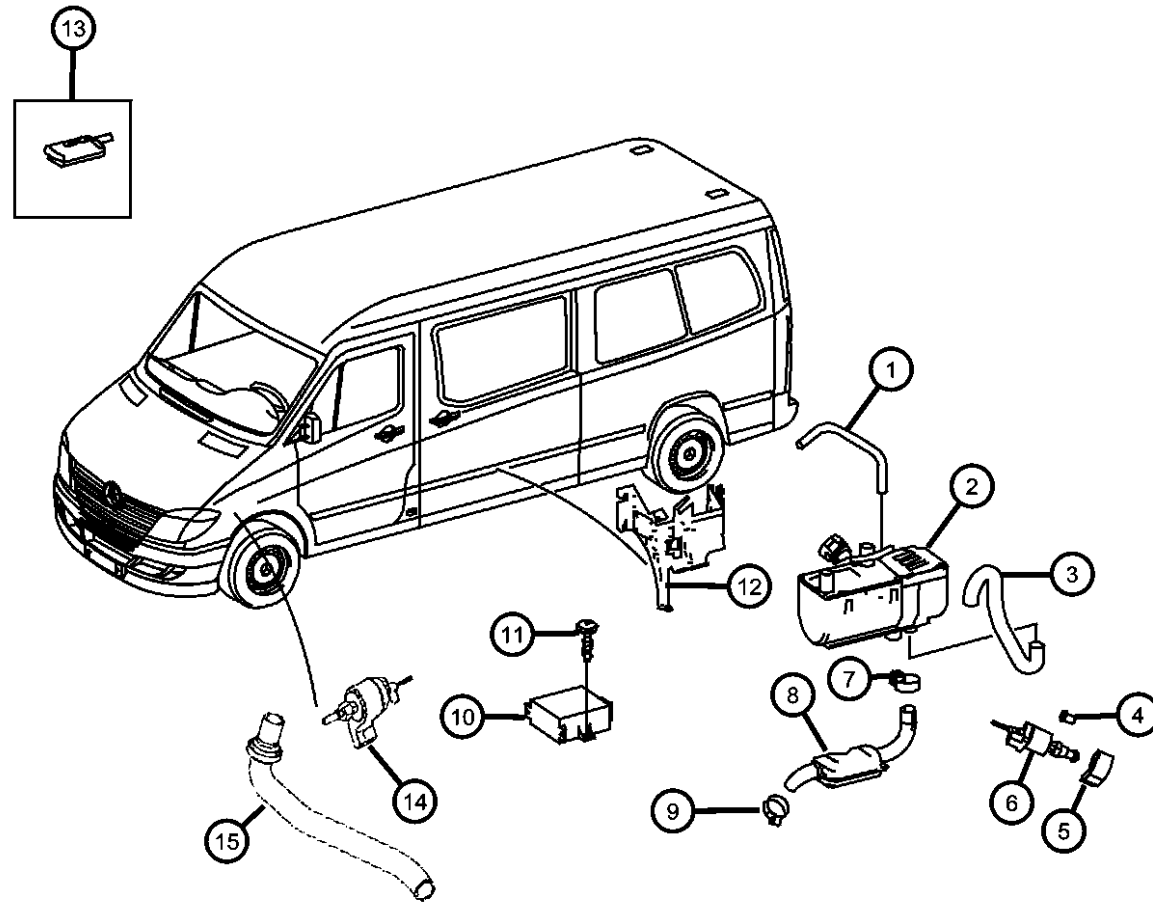
SPRINTER (VB)

SERIES	LINE	BODY	ENGINE	TRANSMISSION
L = LOWLINE	3 = HD DODGE 2WD 2 = Med. Duty DODGE 2WD	03 = CAB CHASSIS WHEEL BASE 3 05 = CAB CHASSIS WHEEL BASE 5 13 = 119 WB 53 = 119 WB 15 = VAN WHEEL BASE 5 55 = WAGON WHEEL BASE 5 17 = VAN WHEEL BASE 7	EG2 = 3.5L V6 Gas Engine EXM = 3.0L V6 Turbo Diesel Engine	DGZ = 5-Speed Auto W5A380 Transmission

AR = use ase required - = Non illustrated part

2007 VB

**Auxiliary Warm Water Heater Mounting / Cargo & Passenger Van
Figure 24-210**



ITEM	PART NUMBER	QTY	LINE	SERIES	BODY	ENGINE	TRANS	TRIM	DESCRIPTION
1	68012853AA	1	2, 3, 6, 7			EXM			HOSE, Fuel
2	68026061AA	1	2, 3, 6, 7			EXM			HEATER, Supplemental Diesel Fuel
3	68012854AA	1	2, 3, 6, 7			EG2, EXM			HOSE
4									STRAINER
	05143168AA	1	2, 6		13, 15, 17, 53, 55	EG2			
		1	3, 7		03, 05	EG2			
5	68012850AA	1	2, 3, 6, 7			EXM			BRACKET
6	68012849AA	1	2, 3, 6, 7			EXM			PUMP, Fuel
7	05124716AA	1	2, 3, 6, 7			EG2, EXM			CLAMP, Hose
8	68012851AA	2	2, 3, 6, 7			EXM			MUFFLER, Exhaust
9	68012852AA	2	2, 3, 6, 7			EXM			CLAMP
10	68013548AA	1	2, 3, 6, 7			EG2, EXM			MODULE
11									SCREW, Tapping
	06104566AA	2	3, 7		03, 05	EG2, EXM			
		2	2, 3, 6, 7		13, 15, 17, 53, 55	EG2, EXM			
12	68012847AA	2	2, 3, 6, 7			EXM			BRACKET
13	68013547AA	1	2, 3, 6, 7			EG2, EXM			REMOTE
14	68012848AA	1	2, 3, 6, 7			EXM			PUMP, Fuel, Sender Unit
15	68020832AA	1	2, 3, 6, 7			EG2, EXM			HOSE

SPRINTER (VB)

SERIES LINE
L = LOWLINE 3 = HD DODGE 2WD
 2 = Med. Duty DODGE 2WD

BODY ENGINE
03 = CAB CHASSIS WHEEL BASE 3
05 = CAB CHASSIS WHEEL BASE 5
13 = 119 WB
53 = 119 WB
15 = VAN WHEEL BASE 5
55 = WAGON WHEEL BASE 5
17 = VAN WHEEL BASE 7
EG2 = 3.5L V6 Gas Engine
EXM = 3.0L V6 Turbo Diesel Engine

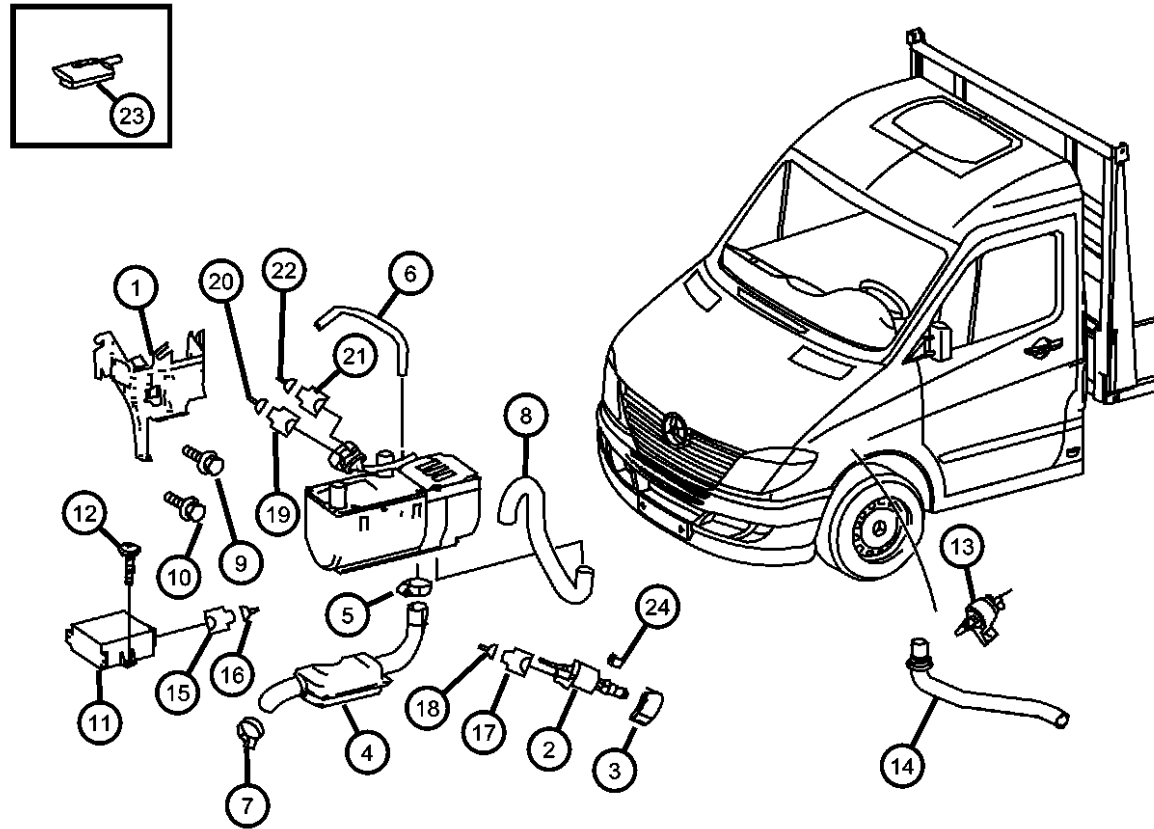
TRANSMISSION
DGZ = 5-Speed Auto W5A380 Transmission

AR = use ase required - = Non illustrated part

2007 VB

Auxiliary Warm Water Heater Mounting / Cab Chassis
Figure 24-215

ITEM	PART NUMBER	QTY	LINE	SERIES	BODY	ENGINE	TRANS	TRIM	DESCRIPTION
1	68012847AA	2	2, 3, 6, 7			EXM			BRACKET
2	68012849AA	1	2, 3, 6, 7			EXM			PUMP, Fuel
3	68012850AA	1	2, 3, 6, 7			EXM			BRACKET
4	68012851AA	2	2, 3, 6, 7			EXM			MUFFLER, Exhaust
5	05124716AA	1	2, 3, 6, 7			EG2, EXM			CLAMP, Hose
6	68012853AA	1	2, 3, 6, 7			EXM			HOSE, Fuel
7	68012852AA	2	2, 3, 6, 7			EXM			CLAMP
8	68012854AA	1	2, 3, 6, 7			EG2, EXM			HOSE
9	68012855AA	1	2, 3, 6, 7			EXM			SCREW
10	05183964AA	1	2, 3, 6, 7			EXM			BOLT, Hex Flange Head, M6x1.00x10.90
11	68013548AA	1	2, 3, 6, 7			EG2, EXM			MODULE
12	06104566AA	2	2, 3, 6, 7			EG2, EXM			SCREW, Tapping
13	68012848AA	1	2, 3, 6, 7			EXM			PUMP, Fuel
14	68020832AA	1	2, 3, 6, 7			EG2, EXM			HOSE
15	05120786AA	1	2, 3, 6, 7			EG2, EXM			CONNECTOR, Stationary Heater Radio Receiver [6 Pin; A49 / 4]
16	05103882AA	1	2, 3, 6, 7						TERMINAL, [0.5 - 1.0 MM2 JPT; A49 / 4]
17	05120749AA	1	2, 3, 6, 7			EG2, EXM			CONNECTOR, Metering Pump Additional Heating [2 Pin; M46 / 1, M46 / 4]
18	05103880AA	AR	2, 3, 6, 7			EG2, EXM			TERMINAL, [0.5 - 1.0 MM2 JPT, M46 / 1, M46 / 4]
19	05133296AA	1	2, 3, 6, 7			EG2, EXM			CONNECTOR, Control Unit Independent Heating [8 Pin N33 / 3]
20	05133370AA	2	2, 3, 6, 7			EG2, EXM			TERMINAL, [1.5 - 2.5 MM2 JPT, N33 / 3]
21	68011286AA	1	2, 3, 6, 7			EG2, EXM			CONNECTOR, Control Unit Independent Heating [N33 / 3]
22	05103874AA	1	2, 3, 6, 7			EG2, EXM			TERMINAL, [0.75 MM2 MQS N33 / 3]
23	68013547AA	1	2, 3, 6, 7			EG2, EXM			REMOTE, With [XG2]
24	05143168AA	1	2, 3, 6, 7		13, 15, 17, 53, 55	EXM			STRAINER



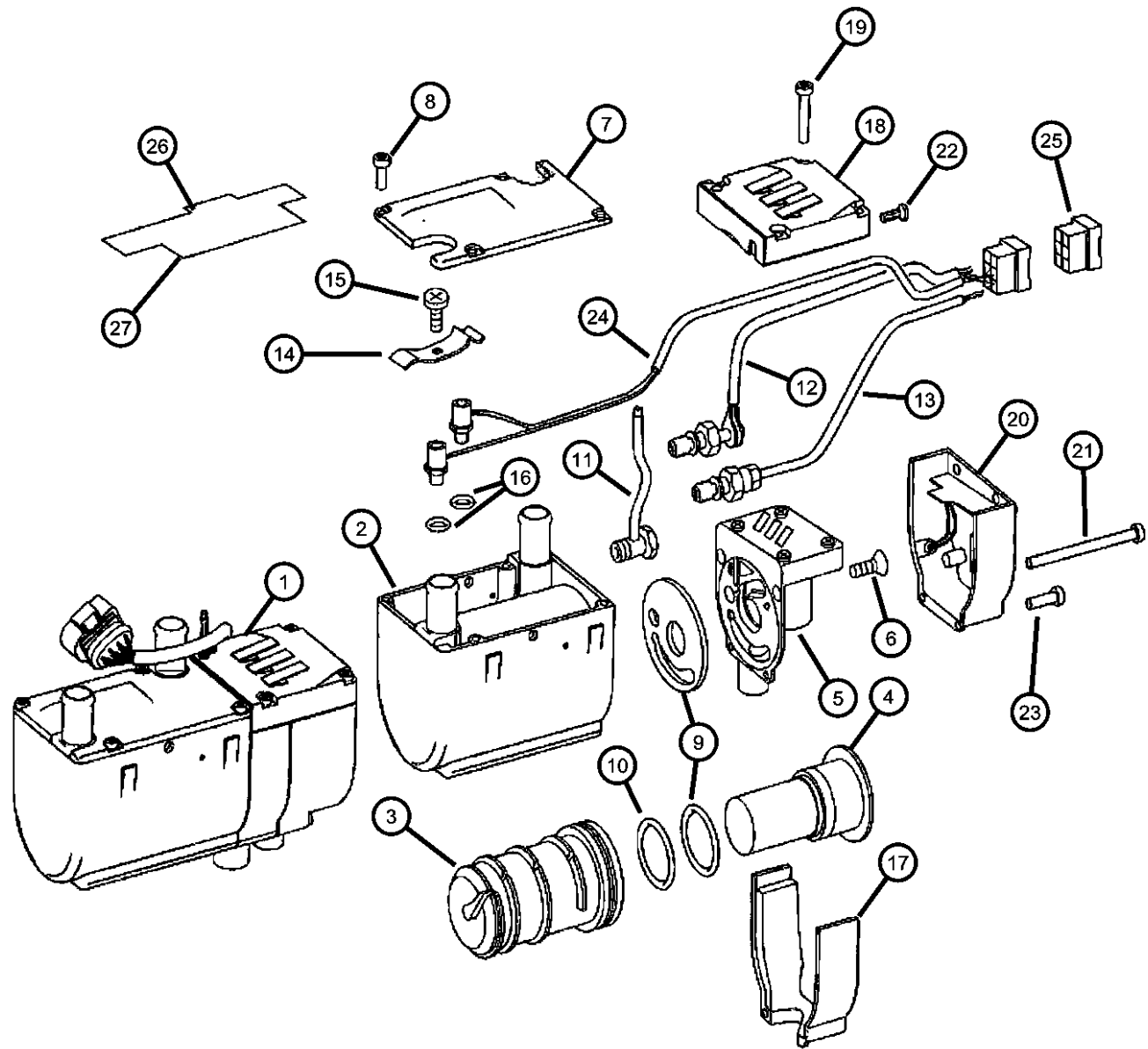
SPRINTER (VB)

SERIES	LINE	BODY	ENGINE	TRANSMISSION
L = LOWLINE	3 = HD DODGE 2WD 2 = Med. Duty DODGE 2WD	03 = CAB CHASSIS WHEEL BASE 3 05 = CAB CHASSIS WHEEL BASE 5 13 = 119 WB 53 = 119 WB 15 = VAN WHEEL BASE 5 55 = WAGON WHEEL BASE 5 17 = VAN WHEEL BASE 7	EG2 = 3.5L V6 Gas Engine EXM = 3.0L V6 Turbo Diesel Engine	DGZ = 5-Speed Auto W5A380 Transmission

AR = use ase required - = Non illustrated part

Auxiliary Warm Water Heater Service Parts
Figure 24-220

ITEM	PART NUMBER	QTY	LINE	SERIES	BODY	ENGINE	TRANS	TRIM	DESCRIPTION
1	68026061AA	1	2, 3, 6, 7			EXM			HEATER, Supplemental Diesel Fuel, Heater Assembly
2	68012829AA	1	2, 3, 6, 7			EXM			HOUSING, Heater
3	05143171AA	1	2, 3, 6, 7			EXM			HEATER, Supplemental Diesel Fuel, Heat Exchanger
4	05143170AA	1	2, 3, 6, 7			EXM			LINE, Heater, Combustor
5	68012831AA	1	2, 3, 6, 7			EXM			BLOWER, Motor
6	68012837AA	3	2, 3, 6, 7			EXM			SCREW, [M5x12]
7	05133306AA	1	2, 3, 6, 7		13, 15, 17, 53, 55	EXM			COVER, Heater Housing
8	68012836AA	4	2, 3, 6, 7		13, 15, 17, 53, 55	EXM			SCREW
9	05133307AB	1	2, 3, 6, 7		13, 15, 17, 53, 55	EXM			SEAL
10	05133309AA	1	2, 3, 6, 7		13, 15, 17, 53, 55	EXM			O RING, Heater Core
11	68012832AA	1	2, 3, 6, 7		13, 15, 17, 53, 55	EXM			FITTING, FITTING, Heater Plug Fitting
12	05143173AA	1	2, 3, 6, 7		13, 15, 17, 53, 55	EXM			PLUG, Glow
13	05103691AA	1	2, 3, 6, 7		13, 15, 17, 53, 55	EXM			SENSOR, Temperature
14	05133313AA	1	6, 7, 2, 3		13, 15, 17, 53, 55	EXM			CLIP, Spring
15	68012836AA	1	2, 3, 6, 7		13, 15, 17, 53, 55	EXM			SCREW
16	68012834AA	2	2, 3, 6, 7		13, 15, 17, 53, 55	EXM			O RING, Temperature Sensor
17	05143179AA	1	2, 3, 6, 7		13, 15, 17, 53, 55	EXM			DUCT, Control Unit Cover
18	68012835AA	1	2, 3, 6, 7		13, 15, 17, 53, 55	EXM			COVER
19	68012840AA	4	2, 3, 6, 7		13, 15, 17, 53, 55	EXM			SCREW, [M5x25]
20	68027643AA	1	2, 3, 6, 7			EXM			MODULE
21	68012838AA	1	2, 3, 6, 7		13, 15, 17, 53, 55	EXM			SCREW [M5x65]
	68012839AA	2	2, 3, 6, 7		13, 15, 17, 53, 55	EXM			[M4x10]
22	68012839AA	2	2, 3, 6, 7		13, 15, 17, 53, 55	EXM			SCREW, [M4x10]



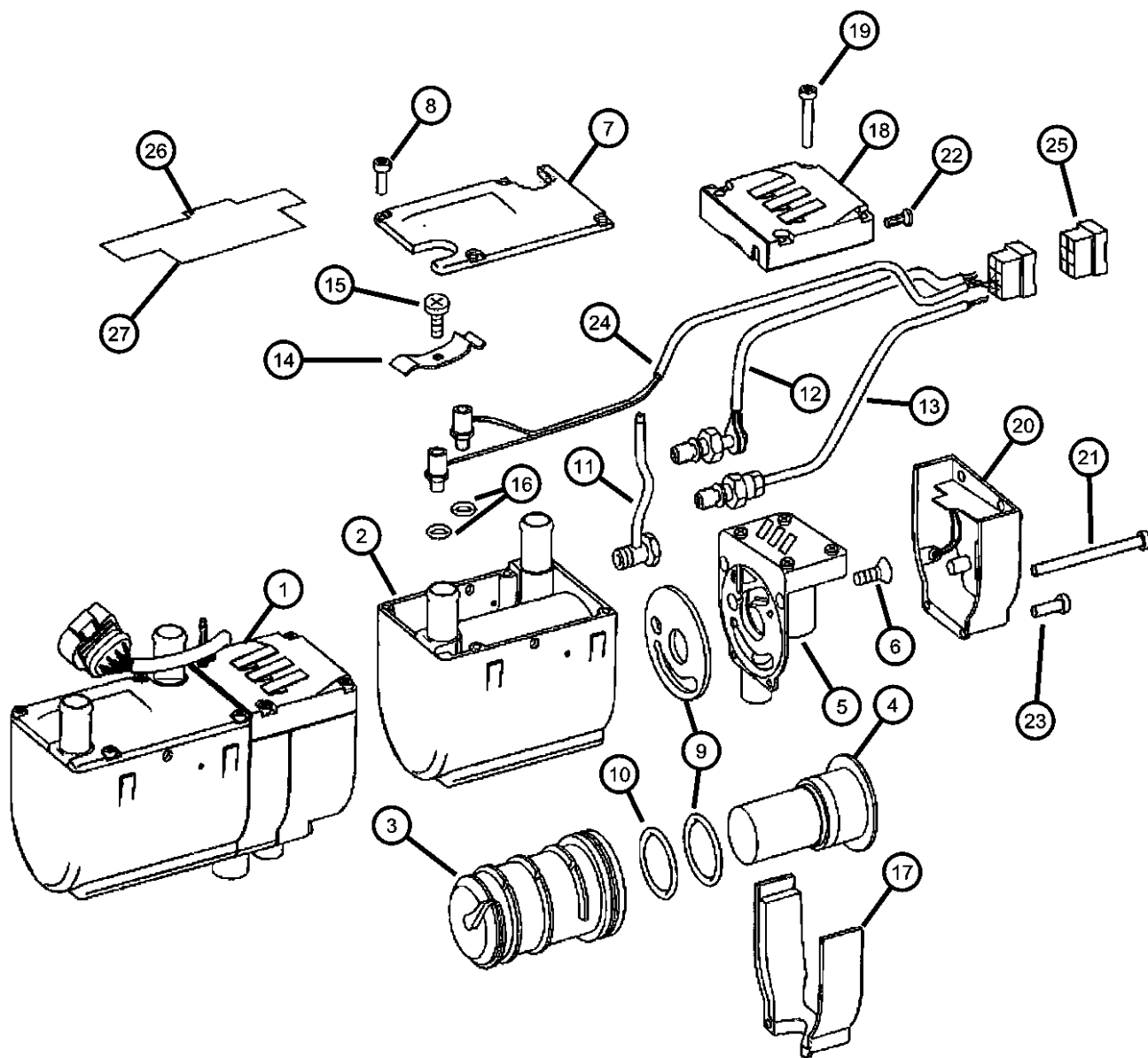
SPRINTER (VB)

SERIES	LINE	BODY	ENGINE	TRANSMISSION
L = LOWLINE	3 = HD DODGE 2WD 2 = Med. Duty DODGE 2WD	03 = CAB CHASSIS WHEEL BASE 3 05 = CAB CHASSIS WHEEL BASE 5 13 = 119 WB 53 = 119 WB 15 = VAN WHEEL BASE 5 55 = WAGON WHEEL BASE 5 17 = VAN WHEEL BASE 7	EG2 = 3.5L V6 Gas Engine EXM = 3.0L V6 Turbo Diesel Engine	DGZ = 5-Speed Auto W5A380 Transmission

AR = use ase required - = Non illustrated part

Auxiliary Warm Water Heater Service Parts
Figure 24-220

ITEM	PART NUMBER	QTY	LINE	SERIES	BODY	ENGINE	TRANS	TRIM	DESCRIPTION
23	68012841AA	1	2, 3, 6, 7		13, 15, 17, 53, 55	EXM			SCREW, [M5x16]
24	68012842AA	1	2, 3, 6, 7		13, 15, 17, 53, 55	EXM			WIRING
25	68012843AA	1	2, 3, 6, 7		13, 15, 17, 53, 55	EXM			CONNECTOR
26	68000330AA	1	2, 3, 6, 7			EXM			INSULATION, Insulation For Covering
27	68004346AA	1	2, 3, 6, 7			EXM			INSULATION, NONE, SPRINTER, Insulation Against Moisture



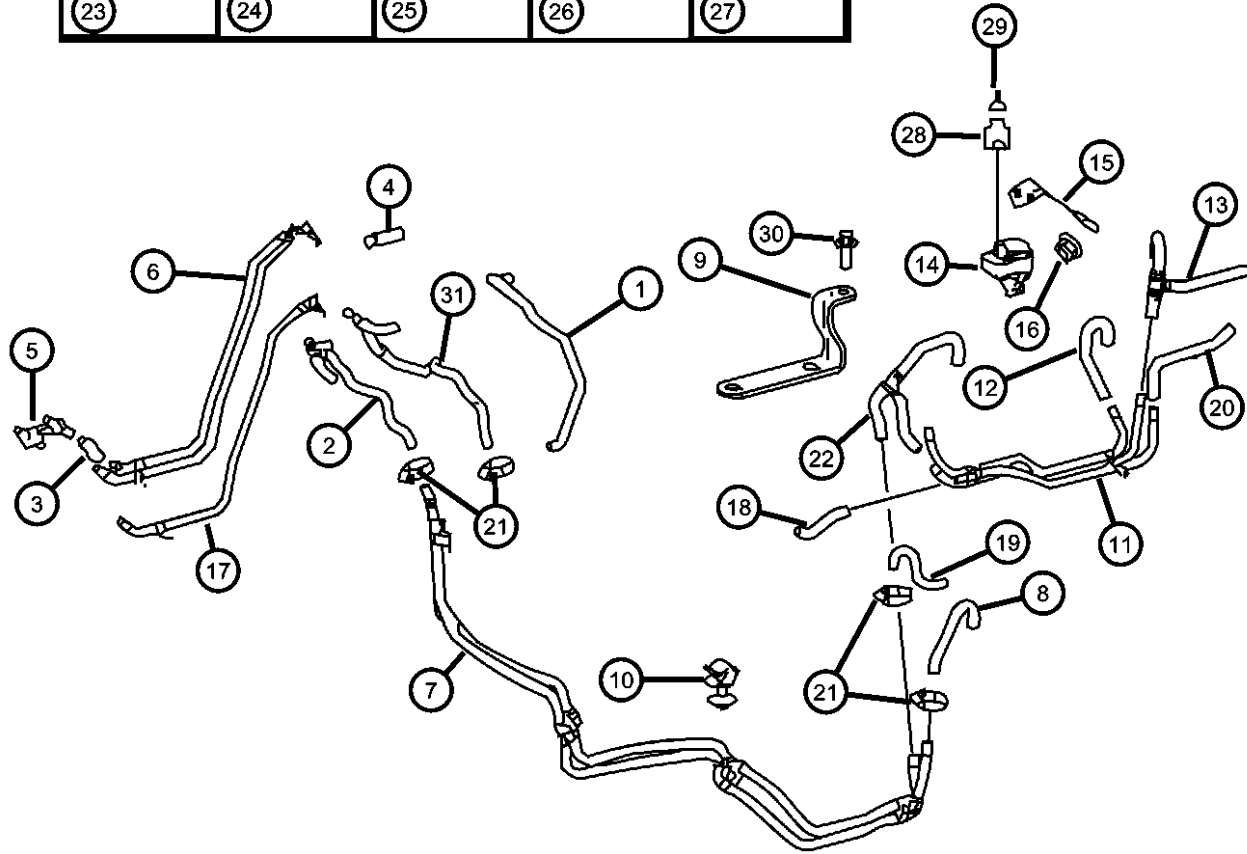
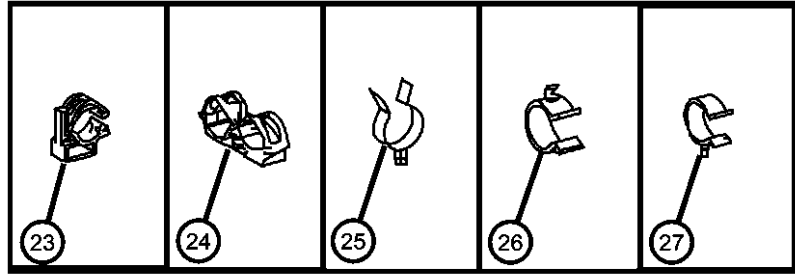
SPRINTER (VB)

SERIES	LINE	BODY	ENGINE	TRANSMISSION
L = LOWLINE	3 = HD DODGE 2WD 2 = Med. Duty DODGE 2WD	03 = CAB CHASSIS WHEEL BASE 3 05 = CAB CHASSIS WHEEL BASE 5 13 = 119 WB 53 = 119 WB 15 = VAN WHEEL BASE 5 55 = WAGON WHEEL BASE 5 17 = VAN WHEEL BASE 7	EG2 = 3.5L V6 Gas Engine EXM = 3.0L V6 Turbo Diesel Engine	DGZ = 5-Speed Auto W5A380 Transmission

AR = use ase required - = Non illustrated part

2007 VB

Heater Lines
Figure 24-225



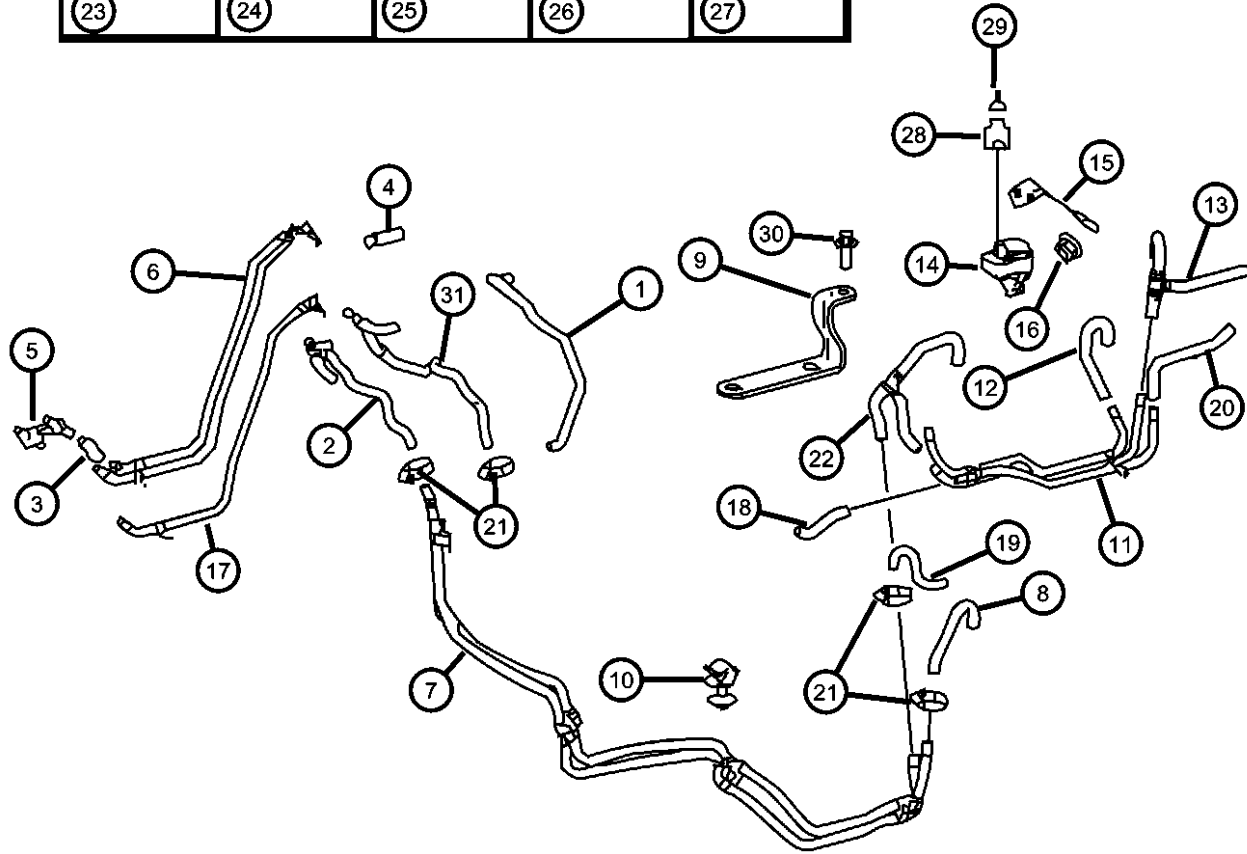
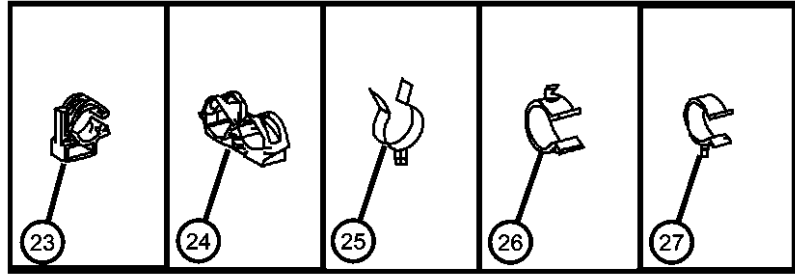
ITEM	PART NUMBER	QTY	LINE	SERIES	BODY	ENGINE	TRANS	TRIM	DESCRIPTION
1	68025137AA	1	2, 3, 6, 7			EXM			HOSE, Heater Supply Feed With [3JV Or XG3 And HDB Or HAB]
	68034968AA	1	2, 3, 6, 7		13, 15, 17, 53, 55	EXM			Feed
	68012703AA	1	2, 3, 6, 7			EG2			Feed With [HDB Or HAB]
	68012704AA	1	2, 3, 6, 7			EG2			Feed
	68012728AA	1	2, 3, 6, 7			EG2, EXM			Feed With [XBJ]
2	68012711AA	1	2, 3, 6, 7			EG2, EXM			HOSE, Heater Supply With [3JV Or XBJ Or XG3 And HDB]
	68012712AA	1	2, 3, 6, 7		13, 15, 17, 53, 55	EG2			With [HDC+HAB]
	68012713AA	1	2, 3, 6, 7			EG2, EXM			
3	68025139AA	1	2, 3, 6, 7			EXM			HOSE
4	68025140AA	1	2, 3, 6, 7			EXM			HOSE
5	68025141AA	1	2, 3, 6, 7			EXM			VALVE, Heater Bypass
6	68025138AA	1	2, 3, 6, 7			EXM			HOSE, Heater
7	68012715AA	1	2, 3, 6, 7			EG2, EXM			HOSE, Heater With [3JV And Or HDB Or HDC]
	68012716AA	1	2, 3, 6, 7		13, 15, 17, 53, 55	EG2, EXM			With [HDC + 3JV Or HDB Or XG3 Or XBJ]
8	68012717AA	1	2, 3, 6, 7			EG2, EXM			HOSE, Heater With [3JV Or HDB Or XG3 Or XBJ]
	68012737AA	1	2, 3, 6, 7		13, 15, 17, 53, 55	EG2, EXM			With [XBJ]
9	68012719AA	1	2, 3, 6, 7		13, 15, 17, 53, 55	EG2, EXM			HOSE, Heater With [HDC And Or XBJ + HDB And Or XC2]
	68012722AA	1	2, 3, 6, 7		13, 15, 17, 53, 55	EG2, EXM			With [XG3 + HDC]
	68012718AA	1	2, 3, 6, 7			EG2, EXM			With 3JV And Or HDB] Without [XBJ]
10	05117649AA	1	2, 3, 6, 7			EXM			CLIP, Hose, Hose Holder
11	68012723AA	1	2, 3, 6, 7		13, 15, 17, 53, 55	EG2, EXM			HOSE, Heater With [XG3 + HDC]

SPRINTER (VB)

SERIES	LINE	BODY	ENGINE	TRANSMISSION
L = LOWLINE	3 = HD DODGE 2WD 2 = Med. Duty DODGE 2WD	03 = CAB CHASSIS WHEEL BASE 3 05 = CAB CHASSIS WHEEL BASE 5 13 = 119 WB 53 = 119 WB 15 = VAN WHEEL BASE 5 55 = WAGON WHEEL BASE 5 17 = VAN WHEEL BASE 7	EG2 = 3.5L V6 Gas Engine EXM = 3.0L V6 Turbo Diesel Engine	DGZ = 5-Speed Auto W5A380 Transmission

AR = use ase required - = Non illustrated part

Heater Lines
Figure 24-225



ITEM	PART NUMBER	QTY	LINE	SERIES	BODY	ENGINE	TRANS	TRIM	DESCRIPTION
	68012724AA	1	2, 3, 6, 7		13, 15, 17, 53, 55	EG2, EXM			With [HDC + 3JV And Or HDB Or XBJ] HOSE, Heater
12	68012725AA	1	2, 3, 6, 7		13, 15, 17, 53, 55	EG2, EXM			With [XG3 + HDC]
	68012726AA	1	2, 3, 6, 7		53, 55, 13, 15, 17	EG2, EXM			With [HDC + 3JV And Or HDB]
13	68012727AA	1	2, 3, 6, 7		13, 15, 17, 53, 55	EG2, EXM			HOSE, Heater, With [XG3 + HDC]
14	68012738AA	1	2, 3, 6, 7			EG2, EXM			PUMP, Recirculating
15	68012739AA	1	2, 3, 6, 7			EG2, EXM			BRACKET
16	05096978AA	2	2, 3, 6, 7		13, 15, 17, 53, 55	EG2, EXM			NUT, Hex, M6
17									HOSE, Heater Return With [HDC]
	68012733AA	1	2, 3, 6, 7		13, 15, 17, 53, 55	EG2			
	68012729AA	1	3, 6, 7, 2			EG2, EXM			
18	68012734AA	1	2, 3, 6, 7		13, 15, 17, 53, 55	EG2, EXM			HOSE, Heater Return, With [HDC + XC2 And Or HDB And Or XG3]
19	68012735AA	1	2, 3, 6, 7		13, 15, 17, 53, 55	EG2			HOSE, Heater, With [HDC]
20	68012736AA	1	2, 3, 6, 7		13, 15, 17, 53, 55	EXM, EG2			HOSE, Heater, With [HDC + 3JV And Or HDB And Or XG3]
21	05135881AA	2	2, 3, 6, 7			EG2, EXM			CLAMP
22	68012404AA	1	2, 3, 6, 7			EXM			BRACKET
23	68012740AA	1	2, 3, 6, 7			EG2, EXM			BRACKET, Hose, Hose To Body
24	68012741AA	1	2, 3, 6, 7		13, 15, 17, 53, 55	EG2, EXM			CLAMP, Hose To Body [2 x 23-28 MM]
25	05096566AA	1	2, 3, 6, 7		13, 15, 17, 53, 55	EG2, EXM			CLIP, Hose
26									CLAMP, Hose [19 MM]
	06104923AA	1	2, 3, 6, 7		13, 15, 17, 53, 55	EXM			[19 MM]
		1	2, 6		13, 15, 17, 53, 55	EG2			
27	06104918AA	2	2, 3, 6, 7		55, 13, 15, 17, 53	EG2, EXM			CLAMP, Hose, Hose To Engine [22 - 24 / 12MM]
28	05103931AA	1	2, 3, 6, 7			EG2, EXM			CONNECTOR, Recirculating Pump
29									TERMINAL

SPRINTER (VB)

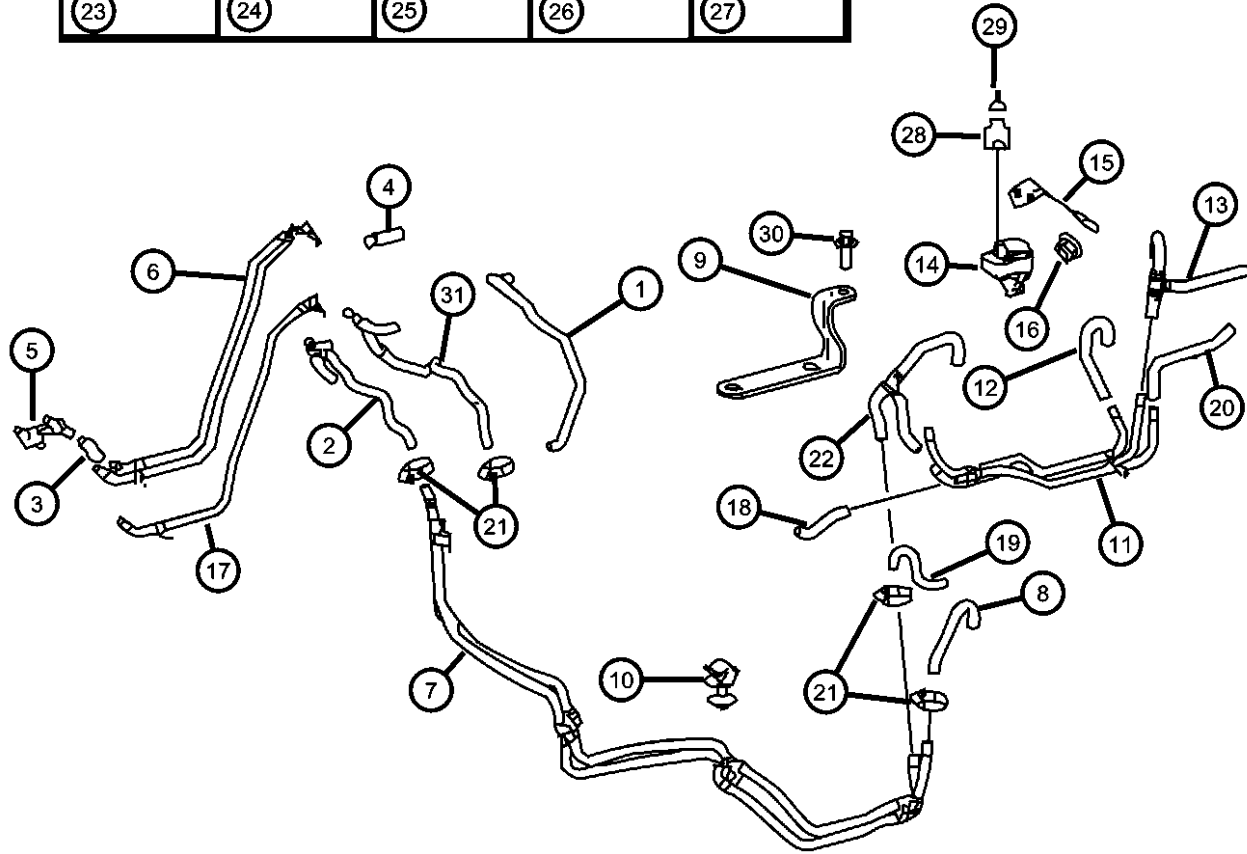
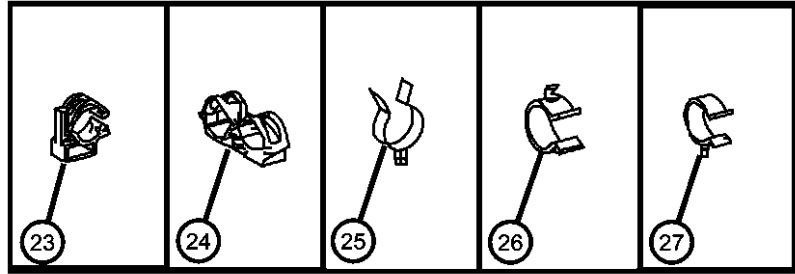
SERIES LINE
L = LOWLINE 3 = HD DODGE 2WD
2 = Med. Duty DODGE 2WD

BODY ENGINE TRANSMISSION
03 = CAB CHASSIS WHEEL BASE 3 EG2 = 3.5L V6 Gas Engine DGZ = 5-Speed Auto W5A380
05 = CAB CHASSIS WHEEL BASE 5 EXM = 3.0L V6 Turbo Diesel Transmission
13 = 119 WB
53 = 119 WB
15 = VAN WHEEL BASE 5
55 = WAGON WHEEL BASE 5
17 = VAN WHEEL BASE 7

AR = use ase required - = Non illustrated part

Heater Lines
Figure 24-225

ITEM	PART NUMBER	QTY	LINE	SERIES	BODY	ENGINE	TRANS	TRIM	DESCRIPTION
	05133353AA	AR	2, 3, 6, 7			EG2			[0.75 - 1.0 MM]
		AR	2, 3, 6, 7			EXM			[0.75 - 1.0 MM]
30									BOLT, 6 Lobe External Head, M6X1.00X16.00
	06104005AA	3	2, 3, 6, 7			EG2			
		1	2, 3, 6, 7			EXM			
31	68012733AA	1	2, 3, 6, 7		13, 15, 17, 53, 55	EG2			HOSE, Heater Return

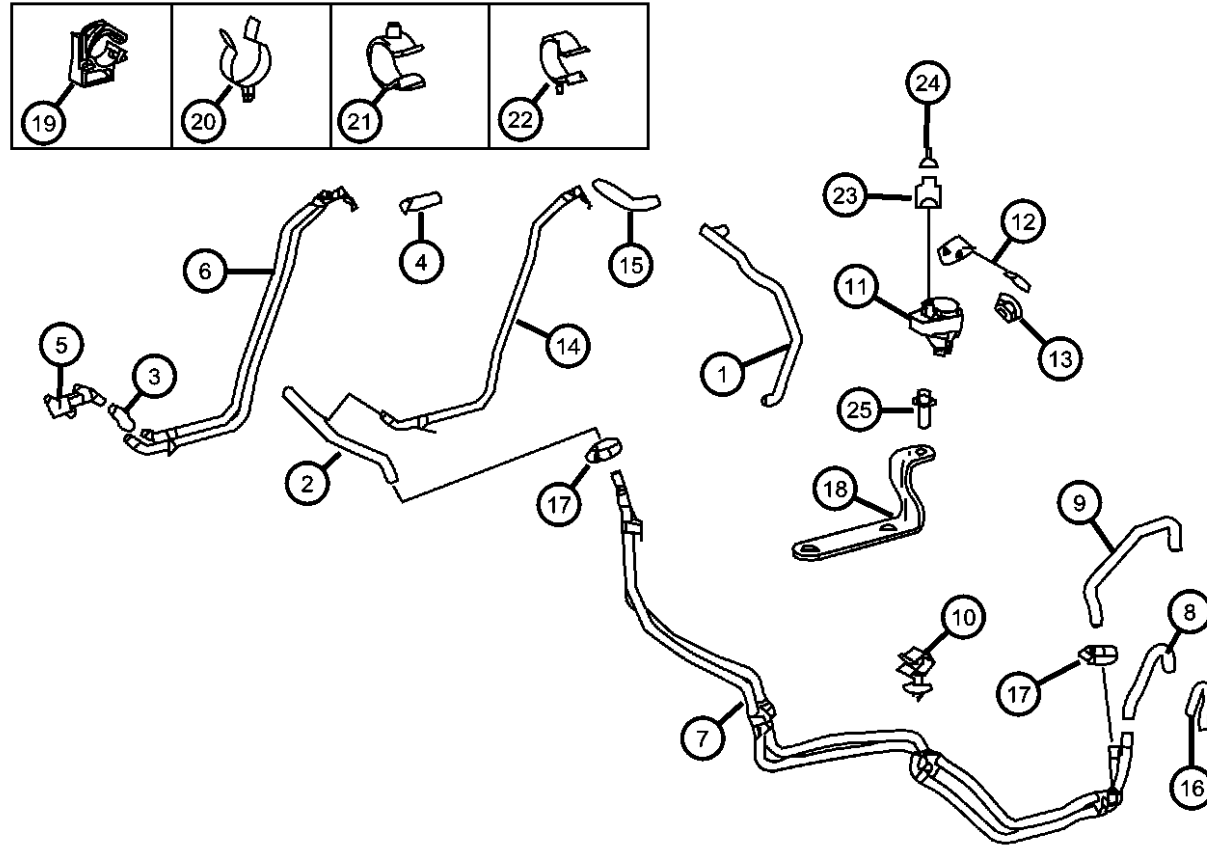


SPRINTER (VB)

SERIES	LINE	BODY	ENGINE	TRANSMISSION
L = LOWLINE	3 = HD DODGE 2WD 2 = Med. Duty DODGE 2WD	03 = CAB CHASSIS WHEEL BASE 3 05 = CAB CHASSIS WHEEL BASE 5 13 = 119 WB 53 = 119 WB 15 = VAN WHEEL BASE 5 55 = WAGON WHEEL BASE 5 17 = VAN WHEEL BASE 7	EG2 = 3.5L V6 Gas Engine EXM = 3.0L V6 Turbo Diesel Engine	DGZ = 5-Speed Auto W5A380 Transmission

AR = use ase required - = Non illustrated part

Heater Lines
Figure 24-230



ITEM	PART NUMBER	QTY	LINE	SERIES	BODY	ENGINE	TRANS	TRIM	DESCRIPTION
1									HOSE, Heater Supply
	68034968AA	1	3, 7		03, 05	EXM			
	68012703AA	1	2, 3, 6, 7			EG2			With HDB And Or HAB]
	68012704AA	1	2, 3, 6, 7			EG2			
	68012728AA	1	2, 3, 6, 7			EG2, EXM			With [3JV And Or HDB And Or XG3 And Or XBJ]
	68025137AA	1	2, 3, 6, 7			EXM			With [3JV And Or HDB And Or XG3 And Or HAB]
2									HOSE, Heater Supply
	68012711AA	1	2, 3, 6, 7			EG2, EXM			With [3JV And Or HDB And Or XG3 And Or XBJ]
	68012713AA	1	2, 3, 6, 7			EG2, EXM			
3	68025139AA	1	2, 3, 6, 7			EXM			HOSE
4	68025140AA	1	2, 3, 6, 7			EXM			HOSE
5	68025141AA	1	2, 3, 6, 7			EXM			VALVE, Heater Bypass
6	68025138AA	1	2, 3, 6, 7			EXM			HOSE, Heater
7	68012715AA	1	7, 2, 3, 6			EXM, EG2			HOSE, Heater
8	68012717AA	1	2, 3, 6, 7			EG2, EXM			HOSE, Heater
9	68012718AA	1	2, 3, 6, 7			EG2, EXM			HOSE, Heater
10	68035039AA	1	2, 3, 6, 7			EXM			CLIP, Hose, Hose To Engine
11	68012738AA	1	2, 3, 6, 7			EG2, EXM			PUMP, Recirculating
12	68012739AA	1	2, 3, 6, 7			EG2, EXM			BRACKET, Recirculating Pump
13	06104708AA	1	2, 3, 6, 7			EG2, EXM			NUT, Hex, M6
14	68012729AA	1	2, 3, 6, 7			EG2, EXM			HOSE, Heater Return
15	68012732AA	1	3, 7		03, 05	EG2, EXM			HOSE, Heater Return
16	68012737AA	1	3, 7		03, 05	EG2, EXM			HOSE, Heater
17	05135881AA	2	2, 3, 6, 7			EG2, EXM			CLAMP
18	68012404AA	1	2, 3, 6, 7			EXM			BRACKET
19	68012740AA	1	2, 3, 6, 7			EG2, EXM			BRACKET, Hose
20	05096566AA	1	3, 7		03, 05	EG2, EXM			CLIP, Hose
21									CLAMP, Hose
	06104923AA	1	3, 7		03, 05	EXM			Hose To Engine [19 MM]
		1	3, 7		03, 05	EG2			Hose To Engine [19 MM]

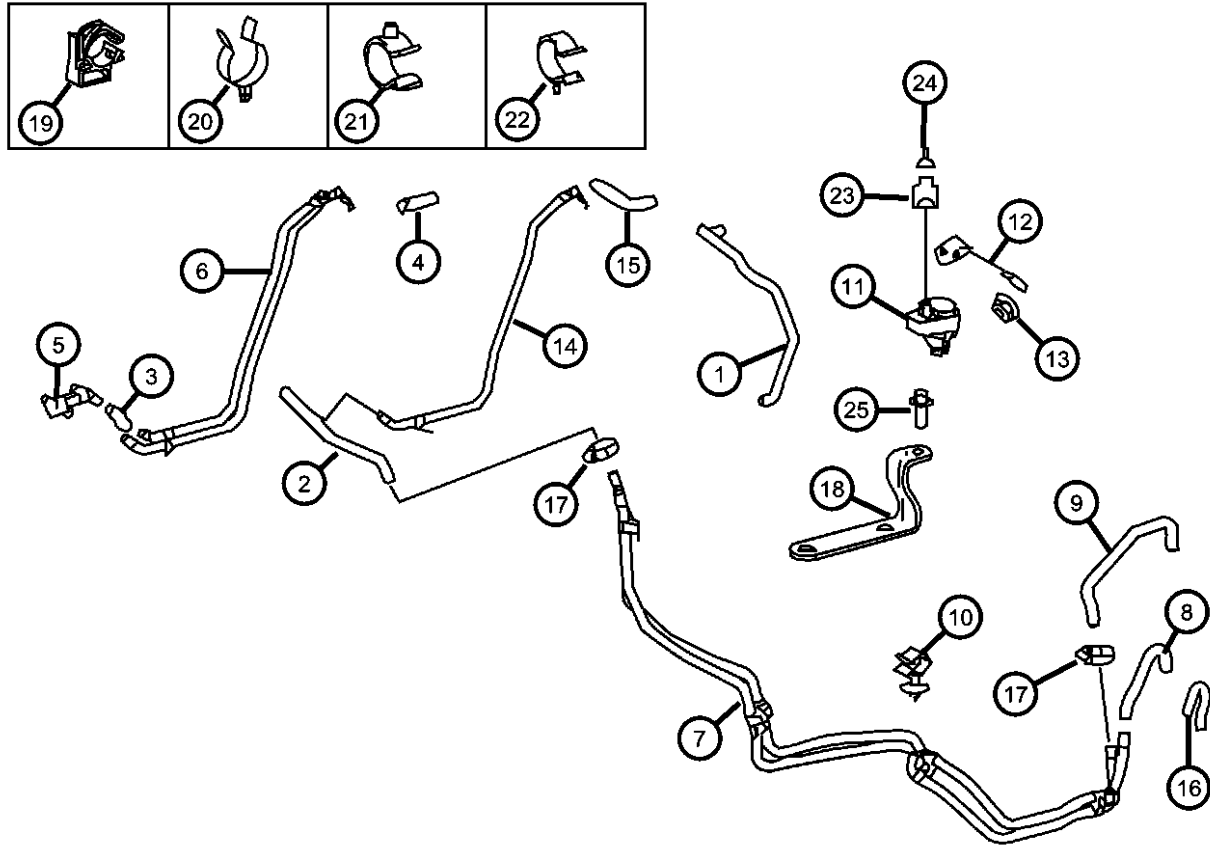
SPRINTER (VB)

SERIES	LINE	BODY	ENGINE	TRANSMISSION
L = LOWLINE	3 = HD DODGE 2WD 2 = Med. Duty DODGE 2WD	03 = CAB CHASSIS WHEEL BASE 3 05 = CAB CHASSIS WHEEL BASE 5 13 = 119 WB 53 = 119 WB 15 = VAN WHEEL BASE 5 55 = WAGON WHEEL BASE 5 17 = VAN WHEEL BASE 7	EG2 = 3.5L V6 Gas Engine EXM = 3.0L V6 Turbo Diesel Engine	DGZ = 5-Speed Auto W5A380 Transmission

AR = use ase required - = Non illustrated part

Heater Lines
Figure 24-230

ITEM	PART NUMBER	QTY	LINE	SERIES	BODY	ENGINE	TRANS	TRIM	DESCRIPTION
22	06104918AA	1	3, 7		03, 05	EG2			CLAMP, Hose To Engine[22 - 24 / 12MM]
23	05103931AA	1	2, 3, 6, 7			EG2, EXM			CONNECTOR, Recirculating Pump
24									TERMINAL
	05133353AA	AR	2, 3, 6, 7			EG2			[0.75 - 1.0 MM]
		AR	2, 3, 6, 7			EXM			[0.75 - 1.0 MM]
25									BOLT, 6 Lobe External Head, M6X1.00X16.00
	06104005AA	3	2, 3, 6, 7			EG2			
		1	2, 3, 6, 7			EXM			

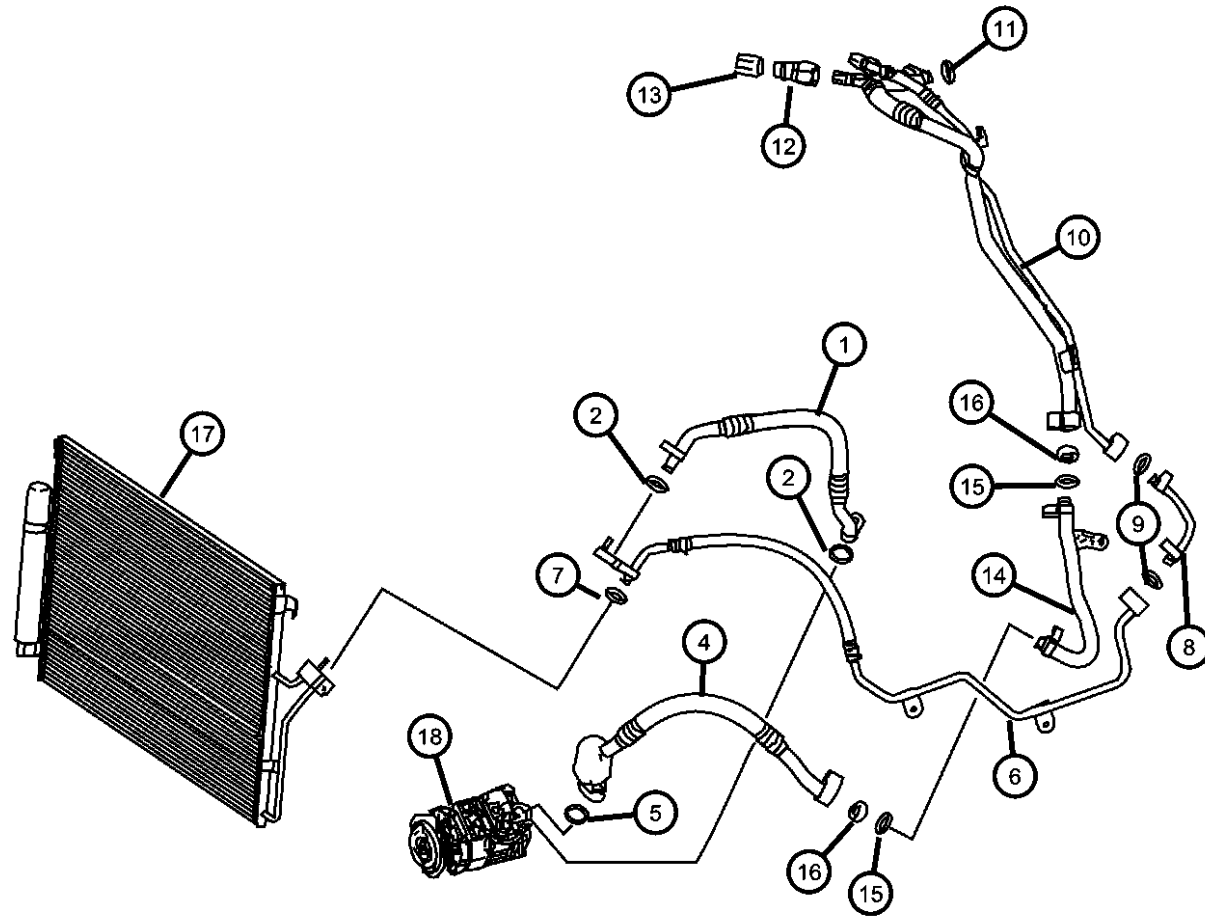


SPRINTER (VB)

SERIES	LINE	BODY	ENGINE	TRANSMISSION
L = LOWLINE	3 = HD DODGE 2WD 2 = Med. Duty DODGE 2WD	03 = CAB CHASSIS WHEEL BASE 3 05 = CAB CHASSIS WHEEL BASE 5 13 = 119 WB 53 = 119 WB 15 = VAN WHEEL BASE 5 55 = WAGON WHEEL BASE 5 17 = VAN WHEEL BASE 7	EG2 = 3.5L V6 Gas Engine EXM = 3.0L V6 Turbo Diesel Engine	DGZ = 5-Speed Auto W5A380 Transmission

AR = use ase required - = Non illustrated part

**Refrigerant Lines / Chassis Cab
Figure 24-235**



ITEM	PART NUMBER	QTY	LINE	SERIES	BODY	ENGINE	TRANS	TRIM	DESCRIPTION
1	68012744AA	1	2, 3, 6, 7			EXM			LINE, A/C To [A/C] Compressor
	68012745AA	1	2, 3, 6, 7			EG2			To [A/C] Compressor
2	05103571AA	1	2, 3, 6, 7			EG2, EXM			O RING, Air Conditioning Line, [9.5 x 2.5 MM]
-3	05098972AA	1	3, 7		03, 05	EXM			O RING, A/C Line, [14 x 2 MM]
4	68012754AA	1	2, 3, 6, 7			EXM			LINE, A/C Suction
	68012755AA	1	2, 3, 6, 7			EG2			
5	05103936AA	1	3, 7		03, 05	EXM			O RING, A/C Line [23.8 x 2.4 MM]
		1	3, 7		03, 05	EG2			[23.8 x 2.4 MM]
6	68012761AA	1	2, 3, 6, 7			EG2, EXM			LINE, A/C Liquid
7	05103571AA	1	2, 3, 6, 7			EG2, EXM			O RING, Air Conditioning Line, [9.5 x 2.5 MM]
8	68012764AA	1	2, 3, 6, 7			EG2, EXM			LINE, A/C
9	05103571AA	1	2, 3, 6, 7			EG2, EXM			O RING, Air Conditioning Line, [9.5 x 2.5 MM]
10	68012765AA	1	2, 3, 6, 7			EG2, EXM			LINE, A/C Suction & Discharge
11	05098972AA	1	3, 7		03, 05	EG2, EXM			O RING, A/C Line, [14 x 2 MM]
12	05098396AB	1	3, 7		03, 05	EG2, EXM			VALVE, Charging
13	05134029AA	1	3, 7		03, 05	EG2, EXM			CAP, A/C Charge Valve
14	68012773AA	1	2, 3, 6, 7			EG2, EXM			LINE, A/C
15	05138942AA	2	3, 7		03, 05	EG2, EXM			O RING, [13.7 X 2.5 MM]
16	05159481AA	2	3, 7		03, 05	EG2, EXM			GUIDE
17	68013633AA	1	2, 3, 6, 7			EG2, EXM			CONDENSER, A/C
18	68006192AA	1	2, 3, 6, 7			EG2			COMPRESSOR, Air Conditioning
	68012247AA	1	3, 6, 2, 7			EXM			

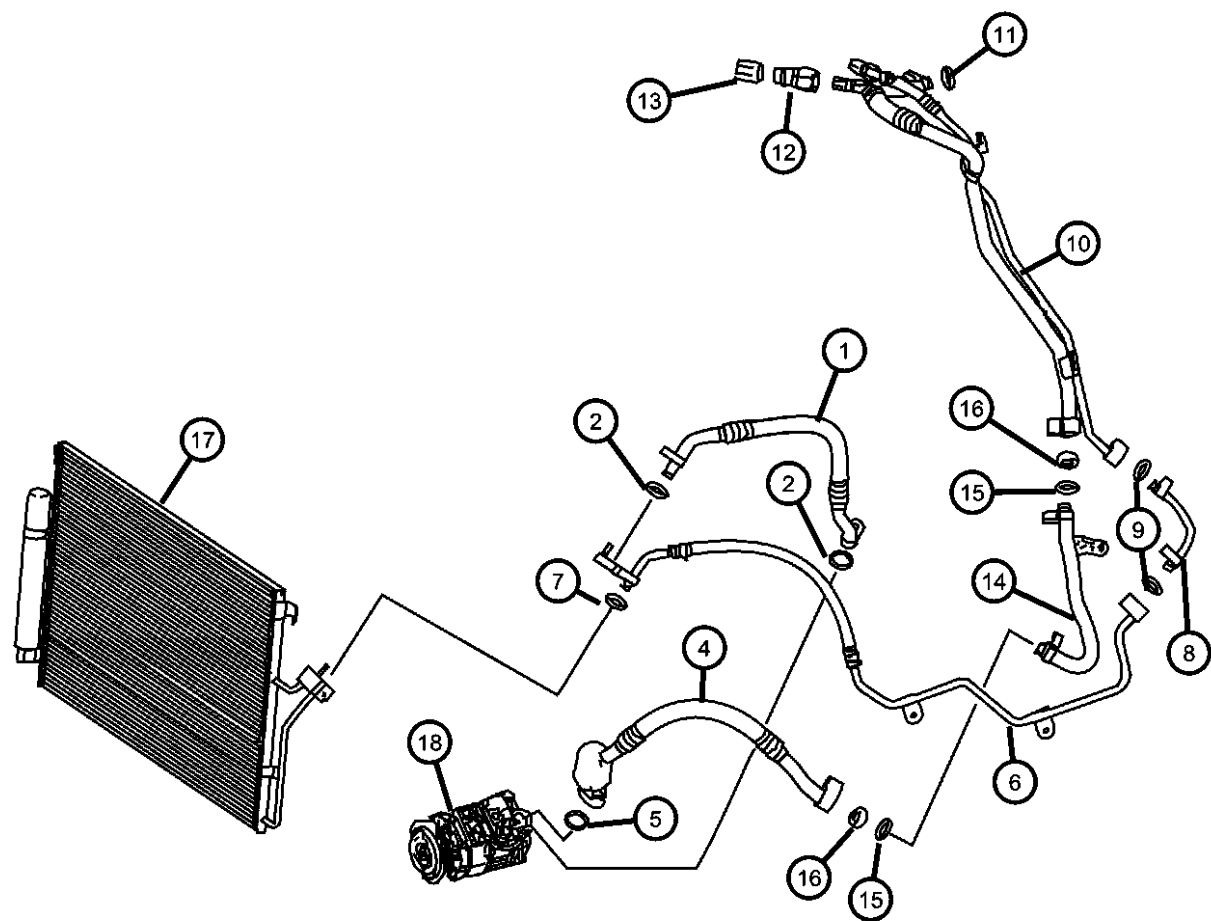
SPRINTER (VB)

SERIES	LINE	BODY	ENGINE	TRANSMISSION
L = LOWLINE	3 = HD DODGE 2WD 2 = Med. Duty DODGE 2WD	03 = CAB CHASSIS WHEEL BASE 3 05 = CAB CHASSIS WHEEL BASE 5 13 = 119 WB 53 = 119 WB 15 = VAN WHEEL BASE 5 55 = WAGON WHEEL BASE 5 17 = VAN WHEEL BASE 7	EG2 = 3.5L V6 Gas Engine EXM = 3.0L V6 Turbo Diesel Engine	DGZ = 5-Speed Auto W5A380 Transmission

AR = use ase required - = Non illustrated part

2007 VB

**Refrigerant Lines / Cargo / Passenger Van
Figure 24-240**



ITEM	PART NUMBER	QTY	LINE	SERIES	BODY	ENGINE	TRANS	TRIM	DESCRIPTION
1	68012744AA	1	2, 3, 6, 7			EXM			LINE, A/C To [A/C] Compressor
	68012745AA	1	2, 3, 6, 7			EG2			To [A/C] Compressor
2	05103571AA	1	2, 3, 6, 7			EG2, EXM			O RING, Air Conditioning Line, [9.5 x 2.5 MM]
-3	05098972AA	1	2, 3, 6, 7		13, 15, 17, 53, 55	EG2, EXM			O RING, A/C Line, [14 x 2 MM]
4	68012754AA	1	2, 3, 6, 7			EXM			LINE, A/C Suction
	68012755AA	1	2, 3, 6, 7			EG2			
5	05103936AA	1	2, 3, 6, 7		13, 15, 17, 53, 55	EXM			O RING, A/C Line, [23.8 x 2.4 MM]
6	68012761AA	1	2, 3, 6, 7			EG2, EXM			LINE, A/C Liquid
7	05103571AA	1	2, 3, 6, 7			EG2, EXM			O RING, Air Conditioning Line, [9.5 x 2.5 MM]
8	68012764AA	1	2, 3, 6, 7			EG2, EXM			LINE, A/C
9	05103571AA	1	2, 3, 6, 7			EG2, EXM			O RING, Air Conditioning Line, [9.5 x 2.5 MM]
10	68012765AA	1	2, 3, 6, 7			EG2, EXM			LINE, A/C Suction & Discharge
11	05098972AA	1	2, 3, 6, 7		13, 15, 17, 53, 55	EG2, EXM			O RING, A/C Line, [14 x 2 MM]
12	05098396AB	1	2, 3, 6, 7		13, 15, 17, 53, 55	EG2, EXM			VALVE, Charging
13	05134029AA	1	2, 3, 6, 7		13, 15, 17, 53, 55	EG2, EXM			CAP, A/C Charge Valve
14	68012773AA	1	2, 3, 6, 7			EG2, EXM			LINE, A/C
15	05138942AA	1	2, 3, 6, 7		13, 15, 17, 53, 55	EG2, EXM			O RING, [13.7 X 2.5 MM]
16	05159481AA	2	2, 3, 6, 7		13, 15, 17, 53, 55	EG2, EXM			GUIDE
17	68013633AA	1	2, 3, 6, 7			EG2, EXM			CONDENSER, A/C
18	68006192AA	1	2, 3, 6, 7			EG2			COMPRESSOR, Air Conditioning
	68012247AA	1	2, 3, 6, 7			EXM			

SPRINTER (VB)

SERIES LINE
L = LOWLINE 3 = HD DODGE 2WD
 2 = Med. Duty DODGE 2WD

BODY
03 = CAB CHASSIS WHEEL BASE 3
05 = CAB CHASSIS WHEEL BASE 5
13 = 119 WB
53 = 119 WB
15 = VAN WHEEL BASE 5
55 = WAGON WHEEL BASE 5
17 = VAN WHEEL BASE 7

ENGINE
EG2 = 3.5L V6 Gas Engine
EXM = 3.0L V6 Turbo Diesel Engine

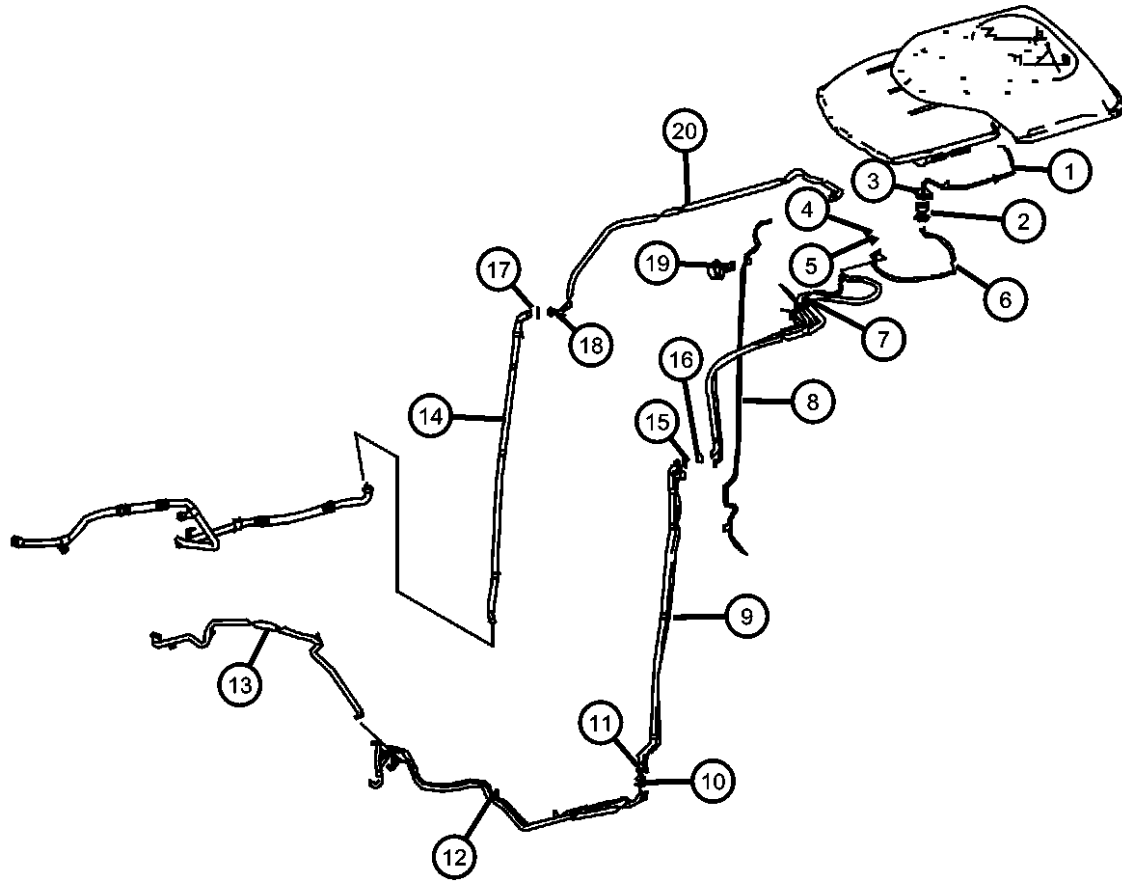
TRANSMISSION
DGZ = 5-Speed Auto W5A380 Transmission

AR = use ase required - = Non illustrated part

2007 VB

Refrigerant Line Routing/Rear A/C
Figure 24-245

ITEM	PART NUMBER	QTY	LINE	SERIES	BODY	ENGINE	TRANS	TRIM	DESCRIPTION
1	68012779AA	1	2, 6		53, 55	EG2, EXM			LINE, A/C
2	68012780AA	1	2, 6		53, 55	EG2, EXM			GUIDE
3	05103571AA	1	2, 3, 6, 7			EG2, EXM			O RING, Air Conditioning Line
4									GUIDE
	68012782AA	2	2, 6		53, 55	EG2, EXM			
		1	2, 3, 6, 7		13, 15, 17, 53, 55	EG2, EXM			
5	05098970AA	1	2, 3, 6, 7		13, 15, 17, 53, 55	EG2, EXM			O RING, A/C Line
6	68012784AA	1	2, 6		53, 55	EG2, EXM			LINE, A/C
7									LINE, A/C
	68012772AA	1	2, 6		53, 55	EG2, EXM			
	68012775AA	1	2, 6		53, 55	EG2, EXM			With [HBD+MWJ]
8	68009179AA	1	2, 6		53, 55	EG2, EXM			LINE, A/C
9	68012774AA	1	2, 6		53, 55	EXM, EG2			LINE, A/C
10	05138942AA	3	2, 3, 6, 7		13, 15, 17, 53, 55	EG2, EXM			O RING
11	05159481AA	2	2, 3, 6, 7		13, 15, 17, 53, 55	EG2, EXM			GUIDE
12	68012777AA	1	2, 6		53, 55	EG2, EXM			LINE, A/C
13	68012778AA	1	2, 6		53, 55	EG2, EXM			LINE, A/C
14	68012770AA	1	2, 6		53, 55	EG2, EXM			LINE, A/C
15	05098970AA	1	2, 3, 6, 7		15, 17, 53, 55, 13	EG2, EXM			O RING, A/C Line
16	05159481AA	1	2, 3, 6, 7		13, 15, 17, 53, 55	EG2, EXM			GUIDE
17	05138942AA	2	2, 3, 6, 7		13, 15, 17, 53, 55	EG2, EXM			O RING
18	05159481AA	2	2, 3, 6, 7		13, 15, 17, 53, 55	EG2, EXM			GUIDE
19	06104117AA	6	2, 3, 6, 7		17	EG2, EXM			SCREW, Hex Head, M5x16
20	68012771AA	1	2, 6		53, 55	EG2, EXM			LINE, A/C



SPRINTER (VB)

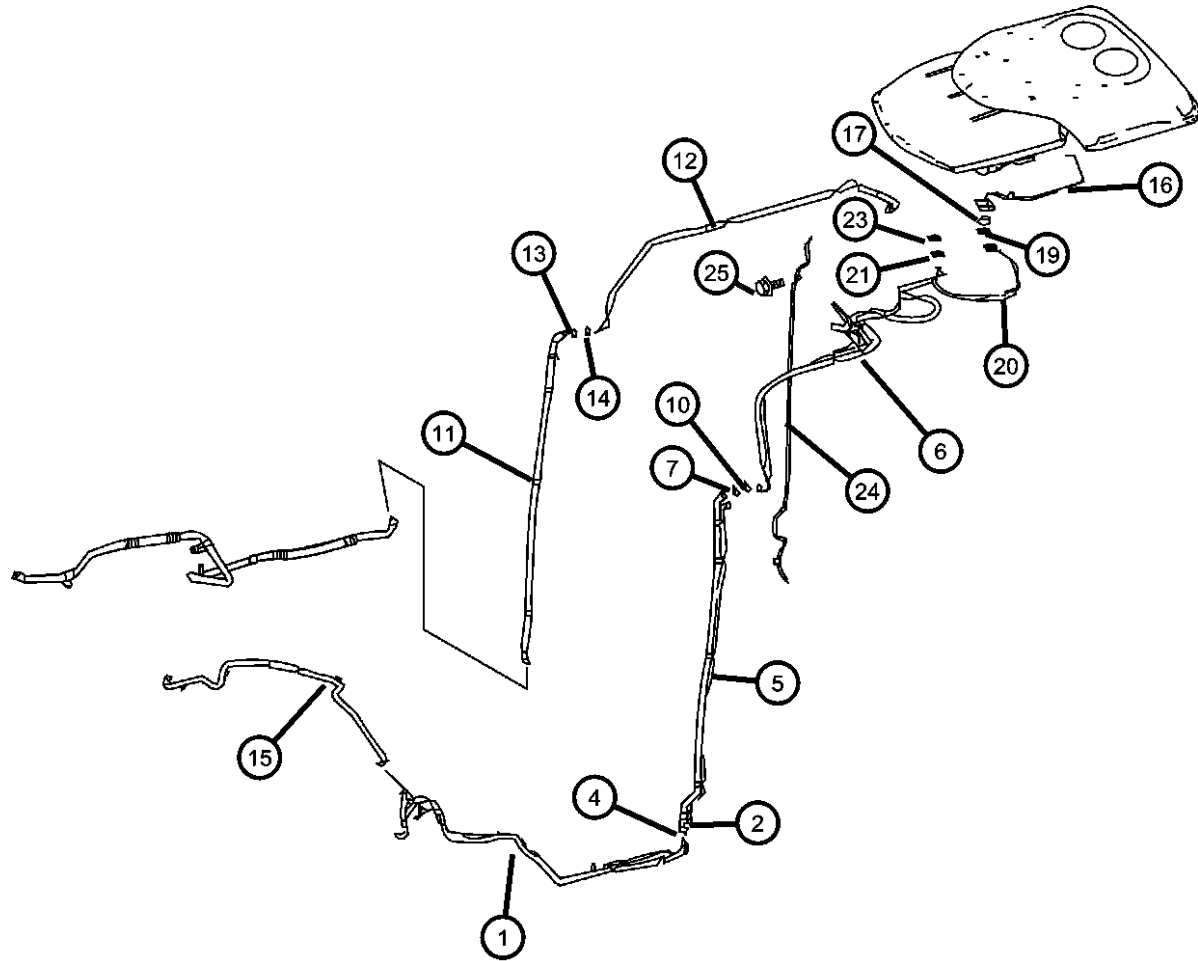
SERIES LINE
L = LOWLINE 3 = HD DODGE 2WD
 2 = Med. Duty DODGE 2WD

BODY ENGINE TRANSMISSION
03 = CAB CHASSIS WHEEL EG2 = 3.5L V6 Gas Engine DGZ = 5-Speed Auto W5A380
BASE 3 EXM = 3.0L V6 Turbo Diesel Transmission
05 = CAB CHASSIS WHEEL Engine
BASE 5
13 = 119 WB
53 = 119 WB
15 = VAN WHEEL BASE 5
55 = WAGON WHEEL BASE 5
17 = VAN WHEEL BASE 7

AR = use ase required - = Non illustrated part

2007 VB

Refrigerant Lines / Rear Air Conditioner
Figure 24-250



ITEM	PART NUMBER	QTY	LINE	SERIES	BODY	ENGINE	TRANS	TRIM	DESCRIPTION
1	68012777AA	1	2, 6		53, 55	EG2, EXM			LINE, A/C, With [HBD]
2	05138942AA	3	2, 3, 6, 7		13, 15, 17, 53, 55	EG2, EXM			O RING, [13.7 x 2.5 MM]
-3	05103571AA	1	2, 3, 6, 7		53, 55	EG2, EXM			O RING, Air Conditioning Line, [9.5 x 2.5 MM]
4	05159481AA	2	2, 3, 6, 7		13, 15, 17, 53, 55	EG2, EXM			GUIDE
5	68012774AA	1	2, 6		53, 55	EG2, EXM			LINE, A/C
6	68012775AA	1	2, 6		53, 55	EG2, EXM			LINE, A/C [HBD+MWJ]
	68012776AA	1	2, 6		53, 55	EG2, EXM			
7	05138942AA	1	2, 3, 6, 7		13, 15, 17, 53, 55	EG2, EXM			O RING, [13.7 x 2.5 MM]
-8	05098970AA	1	2, 3, 6, 7		13, 15, 17, 53, 55	EG2, EXM			O RING, A/C Line [7.5 x 2 MM]
	05098972AA	1	2, 3, 6, 7		13, 15, 17, 53, 55	EXM, EG2			[14 x 2 MM]
-9	05103571AA	1	2, 3, 6, 7			EG2, EXM			O RING, Air Conditioning Line, [9.5 x 2.5 MM]
10	05159481AA	1	2, 3, 6, 7		13, 15, 17, 53, 55	EG2, EXM			GUIDE
11	68012770AA	1	2, 6		53, 55	EG2, EXM			LINE, A/C
12	68012771AA	1	2, 6		53, 55	EG2, EXM			LINE, A/C With [HBD+MWJ]
	68012772AA	1	2, 6		53, 55	EG2, EXM			
13	05138942AA	1	2, 3, 6, 7		13, 15, 17, 53, 55	EG2, EXM			O RING, [13.7 X 2.5 MM]
14	05159481AA	2	2, 3, 6, 7		13, 15, 17, 53, 55	EG2, EXM			GUIDE
15	68012778AA	1	2, 6		53, 55	EG2, EXM			LINE, A/C
16	68012779AA	1	2, 6		53, 55	EG2, EXM			LINE, A/C From Roof Opening To Condenser
	68012781AA	1	2, 6		53, 55	EG2, EXM			From Drier To Roof Opening
17	05138942AA	1	2, 3, 6, 7		13, 15, 17, 53, 55	EG2, EXM			O RING, [13.7 x 2.5 MM]
-18	05103571AA	1	2, 3, 6, 7		53, 55	EG2, EXM			O RING, Air Conditioning Line, [9.5 x 2.5MM]
19									GUIDE

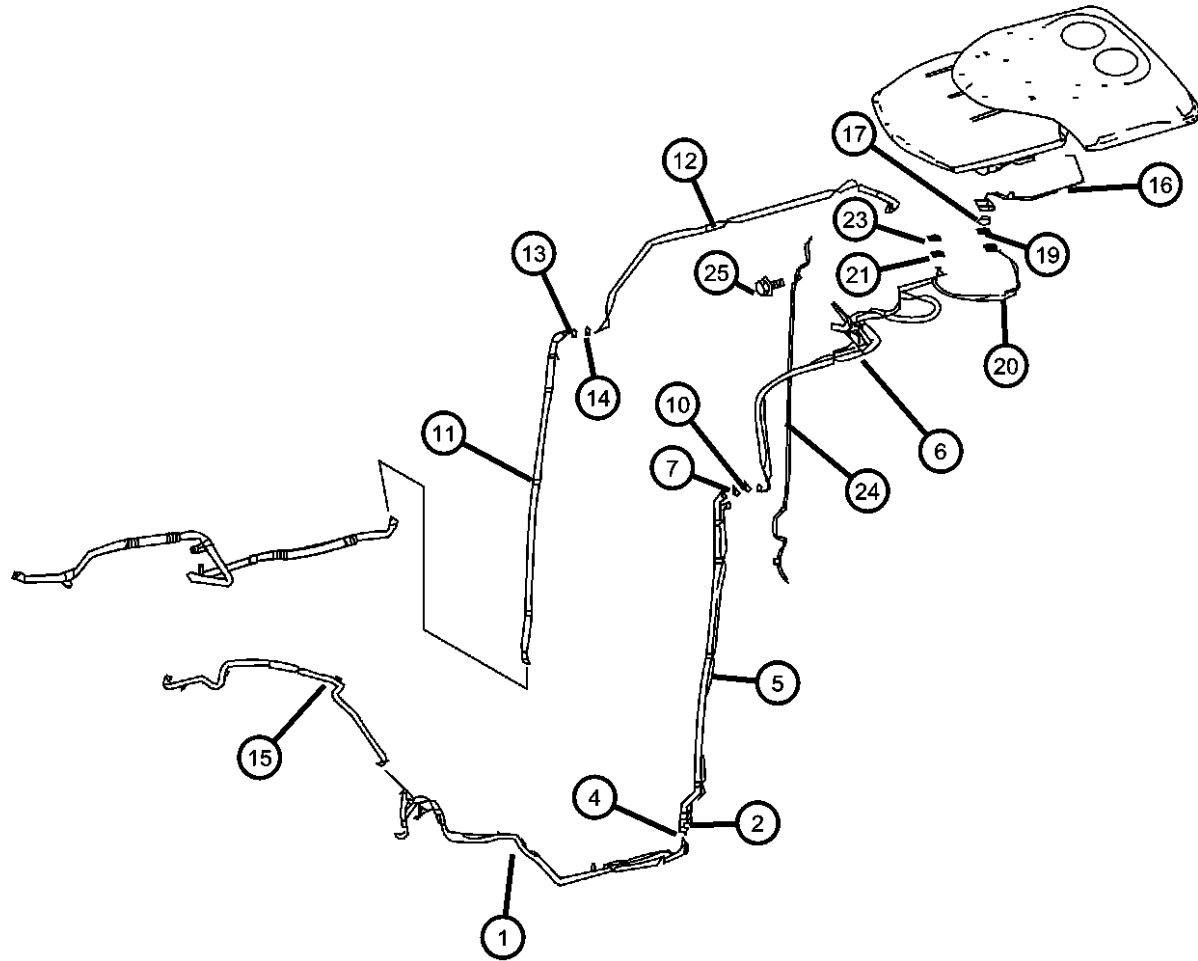
SPRINTER (VB)

SERIES	LINE	BODY	ENGINE	TRANSMISSION
L = LOWLINE	3 = HD DODGE 2WD 2 = Med. Duty DODGE 2WD	03 = CAB CHASSIS WHEEL BASE 3 05 = CAB CHASSIS WHEEL BASE 5 13 = 119 WB 53 = 119 WB 15 = VAN WHEEL BASE 5 55 = WAGON WHEEL BASE 5 17 = VAN WHEEL BASE 7	EG2 = 3.5L V6 Gas Engine EXM = 3.0L V6 Turbo Diesel Engine	DGZ = 5-Speed Auto W5A380 Transmission

AR = use ase required - = Non illustrated part

Refrigerant Lines / Rear Air Conditioner
Figure 24-250

ITEM	PART NUMBER	QTY	LINE	SERIES	BODY	ENGINE	TRANS	TRIM	DESCRIPTION
	68012780AA	1	2, 6		53, 55	EG2, EXM			
	68012782AA	1	2, 3, 6, 7		13, 15, 17, 53, 55	EG2, EXM			Return
20	68012783AA	1	2, 6		53, 55	EG2, EXM			LINE, A/C With [HBD+MWJ]
	68012784AA	1	2, 6		53, 55	EG2, EXM			
21	05098970AA	1	2, 3, 6, 7		13, 15, 17, 53, 55	EG2, EXM			O RING, A/C Line, [7.5 x 2 MM]
-22	05103571AA	1	2, 3, 6, 7		53, 55	EG2, EXM			O RING, Air Conditioning Line, [9.5 x 2.5 MM]
23	68012782AA	1	2, 3, 6, 7		13, 15, 17, 53, 55	EG2, EXM			GUIDE
24	68009179AA	1	2, 6		53, 55	EG2, EXM			LINE, A/C
25	06104117AA	6	2, 3, 6, 7		13, 15, 17, 53, 55	EG2, EXM			SCREW, Hex Head, [M5 x 16 MM]



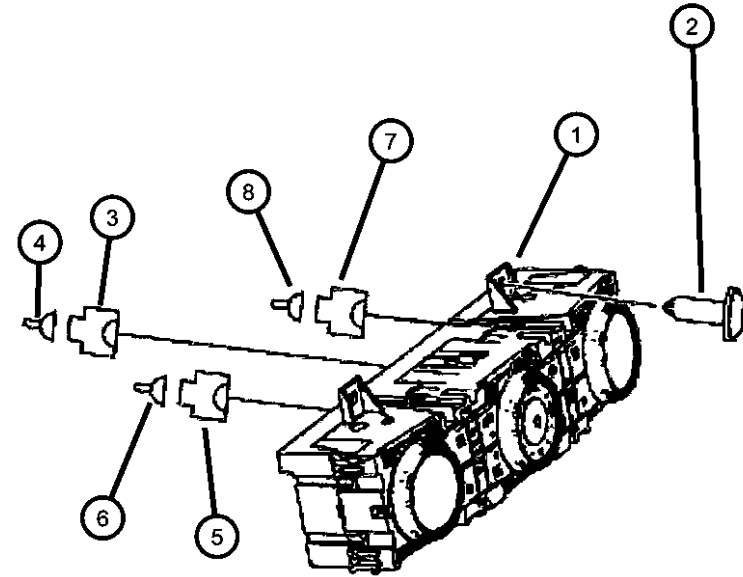
SPRINTER (VB)

SERIES	LINE	BODY	ENGINE	TRANSMISSION
L = LOWLINE	3 = HD DODGE 2WD 2 = Med. Duty DODGE 2WD	03 = CAB CHASSIS WHEEL BASE 3 05 = CAB CHASSIS WHEEL BASE 5 13 = 119 WB 53 = 119 WB 15 = VAN WHEEL BASE 5 55 = WAGON WHEEL BASE 5 17 = VAN WHEEL BASE 7	EG2 = 3.5L V6 Gas Engine EXM = 3.0L V6 Turbo Diesel Engine	DGZ = 5-Speed Auto W5A380 Transmission

AR = use ase required - = Non illustrated part

2007 VB

Air Conditioner & Heater Control
Figure 24-310



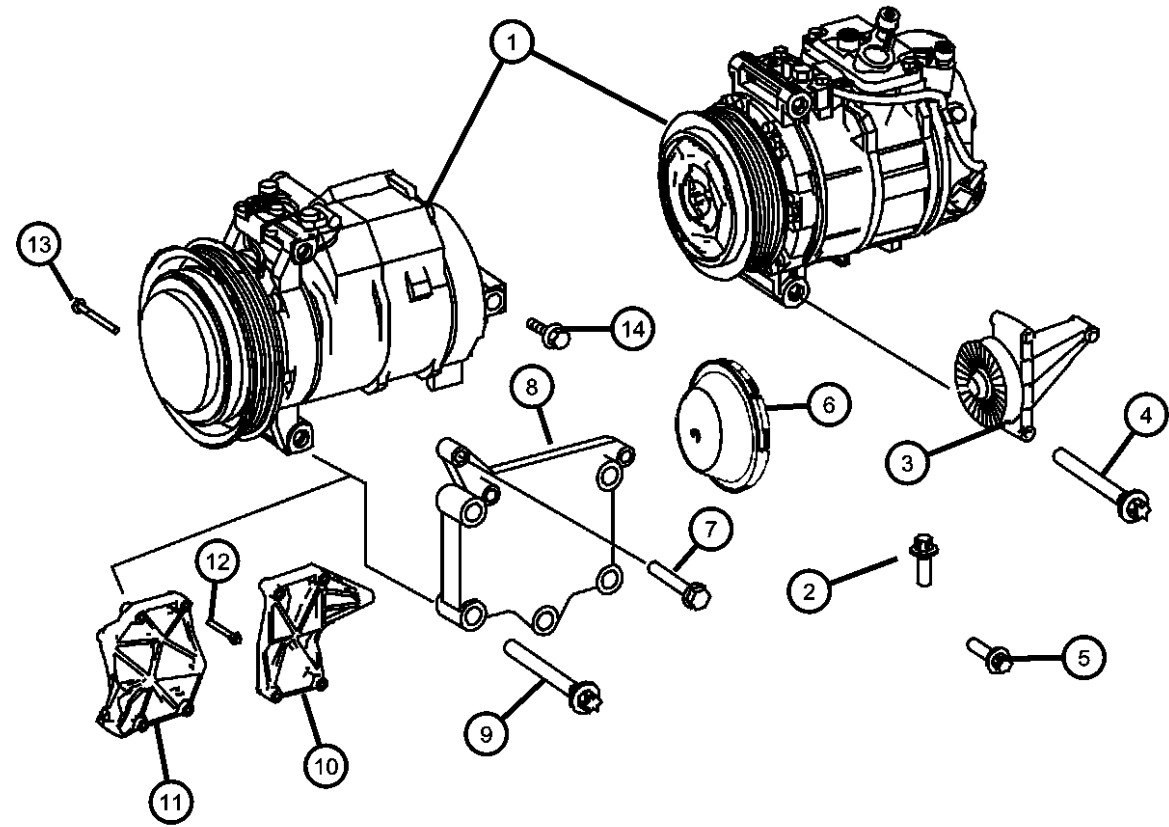
ITEM	PART NUMBER	QTY	LINE	SERIES	BODY	ENGINE	TRANS	TRIM	DESCRIPTION
NOTE: Sales Code: [DGZ]=5 Speed Automatic Transmission [EGM]=3.0L V-6 Turbo Diesel Engine [Mercedes Benz] [EG2]=3.5L V-6 Gas Engine [Mercedes Benz]									
1	68012690AA	1	2, 3, 6, 7			EG2, EXM			CONTROL, A/C And Heater With [HAB + HDC And / Or HBD]
	68012691AA	1	2, 3, 6, 7			EG2, EXM			With [HAB]
2	06104574AA	4	2, 3, 6, 7			EG2, EXM			SCREW, Tapping
3	05120782AA	1	2, 3, 6, 7			EG2, EXM			CONNECTOR [8 - Pin / S-98]
	68011209AA	1	2, 3, 6, 7			EXM, EG2			[28 - Pin / S98]
	68016738AA	1	2, 3, 6, 7			EG2, EXM			[S 98] Cover
	68016753AA	1	2, 3, 6, 7			EG2, EXM			[12 - Pin / S98]
4	05103873AA	3	3, 7		03, 05	EG2, EXM			TERMINAL [0.75 MM2 / MQS:S98]
		3	2, 3, 6, 7		13, 15, 17, 53, 55	EG2, EXM			[0.75 MM2 / MQS:S98]
5	68016755AA	1	2, 3, 6, 7			EG2, EXM			CONNECTOR, Wiring, [8 - Pin / S98]
6	05136771AA	AR	2, 3, 6, 7			EG2, EXM			WIRING PACKAGE, Terminal Repair, [0.5 MM2 / MSQ:S98]
7	68011345AA	1	2, 3, 6, 7			EG2, EXM			CONNECTOR, Wiring, [S98]
8	68011410AA	AR	2, 3, 6, 7			EG2, EXM			TERMINAL, [S98]

SPRINTER (VB)

SERIES	LINE	BODY	ENGINE	TRANSMISSION
L = LOWLINE	3 = HD DODGE 2WD 2 = Med. Duty DODGE 2WD	03 = CAB CHASSIS WHEEL BASE 3 05 = CAB CHASSIS WHEEL BASE 5 13 = 119 WB 53 = 119 WB 15 = VAN WHEEL BASE 5 55 = WAGON WHEEL BASE 5 17 = VAN WHEEL BASE 7	EG2 = 3.5L V6 Gas Engine EXM = 3.0L V6 Turbo Diesel Engine	DGZ = 5-Speed Auto W5A380 Transmission

AR = use ase required - = Non illustrated part

**A/C Compressor
Figure 24-405**



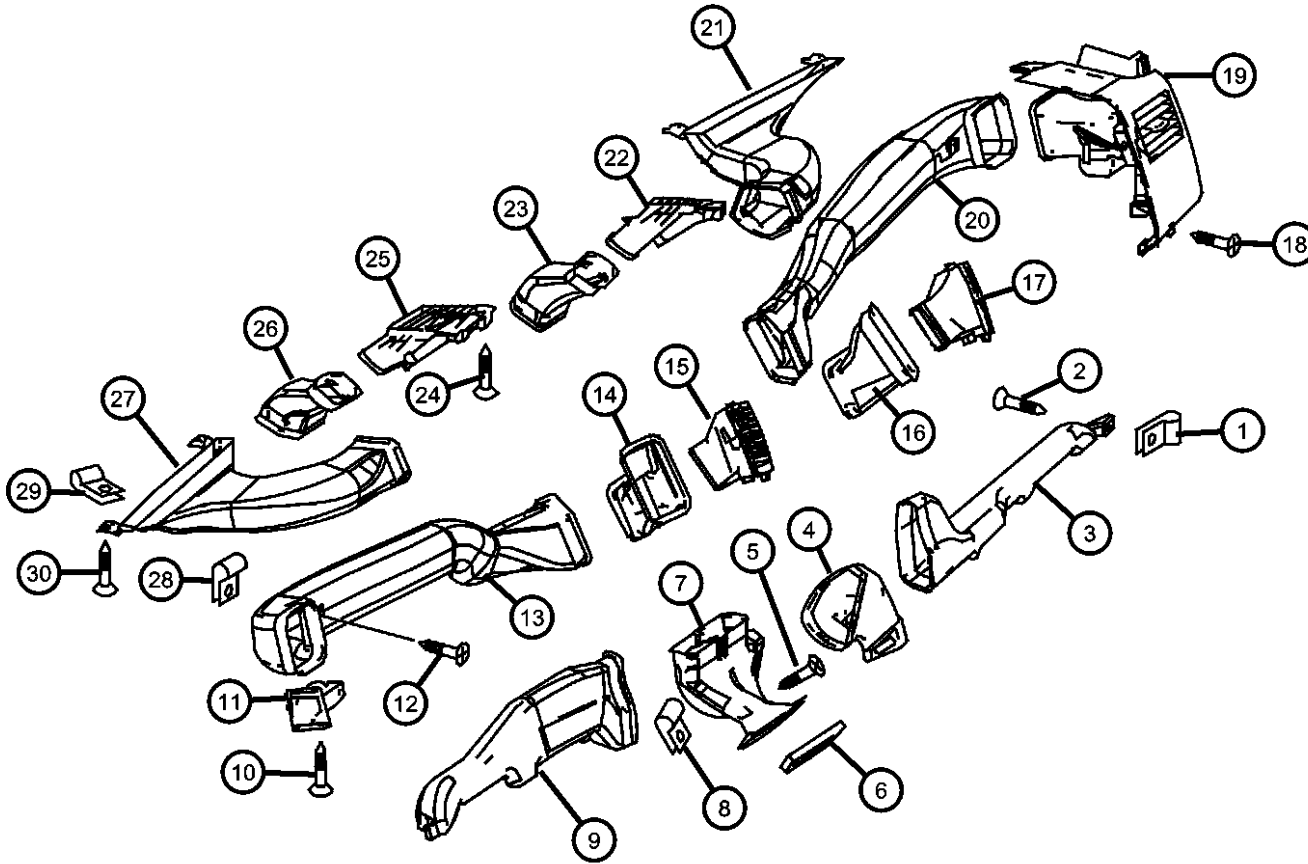
ITEM	PART NUMBER	QTY	LINE	SERIES	BODY	ENGINE	TRANS	TRIM	DESCRIPTION
1									COMPRESSOR, Air Conditioning
	68012247AA	1	2, 3, 6, 7			EXM			[HAB] Air Conditioning with Auto Temp
	68012250AA	1	2, 6		53, 55	EXM			[HBD] Rear Heavy Duty Air Conditioning
	68006192AA	1	2, 3, 6, 7			EG2			[HAB] Air Conditioning with Auto Temp
	68006194AA	1	2, 3, 6, 7			EG2			[HBD] Rear Heavy Duty Air Conditioning
2	06104025AA	1	2, 3, 6, 7			EG2			BOLT, M8x30
3	05117673AA	1	2, 3, 6, 7			EG2			PULLEY, Tensioner, With Guide Pulley
4	06104035AA	2	3, 7		03, 05	EG2			BOLT, Compressor to Timing Case M8x90
5	06104025AA	2	2, 3, 6, 7			EG2			BOLT, Bracket to Compressor M8x30
6	05125553AA	1	2, 3, 6, 7			EG2			CAP, Screw Cover
7	05102611AA	2	2, 3, 6, 7			EG2			SCREW, M8x50
8	06104035AA	1	2, 3, 6, 7			EG2			BOLT
9	06104035AA	1	2, 3, 6, 7			EG2			BOLT
10	68012249AA	1	2, 3, 6, 7			EXM			BRACKET
11	68012248AA	1	2, 3, 6, 7			EXM			BRACKET
12	06104032AA	4	2, 3, 6, 7			EXM			SCREW, M8x65
13	06104035AA	3	2, 3, 6, 7		13, 15, 17, 53, 55	EXM			BOLT
14	06104035AA	2	3, 7		03, 05	EG2			BOLT

SPRINTER (VB)

SERIES	LINE	BODY	ENGINE	TRANSMISSION
L = LOWLINE	3 = HD DODGE 2WD 2 = Med. Duty DODGE 2WD	03 = CAB CHASSIS WHEEL BASE 3 05 = CAB CHASSIS WHEEL BASE 5 13 = 119 WB 53 = 119 WB 15 = VAN WHEEL BASE 5 55 = WAGON WHEEL BASE 5 17 = VAN WHEEL BASE 7	EG2 = 3.5L V6 Gas Engine EXM = 3.0L V6 Turbo Diesel Engine	DGZ = 5-Speed Auto W5A380 Transmission

AR = use ase required - = Non illustrated part

**Air Ducting
Figure 24-610**



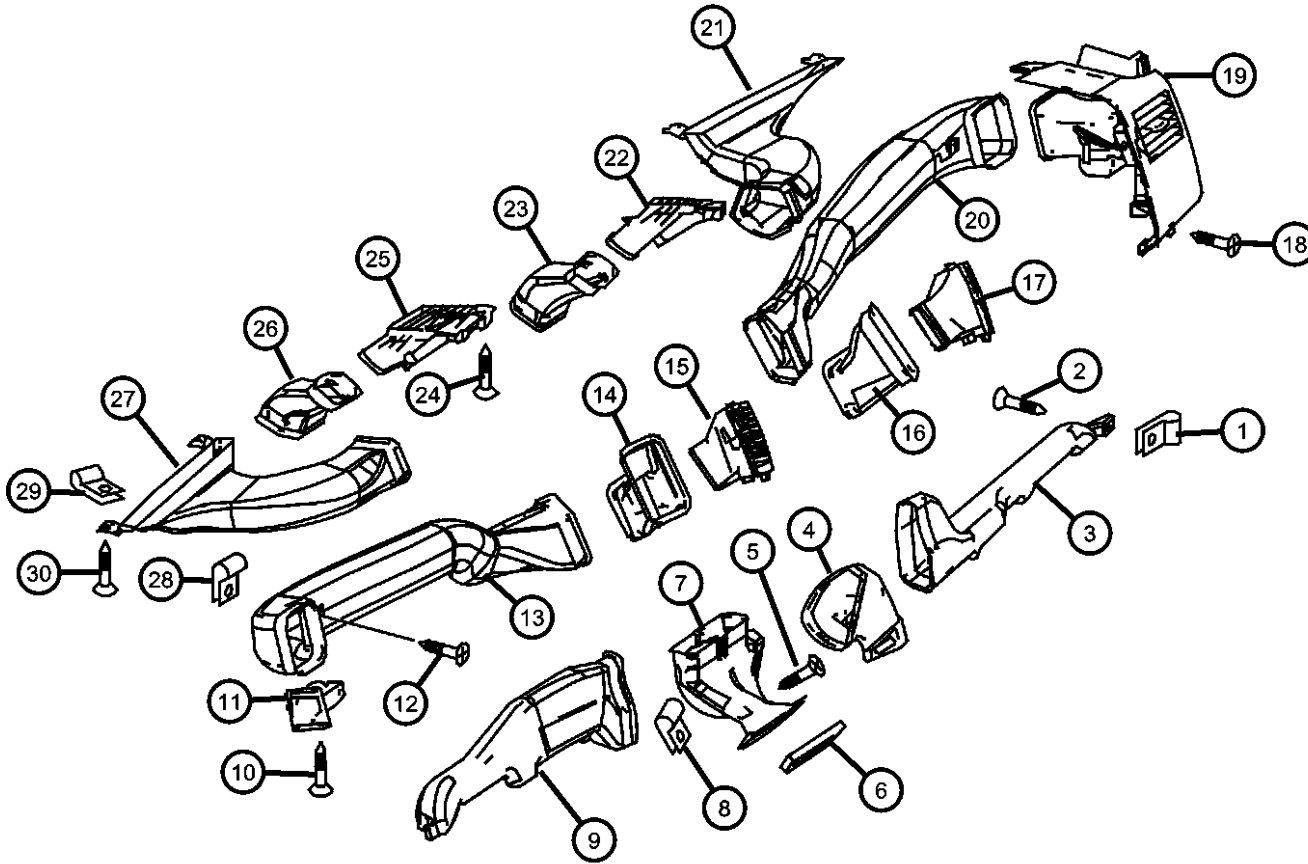
ITEM	PART NUMBER	QTY	LINE	SERIES	BODY	ENGINE	TRANS	TRIM	DESCRIPTION
1	68010366AA	2	2, 3, 6, 7		13, 15, 17, 53, 55	EG2, EXM			NUT, Spring U Type Air Duct Attachment
		2	3, 7		03, 05	EG2, EXM			Air Duct Attachment
2	06104574AA	2	2, 3, 6, 7			EG2, EXM			SCREW, Tapping Air Duct Attachment 4.8x16
		2	3, 7		03, 05	EG2, EXM			Air Duct Attachment 4.8x16
3	68010415AA	1	2, 3, 6, 7			EG2, EXM			DUCT, Floor, Leg Room, Right
4	68010419AA	1	2, 3, 6, 7		13, 15, 17, 53, 55	EG2, EXM			DUCT, FloorFront
5	06104574AA	1	2, 3, 6, 7			EG2, EXM			SCREW, Tapping
6	68004778AA	1	2, 3, 6, 7			EG2, EXM			SEAL, Air Duct
7	68004777AA	1	2, 3, 6, 7			EG2, EXM			DUCT, Floor Footwell Center
	68010418AA	1	2, 3, 6, 7		13, 15, 17, 53, 55	EG2, EXM			With [XGR+CW9]
8	68010366AA	1	3, 7		03, 05	EG2, EXM			NUT, Spring U Type Air Duct Attachment
		1	2, 3, 6, 7		13, 15, 17, 53, 55	EG2, EXM			Air Duct Attachment
9	68004776AA	1	2, 3, 6, 7			EG2, EXM			DUCT, Floor, Leg room, Left
10	06104510AA	2	2, 3, 6, 7			EG2, EXM			SCREW, Tapping, ST4.8x32-R
11	68010413AA	1	2, 3, 6, 7			EG2, EXM			DUCT, AIR, Outside, Left
12	06104574AA	4	2, 3, 6, 7			EG2, EXM			SCREW, Tapping
13	68004780AA	1	2, 3, 6, 7			EG2, EXM			DUCT, AIR, Top, Left
14	68004775AA	1	2, 3, 6, 7			EG2, EXM			DUCT, AIR, Central, Left
15	68004766AA	1	2, 3, 6, 7			EG2, EXM			OUTLET, Air Conditioning & Heater, Central, Left
16	68004774AA	1	2, 3, 6, 7			EG2, EXM			DUCT, AIR, Central, Right
17	68004767AA	1	2, 3, 6, 7			EG2, EXM			OUTLET, Air Conditioning & Heater, Central, Right
18	06104574AA	6	3, 7		03, 05	EG2, EXM			SCREW, Tapping, Mounting Nozzle 4.8x16
19	68004771AA	1	2, 3, 6, 7			EG2, EXM			OUTLET, Air Conditioning & Heater Lateral, Left
	68004772AA	1	2, 3, 6, 7			EG2, EXM			Lateral, Right

SPRINTER (VB)

SERIES	LINE	BODY	ENGINE	TRANSMISSION
L = LOWLINE	3 = HD DODGE 2WD 2 = Med. Duty DODGE 2WD	03 = CAB CHASSIS WHEEL BASE 3 05 = CAB CHASSIS WHEEL BASE 5 13 = 119 WB 53 = 119 WB 15 = VAN WHEEL BASE 5 55 = WAGON WHEEL BASE 5 17 = VAN WHEEL BASE 7	EG2 = 3.5L V6 Gas Engine EXM = 3.0L V6 Turbo Diesel Engine	DGZ = 5-Speed Auto W5A380 Transmission

AR = use ase required - = Non illustrated part

**Air Ducting
Figure 24-610**



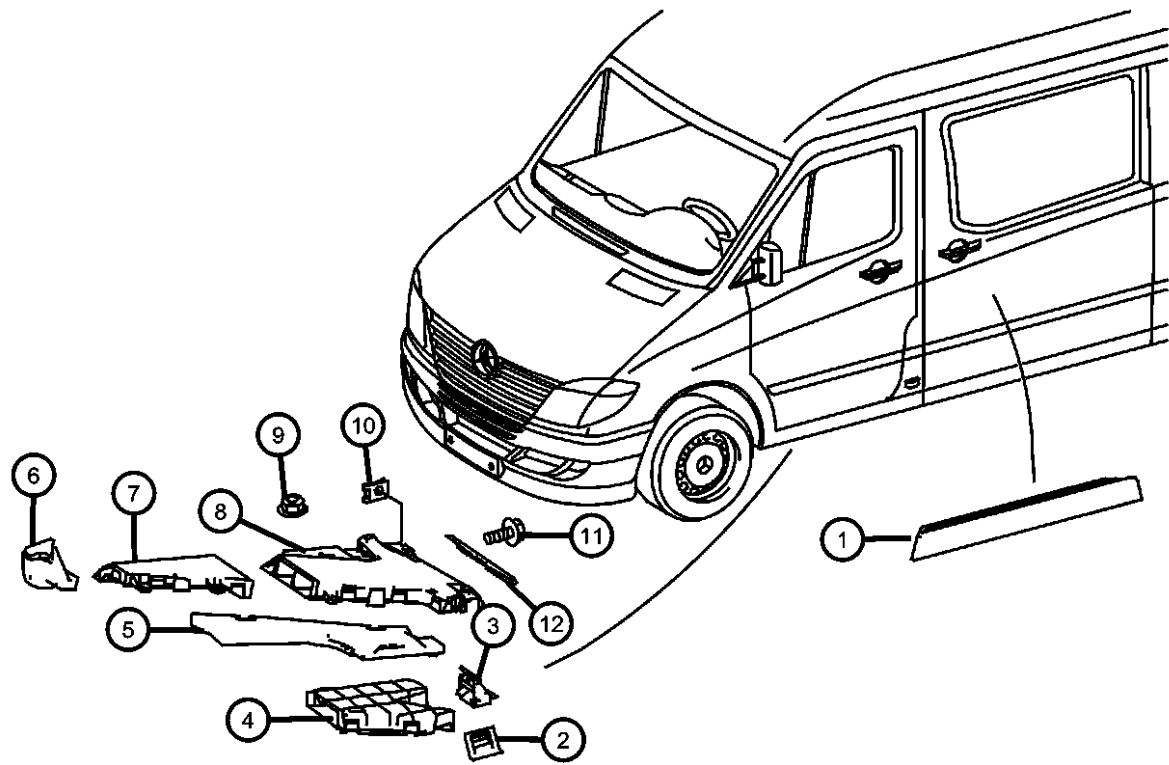
ITEM	PART NUMBER	QTY	LINE	SERIES	BODY	ENGINE	TRANS	TRIM	DESCRIPTION
20	68010417AA	1	2, 3, 6, 7			EG2, EXM			DUCT, AIR, Outside, Right
21	68010414AA	1	2, 3, 6, 7			EG2, EXM			DUCT, Defroster, Windshield, Right
22	68004769AA	1	2, 3, 6, 7			EG2, EXM			OUTLET, Air Conditioning & Heater, Long-Range Nozzle, Right
23	68010416AA	1	2, 3, 6, 7			EG2, EXM			DUCT, AIR, Long-Range Nozzle, Right
24	06104574AA	4	2, 3, 6, 7			EG2, EXM			SCREW, Tapping
25	68004768AA	1	2, 3, 6, 7			EG2, EXM			OUTLET, Air Conditioning & Heater, Long-Range Nozzle, Left
26	68004779AA	1	2, 3, 6, 7			EG2, EXM			DUCT, AIR, Long-Range Nozzle, Left
27	68004773AA	1	2, 3, 6, 7			EG2, EXM			DUCT, Defroster, Windshield, Left
28									NUT, Spring U Type
	68010366AA	2	3, 7		03, 05	EG2, EXM			Air Duct Attachment
		2	2, 3, 6, 7		13, 15, 17, 53, 55	EXM, EG2			Air Duct Attachment
29	68010366AA	2	2, 3, 6, 7		13, 15, 17, 53, 55	EG2, EXM			NUT, Spring U Type
30	06104574AA	4	2, 3, 6, 7			EG2, EXM			SCREW, Tapping

SPRINTER (VB)

SERIES	LINE	BODY	ENGINE	TRANSMISSION
L = LOWLINE	3 = HD DODGE 2WD 2 = Med. Duty DODGE 2WD	03 = CAB CHASSIS WHEEL BASE 3 05 = CAB CHASSIS WHEEL BASE 5 13 = 119 WB 53 = 119 WB 15 = VAN WHEEL BASE 5 55 = WAGON WHEEL BASE 5 17 = VAN WHEEL BASE 7	EG2 = 3.5L V6 Gas Engine EXM = 3.0L V6 Turbo Diesel Engine	DGZ = 5-Speed Auto W5A380 Transmission

AR = use ase required - = Non illustrated part

**Air Duct to Floor / Cargo / Passenger Van
Figure 24-640**



ITEM	PART NUMBER	QTY	LINE	SERIES	BODY	ENGINE	TRANS	TRIM	DESCRIPTION
1	1HE24XDVAA	1	2, 3, 6, 7		13, 15, 17	EG2, EXM			DUCT, Floor With [HDC], Rear
	1HE25XDVAA	1	2, 6		53, 55	EG2, EXM			With [HDC + CFF], Rear
	1HE26XDVAA	1	2, 6		53, 55	EG2, EXM			With [HDC + CFA], Rear
2	1HE23NCVAA	1	2, 3, 6, 7		53, 55	EG2, EXM			VENT Lateral, Rear
	1HE23XDVAA	1	2, 3, 6, 7		13, 15, 17, 53, 55	EG2, EXM			Lateral, Rear
3	1HE22NCVAA	1	2, 3, 6, 7		53, 55	EG2, EXM			VENT Rear Right
	1HE22XDVAA	1	2, 3, 6, 7		13, 15, 17, 53, 55	EG2, EXM			Rear Right
4	68012803AA	1	2, 3, 6, 7		13, 15, 17, 53, 55	EG2, EXM			DUCT, Floor
5	68012798AA	1	2, 3, 6, 7		13, 15, 17, 53, 55	EG2, EXM			DUCT, Floor
	68012799AA	1	2, 3, 6, 7		17, 13, 15	EG2, EXM			With [XGR+CW9]
		1	2, 3, 6, 7		53, 55	EG2, EXM			With [XGR+CW9]
6	68012797AA	1	2, 3, 6, 7		13, 15, 17, 53, 55	EG2, EXM			DUCT, FloorFront
7	68012800AA	1	2, 3, 6, 7		13, 15, 17, 53, 55	EG2, EXM			DUCT, Floor With [XGR]
	68012802AA	1	2, 3, 6, 7		13, 15, 17, 53, 55	EG2, EXM			With [XGR+CW9]
		1	2, 3, 6, 7		53, 55	EG2, EXM			With [XGR+CW9]
8	68012801AA	1	2, 3, 6, 7		13, 15, 17, 53, 55	EG2, EXM			DUCT, FloorRear
9	68004878AA	4	2, 3, 6, 7		13, 15, 17, 53, 55	EG2, EXM			NUT, Air Duct Attachment M6
10	06104734AA	3	2, 3, 6, 7		13, 15, 17, 53, 55	EG2, EXM			NUT, Attachment,Grid 4.2MM
11	06104566AA	7	2, 3, 6, 7		13, 15, 17, 53, 55	EG2, EXM			SCREW, Tapping, Air Duct on Floor 4.2x13
12	1HE21XDVAA	1	2, 3, 6, 7		13, 15, 17, 53, 55	EG2, EXM			DUCT, Floor

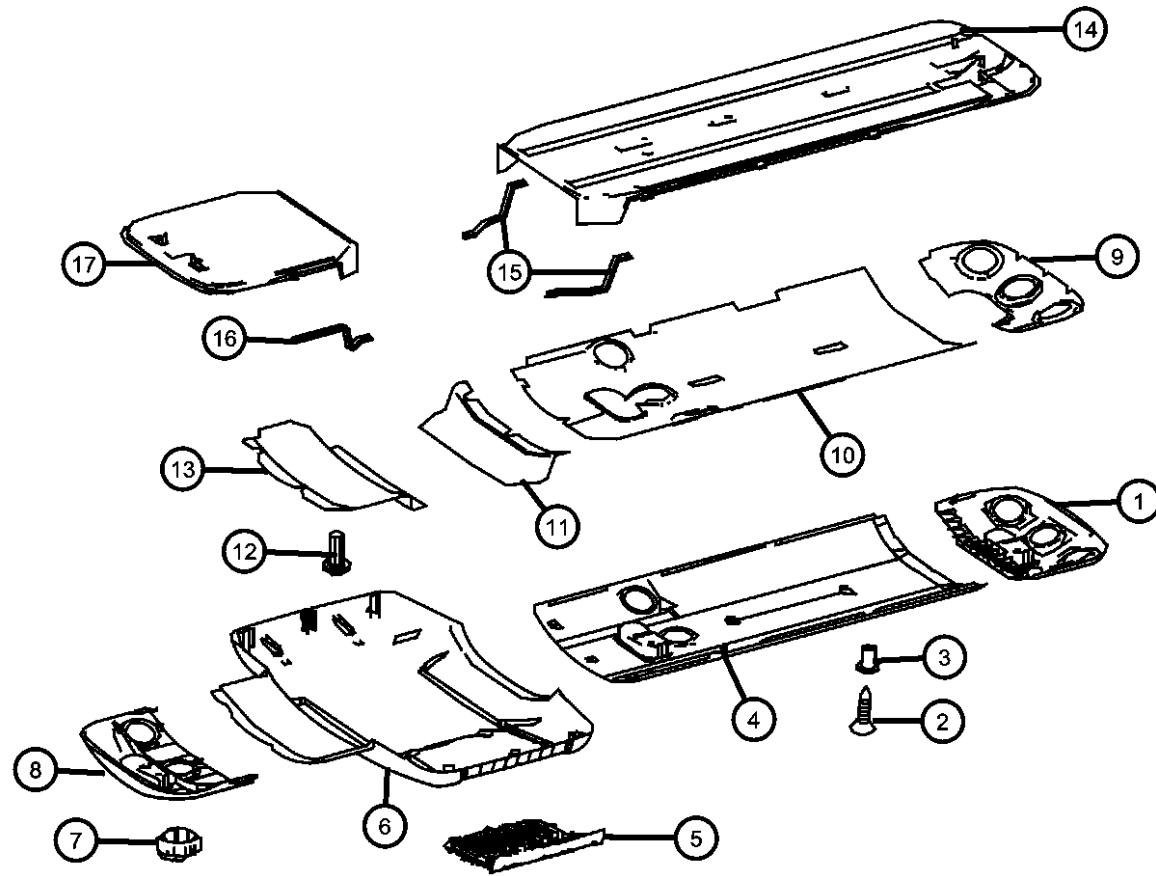
SPRINTER (VB)

SERIES	LINE	BODY	ENGINE	TRANSMISSION
L = LOWLINE	3 = HD DODGE 2WD 2 = Med. Duty DODGE 2WD	03 = CAB CHASSIS WHEEL BASE 3 05 = CAB CHASSIS WHEEL BASE 5 13 = 119 WB 53 = 119 WB 15 = VAN WHEEL BASE 5 55 = WAGON WHEEL BASE 5 17 = VAN WHEEL BASE 7	EG2 = 3.5L V6 Gas Engine EXM = 3.0L V6 Turbo Diesel Engine	DGZ = 5-Speed Auto W5A380 Transmission

AR = use ase required - = Non illustrated part

2007 VB

**Air Ducts With Rear Air Conditioner
Figure 24-650**



ITEM	PART NUMBER	QTY	LINE	SERIES	BODY	ENGINE	TRANS	TRIM	DESCRIPTION
1	1GZ43XDVAA	1	2, 6		53, 55	EG2, EXM			PANEL
2									SCREW
	05104609AA	3	3, 7		03, 05	EG2, EXM			Air Duct Attachment4.8x13
		3	2, 3, 6, 7		13, 15, 17, 53, 55	EG2, EXM			Air Duct Attachment4.8x13
3	68012814AA	8	2, 6		53, 55	EG2, EXM			BUSHING, Air Duct Attachment
4	1GZ43XDVAA	1	2, 6		53, 55	EG2, EXM			PANEL
5	1HE31XDVAA	1	2, 6		53, 55	EG2, EXM			GRILLE
6	1GZ45XDVAA	1	2, 6		53, 55	EG2, EXM			COVER, Center Distribution
7	68012824AA	9	2, 6		53, 55	EG2, EXM			VENT
8	1GZ42XDVAA	1	2, 3, 6, 7		53, 55	EG2, EXM			COVER, Center DistributionFront
9	1GZ44XDVAA	1	2, 6		53, 55	EG2, EXM			PANEL
10	1GZ43XDVAA	1	2, 6		53, 55	EG2, EXM			PANEL
11	68012821AA	1	2, 6		53, 55	EG2, EXM			INSULATOR
12	68012820AA	1	2, 6		53, 55	EG2, EXM			INSULATOR
13	06104625AA	2	2, 3, 6, 7		13, 15, 17, 53, 55	EG2, EXM			SCREW
14	68012810AA	1	2, 6		53, 55	EG2, EXM			DUCT
15	68012811AA	2	2, 6		53, 55	EG2, EXM			SEAL
16	68012808AA	2	2, 6		53, 55	EG2, EXM			SEAL
17	68012807AA	1	2, 6		53, 55	EG2, EXM			DUCT

SPRINTER (VB)

SERIES	LINE	BODY	ENGINE	TRANSMISSION
L = LOWLINE	3 = HD DODGE 2WD 2 = Med. Duty DODGE 2WD	03 = CAB CHASSIS WHEEL BASE 3 05 = CAB CHASSIS WHEEL BASE 5 13 = 119 WB 53 = 119 WB 15 = VAN WHEEL BASE 5 55 = WAGON WHEEL BASE 5 17 = VAN WHEEL BASE 7	EG2 = 3.5L V6 Gas Engine EXM = 3.0L V6 Turbo Diesel Engine	DGZ = 5-Speed Auto W5A380 Transmission

AR = use ase required - = Non illustrated part

2007 VB

Group - 25

Emission Systems

Group - 25 Emission Systems

Illustration Title

Group-Fig. No.

EGR System

EGR Valve & Related PartsFig. 25 - 210

Vacuum Canister

Fuel Tank Ventilation System & Charcoal CanisterFig. 25 - 310

Emission Harness

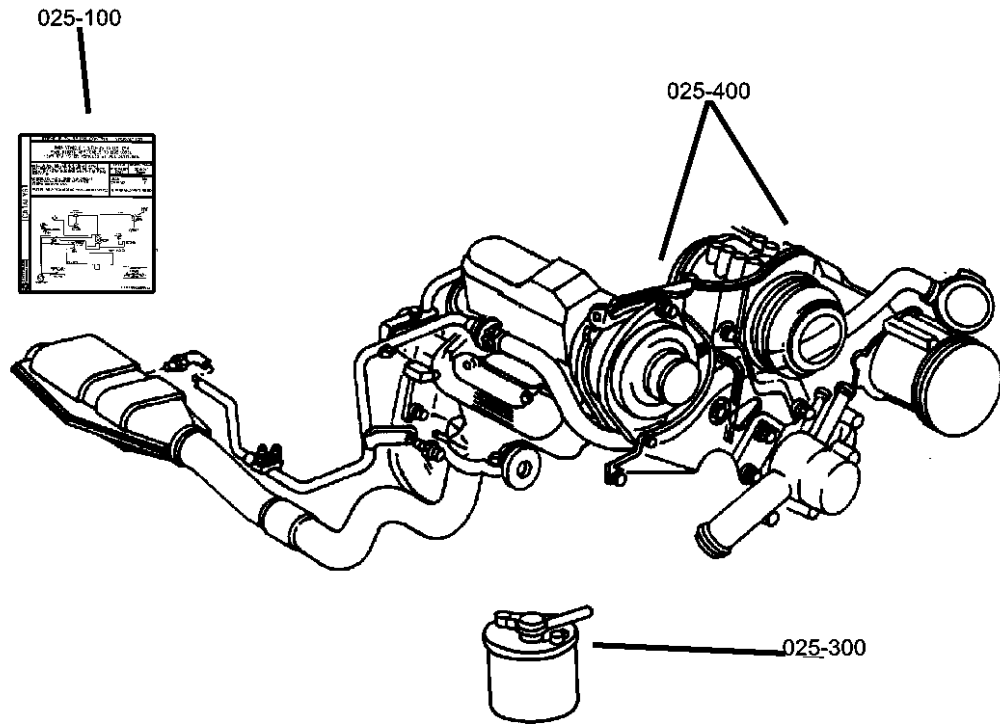
Emission HarnessFig. 25 - 410

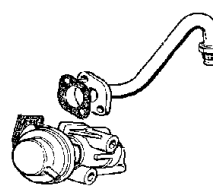
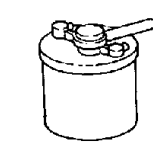
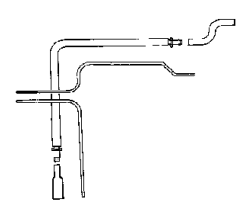
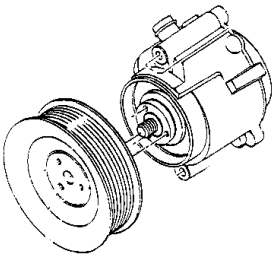
Change Over ValveFig. 25 - 420

Air Pumps

Air Pump & Related PartsFig. 25 - 510

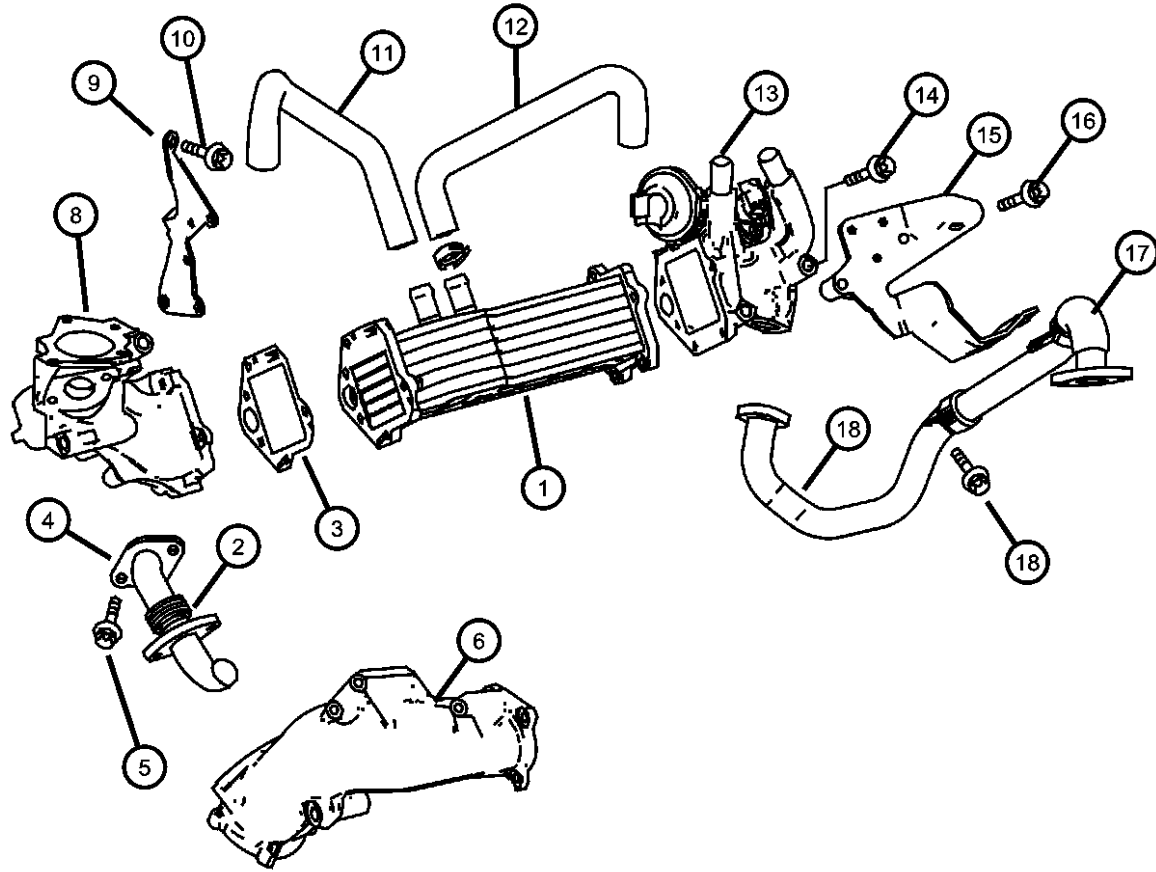
Vacuum PumpFig. 25 - 520



<p>025-200 EGR System</p> 	<p>025-300 Vacuum Canister</p> 	<p>025-400 Emission Harness</p> 	<p>025-500 Air Pumps</p> 
---	---	---	---

EGR Valve & Related Parts
Figure 25-210

ITEM	PART NUMBER	QTY	LINE	SERIES	BODY	ENGINE	TRANS	TRIM	DESCRIPTION
NOTES:									
Sales Code									
[EXM] = 3.0L V6 Turbo Diesel Engine									
1	68014095AA	1	2, 3, 6, 7			EXM	DGZ		COOLER
2	68012322AA	1	2, 3, 6, 7			EXM	DGZ		TUBE
3	68014096AA	1	2, 3, 6, 7			EXM	DGZ		GASKET
4	05175695AA	1	2, 3, 6, 7			EXM	DGZ		GASKET
5	06104682AA	2	2, 3, 6, 7			EXM	DGZ		BOLT, [M6x19]
6	68012320AA	1	2, 3, 6, 7			EXM	DGZ		MANIFOLD, Intake, Transverse Tube Charge Air Pipe
-7	68012326AA	1	2, 3, 6, 7			EXM	DGZ		GASKET
8	68014081AA	1	2, 3, 6, 7			EXM	DGZ		HOUSING
9	68014098AA	1	2, 3, 6, 7			EXM	DGZ		BRACKET
10	05137660AA	2	2, 3, 6, 7			EXM	DGZ		SCREW
11	68014092AA	1	2, 3, 6, 7			EXM	DGZ		HOSE
12	68014093AA	1	2, 3, 6, 7			EXM	DGZ		HOSE
13	68014099AA	1	2, 3, 6, 7			EXM	DGZ		VALVE
14	06104036AA	2	2, 3, 6, 7			EXM	DGZ		SCREW
15	68014097AA	1	2, 3, 6, 7			EXM	DGZ		BRACKET
16	06104005AA	1	2, 3, 6, 7			EXM	DGZ		BOLT, 6 Lobe External Head, M6X1.00X16.00
17	68014094AA	1	2, 3, 6, 7			EXM	DGZ		TUBE
18	06104004AA	2	2, 3, 6, 7			EXM	DGZ		BOLT



SPRINTER (VB)

SERIES LINE
L = LOWLINE 3 = HD DODGE 2WD
 2 = Med. Duty DODGE 2WD

BODY
03 = CAB CHASSIS WHEEL
BASE 3
05 = CAB CHASSIS WHEEL
BASE 5
13 = 119 WB
53 = 119 WB
15 = VAN WHEEL BASE 5
55 = WAGON WHEEL BASE 5
17 = VAN WHEEL BASE 7

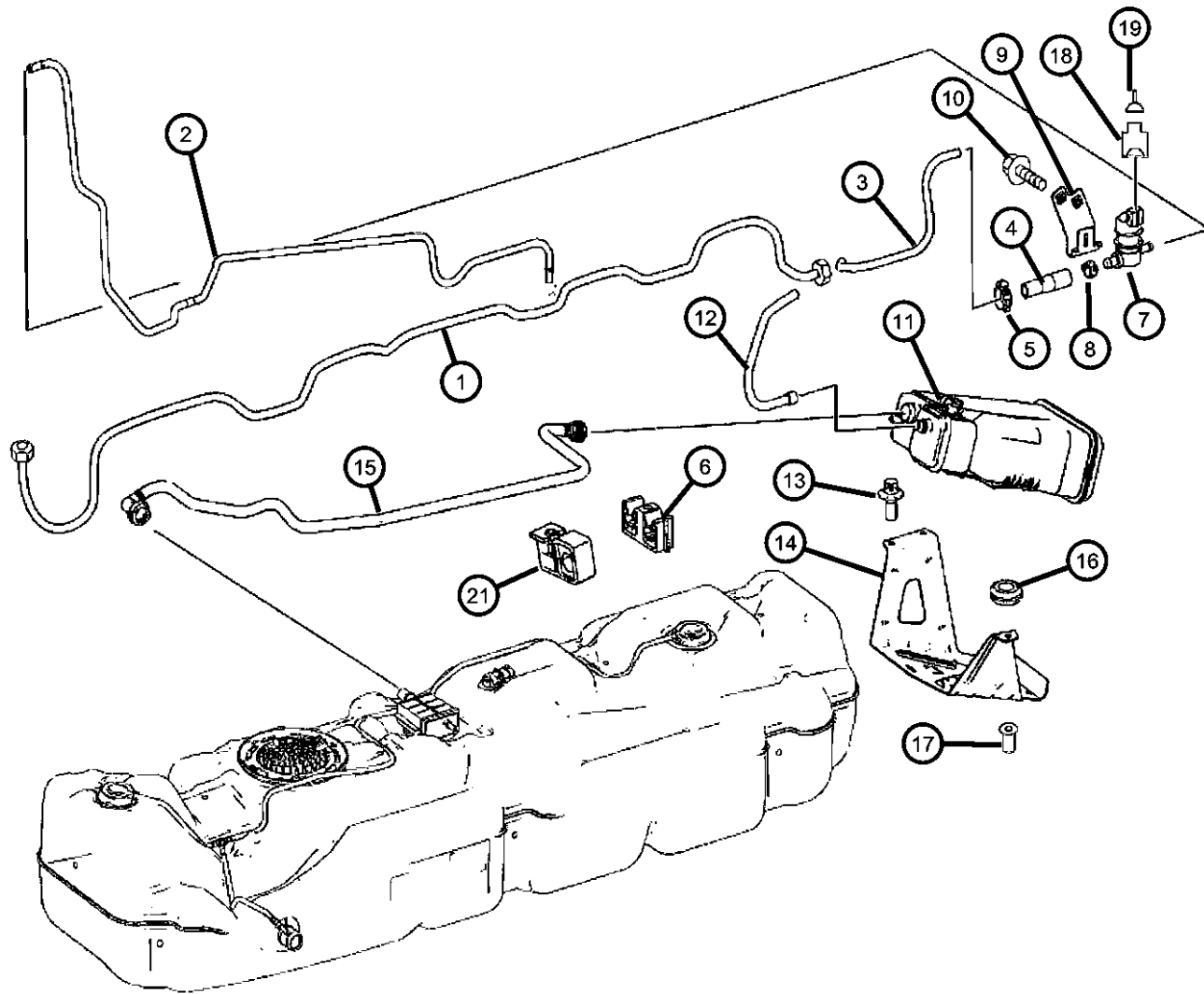
ENGINE
EG2 = 3.5L V6 Gas Engine
EXM = 3.0L V6 Turbo Diesel
Engine

TRANSMISSION
DGZ = 5-Speed Auto W5A380
Transmission

AR = use ase required - = Non illustrated part

2007 VB

Fuel Tank Ventilation System & Charcoal Canister
Figure 25-310



ITEM	PART NUMBER	QTY	LINE	SERIES	BODY	ENGINE	TRANS	TRIM	DESCRIPTION
1	68013533AA	1	3, 7		05	EG2	DGZ		HOSE, Purge
	68013534AA	1	2, 6		13, 15, 17, 53, 55	EG2	DGZ		
		1	3		05	EG2	DGZ		
2	68013537AA	1	2, 6		13, 15, 17, 53, 55	EG2	DGZ		HOSE, Purge
		1	3, 7		03, 05	EG2	DGZ		
3	68013539AA	1	3, 7		03, 05	EG2	DGZ		HOSE, Purge
		1	2, 6		13, 15, 17, 53, 55	EG2	DGZ		
4	68023887AA	1	2, 6		13, 15, 17, 53, 55	EG2	DGZ		HOSE, HOSE Regeneration Line
		1	3		05	EG2			Regeneration Line
5	06104822AA	1	2, 3, 6, 7			EG2	DGZ		CLAMP, Hose
6	05137250AA	4	2, 3, 6			EG2	DGZ		CLIP, Regeneration Line
7	68028735AA	1	2, 3, 6, 7			EG2	DGZ		VALVE, Purge Control
8	05080439AB	1	2, 6		13, 15, 17, 53, 55	EG2	DGZ		CLAMP
		1	3, 7		03, 05	EG2	DGZ		
9	68013540AA	1	3, 7		03, 05	EG2	DGZ		BRACKET, Valve Regeneration Valve
		1	2, 6		13, 15, 17, 53, 55	EG2	DGZ		Regeneration Valve
10	05126197AA	2	2, 3, 6, 7			EG2	DGZ		SCREW, Bracket To Canister
11	68013541AA	1	2, 3, 6, 7			EG2	DGZ		CANISTER, Fuel Vapor, Charcoal Canister
12	68013542AA	1	3, 7		03, 05	EG2	DGZ		HOSE, Breather
		1	2, 6		13, 15, 17, 53, 55	EG2	DGZ		
13	06104022AB	1	2, 3, 6, 7			EG2	DGZ		SCREW
14									BRACKET, Vapor Canister

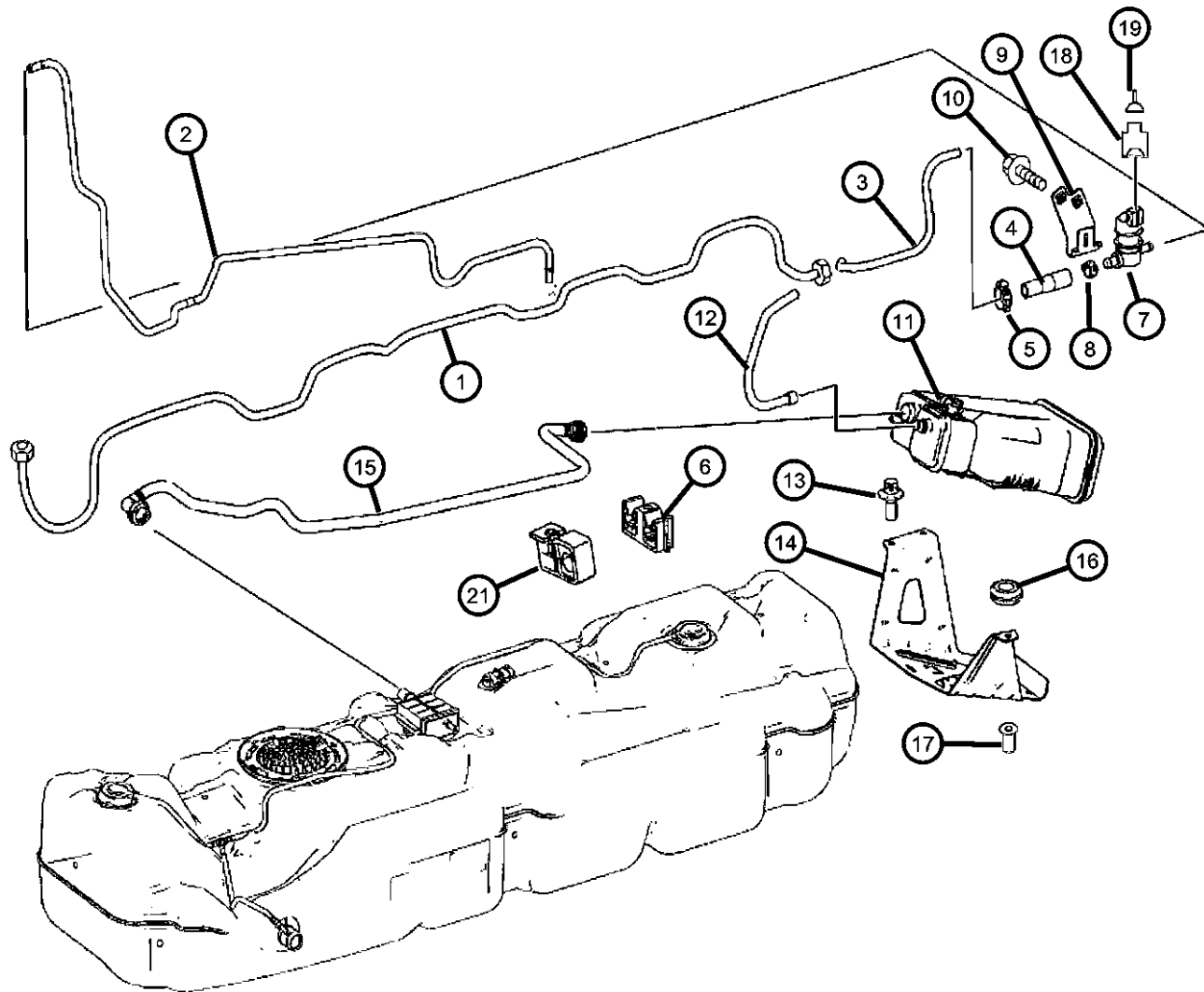
SPRINTER (VB)

SERIES	LINE	BODY	ENGINE	TRANSMISSION
L = LOWLINE	3 = HD DODGE 2WD 2 = Med. Duty DODGE 2WD	03 = CAB CHASSIS WHEEL BASE 3 05 = CAB CHASSIS WHEEL BASE 5 13 = 119 WB 53 = 119 WB 15 = VAN WHEEL BASE 5 55 = WAGON WHEEL BASE 5 17 = VAN WHEEL BASE 7	EG2 = 3.5L V6 Gas Engine EXM = 3.0L V6 Turbo Diesel Engine	DGZ = 5-Speed Auto W5A380 Transmission

AR = use ase required - = Non illustrated part

2007 VB

Fuel Tank Ventilation System & Charcoal Canister
Figure 25-310



ITEM	PART NUMBER	QTY	LINE	SERIES	BODY	ENGINE	TRANS	TRIM	DESCRIPTION
	68020914AA	1	3, 7		03, 05, 13, 15, 17	EG2	DGZ		
	68020915AA	1	2, 6		13, 15, 17, 53, 55	EG2	DGZ		
15		1	3		05	EG2	DGZ		HOSE, Breather
	68013545AA	1	3, 7		05	EG2	DGZ		
	68013546AA	1	2, 6			EG2	DGZ		
16		1	3		05	EG2	DGZ		GROMMET
	05097181AA	1	3, 7		03, 05	EG2	DGZ		
		1	2, 6		13, 15, 17, 53, 55	EG2	DGZ		
17									NUTSERT, Rivet
	06105175AA	3	3, 7		03, 05	EG2	DGZ		
		3	2, 6		13, 15, 17, 53, 55	EG2	DGZ		
18	05120749AA	1	2, 3, 6, 7			EG2, EXM	DGZ		CONNECTOR, Regeneration Valve [2PIN; Y58/1]
19	05103880AA	AR	2, 3, 6, 7			EG2, EXM	DGZ		TERMINAL, [0.5 - 1.0 MM2; JPT; Y58/1]
-20									GASKET
	05120858AA	2	2, 3, 6, 7			EG2, EXM	DGZ		Dummy Plug [Y58/1]
	05103661AA	1	2, 3, 6, 7			EG2, EXM	DGZ		[0.5 - 1.0 MM; Y58/1]
21	68013535AA	2	3, 7		05	EG2	DGZ		RETAINER

SPRINTER (VB)

SERIES LINE
L = LOWLINE 3 = HD DODGE 2WD
 2 = Med. Duty DODGE 2WD

BODY
03 = CAB CHASSIS WHEEL BASE 3
05 = CAB CHASSIS WHEEL BASE 5
13 = 119 WB
53 = 119 WB
15 = VAN WHEEL BASE 5
55 = WAGON WHEEL BASE 5
17 = VAN WHEEL BASE 7

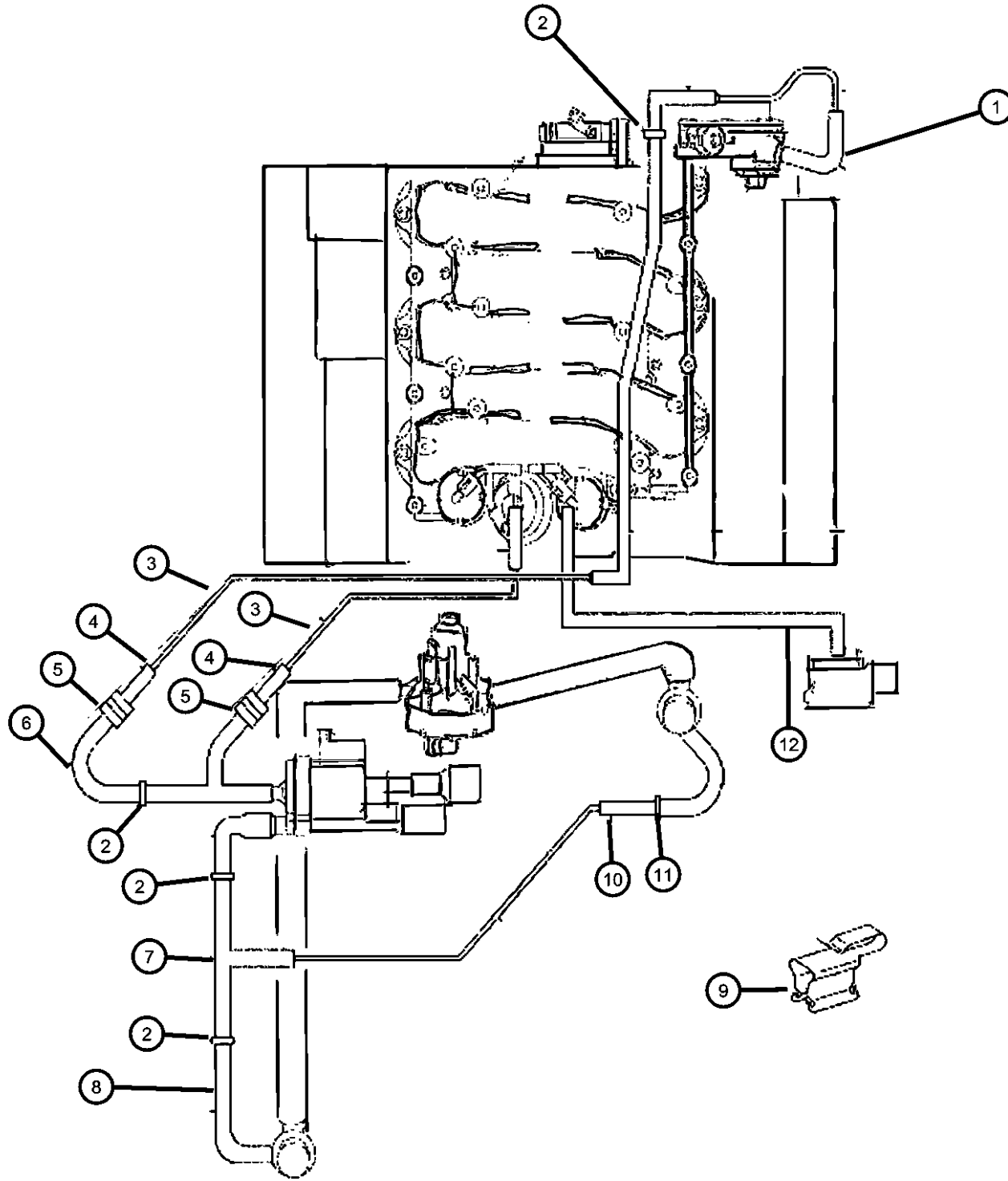
ENGINE
EG2 = 3.5L V6 Gas Engine
EXM = 3.0L V6 Turbo Diesel Engine

TRANSMISSION
DGZ = 5-Speed Auto W5A380 Transmission

AR = use ase required - = Non illustrated part

2007 VB

**Emission Harness
Figure 25-410**



ITEM	PART NUMBER	QTY	LINE	SERIES	BODY	ENGINE	TRANS	TRIM	DESCRIPTION
1	05097187AA	1	2, 3, 6, 7			EG2	DGZ		HOSE
2	05080337AA	1	2, 3, 6, 7			EG2	DGZ		CONNECTOR
3	05098831AA	21	2, 3, 6, 7			EG2	DGZ		HOSE, Vacuum
4	05097844AA	0	2, 3, 6, 7			EG2	DGZ		HOSE, Bulk Hose 15 Meters
5	05096374AC	1	2, 3, 6, 7			EG2	DGZ		VALVE, Check
6	05097187AA	1	2, 3, 6, 7			EG2	DGZ		HOSE
7	05117460AA	1	2, 3, 6, 7			EG2	DGZ		HOSE, HOSE
8	05080390AA	1	2, 3, 6, 7			EG2	DGZ		HOSE
9	05098353AA	1	2, 3, 6, 7			EG2	DGZ		CLAMP, Cable
10	05097844AA	2	2, 3, 6, 7			EG2	DGZ		HOSE
11	05080337AA	1	2, 3, 6, 7			EG2	DGZ		CONNECTOR, Vacuum Lines
12	05097844AA	2	2, 3, 6, 7			EG2	DGZ		HOSE

SPRINTER (VB)

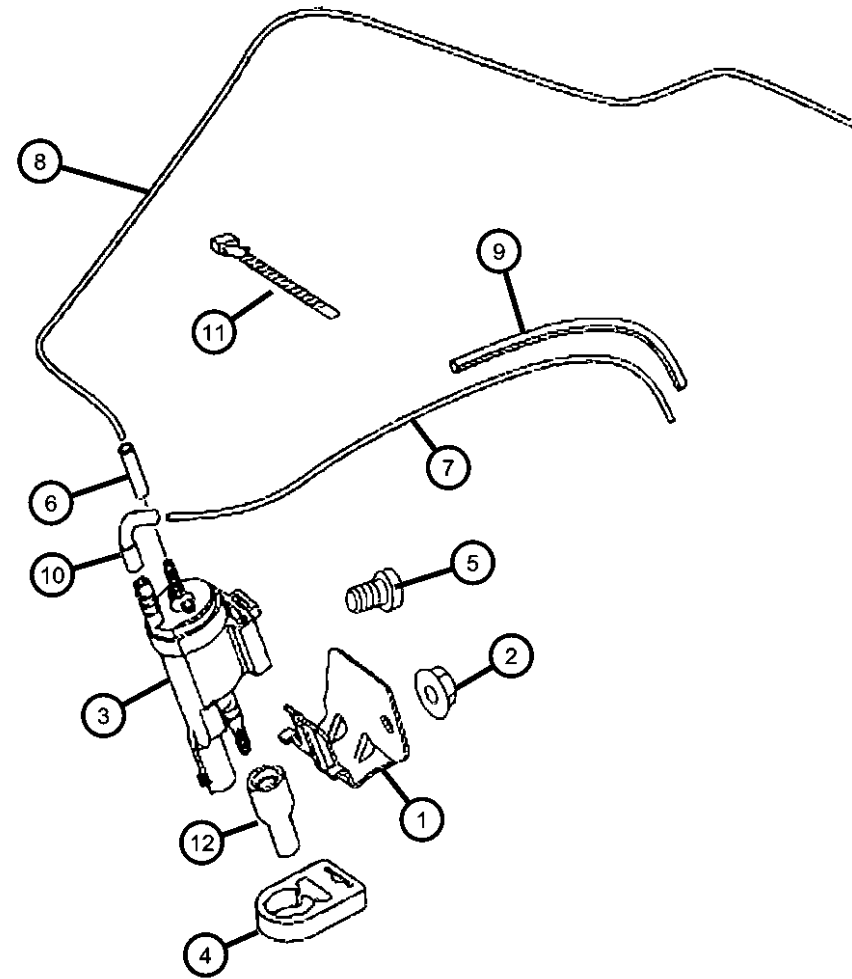
SERIES LINE
L = LOWLINE 3 = HD DODGE 2WD
 2 = Med. Duty DODGE 2WD

BODY	ENGINE	TRANSMISSION
03 = CAB CHASSIS WHEEL BASE 3	EG2 = 3.5L V6 Gas Engine	DGZ = 5-Speed Auto W5A380 Transmission
05 = CAB CHASSIS WHEEL BASE 5	EXM = 3.0L V6 Turbo Diesel Engine	
13 = 119 WB		
53 = 119 WB		
15 = VAN WHEEL BASE 5		
55 = WAGON WHEEL BASE 5		
17 = VAN WHEEL BASE 7		

AR = use ase required - = Non illustrated part

2007 VB

**Change Over Valve
Figure 25-420**



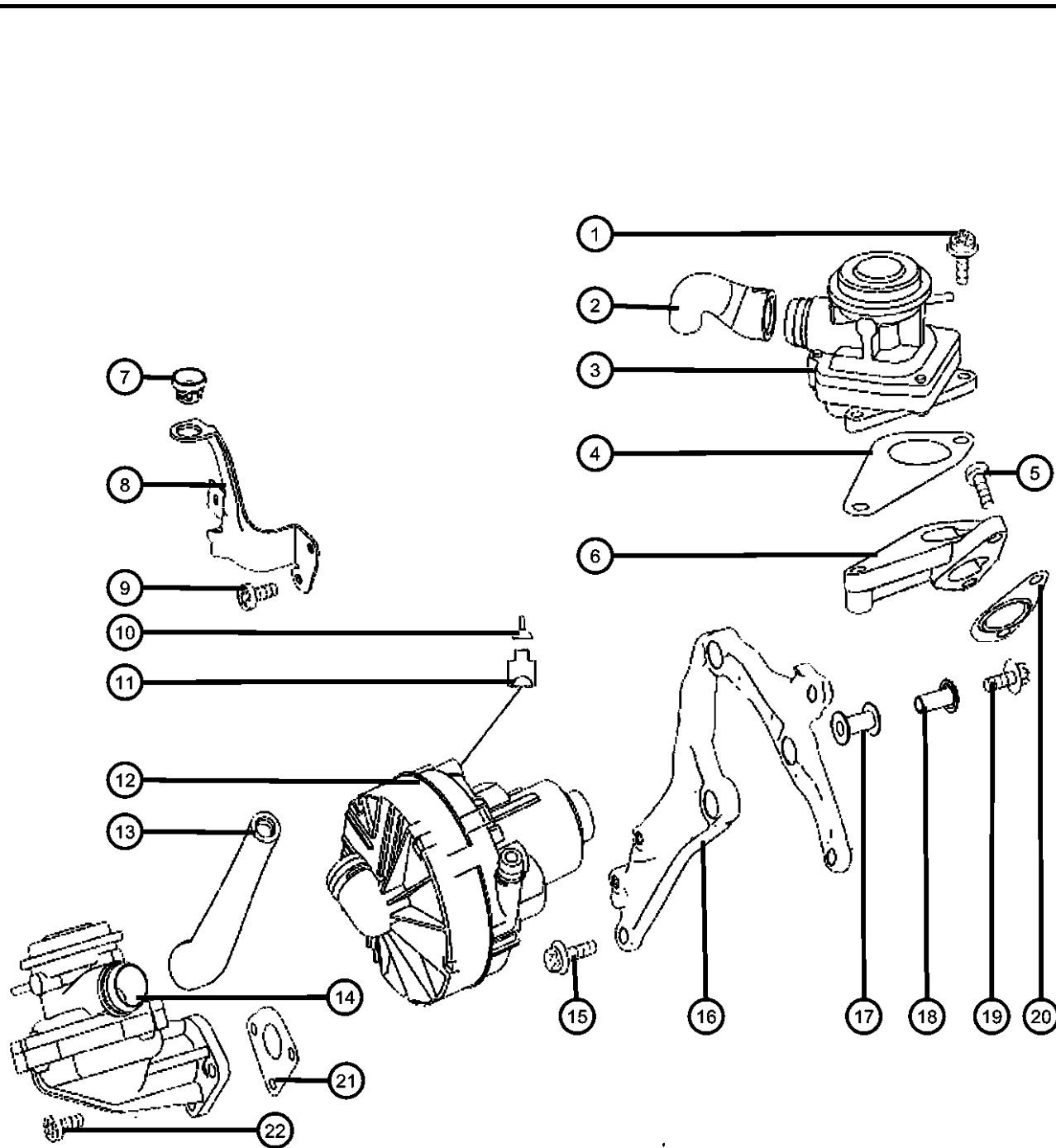
ITEM	PART NUMBER	QTY	LINE	SERIES	BODY	ENGINE	TRANS	TRIM	DESCRIPTION
1	68005318AA	1	2, 3, 6, 7			EXM	DGZ		BRACKET
2									NUT
	68004878AA	1	3, 7		03, 05	EG2, EXM	DGZ		
		1	2, 3, 6, 7		13, 15, 17, 53, 55	EG2, EXM	DGZ		
3									SOLENOID, Vacuum
	05099822AA	1	2, 3, 6, 7		13, 15, 17, 53, 55	EXM	DGZ		
		1	3, 7		03, 05	EXM	DGZ		
4									BRACKET, Vacuum Valve
	05119974AA	1	2, 3, 6, 7		13, 15, 17, 53, 55	EXM	DGZ		
		1	3, 7		03, 05	EXM	DGZ		
5	06104004AA	1	2, 3, 6, 7			EXM	DGZ		BOLT
6	06104004AA	1							HOSE 1 METER, Roll Stock, (NOT SERVICED)
7	05125911AA	22	2, 3, 6, 7			EXM	DGZ		HOSE, Vacuum
8	05125911AA	22	2, 3, 6, 7			EXM	DGZ		HOSE, Vacuum, From Change Over Valve To Check Valve
9									HOSE
	05097844AA	4	2, 3, 6, 7		13, 15, 17, 53, 55	EXM	DGZ		[8x3.5MM]
		4	3, 7		03, 05	EXM	DGZ		[8x3.5MM]
10									HOSE, HOSE
	05117462AA	1	2, 3, 6, 7		13, 15, 17, 53, 55	EXM	DGZ		Molded Hose
		1	3, 7		03, 05	EXM	DGZ		Molded Hose
11									STRAP
	05096424AA	1	2, 6		13, 15, 17, 53, 55	EXM	DGZ		
		1	3, 7		03, 05	EXM	DGZ		
12	05097188AA	1	2, 3, 6, 7		13, 15, 17, 53, 55	EXM	DGZ		BOOT

SPRINTER (VB)

SERIES	LINE	BODY	ENGINE	TRANSMISSION
L = LOWLINE	3 = HD DODGE 2WD 2 = Med. Duty DODGE 2WD	03 = CAB CHASSIS WHEEL BASE 3 05 = CAB CHASSIS WHEEL BASE 5 13 = 119 WB 53 = 119 WB 15 = VAN WHEEL BASE 5 55 = WAGON WHEEL BASE 5 17 = VAN WHEEL BASE 7	EG2 = 3.5L V6 Gas Engine EXM = 3.0L V6 Turbo Diesel Engine	DGZ = 5-Speed Auto W5A380 Transmission

AR = use ase required - = Non illustrated part

Air Pump & Related Parts
Figure 25-510



ITEM	PART NUMBER	QTY	LINE	SERIES	BODY	ENGINE	TRANS	TRIM	DESCRIPTION
1	68005186AA	3	2, 3, 6, 7			EG2	DGZ		SCREW
2	68011778AA	1	2, 3, 6, 7			EG2	DGZ		HOSE
3	68011787AA	1	2, 3, 6, 7			EG2	DGZ		VALVE
4	68011789AA	1	2, 3, 6, 7			EG2	DGZ		GASKET
5	68005186AA	2	2, 3, 6, 7			EG2	DGZ		SCREW
6	68011790AA	1	2, 3, 6, 7			EG2	DGZ		VALVE
7	68005688AA	1	2, 3, 6, 7			EG2	DGZ		INSULATOR
8	68011785AA	1	2, 3, 6, 7			EG2	DGZ		BRACKET, Air Pump
9	06104675AA	2	2, 3, 6, 7			EG2	DGZ		SCREW
10	05133478AA	AR	2, 3, 6, 7			EG2	DGZ		TERMINAL
11	05138040AA	1	2, 3, 6, 7			EG2	DGZ		CONNECTOR
12	68011776AA	1	2, 3, 6, 7			EG2	DGZ		PUMP, Air
13	68011781AA	1	2, 3, 6, 7			EG2	DGZ		HOSE
14	68011792AA	1	2, 3, 6, 7			EG2	DGZ		VALVE
15	68005186AA	3	2, 3, 6, 7			EG2	DGZ		SCREW
16	68011774AA	1	2, 3, 6, 7			EG2	DGZ		BRACKET, Air Pump
17	05135456AA	3	2, 3, 6, 7			EG2	DGZ		DAMPER, Shock Absorber
18	68011775AA	3	2, 3, 6, 7			EG2	DGZ		SPACER
19	06104124AA	3	2, 3, 6, 7			EG2	DGZ		BOLT
20	68011788AA	1	2, 3, 6, 7			EG2	DGZ		GASKET
21	68011793AA	1	2, 3, 6, 7			EG2	DGZ		GASKET
22	68005186AA	3	2, 3, 6, 7			EG2	DGZ		SCREW

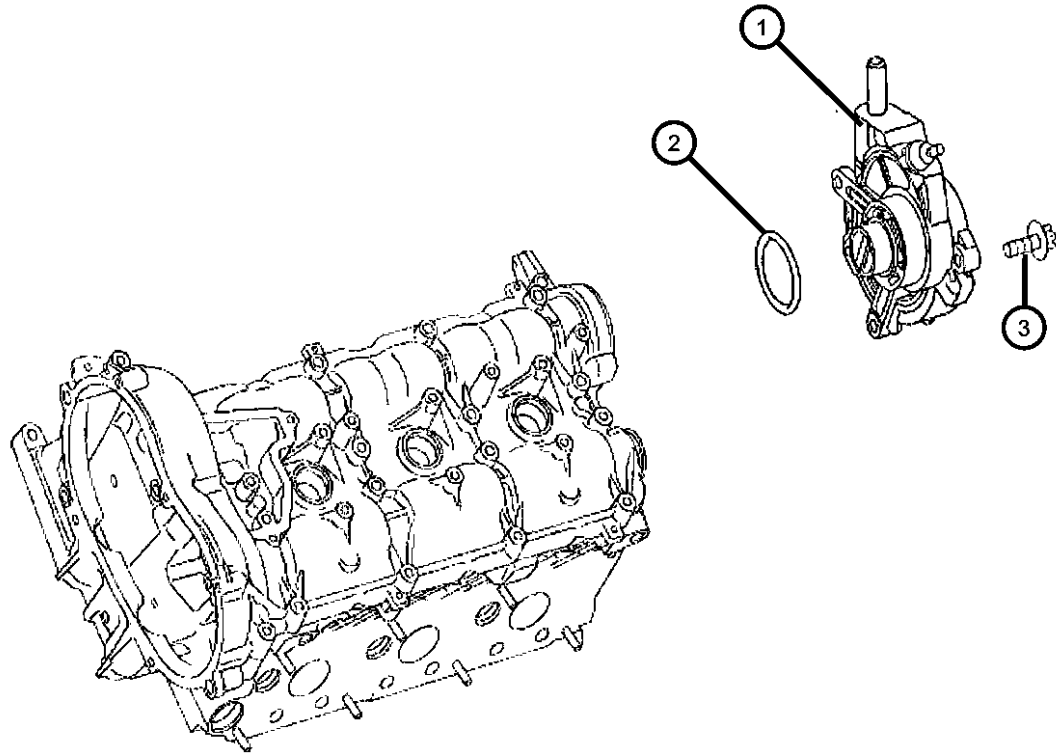
SPRINTER (VB)

SERIES	LINE	BODY	ENGINE	TRANSMISSION
L = LOWLINE	3 = HD DODGE 2WD 2 = Med. Duty DODGE 2WD	03 = CAB CHASSIS WHEEL BASE 3 05 = CAB CHASSIS WHEEL BASE 5 13 = 119 WB 53 = 119 WB 15 = VAN WHEEL BASE 5 55 = WAGON WHEEL BASE 5 17 = VAN WHEEL BASE 7	EG2 = 3.5L V6 Gas Engine EXM = 3.0L V6 Turbo Diesel Engine	DGZ = 5-Speed Auto W5A380 Transmission

AR = use ase required - = Non illustrated part

Vacuum Pump
Figure 25-520

ITEM	PART NUMBER	QTY	LINE	SERIES	BODY	ENGINE	TRANS	TRIM	DESCRIPTION
1	68017743AA	1	2, 3, 6, 7			EG2	DGZ		PUMP, Air, Vacuum Pump
2	68028233AA	1	2, 3, 6, 7			EG2	DGZ		O RING
3	06104006AA	4	2, 3, 6, 7			EG2	DGZ		BOLT, Torx Socket Head, M6X1.00X20.00



SPRINTER (VB)

SERIES	LINE	BODY	ENGINE	TRANSMISSION
L = LOWLINE	3 = HD DODGE 2WD 2 = Med. Duty DODGE 2WD	03 = CAB CHASSIS WHEEL BASE 3 05 = CAB CHASSIS WHEEL BASE 5 13 = 119 WB 53 = 119 WB 15 = VAN WHEEL BASE 5 55 = WAGON WHEEL BASE 5 17 = VAN WHEEL BASE 7	EG2 = 3.5L V6 Gas Engine EXM = 3.0L V6 Turbo Diesel Engine	DGZ = 5-Speed Auto W5A380 Transmission

AR = use ase required - = Non illustrated part

2007 VB

Group - DVB

Doors and Related Parts

Group - DVB Doors and Related Parts

Illustration Title

Group-Fig. No.

Front Door

Front Door	Fig. DVB - 110
Front Door Window Regulator & Glass	Fig. DVB - 120
Door Handle & Lock Set	Fig. DVB - 130
Door Panelling	Fig. DVB - 140

Door, Sliding Cargo

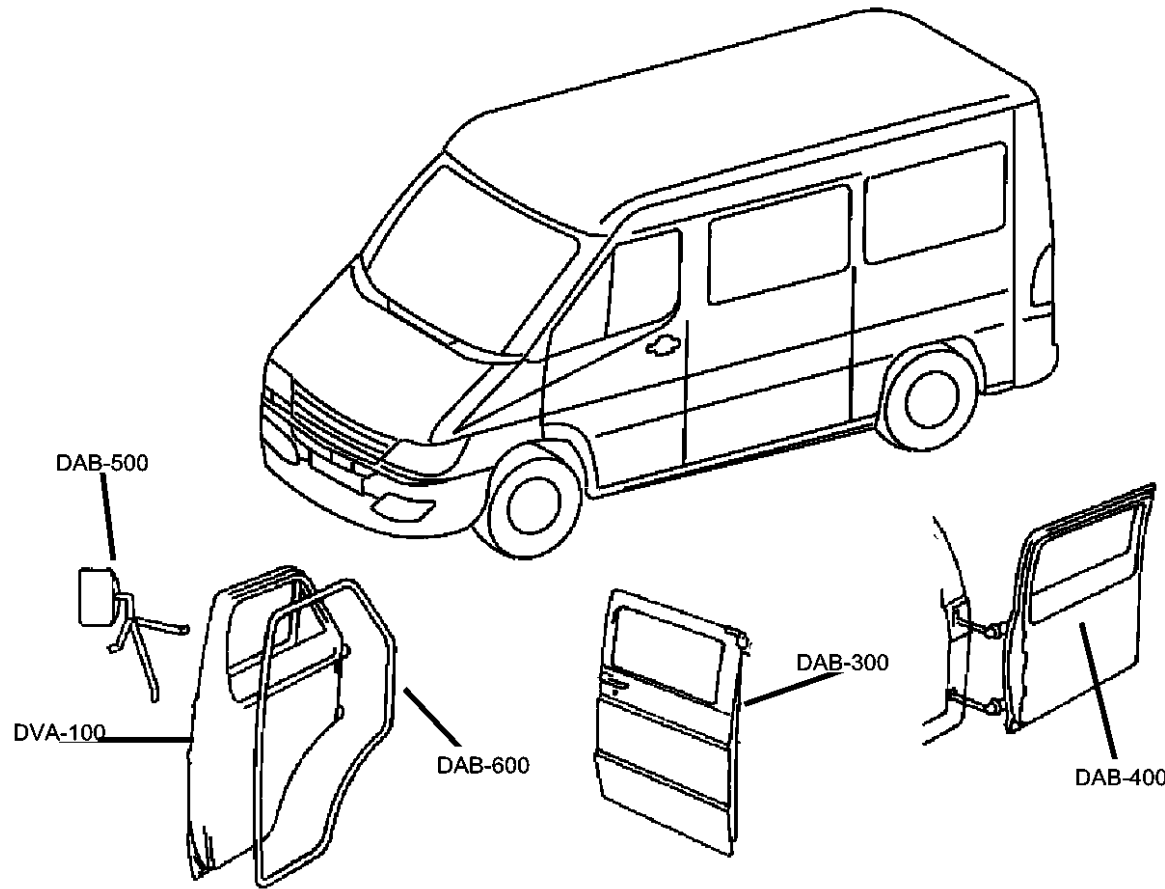
Sliding Door	Fig. DVB - 305
Door Drive Mechanism	Fig. DVB - 310
Sliding Door Rail and Suspension	Fig. DVB - 320
Sliding Door, Inside Handle and Locking System	Fig. DVB - 330

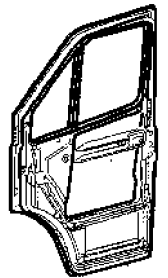
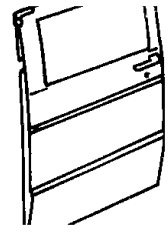
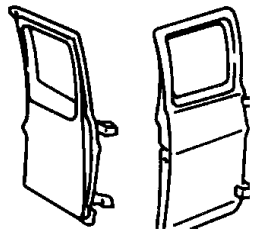
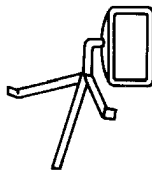
Door, Dual and Single Cargo

Rear Door Panel	Fig. DVB - 410
Hinges and Hardware	Fig. DVB - 420
Right Rear Door Locking System	Fig. DVB - 430
Left Rear Door Locking System	Fig. DVB - 440

Exterior Mirror

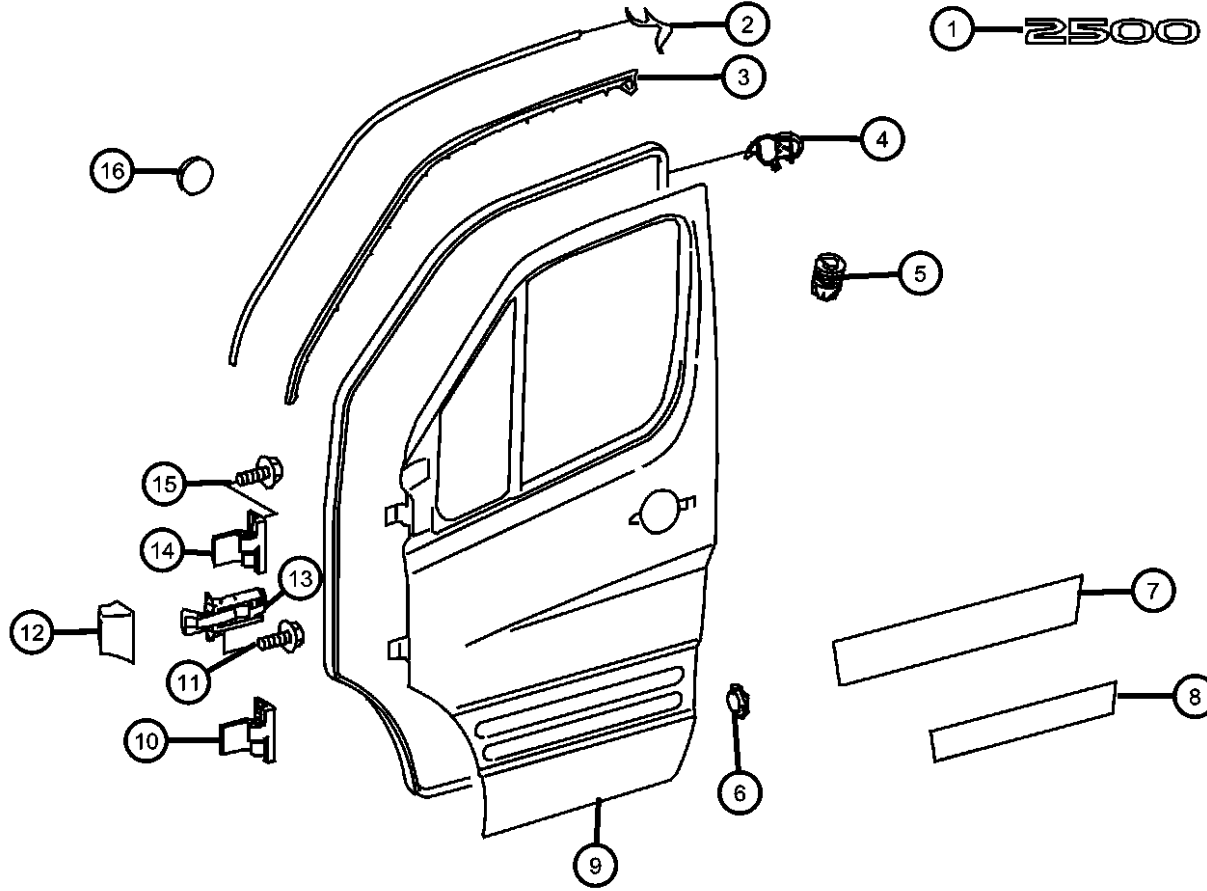
Outside Rear View Mirror	Fig. DVB - 510
--------------------------------	----------------



<p>DVB-100 Front Door</p> 	<p>DVB-300 Door, Sliding Cargo</p> 	<p>DVB-400 Door, Dual and Single Cargo</p> 	<p>DVB-500 Exterior Mirror</p> 
--	---	--	---

**Front Door
Figure DVB-110**

ITEM	PART NUMBER	QTY	LINE	SERIES	BODY	ENGINE	TRANS	TRIM	DESCRIPTION
1	55077331AB	2	2	L	13, 15, 17, 53, 55				NAMEPLATE, Ram 2500
2	68005103AA	1	2, 3, 6, 7	L					SEAL, Door, Top, Right Door
3	68009959AA	1	2, 3, 6, 7	L					SEAL, Door, Front, Left Door
4	68014670AA	2	2, 3, 6, 7	L					SEAL, Door
5	05104944AA	1	2, 3, 6, 7	L	13, 15, 17, 53, 55				BUMPER, Door, Door Rear, Bottom Left
6	68006360AA	1	2, 3, 6, 7	L	13, 15, 17, 53, 55				PLUG, Access Hole, 15 mm, 20MM
7	68009713AA	1	2, 3, 6, 7	L					INSULATION, Top, Left Door
8	68006519AA	1	2, 3, 6, 7	L	13, 15, 17, 53, 55				INSULATION Left Door
9									DOOR, Front
	68009944AA	1	2, 3, 6, 7	L					Left
	68010067AA	1	2, 3, 6, 7	L					Right
10									HINGE, Door
	68010074AA	1	3, 7	L	03, 05				Bottom Right
		1	2, 3, 6, 7	L	13, 15, 17, 53, 55				Bottom Right
11	68018257AA	3	2, 3, 6, 7	L					SCREW
12	68009967AA	2	2, 3, 6, 7	L					SEAL, Door Check
13									CHECK, Front Door
	68009966AA	1	3, 7	L	03, 05				
		1	2, 3, 6, 7	L	13, 15, 17, 53, 55				
14									HINGE, Door
	68009954AA	1	3, 7	L	03, 05				Top Left
		1	2, 3, 6, 7	L	13, 15, 17, 53, 55				Top Left
	68010073AA	1	3, 7	L	03, 05				Top Right
		1	2, 3, 6, 7	L	13, 15, 17, 53, 55				Top Right
15									SCREW
	06104076AA	2	3, 7	L	03, 05				Hinge Top Left M8x20
		2	2, 3, 6, 7	L	13, 15, 17, 53, 55				Hinge Top Left M8x20
16									FOIL, Insulator



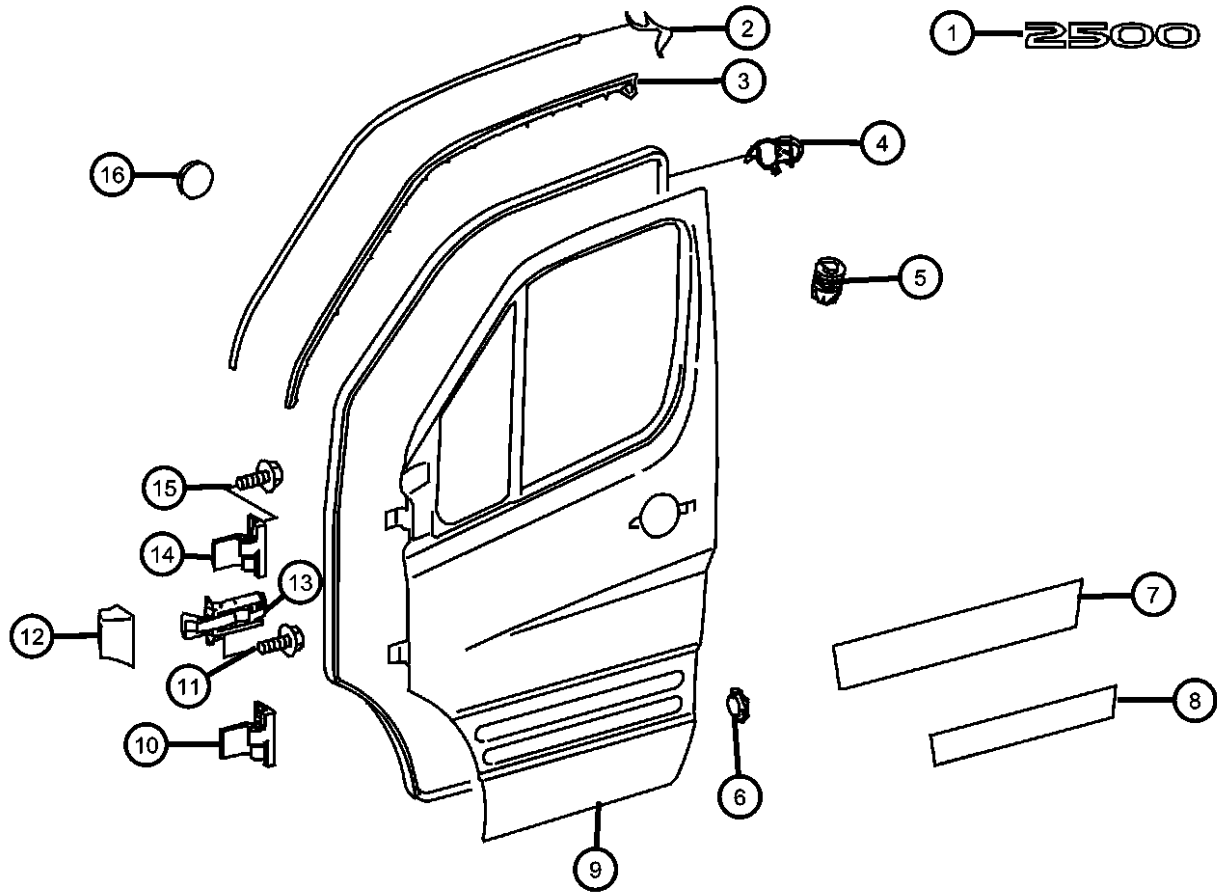
SPRINTER (VB)

SERIES	LINE	BODY	ENGINE	TRANSMISSION
L = LOWLINE	3 = HD DODGE 2WD 2 = Med. Duty DODGE 2WD	03 = CAB CHASSIS WHEEL BASE 3 05 = CAB CHASSIS WHEEL BASE 5 13 = 119 WB 53 = 119 WB 15 = VAN WHEEL BASE 5 55 = WAGON WHEEL BASE 5 17 = VAN WHEEL BASE 7	EG2 = 3.5L V6 Gas Engine EXM = 3.0L V6 Turbo Diesel Engine	DGZ = 5-Speed Auto W5A380 Transmission

AR = use ase required - = Non illustrated part

**Front Door
Figure DVB-110**

ITEM	PART NUMBER	QTY	LINE	SERIES	BODY	ENGINE	TRANS	TRIM	DESCRIPTION
	05099253AA	1	2, 3, 6, 7	L	13, 15, 17,				22MM
		1	3, 7	L	53, 55				22MM



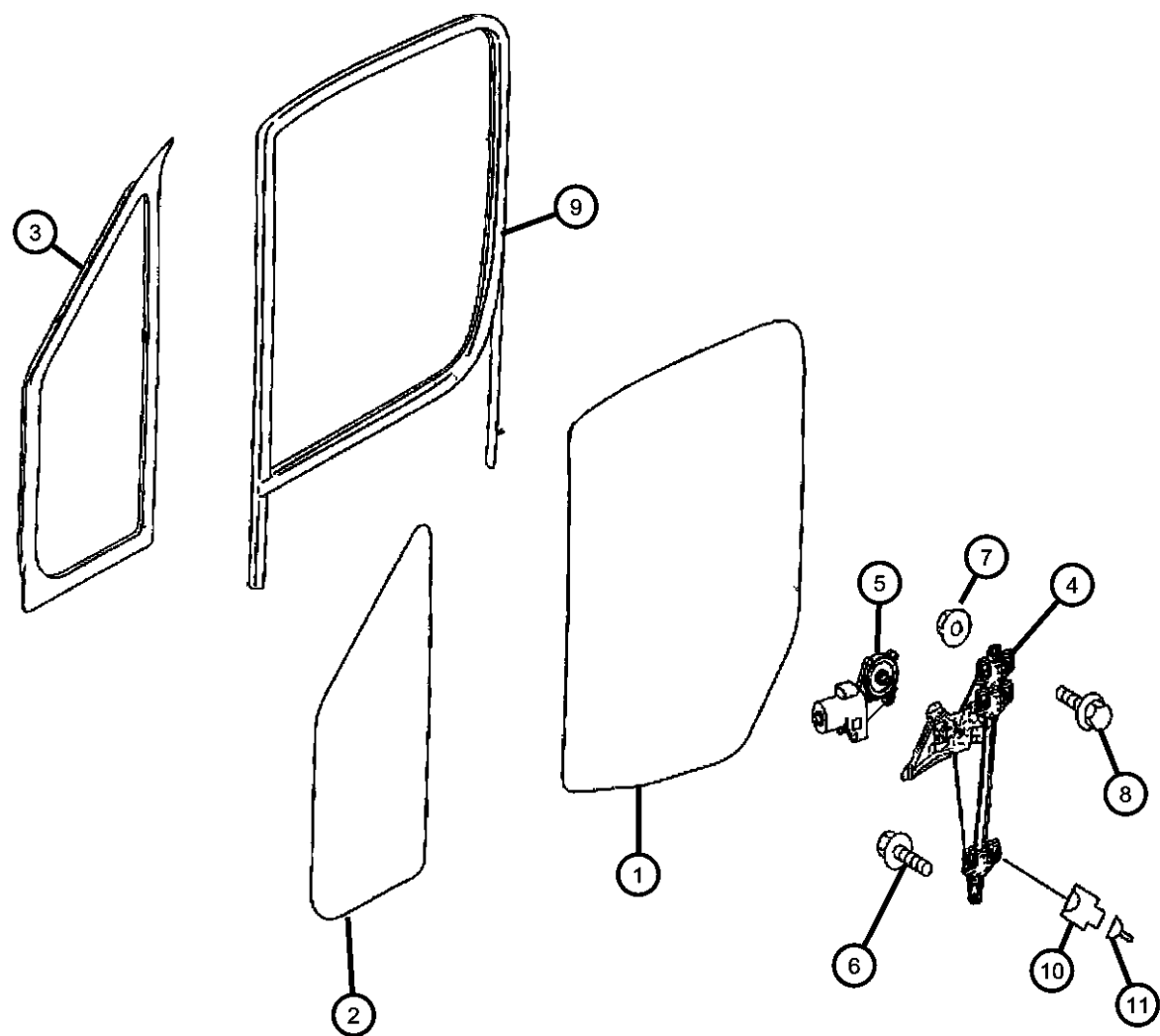
SPRINTER (VB)

SERIES	LINE	BODY	ENGINE	TRANSMISSION
L = LOWLINE	3 = HD DODGE 2WD 2 = Med. Duty DODGE 2WD	03 = CAB CHASSIS WHEEL BASE 3 05 = CAB CHASSIS WHEEL BASE 5 13 = 119 WB 53 = 119 WB 15 = VAN WHEEL BASE 5 55 = WAGON WHEEL BASE 5 17 = VAN WHEEL BASE 7	EG2 = 3.5L V6 Gas Engine EXM = 3.0L V6 Turbo Diesel Engine	DGZ = 5-Speed Auto W5A380 Transmission

AR = use ase required - = Non illustrated part

2007 VB

**Front Door Window Regulator & Glass
Figure DVB-120**



ITEM	PART NUMBER	QTY	LINE	SERIES	BODY	ENGINE	TRANS	TRIM	DESCRIPTION
1	68010025AA	1	2, 3, 6, 7	L					GLASS, Front Door Left
	68010109AA	1	2, 3, 6, 7	L					Right
2	68010022AA	1	2, 3, 6, 7	L					GLASS, Front Door Vent Left
	68010106AA	1	2, 3, 6, 7	L					Right
3	68010023AA	1	3, 7	L	03, 05				SEAL, Window Opening Left
		1	2, 3, 6, 7	L	13, 15, 17, 53, 55				Left
	68010107AA	1	3, 7	L	03, 05				Right
		1	2, 3, 6, 7	L	13, 15, 17, 53, 55				Right
4	68010026AA	1	2, 3, 6, 7	L					REGULATOR, Front Door Window Left
	68010110AA	1	2, 3, 6, 7	L					Right
5	68010028AA	1	3, 7	L	03, 05				MOTOR, Window Regulator, Front Door Right
		1	2, 3, 6, 7	L	13, 15, 17, 53, 55				Right
	68010029AA	1	3, 7	L	03, 05				Left
		1	2, 3, 6, 7	L	13, 15, 17, 53, 55				Left
6	68010027AA	2	2, 3	L					SCREW, Motor To Window Regulator, Right & Left
									NUT, Hex
7	05097674AA	2	3, 7	L	03, 05				Window Regulator To Door, Right And Left
		2	2, 3, 6, 7	L	13, 15, 17, 53, 55				Window Regulator To Door, Right And Left
8	06104004AA	2	2, 3, 6, 7	L					BOLT, Window Regulator To Door
9	68010030AA	1	2, 3, 6, 7	L					FRAME, Door Glass Left
	68010111AA	1	2, 3, 6, 7	L					Right

SPRINTER (VB)

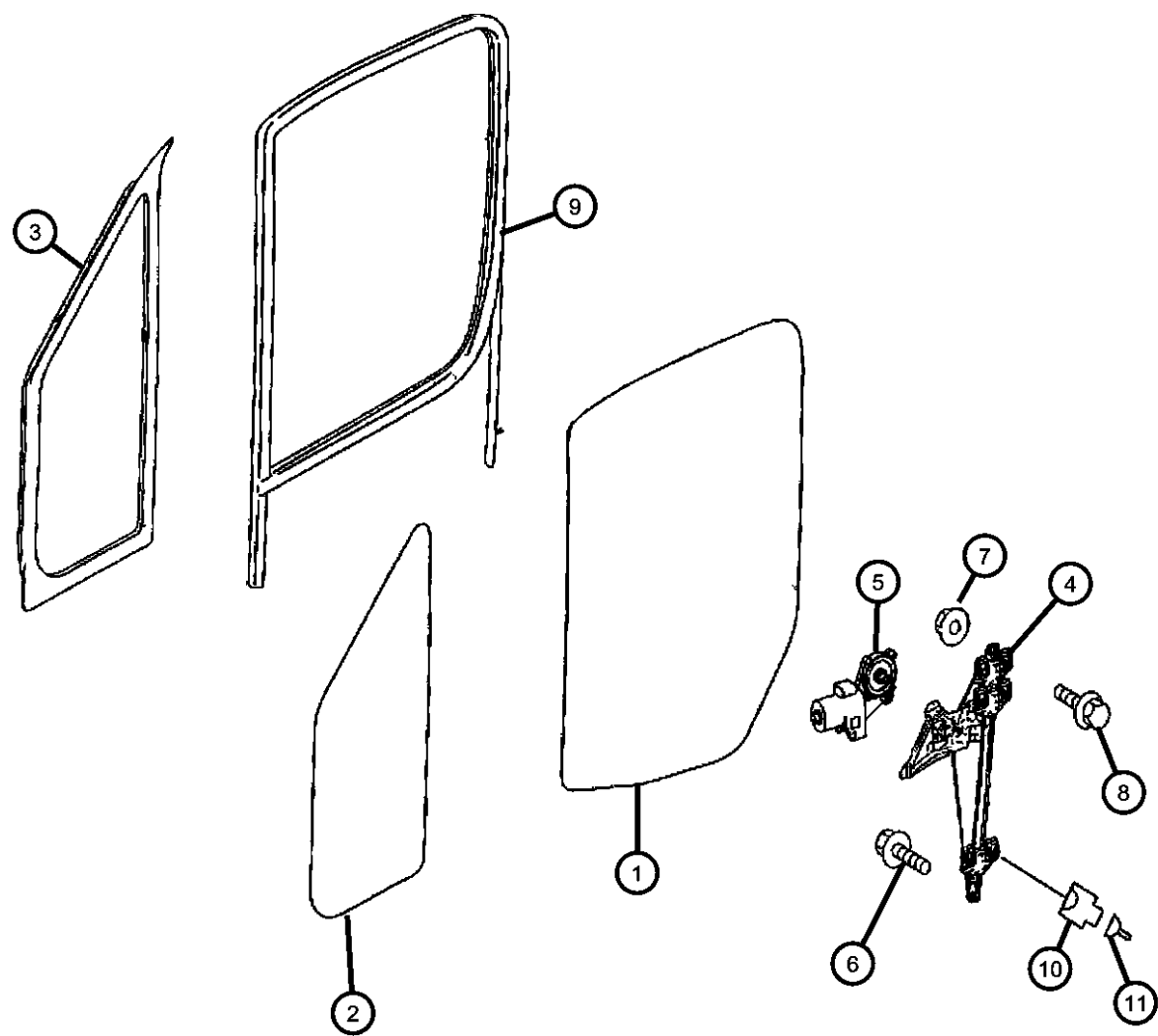
SERIES	LINE	BODY	ENGINE	TRANSMISSION
L = LOWLINE	3 = HD DODGE 2WD 2 = Med. Duty DODGE 2WD	03 = CAB CHASSIS WHEEL BASE 3 05 = CAB CHASSIS WHEEL BASE 5 13 = 119 WB 53 = 119 WB 15 = VAN WHEEL BASE 5 55 = WAGON WHEEL BASE 5 17 = VAN WHEEL BASE 7	EG2 = 3.5L V6 Gas Engine EXM = 3.0L V6 Turbo Diesel Engine	DGZ = 5-Speed Auto W5A380 Transmission

AR = use ase required - = Non illustrated part

2007 VB

**Front Door Window Regulator & Glass
Figure DVB-120**

ITEM	PART NUMBER	QTY	LINE	SERIES	BODY	ENGINE	TRANS	TRIM	DESCRIPTION
10	68011302AA	1	2, 3, 6, 7	L					CONNECTOR, [2 Pin; M10/1], Right & Left TERMINAL, [1.5 - 2.5 MM2; JPT; M10/1]
11	05133370AA	2	2, 3, 6, 7	L					



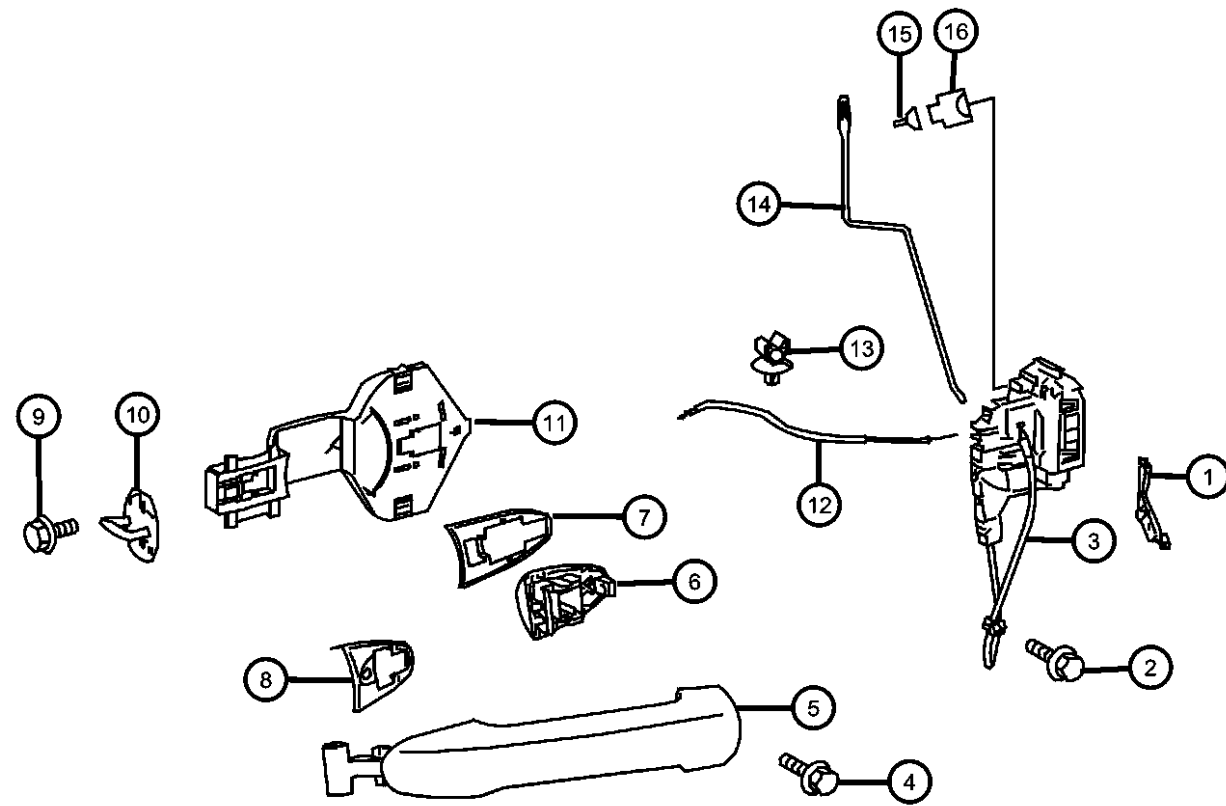
SPRINTER (VB)

SERIES	LINE	BODY	ENGINE	TRANSMISSION
L = LOWLINE	3 = HD DODGE 2WD 2 = Med. Duty DODGE 2WD	03 = CAB CHASSIS WHEEL BASE 3 05 = CAB CHASSIS WHEEL BASE 5 13 = 119 WB 53 = 119 WB 15 = VAN WHEEL BASE 5 55 = WAGON WHEEL BASE 5 17 = VAN WHEEL BASE 7	EG2 = 3.5L V6 Gas Engine EXM = 3.0L V6 Turbo Diesel Engine	DGZ = 5-Speed Auto W5A380 Transmission

AR = use ase required - = Non illustrated part

2007 VB

**Door Handle & Lock Set
Figure DVB-130**



ITEM	PART NUMBER	QTY	LINE	SERIES	BODY	ENGINE	TRANS	TRIM	DESCRIPTION
1	68010017AA	1	2, 3, 6, 7	L	13, 15, 17, 53, 55				COVER, Lock Housing
2	05101576AA	3	2, 3, 6, 7	L	13, 15, 17, 53, 55				SCREW, M6x16 M6x14
		3	3, 7	L	03, 05				M6x14
3	68017889AA	1	2, 3, 6, 7	L					LATCH, Front Door Left
	68017891AA	1	2, 3, 6, 7	L					Right
4	06104136AA	1	3, 7	L	03, 05				SCREW M5x16
		1	2, 3, 6, 7	L	13, 15, 17, 53, 55				M5x16
5	68010005AA	2	2, 3, 6, 7	L					HANDLE, Front Door COVER
6	68010099AA	1	3, 7	L	03, 05				
		1	2, 3, 6, 7	L	13, 15, 17, 53, 55				
7	68010009AA	1	2, 3, 6, 7	L					PADRear Left
8	68010008AA	1	2, 3, 6, 7	L					PADFront Left
9	05103715AA	2	2, 3, 6, 7	L	13, 15, 17, 53, 55				SCREW Locking Eye to Body M21-8.8
		2	3, 7	L	03, 05				Locking Eye to Body M21-8.8
10	68006469AA	1	2, 3, 6, 7	L					LATCH, Door, Right & Left
11	68010006AA	1	2, 3, 6, 7	L					BRACKET, Door Handle Right Door
	68010007AA	1	2, 3, 6, 7	L					Left Door
12	68010018AA	1	2, 3, 6, 7	L					CABLE Left Door
	68010104AA	1	2, 3, 6, 7	L					Right Door
13	68009854AA	1	2, 3, 6, 7	L					RETAINER
14	68010015AA	1	2, 3, 6, 7	L					KNOB AND LINK, Door Latch Left Door
	68010103AA	1	2, 3, 6, 7	L					Right Door

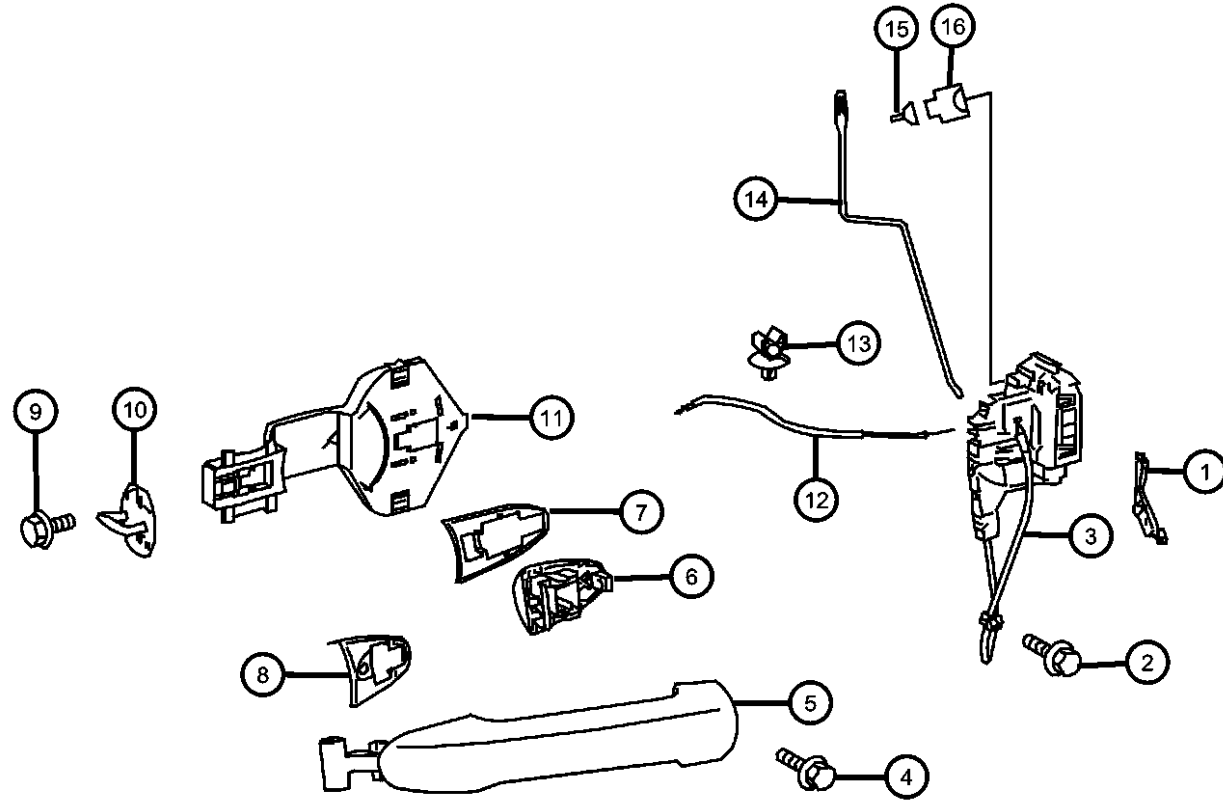
SPRINTER (VB)

SERIES	LINE	BODY	ENGINE	TRANSMISSION
L = LOWLINE	3 = HD DODGE 2WD 2 = Med. Duty DODGE 2WD	03 = CAB CHASSIS WHEEL BASE 3 05 = CAB CHASSIS WHEEL BASE 5 13 = 119 WB 53 = 119 WB 15 = VAN WHEEL BASE 5 55 = WAGON WHEEL BASE 5 17 = VAN WHEEL BASE 7	EG2 = 3.5L V6 Gas Engine EXM = 3.0L V6 Turbo Diesel Engine	DGZ = 5-Speed Auto W5A380 Transmission

AR = use ase required - = Non illustrated part

**Door Handle & Lock Set
Figure DVB-130**

ITEM	PART NUMBER	QTY	LINE	SERIES	BODY	ENGINE	TRANS	TRIM	DESCRIPTION
15	05161599AA	99	2, 3, 6, 7	L					SEAL, Wiring, M14/6
16	68011245AA	1	2, 3, 6, 7	L					CONNECTOR, 4-Pin,M14/6

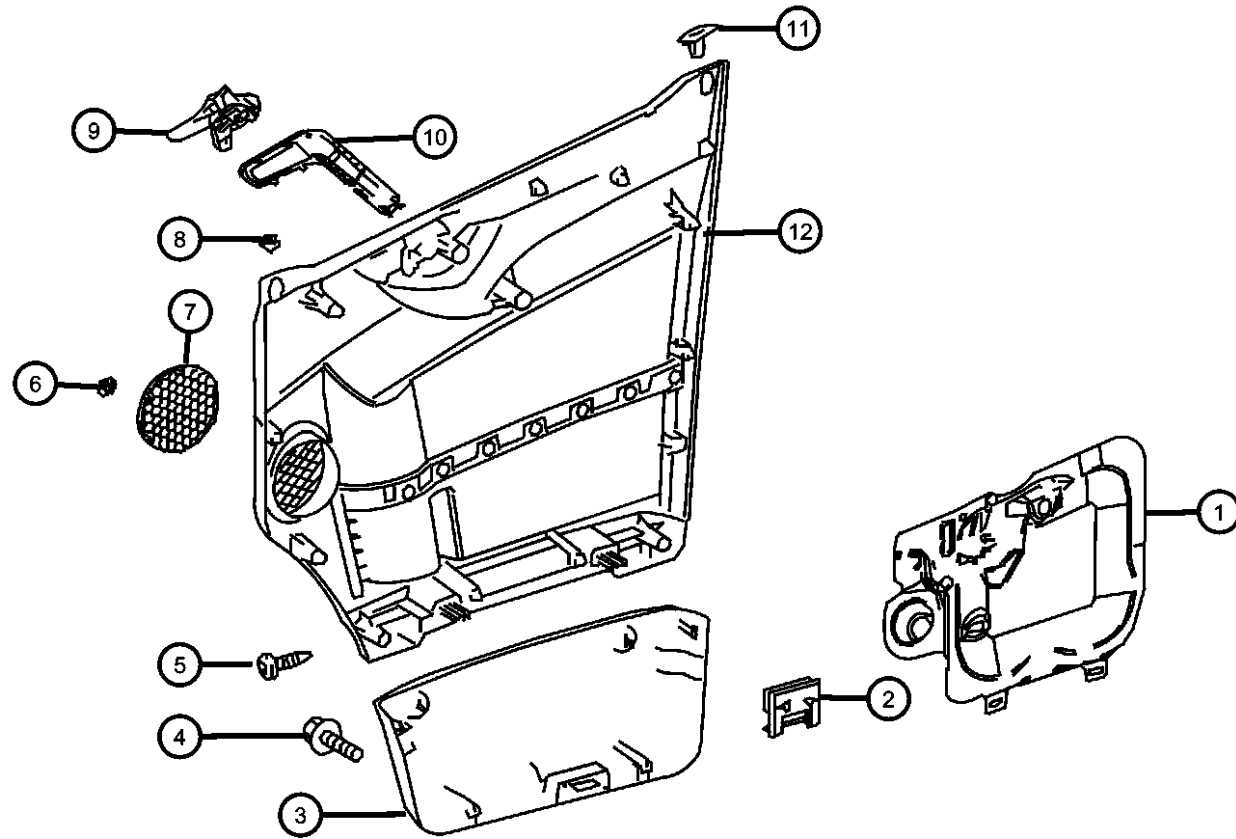


SPRINTER (VB)

SERIES	LINE	BODY	ENGINE	TRANSMISSION
L = LOWLINE	3 = HD DODGE 2WD 2 = Med. Duty DODGE 2WD	03 = CAB CHASSIS WHEEL BASE 3 05 = CAB CHASSIS WHEEL BASE 5 13 = 119 WB 53 = 119 WB 15 = VAN WHEEL BASE 5 55 = WAGON WHEEL BASE 5 17 = VAN WHEEL BASE 7	EG2 = 3.5L V6 Gas Engine EXM = 3.0L V6 Turbo Diesel Engine	DGZ = 5-Speed Auto W5A380 Transmission

AR = use ase required - = Non illustrated part

**Door Panelling
Figure DVB-140**



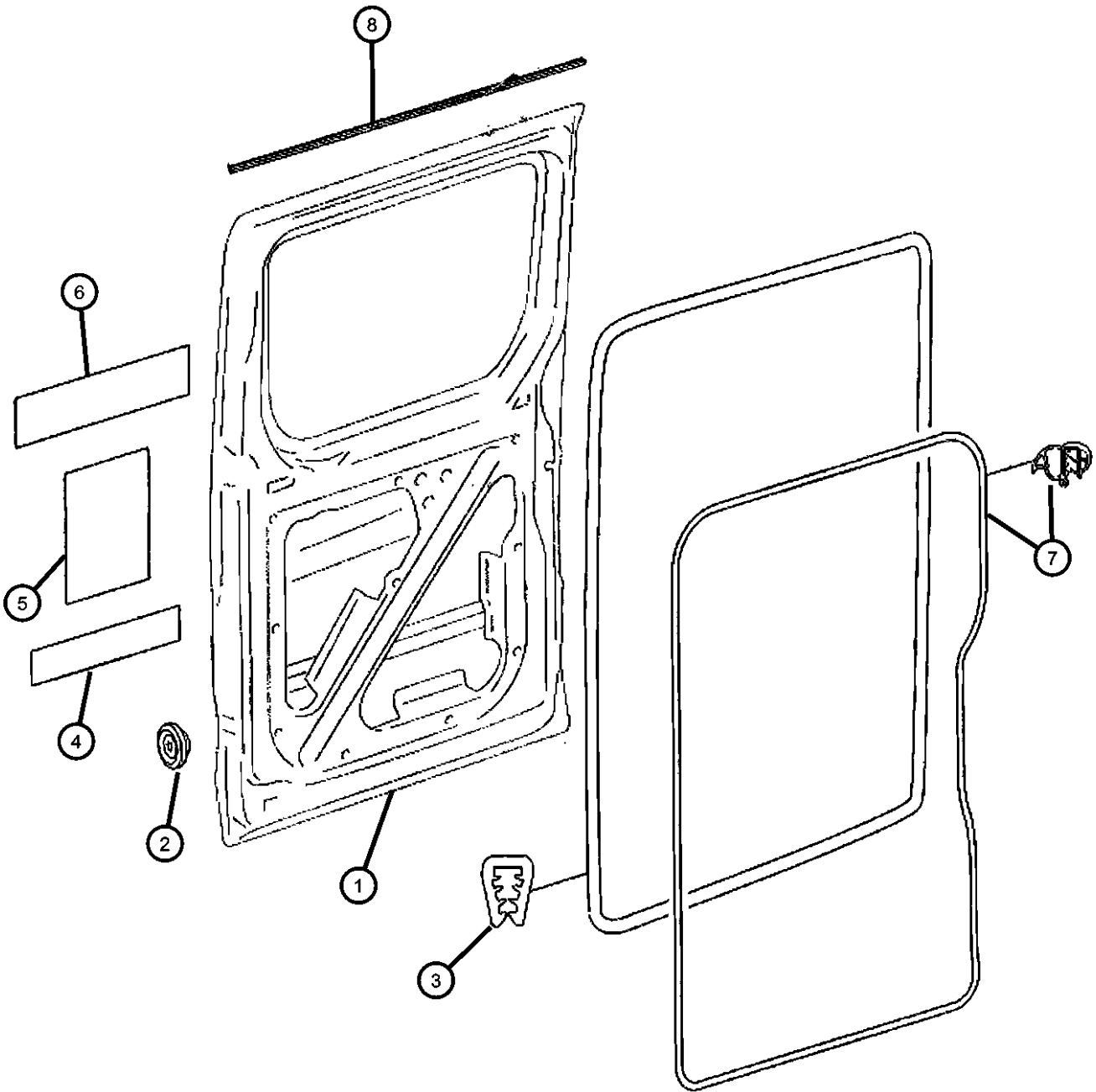
ITEM	PART NUMBER	QTY	LINE	SERIES	BODY	ENGINE	TRANS	TRIM	DESCRIPTION
1	68010044AA	1	2, 3, 6, 7	L					SHIELD, Door Right
	68010045AA	1	2, 3, 6, 7	L					Left
2	05123763AA	2	2, 3, 6, 7	L	13, 15, 17, 53, 55				BEZEL, Door Trim Panel
		2	3, 7	L	03, 05				
3	1HE39XDVAA	1	2, 3, 6, 7	L					PANEL, Front Door Trim Left
	1HE40XDVAA	1	2, 3, 6, 7	L					Right
4	06104140AA	2	3, 7	L	03, 05				SCREW Panelling Mounting M6x16, Right & Left
		2	2, 3, 6, 7	L	13, 15, 17, 53, 55				Panelling Mounting M6x16, Right & Left
5	06104666AA	8	2, 3, 6, 7	L	13, 15, 17, 53, 55				SCREW M5x14
		8	3, 7	L	03, 05				M5x14
6	1HH69XDVAA	2	2, 3, 6, 7	L					COVER, Door Panelling, Right & Left
7	1HE42XDVAA	2	2, 3, 6, 7	L					GRILLE, Speaker
8	68006484AA	11	2, 3, 6, 7	L					RETAINER
9	1HE51XDVAA	1	2, 3, 6, 7	L					HANDLE, Inside Release Left
	1HE52XDVAA	1	2, 3, 6, 7	L					Right
10	68010036AA	1	2, 3, 6, 7	L					COVER Handle, Left
	68010115AA	1	2, 3, 6, 7	L					Handle, Right
11	1HE43XDVAA	1	2, 3, 6, 7	L					BEZEL, Lock Knob Right
	1HE44XDVAA	1	2, 3, 6, 7	L					Left
12	1HE36XDVAA	1	2, 3, 6, 7	L					PANEL, Front Door Left Door
	1HE37XDVAA	1	2, 3, 6, 7	L					Right Door

SPRINTER (VB)

SERIES	LINE	BODY	ENGINE	TRANSMISSION
L = LOWLINE	3 = HD DODGE 2WD 2 = Med. Duty DODGE 2WD	03 = CAB CHASSIS WHEEL BASE 3 05 = CAB CHASSIS WHEEL BASE 5 13 = 119 WB 53 = 119 WB 15 = VAN WHEEL BASE 5 55 = WAGON WHEEL BASE 5 17 = VAN WHEEL BASE 7	EG2 = 3.5L V6 Gas Engine EXM = 3.0L V6 Turbo Diesel Engine	DGZ = 5-Speed Auto W5A380 Transmission

AR = use ase required - = Non illustrated part

**Sliding Door
Figure DVB-305**



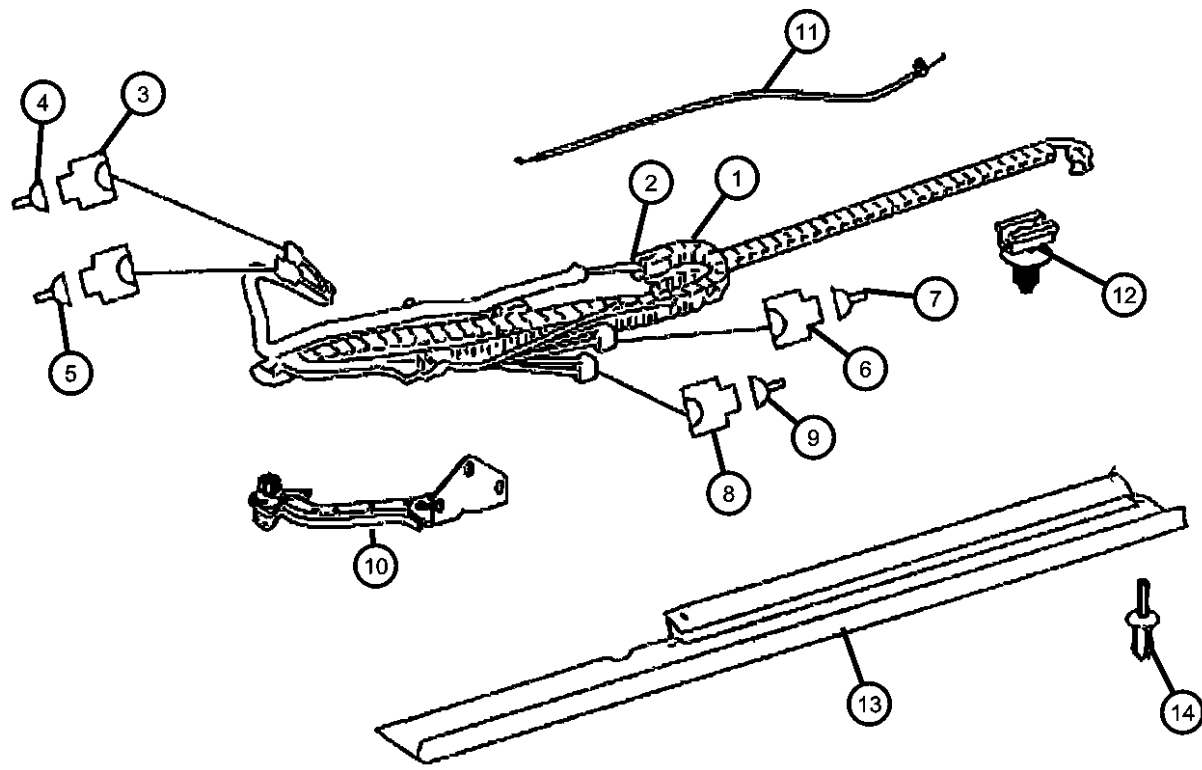
ITEM	PART NUMBER	QTY	LINE	SERIES	BODY	ENGINE	TRANS	TRIM	DESCRIPTION
1	68010123AA	1	2, 3, 6, 7	L	13, 15, 17, 53, 55				DOOR, Side Cargo Without Window, High Roof, Right
	68010124AA	1	2, 3, 6, 7	L	13, 15, 17, 53, 55				With Window, High Roof, Right
	68010125AA	1	2, 3, 6, 7	L	13, 15, 17, 53, 55				With Window, Right
	68010126AA	1	2, 3, 6, 7	L	13, 15, 17, 53, 55				Without Window, Right
	68017330AA	1	2, 3, 6, 7	L	13, 15, 17, 53, 55				Without Window, High Roof, Left
	68017331AA	1	2, 3, 6, 7	L	13, 15, 17, 53, 55				With Window, High Roof, Left
	68017332AA	1	2, 3, 6, 7	L	13, 15, 17, 53, 55				With Window, Left
	68017333AA	1	2, 3, 6, 7	L	13, 15, 17, 53, 55				Without Window, Left
2	68006360AA	1	3, 7	L	03, 05				PLUG, Access Hole, 15 mm
		1	2, 3, 6, 7	L	13, 15, 17, 53, 55				
3	04862639AA	1	2, 3, 6, 7	L	13, 15, 17, 53, 55				WEATHERSTRIP, Cargo Door
4	68006518AA	1	2, 3, 6, 7	L	13, 15, 17, 53, 55				INSULATION
5	68010358AA	1	2, 3, 6, 7	L	13, 15, 17, 53, 55				INSULATION
6									INSULATION
	68006519AA	1	2, 3, 6, 7	L	13, 15, 17, 53, 55				
		1	3, 7	L	03, 05				
7									WEATHERSTRIP, Cargo Door
	68014676AA	1	2, 3, 6, 7	L	13, 15, 17, 53, 55				With High Roof, Left
	68014678AA	1	2, 3, 6, 7	L	13, 15, 17				With Low Roof, Left
	68014684AA	1	2, 3, 6, 7	L	13, 15, 17				With High Roof, Right
	68014687AA	1	2, 3, 6, 7	L	13, 15, 17, 53, 55				With Low Roof, Right
	68014696AA	1	2, 3, 6, 7	L	13, 15, 17, 53, 55				With Cargo Partition, Right & Left
8	68014700AA	1	2, 3, 6, 7	L	13, 15, 17, 53, 55				WEATHERSTRIP, Cargo Door

SPRINTER (VB)

SERIES	LINE	BODY	ENGINE	TRANSMISSION
L = LOWLINE	3 = HD DODGE 2WD 2 = Med. Duty DODGE 2WD	03 = CAB CHASSIS WHEEL BASE 3 05 = CAB CHASSIS WHEEL BASE 5 13 = 119 WB 53 = 119 WB 15 = VAN WHEEL BASE 5 55 = WAGON WHEEL BASE 5 17 = VAN WHEEL BASE 7	EG2 = 3.5L V6 Gas Engine EXM = 3.0L V6 Turbo Diesel Engine	DGZ = 5-Speed Auto W5A380 Transmission

AR = use ase required - = Non illustrated part

**Door Drive Mechanism
Figure DVB-310**



ITEM	PART NUMBER	QTY	LINE	SERIES	BODY	ENGINE	TRANS	TRIM	DESCRIPTION
1	68010307AA	1	2, 3, 6, 7	L	13, 15, 17, 53, 55				WIRE TRACK, Sliding Door Left
2	68010306AA	1	2, 3, 6, 7	L	13, 15, 17, 53, 55				WIRE TRACK, Sliding Door Right With [RC5]
	68010312AA	1	2, 3, 6, 7	L	13, 15, 17, 53, 55				With [GKA]
3	68011362AA	1	7, 2, 3, 6	L					CONNECTOR
4	68016714AA	1	2, 3, 6, 7	L					TERMINAL
5	05133990AA	99	3, 7	L	03, 05				TERMINAL, Male
		99	2, 3, 6, 7	L	13, 15, 17, 53, 55				
6	68011254AA	1	2, 3, 6, 7	L	13, 15, 17				CONNECTOR
		1	2, 3, 6, 7	L	03, 05, 53, 55				
7	05133945AA	AR	2, 3, 6, 7	L	13, 15, 17, 53, 55				TERMINAL
		AR	3, 7	L	03, 05				
8	05120260AA	1	2, 3, 6, 7	L	13, 15, 17, 53, 55				INSULATOR, 6 Way
		1	3, 7	L	03, 05				
9	05103873AA	3	2, 3, 6, 7	L	13, 15, 17, 53, 55				TERMINAL
10	68010303AA	1	2, 3, 6, 7	L	13, 15, 17, 53, 55				SLIDER, Body Hardware Right
	68017385AA	1	2, 3, 6, 7	L	13, 15, 17, 53, 55				Left
11	68010302AA	1	2, 3, 6, 7	L	13, 15, 17, 53, 55				CABLE Right
	68017384AA	1	2, 3, 6, 7	L	13, 15, 17, 53, 55				Left
12	68013413AA	1	3, 7	L	03, 05				CLIP, Retainer

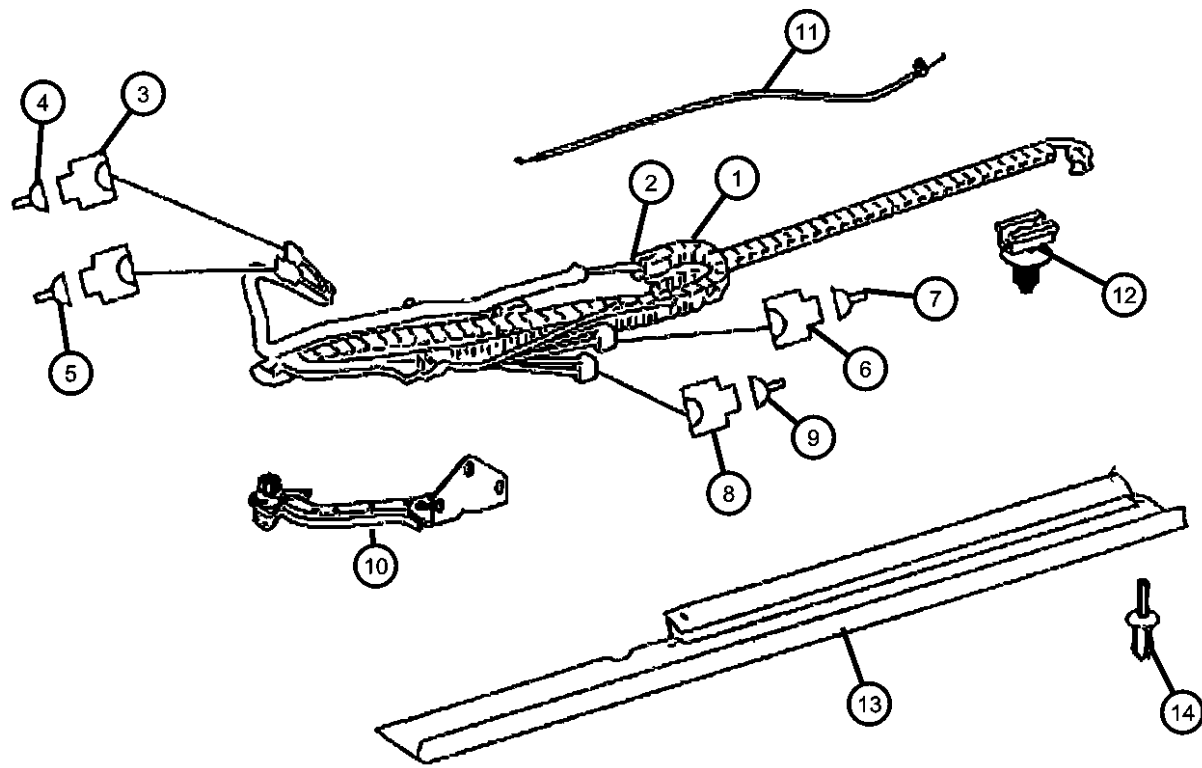
SPRINTER (VB)

SERIES	LINE	BODY	ENGINE	TRANSMISSION
L = LOWLINE	3 = HD DODGE 2WD 2 = Med. Duty DODGE 2WD	03 = CAB CHASSIS WHEEL BASE 3 05 = CAB CHASSIS WHEEL BASE 5 13 = 119 WB 53 = 119 WB 15 = VAN WHEEL BASE 5 55 = WAGON WHEEL BASE 5 17 = VAN WHEEL BASE 7	EG2 = 3.5L V6 Gas Engine EXM = 3.0L V6 Turbo Diesel Engine	DGZ = 5-Speed Auto W5A380 Transmission

AR = use ase required - = Non illustrated part

**Door Drive Mechanism
Figure DVB-310**

ITEM	PART NUMBER	QTY	LINE	SERIES	BODY	ENGINE	TRANS	TRIM	DESCRIPTION
		1	2, 3, 6, 7	L	13, 15, 17, 53, 55				
13	68017387AA	1	2, 3, 6, 7	L	13, 15, 17, 53, 55				FOIL, Insulator Without [CWC],[XJW],[XJ1] or [GEX]
	68017386AA	1	2, 3, 6, 7	L	13, 15, 17, 53, 55				
14	06104903AA	1	2, 3, 6, 7	L	13, 15, 17, 53, 55				RIVET



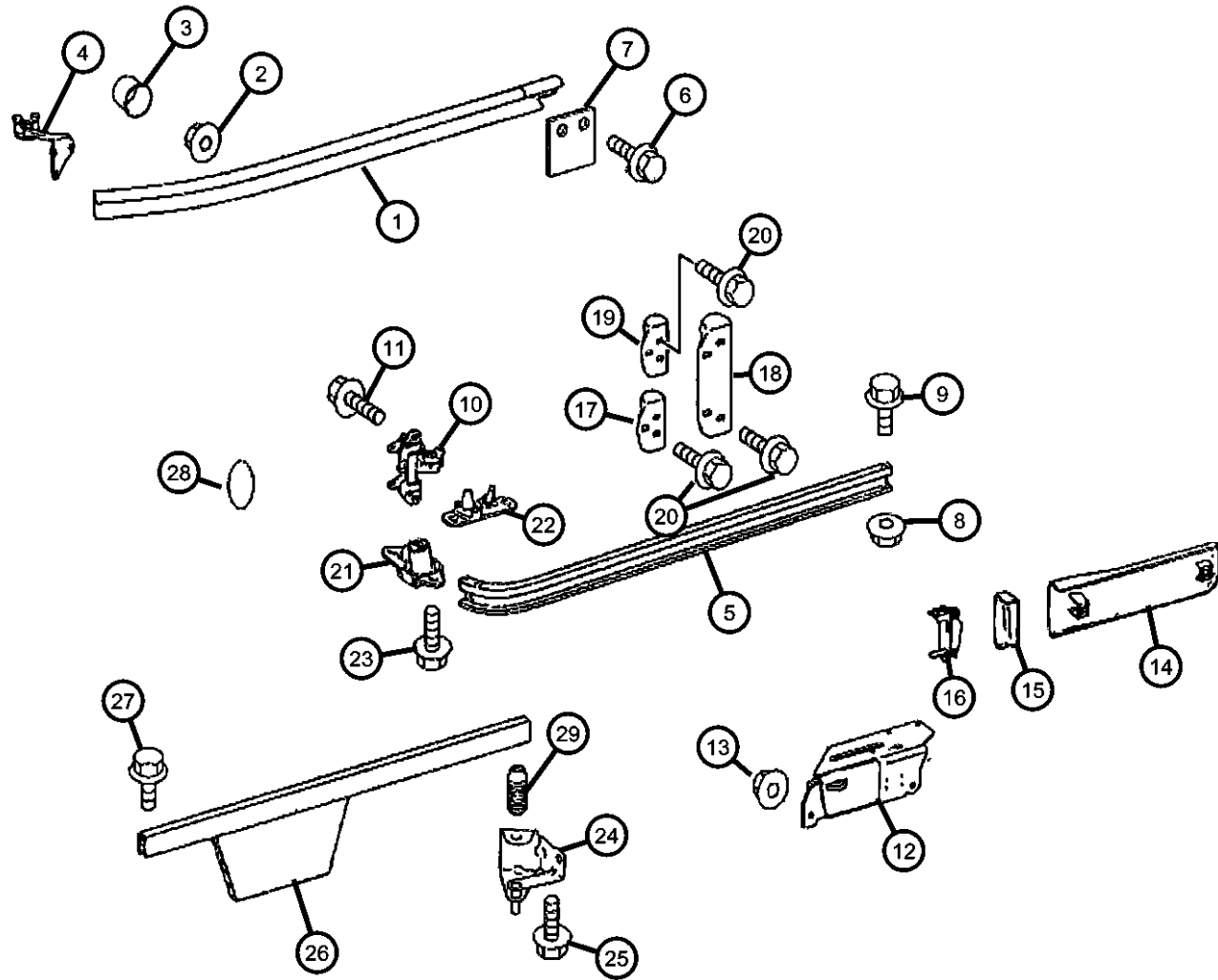
SPRINTER (VB)

SERIES	LINE	BODY	ENGINE	TRANSMISSION
L = LOWLINE	3 = HD DODGE 2WD 2 = Med. Duty DODGE 2WD	03 = CAB CHASSIS WHEEL BASE 3 05 = CAB CHASSIS WHEEL BASE 5 13 = 119 WB 53 = 119 WB 15 = VAN WHEEL BASE 5 55 = WAGON WHEEL BASE 5 17 = VAN WHEEL BASE 7	EG2 = 3.5L V6 Gas Engine EXM = 3.0L V6 Turbo Diesel Engine	DGZ = 5-Speed Auto W5A380 Transmission

AR = use ase required - = Non illustrated part

2007 VB

**Sliding Door Rail and Suspension
Figure DVB-320**



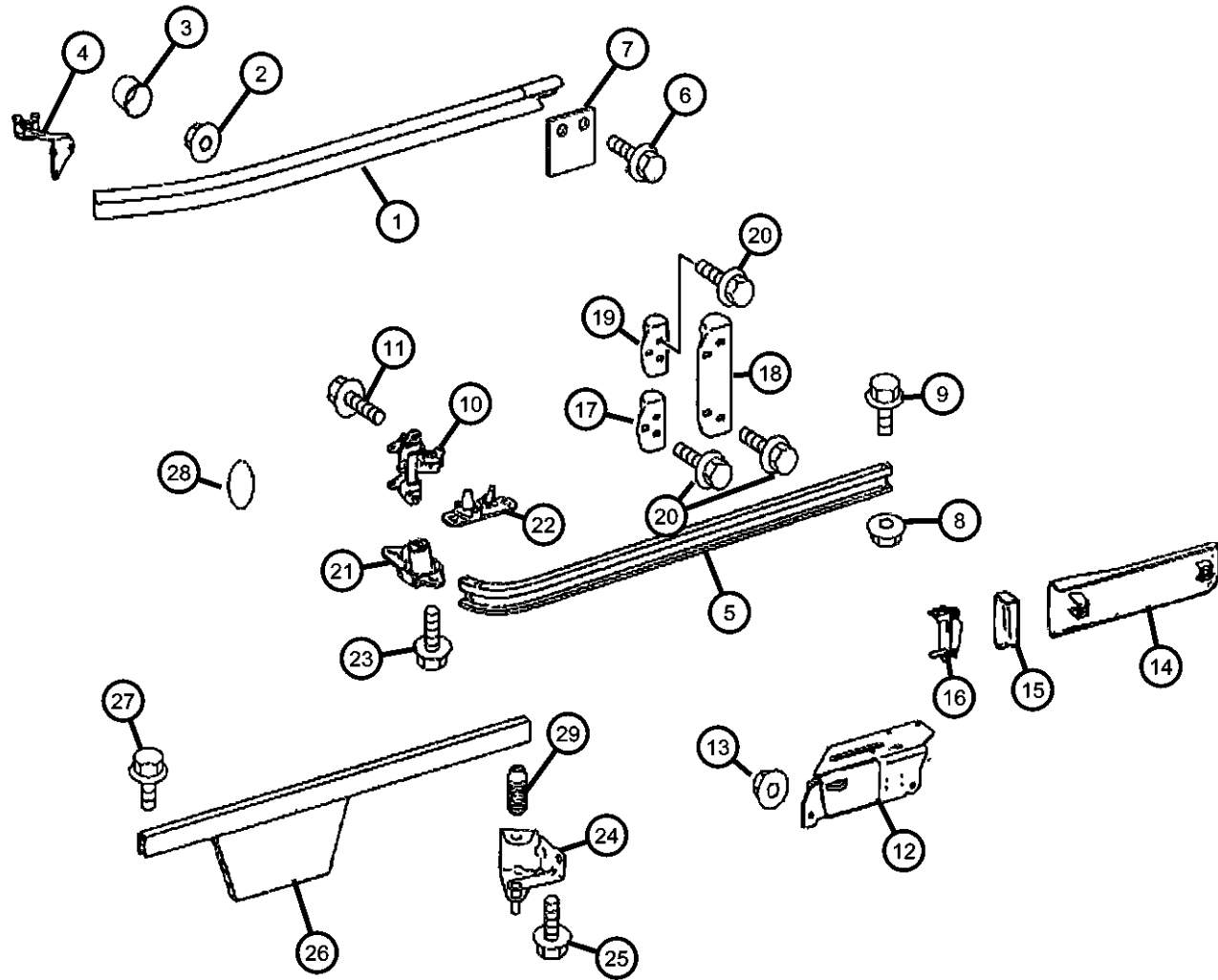
ITEM	PART NUMBER	QTY	LINE	SERIES	BODY	ENGINE	TRANS	TRIM	DESCRIPTION
1	68010186AA	1	2, 3, 6, 7	L	13, 15, 17, 53, 55				RAIL, Slider Door Upper With [GXQ] Two Stage Sliding Door, Right
	68010187AA	1	2, 3, 6, 7	L	13, 15, 17, 53, 55				Upper With [GXQ] Two Stage Sliding Door, Left
	68010188AA	1	2, 3, 6, 7	L	13, 15, 17, 53, 55				Upper Without [GXQ] Two Stage Sliding Door, Right
	68010189AA	1	2, 3, 6, 7	L	13, 15, 17, 53, 55				Upper Without [GXQ] Two Stage Sliding Door, Left
2	68010192AA	8	2, 3, 6, 7	L	13, 15, 17, 53, 55				NUT
3	05126256AA	2	2, 3, 6, 7	L	13, 15, 17, 53, 55				CAP
4	68010193AA	1	2, 3, 6, 7	L	13, 15, 17, 53, 55				SLIDER, Body Hardware Right
	68017366AA	1	2, 3, 6, 7	L	13, 15, 17, 53, 55				Left
5	68018802AA	1	2, 3, 6, 7	L	13, 15, 17, 53, 55				RAIL, Slider Door Right
	68018803AA	1	2, 3, 6, 7	L	13, 15, 17, 53, 55				Left
6	68010198AA	1	2, 3, 6, 7	L	13, 15, 17, 53, 55				SCREW
7	68018801AA	1	2, 3, 6, 7	L	13, 15, 17, 53, 55				PAD
8	68010192AA	8	2, 3, 6, 7	L	13, 15, 17, 53, 55				NUT
9	68010198AA	1	2, 3, 6, 7	L	13, 15, 17, 53, 55				SCREW
10	68010199AA	1	2, 3, 6, 7	L	13, 15, 17, 53, 55				SLIDER, Body Hardware With [GKA] Right Sliding Door, Right
	68010200AA	1	2, 3, 6, 7	L	13, 15, 17, 53, 55				With [GKA + GKG], Right
	68010201AA	1	2, 3, 6, 7	L	13, 15, 17, 53, 55				With [GKE + GKG], Left
	68017367AA	1	2, 3, 6, 7	L	13, 15, 17, 53, 55				With [GKE] Left Sliding Door, Left
11	06104153AC	4	2, 3, 6, 7	L	13, 15, 17, 53, 55				SCREW
12									BRACKET

SPRINTER (VB)

SERIES	LINE	BODY	ENGINE	TRANSMISSION
L = LOWLINE	3 = HD DODGE 2WD 2 = Med. Duty DODGE 2WD	03 = CAB CHASSIS WHEEL BASE 3 05 = CAB CHASSIS WHEEL BASE 5 13 = 119 WB 53 = 119 WB 15 = VAN WHEEL BASE 5 55 = WAGON WHEEL BASE 5 17 = VAN WHEEL BASE 7	EG2 = 3.5L V6 Gas Engine EXM = 3.0L V6 Turbo Diesel Engine	DGZ = 5-Speed Auto W5A380 Transmission

AR = use ase required - = Non illustrated part

**Sliding Door Rail and Suspension
Figure DVB-320**



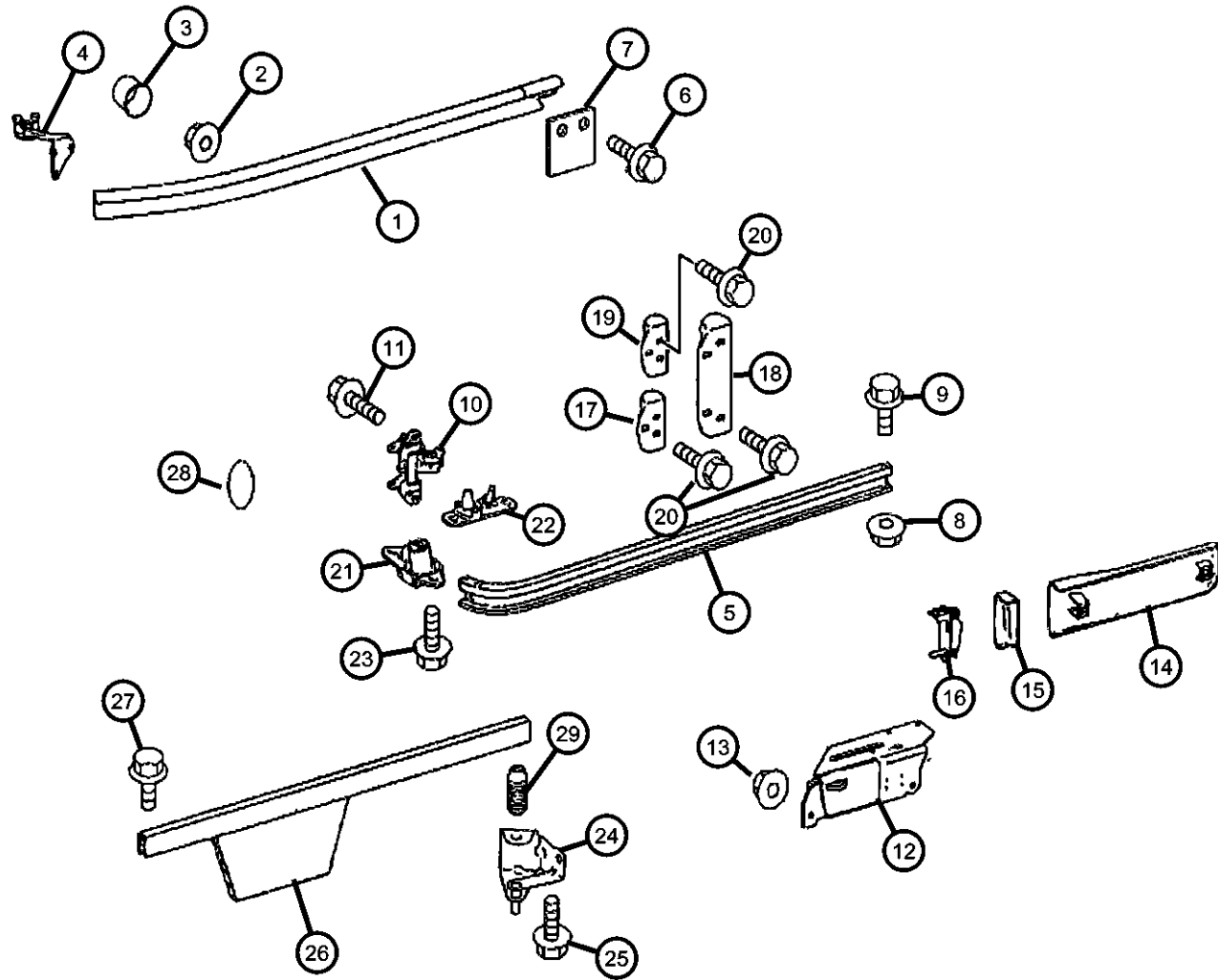
ITEM	PART NUMBER	QTY	LINE	SERIES	BODY	ENGINE	TRANS	TRIM	DESCRIPTION
	68010210AA	1	2, 3, 6, 7	L	13, 15, 17, 53, 55				Right
	68010211AA	1	2, 3, 6, 7	L	13, 15, 17, 53, 55				Left
13									NUT
	68004878AA	2	2, 3, 6, 7	L	13, 15, 17, 53, 55				
		2	3, 7	L	03, 05				
14									COVER
	68018806AA	2	3, 7	L	13, 53				Right
		2	2, 6	L	13, 53				Right
	68018807AA	2	3, 7	L	13, 53				Left
		2	2, 6	L	13, 53				Left
15									COVER
	68018808AA	1	2, 6	L	13, 15, 17, 53, 55				Right
	68018809AA	1	2, 6	L	13, 15, 17, 53, 55				Left
16									CAP
	68018810AA	1	2, 6	L	13, 15, 17, 53, 55				Right
	68018811AA	1	2, 6	L	13, 15, 17, 53, 55				Left
17	68010203AA	1	2, 3, 6, 7	L	13, 15, 17, 53, 55				BUMPER, RubberRight & Left
18	68010204AA	1	2, 3, 6, 7	L	13, 15, 17, 53, 55				BUMPER, RubberRight & Left
19	68010202AA	1	2, 3, 6, 7	L	13, 15, 17, 53, 55				BUMPER, RubberRight & Left
20	06104153AA	3	2, 3, 6, 7	L	13, 15, 17, 53, 55				SCREW
21	68010205AA	2	2, 3, 6, 7	L	13, 15, 17, 53, 55				SLIDER, Body Hardware
22	68010206AA	2	2, 3, 6, 7	L	13, 15, 17, 53, 55				WEDGE, Sliding Door
23									SCREW
	06104142AA	6	2, 3, 6, 7	L	13, 15, 17, 53, 55				
		2	3, 7	L	03, 05				

SPRINTER (VB)

SERIES	LINE	BODY	ENGINE	TRANSMISSION
L = LOWLINE	3 = HD DODGE 2WD 2 = Med. Duty DODGE 2WD	03 = CAB CHASSIS WHEEL BASE 3 05 = CAB CHASSIS WHEEL BASE 5 13 = 119 WB 53 = 119 WB 15 = VAN WHEEL BASE 5 55 = WAGON WHEEL BASE 5 17 = VAN WHEEL BASE 7	EG2 = 3.5L V6 Gas Engine EXM = 3.0L V6 Turbo Diesel Engine	DGZ = 5-Speed Auto W5A380 Transmission

AR = use ase required - = Non illustrated part

**Sliding Door Rail and Suspension
Figure DVB-320**



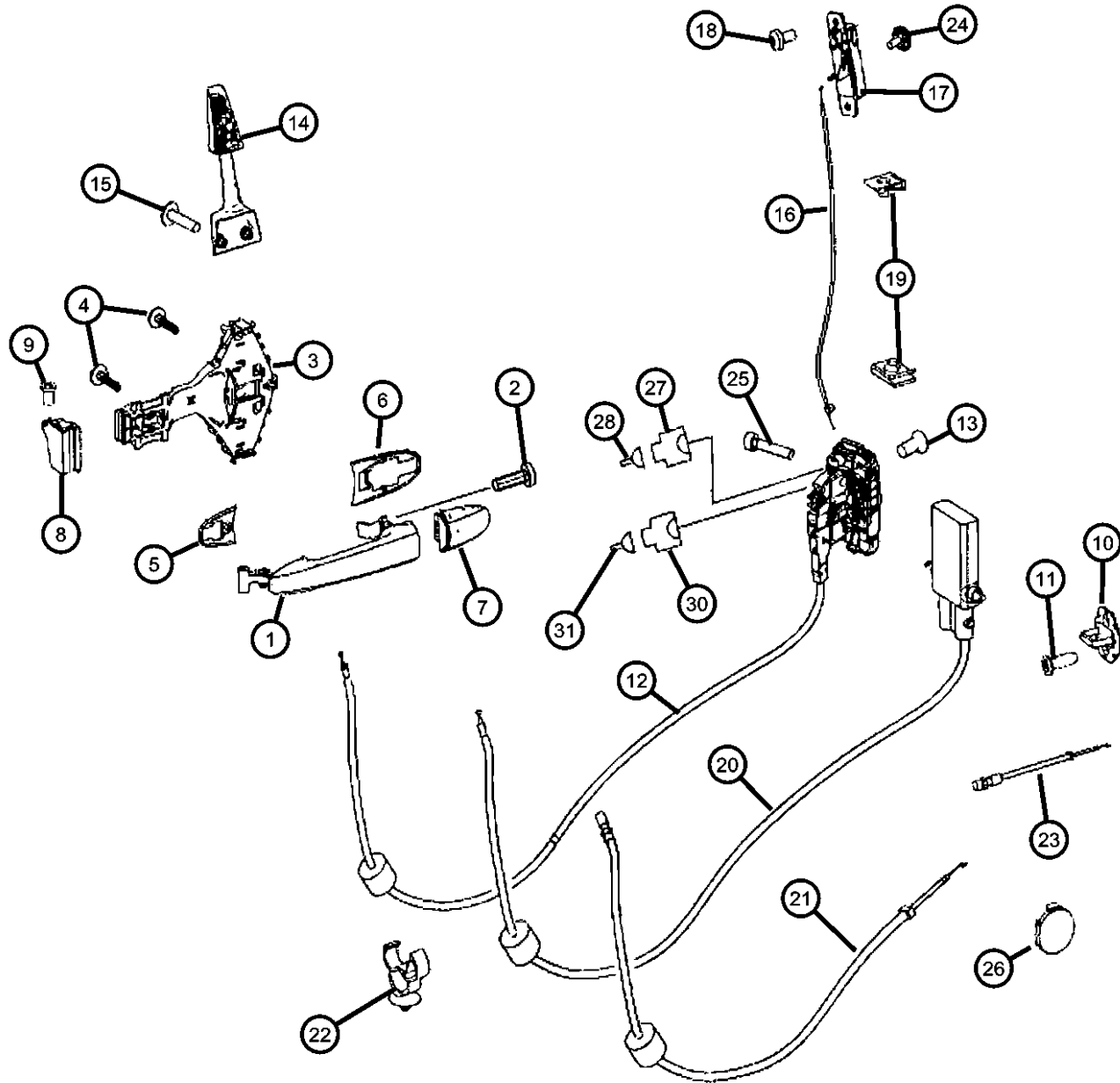
ITEM	PART NUMBER	QTY	LINE	SERIES	BODY	ENGINE	TRANS	TRIM	DESCRIPTION
24	68010207AA	1	2, 3, 6, 7	L	13, 15, 17, 53, 55				BRACKETRight
25	06104152AA	2	2, 3, 6, 7	L	13, 15, 17, 53, 55				SCREW
26	68010209AA	1	2, 3, 6, 7	L	13, 15, 17, 53, 55				REINFORCEMENT Right
	68017369AA	1	2, 3, 6, 7	L	13, 15, 17, 53, 55				Left
27	06104129AA	3	3, 7	L	03, 05				SCREW
		3	2, 3, 6, 7	L	13, 15, 17, 53, 55				
28	05099253AA	1	3, 7	L	03, 05				FOIL, Insulator
		1	2, 3, 6, 7	L	13, 15, 17, 53, 55				
29	68010208AA	2	2, 3, 6, 7	L	13, 15, 17, 53, 55				BUMPER, Rubber

SPRINTER (VB)

SERIES	LINE	BODY	ENGINE	TRANSMISSION
L = LOWLINE	3 = HD DODGE 2WD 2 = Med. Duty DODGE 2WD	03 = CAB CHASSIS WHEEL BASE 3 05 = CAB CHASSIS WHEEL BASE 5 13 = 119 WB 53 = 119 WB 15 = VAN WHEEL BASE 5 55 = WAGON WHEEL BASE 5 17 = VAN WHEEL BASE 7	EG2 = 3.5L V6 Gas Engine EXM = 3.0L V6 Turbo Diesel Engine	DGZ = 5-Speed Auto W5A380 Transmission

AR = use ase required - = Non illustrated part

**Sliding Door, Inside Handle and Locking System
Figure DVB-330**



ITEM	PART NUMBER	QTY	LINE	SERIES	BODY	ENGINE	TRANS	TRIM	DESCRIPTION
1	68006564AA	1	2, 3, 6, 7	L	13, 15, 17, 53, 55				HANDLE, Front And Sliding Door Right & Left
2	06104136AA	1	2, 3, 6, 7	L	13, 15, 17, 53, 55				SCREW
3	68010226AA	1	2, 3, 6, 7	L	13, 15, 17, 53, 55				BRACKET, Door Handle Right
	68010227AA	1	2, 3	L	13, 15, 17, 53, 55				Left
4	68010227AA	1							SCREW, (NOT SERVICED)
5	68010008AA	1	6, 7, 2, 3	L	13, 15, 17, 53, 55				PADFront, Right & Left
6	68010009AA	1	2, 3, 6, 7	L					PADRear, Right & Left
7	68010228AA	1	2, 3, 6, 7	L	13, 15, 17, 53, 55				CAP, Door Lock Cylinder Right & Left
8	68010230AA	1	2, 3, 6, 7	L	13, 15, 17, 53, 55				COVER Right
	68010231AA	1	2, 3	L	13, 15, 17, 53, 55				Left
9	68010229AA	1	2, 3, 6, 7	L	13, 15, 17, 53, 55				BUSHINGRight & Left
10	68010232AA	1	2, 3, 6, 7	L	13, 15, 17, 53, 55				STRIKER, Door Latch Right & Left
11	05103715AA	2	2, 3, 6, 7	L	13, 15, 17, 53, 55				SCREW
12	68017876AA	1	2, 3, 6, 7	L					LOCK, Side Cargo Door Right
	68017877AA	1	2, 3, 6, 7	L					Left
13	05101576AA	3	2, 3, 6, 7	L	13, 15, 17, 53, 55				SCREW, M6x16
14	1MS989B2AA	1	2, 3, 6, 7	L					HANDLE, Sliding Door Assist Left
	1MS999B2AA	1	2, 3, 6, 7	L					Right
15	06104123AA	3	2, 3, 6, 7	L	13, 15, 17, 53, 55				BOLT AND WASHER, 6 Lobe Recessed, M6X1.00X25.00
16	68010235AA	1	2, 3, 6, 7	L	13, 15, 17, 53, 55				CABLE Left
	68010237AA	1	3, 6, 7, 2	L	13, 15, 17, 53, 55				Right

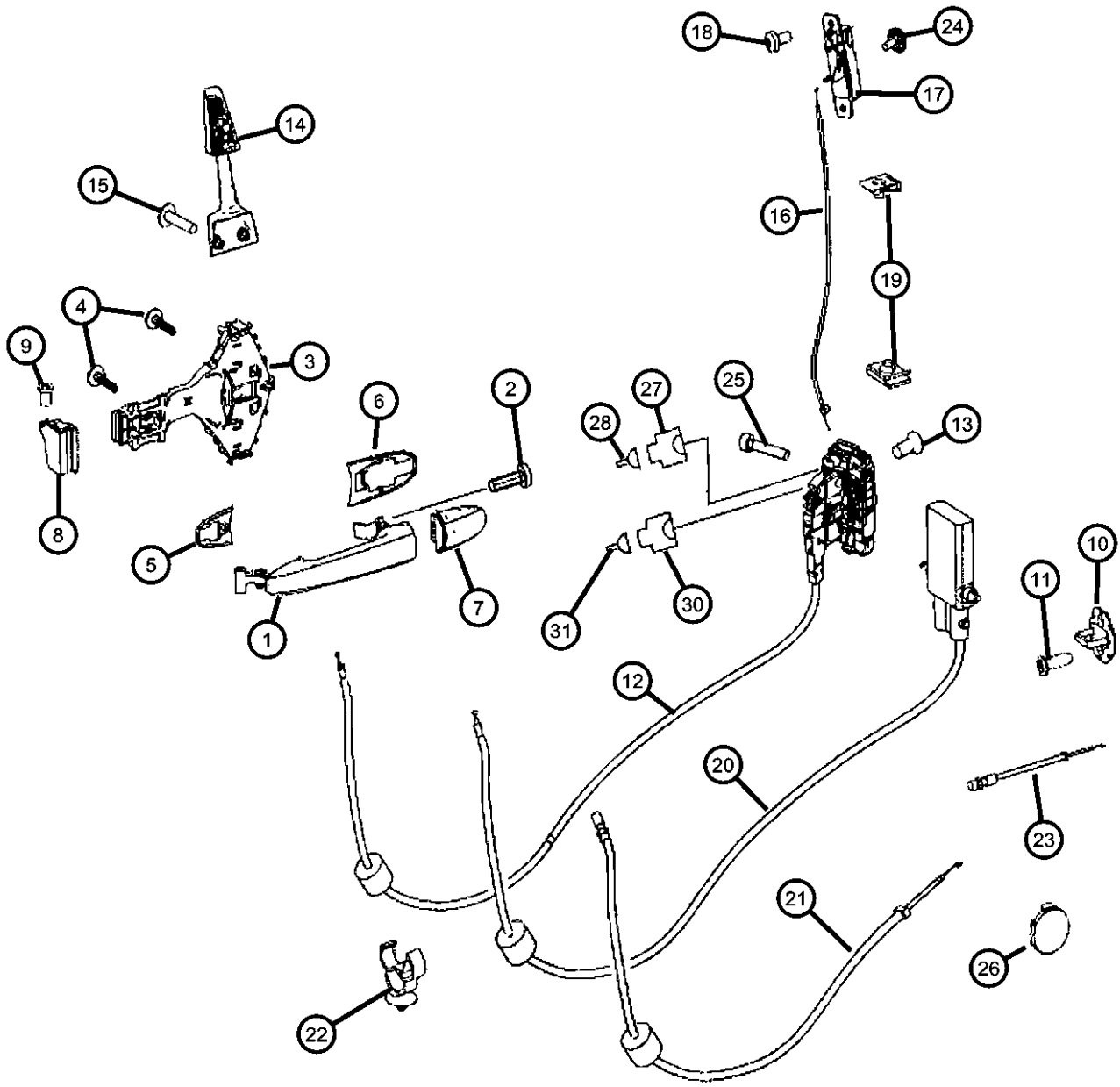
SPRINTER (VB)

SERIES	LINE	BODY	ENGINE	TRANSMISSION
L = LOWLINE	3 = HD DODGE 2WD 2 = Med. Duty DODGE 2WD	03 = CAB CHASSIS WHEEL BASE 3 05 = CAB CHASSIS WHEEL BASE 5 13 = 119 WB 53 = 119 WB 15 = VAN WHEEL BASE 5 55 = WAGON WHEEL BASE 5 17 = VAN WHEEL BASE 7	EG2 = 3.5L V6 Gas Engine EXM = 3.0L V6 Turbo Diesel Engine	DGZ = 5-Speed Auto W5A380 Transmission

AR = use ase required - = Non illustrated part

2007 VB

**Sliding Door, Inside Handle and Locking System
Figure DVB-330**



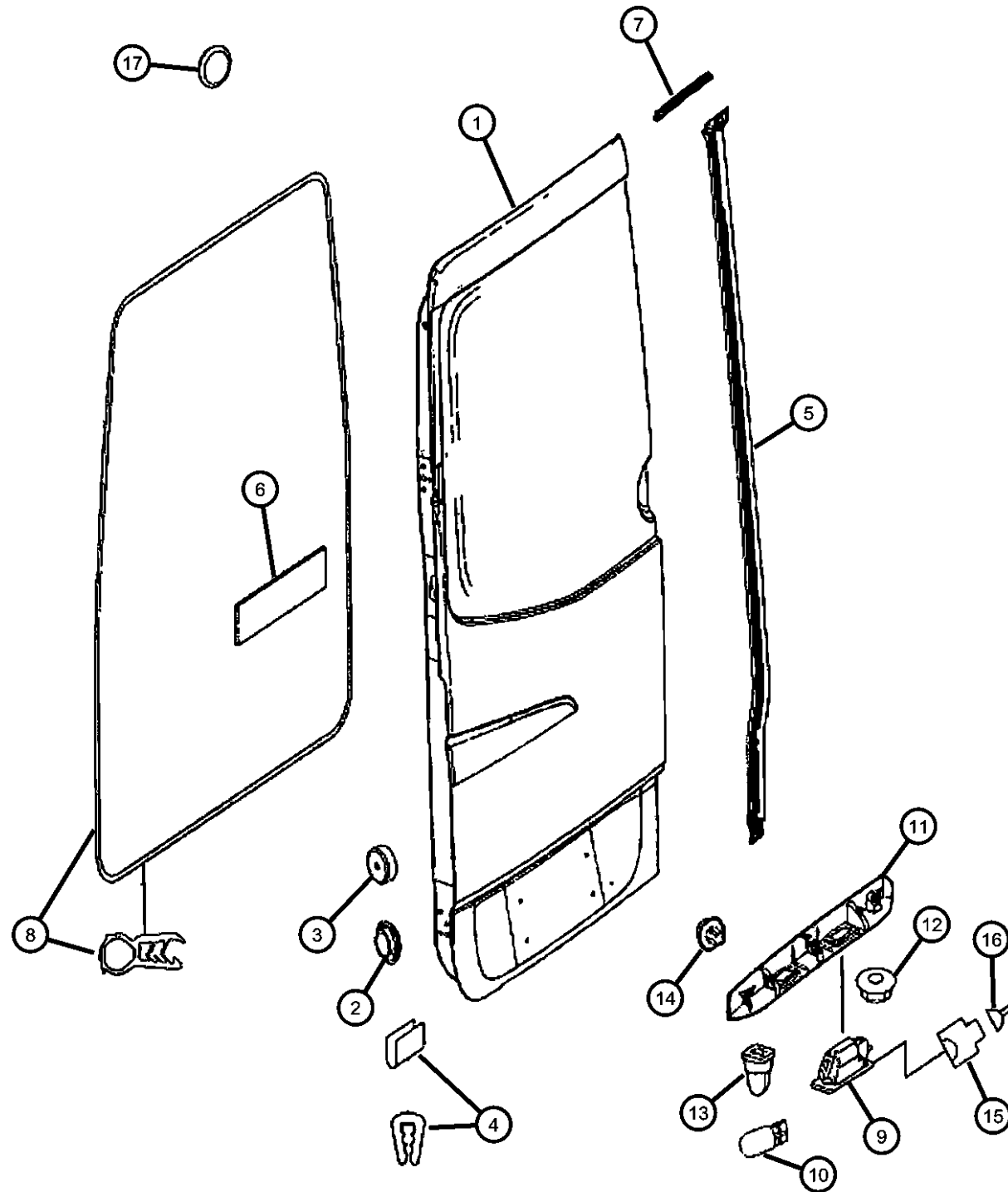
ITEM	PART NUMBER	QTY	LINE	SERIES	BODY	ENGINE	TRANS	TRIM	DESCRIPTION
17	68010224AA	1	2, 3, 6, 7	L	13, 15, 17, 53, 55				LOCK, Side Cargo Door Right Door, Top
	68010225AA	1	2, 3, 6, 7	L	13, 15, 17, 53, 55				Left Door, Top
18	06104141AA	2	2, 3, 6, 7	L	13, 15, 17, 53, 55				SCREW
19	68010238AA	2	2, 3, 6, 7	L	13, 15, 17, 53, 55				CLIP
20	68010239AA	1	2, 3, 6, 7	L	13, 15, 17, 53, 55				CABLE
21	68010240AA	1	2, 3, 6, 7	L	13, 15, 17, 53, 55				CABLE, Catch
22	68010241AA	3	2, 3, 6, 7	L					RETAINER Line Holder Cable / Could Also Use [68020509AA]
	68020509AA	1	2, 3, 6, 7	L	13, 15, 17, 53, 55				Line Holder Cable/ Could Also Use [68010241AA]
23	68010242AA	1	2, 3, 6, 7	L	13, 15, 17, 53, 55				KNOB AND LINK, Door Latch
24	68010246AA	1	2, 3, 6, 7	L	13, 15, 17, 53, 55				BRACKET, Screw
25	68000329AA	1	2, 3, 6, 7	L	13, 15, 17, 53, 55				SCREW
26	1HQ519B2AA	3	2, 3, 6, 7	L	13, 15, 17, 53, 55				COVER
27	68011434AA	1	2, 3, 6, 7	L					CONNECTOR, Central Locking Sliding Door / [8 Pin MLK 1.2; M14/28]
28	68011878AA	AR	6, 7, 2, 3	L					TERMINAL, [0.22 - 0.5 MM2 MLK1.2; M14/28]
-29	05138031AA	1	2, 3, 6, 7	L					GASKET [M14/27]
	68011050AA	AR	2, 3, 6, 7	L					Seal [M14/27]
30	68011050AA	AR							CONNECTOR, 68011242AA, (NOT SERVICED),
31	05103874AA	1	2, 3, 6, 7	L					TERMINAL, [0.75 MM2 MQS; M14/27]

SPRINTER (VB)

SERIES	LINE	BODY	ENGINE	TRANSMISSION
L = LOWLINE	3 = HD DODGE 2WD 2 = Med. Duty DODGE 2WD	03 = CAB CHASSIS WHEEL BASE 3 05 = CAB CHASSIS WHEEL BASE 5 13 = 119 WB 53 = 119 WB 15 = VAN WHEEL BASE 5 55 = WAGON WHEEL BASE 5 17 = VAN WHEEL BASE 7	EG2 = 3.5L V6 Gas Engine EXM = 3.0L V6 Turbo Diesel Engine	DGZ = 5-Speed Auto W5A380 Transmission

AR = use ase required - = Non illustrated part

Rear Door Panel
Figure DVB-410



ITEM	PART NUMBER	QTY	LINE	SERIES	BODY	ENGINE	TRANS	TRIM	DESCRIPTION
1									DOOR, Rear Cargo
	68006384AA	1	2, 3, 6, 7	L	13, 15, 17, 53, 55				Without Window, With High Roof, Left
	68006386AA	1	2, 3, 6, 7	L	13, 15, 17, 53, 55				With Window, Left
	68006388AA	1	2, 3, 6, 7	L	13, 15, 17, 53, 55				Without Window, Left
	68006523AA	1	2, 3, 6, 7	L	13, 15, 17, 53, 55				With Window, With High Roof, Right
	68006525AA	1	2, 3, 6, 7	L	13, 15, 55, 17, 53				Without Window, With High Roof, Right
	68006382AA	1	2, 3, 6, 7	L	13, 15, 17, 53, 55				With Window, With High Roof, Left
	68006527AA	1	2, 3, 6, 7	L	13, 15, 17, 53, 55				With Window, Right
	68006529AA	1	2, 3, 6, 7	L	13, 15, 17, 53, 55				Without Window, Right
2									PLUG, Body
	68006359AA	1	2, 3, 6, 7	L	13, 15, 17, 53, 55				20mm
	68006360AA	1	2, 3, 6, 7	L	13, 15, 17, 53, 55				15mm
	68006445AA	1	2, 3, 6, 7	L	13, 15, 17, 53, 55				30mm
3	68006446AA	1	2, 3, 6, 7	L	17, 53, 55, 13, 15				STOPPER
4	05135206AA	AR	2, 3, 6, 7	L	13, 15, 17, 53, 55				WEATHERSTRIP
5									SEAL, Door
	68006500AA	1	2, 3, 6, 7	L	13, 15, 17, 53, 55				High Roof, Left Door
	68006501AA	1	2, 3, 6, 7	L	13, 15, 17, 53, 55				, Left Door
6									INSULATION
	68006518AA	1	2, 3, 6, 7	L	13, 15, 17, 53, 55				With Rear Floor Insulation [HGR], Right & Left
	68006519AA	1	3, 7	L	03, 05				, Right & Left
		1	2, 3, 6, 7	L	13, 15, 17, 53, 55				Right & Left
7	68014675AA	1	2, 3, 6, 7	L	13, 15, 17, 53, 55				SEAL, Door
8									WEATHERSTRIP, Cargo Door

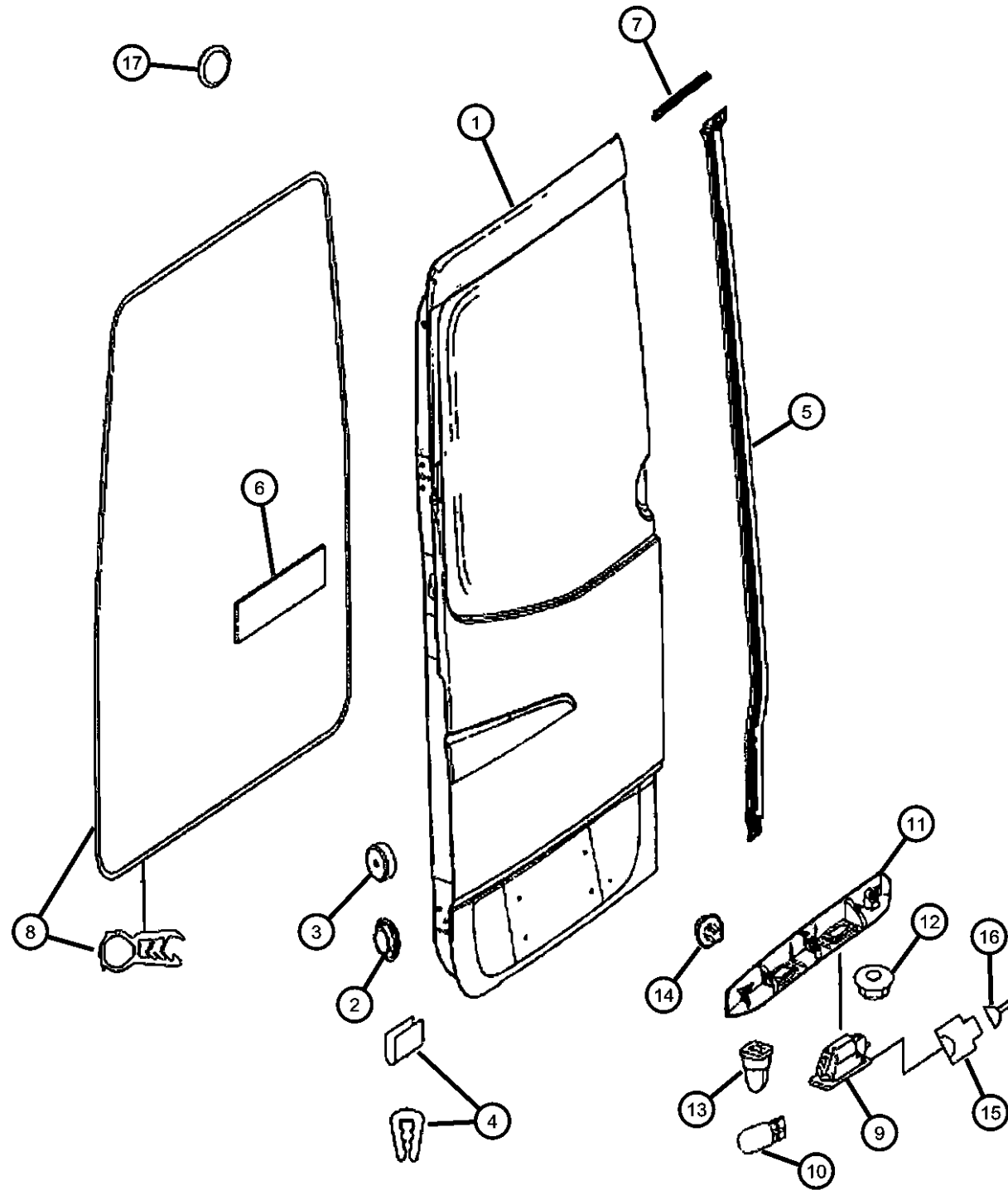
SPRINTER (VB)

SERIES	LINE	BODY	ENGINE	TRANSMISSION
L = LOWLINE	3 = HD DODGE 2WD 2 = Med. Duty DODGE 2WD	03 = CAB CHASSIS WHEEL BASE 3 05 = CAB CHASSIS WHEEL BASE 5 13 = 119 WB 53 = 119 WB 15 = VAN WHEEL BASE 5 55 = WAGON WHEEL BASE 5 17 = VAN WHEEL BASE 7	EG2 = 3.5L V6 Gas Engine EXM = 3.0L V6 Turbo Diesel Engine	DGZ = 5-Speed Auto W5A380 Transmission

AR = use ase required - = Non illustrated part

2007 VB

Rear Door Panel
Figure DVB-410



ITEM	PART NUMBER	QTY	LINE	SERIES	BODY	ENGINE	TRANS	TRIM	DESCRIPTION
	68014672AA	1	2, 3, 6, 7	L	13, 15, 17, 53, 55				High Roof
	68014673AA	1	2, 3, 6, 7	L	13, 15, 17, 53, 55				
9	68006502AA	2	2, 3, 6, 7	L	13, 15, 17, 53, 55				LAMP, License
10	05096968AA	2	3, 7	L	03, 05				BULB, 12V 5W
		2	2, 3, 6, 7	L	13, 15, 55, 17, 53				
11	1HE84XDVAA	1	2, 3, 6, 7	L	13, 15, 17, 53, 55				COVER, Lamp
12	68006505AA	2	2, 3, 6, 7	L	13, 15, 17, 53, 55				NUT
13	68006507AA	4	2, 3, 6, 7	L	13, 15, 17, 53, 55				RETAINER
14	68006504AA	3	2, 3, 6, 7	L					RETAINER
15	68011339AA	2	2, 3, 6, 7	L					CONNECTOR
16	05138912AA	AR	2, 3, 6, 7	L					TERMINAL
17	68006560AA	1	2, 3, 6, 7	L	13, 15, 17, 53, 55				PLUGRight

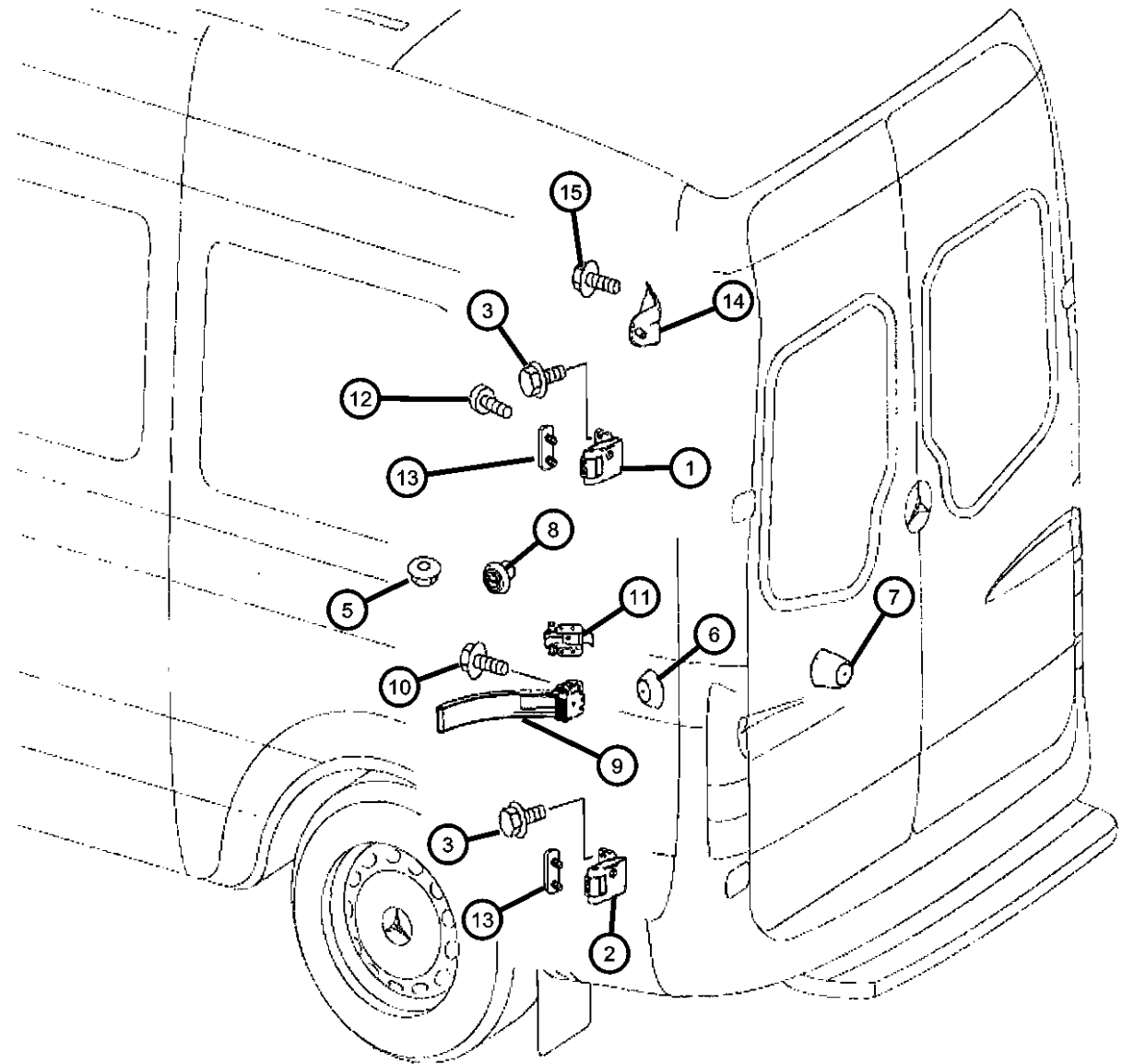
SPRINTER (VB)

SERIES	LINE	BODY	ENGINE	TRANSMISSION
L = LOWLINE	3 = HD DODGE 2WD 2 = Med. Duty DODGE 2WD	03 = CAB CHASSIS WHEEL BASE 3 05 = CAB CHASSIS WHEEL BASE 5 13 = 119 WB 53 = 119 WB 15 = VAN WHEEL BASE 5 55 = WAGON WHEEL BASE 5 17 = VAN WHEEL BASE 7	EG2 = 3.5L V6 Gas Engine EXM = 3.0L V6 Turbo Diesel Engine	DGZ = 5-Speed Auto W5A380 Transmission

AR = use ase required - = Non illustrated part

2007 VB

Hinges and Hardware
Figure DVB-420



ITEM	PART NUMBER	QTY	LINE	SERIES	BODY	ENGINE	TRANS	TRIM	DESCRIPTION
1									HINGE, Rear Door
	68006452AA	1	2, 3, 6, 7	L	13, 15, 17, 53, 55				Top, Left
	68006454AA	1	2, 3, 6, 7	L	13, 15, 17, 53, 55				With [GLF], Top, Right
	68006455AA	1	2, 3, 6, 7	L	13, 15, 17, 53, 55				With [GLF], Top, Left
	68006562AA	1	2, 3, 6, 7	L	13, 15, 17, 53, 55				Top, Right
2									HINGE, Rear Door
	68006453AA	1	2, 3, 6, 7	L	13, 15, 17, 53, 55				Lower, Left
	68006456AA	1	2, 3, 6, 7	L	13, 15, 17, 53, 55				With [GLF], Lower, Right
	68006457AA	1	2, 3, 6, 7	L	13, 15, 17, 53, 55				With [GLF], Lower, Left
	68006563AA	1	2, 3, 6, 7	L	13, 15, 17, 53, 55				Lower, Right
3	06104155AA	12	2, 3, 6, 7	L	15, 17, 13, 53, 55				SCREW, [M8x25]
-4	06104157AB	12	2, 3, 6, 7	L	13, 15, 17, 53, 55				BOLT, Torx Head, M8x1.25x35.00
5	06104726AB	1	2, 3, 6, 7	L	13, 15, 17, 53, 55				NUT AND WASHER, Hex, M8x1.25
6	68006458AA	2	2, 3, 6, 7	L	15, 17, 55				BRACKET, Rubber Stop
7	68006459AA	2	2, 3, 6, 7	L	13, 15, 17, 53, 55				BRACKET, Rubber Stop At Door
8	68006461AA	2	2, 3, 6, 7	L					BUMPER, Door, Magnet
9	68006463AA	1	2, 3, 6, 7	L	13, 15, 17, 53, 55				BRACKET, Cargo Door Hinge, With [GLF], Right & Left
10									SCREW
	05104610AA	6	2, 3, 6, 7	L	13, 15, 17, 53, 55				[M8x16]
	06104141AA	2	2, 3, 6, 7	L	13, 15, 17, 53, 55				[M6x12]
11	68006464AA	1	2, 3, 6, 7	L	13, 15, 17, 53, 55				BRACKET, Cargo Door Hinge PillarRight & Left
12	06104141AA	4	2, 3, 6, 7	L	13, 15, 17, 53, 55				SCREW, [M6x12]
13	68006465AA	2	2, 3, 6, 7	L	17, 53, 55, 13, 15				STOPPERRight & Left

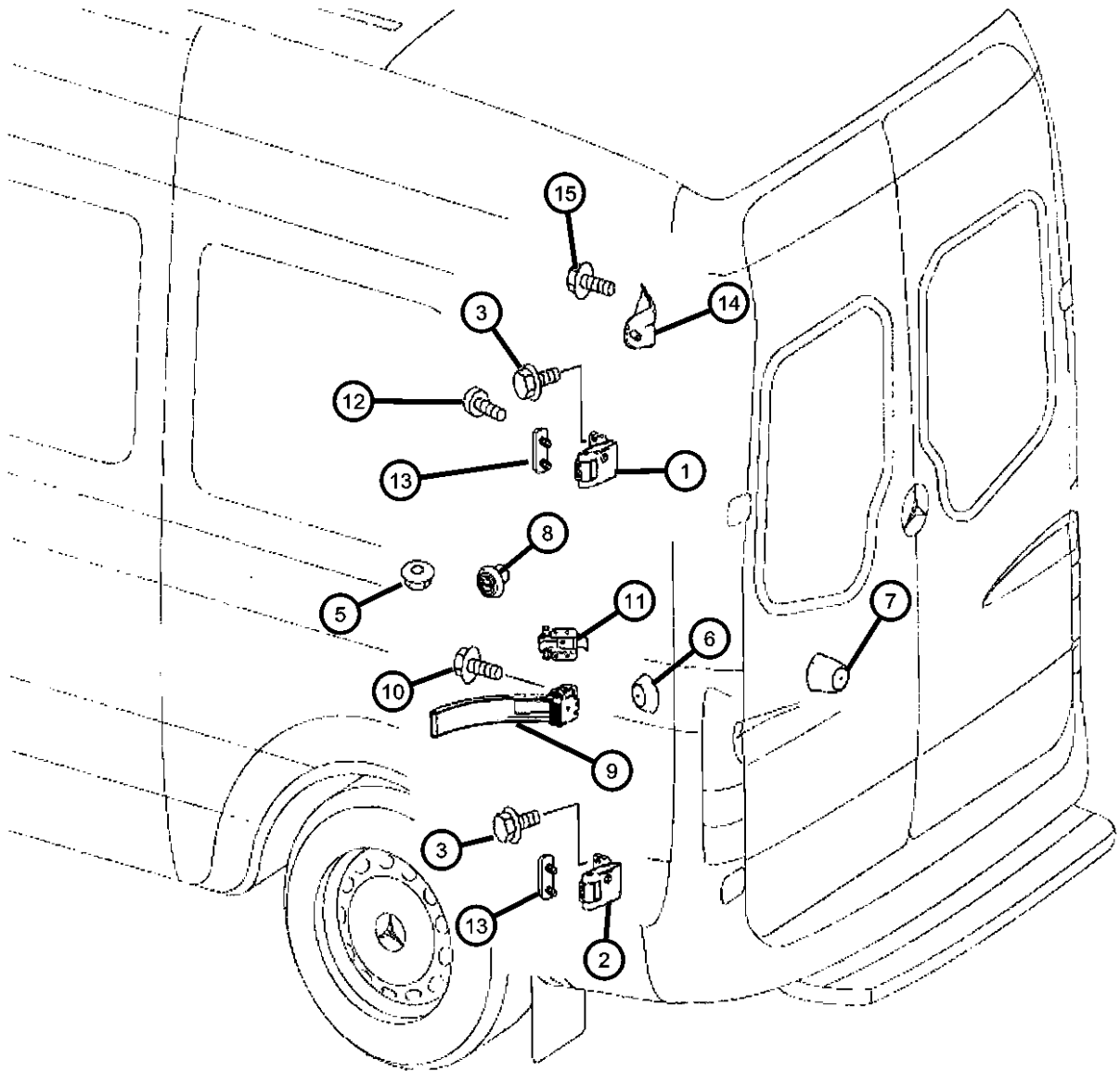
SPRINTER (VB)

SERIES	LINE	BODY	ENGINE	TRANSMISSION
L = LOWLINE	3 = HD DODGE 2WD 2 = Med. Duty DODGE 2WD	03 = CAB CHASSIS WHEEL BASE 3 05 = CAB CHASSIS WHEEL BASE 5 13 = 119 WB 53 = 119 WB 15 = VAN WHEEL BASE 5 55 = WAGON WHEEL BASE 5 17 = VAN WHEEL BASE 7	EG2 = 3.5L V6 Gas Engine EXM = 3.0L V6 Turbo Diesel Engine	DGZ = 5-Speed Auto W5A380 Transmission

AR = use ase required - = Non illustrated part

Hinges and Hardware
Figure DVB-420

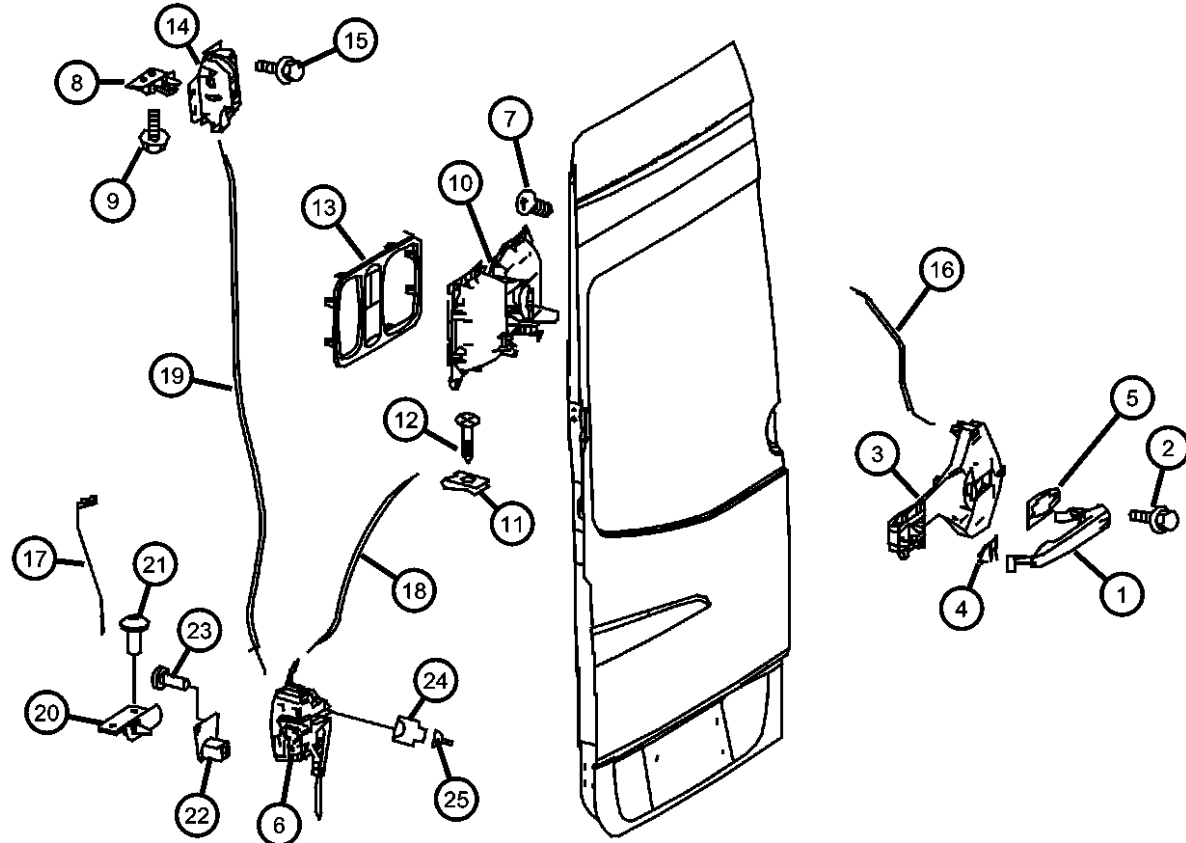
ITEM	PART NUMBER	QTY	LINE	SERIES	BODY	ENGINE	TRANS	TRIM	DESCRIPTION
14	68008799AA	2	2, 3, 6, 7	L	13, 15, 17, 53, 55				BRACKET
15	05073723AB	6	2, 3, 6, 7	L	13, 15, 17, 53, 55				SCREW, [M8x20]



SPRINTER (VB)				
SERIES	LINE	BODY	ENGINE	TRANSMISSION
L = LOWLINE	3 = HD DODGE 2WD 2 = Med. Duty DODGE 2WD	03 = CAB CHASSIS WHEEL BASE 3 05 = CAB CHASSIS WHEEL BASE 5 13 = 119 WB 53 = 119 WB 15 = VAN WHEEL BASE 5 55 = WAGON WHEEL BASE 5 17 = VAN WHEEL BASE 7	EG2 = 3.5L V6 Gas Engine EXM = 3.0L V6 Turbo Diesel Engine	DGZ = 5-Speed Auto W5A380 Transmission

AR = use ase required - = Non illustrated part

**Right Rear Door Locking System
Figure DVB-430**



ITEM	PART NUMBER	QTY	LINE	SERIES	BODY	ENGINE	TRANS	TRIM	DESCRIPTION
1	68006564AA	1	2, 3, 6, 7	L	13, 15, 17, 53, 55				HANDLE, Front And Sliding Door
2	06104136AA	1	2, 3, 6, 7	L	13, 15, 17, 53, 55				SCREW
3	68006565AA	1	2, 3, 6, 7	L	13, 15, 17, 53, 55				BRACKET, Door Handle
4	68006566AA	1	2, 3, 6, 7	L	13, 15, 17, 53, 55				RETAINER
5	68006567AA	1	2, 3, 6, 7	L	13, 15, 17, 53, 55				RETAINER
6	68017888AA	1	2, 3, 6, 7	L	13, 15, 17, 53, 55				LATCH, Rear Door
7									SCREW, M6x16
	05101576AA	3	2, 3, 6, 7	L	13, 15, 17, 53, 55				
		3	3, 7	L	03, 05				
8	68006466AA	1	2, 3, 6, 7	L	13, 15, 17, 53, 55				STRIKER, Door
9									SCREW
	06104129AA	2	2, 3, 6, 7	L	13, 15, 17, 53, 55				
		2	3, 7	L	05, 03				
10									HANDLE, Inside Release
	1HE50XDVAA	1	2, 3, 6, 7	L	13, 15, 17, 53, 55				[A6]
		1	2, 3, 6, 7	L	13, 15, 17, 53, 55				[E7]
		1	2, 3, 6, 7	L	13, 15, 17, 53, 55				[F7]
11									NUT, Spring
	68006573AA	8	2, 3, 6, 7	L	13, 15, 17, 53, 55				
		14	3, 7	L	03, 05				
12									SCREW, Tapping
	06104566AA	8	2, 3, 6, 7	L	13, 15, 17, 53, 55				
		2	3, 7	L	03, 05				
13									COVER
	1HS08NCVAA	1	2, 3, 6, 7	L	13, 15, 17, 53, 55				[A6]

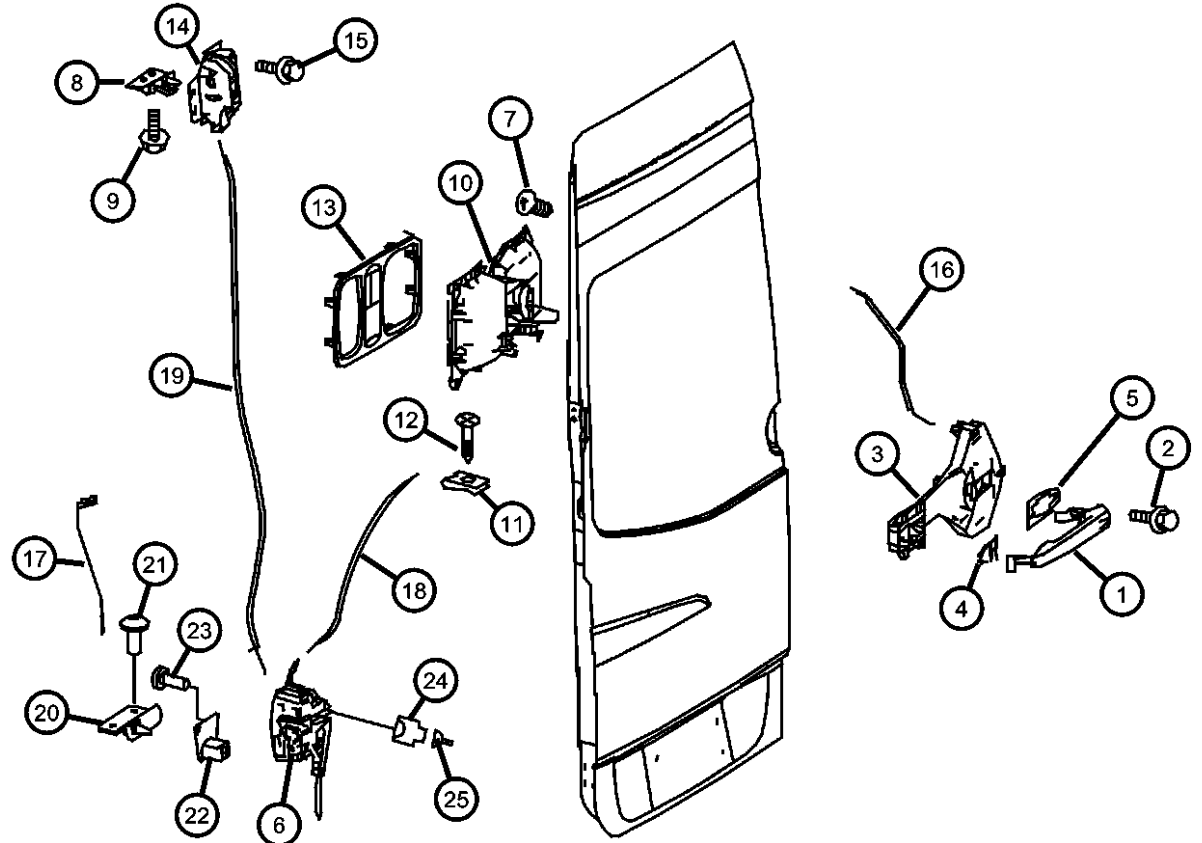
SPRINTER (VB)

SERIES	LINE	BODY	ENGINE	TRANSMISSION
L = LOWLINE	3 = HD DODGE 2WD 2 = Med. Duty DODGE 2WD	03 = CAB CHASSIS WHEEL BASE 3 05 = CAB CHASSIS WHEEL BASE 5 13 = 119 WB 53 = 119 WB 15 = VAN WHEEL BASE 5 55 = WAGON WHEEL BASE 5 17 = VAN WHEEL BASE 7	EG2 = 3.5L V6 Gas Engine EXM = 3.0L V6 Turbo Diesel Engine	DGZ = 5-Speed Auto W5A380 Transmission

AR = use ase required - = Non illustrated part

**Right Rear Door Locking System
Figure DVB-430**

ITEM	PART NUMBER	QTY	LINE	SERIES	BODY	ENGINE	TRANS	TRIM	DESCRIPTION
		1	2, 3, 6, 7	L	13, 15, 17, 53, 55				[E7]
		1	2, 3, 6, 7	L	13, 15, 17, 53, 55				[F7]
14	68006470AA	1	2, 3, 6, 7	L	13, 15, 17, 53, 55				LOCK, Door
15									SCREW
	06104142AA	3	2, 3, 6, 7	L	13, 15, 17, 53, 55				
		2	3, 7	L	03, 05				
16	68006575AA	1	2, 3, 6, 7	L	13, 15, 55, 17, 53				CABLE
17	68006576AA	1	2, 3, 6, 7	L	13, 15, 17, 53, 55				ROD, Lock
18	68006577AA	1	2, 3, 6, 7	L	13, 15, 17, 53, 55				ROD, Lock
19									CABLE
	68006578AA	1	2, 3, 6, 7	L	13, 15, 17, 53, 55				
	68006579AA	1	2, 3, 6, 7	L	13, 15, 17, 53, 55				High Roof
20	68006580AA	1	2, 3, 6, 7	L	13, 15, 17, 53, 55				GUIDE, Door Stabilizer
21									SCREW
	06104129AA	2	3, 7	L	03, 05				
		3	2, 3, 6, 7	L	13, 15, 17, 53, 55				
22	68006581AA	1	2, 3, 6, 7	L	13, 15, 17, 53, 55				GUIDE, Door Stabilizer
23									SCREW
	06104142AA	2	3, 7	L	03, 05				
		2	2, 3, 6, 7	L	13, 15, 17, 53, 55				
24	68011434AA	1	2, 3, 6, 7	L					CONNECTOR
25	68013248AA	AR	2, 3, 6, 7	L					TERMINAL

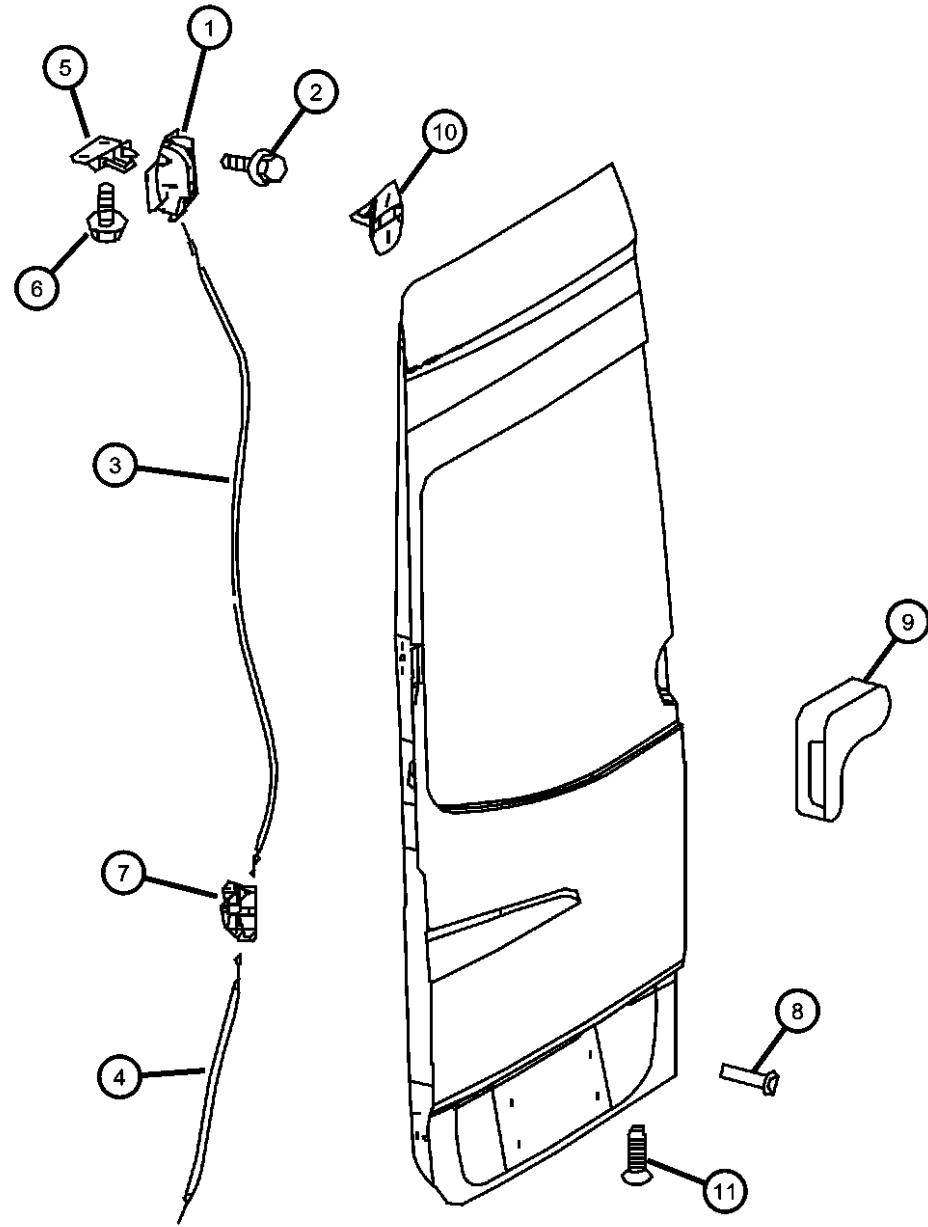


SPRINTER (VB)

SERIES	LINE	BODY	ENGINE	TRANSMISSION
L = LOWLINE	3 = HD DODGE 2WD 2 = Med. Duty DODGE 2WD	03 = CAB CHASSIS WHEEL BASE 3 05 = CAB CHASSIS WHEEL BASE 5 13 = 119 WB 53 = 119 WB 15 = VAN WHEEL BASE 5 55 = WAGON WHEEL BASE 5 17 = VAN WHEEL BASE 7	EG2 = 3.5L V6 Gas Engine EXM = 3.0L V6 Turbo Diesel Engine	DGZ = 5-Speed Auto W5A380 Transmission

AR = use ase required - = Non illustrated part

**Left Rear Door Locking System
Figure DVB-440**



ITEM	PART NUMBER	QTY	LINE	SERIES	BODY	ENGINE	TRANS	TRIM	DESCRIPTION
1	68006470AA	2	2, 3, 6, 7	L	13, 15, 17, 53, 55				LOCK, Door
2	06104142AA	6	2, 3, 6, 7	L	13, 15, 17, 53, 55				SCREW
3									CABLE
	68006471AA	1	2, 3, 6, 7	L	13, 15, 17, 53, 55				Top Left, High Roof
	68006472AA	1	2, 3, 6, 7	L	13, 15, 17, 53, 55				Top Left
4	68006473AA	1	2, 3, 6, 7	L	13, 15, 17, 53, 55				CABLE, Bottom Left
5	68006466AA	2	2, 3, 6, 7	L	13, 15, 17, 53, 55				STRIKER, Door
6	06104129AA	4	2, 3, 6, 7	L	13, 15, 17, 53, 55				SCREW
7	68006467AA	1	2, 3, 6, 7	L	13, 15, 17, 53, 55				LATCH
8	06104661AA	2	2, 3, 6, 7	L	13, 15, 17, 53, 55				SCREW
9	1HG35NC-VAA	1	2, 3, 6, 7	L	13, 15, 17, 53, 55				HANDLE, Rear Door Exterior
10	68006469AA	1	2, 3, 6, 7	L					LATCH
11	05103715AA	2	2, 3, 6, 7	L	13, 15, 17, 53, 55				SCREW

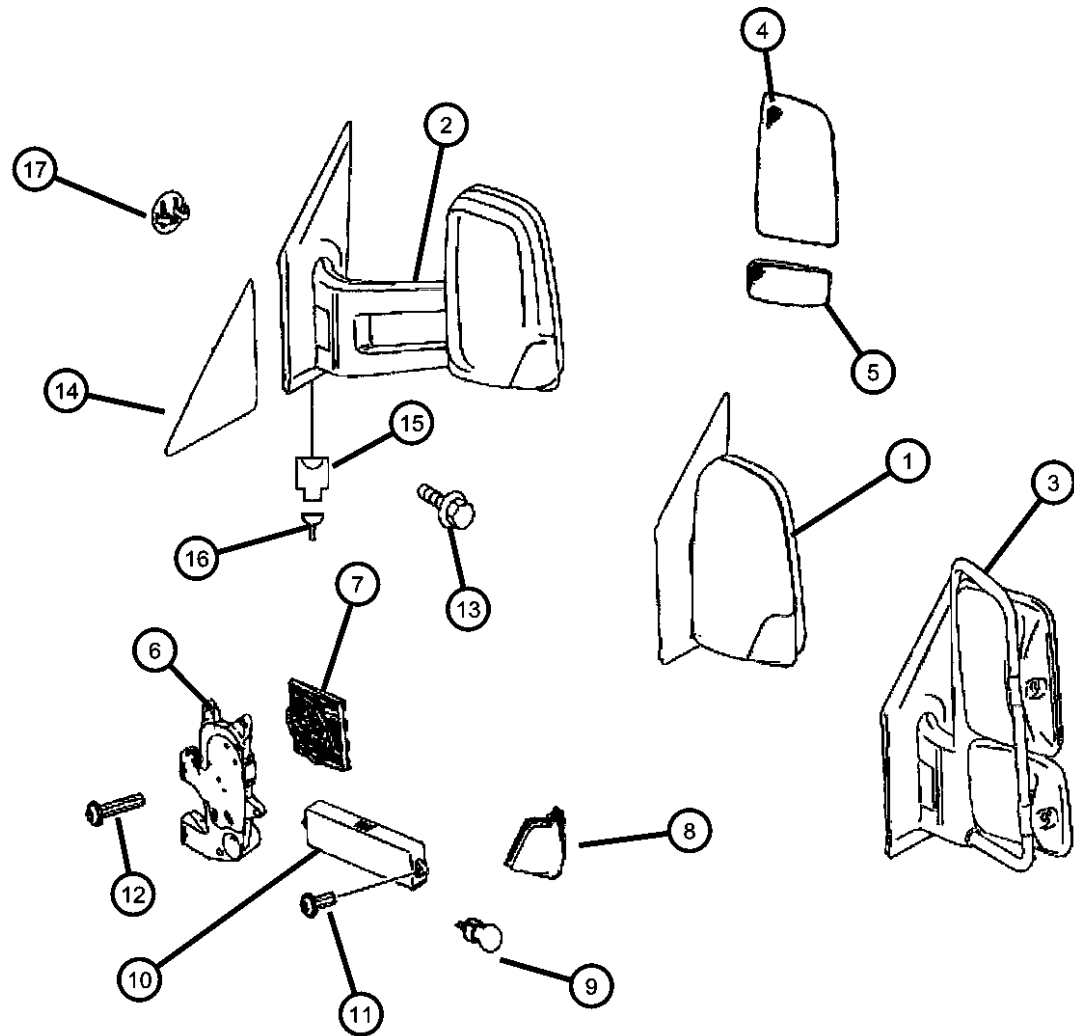
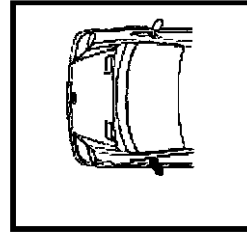
SPRINTER (VB)

SERIES	LINE	BODY	ENGINE	TRANSMISSION
L = LOWLINE	3 = HD DODGE 2WD 2 = Med. Duty DODGE 2WD	03 = CAB CHASSIS WHEEL BASE 3 05 = CAB CHASSIS WHEEL BASE 5 13 = 119 WB 53 = 119 WB 15 = VAN WHEEL BASE 5 55 = WAGON WHEEL BASE 5 17 = VAN WHEEL BASE 7	EG2 = 3.5L V6 Gas Engine EXM = 3.0L V6 Turbo Diesel Engine	DGZ = 5-Speed Auto W5A380 Transmission

AR = use ase required - = Non illustrated part

2007 VB

**Outside Rear View Mirror
Figure DVB-510**



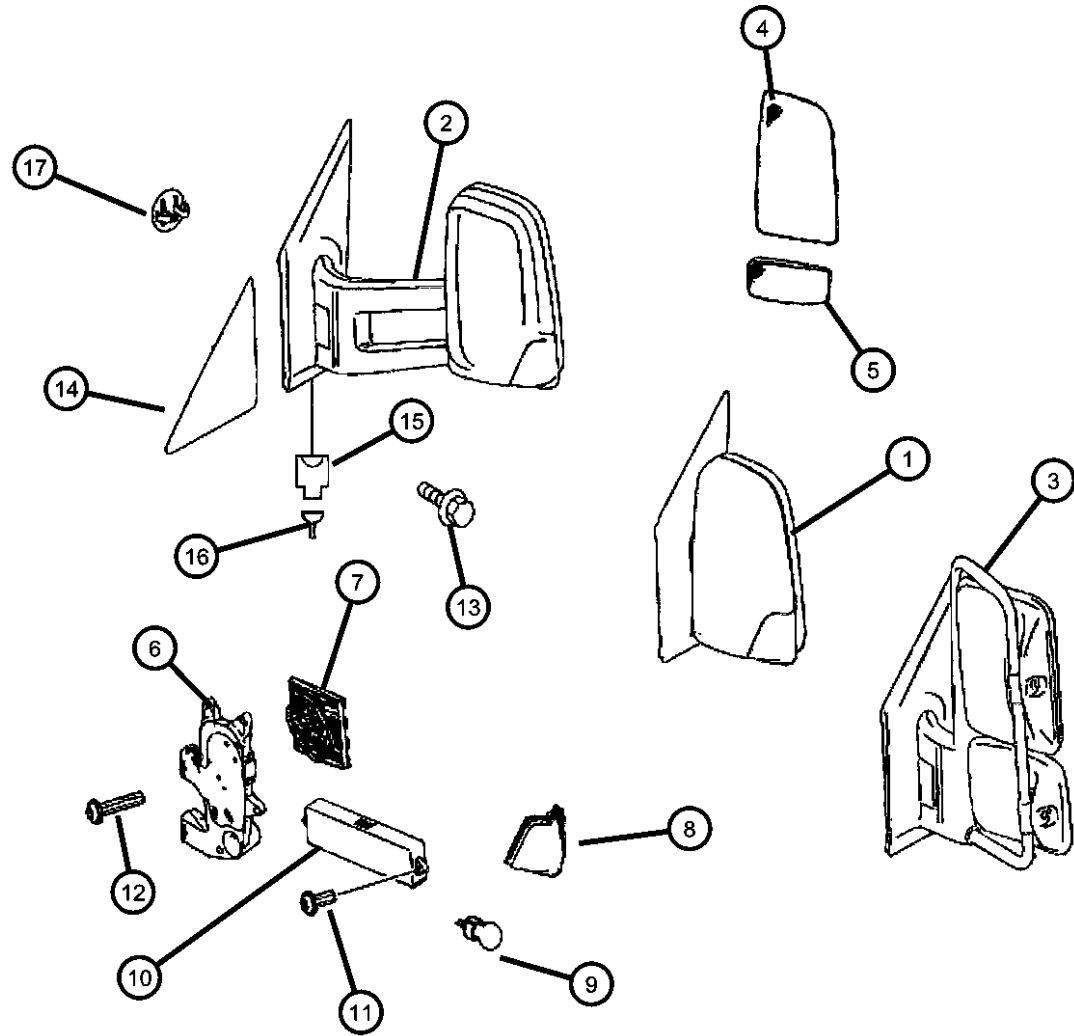
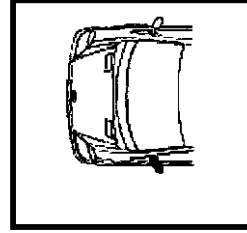
ITEM	PART NUMBER	QTY	LINE	SERIES	BODY	ENGINE	TRANS	TRIM	DESCRIPTION
1	68009980AA	1	2, 3, 6, 7	L					MIRROR, Outside Rearview
	68009981AA	1	2, 3, 6, 7	L					With [GTB] Without [XAG], Right
	68009982AA	1	2, 3, 6, 7	L	13, 15, 17, 53, 55				With [GTB] Without [XAG], Left
	68009983AA	1	2, 3, 6, 7	L	13, 15, 17, 53, 55				With [GTB & XAG], Right
	68009988AA	1	2, 3, 6, 7	L	03, 05, 13, 15, 17				With [GTB & XAG], Left
	68009988AA	1	2, 3, 6, 7	L	03, 05, 13, 15, 17				Without [GTB & XAG], Right
	68009989AA	1	2, 3, 6, 7	L	03, 05, 13, 15, 17				Without [GTB & XAG], Left
2	68009974AA	1	3, 7	L	03, 05				MIRROR, Outside Rearview
	68009975AA	1	3, 7	L	03, 05				With [XZE] Without [GTB], Right
	68009976AA	1	3, 7	L	03, 05				With [XZE] Without [GTB], Left
	68009977AA	1	3, 7	L	03, 05				With [XZE+GTB], Right
	68009977AA	1	3, 7	L	03, 05				With [XZE+GTB], Left
	68009988AA	1	2, 3, 6, 7	L	03, 05, 13, 15, 17				Without [GTB + XAG], Right
	68009989AA	1	2, 3, 6, 7	L	03, 05, 13, 15, 17				Without [GTB + XAG], Left
3	68042984AA	1	2, 3, 6, 7	L	03, 05, 13, 15, 17				Without [GTB And XAG], Left
	68009978AA	1	3, 7	L	03, 05				MIRROR, Outside Rearview
		1	2, 3, 6, 7	L	13, 15, 17				With [GYA] / For United Parcel Service [UPS] / Brown In Color, Left
	68009979AA	1	2, 3, 6, 7	L	03, 05, 13, 15, 17				With [GYA] / For United Parcel Service [UPS] / Brown In Color, Left
	68009989AA	1	2, 3, 6, 7	L	03, 05, 13, 15, 17				With [GYB] / Black In Color, Left
	68010088AA	1	3, 7	L	03, 05				With [GYB] / Black In Color, Right
4		1	2, 3, 6, 7	L	13, 15, 17				With [GYA] / For United Parcel Service [UPS] / Brown In Color, Right
									With [GYA] / For United Parcel Service [UPS] / Brown In Color, Right
									GLASS, Mirror Replacement

SPRINTER (VB)

SERIES	LINE	BODY	ENGINE	TRANSMISSION
L = LOWLINE	3 = HD DODGE 2WD 2 = Med. Duty DODGE 2WD	03 = CAB CHASSIS WHEEL BASE 3 05 = CAB CHASSIS WHEEL BASE 5 13 = 119 WB 53 = 119 WB 15 = VAN WHEEL BASE 5 55 = WAGON WHEEL BASE 5 17 = VAN WHEEL BASE 7	EG2 = 3.5L V6 Gas Engine EXM = 3.0L V6 Turbo Diesel Engine	DGZ = 5-Speed Auto W5A380 Transmission

AR = use ase required - = Non illustrated part

**Outside Rear View Mirror
Figure DVB-510**



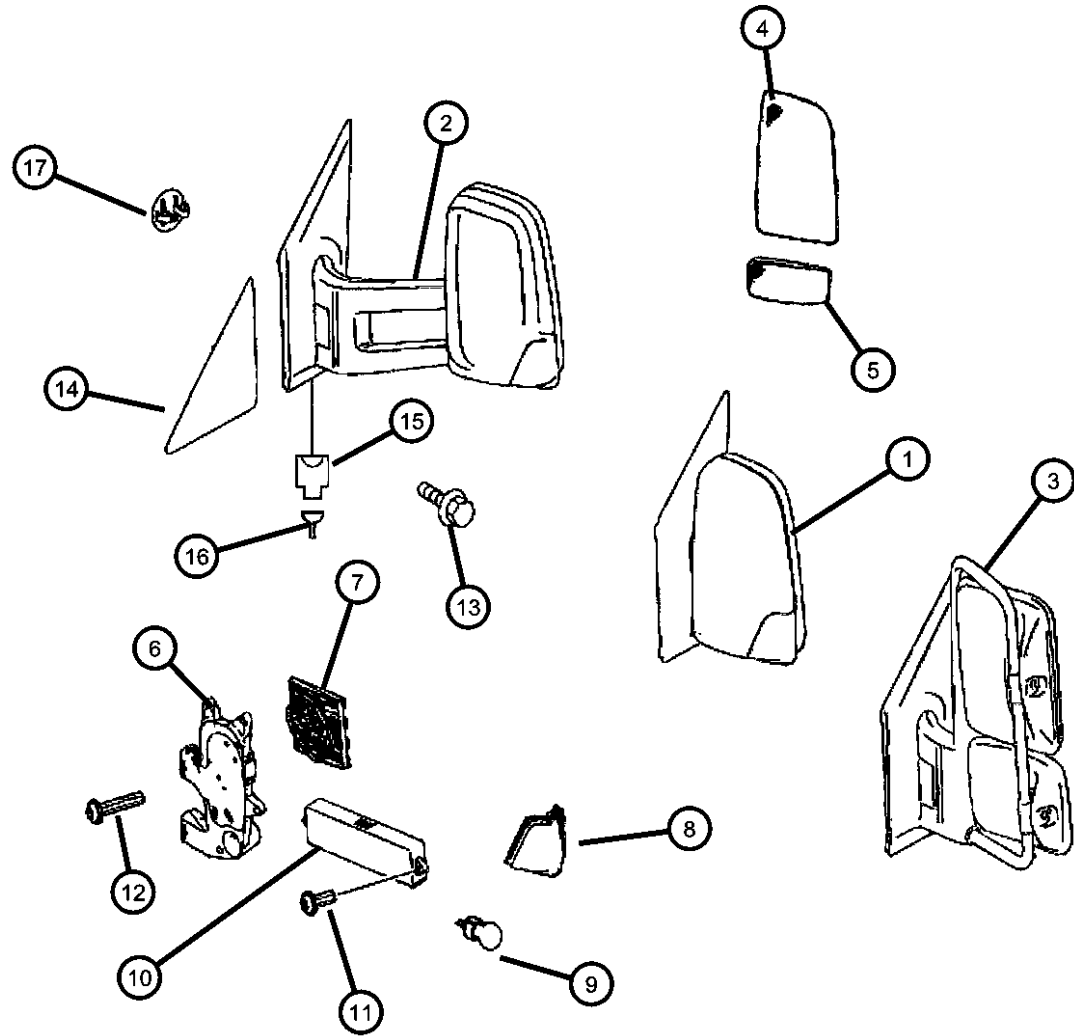
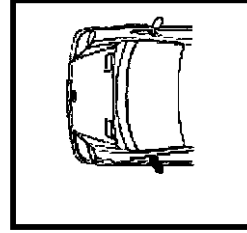
ITEM	PART NUMBER	QTY	LINE	SERIES	BODY	ENGINE	TRANS	TRIM	DESCRIPTION
	68009992AA	1	3, 7	L	03, 05				With [XZE] Without [GTB], Left, Upper
		1	2, 3, 6, 7	L	13, 15, 17				Without [XAG], Left, Upper
	68009993AA	1	2, 3, 6, 7	L	13, 15, 17, 53, 55				With [GTB + XAG], Left, Upper
	68010092AA	1	3, 7	L	03, 05				With [XZE] Without [GTB], Right, Upper
		1	2, 3, 6, 7	L	13, 15, 17				Without [XAG], Right, Upper
	68010118AA	1	2, 3, 6, 7	L	13, 15, 17, 53, 55				With [GTB + XAG], Right, Upper
5									GLASS, Mirror Replacement
	68009995AA	1	2, 3, 6, 7	L					Without [GYA] & Without [GYB], Lower, Left
	68010093AA	1	2, 3, 6, 7	L					Without [GYA] & Without [GYB], Lower, Right
6									MOTOR, Mirror
	68009997AA	1	3, 7	L	03, 05				With [GTB], Right & Left
		1	2, 3, 6, 7	L	13, 15, 17, 53, 55				With [GTB], Right & Left
7	68009996AA	1	2, 3, 6, 7	L					ADJUSTER, Without [GTB] / Manual Mirror
8									LAMP, Turn Signal
	68010001AA	1	2, 3, 6, 7	L					Left
	68010096AA	1	2, 3, 6, 7	L					Right
9	68010004AA	1	2, 3, 6, 7	L					SOCKET, Socket & Bulb
10									DISPLAY, Parking Assist
	68010003AA	1	2, 3, 6, 7	L	13, 15, 17, 53, 55				With [GTB & XAG], Left
	68010120AA	1	2, 3, 6, 7	L	13, 15, 17, 53, 55				With [GTB & XAG], Right
11	06104625AA	2	2, 3, 6, 7	L	13, 15, 17, 53, 55				SCREW, Hex Head, M4.0X1.79X12.0
12	06104629AA	4	2, 3, 6, 7	L	13, 15, 17, 53, 55				SCREW, Mirror Motor Mounting
13									SCREW, Hex Flange Head
	06104121AA	2	2, 3, 6, 7	L	13, 15, 17, 53, 55				Mirror Assembly To Door [M6x16]
		2	3, 7	L	03, 05				Mirror Assembly To Door [M6x16]
14									COVER, Mirror Flag

SPRINTER (VB)

SERIES	LINE	BODY	ENGINE	TRANSMISSION
L = LOWLINE	3 = HD DODGE 2WD 2 = Med. Duty DODGE 2WD	03 = CAB CHASSIS WHEEL BASE 3 05 = CAB CHASSIS WHEEL BASE 5 13 = 119 WB 53 = 119 WB 15 = VAN WHEEL BASE 5 55 = WAGON WHEEL BASE 5 17 = VAN WHEEL BASE 7	EG2 = 3.5L V6 Gas Engine EXM = 3.0L V6 Turbo Diesel Engine	DGZ = 5-Speed Auto W5A380 Transmission

AR = use ase required - = Non illustrated part

**Outside Rear View Mirror
Figure DVB-510**



ITEM	PART NUMBER	QTY	LINE	SERIES	BODY	ENGINE	TRANS	TRIM	DESCRIPTION
	68009990AA	1	2, 3, 6, 7	L					Left
	68010090AA	1	2, 3, 6, 7	L					Right
15	05120260AA	1	2, 3, 6, 7	L	13, 15, 17, 53, 55				INSULATOR, 6 Way [6 Pin / M21/6]
		1	3, 7	L	03, 05				[6 Pin / M21/6]
16	05103873AA	3	3, 7	L	03, 05				TERMINAL [.75 MM2 MQS;M21/6]
		3	2, 3, 6, 7	L	13, 15, 17, 53, 55				[.75 MM2 MQS;M21/6]
17	05125552AA	1	3, 7	L	03, 05				PLUG, Body Screw Cover
		1	2, 3, 6, 7	L	13, 15, 17, 53, 55				Screw Cover

SPRINTER (VB)

SERIES	LINE	BODY	ENGINE	TRANSMISSION
L = LOWLINE	3 = HD DODGE 2WD 2 = Med. Duty DODGE 2WD	03 = CAB CHASSIS WHEEL BASE 3 05 = CAB CHASSIS WHEEL BASE 5 13 = 119 WB 53 = 119 WB 15 = VAN WHEEL BASE 5 55 = WAGON WHEEL BASE 5 17 = VAN WHEEL BASE 7	EG2 = 3.5L V6 Gas Engine EXM = 3.0L V6 Turbo Diesel Engine	DGZ = 5-Speed Auto W5A380 Transmission

AR = use ase required - = Non illustrated part

Group - EVB

Exterior Ornamentation

Group - EVB Exterior Ornamentation

Illustration Title

Group-Fig. No.

Nameplates

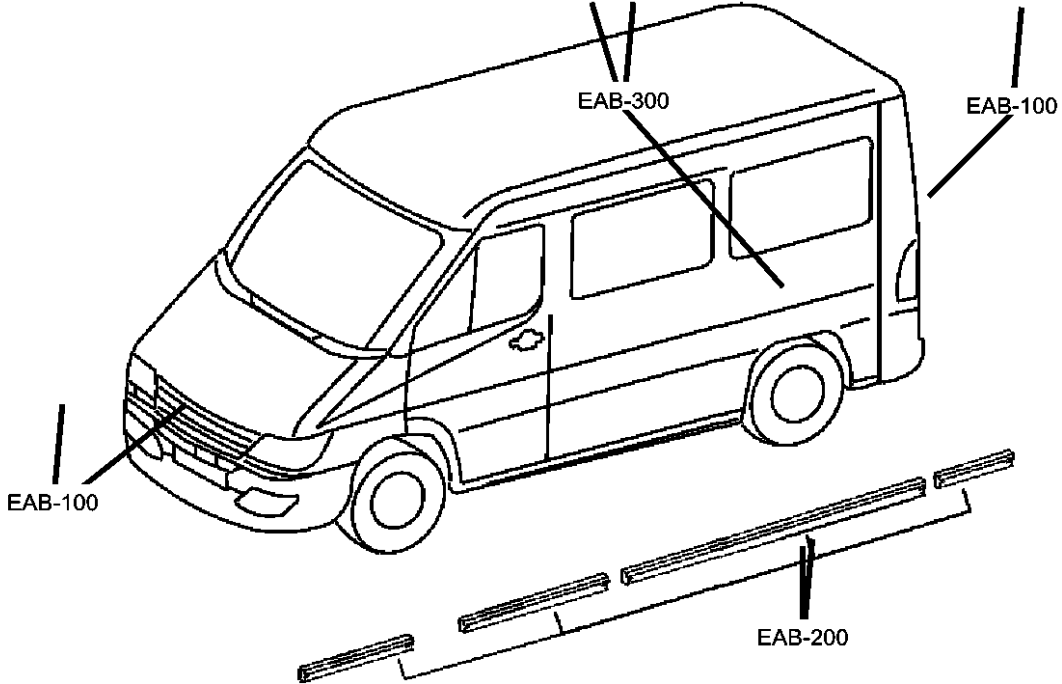
NameplatesFig. EVB - 110



Moldings and Ornamentation

Moldings Fig. EVB - 205

Moldings Fig. EVB - 210

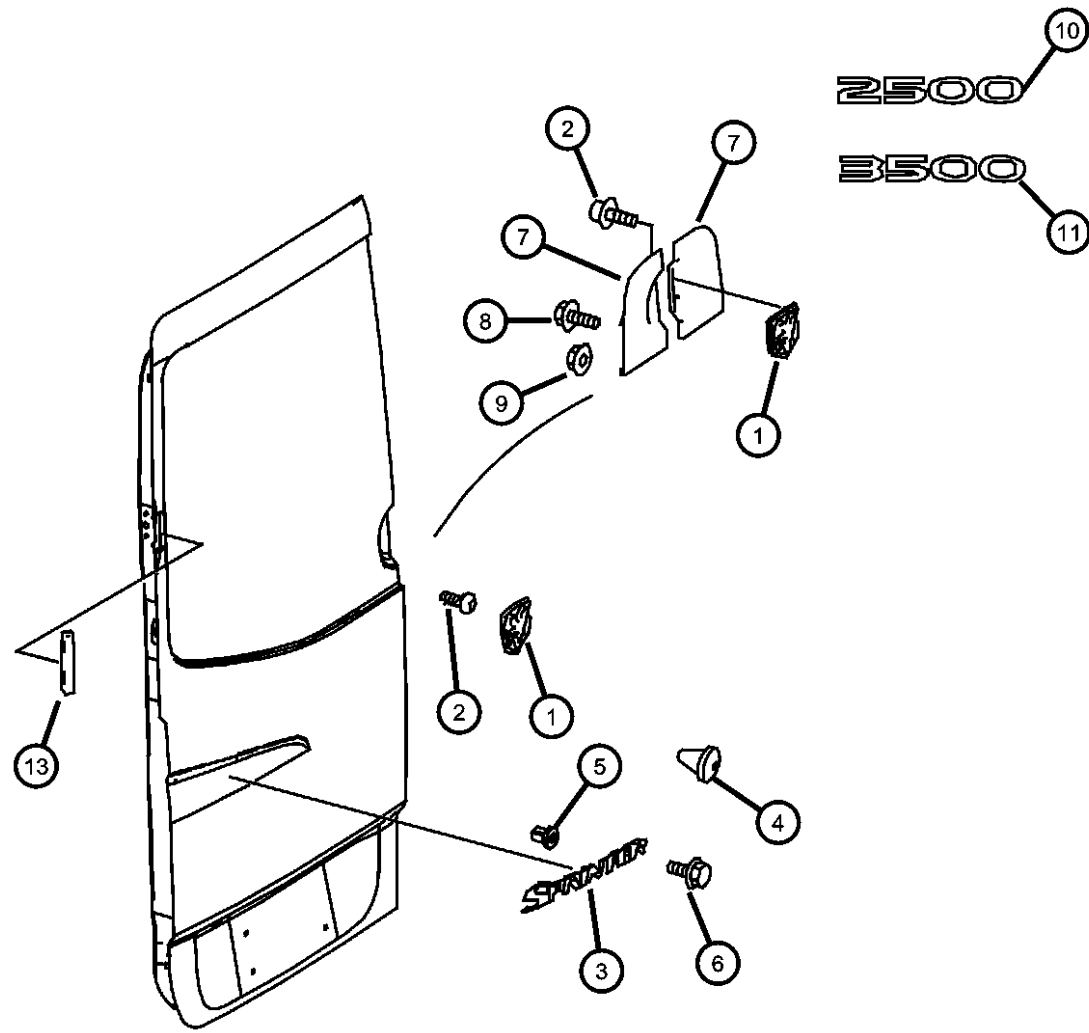
Splash Guards..... Fig. EVB - 220



<p>EVB-100 Nameplates</p> 	<p>EVB-200 Moldings and Ornamentation</p> 		
---	--	--	--

**Nameplates
Figure EVB-110**

ITEM	PART NUMBER	QTY	LINE	SERIES	BODY	ENGINE	TRANS	TRIM	DESCRIPTION
1	1JA16DX9AA	1	2, 3	L	13, 15, 17, 53, 55				MEDALLION, Ram Head
	68006601AA	1	2, 3	L					
2	06104632AA	1	2, 3, 6, 7	L	53, 55				SCREW, Hex Head
		4	2, 3, 6, 7	L	13, 15, 17, 53, 55				
3	68006517AA	1	2, 3, 6, 7	L	13, 15, 17, 53, 55				NAMEPLATE, SPRINTER
4	05142981AA	2	2, 3, 6, 7	L	13, 15, 17, 53, 55				GROMMET, License Plate Mounting
5	05103841AA	1	2, 3, 6, 7	L	15, 17, 53, 55, 13				NUT, Push In, License Plate Mounting
6	06104567AA	2	3, 7	L	03, 05				SCREW, Hex Head License Plate Mounting
		2	2, 3, 6, 7	L	13, 15, 17, 53, 55				License Plate Mounting
7	1HF06DX9AA	1	2, 3, 6, 7	L	13, 15, 17, 53, 55				COVER Left Door, [GEM]
	1HF07DX9AA	1	2, 3, 6, 7	L	13, 15, 17, 53, 55				Right Door, [GEM]
	1HF60DX9AA	1	2, 3	L	13, 15, 17, 53, 55				Right Door, [MG4] and [JHB]
	1HF62DX9AA	1	2, 3	L	13, 15, 17, 53, 55				Left Door, [MG4] and [JHB]
	1HF64XDVAA	1	2, 3	L	13, 15, 17				Left Door, [MG4]
	1HF65XDVAA	1	2, 3	L	13, 15, 17				Right Door, [MG4] Without [JHB]
	68006494AA	1	2, 3, 6, 7	L	13, 15, 17, 53, 55				[GEM], Left Door Without Wiper Hole
	68006495AA	1	2, 3, 6, 7	L	13, 15, 17, 53, 55				[GEH], Left Door
	68006593AA	1	2, 3, 6, 7	L	53, 13, 15, 17, 55				[GEM], Right Door Without Wiper Hole
	68006594AA	1	2, 3, 6, 7	L	13, 15, 17, 53, 55				[GEH], Right Door
8	68006596AA	2	2, 3, 6, 7	L	13, 15, 17				SCREW
9	06104707AA	1	2, 3, 6, 7	L	15, 17, 53, 55, 13				NUT, M5



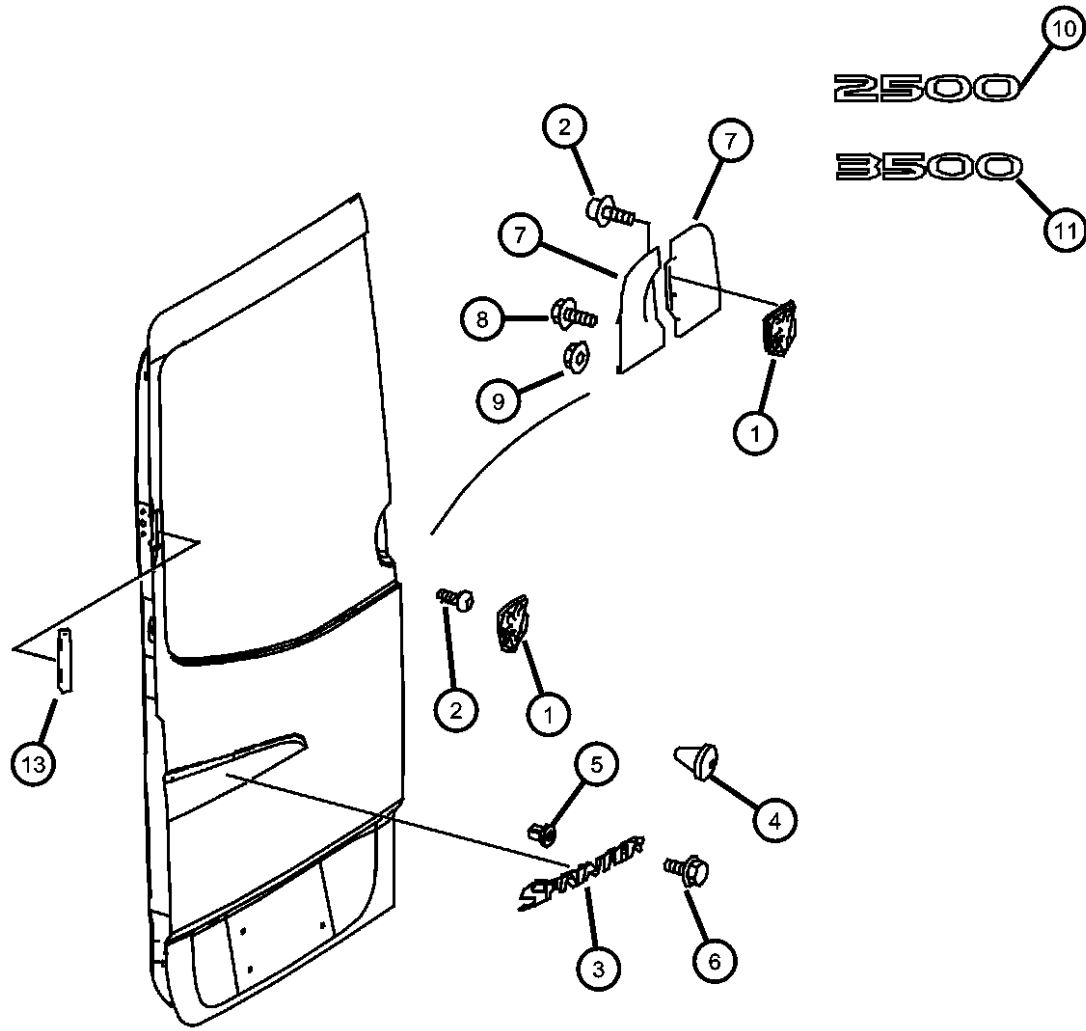
SPRINTER (VB)

SERIES	LINE	BODY	ENGINE	TRANSMISSION
L = LOWLINE	3 = HD DODGE 2WD 2 = Med. Duty DODGE 2WD	03 = CAB CHASSIS WHEEL BASE 3 05 = CAB CHASSIS WHEEL BASE 5 13 = 119 WB 53 = 119 WB 15 = VAN WHEEL BASE 5 55 = WAGON WHEEL BASE 5 17 = VAN WHEEL BASE 7	EG2 = 3.5L V6 Gas Engine EXM = 3.0L V6 Turbo Diesel Engine	DGZ = 5-Speed Auto W5A380 Transmission

AR = use ase required - = Non illustrated part

Nameplates
Figure EVB-110

ITEM	PART NUMBER	QTY	LINE	SERIES	BODY	ENGINE	TRANS	TRIM	DESCRIPTION
10	55077331AB	2	2	L	13, 15, 17, 53, 55				NAMEPLATE, Ram 2500
11	55077332AB	2	3	L	03, 05, 13, 15, 17				NAMEPLATE, Ram 3500
-12	68020891AA	1	6, 7	L	13, 15, 17, 53, 55				BADGE, [Freightliner Badge]
13	68010099AA	1	3, 7	L	03, 05				COVER
		1	2, 3, 6, 7	L	13, 15, 17, 53, 55				
-14	68018863AA	1	2, 3, 6, 7	L					NAMEPLATE, [CRD] Name Plate



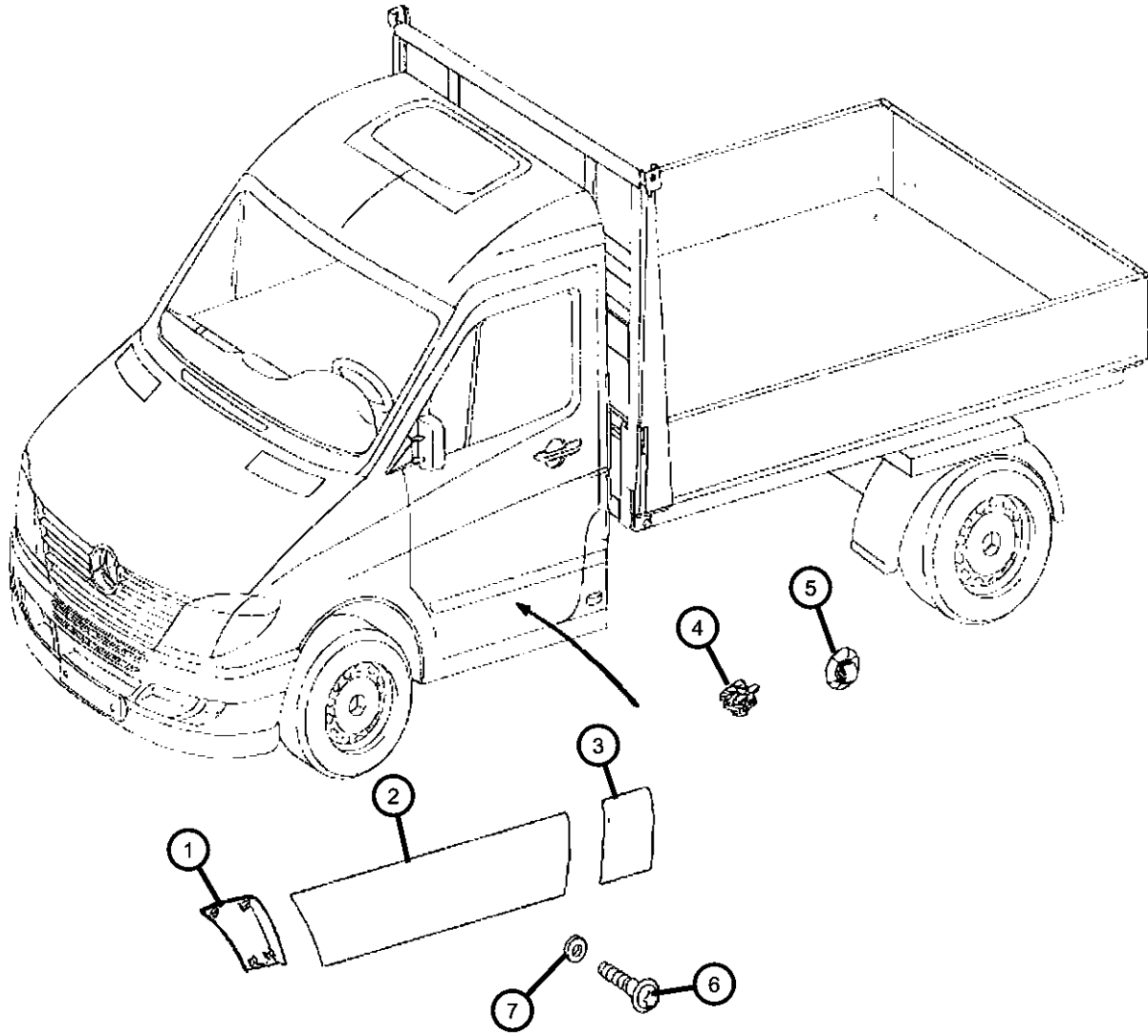
SPRINTER (VB)

SERIES	LINE	BODY	ENGINE	TRANSMISSION
L = LOWLINE	3 = HD DODGE 2WD 2 = Med. Duty DODGE 2WD	03 = CAB CHASSIS WHEEL BASE 3 05 = CAB CHASSIS WHEEL BASE 5 13 = 119 WB 53 = 119 WB 15 = VAN WHEEL BASE 5 55 = WAGON WHEEL BASE 5 17 = VAN WHEEL BASE 7	EG2 = 3.5L V6 Gas Engine EXM = 3.0L V6 Turbo Diesel Engine	DGZ = 5-Speed Auto W5A380 Transmission

AR = use ase required - = Non illustrated part

**Moldings
Figure EVB-205**

ITEM	PART NUMBER	QTY	LINE	SERIES	BODY	ENGINE	TRANS	TRIM	DESCRIPTION
1	1HB77P01AA	1	2, 3, 6, 7	L					MOLDING, Fender Right
	1JD64P01AA	1	2, 3, 6, 7	L					Left
2	1HB75P01AA	1	2, 3, 6, 7	L					MOLDING, Front Door Left
	1HB76P01AA	1	2, 3, 6, 7	L					Right
3	1HE95P01AA	1	3, 7	L	03, 05				MOLDING, Cab Left
	1HE96P01AA	1	3, 7	L	03, 05				Right
4	68014789AA	AR	3, 7	L	03, 05				CLIP, Molding
5	68014794AA	AR	3, 7	L	03, 05				CLIP, Molding
6	06104633AA	2	3, 7	L	03, 05				SCREW
7	68010043AA	2	2, 3, 6, 7	L					WASHER



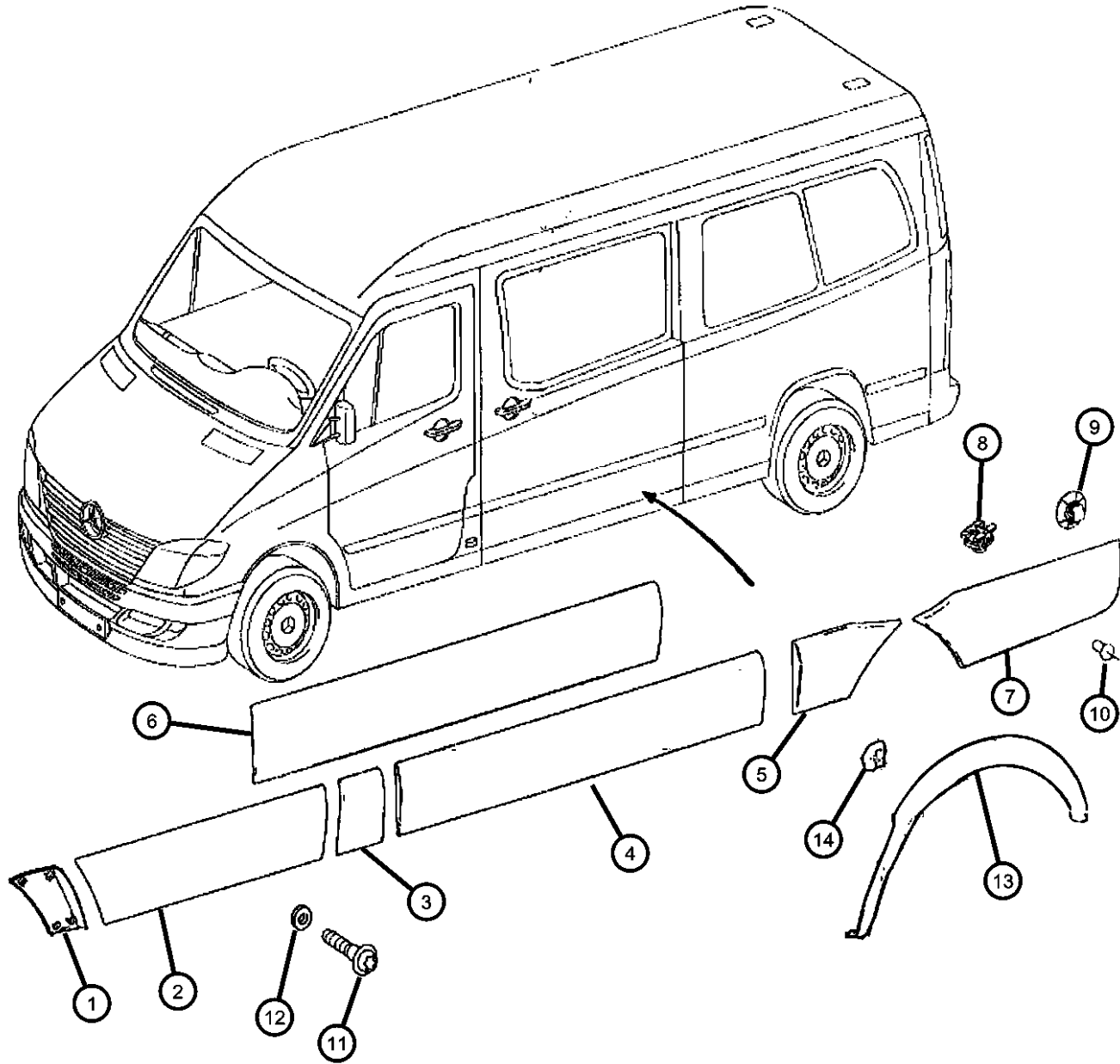
SPRINTER (VB)

SERIES	LINE	BODY	ENGINE	TRANSMISSION
L = LOWLINE	3 = HD DODGE 2WD 2 = Med. Duty DODGE 2WD	03 = CAB CHASSIS WHEEL BASE 3 05 = CAB CHASSIS WHEEL BASE 5 13 = 119 WB 53 = 119 WB 15 = VAN WHEEL BASE 5 55 = WAGON WHEEL BASE 5 17 = VAN WHEEL BASE 7	EG2 = 3.5L V6 Gas Engine EXM = 3.0L V6 Turbo Diesel Engine	DGZ = 5-Speed Auto W5A380 Transmission

AR = use ase required - = Non illustrated part

2007 VB

**Moldings
Figure EVB-210**



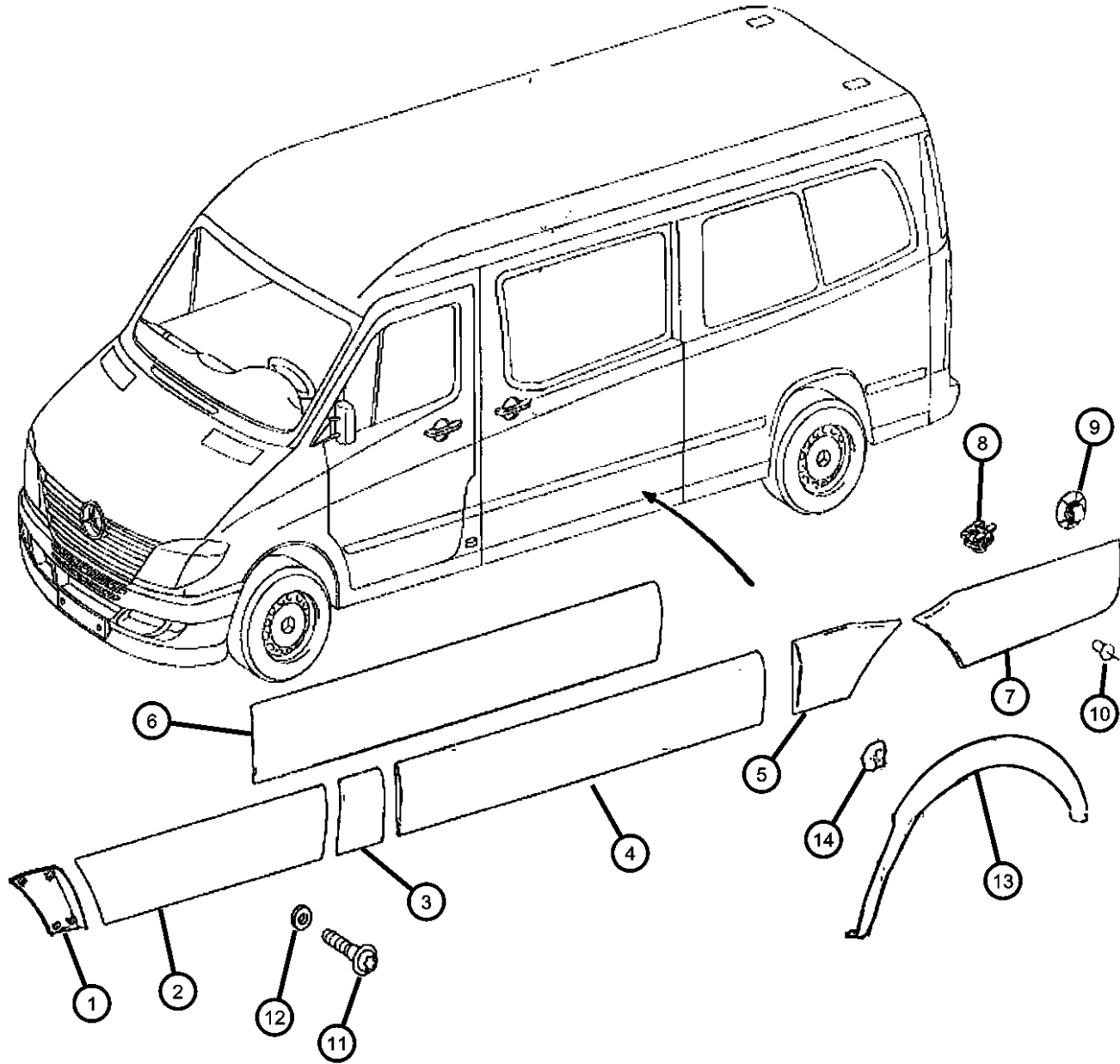
ITEM	PART NUMBER	QTY	LINE	SERIES	BODY	ENGINE	TRANS	TRIM	DESCRIPTION
1	1HB77P01AA	1	2, 3, 6, 7	L					MOLDING, Fender White, Right
	1HB77XDVAA	1	2, 3, 6, 7	L					Gray, Right
	1JD64P01AA	1	2, 3, 6, 7	L					White, Left
	1JD64XDVAA	1	2, 3, 6, 7	L					Gray, Left
2	1HB75P01AA	1	2, 3, 6, 7	L					MOLDING, Front Door White, Left
	1HB75XDVAA	1	2, 3, 6, 7	L					Gray, Left
	1HB76P01AA	1	7, 2, 3, 6	L					White, Right
	1HB76XDVAA	1	2, 3, 6, 7	L					Gray, Right
3	1HB78P01AA	1	2, 3, 6, 7	L	13, 15, 17, 53, 55				MOLDING, B-Pillar White, Left
	1HB78XDVAA	1	2, 3, 6, 7	L	13, 15, 17, 53, 55				Gray, Left
	1HB79P01AA	1	2, 3, 6, 7	L	13, 15, 17, 53, 55				White, Right
	1HB79XDVAA	1	2, 3, 6, 7	L	13, 15, 17, 53, 55				Gray, Right
4	1HB62P01AA	1	2, 3, 6, 7	L	13, 15, 17, 53, 55				MOLDING, Sliding Door White, Right
	1HB62XDVAA	1	2, 3, 6, 7	L	13, 15, 17, 53, 55				Gray, Right
	1HB80P01AA	1	2, 3, 6, 7	L	13, 15, 17, 53, 55				White, Left
	1HB80XDVAA	1	2, 3, 6, 7	L	13, 15, 17, 53, 55				Gray, Left
5	1HB81P01AA	1	6, 7, 2, 3	L	15, 17, 55				MOLDING, Body Side White, Left
	1HB81XDVAA	1	2, 3, 6, 7	L	15, 17, 55				Gray, Left
	1HB82P01AA	1	2, 3, 6, 7	L	15, 17, 55				White, Right
	1HB82XDVAA	1	2, 3, 6, 7	L	15, 17, 55				Gray, Right
	1HB83P01AA	1	2, 3, 6, 7	L	13, 53				White, Left
	1HB83XDVAA	1	2, 3, 6, 7	L	13, 53				Gray, Left
	1HB84P01AA	1	2, 3, 6, 7	L	13, 53				White, Right
	1HB84XDVAA	1	2, 3, 6, 7	L	13, 53				Gray, Right

SPRINTER (VB)

SERIES	LINE	BODY	ENGINE	TRANSMISSION
L = LOWLINE	3 = HD DODGE 2WD 2 = Med. Duty DODGE 2WD	03 = CAB CHASSIS WHEEL BASE 3 05 = CAB CHASSIS WHEEL BASE 5 13 = 119 WB 53 = 119 WB 15 = VAN WHEEL BASE 5 55 = WAGON WHEEL BASE 5 17 = VAN WHEEL BASE 7	EG2 = 3.5L V6 Gas Engine EXM = 3.0L V6 Turbo Diesel Engine	DGZ = 5-Speed Auto W5A380 Transmission

AR = use ase required - = Non illustrated part

**Moldings
Figure EVB-210**



ITEM	PART NUMBER	QTY	LINE	SERIES	BODY	ENGINE	TRANS	TRIM	DESCRIPTION
6	1HB62P01AA	1	2, 3, 6, 7	L	13, 15, 17, 53, 55				MOLDING, Sliding Door White, Right
	1HB62XDVAA	1	2, 3, 6, 7	L	13, 15, 17, 53, 55				Gray, Right
	1HB80P01AA	1	2, 3, 6, 7	L	13, 15, 17, 53, 55				White, Left
	1HB80XDVAA	1	2, 3, 6, 7	L	13, 15, 17, 53, 55				Gray, Left
7	1HB85P01AA	1	2, 3, 6, 7	L	13, 53				MOLDING, Body Side White, Left
	1HB85XDVAA	1	2, 3, 6, 7	L	13, 53				Gray, Left
	1HB86P01AA	1	7, 2, 3, 6	L	13, 53				White, Right
	1HB86XDVAA	1	2, 3, 6, 7	L	13, 53				Gray, Right
	1HB87P01AA	1	2, 3, 6, 7	L	15, 55				White, Left
	1HB87XDVAA	1	2, 3, 6, 7	L	15, 55				Gray, Left
	1HB88P01AA	1	2, 3, 6, 7	L	15, 55				White, Right
	1HB88XDVAA	1	2, 3, 6, 7	L	15, 55				Gray, Right
	1HB89P01AA	1	2, 3, 6, 7	L	17				White, Left
	1HB89XDVAA	1	2, 3, 6, 7	L	17				Gray, Left
	1HB90P01AA	1	2, 3, 6, 7	L	17				White, Right
	1HB90XDVAA	1	2, 3, 6, 7	L	17				Gray, Right
8	68014789AA	AR	3, 7	L	03, 05				CLIP, Molding
		AR	2, 3, 6, 7	L	13, 15, 17, 53, 55				
9	68014794AA	AR	3, 7	L	03, 05				CLIP, Molding
		AR	2, 3, 6, 7	L	13, 15, 17, 53, 55				
10	1AR96DX9AA	3	3, 7	L	03, 05				RIVET, Plastic
		3	2, 3, 6, 7	L	13, 15, 17, 53, 55				
11	06104633AA	1	6, 7, 2, 3	L					SCREW

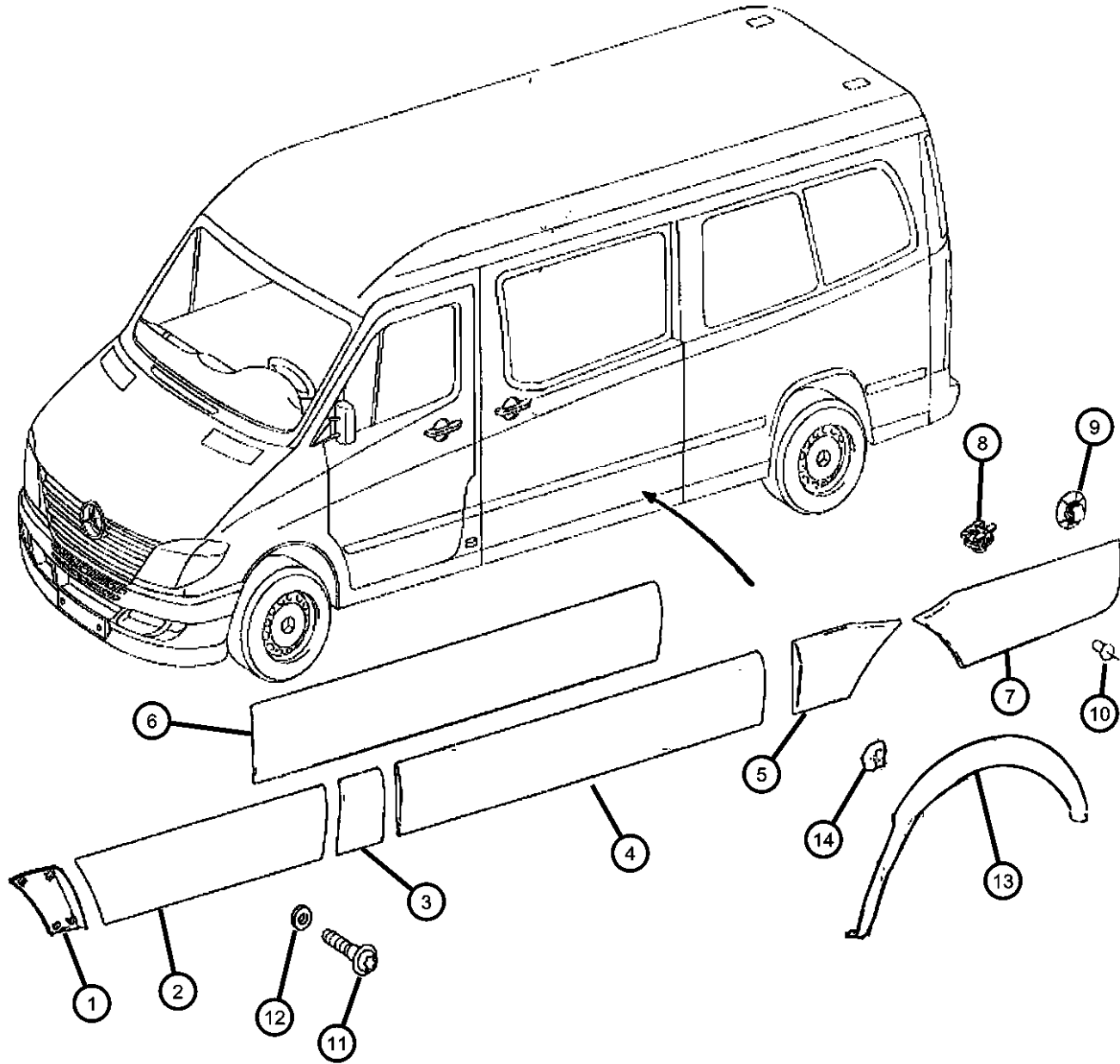
SPRINTER (VB)

SERIES	LINE	BODY	ENGINE	TRANSMISSION
L = LOWLINE	3 = HD DODGE 2WD 2 = Med. Duty DODGE 2WD	03 = CAB CHASSIS WHEEL BASE 3 05 = CAB CHASSIS WHEEL BASE 5 13 = 119 WB 53 = 119 WB 15 = VAN WHEEL BASE 5 55 = WAGON WHEEL BASE 5 17 = VAN WHEEL BASE 7	EG2 = 3.5L V6 Gas Engine EXM = 3.0L V6 Turbo Diesel Engine	DGZ = 5-Speed Auto W5A380 Transmission

AR = use ase required - = Non illustrated part

**Moldings
Figure EVB-210**

ITEM	PART NUMBER	QTY	LINE	SERIES	BODY	ENGINE	TRANS	TRIM	DESCRIPTION
12	68010043AA	2	2, 3, 6, 7	L					WASHER
13	1HE92XDVAA	1	2, 3, 6, 7	L	13, 15, 17, 53, 55				MOLDING, Wheel Opening Flare Right
	1HE93XDVAA	1	2, 3, 6, 7	L	13, 15, 17, 53, 55				Left
14	68014795AA	1	2, 3, 6, 7	L	13, 15, 17, 53, 55				CLIP



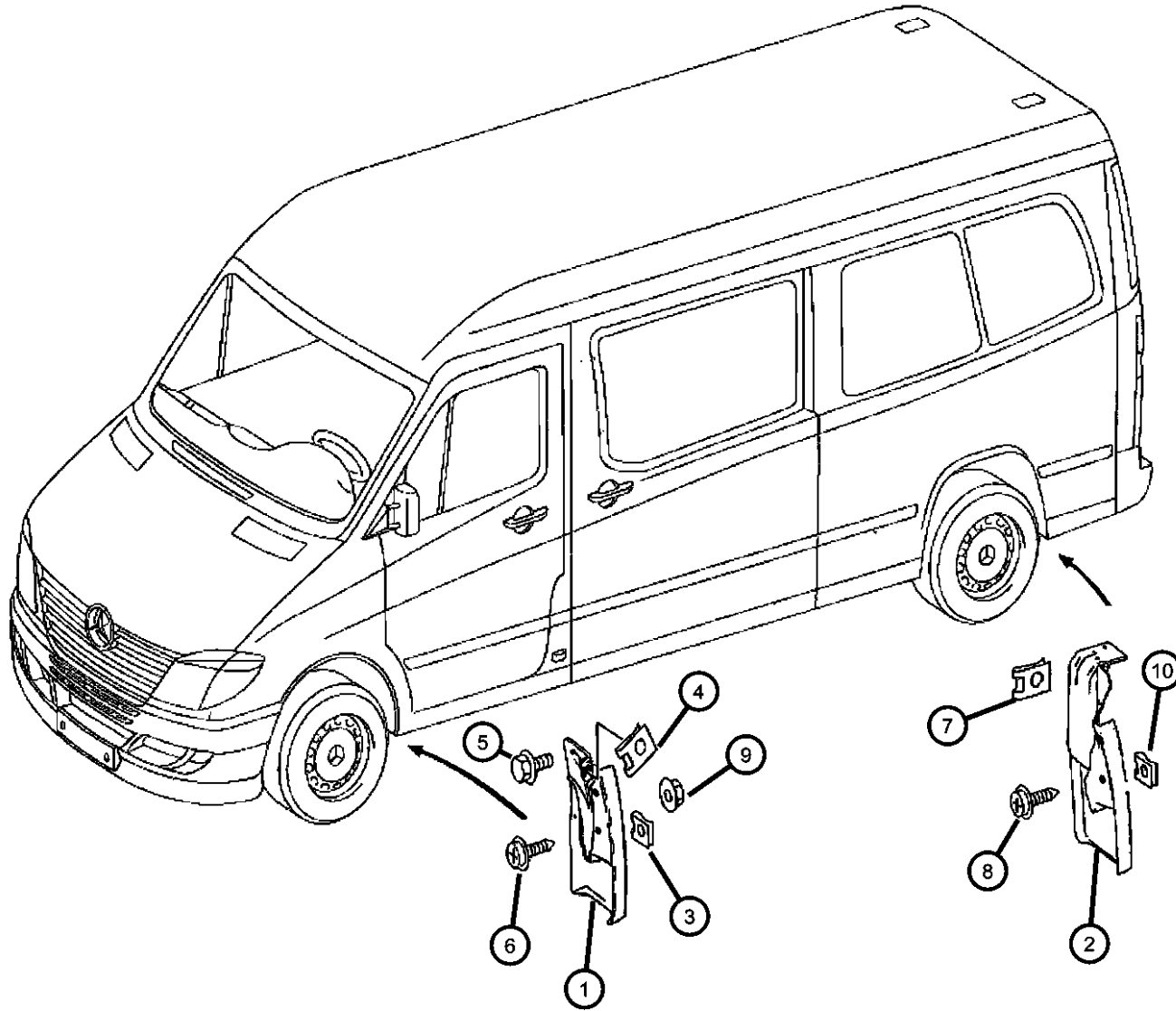
SPRINTER (VB)

SERIES	LINE	BODY	ENGINE	TRANSMISSION
L = LOWLINE	3 = HD DODGE 2WD 2 = Med. Duty DODGE 2WD	03 = CAB CHASSIS WHEEL BASE 3 05 = CAB CHASSIS WHEEL BASE 5 13 = 119 WB 53 = 119 WB 15 = VAN WHEEL BASE 5 55 = WAGON WHEEL BASE 5 17 = VAN WHEEL BASE 7	EG2 = 3.5L V6 Gas Engine EXM = 3.0L V6 Turbo Diesel Engine	DGZ = 5-Speed Auto W5A380 Transmission

AR = use ase required - = Non illustrated part

2007 VB

**Splash Guards
Figure EVB-220**



ITEM	PART NUMBER	QTY	LINE	SERIES	BODY	ENGINE	TRANS	TRIM	DESCRIPTION
1	1HE91DX9AA	1	2, 3, 6, 7	L					GUARD, Splash Right
	1HE90DX9AA	1	2, 3, 6, 7	L					Left
2	1HQ54DX9AA	1	2, 3, 6, 7	L	13, 15, 17, 53, 55				GUARD, Splash Right
	1HQ55DX9AA	1	2, 3, 6, 7	L	13, 15, 17, 53, 55				Left
3	06104737AA	4	2, 3, 6, 7	L	13, 15, 17, 53, 55				CLIP, CLIP-SPRING
4	06104735AA	4	2, 3, 6, 7	L	13, 15, 17, 53, 55				CLIP, Spring
		4	3, 7	L	03, 05				
5	06104635AA	2	6, 7, 2, 3	L	13, 15, 17, 53, 55				SCREW
6	06104615AA	8	3, 7	L	03, 05				SCREW, Tapping
		8	2, 3, 6, 7	L	13, 15, 17, 53, 55				
7	06104737AA	4	2, 3, 6, 7	L	13, 15, 17, 53, 55				CLIP, CLIP-SPRING
8	06104615AA	8	3, 7	L	03, 05				SCREW, Tapping
		8	2, 3, 6, 7	L	13, 15, 17, 53, 55				
9	68004878AA	4	2, 3, 6, 7	L	13, 15, 17, 53, 55				NUT
10	68004878AA	4							CLIP, (NOT SERVICED)

SPRINTER (VB)

SERIES	LINE	BODY	ENGINE	TRANSMISSION
L = LOWLINE	3 = HD DODGE 2WD 2 = Med. Duty DODGE 2WD	03 = CAB CHASSIS WHEEL BASE 3 05 = CAB CHASSIS WHEEL BASE 5 13 = 119 WB 53 = 119 WB 15 = VAN WHEEL BASE 5 55 = WAGON WHEEL BASE 5 17 = VAN WHEEL BASE 7	EG2 = 3.5L V6 Gas Engine EXM = 3.0L V6 Turbo Diesel Engine	DGZ = 5-Speed Auto W5A380 Transmission

AR = use ase required - = Non illustrated part

2007 VB

Group - IVB

Interior Trim

Group - IVB Interior Trim

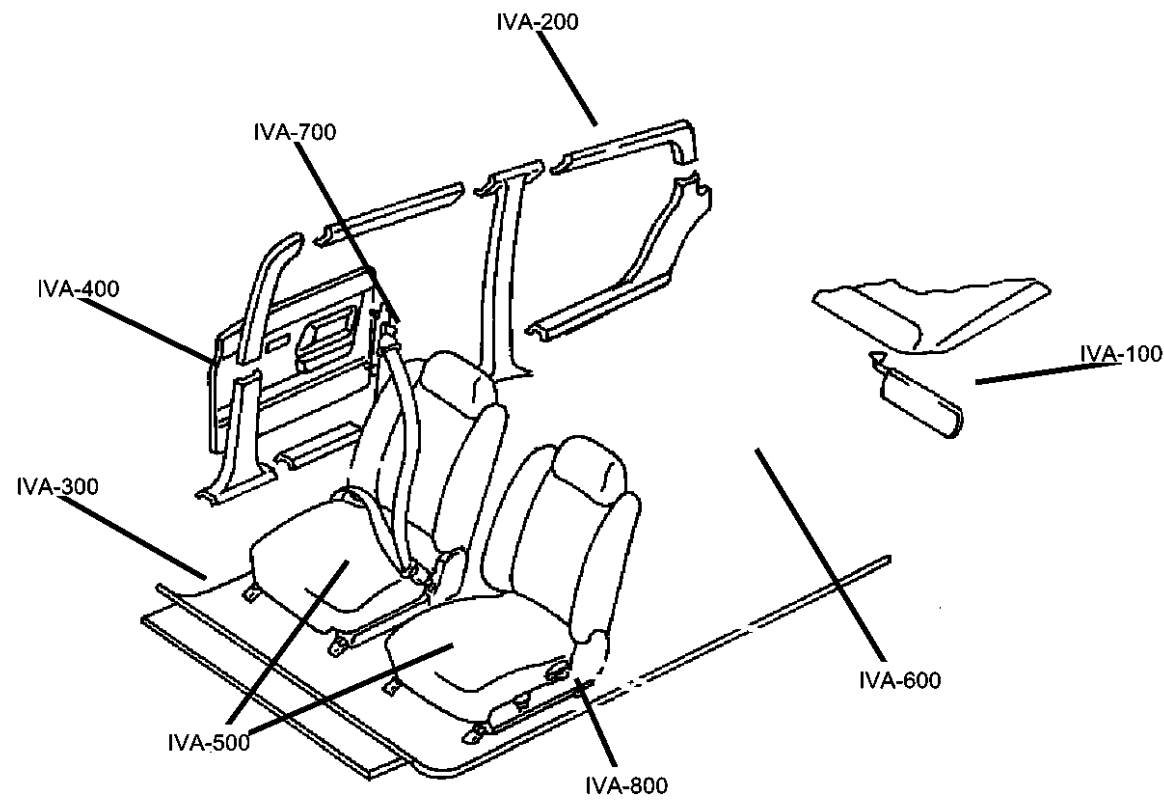


Illustration Title

Group-Fig. No.

Headliner and Visor

Sun Visor & Inside Mirror Cab Chassis	Fig. IVB - 105
Sun Visor & Inside Mirror	Fig. IVB - 110

Moldings, Scuff Plates

Inner Paneling in Cab	Fig. IVB - 205
Partition Paneling	Fig. IVB - 215
Inner Paneling Sidewall, Hard Fiber	Fig. IVB - 220
Inner Paneling Sidewall, Plastic	Fig. IVB - 225
Inner Paneling Sidewall, Fabric	Fig. IVB - 230
Inner Paneling Window-Pillar in Cab	Fig. IVB - 235
Inner Paneling, Roof, Low Roof	Fig. IVB - 240
Inner Paneling, Roof, High Roof	Fig. IVB - 245
Window Airbag/Head Side Airbag	Fig. IVB - 250
Cargo Retainers	Fig. IVB - 255
Partition Wall / Load Protection Grill	Fig. IVB - 260
Partition Wall with Sliding Door	Fig. IVB - 265

Carpet

Floor Lining, Entry Paneling & Footrest in Cab	Fig. IVB - 310
Floor Lining & Entry Paneling-Wooden Floor	Fig. IVB - 315

Door Trim Panels-Front and Sliding

Front Door Trim Panel	Fig. IVB - 410
Sliding Door Trim Panel	Fig. IVB - 420
Cargo Door Trim Panel	Fig. IVB - 430

Front Seats and Attaching Parts

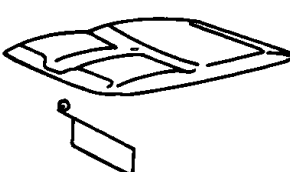
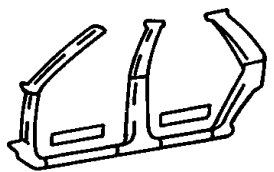
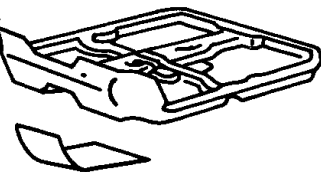
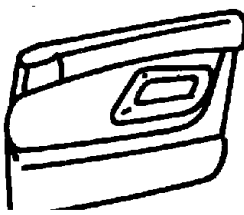

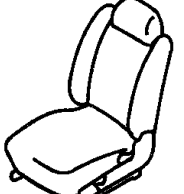
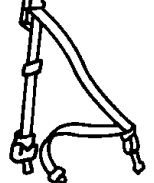
Front Seat [A6] Orion Grey Medium	Fig. IVB - 510
Front Seat [E7] Art Grey	Fig. IVB - 515
Front Seat [F7] Black	Fig. IVB - 520
Passenger Front Dual Seat Sales Code [CW9], [A6] Orion Grey Medium	Fig. IVB - 525
Passenger Front Dual Seat Sales Code [CW9], [E7] Art Grey	Fig. IVB - 530
Passenger Front Dual Seat Sales Code [CW9], [F7] Black	Fig. IVB - 535
Passenger Front Jump Seat With Sales Code [CDT], [A6] Orion Grey Medium	Fig. IVB - 540
Passenger Front Jump Seat With Sales Code [CDT], [E7] Art Grey	Fig. IVB - 545
Passenger Front Jump Seat With Sales Code [CDT], [F7] Black	Fig. IVB - 550
Seat Box	Fig. IVB - 555

Rear Seats

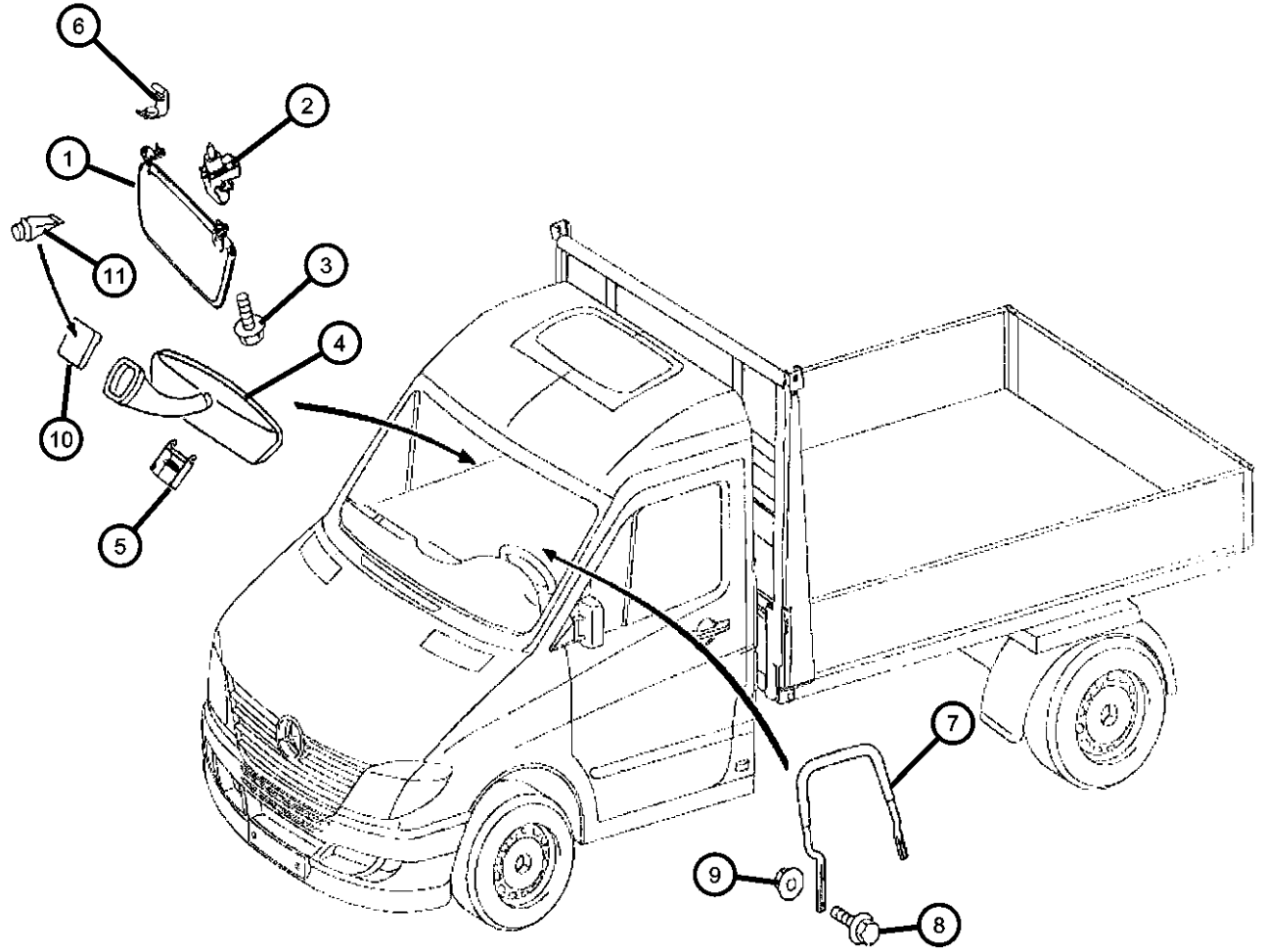
Rear Seat- 2 Passenger	Fig. IVB - 610
Rear Seat- 3 Passenger	Fig. IVB - 620

Seat Belts-Front and Rear

Front Seat Belts	Fig. IVB - 710
Rear Seat Belts	Fig. IVB - 720

<p>IVB-100 Headliner and Visor</p> 	<p>IVB-200 Moldings, Scuff Plates</p> 	<p>IVB-300 Carpet</p> 	<p>IVB-400 Door Trim Panels-Front and Sliding</p> 
<p>IVB-500 Front Seats and Attaching Parts</p> 	<p>IVB-600 Rear Seats</p> 	<p>IVB-700 Seat Belts-Front and Rear</p> 	

Sun Visor & Inside Mirror Cab Chassis
Figure IVB-105



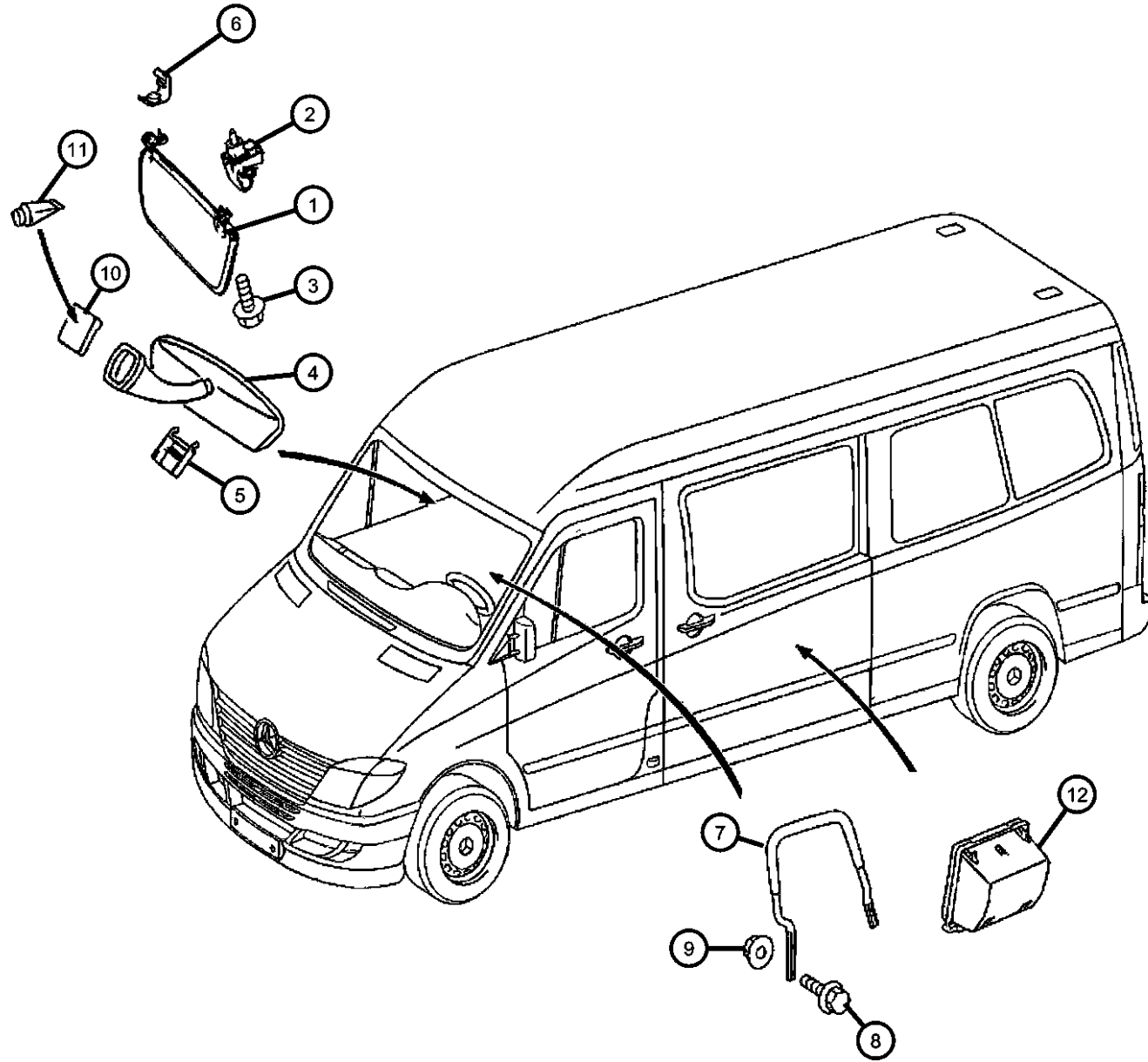
ITEM	PART NUMBER	QTY	LINE	SERIES	BODY	ENGINE	TRANS	TRIM	DESCRIPTION
1									VISOR
	1GY42KDVA	1	2, 3, 6, 7	L				*A6	Left
		1	2, 3, 6, 7	L				*E7	Left
		1	2, 3, 6, 7	L				*F7	Left
	1GY43KDVA	1	2, 3, 6, 7	L				*A6	Right
		1	2, 3, 6, 7	L				*E7	Right
		1	2, 3, 6, 7	L				*F7	Right
2									RETAINER, Visor
	1HQ43KD-VAA	2	2, 3, 6, 7	L				*E7	Right & Left
		2	2, 3, 6, 7	L				*F7	Right & Left
		2	7, 2, 3, 6	L				*A6	Right & Left
3	68014329AA	4	2, 3, 6, 7	L					SCREW, [M6x25]
4									MIRROR, Inside Rear View
	05104435AA	1	2, 3, 6, 7	L					With [GNA] Without [NHW]
	68017272AA	1	2, 3, 6, 7	L					With [GNA + NHW]
5	68017273AA	1	2, 3, 6, 7	L					COVER
6									CLIP, Visor
	1HB00XDVA	2	2, 3, 6, 7	L				*A6	
		2	2, 3, 6, 7	L				*E7	
		2	2, 3, 6, 7	L				*F7	
7									RETAINER
	1HE41DX9AA	1	2, 3, 6, 7	L				*A6	With [CSV], Left
		1	3, 6, 7, 2	L				*E7	With [CSV], Left
	1HE85DX9AA	1	3, 7	L	03, 05			*F7	With [CSV], Right
		1	2, 3, 6, 7	L				*F7	With [CSV], Left
		1	3, 7	L	03, 05			*A6	With [CSV], Right
		1	3, 7	L	03, 05			*E7	With [CSV], Right
8	06104157AB	3	3, 7	L	03, 05				BOLT, Torx Head, M8x1.25x35.00
9	06105169AA	2	3, 7	L	03, 05				NUT, [M8]
10	05104241AA	1	3, 7	L	03, 05				BUTTON, Rear View Mirror
11	05125662AB	1	2, 3, 6, 7	L					ADHESIVE

SPRINTER (VB)

SERIES	LINE	BODY	ENGINE	TRANSMISSION
L = LOWLINE	3 = HD DODGE 2WD 2 = Med. Duty DODGE 2WD	03 = CAB CHASSIS WHEEL BASE 3 05 = CAB CHASSIS WHEEL BASE 5 13 = 119 WB 53 = 119 WB 15 = VAN WHEEL BASE 5 55 = WAGON WHEEL BASE 5 17 = VAN WHEEL BASE 7	EG2 = 3.5L V6 Gas Engine EXM = 3.0L V6 Turbo Diesel Engine	DGZ = 5-Speed Auto W5A380 Transmission

AR = use ase required - = Non illustrated part

**Sun Visor & Inside Mirror
Figure IVB-110**



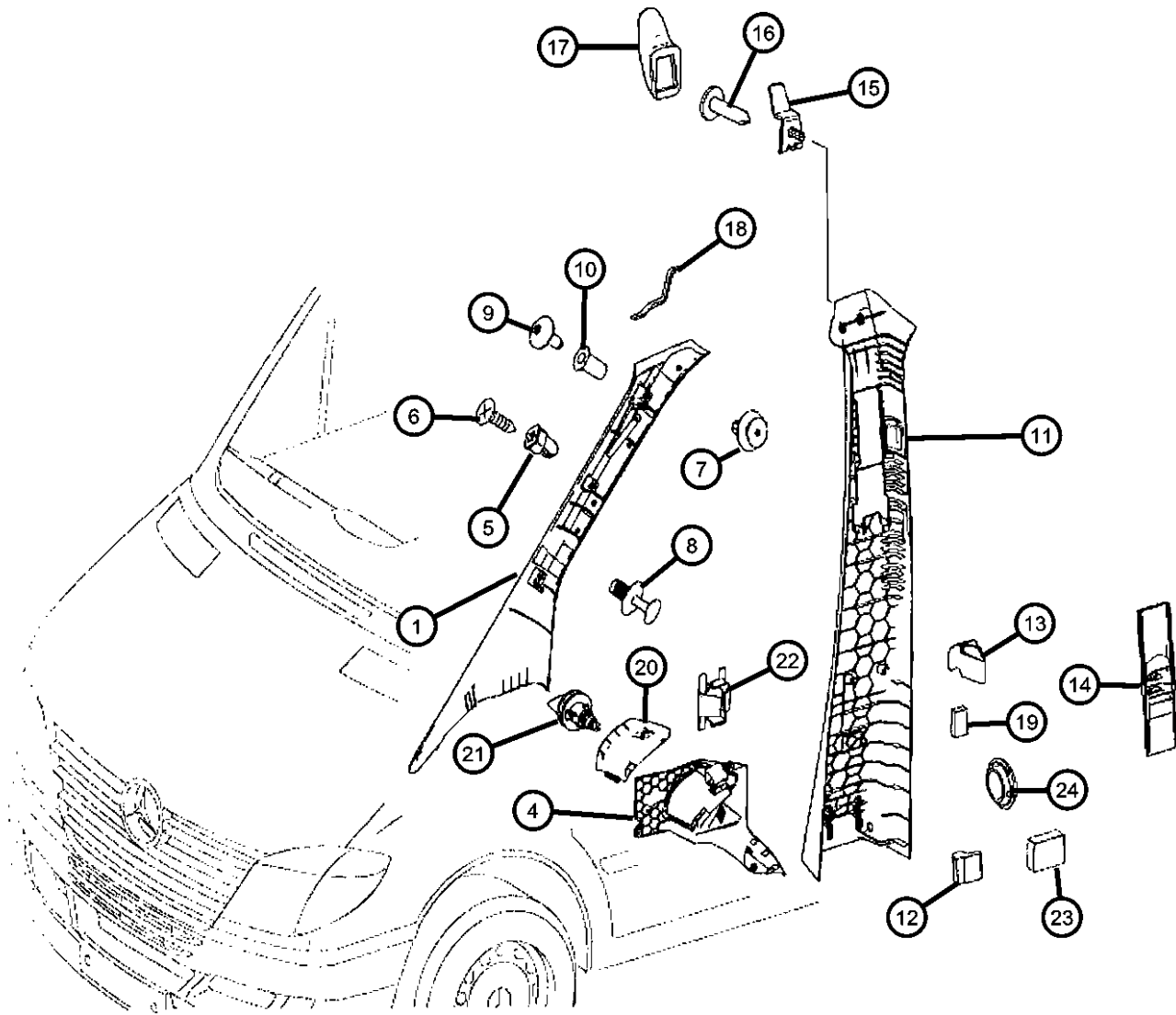
ITEM	PART NUMBER	QTY	LINE	SERIES	BODY	ENGINE	TRANS	TRIM	DESCRIPTION
1	1GY42KDVA	1	2, 3, 6, 7	L				*A6	VISOR
		1	2, 3, 6, 7	L				*E7	
		1	2, 3, 6, 7	L				*F7	
2	1HQ43KD-VAA	2	2, 3, 6, 7	L				*E7	RETAINER, Visor
3	68014329AA	4	2, 3, 6, 7	L					SCREW
4	05104435AA	1	2, 3, 6, 7	L					MIRROR, Inside Rear View
									With [GNA] Day/Night Mirror
	68017272AA	1	2, 3, 6, 7	L					With [NHW] Light and Rain Sensor
5	68017273AA	1	2, 3, 6, 7	L					COVER
6	1HB00XDVA	2	2, 3, 6, 7	L				*A6	CLIP, VisorRight & Left
7	1HE41DX9AA	1	2, 3, 6, 7	L				*A6	RETAINER, Interior Double Seat Assist Handle
		1	2, 3, 6, 7	L				*E7	[A6]
		1	2, 3, 6, 7	L				*F7	[E7]
		1	2, 3, 6, 7	L					[F7]
8	06104157AB	3	2, 3, 6, 7	L	13, 15, 17, 53, 55				BOLT, Torx Head, M8x1.25x35.00
9	06105169AA	3	2, 3, 6, 7	L					NUT
10	05104241AA	1	2, 3, 6, 7	L	17, 53, 55, 13, 15				BUTTON, Rear View Mirror
11	05073862AA	2	2, 3, 6, 7	L					ADHESIVE
12	05124222AA	2	2, 6	L	53, 55				ASHTRAY

SPRINTER (VB)

SERIES	LINE	BODY	ENGINE	TRANSMISSION
L = LOWLINE	3 = HD DODGE 2WD 2 = Med. Duty DODGE 2WD	03 = CAB CHASSIS WHEEL BASE 3 05 = CAB CHASSIS WHEEL BASE 5 13 = 119 WB 53 = 119 WB 15 = VAN WHEEL BASE 5 55 = WAGON WHEEL BASE 5 17 = VAN WHEEL BASE 7	EG2 = 3.5L V6 Gas Engine EXM = 3.0L V6 Turbo Diesel Engine	DGZ = 5-Speed Auto W5A380 Transmission

AR = use ase required - = Non illustrated part

**Inner Paneling in Cab
Figure IVB-205**



ITEM	PART NUMBER	QTY	LINE	SERIES	BODY	ENGINE	TRANS	TRIM	DESCRIPTION
1	1JZ46NCVAA	1	2, 3, 6, 7	L					PANEL, A Pillar, Without [CJ4], Left
-2	1MS97NC-VAA	1	3, 7	L	03, 05, 13, 15, 17				PANEL, A Pillar Trim, Without [CJ4], Right
-3	1HB04XDVAA	1	2, 3, 6, 7	L				*A6	MOLDING, A-PILLAR With [CJ4], Right
		1	2, 3, 6, 7	L				*E7	With [CJ4], Right
		1	2, 3, 6, 7	L				*F7	With [CJ4], Right
	1HB05XDVAA	1	2, 3, 6, 7	L				*A6	With [CJ4], Left
		1	2, 3, 6, 7	L				*E7	With [CJ4], Left
		1	2, 3, 6, 7	L				*F7	With [CJ4], Left
4	1HA85XDVAA	1	2, 3, 6, 7	L					PANEL Left
		1	2, 3, 6, 7	L				*E7	Left
		1	2, 3, 6, 7	L				*F7	Left
	1HA87XDVAA	1	2, 3, 6, 7	L				*A6	Right
		1	2, 3, 6, 7	L				*E7	Right
		1	2, 3, 6, 7	L				*F7	Right
5	05098837AB	1	3, 7	L	03, 05				NUT, Plastic Snap-in Right & Left
6	06104574AA	1	2, 3, 6, 7	L					SCREW, Tapping, [4.8 x 16 MM], Right & Left
7	68006504AA	3	2, 3, 6, 7	L					RETAINER Upper
8	1AR96DX9AA	3	3, 7	L	03, 05				RIVET, Plastic Lower
		3	3, 7	L	03, 05			*E7	Lower
		3	3, 7	L	03, 05			*F7	Lower
9	68014337AA	8	2, 3, 6, 7	L					SCREW, [M6x16], Upper
10	05133486AA	4	2, 3, 6, 7	L					RIVET
11	1HB06XDVAA	1	3, 7	L	03, 05				PANEL, B Pillar Left
		1	3, 7	L	03, 05			*E7	Left
		1	3, 7	L	03, 05			*F7	Left
	1HB07NCVAA	1	3, 7	L	03, 05				Right
12	68030968AA	1	2, 3, 6, 7	L	03, 05, 13, 15, 17				INSULATOR

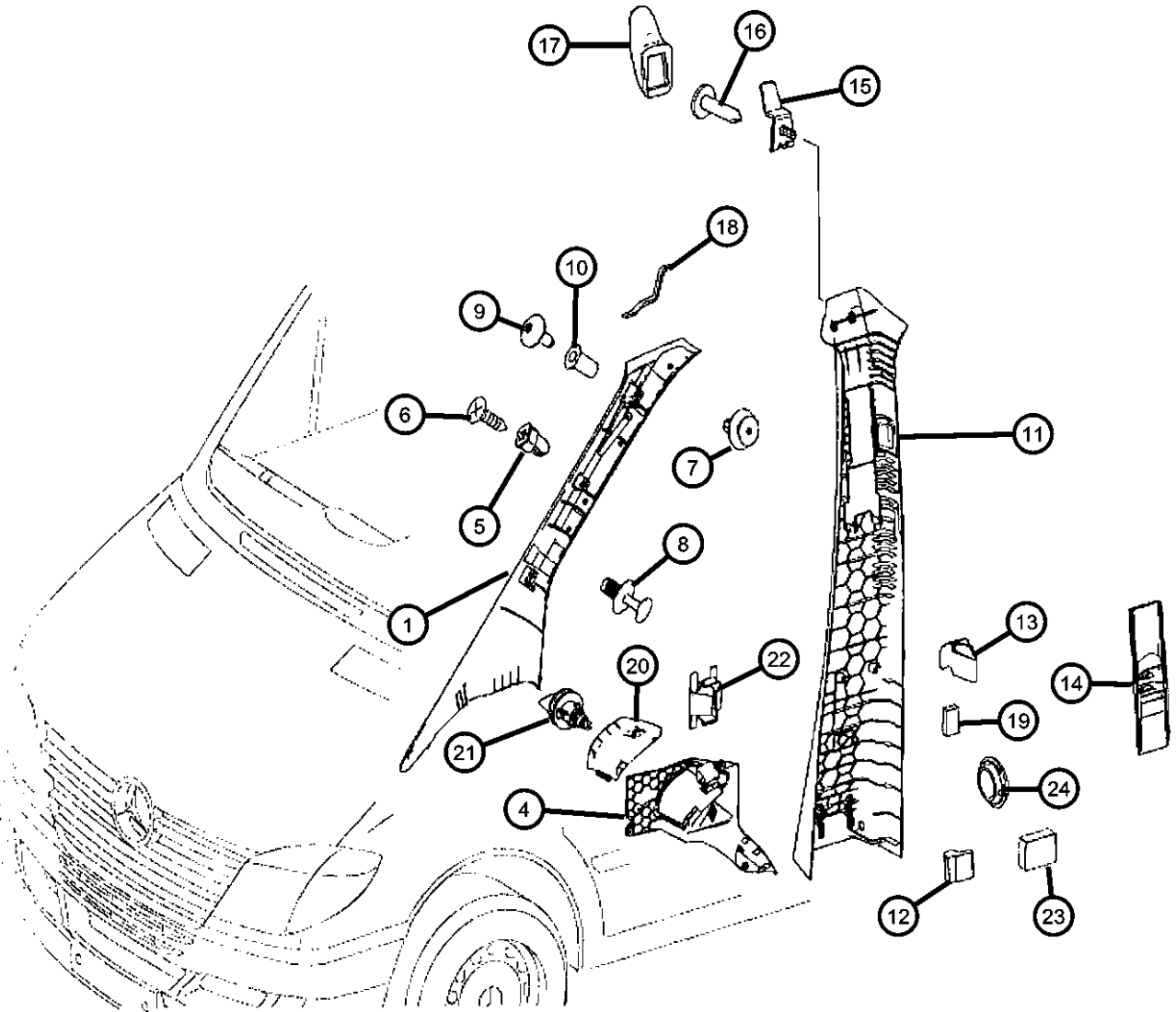
SPRINTER (VB)

SERIES	LINE	BODY	ENGINE	TRANSMISSION
L = LOWLINE	3 = HD DODGE 2WD 2 = Med. Duty DODGE 2WD	03 = CAB CHASSIS WHEEL BASE 3 05 = CAB CHASSIS WHEEL BASE 5 13 = 119 WB 53 = 119 WB 15 = VAN WHEEL BASE 5 55 = WAGON WHEEL BASE 5 17 = VAN WHEEL BASE 7	EG2 = 3.5L V6 Gas Engine EXM = 3.0L V6 Turbo Diesel Engine	DGZ = 5-Speed Auto W5A380 Transmission

AR = use ase required - = Non illustrated part

2007 VB

**Inner Paneling in Cab
Figure IVB-205**



ITEM	PART NUMBER	QTY	LINE	SERIES	BODY	ENGINE	TRANS	TRIM	DESCRIPTION
13	68014360AA	4	2, 3, 6, 7	L					CLAMP
14	68014362AA	1	2, 3, 6, 7	L					PANEL, B Pillar Right
	68014363AA	1	2, 3, 6, 7	L					Left
15	05124273AA	1	3, 7	L	03, 05				HOOK, Coat
16	06104575AA	1	3, 7	L	03, 05				SCREW, Tapping, M4.8X1.6X19.0
17	0ZF49CS8AA	1	2, 3, 6, 7	L					HOOK, Coat
18	68012811AA	2	7, 2, 3, 6	L					SEAL
19	68010773AA	3	3, 7	L	03, 05				INSULATION
20	1HA86NCVAA	1	2, 3, 6, 7	L					COVER
21	68014164AA	1	2, 3, 6, 7	L					RETAINER
22	68014165AA	1	2, 3, 6, 7	L					RETAINER
23	68014291AA	1	3, 7	L	03, 05				INSULATOR
24	68006359AA	2	3, 7	L	03, 05				PLUG, Body

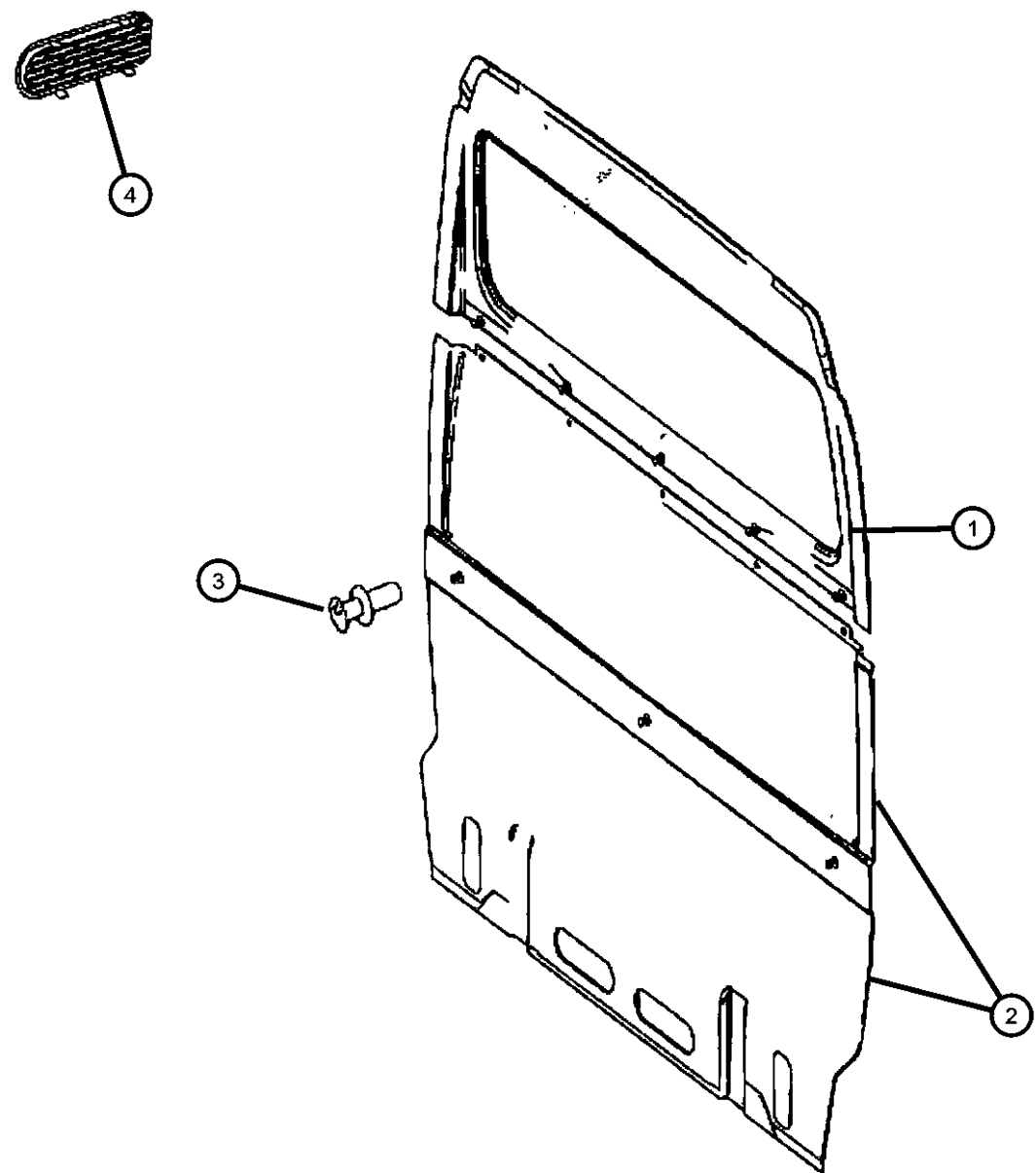
SPRINTER (VB)

SERIES	LINE	BODY	ENGINE	TRANSMISSION
L = LOWLINE	3 = HD DODGE 2WD 2 = Med. Duty DODGE 2WD	03 = CAB CHASSIS WHEEL BASE 3 05 = CAB CHASSIS WHEEL BASE 5 13 = 119 WB 53 = 119 WB 15 = VAN WHEEL BASE 5 55 = WAGON WHEEL BASE 5 17 = VAN WHEEL BASE 7	EG2 = 3.5L V6 Gas Engine EXM = 3.0L V6 Turbo Diesel Engine	DGZ = 5-Speed Auto W5A380 Transmission

AR = use ase required - = Non illustrated part

**Partition Paneling
Figure IVB-215**

ITEM	PART NUMBER	QTY	LINE	SERIES	BODY	ENGINE	TRANS	TRIM	DESCRIPTION
1									PANEL, Cab Back Trim
	1HD62ADVAA	1	2, 3, 6, 7	L	13, 15, 17			*E7	With [XJW] Cargo Partition With Windows, With [CBJ] Inner Paneling, Inner Equipment
		1	2, 3, 6, 7	L	13, 15, 17			*F7	With [XJW] Cargo Partition With Windows, With [CBJ] Inner Paneling, Inner Equipment
	1HD63XDVAA	1	2, 3, 6, 7	L	13, 15, 17			*A6	With [CWC] Cargo Partition, With [CBJ] Inner Paneling, Inner Equipment
		1	2, 3, 6, 7	L	13, 15, 17			*E7	With [CWC] Cargo Partition, With [CBJ] Inner Paneling, Inner Equipment
		1	2, 3, 6, 7	L	13, 15, 17			*F7	With [CWC] Cargo Partition, With [CBJ] Inner Paneling, Inner Equipment
		1	2, 3, 6, 7	L	13, 15, 17			*A6	With [XJW] Cargo Partition With Windows, With [CBJ] Inner Paneling, Inner Equipment
	1HD64ADVAA	1	2, 3, 6, 7	L	13, 15, 17			*F7	With [MWJ] Hight Roof, With [XJW] Cargo Partition With Windows, With [CBJ] Inner Paneling, Inner Equipment
		1	2, 3, 6, 7	L	13, 15, 17			*A6	With [MWJ] Hight Roof, With [XJW] Cargo Partition With Windows, With [CBJ] Inner Paneling, Inner Equipment
		1	2, 3, 6, 7	L	13, 15, 17			*E7	With [MWJ] Hight Roof, With [XJW] Cargo Partition With Windows, With [CBJ] Inner Paneling, Inner Equipment
	1HD65ADVAA	1	2, 3, 6, 7	L	13, 15, 17			*A6	With [MWJ] High Roof, With [CWC] Cargo Partition, With [CBJ] Inner Paneling, Inner Equipment
		1	2, 3, 6, 7	L	13, 15, 17			*E7	With [MWJ] High Roof, With [CWC] Cargo Partition, With [CBJ] Inner Paneling, Inner Equipment
		1	2, 3, 6, 7	L	17, 13, 15			*F7	With [MWJ] High Roof, With [CWC] Cargo Partition, With [CBJ] Inner Paneling, Inner Equipment
2									PANEL, Cab Back Trim



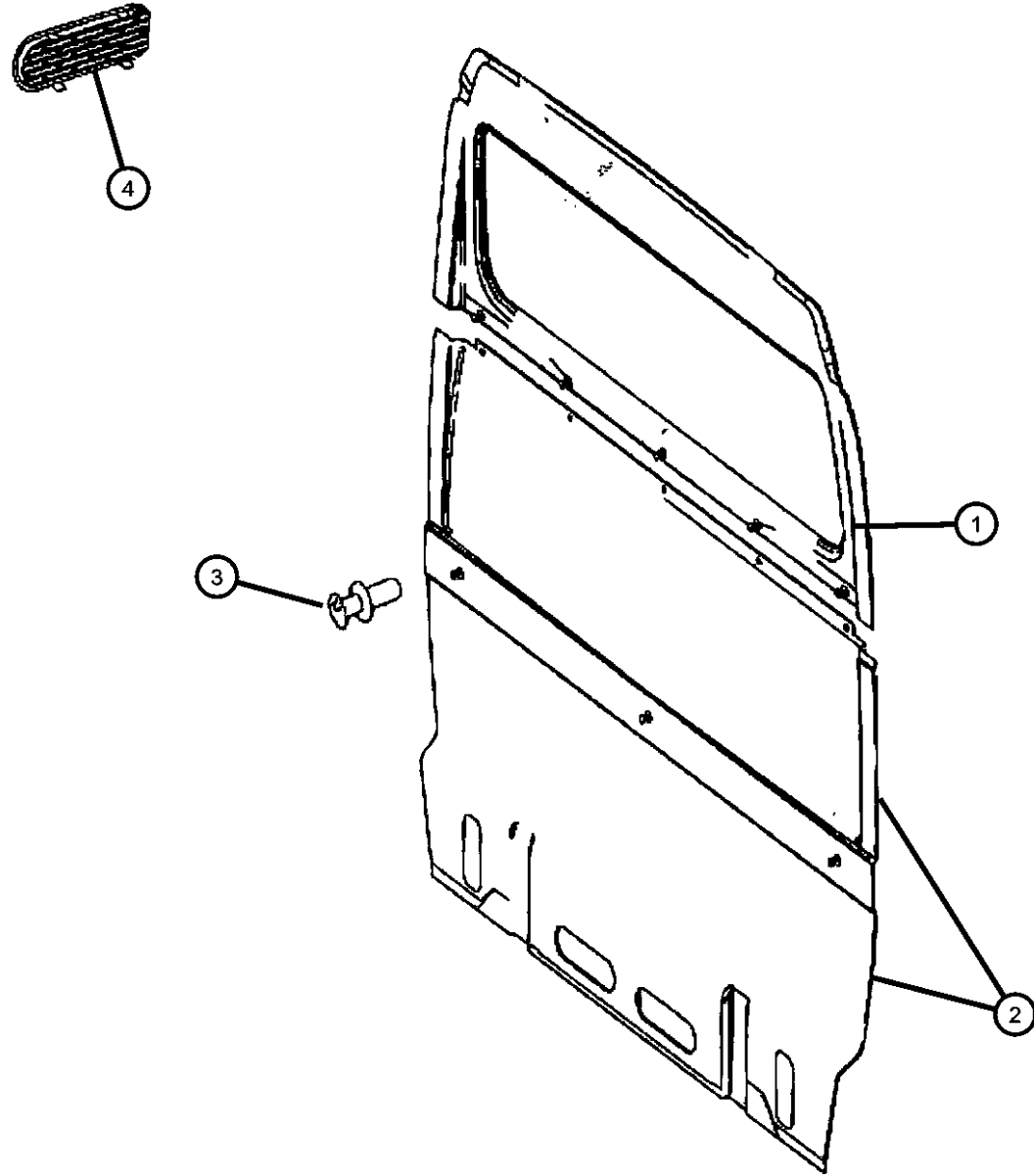
SPRINTER (VB)

SERIES	LINE	BODY	ENGINE	TRANSMISSION
L = LOWLINE	3 = HD DODGE 2WD 2 = Med. Duty DODGE 2WD	03 = CAB CHASSIS WHEEL BASE 3 05 = CAB CHASSIS WHEEL BASE 5 13 = 119 WB 53 = 119 WB 15 = VAN WHEEL BASE 5 55 = WAGON WHEEL BASE 5 17 = VAN WHEEL BASE 7	EG2 = 3.5L V6 Gas Engine EXM = 3.0L V6 Turbo Diesel Engine	DGZ = 5-Speed Auto W5A380 Transmission

AR = use ase required - = Non illustrated part

Partition Paneling
Figure IVB-215

ITEM	PART NUMBER	QTY	LINE	SERIES	BODY	ENGINE	TRANS	TRIM	DESCRIPTION
	1HD66ADVAA	1	2, 3, 6, 7	L	03, 05, 13, 15, 17			*A6	[A6]
		1	2, 3, 6, 7	L	03, 05, 13, 15, 17			*E7	[E7]
		1	2, 3, 6, 7	L	03, 05, 13, 15, 17			*F7	[F7]
3									RIVET
	05174538AB	8	3, 7	L	03, 05			*A6	[A6]
		8	3, 7	L	03, 05			*E7	[E7]
		8	3, 7	L	03, 05			*F7	[F7]
		8	2, 3, 6, 7	L	13, 15, 17, 53, 55			*A6	[A6]
		8	2, 3, 6, 7	L	13, 15, 17, 53, 55			*E7	[E7]
		8	2, 3, 6, 7	L	13, 15, 17, 53, 55			*F7	[F7]
4	05123426AA	2	2, 3, 6, 7	L	13, 15, 17				EXHAUSTER, Quarter Panel



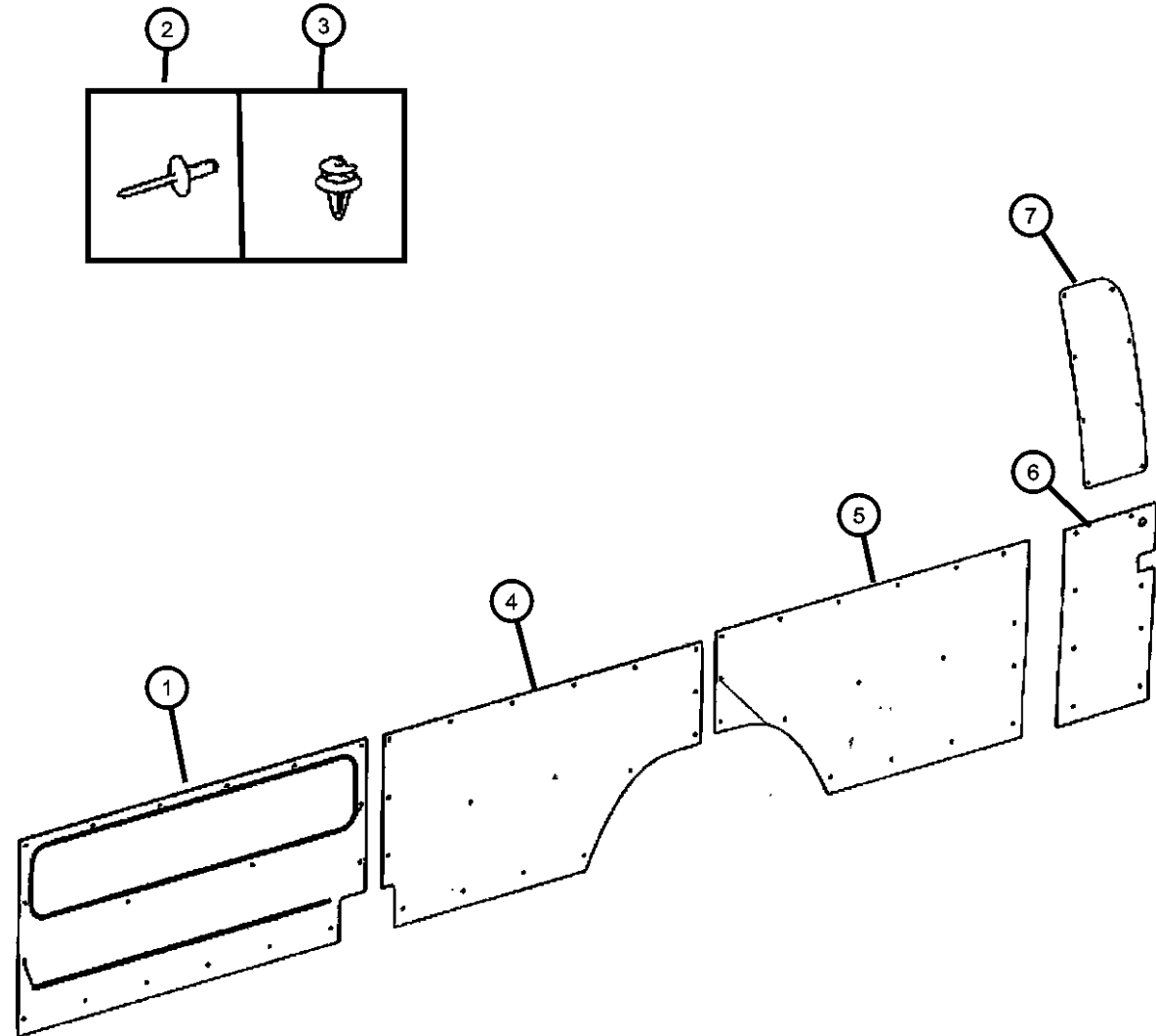
SPRINTER (VB)

SERIES	LINE	BODY	ENGINE	TRANSMISSION
L = LOWLINE	3 = HD DODGE 2WD 2 = Med. Duty DODGE 2WD	03 = CAB CHASSIS WHEEL BASE 3 05 = CAB CHASSIS WHEEL BASE 5 13 = 119 WB 53 = 119 WB 15 = VAN WHEEL BASE 5 55 = WAGON WHEEL BASE 5 17 = VAN WHEEL BASE 7	EG2 = 3.5L V6 Gas Engine EXM = 3.0L V6 Turbo Diesel Engine	DGZ = 5-Speed Auto W5A380 Transmission

AR = use ase required - = Non illustrated part

2007 VB

Inner Paneling Sidewall, Hard Fiber
Figure IVB-220



ITEM	PART NUMBER	QTY	LINE	SERIES	BODY	ENGINE	TRANS	TRIM	DESCRIPTION
1									PANEL, Side Trim
	1HD28XDVAA	1	2, 3, 6, 7	L	13, 15, 17			*E7	[E7] With [CMG] Cargo Area to Belt Paneling, Right
		1	2, 3, 6, 7	L	17, 13, 15			*F7	[F7] With [CMG] Cargo Area to Belt Paneling, Right
	1HD29XDVAA	1	2, 3, 6, 7	L	13, 15, 17			*A6	[A6] With [CMG] Cargo Area to Belt Paneling, Left
		1	2, 3, 6, 7	L	13, 15, 17			*E7	[E7] With [CMG] Cargo Area to Belt Paneling, Left
		1	2, 3, 6, 7	L	13, 15, 17			*F7	[F7] With [CMG] Cargo Area to Belt Paneling, Left
		1	2, 3, 6, 7	L	13, 15, 17			*A6	[A6] With [CMG] Cargo Area to Belt Paneling, Right
2	68006483AA	9	2, 3, 6, 7	L	13, 15, 17, 53, 55				RIVET
3	68005152AA	12	2, 3, 6, 7	L	13, 15, 17, 53, 55				FASTENER
4									PANEL, Side Trim
	1HB67XDVAA	1	2, 3, 6, 7	L	15, 17, 55			*A6	[A6] With [CMP]
		1	2, 3, 6, 7	L	15, 17, 55			*E7	[E7] With [CMP]
		1	2, 3, 6, 7	L	15, 17, 55			*F7	[F7] With [CMP]
	1HD31NC-VAA	1	2, 3, 6, 7	L	13, 15, 17, 53, 55			*AL	[A6] With [CMP], [5CF] and [CV9]
	1HD33XDVAA	1	2, 3, 6, 7	L	13			*A6	[A6] With [CMP]
		1	2, 3, 6, 7	L	13			*E7	[E7] With [CMP]
		1	2, 3, 6, 7	L	13			*F7	[F7] With [CMP]
	1HD37XDVAA	1	2, 3, 6, 7	L	13, 53			*A6	[A6] With [CMG]
		1	2, 3, 6, 7	L	53, 55, 13, 15, 17			*E7	[E7] With [CMP], [5CF] and [CV9]
		1	2, 3, 6, 7	L	13, 15, 17, 53, 55			*F7	[F7] With [CMP], [5CF] and [CV9]
	1HD39NC-VAA	1	2, 3, 6, 7	L	15, 17, 55			*F7	[F7] With [5CG or 5CK] With [CMP] and [CV9]
	1HD44XDVAA	1	2, 3, 6, 7	L	15, 17, 55			*A6	[A6] With [5CG or 5CK] With [CMG]
		1	2, 3, 6, 7	L	15, 17, 55			*E7	[A6] With [5CG or 5CK] With [CMG]
		1	2, 3, 6, 7	L	13, 53			*E7	[E7] With [CMG]
		1	2, 3, 6, 7	L	13, 53			*F7	[F7] With [CMG]
		1	2, 3, 6, 7	L	15, 17, 55			*A6	[A6] With [5CG or 5CK] With [CMP] and [CV9]

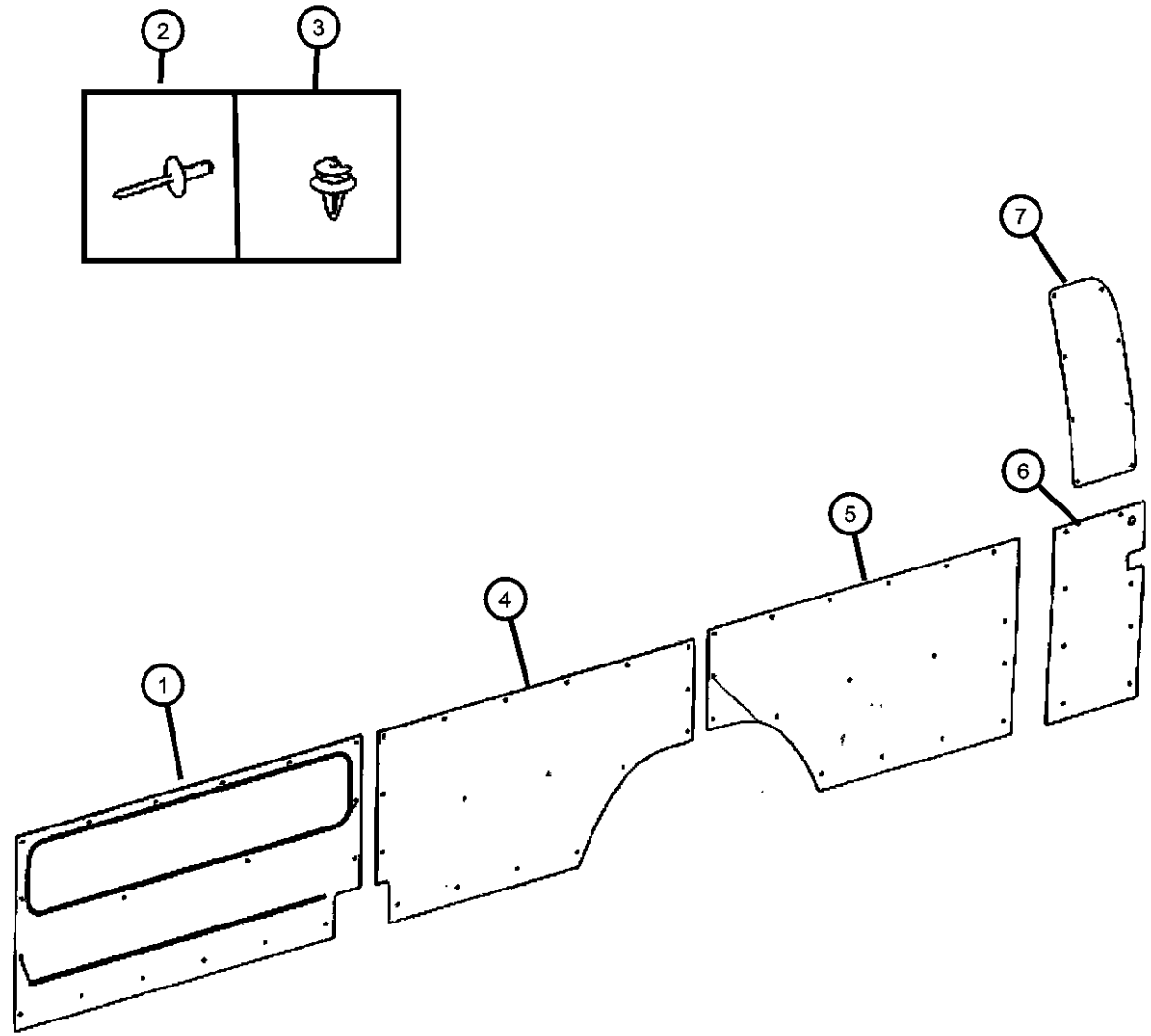
SPRINTER (VB)

SERIES	LINE	BODY	ENGINE	TRANSMISSION
L = LOWLINE	3 = HD DODGE 2WD 2 = Med. Duty DODGE 2WD	03 = CAB CHASSIS WHEEL BASE 3 05 = CAB CHASSIS WHEEL BASE 5 13 = 119 WB 53 = 119 WB 15 = VAN WHEEL BASE 5 55 = WAGON WHEEL BASE 5 17 = VAN WHEEL BASE 7	EG2 = 3.5L V6 Gas Engine EXM = 3.0L V6 Turbo Diesel Engine	DGZ = 5-Speed Auto W5A380 Transmission

AR = use ase required - = Non illustrated part

**Inner Paneling Sidewall, Hard Fiber
Figure IVB-220**

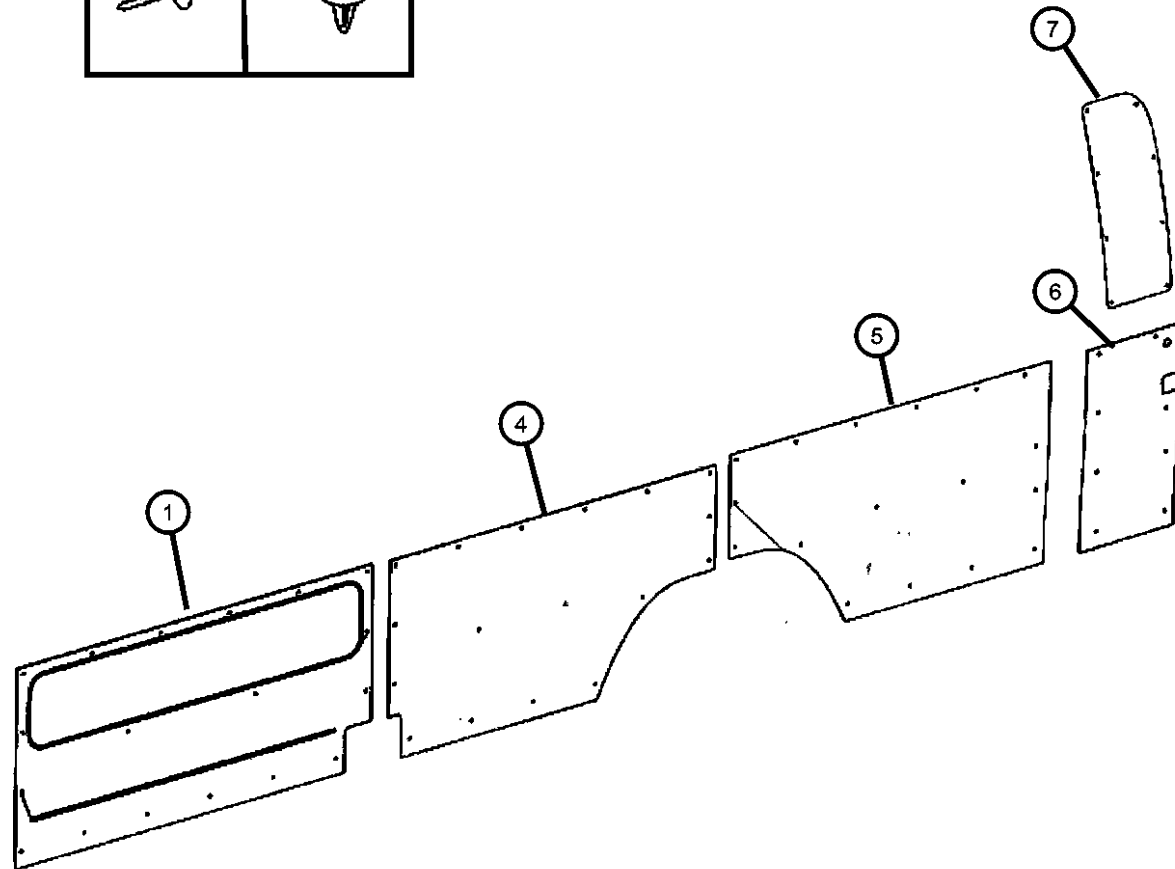
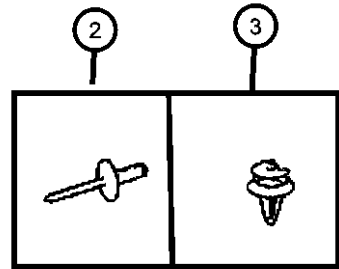
ITEM	PART NUMBER	QTY	LINE	SERIES	BODY	ENGINE	TRANS	TRIM	DESCRIPTION
		1	2, 3, 6, 7	L	15, 17, 55			*E7	[E7] With [5CG or 5CK] With [CMP] and [CV9]
		1	2, 3, 6, 7	L	15, 17, 55			*F7	[A6] With [5CG or 5CK] With [CMG]
5									PANEL, Side Trim
	1HD50XDVAA	1	2, 3, 6, 7	L	17			*E7	[E7] With [CMG]
		1	2, 3, 6, 7	L	17			*F7	[F7] With [CMG]
	1HB70XDVAA	1	2, 3, 6, 7	L	17			*A6	[A6] With [CMP]
		1	2, 3, 6, 7	L	17			*E7	[E7] With [CMP]
		1	2, 3, 6, 7	L	17			*F7	[F7] With [CMP]
		1	2, 3, 6, 7	L	17			*A6	[A6] With [CMG]
6									PANEL, Side Trim
	1HD55XDVAA	1	2, 3, 6, 7	L	17			*F7	[F7] With [5CK], Left
	1HD54XDVAA	1	2, 3, 6, 7	L	17			*A6	[A6] With [5CK], Right
		1	2, 3, 6, 7	L	17			*E7	[E7] With [5CK], Right
		1	2, 3, 6, 7	L	17			*F7	[F7] With [5CK], Right
		1	2, 3, 6, 7	L	17			*A6	[A6] With [5CK], Left
		1	2, 3, 6, 7	L	17			*E7	[E7] With [5CK], Left
	1HD56XDVAA	1	2, 3, 6, 7	L	17			*A6	[A6] With [CMG], Right
		1	2, 3, 6, 7	L	17			*E7	[E7] With [CMG], Right
		1	2, 3, 6, 7	L	17			*F7	[F7] With [CMG], Right
	1HD57XDVAA	1	2, 3, 6, 7	L	17			*A6	[A6] With [CMG], Left
		1	2, 3, 6, 7	L	17			*E7	[E7] With [CMG], Left
		1	2, 3, 6, 7	L	17			*F7	[F7] With [CMG], Left
7									PANEL, Side Trim
	1HD58XDVAA	1	2, 3, 6, 7	L	17			*A6	[A6] With [5CK], Right
		1	2, 3, 6, 7	L	17			*E7	[E7] With [5CK], Right
		1	2, 3, 6, 7	L	17			*F7	[F7] With [5CK], Right
	1HD59XDVAA	1	2, 3, 6, 7	L	17			*A6	[A6] With [5CK], Left
		1	2, 3, 6, 7	L	17			*E7	[E7] With [5CK], Left
		1	2, 3, 6, 7	L	17			*F7	[F7] With [5CK], Left
	1HD60XDVAA	1	2, 3, 6, 7	L	17			*A6	[A6] With [CMG], Right
		1	2, 3, 6, 7	L	17			*E7	[E7] With [CMG], Right



SPRINTER (VB)
 SERIES LINE BODY ENGINE TRANSMISSION
 L = LOWLINE 3 = HD DODGE 2WD 03 = CAB CHASSIS WHEEL BASE 3 EG2 = 3.5L V6 Gas Engine DGZ = 5-Speed Auto W5A380
 2 = Med. Duty DODGE 2WD 05 = CAB CHASSIS WHEEL BASE 5 EXM = 3.0L V6 Turbo Diesel Engine Transmission
 13 = 119 WB
 53 = 119 WB
 15 = VAN WHEEL BASE 5
 55 = WAGON WHEEL BASE 5
 17 = VAN WHEEL BASE 7

**Inner Paneling Sidewall, Hard Fiber
Figure IVB-220**

ITEM	PART NUMBER	QTY	LINE	SERIES	BODY	ENGINE	TRANS	TRIM	DESCRIPTION
		1	2, 3, 6, 7	L	17			*F7	[F7] With [CMG], Right
	1HD61XDVAA	1	2, 3, 6, 7	L	17			*A6	[A6] With [CMG], Left
		1	2, 3, 6, 7	L	17			*E7	[E7] With [CMG], Left
		1	2, 3, 6, 7	L	17			*F7	[F7] With [CMG], Left

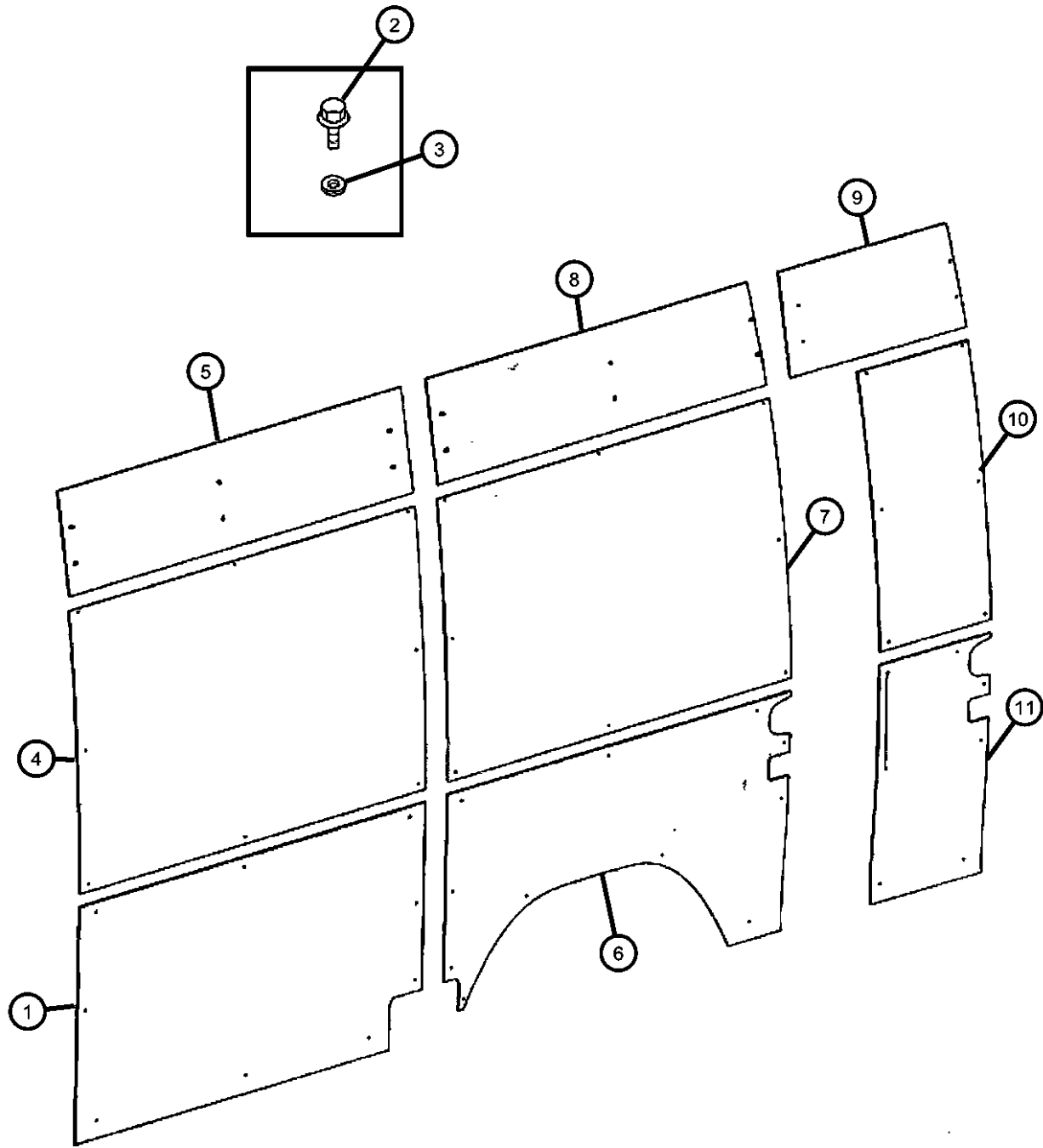


SPRINTER (VB)

SERIES	LINE	BODY	ENGINE	TRANSMISSION
L = LOWLINE	3 = HD DODGE 2WD 2 = Med. Duty DODGE 2WD	03 = CAB CHASSIS WHEEL BASE 3 05 = CAB CHASSIS WHEEL BASE 5 13 = 119 WB 53 = 119 WB 15 = VAN WHEEL BASE 5 55 = WAGON WHEEL BASE 5 17 = VAN WHEEL BASE 7	EG2 = 3.5L V6 Gas Engine EXM = 3.0L V6 Turbo Diesel Engine	DGZ = 5-Speed Auto W5A380 Transmission

AR = use ase required - = Non illustrated part

**Inner Paneling Sidewall, Plastic
Figure IVB-225**



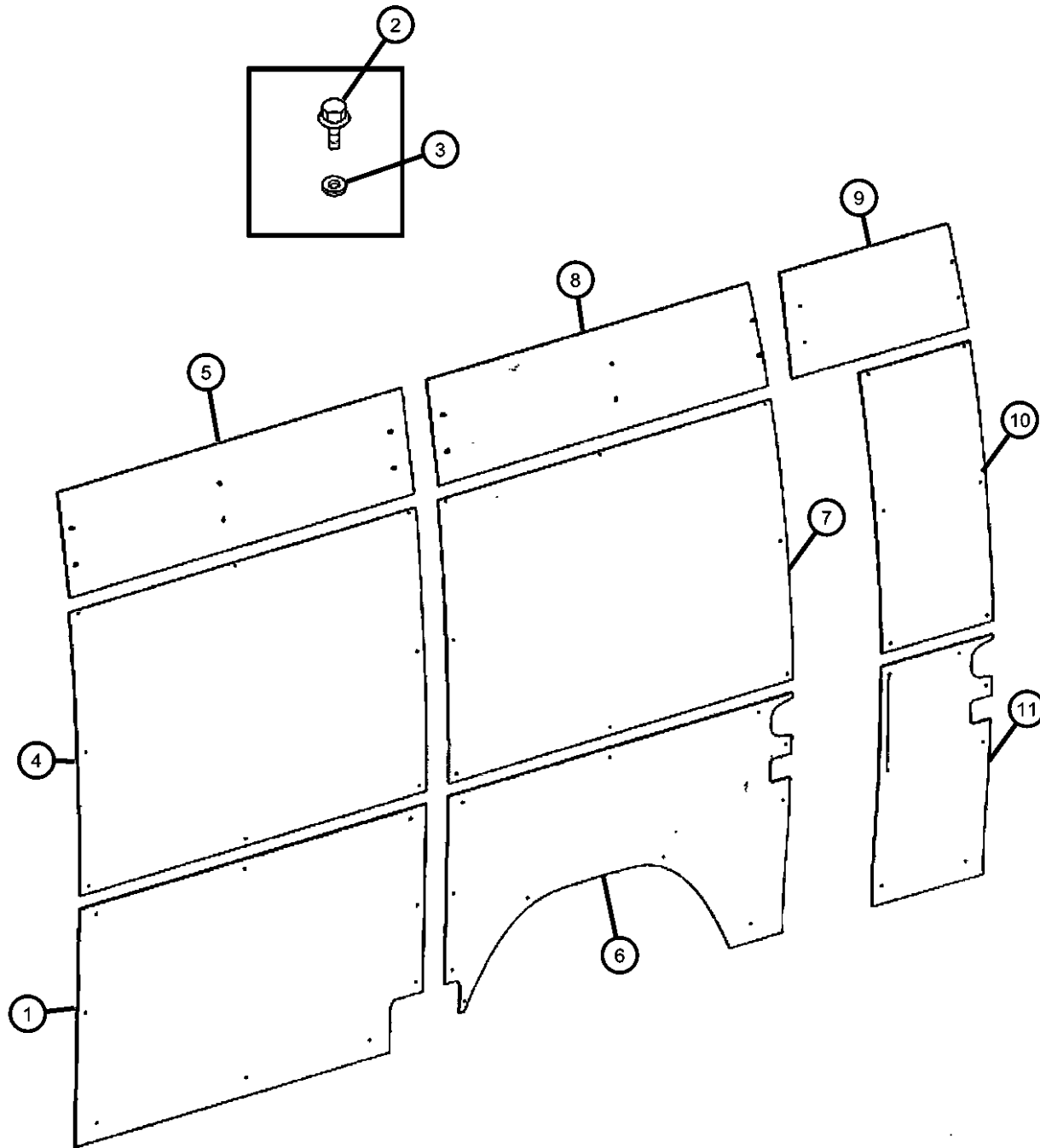
ITEM	PART NUMBER	QTY	LINE	SERIES	BODY	ENGINE	TRANS	TRIM	DESCRIPTION
1	1JE10NCVAA	1	2, 3, 6, 7	L	13, 15, 17, 53, 55			*E7	PANEL, Side Trim [E7]
		1	3, 6, 7, 2	L	13, 15, 17, 53, 55			*F7	[F7]
	1JE18NCVAA	1	2, 3, 6, 7	L	13, 15, 17, 53, 55			*AL	[A6]
2	06104117AA	8	2, 3, 6, 7	L	13, 15, 17, 53, 55				SCREW, Hex Head
3	05125754AA	8	2, 3, 6, 7	L	13, 15, 17, 53, 55				WASHER
4	1JE18NCVAA	1	2, 3, 6, 7	L	13, 15, 17, 53, 55			*AL	PANEL, Side Trim [A6]
		1	2, 3, 6, 7	L	13, 15, 17, 53, 55			*E7	[E7]
		1	2, 3, 6, 7	L	13, 15, 17, 53, 55			*F7	[F7]
5	1JE25NCVAA	1	2, 3, 6, 7	L	13, 15, 17, 53, 55			*AL	PANEL, Side Trim [A6], Right
		1	2, 3, 6, 7	L	13, 15, 17, 53, 55			*F7	[E7], Right
		1	2, 3, 6, 7	L	13, 15, 17, 53, 55			*E7	[F7], Right
	1JE24NCVAA	1	2, 3, 6, 7	L	13, 15, 17, 53, 55			*AL	[A6], Left
		1	2, 3, 6, 7	L	13, 15, 17, 53, 55			*E7	[E7], Left
		1	2, 3, 6, 7	L	13, 15, 17, 53, 55			*F7	[F7], Left
6	1JE27NCVAA	1	2, 3, 6, 7	L	13, 15, 17, 53, 55			*AL	PANEL, Side Trim [A6] With [5CF] and [CTE], Right & Left
		1	6, 7, 2, 3	L	13, 15, 17, 53, 55			*E7	[E7] With [5CF] and [CTE], Right & Left
		1	2, 3, 6, 7	L	13, 15, 17, 53, 55			*F7	[F7] With [5CF] and [CTE], Right & Left
	1JE28NCVAA	1	2, 3, 6, 7	L	13, 15, 17, 53, 55			*AL	[A6] With [5CF], [CTE] and [GLF], Right & Left
		1	2, 3, 6, 7	L	13, 15, 17, 53, 55			*E7	[E7] With [5CF], [CTE] and [GLF], Right & Left
		1	2, 3, 6, 7	L	13, 15, 17, 53, 55			*F7	[F7] With [5CF], [CTE] and [GLF], Right & Left

SPRINTER (VB)

SERIES	LINE	BODY	ENGINE	TRANSMISSION
L = LOWLINE	3 = HD DODGE 2WD 2 = Med. Duty DODGE 2WD	03 = CAB CHASSIS WHEEL BASE 3 05 = CAB CHASSIS WHEEL BASE 5 13 = 119 WB 53 = 119 WB 15 = VAN WHEEL BASE 5 55 = WAGON WHEEL BASE 5 17 = VAN WHEEL BASE 7	EG2 = 3.5L V6 Gas Engine EXM = 3.0L V6 Turbo Diesel Engine	DGZ = 5-Speed Auto W5A380 Transmission

AR = use ase required - = Non illustrated part

**Inner Paneling Sidewall, Plastic
Figure IVB-225**



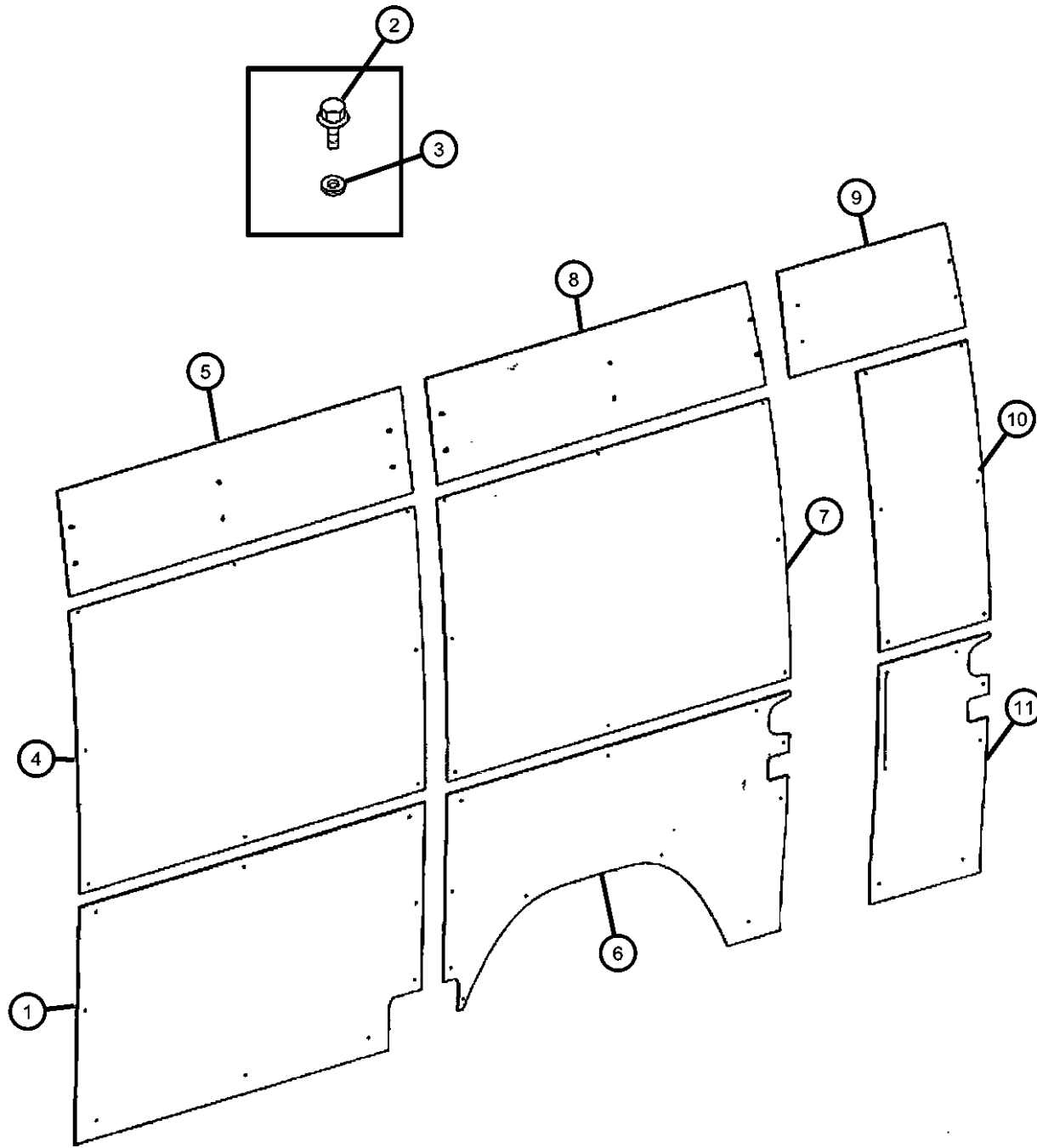
ITEM	PART NUMBER	QTY	LINE	SERIES	BODY	ENGINE	TRANS	TRIM	DESCRIPTION
	1JE29NCVAA	1	2, 3, 6, 7	L	13, 15, 17, 53, 55			*AL	[A6] With [5CG] and [CTE], Right & Left
		1	2, 3, 6, 7	L	13, 15, 17, 53, 55			*E7	[E7] With [5CG] and [CTE], Right & Left
	1JE30NCVAA	1	2, 3, 6, 7	L	13, 15, 17			*F7	[F7] With [5CG], [CTE] and [GLF], Right & Left
	1JE31NCVAA	1	2, 3, 6, 7	L	13, 15, 17			*AL	[A6] With [5CK] and [CTE], Right & Left
		1	2, 3, 6, 7	L	13, 15, 17			*E7	[E7] With [5CK] and [CTE], Right & Left
		1	2, 3, 6, 7	L	13, 15, 17			*F7	[F7] With [5CK] and [CTE], Right & Left
		1	2, 3, 6, 7	L	13, 15, 17, 53, 55			*F7	[F7] With [5CG] and [CTE], Right & Left
		1	2, 3, 6, 7	L	13, 15, 17			*AL	[A6] With [5CG], [CTE] and [GLF], Right & Left
		1	2, 3, 6, 7	L	13, 15, 17			*E7	[E7] With [5CG], [CTE] and [GLF], Right & Left
7									PANEL, Side Trim
	1JE32NCVAA	1	7, 2, 3, 6	L	13, 15, 17			*AL	[A6] With [5CG], Right & Left
		1	2, 3, 6, 7	L	13, 15, 17			*E7	[E7] With [5CG], Right & Left
		1	2, 3, 6, 7	L	13, 15, 17			*F7	[F7] With [5CG], Right & Left
	1JE45NCVAA	1	2, 3, 6, 7	L	13, 15, 17			*AL	[A6] With [5CF], Right & Left
		1	2, 3, 6, 7	L	13, 15, 17			*E7	[E7] With [5CF], Right & Left
		1	2, 3, 6, 7	L	13, 15, 17			*F7	[F7] With [5CF], Right & Left
8									PANEL, Side Trim
	1JE47NCVAA	1	2, 3, 6, 7	L	13, 15, 17			*AL	[A6] With [5CG], [CTE] and [LDB]
		1	2, 3, 6, 7	L	13, 15, 17			*E7	[E7] With [5CG], [CTE] and [LDB]
		1	2, 3, 6, 7	L	13, 15, 17			*F7	[F7] With [5CG], [CTE] and [LDB]
	1JE48NCVAA	1	2, 3, 6, 7	L	13, 15, 17			*AL	[A6] With [5CK] and [CTE]
		1	2, 3, 6, 7	L	13, 15, 17			*E7	[E7] With [5CK] and [CTE]
	1JE46NCVAA	1	2, 3, 6, 7	L	13, 15, 17			*AL	[A6] With [5CG],and [CTE]
		1	2, 3, 6, 7	L	13, 15, 17			*E7	[E7] With [5CG],and [CTE]
		1	2, 3, 6, 7	L	13, 15, 17			*F7	[F7] With [5CG],and [CTE]
		1	2, 3, 6, 7	L	13, 15, 17			*F7	[F7] With [5CK] and [CTE]

SPRINTER (VB)

SERIES	LINE	BODY	ENGINE	TRANSMISSION
L = LOWLINE	3 = HD DODGE 2WD 2 = Med. Duty DODGE 2WD	03 = CAB CHASSIS WHEEL BASE 3 05 = CAB CHASSIS WHEEL BASE 5 13 = 119 WB 53 = 119 WB 15 = VAN WHEEL BASE 5 55 = WAGON WHEEL BASE 5 17 = VAN WHEEL BASE 7	EG2 = 3.5L V6 Gas Engine EXM = 3.0L V6 Turbo Diesel Engine	DGZ = 5-Speed Auto W5A380 Transmission

AR = use ase required - = Non illustrated part

**Inner Paneling Sidewall, Plastic
Figure IVB-225**



ITEM	PART NUMBER	QTY	LINE	SERIES	BODY	ENGINE	TRANS	TRIM	DESCRIPTION
9	1JE49NCVAA	1	2, 3, 6, 7	L	13, 15, 17			*AL	PANEL, Side Trim [A6] With [CTE]
		1	2, 3, 6, 7	L	13, 15, 17			*E7	[E7] With [CTE]
		1	2, 3, 6, 7	L	13, 15, 17			*F7	[F7] With [CTE]
	1JE50NCVAA	1	2, 3, 6, 7	L	13, 15, 17			*AL	[A6] With [CTE] and [GLF]
		1	2, 3, 6, 7	L	13, 15, 17			*E7	[E7] With [CTE] and [GLF]
		1	2, 3, 6, 7	L	13, 15, 17			*F7	[F7] With [CTE] and [GLF]
10	1JE51NCVAA	1	2, 3, 6, 7	L	13, 15, 17			*AL	PANEL, Side Trim [A6]
		1	2, 3, 6, 7	L	13, 15, 17			*E7	[E7]
		1	2, 3, 6, 7	L	13, 15, 17			*F7	[F7]
11	1JE52NCVAA	1	2, 3, 6, 7	L	13, 15, 17			*AL	PANEL, Side Trim [A6], Left
		1	2, 3, 6, 7	L	13, 15, 17			*E7	[E7], Left
		1	2, 3, 6, 7	L	13, 15, 17			*F7	[F7], Left
	1JE53NCVAA	1	2, 3, 6, 7	L	13, 15, 17			*AL	[A6], Right
		1	2, 3, 6, 7	L	13, 15, 17			*E7	[E7], Right
		1	3, 6, 7, 2	L	13, 15, 17			*F7	[F7], Right

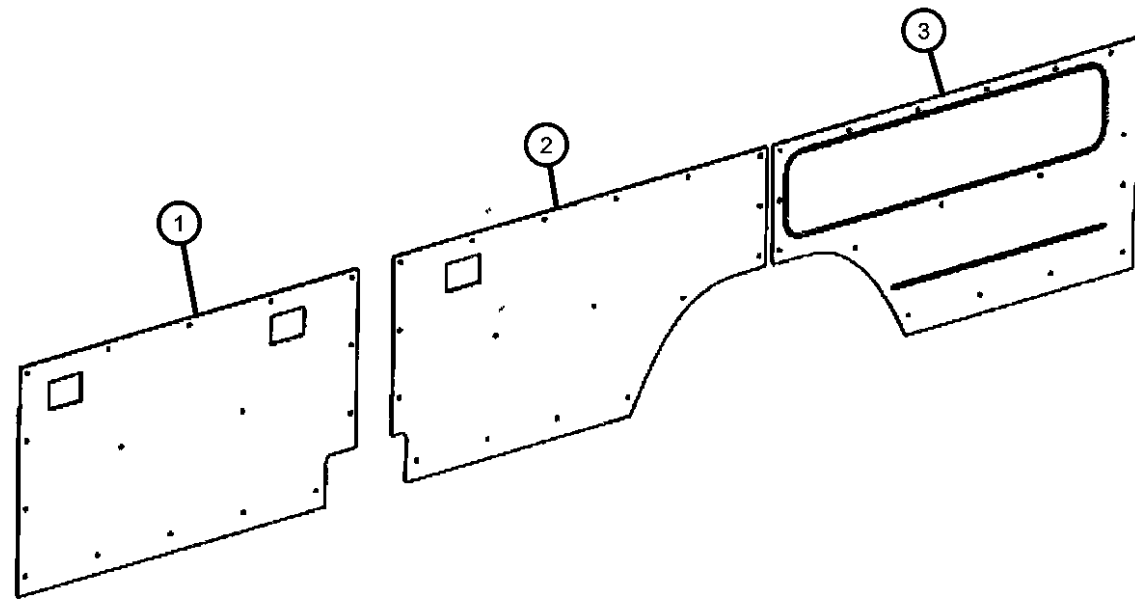
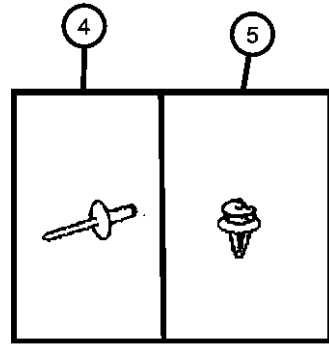
SPRINTER (VB)

SERIES	LINE	BODY	ENGINE	TRANSMISSION
L = LOWLINE	3 = HD DODGE 2WD 2 = Med. Duty DODGE 2WD	03 = CAB CHASSIS WHEEL BASE 3 05 = CAB CHASSIS WHEEL BASE 5 13 = 119 WB 53 = 119 WB 15 = VAN WHEEL BASE 5 55 = WAGON WHEEL BASE 5 17 = VAN WHEEL BASE 7	EG2 = 3.5L V6 Gas Engine EXM = 3.0L V6 Turbo Diesel Engine	DGZ = 5-Speed Auto W5A380 Transmission

AR = use ase required - = Non illustrated part

2007 VB

**Inner Paneling Sidewall, Fabric
Figure IVB-230**



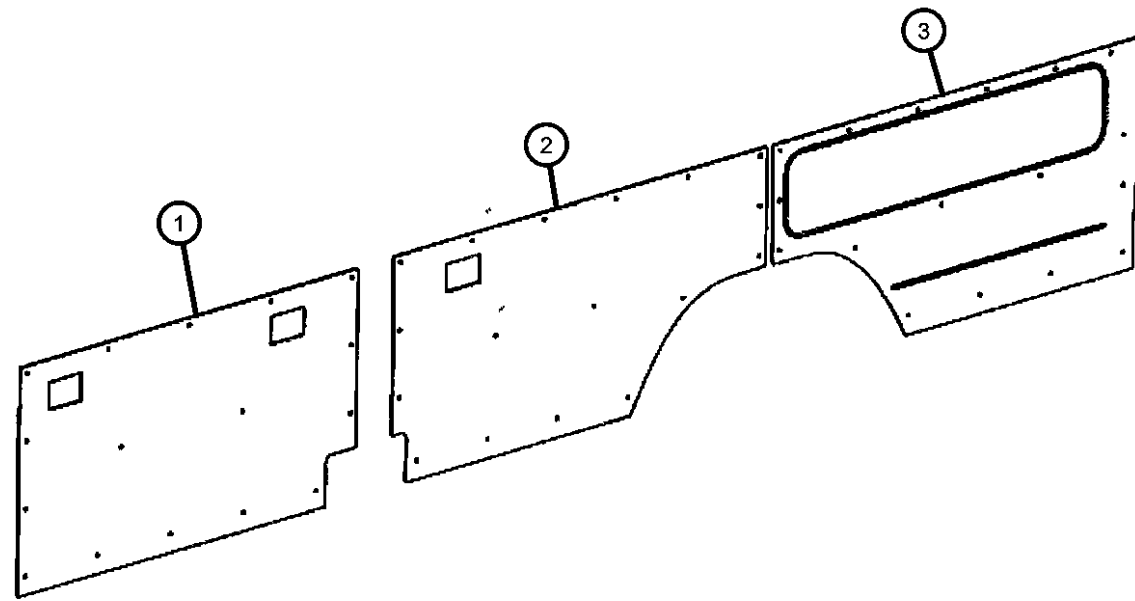
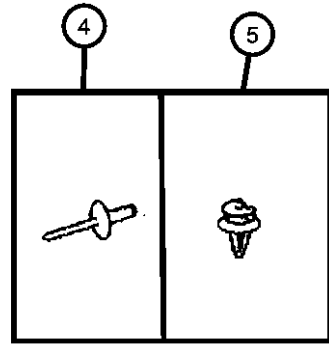
ITEM	PART NUMBER	QTY	LINE	SERIES	BODY	ENGINE	TRANS	TRIM	DESCRIPTION
1									PANEL, Side
	1HD241E7AA	1	2, 3, 6, 7	L	53, 55			*A6	[A6] With [RC5] Speaker Package, Right
		1	2, 3, 6, 7	L	53, 55			*E7	[E7] With [RC5] Speaker Package, Right
		1	2, 3, 6, 7	L	53, 55			*F7	[F7] With [RC5] Speaker Package, Right
	1HD261E7AA	1	2, 3, 6, 7	L	53, 55			*A6	[A6] Without [RC5] Speaker Package, Right
		1	2, 3, 6, 7	L	53, 55			*E7	[E7] Without [RC5] Speaker Package, Right
		1	2, 3, 6, 7	L	55, 53			*F7	[F7] Without [RC5] Speaker Package, Right
	1HD251E7AA	1	2, 3, 6, 7	L	53, 55			*A6	[A6] With [RC5] Speaker Package, Left
		1	2, 3, 6, 7	L	53, 55			*E7	[E7] With [RC5] Speaker Package, Left
		1	2, 3, 6, 7	L	53, 55			*F7	[F7] With [RC5] Speaker Package, Left
	1HD271E7AA	1	2, 3, 6, 7	L	53, 55			*A6	[A6] Without [RC5] Speaker Package, Left
		1	2, 3, 6, 7	L	53, 55			*E7	[E7] Without [RC5] Speaker Package, Left
		1	2, 3, 6, 7	L	53, 55			*F7	[F7] Without [RC5] Speaker Package, Left
2									PANEL, Side Trim
	1HD211E7AA	1	2, 6	L	53			*E7	[E7] With [CV9] Rear Ash Trays, Without [RC5] Speaker Package, Left
		1	2, 6	L	53			*A6	[A6] With [CV9] Rear Ash Trays, Without [RC5] Speaker Package, Left
		1	2, 6	L	53			*F7	[F7] With [CV9] Rear Ash Trays, Without [RC5] Speaker Package, Left
	1HD351E7AA	1	2, 6	L	53			*A6	[A6] With [CV9] Rear Ash Trays, With [RC5] Speaker Package, Left
		1	2, 6	L	13, 53			*E7	[E7] With [CV9] Rear Ash Trays, With [RC5] Speaker Package, Left
		1	2, 6	L	13, 53			*F7	[F7] With [CV9] Rear Ash Trays, With [RC5] Speaker Package, Left

SPRINTER (VB)

SERIES	LINE	BODY	ENGINE	TRANSMISSION
L = LOWLINE	3 = HD DODGE 2WD 2 = Med. Duty DODGE 2WD	03 = CAB CHASSIS WHEEL BASE 3 05 = CAB CHASSIS WHEEL BASE 5 13 = 119 WB 53 = 119 WB 15 = VAN WHEEL BASE 5 55 = WAGON WHEEL BASE 5 17 = VAN WHEEL BASE 7	EG2 = 3.5L V6 Gas Engine EXM = 3.0L V6 Turbo Diesel Engine	DGZ = 5-Speed Auto W5A380 Transmission

AR = use ase required - = Non illustrated part

**Inner Paneling Sidewall, Fabric
Figure IVB-230**



ITEM	PART NUMBER	QTY	LINE	SERIES	BODY	ENGINE	TRANS	TRIM	DESCRIPTION
	1HD41NC-VAA	1	2, 3, 6, 7	L	55			*A6	[A6] With [CV9] Rear Ash Trays, With [RC5] Speaker Package, Left
		1	2, 3, 6, 7	L	55			*F7	[F7] With [CV9] Rear Ash Trays, With [RC5] Speaker Package, Left
		1	2, 3, 6, 7	L	55			*E7	[E7] With [CV9] Rear Ash Trays, With [RC5] Speaker Package, Left
3									PANEL, Side Trim
	1HD53DX8AA	1	2, 3, 6, 7	L	13, 15, 17, 53, 55			*AL	[A6], Right
		1	2, 3, 6, 7	L	13, 15, 17, 53, 55			*E7	[E7], Right
		1	2, 3, 6, 7	L	13, 15, 17, 53, 55			*F7	[F7], Right
4	68006483AA	12	2, 3, 6, 7	L	13, 15, 17, 53, 55				RIVET
5	68005152AA	12	2, 3, 6, 7	L	13, 15, 17, 53, 55				FASTENER

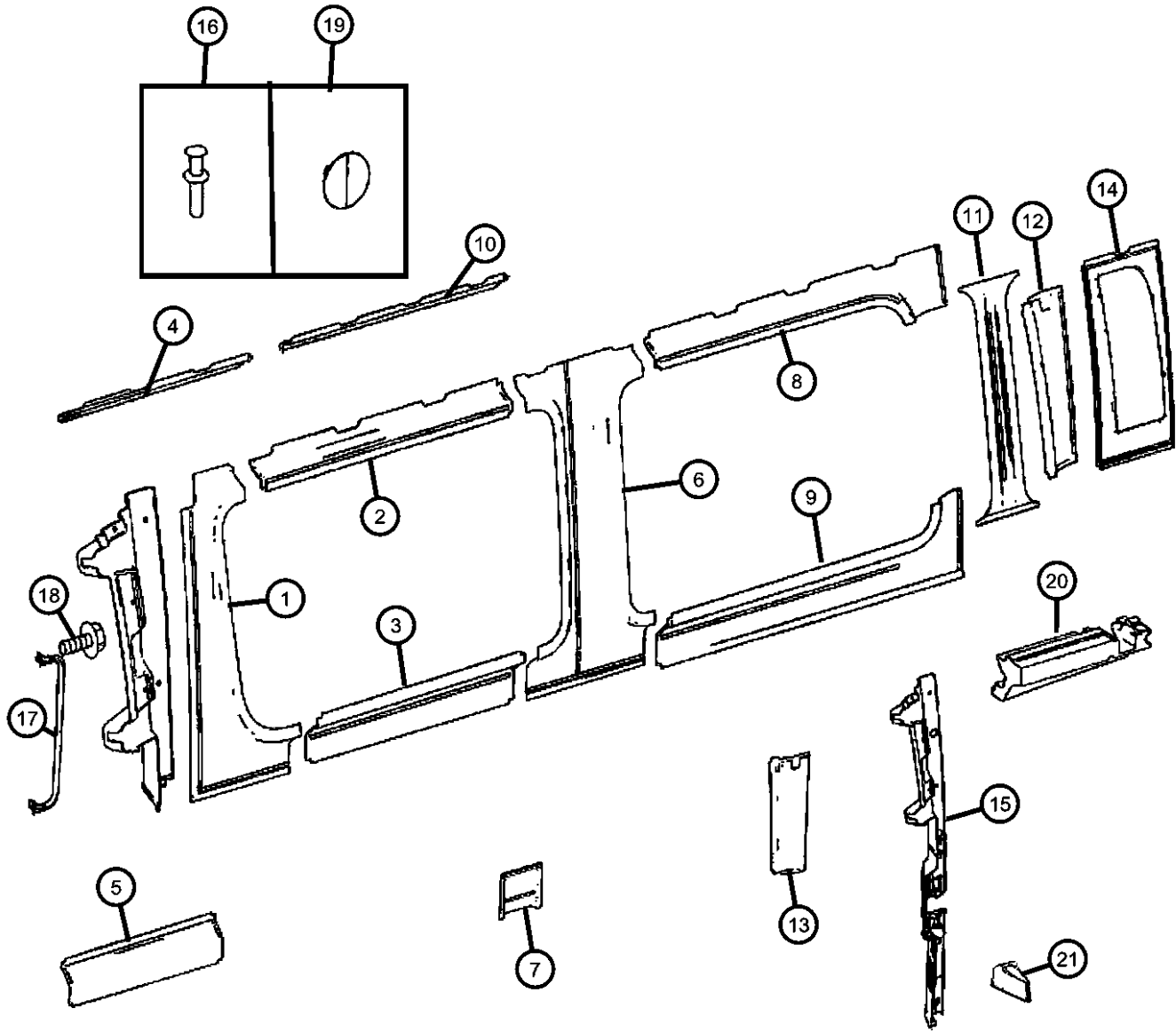
SPRINTER (VB)

SERIES	LINE	BODY	ENGINE	TRANSMISSION
L = LOWLINE	3 = HD DODGE 2WD 2 = Med. Duty DODGE 2WD	03 = CAB CHASSIS WHEEL BASE 3 05 = CAB CHASSIS WHEEL BASE 5 13 = 119 WB 53 = 119 WB 15 = VAN WHEEL BASE 5 55 = WAGON WHEEL BASE 5 17 = VAN WHEEL BASE 7	EG2 = 3.5L V6 Gas Engine EXM = 3.0L V6 Turbo Diesel Engine	DGZ = 5-Speed Auto W5A380 Transmission

AR = use ase required - = Non illustrated part

2007 VB

**Inner Paneling Window-Pillar in Cab
Figure IVB-235**



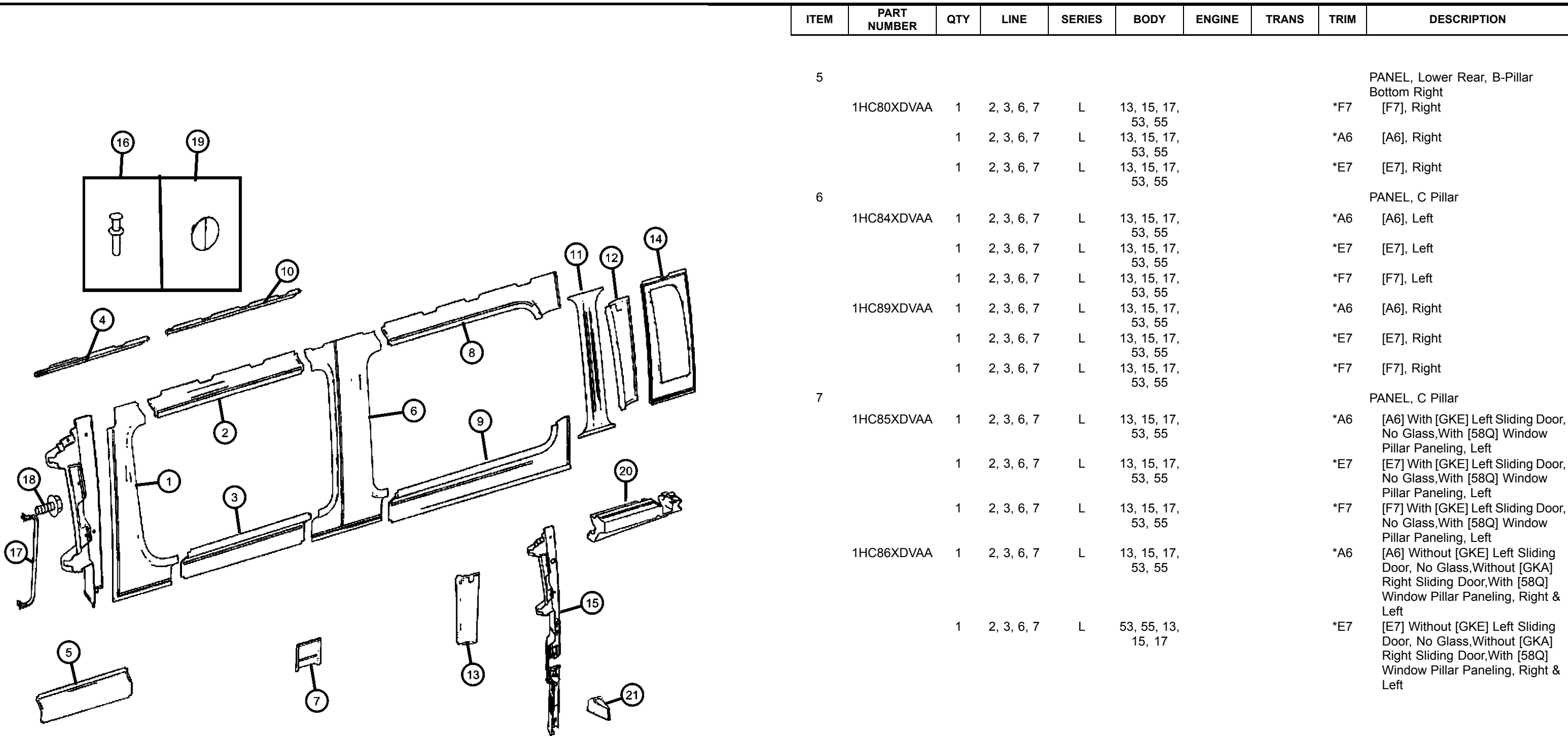
ITEM	PART NUMBER	QTY	LINE	SERIES	BODY	ENGINE	TRANS	TRIM	DESCRIPTION
1	1HC76XDVAA	1	2, 3, 6, 7	L	13, 15, 17, 53, 55			*E7	PANEL, B Pillar Trim [E7], Right
		1	2, 3, 6, 7	L	13, 15, 17, 53, 55			*F7	[F7], Right
	1HC77XDVAA	1	2, 3, 6, 7	L	13, 15, 17, 53, 55			*A6	[A6], Left
		1	2, 3, 6, 7	L	15, 17, 53, 55, 13			*E7	[E7], Left
		1	2, 3, 6, 7	L	13, 15, 17, 53, 55			*A6	[A6], Right
		1	2, 3, 6, 7	L	13, 15, 17, 53, 55			*F7	[F7], Left
2	1HD05XDVAA	1	2, 3, 6, 7	L	15, 17, 55			*A6	PANEL, Header [A6], Right
		1	2, 3, 6, 7	L	15, 17, 55			*E7	[E7], Right
		1	2, 3, 6, 7	L	15, 17, 55			*F7	[F7], Right
	1HC79XDVAA	1	2, 3, 6, 7	L	13, 15, 17, 53, 55			*A6	[A6], Left
		1	2, 3, 6, 7	L	13, 15, 17, 53, 55			*E7	[E7], Left
		1	2, 3, 6, 7	L	13, 15, 17, 53, 55			*F7	[F7], Left
	1HD06XDVAA	1	2, 3, 6, 7	L	13, 53			*A6	[A6], Right
		1	2, 3, 6, 7	L	13, 53			*E7	[E7], Right
		1	2, 3, 6, 7	L	13, 53			*F7	[F7], Right
3	1HC81XDVAA	1	2, 3, 6, 7	L	13, 15, 17, 53, 55			*E7	PANEL, Lower Rear, B-Pillar Bottom Left [E7]
		1	2, 3, 6, 7	L	13, 15, 17, 53, 55			*F7	[F7]
		1	2, 3, 6, 7	L	13, 15, 17, 53, 55			*A6	[A6], Left
4	1HC78XDVAA	1	2, 3, 6, 7	L	13, 15, 17, 53, 55			*A6	PANEL, Header, B-Pillar Top Right [A6], Right
		1	2, 3, 6, 7	L	13, 15, 17, 53, 55			*E7	[E7],
		1	2, 3, 6, 7	L	53, 55, 13, 15, 17			*F7	[F7]

SPRINTER (VB)

SERIES	LINE	BODY	ENGINE	TRANSMISSION
L = LOWLINE	3 = HD DODGE 2WD 2 = Med. Duty DODGE 2WD	03 = CAB CHASSIS WHEEL BASE 3 05 = CAB CHASSIS WHEEL BASE 5 13 = 119 WB 53 = 119 WB 15 = VAN WHEEL BASE 5 55 = WAGON WHEEL BASE 5 17 = VAN WHEEL BASE 7	EG2 = 3.5L V6 Gas Engine EXM = 3.0L V6 Turbo Diesel Engine	DGZ = 5-Speed Auto W5A380 Transmission

AR = use ase required - = Non illustrated part

**Inner Paneling Window-Pillar in Cab
Figure IVB-235**



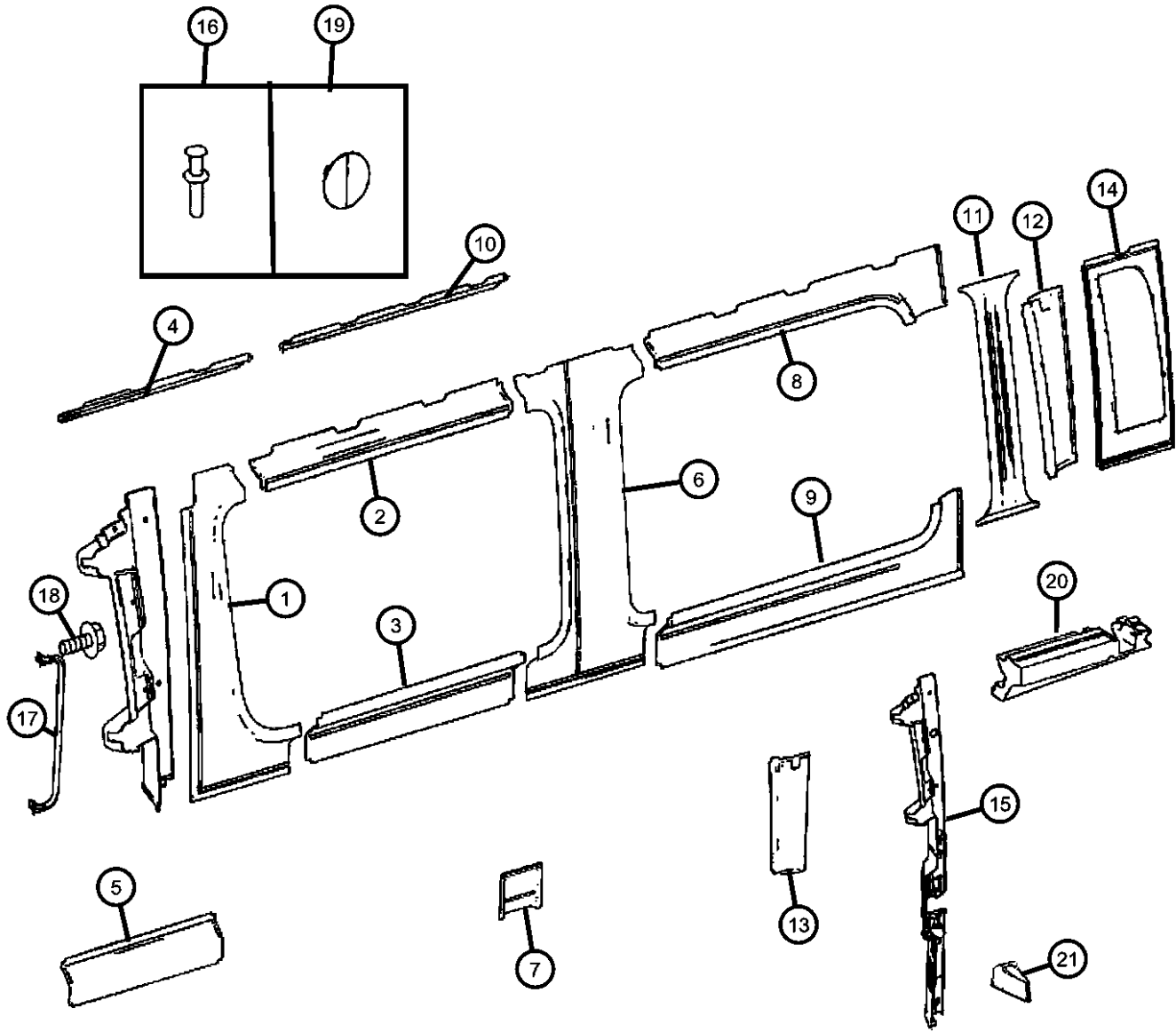
ITEM	PART NUMBER	QTY	LINE	SERIES	BODY	ENGINE	TRANS	TRIM	DESCRIPTION
5	1HC80XDVAA	1	2, 3, 6, 7	L	13, 15, 17, 53, 55			*F7	PANEL, Lower Rear, B-Pillar Bottom Right [F7], Right
		1	2, 3, 6, 7	L	13, 15, 17, 53, 55			*A6	[A6], Right
		1	2, 3, 6, 7	L	13, 15, 17, 53, 55			*E7	[E7], Right
6	1HC84XDVAA	1	2, 3, 6, 7	L	13, 15, 17, 53, 55			*A6	PANEL, C Pillar [A6], Left
		1	2, 3, 6, 7	L	13, 15, 17, 53, 55			*E7	[E7], Left
		1	2, 3, 6, 7	L	13, 15, 17, 53, 55			*F7	[F7], Left
	1HC89XDVAA	1	2, 3, 6, 7	L	13, 15, 17, 53, 55			*A6	[A6], Right
		1	2, 3, 6, 7	L	13, 15, 17, 53, 55			*E7	[E7], Right
		1	2, 3, 6, 7	L	13, 15, 17, 53, 55			*F7	[F7], Right
7	1HC85XDVAA	1	2, 3, 6, 7	L	13, 15, 17, 53, 55			*A6	PANEL, C Pillar [A6] With [GKE] Left Sliding Door, No Glass, With [58Q] Window Pillar Paneling, Left
		1	2, 3, 6, 7	L	13, 15, 17, 53, 55			*E7	[E7] With [GKE] Left Sliding Door, No Glass, With [58Q] Window Pillar Paneling, Left
		1	2, 3, 6, 7	L	13, 15, 17, 53, 55			*F7	[F7] With [GKE] Left Sliding Door, No Glass, With [58Q] Window Pillar Paneling, Left
	1HC86XDVAA	1	2, 3, 6, 7	L	13, 15, 17, 53, 55			*A6	[A6] Without [GKE] Left Sliding Door, No Glass, Without [GKA] Right Sliding Door, With [58Q] Window Pillar Paneling, Right & Left
		1	2, 3, 6, 7	L	53, 55, 13, 15, 17			*E7	[E7] Without [GKE] Left Sliding Door, No Glass, Without [GKA] Right Sliding Door, With [58Q] Window Pillar Paneling, Right & Left

SPRINTER (VB)

SERIES	LINE	BODY	ENGINE	TRANSMISSION
L = LOWLINE	3 = HD DODGE 2WD 2 = Med. Duty DODGE 2WD	03 = CAB CHASSIS WHEEL BASE 3 05 = CAB CHASSIS WHEEL BASE 5 13 = 119 WB 53 = 119 WB 15 = VAN WHEEL BASE 5 55 = WAGON WHEEL BASE 5 17 = VAN WHEEL BASE 7	EG2 = 3.5L V6 Gas Engine EXM = 3.0L V6 Turbo Diesel Engine	DGZ = 5-Speed Auto W5A380 Transmission

AR = use ase required - = Non illustrated part

**Inner Paneling Window-Pillar in Cab
Figure IVB-235**



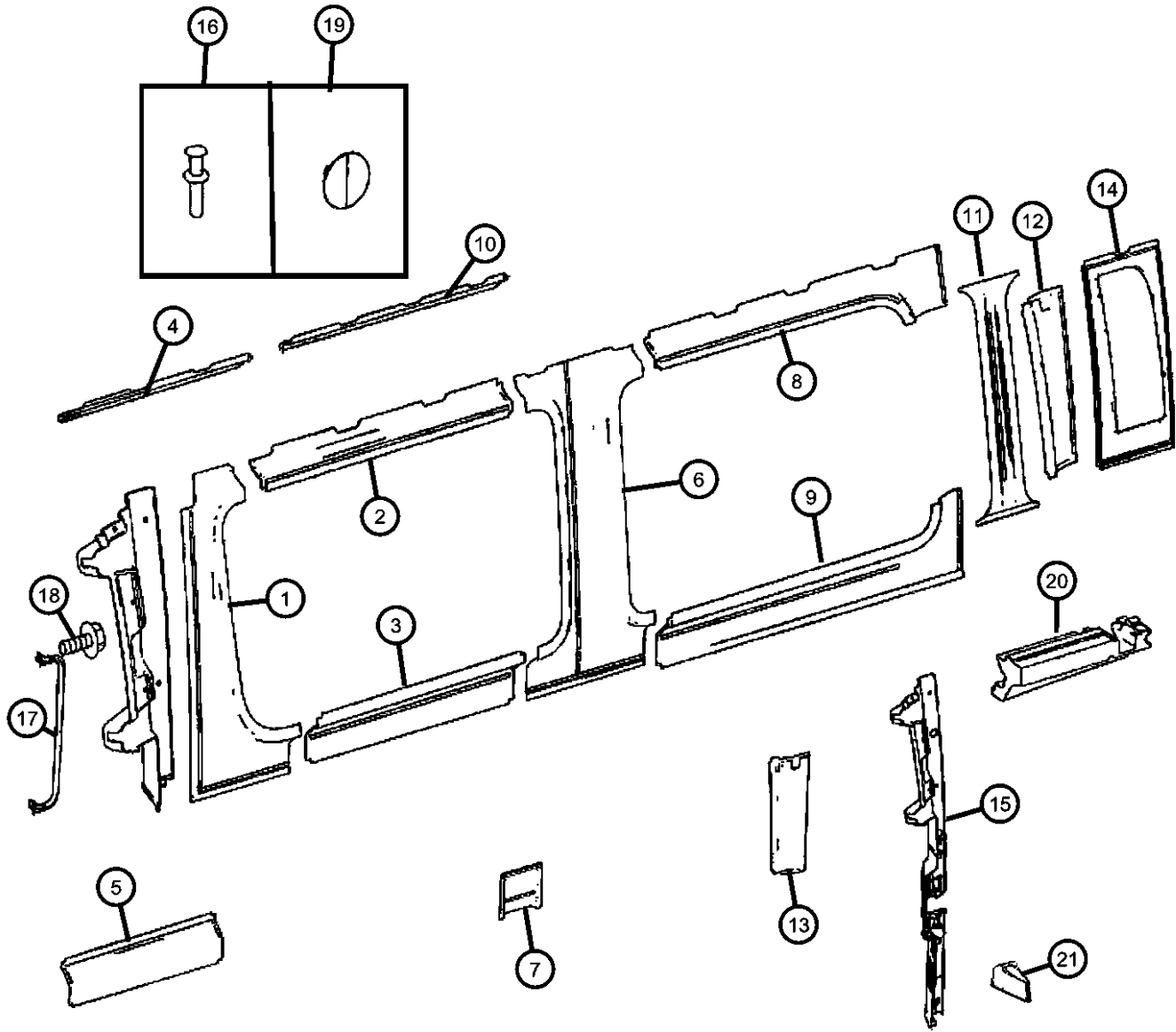
ITEM	PART NUMBER	QTY	LINE	SERIES	BODY	ENGINE	TRANS	TRIM	DESCRIPTION
		1	2, 3, 6, 7	L	13, 15, 17, 53, 55			*F7	[F7] Without [GKE] Left Sliding Door, No Glass, Without [GKA] Right Sliding Door, With [58Q] Window Pillar Paneling, Right & Left
	1HC90XDVAA	1	2, 3, 6, 7	L	13, 15, 17, 53, 55			*A6	[A6] With [GKA] Right Sliding Door, With [58Q] Window Pillar Paneling, Right
		1	2, 3, 6, 7	L	13, 15, 17, 53, 55			*E7	[E7] With [GKA] Right Sliding Door, With [58Q] Window Pillar Paneling, Right
		1	2, 3, 6, 7	L	13, 15, 17, 53, 55			*F7	[F7] With [GKA] Right Sliding Door, With [58Q] Window Pillar Paneling, Right
8									PANEL, Header
	1HC92XDVAA	1	2, 3, 6, 7	L	15, 17, 55			*A6	[A6] C-Pillar Top, Right
		1	2, 3, 6, 7	L	15, 17, 55			*E7	[E7] C-Pillar Top, Right
		1	2, 3, 6, 7	L	15, 17, 55			*F7	[F7] C-Pillar Top, Right
	1HC93XDVAA	1	2, 3, 6, 7	L	15, 17, 55			*E7	[E7] C-Pillar Top, Left
		1	2, 3, 6, 7	L	15, 17, 55			*F7	[F7] C-Pillar Top, Left
	1HC94XDVAA	1	2, 3, 6, 7	L	13, 53			*E7	[A6] C-Pillar Top, Right
		1	2, 3, 6, 7	L	13, 53			*F7	[E7] C-Pillar Top, Right
	1HC95XDVAA	1	2, 3, 6, 7	L	13, 53			*A6	[A6] C-Pillar Top, Left
		1	2, 3, 6, 7	L	15, 17, 55			*A6	[A6] C-Pillar Top, Left
		1	2, 3, 6, 7	L	13, 53			*F7	[F7] C-Pillar Top, Left
	1HC96XDVAA	1	2, 3, 6, 7	L	15, 17, 55			*A6	[F7] C-Pillar Top, Right
		1	2, 3, 6, 7	L	13, 53			*E7	[E7] C-Pillar Top, Left
9									PANEL, Lower Rear
	1HC98XDVAA	1	2, 3, 6, 7	L	15, 17, 55			*A6	[A6] Rear Bottom, Right
		1	2, 3, 6, 7	L	15, 17, 55			*E7	[E7] Rear Bottom, Right
	1HC99XDVAA	1	2, 3, 6, 7	L	15, 17, 55			*E7	[E7] Rear Bottom, Left
		1	2, 3, 6, 7	L	15, 17, 55			*F7	[F7] Rear Bottom, Left
	1HD00XDVAA	1	2, 3, 6, 7	L	13, 53			*A6	[A6] C-Pillar Bottom, Right
		1	2, 3, 6, 7	L	13, 53			*E7	[E7] C-Pillar Bottom, Right
		1	2, 3, 6, 7	L	13, 53			*F7	[F7] C-Pillar Bottom, Right
		1	2, 3, 6, 7	L	15, 17, 55			*F7	[F7] Rear Bottom, Right

SPRINTER (VB)

SERIES	LINE	BODY	ENGINE	TRANSMISSION
L = LOWLINE	3 = HD DODGE 2WD 2 = Med. Duty DODGE 2WD	03 = CAB CHASSIS WHEEL BASE 3 05 = CAB CHASSIS WHEEL BASE 5 13 = 119 WB 53 = 119 WB 15 = VAN WHEEL BASE 5 55 = WAGON WHEEL BASE 5 17 = VAN WHEEL BASE 7	EG2 = 3.5L V6 Gas Engine EXM = 3.0L V6 Turbo Diesel Engine	DGZ = 5-Speed Auto W5A380 Transmission

AR = use ase required - = Non illustrated part

**Inner Paneling Window-Pillar in Cab
Figure IVB-235**



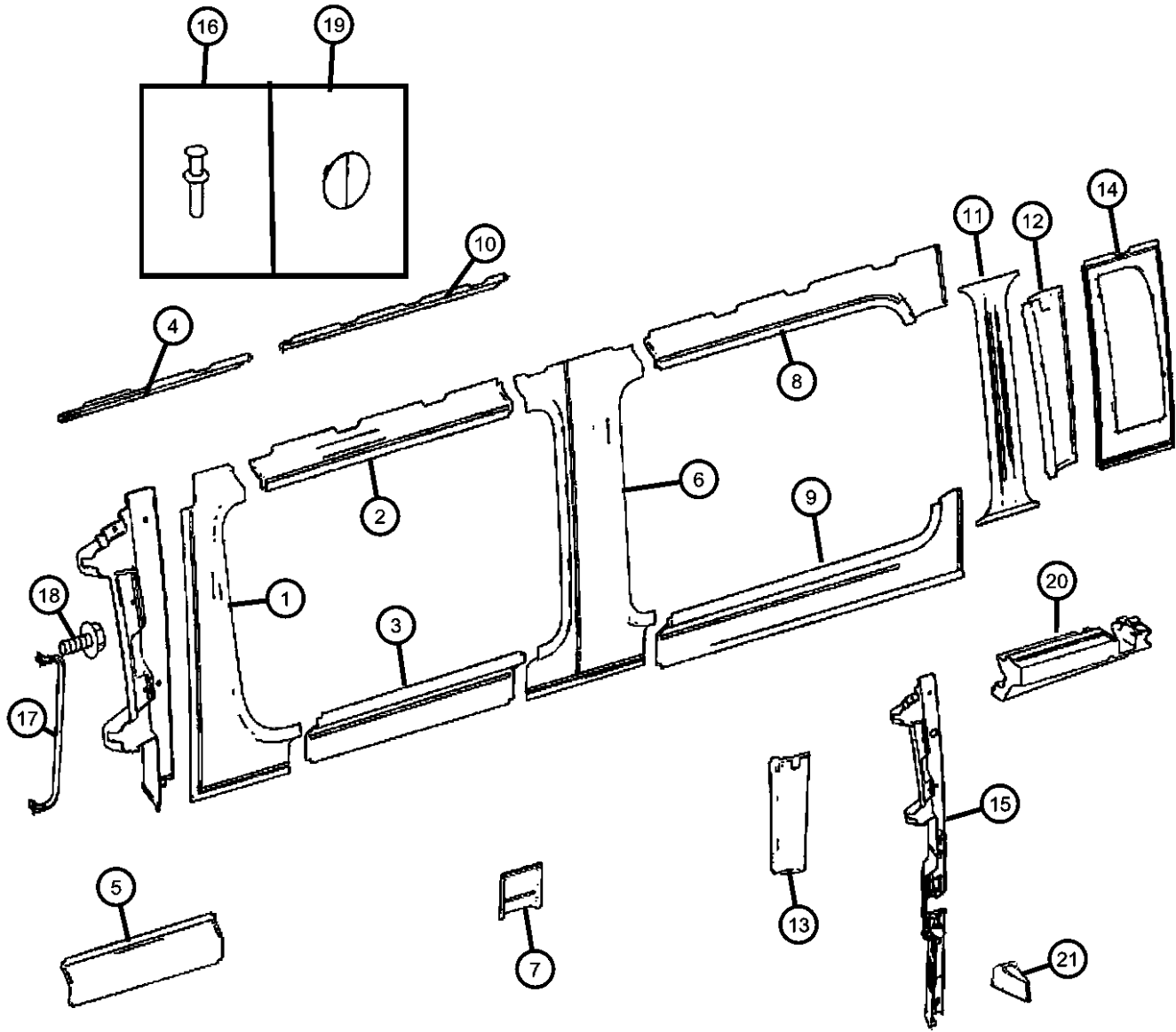
ITEM	PART NUMBER	QTY	LINE	SERIES	BODY	ENGINE	TRANS	TRIM	DESCRIPTION
		1	2, 3, 6, 7	L	15, 17, 55			*A6	[A6] Rear Bottom, Left
	1HD01XDVAA	1	2, 3, 6, 7	L	13, 53			*F7	[F7] C-Pillar Bottom, Left
	1HD03XDVAA	1	2, 3, 6, 7	L	15, 17, 55			*A6	[A6] Central Bottom, Left
		1	2, 3, 6, 7	L	15, 17, 55			*E7	[E7] Central Bottom, Left
		1	2, 3, 6, 7	L	15, 17, 55			*F7	[F7] Central Bottom, Left
		1	2, 3, 6, 7	L	13, 53			*A6	[A6] C-Pillar Bottom, Left
		1	2, 3, 6, 7	L	13, 53			*E7	[E7] C-Pillar Bottom, Left
10									PANEL, Header
	1HD02XDVAA	1	2, 3, 6, 7	L	15, 17, 55			*A6	Right
		1	2, 3, 6, 7	L	15, 17, 55			*E7	Right
		1	2, 3, 6, 7	L	15, 17, 55			*F7	Right
11									COVER, Rear Window Moulding
	1HC91XDVAA	1	2, 3, 6, 7	L	15, 17, 55			*A6	[A6], Left
		1	2, 3, 6, 7	L	15, 17, 55			*E7	[E7], Left
		1	2, 3, 6, 7	L	15, 17, 55			*F7	[F7], Left
	1HD04XDVAA	1	2, 3, 6, 7	L	13, 53			*A6	[A6], Left
		1	2, 3, 6, 7	L	13, 53			*E7	[E7], Left
		1	2, 3, 6, 7	L	13, 53			*F7	[F7], Left
12									PANEL, D Pillar Trim
	1HD07XDVAA	1	2, 3, 6, 7	L	13, 15, 17, 53, 55			*F7	[F7], Left
		1	2, 3, 6, 7	L	13, 15, 17, 53, 55			*A6	[A6], Left
		1	2, 3, 6, 7	L	13, 15, 17, 53, 55			*E7	[E7], Left
13									PANEL, D Pillar Trim
	1HD08XDVAA	1	2, 3, 6, 7	L	13, 15, 17, 53, 55			*A6	[A6]
		1	2, 3, 6, 7	L	13, 15, 17, 53, 55			*E7	[E7]
		1	2, 3, 6, 7	L	13, 15, 17, 53, 55			*F7	[F7]
14									PANEL, D Pillar Trim
	1HD10XDVAA	1	2, 3, 6, 7	L	17			*E7	[E7], Right
		1	2, 3, 6, 7	L	17			*F7	[F7], Right

SPRINTER (VB)

SERIES	LINE	BODY	ENGINE	TRANSMISSION
L = LOWLINE	3 = HD DODGE 2WD 2 = Med. Duty DODGE 2WD	03 = CAB CHASSIS WHEEL BASE 3 05 = CAB CHASSIS WHEEL BASE 5 13 = 119 WB 53 = 119 WB 15 = VAN WHEEL BASE 5 55 = WAGON WHEEL BASE 5 17 = VAN WHEEL BASE 7	EG2 = 3.5L V6 Gas Engine EXM = 3.0L V6 Turbo Diesel Engine	DGZ = 5-Speed Auto W5A380 Transmission

AR = use ase required - = Non illustrated part

**Inner Paneling Window-Pillar in Cab
Figure IVB-235**



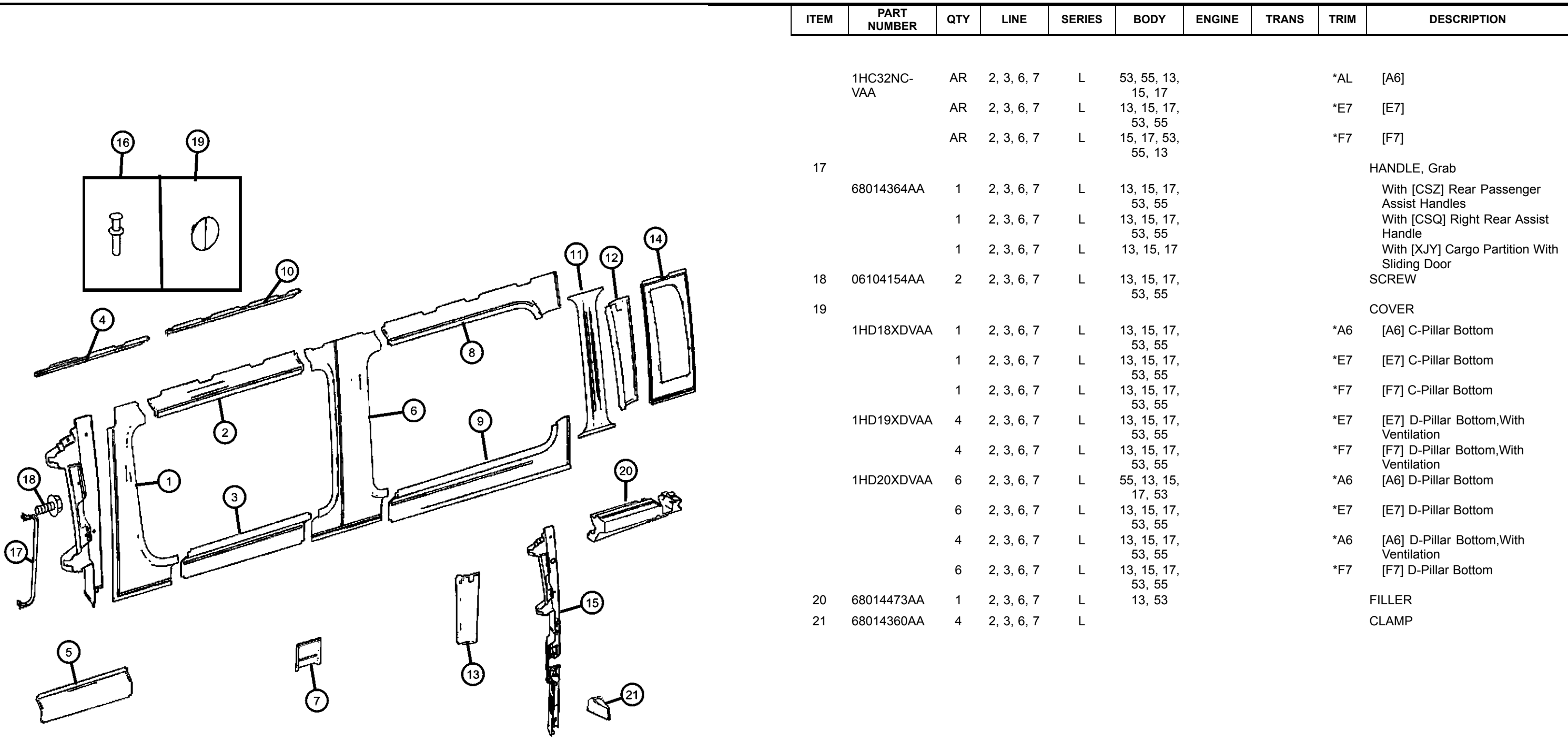
ITEM	PART NUMBER	QTY	LINE	SERIES	BODY	ENGINE	TRANS	TRIM	DESCRIPTION
	1HD09XDVAA	1	2, 3, 6, 7	L	17			*A6	[A6], Left
		1	2, 3, 6, 7	L	17			*E7	[E7], Left
		1	2, 3, 6, 7	L	17			*F7	[F7], Left
		1	2, 3, 6, 7	L	17			*A6	[A6], Right
15									PANEL, D Pillar Trim
	1HD12XDVAA	1	2, 3, 6, 7	L	13, 15, 17, 53, 55			*A6	[A6],With [CSQ] Right Rear Assist Handle, Right
	1HD14XDVAA	1	2, 3, 6, 7	L	13, 15, 17, 53, 55			*A6	[A6],Without [CSQ] Right Rear Assist Handles,Without [CSZ] Rear Passenger Assist Handles, Right
		1	2, 3, 6, 7	L	13, 15, 17, 53, 55			*E7	[E7],With [CSQ] Right Rear Assist Handle, Right
		1	2, 3, 6, 7	L	13, 15, 17, 53, 55			*F7	[F7],With [CSQ] Right Rear Assist Handle, Right
	1HD13XDVAA	1	2, 3, 6, 7	L	13, 15, 17, 53, 55			*A6	[A6],With [CSZ] Rear Passenger Assist Handles, Left
		1	2, 3, 6, 7	L	13, 15, 17, 53, 55			*E7	[E7],With [CSZ] Rear Passenger Assist Handles, Left
		1	2, 3, 6, 7	L	13, 15, 17, 53, 55			*F7	[F7],With [CSZ] Rear Passenger Assist Handles, Left
		1	2, 3, 6, 7	L	13, 15, 17, 53, 55			*E7	[E7],Without [CSQ] Right Rear Assist Handles,Without [CSZ] Rear Passenger Assist Handles, Right
		1	2, 3, 6, 7	L	13, 15, 17, 53, 55			*F7	[F7],Without [CSQ] Right Rear Assist Handles,Without [CSZ] Rear Passenger Assist Handles, Right
	1HD15XDVAA	1	2, 3, 6, 7	L	13, 15, 17, 53, 55			*A6	[A6],Without [CSQ] Right Rear Assist Handles,Without [CSZ] Rear Passenger Assist Handles, Left
		1	2, 3, 6, 7	L	13, 15, 17, 53, 55			*E7	[E7],Without [CSQ] Right Rear Assist Handles,Without [CSZ] Rear Passenger Assist Handles, Left
		1	2, 3, 6, 7	L	13, 15, 17, 53, 55			*F7	[F7],Without [CSQ] Right Rear Assist Handles,Without [CSZ] Rear Passenger Assist Handles, Left
16									RIVET, RIVET

SPRINTER (VB)

SERIES	LINE	BODY	ENGINE	TRANSMISSION
L = LOWLINE	3 = HD DODGE 2WD 2 = Med. Duty DODGE 2WD	03 = CAB CHASSIS WHEEL BASE 3 05 = CAB CHASSIS WHEEL BASE 5 13 = 119 WB 53 = 119 WB 15 = VAN WHEEL BASE 5 55 = WAGON WHEEL BASE 5 17 = VAN WHEEL BASE 7	EG2 = 3.5L V6 Gas Engine EXM = 3.0L V6 Turbo Diesel Engine	DGZ = 5-Speed Auto W5A380 Transmission

AR = use ase required - = Non illustrated part

**Inner Paneling Window-Pillar in Cab
Figure IVB-235**



ITEM	PART NUMBER	QTY	LINE	SERIES	BODY	ENGINE	TRANS	TRIM	DESCRIPTION
	1HC32NC-VAA	AR	2, 3, 6, 7	L	53, 55, 13, 15, 17			*AL	[A6]
		AR	2, 3, 6, 7	L	13, 15, 17, 53, 55			*E7	[E7]
		AR	2, 3, 6, 7	L	15, 17, 53, 55, 13			*F7	[F7]
17	68014364AA	1	2, 3, 6, 7	L	13, 15, 17, 53, 55				HANDLE, Grab With [CSZ] Rear Passenger Assist Handles
		1	2, 3, 6, 7	L	13, 15, 17, 53, 55				With [CSQ] Right Rear Assist Handle
		1	2, 3, 6, 7	L	13, 15, 17				With [XJY] Cargo Partition With Sliding Door
18	06104154AA	2	2, 3, 6, 7	L	13, 15, 17, 53, 55				SCREW
19	1HD18XDVAA	1	2, 3, 6, 7	L	13, 15, 17, 53, 55			*A6	[A6] C-Pillar Bottom
		1	2, 3, 6, 7	L	13, 15, 17, 53, 55			*E7	[E7] C-Pillar Bottom
		1	2, 3, 6, 7	L	13, 15, 17, 53, 55			*F7	[F7] C-Pillar Bottom
	1HD19XDVAA	4	2, 3, 6, 7	L	13, 15, 17, 53, 55			*E7	[E7] D-Pillar Bottom, With Ventilation
		4	2, 3, 6, 7	L	13, 15, 17, 53, 55			*F7	[F7] D-Pillar Bottom, With Ventilation
	1HD20XDVAA	6	2, 3, 6, 7	L	55, 13, 15, 17, 53			*A6	[A6] D-Pillar Bottom
		6	2, 3, 6, 7	L	13, 15, 17, 53, 55			*E7	[E7] D-Pillar Bottom
		4	2, 3, 6, 7	L	13, 15, 17, 53, 55			*A6	[A6] D-Pillar Bottom, With Ventilation
		6	2, 3, 6, 7	L	13, 15, 17, 53, 55			*F7	[F7] D-Pillar Bottom
20	68014473AA	1	2, 3, 6, 7	L	13, 53				FILLER
21	68014360AA	4	2, 3, 6, 7	L					CLAMP

SPRINTER (VB)
 SERIES LINE BODY ENGINE TRANSMISSION
 L = LOWLINE 3 = HD DODGE 2WD 03 = CAB CHASSIS WHEEL BASE 3 EG2 = 3.5L V6 Gas Engine DGZ = 5-Speed Auto W5A380 Transmission
 2 = Med. Duty DODGE 2WD 05 = CAB CHASSIS WHEEL BASE 5 EXM = 3.0L V6 Turbo Diesel Engine

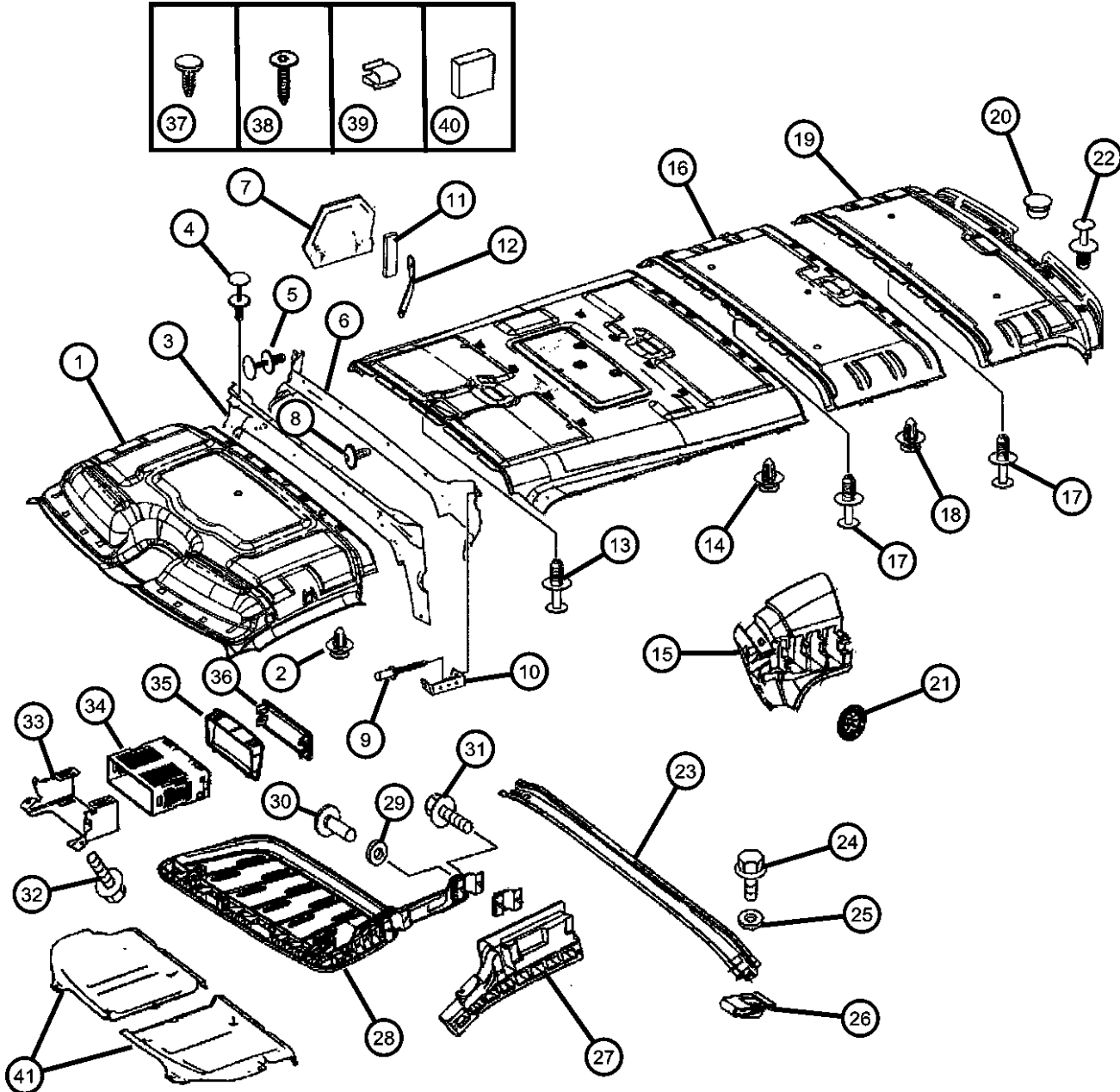
13 = 119 WB
 53 = 119 WB
 15 = VAN WHEEL BASE 5
 55 = WAGON WHEEL BASE 5
 17 = VAN WHEEL BASE 7

AR = use ase required - = Non illustrated part

Inner Paneling, Roof, Low Roof
Figure IVB-240

ITEM	PART NUMBER	QTY	LINE	SERIES	BODY	ENGINE	TRANS	TRIM	DESCRIPTION
------	-------------	-----	------	--------	------	--------	-------	------	-------------

Sales Codes
 [CJ4] = Side Front Air Bag
 [CK7] = Front Overhead Storage Bin
 [GWA] = Sunroof



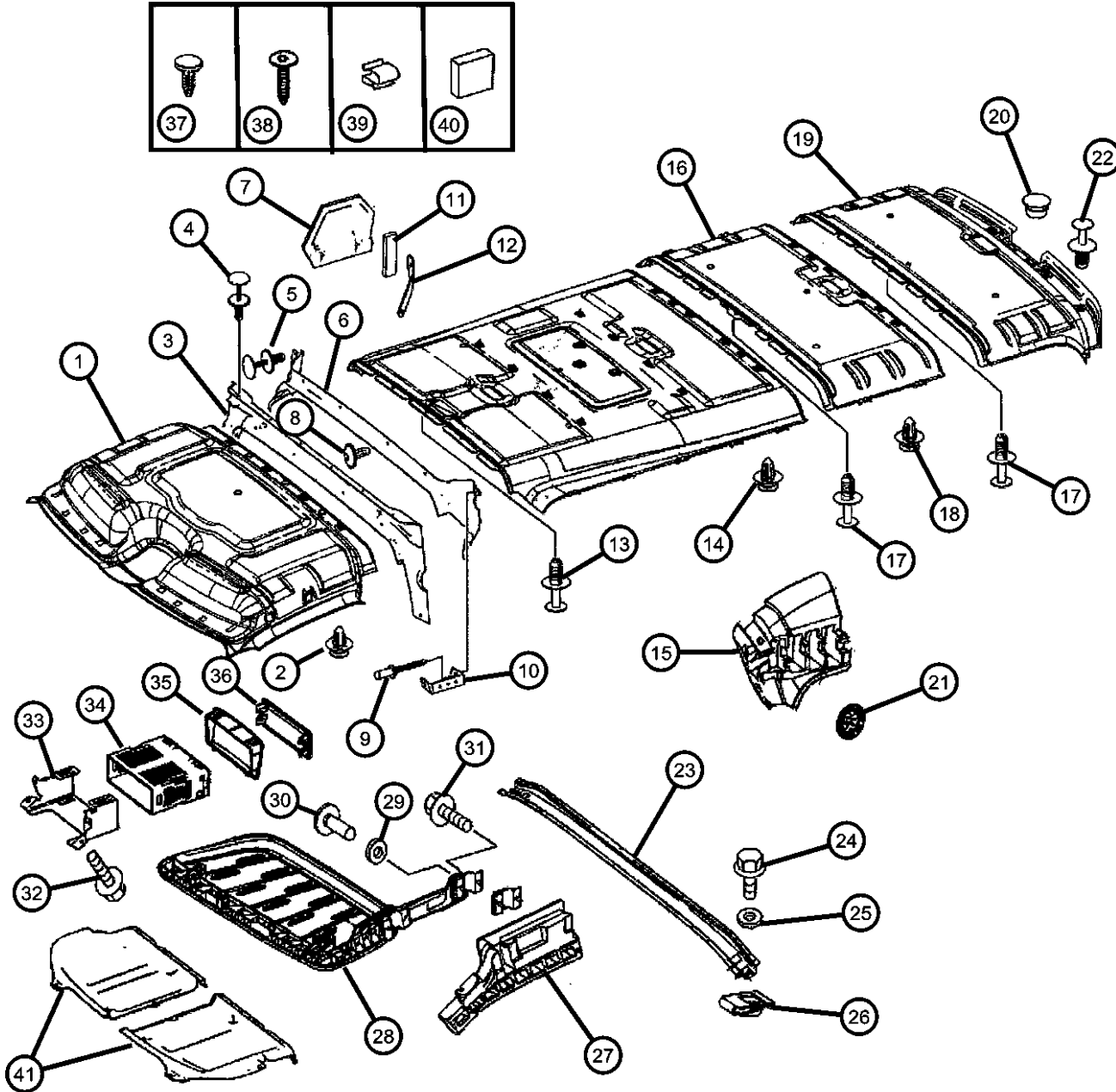
ITEM	PART NUMBER	QTY	LINE	SERIES	BODY	ENGINE	TRANS	TRIM	DESCRIPTION
1									HEADLINER, Front
	1HA89ADVAA	1	2, 3, 6, 7	L				*A6	[A4]
		1	2, 3, 6, 7	L				*F7	[A4]
	1HA89TDVAA	1	2, 3, 6, 7	L				*F7	[A7]
		1	2, 3, 6, 7	L	13, 15, 17, 53, 55			*E7	[A4]
		1	2, 3, 6, 7	L				*A6	[A7]
	1HA90ADVAA	1	2, 3, 6, 7	L				*F7	[A4], With [CK7] [GWA]
	1HA90TDVAA	1	2, 3, 6, 7	L				*A6	[A7], With [CK7] [GWA]
		1	2, 3, 6, 7	L	13, 15, 17, 53, 55			*E7	[A7]
		1	2, 3, 6, 7	L				*A6	[A4], With [CK7] [GWA]
		1	2, 3, 6, 7	L				*E7	[A4], With [CK7] [GWA]
		1	2, 3, 6, 7	L				*E7	[A7], With [CK7] [GWA]
		1	2, 3, 6, 7	L				*F7	[A7], With [CK7] [GWA]
	1HA91ADVAA	1	3, 7	L	03, 05			*E7	[A4], With [GWA]
		1	3, 7	L	03, 05			*F7	[A4], With [GWA]
		1	2, 6	L	13, 53			*A6	[A4], With [GWA]
	1HA91TDVAA	1	3, 7	L	03, 05			*E7	[A7], With [GWA]
		1	3, 7	L	03, 05			*F7	[A7], With [GWA]
		1	2, 6	L	13, 53			*A6	[A7], With [GWA]
	1HA92ADVAA	1	2, 3, 6, 7	L	13, 15, 17, 53, 55			*A6	[A4], With [CK7]
		1	2, 3, 6, 7	L	13, 15, 17, 53, 55			*E7	[A4], With [CK7]
		1	2, 3, 6, 7	L	13, 15, 17, 53, 55			*F7	[A4], With [CK7]
	1HA92KDVAA	1	2, 3, 6, 7	L				*E7	[DV], With [CK7]
		1	2, 3, 6, 7	L	13, 15, 17, 53, 55			*A6	[DV], With [CK7]
		1	6, 7, 2, 3	L	13, 15, 17, 53, 55			*F7	[DV], With [CK7]
	1HA92TDVAA	1	2, 3, 6, 7	L				*A6	[A7], With [CK7]

SPRINTER (VB)

SERIES	LINE	BODY	ENGINE	TRANSMISSION
L = LOWLINE	3 = HD DODGE 2WD 2 = Med. Duty DODGE 2WD	03 = CAB CHASSIS WHEEL BASE 3 05 = CAB CHASSIS WHEEL BASE 5 13 = 119 WB 53 = 119 WB 15 = VAN WHEEL BASE 5 55 = WAGON WHEEL BASE 5 17 = VAN WHEEL BASE 7	EG2 = 3.5L V6 Gas Engine EXM = 3.0L V6 Turbo Diesel Engine	DGZ = 5-Speed Auto W5A380 Transmission

AR = use ase required - = Non illustrated part

Inner Paneling, Roof, Low Roof
Figure IVB-240



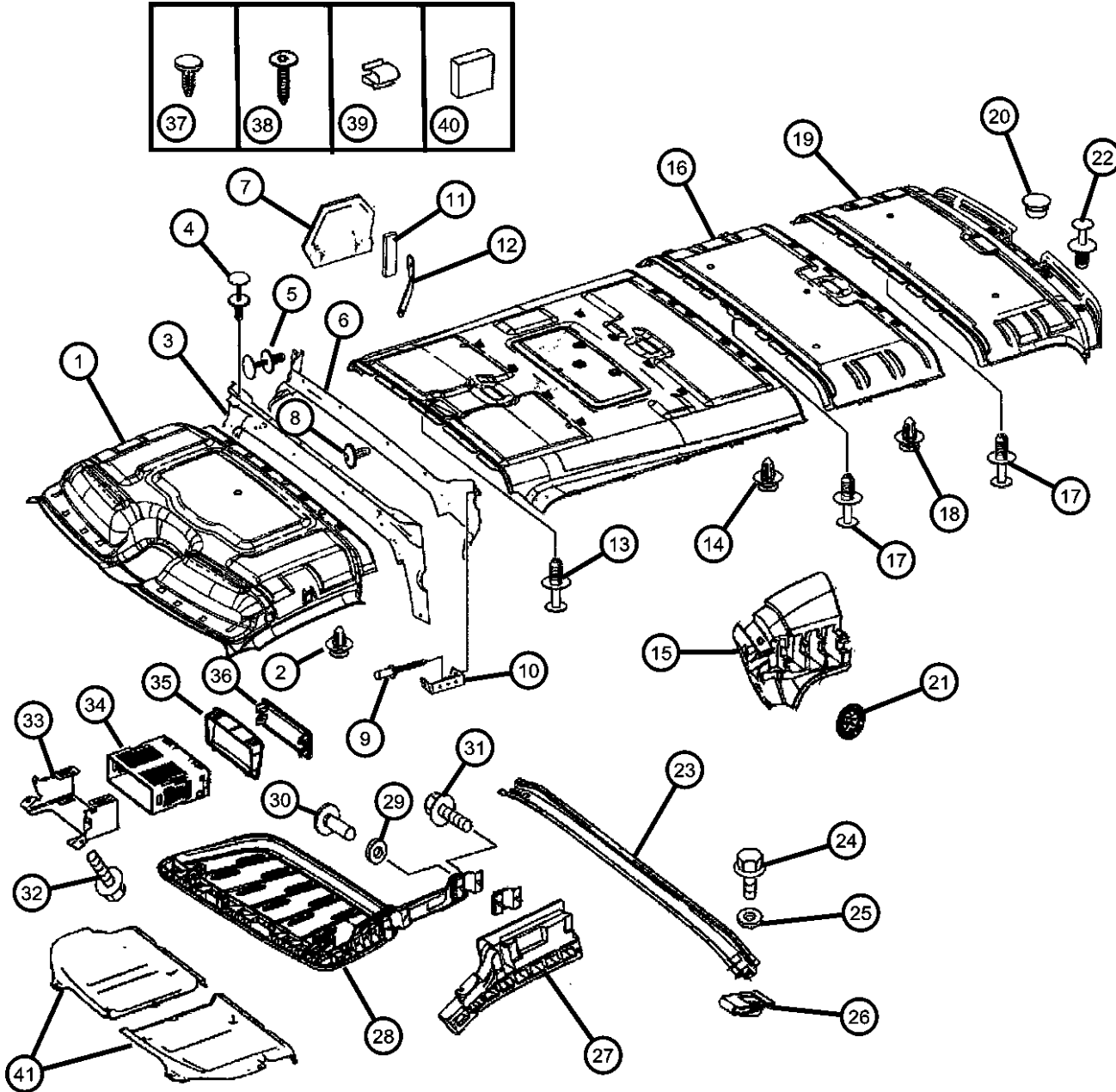
ITEM	PART NUMBER	QTY	LINE	SERIES	BODY	ENGINE	TRANS	TRIM	DESCRIPTION
		1	2, 3, 6, 7	L				*E7	[A7] , With [CK7]
		1	2, 3, 6, 7	L				*F7	[A7] , With [CK7]
	1HA93ADVAA	1	2, 3, 6, 7	L				*E7	[A4] , With [CJ4] [GWA]
		1	2, 3, 6, 7	L				*F7	[A4] , With [CJ4] [GWA]
	1HA93TDVAA	1	2, 3, 6, 7	L				*A6	[A7] , With [CJ4] [GWA]
		1	2, 3, 6, 7	L				*E7	[A7] , With [CJ4] [GWA]
		1	2, 3, 6, 7	L				*F7	[A7] , With [CJ4] [GWA]
	1HA94ADVAA	1	2, 3, 6, 7	L				*A6	[A4] , With [CJ4] [GWA]
	1HA94TDVAA	1	2, 3, 6, 7	L				*A6	[A4] , With [CJ4] [CK7] [GWA]
		1	2, 3, 6, 7	L				*A6	[A7] , With [CJ4] [CK7] [GWA]
		1	2, 3, 6, 7	L				*E7	[A7] , With [CJ4] [CK7] [GWA]
		1	3, 6, 7, 2	L				*F7	[A7] , With [CJ4] [CK7] [GWA]
		1	2, 3, 6, 7	L				*E7	[A4] , With [CJ4] [CK7] [GWA]
	1HA95ADVAA	1	2, 3, 6, 7	L				*F7	[A4] , With [CJ4] [CK7] [GWA]
	1HA95TDVAA	1	2, 3, 6, 7	L				*A6	[A4] , With [CJ4] [CK7]
		1	2, 3, 6, 7	L				*A6	[A7] , With [CJ4] [CK7]
		1	2, 3, 6, 7	L				*E7	[A4] , With [CJ4] [CK7]
		1	2, 3, 6, 7	L				*F7	[A4] , With [CJ4] [CK7]
		1	2, 3, 6, 7	L				*E7	[A7] , With [CJ4] [CK7]
		1	2, 3, 6, 7	L				*F7	[A7] , With [CJ4] [CK7]
	1HA96TDVAA	1	2, 3, 6, 7	L				*E7	[A4] , With [CJ4]
	1HA96ADVAA	1	2, 3, 6, 7	L				*A6	[A7] , With [CJ4]
		1	2, 3, 6, 7	L				*E7	[A4] , With [CJ4]
		1	2, 3, 6, 7	L				*F7	[A4] , With [CJ4]
		1	2, 3, 6, 7	L				*E7	[A7] , With [CJ4]
		1	2, 3, 6, 7	L				*F7	[A7] , With [CJ4]
2	05125569AA	4	2, 3, 6, 7	L	13, 15, 17, 53, 55				CLIP, Headlining
3									PANEL, Headliner
	1HC42XDVAA	1	2, 3, 6, 7	L	13, 15, 17			*A6	
		1	6, 7, 2, 3	L	13, 15, 17			*E7	
		1	2, 3, 6, 7	L	13, 15, 17			*F7	

SPRINTER (VB)

SERIES	LINE	BODY	ENGINE	TRANSMISSION
L = LOWLINE	3 = HD DODGE 2WD 2 = Med. Duty DODGE 2WD	03 = CAB CHASSIS WHEEL BASE 3 05 = CAB CHASSIS WHEEL BASE 5 13 = 119 WB 53 = 119 WB 15 = VAN WHEEL BASE 5 55 = WAGON WHEEL BASE 5 17 = VAN WHEEL BASE 7	EG2 = 3.5L V6 Gas Engine EXM = 3.0L V6 Turbo Diesel Engine	DGZ = 5-Speed Auto W5A380 Transmission

AR = use ase required - = Non illustrated part

**Inner Paneling, Roof, Low Roof
Figure IVB-240**



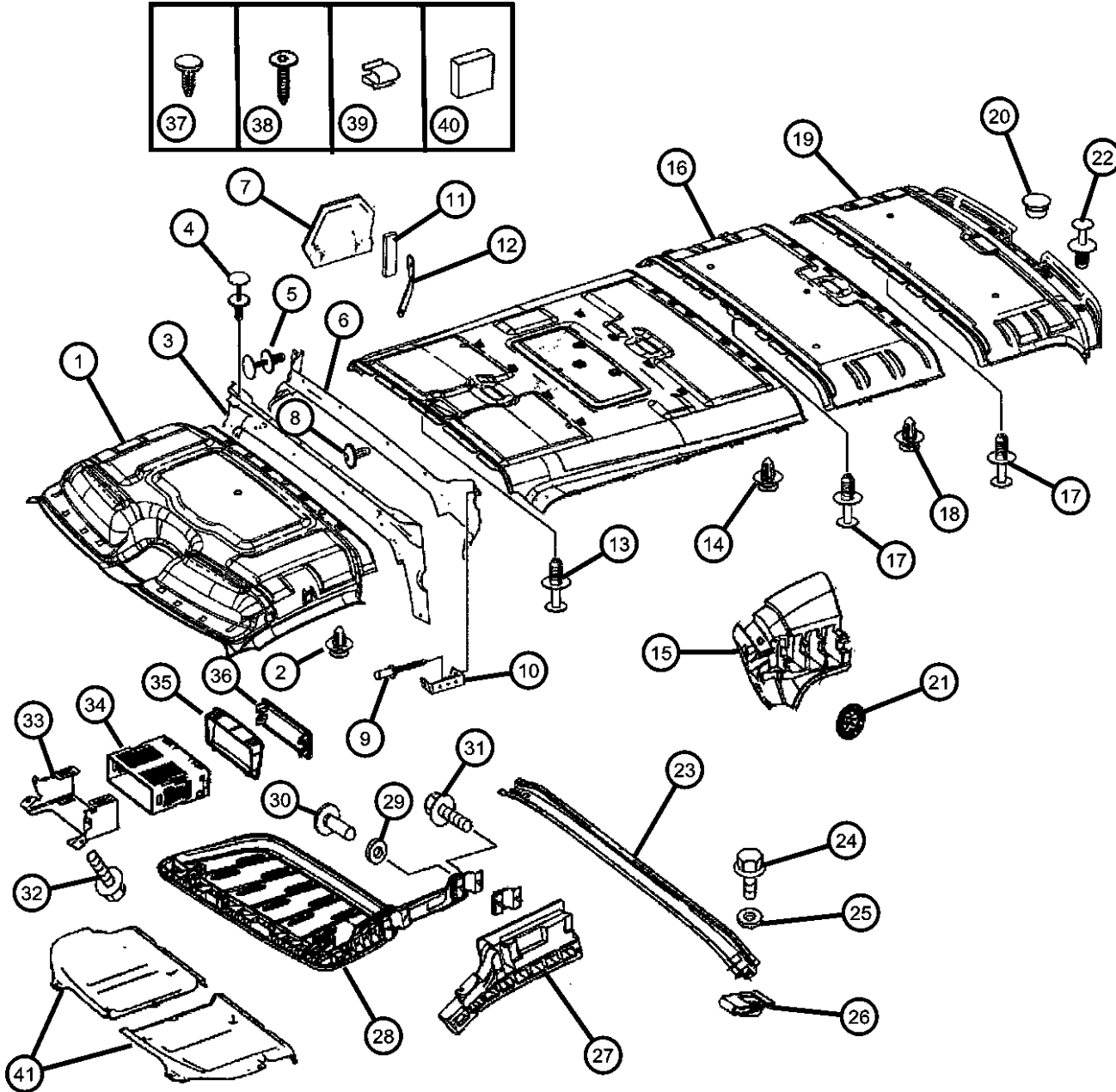
ITEM	PART NUMBER	QTY	LINE	SERIES	BODY	ENGINE	TRANS	TRIM	DESCRIPTION
4	68006483AA	18	2, 3, 6, 7	L	13, 15, 17, 53, 55				RIVET
5									RIVET
	1HC04NC-VAA	2	2, 3, 6, 7	L				*A6	
		2	2, 3, 6, 7	L				*E7	
		2	2, 3, 6, 7	L				*F7	
6									COVER, Roof Header
	1HC00XDVAA	1	2, 3, 6, 7	L	13, 15, 17			*A6	With [GK9]
		1	2, 3, 6, 7	L	13, 15, 17			*F7	With [GK9]
	1HC01XDVAA	1	7, 2, 3, 6	L	13, 15, 17, 53, 55			*A6	With [GKA] [GKE]
		1	2, 3, 6, 7	L	13, 15, 17, 53, 55			*E7	With [GKA] [GKE]
		1	2, 3, 6, 7	L	13, 15, 17			*E7	With [GK9]
		1	2, 3, 6, 7	L	13, 15, 17, 53, 55			*F7	With [GKA] [GKE]
	1HC02XDVAA	1	2, 3, 6, 7	L	13, 15, 17, 53, 55			*A6	With [GKA]
		1	2, 3, 6, 7	L	13, 15, 17, 53, 55			*E7	With [GKA]
		1	2, 3, 6, 7	L	13, 15, 17, 53, 55			*F7	With [GKA]
	1HC03XDVAA	1	2, 3, 6, 7	L	13, 15, 17, 53, 55			*A6	With [GKE]
		1	2, 3, 6, 7	L	13, 15, 17, 53, 55			*E7	With [GKE]
		1	2, 3, 6, 7	L	17, 53, 55, 13, 15			*F7	With [GKE]
7	68014282AA	1	2, 3, 6, 7	L	13, 15, 17				COVER
8									RIVET, Plastic
	1AR96DX9AA	1	2, 3, 6, 7	L	13, 15, 17, 53, 55			*A6	[AA]
		1	2, 3, 6, 7	L	13, 15, 17, 53, 55			*E7	[AA]
		1	2, 3, 6, 7	L	13, 15, 17, 53, 55			*F7	[AA]
		1	2, 3, 6, 7	L	13, 15, 17, 53, 55			*E7	[DX]
		1	2, 3, 6, 7	L	13, 15, 17, 53, 55			*F7	[DX]

SPRINTER (VB)

SERIES	LINE	BODY	ENGINE	TRANSMISSION
L = LOWLINE	3 = HD DODGE 2WD 2 = Med. Duty DODGE 2WD	03 = CAB CHASSIS WHEEL BASE 3 05 = CAB CHASSIS WHEEL BASE 5 13 = 119 WB 53 = 119 WB 15 = VAN WHEEL BASE 5 55 = WAGON WHEEL BASE 5 17 = VAN WHEEL BASE 7	EG2 = 3.5L V6 Gas Engine EXM = 3.0L V6 Turbo Diesel Engine	DGZ = 5-Speed Auto W5A380 Transmission

AR = use ase required - = Non illustrated part

Inner Paneling, Roof, Low Roof
Figure IVB-240



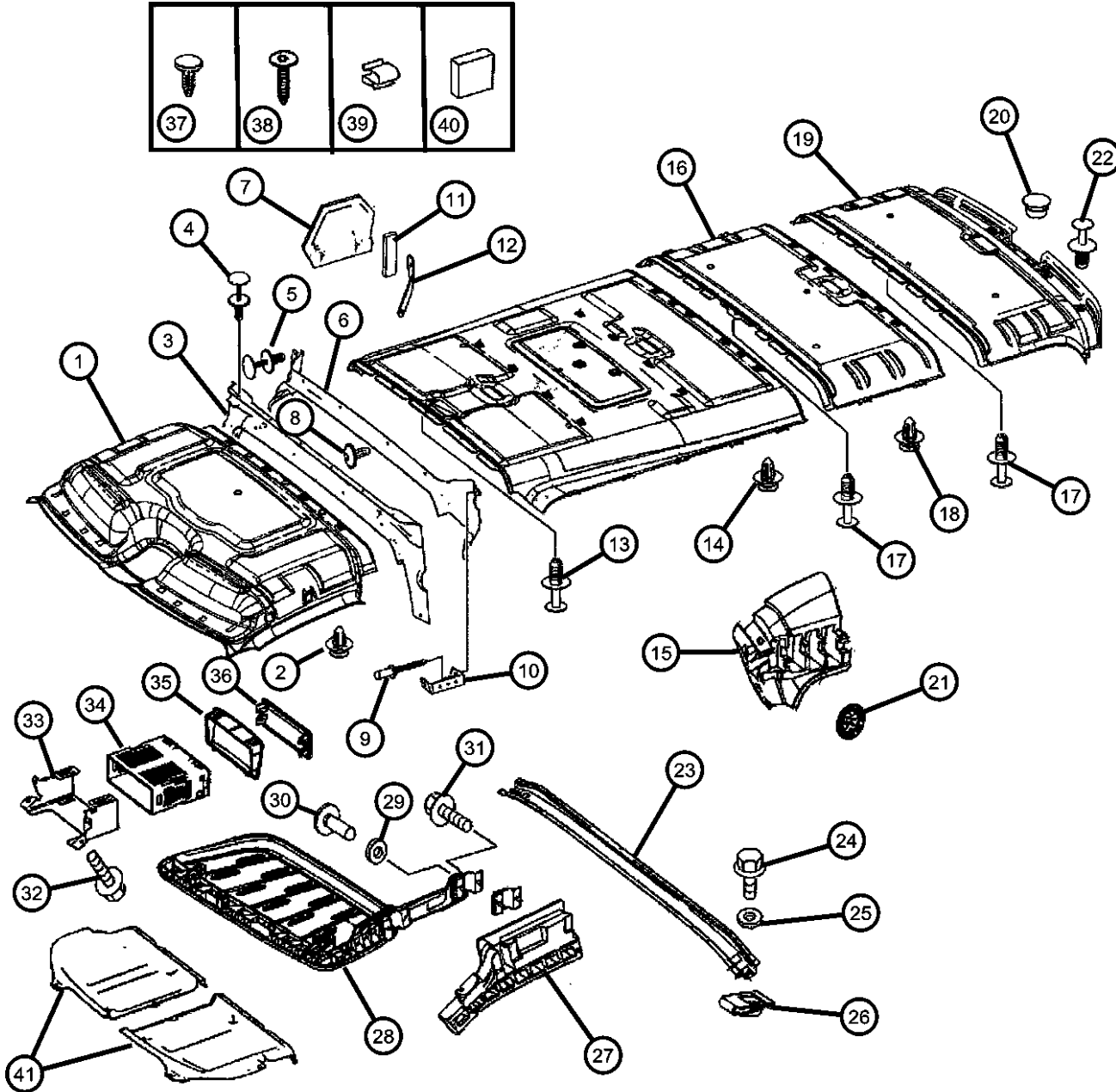
ITEM	PART NUMBER	QTY	LINE	SERIES	BODY	ENGINE	TRANS	TRIM	DESCRIPTION
		1	2, 3, 6, 7	L	13, 15, 17, 53, 55			*A6	[DX]
9	05134061AA	8	2, 3, 6, 7	L	13, 15, 17, 53, 55				RIVET
10	68014184AA	2	2, 3, 6, 7	L					BRACKET
11	68014185AA	1	2, 3, 6, 7	L	13, 15, 17, 53, 55				SPACER
12	68014186AA	1	2, 3, 6, 7	L	13, 15, 17, 53, 55				BRACKET
13									RIVET, Plastic
	1AR96DX9AA	8	2, 3, 6, 7	L	53, 55, 13, 15, 17			*A6	
		8	2, 3, 6, 7	L	13, 15, 17, 53, 55			*E7	
		8	2, 3, 6, 7	L	13, 15, 17, 53, 55			*F7	
14	05125569AA	4	7, 2, 3, 6	L	13, 15, 17, 53, 55				CLIP, Headlining
15									INSULATION, Roof Headliner
	1JE54NCVAA	1	2, 3, 6, 7	L	13, 15, 17, 53, 55			*AL	Left
		1	2, 3, 6, 7	L	13, 15, 17, 53, 55			*F7	Left
		1	2, 3, 6, 7	L	13, 15, 17, 53, 55			*E7	Left
	1JE55NCVAA	1	2, 3, 6, 7	L	13, 15, 17, 53, 55			*E7	Right
		1	2, 3, 6, 7	L	13, 15, 17, 53, 55			*F7	Right
		1	2, 3, 6, 7	L	53, 55, 13, 15, 17			*AL	Right
16									HEADLINER, Rear
	1HC33XDVAA	2	2, 3, 6, 7	L	13, 53			*A6	
		2	2, 3, 6, 7	L	13, 53			*E7	
		2	2, 3, 6, 7	L	13, 53			*F7	
17									RIVET, Plastic
	1AR96DX9AA	8	2, 3, 6, 7	L	13, 15, 17, 53, 55			*A6	
		8	2, 3, 6, 7	L	13, 15, 17, 53, 55			*E7	

SPRINTER (VB)

SERIES	LINE	BODY	ENGINE	TRANSMISSION
L = LOWLINE	3 = HD DODGE 2WD 2 = Med. Duty DODGE 2WD	03 = CAB CHASSIS WHEEL BASE 3 05 = CAB CHASSIS WHEEL BASE 5 13 = 119 WB 53 = 119 WB 15 = VAN WHEEL BASE 5 55 = WAGON WHEEL BASE 5 17 = VAN WHEEL BASE 7	EG2 = 3.5L V6 Gas Engine EXM = 3.0L V6 Turbo Diesel Engine	DGZ = 5-Speed Auto W5A380 Transmission

AR = use ase required - = Non illustrated part

Inner Paneling, Roof, Low Roof
Figure IVB-240



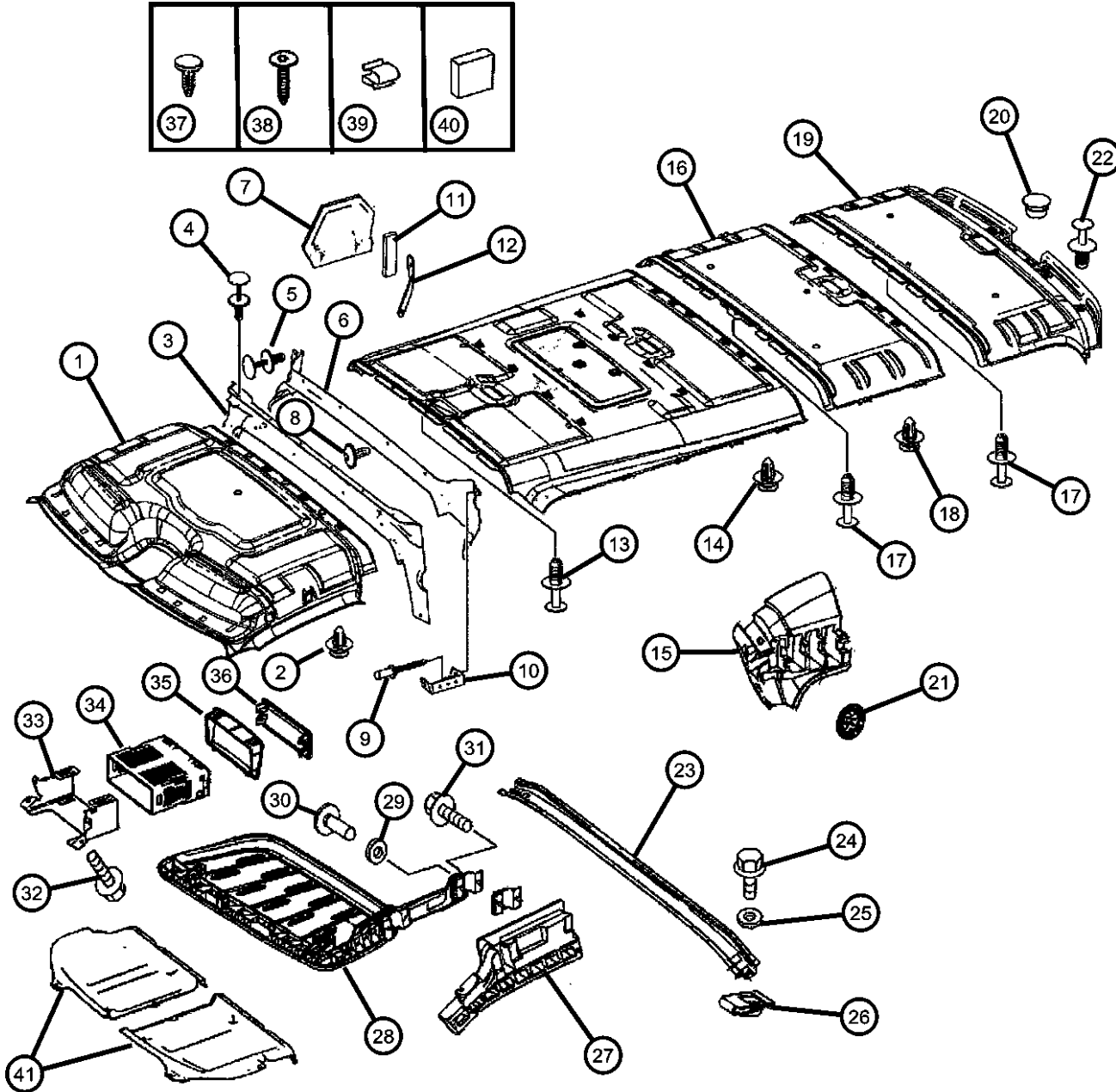
ITEM	PART NUMBER	QTY	LINE	SERIES	BODY	ENGINE	TRANS	TRIM	DESCRIPTION
		8	2, 3, 6, 7	L	13, 15, 17, 53, 55			*F7	
18	05125569AA	4	2, 3, 6, 7	L	13, 15, 17, 53, 55				CLIP, Headlining
19									HEADLINER, Rear
	1HC36XDVAA	1	2, 3, 6, 7	L	13, 53			*A6	
		1	2, 3, 6, 7	L	13, 53			*E7	
		1	2, 3, 6, 7	L	13, 53			*F7	
20									CAP
	1HC40NC-VAA	4	7, 2, 3, 6	L	13, 15, 17, 53, 55			*A6	
		4	2, 3, 6, 7	L	13, 15, 17, 53, 55			*E7	
		4	2, 3, 6, 7	L	13, 15, 17, 53, 55			*F7	
21	68004747AA	2	2, 3, 6, 7	L	13, 15, 17, 53, 55				WASHER, Spring
22									RIVET, RIVET
	1HC32NC-VAA	AR	2, 3, 6, 7	L	13, 15, 17, 53, 55			*AL	
		AR	2, 3, 6, 7	L	13, 15, 17, 53, 55			*E7	
		AR	2, 3, 6, 7	L	13, 15, 17, 53, 55			*F7	
23	68014272AA	1	2, 3, 6, 7	L	13, 15, 17				BOW, Roof
24	68010354AA	1	2, 3, 6, 7	L	55, 13, 15, 17, 53				SCREW
25	05104639AA	2	2, 3, 6, 7	L	13, 15, 17, 53, 55				WASHER
26	05133420AA	3	2, 3, 6, 7	L	13, 15, 17, 53, 55				NUT, Clip-On
27									INSULATION
	68014293AA	1	2, 6	L	13, 15, 17, 53, 55				Left
	68014292AA	1	2, 6	L	13, 15, 17, 53, 55				Right
28									TRAY, Cargo
	1HA97XDVAA	1	2, 3, 6, 7	L				*A6	Left
		1	2, 3, 6, 7	L				*E7	Left

SPRINTER (VB)

SERIES	LINE	BODY	ENGINE	TRANSMISSION
L = LOWLINE	3 = HD DODGE 2WD 2 = Med. Duty DODGE 2WD	03 = CAB CHASSIS WHEEL BASE 3 05 = CAB CHASSIS WHEEL BASE 5 13 = 119 WB 53 = 119 WB 15 = VAN WHEEL BASE 5 55 = WAGON WHEEL BASE 5 17 = VAN WHEEL BASE 7	EG2 = 3.5L V6 Gas Engine EXM = 3.0L V6 Turbo Diesel Engine	DGZ = 5-Speed Auto W5A380 Transmission

AR = use ase required - = Non illustrated part

Inner Paneling, Roof, Low Roof
Figure IVB-240



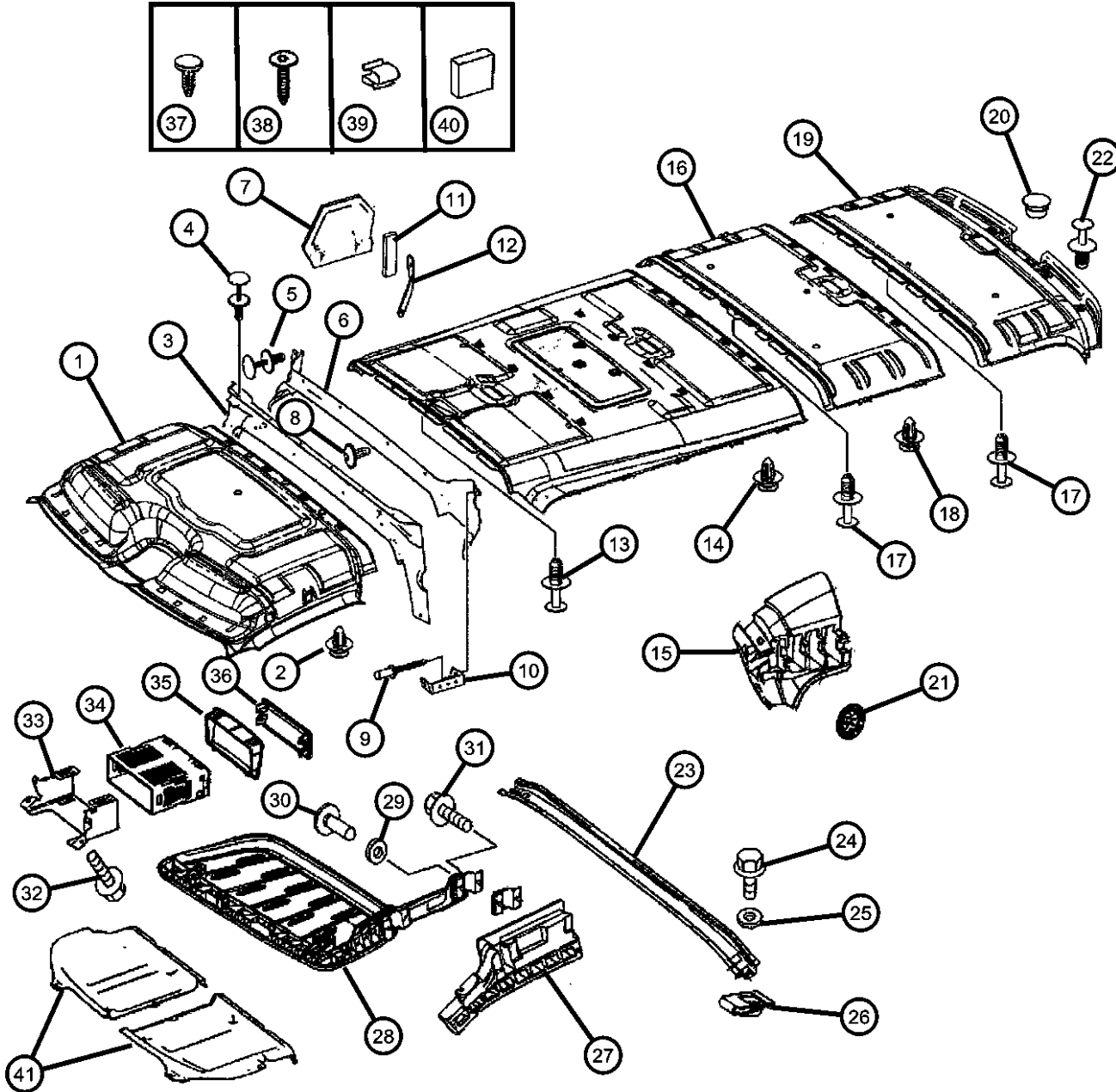
ITEM	PART NUMBER	QTY	LINE	SERIES	BODY	ENGINE	TRANS	TRIM	DESCRIPTION
		1	2, 3, 6, 7	L				*F7	Left
	1HA98XDVAA	1	2, 3, 6, 7	L				*A6	Right
		1	2, 3, 6, 7	L				*E7	Right
		1	2, 3, 6, 7	L				*F7	Right
29									WASHER
	05133908AA	4	3, 7	L	03, 05				
		4	3, 6, 7, 2	L	13, 15, 17, 53, 55				
30									SCREW
	05161856AB	1	3, 7	L	03, 05				
		1	2, 3, 6, 7	L	13, 15, 17, 53, 55				
31	68004879AA	8	2, 3, 6, 7	L					SCREW
32	06104120AA	4	2, 3, 6, 7	L	13, 15, 17, 53, 55				SCREW, Hex Head, M6x12
33	68014285AA	1	2, 3, 6, 7	L					BRACKET
34									BRACKET
	1HB93CSTAA	1	3, 7	L	03, 05			*A6	
		1	3, 7	L	03, 05			*E7	
		1	3, 7	L	03, 05			*F7	
		1	2, 3, 6, 7	L	13, 15, 17, 53, 55			*A6	
		1	2, 3, 6, 7	L	13, 15, 17, 53, 55			*E7	
		1	2, 3, 6, 7	L	13, 15, 17, 53, 55			*F7	
35									BEZEL
	1HA99XDVAA	1	2, 3, 6, 7	L				*A6	
		1	2, 3, 6, 7	L				*E7	
		1	2, 3, 6, 7	L				*F7	
36									COVER, COVER
	1HB94CSTAA	4	2, 3, 6, 7	L				*E7	
		4	2, 3, 6, 7	L				*A6	
		4	6, 7, 2, 3	L				*F7	

SPRINTER (VB)

SERIES	LINE	BODY	ENGINE	TRANSMISSION
L = LOWLINE	3 = HD DODGE 2WD 2 = Med. Duty DODGE 2WD	03 = CAB CHASSIS WHEEL BASE 3 05 = CAB CHASSIS WHEEL BASE 5 13 = 119 WB 53 = 119 WB 15 = VAN WHEEL BASE 5 55 = WAGON WHEEL BASE 5 17 = VAN WHEEL BASE 7	EG2 = 3.5L V6 Gas Engine EXM = 3.0L V6 Turbo Diesel Engine	DGZ = 5-Speed Auto W5A380 Transmission

AR = use ase required - = Non illustrated part

**Inner Paneling, Roof, Low Roof
Figure IVB-240**



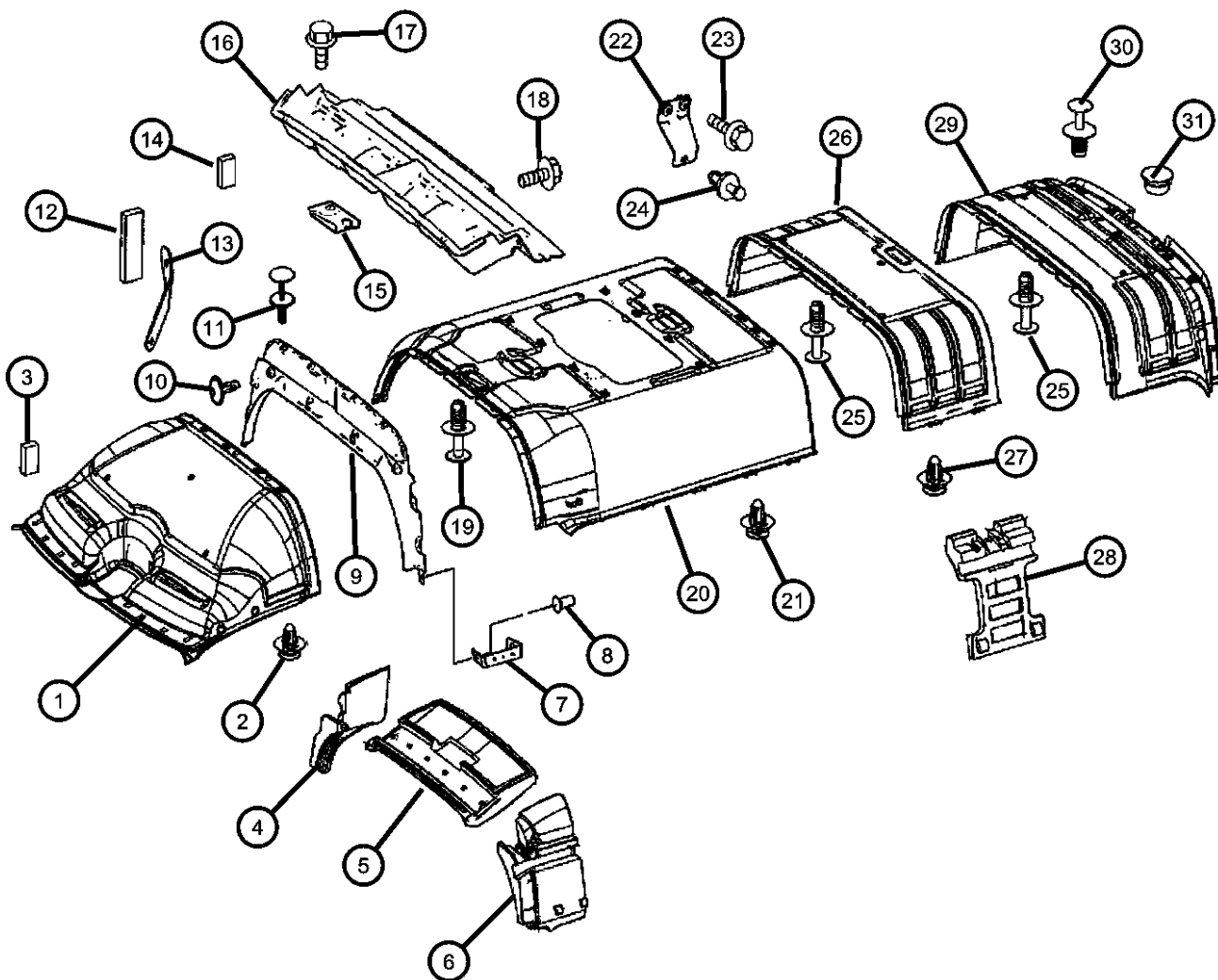
ITEM	PART NUMBER	QTY	LINE	SERIES	BODY	ENGINE	TRANS	TRIM	DESCRIPTION
37	05103817AA	2	2, 3, 6, 7	L	13, 15, 17, 53, 55				PLUG
38	68009926AA	10	2, 3, 6, 7	L	13, 15, 17, 53, 55				SCREW
39	68014280AA	5	2, 3, 6, 7	L	13, 15, 17, 53, 55				CLIP
40	68014291AA	2	2, 3, 6, 7	L	13, 15, 17, 53, 55				INSULATOR
41									BELLY PAN, Front
	1JF80AA7AA	1	2, 3, 6, 7	L	13, 15, 17, 53, 55			*AL	Right
		1	2, 3, 6, 7	L	13, 15, 17, 53, 55			*E7	Right
		1	2, 3, 6, 7	L	13, 15, 17, 53, 55			*F7	Right
	1JF81AA7AA	1	2, 3, 6, 7	L	13, 15, 17, 53, 55			*AL	Left
		1	2, 3, 6, 7	L	13, 15, 17, 53, 55			*E7	Left
		1	2, 3, 6, 7	L	55, 13, 15, 17, 53			*F7	Left

SPRINTER (VB)

SERIES	LINE	BODY	ENGINE	TRANSMISSION
L = LOWLINE	3 = HD DODGE 2WD 2 = Med. Duty DODGE 2WD	03 = CAB CHASSIS WHEEL BASE 3 05 = CAB CHASSIS WHEEL BASE 5 13 = 119 WB 53 = 119 WB 15 = VAN WHEEL BASE 5 55 = WAGON WHEEL BASE 5 17 = VAN WHEEL BASE 7	EG2 = 3.5L V6 Gas Engine EXM = 3.0L V6 Turbo Diesel Engine	DGZ = 5-Speed Auto W5A380 Transmission

AR = use ase required - = Non illustrated part

**Inner Paneling, Roof, High Roof
Figure IVB-245**



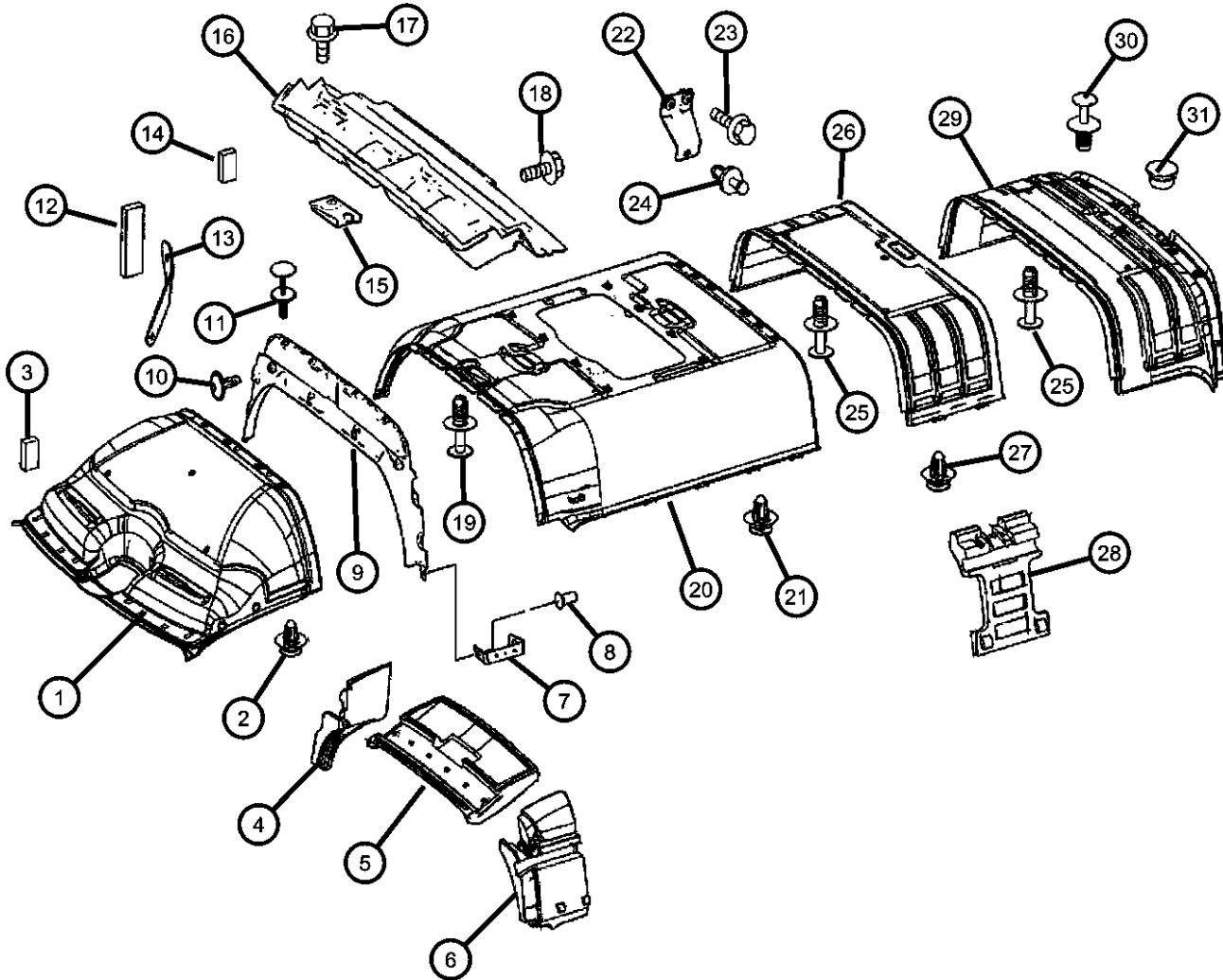
ITEM	PART NUMBER	QTY	LINE	SERIES	BODY	ENGINE	TRANS	TRIM	DESCRIPTION
1									HEADLINER, Front
	1HA89ADVAA	1	2, 3, 6, 7	L				*A6	[A4]
		1	6, 7, 2, 3	L				*E7	[A4]
		1	2, 3, 6, 7	L				*F7	[A4]
	1HA89TDVAA	1	2, 3, 6, 7	L				*A6	[A7]
		1	2, 3, 6, 7	L				*E7	[A7]
		1	2, 3, 6, 7	L				*F7	[A7]
	1HA92ADVAA	1	2, 3, 6, 7	L				*F7	[A4], With [CK7]
		1	2, 3, 6, 7	L				*A6	[A4], With [CK7]
		1	2, 3, 6, 7	L				*E7	[A4], With [CK7]
	1HA92KDVAA	1	2, 3, 6, 7	L				*A6	[DV], With [CK7]
		1	2, 3, 6, 7	L				*E7	[DV], With [CK7]
		1	2, 3, 6, 7	L				*F7	[DV], With [CK7]
	1HA92TDVAA	1	2, 3, 6, 7	L				*A6	[A7], With [CK7]
		1	2, 3, 6, 7	L				*E7	[A7], With [CK7]
		1	2, 3, 6, 7	L				*F7	[A7], With [CK7]
	1HA95ADVAA	1	2, 3, 6, 7	L				*A6	[A4], With [CJ4] [CK7]
		1	2, 3, 6, 7	L				*E7	[A4], With [CJ4] [CK7]
		1	2, 3, 6, 7	L				*F7	[A4], With [CJ4] [CK7]
	1HA95TDVAA	1	2, 3, 6, 7	L				*A6	[A7], With [CJ4] [CK7]
		1	2, 3, 6, 7	L				*E7	[A7], With [CJ4] [CK7]
		1	2, 3, 6, 7	L				*F7	[A7], With [CJ4] [CK7]
	1HA96ADVAA	1	2, 3, 6, 7	L				*A6	[A4], With [CJ4]
		1	2, 3, 6, 7	L				*E7	[A4], With [CJ4]
	1HA96TDVAA	1	2, 3, 6, 7	L				*A6	[A7], With [CJ4]
		1	2, 3, 6, 7	L				*E7	[A7], With [CJ4]
		1	2, 3, 6, 7	L				*F7	[A7], With [CJ4]
		1	2, 3, 6, 7	L				*F7	[A4], With [CJ4]
	1HB96KDVAA	1	2, 3, 6, 7	L	13, 15, 17, 53, 55			*A6	[DV], With [CK7]
		1	2, 3, 6, 7	L	13, 15, 17, 53, 55			*E7	[DV], With [CK7]
		1	2, 3, 6, 7	L	13, 15, 17, 53, 55			*F7	[DV], With [CK7]

SPRINTER (VB)

SERIES	LINE	BODY	ENGINE	TRANSMISSION
L = LOWLINE	3 = HD DODGE 2WD 2 = Med. Duty DODGE 2WD	03 = CAB CHASSIS WHEEL BASE 3 05 = CAB CHASSIS WHEEL BASE 5 13 = 119 WB 53 = 119 WB 15 = VAN WHEEL BASE 5 55 = WAGON WHEEL BASE 5 17 = VAN WHEEL BASE 7	EG2 = 3.5L V6 Gas Engine EXM = 3.0L V6 Turbo Diesel Engine	DGZ = 5-Speed Auto W5A380 Transmission

AR = use ase required - = Non illustrated part

Inner Paneling, Roof, High Roof
Figure IVB-245



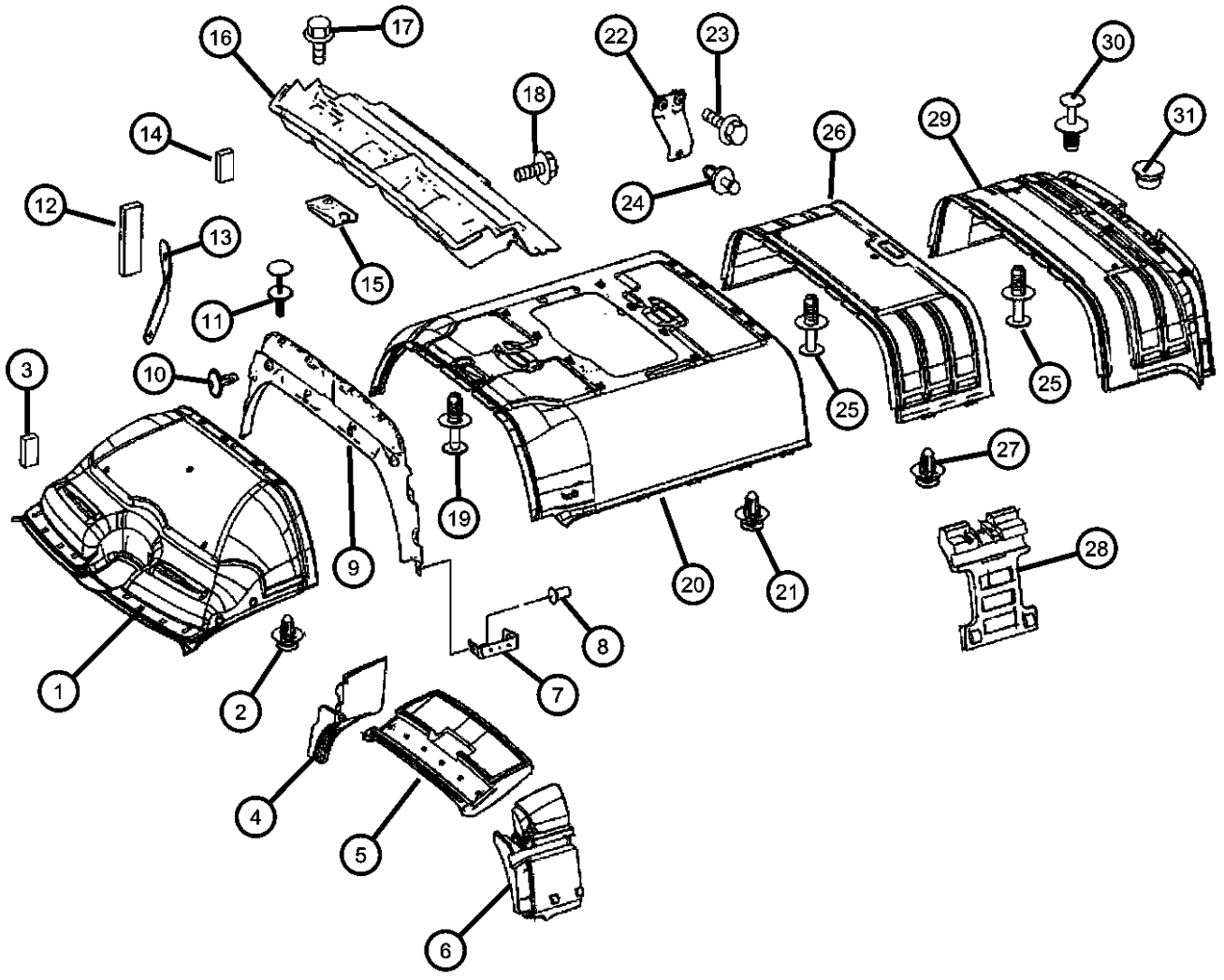
ITEM	PART NUMBER	QTY	LINE	SERIES	BODY	ENGINE	TRANS	TRIM	DESCRIPTION
	1HB96XDVAA	1	2, 3, 6, 7	L	13, 15, 17, 53, 55			*A6	[A4] , With [CK7]
		1	2, 3, 6, 7	L	13, 15, 17, 53, 55			*E7	[A7] , With [CK7]
		1	2, 3, 6, 7	L	13, 15, 17, 53, 55			*F7	[A4] , With [CK7]
		1	2, 3, 6, 7	L	13, 15, 17, 53, 55			*F7	[A7] , With [CK7]
	1HB97KDVAA	1	2, 3, 6, 7	L	13, 15, 17, 53, 55			*A6	[DV] , With [CK7] [CJ4]
		1	2, 3, 6, 7	L	13, 15, 17, 53, 55			*E7	[DV] , With [CK7] [CJ4]
		1	2, 3, 6, 7	L	13, 15, 17, 53, 55			*A6	[A7] , With [CK7]
		1	2, 3, 6, 7	L	13, 15, 17, 53, 55			*E7	[A4] , With [CK7]
	1HB97XDVAA	1	2, 3, 6, 7	L	13, 15, 17, 53, 55			*E7	[A4] , With [CK7] [CJ4]
		1	2, 3, 6, 7	L	13, 15, 17, 53, 55			*E7	[A7] , With [CK7] [CJ4]
		1	2, 3, 6, 7	L	13, 15, 17, 53, 55			*F7	[A4] , With [CK7] [CJ4]
		1	2, 3, 6, 7	L	13, 15, 17, 53, 55			*F7	[A7] , With [CK7] [CJ4]
		1	2, 3, 6, 7	L	13, 15, 17, 53, 55			*F7	[DV] , With [CK7] [CJ4]
		1	2, 3, 6, 7	L	13, 15, 17, 53, 55			*A6	[A4] , With [CK7] [CJ4]
		1	2, 3, 6, 7	L	13, 15, 17, 53, 55			*A6	[A7] , With [CK7] [CJ4]
	1HB98XDVAA	1	2, 3, 6, 7	L	13, 15, 17, 53, 55			*A6	[A4] , With [CJ4]
		1	2, 3, 6, 7	L	13, 15, 17, 53, 55			*A6	[A7] , With [CJ4]
		1	2, 3, 6, 7	L	13, 15, 17, 53, 55			*E7	[A4] , With [CJ4]
		1	2, 3, 6, 7	L	13, 15, 17, 53, 55			*E7	[A7] , With [CJ4]
	1HB98KDVAA	1	2, 3, 6, 7	L	13, 15, 17, 53, 55			*A6	[DV] , With [CJ4]
		1	2, 3, 6, 7	L	13, 15, 17, 53, 55			*E7	[DV] , With [CJ4]
		1	2, 3, 6, 7	L	13, 15, 17, 53, 55			*F7	[DV] , With [CJ4]

SPRINTER (VB)

SERIES	LINE	BODY	ENGINE	TRANSMISSION
L = LOWLINE	3 = HD DODGE 2WD 2 = Med. Duty DODGE 2WD	03 = CAB CHASSIS WHEEL BASE 3 05 = CAB CHASSIS WHEEL BASE 5 13 = 119 WB 53 = 119 WB 15 = VAN WHEEL BASE 5 55 = WAGON WHEEL BASE 5 17 = VAN WHEEL BASE 7	EG2 = 3.5L V6 Gas Engine EXM = 3.0L V6 Turbo Diesel Engine	DGZ = 5-Speed Auto W5A380 Transmission

AR = use ase required - = Non illustrated part

**Inner Paneling, Roof, High Roof
Figure IVB-245**



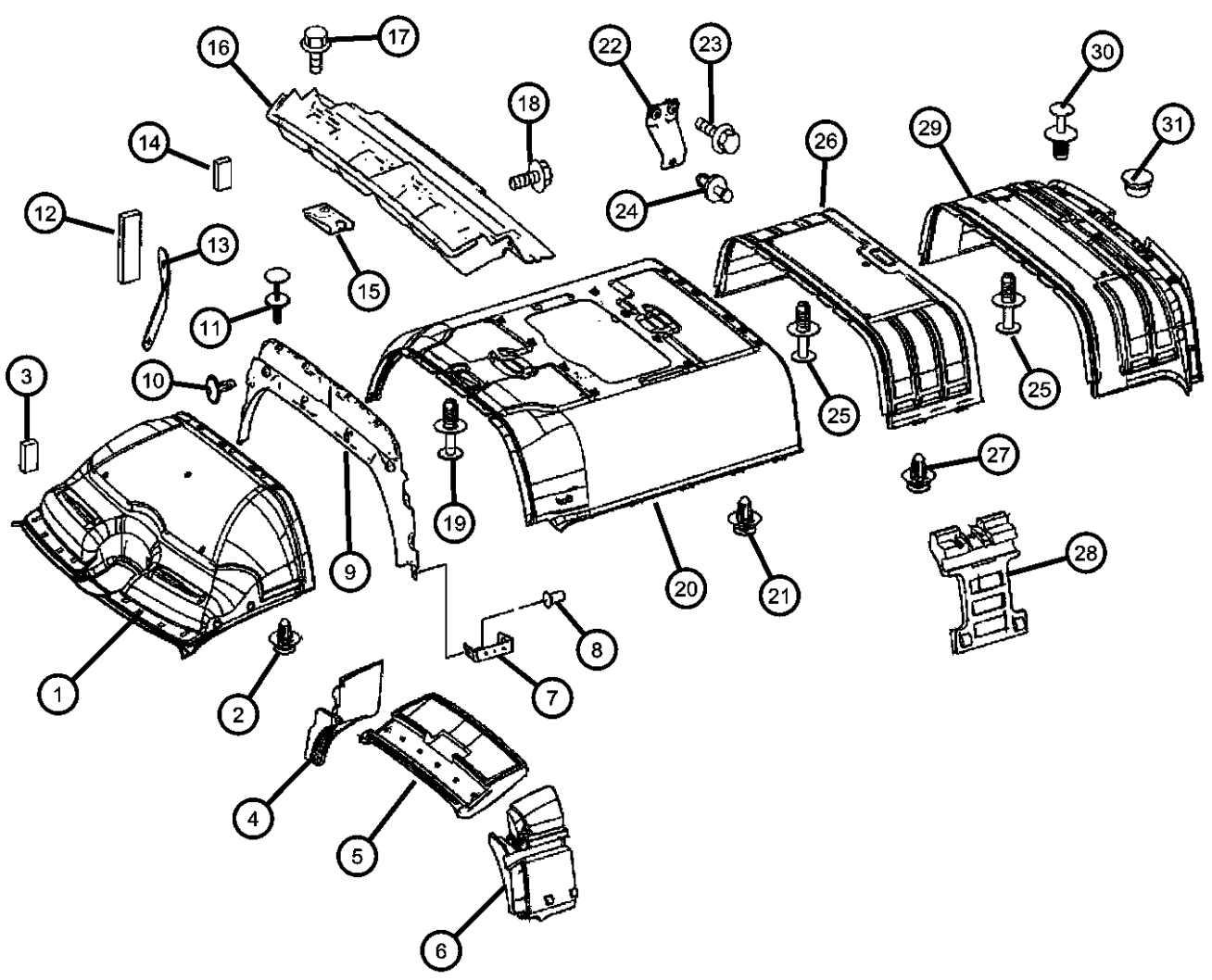
ITEM	PART NUMBER	QTY	LINE	SERIES	BODY	ENGINE	TRANS	TRIM	DESCRIPTION
	1HB99KDVA	1	2, 3, 6, 7	L	13, 15, 17, 53, 55			*F7	[DV], With [MWJ] or [MX2] or [MX1]
	1HB99XDVA	1	2, 3, 6, 7	L	13, 15, 17, 53, 55			*A6	[A4], With [MWJ] or [MX2] or [MX1]
		1	2, 3, 6, 7	L	13, 15, 17, 53, 55			*A6	[A7], With [MWJ] or [MX2] or [MX1]
		1	2, 3, 6, 7	L	13, 15, 17, 53, 55			*F7	[A4], With [CJ4]
		1	2, 3, 6, 7	L	13, 15, 17, 53, 55			*F7	[A7], With [CJ4]
		1	2, 3, 6, 7	L	13, 15, 17, 53, 55			*A6	[DV], With [MWJ] or [MX2] or [MX1]
		1	2, 3, 6, 7	L	13, 15, 17, 53, 55			*E7	[DV], With [MWJ] or [MX2] or [MX1]
		1	2, 3, 6, 7	L	13, 15, 17, 53, 55			*E7	[A4], With [MWJ] or [MX2] or [MX1]
		1	2, 3, 6, 7	L	13, 15, 17, 53, 55			*E7	[A7], With [MWJ] or [MX2] or [MX1]
		1	2, 3, 6, 7	L	13, 15, 17, 53, 55			*F7	[A4], With [MWJ] or [MX2] or [MX1]
		1	2, 3, 6, 7	L	13, 15, 17, 53, 55			*F7	[A7], With [MWJ] or [MX2] or [MX1]
2	05125569AA	4	2, 3, 6, 7	L	13, 15, 17, 53, 55				CLIP, Headlining
3	68010358AA	2	2, 3, 6, 7	L	13, 15, 17, 53, 55				INSULATION
4									INSULATION
	68014302AA	1	2, 6	L	13, 15, 17, 53, 55				Center, Right
	68014303AA	1	2, 6	L	13, 15, 17, 53, 55				With [GK9], Center, Right
	68014317AA	1	2, 6	L	13, 15, 17, 53, 55				Center, Left
	68014320AA	1	2, 6	L	13, 15, 17, 53, 55				Right
5									INSULATION
	68014324AA	1	2, 6	L	13, 15, 17, 53, 55				With [CTA]
	68014325AA	1	2, 6	L	13, 15, 17, 53, 55				
6									INSULATION
	68014297AA	1	2, 6	L	13, 15, 17, 53, 55				Left

SPRINTER (VB)
 SERIES LINE BODY ENGINE TRANSMISSION
 L = LOWLINE 3 = HD DODGE 2WD 03 = CAB CHASSIS WHEEL BASE 3 EG2 = 3.5L V6 Gas Engine DGZ = 5-Speed Auto W5A380 Transmission
 2 = Med. Duty DODGE 2WD 05 = CAB CHASSIS WHEEL BASE 5 EXM = 3.0L V6 Turbo Diesel Engine

13 = 119 WB
 53 = 119 WB
 15 = VAN WHEEL BASE 5
 55 = WAGON WHEEL BASE 5
 17 = VAN WHEEL BASE 7

AR = use ase required - = Non illustrated part

Inner Paneling, Roof, High Roof
Figure IVB-245

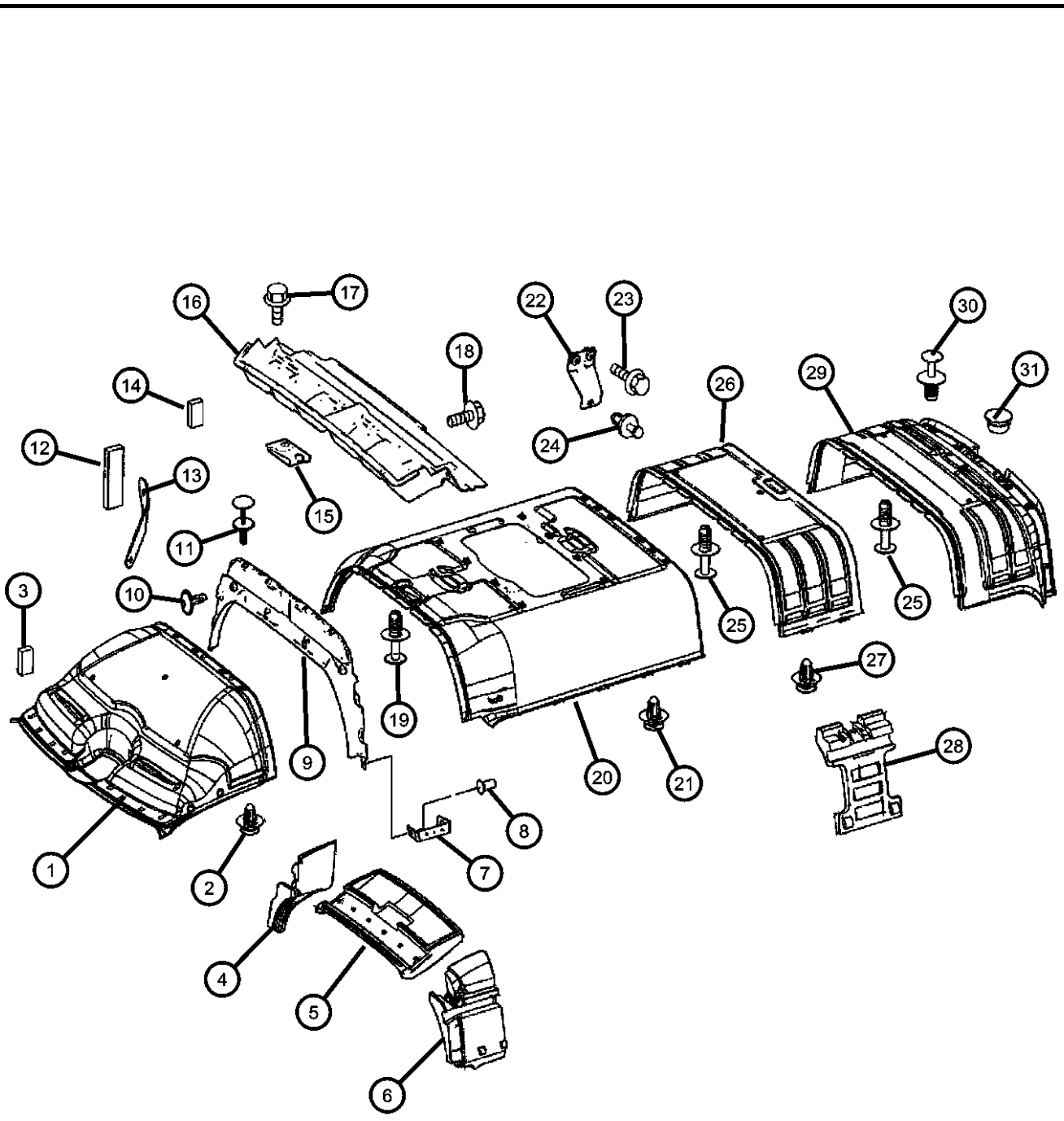


ITEM	PART NUMBER	QTY	LINE	SERIES	BODY	ENGINE	TRANS	TRIM	DESCRIPTION
	68014298AA	1	2, 6	L	13, 15, 17, 53, 55				Right
7	68014184AA	2	2, 3, 6, 7	L					BRACKET
8	05134061AA	8	2, 3, 6, 7	L	13, 15, 17, 53, 55				RIVET
9									PANEL
	1HC05XDVAA	1	2, 3, 6, 7	L	13, 15, 17, 53, 55			*A6	With [MX2] or [MX1] and [[GKA] [GKE]
		1	2, 3, 6, 7	L	13, 15, 17, 53, 55			*E7	With [MX2] or [MX1] and [[GKA] [GKE]
	1HC06XDVAA	1	2, 3, 6, 7	L	13, 15, 17, 53, 55			*F7	With [MX2] or [MX1] and [[GKA] [GKE]
	1HC07XDVAA	1	2, 3, 6, 7	L	13, 15, 17, 53, 55			*A6	With [MX2] or [MX1] and [[GKE]
		1	2, 3, 6, 7	L	13, 15, 17, 53, 55			*E7	With [MX2] or [MX1] and [[GKE]
		1	2, 3, 6, 7	L	13, 15, 17, 53, 55			*F7	With [MX2] or [MX1] and [[GKE]
	1HC08XDVAA	1	2, 3, 6, 7	L	13, 15, 17, 53, 55			*A6	With [MWJ] [GKA] or [GKE]
		1	2, 3, 6, 7	L	13, 15, 17, 53, 55			*A6	With [MX2] or [MX1] and [[GKA]
		1	2, 3, 6, 7	L	13, 15, 17, 53, 55			*E7	With [MX2] or [MX1] and [[GKA]
	1HC09XDVAA	1	2, 3, 6, 7	L	13, 15, 17, 53, 55			*A6	With [MWJ] [GKA]
		1	2, 3, 6, 7	L	13, 15, 17, 53, 55			*E7	With [MWJ] [GKA]
		1	2, 3, 6, 7	L	13, 15, 17, 53, 55			*F7	With [MWJ] [GKA]
	1HC10XDVAA	1	2, 3, 6, 7	L	13, 15, 17			*A6	With [MWJ] [GKE]
		1	2, 3, 6, 7	L	13, 15, 17, 53, 55			*E7	With [MWJ] [GKA] or [GKE]
		1	2, 3, 6, 7	L	13, 15, 17, 53, 55			*F7	With [MWJ] [GKA] or [GKE]
	1HC12XDVAA	1	2, 3, 6, 7	L	13, 15, 17			*E7	With [MWJ] [GK9]
		1	2, 3, 6, 7	L	13, 15, 17			*F7	With [MWJ] [GK9]
	1HC13XDVAA	1	2, 3, 6, 7	L	13, 15, 17			*A6	With [MX2] or [MX1] and [[GK9]
		1	2, 3, 6, 7	L	13, 15, 17			*E7	With [MWJ] [GKE]

SPRINTER (VB)
 SERIES LINE BODY ENGINE TRANSMISSION
 L = LOWLINE 3 = HD DODGE 2WD 03 = CAB CHASSIS WHEEL BASE 3 EG2 = 3.5L V6 Gas Engine DGZ = 5-Speed Auto W5A380
 2 = Med. Duty DODGE 2WD 05 = CAB CHASSIS WHEEL BASE 5 EXM = 3.0L V6 Turbo Diesel Engine Transmission
 13 = 119 WB
 53 = 119 WB
 15 = VAN WHEEL BASE 5
 55 = WAGON WHEEL BASE 5
 17 = VAN WHEEL BASE 7

AR = use ase required - = Non illustrated part

Inner Paneling, Roof, High Roof
Figure IVB-245

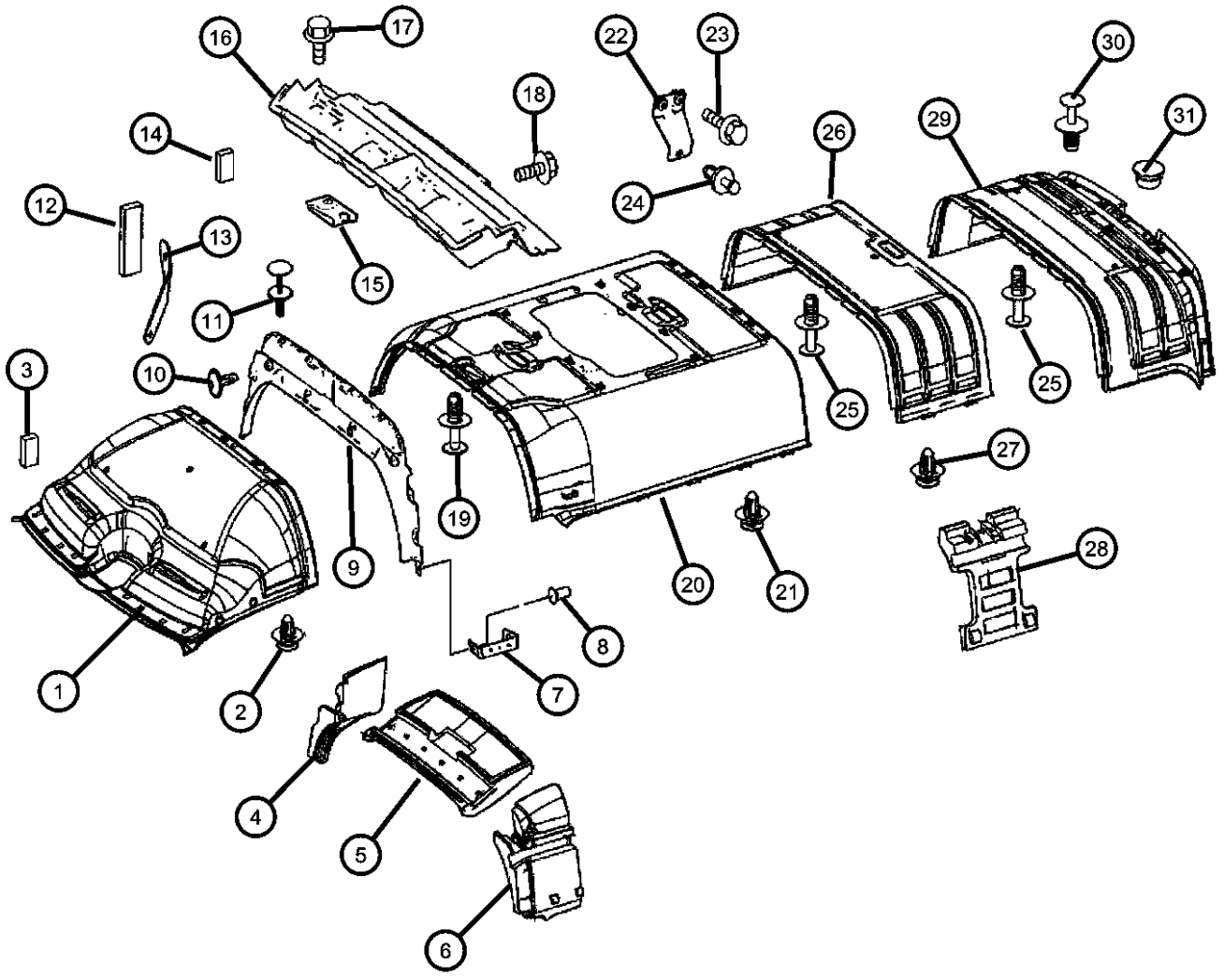


ITEM	PART NUMBER	QTY	LINE	SERIES	BODY	ENGINE	TRANS	TRIM	DESCRIPTION
		1	2, 3, 6, 7	L	13, 15, 17			*F7	With [MWJ] [GKE]
		1	2, 3, 6, 7	L	17, 13, 15			*A6	With [MWJ] [GK9]
		1	2, 3, 6, 7	L	13, 15, 17			*E7	With [MX2] or [MX1] and [[GK9]
		1	2, 3, 6, 7	L	13, 15, 17			*F7	With [MX2] or [MX1] and [[GK9]
10	68009926AA	5	2, 3, 6, 7	L	13, 15, 17				SCREW
11									RIVET
	1HC04NC-VAA	2	2, 3, 6, 7	L				*A6	
		2	2, 3, 6, 7	L				*E7	
		2	2, 3, 6, 7	L				*F7	
12	68014185AA	1	2, 3, 6, 7	L	13, 15, 17, 53, 55				SPACER
13	68014186AA	1	2, 3, 6, 7	L	13, 15, 17, 53, 55				BRACKET
14	68010773AA	1	2, 3, 6, 7	L	13, 15, 17, 53, 55				INSULATION
15	06104737AA	4	2, 3, 6, 7	L	55, 13, 15, 17, 53				CLIP, CLIP-SPRING
16									PANEL, Roof
	1HC43NC-VAA	1	2, 3, 6, 7	L	13, 15, 17, 53, 55			*AL	
		1	2, 3, 6, 7	L	13, 15, 17, 53, 55			*E7	
		1	2, 3, 6, 7	L	13, 15, 17, 53, 55			*F7	
17	68009926AA	10	2, 3, 6, 7	L	13, 15, 17, 53, 55				SCREW
18	06104505AA	2	2, 3, 6, 7	L	13, 15, 17, 53, 55				SCREW
19									RIVET, Plastic
	1AR96DX9AA	8	2, 3, 6, 7	L	13, 15, 17, 53, 55			*E7	
		8	2, 3, 6, 7	L	13, 15, 17, 53, 55			*F7	
		8	2, 3, 6, 7	L	13, 15, 17, 53, 55			*A6	
20		8							HEADLINER, Center, (NOT SERVICED)
21	05125569AA	4	2, 3, 6, 7	L	13, 15, 17, 53, 55				CLIP, Headlining

SPRINTER (VB)
 SERIES LINE BODY ENGINE TRANSMISSION
 L = LOWLINE 3 = HD DODGE 2WD 03 = CAB CHASSIS WHEEL BASE 3 EG2 = 3.5L V6 Gas Engine DGZ = 5-Speed Auto W5A380 Transmission
 2 = Med. Duty DODGE 2WD 05 = CAB CHASSIS WHEEL BASE 5 EXM = 3.0L V6 Turbo Diesel Engine

13 = 119 WB
 53 = 119 WB
 15 = VAN WHEEL BASE 5
 55 = WAGON WHEEL BASE 5
 17 = VAN WHEEL BASE 7

**Inner Paneling, Roof, High Roof
Figure IVB-245**



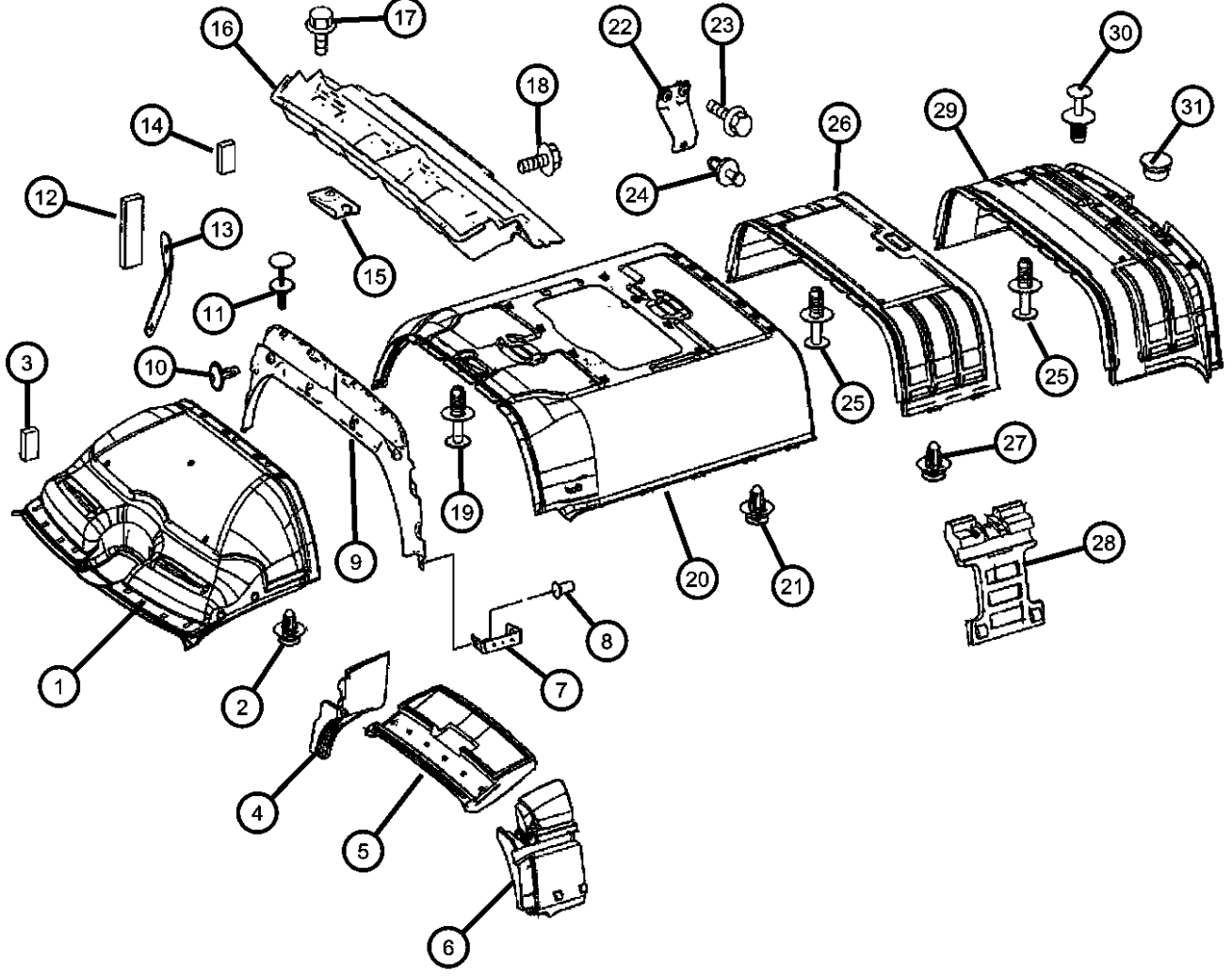
ITEM	PART NUMBER	QTY	LINE	SERIES	BODY	ENGINE	TRANS	TRIM	DESCRIPTION
22	68014234AA	2	2, 3, 6, 7	L	13, 15, 17, 53, 55				BRACKET
23	06104513AA	4	2, 3, 6, 7	L	13, 15, 17, 53, 55				SCREW
24									RIVET, RIVET
	1HC32NC-VAA	AR	2, 3, 6, 7	L	13, 15, 17, 53, 55			*AL	
		AR	2, 3, 6, 7	L	13, 15, 17, 53, 55			*E7	
		AR	2, 3, 6, 7	L	13, 15, 17, 53, 55			*F7	
25									RIVET, Plastic
	1AR96DX9AA	8	2, 3, 6, 7	L	13, 15, 17, 53, 55			*A6	
		8	2, 3, 6, 7	L	13, 15, 17, 53, 55			*E7	
		8	2, 3, 6, 7	L	13, 15, 17, 53, 55			*F7	
26									HEADLINER, Rear
	1HC34KDVA	1	2, 3, 6, 7	L	15, 55			*E7	[DV]
		1	2, 3, 6, 7	L	15, 55			*F7	[DV]
		1	2, 3, 6, 7	L	15, 55			*A6	[DV]
	1HC34TDVA	1	2, 3, 6, 7	L	15, 55			*F7	[A7]
		1	2, 3, 6, 7	L	15, 55			*A6	[A7]
		1	2, 3, 6, 7	L	15, 55			*E7	[A7]
	1HC35KDVA	2	2, 3, 6, 7	L	13, 15, 17, 53, 55			*A6	[DV] , With Lamp
		2	2, 3, 6, 7	L	13, 15, 17, 53, 55			*E7	[DV] , With Lamp
		2	2, 3, 6, 7	L	13, 15, 17, 53, 55			*F7	[DV] , With Lamp
27	05125569AA	4	2, 3, 6, 7	L	13, 15, 17, 53, 55				CLIP, Headlining
28									INSULATION
	68014294AA	1	2, 6	L	53, 55				Left
	68014295AA	1	2, 6	L	53, 55				Right
29									HEADLINER, Rear
	1HC37KDVA	1	2, 3, 6, 7	L	13, 53			*A6	

SPRINTER (VB)
 SERIES LINE BODY ENGINE TRANSMISSION
 L = LOWLINE 3 = HD DODGE 2WD 03 = CAB CHASSIS WHEEL BASE 3 EG2 = 3.5L V6 Gas Engine DGZ = 5-Speed Auto W5A380 Transmission
 2 = Med. Duty DODGE 2WD 05 = CAB CHASSIS WHEEL BASE 5 EXM = 3.0L V6 Turbo Diesel Engine

13 = 119 WB
 53 = 119 WB
 15 = VAN WHEEL BASE 5
 55 = WAGON WHEEL BASE 5
 17 = VAN WHEEL BASE 7

AR = use ase required - = Non illustrated part

Inner Paneling, Roof, High Roof
Figure IVB-245



ITEM	PART NUMBER	QTY	LINE	SERIES	BODY	ENGINE	TRANS	TRIM	DESCRIPTION
		1	2, 3, 6, 7	L	13, 53			*E7	
		1	2, 3, 6, 7	L	13, 53			*F7	
30									RIVET, RIVET
	1HC32NC-VAA	AR	2, 3, 6, 7	L	13, 15, 17, 53, 55			*AL	
		AR	2, 3, 6, 7	L	13, 15, 17, 53, 55			*E7	
		AR	2, 3, 6, 7	L	13, 15, 17, 53, 55			*F7	
31									CAP
	1HC40NC-VAA	4	2, 3, 6, 7	L	13, 15, 17, 53, 55			*A6	
		4	2, 3, 6, 7	L	13, 15, 17, 53, 55			*E7	
		4	2, 3, 6, 7	L	13, 15, 17, 53, 55			*F7	

SPRINTER (VB)

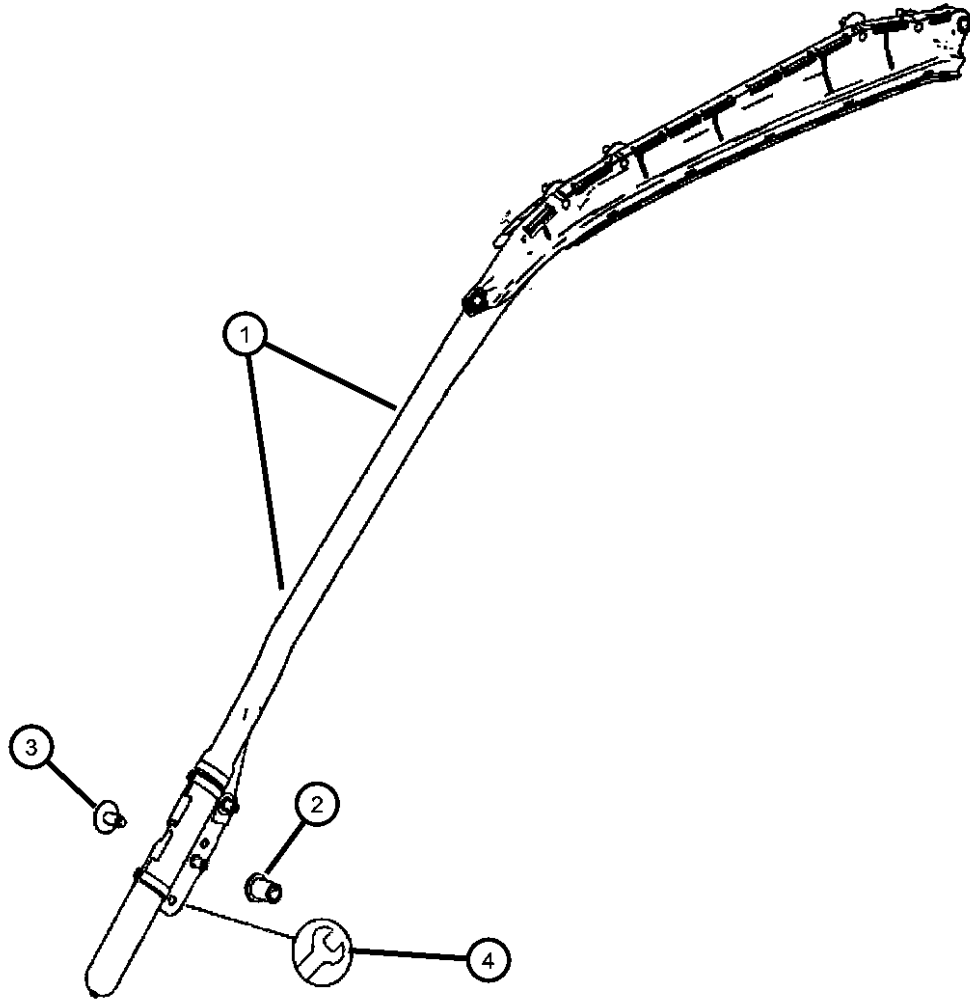
SERIES	LINE	BODY	ENGINE	TRANSMISSION
L = LOWLINE	3 = HD DODGE 2WD 2 = Med. Duty DODGE 2WD	03 = CAB CHASSIS WHEEL BASE 3 05 = CAB CHASSIS WHEEL BASE 5 13 = 119 WB 53 = 119 WB 15 = VAN WHEEL BASE 5 55 = WAGON WHEEL BASE 5 17 = VAN WHEEL BASE 7	EG2 = 3.5L V6 Gas Engine EXM = 3.0L V6 Turbo Diesel Engine	DGZ = 5-Speed Auto W5A380 Transmission

AR = use ase required - = Non illustrated part

2007 VB

**Window Airbag/Head Side Airbag
Figure IVB-250**

ITEM	PART NUMBER	QTY	LINE	SERIES	BODY	ENGINE	TRANS	TRIM	DESCRIPTION
1									AIR BAG, Side Curtain
	1HD69NC-VAA	1	2, 3, 6, 7	L				*E7	[E7], Left
		1	2, 3, 6, 7	L				*F7	[F7], Left
	1HD70NC-VAA	1	2, 3, 6, 7	L				*A6	[A6], Right
		1	2, 3, 6, 7	L				*E7	[E7], Right
		1	2, 3, 6, 7	L				*F7	[F7], Right
		1	2, 3, 6, 7	L				*A6	[A6], Left
2	05133486AA	4	2, 3, 6, 7	L					RIVET
3	68014337AA	8	2, 3, 6, 7	L					SCREW
4	68016751AA	2	2, 3, 6, 7	L					CONNECTORRight & Left



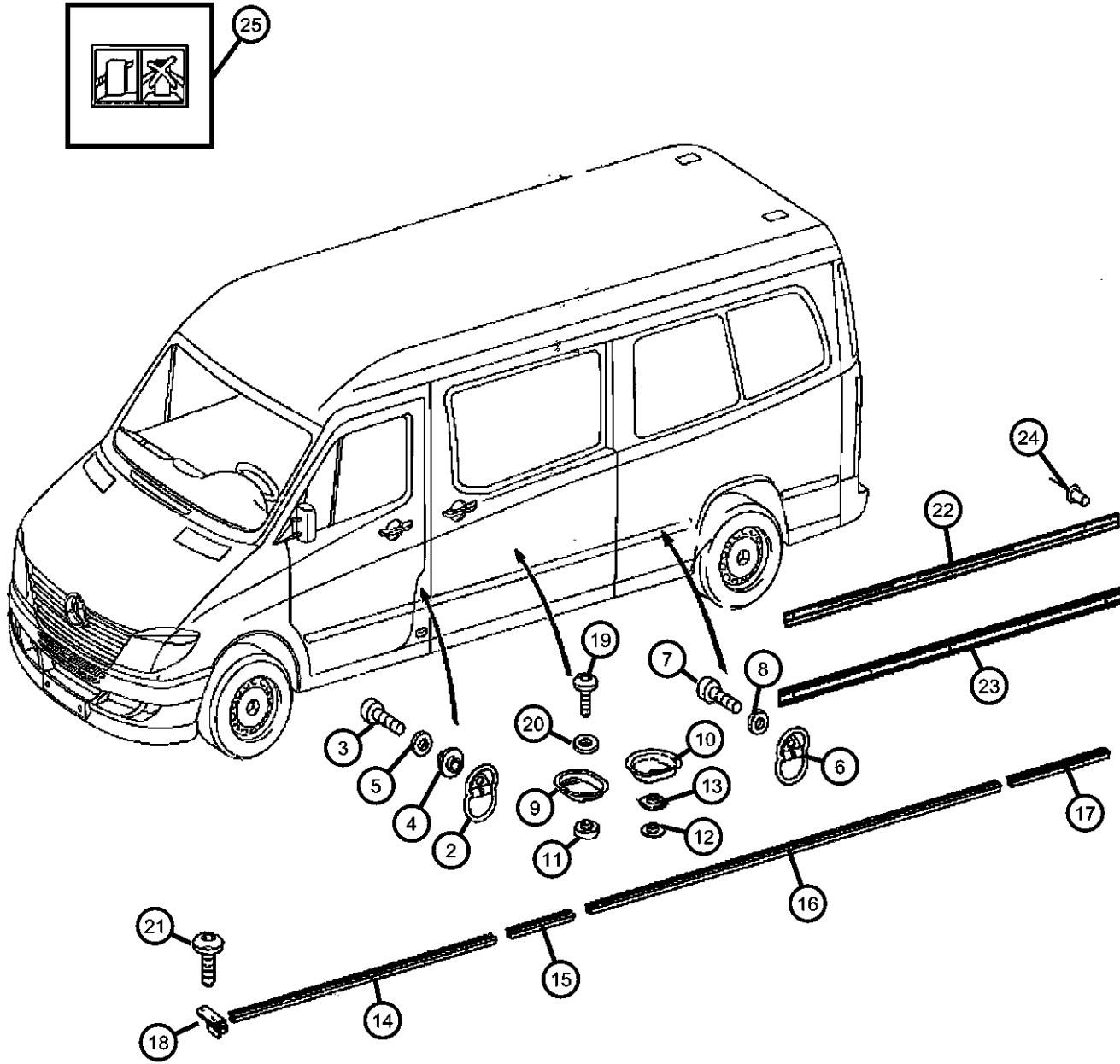
SPRINTER (VB)

SERIES	LINE	BODY	ENGINE	TRANSMISSION
L = LOWLINE	3 = HD DODGE 2WD 2 = Med. Duty DODGE 2WD	03 = CAB CHASSIS WHEEL BASE 3 05 = CAB CHASSIS WHEEL BASE 5 13 = 119 WB 53 = 119 WB 15 = VAN WHEEL BASE 5 55 = WAGON WHEEL BASE 5 17 = VAN WHEEL BASE 7	EG2 = 3.5L V6 Gas Engine EXM = 3.0L V6 Turbo Diesel Engine	DGZ = 5-Speed Auto W5A380 Transmission

AR = use ase required - = Non illustrated part

2007 VB

Cargo Retainers
Figure IVB-255



ITEM	PART NUMBER	QTY	LINE	SERIES	BODY	ENGINE	TRANS	TRIM	DESCRIPTION
-1	68038249AA	1	2, 3, 6, 7	L					STRAP, Cargo Tie Down
2	05170492AA	2	2, 3, 6, 7	L	13, 15, 17, 53, 55				RETAINER
3									BOLT, Hex Head
	05103816AA	2	2, 3, 6, 7	L	13, 15, 17, 53, 55				
		14	3, 7	L	17				
4	68015030AA	2	2, 3, 6, 7	L	13, 15, 17, 53, 55				SPACER
5	05103726AB	2	2, 3, 6, 7	L	13, 15, 17, 53, 55				WASHER
6	05170492AA	2	2, 3, 6, 7	L	13, 15, 17, 53, 55				RETAINER
7									BOLT, Hex Head
	05103816AA	2	2, 3, 6, 7	L	15, 17, 53, 55, 13				
		14	3, 7	L	17				
8									WASHER
	05142916AA	6	2, 3, 6, 7	L	13, 15, 17, 53, 55				
		14	3, 7	L	17				
9	05170494AA	99	2, 3, 6, 7	L	13, 15, 17, 53, 55				RETAINER
10	68015034AA	12	2, 3, 6, 7	L	13, 15, 17, 53, 55				RETAINER
11									SPACER
	68015032AA	2	2, 3, 6, 7	L	13, 15, 17, 53, 55				[11 MM]
	68015033AA	2	2, 3, 6, 7	L	13, 15, 17, 53, 55				[13 MM]
12	68015036AA	2	2, 3, 6, 7	L	13, 15, 17, 53, 55				BUSHING
13	68015035AA	8	2, 3, 6, 7	L	13, 15, 17, 53, 55				BUSHING
14									RAIL
	68015037AA	2	2, 6	L	13, 15, 17				
		2	3, 7	L	15, 17				
	68015039AA	2	3, 7	L	13				
15	68015040AA	2	3, 7	L	15, 17				RAIL
16									RAIL

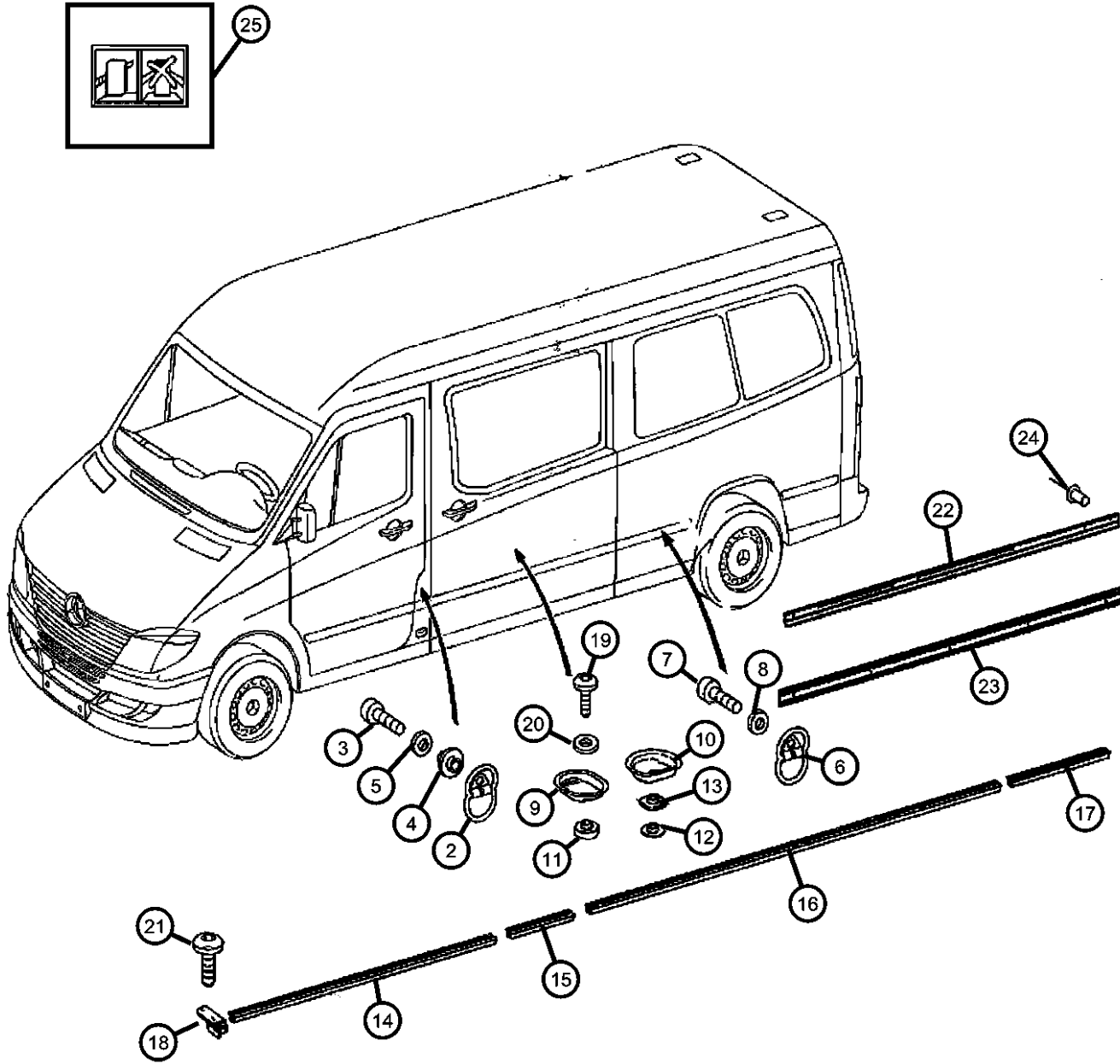
SPRINTER (VB)

SERIES	LINE	BODY	ENGINE	TRANSMISSION
L = LOWLINE	3 = HD DODGE 2WD 2 = Med. Duty DODGE 2WD	03 = CAB CHASSIS WHEEL BASE 3 05 = CAB CHASSIS WHEEL BASE 5 13 = 119 WB 53 = 119 WB 15 = VAN WHEEL BASE 5 55 = WAGON WHEEL BASE 5 17 = VAN WHEEL BASE 7	EG2 = 3.5L V6 Gas Engine EXM = 3.0L V6 Turbo Diesel Engine	DGZ = 5-Speed Auto W5A380 Transmission

AR = use ase required - = Non illustrated part

Cargo Retainers
Figure IVB-255

ITEM	PART NUMBER	QTY	LINE	SERIES	BODY	ENGINE	TRANS	TRIM	DESCRIPTION
	68015041AA	2	3, 7	L	15, 17				
	68015042AA	2	3, 7	L	13				
	68015043AA	2	2, 6	L	13				
	68015044AA	2	2, 6	L	15				
	68015045AA	2	2, 6	L	17				
17	68015046AA	2	3, 7	L	17				RAIL
18									CAP
	68015047AA	4	2, 6	L	13, 15, 17				
		8	3, 7	L	15				
		12	3, 7	L	17				
19									BOLT, Hex Head
	05103816AA	2	2, 3, 6, 7	L	13, 15, 17, 53, 55				
		14	3, 7	L	17				
20									WASHER
	05142916AA	6	2, 3, 6, 7	L	13, 15, 17, 53, 55				
		14	3, 7	L	17				
		12	2, 6	L	17				
21									SCREW
	06104496AA	2	3, 7	L	03, 05				
		2	2, 3, 6, 7	L	13, 15, 17, 53, 55				
22									RAIL
	68008778AA	1	2, 3, 6, 7	L	13, 15, 17, 53, 55				Rear Top, Right & Left
	68008780AA	1	2, 3, 6, 7	L	15, 17, 55				Central Top, Right & Left
23									RAIL
	68008784AA	1	2, 3, 6, 7	L	13, 15, 17, 53, 55				Rear Bottom, Right & Left
	68008786AA	1	2, 3, 6, 7	L	15, 17, 55				Central Bottom, Right & Left
24									RIVET
	05125821AA	4	2, 3, 6, 7	L	13, 15, 17, 53, 55				



SPRINTER (VB)

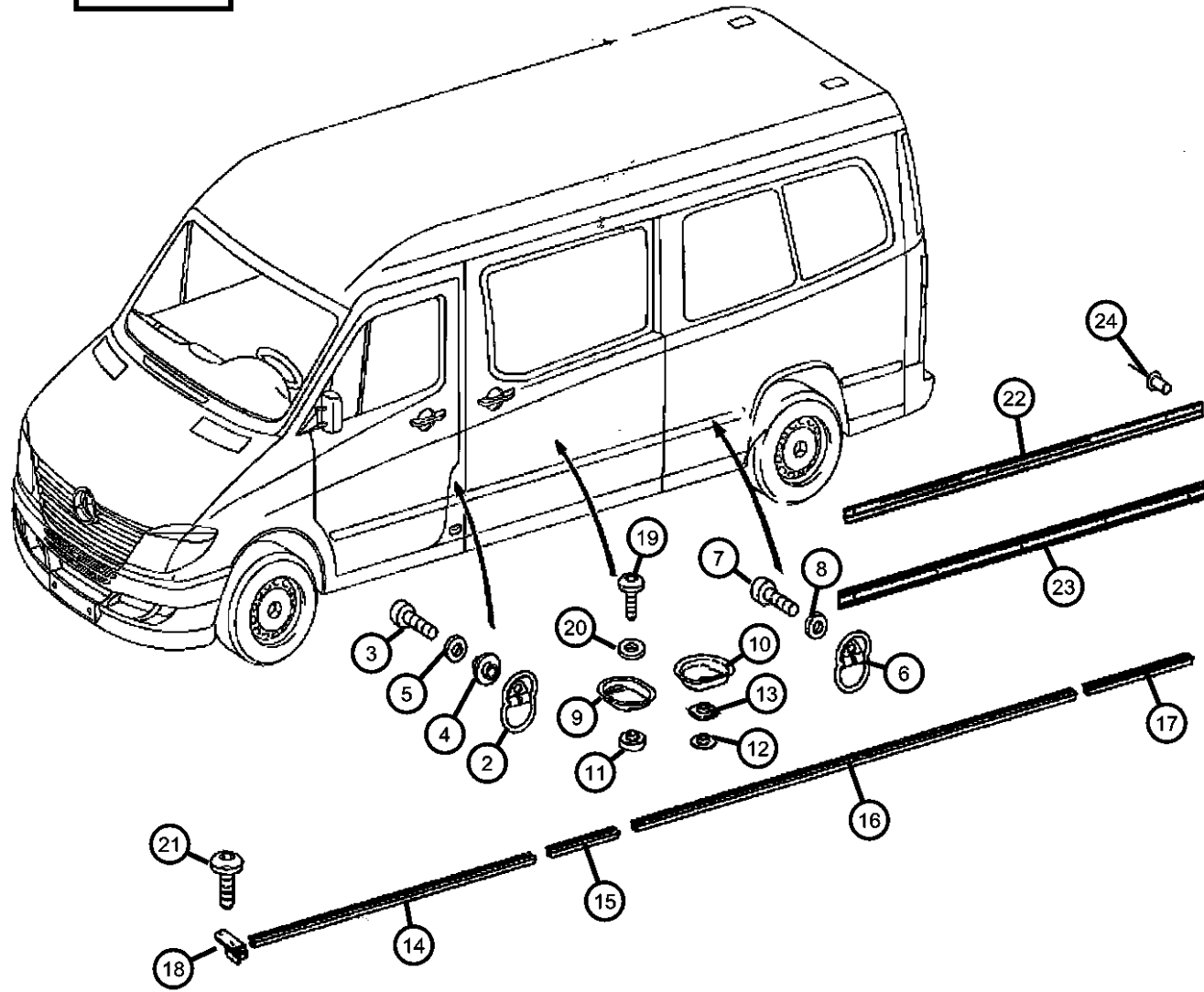
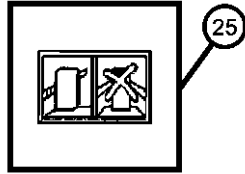
SERIES	LINE	BODY	ENGINE	TRANSMISSION
L = LOWLINE	3 = HD DODGE 2WD 2 = Med. Duty DODGE 2WD	03 = CAB CHASSIS WHEEL BASE 3 05 = CAB CHASSIS WHEEL BASE 5 13 = 119 WB 53 = 119 WB 15 = VAN WHEEL BASE 5 55 = WAGON WHEEL BASE 5 17 = VAN WHEEL BASE 7	EG2 = 3.5L V6 Gas Engine EXM = 3.0L V6 Turbo Diesel Engine	DGZ = 5-Speed Auto W5A380 Transmission

AR = use ase required - = Non illustrated part

2007 VB

Cargo Retainers
Figure IVB-255

ITEM	PART NUMBER	QTY	LINE	SERIES	BODY	ENGINE	TRANS	TRIM	DESCRIPTION
		9	2, 3, 6, 7	L	17				
25	05124356AA	1	2, 3, 6, 7	L	13, 15, 17, 53, 55				LABEL

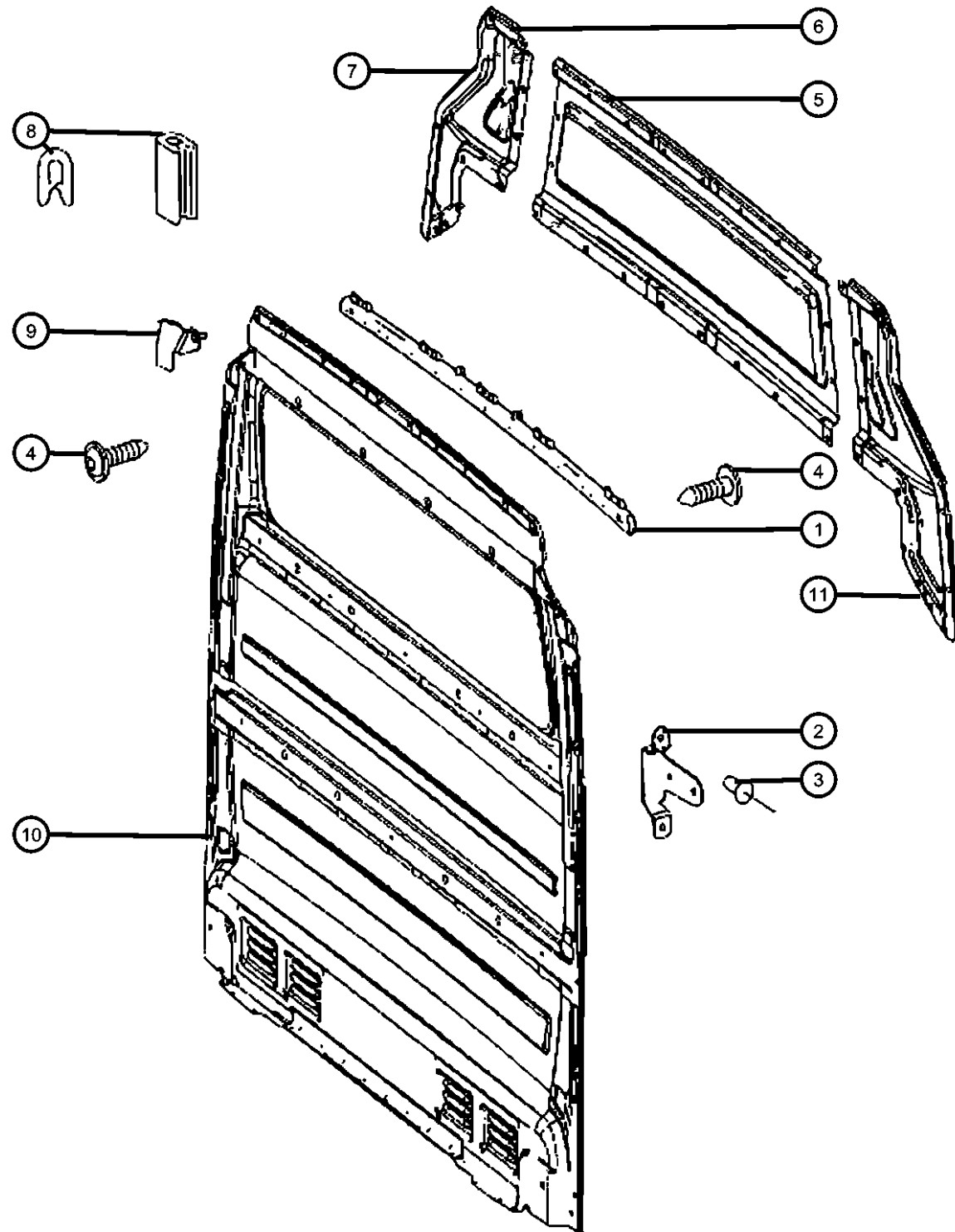


SPRINTER (VB)

SERIES	LINE	BODY	ENGINE	TRANSMISSION
L = LOWLINE	3 = HD DODGE 2WD 2 = Med. Duty DODGE 2WD	03 = CAB CHASSIS WHEEL BASE 3 05 = CAB CHASSIS WHEEL BASE 5 13 = 119 WB 53 = 119 WB 15 = VAN WHEEL BASE 5 55 = WAGON WHEEL BASE 5 17 = VAN WHEEL BASE 7	EG2 = 3.5L V6 Gas Engine EXM = 3.0L V6 Turbo Diesel Engine	DGZ = 5-Speed Auto W5A380 Transmission

AR = use ase required - = Non illustrated part

Partition Wall / Load Protection Grill
Figure IVB-260



ITEM	PART NUMBER	QTY	LINE	SERIES	BODY	ENGINE	TRANS	TRIM	DESCRIPTION
1	68009928AA	1	2, 3, 6, 7	L	13, 15, 17				REINFORCEMENT
	68009929AA	1	3, 7	L	13, 15, 17				
2	68009897AA	1	2, 3, 6, 7	L	13, 15, 17, 53, 55				BRACKET Left
	68009898AA	1	2, 3, 6, 7	L	13, 15, 17, 53, 55				Right
3	05133554AA	16	2, 3, 6, 7	L	13, 15, 17, 53, 55				RIVET
4	68009926AA	5	2, 3, 6, 7	L	13, 15, 17				SCREW
		10	2, 3, 6, 7	L	13, 15, 17, 53, 55				
5	68009899AA	1	2, 6	L	13, 15, 17, 53, 55				PARTITION, Cargo
		1	3, 7	L	55, 13, 15, 17, 53				
6	68009920AA	1	2, 6	L	13, 15, 17				COVER, Cargo Compartment Contains Inner 68009922aa
		1	3, 7	L	13, 15, 17, 53, 55				Contains Inner 68009922aa
	68009921AA	1	2, 6	L	13, 15, 17				Contains Inner 68009925aa
7	68009922AA	1	2, 3, 6, 7	L	53, 55, 57				COVER, Cargo Compartment
	68009925AA	1	3, 7	L	13, 15, 17				
8	05134108AA	2	2, 3, 6, 7	L	13, 15, 17, 53, 55				WEATHERSTRIP, Glass
9	68009936AA	1	3, 7	L	13, 15, 17				BRACKET Right
	68009937AA	1	3, 7	L	13, 15, 17				Left
10	68009882AA	1	2, 6	L	13, 15, 17				PARTITION, Cargo With [XJW Or XJ1]
	68009883AA	1	2, 6	L	13, 15, 17				With [CWC]
	68009891AA	1	3, 7	L	13, 15, 17				[MWJ+XJW Or XJ1]
	68009893AA	1	3, 7	L	13, 15, 17				With [CWC]

SPRINTER (VB)

SERIES LINE
L = LOWLINE 3 = HD DODGE 2WD
 2 = Med. Duty DODGE 2WD

BODY
03 = CAB CHASSIS WHEEL
BASE 3
05 = CAB CHASSIS WHEEL
BASE 5
13 = 119 WB
53 = 119 WB
15 = VAN WHEEL BASE 5
55 = WAGON WHEEL BASE 5
17 = VAN WHEEL BASE 7

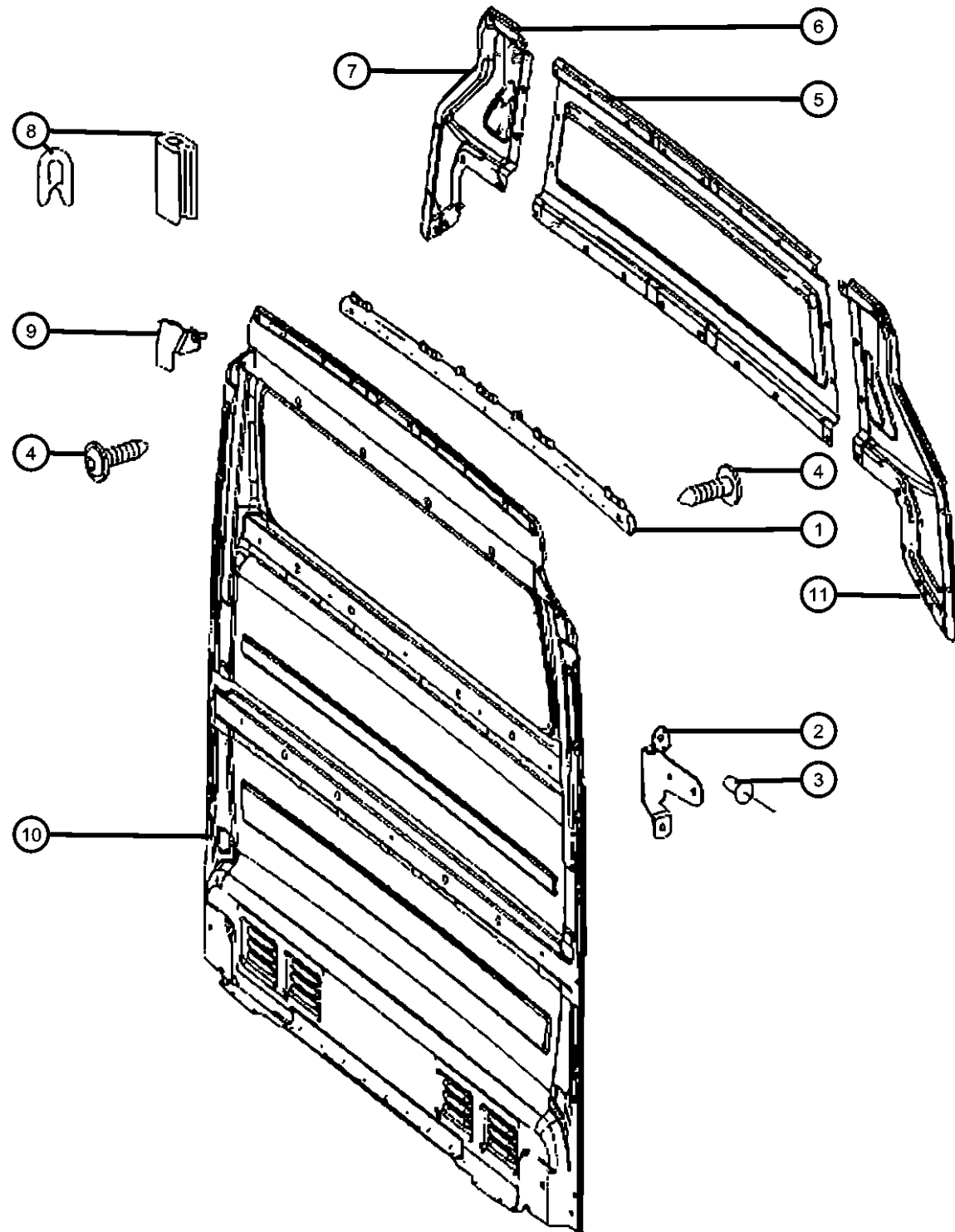
ENGINE
EG2 = 3.5L V6 Gas Engine
EXM = 3.0L V6 Turbo Diesel
Engine

TRANSMISSION
DGZ = 5-Speed Auto W5A380
Transmission

AR = use ase required - = Non illustrated part

2007 VB

**Partition Wall / Load Protection Grill
Figure IVB-260**



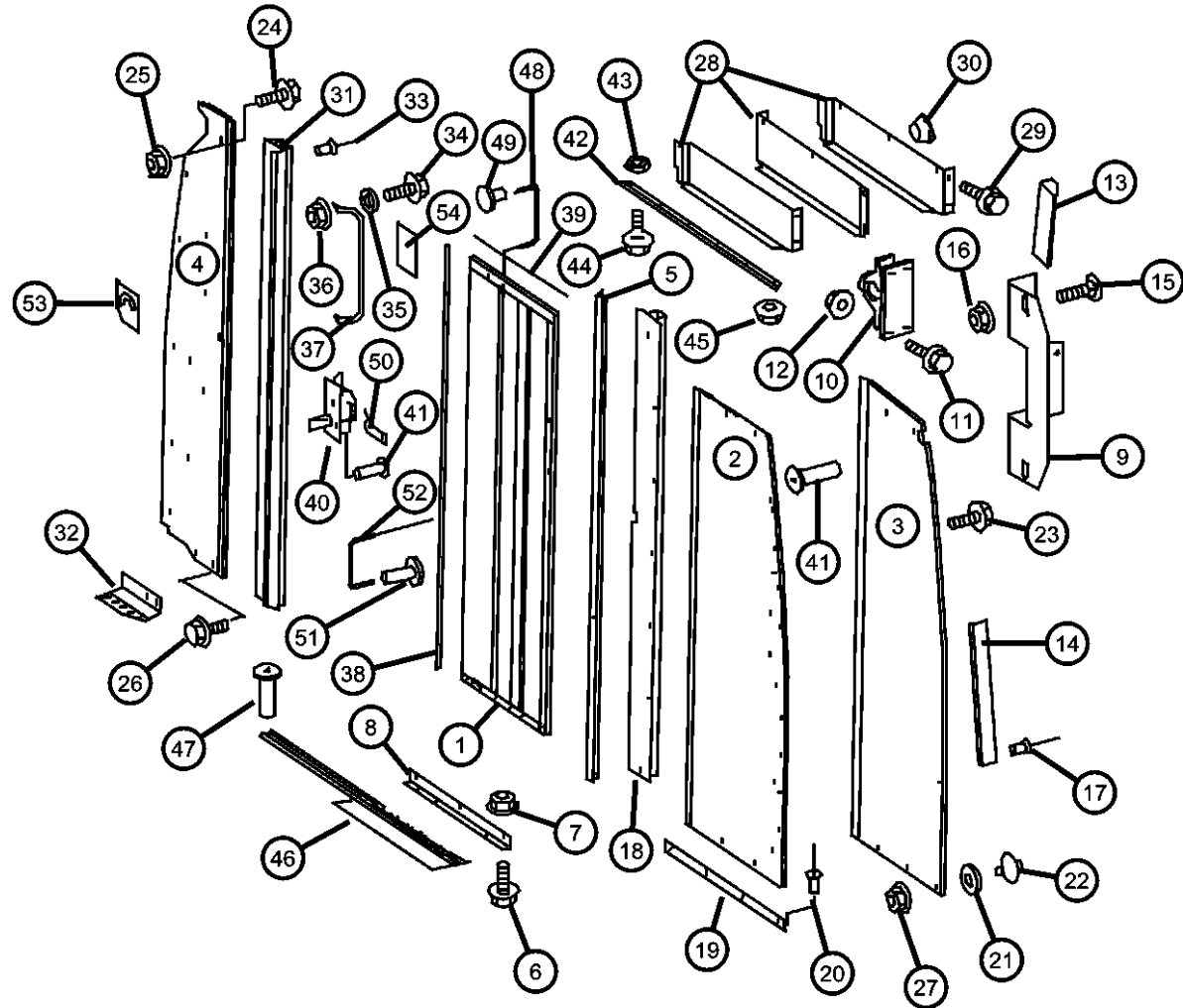
ITEM	PART NUMBER	QTY	LINE	SERIES	BODY	ENGINE	TRANS	TRIM	DESCRIPTION
11									COVER, Cargo Compartment
	68009903AA	1	2, 3, 6, 7	L	13, 15, 17				
	68009911AA	1	3, 6, 7, 2	L	53, 55, 57				
	68009912AA	1	2, 6	L	13, 15, 17, 53, 55				
	68009915AA	1	3, 7	L	13, 15, 17				

SPRINTER (VB)

SERIES	LINE	BODY	ENGINE	TRANSMISSION
L = LOWLINE	3 = HD DODGE 2WD 2 = Med. Duty DODGE 2WD	03 = CAB CHASSIS WHEEL BASE 3 05 = CAB CHASSIS WHEEL BASE 5 13 = 119 WB 53 = 119 WB 15 = VAN WHEEL BASE 5 55 = WAGON WHEEL BASE 5 17 = VAN WHEEL BASE 7	EG2 = 3.5L V6 Gas Engine EXM = 3.0L V6 Turbo Diesel Engine	DGZ = 5-Speed Auto W5A380 Transmission

AR = use ase required - = Non illustrated part

**Partition Wall with Sliding Door
Figure IVB-265**



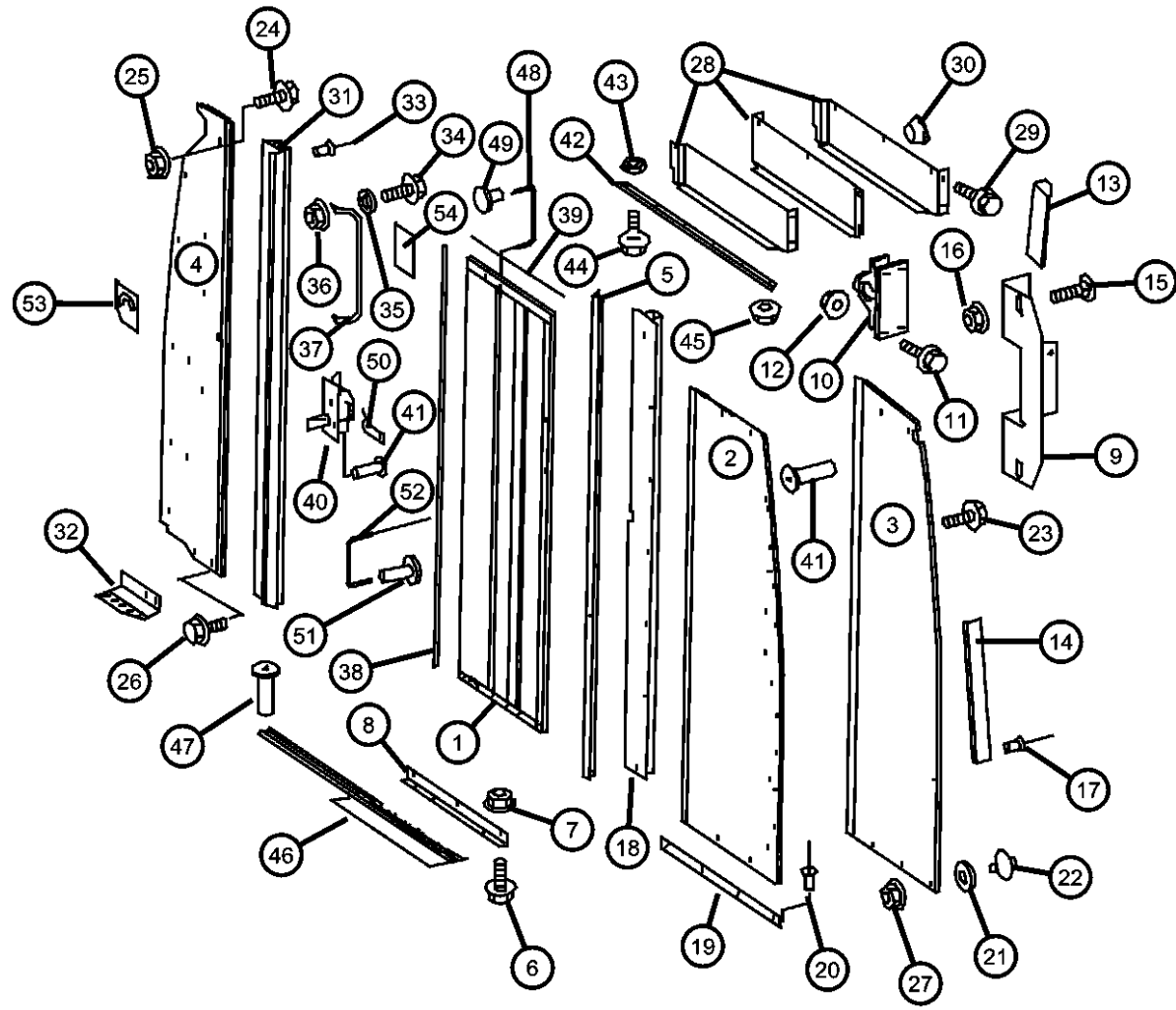
ITEM	PART NUMBER	QTY	LINE	SERIES	BODY	ENGINE	TRANS	TRIM	DESCRIPTION
1	68015179AA	1	2, 3, 6, 7	L	13, 15, 17				DOOR
2	68015164AA	1	2, 3, 6, 7	L	13, 15, 17				PANEL, Cargo compartment
3	68015173AA	1	2, 3, 6, 7	L	13, 15, 17				PARTITION, Cargo
4	68015156AA	1	2, 3, 6, 7	L	13, 15, 17				PARTITION, Cargo
5	68015165AA	1	2, 3, 6, 7	L	13, 15, 17				RAIL
6	05137660AA	4	2, 3, 6, 7	L	13, 15, 17, 53, 55				SCREW
7	06104707AA	3	2, 3, 6, 7	L	13, 15, 17, 53, 55				NUT, M5
8	68015167AA	1	2, 3, 6, 7	L	13, 15, 17				BRACKET
9	05104305AA	1	2, 3, 6, 7	L	13, 15, 17, 53, 55				STOP
10	05104419AA	1	2, 3, 6, 7	L	13, 15, 17, 53, 55				ADJUSTER, Cargo Door
11	05104652AA	4	2, 3, 6, 7	L	13, 15, 17, 53, 55				SCREW
12	05104660AA	4	2, 3, 6, 7	L	13, 15, 17, 53, 55				NUT
13	05104427AA	2	2, 3, 6, 7	L	13, 15, 17, 53, 55				BUMPER, Rubber
14									RAIL
	68015168AA	1	2, 3, 6, 7	L	13, 15, 17				Without [MWJ] or [MX2] or [MX1]
	68015171AA	1	2, 3, 6, 7	L	13, 15, 17				
15	05126132AA	2	2, 3, 6, 7	L	13, 15, 17, 53, 55				BOLT, Hex Head
16	06105169AA	4	2, 3, 6, 7	L					NUT
17	68015172AA	10	2, 3, 6, 7	L	13, 15, 17				RIVET
18									RAIL, Cargo Compartment
	68015175AA	1	2, 3, 6, 7	L	13, 15, 17				With [MWJ] or [MX2] or [MX1]
	68015176AA	1	2, 3, 6, 7	L	13, 15, 17				
19	68015177AA	1	2, 3, 6, 7	L	13, 15, 17				BRACKET
20	05125812AA	8	2, 3, 6, 7	L	13, 15, 17, 53, 55				RIVET
21	68013678AA	2	2, 3, 6, 7	L					WASHER
22	68015161AA	2	2, 3, 6, 7	L	13, 15, 17				SCREW
23	68015161AA	3	2, 3, 6, 7	L	13, 15, 17				SCREW
24	05137660AA	4	2, 3, 6, 7	L	13, 15, 17, 53, 55				SCREW

SPRINTER (VB)

SERIES	LINE	BODY	ENGINE	TRANSMISSION
L = LOWLINE	3 = HD DODGE 2WD 2 = Med. Duty DODGE 2WD	03 = CAB CHASSIS WHEEL BASE 3 05 = CAB CHASSIS WHEEL BASE 5 13 = 119 WB 53 = 119 WB 15 = VAN WHEEL BASE 5 55 = WAGON WHEEL BASE 5 17 = VAN WHEEL BASE 7	EG2 = 3.5L V6 Gas Engine EXM = 3.0L V6 Turbo Diesel Engine	DGZ = 5-Speed Auto W5A380 Transmission

AR = use ase required - = Non illustrated part

**Partition Wall with Sliding Door
Figure IVB-265**



ITEM	PART NUMBER	QTY	LINE	SERIES	BODY	ENGINE	TRANS	TRIM	DESCRIPTION
25	06104709AA	2	2, 3, 6, 7	L	13, 15, 17, 53, 55				NUT
26	68015178AA	5	2, 3, 6, 7	L	13, 15, 17				SCREW
27	06104707AA	1	2, 3, 6, 7	L	13, 15, 17, 53, 55				NUT, M5
28	68015208AA	1	2, 3, 6, 7	L	13, 15, 17				PANEL
29	05125748AA	3	2, 3, 6, 7	L	13, 15, 17, 53, 55				SCREW, Exhaust Bracket Mounting
30	05096373AB	3	2, 3, 6, 7	L	13, 15, 17, 53, 55				PLUG
31									RAIL, Cargo Compartment With [MWJ] or [MX2] or [MX1]
	68015157AA	1	2, 3, 6, 7	L	13, 15, 17				
	68015158AA	1	2, 3, 6, 7	L	13, 15, 17				
32	68015159AA	1	2, 3, 6, 7	L	13, 15, 17				BRACKET
33	05125812AA	5	2, 3, 6, 7	L	13, 15, 17, 53, 55				RIVET
34	05096986AA	4	2, 3, 6, 7	L					BOLT
35	05142916AA	6	2, 3, 6, 7	L	13, 15, 17, 53, 55				WASHER
36	06104709AA	2	2, 3, 6, 7	L	13, 15, 17, 53, 55				NUT
37	05132107AA	2	2, 3, 6, 7	L					HANDLE, Door Pull
38	68015160AA	1	2, 3, 6, 7	L	13, 15, 17				SEAL
39	68030733AA	1	2, 3, 6, 7	L	13, 15, 17				EDGE GUARD SECTION, NONE, SPRINTER
40	68015162AA	1	2, 3, 6, 7	L	13, 15, 17				LOCK, Door
41	05104623AA	8	2, 3, 6, 7	L	13, 15, 17, 53, 55				RIVET
42	68015181AA	1	2, 3, 6, 7	L	13, 15, 17				RAIL
43	05126208AA	4	2, 3, 6, 7	L	13, 15, 17, 53, 55				NUT, Hex
44	05125721AA	2	2, 3, 6, 7	L	13, 15, 17, 53, 55				BOLT
45	06104707AA	1	2, 3, 6, 7	L	13, 15, 17, 53, 55				NUT, M5
46	68015183AA	1	2, 3, 6, 7	L	13, 15, 17				PLATE, Scuff
47	05104623AA	4	2, 3, 6, 7	L	13, 15, 17, 53, 55				RIVET
48	68015185AA	1	2, 3, 6, 7	L	13, 15, 17				HANDLE, Cargo Door Interior

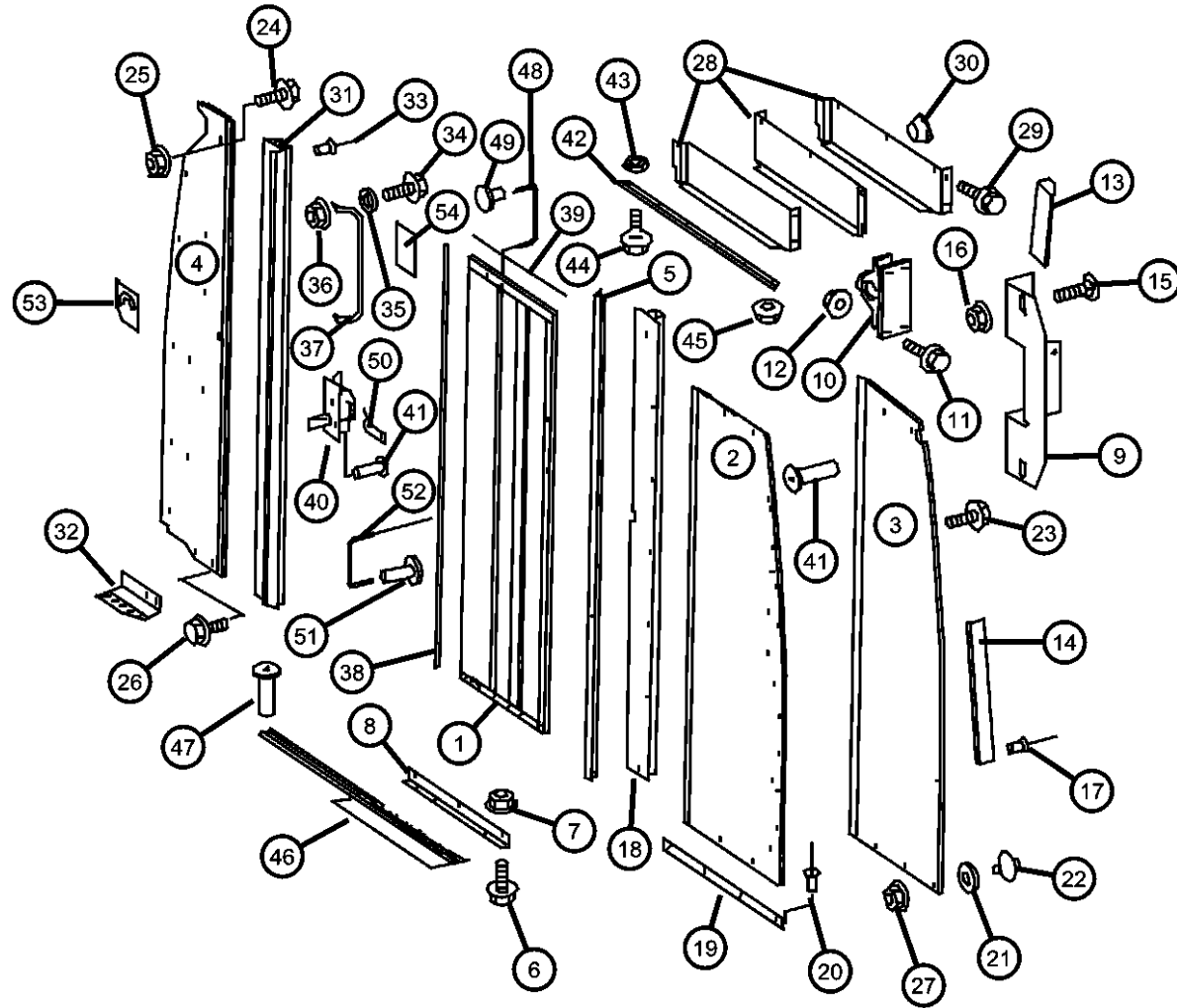
SPRINTER (VB)
 SERIES LINE BODY ENGINE TRANSMISSION
 L = LOWLINE 3 = HD DODGE 2WD 03 = CAB CHASSIS WHEEL BASE 3 EG2 = 3.5L V6 Gas Engine DGZ = 5-Speed Auto W5A380 Transmission
 2 = Med. Duty DODGE 2WD 05 = CAB CHASSIS WHEEL BASE 5 EXM = 3.0L V6 Turbo Diesel Engine

13 = 119 WB
 53 = 119 WB
 15 = VAN WHEEL BASE 5
 55 = WAGON WHEEL BASE 5
 17 = VAN WHEEL BASE 7

AR = use ase required - = Non illustrated part

**Partition Wall with Sliding Door
Figure IVB-265**

ITEM	PART NUMBER	QTY	LINE	SERIES	BODY	ENGINE	TRANS	TRIM	DESCRIPTION
49	06104119AA	4	2, 3, 6, 7	L	13, 15, 17				SCREW
50	68015184AA	1	2, 3, 6, 7	L	13, 15, 17				LATCH
51	06104121AA	4	2, 3, 6, 7	L	13, 15, 17, 53, 55				SCREW, Hex Flange Head
52	05123663AA	1	2, 3, 6, 7	L	13, 15, 17				HANDLE, Cargo Door Interior
53	05121146AA	1	2, 3, 6, 7	L	13, 15, 17, 53, 55				LABEL
54	05121162AA	1	2, 3, 6, 7	L	13, 15, 17, 53, 55				LABEL, Warning



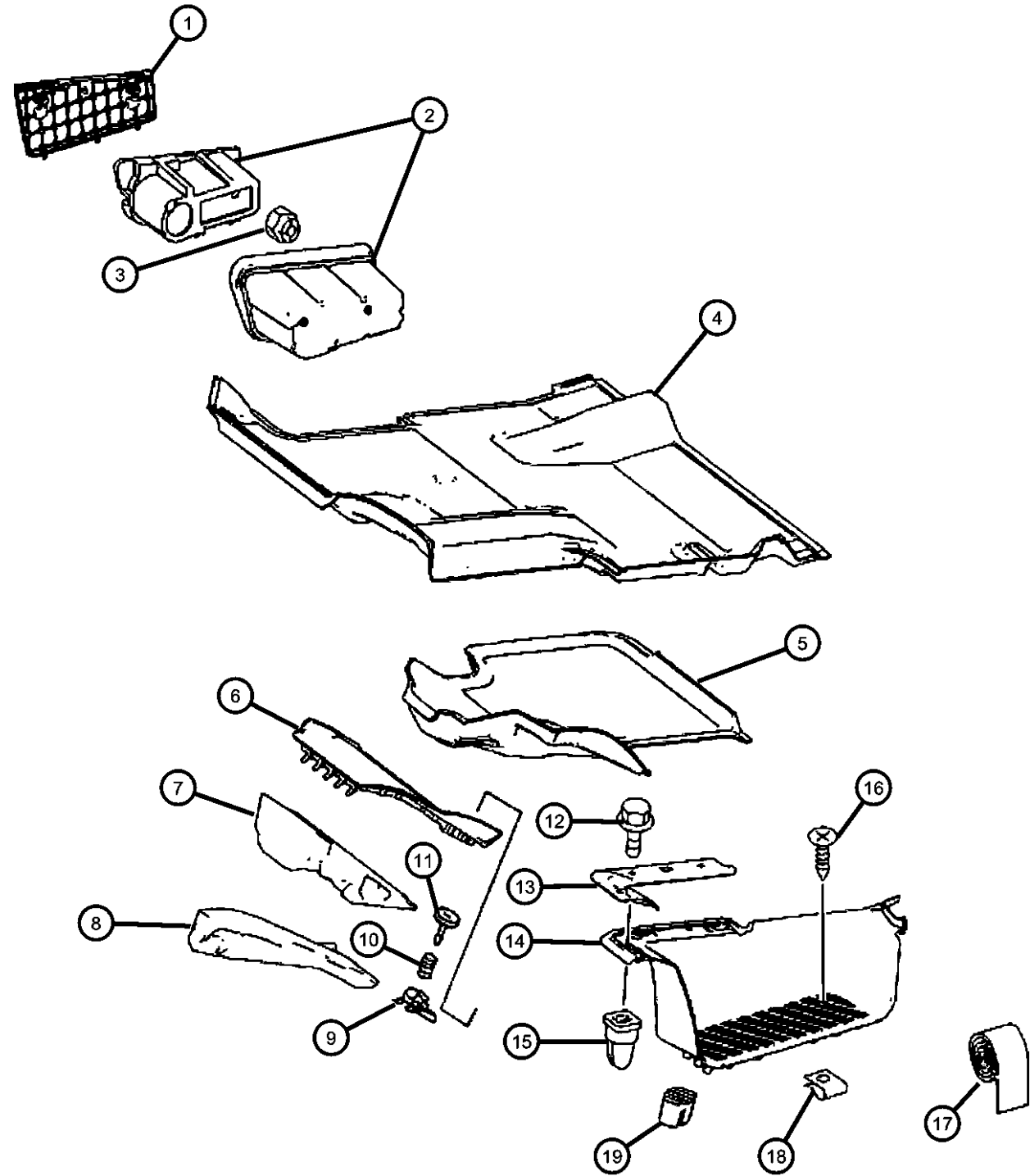
SPRINTER (VB)

SERIES	LINE	BODY	ENGINE	TRANSMISSION
L = LOWLINE	3 = HD DODGE 2WD 2 = Med. Duty DODGE 2WD	03 = CAB CHASSIS WHEEL BASE 3 05 = CAB CHASSIS WHEEL BASE 5 13 = 119 WB 53 = 119 WB 15 = VAN WHEEL BASE 5 55 = WAGON WHEEL BASE 5 17 = VAN WHEEL BASE 7	EG2 = 3.5L V6 Gas Engine EXM = 3.0L V6 Turbo Diesel Engine	DGZ = 5-Speed Auto W5A380 Transmission

AR = use ase required - = Non illustrated part

2007 VB

**Floor Lining, Entry Paneling & Footrest in Cab
Figure IVB-310**



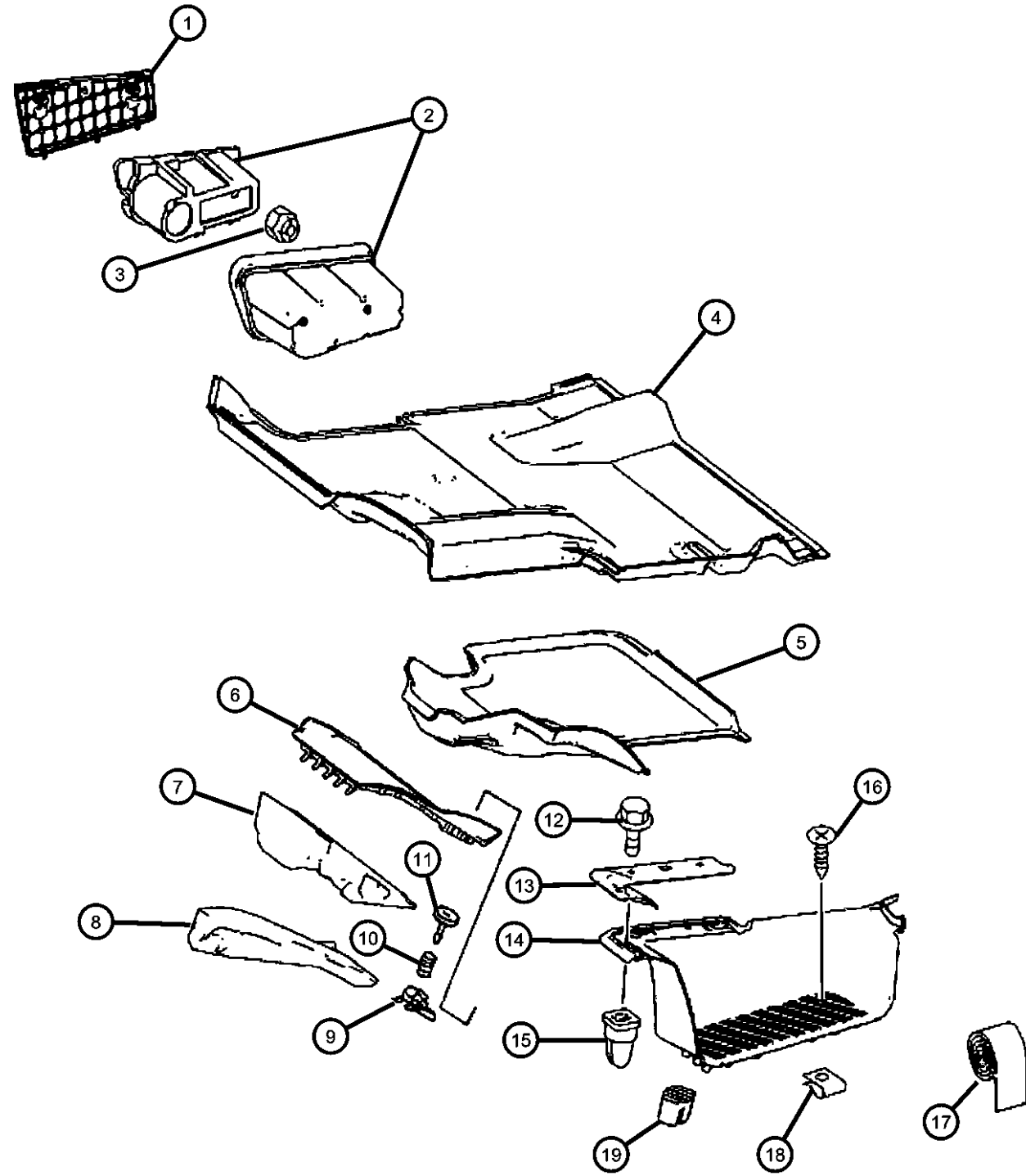
ITEM	PART NUMBER	QTY	LINE	SERIES	BODY	ENGINE	TRANS	TRIM	DESCRIPTION
1	1HB30XDVAA	1	2, 3, 6, 7	L				*A6	COVER
		1	2, 3, 6, 7	L				*E7	
		1	2, 3, 6, 7	L					*F7
2	1HB32XDVAA	1	2, 3, 6, 7	L				*A6	BIN, Storage
		1	2, 3, 6, 7	L				*E7	
		1	2, 3, 6, 7	L					*F7
3	05096978AA	6	2, 3, 6, 7	L	13, 15, 17, 53, 55			NUT, Hex, M6	
4	1HB14BDVAA	1	2, 3, 6, 7	L	13, 15, 17, 53, 55			*E7	COVER, Floor Pan With [XGR] [CW9] [CWC] or [XJW] or [XJ1], without [CD2] or [CK8]
		1	2, 3, 6, 7	L	13, 15, 17, 53, 55			*F7	With [XGR] [CW9] [CWC] or [XJW] or [XJ1], without [CD2] or [CK8]
	1HB15BDVAA	1	2, 3, 6, 7	L	13, 15, 17, 53, 55			*AL	With [XGR] [CW9] [CWC] or [XJW] or [XJ1], without [CD2] or [CK8]
		1	2, 3, 6, 7	L	03, 05, 53, 55			*E7	With [CWC] or [XJW] or [XJ1], without [CD2] or [CW9] or [XGR]
	1HB16BDVAA	1	2, 3, 6, 7	L	13, 15, 17			*E7	With [CWC] or [XJW] or [XJ1], without [CD2] or [CW9] or [XGR]
		1	2, 3, 6, 7	L	03, 05, 53, 55			*AL	With [CWC] or [XJW] or [XJ1], without [CD2] or [CW9] or [XGR]
	1HB17BDVAA	1	2, 3, 6, 7	L	03, 05, 53, 55			*F7	With [CWC] or [XJW] or [XJ1], without [CD2] or [CW9] or [XGR]
		1	2, 3, 6, 7	L	13, 15, 17			*F7	With [CWC] or [XJW] or [XJ1], without [CD2] or [CW9] or [XGR]
	1HB16BDVAA	1	2, 3, 6, 7	L	03, 05, 53, 55			*AL	With [CW9] and [CWC] or [XJW] or [XJ1], without [XGR]
		1	2, 3, 6, 7	L	13, 15, 17			*AL	With [CW9] and [CWC] or [XJW] or [XJ1], without [XGR]
1HB17BDVAA	1	2, 3, 6, 7	L	03, 05, 53, 55			*F7	With [CW9] and [CWC] or [XJW] or [XJ1], without [XGR]	
	1	3, 6, 7, 2	L	13, 15, 17			*F7	With [CW9] and [CWC] or [XJW] or [XJ1], without [XGR]	
1HB17BDVAA	1	2, 3, 6, 7	L	13, 15, 17, 53, 55			*AL	With [XGR], without [CW9] or [CD2] or [CK8]	

SPRINTER (VB)

SERIES	LINE	BODY	ENGINE	TRANSMISSION
L = LOWLINE	3 = HD DODGE 2WD 2 = Med. Duty DODGE 2WD	03 = CAB CHASSIS WHEEL BASE 3 05 = CAB CHASSIS WHEEL BASE 5 13 = 119 WB 53 = 119 WB 15 = VAN WHEEL BASE 5 55 = WAGON WHEEL BASE 5 17 = VAN WHEEL BASE 7	EG2 = 3.5L V6 Gas Engine EXM = 3.0L V6 Turbo Diesel Engine	DGZ = 5-Speed Auto W5A380 Transmission

AR = use ase required - = Non illustrated part

**Floor Lining, Entry Paneling & Footrest in Cab
Figure IVB-310**



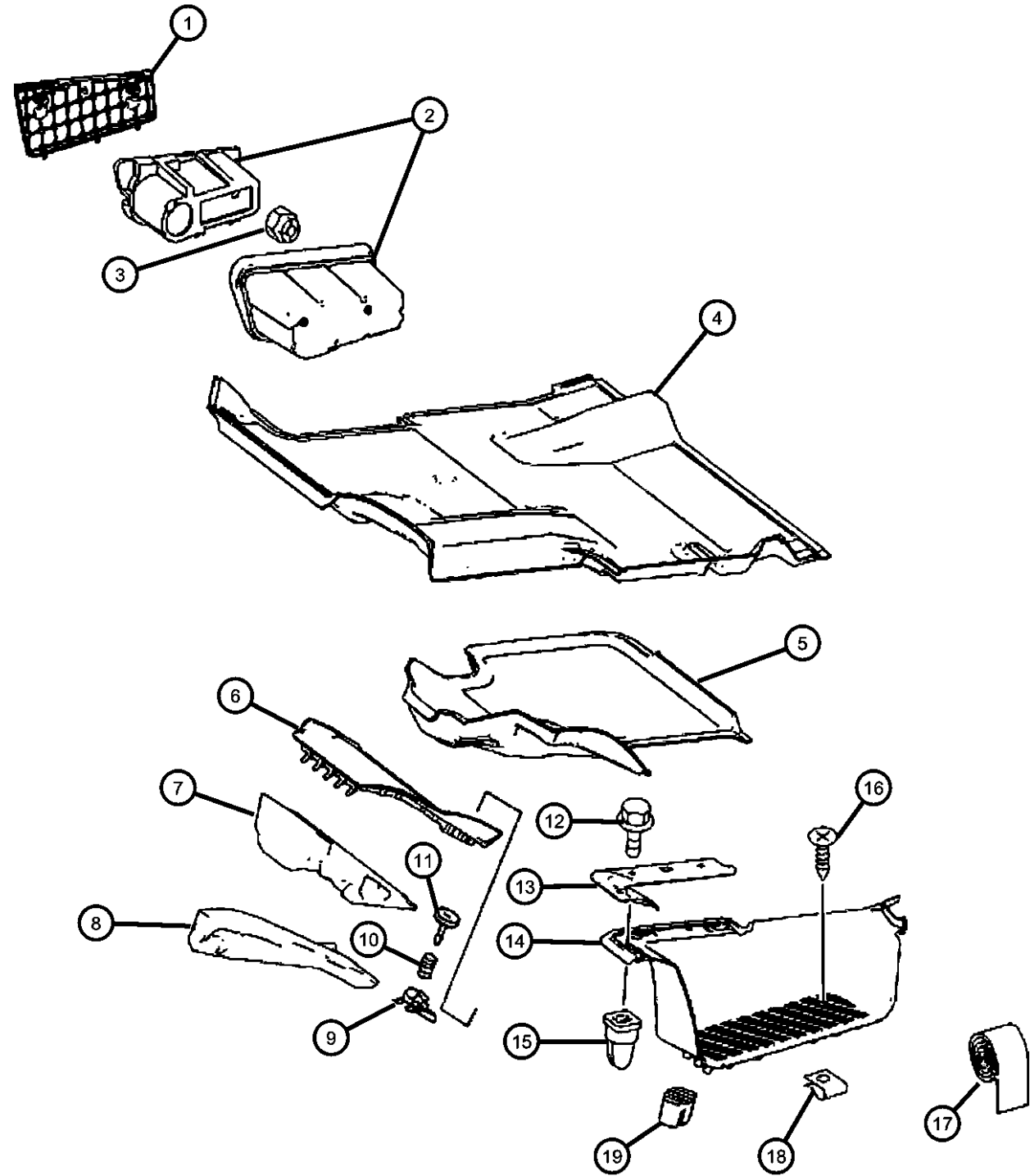
ITEM	PART NUMBER	QTY	LINE	SERIES	BODY	ENGINE	TRANS	TRIM	DESCRIPTION
		1	2, 3, 6, 7	L	13, 15, 17, 53, 55			*E7	With [XGR] , without [CW9] or [CD2] or [CK8]
		1	2, 3, 6, 7	L	03, 05, 53, 55			*E7	With [CW9] and [CWC] or [XJW] or [XJ1] , without [XGR]
		1	2, 3, 6, 7	L	13, 15, 17			*E7	With [CW9] and [CWC] or [XJW] or [XJ1] , without [XGR]
	1HB18BDVAA	1	2, 3, 6, 7	L	03, 05, 53, 55			*E7	Without [CD2] or [CW9] or [XGR]
		1	2, 3, 6, 7	L	13, 15, 17			*E7	Without [CD2] or [CW9] or [XGR]
		1	2, 3, 6, 7	L	03, 05, 53, 55			*F7	Without [CD2] or [CW9] or [XGR]
		1	2, 3, 6, 7	L	13, 15, 17, 53, 55			*F7	With [XGR] , without [CW9] or [CD2] or [CK8]
		1	2, 3, 6, 7	L	03, 05, 53, 55			*AL	Without [CD2] or [CW9] or [XGR]
	1HB22BDVAA	1	2, 3, 6, 7	L	13, 15, 17			*AL	Without [CD2] or [CW9] or [XGR]
		1	3, 6, 7, 2	L	13, 15, 17, 53, 55			*AL	With [CW9] , without [CK8] or [CWC] or [XJW] or [XJ1]
		1	2, 3, 6, 7	L	13, 15, 17, 53, 55			*E7	With [CW9] , without [CK8] or [CWC] or [XJW] or [XJ1]
		1	2, 3, 6, 7	L	15, 17, 13			*F7	Without [CD2] or [CW9] or [XGR]
		1	2, 3, 6, 7	L	13, 15, 17, 53, 55			*F7	With [CW9] , without [CK8] or [CWC] or [XJW] or [XJ1]
5									COVER, Floor Pan
	1HB21BDVAA	1	2, 3, 6, 7	L	13, 15, 17, 53, 55			*E7	
		1	2, 3, 6, 7	L	13, 15, 17, 53, 55			*AL	
		1	2, 3, 6, 7	L	13, 15, 17, 53, 55			*F7	
6									COVER
	1HB25XDVAA	1	2, 3, 6, 7	L				*A6	
		1	2, 3, 6, 7	L				*E7	
		1	2, 3, 6, 7	L				*F7	
7	68010621AA	1	2, 3, 6, 7	L					SUPPORT, Footrest
8	68010623AA	1	2, 3, 6, 7	L					FOOTREST
9									CLIP
	05125587AA	1	3, 7	L	03, 05				

SPRINTER (VB)

SERIES	LINE	BODY	ENGINE	TRANSMISSION
L = LOWLINE	3 = HD DODGE 2WD 2 = Med. Duty DODGE 2WD	03 = CAB CHASSIS WHEEL BASE 3 05 = CAB CHASSIS WHEEL BASE 5 13 = 119 WB 53 = 119 WB 15 = VAN WHEEL BASE 5 55 = WAGON WHEEL BASE 5 17 = VAN WHEEL BASE 7	EG2 = 3.5L V6 Gas Engine EXM = 3.0L V6 Turbo Diesel Engine	DGZ = 5-Speed Auto W5A380 Transmission

AR = use ase required - = Non illustrated part

**Floor Lining, Entry Paneling & Footrest in Cab
Figure IVB-310**



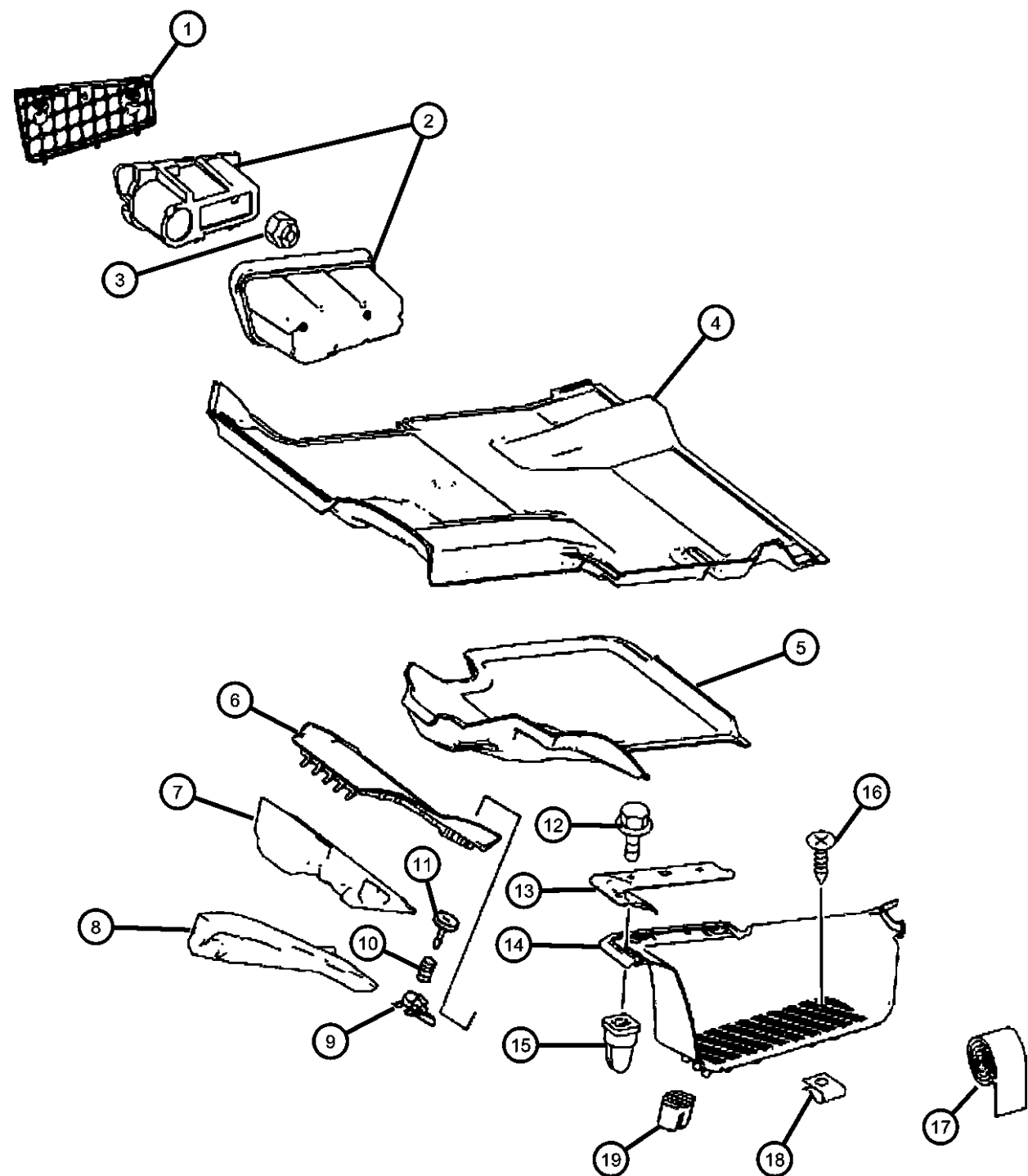
ITEM	PART NUMBER	QTY	LINE	SERIES	BODY	ENGINE	TRANS	TRIM	DESCRIPTION
10		1	2, 3, 6, 7	L	13, 15, 17, 53, 55				SPRING
	05125845AA	1	2, 3, 6, 7	L	13, 15, 17, 53, 55				
11		1	3, 7	L	03, 05				FASTENER
	05122665AA	1	2, 3, 6, 7	L	15, 17, 13, 53, 55			*A6	
		1	2, 3, 6, 7	L	13, 15, 17, 53, 55			*E7	
		1	2, 3, 6, 7	L	13, 15, 17, 53, 55			*F7	
		1	3, 7	L	03, 05			*A6	
		1	3, 7	L	03, 05			*E7	
		1	3, 7	L	03, 05			*F7	
12	68004673AA	2	2, 3, 6, 7	L					SCREW
13									COVER
	1HB29XDVAA	1	2, 3, 6, 7	L				*A6	Left
		1	2, 3, 6, 7	L				*E7	Left
		1	2, 3, 6, 7	L				*F7	Left
	1HB31XDVAA	1	2, 3, 6, 7	L				*A6	Right
		1	2, 3, 6, 7	L				*E7	Right
		1	2, 3, 6, 7	L				*F7	Right
14									PLATE, Scuff
	1HB26XDVAA	1	2, 3, 6, 7	L				*A6	Left
		1	2, 3, 6, 7	L				*E7	Left
		1	2, 3, 6, 7	L				*F7	Left
	1HB27XDVAA	1	2, 3, 6, 7	L				*A6	Right
		1	2, 3, 6, 7	L				*E7	Right
		1	2, 3, 6, 7	L				*F7	Right
15									NUT, Plastic Snap-in
	05098837AB	4	2, 3, 6, 7	L	13, 15, 17, 53, 55				
		4	3, 7	L	03, 05				

SPRINTER (VB)

SERIES	LINE	BODY	ENGINE	TRANSMISSION
L = LOWLINE	3 = HD DODGE 2WD 2 = Med. Duty DODGE 2WD	03 = CAB CHASSIS WHEEL BASE 3 05 = CAB CHASSIS WHEEL BASE 5 13 = 119 WB 53 = 119 WB 15 = VAN WHEEL BASE 5 55 = WAGON WHEEL BASE 5 17 = VAN WHEEL BASE 7	EG2 = 3.5L V6 Gas Engine EXM = 3.0L V6 Turbo Diesel Engine	DGZ = 5-Speed Auto W5A380 Transmission

AR = use ase required - = Non illustrated part

**Floor Lining, Entry Paneling & Footrest in Cab
Figure IVB-310**



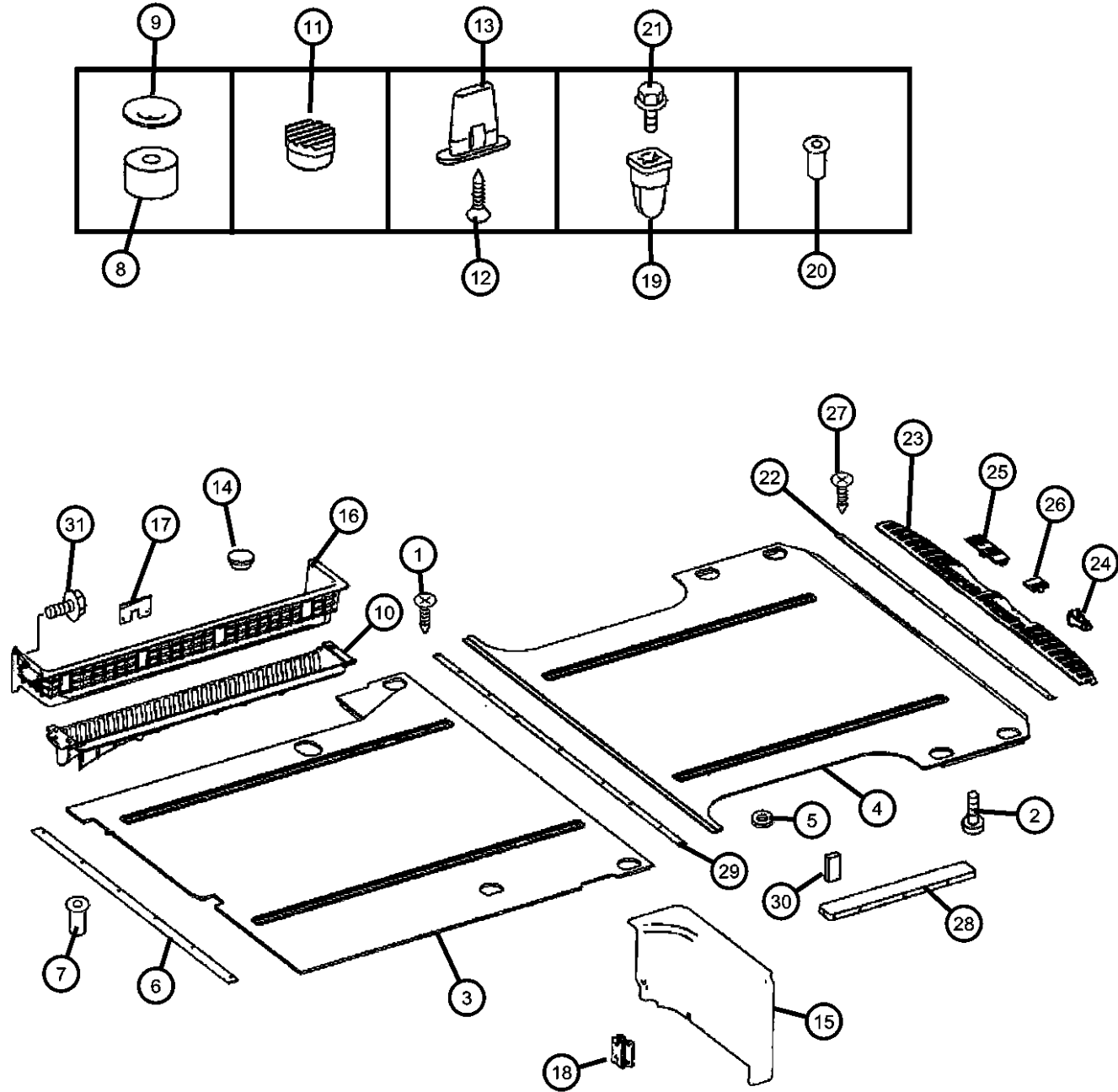
ITEM	PART NUMBER	QTY	LINE	SERIES	BODY	ENGINE	TRANS	TRIM	DESCRIPTION
16	06104575AA	1	2, 3, 6, 7	L					SCREW
17	68009864AA	AR	2, 3, 6, 7	L					TAPE
18	06104736AA	6	2, 3, 6, 7	L					NUT, Clip-On
19									PLUG
	1HB28XDVAA	6	2, 3, 6, 7	L				*F7	
		6	2, 3, 6, 7	L				*A6	
		6	2, 3, 6, 7	L				*E7	

SPRINTER (VB)

SERIES	LINE	BODY	ENGINE	TRANSMISSION
L = LOWLINE	3 = HD DODGE 2WD 2 = Med. Duty DODGE 2WD	03 = CAB CHASSIS WHEEL BASE 3 05 = CAB CHASSIS WHEEL BASE 5 13 = 119 WB 53 = 119 WB 15 = VAN WHEEL BASE 5 55 = WAGON WHEEL BASE 5 17 = VAN WHEEL BASE 7	EG2 = 3.5L V6 Gas Engine EXM = 3.0L V6 Turbo Diesel Engine	DGZ = 5-Speed Auto W5A380 Transmission

AR = use ase required - = Non illustrated part

**Floor Lining & Entry Paneling-Wooden Floor
Figure IVB-315**



ITEM	PART NUMBER	QTY	LINE	SERIES	BODY	ENGINE	TRANS	TRIM	DESCRIPTION
1	68010627AA	1	2, 3, 6, 7	L	13, 15, 17, 53, 55				SCREW
2	68010736AA	2	2, 3, 6, 7	L	17, 53, 55, 13, 15				SCREW
3	68010659AA	1	2, 3, 6, 7	L	13, 15, 17, 53, 55				FLOOR, Wooden
		1	2, 3, 6, 7	L	13, 15, 17, 53, 55				With [HDC+42A+GKA+GEX]
		1	2, 3, 6, 7	L	13, 15, 17, 53, 55				With [42A+HDC+GKA]
		1	2, 6	L	13, 15, 17, 53, 55				With [42A+HDC+GK9]
		1	2, 6	L	13, 15, 17, 53, 55				With [42A+GKA+GEX]
		1	2, 6	L	13, 15, 17, 53, 55				With [42A+GKA+XJY]
		1	2, 6	L	13, 15, 17, 53, 55				With [42A+GKA+GKE]
		1	2, 6	L	53, 55, 13, 15, 17				With [42A+GKA]
		1	2, 6	L	13, 15, 17, 53, 55				With [42A+GKE+GK9+GEX]
		1	2, 6	L	13, 15, 17, 53, 55				With [42A+GKE+GK9+XJY]
		1	2, 6	L	13, 15, 17, 53, 55				With [42A+GK9+GKE]
		1	2, 6	L	13, 15, 17, 53, 55				With [42A+GK9]
		1	2, 3, 6, 7	L	13, 53				With [5CF+42A+CMZ+HDC+GKA]
		1	2, 3, 6, 7	L	13, 53				With [5CF+42A+CMZ+HDC+GK9]
		1	2, 3, 6, 7	L	13, 53				With [5CF+42A+CMZ+GKA]
		1	2, 3, 6, 7	L	13, 53				With [5CF+42A+CMZ+GKA+GKE]
		1	2, 3, 6, 7	L	13, 53				With [5CF+42A+CMZ+GK9]
		1	2, 3, 6, 7	L	53, 13				With [5CF+42A+CMZ+GK9+GKE]
		1	2, 3, 6, 7	L	15, 55				With [5CG+42A+CMZ+HDC+GKA]
		1	2, 3, 6, 7	L	15, 55				With [5CG+42A+CMZ+HDC+GK9]
		1	2, 3, 6, 7	L	15, 55				With [5CG+42A+CMZ+GKA]

SPRINTER (VB)

SERIES	LINE	BODY	ENGINE	TRANSMISSION
L = LOWLINE	3 = HD DODGE 2WD 2 = Med. Duty DODGE 2WD	03 = CAB CHASSIS WHEEL BASE 3 05 = CAB CHASSIS WHEEL BASE 5 13 = 119 WB 53 = 119 WB 15 = VAN WHEEL BASE 5 55 = WAGON WHEEL BASE 5 17 = VAN WHEEL BASE 7	EG2 = 3.5L V6 Gas Engine EXM = 3.0L V6 Turbo Diesel Engine	DGZ = 5-Speed Auto W5A380 Transmission

AR = use ase required - = Non illustrated part

**Floor Lining & Entry Paneling-Wooden Floor
Figure IVB-315**

ITEM	PART NUMBER	QTY	LINE	SERIES	BODY	ENGINE	TRANS	TRIM	DESCRIPTION
		1	2, 3, 6, 7	L	15, 55				With [5CG+42A+CMZ+GKA+GKE] With [5CG+42A+CMZ+GK9]
		1	2, 3, 6, 7	L	15, 55				With [5CG+42A+CMZ+GK9+GKE] With [5CK+42A+CMZ+HDC+GKA] With [5CK+42A+CMZ+HDC+GK9] With [5CK+42A+CMZ+GKA]
		1	2, 3, 6, 7	L	17				With [5CK+42A+CMZ+GKA+GKE] With [5CK+42A+CMZ+GK9]
		1	2, 3, 6, 7	L	17				With [5CK+42A+CMZ+GKA+GKE] With [5CK+42A+CMZ+GK9]
		1	2, 3, 6, 7	L	17				With [5CK+42A+CMZ+GKA+GKE] With [5CK+42A+CMZ+GK9]
		1	2, 3, 6, 7	L	17				With [5CK+42A+CMZ+GKA+GKE] With [5CK+42A+CMZ+GK9]
		1	2, 3, 6, 7	L	17				With [5CK+42A+CMZ+GKA+GKE] With [5CK+42A+CMZ+GK9]
		1	2, 3, 6, 7	L	17				With [5CK+42A+CMZ+GKA+GKE] With [5CK+42A+CMZ+GK9]
		1	2, 3, 6, 7	L	17				With [5CK+42A+CMZ+GKA+GKE] With [5CK+42A+CMZ+GK9]
		1	2, 3, 6, 7	L	17				With [5CK+42A+CMZ+GKA+GKE] With [5CK+42A+CMZ+GK9]
	68010670AA	1	2, 6	L	13, 15, 17, 53, 55				With [GKA] Right Sliding Door,With [XJY]Cargo Partition w/Sliding Door, With [CW1] Rear Cargo Tie Down Rail System
		1	3, 7	L	15, 17, 55				With [GKA] Right Sliding Door,With [XJY]Cargo Partition w/Sliding Door, With [CW1] Rear Cargo Tie Down Rail System
	68010675AA	1	2, 3, 6, 7	L	13, 15, 17				With [42A+GKE+GK9+XJY+CW1] With [GKE] Left Sliding Door, No Glass,With [GK9] Without Right Sliding Door, With [XJY]Cargo Partition With Sliding Door, With [CW1] Rear Cargo Tie Down Rail System
		1	2, 6	L	13, 15, 17, 53, 55				With [GKE] Left Sliding Door, No Glass,With [GK9] Without Right Sliding Door, With [XJY]Cargo Partition With Sliding Door, With [CW1] Rear Cargo Tie Down Rail System
		1	3, 7	L	15, 17, 55				With [GKE] Left Sliding Door, No Glass,With [GK9] Without Right Sliding Door, With [XJY]Cargo Partition With Sliding Door, With [CW1] Rear Cargo Tie Down Rail System
		1	3, 7	L	15, 17, 55				With [GKE] Left Sliding Door, No Glass,With [GK9] Without Right Sliding Door, With [XJY]Cargo Partition With Sliding Door, With [CW1] Rear Cargo Tie Down Rail System
	68010679AA	1	2, 6	L	13, 15, 17, 53, 55				With [CW1]
		1	3, 7	L	15, 17, 55				With [CW1]
		1	2, 6	L	13, 15, 17, 53, 55				With [HDC] Rear Auxiliary Heater, With or Without Right and Left Sliding Door,

SPRINTER (VB)

SERIES	LINE	BODY	ENGINE	TRANSMISSION
L = LOWLINE	3 = HD DODGE 2WD 2 = Med. Duty DODGE 2WD	03 = CAB CHASSIS WHEEL BASE 3 05 = CAB CHASSIS WHEEL BASE 5 13 = 119 WB 53 = 119 WB 15 = VAN WHEEL BASE 5 55 = WAGON WHEEL BASE 5 17 = VAN WHEEL BASE 7	EG2 = 3.5L V6 Gas Engine EXM = 3.0L V6 Turbo Diesel Engine	DGZ = 5-Speed Auto W5A380 Transmission

AR = use ase required - = Non illustrated part

**Floor Lining & Entry Paneling-Wooden Floor
Figure IVB-315**

ITEM	PART NUMBER	QTY	LINE	SERIES	BODY	ENGINE	TRANS	TRIM	DESCRIPTION
		1	2, 6	L	13, 15, 17, 53, 55				With [5CF Or 5CG Or 5CK + 42A+CW1+HDC+GK9]
		1	2, 6	L	13, 15, 17, 53, 55				With [5CF Or 5CG Or 5CK + 42A+CW1+GKA+GKE]
		1	2, 6	L	13, 15, 17, 53, 55				With [5CF Or 5CG Or 5CK + 42A+CW1+GKA]
		1	2, 6	L	13, 15, 17, 53, 55				With [5CF Or 5CG Or 5CK+42A+CW1+GK9+GKE]
		1	2, 6	L	13, 15, 17, 53, 55				With [5CF Or 5CG Or 5CK+42A+CW1+GK9]
		1	3, 7	L	15, 17, 55				With [HDC] Rear Auxiliary Heater, With or Without Right and Left Sliding Door,
		1	3, 7	L	55, 15, 17				With [5CG Or 5CK+42A+CW1+HDC+GK9]
		1	3, 7	L	15, 17, 55				With [5CG Or 5CK+42A+CW1+GKA+GKE]
		1	3, 7	L	15, 17, 55				With [5CG Or 5CK+42A+CW1+GKA]
		1	3, 7	L	15, 17, 55				With [5CG Or 5CK+42A+CW1+GK9+GKE]
	68010686AA	1	3, 7	L	13, 53				With [5CF] 144' WB,With [XJY]Cargo Partition w/Sliding Door,With [HDC]Rear Auxiliary Heater,With [GKE]Left Sliding Door ,No Glass
4									FLOOR, Wooden
	68010702AA	1	2, 3, 6, 7	L	15, 55				
	68010704AA	1	3, 7	L	15, 55				With [CW1] Rear Cargo Tie Down Rain System
	68010708AA	1	2, 6	L	15, 55				With [CW1] Rear Cargo Tie Down Rain System
	68010714AA	1	2, 3, 6, 7	L	13, 53				
	68010725AA	1	3, 7	L	17				With [CW1] Rear Cargo Tie Down Rain System
	68010728AA	1	2, 6	L	17				With [CW1] Rear Cargo Tie Down Rain System
	68010730AA	1	2, 6	L	17				
5									WASHER
	68010654AA	20	2, 6	L	13, 53				

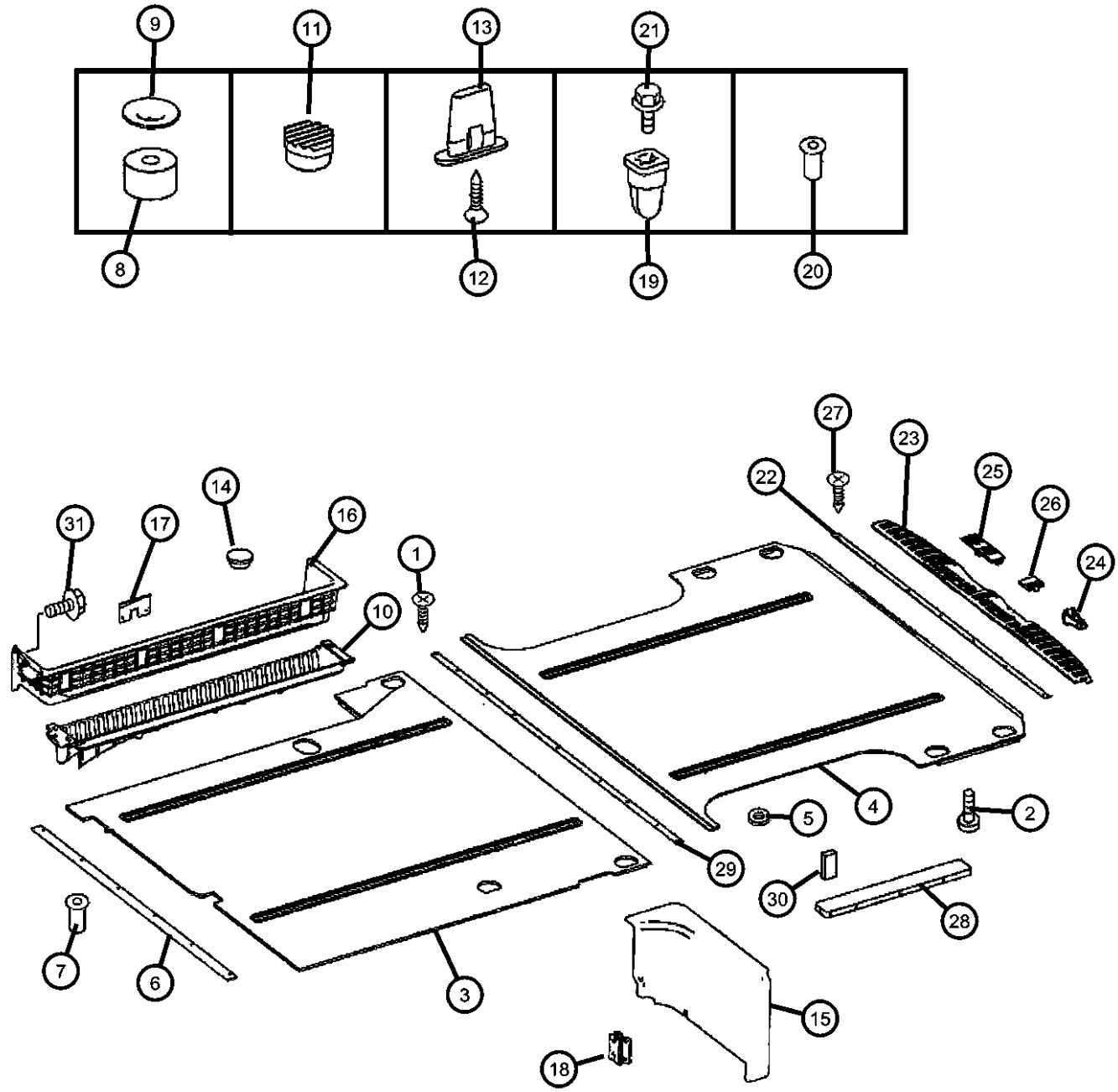
SPRINTER (VB)

SERIES	LINE	BODY	ENGINE	TRANSMISSION
L = LOWLINE	3 = HD DODGE 2WD 2 = Med. Duty DODGE 2WD	03 = CAB CHASSIS WHEEL BASE 3 05 = CAB CHASSIS WHEEL BASE 5 13 = 119 WB 53 = 119 WB 15 = VAN WHEEL BASE 5 55 = WAGON WHEEL BASE 5 17 = VAN WHEEL BASE 7	EG2 = 3.5L V6 Gas Engine EXM = 3.0L V6 Turbo Diesel Engine	DGZ = 5-Speed Auto W5A380 Transmission

AR = use ase required - = Non illustrated part

**Floor Lining & Entry Paneling-Wooden Floor
Figure IVB-315**

ITEM	PART NUMBER	QTY	LINE	SERIES	BODY	ENGINE	TRANS	TRIM	DESCRIPTION
		20	3, 7	L	13, 53				
		24	2, 6	L	15, 55				
		24	3, 7	L	15, 55				
		26	2, 6	L	17				
		28	3, 7	L	17				
6									MOLDING, Cargo Area Carpet
	68010733AA	1	2, 3, 6, 7	L	13, 15, 17, 53, 55				
	68010734AA	1	2, 3, 6, 7	L	13, 15, 17, 53, 55				With [GKA] Right Sliding Door, With [GKE] Left Sliding Door, No Glass
	68010735AA	1	2, 3, 6, 7	L	13, 15, 17, 53, 55				With [GK9] Without Right Sliding Door
7									NUTSERT, Rivet
	06105175AA	2	2, 3, 6, 7	L	55, 13, 15, 17, 53				
		2	3, 7	L	03, 05				
		3	3, 7	L	13, 15, 17, 53, 55				
8	68010737AA	2	2, 3, 6, 7	L	13, 15, 17, 53, 55				BUSHING
9	68010738AA	2	2, 3, 6, 7	L	13, 15, 17, 53, 55				COVER
10									PAD, Side Cargo Door Sill
	1HB33DX8AA	1	2, 3, 6, 7	L	13, 15, 17, 53, 55			*A6	[A6], Left
		1	2, 3, 6, 7	L	13, 15, 17, 53, 55			*E7	[E7], Left
		1	2, 3, 6, 7	L	13, 15, 17, 53, 55			*F7	[F7], Left
	1HB36DX8AA	1	2, 3, 6, 7	L	13, 15, 17, 53, 55			*A6	[A6], Right
		1	2, 3, 6, 7	L	13, 15, 17, 53, 55			*E7	[E7], Right
		1	2, 3, 6, 7	L	13, 15, 17, 53, 55			*F7	[F7], Right
11									PLUG
	1HB34DX8AA	1	2, 3, 6, 7	L	13, 15, 17, 53, 55			*A6	[A6]

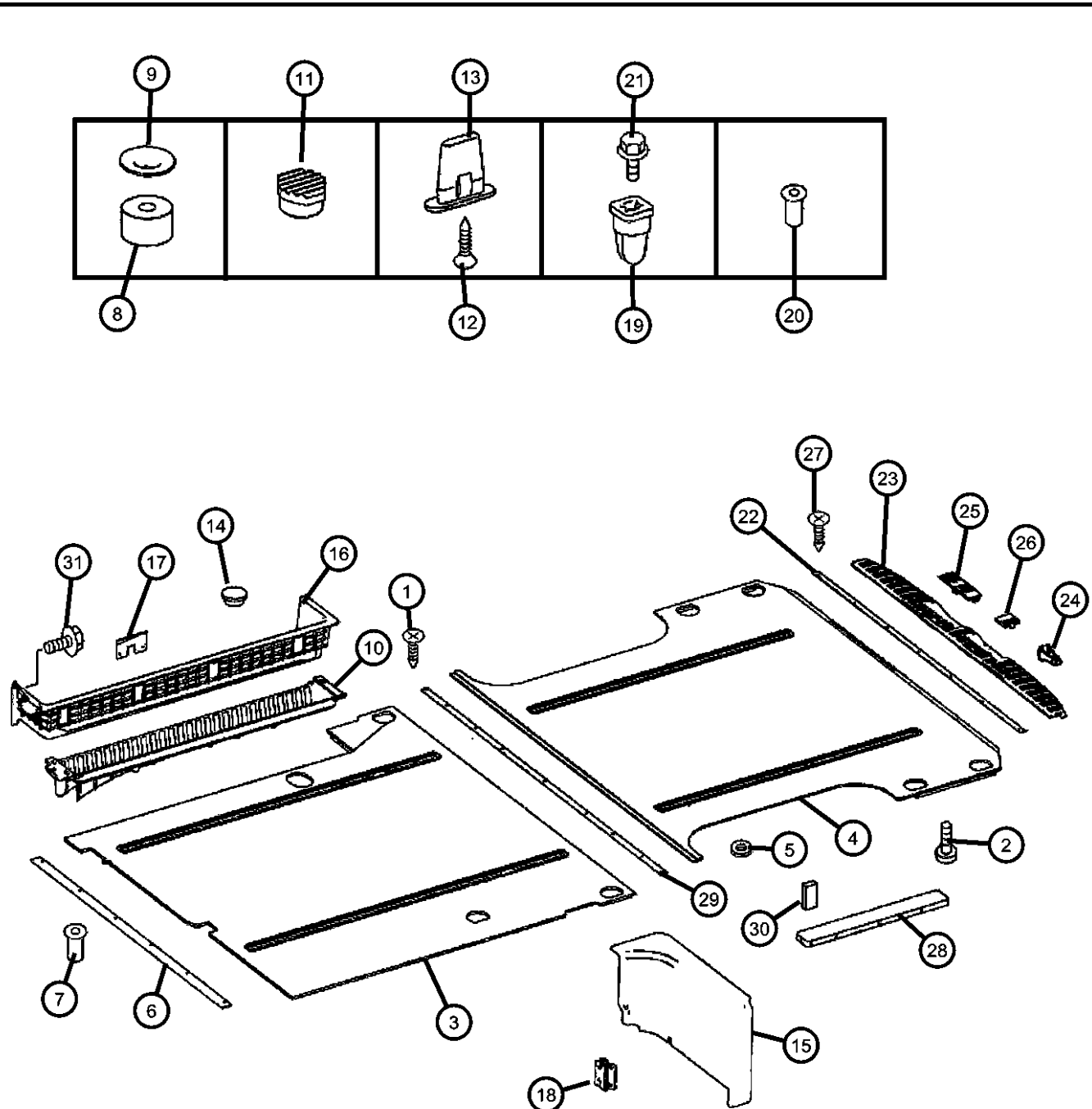


SPRINTER (VB)
 SERIES LINE BODY ENGINE TRANSMISSION
 L = LOWLINE 3 = HD DODGE 2WD 03 = CAB CHASSIS WHEEL BASE 3 EG2 = 3.5L V6 Gas Engine DGZ = 5-Speed Auto W5A380 Transmission
 2 = Med. Duty DODGE 2WD 05 = CAB CHASSIS WHEEL BASE 5 EXM = 3.0L V6 Turbo Diesel Engine

13 = 119 WB
 53 = 119 WB
 15 = VAN WHEEL BASE 5
 55 = WAGON WHEEL BASE 5
 17 = VAN WHEEL BASE 7

AR = use ase required - = Non illustrated part

**Floor Lining & Entry Paneling-Wooden Floor
Figure IVB-315**

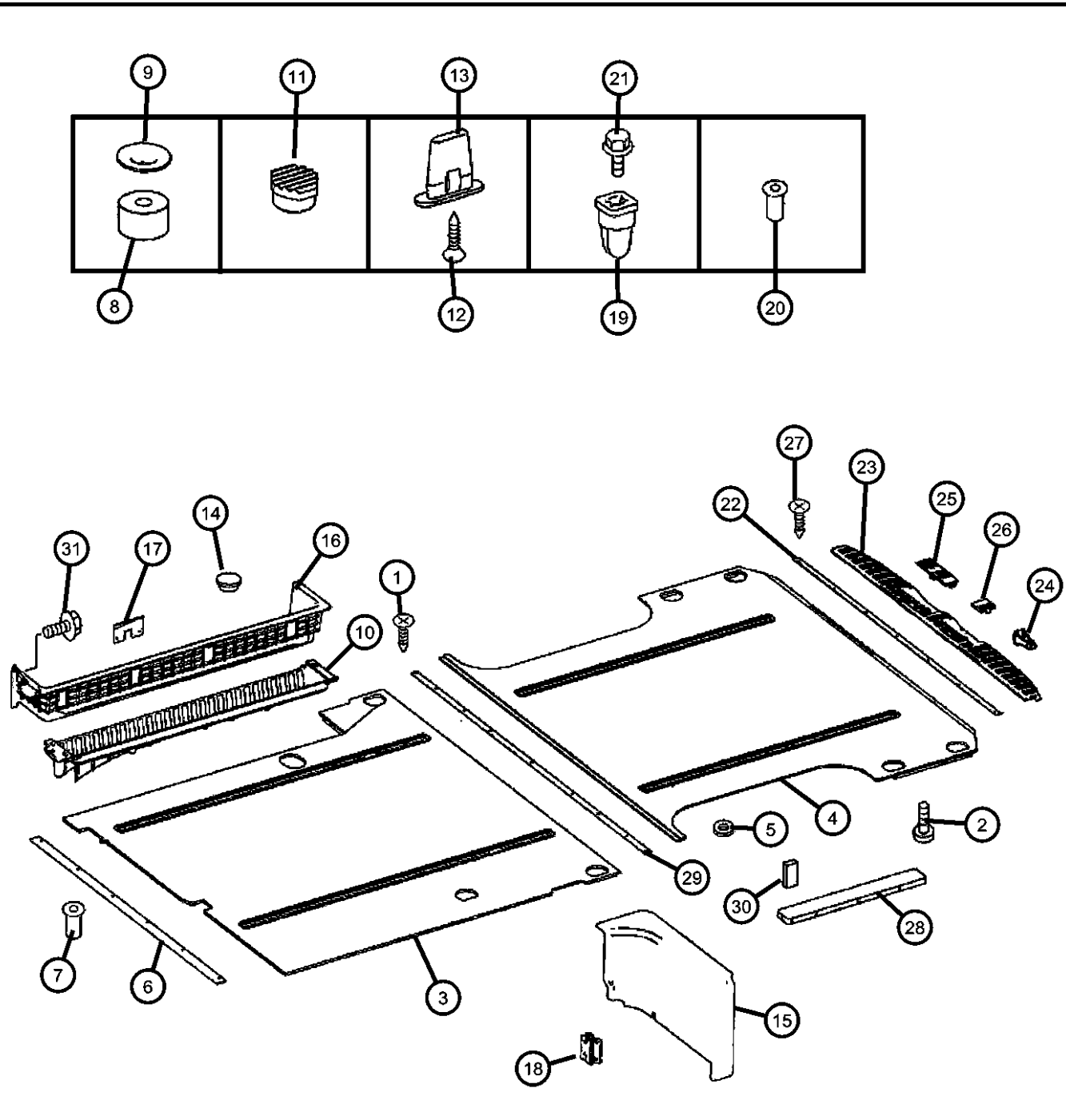
ITEM	PART NUMBER	QTY	LINE	SERIES	BODY	ENGINE	TRANS	TRIM	DESCRIPTION
		1	2, 3, 6, 7	L	53, 55, 13, 15, 17			*E7	[E7]
		1	2, 3, 6, 7	L	13, 15, 17, 53, 55			*F7	[F7]
	12	06104142AA	2	2, 3, 6, 7	L	13, 15, 17, 53, 55			SCREW Sliding Door Entrance M6 x 16
		06104150AA	1	2, 3, 6, 7	L	13, 15, 17, 53, 55			Sliding Door Entrance M6 x 60
		06104610AA	2	2, 3, 6, 7	L				Sliding Door Entrance 4.2 X 19
	13	68029953AA	1	2, 3, 6, 7	L	13, 15, 17, 53, 55			INSERT
	14								PLUG
		1HB35DX8AA	1	2, 3, 6, 7	L	13, 15, 17, 53, 55			*A6 [A6]
			1	2, 3, 6, 7	L	13, 15, 17, 53, 55			*E7 [E7]
			1	2, 3, 6, 7	L	13, 15, 17, 53, 55			*F7 [F7]
	15								PLUG
		1HB41XDVAA	1	2, 3, 6, 7	L	13, 15, 17, 53, 55			*A6 [A6], Left
		1	2, 3, 6, 7	L	13, 15, 17, 53, 55			*E7 [E7], Left	
		1	2, 3, 6, 7	L	13, 15, 17, 53, 55			*F7 [F7], Left	
	1HB47XDVAA	1	2, 3, 6, 7	L	55, 13, 15, 17, 53			*A6 [A6], Right	
		1	2, 3, 6, 7	L	13, 15, 17, 53, 55			*E7 [E7], Right	
		1	2, 3, 6, 7	L	13, 15, 17, 53, 55			*F7 [F7], Right	
16									PANEL
	1HB37NCVAA	1	2, 3, 6, 7	L	13, 15, 17, 53, 55			*E7 [E7] With [LBB] Lamps	
		1	2, 3, 6, 7	L	13, 15, 17, 53, 55			*A6 [A6] With [LBB] Lamps	
		1	2, 3, 6, 7	L	13, 15, 17, 53, 55			*F7 [F7] With [LBB] Lamps	
	1HB38NCVAA	1	2, 3, 6, 7	L	13, 15, 17, 53, 55			*E7 [E7] Without [LBB] Lamps	

SPRINTER (VB)

SERIES	LINE	BODY	ENGINE	TRANSMISSION
L = LOWLINE	3 = HD DODGE 2WD 2 = Med. Duty DODGE 2WD	03 = CAB CHASSIS WHEEL BASE 3 05 = CAB CHASSIS WHEEL BASE 5 13 = 119 WB 53 = 119 WB 15 = VAN WHEEL BASE 5 55 = WAGON WHEEL BASE 5 17 = VAN WHEEL BASE 7	EG2 = 3.5L V6 Gas Engine EXM = 3.0L V6 Turbo Diesel Engine	DGZ = 5-Speed Auto W5A380 Transmission

AR = use ase required - = Non illustrated part

**Floor Lining & Entry Paneling-Wooden Floor
Figure IVB-315**

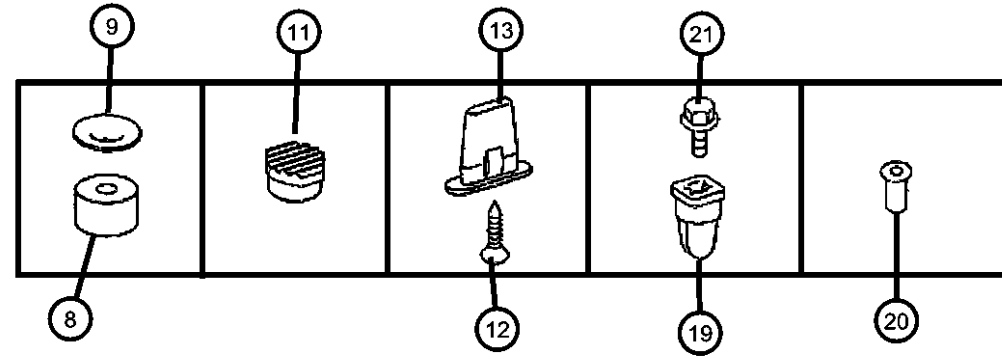
ITEM	PART NUMBER	QTY	LINE	SERIES	BODY	ENGINE	TRANS	TRIM	DESCRIPTION
									
		1	2, 3, 6, 7	L	13, 15, 17, 53, 55			*A6	[A6] Without [LBB] Lamps
		1	2, 3, 6, 7	L	13, 15, 17, 53, 55			*F7	[F7] Without [LBB] Lamps
17	05125584AA	1	2, 3, 6, 7	L	03, 05				CLIP, Floor Trim
		1	2, 3, 6, 7	L	13, 15, 17, 53, 55				
18	05101464AA	2	2, 3, 6, 7	L	13, 15, 17, 53, 55				CLIPRight & Left
19	05098837AB	2	3, 7	L	03, 05				NUT, Plastic Snap-in
		2	2, 3, 6, 7	L	15, 17, 53, 55, 13				
20	05134061AA	8	2, 3, 6, 7	L	13, 15, 17, 53, 55				RIVET
21	05104609AA	2	2, 3, 6, 7	L	13, 15, 17, 53, 55				SCREW 4.8 X 13
		4	3, 7	L	03, 05				4.8 X 13
22	68010771AA	1	2, 3, 6, 7	L	13, 15, 17, 53, 55				MOLDING, Cargo Area Carpet
23	1HB48DX9AA	1	2, 3, 6, 7	L	13, 15, 17, 53, 55			*A6	SILL COVER, Interior [A6]
		1	2, 3, 6, 7	L	13, 15, 17, 53, 55			*E7	[E7]
		1	2, 3, 6, 7	L	13, 15, 17, 53, 55			*F7	[F7]
24	05104536AA	11	2, 3, 6, 7	L	13, 15, 17, 53, 55				RETAINER
25	1HB49DX9AA	2	2, 3, 6, 7	L	13, 15, 17, 53, 55			*A6	COVER [A6]
		2	2, 3, 6, 7	L	13, 15, 17, 53, 55			*E7	[E7]
		2	2, 3, 6, 7	L	13, 15, 17, 53, 55			*F7	[F7]
26	1HB50DX9AA	2	2, 3, 6, 7	L	13, 15, 17, 53, 55			*A6	COVER [A6]

SPRINTER (VB)

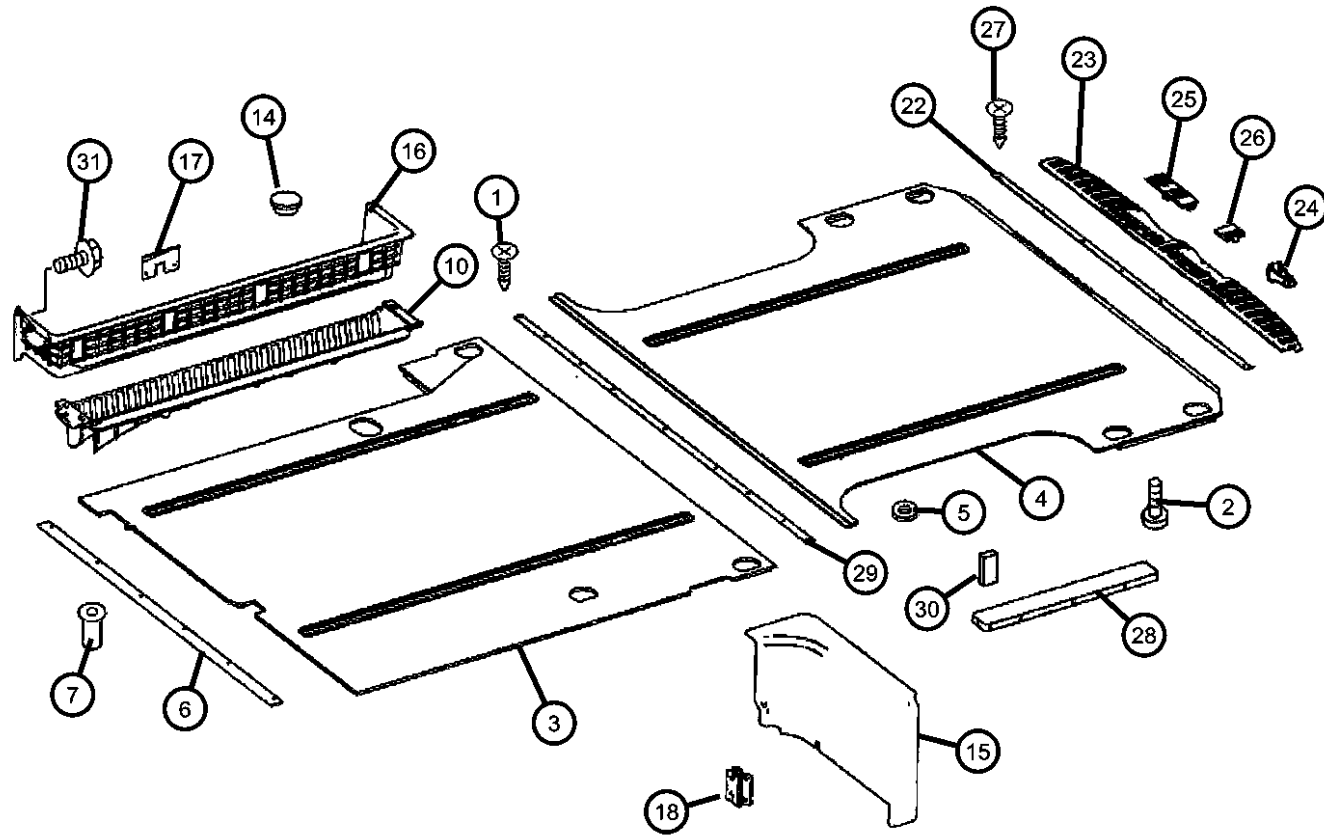
SERIES	LINE	BODY	ENGINE	TRANSMISSION
L = LOWLINE	3 = HD DODGE 2WD 2 = Med. Duty DODGE 2WD	03 = CAB CHASSIS WHEEL BASE 3 05 = CAB CHASSIS WHEEL BASE 5 13 = 119 WB 53 = 119 WB 15 = VAN WHEEL BASE 5 55 = WAGON WHEEL BASE 5 17 = VAN WHEEL BASE 7	EG2 = 3.5L V6 Gas Engine EXM = 3.0L V6 Turbo Diesel Engine	DGZ = 5-Speed Auto W5A380 Transmission

AR = use ase required - = Non illustrated part

**Floor Lining & Entry Paneling-Wooden Floor
Figure IVB-315**



ITEM	PART NUMBER	QTY	LINE	SERIES	BODY	ENGINE	TRANS	TRIM	DESCRIPTION
		2	2, 3, 6, 7	L	13, 15, 17, 53, 55			*E7	[E7]
		2	2, 3, 6, 7	L	13, 15, 17, 53, 55			*F7	[F7]
27	68010627AA	1	2, 3, 6, 7	L	13, 15, 17, 53, 55				SCREW
28	68010772AA	1	2, 3, 6, 7	L	13, 15, 17, 53, 55				COVER
29	68010624AA	1	2, 3, 6, 7	L	13, 15, 17, 53, 55				MOLDING, Cargo Area Carpet
30	68010773AA	3	2, 3, 6, 7	L	13, 15, 17, 53, 55				INSULATION
31	05104609AA	2	2, 3, 6, 7	L	15, 17, 53, 55, 13				SCREW

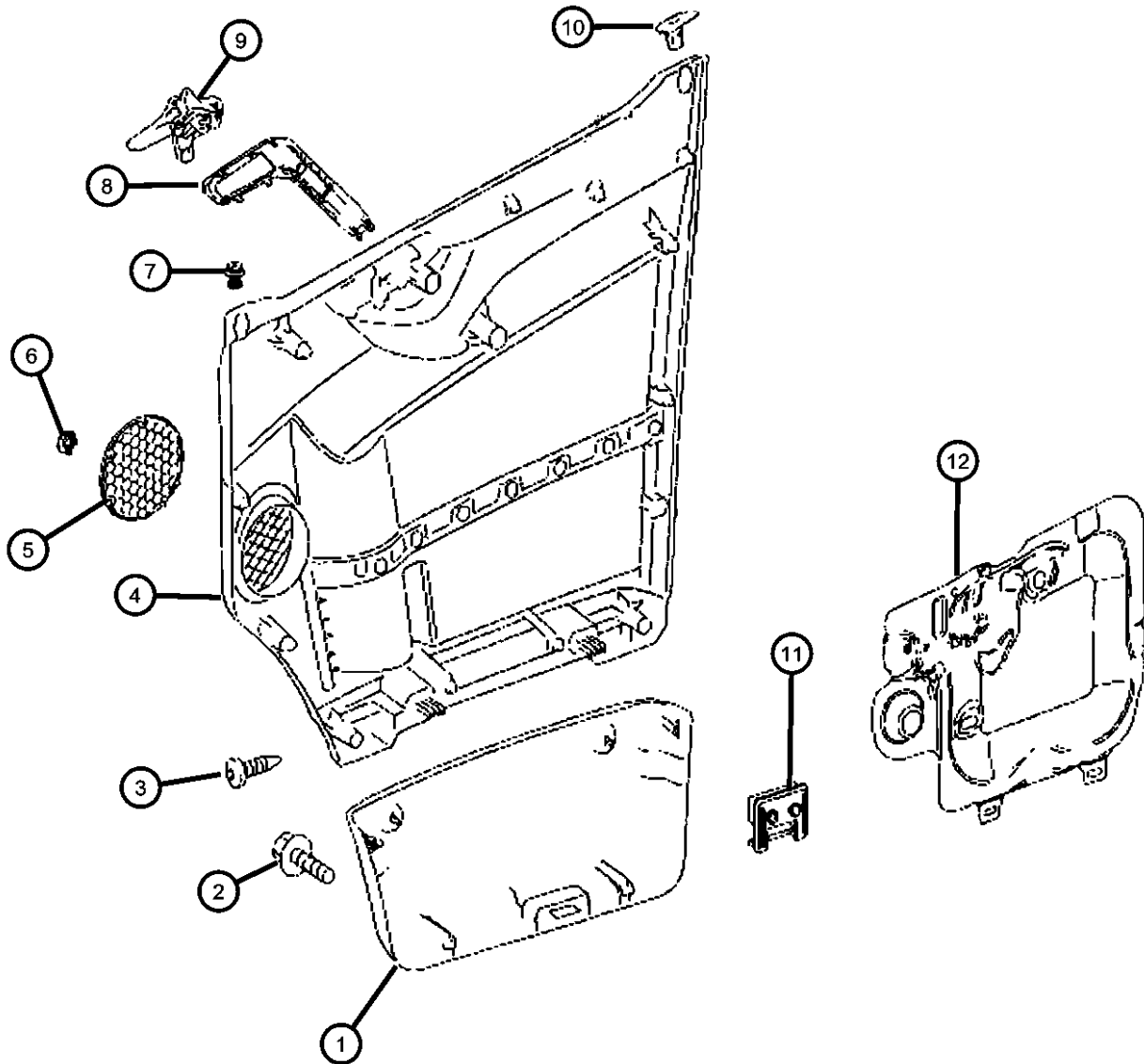


SPRINTER (VB)

SERIES	LINE	BODY	ENGINE	TRANSMISSION
L = LOWLINE	3 = HD DODGE 2WD 2 = Med. Duty DODGE 2WD	03 = CAB CHASSIS WHEEL BASE 3 05 = CAB CHASSIS WHEEL BASE 5 13 = 119 WB 53 = 119 WB 15 = VAN WHEEL BASE 5 55 = WAGON WHEEL BASE 5 17 = VAN WHEEL BASE 7	EG2 = 3.5L V6 Gas Engine EXM = 3.0L V6 Turbo Diesel Engine	DGZ = 5-Speed Auto W5A380 Transmission

AR = use ase required - = Non illustrated part

**Front Door Trim Panel
Figure IVB-410**



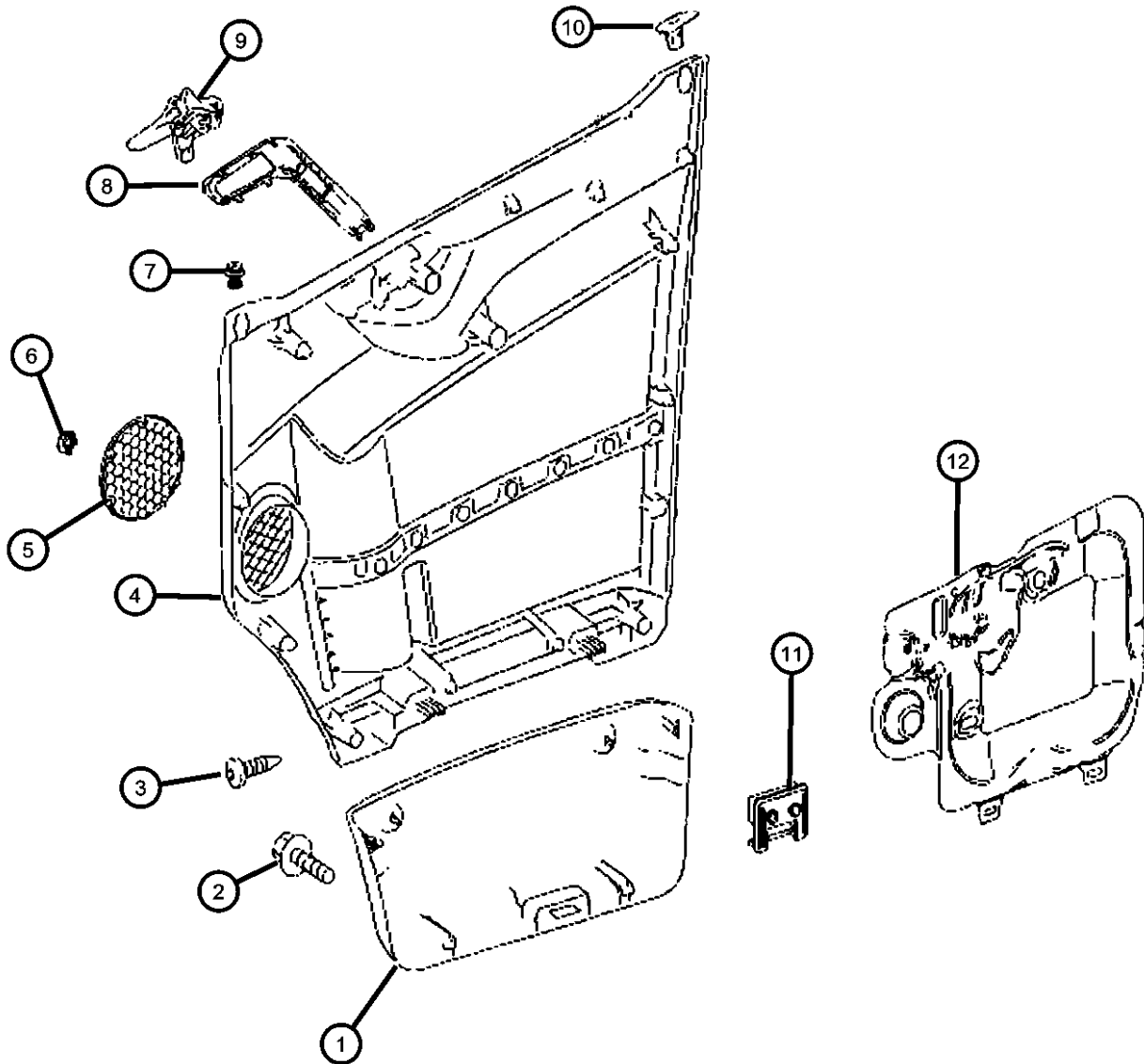
ITEM	PART NUMBER	QTY	LINE	SERIES	BODY	ENGINE	TRANS	TRIM	DESCRIPTION	
1	1HE39XDVAA	1	2, 3, 6, 7	L				*A6	PANEL, Front Door Trim Left	
		1	3, 6, 7, 2	L				*E7	Left	
		1	2, 3, 6, 7	L				*F7	Left	
	1HE40XDVAA	1	2, 3, 6, 7	L					*A6	Right
		1	2, 3, 6, 7	L					*F7	Right
		1	2, 3, 6, 7	L					*E7	Right
		1	2, 3, 6, 7	L						
	2	06104142AA	2	2, 3, 6, 7	L	13, 15, 17, 53, 55			SCREW	
	3	06104666AA	2	2, 3, 6, 7	L	13, 15, 17, 53, 55			SCREW	
	4	1HE36XDVAA	1	2, 3, 6, 7	L				*A6	PANEL, Front Door Left
1			2, 3, 6, 7	L				*E7	Left	
1			2, 3, 6, 7	L				*F7	Left	
1HE37XDVAA		1	2, 3, 6, 7	L					*A6	Right
		1	2, 3, 6, 7	L					*E7	Right
		1	2, 3, 6, 7	L					*F7	Right
5	1HE42XDVAA	2	2, 3, 6, 7	L				*A6	GRILLE, Speaker	
		2	2, 3, 6, 7	L				*E7		
		2	2, 3, 6, 7	L					*F7	
		2	2, 3, 6, 7	L						
6	68010115AA	1	2, 3, 6, 7	L				COVER		
7	68006484AA	11	6, 7, 2, 3	L					RETAINER	
		11	6, 7, 2, 3	L						
8	68010036AA	1	2, 3, 6, 7	L					COVER Left	
		1	2, 3, 6, 7	L					Right	
9	1HE51XDVAA	1	2, 3, 6, 7	L					HANDLE, Inside Release	
		1	2, 3, 6, 7	L				*A6	Left	
		1	2, 3, 6, 7	L				*E7	Left	
	1HE52XDVAA	1	2, 3, 6, 7	L					*F7	Left
		1	2, 3, 6, 7	L					*A6	Right
		1	2, 3, 6, 7	L					*E7	Right

SPRINTER (VB)

SERIES	LINE	BODY	ENGINE	TRANSMISSION
L = LOWLINE	3 = HD DODGE 2WD 2 = Med. Duty DODGE 2WD	03 = CAB CHASSIS WHEEL BASE 3 05 = CAB CHASSIS WHEEL BASE 5 13 = 119 WB 53 = 119 WB 15 = VAN WHEEL BASE 5 55 = WAGON WHEEL BASE 5 17 = VAN WHEEL BASE 7	EG2 = 3.5L V6 Gas Engine EXM = 3.0L V6 Turbo Diesel Engine	DGZ = 5-Speed Auto W5A380 Transmission

AR = use ase required - = Non illustrated part

**Front Door Trim Panel
Figure IVB-410**



ITEM	PART NUMBER	QTY	LINE	SERIES	BODY	ENGINE	TRANS	TRIM	DESCRIPTION
		1	2, 3, 6, 7	L				*F7	Right
10									BEZEL, Lock Knob
	1HE43XDVAA	1	2, 3, 6, 7	L				*A6	Right
		1	2, 3, 6, 7	L				*E7	Right
		1	2, 3, 6, 7	L				*F7	Right
	1HE44XDVAA	1	2, 3, 6, 7	L				*A6	Left
		1	2, 3, 6, 7	L				*E7	Left
		1	7, 2, 3, 6	L				*F7	Left
11	05123763AA	2	2, 3, 6, 7	L	13, 15, 17, 53, 55				BEZEL, Door Trim Panel
12									SHIELD, Door
	68010044AA	1	2, 3, 6, 7	L					Right
	68010045AA	1	2, 3, 6, 7	L					Left

SPRINTER (VB)

SERIES	LINE	BODY	ENGINE	TRANSMISSION
L = LOWLINE	3 = HD DODGE 2WD 2 = Med. Duty DODGE 2WD	03 = CAB CHASSIS WHEEL BASE 3 05 = CAB CHASSIS WHEEL BASE 5 13 = 119 WB 53 = 119 WB 15 = VAN WHEEL BASE 5 55 = WAGON WHEEL BASE 5 17 = VAN WHEEL BASE 7	EG2 = 3.5L V6 Gas Engine EXM = 3.0L V6 Turbo Diesel Engine	DGZ = 5-Speed Auto W5A380 Transmission

AR = use ase required - = Non illustrated part

**Sliding Door Trim Panel
Figure IVB-420**

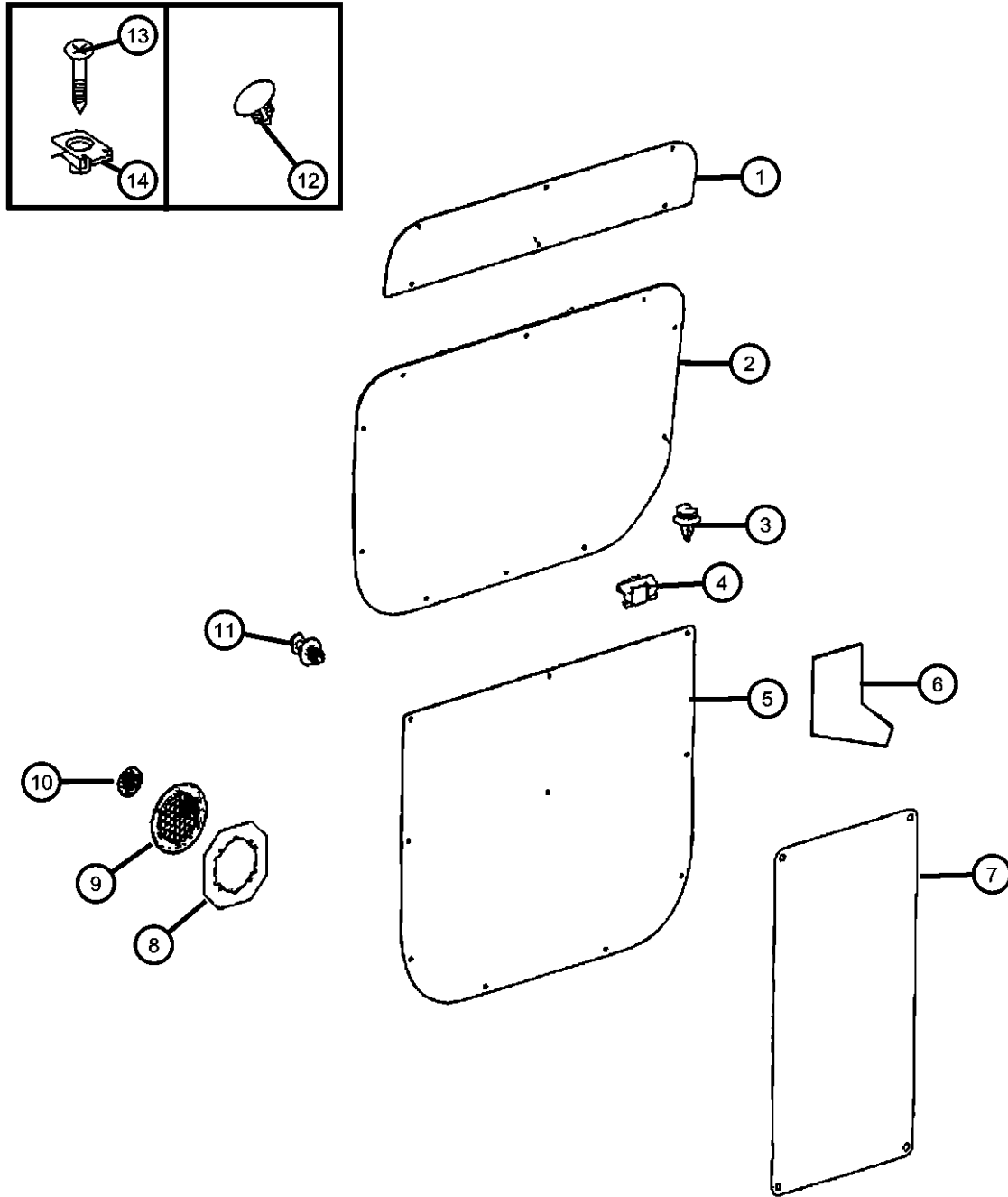
ITEM	PART NUMBER	QTY	LINE	SERIES	BODY	ENGINE	TRANS	TRIM	DESCRIPTION
1	68010045AA	1							PANEL, (NOT SERVICED)
2									PANEL, Side Trim
	1HB56XDVAA	1	2, 3, 6, 7	L	13, 15, 17, 53, 55			*A6	Right
		1	2, 3, 6, 7	L	13, 15, 17, 53, 55			*E7	Right
		1	2, 3, 6, 7	L	13, 15, 17, 53, 55			*F7	Right
	1HB57XDVAA	1	2, 3, 6, 7	L	13, 15, 17, 53, 55			*A6	
		1	2, 3, 6, 7	L	15, 17, 53, 55, 13			*E7	
		1	2, 3, 6, 7	L	13, 15, 17, 53, 55			*F7	Left
3	68005152AA	12	7, 2, 3, 6	L	13, 15, 17, 53, 55				FASTENER
4	68005152AA	12							CLIP, (NOT SERVICED)
5									PANEL, Side Trim
	1HB51XDVAA	1	2, 3, 6, 7	L	13, 15, 17			*A6	With [CMP], Left
	1HB531E7AA	1	2, 3, 6, 7	L	53, 55			*A6	With [GKA] [4UW] [RC5], Right
		1	2, 3, 6, 7	L	53, 55			*E7	With [GKA] [4UW] [RC5], Right
		1	2, 3, 6, 7	L	53, 55			*F7	With [GKA] [4UW] [RC5], Right
	1HB541E7AA	1	2, 3, 6, 7	L	53, 55			*A6	With [GKA] [4UW], Left
		1	2, 3, 6, 7	L	53, 55			*E7	With [GKA] [4UW], Left
		1	2, 3, 6, 7	L	53, 55			*F7	With [GKA] [4UW], Left
	1HB55XDVAA	1	2, 3, 6, 7	L	13, 15, 17			*A6	With [GKA] or [GKE], Right
		1	2, 3, 6, 7	L	13, 15, 17			*E7	With [CMP], Left
		1	2, 3, 6, 7	L	13, 15, 17			*F7	With [CMP], Left
		1	2, 3, 6, 7	L	13, 15, 17			*E7	With [GKA] or [GKE], Right
		1	2, 3, 6, 7	L	13, 15, 17			*F7	With [GKA] or [GKE], Right
6	68010275AA	1	2, 3, 6, 7	L	13, 15, 17, 53, 55				SHIELD, Door
7	68010275AA	1							COVER, (NOT SERVICED)
8	68010291AA	1	2, 3, 6, 7	L	13, 15, 17, 53, 55				REINFORCEMENT
9									GRILLE, Speaker
	1HB60XDVAA	4	2, 3, 6, 7	L	53, 55			*A6	

SPRINTER (VB)

SERIES	LINE	BODY	ENGINE	TRANSMISSION
L = LOWLINE	3 = HD DODGE 2WD 2 = Med. Duty DODGE 2WD	03 = CAB CHASSIS WHEEL BASE 3 05 = CAB CHASSIS WHEEL BASE 5 13 = 119 WB 53 = 119 WB 15 = VAN WHEEL BASE 5 55 = WAGON WHEEL BASE 5 17 = VAN WHEEL BASE 7	EG2 = 3.5L V6 Gas Engine EXM = 3.0L V6 Turbo Diesel Engine	DGZ = 5-Speed Auto W5A380 Transmission

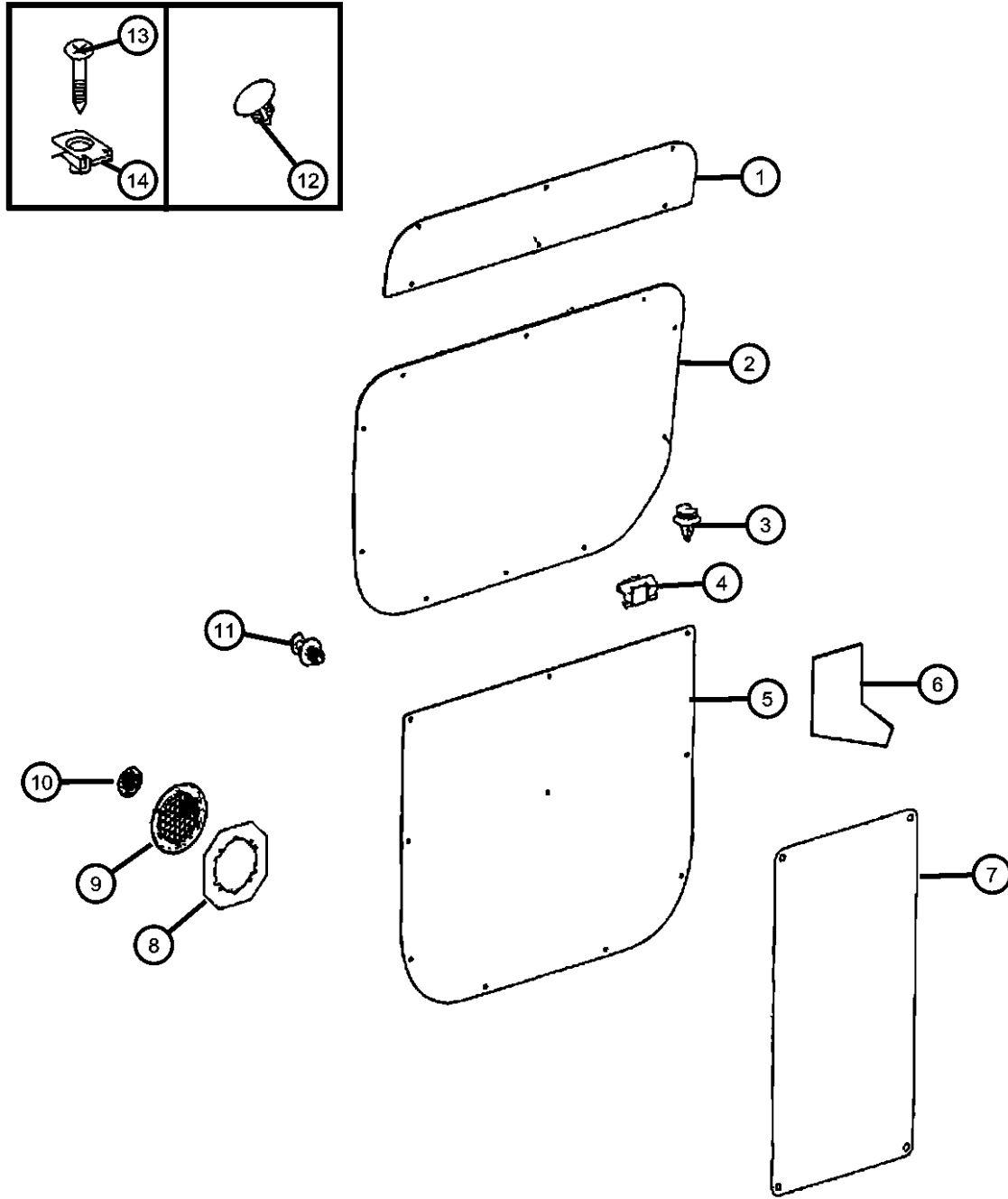
AR = use ase required - = Non illustrated part

2007 VB



**Sliding Door Trim Panel
Figure IVB-420**

ITEM	PART NUMBER	QTY	LINE	SERIES	BODY	ENGINE	TRANS	TRIM	DESCRIPTION
		4	2, 3, 6, 7	L	53, 55			*F7	
10	1HB61XDVAA	1	2, 3, 6, 7	L	53, 55			*E7	GRILLE, Speaker
		1	2, 3, 6, 7	L	53, 55			*F7	
		1	2, 3, 6, 7	L	53, 55			*A6	
11	68006483AA	8	2, 3, 6, 7	L	13, 15, 17, 53, 55				RIVET
12	05103818AA	10	2, 3, 6, 7	L	13, 15, 17, 53, 55				PIN, Push
13	05104609AA	2	2, 3, 6, 7	L	13, 15, 17, 53, 55				SCREW
14	05125859AA	10	2, 3, 6, 7	L	13, 15, 17, 53, 55				U-NUT

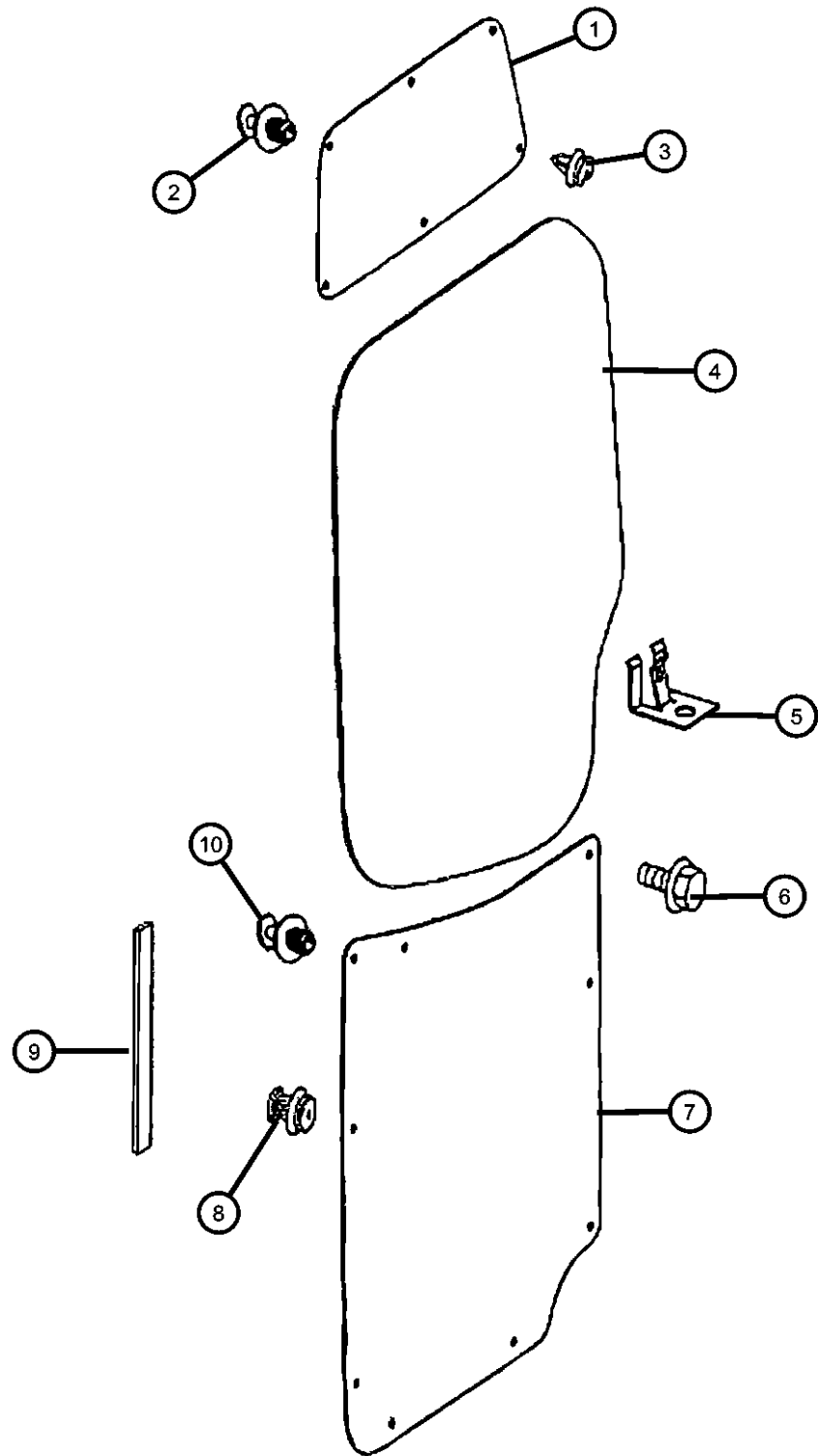


SPRINTER (VB)

SERIES	LINE	BODY	ENGINE	TRANSMISSION
L = LOWLINE	3 = HD DODGE 2WD 2 = Med. Duty DODGE 2WD	03 = CAB CHASSIS WHEEL BASE 3 05 = CAB CHASSIS WHEEL BASE 5 13 = 119 WB 53 = 119 WB 15 = VAN WHEEL BASE 5 55 = WAGON WHEEL BASE 5 17 = VAN WHEEL BASE 7	EG2 = 3.5L V6 Gas Engine EXM = 3.0L V6 Turbo Diesel Engine	DGZ = 5-Speed Auto W5A380 Transmission

AR = use ase required - = Non illustrated part

**Cargo Door Trim Panel
Figure IVB-430**



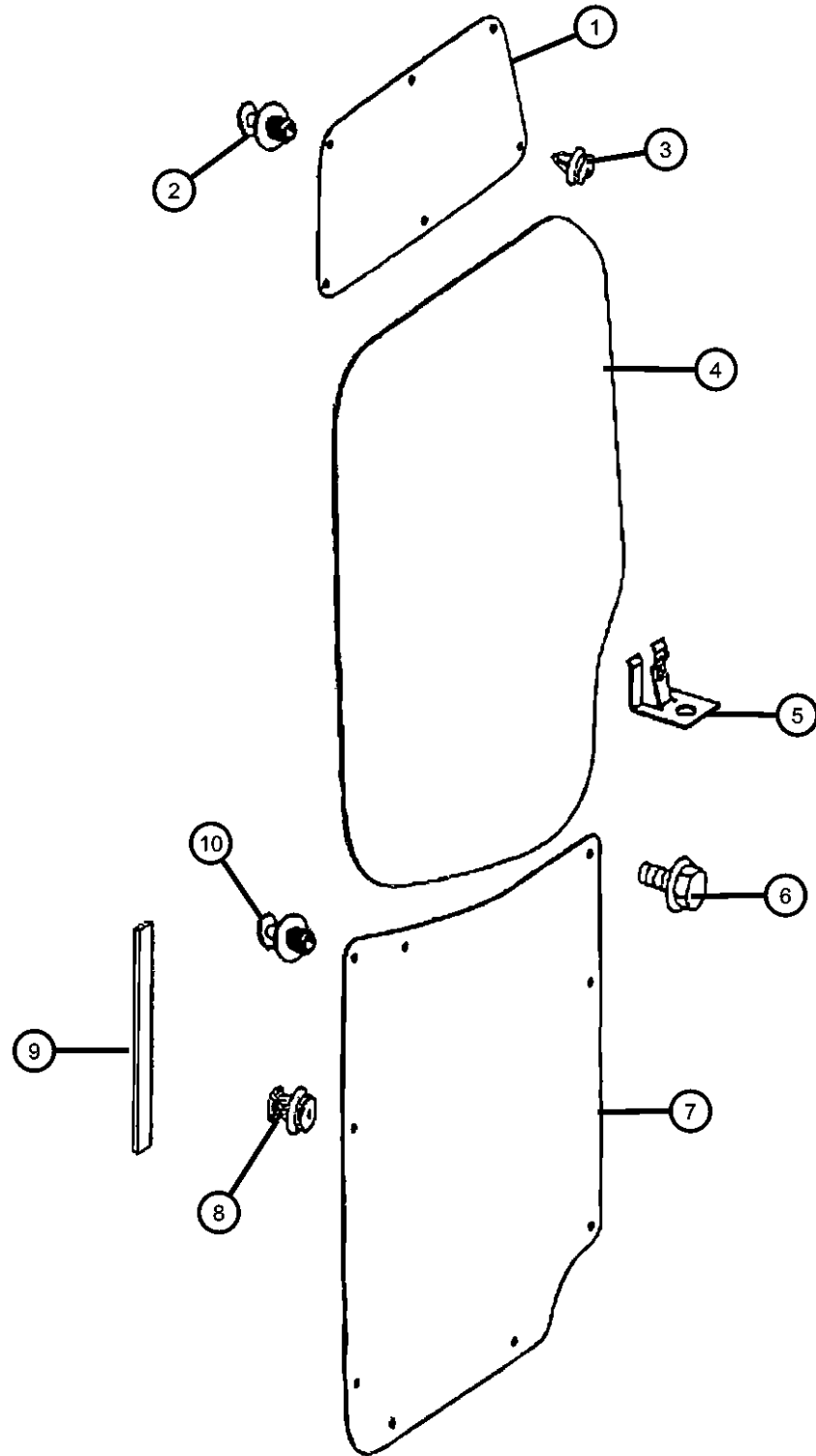
ITEM	PART NUMBER	QTY	LINE	SERIES	BODY	ENGINE	TRANS	TRIM	DESCRIPTION
1	1HE20XDVAA	1	2, 3, 6, 7	L	13, 15, 17, 53, 55			*A6	PANEL, Cargo Door Right
		1	2, 3, 6, 7	L	13, 15, 17, 53, 55			*E7	Right
		1	2, 3, 6, 7	L	13, 15, 17, 53, 55			*F7	Right
	1HE46XDVAA	1	2, 3, 6, 7	L				*A6	Left
		1	2, 3, 6, 7	L				*E7	Left
		1	2, 3, 6, 7	L				*F7	Left
2	68006483AA	6	2, 3, 6, 7	L	13, 15, 17, 53, 55				RIVET
3	68005152AA	8	2, 3, 6, 7	L	17				FASTENER
4	1HE45XDVAA	1	2, 3, 6, 7	L				*F7	PANEL, Cargo Door
	1HE46XDVAA	1	2, 3, 6, 7	L				*A6	
		1	2, 3, 6, 7	L				*E7	
5	68030141AA	1	2, 3, 6, 7	L	13, 15, 17, 53, 55			*A6	CLIP, Trim
		1	2, 3, 6, 7	L	13, 15, 17, 53, 55			*E7	
		1	2, 3, 6, 7	L	13, 15, 17, 53, 55			*F7	
6	06104117AA	5	2, 3, 6, 7	L	17				SCREW, Hex Head
7	1HE48XDVAA	1	2, 3, 6, 7	L	13, 15, 17, 53, 55			*E7	PANEL, Cargo Door Right
		1	2, 3, 6, 7	L	13, 15, 17, 53, 55			*F7	Right
	1HE49XDVAA	1	2, 3, 6, 7	L	13, 15, 17, 53, 55			*A6	With [CLJ], Right
		1	2, 3, 6, 7	L	13, 15, 17, 53, 55			*E7	With [CLJ], Right
		1	2, 3, 6, 7	L	13, 15, 17, 53, 55			*A6	Right
	1HF58XDVAA	1	2, 3, 6, 7	L	13, 15, 17, 53, 55			*F7	
	1HF59XDVAA	1	2, 3, 6, 7	L	13, 15, 17, 53, 55			*A6	With [CLJ]

SPRINTER (VB)

SERIES	LINE	BODY	ENGINE	TRANSMISSION
L = LOWLINE	3 = HD DODGE 2WD 2 = Med. Duty DODGE 2WD	03 = CAB CHASSIS WHEEL BASE 3 05 = CAB CHASSIS WHEEL BASE 5 13 = 119 WB 53 = 119 WB 15 = VAN WHEEL BASE 5 55 = WAGON WHEEL BASE 5 17 = VAN WHEEL BASE 7	EG2 = 3.5L V6 Gas Engine EXM = 3.0L V6 Turbo Diesel Engine	DGZ = 5-Speed Auto W5A380 Transmission

AR = use ase required - = Non illustrated part

**Cargo Door Trim Panel
Figure IVB-430**



ITEM	PART NUMBER	QTY	LINE	SERIES	BODY	ENGINE	TRANS	TRIM	DESCRIPTION
		1	2, 3, 6, 7	L	13, 15, 17, 53, 55			*E7	With [CLJ]
		1	2, 3, 6, 7	L	15, 17, 53, 55, 13			*F7	With [CLJ], Left
		1	2, 3, 6, 7	L	13, 15, 17, 53, 55			*F7	With [CLJ], Right
		1	2, 3, 6, 7	L	13, 15, 17, 53, 55			*A6	
		1	2, 3, 6, 7	L	13, 15, 17, 53, 55			*E7	
8	68006484AA	28	2, 3, 6, 7	L	13, 15, 17, 53, 55				RETAINER
9	68030142AA	2	2, 3, 6, 7	L	13, 15, 17, 53, 55				PAD
10	68006483AA	6	2, 3, 6, 7	L	13, 15, 17, 53, 55				RIVET

SPRINTER (VB)

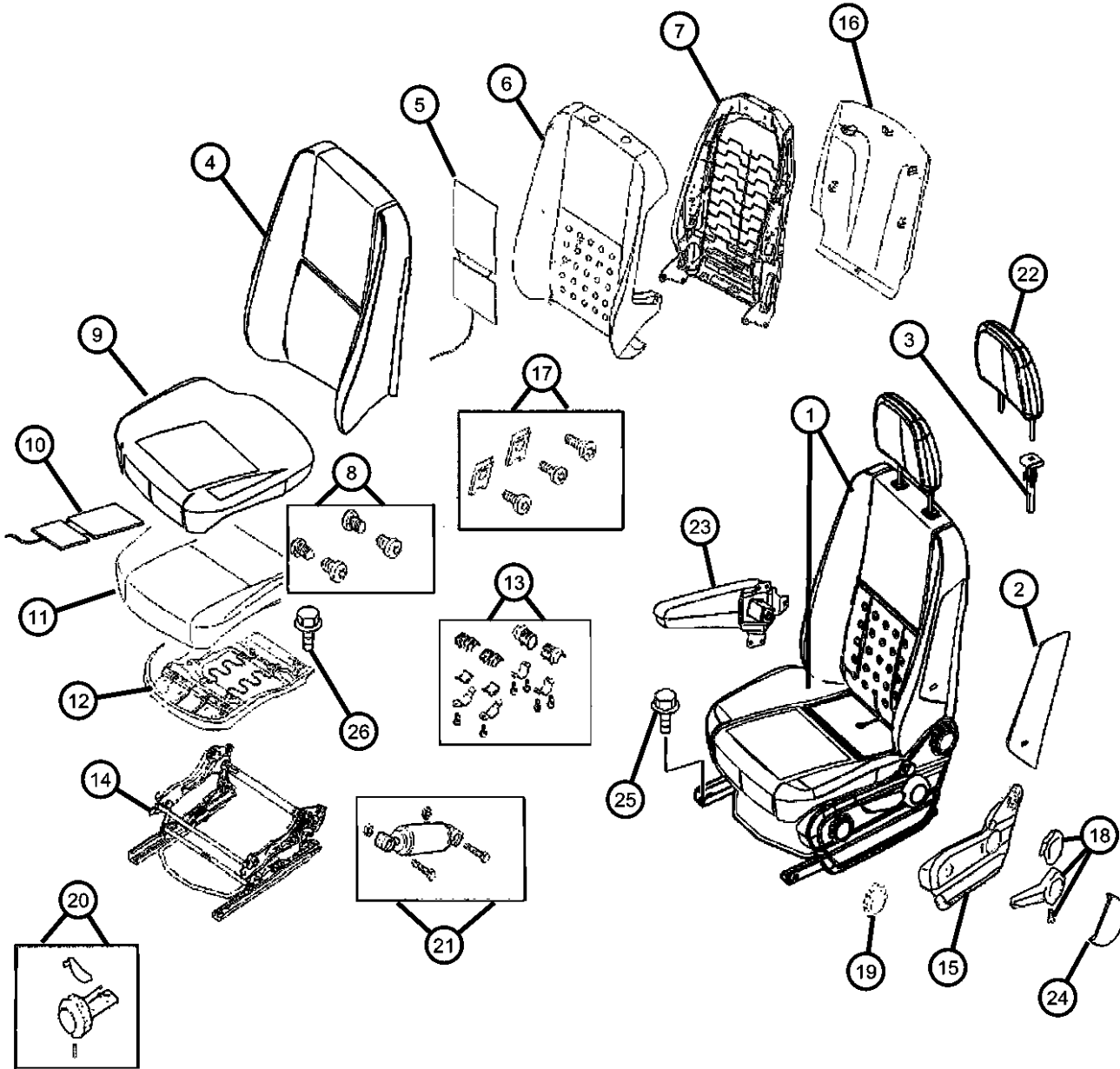
SERIES	LINE	BODY	ENGINE	TRANSMISSION
L = LOWLINE	3 = HD DODGE 2WD 2 = Med. Duty DODGE 2WD	03 = CAB CHASSIS WHEEL BASE 3 05 = CAB CHASSIS WHEEL BASE 5 13 = 119 WB 53 = 119 WB 15 = VAN WHEEL BASE 5 55 = WAGON WHEEL BASE 5 17 = VAN WHEEL BASE 7	EG2 = 3.5L V6 Gas Engine EXM = 3.0L V6 Turbo Diesel Engine	DGZ = 5-Speed Auto W5A380 Transmission

AR = use ase required - = Non illustrated part

**Front Seat [A6] Orion Grey Medium
Figure IVB-510**

ITEM	PART NUMBER	QTY	LINE	SERIES	BODY	ENGINE	TRANS	TRIM	DESCRIPTION
------	-------------	-----	------	--------	------	--------	-------	------	-------------

Note: [CDD]=Luxury Bucket Driver Seat...
 [CJ9]=Side Front Air Bag
 [CXX]=Driver Suspension Seat
 [CJ1]=Supplemental Front Seat Side Air Bag
 [CDY]=Luxury Bucket Passenger Seat
 [CXY]=Passenger Suspension Seat



1									SEAT COMPLETE, Front
	1HG541A6AA	1	2, 3, 6, 7	L				*A6	Standard Seat, Left
	1HG581A6AA	1	2, 3, 6, 7	L				*A6	Floating Seat, With [CXX] Driver Suspension Seat, With [CJ9] Side Front Air Bag, Left
	1HG591A6AA	1	2, 3, 6, 7	L				*A6	Floating Seat, With [CXX] Driver Suspension Seat, Left
	1HG601A6AA	1	2, 3, 6, 7	L				*A6	Standard Seat, With [CJ9] Side Air Bag, Left
	1HG551A6AA	1	2, 3, 6, 7	L				*A6	Comfort Seat, With [CDD] Luxury Bucket Seat, With [CJ9] Side Front Air Bag, Left
	1HG561A6AA	1	2, 3, 6, 7	L				*A6	Comfort Seat, With [CDD] Luxury Bucket Seat, Left
	1HG711A6AA	1	2, 3, 6, 7	L				*A6	Standard Seat, Right
	1HG621A6AA	1	2, 3, 6, 7	L				*A6	Comfort Seat, With [CDY] Luxury Bucket Seat, Right
	1HG631A6AA	1	2, 3, 6, 7	L				*A6	Comfort Seat, With [CJ1] Supplemental Front Seat Side Air Bag, With [CDY] Luxury Bucket Seat, Right
	1HG641A6AA	1	2, 3, 6, 7	L				*A6	Standard Seat, With [CJ1] Supplemental Front Seat Side Air Bag, Without [CDY] Luxury Bucket Seat, Right
	1HG771A6AA	1	2, 3, 6, 7	L				*A6	Floating Seat, With [CXY] Passenger Suspension Seat, Right
2									COVER, Air Bag Module
	1HE53DX9AA	1	2, 3, 6, 7	L				*A6	Left
	1HF66DX9AA	1	2, 3, 6, 7	L				*A6	Right
3	68010824AA	2	2, 3, 6, 7	L					SLEEVE, Headrest
4									COVER, Front Seat Back
	1HG831A6AA	2	2, 3, 6, 7	L				*A6	Right & Left

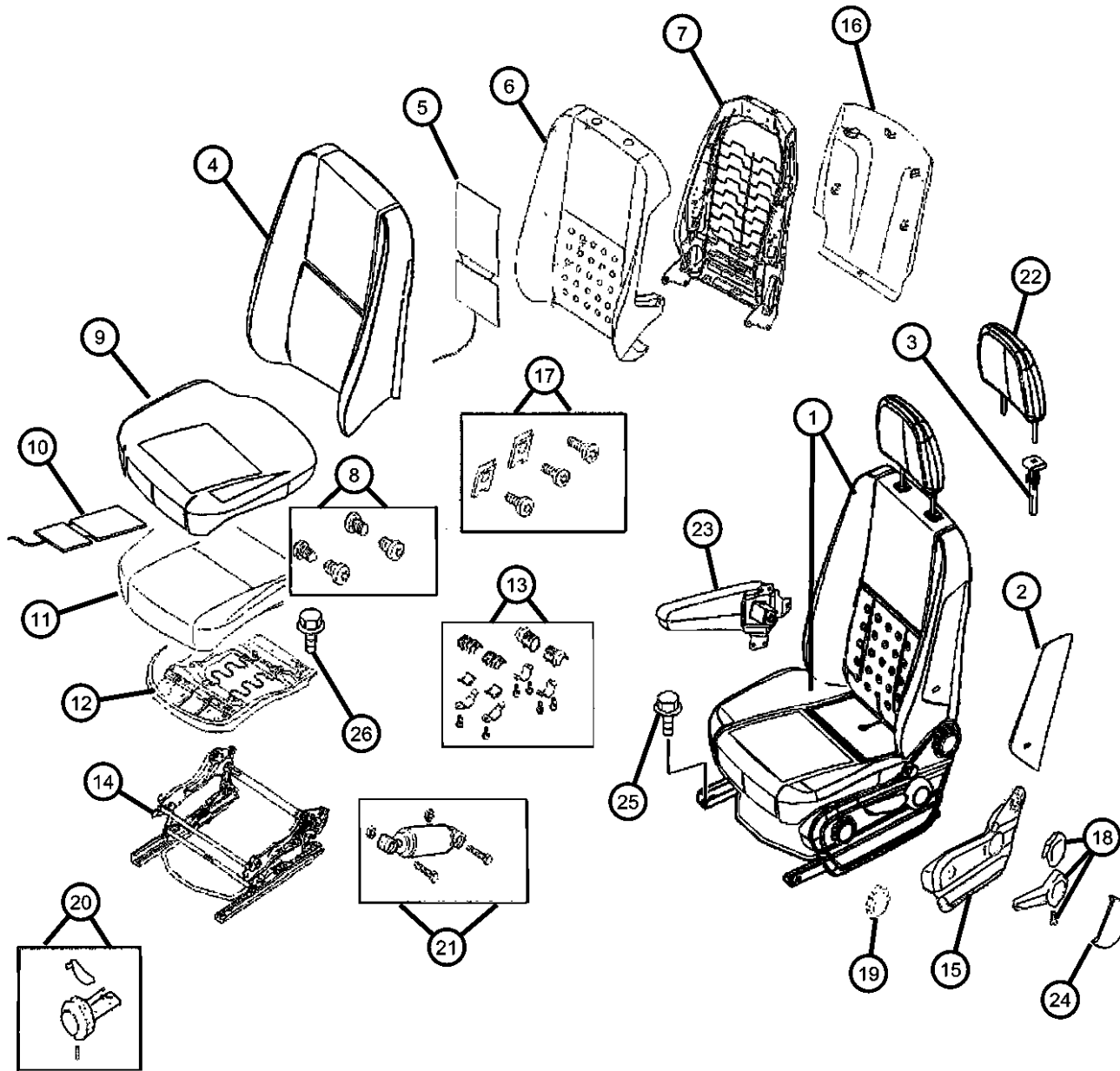
SPRINTER (VB)

SERIES	LINE	BODY	ENGINE	TRANSMISSION
L = LOWLINE	3 = HD DODGE 2WD 2 = Med. Duty DODGE 2WD	03 = CAB CHASSIS WHEEL BASE 3 05 = CAB CHASSIS WHEEL BASE 5 13 = 119 WB 53 = 119 WB 15 = VAN WHEEL BASE 5 55 = WAGON WHEEL BASE 5 17 = VAN WHEEL BASE 7	EG2 = 3.5L V6 Gas Engine EXM = 3.0L V6 Turbo Diesel Engine	DGZ = 5-Speed Auto W5A380 Transmission

AR = use ase required - = Non illustrated part

2007 VB

**Front Seat [A6] Orion Grey Medium
Figure IVB-510**



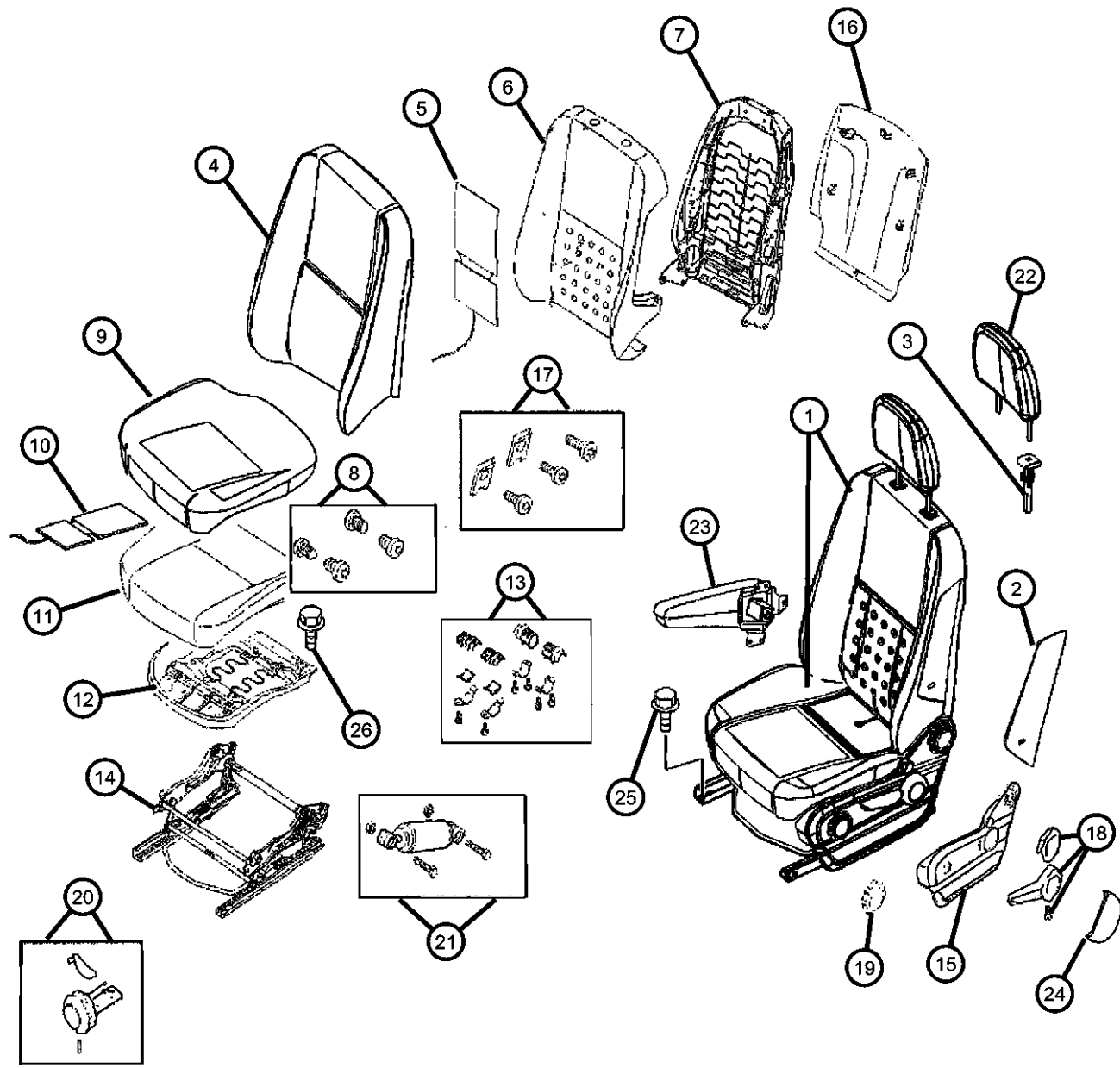
ITEM	PART NUMBER	QTY	LINE	SERIES	BODY	ENGINE	TRANS	TRIM	DESCRIPTION
	1HG881A6AA	1	2, 3, 6, 7	L				*A6	With [CJ9] Side Seat Air Bag, Left
	1HG891A6AA	1	2, 3, 6, 7	L				*A6	With [CJ9] Side Seat Air Bag, Right
5	68010845AA	2	2, 3, 6, 7	L					PAD, Heater, BackrestRight & Left
6	68010842AA	2	2, 3, 6, 7	L					FOAM, Seat Back
	68010843AA	1	2, 3, 6, 7	L					Without [CJ9] Side Seat Air Bag, Left
	68010924AA	1	2, 3, 6, 7	L					With [CJ9] Side Seat Air Bag, Left
7	68010844AA	1	2, 3, 6, 7	L					Right
	68010927AA	1	2, 3, 6, 7	L					FRAME, Front Seat Back
8	68010851AA	1	2, 3, 6, 7	L					Left
9	1HG901A6AA	1	2, 3, 6, 7	L				*A6	SCREW
10	68010846AA	2	3, 6, 7, 2	L					COVER, Front Seat CushionRight & Left
11	68010848AA	2	2, 3, 6, 7	L					PAD, Heater, Seat CushionRight & Left
12	68010849AA	2	2, 3, 6, 7	L					FOAM, Seat CushionRight & Left
13	68010850AA	1	2, 3, 6, 7	L					PAN, SEAT CUSHIONRight & Left
14	68010937AA	1	2, 3, 6, 7	L					BRACKET
	68010838AA	1	2, 3, 6, 7	L					ADJUSTER, Seat
	68010854AA	1	3, 6, 7, 2	L					With [CXY] Passenger Suspension Seat, Right
	68010858AA	1	2, 3, 6, 7	L					, Left
	68010930AA	1	2, 3, 6, 7	L					With [CDD] Luxury Bucket Driver Seat, Left
	68010934AA	1	2, 3, 6, 7	L					With [CXX] Driver Suspension Seat, Left
15	68010834AA	1	2, 3, 6, 7	L					Right
	68010835AA	1	2, 3, 6, 7	L					With [CDY] Luxury Bucket Passenger Seat, Right
	68010852AA	1	2, 3, 6, 7	L					SHIELD, Seat Adjuster
									Door Side, Left
									Tunnel Side, Left
									Door Side, With [CDD] Luxury Bucket Driver Seat, Left

SPRINTER (VB)

SERIES	LINE	BODY	ENGINE	TRANSMISSION
L = LOWLINE	3 = HD DODGE 2WD 2 = Med. Duty DODGE 2WD	03 = CAB CHASSIS WHEEL BASE 3 05 = CAB CHASSIS WHEEL BASE 5 13 = 119 WB 53 = 119 WB 15 = VAN WHEEL BASE 5 55 = WAGON WHEEL BASE 5 17 = VAN WHEEL BASE 7	EG2 = 3.5L V6 Gas Engine EXM = 3.0L V6 Turbo Diesel Engine	DGZ = 5-Speed Auto W5A380 Transmission

AR = use ase required - = Non illustrated part

**Front Seat [A6] Orion Grey Medium
Figure IVB-510**



ITEM	PART NUMBER	QTY	LINE	SERIES	BODY	ENGINE	TRANS	TRIM	DESCRIPTION
	68010853AA	1	2, 3, 6, 7	L					Tunnel Side, With [CDD] Luxury Bucket Driver Seat, Left
	68010857AA	1	2, 3, 6, 7	L					Tunnel Side, With [CXX] Driver Suspension Seat, Left
	68010928AA	1	2, 3, 6, 7	L					Door Side, Right
	68010929AA	1	2, 3, 6, 7	L					Tunnel Side, Right
	68010932AA	1	2, 3, 6, 7	L					Door Side, With [CDY] Luxury Bucket Passenger Seat, Right
	68010933AA	1	2, 3, 6, 7	L					Tunnel Side, With [CDY] Luxury Bucket Passenger Seat, Right
	68010856AA	1	2, 3, 6, 7	L					Door Side, With [CXX] Driver Suspension Seat, Left
	68010935AA	1	2, 3, 6, 7	L					Door Side, With [CXY] Passenger Suspension Seat, Right
	68010936AA	1	2, 3, 6, 7	L					Tunnel Side, With [CXY] Passenger Suspension Seat, Right
16	68010836AA	2	2, 3, 6, 7	L					COVER, Seat Back, Seat Back PanelRight & Left
17									SCREW
	68010837AA	1	3, 7	L	03, 05				
		1	2, 3, 6, 7	L	13, 15, 17, 53, 55				
18									HANDLE, Seat Adjustment
	68010839AA	1	2, 3, 6, 7	L					Left
	68010931AA	1	2, 3, 6, 7	L					Right
19	68010855AA	2	2, 3, 6, 7	L					HANDLE, Seat AdjustmentRight & Left
20	68010859AA	1	2, 3, 6, 7	L					HANDLE, Hand WheelRight & Left
21	68010860AA	1	2, 3, 6, 7	L					DAMPERRight & Left
22									HEADREST
	1HE59DX9AA	3	2, 3, 6, 7	L				*A6	Right & Left
	1HE60XDVAA	3	2, 3, 6, 7	L	13, 15, 17, 53, 55			*A6	With [CDP] Driver Seat Comfort Headrest, Right & Left
23									ARMREST, Seat
	1HE54XDVAA	1	2, 3, 6, 7	L				*A6	Left
	1HE55XDVAA	1	2, 3, 6, 7	L				*A6	Right

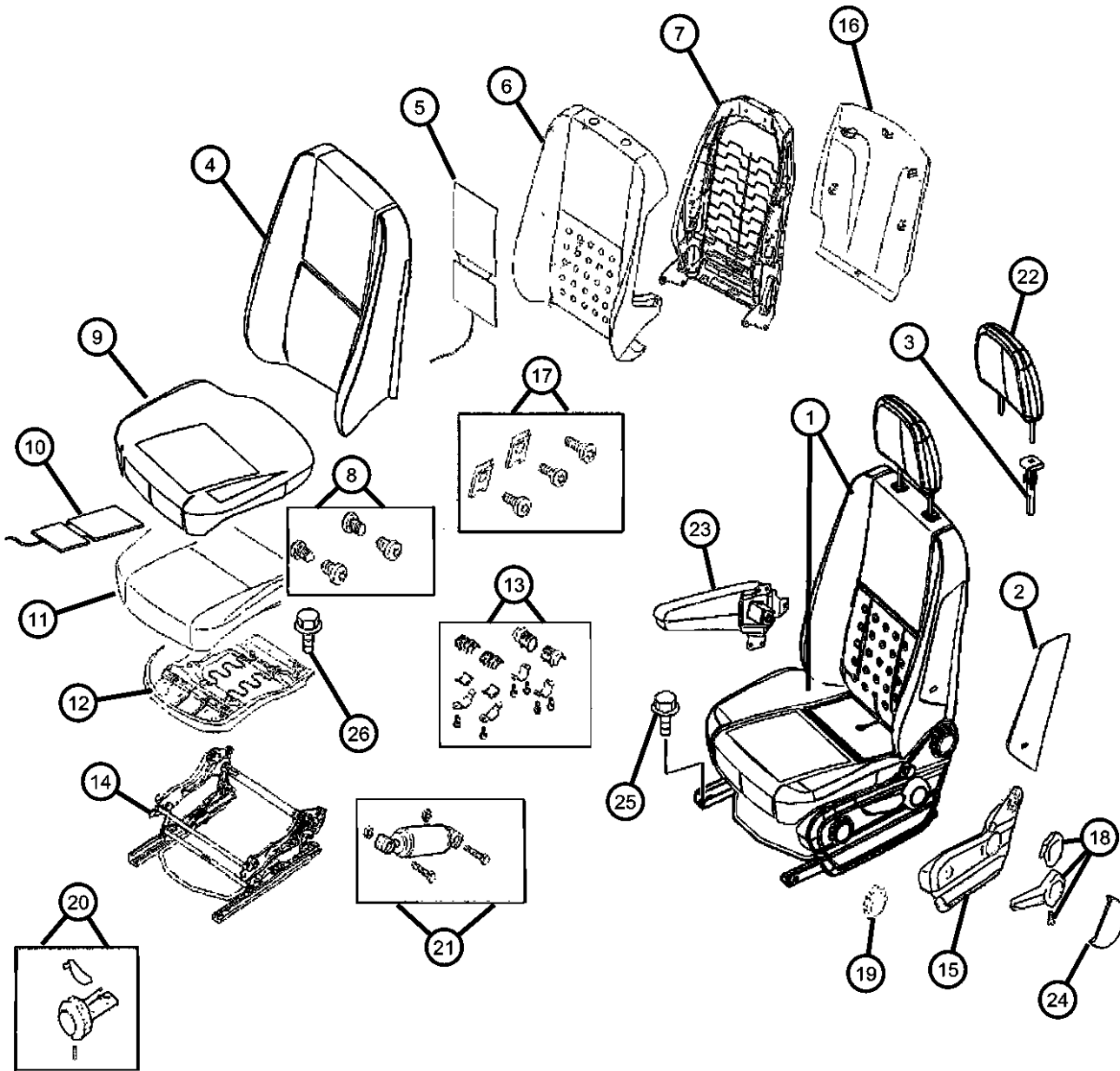
SPRINTER (VB)

SERIES	LINE	BODY	ENGINE	TRANSMISSION
L = LOWLINE	3 = HD DODGE 2WD 2 = Med. Duty DODGE 2WD	03 = CAB CHASSIS WHEEL BASE 3 05 = CAB CHASSIS WHEEL BASE 5 13 = 119 WB 53 = 119 WB 15 = VAN WHEEL BASE 5 55 = WAGON WHEEL BASE 5 17 = VAN WHEEL BASE 7	EG2 = 3.5L V6 Gas Engine EXM = 3.0L V6 Turbo Diesel Engine	DGZ = 5-Speed Auto W5A380 Transmission

AR = use ase required - = Non illustrated part

**Front Seat [A6] Orion Grey Medium
Figure IVB-510**

ITEM	PART NUMBER	QTY	LINE	SERIES	BODY	ENGINE	TRANS	TRIM	DESCRIPTION
24	1HE57DX9AA	1	2, 3, 6, 7	L				*A6	COVER, Seat Belt Anchor
25	06104044AA	4	3, 7	L	03, 05				BOLT, Hex Head, M10x30
		4	2, 3, 6, 7	L	13, 15, 17, 53, 55				
26	68010920AA	2	2, 3, 6, 7	L					SCREW



SPRINTER (VB)

SERIES	LINE	BODY	ENGINE	TRANSMISSION
L = LOWLINE	3 = HD DODGE 2WD 2 = Med. Duty DODGE 2WD	03 = CAB CHASSIS WHEEL BASE 3 05 = CAB CHASSIS WHEEL BASE 5 13 = 119 WB 53 = 119 WB 15 = VAN WHEEL BASE 5 55 = WAGON WHEEL BASE 5 17 = VAN WHEEL BASE 7	EG2 = 3.5L V6 Gas Engine EXM = 3.0L V6 Turbo Diesel Engine	DGZ = 5-Speed Auto W5A380 Transmission

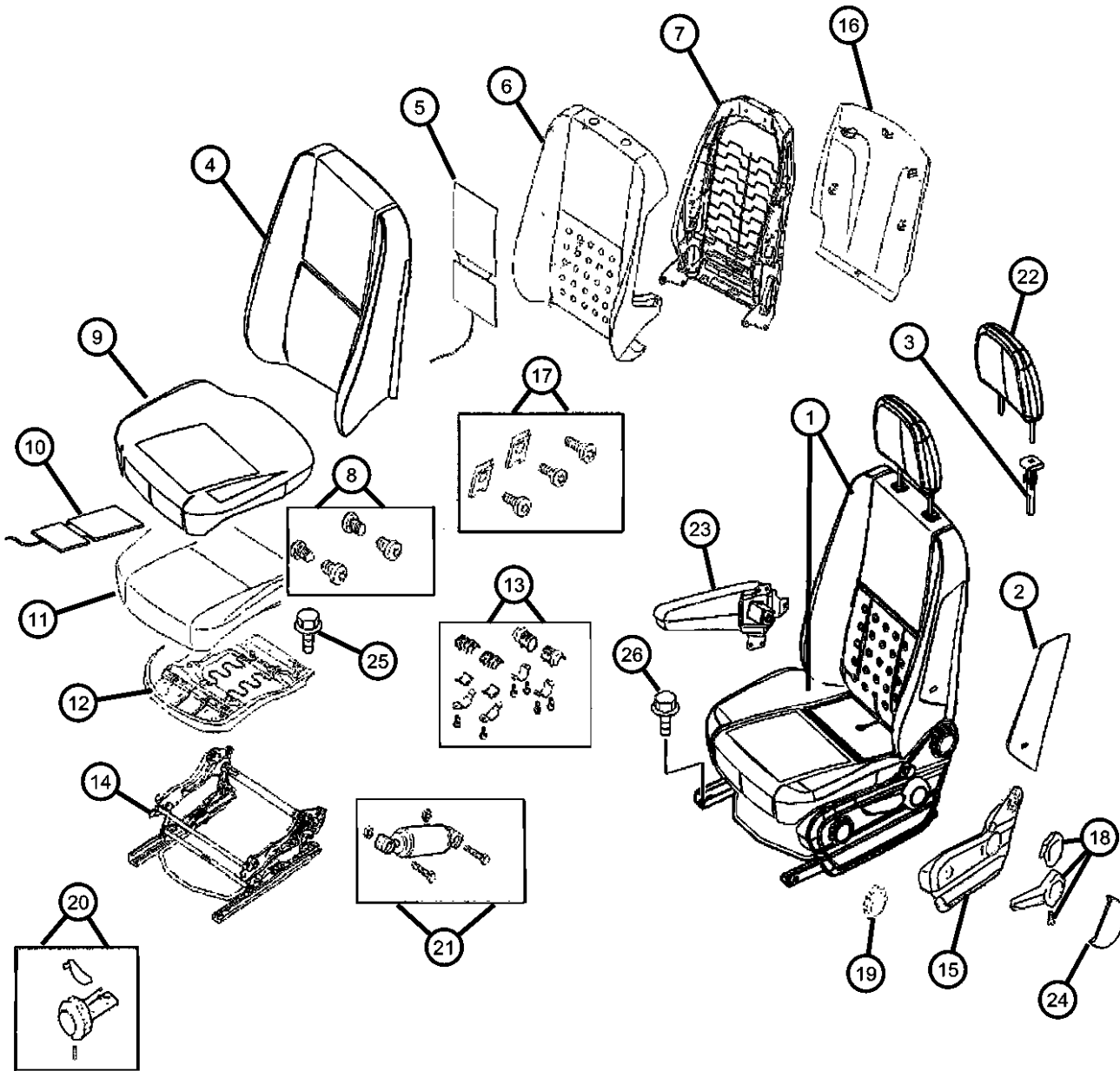
AR = use ase required - = Non illustrated part

2007 VB

**Front Seat [E7] Art Grey
Figure IVB-515**

ITEM	PART NUMBER	QTY	LINE	SERIES	BODY	ENGINE	TRANS	TRIM	DESCRIPTION
------	-------------	-----	------	--------	------	--------	-------	------	-------------

Note: [CDD]=Luxury Bucket Driver Seat...
 [CJ9]=Side Front Air Bag
 [CXX]=Driver Suspension Seat
 [CJ1]=Supplemental Front Seat Side Air Bag
 [CDY]=Luxury Bucket Passenger Seat
 [CXY]=Passenger Suspension Seat



1									SEAT COMPLETE, Front
	1HG541E7AA	1	2, 3, 6, 7	L				*E7	Standard Seat, Left
	1HG581E7AA	1	2, 3, 6, 7	L				*E7	Floating Seat, With [CXX] Driver Suspension Seat, With [CJ9] Side Front Air Bag, Left
	1HG551E7AA	1	2, 3, 6, 7	L				*E7	Comfort Seat, With [CDD] Luxury Bucket Seat, With [CJ9] Side Front Air Bag, Left
	1HG561E7AA	1	2, 3, 6, 7	L				*E7	Comfort Seat, With [CDD] Luxury Bucket Seat, Left
	1HG591E7AA	1	2, 3, 6, 7	L				*E7	Floating Seat, With [CXX] Driver Suspension Seat, Left
	1HG601E7AA	1	2, 3, 6, 7	L				*E7	Standard Seat, With [CJ9] Side Air Bag, Left
	1HG621E7AA	1	2, 3, 6, 7	L				*E7	Comfort Seat, With [CDY] Luxury Bucket Seat, Right
	1HG641E7AA	1	2, 3, 6, 7	L				*E7	Standard Seat, With [CJ1] Supplemental Front Seat Side Air Bags, Right
	1HG711E7AA	1	2, 3, 6, 7	L				*E7	Standard Seat, Right
	1HG631E7AA	1	2, 3, 6, 7	L				*E7	Comfort Seat, With [CJ1] Supplemental Front Seat Side Air Bags, With [CDY] Luxury Bucket Passenger Seat, Right
	1HG771E7AA	1	2, 3, 6, 7	L				*E7	Floating Seat, With [CXY] Passenger Suspension Seat, Right
2									COVER, Air Bag Module
	1HE53DX9AA	1	2, 3, 6, 7	L				*E7	Left
	1HF66DX9AA	1	2, 3, 6, 7	L				*E7	Right
3	68010824AA	2	2, 3, 6, 7	L					SLEEVE, Headrest
4									COVER, Front Seat Back
	1HG831E7AA	2	2, 3, 6, 7	L				*E7	Right & Left
	1HG881E7AA	1	2, 3, 6, 7	L				*E7	With [CJ9] Side Seat Air Bag, Left

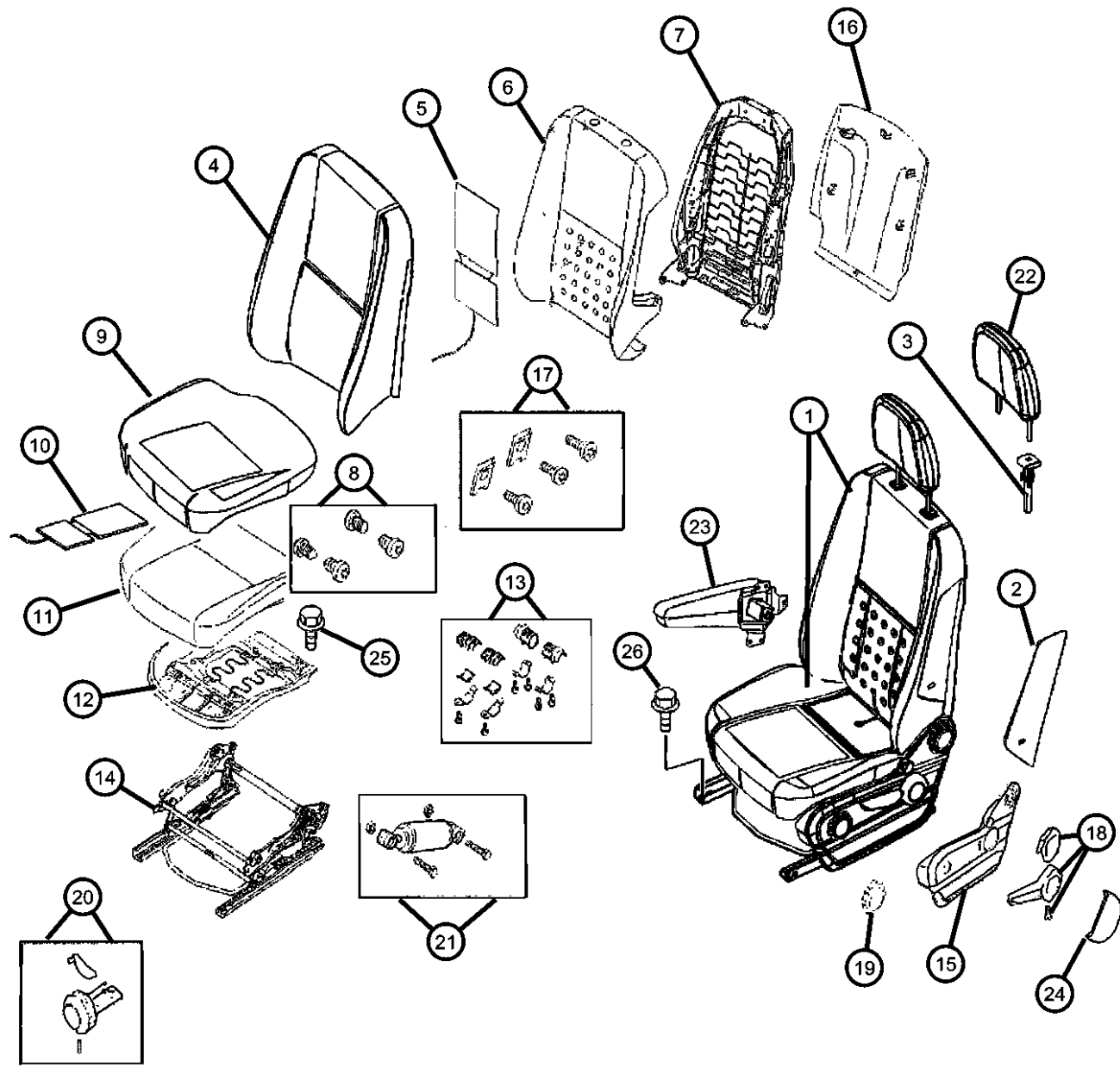
SPRINTER (VB)

SERIES	LINE	BODY	ENGINE	TRANSMISSION
L = LOWLINE	3 = HD DODGE 2WD 2 = Med. Duty DODGE 2WD	03 = CAB CHASSIS WHEEL BASE 3 05 = CAB CHASSIS WHEEL BASE 5 13 = 119 WB 53 = 119 WB 15 = VAN WHEEL BASE 5 55 = WAGON WHEEL BASE 5 17 = VAN WHEEL BASE 7	EG2 = 3.5L V6 Gas Engine EXM = 3.0L V6 Turbo Diesel Engine	DGZ = 5-Speed Auto W5A380 Transmission

AR = use ase required - = Non illustrated part

2007 VB

**Front Seat [E7] Art Grey
Figure IVB-515**



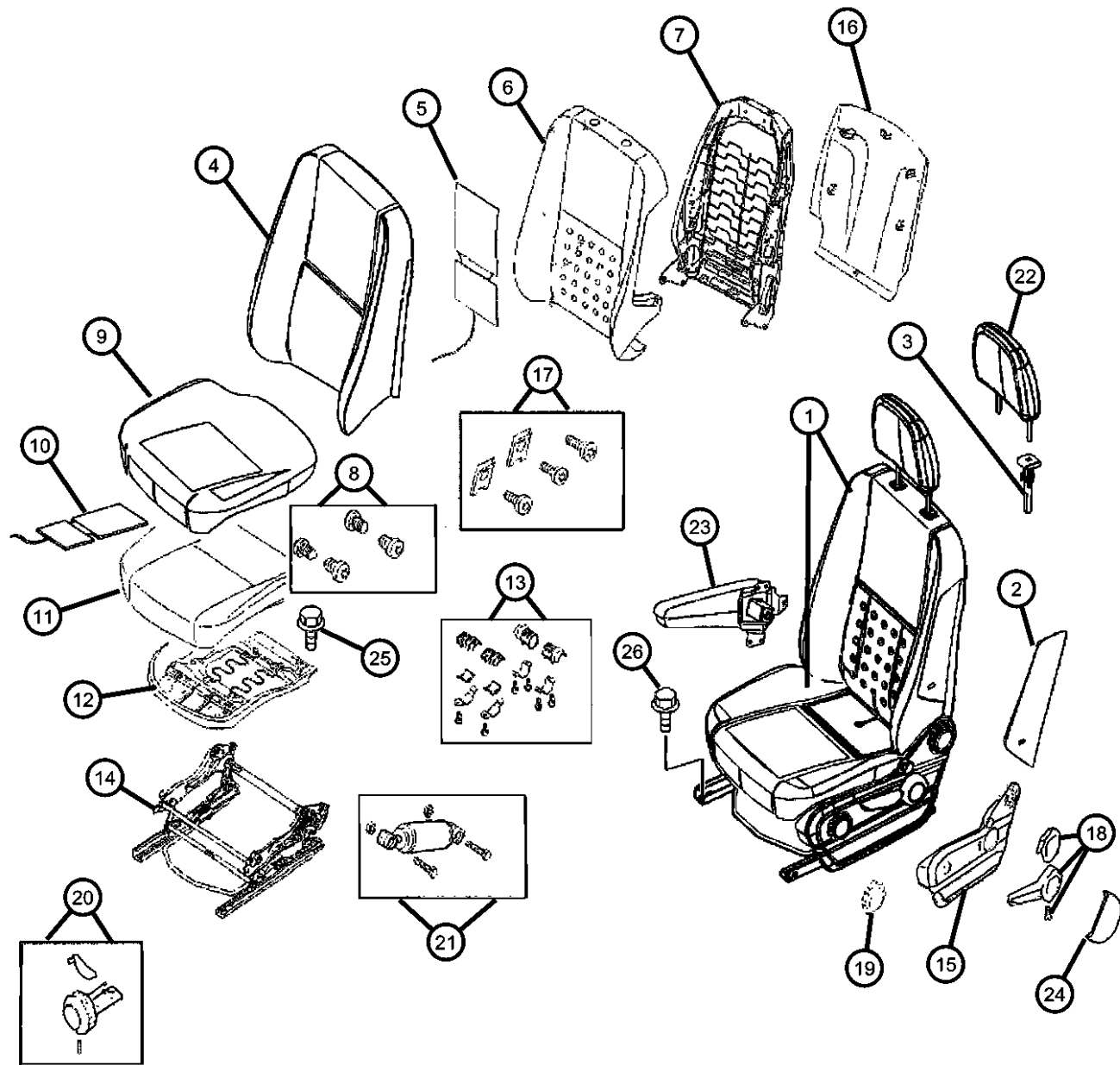
ITEM	PART NUMBER	QTY	LINE	SERIES	BODY	ENGINE	TRANS	TRIM	DESCRIPTION
	1HG891E7AA	1	2, 3, 6, 7	L				*E7	With [CJ9] Side Seat Air Bag, Right
5	68010845AA	2	2, 3, 6, 7	L					PAD, Heater, BackrestRight & Left
6	68010842AA	2	2, 3, 6, 7	L					FOAM, Seat Back
	68010843AA	1	2, 3, 6, 7	L					Without [CJ9] Side Seat Air Bag, Left
	68010924AA	1	2, 3, 6, 7	L					With [CJ9] Side Seat Air Bag, Left
7	68010844AA	1	2, 3, 6, 7	L					Right
	68010927AA	1	2, 3, 6, 7	L					FRAME, Front Seat Back
8	68010851AA	1	2, 3, 6, 7	L					Left
9	1HG901E7AA	1	2, 3, 6, 7	L				*E7	COVER, Front Seat CushionRight & Left
10	68010846AA	2	2, 3, 6, 7	L					PAD, Heater, Seat CushionRight & Left
11	68010848AA	2	2, 3, 6, 7	L					FOAM, Seat CushionRight & Left
12	68010849AA	2	2, 3, 6, 7	L					PAN, SEAT CUSHIONRight & Left
13	68010850AA	1	2, 3, 6, 7	L					SCREW
14	68010838AA	1	2, 3, 6, 7	L					BRACKET
	68010854AA	1	2, 3, 6, 7	L					ADJUSTER, Seat
	68010858AA	1	2, 3, 6, 7	L					Left
	68010930AA	1	2, 3, 6, 7	L					With [CDD] Luxury Bucket Driver Seat, Left
	68010934AA	1	2, 3, 6, 7	L					With [CXX] Driver Suspension Seat, Left
	68010937AA	1	2, 3, 6, 7	L					With [CDY] Luxury Bucket Passenger Seat, Right
15	68010834AA	1	2, 3, 6, 7	L					With [CXY] Passenger Suspension Seat, Right
	68010835AA	1	2, 3, 6, 7	L					SHIELD, Seat Adjuster
	68010852AA	1	2, 3, 6, 7	L					Door Side, Left
	68010853AA	1	2, 3, 6, 7	L					Tunnel Side, Left
									Door Side, With [CDD] Luxury Bucket Driver Seat, Left
									Tunnel Side, With [CDD] Luxury Bucket Driver Seat, Left

SPRINTER (VB)

SERIES	LINE	BODY	ENGINE	TRANSMISSION
L = LOWLINE	3 = HD DODGE 2WD 2 = Med. Duty DODGE 2WD	03 = CAB CHASSIS WHEEL BASE 3 05 = CAB CHASSIS WHEEL BASE 5 13 = 119 WB 53 = 119 WB 15 = VAN WHEEL BASE 5 55 = WAGON WHEEL BASE 5 17 = VAN WHEEL BASE 7	EG2 = 3.5L V6 Gas Engine EXM = 3.0L V6 Turbo Diesel Engine	DGZ = 5-Speed Auto W5A380 Transmission

AR = use ase required - = Non illustrated part

**Front Seat [E7] Art Grey
Figure IVB-515**



ITEM	PART NUMBER	QTY	LINE	SERIES	BODY	ENGINE	TRANS	TRIM	DESCRIPTION
	68010856AA	1	2, 3, 6, 7	L					Door Side, With [CXX] Driver Suspension Seat, Left
	68010857AA	1	2, 3, 6, 7	L					Tunnel Side, With [CXX] Driver Suspension Seat, Left
	68010928AA	1	2, 3, 6, 7	L					Door Side, Right
	68010932AA	1	2, 3, 6, 7	L					Door Side, With [CDY] Luxury Bucket Passenger Seat, Right
	68010933AA	1	2, 3, 6, 7	L					Tunnel Side, With [CDY] Luxury Bucket Passenger Seat, Right
	68010935AA	1	2, 3, 6, 7	L					Door Side, With [CXY] Passenger Suspension Seat, Right
	68010929AA	1	2, 3, 6, 7	L					Tunnel Side, Right
	68010936AA	1	2, 3, 6, 7	L					Tunnel Side, With [CXY] Passenger Suspension Seat, Right
16	68010836AA	2	2, 3, 6, 7	L					COVER, Seat Back, Seat Back PanelRight & Left
17									SCREW
	68010837AA	1	3, 7	L	03, 05				
		1	2, 3, 6, 7	L	13, 15, 17, 53, 55				
18									HANDLE, Seat Adjustment
	68010839AA	1	2, 3, 6, 7	L					Left
	68010931AA	1	2, 3, 6, 7	L					Right
19	68010855AA	2	2, 3, 6, 7	L					HANDLE, Seat AdjustmentRight & Left
20	68010859AA	1	2, 3, 6, 7	L					HANDLE, Hand WheelRight & Left
21	68010860AA	1	2, 3, 6, 7	L					DAMPERRight & Left
22									HEADREST
	1HE59DX9AA	3	2, 3, 6, 7	L				*E7	Right & Left
	1HE60XDVAA	3	2, 3, 6, 7	L	13, 15, 17, 53, 55			*E7	With [CDP] Driver Seat Comfort Headrest, Right & Left
23									ARMREST, Seat
	1HE54XDVAA	1	2, 3, 6, 7	L				*E7	Left
	1HE55XDVAA	1	2, 3, 6, 7	L				*E7	Right
24	1HE57DX9AA	1	2, 3, 6, 7	L				*E7	COVER, Seat Belt Anchor
25									BOLT, Hex Head, M10x30

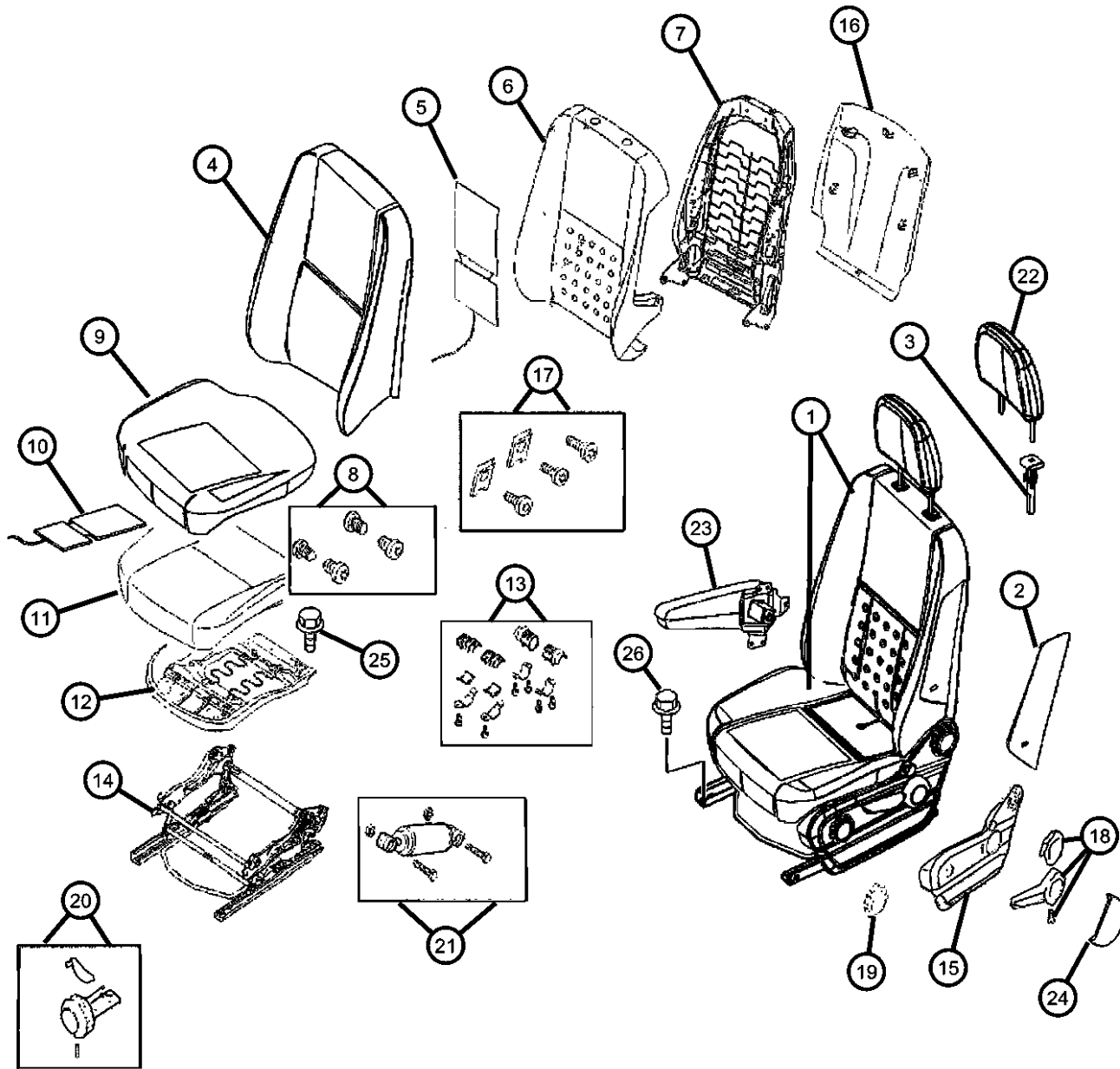
SPRINTER (VB)

SERIES	LINE	BODY	ENGINE	TRANSMISSION
L = LOWLINE	3 = HD DODGE 2WD 2 = Med. Duty DODGE 2WD	03 = CAB CHASSIS WHEEL BASE 3 05 = CAB CHASSIS WHEEL BASE 5 13 = 119 WB 53 = 119 WB 15 = VAN WHEEL BASE 5 55 = WAGON WHEEL BASE 5 17 = VAN WHEEL BASE 7	EG2 = 3.5L V6 Gas Engine EXM = 3.0L V6 Turbo Diesel Engine	DGZ = 5-Speed Auto W5A380 Transmission

AR = use ase required - = Non illustrated part

Front Seat [E7] Art Grey
Figure IVB-515

ITEM	PART NUMBER	QTY	LINE	SERIES	BODY	ENGINE	TRANS	TRIM	DESCRIPTION
	06104044AA	4	3, 7	L	03, 05				
		4	2, 3, 6, 7	L	13, 15, 17, 53, 55				
26	68010920AA	2	2, 3, 6, 7	L					SCREW



SPRINTER (VB)

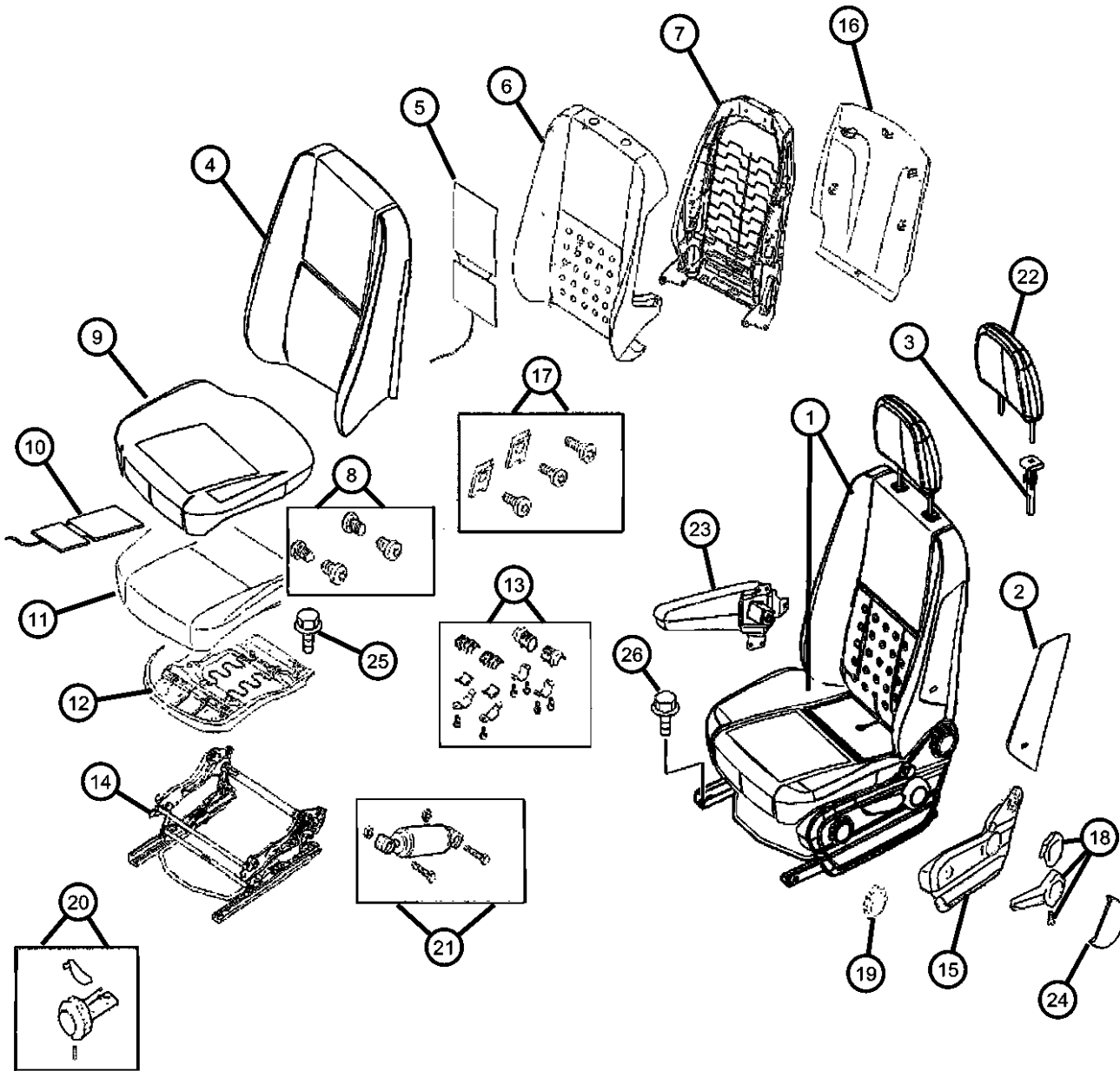
SERIES	LINE	BODY	ENGINE	TRANSMISSION
L = LOWLINE	3 = HD DODGE 2WD 2 = Med. Duty DODGE 2WD	03 = CAB CHASSIS WHEEL BASE 3 05 = CAB CHASSIS WHEEL BASE 5 13 = 119 WB 53 = 119 WB 15 = VAN WHEEL BASE 5 55 = WAGON WHEEL BASE 5 17 = VAN WHEEL BASE 7	EG2 = 3.5L V6 Gas Engine EXM = 3.0L V6 Turbo Diesel Engine	DGZ = 5-Speed Auto W5A380 Transmission

AR = use ase required - = Non illustrated part

**Front Seat [F7] Black
Figure IVB-520**

ITEM	PART NUMBER	QTY	LINE	SERIES	BODY	ENGINE	TRANS	TRIM	DESCRIPTION
------	-------------	-----	------	--------	------	--------	-------	------	-------------

Note: [CDD]=Luxury Bucket Driver Seat...
 [CJ9]=Side Front Air Bag
 [CXX]=Driver Suspension Seat
 [CJ1]=Supplemental Front Seat Side Air Bag
 [CDY]=Luxury Bucket Passenger Seat
 [CXY]=Passenger Suspension Seat



1									SEAT COMPLETE, Front
	1HG541F7AA	1	2, 3, 6, 7	L				*F7	Standard Seat, Left
	1HG551F7AA	1	2, 3, 6, 7	L				*F7	Comfort Seat, With [CDD] Luxury Bucket Seat, With [CJ9] Side Front Air Bag, Left
	1HG561F7AA	1	2, 3, 6, 7	L				*F7	Comfort Seat, With [CDD] Luxury Bucket Seat, Left
	1HG581F7AA	1	2, 3, 6, 7	L				*F7	Floating Seat, With [CXX] Driver Suspension Seat, With [CJ9] Side Front Air Bag, Left
	1HG591F7AA	1	2, 3, 6, 7	L				*F7	Floating Seat, With [CXX] Driver Suspension Seat, Left
	1HG601F7AA	1	2, 3, 6, 7	L				*F7	Standard Seat, With [CJ9] Side Air Bag, Left
	1HG621F7AA	1	2, 3, 6, 7	L				*F7	Comfort Seat, With [CDY] Luxury Bucket Seat, Right
	1HG631F7AA	1	2, 3, 6, 7	L				*F7	Comfort Seat, With [CJ1] Supplemental Front Seat Side Air Bag, With [CDY] Luxury Bucket Passenger Seat, Right
	1HG641F7AA	1	2, 3, 6, 7	L				*F7	Standard Seat, With [CJ1] Supplemental Front Seat Side Air Bag, Right
	1HG711F7AA	1	2, 3, 6, 7	L				*F7	Standard Seat, Right
	1HG771F7AA	1	2, 3, 6, 7	L				*F7	Floating Seat, With [CXY] Passenger Suspension Seat, Right
2									COVER, Air Bag Module
	1HE53DX9AA	1	2, 3, 6, 7	L				*F7	Left
	1HF66DX9AA	1	2, 3, 6, 7	L				*F7	Right
3	68010824AA	2	2, 3, 6, 7	L					SLEEVE, Headrest
4									COVER, Front Seat Back
	1HG881F7AA	1	2, 3, 6, 7	L				*F7	With [CJ9] Side Seat Air Bag, Left
	1HG831F7AA	2	2, 3, 6, 7	L				*F7	, Right & Left

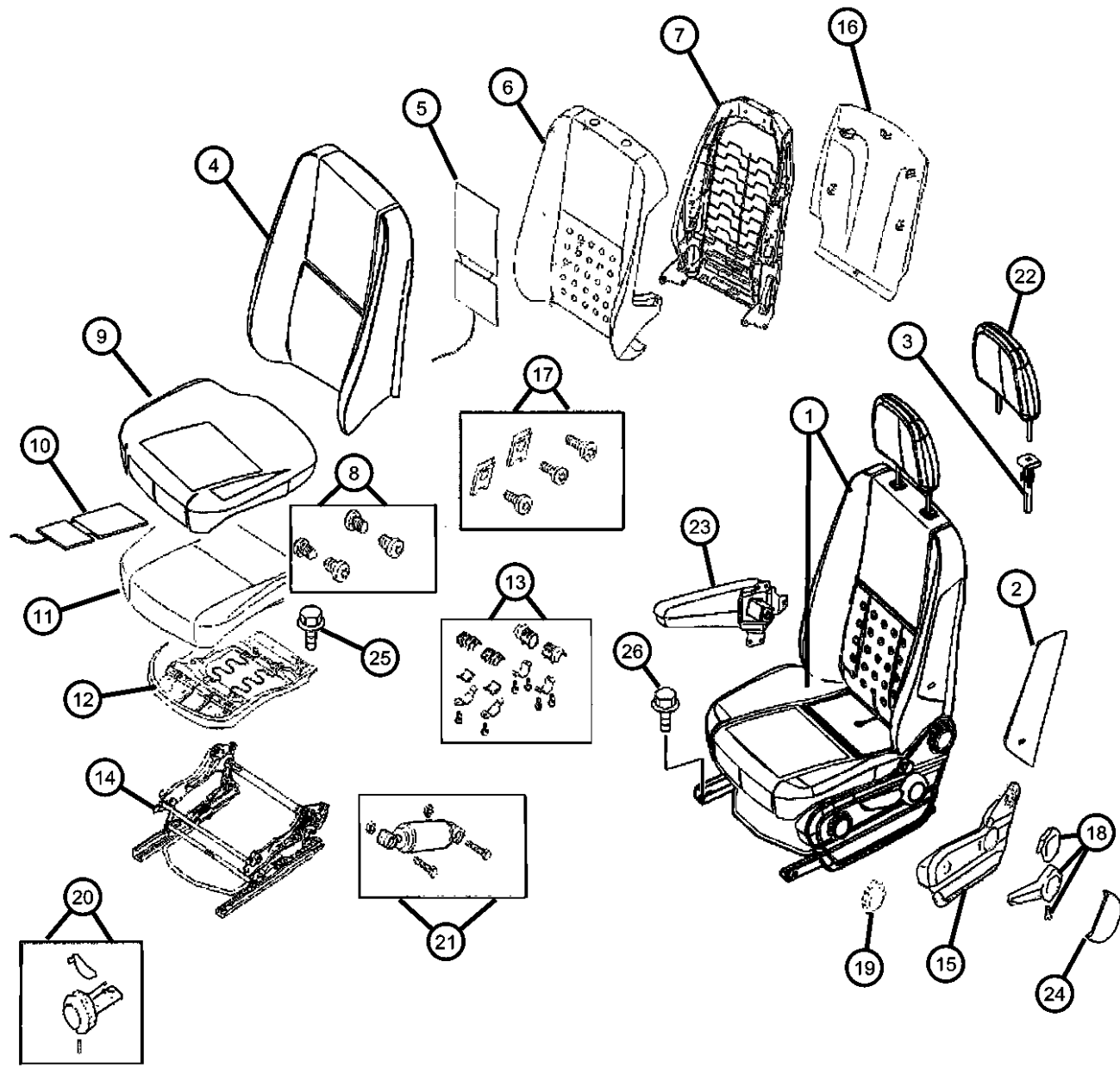
SPRINTER (VB)

SERIES	LINE	BODY	ENGINE	TRANSMISSION
L = LOWLINE	3 = HD DODGE 2WD 2 = Med. Duty DODGE 2WD	03 = CAB CHASSIS WHEEL BASE 3 05 = CAB CHASSIS WHEEL BASE 5 13 = 119 WB 53 = 119 WB 15 = VAN WHEEL BASE 5 55 = WAGON WHEEL BASE 5 17 = VAN WHEEL BASE 7	EG2 = 3.5L V6 Gas Engine EXM = 3.0L V6 Turbo Diesel Engine	DGZ = 5-Speed Auto W5A380 Transmission

AR = use ase required - = Non illustrated part

2007 VB

**Front Seat [F7] Black
Figure IVB-520**



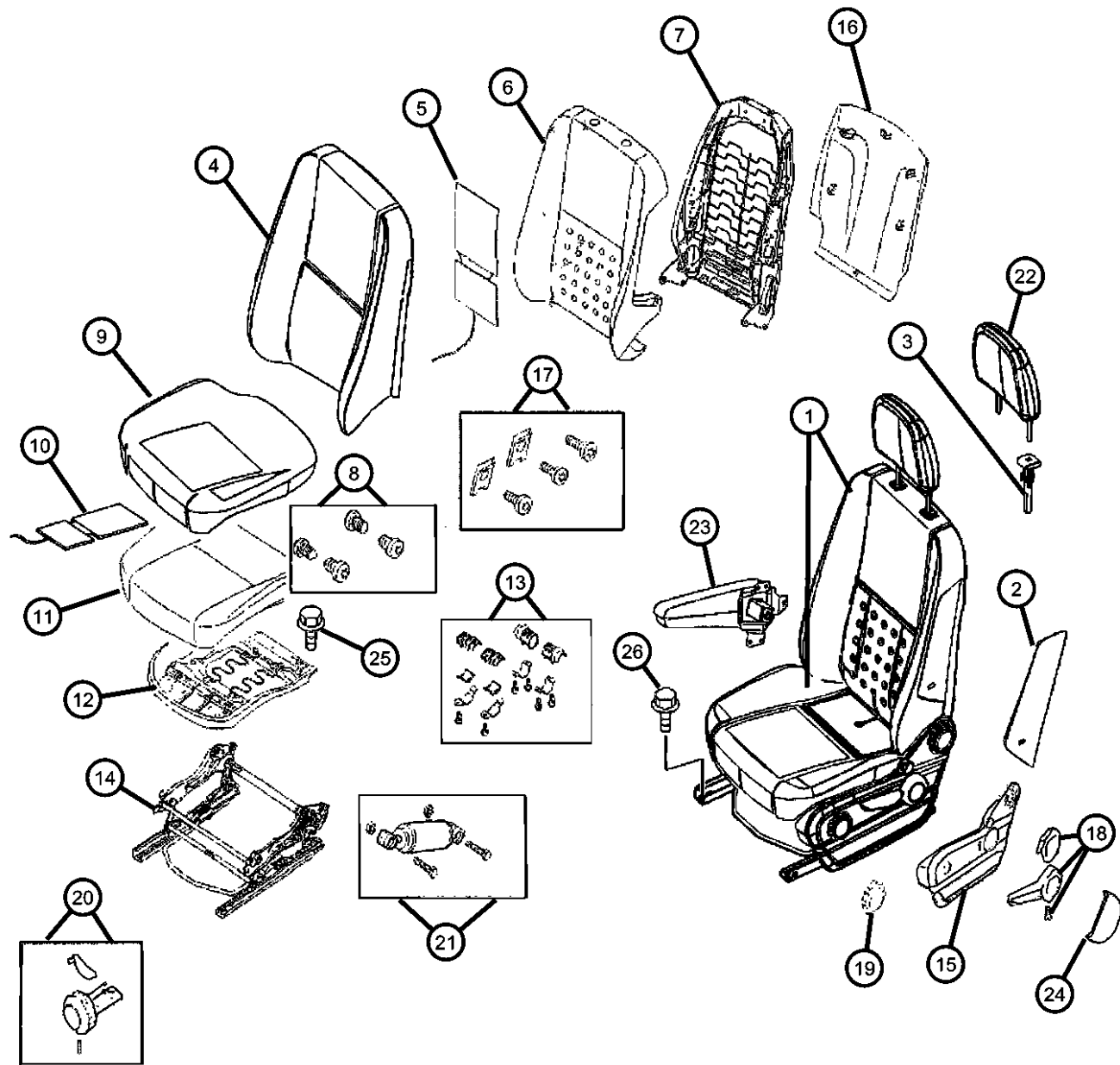
ITEM	PART NUMBER	QTY	LINE	SERIES	BODY	ENGINE	TRANS	TRIM	DESCRIPTION
	1HG891F7AA	1	2, 3, 6, 7	L				*F7	With [CJ9] Side Seat Air Bag, Right
5	68010845AA	2	2, 3, 6, 7	L					PAD, Heater, BackrestRight & Left
6	68010842AA	2	2, 3, 6, 7	L					FOAM, Seat Back
	68010843AA	1	2, 3, 6, 7	L					Without [CJ9] Side Seat Air Bag, Left
	68010924AA	1	2, 3, 6, 7	L					With [CJ9] Side Seat Air Bag, Left
7	68010844AA	1	2, 3, 6, 7	L					Right
	68010927AA	1	2, 3, 6, 7	L					FRAME, Front Seat Back
8	68010851AA	1	2, 3, 6, 7	L					Left
9	1HG901F7AA	1	2, 3, 6, 7	L				*F7	COVER, Front Seat CushionRight & Left
10	68010846AA	2	2, 3, 6, 7	L					PAD, Heater, Seat CushionRight & Left
11	68010848AA	2	2, 3, 6, 7	L					FOAM, Seat CushionRight & Left
12	68010849AA	2	2, 3, 6, 7	L					PAN, SEAT CUSHIONRight & Left
13	68010850AA	1	2, 3, 6, 7	L					SCREW
14	68010838AA	1	2, 3, 6, 7	L					BRACKET
	68010854AA	1	2, 3, 6, 7	L					ADJUSTER, Seat
	68010858AA	1	2, 3, 6, 7	L					Left
	68010930AA	1	2, 3, 6, 7	L					With [CDD] Luxury Bucket Driver Seat, Left
	68010934AA	1	2, 3, 6, 7	L					With [CXX] Driver Suspension Seat, Left
	68010937AA	1	2, 3, 6, 7	L					Right
15	68010834AA	1	2, 3, 6, 7	L					With [CDY] Luxury Bucket Passenger Seat, Right
	68010835AA	1	2, 3, 6, 7	L					With [CXY] Passenger Suspension Seat, Right
	68010933AA	1	2, 3, 6, 7	L					SHIELD, Seat Adjuster
	68010852AA	1	2, 3, 6, 7	L					Door Side, Left
									Tunnel Side, Left
									Tunnel Side, With [CDY] Luxury Bucket Passenger Seat, Right
									Door Side, With [CDD] Luxury Bucket Driver Seat, Left

SPRINTER (VB)

SERIES	LINE	BODY	ENGINE	TRANSMISSION
L = LOWLINE	3 = HD DODGE 2WD 2 = Med. Duty DODGE 2WD	03 = CAB CHASSIS WHEEL BASE 3 05 = CAB CHASSIS WHEEL BASE 5 13 = 119 WB 53 = 119 WB 15 = VAN WHEEL BASE 5 55 = WAGON WHEEL BASE 5 17 = VAN WHEEL BASE 7	EG2 = 3.5L V6 Gas Engine EXM = 3.0L V6 Turbo Diesel Engine	DGZ = 5-Speed Auto W5A380 Transmission

AR = use ase required - = Non illustrated part

**Front Seat [F7] Black
Figure IVB-520**



ITEM	PART NUMBER	QTY	LINE	SERIES	BODY	ENGINE	TRANS	TRIM	DESCRIPTION
	68010853AA	1	2, 3, 6, 7	L					Tunnel Side, With [CDD] Luxury Bucket Driver Seat, Left
	68010856AA	1	2, 3, 6, 7	L					Door Side, With [CXX] Driver Suspension Seat, Left
	68010857AA	1	2, 3, 6, 7	L					Tunnel Side, With [CXX] Driver Suspension Seat, Left
	68010928AA	1	2, 3, 6, 7	L					Door Side, Right
	68010929AA	1	2, 3, 6, 7	L					Tunnel Side, Right
	68010932AA	1	2, 3, 6, 7	L					Door Side, With [CDY] Luxury Bucket Passenger Seat, Right
	68010935AA	1	2, 3, 6, 7	L					Door Side, With [CXY] Passenger Suspension Seat, Right
	68010936AA	1	2, 3, 6, 7	L					Tunnel Side, With [CXY] Passenger Suspension Seat, Right
16	68010836AA	2	2, 3, 6, 7	L					COVER, Seat Back, Seat Back PanelRight & Left
17	68010837AA	1	3, 7	L	03, 05				SCREW
		1	2, 3, 6, 7	L	13, 15, 17, 53, 55				
18									HANDLE, Seat Adjustment
	68010839AA	1	2, 3, 6, 7	L					Left
	68010931AA	1	2, 3, 6, 7	L					Right
19	68010855AA	2	2, 3, 6, 7	L					HANDLE, Seat AdjustmentRight & Left
20	68010859AA	1	2, 3, 6, 7	L					HANDLE, Hand WheelRight & Left
21	68010860AA	1	2, 3, 6, 7	L					DAMPERRight & Left
22									HEADREST
	1HE59DX9AA	2	2, 3, 6, 7	L				*F7	Right & Left
	1HE60XDVAA	3	2, 3, 6, 7	L	13, 15, 17, 53, 55			*F7	With [CDP] Driver Seat Comfort Headrest, Right & Left
23									ARMREST, Seat
	1HE54XDVAA	1	2, 3, 6, 7	L				*F7	Left
	1HE55XDVAA	1	2, 3, 6, 7	L				*F7	Right
24	1HE57DX9AA	1	2, 3, 6, 7	L				*F7	COVER, Seat Belt Anchor
25									BOLT, Hex Head, M10x30

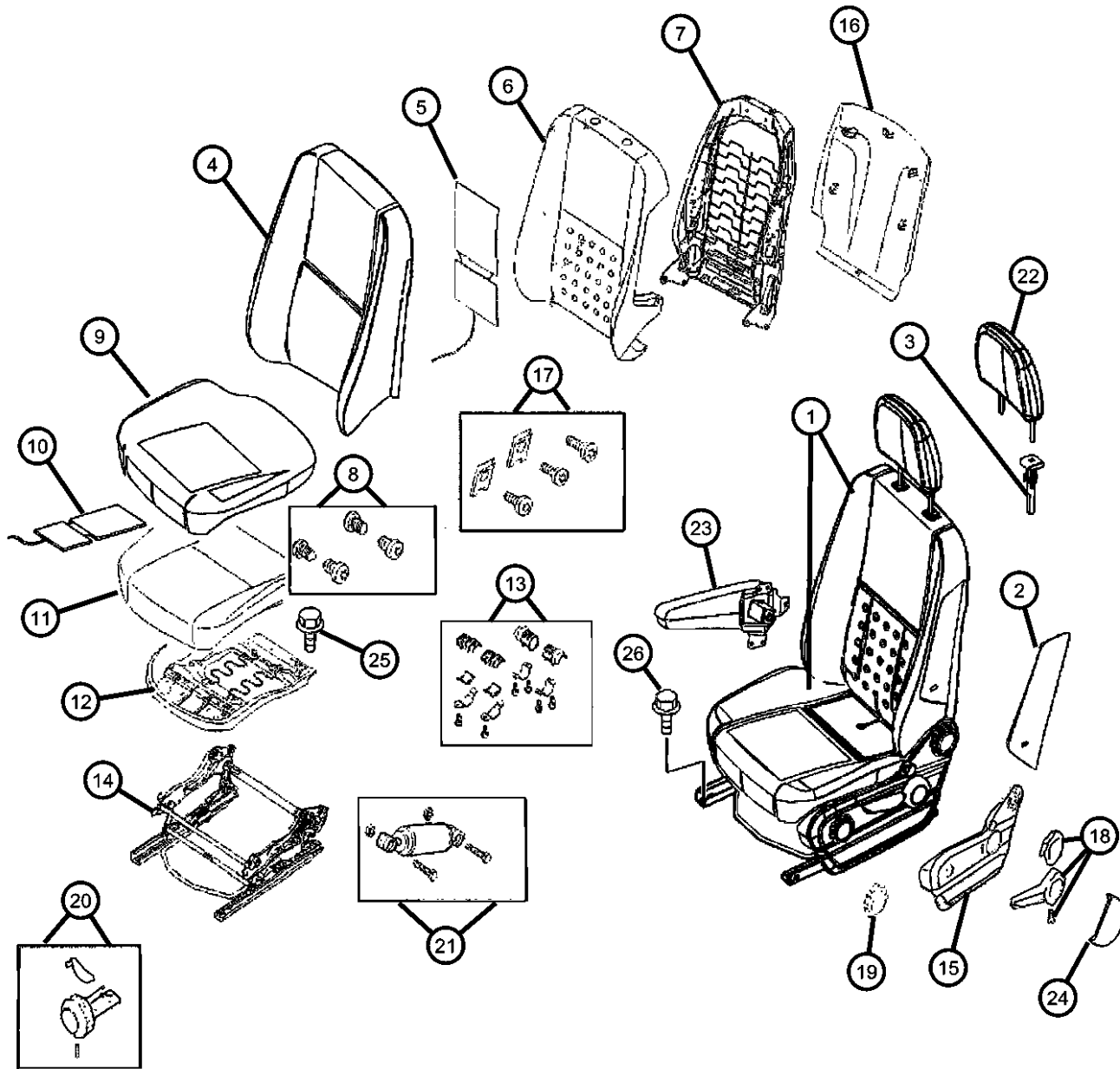
SPRINTER (VB)

SERIES	LINE	BODY	ENGINE	TRANSMISSION
L = LOWLINE	3 = HD DODGE 2WD 2 = Med. Duty DODGE 2WD	03 = CAB CHASSIS WHEEL BASE 3 05 = CAB CHASSIS WHEEL BASE 5 13 = 119 WB 53 = 119 WB 15 = VAN WHEEL BASE 5 55 = WAGON WHEEL BASE 5 17 = VAN WHEEL BASE 7	EG2 = 3.5L V6 Gas Engine EXM = 3.0L V6 Turbo Diesel Engine	DGZ = 5-Speed Auto W5A380 Transmission

AR = use ase required - = Non illustrated part

Front Seat [F7] Black
Figure IVB-520

ITEM	PART NUMBER	QTY	LINE	SERIES	BODY	ENGINE	TRANS	TRIM	DESCRIPTION
	06104044AA	4	3, 7	L	03, 05				
		4	2, 3, 6, 7	L	13, 15, 17, 53, 55				
26	68010920AA	2	2, 3, 6, 7	L					SCREW



SPRINTER (VB)

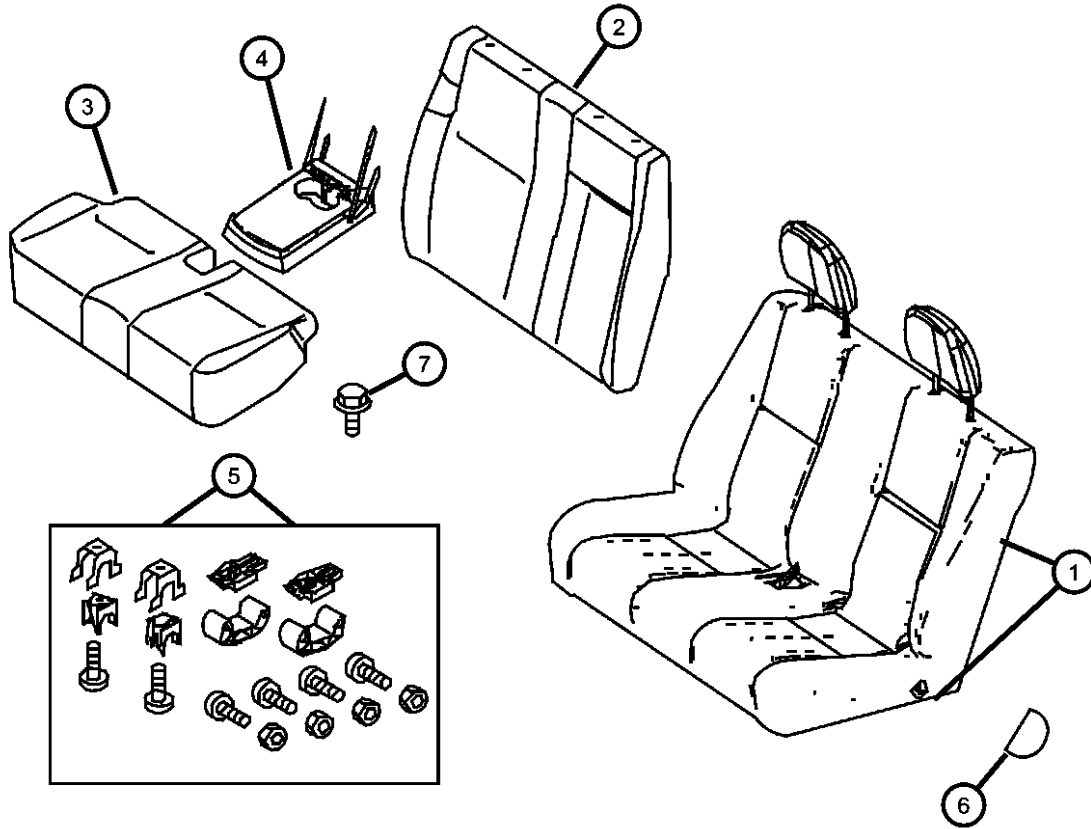
SERIES	LINE	BODY	ENGINE	TRANSMISSION
L = LOWLINE	3 = HD DODGE 2WD 2 = Med. Duty DODGE 2WD	03 = CAB CHASSIS WHEEL BASE 3 05 = CAB CHASSIS WHEEL BASE 5 13 = 119 WB 53 = 119 WB 15 = VAN WHEEL BASE 5 55 = WAGON WHEEL BASE 5 17 = VAN WHEEL BASE 7	EG2 = 3.5L V6 Gas Engine EXM = 3.0L V6 Turbo Diesel Engine	DGZ = 5-Speed Auto W5A380 Transmission

AR = use ase required - = Non illustrated part

2007 VB

**Passenger Front Dual Seat Sales Code [CW9], [A6] Orion Grey Medium
Figure IVB-525**

ITEM	PART NUMBER	QTY	LINE	SERIES	BODY	ENGINE	TRANS	TRIM	DESCRIPTION
1	1HH011A6AA	1	2, 3, 6, 7	L	03, 05, 13, 15, 17			*A6	SEAT COMPLETE, Front
2	1HG911A6AA	1	2, 3, 6, 7	L	03, 05, 13, 15, 17			*A6	BACK, Front Seat
3	1HG921A6AA	1	2, 3, 6, 7	L	03, 05, 13, 15, 17			*A6	COVER, Front Seat Cushion
4	1HQ491A6AA	1	2, 3, 6, 7	L	03, 05, 13, 15, 17			*A6	ARMREST, Seat
5	68010941AA	1	2, 3, 6, 7	L	03, 05, 13, 15, 17				BRACKET, Seat
6	1HE57DX9AA	1	2, 3, 6, 7	L				*A6	COVER, Seat Belt Anchor
7	68010921AA	2	2, 3, 6, 7	L	03, 05, 13, 15, 17				SCREW



SPRINTER (VB)

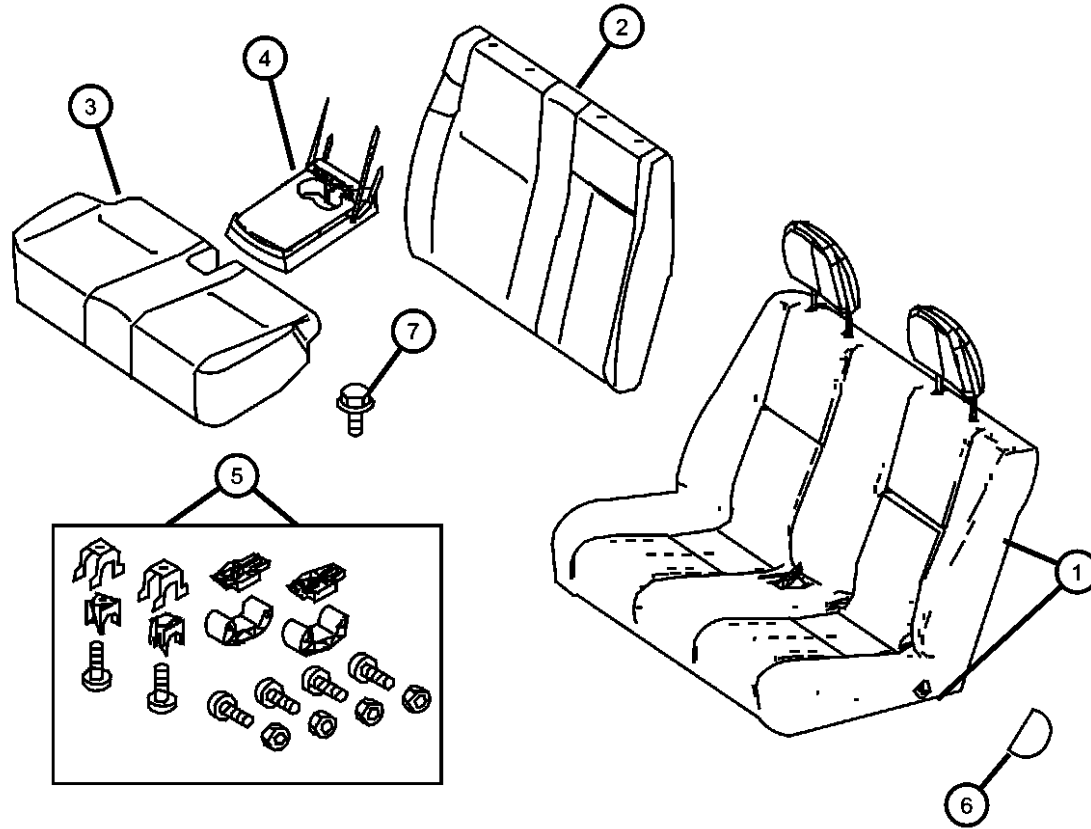
SERIES	LINE	BODY	ENGINE	TRANSMISSION
L = LOWLINE	3 = HD DODGE 2WD 2 = Med. Duty DODGE 2WD	03 = CAB CHASSIS WHEEL BASE 3 05 = CAB CHASSIS WHEEL BASE 5 13 = 119 WB 53 = 119 WB 15 = VAN WHEEL BASE 5 55 = WAGON WHEEL BASE 5 17 = VAN WHEEL BASE 7	EG2 = 3.5L V6 Gas Engine EXM = 3.0L V6 Turbo Diesel Engine	DGZ = 5-Speed Auto W5A380 Transmission

AR = use ase required - = Non illustrated part

2007 VB

**Passenger Front Dual Seat Sales Code [CW9], [E7] Art Grey
Figure IVB-530**

ITEM	PART NUMBER	QTY	LINE	SERIES	BODY	ENGINE	TRANS	TRIM	DESCRIPTION
1	1HH011E7AA	1	2, 3, 6, 7	L	03, 05, 13, 15, 17			*E7	SEAT COMPLETE, Front
2	1HG911E7AA	1	2, 3, 6, 7	L	03, 05, 13, 15, 17			*E7	BACK, Front Seat
3	1HG921E7AA	1	2, 3, 6, 7	L	03, 05, 13, 15, 17			*E7	COVER, Front Seat Cushion
4	1HQ491E7AA	1	2, 3, 6, 7	L	03, 05, 13, 15, 17			*E7	ARMREST, Seat
5	68010941AA	1	2, 3, 6, 7	L	03, 05, 13, 15, 17				BRACKET, Seat
6	1HE57DX9AA	1	2, 3, 6, 7	L				*E7	COVER, Seat Belt Anchor
7	68010921AA	2	2, 3, 6, 7	L	03, 05, 13, 15, 17				SCREW



SPRINTER (VB)

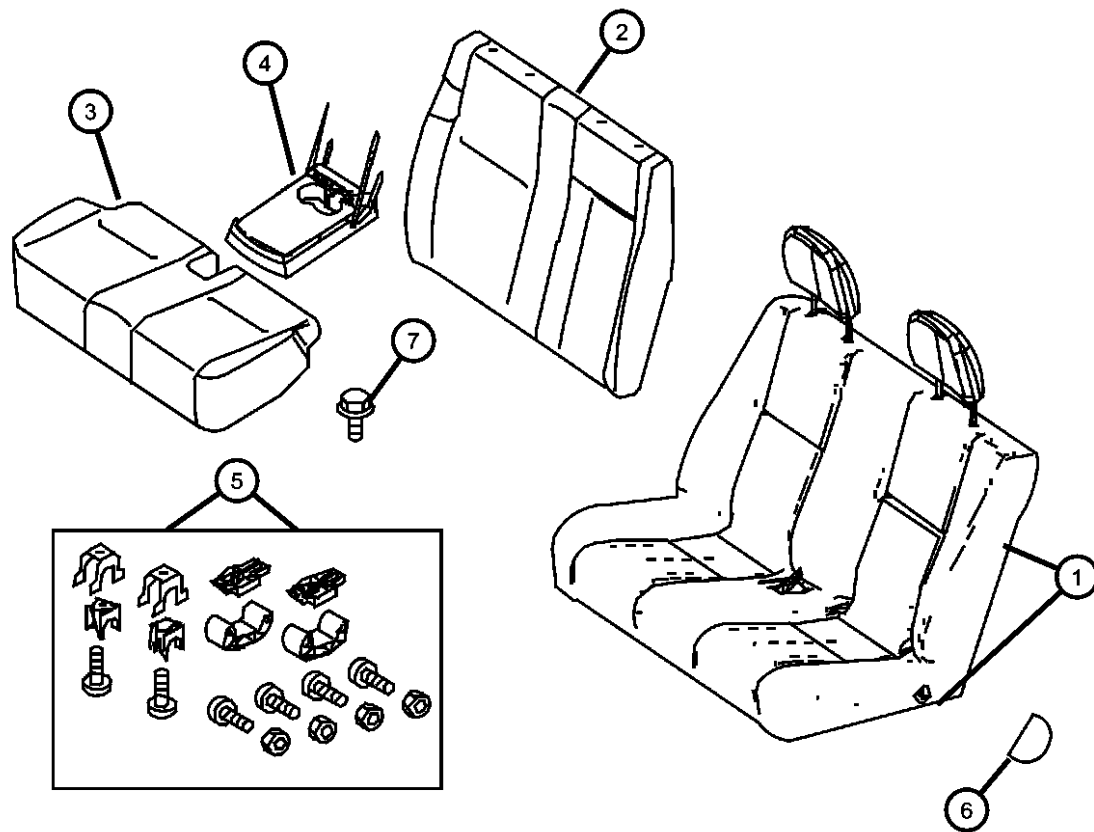
SERIES	LINE	BODY	ENGINE	TRANSMISSION
L = LOWLINE	3 = HD DODGE 2WD 2 = Med. Duty DODGE 2WD	03 = CAB CHASSIS WHEEL BASE 3 05 = CAB CHASSIS WHEEL BASE 5 13 = 119 WB 53 = 119 WB 15 = VAN WHEEL BASE 5 55 = WAGON WHEEL BASE 5 17 = VAN WHEEL BASE 7	EG2 = 3.5L V6 Gas Engine EXM = 3.0L V6 Turbo Diesel Engine	DGZ = 5-Speed Auto W5A380 Transmission

AR = use ase required - = Non illustrated part

2007 VB

**Passenger Front Dual Seat Sales Code [CW9], [F7] Black
Figure IVB-535**

ITEM	PART NUMBER	QTY	LINE	SERIES	BODY	ENGINE	TRANS	TRIM	DESCRIPTION
1	1HH011F7AA	1	2, 3, 6, 7	L	03, 05, 13, 15, 17			*F7	SEAT COMPLETE, Front
2	1HG911F7AA	1	2, 3, 6, 7	L	03, 05, 13, 15, 17			*F7	BACK, Front Seat
3	1HG921F7AA	1	2, 3, 6, 7	L	03, 05, 13, 15, 17			*F7	COVER, Front Seat Cushion
4	1HQ491F7AA	1	2, 3, 6, 7	L	03, 05, 13, 15, 17			*F7	ARMREST, Seat
5	68010941AA	1	2, 3, 6, 7	L	03, 05, 13, 15, 17				BRACKET, Seat
6	1HE57DX9AA	1	2, 3, 6, 7	L				*F7	COVER, Seat Belt Anchor
7	68010921AA	2	2, 3, 6, 7	L	03, 05, 13, 15, 17				SCREW



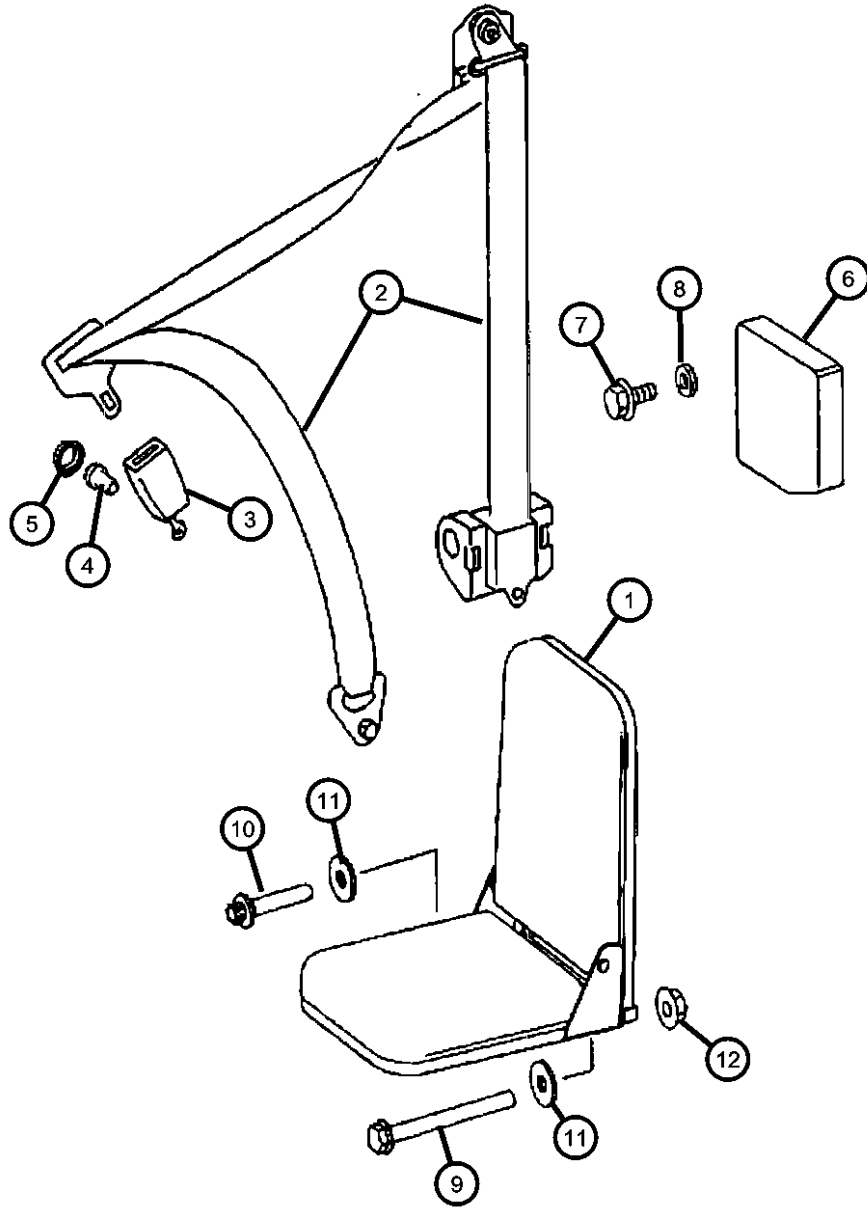
SPRINTER (VB)

SERIES	LINE	BODY	ENGINE	TRANSMISSION
L = LOWLINE	3 = HD DODGE 2WD 2 = Med. Duty DODGE 2WD	03 = CAB CHASSIS WHEEL BASE 3 05 = CAB CHASSIS WHEEL BASE 5 13 = 119 WB 53 = 119 WB 15 = VAN WHEEL BASE 5 55 = WAGON WHEEL BASE 5 17 = VAN WHEEL BASE 7	EG2 = 3.5L V6 Gas Engine EXM = 3.0L V6 Turbo Diesel Engine	DGZ = 5-Speed Auto W5A380 Transmission

AR = use ase required - = Non illustrated part

2007 VB

**Passenger Front Jump Seat With Sales Code [CDT], [A6] Orion Grey Medium
Figure IVB-540**



ITEM	PART NUMBER	QTY	LINE	SERIES	BODY	ENGINE	TRANS	TRIM	DESCRIPTION
1	1HF671F7AA	1	2, 3, 6, 7	L	13, 15, 17			*A6	SEAT
2	1HG34DX9AA	1	2, 3, 6, 7	L	13, 15, 17			*A6	SEAT BELT, Front Outer, With [CDT] Passenger Jump Seat SEAT BELT, Buckle Half
3	05124965AA	1	2, 3, 6, 7	L	13, 15, 17				
4	68017271AA	1	2, 3, 6, 7	L	13, 15, 17, 53, 55				SCREW, 7/16 X 22M
5	05125999AA	1	2, 3, 6, 7	L	13, 15, 17, 53, 55				CAP, Screw Cover
6	1HF681F7AA	1	2, 3, 6, 7	L	13, 15, 17			*A6	HEADREST
7									BOLT
	06104025AA	1	2, 3, 6, 7	L	13, 15, 17, 53, 55				
		1	3, 7	L	03, 05				
8	05142916AA	1	2, 3, 6, 7	L	13, 15, 17, 53, 55				WASHER
9	06104228AA	2	2, 3, 6, 7	L	13, 15, 17, 53, 55				BOLT
10	06104049AA	2	2, 3, 6, 7	L	13, 15, 17, 53, 55				BOLT
11	68010975AA	4	2, 3, 6, 7	L	13, 15, 17, 53, 55				WASHER
12									NUT
	06105169AA	2	3, 7	L	03, 05				
		2	2, 3, 6, 7	L					

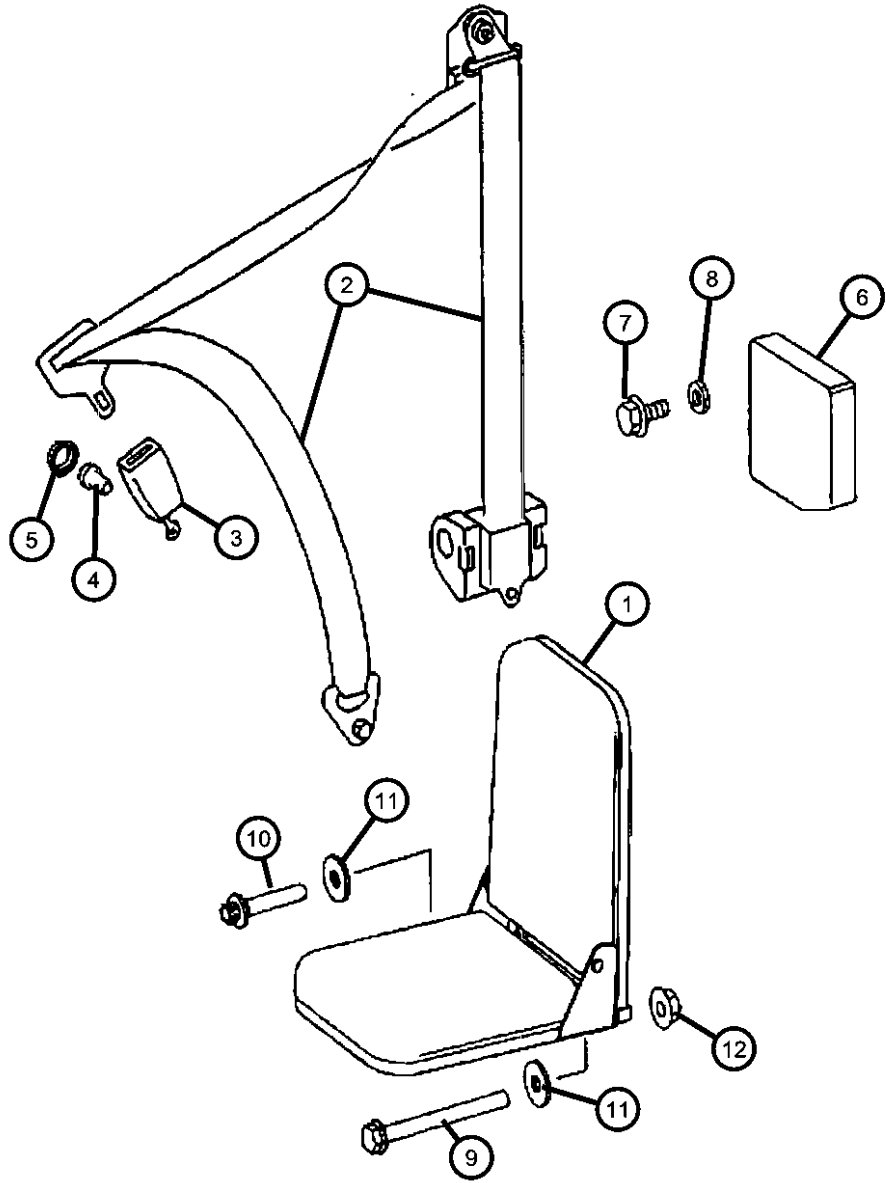
SPRINTER (VB)

SERIES	LINE	BODY	ENGINE	TRANSMISSION
L = LOWLINE	3 = HD DODGE 2WD 2 = Med. Duty DODGE 2WD	03 = CAB CHASSIS WHEEL BASE 3 05 = CAB CHASSIS WHEEL BASE 5 13 = 119 WB 53 = 119 WB 15 = VAN WHEEL BASE 5 55 = WAGON WHEEL BASE 5 17 = VAN WHEEL BASE 7	EG2 = 3.5L V6 Gas Engine EXM = 3.0L V6 Turbo Diesel Engine	DGZ = 5-Speed Auto W5A380 Transmission

AR = use ase required - = Non illustrated part

2007 VB

**Passenger Front Jump Seat With Sales Code [CDT], [E7] Art Grey
Figure IVB-545**



ITEM	PART NUMBER	QTY	LINE	SERIES	BODY	ENGINE	TRANS	TRIM	DESCRIPTION
1	1HF671F7AA	1	2, 3, 6, 7	L	13, 15, 17			*E7	SEAT
2	1HG34DX9AA	1	2, 3, 6, 7	L	13, 15, 17			*E7	SEAT BELT, Front Outer, With [CDT] Passenger Jump Seat
3	05124965AA	1	2, 3, 6, 7	L	13, 15, 17				SEAT BELT, Buckle Half
4	68017271AA	1	2, 3, 6, 7	L	13, 15, 17, 53, 55				SCREW, 7/16 X 22M
5	05125999AA	1	2, 3, 6, 7	L	13, 15, 17, 53, 55				CAP, Screw Cover
6	1HF681F7AA	1	2, 3, 6, 7	L	13, 15, 17			*E7	HEADREST
7									BOLT
	06104025AA	1	2, 3, 6, 7	L	13, 15, 17, 53, 55				
		1	3, 7	L	03, 05				
8	05142916AA	1	2, 3, 6, 7	L	13, 15, 17, 53, 55				WASHER
9	06104228AA	2	2, 3, 6, 7	L	13, 15, 17, 53, 55				BOLT
10	06104049AA	2	2, 3, 6, 7	L	13, 15, 17, 53, 55				BOLT
11	68010975AA	4	2, 3, 6, 7	L	13, 15, 17, 53, 55				WASHER
12									NUT
	06105169AA	2	2, 3, 6, 7	L					
		2	3, 7	L	03, 05				

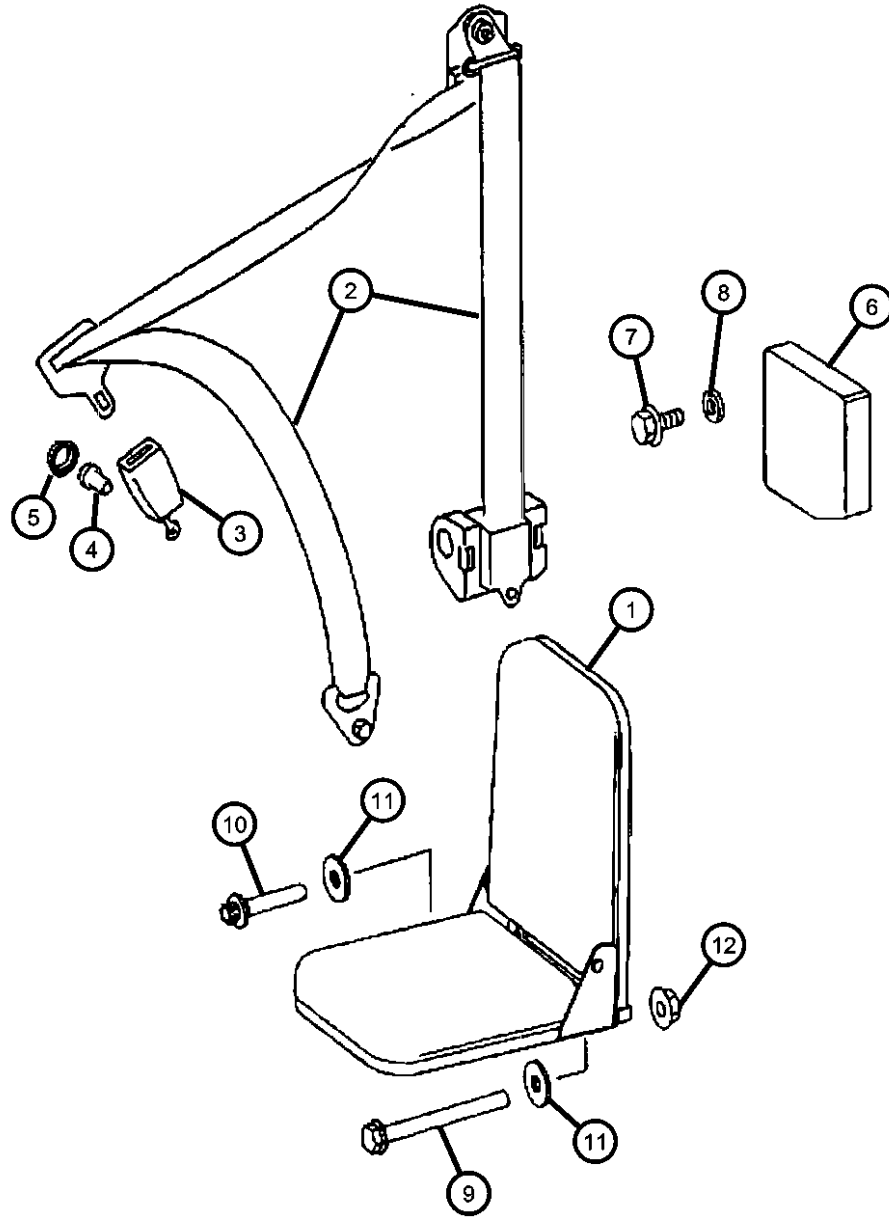
SPRINTER (VB)

SERIES	LINE	BODY	ENGINE	TRANSMISSION
L = LOWLINE	3 = HD DODGE 2WD 2 = Med. Duty DODGE 2WD	03 = CAB CHASSIS WHEEL BASE 3 05 = CAB CHASSIS WHEEL BASE 5 13 = 119 WB 53 = 119 WB 15 = VAN WHEEL BASE 5 55 = WAGON WHEEL BASE 5 17 = VAN WHEEL BASE 7	EG2 = 3.5L V6 Gas Engine EXM = 3.0L V6 Turbo Diesel Engine	DGZ = 5-Speed Auto W5A380 Transmission

AR = use ase required - = Non illustrated part

2007 VB

**Passenger Front Jump Seat With Sales Code [CDT], [F7] Black
Figure IVB-550**



ITEM	PART NUMBER	QTY	LINE	SERIES	BODY	ENGINE	TRANS	TRIM	DESCRIPTION
1	1HF671F7AA	1	2, 3, 6, 7	L	13, 15, 17			*F7	SEAT
2	1HG34DX9AA	1	2, 3, 6, 7	L	13, 15, 17			*F7	SEAT BELT, Front Outer
3	05124965AA	1	2, 3, 6, 7	L	13, 15, 17				SEAT BELT, Buckle Half
4	68017271AA	1	2, 3, 6, 7	L	13, 15, 17, 53, 55				SCREW, 7/16 X 22M
5	05125999AA	1	2, 3, 6, 7	L	13, 15, 17, 53, 55				CAP, Screw Cover
6	1HF681F7AA	1	2, 3, 6, 7	L	13, 15, 17			*F7	HEADREST
7	06104025AA	1	2, 3, 6, 7	L	13, 15, 17, 53, 55				BOLT
		1	3, 7	L	03, 05				
8	05142916AA	1	2, 3, 6, 7	L	13, 15, 17, 53, 55				WASHER
9	06104228AA	2	2, 3, 6, 7	L	13, 15, 17, 53, 55				BOLT
10	06104049AA	2	2, 3, 6, 7	L	13, 15, 17, 53, 55				BOLT
11	68010975AA	4	2, 3, 6, 7	L	13, 15, 17, 53, 55				WASHER
12	06105169AA	2	2, 3, 6, 7	L					NUT
		2	3, 7	L	03, 05				

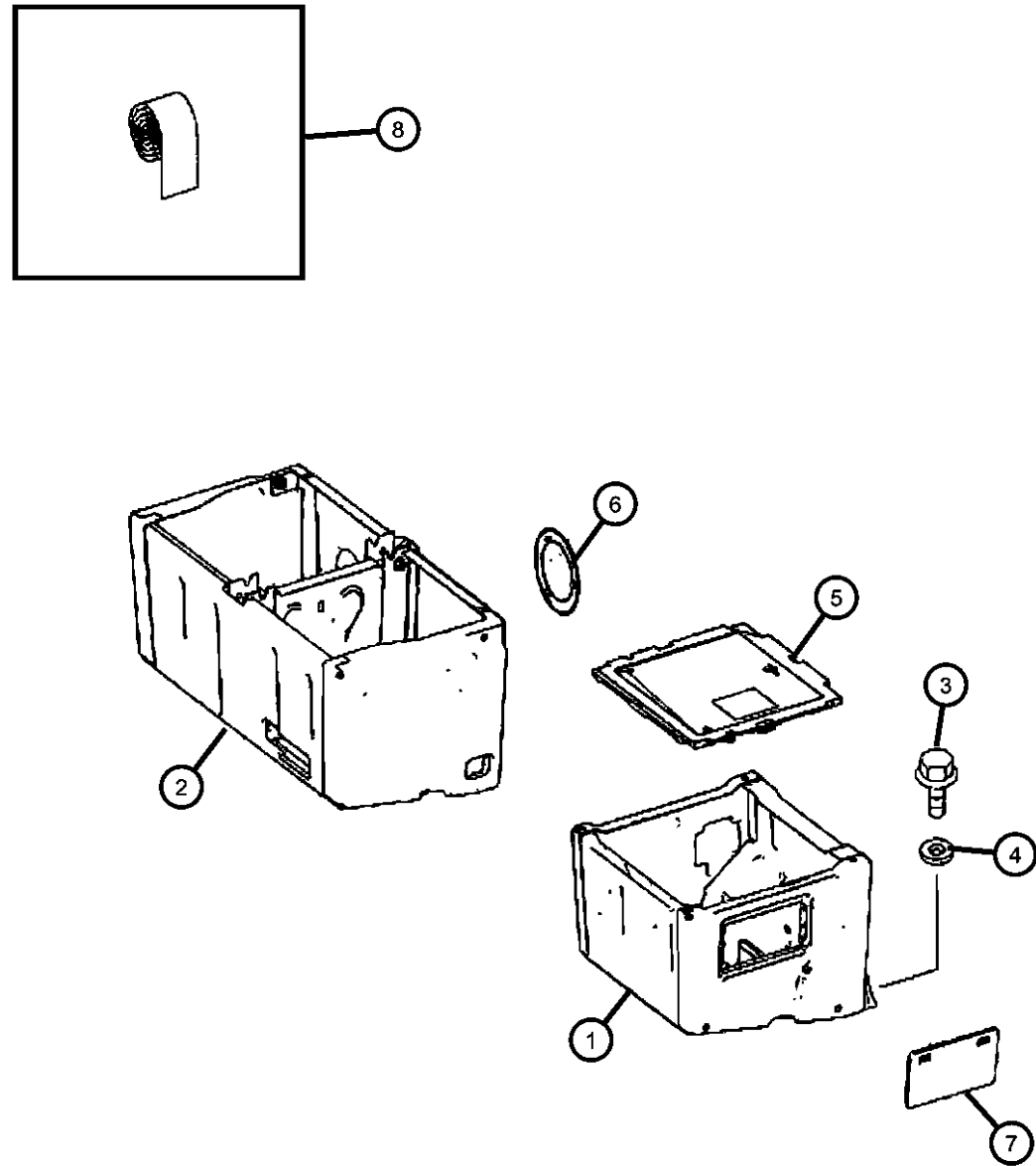
SPRINTER (VB)

SERIES	LINE	BODY	ENGINE	TRANSMISSION
L = LOWLINE	3 = HD DODGE 2WD 2 = Med. Duty DODGE 2WD	03 = CAB CHASSIS WHEEL BASE 3 05 = CAB CHASSIS WHEEL BASE 5 13 = 119 WB 53 = 119 WB 15 = VAN WHEEL BASE 5 55 = WAGON WHEEL BASE 5 17 = VAN WHEEL BASE 7	EG2 = 3.5L V6 Gas Engine EXM = 3.0L V6 Turbo Diesel Engine	DGZ = 5-Speed Auto W5A380 Transmission

AR = use ase required - = Non illustrated part

2007 VB

**Seat Box
Figure IVB-555**



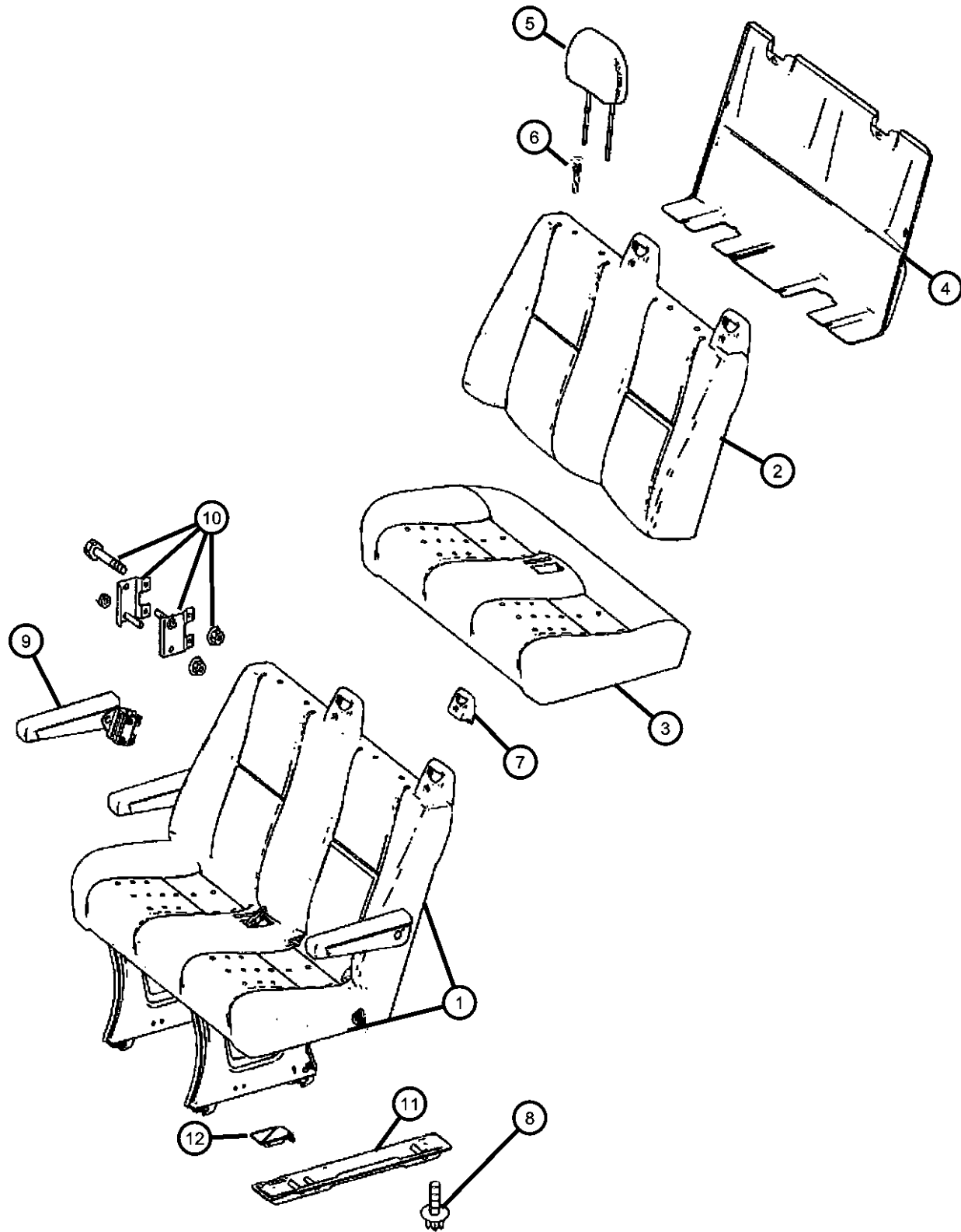
ITEM	PART NUMBER	QTY	LINE	SERIES	BODY	ENGINE	TRANS	TRIM	DESCRIPTION
1	68010863AA	1	2, 3, 6, 7	L					RISER, Seat Left
	68010865AA	1	2, 3, 6, 7	L					With [CXX] Driver Suspension Seat, Left
	68010942AA	1	2, 3, 6, 7	L					Right
	68010943AA	1	2, 3, 6, 7	L					With [CXY] Passenger Suspension Seat, Right
2	68010944AA	1	3, 7	L	03, 05				RISER, Seat Right
	68010980AA	1	2, 3, 6, 7	L	13, 15, 17, 53, 55				Right
3	05133865AA	4	2, 3, 6, 7	L					SCREW Seat Box to Floor
	06104166AA	1	2, 3, 6, 7	L	13, 15, 17, 53, 55				Seat Framework to Floor
4	05133526AA	4	3, 7	L	03, 05				WASHER
		4	2, 3, 6, 7	L	13, 15, 17, 53, 55				
5	68014719AA	1	2, 3, 6, 7	L					COVER
		1	3, 7	L	03, 05				
6	68014720AA	1	2, 3, 6, 7	L	13, 15, 17				COVER
7	1HB12NCVAA	1	2, 3, 6, 7	L	13, 15, 17, 53, 55			*A6	[A6]
		1	2, 3, 6, 7	L	13, 15, 17, 53, 55			*E7	[E7]
		1	2, 3, 6, 7	L	53, 55, 13, 15, 17			*F7	[F7]
		1	3, 7	L	03, 05			*A6	[A6]
		1	3, 7	L	03, 05			*E7	[E7]
		1	3, 7	L	03, 05			*F7	[F7]
8	05114444AA	4	2, 3, 6, 7	L	13, 15, 17, 53, 55				TAPE
		4	3, 7	L	03, 05				

SPRINTER (VB)

SERIES	LINE	BODY	ENGINE	TRANSMISSION
L = LOWLINE	3 = HD DODGE 2WD 2 = Med. Duty DODGE 2WD	03 = CAB CHASSIS WHEEL BASE 3 05 = CAB CHASSIS WHEEL BASE 5 13 = 119 WB 53 = 119 WB 15 = VAN WHEEL BASE 5 55 = WAGON WHEEL BASE 5 17 = VAN WHEEL BASE 7	EG2 = 3.5L V6 Gas Engine EXM = 3.0L V6 Turbo Diesel Engine	DGZ = 5-Speed Auto W5A380 Transmission

AR = use ase required - = Non illustrated part

**Rear Seat- 2 Passenger
Figure IVB-610**



ITEM	PART NUMBER	QTY	LINE	SERIES	BODY	ENGINE	TRANS	TRIM	DESCRIPTION
------	-------------	-----	------	--------	------	--------	-------	------	-------------

Note:
[CFA]=1ST Rear Bench 2-Passenger
[CFY]=2ND Rear Bench 2-Passenger

1									SEAT COMPLETE, Rear, Two Passenger, 1STand 2ND Rear Bench 2-Passenger Seat
	1JB471A6AA	1	2, 6	L	53, 55			*A6	[A6] Orion Grey Medium
	1JB471E7AA	1	2, 6	L	53, 55			*A6	[E7] Art Grey
	1JB471F7AA	1	2, 6	L	53, 55			*A6	[F7] Black
	1JB491A6AA	1	2, 6	L	53, 55			*A6	[A6] Orion Grey Medium,With [CGU] Child Seat Anchor System Latch
	1JB491E7AA	1	2, 6	L	53, 55			*A6	[E7] Art Grey,With [CGU] Child Seat Anchor System Latch
	1JB491F7AA	1	2, 6	L	53, 55			*A6	[F7] Black,With [CGU] Child Seat Anchor System Latch
2									SEAT BACK, Rear, 2 Passenger, 1STand 2ND Rear Bench 2-Passenger Seat
	1HG931A6AA	1	2, 6	L	53, 55			*A6	[A6] Orion Grey Medium,With [CFA]
	1HG931E7AA	1	2, 6	L	53, 55			*A6	[E7] Art Grey,With [CFA]
	1HG931F7AA	1	2, 6	L	53, 55			*A6	[F7] Black,With [CFA]
3									CUSHION, Rear Seat, Two Passenger, 1STand 2ND Rear Bench 2-Passenger Seat
	1HG961A6AA	1	2, 6	L	53, 55			*A6	[A6] Orion Grey Medium
	1HG961E7AA	1	2, 6	L	53, 55			*A6	[E7] Art Grey
	1HG961F7AA	1	2, 6	L	53, 55			*A6	[F7] Black
4	68011001AA	1	2, 3, 6, 7	L	53, 55				SHIELD, Seat Back, With [CFA] 1ST Rear Bench 2-Passenger Seat and [CFY] 2ND Rear Bench 2-Passenger Seat
5									HEADREST
	1HE59DX9AA	3	2, 3, 6, 7	L				*A6	Standard
	1HE60XDVAA	3	2, 3, 6, 7	L	13, 15, 17, 53, 55			*A6	Adjustable
6	68010824AA	2	2, 3, 6, 7	L					SLEEVE, Headrest
7									COVER, Seat Belt Guide

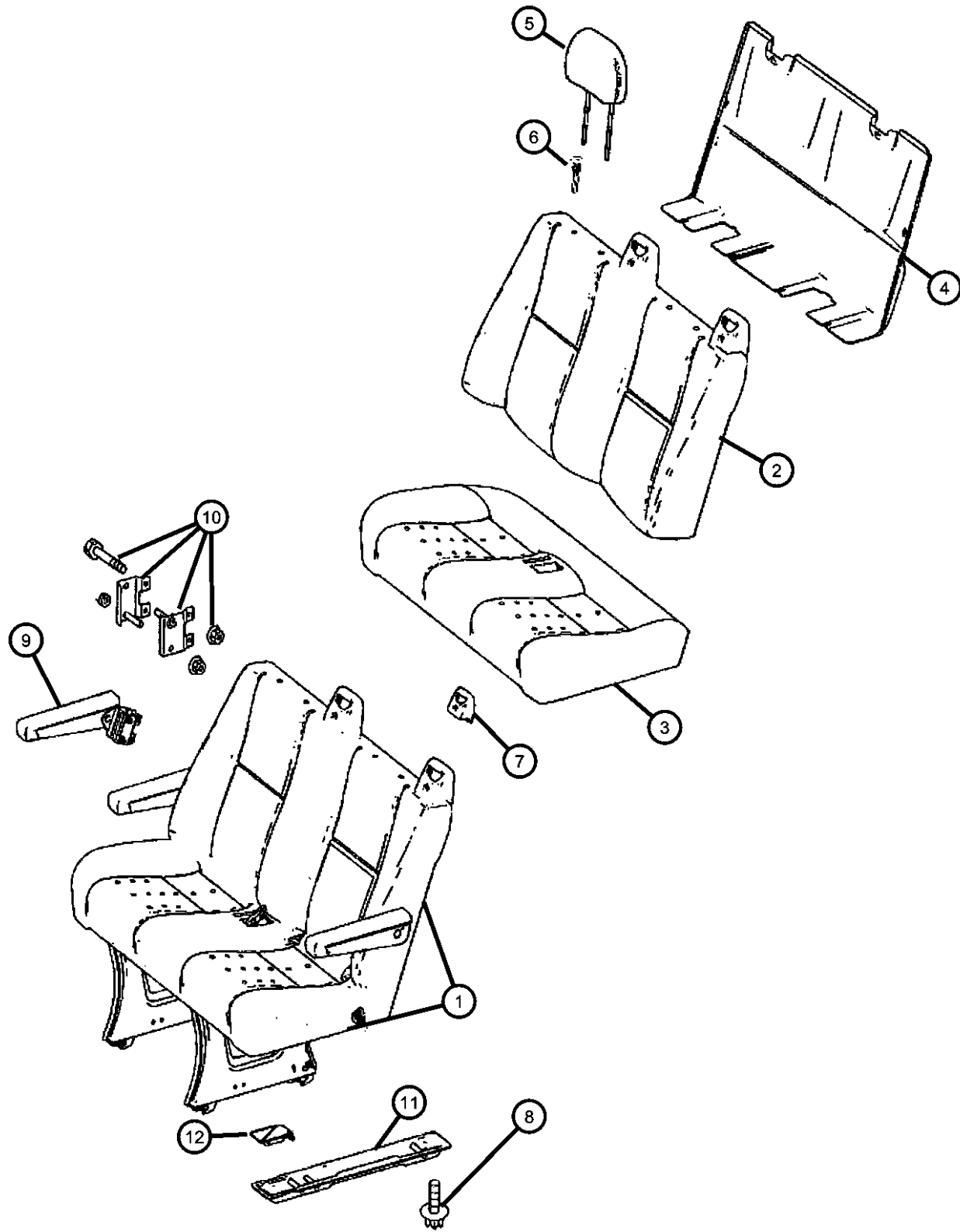
SPRINTER (VB)

SERIES	LINE	BODY	ENGINE	TRANSMISSION
L = LOWLINE	3 = HD DODGE 2WD 2 = Med. Duty DODGE 2WD	03 = CAB CHASSIS WHEEL BASE 3 05 = CAB CHASSIS WHEEL BASE 5 13 = 119 WB 53 = 119 WB 15 = VAN WHEEL BASE 5 55 = WAGON WHEEL BASE 5 17 = VAN WHEEL BASE 7	EG2 = 3.5L V6 Gas Engine EXM = 3.0L V6 Turbo Diesel Engine	DGZ = 5-Speed Auto W5A380 Transmission

AR = use ase required - = Non illustrated part

2007 VB

**Rear Seat- 2 Passenger
Figure IVB-610**



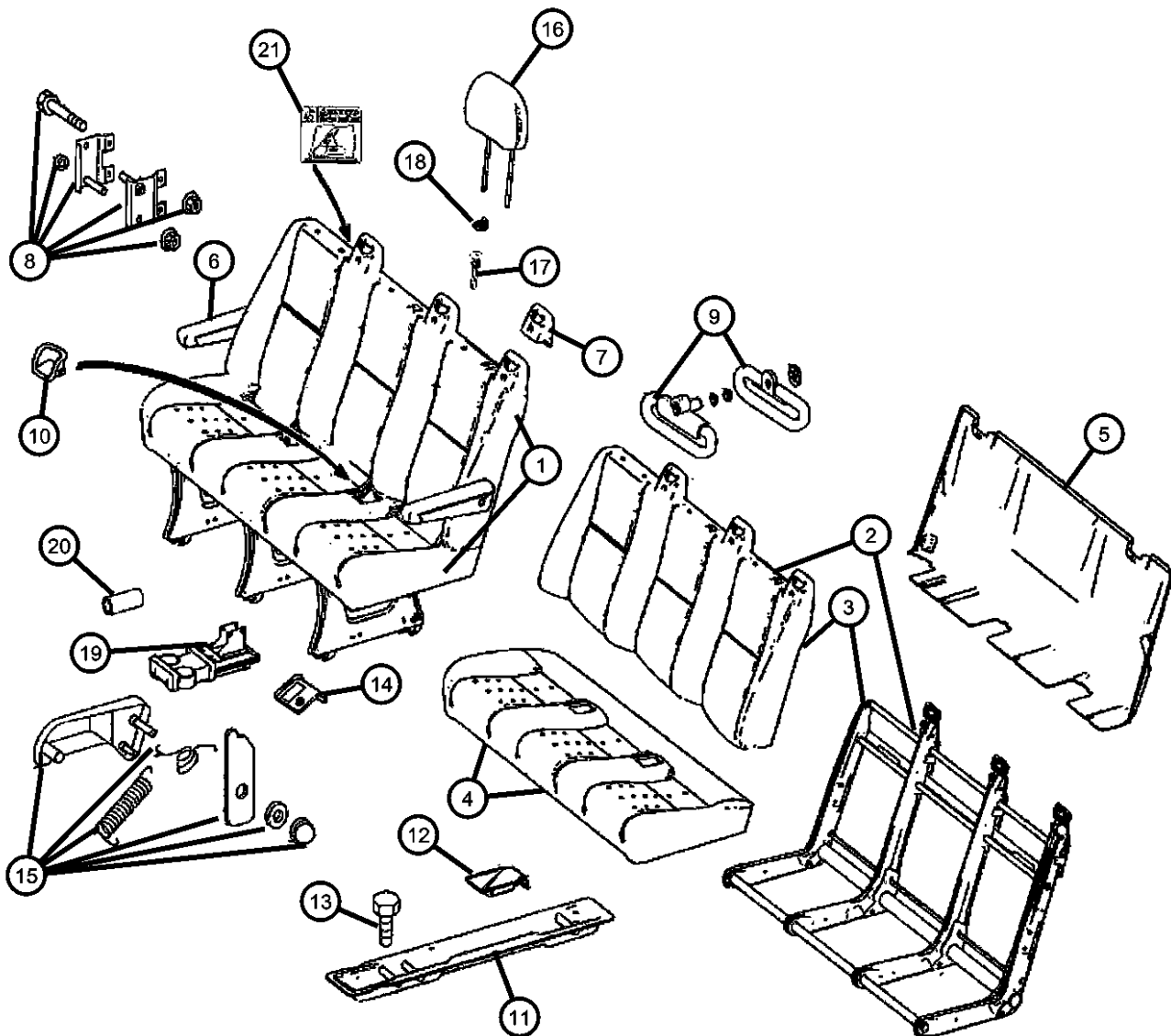
ITEM	PART NUMBER	QTY	LINE	SERIES	BODY	ENGINE	TRANS	TRIM	DESCRIPTION
	68011002AA	2	2, 6	L	53, 55				With [CFA] 1St Rear Bench. 2-Passenger Seat
		2	2, 6	L	53, 55				With [CFY] 2ND Rear Bench. 2-Passenger Seat
8	68011023AA	4	2, 3, 6, 7	L	13, 15, 17, 53, 55				SCREW
		4	2, 3, 6, 7	L	13, 15, 17, 53, 55				With [CFA] 1ST Rear Bench 2-Passenger
9	68010987AA	1	2, 3, 6, 7	L	13, 15, 17, 53, 55				With [CFY] 2ND Rear Bench 2-Passenger
		1	2, 3, 6, 7	L	13, 15, 17, 53, 55				ARMREST, Seat
	68010989AA	1	2, 3, 6, 7	L	13, 15, 17, 53, 55				With [CFA] 1ST Rear Bench 2-Passenger Seat, Left
		1	2, 3, 6, 7	L	13, 15, 17, 53, 55				With [CFY] 2ND Rear Bench 2-Passenger Seat, Left
		1	2, 3, 6, 7	L	13, 15, 17, 53, 55				With [CFA] 1ST Rear Bench 2-Passenger Seat, Right
		1	2, 3, 6, 7	L	13, 15, 17, 53, 55				With [CFY] 2ND Rear Bench 2-Passenger Seat, Right
10	05134098AA	2	2, 3, 6, 7	L	13, 15, 17, 53, 55				BRACKET, Arm Rest
		2	2, 3, 6, 7	L	13, 15, 17, 53, 55				With [CFY] 2ND Rear Bench 2-Passenger Seat
		2	2, 3, 6, 7	L	13, 15, 17, 53, 55				With [CFA] 1ST Rear Bench 2-Passenger Seat
11	68011017AA	2	2, 3, 6, 7	L	13, 15, 17, 53, 55				BRACKET, Bench Seat Bottom Bracket
		2	2, 3, 6, 7	L	13, 15, 17, 53, 55				With [CFA] 1ST Rear Bench Seat 2-Passenger Seat
		2	2, 3, 6, 7	L	13, 15, 17, 53, 55				With [CFY] 2ND Rear Bench 2-Passenger Seat
12	1HE19DX8AA	1	2, 3, 6, 7	L	13, 15, 17, 53, 55			*A6	COVER, Seat Anchor, With [CFA] 1ST Rear Bench 2-Passenger Seat and [CFY] 2ND Rear Bench 2-Passenger Seat

SPRINTER (VB)

SERIES	LINE	BODY	ENGINE	TRANSMISSION
L = LOWLINE	3 = HD DODGE 2WD 2 = Med. Duty DODGE 2WD	03 = CAB CHASSIS WHEEL BASE 3 05 = CAB CHASSIS WHEEL BASE 5 13 = 119 WB 53 = 119 WB 15 = VAN WHEEL BASE 5 55 = WAGON WHEEL BASE 5 17 = VAN WHEEL BASE 7	EG2 = 3.5L V6 Gas Engine EXM = 3.0L V6 Turbo Diesel Engine	DGZ = 5-Speed Auto W5A380 Transmission

AR = use ase required - = Non illustrated part

Rear Seat- 3 Passenger
Figure IVB-620



ITEM	PART NUMBER	QTY	LINE	SERIES	BODY	ENGINE	TRANS	TRIM	DESCRIPTION
									Note. [CFB] First Rear Bench 3-Passenger. [CFC] 2ND Rear Bench 3-Passenger [CFD] 3RD Rear Bench 3-Passenger [CGU] Child Seat Anchor System Latch
1									SEAT COMPLETE, Rear, Three Passenger
	1JB561A6AA	1	2, 3, 6, 7	L	13, 15, 17, 53, 55			*A6	[A6] Orion Grey Medium, With [CFB] 1ST Rear Bench 3-Passenger
	1JB561E7AA	1	2, 3, 6, 7	L	13, 15, 17, 53, 55			*A6	[E7] Art Grey, With [CFB] 1ST Rear Bench 3-Passenger
	1JB561F7AA	1	2, 3, 6, 7	L	13, 15, 17, 53, 55			*A6	[F7] Black, With [CFB] 1ST Rear Bench 3-Passenger
	1JB571A6AA	1	2, 3, 6, 7	L	13, 15, 17, 53, 55			*A6	[A6] Orion Grey Medium, With [CFB] 1ST Rear Bench 3-Passenger,With [CGU] Child Seat Anchor System Latch
	1JB571E7AA	1	2, 3, 6, 7	L	13, 15, 17, 53, 55			*A6	[E7] Art Grey, With [CFB] 1ST Rear Bench 3-Passenger,With [CGU] Child Seat Anchor System Latch
	1JB571F7AA	1	2, 3, 6, 7	L	13, 15, 17, 53, 55			*A6	[F7] Black, With [CFB] 1ST Rear Bench 3-Passenger,With [CGU] Child Seat Anchor System Latch
	1JB581A6AA	1	2, 6	L	53, 55			*A6	[A6] Orion Grey Medium, With [CFC] 2ND Rear Bench 3-Passenger
	1JB581E7AA	1	2, 6	L	53, 55			*A6	[E7] Art Grey, With [CFC] 2ND Rear Bench 3-Passenger
	1JB581F7AA	1	2, 6	L	53, 55			*A6	[F7] Black, With [CFC] 2ND Rear Bench 3-Passenger
2									SEAT BACK, Rear, 3 Passenger, 1ST Rear Bench 3-Passenger Seat
	1HG941A6AA	1	2, 3, 6, 7	L	13, 15, 17, 53, 55			*A6	[A6] Orion Grey Medium,With [CFB]
	1HG941E7AA	1	2, 3, 6, 7	L	13, 15, 17, 53, 55			*A6	[E7] Art Grey,With [CFB]
	1HG941F7AA	1	2, 3, 6, 7	L	13, 15, 17, 53, 55			*A6	[F7] Black,With [CFB]
3									SEAT BACK, Rear, 3 Passenger, 2ND Rear Bench 3-Passenger Seat
	1HG951A6AA	1	2, 6	L	53, 55			*A6	[A6] Orion Grey Medium,With [CFC]

SPRINTER (VB)

SERIES LINE
L = LOWLINE 3 = HD DODGE 2WD
2 = Med. Duty DODGE 2WD

BODY
03 = CAB CHASSIS WHEEL BASE 3
05 = CAB CHASSIS WHEEL BASE 5
13 = 119 WB
53 = 119 WB
15 = VAN WHEEL BASE 5
55 = WAGON WHEEL BASE 5
17 = VAN WHEEL BASE 7

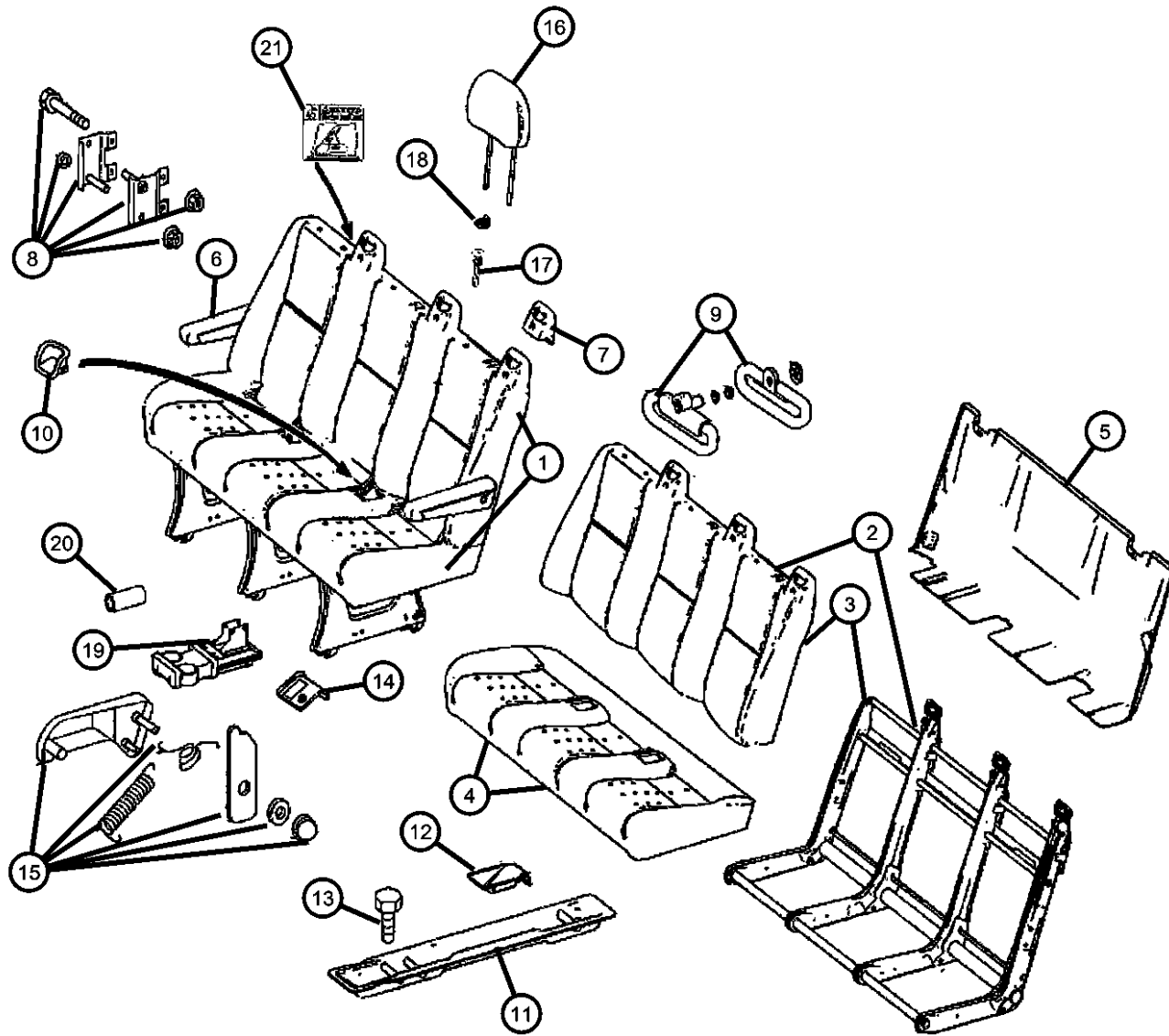
ENGINE
EG2 = 3.5L V6 Gas Engine
EXM = 3.0L V6 Turbo Diesel Engine

TRANSMISSION
DGZ = 5-Speed Auto W5A380 Transmission

AR = use ase required - = Non illustrated part

2007 VB

**Rear Seat- 3 Passenger
Figure IVB-620**



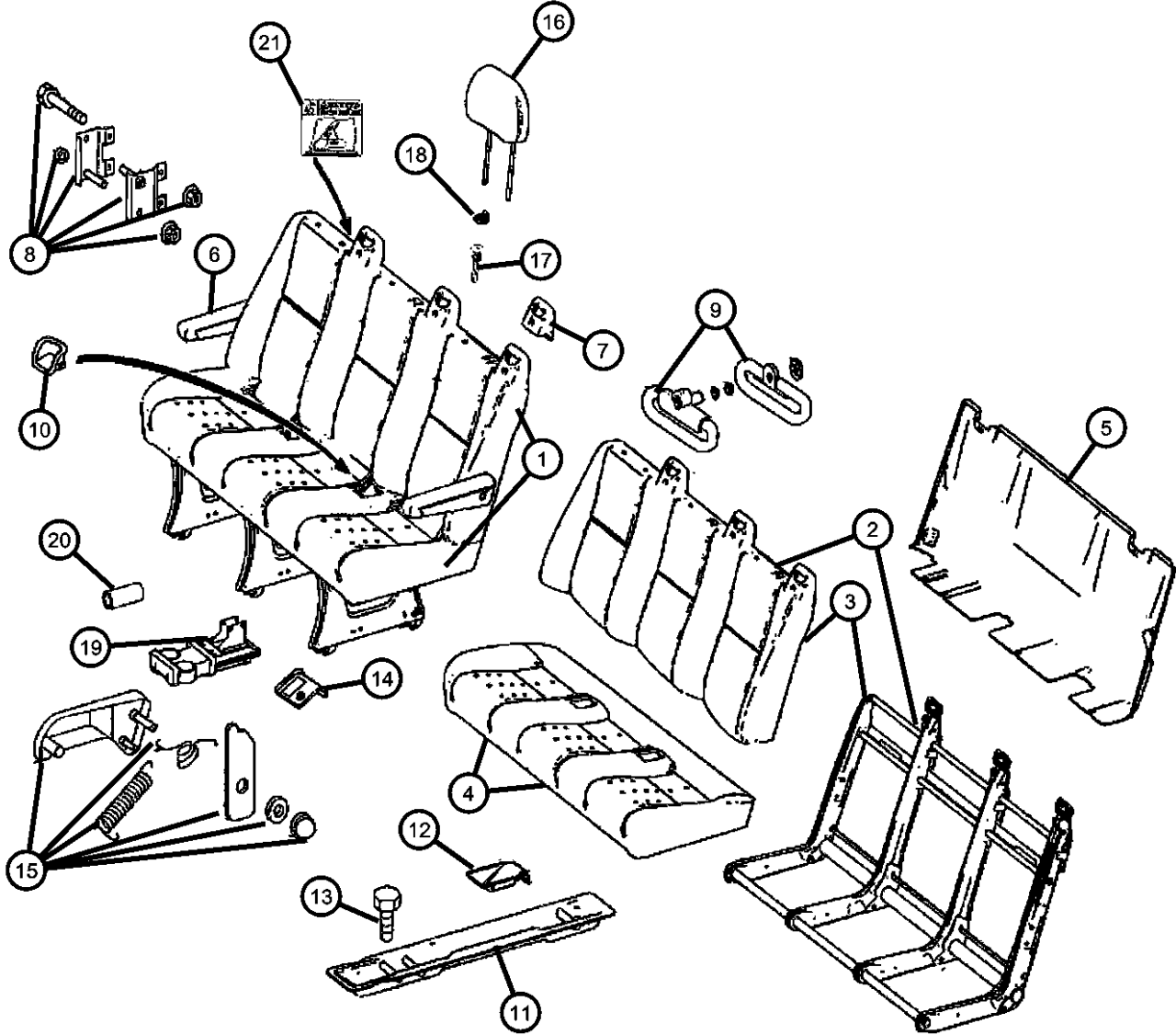
ITEM	PART NUMBER	QTY	LINE	SERIES	BODY	ENGINE	TRANS	TRIM	DESCRIPTION
	1HG951E7AA	1	2, 6	L	53, 55			*A6	[E7] Art Grey,With [CFC]
	1HG951F7AA	1	2, 6	L	53, 55			*A6	[F7] Black,With [CFC]
4									CUSHION, Rear Seat, Three Passenger
	1HG981A6AA	1	2, 3, 6, 7	L	13, 15, 17, 53, 55			*A6	[A6] Orion Grey Medium, With [CFB] 1ST Rear Bench 3-Passenger Seat, With [CFF] Narrow Width
	1HH001F7AA	1	2, 6	L	53, 55			*A6	[F7] Black, With [CFC] 2ND Rear Bench 3-Passenger Seat, With [CFD] Normal Width
	1HG981E7AA	1	2, 3, 6, 7	L	13, 15, 17, 53, 55			*A6	[E7] Art Grey, With [CFB] 1ST Rear Bench 3-Passenger Seat, With [CFF] Narrow Width
	1HG981F7AA	1	2, 3, 6, 7	L	13, 15, 17, 53, 55			*A6	[F7] Black, With [CFB] 1ST Rear Bench 3-Passenger Seat, With [CFF] Narrow Width
	1HH001A6AA	1	2, 6	L	53, 55			*A6	[A6] Orion Grey Medium, With [CFC] 2ND Rear Bench 3-Passenger Seat, With [CFD] Normal Width
	1HH001E7AA	1	2, 6	L	53, 55			*A6	[E7] Art Grey, With [CFC] 2ND Rear Bench 3-Passenger Seat, With [CFD] Normal Width
5									COVER
	68011010AA	1	2, 3, 6, 7	L	13, 15, 17, 53, 55				With [CFB] 1ST Rear Bench 3-Passenger
	68011014AA	1	2, 3, 6, 7	L	13, 15, 17, 53, 55				With [CFC] 2ND Rear Bench 3-Passenger
6									ARMREST, Seat
	68010987AA	1	2, 3, 6, 7	L	13, 15, 17, 53, 55				With [CFB] 1ST Rear Bench 3-Passenger Seat, Left
		1	2, 3, 6, 7	L	13, 15, 17, 53, 55				With [CFC] 2ND Rear Bench 3-Passenger Seat, Left
		1	2, 3, 6, 7	L	13, 15, 17, 53, 55				With [CFD] 3RD Rear Bench 3-Passenger Seat, Left
	68010989AA	1	2, 3, 6, 7	L	13, 15, 17, 53, 55				With [CFB] 1ST Rear Bench 3-Passenger Seat, Right
		1	2, 3, 6, 7	L	13, 15, 17, 53, 55				With [CFC] 2ND Rear Bench 3-Passenger Seat, Right
		1	2, 3, 6, 7	L	13, 15, 17, 53, 55				With [CFD] 3RD Rear Bench 3-Passenger Seat, Right

SPRINTER (VB)

SERIES	LINE	BODY	ENGINE	TRANSMISSION
L = LOWLINE	3 = HD DODGE 2WD 2 = Med. Duty DODGE 2WD	03 = CAB CHASSIS WHEEL BASE 3 05 = CAB CHASSIS WHEEL BASE 5 13 = 119 WB 53 = 119 WB 15 = VAN WHEEL BASE 5 55 = WAGON WHEEL BASE 5 17 = VAN WHEEL BASE 7	EG2 = 3.5L V6 Gas Engine EXM = 3.0L V6 Turbo Diesel Engine	DGZ = 5-Speed Auto W5A380 Transmission

AR = use ase required - = Non illustrated part

**Rear Seat- 3 Passenger
Figure IVB-620**



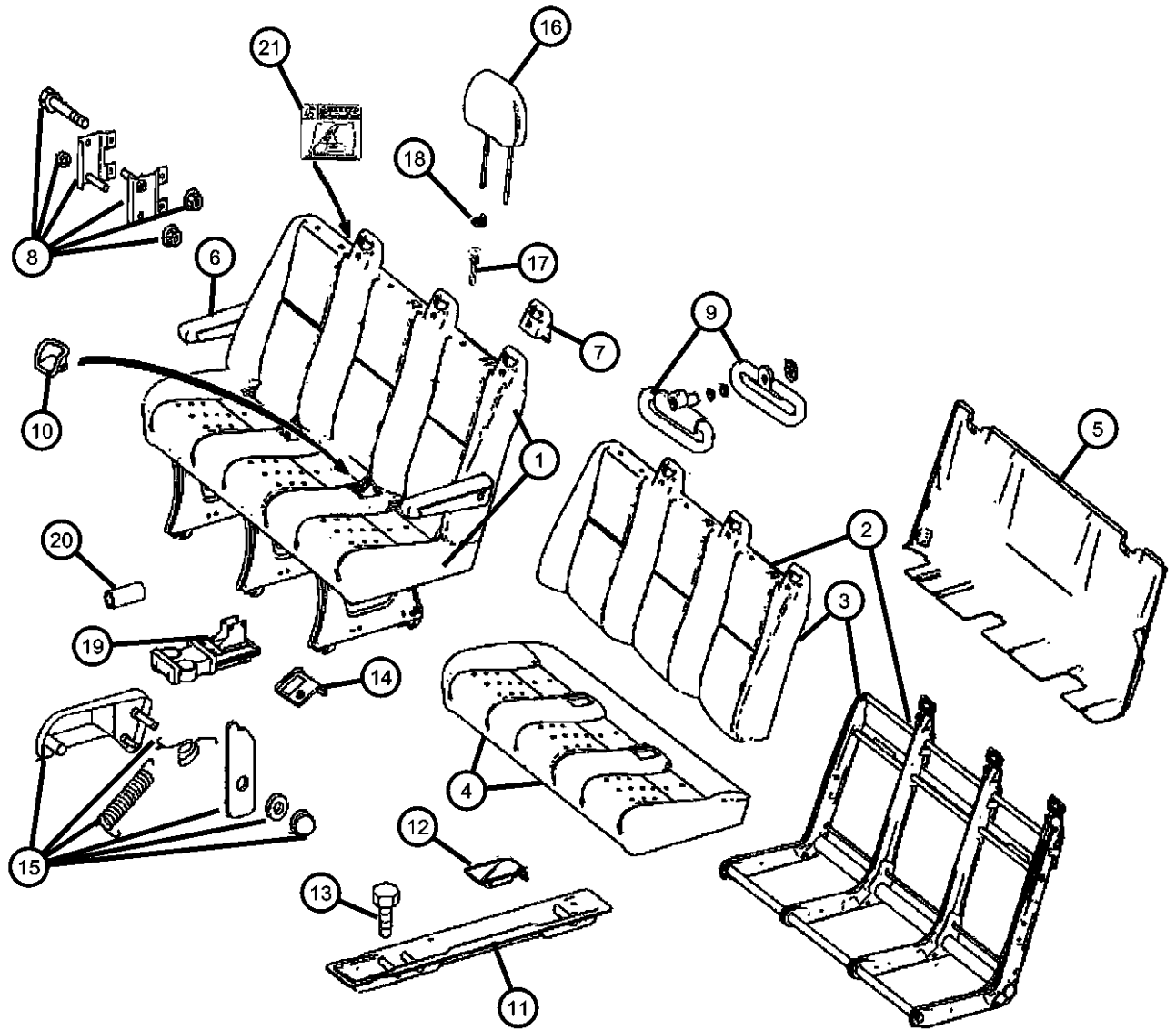
ITEM	PART NUMBER	QTY	LINE	SERIES	BODY	ENGINE	TRANS	TRIM	DESCRIPTION
7	68011002AA	3	2, 6	L	53, 55				COVER, Seat Belt Guide Cover With [CFB] 1ST Rear Bench 3-Passenger Seat
		3	2, 6	L	53, 55				With [CFC] 2ND Rear Bench 3-Passenger Seat
		3	2, 6	L	53, 55				With [CFD] 3RD Rear Bench 3-Passenger Seat
8	05134098AA	2	2, 3, 6, 7	L	13, 15, 17, 53, 55				BRACKET, Arm Rest With [CFB] 1ST Rear Bench 3-Passenger Seat
		2	2, 3, 6, 7	L	13, 15, 17, 53, 55				With [CFC] 2ND Rear Bench 3-Passenger
		2	2, 3, 6, 7	L	13, 15, 17, 53, 55				With [CFD] 3RD Rear Bench 3-Passenger
9	68011003AA	3	2, 3, 6, 7	L	13, 15, 17, 53, 55				GUIDE, Seat Belt With [CFD] 3RD Rear Bench 3-Passenger Seat
		3	2, 3, 6, 7	L	13, 15, 17, 53, 55				With [CFB] 1ST Rear Bench 3-Passenger Seat
		3	2, 3, 6, 7	L	13, 15, 17, 53, 55				With [CFC] 2ND Rear Bench 3-Passenger Seat
10	68011004AA	4	2, 6	L	53, 55				COVER, Seat Anchor, With [CFB] [CFC] [CFD] 1ST, 2ND, and 3RD Rear Bench 3-Passenger Seat
11	68011017AA	3	2, 3, 6, 7	L	13, 15, 17, 53, 55				BRACKET, Bench Seat Bottom Bracket With [CFB] 1ST Rear Bench 3-Passenger Seat
		3	2, 3, 6, 7	L	13, 15, 17, 53, 55				With [CFC] 2ND Raer Bench 3-Passenger
		3	2, 3, 6, 7	L	13, 15, 17, 53, 55				With [CFD] 3RD Rear Bench 3-Passenger
12	1HE19DX8AA	1	2, 3, 6, 7	L	13, 15, 17, 53, 55			*A6	COVER, Seat Anchor With [CFB] 1ST Rear Bench 3-Passenger Seat
		1	2, 3, 6, 7	L	13, 15, 17, 53, 55			*A6	With [CFC] 2ND Rear Bench 3-Passenger Seat
		1	2, 3, 6, 7	L	13, 15, 17, 53, 55			*A6	With [CFD] 3RD Rear Bench 3-Passenger Seat
13	68011023AA	6	2, 3, 6, 7	L	13, 15, 17, 53, 55				SCREW With [CFB] 1ST Rear Bench 3-Passenger

SPRINTER (VB)

SERIES	LINE	BODY	ENGINE	TRANSMISSION
L = LOWLINE	3 = HD DODGE 2WD 2 = Med. Duty DODGE 2WD	03 = CAB CHASSIS WHEEL BASE 3 05 = CAB CHASSIS WHEEL BASE 5 13 = 119 WB 53 = 119 WB 15 = VAN WHEEL BASE 5 55 = WAGON WHEEL BASE 5 17 = VAN WHEEL BASE 7	EG2 = 3.5L V6 Gas Engine EXM = 3.0L V6 Turbo Diesel Engine	DGZ = 5-Speed Auto W5A380 Transmission

AR = use ase required - = Non illustrated part

**Rear Seat- 3 Passenger
Figure IVB-620**



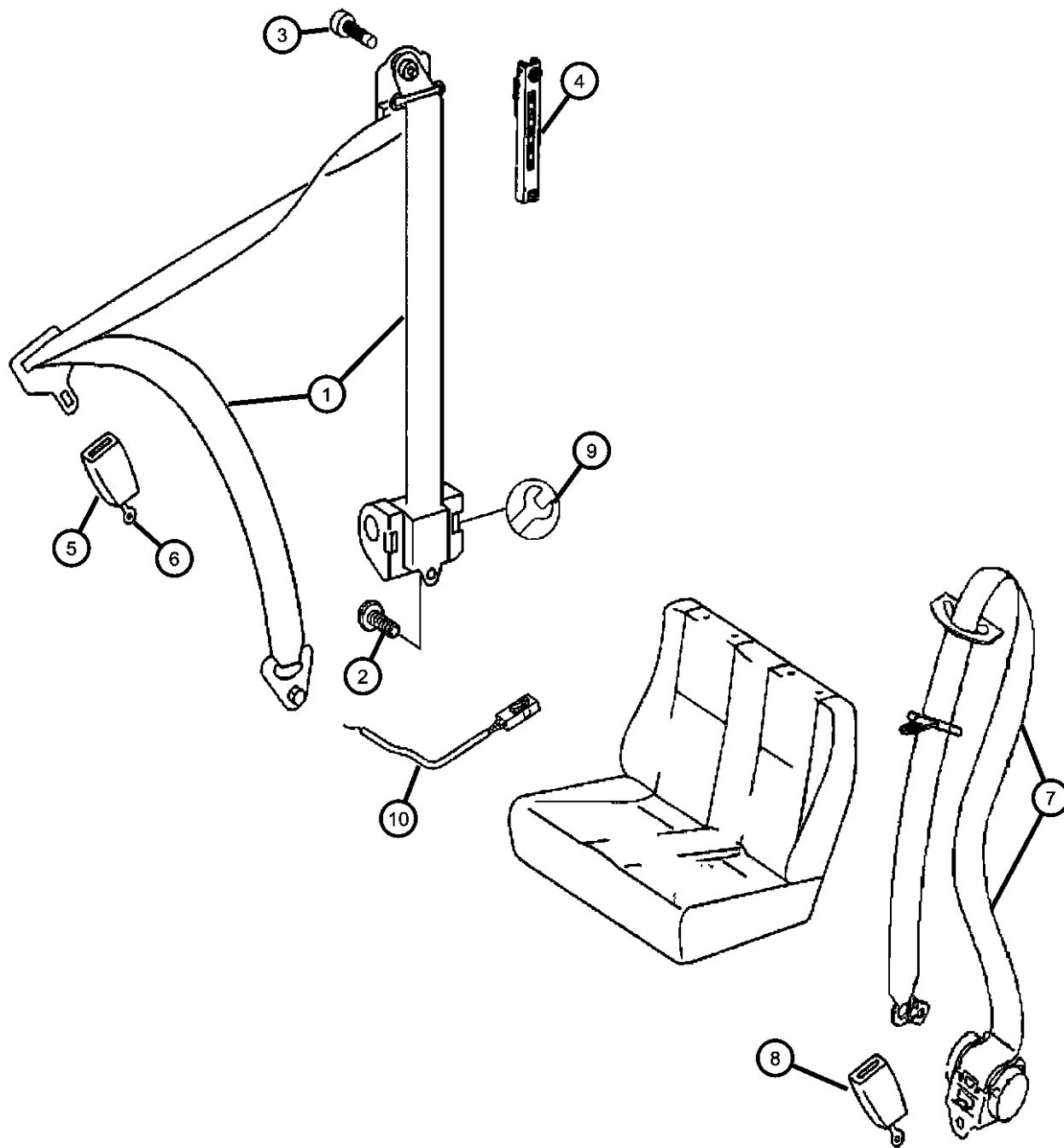
ITEM	PART NUMBER	QTY	LINE	SERIES	BODY	ENGINE	TRANS	TRIM	DESCRIPTION
		6	2, 3, 6, 7	L	13, 15, 17, 53, 55				With [CFC] 2ND Rear Bench 3-Passenger
		6	2, 3, 6, 7	L	13, 15, 17, 53, 55				With [CFD] 3RD Rear Bench 3-Passenger
14	68011005AA	2	2, 3, 6, 7	L	13, 15, 17, 53, 55				PLATE
		2	2, 3, 6, 7	L	13, 15, 17, 53, 55				With [CFB] 1ST Rear Bench 3-Passenger Seat
		2	2, 3, 6, 7	L	13, 15, 17, 53, 55				With [CFC] 2ND Rear Bench 3-Passenger Seat
		2	2, 3, 6, 7	L	13, 15, 17, 53, 55				With [CFD] 3RD Rear Bench 3-Passenger Seat
15	68011017AA	3	2, 3, 6, 7	L	13, 15, 17, 53, 55				BRACKET
		3	2, 3, 6, 7	L	13, 15, 17, 53, 55				With [CFB] 1ST Rear Bench 3-Passenger Seat
		3	2, 3, 6, 7	L	13, 15, 17, 53, 55				With [CFC] 2ND Rear Bench 3-Passenger Seat
		3	2, 3, 6, 7	L	13, 15, 17, 53, 55				With [CFD] 3RD Rear Bench 3-Passenger Seat
16	1HE60XDVAA	3	2, 3, 6, 7	L	13, 15, 17, 53, 55			*A6	Adjustable
	1HE59DX9AA	3	2, 3, 6, 7	L				*A6	Standard
17	68010824AA	2	2, 3, 6, 7	L					SLEEVE, Headrest
18	1JB64DX8AA	3	2, 6	L	53, 55			*A6	HOOK, Coat
19	68010991AA	2	2, 3, 6, 7	L	13, 15, 17, 53, 55				BRACKET
20	05104550AA	1	2, 3, 6, 7	L	13, 15, 17, 53, 55				PIN, Roll
21	68010994AA	1	2, 3, 6, 7	L	13, 15, 17, 53, 55				LABEL, Warning
		1	2, 3, 6, 7	L	13, 15, 17, 53, 55				With [CFB] 1ST Rear Bench 3-Passenger Seat
		1	2, 3, 6, 7	L	13, 15, 17, 53, 55				With [CFC] 2ND Rear Bench 3-Passenger Seat
		1	2, 3, 6, 7	L	13, 15, 17, 53, 55				With [CFD] 3RD Rear Bench 3-Passenger Seat

SPRINTER (VB)

SERIES	LINE	BODY	ENGINE	TRANSMISSION
L = LOWLINE	3 = HD DODGE 2WD 2 = Med. Duty DODGE 2WD	03 = CAB CHASSIS WHEEL BASE 3 05 = CAB CHASSIS WHEEL BASE 5 13 = 119 WB 53 = 119 WB 15 = VAN WHEEL BASE 5 55 = WAGON WHEEL BASE 5 17 = VAN WHEEL BASE 7	EG2 = 3.5L V6 Gas Engine EXM = 3.0L V6 Turbo Diesel Engine	DGZ = 5-Speed Auto W5A380 Transmission

AR = use ase required - = Non illustrated part

Front Seat Belts
Figure IVB-710



ITEM	PART NUMBER	QTY	LINE	SERIES	BODY	ENGINE	TRANS	TRIM	DESCRIPTION
1									SEAT BELT, Front Outer
	1HD71DX9AA	1	2, 3, 6, 7	L				*A6	With [CGE], Left
		1	2, 3, 6, 7	L				*E7	With [CGE], Left
		1	2, 3, 6, 7	L				*F7	With [CGE], Left
	1HG34DX9AA	1	2, 3, 6, 7	L	13, 15, 17			*A6	With [CDT] Passenger Jump Seat, Right
		1	2, 3, 6, 7	L	13, 15, 17			*E7	With [CDT] Passenger Jump Seat, Right
		1	2, 3, 6, 7	L	13, 15, 17			*F7	With [CDT] Passenger Jump Seat, Right
	1HQ42DX9AA	1	2, 3, 6, 7	L					With [CGQ] Orange, Right & Left
	68005046AA	1	2, 3, 6, 7	L	13, 15, 17				
2	68017269AA	1	2, 3, 6, 7	L	03, 05, 13, 15, 17				SCREW
3	05097581AB	2	2, 3, 6, 7	L					SCREW
4	68017270AA	2	2, 3, 6, 7	L					ADJUSTER, Seat Belt Turning Loop Right & Left
5									SEAT BELT, Buckle Half
	05124982AA	1	3, 7	L	03, 05				Passenger Side w/o seat adjusting, luxury, or suspension seat options., Passenger
		1	2, 3, 6, 7	L	13, 15, 17, 53, 55				Passenger Side w/o seat adjusting, luxury, or suspension seat options., Passenger
	68010832AA	1	2, 3, 6, 7	L					Driver side with seat belt chime, Driver
	68010831AA	1	2, 3, 6, 7	L					Driver side w/o Seat Belt Chime. Passenger side with seat adjusting, luxury, or suspension seat options, Passenger And Driver
6									SCREW, Mounting Bolt
	05073723AB	2	2, 3, 6, 7	L	13, 15, 17, 53, 55				
		1	3, 7	L	03, 05				
7									SEAT BELT, Front Outer, Dual Passenger Seat
	1HF08DX9AA	1	2, 3, 6, 7	L				*A6	[A6] With [CW9] Dual Passenger Seat
		1	2, 3, 6, 7	L				*E7	[E7] With [CW9] Dual Passenger Seat

SPRINTER (VB)

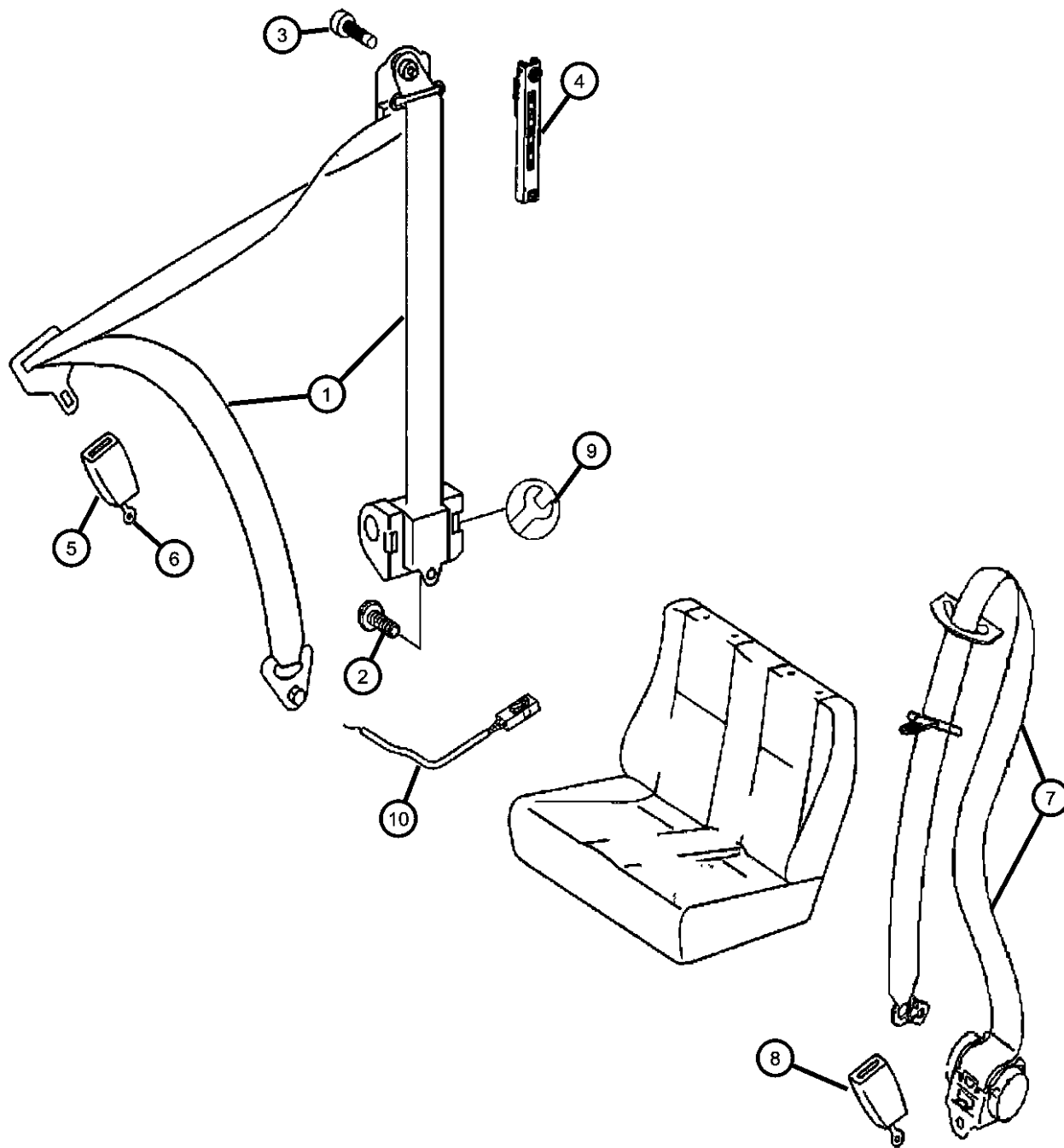
SERIES	LINE	BODY	ENGINE	TRANSMISSION
L = LOWLINE	3 = HD DODGE 2WD 2 = Med. Duty DODGE 2WD	03 = CAB CHASSIS WHEEL BASE 3 05 = CAB CHASSIS WHEEL BASE 5 13 = 119 WB 53 = 119 WB 15 = VAN WHEEL BASE 5 55 = WAGON WHEEL BASE 5 17 = VAN WHEEL BASE 7	EG2 = 3.5L V6 Gas Engine EXM = 3.0L V6 Turbo Diesel Engine	DGZ = 5-Speed Auto W5A380 Transmission

AR = use ase required - = Non illustrated part

2007 VB

Front Seat Belts
Figure IVB-710

ITEM	PART NUMBER	QTY	LINE	SERIES	BODY	ENGINE	TRANS	TRIM	DESCRIPTION
		1	2, 3, 6, 7	L				*F7	[F7] With [CW9] Dual Passenger Seat
8	05104502AA	2	3, 7	L	03, 05				SEAT BELT, Buckle Half, Dual Passenger Seat
		2	2, 3, 6, 7	L	13, 15, 17, 53, 55				With [CW9] Dual Passenger Seat
9	68016726AA	2	2, 3, 6, 7	L					CONNECTOR, Wiring
10	68016749AA	1	2, 3, 6, 7	L					WIRING



SPRINTER (VB)

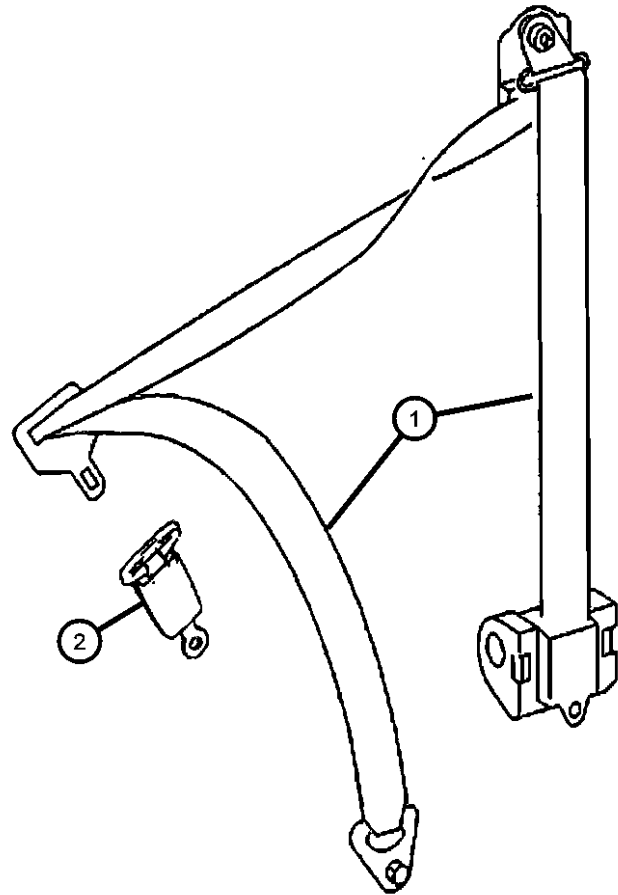
SERIES	LINE	BODY	ENGINE	TRANSMISSION
L = LOWLINE	3 = HD DODGE 2WD 2 = Med. Duty DODGE 2WD	03 = CAB CHASSIS WHEEL BASE 3 05 = CAB CHASSIS WHEEL BASE 5 13 = 119 WB 53 = 119 WB 15 = VAN WHEEL BASE 5 55 = WAGON WHEEL BASE 5 17 = VAN WHEEL BASE 7	EG2 = 3.5L V6 Gas Engine EXM = 3.0L V6 Turbo Diesel Engine	DGZ = 5-Speed Auto W5A380 Transmission

AR = use ase required - = Non illustrated part

2007 VB

Rear Seat Belts
Figure IVB-720

ITEM	PART NUMBER	QTY	LINE	SERIES	BODY	ENGINE	TRANS	TRIM	DESCRIPTION
1									SEAT BELT, Retractor
	68010992AA	2	2, 3, 6, 7	L	13, 15, 17, 53, 55				With [CFY] 2ND Rear Bench 2-Passenger Seat
		3	2, 3, 6, 7	L	13, 15, 17, 53, 55				With [CFC] 2ND Rear Bench 3-Passenger Seat
		2	2, 3, 6, 7	L	13, 15, 17, 53, 55				With [4Z1 or 4XS] National Version for Canada or National Version for USA
		3	2, 3, 6, 7	L	13, 15, 55, 17, 53				With [CFD] 3RD Rear Bench 3-Passenger Seat
		2	2, 3, 6, 7	L	13, 15, 17, 53, 55				With [CFA] 1ST Rear Bench 2-Passenger Seat
		3	2, 3, 6, 7	L	13, 15, 17, 53, 55				With [CFB] 1ST Rear Bench 3-Passenger Seat
2									SEAT BELT, Buckle Half
	05104502AA	2	2, 3, 6, 7	L	13, 15, 17, 53, 55				With [CFA] 1ST Rear Bench 2-Passenger Seat
		3	2, 3, 6, 7	L	13, 15, 17, 53, 55				With [CFB] 1ST Rear Bench 3-Passenger Seat
		2	2, 3, 6, 7	L	13, 15, 17, 53, 55				With [CFY] 2ND Rear Bench 2-Passenger Seat
		3	2, 3, 6, 7	L	13, 15, 17, 53, 55				With [CFC] 2ND Rear Bench 3-Passenger
		3	2, 3, 6, 7	L	13, 15, 17, 53, 55				With [CFD] 3RD Rear Bench 3[-Passenger Seat



SPRINTER (VB)

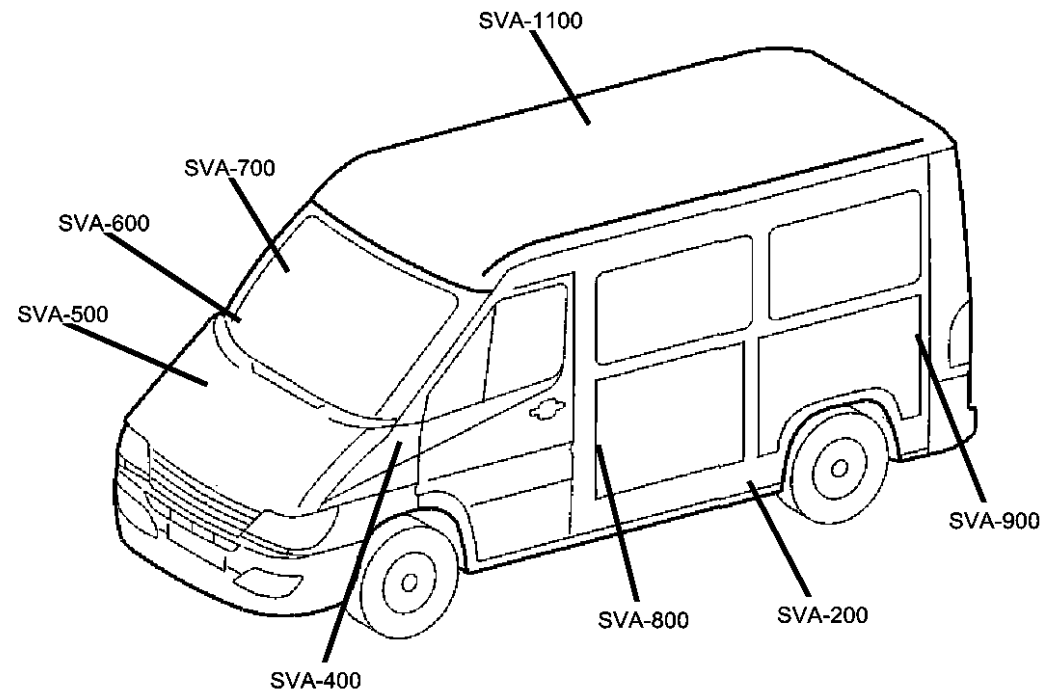
SERIES	LINE	BODY	ENGINE	TRANSMISSION
L = LOWLINE	3 = HD DODGE 2WD 2 = Med. Duty DODGE 2WD	03 = CAB CHASSIS WHEEL BASE 3 05 = CAB CHASSIS WHEEL BASE 5 13 = 119 WB 53 = 119 WB 15 = VAN WHEEL BASE 5 55 = WAGON WHEEL BASE 5 17 = VAN WHEEL BASE 7	EG2 = 3.5L V6 Gas Engine EXM = 3.0L V6 Turbo Diesel Engine	DGZ = 5-Speed Auto W5A380 Transmission

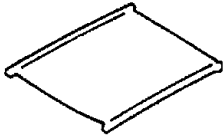


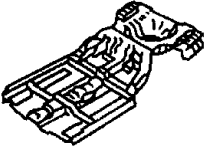

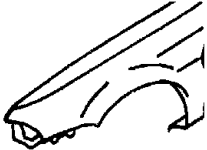
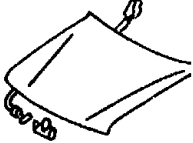
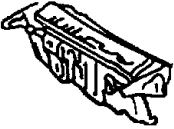

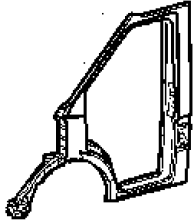
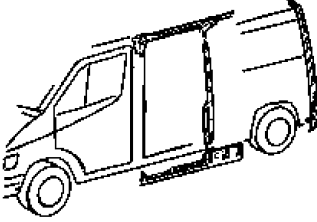
AR = use ase required - = Non illustrated part

2007 VB

Group - SVB

Body Sheet Metal Except Doors



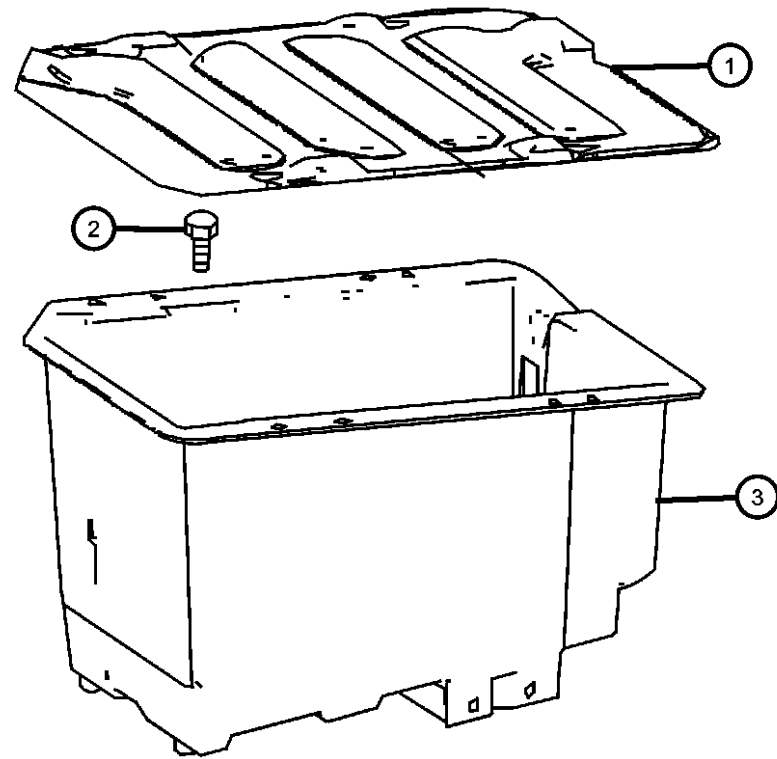
<p>SVB-1100 Roof Panels</p> 	<p>SVB-1200 Sunroof</p> 	<p>SVB-1600 Luggage Rack</p> 	<p>SVB-200 Floor Pans</p> 
<p>SVB-300 Plugs</p> 	<p>SVB-400 Front Fenders</p> 	<p>SVB-500 Hood and Hood Release</p> 	<p>SVB-600 Cowl and Dash Panel</p> 
<p>SVB-700 Glass and Rear View Mirror</p> 	<p>SVB-800 Aperture Panel</p> 	<p>SVB-900 Quarter Panel and Pillars</p> 	

Group - SVB Body Sheet Metal Except Doors

Illustration Title	Group-Fig. No.
Floor Pans	
Battery Support.....	Fig. SVB - 205
Substructure Front.....	Fig. SVB - 210
Substructure Center.....	Fig. SVB - 215
Substructure Rear.....	Fig. SVB - 220
Plugs	
Body Plugs.....	Fig. SVB - 310
Body Plugs.....	Fig. SVB - 320
Ventilation Flap.....	Fig. SVB - 330
Ventilation Flap.....	Fig. SVB - 340
Front Fenders	
Outer Fender and Front End.....	Fig. SVB - 410
Inner Fender and Attaching Parts.....	Fig. SVB - 420
Hood and Hood Release	
Hood.....	Fig. SVB - 510
Cowl and Dash Panel	
Cowl Panel.....	Fig. SVB - 610
Instrument Panel Lining.....	Fig. SVB - 620
Instrument Panel Lining, Inner.....	Fig. SVB - 625
Passenger Compartment Damping.....	Fig. SVB - 630
Floor Mats,Entry,Load and Passenger Compartment.....	Fig. SVB - 640
Glass and Rear View Mirror	
Windshield & Rear Glass / Cab Chassis.....	Fig. SVB - 705
Windshield, Partition & Roof Glass / Cargo Van.....	Fig. SVB - 710
Windshield / Passenger Van.....	Fig. SVB - 715
Rear Cargo Door Glass.....	Fig. SVB - 720
Sliding Door Glass.....	Fig. SVB - 725
Driver & Passenger Door Glass.....	Fig. SVB - 730
Fixed Glass Without Sliding Door.....	Fig. SVB - 735
Rear Side Glass.....	Fig. SVB - 740
Rear Side And Quarter Glass.....	Fig. SVB - 745
Window & Head Side Airbag.....	Fig. SVB - 750
Aperture Panel	
Front Aperture,Inner left.....	Fig. SVB - 810
Front Aperture,Outer Left.....	Fig. SVB - 820
Front Aperture,Inner Right.....	Fig. SVB - 830
Front Aperture,Outer,Right.....	Fig. SVB - 840
Quarter Panel and Pillars	
Outer Side Panel, Left.....	Fig. SVB - 905
Outer Side Panel, Right.....	Fig. SVB - 910
Side Panel Inner, Left.....	Fig. SVB - 915
Side Panel Inner, Right.....	Fig. SVB - 920
Roof Panels	
Low Roof.....	Fig. SVB - 1105
High Roof Panel.....	Fig. SVB - 1110
Super High Roof.....	Fig. SVB - 1115
Sunroof	
Sunroof.....	Fig. SVB - 1210
Luggage Rack	
Luggage Rack.....	Fig. SVB - 1610

**Battery Support
Figure SVB-205**

ITEM	PART NUMBER	QTY	LINE	SERIES	BODY	ENGINE	TRANS	TRIM	DESCRIPTION
1	68006358AA	1	2, 3, 6, 7						COVER
2	05126197AA	2	2, 3, 6, 7						SCREW, Console to Frame M6x12
3	68006357AA	1	2, 3, 6, 7						TRAY, Battery



SPRINTER (VB)

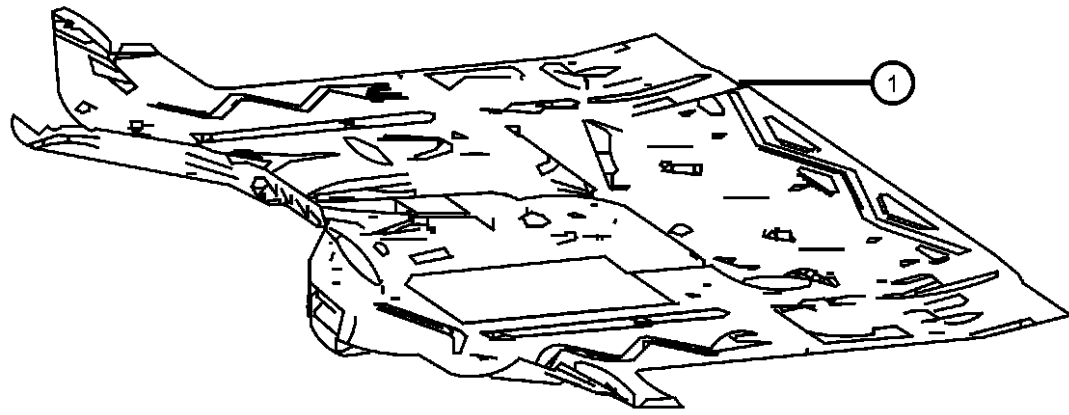
SERIES	LINE	BODY	ENGINE	TRANSMISSION
L = LOWLINE	3 = HD DODGE 2WD 2 = Med. Duty DODGE 2WD	03 = CAB CHASSIS WHEEL BASE 3 05 = CAB CHASSIS WHEEL BASE 5 13 = 119 WB 53 = 119 WB 15 = VAN WHEEL BASE 5 55 = WAGON WHEEL BASE 5 17 = VAN WHEEL BASE 7	EG2 = 3.5L V6 Gas Engine EXM = 3.0L V6 Turbo Diesel Engine	DGZ = 5-Speed Auto W5A380 Transmission

AR = use ase required - = Non illustrated part

2007 VB

**Substructure Front
Figure SVB-210**

ITEM	PART NUMBER	QTY	LINE	SERIES	BODY	ENGINE	TRANS	TRIM	DESCRIPTION
1	68008207AA	1	2, 3, 6, 7						PAN, Floor

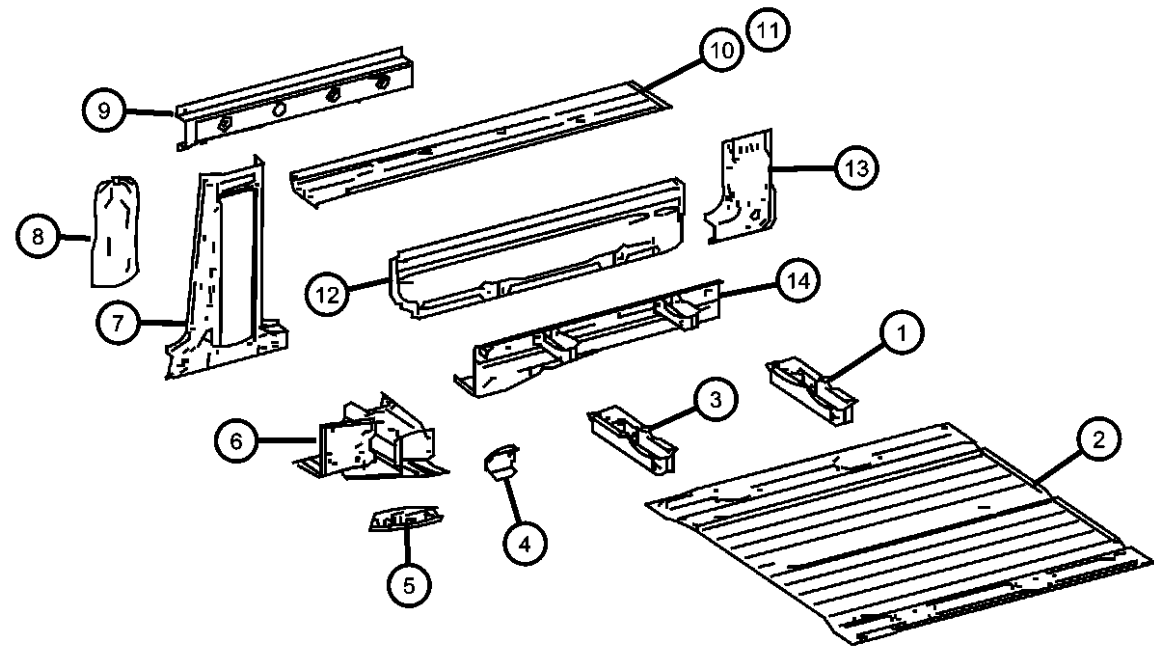


SPRINTER (VB)

SERIES	LINE	BODY	ENGINE	TRANSMISSION
L = LOWLINE	3 = HD DODGE 2WD 2 = Med. Duty DODGE 2WD	03 = CAB CHASSIS WHEEL BASE 3 05 = CAB CHASSIS WHEEL BASE 5 13 = 119 WB 53 = 119 WB 15 = VAN WHEEL BASE 5 55 = WAGON WHEEL BASE 5 17 = VAN WHEEL BASE 7	EG2 = 3.5L V6 Gas Engine EXM = 3.0L V6 Turbo Diesel Engine	DGZ = 5-Speed Auto W5A380 Transmission

AR = use ase required - = Non illustrated part

**Substructure Center
Figure SVB-215**



ITEM	PART NUMBER	QTY	LINE	SERIES	BODY	ENGINE	TRANS	TRIM	DESCRIPTION
1	68008250AA	1	2, 3, 6, 7		13, 15, 17, 53, 55				CROSSMEMBER, Front Frame, Outside, Left
2	68008223AA	1	2, 3, 6, 7		13, 15, 17, 53, 55				PAN, Center Floor, Central
3	68008250AA	1	2, 3, 6, 7		13, 15, 17, 53, 55				CROSSMEMBER, Front Frame, Outside, Right
4	68008213AA	2	2, 3, 6, 7						BRACKET, Crash Sensor
5	68008220AA	1	3, 7		03, 05				SEAL
		1	2, 6		13, 15, 17, 53, 55				
6	68008222AA	1	2, 3, 6, 7						[MC9] BRACKET
	68008260AA	1	2, 3, 6, 7		13, 15, 17, 53, 55				B-Pillar on the Left
	68008272AA	1	2, 3, 6, 7		13, 15, 17, 53, 55				B-Pillar on the Right
7	68008266AA	1	2, 3, 6, 7		13, 15, 17, 53, 55				PILLAR, Side Cargo Door B-Pillar on the Left
	68008275AA	1	2, 3, 6, 7		13, 15, 17, 53, 55				B-Pillar on the Right
8	68008217AA	1	2, 3, 6, 7						INSULATION, B-Pillar
9	68008298AA	1	2, 3, 6, 7		13, 15, 17, 53, 55				SUPPORT, Sill Reinforcement & Left
10	68008234AA	1	2, 3, 6, 7		13, 15, 17				PAN, Floor Central Right, Outside
	68008236AA	1	2, 3, 6, 7		13, 15, 17, 53, 55				Central Left, Outside
11	68008236AA	1	2, 3, 6, 7		13, 15, 17, 53, 55				PAN, Floor, With Additional Auxiliary Heater
12	68008253AA	1	2, 3, 6, 7		13, 15, 17, 53, 55				SUPPORT, Sill Reinforcement Outside, Left
	68008258AA	1	2, 3, 6, 7		13, 15, 17, 53, 55				Outside, Right
13	68008276AA	1	2, 3, 6, 7		13, 15, 17, 53, 55				PILLAR, Side Cargo Door C-Pillar, Left
	68008279AA	1	2, 3, 6, 7		13, 15, 17, 53, 55				C-Pillar, Right

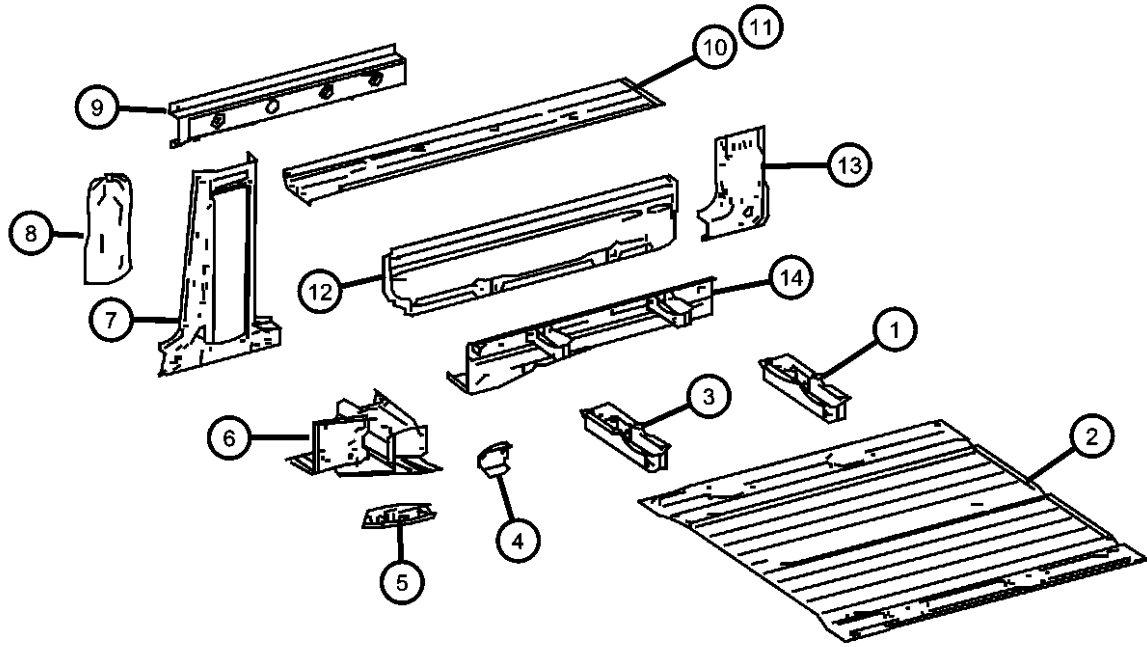
SPRINTER (VB)

SERIES	LINE	BODY	ENGINE	TRANSMISSION
L = LOWLINE	3 = HD DODGE 2WD 2 = Med. Duty DODGE 2WD	03 = CAB CHASSIS WHEEL BASE 3 05 = CAB CHASSIS WHEEL BASE 5 13 = 119 WB 53 = 119 WB 15 = VAN WHEEL BASE 5 55 = WAGON WHEEL BASE 5 17 = VAN WHEEL BASE 7	EG2 = 3.5L V6 Gas Engine EXM = 3.0L V6 Turbo Diesel Engine	DGZ = 5-Speed Auto W5A380 Transmission

AR = use ase required - = Non illustrated part

**Substructure Center
Figure SVB-215**

ITEM	PART NUMBER	QTY	LINE	SERIES	BODY	ENGINE	TRANS	TRIM	DESCRIPTION
14	68008289AA	1	2, 3, 6, 7		13, 15, 17, 53, 55				PANEL Front Left
	68008294AA	1	2, 3, 6, 7		13, 15, 17, 53, 55				Left Rear Entrance



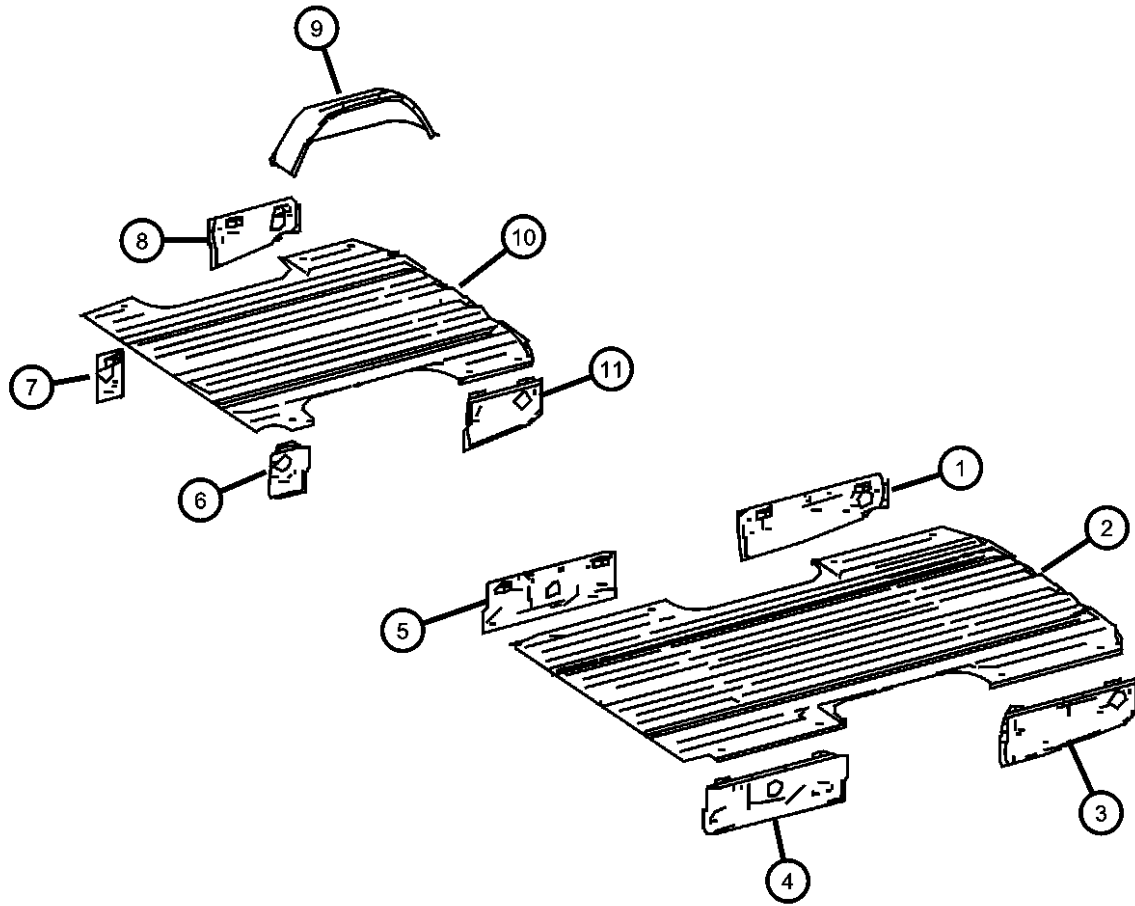
SPRINTER (VB)

SERIES	LINE	BODY	ENGINE	TRANSMISSION
L = LOWLINE	3 = HD DODGE 2WD 2 = Med. Duty DODGE 2WD	03 = CAB CHASSIS WHEEL BASE 3 05 = CAB CHASSIS WHEEL BASE 5 13 = 119 WB 53 = 119 WB 15 = VAN WHEEL BASE 5 55 = WAGON WHEEL BASE 5 17 = VAN WHEEL BASE 7	EG2 = 3.5L V6 Gas Engine EXM = 3.0L V6 Turbo Diesel Engine	DGZ = 5-Speed Auto W5A380 Transmission

AR = use ase required - = Non illustrated part

**Substructure Rear
Figure SVB-220**

ITEM	PART NUMBER	QTY	LINE	SERIES	BODY	ENGINE	TRANS	TRIM	DESCRIPTION
1	68008352AA	1	2, 3, 6, 7		15, 55				SUPPORT
2	68008303AA	1	2, 3, 6, 7		13, 15, 17, 53, 55				PANEL, Rear
3	68008353AA	1	2, 3, 6, 7		15, 55				SUPPORT
4	68008334AA	1	2, 3, 6, 7		15, 17, 55				SUPPORT, C-Pillar Left
5	68008341AA	1	2, 3, 6, 7		15, 17, 55				SUPPORT, C-Pillar Right
6	68008333AA	1	2, 3, 6, 7		13, 53				SUPPORT, C-Pillar Left
7	68008340AA	1	2, 3, 6, 7		13, 53				SUPPORT, C-Pillar Right
8	68008350AA	1	2, 3, 6, 7		13, 53				SUPPORT, Rear Right
9	68008346AA	2	2, 6		13, 15, 17, 53, 55				PANEL, Wheelhouse
10	68008307AA	1	2, 6		13, 53				PAN, Rear Floor
11	68008351AA	1	2, 3, 6, 7		13, 53				SUPPORT, Rear Left



SPRINTER (VB)

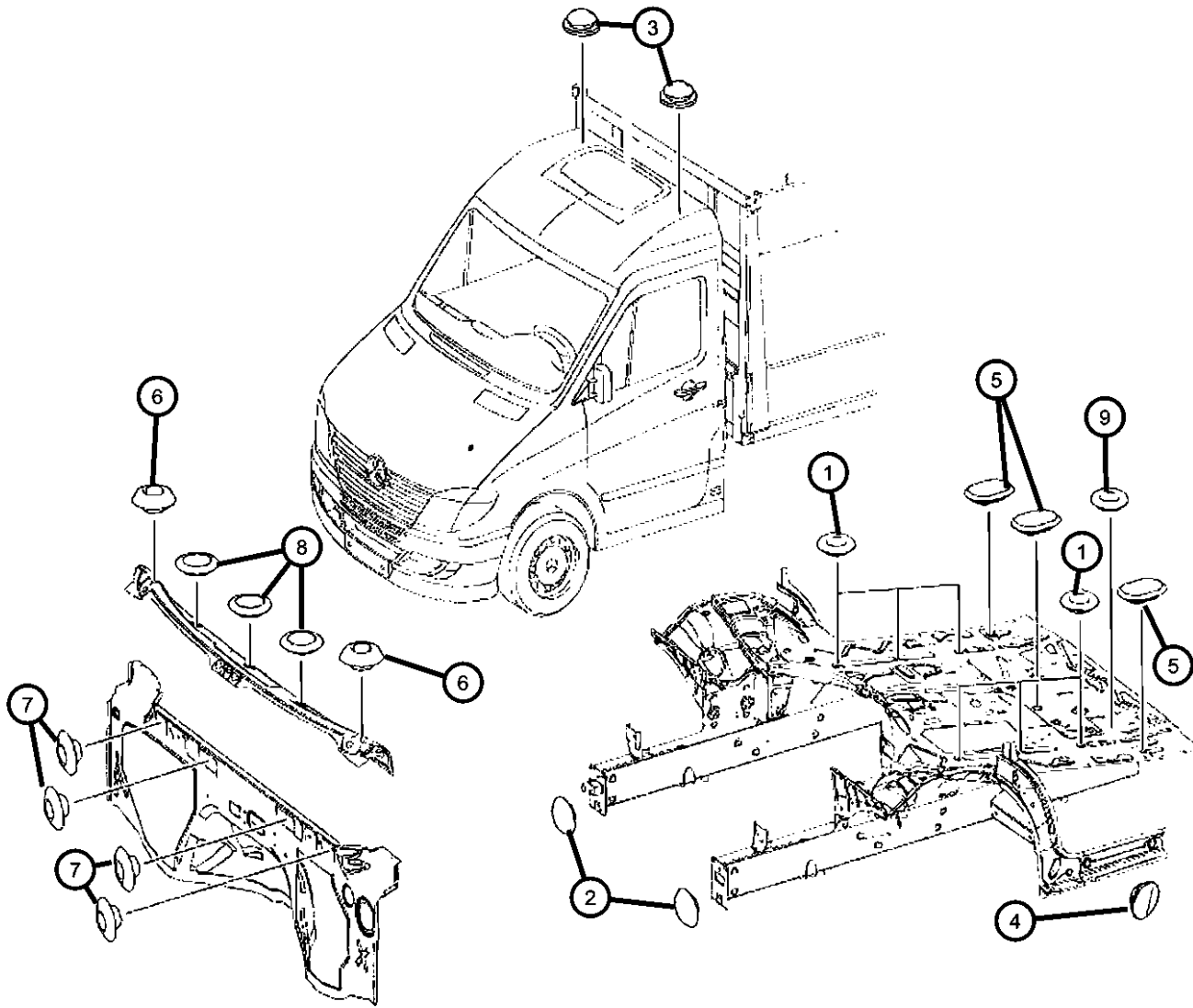
SERIES	LINE	BODY	ENGINE	TRANSMISSION
L = LOWLINE	3 = HD DODGE 2WD 2 = Med. Duty DODGE 2WD	03 = CAB CHASSIS WHEEL BASE 3 05 = CAB CHASSIS WHEEL BASE 5 13 = 119 WB 53 = 119 WB 15 = VAN WHEEL BASE 5 55 = WAGON WHEEL BASE 5 17 = VAN WHEEL BASE 7	EG2 = 3.5L V6 Gas Engine EXM = 3.0L V6 Turbo Diesel Engine	DGZ = 5-Speed Auto W5A380 Transmission

AR = use ase required - = Non illustrated part

2007 VB

**Body Plugs
Figure SVB-310**

ITEM	PART NUMBER	QTY	LINE	SERIES	BODY	ENGINE	TRANS	TRIM	DESCRIPTION
1									PLUG, Body
	68006359AA	2	3, 7		03, 05				Front Floor [20MM]
	68006360AA	5	3, 7		03, 05				Front Floor [15MM]
	68036735AA	1	2, 3, 6, 7						Front Floor Below Passenger Seat [22.9 x 32.4MM]
2	68006361AA	2	3, 7		03, 05				PLUG, Body, Front Frame [10MM]
3	05098417AA	2	3, 7		03, 05				PLUG, Roof, Inside [15.5MM]
4	68006953AA	1	3, 7		03, 05				PLUG, [36 MM]
5									PLUG, Body
	68006364AA	AR	2, 3, 6, 7						Front Floor [15x25MM]
	68006954AA	1	2, 3, 6, 7						Front Floor [27x41MM]
6	05103253AA	2	3, 7		03, 05				PLUG, Body, Window Sill Support [10MM]
7	68006362AA	5	3, 7		03, 05				PLUG, Body, Fire Wall [12MM]
8	68006363AA	3	3, 7		03, 05				PLUG, At Window Sill Support [25MM]
9	68006360AA	5	3, 7		03, 05				PLUG, Body, Below Seats [15MM]



SPRINTER (VB)

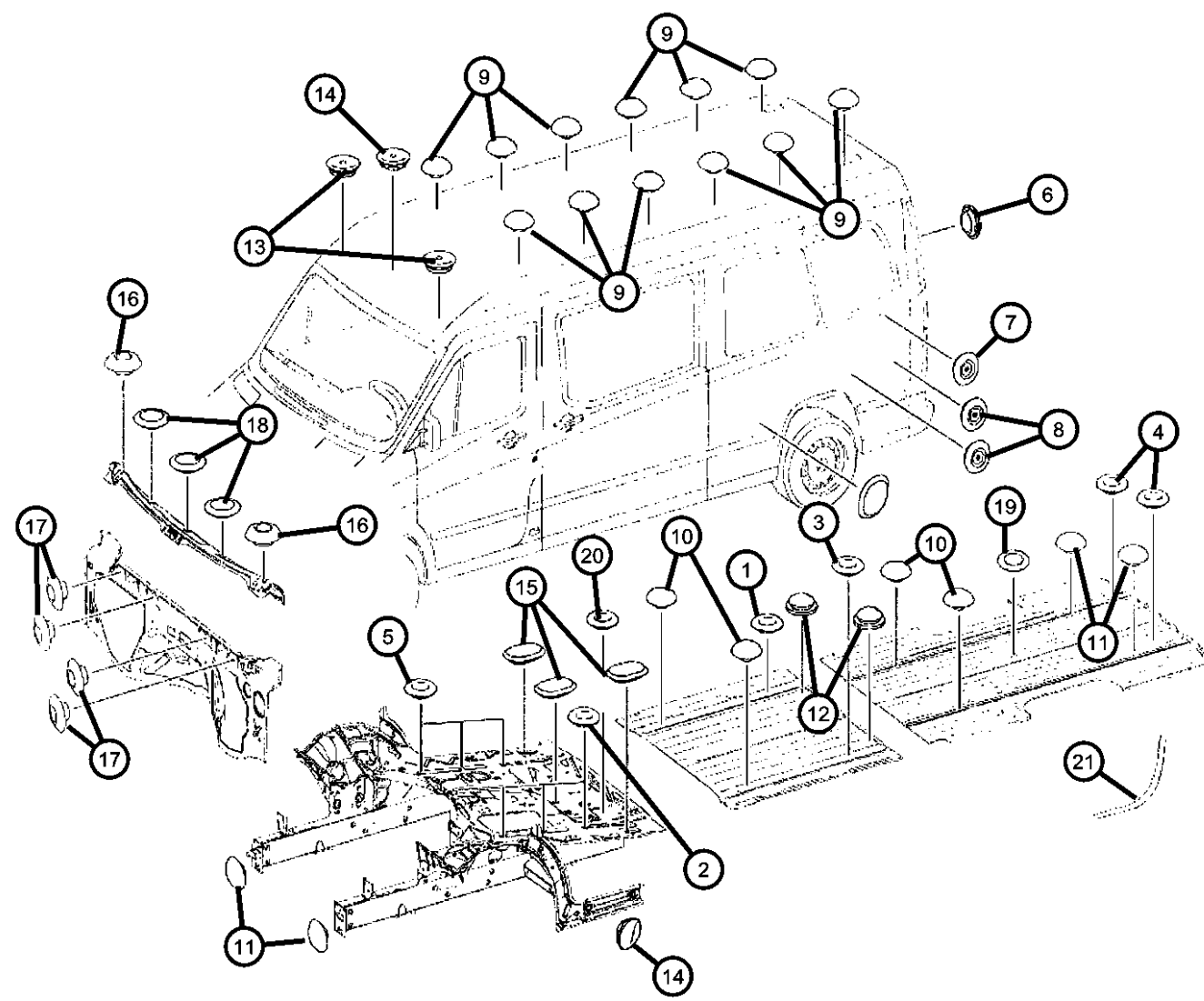
SERIES	LINE	BODY	ENGINE	TRANSMISSION
L = LOWLINE	3 = HD DODGE 2WD 2 = Med. Duty DODGE 2WD	03 = CAB CHASSIS WHEEL BASE 3 05 = CAB CHASSIS WHEEL BASE 5 13 = 119 WB 53 = 119 WB 15 = VAN WHEEL BASE 5 55 = WAGON WHEEL BASE 5 17 = VAN WHEEL BASE 7	EG2 = 3.5L V6 Gas Engine EXM = 3.0L V6 Turbo Diesel Engine	DGZ = 5-Speed Auto W5A380 Transmission

AR = use ase required - = Non illustrated part

2007 VB

**Body Plugs
Figure SVB-320**

ITEM	PART NUMBER	QTY	LINE	SERIES	BODY	ENGINE	TRANS	TRIM	DESCRIPTION
1	68008280AA	2	2, 3, 6, 7		13, 15, 17, 53, 55				PLUG, Central Floor [35MM]
2	68006360AA	5	2, 3, 6, 7		13, 15, 17, 53, 55				PLUG, Body Front Floor [15MM]
	68006359AA	2	2, 3, 6, 7		13, 15, 17, 53, 55				Front Floor [20MM]
3	68006359AA	10	2, 3, 6, 7		13, 15, 17, 53, 55				PLUG, Body, Central Floor [20MM]
4	68006359AA	10	2, 3, 6, 7		13, 15, 17, 53, 55				PLUG, Body, Rear Floor [20MM]
5	68036735AA	1	2, 3, 6, 7						PLUG, Body, Below Passenger Seat [22.9x34.4MM]
6	68006359AA	1	2, 3, 6, 7		13, 15, 17, 53, 55				PLUG, Body, Rear End, Door [20MM]
7	68006360AA	5	2, 3, 6, 7		13, 15, 17, 53, 55				PLUG, Body, Side Panel [15MM]
8	68008280AA	2	2, 3, 6, 7		13, 15, 17, 53, 55				PLUG, Side Panel [35MM]
9	68006361AA	16	2, 3, 6, 7		13, 53				PLUG, Body Roof [10MM] / Up To Chassis [S 162103 / 01/31/07] Or Up To Chassis [A 960009 / 11/23/06]
	68026461AA	16	2, 3, 6, 7		13, 53				Roof [18.5MM] / After Chassis [S 162104 / 01/31/07] Or After Chassis [A 962845 / 02/21/07]
		22	3, 6, 2, 7		15, 55				Roof [18.5MM] / After Chassis [S 162104 / 01/31/07] Or After Chassis [A 962845 / 02/21/07]
10	68006361AA	4	2, 3, 6, 7		13, 15, 17, 53, 55				PLUG, Body, Floor Plate [10 MM]
11	68006361AA	2	2, 3, 6, 7		13, 15, 17, 53, 55				PLUG, Body, Front Frame Area [10MM]
12	05096545AA	2	2, 3, 6, 7		13, 15, 17, 53, 55				PLUG, Body, Rubber Buffer [12MM]
13	68042921AA	2	2, 3, 6, 7		13, 15, 17, 53, 55				PLUG, Roof [40MM]
14	68006953AA	2	2, 3, 6, 7		13, 15, 17, 53, 55				PLUG, Roof & Frame [25MM]
15	68006364AA	AR	2, 3, 6, 7						PLUG, Body Front Floor & Side Panel [15x25MM]
	68006954AA	1	2, 3, 6, 7						Front Floor [27x41MM]
16	05103253AA	2	2, 3, 6, 7		13, 15, 17, 53, 55				PLUG, Body, Window Sill Support [10MM]



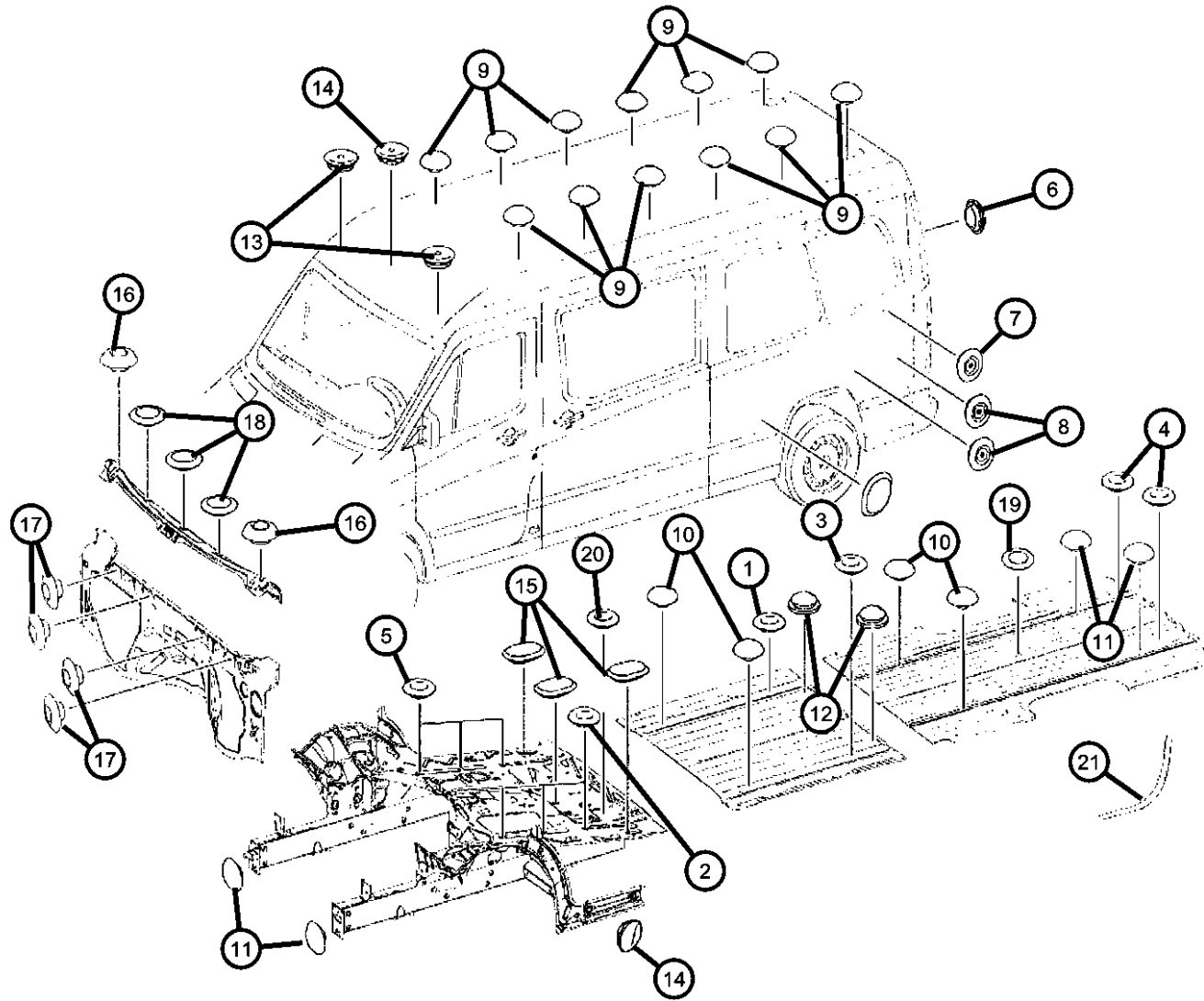
SPRINTER (VB)

SERIES	LINE	BODY	ENGINE	TRANSMISSION
L = LOWLINE	3 = HD DODGE 2WD 2 = Med. Duty DODGE 2WD	03 = CAB CHASSIS WHEEL BASE 3 05 = CAB CHASSIS WHEEL BASE 5 13 = 119 WB 53 = 119 WB 15 = VAN WHEEL BASE 5 55 = WAGON WHEEL BASE 5 17 = VAN WHEEL BASE 7	EG2 = 3.5L V6 Gas Engine EXM = 3.0L V6 Turbo Diesel Engine	DGZ = 5-Speed Auto W5A380 Transmission

AR = use ase required - = Non illustrated part

**Body Plugs
Figure SVB-320**

ITEM	PART NUMBER	QTY	LINE	SERIES	BODY	ENGINE	TRANS	TRIM	DESCRIPTION
17	68006362AA	5	2, 3, 6, 7		13, 15, 17, 53, 55				PLUG, Body, At Fire Wall [12MM]
18	68006363AA	3	2, 3, 6, 7		13, 15, 17, 53, 55				PLUG, Window Sill Support [25MM]
19	68008281AA	1	2, 6		53, 55				GROMMET, Central Floor [29.59MM]
20	68006360AA	5	2, 3, 6, 7		13, 17, 53, 55, 15				PLUG, Body, Floor Below Front Seats [15MM]
21	05114444AA	8	2, 3, 6, 7		13, 15, 17, 53, 55				TAPE



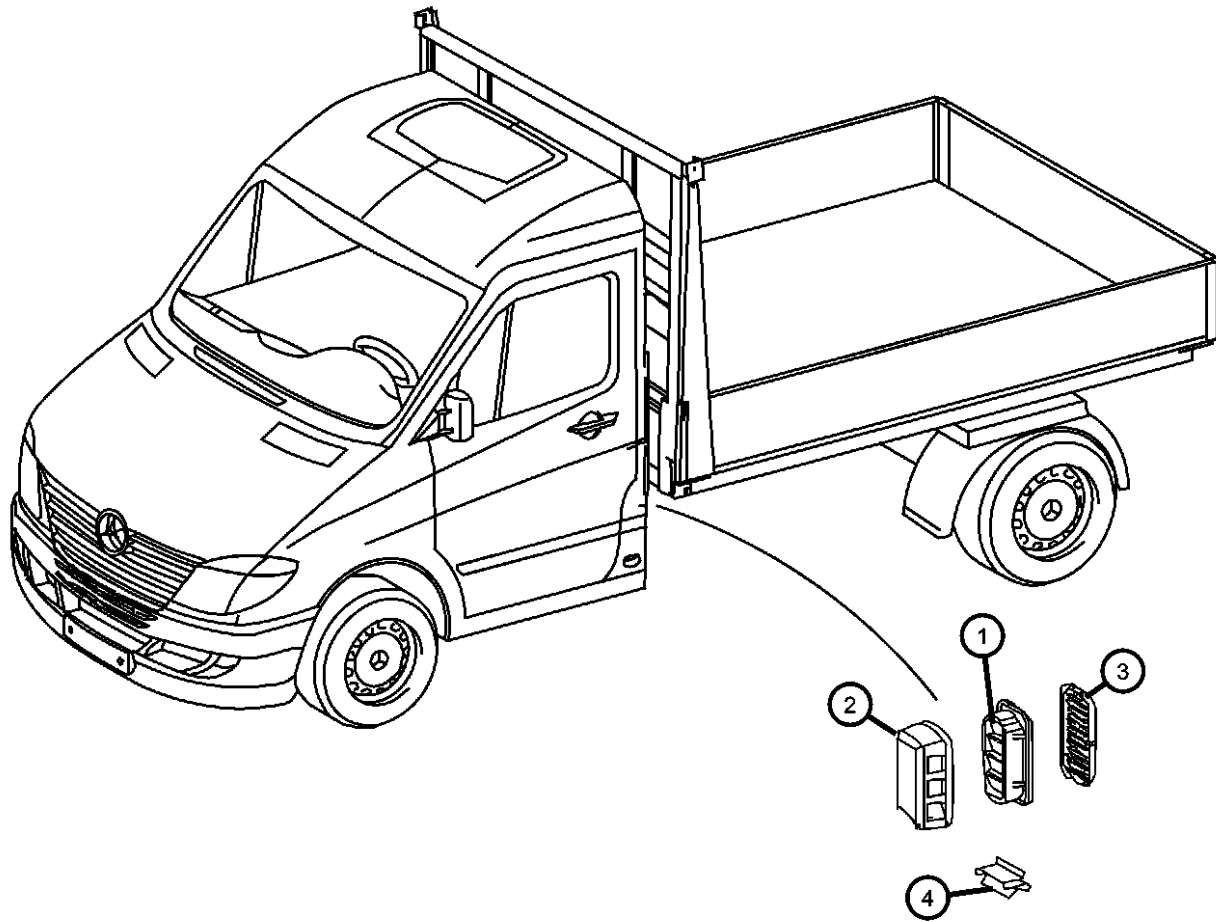
SPRINTER (VB)

SERIES	LINE	BODY	ENGINE	TRANSMISSION
L = LOWLINE	3 = HD DODGE 2WD 2 = Med. Duty DODGE 2WD	03 = CAB CHASSIS WHEEL BASE 3 05 = CAB CHASSIS WHEEL BASE 5 13 = 119 WB 53 = 119 WB 15 = VAN WHEEL BASE 5 55 = WAGON WHEEL BASE 5 17 = VAN WHEEL BASE 7	EG2 = 3.5L V6 Gas Engine EXM = 3.0L V6 Turbo Diesel Engine	DGZ = 5-Speed Auto W5A380 Transmission

AR = use ase required - = Non illustrated part

**Ventilation Flap
Figure SVB-330**

ITEM	PART NUMBER	QTY	LINE	SERIES	BODY	ENGINE	TRANS	TRIM	DESCRIPTION
1	05104472AA	2	3, 7		03, 05				EXHAUSTER, Quarter Panel, Flap
2	05124736AA	1	3, 7		03, 05				EXHAUSTER, Quarter Panel, Duct
3	05124903AA	2	3, 7		03, 05				EXHAUSTER, Quarter Panel, Grille
4	05125574AA	4	3, 7		03, 05				CLIP, U Type



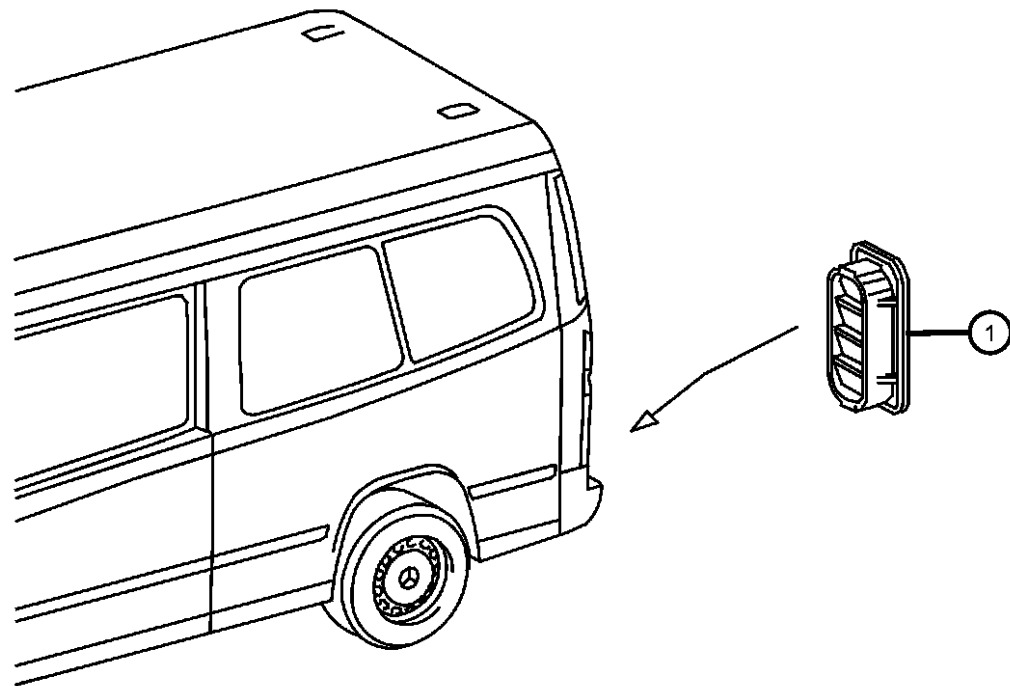
SPRINTER (VB)

SERIES	LINE	BODY	ENGINE	TRANSMISSION
L = LOWLINE	3 = HD DODGE 2WD 2 = Med. Duty DODGE 2WD	03 = CAB CHASSIS WHEEL BASE 3 05 = CAB CHASSIS WHEEL BASE 5 13 = 119 WB 53 = 119 WB 15 = VAN WHEEL BASE 5 55 = WAGON WHEEL BASE 5 17 = VAN WHEEL BASE 7	EG2 = 3.5L V6 Gas Engine EXM = 3.0L V6 Turbo Diesel Engine	DGZ = 5-Speed Auto W5A380 Transmission

AR = use ase required - = Non illustrated part

Ventilation Flap
Figure SVB-340

ITEM	PART NUMBER	QTY	LINE	SERIES	BODY	ENGINE	TRANS	TRIM	DESCRIPTION
1	05104472AA	2	2, 3, 6, 7		13, 15, 17, 53, 55				EXHAUSTER, Quarter Panel



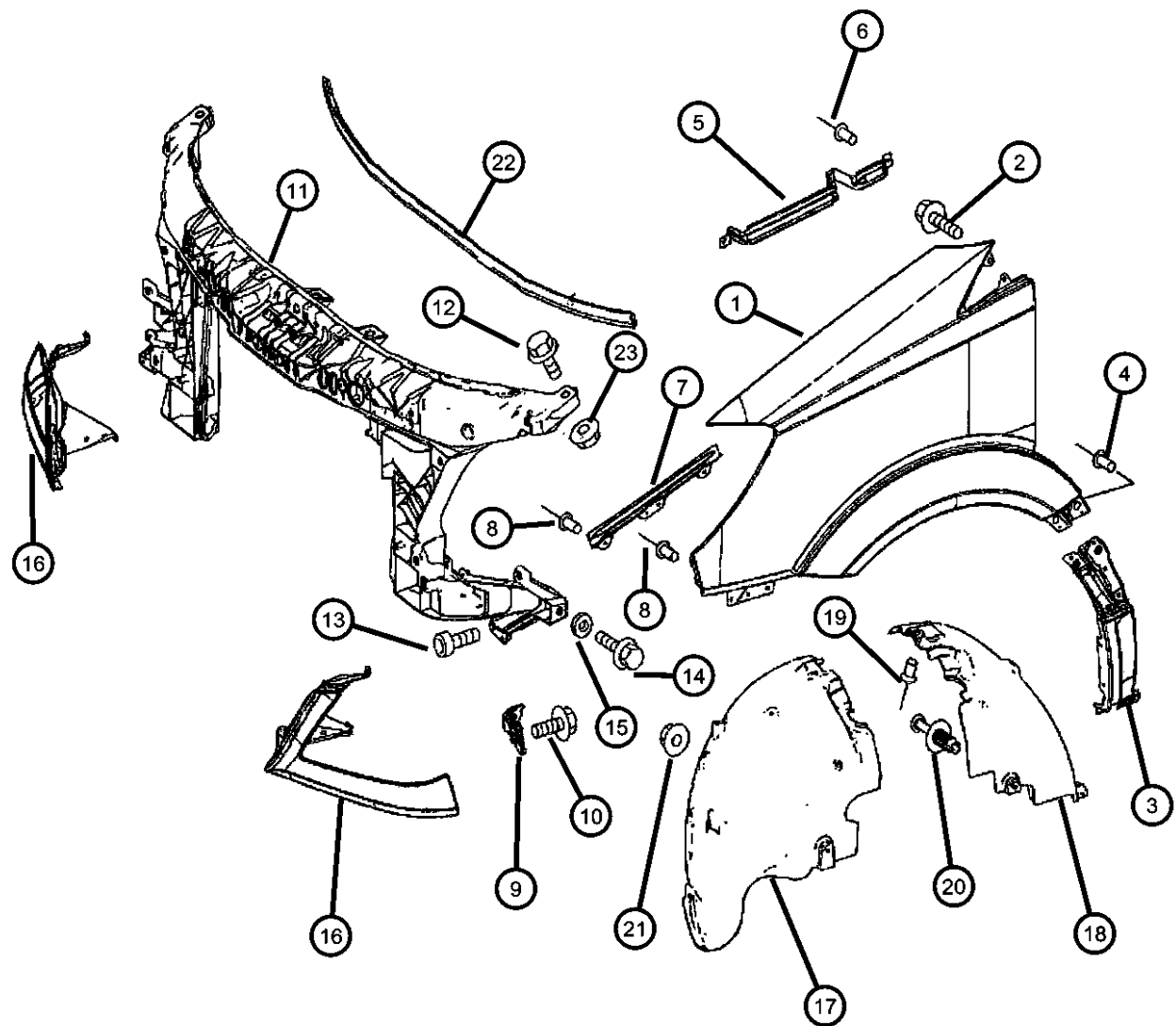
SPRINTER (VB)

SERIES	LINE	BODY	ENGINE	TRANSMISSION
L = LOWLINE	3 = HD DODGE 2WD 2 = Med. Duty DODGE 2WD	03 = CAB CHASSIS WHEEL BASE 3 05 = CAB CHASSIS WHEEL BASE 5 13 = 119 WB 53 = 119 WB 15 = VAN WHEEL BASE 5 55 = WAGON WHEEL BASE 5 17 = VAN WHEEL BASE 7	EG2 = 3.5L V6 Gas Engine EXM = 3.0L V6 Turbo Diesel Engine	DGZ = 5-Speed Auto W5A380 Transmission

AR = use ase required - = Non illustrated part

2007 VB

**Outer Fender and Front End
Figure SVB-410**



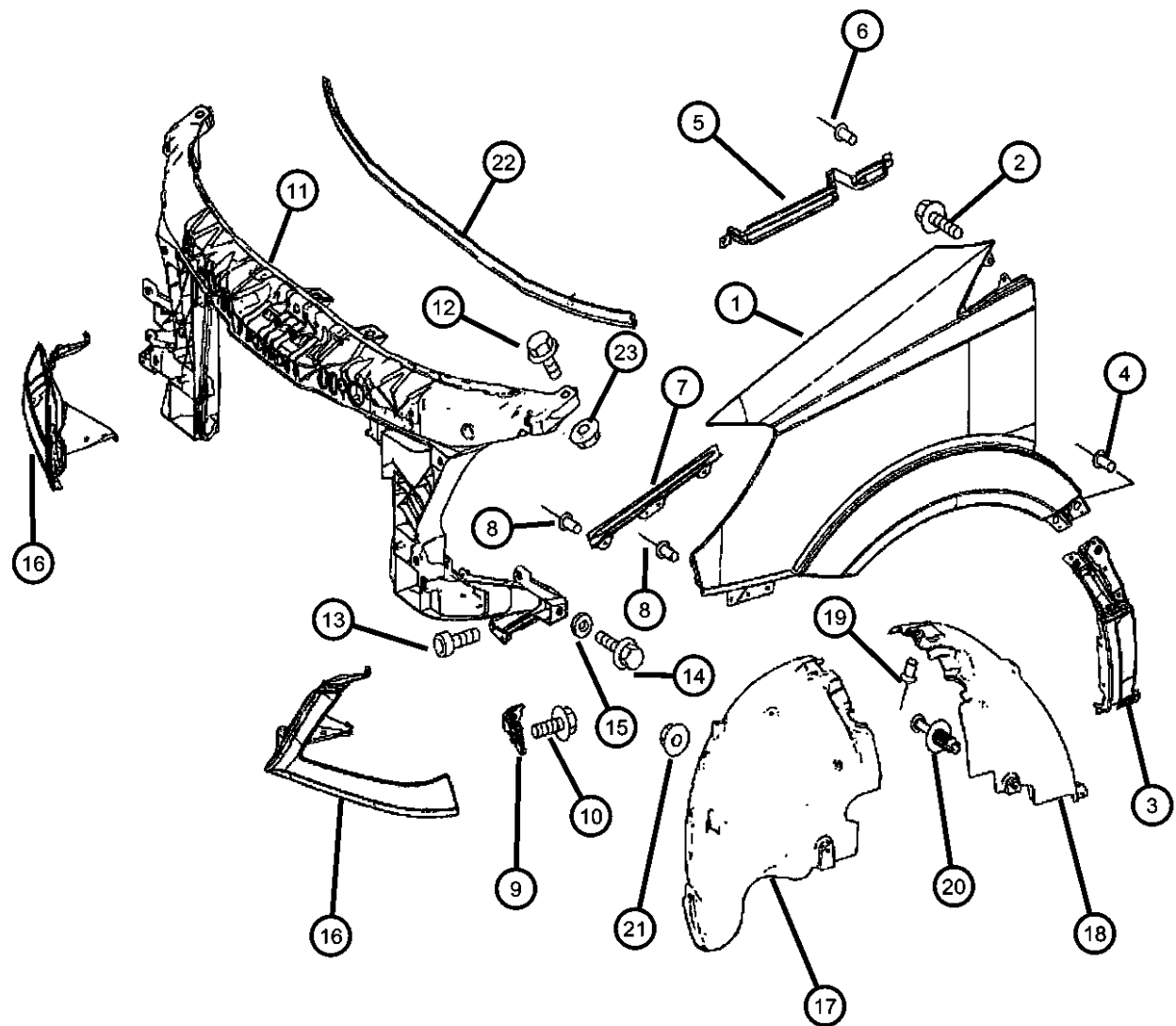
ITEM	PART NUMBER	QTY	LINE	SERIES	BODY	ENGINE	TRANS	TRIM	DESCRIPTION
1									FENDER, Front
	68009869AA	1	2, 7, 3, 6						Left
	68009877AA	1	2, 3, 6, 7						Right
2	06104120AA	4	2, 3, 6, 7		13, 15, 17, 53, 55				SCREW, Hex Head, M6x12
3									EXTENSION, Fender
	68009880AA	1	2, 3, 6, 7						Right
	68009871AA	1	2, 3, 6, 7						Left
4	68009873AA	2	2, 3, 6, 7		13, 15, 17, 53, 55				RIVET, Blind
5									SUPPORT, Fender
	68004962AA	1	2, 3, 6, 7						Left
	68004963AA	1	2, 3, 6, 7						Right
6	68009873AA	3	2, 3, 6, 7						RIVET, Blind
7									SUPPORT, Fender
	68009874AA	1	2, 3, 6, 7						Left
	68009875AA	1	2, 3, 6, 7						Right
8	68009873AA	3	2, 3, 6, 7						RIVET, Blind
9									RETAINER
	1HE32XDVAA	1	2, 3, 6, 7						Right
	1HE33XDVAA	1	2, 3, 6, 7						Left
10	06104634AA	2	2, 3, 6, 7						SCREW, Console
11	68014737AA	1	2, 3, 6, 7						SUPPORT, Radiator
12	05135858AA	2	2, 3, 6, 7						BOLT, Hex Head
13	68010553AA	2	2, 3, 6, 7		13, 15, 17, 53, 55				BOLT, Hex Head
14	06104025AA	4	2, 3, 6, 7		13, 15, 17, 53, 55				BOLT
15	05098108AA	4	2, 3, 6, 7		13, 15, 17, 53, 55				WASHER, Flat
16									PANEL, Headlamp support
	68005392AA	1	2, 3, 6, 7		13, 15, 17, 53, 55				With Wiper, Left
		1	3, 7		03, 05				With Wiper, Left
	68005393AA	1	2, 3, 6, 7		13, 15, 17, 53, 55				With Wiper, Right

SPRINTER (VB)

SERIES	LINE	BODY	ENGINE	TRANSMISSION
L = LOWLINE	3 = HD DODGE 2WD 2 = Med. Duty DODGE 2WD	03 = CAB CHASSIS WHEEL BASE 3 05 = CAB CHASSIS WHEEL BASE 5 13 = 119 WB 53 = 119 WB 15 = VAN WHEEL BASE 5 55 = WAGON WHEEL BASE 5 17 = VAN WHEEL BASE 7	EG2 = 3.5L V6 Gas Engine EXM = 3.0L V6 Turbo Diesel Engine	DGZ = 5-Speed Auto W5A380 Transmission

AR = use ase required - = Non illustrated part

**Outer Fender and Front End
Figure SVB-410**



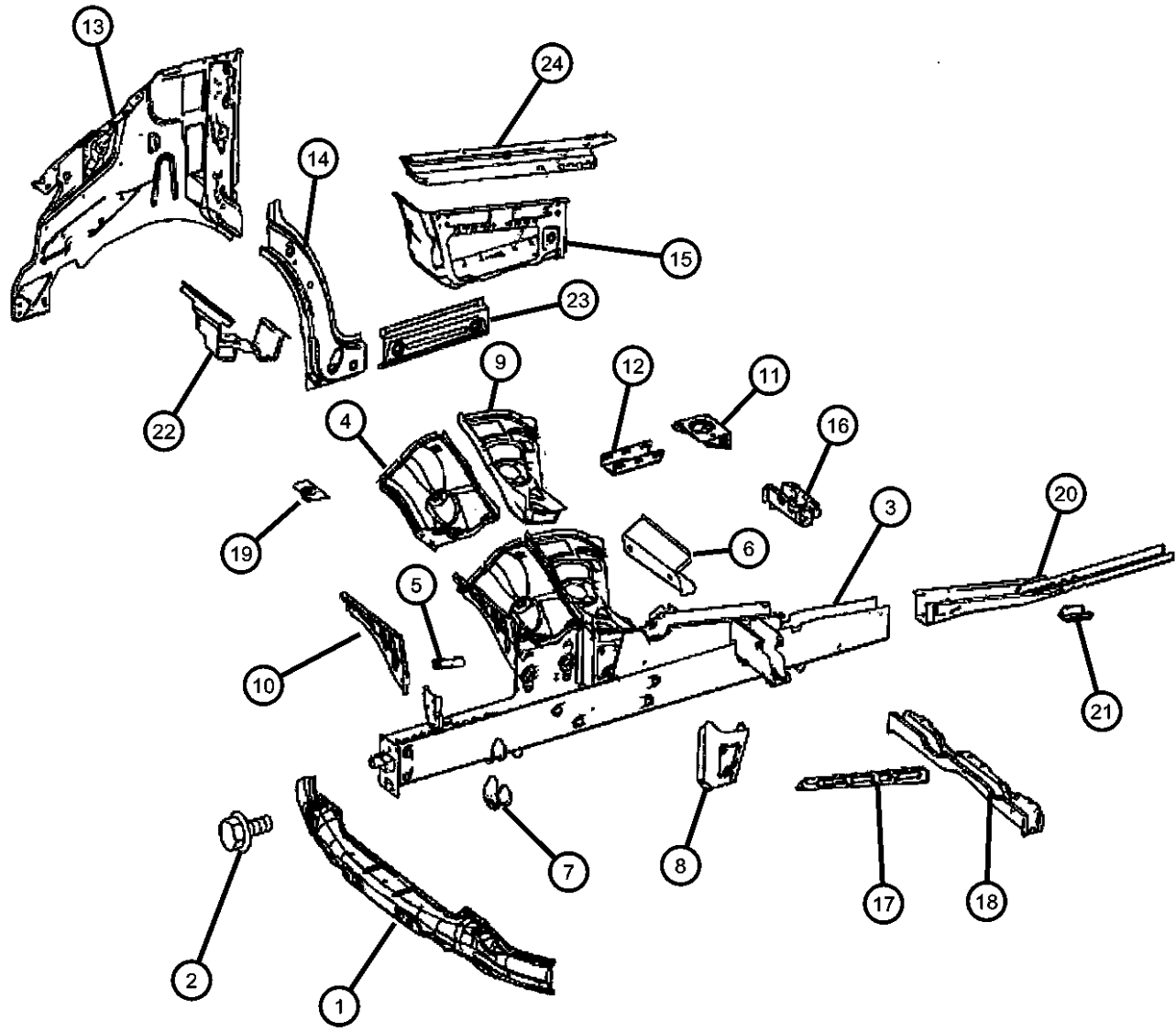
ITEM	PART NUMBER	QTY	LINE	SERIES	BODY	ENGINE	TRANS	TRIM	DESCRIPTION
		1	3, 7		03, 05				With Wiper, Right
	68005391AA	1	7, 2, 3, 6		13, 15, 17, 53, 55				Left
		1	3, 7		03, 05				Left
	68005394AA	1	2, 3, 6, 7		13, 15, 17, 53, 55				Right
		1	3, 7		03, 05				Right
17									WHEELHOUSE, Front Inner
	68014738AA	1	3, 7		03, 05				Right
		1	2, 3, 6, 7		13, 15, 17, 53, 55				Right
	68014739AA	1	3, 7		03, 05				Left
		1	2, 3, 6, 7		13, 15, 17, 53, 55				Left
18									WHEELHOUSE, Front Inner, Rear
	68014740AA	1	2, 3, 6, 7						Right
		1	3, 7		03, 05				Right
	68014741AA	1	2, 3, 6, 7						Left
		1	3, 7		03, 05				Left
19	1AR96DX9AA	8	2, 3, 6, 7		13, 15, 17, 53, 55				RIVET, Plastic, Lining of Wheelhouse
20	05166238AA	4	2, 3, 6, 7		13, 15, 17, 53, 55				RIVET, Plastic
21	06104914AA	12	2, 3, 6, 7						NUT, Plastic, Wheelhouse Lining
22	68014742AA	1	2, 3, 6, 7						SEAL, Engine Hood
23									NUT, Hex Flange Lock
	05125760AA	2	2, 3, 6, 7		13, 15, 17, 53, 55				
		2	3, 7		03, 05				

SPRINTER (VB)

SERIES	LINE	BODY	ENGINE	TRANSMISSION
L = LOWLINE	3 = HD DODGE 2WD 2 = Med. Duty DODGE 2WD	03 = CAB CHASSIS WHEEL BASE 3 05 = CAB CHASSIS WHEEL BASE 5 13 = 119 WB 53 = 119 WB 15 = VAN WHEEL BASE 5 55 = WAGON WHEEL BASE 5 17 = VAN WHEEL BASE 7	EG2 = 3.5L V6 Gas Engine EXM = 3.0L V6 Turbo Diesel Engine	DGZ = 5-Speed Auto W5A380 Transmission

AR = use ase required - = Non illustrated part

**Inner Fender and Attaching Parts
Figure SVB-420**



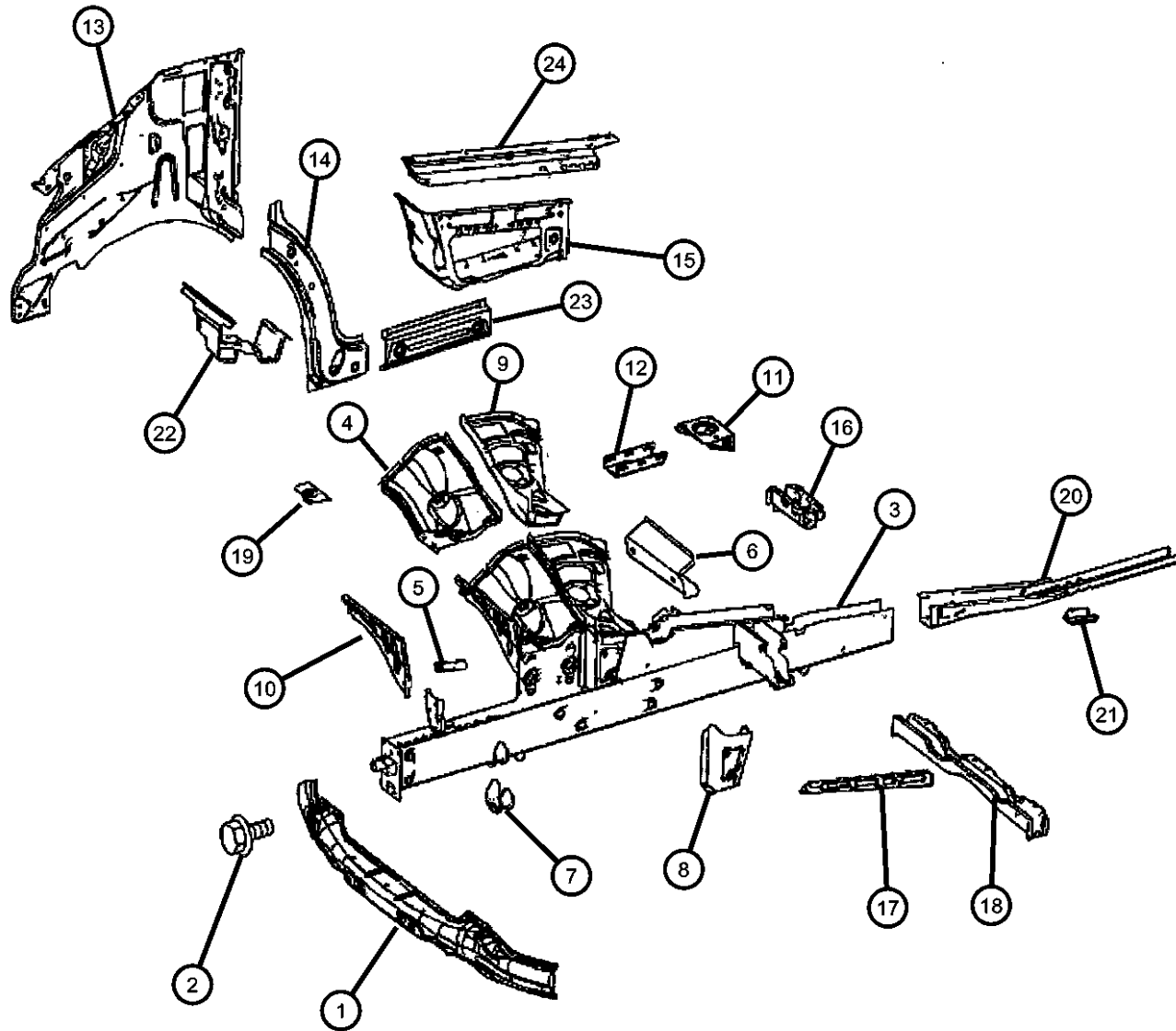
ITEM	PART NUMBER	QTY	LINE	SERIES	BODY	ENGINE	TRANS	TRIM	DESCRIPTION
1	68006349AA	1	2, 3, 6, 7						REINFORCEMENT, Front Bumper
2									SCREW
	05073723AB	6	3, 7		03, 05				
		6	2, 3, 6, 7		13, 15, 17, 53, 55				
	06104024AA	2	3, 7		03, 05				
		2	2, 3, 6, 7		13, 15, 17, 53, 55				
3									RAIL, Front Side Rail Front
	68006247AA	1	3, 7		03, 05				Left
		1	2, 3, 6, 7		13, 15, 17, 53, 55				Left
	68006284AA	1	2, 3, 6, 7						Right
4									WHEELHOUSE
	68006263AA	1	2, 3, 6, 7						Left
	68006290AA	1	2, 3, 6, 7						Right
5									BRACKET, Brake Hose
	68006265AA	1	2, 3, 6, 7						Left
	68006286AA	1	2, 3, 6, 7						Right
6	68006251AA	1	2, 3, 6, 7		13, 15, 17, 53, 55				RAIL, Front Crossmember
7									REINFORCEMENT, Front Side Rail, Jacking
	68006253AA	1	3, 7		03, 05				
		1	2, 3, 6, 7		13, 15, 17, 53, 55				
8									REINFORCEMENT, Front Side Rail
	68006257AA	1	3, 7		03, 05				Left
		1	2, 3, 6, 7		13, 15, 17, 53, 55				Left
	68006287AA	1	2, 3, 6, 7						Right
9									WHEELHOUSE
	68006261AA	1	2, 3, 6, 7						Left
	68006288AA	1	2, 3, 6, 7						Right
10									REINFORCEMENT, Front Side Rail

SPRINTER (VB)

SERIES	LINE	BODY	ENGINE	TRANSMISSION
L = LOWLINE	3 = HD DODGE 2WD 2 = Med. Duty DODGE 2WD	03 = CAB CHASSIS WHEEL BASE 3 05 = CAB CHASSIS WHEEL BASE 5 13 = 119 WB 53 = 119 WB 15 = VAN WHEEL BASE 5 55 = WAGON WHEEL BASE 5 17 = VAN WHEEL BASE 7	EG2 = 3.5L V6 Gas Engine EXM = 3.0L V6 Turbo Diesel Engine	DGZ = 5-Speed Auto W5A380 Transmission

AR = use ase required - = Non illustrated part

**Inner Fender and Attaching Parts
Figure SVB-420**



ITEM	PART NUMBER	QTY	LINE	SERIES	BODY	ENGINE	TRANS	TRIM	DESCRIPTION
	68006262AA	1	3, 7		03, 05				Left
		1	2, 3, 6, 7		13, 15, 17, 53, 55				Left
	68006289AA	1	2, 3, 6, 7						Right
11	68006298AA	1	2, 3, 6, 7						BRACKET, Exhaust
12	68006278AA	2	2, 3, 6, 7						REINFORCEMENT, Front Side Rail
13									PANEL, Fender
	68006280AA	1	2, 3, 6, 7						Left
	68006300AA	1	2, 3, 6, 7						Right
14									PANEL, Body Side Aperture
	68006328AA	1	2, 3, 6, 7						Left
	68006330AA	1	2, 3, 6, 7						Right
15									STEP PAD, Side Step
	68006332AA	1	2, 3, 6, 7						Left
	68006333AA	1	2, 3, 6, 7						Right
16									SUPPORT
	68006343AA	1	2, 3, 6, 7						Left
	68006345AA	1	2, 3, 6, 7						Right
17	68006320AA	1	2, 3, 6, 7						REINFORCEMENT
18	68006334AA	1	2, 3, 6, 7						CROSSMEMBER, Front Floor
19	68006337AA	3	2, 3, 6, 7						REINFORCEMENT
20	68006339AA	2	2, 3, 6, 7						REINFORCEMENT, Front Side Rail
21	05129604AA	1	2, 3, 6, 7						BRACKET, Wiring
22	68006347AA	1	2, 3, 6, 7						BRACKET, Jack
23									PANEL, Body Side Aperture
	68006329AA	1	2, 3, 6, 7						Left
	68006331AA	1	2, 3, 6, 7						Right
24									REINFORCEMENT
	68006341AA	1	2, 3, 6, 7						Left
	68006342AA	1	2, 3, 6, 7						Right

SPRINTER (VB)

SERIES LINE
L = LOWLINE 3 = HD DODGE 2WD
 2 = Med. Duty DODGE 2WD

BODY
03 = CAB CHASSIS WHEEL BASE 3
05 = CAB CHASSIS WHEEL BASE 5
13 = 119 WB
53 = 119 WB
15 = VAN WHEEL BASE 5
55 = WAGON WHEEL BASE 5
17 = VAN WHEEL BASE 7

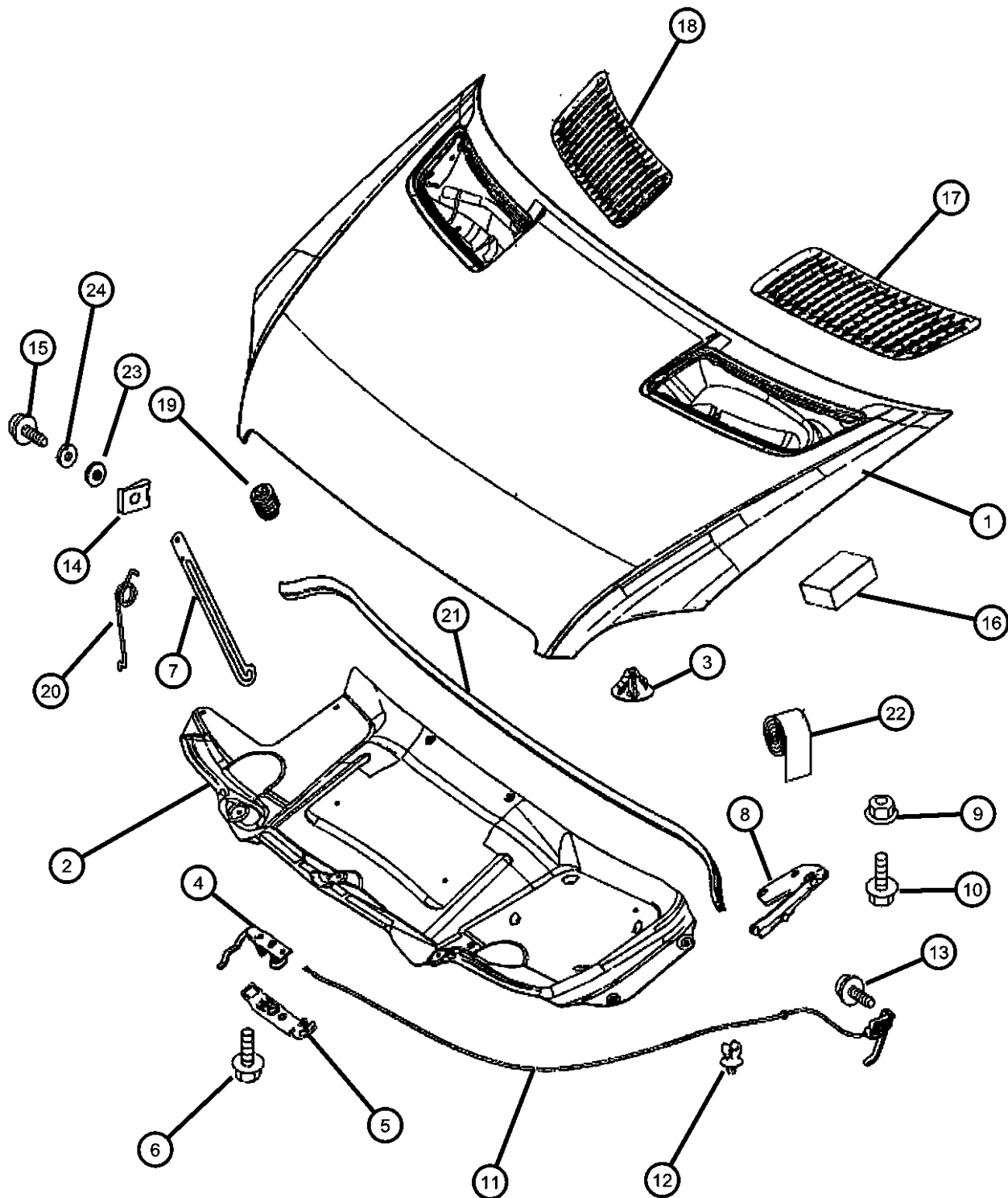
ENGINE
EG2 = 3.5L V6 Gas Engine
EXM = 3.0L V6 Turbo Diesel Engine

TRANSMISSION
DGZ = 5-Speed Auto W5A380 Transmission

AR = use ase required - = Non illustrated part

2007 VB

Hood
Figure SVB-510



ITEM	PART NUMBER	QTY	LINE	SERIES	BODY	ENGINE	TRANS	TRIM	DESCRIPTION
1	68009834AA	1	2, 3, 6, 7						HOOD
2	68009866AA	1	2, 3, 6, 7						INSULATION, Hood
3	68009867AA	12	3, 7		03, 05				RIVET
		12	2, 3, 6, 7		13, 15, 17, 53, 55				
4	68009851AA	1	2, 3, 6, 7		13, 15, 17, 53, 55				LATCH, Hood
		1	3, 7		03, 05				
5	68009852AA	1	2, 3, 6, 7		13, 15, 17, 53, 55				LATCH, Hood
		1	3, 7		03, 05				
6	06104124AA	2	2, 3, 6, 7		13, 15, 17, 53, 55				BOLT
		2	3, 7		05, 03				
7	68009856AA	1	2, 3, 6, 7						PROP, Hood
8	68009848AA	1	2, 3, 6, 7		13, 15, 17, 53, 55				HINGE, Hood Left
		1	3, 7		03, 05				Left
	68009849AA	1	2, 3, 6, 7		13, 15, 17, 53, 55				Right
		1	3, 7		03, 05				Right
9	06105169AA	2	3, 7		03, 05				NUT
		2	2, 3, 6, 7		13, 15, 17, 53, 55				
10	06104153AC	2	2, 3, 6, 7		13, 15, 17, 53, 55				SCREW
		2	3, 7		05, 03				
11	68009853AA	1	2, 3, 6, 7		13, 15, 17, 53, 55				CABLE, Hood Release

SPRINTER (VB)

SERIES LINE
L = LOWLINE 3 = HD DODGE 2WD
2 = Med. Duty DODGE 2WD

BODY
03 = CAB CHASSIS WHEEL
BASE 3
05 = CAB CHASSIS WHEEL
BASE 5
13 = 119 WB
53 = 119 WB
15 = VAN WHEEL BASE 5
55 = WAGON WHEEL BASE 5
17 = VAN WHEEL BASE 7

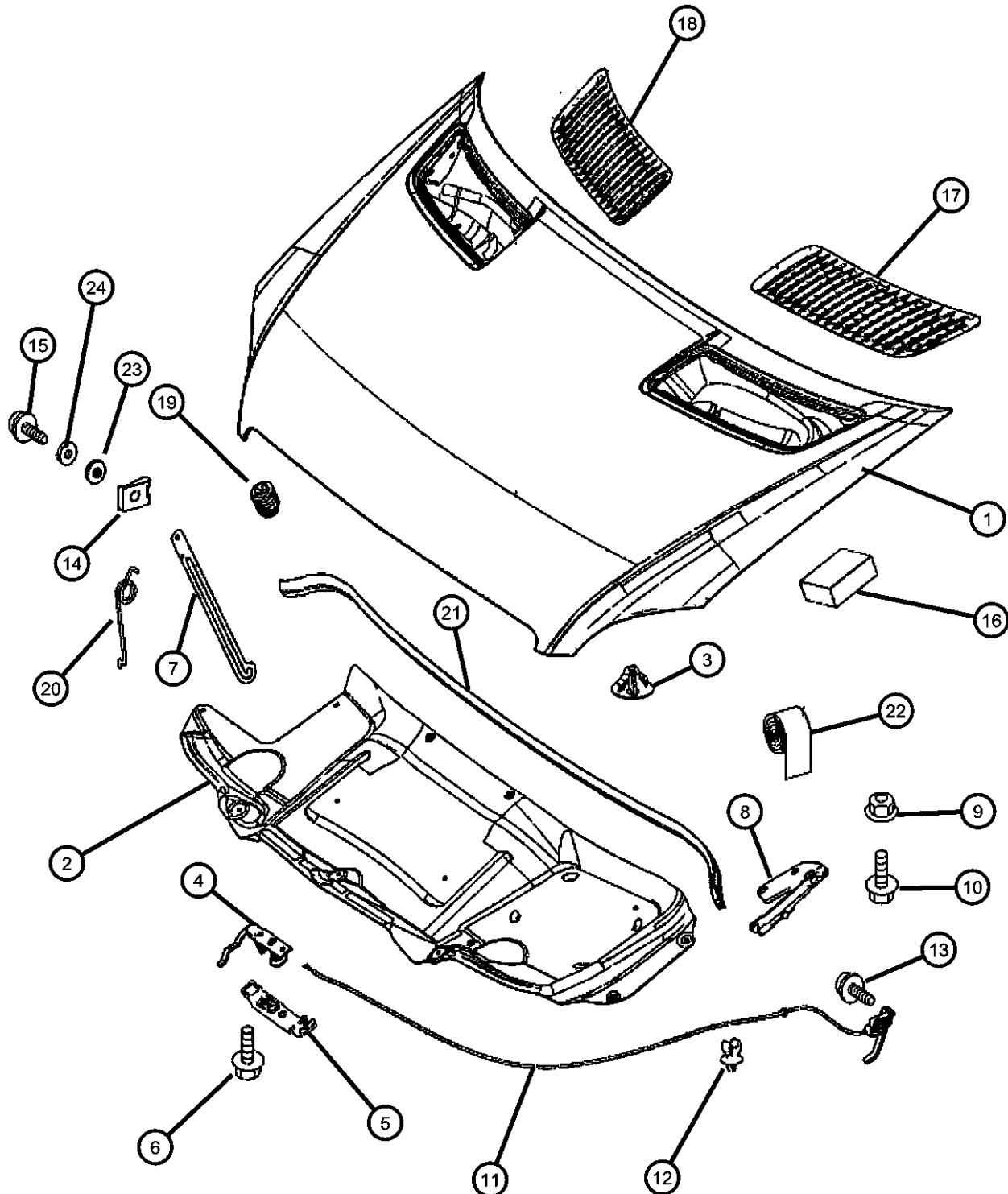
ENGINE
EG2 = 3.5L V6 Gas Engine
EXM = 3.0L V6 Turbo Diesel
Engine

TRANSMISSION
DGZ = 5-Speed Auto W5A380
Transmission

AR = use ase required - = Non illustrated part

2007 VB

Hood Figure SVB-510



ITEM	PART NUMBER	QTY	LINE	SERIES	BODY	ENGINE	TRANS	TRIM	DESCRIPTION
					03, 05				
12	68009854AA	1	2, 3, 6, 7						RETAINER
13	06104666AA	2	2, 3, 6, 7						SCREW
14	05126111AA	1	2, 3, 6, 7						CLIP, Hood
15	06104666AA	1	2, 3, 6, 7		13, 15, 17, 53, 55				SCREW
16	68014291AA	1	2, 3, 6, 7		13, 15, 17, 53, 55				INSULATOR
		1	3, 7		03, 05				
17	1GY46DX9AA	1	2, 3, 6, 7						GRILLE, HoodLeft
18	1GY47DX9AA	1	2, 3, 6, 7						GRILLE, HoodRight
19	68009862AA	4	2, 3, 6, 7						BUMPER, Hood
20	05104546AA	1	2, 3, 6, 7		13, 15, 17, 53, 55				SPRING
		1	3, 7		03, 05				
21	68009861AA	1	2, 3, 6, 7						SEAL, Hood
22	68009864AA	AR	2, 3, 6, 7						TAPE
23	68009864AA	AR							BUSHING, (NOT SERVICED)
24	68009860AA	2	2, 3, 6, 7						WASHER
-25	68018131AA	1	2, 3, 6, 7						WASHER

SPRINTER (VB)

SERIES LINE
 L = LOWLINE 3 = HD DODGE 2WD
 2 = Med. Duty DODGE 2WD

BODY
 03 = CAB CHASSIS WHEEL
 BASE 3
 05 = CAB CHASSIS WHEEL
 BASE 5
 13 = 119 WB
 53 = 119 WB
 15 = VAN WHEEL BASE 5
 55 = WAGON WHEEL BASE 5
 17 = VAN WHEEL BASE 7

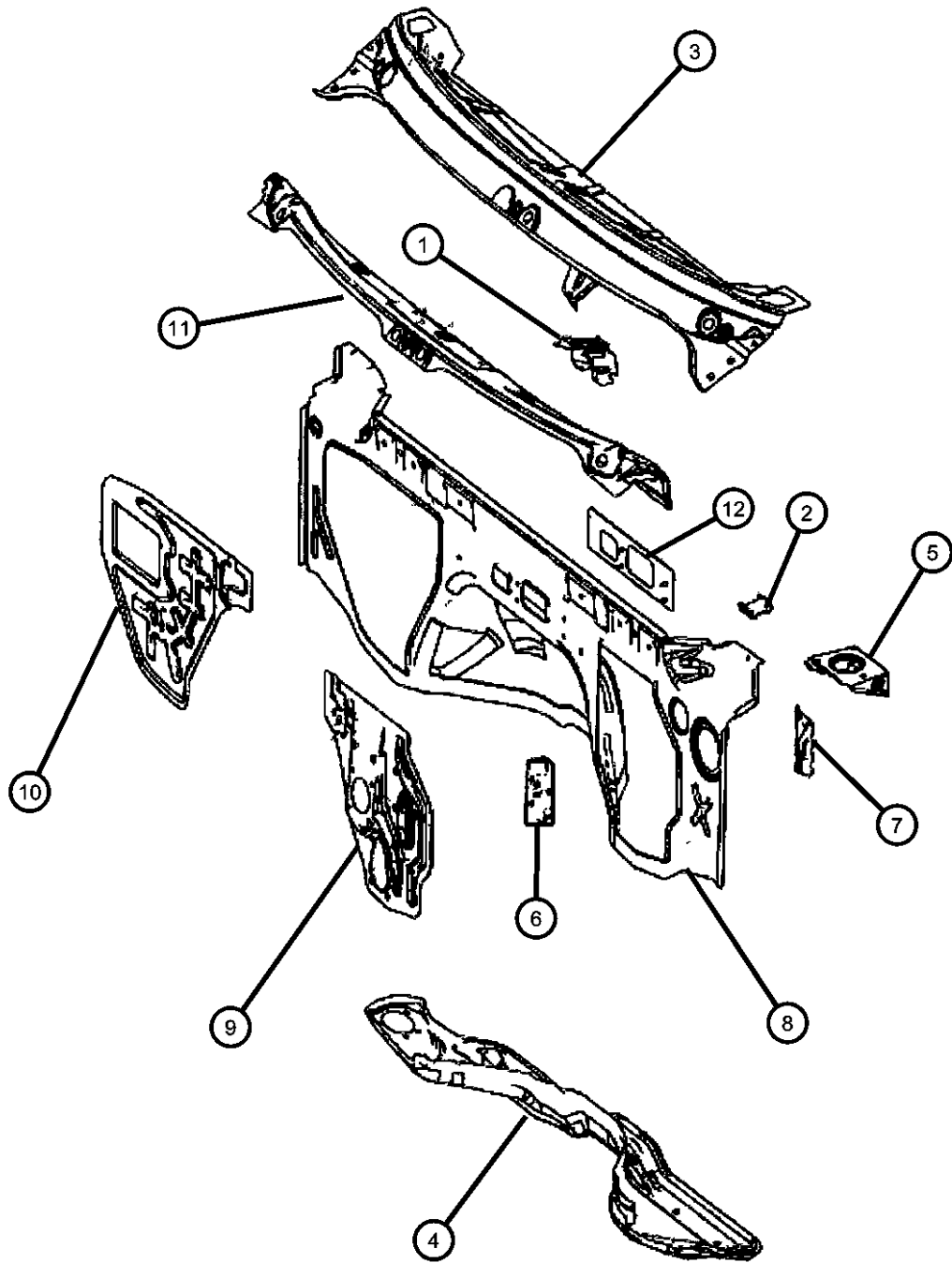
ENGINE
 EG2 = 3.5L V6 Gas Engine
 EXM = 3.0L V6 Turbo Diesel
 Engine

TRANSMISSION
 DGZ = 5-Speed Auto W5A380
 Transmission

AR = use ase required - = Non illustrated part

**Cowl Panel
Figure SVB-610**

ITEM	PART NUMBER	QTY	LINE	SERIES	BODY	ENGINE	TRANS	TRIM	DESCRIPTION
1	68006310AA	1	2, 3, 6, 7						BRACKET, Cowl Top
2	68006311AA	4	2, 3, 6, 7						REINFORCEMENT
3	68006316AA	1	2, 3, 6, 7						PANEL, Cowl Top
4	68006322AA	1	2, 3, 6, 7						PANEL, Dash
5	68006323AA	1	2, 3, 6, 7						BRACKET, Sensor
6	68006325AA	2	2, 3, 6, 7						BRACKET
7	68006326AA	1	2, 3, 6, 7						BRACKET, Pedal
8	68006306AA	1	2, 3, 6, 7						PANEL, Dash
9	68006304AA	1	2, 3, 6, 7						PANEL, DashLower
10	68006307AA	1	2, 3, 6, 7						PANEL, Dash
11	68006309AA	1	2, 3, 6, 7						PANEL, Cowl Top
12	68006314AA	1	2, 3, 6, 7						PLATE



SPRINTER (VB)

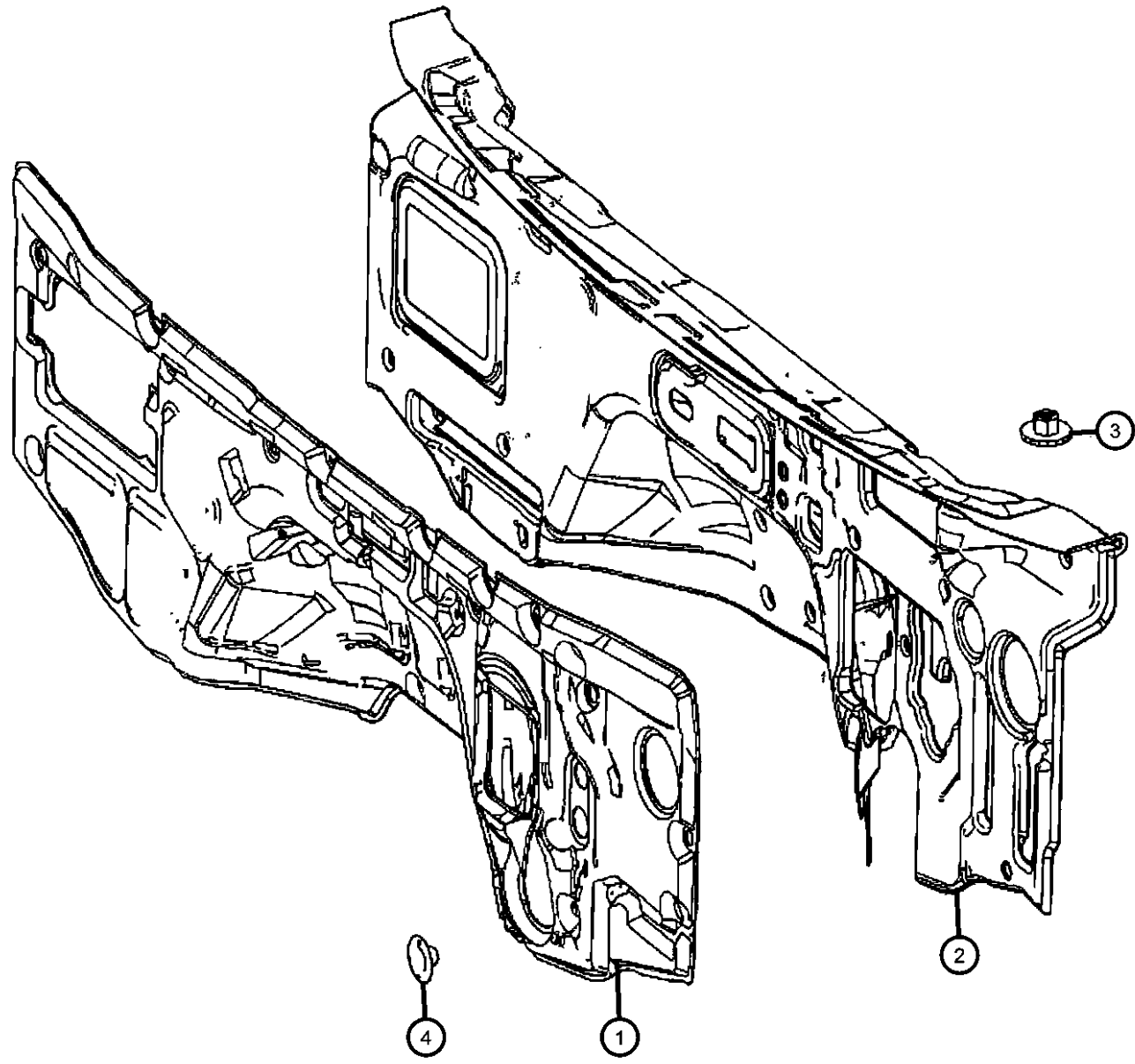
SERIES	LINE	BODY	ENGINE	TRANSMISSION
L = LOWLINE	3 = HD DODGE 2WD 2 = Med. Duty DODGE 2WD	03 = CAB CHASSIS WHEEL BASE 3 05 = CAB CHASSIS WHEEL BASE 5 13 = 119 WB 53 = 119 WB 15 = VAN WHEEL BASE 5 55 = WAGON WHEEL BASE 5 17 = VAN WHEEL BASE 7	EG2 = 3.5L V6 Gas Engine EXM = 3.0L V6 Turbo Diesel Engine	DGZ = 5-Speed Auto W5A380 Transmission

AR = use ase required - = Non illustrated part

2007 VB

**Insturment Panel Lining
Figure SVB-620**

ITEM	PART NUMBER	QTY	LINE	SERIES	BODY	ENGINE	TRANS	TRIM	DESCRIPTION
1	68004961AA	1	2, 3, 6, 7						SILENCER, Dash Panel, Fire Wall
2	68006367AA	1	2, 3, 6, 7						SILENCER, Dash Panel, Fire Wall
3									SNAP
	05097042AA	11	3, 7		03, 05				
		11	2, 3, 6, 7		13, 15, 17, 53, 55				
4									PLUG, Button
	05097041AA	7	2, 3, 6, 7		13, 15, 17, 53, 55				
		7	3, 7		03, 05				



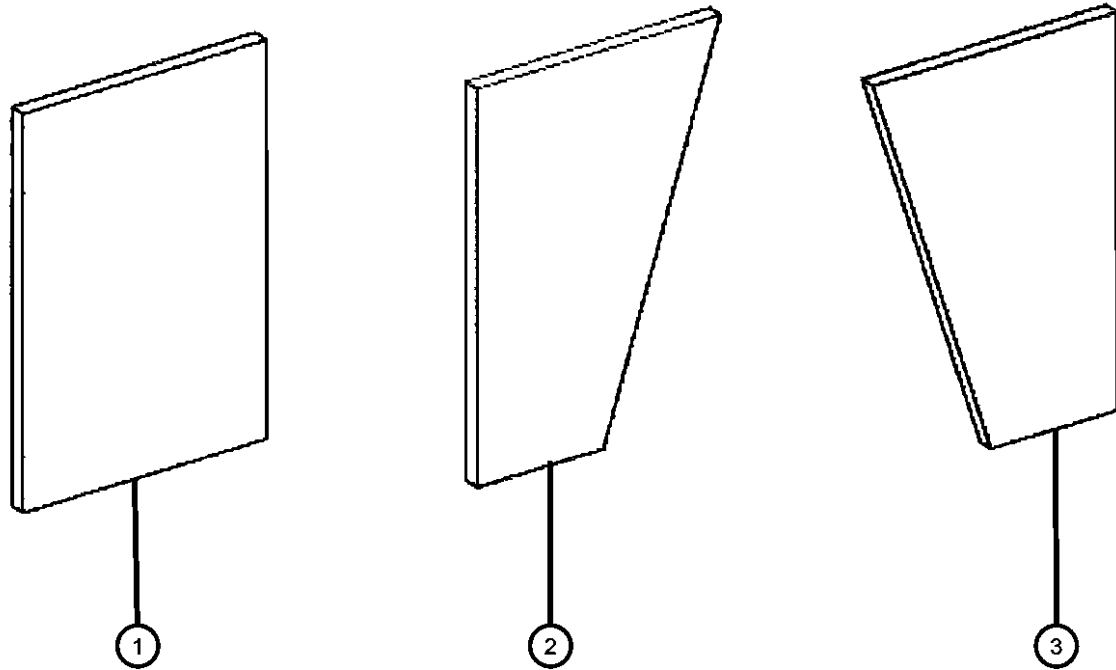
SPRINTER (VB)

SERIES	LINE	BODY	ENGINE	TRANSMISSION
L = LOWLINE	3 = HD DODGE 2WD 2 = Med. Duty DODGE 2WD	03 = CAB CHASSIS WHEEL BASE 3 05 = CAB CHASSIS WHEEL BASE 5 13 = 119 WB 53 = 119 WB 15 = VAN WHEEL BASE 5 55 = WAGON WHEEL BASE 5 17 = VAN WHEEL BASE 7	EG2 = 3.5L V6 Gas Engine EXM = 3.0L V6 Turbo Diesel Engine	DGZ = 5-Speed Auto W5A380 Transmission

AR = use ase required - = Non illustrated part

**Instrument Panel Lining, Inner
Figure SVB-625**

ITEM	PART NUMBER	QTY	LINE	SERIES	BODY	ENGINE	TRANS	TRIM	DESCRIPTION
1	68010358AA	4	2, 3, 6, 7		15, 55				INSULATION
		6	2, 3, 6, 7		17				
		3	3, 6, 7, 2		13, 53				
2	68014724AA	1	2, 3, 6, 7		13, 15, 17, 53, 55				INSULATOR
3	68014726AA	1	2, 3, 6, 7		13, 15, 17, 53, 55				INSULATION



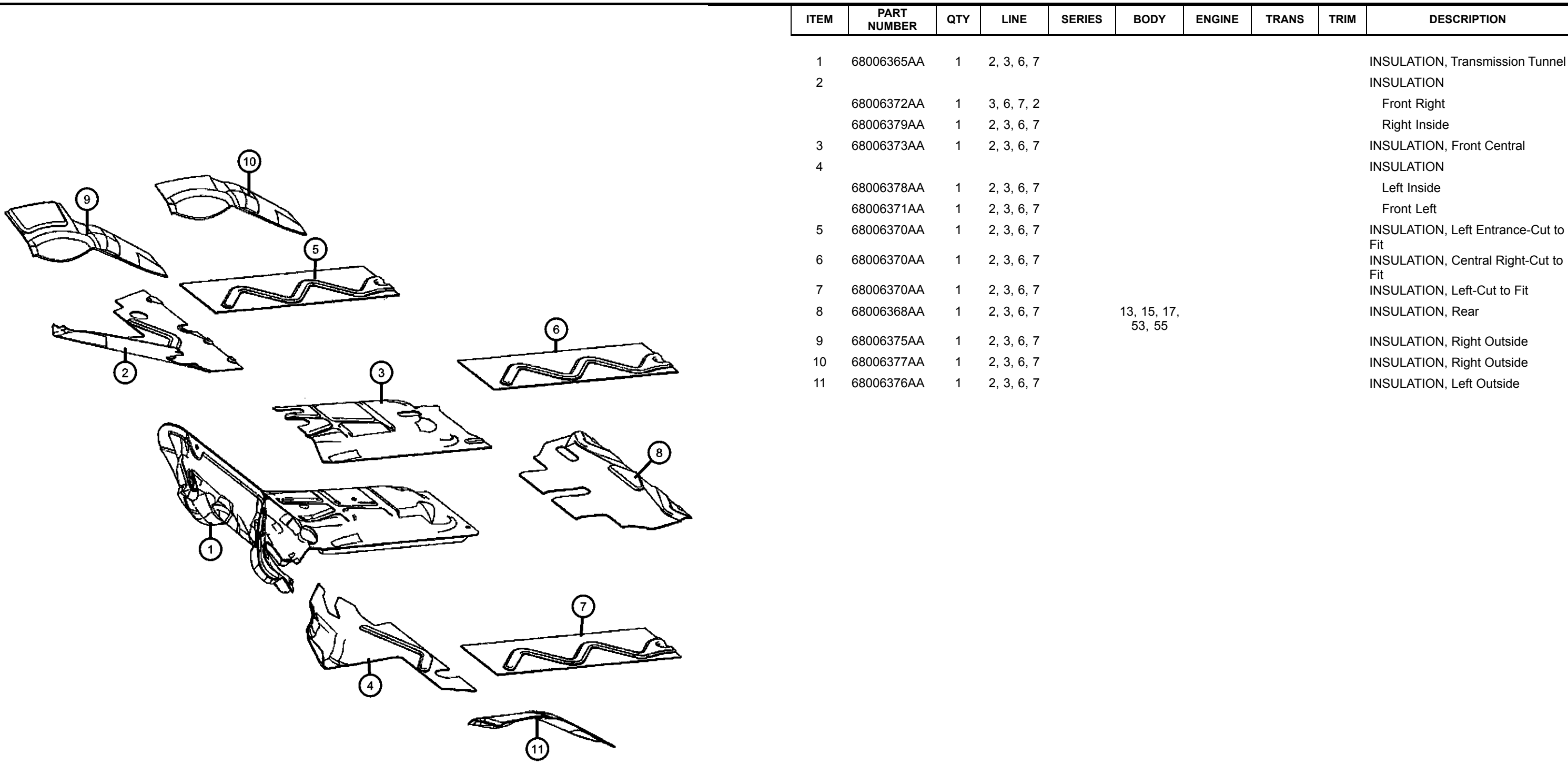
SPRINTER (VB)

SERIES	LINE	BODY	ENGINE	TRANSMISSION
L = LOWLINE	3 = HD DODGE 2WD 2 = Med. Duty DODGE 2WD	03 = CAB CHASSIS WHEEL BASE 3 05 = CAB CHASSIS WHEEL BASE 5 13 = 119 WB 53 = 119 WB 15 = VAN WHEEL BASE 5 55 = WAGON WHEEL BASE 5 17 = VAN WHEEL BASE 7	EG2 = 3.5L V6 Gas Engine EXM = 3.0L V6 Turbo Diesel Engine	DGZ = 5-Speed Auto W5A380 Transmission

AR = use ase required - = Non illustrated part

2007 VB

**Passenger Compartment Damping
Figure SVB-630**



ITEM	PART NUMBER	QTY	LINE	SERIES	BODY	ENGINE	TRANS	TRIM	DESCRIPTION
1	68006365AA	1	2, 3, 6, 7						INSULATION, Transmission Tunnel
2	68006372AA	1	3, 6, 7, 2						INSULATION Front Right
	68006379AA	1	2, 3, 6, 7						Right Inside
3	68006373AA	1	2, 3, 6, 7						INSULATION, Front Central
4	68006378AA	1	2, 3, 6, 7						INSULATION Left Inside
	68006371AA	1	2, 3, 6, 7						Front Left
5	68006370AA	1	2, 3, 6, 7						INSULATION, Left Entrance-Cut to Fit
6	68006370AA	1	2, 3, 6, 7						INSULATION, Central Right-Cut to Fit
7	68006370AA	1	2, 3, 6, 7						INSULATION, Left-Cut to Fit
8	68006368AA	1	2, 3, 6, 7		13, 15, 17, 53, 55				INSULATION, Rear
9	68006375AA	1	2, 3, 6, 7						INSULATION, Right Outside
10	68006377AA	1	2, 3, 6, 7						INSULATION, Right Outside
11	68006376AA	1	2, 3, 6, 7						INSULATION, Left Outside

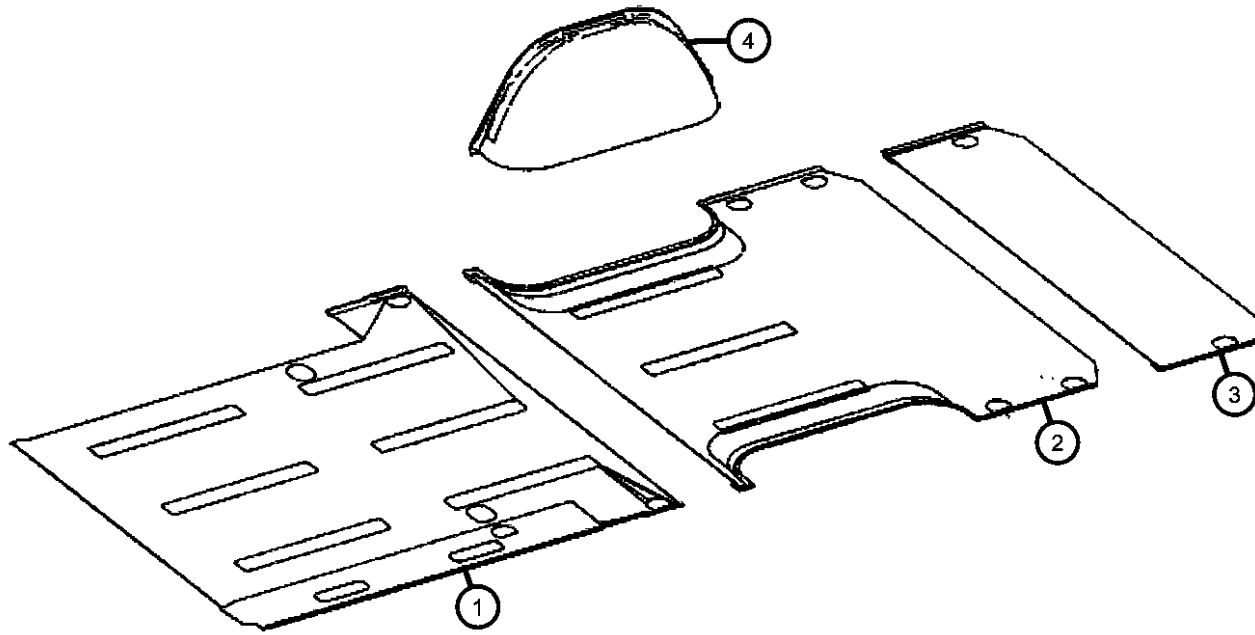
SPRINTER (VB)

SERIES	LINE	BODY	ENGINE	TRANSMISSION
L = LOWLINE	3 = HD DODGE 2WD 2 = Med. Duty DODGE 2WD	03 = CAB CHASSIS WHEEL BASE 3 05 = CAB CHASSIS WHEEL BASE 5 13 = 119 WB 53 = 119 WB 15 = VAN WHEEL BASE 5 55 = WAGON WHEEL BASE 5 17 = VAN WHEEL BASE 7	EG2 = 3.5L V6 Gas Engine EXM = 3.0L V6 Turbo Diesel Engine	DGZ = 5-Speed Auto W5A380 Transmission

AR = use ase required - = Non illustrated part

**Floor Mats,Entry,Load and Passenger Compartment
Figure SVB-640**

ITEM	PART NUMBER	QTY	LINE	SERIES	BODY	ENGINE	TRANS	TRIM	DESCRIPTION
1	68010589AA	1	2, 3, 6, 7		13, 15, 17				MAT, Front Floor, Rubber Central-[CKZ+GK9]
	68010590AA	1	2, 3, 6, 7		13, 15, 17, 53, 55				Central-[CKZ]
2	68010595AA	1	2, 3, 6, 7		17				MAT, Floor Rear
	68010594AA	1	2, 3, 6, 7		13, 53				Rear
3	68010591AA	1	2, 3, 6, 7		15, 17, 55				MAT, FloorRear
4	1JA24NCVAA	2	3, 7		13, 15, 17				MAT, WheelhouseRight or Left



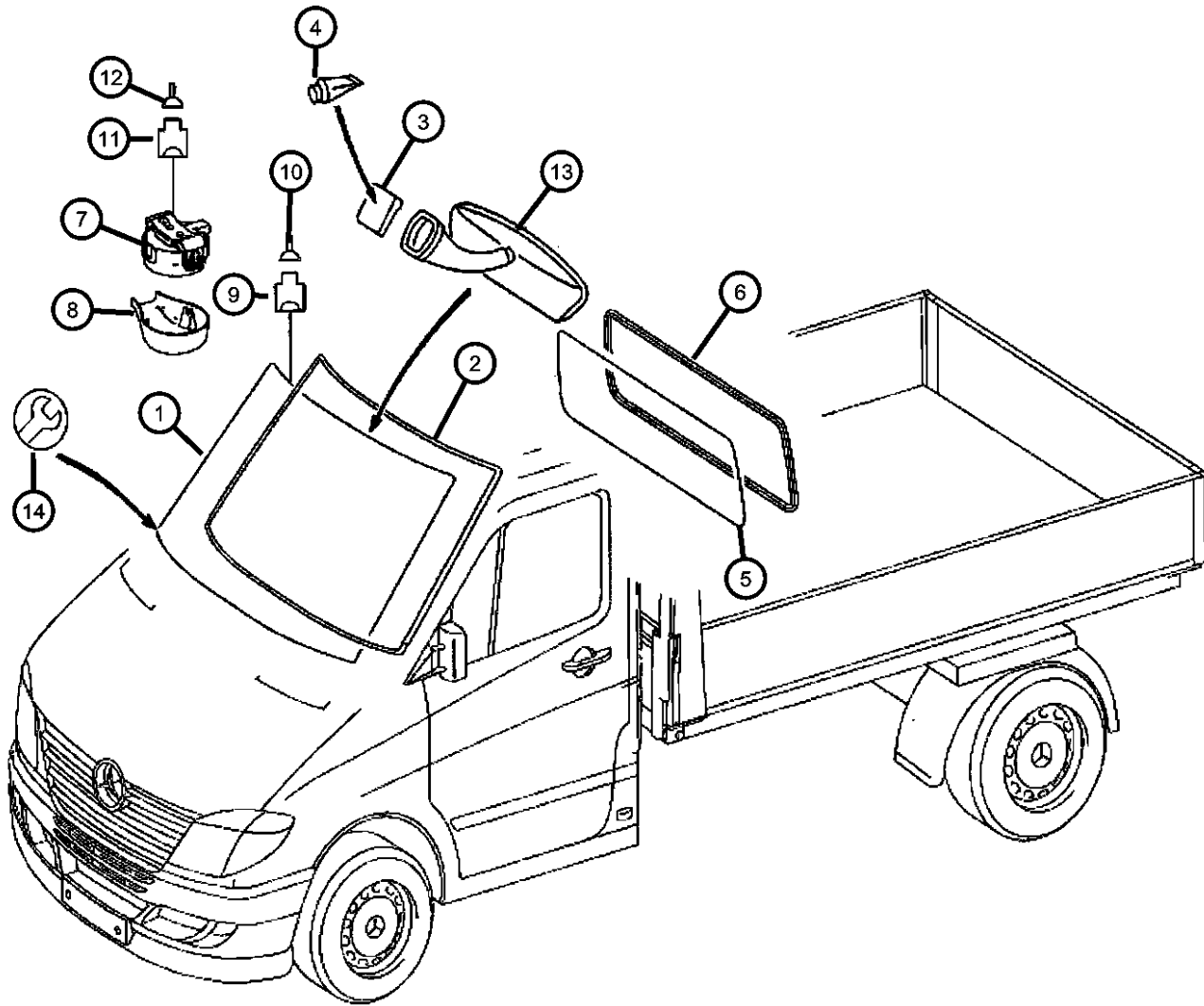
SPRINTER (VB)

SERIES	LINE	BODY	ENGINE	TRANSMISSION
L = LOWLINE	3 = HD DODGE 2WD 2 = Med. Duty DODGE 2WD	03 = CAB CHASSIS WHEEL BASE 3 05 = CAB CHASSIS WHEEL BASE 5 13 = 119 WB 53 = 119 WB 15 = VAN WHEEL BASE 5 55 = WAGON WHEEL BASE 5 17 = VAN WHEEL BASE 7	EG2 = 3.5L V6 Gas Engine EXM = 3.0L V6 Turbo Diesel Engine	DGZ = 5-Speed Auto W5A380 Transmission

AR = use ase required - = Non illustrated part

2007 VB

**Windshield & Rear Glass / Cab Chassis
Figure SVB-705**



ITEM	PART NUMBER	QTY	LINE	SERIES	BODY	ENGINE	TRANS	TRIM	DESCRIPTION
1	68018758AA	1	2, 3, 6, 7						WINDSHIELD With [GBG + NHW]
	68018759AA	1	2, 3, 6, 7						With [GBE + NHW]
	68018760AA	1	2, 3, 6, 7						With [GBE]
2	68018762AA	1	2, 3, 6, 7						SEAL, Windshield
3	05104241AA	1	3, 7		03, 05				BUTTON, Rear View Mirror
4	05125662AB	1	2, 3, 6, 7						ADHESIVE
5	05104249AA	1	3, 7		03, 05				GLASS, Backlite, Fixed With [GEV]
	05122357AA	1	3, 7		03, 05				With [GEV+GBE]
6	05104250AA	1	3, 7		03, 05				WEATHERSTRIP With [GEV]
	05104251AA	1	3, 7		03, 05				With [GEV+CBJ]
7	68013389AA	1	2, 3, 6, 7						SENSOR, Rain, With [NHW]
8	68013425AA	1	2, 3, 6, 7						COVER, With [NHW]
9	68011379AA	1	2, 3, 6, 7						CONNECTOR [1 Pin / R22/2] With [NHW]
		1	2, 3, 6, 7						[1 Pin / R22/2] With [NHW+GBG]
10	05133379AA	1	3, 7		03, 05				TERMINAL, Male, [6.0 MM2; R22/2]
11	05120717AA	1	3, 7		03, 05				CONNECTOR, Rain & Light Sensor [3 Pin / B38/2]
12	05103873AA	3	3, 7		03, 05				TERMINAL, [0.75 MM2; MQS; B38/2]
13	05104435AA	1	2, 3, 6, 7						MIRROR, Inside Rear View With [GNA] Without [NHW]
	68017272AA	1	2, 3, 6, 7						With [GNA + NHW]
14	05104594AA	1	3, 7		03, 05				REPAIR KIT, Windshield

SPRINTER (VB)

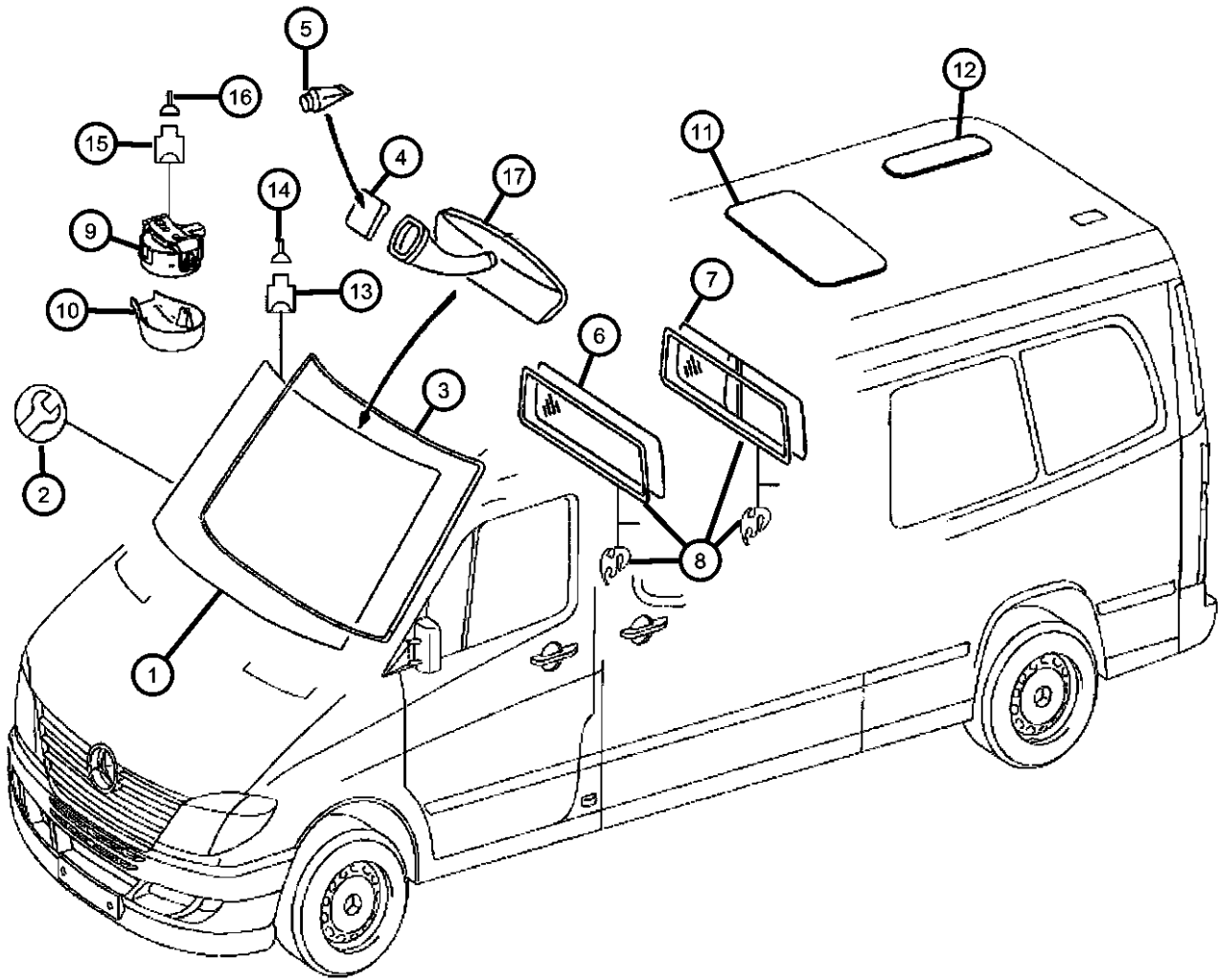
SERIES	LINE	BODY	ENGINE	TRANSMISSION
L = LOWLINE	3 = HD DODGE 2WD 2 = Med. Duty DODGE 2WD	03 = CAB CHASSIS WHEEL BASE 3 05 = CAB CHASSIS WHEEL BASE 5 13 = 119 WB 53 = 119 WB 15 = VAN WHEEL BASE 5 55 = WAGON WHEEL BASE 5 17 = VAN WHEEL BASE 7	EG2 = 3.5L V6 Gas Engine EXM = 3.0L V6 Turbo Diesel Engine	DGZ = 5-Speed Auto W5A380 Transmission

AR = use ase required - = Non illustrated part

**Windshield, Partition & Roof Glass / Cargo Van
Figure SVB-710**

ITEM	PART NUMBER	QTY	LINE	SERIES	BODY	ENGINE	TRANS	TRIM	DESCRIPTION
------	-------------	-----	------	--------	------	--------	-------	------	-------------

NOTE: This Is The Rear Cargo Fixed Glass. This Is Not The Power Sun Roof Replacement Glass.



1									WINDSHIELD
	68018758AA	1	2, 3, 6, 7						With [GBG + NHW]
	68018759AA	1	2, 3, 6, 7						With [GBE + NHW]
	68018760AA	1	2, 3, 6, 7						With [GBE] And Or [GBB]
2	05104594AA	1	2, 3, 6, 7		13, 15, 17, 53, 55				REPAIR KIT, Windshield
3	68018762AA	1	2, 3, 6, 7						SEAL, Windshield
4	05104241AA	1	3, 6, 7, 2		13, 15, 17, 53, 55				BUTTON, Rear View Mirror
5	05125662AB	1	2, 3, 6, 7						ADHESIVE
6	05104249AA	1	2, 3, 6, 7		13, 15, 17				GLASS, Backlite, Fixed
7	05104236AA	1	2, 3, 6, 7		13, 15, 17				GLASS, Backlite, Sliding
8									WEATHERSTRIP
	05104250AA	1	2, 3, 6, 7		13, 15, 17				Fixed Rear Glass
	05104251AA	1	2, 3, 6, 7		13, 15, 17				Sliding Rear Glass
9	68013389AA	1	2, 3, 6, 7						SENSOR, Rain, With [NHW]
10	68013425AA	1	2, 3, 6, 7						COVER, With [NHM]
11	68018824AA	2	2, 3, 6, 7		13, 15, 17				GLASS, Sunroof, See NOTE: Fixed Rear Cargo Roof Glass, With [GFW] Without [MX2]
12	68018825AA	2	2, 3, 6, 7		15, 17				GLASS, Sunroof, See NOTE: Fixed Rear Cargo Roof Glass, With [GFW + MWJ]
13									CONNECTOR
	68011379AA	1	2, 3, 6, 7						[1 Pin; R22/2] With [NHW+GBG]
		1	3, 2, 6, 7						[1 Pin; R22/2] With [NHW]
14	05133379AA	1	2, 3, 6, 7		13, 15, 17, 53, 55				TERMINAL, Male, [6.0 MM2; R22/2] With [NHW]
15	05120717AA	1	2, 3, 6, 7		13, 15, 17, 53, 55				CONNECTOR
16	05103873AA	AR	2, 3, 6, 7						TERMINAL, [0.75 MM2; MQS; B38/2]
17									MIRROR, Inside Rear View
	05104435AA	1	2, 3, 6, 7						With [GNA] Without [NHW]
	68017272AA	1	2, 3, 6, 7						With [GNA + NHW]

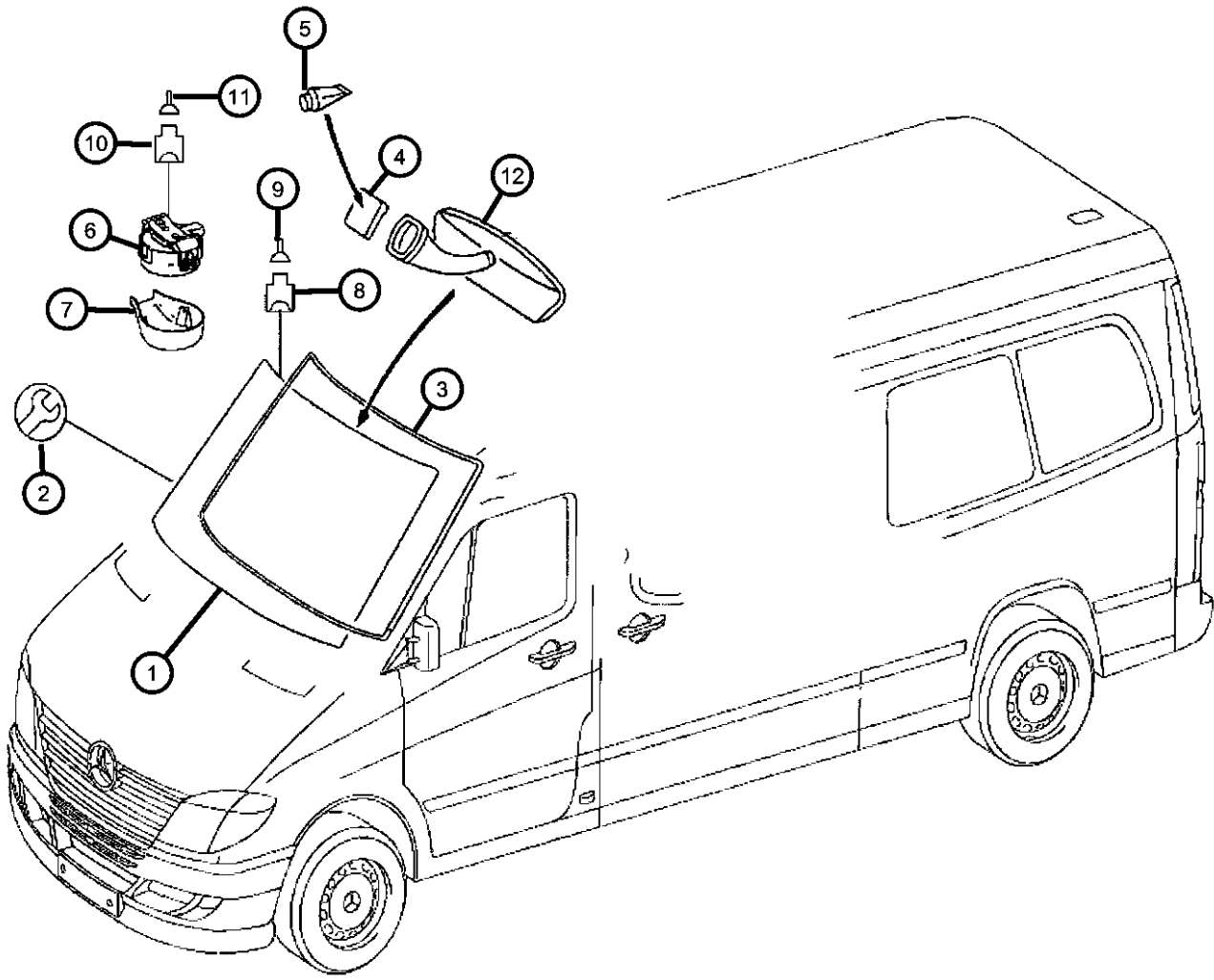
SPRINTER (VB)

SERIES	LINE	BODY	ENGINE	TRANSMISSION
L = LOWLINE	3 = HD DODGE 2WD 2 = Med. Duty DODGE 2WD	03 = CAB CHASSIS WHEEL BASE 3 05 = CAB CHASSIS WHEEL BASE 5 13 = 119 WB 53 = 119 WB 15 = VAN WHEEL BASE 5 55 = WAGON WHEEL BASE 5 17 = VAN WHEEL BASE 7	EG2 = 3.5L V6 Gas Engine EXM = 3.0L V6 Turbo Diesel Engine	DGZ = 5-Speed Auto W5A380 Transmission

AR = use ase required - = Non illustrated part

2007 VB

**Windshield / Passenger Van
Figure SVB-715**



ITEM	PART NUMBER	QTY	LINE	SERIES	BODY	ENGINE	TRANS	TRIM	DESCRIPTION
1	68018758AA	1	2, 3, 6, 7						WINDSHIELD With [GBG + NHW]
	68018759AA	1	2, 3, 6, 7						With [GBE + NHW]
	68018760AA	1	2, 3, 6, 7						With [GBE]
2	05104594AA	1	2, 3, 6, 7		13, 15, 17, 53, 55				REPAIR KIT, Windshield
3	68018762AA	1	2, 3, 6, 7						SEAL, Windshield
4	05104241AA	1	2, 3, 6, 7		13, 15, 17, 53, 55				BUTTON, Rear View Mirror
5	05125662AB	1	2, 3, 6, 7						ADHESIVE
6	68013389AA	1	2, 3, 6, 7						SENSOR, Rain, With [NHW]
7	68013425AA	1	2, 3, 6, 7						COVER, With [NHM]
8	68011379AA	1	2, 3, 6, 7						CONNECTOR [1 Pin; R22/2] With [NHW+GBG]
		1	2, 3, 6, 7						[1 Pin; R22/2] With [NHW]
9	05133379AA	1	2, 3, 6, 7		13, 15, 17, 53, 55				TERMINAL, Male, [6.0 MM2; R22/2] With [NHW]
10	05120717AA	1	2, 3, 6, 7		13, 15, 17, 53, 55				CONNECTOR
11	05103873AA	AR	2, 3, 6, 7						TERMINAL, [0.75 MM2; MQS; B38/2]
12	05104435AA	1	6, 7, 2, 3						MIRROR, Inside Rear View With [GNA] Without [NHW]
	68017272AA	1	2, 3, 6, 7						With [GNA + NHW]

SPRINTER (VB)

SERIES LINE
L = LOWLINE 3 = HD DODGE 2WD
 2 = Med. Duty DODGE 2WD

BODY
03 = CAB CHASSIS WHEEL
BASE 3
05 = CAB CHASSIS WHEEL
BASE 5
13 = 119 WB
53 = 119 WB
15 = VAN WHEEL BASE 5
55 = WAGON WHEEL BASE 5
17 = VAN WHEEL BASE 7

ENGINE
EG2 = 3.5L V6 Gas Engine
EXM = 3.0L V6 Turbo Diesel
Engine

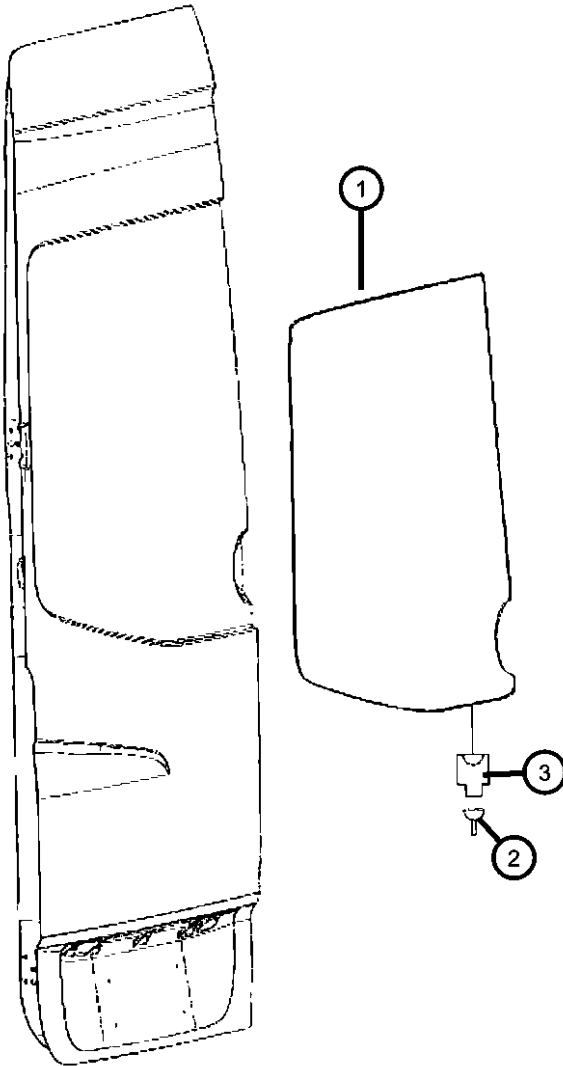
TRANSMISSION
DGZ = 5-Speed Auto W5A380
Transmission

AR = use ase required - = Non illustrated part

2007 VB

**Rear Cargo Door Glass
Figure SVB-720**

ITEM	PART NUMBER	QTY	LINE	SERIES	BODY	ENGINE	TRANS	TRIM	DESCRIPTION
1									GLASS, Cargo Door
	68006474AA	1	2, 3, 6, 7		13, 15, 17, 53, 55				Left
	68006475AA	1	2, 3, 6, 7		13, 15, 17, 53, 55				With [GFA], Left
	68006477AA	1	3, 6, 7, 2		13, 15, 17, 53, 55				With [GFA + GAE], Left
	68006582AA	1	2, 3, 6, 7		13, 15, 17, 53, 55				Right
	68006583AA	1	2, 3, 6, 7		13, 15, 17, 53, 55				With [GFA], Right
	68006585AA	1	2, 3, 6, 7		13, 15, 17, 53, 55				With [GFA + GAE], Right
2	05133366AA	99	2, 3, 6, 7		13, 15, 17, 53, 55				TERMINAL, Male
3	05103858AA	4	2, 3, 6, 7		13, 15, 17, 53, 55				CONNECTOR



SPRINTER (VB)

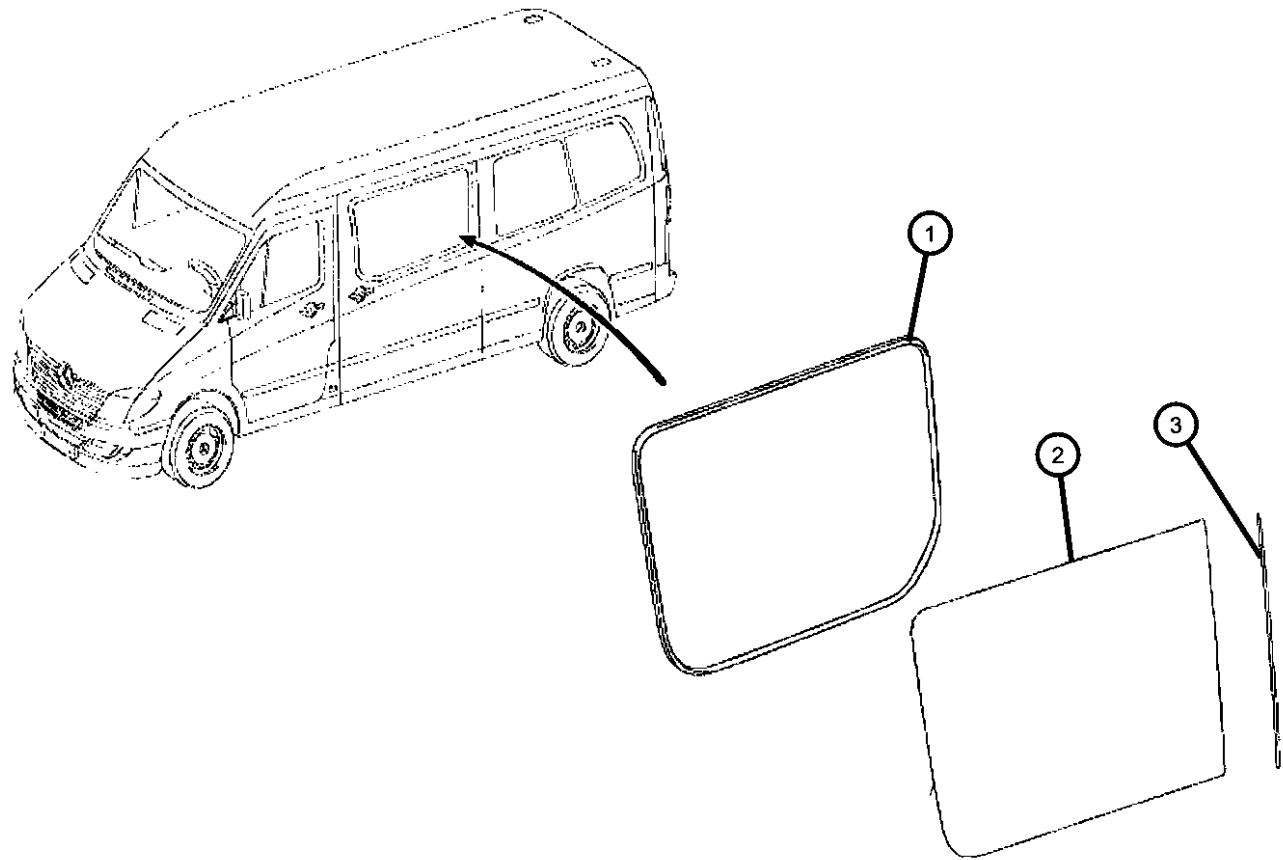
SERIES	LINE	BODY	ENGINE	TRANSMISSION
L = LOWLINE	3 = HD DODGE 2WD 2 = Med. Duty DODGE 2WD	03 = CAB CHASSIS WHEEL BASE 3 05 = CAB CHASSIS WHEEL BASE 5 13 = 119 WB 53 = 119 WB 15 = VAN WHEEL BASE 5 55 = WAGON WHEEL BASE 5 17 = VAN WHEEL BASE 7	EG2 = 3.5L V6 Gas Engine EXM = 3.0L V6 Turbo Diesel Engine	DGZ = 5-Speed Auto W5A380 Transmission

AR = use ase required - = Non illustrated part

2007 VB

**Sliding Door Glass
Figure SVB-725**

ITEM	PART NUMBER	QTY	LINE	SERIES	BODY	ENGINE	TRANS	TRIM	DESCRIPTION
1	68010256AA	1	2, 3, 6, 7		13, 15, 17, 53, 55				WEATHERSTRIP, Sliding Door GlassRight & Left, Sliding, Door GLASS, Sliding Door
2	68010247AA	1	2, 3, 6, 7		13, 15, 17, 53, 55				Right
	68010248AA	1	2, 3, 6, 7		13, 15, 17, 53, 55				With [GAE], Right
	68017376AA	1	2, 3, 6, 7		13, 15, 17, 53, 55				Left
	68017377AA	1	2, 3, 6, 7		13, 15, 17, 53, 55				With [GAE], Left
3	68010255AA	1	2, 3, 6, 7						SEAL



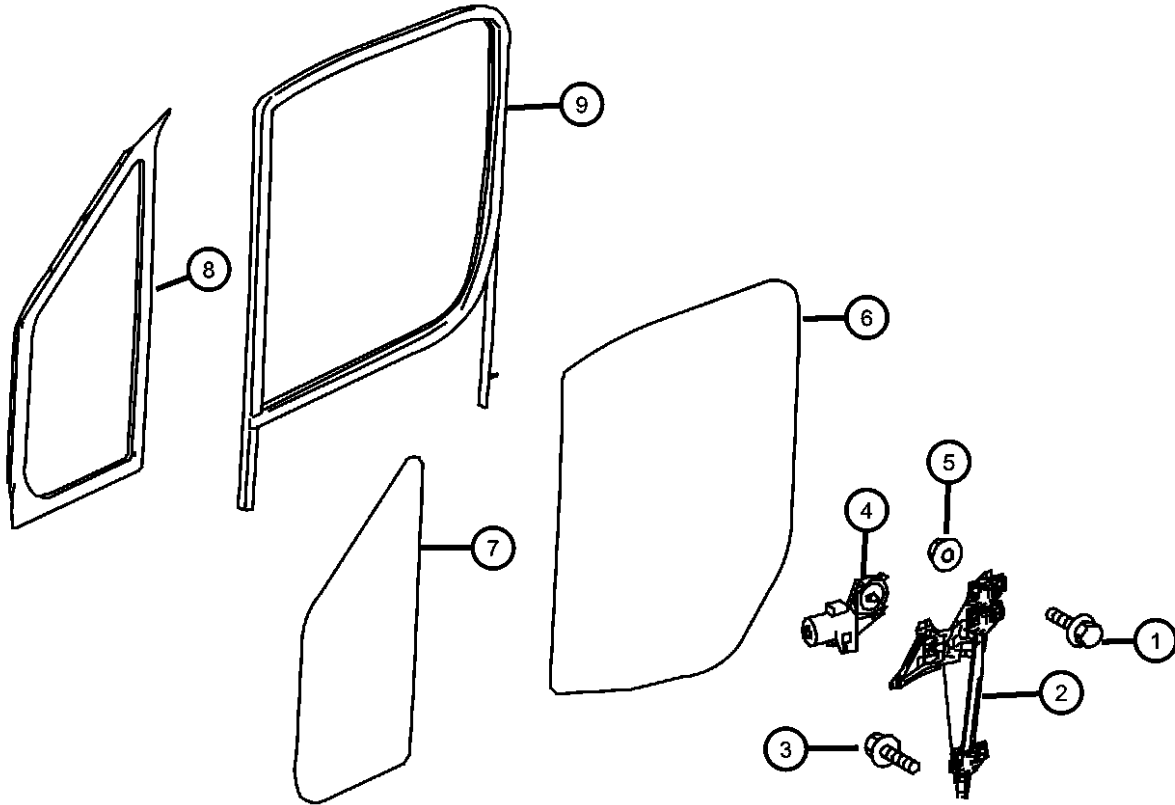
SPRINTER (VB)

SERIES	LINE	BODY	ENGINE	TRANSMISSION
L = LOWLINE	3 = HD DODGE 2WD 2 = Med. Duty DODGE 2WD	03 = CAB CHASSIS WHEEL BASE 3 05 = CAB CHASSIS WHEEL BASE 5 13 = 119 WB 53 = 119 WB 15 = VAN WHEEL BASE 5 55 = WAGON WHEEL BASE 5 17 = VAN WHEEL BASE 7	EG2 = 3.5L V6 Gas Engine EXM = 3.0L V6 Turbo Diesel Engine	DGZ = 5-Speed Auto W5A380 Transmission

AR = use ase required - = Non illustrated part

2007 VB

**Driver & Passenger Door Glass
Figure SVB-730**



ITEM	PART NUMBER	QTY	LINE	SERIES	BODY	ENGINE	TRANS	TRIM	DESCRIPTION
1	06104004AA	2	2, 3, 6, 7		13, 15, 17, 53, 55				BOLT M6x12
		1	2, 3, 6, 7						M6x12
2	68010026AA	1	2, 3, 6, 7						REGULATOR, Front Door Window Left
	68010110AA	1	2, 3, 6, 7						Right
3	68010027AA	3	2, 3, 6, 7						SCREW, Motor at Window Lifter, Right & Left
4	68010028AA	1	3, 7		03, 05				MOTOR, Window Regulator, Front Door Right
		1	2, 3, 6, 7		13, 15, 17, 53, 55				Right
	68010029AA	1	3, 7		03, 05				Left
		1	2, 3, 6, 7		13, 15, 17, 53, 55				Left
5	05097674AA	2	3, 7		03, 05				NUT, Hex Door Power Window M6, Right & Left
		2	2, 3, 6, 7		13, 15, 17, 53, 55				Door Power Window M6, Right & Left
6	68010025AA	1	2, 3, 6, 7						GLASS, Front Door Heat Absorbing, Left
	68010109AA	1	2, 3, 6, 7						Heat Absorbing, Right
7	68010022AA	1	2, 3, 6, 7						GLASS, Front Door Vent Left
	68010106AA	1	2, 3, 6, 7						Right
8	68010023AA	1	3, 7		03, 05				SEAL, Window Opening Left
		1	2, 3, 6, 7		17, 53, 55, 13, 15				Left
	68010107AA	1	3, 7		03, 05				Right
		1	2, 3, 6, 7		13, 15, 17, 53, 55				Right
9									FRAME, Door Glass

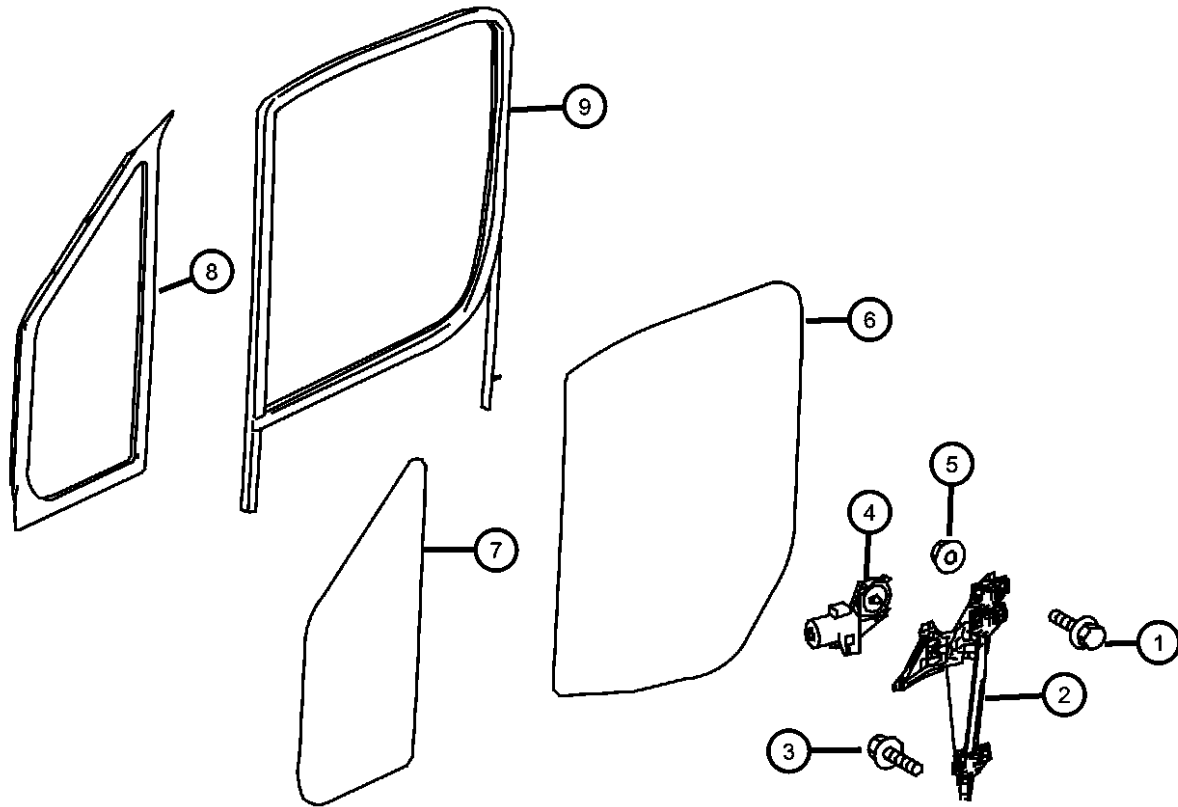
SPRINTER (VB)

SERIES	LINE	BODY	ENGINE	TRANSMISSION
L = LOWLINE	3 = HD DODGE 2WD 2 = Med. Duty DODGE 2WD	03 = CAB CHASSIS WHEEL BASE 3 05 = CAB CHASSIS WHEEL BASE 5 13 = 119 WB 53 = 119 WB 15 = VAN WHEEL BASE 5 55 = WAGON WHEEL BASE 5 17 = VAN WHEEL BASE 7	EG2 = 3.5L V6 Gas Engine EXM = 3.0L V6 Turbo Diesel Engine	DGZ = 5-Speed Auto W5A380 Transmission

AR = use ase required - = Non illustrated part

**Driver & Passenger Door Glass
Figure SVB-730**

ITEM	PART NUMBER	QTY	LINE	SERIES	BODY	ENGINE	TRANS	TRIM	DESCRIPTION
	68010030AA	1	2, 3, 6, 7						Left Door
	68010111AA	1	2, 3, 6, 7						Right Door



SPRINTER (VB)

SERIES	LINE	BODY	ENGINE	TRANSMISSION
L = LOWLINE	3 = HD DODGE 2WD 2 = Med. Duty DODGE 2WD	03 = CAB CHASSIS WHEEL BASE 3 05 = CAB CHASSIS WHEEL BASE 5 13 = 119 WB 53 = 119 WB 15 = VAN WHEEL BASE 5 55 = WAGON WHEEL BASE 5 17 = VAN WHEEL BASE 7	EG2 = 3.5L V6 Gas Engine EXM = 3.0L V6 Turbo Diesel Engine	DGZ = 5-Speed Auto W5A380 Transmission

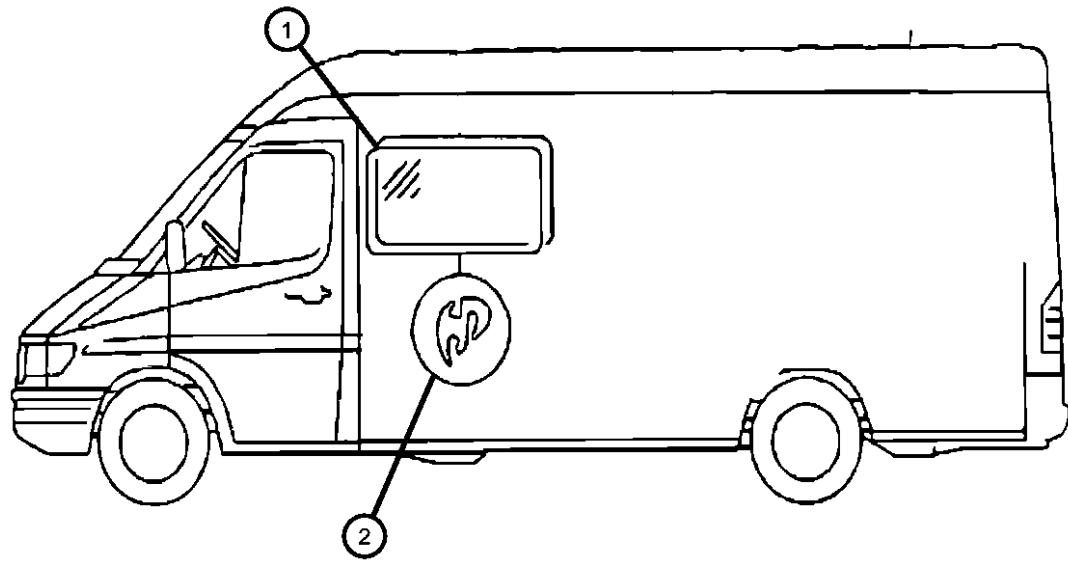
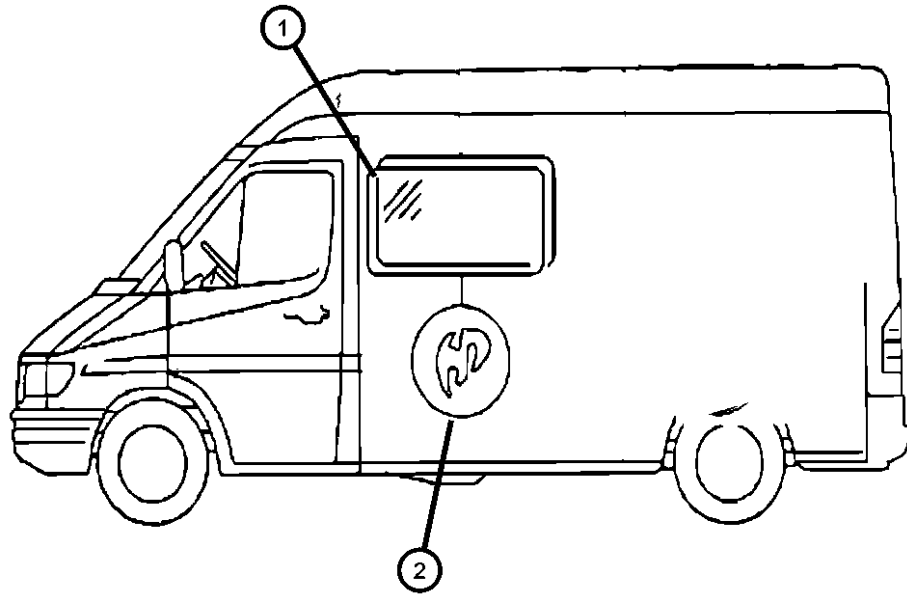
AR = use ase required - = Non illustrated part

**Fixed Glass Without Sliding Door
Figure SVB-735**

ITEM	PART NUMBER	QTY	LINE	SERIES	BODY	ENGINE	TRANS	TRIM	DESCRIPTION
------	-------------	-----	------	--------	------	--------	-------	------	-------------

Note: Fixed Glass Only Without Sliding Door

1									GLASS, Bodyside Window, See Note
	68018764AA	1	2, 3, 6, 7		13, 15, 17, 53, 55				Left
	68018765AA	1	2, 3, 6, 7		13, 15, 17, 53, 55				With [GAE], Left
	68018767AA	1	2, 3, 6, 7		13, 15, 17				Right
	68018768AA	1	2, 3, 6, 7		13, 15, 17				With [GAE]
2	68018791AA	1	2, 3, 6, 7		13, 15, 17, 53, 55				SEAL, Window Opening Right & Left



SPRINTER (VB)

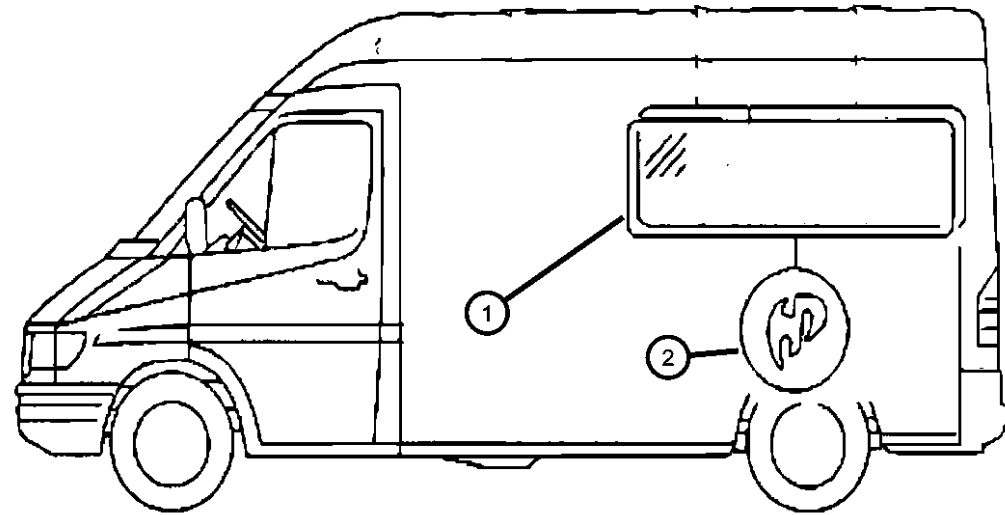
SERIES	LINE	BODY	ENGINE	TRANSMISSION
L = LOWLINE	3 = HD DODGE 2WD 2 = Med. Duty DODGE 2WD	03 = CAB CHASSIS WHEEL BASE 3 05 = CAB CHASSIS WHEEL BASE 5 13 = 119 WB 53 = 119 WB 15 = VAN WHEEL BASE 5 55 = WAGON WHEEL BASE 5 17 = VAN WHEEL BASE 7	EG2 = 3.5L V6 Gas Engine EXM = 3.0L V6 Turbo Diesel Engine	DGZ = 5-Speed Auto W5A380 Transmission

AR = use ase required - = Non illustrated part

2007 VB

**Rear Side Glass
Figure SVB-740**

ITEM	PART NUMBER	QTY	LINE	SERIES	BODY	ENGINE	TRANS	TRIM	DESCRIPTION
1									GLASS, Quarter
	68018781AA	1	2, 3, 6, 7		13				With [GES + GKE], Left
	68018782AA	1	7, 2, 3, 6		13, 53				With [GES] Without [GKE], Left
	68018783AA	1	2, 3, 6, 7		13				With [GES + GAE + GKE], Left
	68018784AA	1	2, 3, 6, 7		13, 53				With [GES + GAE] Without [GKE], Left
	68018787AA	1	2, 3, 6, 7		13, 53				With [GKA + GEU], Right
	68018788AA	1	2, 3, 6, 7		13				With [GEU + GK9], Right
	68018789AA	1	2, 3, 6, 7		13, 53				With [GKA + GEU + GAE], Right
	68018790AA	1	2, 3, 6, 7		13				With [GK9 + GEU + GAE], Right
2	68018797AA	1	2, 3, 6, 7		13, 53				SEAL, Window Opening Right & Left



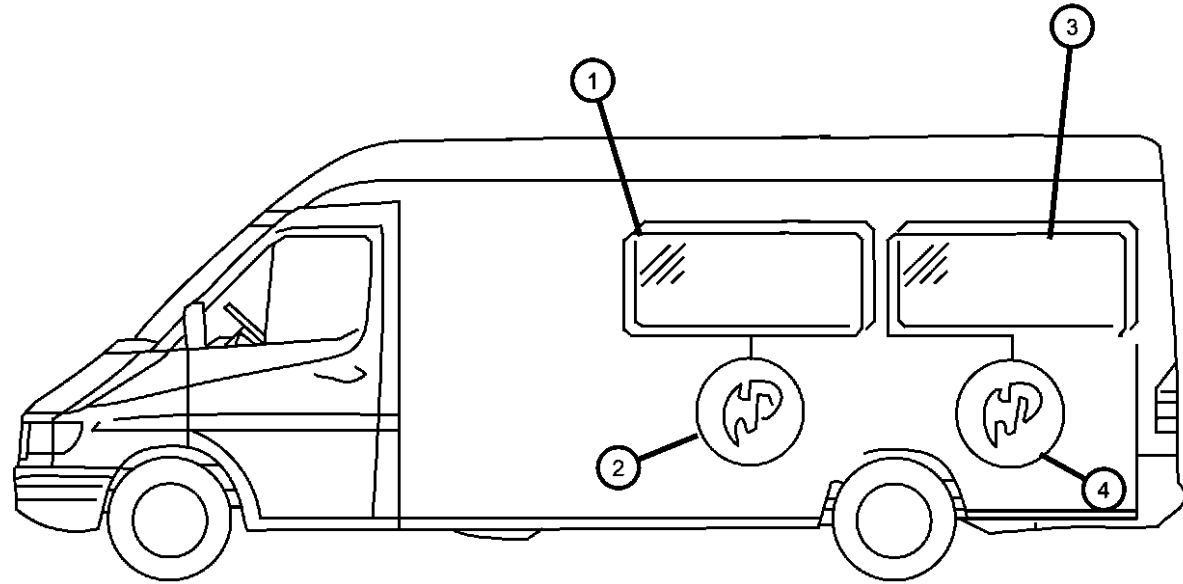
SPRINTER (VB)

SERIES	LINE	BODY	ENGINE	TRANSMISSION
L = LOWLINE	3 = HD DODGE 2WD 2 = Med. Duty DODGE 2WD	03 = CAB CHASSIS WHEEL BASE 3 05 = CAB CHASSIS WHEEL BASE 5 13 = 119 WB 53 = 119 WB 15 = VAN WHEEL BASE 5 55 = WAGON WHEEL BASE 5 17 = VAN WHEEL BASE 7	EG2 = 3.5L V6 Gas Engine EXM = 3.0L V6 Turbo Diesel Engine	DGZ = 5-Speed Auto W5A380 Transmission

AR = use ase required - = Non illustrated part

2007 VB

**Rear Side And Quarter Glass
Figure SVB-745**



ITEM	PART NUMBER	QTY	LINE	SERIES	BODY	ENGINE	TRANS	TRIM	DESCRIPTION
1									GLASS, Bodyside Window
	68018770AA	1	2, 3, 6, 7		15, 17				With [GKE + GEL], Left
	68018771AA	1	2, 3, 6, 7		55, 15, 17				With [GEL] Without [GKE], Left
	68018772AA	1	2, 3, 6, 7		15, 17				With [GEL + GAE + GKE], Left
	68018773AA	1	2, 3, 6, 7		15, 17, 55				With [GEL + GAE] Without [GKE], Left
	68018775AA	1	2, 3, 6, 7		15, 17, 55				With [GKA + GEQ], Right
	68018776AA	1	2, 3, 6, 7		15, 17				With [GK9 + GEQ], Right
	68018777AA	1	2, 3, 6, 7		15, 17, 55				With [GKA + GEQ + GKE], Right
	68018778AA	1	2, 3, 6, 7		15, 17				With [GK9 + GAE + GEQ], Right
2	68018793AA	1	2, 3, 6, 7		15, 17, 55				SEAL, Window Opening
3									GLASS, Quarter
	68018779AA	1	2, 3, 6, 7		15, 17, 55				With [GES], Left
	68018780AA	1	2, 3, 6, 7		15, 17, 55				With [GES + GAE], Left
	68018785AA	1	2, 3, 6, 7		15, 17, 55				With [GEU], Right
	68018786AA	1	2, 3, 6, 7		15, 17, 55				With [GEU + GAE], Right
4	68018795AA	1	2, 3, 6, 7		15, 17, 55				SEAL, Window Opening

SPRINTER (VB)

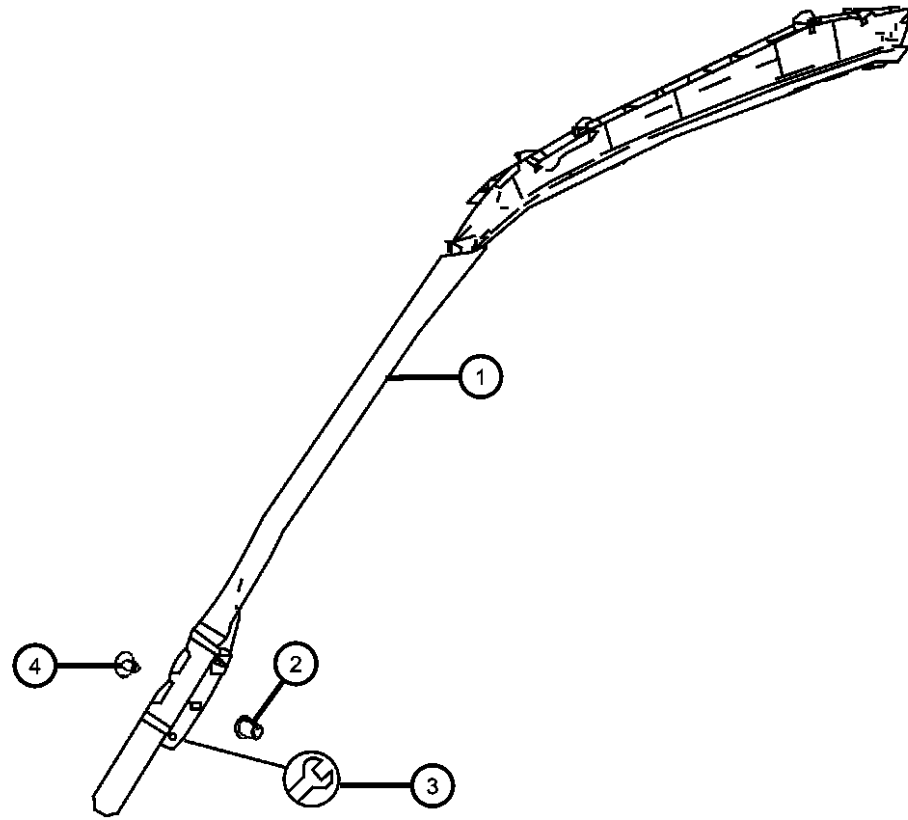
SERIES	LINE	BODY	ENGINE	TRANSMISSION
L = LOWLINE	3 = HD DODGE 2WD 2 = Med. Duty DODGE 2WD	03 = CAB CHASSIS WHEEL BASE 3 05 = CAB CHASSIS WHEEL BASE 5 13 = 119 WB 53 = 119 WB 15 = VAN WHEEL BASE 5 55 = WAGON WHEEL BASE 5 17 = VAN WHEEL BASE 7	EG2 = 3.5L V6 Gas Engine EXM = 3.0L V6 Turbo Diesel Engine	DGZ = 5-Speed Auto W5A380 Transmission

AR = use ase required - = Non illustrated part

2007 VB

**Window & Head Side Airbag
Figure SVB-750**

ITEM	PART NUMBER	QTY	LINE	SERIES	BODY	ENGINE	TRANS	TRIM	DESCRIPTION
1	1HD69NC-VAA	1	2, 3, 6, 7						AIR BAG, Side Curtain Left
	1HD70NC-VAA	1	2, 3, 6, 7						Right
2	05133486AA	4	2, 3, 6, 7						RIVET
3	68016751AA	2	2, 3, 6, 7						CONNECTOR
4	68014337AA	8	2, 3, 6, 7						SCREW



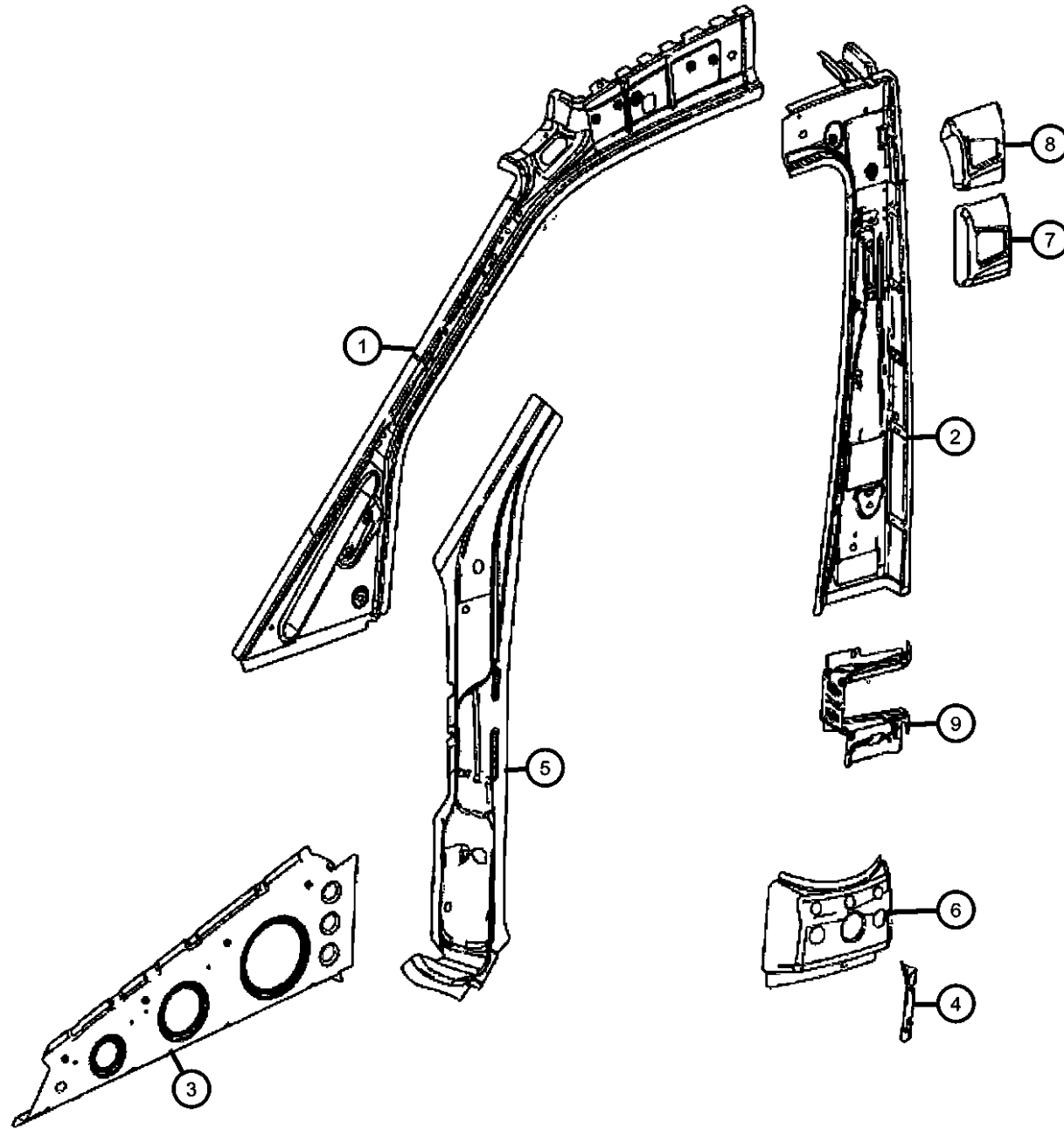
SPRINTER (VB)

SERIES	LINE	BODY	ENGINE	TRANSMISSION
L = LOWLINE	3 = HD DODGE 2WD 2 = Med. Duty DODGE 2WD	03 = CAB CHASSIS WHEEL BASE 3 05 = CAB CHASSIS WHEEL BASE 5 13 = 119 WB 53 = 119 WB 15 = VAN WHEEL BASE 5 55 = WAGON WHEEL BASE 5 17 = VAN WHEEL BASE 7	EG2 = 3.5L V6 Gas Engine EXM = 3.0L V6 Turbo Diesel Engine	DGZ = 5-Speed Auto W5A380 Transmission

AR = use ase required - = Non illustrated part

2007 VB

Front Aperture, Inner left
Figure SVB-810



ITEM	PART NUMBER	QTY	LINE	SERIES	BODY	ENGINE	TRANS	TRIM	DESCRIPTION
------	-------------	-----	------	--------	------	--------	-------	------	-------------

Note: Sales Code:
[CTA]=Shelf Above Roof Trim
[GKE]=Left Sliding Door No Glass
[MWJ]=High Roof
[MX1]=Mega Roof Painted
[MX2]=Mega Roof White

1	68005113AA	1	2, 3, 6, 7						PANEL, A PillarTop, Left
2	68008693AA	1	2, 3, 6, 7		13, 15, 17, 53, 55				PANEL, B Pillar Without [GKE], Left
	68008694AA	1	2, 3, 6, 7		13, 15, 17, 53, 55				With [MWJ or MX1 or MX2], Left
	68008697AA	1	2, 3, 6, 7		13, 15, 17, 53, 55				With [CTA] With [MWJ or MX1 or MX2], Left
	68029947AA	1	2, 3, 6, 7		13, 15, 17, 53, 55				With [MX1 or MX2] Without [GKE], Left
	68029948AA	1	2, 3, 6, 7		13, 15, 17, 53, 55				With [CTA] With [MX1 or MX2] Without [GKE], Left
3	68008424AA	1	2, 3, 6, 7						REINFORCEMENT, Cowl Side, Side Member, Front Left
4	68008521AA	1	2, 3, 6, 7		13, 15, 17, 53, 55				BRACKET, Angle B-Pillar on the Left
5	68008425AA	1	2, 3, 6, 7						PANEL, Cowl Side, Left Hinge Reinforcement
6	68008524AA	1	7, 2, 3, 6		13, 15, 17, 53, 55				REINFORCEMENT, Locking Wedge, Bottom-With [GKE], Left
7	68008527AA	1	2, 3, 6, 7		13, 15, 17				REINFORCEMENT, B-Pillar, Locking Wedge Top-With [GKE], Left
8	68008526AA	1	2, 3, 6, 7		13, 15, 17				REINFORCEMENT, B-Pillar, Locking Wedge Top-With [MWJ or MX1 or MX2] With [GKE], Left
9	68008530AA	1	2, 3, 6, 7		13, 15, 17, 53, 55				PILLAR, Front Door Lock, Locking Eye, Left

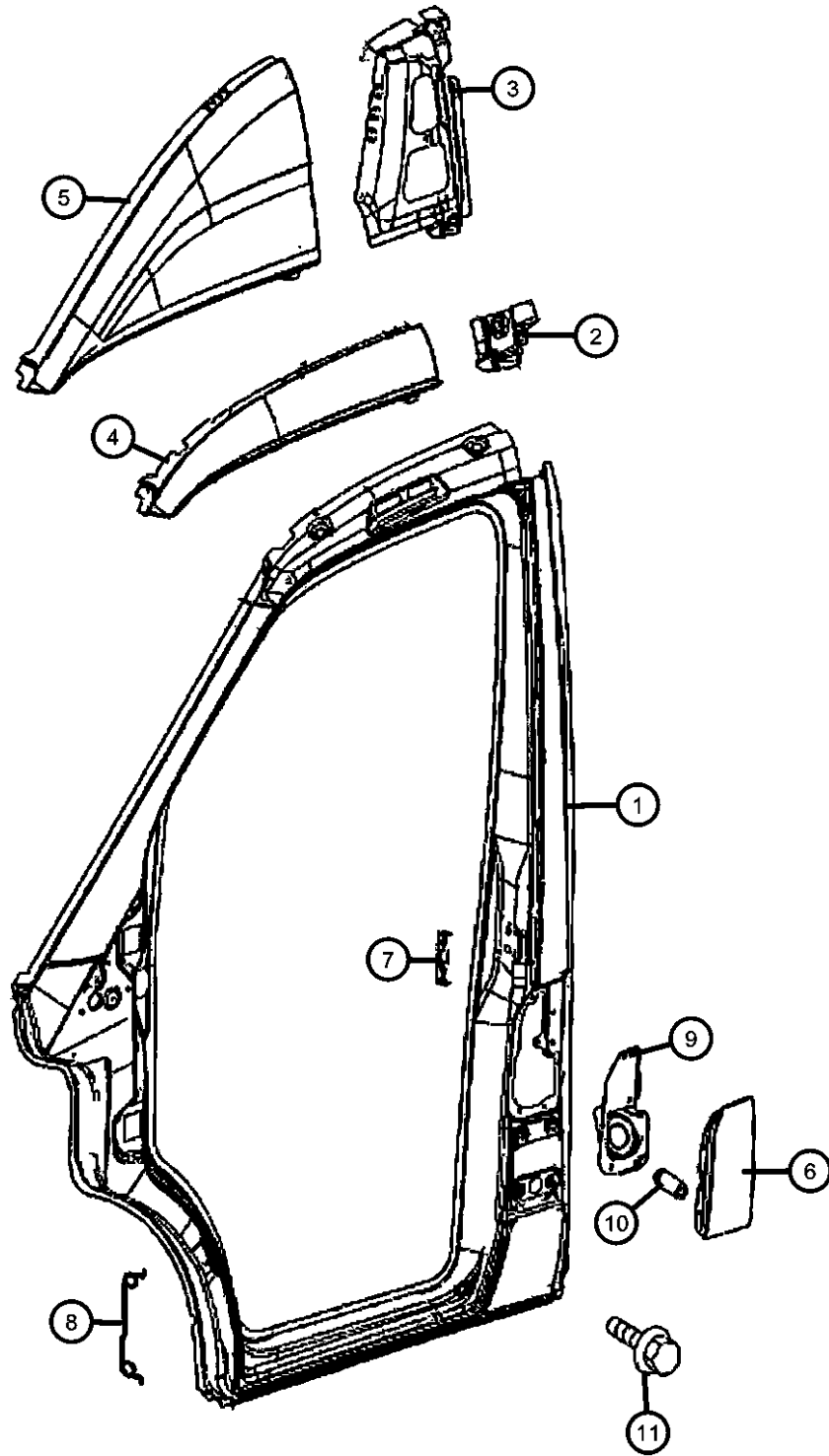
SPRINTER (VB)

SERIES	LINE	BODY	ENGINE	TRANSMISSION
L = LOWLINE	3 = HD DODGE 2WD 2 = Med. Duty DODGE 2WD	03 = CAB CHASSIS WHEEL BASE 3 05 = CAB CHASSIS WHEEL BASE 5 13 = 119 WB 53 = 119 WB 15 = VAN WHEEL BASE 5 55 = WAGON WHEEL BASE 5 17 = VAN WHEEL BASE 7	EG2 = 3.5L V6 Gas Engine EXM = 3.0L V6 Turbo Diesel Engine	DGZ = 5-Speed Auto W5A380 Transmission

AR = use ase required - = Non illustrated part

2007 VB

**Front Aperture,Outer Left
Figure SVB-820**



ITEM	PART NUMBER	QTY	LINE	SERIES	BODY	ENGINE	TRANS	TRIM	DESCRIPTION
Note:Sales Code: [GKE]=Left Sliding Door No Glass [MWJ]=High Roof [MX1]=Mega Roof Painted [MX2]=Mega Roof White									
1	68008451AA	1	2, 3, 6, 7		13, 15, 17, 53, 55				APERTURE, Body Side Door Without [MWJ or MX1 or MX2], Left
	68008452AA	1	2, 3, 6, 7		13, 15, 17, 53, 55				With [MWJ or MX1 or MX2], Left
2	68005109AA	1	2, 3, 6, 7		13, 15, 17, 53, 55				BRACKET, B-Pillar B-Pillar With [GKE], Top, Left
	68005110AA	1	2, 3, 6, 7		13, 15, 17, 53, 55				B-Pillar Without [GKE], Top, Left
3	68008495AA	1	2, 3, 6, 7		13, 15, 17, 53, 55				PANEL, Body Side Aperture B-Pillar With [MWJ or MX1 or MX2] + [GKE], Top, Left
	68008496AA	1	2, 3, 6, 7		13, 15, 17, 53, 55				B-Pillar With [MWJ or MX1 or MX2], Top, Left
4	68008512AA	1	2, 3, 6, 7		13, 15, 17, 53, 55				PANEL, Roof, Roof Left Front Rail Without [MWJ or MX1 or MX2]
5	68008513AA	1	2, 3, 6, 7		13, 15, 17, 53, 55				PANEL, Roof, Roof Left Front Rail With [MWJ or MX1 or MX2]
6	68008440AA	1	2, 3, 6, 7						DOOR, Fuel Fill
7	68008443AA	1	2, 3, 6, 7						BRACKET, Fuel Fill Door
8	05104408AA	1	2, 3, 6, 7		55, 13, 15, 17, 53 03, 05				SPRING, Fuel Filler Door
9		1	3, 7						FILLER, Fuel Filler Tube Mounting, (NOT SERVICED)
10	68008447AA	2	2, 3, 6, 7						BUMPER, Fuel Door
11	06104120AA	6	2, 3, 6, 7						SCREW, Hex Head, M6x12, Fuel Fill Door, Mounting

SPRINTER (VB)

SERIES LINE
L = LOWLINE 3 = HD DODGE 2WD
2 = Med. Duty DODGE 2WD

BODY
03 = CAB CHASSIS WHEEL
BASE 3
05 = CAB CHASSIS WHEEL
BASE 5
13 = 119 WB
53 = 119 WB
15 = VAN WHEEL BASE 5
55 = WAGON WHEEL BASE 5
17 = VAN WHEEL BASE 7

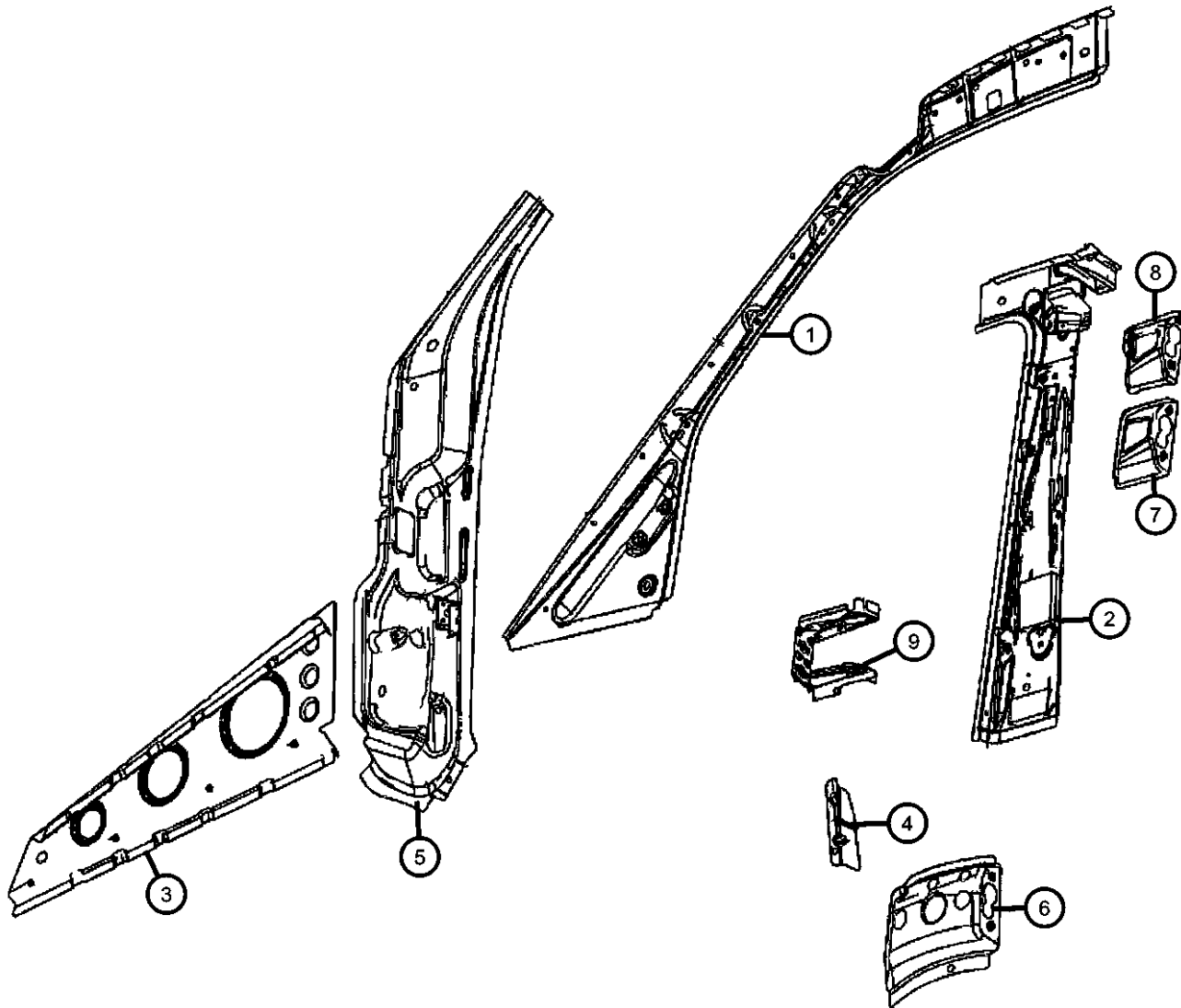
ENGINE
EG2 = 3.5L V6 Gas Engine
EXM = 3.0L V6 Turbo Diesel
Engine

TRANSMISSION
DGZ = 5-Speed Auto W5A380
Transmission

AR = use ase required - = Non illustrated part

2007 VB

**Front Aperture,Inner Right
Figure SVB-830**



ITEM	PART NUMBER	QTY	LINE	SERIES	BODY	ENGINE	TRANS	TRIM	DESCRIPTION
------	-------------	-----	------	--------	------	--------	-------	------	-------------

Note:Sales Code:
 [CTA]=Shelf Above Roof Trim
 [GKA]=Right Sliding Door
 [GK9]=Delete Right Sliding Door
 [MX1]=Mega Roof Painted
 [MX2]=Mega Roof White
 [MWJ]=High Roof

1	68005138AA	1	2, 3, 6, 7						PANEL, A PillarTop, Right
2	68008696AA	1	2, 3, 6, 7		13, 15, 17, 53, 55				PANEL, B-Pillar With [CTA+GK9+[MWJ or MX1 or MX2], Right
	68009312AA	1	2, 3, 6, 7		13, 15, 17				With [GK9], Right
	68009313AA	1	2, 3, 6, 7		13, 15, 17, 53, 55				With [MWJ or MX1 or MX2] +[GK9], Right
	68029941AA	1	2, 3, 6, 7		13, 15, 17, 53, 55				With [MX1 or MX2] Without [GKA], Right
	68029946AA	1	2, 3, 6, 7		13, 15, 17, 53, 55				With [CTA]+MX1 or MX2] Without [GKA], Right
3	68009199AA	1	2, 3, 6, 7						REINFORCEMENT, Cowl Side, Side Member, Front, Right
4	68009208AA	1	2, 3, 6, 7		13, 15, 17, 53, 55				BRACKET, Angel B Pillar on the Right With [GK9]
5	68009200AA	1	2, 3, 6, 7						PANEL, Cowl Side, Right Hinge Reinforcement
6	68009202AA	1	2, 3, 6, 7		13, 15, 17, 53, 55				REINFORCEMENT, Locking Wedge Bottom With [GKA], Right
7	68009205AA	1	2, 3, 6, 7		13, 15, 17, 53, 55				REINFORCEMENT, B-Pillar, Locking Wedge Top With [GKA], Right
8	68009204AA	1	2, 3, 6, 7		13, 15, 17, 53, 55				REINFORCEMENT, B-Pillar, Locking Wedge Top With [MWJ or MX1 or MX2] With [GKA], Right
9	68009209AA	1	2, 3, 6, 7		13, 15, 17, 53, 55				PILLAR, Front Door Lock, Locking Eye Without [MWJ or MX1 or MX2] With [GKA], Right

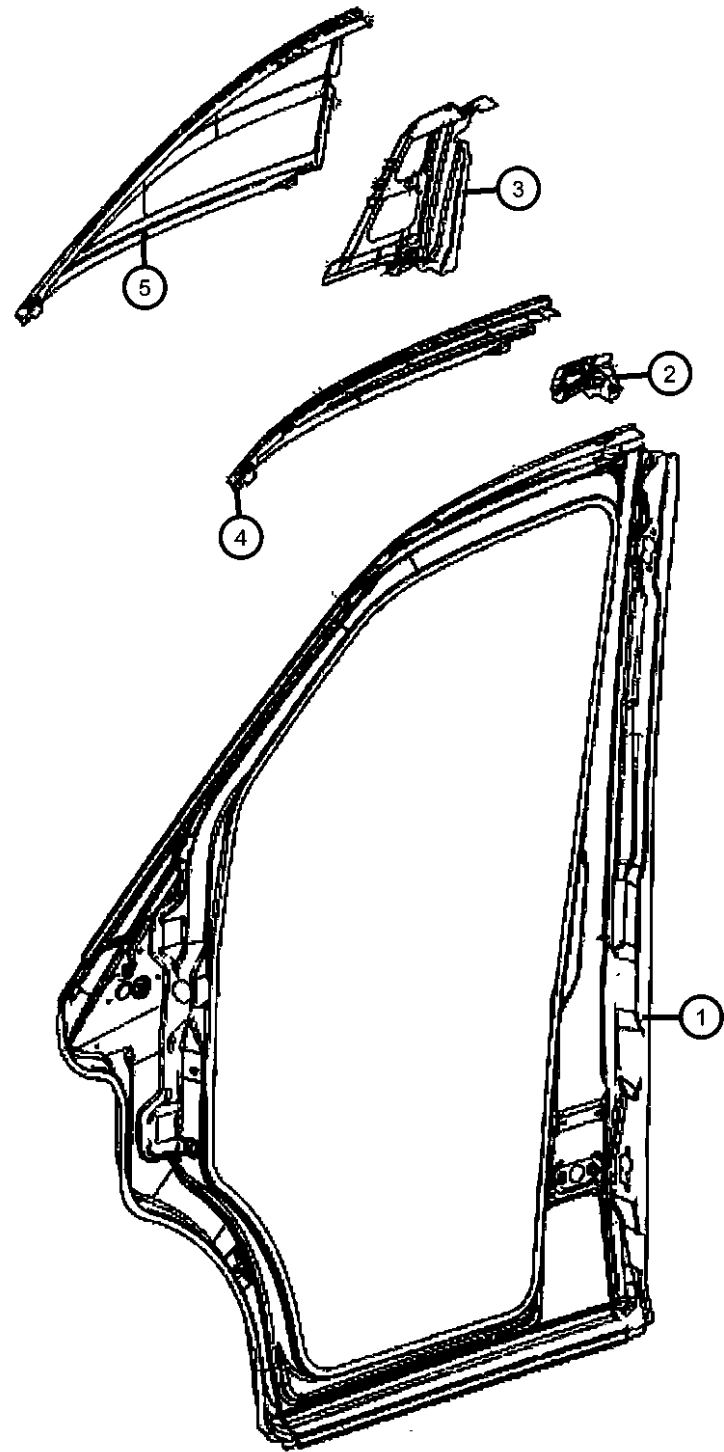
SPRINTER (VB)

SERIES	LINE	BODY	ENGINE	TRANSMISSION
L = LOWLINE	3 = HD DODGE 2WD 2 = Med. Duty DODGE 2WD	03 = CAB CHASSIS WHEEL BASE 3 05 = CAB CHASSIS WHEEL BASE 5 13 = 119 WB 53 = 119 WB 15 = VAN WHEEL BASE 5 55 = WAGON WHEEL BASE 5 17 = VAN WHEEL BASE 7	EG2 = 3.5L V6 Gas Engine EXM = 3.0L V6 Turbo Diesel Engine	DGZ = 5-Speed Auto W5A380 Transmission

AR = use ase required - = Non illustrated part

2007 VB

**Front Aperture,Outer,Right
Figure SVB-840**



ITEM	PART NUMBER	QTY	LINE	SERIES	BODY	ENGINE	TRANS	TRIM	DESCRIPTION
Note:Sales Code: [GKA]=Right Sliding Door [GK9]=Delete Right Sliding Door [MX1]=Mega Roof Painted [MX2]=Mega Roof White [MWJ]=High Roof									
1	68009141AA	1	2, 3, 6, 7		13, 15, 17, 53, 55				APERTURE, Body Side Door Without [MWJ or MX1 or MX2], Right
	68009142AA	1	2, 3, 6, 7		13, 15, 17, 53, 55				With [MWJ or MX1 or MX2], Right
2	68009211AA	1	2, 3, 6, 7		13, 15, 17, 53, 55				BRACKET, B-Pillar B-Pillar Without [GKA], Top, Right
	68005134AA	1	2, 3, 6, 7		13, 15, 17, 53, 55				B-Pillar With [GKA], Top, Right
3	68005136AA	1	2, 3, 6, 7		13, 15, 17, 53, 55				PANEL, Body Side Aperture With [MWJ or MX1 or MX2] + [GK9], Top, Right
	68005137AA	1	2, 3, 6, 7		13, 15, 17, 53, 55				Without [MWJ or MX1 or MX2], Top, Right
4	68009188AA	1	2, 3, 6, 7		13, 15, 17, 53, 55				PANEL, Roof, Right Front Roof Rail Without [MWJ or MX1 or MX2]
5	68009189AA	1	2, 3, 6, 7		15, 17, 53, 55, 13				PANEL, Roof, Right Front Roof Rail With [MWJ or MX1 or MX2]

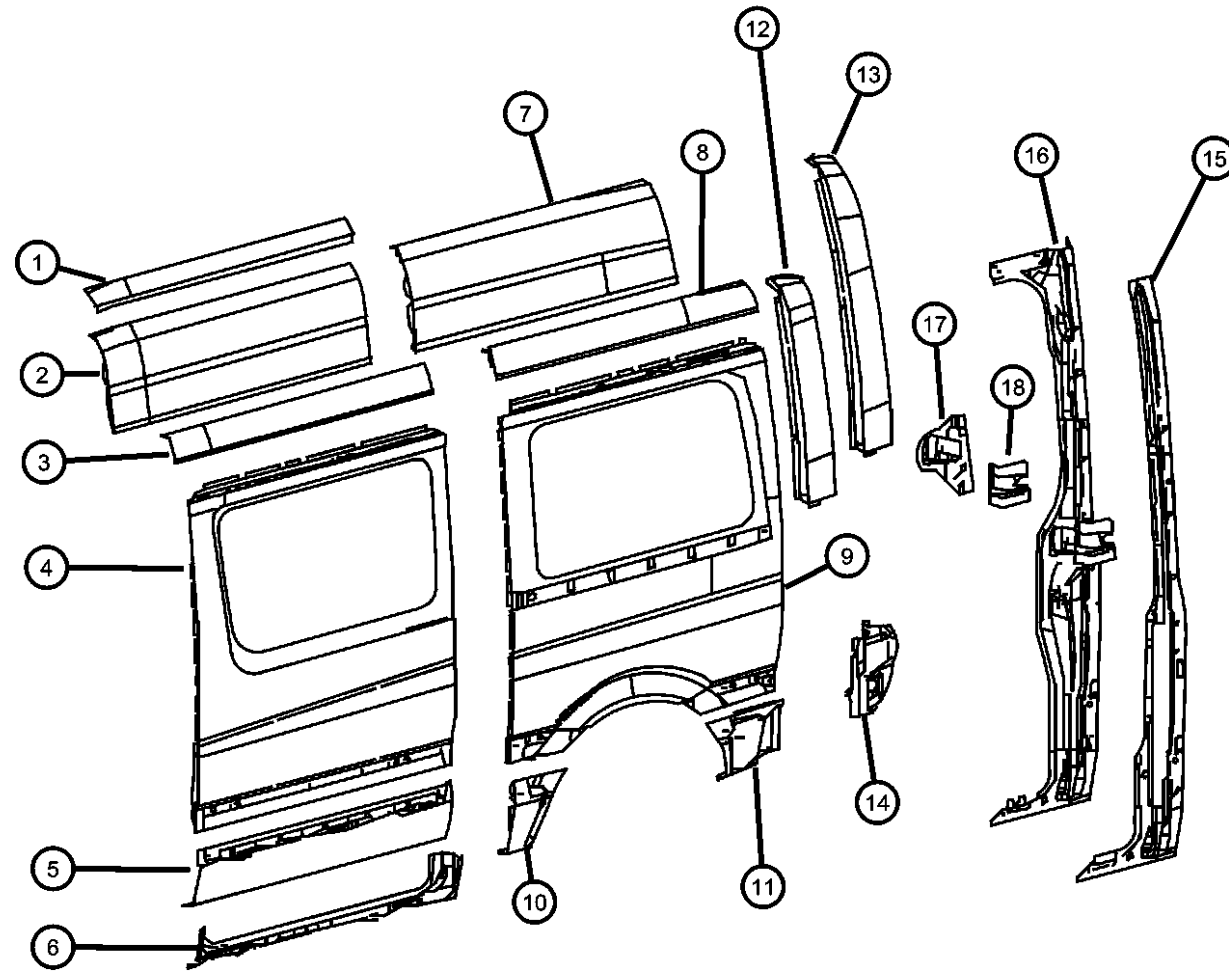
SPRINTER (VB)

SERIES	LINE	BODY	ENGINE	TRANSMISSION
L = LOWLINE	3 = HD DODGE 2WD 2 = Med. Duty DODGE 2WD	03 = CAB CHASSIS WHEEL BASE 3 05 = CAB CHASSIS WHEEL BASE 5 13 = 119 WB 53 = 119 WB 15 = VAN WHEEL BASE 5 55 = WAGON WHEEL BASE 5 17 = VAN WHEEL BASE 7	EG2 = 3.5L V6 Gas Engine EXM = 3.0L V6 Turbo Diesel Engine	DGZ = 5-Speed Auto W5A380 Transmission

AR = use ase required - = Non illustrated part

2007 VB

**Outer Side Panel, Left
Figure SVB-905**



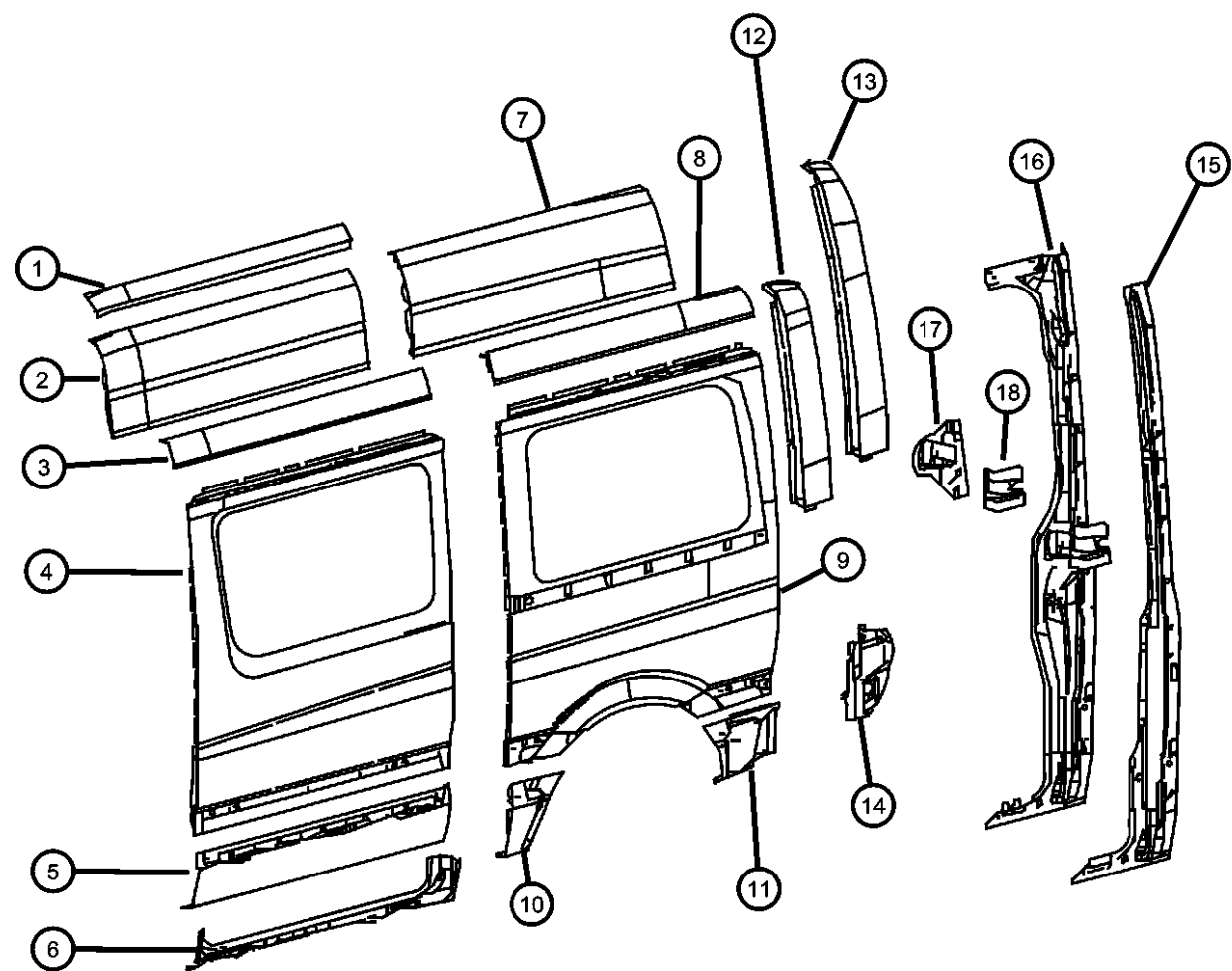
ITEM	PART NUMBER	QTY	LINE	SERIES	BODY	ENGINE	TRANS	TRIM	DESCRIPTION
1	68008503AA	1	2, 3, 6, 7		13, 15, 17, 53, 55				PANEL, Roof
2	68008504AA	1	2, 3, 6, 7		13, 15, 17, 53, 55				PANEL, Roof
3									PANEL, Roof
	68008510AA	1	2, 3, 6, 7		13, 53				[GKE]
	68008511AA	1	2, 3, 6, 7		13, 53				
4	68008462AA	1	2, 3, 6, 7		13, 15, 17, 53, 55				PANEL, Body Side
5	68008493AA	1	2, 3, 6, 7		13, 15, 17, 53, 55				ROCKER
6	68008519AA	1	2, 3, 6, 7		13, 15, 17, 53, 55				PANEL, Sill
7									PANEL, Roof
	68008512AA	1	2, 3, 6, 7		13, 15, 17, 53, 55				
	68008516AA	1	2, 3, 6, 7		13, 53				[5CF]
	68008518AA	1	2, 3, 6, 7		15, 55				[5CG]
8	68008517AA	1	2, 3, 6, 7		13, 53				PANEL, Roof
9									PANEL, Body Side Rear
	68008482AA	1	2, 3, 6, 7		17				With [5CK+GES]
		1	2, 3, 6, 7		17				With [5CK]
	68008484AA	1	2, 3, 6, 7		17				With [5CK+GKE+GES]
		1	2, 3, 6, 7		17				With [5CK+GKE]
10									PANEL, Wheelhouse
	68008466AA	1	2, 3, 6, 7		13, 53				[5CF]
	68008467AA	1	2, 3, 6, 7		15, 17, 55				
11									PANEL, Wheelhouse
	68008489AA	1	2, 3, 6, 7		13, 53				[5CF]
	68008490AA	1	2, 3, 6, 7		15, 55				[5CG]
12	68008531AA	1	2, 3, 6, 7		13, 15, 17, 53, 55				PANEL, D Pillar, Side Panel
13	68008532AA	1	2, 3, 6, 7		13, 15, 17, 53, 55				PANEL, D Pillar
14	68008533AA	1	2, 3, 6, 7		13, 15, 17, 53, 55				EXTENSION, D Pillar Lower
15									PANEL, D Pillar

SPRINTER (VB)

SERIES	LINE	BODY	ENGINE	TRANSMISSION
L = LOWLINE	3 = HD DODGE 2WD 2 = Med. Duty DODGE 2WD	03 = CAB CHASSIS WHEEL BASE 3 05 = CAB CHASSIS WHEEL BASE 5 13 = 119 WB 53 = 119 WB 15 = VAN WHEEL BASE 5 55 = WAGON WHEEL BASE 5 17 = VAN WHEEL BASE 7	EG2 = 3.5L V6 Gas Engine EXM = 3.0L V6 Turbo Diesel Engine	DGZ = 5-Speed Auto W5A380 Transmission

AR = use ase required - = Non illustrated part

Outer Side Panel, Left
Figure SVB-905



ITEM	PART NUMBER	QTY	LINE	SERIES	BODY	ENGINE	TRANS	TRIM	DESCRIPTION
	68008671AA	1	2, 3, 6, 7		13, 15, 17, 53, 55				High or Super High Roof
	68008669AA	1	2, 3, 6, 7		13, 15, 17, 53, 55				
16	68008667AA	1	2, 3, 6, 7		13, 15, 17, 53, 55				PILLAR, Side Cargo Door High Roof and Super High Roof
	68008673AA	1	2, 3, 6, 7		13, 15, 17, 53, 55				Standard
17	68008662AA	1	2, 3, 6, 7		13, 15, 17, 53, 55				PLATE
18	68008665AA	1	2, 3, 6, 7		13, 15, 17, 53, 55				PLATE

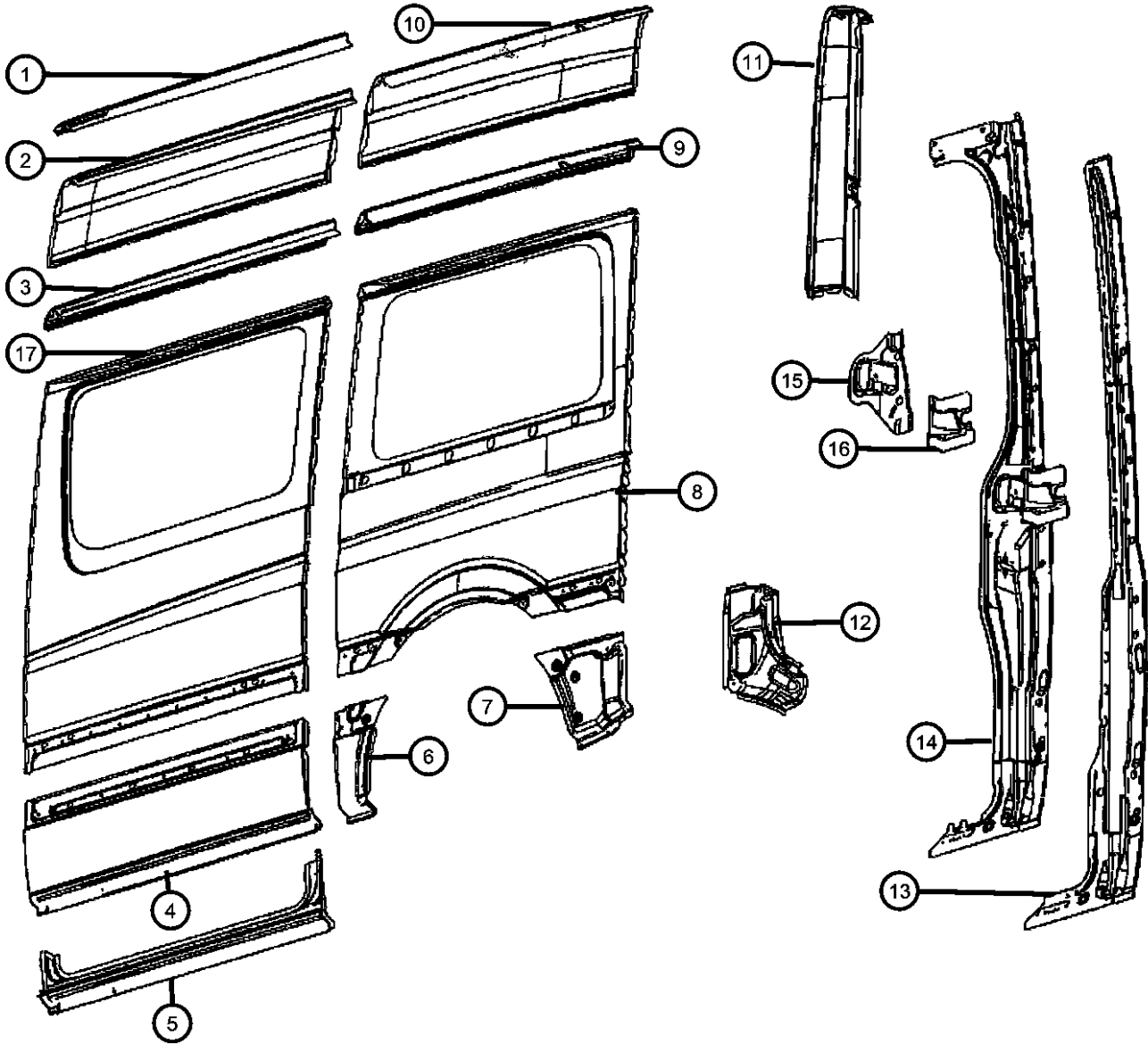
SPRINTER (VB)

SERIES	LINE	BODY	ENGINE	TRANSMISSION
L = LOWLINE	3 = HD DODGE 2WD 2 = Med. Duty DODGE 2WD	03 = CAB CHASSIS WHEEL BASE 3 05 = CAB CHASSIS WHEEL BASE 5 13 = 119 WB 53 = 119 WB 15 = VAN WHEEL BASE 5 55 = WAGON WHEEL BASE 5 17 = VAN WHEEL BASE 7	EG2 = 3.5L V6 Gas Engine EXM = 3.0L V6 Turbo Diesel Engine	DGZ = 5-Speed Auto W5A380 Transmission

AR = use ase required - = Non illustrated part

2007 VB

Outer Side Panel, Right
Figure SVB-910



ITEM	PART NUMBER	QTY	LINE	SERIES	BODY	ENGINE	TRANS	TRIM	DESCRIPTION
1	68009182AA	1	2, 3, 6, 7		13, 15, 17, 53, 55				PANEL, Roof
2	68009181AA	1	2, 3, 6, 7		13, 15, 17, 53, 55				PANEL, Body Side
3	68009186AA	1	2, 3, 6, 7		13, 53				PANEL, Roof
	68009187AA	1	2, 3, 6, 7		15, 17, 53, 55, 13				
4	68009195AA	1	2, 3, 6, 7		13, 15, 17, 53, 55				PANEL, Body Side
5	68009196AA	1	2, 3, 6, 7		13, 15, 17, 53, 55				ROCKER
6	68009156AA	1	2, 3, 6, 7		13, 53				PANEL, Body Side
	68009157AA	1	2, 3, 6, 7		15, 17, 55				
7	68005132AA	1	2, 3, 6, 7		17				PANEL, Wheelhouse
	68008488AA	1	2, 3, 6, 7		13, 53				
	68009177AA	1	2, 3, 6, 7		15, 55				
8	68009162AA	1	2, 3, 6, 7		13, 53				PANEL, Rear Body
9	68009193AA	1	2, 3, 6, 7		13, 53				PANEL, Roof
10	68005133AA	1	2, 3, 6, 7		17				PANEL, Roof
	68009192AA	1	2, 3, 6, 7		13, 53				
	68009194AA	1	2, 3, 6, 7		15, 55				
11	68009212AA	1	2, 3, 6, 7		13, 15, 17, 53, 55				PANEL, D Pillar
12	68009214AA	1	2, 3, 6, 7		13, 15, 17, 53, 55				REINFORCEMENT
13	68008668AA	1	2, 3, 6, 7		13, 15, 17, 53, 55				PANEL, D Pillar
	68008670AA	1	2, 3, 6, 7		13, 15, 17, 53, 55				High and Super High Roof
14	68008666AA	1	2, 3, 6, 7		53, 55, 13, 15, 17				PILLAR, Side Cargo Door High and Super High Roof

SPRINTER (VB)

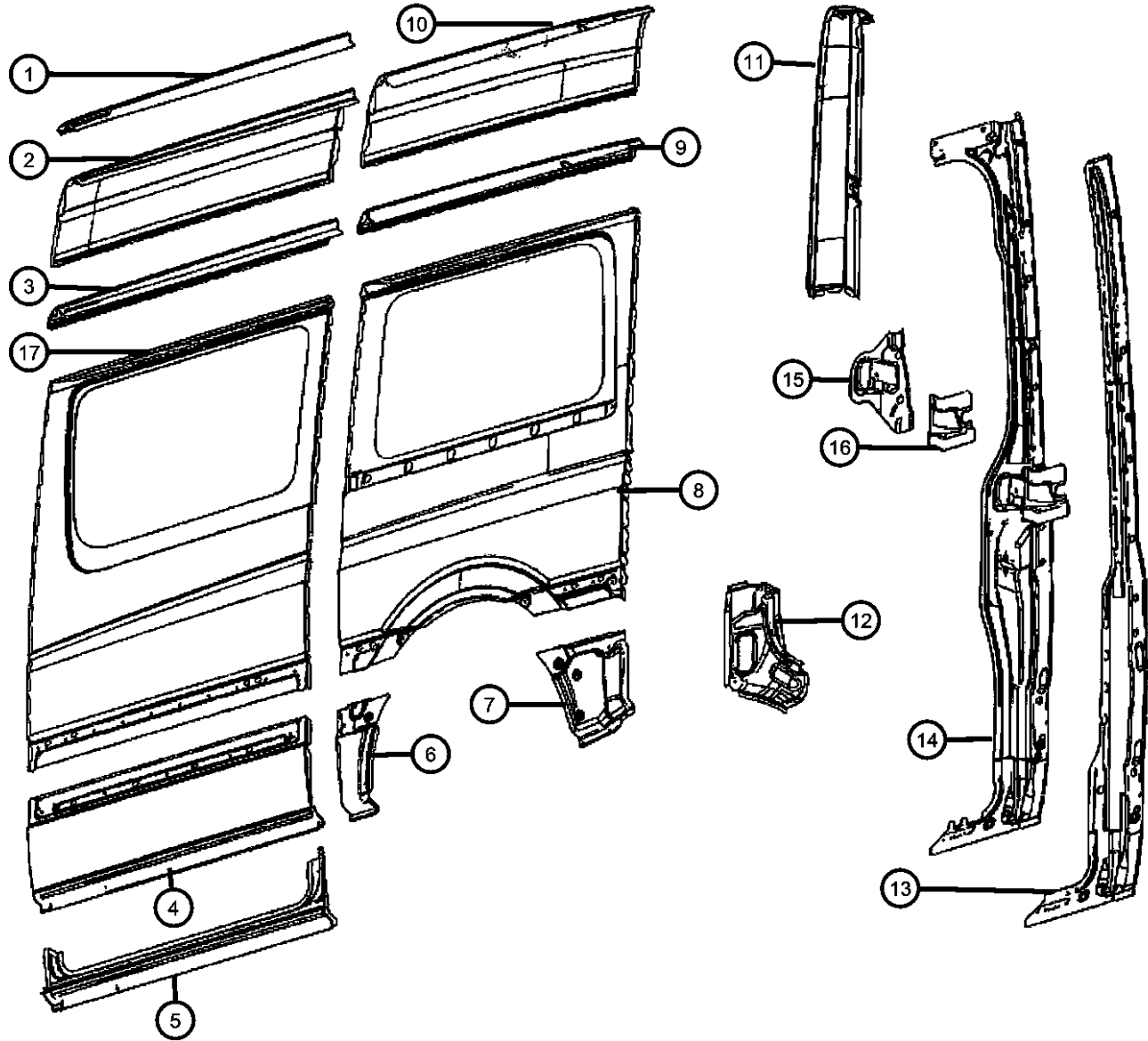
SERIES	LINE	BODY	ENGINE	TRANSMISSION
L = LOWLINE	3 = HD DODGE 2WD 2 = Med. Duty DODGE 2WD	03 = CAB CHASSIS WHEEL BASE 3 05 = CAB CHASSIS WHEEL BASE 5 13 = 119 WB 53 = 119 WB 15 = VAN WHEEL BASE 5 55 = WAGON WHEEL BASE 5 17 = VAN WHEEL BASE 7	EG2 = 3.5L V6 Gas Engine EXM = 3.0L V6 Turbo Diesel Engine	DGZ = 5-Speed Auto W5A380 Transmission

AR = use ase required - = Non illustrated part

2007 VB

Outer Side Panel, Right
Figure SVB-910

ITEM	PART NUMBER	QTY	LINE	SERIES	BODY	ENGINE	TRANS	TRIM	DESCRIPTION
	68008672AA	1	2, 3, 6, 7		13, 15, 17, 53, 55				
15	68006310AA	1	2, 3, 6, 7						BRACKET
16	68008664AA	1	2, 3, 6, 7		13, 15, 17, 53, 55				PLATE
17	68009152AA	1	2, 3, 6, 7		13, 15, 17, 53, 55				PANEL, Body Side

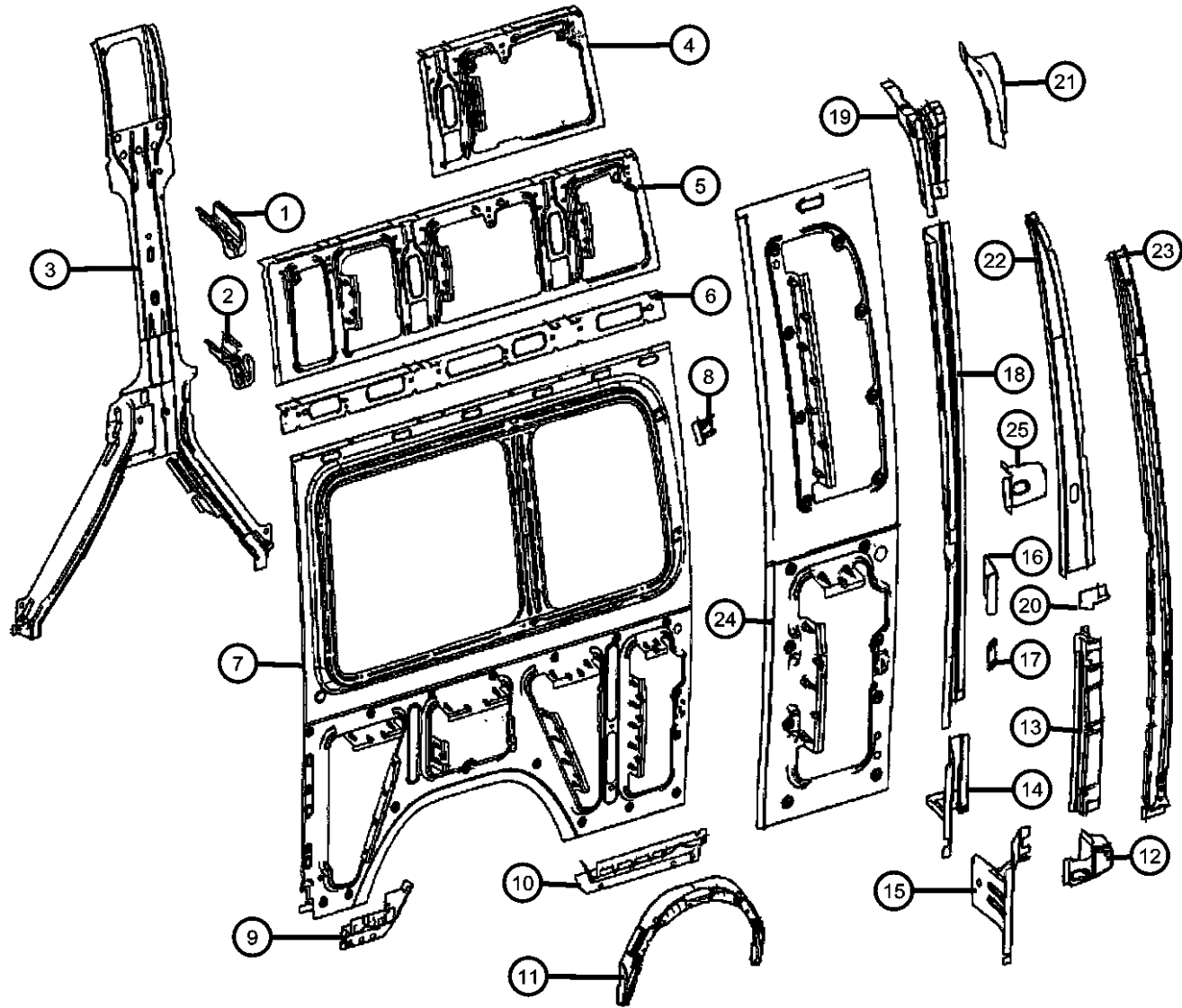


SPRINTER (VB)

SERIES	LINE	BODY	ENGINE	TRANSMISSION
L = LOWLINE	3 = HD DODGE 2WD 2 = Med. Duty DODGE 2WD	03 = CAB CHASSIS WHEEL BASE 3 05 = CAB CHASSIS WHEEL BASE 5 13 = 119 WB 53 = 119 WB 15 = VAN WHEEL BASE 5 55 = WAGON WHEEL BASE 5 17 = VAN WHEEL BASE 7	EG2 = 3.5L V6 Gas Engine EXM = 3.0L V6 Turbo Diesel Engine	DGZ = 5-Speed Auto W5A380 Transmission

AR = use ase required - = Non illustrated part

**Side Panel Inner, Left
Figure SVB-915**



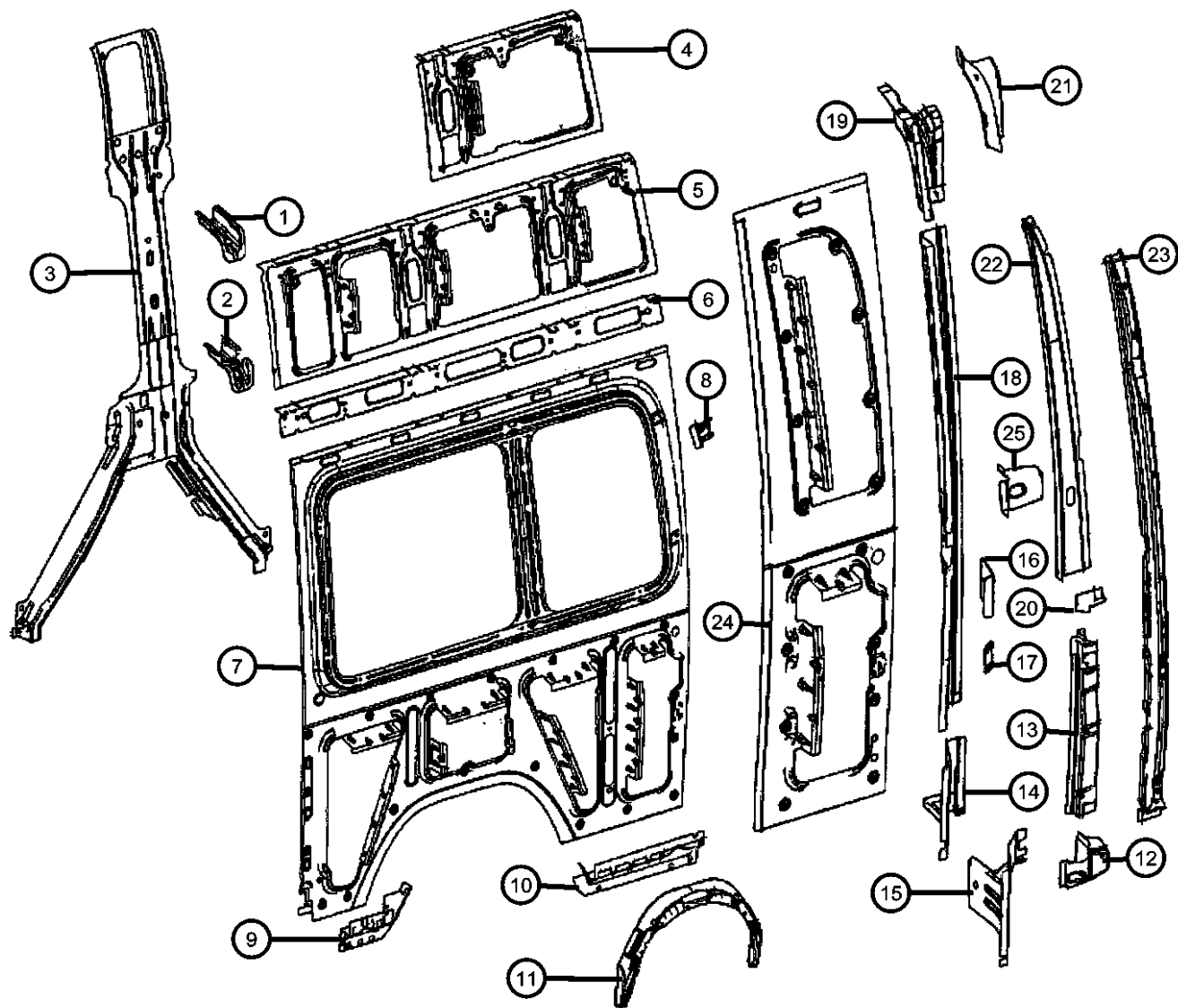
ITEM	PART NUMBER	QTY	LINE	SERIES	BODY	ENGINE	TRANS	TRIM	DESCRIPTION
1	68008615AA	3	2, 3, 6, 7		13, 53				BRACKET
	68008614AA	2	2, 3, 6, 7						
		5	2, 3, 6, 7		13, 15, 17, 53, 55				
2	68008654AA	1	2, 3, 6, 7		13, 15, 17				BRACKET, C pillar
3	68008742AA	1	2, 3, 6, 7		15, 17, 55				REINFORCEMENT, Side Panel
4	68008651AA	1	2, 3, 6, 7		17				REINFORCEMENT, Roof Panel
5									REINFORCEMENT, Roof Panel
	68008641AA	1	2, 3, 6, 7		13, 53				
	68008627AA	1	2, 3, 6, 7		17				
	68008645AA	1	2, 3, 6, 7		15, 55				
6	68008643AA	1	2, 3, 6, 7		13, 53				REINFORCEMENT, Roof Panel
7									PANEL
	68008709AA	1	2, 3, 6, 7		13, 53				
	68008711AA	1	2, 3, 6, 7		15, 17, 55				
8	68008738AA	1	2, 3, 6, 7		13, 15, 17, 53, 55				REINFORCEMENT
9									REINFORCEMENT, Side Panel
	68008727AA	1	7, 2, 3, 6		13, 53				
	68008731AA	1	2, 3, 6, 7		17, 55, 15				
10									REINFORCEMENT, Side Panel
	68008715AA	1	2, 3, 6, 7		13, 53				
	68008717AA	1	2, 3, 6, 7		15, 55				
	68008719AA	1	2, 3, 6, 7		17				
11									WHEELHOUSE
	68008765AA	1	2, 3, 6, 7						
	68008766AA	1	2, 3, 6, 7		13, 15, 17, 53, 55				
12	68008538AA	1	2, 3, 6, 7		13, 15, 17, 53, 55				REINFORCEMENT
13	68008549AA	1	2, 3, 6, 7		13, 15, 17, 53, 55				REINFORCEMENT
14	68008759AA	1	2, 3, 6, 7		13, 15, 17, 53, 55				BRACKET

SPRINTER (VB)

SERIES	LINE	BODY	ENGINE	TRANSMISSION
L = LOWLINE	3 = HD DODGE 2WD 2 = Med. Duty DODGE 2WD	03 = CAB CHASSIS WHEEL BASE 3 05 = CAB CHASSIS WHEEL BASE 5 13 = 119 WB 53 = 119 WB 15 = VAN WHEEL BASE 5 55 = WAGON WHEEL BASE 5 17 = VAN WHEEL BASE 7	EG2 = 3.5L V6 Gas Engine EXM = 3.0L V6 Turbo Diesel Engine	DGZ = 5-Speed Auto W5A380 Transmission

AR = use ase required - = Non illustrated part

Side Panel Inner, Left
Figure SVB-915



ITEM	PART NUMBER	QTY	LINE	SERIES	BODY	ENGINE	TRANS	TRIM	DESCRIPTION
15	68008760AA	1	2, 3, 6, 7		13, 15, 17, 53, 55				REINFORCEMENT
16	68008763AA	1	2, 3, 6, 7		13, 15, 17, 53, 55				REINFORCEMENT
17	68008757AA	1	2, 3, 6, 7		13, 15, 17, 53, 55				BRACKET
18	68008755AA	1	2, 3, 6, 7		13, 15, 17, 53, 55				PANEL, D Pillar
19									BRACKET, D Pillar
	68005124AA	1	2, 3, 6, 7		53, 55, 13, 15, 17				With High or Mega Roof
	68008752AA	1	2, 3, 6, 7		13, 15, 17, 53, 55				
20	68008551AA	1	2, 3, 6, 7		13, 15, 17, 53, 55				BRACKET
21									REINFORCEMENT
	68008761AA	1	2, 3, 6, 7		13, 15, 17, 53, 55				With High or Mega Roof
	68008762AA	1	2, 3, 6, 7		13, 15, 17, 53, 55				
22									BRACKET
	68008552AA	1	2, 3, 6, 7		13, 15, 17, 53, 55				With High or Mega Roof
	68008553AA	1	2, 3, 6, 7		13, 15, 17, 53, 55				
23	68008747AA	1	2, 3, 6, 7		17				PANEL, D Pillar
24	68008705AA	1	2, 3, 6, 7		17				PANEL, Side Inner
25	68008544AA	1	2, 3, 6, 7		13, 15, 17, 53, 55				REINFORCEMENT, Hinge Pillar

SPRINTER (VB)

SERIES LINE
L = LOWLINE 3 = HD DODGE 2WD
2 = Med. Duty DODGE 2WD

BODY
03 = CAB CHASSIS WHEEL
BASE 3
05 = CAB CHASSIS WHEEL
BASE 5
13 = 119 WB
53 = 119 WB
15 = VAN WHEEL BASE 5
55 = WAGON WHEEL BASE 5
17 = VAN WHEEL BASE 7

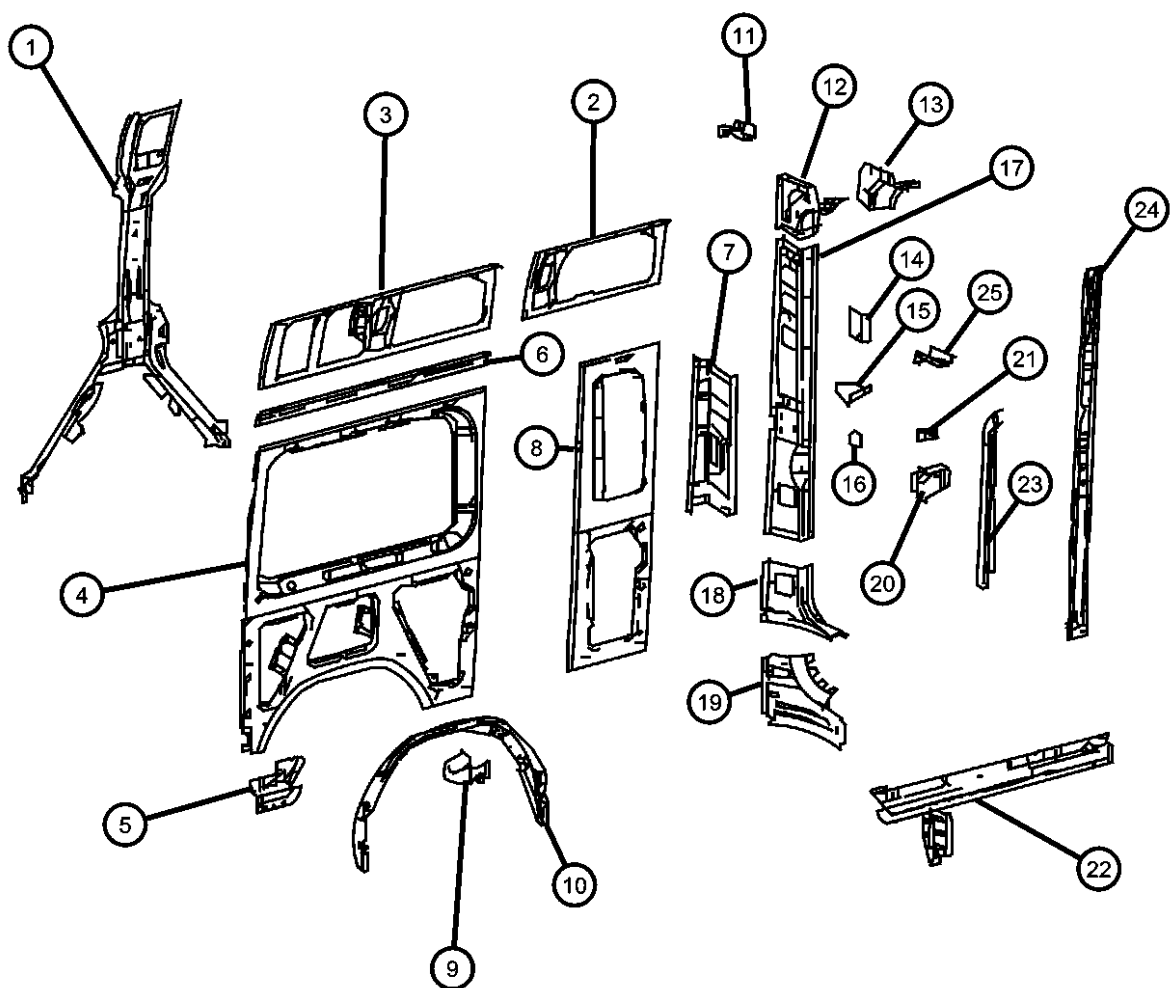
ENGINE
EG2 = 3.5L V6 Gas Engine
EXM = 3.0L V6 Turbo Diesel
Engine

TRANSMISSION
DGZ = 5-Speed Auto W5A380
Transmission

AR = use ase required - = Non illustrated part

2007 VB

**Side Panel Inner, Right
Figure SVB-920**



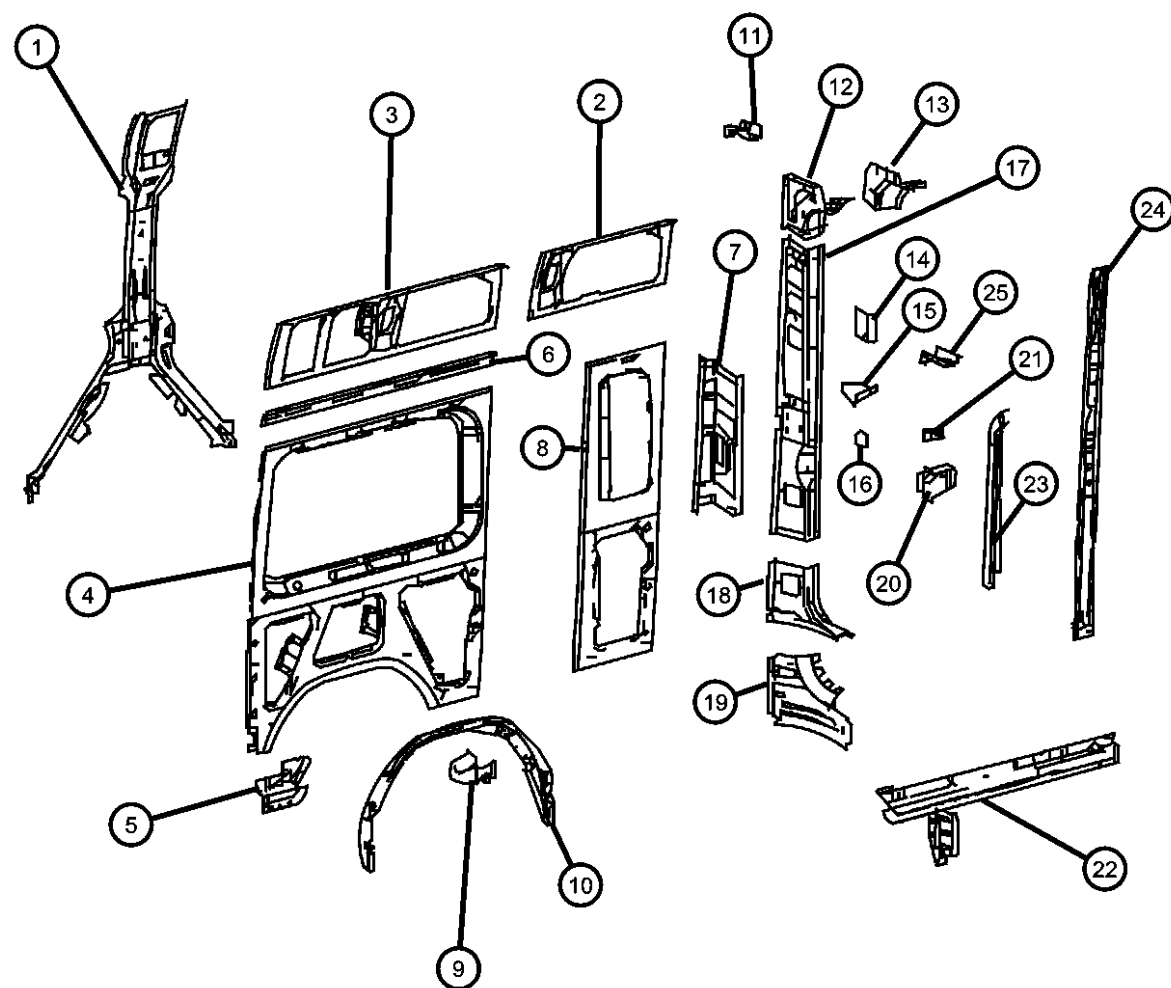
ITEM	PART NUMBER	QTY	LINE	SERIES	BODY	ENGINE	TRANS	TRIM	DESCRIPTION
1	68009330AA	1	2, 3, 6, 7		15, 17, 55				REINFORCEMENT, Side Panel
2	68008650AA	1	2, 3, 6, 7		17				REINFORCEMENT, Roof Panel
3									REINFORCEMENT, Roof Panel
	68008640AA	1	2, 3, 6, 7		13, 53				[5CF]
	68008644AA	1	2, 3, 6, 7		15, 55				[5CG]
	68009272AA	1	2, 3, 6, 7		17				
4	68008710AA	1	2, 3, 6, 7		15, 17, 55				PANEL, Side, Side Panel Inside Rear
5									REINFORCEMENT, Side Panel
	68008726AA	1	2, 3, 6, 7		13, 53				
	68008730AA	1	2, 3, 6, 7		15, 17, 55				
6	68008642AA	1	2, 3, 6, 7		13, 53				REINFORCEMENT, Roof Panel, Side Panel Inside, Roof Rail
7	68009232AA	1	2, 3, 6, 7		13, 15, 17, 53, 55				REINFORCEMENT, Side Panel Outside D-Pillar
8	68009319AA	1	2, 3, 6, 7		17				PANEL, Inner
9	68009224AA	1	2, 3, 6, 7		13, 15, 17, 53, 55				REINFORCEMENT, Hinge Bottom Right
10									PANEL, Wheelhouse
	68009347AA	1	2, 3, 6, 7						[ZU7]
	68009348AA	1	2, 6		13, 15, 17, 53, 55				
	68009351AA	1	3, 7		13, 15, 17				
11									BRACKET
	68008615AA	5	3, 6, 7, 2		13, 15, 17, 53, 55				[T16]
	68008614AA	2	2, 3, 6, 7						[D03+T16]
	68008655AA	3	2, 3, 6, 7		13, 15, 17, 53, 55				[D05]
12									PLATE
	68005147AA	1	2, 3, 6, 7		13, 15, 17, 53, 55				[D03,D05,D06] Side Panel Inside D-Pillar
	68009338AA	1	2, 3, 6, 7		13, 15, 17, 53, 55				Side Panel Inside D-Pillar
13									REINFORCEMENT
	68009345AA	1	2, 3, 6, 7		13, 15, 17, 53, 55				

SPRINTER (VB)

SERIES	LINE	BODY	ENGINE	TRANSMISSION
L = LOWLINE	3 = HD DODGE 2WD 2 = Med. Duty DODGE 2WD	03 = CAB CHASSIS WHEEL BASE 3 05 = CAB CHASSIS WHEEL BASE 5 13 = 119 WB 53 = 119 WB 15 = VAN WHEEL BASE 5 55 = WAGON WHEEL BASE 5 17 = VAN WHEEL BASE 7	EG2 = 3.5L V6 Gas Engine EXM = 3.0L V6 Turbo Diesel Engine	DGZ = 5-Speed Auto W5A380 Transmission

AR = use ase required - = Non illustrated part

**Side Panel Inner, Right
Figure SVB-920**



ITEM	PART NUMBER	QTY	LINE	SERIES	BODY	ENGINE	TRANS	TRIM	DESCRIPTION
	68009346AA	1	2, 3, 6, 7		13, 15, 17, 53, 55				High or Super High Roof
14	68008763AA	1	2, 3, 6, 7		13, 15, 17, 53, 55				REINFORCEMENT
15	68009233AA	1	2, 3, 6, 7		13, 15, 17, 53, 55				BRACKET
16	68008757AA	1	2, 3, 6, 7		13, 15, 17, 53, 55				BRACKET
17	68008754AA	1	2, 3, 6, 7		13, 15, 17, 53, 55				PANEL, D Pillar
18	68009343AA	1	2, 3, 6, 7		13, 15, 17, 53, 55				REINFORCEMENT
19	68009344AA	1	2, 3, 6, 7		13, 15, 17, 53, 55				REINFORCEMENT
20	68009219AA	1	2, 3, 6, 7		13, 15, 17, 53, 55				REINFORCEMENT
21	68009326AA	1	2, 3, 6, 7		13, 15, 17, 53, 55				REINFORCEMENT
	68009328AA	1	6, 7, 2, 3		13, 15, 17, 53, 55				Side Panel Outside D-Pillar
22	68008716AA	1	2, 3, 6, 7		15, 55				REINFORCEMENT, Side Panel Side Panel Inside -Rear
	68008718AA	1	2, 3, 6, 7		17				
23	68009230AA	1	2, 3, 6, 7		13, 15, 17, 53, 55				PLATE
	68009231AA	1	2, 3, 6, 7		13, 15, 17, 53, 55				High and Super High Roof
24	68009335AA	1	2, 3, 6, 7		17				PANEL, D Pillar
25	68009778AA	1	2, 3, 6, 7		13, 15, 17, 53, 55				BRACKET, Roof, Roof Bow

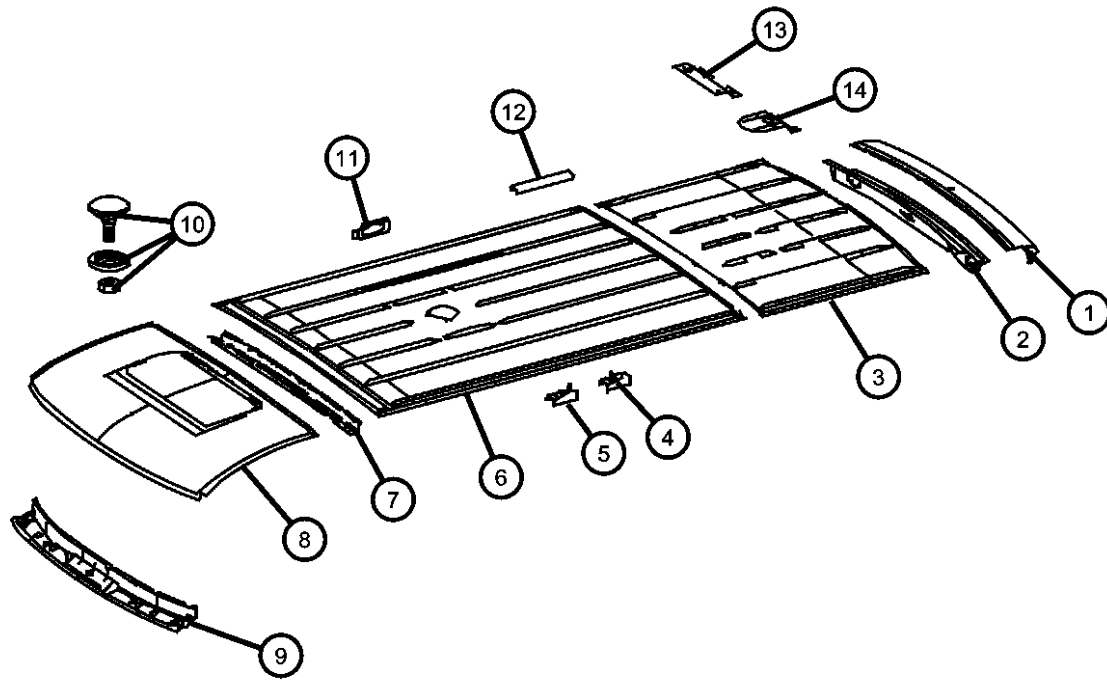
SPRINTER (VB)

SERIES	LINE	BODY	ENGINE	TRANSMISSION
L = LOWLINE	3 = HD DODGE 2WD 2 = Med. Duty DODGE 2WD	03 = CAB CHASSIS WHEEL BASE 3 05 = CAB CHASSIS WHEEL BASE 5 13 = 119 WB 53 = 119 WB 15 = VAN WHEEL BASE 5 55 = WAGON WHEEL BASE 5 17 = VAN WHEEL BASE 7	EG2 = 3.5L V6 Gas Engine EXM = 3.0L V6 Turbo Diesel Engine	DGZ = 5-Speed Auto W5A380 Transmission

AR = use ase required - = Non illustrated part

**Low Roof
Figure SVB-1105**

ITEM	PART NUMBER	QTY	LINE	SERIES	BODY	ENGINE	TRANS	TRIM	DESCRIPTION
1	68009755AA	1	2, 3, 6, 7		13, 15, 17, 53, 55				SUPPORT, Roof
2	68009756AA	1	2, 3, 6, 7		13, 15, 17, 53, 55				SUPPORT, Roof
3	68009749AA	1	2, 3, 6, 7		13, 53				PANEL, RoofRear
4	68009792AA	2	2, 3, 6, 7		53, 55				BOW, Roof
5	68009794AA	4	2, 3, 6, 7		53, 55				BOW, Roof
6	68009727AA	1	2, 3, 6, 7		13, 15, 17, 53, 55				PANEL, Roof, Central
7	68009771AA	6	2, 3, 6, 7		13, 53				BOW, Roof
8	68009717AA	1	2, 3, 6, 7						PANEL, Roof
9	68009764AA	1	2, 3, 6, 7						SUPPORT, Roof
10	68013418AA	1	2, 3, 6, 7						COVER
11	68009791AA	1	2, 3, 6, 7		13, 15, 17, 53, 55				BRACKET, Cargo Lamp
12	68009795AA	2	7, 2, 3, 6		53, 55				BRACKET
13	68009780AA	2	2, 3, 6, 7		13, 15, 17, 53, 55				BRACKET, Cargo Lamp
14	68009779AA	2	2, 3, 6, 7		15, 17				BRACKET, Cargo Lamp



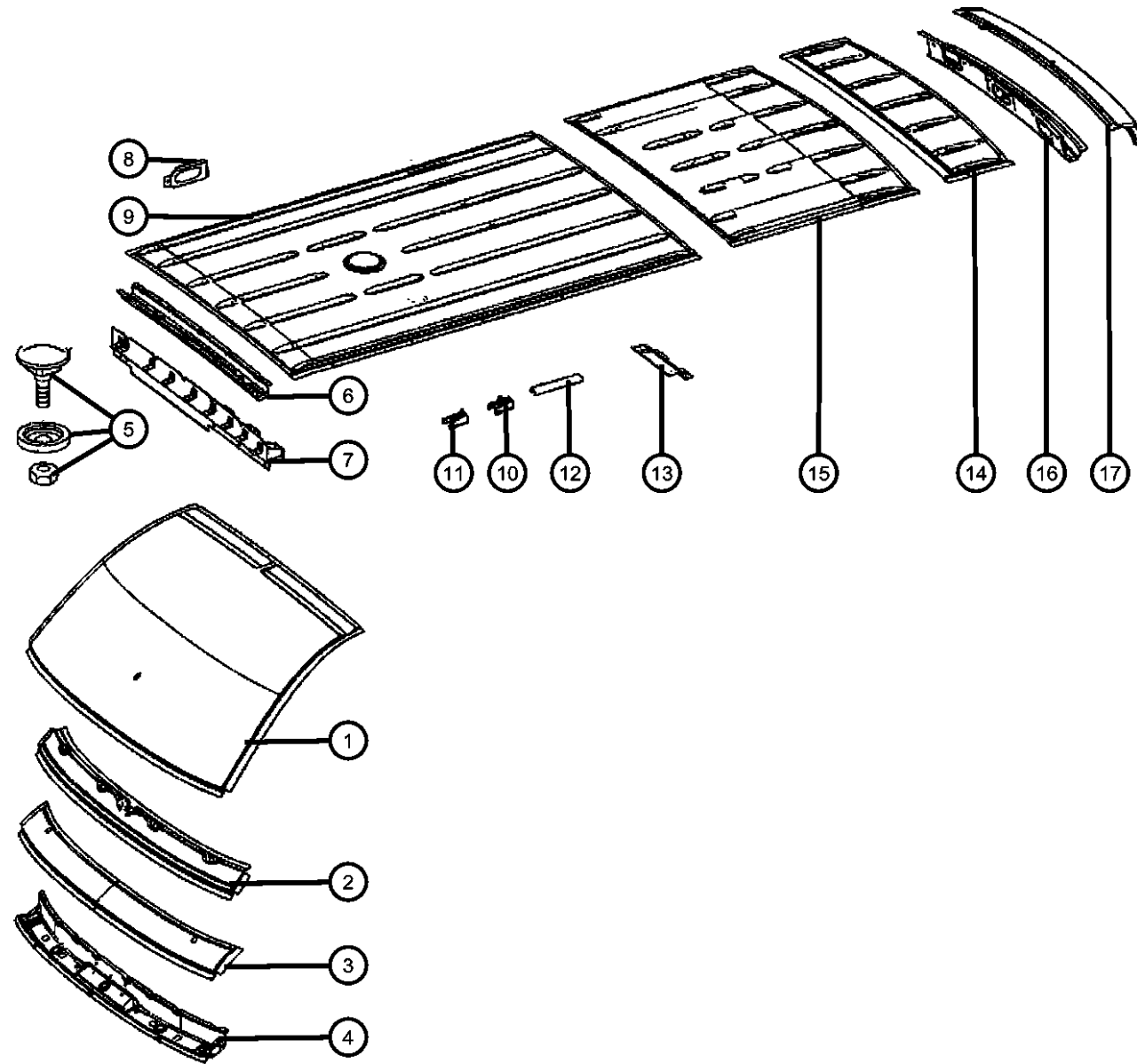
SPRINTER (VB)

SERIES	LINE	BODY	ENGINE	TRANSMISSION
L = LOWLINE	3 = HD DODGE 2WD 2 = Med. Duty DODGE 2WD	03 = CAB CHASSIS WHEEL BASE 3 05 = CAB CHASSIS WHEEL BASE 5 13 = 119 WB 53 = 119 WB 15 = VAN WHEEL BASE 5 55 = WAGON WHEEL BASE 5 17 = VAN WHEEL BASE 7	EG2 = 3.5L V6 Gas Engine EXM = 3.0L V6 Turbo Diesel Engine	DGZ = 5-Speed Auto W5A380 Transmission

AR = use ase required - = Non illustrated part

2007 VB

High Roof Panel
Figure SVB-1110



ITEM	PART NUMBER	QTY	LINE	SERIES	BODY	ENGINE	TRANS	TRIM	DESCRIPTION
1	68009718AA	1	2, 3, 6, 7		13, 15, 17, 53, 55				PANEL, Roof
2	68009715AA	1	2, 3, 6, 7		13, 15, 17, 53, 55				SUPPORT, Roof
3	68009719AA	1	3, 7		03, 05				SUPPORT, Roof
4	68009764AA	1	2, 3, 6, 7						SUPPORT, Roof
5	68013418AA	1	2, 3, 6, 7						COVER
6	68009770AA	6	2, 3, 6, 7		13, 15, 17, 53, 55				BOW, Roof
7	68009778AA	1	2, 3, 6, 7		13, 15, 17, 53, 55				BRACKET, Roof
8	68009791AA	1	2, 3, 6, 7		13, 15, 17, 53, 55				BRACKET, Cargo Lamp
9	68009728AA	1	3, 6, 7, 2		13, 15, 17, 53, 55				PANEL, Roof
10	68009792AA	2	2, 3, 6, 7		53, 55				BOW, Roof
11	68009794AA	4	2, 3, 6, 7		53, 55				BOW, Roof
12	68014272AA	1	2, 3, 6, 7		13, 15, 17				BOW, Roof
13	68009780AA	2	2, 3, 6, 7		13, 15, 17, 53, 55				BRACKET, Cargo Lamp
14	68009746AA	1	2, 3, 6, 7		13, 15, 53, 55				PANEL, Roof
	68009750AA	1	2, 3, 6, 7		17				
15	68009751AA	2	2, 3, 6, 7		15, 17, 55				PANEL, Roof
16	68009757AA	1	2, 3, 6, 7		13, 15, 17, 53, 55				SUPPORT, Roof
17	68009754AA	1	2, 3, 6, 7		13, 15, 17, 53, 55				SUPPORT, Roof

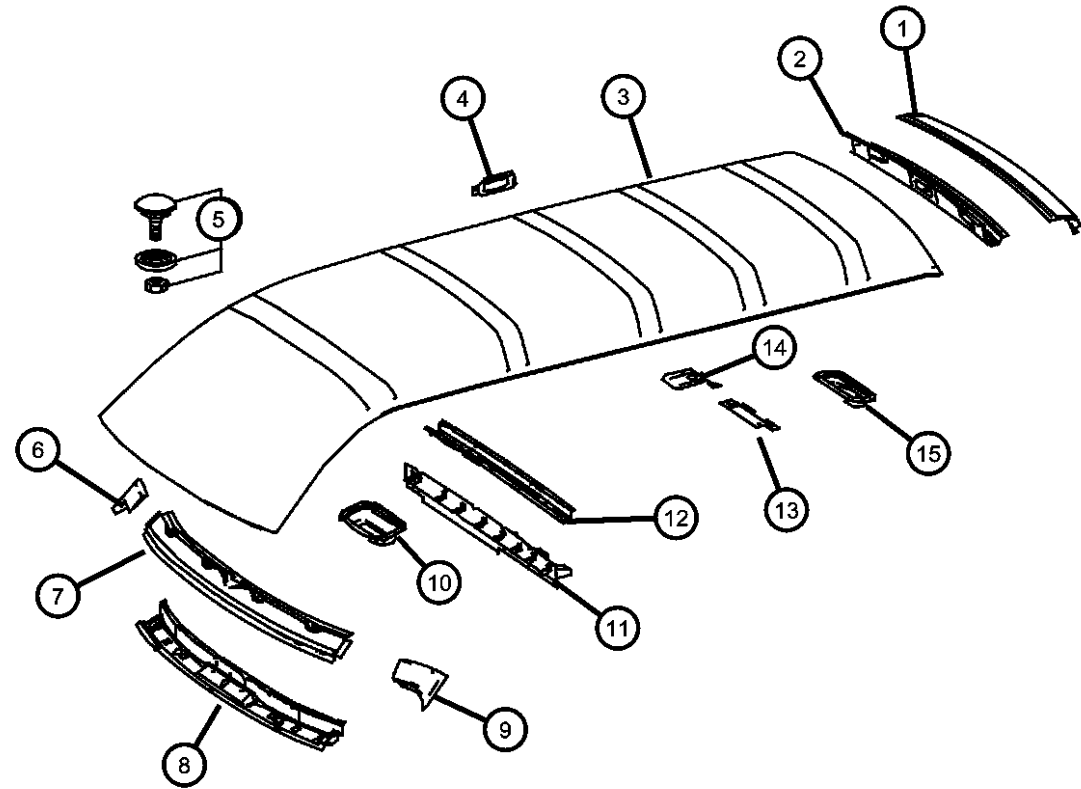
SPRINTER (VB)

SERIES	LINE	BODY	ENGINE	TRANSMISSION
L = LOWLINE	3 = HD DODGE 2WD 2 = Med. Duty DODGE 2WD	03 = CAB CHASSIS WHEEL BASE 3 05 = CAB CHASSIS WHEEL BASE 5 13 = 119 WB 53 = 119 WB 15 = VAN WHEEL BASE 5 55 = WAGON WHEEL BASE 5 17 = VAN WHEEL BASE 7	EG2 = 3.5L V6 Gas Engine EXM = 3.0L V6 Turbo Diesel Engine	DGZ = 5-Speed Auto W5A380 Transmission

AR = use ase required - = Non illustrated part

2007 VB

Super High Roof
Figure SVB-1115



ITEM	PART NUMBER	QTY	LINE	SERIES	BODY	ENGINE	TRANS	TRIM	DESCRIPTION
1	68009752AA	1	2, 3, 6, 7		13, 15, 17, 53, 55				SUPPORT, Roof With [LPA]
	68009754AA	1	2, 3, 6, 7		13, 15, 17, 53, 55				Without [LPA]
2	68009757AA	1	2, 3, 6, 7		13, 15, 17, 53, 55				SUPPORT, Roof
3									ROOF
	68030761AA	1	2, 3, 6, 7		15				
	68030769AA	1	2, 3, 6, 7		15				Without [NHY]
	68030773AA	1	2, 3, 6, 7		17				
	68030775AA	1	2, 3, 6, 7		17				With [5CK] [58N]
4	68009791AA	1	2, 3, 6, 7		13, 15, 17, 53, 55				BRACKET, Cargo Lamp
5	68013418AA	1	2, 3, 6, 7						COVER
6	1JE76DX9AA	1	2, 3, 6, 7		13, 15, 17, 53, 55				COVER, Left
7	68009715AA	1	2, 3, 6, 7		13, 15, 17, 53, 55				SUPPORT, Roof
8	68009764AA	1	2, 3, 6, 7						SUPPORT, Roof
9	1JE81DX9AA	1	2, 3, 6, 7		13, 15, 17, 53, 55				COVER, Right
10	1JE75NCVAA	1	2, 3, 6, 7		13, 15, 17, 53, 55				BRACKET
11	68009778AA	1	2, 3, 6, 7		13, 15, 17, 53, 55				BRACKET, Roof
12									BOW, Roof
	68009770AA	1	2, 3, 6, 7		13, 15, 17, 53, 55				
	68009771AA	1	2, 3, 6, 7		13, 15, 17, 53, 55				With [CTA]
13	68009780AA	2	2, 3, 6, 7		13, 15, 17, 53, 55				BRACKET, Cargo Lamp
14	68009779AA	2	2, 3, 6, 7		15, 17				BRACKET, Cargo Lamp
15	68017908AA	1	2, 3, 6, 7		13, 15, 17, 53, 55				BRACKET

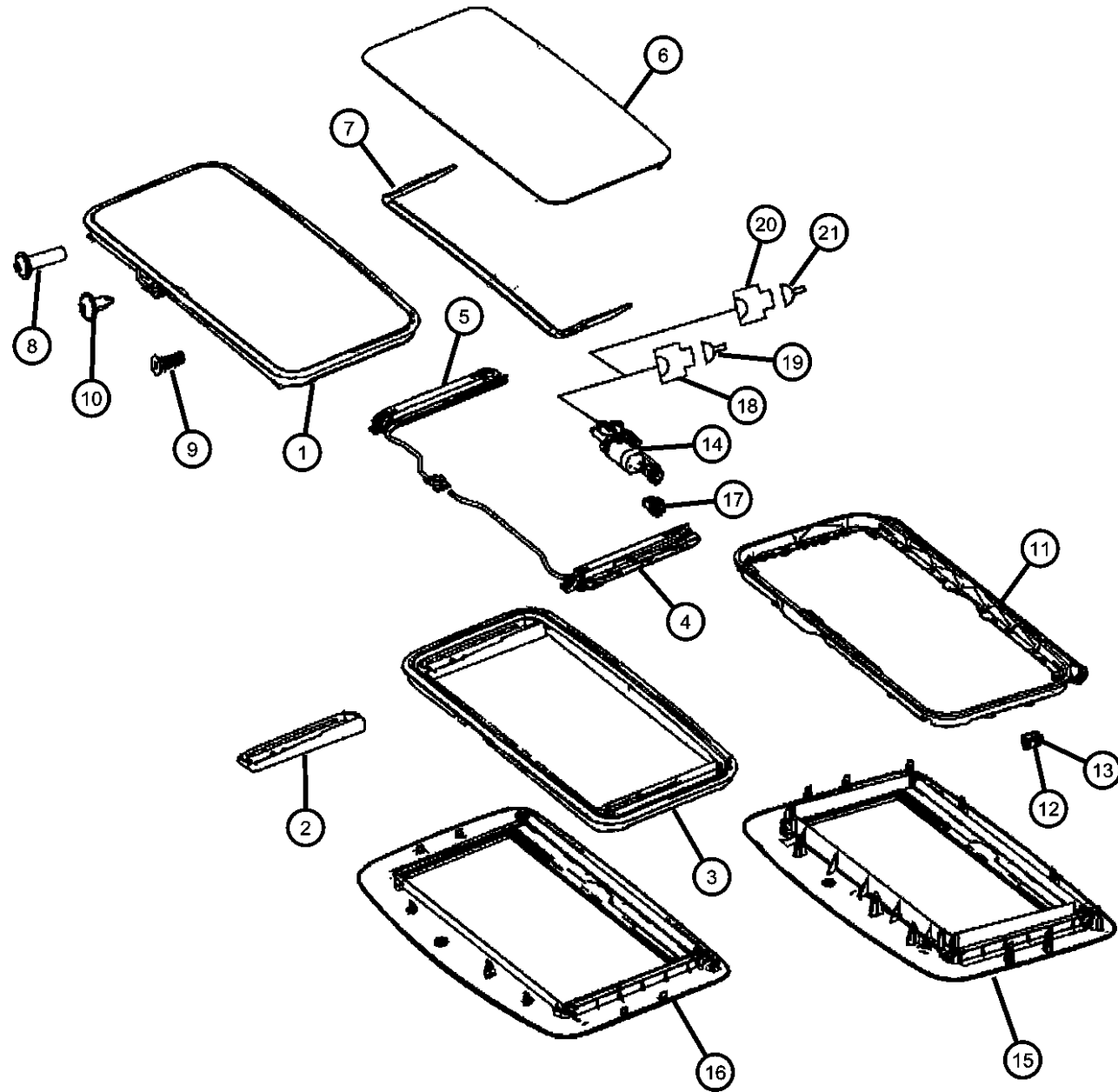
SPRINTER (VB)

SERIES	LINE	BODY	ENGINE	TRANSMISSION
L = LOWLINE	3 = HD DODGE 2WD 2 = Med. Duty DODGE 2WD	03 = CAB CHASSIS WHEEL BASE 3 05 = CAB CHASSIS WHEEL BASE 5 13 = 119 WB 53 = 119 WB 15 = VAN WHEEL BASE 5 55 = WAGON WHEEL BASE 5 17 = VAN WHEEL BASE 7	EG2 = 3.5L V6 Gas Engine EXM = 3.0L V6 Turbo Diesel Engine	DGZ = 5-Speed Auto W5A380 Transmission

AR = use ase required - = Non illustrated part

2007 VB

**Sunroof
Figure SVB-1210**



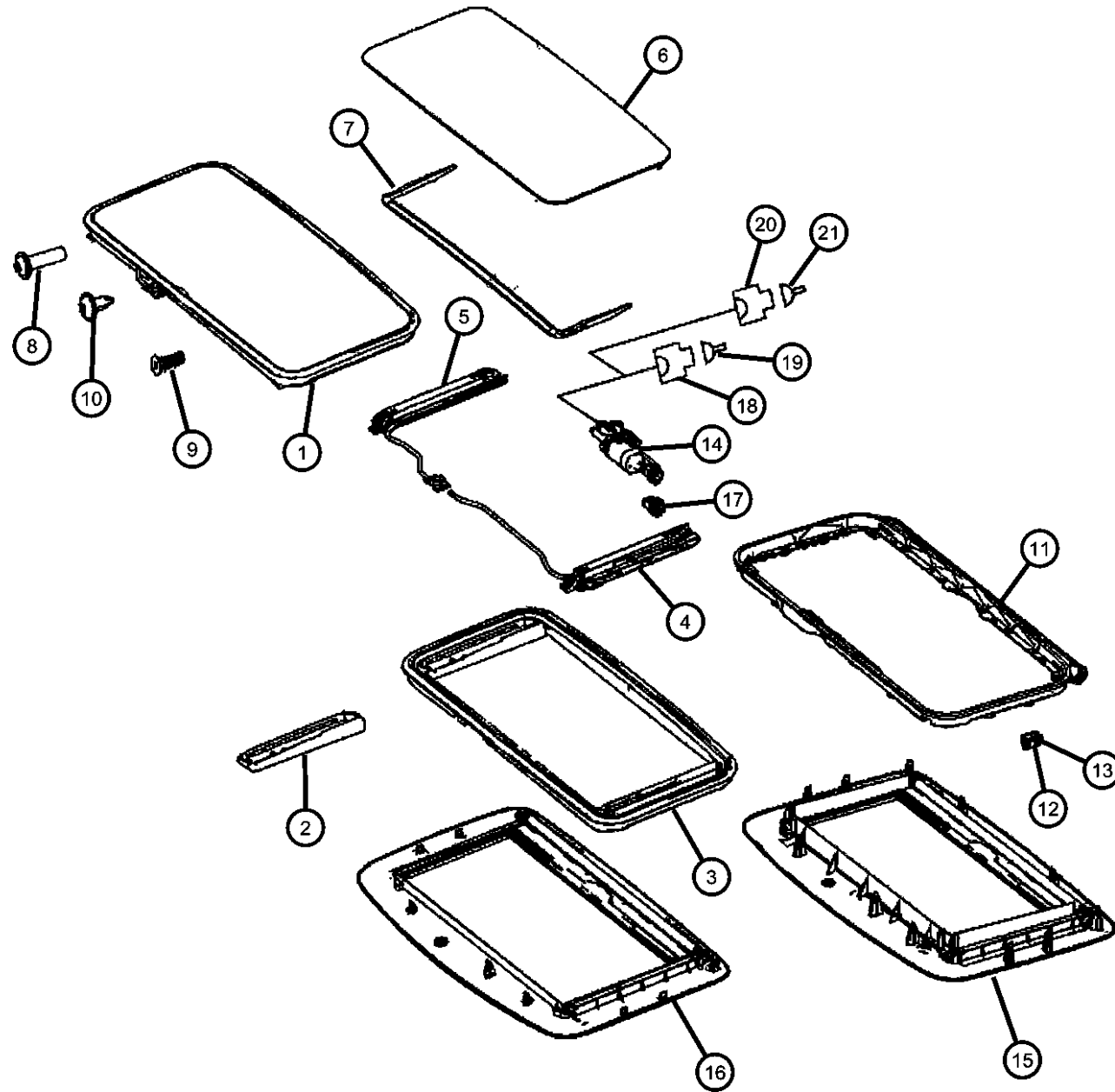
ITEM	PART NUMBER	QTY	LINE	SERIES	BODY	ENGINE	TRANS	TRIM	DESCRIPTION
1	68018812AA	1	2, 3, 6, 7		03, 05, 13, 53, 55				GLASS, Sunroof, With [GW9 And Or GWA]
2	68018814AA	1	2, 3, 6, 7		03, 05, 53, 55				RAIL, Roof, With [GW9 And Or GWA]
3	68018815AA	1	2, 3, 6, 7		03, 05, 53, 55				FRAME, Sunroof With [GW9 And Or GWA]
4	68018817AA	1	2, 3, 6, 7		03, 05, 53, 55				GUIDE, Sunroof Track With [GW9 And Or GWA], Left
5	68018816AA	1	2, 3, 6, 7		03, 05, 53, 55				GUIDE, Sunroof Track With [GW9 And Or GWA], Right
6	68018818AA	1	2, 3, 6, 7		03, 05, 53, 55				SUNSHADE, Sunroof With [GW9 And Or GWA]
7	68018819AA	1	2, 3, 6, 7		03, 05, 53, 55				DEFLECTOR, Sunroof Wind With [GW9 And Or GWA]
8	06104635AA	15	3, 7		03, 05				SCREW With [GW9 And Or GWA]
9	06104658AA	8	2, 3, 6, 7		13, 15, 17				SCREW, 5x16 With [GW9 And Or GWA]
10	68018813AA	2	2, 3, 6, 7		03, 05, 53, 55				SCREW, Sun Roof With [GW9 And Or GWA]
11		2	2, 3, 6, 7		13, 15, 17				FRAME, Sunroof With [GW9 And Or GWA]

SPRINTER (VB)

SERIES	LINE	BODY	ENGINE	TRANSMISSION
L = LOWLINE	3 = HD DODGE 2WD 2 = Med. Duty DODGE 2WD	03 = CAB CHASSIS WHEEL BASE 3 05 = CAB CHASSIS WHEEL BASE 5 13 = 119 WB 53 = 119 WB 15 = VAN WHEEL BASE 5 55 = WAGON WHEEL BASE 5 17 = VAN WHEEL BASE 7	EG2 = 3.5L V6 Gas Engine EXM = 3.0L V6 Turbo Diesel Engine	DGZ = 5-Speed Auto W5A380 Transmission

AR = use ase required - = Non illustrated part

**Sunroof
Figure SVB-1210**



ITEM	PART NUMBER	QTY	LINE	SERIES	BODY	ENGINE	TRANS	TRIM	DESCRIPTION
	68018820AA	1	2, 3, 6, 7		13, 15, 17, 53, 55				With [GW9 And Or GWA]
		1	2, 3, 6, 7		03, 05				With [GW9 And Or GWA]
12	68018821AA	1	2, 3, 6, 7		03, 05, 53, 55				CLIP, Sunroof With [GW9 And Or GWA]
		1	2, 3, 6, 7		13, 15, 17				With [GW9 And Or GWA]
13	68020388AA	11	2, 3, 6, 7						CLIP, Retainer, Parts Kit - Clips / With [GW9 And Or GWA]
14	68018822AA	1	3, 7		03, 05				MOTOR/MODULE, Sunroof With [GW9 And Or GWA]
		1	2, 3, 6, 7		13, 15, 17, 53, 55				With [GW9 And Or GWA]
15	68018827AA	1	2, 3, 6, 7		13, 15, 17, 53, 55				TRIM, Sunroof opening, Rear Cover Only / With [GW9]
16	68018823AA	1	2, 3, 6, 7		03, 05, 53, 55				COVER, Sunroof Mechanism Front Cover Only / With [GWA]
		1	2, 3, 6, 7		13, 15, 17				Front Cover Only / With [GWA]
17	68011368AA	1	2, 3, 6, 7		03, 05, 53, 55				CONNECTOR, Wiring [6 Pin]
		1	2, 3, 6, 7		13, 15, 17				[6 Pin]
18	68011254AA	1	2, 3, 6, 7		13, 15, 17				CONNECTOR Rear Connector [6-Pin]
		1	2, 3, 6, 7		03, 05, 53, 55				Rear Connector [6-Pin]
19	05133945AA	AR	3, 7		03, 05				TERMINAL [0.5 - 1.0 MM]
	05143897AA	AR	2, 3, 6, 7		03, 05, 53, 55				[1.0 - 2.5 MM]
		AR	2, 3, 6, 7		13, 15, 17				[1.0 - 2.5 MM]
		AR	2, 3, 6, 7		13, 15, 17, 53, 55				[0.5 - 1.0 MM]
20	68011254AA	1	2, 3, 6, 7		13, 15, 17				CONNECTOR [6 - PIN]
		1	2, 3, 6, 7		03, 05, 53, 55				[6 - PIN]

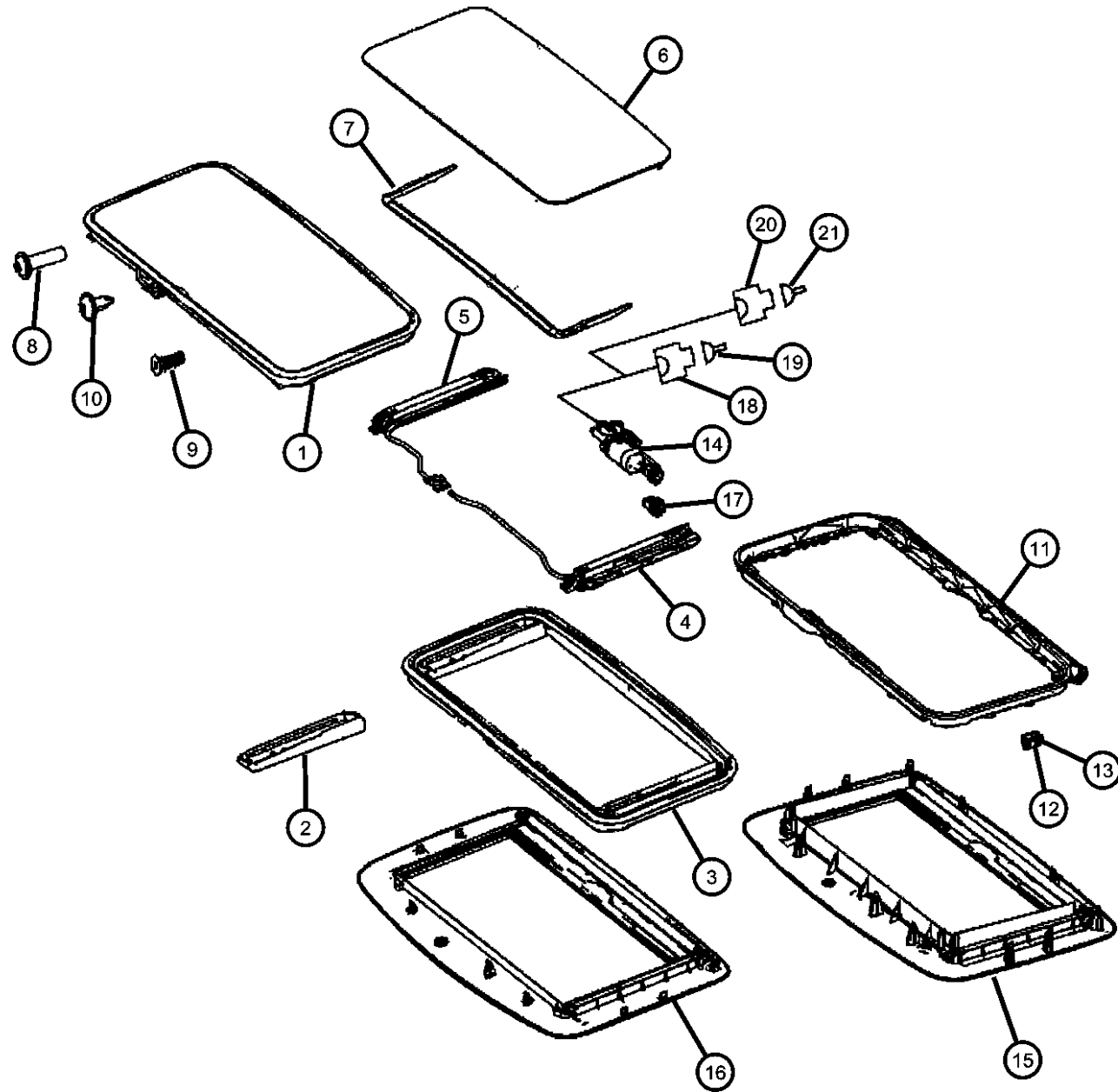
SPRINTER (VB)

SERIES	LINE	BODY	ENGINE	TRANSMISSION
L = LOWLINE	3 = HD DODGE 2WD 2 = Med. Duty DODGE 2WD	03 = CAB CHASSIS WHEEL BASE 3 05 = CAB CHASSIS WHEEL BASE 5 13 = 119 WB 53 = 119 WB 15 = VAN WHEEL BASE 5 55 = WAGON WHEEL BASE 5 17 = VAN WHEEL BASE 7	EG2 = 3.5L V6 Gas Engine EXM = 3.0L V6 Turbo Diesel Engine	DGZ = 5-Speed Auto W5A380 Transmission

AR = use ase required - = Non illustrated part

**Sunroof
Figure SVB-1210**

ITEM	PART NUMBER	QTY	LINE	SERIES	BODY	ENGINE	TRANS	TRIM	DESCRIPTION
21	05133945AA	AR	2, 3, 6, 7		13, 15, 17, 53, 55				TERMINAL [0.5 - 1.0 MM]
		AR	3, 7		03, 05				[0.5 - 1.0 MM]
	05143897AA	AR	2, 3, 6, 7		03, 05, 53, 55				[1.0 - 2.5 MM]
		AR	2, 3, 6, 7		13, 15, 17				[1.0 - 2.5 MM]

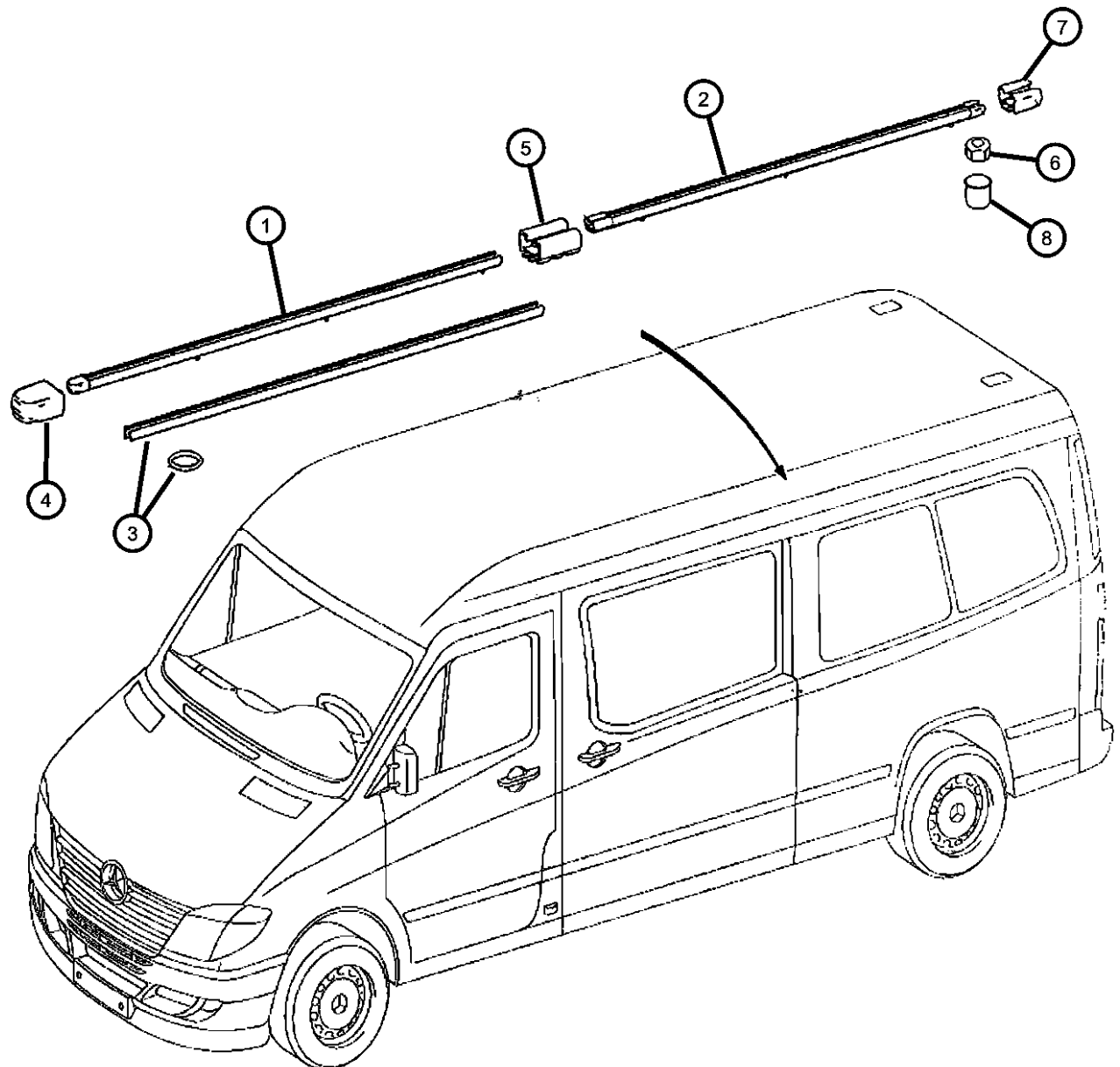


SPRINTER (VB)

SERIES	LINE	BODY	ENGINE	TRANSMISSION
L = LOWLINE	3 = HD DODGE 2WD 2 = Med. Duty DODGE 2WD	03 = CAB CHASSIS WHEEL BASE 3 05 = CAB CHASSIS WHEEL BASE 5 13 = 119 WB 53 = 119 WB 15 = VAN WHEEL BASE 5 55 = WAGON WHEEL BASE 5 17 = VAN WHEEL BASE 7	EG2 = 3.5L V6 Gas Engine EXM = 3.0L V6 Turbo Diesel Engine	DGZ = 5-Speed Auto W5A380 Transmission

AR = use ase required - = Non illustrated part

**Luggage Rack
Figure SVB-1610**



ITEM	PART NUMBER	QTY	LINE	SERIES	BODY	ENGINE	TRANS	TRIM	DESCRIPTION
1	68017893AA	2	2, 3, 6, 7		13, 15, 17, 53, 55				RAIL, RoofRight & Left
2	68017896AA	2	2, 3, 6, 7		15, 55				RAIL, Roof 170 Inch Extended Wheel Base, Right & Left
	68017894AA	2	2, 3, 6, 7		15, 55				170 Inch Wheel Base, Right & Left
	68017895AA	2	2, 3, 6, 7		13, 15, 17, 53, 55				144 Inch Wheel Base, Right & Left
3	68017897AA	1	2, 3, 6, 7		15, 55				SEAL
4	68017898AA	1	2, 3, 6, 7		13, 15, 17, 53, 55				COVER
5	68017899AA	1	2, 3, 6, 7		13, 15, 17, 53, 55				BRACKET
6	05098361AA	16	2, 3, 6, 7		13, 53				NUT, Hex
7	68017900AA	1	2, 3, 6, 7		15, 55				COVER
8	05126256AA	2	2, 3, 6, 7		13, 15, 17, 53, 55				CAP

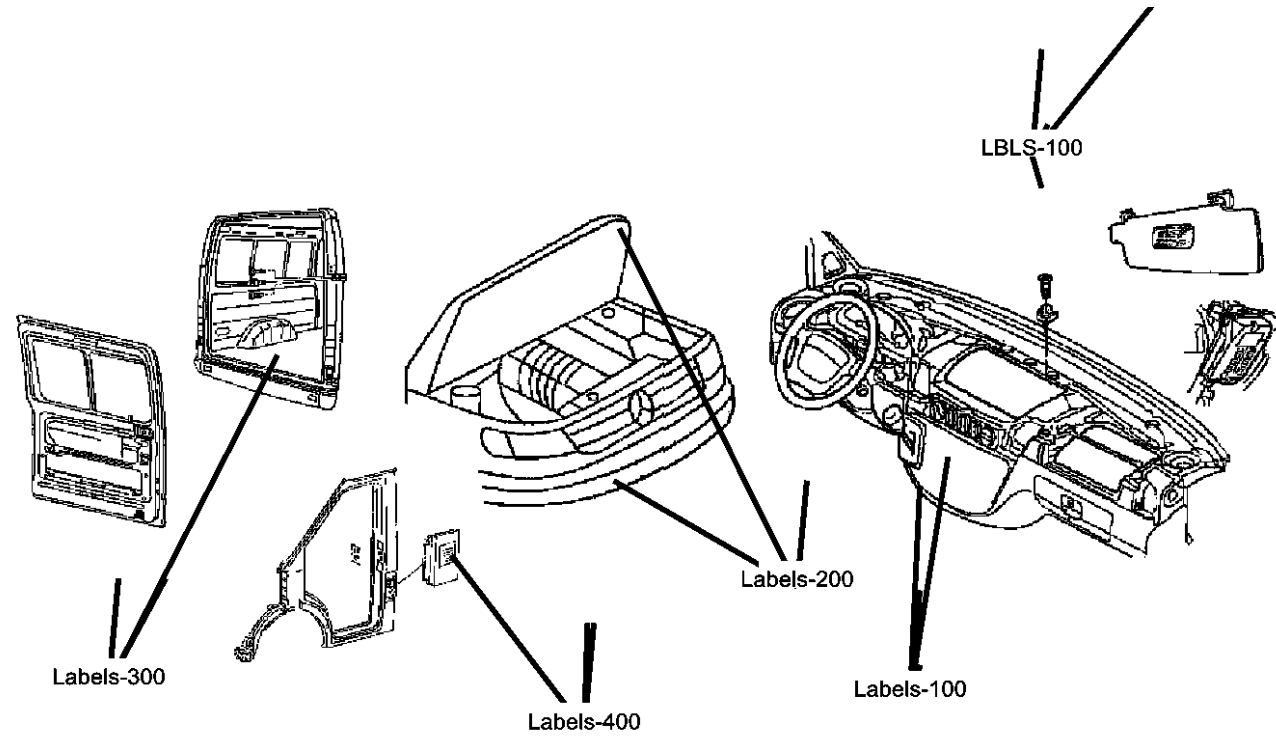
SPRINTER (VB)

SERIES	LINE	BODY	ENGINE	TRANSMISSION
L = LOWLINE	3 = HD DODGE 2WD 2 = Med. Duty DODGE 2WD	03 = CAB CHASSIS WHEEL BASE 3 05 = CAB CHASSIS WHEEL BASE 5 13 = 119 WB 53 = 119 WB 15 = VAN WHEEL BASE 5 55 = WAGON WHEEL BASE 5 17 = VAN WHEEL BASE 7	EG2 = 3.5L V6 Gas Engine EXM = 3.0L V6 Turbo Diesel Engine	DGZ = 5-Speed Auto W5A380 Transmission

AR = use ase required - = Non illustrated part

Group - LBLS

Labels All Vehicle Locations



Group - LBLS Labels All Vehicle Locations

Illustration Title

Group-Fig. No.

Interior

Visor Fig. LBLS - 105

Under Hood

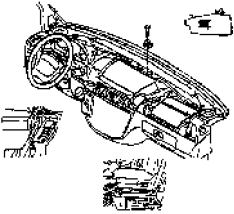
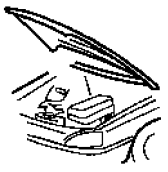
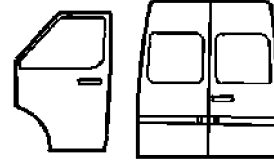
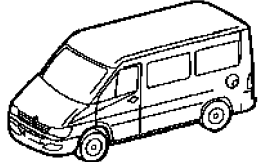
Battery Fig. LBLS - 205

Doors

Tire Fig. LBLS - 305

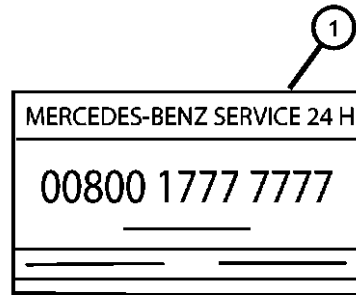
Exterior

Fuel Door Fig. LBLS - 405

<p>LBLS-100 Interior</p> 	<p>LBLS-200 Under Hood</p> 	<p>LBLS-300 Doors</p> 	<p>LBLS-400 Exterior</p> 
--	---	---	---

**Visor
Figure LBL5-105**

ITEM	PART NUMBER	QTY	LINE	SERIES	BODY	ENGINE	TRANS	TRIM	DESCRIPTION
1	05104450AA	1		L	03, 05	EG2, EXM			GUIDE
-2	68005381AA	1		L	13, 15, 17, 53, 55	EG2, EXM			LABEL, Warning
-3	68005380AA	1		L	13, 15, 17, 53, 55	EG2, EXM			LABEL, Air Conditioner



SPRINTER (VB)

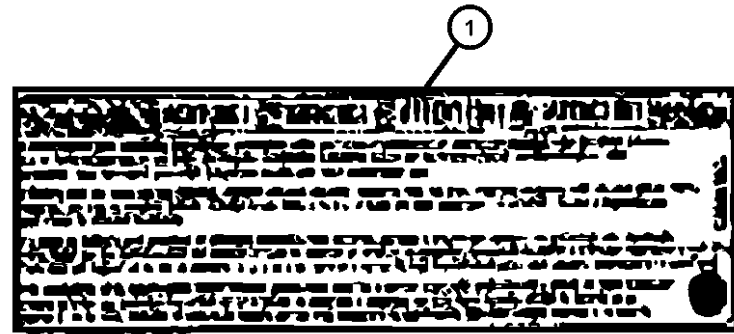
SERIES	LINE	BODY	ENGINE	TRANSMISSION
L = LOWLINE	3 = HD DODGE 2WD 2 = Med. Duty DODGE 2WD	03 = CAB CHASSIS WHEEL BASE 3 05 = CAB CHASSIS WHEEL BASE 5 13 = 119 WB 53 = 119 WB 15 = VAN WHEEL BASE 5 55 = WAGON WHEEL BASE 5 17 = VAN WHEEL BASE 7	EG2 = 3.5L V6 Gas Engine EXM = 3.0L V6 Turbo Diesel Engine	DGZ = 5-Speed Auto W5A380 Transmission

AR = use ase required - = Non illustrated part

2007 VB

Battery
Figure LBLS-205

ITEM	PART NUMBER	QTY	LINE	SERIES	BODY	ENGINE	TRANS	TRIM	DESCRIPTION
1	68015895AA	1		L		EG2, EXM			LABEL, Battery



SPRINTER (VB)

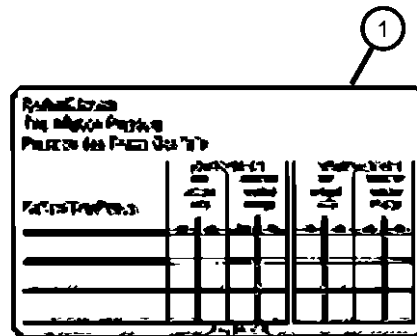
SERIES	LINE	BODY	ENGINE	TRANSMISSION
L = LOWLINE	3 = HD DODGE 2WD 2 = Med. Duty DODGE 2WD	03 = CAB CHASSIS WHEEL BASE 3 05 = CAB CHASSIS WHEEL BASE 5 13 = 119 WB 53 = 119 WB 15 = VAN WHEEL BASE 5 55 = WAGON WHEEL BASE 5 17 = VAN WHEEL BASE 7	EG2 = 3.5L V6 Gas Engine EXM = 3.0L V6 Turbo Diesel Engine	DGZ = 5-Speed Auto W5A380 Transmission

AR = use ase required - = Non illustrated part

2007 VB

**Tire
Figure LBLS-305**

ITEM	PART NUMBER	QTY	LINE	SERIES	BODY	ENGINE	TRANS	TRIM	DESCRIPTION
1	68022059AA	4		L	13, 15, 17, 53, 55	EG2, EXM			LABEL, Tire Pressure



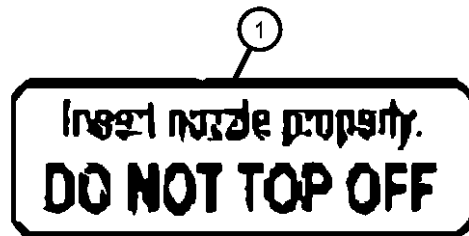
SPRINTER (VB)

SERIES	LINE	BODY	ENGINE	TRANSMISSION
L = LOWLINE	3 = HD DODGE 2WD 2 = Med. Duty DODGE 2WD	03 = CAB CHASSIS WHEEL BASE 3 05 = CAB CHASSIS WHEEL BASE 5 13 = 119 WB 53 = 119 WB 15 = VAN WHEEL BASE 5 55 = WAGON WHEEL BASE 5 17 = VAN WHEEL BASE 7	EG2 = 3.5L V6 Gas Engine EXM = 3.0L V6 Turbo Diesel Engine	DGZ = 5-Speed Auto W5A380 Transmission

AR = use ase required - = Non illustrated part

Fuel Door
Figure LBLS-405

ITEM	PART NUMBER	QTY	LINE	SERIES	BODY	ENGINE	TRANS	TRIM	DESCRIPTION
1	68025191AA	1		L		EXM			LABEL, Fuel
-2	68013523AA	1		L		EXM			LABEL, Warning, Refuelling Plate in English



SPRINTER (VB)

SERIES	LINE	BODY	ENGINE	TRANSMISSION
L = LOWLINE	3 = HD DODGE 2WD 2 = Med. Duty DODGE 2WD	03 = CAB CHASSIS WHEEL BASE 3 05 = CAB CHASSIS WHEEL BASE 5 13 = 119 WB 53 = 119 WB 15 = VAN WHEEL BASE 5 55 = WAGON WHEEL BASE 5 17 = VAN WHEEL BASE 7	EG2 = 3.5L V6 Gas Engine EXM = 3.0L V6 Turbo Diesel Engine	DGZ = 5-Speed Auto W5A380 Transmission

AR = use ase required - = Non illustrated part