

VIN PLATE DECODING INFORMATION

1	2	3	4	5	6	7	8	9	10	11	12 thru 17
WMI	WMI	WMI	Other	Model	Model	Engine, Brake	Engine, Brake	Check Digit	Model Year	Assy. Plant	Sequence No.

The following table interprets the VIN Plate position shown above.

Position	Interpretation	Codes = Description
1	World Manufacturer Identification	W = DaimlerChrysler AG
2	World Manufacturer Identification	D = Sprinter
3	World Manufacturer Identification	1 = Sprinter Chassis-Cab 2 = Sprinter Truck 5 = Sprinter Multipurpose Passenger Vehicle
4	Chassis Configuration	B = 4X4 - Canada P = 4X2 - U.S.
5	Model, Wheelbase, GVWR	D = Combine with position 6
6	Model, Wheelbase, GVWR	1 = 2500C/C2500/P2500 3000 mm 15 in. wheel 8,001 - 9,000 lbs. Class G 2 = 2500C/C2500/P2500 3550 mm 15 in. wheel 8,001 - 9,000 lbs. Class G 3 = 2500C/C2500/P2500 4025 mm 15 in. wheel 8,001 - 9,000 lbs. Class G 4 = 3500C/C3500 3550 mm 15 in. wheel 9,001 - 10,000 lbs. Class H 5 = 3500C/C3500 4025 mm 15 in. wheel 9,001 - 10,000 lbs. Class H 6 = 2500C/C2500/P2500 3567 mm 16in. wheel 8,001 - 9,000 lbs. Class G 7 = 2500C/C2500/P2500 4042 mm 16in. wheel 8,001 - 9,000 lbs. Class G
7	Engine, Brake	4 = Combine with position 8
8	Engine, Brake	3 = 2.7L 45 State Diesel, Hydraulic Brakes 4 = 2.7L 50 State Diesel, Hydraulic Brakes
9	Check Digit	0 = Check Digit 0 = Check Digit 0 = Check Digit
10	Model Year	4 = 2004 5 = 2005
11	Assembly Plant	5 = Dusseldorf
12 thru 17	Vehicle Build Sequence	Model Year Assembly Sequence

Group - 2

Front Suspension & Drive

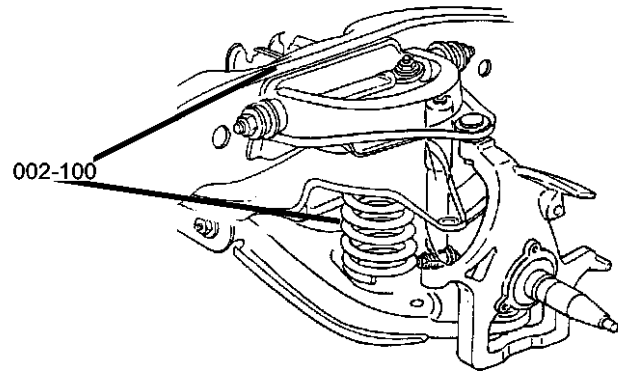
Group - 2 Front Suspension & Drive

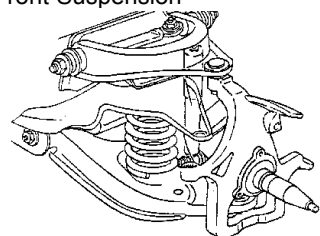
Illustration Title

Group-Fig. No.

Front Suspension

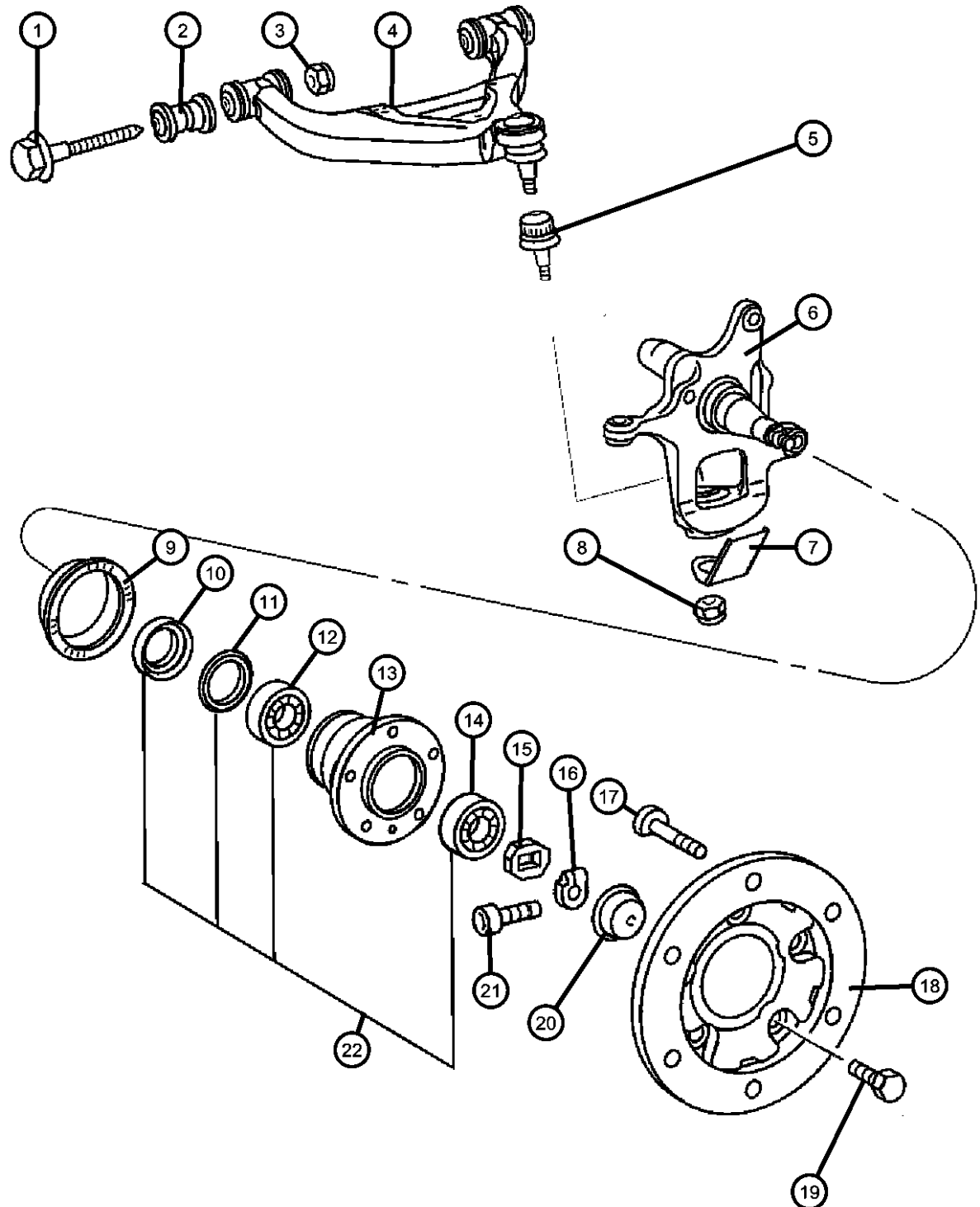
Front Control Arms, Knuckles, Bearings and Hubs.....	Fig. 2 - 110
Front Shocks	Fig. 2 - 120
Front Stabilzer Bar	Fig. 2 - 130
Front Spring	Fig. 2 - 140



<p>002-100 Front Suspension</p> 			
---	--	--	--

Front Control Arms, Knuckles, Bearings and Hubs

Figure 2-110



ITEM	PART NUMBER	QTY	LINE	SERIES	BODY	ENGINE	TRANS	TRIM	DESCRIPTION
------	-------------	-----	------	--------	------	--------	-------	------	-------------

Note: Sales Codes

Note: On Up To and From parts, you will have to refer to the Vehicle Data Card.

[DGJ]=TRANSMISSION - 5-SPD AUTO, W5A3

[BGK]= 4-WHEEL ANTI-LOCK

1	05133819AA	4							BOLT, Hex Head
2	05133818AA	2	2, 3, 6, 7						BUSHING, Control Arm
3									NUT
	06104719AA	2	2, 6	L	51, 52, 54, 55, 56				
		2	3, 7	L	12, 15, 16				
		2	2, 6	L	01, 02, 06				
		2	2, 6	L	11, 12, 14, 15, 16				
4									ARM, Lower Control, Front
	05104578AA	1	2, 3, 6, 7						Left
	05136057AA	1	2, 3, 6, 7						Right
	05137552AA	1	2, 3, 6, 7	L					Right
	05137632AA	1	2, 3, 6, 7	L					Left
5	05139559AA	2							BALL JOINT, Lower Control Arm
6									KNUCKLE, Front
	05135233AA	1	2, 6	L	51, 52, 54, 55, 56				Left
	05104579AA	1	3, 7						For Wabco and Bosch Calipers, Left
	05135232AA	1	2, 6	L	11, 12, 14, 15, 16				Right
		1	2, 6	L	51, 52, 54, 55, 56				Right
		1	2, 6	L	01, 02, 06				Right
		1	3, 7	L	02, 06				With Special Version [504032 / 10], Right
		1	2, 6	L	11, 12, 14, 15, 16				Left
		1	2, 6	L	01, 02, 06				Left

SPRINTER (VA)

SERIES

L = LOWLINE

LINE

3 = HD DODGE 2WD
 6 = Lt. Duty DODGE 4WD
 2 = Med. Duty DODGE 2WD
 7 = Med. Duty DODGE 4WD

BODY

55 = Wagon 140"
 54 = Wagon 118"
 52 = Wagon 140"
 51 = Wagon 118"
 12 = Van 140"
 11 = Van 118"
 06 = Front Section 158"
 14 = Van 118"
 15 = Van 140"
 16 = Van 158"
 56 = Wagon 158"
 01 = Chassis Forward Control 118"
 02 = Chassis Forward Control 140"

ENGINE

EX8 = Engine-2.7L I5
 Mercedes Turbo Diesel

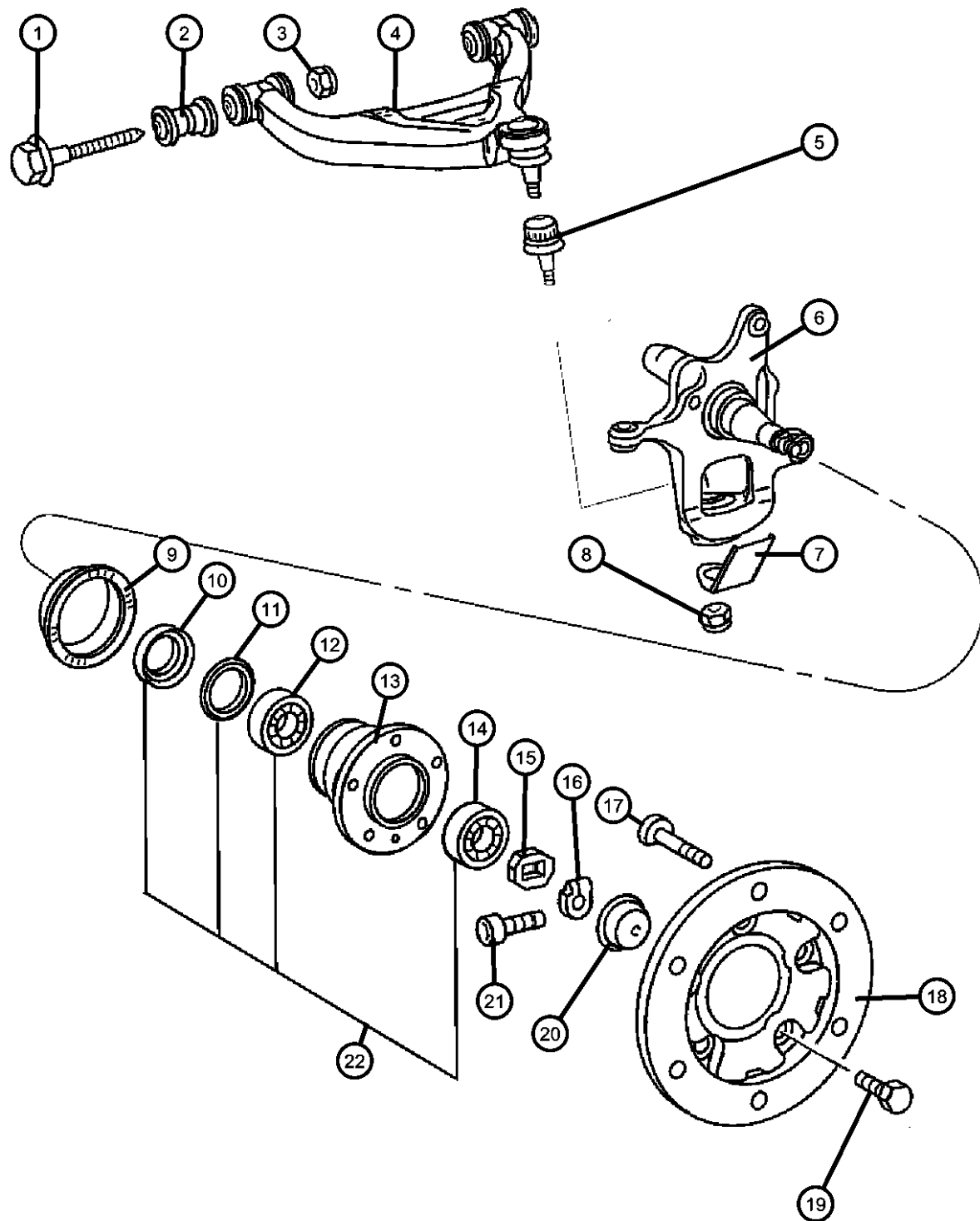
TRANSMISSION

DGJ = Transmission-5-Spd. Automatic, W5A580

AR = use ase required - = Non illustrated part

2004 VA

Front Control Arms, Knuckles, Bearings and Hubs
Figure 2-110



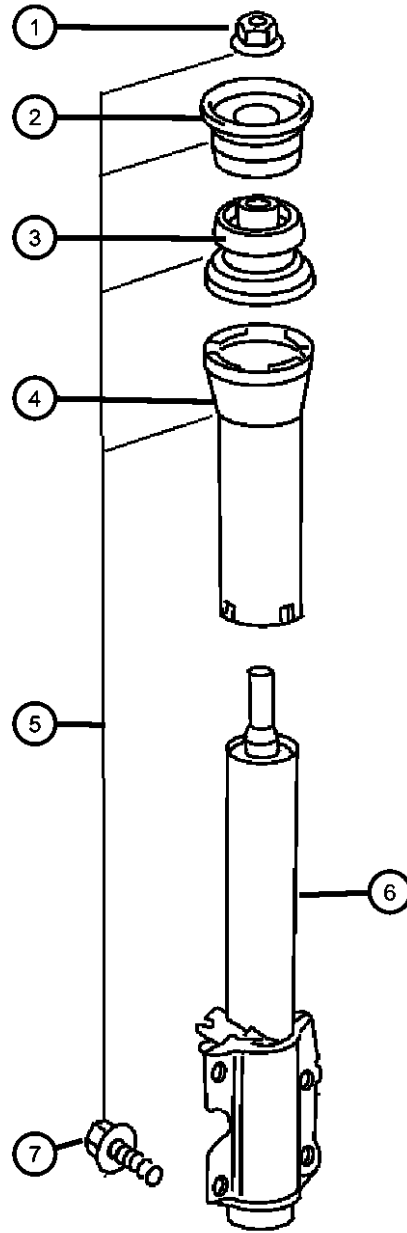
ITEM	PART NUMBER	QTY	LINE	SERIES	BODY	ENGINE	TRANS	TRIM	DESCRIPTION
		1	3, 7	L	02, 06				With Special Version [504032 / 09], Left
	05139492AA	1	3, 7						For Wabco and Bosch Calipers, Right
7	05136122AA	2							PLATE, Control Arm
8	05136123AA	1	2, 3, 6, 7						NUT, Ball Joint
9	05139358AA	2							RING, Tone
10	05103901AA	2							SEAL, Hub
11	05139359AA	2							SEAL, Wheel Hub
12	05103779AA	2							BEARING, AxleInner
13									HUB, Front Wheel
	05139360AA	2							From Front Axle S482214/Y422060
	05104556AA	2							Up To Front Axle S482213/Y422059
14	05103869AA	2							BEARING, AxleOuter
15	05103956AA	2							WASHER, Thrust, Front
16	05097843AA	2							NUT
17	05139905AA	12	3, 7						BOLT
18	05139903AA	2	3, 7						FLANGE, Axle Output
19	06104258AA	12	3, 7	L	12, 15, 16				SCREW, Hex Flange Head
20	05103914AA	2							CAP, Wheel Hub Grease
21	05104617AA	2							SCREW
22									HUB AND BEARING PACKAGE, Kit
	05103579AA	1							From Front Axle S231916/Y245977
	05139357AA	1							Up To Front Axle 231915/Y245976

SPRINTER (VA)

SERIES	LINE	BODY	ENGINE	TRANSMISSION
L = LOWLINE	3 = HD DODGE 2WD 6 = Lt. Duty DODGE 4WD 2 = Med. Duty DODGE 2WD 7 = Med. Duty DODGE 4WD	55 = Wagon 140" 54 = Wagon 118" 52 = Wagon 140" 51 = Wagon 118" 12 = Van 140" 11 = Van 118" 06 = Front Section 158" 14 = Van 118" 15 = Van 140" 16 = Van 158" 56 = Wagon 158"	EX8 = Engine-2.7L I5 Mercedes Turbo Diesel	DGJ = Transmission-5-Spd. Automatic, W5A580
		01 = Chassis Forward Control 118" 02 = Chassis Forward Control 140"		

AR = use ase required - = Non illustrated part

Front Shocks
Figure 2-120



ITEM	PART NUMBER	QTY	LINE	SERIES	BODY	ENGINE	TRANS	TRIM	DESCRIPTION
------	-------------	-----	------	--------	------	--------	-------	------	-------------

Note: Sales Codes:
[SHA]=Stabilizer Bar - Front
[3AT]=Rear Springs Weight 3.88T

1	05125762AA	2	2, 6	L	01, 02, 06				NUT
		2	2, 6	L	11, 12, 14, 15, 16				
		2	2, 6	L	51, 52, 54, 55, 56				
		2	3, 7	L	12, 15, 16				
2	05118718AA	2	2, 6	L	01, 02, 06				BUSHING, Shock Absorber
		2	2, 6	L	11, 12, 14, 15, 16				
		2	2, 6	L	51, 52, 54, 55, 56				
		2	3, 7	L	12, 15, 16				
3	05118722AA	2	2, 6	L	01, 02, 06				BUSHING, Shock Absorber
		2	2, 6	L	11, 12, 14, 15, 16				
		2	2, 6	L	51, 52, 54, 55, 56				
		2	3, 7	L	12, 15, 16				
4	05118728AA	2	2, 6	L	01, 02, 06				SHIELD, Shock Absorber Dust
		2	2, 6	L	11, 12, 14, 15, 16				
		2	2, 6	L	51, 52, 54, 55, 56				
		2	3, 7	L	02, 06				
		2	3, 7	L	12, 15, 16				
5	05133869AA	2	2, 6	L	01, 02, 06				PARTS KIT, Shock

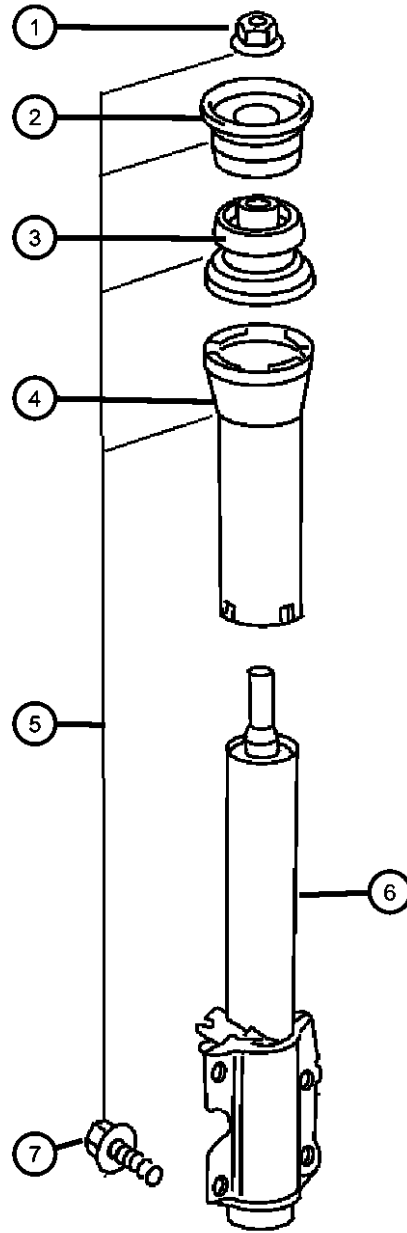
SPRINTER (VA)

SERIES	LINE	BODY	ENGINE	TRANSMISSION
L = LOWLINE	3 = HD DODGE 2WD 6 = Lt. Duty DODGE 4WD 2 = Med. Duty DODGE 2WD 7 = Med. Duty DODGE 4WD	55 = Wagon 140" 54 = Wagon 118" 52 = Wagon 140" 51 = Wagon 118" 12 = Van 140" 11 = Van 118" 06 = Front Section 158" 14 = Van 118" 15 = Van 140" 16 = Van 158" 56 = Wagon 158"	EX8 = Engine-2.7L I5 Mercedes Turbo Diesel	DGJ = Transmission-5-Spd. Automatic, W5A580
		01 = Chassis Forward Control 118" 02 = Chassis Forward Control 140"		

AR = use ase required - = Non illustrated part

2004 VA

Front Shocks
Figure 2-120



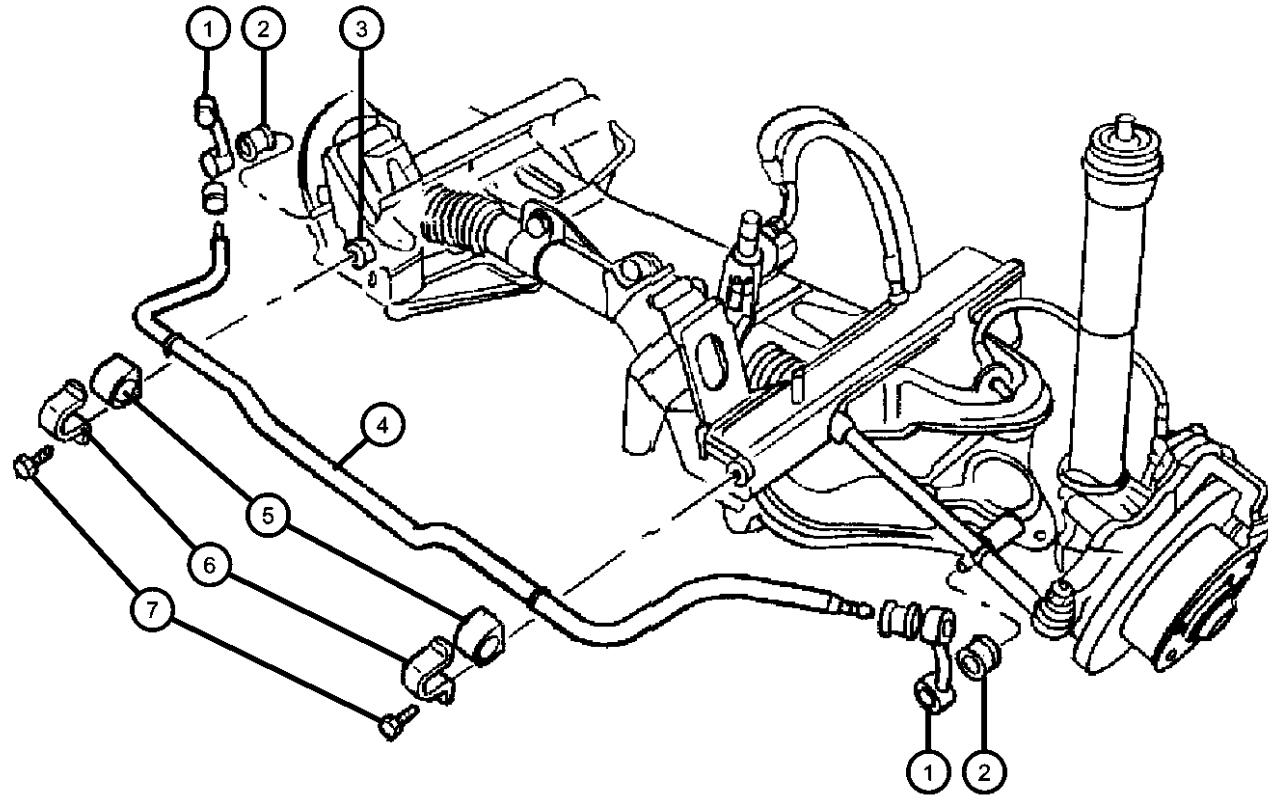
ITEM	PART NUMBER	QTY	LINE	SERIES	BODY	ENGINE	TRANS	TRIM	DESCRIPTION
		2	2, 6	L	11, 12, 14, 15, 16				Includes Items 1,2,3,4,7
		2	2, 6	L	51, 52, 54, 55, 56				Includes Items 1,2,3,4,7
		2	3, 7	L	12, 15, 16				Includes Items 1,2,3,4,7
6									ABSORBER, Shock
	05104063AA	2	2, 6	L					Shock Only
	05128502AA	1	3, 7	L	12, 15, 16				Shock Only
	05139548AA	2	2, 6						Shock Only [3AT,SHA]
7	05125699AA	8							SCREW, Strut to Knuckle, Mounting

SPRINTER (VA)

SERIES	LINE	BODY	ENGINE	TRANSMISSION
L = LOWLINE	3 = HD DODGE 2WD 6 = Lt. Duty DODGE 4WD 2 = Med. Duty DODGE 2WD 7 = Med. Duty DODGE 4WD	55 = Wagon 140" 54 = Wagon 118" 52 = Wagon 140" 51 = Wagon 118" 12 = Van 140" 11 = Van 118" 06 = Front Section 158" 14 = Van 118" 15 = Van 140" 16 = Van 158" 56 = Wagon 158" 01 = Chassis Forward Control 118" 02 = Chassis Forward Control 140"	EX8 = Engine-2.7L I5 Mercedes Turbo Diesel	DGJ = Transmission-5-Spd. Automatic,W5A580

AR = use ase required - = Non illustrated part

Front Stabilizer Bar
Figure 2-130



ITEM	PART NUMBER	QTY	LINE	SERIES	BODY	ENGINE	TRANS	TRIM	DESCRIPTION
1	05104059AA	1	2, 6	L	01, 02, 06				LINK, Stabilizer Bar Left
		1	2, 6	L	11, 12, 14, 15, 16				Left
		1	2, 6	L	51, 52, 54, 55, 56				Left
	05104060AA	1	2, 6	L	01, 02, 06				Right
		1	2, 6	L	11, 12, 14, 15, 16				Right
		1	2, 6	L	51, 52, 54, 55, 56				Right
2	05104066AA	4	2, 6	L	01, 02, 06				BUSHING Torsion Bar to Control Arm
		4	2, 6	L	11, 12, 14, 15, 16				Torsion Bar to Control Arm
		4	2, 6	L	51, 52, 54, 55, 56				Torsion Bar to Control Arm
3	05104677AA	2	2, 6	L	01, 02, 06				NUT
		2	2, 6	L	11, 12, 14, 15, 16				
		2	2, 6	L	51, 52, 54, 55, 56				
4	05104576AA	1	2, 6	L	01, 02, 06				BAR, Front Sway
		1	2, 6	L	11, 12, 14, 15, 16				
		1	2, 6	L	51, 52, 54, 55, 56				
5	05104577AA	2	2, 6	L	01, 02, 06				BUSHING, Stabilizer Bar Torsion Bar to Front Axle
		2	2, 6	L	11, 12, 14, 15, 16				Torsion Bar to Front Axle
		2	2, 6	L	51, 52, 54, 55, 56				Torsion Bar to Front Axle

SPRINTER (VA)

SERIES

L = LOWLINE

LINE

3 = HD DODGE 2WD
6 = Lt. Duty DODGE 4WD
2 = Med. Duty DODGE 2WD
7 = Med. Duty DODGE 4WD

BODY

55 = Wagon 140"
54 = Wagon 118"
52 = Wagon 140"
51 = Wagon 118"
12 = Van 140"
11 = Van 118"
06 = Front Section 158"
14 = Van 118"
15 = Van 140"
16 = Van 158"
56 = Wagon 158"
01 = Chassis Forward Control
118"
02 = Chassis Forward Control
140"

ENGINE

EX8 = Engine-2.7L I5
Mercedes Turbo Diesel

TRANSMISSION

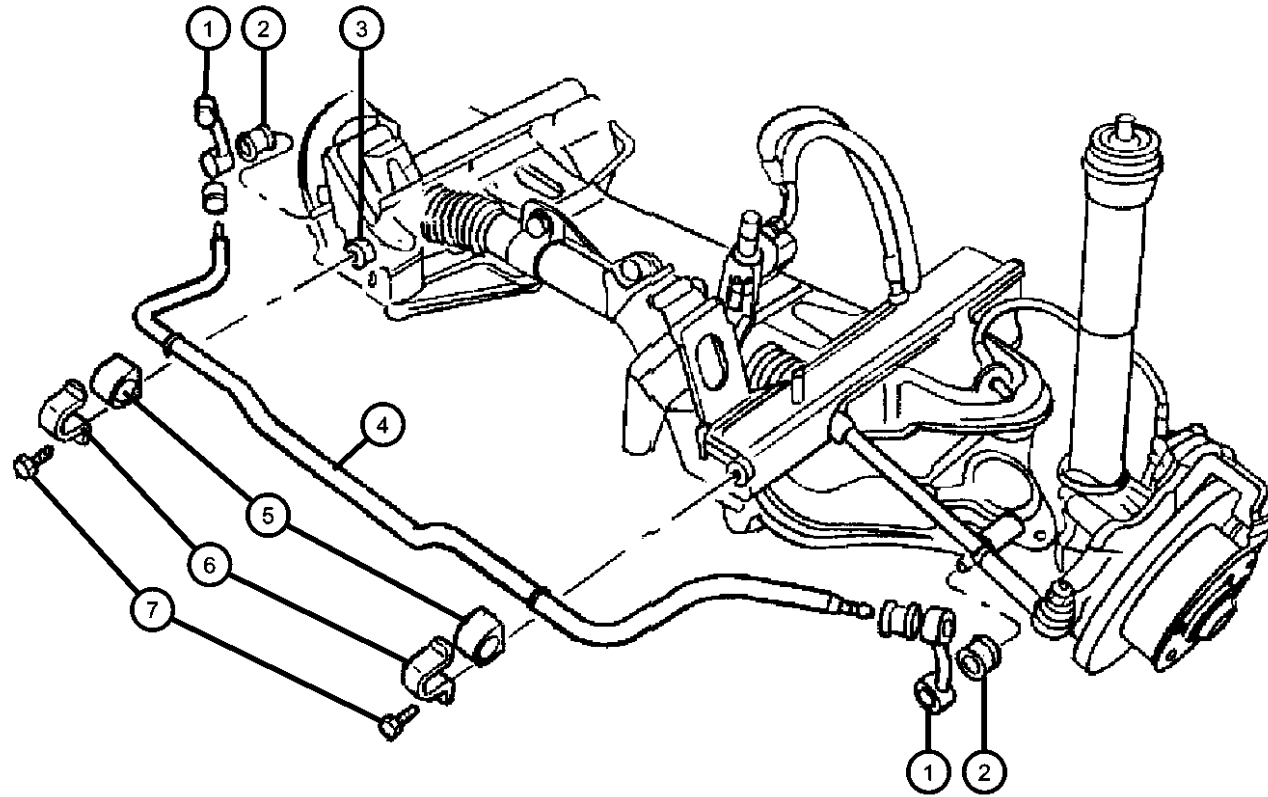
DGJ = Transmission-5-Spd.
Automatic,W5A580

AR = use ase required - = Non illustrated part

2004 VA

Front Stabilizer Bar
Figure 2-130

ITEM	PART NUMBER	QTY	LINE	SERIES	BODY	ENGINE	TRANS	TRIM	DESCRIPTION
6									RETAINER, Stabilizer Bar Grommet
	05104067AA	2	2, 6	L	01, 02, 06				
		2	2, 6	L	11, 12, 14, 15, 16				
		2	2, 6	L	51, 52, 54, 55, 56				
7									BOLT
	05104656AA	2	2, 6	L	01, 02, 06				
		2	2, 6	L	11, 12, 14, 15, 16				
		2	2, 6	L	51, 52, 54, 55, 56				



SPRINTER (VA)

SERIES

L = LOWLINE

LINE

3 = HD DODGE 2WD
6 = Lt. Duty DODGE 4WD
2 = Med. Duty DODGE 2WD
7 = Med. Duty DODGE 4WD

BODY

55 = Wagon 140"
54 = Wagon 118"
52 = Wagon 140"
51 = Wagon 118"
12 = Van 140"
11 = Van 118"
06 = Front Section 158"
14 = Van 118"
15 = Van 140"
16 = Van 158"
56 = Wagon 158"
01 = Chassis Forward Control 118"
02 = Chassis Forward Control 140"

ENGINE

EX8 = Engine-2.7L I5 Mercedes Turbo Diesel

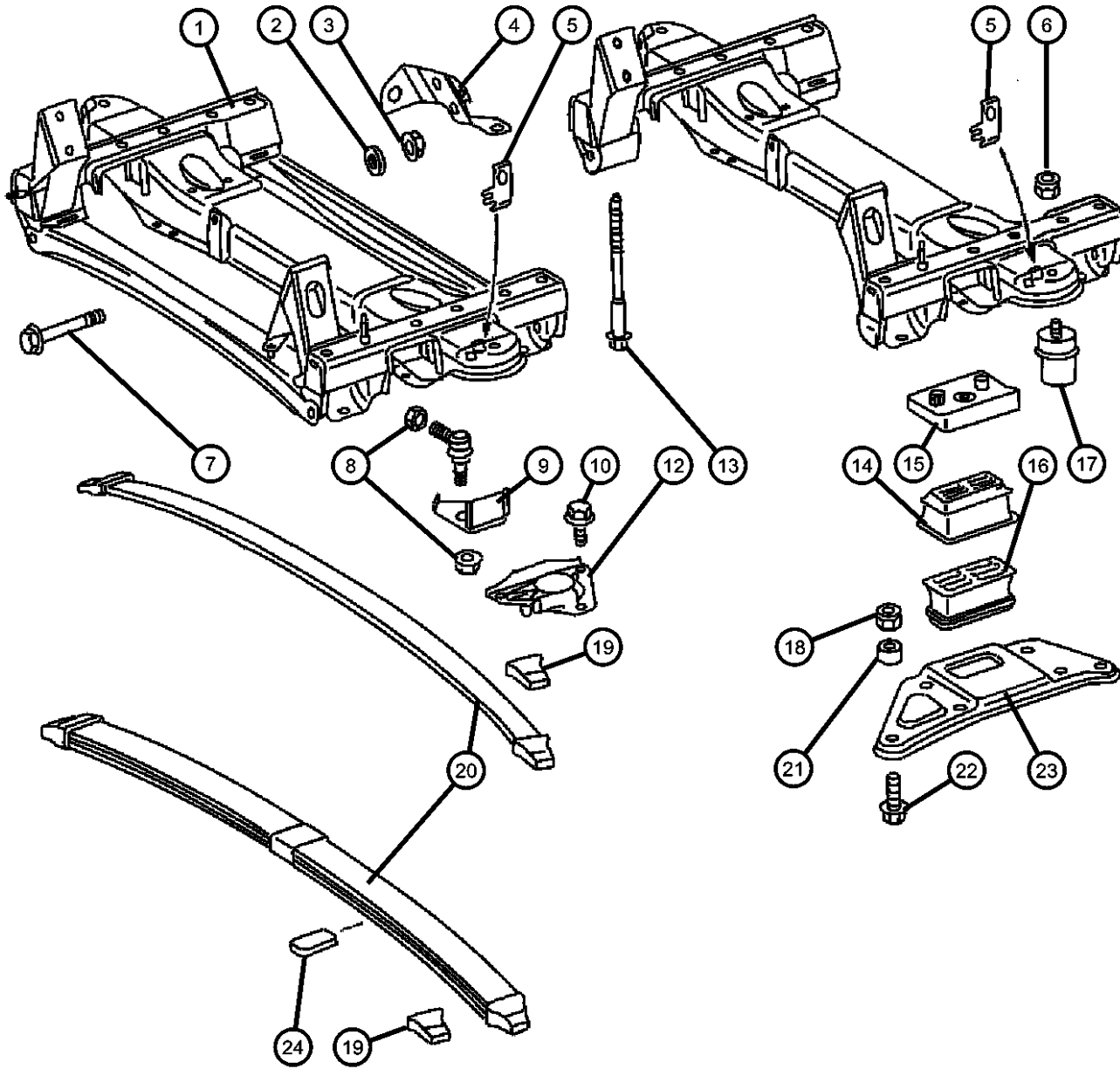
TRANSMISSION

DGJ = Transmission-5-Spd. Automatic, W5A580

AR = use ase required - = Non illustrated part

2004 VA

Front Spring
Figure 2-140



ITEM	PART NUMBER	QTY	LINE	SERIES	BODY	ENGINE	TRANS	TRIM	DESCRIPTION
1	05139740AA	1							CROSSMEMBER, Front Axle
	05104074AA	1	2, 6						
2	05104074AA	1							WASHER, (NOT SERVICED) NUT
3	06104718AA	2	2, 6	L	01, 02, 06				
		2	2, 6	L	11, 12, 14, 15, 16				
		2	2, 6	L	51, 52, 54, 55, 56				
4	05119553AA	1							BRACKET, Steering Gear
5	05119553AA	1							BRACKET, (NOT SERVICED)
6	05132896AA	6	2, 6	L	11, 12, 14, 15, 16				NUT
		6	2, 6	L	51, 52, 54, 55, 56				
7	05125714AA	4							SCREW
8	05125761AA	2	2, 6	L	01, 02, 06				NUT
		2	2, 6	L	51, 52, 54, 55, 56				
	05132896AA	6	2, 6	L	11, 12, 14, 15, 16				
		6	2, 6	L	51, 52, 54, 55, 56				
		2	2, 6	L	11, 12, 14, 15, 16				
9	05119249AA	2	2, 6	L	51, 52, 54, 55, 56				PLATE, Backing

SPRINTER (VA)

SERIES

L = LOWLINE

LINE

3 = HD DODGE 2WD
6 = Lt. Duty DODGE 4WD
2 = Med. Duty DODGE 2WD
7 = Med. Duty DODGE 4WD

BODY

55 = Wagon 140"
54 = Wagon 118"
52 = Wagon 140"
51 = Wagon 118"
12 = Van 140"
11 = Van 118"
06 = Front Section 158"
14 = Van 118"
15 = Van 140"
16 = Van 158"
56 = Wagon 158"
01 = Chassis Forward Control
118"
02 = Chassis Forward Control
140"

ENGINE

EX8 = Engine-2.7L I5
Mercedes Turbo Diesel

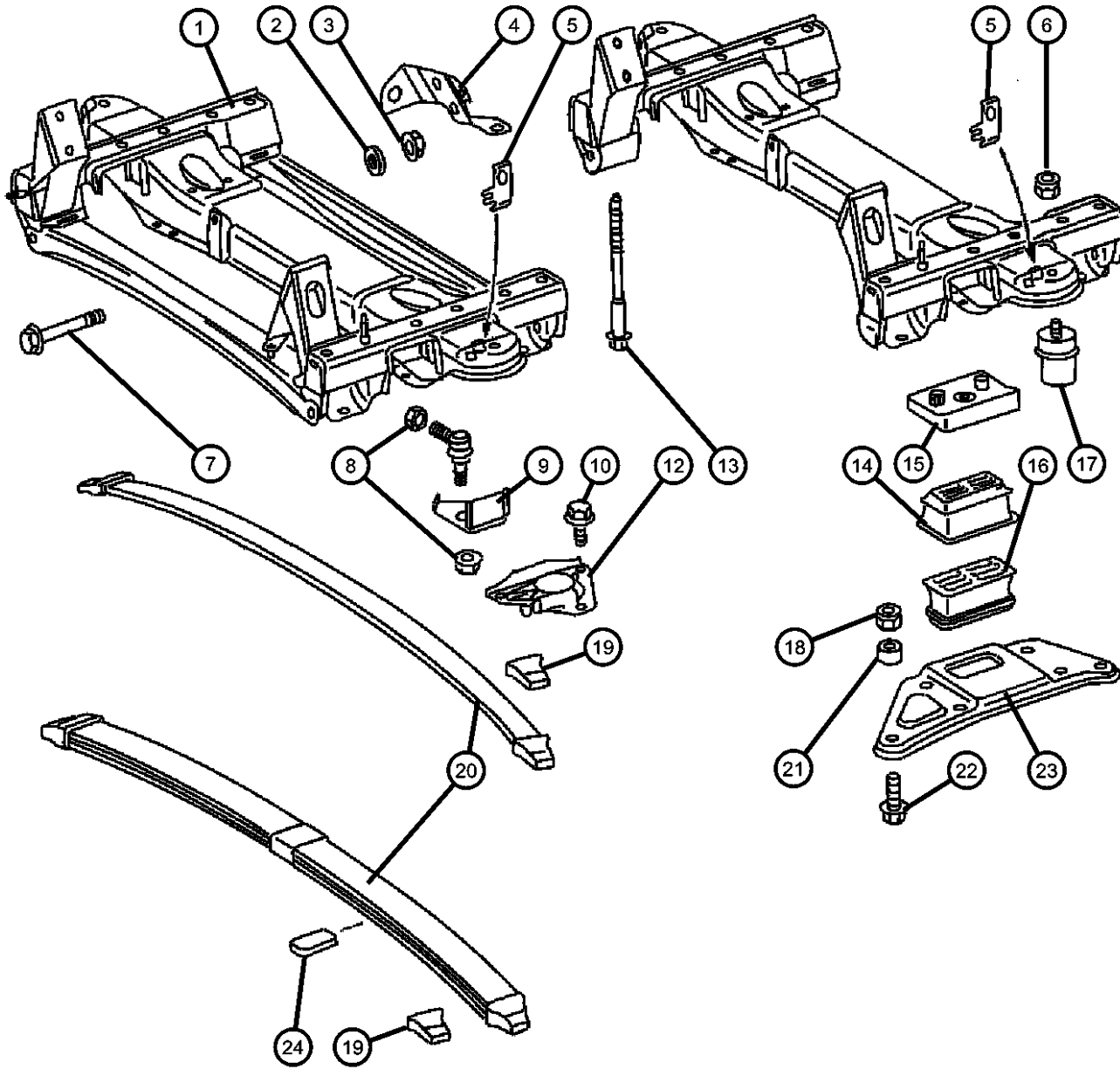
TRANSMISSION

DGJ = Transmission-5-Spd.
Automatic,W5A580

AR = use ase required - = Non illustrated part

2004 VA

Front Spring
Figure 2-140



ITEM	PART NUMBER	QTY	LINE	SERIES	BODY	ENGINE	TRANS	TRIM	DESCRIPTION
		2	2, 6	L	01, 02, 06				
		2	2, 6	L	11, 12, 14, 15, 16				
10	05126233AA	6	2, 6	L	51, 52, 54, 55, 56				BOLT Without [WDG]
		6	2, 6	L	01, 02, 06				Without [WDG]
		6	2, 6	L	11, 12, 14, 15, 16				Without [WDG]
	06104049AA	6	2, 6	L	11, 12, 14, 15, 16				With [WDG]
		6	2, 6	L	51, 52, 54, 55, 56				With [WDG]
-11	05132896AA	6	2, 6	L	11, 12, 14, 15, 16				NUT For Item 10-With [WDG] Only
		6	2, 6	L	51, 52, 54, 55, 56				For Item 10-With [WDG] Only
12	05104064AA	1	2, 6	L	01, 02, 06				PLATE, Stabilizer Bar Right
		1	2, 6	L	11, 12, 14, 15, 16				Right
		1	2, 6	L	51, 52, 54, 55, 56				Right
	05118707AA	1	2, 6	L	11, 12, 14, 15, 16				Left
		1	2, 6	L	51, 52, 54, 55, 56				Left
	05118705AA	2	3, 7						Right or Left
		1	2, 6	L	01, 02, 06				Left
13	05125725AA	8	2, 6	L	01, 02, 06				SCREW AND WASHER, Hex
		8	2, 6	L	11, 12, 14, 15, 16				

SPRINTER (VA)

SERIES

L = LOWLINE

LINE

3 = HD DODGE 2WD
6 = Lt. Duty DODGE 4WD
2 = Med. Duty DODGE 2WD
7 = Med. Duty DODGE 4WD

BODY

55 = Wagon 140"
54 = Wagon 118"
52 = Wagon 140"
51 = Wagon 118"
12 = Van 140"
11 = Van 118"
06 = Front Section 158"
14 = Van 118"
15 = Van 140"
16 = Van 158"
56 = Wagon 158"
01 = Chassis Forward Control 118"
02 = Chassis Forward Control 140"

ENGINE

EX8 = Engine-2.7L I5
Mercedes Turbo Diesel

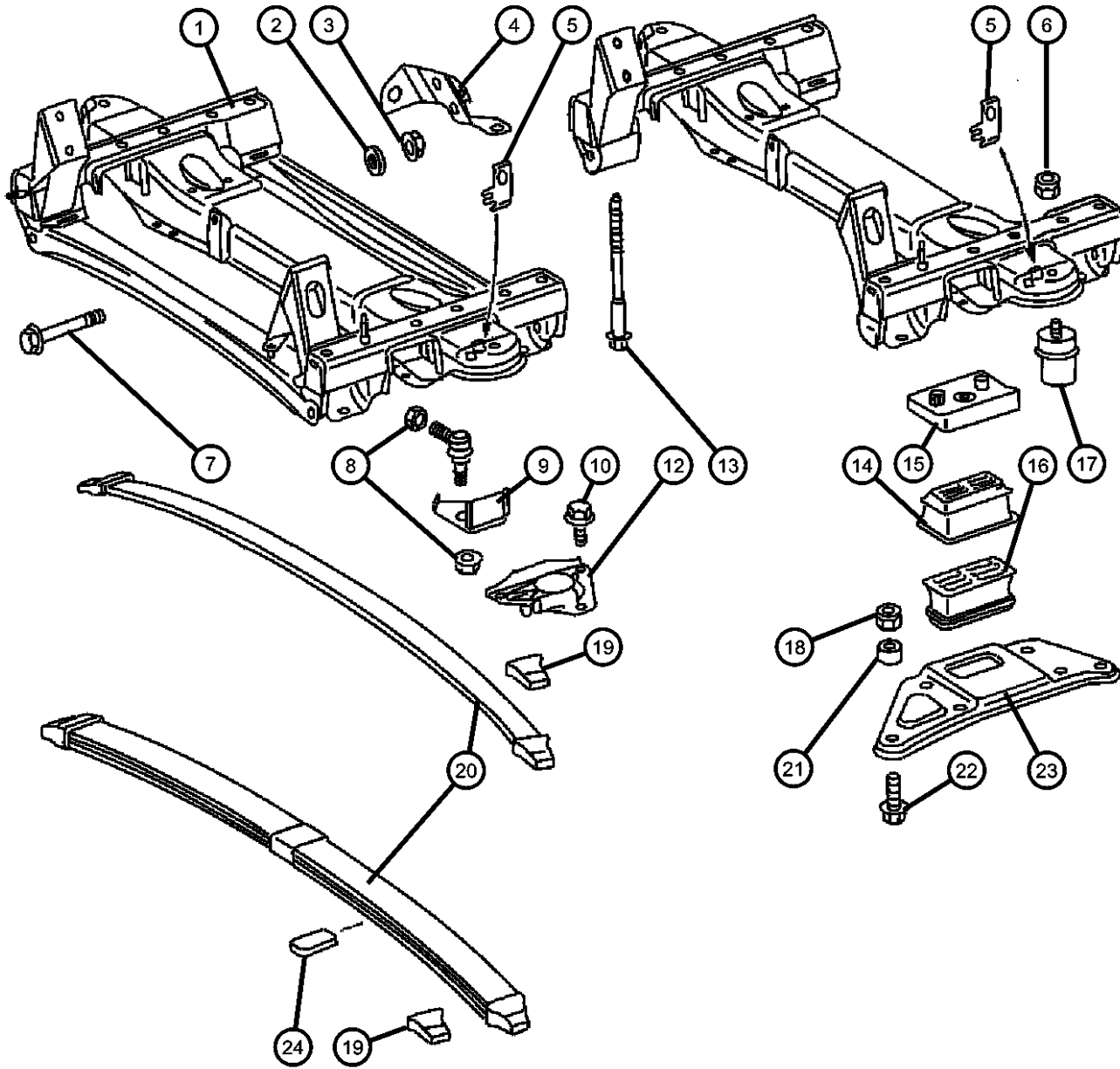
TRANSMISSION

DGJ = Transmission-5-Spd. Automatic, W5A580

AR = use ase required - = Non illustrated part

2004 VA

Front Spring
Figure 2-140



ITEM	PART NUMBER	QTY	LINE	SERIES	BODY	ENGINE	TRANS	TRIM	DESCRIPTION
		8	2, 6	L	51, 52, 54, 55, 56				
14	05139558AA	2							SEAT, Spring To Frame With SV#500323/02
	05139190AA	2							To Frame With SV#500323/03
15	05139554AA	1							SHIM, Spring Seat Right
	05139552AA	1							Left
16	05139188AA	1							SEAT, Spring Left
	05139189AA	1							Right
17	05139555AA	2							BUMPER, Suspension Jounce
18	06104717AA	8	2, 6	L	01, 02, 06				NUT M10 x 1.5
		2	2, 6	L	11, 12, 14, 15, 16				M10 x 1.5
		2	2, 6	L	51, 52, 54, 55, 56				M10 x 1.5
		1	3, 7	L	12, 15, 16				M10 x 1.5
	06104718AA	2	2, 6	L	01, 02, 06				M12 x 1.5
		2	2, 6	L	11, 12, 14, 15, 16				M12 x 1.5
		2	2, 6	L	51, 52, 54, 55, 56				M12 x 1.5
		2	3, 7	L	12, 15, 16				M12 x 1.5
19	05139556AA	2							SEAT, Spring
20	05139112AA	1							SPRING, Front Leaf
21	05139737AA	4							BUSHING, Spring
22	06104233AA	4							BOLT, Hex Head, M12 x 1.5 x 25.00
23	05139186AA	1							PLATE, Suspension Left

SPRINTER (VA)

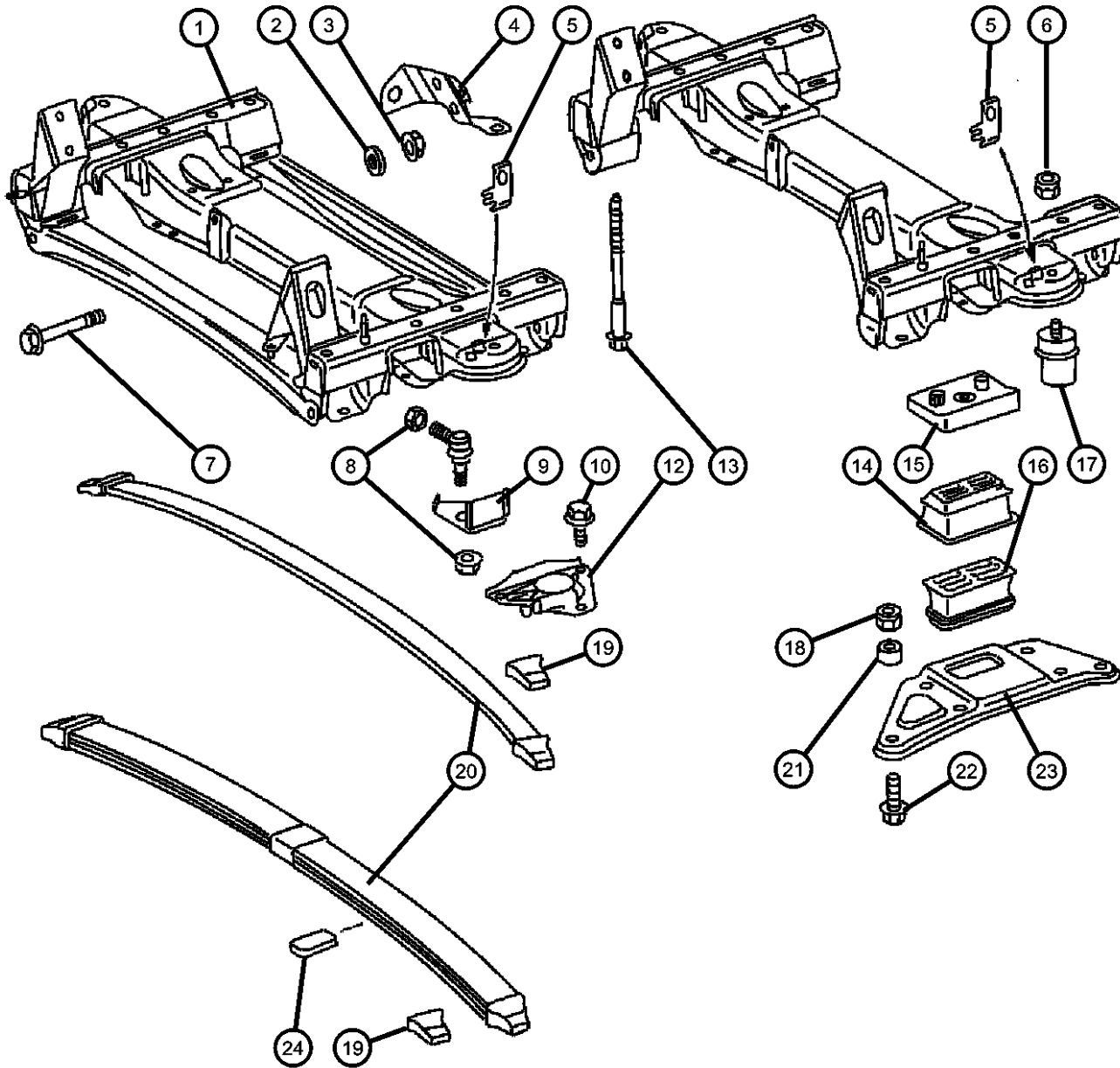
SERIES	LINE	BODY	ENGINE	TRANSMISSION
L = LOWLINE	3 = HD DODGE 2WD 6 = Lt. Duty DODGE 4WD 2 = Med. Duty DODGE 2WD 7 = Med. Duty DODGE 4WD	55 = Wagon 140" 54 = Wagon 118" 52 = Wagon 140" 51 = Wagon 118" 12 = Van 140" 11 = Van 118" 06 = Front Section 158" 14 = Van 118" 15 = Van 140" 16 = Van 158" 56 = Wagon 158"	EX8 = Engine-2.7L I5 Mercedes Turbo Diesel	DGJ = Transmission-5-Spd. Automatic,W5A580
		01 = Chassis Forward Control 118" 02 = Chassis Forward Control 140"		

AR = use ase required - = Non illustrated part

Front Spring
Figure 2-140

ITEM	PART NUMBER	QTY	LINE	SERIES	BODY	ENGINE	TRANS	TRIM	DESCRIPTION
------	-------------	-----	------	--------	------	--------	-------	------	-------------

	05139187AA	1							Right
24	05139187AA	1							SHIM, (NOT SERVICED)



SPRINTER (VA)

SERIES	LINE	BODY	ENGINE	TRANSMISSION
L = LOWLINE	3 = HD DODGE 2WD 6 = Lt. Duty DODGE 4WD 2 = Med. Duty DODGE 2WD 7 = Med. Duty DODGE 4WD	55 = Wagon 140" 54 = Wagon 118" 52 = Wagon 140" 51 = Wagon 118" 12 = Van 140" 11 = Van 118" 06 = Front Section 158" 14 = Van 118" 15 = Van 140" 16 = Van 158" 56 = Wagon 158"	EX8 = Engine-2.7L I5 Mercedes Turbo Diesel	DGJ = Transmission-5-Spd. Automatic,W5A580
		01 = Chassis Forward Control 118" 02 = Chassis Forward Control 140"		

AR = use ase required - = Non illustrated part

2004 VA

Group - 3

Rear Axle

Group - 3 Rear Axle

Group-Fig. No.

Illustration Title

Rear Axle

Differential Assembly,Rear Fig. 3 - 110

Differential and Housing

Internal Differential Parts,Rear Fig. 3 - 210

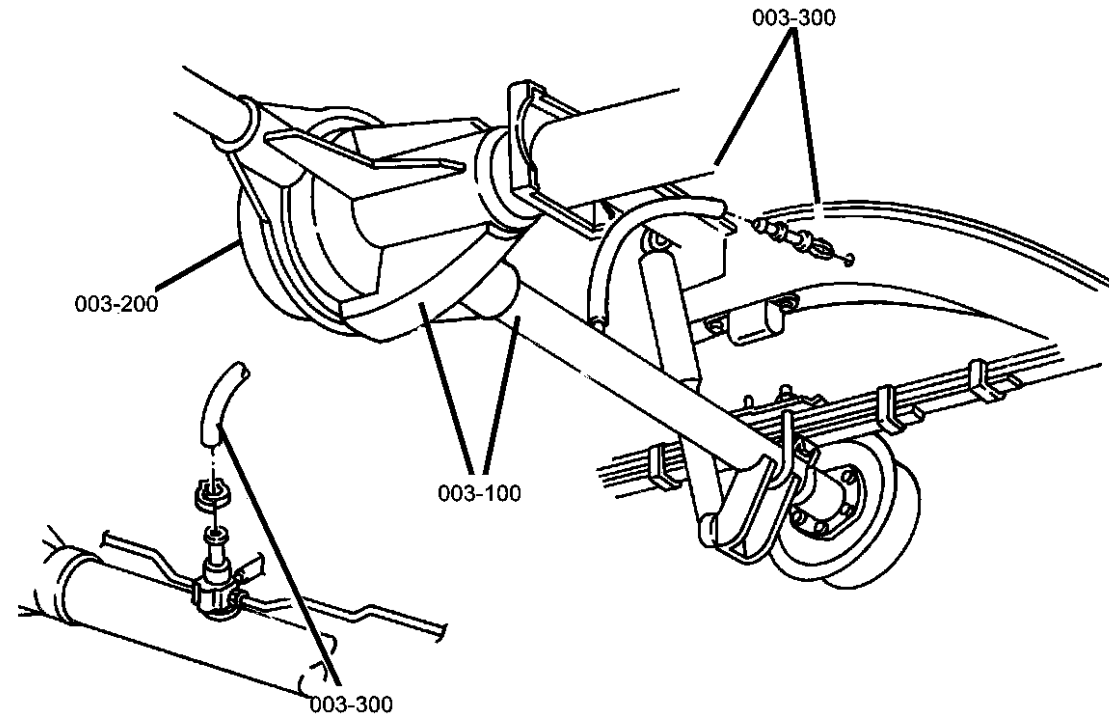
Differential Housing,Rear Fig. 3 - 220

Axle Shaft and Wheel Bearings,Single Rear Wheels..... Fig. 3 - 230

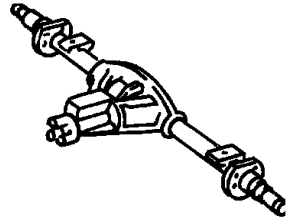
Axle Shaft and Wheel Bearings,Dual Rear Wheels Fig. 3 - 240

Rear Axle Vent

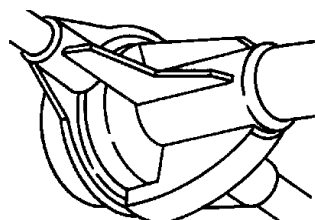
Vent,Rear Axle Fig. 3 - 310



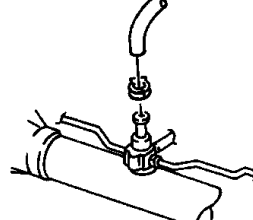
003-100
Rear Axle



003-200
Differential and Housing



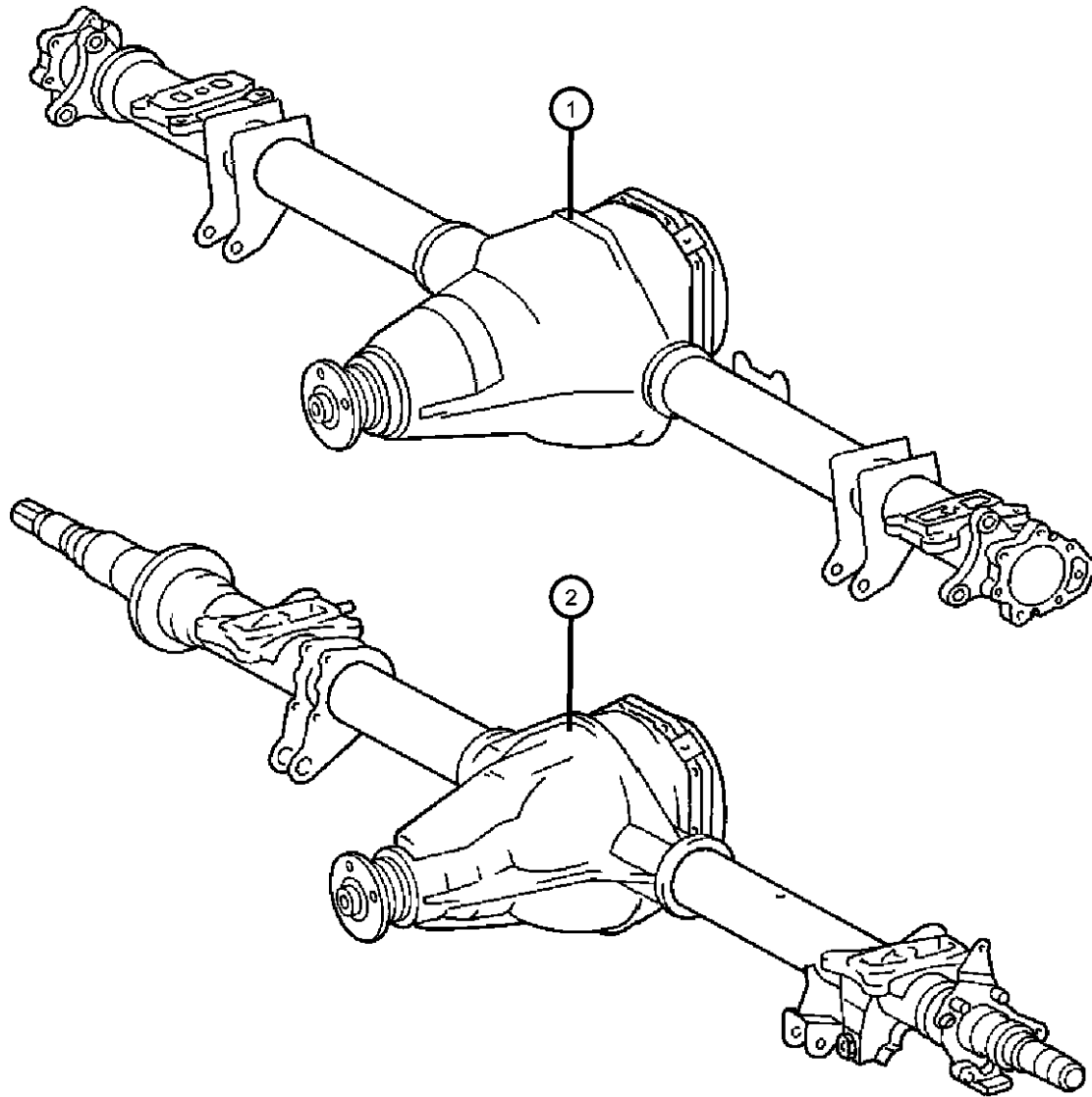
003-300
Rear Axle Vent



Differential Assembly,Rear
Figure 3-110

ITEM	PART NUMBER	QTY	LINE	SERIES	BODY	ENGINE	TRANS	TRIM	DESCRIPTION
------	-------------	-----	------	--------	------	--------	-------	------	-------------

Note: Sales Codes:
DRW means Dual Rear Wheels
SRW means Single Rear Wheels
[DME]=Axle Ratio - 3.72
[DMF]=Axle Ratio - 4.11



1	05137591AA	1	2, 6						AXLE, Service Rear [DMF] SRW
	05136033AA								Mopar SAE 90 Gear Lube Quart for Sprinter Axles
	05137755AA	1	2, 6	L					[DME] SRW
	05136033AA								Mopar SAE 90 Gear Lube Quart for Sprinter Axles
2	05135823AA	1	3, 7	L	12, 15, 16				AXLE, Service Rear [DME] DRW
	05136033AA								Mopar SAE 90 Gear Lube Quart for Sprinter Axles
	05135928AA	1	3, 7	L					[DMF] DRW
	05136033AA								Mopar SAE 90 Gear Lube Quart for Sprinter Axles

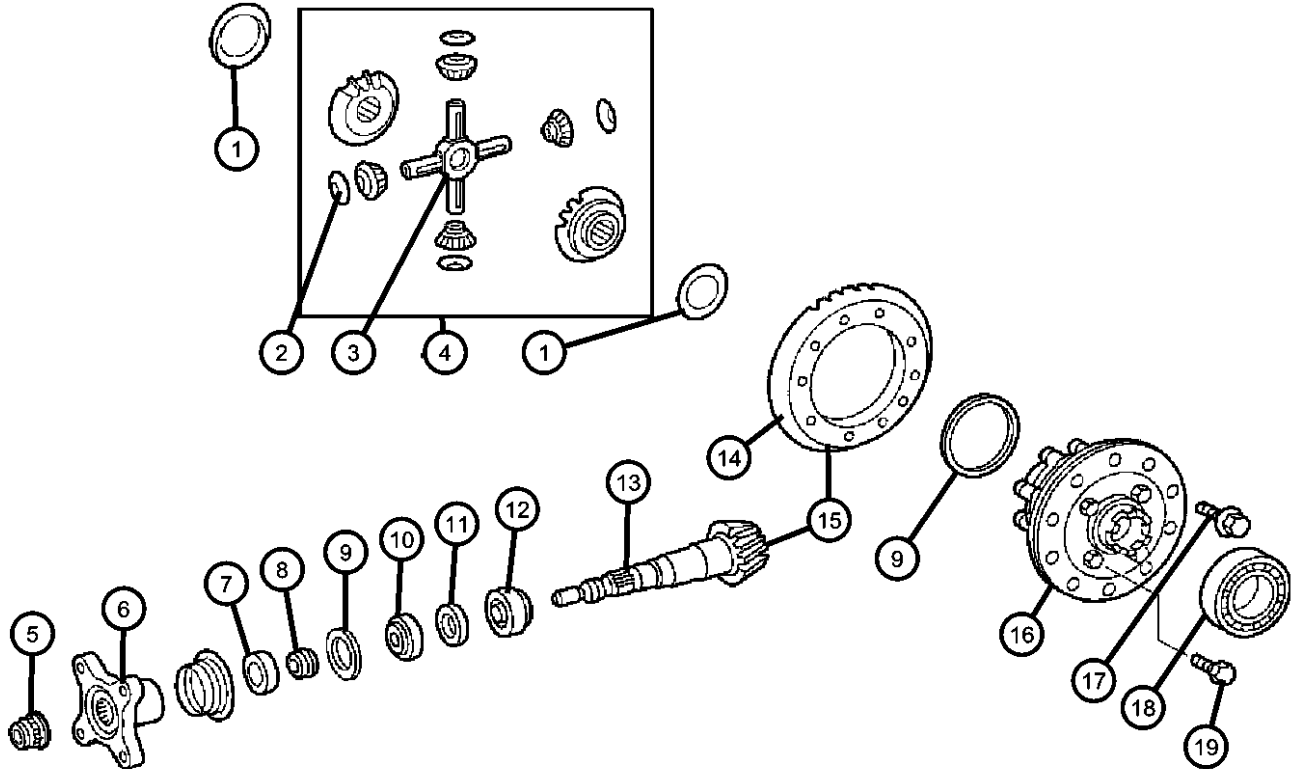
SPRINTER (VA)

SERIES	LINE	BODY	ENGINE	TRANSMISSION
L = LOWLINE	3 = HD DODGE 2WD 6 = Lt. Duty DODGE 4WD 2 = Med. Duty DODGE 2WD 7 = Med. Duty DODGE 4WD	55 = Wagon 140" 54 = Wagon 118" 52 = Wagon 140" 51 = Wagon 118" 12 = Van 140" 11 = Van 118" 06 = Front Section 158" 14 = Van 118" 15 = Van 140" 16 = Van 158" 56 = Wagon 158"	EX8 = Engine-2.7L I5 Mercedes Turbo Diesel	DGJ = Transmission-5-Spd. Automatic,W5A580
		01 = Chassis Forward Control 118" 02 = Chassis Forward Control 140"		

AR = use ase required - = Non illustrated part

2004 VA

Internal Differential Parts,Rear
Figure 3-210



ITEM	PART NUMBER	QTY	LINE	SERIES	BODY	ENGINE	TRANS	TRIM	DESCRIPTION
1									WASHER, Side Gear Thrust
	05136792AA	AR	3, 7	L					1.30 MM Steel
	05136810AA	AR	3, 7	L					1.30 MM Brass
	05136819AA	AR	2, 3, 6, 7	L					1.40 MM Brass
	05136820AA	AR	3, 7	L					1.40 MM Steel
	05136822AA	AR	3, 7	L					1.50 MM Steel
	05136823AA	AR	3, 7	L					1.50 MM Brass
	05136826AA	AR	3, 7	L					1.60 MM Steel
	05136841AA	AR	3, 7	L					1.90 MM Steel
	05136827AA	AR	3, 7	L					1.60 MM Brass
	05136829AA	AR	3, 7	L					1.70 MM Steel
	05136830AA	AR	3, 7	L					1.70 MM Brass
	05136834AA	AR	3, 7	L					1.80 MM Steel
	05136835AA	AR	3, 7	L					1.80 MM Brass
2									WASHER, Pinion Gear
	05136148AA	4	3, 7						
		4	2, 6						
3	05136150AA	1	7, 3						SHAFT, Differential Pinion
4	05137602AA	1	2, 3, 6, 7						GEAR PACKAGE, Differential
5									NUT, Pinion Yoke
	05103957AA	1							Up To Axle L538154 or X004694
	05103958AA	1							From Axle L538155 or X004695
6	05134541AA	1		L					FLANGE, Driveshaft Yoke
7	05103966AA	1		L					RING, Pinion flange
8									SPACER, Drive Pinion Bearing
	05134540AA	1		L					Up To [02/2004]
	68000011AA	1		L					After [02/2004]
9									SHIM, Axle

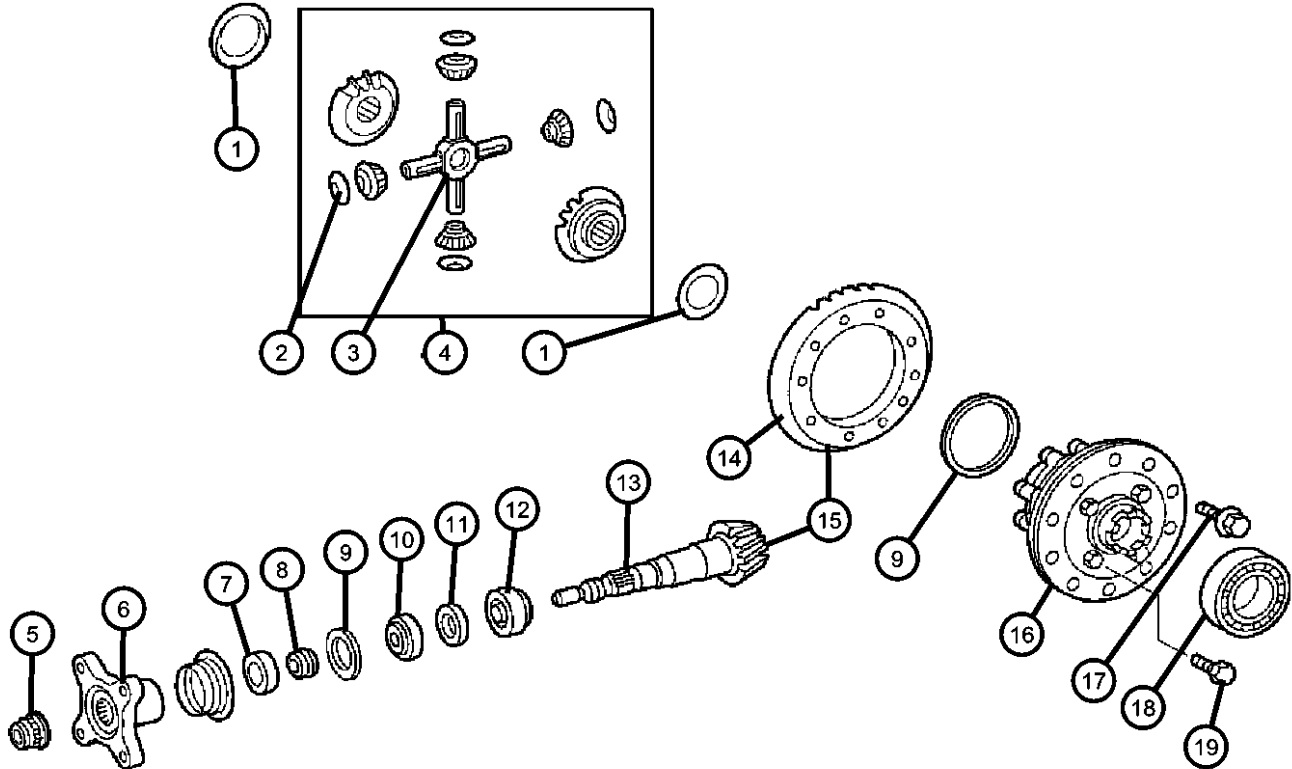
SPRINTER (VA)

SERIES	LINE	BODY	ENGINE	TRANSMISSION
L = LOWLINE	3 = HD DODGE 2WD 6 = Lt. Duty DODGE 4WD 2 = Med. Duty DODGE 2WD 7 = Med. Duty DODGE 4WD	55 = Wagon 140" 54 = Wagon 118" 52 = Wagon 140" 51 = Wagon 118" 12 = Van 140" 11 = Van 118" 06 = Front Section 158" 14 = Van 118" 15 = Van 140" 16 = Van 158" 56 = Wagon 158"	EX8 = Engine-2.7L I5 Mercedes Turbo Diesel	DGJ = Transmission-5-Spd. Automatic,W5A580
		01 = Chassis Forward Control 118" 02 = Chassis Forward Control 140"		

AR = use ase required - = Non illustrated part

Internal Differential Parts,Rear
Figure 3-210

ITEM	PART NUMBER	QTY	LINE	SERIES	BODY	ENGINE	TRANS	TRIM	DESCRIPTION
	05134415AA	1	2, 3, 6, 7						[4.90 MM]
	05134416AA	1	2, 3, 6, 7						[4.92 MM]
	05134417AA	1	2, 3, 6, 7						[4.94 MM]
	05134418AB	1	2, 3, 6, 7						[4.96 MM]
	05134420AA	1	2, 3, 6, 7						[5.02 MM]
	05134421AA	1	2, 3, 6, 7						[5.04 MM]
	05134422AB	1	2, 3, 6, 7						[5.06 MM]
	05134423AA	1	2, 3, 6, 7						[5.12 MM]
	05134425AA	1	2, 3, 6, 7	L					[5.20 MM]
	05134427AA	1	2, 3, 6, 7	L					[5.24 MM]
	05134419AA	1	2, 3, 6, 7						[5.00 MM]
	05134432AA	1	2, 3, 6, 7	L					[5.50 MM]
	05134433AA	1	2, 3, 6, 7	L					[5.60 MM]
	05134434AA	1	2, 3, 6, 7	L					[5.72 MM]
	05134435AA	1	2, 3, 6, 7	L					[5.76 MM]
	05134436AA	1	2, 3, 6, 7	L					[5.80 MM]
	05134437AA	1	2, 3, 6, 7	L					[5.84 MM]
	05134438AA	1	2, 3, 6, 7	L					[5.88 MM]
	05134439AA	1	2, 3, 6, 7	L					[5.92 MM]
	05134440AA	1	2, 3, 6, 7						[5.96 MM]
	05134428AA	1	2, 3, 6, 7	L					[5.28 MM]
	05134429AA	1	2, 3, 6, 7	L					[5.32 MM]
	05134430AA	1	2, 3, 6, 7	L					[5.36 MM]
	05134431AA	1	2, 3, 6, 7	L					[5.40 MM]
	05134469AA	1	2, 3, 6, 7	L					[6.38 MM]
	05134441AA	1	2, 3, 6, 7	L					[6.00 MM]
	05134466AA	1	2, 3, 6, 7	L					[6.10 MM]
	05134467AA	1	2, 3, 6, 7	L					[6.20 MM]



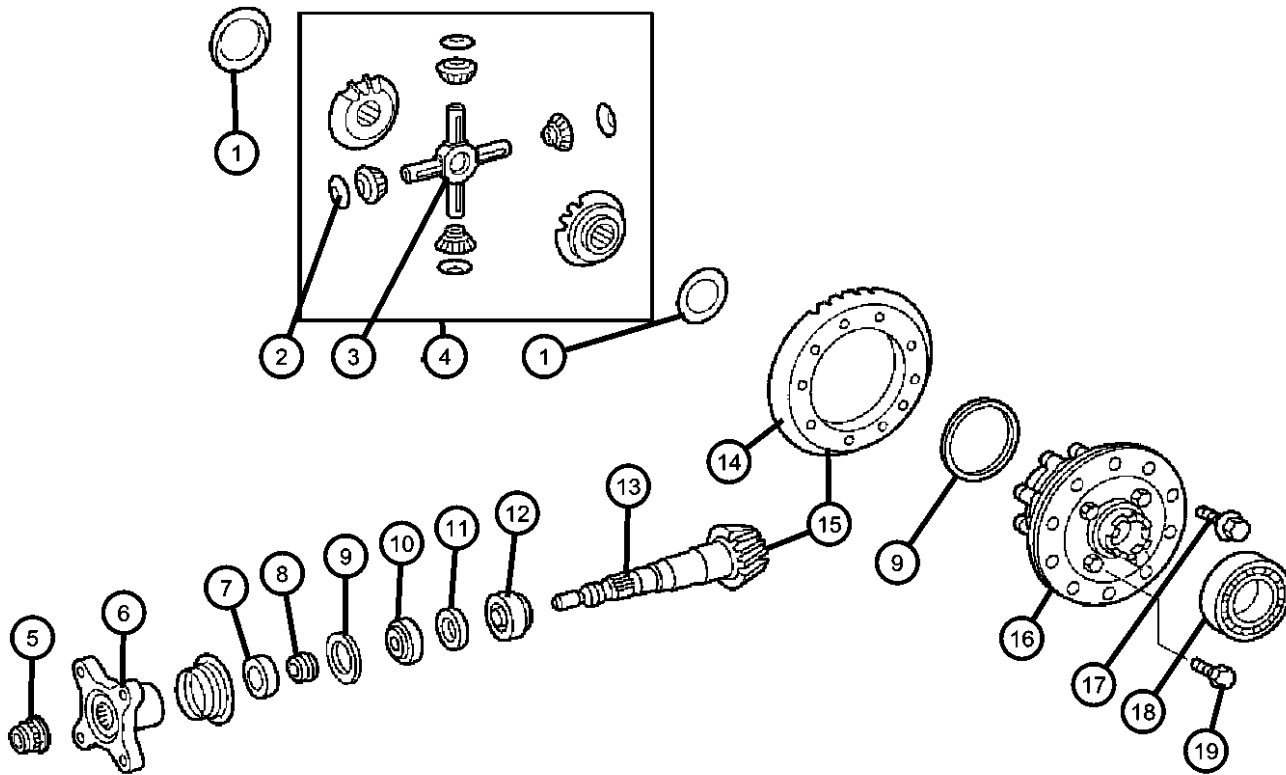
SPRINTER (VA)

SERIES	LINE	BODY	ENGINE	TRANSMISSION
L = LOWLINE	3 = HD DODGE 2WD 6 = Lt. Duty DODGE 4WD 2 = Med. Duty DODGE 2WD 7 = Med. Duty DODGE 4WD	55 = Wagon 140" 54 = Wagon 118" 52 = Wagon 140" 51 = Wagon 118" 12 = Van 140" 11 = Van 118" 06 = Front Section 158" 14 = Van 118" 15 = Van 140" 16 = Van 158" 56 = Wagon 158" 01 = Chassis Forward Control 118" 02 = Chassis Forward Control 140"	EX8 = Engine-2.7L I5 Mercedes Turbo Diesel	DGJ = Transmission-5-Spd. Automatic,W5A580

AR = use ase required - = Non illustrated part

Internal Differential Parts,Rear
Figure 3-210

ITEM	PART NUMBER	QTY	LINE	SERIES	BODY	ENGINE	TRANS	TRIM	DESCRIPTION
	05134468AB	1	2, 3, 6, 7	L					[6.30 MM]
10	05136772AA	1		L					BEARINGFront
11	05103900AA	1		L					SEAL, Drive Pinion
12	05134442AA	1		L					BEARING, Drive PinionRear
13	05136773AA	1	2, 3, 6, 7	L					PINION, Differential, [DME]
14	05136774AA	1		L					GEAR, Differential Ring, [DME]
15	05136156AA	1	2, 3, 6, 7	L	11, 12, 14, 15, 16				GEAR KIT, Ring And Pinion [DMF]
		1	2, 3, 6, 7	L	51, 52, 54, 55, 56				[DMF]
16	05136172AA	1	3, 7		11, 12, 14, 15, 16				CASE, Differential [DMF]
	05137618AA	1	2, 3, 6, 7						[DME]
17	05103849AA	10	2, 3, 6, 7	L					BOLT, Ring Gear, Mounting
18	05097700AA	1	2, 3, 6, 7						BEARING, Differential
19	05136178AA	8							SCREW, Differential, Differential Case Half, Mounting

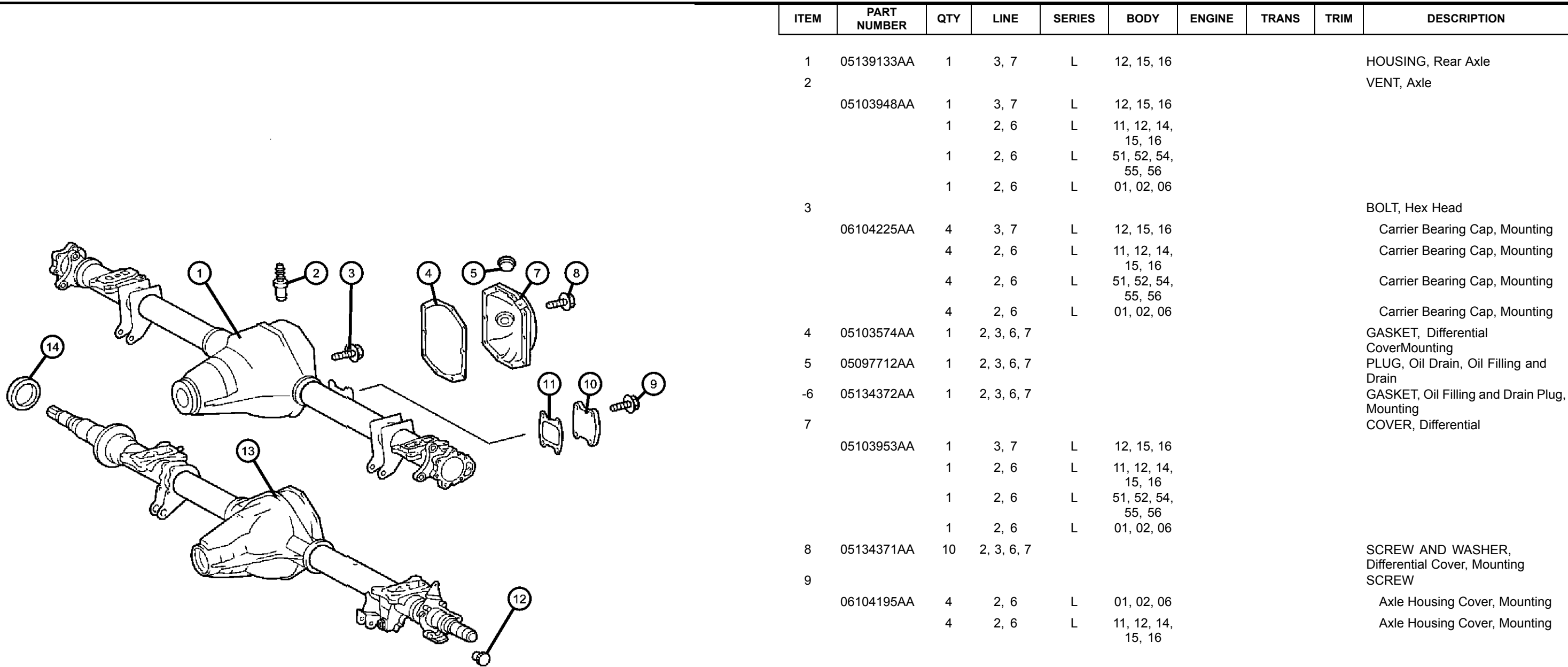


SPRINTER (VA)

SERIES	LINE	BODY	ENGINE	TRANSMISSION
L = LOWLINE	3 = HD DODGE 2WD 6 = Lt. Duty DODGE 4WD 2 = Med. Duty DODGE 2WD 7 = Med. Duty DODGE 4WD	55 = Wagon 140" 54 = Wagon 118" 52 = Wagon 140" 51 = Wagon 118" 12 = Van 140" 11 = Van 118" 06 = Front Section 158" 14 = Van 118" 15 = Van 140" 16 = Van 158" 56 = Wagon 158"	EX8 = Engine-2.7L I5 Mercedes Turbo Diesel	DGJ = Transmission-5-Spd. Automatic,W5A580
		01 = Chassis Forward Control 118" 02 = Chassis Forward Control 140"		

AR = use ase required - = Non illustrated part

Differential Housing,Rear
Figure 3-220

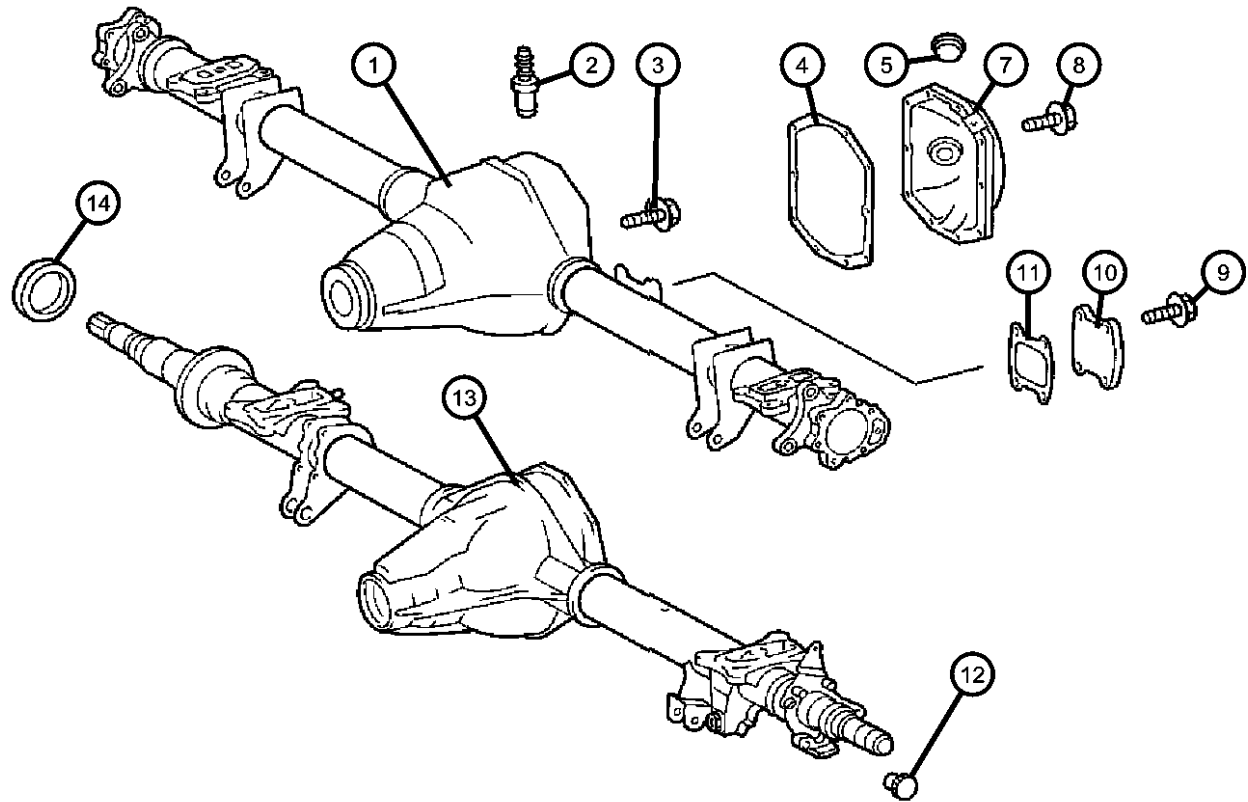


ITEM	PART NUMBER	QTY	LINE	SERIES	BODY	ENGINE	TRANS	TRIM	DESCRIPTION
1	05139133AA	1	3, 7	L	12, 15, 16				HOUSING, Rear Axle
2	05103948AA	1	3, 7	L	12, 15, 16				VENT, Axle
		1	2, 6	L	11, 12, 14, 15, 16				
		1	2, 6	L	51, 52, 54, 55, 56				
		1	2, 6	L	01, 02, 06				
3	06104225AA	4	3, 7	L	12, 15, 16				BOLT, Hex Head
		4	2, 6	L	11, 12, 14, 15, 16				Carrier Bearing Cap, Mounting
		4	2, 6	L	51, 52, 54, 55, 56				Carrier Bearing Cap, Mounting
		4	2, 6	L	01, 02, 06				Carrier Bearing Cap, Mounting
4	05103574AA	1	2, 3, 6, 7						GASKET, Differential CoverMounting
5	05097712AA	1	2, 3, 6, 7						PLUG, Oil Drain, Oil Filling and Drain
-6	05134372AA	1	2, 3, 6, 7						GASKET, Oil Filling and Drain Plug, Mounting
7	05103953AA	1	3, 7	L	12, 15, 16				COVER, Differential
		1	2, 6	L	11, 12, 14, 15, 16				
		1	2, 6	L	51, 52, 54, 55, 56				
		1	2, 6	L	01, 02, 06				
8	05134371AA	10	2, 3, 6, 7						SCREW AND WASHER, Differential Cover, Mounting
9	06104195AA	4	2, 6	L	01, 02, 06				Axle Housing Cover, Mounting
		4	2, 6	L	11, 12, 14, 15, 16				Axle Housing Cover, Mounting

SPRINTER (VA)
 SERIES LINE BODY ENGINE TRANSMISSION
 L = LOWLINE 3 = HD DODGE 2WD 55 = Wagon 140" EX8 = Engine-2.7L I5 DGJ = Transmission-5-Spd.
 6 = Lt. Duty DODGE 4WD 54 = Wagon 118" Mercedes Turbo Diesel Automatic,W5A580
 2 = Med. Duty DODGE 2WD 52 = Wagon 140"
 7 = Med. Duty DODGE 4WD 51 = Wagon 118"
 12 = Van 140"
 11 = Van 118"
 06 = Front Section 158"
 14 = Van 118"
 15 = Van 140"
 16 = Van 158"
 56 = Wagon 158"
 01 = Chassis Forward Control 118"
 02 = Chassis Forward Control 140"

AR = use ase required - = Non illustrated part

Differential Housing,Rear
Figure 3-220



ITEM	PART NUMBER	QTY	LINE	SERIES	BODY	ENGINE	TRANS	TRIM	DESCRIPTION
		4	2, 6	L	51, 52, 54, 55, 56				Axle Housing Cover, Mounting
10	05134668AA	1	2, 6	L	11, 12, 14, 15, 16				COVER Axle Housing
		1	2, 6	L	51, 52, 54, 55, 56				Axle Housing
		1	2, 6	L	01, 02, 06				Axle Housing
11	05134669AA	1	2, 6	L	11, 12, 14, 15, 16				GASKET Axle Housing Cover, Mounting
		1	2, 6	L	51, 52, 54, 55, 56				Axle Housing Cover, Mounting
		1	2, 6	L	01, 02, 06				Axle Housing Cover, Mounting
12	05134667AA	2	3, 7	L	12, 15, 16				PLUG, To Lock Holes for ABS
13	05139133AA	1	3, 7	L	12, 15, 16				HOUSING, Rear Axle, For Dual Rear Wheels
14									THRUST RING
	05104027AA	1	3, 7	L	12, 15, 16				Right
	05134665AA	1	3, 7	L	12, 15, 16				Left

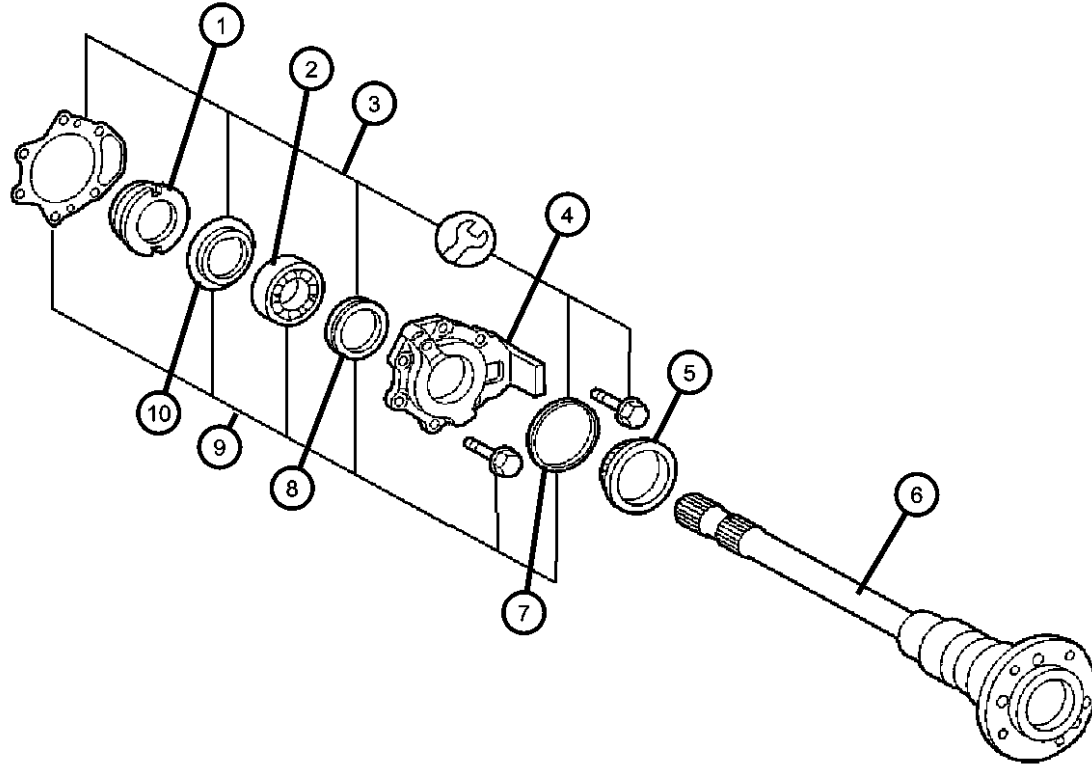
SPRINTER (VA)

SERIES	LINE	BODY	ENGINE	TRANSMISSION
L = LOWLINE	3 = HD DODGE 2WD 6 = Lt. Duty DODGE 4WD 2 = Med. Duty DODGE 2WD 7 = Med. Duty DODGE 4WD	55 = Wagon 140" 54 = Wagon 118" 52 = Wagon 140" 51 = Wagon 118" 12 = Van 140" 11 = Van 118" 06 = Front Section 158" 14 = Van 118" 15 = Van 140" 16 = Van 158" 56 = Wagon 158"	EX8 = Engine-2.7L I5 Mercedes Turbo Diesel	DGJ = Transmission-5-Spd. Automatic,W5A580
		01 = Chassis Forward Control 118" 02 = Chassis Forward Control 140"		

AR = use ase required - = Non illustrated part

Axle Shaft and Wheel Bearings, Single Rear Wheels
Figure 3-230

ITEM	PART NUMBER	QTY	LINE	SERIES	BODY	ENGINE	TRANS	TRIM	DESCRIPTION
1									NUT, Axle shaft
	05134634AA	1	2, 6	L					Right
	05134635AA	1	2, 6	L					Left
2	05103883AA	2	2, 6	L					BEARING, WheelRight or Left
3	05104559AA	2	2, 6	L					SEAL KIT, Axle shaft
4									COVER, Axle bearing
	05134638AA	1	2, 6	L					Right
	05134639AA	1	2, 6	L					Left
5	05134641AA	2	2, 6	L					TONE RING, SensorRight or Left
6									SHAFT, Axle
	05134660AA	1	2, 6	L					Right
	05134661AA	1	2, 6	L					Left
7	05104566AA	2	2, 6						SEAL, Rear Axle Flange
8	05139760AA	2	2, 6						SEAL, Rear Axle Flange
9	05103601AA	2	2, 6	L					BEARING KIT, Axle shaft
10	05139738AA	2	2, 6						LOCK, Hub Nut



SPRINTER (VA)

SERIES

L = LOWLINE

LINE

3 = HD DODGE 2WD
 6 = Lt. Duty DODGE 4WD
 2 = Med. Duty DODGE 2WD
 7 = Med. Duty DODGE 4WD

BODY

55 = Wagon 140"
 54 = Wagon 118"
 52 = Wagon 140"
 51 = Wagon 118"
 12 = Van 140"
 11 = Van 118"
 06 = Front Section 158"
 14 = Van 118"
 15 = Van 140"
 16 = Van 158"
 56 = Wagon 158"
 01 = Chassis Forward Control
 118"
 02 = Chassis Forward Control
 140"

ENGINE

EX8 = Engine-2.7L I5
 Mercedes Turbo Diesel

TRANSMISSION

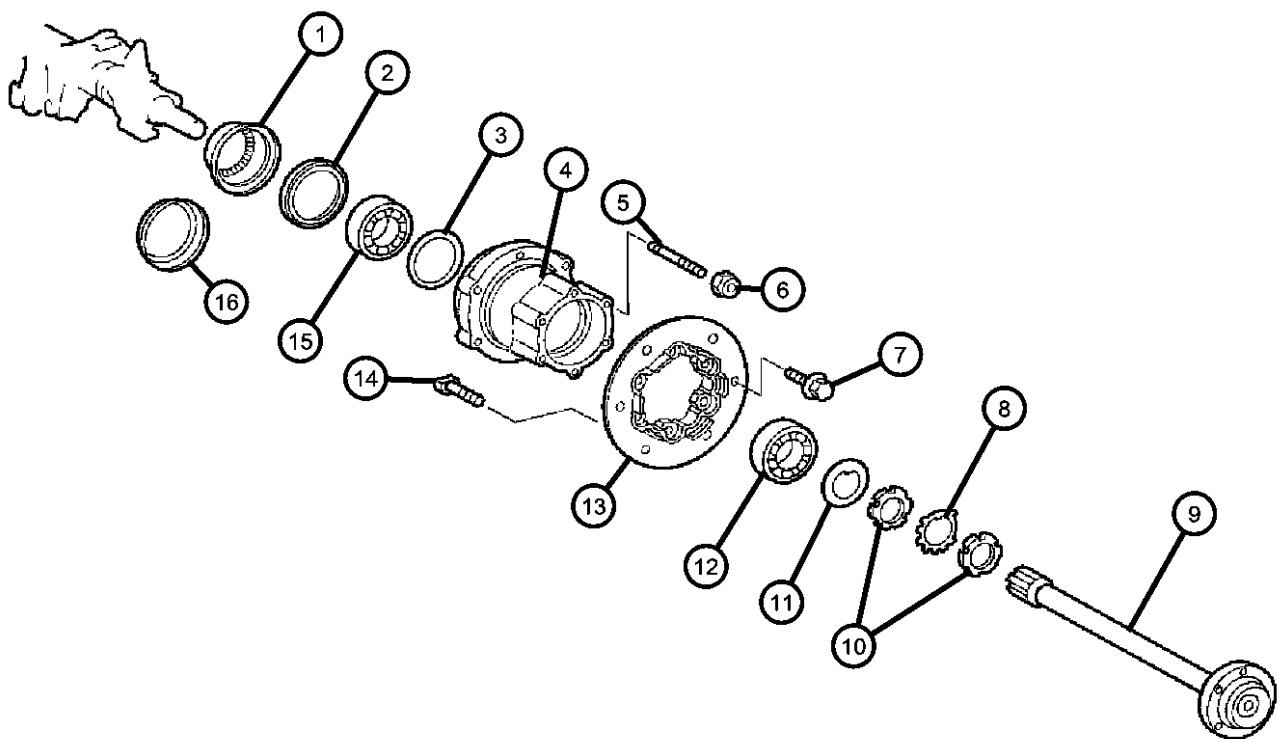
DGJ = Transmission-5-Spd.
 Automatic, W5A580

AR = use ase required - = Non illustrated part

2004 VA

Axle Shaft and Wheel Bearings, Dual Rear Wheels
Figure 3-240

ITEM	PART NUMBER	QTY	LINE	SERIES	BODY	ENGINE	TRANS	TRIM	DESCRIPTION
1	05161914AA	2	3, 7	L					TONE RING, Sensor, ABS
2	05103566AA	2	3, 7	L	12, 15, 16				SEAL, Wheel Bearing
3	05134706AA	2	3, 7	L					SPACER
4	05104580AA	2	3, 7	L					HUB, WheelRight or Left
5	05134714AA	12	3, 7	L					STUD, Hub, Axle, Mounting
6	05134715AA	12	3, 7	L					NUT, Hex Lock, Axle, Mounting
7	06104258AA	12	3, 7	L	12, 15, 16				SCREW, Hex Flange Head
8	05103578AA	2	3, 7	L					LOCK, Bearing Adjusting Nut
9	05166553AA	2	3, 7	L					SHAFT, Axle
10	05134720AA	2	3, 7	L					NUT, Bearing Adjusting
11	05134719AA	2	3, 7						SPACER
12	05103547AA	2	3, 7	L					BEARING, WheelOuter
13	05134718AA	2	3, 7	L					FLANGE, Axle OutputRight or Left
14	05103938AA	12	3, 7	L					STUD, Wheel
15	05103562AA	2	3, 7	L					BEARING, WheelInner
16	05134709AA	2	3, 7	L					SLINGER, Oil



SPRINTER (VA)

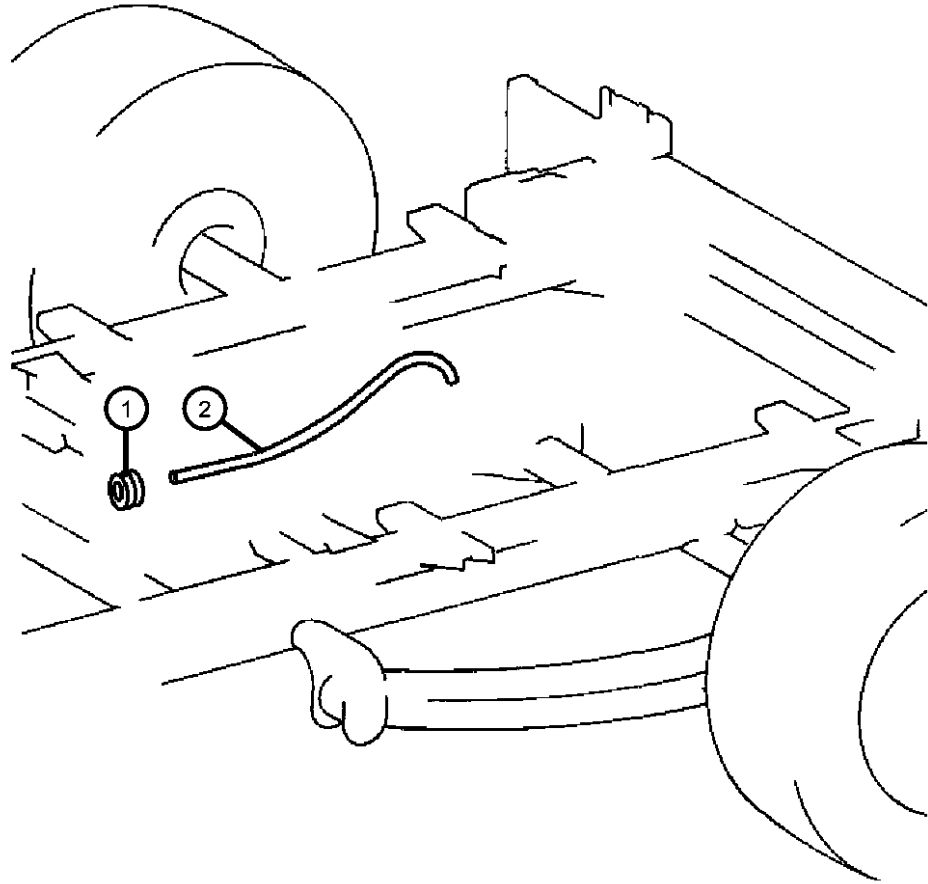
SERIES	LINE	BODY	ENGINE	TRANSMISSION
L = LOWLINE	3 = HD DODGE 2WD 6 = Lt. Duty DODGE 4WD 2 = Med. Duty DODGE 2WD 7 = Med. Duty DODGE 4WD	55 = Wagon 140" 54 = Wagon 118" 52 = Wagon 140" 51 = Wagon 118" 12 = Van 140" 11 = Van 118" 06 = Front Section 158" 14 = Van 118" 15 = Van 140" 16 = Van 158" 56 = Wagon 158" 01 = Chassis Forward Control 118" 02 = Chassis Forward Control 140"	EX8 = Engine-2.7L I5 Mercedes Turbo Diesel	DGJ = Transmission-5-Spd. Automatic, W5A580

AR = use ase required - = Non illustrated part

2004 VA

Vent,Rear Axle
Figure 3-310

ITEM	PART NUMBER	QTY	LINE	SERIES	BODY	ENGINE	TRANS	TRIM	DESCRIPTION
1									GROMMET
	05125930AA	1	2, 6	L	11, 12, 14, 15, 16				
		1	2, 6	L	51, 52, 54, 55, 56				
		1	3, 7	L	12, 15, 16				
2									HOSE, Axle Vent
	05104076AA	1	2, 6	L	11, 12, 14, 15, 16				
		1	2, 6	L	51, 52, 54, 55, 56				
		1	3, 7	L	12, 15, 16				



SPRINTER (VA)

SERIES

L = LOWLINE

LINE

3 = HD DODGE 2WD
6 = Lt. Duty DODGE 4WD
2 = Med. Duty DODGE 2WD
7 = Med. Duty DODGE 4WD

BODY

55 = Wagon 140"
54 = Wagon 118"
52 = Wagon 140"
51 = Wagon 118"
12 = Van 140"
11 = Van 118"
06 = Front Section 158"
14 = Van 118"
15 = Van 140"
16 = Van 158"
56 = Wagon 158"
01 = Chassis Forward Control
118"
02 = Chassis Forward Control
140"

ENGINE

EX8 = Engine-2.7L I5
Mercedes Turbo Diesel

TRANSMISSION

DGJ = Transmission-5-Spd.
Automatic,W5A580

Group - 4

Parking Brake

Group - 4 Parking Brake

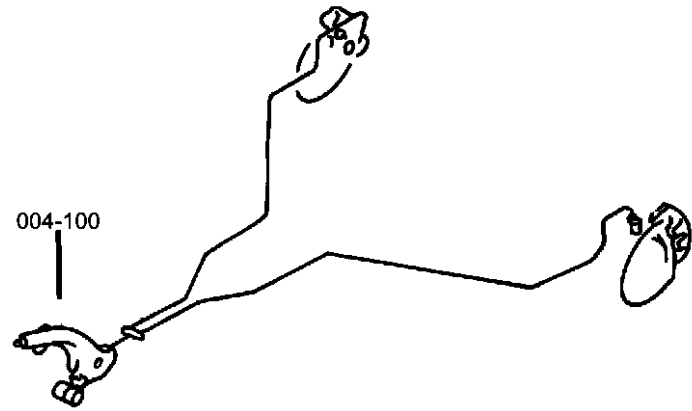
Illustration Title

Group-Fig. No.

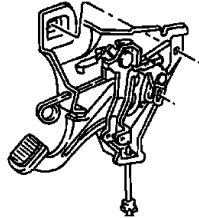
Parking Brake Lever and Cables

Parking Brake Lever Assembly Fig. 4 - 110

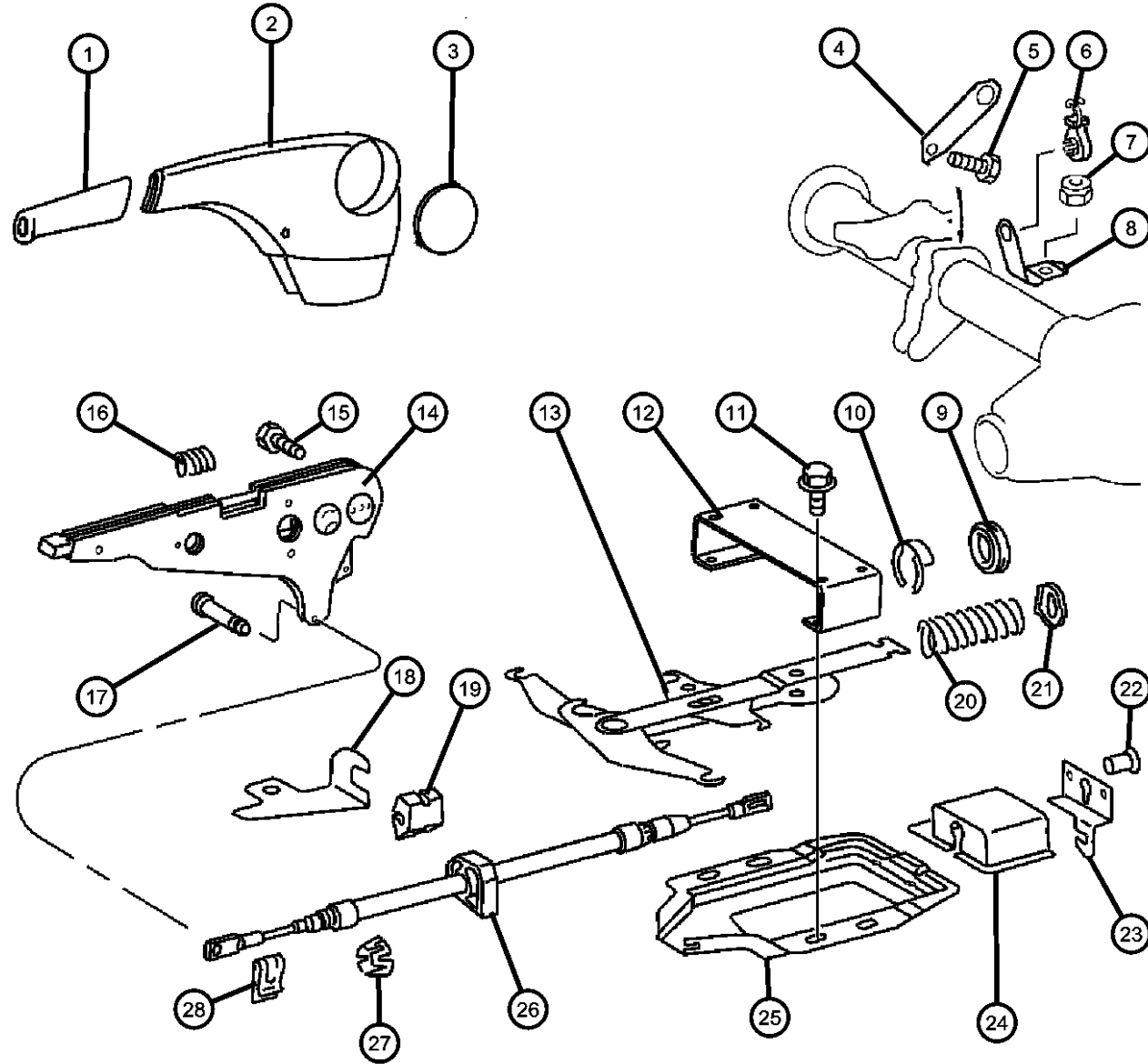
Parking Brake Assembly..... Fig. 4 - 120



004-100
Parking Brake Lever and Cables



**Parking Brake Lever Assembly
Figure 4-110**



ITEM	PART NUMBER	QTY	LINE	SERIES	BODY	ENGINE	TRANS	TRIM	DESCRIPTION
1	05119259AA	1	2, 6						HANDLE, Parking Brake
		1	3, 7		12, 15, 16				
2	05119264AA	1	2, 6						COVER, Parking Brake Housing
		1	3, 7		12, 15, 16				
3	05104086AA	1	2, 6		01, 02, 06				COVER, Parking Brake
		1	2, 6		11, 12, 14, 15, 16				
		1	2, 6		51, 52, 54, 55, 56				
		1	3, 7		12, 15, 16				
4	05119277AA	1	2, 6		01, 02, 06				BRACKET Right
		1	2, 6		11, 12, 14, 15, 16				Right
		1	2, 6		51, 52, 54, 55, 56				Right
	05119274AA	1	2, 6		01, 02, 06				Left
		1	2, 6		11, 12, 14, 15, 16				Left
		1	2, 6		51, 52, 54, 55, 56				Left
	05136070AA	1	3, 7		12, 15, 16				Left
	05136069AA	1	3, 7		12, 15, 16				Right
5	05104655AA	2	2, 6		01, 02, 06				BOLT
		2	2, 6		11, 12, 14, 15, 16				
		2	2, 6		51, 52, 54, 55, 56				
		2	3, 7		12, 15, 16				

SPRINTER (VA)

SERIES

L = LOWLINE
 3 = HD DODGE 2WD
 6 = Lt. Duty DODGE 4WD
 2 = Med. Duty DODGE 2WD
 7 = Med. Duty DODGE 4WD

LINE

BODY

55 = Wagon 140"
 54 = Wagon 118"
 52 = Wagon 140"
 51 = Wagon 118"
 12 = Van 140"
 11 = Van 118"
 06 = Front Section 158"
 14 = Van 118"
 15 = Van 140"
 16 = Van 158"
 56 = Wagon 158"
 01 = Chassis Forward Control 118"
 02 = Chassis Forward Control 140"

ENGINE

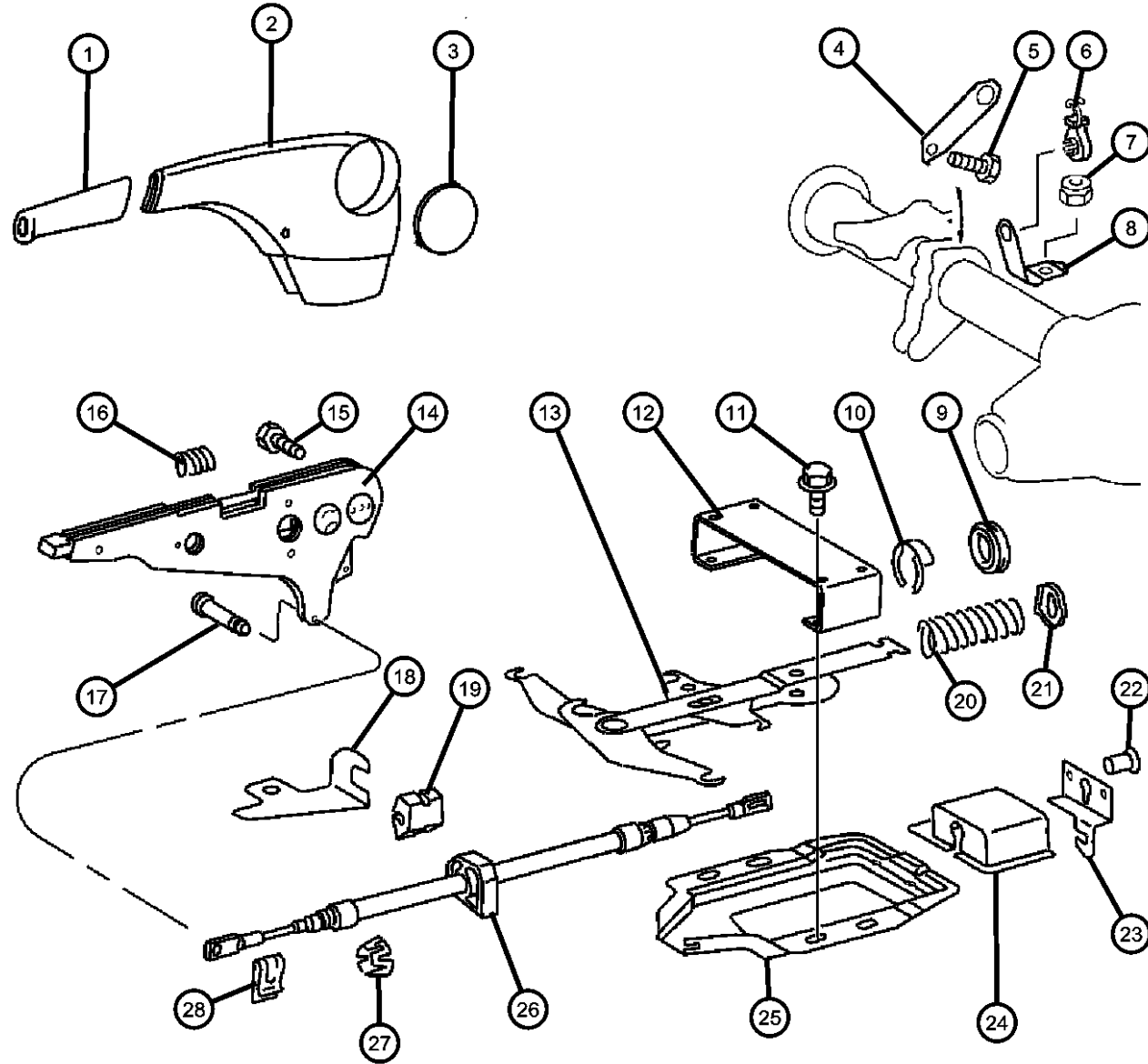
EX8 = Engine-2.7L I5
 Mercedes Turbo Diesel

TRANSMISSION

DGJ = Transmission-5-Spd. Automatic, W5A580

AR = use ase required - = Non illustrated part

**Parking Brake Lever Assembly
Figure 4-110**



ITEM	PART NUMBER	QTY	LINE	SERIES	BODY	ENGINE	TRANS	TRIM	DESCRIPTION
6	05119283AA	6	2, 6		51, 52, 54, 55, 56				CLIP, Parking Brake Cable
		6	3, 7		12, 15, 16				
		4	2, 6		01, 02, 06				
		6	2, 6		11, 12, 14, 15, 16				
7	05127449AA	1	2, 6		01, 02, 06				NUT, M6x1.00
		2	2, 6		11, 12, 14, 15, 16				
		2	2, 6		51, 52, 54, 55, 56				
		2	3, 7		12, 15, 16				
8	05119270AA	1	2, 6		11, 12, 14, 15, 16				BRACKET, Parking Brake Cable Guide Left
		1	2, 6		01, 02, 06				Left
	05119273AA	1	2, 6		51, 52, 54, 55, 56				Right
		1	2, 6		51, 52, 54, 55, 56				Left
		1	2, 6		01, 02, 06				Right
		1	2, 6		11, 12, 14, 15, 16				Right
9	05125927AA	1	2, 6		01, 02, 06				GROMMET, Parking Brake Cable
		1	2, 6		11, 12, 14, 15, 16				
		1	2, 6		51, 52, 54, 55, 56				
		1	3, 7		12, 15, 16				
10									CLIP, Spring

SPRINTER (VA)

SERIES

L = LOWLINE
 3 = HD DODGE 2WD
 6 = Lt. Duty DODGE 4WD
 2 = Med. Duty DODGE 2WD
 7 = Med. Duty DODGE 4WD

LINE

BODY

55 = Wagon 140"
 54 = Wagon 118"
 52 = Wagon 140"
 51 = Wagon 118"
 12 = Van 140"
 11 = Van 118"
 06 = Front Section 158"
 14 = Van 118"
 15 = Van 140"
 16 = Van 158"
 56 = Wagon 158"
 01 = Chassis Forward Control 118"
 02 = Chassis Forward Control 140"

ENGINE

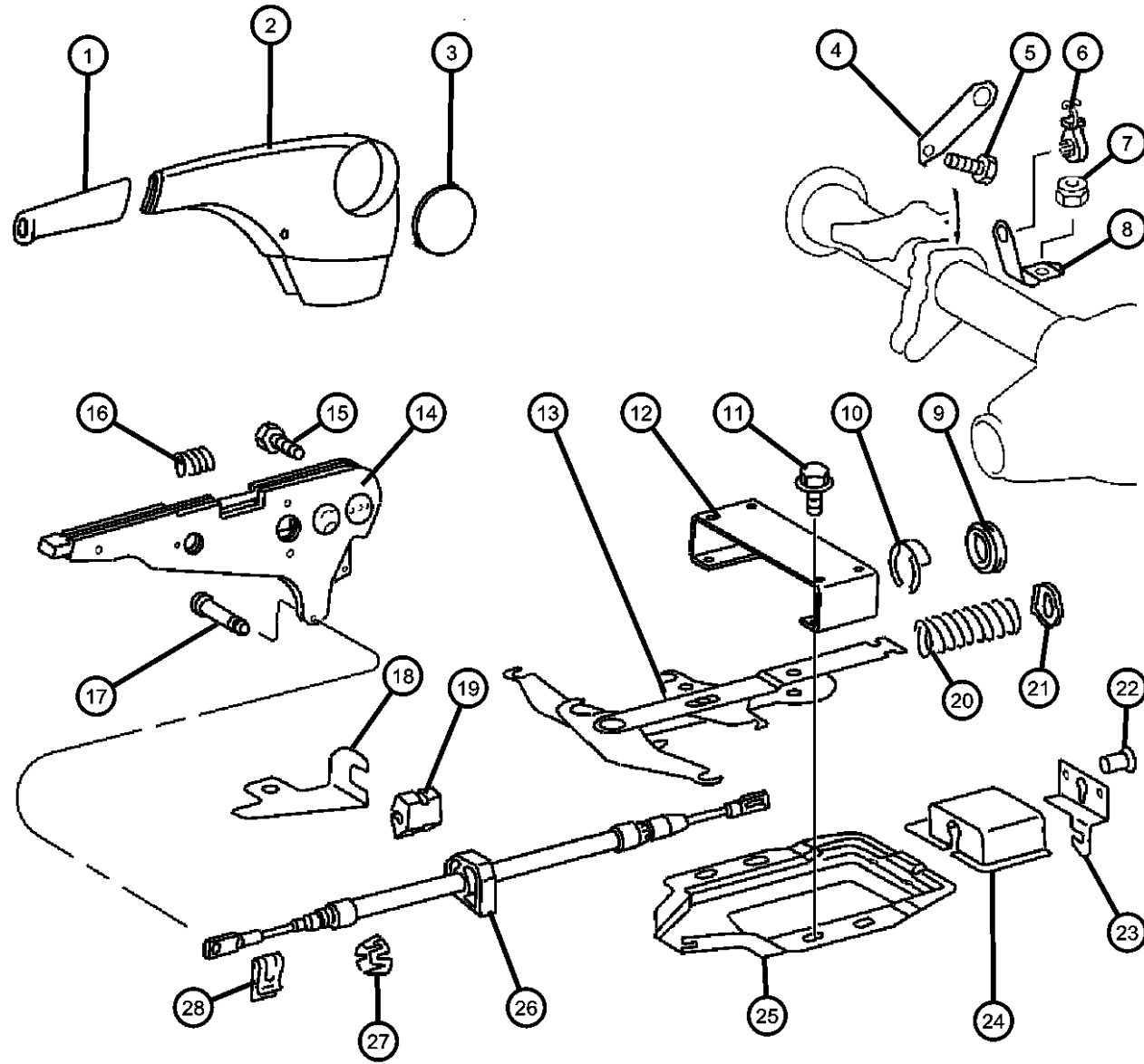
EX8 = Engine-2.7L I5
 Mercedes Turbo Diesel

TRANSMISSION

DGJ = Transmission-5-Spd. Automatic, W5A580

AR = use ase required - = Non illustrated part

**Parking Brake Lever Assembly
Figure 4-110**



ITEM	PART NUMBER	QTY	LINE	SERIES	BODY	ENGINE	TRANS	TRIM	DESCRIPTION
	05125586AA	1	2, 6		01, 02, 06				
		1	2, 6		11, 12, 14, 15, 16				
		1	2, 6		51, 52, 54, 55, 56				
11		1	3, 7		12, 15, 16				SCREW
	05126264AA	4	2, 6		11, 12, 14, 15, 16				
		4	2, 6		51, 52, 54, 55, 56				
		4	2, 6		01, 02, 06				
		4	3, 7		12, 15, 16				
12	05133901AA	1	3, 7		12, 15, 16				BRACKET
13									EQUALIZER, Parking Brake Cable
	05119231AA	1	2, 6		01, 02, 06				
		1	2, 6		11, 12, 14, 15, 16				
	05140766AA	1	3, 7		02, 06				
		1	2, 6		51, 52, 54, 55, 56				
14	05119232AA	1	3, 7		12, 15, 16				LEVER, Park Brake
	05119146AA	1	2, 6						
		1	3, 7		12, 15, 16				
15	05097692AA	2	2, 3, 6, 7						SCREW, M8x20
16	05125844AA	1	3, 7		12, 15, 16				SPRING
17									PIN, Parking Brake Handle
	05119284AA	1	2, 6		01, 02, 06				
		1	2, 6		11, 12, 14, 15, 16				
		1	3, 7		12, 15, 16				

SPRINTER (VA)

SERIES

L = LOWLINE
 3 = HD DODGE 2WD
 6 = Lt. Duty DODGE 4WD
 2 = Med. Duty DODGE 2WD
 7 = Med. Duty DODGE 4WD

LINE

BODY

55 = Wagon 140"
 54 = Wagon 118"
 52 = Wagon 140"
 51 = Wagon 118"
 12 = Van 140"
 11 = Van 118"
 06 = Front Section 158"
 14 = Van 118"
 15 = Van 140"
 16 = Van 158"
 56 = Wagon 158"
 01 = Chassis Forward Control 118"
 02 = Chassis Forward Control 140"

ENGINE

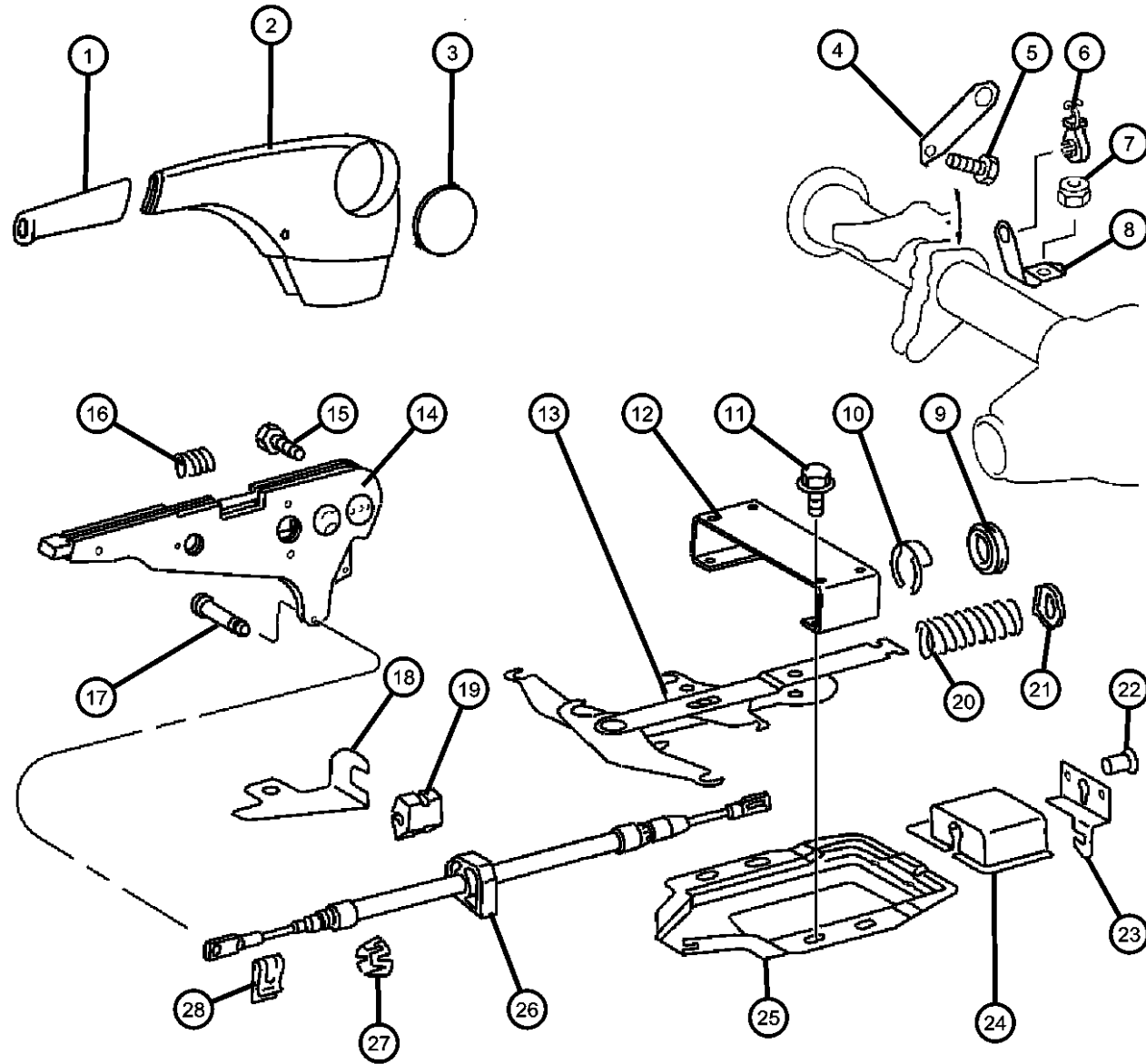
EX8 = Engine-2.7L I5
 Mercedes Turbo Diesel

TRANSMISSION

DGJ = Transmission-5-Spd. Automatic, W5A580

AR = use ase required - = Non illustrated part

Parking Brake Lever Assembly
Figure 4-110

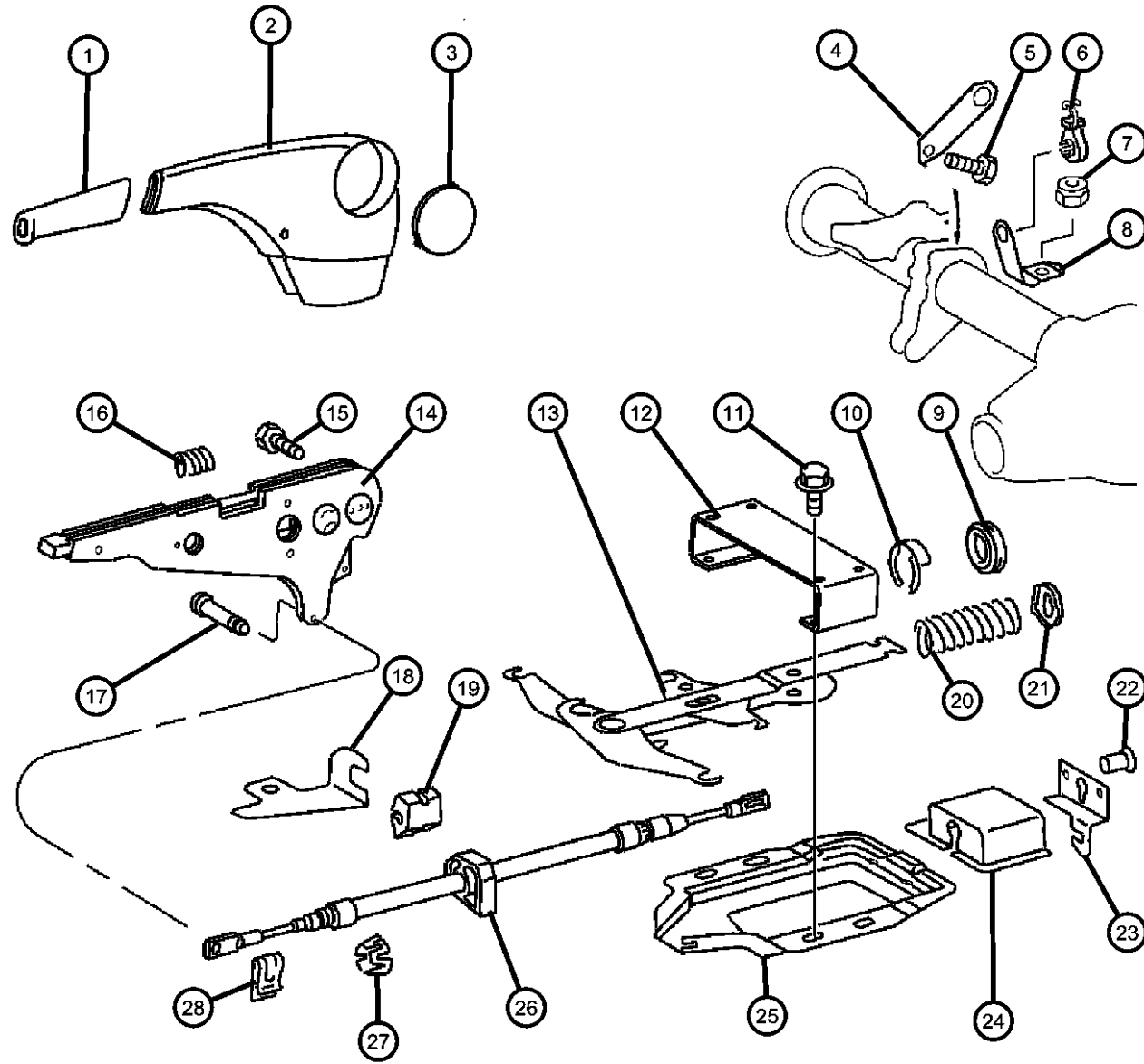


ITEM	PART NUMBER	QTY	LINE	SERIES	BODY	ENGINE	TRANS	TRIM	DESCRIPTION
18		1	2, 6		51, 52, 54, 55, 56				BRACKET, Hand Brake
	05119275AA	1	2, 6						
19		1	3, 7		12, 15				GROMMET, Parking Brake Cable
	05119295AA	1	3, 7						
20		1	2, 6						SPRING, Parking Brake Release
	05119260AA	1	2, 6		01, 02, 06				
		1	2, 6		11, 12, 14, 15, 16				
		1	3, 7		12, 15, 16				
		1	2, 6		51, 52, 54, 55, 56				
21		1	2, 6		01, 02, 06				WASHER
	05119287AA	1	2, 6						
		1	2, 6		51, 52, 54, 55, 56				
		1	3, 7		12, 15, 16				
		1	2, 6		11, 12, 14, 15, 16				
22		3	2, 6		51, 52, 54, 55, 56				RIVET, Blind Bulb
	05133417AA	3	2, 6						
		3	2, 6		01, 02, 06				
		3	2, 6		11, 12, 14, 15, 16				
		3	3, 7		12, 15, 16				
23		1	2, 6						REINFORCEMENT, Park Brake Mounting
	05118455AA	1	2, 6						

SPRINTER (VA)
 SERIES LINE BODY ENGINE TRANSMISSION
 L = LOWLINE 3 = HD DODGE 2WD 55 = Wagon 140" EX8 = Engine-2.7L I5 DGJ = Transmission-5-Spd.
 6 = Lt. Duty DODGE 4WD 54 = Wagon 118" Mercedes Turbo Diesel Automatic,W5A580
 2 = Med. Duty DODGE 2WD 52 = Wagon 140"
 7 = Med. Duty DODGE 4WD 51 = Wagon 118"
 12 = Van 140"
 11 = Van 118"
 06 = Front Section 158"
 14 = Van 118"
 15 = Van 140"
 16 = Van 158"
 56 = Wagon 158"
 01 = Chassis Forward Control
 118"
 02 = Chassis Forward Control
 140"

AR = use ase required - = Non illustrated part

**Parking Brake Lever Assembly
Figure 4-110**



ITEM	PART NUMBER	QTY	LINE	SERIES	BODY	ENGINE	TRANS	TRIM	DESCRIPTION
		1	3, 7		12, 15, 16				
24	05118469AA	1	2, 6		01, 02, 06				COVER, Parking Brake Cable
		1	2, 6		11, 12, 14, 15, 16				
		1	2, 6		51, 52, 54, 55, 56				
		1	3, 7		12, 15, 16				
25	05119224AA	1	2, 6		01, 02, 06				COVER, Equalizer
		1	2, 6		11, 12, 14, 15, 16				
		1	2, 6		51, 52, 54, 55, 56				
		1	3, 7		12, 15, 16				
26	05119245AA	1	2, 6		02				CABLE, Parking Brake
		1	2, 6		11, 12, 14, 15, 16				[5AE]
		1	2, 6		51, 52, 54, 55, 56				[5AE]
		1	3, 7		02				[5AE]
		1	3, 7		12, 15				[5AE]
	05119247AA	1	2, 6		16				[5AF]
		1	2, 6		56				[5AF]
		1	3, 7		16				[5AF]
	05129192AA	1	2, 6		01				[5AC]
		1	2, 6		11, 14				[5AC]
27	05119298AA	1	2, 6		01, 02, 06				CLIP, Cable
		1	2, 6		11, 12, 14, 15, 16				

SPRINTER (VA)

SERIES

L = LOWLINE
 3 = HD DODGE 2WD
 6 = Lt. Duty DODGE 4WD
 2 = Med. Duty DODGE 2WD
 7 = Med. Duty DODGE 4WD

LINE

3 = HD DODGE 2WD
 6 = Lt. Duty DODGE 4WD
 2 = Med. Duty DODGE 2WD
 7 = Med. Duty DODGE 4WD

BODY

55 = Wagon 140"
 54 = Wagon 118"
 52 = Wagon 140"
 51 = Wagon 118"
 12 = Van 140"
 11 = Van 118"
 06 = Front Section 158"
 14 = Van 118"
 15 = Van 140"
 16 = Van 158"
 56 = Wagon 158"
 01 = Chassis Forward Control 118"
 02 = Chassis Forward Control 140"

ENGINE

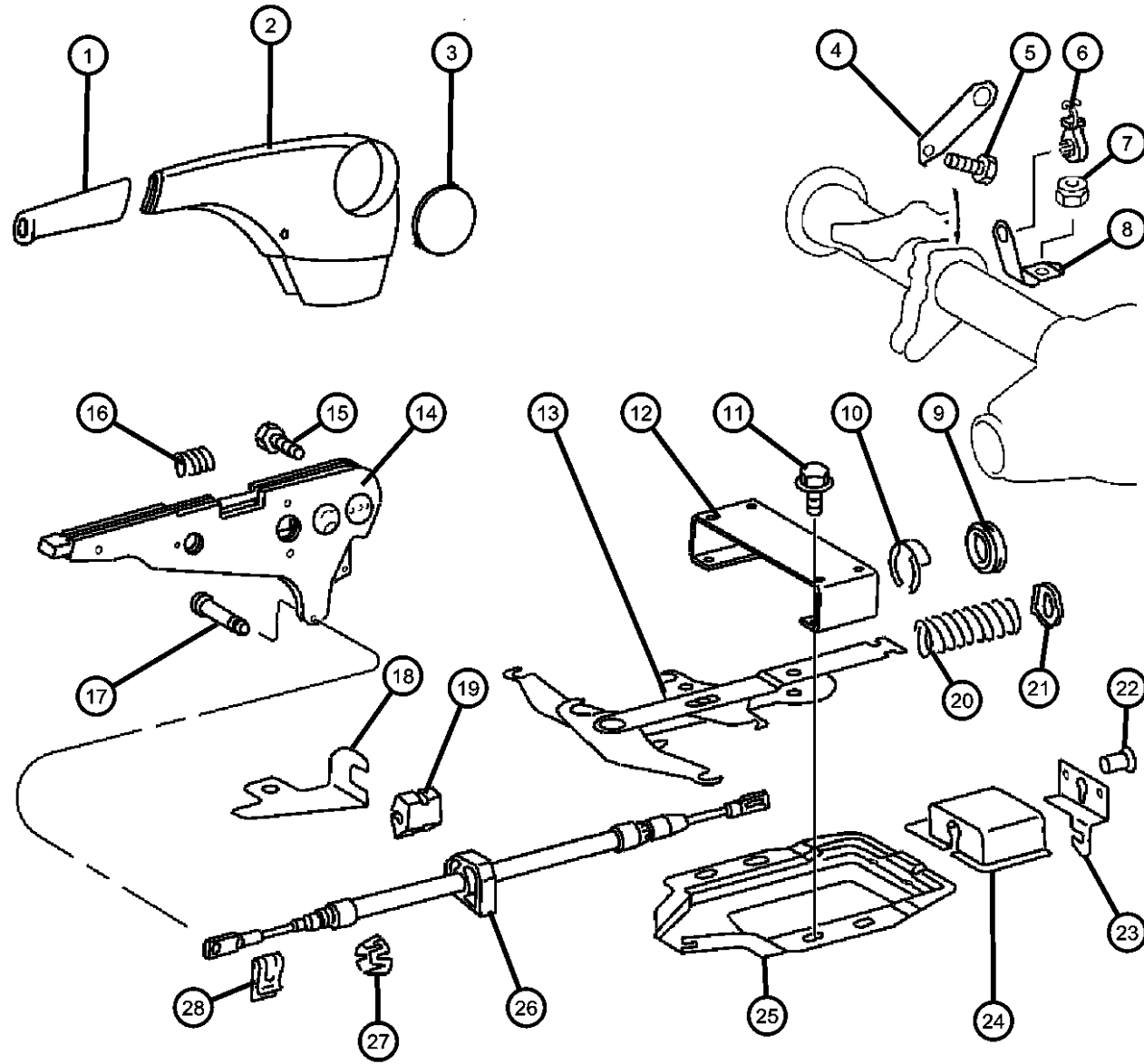
EX8 = Engine-2.7L I5
 Mercedes Turbo Diesel

TRANSMISSION

DGJ = Transmission-5-Spd. Automatic, W5A580

AR = use ase required - = Non illustrated part

**Parking Brake Lever Assembly
Figure 4-110**



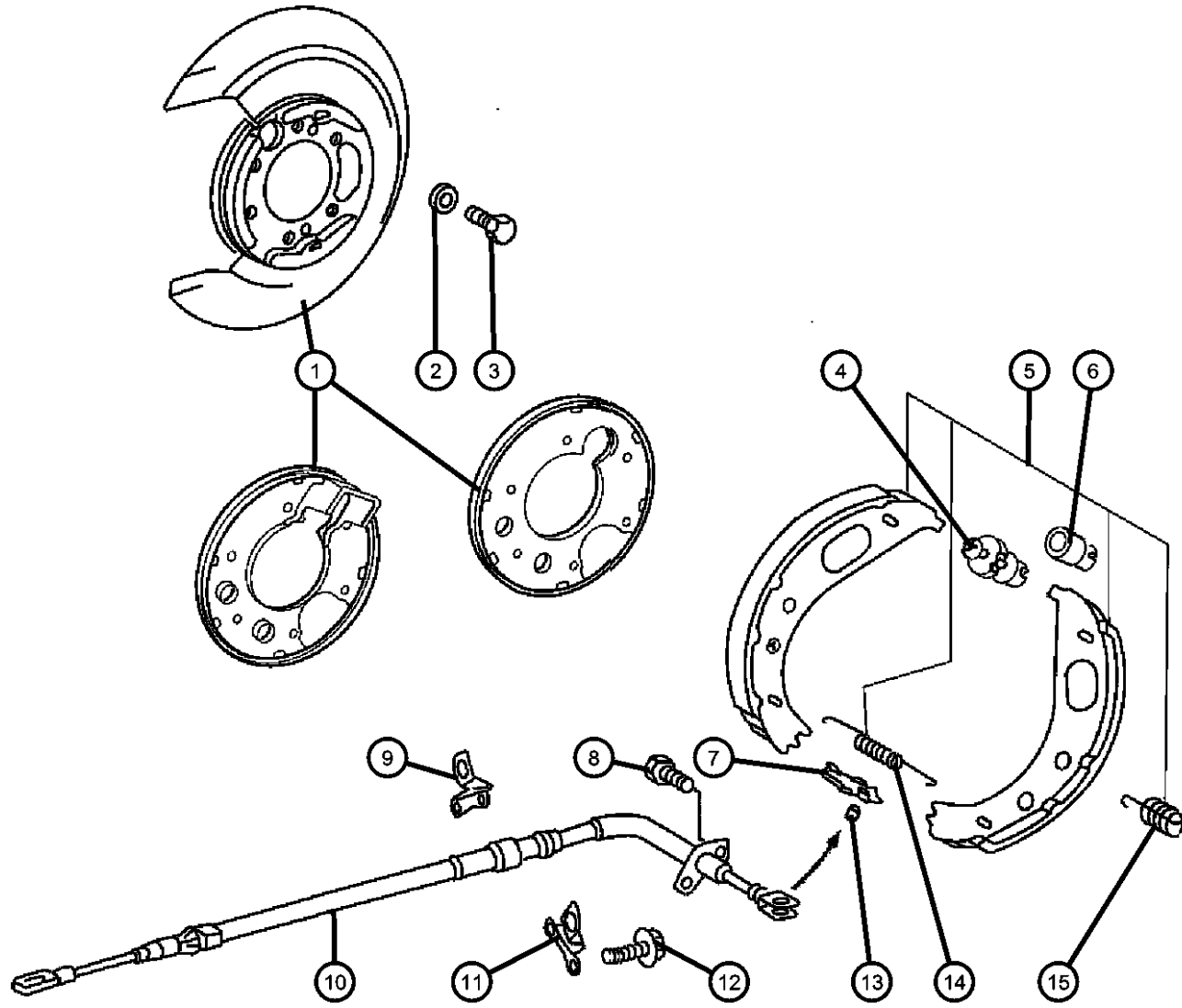
ITEM	PART NUMBER	QTY	LINE	SERIES	BODY	ENGINE	TRANS	TRIM	DESCRIPTION
------	-------------	-----	------	--------	------	--------	-------	------	-------------

		1	2, 6		51, 52, 54, 55, 56				
		1	3, 7		12, 15, 16				
28									CLIP, Retaining
	05126243AA	1	2, 6		01, 02, 06				
		1	2, 6		11, 12, 14, 15, 16				
		1	2, 6		51, 52, 54, 55, 56				
		1	3, 7		12, 15, 16				

SPRINTER (VA)				
SERIES	LINE	BODY	ENGINE	TRANSMISSION
L = LOWLINE	3 = HD DODGE 2WD 6 = Lt. Duty DODGE 4WD 2 = Med. Duty DODGE 2WD 7 = Med. Duty DODGE 4WD	55 = Wagon 140" 54 = Wagon 118" 52 = Wagon 140" 51 = Wagon 118" 12 = Van 140" 11 = Van 118" 06 = Front Section 158" 14 = Van 118" 15 = Van 140" 16 = Van 158" 56 = Wagon 158"	EX8 = Engine-2.7L I5 Mercedes Turbo Diesel	DGJ = Transmission-5-Spd. Automatic,W5A580
		01 = Chassis Forward Control 118" 02 = Chassis Forward Control 140"		

AR = use ase required - = Non illustrated part

**Parking Brake Assembly
Figure 4-120**



ITEM	PART NUMBER	QTY	LINE	SERIES	BODY	ENGINE	TRANS	TRIM	DESCRIPTION
1									PLATE, Brake Backing
	05103952AA	1	2, 6						Left
	05139222AA	1	2, 6						Right
	05139223AA	1	3, 7						Left
	05139224AA	1	3, 7						Right
2	05139232AA	4	3, 7						WASHER
3	05139231AA	4							SCREW
4	05139234AA	2	2, 3, 6, 7						ADJUSTER, Parking Brake
5									SHOE AND LINING, Parking Brake
	05103792AA	1	2, 6						
	05103793AA	1	3, 7						
6	05139233AA	2	2, 3, 6, 7						BUSHING
7	05101691AA	2							PLATE, Brake Shoe Guide
8	05098124AA	2							SCREW
9	05139229AA	1	3, 7						BRACKET, Parking BrakeRight Rear
10									CABLE, Parking Brake
	05139225AA	2	2, 6						Right or Left
	05139226AA	1	3, 7						Left
	05139227AA	1	3, 7						Right
11	05139228AA	1	3, 7						BRACKET, Parking BrakeLeft Rear
12	05134371AA	10	2, 3, 6, 7						SCREW AND WASHER
13	05098414AA	2							PIN
14									SPRING, Brake Shoe to Shoe
	05139480AA	2							
	05139736AA	2	2, 6						
15	05139479AA	4	2, 6						SPRING, Brake Shoe Hold Down
-16	05104655AA	4	2, 6		01, 02, 06				BOLT, Cable to Shock

SPRINTER (VA)

SERIES

L = LOWLINE

LINE

3 = HD DODGE 2WD
6 = Lt. Duty DODGE 4WD
2 = Med. Duty DODGE 2WD
7 = Med. Duty DODGE 4WD

BODY

55 = Wagon 140"
54 = Wagon 118"
52 = Wagon 140"
51 = Wagon 118"
12 = Van 140"
11 = Van 118"
06 = Front Section 158"
14 = Van 118"
15 = Van 140"
16 = Van 158"
56 = Wagon 158"
01 = Chassis Forward Control 118"
02 = Chassis Forward Control 140"

ENGINE

EX8 = Engine-2.7L I5
Mercedes Turbo Diesel

TRANSMISSION

DGJ = Transmission-5-Spd. Automatic,W5A580

AR = use ase required - = Non illustrated part

2004 VA

Group - 5

Service Brakes

Group - 5 Service Brakes

Illustration Title

Group-Fig. No.

Front Brakes

Brakes, Front Fig. 5 - 110

Rear Brakes

Brakes,Rear,272MM Fig. 5 - 210

Brakes,Rear,285MM Fig. 5 - 220

Power Brake Booster

Booster Fig. 5 - 310

Vacuum Lines Fig. 5 - 320

Vacuum Reservoir Fig. 5 - 330

Brake Master Cylinder

Master Cylinder Fig. 5 - 410

Hydraulic Control Unit and ABS Module Fig. 5 - 420

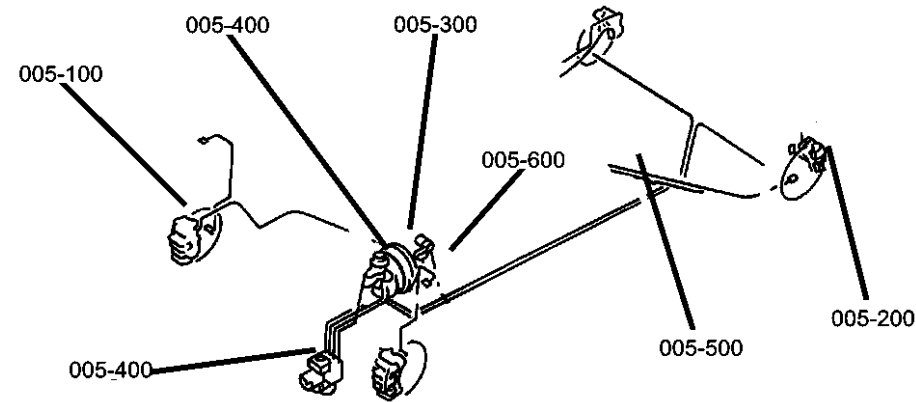
Brake Lines and Hoses

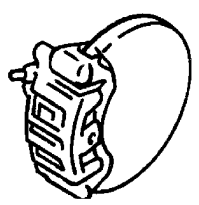
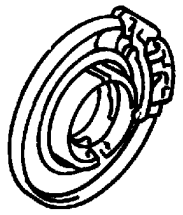
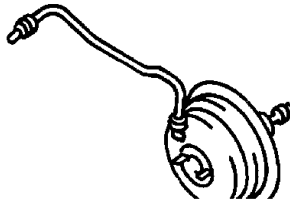
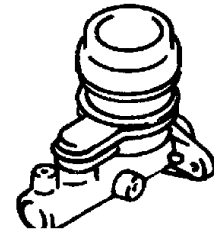
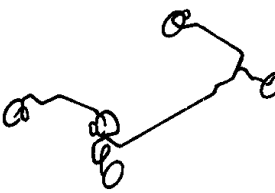

Lines,Brake,With ABS,2500/3500 Series Fig. 5 - 510

Brake, Power Regulator Fig. 5 - 520

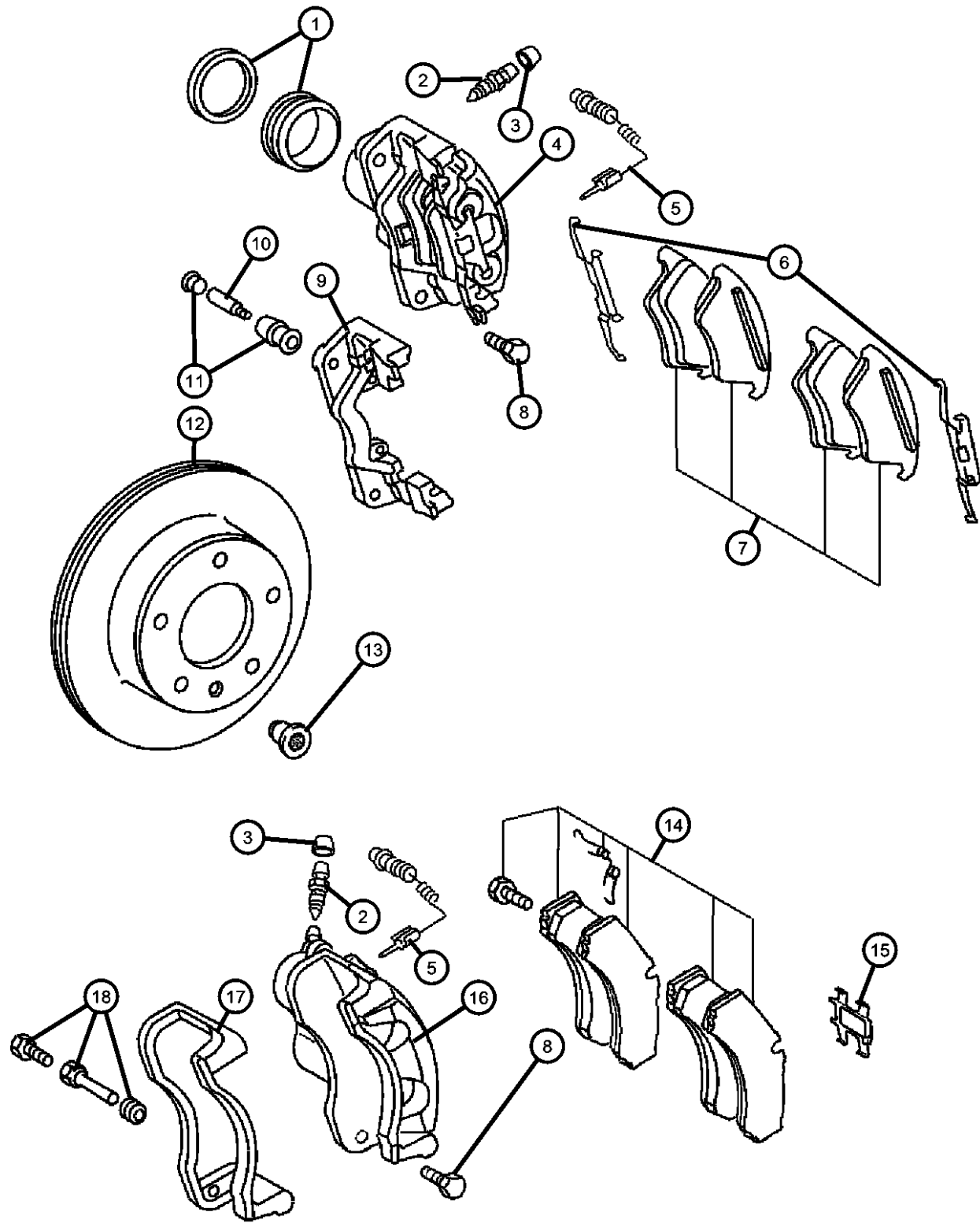
Brake Pedals

Pedal Brake Fig. 5 - 610



<p>005-100 Front Brakes</p> 	<p>005-200 Rear Brakes</p> 	<p>005-300 Power Brake Booster</p> 	<p>005-400 Brake Master Cylinder</p> 
<p>005-500 Brake Lines and Hoses</p> 	<p>005-600 Brake Pedals</p> 		

Brakes, Front
Figure 5-110



ITEM	PART NUMBER	QTY	LINE	SERIES	BODY	ENGINE	TRANS	TRIM	DESCRIPTION
------	-------------	-----	------	--------	------	--------	-------	------	-------------

Note: You must check the brand name on the old caliper to determine which one to order.

1	05139261AA	1							SEAL, Caliper Piston
2	05139258AA	1	2, 6						BLEEDER SCREW, Brake
3	05126309AA	1	2, 3, 6, 7						CAP, Bleeder
4									CALIPER, Disc Brake
	05127482AA	1							With Bosch Linings-without Pads, Right
	05127483AA	1							With Bosch Linings-without Pads, Left
	05127486AA	1							With Wabco/Perrot Linings-without Pads, Right
	05135215AA	1							With Wabco/Perrot Linings-without Pads, Left
	05135642AA	1							With Teves/Jurid Linings-without Pads, Right
	05135643AA	1							With Teves/Jurid Linings-without Pads, Left
5	05103583AB	2	2, 3, 6, 7						SENSOR, Brake wearRight or Left
6	05139906AA	2	2, 6						SPRING, Brake Pad Retraction
7									PAD KIT, Disc Brake
	05103794AA	1							Teves/Jurid
	05135895AA	1							Teves/Jurid
8	05139464AA	4							SCREW, Galfer
9	05103631AA	1							ADAPTER, Disc Brake Caliper, Teves/Jurid, Right or Left
10	05103632AA	1							PIN KIT, Disc Brake, Teves, Right or Left
11	05114556AA	1							BUSHING, Caliper, Teves
12									ROTOR, Brake
	05103602AA	1							With 15 Inch Wheels-From Front Axle S 482214/Y422060, Right or Left
	05104561AA	1							With 15 Inch Wheels-Up to Front Axle S 482213/Y422059, Right or Left

SPRINTER (VA)

SERIES

L = LOWLINE

LINE

3 = HD DODGE 2WD
6 = Lt. Duty DODGE 4WD
2 = Med. Duty DODGE 2WD
7 = Med. Duty DODGE 4WD

BODY

55 = Wagon 140"
54 = Wagon 118"
52 = Wagon 140"
51 = Wagon 118"
12 = Van 140"
11 = Van 118"
06 = Front Section 158"
14 = Van 118"
15 = Van 140"
16 = Van 158"
56 = Wagon 158"
01 = Chassis Forward Control 118"
02 = Chassis Forward Control 140"

ENGINE

EX8 = Engine-2.7L I5
Mercedes Turbo Diesel

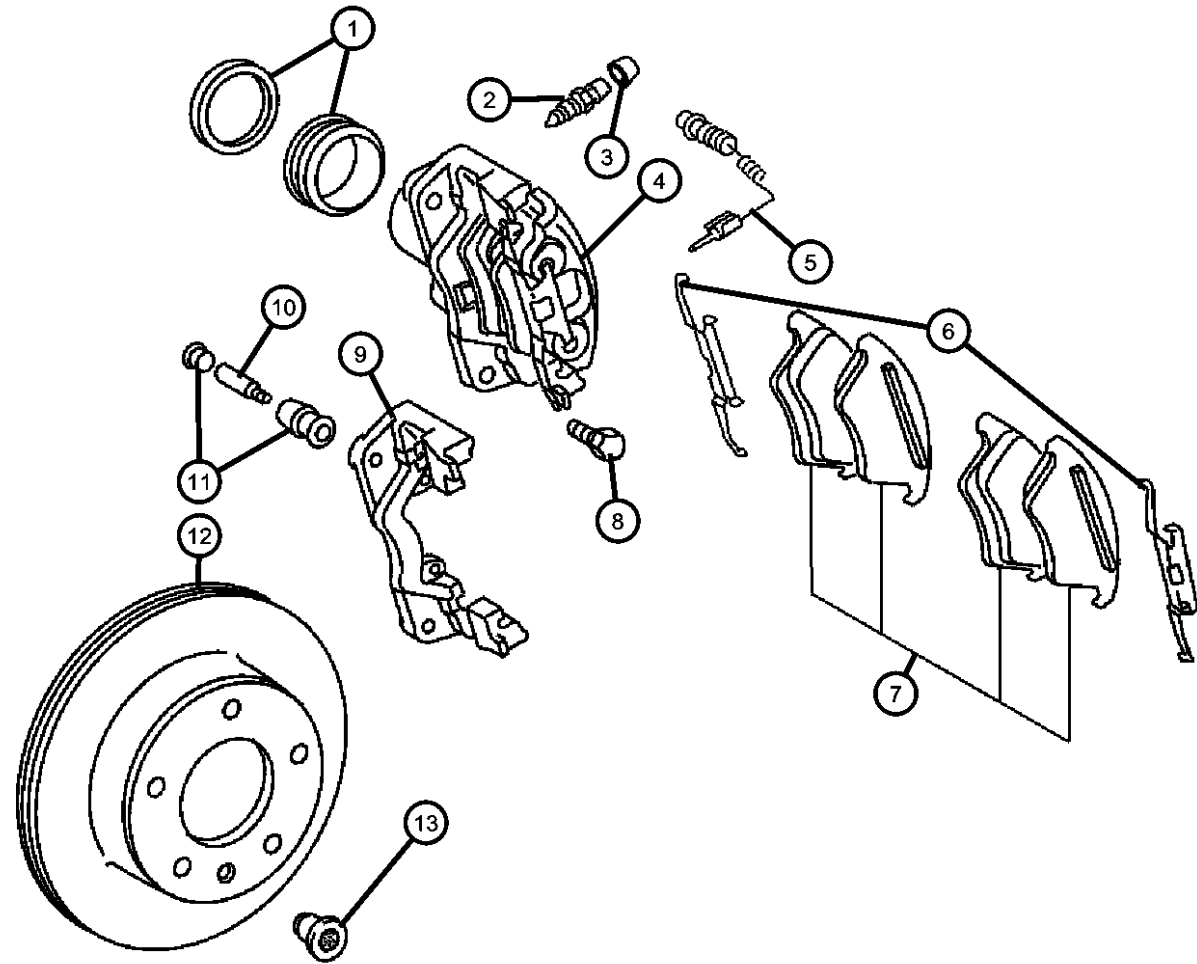
TRANSMISSION

DGJ = Transmission-5-Spd. Automatic,W5A580

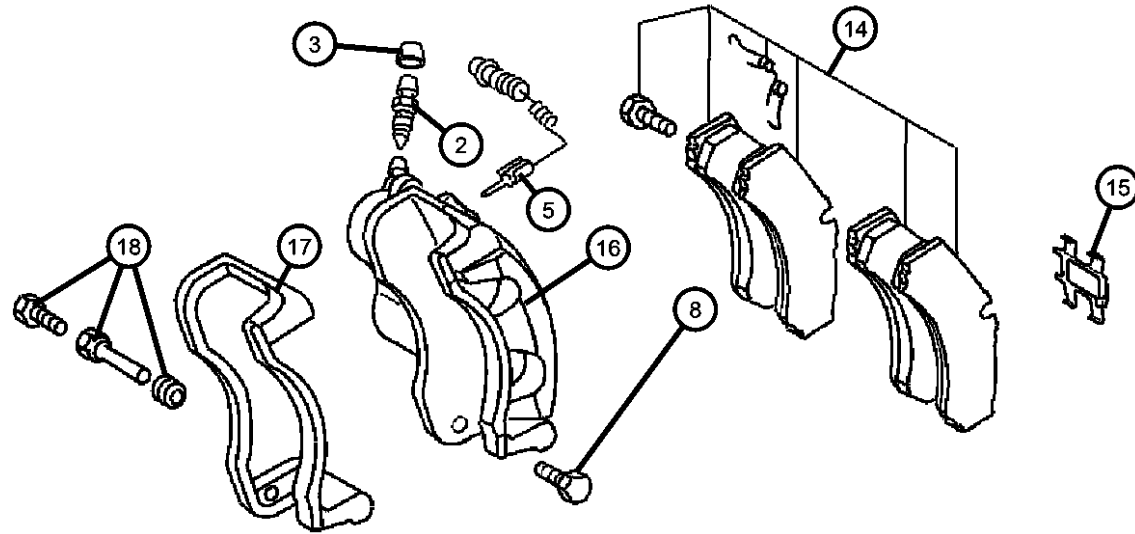
AR = use ase required - = Non illustrated part

2004 VA

**Brakes, Front
Figure 5-110**



ITEM	PART NUMBER	QTY	LINE	SERIES	BODY	ENGINE	TRANS	TRIM	DESCRIPTION
	05114479AA	1							With 16 Inch Wheels, Right or Left
13	05104621AA	2							SCREW Up to Front Axle S 482213/Y422059
	05139361AA	2							From Front Axle S 482214/Y422060
14	05103556AB	1							PAD KIT, Disc Brake Bosch/Textar
	VP101790								Mopar V-Line Alternative Part
	05103790AA	1							Perrot,Textar
	VP101790								Mopar V-Line Alternative Part
15	05103635AA	2							RETAINER, Brake Hold Down SpringRight or Left
16	05135214AA	1							CALIPER, Disc Brake Wabco/Perrot-Without Items 7,13, Right
	05135215AA	1							Wabco/Perrot-Without Items 7,13, Left
17	05135915AA	1							ADAPTER, Disc Brake Caliper Bosch, Right or Left
	05135916AA	1							Wabco/Perrot, Right or Left
18	05103630AA	1							PIN KIT, Disc Brake Wabco/Perrot
	05103729AA	1							Bosch



SPRINTER (VA)

SERIES

L = LOWLINE

LINE

3 = HD DODGE 2WD
6 = Lt. Duty DODGE 4WD
2 = Med. Duty DODGE 2WD
7 = Med. Duty DODGE 4WD

BODY

55 = Wagon 140"
54 = Wagon 118"
52 = Wagon 140"
51 = Wagon 118"
12 = Van 140"
11 = Van 118"
06 = Front Section 158"
14 = Van 118"
15 = Van 140"
16 = Van 158"
56 = Wagon 158"
01 = Chassis Forward Control
118"
02 = Chassis Forward Control
140"

ENGINE

EX8 = Engine-2.7L I5
Mercedes Turbo Diesel

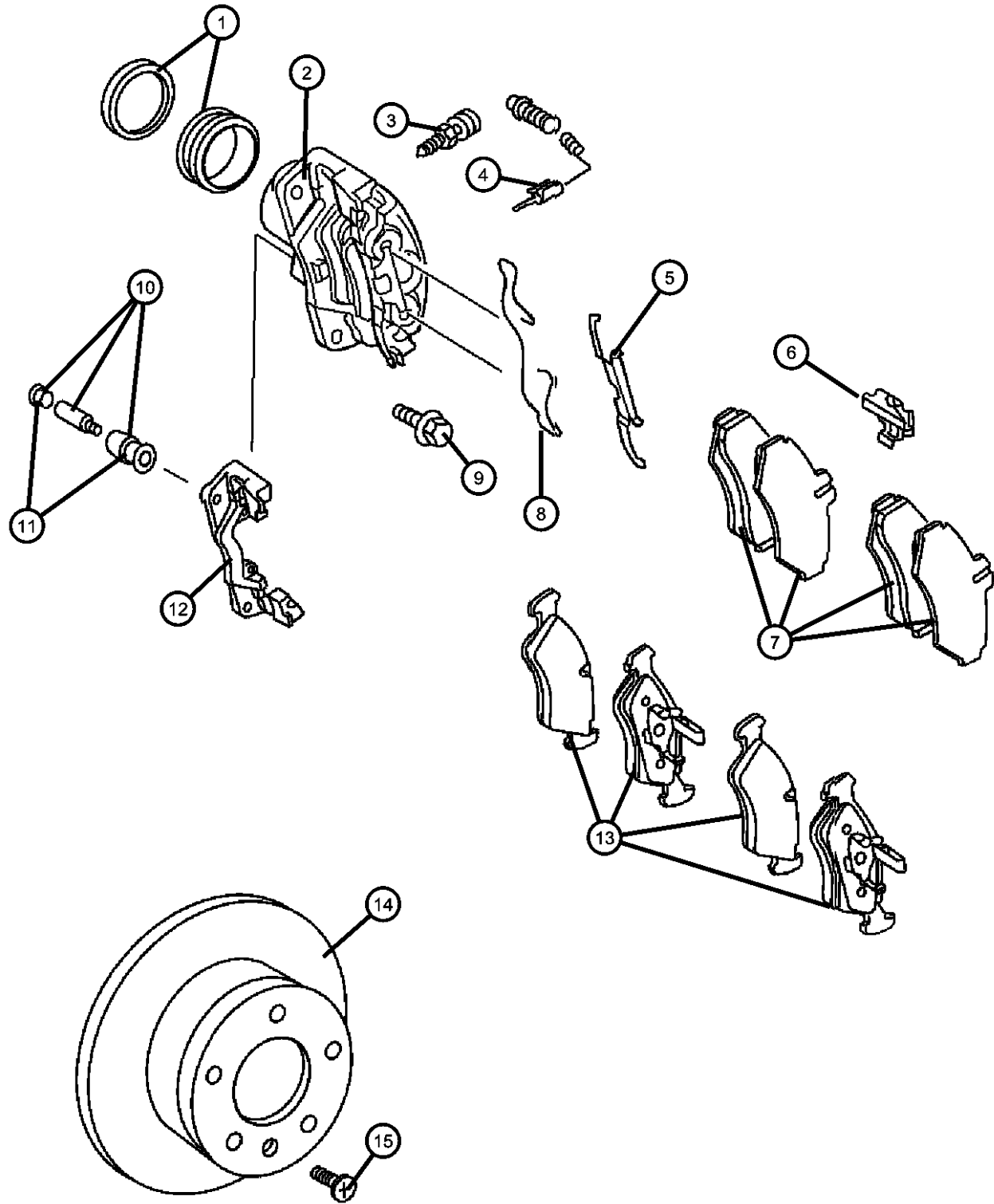
TRANSMISSION

DGJ = Transmission-5-Spd.
Automatic,W5A580

AR = use ase required - = Non illustrated part

2004 VA

Brakes,Rear,272MM
Figure 5-210



ITEM	PART NUMBER	QTY	LINE	SERIES	BODY	ENGINE	TRANS	TRIM	DESCRIPTION
------	-------------	-----	------	--------	------	--------	-------	------	-------------

Note: You must check the brand name on the old caliper to determine which one to order.

1	05139263AA	1	6, 2						SEAL, Caliper Piston Teves
	05139264AA	1	2, 6						Bosch
2	05103741AA	1	2, 6						CALIPER, Disc Brake Bosch-Without Item 7, Left
	05103742AA	1	2, 6						Bosch-Without Item 7, Right
	05135897AA	1	2, 6						Teves-Without Item 13, Right
	05135898AA	1	2, 6						Teves-Without Item 13, Left
3	05139245AA	1	2, 6						BLEEDER SCREW, Brake Teves
	05139258AA	1	2, 6						Bosch
4	05103583AB	2	2, 3, 6, 7						SENSOR, Brake wear
5	05139265AA	1	2, 3, 6, 7						SPRING, Retainer, Teves/Jurid
6	05103634AA	1	2, 6						CLIP, Brake Anti-Rattle
7	05103557AA	1	2, 6						PAD KIT, Disc Brake Bosch/Ferodo-With Hardware
	05139260AA	1	2, 6						Bosch/Jurid-Without Hardware
8	05139266AA	1	2, 6						SPRING, Retainer, Teves/Textar
9	06104234AA	2							SCREW
10	05103632AA	1							PIN KIT, Disc Brake Teves
	05103729AA	1							Bosch
11	05114556AA	1							BUSHING, Caliper
12	05103633AA	1							ADAPTER, Disc Brake Caliper Bosch
	05135747AA	1							Teves
13	05103550AA	1	2, 3, 6, 7						PAD KIT, Disc Brake, Teves/Jurid

SPRINTER (VA)

SERIES LINE
L = LOWLINE 3 = HD DODGE 2WD
6 = Lt. Duty DODGE 4WD
2 = Med. Duty DODGE 2WD
7 = Med. Duty DODGE 4WD

BODY
55 = Wagon 140"
54 = Wagon 118"
52 = Wagon 140"
51 = Wagon 118"
12 = Van 140"
11 = Van 118"
06 = Front Section 158"
14 = Van 118"
15 = Van 140"
16 = Van 158"
56 = Wagon 158"
01 = Chassis Forward Control
118"
02 = Chassis Forward Control
140"

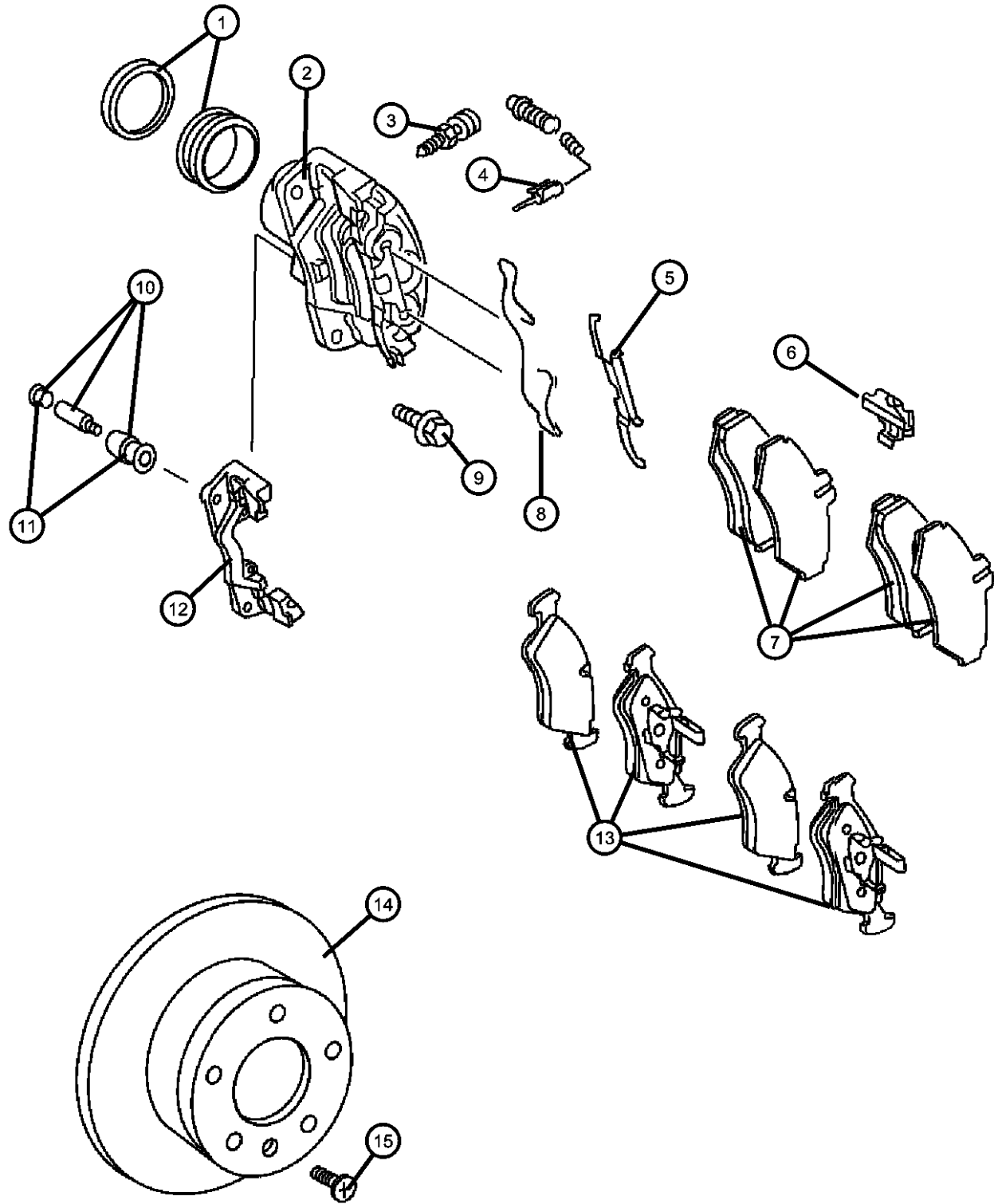
ENGINE
EX8 = Engine-2.7L I5
Mercedes Turbo Diesel

TRANSMISSION
DGJ = Transmission-5-Spd.
Automatic,W5A580

AR = use ase required - = Non illustrated part

2004 VA

Brakes,Rear,272MM
Figure 5-210



ITEM	PART NUMBER	QTY	LINE	SERIES	BODY	ENGINE	TRANS	TRIM	DESCRIPTION
14	05103603AA	2	2, 6		51, 52, 54, 55, 56				ROTOR, Brake
		2	2, 6		11, 12, 14, 15, 16				
15	05139361AA	2							SCREW

SPRINTER (VA)

SERIES

L = LOWLINE

LINE

3 = HD DODGE 2WD
6 = Lt. Duty DODGE 4WD
2 = Med. Duty DODGE 2WD
7 = Med. Duty DODGE 4WD

BODY

55 = Wagon 140"
54 = Wagon 118"
52 = Wagon 140"
51 = Wagon 118"
12 = Van 140"
11 = Van 118"
06 = Front Section 158"
14 = Van 118"
15 = Van 140"
16 = Van 158"
56 = Wagon 158"
01 = Chassis Forward Control
118"
02 = Chassis Forward Control
140"

ENGINE

EX8 = Engine-2.7L I5
Mercedes Turbo Diesel

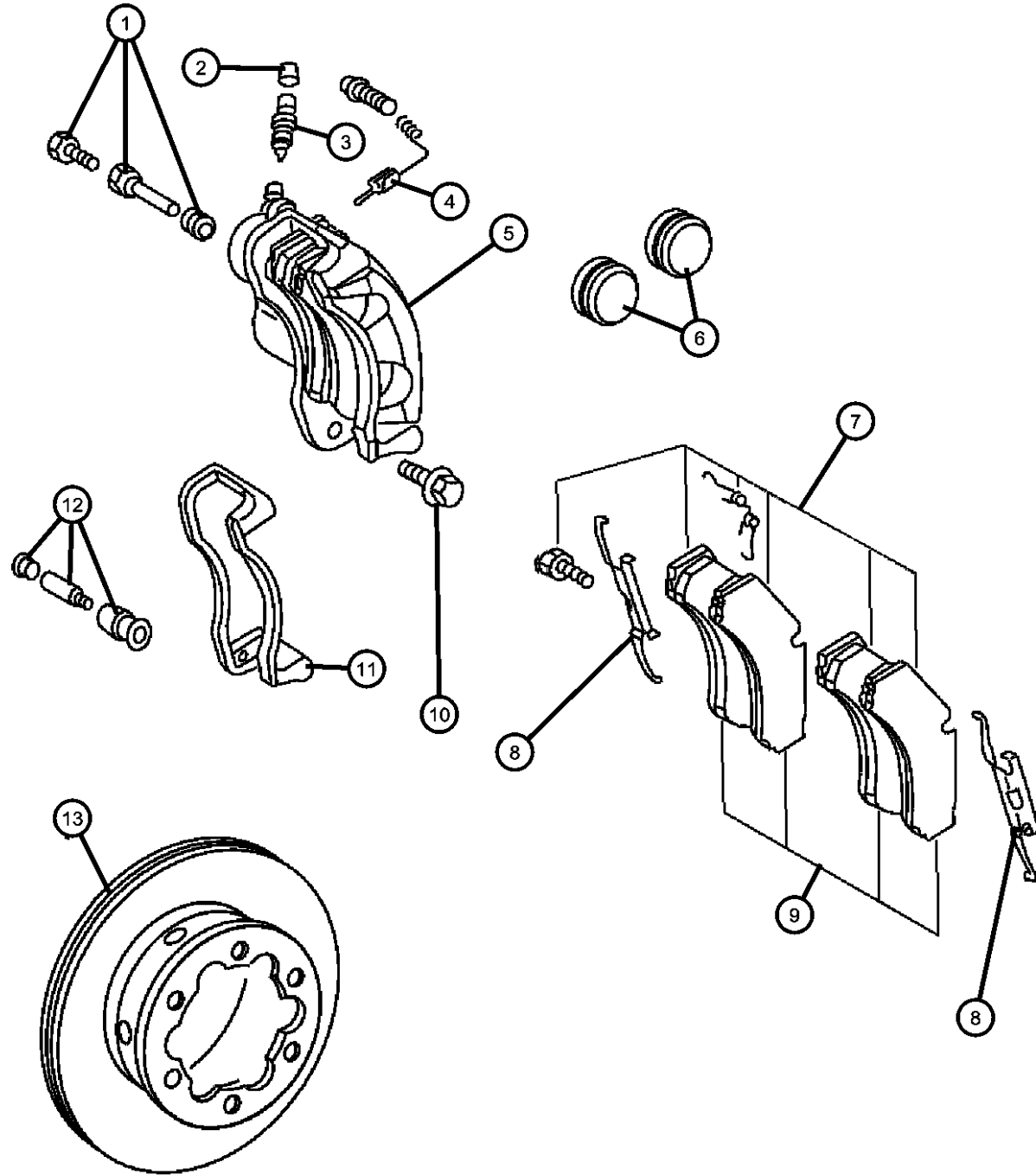
TRANSMISSION

DGJ = Transmission-5-Spd.
Automatic,W5A580

AR = use ase required - = Non illustrated part

2004 VA

**Brakes,Rear,285MM
Figure 5-220**



ITEM	PART NUMBER	QTY	LINE	SERIES	BODY	ENGINE	TRANS	TRIM	DESCRIPTION
------	-------------	-----	------	--------	------	--------	-------	------	-------------

Note: You must check the brand name on the old caliper to determine which one to order.

1	05103630AA	1							PIN KIT, Disc Brake, Perrot/Wabco,Textar, Right or Left
2	05126309AA	1	7, 2, 3, 6						CAP, Bleeder
3	05139258AA	1	2, 6						BLEEDER SCREW, Brake Bosch
	05139259AA	1							Wabco/Perrott
4	05103583AB	2	2, 3, 6, 7						SENSOR, Brake wearRight or Left
5									CALIPER, Disc Brake
	05135212AA	1							Wabco-Without Items 7,11, Left
	05135213AA	1							Wabco-Without Items 7,11, Right
	05135917AA	1	3, 7						Bosch, Right
	05135918AA	1	3, 7						Bosch, Left
6	05139261AA	1							SEAL, Caliper Piston, Bosch, Right or Left
7	05103790AA	1							PAD KIT, Disc Brake, Wabco/Perrott, Right or Left
	VP101790								Mopar V-Line Alternative Part
8	05103635AA	2							RETAINER, Brake Hold Down Spring, Bosch, Right or Left
9	05103556AB	1							PAD KIT, Disc Brake, Bosch
	VP101790								Mopar V-Line Alternative Part
10	05139464AA	4							SCREW
11									ADAPTER, Disc Brake Caliper
	05135915AA	1							Bosch, Right or Left
	05135916AA	1							Wabco, Right or Left
12	05103729AA	1							PIN KIT, Disc Brake, Bosch, Right or Left
13	05103606AA	2	3, 7						ROTOR, BrakeRight or Left

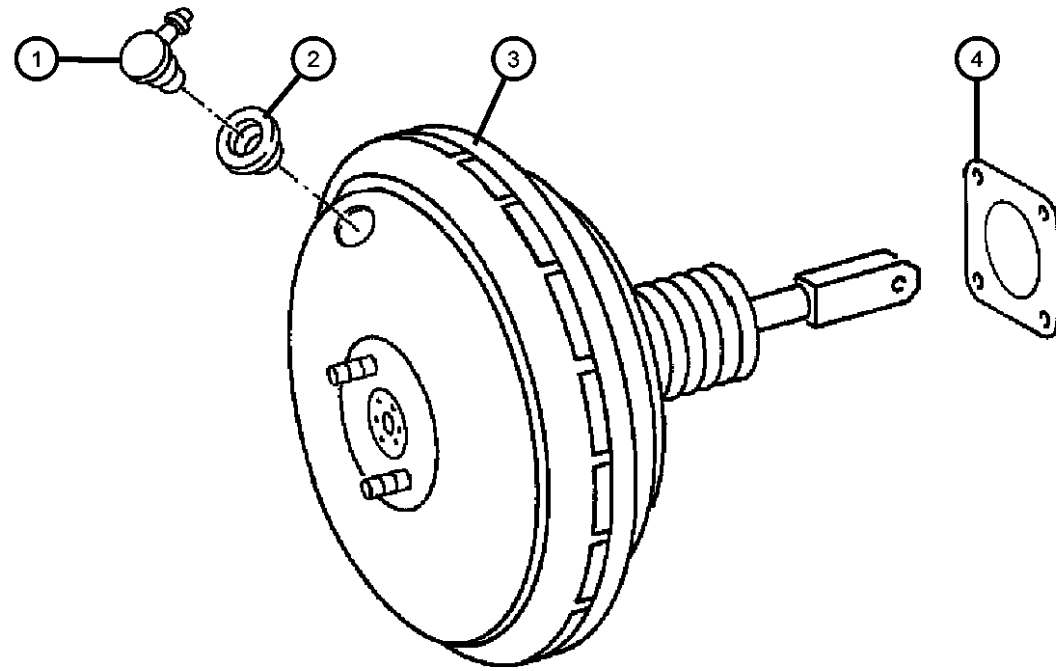
SPRINTER (VA)

SERIES	LINE	BODY	ENGINE	TRANSMISSION
L = LOWLINE	3 = HD DODGE 2WD 6 = Lt. Duty DODGE 4WD 2 = Med. Duty DODGE 2WD 7 = Med. Duty DODGE 4WD	55 = Wagon 140" 54 = Wagon 118" 52 = Wagon 140" 51 = Wagon 118" 12 = Van 140" 11 = Van 118" 06 = Front Section 158" 14 = Van 118" 15 = Van 140" 16 = Van 158" 56 = Wagon 158"	EX8 = Engine-2.7L I5 Mercedes Turbo Diesel	DGJ = Transmission-5-Spd. Automatic,W5A580
		01 = Chassis Forward Control 118" 02 = Chassis Forward Control 140"		

AR = use ase required - = Non illustrated part

2004 VA

Booster
Figure 5-310



ITEM	PART NUMBER	QTY	LINE	SERIES	BODY	ENGINE	TRANS	TRIM	DESCRIPTION
1									VALVE, Brake Booster Check
	05119360AA	1	3, 7		12, 15, 16				
		1	2, 6		11, 12, 14, 15, 16				Up To Ident. No. R 400726
		1	2, 6		51, 52, 54, 55, 56				Up To Ident. No. R 400726
	05119362AA	1							
2									GASKET, Vacuum Line to Booster
	05133696AA	1	2, 6		11, 12, 14, 15, 16				
		1	2, 6		51, 52, 54, 55, 56				
		1	3, 7		12, 15, 16				
3									BOOSTER, Power Brake
	05119372AA	1	2, 6		11, 12, 14, 15, 16				Up To Ident.No. A 905511/R 400726
		1	2, 6		51, 52, 54, 55, 56				Up To Ident.No. A 905511/R 400726
		1	3, 7		12, 15, 16				Up To Ident.No. A 905511/R 400726
	05129285AA	1	2, 6		11, 12, 14, 15, 16				From Ident.No. A 905511/R 400726
		1	2, 6		51, 52, 54, 55, 56				From Ident.No. A 905511/R 400726
		1	3, 7		12, 15, 16				From Ident.No. A 905511/R 400726
4									GASKET, Booster To Dash
	05119386AA	1	2, 6		11, 12, 14, 15, 16				
		1	2, 6		51, 52, 54, 55, 56				
		1	3, 7		12, 15, 16				

SPRINTER (VA)

SERIES

L = LOWLINE

LINE

3 = HD DODGE 2WD
6 = Lt. Duty DODGE 4WD
2 = Med. Duty DODGE 2WD
7 = Med. Duty DODGE 4WD

BODY

55 = Wagon 140"
54 = Wagon 118"
52 = Wagon 140"
51 = Wagon 118"
12 = Van 140"
11 = Van 118"
06 = Front Section 158"
14 = Van 118"
15 = Van 140"
16 = Van 158"
56 = Wagon 158"
01 = Chassis Forward Control 118"
02 = Chassis Forward Control 140"

ENGINE

EX8 = Engine-2.7L I5
Mercedes Turbo Diesel

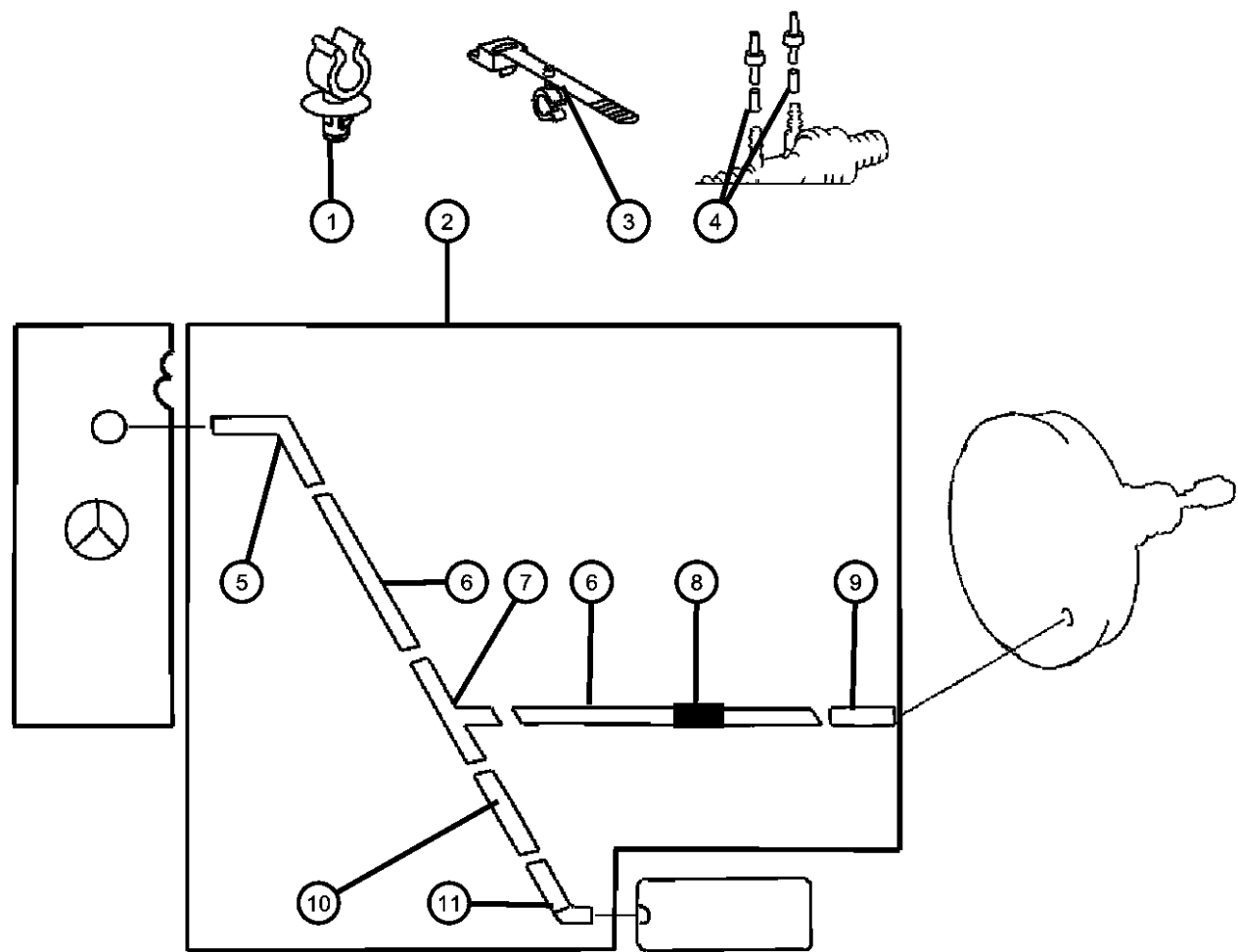
TRANSMISSION

DGJ = Transmission-5-Spd. Automatic,W5A580

AR = use ase required - = Non illustrated part

2004 VA

Vacuum Lines
Figure 5-320



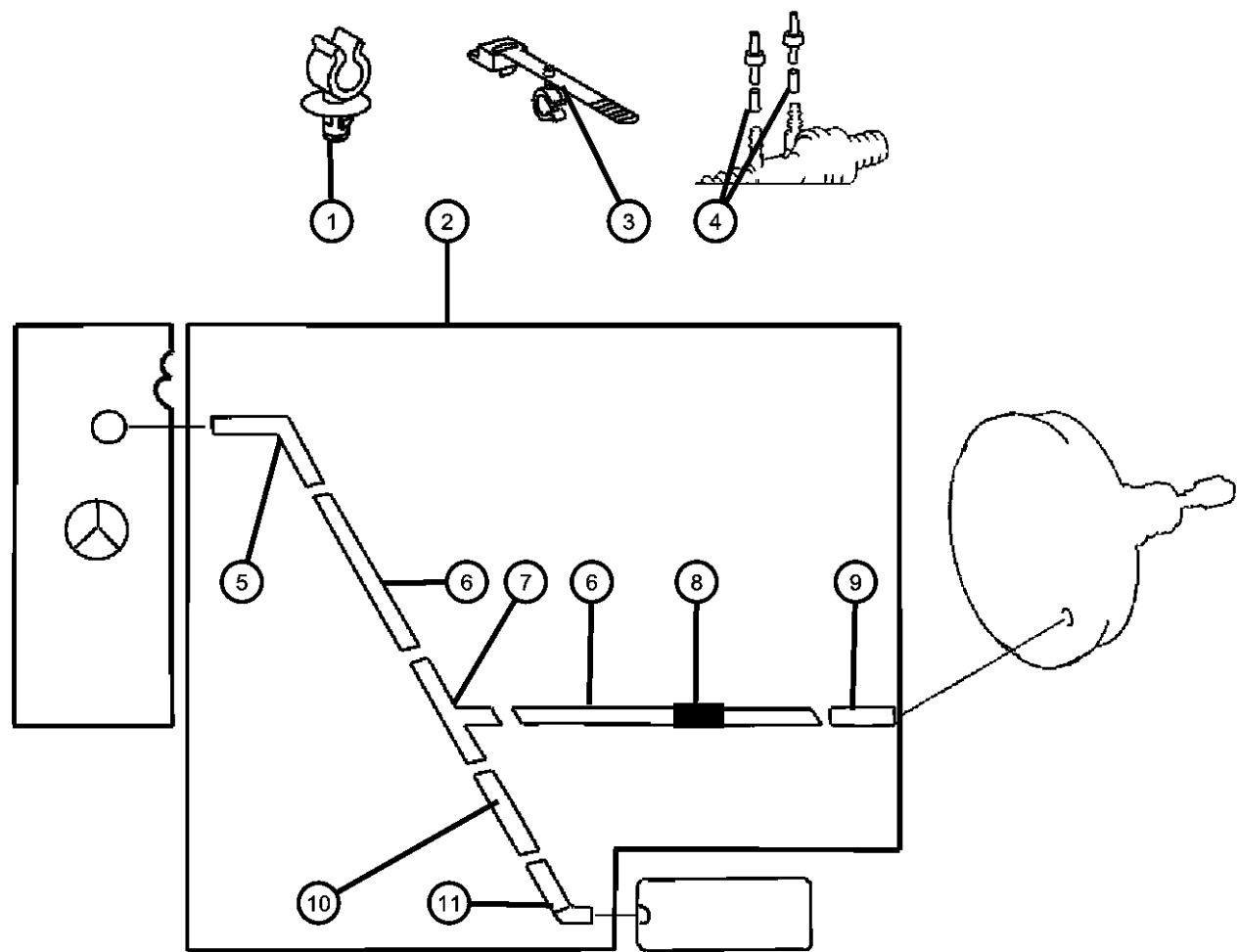
ITEM	PART NUMBER	QTY	LINE	SERIES	BODY	ENGINE	TRANS	TRIM	DESCRIPTION
1	05125578AA	2	3, 7		12, 15, 16				CLIP, Brake Line
2									HARNES, Vacuum
	05119349AA	1	3, 7		12, 15, 16				
	05129239AA	1	2, 6		01, 02, 06				
		1	2, 6		11, 12, 14, 15, 16				
		1	2, 6		51, 52, 54, 55, 56				
3									STRAP
	06104770AA	1	2, 6		01, 02, 06				
		1	2, 6		11, 12, 14, 15, 16				
		1	2, 6		51, 52, 54, 55, 56				
		1	3, 7		12, 15, 16				
4									HOSE
	05080390AB	1	2, 6		01, 02, 06				
		1	2, 6		11, 12, 14, 15, 16				
		1	2, 6		51, 52, 54, 55, 56				
		1	3, 7		12, 15, 16				
5									CONNECTOR
	05126007AA	1	2, 6		51, 52, 54, 55, 56				
		1	2, 6		01, 02, 06				
		1	2, 6		11, 12, 14, 15, 16				
		1	3, 7		12, 15, 16				
6									HOSE, Vacuum
	05119395AA	1	3, 7		12, 15, 16				
		1	2, 6		01, 02, 06				
		1	2, 6		11, 12, 14, 15, 16				

SPRINTER (VA)

SERIES	LINE	BODY	ENGINE	TRANSMISSION
L = LOWLINE	3 = HD DODGE 2WD 6 = Lt. Duty DODGE 4WD 2 = Med. Duty DODGE 2WD 7 = Med. Duty DODGE 4WD	55 = Wagon 140" 54 = Wagon 118" 52 = Wagon 140" 51 = Wagon 118" 12 = Van 140" 11 = Van 118" 06 = Front Section 158" 14 = Van 118" 15 = Van 140" 16 = Van 158" 56 = Wagon 158"	EX8 = Engine-2.7L I5 Mercedes Turbo Diesel	DGJ = Transmission-5-Spd. Automatic,W5A580
		01 = Chassis Forward Control 118" 02 = Chassis Forward Control 140"		

AR = use ase required - = Non illustrated part

Vacuum Lines
Figure 5-320



ITEM	PART NUMBER	QTY	LINE	SERIES	BODY	ENGINE	TRANS	TRIM	DESCRIPTION
		1	2, 6		51, 52, 54, 55, 56				
7	05119363AA	1	3, 7		12, 15, 16				TEE, Vacuum hose
8									WASHER
	05125507AB	2	2, 6		01, 02, 06				5 Meters Long
		2	2, 6		11, 12, 14, 15, 16				5 Meters Long
		2	2, 6		51, 52, 54, 55, 56				5 Meters Long
		2	3, 7		12, 15, 16				5 Meters Long
9									VALVE, Brake Booster Check
	05119360AA	1	2, 6		11, 12, 14, 15, 16				
		1	2, 6		51, 52, 54, 55, 56				
	05119362AA	1	2, 6		01, 02, 06				
		1	3, 7		12, 15, 16				
10									HOSE, Vacuum
	05119392AA	1							
	05119397AA	1	3, 7		12, 15, 16				
11	05125804AA	1	3, 7		12, 15, 16				COUPLING, Male
-12	05098383AA	1	2, 3, 6, 7						CAP, Nut

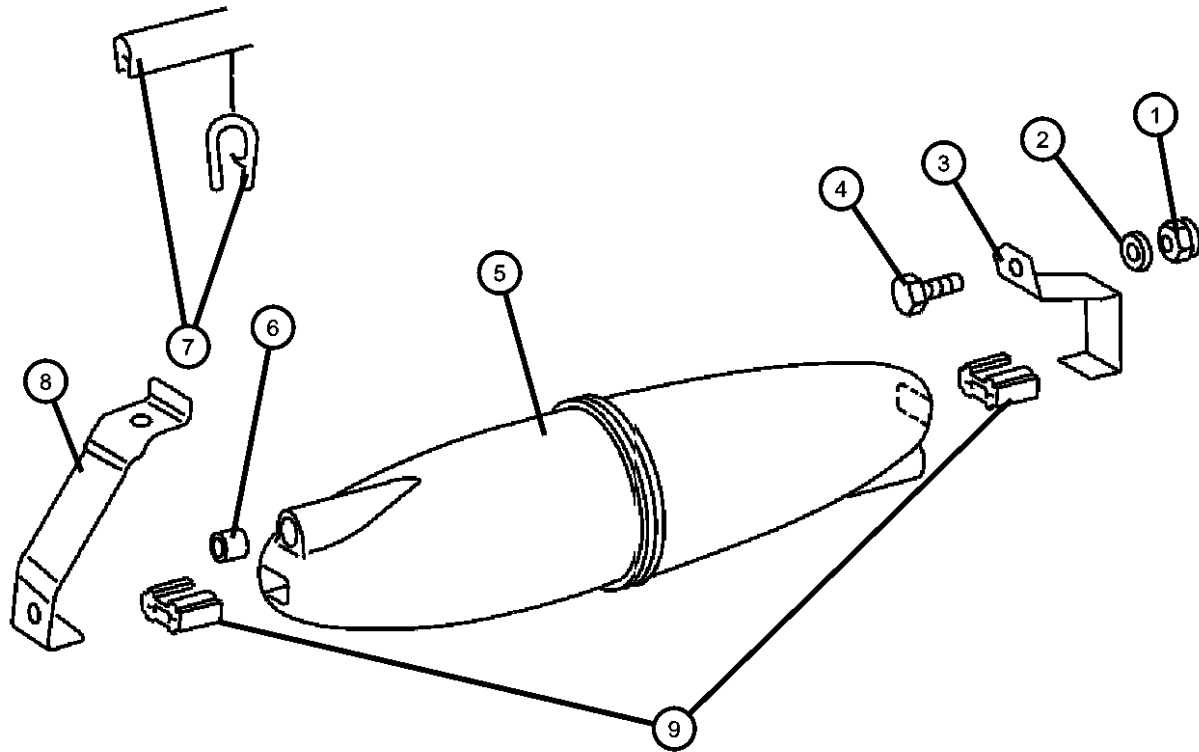
SPRINTER (VA)

SERIES	LINE	BODY	ENGINE	TRANSMISSION
L = LOWLINE	3 = HD DODGE 2WD 6 = Lt. Duty DODGE 4WD 2 = Med. Duty DODGE 2WD 7 = Med. Duty DODGE 4WD	55 = Wagon 140" 54 = Wagon 118" 52 = Wagon 140" 51 = Wagon 118" 12 = Van 140" 11 = Van 118" 06 = Front Section 158" 14 = Van 118" 15 = Van 140" 16 = Van 158" 56 = Wagon 158" 01 = Chassis Forward Control 118" 02 = Chassis Forward Control 140"	EX8 = Engine-2.7L I5 Mercedes Turbo Diesel	DGJ = Transmission-5-Spd. Automatic, W5A580

AR = use ase required - = Non illustrated part

**Vacuum Reservoir
Figure 5-330**

ITEM	PART NUMBER	QTY	LINE	SERIES	BODY	ENGINE	TRANS	TRIM	DESCRIPTION
1	05126237AA	1	3, 7		12, 15, 16				NUT, Hex
2	05126237AA	1							WASHER, Flat, M8, (NOT SERVICED)
3	05119388AA	1	3, 7		12, 15, 16				BRACKET, Vacuum Reservoir
4	05104655AA	1	3, 7		12, 15, 16				BOLT
5	05119357AA	1	3, 7		12, 15, 16				RESERVOIR, Vacuum
6	05119400AA	1	3, 7		12, 15, 16				SEAL, Vacuum Line
7	05132721AA	100	3, 7		12, 15, 16				GUARD, Edge, 10 Meters Long
8	05119388AA	1	3, 7		12, 15, 16				BRACKET, Vacuum Reservoir
9	05125498AA	2	3, 7		12, 15, 16				ISOLATOR



SPRINTER (VA)

SERIES

L = LOWLINE

LINE

3 = HD DODGE 2WD
6 = Lt. Duty DODGE 4WD
2 = Med. Duty DODGE 2WD
7 = Med. Duty DODGE 4WD

BODY

55 = Wagon 140"
54 = Wagon 118"
52 = Wagon 140"
51 = Wagon 118"
12 = Van 140"
11 = Van 118"
06 = Front Section 158"
14 = Van 118"
15 = Van 140"
16 = Van 158"
56 = Wagon 158"
01 = Chassis Forward Control 118"
02 = Chassis Forward Control 140"

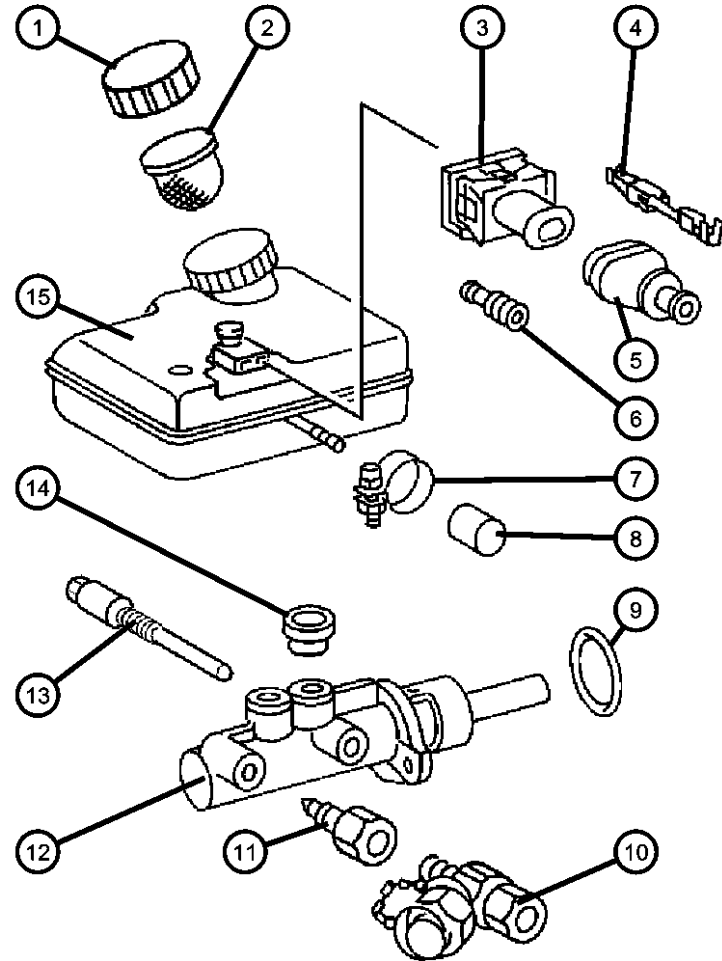
ENGINE

EX8 = Engine-2.7L I5 Mercedes Turbo Diesel

TRANSMISSION

DGJ = Transmission-5-Spd. Automatic, W5A580

**Master Cylinder
Figure 5-410**



ITEM	PART NUMBER	QTY	LINE	SERIES	BODY	ENGINE	TRANS	TRIM	DESCRIPTION
Note: Sales Codes: [4DR]=Weight Variant 3.88T									
1	05098710AA	1	2, 6		01, 02, 06				CAP, Master Cylinder Reservoir
		1	2, 6		11, 12, 14, 15, 16				
		1	2, 6		51, 52, 54, 55, 56				
		1	3, 7		02, 06				
		1	3, 7		12, 15, 16				
2	05119374AA	1	2, 6		01, 02, 06				FILTER, Brake Master Cylinder
		1	2, 6		11, 12, 14, 15, 16				
		1	2, 6		51, 52, 54, 55, 56				
		1	3, 7		12, 15, 16				
3	05120749AA	1	2, 6		01, 02, 06				CONNECTOR
		1	2, 6		11, 12, 14, 15, 16				
		1	2, 6		51, 52, 54, 55, 56				
		1	3, 7		12, 15, 16				
4	05103880AA	99	2, 6		01, 02, 06				TERMINAL
		99	2, 6		11, 12, 14, 15, 16				
		99	2, 6		51, 52, 54, 55, 56				
		99	3, 7		12, 15, 16				
5	05120881AA	1	2, 6		01, 02, 06				BOOT

SPRINTER (VA)

SERIES

L = LOWLINE

LINE

3 = HD DODGE 2WD
6 = Lt. Duty DODGE 4WD
2 = Med. Duty DODGE 2WD
7 = Med. Duty DODGE 4WD

BODY

55 = Wagon 140"
54 = Wagon 118"
52 = Wagon 140"
51 = Wagon 118"
12 = Van 140"
11 = Van 118"
06 = Front Section 158"
14 = Van 118"
15 = Van 140"
16 = Van 158"
56 = Wagon 158"
01 = Chassis Forward Control 118"
02 = Chassis Forward Control 140"

ENGINE

EX8 = Engine-2.7L I5
Mercedes Turbo Diesel

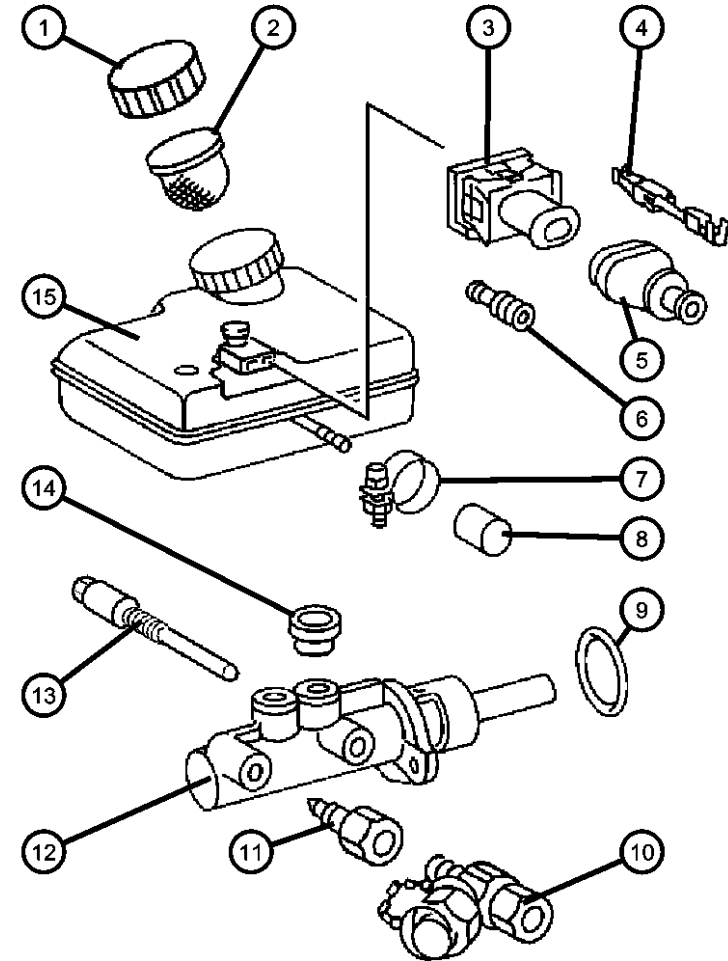
TRANSMISSION

DGJ = Transmission-5-Spd. Automatic, W5A580

AR = use ase required - = Non illustrated part

2004 VA

Master Cylinder
Figure 5-410



ITEM	PART NUMBER	QTY	LINE	SERIES	BODY	ENGINE	TRANS	TRIM	DESCRIPTION
		1	2, 6		11, 12, 14, 15, 16				
		1	2, 6		51, 52, 54, 55, 56				
		1	3, 7		12, 15, 16				
6	05103661AA	1	2, 6		01, 02, 06				GASKET
		1	2, 6		11, 12, 14, 15, 16				
		1	2, 6		51, 52, 54, 55, 56				
		1	3, 7		12, 15, 16				
7	05080440AB	1	2, 6		01, 02, 06				CLAMP
		1	2, 6		11, 12, 14, 15, 16				
		1	2, 6		51, 52, 54, 55, 56				
		1	3, 7		12, 15, 16				
8	05119387AA	1	2, 6		01, 02, 06				CAP
		1	2, 6		11, 12, 14, 15, 16				
		1	2, 6		51, 52, 54, 55, 56				
		1	3, 7		12, 15, 16				
9	05133695AA	1							GASKET
10	05103640AA	2	2, 6		01, 02, 06				TEST CONNECTION, Master Cylinder
		2	2, 6		11, 12, 14, 15, 16				
		2	2, 6		51, 52, 54, 55, 56				

SPRINTER (VA)

SERIES

L = LOWLINE

LINE

3 = HD DODGE 2WD
6 = Lt. Duty DODGE 4WD
2 = Med. Duty DODGE 2WD
7 = Med. Duty DODGE 4WD

BODY

55 = Wagon 140"
54 = Wagon 118"
52 = Wagon 140"
51 = Wagon 118"
12 = Van 140"
11 = Van 118"
06 = Front Section 158"
14 = Van 118"
15 = Van 140"
16 = Van 158"
56 = Wagon 158"
01 = Chassis Forward Control 118"
02 = Chassis Forward Control 140"

ENGINE

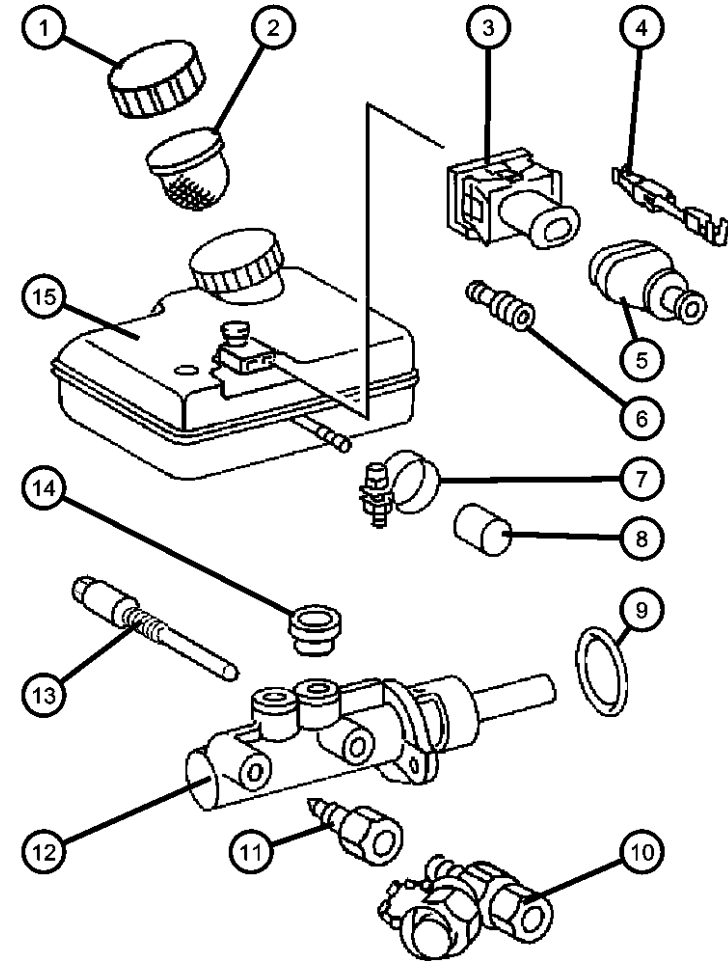
EX8 = Engine-2.7L I5
Mercedes Turbo Diesel

TRANSMISSION

DGJ = Transmission-5-Spd. Automatic, W5A580

AR = use ase required - = Non illustrated part

**Master Cylinder
Figure 5-410**



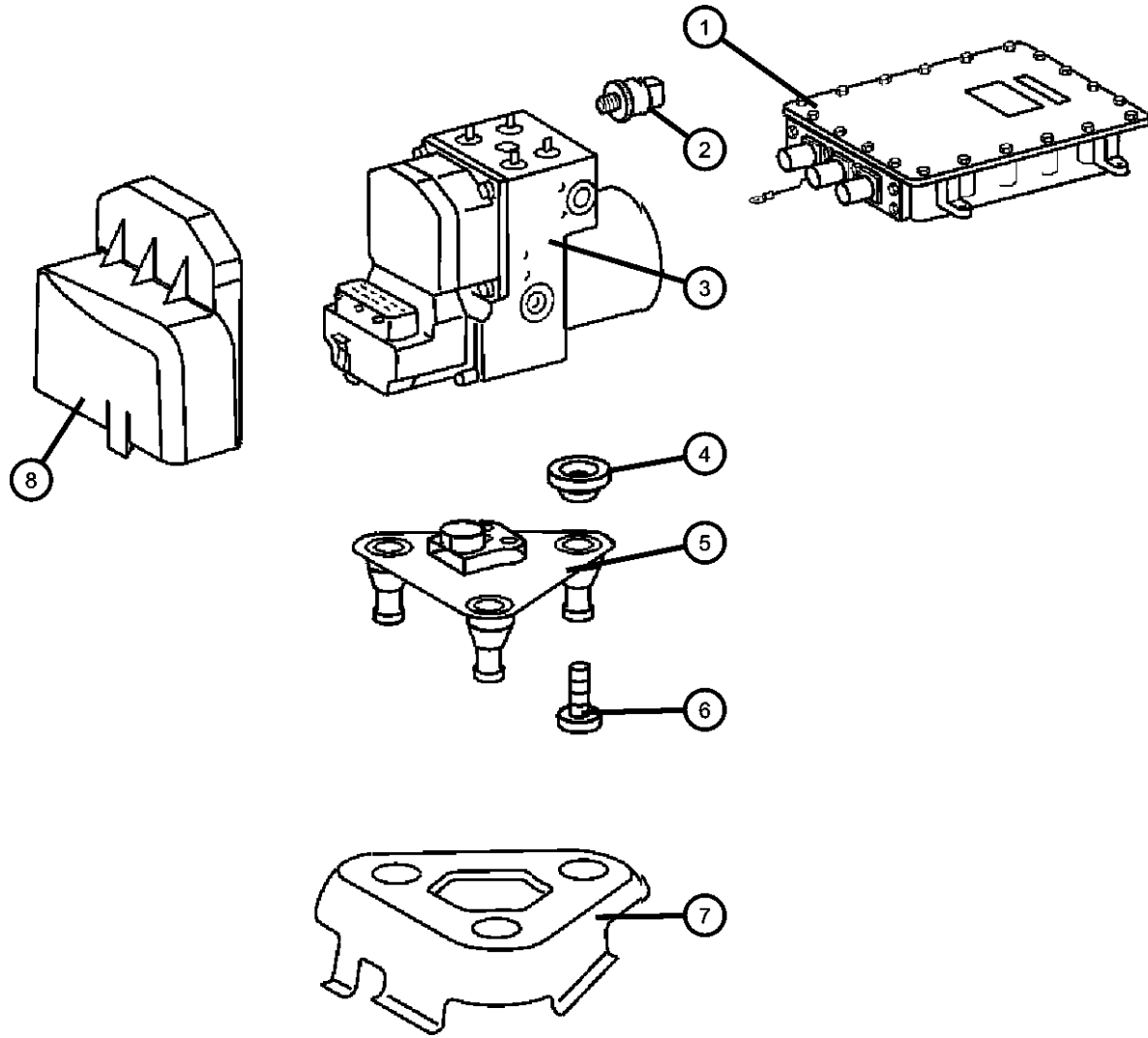
ITEM	PART NUMBER	QTY	LINE	SERIES	BODY	ENGINE	TRANS	TRIM	DESCRIPTION
		2	3, 7		12, 15, 16				
11		2							FITTING, (NOT SERVICED)
12									CYLINDER, Brake Master
	05119354AA	1	2, 6		01, 02, 06				4DR
		1	2, 6		11, 12, 14, 15, 16				4DR
	05119355AA	1	3, 7		12, 15, 16				
		1	2, 6		01, 02, 06				Without [4DR]
		1	2, 6		11, 12, 14, 15, 16				Without [4DR]
		1	2, 6		51, 52, 54, 55, 56				Without [4DR]
13		1							SCREW, (NOT SERVICED),
14	05103637AA	2							SEAL, Brake Cylinder To Reservoir
15									RESERVOIR, Brake Master Cylinder
	05119356AA	1	2, 6		01, 02, 06				
		1	2, 6		11, 12, 14, 15, 16				
		1	2, 6		51, 52, 54, 55, 56				
		1	3, 7		12, 15, 16				

SPRINTER (VA)

SERIES	LINE	BODY	ENGINE	TRANSMISSION
L = LOWLINE	3 = HD DODGE 2WD 6 = Lt. Duty DODGE 4WD 2 = Med. Duty DODGE 2WD 7 = Med. Duty DODGE 4WD	55 = Wagon 140" 54 = Wagon 118" 52 = Wagon 140" 51 = Wagon 118" 12 = Van 140" 11 = Van 118" 06 = Front Section 158" 14 = Van 118" 15 = Van 140" 16 = Van 158" 56 = Wagon 158"	EX8 = Engine-2.7L I5 Mercedes Turbo Diesel	DGJ = Transmission-5-Spd. Automatic, W5A580
		01 = Chassis Forward Control 118" 02 = Chassis Forward Control 140"		

AR = use ase required - = Non illustrated part

Hydraulic Control Unit and ABS Module
Figure 5-420



ITEM	PART NUMBER	QTY	LINE	SERIES	BODY	ENGINE	TRANS	TRIM	DESCRIPTION
------	-------------	-----	------	--------	------	--------	-------	------	-------------

NOTE:IF ANTI-CONTROL MODULE IS NOT LISTED FOR VEHICLE COMPLETE [HCU] MUST BE REPLACED

Sales Codes:
[BGK]=4 Wheel Anti-Lock Brakes
[BNB]=Electronic Stability Program
[4DR]=Weight Variant [3.88T]

1	05134262AA	1	2, 6		11, 12, 14, 15, 16				MODULE, Anti-lock Brakes, See Note With [BGK + BNB]
		1	2, 6		51, 52, 54, 55, 56				With [BGK + BNB]
		1	3, 7		02, 06				With [BGK]
		1	3, 7		12, 15, 16				With [BGK]
	05161052AA	1	2, 6		01, 02, 06				With [BGK + BNB]
2	05133702AA	1	3, 7		12, 15, 16				SENDING UNIT
3									CONTROL UNIT, Anti-Lock Brake, See Note
	05136077AA	1	2, 6		11, 12, 14, 15, 16				With [BGK + BNB] / From Chassis & Date [R 636249 / 05/03/2004], Hydraulic Control Unit
		1	2, 6		51, 52, 54, 55, 56				With [BGK + BNB] / From Chassis & Date [R 636249 / 05/03/2004], Hydraulic Control Unit
	05138855AA	1	2, 6		11, 12, 14, 15, 16				With [BGK + BNB] / Up To Chassis & Date [R 636248 / 05/03/2004], Hydraulic Control Unit
		1	2, 6		51, 52, 54, 55, 56				With [BGK + BNB] / Up To Chassis & Date [R 636248 / 05/03/2004], Hydraulic Control Unit
	05127536AA	1	3, 7		12, 15, 16				With [BGK], Hydraulic Control Unit
	05129374AA	1	2, 6		01, 02, 06				With [BGK + 4DR], Hydraulic Control Unit

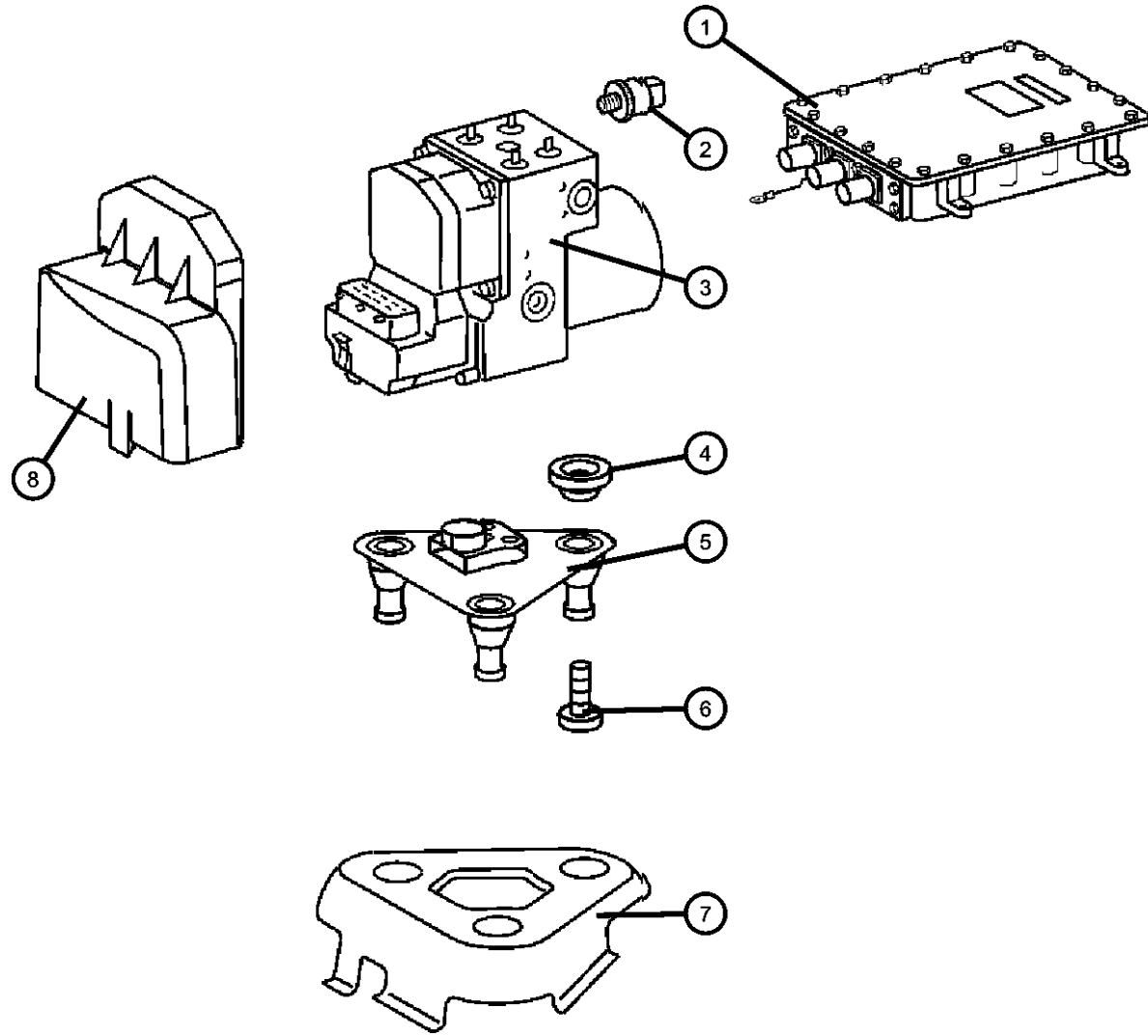
SPRINTER (VA)

SERIES	LINE	BODY	ENGINE	TRANSMISSION
L = LOWLINE	3 = HD DODGE 2WD 6 = Lt. Duty DODGE 4WD 2 = Med. Duty DODGE 2WD 7 = Med. Duty DODGE 4WD	55 = Wagon 140" 54 = Wagon 118" 52 = Wagon 140" 51 = Wagon 118" 12 = Van 140" 11 = Van 118" 06 = Front Section 158" 14 = Van 118" 15 = Van 140" 16 = Van 158" 56 = Wagon 158"	EX8 = Engine-2.7L I5 Mercedes Turbo Diesel	DGJ = Transmission-5-Spd. Automatic,W5A580
		01 = Chassis Forward Control 118" 02 = Chassis Forward Control 140"		

AR = use ase required - = Non illustrated part

2004 VA

Hydraulic Control Unit and ABS Module
Figure 5-420



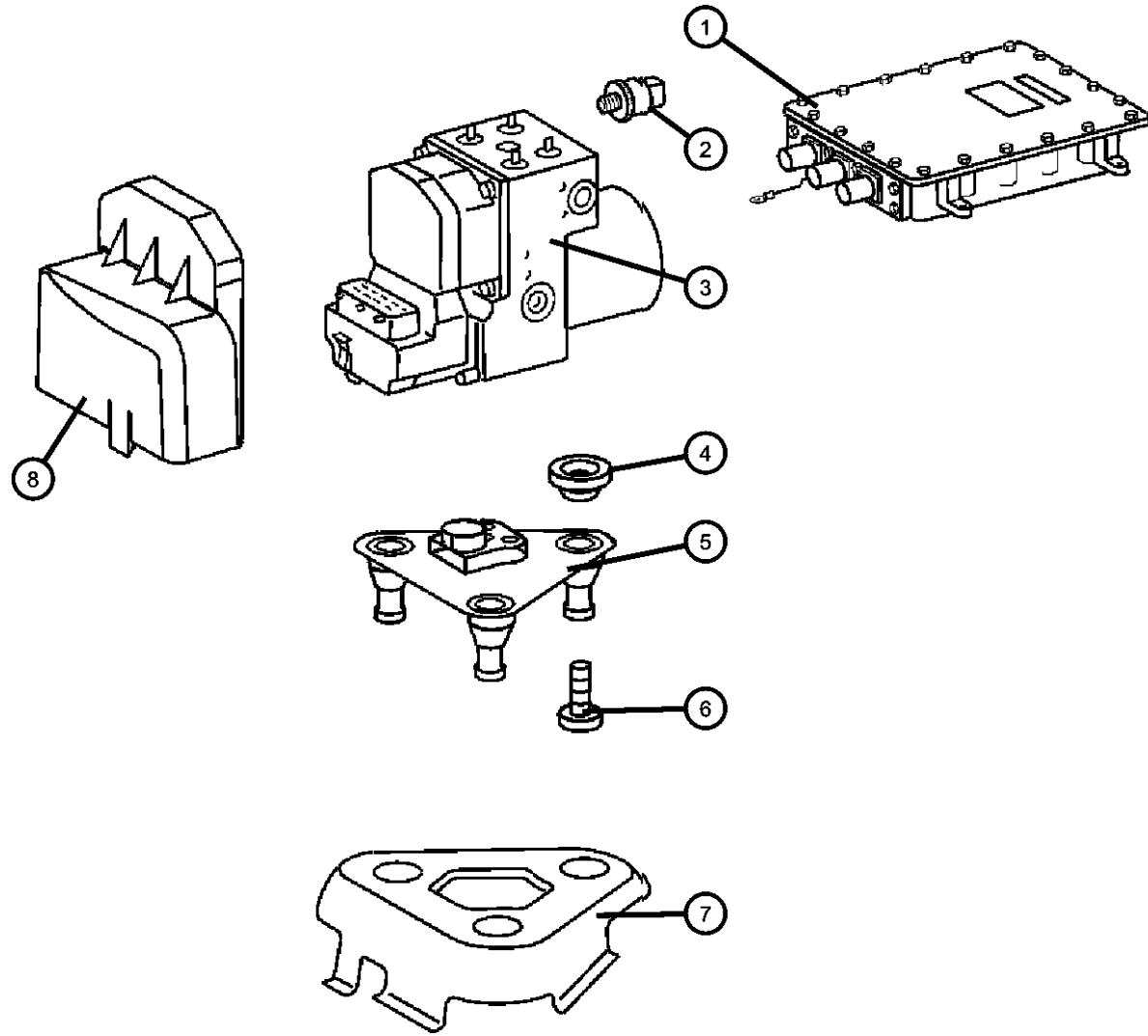
ITEM	PART NUMBER	QTY	LINE	SERIES	BODY	ENGINE	TRANS	TRIM	DESCRIPTION
		1	2, 6		11, 12, 14, 15, 16				With [BGK + 4DR], Hydraulic Control Unit
		1	2, 6		51, 52, 54, 55, 56				With [BGK + 4DR], Hydraulic Control Unit
	05140695AB	1	2, 6		01, 02, 06				With [BNB + BGK + 4DR], Hydraulic Control Unit
		1	2, 6		11, 12, 14, 15, 16				With [BNB + BGK + 4DR], Hydraulic Control Unit
		1	2, 6		51, 52, 54, 55, 56				With [BNB + BGK + 4DR], Hydraulic Control Unit
	05161051AA	1	2, 6		01, 02, 06				With [BGK + BNB], Hydraulic Control Unit
4									GROMMET, Hydraulic Control Unit
	05099283AA	3	2, 6		01, 02, 06				
		3	2, 6		11, 12, 14, 15, 16				
		3	2, 6		51, 52, 54, 55, 56				
		3	3, 7		12, 15, 16				
5									BRACKET, Hydraulic control unit, Upper
	05119383AA	1	2, 6		01, 02, 06				
		1	2, 6		11, 12, 14, 15, 16				
		1	2, 6		51, 52, 54, 55, 56				
		1	3, 7		12, 15, 16				
6									SCREW
	05126138AA	2	3, 7		12, 15, 16				
		2	2, 6		01, 02, 06				
		2	2, 6		11, 12, 14, 15, 16				
		2	2, 6		51, 52, 54, 55, 56				
7									BRACKET, Hydraulic control unit, Lower

SPRINTER (VA)

SERIES	LINE	BODY	ENGINE	TRANSMISSION
L = LOWLINE	3 = HD DODGE 2WD 6 = Lt. Duty DODGE 4WD 2 = Med. Duty DODGE 2WD 7 = Med. Duty DODGE 4WD	55 = Wagon 140" 54 = Wagon 118" 52 = Wagon 140" 51 = Wagon 118" 12 = Van 140" 11 = Van 118" 06 = Front Section 158" 14 = Van 118" 15 = Van 140" 16 = Van 158" 56 = Wagon 158" 01 = Chassis Forward Control 118" 02 = Chassis Forward Control 140"	EX8 = Engine-2.7L I5 Mercedes Turbo Diesel	DGJ = Transmission-5-Spd. Automatic, W5A580

AR = use ase required - = Non illustrated part

Hydraulic Control Unit and ABS Module
Figure 5-420



ITEM	PART NUMBER	QTY	LINE	SERIES	BODY	ENGINE	TRANS	TRIM	DESCRIPTION
	05104088AA	1	2, 6		01, 02, 06				
		1	2, 6		11, 12, 14, 15, 16				
		1	2, 6		51, 52, 54, 55, 56				
8		1	3, 7		12, 15, 16				COVER, Hydraulic Control Unit
	05120888AA	1	2, 6		01, 02, 06				
		1	2, 6		11, 12, 14, 15, 16				
		1	2, 6		51, 52, 54, 55, 56				
		1	3, 7		12, 15, 16				

SPRINTER (VA)

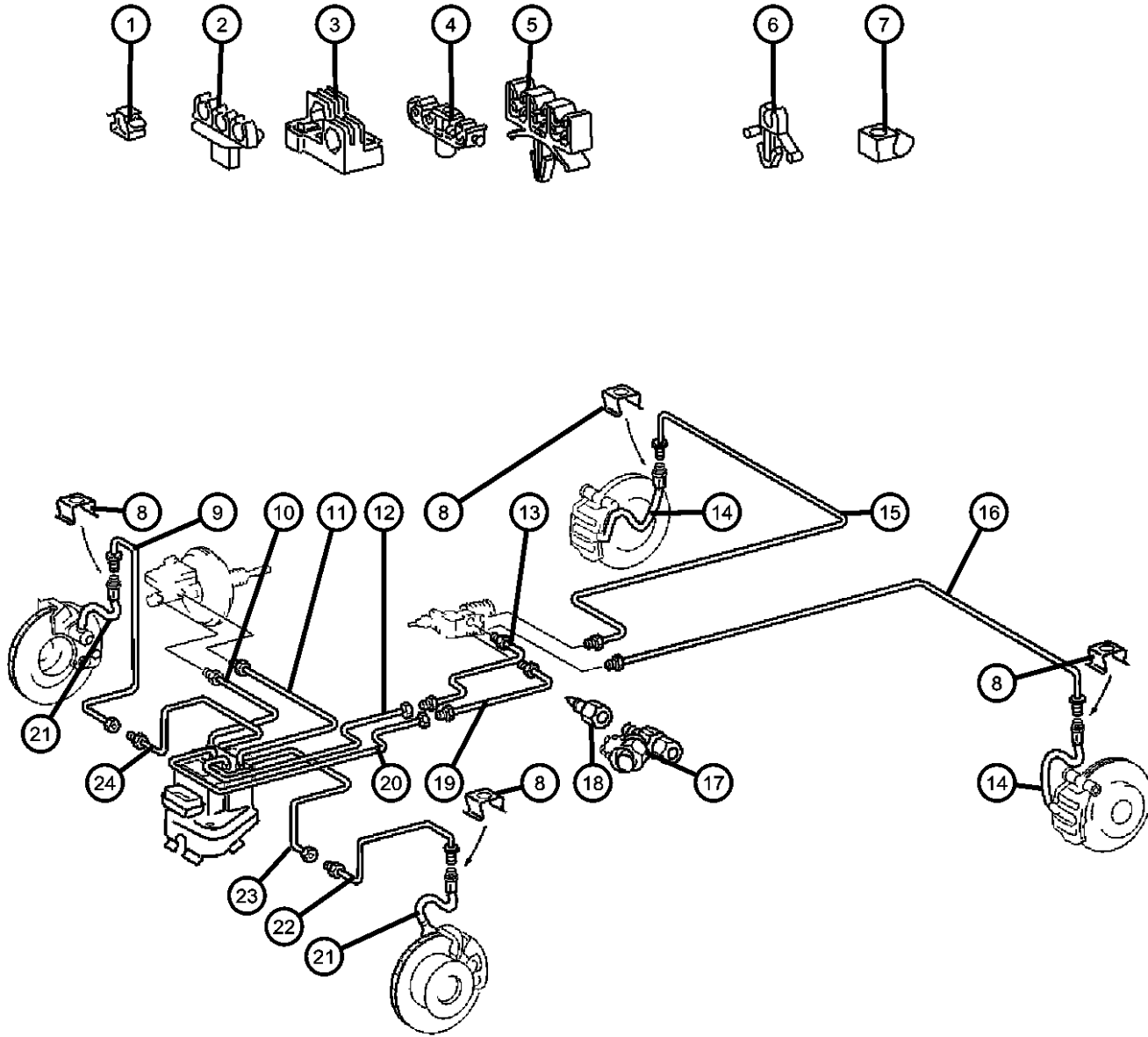
SERIES	LINE	BODY	ENGINE	TRANSMISSION
L = LOWLINE	3 = HD DODGE 2WD 6 = Lt. Duty DODGE 4WD 2 = Med. Duty DODGE 2WD 7 = Med. Duty DODGE 4WD	55 = Wagon 140" 54 = Wagon 118" 52 = Wagon 140" 51 = Wagon 118" 12 = Van 140" 11 = Van 118" 06 = Front Section 158" 14 = Van 118" 15 = Van 140" 16 = Van 158" 56 = Wagon 158" 01 = Chassis Forward Control 118" 02 = Chassis Forward Control 140"	EX8 = Engine-2.7L I5 Mercedes Turbo Diesel	DGJ = Transmission-5-Spd. Automatic, W5A580

AR = use ase required - = Non illustrated part

Lines,Brake,With ABS,2500/3500 Series
Figure 5-510

ITEM	PART NUMBER	QTY	LINE	SERIES	BODY	ENGINE	TRANS	TRIM	DESCRIPTION
------	-------------	-----	------	--------	------	--------	-------	------	-------------

Note;Sales Codes;
 [WDG]=Wheels - 16 X 6 STEEL
 [3S6]=Test Connections Hydraulic Brake
 [5AC]=118" Wheelbase
 [5AE]=140" Wheelbase
 [5AF]=158" Wheelbase



1	05119689AA	4	2, 6		01, 02, 06				CLIP, Brake Line As Required
		4	2, 6		16, 11, 12, 14, 15				As Required
		4	2, 6		51, 52, 54, 55, 56				As Required
		4	3, 7		12, 15, 16				As Required
2	05132788AA	4							CLIP, Brake LineAs Required
3	05119331AA	1	2, 6		11, 12, 14, 15, 16				BRACKET, Brake Tube As Required
		1	2, 6		01, 02, 06				As Required
		1	2, 6		51, 52, 54, 55, 56				As Required
		1	3, 7		12, 15, 16				As Required
4	05119330AA	2	2, 6		01, 02, 06				CLIP, Brake Line As Required
		2	2, 6		11, 12, 14, 15, 16				As Required
		2	2, 6		51, 52, 54, 55, 56				As Required
		2	3, 7		12, 15, 16				As Required
5	05119328AA	1	2, 6		11, 12, 14, 15, 16				CLIP, Brake Line As Required
		1	2, 6		01, 02, 06				As Required
		1	2, 6		51, 52, 54, 55, 56				As Required
		1	3, 7		16, 12, 15				As Required

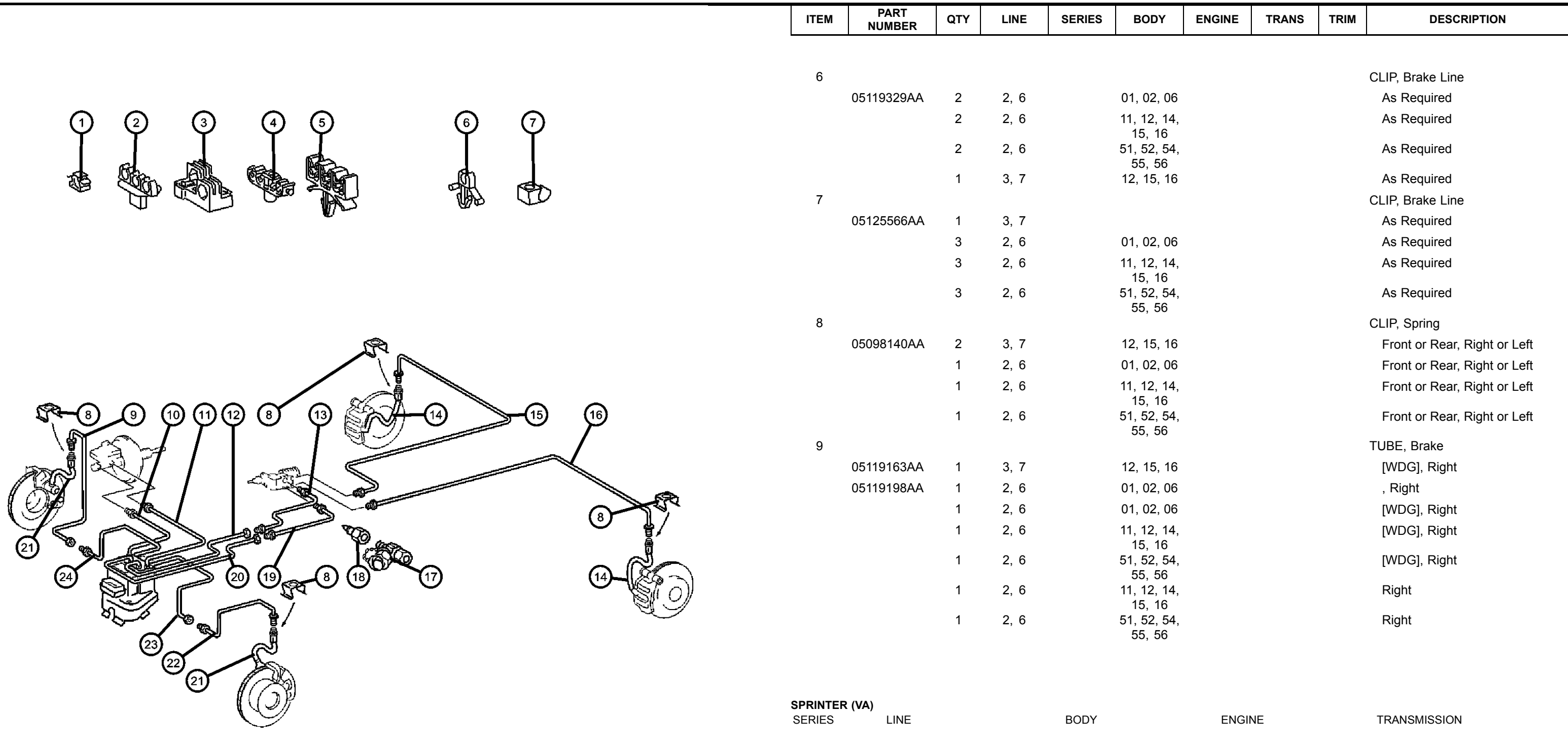
SPRINTER (VA)

SERIES	LINE	BODY	ENGINE	TRANSMISSION
L = LOWLINE	3 = HD DODGE 2WD 6 = Lt. Duty DODGE 4WD 2 = Med. Duty DODGE 2WD 7 = Med. Duty DODGE 4WD	55 = Wagon 140" 54 = Wagon 118" 52 = Wagon 140" 51 = Wagon 118" 12 = Van 140" 11 = Van 118" 06 = Front Section 158" 14 = Van 118" 15 = Van 140" 16 = Van 158" 56 = Wagon 158"	EX8 = Engine-2.7L I5 Mercedes Turbo Diesel	DGJ = Transmission-5-Spd. Automatic,W5A580

AR = use ase required - = Non illustrated part

2004 VA

**Lines,Brake,With ABS,2500/3500 Series
Figure 5-510**



ITEM	PART NUMBER	QTY	LINE	SERIES	BODY	ENGINE	TRANS	TRIM	DESCRIPTION
6	05119329AA	2	2, 6		01, 02, 06				CLIP, Brake Line As Required
		2	2, 6		11, 12, 14, 15, 16				As Required
		2	2, 6		51, 52, 54, 55, 56				As Required
		1	3, 7		12, 15, 16				As Required
		1	3, 7						CLIP, Brake Line As Required
7	05125566AA	3	2, 6		01, 02, 06				As Required
		3	2, 6		11, 12, 14, 15, 16				As Required
		3	2, 6		51, 52, 54, 55, 56				As Required
		2	3, 7		12, 15, 16				CLIP, Spring Front or Rear, Right or Left
8	05098140AA	1	2, 6		01, 02, 06				Front or Rear, Right or Left
		1	2, 6		11, 12, 14, 15, 16				Front or Rear, Right or Left
		1	2, 6		51, 52, 54, 55, 56				Front or Rear, Right or Left
		1	2, 6						TUBE, Brake [WDG], Right
9	05119163AA 05119198AA	1	3, 7		12, 15, 16				[WDG], Right
		1	2, 6		01, 02, 06				, Right
		1	2, 6		01, 02, 06				[WDG], Right
		1	2, 6		11, 12, 14, 15, 16				[WDG], Right
		1	2, 6		51, 52, 54, 55, 56				[WDG], Right
		1	2, 6		11, 12, 14, 15, 16				Right
		1	2, 6		51, 52, 54, 55, 56				Right

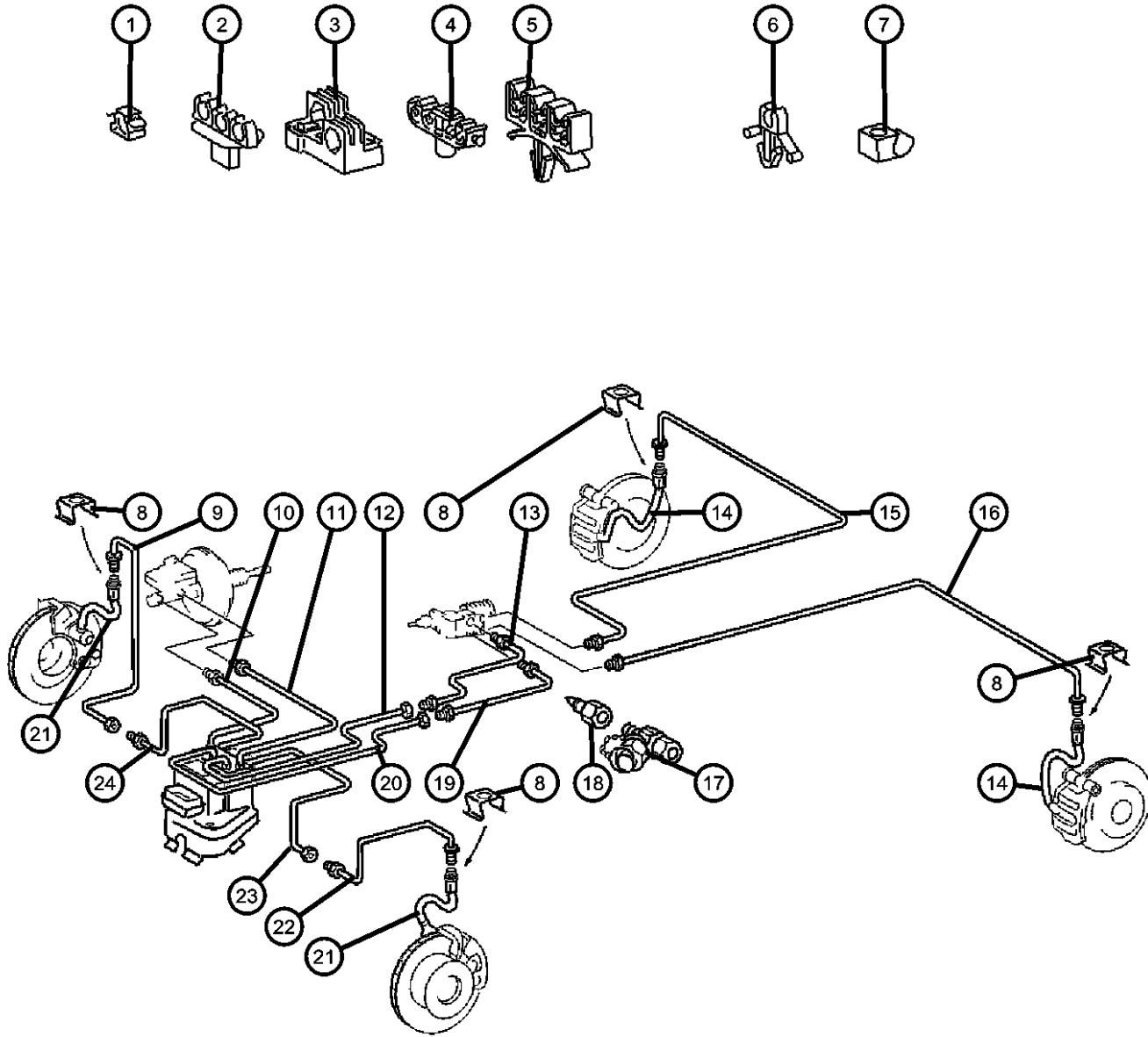
SPRINTER (VA)

SERIES	LINE	BODY	ENGINE	TRANSMISSION
L = LOWLINE	3 = HD DODGE 2WD 6 = Lt. Duty DODGE 4WD 2 = Med. Duty DODGE 2WD 7 = Med. Duty DODGE 4WD	55 = Wagon 140" 54 = Wagon 118" 52 = Wagon 140" 51 = Wagon 118" 12 = Van 140" 11 = Van 118" 06 = Front Section 158" 14 = Van 118" 15 = Van 140" 16 = Van 158" 56 = Wagon 158"	EX8 = Engine-2.7L I5 Mercedes Turbo Diesel	DGJ = Transmission-5-Spd. Automatic,W5A580
		01 = Chassis Forward Control 118" 02 = Chassis Forward Control 140"		

AR = use ase required - = Non illustrated part

Lines,Brake,With ABS,2500/3500 Series
Figure 5-510

ITEM	PART NUMBER	QTY	LINE	SERIES	BODY	ENGINE	TRANS	TRIM	DESCRIPTION
10	05119218AA	1	2, 6		01, 02, 06				TUBE, Brake Secondary
		1	2, 6		11, 12, 14, 15, 16				Secondary
		1	2, 6		51, 52, 54, 55, 56				Secondary
	05119220AA	1	3, 7		12, 15, 16				Secondary
		1	2, 6		06, 01, 02				[3S6], Secondary
		1	2, 6		11, 12, 14, 15, 16				[3S6], Secondary
		1	2, 6		51, 52, 54, 55, 56				[3S6], Secondary
	05129153AA	1	3, 7		12, 15, 16				[3S6], Secondary
		1	2, 6		01, 02, 06				
		1	2, 6		11, 12, 14, 15, 16				
		1	2, 6		51, 52, 54, 55, 56				
11	05119217AA	1	3, 7		12, 15, 16				TUBE, Brake Primary
	05119219AA	1	2, 6		01, 02, 06				[3S6], Primary
		1	2, 6		11, 12, 14, 15, 16				[3S6], Primary
		1	2, 6		51, 52, 54, 55, 56				[3S6], Primary
	05129157AA	1	3, 7		12, 15, 16				[3S6], Primary
		1	2, 6		01, 02, 06				Primary
		1	2, 6		01, 02, 06				Primary
		1	2, 6		11, 12, 14, 15, 16				Primary
		1	2, 6		51, 52, 54, 55, 56				Primary
		1	2, 6		11, 12, 14, 15, 16				



SPRINTER (VA)

SERIES

L = LOWLINE
 3 = HD DODGE 2WD
 6 = Lt. Duty DODGE 4WD
 2 = Med. Duty DODGE 2WD
 7 = Med. Duty DODGE 4WD

LINE

3 = HD DODGE 2WD
 6 = Lt. Duty DODGE 4WD
 2 = Med. Duty DODGE 2WD
 7 = Med. Duty DODGE 4WD

BODY

55 = Wagon 140"
 54 = Wagon 118"
 52 = Wagon 140"
 51 = Wagon 118"
 12 = Van 140"
 11 = Van 118"
 06 = Front Section 158"
 14 = Van 118"
 15 = Van 140"
 16 = Van 158"
 56 = Wagon 158"
 01 = Chassis Forward Control
 118"
 02 = Chassis Forward Control
 140"

ENGINE

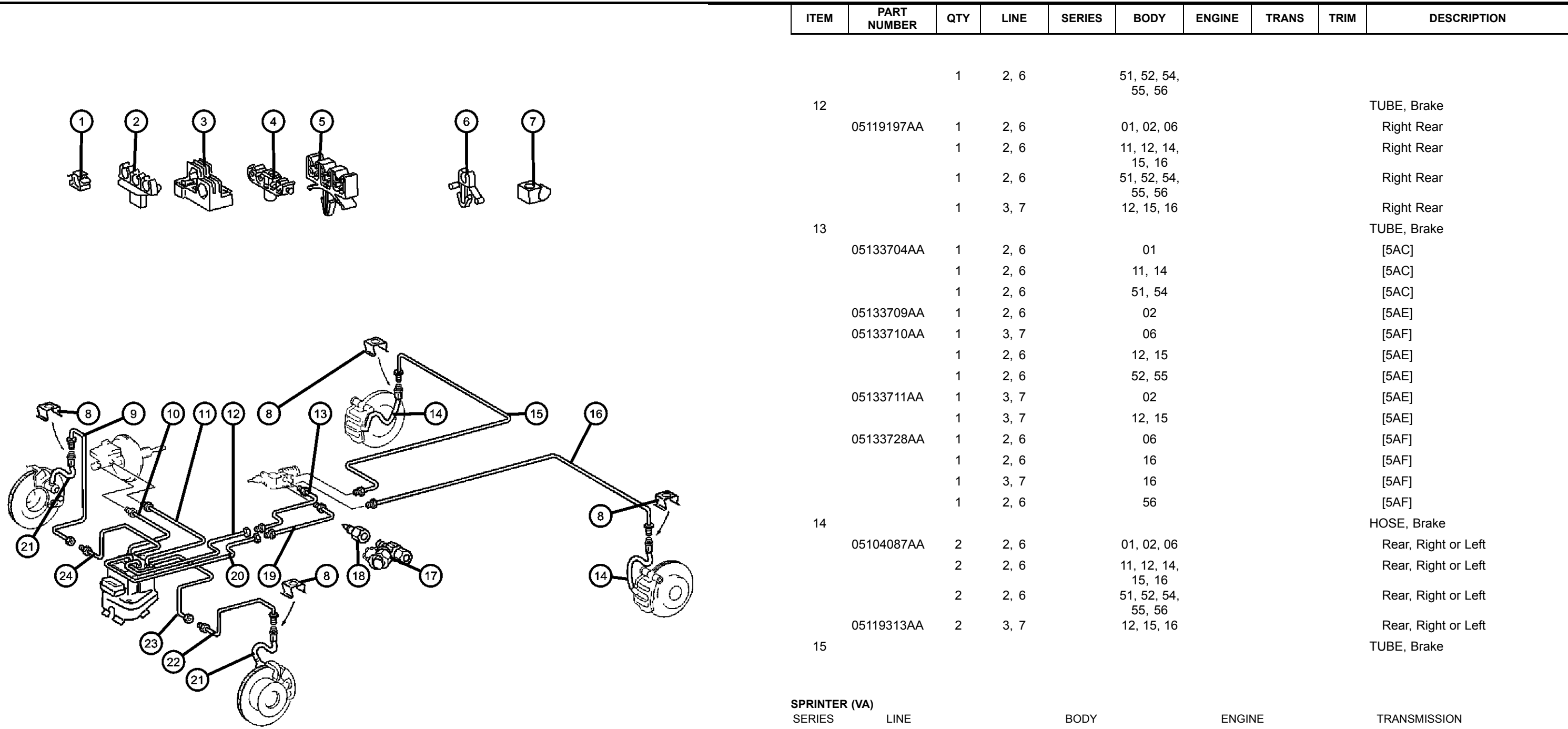
EX8 = Engine-2.7L I5
 Mercedes Turbo Diesel

TRANSMISSION

DGJ = Transmission-5-Spd.
 Automatic,W5A580

AR = use ase required - = Non illustrated part

**Lines,Brake,With ABS,2500/3500 Series
Figure 5-510**

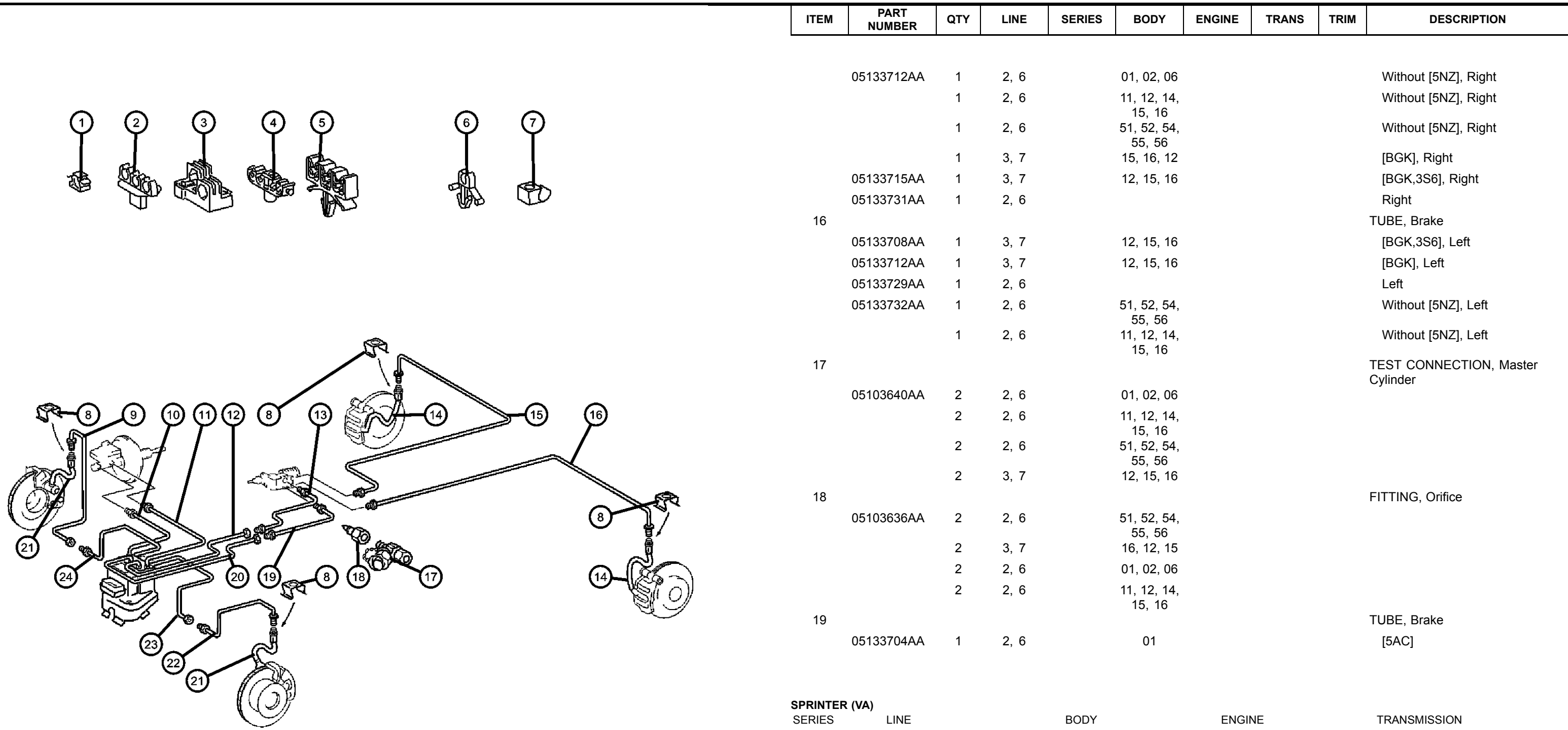


ITEM	PART NUMBER	QTY	LINE	SERIES	BODY	ENGINE	TRANS	TRIM	DESCRIPTION
		1	2, 6		51, 52, 54, 55, 56				
12	05119197AA	1	2, 6		01, 02, 06				TUBE, Brake Right Rear
		1	2, 6		11, 12, 14, 15, 16				Right Rear
		1	2, 6		51, 52, 54, 55, 56				Right Rear
		1	3, 7		12, 15, 16				Right Rear
13	05133704AA	1	2, 6		01				TUBE, Brake [5AC]
		1	2, 6		11, 14				[5AC]
		1	2, 6		51, 54				[5AC]
	05133709AA	1	2, 6		02				[5AE]
	05133710AA	1	3, 7		06				[5AF]
		1	2, 6		12, 15				[5AE]
		1	2, 6		52, 55				[5AE]
	05133711AA	1	3, 7		02				[5AE]
		1	3, 7		12, 15				[5AE]
	05133728AA	1	2, 6		06				[5AF]
		1	2, 6		16				[5AF]
		1	3, 7		16				[5AF]
		1	2, 6		56				[5AF]
14	05104087AA	2	2, 6		01, 02, 06				HOSE, Brake Rear, Right or Left
		2	2, 6		11, 12, 14, 15, 16				Rear, Right or Left
		2	2, 6		51, 52, 54, 55, 56				Rear, Right or Left
	05119313AA	2	3, 7		12, 15, 16				Rear, Right or Left
15									TUBE, Brake

SPRINTER (VA)
 SERIES LINE BODY ENGINE TRANSMISSION
 L = LOWLINE 3 = HD DODGE 2WD 55 = Wagon 140" EX8 = Engine-2.7L I5 DGJ = Transmission-5-Spd.
 6 = Lt. Duty DODGE 4WD 54 = Wagon 118" Mercedes Turbo Diesel Automatic,W5A580
 2 = Med. Duty DODGE 2WD 52 = Wagon 140"
 7 = Med. Duty DODGE 4WD 51 = Wagon 118"
 12 = Van 140"
 11 = Van 118"
 06 = Front Section 158"
 14 = Van 118"
 15 = Van 140"
 16 = Van 158"
 56 = Wagon 158"
 01 = Chassis Forward Control
 118"
 02 = Chassis Forward Control
 140"

AR = use ase required - = Non illustrated part

Lines,Brake,With ABS,2500/3500 Series
Figure 5-510



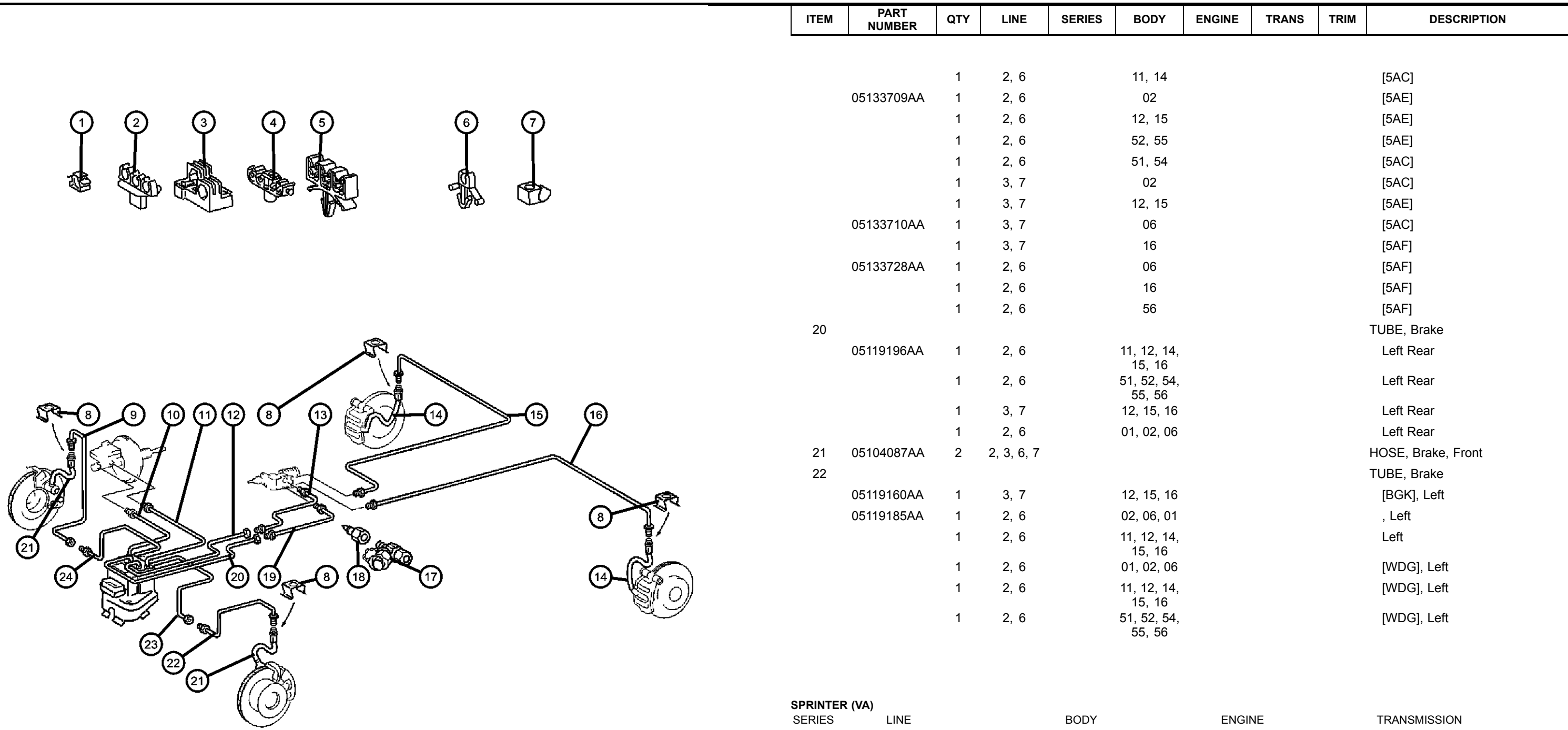
ITEM	PART NUMBER	QTY	LINE	SERIES	BODY	ENGINE	TRANS	TRIM	DESCRIPTION
	05133712AA	1	2, 6		01, 02, 06				Without [5NZ], Right
		1	2, 6		11, 12, 14, 15, 16				Without [5NZ], Right
		1	2, 6		51, 52, 54, 55, 56				Without [5NZ], Right
		1	3, 7		15, 16, 12				[BGK], Right
	05133715AA	1	3, 7		12, 15, 16				[BGK,3S6], Right
	05133731AA	1	2, 6						Right
16									TUBE, Brake
	05133708AA	1	3, 7		12, 15, 16				[BGK,3S6], Left
	05133712AA	1	3, 7		12, 15, 16				[BGK], Left
	05133729AA	1	2, 6						Left
	05133732AA	1	2, 6		51, 52, 54, 55, 56				Without [5NZ], Left
		1	2, 6		11, 12, 14, 15, 16				Without [5NZ], Left
17									TEST CONNECTION, Master Cylinder
	05103640AA	2	2, 6		01, 02, 06				
		2	2, 6		11, 12, 14, 15, 16				
		2	2, 6		51, 52, 54, 55, 56				
		2	3, 7		12, 15, 16				
18									FITTING, Orifice
	05103636AA	2	2, 6		51, 52, 54, 55, 56				
		2	3, 7		16, 12, 15				
		2	2, 6		01, 02, 06				
		2	2, 6		11, 12, 14, 15, 16				
19									TUBE, Brake
	05133704AA	1	2, 6		01				[5AC]

SPRINTER (VA)

SERIES	LINE	BODY	ENGINE	TRANSMISSION
L = LOWLINE	3 = HD DODGE 2WD 6 = Lt. Duty DODGE 4WD 2 = Med. Duty DODGE 2WD 7 = Med. Duty DODGE 4WD	55 = Wagon 140" 54 = Wagon 118" 52 = Wagon 140" 51 = Wagon 118" 12 = Van 140" 11 = Van 118" 06 = Front Section 158" 14 = Van 118" 15 = Van 140" 16 = Van 158" 56 = Wagon 158"	EX8 = Engine-2.7L I5 Mercedes Turbo Diesel	DGJ = Transmission-5-Spd. Automatic,W5A580
		01 = Chassis Forward Control 118" 02 = Chassis Forward Control 140"		

AR = use ase required - = Non illustrated part

Lines,Brake,With ABS,2500/3500 Series
Figure 5-510



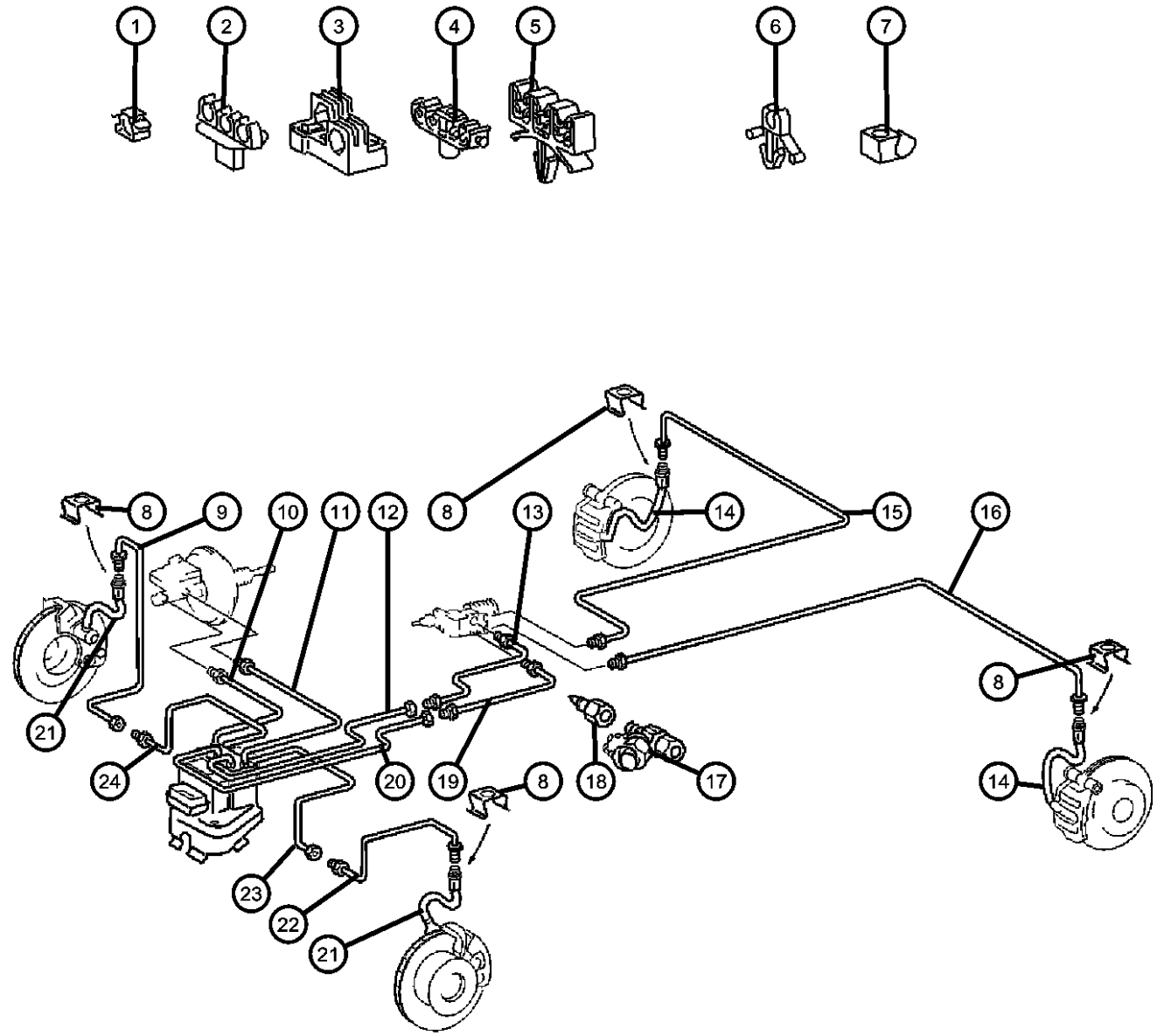
ITEM	PART NUMBER	QTY	LINE	SERIES	BODY	ENGINE	TRANS	TRIM	DESCRIPTION
		1	2, 6		11, 14				[5AC]
	05133709AA	1	2, 6		02				[5AE]
		1	2, 6		12, 15				[5AE]
		1	2, 6		52, 55				[5AE]
		1	2, 6		51, 54				[5AC]
		1	3, 7		02				[5AC]
		1	3, 7		12, 15				[5AE]
	05133710AA	1	3, 7		06				[5AC]
		1	3, 7		16				[5AF]
	05133728AA	1	2, 6		06				[5AF]
		1	2, 6		16				[5AF]
		1	2, 6		56				[5AF]
20									TUBE, Brake
	05119196AA	1	2, 6		11, 12, 14, 15, 16				Left Rear
		1	2, 6		51, 52, 54, 55, 56				Left Rear
		1	3, 7		12, 15, 16				Left Rear
		1	2, 6		01, 02, 06				Left Rear
21	05104087AA	2	2, 3, 6, 7						HOSE, Brake, Front
22									TUBE, Brake
	05119160AA	1	3, 7		12, 15, 16				[BGK], Left
	05119185AA	1	2, 6		02, 06, 01				, Left
		1	2, 6		11, 12, 14, 15, 16				Left
		1	2, 6		01, 02, 06				[WDG], Left
		1	2, 6		11, 12, 14, 15, 16				[WDG], Left
		1	2, 6		51, 52, 54, 55, 56				[WDG], Left

SPRINTER (VA)
 SERIES LINE BODY ENGINE TRANSMISSION
 L = LOWLINE 3 = HD DODGE 2WD 55 = Wagon 140" EX8 = Engine-2.7L I5 DGJ = Transmission-5-Spd.
 6 = Lt. Duty DODGE 4WD 54 = Wagon 118" Mercedes Turbo Diesel Automatic,W5A580
 2 = Med. Duty DODGE 2WD 52 = Wagon 140"
 7 = Med. Duty DODGE 4WD 51 = Wagon 118"
 12 = Van 140"
 11 = Van 118"
 06 = Front Section 158"
 14 = Van 118"
 15 = Van 140"
 16 = Van 158"
 56 = Wagon 158"
 01 = Chassis Forward Control
 118"
 02 = Chassis Forward Control
 140"

AR = use ase required - = Non illustrated part

**Lines,Brake,With ABS,2500/3500 Series
Figure 5-510**

ITEM	PART NUMBER	QTY	LINE	SERIES	BODY	ENGINE	TRANS	TRIM	DESCRIPTION
------	-------------	-----	------	--------	------	--------	-------	------	-------------

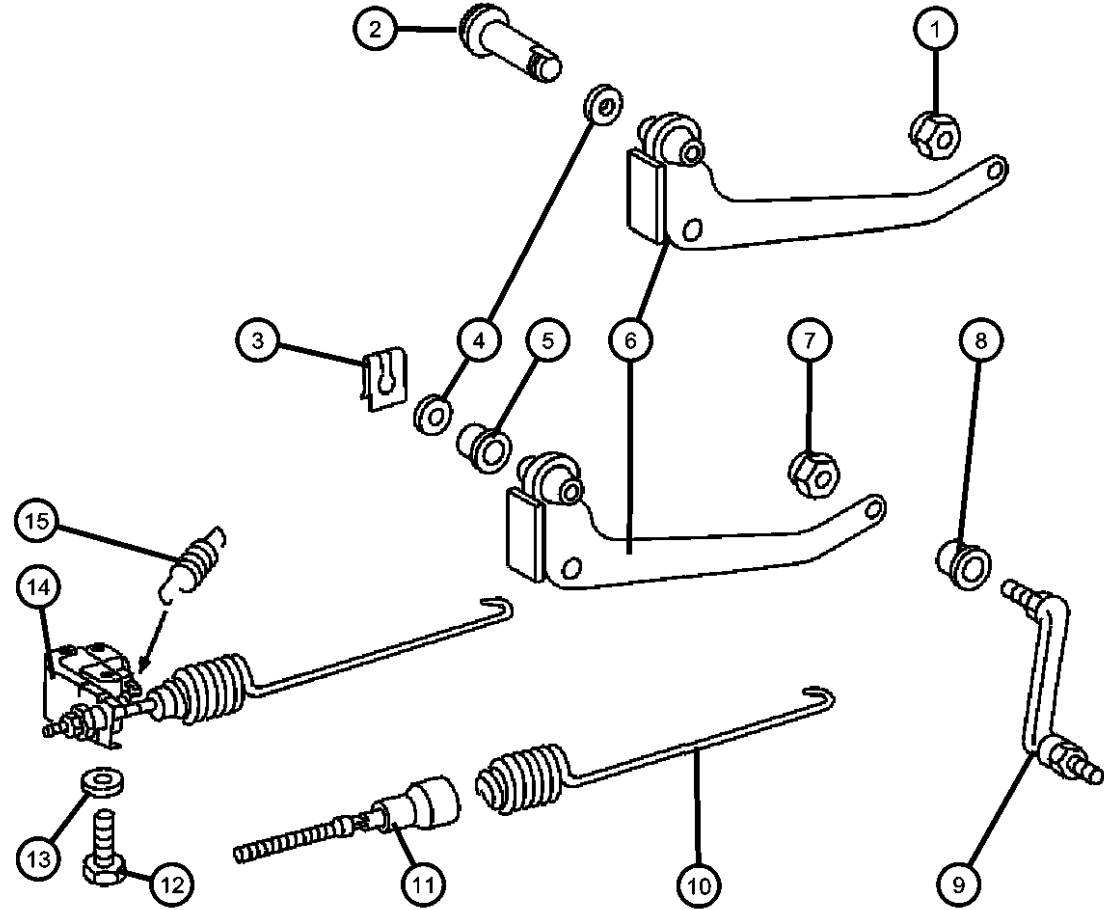


		1	2, 6		51, 52, 54, 55, 56				Left
23	05133706AA	1	2, 6		51, 52, 54, 55, 56				TUBE, Brake Left
		1	3, 7		12, 15, 16				Left
		1	2, 6		01, 02, 06				Left
		1	2, 6		11, 12, 14, 15, 16				Left
24	05133708AA	1	2, 6		01, 02, 06				TUBE, Brake Right
		1	2, 6		11, 12, 14, 15, 16				Right
		1	3, 7		12, 15, 16				Right
		1	2, 6		51, 52, 54, 55, 56				Right
-25	05098485AA	1	3, 7		12, 15, 16				UNION, Brake Line Repair
		1	2, 6		01, 02, 06				
		1	2, 6		11, 12, 14, 15, 16				
		1	2, 6		51, 52, 54, 55, 56				

SPRINTER (VA)				
SERIES	LINE	BODY	ENGINE	TRANSMISSION
L = LOWLINE	3 = HD DODGE 2WD 6 = Lt. Duty DODGE 4WD 2 = Med. Duty DODGE 2WD 7 = Med. Duty DODGE 4WD	55 = Wagon 140" 54 = Wagon 118" 52 = Wagon 140" 51 = Wagon 118" 12 = Van 140" 11 = Van 118" 06 = Front Section 158" 14 = Van 118" 15 = Van 140" 16 = Van 158" 56 = Wagon 158"	EX8 = Engine-2.7L I5 Mercedes Turbo Diesel	DGJ = Transmission-5-Spd. Automatic,W5A580
		01 = Chassis Forward Control 118" 02 = Chassis Forward Control 140"		

AR = use ase required - = Non illustrated part

**Brake, Power Regulator
Figure 5-520**



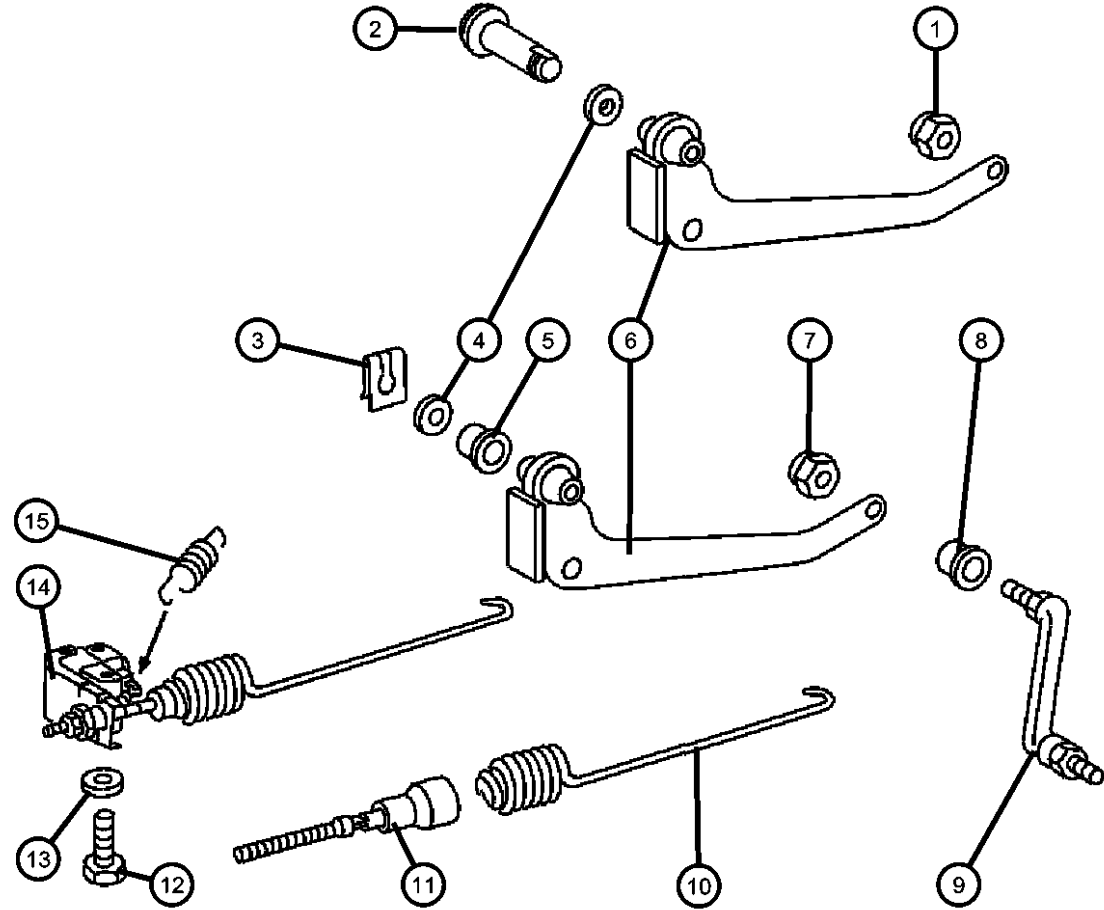
ITEM	PART NUMBER	QTY	LINE	SERIES	BODY	ENGINE	TRANS	TRIM	DESCRIPTION
Note: Sales Codes [BGK]= 4-WHEEL ANTI-LOCK [5AF]=158" WHEELBASE									
1	05097684AA	2	2, 3, 6, 7						NUT
2	05119385AA	1	3, 7		12, 15, 16				PIN
3									CLIP, Retaining
	05126244AA	1	2, 6		01, 02, 06				
		1	2, 6		11, 12, 14, 15, 16				
		1	2, 6		51, 52, 54, 55, 56				
		1	3, 7		12, 15, 16				
4									WASHER
	05133725AA	1	2, 6		01, 02, 06				
		1	2, 6		11, 12, 14, 15, 16				
		1	2, 6		51, 52, 54, 55, 56				
		1	3, 7		12, 15, 16				
5									BUSHING, Pedal Shaft
	05096550AA	2	2, 6		01, 02, 06				
		2	2, 6		11, 12, 14, 15, 16				
		2	2, 6		51, 52, 54, 55, 56				
		2	3, 7		12, 15, 16				
6									LEVER, Load Sensing
	05119337AA	1	2, 6		01, 02, 06				
		1	2, 6		11, 12, 14, 15, 16				
		1	2, 6		51, 52, 54, 55, 56				
	05119339AA	1	3, 7		12, 15, 16				
7									NUT, Hex

SPRINTER (VA)

SERIES	LINE	BODY	ENGINE	TRANSMISSION
L = LOWLINE	3 = HD DODGE 2WD 6 = Lt. Duty DODGE 4WD 2 = Med. Duty DODGE 2WD 7 = Med. Duty DODGE 4WD	55 = Wagon 140" 54 = Wagon 118" 52 = Wagon 140" 51 = Wagon 118" 12 = Van 140" 11 = Van 118" 06 = Front Section 158" 14 = Van 118" 15 = Van 140" 16 = Van 158" 56 = Wagon 158"	EX8 = Engine-2.7L I5 Mercedes Turbo Diesel	DGJ = Transmission-5-Spd. Automatic,W5A580
		01 = Chassis Forward Control 118" 02 = Chassis Forward Control 140"		

AR = use ase required - = Non illustrated part

Brake, Power Regulator
Figure 5-520



ITEM	PART NUMBER	QTY	LINE	SERIES	BODY	ENGINE	TRANS	TRIM	DESCRIPTION
	05097685AA	2	2, 6		01, 02, 06				
		2	2, 6		11, 12, 14, 15, 16				
		2	2, 6		51, 52, 54, 55, 56				
8		2	3, 7		12, 15, 16				BUSHING
	05118723AA	2	2, 6		01, 02, 06				
		2	2, 6		11, 12, 14, 15, 16				
		2	2, 6		51, 52, 54, 55, 56				
9		2	3, 7		12, 15, 16				LINK, Load Sensing
	05103920AA	1	2, 6		01, 02, 06				
		1	2, 6		11, 12, 14, 15, 16				
		1	2, 6		51, 52, 54, 55, 56				
10		1	3, 7		12, 15, 16				SPRING, Load Sensing Lever
	05133722AA	1	2, 6		01, 02, 06				
		1	2, 6		11, 12, 14, 15, 16				
		1	3, 7		12, 15, 16				
11		1	2, 6		01, 02, 06				SCREW, Load Sensing Adjustment
	05133723AA	1	2, 6		01, 02, 06				
		1	2, 6		11, 12, 14, 15, 16				
		1	2, 6		51, 52, 54, 55, 56				
12		1	3, 7		12, 15, 16				BOLT, M8

SPRINTER (VA)

SERIES

L = LOWLINE

LINE

3 = HD DODGE 2WD
6 = Lt. Duty DODGE 4WD
2 = Med. Duty DODGE 2WD
7 = Med. Duty DODGE 4WD

BODY

55 = Wagon 140"
54 = Wagon 118"
52 = Wagon 140"
51 = Wagon 118"
12 = Van 140"
11 = Van 118"
06 = Front Section 158"
14 = Van 118"
15 = Van 140"
16 = Van 158"
56 = Wagon 158"
01 = Chassis Forward Control 118"
02 = Chassis Forward Control 140"

ENGINE

EX8 = Engine-2.7L I5
Mercedes Turbo Diesel

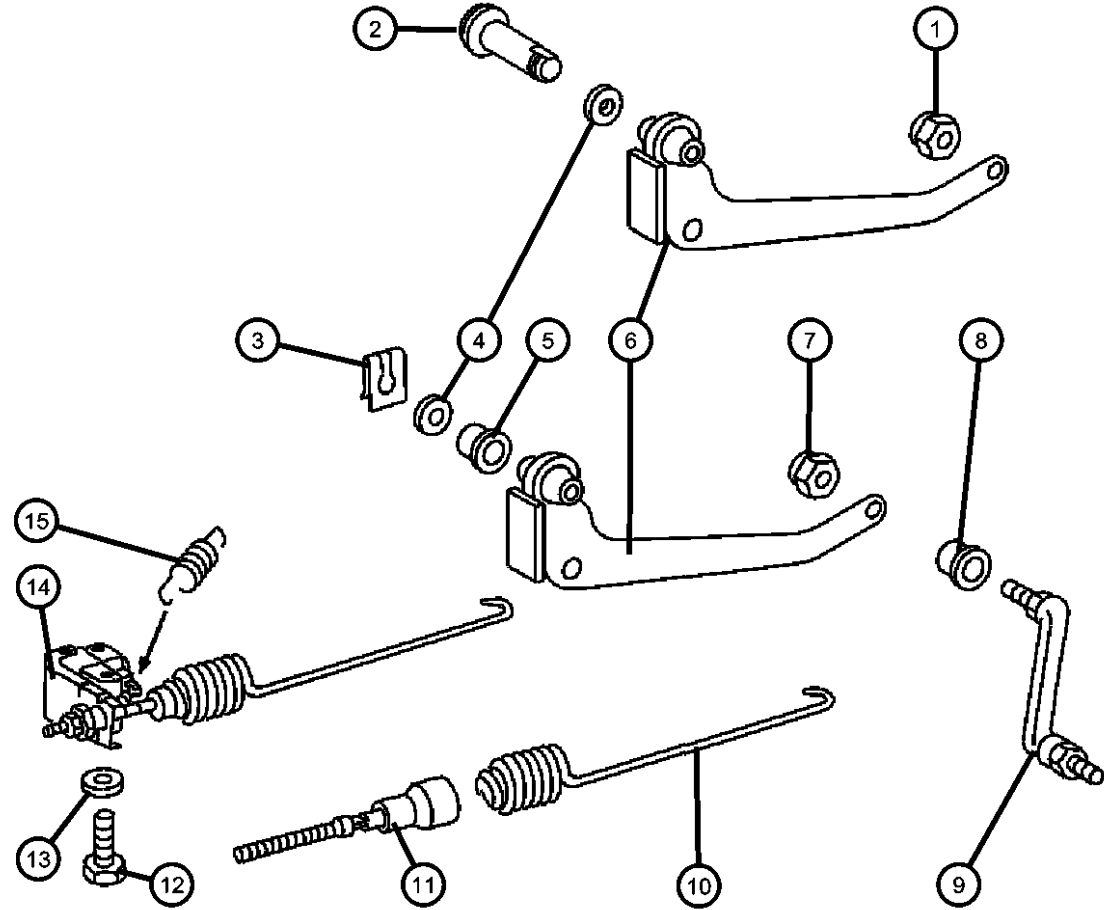
TRANSMISSION

DGJ = Transmission-5-Spd. Automatic, W5A580

AR = use ase required - = Non illustrated part

2004 VA

**Brake, Power Regulator
Figure 5-520**



ITEM	PART NUMBER	QTY	LINE	SERIES	BODY	ENGINE	TRANS	TRIM	DESCRIPTION
	05133724AA	2	2, 6		01, 02, 06				Without [5NZ]
		2	2, 6		11, 12, 14, 15, 16				Without [5NZ]
		2	2, 6		51, 52, 54, 55, 56				Without [5NZ]
13		2	3, 7		12, 15, 16				WASHER
	05104613AA	1	2, 6		01, 02, 06				
		1	2, 6		11, 12, 14, 15, 16				
		1	2, 6		51, 52, 54, 55, 56				
14		1	3, 7		12, 15, 16				VALVE, Load sensing
	05103824AA	1	2, 6		01, 02, 06				Without [5NZ]
		1	2, 6		11, 12, 14, 15, 16				Without [5NZ]
		1	2, 6		51, 52, 54, 55, 56				Without [5NZ]
15		1	3, 7		12, 15, 16				[BGK] SPRING, Load Sensing Valve
	05133720AA	1	2, 6		01, 02, 06				
		1	2, 6		11, 12, 14, 15, 16				
		1	2, 6		51, 52, 54, 55, 56				
		1	3, 7		12, 15, 16				

SPRINTER (VA)

SERIES

L = LOWLINE

LINE

3 = HD DODGE 2WD
6 = Lt. Duty DODGE 4WD
2 = Med. Duty DODGE 2WD
7 = Med. Duty DODGE 4WD

BODY

55 = Wagon 140"
54 = Wagon 118"
52 = Wagon 140"
51 = Wagon 118"
12 = Van 140"
11 = Van 118"
06 = Front Section 158"
14 = Van 118"
15 = Van 140"
16 = Van 158"
56 = Wagon 158"
01 = Chassis Forward Control 118"
02 = Chassis Forward Control 140"

ENGINE

EX8 = Engine-2.7L I5
Mercedes Turbo Diesel

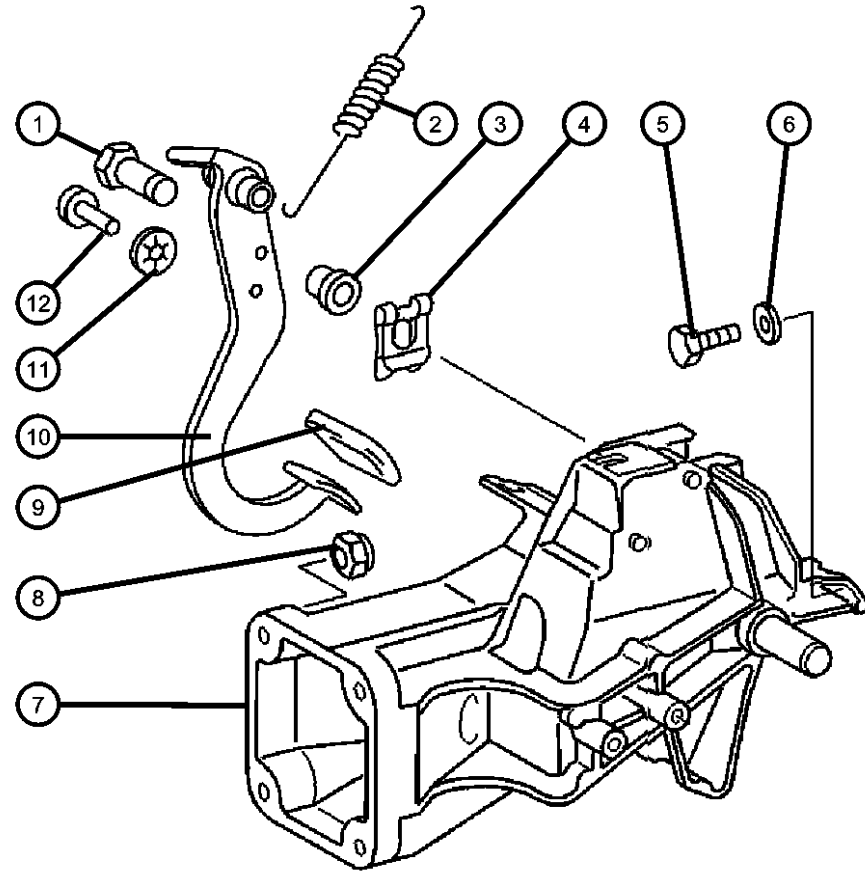
TRANSMISSION

DGJ = Transmission-5-Spd. Automatic, W5A580

AR = use ase required - = Non illustrated part

2004 VA

**Pedal Brake
Figure 5-610**



ITEM	PART NUMBER	QTY	LINE	SERIES	BODY	ENGINE	TRANS	TRIM	DESCRIPTION
1									PIN, Brake Pedal Pivot Shaft
	05117903AA	1	2, 6		01, 02, 06				
	05117911AA	1	2, 6		11, 12, 14, 15, 16				
		1	2, 6		51, 52, 54, 55, 56				
		1	3, 7		12, 15, 16				
2									SPRING, Brake Pedal Return
	05125847AA	1	2, 6		01, 02, 06				
		1	2, 6		11, 12, 14, 15, 16				
		1	2, 6		51, 52, 54, 55, 56				
		1	3, 7		12, 15, 16				
3									BUSHING, Pedal Shaft
	05096550AA	2	2, 6		01, 02, 06				
		2	2, 6		11, 12, 14, 15, 16				
		2	3, 7		12, 15, 16				
		2	2, 6		51, 52, 54, 55, 56				
4									RETAINER
	05125872AA	1	2, 6		01, 02, 06				
		1	2, 6		51, 52, 54, 55, 56				
		1	2, 6		11, 12, 14, 15, 16				
		1	3, 7		12, 15, 16				
5									BOLT
	05126231AA	1	2, 6		51, 52, 54, 55, 56				Bracket to Fire Wall, Mounting
		1	2, 6		01, 02, 06				Bracket to Fire Wall, Mounting
		1	2, 6		11, 12, 14, 15, 16				Bracket to Fire Wall, Mounting

SPRINTER (VA)

SERIES

L = LOWLINE

LINE

3 = HD DODGE 2WD
6 = Lt. Duty DODGE 4WD
2 = Med. Duty DODGE 2WD
7 = Med. Duty DODGE 4WD

BODY

55 = Wagon 140"
54 = Wagon 118"
52 = Wagon 140"
51 = Wagon 118"
12 = Van 140"
11 = Van 118"
06 = Front Section 158"
14 = Van 118"
15 = Van 140"
16 = Van 158"
56 = Wagon 158"
01 = Chassis Forward Control
118"
02 = Chassis Forward Control
140"

ENGINE

EX8 = Engine-2.7L I5
Mercedes Turbo Diesel

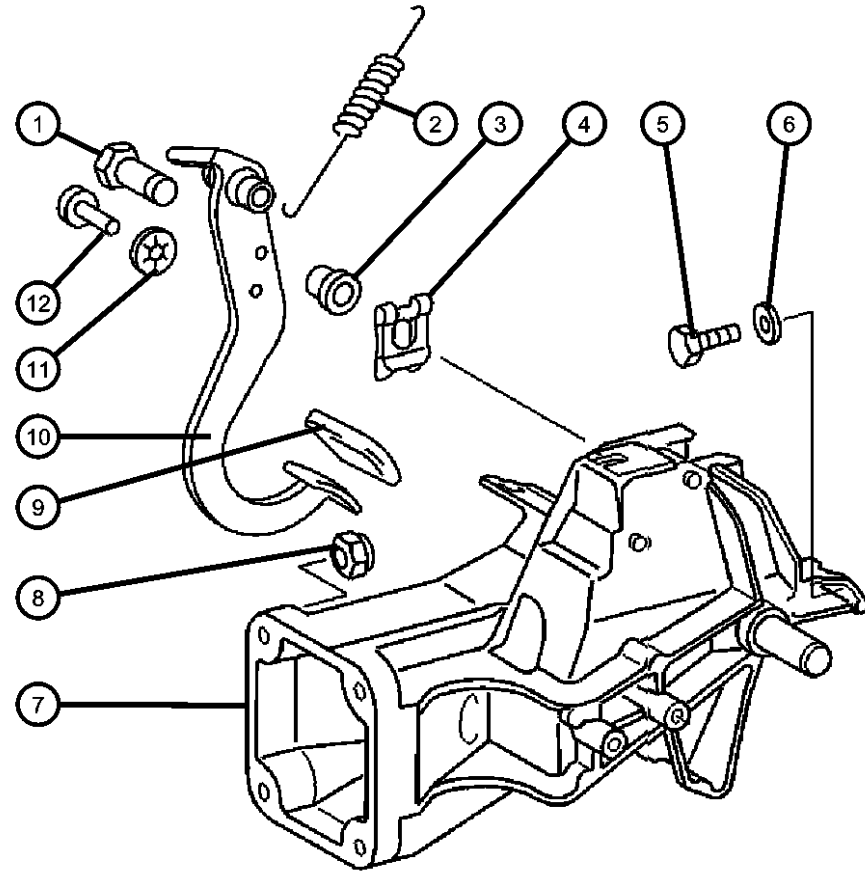
TRANSMISSION

DGJ = Transmission-5-Spd.
Automatic,W5A580

AR = use ase required - = Non illustrated part

2004 VA

**Pedal Brake
Figure 5-610**



ITEM	PART NUMBER	QTY	LINE	SERIES	BODY	ENGINE	TRANS	TRIM	DESCRIPTION
6		1	3, 7		12, 15, 16				Bracket to Fire Wall, Mounting WASHER, Flat
	05098108AA	1	2, 6		01, 02, 06				Bracket to Fire Wall, Mounting
		1	2, 6		11, 12, 14, 15, 16				Bracket to Fire Wall, Mounting
		1	2, 6		51, 52, 54, 55, 56				Bracket to Fire Wall, Mounting
7		1	3, 7		12, 15, 16				Bracket to Fire Wall, Mounting
	05128211AA	1	2, 6		01, 02, 06				BRACKET, Brake Pedal
		1	2, 6		11, 12, 14, 15, 16				
		1	2, 6		51, 52, 54, 55, 56				
8		1	3, 7		12, 15, 16				NUT
	06104716AA	4	2, 6		01, 02, 06				
		4	2, 6		11, 12, 14, 15, 16				
		4	2, 6		51, 52, 54, 55, 56				
9		4	3, 7		12, 15, 16				
	05104017AA	1	2, 6		01, 02, 06				PAD, Pedal Brake
	05117904AA	1	3, 7		12, 15, 16				Without [DGJ], Brake
		1	2, 6		11, 12, 14, 15, 16				Without [DGJ], Brake
10		1	2, 6		51, 52, 54, 55, 56				Without [DGJ], Brake
	05104045AA	1	2, 6		01, 02, 06				PEDAL, Brake
		1	2, 6		11, 12, 14, 15, 16				

SPRINTER (VA)

SERIES

L = LOWLINE

LINE

3 = HD DODGE 2WD
6 = Lt. Duty DODGE 4WD
2 = Med. Duty DODGE 2WD
7 = Med. Duty DODGE 4WD

BODY

55 = Wagon 140"
54 = Wagon 118"
52 = Wagon 140"
51 = Wagon 118"
12 = Van 140"
11 = Van 118"
06 = Front Section 158"
14 = Van 118"
15 = Van 140"
16 = Van 158"
56 = Wagon 158"
01 = Chassis Forward Control
118"
02 = Chassis Forward Control
140"

ENGINE

EX8 = Engine-2.7L I5
Mercedes Turbo Diesel

TRANSMISSION

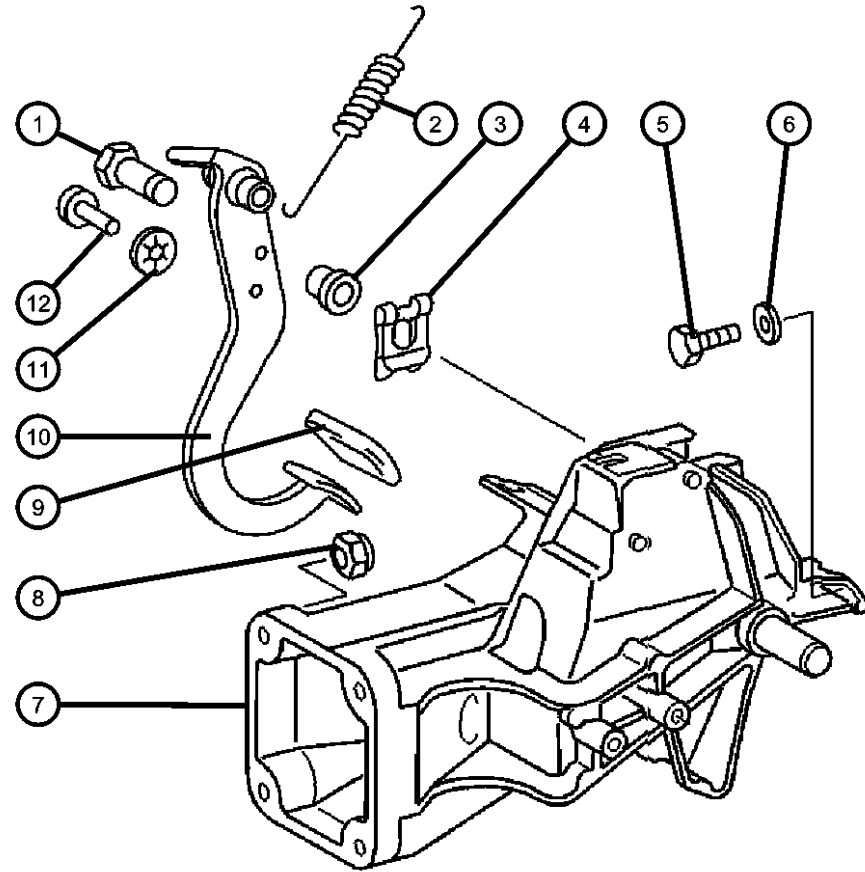
DGJ = Transmission-5-Spd.
Automatic,W5A580

AR = use ase required - = Non illustrated part

2004 VA

**Pedal Brake
Figure 5-610**

ITEM	PART NUMBER	QTY	LINE	SERIES	BODY	ENGINE	TRANS	TRIM	DESCRIPTION
------	-------------	-----	------	--------	------	--------	-------	------	-------------



		1	2, 6		51, 52, 54, 55, 56				
		1	3, 7		12, 15, 16				
11	05097670AA	1	2, 6		11, 12, 14, 15, 16				CLIP, Spring
		1	2, 6		01, 02, 06				
		1	3, 7		12, 15, 16				
		1	2, 6		51, 52, 54, 55, 56				
12	05117903AA	1	2, 6		51, 52, 54, 55, 56				PIN, Brake Pedal Pivot Shaft
		1	2, 6		01, 02, 06				
		1	2, 6		11, 12, 14, 15, 16				
		1	3, 7		12, 15, 16				

SPRINTER (VA)

SERIES	LINE	BODY	ENGINE	TRANSMISSION
L = LOWLINE	3 = HD DODGE 2WD 6 = Lt. Duty DODGE 4WD 2 = Med. Duty DODGE 2WD 7 = Med. Duty DODGE 4WD	55 = Wagon 140" 54 = Wagon 118" 52 = Wagon 140" 51 = Wagon 118" 12 = Van 140" 11 = Van 118" 06 = Front Section 158" 14 = Van 118" 15 = Van 140" 16 = Van 158" 56 = Wagon 158"	EX8 = Engine-2.7L I5 Mercedes Turbo Diesel	DGJ = Transmission-5-Spd. Automatic,W5A580
		01 = Chassis Forward Control 118" 02 = Chassis Forward Control 140"		

AR = use ase required - = Non illustrated part

Group - 7

Cooling

Group - 7 Cooling

Illustration Title

Group-Fig. No.

Radiator and Related Parts

Radiator And Related parts..... Fig. 7 - 110
 Charge Air Intercooler Fig. 7 - 120

Water Pump and Related Parts

Water Pump And Related Parts..... Fig. 7 - 210

Pulleys and Related Parts

Drive pulleys..... Fig. 7 - 410

Drive Belts

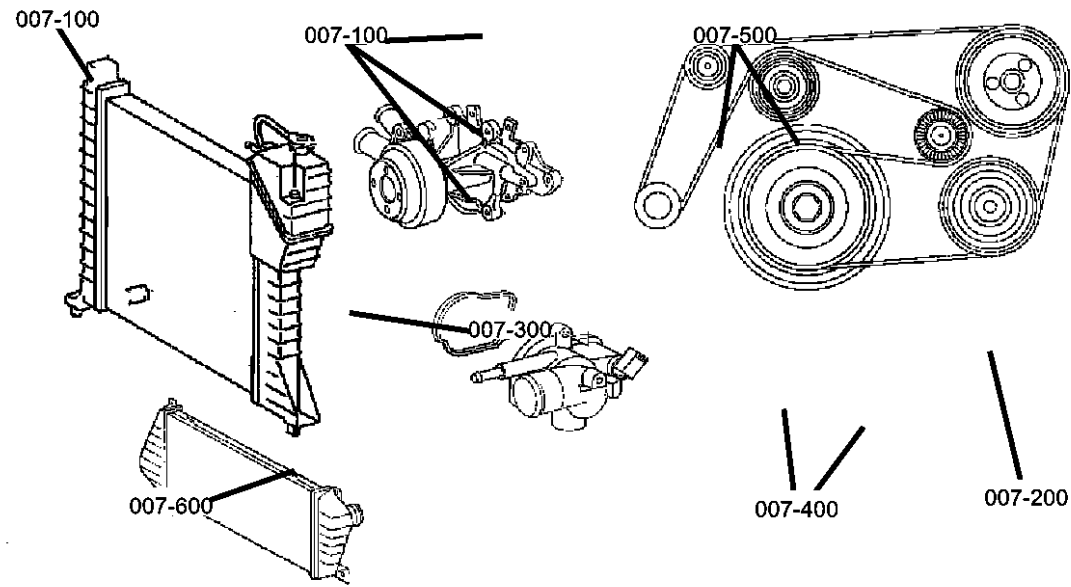
Drive Belts..... Fig. 7 - 510

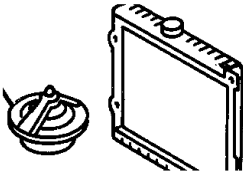
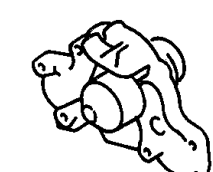
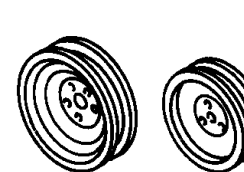
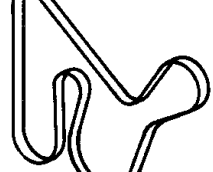
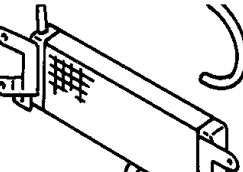
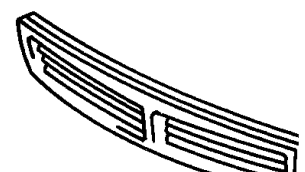
Lines, Transmission Oil Cooler

Oil Cooler Lines Fig. 7 - 610

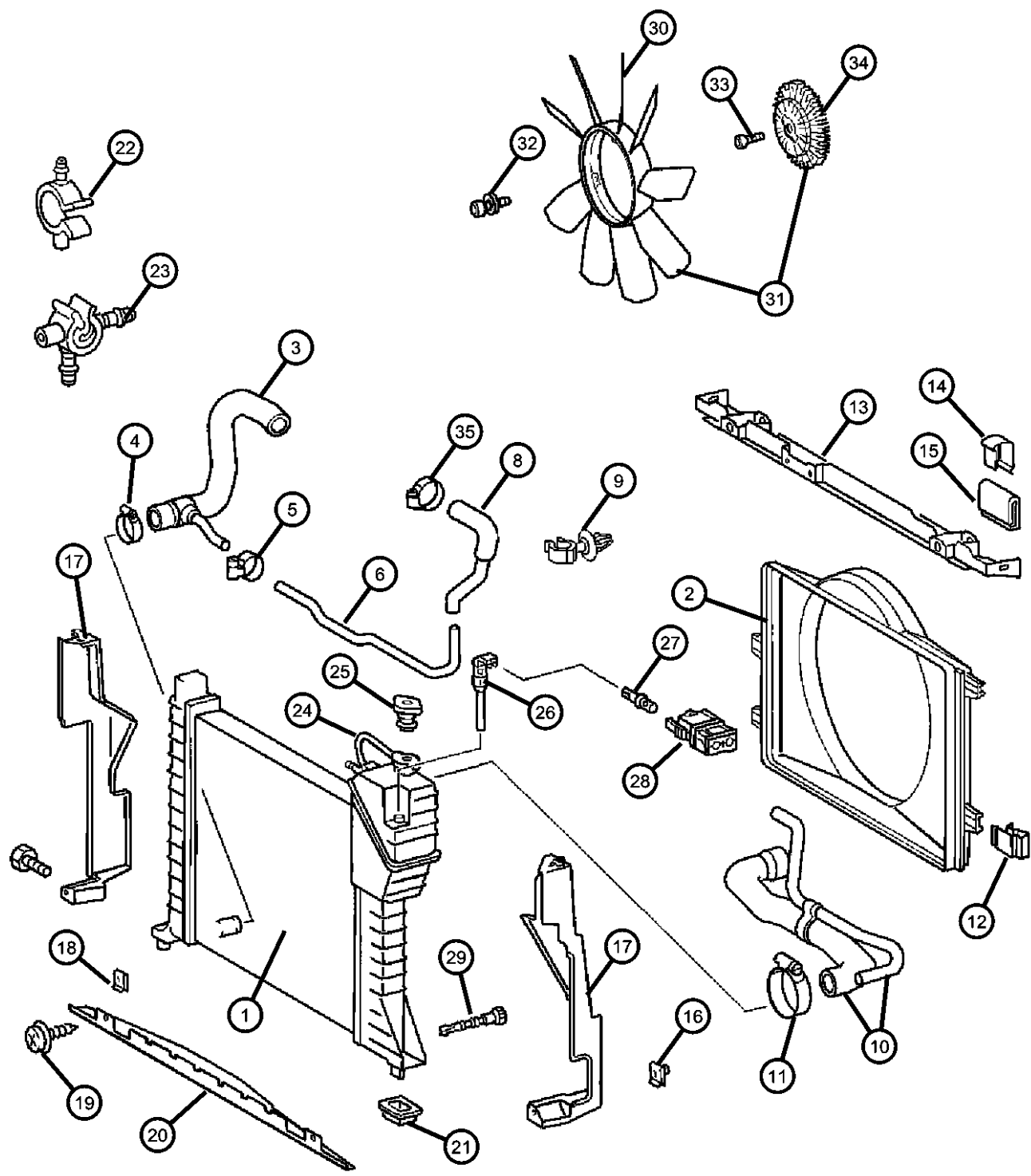
Grilles

Grille And Related Parts..... Fig. 7 - 710



<p>007-100 Radiator and Related Parts</p> 	<p>007-200 Water Pump and Related Parts</p> 	<p>007-400 Pulleys and Related Parts</p> 	<p>007-500 Drive Belts</p> 
<p>007-600 Lines, Transmission Oil Cooler</p> 	<p>007-700 Grilles</p> 		

Radiator And Related parts
Figure 7-110



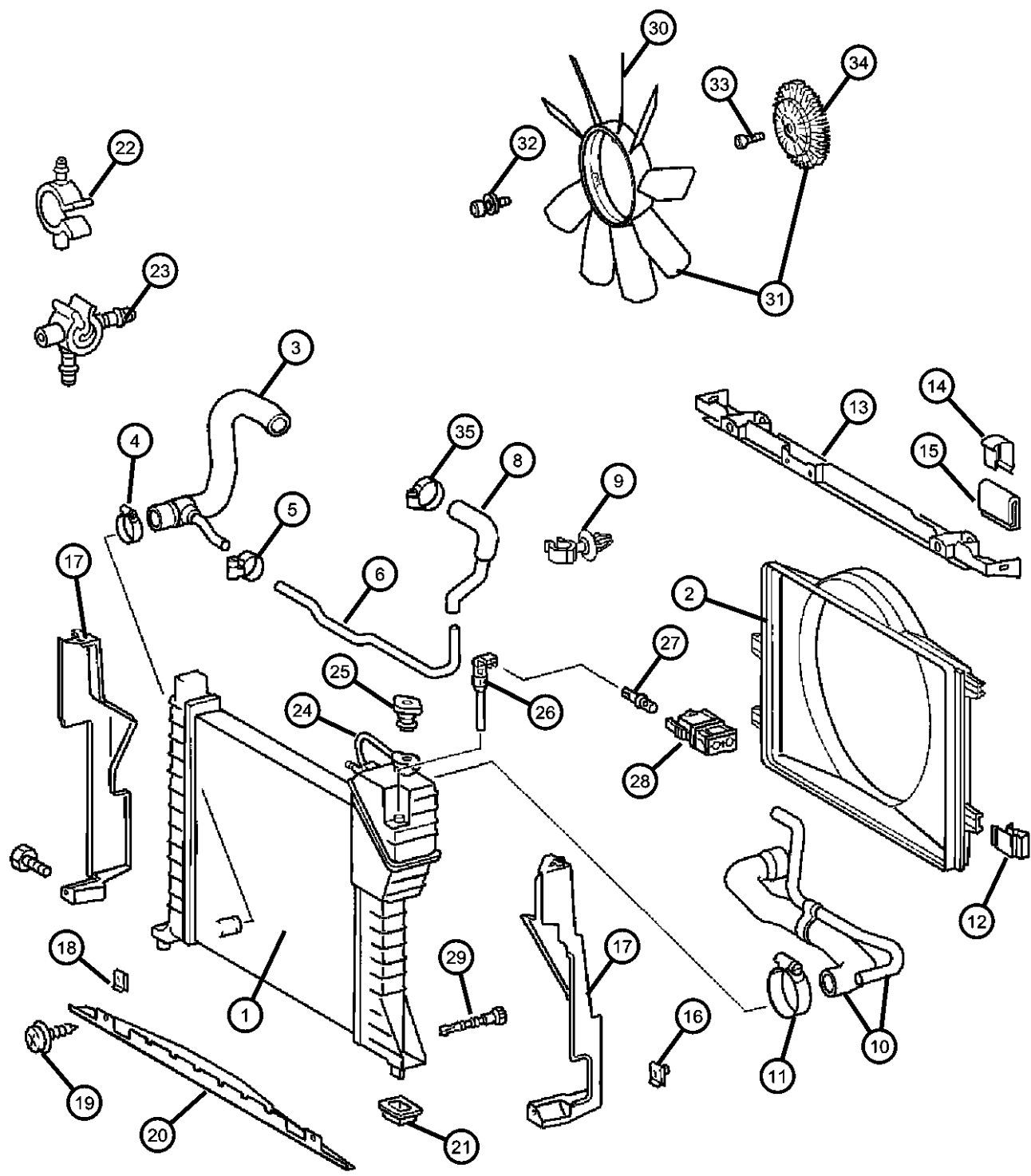
ITEM	PART NUMBER	QTY	LINE	SERIES	BODY	ENGINE	TRANS	TRIM	DESCRIPTION
1	05104117AA 05066386AA	1				EX8, EX9	DGJ		RADIATOR Mopar Coolant 5 Year/100,000 Mile Formula 1 Gallon
2	05104130AA	1	2, 6						SHROUD, Fan
3	05103581AA	1	3, 7						HOSE, Radiator Outlet
4	05103581AA	1	2, 6			EX8			CLAMP, Hose
4	06104785AA	1	3, 7			EX8			CLAMP, Hose
5	06104785AA	2	2, 6						CLAMP, HOSE CLAMP
5	06104779AA	3	2, 6						CLAMP, HOSE CLAMP
5	06104779AA	3	3, 7						CLAMP, HOSE CLAMP
6	05104118AA	1	2, 6						PIPE
-7	05135342AA	1	2, 6			EX8			HOSE, Coolant
-7	05135342AA	1	3, 7			EX8			HOSE, Coolant
8	05103580AA	1	2, 6						HOSE, Radiator
8	05103580AA	1	3, 7						HOSE, Radiator
9	05125879AA	4	2, 6						CLIP, Cable
9	05125879AA	4	3, 7						CLIP, Cable
10	05103582AA	1	2, 6						HOSE, Radiator Inlet
10	05103582AA	1	3, 7						HOSE, Radiator Inlet
11									CLAMP, Hose

SPRINTER (VA)

SERIES	LINE	BODY	ENGINE	TRANSMISSION
L = LOWLINE	3 = HD DODGE 2WD 6 = Lt. Duty DODGE 4WD 2 = Med. Duty DODGE 2WD 7 = Med. Duty DODGE 4WD	55 = Wagon 140" 54 = Wagon 118" 52 = Wagon 140" 51 = Wagon 118" 12 = Van 140" 11 = Van 118" 06 = Front Section 158" 14 = Van 118" 15 = Van 140" 16 = Van 158" 56 = Wagon 158"	EX8 = Engine-2.7L I5 Mercedes Turbo Diesel	DGJ = Transmission-5-Spd. Automatic, W5A580
		01 = Chassis Forward Control 118" 02 = Chassis Forward Control 140"		

AR = use ase required - = Non illustrated part

Radiator And Related parts
Figure 7-110



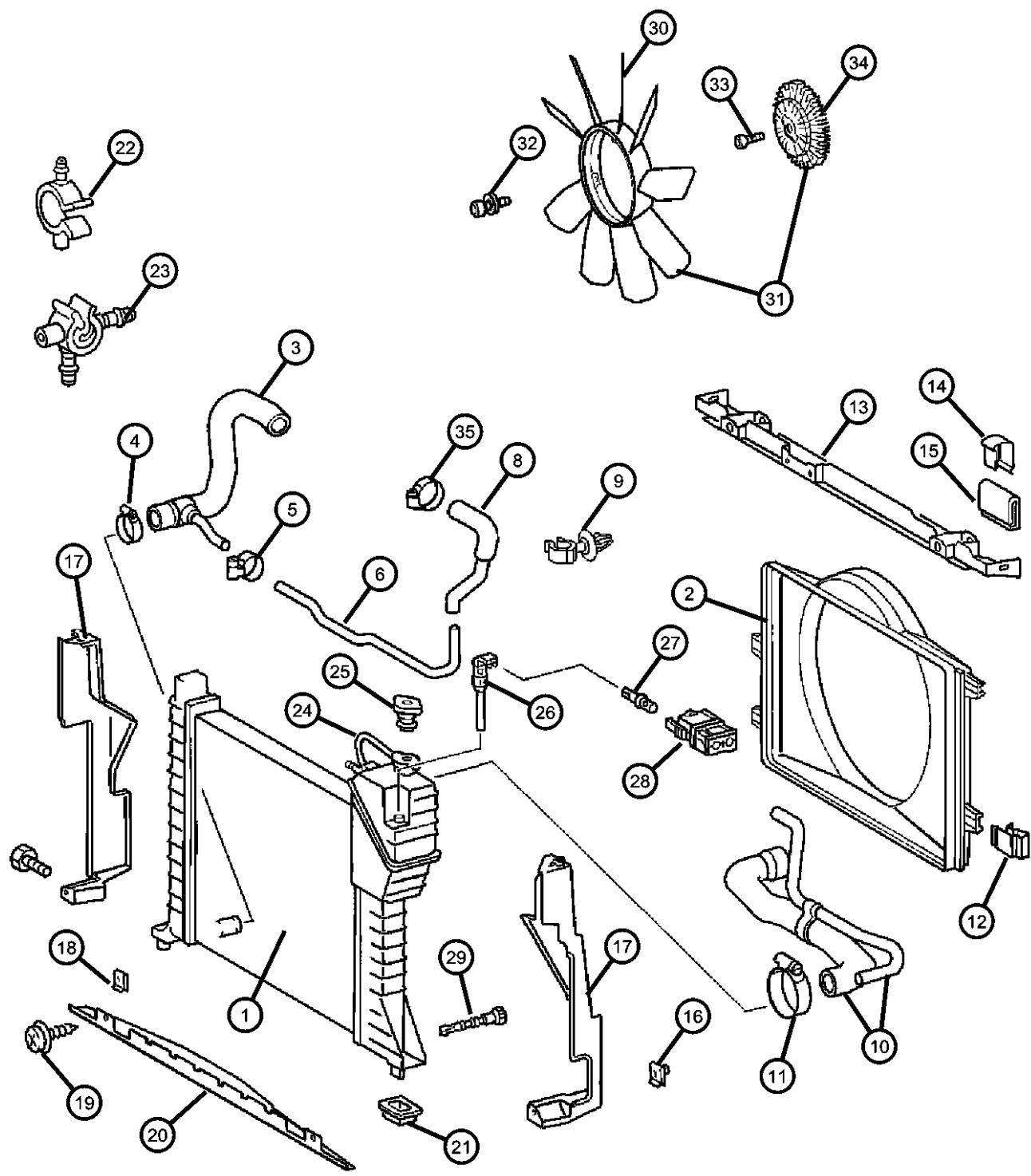
ITEM	PART NUMBER	QTY	LINE	SERIES	BODY	ENGINE	TRANS	TRIM	DESCRIPTION
	06104784AA	2	2, 6						
12	05099355AA	4	2, 6						CLIP, Fan Shroud
		2	3, 7						
	05104125AA	1	2, 6						COVER, Radiator
13		1	3, 7						
	05104122AA	2	2, 6						CLAMP, "RADIATOR MOUNTING, TOP ", SPRINTER
14		2	3, 7						
	05104123AA	2	2, 6						ISOLATOR, Radiator
15		2	3, 7						
	05103733AA	3	2, 6			DGJ			NUT RETAINER, NONE, SPRINTER
16		3	3, 7			DGJ			
	05104127AA	1	2, 6						SHIELD, Side, Radiator Cooling
17		1	3, 7						Left
	05104128AA	1	2, 6						Left
		1	3, 7						Right
18		1	3, 7						Right
	05133497AA	2	2, 6						CLIP
19		2	3, 7						
	06104574AA	2	6, 2						SCREW, Tapping

SPRINTER (VA)

SERIES	LINE	BODY	ENGINE	TRANSMISSION
L = LOWLINE	3 = HD DODGE 2WD 6 = Lt. Duty DODGE 4WD 2 = Med. Duty DODGE 2WD 7 = Med. Duty DODGE 4WD	55 = Wagon 140" 54 = Wagon 118" 52 = Wagon 140" 51 = Wagon 118" 12 = Van 140" 11 = Van 118" 06 = Front Section 158" 14 = Van 118" 15 = Van 140" 16 = Van 158" 56 = Wagon 158"	EX8 = Engine-2.7L I5 Mercedes Turbo Diesel	DGJ = Transmission-5-Spd. Automatic, W5A580
		01 = Chassis Forward Control 118" 02 = Chassis Forward Control 140"		

AR = use ase required - = Non illustrated part

Radiator And Related parts
Figure 7-110



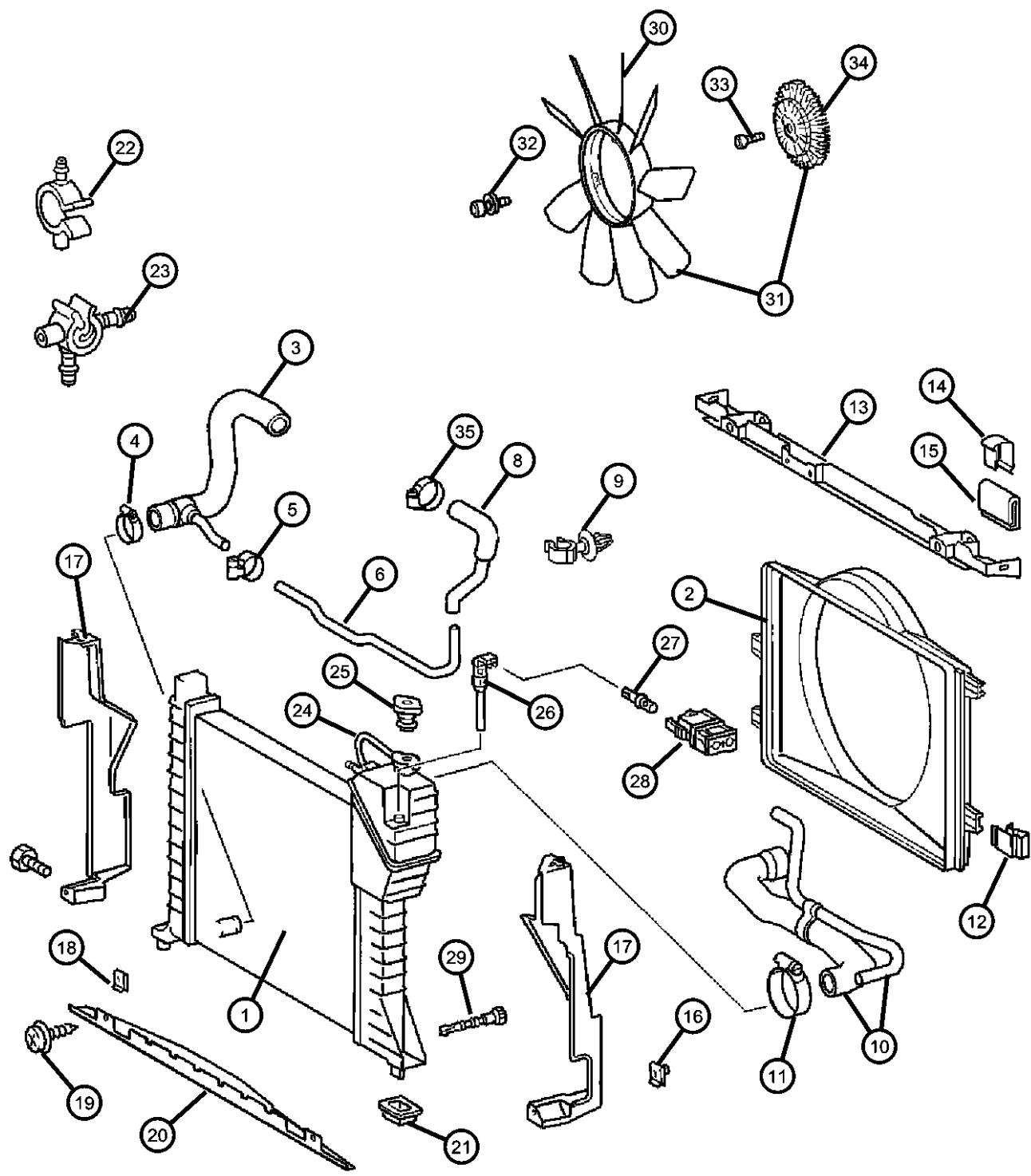
ITEM	PART NUMBER	QTY	LINE	SERIES	BODY	ENGINE	TRANS	TRIM	DESCRIPTION
20		2	3, 7						SHIELD, Radiator
	05104129AA	1	2, 6						
		1	3, 7						
21		2	2, 6						ISOLATOR, Radiator
	05104021AA	2	2, 6						
		2	3, 7						
22		2							CLIP, (NOT SERVICED)
23		2							CLIP, Retaining
	06104924AA	1	2, 6						
		1	3, 7						
24		900	2, 6						HOSE 5 Meters Long
	05133493AA	900	3, 7						5 Meters Long
25		1	2, 6						CAP, Radiator
	05103533AA	1	2, 6						
		1	3, 7						
26		1	2, 6						SENSOR, Coolant Level
	05120509AA	1	2, 6						
		1	3, 7						
27		1	2, 6						TERMINAL
	05120519AA	1	2, 6						
		2	3, 7						
28		1	2, 6						CONNECTOR
	05120691AA	1	2, 6						
		1	3, 7						
29		1	2, 6						DRAINCOCK, Radiator
	05098834AA	1	2, 6						

SPRINTER (VA)

SERIES	LINE	BODY	ENGINE	TRANSMISSION
L = LOWLINE	3 = HD DODGE 2WD 6 = Lt. Duty DODGE 4WD 2 = Med. Duty DODGE 2WD 7 = Med. Duty DODGE 4WD	55 = Wagon 140" 54 = Wagon 118" 52 = Wagon 140" 51 = Wagon 118" 12 = Van 140" 11 = Van 118" 06 = Front Section 158" 14 = Van 118" 15 = Van 140" 16 = Van 158" 56 = Wagon 158"	EX8 = Engine-2.7L I5 Mercedes Turbo Diesel	DGJ = Transmission-5-Spd. Automatic,W5A580
		01 = Chassis Forward Control 118" 02 = Chassis Forward Control 140"		

AR = use ase required - = Non illustrated part

Radiator And Related parts
Figure 7-110



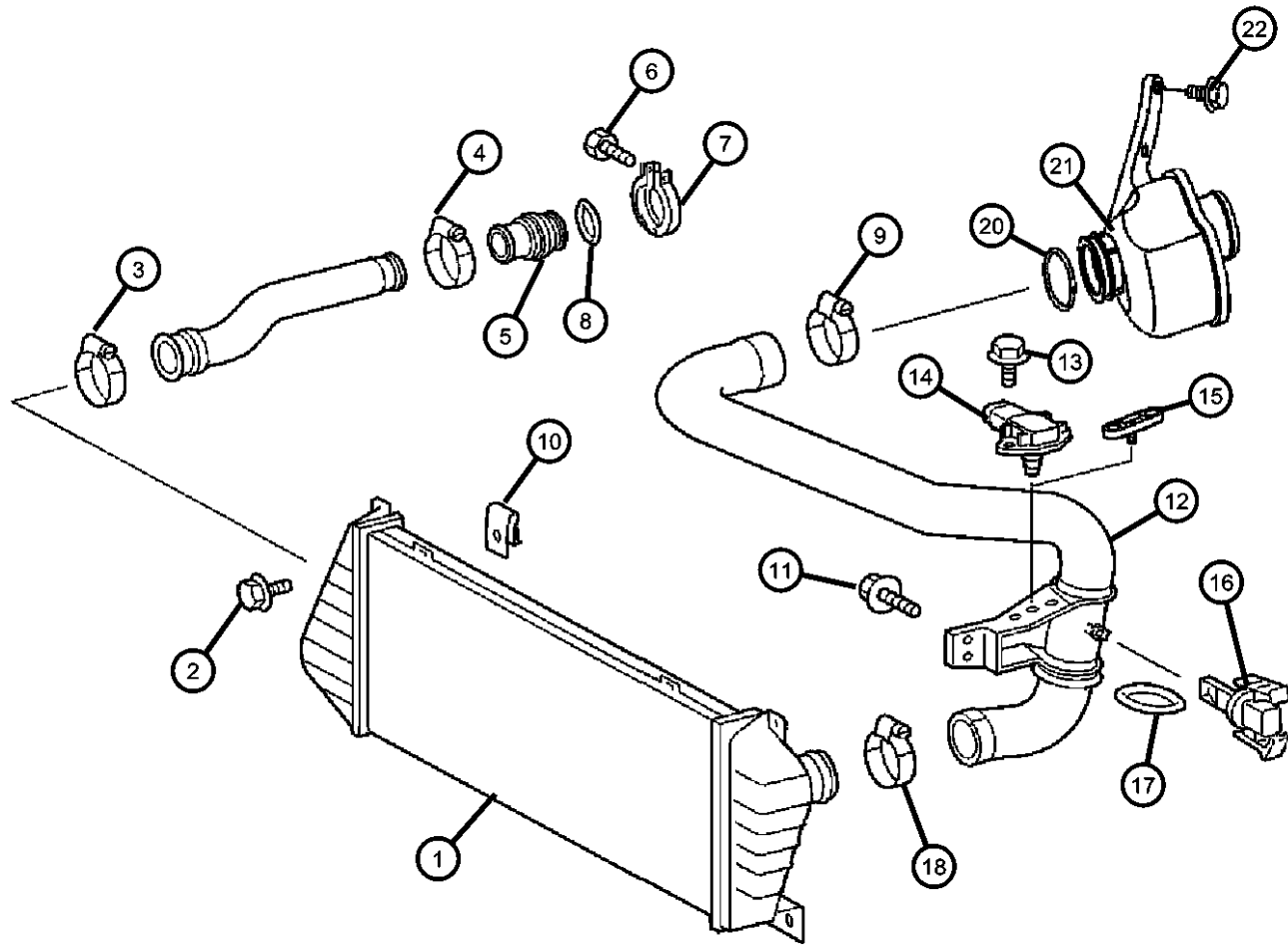
ITEM	PART NUMBER	QTY	LINE	SERIES	BODY	ENGINE	TRANS	TRIM	DESCRIPTION
30		1	3, 7						FAN, Cooling
	05136052AA	1	2, 6			EX8, EX9			
		1	3, 7			EX8, EX9			
31		1	2, 6			EX8, EX9			FAN, Cooling
	05117642AA	1	2, 6			EX8, EX9			Complete Fan And Clutch Assembly
		1	3, 7			EX8, EX9			Complete Fan And Clutch Assembly
32		1							SCREW, (NOT SERVICED),
33		1							SCREW, Hitch Ball
	05104618AA	1	2, 6			EX8, EX9			
		1	3, 7			EX8, EX9			
34		1	2, 6			EX9			DRIVE, Fan
	05103623AA	1	2, 6			EX9			
		1	3, 7			EX9			
35		1	2, 6						CLAMP
	05133494AA	1	2, 6						
		1	3, 7						

SPRINTER (VA)

SERIES	LINE	BODY	ENGINE	TRANSMISSION
L = LOWLINE	3 = HD DODGE 2WD 6 = Lt. Duty DODGE 4WD 2 = Med. Duty DODGE 2WD 7 = Med. Duty DODGE 4WD	55 = Wagon 140" 54 = Wagon 118" 52 = Wagon 140" 51 = Wagon 118" 12 = Van 140" 11 = Van 118" 06 = Front Section 158" 14 = Van 118" 15 = Van 140" 16 = Van 158" 56 = Wagon 158"	EX8 = Engine-2.7L I5 Mercedes Turbo Diesel	DGJ = Transmission-5-Spd. Automatic, W5A580
		01 = Chassis Forward Control 118" 02 = Chassis Forward Control 140"		

AR = use ase required - = Non illustrated part

**Charge Air Intercooler
Figure 7-120**



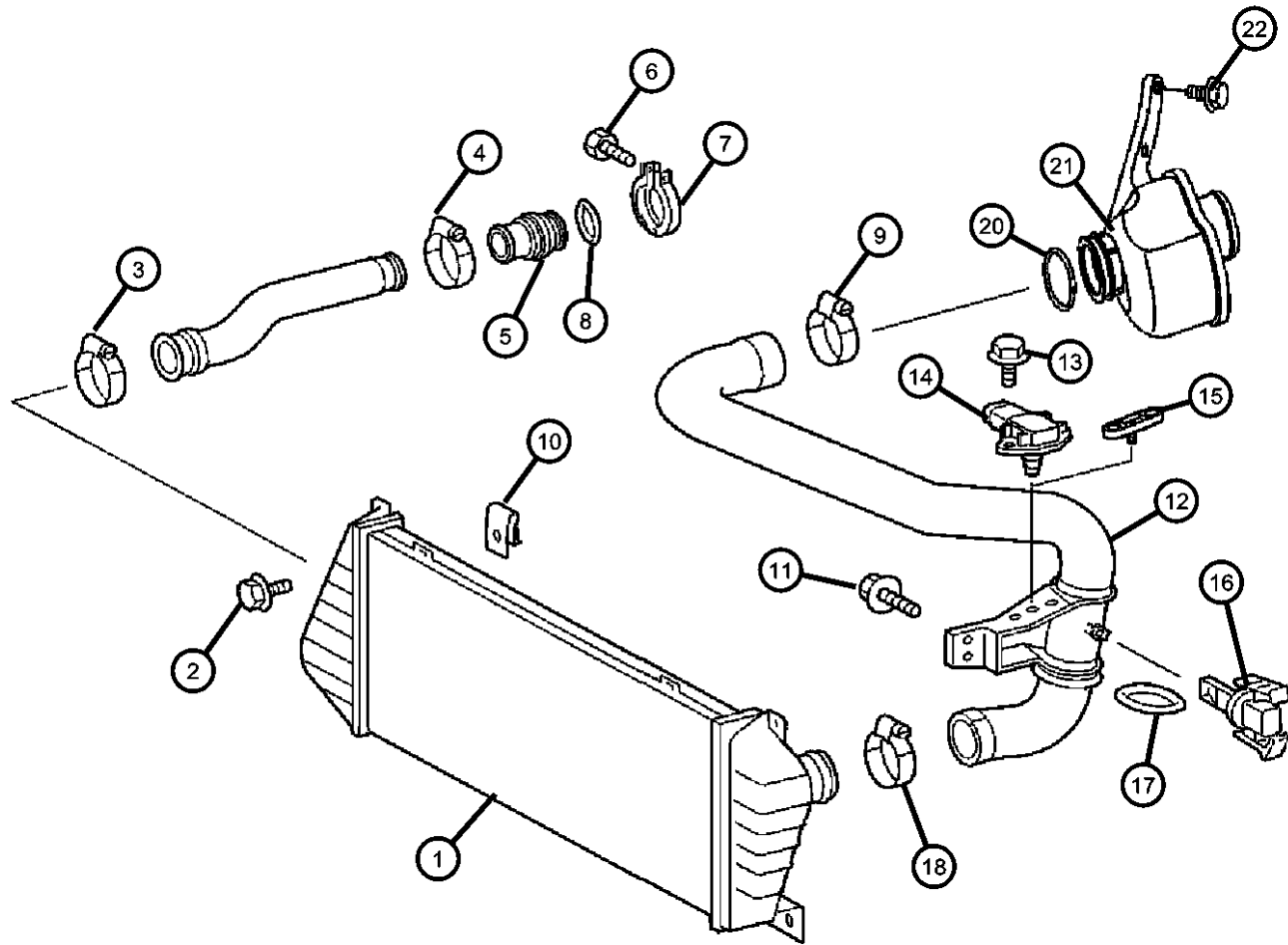
ITEM	PART NUMBER	QTY	LINE	SERIES	BODY	ENGINE	TRANS	TRIM	DESCRIPTION
1	05119997AA	1	2, 6			EX8			COOLER, Charge Air
2	05133476AA	4	2, 6			EX8			SCREW
3	05104602AA	1	2, 6			EX8, EX9			CLAMP
4	05104601AA	2	2, 6			EX8, EX9			CLAMP, Hose
5	05104139AA	1	2, 6			EX9			PIPE
6	05096986AA	1	2, 6			EX9			SCREW
7	05126043AA	1	2, 6			EX9			CLAMP, Mounting
8	05080311AA	1	2, 6			EX9			O RING
9	05104602AA	1	2, 6			EX8, EX9			CLAMP
		1	3, 7			EX8, EX9			

NOTE:
Sales Codes:
[EX8]=2.7L I-5 Turbo Diesel Engine
[EX9]=2.7L I-5 Mercedes-Benz Turbo Diesel Engine
[NAA]=Federal Emissions

SPRINTER (VA)				
SERIES	LINE	BODY	ENGINE	TRANSMISSION
L = LOWLINE	3 = HD DODGE 2WD 6 = Lt. Duty DODGE 4WD 2 = Med. Duty DODGE 2WD 7 = Med. Duty DODGE 4WD	55 = Wagon 140" 54 = Wagon 118" 52 = Wagon 140" 51 = Wagon 118" 12 = Van 140" 11 = Van 118" 06 = Front Section 158" 14 = Van 118" 15 = Van 140" 16 = Van 158" 56 = Wagon 158"	EX8 = Engine-2.7L I5 Mercedes Turbo Diesel	DGJ = Transmission-5-Spd. Automatic,W5A580
		01 = Chassis Forward Control 118" 02 = Chassis Forward Control 140"		

AR = use ase required - = Non illustrated part

**Charge Air Intercooler
Figure 7-120**



ITEM	PART NUMBER	QTY	LINE	SERIES	BODY	ENGINE	TRANS	TRIM	DESCRIPTION
10	05125863AA	4	3, 7						U-NUT
		4	2, 6						
11	05104610AA	2	2, 6						SCREW
		2	3, 7						
12	05104141AA	1	2, 6			EX8, EX9			HOSE, Radiator
		1	3, 7			EX8, EX9			
	05120147AA	1	2, 6			EX8, EX9			[NAA]
		1	3, 7			EX8, EX9			[NAA]
13	06104172AA	2	2, 6			EX9			SCREW
		2	3, 7			EX9			
14	05117545AA	1	2, 6			EX8			SENSOR, MAP
		1	3, 7			EX8			
15		1							SPACER, (NOT SERVICED)
16	05174042AA	1				EX8			SENSOR, Temperature, AIR INTAKE TEMP. SENSOR
17	05103906AA	1	3, 7						O RING
18	05104602AA	1	2, 6			EX8, EX9			CLAMP
		1	3, 7			EX8, EX9			
-19	05120148AA	1	2, 6			EX8, EX9			HOSE, Air Induction
		1	3, 7			EX8, EX9			
20	05139047AA	1				EX8			O RING

SPRINTER (VA)

SERIES

L = LOWLINE

LINE

3 = HD DODGE 2WD
6 = Lt. Duty DODGE 4WD
2 = Med. Duty DODGE 2WD
7 = Med. Duty DODGE 4WD

BODY

55 = Wagon 140"
54 = Wagon 118"
52 = Wagon 140"
51 = Wagon 118"
12 = Van 140"
11 = Van 118"
06 = Front Section 158"
14 = Van 118"
15 = Van 140"
16 = Van 158"
56 = Wagon 158"
01 = Chassis Forward Control 118"
02 = Chassis Forward Control 140"

ENGINE

EX8 = Engine-2.7L I5
Mercedes Turbo Diesel

TRANSMISSION

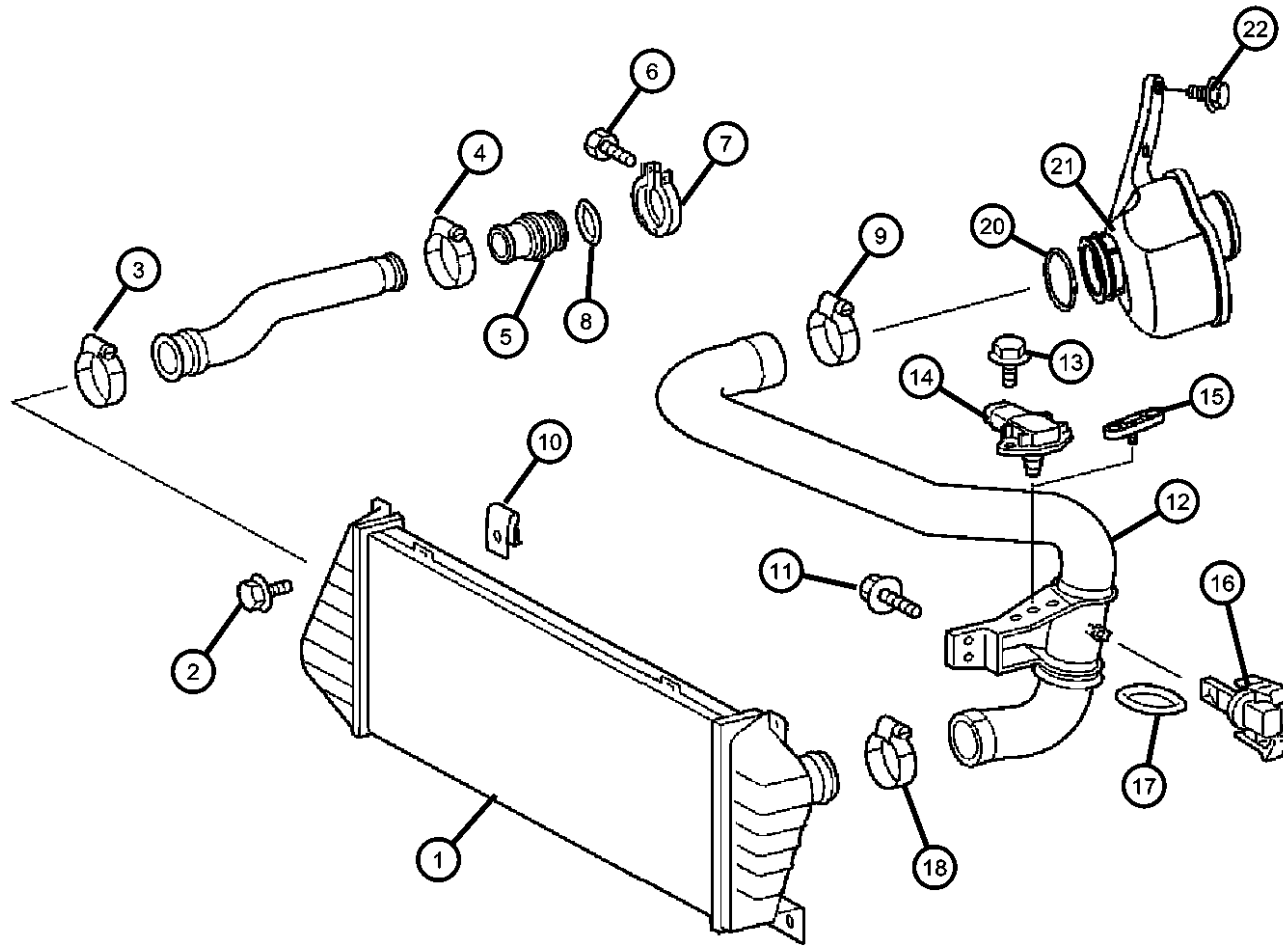
DGJ = Transmission-5-Spd. Automatic,W5A580

AR = use ase required - = Non illustrated part

2004 VA

**Charge Air Intercooler
Figure 7-120**

ITEM	PART NUMBER	QTY	LINE	SERIES	BODY	ENGINE	TRANS	TRIM	DESCRIPTION
21	05137154AA	1							RESONATOR, Turbo
22	06104077AA	2				EX8			SCREW

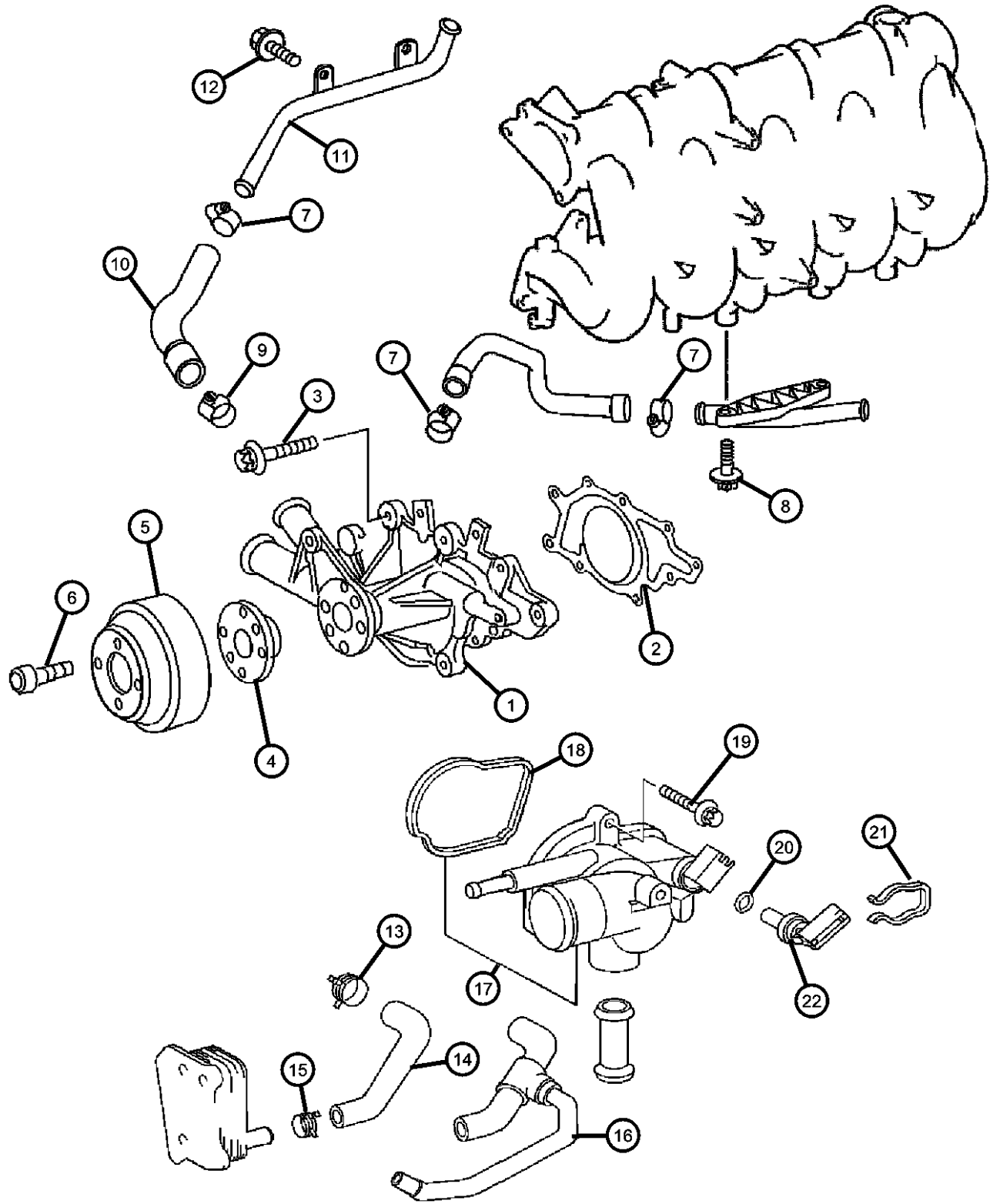


SPRINTER (VA)

SERIES	LINE	BODY	ENGINE	TRANSMISSION
L = LOWLINE	3 = HD DODGE 2WD 6 = Lt. Duty DODGE 4WD 2 = Med. Duty DODGE 2WD 7 = Med. Duty DODGE 4WD	55 = Wagon 140" 54 = Wagon 118" 52 = Wagon 140" 51 = Wagon 118" 12 = Van 140" 11 = Van 118" 06 = Front Section 158" 14 = Van 118" 15 = Van 140" 16 = Van 158" 56 = Wagon 158"	EX8 = Engine-2.7L I5 Mercedes Turbo Diesel	DGJ = Transmission-5-Spd. Automatic,W5A580
		01 = Chassis Forward Control 118" 02 = Chassis Forward Control 140"		

AR = use ase required - = Non illustrated part

**Water Pump And Related Parts
Figure 7-210**



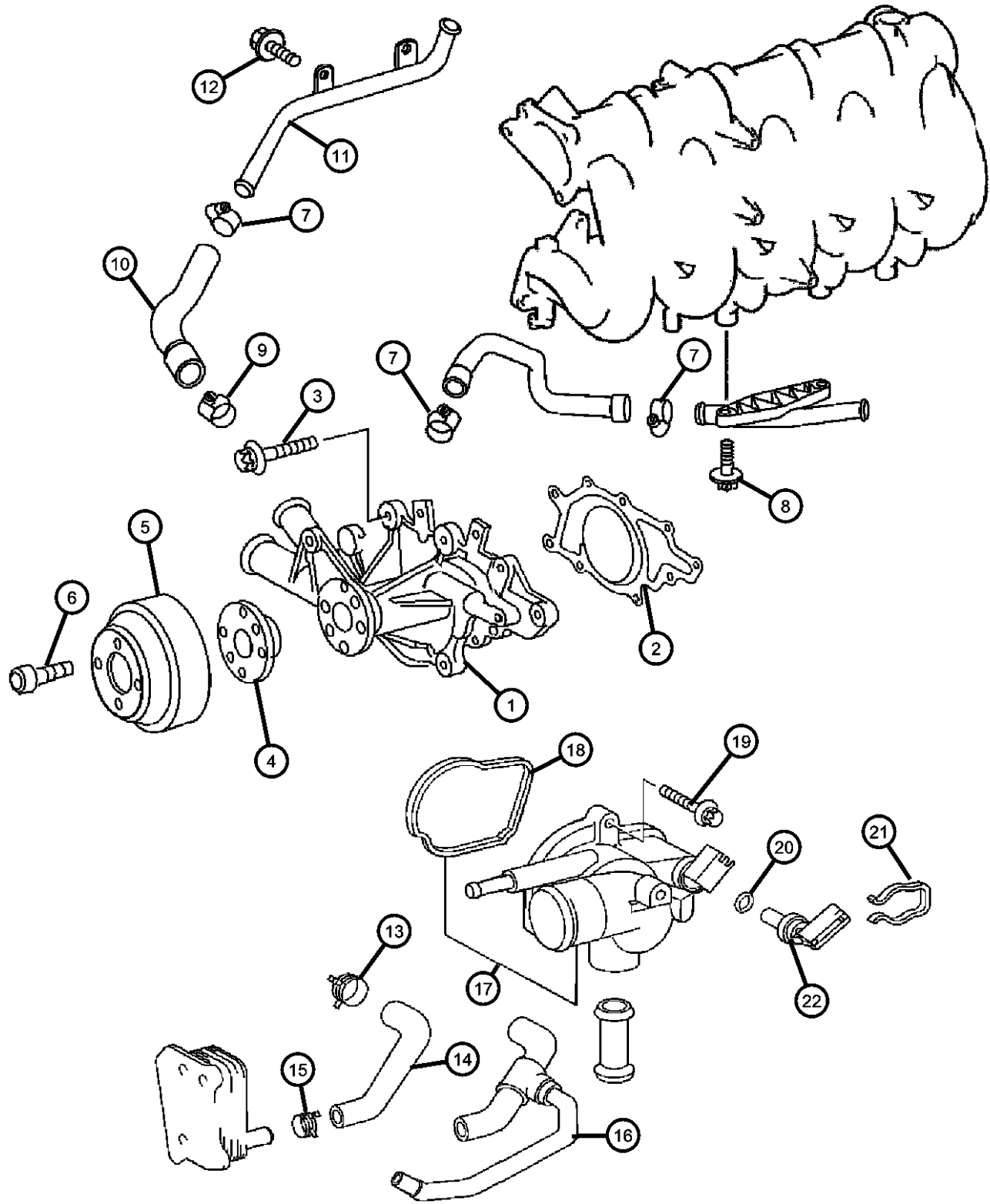
ITEM	PART NUMBER	QTY	LINE	SERIES	BODY	ENGINE	TRANS	TRIM	DESCRIPTION
1	05138057AA	1							PUMP, Water
2	05080144AA	1				EX9			GASKET, Water Pump
		1				EX8			
3	06104682AA	3				EX8			SCREW
		3				EX9			
4		3							FLANGE, Water Pump Drive, 05117648aa, (NOT SERVICED)
5	05136764AA	1				EX8			PULLEY, Water Pump
6	06104140AA	4				EX9			SCREW
		4				EX8			
7	06104781AA	1				EX9			CLAMP, Hose
		1				EX8			
8	06104026AA	1	2, 6			EX9			SCREW
		1	3, 7			EX9			
9	05133494AA	1	2, 6						CLAMP
		1	3, 7						
10	05103985AA	1				EX9			TUBE, Heater Return
		1				EX8			
11	05117644AA	1				EX9			TUBE, Heater Return
		1				EX8			
12									SCREW

SPRINTER (VA)

SERIES	LINE	BODY	ENGINE	TRANSMISSION
L = LOWLINE	3 = HD DODGE 2WD 6 = Lt. Duty DODGE 4WD 2 = Med. Duty DODGE 2WD 7 = Med. Duty DODGE 4WD	55 = Wagon 140" 54 = Wagon 118" 52 = Wagon 140" 51 = Wagon 118" 12 = Van 140" 11 = Van 118" 06 = Front Section 158" 14 = Van 118" 15 = Van 140" 16 = Van 158" 56 = Wagon 158"	EX8 = Engine-2.7L I5 Mercedes Turbo Diesel	DGJ = Transmission-5-Spd. Automatic,W5A580
		01 = Chassis Forward Control 118" 02 = Chassis Forward Control 140"		

AR = use ase required - = Non illustrated part

**Water Pump And Related Parts
Figure 7-210**



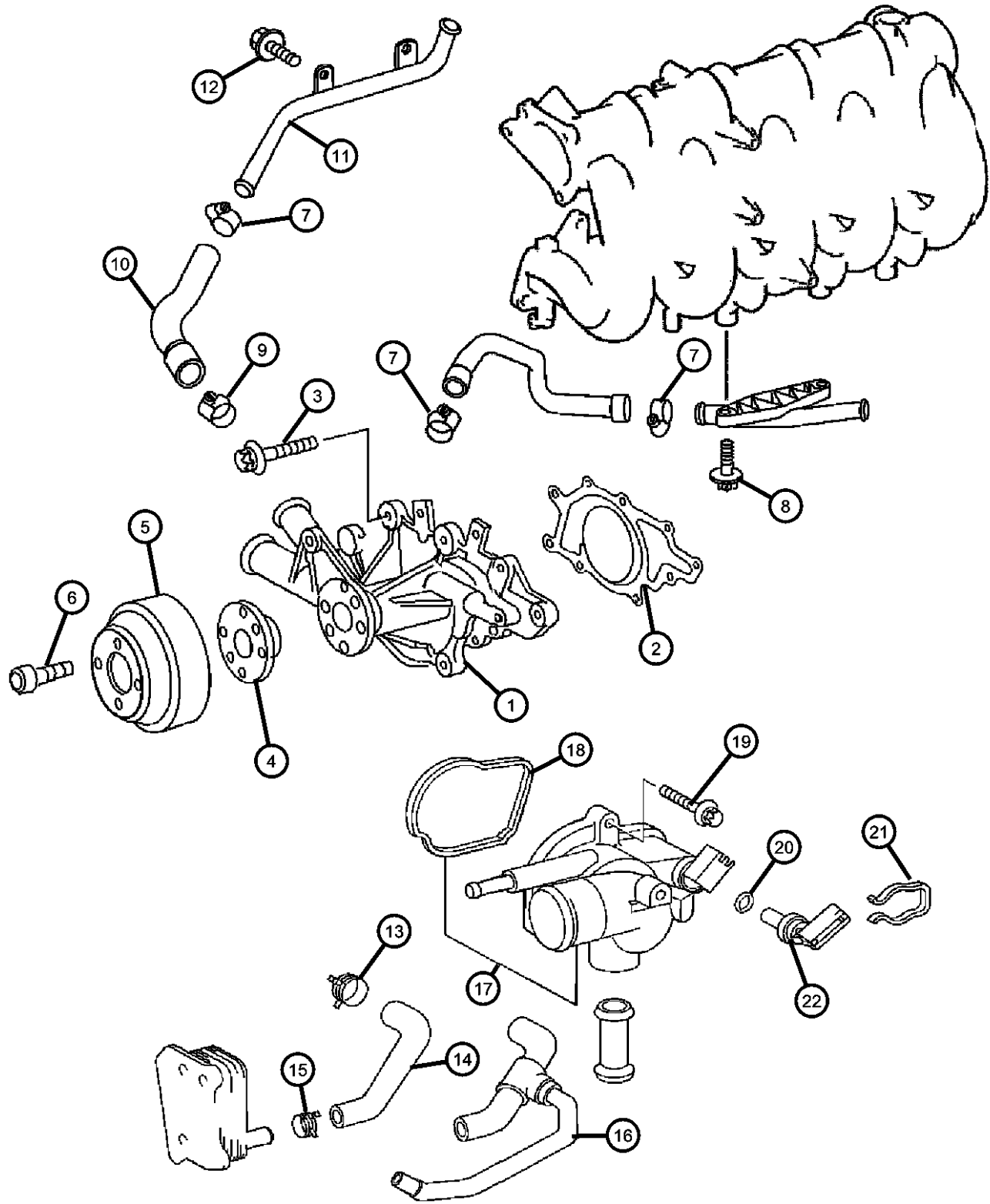
ITEM	PART NUMBER	QTY	LINE	SERIES	BODY	ENGINE	TRANS	TRIM	DESCRIPTION
	06104005AA	2				EX8			
		2				EX9			
13	05080153AA	1							CLAMP, Hose
14									HOSE
	05103986AA	1				EX9			
		1				EX8			
15									CLAMP
	05133496AA	1	2, 6						
		1	3, 7						
16									HOSE, Oil Cooler
	05080151AA	1				EX9			
		1				EX8			
17	05080146AB	1							THERMOSTAT
18									GASKET, Thermostat
	05080150AA	1				EX9			
		1				EX8			
19	06104144AA	2	2, 6						SCREW
20									O RING
	05080148AA	1				EX9			
		1				EX8			
21									CLIP
	05080149AA	1				EX9			
		1				EX8			
22									SENDING UNIT, Temperature Gauge
	05080147AA	1				EX9			
		1				EX8			
-23									HOSE, Water Pump

SPRINTER (VA)

SERIES	LINE	BODY	ENGINE	TRANSMISSION
L = LOWLINE	3 = HD DODGE 2WD 6 = Lt. Duty DODGE 4WD 2 = Med. Duty DODGE 2WD 7 = Med. Duty DODGE 4WD	55 = Wagon 140" 54 = Wagon 118" 52 = Wagon 140" 51 = Wagon 118" 12 = Van 140" 11 = Van 118" 06 = Front Section 158" 14 = Van 118" 15 = Van 140" 16 = Van 158" 56 = Wagon 158"	EX8 = Engine-2.7L I5 Mercedes Turbo Diesel	DGJ = Transmission-5-Spd. Automatic, W5A580
		01 = Chassis Forward Control 118" 02 = Chassis Forward Control 140"		

AR = use ase required - = Non illustrated part

Water Pump And Related Parts
Figure 7-210



ITEM	PART NUMBER	QTY	LINE	SERIES	BODY	ENGINE	TRANS	TRIM	DESCRIPTION
	05137500AA	1							Tube lower water pump to lower radiator hose
		1				EX8			Tube lower water pump to lower radiator hose
-24									GASKET, Water Pump
	05137502AA	1							Lower hose/tube to water pump
		1				EX8			Lower hose/tube to water pump

SPRINTER (VA)

SERIES

L = LOWLINE
 3 = HD DODGE 2WD
 6 = Lt. Duty DODGE 4WD
 2 = Med. Duty DODGE 2WD
 7 = Med. Duty DODGE 4WD

LINE

BODY

55 = Wagon 140"
 54 = Wagon 118"
 52 = Wagon 140"
 51 = Wagon 118"
 12 = Van 140"
 11 = Van 118"
 06 = Front Section 158"
 14 = Van 118"
 15 = Van 140"
 16 = Van 158"
 56 = Wagon 158"
 01 = Chassis Forward Control 118"
 02 = Chassis Forward Control 140"

ENGINE

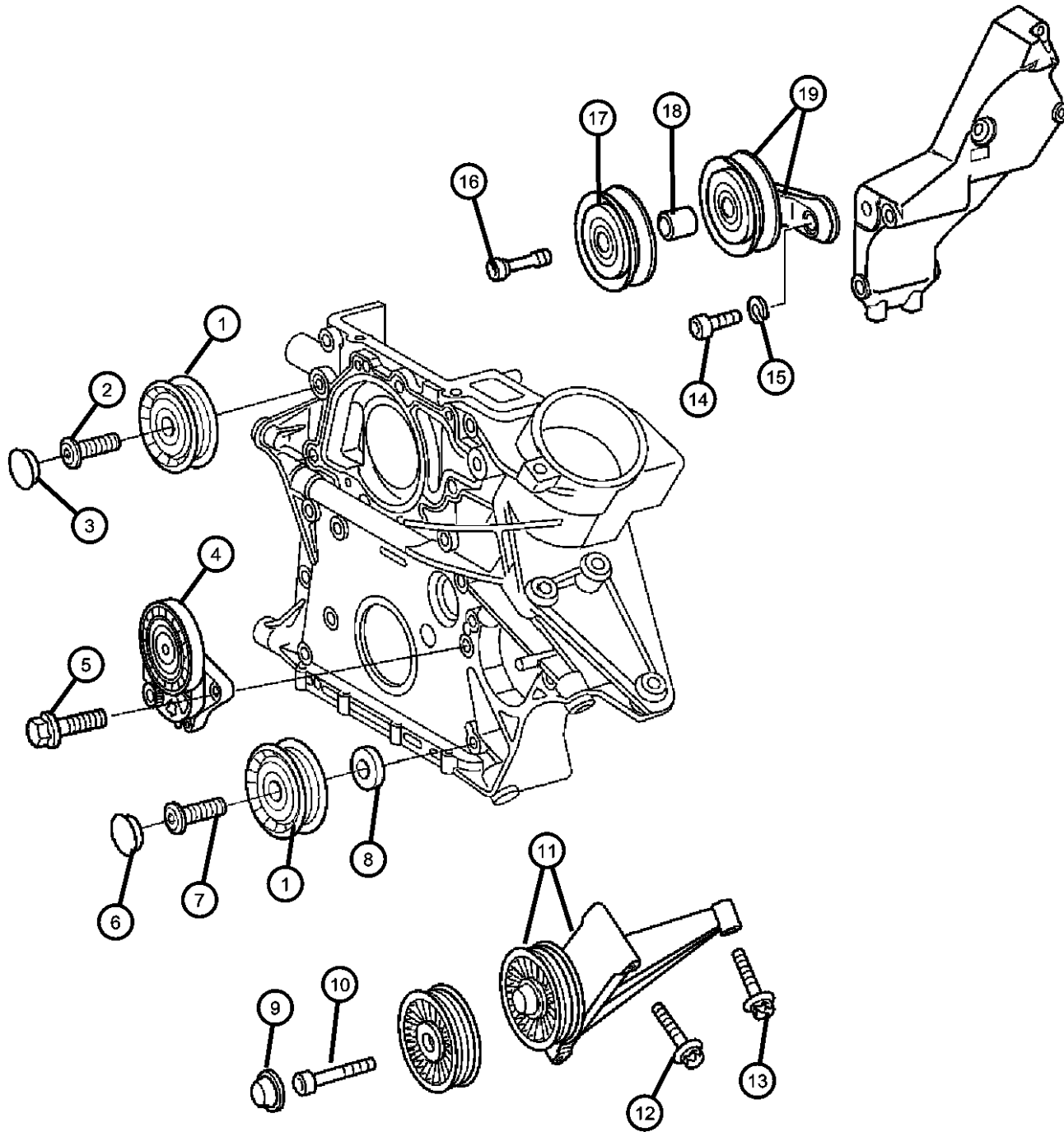
EX8 = Engine-2.7L I5 Mercedes Turbo Diesel

TRANSMISSION

DGJ = Transmission-5-Spd. Automatic, W5A580

AR = use ase required - = Non illustrated part

Drive pulleys
Figure 7-410



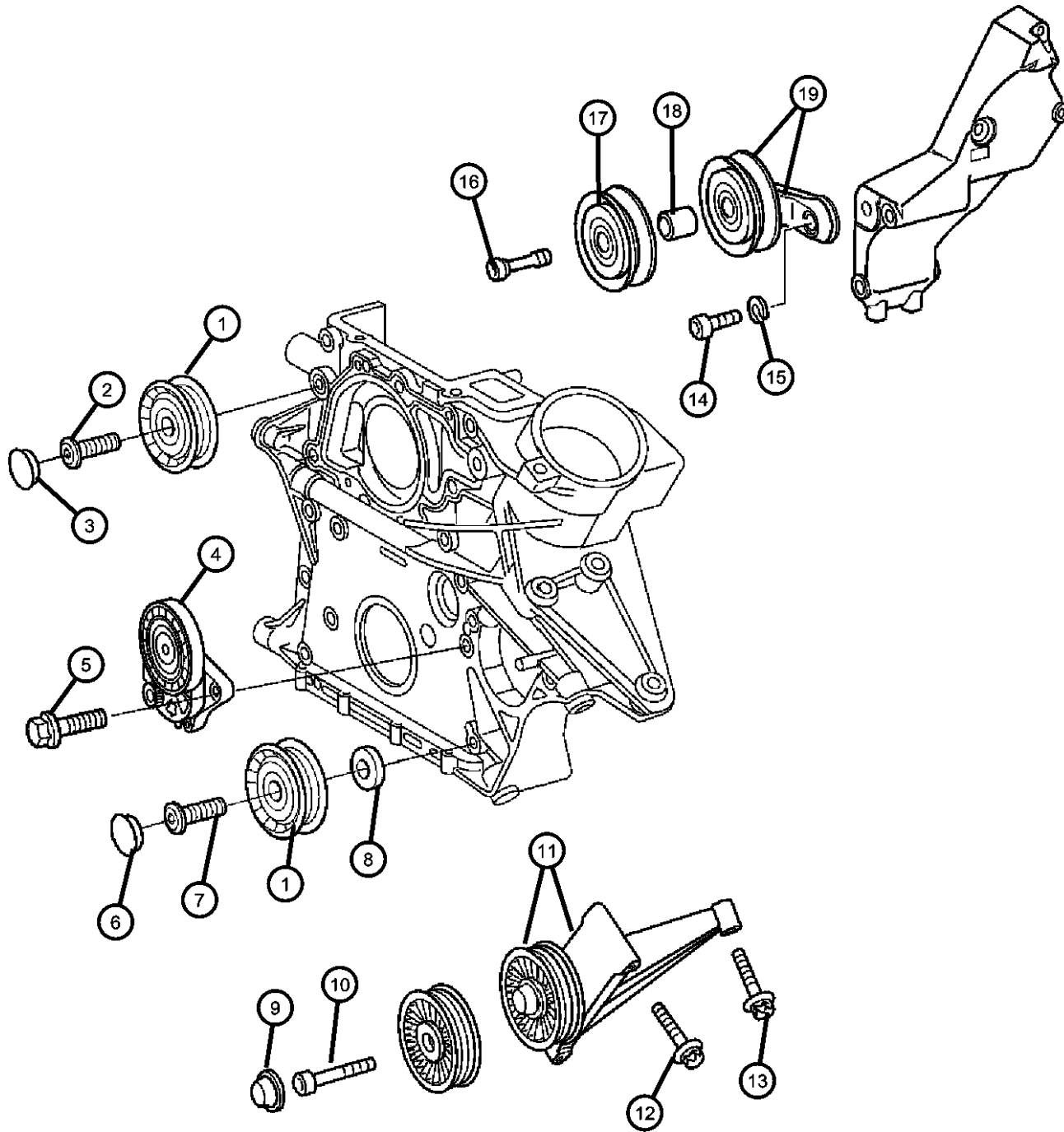
ITEM	PART NUMBER	QTY	LINE	SERIES	BODY	ENGINE	TRANS	TRIM	DESCRIPTION
1	05080246AA	2							PULLEY, Tensioner
	05080319AA	1				EX8			Diesel
2	05073902AA	1				EX9			SCREW
	05073902AA	1				EX8			
3	05080250AA	1				EX9			CAP, CAP
	05080250AA	1				EX8			
4	05080243AA	1				EX9			TENSIONER, Belt
	05080243AA	1				EX8			
5	05073896AA	2				EX9			SCREW
	05073896AA	2				EX8			
6	05080250AA	1				EX9			CAP, CAP
	05080250AA	1				EX8			
7	05073902AA	1				EX9			SCREW
	05073902AA	1				EX8			
8	05080248AA	1				EX9			WASHER
	05080248AA	1				EX8			
9	05125553AA	1							CAP, Screw Cover
10	05126143AA	1							SCREW
11	05117691AA	1							PULLEY, Tensioner
12									SCREW

SPRINTER (VA)

SERIES	LINE	BODY	ENGINE	TRANSMISSION
L = LOWLINE	3 = HD DODGE 2WD 6 = Lt. Duty DODGE 4WD 2 = Med. Duty DODGE 2WD 7 = Med. Duty DODGE 4WD	55 = Wagon 140" 54 = Wagon 118" 52 = Wagon 140" 51 = Wagon 118" 12 = Van 140" 11 = Van 118" 06 = Front Section 158" 14 = Van 118" 15 = Van 140" 16 = Van 158" 56 = Wagon 158"	EX8 = Engine-2.7L I5 Mercedes Turbo Diesel	DGJ = Transmission-5-Spd. Automatic, W5A580
		01 = Chassis Forward Control 118" 02 = Chassis Forward Control 140"		

AR = use ase required - = Non illustrated part

Drive pulleys
Figure 7-410



ITEM	PART NUMBER	QTY	LINE	SERIES	BODY	ENGINE	TRANS	TRIM	DESCRIPTION
	06104035AA	1				EX8			
		1				EX9			
13	05133207AA	3	2, 6			EX9			BOLT, Hex Head
		1	3, 7			EX8, EX9			
14		1							SCREW, (NOT SERVICED)
15		1							WASHER, (NOT SERVICED)
16	05125736AA	1	3, 7			EX9			SCREW
17									TENSIONER, Belt
	05117510AA	1	2, 6			EX9			
		1	3, 7			EX9			
18									BUSHING, Idler Pulley
	05117516AA	1	2, 6			EX8, EX9			
		1	3, 7			EX8, EX9			
19									TENSIONER, Belt
	05080243AA	1				EX9			
		1				EX8			

SPRINTER (VA)

SERIES

L = LOWLINE
 3 = HD DODGE 2WD
 6 = Lt. Duty DODGE 4WD
 2 = Med. Duty DODGE 2WD
 7 = Med. Duty DODGE 4WD

LINE

BODY

55 = Wagon 140"
 54 = Wagon 118"
 52 = Wagon 140"
 51 = Wagon 118"
 12 = Van 140"
 11 = Van 118"
 06 = Front Section 158"
 14 = Van 118"
 15 = Van 140"
 16 = Van 158"
 56 = Wagon 158"
 01 = Chassis Forward Control
 118"
 02 = Chassis Forward Control
 140"

ENGINE

EX8 = Engine-2.7L I5
 Mercedes Turbo Diesel

TRANSMISSION

DGJ = Transmission-5-Spd.
 Automatic, W5A580

AR = use ase required - = Non illustrated part

2004 VA

**Drive Belts
Figure 7-510**

ITEM	PART NUMBER	QTY	LINE	SERIES	BODY	ENGINE	TRANS	TRIM	DESCRIPTION
------	-------------	-----	------	--------	------	--------	-------	------	-------------

NOTE:

Sales Codes:

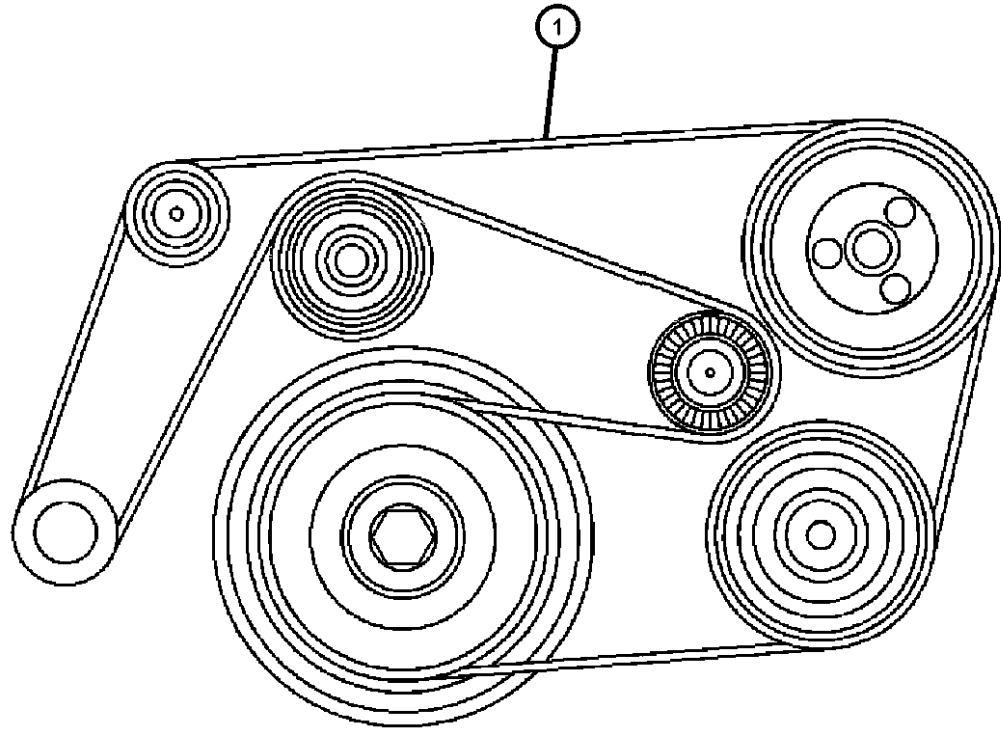
[EX8]=2.7L I-5 Turbo Diesel Engine

[EX9]=2.7L I-5 Mercedes-Benz Turbo Diesel Engine

[HAB]=Air Conditioning with Auto. Temp.

[4XS]=National Version for U.S.A.

[4Z1]=National Version for Canada



1									BELT, Accessory Drive
	05103564AA	1	2, 6			EX8			With [HAB] / Size [21.36X2271]
		1	3, 7			EX8			With [HAB] / Size [21.36X2271]
	05103565AA	1				EX9			Without [HAB] / Size [21.36X2265]
	05127258AA	1				EX8			With [HAB] Size [21.36X2260]
	05132825AA	1	2, 3, 6, 7			EX8	DGZ		Without [HAB]
-2									BELT, V-Belt
	05125848AA	1	2, 6			EX8, EX9			With [HBD + HAB]
	05143724AA	1							

SPRINTER (VA)

SERIES

L = LOWLINE

LINE

3 = HD DODGE 2WD
6 = Lt. Duty DODGE 4WD
2 = Med. Duty DODGE 2WD
7 = Med. Duty DODGE 4WD

BODY

55 = Wagon 140"
54 = Wagon 118"
52 = Wagon 140"
51 = Wagon 118"
12 = Van 140"
11 = Van 118"
06 = Front Section 158"
14 = Van 118"
15 = Van 140"
16 = Van 158"
56 = Wagon 158"
01 = Chassis Forward Control 118"
02 = Chassis Forward Control 140"

ENGINE

EX8 = Engine-2.7L I5
Mercedes Turbo Diesel

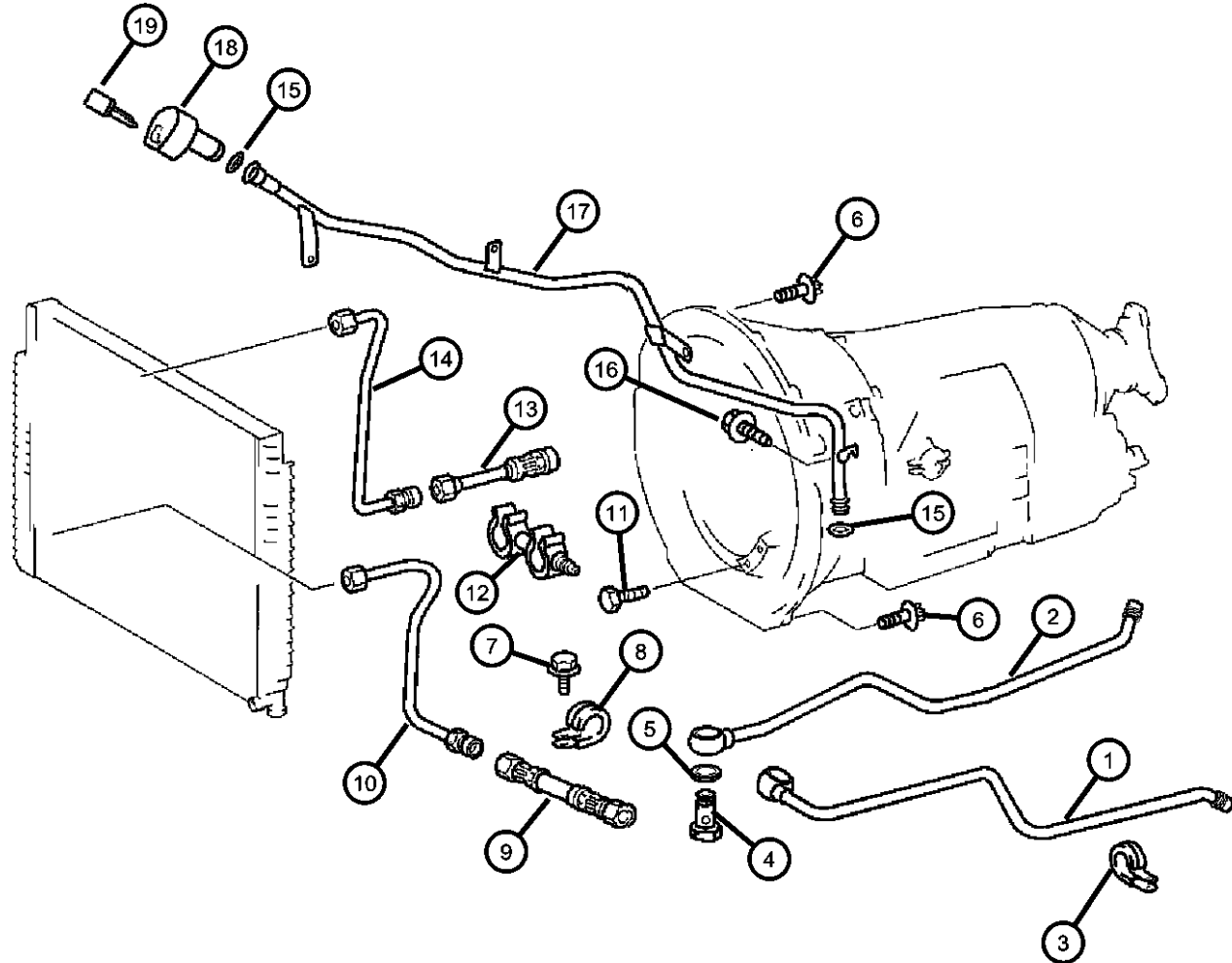
TRANSMISSION

DGJ = Transmission-5-Spd. Automatic, W5A580

AR = use ase required - = Non illustrated part

2004 VA

**Oil Cooler Lines
Figure 7-610**



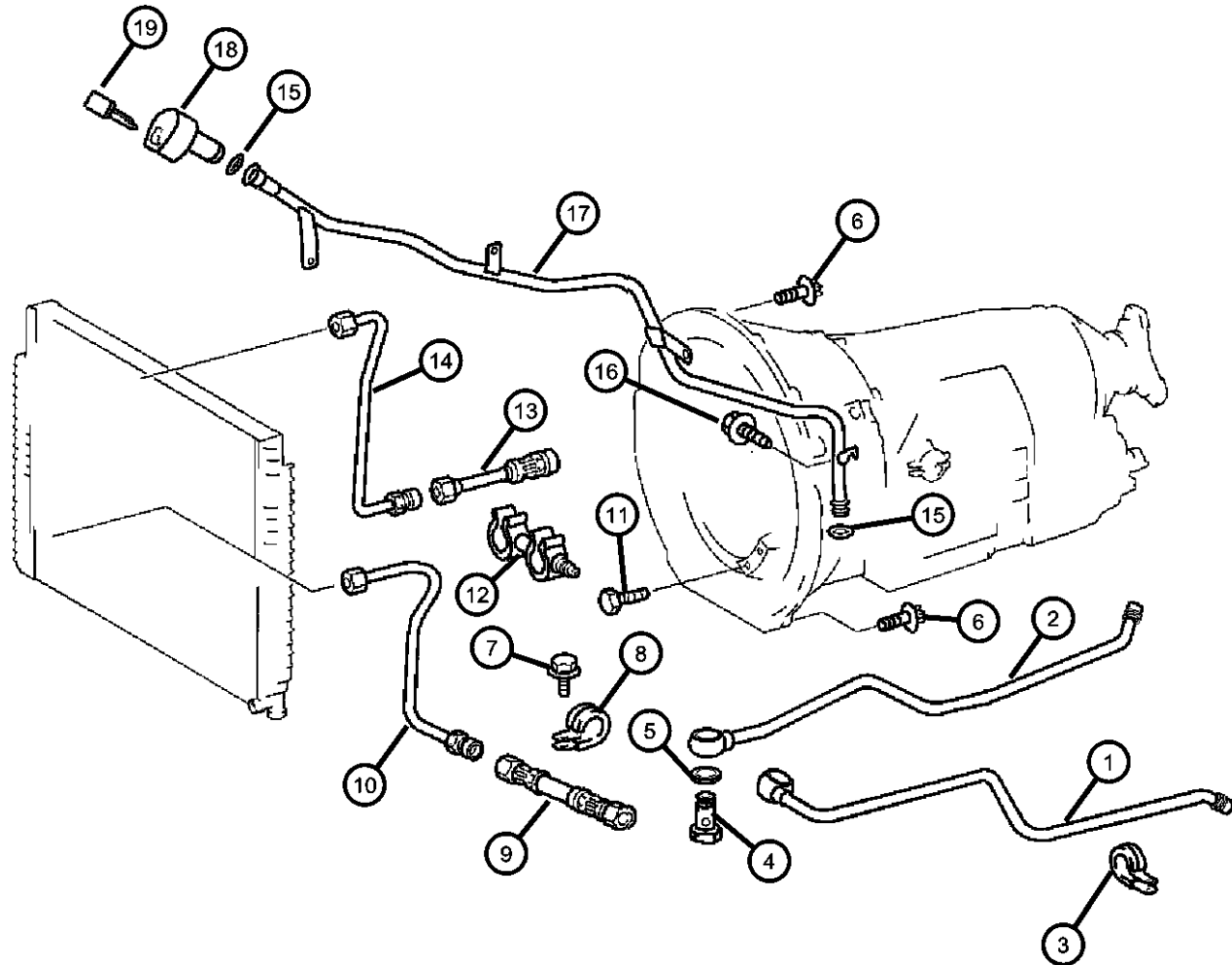
ITEM	PART NUMBER	QTY	LINE	SERIES	BODY	ENGINE	TRANS	TRIM	DESCRIPTION
1	05117855AA	1	2, 6				DGJ		TUBE, Oil Feed
		1	3, 7				DGJ		
2	05117857AA	1	2, 6				DGJ		LINE, Transmission Oil Cooler Pressure
		1	3, 7				DGJ		
3	05097689AA	1	2, 6						CLAMP, CLAMP
		1	3, 7						
4	06507437AA	2	2, 6				DGJ		BOLT, Banjo
		2	3, 7				DGJ		
5	06507454AA	4	2, 6				DGJ		WASHER, Banjo
		4	3, 7				DGJ		
6	06104047AA	2	2, 6				DGJ		SCREW
		2	3, 7				DGJ		
7	05073824AA	1	2, 6				DGJ		SCREW
		1	3, 7				DGJ		
8	05096952AA	1	2, 6				DGJ		CLAMP, Oil Cooler Line
		1	3, 7				DGJ		
9	05117856AA	1	2, 6				DGJ		LINE, Transmission Oil Cooler Pressure
		1	3, 7				DGJ		
10									LINE, Oil Cooler Supply

SPRINTER (VA)

SERIES	LINE	BODY	ENGINE	TRANSMISSION
L = LOWLINE	3 = HD DODGE 2WD 6 = Lt. Duty DODGE 4WD 2 = Med. Duty DODGE 2WD 7 = Med. Duty DODGE 4WD	55 = Wagon 140" 54 = Wagon 118" 52 = Wagon 140" 51 = Wagon 118" 12 = Van 140" 11 = Van 118" 06 = Front Section 158" 14 = Van 118" 15 = Van 140" 16 = Van 158" 56 = Wagon 158"	EX8 = Engine-2.7L I5 Mercedes Turbo Diesel	DGJ = Transmission-5-Spd. Automatic,W5A580
		01 = Chassis Forward Control 118" 02 = Chassis Forward Control 140"		

AR = use ase required - = Non illustrated part

**Oil Cooler Lines
Figure 7-610**



ITEM	PART NUMBER	QTY	LINE	SERIES	BODY	ENGINE	TRANS	TRIM	DESCRIPTION
	05119991AA	1	2, 6				DGJ		
		1	3, 7				DGJ		
11	06507095AA	6	2, 6				DGJ		SCREW
		6	3, 7				DGJ		
12	05125878AA	2	2, 6				DGJ		BRACKET, Transmission Oil Cooler
		2	3, 7				DGJ		
13	05127830AB	1	2, 6				DGJ		TUBE AND HOSE, Oil Cooler
		1	3, 7				DGJ		
14	05119993AA	1	2, 6				DGJ		LINE, Oil Cooler Return
		1	3, 7				DGJ		
15	05101154AA	1	2, 6				DGJ		SEAL, Oil Filler Tube
		1	3, 7				DGJ		
16	05125738AA	1	2, 6				DGJ		SCREW
		1	3, 7				DGJ		
17	05117847AA	1	2, 6				DGJ		TUBE, Transmission Oil Filler
		1	3, 7				DGJ		
18	53013549AA	1	2, 6				DGJ		CAP, Oil Filler
		1	3, 7				DGJ		
19									PIN

SPRINTER (VA)

SERIES

L = LOWLINE

LINE

3 = HD DODGE 2WD
6 = Lt. Duty DODGE 4WD
2 = Med. Duty DODGE 2WD
7 = Med. Duty DODGE 4WD

BODY

55 = Wagon 140"
54 = Wagon 118"
52 = Wagon 140"
51 = Wagon 118"
12 = Van 140"
11 = Van 118"
06 = Front Section 158"
14 = Van 118"
15 = Van 140"
16 = Van 158"
56 = Wagon 158"
01 = Chassis Forward Control 118"
02 = Chassis Forward Control 140"

ENGINE

EX8 = Engine-2.7L I5
Mercedes Turbo Diesel

TRANSMISSION

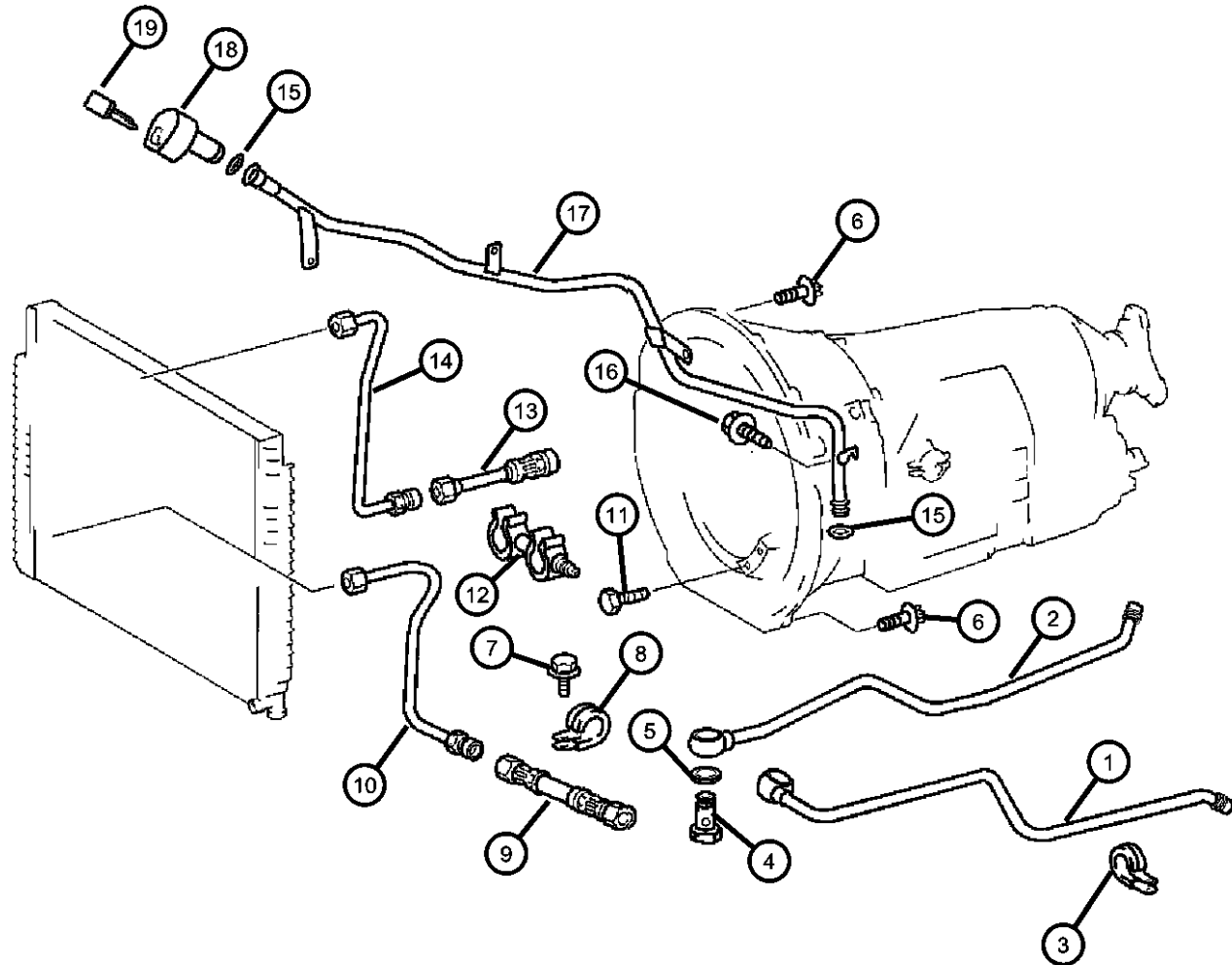
DGJ = Transmission-5-Spd. Automatic, W5A580

AR = use ase required - = Non illustrated part

2004 VA

Oil Cooler Lines
Figure 7-610

ITEM	PART NUMBER	QTY	LINE	SERIES	BODY	ENGINE	TRANS	TRIM	DESCRIPTION
	05093746AA	1	2, 6				DGJ		
		1	3, 7				DGJ		

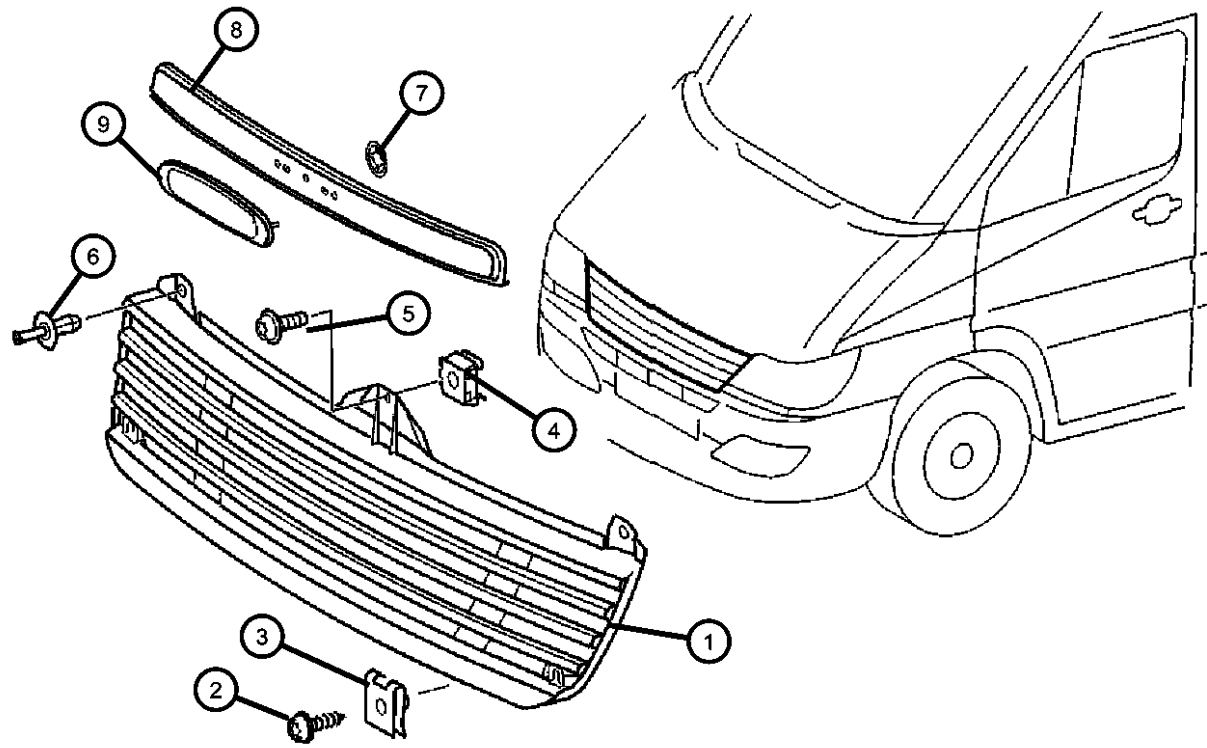


SPRINTER (VA)

SERIES	LINE	BODY	ENGINE	TRANSMISSION
L = LOWLINE	3 = HD DODGE 2WD 6 = Lt. Duty DODGE 4WD 2 = Med. Duty DODGE 2WD 7 = Med. Duty DODGE 4WD	55 = Wagon 140" 54 = Wagon 118" 52 = Wagon 140" 51 = Wagon 118" 12 = Van 140" 11 = Van 118" 06 = Front Section 158" 14 = Van 118" 15 = Van 140" 16 = Van 158" 56 = Wagon 158"	EX8 = Engine-2.7L I5 Mercedes Turbo Diesel	DGJ = Transmission-5-Spd. Automatic,W5A580
		01 = Chassis Forward Control 118" 02 = Chassis Forward Control 140"		

AR = use ase required - = Non illustrated part

**Grille And Related Parts
Figure 7-710**



ITEM	PART NUMBER	QTY	LINE	SERIES	BODY	ENGINE	TRANS	TRIM	DESCRIPTION
1	05104507AA	1	6						GRILLE, Radiator
		1	7						FREIGHTLINNER
	05114373AA	1	2, 3			EX8	DGJ		FREIGHTLINNER
2									DODGE
	06104576AA	2	2						SCREW
		2	3						
3									NUT, Clip-On
	06104736AA	4	2, 6						
		4	3, 7						
4									NUT
	05126253AA	1	3, 7						
		1	2, 6						
5									SCREW, Hex Flange Head
	06104121AA	1	2, 6						
		1	3, 7						
6									PIN, Push
	06104905AA	2	2						
		2	3, 7						
7									RETAINER, Hood Ornament
	05096429AA	2	2, 6						
		2	3, 7						
8									MOLDING, Hood
	05104400AA	1	6						
		1	7						
9									NAMEPLATE, Hood
	05104449AA	1	6						
		1	7						

SPRINTER (VA)

SERIES

L = LOWLINE

LINE

3 = HD DODGE 2WD
6 = Lt. Duty DODGE 4WD
2 = Med. Duty DODGE 2WD
7 = Med. Duty DODGE 4WD

BODY

55 = Wagon 140"
54 = Wagon 118"
52 = Wagon 140"
51 = Wagon 118"
12 = Van 140"
11 = Van 118"
06 = Front Section 158"
14 = Van 118"
15 = Van 140"
16 = Van 158"
56 = Wagon 158"
01 = Chassis Forward Control
118"
02 = Chassis Forward Control
140"

ENGINE

EX8 = Engine-2.7L I5
Mercedes Turbo Diesel

TRANSMISSION

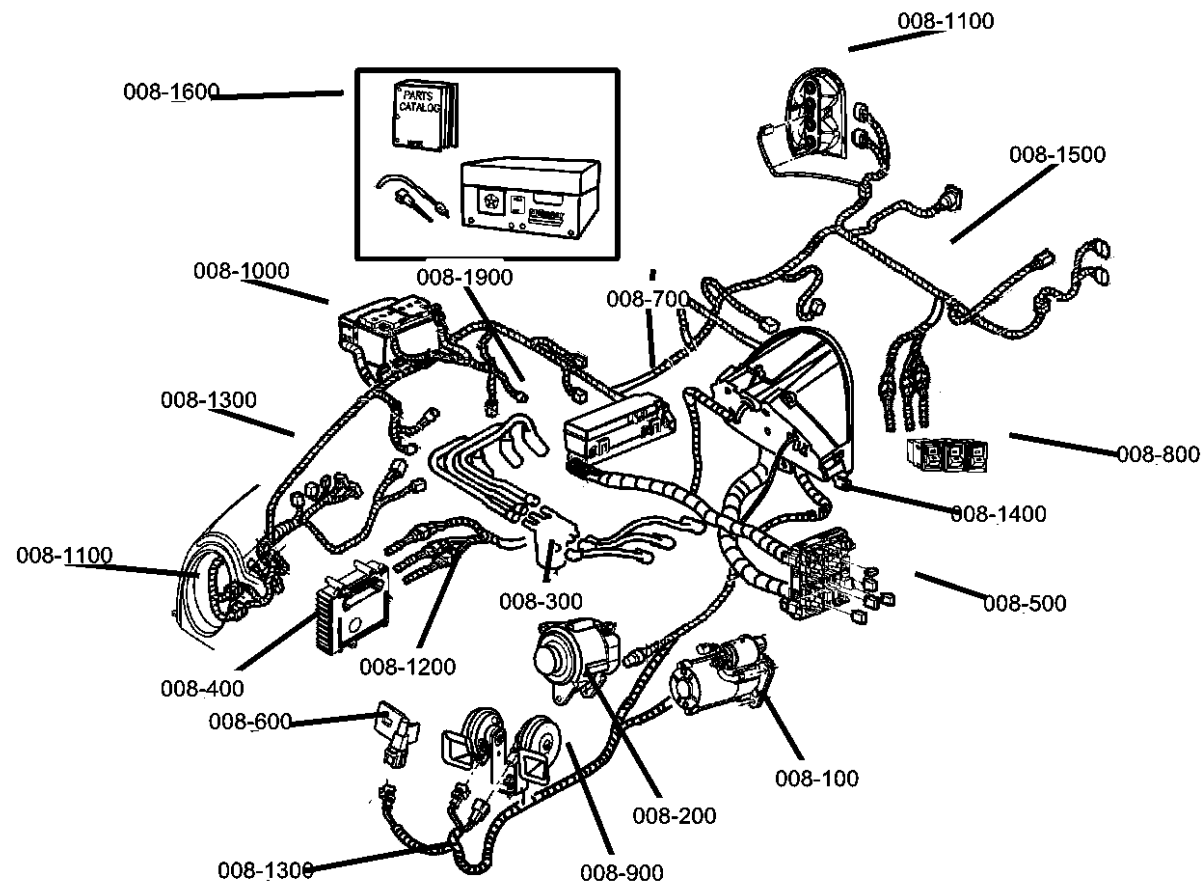
DGJ = Transmission-5-Spd.
Automatic,W5A580

AR = use ase required - = Non illustrated part

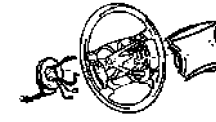
2004 VA

Group - 8

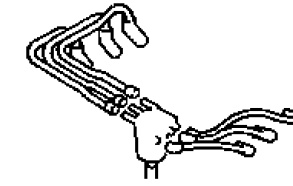
Electrical



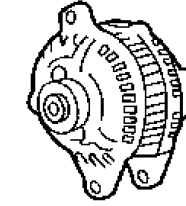
008-1700
Air Bag Systems



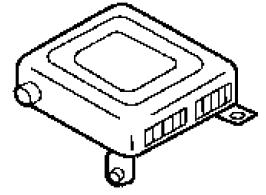
008-1900
Spark Plugs-Cables-Coils



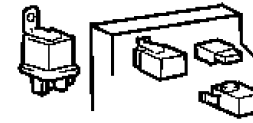
008-200
Alternators



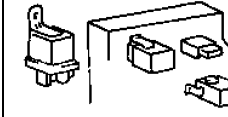
008-400
Modules



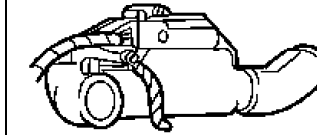
008-500
Relays



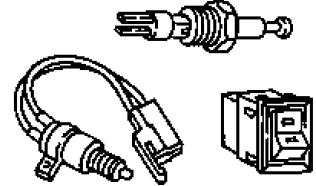
008-600
Sensors



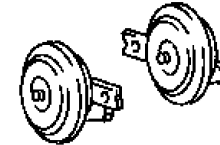
008-700
Single Board Engine Controllers



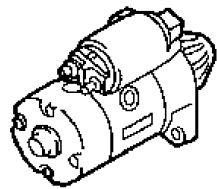
008-800
Switches



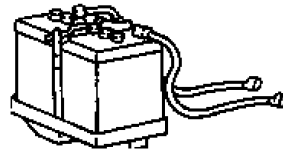
008-900
Horns



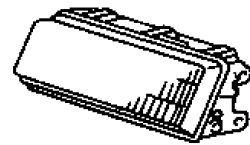
008-100
Starters



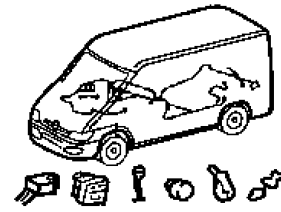
008-1000
Battery Tray and Cables



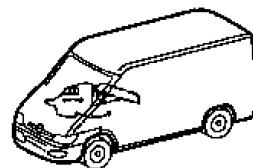
008-1100
Lamps - Front, Rear and Courtesy



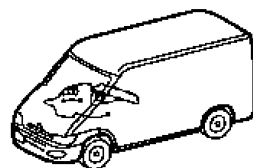
008-1200
Wiring-Engine & Related Parts



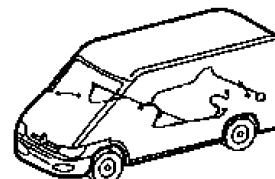
008-1300
Wiring-Headlamp to Dash



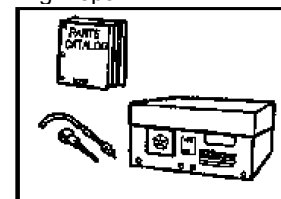
008-1400
Wiring-Instrument Panel



008-1500
Wiring-Body & Accessories



008-1600
Wiring Repair



Group - 8 Electrical

Air Bag Systems

Air Bag System Drivers Side	Fig. 8 - 1705
Air Bag System Passenger Side	Fig. 8 - 1710

Spark Plugs-Cables-Coils

Glow Plugs.....	Fig. 8 - 1910
-----------------	---------------

Illustration Title

Group-Fig. No.

Starters	
Starters & Mounting	Fig. 8 - 105

Alternators	
Alternators (Generator)	Fig. 8 - 205

Modules	
Modules Seating Area	Fig. 8 - 405
Modules and Related Parts.....	Fig. 8 - 410
Module Back Up.....	Fig. 8 - 415

Relays	
Under Seat - Relays & Fuses	Fig. 8 - 505
Instrument Panel - Relays & Fuses.....	Fig. 8 - 510

Sensors	
Sensors Engine	Fig. 8 - 605
Sensors - Drivetrain.....	Fig. 8 - 610
Sensors - Brakes.....	Fig. 8 - 615
Sensor Ambient Temperature	Fig. 8 - 620

Single Board Engine Controllers	
Single Board Engine Controller (S.B.E.C.).....	Fig. 8 - 715

Switches	
Switches - Instrument Panel.....	Fig. 8 - 805
Switches -Steering Column.....	Fig. 8 - 810
Switches - Door	Fig. 8 - 815
Switch Brake.....	Fig. 8 - 820

Horns	
Horns & Alarm.....	Fig. 8 - 905

Battery Tray and Cables	
Battery Tray & Cables	Fig. 8 - 1005

Lamps - Front, Rear and Courtesy	
Lamps - Front End	Fig. 8 - 1105
Lamps - Rear End.....	Fig. 8 - 1110
Lamps Rear End Cab and Chassis Vehicles.....	Fig. 8 - 1115
Lamps Interior Passenger Van	Fig. 8 - 1120
Lamps Interior Cargo Van	Fig. 8 - 1125
Lamp - Bulbs	Fig. 8 - 1130

Wiring-Engine & Related Parts	
Wiring - Engine	Fig. 8 - 1210

Wiring-Headlamp to Dash	
Wiring - Headlamp & Dash	Fig. 8 - 1305

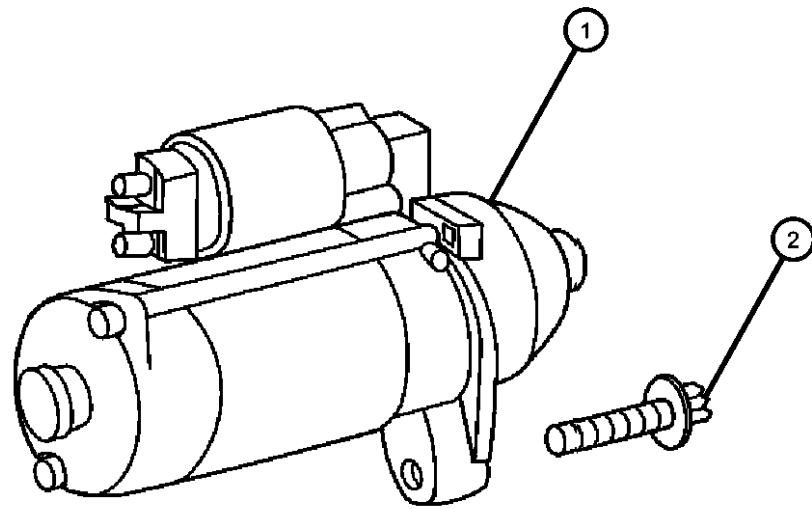
Wiring-Instrument Panel	
Wiring - Instrument Panel.....	Fig. 8 - 1405

Wiring-Body & Accessories	
Wiring - Body & Accessories	Fig. 8 - 1505

Wiring Repair	
Connectors Engine Compartment	Fig. 8 - 1605
Connectors Body.....	Fig. 8 - 1610
Connectors Roof	Fig. 8 - 1615
Connectors Front Doors	Fig. 8 - 1620
Connectors Rear Doors.....	Fig. 8 - 1625
Connectors Seating Area.....	Fig. 8 - 1630

**Starters & Mounting
Figure 8-105**

ITEM	PART NUMBER	QTY	LINE	SERIES	BODY	ENGINE	TRANS	TRIM	DESCRIPTION
1									STARTER, Engine
	05117537AA	1	2, 6	L	11, 12, 14, 15, 16	EX9			Valeo
		1	2, 6	L	51, 52, 54, 55, 56	EX9			Valeo
	05134510AA	1		L					Bosch
2	06104053AA	2		L					SCREW, Starter Motor

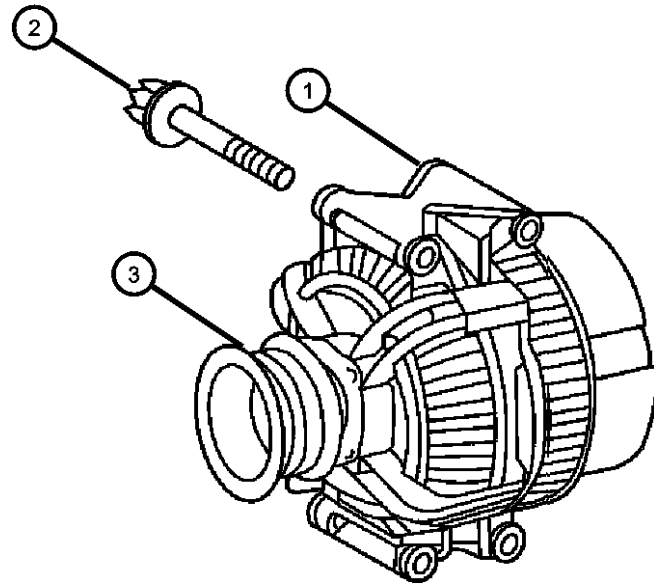


SPRINTER (VA)

SERIES	LINE	BODY	ENGINE	TRANSMISSION
L = LOWLINE	3 = HD DODGE 2WD 6 = Lt. Duty DODGE 4WD 2 = Med. Duty DODGE 2WD 7 = Med. Duty DODGE 4WD	55 = Wagon 140" 54 = Wagon 118" 52 = Wagon 140" 51 = Wagon 118" 12 = Van 140" 11 = Van 118" 06 = Front Section 158" 14 = Van 118" 15 = Van 140" 16 = Van 158" 56 = Wagon 158" 01 = Chassis Forward Control 118" 02 = Chassis Forward Control 140"	EX8 = Engine-2.7L I5 Mercedes Turbo Diesel	DGJ = Transmission-5-Spd. Automatic,W5A580

AR = use ase required - = Non illustrated part

**Alternators (Generator)
Figure 8-205**



ITEM	PART NUMBER	QTY	LINE	SERIES	BODY	ENGINE	TRANS	TRIM	DESCRIPTION
1									ALTERNATOR
	05117587AA	1	2, 3, 6, 7	L		EX8			200 AMP [BAA]
	05134199AA	1	2, 6	L	01, 02, 06	EX8, EX9			90 amp
		1	2, 6	L	11, 12, 14, 15, 16	EX8, EX9			90 amp
		1	2, 6	L	51, 52, 54, 55, 56	EX8, EX9			90 amp
		1	3, 7	L	02, 06	EX8, EX9			90 amp
		1	3, 7	L	12, 15, 16	EX8, EX9			90 amp
	05134204AB	1	2, 6	L	01, 02, 06	EX8, EX9			[BAQ]
		1	2, 6	L	11, 12, 14, 15, 16	EX8, EX9			[BAQ]
		1	2, 6	L	51, 52, 54, 55, 56	EX8, EX9			[BAQ]
		1	3, 7	L	02, 06	EX8, EX9			[BAQ]
		1	3, 7	L	12, 15, 16	EX8, EX9			[BAQ]
	05134205AA	1	2, 6	L	01, 02, 06	EX8, EX9			[BA6]
		1	2, 6	L	15, 16, 11, 12, 14	EX8, EX9			[BA6]
		1	2, 6	L	51, 52, 54, 55, 56	EX8, EX9			[BA6]
		1	3, 7	L	02, 06	EX8, EX9			[BA6]
		1	3, 7	L	12, 15, 16	EX8, EX9			[BA6]
2									SCREW
	06104035AA	2	2, 6	L	01, 02, 06	EX9			
		2	6, 2	L	11, 12, 14, 15, 16	EX9			
		2	2, 6	L	51, 52, 54, 55, 56	EX9			
3									PULLEY, Alternator
	05117591AA	1	2, 6	L	01, 02, 06	EX8			90 AMP
		1	2, 6	L	11, 12, 14, 15, 16	EX8			90 AMP

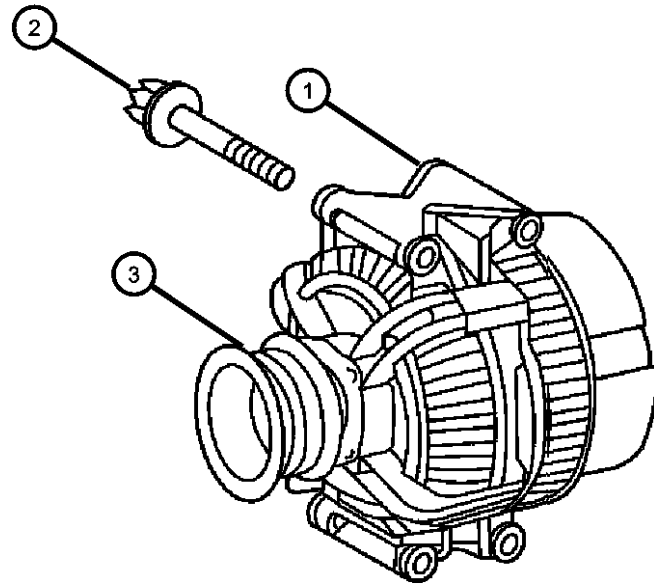
SPRINTER (VA)

SERIES	LINE	BODY	ENGINE	TRANSMISSION
L = LOWLINE	3 = HD DODGE 2WD 6 = Lt. Duty DODGE 4WD 2 = Med. Duty DODGE 2WD 7 = Med. Duty DODGE 4WD	55 = Wagon 140" 54 = Wagon 118" 52 = Wagon 140" 51 = Wagon 118" 12 = Van 140" 11 = Van 118" 06 = Front Section 158" 14 = Van 118" 15 = Van 140" 16 = Van 158" 56 = Wagon 158" 01 = Chassis Forward Control 118" 02 = Chassis Forward Control 140"	EX8 = Engine-2.7L I5 Mercedes Turbo Diesel	DGJ = Transmission-5-Spd. Automatic, W5A580

AR = use ase required - = Non illustrated part

**Alternators (Generator)
Figure 8-205**

ITEM	PART NUMBER	QTY	LINE	SERIES	BODY	ENGINE	TRANS	TRIM	DESCRIPTION
		1	2, 6	L	51, 52, 54, 55, 56	EX8			90 AMP
		1	3, 7	L	02, 06	EX8			90 AMP
-4	05133774AA	1	2, 6	L	01, 02, 06				REGULATOR, Alternator
		1	2, 6	L	11, 12, 14, 15, 16				90 AMP
		1	2, 6	L	51, 52, 54, 55, 56				90 AMP
		1	3, 7	L	02, 06				90 AMP
		1	3, 7	L	12, 15, 16				90 AMP



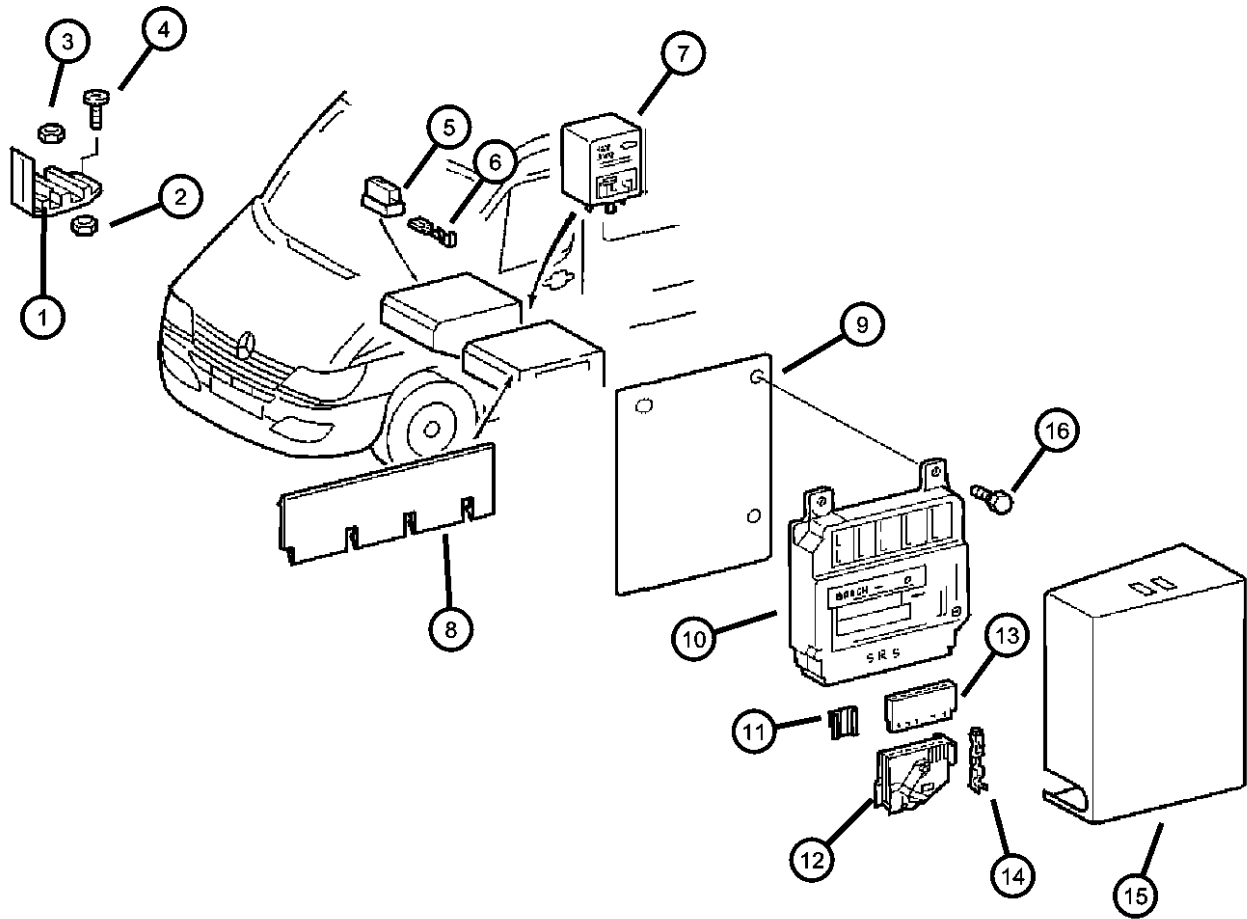
SPRINTER (VA)

SERIES	LINE	BODY	ENGINE	TRANSMISSION
L = LOWLINE	3 = HD DODGE 2WD 6 = Lt. Duty DODGE 4WD 2 = Med. Duty DODGE 2WD 7 = Med. Duty DODGE 4WD	55 = Wagon 140" 54 = Wagon 118" 52 = Wagon 140" 51 = Wagon 118" 12 = Van 140" 11 = Van 118" 06 = Front Section 158" 14 = Van 118" 15 = Van 140" 16 = Van 158" 56 = Wagon 158" 01 = Chassis Forward Control 118" 02 = Chassis Forward Control 140"	EX8 = Engine-2.7L I5 Mercedes Turbo Diesel	DGJ = Transmission-5-Spd. Automatic,W5A580

AR = use ase required - = Non illustrated part

2004 VA

Modules Seating Area
Figure 8-405



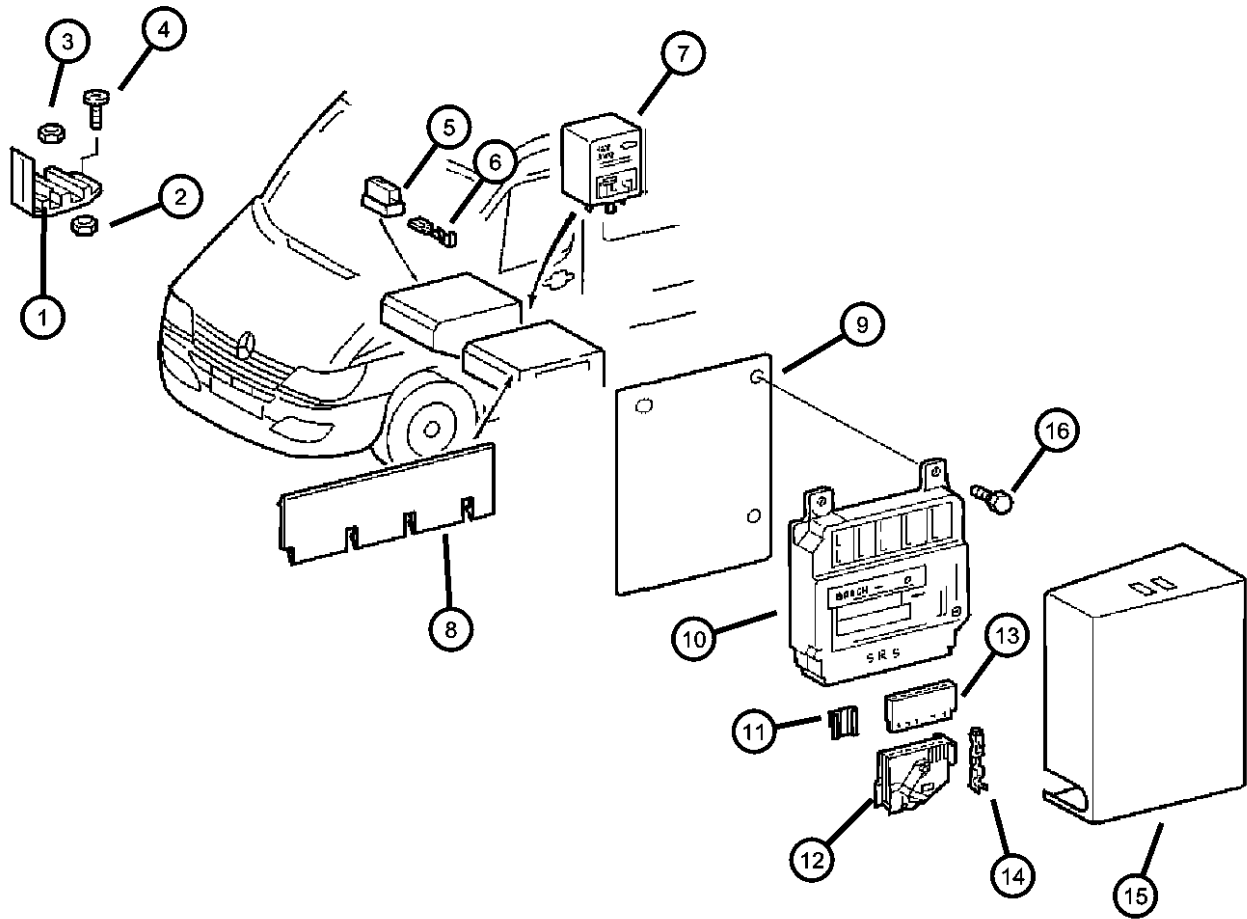
ITEM	PART NUMBER	QTY	LINE	SERIES	BODY	ENGINE	TRANS	TRIM	DESCRIPTION
1	05120249AA	1	2, 6	L	11, 12, 14, 15, 16				RETAINER, Wiring Harness
		1	2, 6	L	51, 52, 54, 55, 56				
		1	3, 7	L	12, 15, 16				
2	06104723AA	2	2, 6	L	01, 02, 06				NUT
3									NUT
	05126203AA	2	2, 6	L	11, 12, 14, 15, 16				
		2	2, 6	L	51, 52, 54, 55, 56				
		2	3, 7	L	12, 15, 16				
4									BOLT, Hex Head
	05126100AA	2	2, 6	L	01, 02, 06				
		2	2, 6	L	11, 12, 14, 15, 16				
		2	2, 6	L	51, 52, 54, 55, 56				
		2	3, 7	L	12, 15, 16				
5									INSULATOR, 2 Way Female
	05103754AA	1	2, 6	L	11, 12, 14, 15, 16				
		1	2, 6	L	51, 52, 54, 55, 56				
		1	3, 7	L	12, 15, 16				
6									TERMINAL, Female
	05133359AA	99	2, 6	L	11, 12, 14, 15, 16				
		99	2, 6	L	51, 52, 54, 55, 56				
		99	3, 7	L	12, 15, 16				
7		99							CONTROL UNIT, NONE, SPRINTER, (NOT REQUIRED)
8									PANEL, Seat Base

SPRINTER (VA)

SERIES	LINE	BODY	ENGINE	TRANSMISSION
L = LOWLINE	3 = HD DODGE 2WD 6 = Lt. Duty DODGE 4WD 2 = Med. Duty DODGE 2WD 7 = Med. Duty DODGE 4WD	55 = Wagon 140" 54 = Wagon 118" 52 = Wagon 140" 51 = Wagon 118" 12 = Van 140" 11 = Van 118" 06 = Front Section 158" 14 = Van 118" 15 = Van 140" 16 = Van 158" 56 = Wagon 158"	EX8 = Engine-2.7L I5 Mercedes Turbo Diesel	DGJ = Transmission-5-Spd. Automatic, W5A580
		01 = Chassis Forward Control 118" 02 = Chassis Forward Control 140"		

AR = use ase required - = Non illustrated part

Modules Seating Area
Figure 8-405



ITEM	PART NUMBER	QTY	LINE	SERIES	BODY	ENGINE	TRANS	TRIM	DESCRIPTION
	05123542AA	2	2, 6	L	11, 12, 14, 15, 16				
		2	2, 6	L	51, 52, 54, 55, 56				
		2	2, 6	L	52, 55				
		6	2, 6	L	56				
9	05120891AA	1	2, 6	L	11, 12, 14, 15, 16				PLATE, Air Bag Module
		1	2, 6	L	51, 52, 54, 55, 56				
10	05119435AA	1	3, 7	L	12, 15, 16				MODULE, Air Bag Control
		1	2, 6	L	51, 52, 54, 55, 56				
		1	3, 7	L	12, 15, 16				
11	05120412AA	1	2, 6	L	11, 12, 14, 15, 16				COVER, Insulator, Wiring Protection
		1	2, 6	L	51, 52, 54, 55, 56				
		1	3, 7	L	12, 15, 16				
12	05120799AA	1	2, 6	L	11, 12, 14, 15, 16				CONNECTOR, Wiring
		1	2, 6	L	51, 52, 54, 55, 56				
		1	3, 7	L	12, 15, 16				
13	05120834AA	1	2, 6	L	11, 12, 14, 15, 16				CONNECTOR

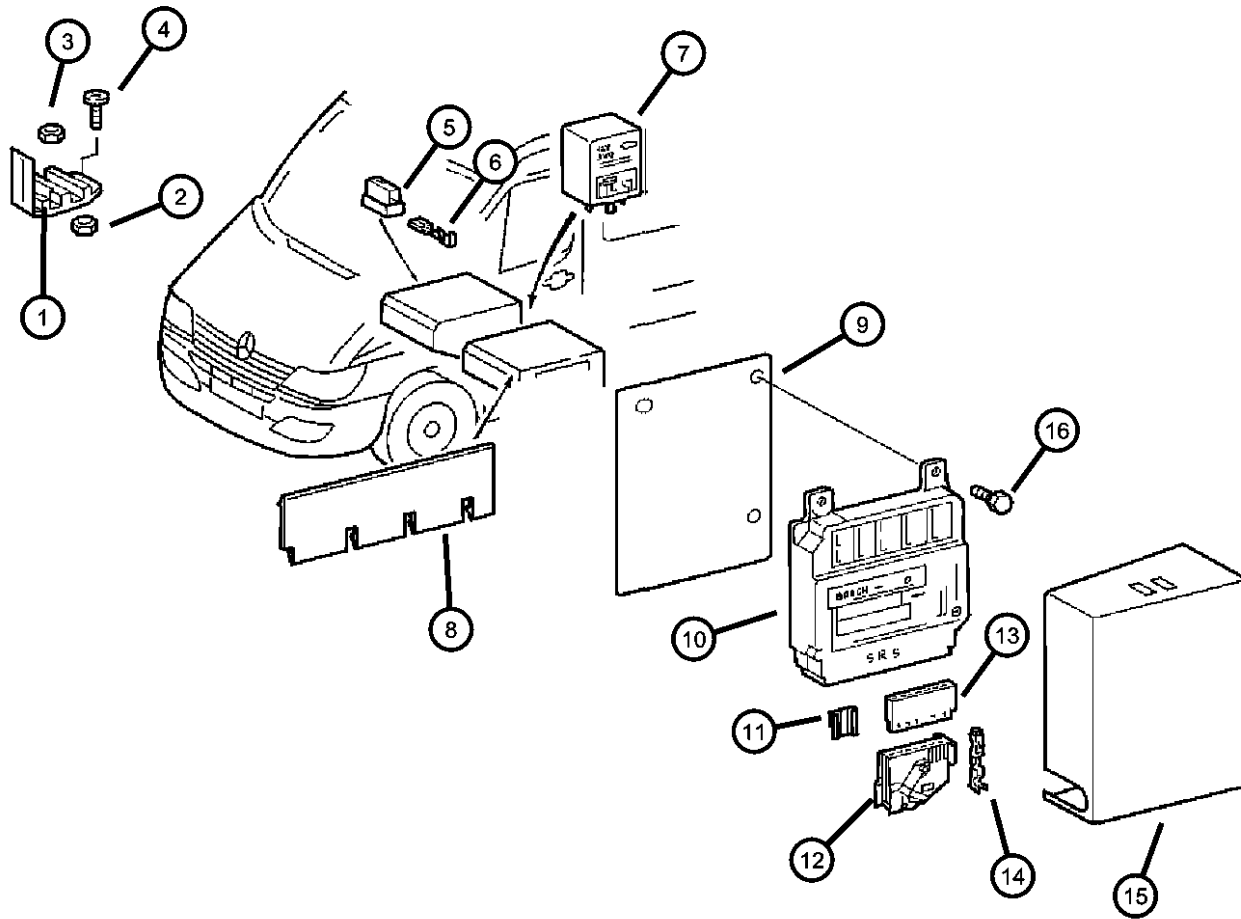
SPRINTER (VA)

SERIES	LINE	BODY	ENGINE	TRANSMISSION
L = LOWLINE	3 = HD DODGE 2WD 6 = Lt. Duty DODGE 4WD 2 = Med. Duty DODGE 2WD 7 = Med. Duty DODGE 4WD	55 = Wagon 140" 54 = Wagon 118" 52 = Wagon 140" 51 = Wagon 118" 12 = Van 140" 11 = Van 118" 06 = Front Section 158" 14 = Van 118" 15 = Van 140" 16 = Van 158" 56 = Wagon 158"	EX8 = Engine-2.7L I5 Mercedes Turbo Diesel	DGJ = Transmission-5-Spd. Automatic,W5A580

AR = use ase required - = Non illustrated part

2004 VA

Modules Seating Area
Figure 8-405



ITEM	PART NUMBER	QTY	LINE	SERIES	BODY	ENGINE	TRANS	TRIM	DESCRIPTION
		1	2, 6	L	51, 52, 54, 55, 56				
		1	3, 7	L	12, 15, 16				
14	05120549AA	1	2, 6	L	11, 12, 14, 15, 16				TERMINAL
		1	2, 6	L	51, 52, 54, 55, 56				
		1	3, 7	L	12, 15, 16				
15	05104148AA	1	2, 6	L	11, 12, 14, 15, 16				COVER, Air Bag Module
		1	2, 6	L	51, 52, 54, 55, 56				
		1	3, 7	L	12, 15, 16				
16	06104005AA	2	2, 6	L	11, 12, 14, 15, 16				SCREW
		2	2, 6	L	51, 52, 54, 55, 56				
		2	3, 7	L	12, 15, 16				

SPRINTER (VA)

SERIES

L = LOWLINE

LINE

3 = HD DODGE 2WD
6 = Lt. Duty DODGE 4WD
2 = Med. Duty DODGE 2WD
7 = Med. Duty DODGE 4WD

BODY

55 = Wagon 140"
54 = Wagon 118"
52 = Wagon 140"
51 = Wagon 118"
12 = Van 140"
11 = Van 118"
06 = Front Section 158"
14 = Van 118"
15 = Van 140"
16 = Van 158"
56 = Wagon 158"
01 = Chassis Forward Control
118"
02 = Chassis Forward Control
140"

ENGINE

EX8 = Engine-2.7L I5
Mercedes Turbo Diesel

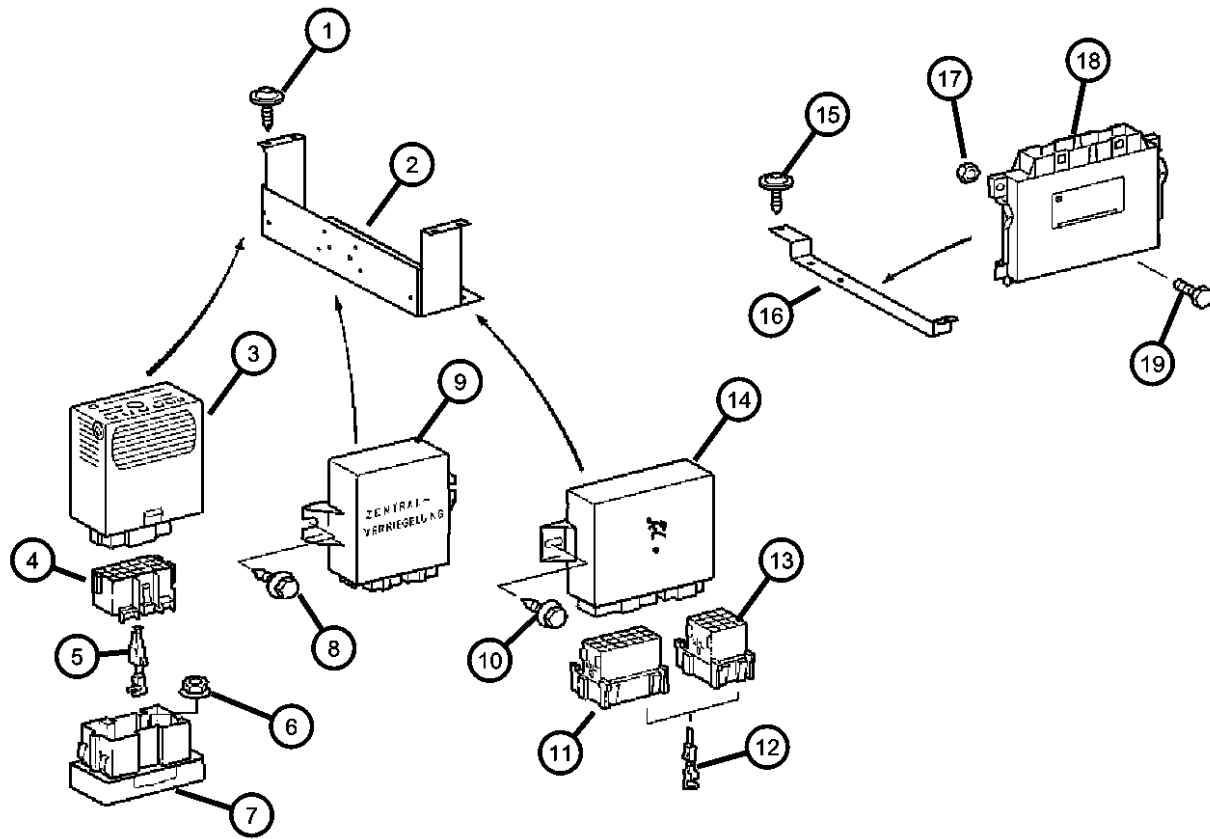
TRANSMISSION

DGJ = Transmission-5-Spd.
Automatic,W5A580

AR = use ase required - = Non illustrated part

2004 VA

Modules and Related Parts
Figure 8-410



ITEM	PART NUMBER	QTY	LINE	SERIES	BODY	ENGINE	TRANS	TRIM	DESCRIPTION
1	06104573AA	4	2, 6	L	01, 02, 06				SCREW, Tapping
		4	2, 6	L	11, 12, 14, 15, 16				
		4	2, 6	L	51, 52, 54, 55, 56				
		4	3, 7	L	12, 15, 16				
2	05120844AA	1	2, 6	L	11, 12, 14, 15, 16				BRACKET, Fuse Block
		1	2, 6	L	51, 52, 54, 55, 56				
		1	2, 6	L	01, 02, 06				
		1	3, 7	L	12, 15, 16				
3	05103648AA	1	2, 6	L	01, 02, 06				CONTROL UNIT, NONE, SPRINTER
	05103899AA	1	2, 6	L	11, 12, 14, 15, 16				Dome Lamp
		1	2, 6	L	51, 52, 54, 55, 56				Dome Lamp
		1	3, 7	L	12, 15, 16				Dome Lamp
4	05133333AA	1	2, 6	L	01, 02, 06				CONNECTOR
		1	2, 6	L	11, 12, 14, 15, 16				
		1	2, 6	L	51, 52, 54, 55, 56				
		1	3, 7	L	12, 15, 16				
5	05103881AA	99	2, 6	L	01, 02, 06				TERMINAL
		1	2, 6	L	11, 12, 14, 15, 16				
		1	3, 7	L	12, 15, 16				

SPRINTER (VA)

SERIES

L = LOWLINE
 3 = HD DODGE 2WD
 6 = Lt. Duty DODGE 4WD
 2 = Med. Duty DODGE 2WD
 7 = Med. Duty DODGE 4WD

LINE

3 = HD DODGE 2WD
 6 = Lt. Duty DODGE 4WD
 2 = Med. Duty DODGE 2WD
 7 = Med. Duty DODGE 4WD

BODY

55 = Wagon 140"
 54 = Wagon 118"
 52 = Wagon 140"
 51 = Wagon 118"
 12 = Van 140"
 11 = Van 118"
 06 = Front Section 158"
 14 = Van 118"
 15 = Van 140"
 16 = Van 158"
 56 = Wagon 158"
 01 = Chassis Forward Control 118"
 02 = Chassis Forward Control 140"

ENGINE

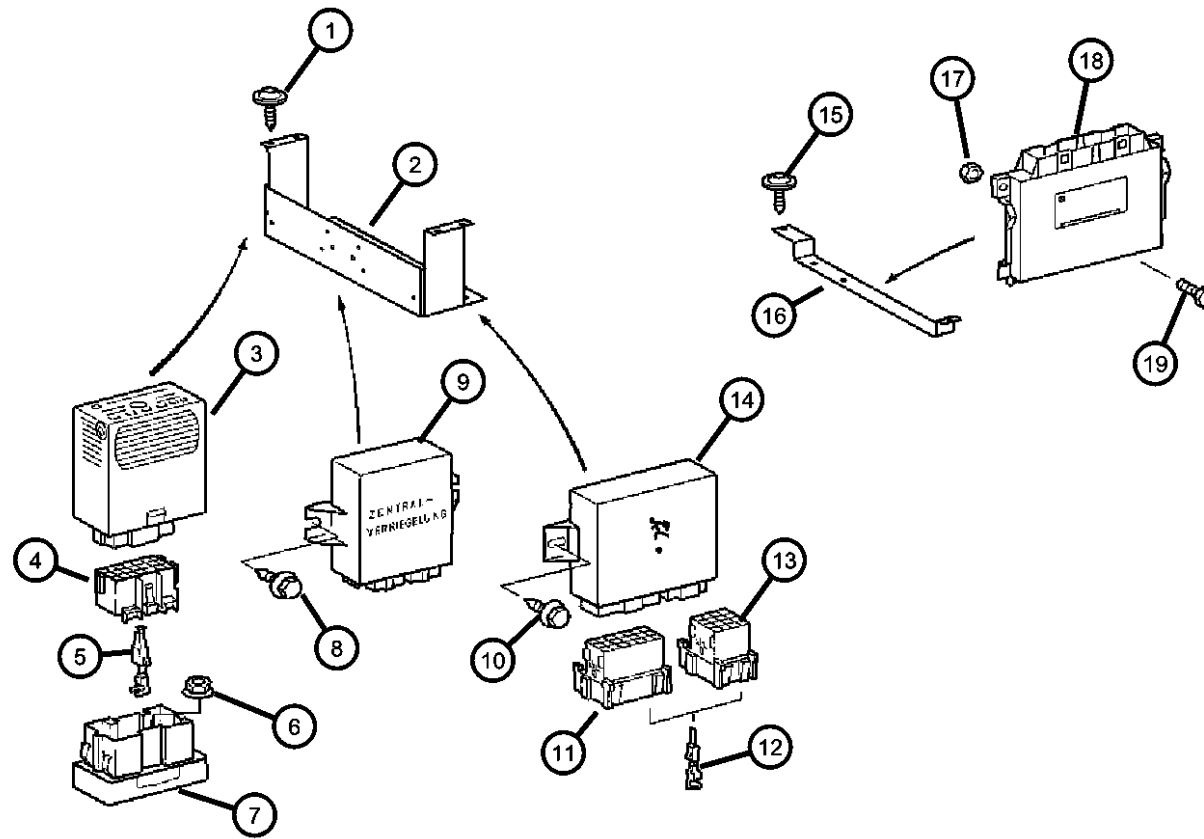
EX8 = Engine-2.7L I5
 Mercedes Turbo Diesel

TRANSMISSION

DGJ = Transmission-5-Spd. Automatic, W5A580

AR = use ase required - = Non illustrated part

Modules and Related Parts
Figure 8-410



ITEM	PART NUMBER	QTY	LINE	SERIES	BODY	ENGINE	TRANS	TRIM	DESCRIPTION
		1	2, 6	L	51, 52, 54, 55, 56				
6									NUT
	06104714AA	1	2, 6	L	01, 02, 06				
		2	2, 6	L	11, 12, 14, 15, 16		DGJ		
		2	2, 6	L	51, 52, 54, 55, 56		DGJ		
		2	3, 7	L	12, 15, 16		DGJ		
7									CONNECTOR
	05120506AA	1	2, 6	L	01, 02, 06				
		1	2, 6	L	11, 12, 14, 15, 16				
		1	2, 6	L	51, 52, 54, 55, 56				
		1	3, 7	L	12, 15, 16				
8									SCREW
	05104609AA	4	2, 6	L	01, 02, 06				
		2	2, 6	L	11, 12, 14, 15, 16				
		2	2, 6	L	51, 52, 54, 55, 56				
		2	3, 7	L	12, 15, 16				
9									MODULE, Central Locking
	05127217AA	1	2, 6	L	11, 12, 14, 15, 16				
		1	2, 6	L	01, 02, 06				
		1	3, 7	L	12, 15, 16				
	05129301AA	1	2, 6	L	51, 52, 54, 55, 56				
10									SCREW, Tapping
	06104574AA	2	2, 6	L	01, 02, 06				

SPRINTER (VA)

SERIES

L = LOWLINE

LINE

3 = HD DODGE 2WD
6 = Lt. Duty DODGE 4WD
2 = Med. Duty DODGE 2WD
7 = Med. Duty DODGE 4WD

BODY

55 = Wagon 140"
54 = Wagon 118"
52 = Wagon 140"
51 = Wagon 118"
12 = Van 140"
11 = Van 118"
06 = Front Section 158"
14 = Van 118"
15 = Van 140"
16 = Van 158"
56 = Wagon 158"
01 = Chassis Forward Control 118"
02 = Chassis Forward Control 140"

ENGINE

EX8 = Engine-2.7L I5
Mercedes Turbo Diesel

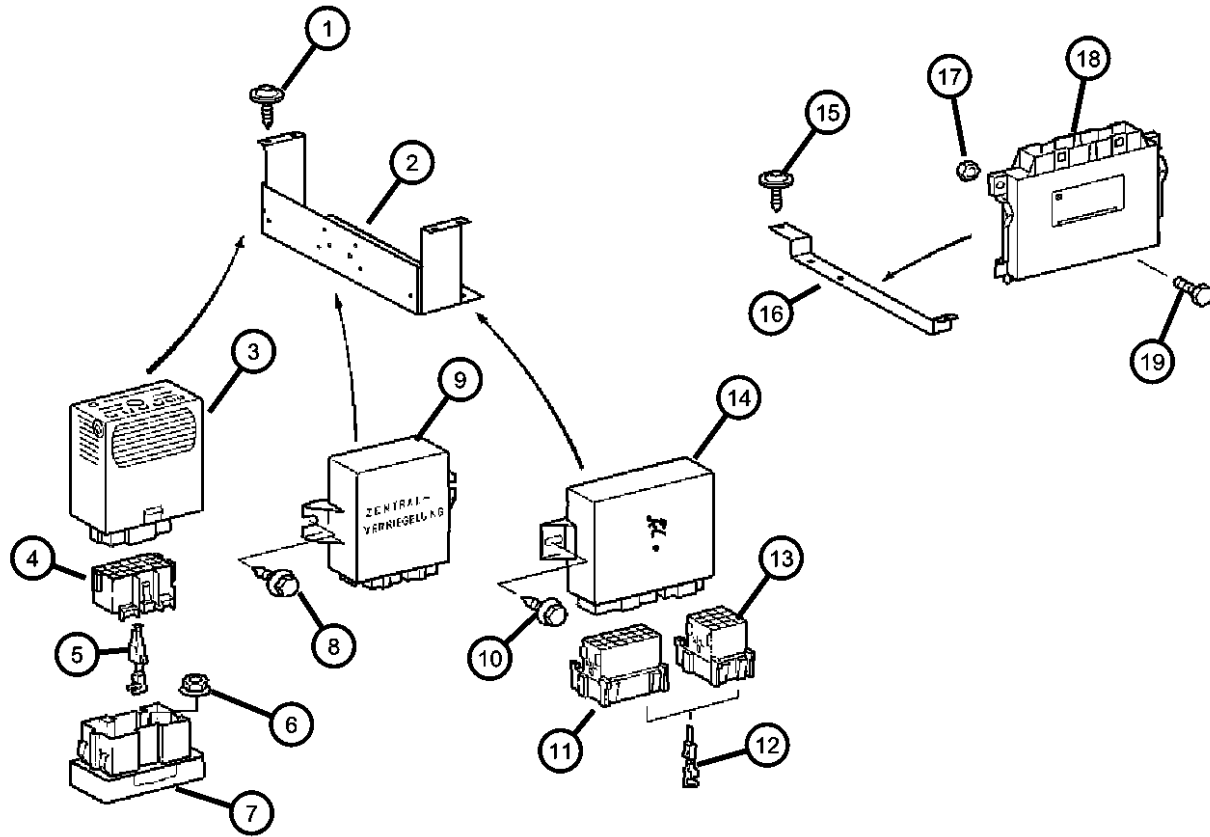
TRANSMISSION

DGJ = Transmission-5-Spd. Automatic, W5A580

AR = use ase required - = Non illustrated part

2004 VA

Modules and Related Parts
Figure 8-410



ITEM	PART NUMBER	QTY	LINE	SERIES	BODY	ENGINE	TRANS	TRIM	DESCRIPTION
		2	2, 6	L	11, 12, 14, 15, 16				
		2	2, 6	L	51, 52, 54, 55, 56				
11	05133333AA	1	2, 6	L	01, 02, 06				CONNECTOR
		1	2, 6	L	11, 12, 14, 15, 16				
		1	2, 6	L	51, 52, 54, 55, 56				
		1	3, 7	L	12, 15, 16				
12	05120526AA	1	2, 6	L	01, 02, 06				TERMINAL
	05120526AB	1	2, 6	L	11, 12, 14, 15, 16				
		1	2, 6	L	51, 52, 54, 55, 56				
		1	3, 7	L	12, 15, 16				
13	05120552AA	1	2, 6	L	01, 02, 06				CONNECTOR
		1	2, 6	L	11, 12, 14, 15, 16				
		1	2, 6	L	51, 52, 54, 55, 56				
		1	3, 7	L	12, 15, 16				
14	05119439AA	1	2, 6	L	01, 02, 06				CONTROL, Theftproof
		1	2, 6	L	11, 12, 14, 15, 16				
		1	2, 6	L	51, 52, 54, 55, 56				
		1	3, 7	L	12, 15, 16				
15									SCREW, Tapping

SPRINTER (VA)

SERIES

L = LOWLINE

LINE

3 = HD DODGE 2WD
6 = Lt. Duty DODGE 4WD
2 = Med. Duty DODGE 2WD
7 = Med. Duty DODGE 4WD

BODY

55 = Wagon 140"
54 = Wagon 118"
52 = Wagon 140"
51 = Wagon 118"
12 = Van 140"
11 = Van 118"
06 = Front Section 158"
14 = Van 118"
15 = Van 140"
16 = Van 158"
56 = Wagon 158"
01 = Chassis Forward Control 118"
02 = Chassis Forward Control 140"

ENGINE

EX8 = Engine-2.7L I5
Mercedes Turbo Diesel

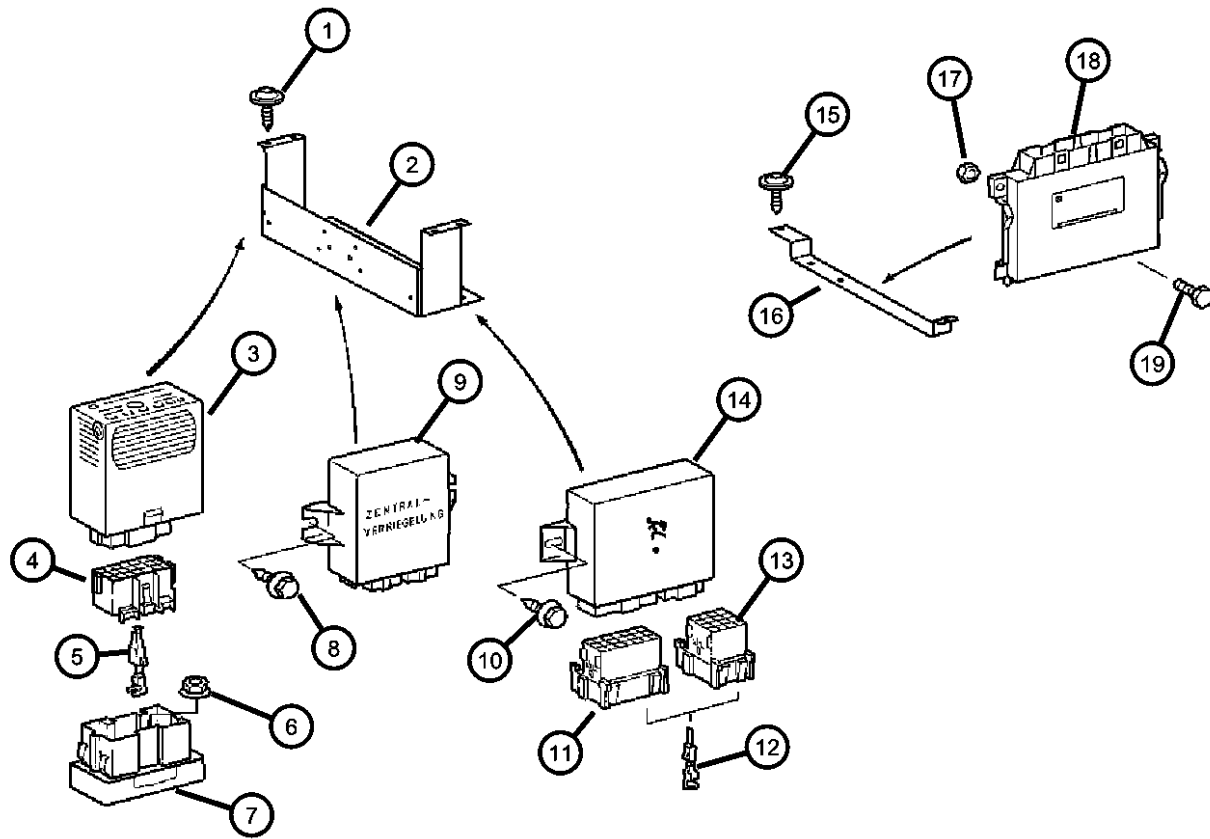
TRANSMISSION

DGJ = Transmission-5-Spd. Automatic, W5A580

AR = use ase required - = Non illustrated part

2004 VA

Modules and Related Parts
Figure 8-410



ITEM	PART NUMBER	QTY	LINE	SERIES	BODY	ENGINE	TRANS	TRIM	DESCRIPTION
	06104573AA	2	2, 6	L	11, 12, 14, 15, 16				
		4	2, 6	L	01, 02, 06				
		2	2, 6	L	51, 52, 54, 55, 56				
		2	3, 7	L	12, 15, 16				
16	05120842AA	2	2, 6	L	01, 02, 06		DGJ		BRACKET, Control Unit
		2	2, 6	L	11, 12, 14, 15, 16		DGJ		
		2	2, 6	L	51, 52, 54, 55, 56		DGJ		
		2	3, 7	L	12, 15, 16		DGJ		
17	06104714AA	1	2, 6	L	01, 02, 06				NUT
		2	2, 6	L	11, 12, 14, 15, 16		DGJ		
		2	2, 6	L	51, 52, 54, 55, 56		DGJ		
		2	3, 7	L	15, 16, 12		DGJ		
18	05135888AA	1	2, 6	L	01, 02, 06		DGJ		MODULE, Transmission Control
		1	2, 6	L	11, 12, 14, 15, 16		DGJ		
		1	2, 6	L	51, 52, 54, 55, 56		DGJ		
		1	3, 7	L	12, 15, 16		DGJ		
19	06104173AA	2	2, 6	L	01, 02, 06		DGJ		SCREW, Hex Head
		2	2, 6	L	11, 12, 14, 15, 16		DGJ		
		2	2, 6	L	56, 51, 52, 54, 55		DGJ		

SPRINTER (VA)

SERIES

L = LOWLINE

LINE

3 = HD DODGE 2WD
6 = Lt. Duty DODGE 4WD
2 = Med. Duty DODGE 2WD
7 = Med. Duty DODGE 4WD

BODY

55 = Wagon 140"
54 = Wagon 118"
52 = Wagon 140"
51 = Wagon 118"
12 = Van 140"
11 = Van 118"
06 = Front Section 158"
14 = Van 118"
15 = Van 140"
16 = Van 158"
56 = Wagon 158"
01 = Chassis Forward Control
118"
02 = Chassis Forward Control
140"

ENGINE

EX8 = Engine-2.7L I5
Mercedes Turbo Diesel

TRANSMISSION

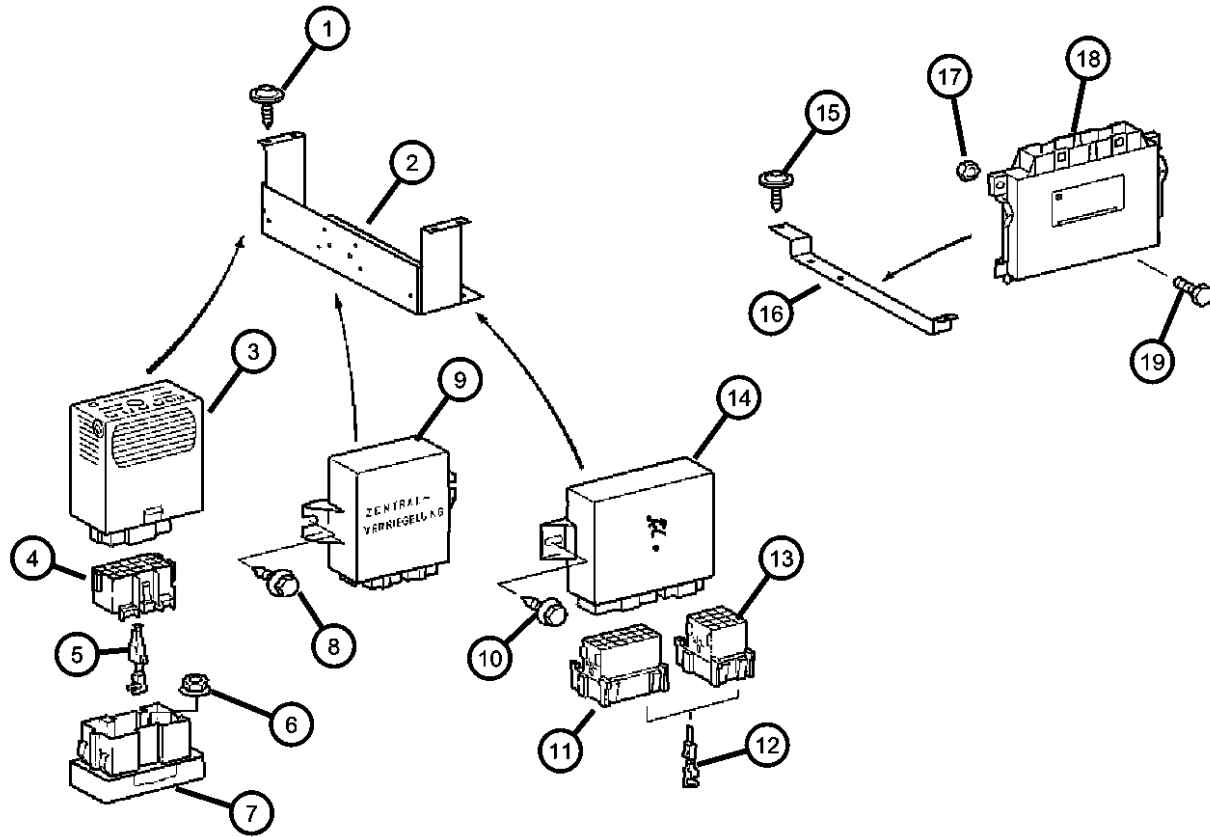
DGJ = Transmission-5-Spd.
Automatic,W5A580

AR = use ase required - = Non illustrated part

2004 VA

Modules and Related Parts
Figure 8-410

ITEM	PART NUMBER	QTY	LINE	SERIES	BODY	ENGINE	TRANS	TRIM	DESCRIPTION
-20		2	3, 7	L	12, 15, 16		DGJ		FLASHER MODULE, FLASHER MODULE-TURN SIGNAL
	05139996AA	1	2, 6	L	01, 02, 06				
		1	2, 6	L	11, 12, 14, 15, 16				
		1	2, 6	L	51, 52, 54, 55, 56				
		1	3, 7	L	02, 06				
		1	3, 7	L	12, 15, 16				



SPRINTER (VA)

SERIES

L = LOWLINE

LINE

3 = HD DODGE 2WD
6 = Lt. Duty DODGE 4WD
2 = Med. Duty DODGE 2WD
7 = Med. Duty DODGE 4WD

BODY

55 = Wagon 140"
54 = Wagon 118"
52 = Wagon 140"
51 = Wagon 118"
12 = Van 140"
11 = Van 118"
06 = Front Section 158"
14 = Van 118"
15 = Van 140"
16 = Van 158"
56 = Wagon 158"
01 = Chassis Forward Control
118"
02 = Chassis Forward Control
140"

ENGINE

EX8 = Engine-2.7L I5
Mercedes Turbo Diesel

TRANSMISSION

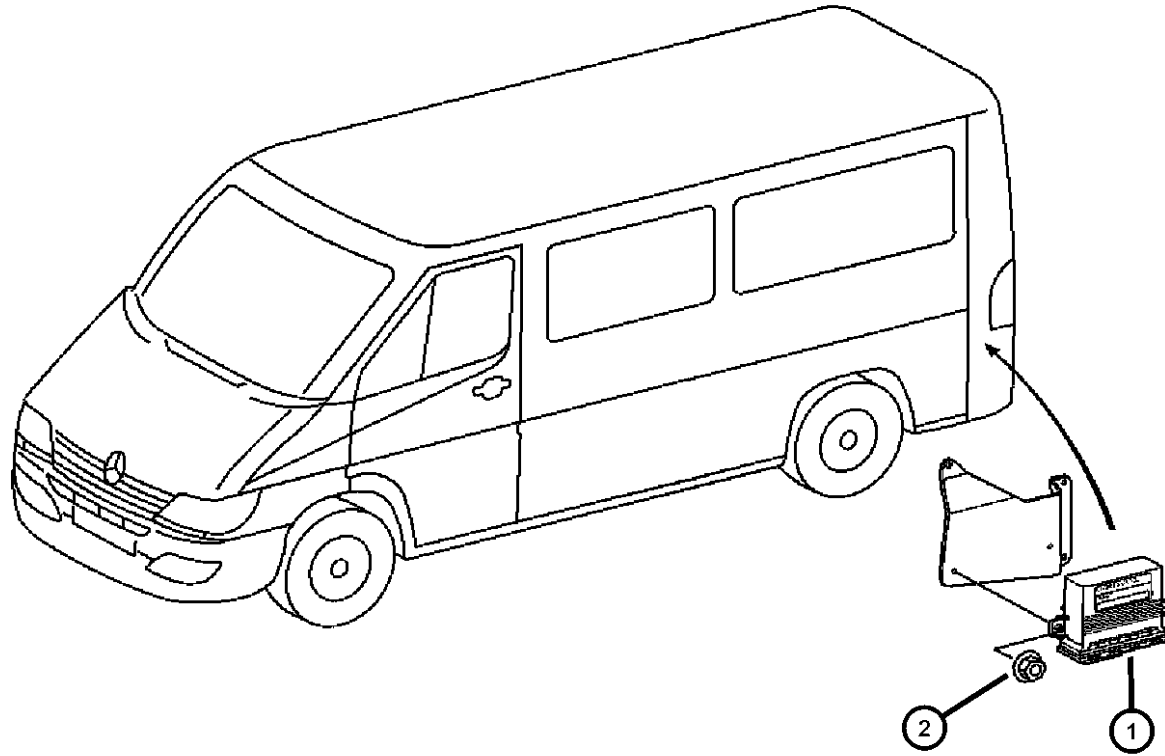
DGJ = Transmission-5-Spd.
Automatic,W5A580

AR = use ase required - = Non illustrated part

2004 VA

Module Back Up
Figure 8-415

ITEM	PART NUMBER	QTY	LINE	SERIES	BODY	ENGINE	TRANS	TRIM	DESCRIPTION
1									CONTROL UNIT, Back Up Aid
	05120828AA	1	2, 6	L	11, 12, 14, 15, 16				
		1	2, 6	L	51, 52, 54, 55, 56				
		1	3, 7	L	12, 15, 16				
2									NUT, Hex
	06104911AA	2	2, 6	L	11, 12, 14, 15, 16				
		2	2, 6	L	51, 52, 54, 55, 56				
		2	3, 7	L	12, 15, 16				



SPRINTER (VA)

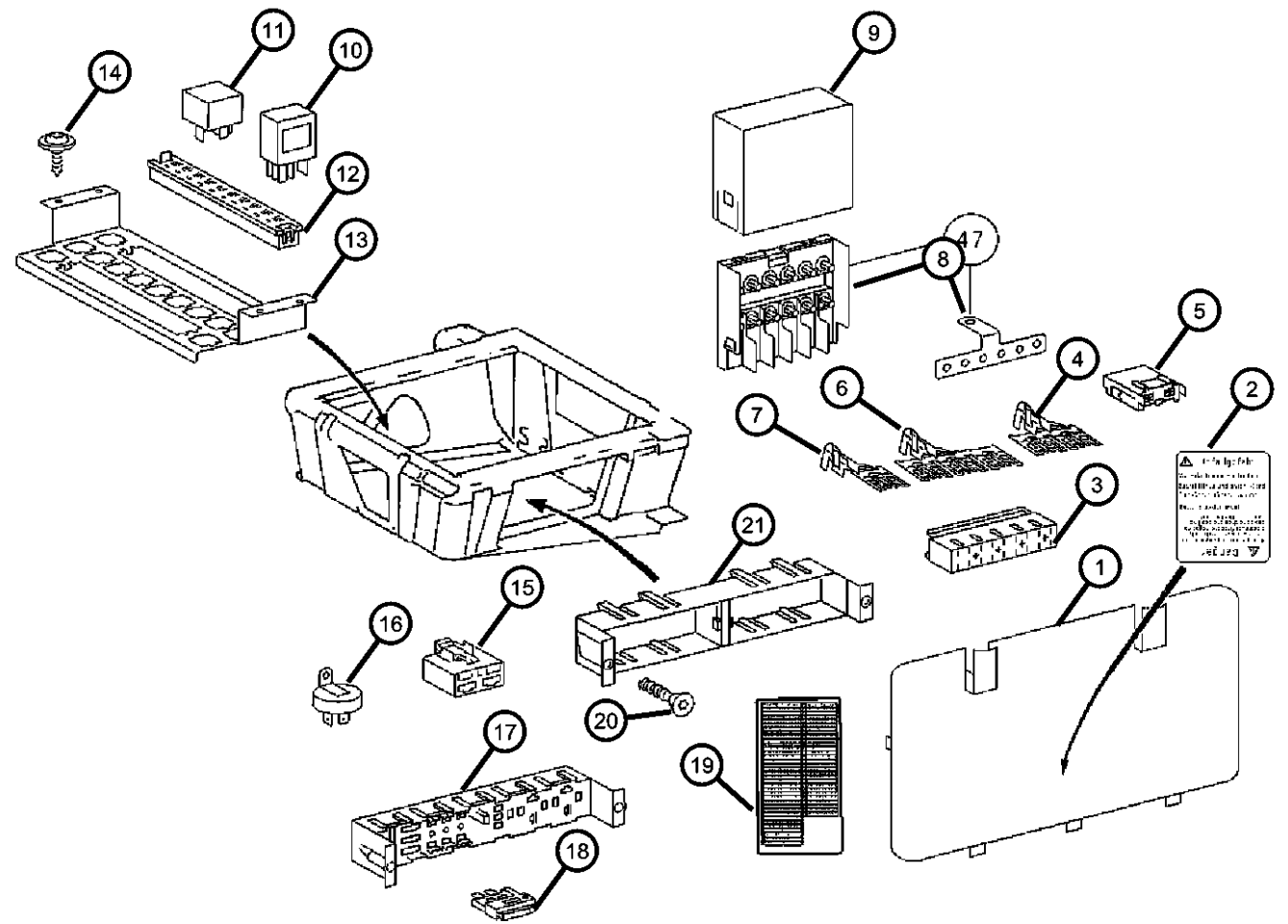
SERIES	LINE	BODY	ENGINE	TRANSMISSION
L = LOWLINE	3 = HD DODGE 2WD 6 = Lt. Duty DODGE 4WD 2 = Med. Duty DODGE 2WD 7 = Med. Duty DODGE 4WD	55 = Wagon 140" 54 = Wagon 118" 52 = Wagon 140" 51 = Wagon 118" 12 = Van 140" 11 = Van 118" 06 = Front Section 158" 14 = Van 118" 15 = Van 140" 16 = Van 158" 56 = Wagon 158" 01 = Chassis Forward Control 118" 02 = Chassis Forward Control 140"	EX8 = Engine-2.7L I5 Mercedes Turbo Diesel	DGJ = Transmission-5-Spd. Automatic,W5A580

AR = use ase required - = Non illustrated part

2004 VA

Under Seat - Relays & Fuses
Figure 8-505

ITEM	PART NUMBER	QTY	LINE	SERIES	BODY	ENGINE	TRANS	TRIM	DESCRIPTION
1									COVER, Fuse Access
	05104149AA	1	2, 6	L	02, 06, 01				
		1	2, 6	L	11, 12, 14, 15, 16				
		1	2, 6	L	51, 52, 54, 55, 56				
	05133683AA	1	3, 7	L	12, 15, 16				
2									LABEL, Warning
	05121112AA	1	2, 6	L	01, 02, 06				
		1	2, 6	L	11, 12, 14, 15, 16				
		1	2, 6	L	51, 52, 54, 55, 56				
		1	3, 7	L	12, 15, 16				
3									CONNECTOR
	05120399AA	1	2, 6	L	51, 52, 54, 55, 56				Number 19 thru 27
		1	3, 7	L	12, 15, 16				Number 19 thru 27
	05120401AA	1	2, 6	L	11, 12, 14, 15, 16				Number 1 thru 9
		1	2, 6	L	51, 52, 54, 55, 56				Number 1 thru 9
		1	3, 7	L	16, 12, 15				Number 1 thru 9
	05120402AA	1	2, 6	L	11, 12, 14, 15, 16				Number 10 thru 18
		1	2, 6	L	11, 12, 14, 15, 16				Number 19 thru 27
	05120403AA	1	2, 6	L	11, 12, 14, 15, 16				Number 28 thru 36
		1	2, 6	L	51, 52, 54, 55, 56				Number 28 thru 36
		1	3, 7	L	12, 15, 16				Number 28 thru 36
		1	2, 6	L	51, 52, 54, 55, 56				Number 10 thru 18
		1	3, 7	L	12, 15, 16				Number 10 thru 18

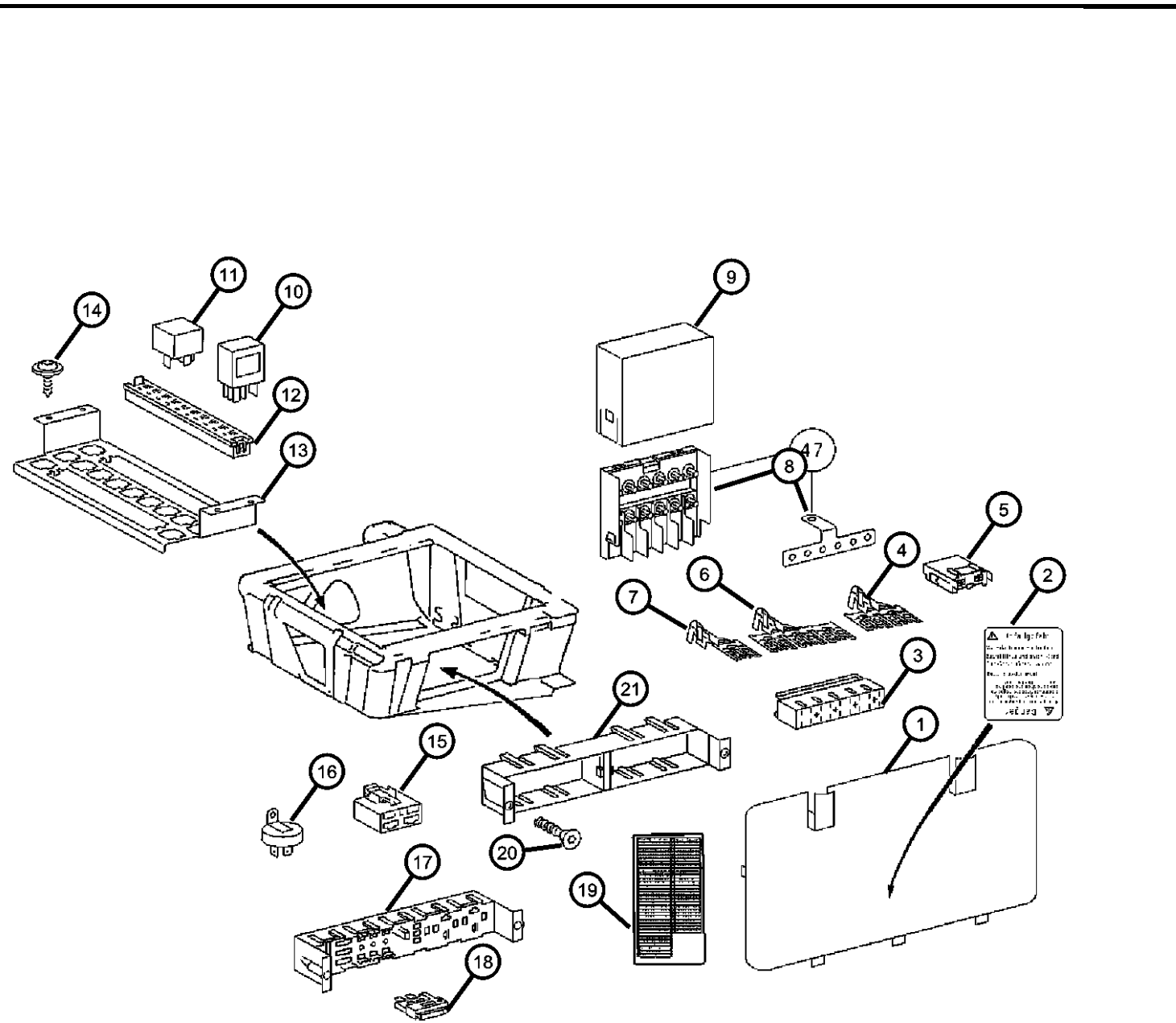


SPRINTER (VA)

SERIES	LINE	BODY	ENGINE	TRANSMISSION
L = LOWLINE	3 = HD DODGE 2WD 6 = Lt. Duty DODGE 4WD 2 = Med. Duty DODGE 2WD 7 = Med. Duty DODGE 4WD	55 = Wagon 140" 54 = Wagon 118" 52 = Wagon 140" 51 = Wagon 118" 12 = Van 140" 11 = Van 118" 06 = Front Section 158" 14 = Van 118" 15 = Van 140" 16 = Van 158" 56 = Wagon 158"	EX8 = Engine-2.7L I5 Mercedes Turbo Diesel	DGJ = Transmission-5-Spd. Automatic, W5A580
		01 = Chassis Forward Control 118" 02 = Chassis Forward Control 140"		

AR = use ase required - = Non illustrated part

Under Seat - Relays & Fuses
Figure 8-505



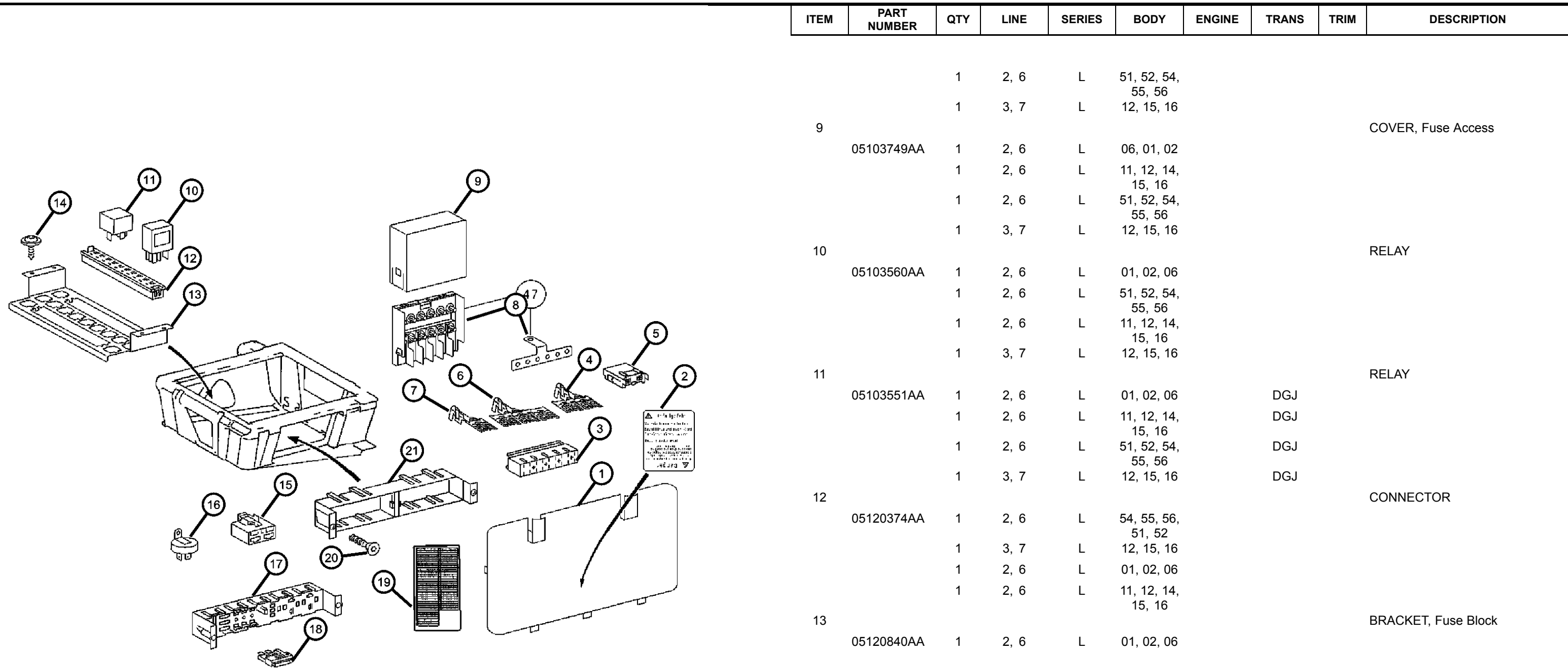
ITEM	PART NUMBER	QTY	LINE	SERIES	BODY	ENGINE	TRANS	TRIM	DESCRIPTION
4		1	2, 6	L	01, 02, 06				TERMINAL
	05133404AA	1	2, 6	L	01, 02, 06				
		99	2, 6	L	11, 12, 14, 15, 16				
		99	2, 6	L	51, 52, 54, 55, 56				
		99	3, 7	L	12, 15, 16				
5									FUSE
	05133407AA	1	2, 6	L	01, 02, 06				
		1	2, 6	L	11, 12, 14, 15, 16				
		1	2, 6	L	54, 55, 56, 51, 52				
		1	3, 7	L	12, 15, 16				
6									TERMINAL
	05133405AA	99	2, 6	L	11, 12, 14, 15, 16				
		99	2, 6	L	51, 52, 54, 55, 56				
		99	3, 7	L	12, 15, 16				
		1	2, 6	L	01, 02, 06				
7									TERMINAL
	05133403AA	99	2, 6	L	01, 02, 06				
		99	2, 6	L	11, 12, 14, 15, 16				
		99	2, 6	L	51, 52, 54, 55, 56				
		99	3, 7	L	12, 15, 16				
8									HOLDER, Fuse
	05103829AA	1	2, 6	L	01, 02, 06				
		1	2, 6	L	11, 12, 14, 15, 16				

SPRINTER (VA)

SERIES	LINE	BODY	ENGINE	TRANSMISSION
L = LOWLINE	3 = HD DODGE 2WD 6 = Lt. Duty DODGE 4WD 2 = Med. Duty DODGE 2WD 7 = Med. Duty DODGE 4WD	55 = Wagon 140" 54 = Wagon 118" 52 = Wagon 140" 51 = Wagon 118" 12 = Van 140" 11 = Van 118" 06 = Front Section 158" 14 = Van 118" 15 = Van 140" 16 = Van 158" 56 = Wagon 158"	EX8 = Engine-2.7L I5 Mercedes Turbo Diesel	DGJ = Transmission-5-Spd. Automatic, W5A580
		01 = Chassis Forward Control 118" 02 = Chassis Forward Control 140"		

AR = use ase required - = Non illustrated part

Under Seat - Relays & Fuses
Figure 8-505



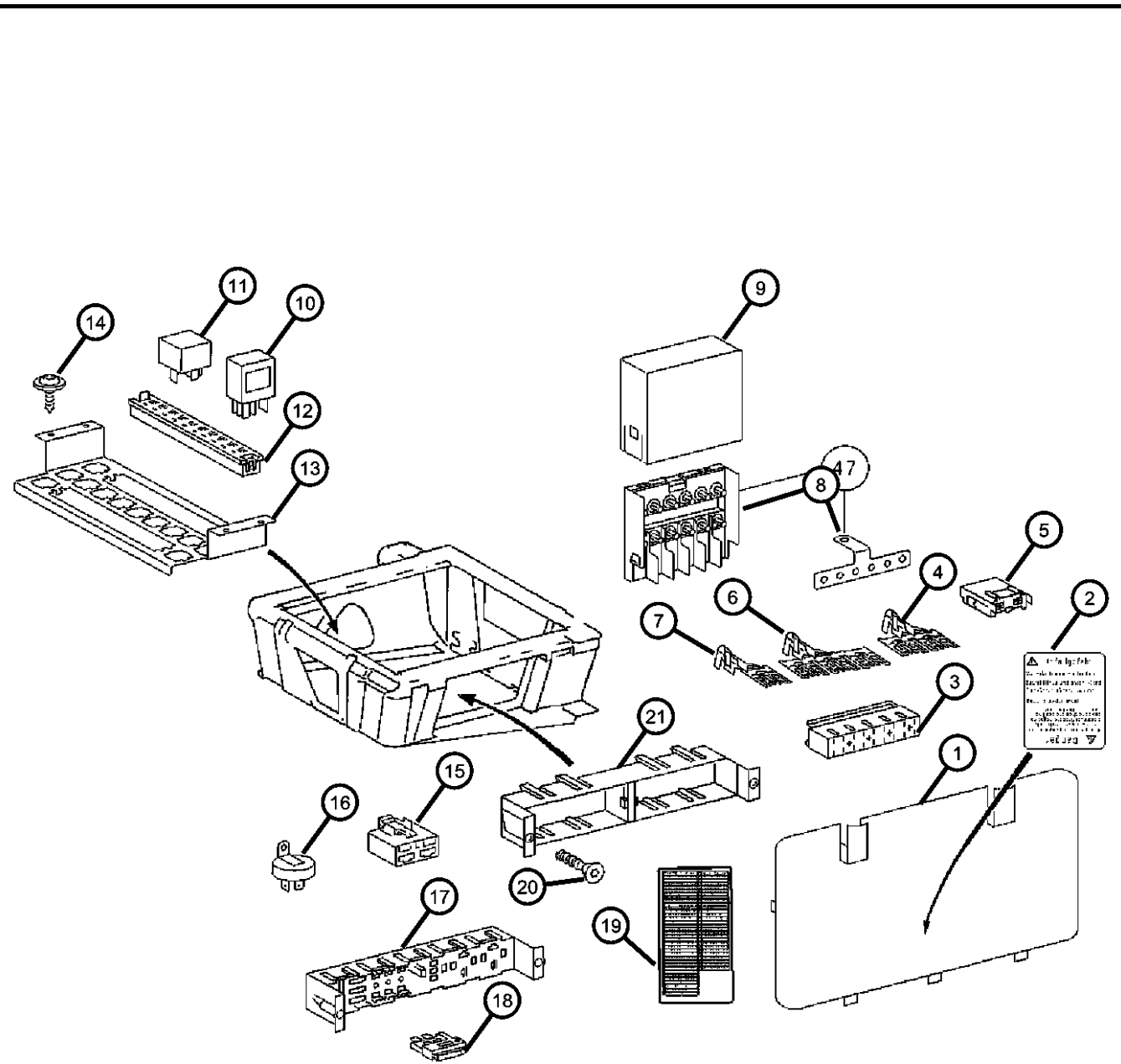
ITEM	PART NUMBER	QTY	LINE	SERIES	BODY	ENGINE	TRANS	TRIM	DESCRIPTION
9	05103749AA	1	2, 6	L	51, 52, 54, 55, 56				COVER, Fuse Access
		1	3, 7	L	12, 15, 16				
10	05103560AA	1	2, 6	L	06, 01, 02				RELAY
		1	2, 6	L	11, 12, 14, 15, 16				
		1	2, 6	L	51, 52, 54, 55, 56				
		1	3, 7	L	12, 15, 16				
11	05103551AA	1	2, 6	L	01, 02, 06		DGJ		RELAY
		1	2, 6	L	11, 12, 14, 15, 16		DGJ		
		1	2, 6	L	51, 52, 54, 55, 56		DGJ		
		1	3, 7	L	12, 15, 16		DGJ		
12	05120374AA	1	2, 6	L	54, 55, 56, 51, 52				CONNECTOR
		1	3, 7	L	12, 15, 16				
		1	2, 6	L	01, 02, 06				
		1	2, 6	L	11, 12, 14, 15, 16				
13	05120840AA	1	2, 6	L	01, 02, 06				BRACKET, Fuse Block

SPRINTER (VA)

SERIES	LINE	BODY	ENGINE	TRANSMISSION
L = LOWLINE	3 = HD DODGE 2WD 6 = Lt. Duty DODGE 4WD 2 = Med. Duty DODGE 2WD 7 = Med. Duty DODGE 4WD	55 = Wagon 140" 54 = Wagon 118" 52 = Wagon 140" 51 = Wagon 118" 12 = Van 140" 11 = Van 118" 06 = Front Section 158" 14 = Van 118" 15 = Van 140" 16 = Van 158" 56 = Wagon 158"	EX8 = Engine-2.7L I5 Mercedes Turbo Diesel	DGJ = Transmission-5-Spd. Automatic, W5A580
		01 = Chassis Forward Control 118" 02 = Chassis Forward Control 140"		

AR = use ase required - = Non illustrated part

Under Seat - Relays & Fuses
Figure 8-505



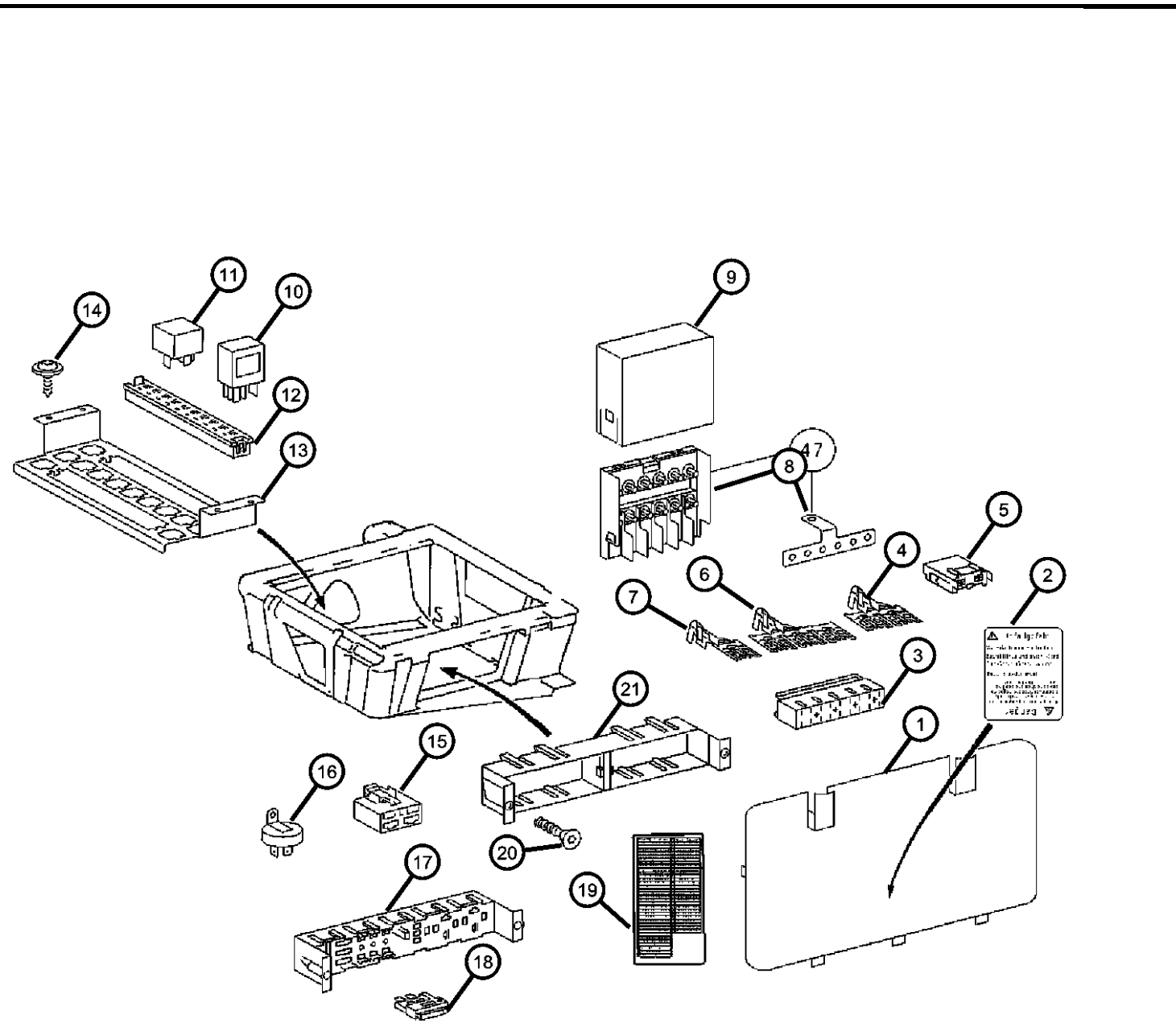
ITEM	PART NUMBER	QTY	LINE	SERIES	BODY	ENGINE	TRANS	TRIM	DESCRIPTION
		1	2, 6	L	11, 12, 14, 15, 16				
		1	2, 6	L	51, 52, 54, 55, 56				
		1	3, 7	L	12, 15, 16				
14	06104573AA	2	2, 6	L	01, 02, 06				SCREW, Tapping
		2	2, 6	L	11, 12, 14, 15, 16				
		2	2, 6	L	51, 52, 54, 55, 56				
		2	3, 7	L	12, 15, 16				
15	05120553AA	1	2, 6	L	01, 02, 06				CONNECTOR
		1	2, 6	L	11, 12, 14, 15, 16				
		1	2, 6	L	51, 52, 54, 55, 56				
		1	3, 7	L	12, 15, 16				
16	05120186AA	1	2, 6	L	06, 01, 02				DIODE
		1	2, 6	L	11, 12, 14, 15, 16				
		1	2, 6	L	51, 52, 54, 55, 56				
		1	3, 7	L	12, 15, 16				
17	05120849AA	1	2, 6	L	01, 02, 06				BLOCK, Fuse
		1	2, 6	L	11, 12, 14, 15, 16				
		1	2, 6	L	51, 52, 54, 55, 56				
		1	3, 7	L	12, 15, 16				

SPRINTER (VA)

SERIES	LINE	BODY	ENGINE	TRANSMISSION
L = LOWLINE	3 = HD DODGE 2WD 6 = Lt. Duty DODGE 4WD 2 = Med. Duty DODGE 2WD 7 = Med. Duty DODGE 4WD	55 = Wagon 140" 54 = Wagon 118" 52 = Wagon 140" 51 = Wagon 118" 12 = Van 140" 11 = Van 118" 06 = Front Section 158" 14 = Van 118" 15 = Van 140" 16 = Van 158" 56 = Wagon 158"	EX8 = Engine-2.7L I5 Mercedes Turbo Diesel	DGJ = Transmission-5-Spd. Automatic, W5A580
		01 = Chassis Forward Control 118" 02 = Chassis Forward Control 140"		

AR = use ase required - = Non illustrated part

Under Seat - Relays & Fuses
Figure 8-505



ITEM	PART NUMBER	QTY	LINE	SERIES	BODY	ENGINE	TRANS	TRIM	DESCRIPTION
18	05120963AA	1	2, 6	L	01, 02, 06				DIODE
		1	2, 6	L	11, 12, 14, 15, 16				
		1	3, 7	L	12, 15, 16				
		1	2, 6	L	51, 52, 54, 55, 56				
19	05121117AA	1	2, 6	L	01, 02, 06				LABEL
		1	2, 6	L	11, 12, 14, 15, 16				
		1	2, 6	L	54, 55, 56, 51, 52				
		1	3, 7	L	12, 15, 16				
20	06104654AA	2	2, 6	L	01, 02, 06				SCREW, Counter Sunk
		2	2, 6	L	51, 52, 54, 55, 56				
		2	3, 7	L	12, 15, 16				
		2	2, 6	L	11, 12, 14, 15, 16				
21	05120507AA	1	2, 6	L	11, 12, 14, 15, 16				CONNECTOR
		1	2, 6	L	51, 52, 54, 55, 56				
		1	3, 7	L	12, 15, 16				
	05120577AA	1	2, 6	L	01, 02, 06				
-22	05104596AA	1							FUSE 200 AMP
	05104599AA	1							100 AMP
	05104600AA	1							125 AMP

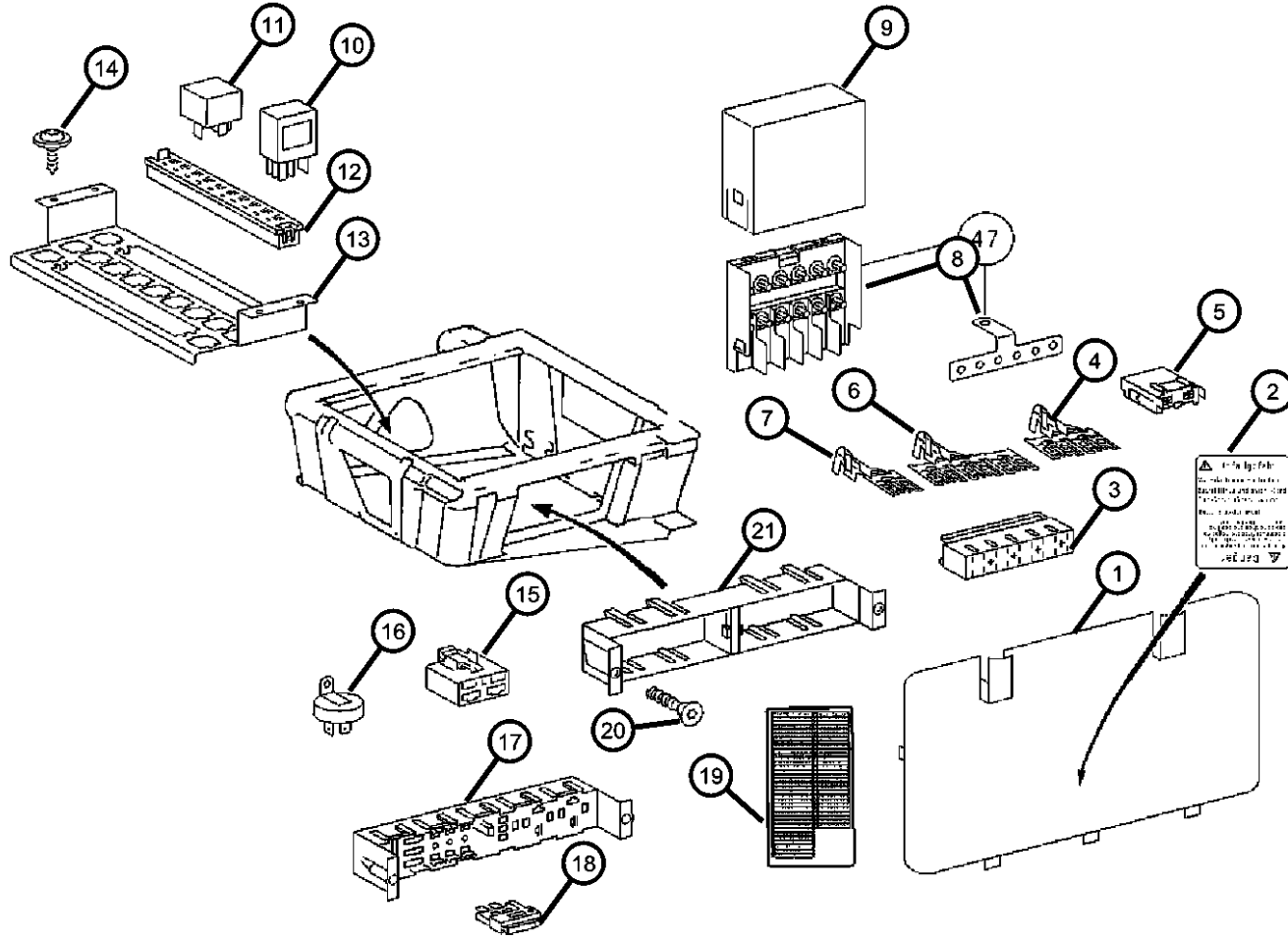
SPRINTER (VA)

SERIES	LINE	BODY	ENGINE	TRANSMISSION
L = LOWLINE	3 = HD DODGE 2WD 6 = Lt. Duty DODGE 4WD 2 = Med. Duty DODGE 2WD 7 = Med. Duty DODGE 4WD	55 = Wagon 140" 54 = Wagon 118" 52 = Wagon 140" 51 = Wagon 118" 12 = Van 140" 11 = Van 118" 06 = Front Section 158" 14 = Van 118" 15 = Van 140" 16 = Van 158" 56 = Wagon 158"	EX8 = Engine-2.7L I5 Mercedes Turbo Diesel	DGJ = Transmission-5-Spd. Automatic, W5A580
		01 = Chassis Forward Control 118" 02 = Chassis Forward Control 140"		

AR = use ase required - = Non illustrated part

**Under Seat - Relays & Fuses
Figure 8-505**

ITEM	PART NUMBER	QTY	LINE	SERIES	BODY	ENGINE	TRANS	TRIM	DESCRIPTION
-23									BRACKET, Fuse Block
	05120844AA	1	2, 6	L	01, 02, 06				
		1	2, 6	L	11, 12, 14, 15, 16				
		1	3, 7	L	02, 06				

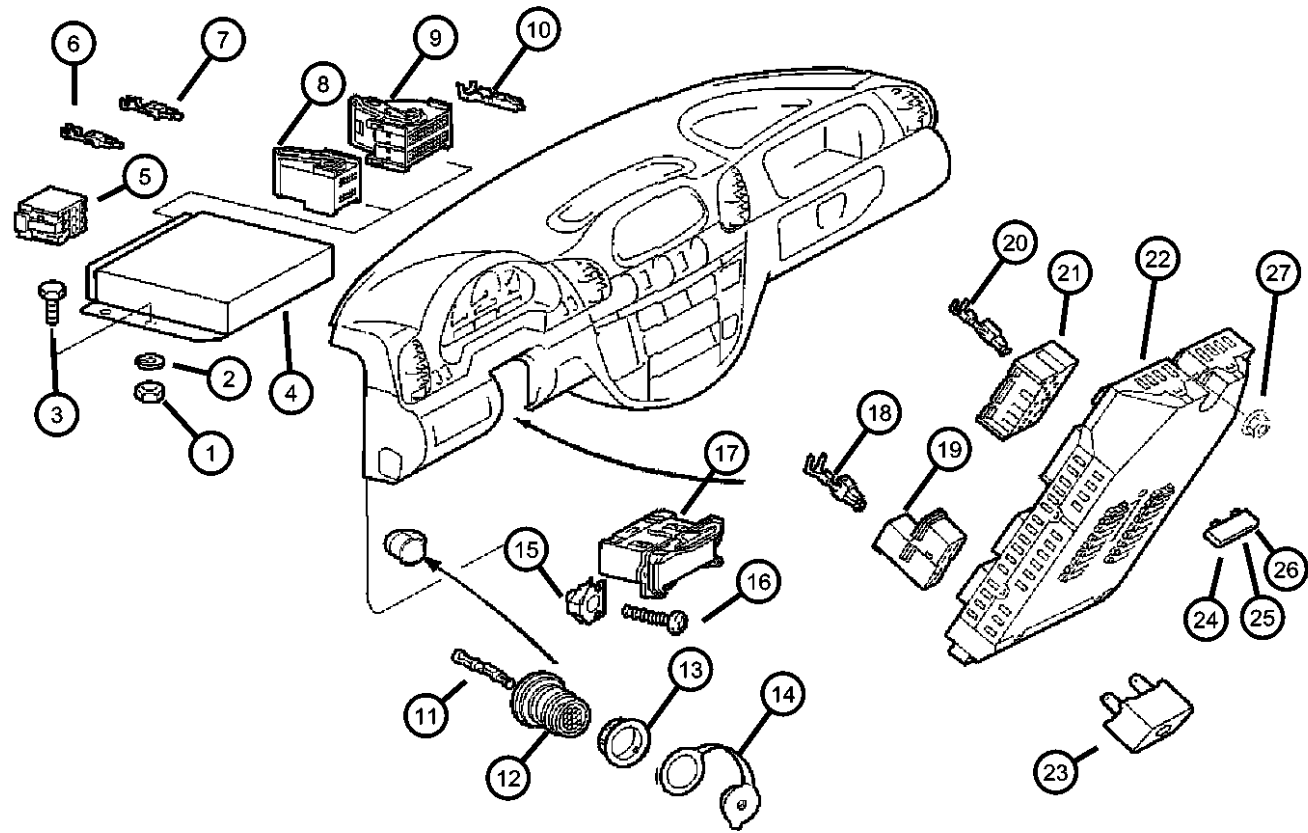


SPRINTER (VA)

SERIES	LINE	BODY	ENGINE	TRANSMISSION
L = LOWLINE	3 = HD DODGE 2WD 6 = Lt. Duty DODGE 4WD 2 = Med. Duty DODGE 2WD 7 = Med. Duty DODGE 4WD	55 = Wagon 140" 54 = Wagon 118" 52 = Wagon 140" 51 = Wagon 118" 12 = Van 140" 11 = Van 118" 06 = Front Section 158" 14 = Van 118" 15 = Van 140" 16 = Van 158" 56 = Wagon 158"	EX8 = Engine-2.7L I5 Mercedes Turbo Diesel	DGJ = Transmission-5-Spd. Automatic,W5A580
		01 = Chassis Forward Control 118" 02 = Chassis Forward Control 140"		

AR = use ase required - = Non illustrated part

Instrument Panel - Relays & Fuses
Figure 8-510



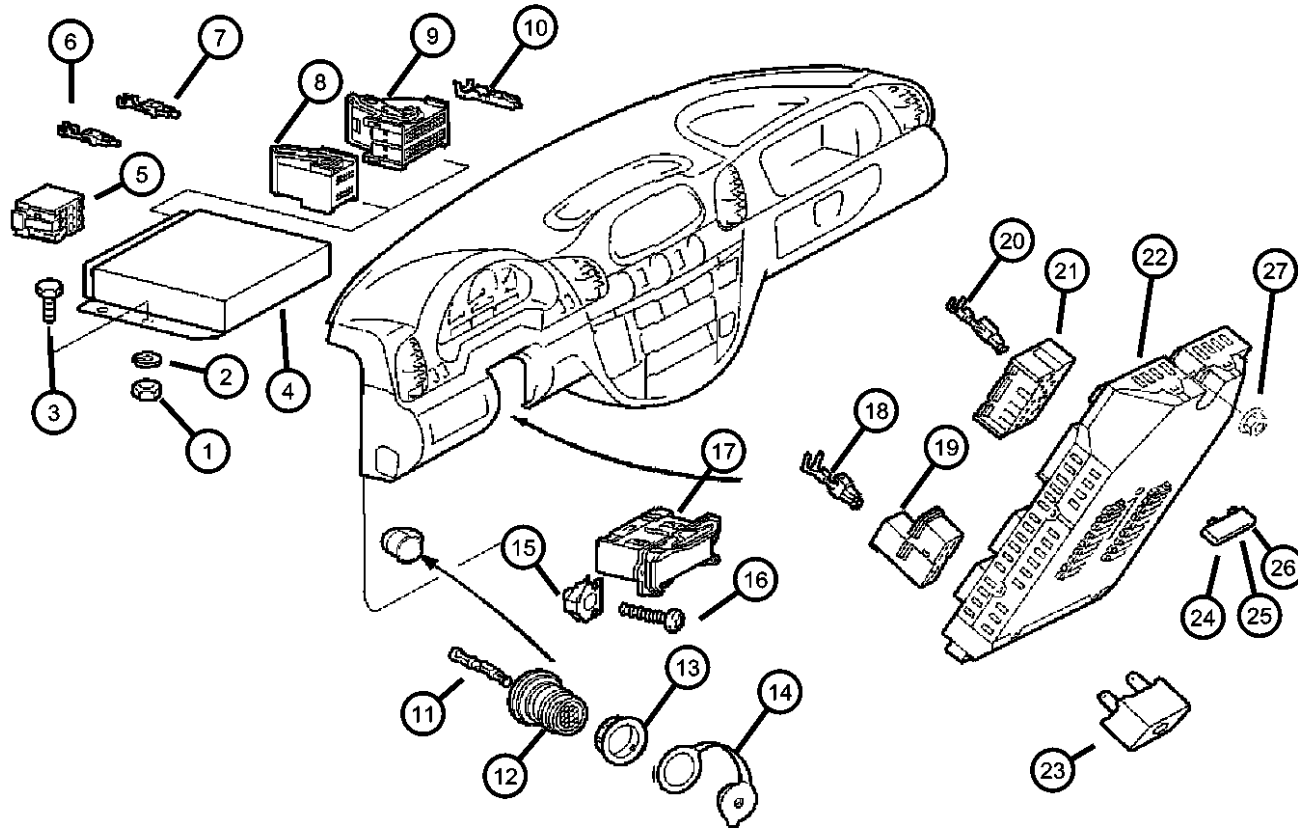
ITEM	PART NUMBER	QTY	LINE	SERIES	BODY	ENGINE	TRANS	TRIM	DESCRIPTION
1									BOLT, M6x20
	05126198AA	4	2, 6	L	01, 02, 06				
		4	2, 6	L	11, 12, 14, 15, 16				
		4	2, 6	L	51, 52, 54, 55, 56				
		4	3, 7	L	12, 15, 16				
2		4							NUT, Hex, (NOT SERVICED)
3									LOCK WASHER
	05126240AA	4	3, 7	L	12, 15, 16				
		4	2, 6	L	01, 02, 06				
		4	2, 6	L	11, 12, 14, 15, 16				
		4	2, 6	L	51, 52, 54, 55, 56				
4									MODULE, Powertrain Control
	05117562AA	1	2, 6	L	01, 02, 06	EX9			
		1	2, 6	L	11, 12, 14, 15, 16	EX9			
		1	2, 6	L	51, 52, 54, 55, 56	EX9			
		1	3, 7	L	16, 12, 15	EX9			
	05117567AA	1	2, 6	L	01, 02, 06	EX9			[NAA]
		1	2, 6	L	11, 12, 14, 15, 16	EX9			[NAA]
		1	2, 6	L	51, 52, 54, 55, 56	EX9			[NAA]
		1	3, 7	L	12, 15, 16	EX9			[NAA]
5									CONNECTOR
	05120752AA	1	2, 6	L	51, 52, 54, 55, 56				
		1	3, 7	L	12, 15, 16				
		1	2, 6	L	01, 02, 06				

SPRINTER (VA)

SERIES	LINE	BODY	ENGINE	TRANSMISSION
L = LOWLINE	3 = HD DODGE 2WD 6 = Lt. Duty DODGE 4WD 2 = Med. Duty DODGE 2WD 7 = Med. Duty DODGE 4WD	55 = Wagon 140" 54 = Wagon 118" 52 = Wagon 140" 51 = Wagon 118" 12 = Van 140" 11 = Van 118" 06 = Front Section 158" 14 = Van 118" 15 = Van 140" 16 = Van 158" 56 = Wagon 158"	EX8 = Engine-2.7L I5 Mercedes Turbo Diesel	DGJ = Transmission-5-Spd. Automatic, W5A580
		01 = Chassis Forward Control 118" 02 = Chassis Forward Control 140"		

AR = use ase required - = Non illustrated part

Instrument Panel - Relays & Fuses
Figure 8-510



ITEM	PART NUMBER	QTY	LINE	SERIES	BODY	ENGINE	TRANS	TRIM	DESCRIPTION	
6	05133372AA	1	2, 6	L	11, 12, 14, 15, 16				TERMINAL	
		1	2, 6	L	01, 02, 06					
		1	2, 6	L	11, 12, 14, 15, 16					
		1	2, 6	L	51, 52, 54, 55, 56					
7	05103882AA	1	3, 7	L	12, 15, 16				TERMINAL	
		1	2, 6	L	01, 02, 06					
		1	2, 6	L	16, 11, 12, 14, 15					
		1	2, 6	L	51, 52, 54, 55, 56					
8	05120753AA	1	3, 7	L	12, 15, 16				CONNECTOR	
		1	2, 6	L	01, 02, 06					
		1	2, 6	L	11, 12, 14, 15, 16					
		1	2, 6	L	51, 52, 54, 55, 56					
9	05120754AA	1	3, 7	L	12, 15, 16				CONNECTOR	
		1	2, 6	L	01, 02, 06					
		1	2, 6	L	11, 12, 14, 15, 16					
		1	2, 6	L	51, 52, 54, 55, 56					
10	05103874AA	99	2, 6	L	12, 15, 16				TERMINAL	
					01, 02, 06					

SPRINTER (VA)

SERIES

L = LOWLINE
 3 = HD DODGE 2WD
 6 = Lt. Duty DODGE 4WD
 2 = Med. Duty DODGE 2WD
 7 = Med. Duty DODGE 4WD

LINE

3 = HD DODGE 2WD
 6 = Lt. Duty DODGE 4WD
 2 = Med. Duty DODGE 2WD
 7 = Med. Duty DODGE 4WD

BODY

55 = Wagon 140"
 54 = Wagon 118"
 52 = Wagon 140"
 51 = Wagon 118"
 12 = Van 140"
 11 = Van 118"
 06 = Front Section 158"
 14 = Van 118"
 15 = Van 140"
 16 = Van 158"
 56 = Wagon 158"
 01 = Chassis Forward Control 118"
 02 = Chassis Forward Control 140"

ENGINE

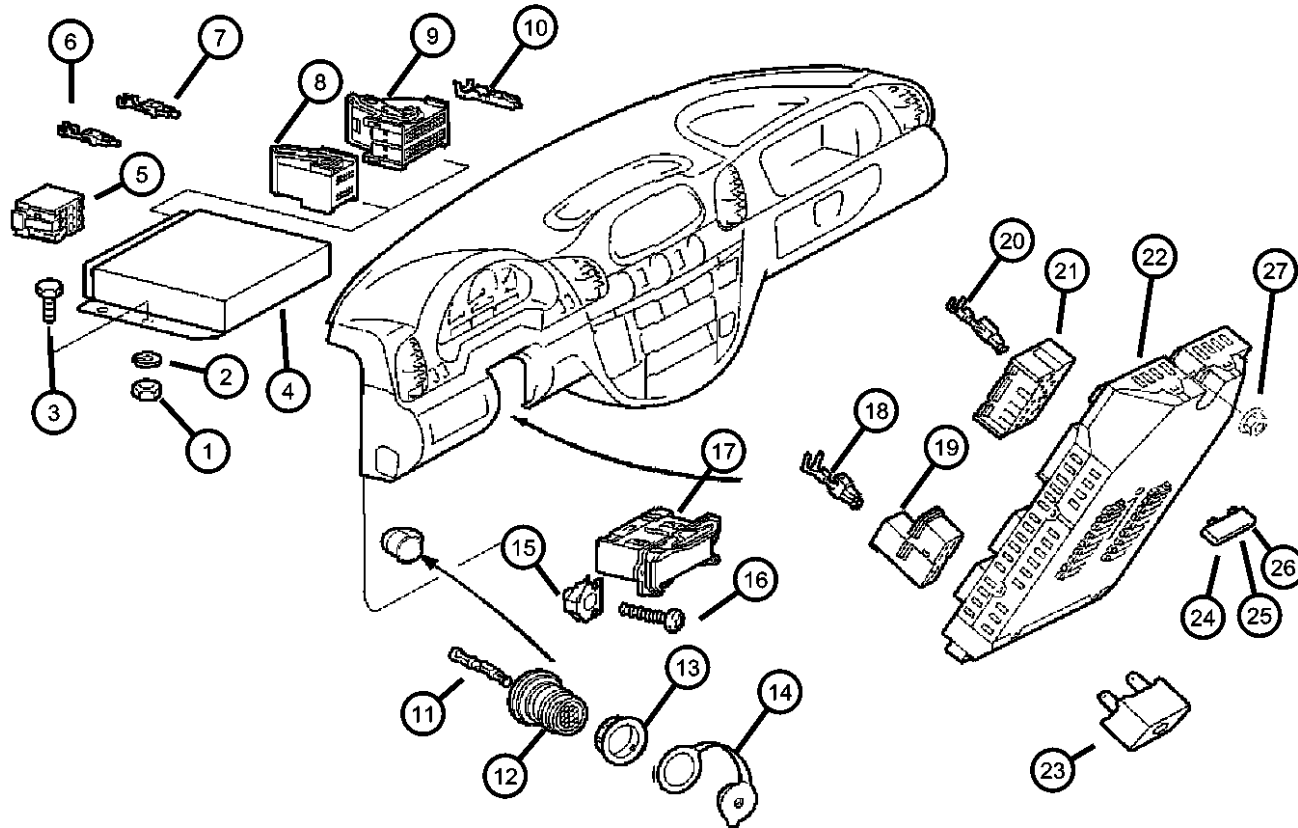
EX8 = Engine-2.7L I5
 Mercedes Turbo Diesel

TRANSMISSION

DGJ = Transmission-5-Spd. Automatic, W5A580

AR = use ase required - = Non illustrated part

Instrument Panel - Relays & Fuses
Figure 8-510



ITEM	PART NUMBER	QTY	LINE	SERIES	BODY	ENGINE	TRANS	TRIM	DESCRIPTION
		99	2, 6	L	11, 12, 14, 15, 16				
		99	2, 6	L	51, 52, 54, 55, 56				
		99	3, 7	L	16, 12, 15				
11									TERMINAL
	05133383AA	1	2, 6	L	01, 02, 06				
	05133383AB	99	2, 6	L	11, 12, 14, 15, 16				
		99	2, 6	L	51, 52, 54, 55, 56				
		1	3, 7	L	12, 15, 16				
12									CONNECTOR
	05120544AA	1	2, 6	L	01, 02, 06				
		1	2, 6	L	11, 12, 14, 15, 16				
		1	3, 7	L	12, 15, 16				
		1	2, 6	L	51, 52, 54, 55, 56				
13									STRAP, Ground
	05120912AA	1	2, 6	L	01, 02, 06				
		1	2, 6	L	11, 12, 14, 15, 16				
		1	2, 6	L	51, 52, 54, 55, 56				
		1	3, 7	L	12, 15, 16				
14									PLUG, Wiring
	05103747AA	1	2, 6	L	01, 02, 06				
		1	2, 6	L	16, 11, 12, 14, 15				
		1	2, 6	L	51, 52, 54, 55, 56				
		1	3, 7	L	12, 15, 16				

SPRINTER (VA)

SERIES

L = LOWLINE
 3 = HD DODGE 2WD
 6 = Lt. Duty DODGE 4WD
 2 = Med. Duty DODGE 2WD
 7 = Med. Duty DODGE 4WD

LINE

3 = HD DODGE 2WD
 6 = Lt. Duty DODGE 4WD
 2 = Med. Duty DODGE 2WD
 7 = Med. Duty DODGE 4WD

BODY

55 = Wagon 140"
 54 = Wagon 118"
 52 = Wagon 140"
 51 = Wagon 118"
 12 = Van 140"
 11 = Van 118"
 06 = Front Section 158"
 14 = Van 118"
 15 = Van 140"
 16 = Van 158"
 56 = Wagon 158"
 01 = Chassis Forward Control 118"
 02 = Chassis Forward Control 140"

ENGINE

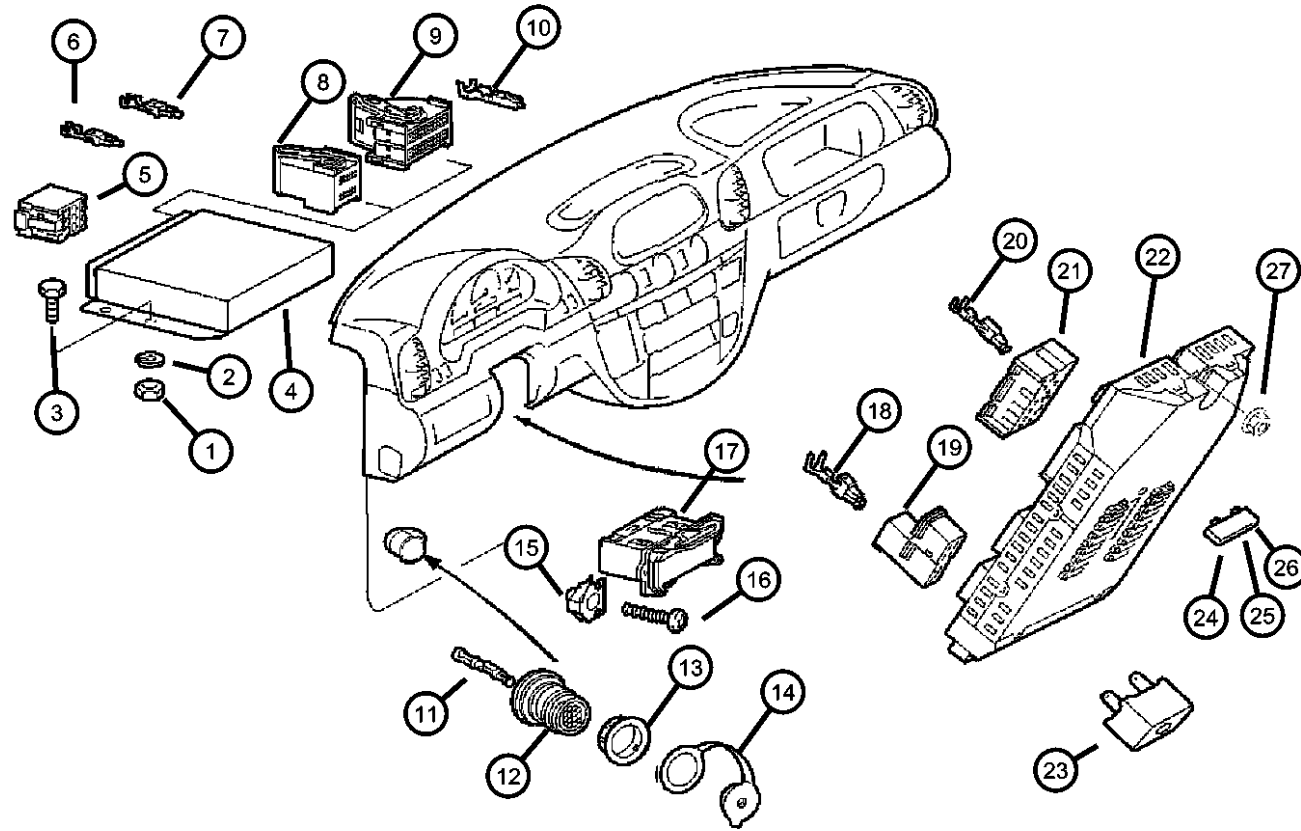
EX8 = Engine-2.7L I5
 Mercedes Turbo Diesel

TRANSMISSION

DGJ = Transmission-5-Spd. Automatic, W5A580

AR = use ase required - = Non illustrated part

Instrument Panel - Relays & Fuses
Figure 8-510



ITEM	PART NUMBER	QTY	LINE	SERIES	BODY	ENGINE	TRANS	TRIM	DESCRIPTION
15	05125861AA	2	2, 6	L	01, 02, 06				NUT, Spring
		2	2, 6	L	11, 12, 14, 15, 16				
		2	3, 7	L	12, 15, 16				
		2	2, 6	L	51, 52, 54, 55, 56				
16	06104496AA	2	2, 6	L	01, 02, 06				SHEET METAL SCREW, NONE, SPRINTER
		2	2, 6	L	11, 12, 14, 15, 16				
		2	3, 7	L	12, 15, 16				
		2	2, 6	L	51, 52, 54, 55, 56				
17	05098297AA	1	2, 6	L	01, 02, 06				BRACKET, Diagnostic Module
		1	2, 6	L	11, 12, 14, 15, 16				
		1	2, 6	L	51, 52, 54, 55, 56				
		1	3, 7	L	16, 12, 15				
18	05133372AA	1	2, 6	L	01, 02, 06				TERMINAL
		1	2, 6	L	11, 12, 14, 15, 16				
		1	2, 6	L	51, 52, 54, 55, 56				
		1	3, 7	L	12, 15, 16				
19	05120555AA	1	2, 6	L	11, 12, 14, 15, 16				CONNECTOR
		1	2, 6	L	51, 52, 54, 55, 56				

SPRINTER (VA)

SERIES

L = LOWLINE
 3 = HD DODGE 2WD
 6 = Lt. Duty DODGE 4WD
 2 = Med. Duty DODGE 2WD
 7 = Med. Duty DODGE 4WD

LINE

3 = HD DODGE 2WD
 6 = Lt. Duty DODGE 4WD
 2 = Med. Duty DODGE 2WD
 7 = Med. Duty DODGE 4WD

BODY

55 = Wagon 140"
 54 = Wagon 118"
 52 = Wagon 140"
 51 = Wagon 118"
 12 = Van 140"
 11 = Van 118"
 06 = Front Section 158"
 14 = Van 118"
 15 = Van 140"
 16 = Van 158"
 56 = Wagon 158"
 01 = Chassis Forward Control 118"
 02 = Chassis Forward Control 140"

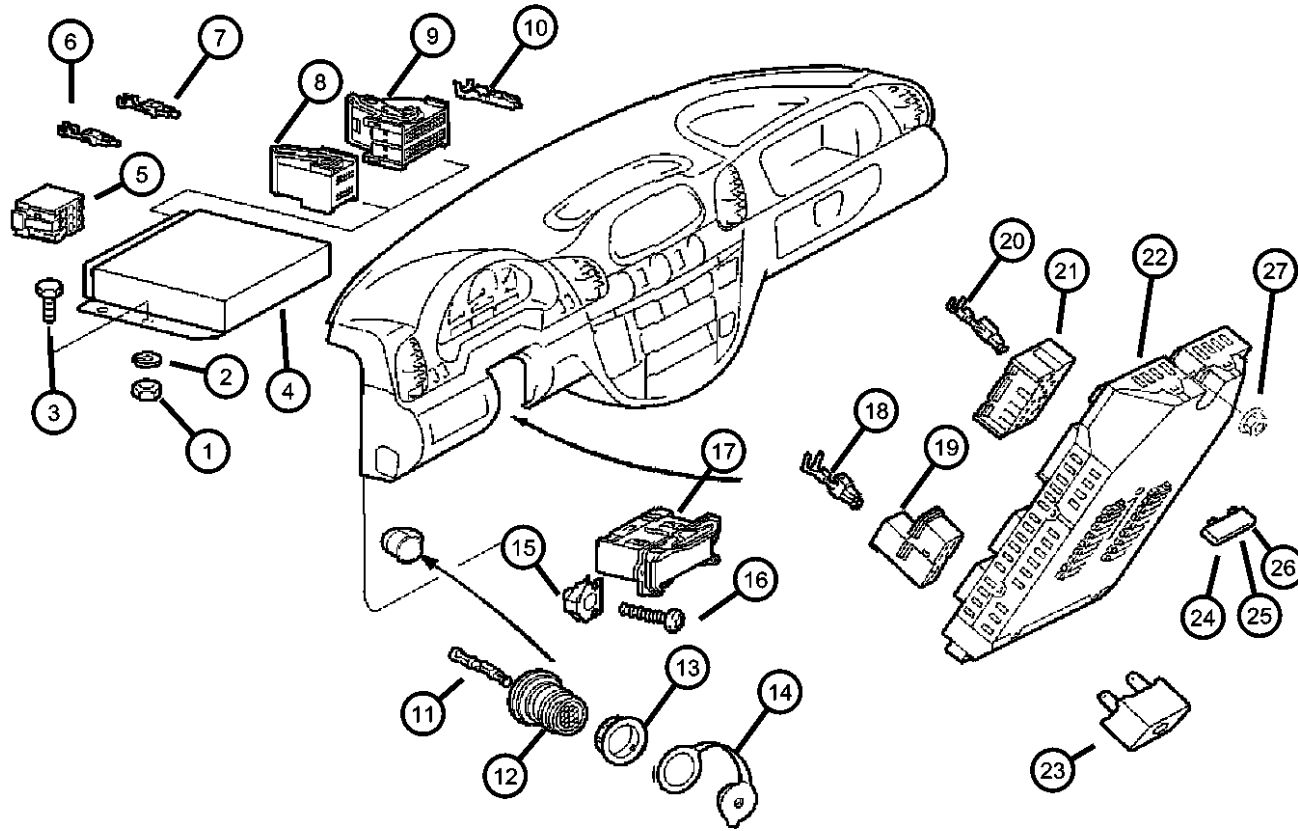
ENGINE

EX8 = Engine-2.7L I5
 Mercedes Turbo Diesel

TRANSMISSION

DGJ = Transmission-5-Spd. Automatic, W5A580

Instrument Panel - Relays & Fuses
Figure 8-510



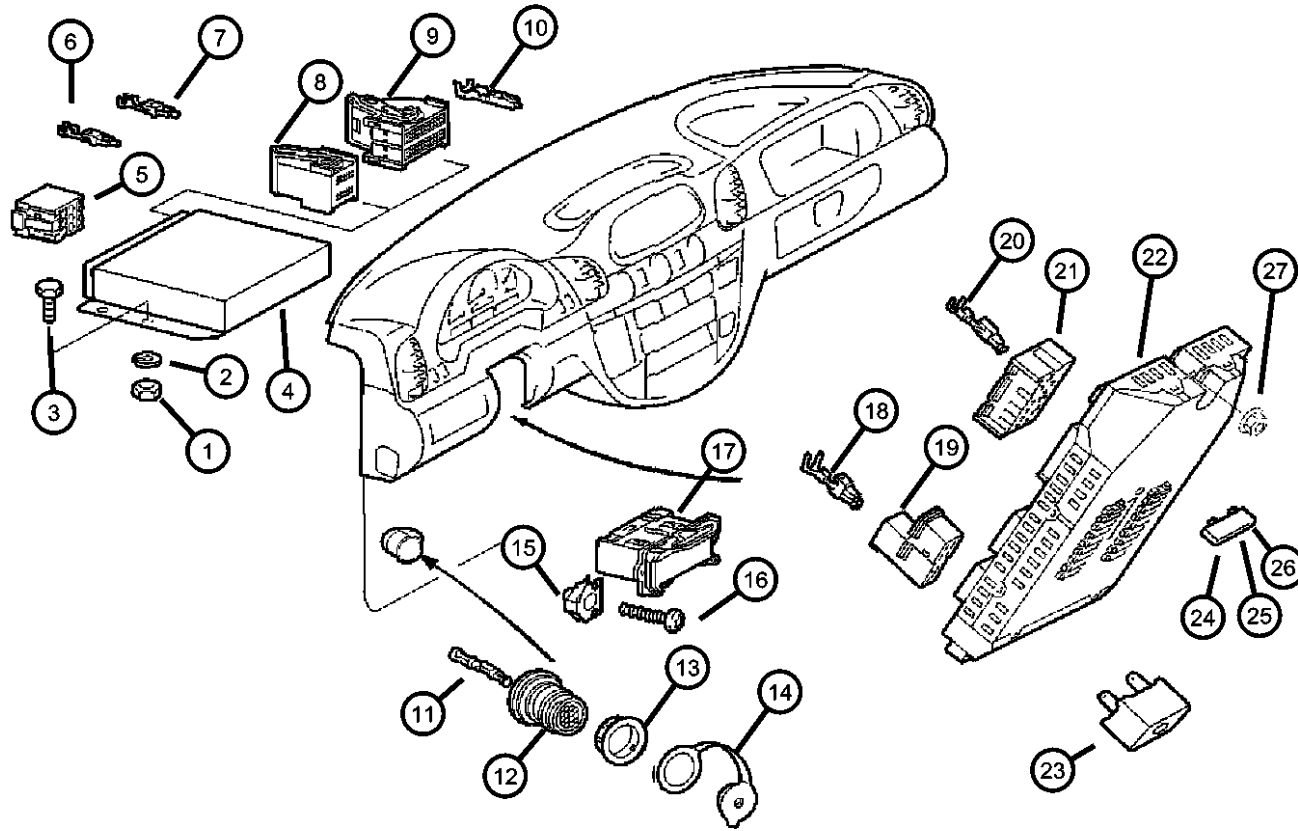
ITEM	PART NUMBER	QTY	LINE	SERIES	BODY	ENGINE	TRANS	TRIM	DESCRIPTION
		1	3, 7	L	12, 15, 16				
		1	2, 6	L	01, 02, 06				
20	05103893AA	99	2, 6	L	01, 02, 06				TERMINAL
		99	2, 6	L	11, 12, 14, 15, 16				
		99	2, 6	L	51, 52, 54, 55, 56				
		99	3, 7	L	12, 15, 16				
21	05120646AA	1	3, 7	L	12, 15, 16				CONNECTOR
		1	6, 2	L	01, 02, 06				
		1	2, 6	L	16, 11, 12, 14, 15				
		1	2, 6	L	51, 52, 54, 55, 56				
22	05120244AA	1	2, 6	L	01, 02, 06	EX9			BLOCK, Fuse
		1	2, 6	L	11, 12, 14, 15, 16	EX9			
		1	2, 6	L	51, 52, 54, 55, 56	EX9			
		1	3, 7	L	12, 15, 16	EX9			
23	05103746AA	1	2, 6	L	11, 12, 14, 15, 16				BUZZER, REAR FOGLAMP, SPRINTER
		1	2, 6	L	51, 52, 54, 55, 56				
		1	3, 7	L	12, 15, 16				
24	05104643AA	99	3, 7	L	12, 15, 16				FUSE, Standard, 10 AMP, Red
		99	2, 6	L	01, 02, 06				

SPRINTER (VA)

SERIES	LINE	BODY	ENGINE	TRANSMISSION
L = LOWLINE	3 = HD DODGE 2WD 6 = Lt. Duty DODGE 4WD 2 = Med. Duty DODGE 2WD 7 = Med. Duty DODGE 4WD	55 = Wagon 140" 54 = Wagon 118" 52 = Wagon 140" 51 = Wagon 118" 12 = Van 140" 11 = Van 118" 06 = Front Section 158" 14 = Van 118" 15 = Van 140" 16 = Van 158" 56 = Wagon 158"	EX8 = Engine-2.7L I5 Mercedes Turbo Diesel	DGJ = Transmission-5-Spd. Automatic, W5A580
		01 = Chassis Forward Control 118" 02 = Chassis Forward Control 140"		

AR = use ase required - = Non illustrated part

Instrument Panel - Relays & Fuses
Figure 8-510



ITEM	PART NUMBER	QTY	LINE	SERIES	BODY	ENGINE	TRANS	TRIM	DESCRIPTION
25		99	2, 6	L	11, 12, 14, 15, 16				FUSE, 20 A, SPRINTER
		99	2, 6	L	51, 52, 54, 55, 56				
	05104604AA	1	2, 6	L	06, 01, 02				
		1	2, 6	L	11, 12, 14, 15, 16				
26		1	2, 6	L	51, 52, 54, 55, 56				FUSE, 25 A, SPRINTER
		1	3, 7	L	12, 15, 16				
	05104644AA	99	2, 6	L	11, 12, 14, 15, 16				
		99	2, 6	L	51, 52, 54, 55, 56				
27		99	3, 7	L	12, 15, 16				NUT, Hex
		99	2, 6	L	01, 02, 06				
	05097674AA	1	2, 6	L	01, 02, 06				
		1	2, 6	L	51, 52, 54, 55, 56				
		1	2, 6	L	11, 12, 14, 15, 16				
		1	3, 7	L	12, 15, 16				
		1	2, 6	L	01, 02, 06				
		1	2, 6	L	51, 52, 54, 55, 56				

SPRINTER (VA)

SERIES

L = LOWLINE
 3 = HD DODGE 2WD
 6 = Lt. Duty DODGE 4WD
 2 = Med. Duty DODGE 2WD
 7 = Med. Duty DODGE 4WD

LINE

3 = HD DODGE 2WD
 6 = Lt. Duty DODGE 4WD
 2 = Med. Duty DODGE 2WD
 7 = Med. Duty DODGE 4WD

BODY

55 = Wagon 140"
 54 = Wagon 118"
 52 = Wagon 140"
 51 = Wagon 118"
 12 = Van 140"
 11 = Van 118"
 06 = Front Section 158"
 14 = Van 118"
 15 = Van 140"
 16 = Van 158"
 56 = Wagon 158"
 01 = Chassis Forward Control
 118"
 02 = Chassis Forward Control
 140"

ENGINE

EX8 = Engine-2.7L I5
 Mercedes Turbo Diesel

TRANSMISSION

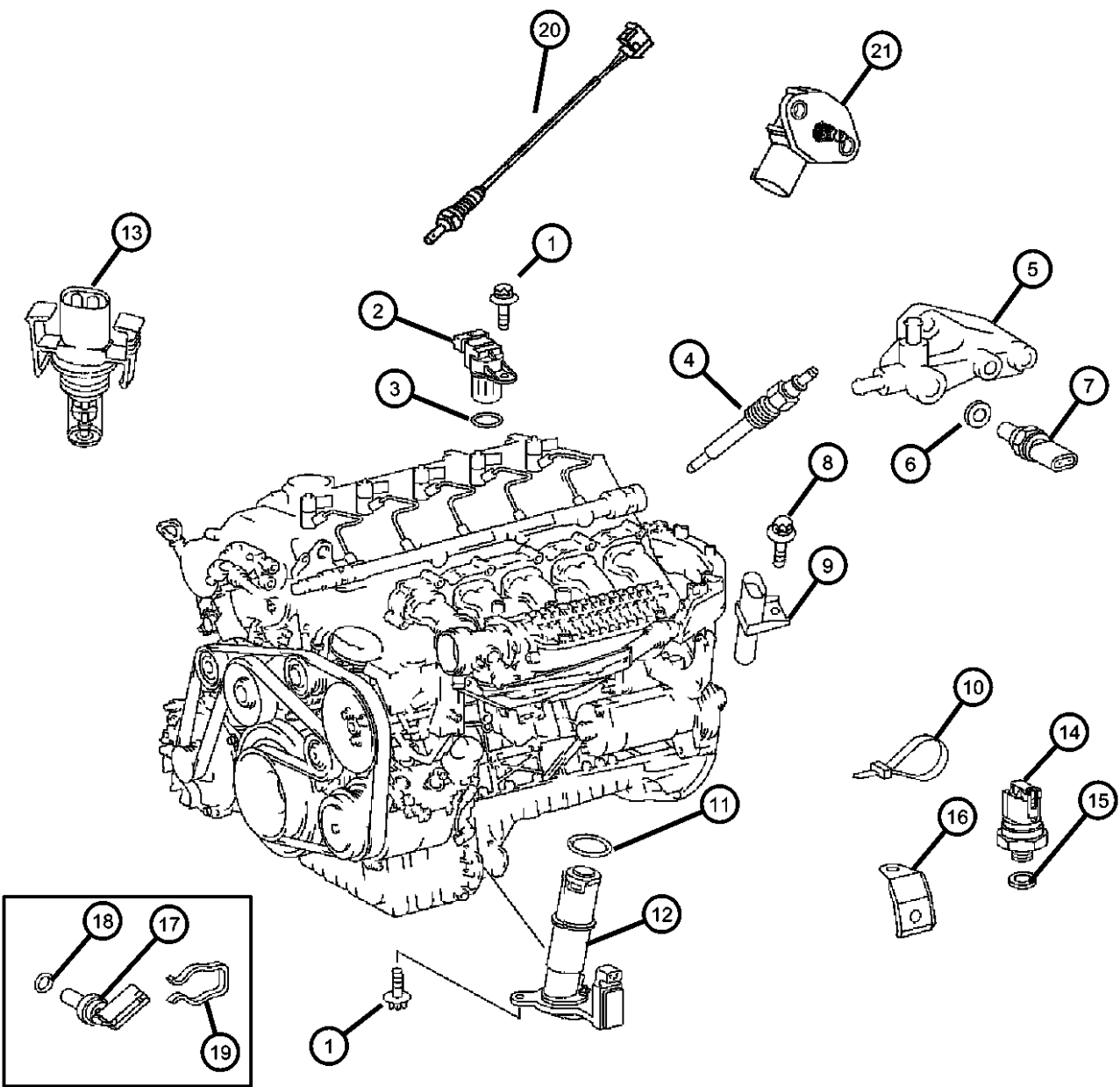
DGJ = Transmission-5-Spd.
 Automatic,W5A580

AR = use ase required - = Non illustrated part

2004 VA

Sensors Engine
Figure 8-605

ITEM	PART NUMBER	QTY	LINE	SERIES	BODY	ENGINE	TRANS	TRIM	DESCRIPTION
1	06104682AA	1		L					SCREW
2	05080346AA	1		L		EX9			SENSOR, Camshaft
		1		L		EX8			
3	05080348AA	1		L		EX9			O RING
		1		L		EX8			
4	05117592AA	5		L		EX9			PLUG, Glow
		5		L		EX8			
5	05117425AA	1		L		EX9			BRACKET
6	06507454AA	1		L		EX9			WASHER, Banjo
7	05103534AB	1		L					SENDING UNIT, Temperature Gauge
8	06104076AA	2		L					SCREW
9	05080352AA	1		L		EX9			SENSOR, Crankshaft
		1		L		EX8			
10	05080475AB	1	2, 6	L	11, 12, 14, 15, 16				STRAP, Tie
		1	2, 6	L	51, 52, 54, 55, 56				
		1	3, 7	L	12, 15, 16				
11	05103567AA	1		L		EX9			SEAL RING
		1		L		EX8			
12	05117544AA	1		L		EX8			SENDING UNIT, Oil Pressure
		1		L		EX9			Oil level
		1		L		EX9			Oil level

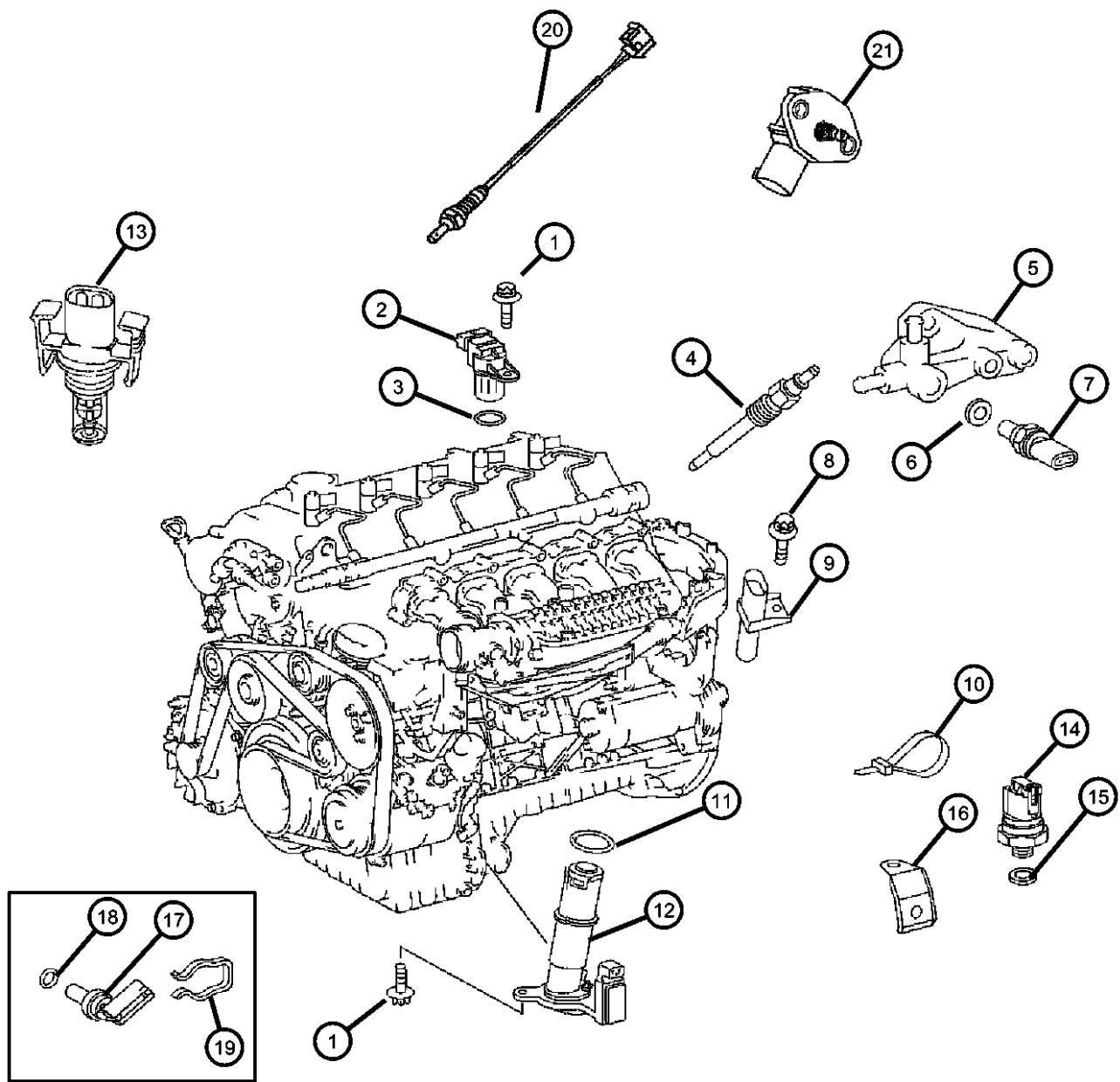


SPRINTER (VA)

SERIES	LINE	BODY	ENGINE	TRANSMISSION
L = LOWLINE	3 = HD DODGE 2WD 6 = Lt. Duty DODGE 4WD 2 = Med. Duty DODGE 2WD 7 = Med. Duty DODGE 4WD	55 = Wagon 140" 54 = Wagon 118" 52 = Wagon 140" 51 = Wagon 118" 12 = Van 140" 11 = Van 118" 06 = Front Section 158" 14 = Van 118" 15 = Van 140" 16 = Van 158" 56 = Wagon 158"	EX8 = Engine-2.7L I5 Mercedes Turbo Diesel	DGJ = Transmission-5-Spd. Automatic, W5A580
		01 = Chassis Forward Control 118" 02 = Chassis Forward Control 140"		

AR = use ase required - = Non illustrated part

Sensors Engine
Figure 8-605



ITEM	PART NUMBER	QTY	LINE	SERIES	BODY	ENGINE	TRANS	TRIM	DESCRIPTION
13	05174042AA	1	2, 6	L	01, 02, 06	EX8			SENSOR, Temperature Air Intake Temperature
		1	2, 6	L	11, 12, 14, 15, 16	EX8			Air Intake Temperature
		1	2, 6	L	51, 52, 54, 55, 56	EX8			Air Intake Temperature
		1	3, 7	L	02, 06	EX8			Air Intake Temperature
		1	3, 7	L	12, 15, 16	EX8			Air Intake Temperature
14	05103558AA	1		L		EX9			SENSOR, Fuel Pressure, Low pressure
15	05104638AA	99	2, 6	L	51, 52, 54, 55, 56				WASHER
		2	3, 7	L	12, 15, 16	EX9			
		2	3, 7	L	02, 06	EX9			
		99	2, 6	L	11, 12, 14, 15, 16				
16	05096466AA	1		L					BRACKET, Wiring
17	05080147AA	1		L		EX9			SENDING UNIT, Temperature Gauge
18	05080148AA	1		L		EX9			O RING
19	05080149AA	1		L		EX9			CLIP
20	05135667AA	1	2, 6	L	01, 02, 06	EX8			SENSOR, Oxygen
		1	3, 7	L	02, 06	EX8			
		1	2, 6	L	11, 12, 14, 15, 16	EX8			
		1	2, 6	L	51, 52, 54, 55, 56	EX8			
		1	3, 7	L	12, 15, 16	EX8			
21	05117545AA	1	2, 6	L	01, 02, 06	EX8			SENSOR, MAP

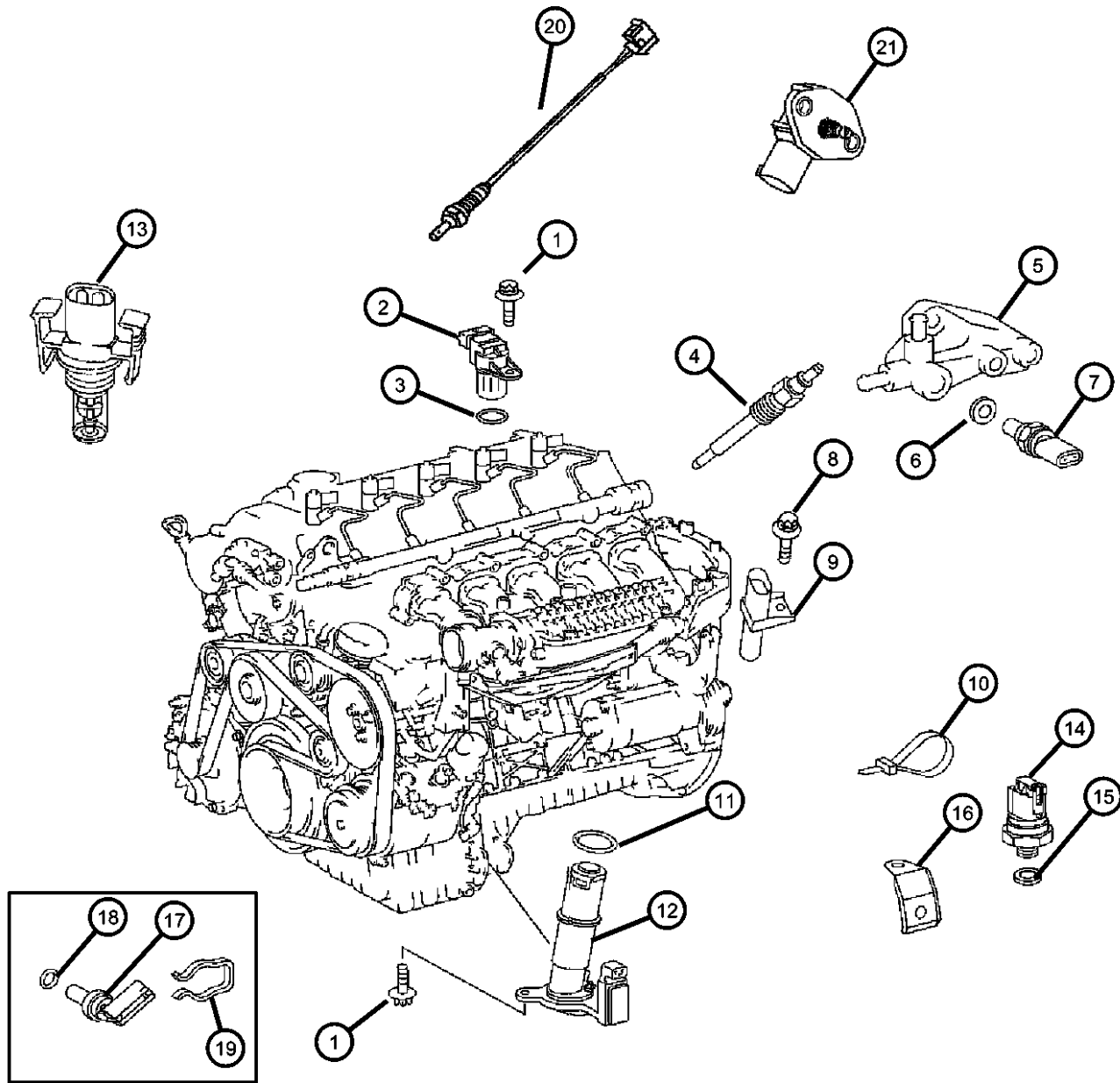
SPRINTER (VA)

SERIES	LINE	BODY	ENGINE	TRANSMISSION
L = LOWLINE	3 = HD DODGE 2WD 6 = Lt. Duty DODGE 4WD 2 = Med. Duty DODGE 2WD 7 = Med. Duty DODGE 4WD	55 = Wagon 140" 54 = Wagon 118" 52 = Wagon 140" 51 = Wagon 118" 12 = Van 140" 11 = Van 118" 06 = Front Section 158" 14 = Van 118" 15 = Van 140" 16 = Van 158" 56 = Wagon 158"	EX8 = Engine-2.7L I5 Mercedes Turbo Diesel	DGJ = Transmission-5-Spd. Automatic,W5A580
		01 = Chassis Forward Control 118" 02 = Chassis Forward Control 140"		

AR = use ase required - = Non illustrated part

Sensors Engine
Figure 8-605

ITEM	PART NUMBER	QTY	LINE	SERIES	BODY	ENGINE	TRANS	TRIM	DESCRIPTION
		1	2, 6	L	11, 12, 14, 15, 16	EX8			
		1	3, 7	L	12, 15, 16	EX8			
		1	2, 6	L	51, 52, 54, 55, 56	EX8			
		1	3, 7	L	02, 06	EX8			
-22	05117542AA	1		L		EX8			SENSOR, Fuel/Water



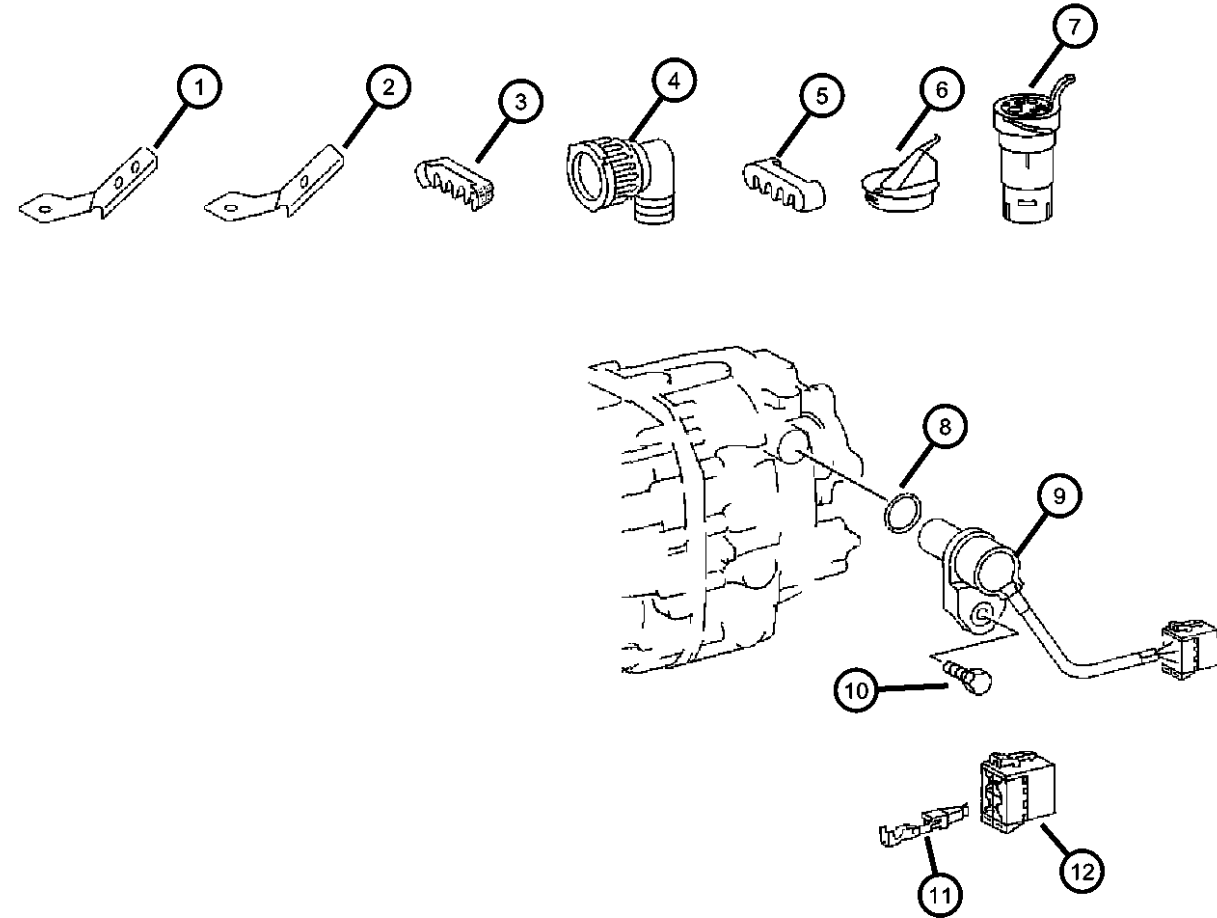
SPRINTER (VA)

SERIES	LINE	BODY	ENGINE	TRANSMISSION
L = LOWLINE	3 = HD DODGE 2WD 6 = Lt. Duty DODGE 4WD 2 = Med. Duty DODGE 2WD 7 = Med. Duty DODGE 4WD	55 = Wagon 140" 54 = Wagon 118" 52 = Wagon 140" 51 = Wagon 118" 12 = Van 140" 11 = Van 118" 06 = Front Section 158" 14 = Van 118" 15 = Van 140" 16 = Van 158" 56 = Wagon 158"	EX8 = Engine-2.7L I5 Mercedes Turbo Diesel	DGJ = Transmission-5-Spd. Automatic,W5A580
		01 = Chassis Forward Control 118" 02 = Chassis Forward Control 140"		

AR = use ase required - = Non illustrated part

Sensors - Drivetrain
Figure 8-610

ITEM	PART NUMBER	QTY	LINE	SERIES	BODY	ENGINE	TRANS	TRIM	DESCRIPTION
1	05120944AA	1	2, 6	L	11, 12, 14, 15, 16	EX9			BRACKET
		1	2, 6	L	51, 52, 54, 55, 56	EX9			
		1	3, 7	L	12, 15, 16	EX9			
2	05120947AA	1	2, 6	L	11, 12, 14, 15, 16	EX9			BRACKET
		1	2, 6	L	51, 52, 54, 55, 56	EX9			
		1	3, 7	L	12, 15, 16	EX9			
3	05120852AA	1	2, 6	L	11, 12, 14, 15, 16				RETAINER, Wiring Harness
		1	2, 6	L	51, 52, 54, 55, 56				
		1	3, 7	L	12, 15, 16				
4	05120915AA	1	2, 6	L	11, 12, 14, 15, 16				BOOT, BOOT
		1	2, 6	L	51, 52, 54, 55, 56				
		1	3, 7	L	12, 15, 16				
5	05120883AA	1	2, 6	L	11, 12, 14, 15, 16				RETAINER, Wiring Harness
		1	2, 6	L	51, 52, 54, 55, 56				
		1	3, 7	L	12, 15, 16				
6	05120884AA	1	2, 6	L	11, 12, 14, 15, 16				CAP
		1	2, 6	L	51, 52, 54, 55, 56				



SPRINTER (VA)

SERIES

L = LOWLINE

LINE

3 = HD DODGE 2WD
6 = Lt. Duty DODGE 4WD
2 = Med. Duty DODGE 2WD
7 = Med. Duty DODGE 4WD

BODY

55 = Wagon 140"
54 = Wagon 118"
52 = Wagon 140"
51 = Wagon 118"
12 = Van 140"
11 = Van 118"
06 = Front Section 158"
14 = Van 118"
15 = Van 140"
16 = Van 158"
56 = Wagon 158"
01 = Chassis Forward Control
118"
02 = Chassis Forward Control
140"

ENGINE

EX8 = Engine-2.7L I5
Mercedes Turbo Diesel

TRANSMISSION

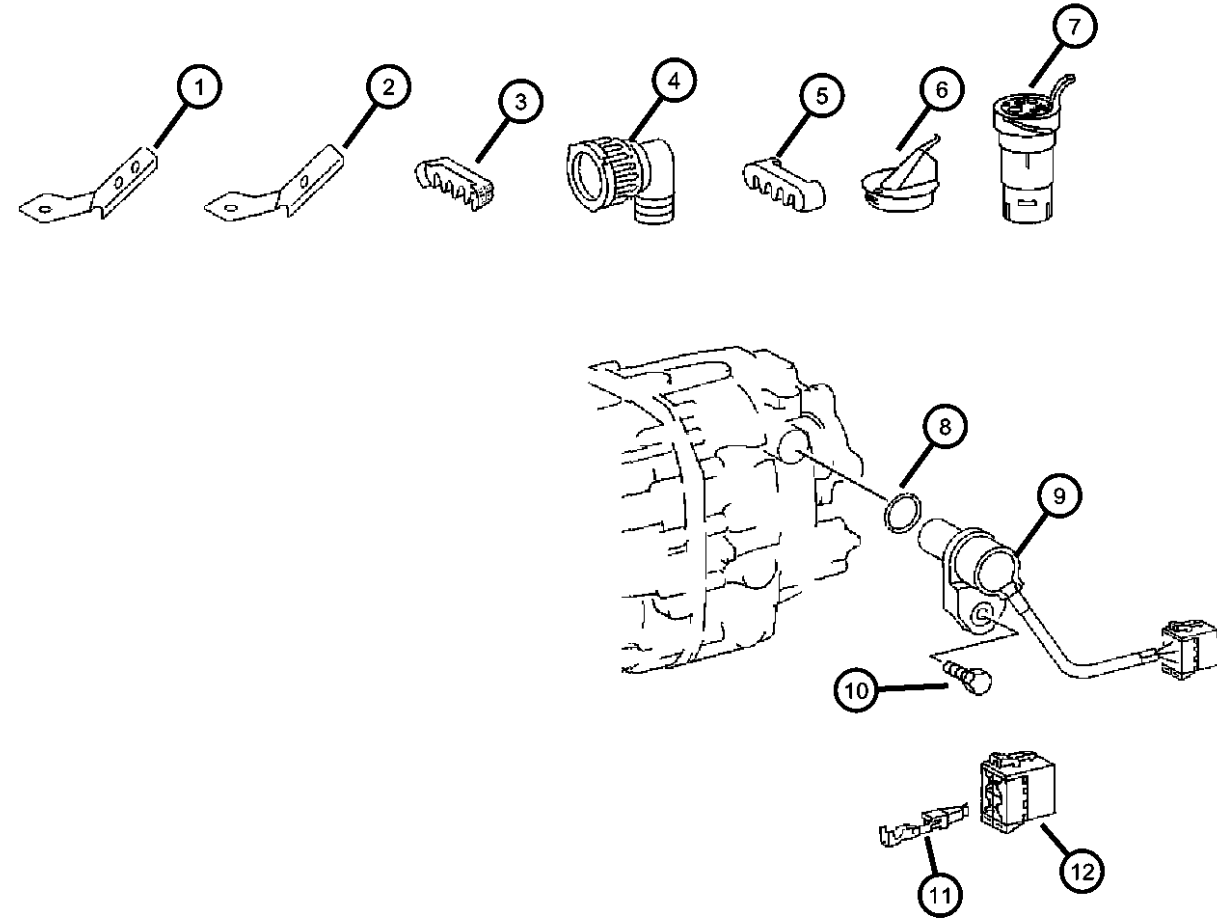
DGJ = Transmission-5-Spd.
Automatic,W5A580

AR = use ase required - = Non illustrated part

2004 VA

Sensors - Drivetrain
Figure 8-610

ITEM	PART NUMBER	QTY	LINE	SERIES	BODY	ENGINE	TRANS	TRIM	DESCRIPTION
7		1	3, 7	L	12, 15, 16				CONNECTOR
	05120265AA	1	2, 6	L	11, 12, 14, 15, 16				
		1	2, 6	L	51, 52, 54, 55, 56				
8	05125908AA	1	3, 7	L	12, 15, 16				O RING, Sensor
9	05120309AA	1	2, 6	L	11, 12, 14, 15, 16				SENSOR, Vehicle Speed
		1	2, 6	L	51, 52, 54, 55, 56				Tach Pulse Sender
		1	3, 7	L	12, 15, 16				Tach Pulse Sender
	05120316AA	1	2, 6	L	11, 12, 14, 15, 16				All Wheel Drive
		1	2, 6	L	51, 52, 54, 55, 56				All Wheel Drive
	05120317AA	1	3, 7	L	12, 15, 16				All Wheel Drive
		1	2, 6	L	11, 12, 14, 15, 16				Auto Trans
		1	2, 6	L	51, 52, 54, 55, 56				Auto Trans
10		1	3, 7	L	12, 15, 16				Auto Trans
	05126234AA	1	2, 6	L	11, 12, 14, 15, 16				SCREW
		1	2, 6	L	51, 52, 54, 55, 56				
		1	3, 7	L	12, 15, 16				
11	05103877AA	99	2, 6	L	11, 12, 14, 15, 16				TERMINAL
		99	2, 6	L	51, 52, 54, 55, 56				



SPRINTER (VA)

SERIES

L = LOWLINE

LINE

3 = HD DODGE 2WD
6 = Lt. Duty DODGE 4WD
2 = Med. Duty DODGE 2WD
7 = Med. Duty DODGE 4WD

BODY

55 = Wagon 140"
54 = Wagon 118"
52 = Wagon 140"
51 = Wagon 118"
12 = Van 140"
11 = Van 118"
06 = Front Section 158"
14 = Van 118"
15 = Van 140"
16 = Van 158"
56 = Wagon 158"
01 = Chassis Forward Control 118"
02 = Chassis Forward Control 140"

ENGINE

EX8 = Engine-2.7L I5
Mercedes Turbo Diesel

TRANSMISSION

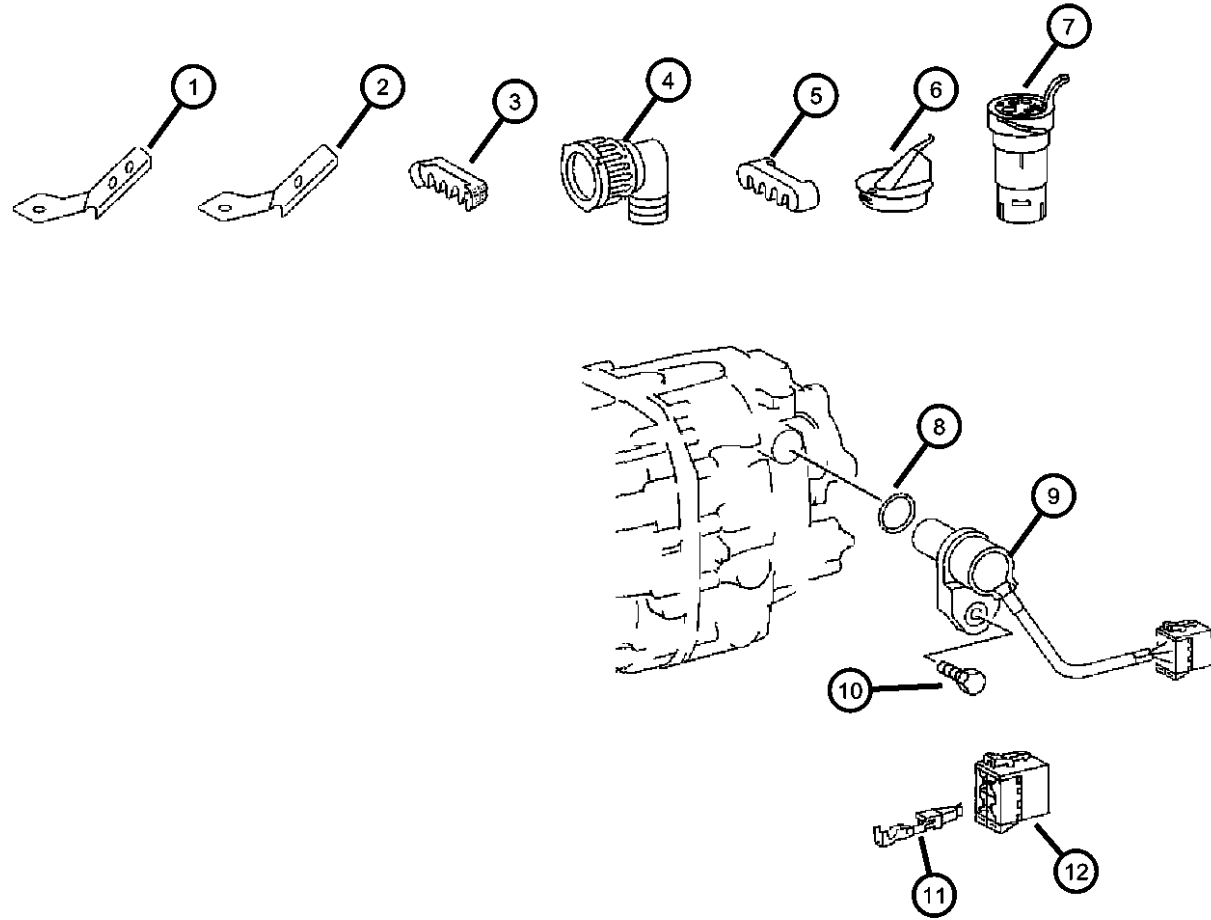
DGJ = Transmission-5-Spd. Automatic, W5A580

AR = use ase required - = Non illustrated part

2004 VA

Sensors - Drivetrain
Figure 8-610

ITEM	PART NUMBER	QTY	LINE	SERIES	BODY	ENGINE	TRANS	TRIM	DESCRIPTION
12		99	3, 7	L	12, 15, 16				CONNECTOR
	05103931AA	1	2, 6	L	11, 12, 14, 15, 16				
		1	2, 6	L	51, 52, 54, 55, 56				
		1	3, 7	L	12, 15, 16				
-13									SENSOR, Acceleration
	05120342AA	1	2, 6	L	01, 02, 06				ESP, Lateral Acceleration, Yaw
		1	2, 6	L	11, 12, 14, 15, 16				ESP, Lateral Acceleration, Yaw
		1	2, 6	L	51, 52, 54, 55, 56				ESP, Lateral Acceleration, Yaw
		1	3, 7	L	02, 06				ESP, Lateral Acceleration, Yaw
		1	3, 7	L	12, 15, 16				ESP, Lateral Acceleration, Yaw

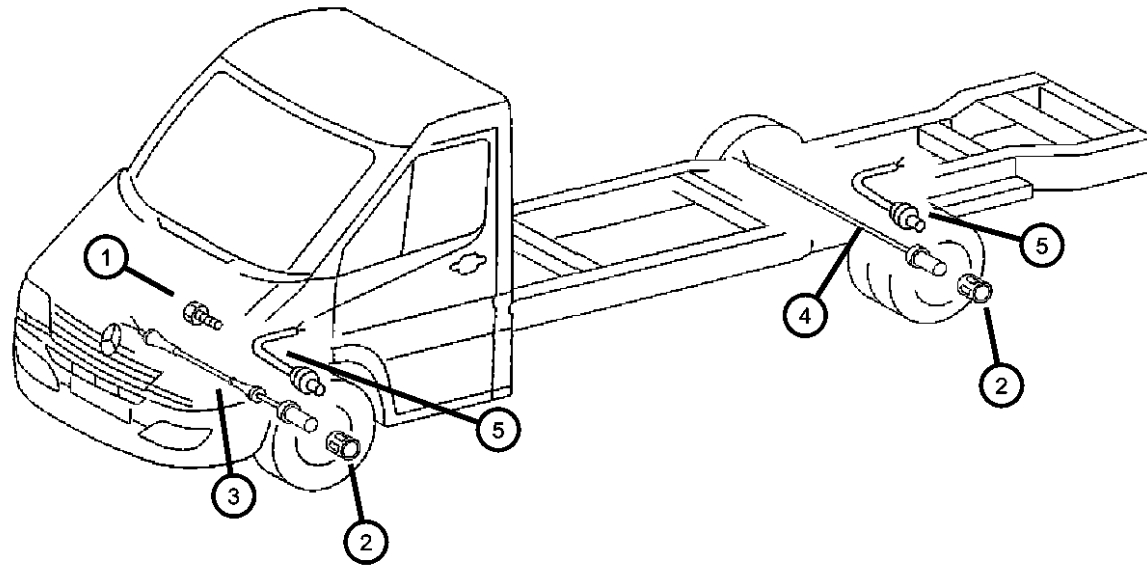
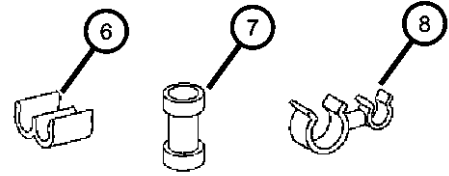


SPRINTER (VA)

SERIES	LINE	BODY	ENGINE	TRANSMISSION
L = LOWLINE	3 = HD DODGE 2WD 6 = Lt. Duty DODGE 4WD 2 = Med. Duty DODGE 2WD 7 = Med. Duty DODGE 4WD	55 = Wagon 140" 54 = Wagon 118" 52 = Wagon 140" 51 = Wagon 118" 12 = Van 140" 11 = Van 118" 06 = Front Section 158" 14 = Van 118" 15 = Van 140" 16 = Van 158" 56 = Wagon 158" 01 = Chassis Forward Control 118" 02 = Chassis Forward Control 140"	EX8 = Engine-2.7L I5 Mercedes Turbo Diesel	DGJ = Transmission-5-Spd. Automatic,W5A580

AR = use ase required - = Non illustrated part

Sensors - Brakes
Figure 8-615



ITEM	PART NUMBER	QTY	LINE	SERIES	BODY	ENGINE	TRANS	TRIM	DESCRIPTION
1	05126269AB	2	2, 6	L	11, 12, 14, 15, 16				SCREW
		2	2, 6	L	51, 52, 54, 55, 56				
		2	3, 7	L	12, 15, 16				
2	05120376AA	2	2, 6	L	11, 12, 14, 15, 16				RETAINER
		2	2, 6	L	51, 52, 54, 55, 56				
		2	3, 7	L	12, 15, 16				
3	05104145AA	2	2, 6	L	11, 12, 14, 15, 16				SENSOR, Wheel Speed
		2	2, 6	L	51, 52, 54, 55, 56				When ordering must also order 2 of 05120376AA, 1 of 5103755AA, and 1 of 05103801AA
		2	3, 7	L	12, 15, 16				When ordering must also order 2 of 05120376AA, 1 of 5103755AA, and 1 of 05103801AA
4	05104144AA	2	2, 6	L	11, 12, 14, 15, 16				SENSOR, Wheel Speed
		2	2, 6	L	51, 52, 54, 55, 56				When ordering must also order 2 of 05120376AA, 1 of 5103755AA, and 1 of 05103801AA
		2	3, 7	L	12, 15, 16				When ordering must also order 2 of 05120376AA, 1 of 5103755AA, and 1 of 05103801AA
5	05103654AA	1	2, 6	L	11, 12, 14, 15, 16				WIRING, Brake Indicator
									When ordering must also order 2 of 05103755AA and 1 of 05103801AA

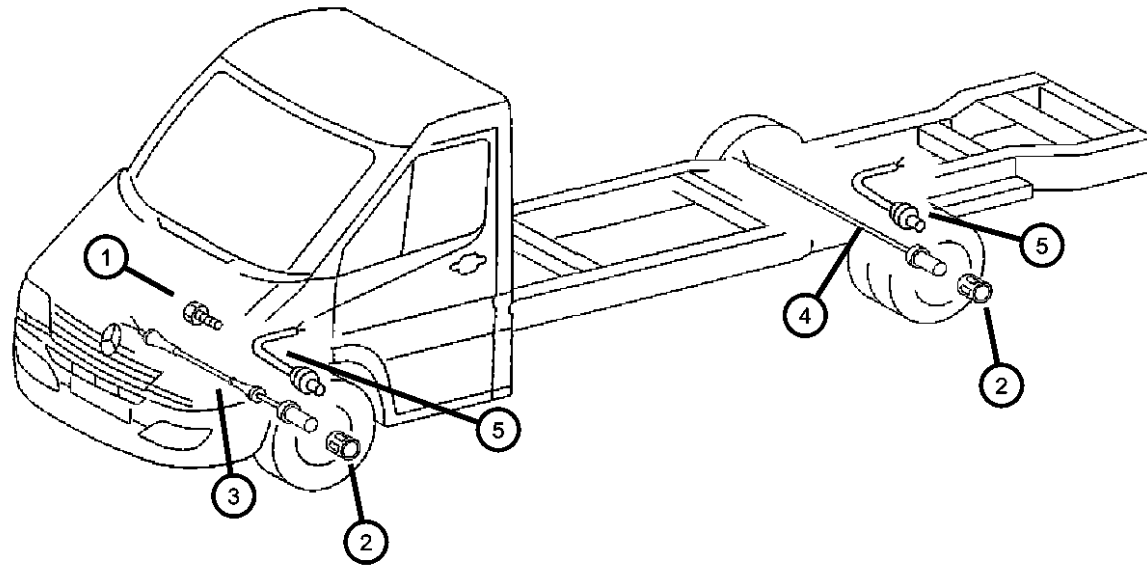
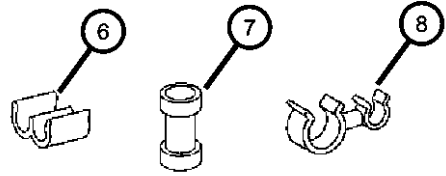
SPRINTER (VA)

SERIES	LINE	BODY	ENGINE	TRANSMISSION
L = LOWLINE	3 = HD DODGE 2WD 6 = Lt. Duty DODGE 4WD 2 = Med. Duty DODGE 2WD 7 = Med. Duty DODGE 4WD	55 = Wagon 140" 54 = Wagon 118" 52 = Wagon 140" 51 = Wagon 118" 12 = Van 140" 11 = Van 118" 06 = Front Section 158" 14 = Van 118" 15 = Van 140" 16 = Van 158" 56 = Wagon 158" 01 = Chassis Forward Control 118" 02 = Chassis Forward Control 140"	EX8 = Engine-2.7L I5 Mercedes Turbo Diesel	DGJ = Transmission-5-Spd. Automatic, W5A580

AR = use ase required - = Non illustrated part

Sensors - Brakes
Figure 8-615

ITEM	PART NUMBER	QTY	LINE	SERIES	BODY	ENGINE	TRANS	TRIM	DESCRIPTION
		1	2, 6	L	51, 52, 54, 55, 56				When ordering must also order 2 of 05103755AA and 1 of 05103801AA
		1	3, 7	L	12, 15, 16				When ordering must also order 2 of 05103755AA and 1 of 05103801AA
6	05126024AA	2	2, 6	L	11, 12, 14, 15, 16				CLIP, Wiring
		2	2, 6	L	51, 52, 54, 55, 56				
		2	3, 7	L	12, 15, 16				
7	05103755AA	99	2, 6	L	11, 12, 14, 15, 16				CONNECTOR
		99	2, 6	L	51, 52, 54, 55, 56				
		99	3, 7	L	12, 15, 16				
8	05120943AA	6	2, 6	L	11, 12, 14, 15, 16				BRACKET
		6	2, 6	L	51, 52, 54, 55, 56				
		6	3, 7	L	12, 15, 16				



SPRINTER (VA)

SERIES

L = LOWLINE

LINE

3 = HD DODGE 2WD
6 = Lt. Duty DODGE 4WD
2 = Med. Duty DODGE 2WD
7 = Med. Duty DODGE 4WD

BODY

55 = Wagon 140"
54 = Wagon 118"
52 = Wagon 140"
51 = Wagon 118"
12 = Van 140"
11 = Van 118"
06 = Front Section 158"
14 = Van 118"
15 = Van 140"
16 = Van 158"
56 = Wagon 158"
01 = Chassis Forward Control 118"
02 = Chassis Forward Control 140"

ENGINE

EX8 = Engine-2.7L I5
Mercedes Turbo Diesel

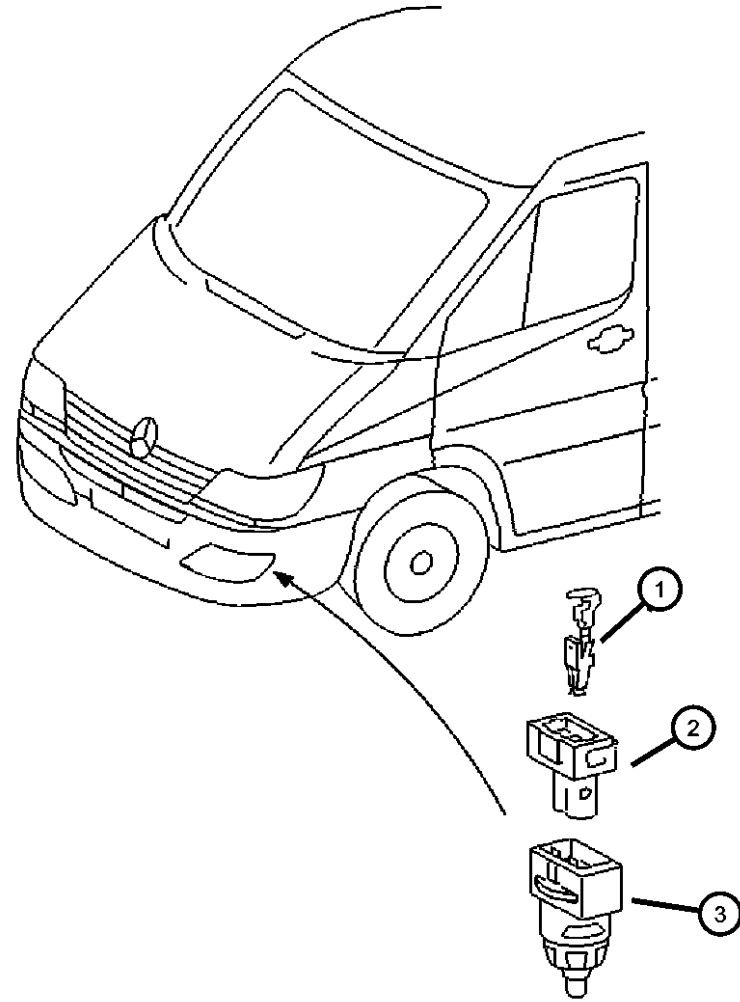
TRANSMISSION

DGJ = Transmission-5-Spd. Automatic, W5A580

AR = use ase required - = Non illustrated part

2004 VA

**Sensor Ambient Temperature
Figure 8-620**



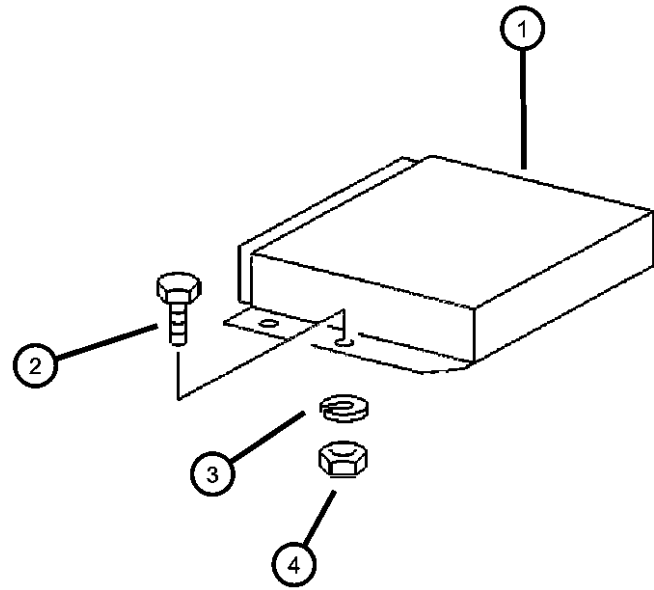
ITEM	PART NUMBER	QTY	LINE	SERIES	BODY	ENGINE	TRANS	TRIM	DESCRIPTION
1	05103880AA	99	2, 6	L	11, 12, 14, 15, 16				TERMINAL
		99	2, 6	L	51, 52, 54, 55, 56				
		99	3, 7	L	12, 15, 16				
2	05120749AA	1	2, 6	L	11, 12, 14, 15, 16				CONNECTOR
		1	2, 6	L	51, 52, 54, 55, 56				
		1	3, 7	L	12, 15, 16				
3	05103563AA	1	2, 6	L	11, 12, 14, 15, 16				SENSOR, Ambient Temperature
		1	2, 6	L	51, 52, 54, 55, 56				
		1	2, 6	L	01, 02, 06				
		1	3, 7	L	02, 06				
		1	3, 7	L	12, 15, 16				

SPRINTER (VA)

SERIES	LINE	BODY	ENGINE	TRANSMISSION
L = LOWLINE	3 = HD DODGE 2WD 6 = Lt. Duty DODGE 4WD 2 = Med. Duty DODGE 2WD 7 = Med. Duty DODGE 4WD	55 = Wagon 140" 54 = Wagon 118" 52 = Wagon 140" 51 = Wagon 118" 12 = Van 140" 11 = Van 118" 06 = Front Section 158" 14 = Van 118" 15 = Van 140" 16 = Van 158" 56 = Wagon 158" 01 = Chassis Forward Control 118" 02 = Chassis Forward Control 140"	EX8 = Engine-2.7L I5 Mercedes Turbo Diesel	DGJ = Transmission-5-Spd. Automatic,W5A580

AR = use ase required - = Non illustrated part

**Single Board Engine Controller (S.B.E.C.)
Figure 8-715**



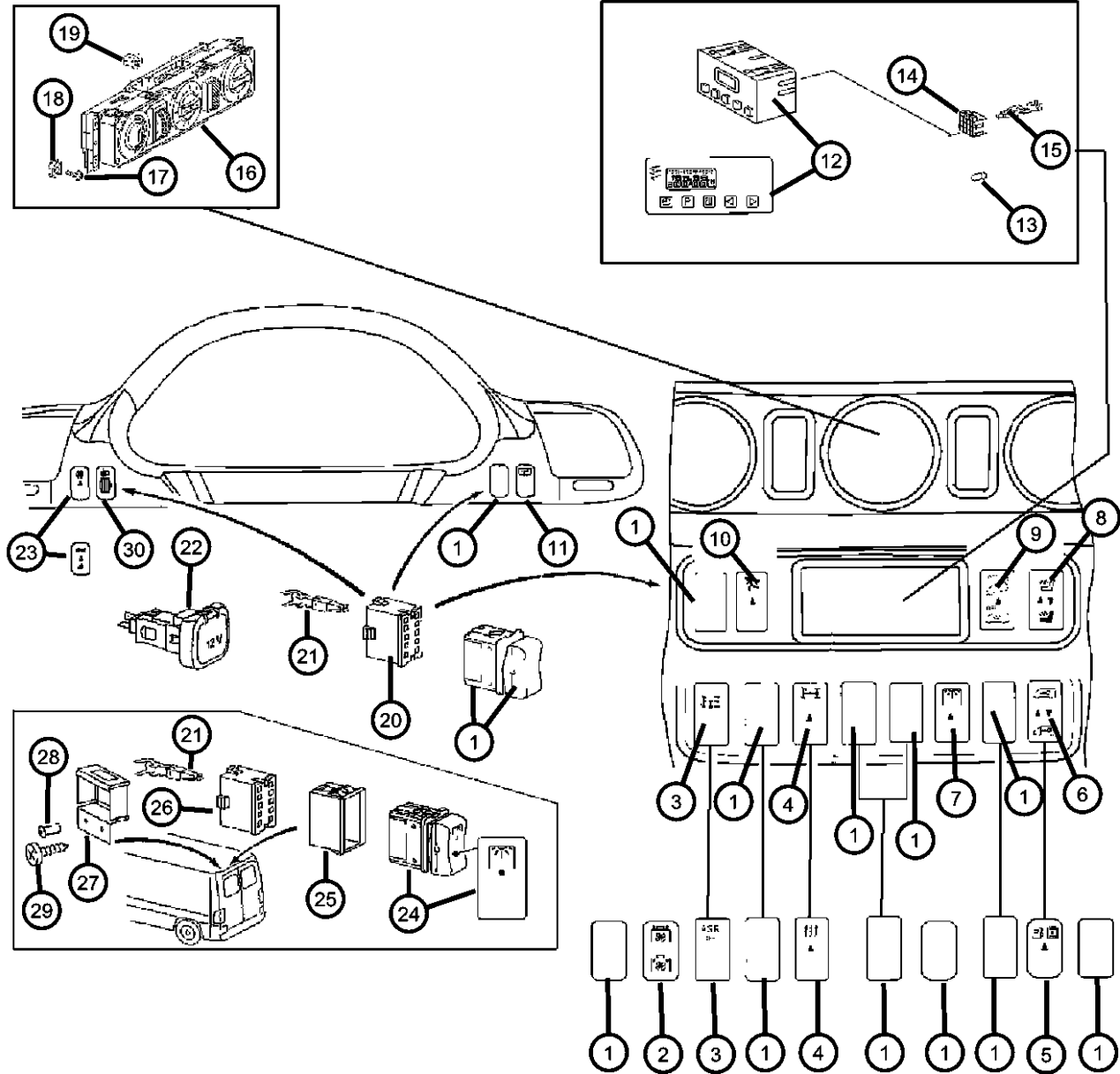
ITEM	PART NUMBER	QTY	LINE	SERIES	BODY	ENGINE	TRANS	TRIM	DESCRIPTION
DG0=All Speed Automatic Transmission DGG=3 Speed Automatic Transmission DGT=4 Speed Automatic Transmission EH0=3.9L Engine ELF=5.2L SMPI 'MAGNUM' Engine ELN=5.2L MPI CNG Engine EM0=5.9L Engine									
1									MODULE, Powertrain Control
	05137615AA	1		L					[NAA]
	05142780AA	1	2, 6	L	01, 02, 06	EX8			[NAS]
		1	2, 6	L	11, 12, 14, 15, 16	EX8			[NAS]
		1	2, 6	L	51, 52, 54, 55, 56	EX8			[NAS]
		1	3, 7	L	02, 06	EX8			[NAS]
		1	3, 7	L	12, 15, 16	EX8			[NAS]
2									BOLT, M6x20
	05126198AA	4	2, 6	L	11, 12, 14, 15, 16				
		4	2, 6	L	51, 52, 54, 55, 56				
		4	3, 7	L	12, 15, 16				
3									LOCK WASHER
	05126240AA	4	2, 6	L	11, 12, 14, 15, 16				
		4	2, 6	L	51, 52, 54, 55, 56				
		4	3, 7	L	12, 15, 16				
4		4							NUT, Hex, (NOT SERVICED)

SPRINTER (VA)

SERIES	LINE	BODY	ENGINE	TRANSMISSION
L = LOWLINE	3 = HD DODGE 2WD 6 = Lt. Duty DODGE 4WD 2 = Med. Duty DODGE 2WD 7 = Med. Duty DODGE 4WD	55 = Wagon 140" 54 = Wagon 118" 52 = Wagon 140" 51 = Wagon 118" 12 = Van 140" 11 = Van 118" 06 = Front Section 158" 14 = Van 118" 15 = Van 140" 16 = Van 158" 56 = Wagon 158"	EX8 = Engine-2.7L I5 Mercedes Turbo Diesel	DGJ = Transmission-5-Spd. Automatic,W5A580
		01 = Chassis Forward Control 118" 02 = Chassis Forward Control 140"		

AR = use ase required - = Non illustrated part

Switches - Instrument Panel
Figure 8-805



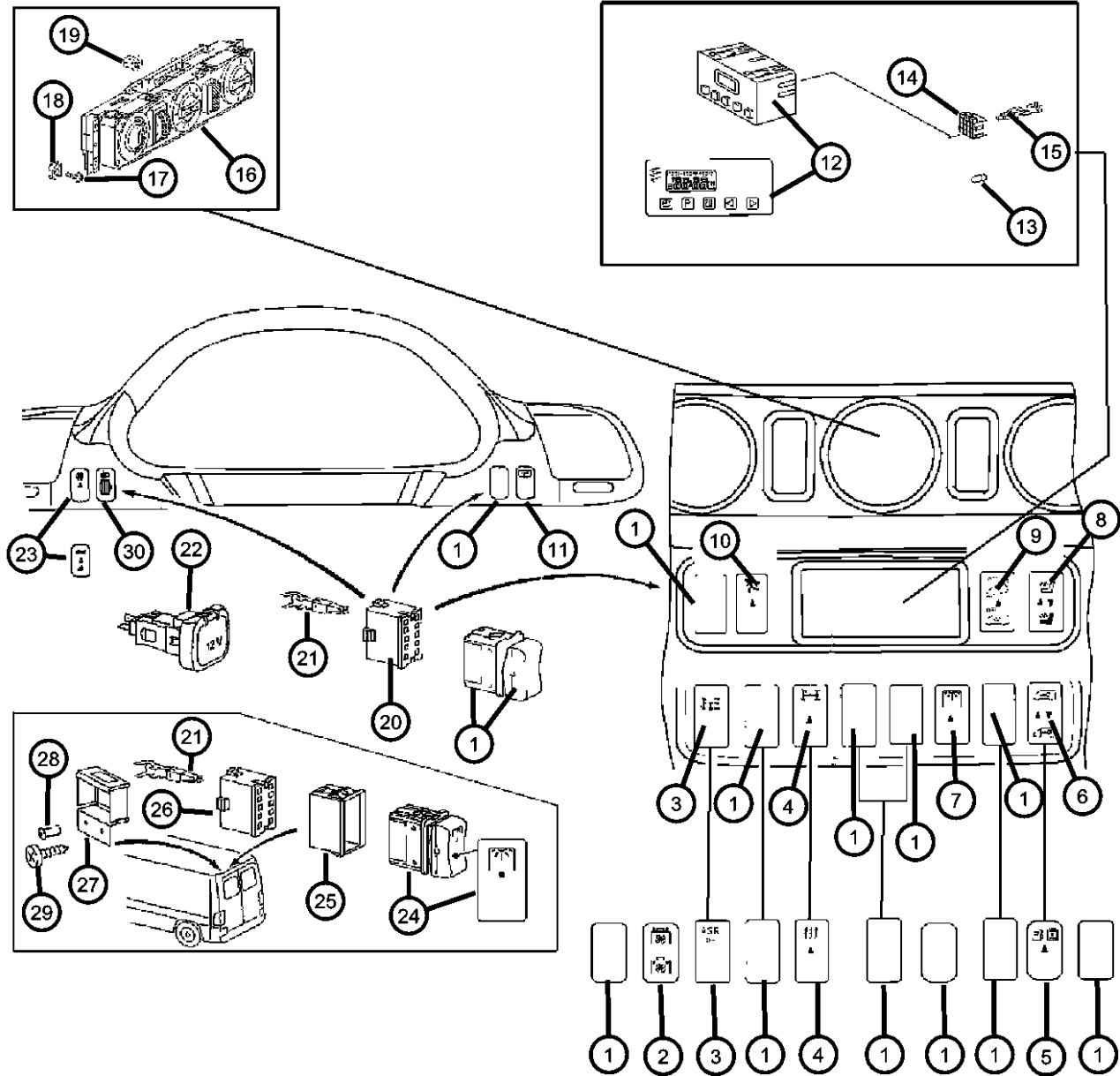
ITEM	PART NUMBER	QTY	LINE	SERIES	BODY	ENGINE	TRANS	TRIM	DESCRIPTION
1	05122925AA	3	2, 6	L	11, 12, 14, 15, 16				COVER, Switch Opening
	05122922AA	1	2, 6	L	01, 02, 06				
		3	3, 7	L	12, 15, 16				
2	05120490AA	1	2, 6	L	11, 12, 14, 15, 16				SWITCH, Ventilator
		1	2, 6	L	51, 52, 54, 55, 56				
		1	3, 7	L	12, 15, 16				
3	05120472AA	1	2, 6	L	51, 52, 54, 55, 56				SWITCH, Traction Control
		1	3, 7	L	12, 15, 16				
		1	2, 6	L	01, 02, 06				
		1	2, 6	L	11, 12, 14, 15, 16				
4	05103853AA	1	2, 6	L	01, 02, 06				SWITCH, Rear Blower
		1	2, 6	L	11, 12, 14, 15, 16				
		1	2, 6	L	51, 52, 54, 55, 56				
		1	3, 7	L	12, 15, 16				
5	05124392AA	1	2, 6	L	01, 02, 06				SWITCH, Wiper and Washer
		1	2, 6	L	11, 12, 14, 15, 16				
		1	2, 6	L	51, 52, 54, 55, 56				
		1	3, 7	L	12, 15, 16				

SPRINTER (VA)
 SERIES LINE BODY ENGINE TRANSMISSION
 L = LOWLINE 3 = HD DODGE 2WD 55 = Wagon 140" EX8 = Engine-2.7L I5 DGJ = Transmission-5-Spd.
 6 = Lt. Duty DODGE 4WD 54 = Wagon 118" Mercedes Turbo Diesel Automatic,W5A580
 2 = Med. Duty DODGE 2WD 52 = Wagon 140"
 7 = Med. Duty DODGE 4WD 51 = Wagon 118"
 12 = Van 140"
 11 = Van 118"
 06 = Front Section 158"
 14 = Van 118"
 15 = Van 140"
 16 = Van 158"
 56 = Wagon 158"
 01 = Chassis Forward Control 118"
 02 = Chassis Forward Control 140"

AR = use ase required - = Non illustrated part

Switches - Instrument Panel
Figure 8-805

ITEM	PART NUMBER	QTY	LINE	SERIES	BODY	ENGINE	TRANS	TRIM	DESCRIPTION
6	05103855AA	1	2, 6	L	11, 12, 14, 15, 16				SWITCH, Central Locking
		1	2, 6	L	01, 02, 06				
		1	2, 6	L	51, 52, 54, 55, 56				
		1	3, 7	L	12, 15, 16				
7	05103854AA	1	2, 6	L	11, 12, 14, 15, 16				SWITCH, Cargo Lamp
		1	3, 7	L	12, 15, 16				
	05120450AA	1	2, 6	L	01, 02, 06				
8	05120444AA	2	2, 6	L	01, 02, 06				SWITCH, Heated Seat
		2	2, 6	L	11, 12, 14, 15, 16				
		1	2, 6	L	51, 52, 54, 55, 56				
		2	3, 7	L	12, 15, 16				
9	05120465AA	1	2, 6	L	01, 02, 06				SWITCH, Security Alarm
		1	6, 2	L	11, 12, 14, 15, 16				
		1	2, 6	L	51, 52, 54, 55, 56				
		1	3, 7	L	12, 15, 16				
10	05120465AA	1	2, 6	L	01, 02, 06				SWITCH, Security Alarm
	05120466AA	1	2, 6	L	11, 12, 14, 15, 16				
		1	2, 6	L	51, 52, 54, 55, 56				
		1	3, 7	L	12, 15, 16				



SPRINTER (VA)

SERIES

L = LOWLINE

LINE

3 = HD DODGE 2WD
6 = Lt. Duty DODGE 4WD
2 = Med. Duty DODGE 2WD
7 = Med. Duty DODGE 4WD

BODY

55 = Wagon 140"
54 = Wagon 118"
52 = Wagon 140"
51 = Wagon 118"
12 = Van 140"
11 = Van 118"
06 = Front Section 158"
14 = Van 118"
15 = Van 140"
16 = Van 158"
56 = Wagon 158"
01 = Chassis Forward Control 118"
02 = Chassis Forward Control 140"

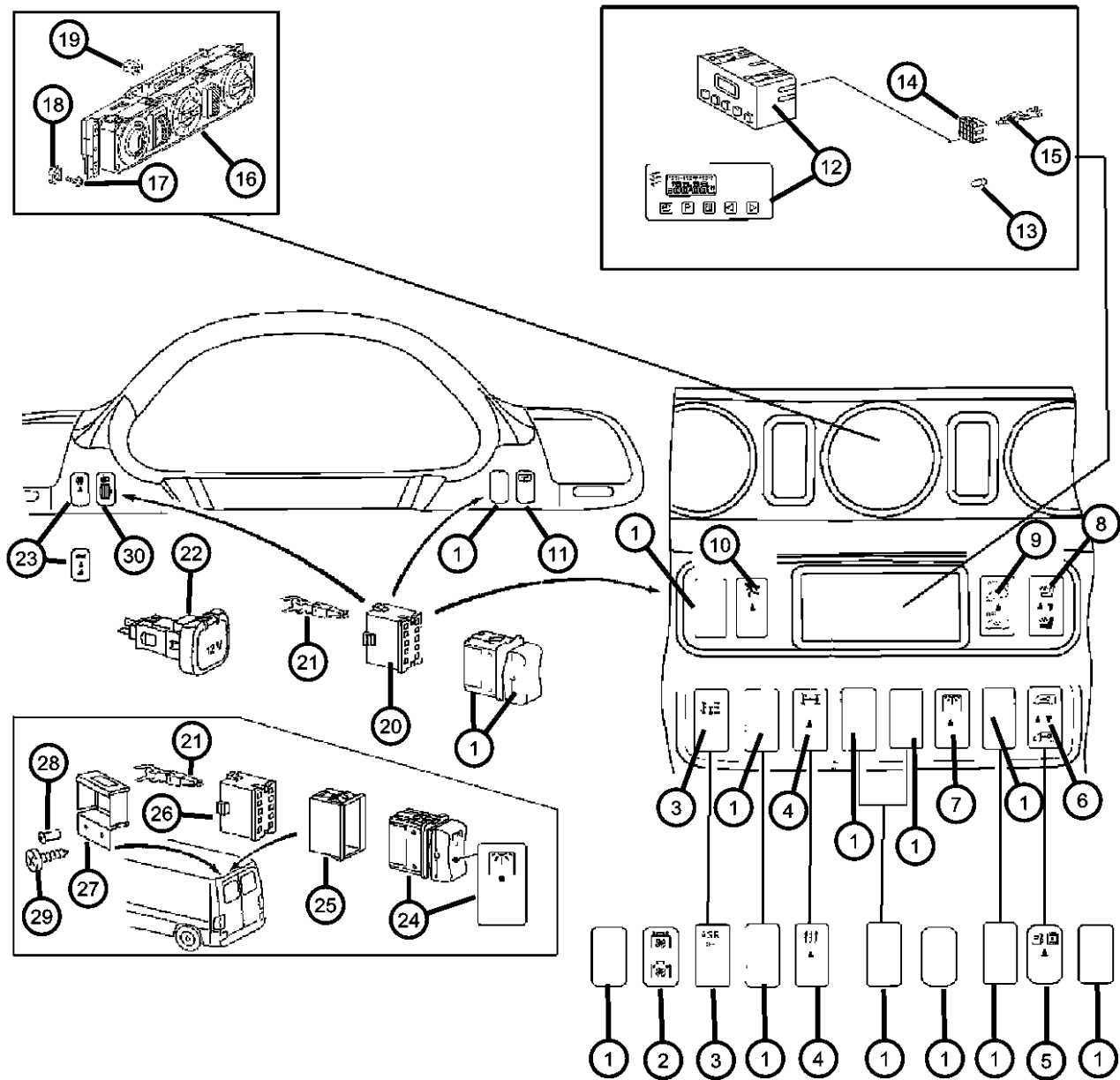
ENGINE

EX8 = Engine-2.7L I5
Mercedes Turbo Diesel

TRANSMISSION

DGJ = Transmission-5-Spd. Automatic, W5A580

Switches - Instrument Panel
Figure 8-805

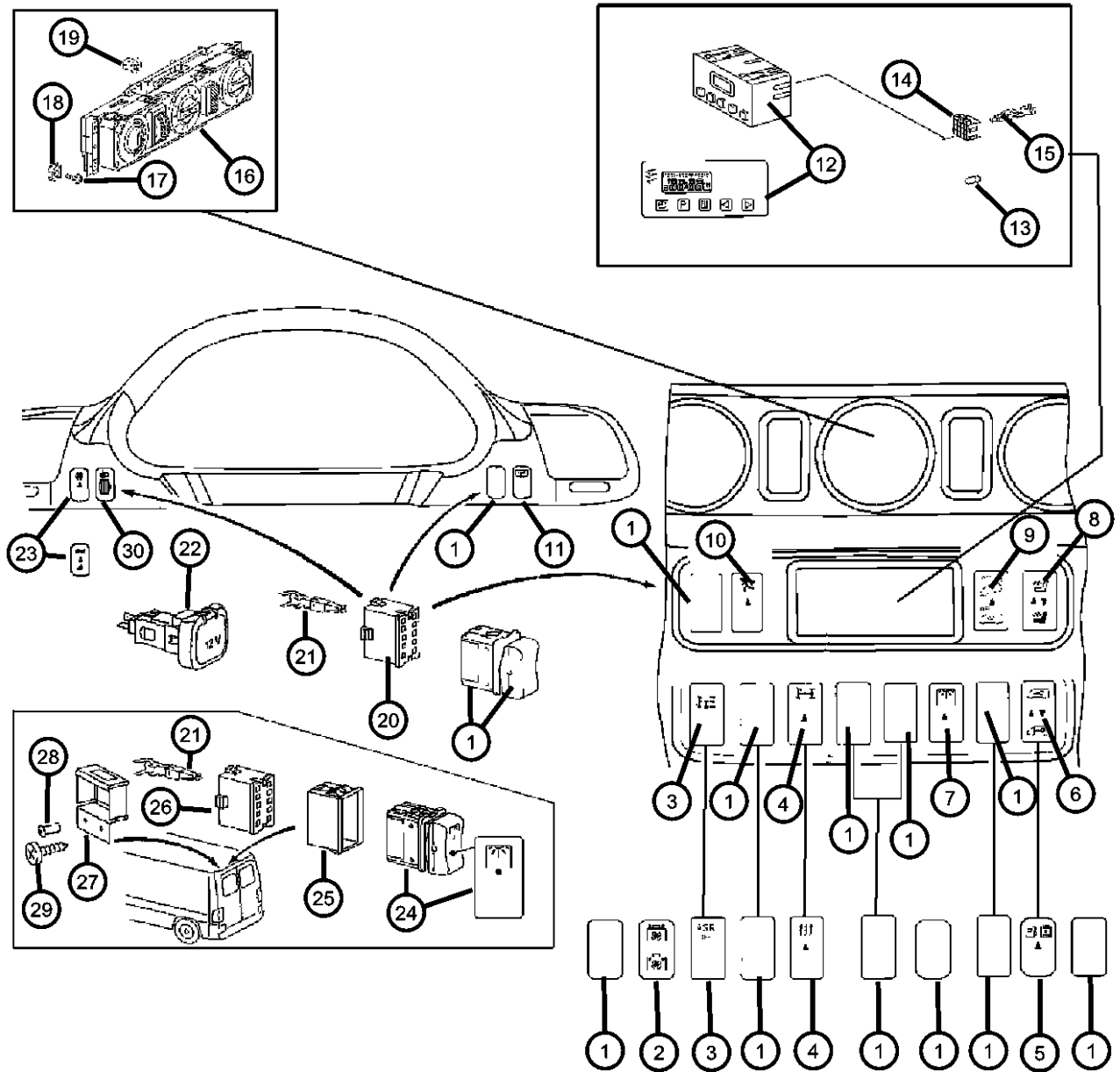


ITEM	PART NUMBER	QTY	LINE	SERIES	BODY	ENGINE	TRANS	TRIM	DESCRIPTION
11	05120438AA	1	2, 6	L	11, 12, 14, 15, 16				SWITCH, Defogger
12	05120301AA	1	2, 6	L	51, 52, 54, 55, 56				CLOCK
13	05133469AA	1	2, 6	L	01, 02, 06				BULB, 12V 1.5W
14	05120552AA	1	2, 6	L	01, 02, 06				CONNECTOR
15	05103881AA	1	2, 6	L	01, 02, 06				TERMINAL

SPRINTER (VA)
 SERIES L = LOWLINE
 LINE 3 = HD DODGE 2WD
 6 = Lt. Duty DODGE 4WD
 2 = Med. Duty DODGE 2WD
 7 = Med. Duty DODGE 4WD
 BODY 55 = Wagon 140"
 54 = Wagon 118"
 52 = Wagon 140"
 51 = Wagon 118"
 12 = Van 140"
 11 = Van 118"
 06 = Front Section 158"
 14 = Van 118"
 15 = Van 140"
 16 = Van 158"
 56 = Wagon 158"
 ENGINE EX8 = Engine-2.7L I5
 Mercedes Turbo Diesel
 TRANSMISSION DGJ = Transmission-5-Spd. Automatic, W5A580

AR = use ase required - = Non illustrated part

Switches - Instrument Panel
Figure 8-805



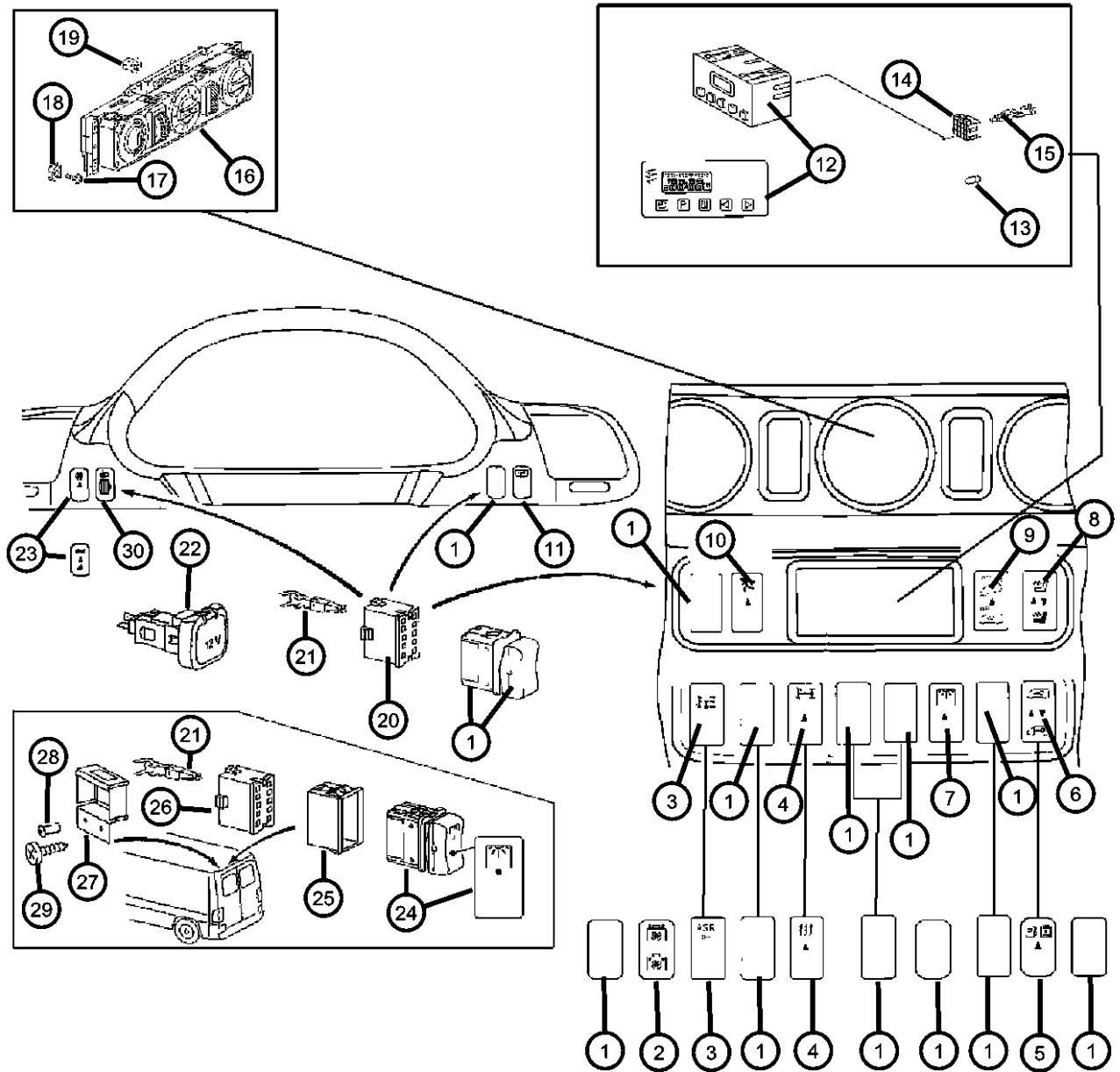
ITEM	PART NUMBER	QTY	LINE	SERIES	BODY	ENGINE	TRANS	TRIM	DESCRIPTION
		1	3, 7	L	12, 15, 16				
16	05103643AA	1	2, 6	L	01, 02, 06				CONTROL, A/C And Heater
	05103643AA	1	2, 6	L	11, 12, 14, 15, 16				Air Conditionig with Auto Temperature Control
	05103643AA	1	2, 6	L	51, 52, 54, 55, 56				Air Conditionig with Auto Temperature Control
	05103643AA	1	3, 7	L	12, 15, 16				Air Conditionig with Auto Temperature Control[HAB]
	05103644AA	1	2, 6	L	01, 02, 06				Air Conditionig with Auto Temperature Control & with Auxiliary Hot Water Heater
	05103644AA	1	2, 6	L	11, 12, 14, 15, 16				Air Conditionig with Auto Temperature Control & with Auxiliary Hot Water Heater
	05103644AA	1	2, 6	L	51, 52, 54, 55, 56				Air Conditionig with Auto Temperature Control & with Auxiliary Hot Water Heater
	05103690AA	1	2, 6	L	01, 02, 06				Air Conditionig without Auto Temperature Control & without Auxiliary Hot Water Heater
	05103690AA	1	3, 7	L	12, 15, 16				Air Conditionig without Auto Temperature Control & without Auxiliary Hot Water Heater
17	06104610AA	3	2, 6	L	01, 02, 06				SCREW
	06104610AA	2	2, 6	L	11, 12, 14, 15, 16				
	06104610AA	4	2, 6	L	51, 52, 54, 55, 56				
	06104610AA	4	3, 7	L	12, 15, 16				
18	05125861AA	2	2, 6	L	01, 02, 06				NUT, Spring
	05125861AA	2	2, 6	L	11, 12, 14, 15, 16				

SPRINTER (VA)

SERIES	LINE	BODY	ENGINE	TRANSMISSION
L = LOWLINE	3 = HD DODGE 2WD 6 = Lt. Duty DODGE 4WD 2 = Med. Duty DODGE 2WD 7 = Med. Duty DODGE 4WD	55 = Wagon 140" 54 = Wagon 118" 52 = Wagon 140" 51 = Wagon 118" 12 = Van 140" 11 = Van 118" 06 = Front Section 158" 14 = Van 118" 15 = Van 140" 16 = Van 158" 56 = Wagon 158"	EX8 = Engine-2.7L I5 Mercedes Turbo Diesel	DGJ = Transmission-5-Spd. Automatic,W5A580

AR = use ase required - = Non illustrated part

Switches - Instrument Panel
Figure 8-805



ITEM	PART NUMBER	QTY	LINE	SERIES	BODY	ENGINE	TRANS	TRIM	DESCRIPTION
		2	3, 7	L	12, 15, 16				
		2	2, 6	L	51, 52, 54, 55, 56				
19	05133468AA	1	2, 6	L	01, 02, 06				BULB
		1	2, 6	L	11, 12, 14, 15, 16				
		1	2, 6	L	51, 52, 54, 55, 56				
		1	3, 7	L	12, 15, 16				
20	05120633AA	1	2, 6	L	01, 02, 06				CONNECTOR
		1	2, 6	L	11, 12, 14, 15, 16				
		1	2, 6	L	51, 52, 54, 55, 56				
		1	3, 7	L	12, 15, 16				
21	05103882AA	1	2, 6	L	01, 02, 06				TERMINAL
		1	2, 6	L	11, 12, 14, 15, 16				
		1	2, 6	L	51, 52, 54, 55, 56				
		1	3, 7	L	12, 15, 16				
22	05103907AA	1	7, 3	L	12, 15, 16				CONTROL, Air Conditioning
		1	2, 6	L	11, 12, 14, 15, 16				
		1	2, 6	L	51, 52, 54, 55, 56				
23	05120484AA	1	2, 6	L	01, 02, 06				SWITCH, Fog Lamp

SPRINTER (VA)
SERIES
 L = LOWLINE

LINE
 3 = HD DODGE 2WD
 6 = Lt. Duty DODGE 4WD
 2 = Med. Duty DODGE 2WD
 7 = Med. Duty DODGE 4WD

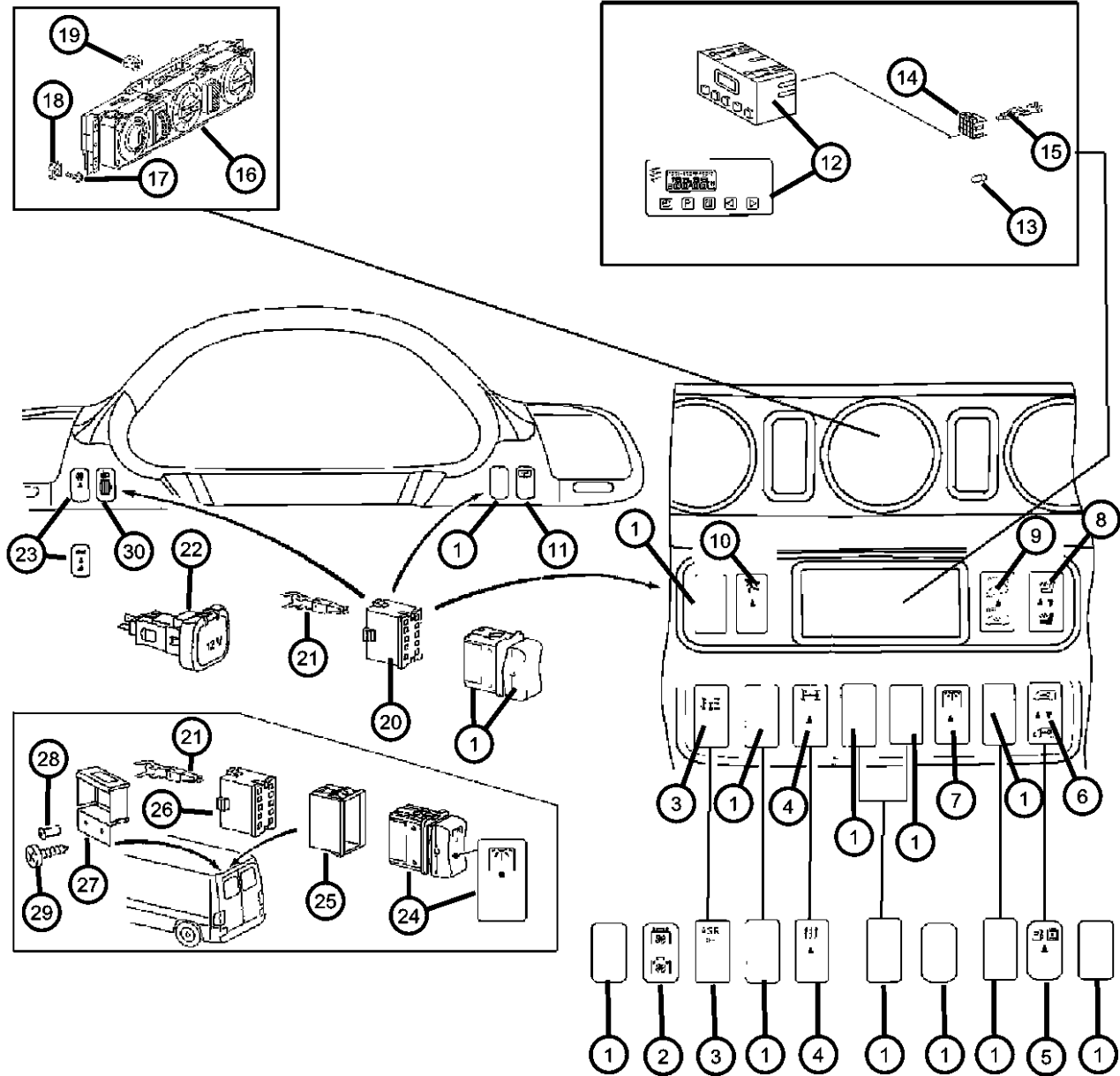
BODY
 55 = Wagon 140"
 54 = Wagon 118"
 52 = Wagon 140"
 51 = Wagon 118"
 12 = Van 140"
 11 = Van 118"
 06 = Front Section 158"
 14 = Van 118"
 15 = Van 140"
 16 = Van 158"
 56 = Wagon 158"

ENGINE
 EX8 = Engine-2.7L I5
 Mercedes Turbo Diesel

TRANSMISSION
 DGJ = Transmission-5-Spd. Automatic, W5A580

AR = use ase required - = Non illustrated part

Switches - Instrument Panel
Figure 8-805



ITEM	PART NUMBER	QTY	LINE	SERIES	BODY	ENGINE	TRANS	TRIM	DESCRIPTION
		1	2, 6	L	11, 12, 14, 15, 16				
		1	2, 6	L	51, 52, 54, 55, 56				
24	05103844AA	1	3, 7	L	12, 15, 16				SWITCH, Cargo Lamp
	05120450AA	1	2, 6	L	01, 02, 06				
25	05120247AA	2	2, 6	L	11, 12, 14, 15, 16				HOUSING, Switch
		2	3, 7	L	12, 15, 16				
26	05120596AA	2	2, 6	L	11, 12, 14, 15, 16				CONNECTOR
		2	3, 7	L	12, 15, 16				
27	05120411AA	1	2, 6	L	11, 12, 14, 15, 16				COVER, Switch
		1	3, 7	L	12, 15, 16				
28	05103838AA	4	2, 6	L	11, 12, 14, 15, 16				RIVET
		4	2, 6	L	51, 52, 54, 55, 56				
		4	3, 7	L	12, 15, 16				
29	05126271AA	2	3, 7	L	12, 15, 16				SCREW
30	05103658AA	1	2, 6	L	01, 02, 06				SWITCH, Headlamp Leveling
		1	2, 6	L	11, 12, 14, 15, 16				

SPRINTER (VA)
SERIES
 L = LOWLINE

LINE
 3 = HD DODGE 2WD
 6 = Lt. Duty DODGE 4WD
 2 = Med. Duty DODGE 2WD
 7 = Med. Duty DODGE 4WD

BODY
 55 = Wagon 140"
 54 = Wagon 118"
 52 = Wagon 140"
 51 = Wagon 118"
 12 = Van 140"
 11 = Van 118"
 06 = Front Section 158"
 14 = Van 118"
 15 = Van 140"
 16 = Van 158"
 56 = Wagon 158"

ENGINE
 EX8 = Engine-2.7L I5
 Mercedes Turbo Diesel

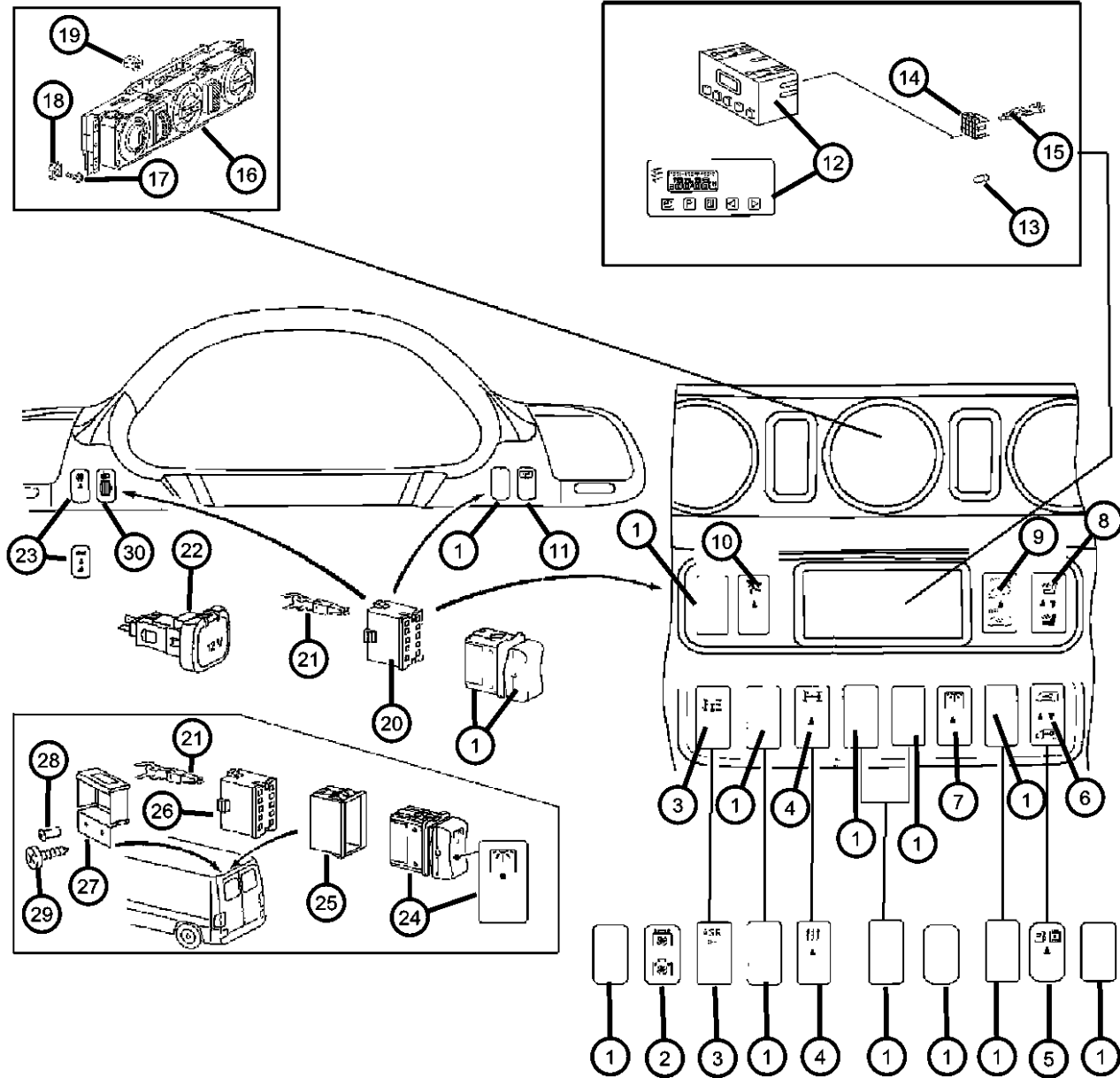
TRANSMISSION
 DGJ = Transmission-5-Spd. Automatic, W5A580

AR = use ase required - = Non illustrated part

Switches - Instrument Panel
Figure 8-805

ITEM	PART NUMBER	QTY	LINE	SERIES	BODY	ENGINE	TRANS	TRIM	DESCRIPTION
------	-------------	-----	------	--------	------	--------	-------	------	-------------

1			2, 6	L	51, 52, 54, 55, 56				
1			3, 7	L	12, 15, 16				



SPRINTER (VA)

SERIES

L = LOWLINE

LINE

3 = HD DODGE 2WD
6 = Lt. Duty DODGE 4WD
2 = Med. Duty DODGE 2WD
7 = Med. Duty DODGE 4WD

BODY

55 = Wagon 140"
54 = Wagon 118"
52 = Wagon 140"
51 = Wagon 118"
12 = Van 140"
11 = Van 118"
06 = Front Section 158"
14 = Van 118"
15 = Van 140"
16 = Van 158"
56 = Wagon 158"

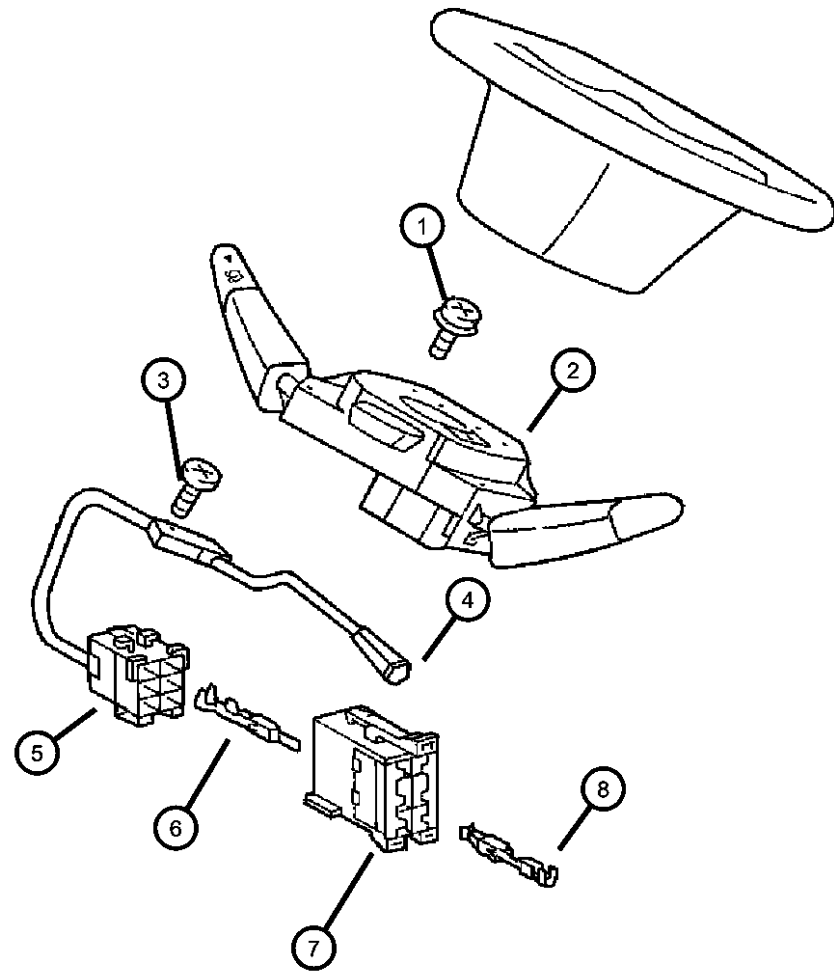
ENGINE

EX8 = Engine-2.7L I5
Mercedes Turbo Diesel

TRANSMISSION

DGJ = Transmission-5-Spd.
Automatic,W5A580

Switches -Steering Column
Figure 8-810



ITEM	PART NUMBER	QTY	LINE	SERIES	BODY	ENGINE	TRANS	TRIM	DESCRIPTION
1	05104636AA	2	2, 6	L	11, 12, 14, 15, 16				SCREW
		2	2, 6	L	51, 52, 54, 55, 56				
		2	3, 7	L	12, 15, 16				
2	05103745AA	1	3, 7	L	12, 15				SWITCH, Steering column
	05103539AA	1	2, 6	L	11, 12, 14, 15, 16				[5AF]
		1	3, 7	L	12, 15, 16				[5AF]
		1	2, 6	L	51, 52, 54, 55, 56				[5AF]
		1	2, 6	L	01, 02				
		1	2, 6	L	11, 12, 14, 15				
		1	2, 6	L	51, 52, 54, 55				
3	05126175AA	1	2, 6	L	11, 12, 14, 15, 16				SCREW
		1	2, 6	L	51, 52, 54, 55, 56				
		1	3, 7	L	12, 15, 16				
4	05103744AA	1	2, 6	L	11, 12, 14, 15, 16				SWITCH, Speed Control
		1	2, 6	L	51, 52, 54, 55, 56				
		1	3, 7	L	12, 15, 16				
5	05120792AA	1	2, 6	L	11, 12, 14, 15, 16				INSULATOR, 6 Way

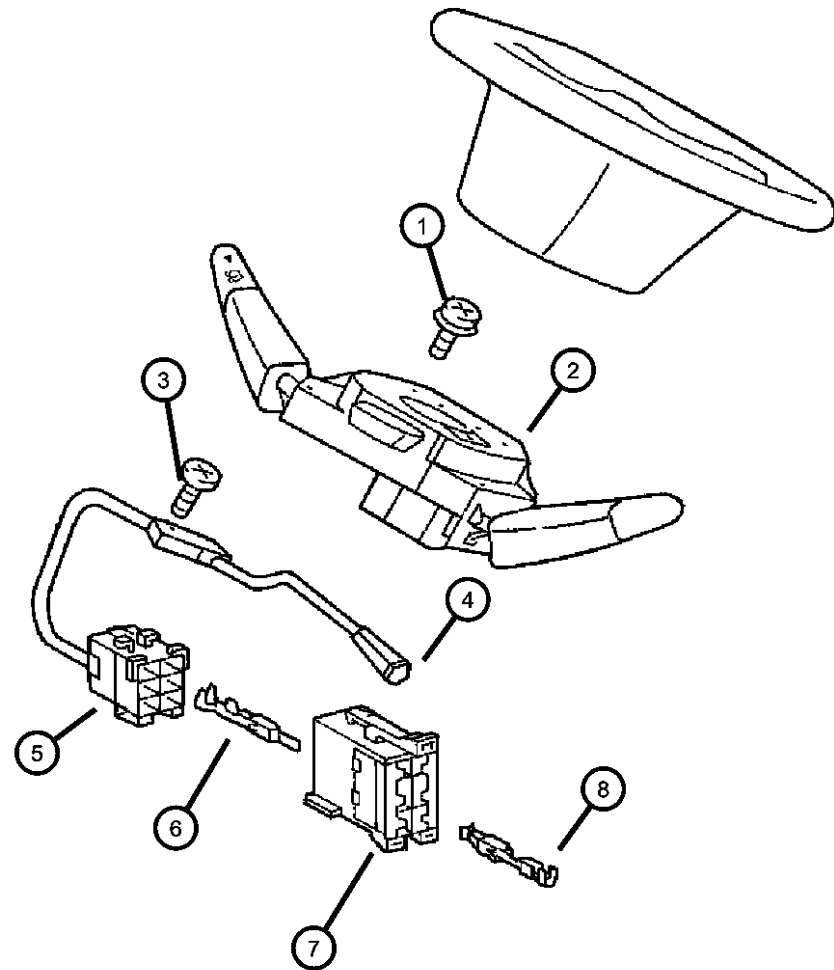
SPRINTER (VA)

SERIES	LINE	BODY	ENGINE	TRANSMISSION
L = LOWLINE	3 = HD DODGE 2WD 6 = Lt. Duty DODGE 4WD 2 = Med. Duty DODGE 2WD 7 = Med. Duty DODGE 4WD	55 = Wagon 140" 54 = Wagon 118" 52 = Wagon 140" 51 = Wagon 118" 12 = Van 140" 11 = Van 118" 06 = Front Section 158" 14 = Van 118" 15 = Van 140" 16 = Van 158" 56 = Wagon 158" 01 = Chassis Forward Control 118" 02 = Chassis Forward Control 140"	EX8 = Engine-2.7L I5 Mercedes Turbo Diesel	DGJ = Transmission-5-Spd. Automatic,W5A580

AR = use ase required - = Non illustrated part

**Switches -Steering Column
Figure 8-810**

ITEM	PART NUMBER	QTY	LINE	SERIES	BODY	ENGINE	TRANS	TRIM	DESCRIPTION
6	05133909AA	1	2, 6	L	51, 52, 54, 55, 56				TERMINAL, Male
		1	3, 7	L	12, 15, 16				
		99	2, 6	L	11, 12, 14, 15, 16				
		99	2, 6	L	51, 52, 54, 55, 56				
7	05120786AA	99	3, 7	L	12, 15, 16				CONNECTOR
		1	2, 6	L	11, 12, 14, 15, 16				
		1	2, 6	L	51, 52, 54, 55, 56				
		1	3, 7	L	12, 15, 16				
8	05133478AA	99	2, 6	L	11, 12, 14, 15, 16				TERMINAL
		99	2, 6	L	51, 52, 54, 55, 56				
		99	3, 7	L	12, 15, 16				
		99	2, 6	L	11, 12, 14, 15, 16				
-9	05129606AA	1	2, 6	L	01, 02, 06				SENSOR, Steering Wheel Angle
		1	2, 6	L	11, 12, 14, 15, 16				
		1	2, 6	L	51, 52, 54, 55, 56				
		1	2, 6	L	11, 12, 14, 15, 16				

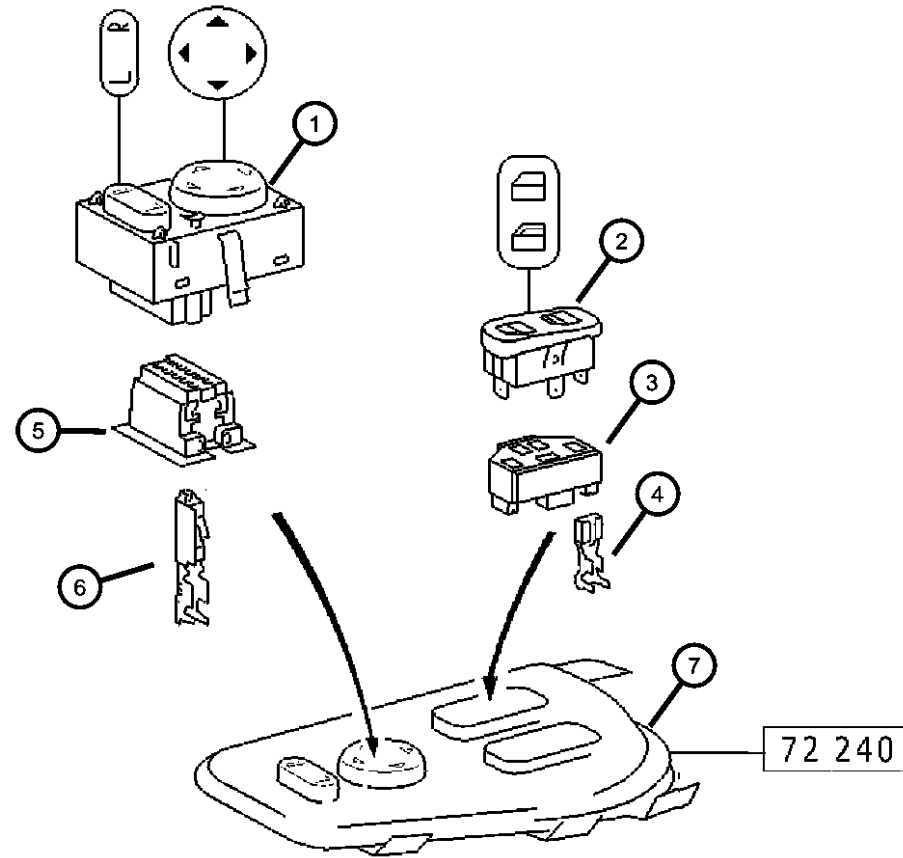


SPRINTER (VA)

SERIES	LINE	BODY	ENGINE	TRANSMISSION
L = LOWLINE	3 = HD DODGE 2WD 6 = Lt. Duty DODGE 4WD 2 = Med. Duty DODGE 2WD 7 = Med. Duty DODGE 4WD	55 = Wagon 140" 54 = Wagon 118" 52 = Wagon 140" 51 = Wagon 118" 12 = Van 140" 11 = Van 118" 06 = Front Section 158" 14 = Van 118" 15 = Van 140" 16 = Van 158" 56 = Wagon 158" 01 = Chassis Forward Control 118" 02 = Chassis Forward Control 140"	EX8 = Engine-2.7L I5 Mercedes Turbo Diesel	DGJ = Transmission-5-Spd. Automatic,W5A580

AR = use ase required - = Non illustrated part

Switches - Door
Figure 8-815



ITEM	PART NUMBER	QTY	LINE	SERIES	BODY	ENGINE	TRANS	TRIM	DESCRIPTION
1	05103845AA	1	2, 6	L	11, 12, 14, 15, 16				SWITCH, Mirror
		1	2, 6	L	56, 51, 52, 54, 55				
		1	3, 7	L	02, 06				
		1	3, 7	L	12, 15, 16				
		1	2, 6	L	01, 02, 06				
2	05103856AA	2	2, 6	L	11, 12, 14, 15, 16				SWITCH, Power Window
		2	3, 7	L	12, 15, 16				
		2	2, 6	L	51, 52, 54, 55, 56				
3	05120604AA	1	3, 7	L	12, 15, 16				CONNECTOR
		1	2, 6	L	11, 12, 14, 15, 16				
		1	2, 6	L	51, 52, 54, 55, 56				
4	05133519AA	99	2, 6	L	11, 12, 14, 15, 16				TERMINAL, Female
		99	2, 6	L	51, 52, 54, 55, 56				
		99	3, 7	L	12, 15, 16				
5	05120782AA	1	2, 6	L	11, 12, 14, 15, 16				CONNECTOR
		1	2, 6	L	51, 52, 54, 55, 56				
		1	3, 7	L	12, 15, 16				
6	05103873AA	99	3, 7	L	12, 15, 16				TERMINAL

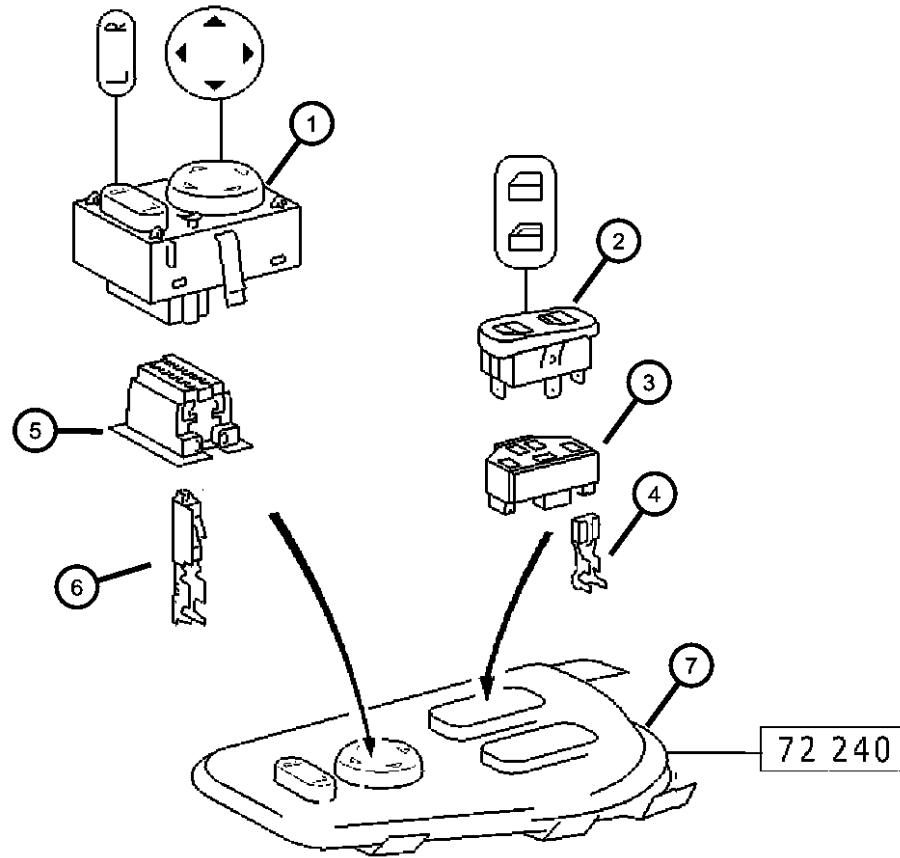
SPRINTER (VA)

SERIES	LINE	BODY	ENGINE	TRANSMISSION
L = LOWLINE	3 = HD DODGE 2WD 6 = Lt. Duty DODGE 4WD 2 = Med. Duty DODGE 2WD 7 = Med. Duty DODGE 4WD	55 = Wagon 140" 54 = Wagon 118" 52 = Wagon 140" 51 = Wagon 118" 12 = Van 140" 11 = Van 118" 06 = Front Section 158" 14 = Van 118" 15 = Van 140" 16 = Van 158" 56 = Wagon 158"	EX8 = Engine-2.7L I5 Mercedes Turbo Diesel	DGJ = Transmission-5-Spd. Automatic, W5A580
		01 = Chassis Forward Control 118" 02 = Chassis Forward Control 140"		

AR = use ase required - = Non illustrated part

**Switches - Door
Figure 8-815**

ITEM	PART NUMBER	QTY	LINE	SERIES	BODY	ENGINE	TRANS	TRIM	DESCRIPTION
		99	2, 6	L	11, 12, 14, 15, 16				
		99	2, 6	L	51, 52, 54, 55, 56				
7									BEZEL, Power Window/Door Lock Switch
	05123790AA	1	2, 6	L	01, 02, 06				Left
		1	2, 6	L	11, 12, 14, 15, 16				Left
		1	2, 6	L	51, 52, 54, 55, 56				Left
		1	3, 7	L	12, 15, 16				Left
	05123791AA	1	2, 6	L	02, 01, 06				Right
		1	2, 6	L	11, 12, 14, 15, 16				Right
		1	2, 6	L	51, 52, 54, 55, 56				Right
		1	3, 7	L	12, 15, 16				Right

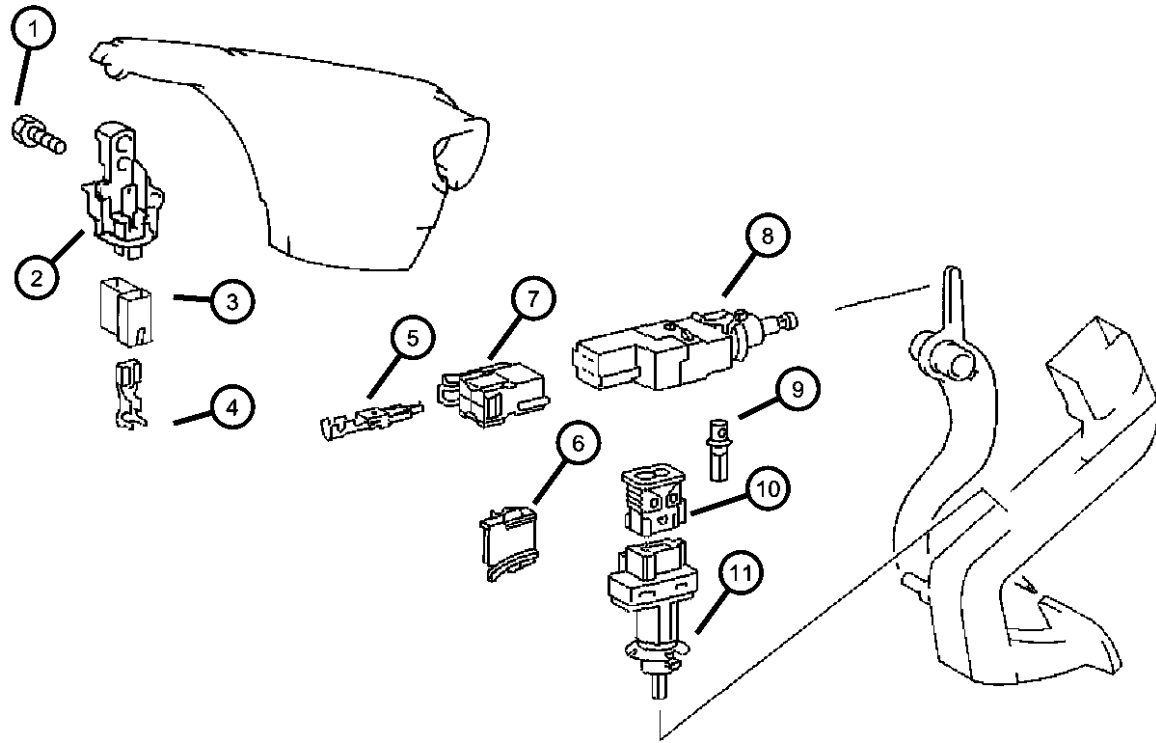


SPRINTER (VA)

SERIES	LINE	BODY	ENGINE	TRANSMISSION
L = LOWLINE	3 = HD DODGE 2WD 6 = Lt. Duty DODGE 4WD 2 = Med. Duty DODGE 2WD 7 = Med. Duty DODGE 4WD	55 = Wagon 140" 54 = Wagon 118" 52 = Wagon 140" 51 = Wagon 118" 12 = Van 140" 11 = Van 118" 06 = Front Section 158" 14 = Van 118" 15 = Van 140" 16 = Van 158" 56 = Wagon 158" 01 = Chassis Forward Control 118" 02 = Chassis Forward Control 140"	EX8 = Engine-2.7L I5 Mercedes Turbo Diesel	DGJ = Transmission-5-Spd. Automatic, W5A580

AR = use ase required - = Non illustrated part

Switch Brake
Figure 8-820



ITEM	PART NUMBER	QTY	LINE	SERIES	BODY	ENGINE	TRANS	TRIM	DESCRIPTION
1	05126147AB	1	2, 6	L	11, 12, 14, 15, 16				SCREW
		1	2, 6	L	51, 52, 54, 55, 56				
		1	3, 7	L	12, 15, 16				
2	05103540AA	1	2, 6	L	11, 12, 14, 15, 16				SWITCH, Parking Brake
		1	2, 6	L	51, 52, 54, 55, 56				
		1	3, 7	L	12, 15, 16				
3	05103754AA	2	2, 6	L	11, 12, 14, 15, 16				INSULATOR, 2 Way Female
		2	2, 6	L	51, 52, 54, 55, 56				
		2	3, 7	L	12, 15, 16				
4	05114451AA	99	2, 6	L	11, 12, 14, 15, 16				TERMINAL, Female
		99	2, 6	L	51, 52, 54, 55, 56				
		99	3, 7	L	12, 15, 16				
5	05133979AB	99	2, 6	L	11, 12, 14, 15, 16				TERMINAL
		99	2, 6	L	51, 52, 54, 55, 56				
		99	3, 7	L	12, 15, 16				
6	05120772AA	1	2, 6	L	11, 12, 14, 15, 16				CONNECTOR
		1	2, 6	L	51, 52, 54, 55, 56				

SPRINTER (VA)

SERIES

L = LOWLINE

LINE

3 = HD DODGE 2WD
6 = Lt. Duty DODGE 4WD
2 = Med. Duty DODGE 2WD
7 = Med. Duty DODGE 4WD

BODY

55 = Wagon 140"
54 = Wagon 118"
52 = Wagon 140"
51 = Wagon 118"
12 = Van 140"
11 = Van 118"
06 = Front Section 158"
14 = Van 118"
15 = Van 140"
16 = Van 158"
56 = Wagon 158"
01 = Chassis Forward Control 118"
02 = Chassis Forward Control 140"

ENGINE

EX8 = Engine-2.7L I5
Mercedes Turbo Diesel

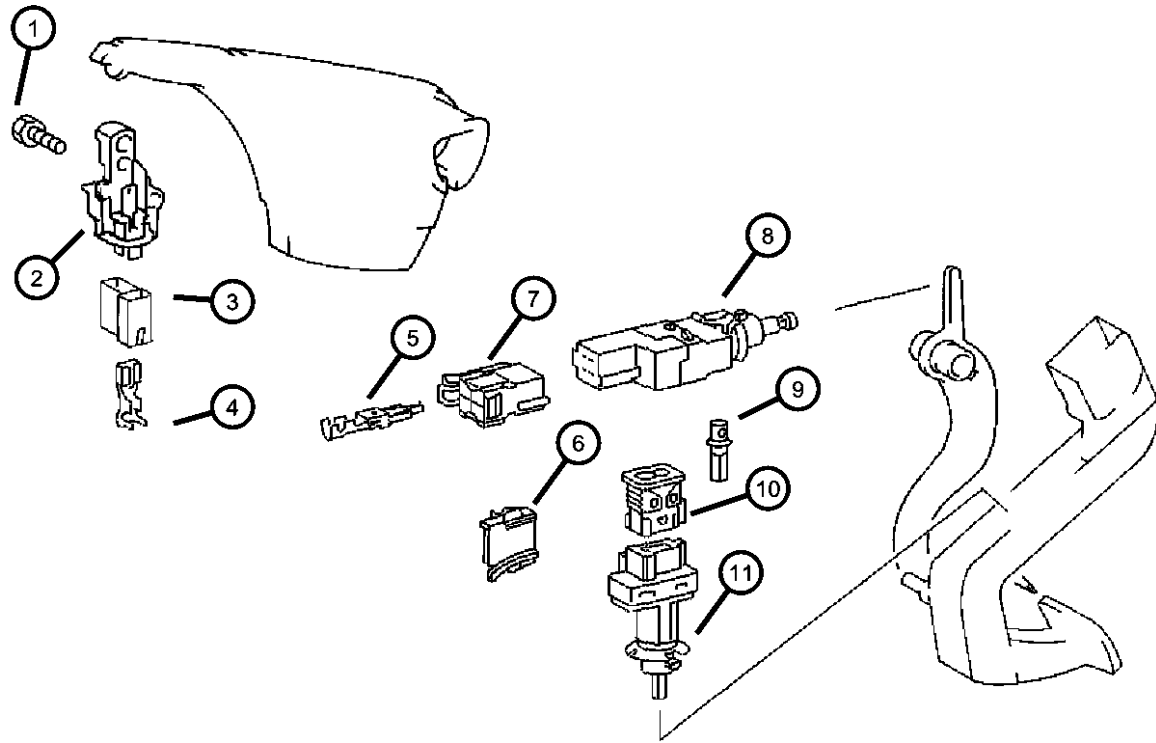
TRANSMISSION

DGJ = Transmission-5-Spd. Automatic, W5A580

AR = use ase required - = Non illustrated part

2004 VA

Switch Brake
Figure 8-820



ITEM	PART NUMBER	QTY	LINE	SERIES	BODY	ENGINE	TRANS	TRIM	DESCRIPTION
7		1	3, 7	L	12, 15, 16				INSULATOR, 4 Way
	05120776AA	1	2, 6	L	11, 12, 14, 15, 16				
		1	2, 6	L	51, 52, 54, 55, 56				
		1	3, 7	L	12, 15, 16				
8									SWITCH, Stop Lamp
	05101496AA	1	2, 3, 6, 7	L			DGJ		
	05103748AA	1	2, 6	L			DGJ		[BNB]
9									TERMINAL
	05133478AA	99	2, 6	L	11, 12, 14, 15, 16				
		99	2, 6	L	51, 52, 54, 55, 56				
		99	3, 7	L	12, 15, 16				
10									INSULATOR, 2 Way Female
	05120725AA	1	2, 6	L	11, 12, 14, 15, 16				
		1	2, 6	L	51, 52, 54, 55, 56				
		1	3, 7	L	12, 15, 16				
11									SWITCH, Clutch
	05098407AA	1	2, 6	L	11, 12, 14, 15, 16		DGJ		
		1	2, 6	L	51, 52, 54, 55, 56		DGJ		
		1	3, 7	L	12, 15, 16		DGJ		

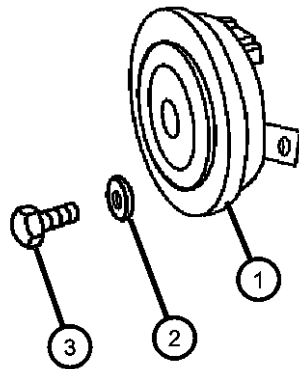
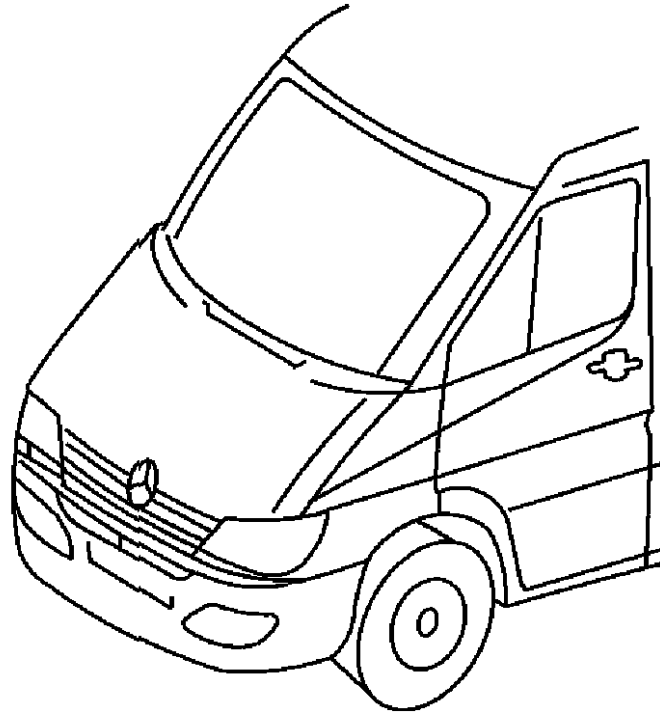
SPRINTER (VA)

SERIES	LINE	BODY	ENGINE	TRANSMISSION
L = LOWLINE	3 = HD DODGE 2WD 6 = Lt. Duty DODGE 4WD 2 = Med. Duty DODGE 2WD 7 = Med. Duty DODGE 4WD	55 = Wagon 140" 54 = Wagon 118" 52 = Wagon 140" 51 = Wagon 118" 12 = Van 140" 11 = Van 118" 06 = Front Section 158" 14 = Van 118" 15 = Van 140" 16 = Van 158" 56 = Wagon 158"	EX8 = Engine-2.7L I5 Mercedes Turbo Diesel	DGJ = Transmission-5-Spd. Automatic, W5A580
		01 = Chassis Forward Control 118" 02 = Chassis Forward Control 140"		

AR = use ase required - = Non illustrated part

Horns & Alarm
Figure 8-905

ITEM	PART NUMBER	QTY	LINE	SERIES	BODY	ENGINE	TRANS	TRIM	DESCRIPTION
1	05120370AA	1	2, 6	L	11, 12, 14, 15, 16				HORN
		1	2, 6	L	51, 52, 54, 55, 56				
		1	3, 7	L	12, 15, 16				
2	05104669AA	1	2, 6	L	11, 12, 14, 15, 16				LOCK WASHER
		1	2, 6	L	51, 52, 54, 55, 56				
		1	3, 7	L	12, 15, 16				
3	06104022AA	1	2, 6	L	11, 12, 14, 15, 16				SCREW
		1	2, 6	L	51, 52, 54, 55, 56				
		1	3, 7	L	12, 15, 16				
-4	05135946AA	1	2, 6	L	51, 52, 54, 55, 56				ALARM
		1	2, 6	L	11, 12, 14, 15, 16				Back up warning
		1	2, 6	L	01, 02, 06				Back up warning
		1	3, 7	L	12, 15, 16				Back up warning
		1	3, 7	L	02, 06				Back up warning



SPRINTER (VA)

SERIES

L = LOWLINE

LINE

3 = HD DODGE 2WD
6 = Lt. Duty DODGE 4WD
2 = Med. Duty DODGE 2WD
7 = Med. Duty DODGE 4WD

BODY

55 = Wagon 140"
54 = Wagon 118"
52 = Wagon 140"
51 = Wagon 118"
12 = Van 140"
11 = Van 118"
06 = Front Section 158"
14 = Van 118"
15 = Van 140"
16 = Van 158"
56 = Wagon 158"
01 = Chassis Forward Control
118"
02 = Chassis Forward Control
140"

ENGINE

EX8 = Engine-2.7L I5
Mercedes Turbo Diesel

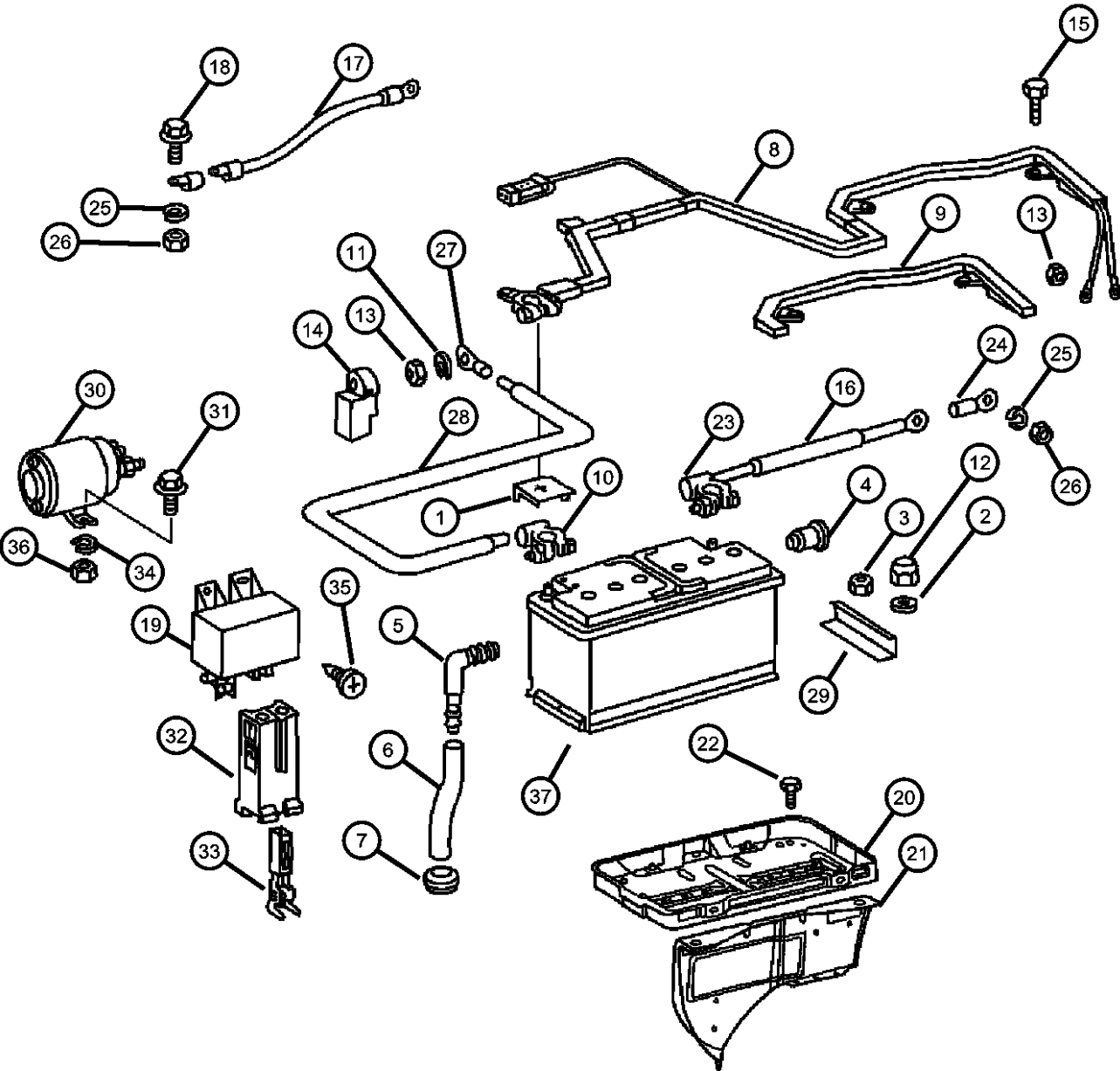
TRANSMISSION

DGJ = Transmission-5-Spd.
Automatic,W5A580

AR = use ase required - = Non illustrated part

2004 VA

Battery Tray & Cables
Figure 8-1005



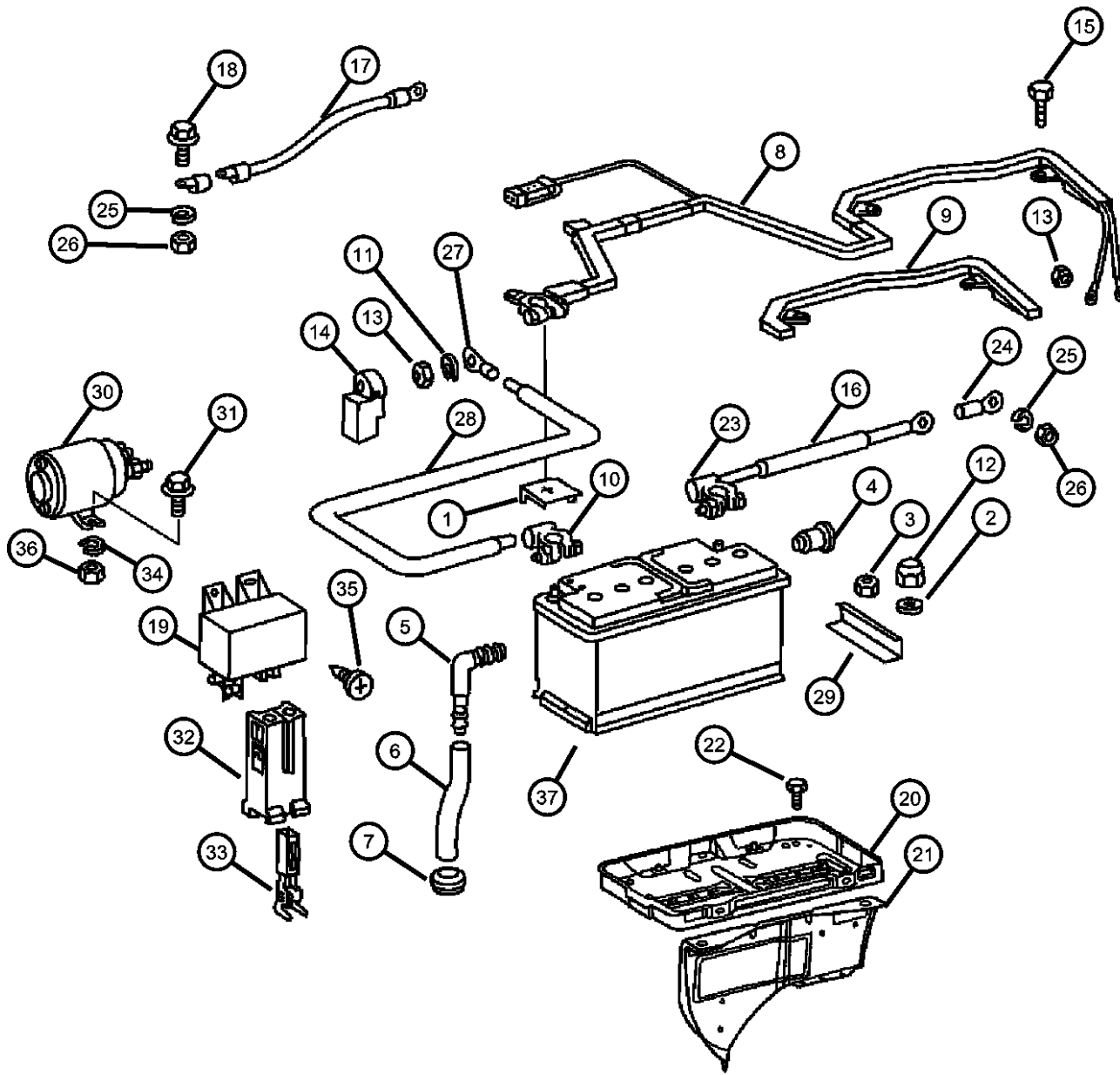
ITEM	PART NUMBER	QTY	LINE	SERIES	BODY	ENGINE	TRANS	TRIM	DESCRIPTION
1	05098850AA	1	2, 6	L	15, 16, 11, 12, 14				COVER, Battery Terminal
		1	2, 6	L	51, 52, 54, 55, 56				
		1	3, 7	L	12, 15, 16				
2	05104612AA	2	2, 6	L	52, 54, 55, 56, 51				WASHER, Flat
		2	3, 7	L	12, 15, 16				
3		2							NUT, Hex, M6, (NOT SERVICED)
4	05099303AA	1	2, 6	L	11, 12, 14, 15, 16				PLUG
		1	2, 6	L	51, 52, 54, 55, 56				
		1	3, 7	L	12, 15, 16				
5	05125802AA	1	2, 6	L	11, 12, 14, 15, 16				ELBOW, Male Adapter
		1	2, 6	L	51, 52, 54, 55, 56				
		1	3, 7	L	12, 15, 16				
6	05125962AA	75	2, 6	L	11, 12, 14, 15, 16				HOSE, Battery Vent 10 Meters Long
		75	2, 6	L	51, 52, 54, 55, 56				10 Meters Long
		75	3, 7	L	12, 15, 16				10 Meters Long
7	05125940AA	1	2, 6	L	11, 12, 14, 15, 16				GROMMET, Floor
		1	2, 6	L	51, 52, 54, 55, 56				
		1	3, 7	L	12, 15, 16				

SPRINTER (VA)

SERIES	LINE	BODY	ENGINE	TRANSMISSION
L = LOWLINE	3 = HD DODGE 2WD 6 = Lt. Duty DODGE 4WD 2 = Med. Duty DODGE 2WD 7 = Med. Duty DODGE 4WD	55 = Wagon 140" 54 = Wagon 118" 52 = Wagon 140" 51 = Wagon 118" 12 = Van 140" 11 = Van 118" 06 = Front Section 158" 14 = Van 118" 15 = Van 140" 16 = Van 158" 56 = Wagon 158"	EX8 = Engine-2.7L I5 Mercedes Turbo Diesel	DGJ = Transmission-5-Spd. Automatic,W5A580
		01 = Chassis Forward Control 118" 02 = Chassis Forward Control 140"		

AR = use ase required - = Non illustrated part

Battery Tray & Cables
Figure 8-1005



ITEM	PART NUMBER	QTY	LINE	SERIES	BODY	ENGINE	TRANS	TRIM	DESCRIPTION
8									CABLE, Battery Positive
	05120157AA	1	2, 6	L	01, 02, 06	EX9			[4Z1,4XS]
		1	2, 6	L	12, 14, 15, 16, 11	EX9			[4Z1,4XS]
		1	2, 6	L	51, 52, 54, 55, 56	EX9			[4Z1,4XS]
	05120180AA	1	3, 7	L	12, 15, 16	EX9			[4Z1,4XS]
		1	2, 6	L	01, 02, 06	EX8, EX9			
		1	2, 6	L	11, 12, 14, 15, 16	EX8, EX9			
		1	2, 6	L	56, 51, 52, 54, 55	EX8, EX9			
		1	3, 7	L	02, 06	EX8, EX9			
		1	3, 7	L	12, 15, 16	EX8, EX9			
9									COVER, Wiring Protector
	05120950AA	1	2, 6	L	01, 02, 06	EX9			
		1	2, 6	L	11, 12, 14, 15, 16	EX9			
		1	2, 6	L	51, 52, 54, 55, 56	EX9			
		1	3, 7	L	12, 15, 16	EX9			
10									TERMINAL, Battery
	05120949AA	1	2, 6	L	11, 12, 14, 15, 16				
		1	2, 6	L	51, 52, 54, 55, 56				
		1	3, 7	L	12, 15, 16				
11									LOCK WASHER
	05104669AA	1	6, 2	L	11, 12, 14, 15, 16				
		1	2, 6	L	51, 52, 54, 55, 56				
		1	3, 7	L	12, 15, 16				

SPRINTER (VA)

SERIES

L = LOWLINE

LINE

3 = HD DODGE 2WD
6 = Lt. Duty DODGE 4WD
2 = Med. Duty DODGE 2WD
7 = Med. Duty DODGE 4WD

BODY

55 = Wagon 140"
54 = Wagon 118"
52 = Wagon 140"
51 = Wagon 118"
12 = Van 140"
11 = Van 118"
06 = Front Section 158"
14 = Van 118"
15 = Van 140"
16 = Van 158"
56 = Wagon 158"
01 = Chassis Forward Control 118"
02 = Chassis Forward Control 140"

ENGINE

EX8 = Engine-2.7L I5
Mercedes Turbo Diesel

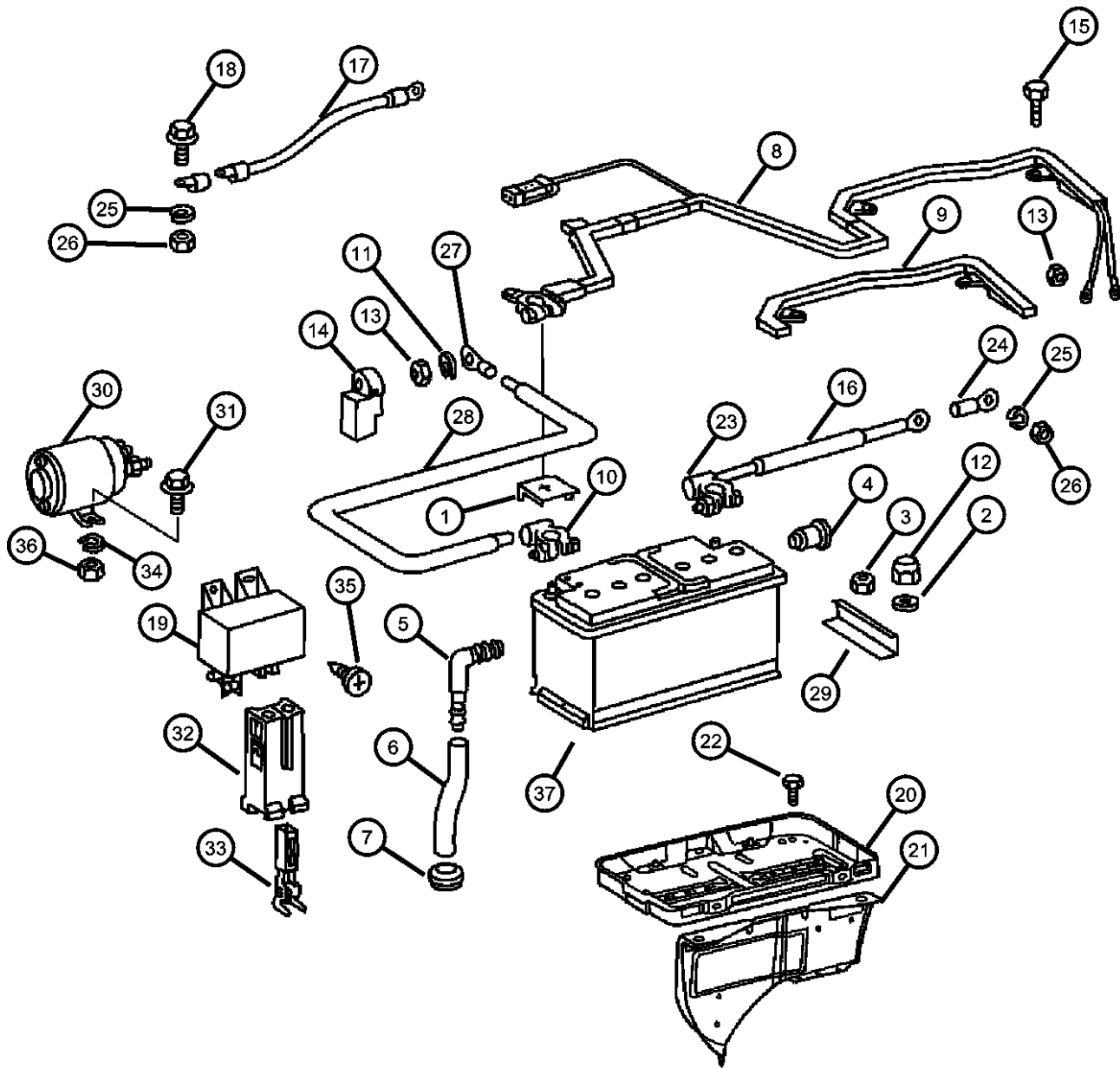
TRANSMISSION

DGJ = Transmission-5-Spd. Automatic, W5A580

AR = use ase required - = Non illustrated part

2004 VA

Battery Tray & Cables
Figure 8-1005



ITEM	PART NUMBER	QTY	LINE	SERIES	BODY	ENGINE	TRANS	TRIM	DESCRIPTION
12	05133943AA	2	2, 6	L	01, 02, 06				NUT
		2	2, 6	L	11, 12, 14, 15, 16				
		2	2, 6	L	51, 52, 54, 55, 56				
		99	3, 7	L	12, 15, 16				
13	06104709AA	1	2, 6	L	11, 12, 14, 15, 16				NUT, M8
		1	2, 6	L	51, 52, 54, 55, 56				
		1	3, 7	L	12, 15, 16				
14	05120925AA	1	2, 6	L	11, 12, 14, 15, 16				COVER, Battery Terminal
		1	2, 6	L	51, 52, 54, 55, 56				
		1	3, 7	L	12, 15, 16				
15	05073824AA	2	2, 6	L	11, 12, 14, 15, 16				SCREW
		2	2, 6	L	51, 52, 54, 55, 56				
		2	3, 7	L	12, 15, 16				
16	05120219AA	1	2, 6	L	11, 12, 14, 15, 16				CABLE, Battery Negative 10 Meters Long
		1	2, 6	L	51, 52, 54, 55, 56				10 Meters Long
		1	3, 7	L	12, 15, 16				10 Meters Long
	05133954AA	100	2, 6	L	11, 12, 14, 15, 16				10 Meters Long
		100	2, 6	L	51, 52, 54, 55, 56				10 Meters Long

SPRINTER (VA)

SERIES

L = LOWLINE

LINE

3 = HD DODGE 2WD
6 = Lt. Duty DODGE 4WD
2 = Med. Duty DODGE 2WD
7 = Med. Duty DODGE 4WD

BODY

55 = Wagon 140"
54 = Wagon 118"
52 = Wagon 140"
51 = Wagon 118"
12 = Van 140"
11 = Van 118"
06 = Front Section 158"
14 = Van 118"
15 = Van 140"
16 = Van 158"
56 = Wagon 158"
01 = Chassis Forward Control
118"
02 = Chassis Forward Control
140"

ENGINE

EX8 = Engine-2.7L I5
Mercedes Turbo Diesel

TRANSMISSION

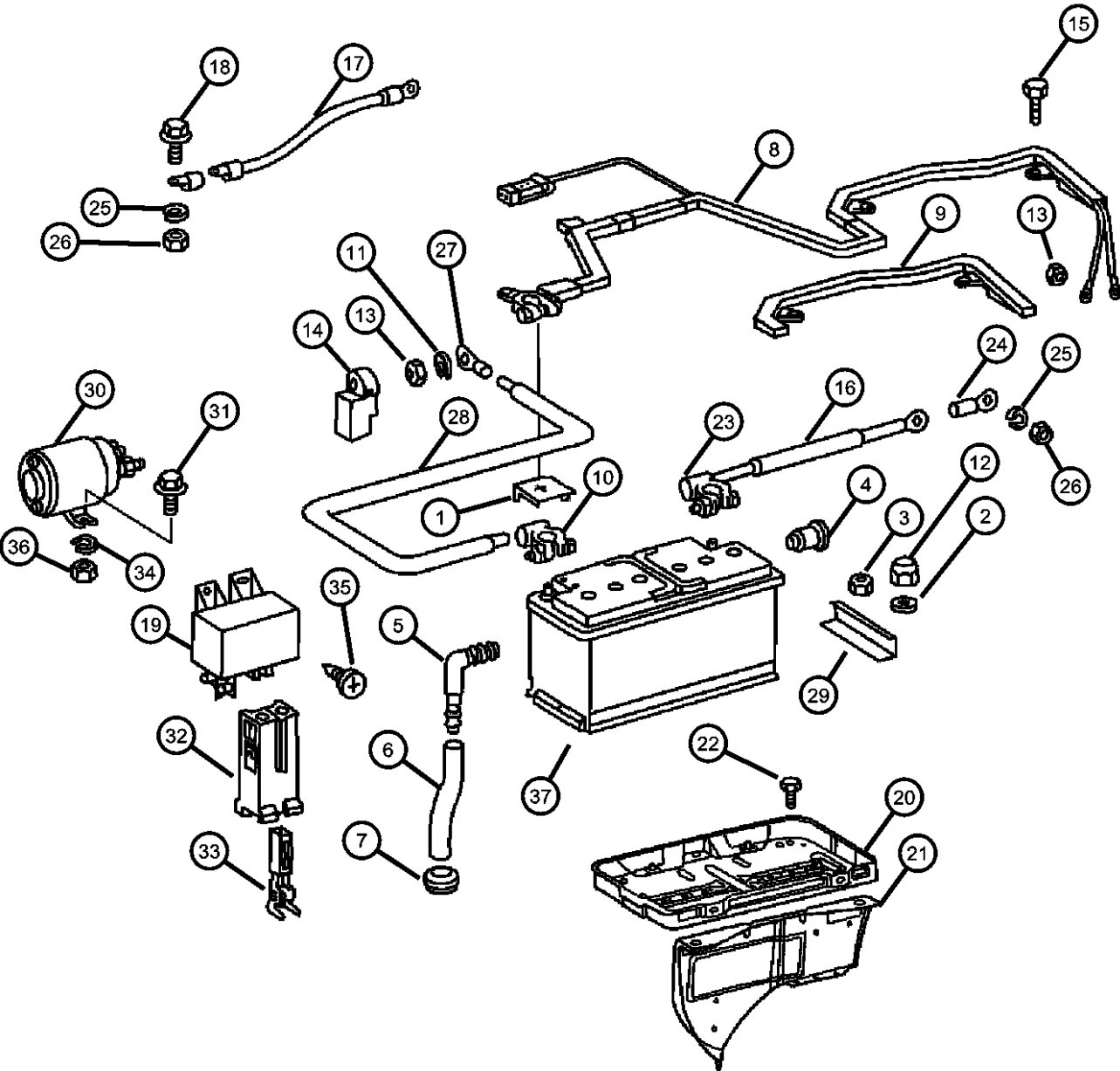
DGJ = Transmission-5-Spd.
Automatic,W5A580

AR = use ase required - = Non illustrated part

2004 VA

Battery Tray & Cables

Figure 8-1005



ITEM	PART NUMBER	QTY	LINE	SERIES	BODY	ENGINE	TRANS	TRIM	DESCRIPTION
17		100	3, 7	L	12, 15, 16				10 Meters Long STRAP, Ground
	05120226AA	1	2, 6	L	11, 12, 14, 15, 16				
		1	2, 6	L	51, 52, 54, 55, 56				
		1	3, 7	L	12, 15, 16				
18									BOLT
	05126259AB	1	2, 6	L	11, 12, 14, 15, 16				Ground Cable to Fire Wall
		1	2, 6	L	51, 52, 54, 55, 56				Ground Cable to Fire Wall
		1	3, 7	L	12, 15, 16				Ground Cable to Fire Wall
	05126260AA	1	2, 6	L	11, 12, 14, 15, 16				Ground Cable to Body
		1	2, 6	L	51, 52, 54, 55, 56				Ground Cable to Body
		1	3, 7	L	12, 15, 16				Ground Cable to Body
19									RELAY
	05120361AA	1	2, 6	L	11, 12, 14, 15, 16				
		1	2, 6	L	51, 52, 54, 55, 56				
		1	3, 7	L	12, 15, 16				
20									TRAY, Battery
	05104592AA	1	2, 6	L	11, 12, 14, 15, 16				
	0VU01205								Repair Battery Terminal End Top Post (Ten Per Box)
	0VU01207								Repair Battery Terminal End Side Post (Ten Per Box)
	BA049850EX	1	2, 6	L	51, 52, 54, 55, 56				Mopar Power Pro 6

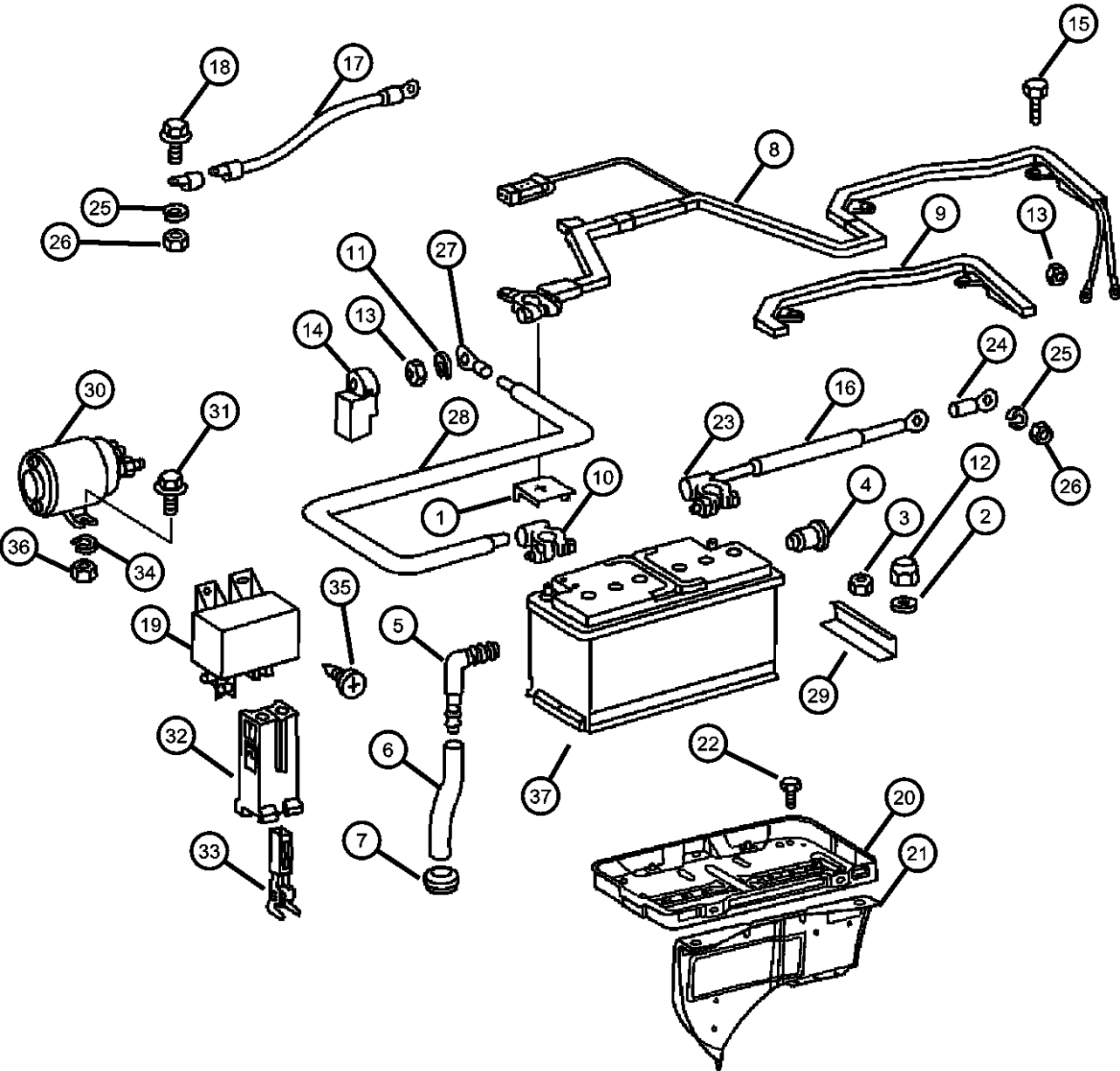
SPRINTER (VA)

SERIES	LINE	BODY	ENGINE	TRANSMISSION
L = LOWLINE	3 = HD DODGE 2WD 6 = Lt. Duty DODGE 4WD 2 = Med. Duty DODGE 2WD 7 = Med. Duty DODGE 4WD	55 = Wagon 140" 54 = Wagon 118" 52 = Wagon 140" 51 = Wagon 118" 12 = Van 140" 11 = Van 118" 06 = Front Section 158" 14 = Van 118" 15 = Van 140" 16 = Van 158" 56 = Wagon 158"	EX8 = Engine-2.7L I5 Mercedes Turbo Diesel	DGJ = Transmission-5-Spd. Automatic,W5A580
		01 = Chassis Forward Control 118" 02 = Chassis Forward Control 140"		

AR = use ase required - = Non illustrated part

Battery Tray & Cables

Figure 8-1005



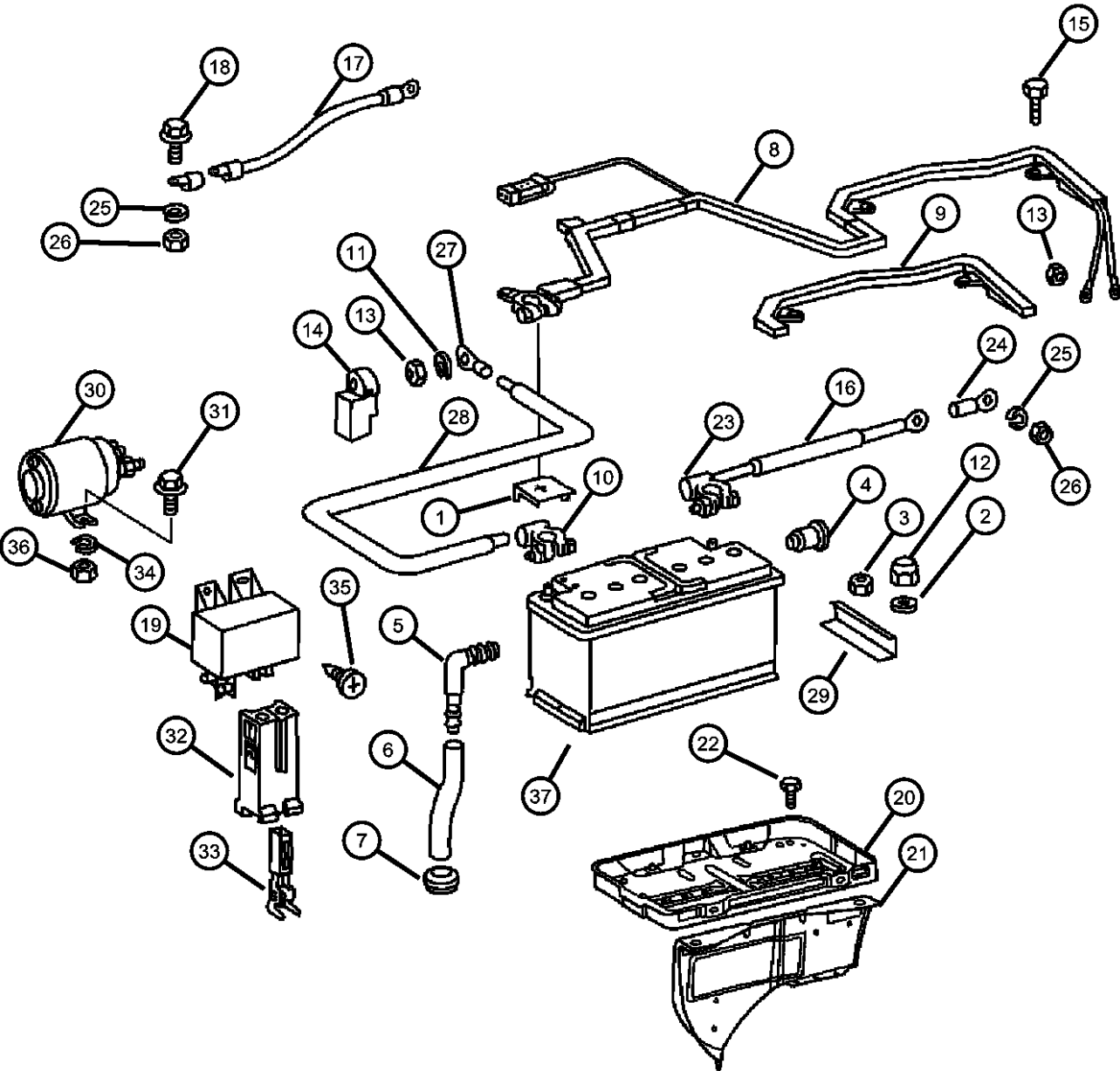
ITEM	PART NUMBER	QTY	LINE	SERIES	BODY	ENGINE	TRANS	TRIM	DESCRIPTION
	0VU01205								Repair Battery Terminal End Top Post (Ten Per Box)
	0VU01207								Repair Battery Terminal End Side Post (Ten Per Box)
	BA049850EX								Mopar Power Pro 6
		1	3, 7	L	12, 15, 16				
	0VU01205								Repair Battery Terminal End Top Post (Ten Per Box)
	0VU01207								Repair Battery Terminal End Side Post (Ten Per Box)
	BA049850EX								Mopar Power Pro 6
21									BRACKET, Battery Tray
	05104157AA	1	2, 6	L	11, 12, 14, 15, 16				
		1	2, 6	L	51, 52, 54, 55, 56				
		1	3, 7	L	12, 15, 16				
22									BOLT, Hex Head
	05126227AA	2	2, 6	L	11, 12, 14, 15, 16				
		2	2, 6	L	56, 51, 52, 54, 55				
		2	3, 7	L	12, 15, 16				
23									TERMINAL, Battery
	05133952AA	1	2, 6	L	01, 02, 06				
		1	2, 6	L	11, 12, 14, 15, 16				
		1	2, 6	L	51, 52, 54, 55, 56				
		1	3, 7	L	12, 16, 15				
24									TERMINAL, Eyelet
	05133953AA	1	2, 6	L	11, 12, 14, 15, 16				
		1	2, 6	L	51, 52, 54, 55, 56				

SPRINTER (VA)

SERIES	LINE	BODY	ENGINE	TRANSMISSION
L = LOWLINE	3 = HD DODGE 2WD 6 = Lt. Duty DODGE 4WD 2 = Med. Duty DODGE 2WD 7 = Med. Duty DODGE 4WD	55 = Wagon 140" 54 = Wagon 118" 52 = Wagon 140" 51 = Wagon 118" 12 = Van 140" 11 = Van 118" 06 = Front Section 158" 14 = Van 118" 15 = Van 140" 16 = Van 158" 56 = Wagon 158"	EX8 = Engine-2.7L I5 Mercedes Turbo Diesel	DGJ = Transmission-5-Spd. Automatic, W5A580
		01 = Chassis Forward Control 118" 02 = Chassis Forward Control 140"		

AR = use ase required - = Non illustrated part

Battery Tray & Cables
Figure 8-1005



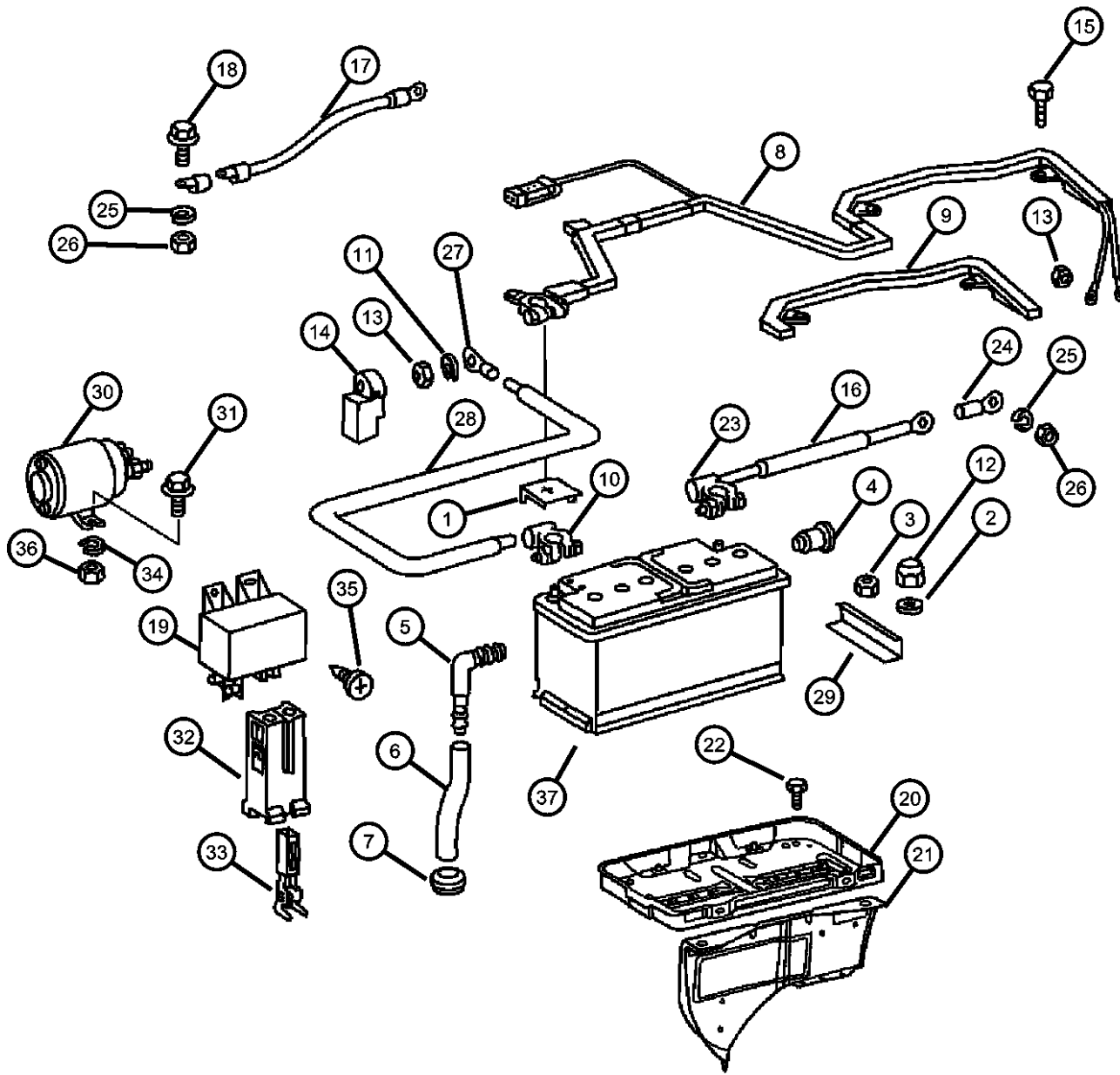
ITEM	PART NUMBER	QTY	LINE	SERIES	BODY	ENGINE	TRANS	TRIM	DESCRIPTION
25		1	3, 7	L	12, 15, 16				LOCK WASHER
	05104669AA	1	2, 6	L	11, 12, 14, 15, 16				
		1	2, 6	L	51, 52, 54, 55, 56				
26		1	3, 7	L	12, 15, 16				NUT
	05126206AA	99	2, 6	L	01, 02, 06				
		99	2, 6	L	14, 15, 16, 11, 12				
		99	2, 6	L	51, 52, 54, 55, 56				
		99	3, 7	L	12, 15, 16				
27									TERMINAL
	05133950AA	1	2, 6	L	11, 12, 14, 15, 16				
		1	3, 7	L	12, 15, 16				
28									CABLE, Battery Positive
	05133949AA	900	2, 6	L	11, 12, 14, 15, 16				10 Meters Long
		900	2, 6	L	51, 52, 54, 55, 56				10 Meters Long
		900	3, 7	L	12, 15, 16				10 Meters Long
29									RAIL
	05121607AA	2	2, 6	L	11, 12, 14, 15, 16				
		2	2, 6	L	51, 52, 54, 55, 56				
		2	3, 7	L	12, 15, 16				
30									RELAY
	05133946AA	1	2, 6	L	11, 12, 14, 15, 16				

SPRINTER (VA)

SERIES	LINE	BODY	ENGINE	TRANSMISSION
L = LOWLINE	3 = HD DODGE 2WD 6 = Lt. Duty DODGE 4WD 2 = Med. Duty DODGE 2WD 7 = Med. Duty DODGE 4WD	55 = Wagon 140" 54 = Wagon 118" 52 = Wagon 140" 51 = Wagon 118" 12 = Van 140" 11 = Van 118" 06 = Front Section 158" 14 = Van 118" 15 = Van 140" 16 = Van 158" 56 = Wagon 158"	EX8 = Engine-2.7L I5 Mercedes Turbo Diesel	DGJ = Transmission-5-Spd. Automatic, W5A580
		01 = Chassis Forward Control 118" 02 = Chassis Forward Control 140"		

AR = use ase required - = Non illustrated part

Battery Tray & Cables
Figure 8-1005



ITEM	PART NUMBER	QTY	LINE	SERIES	BODY	ENGINE	TRANS	TRIM	DESCRIPTION
		1	2, 6	L	51, 52, 54, 55, 56				
31		1	3, 7	L	12, 15, 16				BOLT
	05133947AA	2	2, 6	L	11, 12, 14, 15, 16				
		2	2, 6	L	51, 52, 54, 55, 56				
		2	3, 7	L	12, 15, 16				
32		1	2, 6	L	11, 12, 14, 15, 16				CONNECTOR
	05133944AA	1	2, 6	L	11, 12, 14, 15, 16				
		1	2, 6	L	56, 51, 52, 54, 55				
		1	3, 7	L	12, 15, 16				
33		1	2, 6	L	11, 12, 14, 15, 16				TERMINAL
	05133945AA	1	2, 6	L	11, 12, 14, 15, 16				
		1	2, 6	L	51, 52, 54, 55, 56				
		2	3, 7	L	12, 15, 16				
34		2	2, 6	L	11, 12, 14, 15, 16				WASHER, Lock
	05104668AA	2	2, 6	L	11, 12, 14, 15, 16				
		2	2, 6	L	51, 52, 54, 55, 56				
		2	3, 7	L	12, 15, 16				
35		2	2, 6	L	01, 02, 06				SCREW
	05104609AA	2	2, 6	L	01, 02, 06				
		2	2, 6	L	11, 12, 14, 15, 16				
		2	2, 6	L	51, 52, 54, 55, 56				
		2	3, 7	L	12, 15, 16				

SPRINTER (VA)

SERIES

L = LOWLINE

LINE

3 = HD DODGE 2WD
6 = Lt. Duty DODGE 4WD
2 = Med. Duty DODGE 2WD
7 = Med. Duty DODGE 4WD

BODY

55 = Wagon 140"
54 = Wagon 118"
52 = Wagon 140"
51 = Wagon 118"
12 = Van 140"
11 = Van 118"
06 = Front Section 158"
14 = Van 118"
15 = Van 140"
16 = Van 158"
56 = Wagon 158"
01 = Chassis Forward Control 118"
02 = Chassis Forward Control 140"

ENGINE

EX8 = Engine-2.7L I5
Mercedes Turbo Diesel

TRANSMISSION

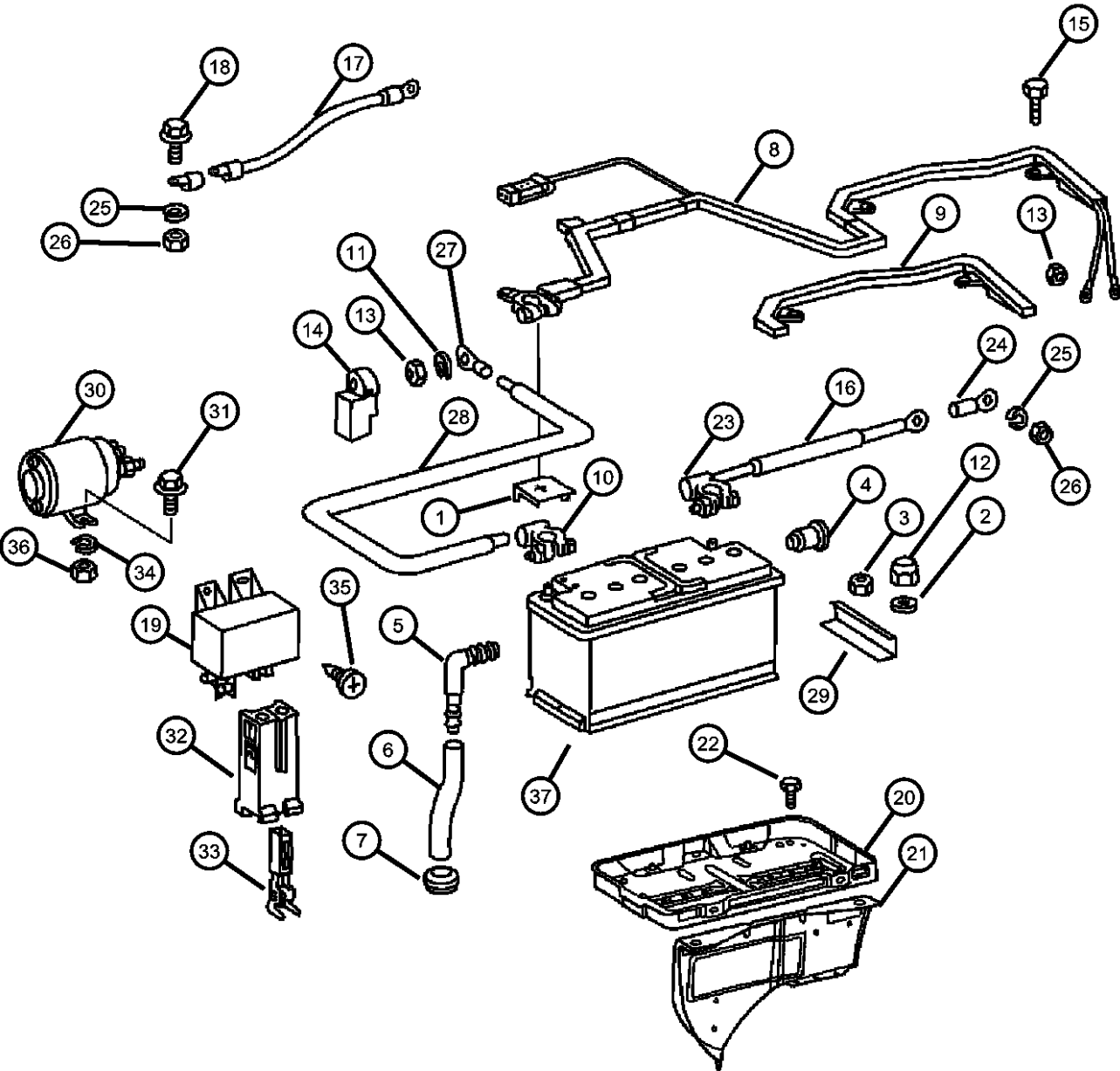
DGJ = Transmission-5-Spd. Automatic, W5A580

AR = use ase required - = Non illustrated part

2004 VA

Battery Tray & Cables

Figure 8-1005



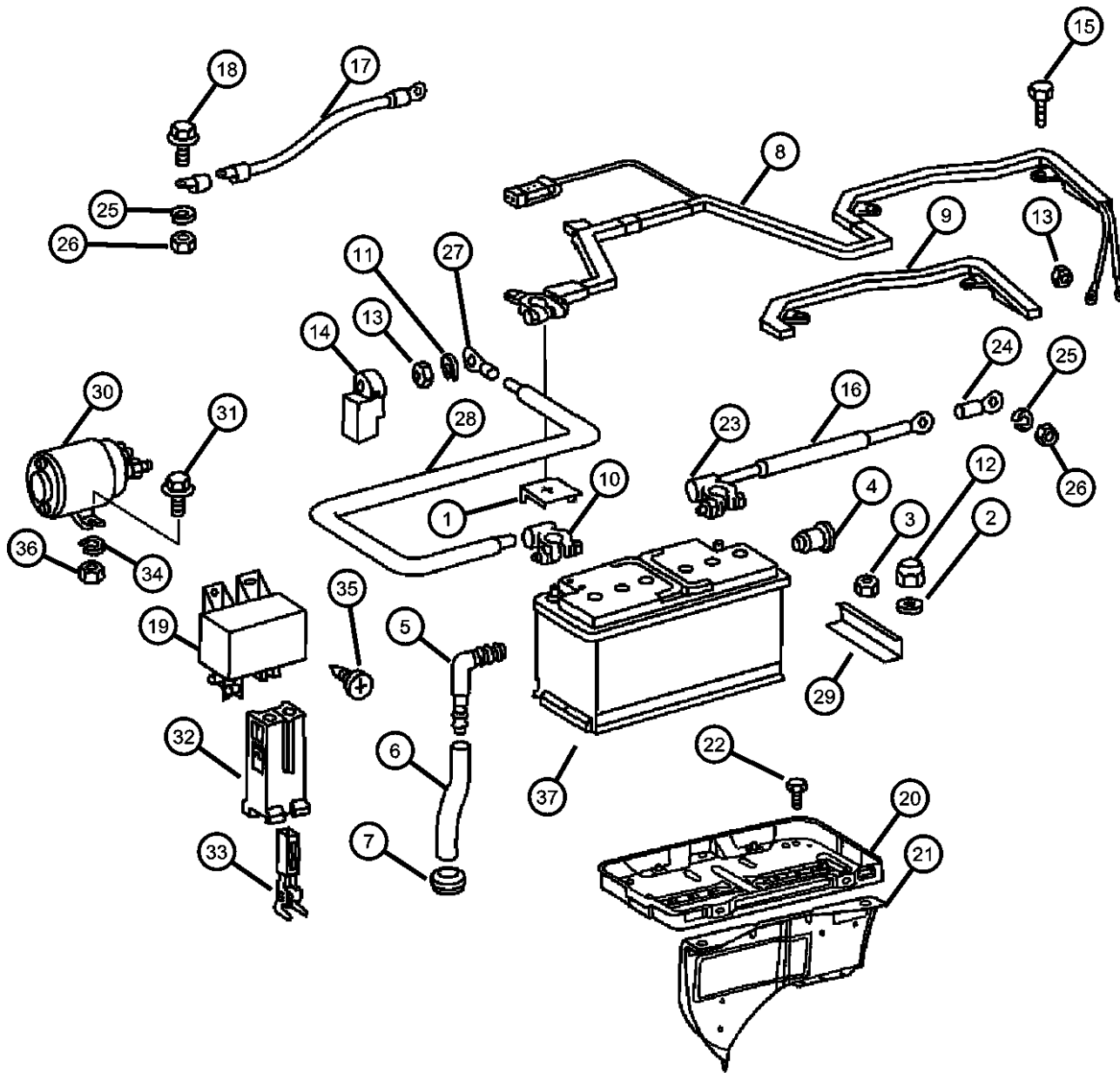
ITEM	PART NUMBER	QTY	LINE	SERIES	BODY	ENGINE	TRANS	TRIM	DESCRIPTION
36	05133948AA	2	2, 6	L	11, 12, 14, 15, 16				NUT, Hex
		2	2, 6	L	51, 52, 54, 55, 56				
		2	3, 7	L	12, 15, 16				
37	05133941AA	1	2, 6	L	01, 02, 06				BATTERY
	BB049850AA								[BC1] Under seat
		1	2, 6	L	11, 12, 14, 15, 16				Mopar Replacement Battery (72 Series)
	BB049850AA								[BC1] Under seat
		1	2, 6	L	51, 52, 54, 55, 56				Mopar Replacement Battery (72 Series)
	BB049850AA								[BC1] Under seat
		1	3, 7	L	02, 06				Mopar Replacement Battery (72 Series)
	BB049850AA								[BC1] Under seat
		1	3, 7	L	12, 15, 16				Mopar Replacement Battery (72 Series)
	BA049850EX								[BC1] Under seat
		1	2, 6	L	01, 02, 06	EX8			With [BDC]
		1	2, 6	L	11, 12, 14, 15, 16	EX8			With [BDC]
		1	2, 6	L	51, 52, 54, 55, 56	EX8			With [BDC]
		1	3, 7	L	02, 06	EX8			With [BDC]
		1	3, 7	L	12, 15, 16	EX8			With [BDC]
-38	05127740AA	1	3, 7	L	02, 06	EX9			WIRING, Battery
									HAS 2 CONNECTIONS TO GLOWPLUG BOX

SPRINTER (VA)

SERIES	LINE	BODY	ENGINE	TRANSMISSION
L = LOWLINE	3 = HD DODGE 2WD 6 = Lt. Duty DODGE 4WD 2 = Med. Duty DODGE 2WD 7 = Med. Duty DODGE 4WD	55 = Wagon 140" 54 = Wagon 118" 52 = Wagon 140" 51 = Wagon 118" 12 = Van 140" 11 = Van 118" 06 = Front Section 158" 14 = Van 118" 15 = Van 140" 16 = Van 158" 56 = Wagon 158"	EX8 = Engine-2.7L I5 Mercedes Turbo Diesel	DGJ = Transmission-5-Spd. Automatic, W5A580
		01 = Chassis Forward Control 118" 02 = Chassis Forward Control 140"		

AR = use ase required - = Non illustrated part

Battery Tray & Cables
Figure 8-1005



ITEM	PART NUMBER	QTY	LINE	SERIES	BODY	ENGINE	TRANS	TRIM	DESCRIPTION
		1	3, 7	L	12, 15, 16	EX9			HAS 2 CONNECTIONS TO GLOWPLUG BOX
		1	2, 6	L	01, 02, 06	EX9			HAS 2 CONNECTIONS TO GLOWPLUG BOX
		1	2, 6	L	11, 12, 14, 15, 16	EX9			HAS 2 CONNECTIONS TO GLOWPLUG BOX
		1	2, 6	L	51, 52, 54, 55, 56	EX9			HAS 2 CONNECTIONS TO GLOWPLUG BOX

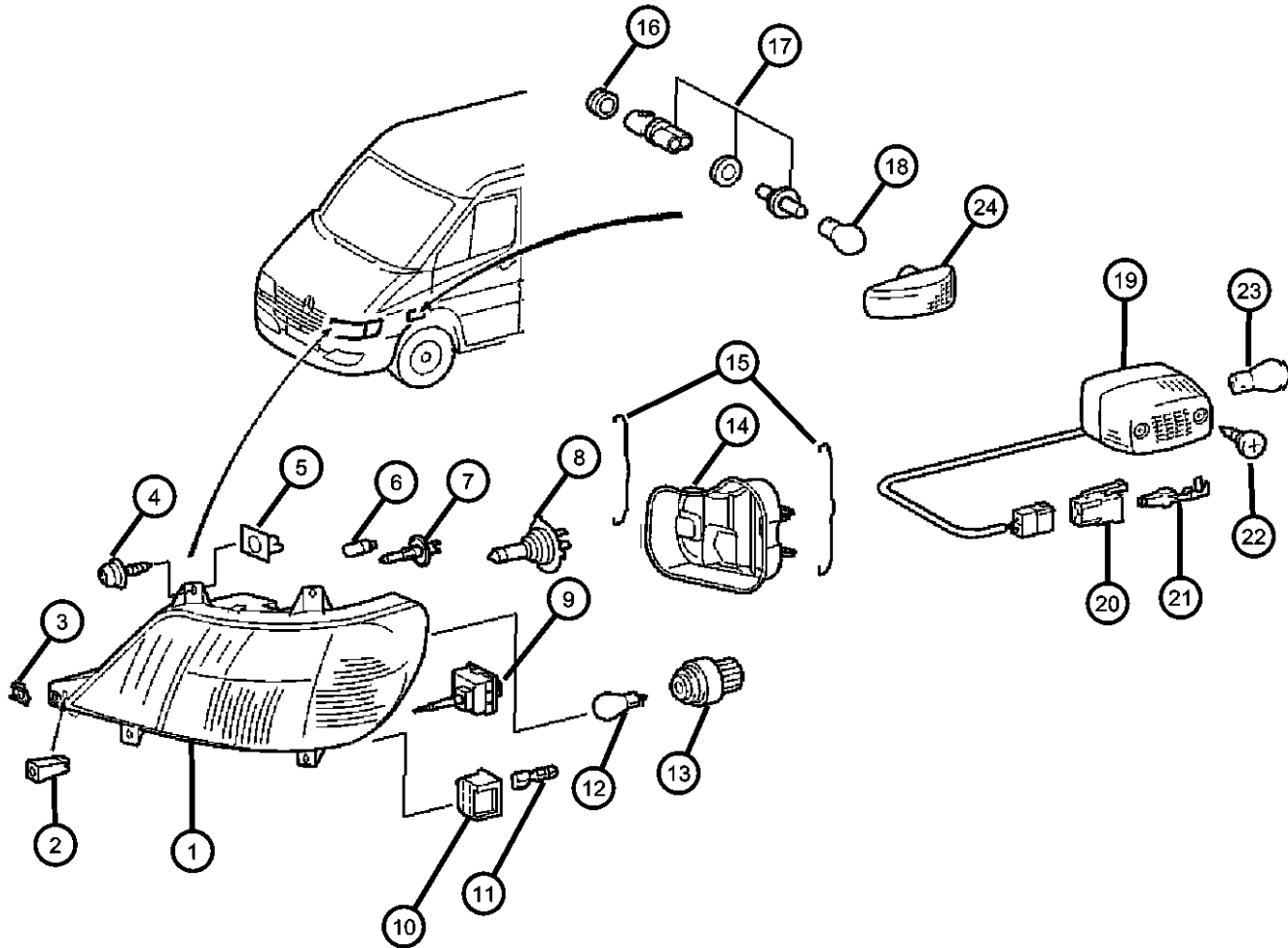
SPRINTER (VA)

SERIES	LINE	BODY	ENGINE	TRANSMISSION
L = LOWLINE	3 = HD DODGE 2WD 6 = Lt. Duty DODGE 4WD 2 = Med. Duty DODGE 2WD 7 = Med. Duty DODGE 4WD	55 = Wagon 140" 54 = Wagon 118" 52 = Wagon 140" 51 = Wagon 118" 12 = Van 140" 11 = Van 118" 06 = Front Section 158" 14 = Van 118" 15 = Van 140" 16 = Van 158" 56 = Wagon 158"	EX8 = Engine-2.7L I5 Mercedes Turbo Diesel	DGJ = Transmission-5-Spd. Automatic, W5A580
		01 = Chassis Forward Control 118" 02 = Chassis Forward Control 140"		

AR = use ase required - = Non illustrated part

Lamps - Front End
Figure 8-1105

ITEM	PART NUMBER	QTY	LINE	SERIES	BODY	ENGINE	TRANS	TRIM	DESCRIPTION
1									LAMP, Headlamp Park And Turn
	05124503AA	1	2, 6	L	11, 12, 14, 15, 16				[LNJ], Left
	05103598AA	1	6	L	11, 12, 14, 15, 16				[MGQ], Left
		1	6	L	51, 52, 54, 55, 56				[MGQ], Left
		1	7	L	12, 15, 16				[MGQ], Left
	05103599AA	1	6	L	11, 12, 14, 15, 16				[MGQ], Right
		1	6	L	51, 52, 54, 55, 56				[MGQ], Right
		1	7	L	12, 15, 16				[MGQ], Right
	05124526AA	1	3	L	12, 15, 16				[MG4], Left
		1	2, 6	L	51, 52, 54, 55, 56				[LNJ], Left
		1	3, 7	L	12, 15, 16				[LNJ], Left
	05124505AA	1	2, 6	L	11, 12, 14, 15, 16				[LNJ], Right
		1	2, 6	L	51, 52, 54, 55, 56				[LNJ], Right
		1	3, 7	L	12, 15, 16				[LNJ], Right
		1	2	L	11, 12, 14, 15, 16				[MG4], Left
		1	2	L	51, 52, 54, 55, 56				[MG4], Left
	05124528AA	1	2	L	11, 12, 14, 15, 16				[MG4], Right
		1	2	L	51, 52, 54, 55, 56				[MG4], Right
		1	3	L	12, 15, 16				[MG4], Right
	05124529AA	1	2	L	01, 02, 06				[MG4, LNJ], Left
		1	2	L	11, 12, 14, 15, 16				[MG4, LNJ], Left
		1	2	L	51, 52, 54, 55, 56				[MG4, LNJ], Left
		1	3	L	02, 06				[MG4, LNJ], Left



SPRINTER (VA)

SERIES

L = LOWLINE

LINE

3 = HD DODGE 2WD
6 = Lt. Duty DODGE 4WD
2 = Med. Duty DODGE 2WD
7 = Med. Duty DODGE 4WD

BODY

55 = Wagon 140"
54 = Wagon 118"
52 = Wagon 140"
51 = Wagon 118"
12 = Van 140"
11 = Van 118"
06 = Front Section 158"
14 = Van 118"
15 = Van 140"
16 = Van 158"
56 = Wagon 158"
01 = Chassis Forward Control
118"
02 = Chassis Forward Control
140"

ENGINE

EX8 = Engine-2.7L I5
Mercedes Turbo Diesel

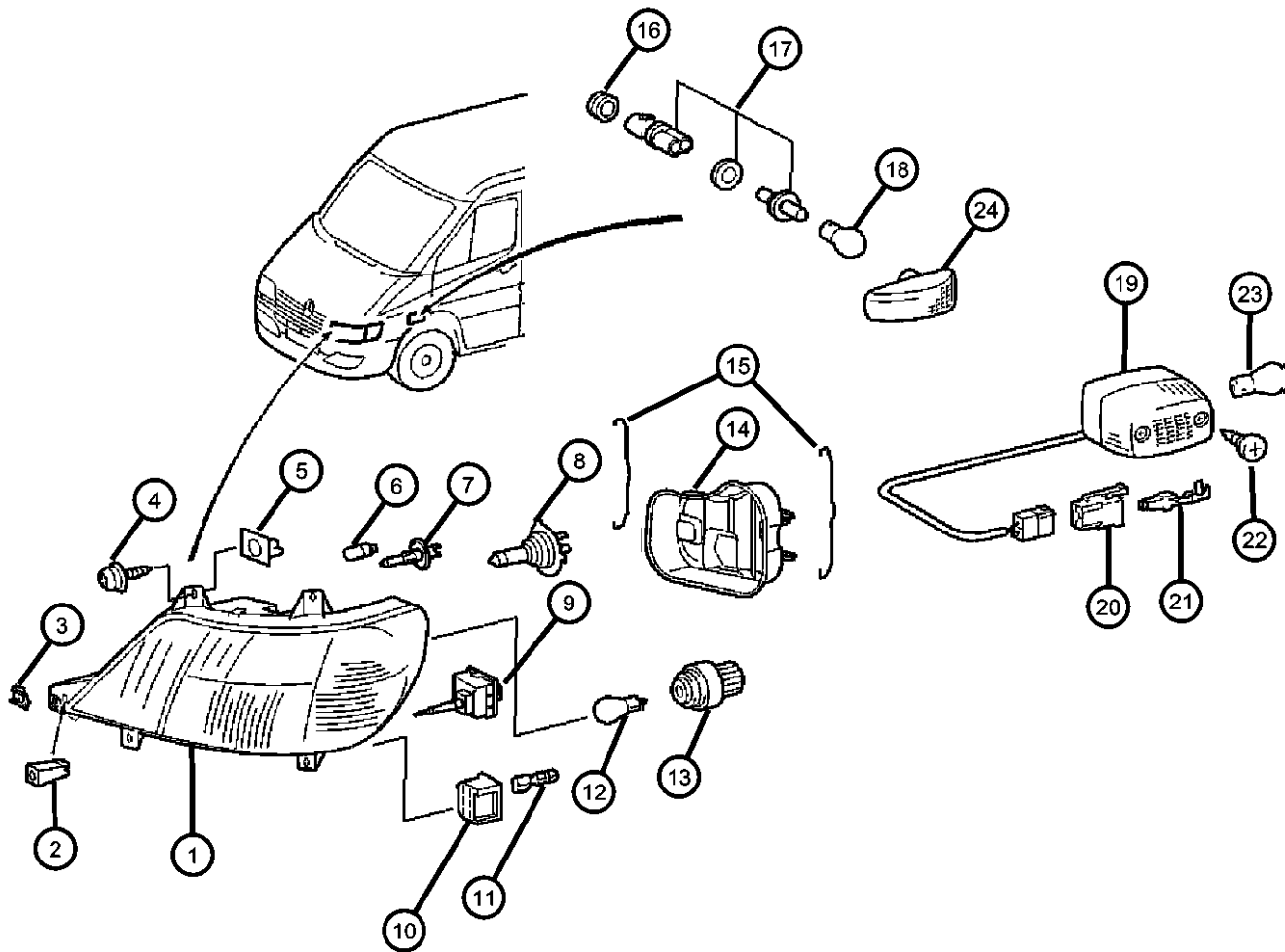
TRANSMISSION

DGJ = Transmission-5-Spd.
Automatic, W5A580

AR = use ase required - = Non illustrated part

2004 VA

Lamps - Front End
Figure 8-1105



ITEM	PART NUMBER	QTY	LINE	SERIES	BODY	ENGINE	TRANS	TRIM	DESCRIPTION
		1	3	L	12, 15, 16				[MG4,LNJ], Left
	05124531AA	1	2	L	01, 02, 06				[MG4,LNJ], Right
		1	2	L	11, 12, 14, 15, 16				[MG4,LNJ], Right
		1	3	L	02, 06				[MG4,LNJ], Right
		1	3	L	12, 15, 16				[MG4,LNJ], Right
		1	2	L	51, 52, 54, 55, 56				[MG4,LNJ], Right
2	05103784AA	2	2, 6	L	11, 12, 14, 15, 16				NUT, Push In
		2	2, 6	L	51, 52, 54, 55, 56				
		2	3, 7	L	12, 15, 16				
3	05103850AA	2	2, 6	L	11, 12, 14, 15, 16				NUT, Spring U Type
		2	2, 6	L	51, 52, 54, 55, 56				
		2	3, 7	L	12, 15, 16				
4	06104614AA	8	3, 7	L	12, 15, 16				SCREW
		8	2, 6	L	01, 02, 06				
		8	2, 6	L	11, 12, 14, 15, 16				
		8	2, 6	L	51, 52, 54, 55, 56				
5	05098837AA	8	2, 6	L	11, 12, 14, 15, 16				NUT, Plastic Snap-in
		8	2, 6	L	51, 52, 54, 55, 56				
		8	3, 7	L	12, 15, 16				

SPRINTER (VA)

SERIES

L = LOWLINE

LINE

3 = HD DODGE 2WD
6 = Lt. Duty DODGE 4WD
2 = Med. Duty DODGE 2WD
7 = Med. Duty DODGE 4WD

BODY

55 = Wagon 140"
54 = Wagon 118"
52 = Wagon 140"
51 = Wagon 118"
12 = Van 140"
11 = Van 118"
06 = Front Section 158"
14 = Van 118"
15 = Van 140"
16 = Van 158"
56 = Wagon 158"
01 = Chassis Forward Control 118"
02 = Chassis Forward Control 140"

ENGINE

EX8 = Engine-2.7L I5
Mercedes Turbo Diesel

TRANSMISSION

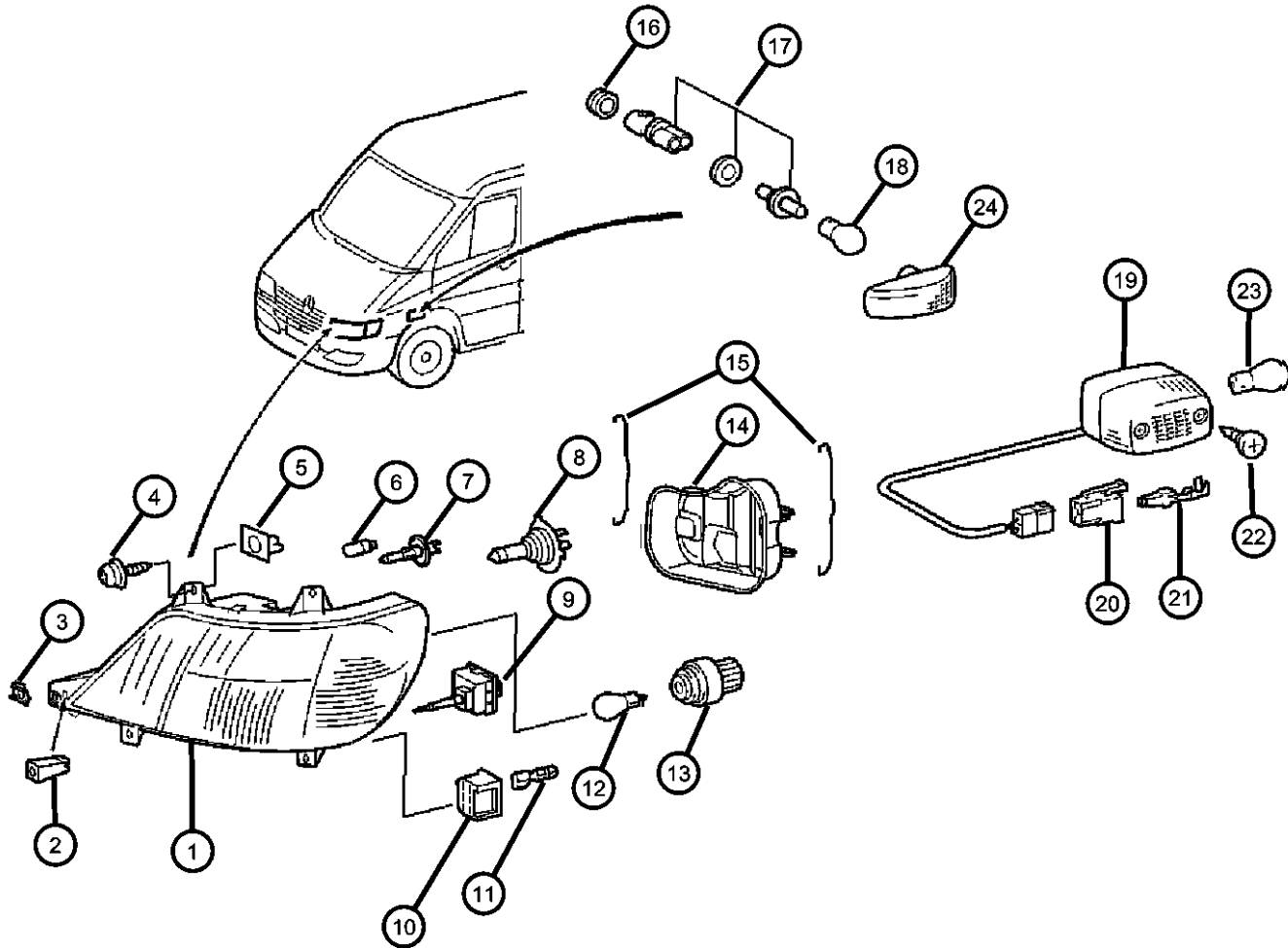
DGJ = Transmission-5-Spd. Automatic,W5A580

AR = use ase required - = Non illustrated part

2004 VA

Lamps - Front End
Figure 8-1105

ITEM	PART NUMBER	QTY	LINE	SERIES	BODY	ENGINE	TRANS	TRIM	DESCRIPTION
6	05104608AA	2	2, 6	L	11, 12, 14, 15, 16				BULB, 12V 5W
	05096968AA	2	2, 6	L	51, 52, 54, 55, 56				
	05096968AA	2	3, 7	L	15, 16, 12				
7	05133960AB	2	2, 6	L	11, 12, 14, 15, 16				BULB, Fog Lamp, H-3 55 WATT
		2	2, 6	L	51, 52, 54, 55, 56				
		2	3, 7	L	12, 15, 16				
8	05104684AA	2	2, 6	L	11, 12, 14, 15, 16				BULB, Headlamp, H-7
		2	2, 6	L	51, 52, 54, 55, 56				
		2	3, 7	L	12, 15, 16				
9	05103688AA	2	2, 6	L	11, 12, 14, 15, 16				MOTOR, Headlamp Leveling
		2	2, 6	L	56, 51, 52, 54, 55				
		2	3, 7	L	12, 15, 16				
10	05103896AA	1	3, 7	L	12, 15, 16				CONNECTOR
		1	2, 6	L	11, 12, 14, 15, 16				
		1	2, 6	L	51, 52, 54, 55, 56				
11	05103898AA	1	2, 6	L	11, 12, 14, 15, 16				CONTACT SPRING, "0, 5-1, 0 MM2 0,5-1,0 MM2", SPRINTER

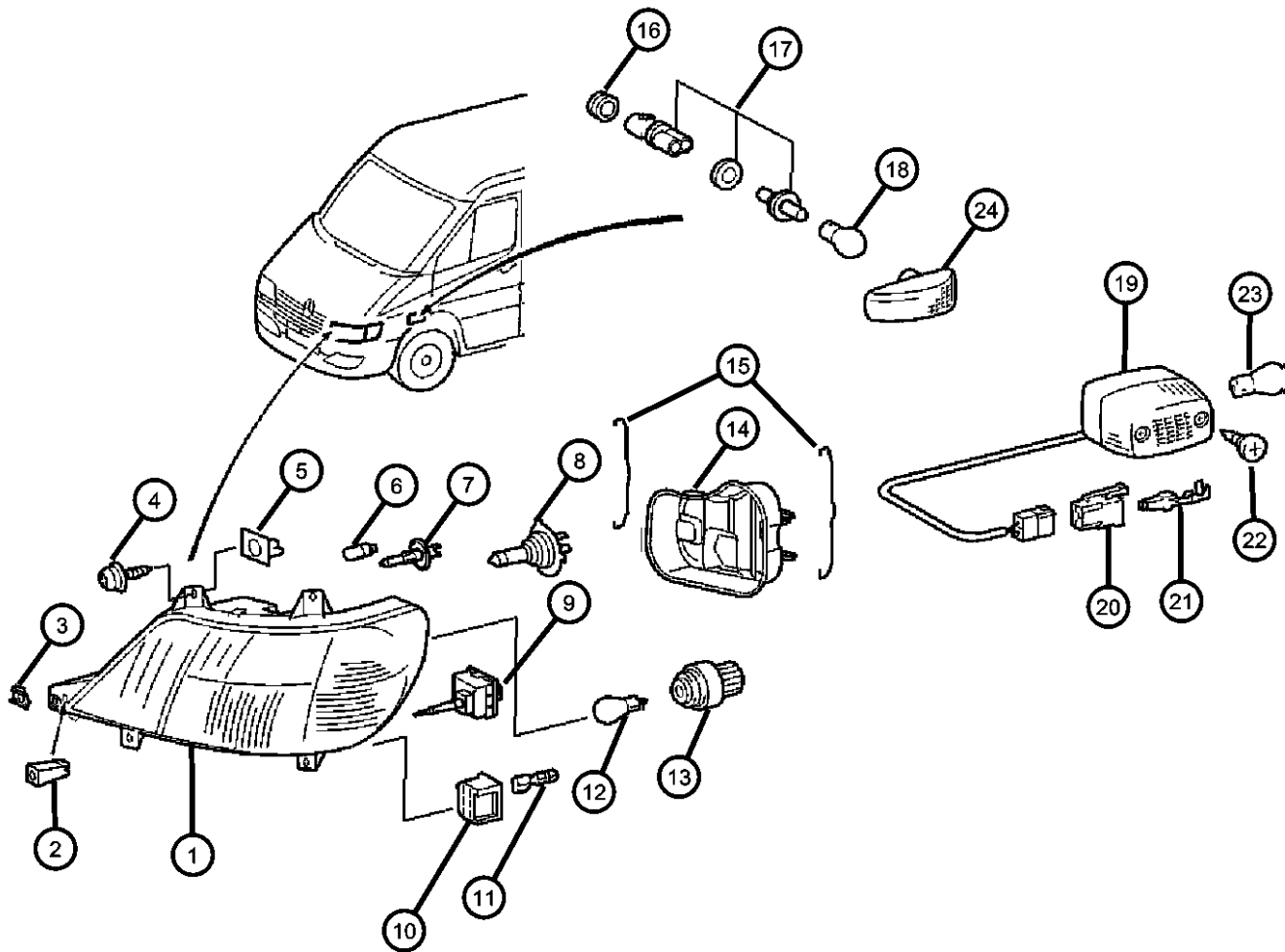


SPRINTER (VA)

SERIES	LINE	BODY	ENGINE	TRANSMISSION
L = LOWLINE	3 = HD DODGE 2WD 6 = Lt. Duty DODGE 4WD 2 = Med. Duty DODGE 2WD 7 = Med. Duty DODGE 4WD	55 = Wagon 140" 54 = Wagon 118" 52 = Wagon 140" 51 = Wagon 118" 12 = Van 140" 11 = Van 118" 06 = Front Section 158" 14 = Van 118" 15 = Van 140" 16 = Van 158" 56 = Wagon 158"	EX8 = Engine-2.7L I5 Mercedes Turbo Diesel	DGJ = Transmission-5-Spd. Automatic,W5A580
		01 = Chassis Forward Control 118" 02 = Chassis Forward Control 140"		

AR = use ase required - = Non illustrated part

Lamps - Front End
Figure 8-1105



ITEM	PART NUMBER	QTY	LINE	SERIES	BODY	ENGINE	TRANS	TRIM	DESCRIPTION
		1	2, 6	L	51, 52, 54, 55, 56				
		99	3, 7	L	12, 15, 16				
12	05104662AA	2	2, 6	L	11, 12, 14, 15, 16				BULB
		2	2, 6	L	51, 52, 54, 55, 56				
		2	3, 7	L	12, 15, 16				
13	05103769AA	2	2, 6	L	11, 12, 14, 15, 16				SOCKET, Lamp
		2	2, 6	L	51, 52, 54, 55, 56				
		2	3, 7	L	12, 15, 16				
14	05103685AA	1	2, 6	L	11, 12, 14, 15, 16				COVER, Lamp
		1	2, 6	L	51, 52, 54, 55, 56				
		1	3, 7	L	12, 15, 16				
15	05103681AA	2	2, 6	L	51, 52, 54, 55, 56				SPRING, Retainer Inside of Lamp
		2	2, 6	L	11, 12, 14, 15, 16				Inside of Lamp
	05103682AA	2	3, 7	L	12, 15, 16				Outside of Lamp
		2	3, 7	L	12, 15, 16				Inside of Lamp
		2	2, 6	L	11, 12, 14, 15, 16				Outside of Lamp
		2	2, 6	L	51, 52, 54, 55, 56				Outside of Lamp
16	05133964AA	2	3, 7	L	12, 15, 16				GROMMET, Lamp
17									SOCKET

SPRINTER (VA)

SERIES

L = LOWLINE

LINE

3 = HD DODGE 2WD
6 = Lt. Duty DODGE 4WD
2 = Med. Duty DODGE 2WD
7 = Med. Duty DODGE 4WD

BODY

55 = Wagon 140"
54 = Wagon 118"
52 = Wagon 140"
51 = Wagon 118"
12 = Van 140"
11 = Van 118"
06 = Front Section 158"
14 = Van 118"
15 = Van 140"
16 = Van 158"
56 = Wagon 158"
01 = Chassis Forward Control
118"
02 = Chassis Forward Control
140"

ENGINE

EX8 = Engine-2.7L I5
Mercedes Turbo Diesel

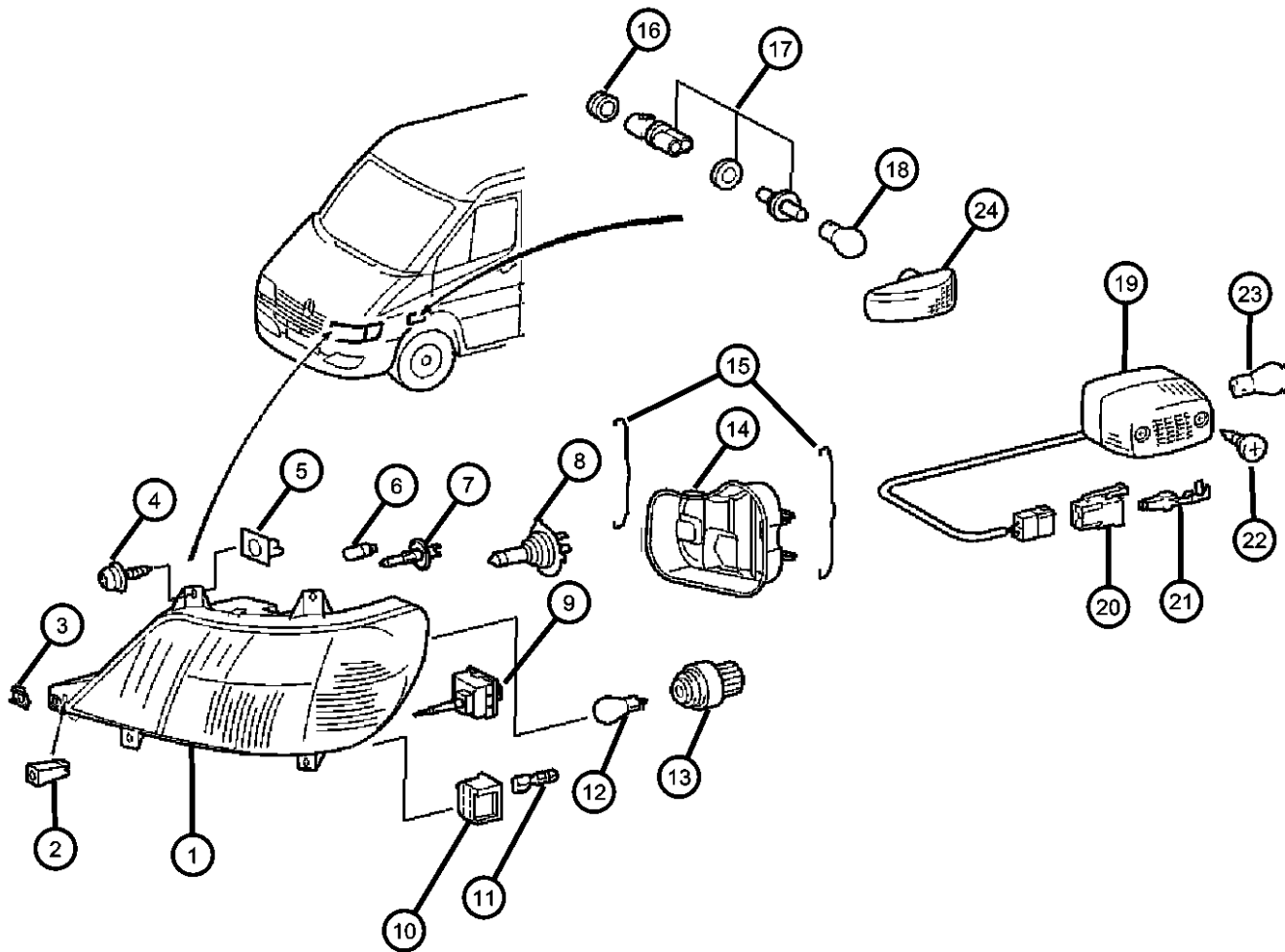
TRANSMISSION

DGJ = Transmission-5-Spd.
Automatic, W5A580

AR = use ase required - = Non illustrated part

2004 VA

Lamps - Front End
Figure 8-1105



ITEM	PART NUMBER	QTY	LINE	SERIES	BODY	ENGINE	TRANS	TRIM	DESCRIPTION
	05103655AA	1	2, 6	L	01, 02, 06				
		1	2, 6	L	11, 12, 14, 15, 16				
		1	2, 6	L	51, 52, 54, 55, 56				
		1	3, 7	L	15, 16, 12				
18	05104648AA	2	2, 6	L	11, 12, 14, 15, 16				BULB, 12V 5W
		2	2, 6	L	51, 52, 54, 55, 56				
		2	2, 6	L	01, 02, 06				
		99	3, 7	L	12, 15, 16				
19	05103935AA	2	2, 6	L	01, 02, 06				LAMP, Turn Signal
		2	2, 6	L	11, 12, 14, 15, 16				
		2	2, 6	L	51, 52, 54, 55, 56				
		2	3, 7	L	02, 06				
	05124426AA	1	2, 6	L	01, 02, 06				[LEH]
		1	2, 6	L	11, 12, 14, 15, 16				[LEH]
		1	2, 6	L	51, 52, 54, 55, 56				[LEH]
		1	3, 7	L	02, 06				[LEH]
20									CONNECTOR
	05120679AA	1	2, 6	L	11, 12, 14, 15, 16				
		1	2, 6	L	55, 56, 51, 52, 54				
		1	3, 7	L	12, 15, 16				
21									TERMINAL

SPRINTER (VA)

SERIES

L = LOWLINE

LINE

3 = HD DODGE 2WD
6 = Lt. Duty DODGE 4WD
2 = Med. Duty DODGE 2WD
7 = Med. Duty DODGE 4WD

BODY

55 = Wagon 140"
54 = Wagon 118"
52 = Wagon 140"
51 = Wagon 118"
12 = Van 140"
11 = Van 118"
06 = Front Section 158"
14 = Van 118"
15 = Van 140"
16 = Van 158"
56 = Wagon 158"
01 = Chassis Forward Control 118"
02 = Chassis Forward Control 140"

ENGINE

EX8 = Engine-2.7L I5
Mercedes Turbo Diesel

TRANSMISSION

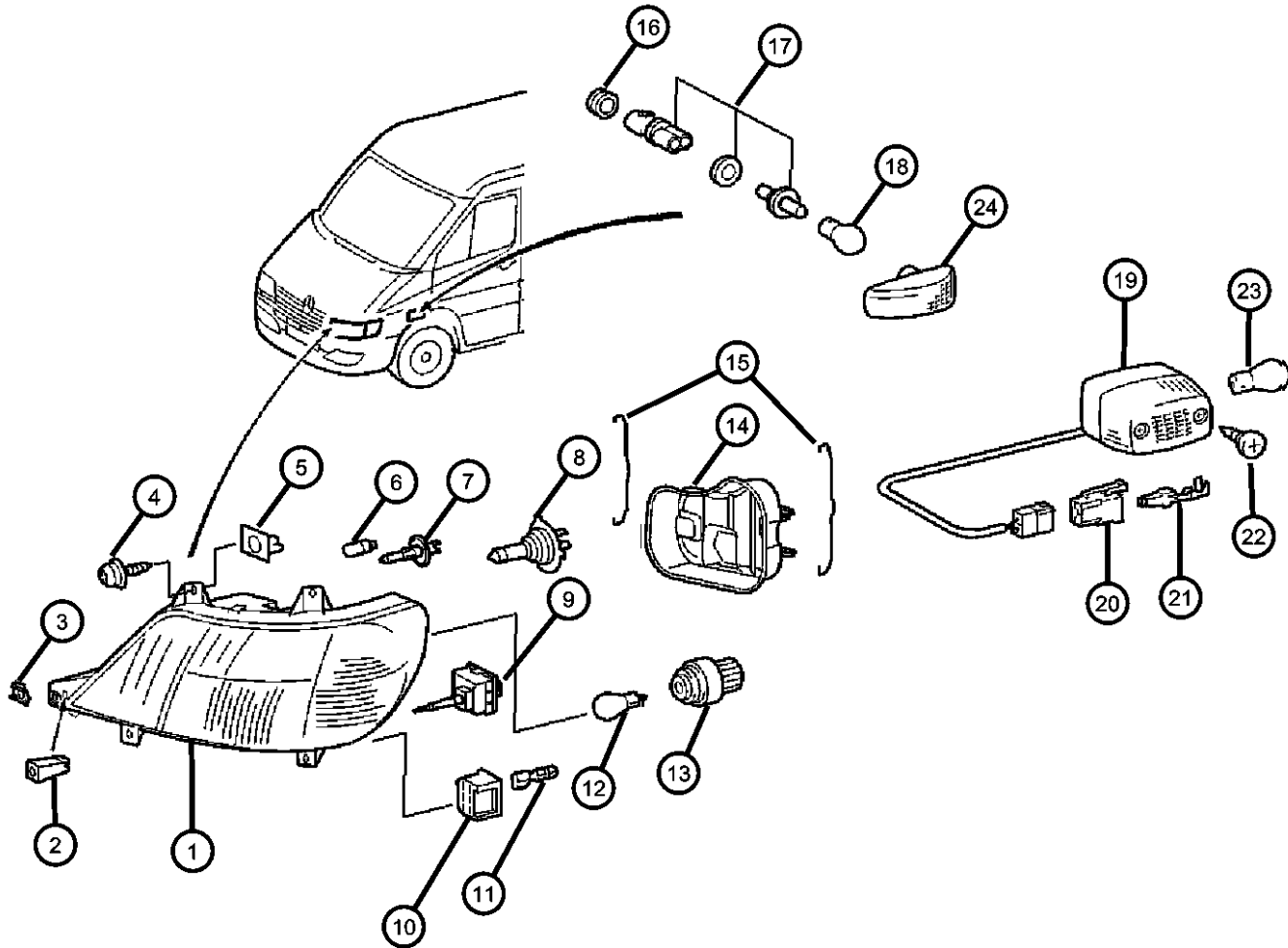
DGJ = Transmission-5-Spd. Automatic, W5A580

AR = use ase required - = Non illustrated part

2004 VA

Lamps - Front End
Figure 8-1105

ITEM	PART NUMBER	QTY	LINE	SERIES	BODY	ENGINE	TRANS	TRIM	DESCRIPTION
	05103881AA	1	2, 6	L	51, 52, 54, 55, 56				
		1	3, 7	L	12, 15, 16				
		1	2, 6	L	11, 12, 14, 15, 16				
22									SCREW
	06104498AA	4	2, 6	L	11, 12, 14, 15, 16				
		4	2, 6	L	01, 02, 06				
		4	2, 6	L	51, 52, 54, 55, 56				
		4	3, 7	L	12, 15, 16				
23									BULB
	05104646AA	4	2, 6	L	11, 12, 14, 15, 16				
		4	2, 6	L	51, 52, 54, 55, 56				
		4	3, 7	L	12, 15, 16				
24									LAMP, Side Repeater
	05124431AA	2	2, 6	L	01, 02, 06				
		2	3, 7	L	12, 15, 16				
		2	2, 6	L	11, 12, 14, 15, 16				
		2	2, 6	L	52, 54, 55, 56, 51				



SPRINTER (VA)

SERIES

L = LOWLINE

LINE

3 = HD DODGE 2WD
6 = Lt. Duty DODGE 4WD
2 = Med. Duty DODGE 2WD
7 = Med. Duty DODGE 4WD

BODY

55 = Wagon 140"
54 = Wagon 118"
52 = Wagon 140"
51 = Wagon 118"
12 = Van 140"
11 = Van 118"
06 = Front Section 158"
14 = Van 118"
15 = Van 140"
16 = Van 158"
56 = Wagon 158"
01 = Chassis Forward Control
118"
02 = Chassis Forward Control
140"

ENGINE

EX8 = Engine-2.7L I5
Mercedes Turbo Diesel

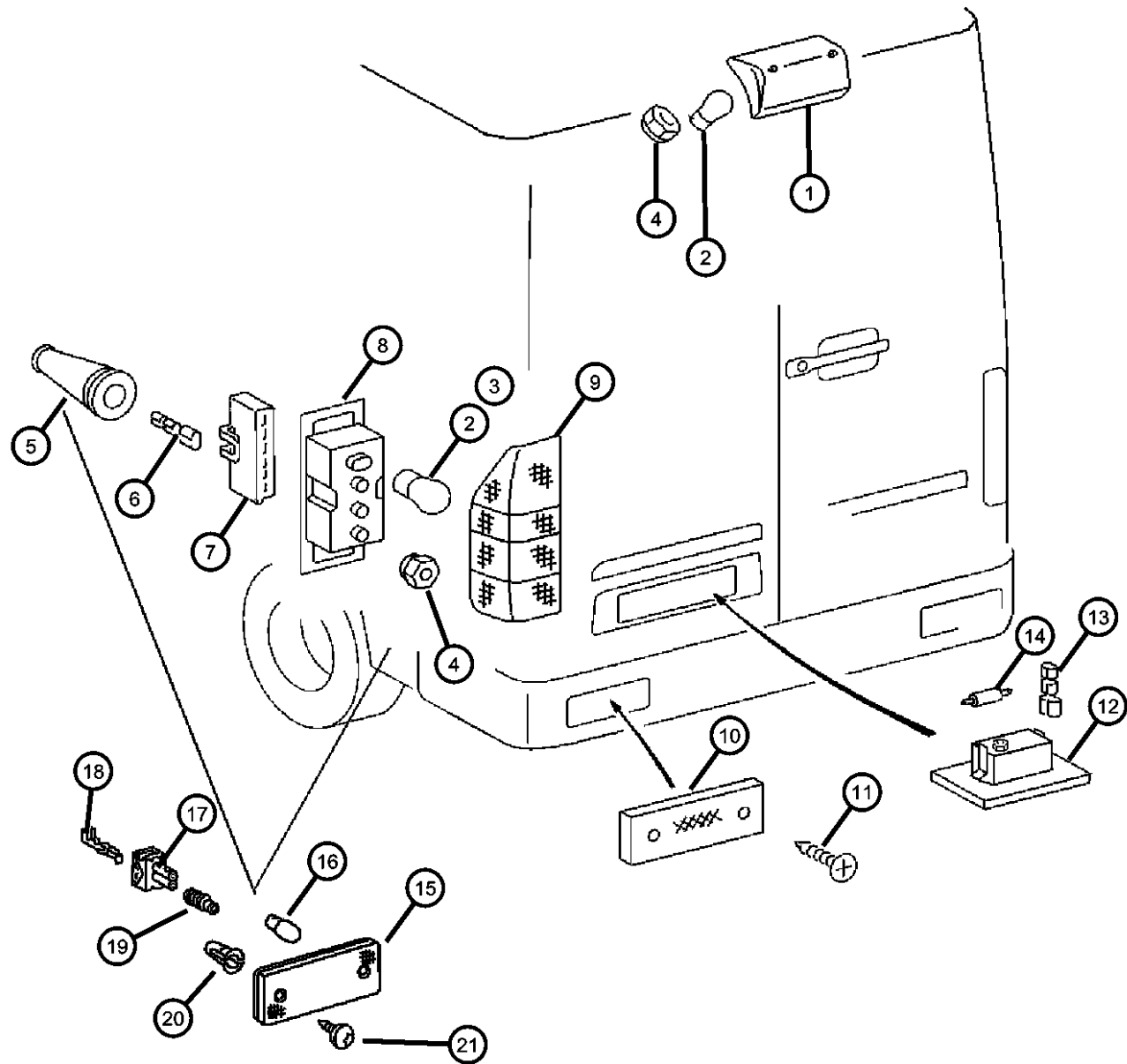
TRANSMISSION

DGJ = Transmission-5-Spd.
Automatic,W5A580

AR = use ase required - = Non illustrated part

2004 VA

Lamps - Rear End
Figure 8-1110



ITEM	PART NUMBER	QTY	LINE	SERIES	BODY	ENGINE	TRANS	TRIM	DESCRIPTION
1	05103804AA	1	2, 6	L	11, 12, 14, 15, 16				LAMP, Center High Mounted Stop
		1	2, 6	L	51, 52, 54, 55, 56				
		1	3, 7	L	12, 15, 16				
2	05104646AA	1	2, 6	L	51, 52, 54, 55, 56				BULB Single filament
		1	2, 6	L	06, 01, 02				Single filament
		1	2, 6	L	11, 12, 14, 15, 16				Single filament
		2	3, 7	L	02, 06				Single filament
		1	3, 7	L	12, 15, 16				Single filament
3	05104647AA	2	2, 6	L	11, 12, 14, 15, 16				BULB, TAIL LAMP Double filament
		2	2, 6	L	51, 52, 54, 55, 56				Double filament
		2	3, 7	L	12, 15, 16				Double filament
4	06104707AA	2	2, 6	L	11, 12, 14, 15, 16				NUT, M5
		2	2, 6	L	51, 52, 54, 55, 56				
		2	3, 7	L	12, 15, 16				
5	05133963AA	1	2, 6	L	11, 12, 14, 15, 16				GROMMET, GROMMET
		1	2, 6	L	51, 52, 54, 55, 56				
		1	3, 7	L	12, 15, 16				
6	05133956AA	99	2, 6	L	11, 12, 14, 15, 16				TERMINAL, Female

SPRINTER (VA)

SERIES

L = LOWLINE

LINE

3 = HD DODGE 2WD
6 = Lt. Duty DODGE 4WD
2 = Med. Duty DODGE 2WD
7 = Med. Duty DODGE 4WD

BODY

55 = Wagon 140"
54 = Wagon 118"
52 = Wagon 140"
51 = Wagon 118"
12 = Van 140"
11 = Van 118"
06 = Front Section 158"
14 = Van 118"
15 = Van 140"
16 = Van 158"
56 = Wagon 158"
01 = Chassis Forward Control
118"
02 = Chassis Forward Control
140"

ENGINE

EX8 = Engine-2.7L I5
Mercedes Turbo Diesel

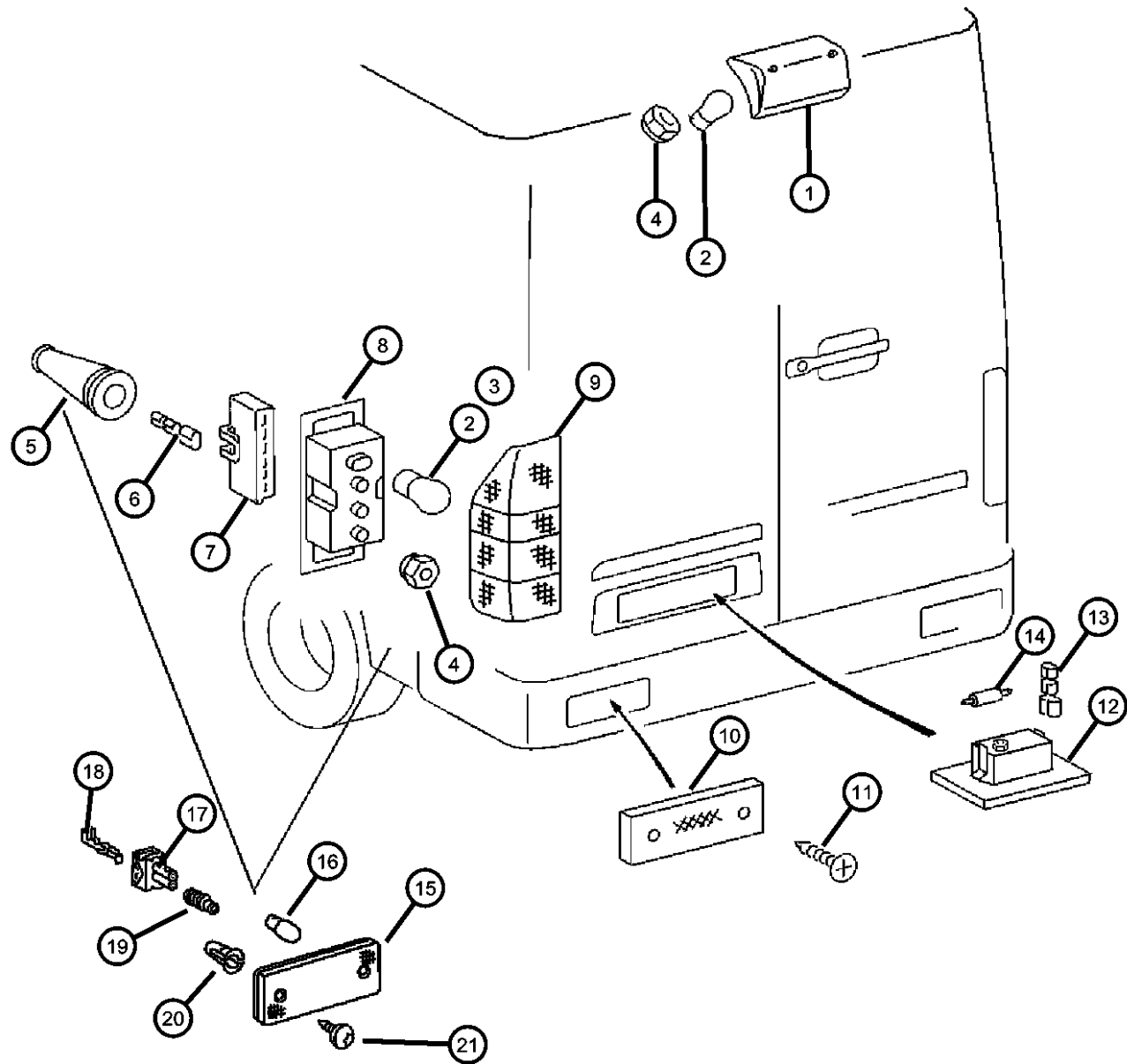
TRANSMISSION

DGJ = Transmission-5-Spd.
Automatic,W5A580

AR = use ase required - = Non illustrated part

2004 VA

Lamps - Rear End
Figure 8-1110



ITEM	PART NUMBER	QTY	LINE	SERIES	BODY	ENGINE	TRANS	TRIM	DESCRIPTION
		99	2, 6	L	51, 52, 54, 55, 56				
		99	3, 7	L	12, 15, 16				
7									CONNECTOR
	05120543AA	1	3, 7	L	12, 15, 16				
		1	2, 6	L	12, 14, 15, 16, 11				
		1	2, 6	L	51, 52, 54, 55, 56				
8									LAMP, Tail Stop Turn
	05103596AA	1							Left
	05103597AA	1							Right
9	05103597AA	1							LENS, Taillamp, Serviced in Lamp Assembly, (NOT SERVICED)
10									REFLECTOR, Fascia
	05103684AA	2	2, 6	L	11, 12, 14, 15, 16				
		2	2, 6	L	51, 52, 54, 55, 56				
		2	3, 7	L	12, 15, 16				
11									SCREW
	06104498AA	4	2, 6	L	11, 12, 14, 15, 16				
		4	2, 6	L	51, 52, 54, 55, 56				
		4	2, 6	L	01, 02, 06				
		4	3, 7	L	12, 15, 16				
12									LAMP, License Plate
	05104462AA	2	2, 6	L	51, 52, 54, 55, 56				
		2	3, 7	L	12, 15, 16				
		2	2, 6	L	11, 12, 14, 15, 16				

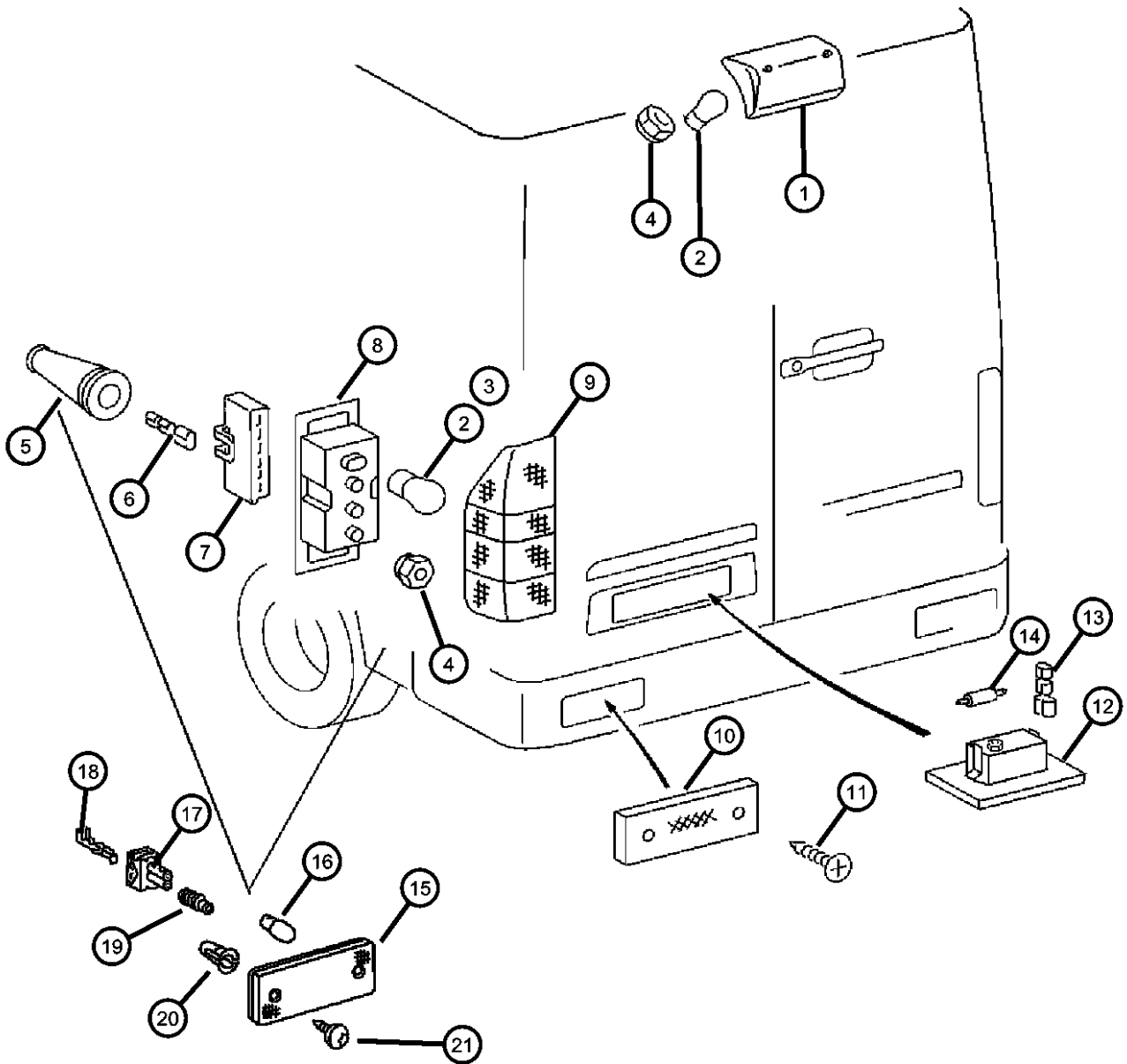
SPRINTER (VA)

SERIES	LINE	BODY	ENGINE	TRANSMISSION
L = LOWLINE	3 = HD DODGE 2WD 6 = Lt. Duty DODGE 4WD 2 = Med. Duty DODGE 2WD 7 = Med. Duty DODGE 4WD	55 = Wagon 140" 54 = Wagon 118" 52 = Wagon 140" 51 = Wagon 118" 12 = Van 140" 11 = Van 118" 06 = Front Section 158" 14 = Van 118" 15 = Van 140" 16 = Van 158" 56 = Wagon 158"	EX8 = Engine-2.7L I5 Mercedes Turbo Diesel	DGJ = Transmission-5-Spd. Automatic, W5A580
		01 = Chassis Forward Control 118" 02 = Chassis Forward Control 140"		

AR = use ase required - = Non illustrated part

Lamps - Rear End
Figure 8-1110

ITEM	PART NUMBER	QTY	LINE	SERIES	BODY	ENGINE	TRANS	TRIM	DESCRIPTION
13	05124473AA	1	2, 6	L	14, 15, 16, 11, 12				BULB, 12V 5W
		1	2, 6	L	51, 52, 54, 55, 56				
		1	3, 7	L	12, 15, 16				
14	05096968AA	2	2, 6	L	11, 12, 14, 15, 16				TERMINAL, Female
		2	2, 6	L	51, 52, 54, 55, 56				
		2	3, 7	L	12, 15, 16				
15	05133927AA	99	2, 6	L	11, 12, 14, 15, 16				LAMP, Side Marker
		99	2, 6	L	51, 52, 54, 55, 56				
		99	3, 7	L	12, 15, 16				
	05124477AA	6	2, 6	L	16				
16		4	2, 6	L	11, 12, 14, 15, 16				BULB
		6	2, 6	L	56				
		4	2, 6	L	51, 52, 54, 55, 56				
		4	3, 7	L	12, 15				
	05104649AA	2	2, 6	L	11, 12, 14, 15, 16				
17		2	2, 6	L	51, 52, 54, 55, 56				CONNECTOR
	05120589AA	1	2, 6	L	01, 02, 06				
		2	3, 7	L	12, 15, 16				

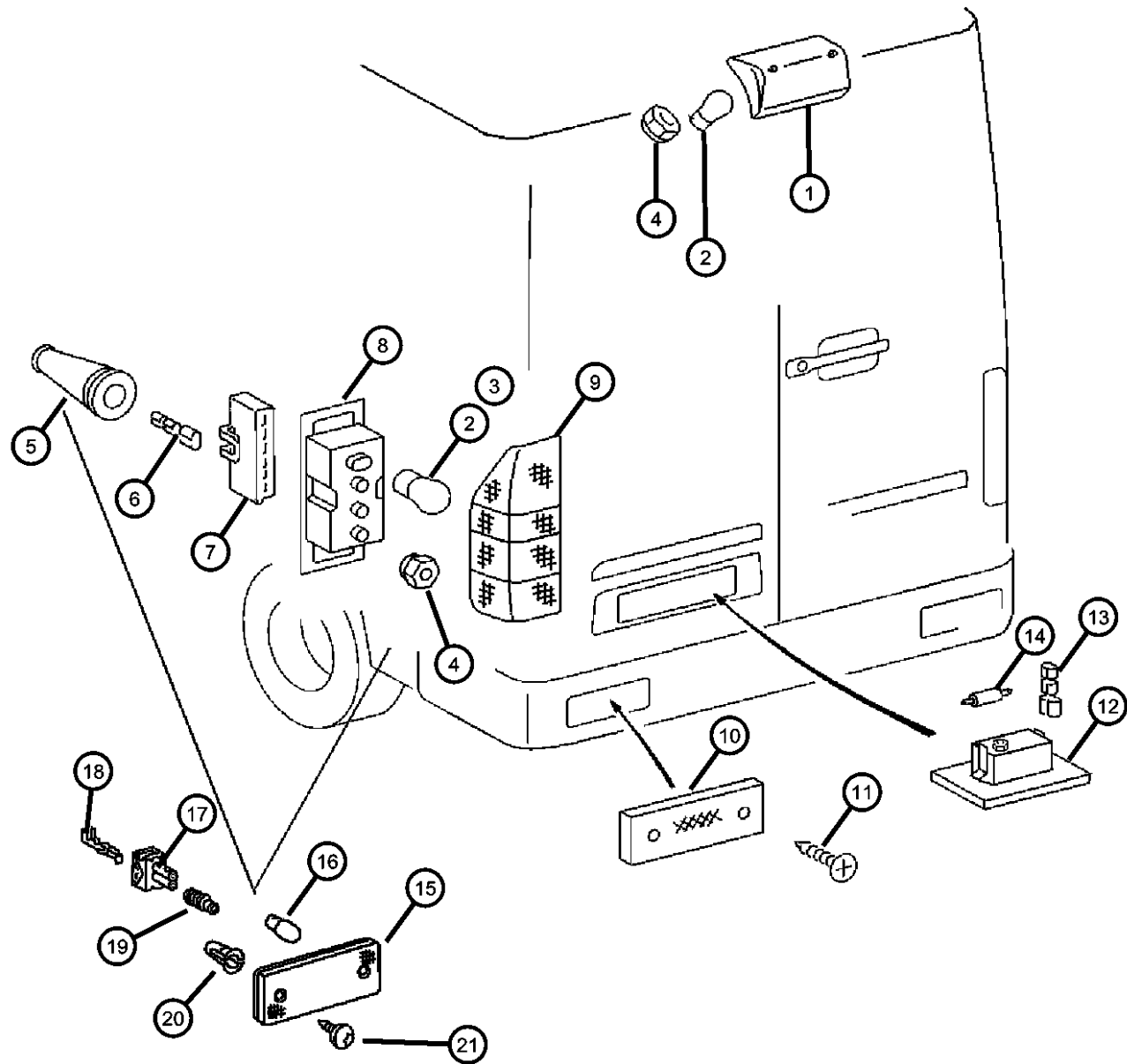


SPRINTER (VA)

SERIES	LINE	BODY	ENGINE	TRANSMISSION
L = LOWLINE	3 = HD DODGE 2WD 6 = Lt. Duty DODGE 4WD 2 = Med. Duty DODGE 2WD 7 = Med. Duty DODGE 4WD	55 = Wagon 140" 54 = Wagon 118" 52 = Wagon 140" 51 = Wagon 118" 12 = Van 140" 11 = Van 118" 06 = Front Section 158" 14 = Van 118" 15 = Van 140" 16 = Van 158" 56 = Wagon 158"	EX8 = Engine-2.7L I5 Mercedes Turbo Diesel	DGJ = Transmission-5-Spd. Automatic,W5A580
		01 = Chassis Forward Control 118" 02 = Chassis Forward Control 140"		

AR = use ase required - = Non illustrated part

Lamps - Rear End
Figure 8-1110



ITEM	PART NUMBER	QTY	LINE	SERIES	BODY	ENGINE	TRANS	TRIM	DESCRIPTION
	05103879AA	1	2, 6	L	01, 02, 06				
		1	2, 6	L	11, 12, 14, 15, 16				
		1	2, 6	L	51, 52, 54, 55, 56				
		1	3, 7	L	02, 06				
18	05102935AA	1	2, 6	L	01, 02, 06				TERMINAL
		99	2, 6	L	11, 12, 14, 15, 16				
		99	2, 6	L	51, 52, 54, 55, 56				
		99	3, 7	L	02, 06				
19	05103661AA	1	2, 6	L	01, 02, 06				GASKET
		1	2, 6	L	11, 12, 14, 15, 16				
		99	2, 6	L	51, 52, 54, 55, 56				
		99	3, 7	L	02, 06				
20	05103841AA	8	2, 6	L	11, 12, 14, 15				NUT, Push In
		8	3, 7	L	12, 15				
		8	3, 7	L	16				
		8	2, 6	L	16				
		8	2, 6	L	51, 52, 54, 55				
		8	2, 6	L	56				
21	06104498AA	8	2, 6	L	11, 12, 14, 15				SCREW
		8	2, 6	L	16				

SPRINTER (VA)

SERIES

L = LOWLINE

LINE

3 = HD DODGE 2WD
6 = Lt. Duty DODGE 4WD
2 = Med. Duty DODGE 2WD
7 = Med. Duty DODGE 4WD

BODY

55 = Wagon 140"
54 = Wagon 118"
52 = Wagon 140"
51 = Wagon 118"
12 = Van 140"
11 = Van 118"
06 = Front Section 158"
14 = Van 118"
15 = Van 140"
16 = Van 158"
56 = Wagon 158"
01 = Chassis Forward Control 118"
02 = Chassis Forward Control 140"

ENGINE

EX8 = Engine-2.7L I5
Mercedes Turbo Diesel

TRANSMISSION

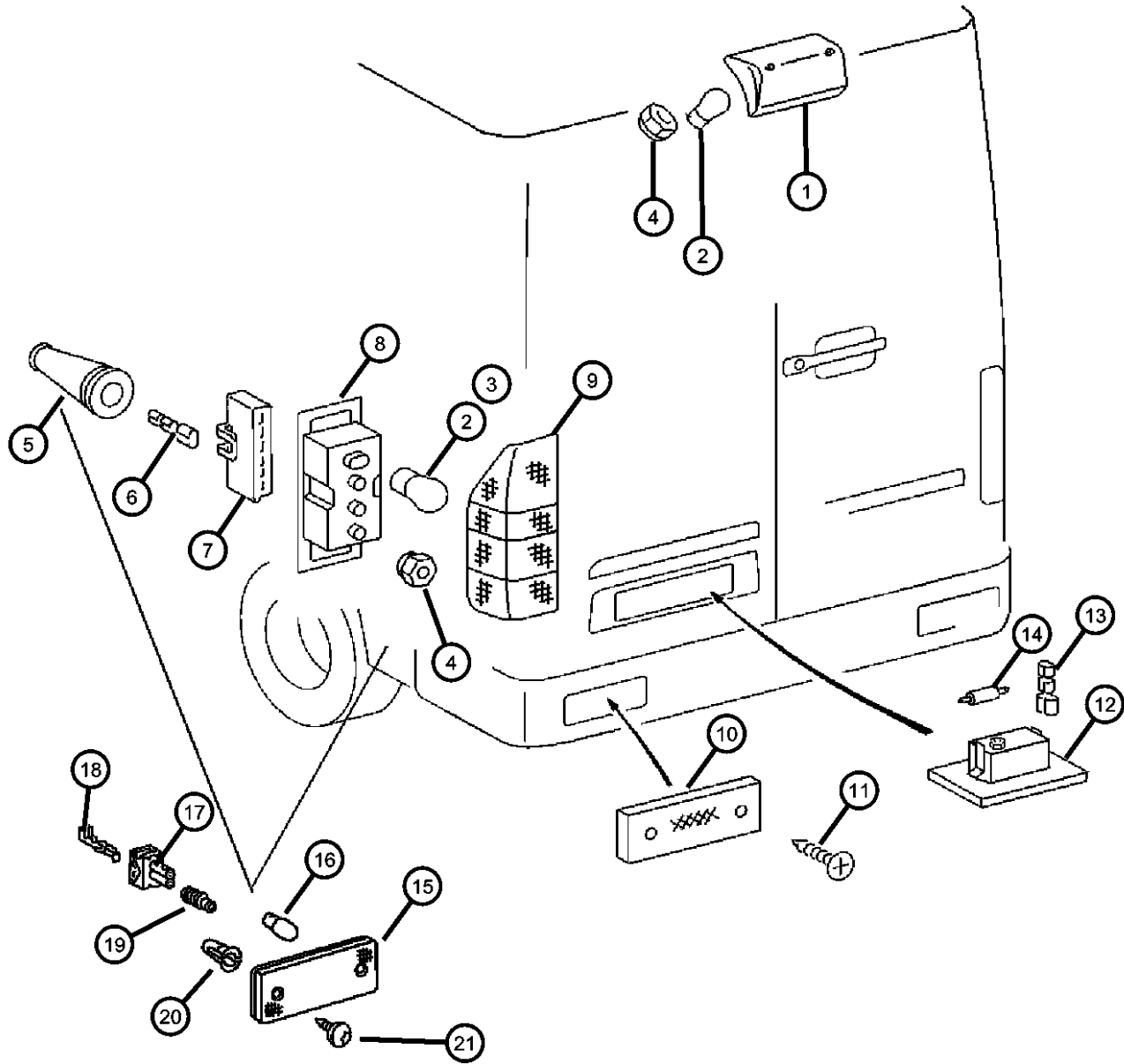
DGJ = Transmission-5-Spd. Automatic, W5A580

AR = use ase required - = Non illustrated part

2004 VA

Lamps - Rear End
Figure 8-1110

ITEM	PART NUMBER	QTY	LINE	SERIES	BODY	ENGINE	TRANS	TRIM	DESCRIPTION
		8	3, 7	L	12, 15				
		8	3, 7	L	16				
		8	2, 6	L	51, 52, 54, 55				
		8	2, 6	L	56				
-22									LENS
	05124605AA	4	2, 6	L	16				Side
		4	2, 6	L	56				Side
		4	3, 7	L	16				Side
	05133969AA	99	2, 6	L	01, 02, 06				Side
		99	2, 6	L	11, 12, 14, 15, 16				Side



SPRINTER (VA)

SERIES

L = LOWLINE

LINE

3 = HD DODGE 2WD
6 = Lt. Duty DODGE 4WD
2 = Med. Duty DODGE 2WD
7 = Med. Duty DODGE 4WD

BODY

55 = Wagon 140"
54 = Wagon 118"
52 = Wagon 140"
51 = Wagon 118"
12 = Van 140"
11 = Van 118"
06 = Front Section 158"
14 = Van 118"
15 = Van 140"
16 = Van 158"
56 = Wagon 158"
01 = Chassis Forward Control 118"
02 = Chassis Forward Control 140"

ENGINE

EX8 = Engine-2.7L I5
Mercedes Turbo Diesel

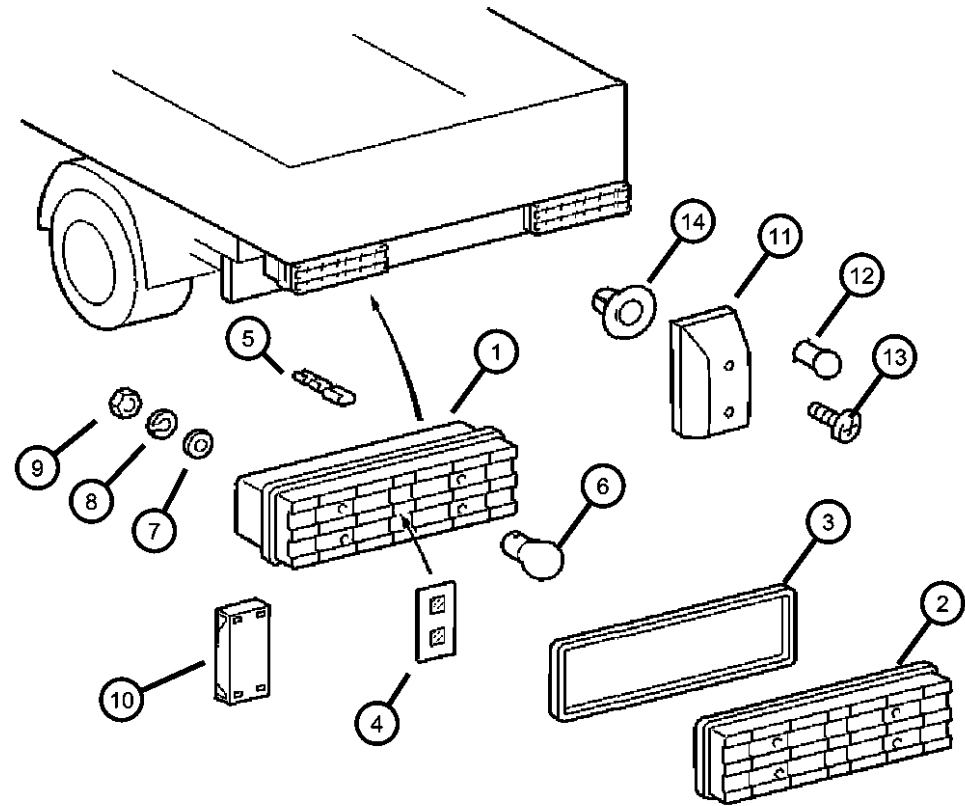
TRANSMISSION

DGJ = Transmission-5-Spd. Automatic, W5A580

AR = use ase required - = Non illustrated part

2004 VA

Lamps Rear End Cab and Chassis Vehicles
Figure 8-1115



ITEM	PART NUMBER	QTY	LINE	SERIES	BODY	ENGINE	TRANS	TRIM	DESCRIPTION
1									LAMP, Tail Stop Turn
	05124543AA	1	2, 6	L	01, 02, 06				Left
		1	3, 7	L	02, 06				Left
	05124545AA	1	2, 6	L	01, 02, 06				Right
		1	3, 7	L	02, 06				Right
2		1							LENS, Serviced in lamp assembly, (NOT SERVICED)
3		1							GASKET, Tail Lamp, Serviced in lamp assembly, (NOT SERVICED)
4									REFLECTOR, Tail Lamp
	05136451AA	2	3, 7	L	02, 06				
		2	2, 6	L	01, 02, 06				
5									TERMINAL, Female
	05114451AA	99	2, 6	L	01, 02, 06				
		99	3, 7	L	02, 06				
6									BULB
	05104646AA	1	2, 6	L	01, 02, 06				
		7	3, 7	L	02, 06				
7		7							WASHER, (NOT SERVICED)
8									WASHER, Lock
	05126241AA	4	3, 7	L	02, 06				
		4	2, 6	L	01, 02, 06				
9									NUT
	05126206AA	4	2, 6	L	01, 02, 06				
		6	3, 7	L	02, 06				
10									CAP
	05120951AA	2	2, 6	L	01, 02, 06				
		2	3, 7	L	02, 06				
11		2							LAMP, License Plate, (NOT SERVICED)

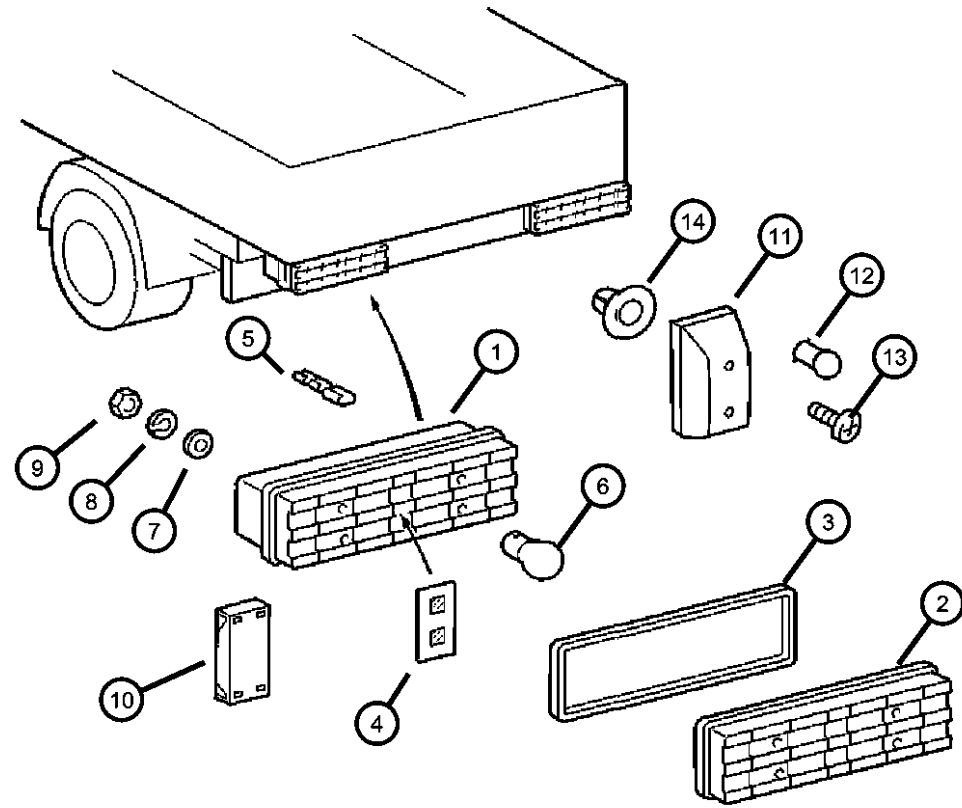
SPRINTER (VA)

SERIES	LINE	BODY	ENGINE	TRANSMISSION
L = LOWLINE	3 = HD DODGE 2WD 6 = Lt. Duty DODGE 4WD 2 = Med. Duty DODGE 2WD 7 = Med. Duty DODGE 4WD	55 = Wagon 140" 54 = Wagon 118" 52 = Wagon 140" 51 = Wagon 118" 12 = Van 140" 11 = Van 118" 06 = Front Section 158" 14 = Van 118" 15 = Van 140" 16 = Van 158" 56 = Wagon 158"	EX8 = Engine-2.7L I5 Mercedes Turbo Diesel	DGJ = Transmission-5-Spd. Automatic,W5A580
		01 = Chassis Forward Control 118" 02 = Chassis Forward Control 140"		

AR = use ase required - = Non illustrated part

Lamps Rear End Cab and Chassis Vehicles
Figure 8-1115

ITEM	PART NUMBER	QTY	LINE	SERIES	BODY	ENGINE	TRANS	TRIM	DESCRIPTION
12		2							BULB, 12V 10W, (NOT SERVICED)
13		2							SCREW, (NOT SERVICED)
14									NUT, Push In
	05103841AA	4	2, 6	L	01, 02, 06				
		4	3, 7	L	02, 06				



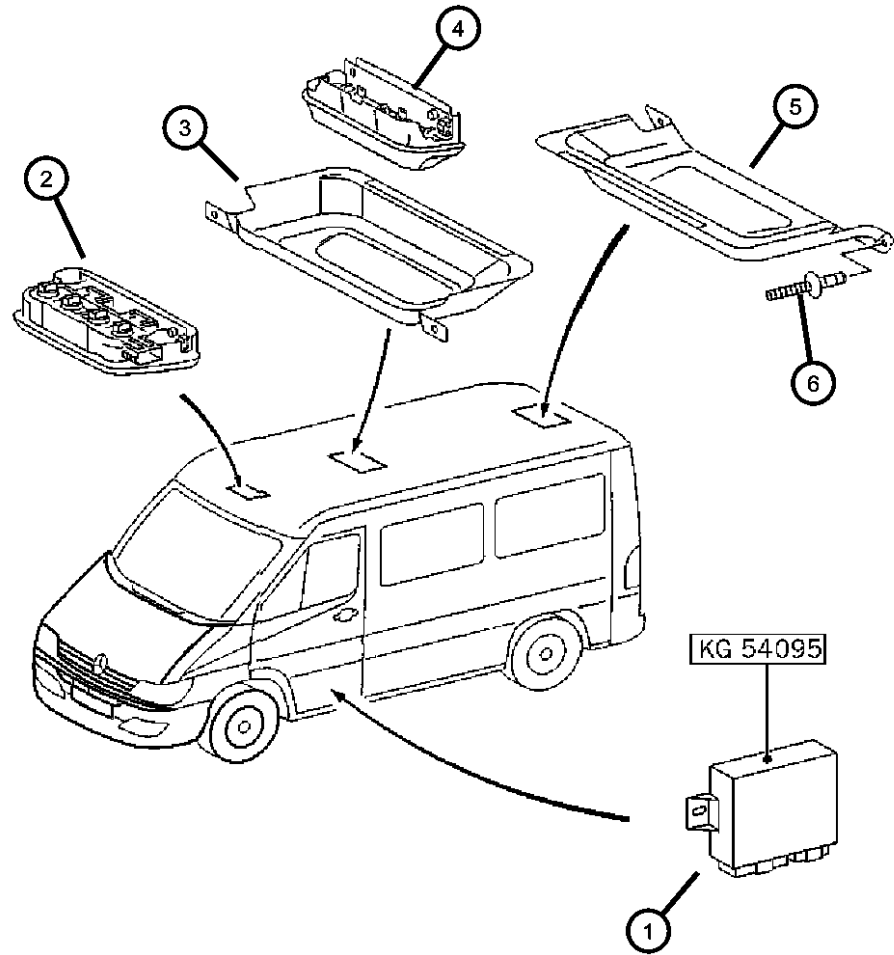
SPRINTER (VA)

SERIES	LINE	BODY	ENGINE	TRANSMISSION
L = LOWLINE	3 = HD DODGE 2WD 6 = Lt. Duty DODGE 4WD 2 = Med. Duty DODGE 2WD 7 = Med. Duty DODGE 4WD	55 = Wagon 140" 54 = Wagon 118" 52 = Wagon 140" 51 = Wagon 118" 12 = Van 140" 11 = Van 118" 06 = Front Section 158" 14 = Van 118" 15 = Van 140" 16 = Van 158" 56 = Wagon 158"	EX8 = Engine-2.7L I5 Mercedes Turbo Diesel	DGJ = Transmission-5-Spd. Automatic,W5A580
		01 = Chassis Forward Control 118" 02 = Chassis Forward Control 140"		

AR = use ase required - = Non illustrated part

2004 VA

Lamps Interior Passenger Van
Figure 8-1120



ITEM	PART NUMBER	QTY	LINE	SERIES	BODY	ENGINE	TRANS	TRIM	DESCRIPTION
1									CONTROL UNIT, NONE, SPRINTER
	05103899AA	1	2, 6	L	11, 12, 14, 15, 16				
		1	2, 6	L	51, 52, 54, 55, 56				
		1	3, 7	L	12, 15, 16				
2									LAMP, Reading
	05124399AA	1	2, 6	L	11, 12, 14, 15, 16				
		1	2, 6	L	51, 52, 54, 55, 56				
		1	3, 7	L	12, 15, 16				
3									BRACKET
	05124591AA	1	2, 6	L	11, 12, 14, 15, 16				
		1	2, 6	L	51, 52, 54, 55, 56				
		1	3, 7	L	12, 15, 16				
4									SWITCH Dome Lamp
	0ZF50RC3AA	2	2, 6	L	11, 12, 14, 15, 16				
		2	2, 6	L	51, 52, 54, 55, 56				Dome Lamp
		2	3, 7	L	12, 15, 16				Dome Lamp
5									BRACKET
	05124594AA	1	2, 6	L	11, 12, 14, 15, 16				
		1	2, 6	L	51, 52, 54, 55, 56				
		1	3, 7	L	12, 15, 16				
6									RIVET, M4.8
	05133934AA	4	2, 6	L	11, 12, 14, 15, 16				

SPRINTER (VA)

SERIES	LINE	BODY	ENGINE	TRANSMISSION
L = LOWLINE	3 = HD DODGE 2WD 6 = Lt. Duty DODGE 4WD 2 = Med. Duty DODGE 2WD 7 = Med. Duty DODGE 4WD	55 = Wagon 140" 54 = Wagon 118" 52 = Wagon 140" 51 = Wagon 118" 12 = Van 140" 11 = Van 118" 06 = Front Section 158" 14 = Van 118" 15 = Van 140" 16 = Van 158" 56 = Wagon 158" 01 = Chassis Forward Control 118" 02 = Chassis Forward Control 140"	EX8 = Engine-2.7L I5 Mercedes Turbo Diesel	DGJ = Transmission-5-Spd. Automatic, W5A580

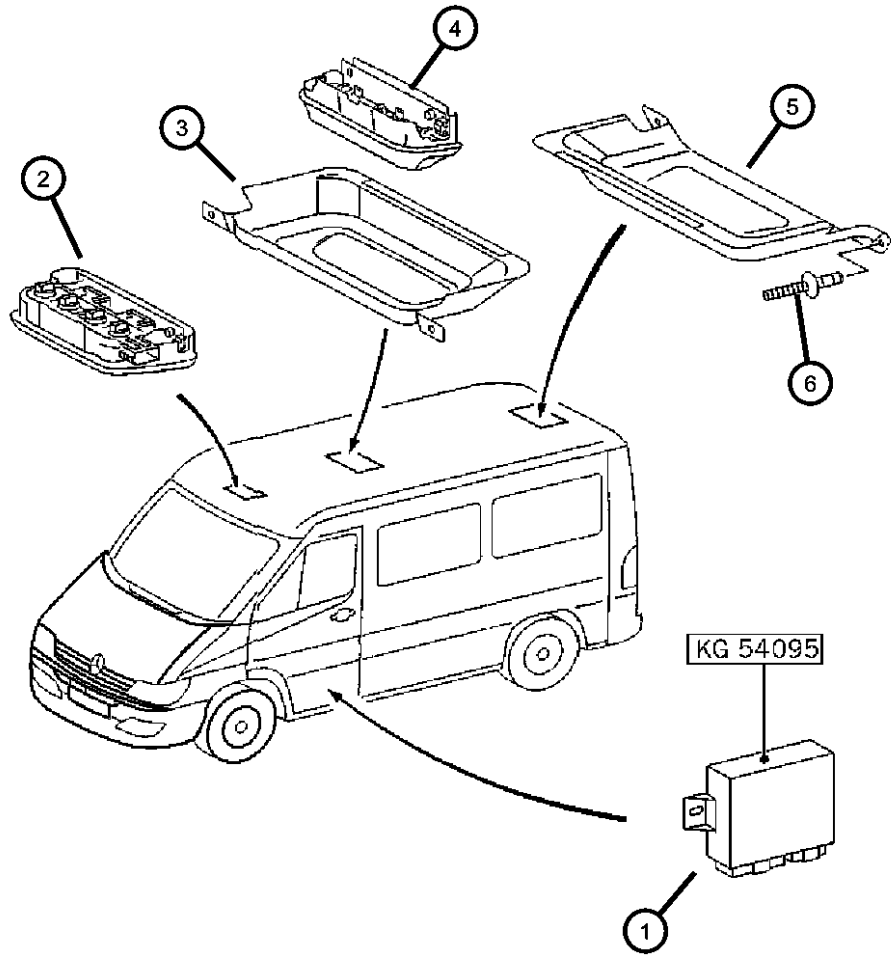
AR = use ase required - = Non illustrated part

2004 VA

Lamps Interior Passenger Van
Figure 8-1120

ITEM	PART NUMBER	QTY	LINE	SERIES	BODY	ENGINE	TRANS	TRIM	DESCRIPTION
------	-------------	-----	------	--------	------	--------	-------	------	-------------

		4	2, 6	L	51, 52, 54, 55, 56				
		4	3, 7	L	12, 15, 16				

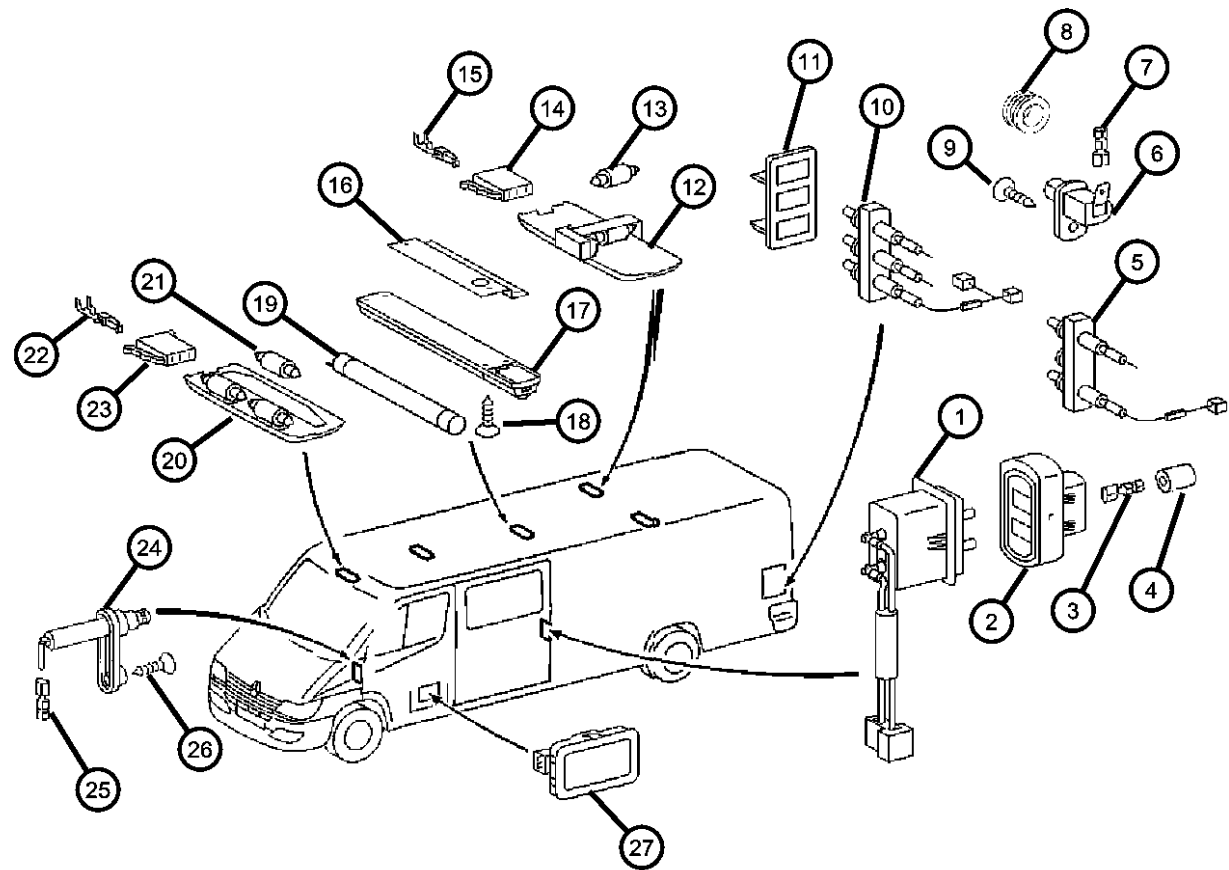


SPRINTER (VA)

SERIES	LINE	BODY	ENGINE	TRANSMISSION
L = LOWLINE	3 = HD DODGE 2WD 6 = Lt. Duty DODGE 4WD 2 = Med. Duty DODGE 2WD 7 = Med. Duty DODGE 4WD	55 = Wagon 140" 54 = Wagon 118" 52 = Wagon 140" 51 = Wagon 118" 12 = Van 140" 11 = Van 118" 06 = Front Section 158" 14 = Van 118" 15 = Van 140" 16 = Van 158" 56 = Wagon 158" 01 = Chassis Forward Control 118" 02 = Chassis Forward Control 140"	EX8 = Engine-2.7L I5 Mercedes Turbo Diesel	DGJ = Transmission-5-Spd. Automatic,W5A580

AR = use ase required - = Non illustrated part

Lamps Interior Cargo Van
Figure 8-1125



ITEM	PART NUMBER	QTY	LINE	SERIES	BODY	ENGINE	TRANS	TRIM	DESCRIPTION
1	05104463AA	2	2, 6	L	51, 52, 54, 55, 56				CONTACT, Power Door Lock
		2	3, 7	L	12, 15, 16				
		2	2, 6	L	11, 12, 14, 15, 16				
2	05104461AA	4	2, 6	L	11, 12, 14, 15, 16				CONTACT, Power Door Lock
		2	2, 6	L	51, 52, 54, 55, 56				
		2	3, 7	L	12, 15, 16				
3	05114451AA	99	2, 6	L	11, 12, 14, 15, 16				TERMINAL, Female
		99	2, 6	L	51, 52, 54, 55, 56				
		99	3, 7	L	12, 15, 16				
4	05133968AA	99	2, 6	L	11, 12, 14, 15, 16				GROMMET
		99	2, 6	L	56, 51, 52, 54, 55				
		99	3, 7	L	12, 15, 16				
5	05104016AA	1	2, 6	L	11, 12, 14, 15, 16				CONTACT, Power Door Lock
		1	3, 7	L	12, 15, 16				
		1	2, 6	L	51, 52, 54, 55, 56				
6	05103678AA	1	2, 6	L	11, 12, 14, 15, 16				CONTACTOR, REAR PANEL DOOR, SPRINTER
		1	2, 6	L	51, 52, 54, 55, 56				

SPRINTER (VA)

SERIES

L = LOWLINE

LINE

3 = HD DODGE 2WD
6 = Lt. Duty DODGE 4WD
2 = Med. Duty DODGE 2WD
7 = Med. Duty DODGE 4WD

BODY

55 = Wagon 140"
54 = Wagon 118"
52 = Wagon 140"
51 = Wagon 118"
12 = Van 140"
11 = Van 118"
06 = Front Section 158"
14 = Van 118"
15 = Van 140"
16 = Van 158"
56 = Wagon 158"
01 = Chassis Forward Control
118"
02 = Chassis Forward Control
140"

ENGINE

EX8 = Engine-2.7L I5
Mercedes Turbo Diesel

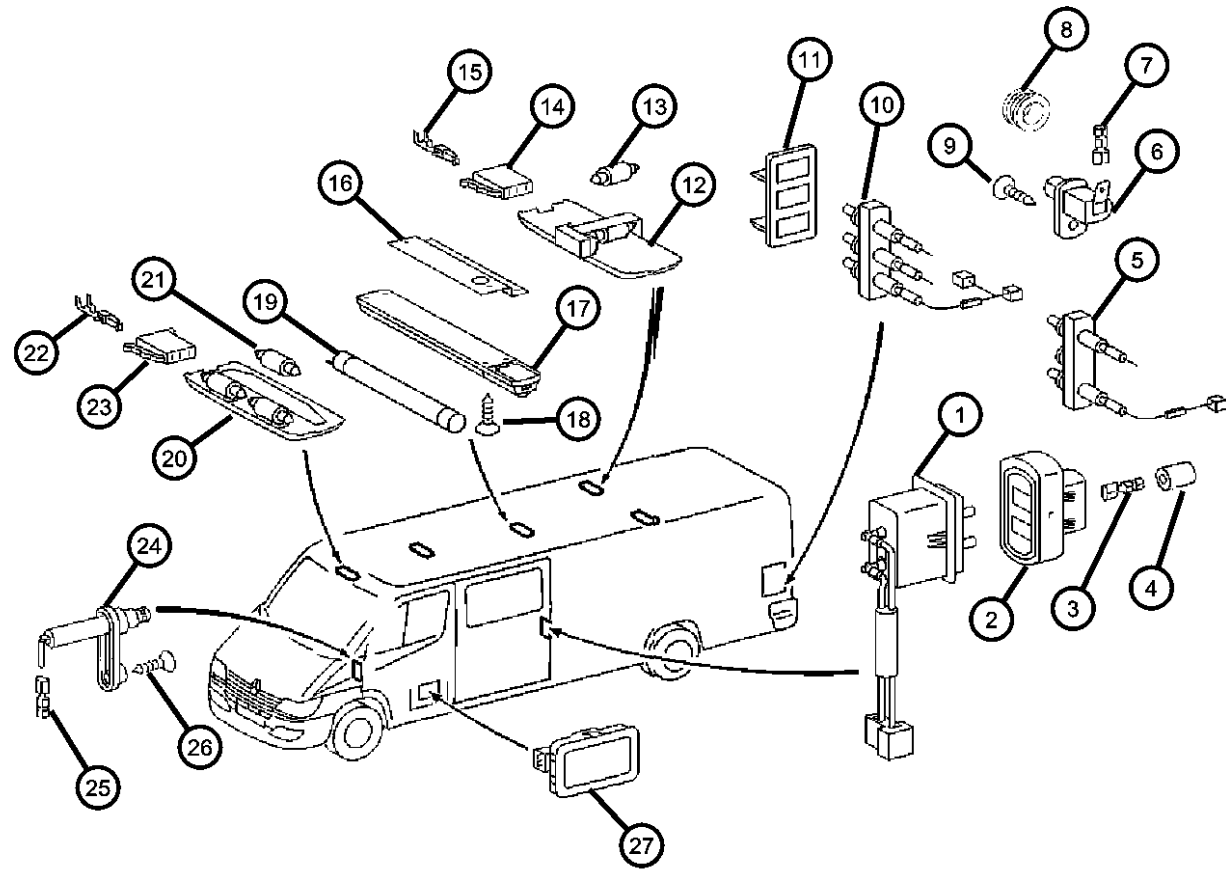
TRANSMISSION

DGJ = Transmission-5-Spd.
Automatic,W5A580

AR = use ase required - = Non illustrated part

2004 VA

Lamps Interior Cargo Van
Figure 8-1125



ITEM	PART NUMBER	QTY	LINE	SERIES	BODY	ENGINE	TRANS	TRIM	DESCRIPTION
7		1	3, 7	L	12, 15, 16				TERMINAL, Female
	05133359AA	99	2, 6	L	11, 12, 14, 15, 16				
		99	2, 6	L	51, 52, 54, 55, 56				
		99	3, 7	L	12, 15, 16				
8		1	2, 6	L	11, 12, 14, 15, 16				GROMMET
	05125931AA	1	2, 6	L	51, 52, 54, 55, 56				
		2	3, 7	L	12, 15, 16				
9		1	2, 6	L	11, 12, 14, 15, 16				SCREW
	05126106AA	1	2, 6	L	51, 52, 54, 55, 56				
		1	3, 7	L	12, 15, 16				
10		3	2, 6	L	11, 12, 14, 15, 16				CONTACTOR, HEATED REAR WINDOW PANE, SPRINTER
	05104015AA	3	2, 6	L	52, 54, 55, 56, 51				
		3	3, 7	L	12, 15, 16				
11		1	2, 6	L	11, 12, 14, 15, 16				CONTACT, Power Door Lock 3 contact
	05124466AA	1	2, 6	L	51, 52, 54, 55, 56				3 contact
		1	2, 6	L	11, 12, 14, 15, 16				2 contact
	05104465AA	1	6, 2	L	51, 52, 54, 55, 56				2 contact

SPRINTER (VA)

SERIES

L = LOWLINE

LINE

3 = HD DODGE 2WD
6 = Lt. Duty DODGE 4WD
2 = Med. Duty DODGE 2WD
7 = Med. Duty DODGE 4WD

BODY

55 = Wagon 140"
54 = Wagon 118"
52 = Wagon 140"
51 = Wagon 118"
12 = Van 140"
11 = Van 118"
06 = Front Section 158"
14 = Van 118"
15 = Van 140"
16 = Van 158"
56 = Wagon 158"
01 = Chassis Forward Control 118"
02 = Chassis Forward Control 140"

ENGINE

EX8 = Engine-2.7L I5
Mercedes Turbo Diesel

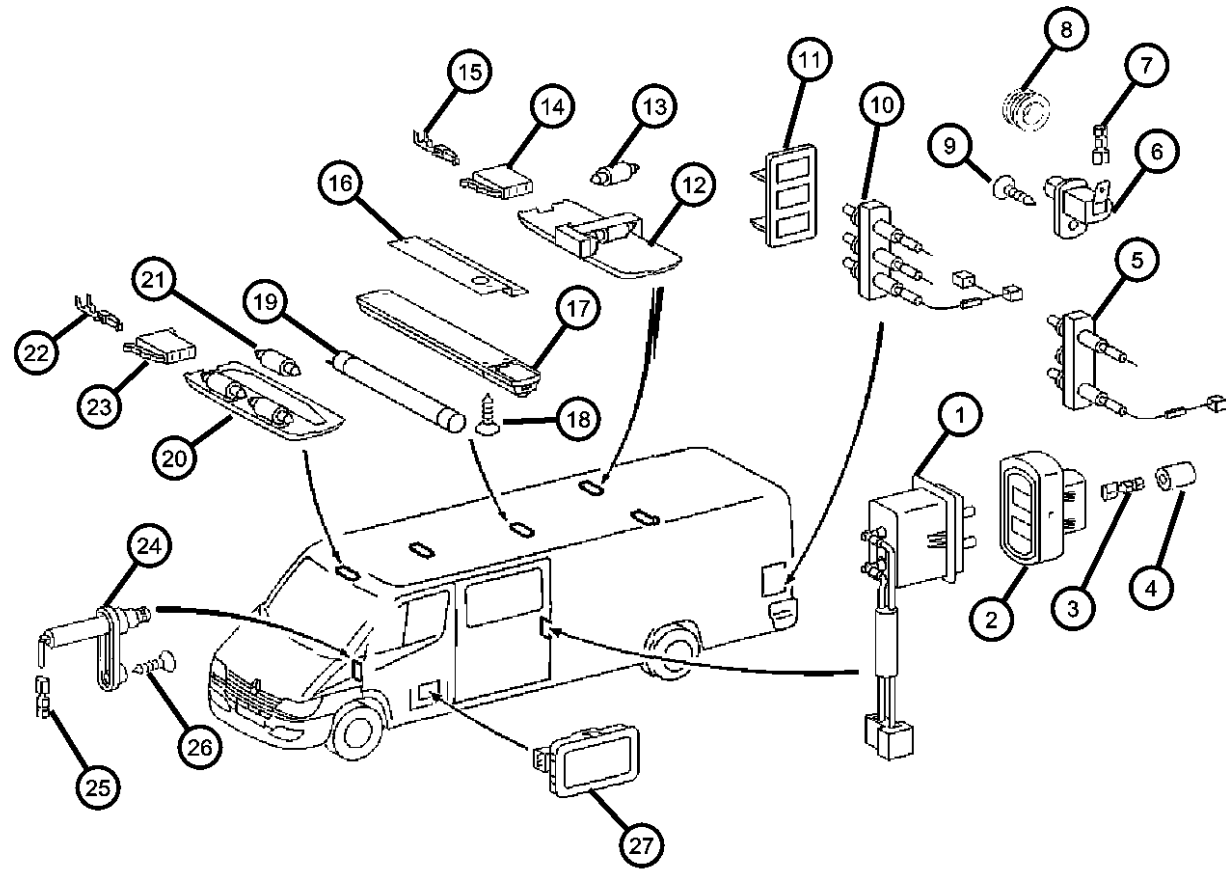
TRANSMISSION

DGJ = Transmission-5-Spd. Automatic, W5A580

AR = use ase required - = Non illustrated part

2004 VA

Lamps Interior Cargo Van
Figure 8-1125



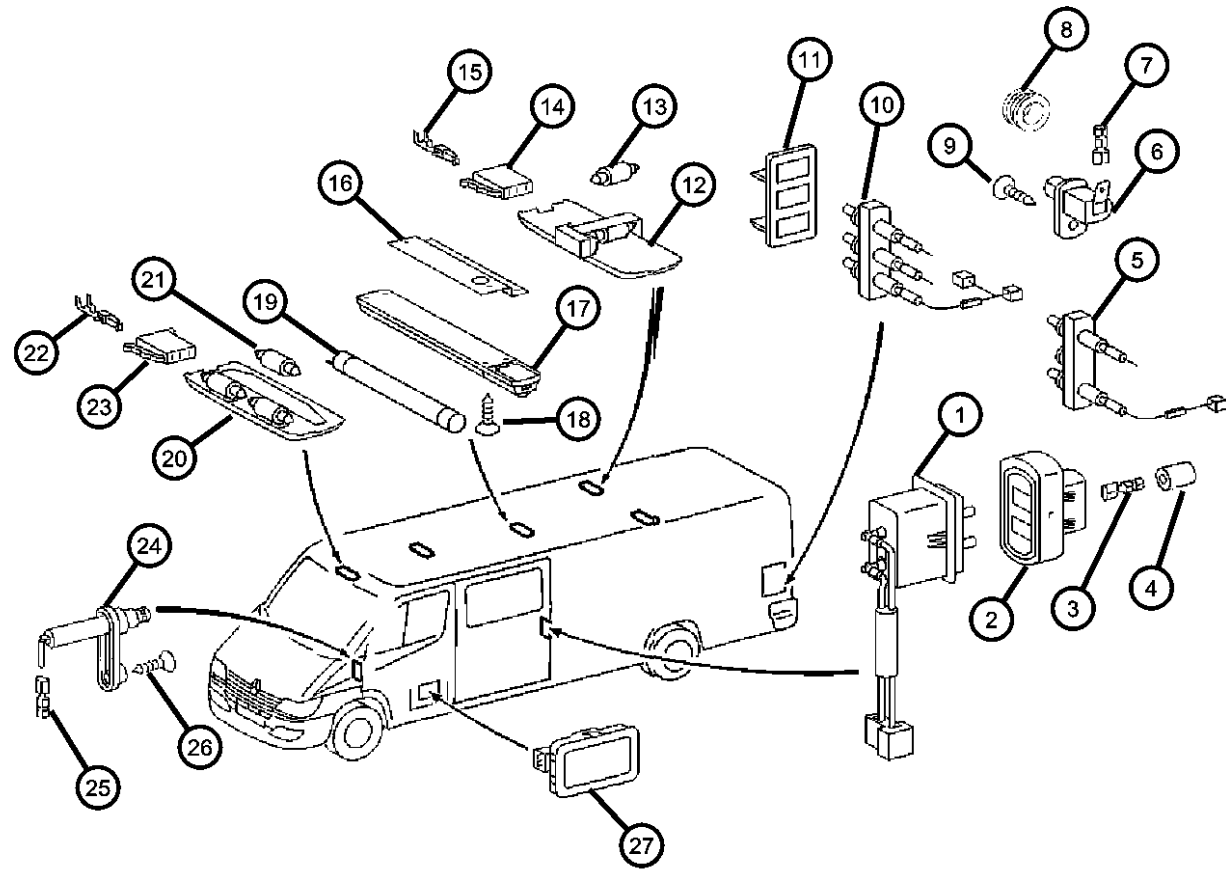
ITEM	PART NUMBER	QTY	LINE	SERIES	BODY	ENGINE	TRANS	TRIM	DESCRIPTION
		1	3, 7	L	12, 15, 16				2 contact
		1	3, 7	L	12, 15, 16				3 contact
12									LAMP, Cargo
	05104459AA	3	3, 7	L	12, 15, 16				
		1	2, 6	L	11, 12, 14, 15, 16				
		1	2, 6	L	51, 52, 54, 55, 56				
13									BULB
	05104645AA	1	2, 6	L	51, 52, 54, 55, 56				
		1	2, 6	L	11, 12, 14, 15, 16				
		3	3, 7	L	12, 15, 16				
14									CONNECTOR
	05120545AA	1	2, 6	L	11, 12, 14, 15, 16				
		1	2, 6	L	51, 52, 54, 55, 56				
		1	3, 7	L	12, 15, 16				
15									TERMINAL
	05103881AA	1	2, 6	L	11, 12, 14, 15, 16				
		1	2, 6	L	51, 52, 54, 55, 56				
		1	3, 7	L	12, 15, 16				
16	05121426AA	1	3, 7	L	12, 15, 16				BRACKET
17									INTERIOR LAMP, NONE, SPRINTER
	05103764AA	1	2, 6	L	11, 12, 14, 15, 16				
		1	3, 7	L	12, 15, 16				
18									SCREW

SPRINTER (VA)

SERIES	LINE	BODY	ENGINE	TRANSMISSION
L = LOWLINE	3 = HD DODGE 2WD 6 = Lt. Duty DODGE 4WD 2 = Med. Duty DODGE 2WD 7 = Med. Duty DODGE 4WD	55 = Wagon 140" 54 = Wagon 118" 52 = Wagon 140" 51 = Wagon 118" 12 = Van 140" 11 = Van 118" 06 = Front Section 158" 14 = Van 118" 15 = Van 140" 16 = Van 158" 56 = Wagon 158"	EX8 = Engine-2.7L I5 Mercedes Turbo Diesel	DGJ = Transmission-5-Spd. Automatic, W5A580
		01 = Chassis Forward Control 118" 02 = Chassis Forward Control 140"		

AR = use ase required - = Non illustrated part

Lamps Interior Cargo Van
Figure 8-1125



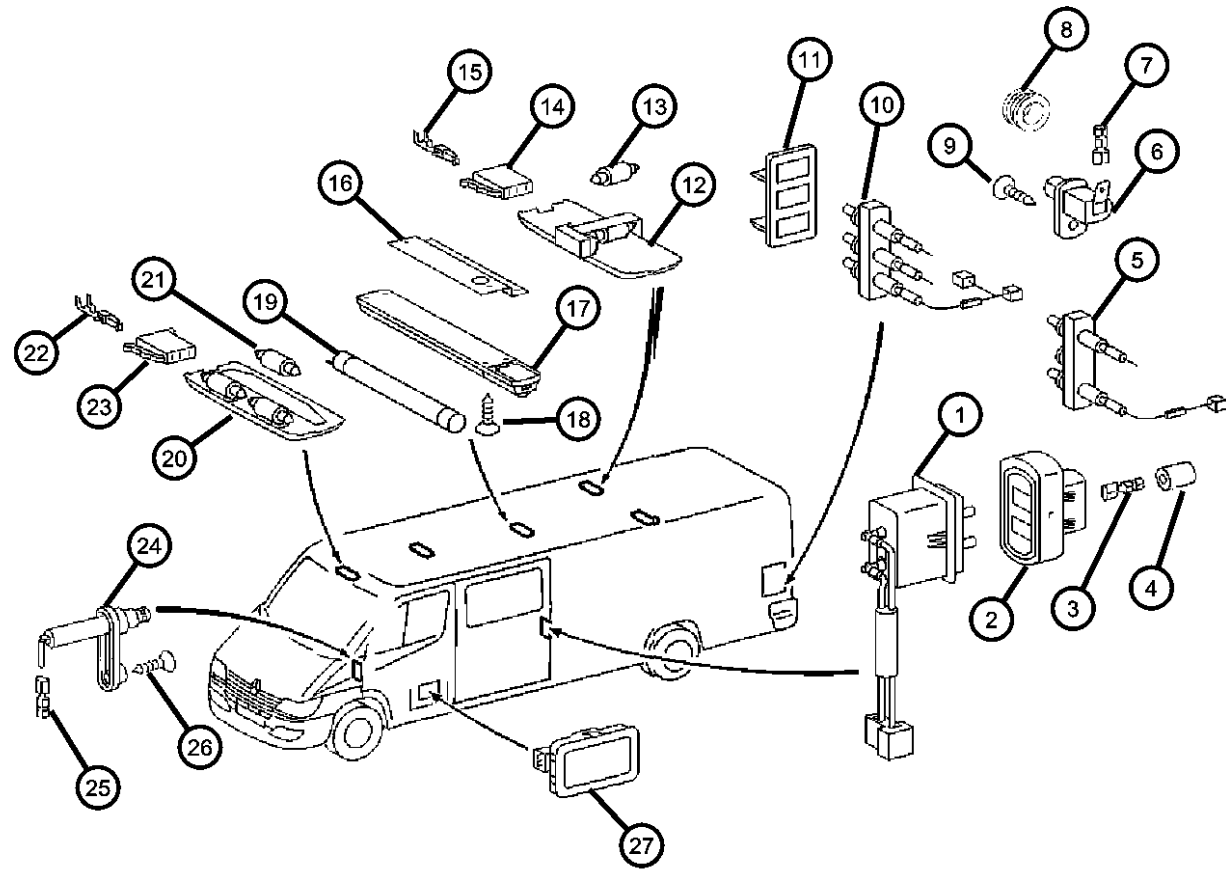
ITEM	PART NUMBER	QTY	LINE	SERIES	BODY	ENGINE	TRANS	TRIM	DESCRIPTION
	06104527AA	4	2, 6	L	11, 12, 14, 15, 16				
		9	3, 7	L	12, 15, 16				
19	05133563AA	1	2, 6	L	11, 12, 14, 15, 16				LAMP, Glove Box
		99	3, 7	L	12, 15, 16				
20	05133561AA	1	2, 6	L	01, 02, 06				LAMP, Dome [LBG]
		1	2, 6	L	11, 12, 14, 15, 16				[LBG]
		1	2, 6	L	51, 52, 54, 55, 56				[LBG]
		1	3, 7	L	02, 06				[LBG]
		1	3, 7	L	12, 15, 16				[LBG]
21	05096967AA	2	2, 6	L	01, 02, 06				BULB, 12V 10W
		2	2, 6	L	11, 12, 14, 15, 16				
		2	2, 6	L	51, 52, 54, 55, 56				
		2	3, 7	L	02, 06				
		2	3, 7	L	12, 15, 16				
22	05103882AA	1	2, 6	L	51, 52, 54, 55, 56				TERMINAL
		1	3, 7	L	12, 15, 16				
		1	2, 6	L	11, 12, 14, 15, 16				
23	05120545AA	1	2, 6	L	11, 12, 14, 15, 16				CONNECTOR

SPRINTER (VA)

SERIES	LINE	BODY	ENGINE	TRANSMISSION
L = LOWLINE	3 = HD DODGE 2WD 6 = Lt. Duty DODGE 4WD 2 = Med. Duty DODGE 2WD 7 = Med. Duty DODGE 4WD	55 = Wagon 140" 54 = Wagon 118" 52 = Wagon 140" 51 = Wagon 118" 12 = Van 140" 11 = Van 118" 06 = Front Section 158" 14 = Van 118" 15 = Van 140" 16 = Van 158" 56 = Wagon 158"	EX8 = Engine-2.7L I5 Mercedes Turbo Diesel	DGJ = Transmission-5-Spd. Automatic, W5A580
		01 = Chassis Forward Control 118" 02 = Chassis Forward Control 140"		

AR = use ase required - = Non illustrated part

Lamps Interior Cargo Van
Figure 8-1125



ITEM	PART NUMBER	QTY	LINE	SERIES	BODY	ENGINE	TRANS	TRIM	DESCRIPTION
		1	2, 6	L	51, 52, 54, 55, 56				
		1	3, 7	L	12, 15, 16				
24	05103861AA	2	2, 6	L	01, 02, 06				SWITCH, Door Ajar
		1	2, 6	L	11, 12, 14, 15, 16				
		1	2, 6	L	51, 52, 54, 55, 56				
		1	3, 7	L	12, 15, 16				
25	05133359AA	99	2, 6	L	11, 12, 14, 15, 16				TERMINAL, Female
		99	2, 6	L	51, 52, 54, 55, 56				
		99	3, 7	L	12, 15, 16				
26	05126106AA	2	2, 6	L	11, 12, 14, 15, 16				SCREW
		2	2, 6	L	51, 52, 54, 55, 56				
		1	3, 7	L	12, 15, 16				
27	05103765AA	1	2, 6	L	11, 12, 14, 15, 16				LAMP, Courtesy
		1	2, 6	L	51, 52, 54, 55, 56				
		1	3, 7	L	12, 15, 16				

SPRINTER (VA)

SERIES

L = LOWLINE

LINE

3 = HD DODGE 2WD
6 = Lt. Duty DODGE 4WD
2 = Med. Duty DODGE 2WD
7 = Med. Duty DODGE 4WD

BODY

55 = Wagon 140"
54 = Wagon 118"
52 = Wagon 140"
51 = Wagon 118"
12 = Van 140"
11 = Van 118"
06 = Front Section 158"
14 = Van 118"
15 = Van 140"
16 = Van 158"
56 = Wagon 158"
01 = Chassis Forward Control 118"
02 = Chassis Forward Control 140"

ENGINE

EX8 = Engine-2.7L I5
Mercedes Turbo Diesel

TRANSMISSION

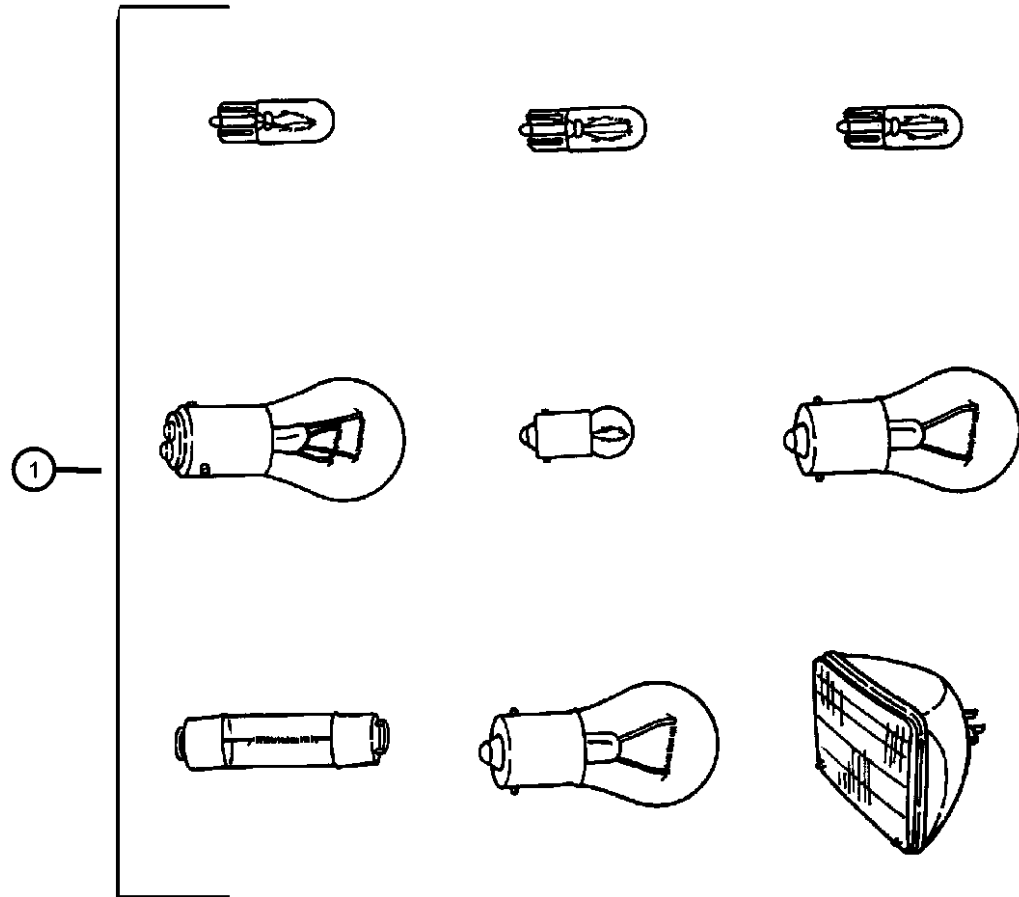
DGJ = Transmission-5-Spd. Automatic, W5A580

AR = use ase required - = Non illustrated part

2004 VA

Lamp - Bulbs
Figure 8-1130

ITEM	PART NUMBER	QTY	LINE	SERIES	BODY	ENGINE	TRANS	TRIM	DESCRIPTION
1	05126194AA	2	2, 6	L	01, 02, 06				BULB
		2	2, 6	L	11, 12, 14, 15, 16				
		2	2, 6	L	51, 52, 54, 55, 56				
		2	3, 7	L	12, 15, 16				
-2	05104646AA	4	2, 6	L	11, 12, 14, 15, 16				BULB
		4	2, 6	L	51, 52, 54, 55, 56				
		4	3, 7	L	12, 15, 16				
-3	05104684AA	2	2, 6	L	51, 52, 54, 55, 56				BULB, Headlamp, H-7
		2	3, 7	L	12, 15, 16				
		2	2, 6	L	11, 12, 14, 15, 16				
-4	05104682AA	99	2, 6	L	11, 12, 14, 15, 16				BULB, Fog Lamp, 12V 55W
		99	2, 6	L	56, 51, 52, 54, 55				
		99	3, 7	L	12, 15, 16				
-5	05104648AA	2	2, 6	L	11, 12, 14, 15, 16				BULB, 12V 5W
		2	2, 6	L	55, 56, 51, 52, 54				
		2	3, 7	L	12, 15, 16				
		2	2, 6	L	01, 02, 06				
-6	05104649AA	6	2, 6	L	01, 02, 06				BULB



SPRINTER (VA)

SERIES

L = LOWLINE

LINE

3 = HD DODGE 2WD
6 = Lt. Duty DODGE 4WD
2 = Med. Duty DODGE 2WD
7 = Med. Duty DODGE 4WD

BODY

55 = Wagon 140"
54 = Wagon 118"
52 = Wagon 140"
51 = Wagon 118"
12 = Van 140"
11 = Van 118"
06 = Front Section 158"
14 = Van 118"
15 = Van 140"
16 = Van 158"
56 = Wagon 158"
01 = Chassis Forward Control 118"
02 = Chassis Forward Control 140"

ENGINE

EX8 = Engine-2.7L I5
Mercedes Turbo Diesel

TRANSMISSION

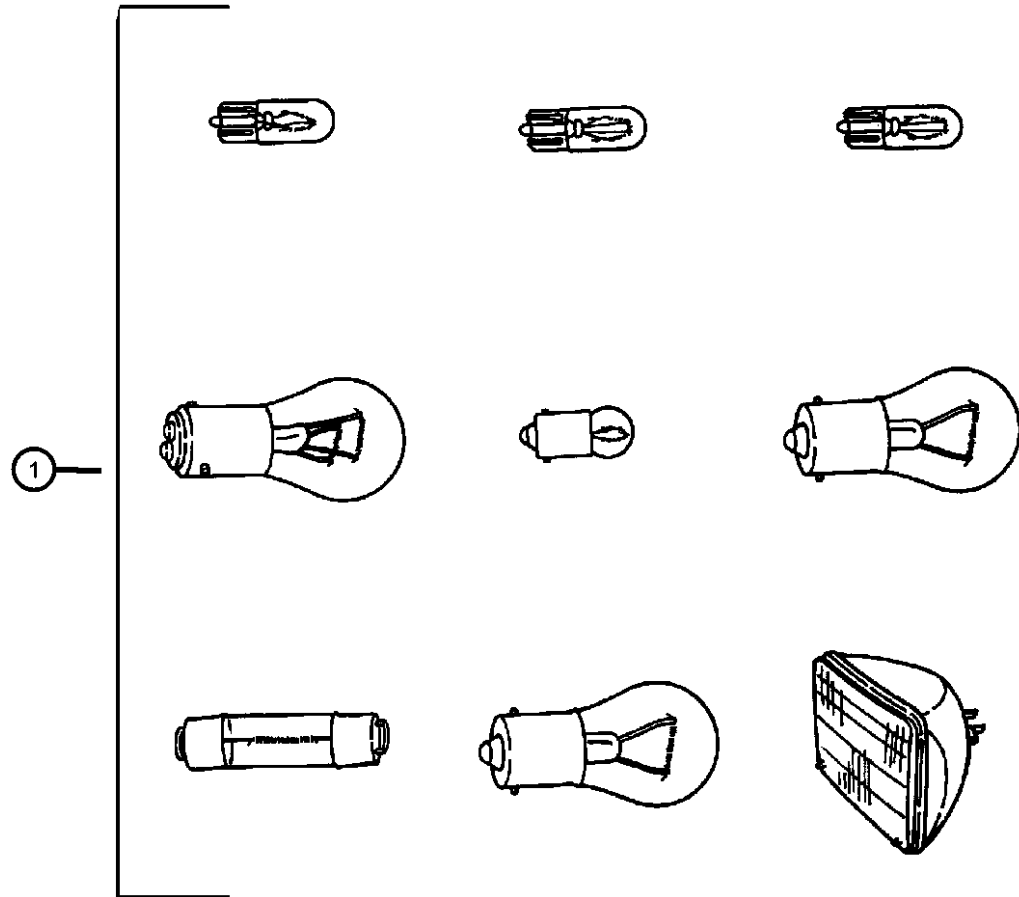
DGJ = Transmission-5-Spd. Automatic, W5A580

AR = use ase required - = Non illustrated part

2004 VA

Lamp - Bulbs
Figure 8-1130

ITEM	PART NUMBER	QTY	LINE	SERIES	BODY	ENGINE	TRANS	TRIM	DESCRIPTION
------	-------------	-----	------	--------	------	--------	-------	------	-------------



		2	2, 6	L	11, 12, 14, 15, 16				
		2	2, 6	L	51, 52, 54, 55, 56				
		2	3, 7	L	12, 15, 16				
-7	05096968AA	2	2, 6	L	11, 12, 14, 15, 16				BULB, 12V 5W License Plate Lamp
		2	2, 6	L	51, 52, 54, 55, 56				License Plate Lamp
		2	3, 7	L	12, 15, 16				License Plate Lamp
-8	05104645AA	3	2, 6	L	12, 15, 16				BULB
		3	2, 6	L	52, 55, 56				
		2	2, 6	L	11, 12, 14, 15, 16				
-9	05175563AB	1	2, 6	L	51, 52, 54, 55, 56				BULB KIT, CONTENTS 1 PC EACH 64210 LONGLIFE H7 L0000000H7 64150 LONGLIFE H1 05104682AA 7507 PY21W 05104662AA 2825 W5W 05104608AA
-10	05104647AA	2	2, 6	L	15, 16, 11, 12, 14				BULB, TAIL LAMP
		2	2, 6	L	51, 52, 54, 55, 56				
		2	3, 7	L	12, 15, 16				

SPRINTER (VA)

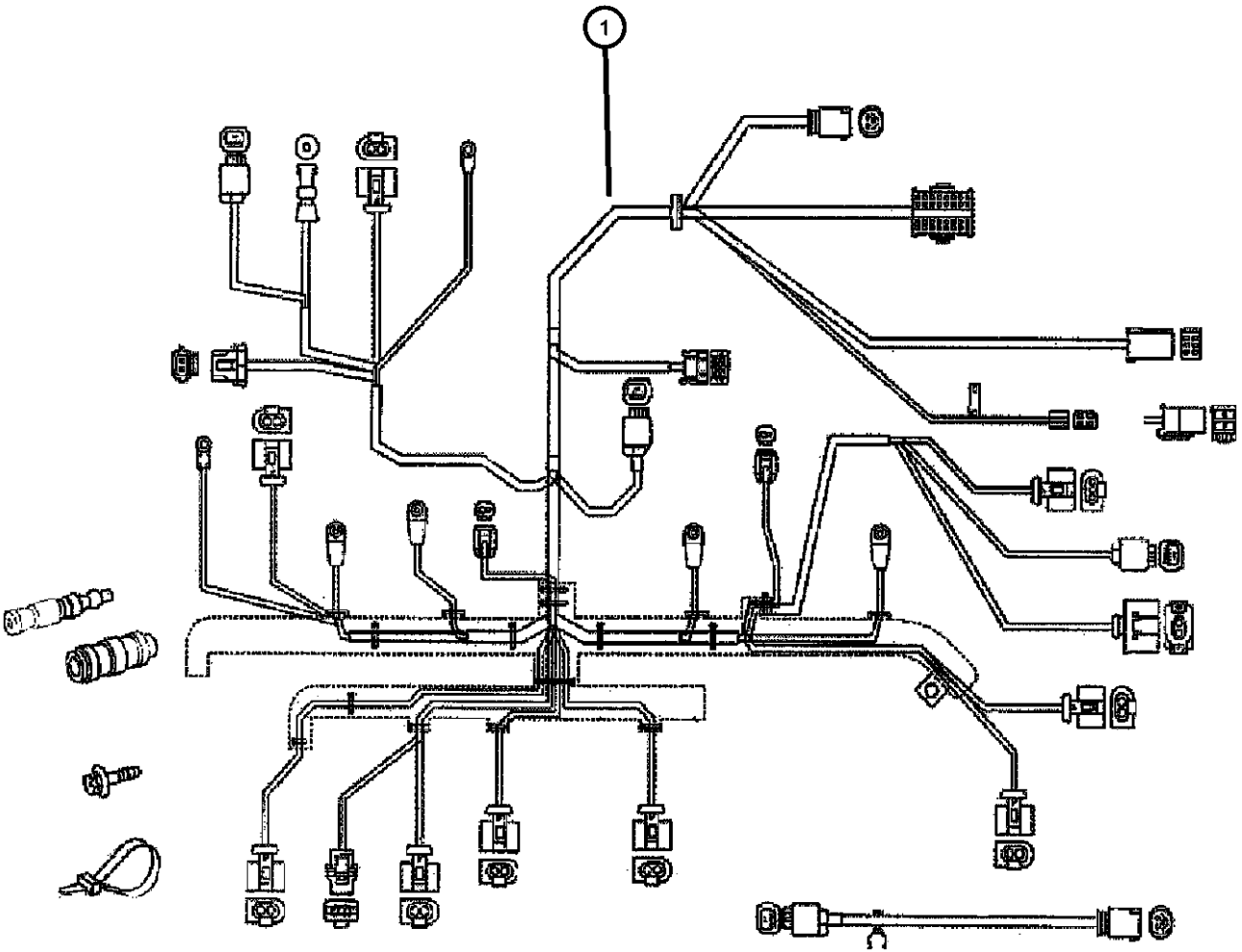
SERIES	LINE	BODY	ENGINE	TRANSMISSION
L = LOWLINE	3 = HD DODGE 2WD 6 = Lt. Duty DODGE 4WD 2 = Med. Duty DODGE 2WD 7 = Med. Duty DODGE 4WD	55 = Wagon 140" 54 = Wagon 118" 52 = Wagon 140" 51 = Wagon 118" 12 = Van 140" 11 = Van 118" 06 = Front Section 158" 14 = Van 118" 15 = Van 140" 16 = Van 158" 56 = Wagon 158" 01 = Chassis Forward Control 118" 02 = Chassis Forward Control 140"	EX8 = Engine-2.7L I5 Mercedes Turbo Diesel	DGJ = Transmission-5-Spd. Automatic,W5A580

AR = use ase required - = Non illustrated part

2004 VA

Wiring - Engine
Figure 8-1210

ITEM	PART NUMBER	QTY	LINE	SERIES	BODY	ENGINE	TRANS	TRIM	DESCRIPTION
1									WIRING, Engine
	05120170AA	1	2, 6	L	11, 12, 14, 15, 16	EX8, EX9			
		1	2, 6	L	51, 52, 54, 55, 56	EX8, EX9			
		1	3, 7	L	02, 06	EX8, EX9			
		1	3, 7	L	12, 15, 16	EX8, EX9			
	05135872AA	1		L		EX9			
	05120167AA	1		L		EX8			
		1	2, 6	L	01, 02, 06	EX8, EX9			
-2	05135839AA	1		L					CONNECTOR
-3									TERMINAL
	05103881AA	1	2, 6	L	11, 12, 14, 15, 16				Contact Spring [1.5-2.5 MM]
		1	3, 7	L	12, 15, 16				Contact Spring [1.5-2.5 MM]
		1	2, 6	L	51, 52, 54, 55, 56				Contact Spring [1.5-2.5 MM]
-4									CONNECTOR, Wiring
	05133396AA	1	2, 6	L	11, 12, 14, 15, 16				Engine Harness To Chasis Harness
		1	2, 6	L	51, 52, 54, 55, 56				Engine Harness To Chasis Harness
		1	3, 7	L	12, 15, 16				Engine Harness To Chasis Harness
-5									CONNECTOR
	05103753AA	1	2, 6	L	01, 02, 06				
		1	2, 6	L	11, 12, 14, 15, 16				Engine Harness To Chasis Harness
		1	2, 6	L	51, 52, 54, 55, 56				Engine Harness To Chasis Harness
		1	3, 7	L	12, 15, 16				Engine Harness To Chasis Harness
-6									TERMINAL, Female
	05114451AA	2	2, 6	L	11, 12, 14, 15, 16				Engine Harness To Frame Harness [.5-2.5 MM]



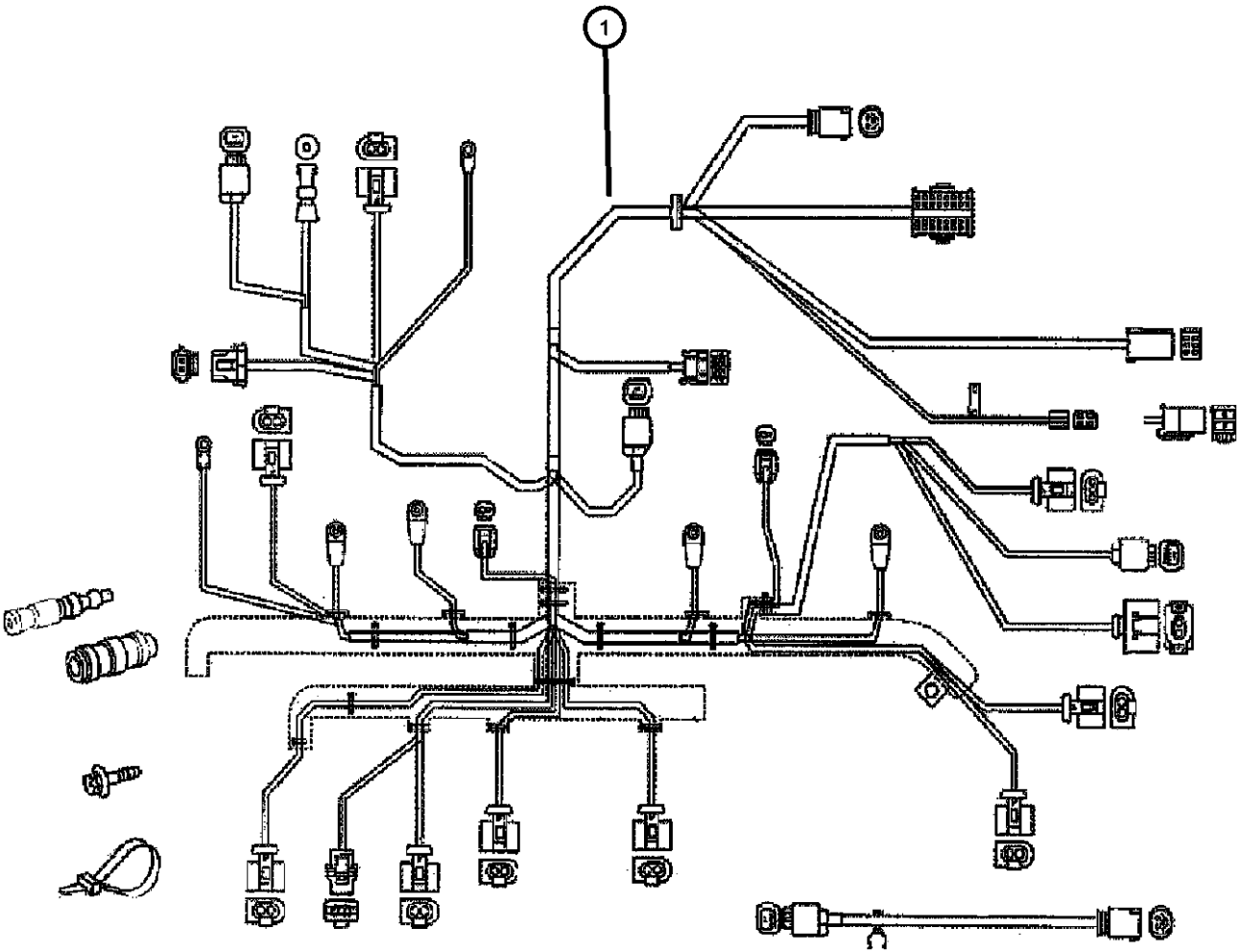
SPRINTER (VA)

SERIES	LINE	BODY	ENGINE	TRANSMISSION
L = LOWLINE	3 = HD DODGE 2WD 6 = Lt. Duty DODGE 4WD 2 = Med. Duty DODGE 2WD 7 = Med. Duty DODGE 4WD	55 = Wagon 140" 54 = Wagon 118" 52 = Wagon 140" 51 = Wagon 118" 12 = Van 140" 11 = Van 118" 06 = Front Section 158" 14 = Van 118" 15 = Van 140" 16 = Van 158" 56 = Wagon 158"	EX8 = Engine-2.7L I5 Mercedes Turbo Diesel	DGJ = Transmission-5-Spd. Automatic, W5A580
		01 = Chassis Forward Control 118" 02 = Chassis Forward Control 140"		

AR = use ase required - = Non illustrated part

Wiring - Engine
Figure 8-1210

ITEM	PART NUMBER	QTY	LINE	SERIES	BODY	ENGINE	TRANS	TRIM	DESCRIPTION
		2	2, 6	L	51, 52, 54, 55, 56				Engine Harness To Frame Harness [.5-2.5 MM]
		2	3, 7	L	12, 15, 16				Engine Harness To Frame Harness [.5-2.5 MM]
-7	05135838AA	1		L					INSULATOR

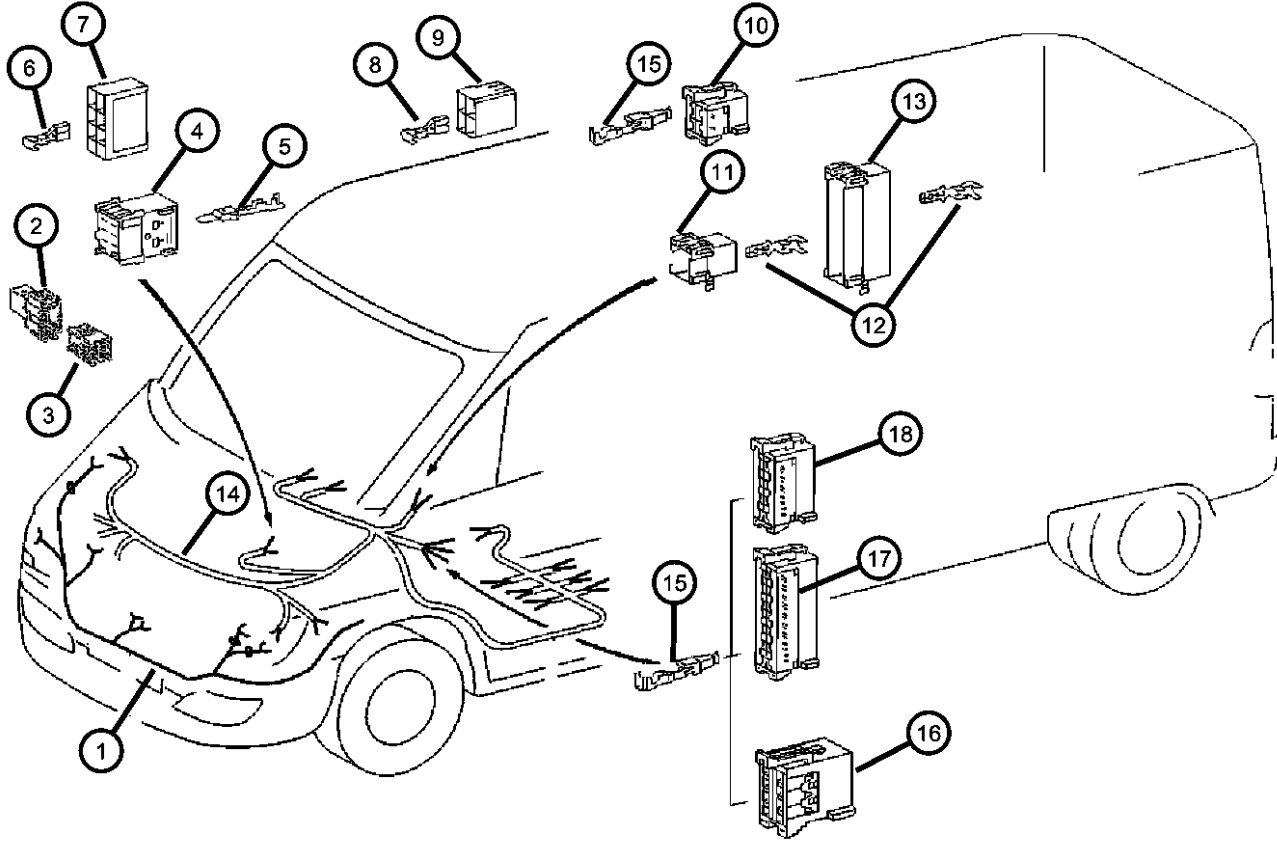


SPRINTER (VA)

SERIES	LINE	BODY	ENGINE	TRANSMISSION
L = LOWLINE	3 = HD DODGE 2WD 6 = Lt. Duty DODGE 4WD 2 = Med. Duty DODGE 2WD 7 = Med. Duty DODGE 4WD	55 = Wagon 140" 54 = Wagon 118" 52 = Wagon 140" 51 = Wagon 118" 12 = Van 140" 11 = Van 118" 06 = Front Section 158" 14 = Van 118" 15 = Van 140" 16 = Van 158" 56 = Wagon 158"	EX8 = Engine-2.7L I5 Mercedes Turbo Diesel	DGJ = Transmission-5-Spd. Automatic,W5A580
		01 = Chassis Forward Control 118" 02 = Chassis Forward Control 140"		

AR = use ase required - = Non illustrated part

Wiring - Headlamp & Dash
Figure 8-1305



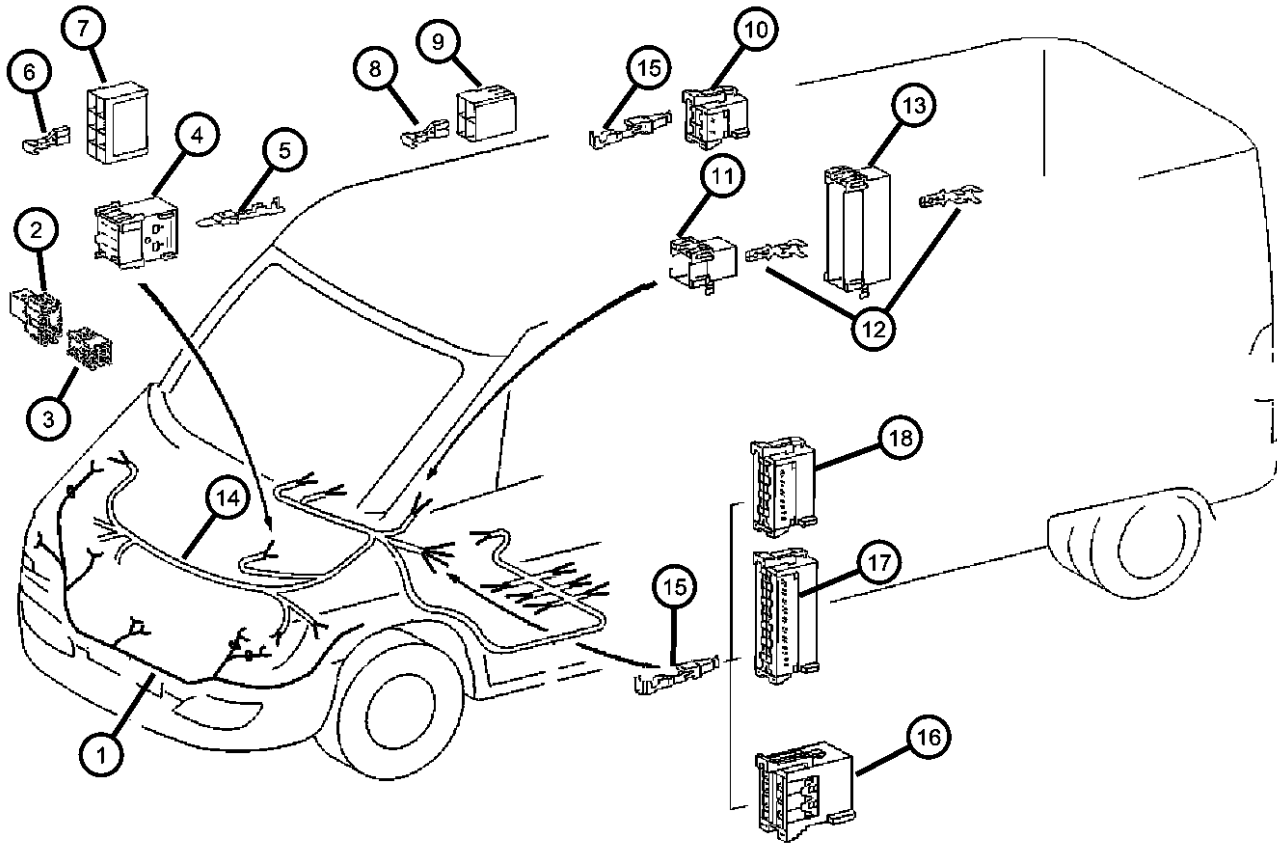
ITEM	PART NUMBER	QTY	LINE	SERIES	BODY	ENGINE	TRANS	TRIM	DESCRIPTION
1	05133398AA	1	2, 6	L	01, 02, 06				WIRING, Headlamp
		1	2, 6	L	11, 12, 14, 15, 16				
		1	2, 6	L	51, 52, 54, 55, 56				
		1	3, 7	L	12, 15, 16				
2	05133397AA	1	2, 6	L	01, 02, 06				INSULATOR, 4 Way Male
		1	2, 6	L	11, 12, 14, 15, 16				
		1	2, 6	L	51, 52, 54, 55, 56				
		1	3, 7	L	12, 15, 16				
3	05133396AA	1	2, 6	L	01, 02, 06				CONNECTOR, Wiring
		1	2, 6	L	11, 12, 14, 15, 16				
		1	2, 6	L	51, 52, 54, 55, 56				
		1	3, 7	L	12, 15, 16				
4	05133327AA	1	2, 6	L	01, 02, 06				INSULATOR, 6 Way Male
		1	2, 6	L	11, 12, 14, 15, 16				
		1	2, 6	L	51, 52, 54, 55, 56				
		1	3, 7	L	12, 15, 16				
5	05103909AA	1	2, 6	L	01, 02, 06				TERMINAL, Male
		1	2, 6	L	11, 12, 14, 15, 16				
		1	2, 6	L	51, 52, 54, 55, 56				

SPRINTER (VA)

SERIES	LINE	BODY	ENGINE	TRANSMISSION
L = LOWLINE	3 = HD DODGE 2WD 6 = Lt. Duty DODGE 4WD 2 = Med. Duty DODGE 2WD 7 = Med. Duty DODGE 4WD	55 = Wagon 140" 54 = Wagon 118" 52 = Wagon 140" 51 = Wagon 118" 12 = Van 140" 11 = Van 118" 06 = Front Section 158" 14 = Van 118" 15 = Van 140" 16 = Van 158" 56 = Wagon 158"	EX8 = Engine-2.7L I5 Mercedes Turbo Diesel	DGJ = Transmission-5-Spd. Automatic, W5A580
		01 = Chassis Forward Control 118" 02 = Chassis Forward Control 140"		

AR = use ase required - = Non illustrated part

Wiring - Headlamp & Dash
Figure 8-1305



ITEM	PART NUMBER	QTY	LINE	SERIES	BODY	ENGINE	TRANS	TRIM	DESCRIPTION
6		1	3, 7	L	12, 15, 16				TERMINAL, Female
	05133359AA	1	2, 6	L	01, 02, 06				
		99	2, 6	L	11, 12, 14, 15, 16				
		99	2, 6	L	51, 52, 54, 55, 56				
		99	3, 7	L	12, 15, 16				
7									CONNECTOR
	05103752AA	1	2, 6	L	01, 02, 06				
		1	2, 6	L	11, 12, 14, 15, 16				
		1	2, 6	L	51, 52, 54, 55, 56				
		1	3, 7	L	12, 15, 16				
8									TERMINAL, Female
	05133360AA	1	2, 6	L	01, 02, 06				
		1	2, 6	L	11, 12, 14, 15, 16				
		1	2, 6	L	51, 52, 54, 55, 56				
		1	3, 7	L	12, 15, 16				
9									CONNECTOR
	05103753AA	1	2, 6	L	11, 12, 14, 15, 16				
		1	2, 6	L	51, 52, 54, 55, 56				
		1	3, 7	L	12, 15, 16				
10									CONNECTOR
	05120785AA	1	2, 6	L	11, 12, 14, 15, 16				
		1	2, 6	L	51, 52, 54, 55, 56				

SPRINTER (VA)

SERIES

L = LOWLINE
 3 = HD DODGE 2WD
 6 = Lt. Duty DODGE 4WD
 2 = Med. Duty DODGE 2WD
 7 = Med. Duty DODGE 4WD

LINE

3 = HD DODGE 2WD
 6 = Lt. Duty DODGE 4WD
 2 = Med. Duty DODGE 2WD
 7 = Med. Duty DODGE 4WD

BODY

55 = Wagon 140"
 54 = Wagon 118"
 52 = Wagon 140"
 51 = Wagon 118"
 12 = Van 140"
 11 = Van 118"
 06 = Front Section 158"
 14 = Van 118"
 15 = Van 140"
 16 = Van 158"
 56 = Wagon 158"
 01 = Chassis Forward Control 118"
 02 = Chassis Forward Control 140"

ENGINE

EX8 = Engine-2.7L I5
 Mercedes Turbo Diesel

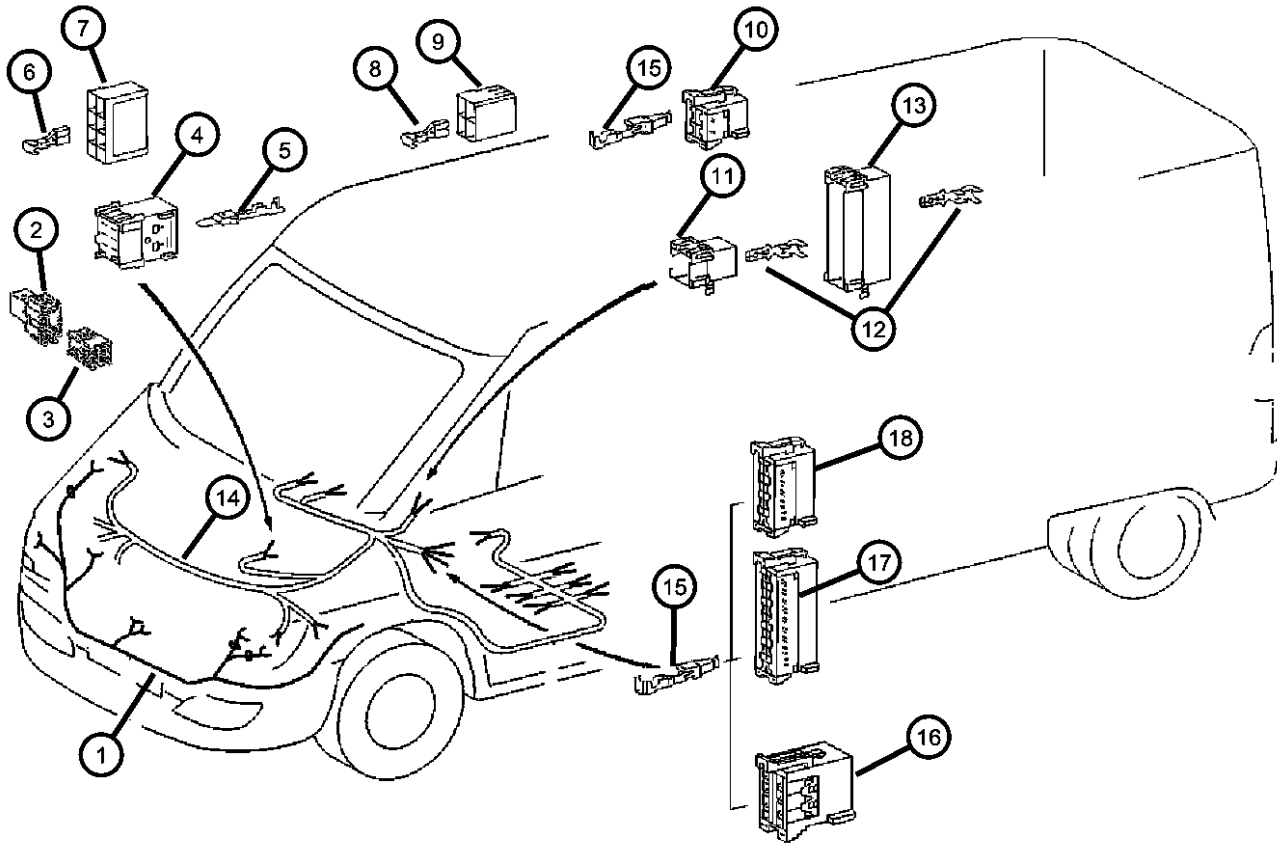
TRANSMISSION

DGJ = Transmission-5-Spd. Automatic, W5A580

AR = use ase required - = Non illustrated part

2004 VA

Wiring - Headlamp & Dash
Figure 8-1305



ITEM	PART NUMBER	QTY	LINE	SERIES	BODY	ENGINE	TRANS	TRIM	DESCRIPTION
11		1	3, 7	L	12, 15, 16				CONNECTOR
	05120791AA	1	2, 6	L	11, 12, 14, 15, 16				
		1	2, 6	L	51, 52, 54, 55, 56				
12		1	3, 7	L	12, 15, 16				TERMINAL, Male
	05133377AA	1	2, 6	L	01, 02, 06				
		1	2, 6	L	11, 12, 14, 15, 16				
		1	2, 6	L	51, 52, 54, 55, 56				
13		1	3, 7	L	12, 15, 16				CONNECTOR
	05120794AA	1	2, 6	L	11, 12, 14, 15, 16				
		1	2, 6	L	51, 52, 54, 55, 56				
		1	3, 7	L	12, 15, 16				
14		1	2, 6	L	11, 12, 14, 15, 16				WIRING, Headlamp to Dash
	05114935AA	1	2, 6	L	11, 12, 14, 15, 16				
		1	2, 6	L	51, 52, 54, 55, 56				
		1	3, 7	L	12, 15, 16				
15		1	2, 6	L	11, 12, 14, 15, 16				TERMINAL
	05103881AA	1	2, 6	L	11, 12, 14, 15, 16				
		1	2, 6	L	51, 52, 54, 55, 56				
		1	3, 7	L	12, 15, 16				
16		1	3, 7	L	12, 15, 16				CONNECTOR

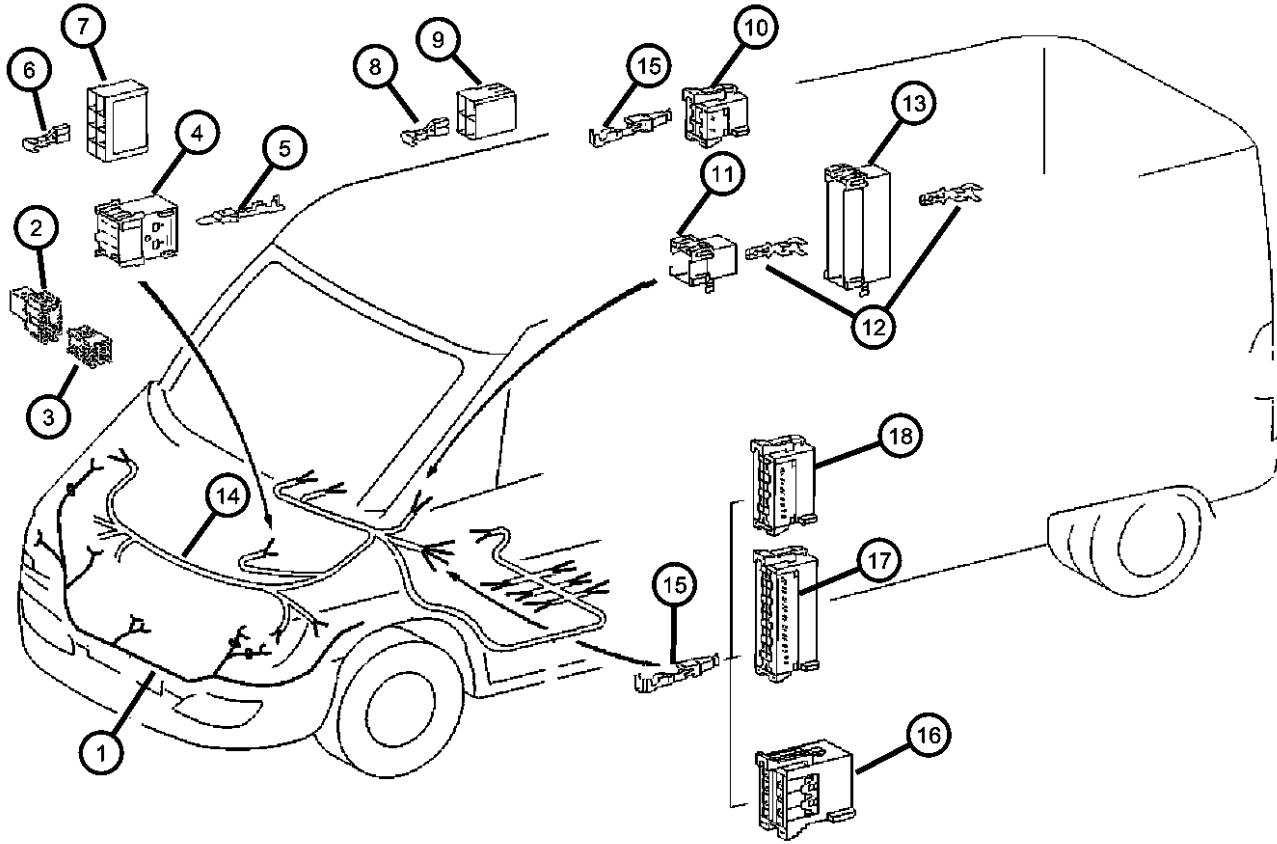
SPRINTER (VA)

SERIES	LINE	BODY	ENGINE	TRANSMISSION
L = LOWLINE	3 = HD DODGE 2WD 6 = Lt. Duty DODGE 4WD 2 = Med. Duty DODGE 2WD 7 = Med. Duty DODGE 4WD	55 = Wagon 140" 54 = Wagon 118" 52 = Wagon 140" 51 = Wagon 118" 12 = Van 140" 11 = Van 118" 06 = Front Section 158" 14 = Van 118" 15 = Van 140" 16 = Van 158" 56 = Wagon 158"	EX8 = Engine-2.7L I5 Mercedes Turbo Diesel	DGJ = Transmission-5-Spd. Automatic, W5A580
		01 = Chassis Forward Control 118" 02 = Chassis Forward Control 140"		

AR = use ase required - = Non illustrated part

Wiring - Headlamp & Dash
Figure 8-1305

ITEM	PART NUMBER	QTY	LINE	SERIES	BODY	ENGINE	TRANS	TRIM	DESCRIPTION
17	05120796AA	1	2, 6	L	11, 12, 14, 15, 16				CONNECTOR
		1	2, 6	L	51, 52, 54, 55, 56				
		1	3, 7	L	12, 15, 16				
18	05120789AA	1	2, 6	L	11, 12, 14, 15, 16				CONNECTOR
		1	2, 6	L	51, 52, 54, 55, 56				
		1	3, 7	L	12, 15, 16				
	05120788AA	1	2, 6	L	11, 12, 14, 15, 16				CONNECTOR
		1	2, 6	L	51, 52, 54, 55, 56				
		1	3, 7	L	12, 15, 16				

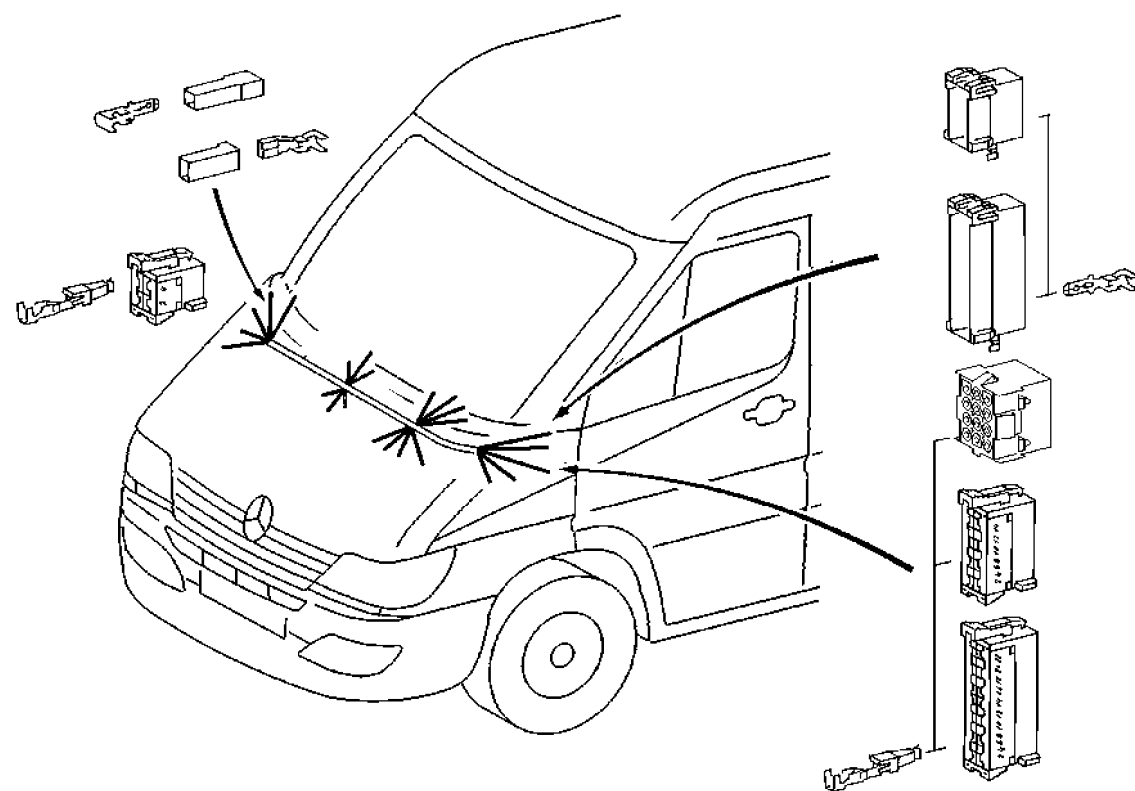


SPRINTER (VA)

SERIES	LINE	BODY	ENGINE	TRANSMISSION
L = LOWLINE	3 = HD DODGE 2WD 6 = Lt. Duty DODGE 4WD 2 = Med. Duty DODGE 2WD 7 = Med. Duty DODGE 4WD	55 = Wagon 140" 54 = Wagon 118" 52 = Wagon 140" 51 = Wagon 118" 12 = Van 140" 11 = Van 118" 06 = Front Section 158" 14 = Van 118" 15 = Van 140" 16 = Van 158" 56 = Wagon 158"	EX8 = Engine-2.7L I5 Mercedes Turbo Diesel	DGJ = Transmission-5-Spd. Automatic,W5A580
		01 = Chassis Forward Control 118" 02 = Chassis Forward Control 140"		

AR = use ase required - = Non illustrated part

Wiring - Instrument Panel
Figure 8-1405



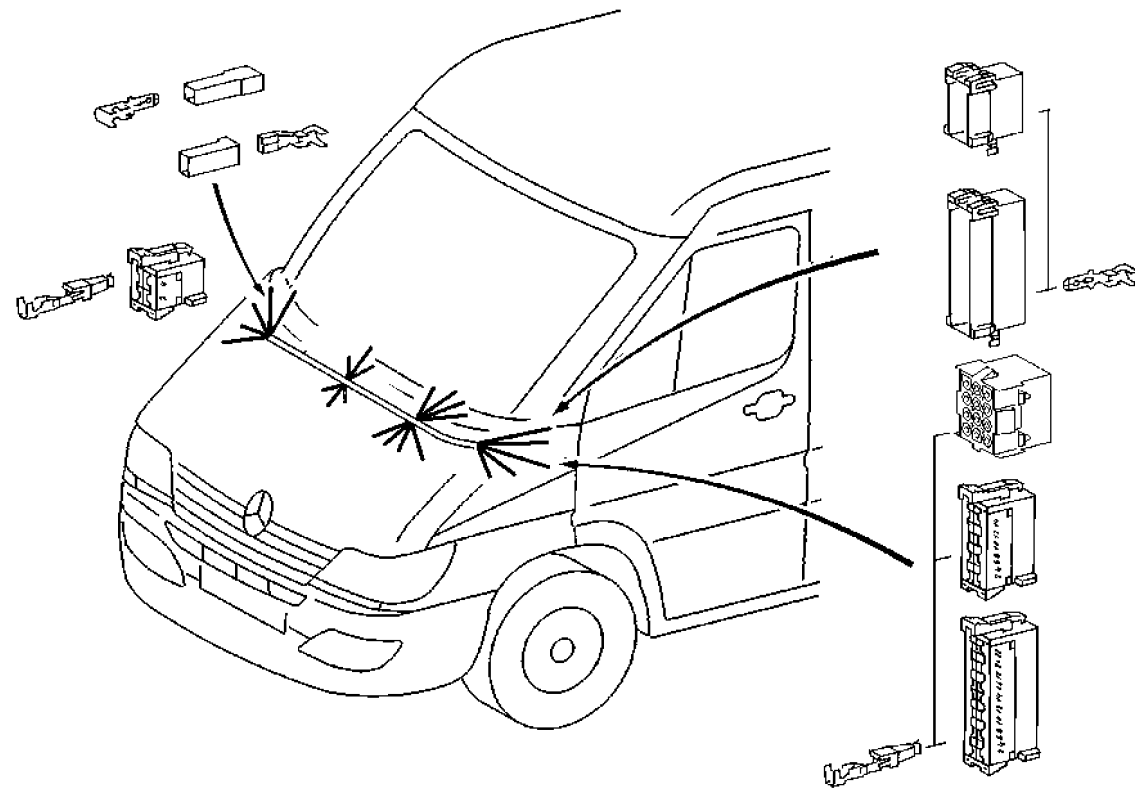
ITEM	PART NUMBER	QTY	LINE	SERIES	BODY	ENGINE	TRANS	TRIM	DESCRIPTION
1	05114933AA	1	2, 6	L	11, 12, 14, 15, 16				WIRING, Instrument Panel Built to order by VIN
		1	2, 6	L	51, 52, 54, 55, 56				Built to order by VIN
		1	3, 7	L	12, 15, 16				Built to order by VIN
2	05133393AA	1	2, 6	L	11, 12, 14, 15, 16				INSULATOR
		1	2, 6	L	51, 52, 54, 55, 56				
		1	3, 7	L	12, 15, 16				
3	05120793AA	1	2, 6	L	11, 12, 14, 15, 16				CONNECTOR
		1	2, 6	L	51, 52, 54, 55, 56				
		1	3, 7	L	12, 15, 16				
4	05133377AA	1	2, 6	L	01, 02, 06				TERMINAL, Male
		1	2, 6	L	11, 12, 14, 15, 16				
		1	2, 6	L	51, 52, 54, 55, 56				
		1	3, 7	L	12, 15, 16				
5	05120675AA	1	2, 6	L	11, 12, 14, 15, 16				CONNECTOR
		1	2, 6	L	51, 52, 54, 55, 56				
		1	3, 7	L	12, 15, 16				
6	05120787AA	1	2, 6	L	11, 12, 14, 15, 16				CONNECTOR

SPRINTER (VA)

SERIES	LINE	BODY	ENGINE	TRANSMISSION
L = LOWLINE	3 = HD DODGE 2WD 6 = Lt. Duty DODGE 4WD 2 = Med. Duty DODGE 2WD 7 = Med. Duty DODGE 4WD	55 = Wagon 140" 54 = Wagon 118" 52 = Wagon 140" 51 = Wagon 118" 12 = Van 140" 11 = Van 118" 06 = Front Section 158" 14 = Van 118" 15 = Van 140" 16 = Van 158" 56 = Wagon 158" 01 = Chassis Forward Control 118" 02 = Chassis Forward Control 140"	EX8 = Engine-2.7L I5 Mercedes Turbo Diesel	DGJ = Transmission-5-Spd. Automatic,W5A580

AR = use ase required - = Non illustrated part

Wiring - Instrument Panel
Figure 8-1405



ITEM	PART NUMBER	QTY	LINE	SERIES	BODY	ENGINE	TRANS	TRIM	DESCRIPTION
7	05120789AA	1	2, 6	L	51, 52, 54, 55, 56				CONNECTOR
		1	3, 7	L	12, 15, 16				
8	05103881AA	1	2, 6	L	11, 12, 14, 15, 16				TERMINAL
		1	2, 6	L	51, 52, 54, 55, 56				
9	05120785AA	1	3, 7	L	12, 15, 16				CONNECTOR
		1	2, 6	L	11, 12, 14, 15, 16				
10	05120684AA	1	2, 6	L	51, 52, 54, 55, 56				CONNECTOR
		1	3, 7	L	12, 15, 16				
11	05133391AA	1	2, 6	L	11, 12, 14, 15, 16				TERMINAL, Male
		1	2, 6	L	51, 52, 54, 55, 56				
12	05133391AA	99	2, 6	L	11, 12, 14, 15, 16				INSULATOR
		99	2, 6	L	51, 52, 54, 55, 56				

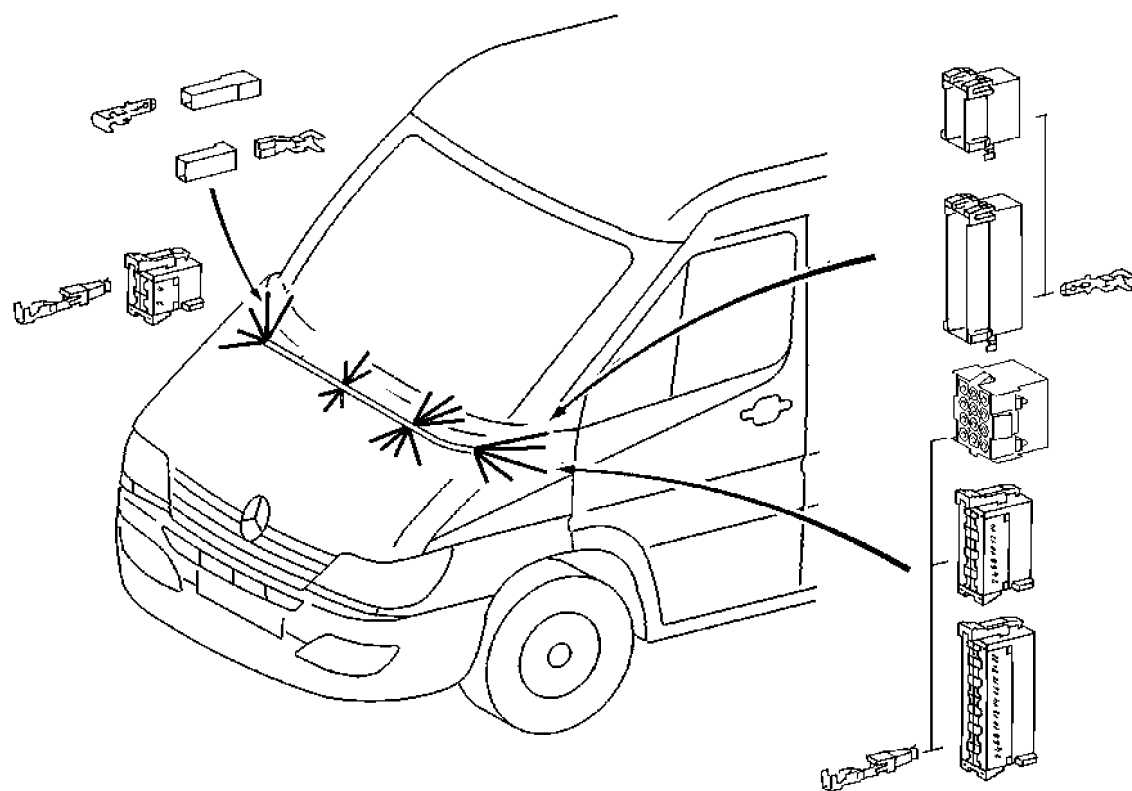
SPRINTER (VA)

SERIES	LINE	BODY	ENGINE	TRANSMISSION
L = LOWLINE	3 = HD DODGE 2WD 6 = Lt. Duty DODGE 4WD 2 = Med. Duty DODGE 2WD 7 = Med. Duty DODGE 4WD	55 = Wagon 140" 54 = Wagon 118" 52 = Wagon 140" 51 = Wagon 118" 12 = Van 140" 11 = Van 118" 06 = Front Section 158" 14 = Van 118" 15 = Van 140" 16 = Van 158" 56 = Wagon 158" 01 = Chassis Forward Control 118" 02 = Chassis Forward Control 140"	EX8 = Engine-2.7L I5 Mercedes Turbo Diesel	DGJ = Transmission-5-Spd. Automatic,W5A580

AR = use ase required - = Non illustrated part

Wiring - Instrument Panel
Figure 8-1405

ITEM	PART NUMBER	QTY	LINE	SERIES	BODY	ENGINE	TRANS	TRIM	DESCRIPTION
	05120685AA	1	2, 6	L	11, 12, 14, 15, 16				
		1	2, 6	L	51, 52, 54, 55, 56				
		1	3, 7	L	12, 15, 16				
13									TERMINAL, Female
	05103871AA	1	2, 6	L	11, 12, 14, 15, 16				
		1	2, 6	L	51, 52, 54, 55, 56				
		1	3, 7	L	12, 15, 16				
-14									WIRING, Instrument Panel Jumper
	05133418AA	1	2, 6	L	11, 12, 14, 15, 16				Ash Tray
		1	2, 6	L	51, 52, 54, 55, 56				Ash Tray
		1	3, 7	L	12, 15, 16				Ash Tray

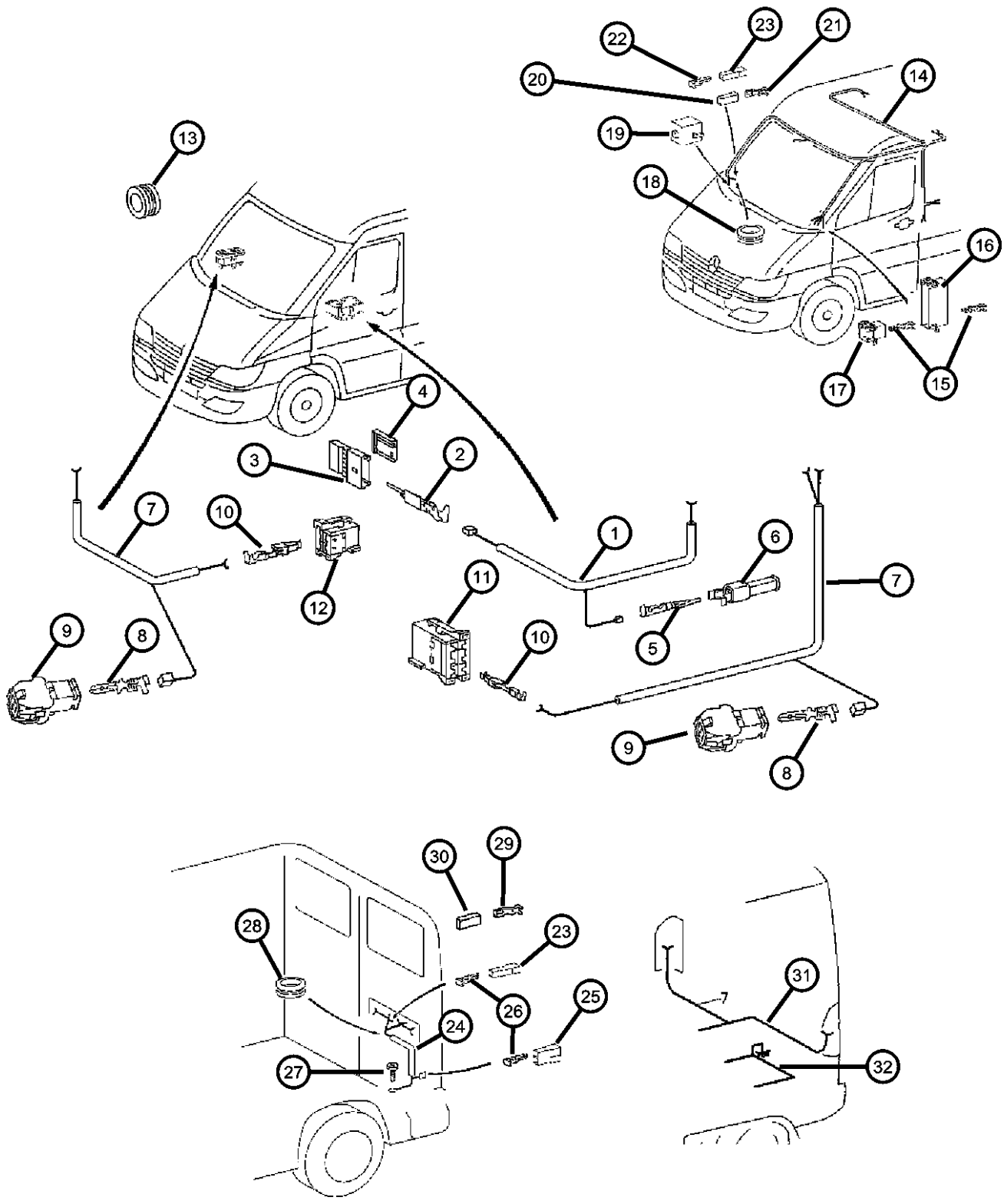


SPRINTER (VA)

SERIES	LINE	BODY	ENGINE	TRANSMISSION
L = LOWLINE	3 = HD DODGE 2WD 6 = Lt. Duty DODGE 4WD 2 = Med. Duty DODGE 2WD 7 = Med. Duty DODGE 4WD	55 = Wagon 140" 54 = Wagon 118" 52 = Wagon 140" 51 = Wagon 118" 12 = Van 140" 11 = Van 118" 06 = Front Section 158" 14 = Van 118" 15 = Van 140" 16 = Van 158" 56 = Wagon 158" 01 = Chassis Forward Control 118" 02 = Chassis Forward Control 140"	EX8 = Engine-2.7L I5 Mercedes Turbo Diesel	DGJ = Transmission-5-Spd. Automatic,W5A580

AR = use ase required - = Non illustrated part

Wiring - Body & Accessories
Figure 8-1505



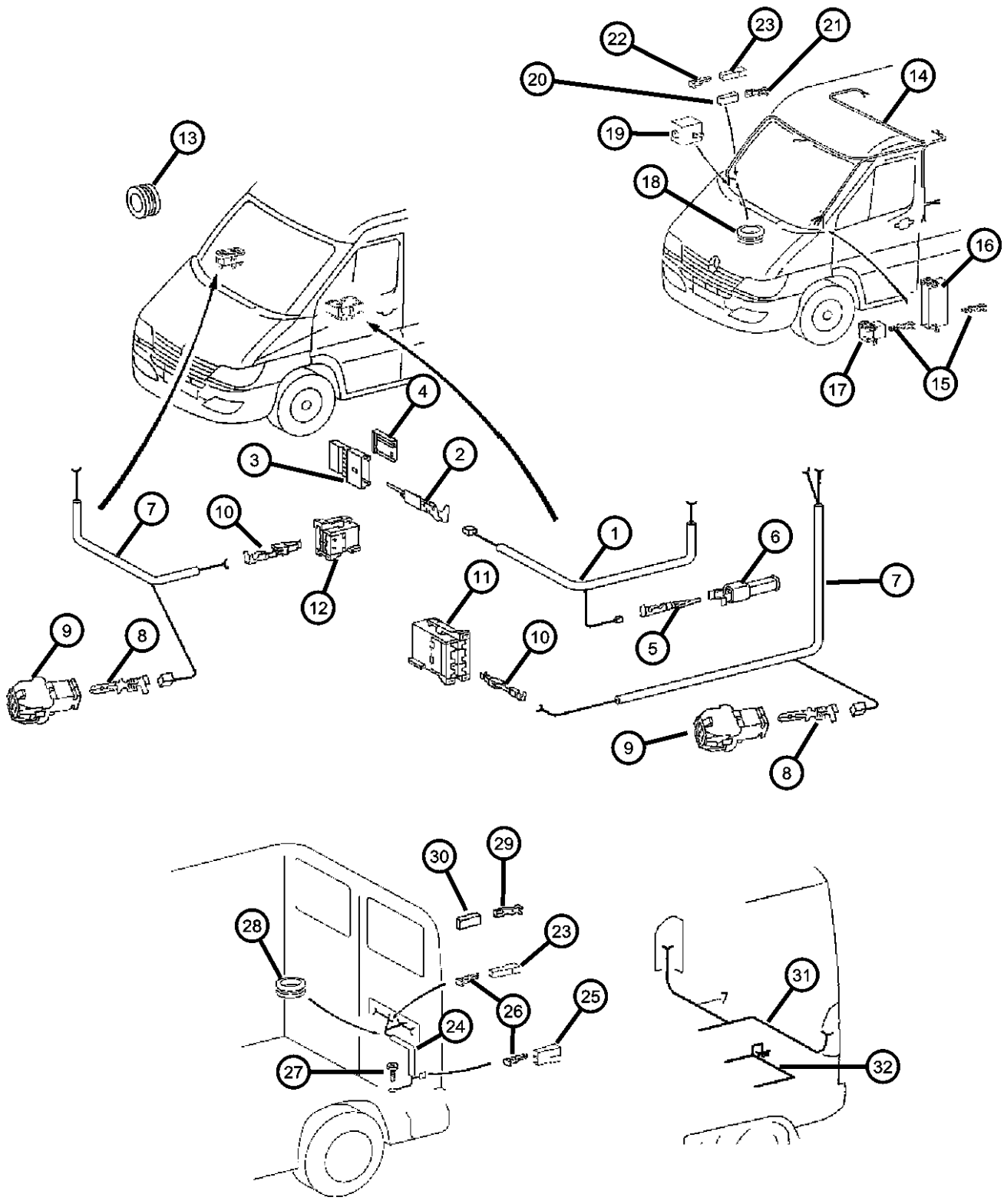
ITEM	PART NUMBER	QTY	LINE	SERIES	BODY	ENGINE	TRANS	TRIM	DESCRIPTION
1	05120224AA	1	2, 6	L	11, 12, 14, 15, 16				WIRING, Mirror Jumper
		1	2, 6	L	51, 52, 54, 55, 56				
		1	3, 7	L	12, 15, 16				
2	05133990AA	99	2, 6	L	11, 12, 14, 15, 16				TERMINAL, Male
		99	2, 6	L	51, 52, 54, 55, 56				
		99	3, 7	L	12, 15, 16				
3	05133330AA	1	2, 6	L	11, 12, 14, 15, 16				INSULATOR, 6 Way
		1	2, 6	L	51, 52, 54, 55, 56				
		1	3, 7	L	12, 15, 16				
4	05133331AA	1	2, 6	L	11, 12, 14, 15, 16				CONNECTOR, Instrument cluster
		1	2, 6	L	51, 52, 54, 55, 56				
		1	3, 7	L	12, 15, 16				
5	05133387AA	1	2, 6	L	01, 02, 06				TERMINAL
		1	2, 6	L	11, 12, 14, 15, 16				
		1	2, 6	L	51, 52, 54, 55, 56				
		1	3, 7	L	12, 15, 16				
6	05120744AA	1	2, 6	L	11, 12, 14, 15, 16				CONNECTOR

SPRINTER (VA)

SERIES	LINE	BODY	ENGINE	TRANSMISSION
L = LOWLINE	3 = HD DODGE 2WD 6 = Lt. Duty DODGE 4WD 2 = Med. Duty DODGE 2WD 7 = Med. Duty DODGE 4WD	55 = Wagon 140" 54 = Wagon 118" 52 = Wagon 140" 51 = Wagon 118" 12 = Van 140" 11 = Van 118" 06 = Front Section 158" 14 = Van 118" 15 = Van 140" 16 = Van 158" 56 = Wagon 158"	EX8 = Engine-2.7L I5 Mercedes Turbo Diesel	DGJ = Transmission-5-Spd. Automatic, W5A580
		01 = Chassis Forward Control 118" 02 = Chassis Forward Control 140"		

AR = use ase required - = Non illustrated part

Wiring - Body & Accessories
Figure 8-1505

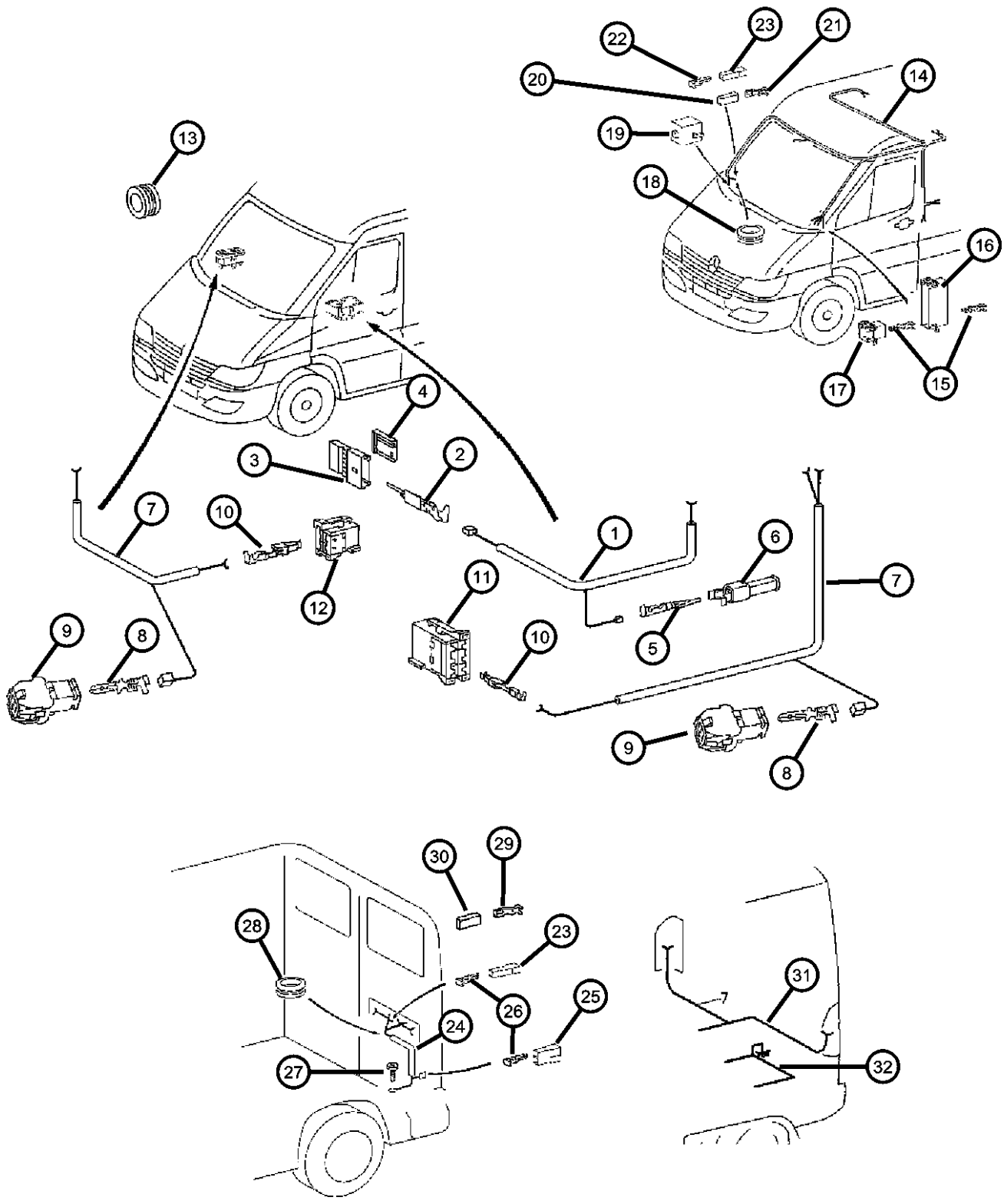


ITEM	PART NUMBER	QTY	LINE	SERIES	BODY	ENGINE	TRANS	TRIM	DESCRIPTION
7		1	2, 6	L	51, 52, 54, 55, 56				WIRING, Power Window
		1	3, 7	L	12, 15, 16				
	05120220AA	1	2, 6	L	11, 12, 14, 15, 16				Driver Side
	05120222AA	1	2, 6	L	51, 52, 54, 55, 56				Driver Side
		1	3, 7	L	12, 15, 16				Driver Side
		1	2, 6	L	11, 12, 14, 15, 16				Passenger Side
1		2, 6	L	51, 52, 54, 55, 56				Passenger Side	
8	05133378AA	1	3, 7	L	12, 15, 16				Passenger Side
		1	2, 6	L	11, 12, 14, 15, 16				TERMINAL, Male
9	05103895AA	1	2, 6	L	51, 52, 54, 55, 56				CONNECTOR
		1	3, 7	L	12, 15, 16				
		1	2, 6	L	11, 12, 14, 15, 16				
10	05103881AA	1	2, 6	L	51, 52, 54, 55, 56				TERMINAL
		1	3, 7	L	12, 15, 16				
		1	2, 6	L	11, 12, 14, 15, 16				
11	05120786AA	1	2, 6	L	51, 52, 54, 55, 56				CONNECTOR
		1	3, 7	L	12, 15, 16				
		1	2, 6	L	11, 12, 14, 15, 16				

SPRINTER (VA)
SERIES **LINE** **BODY** **ENGINE** **TRANSMISSION**
L = LOWLINE 3 = HD DODGE 2WD 55 = Wagon 140" EX8 = Engine-2.7L I5 DGJ = Transmission-5-Spd.
 6 = Lt. Duty DODGE 4WD 54 = Wagon 118" Mercedes Turbo Diesel Automatic,W5A580
 2 = Med. Duty DODGE 2WD
 7 = Med. Duty DODGE 4WD
 51 = Wagon 118"
 12 = Van 140"
 11 = Van 118"
 06 = Front Section 158"
 14 = Van 118"
 15 = Van 140"
 16 = Van 158"
 56 = Wagon 158"
 01 = Chassis Forward Control
 118"
 02 = Chassis Forward Control
 140"

AR = use ase required - = Non illustrated part

Wiring - Body & Accessories
Figure 8-1505



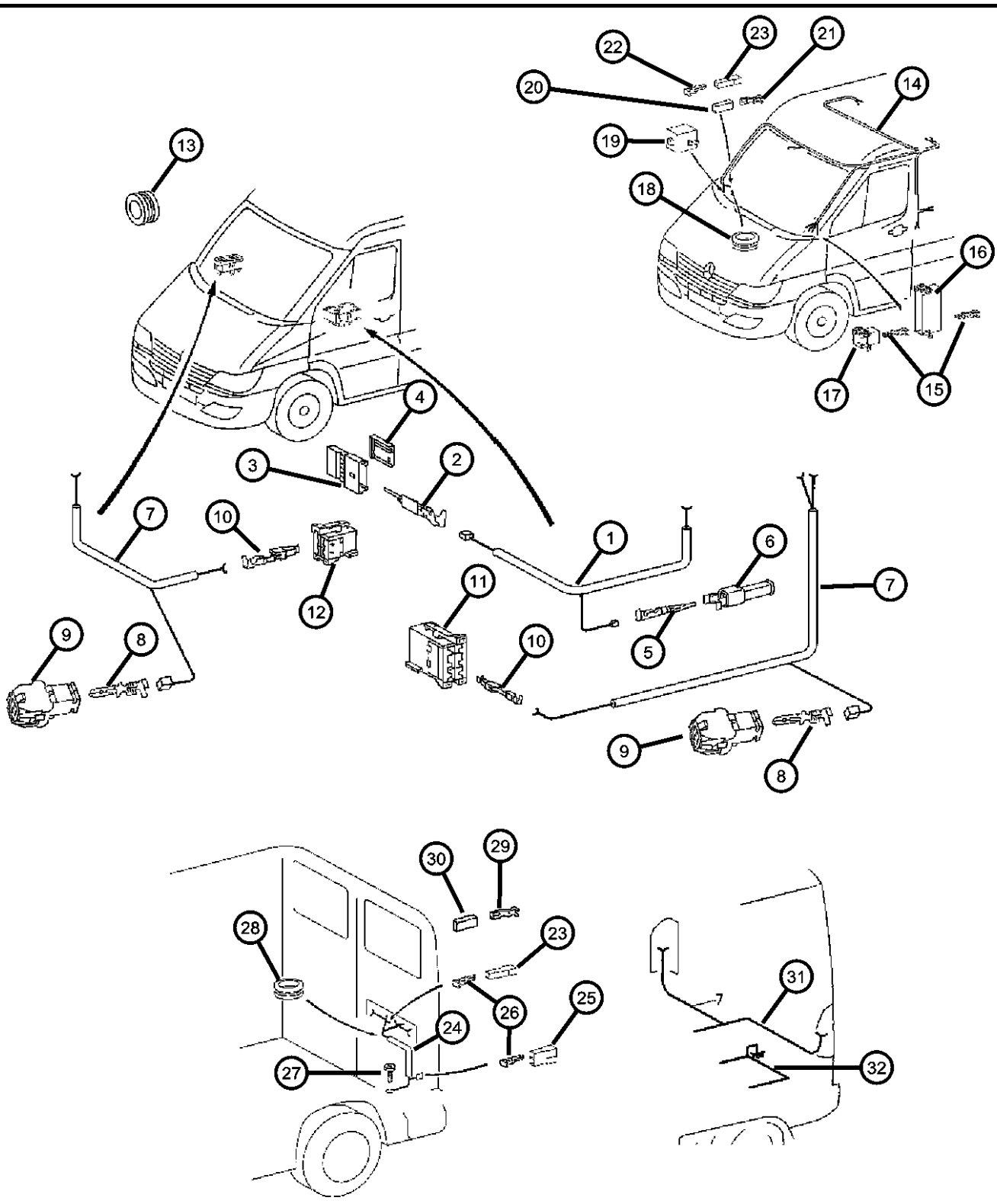
ITEM	PART NUMBER	QTY	LINE	SERIES	BODY	ENGINE	TRANS	TRIM	DESCRIPTION
12	05120785AA	1	2, 6	L	51, 52, 54, 55, 56				CONNECTOR
		1	3, 7	L	12, 15, 16				
13	05125942AA	1	2, 6	L	11, 12, 14, 15, 16				GROMMET
		1	3, 7	L	51, 52, 54, 55, 56				
14	05114931AA	1	2, 6	L	11, 12, 14, 15, 16				WIRING, Body
		1	3, 7	L	51, 52, 54, 55, 56				
15	05133377AA	1	2, 6	L	01, 02, 06				TERMINAL, Male
		1	2, 6	L	11, 12, 14, 15, 16				
16	05120794AA	1	2, 6	L	51, 52, 54, 55, 56				CONNECTOR
		1	3, 7	L	12, 15, 16				
		1	2, 6	L	11, 12, 14, 15, 16				

SPRINTER (VA)

SERIES	LINE	BODY	ENGINE	TRANSMISSION
L = LOWLINE	3 = HD DODGE 2WD 6 = Lt. Duty DODGE 4WD 2 = Med. Duty DODGE 2WD 7 = Med. Duty DODGE 4WD	55 = Wagon 140" 54 = Wagon 118" 52 = Wagon 140" 51 = Wagon 118" 12 = Van 140" 11 = Van 118" 06 = Front Section 158" 14 = Van 118" 15 = Van 140" 16 = Van 158" 56 = Wagon 158"	EX8 = Engine-2.7L I5 Mercedes Turbo Diesel	DGJ = Transmission-5-Spd. Automatic, W5A580
		01 = Chassis Forward Control 118" 02 = Chassis Forward Control 140"		

AR = use ase required - = Non illustrated part

Wiring - Body & Accessories
Figure 8-1505



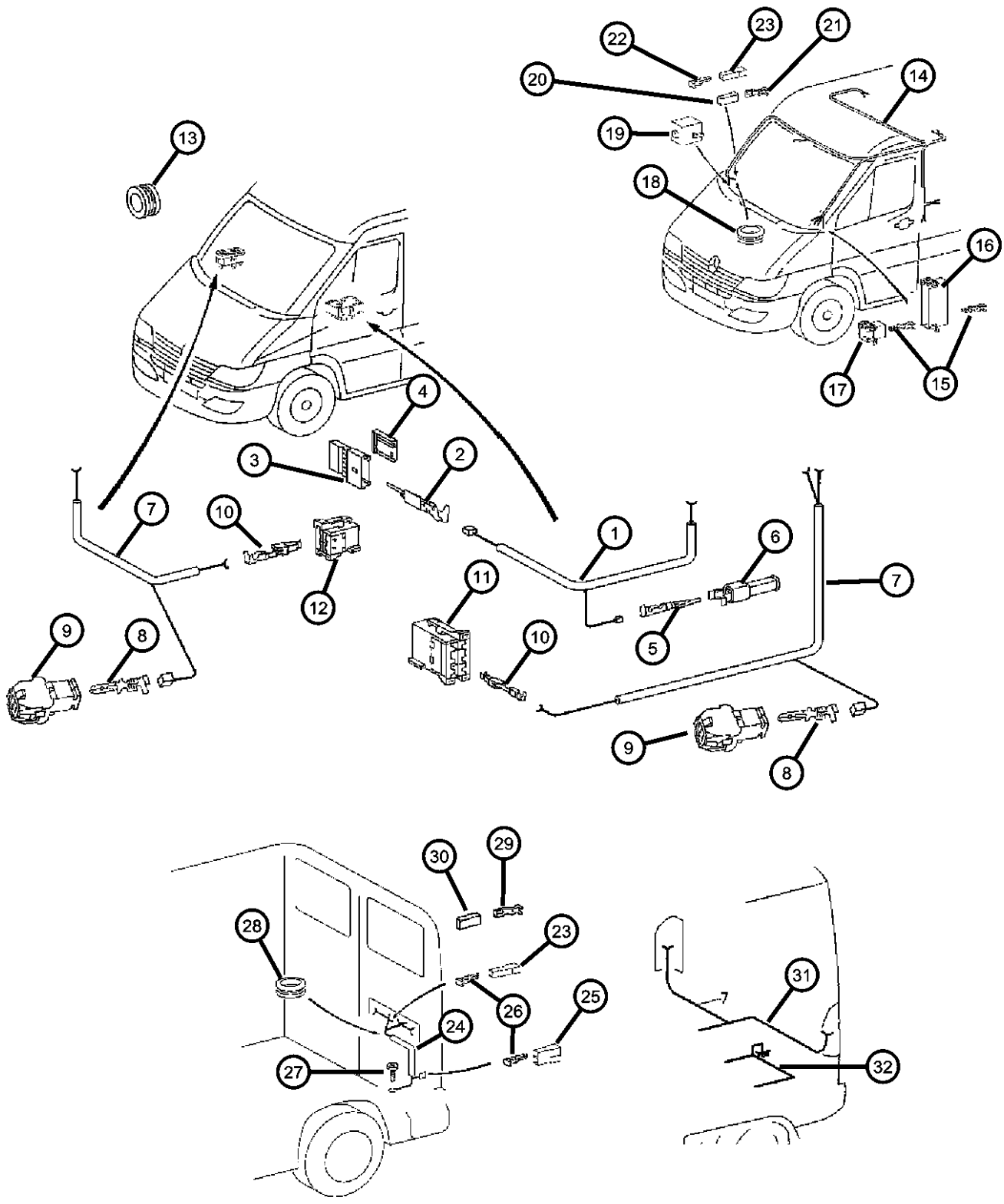
ITEM	PART NUMBER	QTY	LINE	SERIES	BODY	ENGINE	TRANS	TRIM	DESCRIPTION
17	05120791AA	1	2, 6	L	11, 12, 14, 15, 16				CONNECTOR
		1	2, 6	L	51, 52, 54, 55, 56				
		1	3, 7	L	12, 15, 16				
18	05133408AA	1	2, 6	L	11, 12, 14, 15, 16				GROMMET, Chassis Wiring
		1	2, 6	L	51, 52, 54, 55, 56				
		1	3, 7	L	12, 15, 16				
19	05133401AA	1	2, 6	L	11, 12, 14, 15, 16				INSULATOR, 2 Way
		1	2, 6	L	51, 52, 54, 55, 56				
		1	3, 7	L	12, 15, 16				
20	05120684AA	1	2, 6	L	11, 12, 14, 15, 16				CONNECTOR
		1	2, 6	L	51, 52, 54, 55, 56				
		1	3, 7	L	12, 15, 16				
21	05103871AA	1	2, 6	L	11, 12, 14, 15, 16				TERMINAL, Female
		1	2, 6	L	51, 52, 54, 55, 56				
		1	3, 7	L	12, 15, 16				
22	05133358AA	1	2, 6	L	11, 12, 14, 15, 16				TERMINAL, Male
		1	2, 6	L	51, 52, 54, 55, 56				

SPRINTER (VA)

SERIES	LINE	BODY	ENGINE	TRANSMISSION
L = LOWLINE	3 = HD DODGE 2WD 6 = Lt. Duty DODGE 4WD 2 = Med. Duty DODGE 2WD 7 = Med. Duty DODGE 4WD	55 = Wagon 140" 54 = Wagon 118" 52 = Wagon 140" 51 = Wagon 118" 12 = Van 140" 11 = Van 118" 06 = Front Section 158" 14 = Van 118" 15 = Van 140" 16 = Van 158" 56 = Wagon 158"	EX8 = Engine-2.7L I5 Mercedes Turbo Diesel	DGJ = Transmission-5-Spd. Automatic, W5A580
		01 = Chassis Forward Control 118" 02 = Chassis Forward Control 140"		

AR = use ase required - = Non illustrated part

Wiring - Body & Accessories
Figure 8-1505



ITEM	PART NUMBER	QTY	LINE	SERIES	BODY	ENGINE	TRANS	TRIM	DESCRIPTION
23		1	3, 7	L	12, 15, 16				INSULATOR
	05120685AA	1	2, 6	L	11, 12, 14, 15, 16				
		1	2, 6	L	51, 52, 54, 55, 56				
24		1	3, 7	L	12, 15, 16				WIRING, Rear Door
	05129584AA	1	2, 6	L	11, 12, 14, 15, 16				
		1	2, 6	L	51, 52, 54, 55, 56				
25		1	3, 7	L	12, 15, 16				CONNECTOR
	05103751AA	1	2, 6	L	11, 12, 14, 15, 16				
		1	2, 6	L	51, 52, 54, 55, 56				
26		1	3, 7	L	12, 15, 16				TERMINAL, Male
	05103798AA	1	2, 6	L	11, 12, 14, 15, 16				
		1	2, 6	L	51, 52, 54, 55, 56				
27		1	3, 7	L	12, 15, 16				SCREW, Tapping
	05132835AA	1	2, 6	L	11, 12, 14, 15, 16				
		1	2, 6	L	51, 52, 54, 55, 56				
28		1	3, 7	L	12, 15, 16				GROMMET
	05125931AA	1	2, 6	L	11, 12, 14, 15, 16				

SPRINTER (VA)

SERIES

L = LOWLINE

LINE

3 = HD DODGE 2WD
6 = Lt. Duty DODGE 4WD
2 = Med. Duty DODGE 2WD
7 = Med. Duty DODGE 4WD

BODY

55 = Wagon 140"
54 = Wagon 118"
52 = Wagon 140"
51 = Wagon 118"
12 = Van 140"
11 = Van 118"
06 = Front Section 158"
14 = Van 118"
15 = Van 140"
16 = Van 158"
56 = Wagon 158"
01 = Chassis Forward Control 118"
02 = Chassis Forward Control 140"

ENGINE

EX8 = Engine-2.7L I5
Mercedes Turbo Diesel

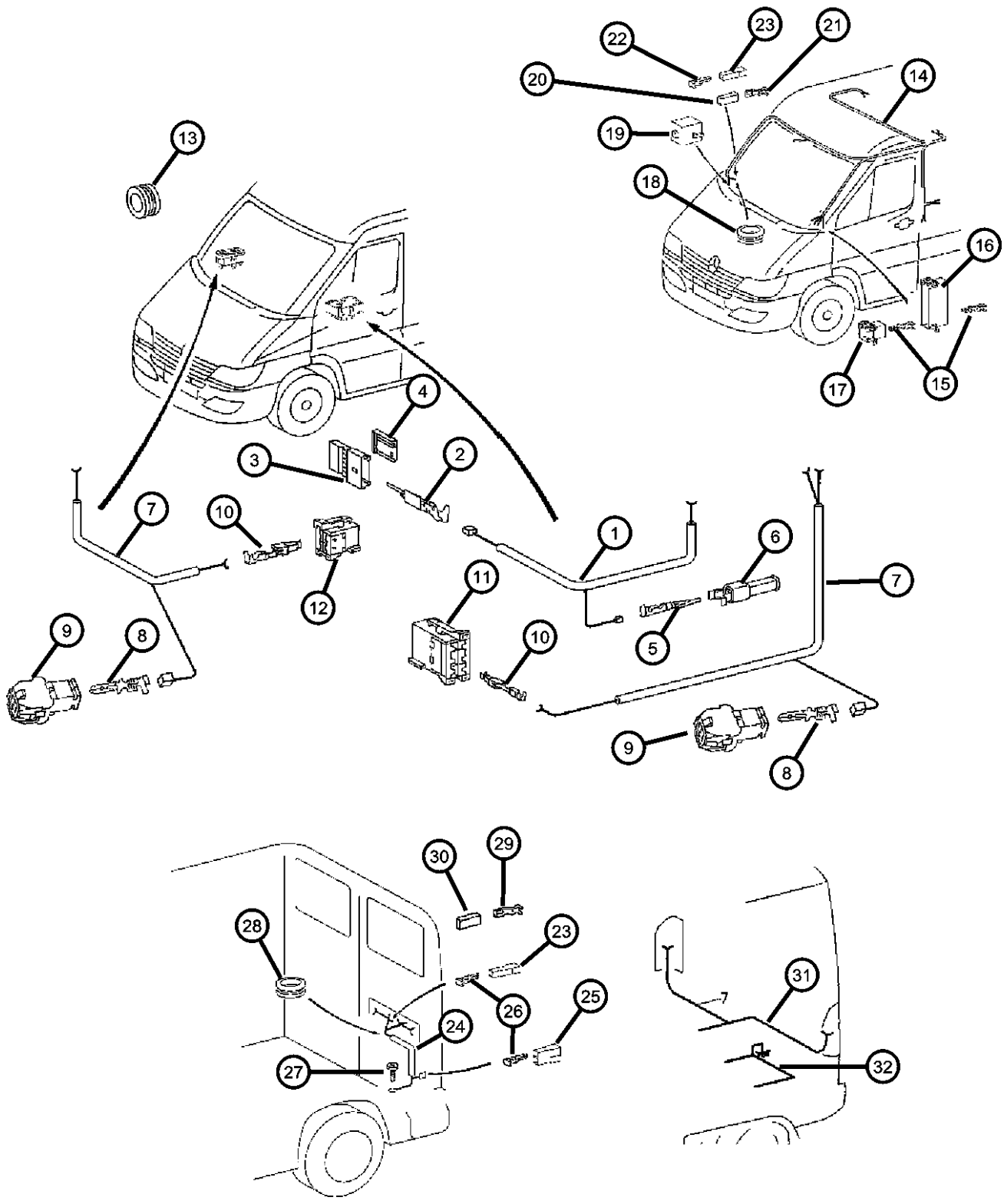
TRANSMISSION

DGJ = Transmission-5-Spd. Automatic, W5A580

AR = use ase required - = Non illustrated part

2004 VA

Wiring - Body & Accessories
Figure 8-1505



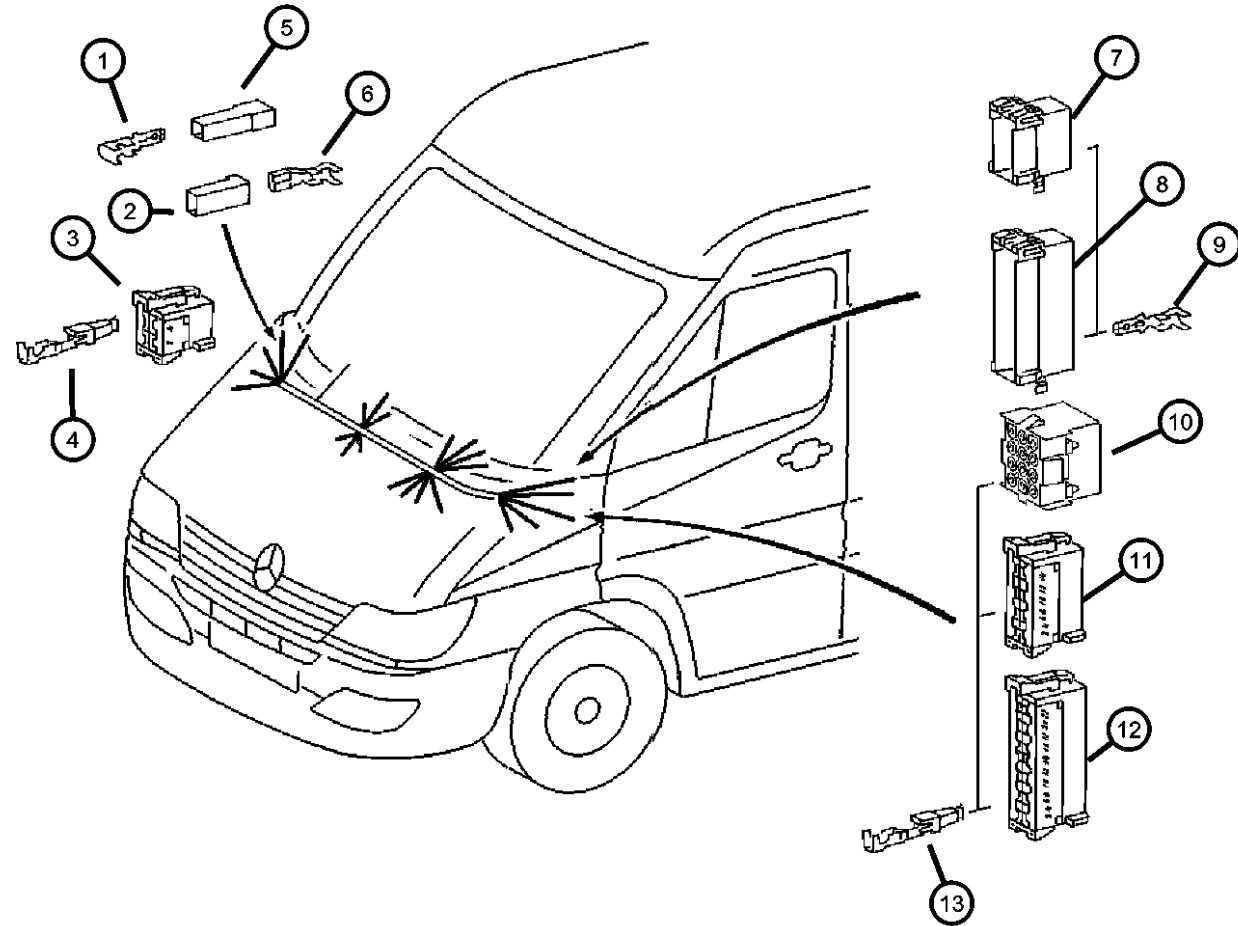
ITEM	PART NUMBER	QTY	LINE	SERIES	BODY	ENGINE	TRANS	TRIM	DESCRIPTION
29	05120684AA	1	2, 6	L	51, 52, 54, 55, 56				CONNECTOR
		1	3, 7	L	12, 15, 16				
30	05114451AA	1	2, 6	L	11, 12, 14, 15, 16				TERMINAL, Female
		1	2, 6	L	51, 52, 54, 55, 56				
31	05133399AA	2	2, 6	L	11, 12, 14, 15, 16				WIRING, Rear Body
		2	3, 7	L	51, 52, 54, 55, 56				
32	05133400AA	1	2, 6	L	11, 12, 14, 15, 16				WIRING, Trailer Tow
		1	2, 6	L	51, 52, 54, 55, 56				
		1	3, 7	L	12, 15, 16				

SPRINTER (VA)

SERIES	LINE	BODY	ENGINE	TRANSMISSION
L = LOWLINE	3 = HD DODGE 2WD 6 = Lt. Duty DODGE 4WD 2 = Med. Duty DODGE 2WD 7 = Med. Duty DODGE 4WD	55 = Wagon 140" 54 = Wagon 118" 52 = Wagon 140" 51 = Wagon 118" 12 = Van 140" 11 = Van 118" 06 = Front Section 158" 14 = Van 118" 15 = Van 140" 16 = Van 158" 56 = Wagon 158"	EX8 = Engine-2.7L I5 Mercedes Turbo Diesel	DGJ = Transmission-5-Spd. Automatic, W5A580
		01 = Chassis Forward Control 118" 02 = Chassis Forward Control 140"		

AR = use ase required - = Non illustrated part

**Connectors Engine Compartment
Figure 8-1605**



ITEM	PART NUMBER	QTY	LINE	SERIES	BODY	ENGINE	TRANS	TRIM	DESCRIPTION
1	05133391AA	99	2, 6	L	11, 12, 14, 15, 16				TERMINAL, Male
		99	2, 6	L	51, 52, 54, 55, 56				
		99	3, 7	L	12, 15, 16				
2	05120684AA	1	2, 6	L	11, 12, 14, 15, 16				CONNECTOR
		1	2, 6	L	51, 52, 54, 55, 56				
		1	3, 7	L	12, 15, 16				
3	05103882AA	1	2, 6	L	11, 12, 14, 15, 16				TERMINAL
		1	2, 6	L	51, 52, 54, 55, 56				
		1	3, 7	L	12, 15, 16				
4	05120785AA	1	2, 6	L	11, 12, 14, 15, 16				CONNECTOR
		1	2, 6	L	51, 52, 54, 55, 56				
		1	3, 7	L	12, 15, 16				
5	05120685AA	2	2, 6	L	51, 52, 54, 55, 56				INSULATOR
		2	2, 6	L	11, 12, 14, 15, 16				
		2	3, 7	L	12, 15, 16				
6	05103871AA	99	2, 6	L	11, 12, 14, 15, 16				TERMINAL, Female
		99	2, 6	L	51, 52, 54, 55, 56				

SPRINTER (VA)

SERIES

L = LOWLINE

LINE

3 = HD DODGE 2WD
6 = Lt. Duty DODGE 4WD
2 = Med. Duty DODGE 2WD
7 = Med. Duty DODGE 4WD

BODY

55 = Wagon 140"
54 = Wagon 118"
52 = Wagon 140"
51 = Wagon 118"
12 = Van 140"
11 = Van 118"
06 = Front Section 158"
14 = Van 118"
15 = Van 140"
16 = Van 158"
56 = Wagon 158"
01 = Chassis Forward Control
118"
02 = Chassis Forward Control
140"

ENGINE

EX8 = Engine-2.7L I5
Mercedes Turbo Diesel

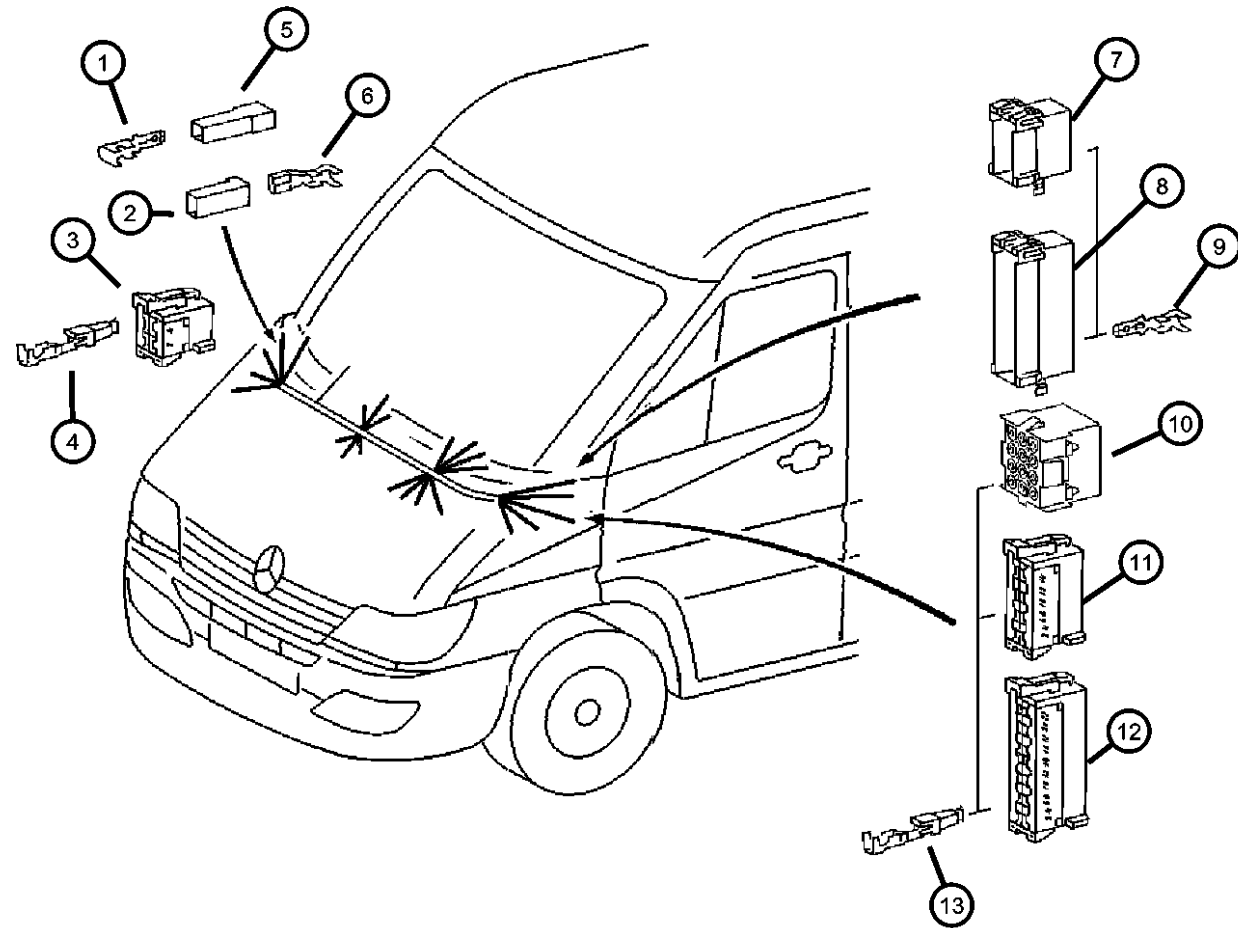
TRANSMISSION

DGJ = Transmission-5-Spd.
Automatic,W5A580

AR = use ase required - = Non illustrated part

2004 VA

**Connectors Engine Compartment
Figure 8-1605**



ITEM	PART NUMBER	QTY	LINE	SERIES	BODY	ENGINE	TRANS	TRIM	DESCRIPTION
7		99	3, 7	L	12, 15, 16				INSULATOR
	05133393AA	1	2, 6	L	11, 12, 14, 15, 16				
		1	2, 6	L	51, 52, 54, 55, 56				
		1	3, 7	L	12, 15, 16				
8									CONNECTOR
	05120793AA	1	2, 6	L	11, 12, 14, 15, 16				
		1	2, 6	L	51, 52, 54, 55, 56				
		1	3, 7	L	12, 15, 16				
9									TERMINAL, Male
	05133371AA	99	2, 6	L	11, 12, 14, 15, 16				
		99	2, 6	L	51, 52, 54, 55, 56				
		99	3, 7	L	12, 15, 16				
10									CONNECTOR
	05120675AA	1	2, 6	L	11, 12, 14, 15, 16				
		1	2, 6	L	51, 52, 54, 55, 56				
		1	3, 7	L	12, 15, 16				
11									CONNECTOR
	05120787AA	1	2, 6	L	11, 12, 14, 15, 16				
		1	2, 6	L	51, 52, 54, 55, 56				
		1	3, 7	L	12, 15, 16				
12									CONNECTOR
	05120789AA	1	2, 6	L	11, 12, 14, 15, 16				

SPRINTER (VA)

SERIES

L = LOWLINE

LINE

3 = HD DODGE 2WD
6 = Lt. Duty DODGE 4WD
2 = Med. Duty DODGE 2WD
7 = Med. Duty DODGE 4WD

BODY

55 = Wagon 140"
54 = Wagon 118"
52 = Wagon 140"
51 = Wagon 118"
12 = Van 140"
11 = Van 118"
06 = Front Section 158"
14 = Van 118"
15 = Van 140"
16 = Van 158"
56 = Wagon 158"
01 = Chassis Forward Control
118"
02 = Chassis Forward Control
140"

ENGINE

EX8 = Engine-2.7L I5
Mercedes Turbo Diesel

TRANSMISSION

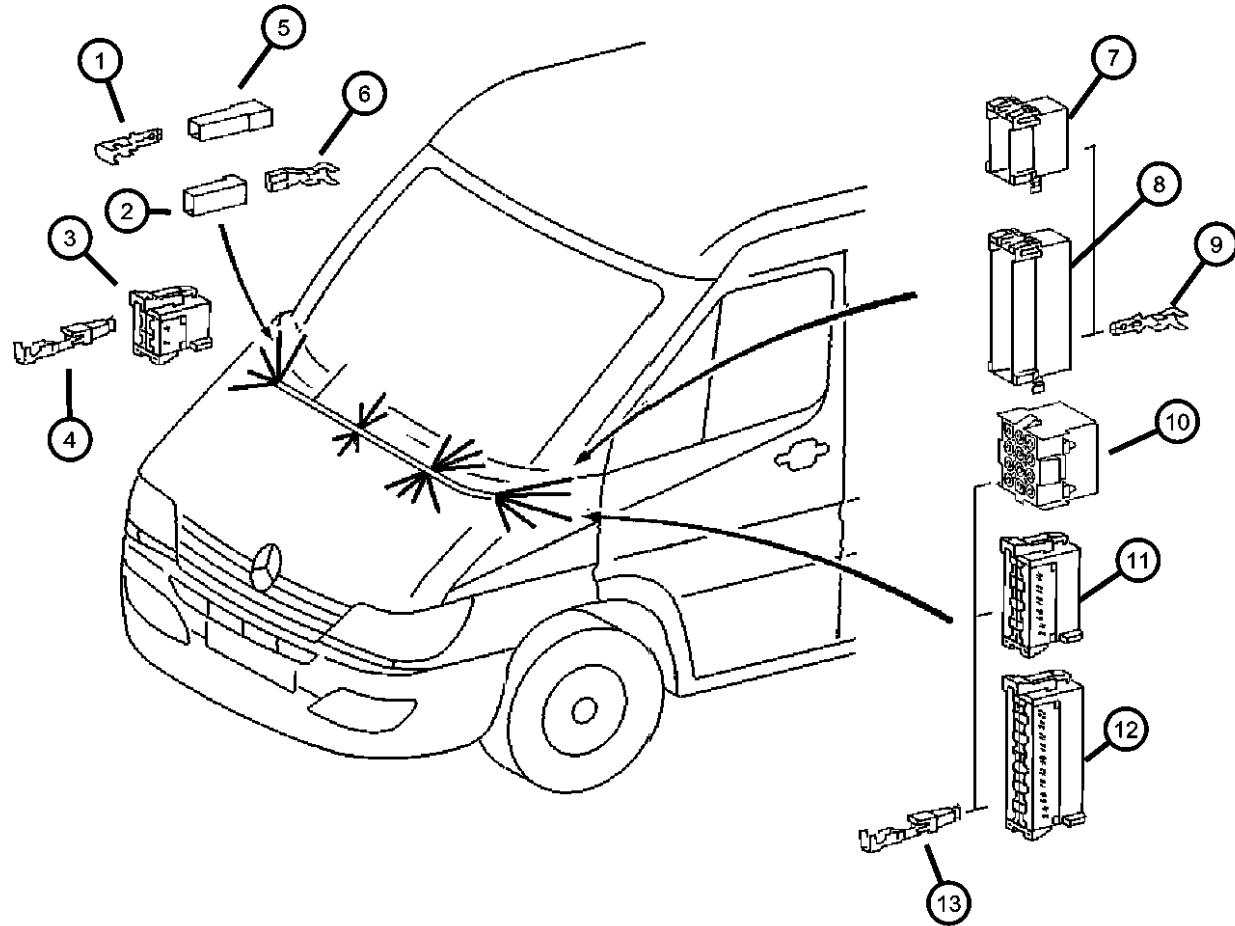
DGJ = Transmission-5-Spd.
Automatic,W5A580

AR = use ase required - = Non illustrated part

2004 VA

**Connectors Engine Compartment
Figure 8-1605**

ITEM	PART NUMBER	QTY	LINE	SERIES	BODY	ENGINE	TRANS	TRIM	DESCRIPTION
		1	2, 6	L	51, 52, 54, 55, 56				
		1	3, 7	L	12, 15, 16				
13	05103881AA	1	2, 6	L	11, 12, 14, 15, 16				TERMINAL
		1	2, 6	L	51, 52, 54, 55, 56				
		1	3, 7	L	12, 15, 16				

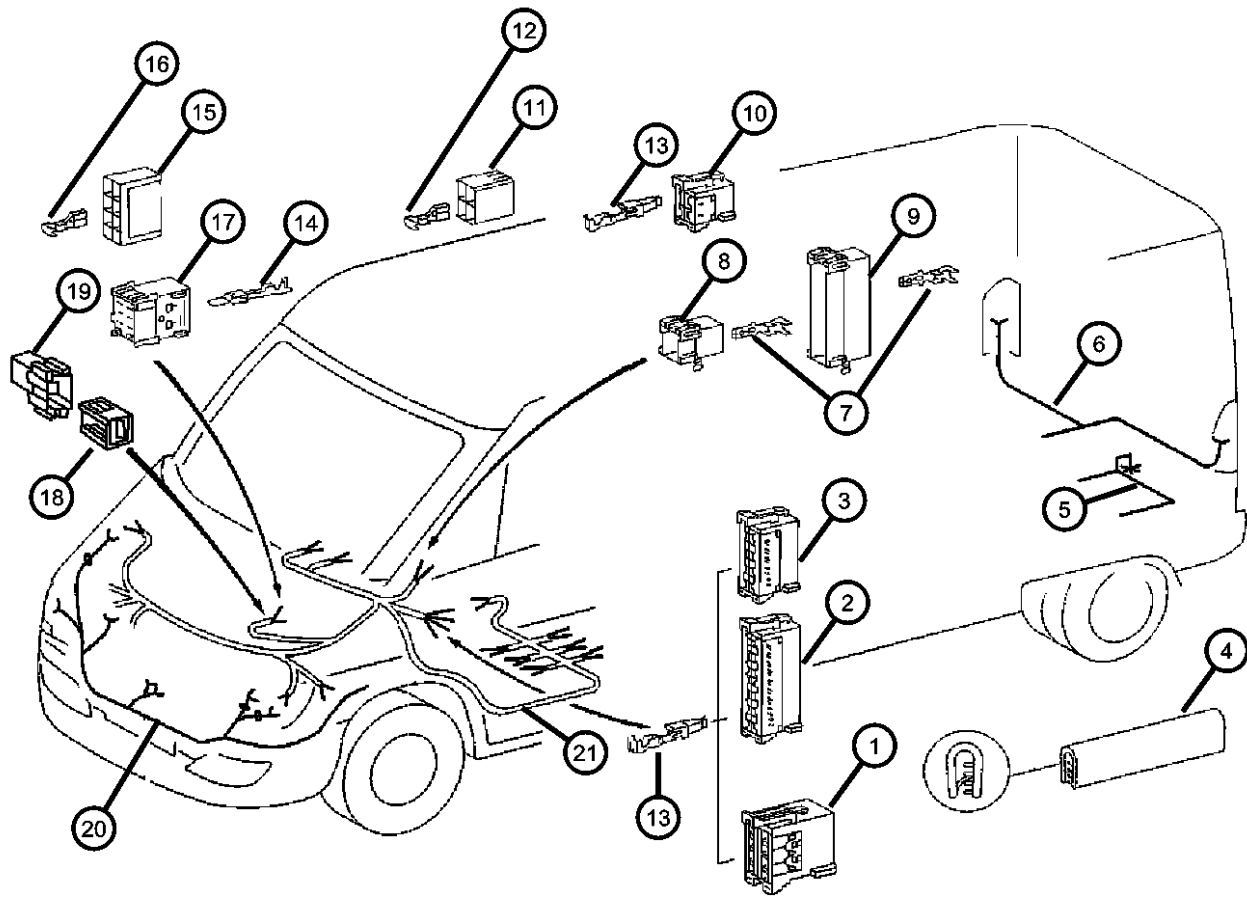


SPRINTER (VA)

SERIES	LINE	BODY	ENGINE	TRANSMISSION
L = LOWLINE	3 = HD DODGE 2WD 6 = Lt. Duty DODGE 4WD 2 = Med. Duty DODGE 2WD 7 = Med. Duty DODGE 4WD	55 = Wagon 140" 54 = Wagon 118" 52 = Wagon 140" 51 = Wagon 118" 12 = Van 140" 11 = Van 118" 06 = Front Section 158" 14 = Van 118" 15 = Van 140" 16 = Van 158" 56 = Wagon 158"	EX8 = Engine-2.7L I5 Mercedes Turbo Diesel	DGJ = Transmission-5-Spd. Automatic,W5A580
		01 = Chassis Forward Control 118" 02 = Chassis Forward Control 140"		

AR = use ase required - = Non illustrated part

**Connectors Body
Figure 8-1610**



ITEM	PART NUMBER	QTY	LINE	SERIES	BODY	ENGINE	TRANS	TRIM	DESCRIPTION
1	05120796AA	1	2, 6	L	11, 12, 14, 15, 16				CONNECTOR
		1	2, 6	L	51, 52, 54, 55, 56				
		1	3, 7	L	12, 15, 16				
2	05120789AA	1	2, 6	L	11, 12, 14, 15, 16				CONNECTOR
		1	2, 6	L	51, 52, 54, 55, 56				
		1	3, 7	L	12, 15, 16				
3	05120788AA	1	2, 6	L	11, 12, 14, 15, 16				CONNECTOR
		1	2, 6	L	51, 52, 54, 55, 56				
		1	3, 7	L	12, 15, 16				
4	05132391AA	1	2, 6	L	12, 15				PROTECTOR
		2	2, 6	L	16				
		1	2, 6	L	52, 55				
		2	2, 6	L	56				
5	05133400AA	1	2, 6	L	11, 12, 14, 15, 16				WIRING, Trailer Tow
		1	2, 6	L	51, 52, 54, 55, 56				
		1	3, 7	L	12, 15, 16				
6	05133399AA	1	2, 6	L	11, 12, 14, 15, 16				WIRING, Rear Body
		1	2, 6	L	51, 52, 54, 55, 56				

SPRINTER (VA)

SERIES

L = LOWLINE

LINE

3 = HD DODGE 2WD
6 = Lt. Duty DODGE 4WD
2 = Med. Duty DODGE 2WD
7 = Med. Duty DODGE 4WD

BODY

55 = Wagon 140"
54 = Wagon 118"
52 = Wagon 140"
51 = Wagon 118"
12 = Van 140"
11 = Van 118"
06 = Front Section 158"
14 = Van 118"
15 = Van 140"
16 = Van 158"
56 = Wagon 158"
01 = Chassis Forward Control
118"
02 = Chassis Forward Control
140"

ENGINE

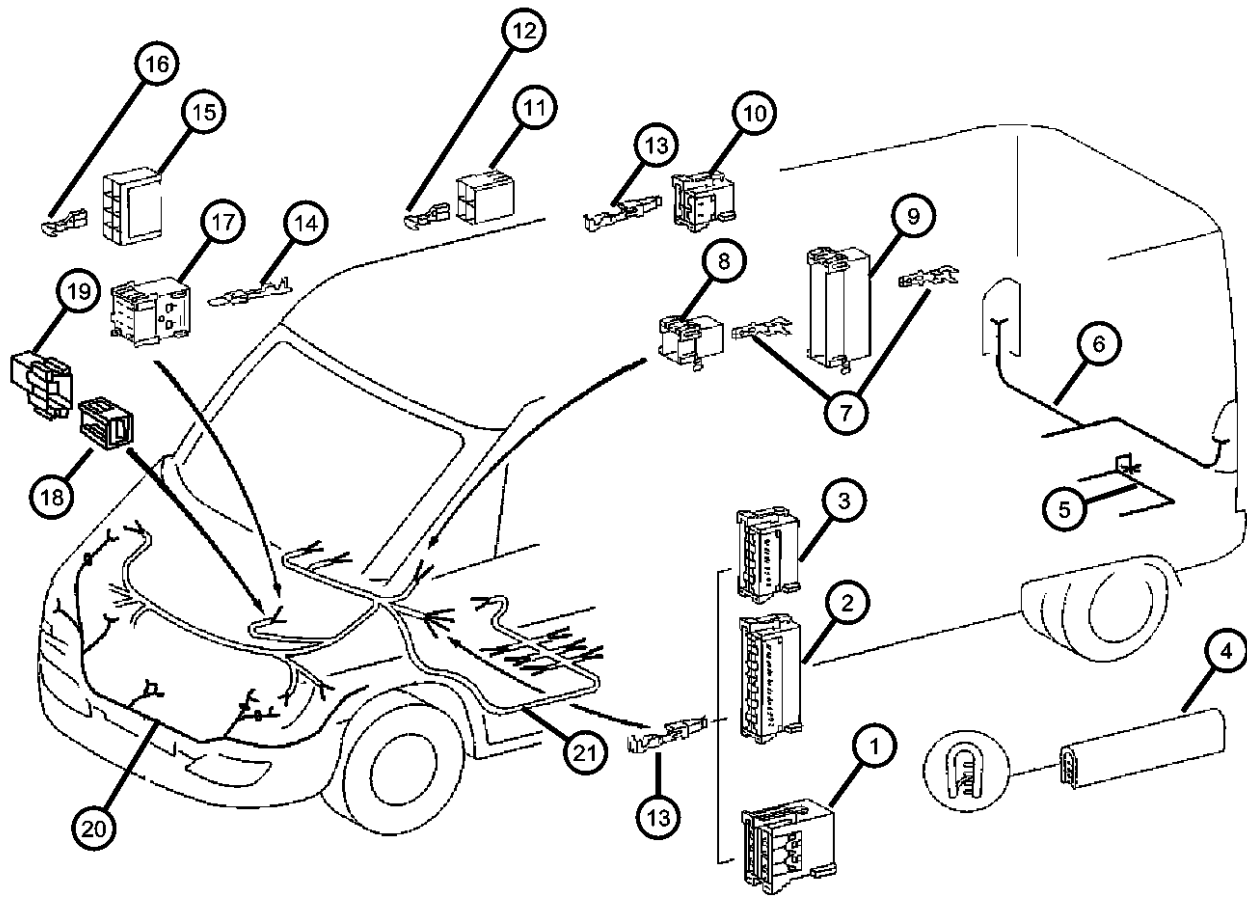
EX8 = Engine-2.7L I5
Mercedes Turbo Diesel

TRANSMISSION

DGJ = Transmission-5-Spd.
Automatic,W5A580

AR = use ase required - = Non illustrated part

**Connectors Body
Figure 8-1610**



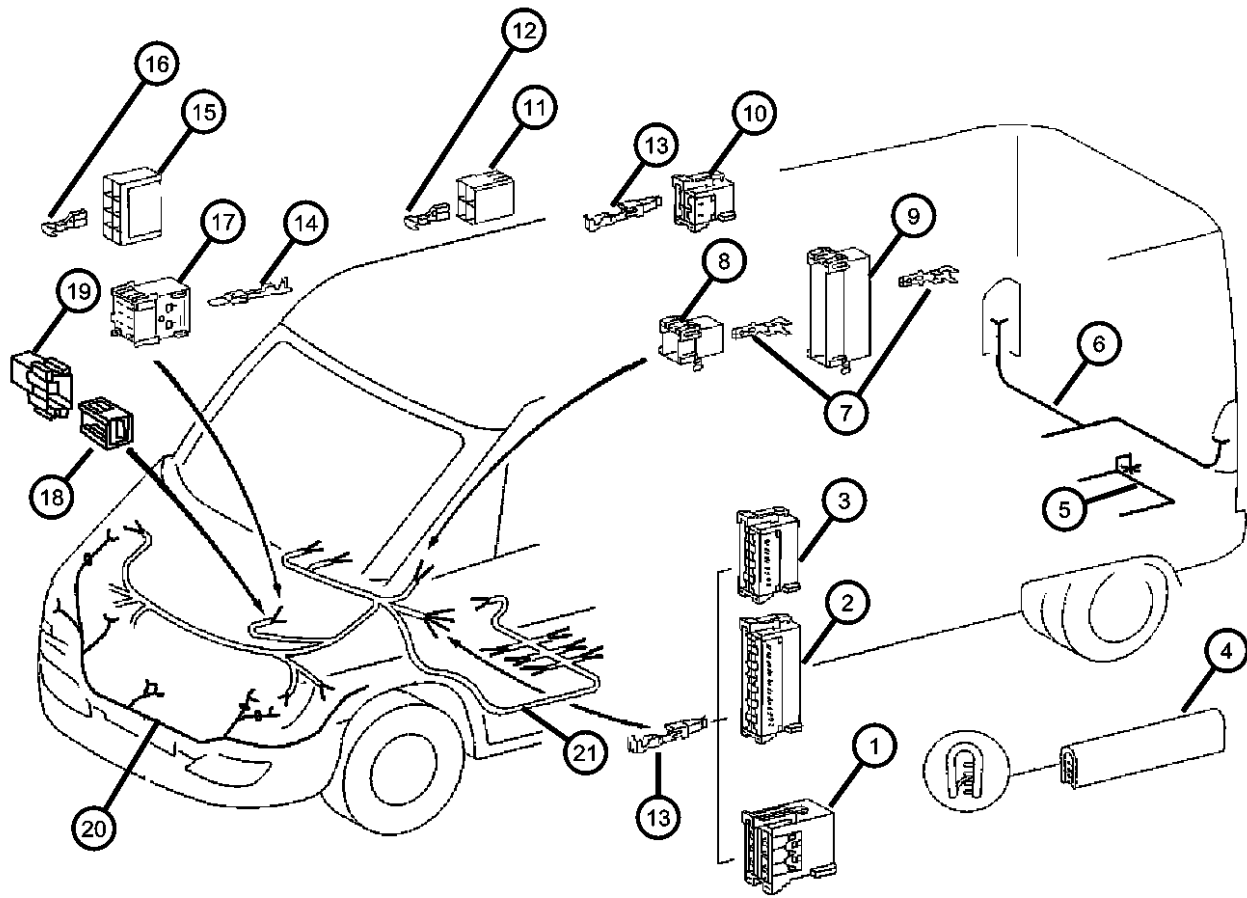
ITEM	PART NUMBER	QTY	LINE	SERIES	BODY	ENGINE	TRANS	TRIM	DESCRIPTION
7		1	3, 7	L	12, 15, 16				TERMINAL, Male
	05133377AA	1	2, 6	L	11, 12, 14, 15, 16				
		1	2, 6	L	51, 52, 54, 55, 56				
8		1	3, 7	L	12, 15, 16				CONNECTOR
	05120791AA	1	2, 6	L	11, 12, 14, 15, 16				
		1	2, 6	L	51, 52, 54, 55, 56				
9		1	3, 7	L	12, 15, 16				CONNECTOR
	05120794AA	1	2, 6	L	11, 12, 14, 15, 16				
		1	2, 6	L	51, 52, 54, 55, 56				
10		1	3, 7	L	12, 15, 16				CONNECTOR
	05120785AA	1	2, 6	L	11, 12, 14, 15, 16				
		1	2, 6	L	51, 52, 54, 55, 56				
11		1	3, 7	L	12, 15, 16				CONNECTOR
	05103753AA	1	2, 6	L	11, 12, 14, 15, 16				
		1	2, 6	L	51, 52, 54, 55, 56				
12		1	3, 7	L	12, 15, 16				TERMINAL, Female
	05133360AA	1	2, 6	L	11, 12, 14, 15, 16				

SPRINTER (VA)

SERIES	LINE	BODY	ENGINE	TRANSMISSION
L = LOWLINE	3 = HD DODGE 2WD 6 = Lt. Duty DODGE 4WD 2 = Med. Duty DODGE 2WD 7 = Med. Duty DODGE 4WD	55 = Wagon 140" 54 = Wagon 118" 52 = Wagon 140" 51 = Wagon 118" 12 = Van 140" 11 = Van 118" 06 = Front Section 158" 14 = Van 118" 15 = Van 140" 16 = Van 158" 56 = Wagon 158"	EX8 = Engine-2.7L I5 Mercedes Turbo Diesel	DGJ = Transmission-5-Spd. Automatic, W5A580
		01 = Chassis Forward Control 118" 02 = Chassis Forward Control 140"		

AR = use ase required - = Non illustrated part

**Connectors Body
Figure 8-1610**



ITEM	PART NUMBER	QTY	LINE	SERIES	BODY	ENGINE	TRANS	TRIM	DESCRIPTION
		1	2, 6	L	51, 52, 54, 55, 56				
		1	3, 7	L	12, 15, 16				
13	05103881AA	1	2, 6	L	11, 12, 14, 15, 16				TERMINAL
		1	2, 6	L	51, 52, 54, 55, 56				
		1	3, 7	L	12, 15, 16				
14	05103909AA	1	2, 6	L	11, 12, 14, 15, 16				TERMINAL, Male
		1	2, 6	L	51, 52, 54, 55, 56				
		1	3, 7	L	12, 15, 16				
15	05103752AA	1	2, 6	L	11, 12, 14, 15, 16				CONNECTOR
		1	2, 6	L	51, 52, 54, 55, 56				
		1	3, 7	L	12, 15, 16				
16	05133359AA	99	2, 6	L	11, 12, 14, 15, 16				TERMINAL, Female
		99	2, 6	L	51, 52, 54, 55, 56				
		99	3, 7	L	12, 15, 16				
17	05133327AA	1	2, 6	L	11, 12, 14, 15, 16				INSULATOR, 6 Way Male
		1	2, 6	L	51, 52, 54, 55, 56				
		1	3, 7	L	12, 15, 16				
18									CONNECTOR, Wiring

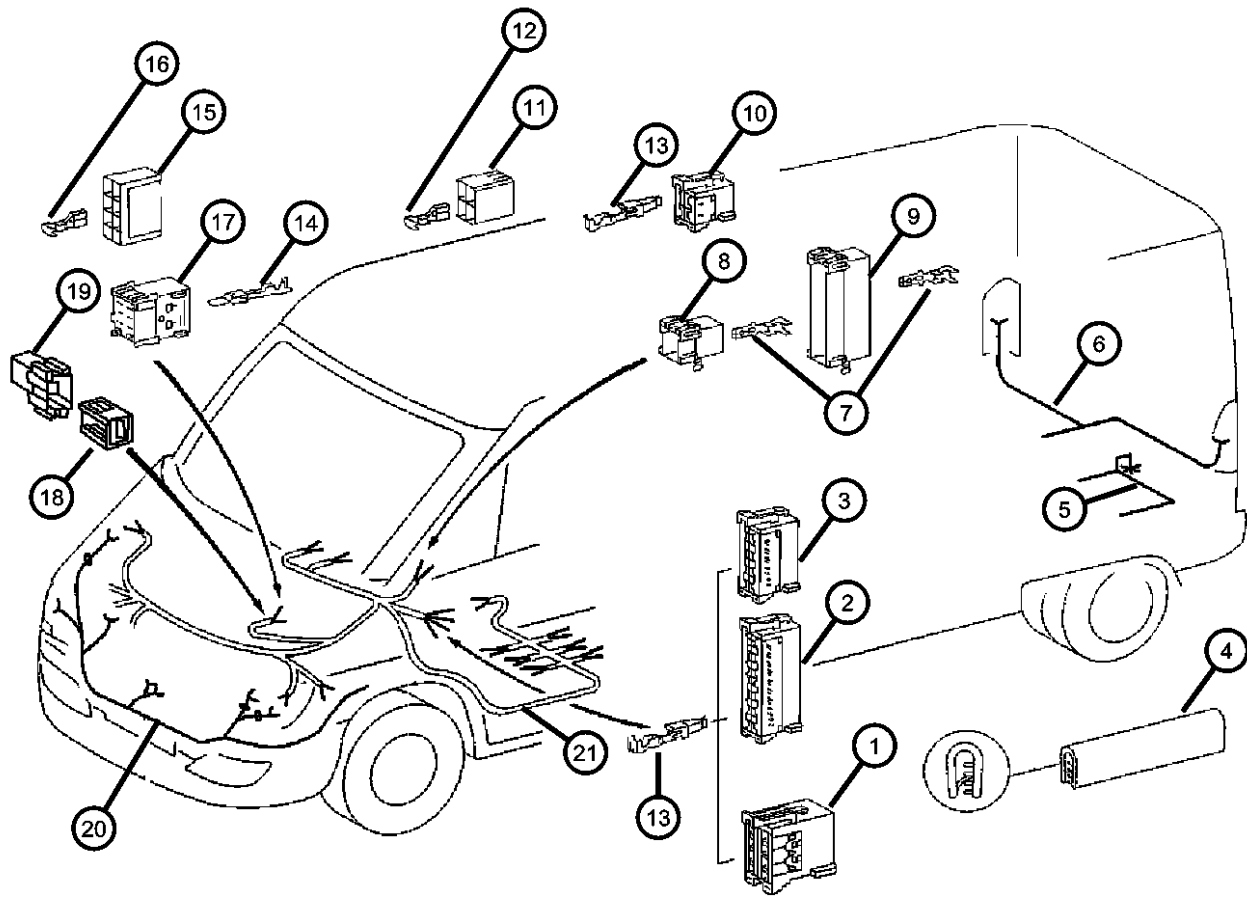
SPRINTER (VA)

SERIES	LINE	BODY	ENGINE	TRANSMISSION
L = LOWLINE	3 = HD DODGE 2WD 6 = Lt. Duty DODGE 4WD 2 = Med. Duty DODGE 2WD 7 = Med. Duty DODGE 4WD	55 = Wagon 140" 54 = Wagon 118" 52 = Wagon 140" 51 = Wagon 118" 12 = Van 140" 11 = Van 118" 06 = Front Section 158" 14 = Van 118" 15 = Van 140" 16 = Van 158" 56 = Wagon 158"	EX8 = Engine-2.7L I5 Mercedes Turbo Diesel	DGJ = Transmission-5-Spd. Automatic, W5A580
		01 = Chassis Forward Control 118" 02 = Chassis Forward Control 140"		

AR = use ase required - = Non illustrated part

**Connectors Body
Figure 8-1610**

ITEM	PART NUMBER	QTY	LINE	SERIES	BODY	ENGINE	TRANS	TRIM	DESCRIPTION
	05133396AA	1	2, 6	L	11, 12, 14, 15, 16				
		1	2, 6	L	51, 52, 54, 55, 56				
		1	3, 7	L	12, 15, 16				
19	05133397AA	1	2, 6	L	11, 12, 14, 15, 16				INSULATOR, 4 Way Male
		1	2, 6	L	51, 52, 54, 55, 56				
		1	3, 7	L	12, 15, 16				
20	05133398AA	1	2, 6	L	11, 12, 14, 15, 16				WIRING, Headlamp
		1	2, 6	L	51, 52, 54, 55, 56				
		1	3, 7	L	12, 15, 16				
21	05114935AA	1	2, 6	L	11, 12, 14, 15, 16				WIRING, Headlamp to Dash
		1	2, 6	L	51, 52, 54, 55, 56				
		1	3, 7	L	12, 15, 16				

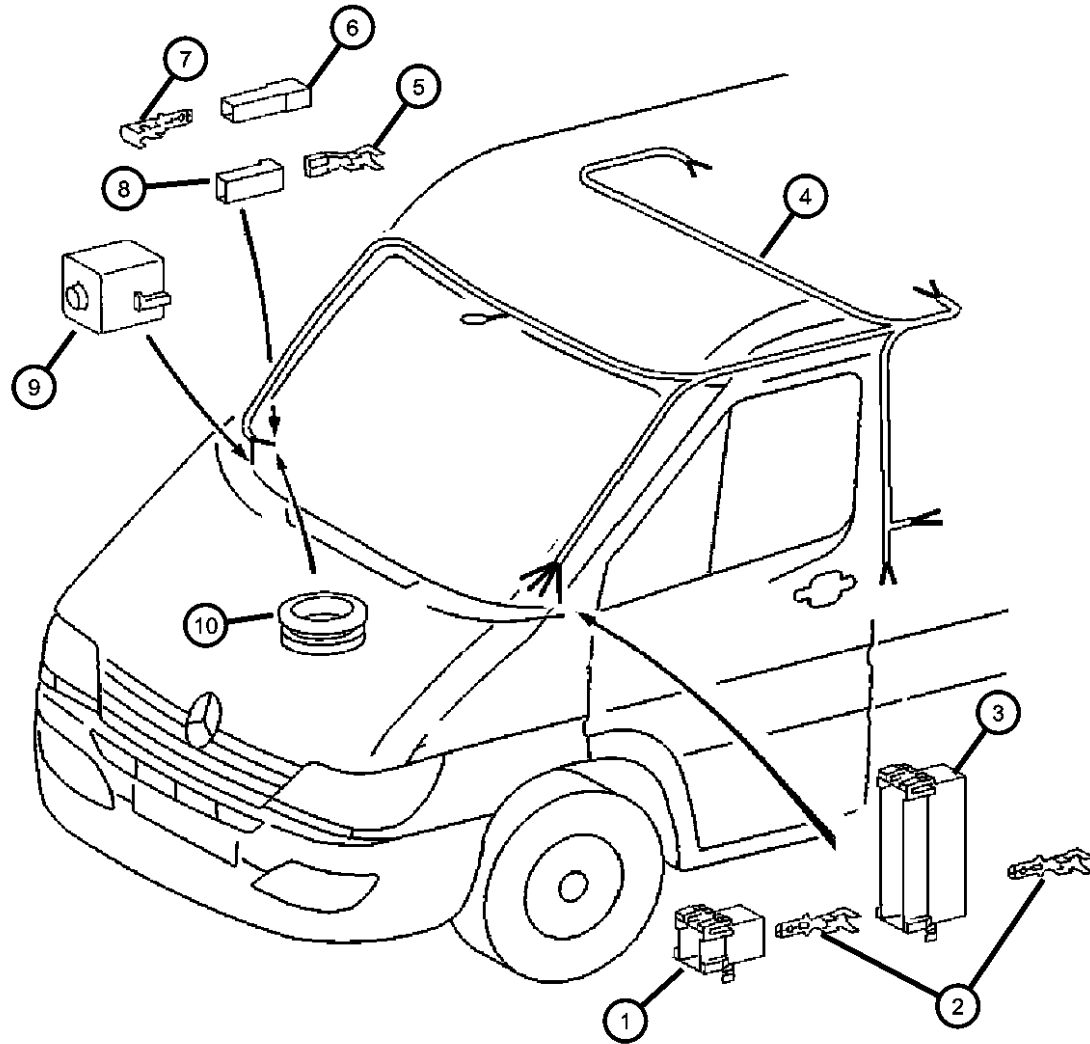


SPRINTER (VA)

SERIES	LINE	BODY	ENGINE	TRANSMISSION
L = LOWLINE	3 = HD DODGE 2WD 6 = Lt. Duty DODGE 4WD 2 = Med. Duty DODGE 2WD 7 = Med. Duty DODGE 4WD	55 = Wagon 140" 54 = Wagon 118" 52 = Wagon 140" 51 = Wagon 118" 12 = Van 140" 11 = Van 118" 06 = Front Section 158" 14 = Van 118" 15 = Van 140" 16 = Van 158" 56 = Wagon 158"	EX8 = Engine-2.7L I5 Mercedes Turbo Diesel	DGJ = Transmission-5-Spd. Automatic,W5A580
		01 = Chassis Forward Control 118" 02 = Chassis Forward Control 140"		

AR = use ase required - = Non illustrated part

**Connectors Roof
Figure 8-1615**



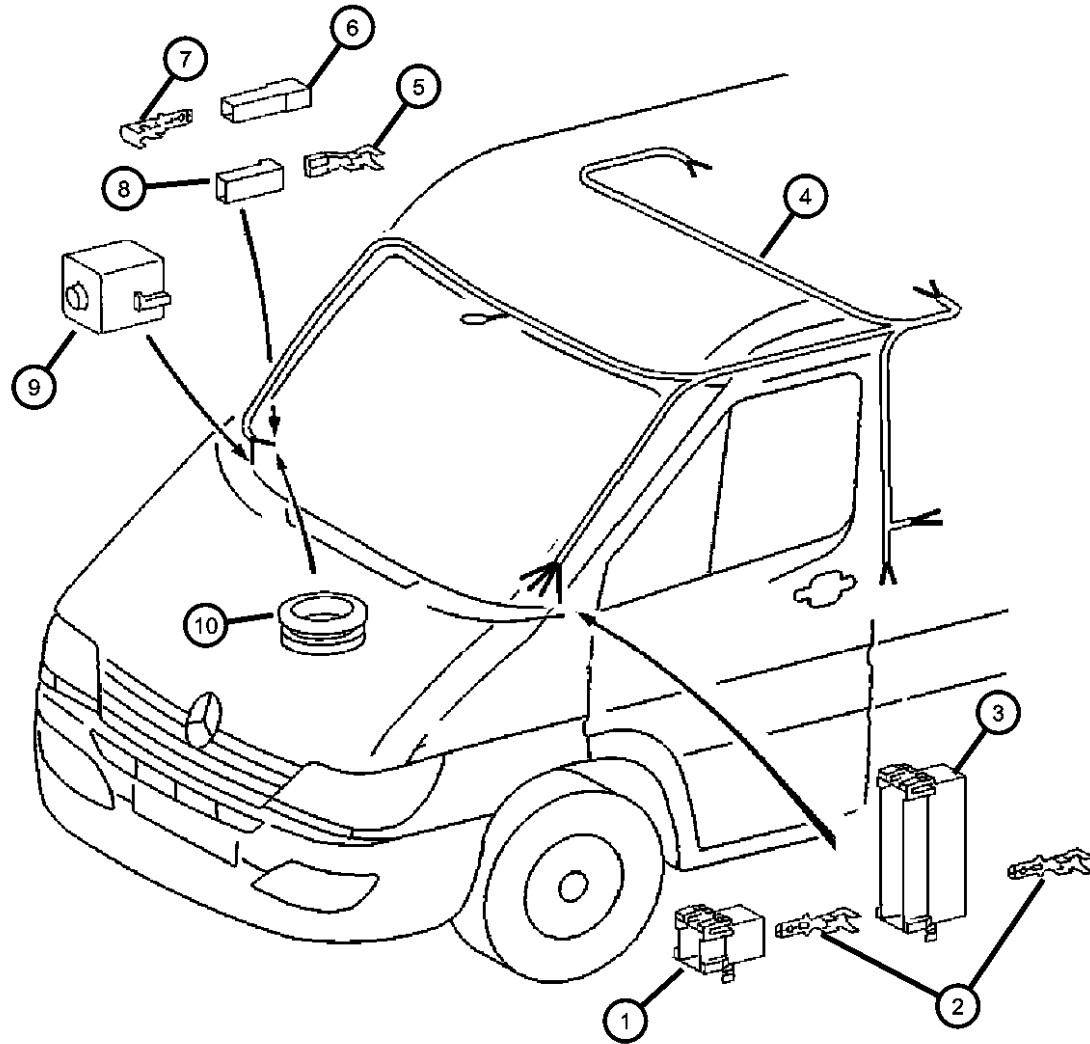
ITEM	PART NUMBER	QTY	LINE	SERIES	BODY	ENGINE	TRANS	TRIM	DESCRIPTION
1	05120791AA	1	2, 6	L	11, 12, 14, 15, 16				CONNECTOR
		1	2, 6	L	51, 52, 54, 55, 56				
		1	3, 7	L	12, 15, 16				
2	05133377AA	1	2, 6	L	11, 12, 14, 15, 16				TERMINAL, Male Small
		1	2, 6	L	51, 52, 54, 55, 56				
		1	3, 7	L	12, 15, 16				
	05133378AA	1	2, 6	L	11, 12, 14, 15, 16				TERMINAL, Male Large
		1	2, 6	L	51, 52, 54, 55, 56				
		1	3, 7	L	12, 15, 16				
3	05120794AA	1	2, 6	L	11, 12, 14, 15, 16				CONNECTOR
		1	2, 6	L	51, 52, 54, 55, 56				
		1	3, 7	L	12, 15, 16				
4	05114931AA	1	2, 6	L	11, 12, 14, 15, 16				WIRING, Body
		1	2, 6	L	51, 52, 54, 55, 56				
		1	3, 7	L	12, 15, 16				
5	05103871AA	1	2, 6	L	11, 12, 14, 15, 16				TERMINAL, Female
		1	2, 6	L	51, 52, 54, 55, 56				
		1	3, 7	L	12, 15, 16				

SPRINTER (VA)

SERIES	LINE	BODY	ENGINE	TRANSMISSION
L = LOWLINE	3 = HD DODGE 2WD 6 = Lt. Duty DODGE 4WD 2 = Med. Duty DODGE 2WD 7 = Med. Duty DODGE 4WD	55 = Wagon 140" 54 = Wagon 118" 52 = Wagon 140" 51 = Wagon 118" 12 = Van 140" 11 = Van 118" 06 = Front Section 158" 14 = Van 118" 15 = Van 140" 16 = Van 158" 56 = Wagon 158" 01 = Chassis Forward Control 118" 02 = Chassis Forward Control 140"	EX8 = Engine-2.7L I5 Mercedes Turbo Diesel	DGJ = Transmission-5-Spd. Automatic,W5A580

AR = use ase required - = Non illustrated part

**Connectors Roof
Figure 8-1615**



ITEM	PART NUMBER	QTY	LINE	SERIES	BODY	ENGINE	TRANS	TRIM	DESCRIPTION
6	05120685AA	1	2, 6	L	11, 12, 14, 15, 16				INSULATOR
		1	2, 6	L	51, 52, 54, 55, 56				
		1	3, 7	L	12, 15, 16				
7	05133358AA	1	2, 6	L	11, 12, 14, 15, 16				TERMINAL, Male
		1	2, 6	L	51, 52, 54, 55, 56				
		1	3, 7	L	12, 15, 16				
8	05120684AA	1	2, 6	L	11, 12, 14, 15, 16				CONNECTOR
		1	2, 6	L	51, 52, 54, 55, 56				
		1	3, 7	L	12, 15, 16				
9	05133401AA	1	2, 6	L	11, 12, 14, 15, 16				INSULATOR, 2 Way
		1	2, 6	L	51, 52, 54, 55, 56				
		1	3, 7	L	12, 15, 16				
10	05133408AA	1	2, 6	L	11, 12, 14, 15, 16				GROMMET, Chassis Wiring
		1	2, 6	L	51, 52, 54, 55, 56				
		1	3, 7	L	12, 15, 16				

SPRINTER (VA)

SERIES

L = LOWLINE

LINE

3 = HD DODGE 2WD
6 = Lt. Duty DODGE 4WD
2 = Med. Duty DODGE 2WD
7 = Med. Duty DODGE 4WD

BODY

55 = Wagon 140"
54 = Wagon 118"
52 = Wagon 140"
51 = Wagon 118"
12 = Van 140"
11 = Van 118"
06 = Front Section 158"
14 = Van 118"
15 = Van 140"
16 = Van 158"
56 = Wagon 158"
01 = Chassis Forward Control 118"
02 = Chassis Forward Control 140"

ENGINE

EX8 = Engine-2.7L I5
Mercedes Turbo Diesel

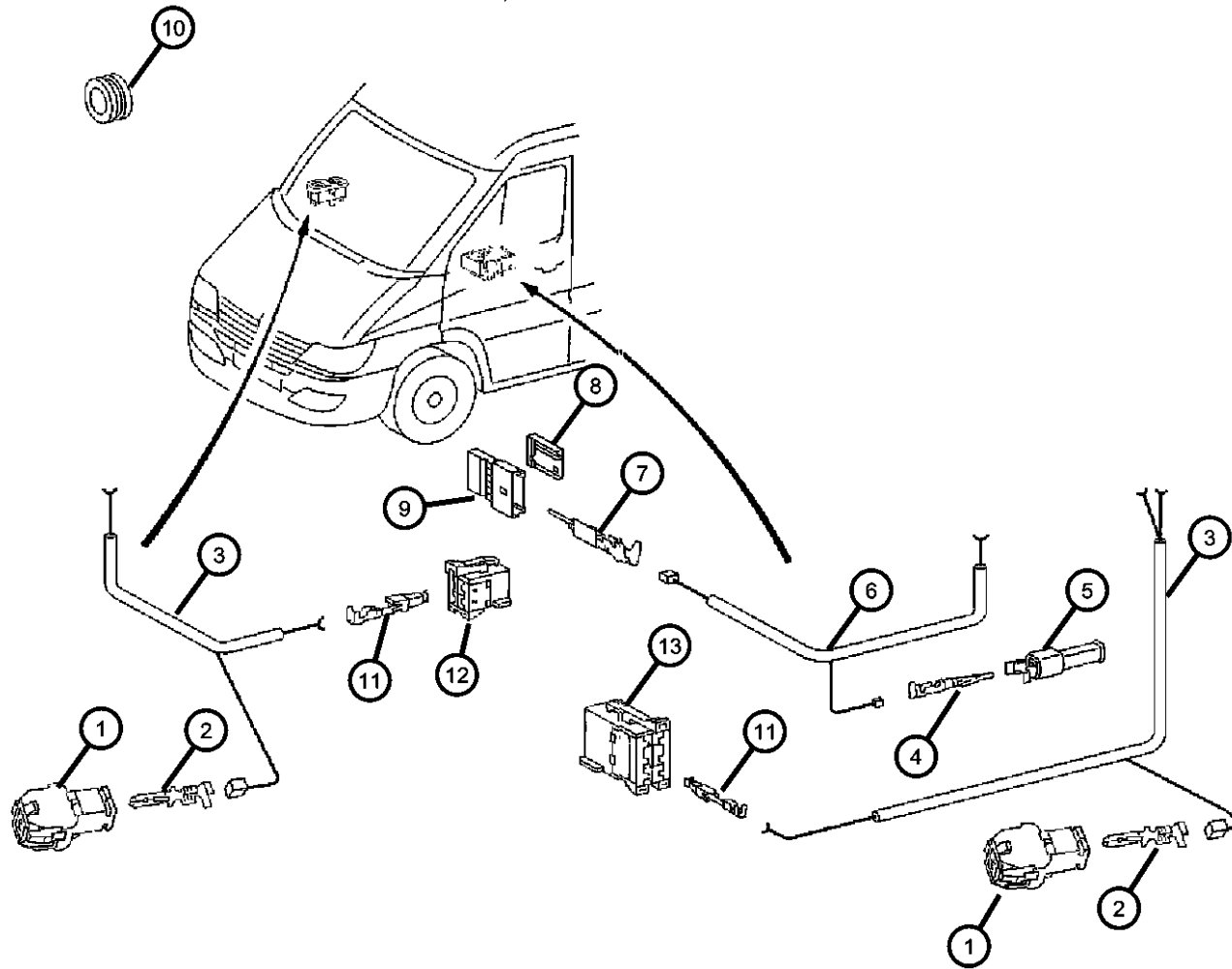
TRANSMISSION

DGJ = Transmission-5-Spd. Automatic, W5A580

AR = use ase required - = Non illustrated part

2004 VA

Connectors Front Doors
Figure 8-1620



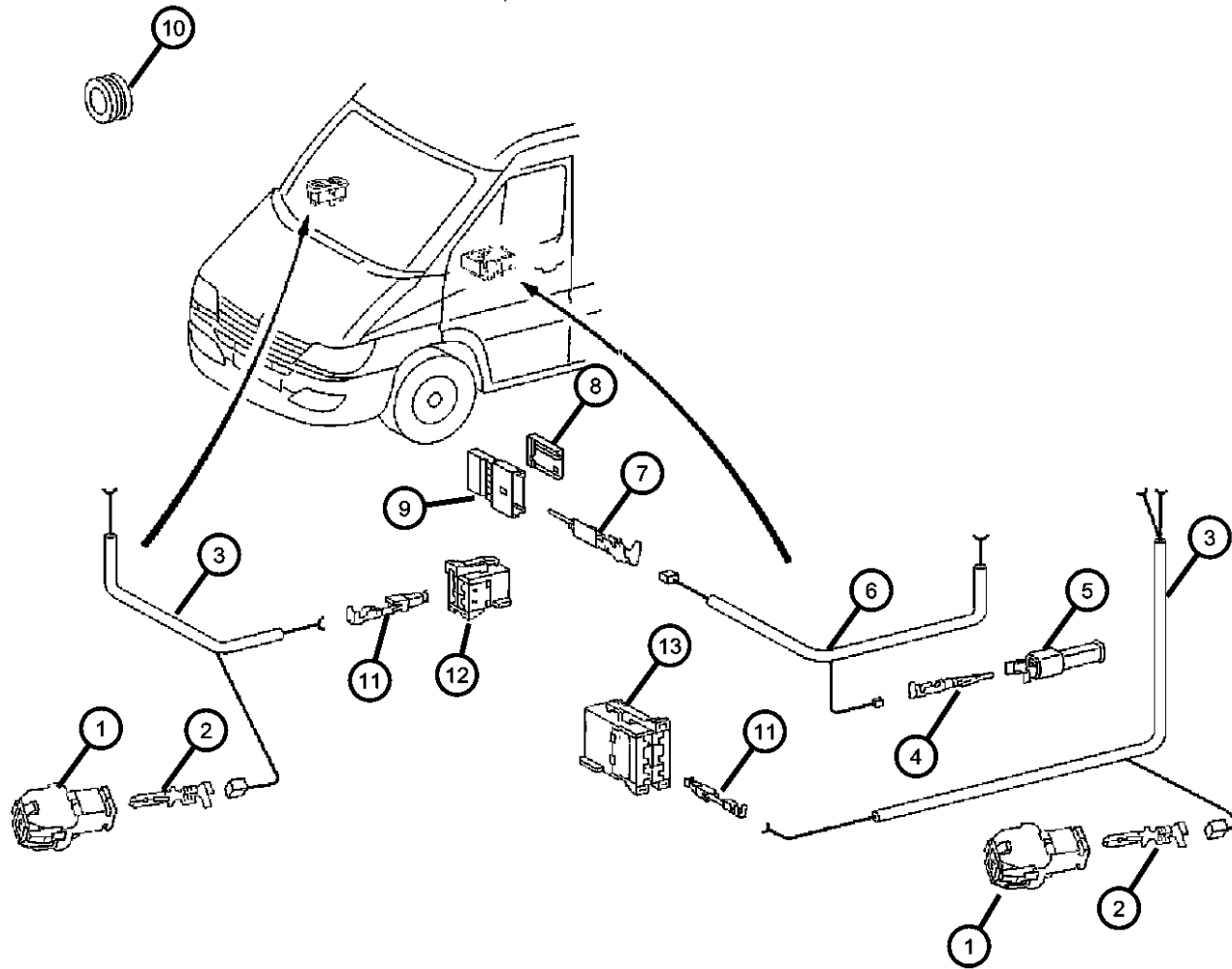
ITEM	PART NUMBER	QTY	LINE	SERIES	BODY	ENGINE	TRANS	TRIM	DESCRIPTION
1	05120795AA	1	2, 6	L	11, 12, 14, 15, 16				CONNECTOR
		1	2, 6	L	51, 52, 54, 55, 56				
		1	3, 7	L	12, 15, 16				
2	05133378AA	1	2, 6	L	11, 12, 14, 15, 16				TERMINAL, Male
		1	2, 6	L	51, 52, 54, 55, 56				
		1	3, 7	L	12, 15, 16				
3	05120220AA	1	2, 6	L	11, 12, 14, 15, 16				WIRING, Power Window Driver Side
		1	2, 6	L	51, 52, 54, 55, 56				Driver Side
		1	3, 7	L	12, 15, 16				Driver Side
	05120222AA	1	2, 6	L	11, 12, 14, 15, 16				Passenger Side
		1	2, 6	L	51, 52, 54, 55, 56				Passenger Side
		1	3, 7	L	12, 15, 16				Passenger Side
4	05133387AA	1	2, 6	L	11, 12, 14, 15, 16				TERMINAL
		1	2, 6	L	51, 52, 54, 55, 56				
		1	3, 7	L	12, 15, 16				
5	05120744AA	1	2, 6	L	11, 12, 14, 15, 16				CONNECTOR
		1	2, 6	L	51, 52, 54, 55, 56				
		1	3, 7	L	12, 15, 16				

SPRINTER (VA)

SERIES	LINE	BODY	ENGINE	TRANSMISSION
L = LOWLINE	3 = HD DODGE 2WD 6 = Lt. Duty DODGE 4WD 2 = Med. Duty DODGE 2WD 7 = Med. Duty DODGE 4WD	55 = Wagon 140" 54 = Wagon 118" 52 = Wagon 140" 51 = Wagon 118" 12 = Van 140" 11 = Van 118" 06 = Front Section 158" 14 = Van 118" 15 = Van 140" 16 = Van 158" 56 = Wagon 158"	EX8 = Engine-2.7L I5 Mercedes Turbo Diesel	DGJ = Transmission-5-Spd. Automatic, W5A580
		01 = Chassis Forward Control 118" 02 = Chassis Forward Control 140"		

AR = use ase required - = Non illustrated part

**Connectors Front Doors
Figure 8-1620**



ITEM	PART NUMBER	QTY	LINE	SERIES	BODY	ENGINE	TRANS	TRIM	DESCRIPTION
6	05120224AA	1	2, 6	L	11, 12, 14, 15, 16				WIRING, Mirror Jumper
		1	2, 6	L	51, 52, 54, 55, 56				
		1	3, 7	L	12, 15, 16				
7	05133990AA	99	2, 6	L	11, 12, 14, 15, 16				TERMINAL, Male
		99	2, 6	L	51, 52, 54, 55, 56				
		99	3, 7	L	12, 15, 16				
8	05133331AA	1	2, 6	L	11, 12, 14, 15, 16				CONNECTOR, Instrument cluster
		1	2, 6	L	51, 52, 54, 55, 56				
		1	3, 7	L	12, 15, 16				
9	05133330AA	1	2, 6	L	11, 12, 14, 15, 16				INSULATOR, 6 Way
		1	2, 6	L	51, 52, 54, 55, 56				
		1	3, 7	L	12, 15, 16				
10	05125942AA	1	2, 6	L	11, 12, 14, 15, 16				GROMMET
		1	2, 6	L	51, 52, 54, 55, 56				
		1	3, 7	L	12, 15, 16				
11	05103881AA	1	2, 6	L	11, 12, 14, 15, 16				TERMINAL
		1	2, 6	L	51, 52, 54, 55, 56				

SPRINTER (VA)

SERIES

L = LOWLINE

LINE

3 = HD DODGE 2WD
6 = Lt. Duty DODGE 4WD
2 = Med. Duty DODGE 2WD
7 = Med. Duty DODGE 4WD

BODY

55 = Wagon 140"
54 = Wagon 118"
52 = Wagon 140"
51 = Wagon 118"
12 = Van 140"
11 = Van 118"
06 = Front Section 158"
14 = Van 118"
15 = Van 140"
16 = Van 158"
56 = Wagon 158"
01 = Chassis Forward Control
118"
02 = Chassis Forward Control
140"

ENGINE

EX8 = Engine-2.7L I5
Mercedes Turbo Diesel

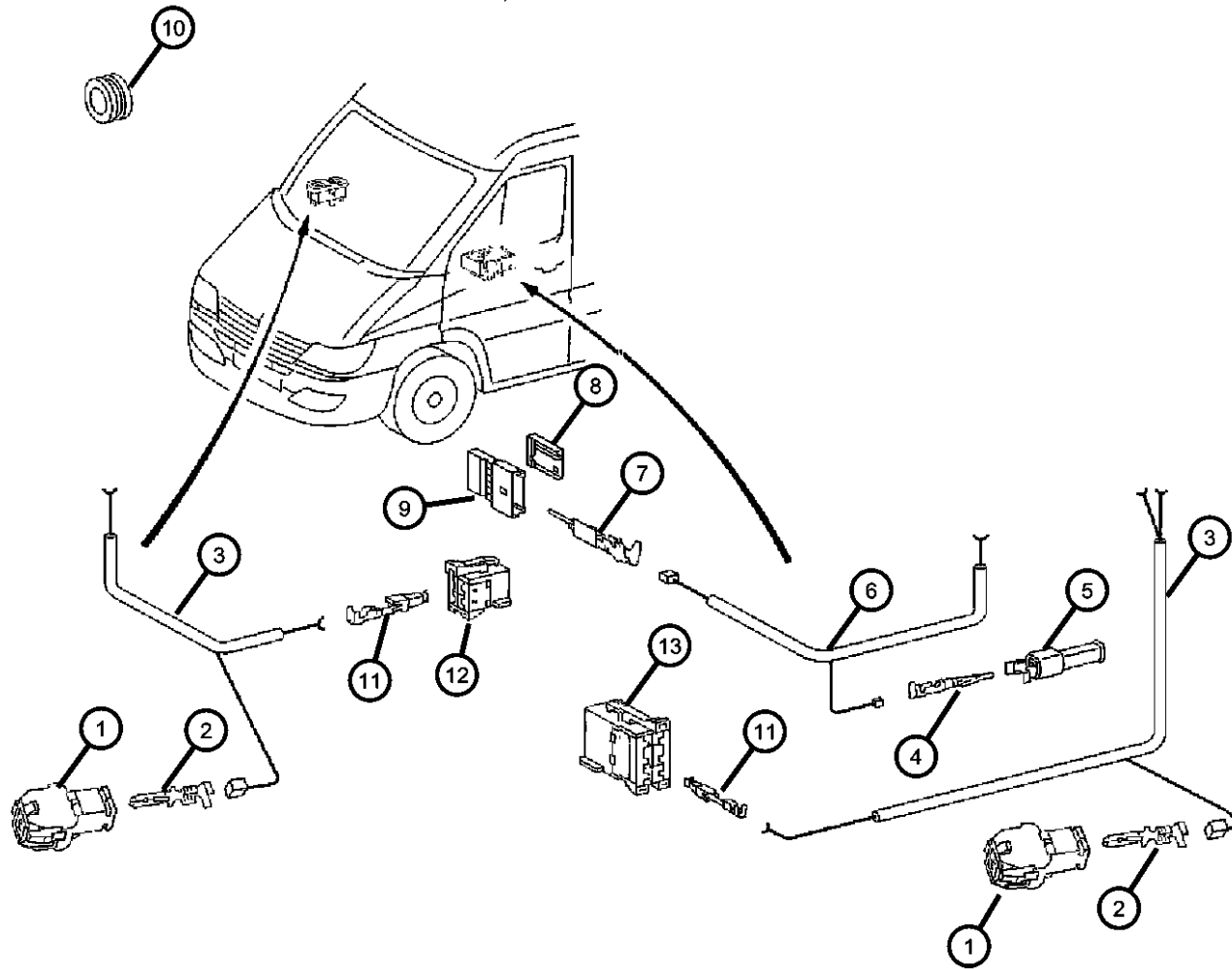
TRANSMISSION

DGJ = Transmission-5-Spd.
Automatic,W5A580

AR = use ase required - = Non illustrated part

Connectors Front Doors
Figure 8-1620

ITEM	PART NUMBER	QTY	LINE	SERIES	BODY	ENGINE	TRANS	TRIM	DESCRIPTION
12		1	3, 7	L	12, 15, 16				CONNECTOR
	05120785AA	1	2, 6	L	11, 12, 14, 15, 16				
		1	2, 6	L	51, 52, 54, 55, 56				
		1	3, 7	L	12, 15, 16				
13		1	2, 6	L	11, 12, 14, 15, 16				CONNECTOR
	05120786AA	1	2, 6	L	11, 12, 14, 15, 16				
		1	2, 6	L	51, 52, 54, 55, 56				
		1	3, 7	L	12, 15, 16				



SPRINTER (VA)

SERIES

L = LOWLINE

LINE

3 = HD DODGE 2WD
6 = Lt. Duty DODGE 4WD
2 = Med. Duty DODGE 2WD
7 = Med. Duty DODGE 4WD

BODY

55 = Wagon 140"
54 = Wagon 118"
52 = Wagon 140"
51 = Wagon 118"
12 = Van 140"
11 = Van 118"
06 = Front Section 158"
14 = Van 118"
15 = Van 140"
16 = Van 158"
56 = Wagon 158"
01 = Chassis Forward Control
118"
02 = Chassis Forward Control
140"

ENGINE

EX8 = Engine-2.7L I5
Mercedes Turbo Diesel

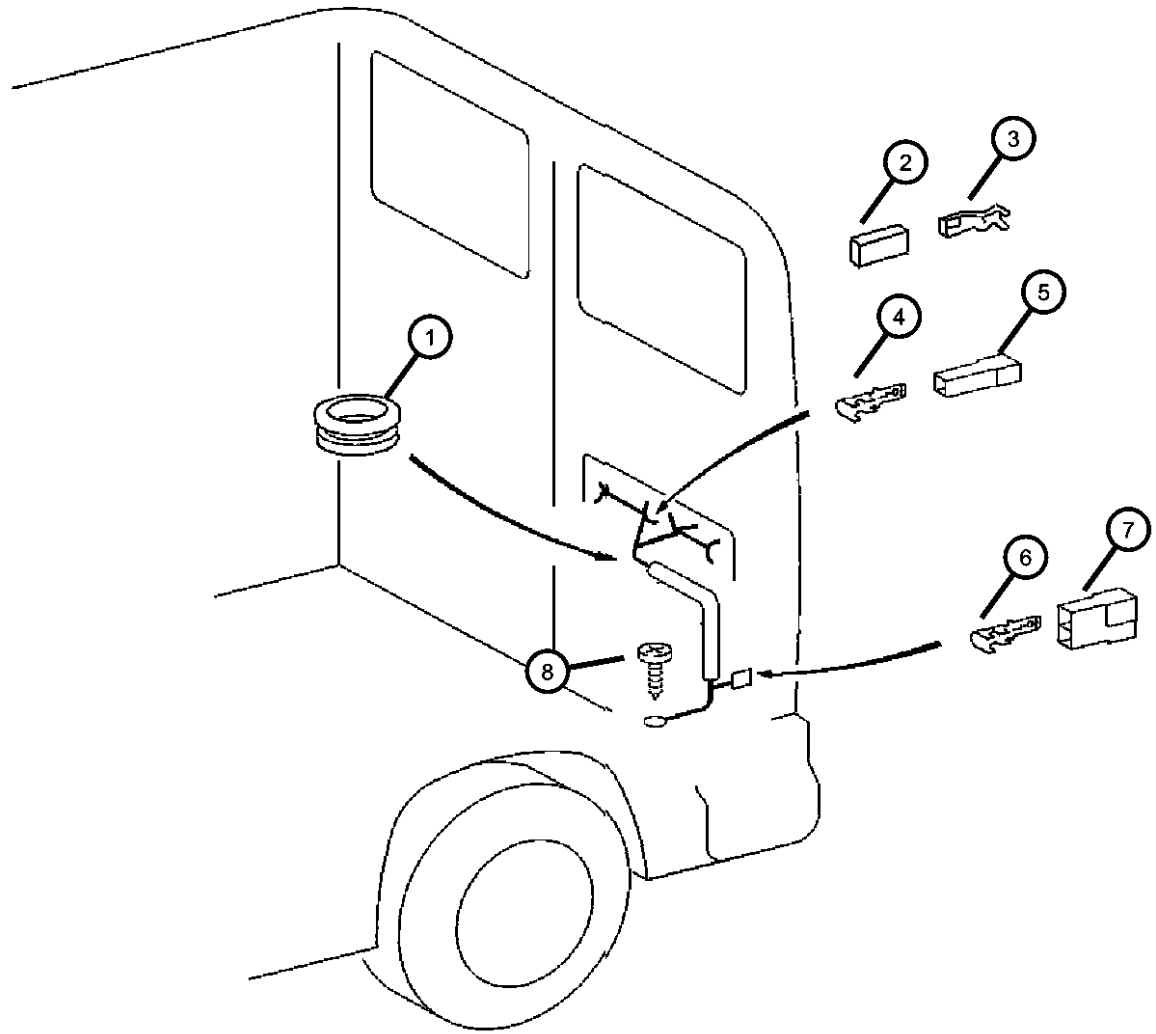
TRANSMISSION

DGJ = Transmission-5-Spd.
Automatic,W5A580

AR = use ase required - = Non illustrated part

2004 VA

**Connectors Rear Doors
Figure 8-1625**



ITEM	PART NUMBER	QTY	LINE	SERIES	BODY	ENGINE	TRANS	TRIM	DESCRIPTION
1	05125931AA	1	2, 6	L	11, 12, 14, 15, 16				GROMMET
		1	2, 6	L	51, 52, 54, 55, 56				
		2	3, 7	L	12, 15, 16				
2	05120684AA	1	2, 6	L	11, 12, 14, 15, 16				CONNECTOR
		1	2, 6	L	51, 52, 54, 55, 56				
		1	3, 7	L	12, 15, 16				
3	05114451AA	99	2, 6	L	11, 12, 14, 15, 16				TERMINAL, Female
		99	2, 6	L	51, 52, 54, 55, 56				
		99	3, 7	L	12, 15, 16				
4	05103798AA	1	2, 6	L	11, 12, 14, 15, 16				TERMINAL, Male
		1	2, 6	L	51, 52, 54, 55, 56				
		1	3, 7	L	12, 15, 16				
5	05120685AA	2	2, 6	L	51, 52, 54, 55, 56				INSULATOR
		2	2, 6	L	11, 12, 14, 15, 16				
		2	3, 7	L	12, 15, 16				
6	05103751AA	1	2, 6	L	11, 12, 14, 15, 16				CONNECTOR
		1	2, 6	L	51, 52, 54, 55, 56				

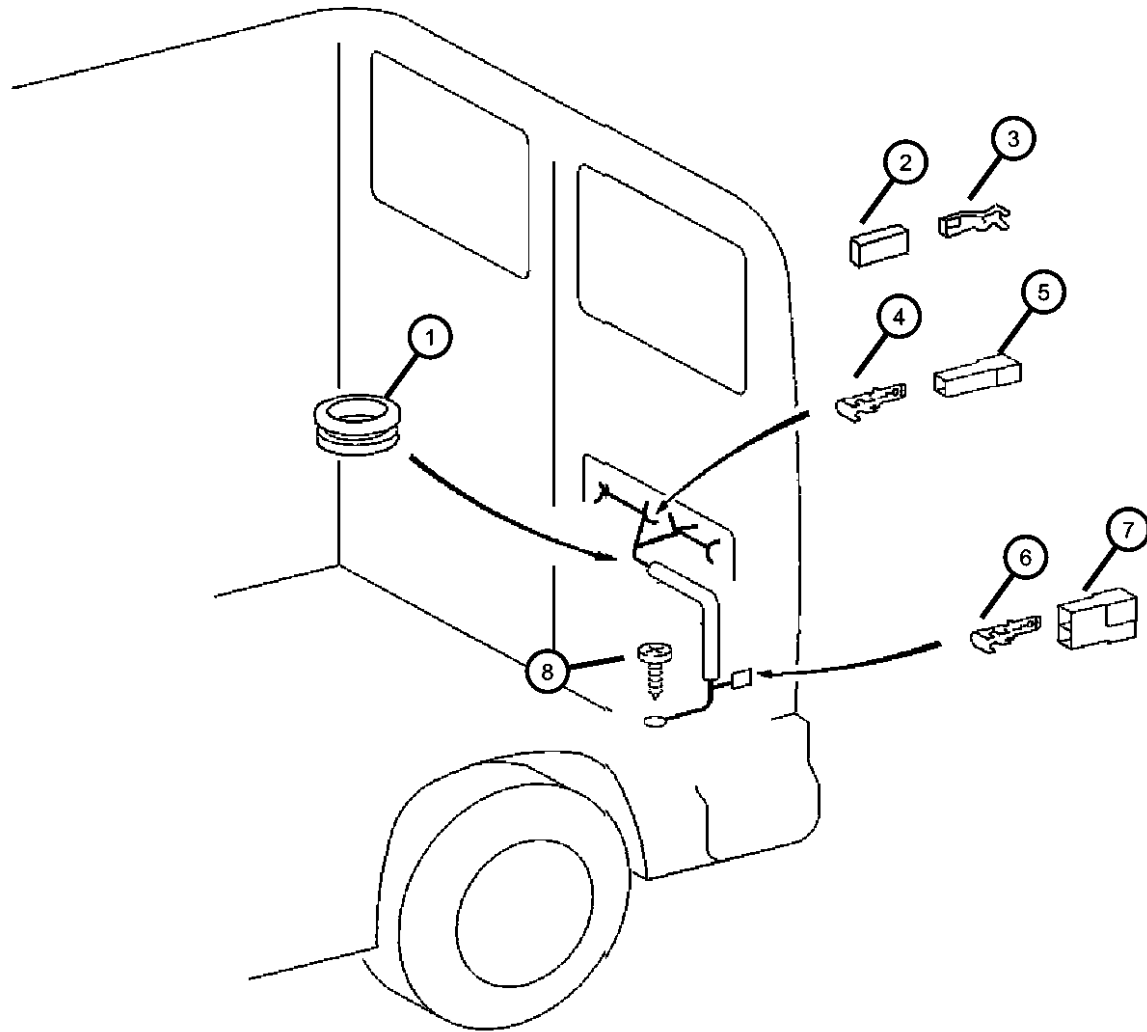
SPRINTER (VA)

SERIES	LINE	BODY	ENGINE	TRANSMISSION
L = LOWLINE	3 = HD DODGE 2WD 6 = Lt. Duty DODGE 4WD 2 = Med. Duty DODGE 2WD 7 = Med. Duty DODGE 4WD	55 = Wagon 140" 54 = Wagon 118" 52 = Wagon 140" 51 = Wagon 118" 12 = Van 140" 11 = Van 118" 06 = Front Section 158" 14 = Van 118" 15 = Van 140" 16 = Van 158" 56 = Wagon 158" 01 = Chassis Forward Control 118" 02 = Chassis Forward Control 140"	EX8 = Engine-2.7L I5 Mercedes Turbo Diesel	DGJ = Transmission-5-Spd. Automatic,W5A580

AR = use ase required - = Non illustrated part

**Connectors Rear Doors
Figure 8-1625**

ITEM	PART NUMBER	QTY	LINE	SERIES	BODY	ENGINE	TRANS	TRIM	DESCRIPTION
7		1	3, 7	L	12, 15, 16				TERMINAL, Male
	05103798AA	1	2, 6	L	11, 12, 14, 15, 16				
		1	2, 6	L	51, 52, 54, 55, 56				
8		1	3, 7	L	12, 15, 16				SCREW, Tapping
	05132835AA	1	2, 6	L	11, 12, 14, 15, 16				
		1	2, 6	L	51, 52, 54, 55, 56				
		1	3, 7	L	12, 15, 16				



SPRINTER (VA)

SERIES

L = LOWLINE

LINE

3 = HD DODGE 2WD
6 = Lt. Duty DODGE 4WD
2 = Med. Duty DODGE 2WD
7 = Med. Duty DODGE 4WD

BODY

55 = Wagon 140"
54 = Wagon 118"
52 = Wagon 140"
51 = Wagon 118"
12 = Van 140"
11 = Van 118"
06 = Front Section 158"
14 = Van 118"
15 = Van 140"
16 = Van 158"
56 = Wagon 158"
01 = Chassis Forward Control
118"
02 = Chassis Forward Control
140"

ENGINE

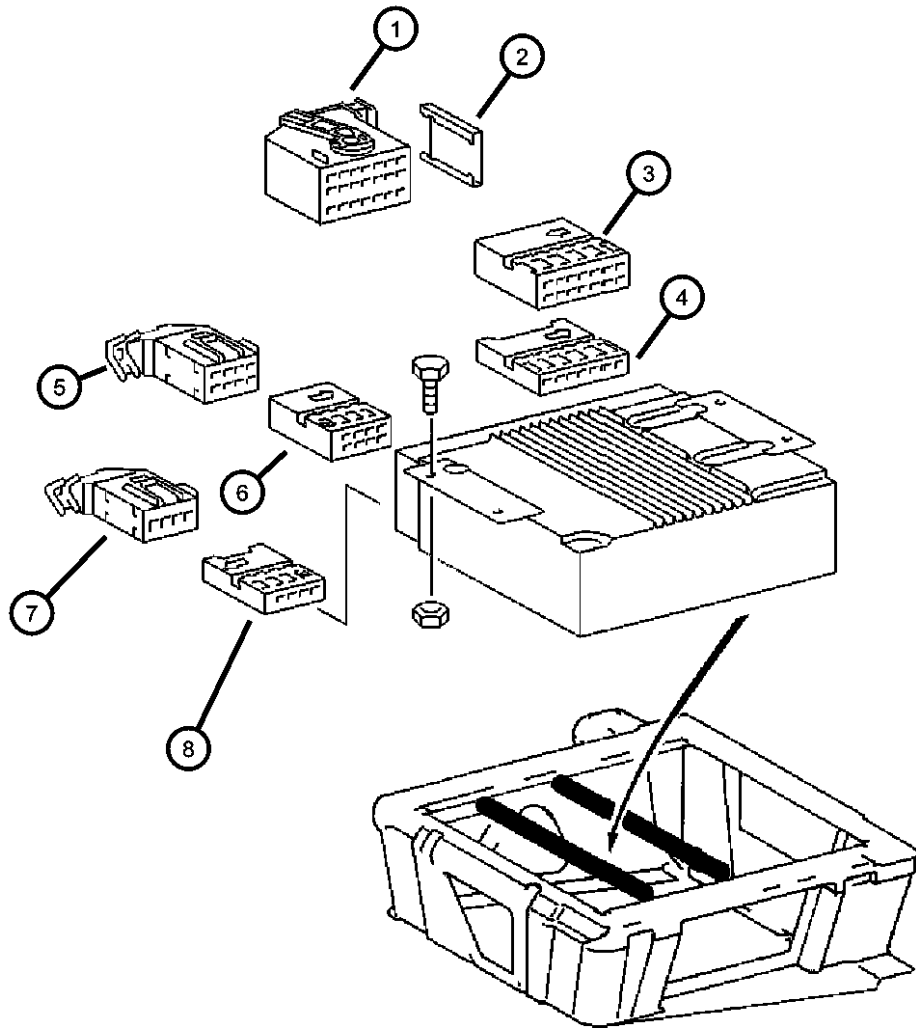
EX8 = Engine-2.7L I5
Mercedes Turbo Diesel

TRANSMISSION

DGJ = Transmission-5-Spd.
Automatic,W5A580

Connectors Seating Area
Figure 8-1630

ITEM	PART NUMBER	QTY	LINE	SERIES	BODY	ENGINE	TRANS	TRIM	DESCRIPTION
1	05102941AA	1	2, 6	L	11, 12, 14, 15, 16				INSULATOR
		1	2, 6	L	51, 52, 54, 55, 56				
		1	3, 7	L	12, 15, 16				
2	05102945AA	1	2, 6	L	11, 12, 14, 15, 16				CONNECTOR
		1	2, 6	L	51, 52, 54, 55, 56				
		1	3, 7	L	12, 15, 16				
3	05102943AA	1	2, 6	L	11, 12, 14, 15, 16				CONNECTOR
		1	2, 6	L	51, 52, 54, 55, 56				
		1	3, 7	L	12, 15, 16				
4	05102944AA	1	2, 6	L	11, 12, 14, 15, 16				CONNECTOR, 7 Way
		1	2, 6	L	51, 52, 54, 55, 56				
		1	3, 7	L	12, 15, 16				
5	05133339AA	1	2, 6	L	11, 12, 14, 15, 16				INSULATOR, 8 Way
		1	2, 6	L	51, 52, 54, 55, 56				
		1	3, 7	L	12, 15, 16				
6	05133340AA	1	2, 6	L	11, 12, 14, 15, 16				INSULATOR, 8 Way
		1	2, 6	L	51, 52, 54, 55, 56				



SPRINTER (VA)

SERIES

L = LOWLINE

LINE

3 = HD DODGE 2WD
6 = Lt. Duty DODGE 4WD
2 = Med. Duty DODGE 2WD
7 = Med. Duty DODGE 4WD

BODY

55 = Wagon 140"
54 = Wagon 118"
52 = Wagon 140"
51 = Wagon 118"
12 = Van 140"
11 = Van 118"
06 = Front Section 158"
14 = Van 118"
15 = Van 140"
16 = Van 158"
56 = Wagon 158"
01 = Chassis Forward Control
118"
02 = Chassis Forward Control
140"

ENGINE

EX8 = Engine-2.7L I5
Mercedes Turbo Diesel

TRANSMISSION

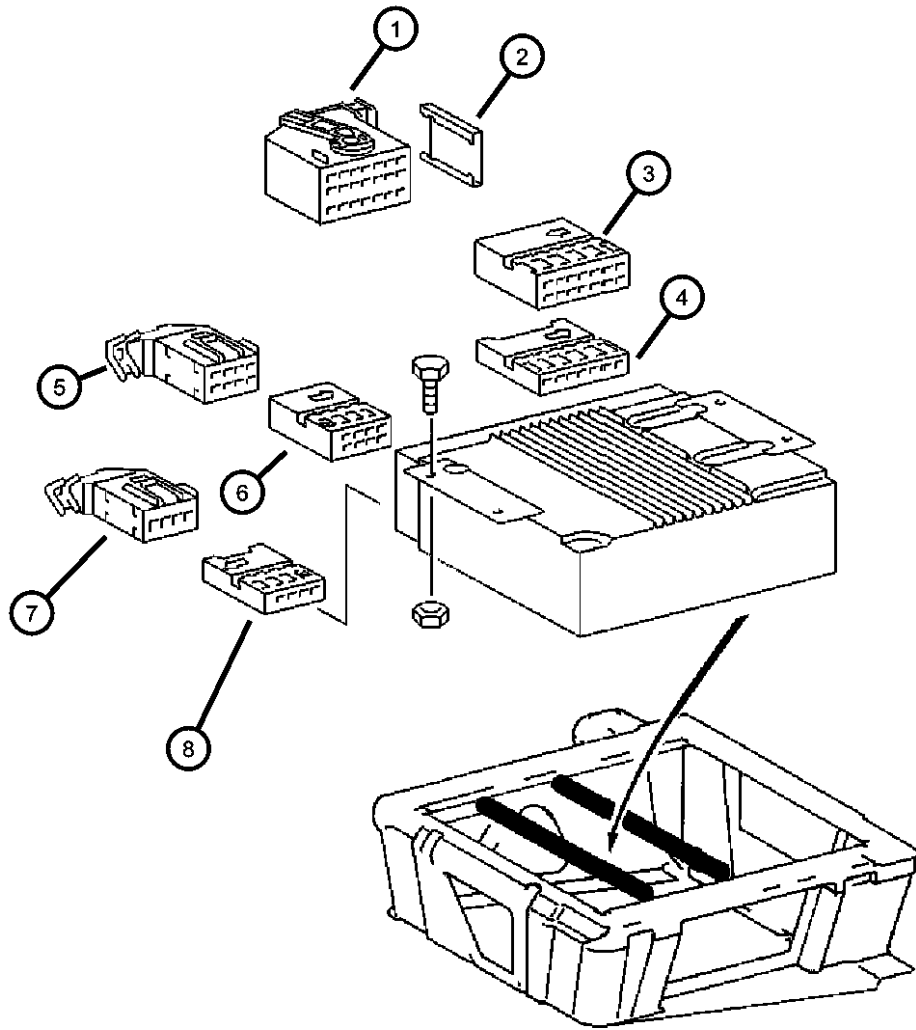
DGJ = Transmission-5-Spd.
Automatic,W5A580

AR = use ase required - = Non illustrated part

2004 VA

Connectors Seating Area
Figure 8-1630

ITEM	PART NUMBER	QTY	LINE	SERIES	BODY	ENGINE	TRANS	TRIM	DESCRIPTION
7		1	3, 7	L	12, 15, 16				INSULATOR, 8 Way
	05133342AA	1	2, 6	L	11, 12, 14, 15, 16				
8		1	2, 6	L	51, 52, 54, 55, 56				INSULATOR, 8 Way
		1	3, 7	L	12, 15, 16				
	05133341AA	1	2, 6	L	11, 12, 14, 15, 16				
		1	2, 6	L	51, 52, 54, 55, 56				
		1	3, 7	L	12, 15, 16				

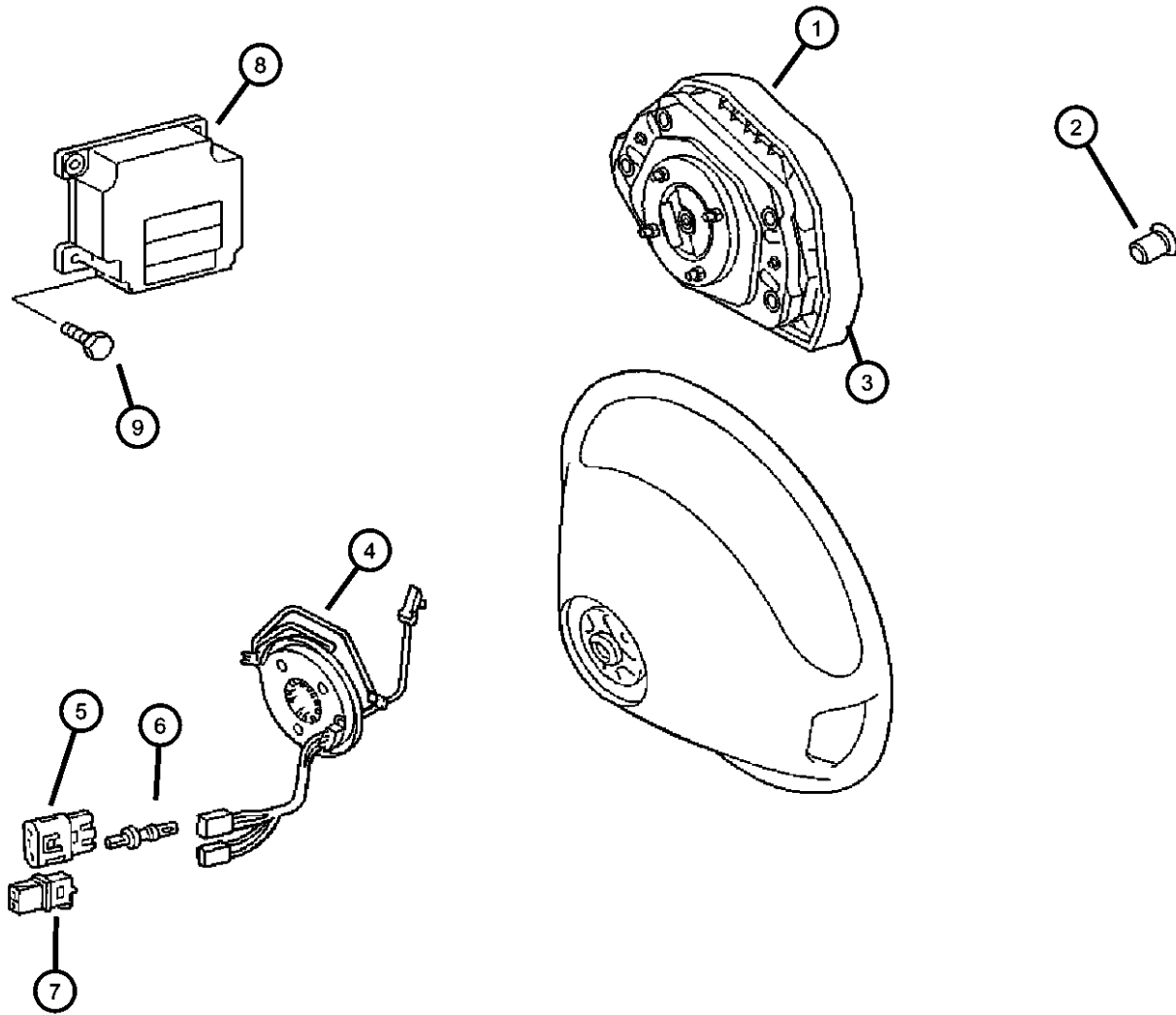


SPRINTER (VA)

SERIES	LINE	BODY	ENGINE	TRANSMISSION
L = LOWLINE	3 = HD DODGE 2WD 6 = Lt. Duty DODGE 4WD 2 = Med. Duty DODGE 2WD 7 = Med. Duty DODGE 4WD	55 = Wagon 140" 54 = Wagon 118" 52 = Wagon 140" 51 = Wagon 118" 12 = Van 140" 11 = Van 118" 06 = Front Section 158" 14 = Van 118" 15 = Van 140" 16 = Van 158" 56 = Wagon 158" 01 = Chassis Forward Control 118" 02 = Chassis Forward Control 140"	EX8 = Engine-2.7L I5 Mercedes Turbo Diesel	DGJ = Transmission-5-Spd. Automatic,W5A580

AR = use ase required - = Non illustrated part

**Air Bag System Drivers Side
Figure 8-1705**



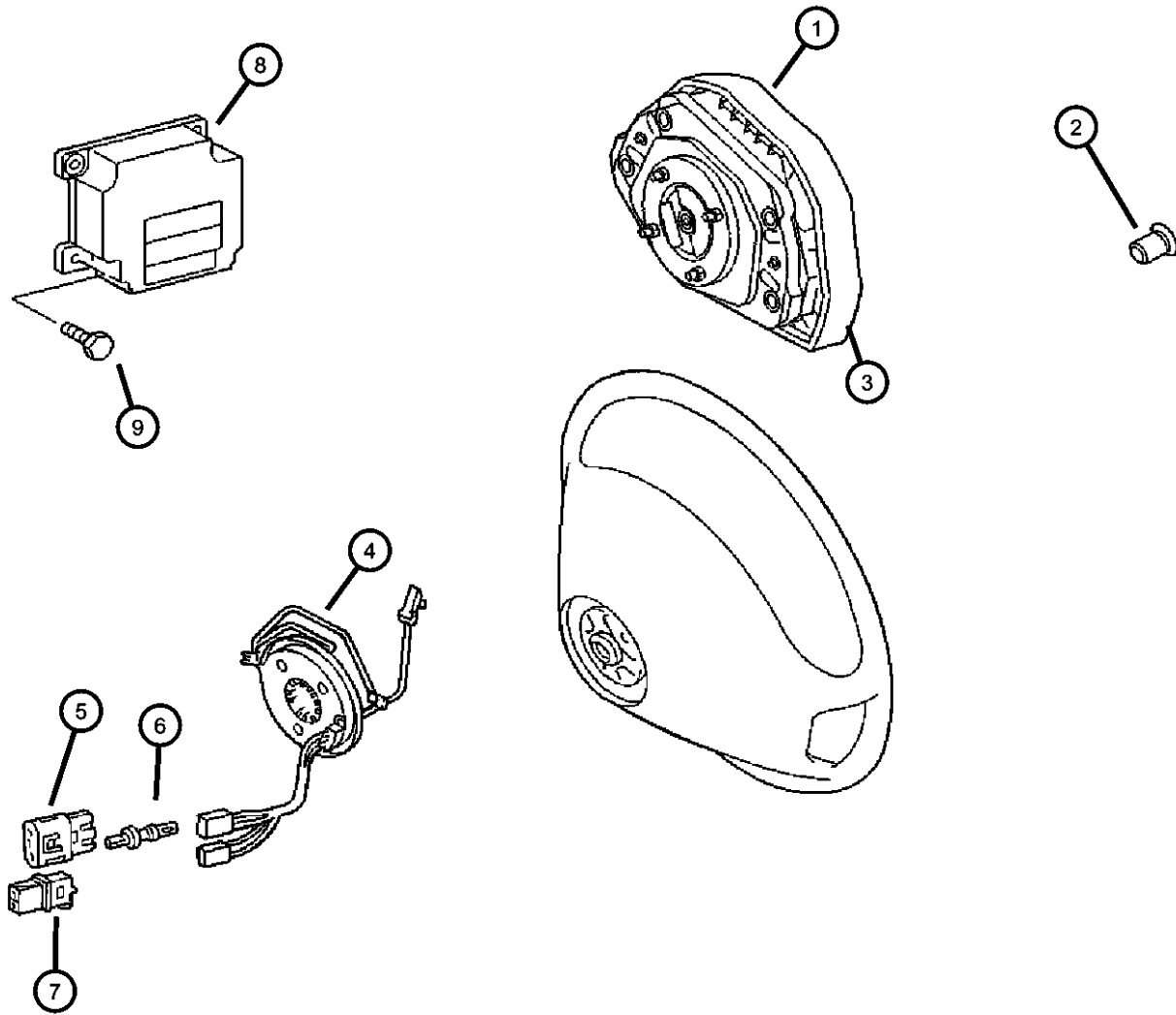
ITEM	PART NUMBER	QTY	LINE	SERIES	BODY	ENGINE	TRANS	TRIM	DESCRIPTION
1									AIR BAG, Driver
	05119529AA	1	2	L	51, 52, 54, 55, 56				Dodge emblem
		1	2	L	01, 02, 06				Dodge emblem
		1	2	L	11, 12, 14, 15, 16				Dodge emblem
		1	3	L	12, 15, 16				Dodge emblem
	1AR08CSSAA	1	6	L	11, 12, 14, 15, 16				Freightliner Emblem
		1	7	L	12, 15, 16				Freightliner Emblem
		1	6	L	01, 02, 06				Freightliner Emblem
		1	6	L	51, 52, 54, 55, 56				Freightliner Emblem
2									SCREW
	05103604AA	1	2, 6	L	01, 02, 06				
		1	2, 6	L	15, 16, 11, 12, 14				
		1	2, 6	L	51, 52, 54, 55, 56				
		1	3, 7	L	12, 15, 16				
3									COVER, Steering Wheel
	0ZF47CSSAA	1	3, 7	L	02, 06				
		1	2, 6	L	11, 12, 14, 15, 16				
		1	2, 6	L	51, 52, 54, 55, 56				
		1	3, 7	L	12, 15, 16				
		1	2, 6	L	01, 02, 06				
4									CLOCKSPRING
	05104089AA	1	2, 6	L	01, 02, 06				
		1	2, 6	L	11, 12, 14, 15, 16				
		1	2, 6	L	51, 52, 54, 55, 56				

SPRINTER (VA)

SERIES	LINE	BODY	ENGINE	TRANSMISSION
L = LOWLINE	3 = HD DODGE 2WD 6 = Lt. Duty DODGE 4WD 2 = Med. Duty DODGE 2WD 7 = Med. Duty DODGE 4WD	55 = Wagon 140" 54 = Wagon 118" 52 = Wagon 140" 51 = Wagon 118" 12 = Van 140" 11 = Van 118" 06 = Front Section 158" 14 = Van 118" 15 = Van 140" 16 = Van 158" 56 = Wagon 158"	EX8 = Engine-2.7L I5 Mercedes Turbo Diesel	DGJ = Transmission-5-Spd. Automatic,W5A580
		01 = Chassis Forward Control 118" 02 = Chassis Forward Control 140"		

AR = use ase required - = Non illustrated part

**Air Bag System Drivers Side
Figure 8-1705**



ITEM	PART NUMBER	QTY	LINE	SERIES	BODY	ENGINE	TRANS	TRIM	DESCRIPTION
5		1	3, 7	L	12, 15, 16				CONNECTOR
	05103904AA	1	2, 6	L	01, 02, 06				
		1	2, 6	L	11, 12, 14, 15, 16				
		1	2, 6	L	56, 51, 52, 54, 55				
		1	7, 3	L	12, 15, 16				
6		1	2, 6	L	01, 02, 06				TERMINAL
	05103828AA	1	2, 6	L	11, 12, 14, 15, 16				
		1	2, 6	L	51, 52, 54, 55, 56				
		1	3, 7	L	12, 15, 16				
7		1	2, 6	L	01, 02, 06				CONNECTOR
	05103902AA	1	2, 6	L	11, 12, 14, 15, 16				
		1	2, 6	L	51, 52, 54, 55, 56				
		1	3, 7	L	12, 15, 16				
8		1	2, 6	L	01, 02, 06				MODULE, Air Bag Control
	05119435AA	1	2, 6	L	11, 12, 14, 15, 16				
		1	2, 6	L	51, 52, 54, 55, 56				
		1	3, 7	L	12, 15, 16				
9		2	2, 6	L	01, 02, 06				SCREW
	06104005AA	2	2, 6	L	12, 14, 15, 16, 11				

SPRINTER (VA)

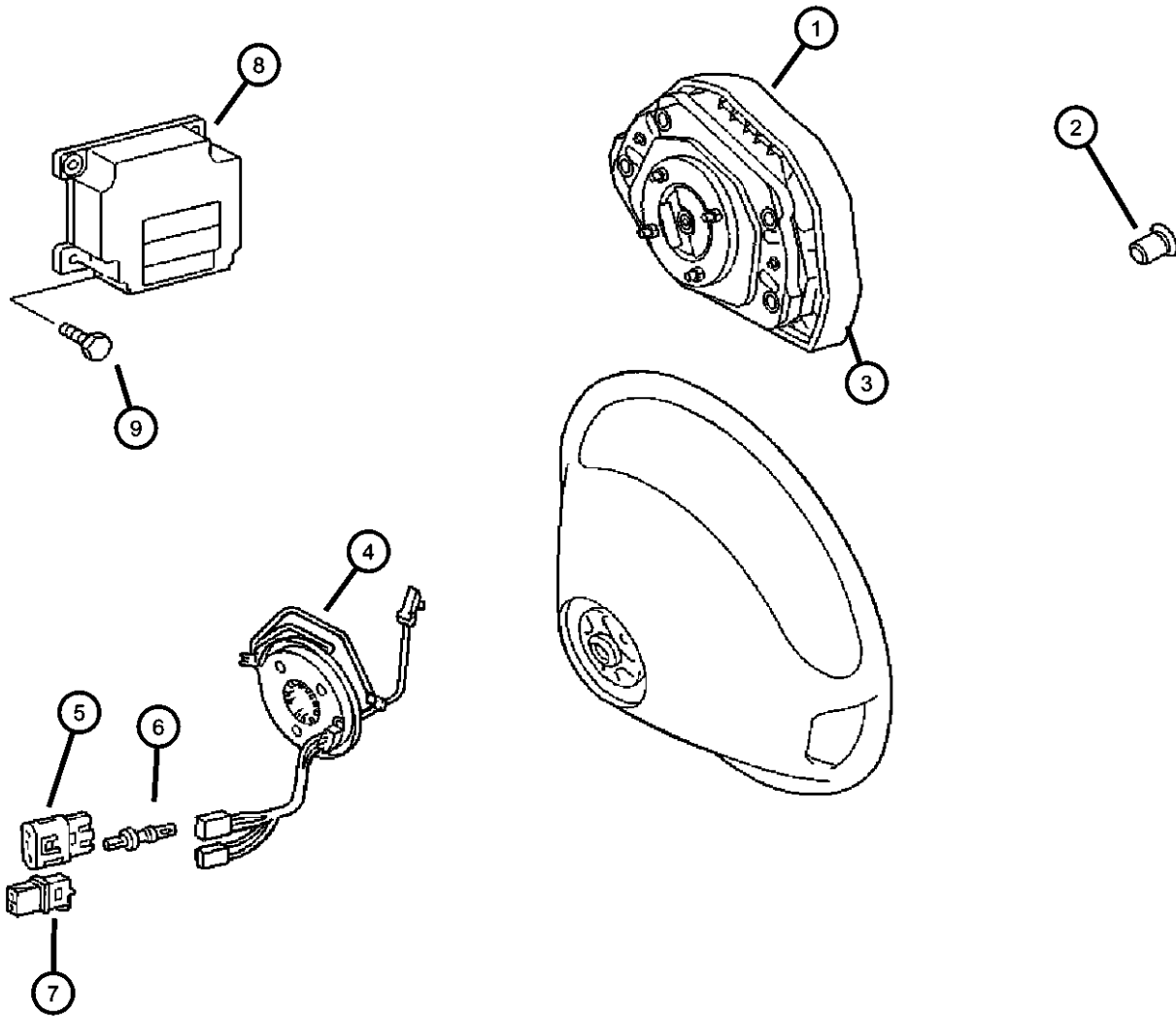
SERIES	LINE	BODY	ENGINE	TRANSMISSION
L = LOWLINE	3 = HD DODGE 2WD 6 = Lt. Duty DODGE 4WD 2 = Med. Duty DODGE 2WD 7 = Med. Duty DODGE 4WD	55 = Wagon 140" 54 = Wagon 118" 52 = Wagon 140" 51 = Wagon 118" 12 = Van 140" 11 = Van 118" 06 = Front Section 158" 14 = Van 118" 15 = Van 140" 16 = Van 158" 56 = Wagon 158"	EX8 = Engine-2.7L I5 Mercedes Turbo Diesel	DGJ = Transmission-5-Spd. Automatic, W5A580
		01 = Chassis Forward Control 118" 02 = Chassis Forward Control 140"		

AR = use ase required - = Non illustrated part

**Air Bag System Drivers Side
Figure 8-1705**

ITEM	PART NUMBER	QTY	LINE	SERIES	BODY	ENGINE	TRANS	TRIM	DESCRIPTION
------	-------------	-----	------	--------	------	--------	-------	------	-------------

2	2, 6	L	51, 52, 54, 55, 56
2	3, 7	L	12, 15, 16

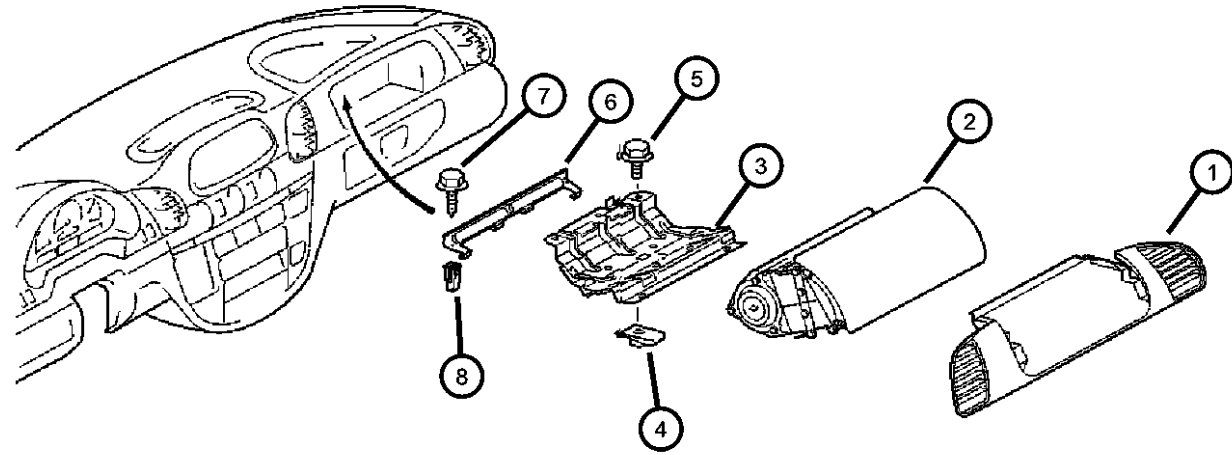


SPRINTER (VA)

SERIES	LINE	BODY	ENGINE	TRANSMISSION
L = LOWLINE	3 = HD DODGE 2WD 6 = Lt. Duty DODGE 4WD 2 = Med. Duty DODGE 2WD 7 = Med. Duty DODGE 4WD	55 = Wagon 140" 54 = Wagon 118" 52 = Wagon 140" 51 = Wagon 118" 12 = Van 140" 11 = Van 118" 06 = Front Section 158" 14 = Van 118" 15 = Van 140" 16 = Van 158" 56 = Wagon 158" 01 = Chassis Forward Control 118" 02 = Chassis Forward Control 140"	EX8 = Engine-2.7L I5 Mercedes Turbo Diesel	DGJ = Transmission-5-Spd. Automatic,W5A580

AR = use ase required - = Non illustrated part

**Air Bag System Passenger Side
Figure 8-1710**



ITEM	PART NUMBER	QTY	LINE	SERIES	BODY	ENGINE	TRANS	TRIM	DESCRIPTION
1									DOOR, Passenger Air Bag
	05104261AA	1	2, 6	L	01, 02, 06				
		1	2, 6	L	11, 12, 14, 15, 16				
		1	2, 6	L	51, 52, 54, 55, 56				
		1	3, 7	L	12, 15, 16				
2									AIR BAG, Passenger
	05124934AA	1	2, 6	L	01, 02, 06				
		1	2, 6	L	11, 12, 14, 15, 16				
		1	2, 6	L	51, 52, 54, 55, 56				
		1	3, 7	L	12, 15, 16				
3									BRACKET, Air Bag
	05122938AA	1	2, 6	L	01, 02, 06				
		1	2, 6	L	11, 12, 14, 15, 16				
		1	2, 6	L	51, 52, 54, 55, 56				
		1	3, 7	L	12, 15, 16				
4									NUT, Clip-On
	05133420AA	2	2, 6	L	11, 12, 14, 15, 16				
		2	2, 6	L	51, 52, 54, 55, 56				
		1	3, 7	L	12, 15, 16				
5									SCREW
	06104565AA	2	2, 6	L	01, 02, 06				
		2	2, 6	L	11, 12, 14, 15, 16				
		2	2, 6	L	51, 52, 54, 55, 56				
		2	3, 7	L	12, 15, 16				

SPRINTER (VA)

SERIES

L = LOWLINE

LINE

3 = HD DODGE 2WD
6 = Lt. Duty DODGE 4WD
2 = Med. Duty DODGE 2WD
7 = Med. Duty DODGE 4WD

BODY

55 = Wagon 140"
54 = Wagon 118"
52 = Wagon 140"
51 = Wagon 118"
12 = Van 140"
11 = Van 118"
06 = Front Section 158"
14 = Van 118"
15 = Van 140"
16 = Van 158"
56 = Wagon 158"
01 = Chassis Forward Control 118"
02 = Chassis Forward Control 140"

ENGINE

EX8 = Engine-2.7L I5
Mercedes Turbo Diesel

TRANSMISSION

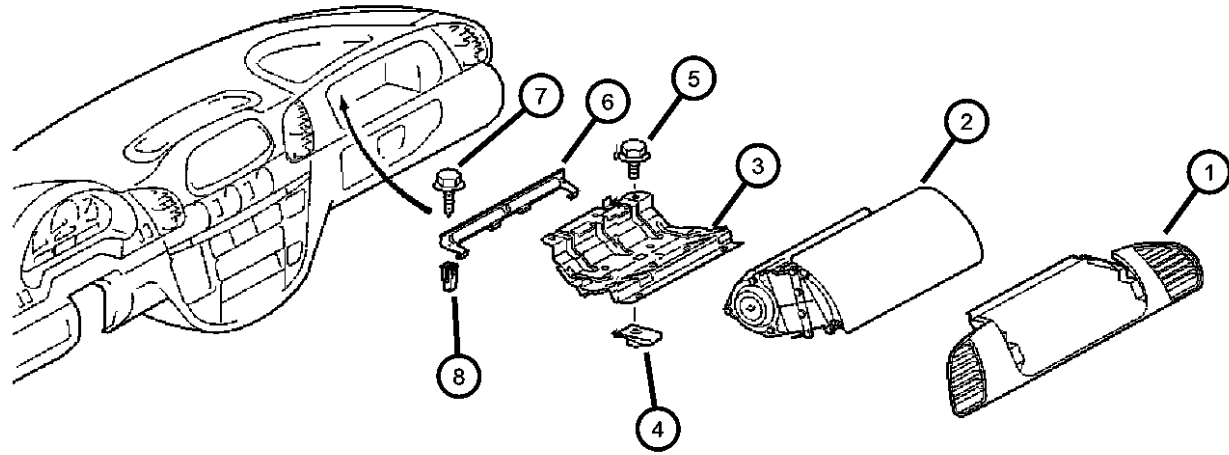
DGJ = Transmission-5-Spd. Automatic, W5A580

AR = use ase required - = Non illustrated part

2004 VA

**Air Bag System Passenger Side
Figure 8-1710**

ITEM	PART NUMBER	QTY	LINE	SERIES	BODY	ENGINE	TRANS	TRIM	DESCRIPTION
6									BRACKET, Instrument Panel
	05122388AA	1	2, 6	L	01, 02, 06				
		1	2, 6	L	11, 12, 14, 15, 16				
		1	2, 6	L	51, 52, 54, 55, 56				
		1	3, 7	L	12, 15, 16				
7		1							SCREW, (NOT SERVICED)
8									NUT, Plastic Snap-in
	05125576AA	2	2, 6	L	11, 12, 14, 15, 16		DGJ		
		2	3, 7	L	12, 15, 16		DGJ		
		2	2, 6	L	01, 02, 06				
		3	2, 6	L	11, 12, 14, 15, 16				



SPRINTER (VA)

SERIES

L = LOWLINE

LINE

3 = HD DODGE 2WD
6 = Lt. Duty DODGE 4WD
2 = Med. Duty DODGE 2WD
7 = Med. Duty DODGE 4WD

BODY

55 = Wagon 140"
54 = Wagon 118"
52 = Wagon 140"
51 = Wagon 118"
12 = Van 140"
11 = Van 118"
06 = Front Section 158"
14 = Van 118"
15 = Van 140"
16 = Van 158"
56 = Wagon 158"
01 = Chassis Forward Control
118"
02 = Chassis Forward Control
140"

ENGINE

EX8 = Engine-2.7L I5
Mercedes Turbo Diesel

TRANSMISSION

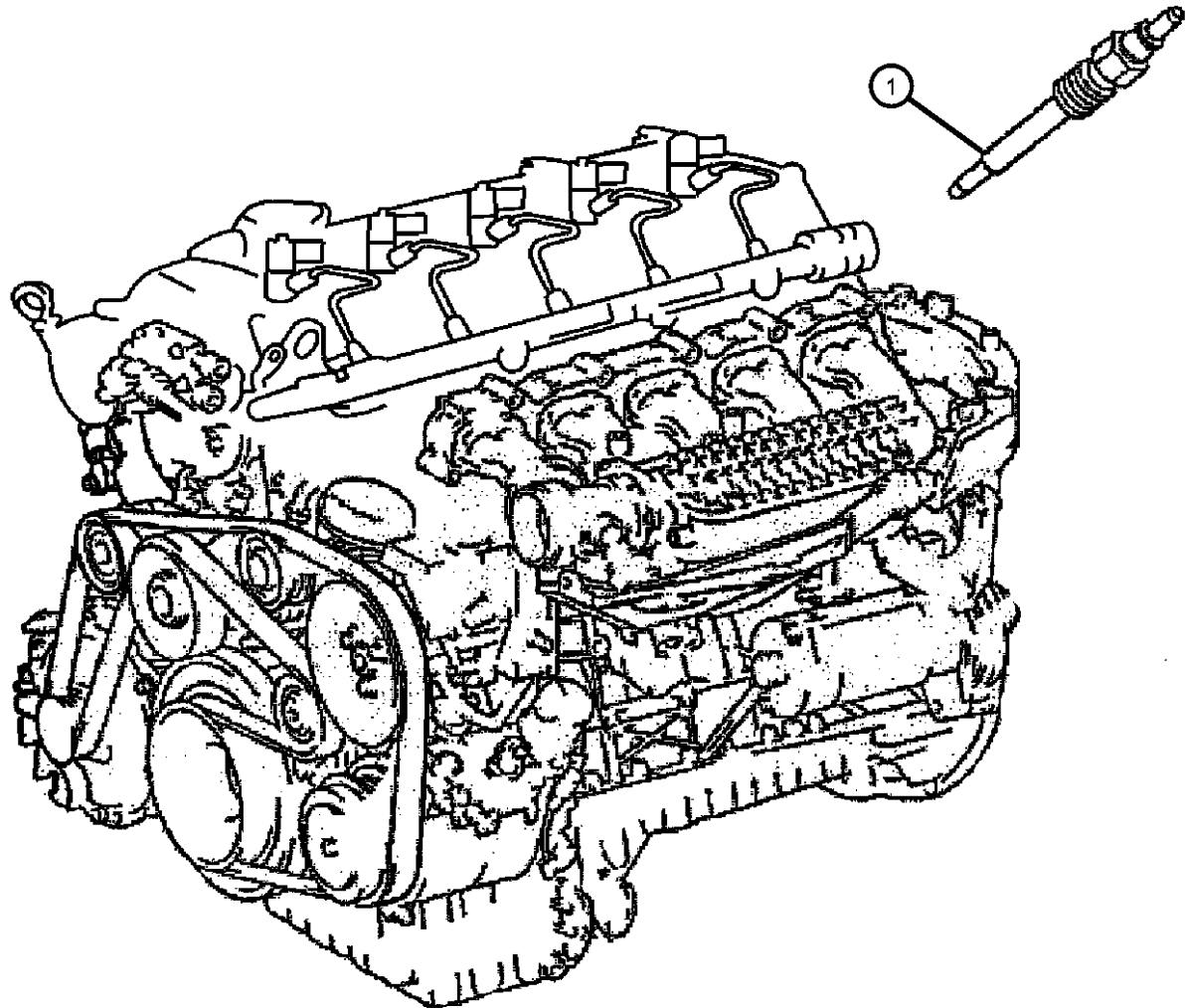
DGJ = Transmission-5-Spd.
Automatic,W5A580

AR = use ase required - = Non illustrated part

2004 VA

Glow Plugs
Figure 8-1910

ITEM	PART NUMBER	QTY	LINE	SERIES	BODY	ENGINE	TRANS	TRIM	DESCRIPTION
1	05117592AA	5		L		EX9			PLUG, Glow
		5		L		EX8			
-2	05103568AA	1	2, 6	L	01, 02, 06	EX8, EX9			RELAY, Electrical
		1	2, 6	L	11, 12, 14, 15, 16	EX8, EX9			Glow plug
		1	2, 6	L	51, 52, 54, 55, 56	EX8, EX9			Glow plug
		1	3, 7	L	02, 06	EX8, EX9			Glow plug
		1	3, 7	L	12, 15, 16	EX8, EX9			Glow plug



SPRINTER (VA)

SERIES

L = LOWLINE

LINE

3 = HD DODGE 2WD
6 = Lt. Duty DODGE 4WD
2 = Med. Duty DODGE 2WD
7 = Med. Duty DODGE 4WD

BODY

55 = Wagon 140"
54 = Wagon 118"
52 = Wagon 140"
51 = Wagon 118"
12 = Van 140"
11 = Van 118"
06 = Front Section 158"
14 = Van 118"
15 = Van 140"
16 = Van 158"
56 = Wagon 158"
01 = Chassis Forward Control 118"
02 = Chassis Forward Control 140"

ENGINE

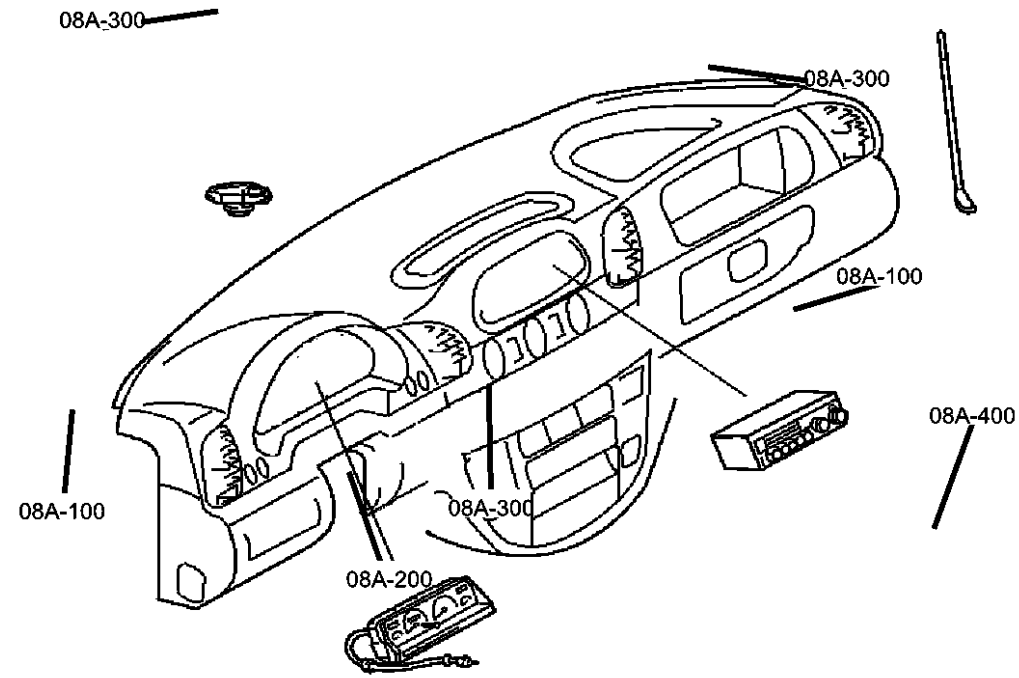
EX8 = Engine-2.7L I5
Mercedes Turbo Diesel

TRANSMISSION

DGJ = Transmission-5-Spd. Automatic, W5A580

Group - 08A

Instrument Panel and Radios and Consoles



Group - 08A Instrument Panel and Radios and Consoles

Illustration Title

Group-Fig. No.

Instrument Panel

Instrument Panel	Fig. 08A - 105
Instrument Panel Bezel and Related Parts	Fig. 08A - 110
Ash Receiver and Glove Box	Fig. 08A - 115
Instrument Panel Cover and Related Parts	Fig. 08A - 120
Instrument Panel Reinforcement	Fig. 08A - 125

Instrument Panel Cluster

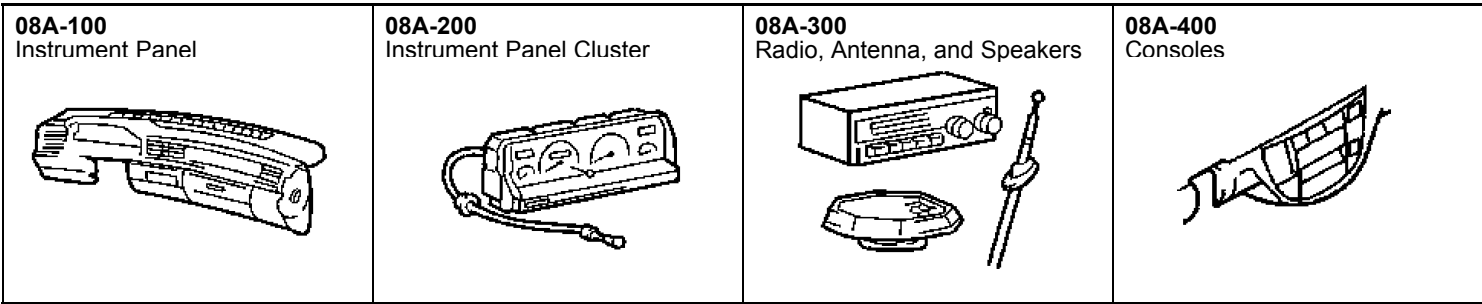
Instrument Panel Cluster	Fig. 08A - 205
--------------------------------	----------------

Radio, Antenna, and Speakers

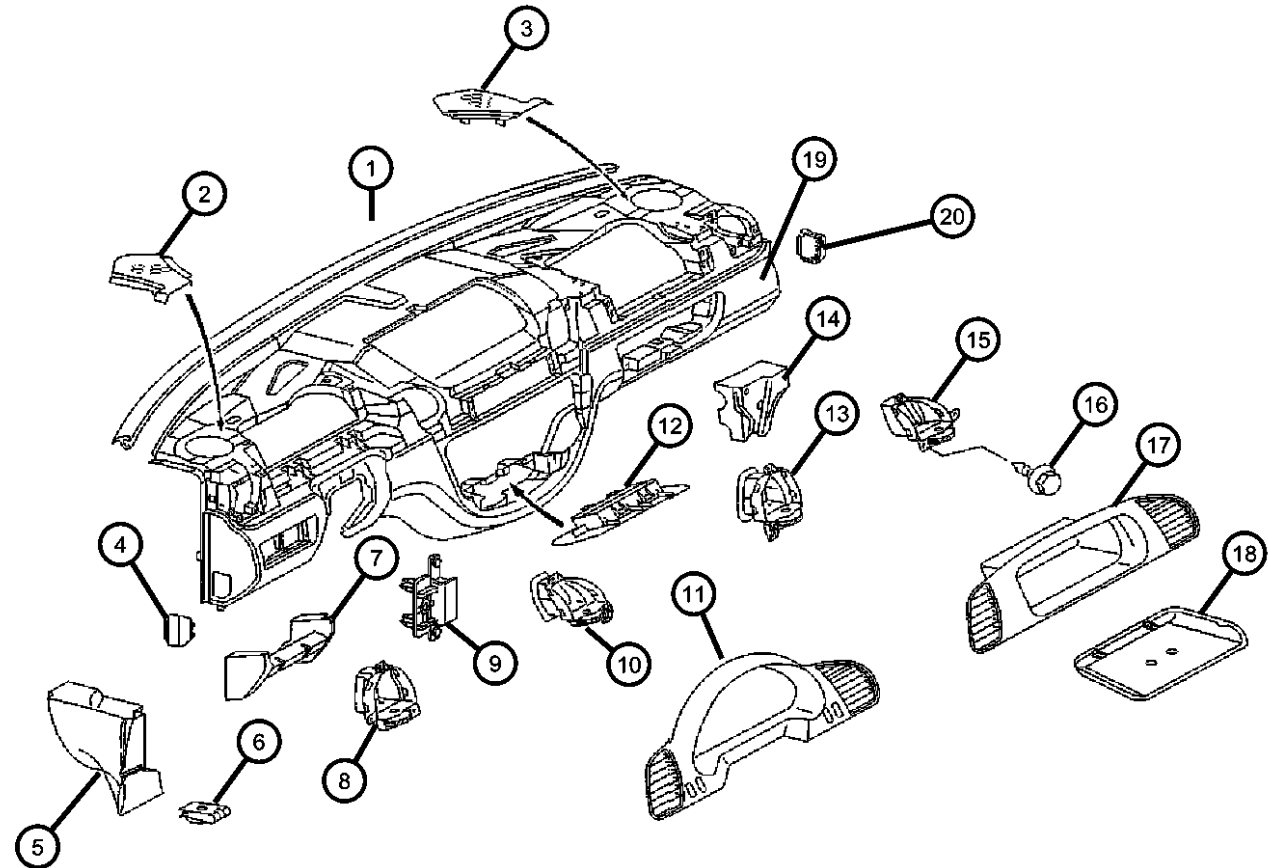
Radio	Fig. 08A - 305
Antenna	Fig. 08A - 310
Speakers	Fig. 08A - 315

Consoles

Console Cup Holder	Fig. 08A - 405
--------------------------	----------------



**Instrument Panel
Figure 08A-105**



ITEM	PART NUMBER	QTY	LINE	SERIES	BODY	ENGINE	TRANS	TRIM	DESCRIPTION
1									SEAL, Windshield
	05122955AA	1	2, 6	L	01, 02, 06				
		1	2, 6	L	11, 12, 14, 15, 16				
		1	2, 6	L	51, 52, 54, 55, 56				
		1	3, 7	L	12, 15, 16				
2									COVER, Speaker Opening
	05104269AA	1	2, 6	L	01, 02, 06				Left
		1	2, 6	L	11, 12, 14, 15, 16				Left
		1	2, 6	L	51, 52, 54, 55, 56				Left
		1	3, 7	L	12, 15, 16				Left
3									COVER, Speaker Opening
	05104270AA	1	2, 6	L	01, 02, 06				Right
		1	2, 6	L	11, 12, 14, 15, 16				Right
		1	2, 6	L	51, 52, 54, 55, 56				Right
		1	3, 7	L	12, 15, 16				Right
4									PLUG, Instrument Panel
	05122919AA	1	2, 6	L	01, 02, 06				
		1	2, 6	L	11, 12, 14, 15, 16				
		1	2, 6	L	51, 52, 54, 55, 56				
		1	3, 7	L	12, 15, 16				
5									END CAP, Instrument Panel
	05122934AA	1	2, 6	L	01, 02, 06				
		1	2, 6	L	11, 12, 14, 15, 16				
		1	2, 6	L	51, 52, 54, 55, 56				

SPRINTER (VA)

SERIES

L = LOWLINE

LINE

3 = HD DODGE 2WD
6 = Lt. Duty DODGE 4WD
2 = Med. Duty DODGE 2WD
7 = Med. Duty DODGE 4WD

BODY

55 = Wagon 140"
54 = Wagon 118"
52 = Wagon 140"
51 = Wagon 118"
12 = Van 140"
11 = Van 118"
06 = Front Section 158"
14 = Van 118"
15 = Van 140"
16 = Van 158"
56 = Wagon 158"
01 = Chassis Forward Control 118"
02 = Chassis Forward Control 140"

ENGINE

EX8 = Engine-2.7L I5
Mercedes Turbo Diesel

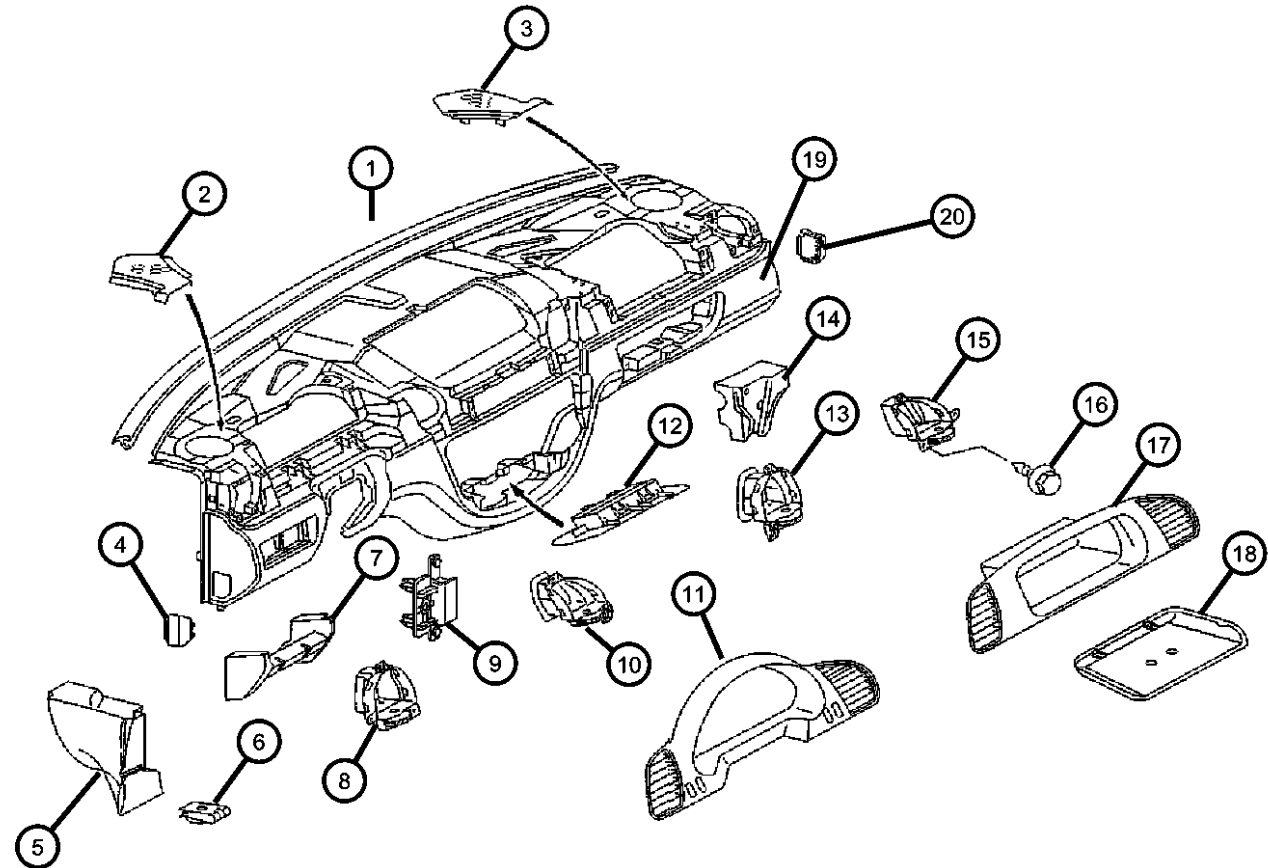
TRANSMISSION

DGJ = Transmission-5-Spd. Automatic, W5A580

AR = use ase required - = Non illustrated part

2004 VA

**Instrument Panel
Figure 08A-105**



ITEM	PART NUMBER	QTY	LINE	SERIES	BODY	ENGINE	TRANS	TRIM	DESCRIPTION
6		1	3, 7	L	12, 15, 16				NUT, Spring U Type
	05133416AA	99	2, 6	L	01, 02, 06				
		99	2, 6	L	11, 12, 14, 15, 16				
		99	2, 6	L	51, 52, 54, 55, 56				
		4	3, 7	L	12, 15, 16				
7		1	2, 6	L	01, 02, 06				PAD, Instrument Panel
	05122933AA	1	2, 6	L	11, 12, 14, 15, 16				
		1	2, 6	L	51, 52, 54, 55, 56				
		1	3, 7	L	12, 15, 16				
8		1	2, 6	L	01, 02, 06				OUTLET, Air
	05104252AA	1	2, 6	L	11, 12, 14, 15, 16				
		1	2, 6	L	51, 52, 54, 55, 56				
		1	3, 7	L	12, 15, 16				
9		2	2, 6	L	01, 02, 06				BRACKET, Mounting
	05122891AA	2	2, 6	L	11, 12, 14, 15, 16				
		2	2, 6	L	51, 52, 54, 55, 56				
		2	3, 7	L	12, 15, 16				
10		1	2, 6	L	01, 02, 06				OUTLET, Air
	05104253AA	1	2, 6	L	11, 12, 14, 15, 16				

SPRINTER (VA)

SERIES

L = LOWLINE
 3 = HD DODGE 2WD
 6 = Lt. Duty DODGE 4WD
 2 = Med. Duty DODGE 2WD
 7 = Med. Duty DODGE 4WD

LINE

BODY

55 = Wagon 140"
 54 = Wagon 118"
 52 = Wagon 140"
 51 = Wagon 118"
 12 = Van 140"
 11 = Van 118"
 06 = Front Section 158"
 14 = Van 118"
 15 = Van 140"
 16 = Van 158"
 56 = Wagon 158"
 01 = Chassis Forward Control 118"
 02 = Chassis Forward Control 140"

ENGINE

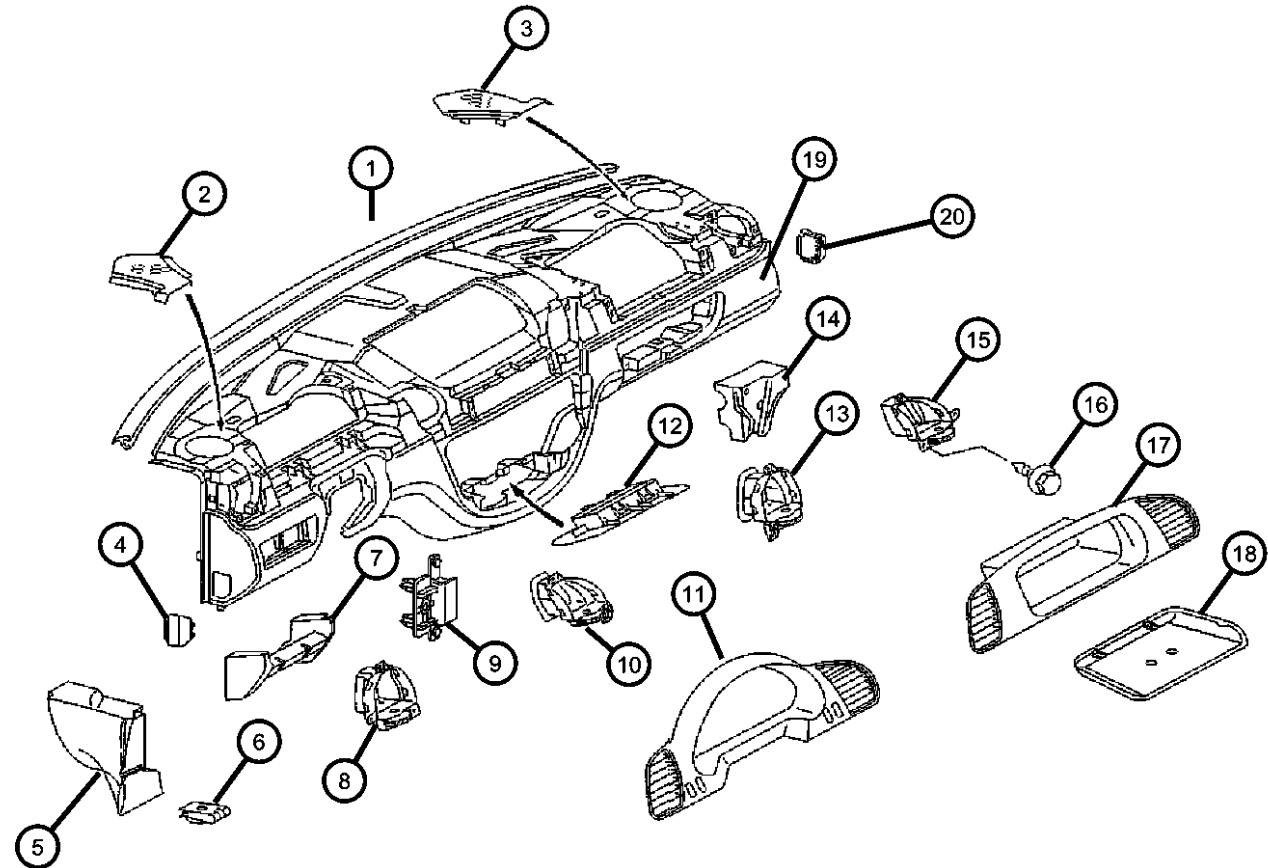
EX8 = Engine-2.7L I5
 Mercedes Turbo Diesel

TRANSMISSION

DGJ = Transmission-5-Spd. Automatic, W5A580

AR = use ase required - = Non illustrated part

**Instrument Panel
Figure 08A-105**



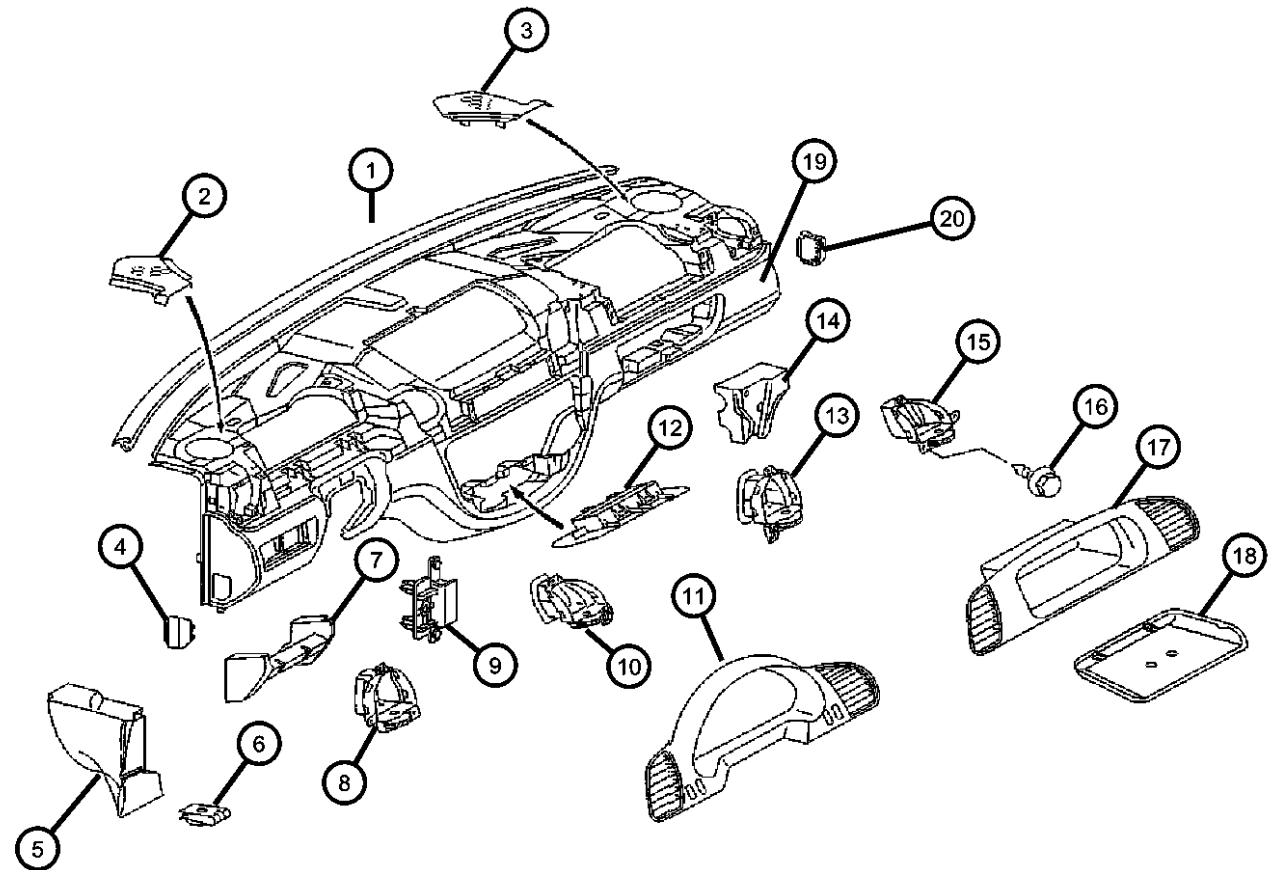
ITEM	PART NUMBER	QTY	LINE	SERIES	BODY	ENGINE	TRANS	TRIM	DESCRIPTION
11	05104262AA	1	2, 6	L	51, 52, 54, 55, 56				BEZEL, Cluster
		1	3, 7	L	12, 15, 16				
12	05122927AA	1	2, 6	L	01, 02, 06				COVER, Instrument Panel
		1	2, 6	L	11, 12, 14, 15, 16				
		1	2, 6	L	51, 52, 54, 55, 56				
		1	3, 7	L	12, 15, 16				
13	05104256AA	1	2, 6	L	01, 02, 06				OUTLET, Air
		1	2, 6	L	11, 12, 14, 15, 16				
		1	2, 6	L	51, 52, 54, 55, 56				
		1	3, 7	L	12, 15, 16				
14	05122932AA	1	2, 6	L	01, 02, 06				PAD, Instrument Panel
		1	2, 6	L	11, 12, 14, 15, 16				
		1	2, 6	L	51, 52, 54, 55, 56				
		1	3, 7	L	12, 15, 16				
15	05104258AA	1	2, 6	L	01, 02, 06				OUTLET, Air

SPRINTER (VA)

SERIES	LINE	BODY	ENGINE	TRANSMISSION
L = LOWLINE	3 = HD DODGE 2WD 6 = Lt. Duty DODGE 4WD 2 = Med. Duty DODGE 2WD 7 = Med. Duty DODGE 4WD	55 = Wagon 140" 54 = Wagon 118" 52 = Wagon 140" 51 = Wagon 118" 12 = Van 140" 11 = Van 118" 06 = Front Section 158" 14 = Van 118" 15 = Van 140" 16 = Van 158" 56 = Wagon 158"	EX8 = Engine-2.7L I5 Mercedes Turbo Diesel	DGJ = Transmission-5-Spd. Automatic, W5A580
		01 = Chassis Forward Control 118" 02 = Chassis Forward Control 140"		

AR = use ase required - = Non illustrated part

**Instrument Panel
Figure 08A-105**



ITEM	PART NUMBER	QTY	LINE	SERIES	BODY	ENGINE	TRANS	TRIM	DESCRIPTION
		1	2, 6	L	11, 12, 14, 15, 16				
		1	2, 6	L	51, 52, 54, 55, 56				
		1	3, 7	L	12, 15, 16				
16	06104610AA	1	2, 6	L	01, 02, 06		DGJ		SCREW
		1	2, 6	L	11, 12, 14, 15, 16				
		1	2, 6	L	51, 52, 54, 55, 56				
		1	3, 7	L	12, 15, 16				
17	05104263AA	1	2, 6	L	01, 02, 06				BIN, Instrument Panel
		1	2, 6	L	11, 12, 14, 15, 16				
		1	2, 6	L	51, 52, 54, 55, 56				
		1	3, 7	L	12, 15, 16				
18	05122952AA	1	2, 6	L	01, 02, 06				TRAY, Instrument Panel
		1	2, 6	L	11, 12, 14, 15, 16				
		1	2, 6	L	51, 52, 54, 55, 56				
		1	3, 7	L	12, 15, 16				
19	05122362AA	1	2, 6	L	01, 02, 06				PANEL, Instrument
		1	2, 6	L	11, 12, 14, 15, 16				
		1	2, 6	L	51, 52, 54, 55, 56				
		1	3, 7	L	12, 15, 16				

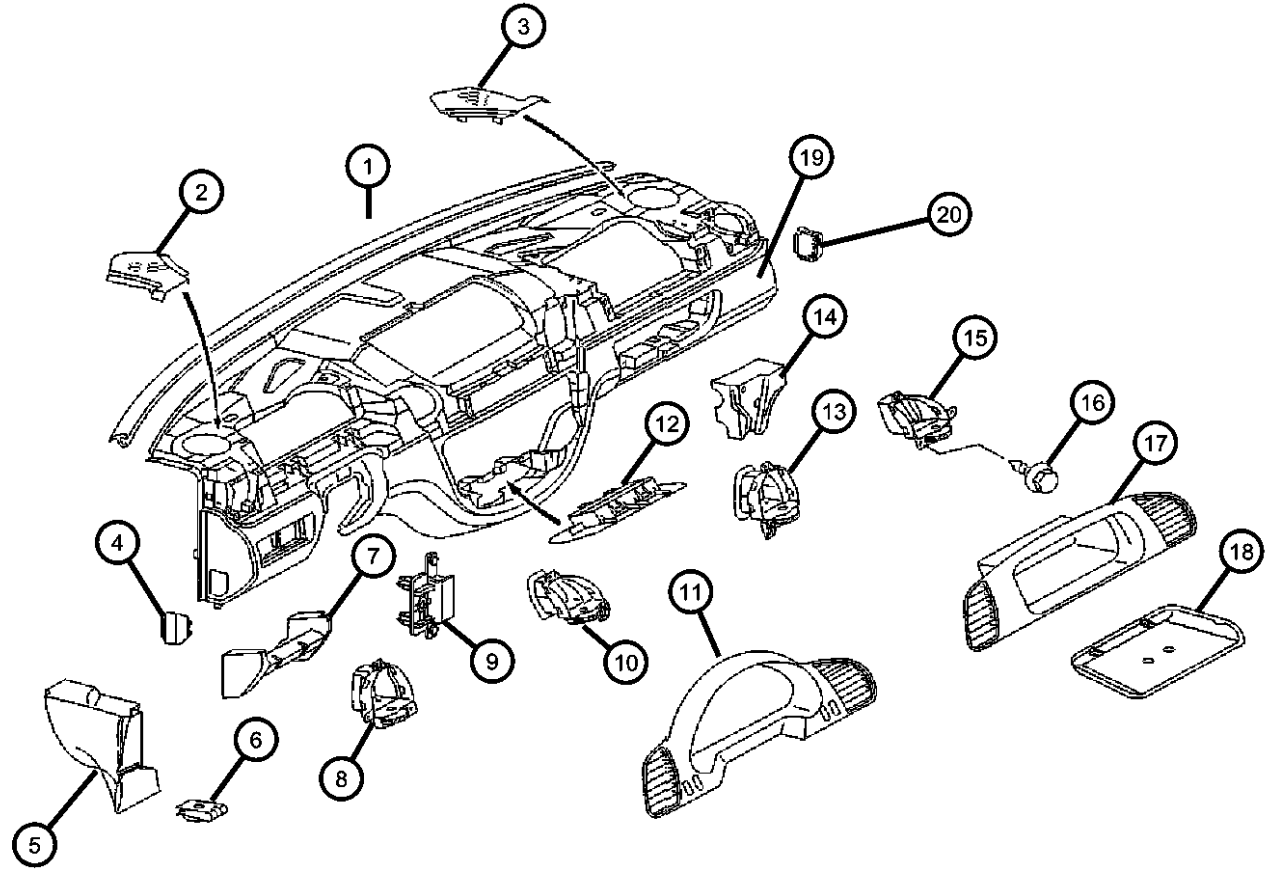
SPRINTER (VA)

SERIES	LINE	BODY	ENGINE	TRANSMISSION
L = LOWLINE	3 = HD DODGE 2WD 6 = Lt. Duty DODGE 4WD 2 = Med. Duty DODGE 2WD 7 = Med. Duty DODGE 4WD	55 = Wagon 140" 54 = Wagon 118" 52 = Wagon 140" 51 = Wagon 118" 12 = Van 140" 11 = Van 118" 06 = Front Section 158" 14 = Van 118" 15 = Van 140" 16 = Van 158" 56 = Wagon 158"	EX8 = Engine-2.7L I5 Mercedes Turbo Diesel	DGJ = Transmission-5-Spd. Automatic, W5A580
		01 = Chassis Forward Control 118" 02 = Chassis Forward Control 140"		

AR = use ase required - = Non illustrated part

Instrument Panel
Figure 08A-105

ITEM	PART NUMBER	QTY	LINE	SERIES	BODY	ENGINE	TRANS	TRIM	DESCRIPTION
20									PLUG, Instrument Panel
	05122921AA	1	2, 6	L	01, 02, 06				
		1	2, 6	L	11, 12, 14, 15, 16				
		1	2, 6	L	51, 52, 54, 55, 56				
		1	3, 7	L	12, 15, 16				



SPRINTER (VA)

SERIES

L = LOWLINE

LINE

3 = HD DODGE 2WD
6 = Lt. Duty DODGE 4WD
2 = Med. Duty DODGE 2WD
7 = Med. Duty DODGE 4WD

BODY

55 = Wagon 140"
54 = Wagon 118"
52 = Wagon 140"
51 = Wagon 118"
12 = Van 140"
11 = Van 118"
06 = Front Section 158"
14 = Van 118"
15 = Van 140"
16 = Van 158"
56 = Wagon 158"
01 = Chassis Forward Control
118"
02 = Chassis Forward Control
140"

ENGINE

EX8 = Engine-2.7L I5
Mercedes Turbo Diesel

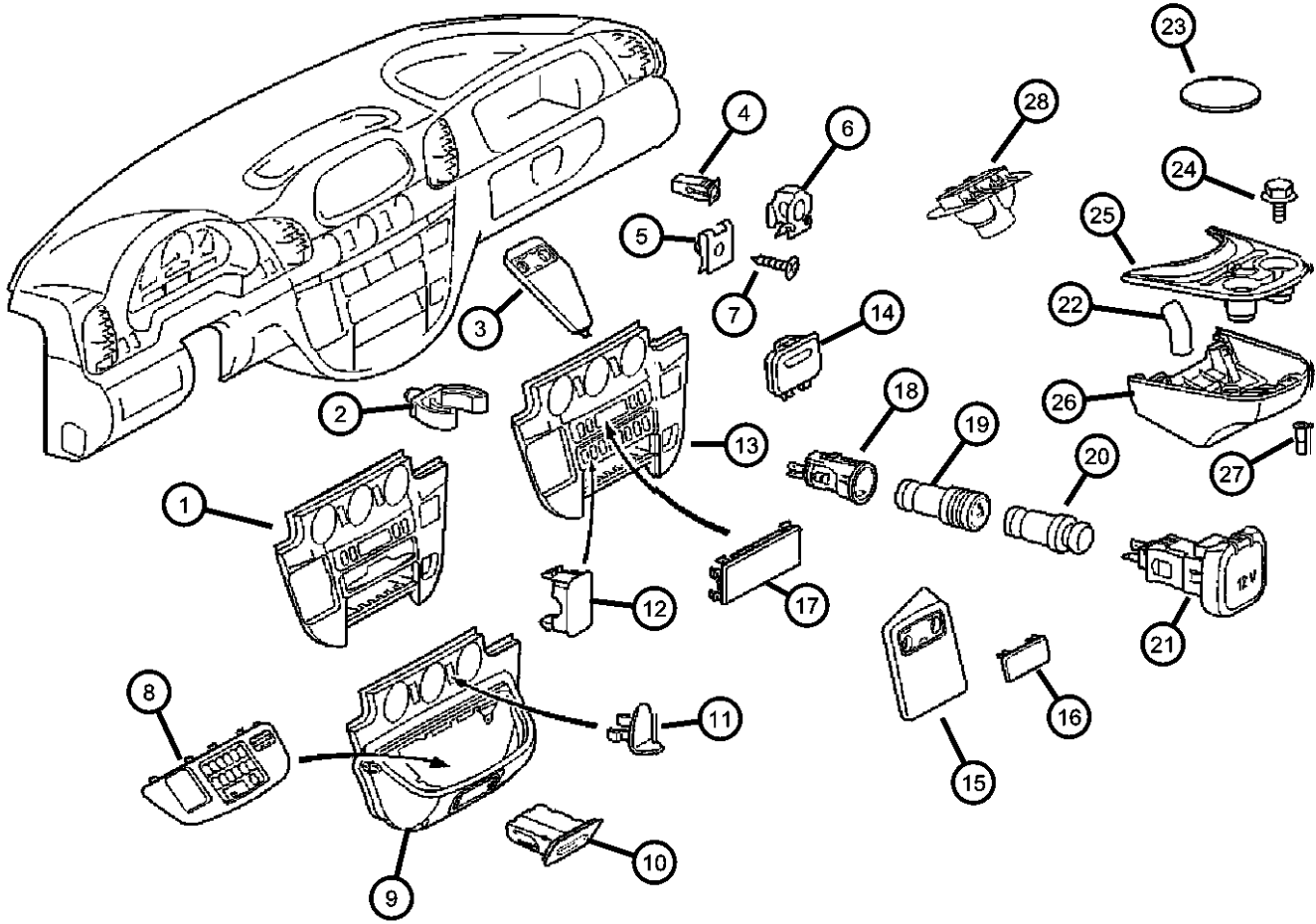
TRANSMISSION

DGJ = Transmission-5-Spd.
Automatic,W5A580

AR = use ase required - = Non illustrated part

2004 VA

**Instrument Panel Bezel and Related Parts
Figure 08A-110**



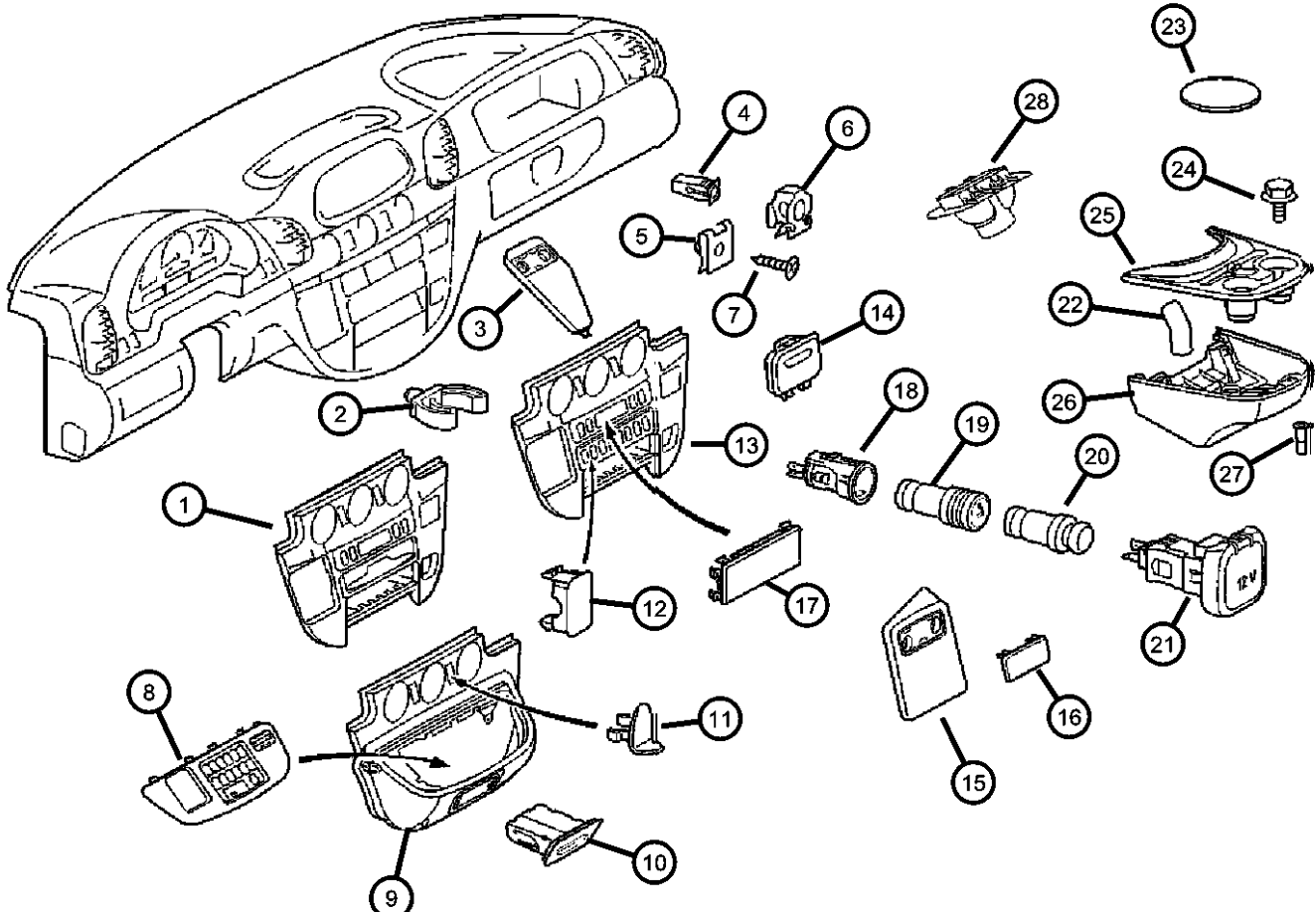
ITEM	PART NUMBER	QTY	LINE	SERIES	BODY	ENGINE	TRANS	TRIM	DESCRIPTION
1	05122372AA	1	2, 6	L	01, 02, 06				BEZEL, Instrument Panel, Center
		1	2, 6	L	11, 12, 14, 15, 16			DGJ	
		1	2, 6	L	51, 52, 54, 55, 56			DGJ	
		1	3, 7	L	12, 15, 16			DGJ	
2	05125871AA	2	2, 6	L	01, 02, 06				CLIP, U Type
		2	2, 6	L	14, 15, 16, 11, 12			DGJ	
		2	6, 2	L	51, 52, 54, 55, 56			DGJ	
		2	3, 7	L	12, 15, 16			DGJ	
3	05122912AA	1	2, 6	L	51, 52, 54, 55, 56				BRACKET, Instrument Panel
		1	3, 7	L	12, 15, 16			DGJ	
		1	2, 6	L	01, 02, 06			DGJ	
		1	2, 6	L	11, 12, 14, 15, 16			DGJ	
4	05125576AA	2	2, 6	L	01, 02, 06				NUT, Plastic Snap-in
		3	2, 6	L	11, 12, 14, 15, 16			DGJ	
		3	2, 6	L	51, 52, 54, 55, 56			DGJ	
		3	3, 7	L	12, 15, 16			DGJ	
5	05125857AA 05125857AB	2	2, 6	L	01, 02, 06				NUT, Clip-On
		2	2, 6	L	11, 12, 14, 15, 16			DGJ	
		2	2, 6	L	51, 52, 54, 55, 56			DGJ	

SPRINTER (VA)

SERIES	LINE	BODY	ENGINE	TRANSMISSION
L = LOWLINE	3 = HD DODGE 2WD 6 = Lt. Duty DODGE 4WD 2 = Med. Duty DODGE 2WD 7 = Med. Duty DODGE 4WD	55 = Wagon 140" 54 = Wagon 118" 52 = Wagon 140" 51 = Wagon 118" 12 = Van 140" 11 = Van 118" 06 = Front Section 158" 14 = Van 118" 15 = Van 140" 16 = Van 158" 56 = Wagon 158"	EX8 = Engine-2.7L I5 Mercedes Turbo Diesel	DGJ = Transmission-5-Spd. Automatic, W5A580
		01 = Chassis Forward Control 118" 02 = Chassis Forward Control 140"		

AR = use ase required - = Non illustrated part

**Instrument Panel Bezel and Related Parts
Figure 08A-110**



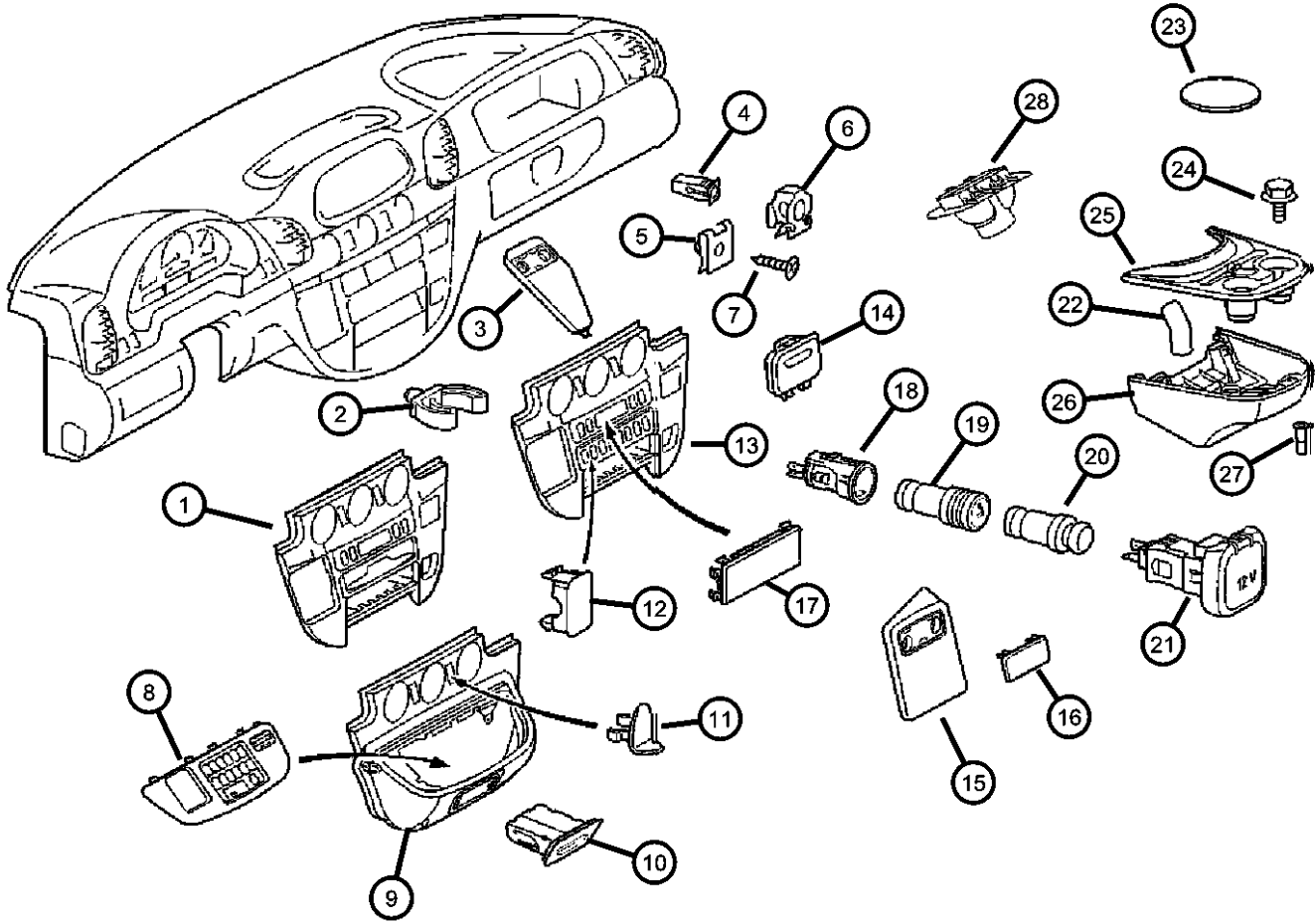
ITEM	PART NUMBER	QTY	LINE	SERIES	BODY	ENGINE	TRANS	TRIM	DESCRIPTION
6		2	3, 7	L	12, 15, 16				NUT, Spring
	05125861AA	2	2, 6	L	01, 02, 06				
		2	2, 6	L	11, 12, 14, 15, 16				
		2	2, 6	L	51, 52, 54, 55, 56				
		2	3, 7	L	12, 15, 16				
7		2	2, 6	L	11, 12, 14, 15, 16				SCREW
	06104610AA	2	2, 6	L	01, 02, 06				
		2	2, 6	L	51, 52, 54, 55, 56				
		2	3, 7	L	12, 15, 16				
8		1	2, 6	L	01, 02, 06		DGJ		BEZEL, Center Console
	05122928AA	1	2, 6	L	11, 12, 14, 15, 16		DGJ		
		1	2, 6	L	51, 52, 54, 55, 56		DGJ		
		1	3, 7	L	12, 15, 16		DGJ		
9		1	2, 6	L	01, 02, 06		DGJ		CONSOLE, Instrument Panel
	05122880AA	1	2, 6	L	14, 15, 16, 11, 12		DGJ		
		1	2, 6	L	51, 52, 54, 55, 56		DGJ		
		1	3, 7	L	12, 15, 16		DGJ		
10		1	2, 6	L	01, 02, 06		DGJ		ASH RECEIVER, Instrument Panel
	05124226AA	1	2, 6	L	11, 12, 14, 15, 16		DGJ		

SPRINTER (VA)

SERIES	LINE	BODY	ENGINE	TRANSMISSION
L = LOWLINE	3 = HD DODGE 2WD 6 = Lt. Duty DODGE 4WD 2 = Med. Duty DODGE 2WD 7 = Med. Duty DODGE 4WD	55 = Wagon 140" 54 = Wagon 118" 52 = Wagon 140" 51 = Wagon 118" 12 = Van 140" 11 = Van 118" 06 = Front Section 158" 14 = Van 118" 15 = Van 140" 16 = Van 158" 56 = Wagon 158"	EX8 = Engine-2.7L I5 Mercedes Turbo Diesel	DGJ = Transmission-5-Spd. Automatic, W5A580
		01 = Chassis Forward Control 118" 02 = Chassis Forward Control 140"		

AR = use ase required - = Non illustrated part

**Instrument Panel Bezel and Related Parts
Figure 08A-110**

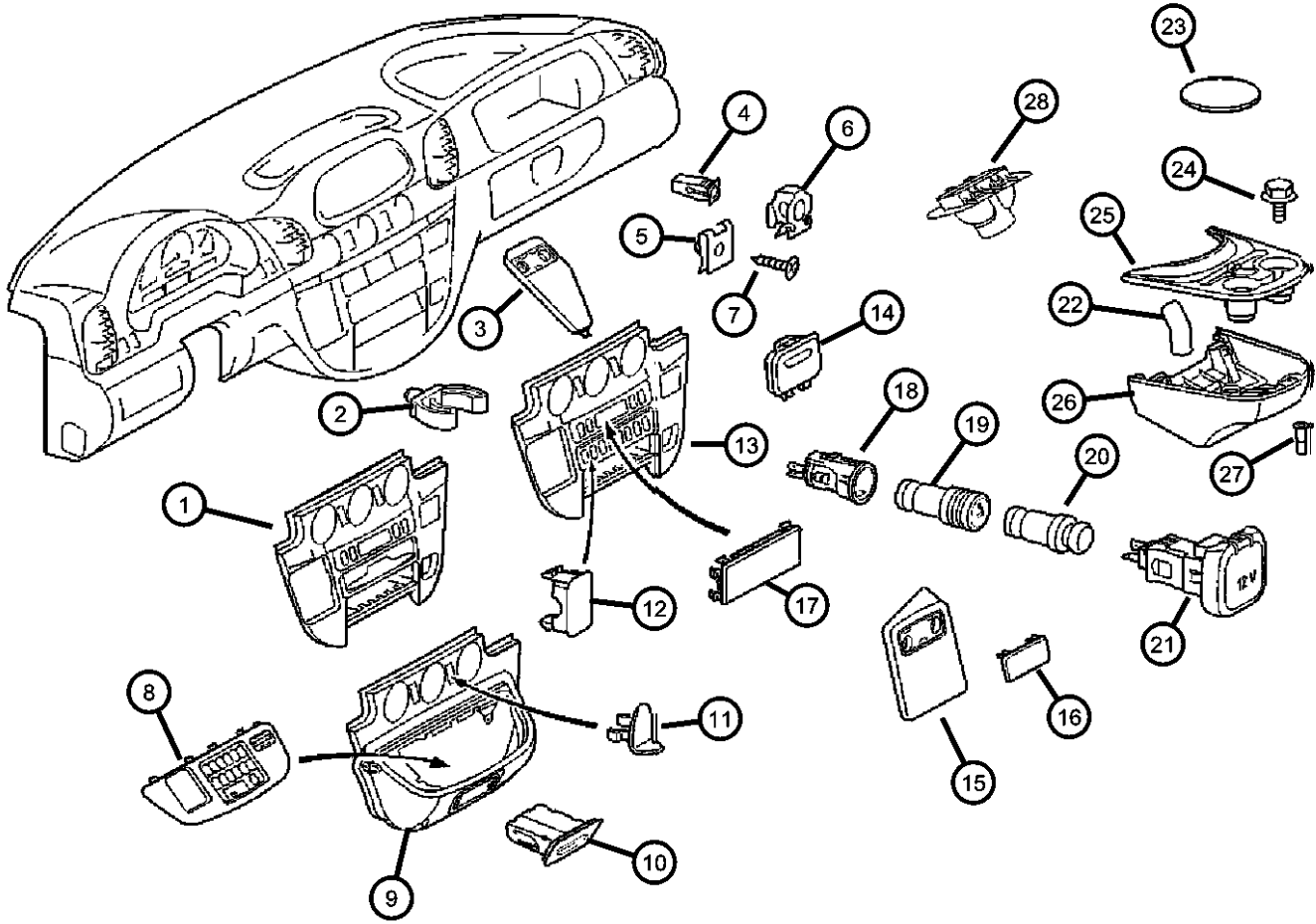


ITEM	PART NUMBER	QTY	LINE	SERIES	BODY	ENGINE	TRANS	TRIM	DESCRIPTION
11	05122885AA	1	2, 6	L	51, 52, 54, 55, 56		DGJ		COVER, Center Console
		1	3, 7	L	12, 15, 16		DGJ		
12	05122925AA	1	2, 6	L	11, 12, 14, 15, 16		DGJ		COVER, Switch Opening
		1	2, 6	L	51, 52, 54, 55, 56		DGJ		
		1	2, 6	L	01, 02, 06		DGJ		
		1	3, 7	L	12, 15, 16		DGJ		
		3	2, 6	L	01, 02, 06		DGJ		
13	05122873AA	3	2, 6	L	11, 12, 14, 15, 16		DGJ		BEZEL, Instrument Panel, Center
		3	2, 6	L	51, 52, 54, 55, 56		DGJ		
		3	3, 7	L	12, 15, 16		DGJ		
		1	2, 6	L	01, 02, 06		DGJ		
14	05122391AA	1	2, 6	L	11, 12, 14, 15, 16		DGJ		COVER, Instrument Panel Paper clip Paper clip Paper clip Paper clip Paper clip
		1	2, 6	L	51, 52, 54, 55, 56		DGJ		
		1	3, 7	L	12, 15, 16		DGJ		
		1	2, 6	L	01, 02, 06		DGJ		
		1	2, 6	L	11, 12, 14, 15, 16		DGJ		
		1	2, 6	L	51, 52, 54, 55, 56		DGJ		
15	05122391AA	1	3, 7	L	02, 06		DGJ		BEZEL, Instrument Panel
		1	3, 7	L	12, 15, 16		DGJ		

SPRINTER (VA)
 SERIES LINE BODY ENGINE TRANSMISSION
 L = LOWLINE 3 = HD DODGE 2WD 55 = Wagon 140" EX8 = Engine-2.7L I5 DGJ = Transmission-5-Spd. Automatic,W5A580
 6 = Lt. Duty DODGE 4WD 54 = Wagon 118" Mercedes Turbo Diesel
 2 = Med. Duty DODGE 2WD 52 = Wagon 140"
 7 = Med. Duty DODGE 4WD 51 = Wagon 118"
 12 = Van 140"
 11 = Van 118"
 06 = Front Section 158"
 14 = Van 118"
 15 = Van 140"
 16 = Van 158"
 56 = Wagon 158"
 01 = Chassis Forward Control 118"
 02 = Chassis Forward Control 140"

AR = use ase required - = Non illustrated part

**Instrument Panel Bezel and Related Parts
Figure 08A-110**



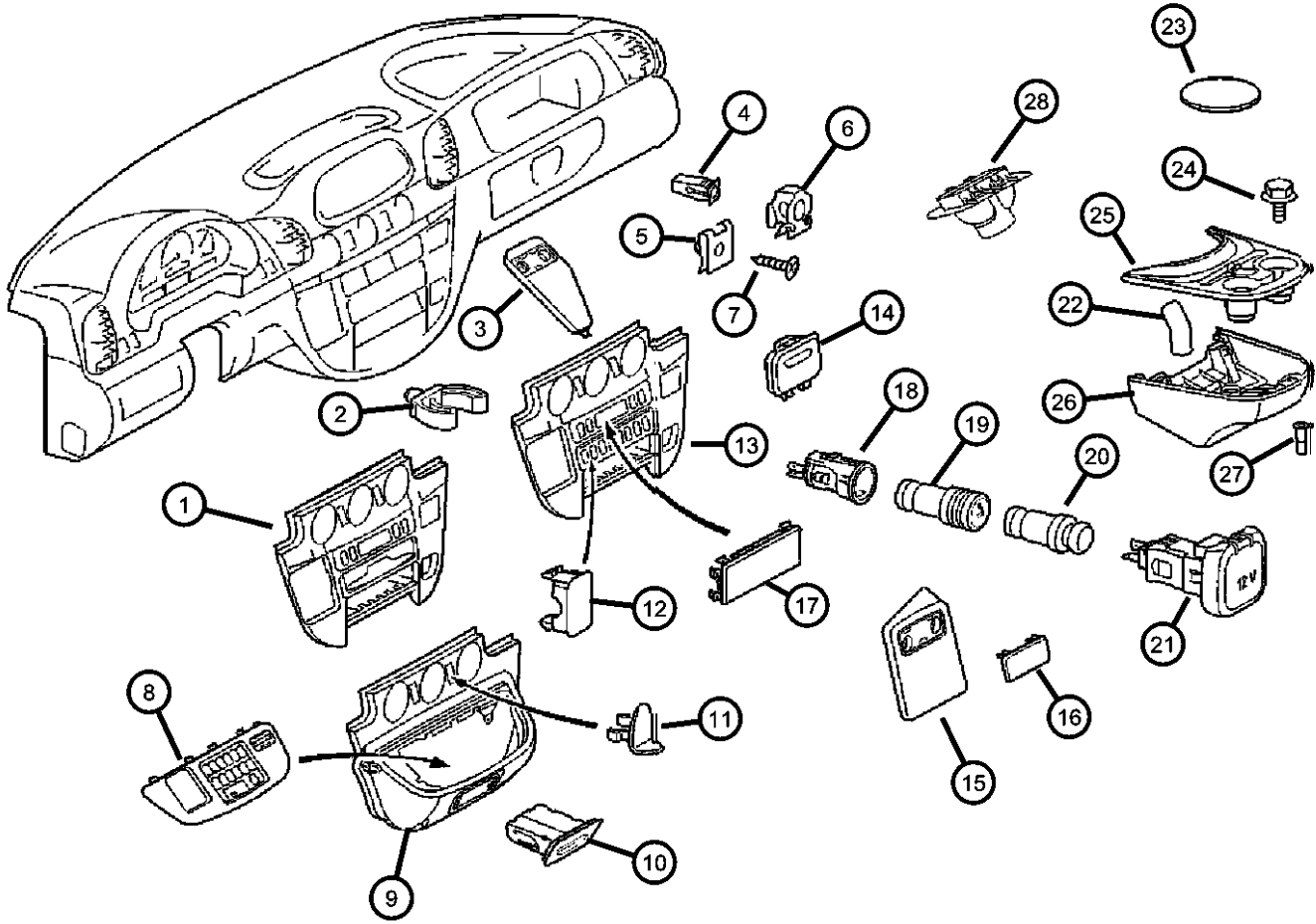
ITEM	PART NUMBER	QTY	LINE	SERIES	BODY	ENGINE	TRANS	TRIM	DESCRIPTION
	05122909AA	1	2, 6	L	01, 02, 06			DGJ	
		1	2, 6	L	11, 12, 14, 15, 16			DGJ	
		1	2, 6	L	51, 52, 54, 55, 56			DGJ	
16		1	3, 7	L	12, 15, 16			DGJ	COVER, Instrument Panel
	05122878AA	1	2, 6	L	11, 12, 14, 15, 16				
		1	2, 6	L	01, 02, 06				
		1	6, 2	L	51, 52, 54, 55, 56				
17		1	3, 7	L	12, 15, 16				COVER, Radio Opening
	05103928AA	1	2, 6	L	01, 02, 06				
		1	2, 6	L	11, 12, 14, 15, 16				
		1	2, 6	L	51, 52, 54, 55, 56				
18		1	3, 7	L	12, 15, 16				BASE, Cigar Lighter
	05124456AA	1	2, 6	L	01, 02, 06			DGJ	
		1	2, 6	L	11, 12, 14, 15, 16			DGJ	
		1	2, 6	L	51, 52, 54, 55, 56			DGJ	
19		1	3, 7	L	12, 15, 16			DGJ	ELEMENT, Cigar Lighter
	05103679AA	1	2, 6	L	01, 02, 06			DGJ	
		1	2, 6	L	11, 12, 14, 15, 16			DGJ	
		1	2, 6	L	55, 56, 51, 52, 54			DGJ	

SPRINTER (VA)

SERIES	LINE	BODY	ENGINE	TRANSMISSION
L = LOWLINE	3 = HD DODGE 2WD 6 = Lt. Duty DODGE 4WD 2 = Med. Duty DODGE 2WD 7 = Med. Duty DODGE 4WD	55 = Wagon 140" 54 = Wagon 118" 52 = Wagon 140" 51 = Wagon 118" 12 = Van 140" 11 = Van 118" 06 = Front Section 158" 14 = Van 118" 15 = Van 140" 16 = Van 158" 56 = Wagon 158"	EX8 = Engine-2.7L I5 Mercedes Turbo Diesel	DGJ = Transmission-5-Spd. Automatic, W5A580
		01 = Chassis Forward Control 118" 02 = Chassis Forward Control 140"		

AR = use ase required - = Non illustrated part

**Instrument Panel Bezel and Related Parts
Figure 08A-110**



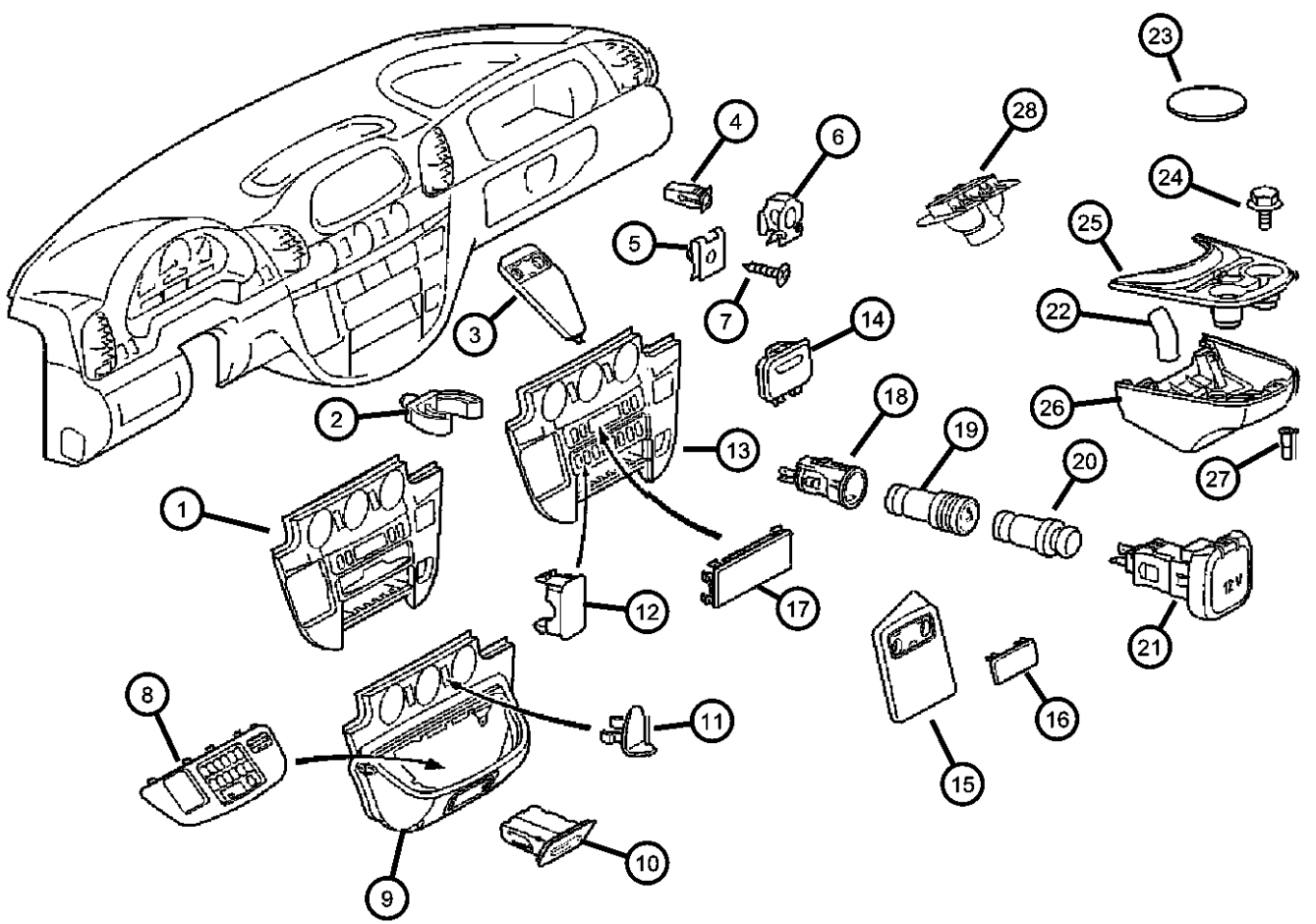
ITEM	PART NUMBER	QTY	LINE	SERIES	BODY	ENGINE	TRANS	TRIM	DESCRIPTION
20		1	3, 7	L	12, 15, 16		DGJ		SOCKET, Accessory
	05124598AA	1	2, 6	L	01, 02, 06		DGJ		
		1	2, 6	L	11, 12, 14, 15, 16		DGJ		
		1	2, 6	L	51, 52, 54, 55, 56		DGJ		
21		1	3, 7	L	12, 15, 16		DGJ		POWER OUTLET
	05124458AA	1	2, 6	L	11, 12, 14, 15, 16		DGJ		
		1	2, 6	L	51, 52, 54, 55, 56		DGJ		
		1	3, 7	L	12, 15, 16				
		1	2, 6	L	01, 02, 06				
22									HOSE
	05104488AA	1	2, 6	L	01, 02, 06				
		1	2, 6	L	11, 12, 14, 15, 16				Air Duct Adapter
		1	2, 6	L	51, 52, 54, 55, 56				Air Duct Adapter
23									Air Duct Adapter
	05122953AA	2	2, 6	L	01, 02, 06				MAT, Single Cup
		2	2, 6	L	11, 12, 14, 15, 16				
		2	2, 6	L	51, 52, 54, 55, 56				
24									SCREW, Hex Flange Head
	06104121AA	4	2, 6	L	51, 52, 54, 55, 56				
		4	2, 6	L	01, 02, 06				

SPRINTER (VA)
 SERIES LINE BODY ENGINE TRANSMISSION
 L = LOWLINE 3 = HD DODGE 2WD 55 = Wagon 140" EX8 = Engine-2.7L I5 DGJ = Transmission-5-Spd. Automatic, W5A580
 6 = Lt. Duty DODGE 4WD 54 = Wagon 118" Mercedes Turbo Diesel
 2 = Med. Duty DODGE 2WD 52 = Wagon 140"
 7 = Med. Duty DODGE 4WD 51 = Wagon 118"
 12 = Van 140"
 11 = Van 118"
 06 = Front Section 158"
 14 = Van 118"
 15 = Van 140"
 16 = Van 158"
 56 = Wagon 158"
 01 = Chassis Forward Control 118"
 02 = Chassis Forward Control 140"

AR = use ase required - = Non illustrated part

**Instrument Panel Bezel and Related Parts
Figure 08A-110**

ITEM	PART NUMBER	QTY	LINE	SERIES	BODY	ENGINE	TRANS	TRIM	DESCRIPTION
		4	2, 6	L	11, 12, 14, 15, 16				
		4	3, 7	L	12, 15, 16				
25	05104254AA	1	2, 6	L	01, 02, 06				CUP HOLDER, Lid
		1	2, 6	L	11, 12, 14, 15, 16				
		1	2, 6	L	51, 52, 54, 55, 56				
		1	3, 7	L	12, 15, 16				
26	05104255AA	1	2, 6	L	55, 56, 51, 52, 54				HOUSING, Cup Holder
		1	3, 7	L	12, 15, 16				
		1	2, 6	L	01, 02, 06				
		1	2, 6	L	11, 12, 14, 15, 16				
27	05133975AA	4	2, 6	L	01, 02, 06				NUT, Rivet
		4	2, 6	L	11, 12, 14, 15, 16				
		4	2, 6	L	51, 52, 54, 55, 56				
		4	3, 7	L	12, 15, 16				
28	05104267AA	1	3, 7	L	12, 15, 16				ADAPTER, Air Duct
		1	2, 6	L	01, 02, 06				
		1	2, 6	L	11, 12, 14, 15, 16				
		1	2, 6	L	51, 52, 54, 55, 56				

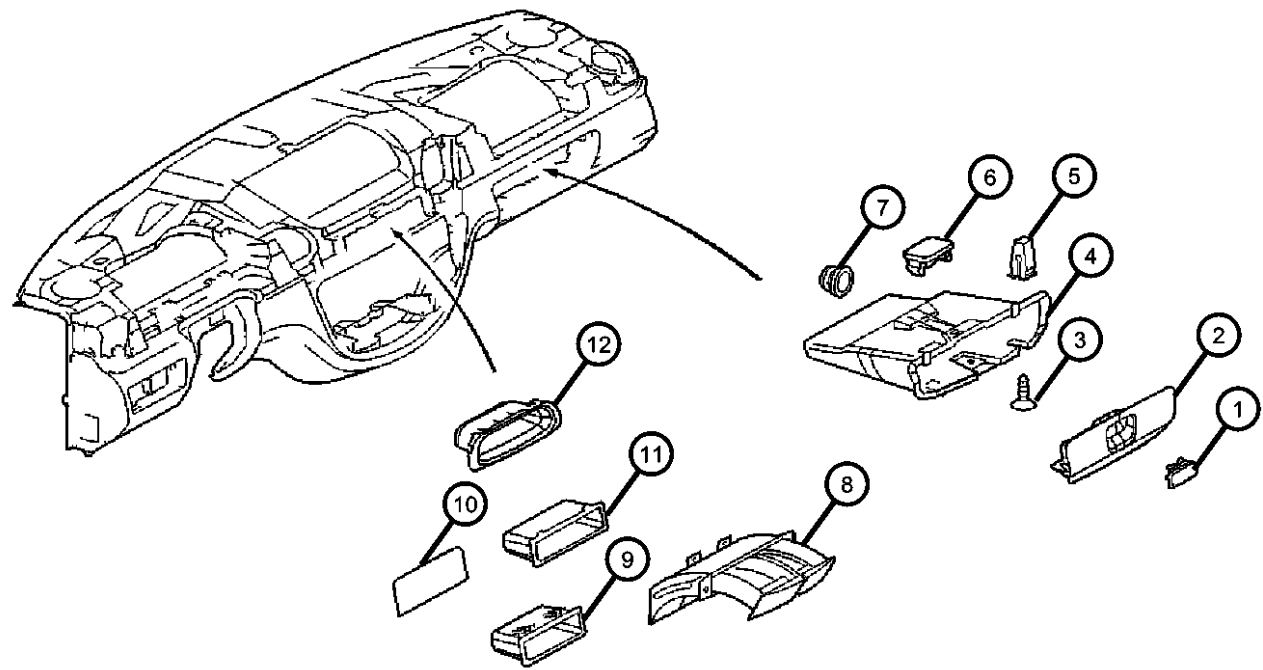


SPRINTER (VA)

SERIES	LINE	BODY	ENGINE	TRANSMISSION
L = LOWLINE	3 = HD DODGE 2WD 6 = Lt. Duty DODGE 4WD 2 = Med. Duty DODGE 2WD 7 = Med. Duty DODGE 4WD	55 = Wagon 140" 54 = Wagon 118" 52 = Wagon 140" 51 = Wagon 118" 12 = Van 140" 11 = Van 118" 06 = Front Section 158" 14 = Van 118" 15 = Van 140" 16 = Van 158" 56 = Wagon 158"	EX8 = Engine-2.7L I5 Mercedes Turbo Diesel	DGJ = Transmission-5-Spd. Automatic, W5A580
		01 = Chassis Forward Control 118" 02 = Chassis Forward Control 140"		

AR = use ase required - = Non illustrated part

**Ash Reciever and Glove Box
Figure 08A-115**



ITEM	PART NUMBER	QTY	LINE	SERIES	BODY	ENGINE	TRANS	TRIM	DESCRIPTION
1	05104257AA	1	2, 6	L	01, 02, 06				LATCH, Glovebox
		1	2, 6	L	11, 12, 14, 15, 16				
		1	2, 6	L	51, 52, 54, 55, 56				
		1	3, 7	L	12, 15, 16				
2	05104260AA	1	2, 6	L	01, 02, 06				DOOR, Glove Box
		1	2, 6	L	11, 12, 14, 15, 16				
		1	2, 6	L	51, 52, 54, 55, 56				
		1	3, 7	L	12, 15, 16				
3	06104610AA	8	2, 6	L	01, 02, 06				SCREW
		1	2, 6	L	51, 52, 54, 55, 56				
		1	2, 6	L	11, 12, 14, 15, 16				
		1	3, 7	L	12, 15, 16				
4	05122413AA	1	2, 6	L	01, 02, 06				GLOVE BOX, Instrument Panel
		1	2, 6	L	11, 12, 14, 15, 16				
		1	2, 6	L	51, 52, 54, 55, 56				
		1	3, 7	L	12, 15, 16				
5	05125576AA	2	2, 6	L	01, 02, 06		DGJ		NUT, Plastic Snap-in
		2	2, 6	L	11, 12, 14, 15, 16				
		2	2, 6	L	51, 52, 54, 55, 56				

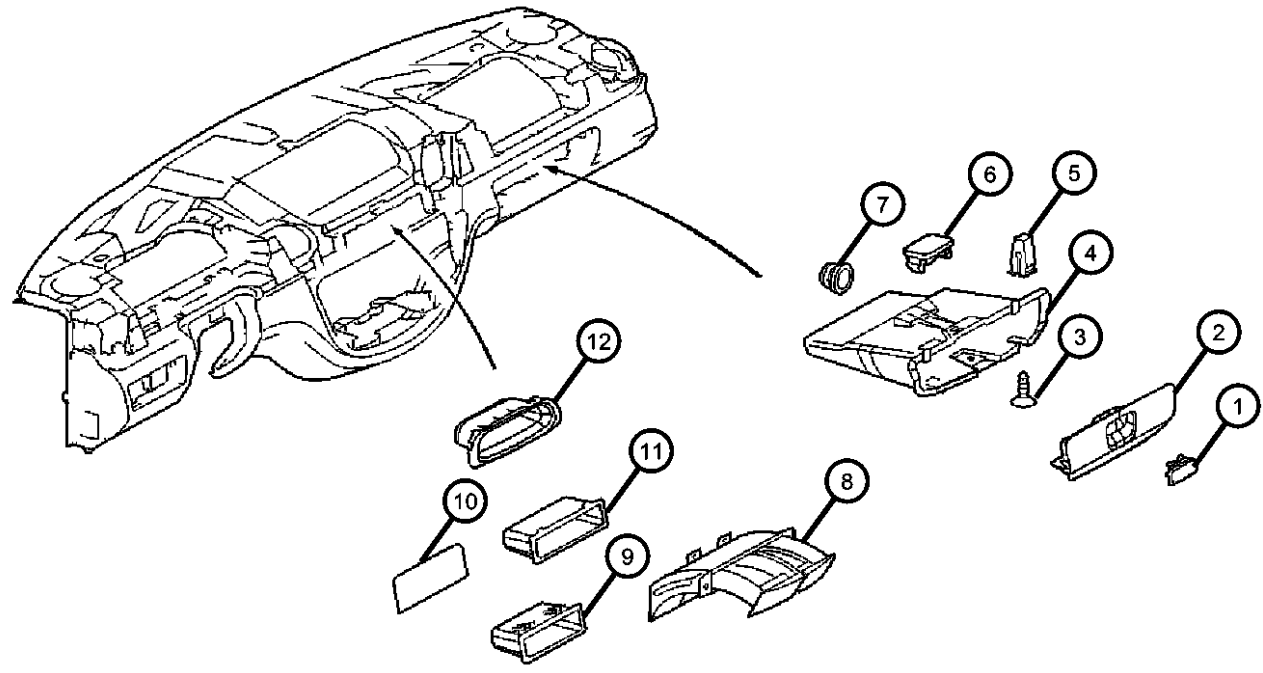
SPRINTER (VA)

SERIES	LINE	BODY	ENGINE	TRANSMISSION
L = LOWLINE	3 = HD DODGE 2WD 6 = Lt. Duty DODGE 4WD 2 = Med. Duty DODGE 2WD 7 = Med. Duty DODGE 4WD	55 = Wagon 140" 54 = Wagon 118" 52 = Wagon 140" 51 = Wagon 118" 12 = Van 140" 11 = Van 118" 06 = Front Section 158" 14 = Van 118" 15 = Van 140" 16 = Van 158" 56 = Wagon 158"	EX8 = Engine-2.7L I5 Mercedes Turbo Diesel	DGJ = Transmission-5-Spd. Automatic, W5A580
		01 = Chassis Forward Control 118" 02 = Chassis Forward Control 140"		

AR = use ase required - = Non illustrated part

**Ash Reciever and Glove Box
Figure 08A-115**

ITEM	PART NUMBER	QTY	LINE	SERIES	BODY	ENGINE	TRANS	TRIM	DESCRIPTION
6	05125551AA	2	3, 7	L	12, 15, 16				PLUG
		2	2, 6	L	01, 02, 06				
		2	2, 6	L	11, 12, 14, 15, 16				
		2	2, 6	L	51, 52, 54, 55, 56				
7	05122919AA	2	3, 7	L	12, 15, 16				PLUG, Instrument Panel
		1	2, 6	L	01, 02, 06				
		1	2, 6	L	11, 12, 14, 15, 16				
		1	2, 6	L	51, 52, 54, 55, 56				
8	05124226AA	1	3, 7	L	12, 15, 16				ASH RECEIVER, Instrument Panel
		1	2, 6	L	01, 02, 06		DGJ		
		1	2, 6	L	11, 12, 14, 15, 16		DGJ		
		1	2, 6	L	51, 52, 54, 55, 56		DGJ		
9	05122948AA	1	3, 7	L	12, 15, 16			DGJ	CUBBY BOX, Instrument Panel
		1	2, 6	L	01, 02, 06				
		1	2, 6	L	11, 12, 14, 15, 16				
		1	2, 6	L	51, 52, 54, 55, 56				
10	05122951AA	1	3, 7	L	12, 15, 16				PAD, Backing
		1	2, 6	L	11, 12, 14, 15, 16				



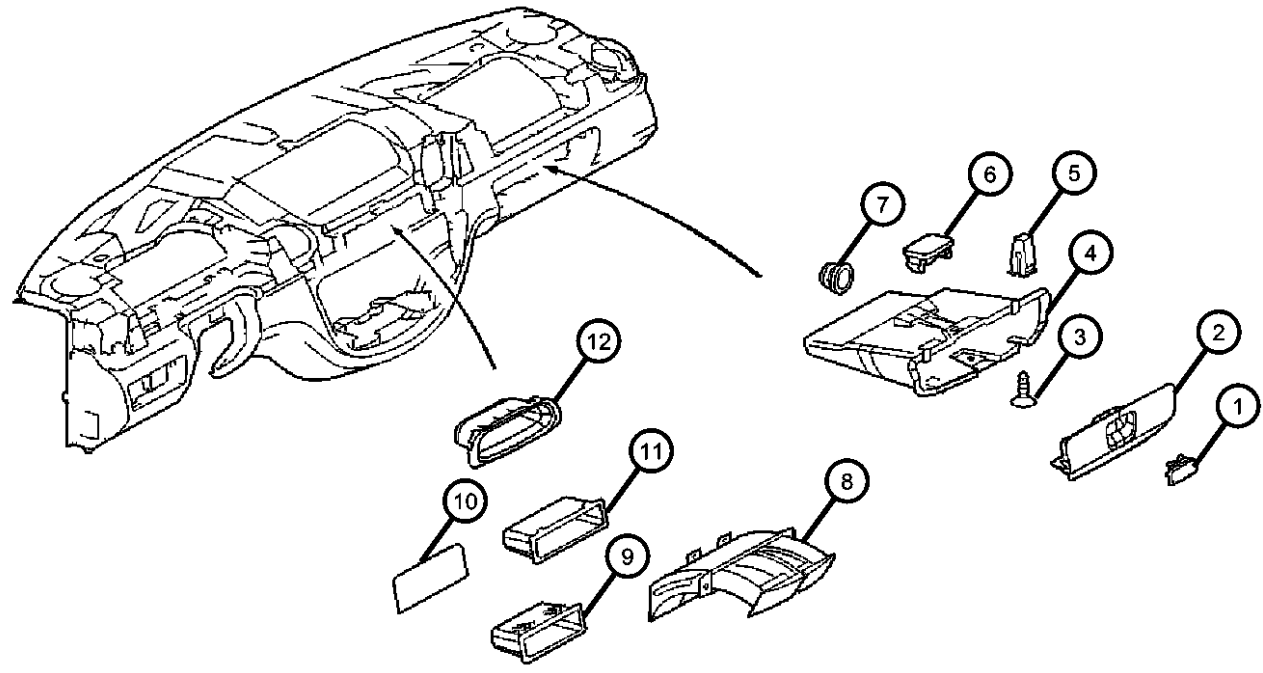
SPRINTER (VA)

SERIES	LINE	BODY	ENGINE	TRANSMISSION
L = LOWLINE	3 = HD DODGE 2WD 6 = Lt. Duty DODGE 4WD 2 = Med. Duty DODGE 2WD 7 = Med. Duty DODGE 4WD	55 = Wagon 140" 54 = Wagon 118" 52 = Wagon 140" 51 = Wagon 118" 12 = Van 140" 11 = Van 118" 06 = Front Section 158" 14 = Van 118" 15 = Van 140" 16 = Van 158" 56 = Wagon 158"	EX8 = Engine-2.7L I5 Mercedes Turbo Diesel	DGJ = Transmission-5-Spd. Automatic,W5A580
		01 = Chassis Forward Control 118" 02 = Chassis Forward Control 140"		

AR = use ase required - = Non illustrated part

**Ash Reciever and Glove Box
Figure 08A-115**

ITEM	PART NUMBER	QTY	LINE	SERIES	BODY	ENGINE	TRANS	TRIM	DESCRIPTION
		1	2, 6	L	51, 52, 54, 55, 56				
		1	2, 6	L	01, 02, 06				
		1	3, 7	L	12, 15, 16				
11	05122948AA	1	2, 6	L	01, 02, 06				CUBBY BOX, Instrument Panel
		1	2, 6	L	11, 12, 14, 15, 16				
		1	2, 6	L	51, 52, 54, 55, 56				
		1	3, 7	L	12, 15, 16				
12	05122943AA	1	2, 6	L	01, 02, 06				CUBBY BOX, Instrument Panel
		1	2, 6	L	11, 12, 14, 15, 16				
		1	2, 6	L	51, 52, 54, 55, 56				
		1	3, 7	L	12, 15, 16				



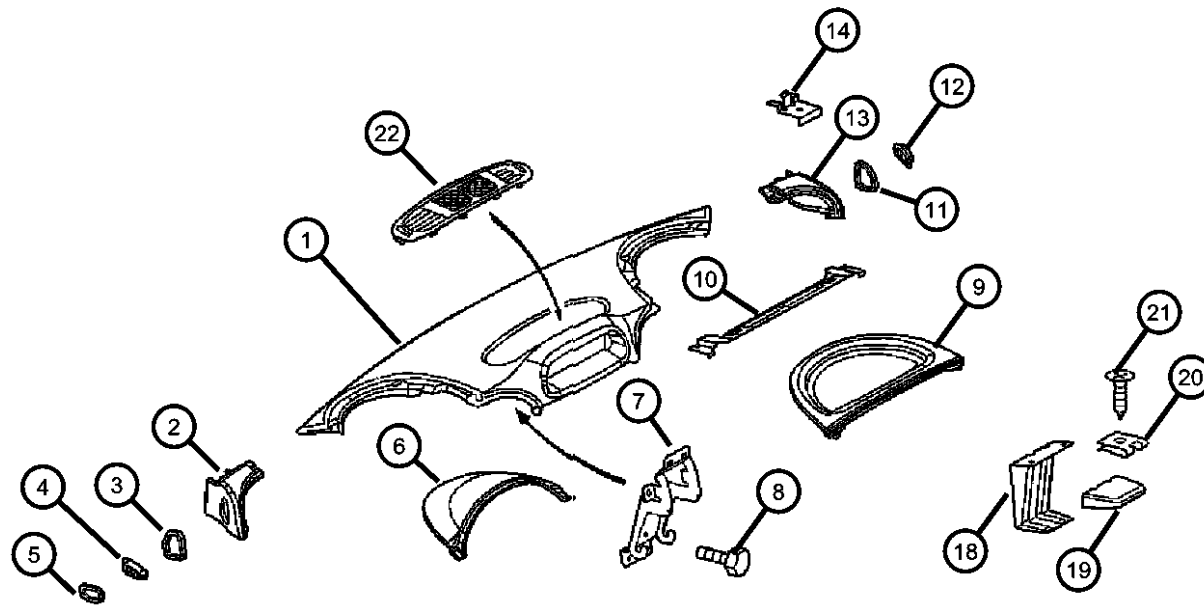
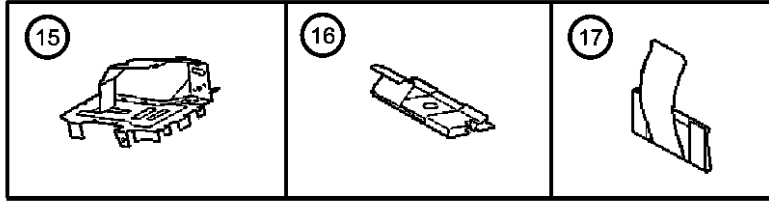
SPRINTER (VA)

SERIES	LINE	BODY	ENGINE	TRANSMISSION
L = LOWLINE	3 = HD DODGE 2WD 6 = Lt. Duty DODGE 4WD 2 = Med. Duty DODGE 2WD 7 = Med. Duty DODGE 4WD	55 = Wagon 140" 54 = Wagon 118" 52 = Wagon 140" 51 = Wagon 118" 12 = Van 140" 11 = Van 118" 06 = Front Section 158" 14 = Van 118" 15 = Van 140" 16 = Van 158" 56 = Wagon 158"	EX8 = Engine-2.7L I5 Mercedes Turbo Diesel	DGJ = Transmission-5-Spd. Automatic,W5A580
		01 = Chassis Forward Control 118" 02 = Chassis Forward Control 140"		

AR = use ase required - = Non illustrated part

**Instrument Panel Cover and Related Parts
Figure 08A-120**

ITEM	PART NUMBER	QTY	LINE	SERIES	BODY	ENGINE	TRANS	TRIM	DESCRIPTION
1	05122364AA	1	2, 6	L	01, 02, 06				COVER, Instrument Panel With Comfort / Soft Look Dash
		1	2, 6	L	11, 12, 14, 15, 16				With Comfort / Soft Look Dash
		1	2, 6	L	51, 52, 54, 55, 56				With Comfort / Soft Look Dash
		1	3, 7	L	12, 15, 16				With Comfort / Soft Look Dash
2	05122876AA	1	2, 6	L	01, 02, 06				HOUSING, Air Outlet
		1	2, 6	L	11, 12, 14, 15, 16				
		1	3, 7	L	12, 15, 16				
3	05124784AA	1	2, 6	L	01, 02, 06				SEAL
		1	2, 6	L	11, 12, 14, 15, 16				
		1	2, 6	L	51, 52, 54, 55, 56				
		1	3, 7	L	12, 15, 16				
4	05124910AA	1	2, 6	L	01, 02, 06				GRILLE, Demister
		1	2, 6	L	11, 12, 14, 15, 16				
		1	2, 6	L	51, 52, 54, 55, 56				
		1	3, 7	L	12, 15, 16				
5	05124787AA	2	2, 6	L	01, 02, 06				SEAL
		2	2, 6	L	11, 12, 14, 15, 16				
		2	2, 6	L	51, 52, 54, 55, 56				
		2	3, 7	L	12, 15, 16				
6									COVER



SPRINTER (VA)

SERIES

L = LOWLINE

LINE

3 = HD DODGE 2WD
6 = Lt. Duty DODGE 4WD
2 = Med. Duty DODGE 2WD
7 = Med. Duty DODGE 4WD

BODY

55 = Wagon 140"
54 = Wagon 118"
52 = Wagon 140"
51 = Wagon 118"
12 = Van 140"
11 = Van 118"
06 = Front Section 158"
14 = Van 118"
15 = Van 140"
16 = Van 158"
56 = Wagon 158"
01 = Chassis Forward Control
118"
02 = Chassis Forward Control
140"

ENGINE

EX8 = Engine-2.7L I5
Mercedes Turbo Diesel

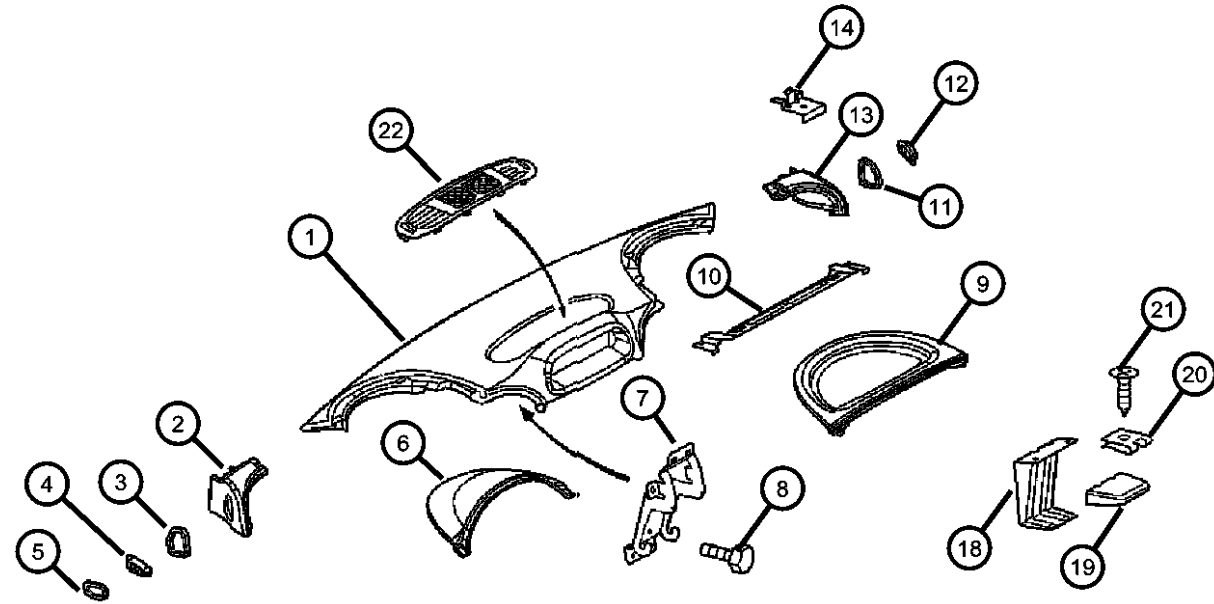
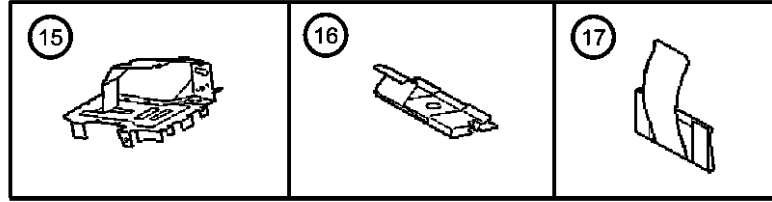
TRANSMISSION

DGJ = Transmission-5-Spd.
Automatic,W5A580

AR = use ase required - = Non illustrated part

2004 VA

**Instrument Panel Cover and Related Parts
Figure 08A-120**



ITEM	PART NUMBER	QTY	LINE	SERIES	BODY	ENGINE	TRANS	TRIM	DESCRIPTION
7	05122369AA	1	2, 6	L	01, 02, 06				BRACKET, Instrument Panel
		1	2, 6	L	11, 12, 14, 15, 16				
		1	2, 6	L	51, 52, 54, 55, 56				
		1	3, 7	L	12, 15, 16				
8	05122390AA	1	2, 6	L	01, 02, 06		DGJ		SCREW
		1	2, 6	L	11, 12, 14, 15, 16		DGJ		
		1	2, 6	L	51, 52, 54, 55, 56		DGJ		
		1	3, 7	L	12, 15, 16		DGJ		
9	05104663AA	2	2, 6	L	01, 02, 06	EX9			BEZEL, Instrument Panel
		4	2, 6	L	11, 12, 14, 15, 16		DGJ		
		2	2, 6	L	11, 12, 14, 15, 16	EX9			
		4	2, 6	L	51, 52, 54, 55, 56		DGJ		
		2	2, 6	L	51, 52, 54, 55, 56	EX9			
		4	3, 7	L	12, 15, 16		DGJ		
10	05104268AA	1	2, 6	L	01, 02, 06				BRACKET, Instrument Panel
		1	2, 6	L	11, 12, 14, 15, 16				
		1	2, 6	L	51, 52, 54, 55, 56				
		1	3, 7	L	12, 15, 16				

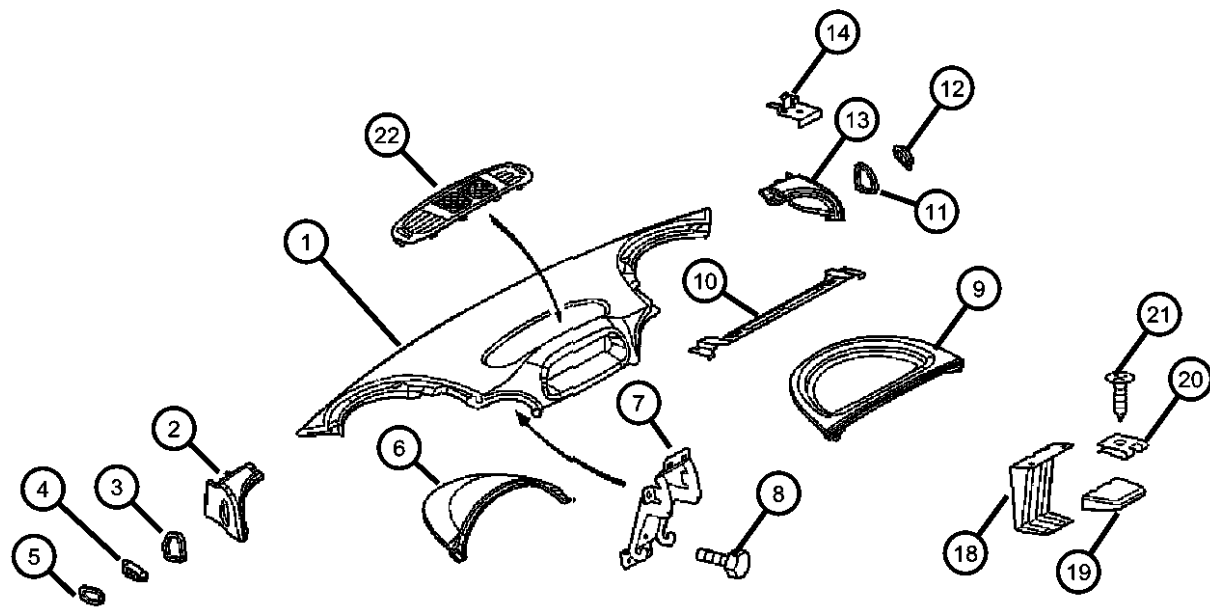
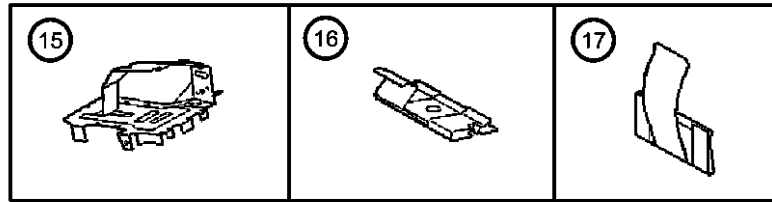
SPRINTER (VA)

SERIES	LINE	BODY	ENGINE	TRANSMISSION
L = LOWLINE	3 = HD DODGE 2WD 6 = Lt. Duty DODGE 4WD 2 = Med. Duty DODGE 2WD 7 = Med. Duty DODGE 4WD	55 = Wagon 140" 54 = Wagon 118" 52 = Wagon 140" 51 = Wagon 118" 12 = Van 140" 11 = Van 118" 06 = Front Section 158" 14 = Van 118" 15 = Van 140" 16 = Van 158" 56 = Wagon 158"	EX8 = Engine-2.7L I5 Mercedes Turbo Diesel	DGJ = Transmission-5-Spd. Automatic, W5A580
		01 = Chassis Forward Control 118" 02 = Chassis Forward Control 140"		

AR = use ase required - = Non illustrated part

**Instrument Panel Cover and Related Parts
Figure 08A-120**

ITEM	PART NUMBER	QTY	LINE	SERIES	BODY	ENGINE	TRANS	TRIM	DESCRIPTION
	05122906AA	1	2, 6	L	01, 02, 06				
		1	2, 6	L	11, 12, 14, 15, 16				
		1	2, 6	L	51, 52, 54, 55, 56				
		1	3, 7	L	12, 15, 16				
11									SEAL
	05124785AA	1	2, 6	L	01, 02, 06				
		1	2, 6	L	11, 12, 14, 15, 16				
		1	2, 6	L	51, 52, 54, 55, 56				
		1	3, 7	L	12, 15, 16				
12									GRILLE, Demister
	05124911AA	1	2, 6	L	01, 02, 06				
		1	2, 6	L	11, 12, 14, 15, 16				
		1	2, 6	L	51, 52, 54, 55, 56				
		1	3, 7	L	12, 15, 16				
13									HOUSING, Air Outlet
	05122877AA	1	2, 6	L	01, 02, 06				
		1	2, 6	L	11, 12, 14, 15, 16				
		1	3, 7	L	12, 15, 16				
14									BRACKET, Instrument Panel
	05122889AA	2	2, 6	L	01, 02, 06				
		2	2, 6	L	11, 12, 14, 15, 16				
		2	2, 6	L	51, 52, 54, 55, 56				
		2	3, 7	L	12, 15, 16				
15									BRACKET, Instrument Panel



SPRINTER (VA)

SERIES

L = LOWLINE

LINE

3 = HD DODGE 2WD
6 = Lt. Duty DODGE 4WD
2 = Med. Duty DODGE 2WD
7 = Med. Duty DODGE 4WD

BODY

55 = Wagon 140"
54 = Wagon 118"
52 = Wagon 140"
51 = Wagon 118"
12 = Van 140"
11 = Van 118"
06 = Front Section 158"
14 = Van 118"
15 = Van 140"
16 = Van 158"
56 = Wagon 158"
01 = Chassis Forward Control 118"
02 = Chassis Forward Control 140"

ENGINE

EX8 = Engine-2.7L I5
Mercedes Turbo Diesel

TRANSMISSION

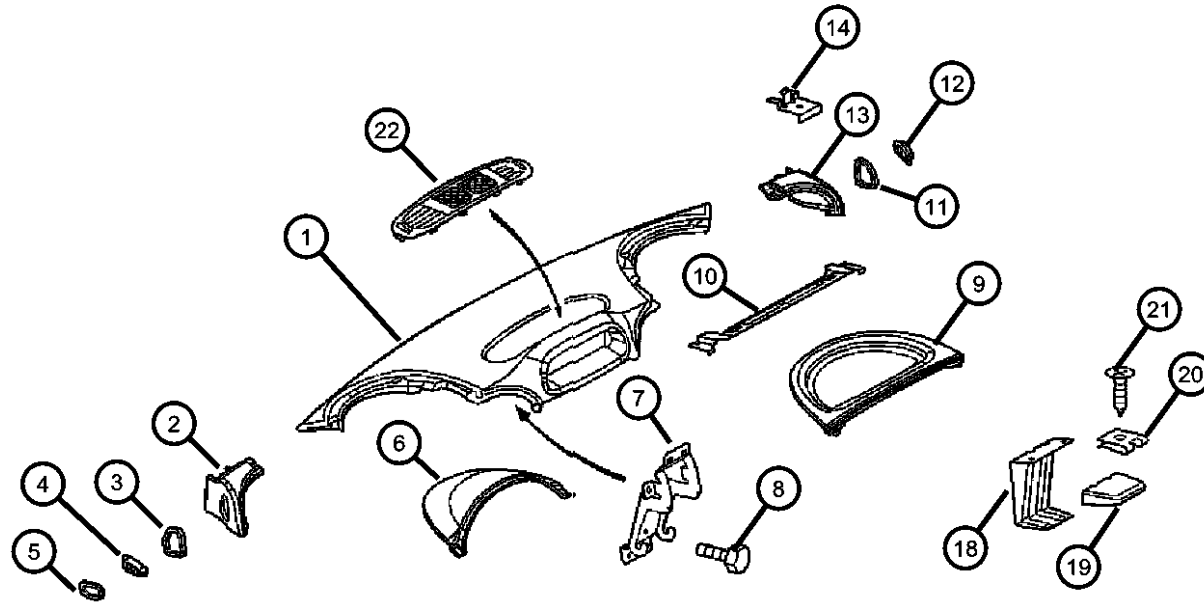
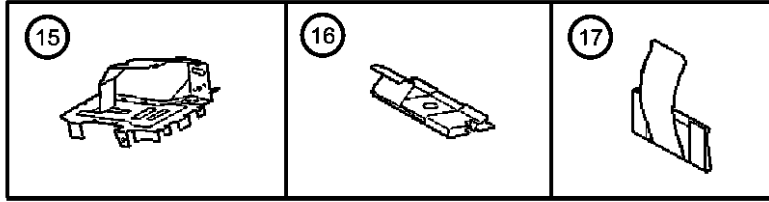
DGJ = Transmission-5-Spd. Automatic, W5A580

AR = use ase required - = Non illustrated part

2004 VA

**Instrument Panel Cover and Related Parts
Figure 08A-120**

ITEM	PART NUMBER	QTY	LINE	SERIES	BODY	ENGINE	TRANS	TRIM	DESCRIPTION
	05122388AA	1	2, 6	L	01, 02, 06				
		1	2, 6	L	11, 12, 14, 15, 16				
		1	2, 6	L	51, 52, 54, 55, 56				
16		1	3, 7	L	12, 15, 16				CLIP, Bracket
	05125589AA	2	2, 6	L	01, 02, 06				
		2	2, 6	L	11, 12, 14, 15, 16				
		2	2, 6	L	51, 52, 54, 55, 56				
17		2	3, 7	L	12, 15, 16				CLIP, Spring
	05125590AA	1	2, 6	L	01, 02, 06				
		1	2, 6	L	11, 12, 14, 15, 16				
		1	2, 6	L	51, 52, 54, 55, 56				
18		1	3, 7	L	12, 15, 16				BRACKET, Instrument Panel
	05122890AA	1	2, 6	L	11, 12, 14, 15, 16				
		1	2, 6	L	51, 52, 54, 55, 56				
19		1	3, 7	L	12, 15, 16				PAD, Console
	05122942AA	1	2, 6	L	01, 02, 06				
		1	2, 6	L	11, 12, 14, 15, 16				
		1	2, 6	L	51, 52, 54, 55, 56				
		1	3, 7	L	12, 15, 16				



SPRINTER (VA)

SERIES

L = LOWLINE

LINE

3 = HD DODGE 2WD
6 = Lt. Duty DODGE 4WD
2 = Med. Duty DODGE 2WD
7 = Med. Duty DODGE 4WD

BODY

55 = Wagon 140"
54 = Wagon 118"
52 = Wagon 140"
51 = Wagon 118"
12 = Van 140"
11 = Van 118"
06 = Front Section 158"
14 = Van 118"
15 = Van 140"
16 = Van 158"
56 = Wagon 158"
01 = Chassis Forward Control 118"
02 = Chassis Forward Control 140"

ENGINE

EX8 = Engine-2.7L I5
Mercedes Turbo Diesel

TRANSMISSION

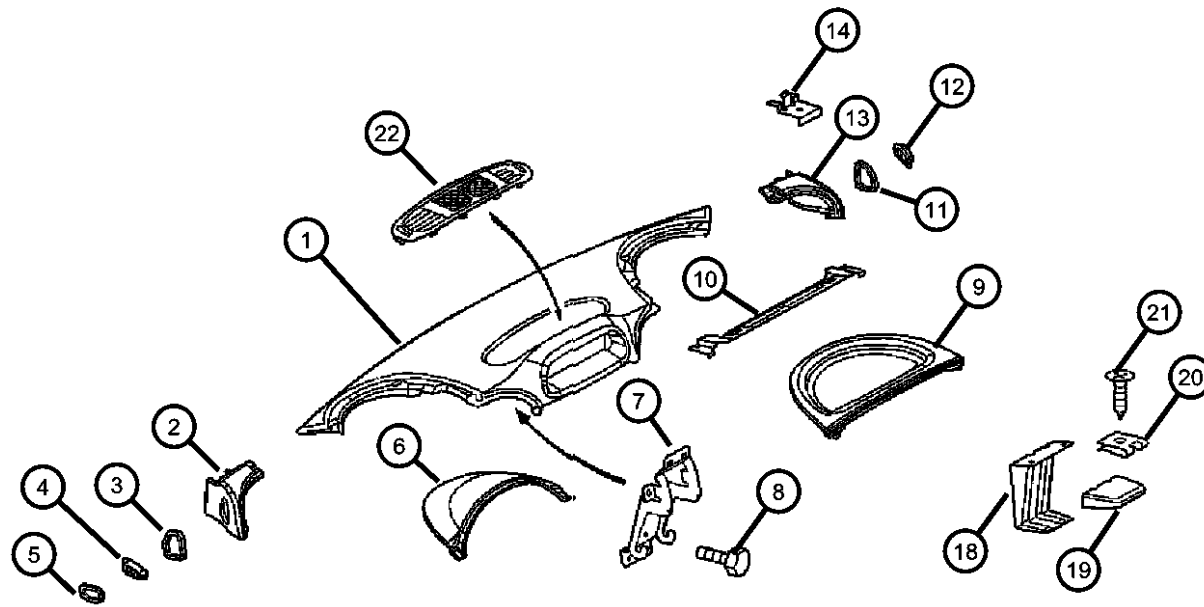
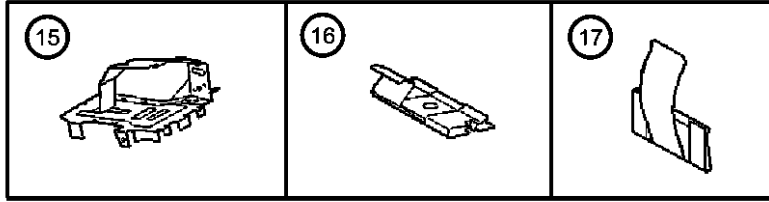
DGJ = Transmission-5-Spd. Automatic, W5A580

AR = use ase required - = Non illustrated part

2004 VA

**Instrument Panel Cover and Related Parts
Figure 08A-120**

ITEM	PART NUMBER	QTY	LINE	SERIES	BODY	ENGINE	TRANS	TRIM	DESCRIPTION
20	05125867AA	2	2, 6	L	01, 02, 06				NUT, Clip-On
		2	2, 6	L	11, 12, 14, 15, 16				
		2	2, 6	L	51, 52, 54, 55, 56				
		2	3, 7	L	12, 15, 16				
21	06104610AA	1	2, 6	L	11, 12, 14, 15, 16				SCREW
		1	2, 6	L	51, 52, 54, 55, 56				
		1	3, 7	L	12, 15, 16				
22	05104271AA	1	2, 6	L	11, 12, 14, 15, 16				GRILLE, Defroster
		1	2, 6	L	51, 52, 54, 55, 56				
		1	3, 7	L	12, 15, 16				



SPRINTER (VA)

SERIES

L = LOWLINE
 3 = HD DODGE 2WD
 6 = Lt. Duty DODGE 4WD
 2 = Med. Duty DODGE 2WD
 7 = Med. Duty DODGE 4WD

LINE

3 = HD DODGE 2WD
 6 = Lt. Duty DODGE 4WD
 2 = Med. Duty DODGE 2WD
 7 = Med. Duty DODGE 4WD

BODY

55 = Wagon 140"
 54 = Wagon 118"
 52 = Wagon 140"
 51 = Wagon 118"
 12 = Van 140"
 11 = Van 118"
 06 = Front Section 158"
 14 = Van 118"
 15 = Van 140"
 16 = Van 158"
 56 = Wagon 158"
 01 = Chassis Forward Control 118"
 02 = Chassis Forward Control 140"

ENGINE

EX8 = Engine-2.7L I5
 Mercedes Turbo Diesel

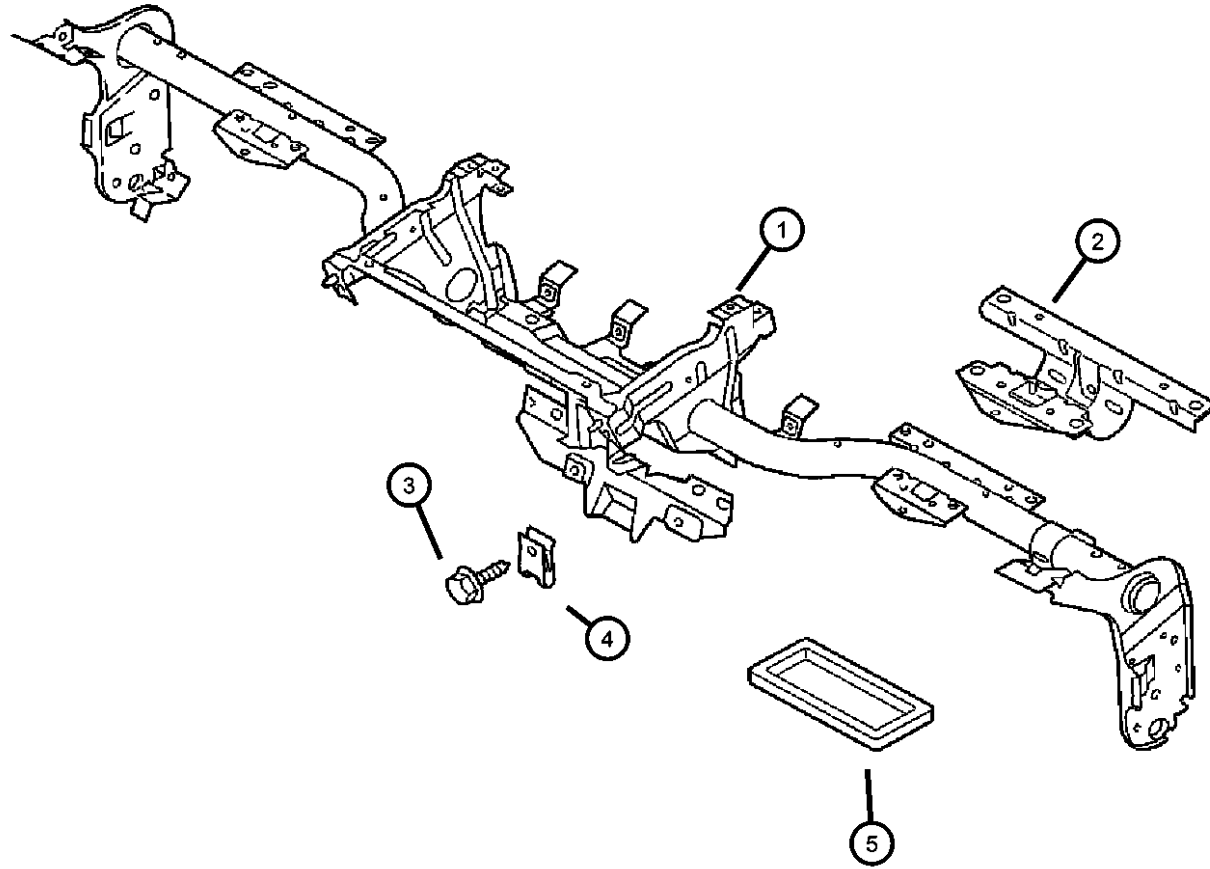
TRANSMISSION

DGJ = Transmission-5-Spd. Automatic, W5A580

AR = use ase required - = Non illustrated part

2004 VA

**Instrument Panel Reinforcement
Figure 08A-125**



ITEM	PART NUMBER	QTY	LINE	SERIES	BODY	ENGINE	TRANS	TRIM	DESCRIPTION
1	05133470AA	1	2, 6	L	01, 02, 06				FRAME, Instrument Panel
		1	2, 6	L	11, 12, 14, 15, 16				
		1	2, 6	L	51, 52, 54, 55, 56				
		1	3, 7	L	12, 15, 16				
2	05122400AA	1	2, 6	L	01, 02, 06				SUPPORT, Instrument Panel
		1	2, 6	L	11, 12, 14, 15, 16				
		1	2, 6	L	51, 52, 54, 55, 56				
		1	3, 7	L	12, 15, 16				
3	06104605AA	6	2, 6	L	01, 02, 06				SCREW
		6	2, 6	L	11, 12, 14, 15, 16				
		6	2, 6	L	51, 52, 54, 55, 56				
		6	3, 7	L	12, 15, 16				
4	05125855AA	6	2, 6	L	01, 02, 06				NUT, Clip-On
	05125855AB	6	2, 6	L	11, 12, 14, 15, 16				
		6	2, 6	L	51, 52, 54, 55, 56				
		6	3, 7	L	12, 15, 16				
5	05124783AA	2	2, 6	L	01, 02, 06				SEAL
		2	2, 6	L	11, 12, 14, 15, 16				

SPRINTER (VA)

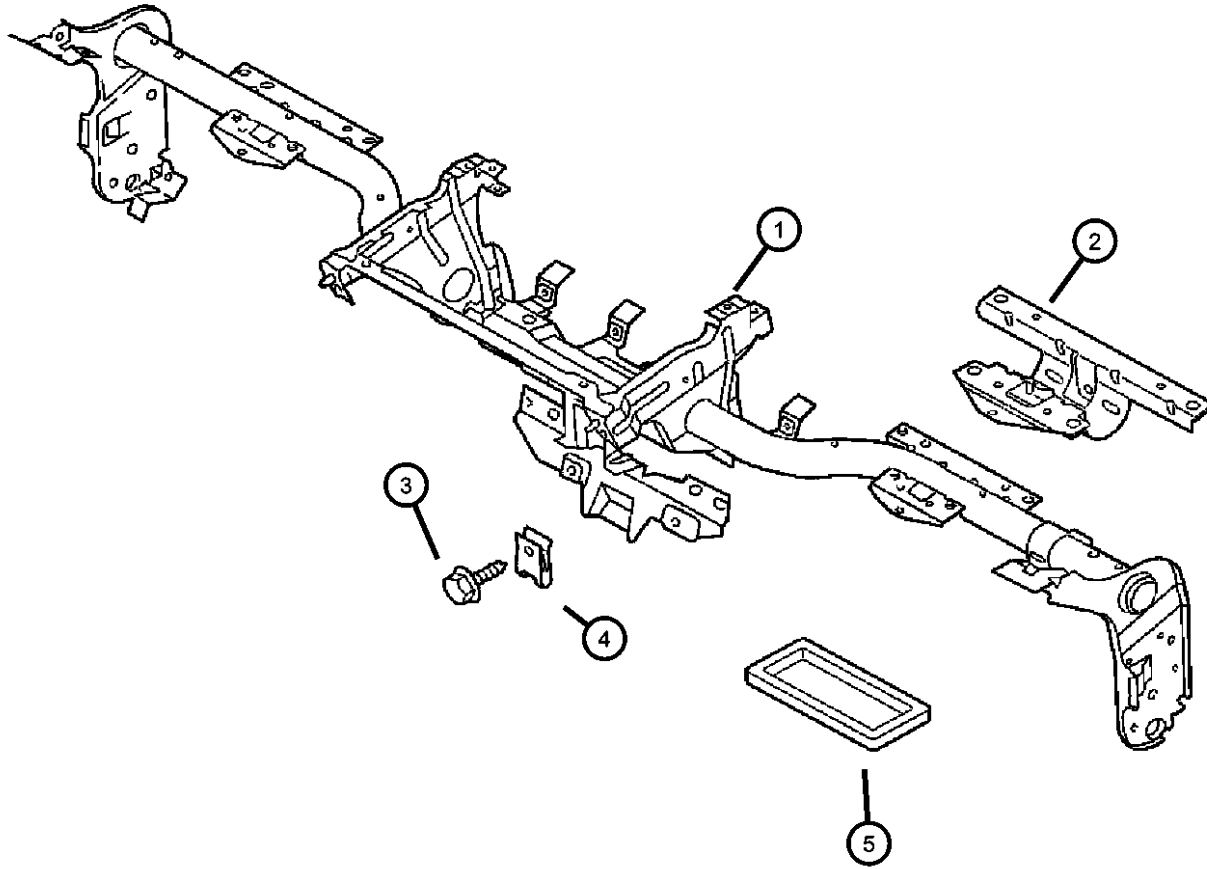
SERIES	LINE	BODY	ENGINE	TRANSMISSION
L = LOWLINE	3 = HD DODGE 2WD 6 = Lt. Duty DODGE 4WD 2 = Med. Duty DODGE 2WD 7 = Med. Duty DODGE 4WD	55 = Wagon 140" 54 = Wagon 118" 52 = Wagon 140" 51 = Wagon 118" 12 = Van 140" 11 = Van 118" 06 = Front Section 158" 14 = Van 118" 15 = Van 140" 16 = Van 158" 56 = Wagon 158"	EX8 = Engine-2.7L I5 Mercedes Turbo Diesel	DGJ = Transmission-5-Spd. Automatic, W5A580
		01 = Chassis Forward Control 118" 02 = Chassis Forward Control 140"		

AR = use ase required - = Non illustrated part

**Instrument Panel Reinforcement
Figure 08A-125**

ITEM	PART NUMBER	QTY	LINE	SERIES	BODY	ENGINE	TRANS	TRIM	DESCRIPTION
------	-------------	-----	------	--------	------	--------	-------	------	-------------

2	2, 6	L	51, 52, 54, 55, 56
2	3, 7	L	12, 15, 16



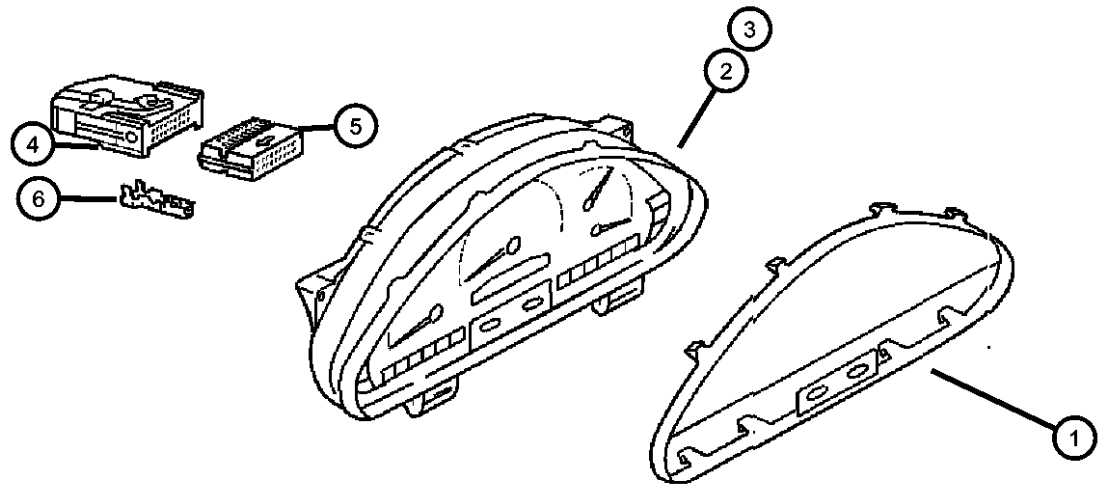
SPRINTER (VA)

SERIES	LINE	BODY	ENGINE	TRANSMISSION
L = LOWLINE	3 = HD DODGE 2WD 6 = Lt. Duty DODGE 4WD 2 = Med. Duty DODGE 2WD 7 = Med. Duty DODGE 4WD	55 = Wagon 140" 54 = Wagon 118" 52 = Wagon 140" 51 = Wagon 118" 12 = Van 140" 11 = Van 118" 06 = Front Section 158" 14 = Van 118" 15 = Van 140" 16 = Van 158" 56 = Wagon 158"	EX8 = Engine-2.7L I5 Mercedes Turbo Diesel	DGJ = Transmission-5-Spd. Automatic,W5A580
		01 = Chassis Forward Control 118" 02 = Chassis Forward Control 140"		

AR = use ase required - = Non illustrated part

**Instrument Panel Cluster
Figure 08A-205**

ITEM	PART NUMBER	QTY	LINE	SERIES	BODY	ENGINE	TRANS	TRIM	DESCRIPTION
1									LENS, Cluster
	05103657AA	1	2, 6	L	01, 02, 06				
		1	2, 6	L	11, 12, 14, 15, 16				
		1	2, 6	L	51, 52, 54, 55, 56				
		1	3, 7	L	12, 15, 16				
2									CLUSTER
	05119415AA	1	2, 6	L	01, 02, 06				
		1	2, 6	L	11, 12, 14, 15, 16				
		1	2, 6	L	51, 52, 54, 55, 56				
		1	3, 7	L	02, 06				
		1	3, 7	L	12, 15, 16				
3									CLUSTER, Instrument Panel
	05133410AA	1	2	L	01, 02, 06				
		1	2	L	11, 12, 14, 15, 16				
		1	2	L	51, 52, 54, 55, 56				
		1	3	L	02, 06				
		1	3	L	12, 15, 16				
	05133411AA	1	2, 6	L	01, 02, 06				[3SL]+4XS
		1	2, 6	L	11, 12, 14, 15, 16				[3SL]+4XS
		1	2, 6	L	51, 52, 54, 55, 56				[3SL]+4XS
		1	3, 7	L	02, 06				[3SL]+4XS
		1	3, 7	L	12, 15, 16				[3SL]+4XS
4									CONNECTOR, Wiring
	05103662AA	1	2, 6	L	01, 02, 06				
		1	2, 6	L	11, 12, 14, 15, 16				



SPRINTER (VA)

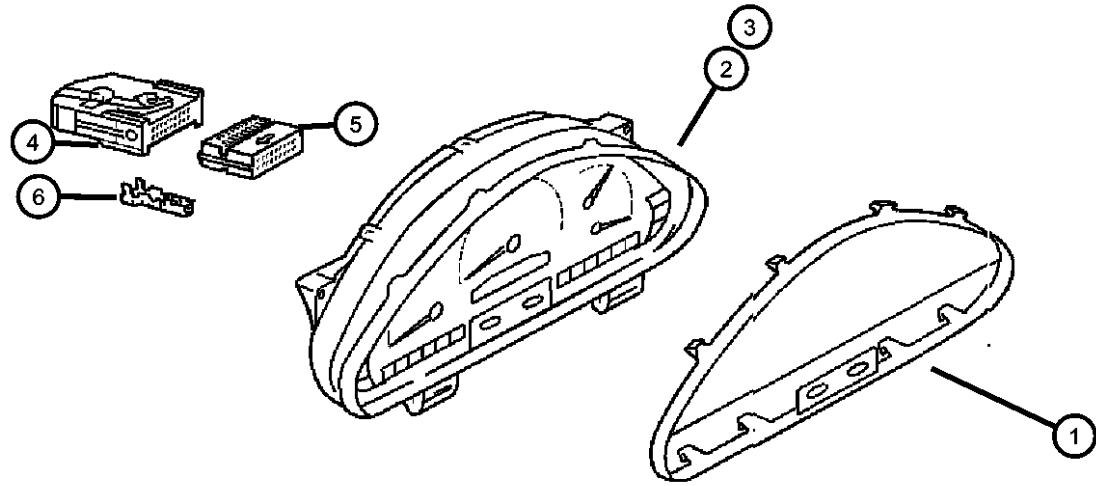
SERIES	LINE	BODY	ENGINE	TRANSMISSION
L = LOWLINE	3 = HD DODGE 2WD 6 = Lt. Duty DODGE 4WD 2 = Med. Duty DODGE 2WD 7 = Med. Duty DODGE 4WD	55 = Wagon 140" 54 = Wagon 118" 52 = Wagon 140" 51 = Wagon 118" 12 = Van 140" 11 = Van 118" 06 = Front Section 158" 14 = Van 118" 15 = Van 140" 16 = Van 158" 56 = Wagon 158" 01 = Chassis Forward Control 118" 02 = Chassis Forward Control 140"	EX8 = Engine-2.7L I5 Mercedes Turbo Diesel	DGJ = Transmission-5-Spd. Automatic, W5A580

AR = use ase required - = Non illustrated part

2004 VA

**Instrument Panel Cluster
Figure 08A-205**

ITEM	PART NUMBER	QTY	LINE	SERIES	BODY	ENGINE	TRANS	TRIM	DESCRIPTION
5	05103750AA	1	2, 6	L	51, 52, 54, 55, 56				CONNECTOR
		1	3, 7	L	12, 15, 16				
		1	2, 6	L	01, 02, 06				
		1	2, 6	L	11, 12, 14, 15, 16				
		1	2, 6	L	51, 52, 54, 55, 56				
6	05103873AA	1	3, 7	L	12, 15, 16				TERMINAL
		99	2, 6	L	01, 02, 06				
		99	2, 6	L	11, 12, 14, 15, 16				
		99	2, 6	L	51, 52, 54, 55, 56				
		99	3, 7	L	12, 15, 16				



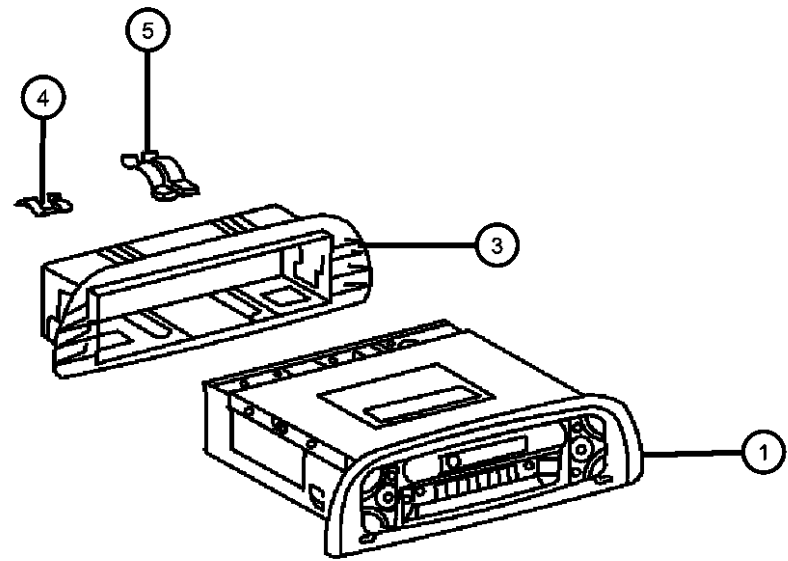
SPRINTER (VA)

SERIES	LINE	BODY	ENGINE	TRANSMISSION
L = LOWLINE	3 = HD DODGE 2WD 6 = Lt. Duty DODGE 4WD 2 = Med. Duty DODGE 2WD 7 = Med. Duty DODGE 4WD	55 = Wagon 140" 54 = Wagon 118" 52 = Wagon 140" 51 = Wagon 118" 12 = Van 140" 11 = Van 118" 06 = Front Section 158" 14 = Van 118" 15 = Van 140" 16 = Van 158" 56 = Wagon 158" 01 = Chassis Forward Control 118" 02 = Chassis Forward Control 140"	EX8 = Engine-2.7L I5 Mercedes Turbo Diesel	DGJ = Transmission-5-Spd. Automatic,W5A580

AR = use ase required - = Non illustrated part

2004 VA

**Radio
Figure 08A-305**



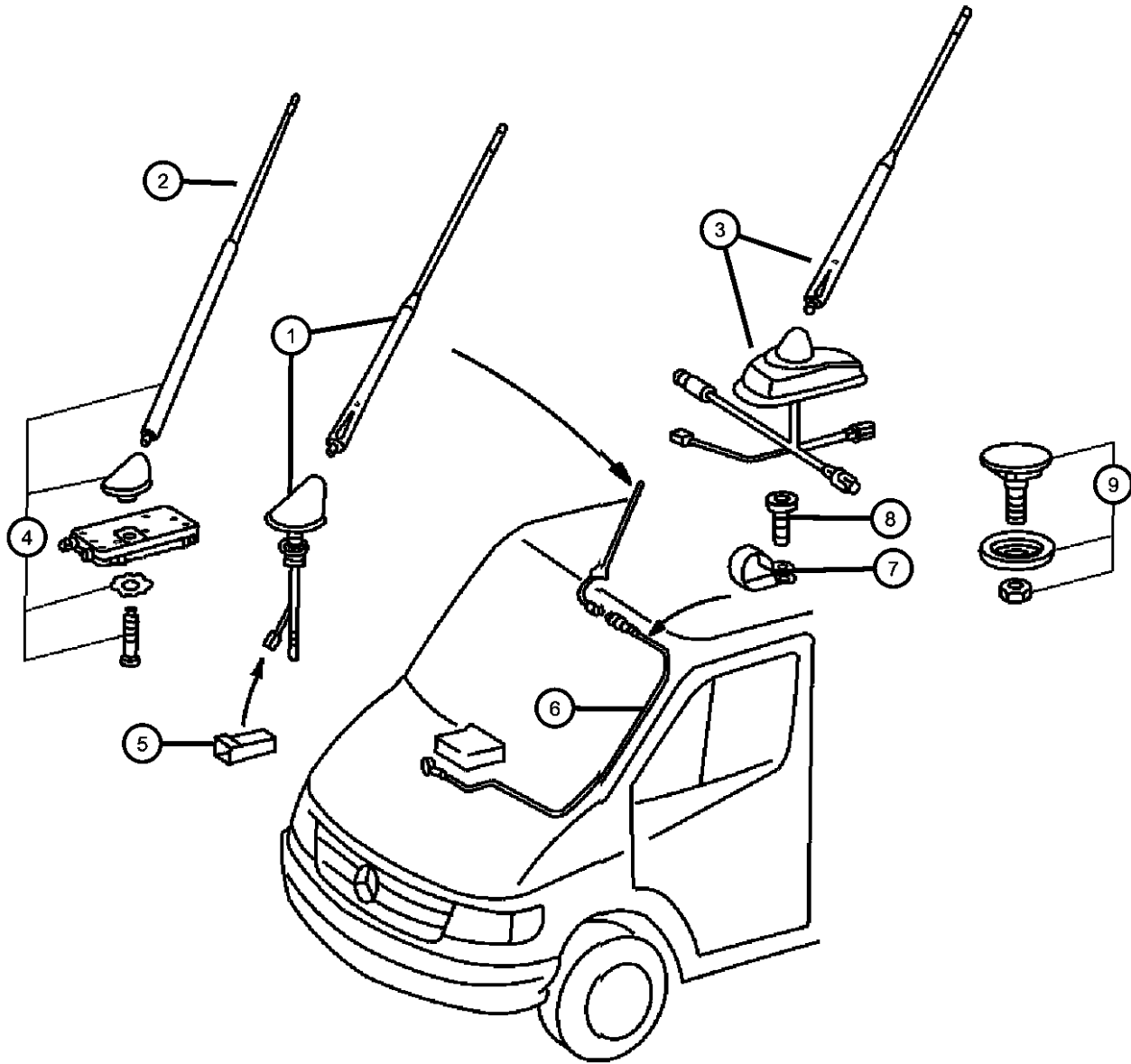
ITEM	PART NUMBER	QTY	LINE	SERIES	BODY	ENGINE	TRANS	TRIM	DESCRIPTION
1	05103832AA	1	2, 6	L	11, 12, 14, 15, 16				RADIO [RBE]
		1	2, 6	L	51, 52, 54, 55, 56				[RBE]
		1	3, 7	L	02, 06				[RBE]
		1	3, 7	L	12, 15, 16				[RBE]
-2	05103831AA	1	2, 6	L	01, 02, 06				RADIO [RAF]
		1	2, 6	L	11, 12, 14, 15, 16				[RAF]
		1	3, 7	L	12, 15, 16				[RAF]
	05139880AA	1	2, 6	L	11, 12, 14, 15, 16				[RAF,4XS]
		1	2, 6	L	51, 52, 54, 55, 56				[RAF]
		1	3, 7	L	02, 06				[RAF]
		1	2, 6	L	51, 52, 54, 55, 56				[RAF,4XS]
		1	3, 7	L	12, 15, 16				[RAF,4XS]
3	05122939AA	1	3, 7	L	12, 15, 16				BEZEL, Instrument Panel, Radio Housing
		1	2, 6	L	01, 02, 06				
		1	2, 6	L	11, 12, 14, 15, 16				
		1	2, 6	L	51, 52, 54, 55, 56				
		1	3, 7	L	02, 06				
4	05124612AA	2	3, 7	L	15, 16, 12				CLIP, Spring
5	05124613AA	2	3, 7	L	12, 15, 16				CLIP, Spring
-6	05135191AA	1	2, 6	L	16				WIRING, Radio FEDEX [Power Cable]
	05135194AA	1	2, 6	L	16				FEDEX [Radio to Battery]

SPRINTER (VA)

SERIES	LINE	BODY	ENGINE	TRANSMISSION
L = LOWLINE	3 = HD DODGE 2WD 6 = Lt. Duty DODGE 4WD 2 = Med. Duty DODGE 2WD 7 = Med. Duty DODGE 4WD	55 = Wagon 140" 54 = Wagon 118" 52 = Wagon 140" 51 = Wagon 118" 12 = Van 140" 11 = Van 118" 06 = Front Section 158" 14 = Van 118" 15 = Van 140" 16 = Van 158" 56 = Wagon 158" 01 = Chassis Forward Control 118" 02 = Chassis Forward Control 140"	EX8 = Engine-2.7L I5 Mercedes Turbo Diesel	DGJ = Transmission-5-Spd. Automatic,W5A580

AR = use ase required - = Non illustrated part

Antenna
Figure 08A-310



ITEM	PART NUMBER	QTY	LINE	SERIES	BODY	ENGINE	TRANS	TRIM	DESCRIPTION
1	05124563AA	1	2, 6	L	11, 12, 14, 15, 16				ANTENNA
		1	2, 6	L	51, 52, 54, 55, 56				
		1	3, 7	L	12, 15, 16				
2	05124561AA	1	2, 6	L	11, 12, 14, 15, 16				ANTENNA
		1	2, 6	L	51, 52, 54, 55, 56				
		1	3, 7	L	02, 06				
		1	2, 6	L	01, 02, 06				
		1	3, 7	L	12, 15, 16				
3	05124561AA	1	2, 6	L	01, 02, 06				ANTENNA
		1	2, 6	L	11, 12, 14, 15, 16				
		1	2, 6	L	51, 52, 54, 55, 56				
		1	3, 7	L	12, 15, 16				
4	05133980AA	1	2, 6	L	01, 02, 06				ANTENNA
		1	2, 6	L	11, 12, 14, 15, 16				
		1	2, 6	L	52, 54, 55, 56, 51				
		1	3, 7	L	12, 15, 16				
5	05120596AA	2	3, 7	L	12, 15, 16				CONNECTOR
	05120604AA	1	2, 6	L	01, 02, 06				
		1	2, 6	L	51, 52, 54, 55, 56				

SPRINTER (VA)

SERIES

L = LOWLINE

LINE

3 = HD DODGE 2WD
6 = Lt. Duty DODGE 4WD
2 = Med. Duty DODGE 2WD
7 = Med. Duty DODGE 4WD

BODY

55 = Wagon 140"
54 = Wagon 118"
52 = Wagon 140"
51 = Wagon 118"
12 = Van 140"
11 = Van 118"
06 = Front Section 158"
14 = Van 118"
15 = Van 140"
16 = Van 158"
56 = Wagon 158"
01 = Chassis Forward Control
118"
02 = Chassis Forward Control
140"

ENGINE

EX8 = Engine-2.7L I5
Mercedes Turbo Diesel

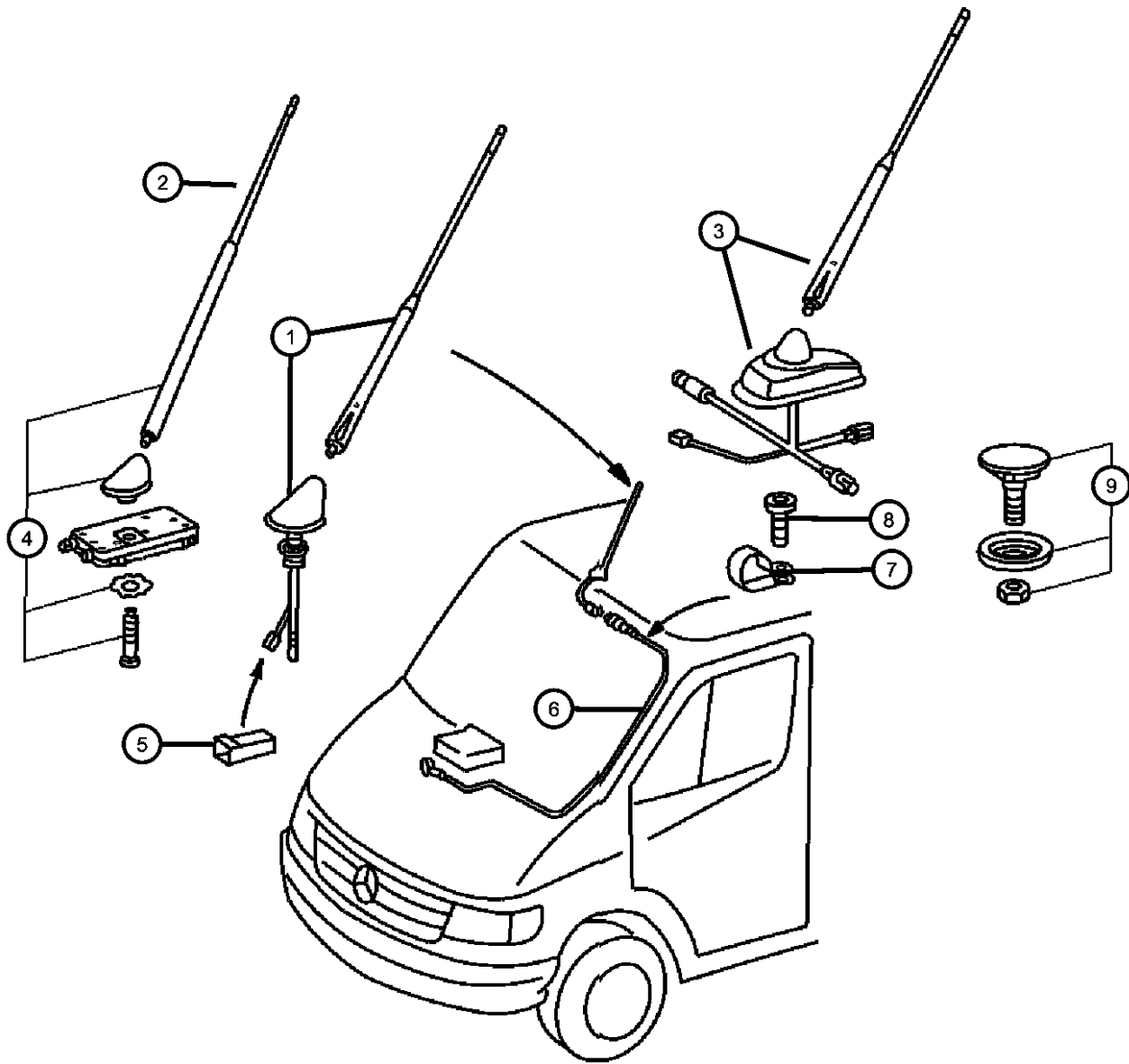
TRANSMISSION

DGJ = Transmission-5-Spd.
Automatic,W5A580

AR = use ase required - = Non illustrated part

2004 VA

**Antenna
Figure 08A-310**



ITEM	PART NUMBER	QTY	LINE	SERIES	BODY	ENGINE	TRANS	TRIM	DESCRIPTION
6		2	6, 2	L	11, 12, 14, 15, 16				CABLE, Antenna
	05124611AA	1	2, 6	L	01, 02, 06				
		1	2, 6	L	11, 12, 14, 15, 16				
		1	2, 6	L	51, 52, 54, 55, 56				
7		1	3, 7	L	12, 15, 16				CLAMP, Mounting
	05125874AA	1	2, 6	L	11, 12, 14, 15, 16				
		1	2, 6	L	51, 52, 54, 55, 56				
		1	3, 7	L	12, 15, 16				
8		1	2, 6	L	01, 02, 06				SCREW
	06104504AA	1	2, 6	L	01, 02, 06				
		1	3, 7	L	12, 15, 16				
		1	2, 6	L	11, 12, 14, 15, 16				
		1	2, 6	L	51, 52, 54, 55, 56				
9		1	2, 6	L	01, 02, 06				PANEL
	05124422AA	1	2, 6	L	01, 02, 06				
		1	2, 6	L	11, 12, 14, 15, 16				
		1	2, 6	L	51, 52, 54, 55, 56				
		1	3, 7	L	12, 15, 16				

SPRINTER (VA)

SERIES

L = LOWLINE

LINE

3 = HD DODGE 2WD
6 = Lt. Duty DODGE 4WD
2 = Med. Duty DODGE 2WD
7 = Med. Duty DODGE 4WD

BODY

55 = Wagon 140"
54 = Wagon 118"
52 = Wagon 140"
51 = Wagon 118"
12 = Van 140"
11 = Van 118"
06 = Front Section 158"
14 = Van 118"
15 = Van 140"
16 = Van 158"
56 = Wagon 158"
01 = Chassis Forward Control 118"
02 = Chassis Forward Control 140"

ENGINE

EX8 = Engine-2.7L I5
Mercedes Turbo Diesel

TRANSMISSION

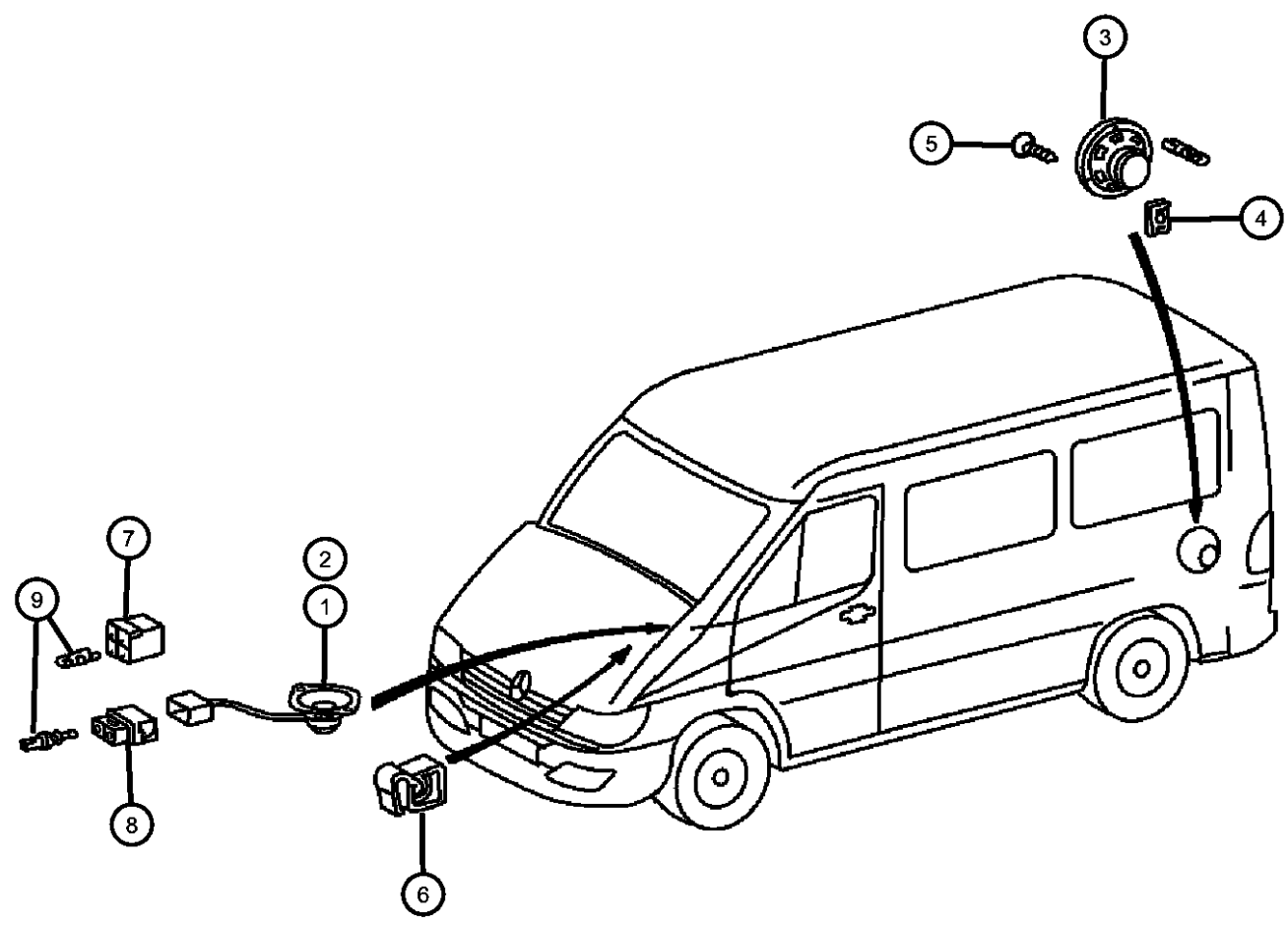
DGJ = Transmission-5-Spd. Automatic, W5A580

AR = use ase required - = Non illustrated part

2004 VA

Speakers
Figure 08A-315

ITEM	PART NUMBER	QTY	LINE	SERIES	BODY	ENGINE	TRANS	TRIM	DESCRIPTION
1	05103762AA	1	2, 6	L	51, 52, 54, 55, 56				SPEAKER, Front
		1	3, 7	L	12, 15, 16				
		2	2, 6	L	11, 12, 14, 15, 16				
2	05124409AA	1	2, 6	L	14, 15, 16, 11, 12				SPEAKER Used With Hands Free Phone System
		1	2, 6	L	51, 52, 54, 55, 56				Used With Hands Free Phone System
		1	3, 7	L	12, 15, 16				Used With Hands Free Phone System
3	05124619AA	2	2, 6	L	11, 12, 14, 15, 16				SPEAKER, Rear
		2	2, 6	L	51, 52, 54, 55, 56				
		2	3, 7	L	12, 15, 16				
4	05125853AA	8	2, 6	L	11, 12, 14, 15, 16				NUT, Clip-On
		8	2, 6	L	51, 52, 54, 55, 56				
		8	3, 7	L	12, 15, 16				
5	06104615AA	4	2, 6	L	01, 02, 06				SCREW, Tapping
		4	2, 6	L	11, 12, 14, 15, 16				
		4	2, 6	L	51, 52, 54, 55, 56				
		4	3, 7	L	12, 15, 16				
6	05126041AA	99	2, 6	L	11, 12, 14, 15, 16				RETAINER, Wiring Harness



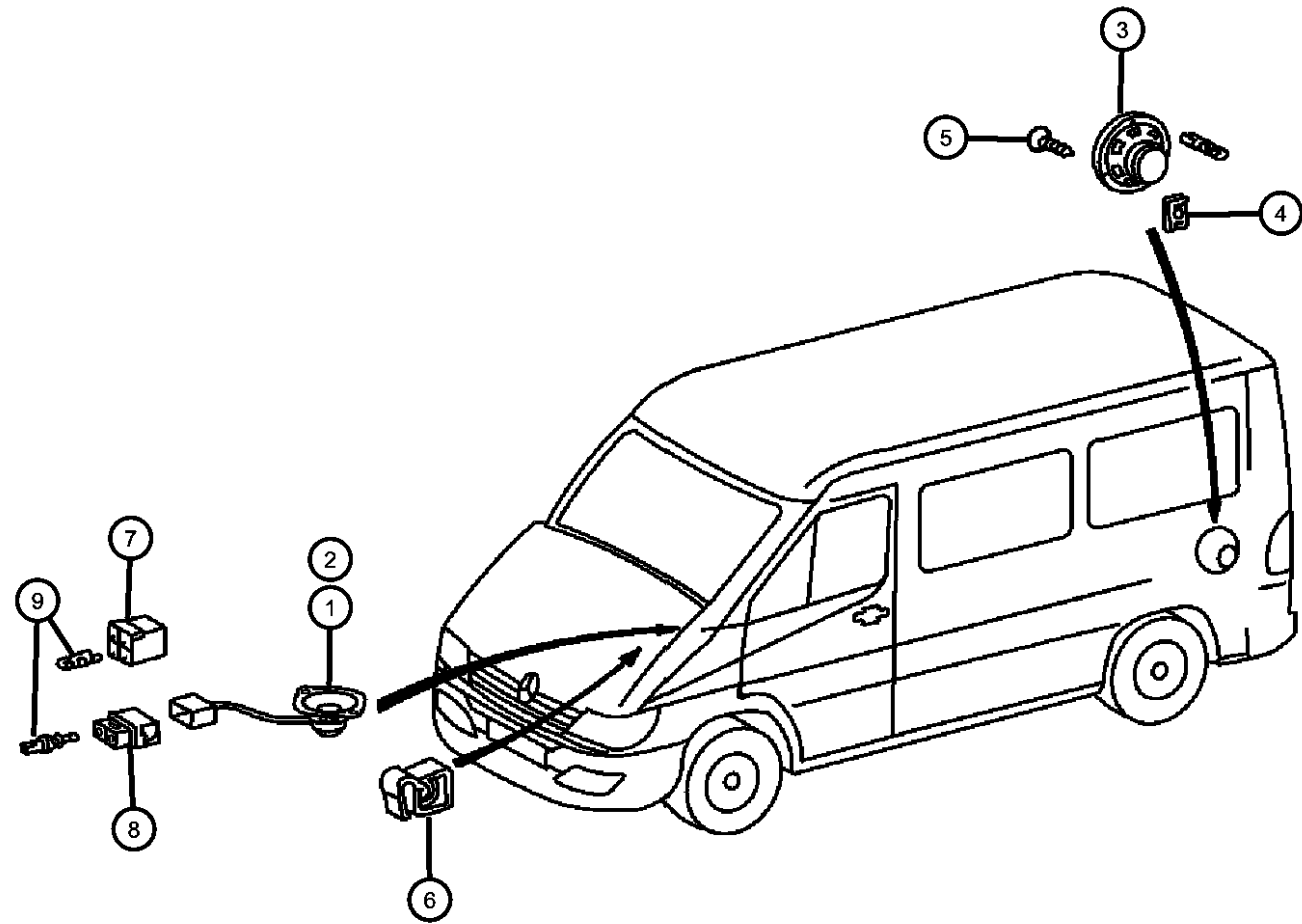
SPRINTER (VA)

SERIES	LINE	BODY	ENGINE	TRANSMISSION
L = LOWLINE	3 = HD DODGE 2WD 6 = Lt. Duty DODGE 4WD 2 = Med. Duty DODGE 2WD 7 = Med. Duty DODGE 4WD	55 = Wagon 140" 54 = Wagon 118" 52 = Wagon 140" 51 = Wagon 118" 12 = Van 140" 11 = Van 118" 06 = Front Section 158" 14 = Van 118" 15 = Van 140" 16 = Van 158" 56 = Wagon 158" 01 = Chassis Forward Control 118" 02 = Chassis Forward Control 140"	EX8 = Engine-2.7L I5 Mercedes Turbo Diesel	DGJ = Transmission-5-Spd. Automatic,W5A580

AR = use ase required - = Non illustrated part

**Speakers
Figure 08A-315**

ITEM	PART NUMBER	QTY	LINE	SERIES	BODY	ENGINE	TRANS	TRIM	DESCRIPTION
		99	2, 6	L	51, 52, 54, 55, 56				
		99	3, 7	L	12, 15, 16				
		99	2, 6	L	01, 02, 06				
7	05103753AA	1	2, 6	L	11, 12, 14, 15, 16				CONNECTOR
		1	2, 6	L	51, 52, 54, 55, 56				
		1	3, 7	L	12, 15, 16				
8	05120694AA	1	3, 7	L	12, 15, 16				CONNECTOR
		1	2, 6	L	11, 12, 14, 15, 16				
		1	2, 6	L	51, 52, 54, 55, 56				
9	05103828AA	1	2, 6	L	11, 12, 14, 15, 16				TERMINAL
		1	2, 6	L	51, 52, 54, 55, 56				
		1	3, 7	L	12, 15, 16				

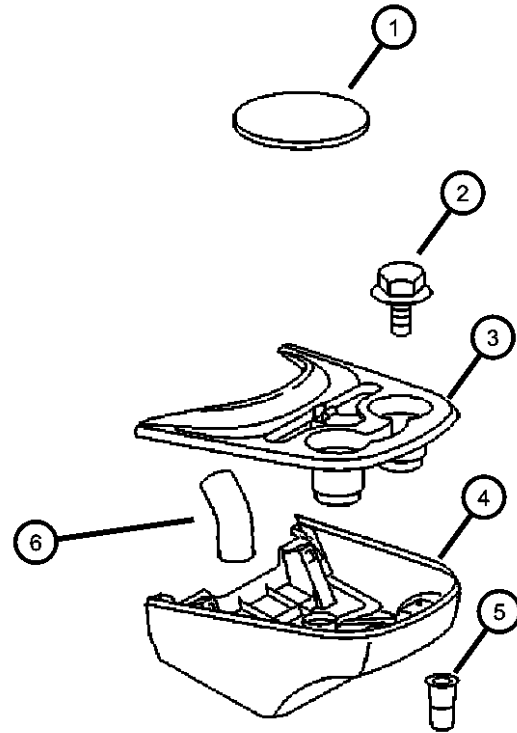


SPRINTER (VA)

SERIES	LINE	BODY	ENGINE	TRANSMISSION
L = LOWLINE	3 = HD DODGE 2WD 6 = Lt. Duty DODGE 4WD 2 = Med. Duty DODGE 2WD 7 = Med. Duty DODGE 4WD	55 = Wagon 140" 54 = Wagon 118" 52 = Wagon 140" 51 = Wagon 118" 12 = Van 140" 11 = Van 118" 06 = Front Section 158" 14 = Van 118" 15 = Van 140" 16 = Van 158" 56 = Wagon 158" 01 = Chassis Forward Control 118" 02 = Chassis Forward Control 140"	EX8 = Engine-2.7L I5 Mercedes Turbo Diesel	DGJ = Transmission-5-Spd. Automatic,W5A580

AR = use ase required - = Non illustrated part

**Console Cup Holder
Figure 08A-405**



ITEM	PART NUMBER	QTY	LINE	SERIES	BODY	ENGINE	TRANS	TRIM	DESCRIPTION
1									MAT, Single Cup
	05122953AA	2	2, 6	L	01, 02, 06				
		2	2, 6	L	11, 12, 14, 15, 16				
		2	2, 6	L	51, 52, 54, 55, 56				
		2	3, 7	L	12, 15, 16				
2									SCREW, Hex Flange Head
	06104121AA	4	2, 6	L	11, 12, 14, 15, 16				
		4	2, 6	L	51, 52, 54, 55, 56				
		4	2, 6	L	01, 02, 06				
		4	3, 7	L	12, 15, 16				
3									CUP HOLDER, Lid
	05104254AA	1	2, 6	L	01, 02, 06				
		1	2, 6	L	11, 12, 14, 15, 16				
		1	2, 6	L	51, 52, 54, 55, 56				
		1	3, 7	L	12, 15, 16				
4									HOUSING, Cup Holder
	05104255AA	1	2, 6	L	01, 02, 06				
		1	2, 6	L	14, 15, 16, 11, 12				
		1	2, 6	L	51, 52, 54, 55, 56				
		1	3, 7	L	12, 15, 16				
5									NUT, Rivet
	05133975AA	4	2, 6	L	11, 12, 14, 15, 16				
		4	2, 6	L	51, 52, 54, 55, 56				
		4	3, 7	L	12, 15, 16				

SPRINTER (VA)

SERIES

L = LOWLINE

LINE

3 = HD DODGE 2WD
6 = Lt. Duty DODGE 4WD
2 = Med. Duty DODGE 2WD
7 = Med. Duty DODGE 4WD

BODY

55 = Wagon 140"
54 = Wagon 118"
52 = Wagon 140"
51 = Wagon 118"
12 = Van 140"
11 = Van 118"
06 = Front Section 158"
14 = Van 118"
15 = Van 140"
16 = Van 158"
56 = Wagon 158"
01 = Chassis Forward Control 118"
02 = Chassis Forward Control 140"

ENGINE

EX8 = Engine-2.7L I5
Mercedes Turbo Diesel

TRANSMISSION

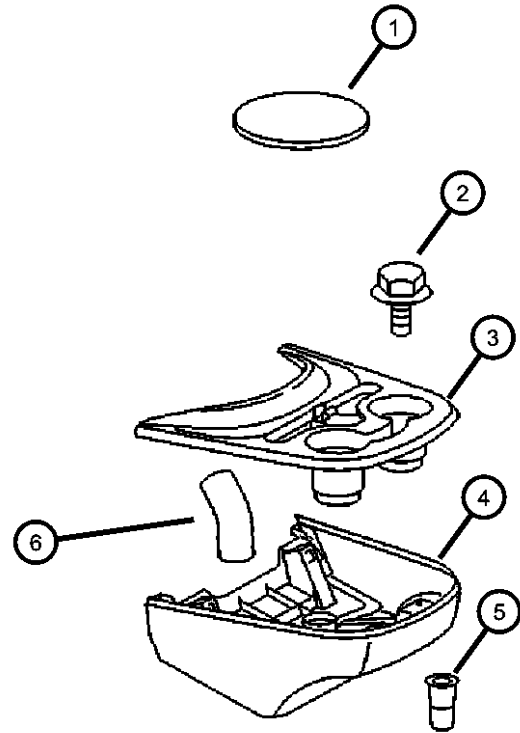
DGJ = Transmission-5-Spd. Automatic, W5A580

AR = use ase required - = Non illustrated part

2004 VA

**Console Cup Holder
Figure 08A-405**

ITEM	PART NUMBER	QTY	LINE	SERIES	BODY	ENGINE	TRANS	TRIM	DESCRIPTION
		4	2, 6	L	01, 02, 06				
6	05104488AA	1	2, 6	L	01, 02, 06				HOSE
		1	2, 6	L	11, 12, 14, 15, 16				
		1	2, 6	L	51, 52, 54, 55, 56				
		1	3, 7	L	12, 15, 16				



SPRINTER (VA)

SERIES	LINE	BODY	ENGINE	TRANSMISSION
L = LOWLINE	3 = HD DODGE 2WD 6 = Lt. Duty DODGE 4WD 2 = Med. Duty DODGE 2WD 7 = Med. Duty DODGE 4WD	55 = Wagon 140" 54 = Wagon 118" 52 = Wagon 140" 51 = Wagon 118" 12 = Van 140" 11 = Van 118" 06 = Front Section 158" 14 = Van 118" 15 = Van 140" 16 = Van 158" 56 = Wagon 158" 01 = Chassis Forward Control 118" 02 = Chassis Forward Control 140"	EX8 = Engine-2.7L I5 Mercedes Turbo Diesel	DGJ = Transmission-5-Spd. Automatic,W5A580

AR = use ase required - = Non illustrated part

Group - 9 Engine Mounting

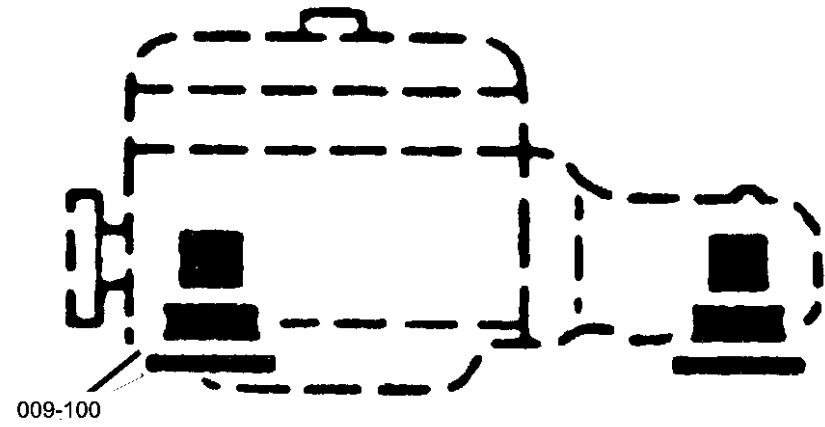
Group - 9 Engine Mounting

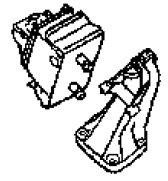
Group-Fig. No.

Illustration Title

Engine Mounting

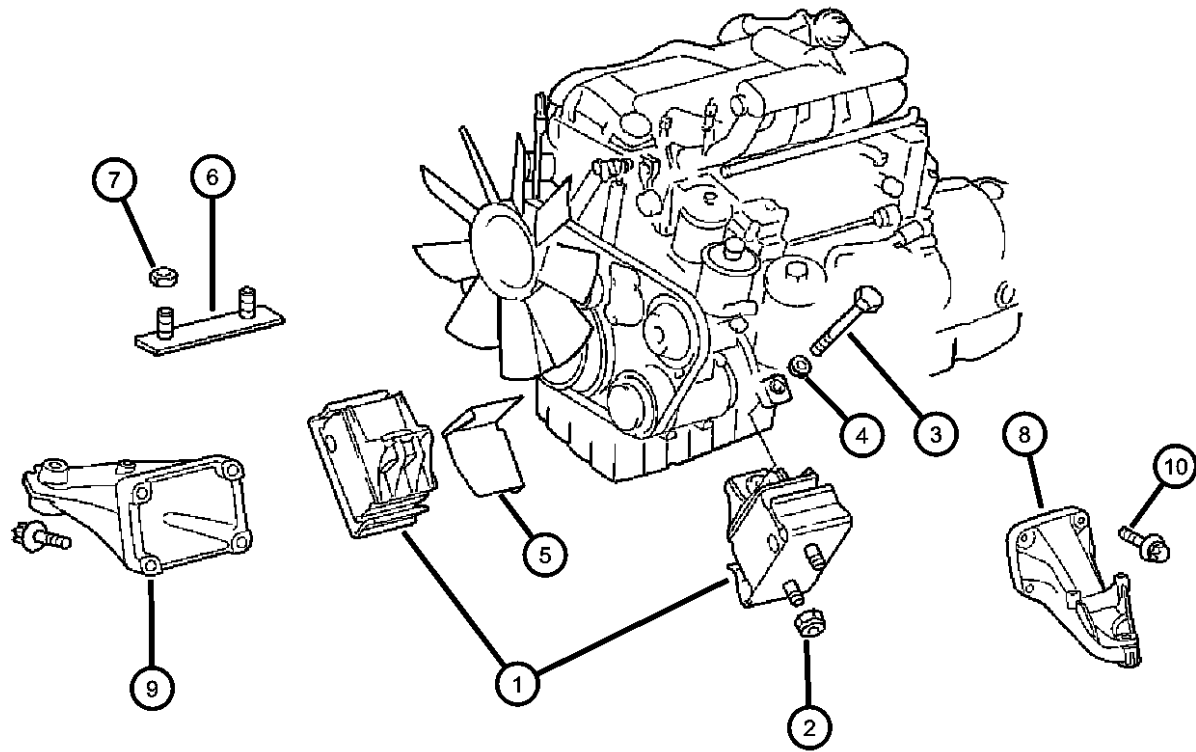
Engine Mounting	Fig. 9 - 110
Transmission Mounting	Fig. 9 - 120



<p>009-100 Engine Mounting</p> 			
---	--	--	--

**Engine Mounting
Figure 9-110**

ITEM	PART NUMBER	QTY	LINE	SERIES	BODY	ENGINE	TRANS	TRIM	DESCRIPTION
Note: Sales Codes: [EX8]= 2.7L I Five MERCEDES BENZ-TD Engine									
1									RUBBER, RUBBER-MOUNT
	05104035AA	2	2, 6			EX8	DGJ		
		2	3, 7			EX8	DGJ		
2									NUT
	06104717AA	4	2, 6			EX8, EX9			
		4	3, 7			EX8, EX9			
3									BOLT
	06104239AA	2	2, 6			EX8, EX9			
		2	3, 7			EX8, EX9			
4									WASHER
	05104613AA	1	3, 7						
		1	2, 3, 6, 7			EX8	DGJ		
5	05117714AA	1	2, 6			EX8			SHIELD, Engine Mount
6									PLATE, Engine Mount
	05117695AA	1	2, 6			EX8, EX9			
		1	3, 7			EX8, EX9			
7									NUT, Hex, M6
	05127449AA	2	3, 7						
		2	2, 6						
8	05117659AA	1				EX8			BRACKET, Engine MountLeft
9	05103988AA	1				EX8			SUPPORT, EngineRight
10	05073723AB	1							SCREW

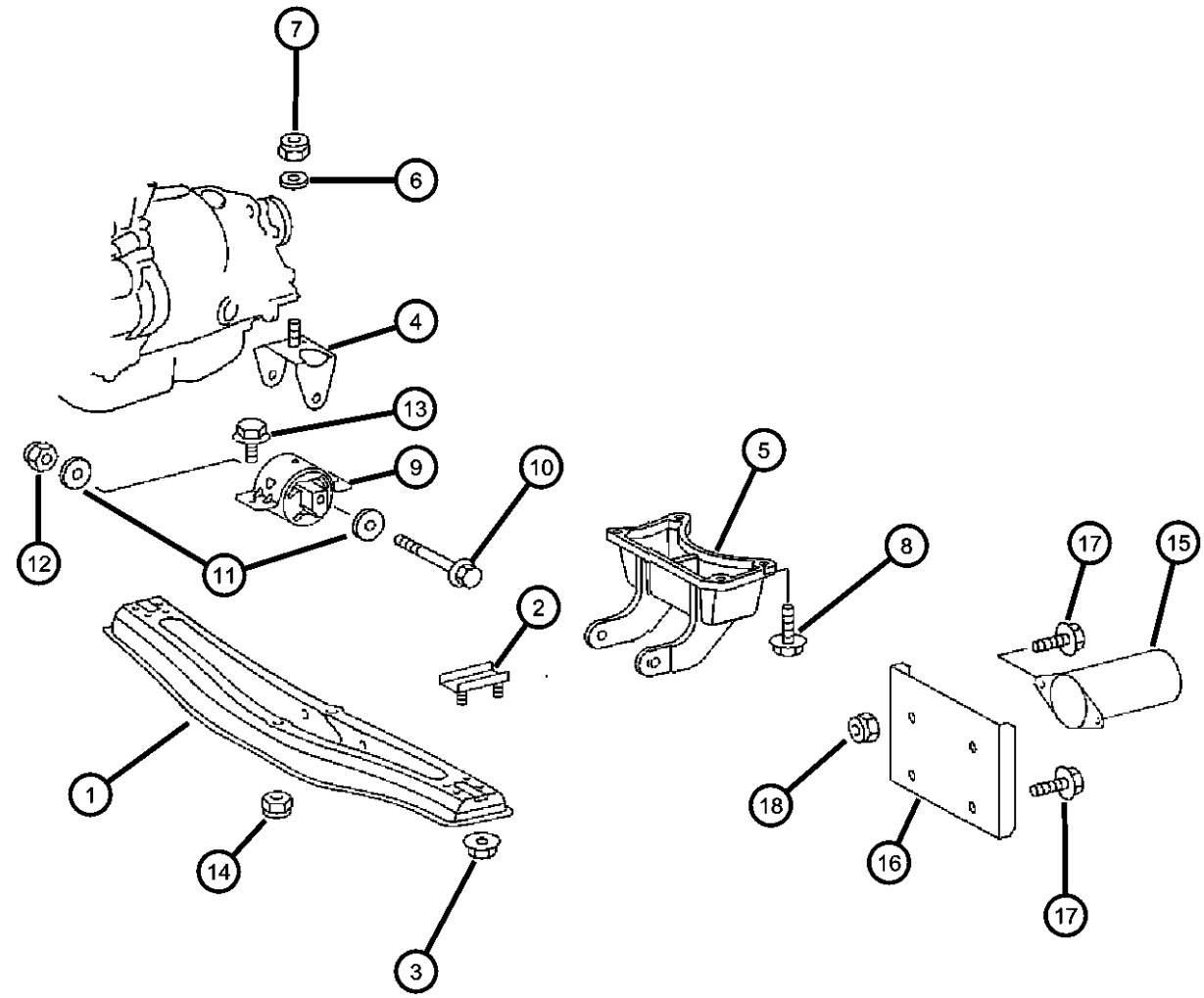


SPRINTER (VA)

SERIES	LINE	BODY	ENGINE	TRANSMISSION
L = LOWLINE	3 = HD DODGE 2WD 6 = Lt. Duty DODGE 4WD 2 = Med. Duty DODGE 2WD 7 = Med. Duty DODGE 4WD	55 = Wagon 140" 54 = Wagon 118" 52 = Wagon 140" 51 = Wagon 118" 12 = Van 140" 11 = Van 118" 06 = Front Section 158" 14 = Van 118" 15 = Van 140" 16 = Van 158" 56 = Wagon 158" 01 = Chassis Forward Control 118" 02 = Chassis Forward Control 140"	EX8 = Engine-2.7L I5 Mercedes Turbo Diesel	DGJ = Transmission-5-Spd. Automatic,W5A580

AR = use ase required - = Non illustrated part

**Transmission Mounting
Figure 9-120**



ITEM	PART NUMBER	QTY	LINE	SERIES	BODY	ENGINE	TRANS	TRIM	DESCRIPTION
1	05104036AA	1	2, 6				DGJ		SUPPORT, Engine
		1	3, 7				DGJ		
2	05117659AA	1				EX8			BRACKET, Engine Mount
3	06104717AA	4							NUT
4	05117698AA	1	2, 6			EX8, EX9	DGJ		BRACKET, Engine Mount
		1	3, 7			EX8, EX9	DGJ		
5	05104037AA	1	2, 6				DGJ		BRACKET, Transmission Mount
		1	3, 7				DGJ		
6	05132839AA	1	3, 7						WASHER
7	06104717AA	1	3, 7						NUT
	06104718AA	1	2, 6				DGJ		
8	06104198AA	4	2, 6				DGJ		BOLT, Hex Head
		4	3, 7				DGJ		
9	05104038AA	1	2, 6			EX8	DGJ		RUBBER, RUBBER-MOUNT
		1	3, 7			EX8	DGJ		
10	06104229AA	1	2, 6						BOLT
		1	3, 7						
11	05104641AA	2	2, 6						WASHER, Flat

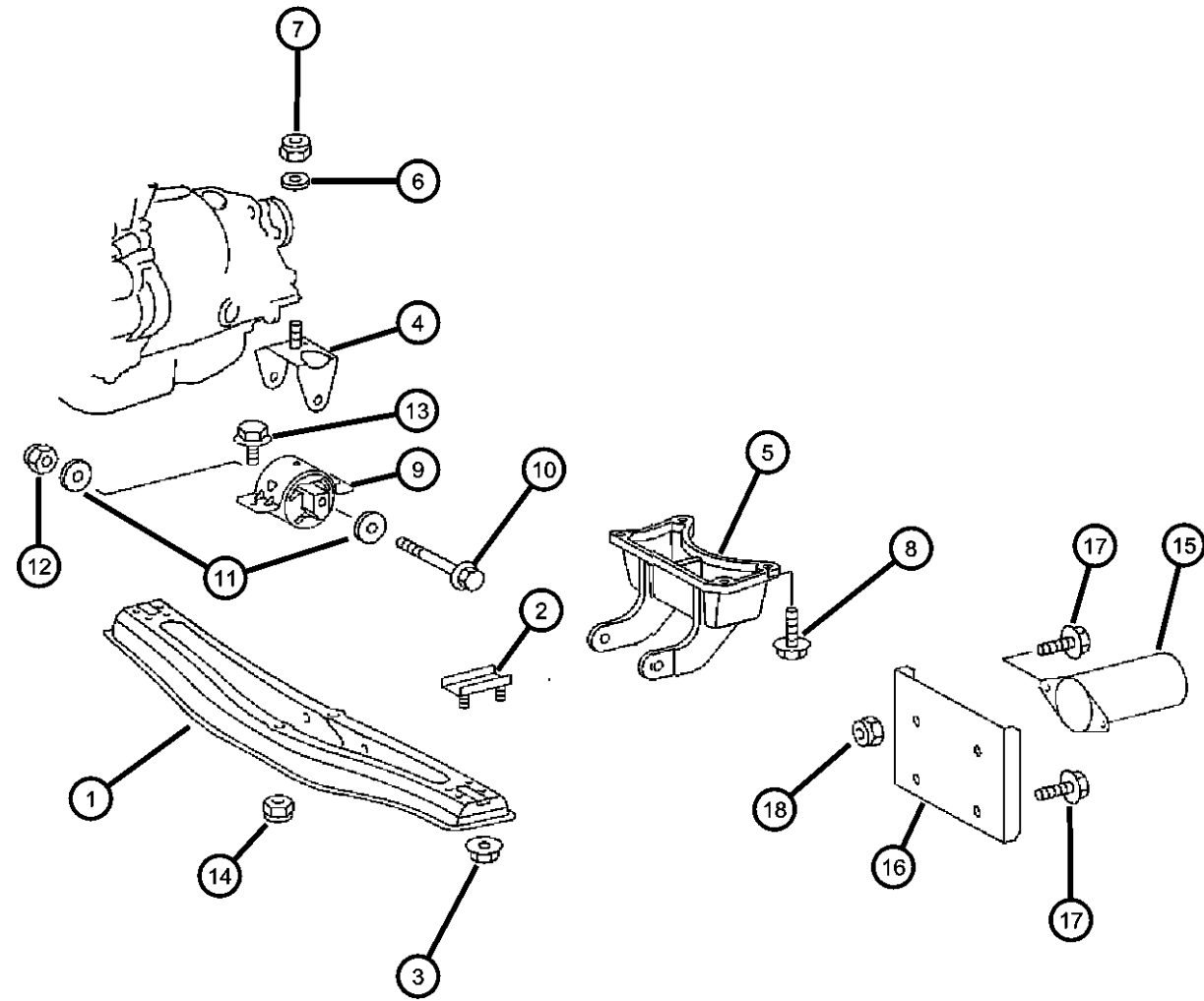
SPRINTER (VA)

SERIES	LINE	BODY	ENGINE	TRANSMISSION
L = LOWLINE	3 = HD DODGE 2WD 6 = Lt. Duty DODGE 4WD 2 = Med. Duty DODGE 2WD 7 = Med. Duty DODGE 4WD	55 = Wagon 140" 54 = Wagon 118" 52 = Wagon 140" 51 = Wagon 118" 12 = Van 140" 11 = Van 118" 06 = Front Section 158" 14 = Van 118" 15 = Van 140" 16 = Van 158" 56 = Wagon 158"	EX8 = Engine-2.7L I5 Mercedes Turbo Diesel	DGJ = Transmission-5-Spd. Automatic,W5A580

01 = Chassis Forward Control
118"
02 = Chassis Forward Control
140"

AR = use ase required - = Non illustrated part

**Transmission Mounting
Figure 9-120**



ITEM	PART NUMBER	QTY	LINE	SERIES	BODY	ENGINE	TRANS	TRIM	DESCRIPTION
		2	3, 7						
12									NUT
	06104717AA	1	2, 6						
		1	3, 7						
13									BOLT, Hex Flange Head, M10x1.50x25
	06104215AA	2	2, 6						
		2	7, 3						
14									NUT
	06104717AA	2	2, 6						
		2	3, 7						
15									ISOLATOR, Engine Mount
	05117716AA	1	2, 6						
		1	3, 7						
16									BRACKET, Engine Roll Dampener
	05133781AA	1	2, 6						
		1	3, 7						
17									SCREW
	06104022AA	2	2, 6						
		2	3, 7						
18									NUT
	06104716AA	2	3, 7						
		2	2, 6						

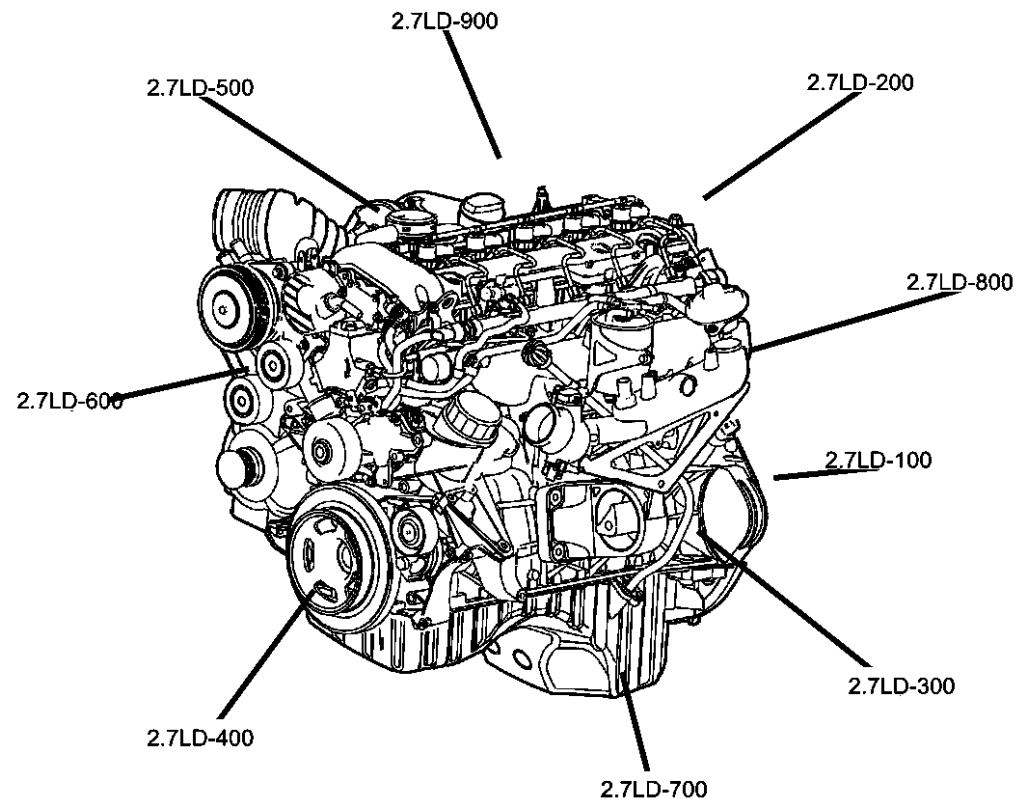
SPRINTER (VA)

SERIES	LINE	BODY	ENGINE	TRANSMISSION
L = LOWLINE	3 = HD DODGE 2WD 6 = Lt. Duty DODGE 4WD 2 = Med. Duty DODGE 2WD 7 = Med. Duty DODGE 4WD	55 = Wagon 140" 54 = Wagon 118" 52 = Wagon 140" 51 = Wagon 118" 12 = Van 140" 11 = Van 118" 06 = Front Section 158" 14 = Van 118" 15 = Van 140" 16 = Van 158" 56 = Wagon 158"	EX8 = Engine-2.7L I5 Mercedes Turbo Diesel	DGJ = Transmission-5-Spd. Automatic,W5A580
		01 = Chassis Forward Control 118" 02 = Chassis Forward Control 140"		

AR = use ase required - = Non illustrated part

Group - 2.7LD-HO

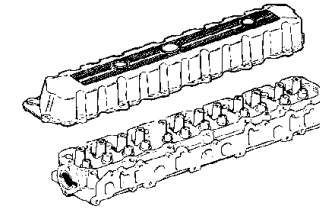
2.7L Diesel - Mercedes Benz [EX8]



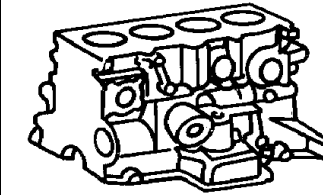
2.7LD-HO-100 Engine Identification

X Model Year	X Manufacturing Plant	XXXXX Component Code/Usage	XXXX Month/Day	XXXXXXXXXX Serial Code
Last digit of model year	Schilo S Trenton T Tokoo K	Engine 3.3L - 3.8L Usage Pass Car PC Truck T		Last 8 Digits of VIN

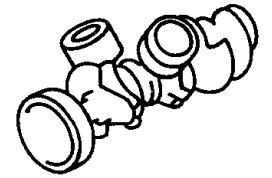
2.7LD-HO-200 Cylinder Head



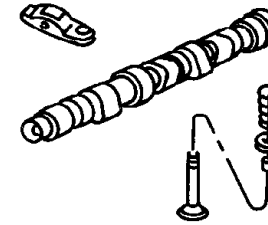
2.7LD-HO-300 Cylinder Block



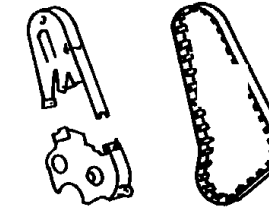
2.7LD-HO-400 Crankshaft, Piston and Drive Plate



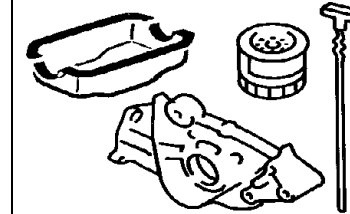
2.7LD-HO-500 Camshafts and Valves



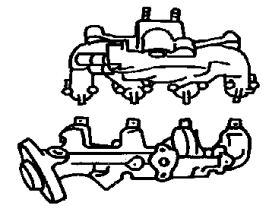
2.7LD-HO-600 Timing Belt and Cover



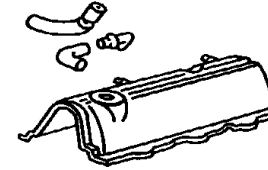
2.7LD-HO-700 Engine Oiling



2.7LD-HO-800 Manifolds



2.7LD-HO-900 Crankcase Ventilation



Group - 2.7LD-HO 2.7L Diesel - Mercedes Benz [EX8]

Illustration Title	Group-Fig. No.
Engine Identification	
Engine Assemblies.....	Fig. 2.7LD-HO - 110
Cylinder Head	
Cylinder Head, 2.7LD - H/O.....	Fig. 2.7LD-HO - 210
Cylinder Head Cover, 2.7LD - H/O.....	Fig. 2.7LD-HO - 220
Cylinder Block	
Cylinder Block and Related Parts, 2.7L - H/O.....	Fig. 2.7LD-HO - 310
Crankshaft, Piston and Drive Plate	
Crankshaft and Pistons, 2.7L - H/O.....	Fig. 2.7LD-HO - 410
Camshafts and Valves	
Camshaft and Valves.....	Fig. 2.7LD-HO - 510
Timing Belt and Cover	
Timing Cover and Chain.....	Fig. 2.7LD-HO - 610
Vaccum Pump.....	Fig. 2.7LD-HO - 620
Engine Oiling	
Oil Pump.....	Fig. 2.7LD-HO - 710
Oil Cooler & Filter.....	Fig. 2.7LD-HO - 720
Oil Pan.....	Fig. 2.7LD-HO - 730
Turbo, Oil Feed & Return Lines.....	Fig. 2.7LD-HO - 740
Manifolds	
Intake Manifold.....	Fig. 2.7LD-HO - 810
Exhaust Manifold.....	Fig. 2.7LD-HO - 820
Crankcase Ventilation	
Crankcase Ventilation.....	Fig. 2.7LD-HO - 910

Engine Assemblies
Figure 2.7LD-HO-110

ITEM	PART NUMBER	QTY	LINE	SERIES	BODY	ENGINE	TRANS	TRIM	DESCRIPTION
------	-------------	-----	------	--------	------	--------	-------	------	-------------

Notes:

Sales Codes:

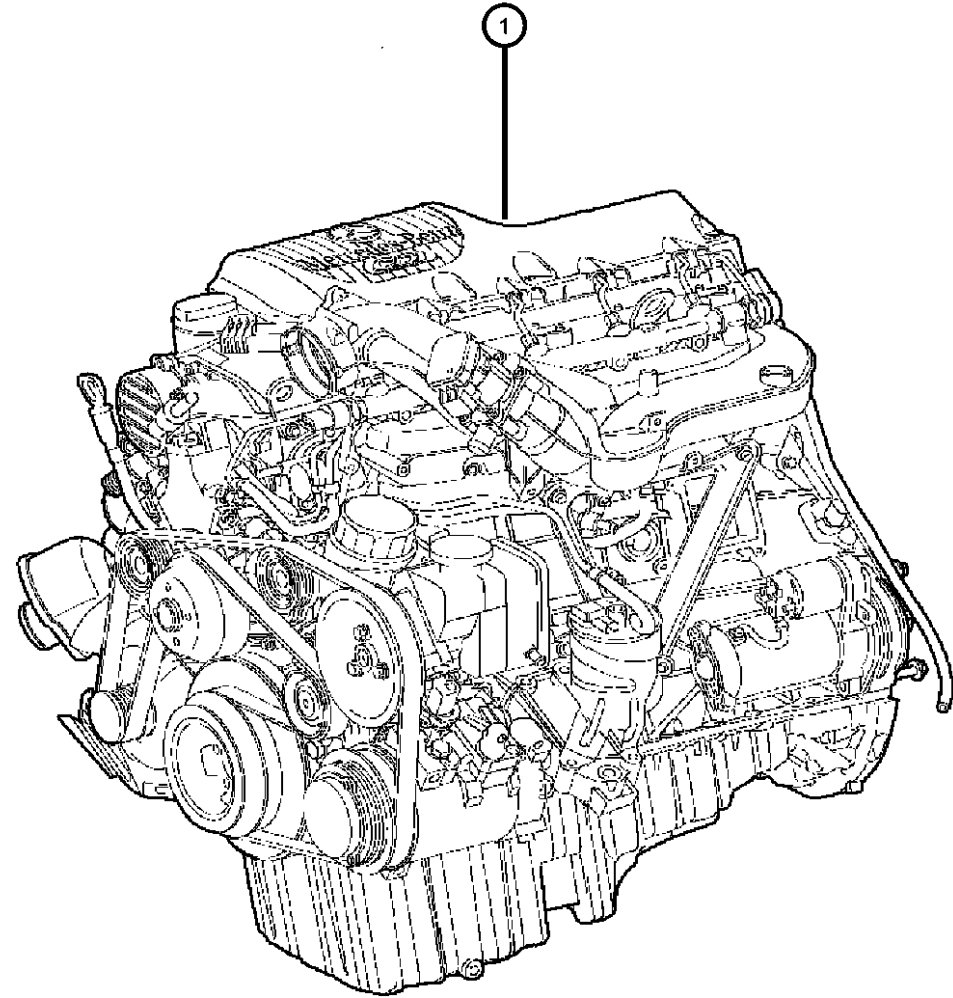
[EX8] = 2.7L Inline 5 Cylinder High Output Turbo Diesel Engine- [OM647]

[BAQ] = 115 Ampere Alternator

[BA6] = 150 Ampere Alternator

[HBD] = Heavy Duty Rear Air Conditioning

1	05117145AA	1				EX8			ENGINE, Complete, Diesel
	04798231AD								Mopar 15W-40 Engine Oil Quart
	04798232AD								Mopar 15W-40 Engine Oil Gallon



SPRINTER (VA)

SERIES	LINE	BODY	ENGINE	TRANSMISSION
L = LOWLINE	3 = HD DODGE 2WD 6 = Lt. Duty DODGE 4WD 2 = Med. Duty DODGE 2WD 7 = Med. Duty DODGE 4WD	55 = Wagon 140" 54 = Wagon 118" 52 = Wagon 140" 51 = Wagon 118" 12 = Van 140" 11 = Van 118" 06 = Front Section 158" 14 = Van 118" 15 = Van 140" 16 = Van 158" 56 = Wagon 158"	EX8 = Engine-2.7L I5 Mercedes Turbo Diesel	DGJ = Transmission-5-Spd. Automatic,W5A580
		01 = Chassis Forward Control 118" 02 = Chassis Forward Control 140"		

AR = use ase required - = Non illustrated part

2004 VA

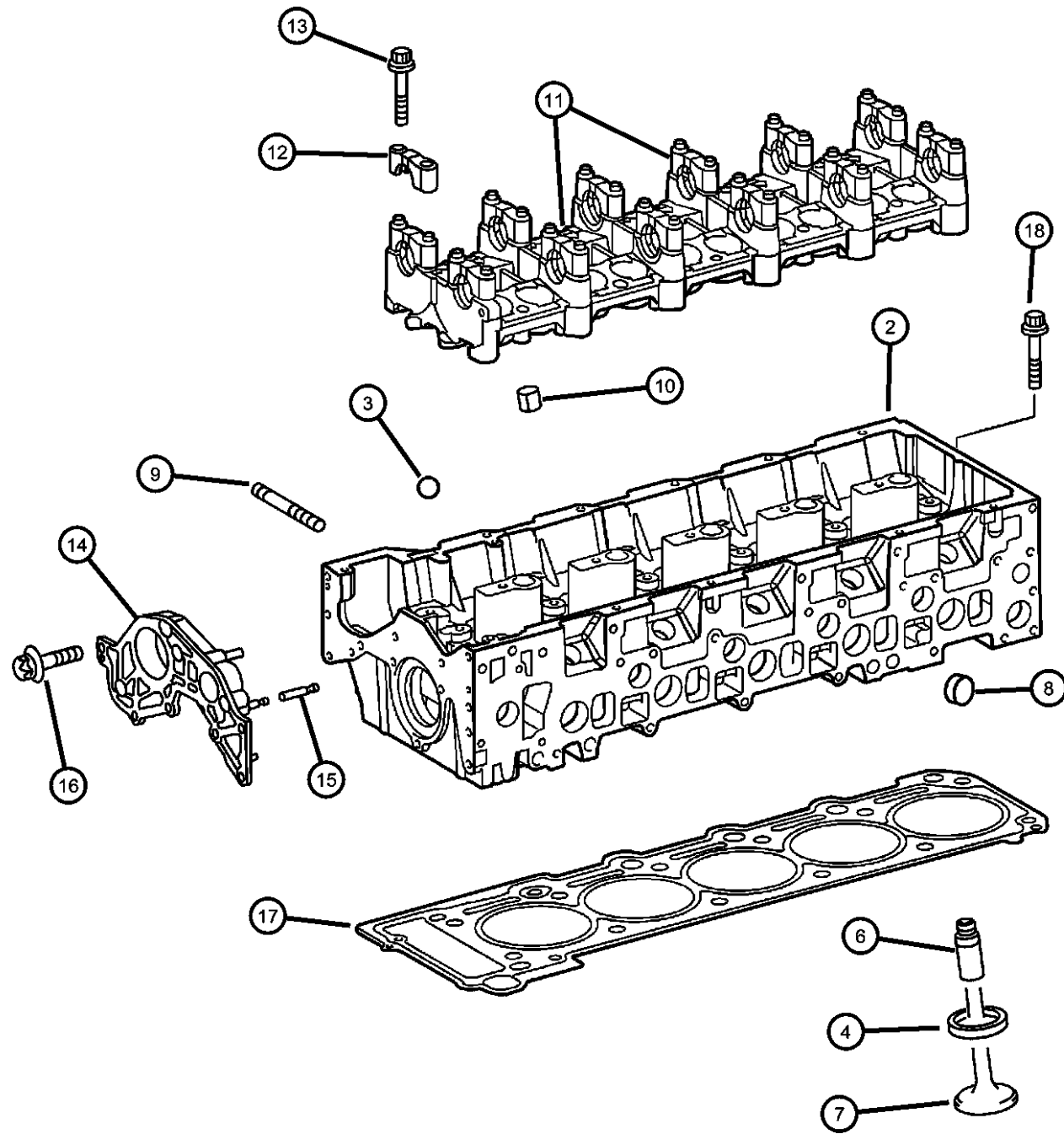
Cylinder Head, 2.7LD - H/O
Figure 2.7LD-HO-210

ITEM	PART NUMBER	QTY	LINE	SERIES	BODY	ENGINE	TRANS	TRIM	DESCRIPTION
------	-------------	-----	------	--------	------	--------	-------	------	-------------

NOTE:

Sales Codes:

[EX8] = 2.7L Inline 5 Cylinder High Output Turbo Diesel Engine - [OM647]



-1	05103995AA	1				EX9			GASKET KIT, Cylinder Head Overhaul, Upper Gasket Package
2	05136759AA	1				EX8			HEAD, Cylinder
3	05080045AA	5				EX8			BALL
4									SEAT, Intake Valve
	05117409AA	10				EX8			29.47 mm
	05135830AA	10				EX8			31.22 mm
-5									SEAT, Exhaust Valve
	05117410AA	10				EX8			27.67 mm
	05135831AA	10				EX8			30.12 mm
6	05080044AB	20							GUIDE, Intake/Exhaust Valve, Standard Size, Valve
7	05080044AB	20							VALVE, See Camshaft Illustration, (NOT SERVICED)
8									PLUG, Expansion
	05080026AB	8				EX8			22mm
	05080071AA	1				EX8			18mm
9	05080027AA	11				EX8			STUD
10	05073868AA	2				EX8			SLEEVE
11	05080072AA	1				EX8			HOUSING, Camshaft Bearing, With Covers
12	05117389AA	12							COVERCamshaft Bearing Cap
13	05073921AA	24				EX8			SCREW
14	05136991AA	1							CAP
15	05080080AA	1				EX8			PIN
16	05073701AA	6				EX8			SCREW
17	05134783AA	1				EX8			GASKET, Cylinder Head
18	05073703AA	12				EX8			BOLT, Cylinder Head

SPRINTER (VA)

SERIES

L = LOWLINE

LINE

3 = HD DODGE 2WD
6 = Lt. Duty DODGE 4WD
2 = Med. Duty DODGE 2WD
7 = Med. Duty DODGE 4WD

BODY

55 = Wagon 140"
54 = Wagon 118"
52 = Wagon 140"
51 = Wagon 118"
12 = Van 140"
11 = Van 118"
06 = Front Section 158"
14 = Van 118"
15 = Van 140"
16 = Van 158"
56 = Wagon 158"
01 = Chassis Forward Control 118"
02 = Chassis Forward Control 140"

ENGINE

EX8 = Engine-2.7L I5
Mercedes Turbo Diesel

TRANSMISSION

DGJ = Transmission-5-Spd. Automatic, W5A580

AR = use ase required - = Non illustrated part

2004 VA

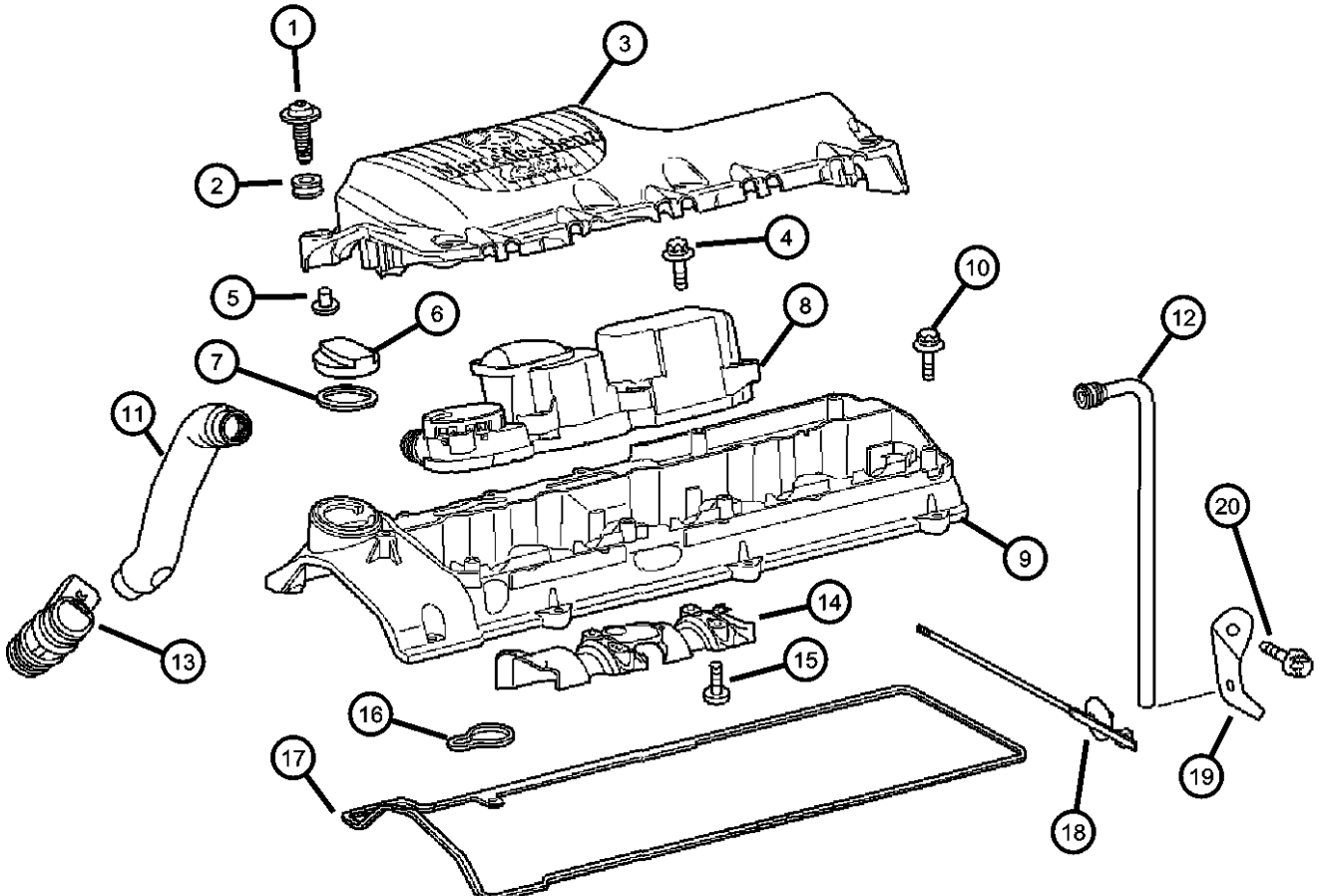
Cylinder Head Cover, 2.7LD - H/O
Figure 2.7LD-HO-220

ITEM	PART NUMBER	QTY	LINE	SERIES	BODY	ENGINE	TRANS	TRIM	DESCRIPTION
------	-------------	-----	------	--------	------	--------	-------	------	-------------

NOTE:

Sales Codes:

[EX8] = 2.7L Inline 5 Cylinder High Output Turbo Diesel Engine - [OM647]



1	05103968AA	7				EX8			SCREW
2	05125944AA	4				EX8			GROMMET
3	05117287AA	1				EX8			COVER, Engine
4	06104684AA	7				EX8			SCREW
5	05125840AA	7				EX8			SLEEVE
6	05080172AA	1				EX8			CAP, Oil Filler
7	05080088AA	1				EX8			GASKET, Oil Filler Cap
8	05137030AA	1				EX8			SEPERATOR, Oil
9	05117166AA	1				EX8			COVER, Cylinder Head
10	06104008AA	8				EX8			SCREW
11	05117234AA	1				EX8			HOSE, Air Induction
12	05117291AA	1				EX8			HOSE
13	05117289AA	1				EX8			TUBE, Crankcase Vent Valve
14	05080168AA	1				EX8			PLATE
15	05073705AA	2				EX8			SCREW
16	05080083AA	5				EX8			GASKET, Injector
17	05117284AA	1				EX8			GASKET, Valve Cover
18	05126078AA	2	3, 7			EX8			TIE STRAP, Push In
19	05080302AB	5				EX8			RETAINER, Fuel Injector
20	05073824AA	2				EX8			SCREW

SPRINTER (VA)

SERIES	LINE	BODY	ENGINE	TRANSMISSION
L = LOWLINE	3 = HD DODGE 2WD 6 = Lt. Duty DODGE 4WD 2 = Med. Duty DODGE 2WD 7 = Med. Duty DODGE 4WD	55 = Wagon 140" 54 = Wagon 118" 52 = Wagon 140" 51 = Wagon 118" 12 = Van 140" 11 = Van 118" 06 = Front Section 158" 14 = Van 118" 15 = Van 140" 16 = Van 158" 56 = Wagon 158"	EX8 = Engine-2.7L I5 Mercedes Turbo Diesel	DGJ = Transmission-5-Spd. Automatic,W5A580
		01 = Chassis Forward Control 118" 02 = Chassis Forward Control 140"		

AR = use ase required - = Non illustrated part

2004 VA

Cylinder Block and Related Parts, 2.7L - H/O
Figure 2.7LD-HO-310

ITEM	PART NUMBER	QTY	LINE	SERIES	BODY	ENGINE	TRANS	TRIM	DESCRIPTION
NOTE: Sales Codes: [EX8] = 2.7L Inline 5 Cylinder High Output Turbo Diesel Engine - [OM647]									
-1	05103994AA	1				EX8			GASKET KIT, Cylinder Head Overhaul, Lower Gasket Package
2	05073918AB	1				EX8			BLOCK, Cylinder
	R2527513AA								Mopar Reman Complete Engine 2002-2003 Sprinter
	04798231AD								Mopar 15W-40 Engine Oil Quart
	04798232AD								Mopar 15W-40 Engine Oil Gallon
3	05073918AB	1							CAP, Main, Serviced With # 1, (NOT SERVICED)
4	05073918AB	1							BOLT, Main Bearing Cap, Serviced With # 1, (NOT SERVICED)
5	05073837AA	2				EX8			PLUG, Screw, Cylinder Block
6	05073850AA	2				EX8			O RING
7	05073860AA	3				EX8			PLUG, Expansion
8	05073861AA	1				EX8			CONNECTOR
-9	05073864AA	1				EX8			BALL
10	06104463AA	1				EX8			PLUG
11	05073890AA	1				EX8			PLUG
12	05073891AA	1				EX8			O RING
13	05073869AA	2				EX8			DOWEL
14	05073895AA	5				EX8			JET, Piston Oil Cooler
15	05073868AA	2				EX8			SLEEVE
16	05073887AB	1				EX8			COVER
17	06104006AA	6				EX8			BOLT
18	05073894AA	1				EX8			PIPE, Oil Return
-19	05135855AA	1							HEATER, Engine Block

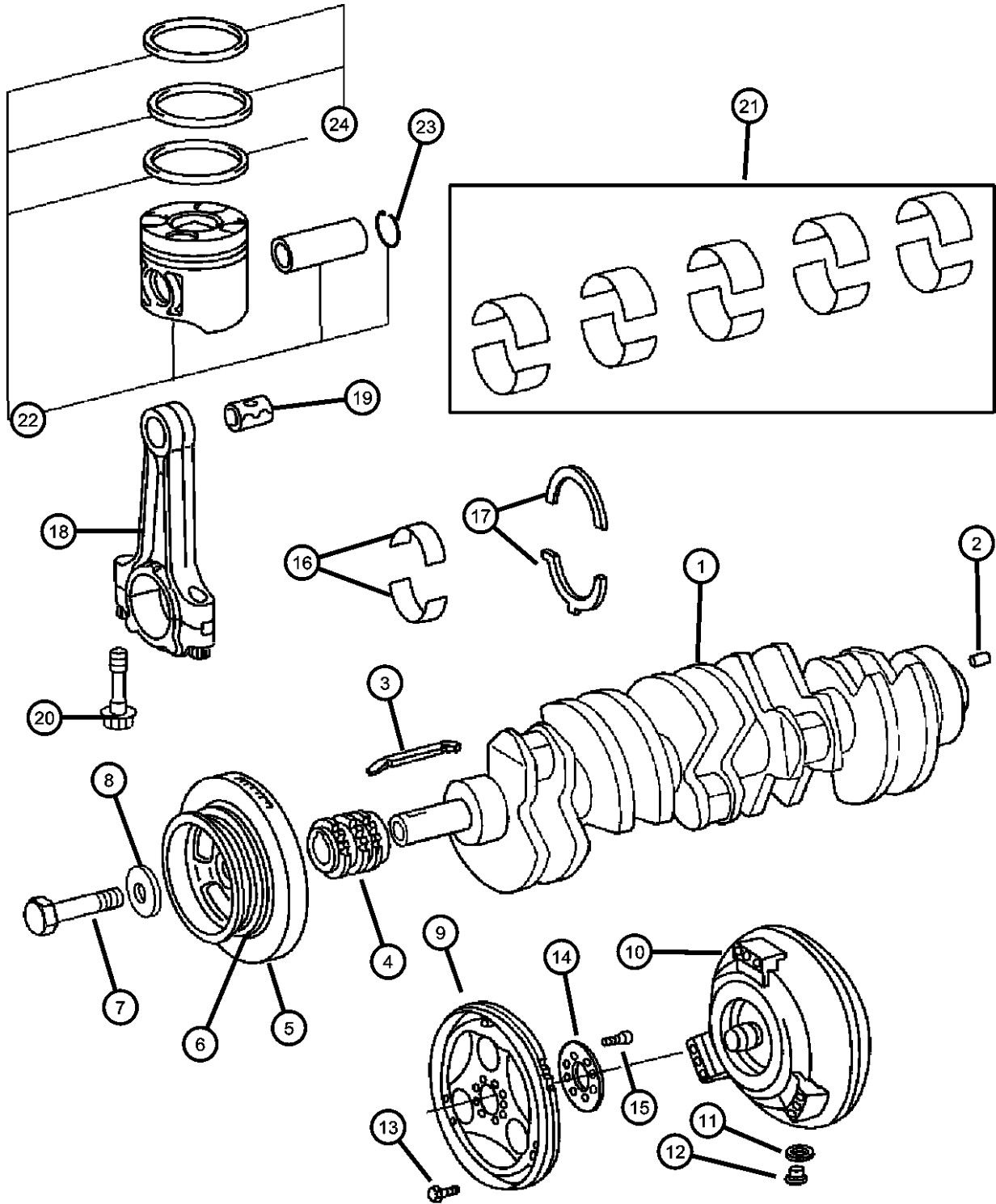
SPRINTER (VA)

SERIES	LINE	BODY	ENGINE	TRANSMISSION
L = LOWLINE	3 = HD DODGE 2WD 6 = Lt. Duty DODGE 4WD 2 = Med. Duty DODGE 2WD 7 = Med. Duty DODGE 4WD	55 = Wagon 140" 54 = Wagon 118" 52 = Wagon 140" 51 = Wagon 118" 12 = Van 140" 11 = Van 118" 06 = Front Section 158" 14 = Van 118" 15 = Van 140" 16 = Van 158" 56 = Wagon 158" 01 = Chassis Forward Control 118" 02 = Chassis Forward Control 140"	EX8 = Engine-2.7L I5 Mercedes Turbo Diesel	DGJ = Transmission-5-Spd. Automatic, W5A580

AR = use ase required - = Non illustrated part

2004 VA

Crankshaft and Pistons, 2.7L - H/O
Figure 2.7LD-HO-410



ITEM	PART NUMBER	QTY	LINE	SERIES	BODY	ENGINE	TRANS	TRIM	DESCRIPTION
------	-------------	-----	------	--------	------	--------	-------	------	-------------

NOTE:
 Sales Codes:
 [EX8] = 2.7L Inline 5 Cylinder High Output Turbo Diesel Engine - [OM647]

1	05080012AA	1				EX8			CRANKSHAFT, Engine, See [TSB 09-003-06]
2	05080024AA	1				EX8			DOWEL
3	05073998AA	1				EX8			KEY, Woodruff
4	05117378AA	1				EX8			GEAR, Crankshaft
5	05103972AA	1				EX8			DAMPER, Crankshaft
6	05103998AA	1							PULLEY, Crankshaft
7	05073696AA	1				EX8			SCREW
8	05080005AA	1				EX8			WASHER
9	05137274AA	1				EX8			FLEX PLATE
10	05104567AA	1					DGJ		CONVERTER, Torque
11	05080014AA	1							O RING
12	05080398AA	1				EX8			PLUG
13									SCREW
	06507095AA	6	2, 6				DGJ		
		6	3, 7				DGJ		
14	05080066AA	1				EX8	DGJ		WASHER
15	05103968AA	7				EX8			SCREW
16									BEARING, Crankshaft
	05073953AB	AR	2, 3, 6, 7			EX8	DGJ		Color [White] - See [TSB 09-003-06] Main Bearing Cap Only
	05102127AA	AR							Color [Blue] - See [TSB 09-003-06]
	05102128AA	AR							Color [Yellow] - See [TSB 09-003-06]
	05102129AA	AR							Color [Red] - See [TSB 09-003-06]

SPRINTER (VA)

SERIES LINE
 L = LOWLINE 3 = HD DODGE 2WD
 6 = Lt. Duty DODGE 4WD
 2 = Med. Duty DODGE 2WD
 7 = Med. Duty DODGE 4WD

BODY
 55 = Wagon 140"
 54 = Wagon 118"
 52 = Wagon 140"
 51 = Wagon 118"
 12 = Van 140"
 11 = Van 118"
 06 = Front Section 158"
 14 = Van 118"
 15 = Van 140"
 16 = Van 158"
 56 = Wagon 158"
 01 = Chassis Forward Control 118"
 02 = Chassis Forward Control 140"

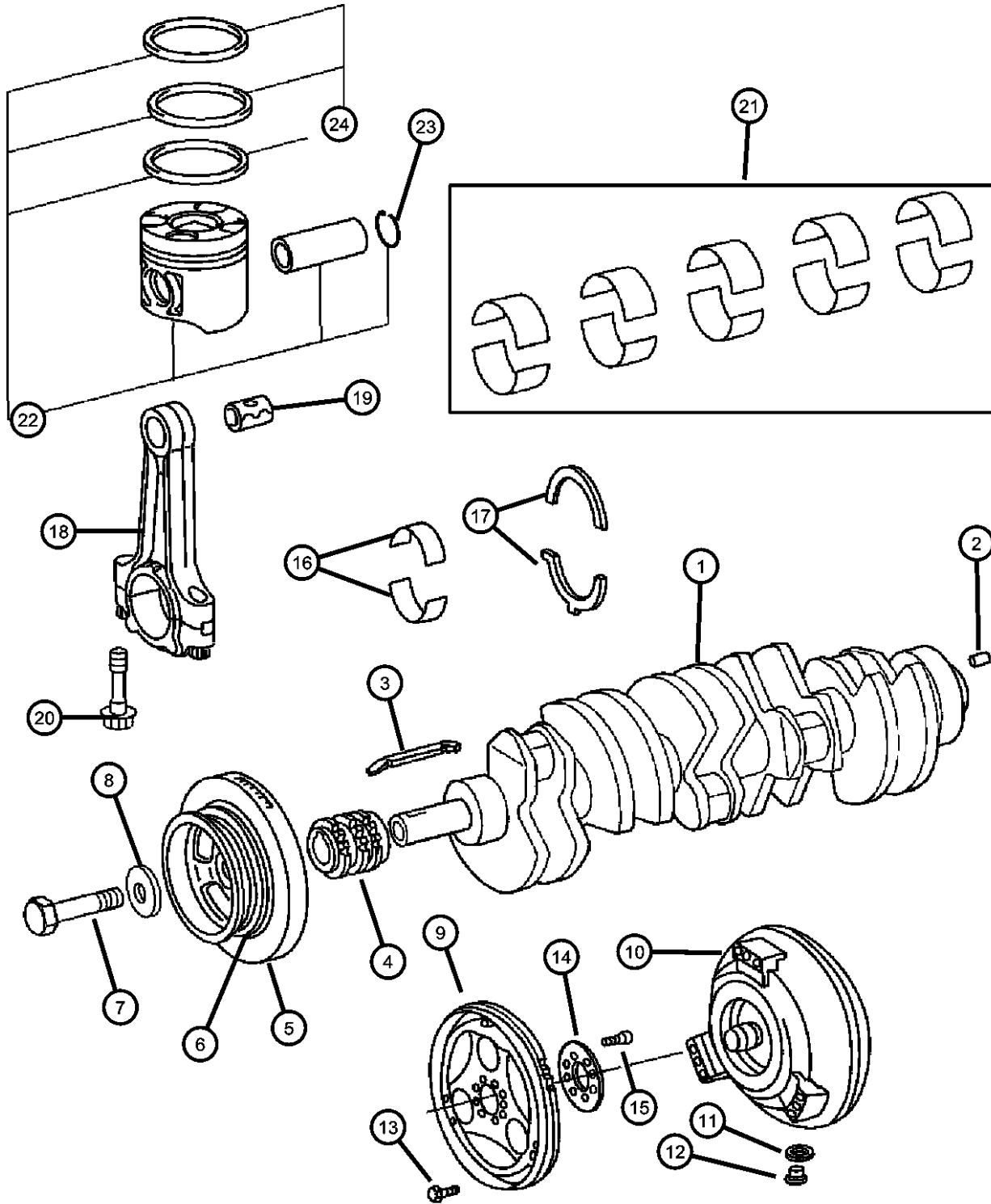
ENGINE
 EX8 = Engine-2.7L I5 Mercedes Turbo Diesel

TRANSMISSION
 DGJ = Transmission-5-Spd. Automatic, W5A580

AR = use ase required - = Non illustrated part

2004 VA

Crankshaft and Pistons, 2.7L - H/O
Figure 2.7LD-HO-410



ITEM	PART NUMBER	QTY	LINE	SERIES	BODY	ENGINE	TRANS	TRIM	DESCRIPTION
	05179498AA	AR	2, 3, 6, 7			EX8	DGJ		Color [Violet] - See [TSB 09-003-06] Main Bearing Cap Only
17	05086295AA	2				EX8			BEARING, Crankshaft, Thrust Bearing
18	05117318AA	5				EX8			ROD, Connecting
19	05117367AA	5				EX8			BUSHING, Connecting Rod
20	05073698AA	10				EX8			BOLT, Connecting Rod
21	05086153AA	1				EX8			BEARING, Connecting Rod, STD.
22	05117317AA	5				EX8			PISTON
23	05080034AA	10				EX8			RING, Piston Pin
24	05138004AA	5				EX8			RING KIT, Piston

SPRINTER (VA)

SERIES

L = LOWLINE

LINE

3 = HD DODGE 2WD
 6 = Lt. Duty DODGE 4WD
 2 = Med. Duty DODGE 2WD
 7 = Med. Duty DODGE 4WD

BODY

55 = Wagon 140"
 54 = Wagon 118"
 52 = Wagon 140"
 51 = Wagon 118"
 12 = Van 140"
 11 = Van 118"
 06 = Front Section 158"
 14 = Van 118"
 15 = Van 140"
 16 = Van 158"
 56 = Wagon 158"
 01 = Chassis Forward Control 118"
 02 = Chassis Forward Control 140"

ENGINE

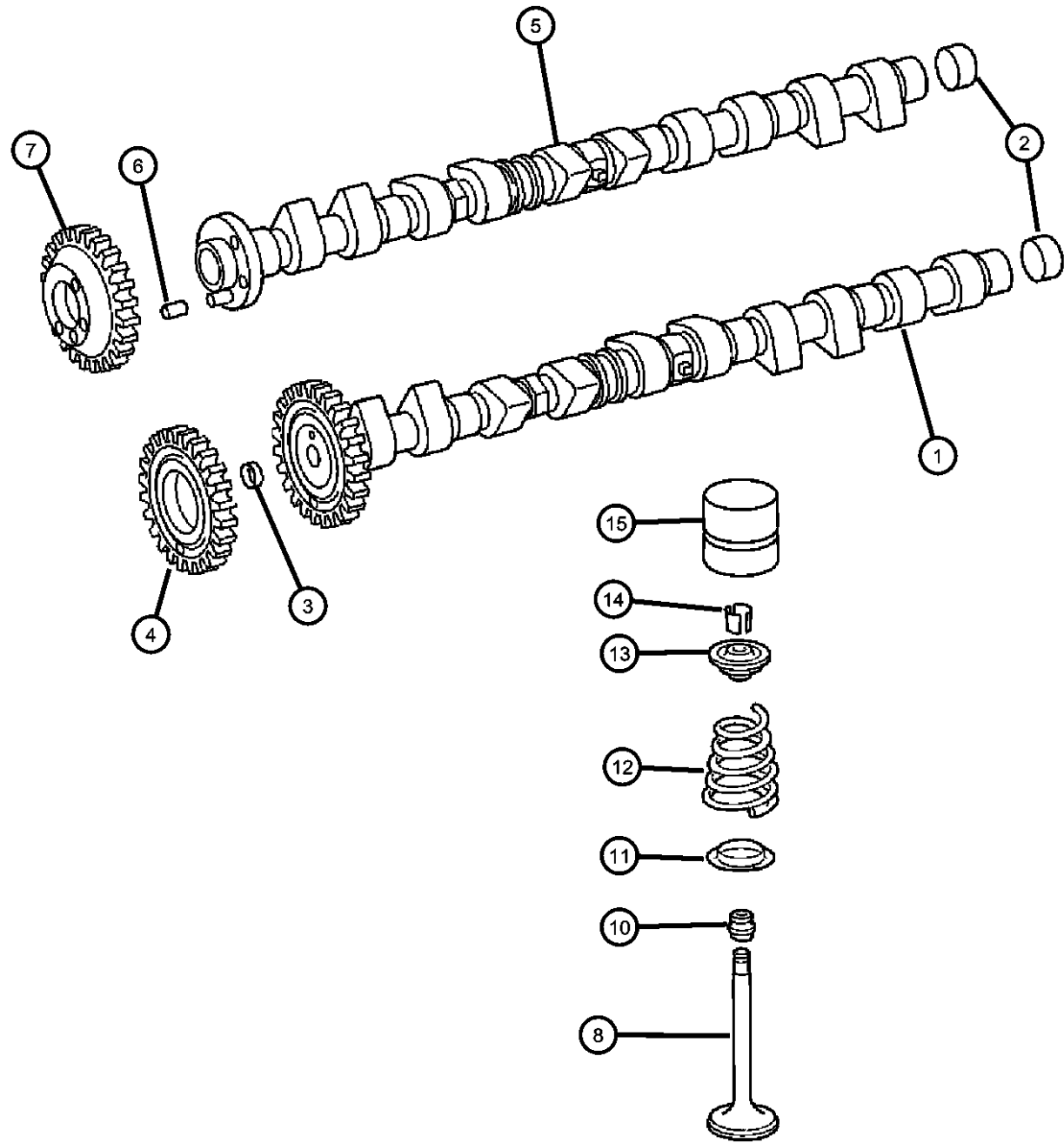
EX8 = Engine-2.7L I5
 Mercedes Turbo Diesel

TRANSMISSION

DGJ = Transmission-5-Spd. Automatic, W5A580

AR = use ase required - = Non illustrated part

Camshaft and Valves
Figure 2.7LD-HO-510



ITEM	PART NUMBER	QTY	LINE	SERIES	BODY	ENGINE	TRANS	TRIM	DESCRIPTION
NOTE: Sales Codes: [EX8] = 2.7L Inline 5 Cylinder High Output Turbo Diesel Engine - [OM647]									
1	05117371AA	1				EX8			CAMSHAFT Intake
2	05080071AA	1				EX8			PLUG, Expansion Exhaust
3	05080188AA	1				EX8			PLUG, Expansion Intake
4	05080110AA	1				EX9			GEAR, Camshaft
5	05080095AA	1				EX8			CAMSHAFT, Exhaust
6	05080096AA	1				EX8			PIN, Dowel
7	05073814AA	1				EX8			GEAR, Camshaft Exhaust
8	05117399AA	10				EX8			VALVE, Intake, Standard
-9	05117402AA	10				EX8			VALVE, Engine Exhaust
10	05086290AA	5							SEAL, Valve Guide
11	05080055AA	20				EX8			RETAINER, Valve Spring
12	05080054AA	10				EX8			SPRING, Valve Intake
	05117403AA	10				EX8			Exhaust
13	05080052AA	20				EX8			RETAINER, Valve Spring
14	05080051AA	40				EX8			LOCK, Valve Spring Retainer
15	05080060AB	20				EX8			TAPPET, Valve

SPRINTER (VA)

SERIES

L = LOWLINE

LINE

3 = HD DODGE 2WD
 6 = Lt. Duty DODGE 4WD
 2 = Med. Duty DODGE 2WD
 7 = Med. Duty DODGE 4WD

BODY

55 = Wagon 140"
 54 = Wagon 118"
 52 = Wagon 140"
 51 = Wagon 118"
 12 = Van 140"
 11 = Van 118"
 06 = Front Section 158"
 14 = Van 118"
 15 = Van 140"
 16 = Van 158"
 56 = Wagon 158"
 01 = Chassis Forward Control 118"
 02 = Chassis Forward Control 140"

ENGINE

EX8 = Engine-2.7L I5 Mercedes Turbo Diesel

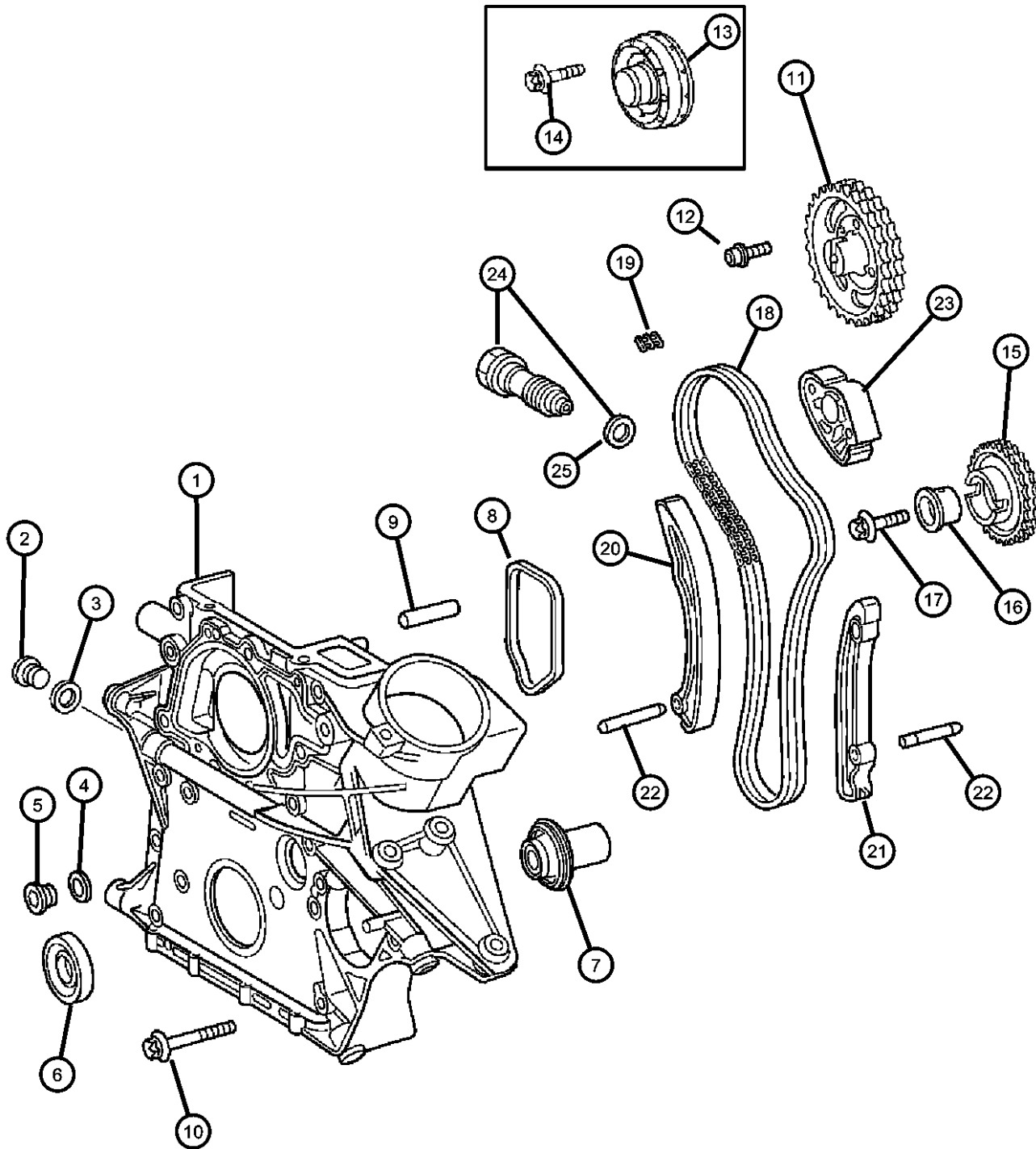
TRANSMISSION

DGJ = Transmission-5-Spd. Automatic, W5A580

AR = use ase required - = Non illustrated part

2004 VA

Timing Cover and Chain
Figure 2.7LD-HO-610



ITEM	PART NUMBER	QTY	LINE	SERIES	BODY	ENGINE	TRANS	TRIM	DESCRIPTION
------	-------------	-----	------	--------	------	--------	-------	------	-------------

NOTE:
Sales Codes:

1	05103969AA	1				EX8			COVER, Timing Case
2	05080071AA	1				EX8			PLUG, Expansion
3	05080015AA	1				EX8			O RING
4	05080014AA	1				EX8			O RING
5	05080398AA	1				EX8			PLUG
6	05073675AB	1							OIL SEAL
7	05080179AA	1				EX8			VALVE, Pressure Relief
8	05073677AA	1				EX8			GASKET, Timing Cover
9	05073936AA	1				EX8			DOWEL
10									SCREW
	05137660AA	3				EX8			[M8X1.25X80.00]
	06104031AA	2				EX8			[M8X1.25X60.00]
	06104035AA	4				EX8			[M8X1.25X90.00]
11	05080110AA	1				EX8			GEAR, Camshaft
12	05073901AA	3				EX8			SCREW
13	05137030AA	1				EX8			SEPERATOR, OilCamshaft
14	06104684AA	5				EX8			SCREW
15	05117380AA	1				EX8			GEAR, Intermediate
16	05080098AA	1				EX8			BEARING
17	05073707AA	1				EX8			SCREW
18	05080209AB	1				EX8			CHAIN, Timing
19	05086196AA	1				EX8			LINK, Chain
20	05080099AA	1				EX8			GUIDE, Timing Chain
21	05080100AA	1				EX8			GUIDE, Timing Chain
22	05073870AA	2				EX8			DOWEL
23	05080101AA	1				EX8			GUIDE, Timing Chain

SPRINTER (VA)

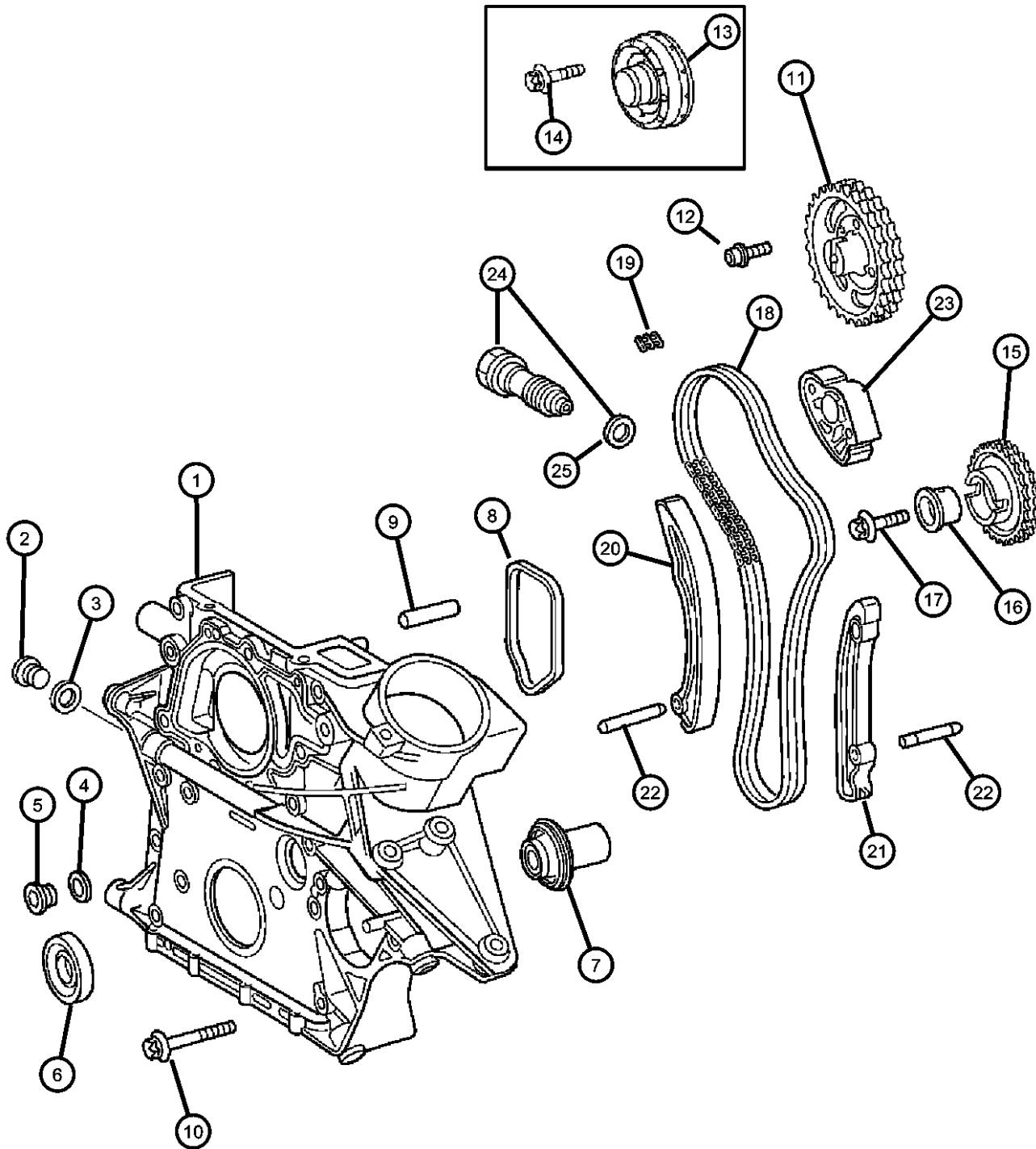
SERIES	LINE	BODY	ENGINE	TRANSMISSION
L = LOWLINE	3 = HD DODGE 2WD 6 = Lt. Duty DODGE 4WD 2 = Med. Duty DODGE 2WD 7 = Med. Duty DODGE 4WD	55 = Wagon 140" 54 = Wagon 118" 52 = Wagon 140" 51 = Wagon 118" 12 = Van 140" 11 = Van 118" 06 = Front Section 158" 14 = Van 118" 15 = Van 140" 16 = Van 158" 56 = Wagon 158"	EX8 = Engine-2.7L I5 Mercedes Turbo Diesel	DGJ = Transmission-5-Spd. Automatic,W5A580
		01 = Chassis Forward Control 118" 02 = Chassis Forward Control 140"		

AR = use ase required - = Non illustrated part

2004 VA

Timing Cover and Chain
Figure 2.7LD-HO-610

ITEM	PART NUMBER	QTY	LINE	SERIES	BODY	ENGINE	TRANS	TRIM	DESCRIPTION
------	-------------	-----	------	--------	------	--------	-------	------	-------------



24	05080102AB	1				EX8			TENSIONER, Chain
25	05125905AA	1				EX8			O RING

SPRINTER (VA)

SERIES

L = LOWLINE

LINE

3 = HD DODGE 2WD
6 = Lt. Duty DODGE 4WD
2 = Med. Duty DODGE 2WD
7 = Med. Duty DODGE 4WD

BODY

55 = Wagon 140"
54 = Wagon 118"
52 = Wagon 140"
51 = Wagon 118"
12 = Van 140"
11 = Van 118"
06 = Front Section 158"
14 = Van 118"
15 = Van 140"
16 = Van 158"
56 = Wagon 158"
01 = Chassis Forward Control
118"
02 = Chassis Forward Control
140"

ENGINE

EX8 = Engine-2.7L I5
Mercedes Turbo Diesel

TRANSMISSION

DGJ = Transmission-5-Spd.
Automatic, W5A580

AR = use ase required - = Non illustrated part

2004 VA

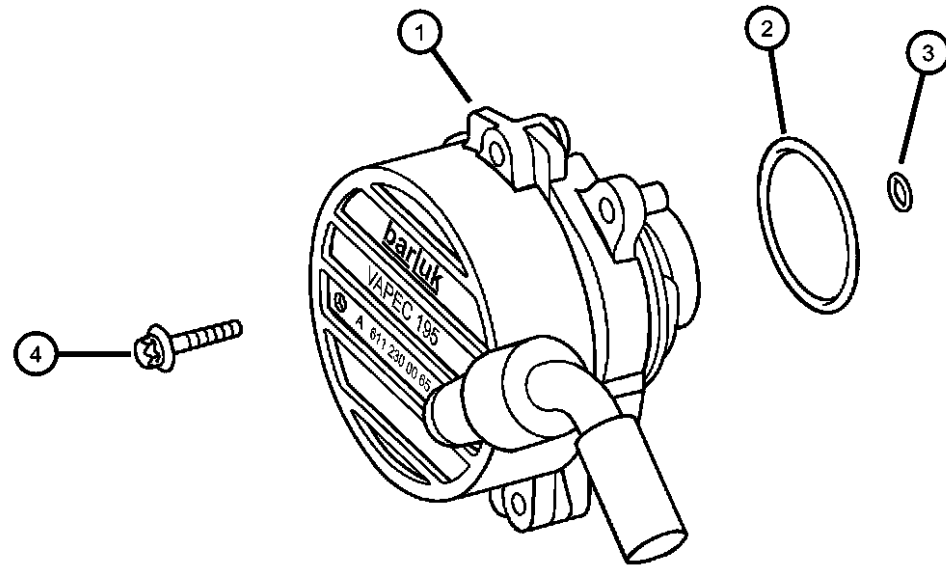
Vaccum Pump
Figure 2.7LD-HO-620

ITEM	PART NUMBER	QTY	LINE	SERIES	BODY	ENGINE	TRANS	TRIM	DESCRIPTION
------	-------------	-----	------	--------	------	--------	-------	------	-------------

NOTE:

Sales Codes:

1	05117675AA	1				EX8			PUMP, Vacuum
2	05080334AA	1				EX8			O RING
3	05080335AA	1				EX8			O RING
4	05073702AA	2				EX8			SCREW



SPRINTER (VA)

SERIES	LINE	BODY	ENGINE	TRANSMISSION
L = LOWLINE	3 = HD DODGE 2WD 6 = Lt. Duty DODGE 4WD 2 = Med. Duty DODGE 2WD 7 = Med. Duty DODGE 4WD	55 = Wagon 140" 54 = Wagon 118" 52 = Wagon 140" 51 = Wagon 118" 12 = Van 140" 11 = Van 118" 06 = Front Section 158" 14 = Van 118" 15 = Van 140" 16 = Van 158" 56 = Wagon 158" 01 = Chassis Forward Control 118" 02 = Chassis Forward Control 140"	EX8 = Engine-2.7L I5 Mercedes Turbo Diesel	DGJ = Transmission-5-Spd. Automatic,W5A580

AR = use ase required - = Non illustrated part

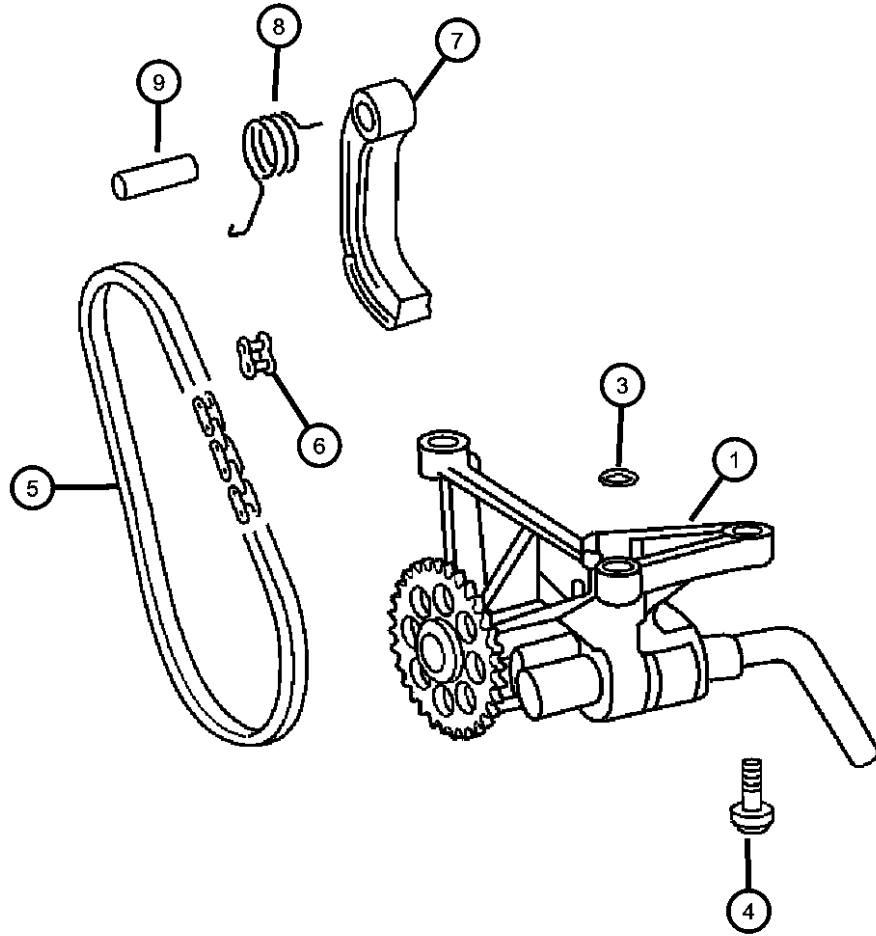
2004 VA

Oil Pump
Figure 2.7LD-HO-710

ITEM	PART NUMBER	QTY	LINE	SERIES	BODY	ENGINE	TRANS	TRIM	DESCRIPTION
------	-------------	-----	------	--------	------	--------	-------	------	-------------

NOTE:
Sales Codes:

1	05117594AA	1				EX8			PUMP, Engine Oil
-2	05080119AA	1				EX8			SNAP RING
3	05080123AB	1				EX8			O RING
4	05073710AA	3				EX8			SCREW
5	05080128AA	1				EX8			CHAIN, Pump Drive
6	05080129AA	1				EX8			LINK, Chain
7	05080121AA	1				EX8			ARM, Tensioner
8	05080120AA	1				EX8			SPRING
9	05073871AA	1				EX8			DOWEL



SPRINTER (VA)

SERIES	LINE	BODY	ENGINE	TRANSMISSION
L = LOWLINE	3 = HD DODGE 2WD 6 = Lt. Duty DODGE 4WD 2 = Med. Duty DODGE 2WD 7 = Med. Duty DODGE 4WD	55 = Wagon 140" 54 = Wagon 118" 52 = Wagon 140" 51 = Wagon 118" 12 = Van 140" 11 = Van 118" 06 = Front Section 158" 14 = Van 118" 15 = Van 140" 16 = Van 158" 56 = Wagon 158" 01 = Chassis Forward Control 118" 02 = Chassis Forward Control 140"	EX8 = Engine-2.7L I5 Mercedes Turbo Diesel	DGJ = Transmission-5-Spd. Automatic, W5A580

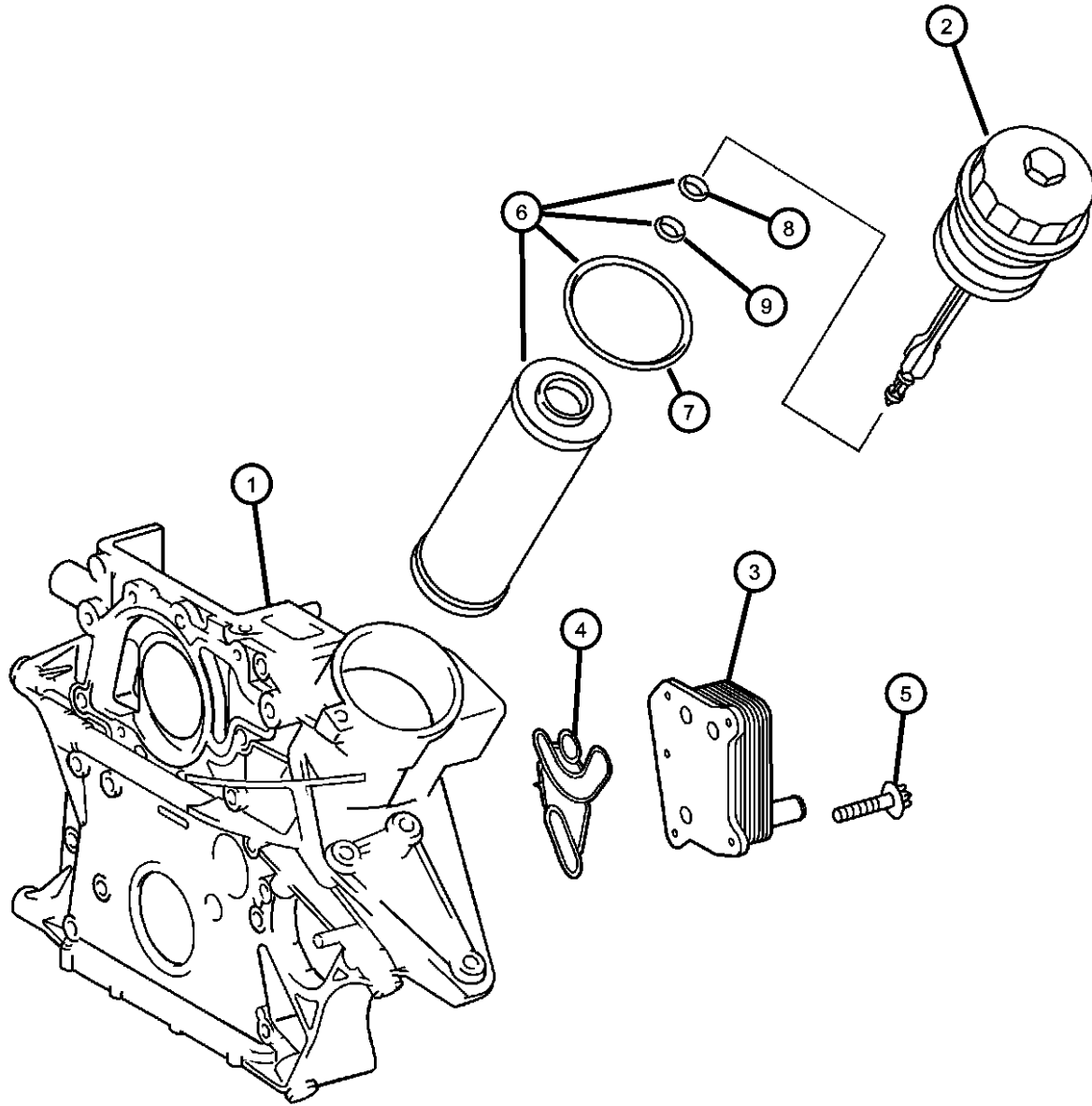
AR = use ase required - = Non illustrated part

Oil Cooler & Filter
Figure 2.7LD-HO-720

ITEM	PART NUMBER	QTY	LINE	SERIES	BODY	ENGINE	TRANS	TRIM	DESCRIPTION
------	-------------	-----	------	--------	------	--------	-------	------	-------------

NOTE:
 Sales Codes:

1	05103969AA	1				EX8			COVER, Timing Case
2	05080029AA	1				EX8			HEAD, Oil Filter
3	05080402AA	1				EX8			COOLER, Oil
4	05080141AA	1				EX8			GASKET, Oil Cooler
5	06104681AA	5				EX8			SCREW
6	05086301AA	1				EX8			FILTER, Engine Oil
7	05080242AA	1							O RING
8	05080242AA	1							O RING
9	05086297AA	1							O RING



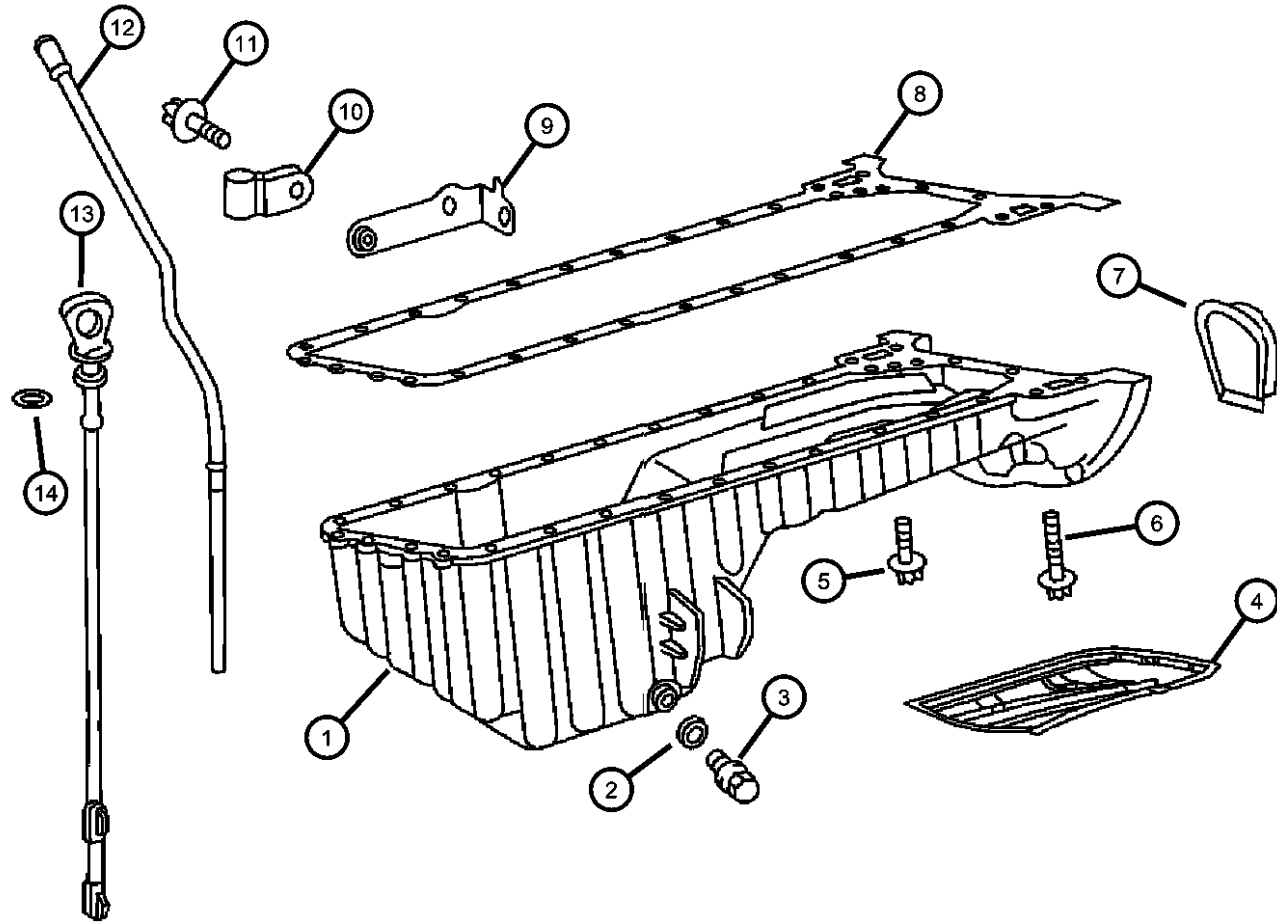
SPRINTER (VA)

SERIES	LINE	BODY	ENGINE	TRANSMISSION
L = LOWLINE	3 = HD DODGE 2WD 6 = Lt. Duty DODGE 4WD 2 = Med. Duty DODGE 2WD 7 = Med. Duty DODGE 4WD	55 = Wagon 140" 54 = Wagon 118" 52 = Wagon 140" 51 = Wagon 118" 12 = Van 140" 11 = Van 118" 06 = Front Section 158" 14 = Van 118" 15 = Van 140" 16 = Van 158" 56 = Wagon 158" 01 = Chassis Forward Control 118" 02 = Chassis Forward Control 140"	EX8 = Engine-2.7L I5 Mercedes Turbo Diesel	DGJ = Transmission-5-Spd. Automatic,W5A580

AR = use ase required - = Non illustrated part

2004 VA

Oil Pan
Figure 2.7LD-HO-730



ITEM	PART NUMBER	QTY	LINE	SERIES	BODY	ENGINE	TRANS	TRIM	DESCRIPTION
NOTE:									
Sales Codes:									
1	05117152AA	1				EX8			PAN, Oil
2	05073946AA	1				EX8			GASKET, Drain Plug
3	05073945AA	1				EX8			PLUG, Oil Drain
4	05117250AA	1				EX8			PAN, OilWindage Tray
5									BOLT, M6x20
	05126198AA	4	2, 6						[M6x20]
		4	3, 7						[M6x20]
6									BOLT
	06104006AA	18				EX8			[M6x1.0x20]
	06104029AA	2				EX8			[M8x1.25x50]
7	05103911AA	1				EX8			COVER
8	05080064AA	1				EX8			GASKET, Oil Pan
9	05117308AA	1				EX8			BRACKET
10	06104827AA	1				EX8			CLAMP, Tube Retaining
11	05135828AA	1							SCREW
12	05117302AA	1				EX8			TUBE, Engine Oil Indicator
13	05103962AA	1				EX8			INDICATOR, Engine Oil Level
14	05073943AA	1				EX8			O RING, Engine Oil Level Tube
-15	05073692AA	2				EX8			SCREW

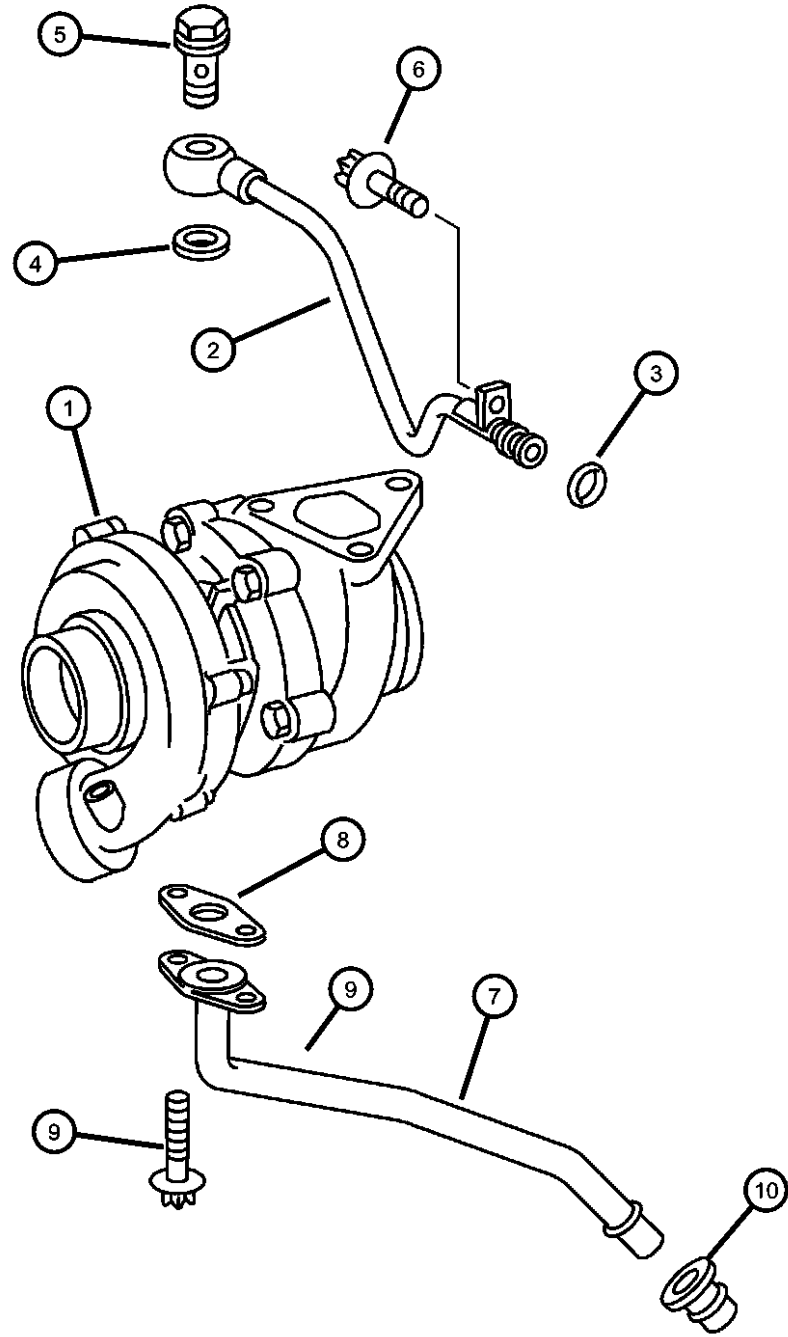
SPRINTER (VA)

SERIES	LINE	BODY	ENGINE	TRANSMISSION
L = LOWLINE	3 = HD DODGE 2WD 6 = Lt. Duty DODGE 4WD 2 = Med. Duty DODGE 2WD 7 = Med. Duty DODGE 4WD	55 = Wagon 140" 54 = Wagon 118" 52 = Wagon 140" 51 = Wagon 118" 12 = Van 140" 11 = Van 118" 06 = Front Section 158" 14 = Van 118" 15 = Van 140" 16 = Van 158" 56 = Wagon 158"	EX8 = Engine-2.7L I5 Mercedes Turbo Diesel	DGJ = Transmission-5-Spd. Automatic,W5A580
		01 = Chassis Forward Control 118" 02 = Chassis Forward Control 140"		

AR = use ase required - = Non illustrated part

Turbo, Oil Feed & Return Lines
Figure 2.7LD-HO-740

ITEM	PART NUMBER	QTY	LINE	SERIES	BODY	ENGINE	TRANS	TRIM	DESCRIPTION
------	-------------	-----	------	--------	------	--------	-------	------	-------------



NOTE:
Sales Codes:

1	05117505AA	1				EX8			TURBOCHARGER
2	05103984AA	1				EX8			TUBE, Turbo Oil Feed
3	05080135AA	1				EX8			O RING
4	05080136AB	2				EX8			O RING
5	05080137AA	1				EX8			SCREW
6	06104005AA	1				EX8			SCREW
7	05103983AA	1				EX8			TUBE, Turbo Oil Return
8	05117624AA	1				EX8			GASKET, Turbo Oil Return Pipe
9	06104005AA	2				EX8			SCREW
10	05080140AB	1				EX8			GASKET, Turbo Oil Return Pipe

SPRINTER (VA)

SERIES	LINE	BODY	ENGINE	TRANSMISSION
L = LOWLINE	3 = HD DODGE 2WD 6 = Lt. Duty DODGE 4WD 2 = Med. Duty DODGE 2WD 7 = Med. Duty DODGE 4WD	55 = Wagon 140" 54 = Wagon 118" 52 = Wagon 140" 51 = Wagon 118" 12 = Van 140" 11 = Van 118" 06 = Front Section 158" 14 = Van 118" 15 = Van 140" 16 = Van 158" 56 = Wagon 158"	EX8 = Engine-2.7L I5 Mercedes Turbo Diesel	DGJ = Transmission-5-Spd. Automatic,W5A580
		01 = Chassis Forward Control 118" 02 = Chassis Forward Control 140"		

AR = use ase required - = Non illustrated part

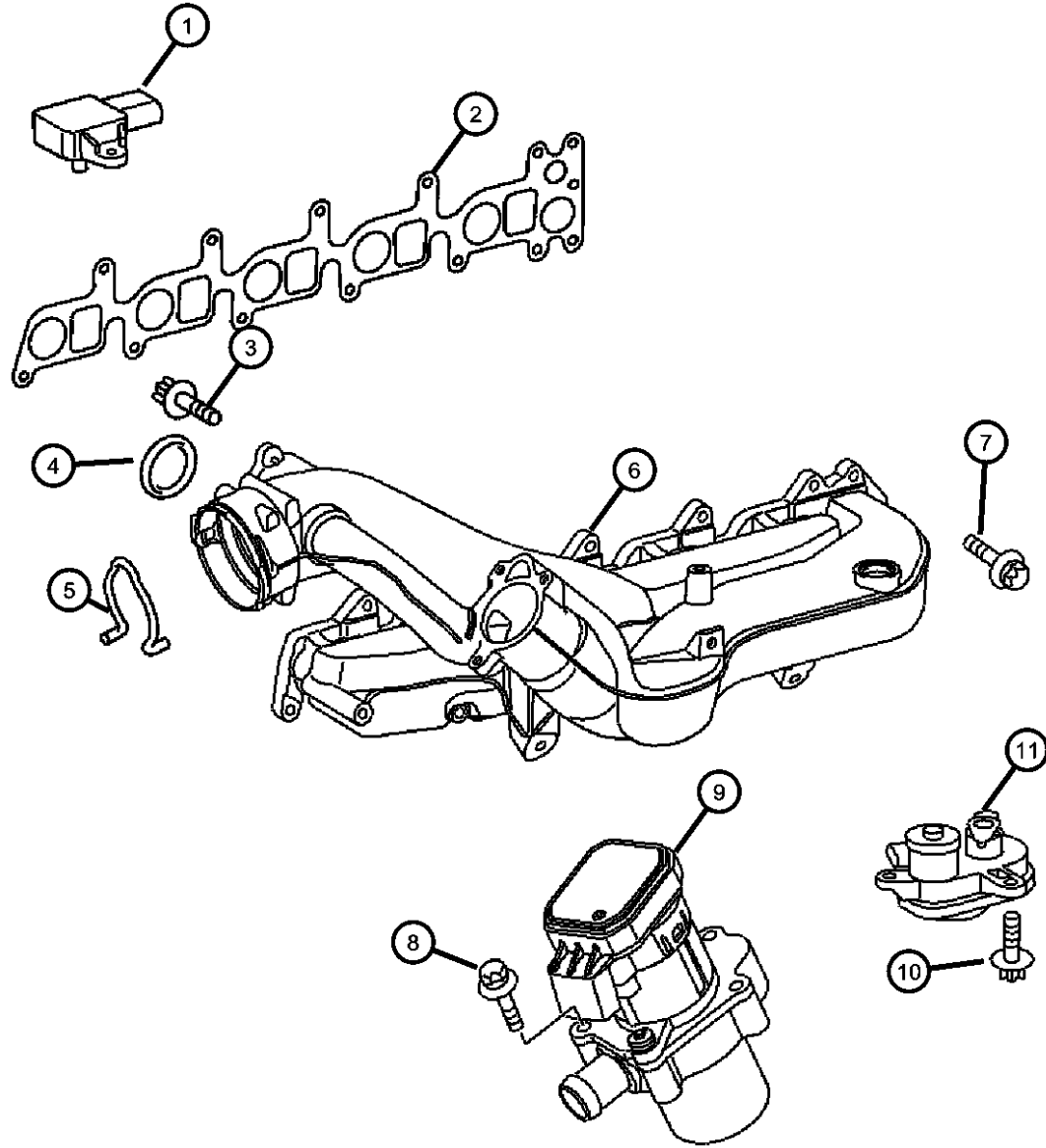
2004 VA

**Intake Manifold
Figure 2.7LD-HO-810**

ITEM	PART NUMBER	QTY	LINE	SERIES	BODY	ENGINE	TRANS	TRIM	DESCRIPTION
------	-------------	-----	------	--------	------	--------	-------	------	-------------

NOTES:
Sales Codes:

1									SENSOR, Coolant Level
	05120509AA	1	2, 6						
		1	3, 7						
2	05080324AA	1				EX8			GASKET, Intake Manifold
3	06104005AA	2				EX8			SCREW
4	05137197AA	1				EX8			GASKET, EGR Valve
5	05080427AA	1							SPRING
6	05136769AA	1				EX8			MANIFOLD, Intake
7	05073903AA	8				EX8			SCREW
8	06104008AA	8				EX8			SCREW
9	05117525AA	1				EX8			VALVE
10	06104005AA	2				EX8			SCREW
11	05135893AA	1							MOTOR, Air Idle Speed



SPRINTER (VA)

SERIES	LINE	BODY	ENGINE	TRANSMISSION
L = LOWLINE	3 = HD DODGE 2WD 6 = Lt. Duty DODGE 4WD 2 = Med. Duty DODGE 2WD 7 = Med. Duty DODGE 4WD	55 = Wagon 140" 54 = Wagon 118" 52 = Wagon 140" 51 = Wagon 118" 12 = Van 140" 11 = Van 118" 06 = Front Section 158" 14 = Van 118" 15 = Van 140" 16 = Van 158" 56 = Wagon 158"	EX8 = Engine-2.7L I5 Mercedes Turbo Diesel	DGJ = Transmission-5-Spd. Automatic,W5A580
		01 = Chassis Forward Control 118" 02 = Chassis Forward Control 140"		

AR = use ase required - = Non illustrated part

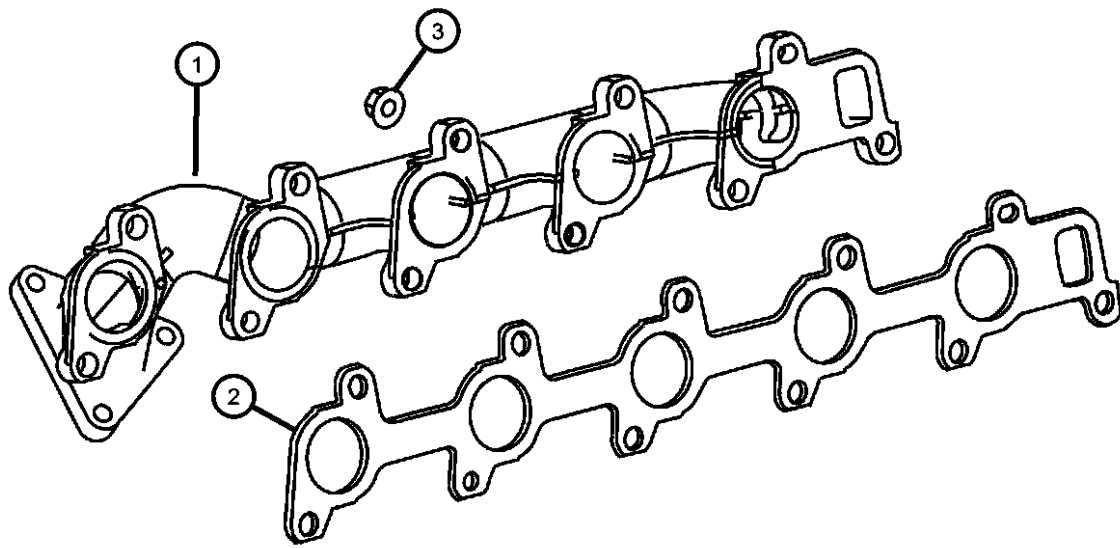
2004 VA

**Exhaust Manifold
Figure 2.7LD-HO-820**

ITEM	PART NUMBER	QTY	LINE	SERIES	BODY	ENGINE	TRANS	TRIM	DESCRIPTION
------	-------------	-----	------	--------	------	--------	-------	------	-------------

NOTE:
Sales Codes:

1	05117523AA	1				EX8			MANIFOLD, Exhaust
2	05117528AA	1				EX8			GASKET, Exhaust Manifold
3	06104729AA	11				EX8			NUT



SPRINTER (VA)

SERIES	LINE	BODY	ENGINE	TRANSMISSION
L = LOWLINE	3 = HD DODGE 2WD 6 = Lt. Duty DODGE 4WD 2 = Med. Duty DODGE 2WD 7 = Med. Duty DODGE 4WD	55 = Wagon 140" 54 = Wagon 118" 52 = Wagon 140" 51 = Wagon 118" 12 = Van 140" 11 = Van 118" 06 = Front Section 158" 14 = Van 118" 15 = Van 140" 16 = Van 158" 56 = Wagon 158" 01 = Chassis Forward Control 118" 02 = Chassis Forward Control 140"	EX8 = Engine-2.7L I5 Mercedes Turbo Diesel	DGJ = Transmission-5-Spd. Automatic,W5A580

AR = use ase required - = Non illustrated part

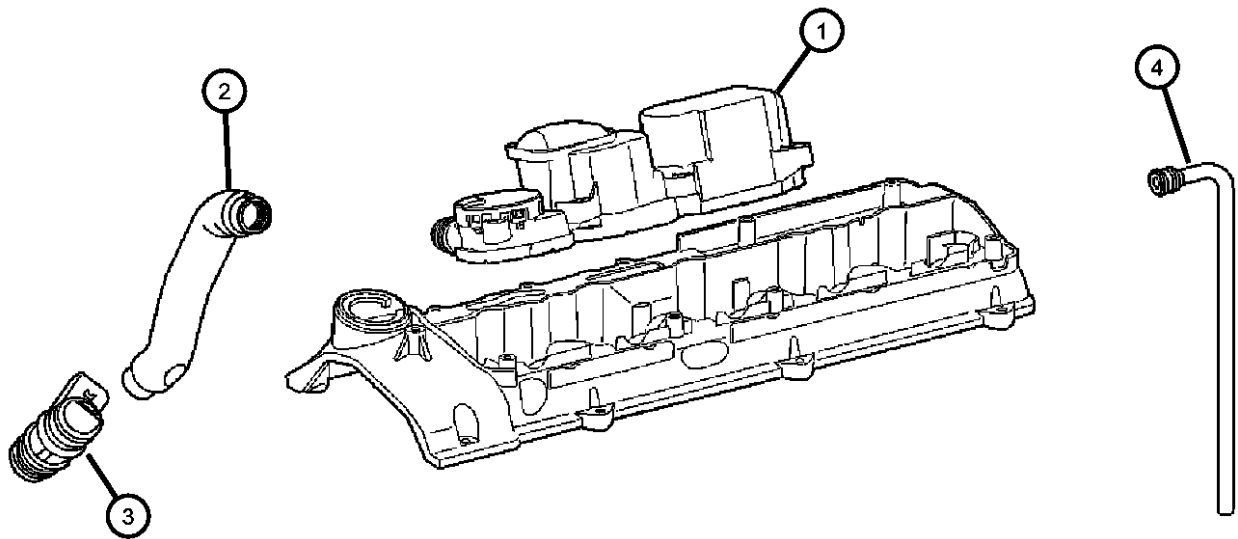
2004 VA

**Crankcase Ventilation
Figure 2.7LD-HO-910**

ITEM	PART NUMBER	QTY	LINE	SERIES	BODY	ENGINE	TRANS	TRIM	DESCRIPTION
------	-------------	-----	------	--------	------	--------	-------	------	-------------

NOTE:
Sales Codes:
[EX8] = 2.7L Inline 5 Cylinder High Output Turbo Diesel Engine - [OM647]

1	05137030AA	1				EX8			SEPERATOR, Oil
2	05117234AA	1				EX8			HOSE, Air Induction
3	05117289AA	1				EX8			TUBE, Crankcase Vent Valve
4	05117291AA	1				EX8			HOSE



SPRINTER (VA)		BODY	ENGINE	TRANSMISSION
SERIES	LINE			
L = LOWLINE	3 = HD DODGE 2WD	55 = Wagon 140"	EX8 = Engine-2.7L I5	DGJ = Transmission-5-Spd.
	6 = Lt. Duty DODGE 4WD	54 = Wagon 118"	Mercedes Turbo Diesel	Automatic,W5A580
	2 = Med. Duty DODGE 2WD	52 = Wagon 140"		
	7 = Med. Duty DODGE 4WD	51 = Wagon 118"		
		12 = Van 140"		
		11 = Van 118"		
		06 = Front Section 158"		
		14 = Van 118"		
		15 = Van 140"		
		16 = Van 158"		
		56 = Wagon 158"		
		01 = Chassis Forward Control		
		118"		
		02 = Chassis Forward Control		
		140"		

AR = use ase required - = Non illustrated part

Group - 11

Exhaust

Group - 11 Exhaust

Illustration Title

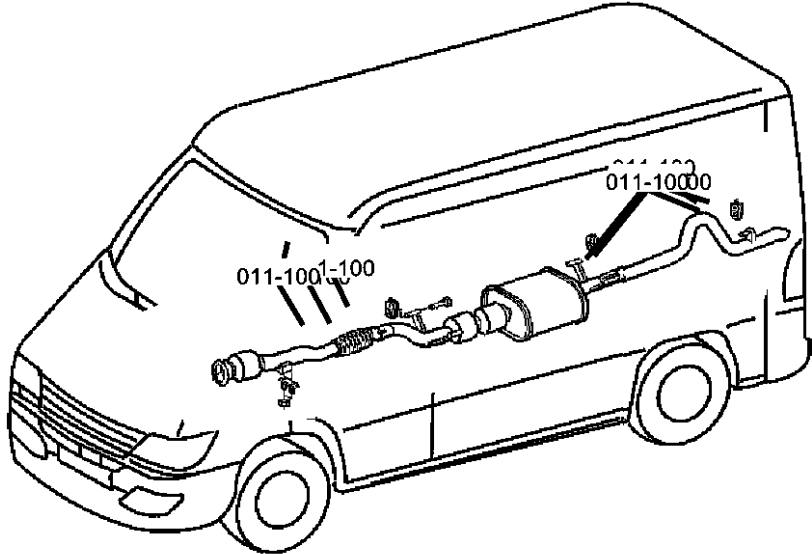
Group-Fig. No.

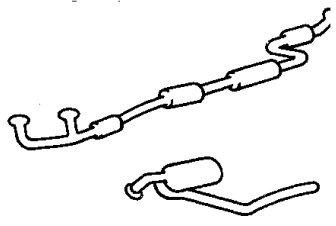
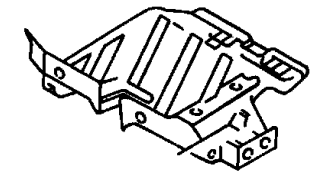
Exhaust System

Exhaust System Fig. 11 - 110

Heat Shields

Heat Shields Exhaust Fig. 11 - 210

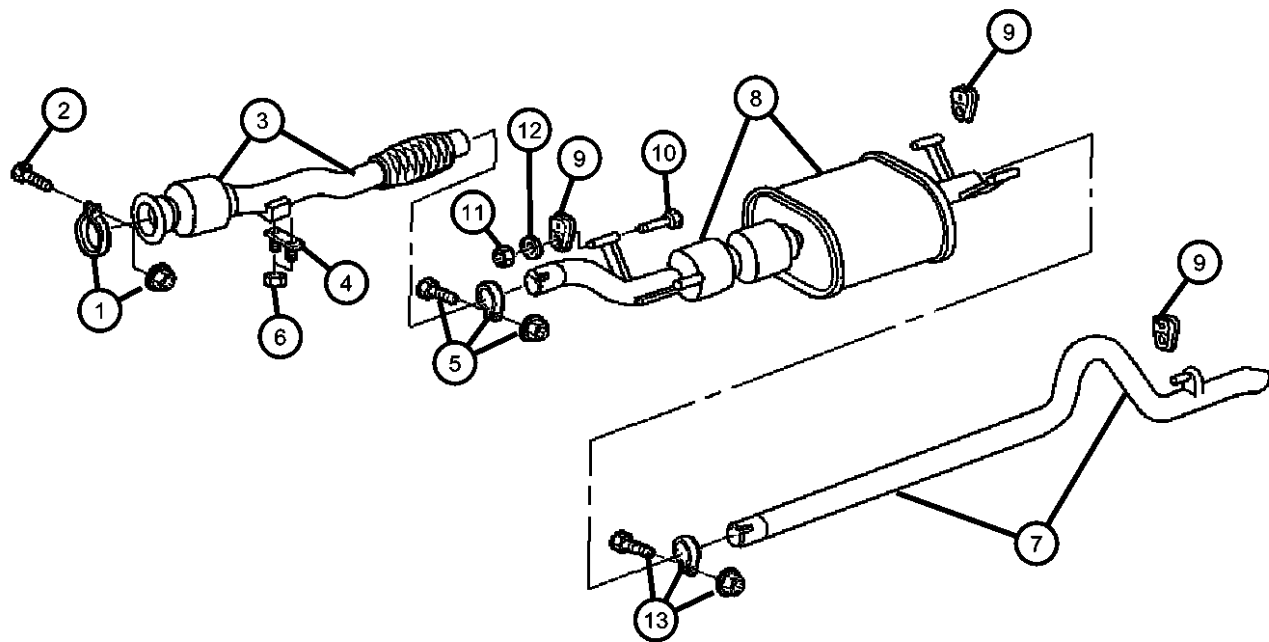


<p>011-100 Exhaust System</p> 	<p>011-200 Heat Shields</p> 		
---	--	--	--

**Exhaust System
Figure 11-110**

ITEM	PART NUMBER	QTY	LINE	SERIES	BODY	ENGINE	TRANS	TRIM	DESCRIPTION
------	-------------	-----	------	--------	------	--------	-------	------	-------------

Note; Sales Codes;
 [EX9] = 2.7L Inline 5 Cylinder Mercedes Turbo Diesel
 [5AC] = 118 Inch Wheel Base
 [5AE] = 140 Inch Wheel Base
 [5AF] = 158 Inch Wheel Base



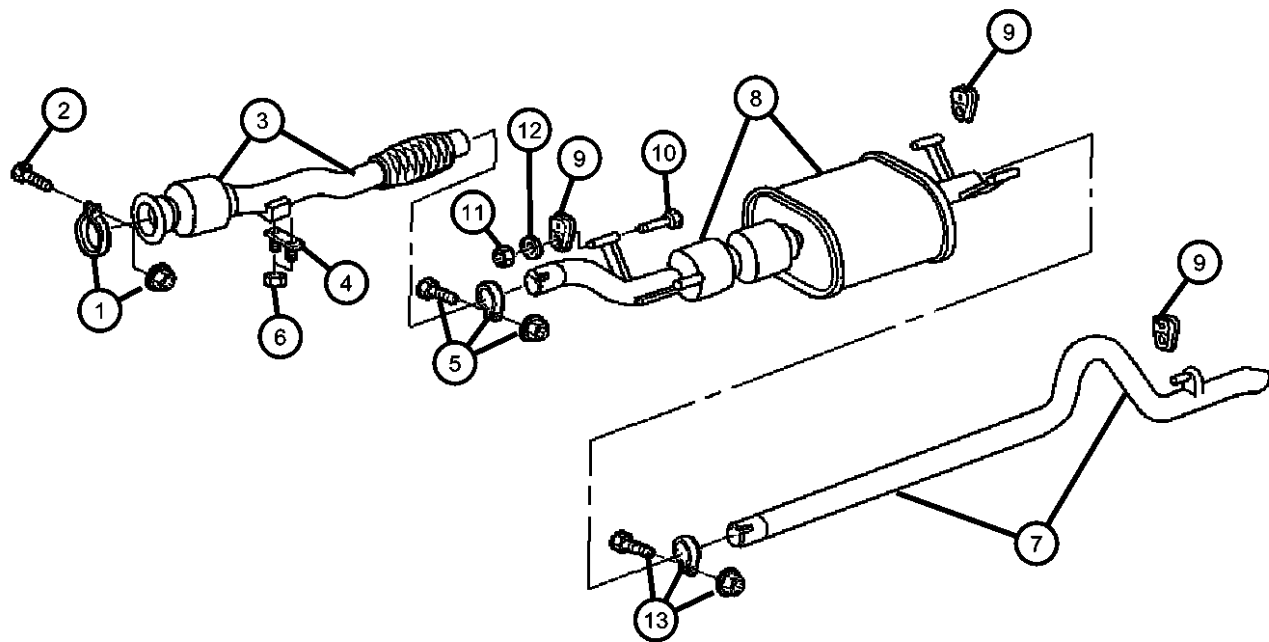
1									CLAMP, Exhaust
	05119830AB	1	2, 6	L	11, 12, 14, 15, 16				
	05135685AA	1	2, 6	L	01, 02, 06	EX8			
		1	2, 6	L	11, 12, 14, 15, 16	EX8			
		1	2, 6	L	51, 52, 54, 55, 56	EX8			
		1	3, 7	L	02, 06	EX8			
		1	3, 7	L	12, 15, 16	EX8			
2	06104027AA	2		L		EX8			SCREW
3									PIPE, Exhaust
	05119764AA	1	2, 6	L	01, 02, 06	EX8, EX9			
		1	2, 6	L	11, 12, 14, 15, 16	EX8, EX9			
		1	2, 6	L	51, 52, 54, 55, 56	EX8, EX9			
		1	3, 7	L	02, 06	EX8, EX9			
		1	3, 7	L	12, 15, 16	EX8, EX9			
4									BRACKET, Exhaust
	05119943AA	1	2, 6	L	11, 12, 14, 15, 16				
		1	2, 6	L	51, 52, 54, 55, 56				
		1	3, 7	L	12, 15, 16				
		1	2, 6	L	01, 02, 06	EX8, EX9			
5									CLAMP, 60MM, SPRINTER
	05103923AA	1	2, 6	L	11, 12, 14, 15, 16				

SPRINTER (VA)

SERIES	LINE	BODY	ENGINE	TRANSMISSION
L = LOWLINE	3 = HD DODGE 2WD 6 = Lt. Duty DODGE 4WD 2 = Med. Duty DODGE 2WD 7 = Med. Duty DODGE 4WD	55 = Wagon 140" 54 = Wagon 118" 52 = Wagon 140" 51 = Wagon 118" 12 = Van 140" 11 = Van 118" 06 = Front Section 158" 14 = Van 118" 15 = Van 140" 16 = Van 158" 56 = Wagon 158"	EX8 = Engine-2.7L I5 Mercedes Turbo Diesel	DGJ = Transmission-5-Spd. Automatic,W5A580
		01 = Chassis Forward Control 118" 02 = Chassis Forward Control 140"		

AR = use ase required - = Non illustrated part

**Exhaust System
Figure 11-110**



ITEM	PART NUMBER	QTY	LINE	SERIES	BODY	ENGINE	TRANS	TRIM	DESCRIPTION
		1	2, 6	L	51, 52, 54, 55, 56				
6	05101226AA	2	2, 6	L	01, 02, 06				NUT, Catalytic Converter Mounting
		2	2, 6	L	11, 12, 14, 15, 16				
		2	2, 6	L	51, 52, 54, 55, 56				
7									PIPE, Tail
	05104107AA	1	2, 6	L	02				
		1	2, 6	L	12, 15				
		1	2, 6	L	52, 55				
	05104108AA	1	2, 6	L	16				
		1	2, 6	L	56				
	05119778AA	1	2, 6	L	01				
		1	2, 6	L	11, 14				
		1	2, 6	L	51, 54				
	05119791AA	1	3, 7	L	12, 15				
	05119793AA	1	3, 7	L	16				
8									MUFFLER, Exhaust
	05119762AA	1	2, 6	L	11, 12, 14, 15, 16	EX8			
		1	2, 6	L	51, 52, 54, 55, 56	EX8			
		1	3, 7	L	12, 15, 16	EX8			
		1	2, 6	L	01, 02, 06	EX8			
9									INSULATOR, Exhaust
	05104109AA	4	2, 6	L	11, 12, 14, 15, 16				
		4	2, 6	L	51, 52, 54, 55, 56				
		4	3, 7	L	12, 15, 16				

SPRINTER (VA)

SERIES

L = LOWLINE
 3 = HD DODGE 2WD
 6 = Lt. Duty DODGE 4WD
 2 = Med. Duty DODGE 2WD
 7 = Med. Duty DODGE 4WD

LINE

BODY

55 = Wagon 140"
 54 = Wagon 118"
 52 = Wagon 140"
 51 = Wagon 118"
 12 = Van 140"
 11 = Van 118"
 06 = Front Section 158"
 14 = Van 118"
 15 = Van 140"
 16 = Van 158"
 56 = Wagon 158"
 01 = Chassis Forward Control 118"
 02 = Chassis Forward Control 140"

ENGINE

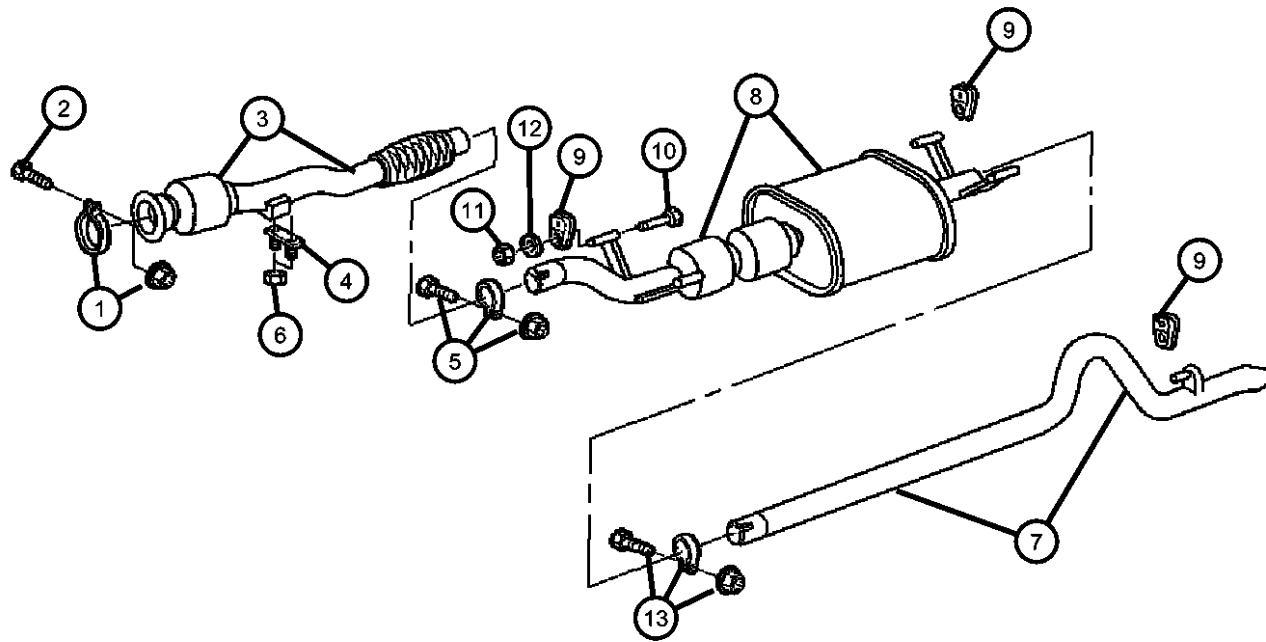
EX8 = Engine-2.7L I5 Mercedes Turbo Diesel

TRANSMISSION

DGJ = Transmission-5-Spd. Automatic, W5A580

AR = use ase required - = Non illustrated part

**Exhaust System
Figure 11-110**



ITEM	PART NUMBER	QTY	LINE	SERIES	BODY	ENGINE	TRANS	TRIM	DESCRIPTION
10	05104653AA	1	2, 6	L	01, 02, 06				SCREW
		1	2, 6	L	11, 12, 14, 15, 16				
		1	2, 6	L	51, 52, 54, 55, 56				
		1	3, 7	L	12, 15, 16				
11	05097683AA	1	2, 6	L	11, 12, 14, 15, 16				NUT, Hex
		1	2, 6	L	51, 52, 54, 55, 56				
		1	3, 7	L	12, 15, 16				
12	05133908AA	1	3, 7	L	12, 15, 16				WASHER
		1	2, 6	L	01, 02, 06				
		1	2, 6	L	11, 12, 14, 15, 16				
		1	2, 6	L	51, 52, 54, 55, 56				
13	05119830AA	1	2, 6	L	01, 02, 06	EX8			CLAMP, Exhaust
	05127230AA	1	2, 6	L	11, 12, 14, 15, 16				
		1	2, 6	L	51, 52, 54, 55, 56				
		1	3, 7	L	12, 15, 16				
-14	05119807AA	1	2, 6	L	11, 12, 14, 15, 16				BRACKET, Exhaust
		1	2, 6	L	51, 52, 54, 55, 56				
	05119931AA	1	3, 7	L	12, 15, 16				Rear Pipe to Frame

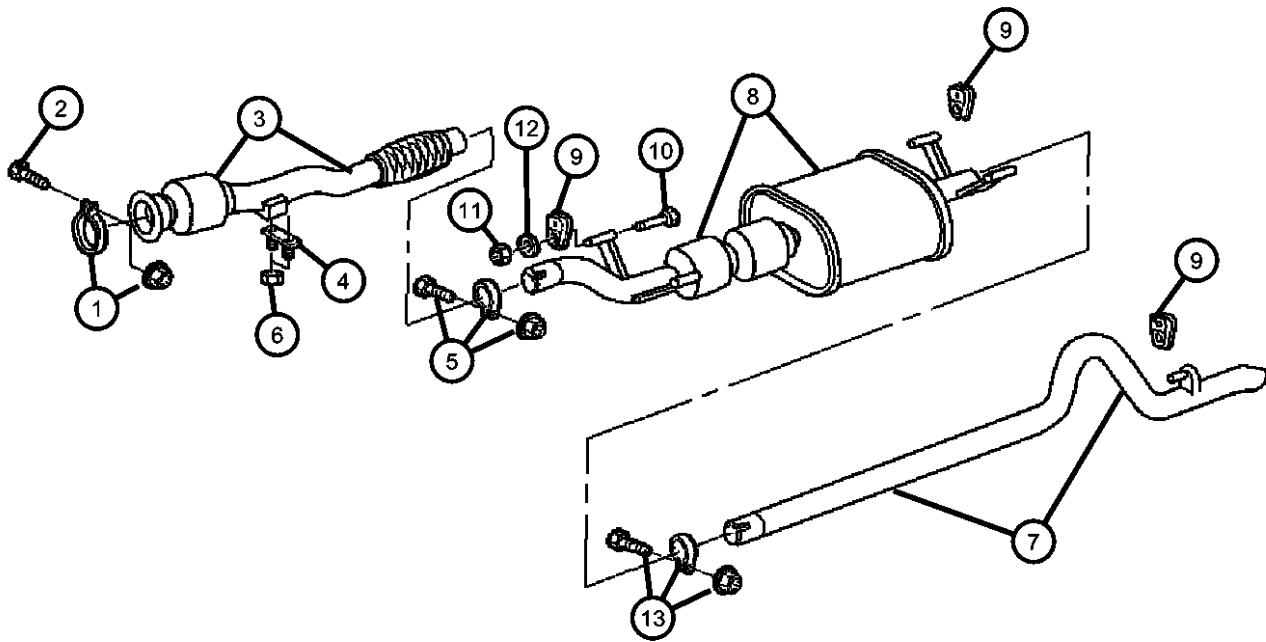
SPRINTER (VA)

SERIES	LINE	BODY	ENGINE	TRANSMISSION
L = LOWLINE	3 = HD DODGE 2WD 6 = Lt. Duty DODGE 4WD 2 = Med. Duty DODGE 2WD 7 = Med. Duty DODGE 4WD	55 = Wagon 140" 54 = Wagon 118" 52 = Wagon 140" 51 = Wagon 118" 12 = Van 140" 11 = Van 118" 06 = Front Section 158" 14 = Van 118" 15 = Van 140" 16 = Van 158" 56 = Wagon 158"	EX8 = Engine-2.7L I5 Mercedes Turbo Diesel	DGJ = Transmission-5-Spd. Automatic, W5A580
		01 = Chassis Forward Control 118" 02 = Chassis Forward Control 140"		

AR = use ase required - = Non illustrated part

**Exhaust System
Figure 11-110**

ITEM	PART NUMBER	QTY	LINE	SERIES	BODY	ENGINE	TRANS	TRIM	DESCRIPTION
-15		1	2, 6	L	01, 02, 06				SEAL, Exhaust
	05135684AA	1	2, 6	L	51, 52, 54, 55, 56	EX8			
		1	3, 7	L	02, 06	EX8			
		1	3, 7	L	12, 15, 16	EX8			
		1	2, 6	L	01, 02, 06	EX8			
		1	2, 6	L	11, 12, 14, 15, 16	EX8			
-16	05117529AA	1		L		EX8			GASKET, Exhaust Manifold To Turbo



SPRINTER (VA)

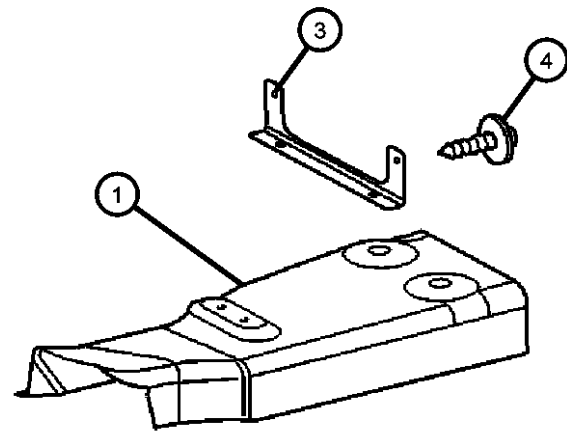
SERIES	LINE	BODY	ENGINE	TRANSMISSION
L = LOWLINE	3 = HD DODGE 2WD 6 = Lt. Duty DODGE 4WD 2 = Med. Duty DODGE 2WD 7 = Med. Duty DODGE 4WD	55 = Wagon 140" 54 = Wagon 118" 52 = Wagon 140" 51 = Wagon 118" 12 = Van 140" 11 = Van 118" 06 = Front Section 158" 14 = Van 118" 15 = Van 140" 16 = Van 158" 56 = Wagon 158"	EX8 = Engine-2.7L I5 Mercedes Turbo Diesel	DGJ = Transmission-5-Spd. Automatic,W5A580
		01 = Chassis Forward Control 118" 02 = Chassis Forward Control 140"		

AR = use ase required - = Non illustrated part

**Heat Shields Exhaust
Figure 11-210**

ITEM	PART NUMBER	QTY	LINE	SERIES	BODY	ENGINE	TRANS	TRIM	DESCRIPTION
------	-------------	-----	------	--------	------	--------	-------	------	-------------

Sales Codes:EX8=2.7L I5 MERCEDES-BENZ
DGJ=TRANSMISSION - 5-SPD AUTO



1									SHIELD, Heat
	05135681AA	1	2, 6	L	51, 52, 54, 55, 56	EX8			
		1	2, 6	L	11, 12, 14, 15, 16	EX8			
		1	2, 6	L	01, 02, 06	EX8			
		1	3, 7	L	12, 15, 16	EX8			
-2									SCREW, Exhaust Bracket Mounting, Shield Mounting
	05125748AA	2	2, 6	L	01, 02, 06				
		4	2, 6	L	11, 12, 14, 15, 16				
		4	2, 6	L	51, 52, 54, 55, 56				
		4	3, 7	L	12, 15, 16				
3									BRACKET, Exhaust
	05119848AA	1	3, 7	L	12, 15, 16				
		1	2, 6	L	01, 02, 06				
		1	2, 6	L	11, 12, 14, 15, 16				
		1	2, 6	L	51, 52, 54, 55, 56				
4									SCREW, Exhaust Bracket Mounting
	05125748AA	2	2, 6	L	01, 02, 06				
		2	2, 6	L	11, 12, 14, 15, 16				
		2	2, 6	L	51, 52, 54, 55, 56				
		2	3, 7	L	12, 15, 16				

SPRINTER (VA)

SERIES	LINE	BODY	ENGINE	TRANSMISSION
L = LOWLINE	3 = HD DODGE 2WD 6 = Lt. Duty DODGE 4WD 2 = Med. Duty DODGE 2WD 7 = Med. Duty DODGE 4WD	55 = Wagon 140" 54 = Wagon 118" 52 = Wagon 140" 51 = Wagon 118" 12 = Van 140" 11 = Van 118" 06 = Front Section 158" 14 = Van 118" 15 = Van 140" 16 = Van 158" 56 = Wagon 158" 01 = Chassis Forward Control 118" 02 = Chassis Forward Control 140"	EX8 = Engine-2.7L I5 Mercedes Turbo Diesel	DGJ = Transmission-5-Spd. Automatic,W5A580

AR = use ase required - = Non illustrated part

2004 VA

Group - 13

Frames and Bumpers

Group - 13 Frames and Bumpers

Illustration Title

Group-Fig. No.

Frames

Front Frame Rails	Fig. 13 - 105
Side Frame Rails and Crossmembers 2500	Fig. 13 - 110
Side Frame Rails and Crossmembers 3500	Fig. 13 - 120
Brackets, Frame To Body Supports.....	Fig. 13 - 130

Front Bumper and Fascia

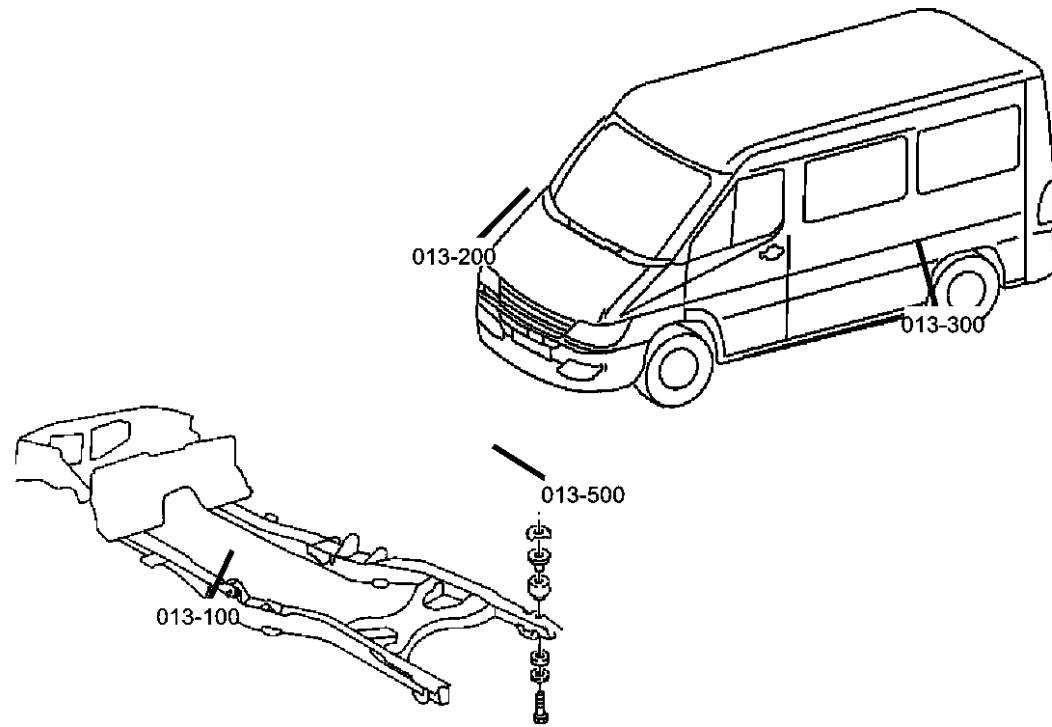
Bumper, Front	Fig. 13 - 230
---------------------	---------------

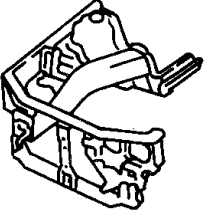
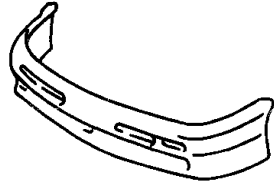

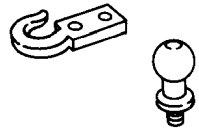
Rear Bumper and Fascia

Bumper, Rear.....	Fig. 13 - 320
-------------------	---------------

Trailer Tow

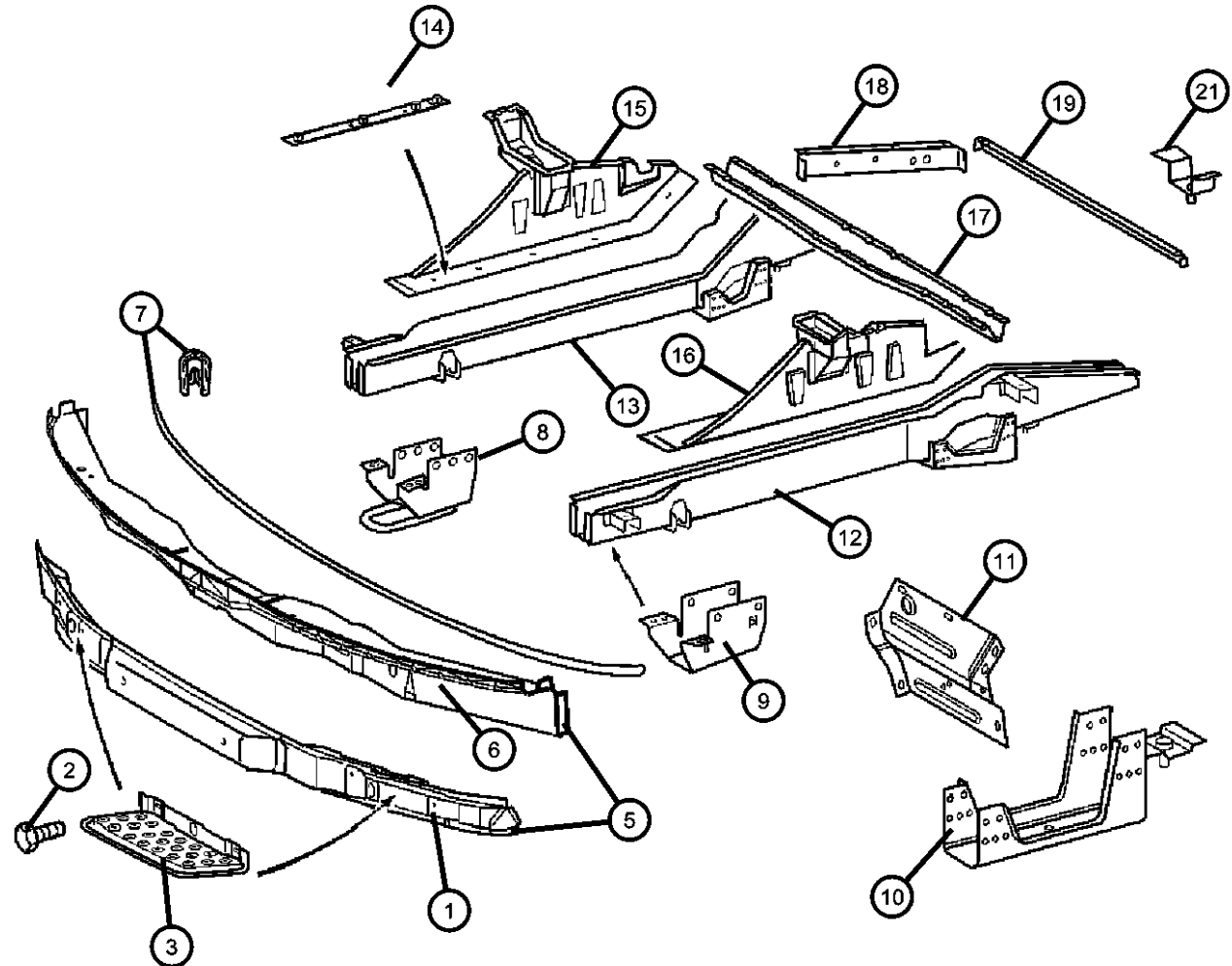
Rear Hitch	Fig. 13 - 610
Trailer Tow	Fig. 13 - 620



<p>013-100 Frames</p> 	<p>013-200 Front Bumper and Fascia</p> 	<p>013-300 Rear Bumper and Fascia</p> 	<p>013-600 Trailer Tow</p> 
--	---	---	---

Front Frame Rails
Figure 13-105

ITEM	PART NUMBER	QTY	LINE	SERIES	BODY	ENGINE	TRANS	TRIM	DESCRIPTION
1	05133848AA	1	2, 6	L	01, 02, 06				COVER, Crossmember
		1	2, 6	L	11, 12, 14, 15, 16				
		1	2, 6	L	51, 52, 54, 55, 56				
		1	3, 7	L	02, 06				
		1	3, 7	L	12, 15, 16				
2	05073723AB	4	2, 6	L	01, 02, 06				SCREW
		4	2, 6	L	11, 12, 14, 15, 16				
		4	2, 6	L	51, 52, 54, 55, 56				
		4	3, 7	L	02, 06				
		4	3, 7	L	12, 15, 16				
3	05104136AA	1	2, 6	L	01, 02, 06				STEP, Left Side
		1	2, 6	L	11, 12, 14, 15, 16				
		1	2, 6	L	51, 52, 54, 55, 56				
		1	3, 7	L	02, 06				
		1	3, 7	L	12, 15, 16				
-4	05104137AA	1	2, 6	L	01, 02, 06				STEP, Right Side
		1	2, 6	L	11, 12, 14, 15, 16				
		1	2, 6	L	51, 52, 54, 55, 56				
		1	3, 7	L	02, 06				
		1	3, 7	L	12, 15, 16				
5									REINFORCEMENT, Front Bumper

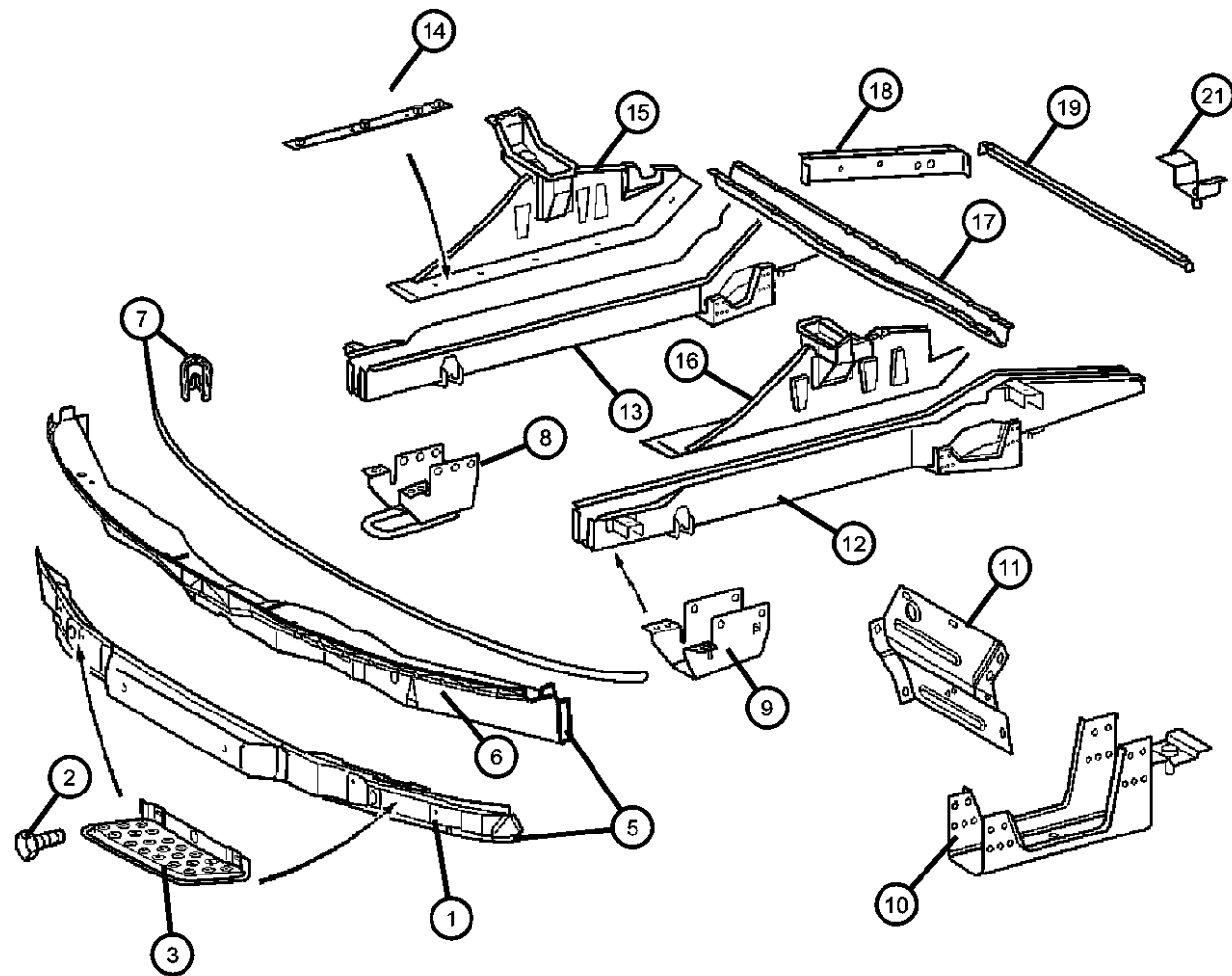


SPRINTER (VA)

SERIES	LINE	BODY	ENGINE	TRANSMISSION
L = LOWLINE	3 = HD DODGE 2WD 6 = Lt. Duty DODGE 4WD 2 = Med. Duty DODGE 2WD 7 = Med. Duty DODGE 4WD	55 = Wagon 140" 54 = Wagon 118" 52 = Wagon 140" 51 = Wagon 118" 12 = Van 140" 11 = Van 118" 06 = Front Section 158" 14 = Van 118" 15 = Van 140" 16 = Van 158" 56 = Wagon 158"	EX8 = Engine-2.7L I5 Mercedes Turbo Diesel	DGJ = Transmission-5-Spd. Automatic, W5A580
		01 = Chassis Forward Control 118" 02 = Chassis Forward Control 140"		

AR = use ase required - = Non illustrated part

Front Frame Rails
Figure 13-105



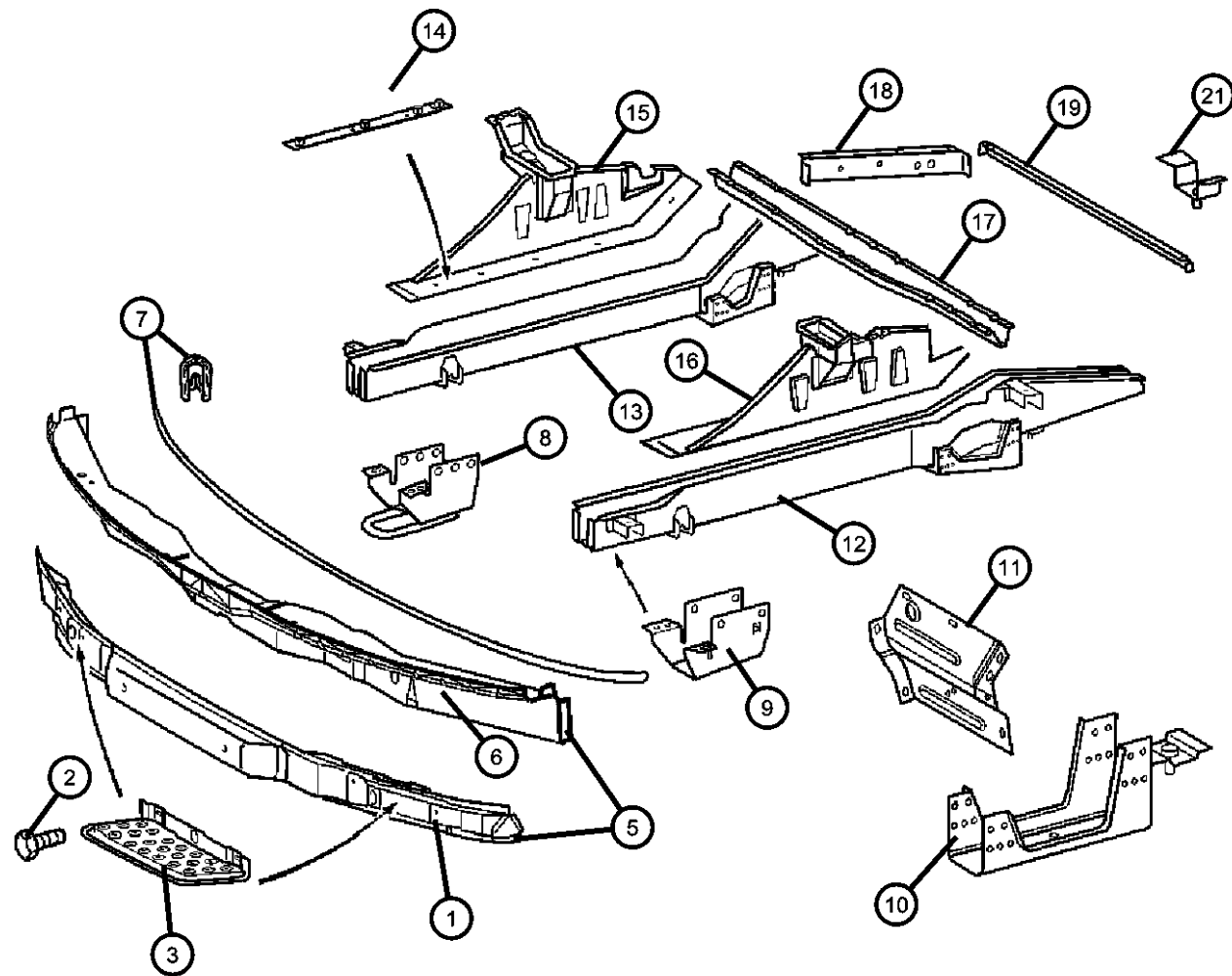
ITEM	PART NUMBER	QTY	LINE	SERIES	BODY	ENGINE	TRANS	TRIM	DESCRIPTION
	05104054AA	1	2, 6	L	01, 02, 06				
		1	2, 6	L	11, 12, 14, 15, 16				
		1	6, 2	L	51, 52, 54, 55, 56				
		1	3, 7	L	02, 06				
		1	3, 7	L	12, 15, 16				
6									REINFORCEMENT, Front Bumper
	05104054AA	1	3, 7	L	02, 06				
		1	2, 6	L	01, 02, 06				
		1	2, 6	L	11, 12, 14, 15, 16				
		1	2, 6	L	51, 52, 54, 55, 56				
		1	3, 7	L	12, 15, 16				
7									EDGE GUARD SECTION, NONE, SPRINTER
	05123544AA	1	2, 6	L	11, 12, 14, 15, 16				
		1	2, 6	L	56, 51, 52, 54, 55				
		1	3, 7	L	12, 15, 16				
8									TOW HOOK, AT RIGHT SIDE MEMBER, SPRINTER
	05104053AA	1	2, 6	L	11, 12, 14, 15, 16				
		1	2, 6	L	51, 52, 54, 55, 56				
		1	3, 7	L	12, 15, 16				
9									BRACKET, Frame Rail
	05118517AA	1	2, 6	L	01, 02, 06				
		1	2, 6	L	11, 12, 14, 15, 16				
		1	3, 7	L	12, 15, 16				

SPRINTER (VA)

SERIES	LINE	BODY	ENGINE	TRANSMISSION
L = LOWLINE	3 = HD DODGE 2WD 6 = Lt. Duty DODGE 4WD 2 = Med. Duty DODGE 2WD 7 = Med. Duty DODGE 4WD	55 = Wagon 140" 54 = Wagon 118" 52 = Wagon 140" 51 = Wagon 118" 12 = Van 140" 11 = Van 118" 06 = Front Section 158" 14 = Van 118" 15 = Van 140" 16 = Van 158" 56 = Wagon 158"	EX8 = Engine-2.7L I5 Mercedes Turbo Diesel	DGJ = Transmission-5-Spd. Automatic, W5A580
		01 = Chassis Forward Control 118" 02 = Chassis Forward Control 140"		

AR = use ase required - = Non illustrated part

Front Frame Rails
Figure 13-105



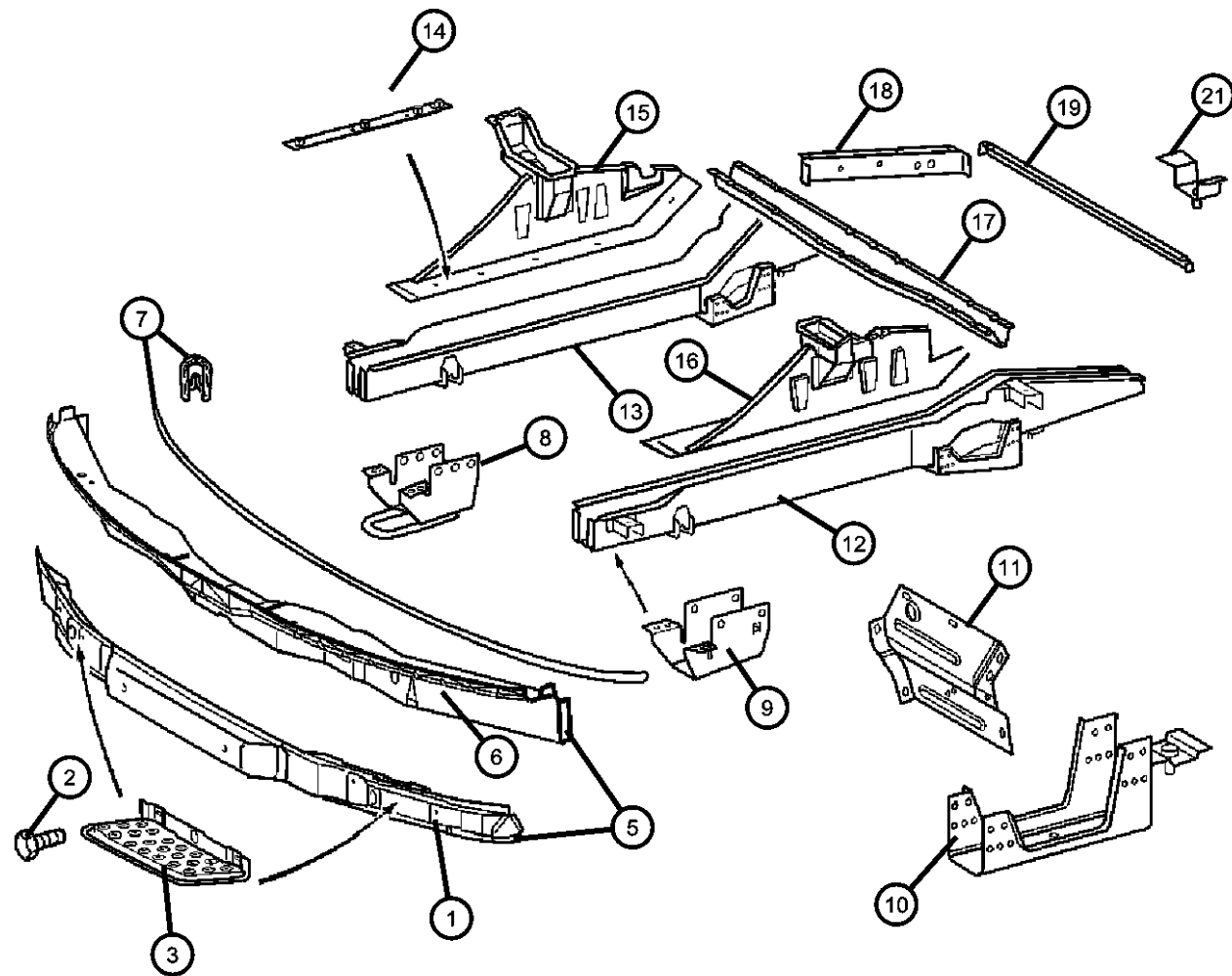
ITEM	PART NUMBER	QTY	LINE	SERIES	BODY	ENGINE	TRANS	TRIM	DESCRIPTION
		1	2, 6	L	51, 52, 54, 55, 56				
		1	3, 7	L	02, 06				
10									REINFORCEMENT, Front Side Rail
	05104033AA	1	2, 6	L	01, 02, 06				Right
		1	2, 6	L	11, 12, 14, 15, 16				Right
		1	2, 6	L	51, 52, 54, 55, 56				Right
		1	3, 7	L	02, 06				Right
	05117693AA	1	2, 6	L	01, 02, 06				Left
		1	2, 6	L	15, 16, 11, 12, 14				Left
		1	2, 6	L	51, 52, 54, 55, 56				Left
		1	3, 7	L	02, 06				Left
		1	3, 7	L	12, 15, 16				Left
11									REINFORCEMENT, Front Side Rail
	05118588AA	1	3, 7	L	12, 15, 16				
		1	2, 6	L	01, 02, 06				
		1	2, 6	L	11, 12, 14, 15, 16				
		1	2, 6	L	51, 52, 54, 55, 56				
		1	3, 7	L	02, 06				
12									SIDE MEMBER, LEFT, SPRINTER
	05104055AA	1	2, 6	L	11, 12, 14, 15, 16				
		1	2, 6	L	51, 52, 54, 55, 56				
		1	3, 7	L	12, 15, 16				
13									SIDE MEMBER, RIGHT, SPRINTER

SPRINTER (VA)

SERIES	LINE	BODY	ENGINE	TRANSMISSION
L = LOWLINE	3 = HD DODGE 2WD 6 = Lt. Duty DODGE 4WD 2 = Med. Duty DODGE 2WD 7 = Med. Duty DODGE 4WD	55 = Wagon 140" 54 = Wagon 118" 52 = Wagon 140" 51 = Wagon 118" 12 = Van 140" 11 = Van 118" 06 = Front Section 158" 14 = Van 118" 15 = Van 140" 16 = Van 158" 56 = Wagon 158"	EX8 = Engine-2.7L I5 Mercedes Turbo Diesel	DGJ = Transmission-5-Spd. Automatic,W5A580
		01 = Chassis Forward Control 118" 02 = Chassis Forward Control 140"		

AR = use ase required - = Non illustrated part

Front Frame Rails
Figure 13-105



ITEM	PART NUMBER	QTY	LINE	SERIES	BODY	ENGINE	TRANS	TRIM	DESCRIPTION
	05104052AA	1	2, 6	L	16, 11, 12, 14, 15				
		1	2, 6	L	51, 52, 54, 55, 56				
		1	3, 7	L	12, 15, 16				
14									REINFORCEMENT, Rail Front
	05118290AA	2	2, 6	L	01, 02, 06				
		2	2, 6	L	11, 12, 14, 15, 16				
		2	2, 6	L	51, 52, 54, 55, 56				
		2	3, 7	L	02, 06				
		2	3, 7	L	12, 15, 16				
15									SUPPORT, Under Body Hold Down
	05118252AA	1	3, 7	L	02, 06				Right
		1	3, 7	L	12, 15, 16				Right
		1	2, 6	L	01, 02, 06				Right
		1	2, 6	L	11, 12, 14, 15, 16				Right
		1	2, 6	L	51, 52, 54, 55, 56				Right
16									SUPPORT, Under Body Hold Down
	05104049AA	1	2, 6	L	01, 02, 06				Left
		1	2, 6	L	11, 12, 14, 15, 16				Left
		1	2, 6	L	51, 52, 54, 55, 56				Left
		1	3, 7	L	02, 06				Left
		1	3, 7	L	12, 15, 16				Left
17									CROSSMEMBER, Front Seat Retention
	05118385AA	1	2, 6	L	01, 02, 06				

SPRINTER (VA)

SERIES

L = LOWLINE

LINE

3 = HD DODGE 2WD
6 = Lt. Duty DODGE 4WD
2 = Med. Duty DODGE 2WD
7 = Med. Duty DODGE 4WD

BODY

55 = Wagon 140"
54 = Wagon 118"
52 = Wagon 140"
51 = Wagon 118"
12 = Van 140"
11 = Van 118"
06 = Front Section 158"
14 = Van 118"
15 = Van 140"
16 = Van 158"
56 = Wagon 158"
01 = Chassis Forward Control 118"
02 = Chassis Forward Control 140"

ENGINE

EX8 = Engine-2.7L I5
Mercedes Turbo Diesel

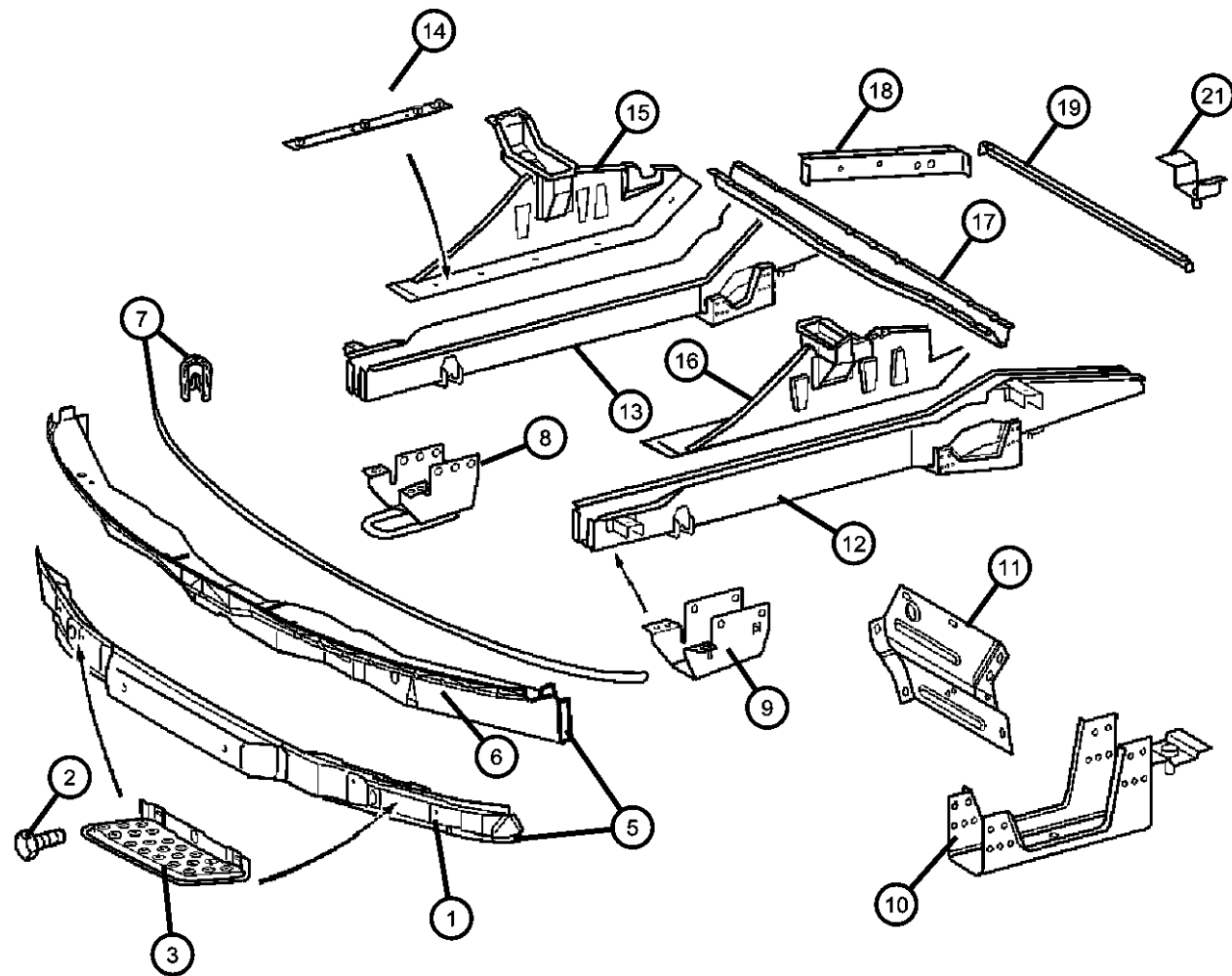
TRANSMISSION

DGJ = Transmission-5-Spd. Automatic, W5A580

AR = use ase required - = Non illustrated part

2004 VA

Front Frame Rails
Figure 13-105



ITEM	PART NUMBER	QTY	LINE	SERIES	BODY	ENGINE	TRANS	TRIM	DESCRIPTION
		1	2, 6	L	11, 12, 14, 15, 16				
		1	2, 6	L	51, 52, 54, 55, 56				
		1	3, 7	L	02, 06				
		1	3, 7	L	12, 15, 16				
18									REINFORCEMENT, Wheelhouse
	05118015AA	2	2, 6	L	01, 02, 06				
		2	6, 2	L	11, 12, 14, 15, 16				
		2	2, 6	L	51, 52, 54, 55, 56				
		2	3, 7	L	02, 06				
		2	3, 7	L	12, 15, 16				
19									CROSSMEMBER, Front Floor
	05118091AA	1	2, 6	L	51, 52, 54, 55, 56				
		1	3, 7	L	02, 06				
		1	2, 6	L	01, 02, 06				
		1	2, 6	L	11, 12, 14, 15, 16				
		1	3, 7	L	12, 15, 16				
-20									BRACKET, Aux A/C And Heater Line
	05127245AA	1	2, 6	L	11, 12, 14, 15, 16				
		1	2, 6	L	51, 52, 54, 55, 56				
		1	3, 7	L	12, 15, 16				
21									BRACKET
	05127241AA	1	2, 6	L	11, 12, 14, 15, 16				

SPRINTER (VA)

SERIES

L = LOWLINE

LINE

3 = HD DODGE 2WD
6 = Lt. Duty DODGE 4WD
2 = Med. Duty DODGE 2WD
7 = Med. Duty DODGE 4WD

BODY

55 = Wagon 140"
54 = Wagon 118"
52 = Wagon 140"
51 = Wagon 118"
12 = Van 140"
11 = Van 118"
06 = Front Section 158"
14 = Van 118"
15 = Van 140"
16 = Van 158"
56 = Wagon 158"
01 = Chassis Forward Control 118"
02 = Chassis Forward Control 140"

ENGINE

EX8 = Engine-2.7L I5
Mercedes Turbo Diesel

TRANSMISSION

DGJ = Transmission-5-Spd. Automatic, W5A580

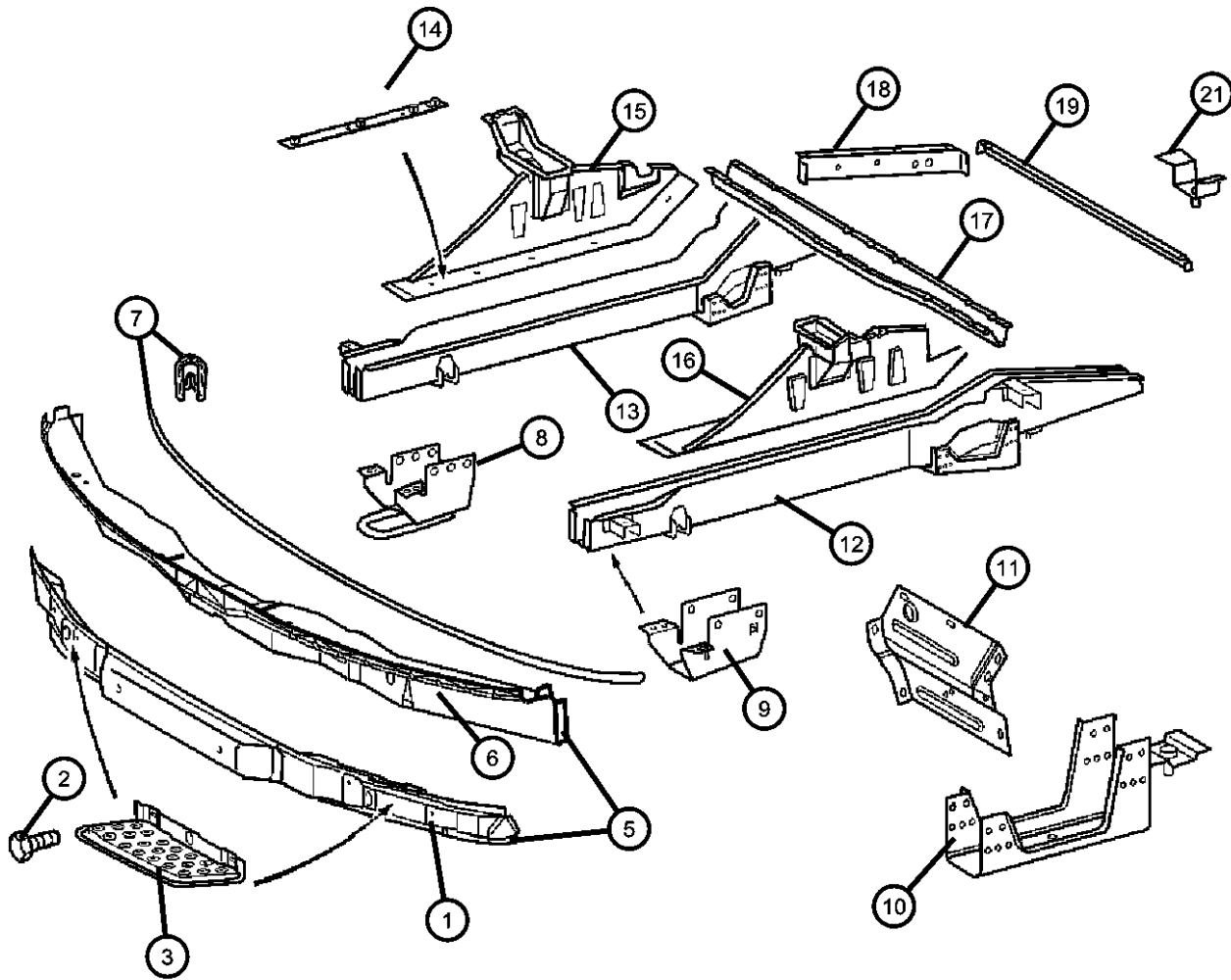
AR = use ase required - = Non illustrated part

2004 VA

Front Frame Rails
Figure 13-105

ITEM	PART NUMBER	QTY	LINE	SERIES	BODY	ENGINE	TRANS	TRIM	DESCRIPTION
------	-------------	-----	------	--------	------	--------	-------	------	-------------

		1	3, 7	L	12, 15, 16				
		1	2, 6	L	51, 52, 54, 55, 56				

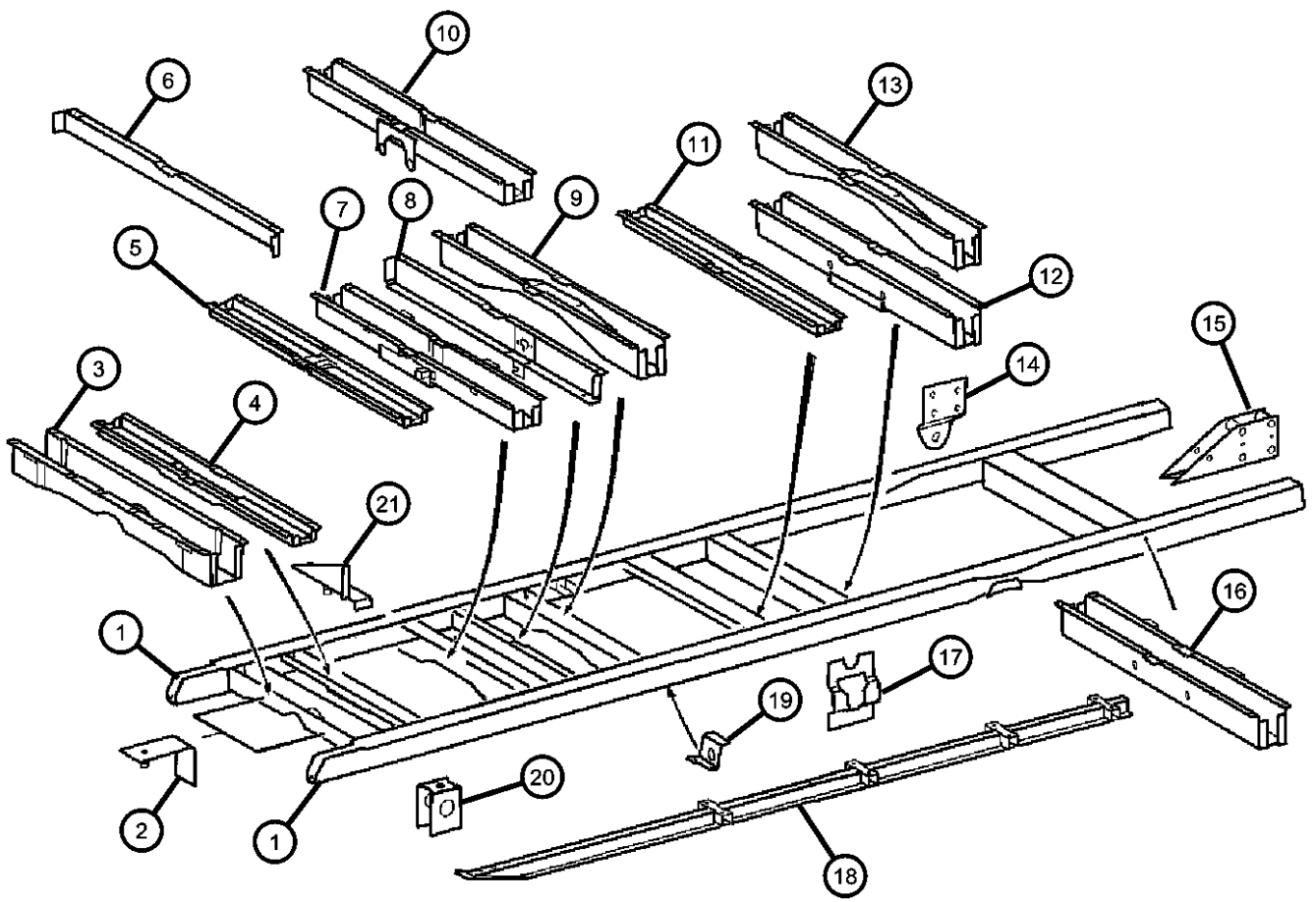


SPRINTER (VA)

SERIES	LINE	BODY	ENGINE	TRANSMISSION
L = LOWLINE	3 = HD DODGE 2WD 6 = Lt. Duty DODGE 4WD 2 = Med. Duty DODGE 2WD 7 = Med. Duty DODGE 4WD	55 = Wagon 140" 54 = Wagon 118" 52 = Wagon 140" 51 = Wagon 118" 12 = Van 140" 11 = Van 118" 06 = Front Section 158" 14 = Van 118" 15 = Van 140" 16 = Van 158" 56 = Wagon 158"	EX8 = Engine-2.7L I5 Mercedes Turbo Diesel	DGJ = Transmission-5-Spd. Automatic,W5A580
		01 = Chassis Forward Control 118"		
		02 = Chassis Forward Control 140"		

AR = use ase required - = Non illustrated part

Side Frame Rails and Crossmembers 2500
Figure 13-110



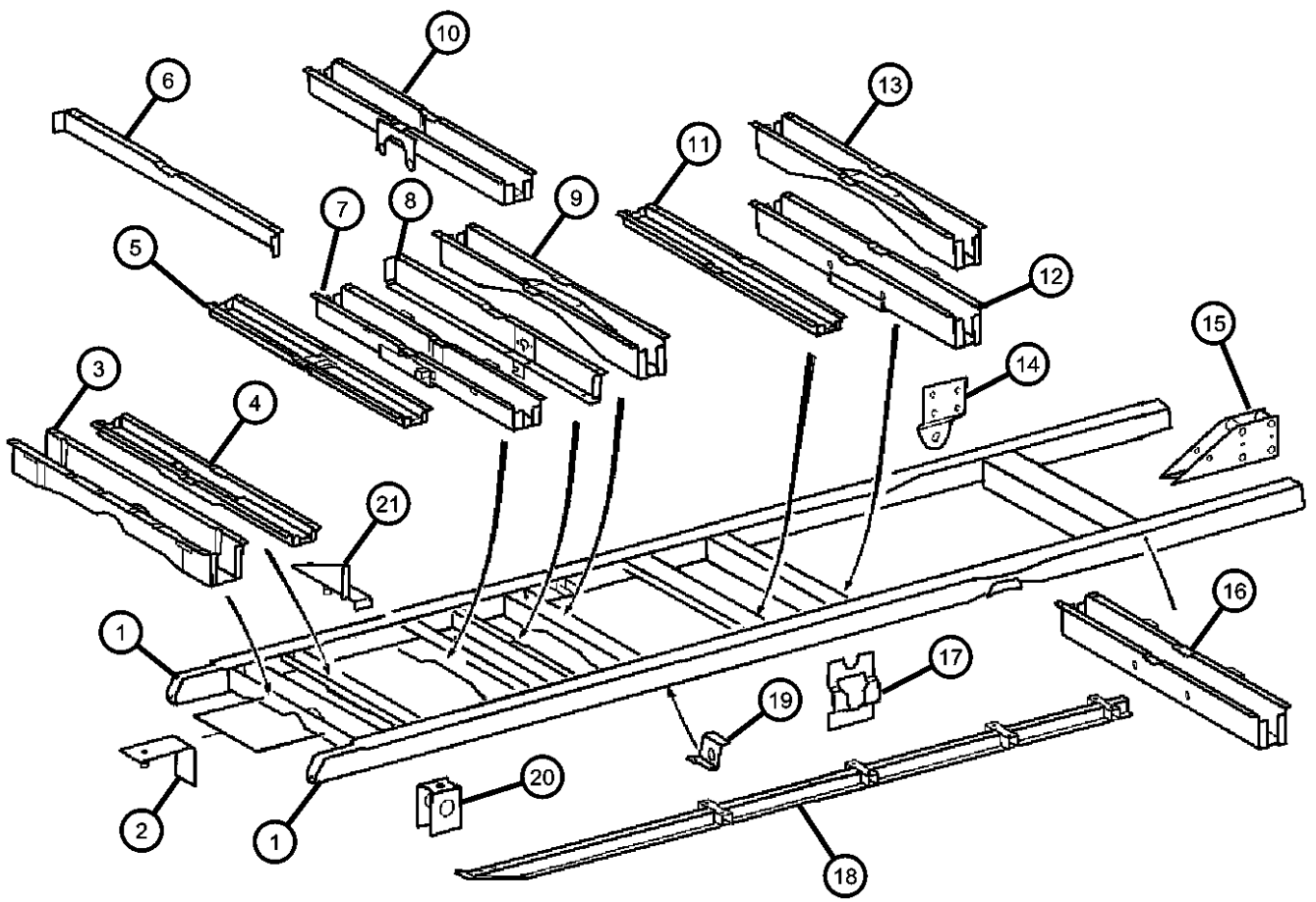
ITEM	PART NUMBER	QTY	LINE	SERIES	BODY	ENGINE	TRANS	TRIM	DESCRIPTION
1									RAIL, Frame Side
	05104554AA	1	2, 6	L	16				Right
		1	2, 6	L	56				Right
	05104555AA	1	2, 6	L	16				Left
		1	2, 6	L	56				Left
	05118059AA	1	3, 7	L	02				Right
	05118063AA	1	3, 7	L	06				Right
	05118078AA	1	3, 7	L	02				Left
	05118082AA	1	3, 7	L	06				Left
2									BRACKET, Frame
	05127243AA	1	2, 6	L	14, 15, 16, 11, 12				
		1	2, 6	L	51, 52, 54, 55, 56				
3									CROSSMEMBER, Front Frame
	05118162AA	1	2, 6	L	11, 12, 14, 15, 16				
		1	2, 6	L	51, 52, 54, 55, 56				
4									CROSSMEMBER, Front Frame
	05118152AA	1	2, 6	L	01, 06				
		1	2, 6	L	11, 14, 16				
		1	2, 6	L	51, 54, 56				
		1	3, 7	L	16				
5	05118142AA	1	2, 6	L	51, 52, 54, 55, 56				CROSSMEMBER, Front Frame
6	05118142AA	1							CROSSMEMBER, Front Frame, (NOT SERVICED)
7									CROSSMEMBER, Front Frame
	05118097AA	1	2, 6	L	11, 12, 14, 15, 16				
		1	2, 6	L	51, 52, 54, 55, 56				

SPRINTER (VA)

SERIES	LINE	BODY	ENGINE	TRANSMISSION
L = LOWLINE	3 = HD DODGE 2WD 6 = Lt. Duty DODGE 4WD 2 = Med. Duty DODGE 2WD 7 = Med. Duty DODGE 4WD	55 = Wagon 140" 54 = Wagon 118" 52 = Wagon 140" 51 = Wagon 118" 12 = Van 140" 11 = Van 118" 06 = Front Section 158" 14 = Van 118" 15 = Van 140" 16 = Van 158" 56 = Wagon 158"	EX8 = Engine-2.7L I5 Mercedes Turbo Diesel	DGJ = Transmission-5-Spd. Automatic,W5A580
		01 = Chassis Forward Control 118" 02 = Chassis Forward Control 140"		

AR = use ase required - = Non illustrated part

Side Frame Rails and Crossmembers 2500
Figure 13-110



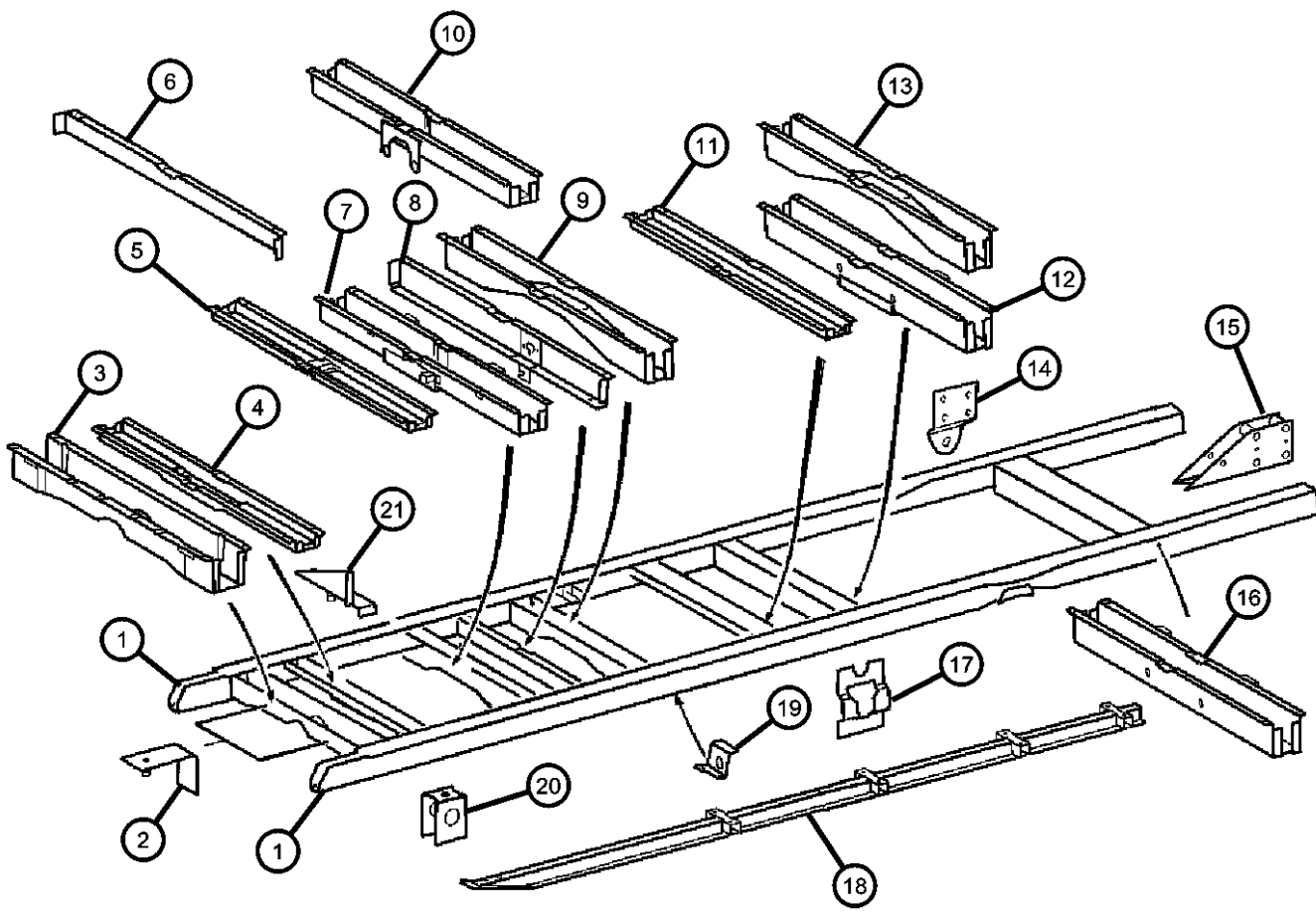
ITEM	PART NUMBER	QTY	LINE	SERIES	BODY	ENGINE	TRANS	TRIM	DESCRIPTION
8		1	3, 7	L	12, 15, 16				CROSSMEMBER, Front Frame
	05118136AA	1	2, 6	L	01, 02				
		1	2, 6	L	11, 12, 14, 15, 16				
		1	2, 6	L	16				
		1	2, 6	L	56				
		1	3, 7	L	02				
		1	3, 7	L	15, 16, 12				
9		1	2, 6	L	11, 12, 14, 15, 16				CROSSMEMBER, Front Frame
	05118149AA	1	2, 6	L	11, 12, 14, 15, 16				
		1	2, 6	L	51, 54				
10		1	2, 6	L	56				CROSSMEMBER, Front Frame
	05118160AA	1	2, 6	L	56				
		1	2, 6	L	16				
11		1	2, 6	L	11, 14, 16				CROSSMEMBER, Front Frame
	05118144AA	1	2, 6	L	11, 14, 16				
		1	2, 6	L	51, 54, 56				
		1	3, 7	L	16				
12		1	2, 6	L	16				CROSSMEMBER, Front Frame
	05118168AA	1	2, 6	L	16				
		1	2, 6	L	56				
		1	3, 7	L	16				
13		1	2, 6	L	16				CROSSMEMBER, Front Frame
	05118170AA	1	2, 6	L	16				
		1	2, 6	L	56				
14		4	3, 7	L	12, 15, 16				BRACKET, Frame
	05118791AA	4	3, 7	L	12, 15, 16				

SPRINTER (VA)

SERIES	LINE	BODY	ENGINE	TRANSMISSION
L = LOWLINE	3 = HD DODGE 2WD 6 = Lt. Duty DODGE 4WD 2 = Med. Duty DODGE 2WD 7 = Med. Duty DODGE 4WD	55 = Wagon 140" 54 = Wagon 118" 52 = Wagon 140" 51 = Wagon 118" 12 = Van 140" 11 = Van 118" 06 = Front Section 158" 14 = Van 118" 15 = Van 140" 16 = Van 158" 56 = Wagon 158"	EX8 = Engine-2.7L I5 Mercedes Turbo Diesel	DGJ = Transmission-5-Spd. Automatic, W5A580
		01 = Chassis Forward Control 118" 02 = Chassis Forward Control 140"		

AR = use ase required - = Non illustrated part

Side Frame Rails and Crossmembers 2500
Figure 13-110



ITEM	PART NUMBER	QTY	LINE	SERIES	BODY	ENGINE	TRANS	TRIM	DESCRIPTION
		2	2, 6	L	01, 02, 06				
		2	2, 6	L	11, 12, 14, 15, 16				
		2	2, 6	L	51, 52, 54, 55, 56				
15									BRACKET, Frame
	05118212AA	2	2, 6	L	11, 12, 14, 15, 16				
		2	2, 6	L	51, 52, 54, 55, 56				
16									CROSSMEMBER, Front Frame
	05118154AA	1	2, 6	L	16				
		1	2, 6	L	56				
17	05119638AA	2	3, 7	L	12, 15, 16				BRACKET, Frame
18									BRACKET, Frame Rail
	05118220AA	1	2, 6	L	51, 52, 54, 55, 56				
		1	3, 7	L	12, 15, 16				
		1	2, 6	L	14, 15, 16, 11, 12				
19									BRACKET, Frame
	05119321AA	1	2, 6	L	01, 02, 06				
		1	2, 6	L	11, 12, 14, 15, 16				
		1	2, 6	L	51, 52, 54, 55, 56				
20									SUPPORT, Under Body Hold Down
	05118266AA	4	2, 6	L	51, 52, 54, 55, 56				
		4	6, 2	L	51, 54				
		8	2, 6	L	52, 55, 56				
		4	2, 6	L	11, 12, 14, 15, 16				

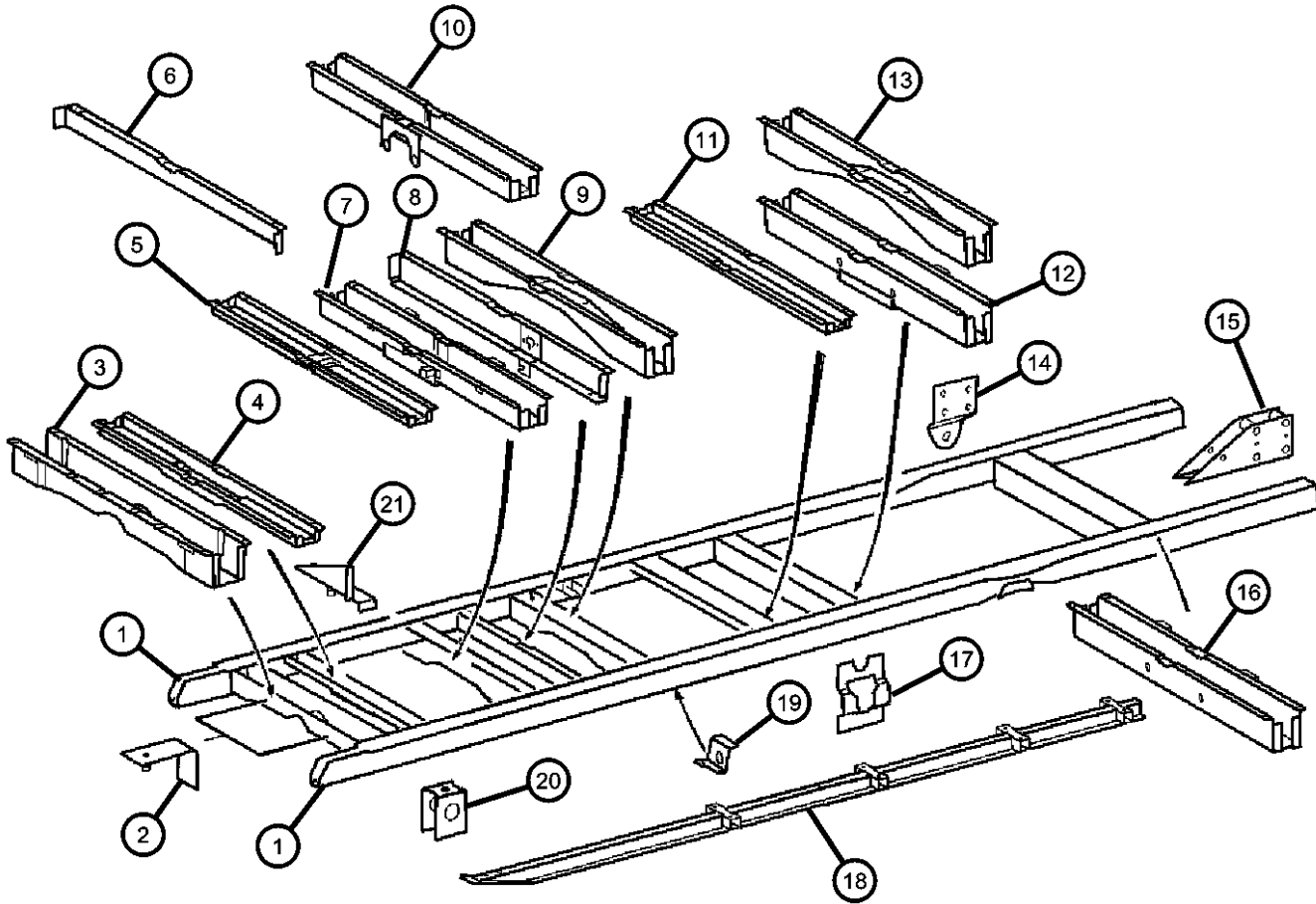
SPRINTER (VA)

SERIES	LINE	BODY	ENGINE	TRANSMISSION
L = LOWLINE	3 = HD DODGE 2WD	55 = Wagon 140"	EX8 = Engine-2.7L I5	DGJ = Transmission-5-Spd. Automatic, W5A580
	6 = Lt. Duty DODGE 4WD	54 = Wagon 118"	Mercedes Turbo Diesel	
	2 = Med. Duty DODGE 2WD	52 = Wagon 140"		
	7 = Med. Duty DODGE 4WD	51 = Wagon 118"		
		12 = Van 140"		
		11 = Van 118"		
		06 = Front Section 158"		
		14 = Van 118"		
		15 = Van 140"		
		16 = Van 158"		
		56 = Wagon 158"		
		01 = Chassis Forward Control 118"		
		02 = Chassis Forward Control 140"		

AR = use ase required - = Non illustrated part

Side Frame Rails and Crossmembers 2500
Figure 13-110

ITEM	PART NUMBER	QTY	LINE	SERIES	BODY	ENGINE	TRANS	TRIM	DESCRIPTION
21									BRACKET, Frame
	05127246AA	2	2, 6	L	11, 12, 14, 15, 16				
		2	2, 6	L	51, 52, 54, 55, 56				
		2	3, 7	L	12, 15, 16				



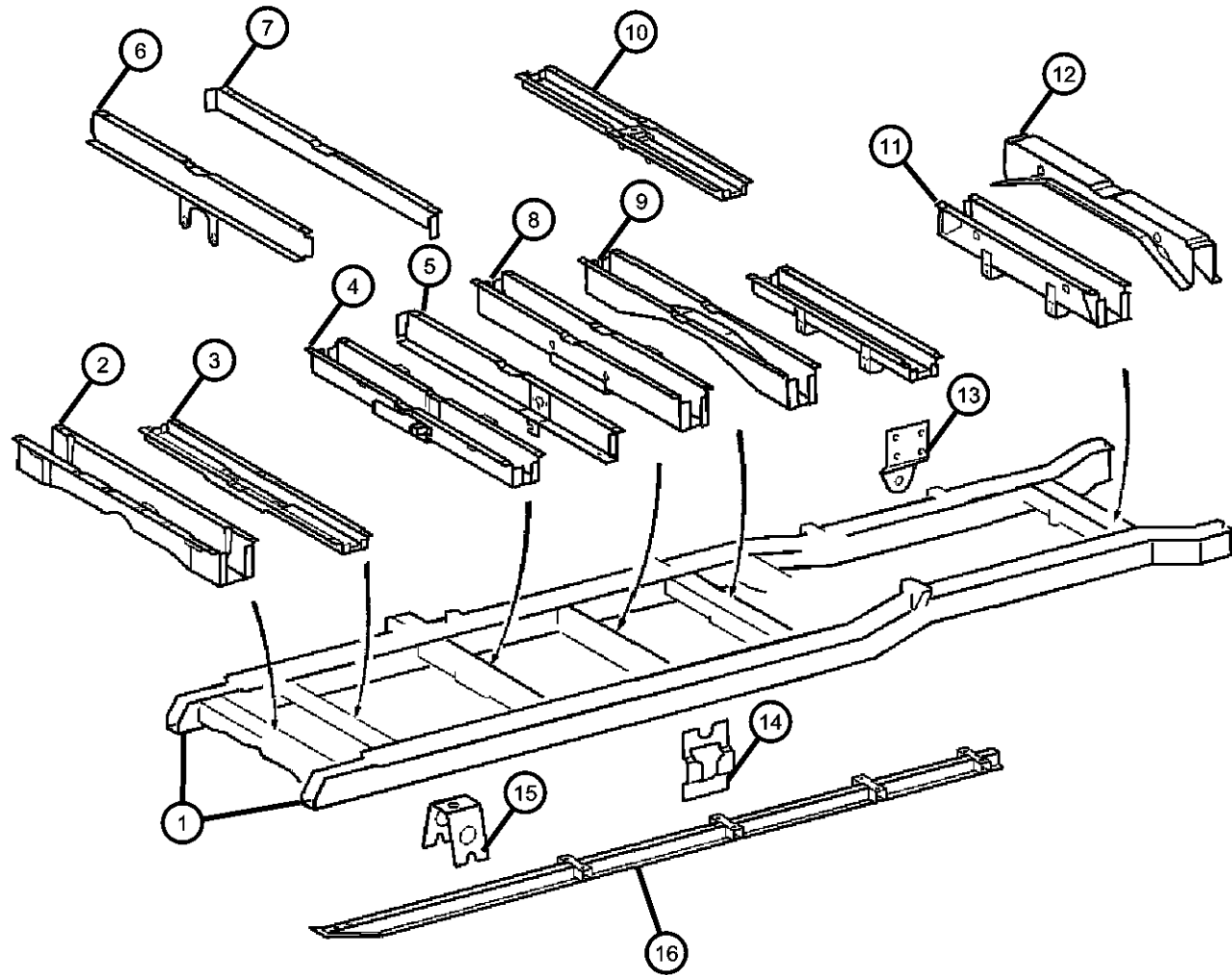
SPRINTER (VA)

SERIES	LINE	BODY	ENGINE	TRANSMISSION
L = LOWLINE	3 = HD DODGE 2WD 6 = Lt. Duty DODGE 4WD 2 = Med. Duty DODGE 2WD 7 = Med. Duty DODGE 4WD	55 = Wagon 140" 54 = Wagon 118" 52 = Wagon 140" 51 = Wagon 118" 12 = Van 140" 11 = Van 118" 06 = Front Section 158" 14 = Van 118" 15 = Van 140" 16 = Van 158" 56 = Wagon 158"	EX8 = Engine-2.7L I5 Mercedes Turbo Diesel	DGJ = Transmission-5-Spd. Automatic,W5A580
		01 = Chassis Forward Control 118" 02 = Chassis Forward Control 140"		

AR = use ase required - = Non illustrated part

2004 VA

Side Frame Rails and Crossmembers 3500
Figure 13-120



ITEM	PART NUMBER	QTY	LINE	SERIES	BODY	ENGINE	TRANS	TRIM	DESCRIPTION
1	05118063AA	1	3, 7	L	06				RAIL, Frame Side, 05118063aa Lt. Left
		1	3, 7	L	16				Left
	05118082AA	1	3, 7	L	06				Right
		1	3, 7	L	16				Right
2	05118178AA	1	3, 7	L	02, 06				CROSSMEMBER, Front Frame
		1	3, 7	L	12, 15, 16				
3	05118152AA	1	2, 6	L	01, 06				CROSSMEMBER, Front Frame
		1	2, 6	L	11, 14, 16				
		1	2, 6	L	51, 54, 56				
		1	3, 7	L	16				
4	05118097AA	1	2, 6	L	11, 12, 14, 15, 16				CROSSMEMBER, Front Frame
		1	2, 6	L	51, 52, 54, 55, 56				
		1	7, 3	L	12, 15, 16				
5	05118136AA	1	2, 6	L	01, 02				CROSSMEMBER, Front Frame
		1	2, 6	L	11, 12, 14, 15, 16				
		1	2, 6	L	16				
		1	2, 6	L	56				
		1	3, 7	L	16, 12, 15				
6	05118182AA	1	3, 7	L	02, 06				CROSSMEMBER, Rear Frame
		1	3, 7	L	12, 15, 16				
7		1							CROSSMEMBER, Front Frame, (NOT SERVICED)

SPRINTER (VA)

SERIES

L = LOWLINE
 3 = HD DODGE 2WD
 6 = Lt. Duty DODGE 4WD
 2 = Med. Duty DODGE 2WD
 7 = Med. Duty DODGE 4WD

LINE

BODY

55 = Wagon 140"
 54 = Wagon 118"
 52 = Wagon 140"
 51 = Wagon 118"
 12 = Van 140"
 11 = Van 118"
 06 = Front Section 158"
 14 = Van 118"
 15 = Van 140"
 16 = Van 158"
 56 = Wagon 158"
 01 = Chassis Forward Control 118"
 02 = Chassis Forward Control 140"

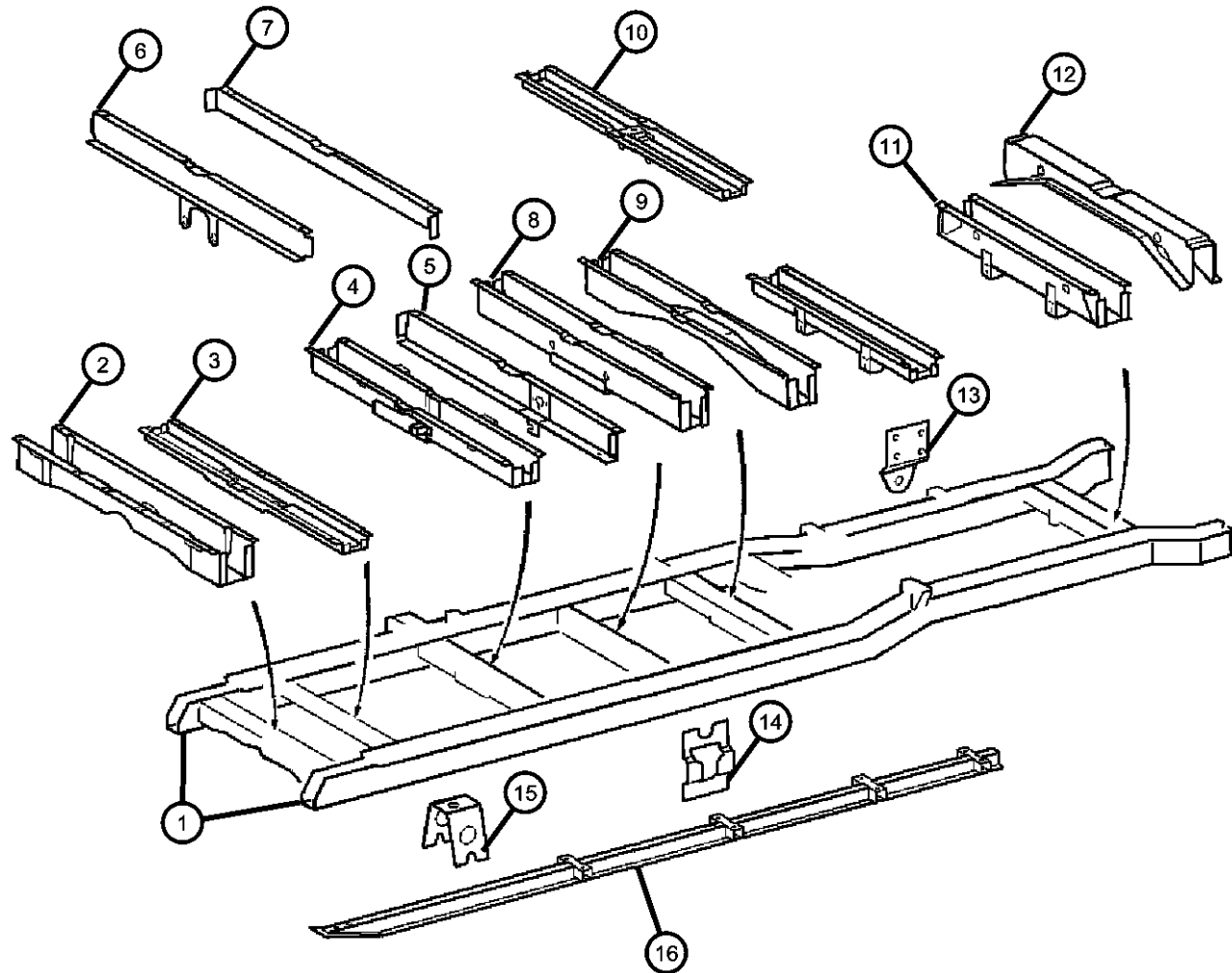
ENGINE

EX8 = Engine-2.7L I5
 Mercedes Turbo Diesel

TRANSMISSION

DGJ = Transmission-5-Spd. Automatic, W5A580

Side Frame Rails and Crossmembers 3500
Figure 13-120



ITEM	PART NUMBER	QTY	LINE	SERIES	BODY	ENGINE	TRANS	TRIM	DESCRIPTION
8	05118149AA	1	2, 6	L	11, 12, 14, 15, 16				CROSSMEMBER, Front Frame
		1	2, 6	L	51, 54				
9	05118170AA	1	2, 6	L	16				CROSSMEMBER, Front Frame
		1	2, 6	L	56				
10	05118142AA	1	2, 6	L	11, 12, 14, 15, 16				CROSSMEMBER, Front Frame
		1	2, 6	L	51, 52, 54, 55, 56				
		1	3, 7	L	12, 15, 16				
11	05118182AA	1	3, 7	L	02, 06				CROSSMEMBER, Rear Frame
		1	3, 7	L	12, 15, 16				
12	05118174AA	1	3, 7	L	02, 06				CROSSMEMBER, Shock Mount
		1	3, 7	L	12, 15, 16				
13	05118791AA	2	2, 6	L	01, 02, 06				BRACKET, Frame
		2	2, 6	L	11, 12, 14, 15, 16				
		2	2, 6	L	51, 52, 54, 55, 56				
		4	3, 7	L	12, 15, 16				
14	05119638AA	2	3, 7	L	02, 06				BRACKET, Frame
		1	3, 7	L	12, 15, 16				
15	05118223AA	6	3, 7	L	12, 15				BRACKET, Crossmember

SPRINTER (VA)

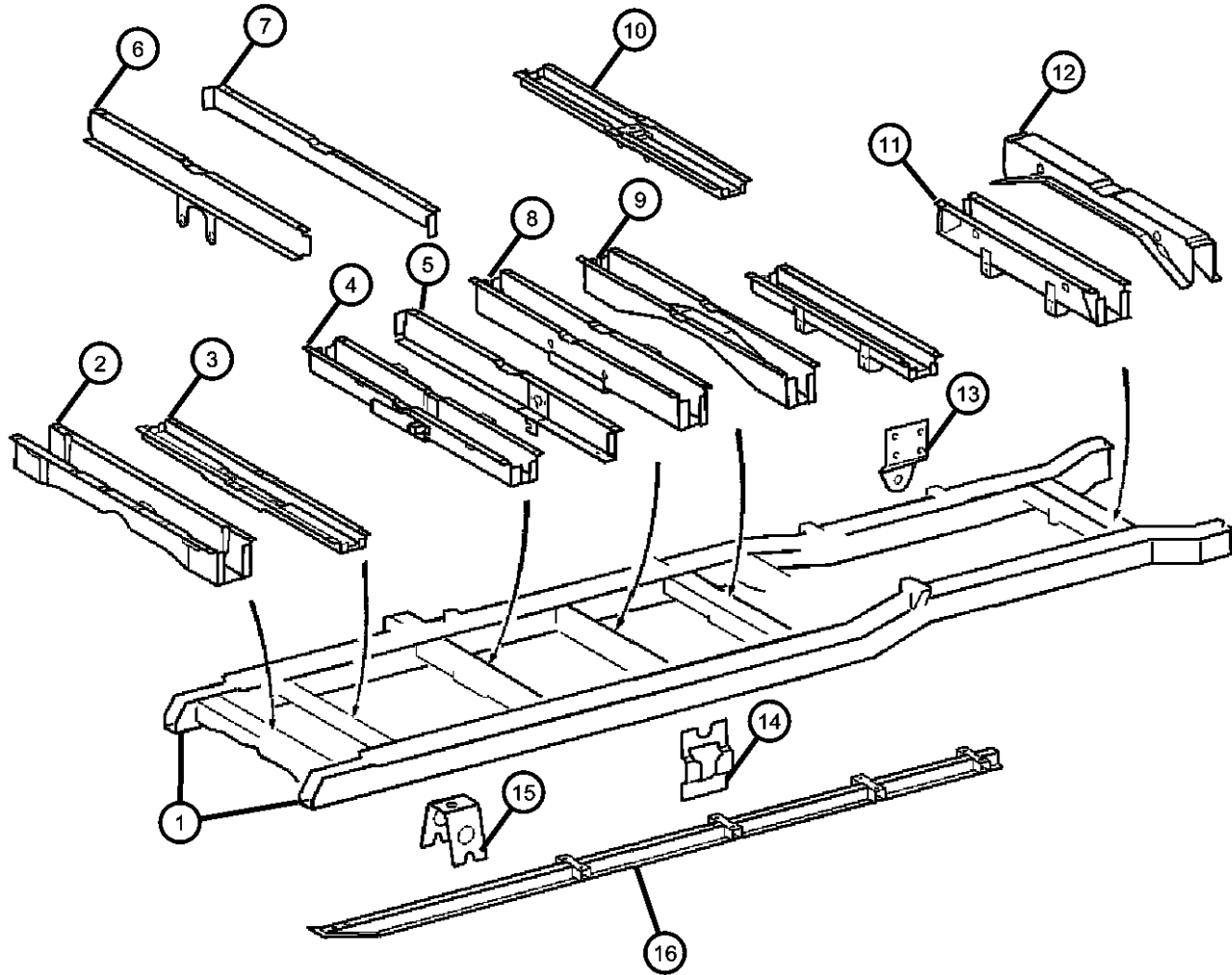
SERIES	LINE	BODY	ENGINE	TRANSMISSION
L = LOWLINE	3 = HD DODGE 2WD 6 = Lt. Duty DODGE 4WD 2 = Med. Duty DODGE 2WD 7 = Med. Duty DODGE 4WD	55 = Wagon 140" 54 = Wagon 118" 52 = Wagon 140" 51 = Wagon 118" 12 = Van 140" 11 = Van 118" 06 = Front Section 158" 14 = Van 118" 15 = Van 140" 16 = Van 158" 56 = Wagon 158"	EX8 = Engine-2.7L I5 Mercedes Turbo Diesel	DGJ = Transmission-5-Spd. Automatic, W5A580
		01 = Chassis Forward Control 118" 02 = Chassis Forward Control 140"		

AR = use ase required - = Non illustrated part

Side Frame Rails and Crossmembers 3500
Figure 13-120

ITEM	PART NUMBER	QTY	LINE	SERIES	BODY	ENGINE	TRANS	TRIM	DESCRIPTION
------	-------------	-----	------	--------	------	--------	-------	------	-------------

		8	3, 7	L	16				
16	05118220AA	1	2, 6	L	11, 12, 14, 15, 16				BRACKET, Frame Rail
		1	2, 6	L	16				
		1	2, 6	L	51, 52, 54, 55, 56				
		1	3, 7	L	12, 15, 16				



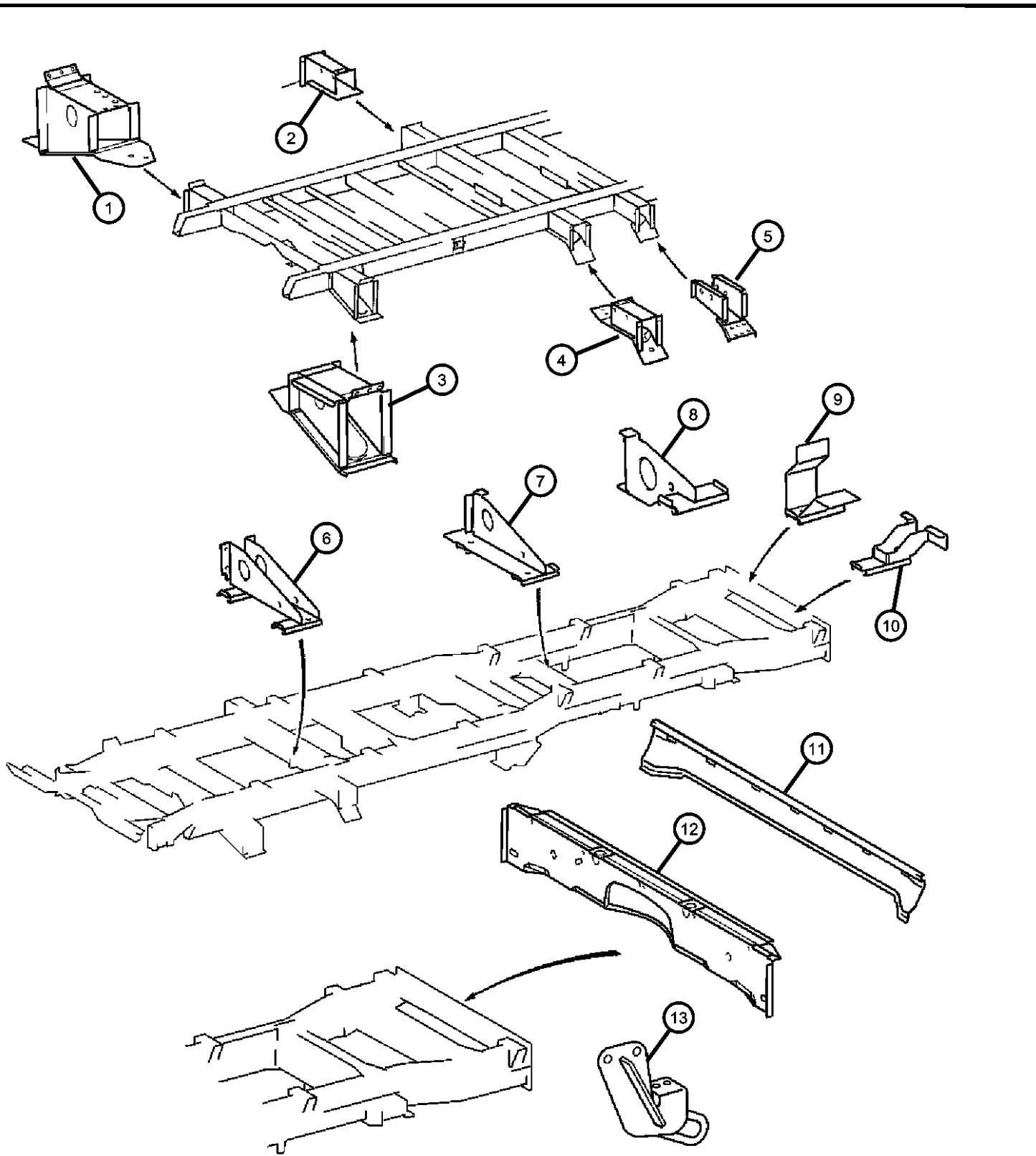
SPRINTER (VA)

SERIES	LINE	BODY	ENGINE	TRANSMISSION
L = LOWLINE	3 = HD DODGE 2WD 6 = Lt. Duty DODGE 4WD 2 = Med. Duty DODGE 2WD 7 = Med. Duty DODGE 4WD	55 = Wagon 140" 54 = Wagon 118" 52 = Wagon 140" 51 = Wagon 118" 12 = Van 140" 11 = Van 118" 06 = Front Section 158" 14 = Van 118" 15 = Van 140" 16 = Van 158" 56 = Wagon 158"	EX8 = Engine-2.7L I5 Mercedes Turbo Diesel	DGJ = Transmission-5-Spd. Automatic,W5A580
		01 = Chassis Forward Control 118"		
		02 = Chassis Forward Control 140"		

AR = use ase required - = Non illustrated part

2004 VA

Brackets, Frame To Body Supports
Figure 13-130



ITEM	PART NUMBER	QTY	LINE	SERIES	BODY	ENGINE	TRANS	TRIM	DESCRIPTION
1	05118013AA	1	2, 6	L	11, 12, 14, 15, 16				BRACKET, Frame Rail Right
		1	2, 6	L	56, 51, 52, 54, 55				Right
2	05118024AA	1	3, 7	L	12, 15, 16				BRACKET, Frame RailRight
3	05118031AA	1	2, 6	L	11, 12, 14, 15, 16				BRACKET, Frame Rail Left
		1	2, 6	L	51, 52, 54, 55, 56				Left
4	05118035AA	1	3, 7	L	12, 15, 16				Left
		1	3, 7	L	12, 15, 16				BRACKET, Frame Rail
5	05118025AA	1	2, 6	L	52, 55, 56				Left
		1	3, 7	L	12, 15, 16				Left
6	05118029AA	2	3, 7	L	12, 15, 16				BRACKET, Frame RailRight & Left
	05119822AA	1	2, 6	L	51, 52, 54, 55, 56				BRACKET, Frame
		1	3, 7	L	02, 06				
		1	3, 7	L	12, 15, 16				
		1	2, 6	L	01, 02, 06				
1		2, 6	L	11, 12, 14, 15, 16					
7	05119804AA	1	2, 6	L	02, 06				BRACKET, Frame
		1	2, 6	L	11, 12, 14, 15, 16				
		1	2, 6	L	51, 52, 54, 55, 56				
		1	3, 7	L	02, 06				
		1	3, 7	L	12, 15, 16				
8	05119804AA	1	2, 6	L	02, 06				BRACKET, Exhaust, Muffler
		1	2, 6	L	11, 12, 14, 15, 16				
		1	2, 6	L	51, 52, 54, 55, 56				
		1	3, 7	L	02, 06				

SPRINTER (VA)
SERIES LINE
 L = LOWLINE 3 = HD DODGE 2WD
 6 = Lt. Duty DODGE 4WD
 2 = Med. Duty DODGE 2WD
 7 = Med. Duty DODGE 4WD

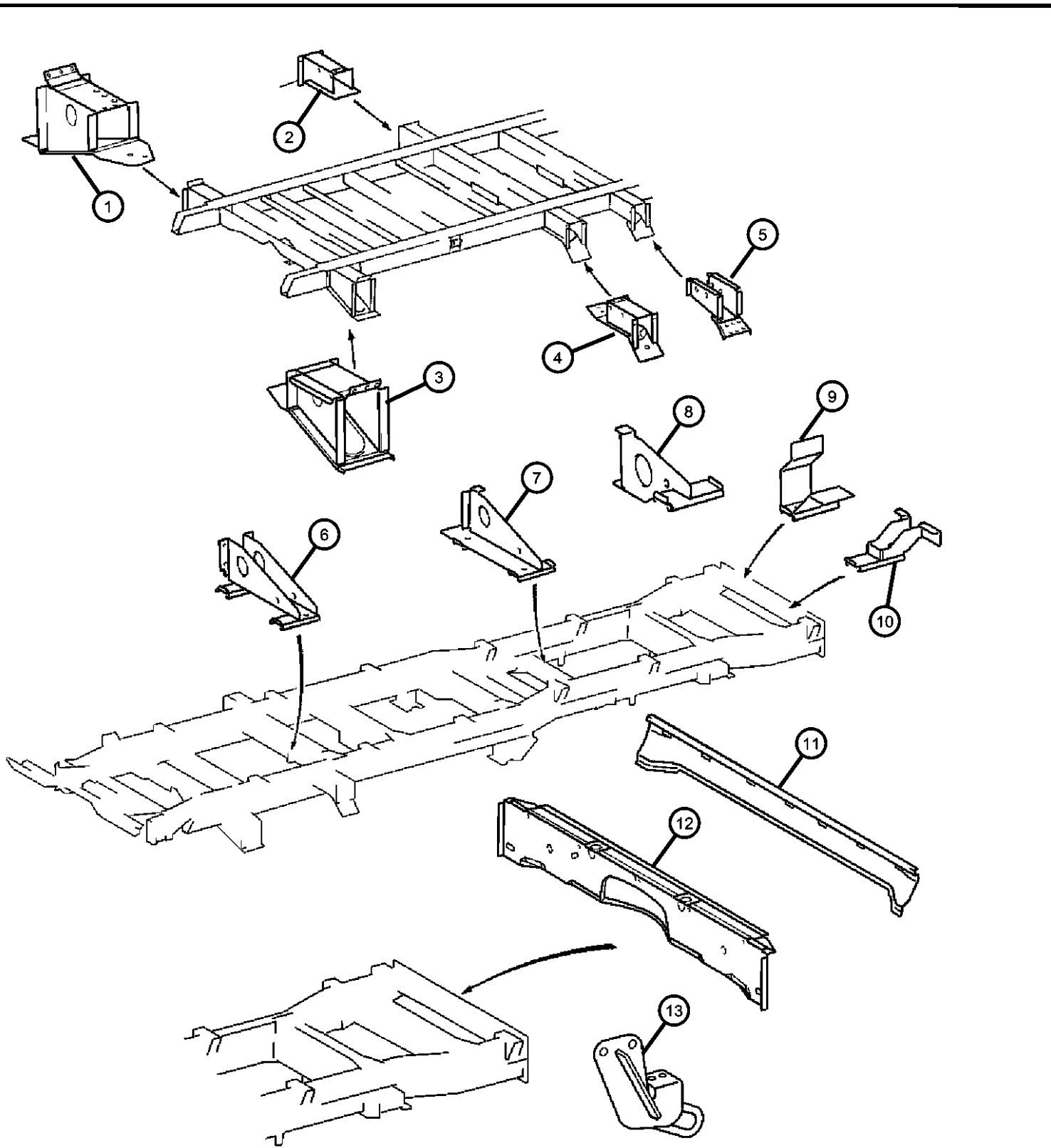
BODY
 55 = Wagon 140"
 54 = Wagon 118"
 52 = Wagon 140"
 51 = Wagon 118"
 12 = Van 140"
 11 = Van 118"
 06 = Front Section 158"
 14 = Van 118"
 15 = Van 140"
 16 = Van 158"
 56 = Wagon 158"
 01 = Chassis Forward Control 118"
 02 = Chassis Forward Control 140"

ENGINE
 EX8 = Engine-2.7L I5
 Mercedes Turbo Diesel

TRANSMISSION
 DGJ = Transmission-5-Spd. Automatic,W5A580

AR = use ase required - = Non illustrated part

Brackets, Frame To Body Supports
Figure 13-130



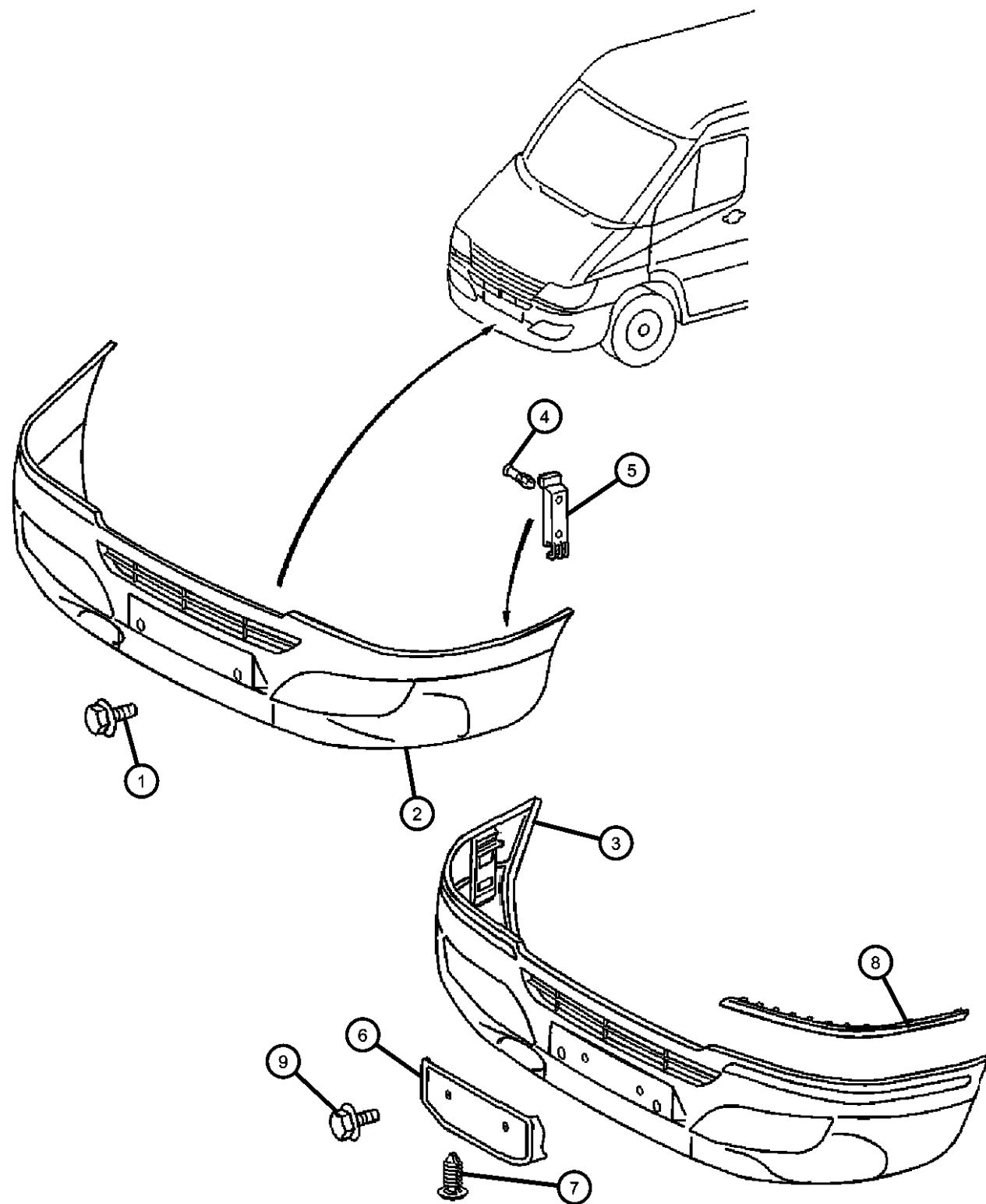
ITEM	PART NUMBER	QTY	LINE	SERIES	BODY	ENGINE	TRANS	TRIM	DESCRIPTION
	05119811AA	1	2, 6	L	06				
		1	2, 6	L	16				
		1	2, 6	L	56				
9	05119826AA	1	3, 7	L	02, 06				BRACKET, Exhaust, Muffler
10	05119826AA	1	3, 7	L	16, 12, 15				BRACKET, Exhaust, Muffler
	05119826AA	1	3, 7	L	02, 06				
11	05119826AA	1	3, 7	L	12, 15, 16				REINFORCEMENT, Rear Bumper
	05104159AA	1	3, 7	L	12, 15, 16				
12		1	2, 6	L	11, 12, 14, 15, 16				REINFORCEMENT, Rear Bumper
		1	2, 6	L	51, 52, 54, 55, 56				
	05104050AA	1	2, 6	L	11, 12, 14, 15, 16				
13		1	2, 6	L	51, 52, 54, 55, 56				HOOK, Tow
		1	3, 7	L	12, 15, 16				
	05118001AA	1	2, 6	L	14, 11				
		1	2, 6	L	51, 54				
	05118003AA	1	2, 6	L	12, 15, 16				
		1	2, 6	L	52, 55, 56				
	05118006AA	1	3, 7	L	12, 15				
	05118008AA	1	3, 7	L	16				

SPRINTER (VA)

SERIES	LINE	BODY	ENGINE	TRANSMISSION
L = LOWLINE	3 = HD DODGE 2WD 6 = Lt. Duty DODGE 4WD 2 = Med. Duty DODGE 2WD 7 = Med. Duty DODGE 4WD	55 = Wagon 140" 54 = Wagon 118" 52 = Wagon 140" 51 = Wagon 118" 12 = Van 140" 11 = Van 118" 06 = Front Section 158" 14 = Van 118" 15 = Van 140" 16 = Van 158" 56 = Wagon 158"	EX8 = Engine-2.7L I5 Mercedes Turbo Diesel	DGJ = Transmission-5-Spd. Automatic,W5A580

AR = use ase required - = Non illustrated part

Bumper, Front
Figure 13-230



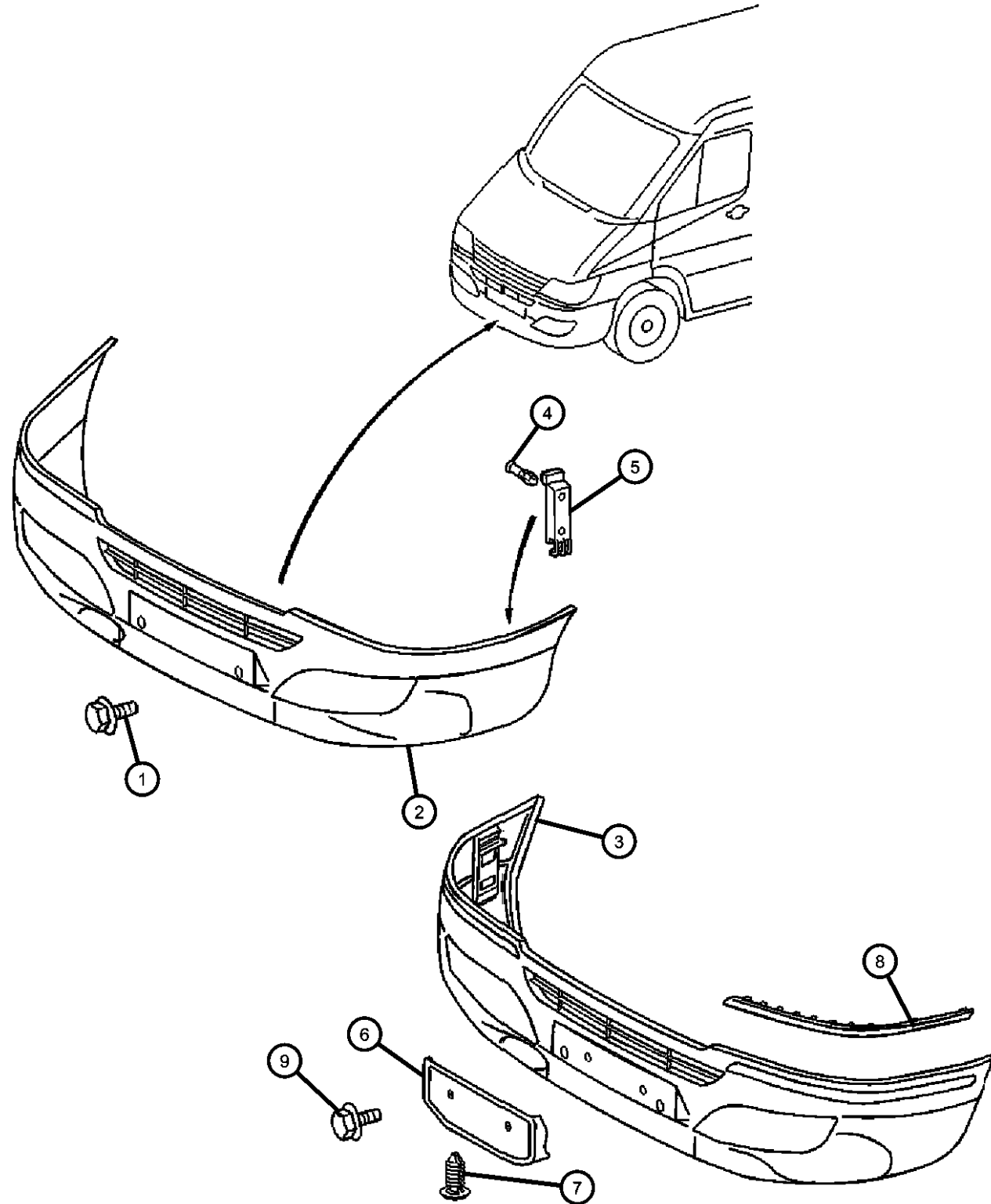
ITEM	PART NUMBER	QTY	LINE	SERIES	BODY	ENGINE	TRANS	TRIM	DESCRIPTION
1	05103728AA	2	2, 6	L	01, 02, 06				SCREW
		2	2, 6	L	11, 12, 14, 15, 16				
		2	2, 6	L	51, 52, 54, 55, 56				
		2	3, 7	L	12, 15, 16				
2	05104513AA	1	2, 6	L	54, 55, 56, 51, 52				FASCIA, Front
		1	3, 7	L	02, 06				
		1	2, 6	L	01, 02, 06				
		1	2, 6	L	11, 12, 14, 15, 16				
		1	3, 7	L	12, 15, 16				
3	05104517AA	1	2, 6	L	01, 02, 06				FASCIA, Front [MJD]
		1	2, 6	L	11, 12, 14, 15, 16				
		1	2, 6	L	51, 52, 54, 55, 56				
		1	3, 7	L	02, 06				
	05132494AA	1	3, 7	L	12, 15, 16				[MJD]
		1	2, 6	L	01, 02, 06				
		1	2, 6	L	11, 12, 14, 15, 16				
	05132496AA	1	2, 6	L	51, 52, 54, 55, 56				[WDG][MCC]
		1	2, 6	L	01, 02, 06				
		1	2, 6	L	11, 12, 14, 15, 16				
4		1	2, 6	L	01, 02, 06				RETAINER, Fascia
		1	2, 6	L	11, 12, 14, 15, 16				

SPRINTER (VA)

SERIES	LINE	BODY	ENGINE	TRANSMISSION
L = LOWLINE	3 = HD DODGE 2WD 6 = Lt. Duty DODGE 4WD 2 = Med. Duty DODGE 2WD 7 = Med. Duty DODGE 4WD	55 = Wagon 140" 54 = Wagon 118" 52 = Wagon 140" 51 = Wagon 118" 12 = Van 140" 11 = Van 118" 06 = Front Section 158" 14 = Van 118" 15 = Van 140" 16 = Van 158" 56 = Wagon 158"	EX8 = Engine-2.7L I5 Mercedes Turbo Diesel	DGJ = Transmission-5-Spd. Automatic, W5A580
		01 = Chassis Forward Control 118" 02 = Chassis Forward Control 140"		

AR = use ase required - = Non illustrated part

Bumper, Front
Figure 13-230



ITEM	PART NUMBER	QTY	LINE	SERIES	BODY	ENGINE	TRANS	TRIM	DESCRIPTION
5	05104543AA	4	2, 6	L	01, 02, 06				BRACKET, Front Bumper
		2	2, 6	L	11, 12, 14, 15, 16				
		2	2, 6	L	51, 52, 54, 55, 56				
		4	3, 7	L	02, 06				
		2	3, 7	L	12, 15, 16				
6	05104505AA	2	2, 6	L	01, 02, 06				BRACKET, License Plate, Chrome
		2	2, 6	L	11, 12, 14, 15, 16				
		2	2, 6	L	51, 52, 54, 55, 56				
		2	3, 7	L	02, 06				
		2	3, 7	L	12, 15, 16				
7	05104524AA	1	2, 6	L	51, 52, 54, 55, 56				PLUG
		1	3, 7	L	02, 06				
		1	2, 6	L	01, 02, 06				
		1	3, 7	L	12, 15, 16				
8	05103817AA	2	2, 6	L	01, 02, 06				NERF, Fascia Left
		2	2, 6	L	11, 12, 14, 15, 16				
		7	2, 6	L	51, 52, 54, 55, 56				
		2	3, 7	L	12, 15, 16				
8	05104523AA	1	2, 6	L	11, 12, 14, 15, 16				NERF, Fascia Left
		1	2, 6	L	01, 02, 06				

SPRINTER (VA)

SERIES

L = LOWLINE

LINE

3 = HD DODGE 2WD
6 = Lt. Duty DODGE 4WD
2 = Med. Duty DODGE 2WD
7 = Med. Duty DODGE 4WD

BODY

55 = Wagon 140"
54 = Wagon 118"
52 = Wagon 140"
51 = Wagon 118"
12 = Van 140"
11 = Van 118"
06 = Front Section 158"
14 = Van 118"
15 = Van 140"
16 = Van 158"
56 = Wagon 158"
01 = Chassis Forward Control 118"
02 = Chassis Forward Control 140"

ENGINE

EX8 = Engine-2.7L I5
Mercedes Turbo Diesel

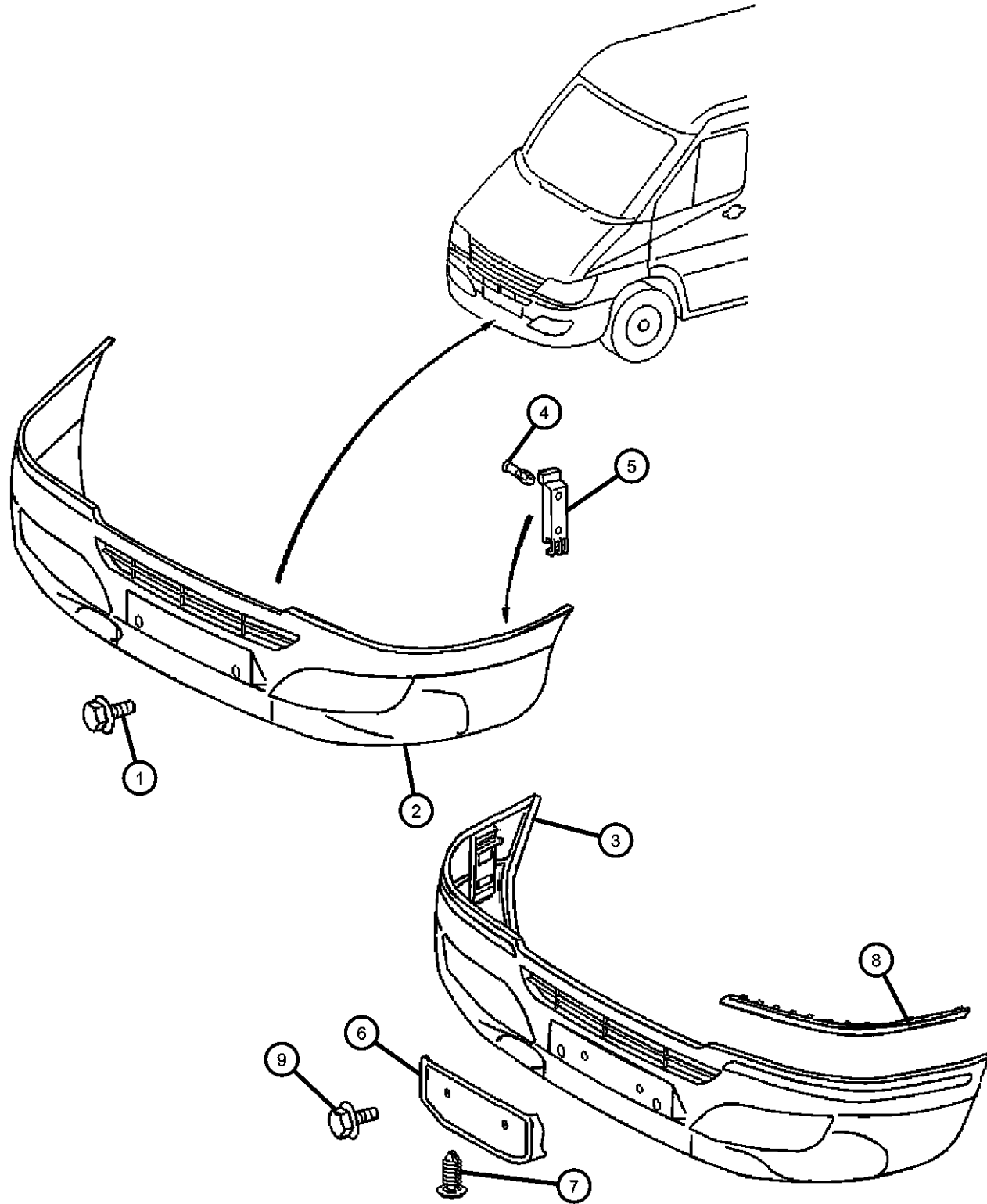
TRANSMISSION

DGJ = Transmission-5-Spd. Automatic, W5A580

AR = use ase required - = Non illustrated part

2004 VA

Bumper, Front
Figure 13-230



ITEM	PART NUMBER	QTY	LINE	SERIES	BODY	ENGINE	TRANS	TRIM	DESCRIPTION
		1	2, 6	L	51, 52, 54, 55, 56				Left
		1	3, 7	L	02, 06				Left
		1	3, 7	L	12, 15, 16				Left
	05104525AA	1	2, 6	L	01, 02, 06				Right
		1	2, 6	L	11, 12, 14, 15, 16				Right
		1	2, 6	L	51, 52, 54, 55, 56				Right
		1	3, 7	L	02, 06				Right
		1	3, 7	L	12, 15, 16				Right
9		1							SCREW, 5 x 16, (NOT SERVICED)

SPRINTER (VA)

SERIES

L = LOWLINE

LINE

3 = HD DODGE 2WD
6 = Lt. Duty DODGE 4WD
2 = Med. Duty DODGE 2WD
7 = Med. Duty DODGE 4WD

BODY

55 = Wagon 140"
54 = Wagon 118"
52 = Wagon 140"
51 = Wagon 118"
12 = Van 140"
11 = Van 118"
06 = Front Section 158"
14 = Van 118"
15 = Van 140"
16 = Van 158"
56 = Wagon 158"
01 = Chassis Forward Control 118"
02 = Chassis Forward Control 140"

ENGINE

EX8 = Engine-2.7L I5
Mercedes Turbo Diesel

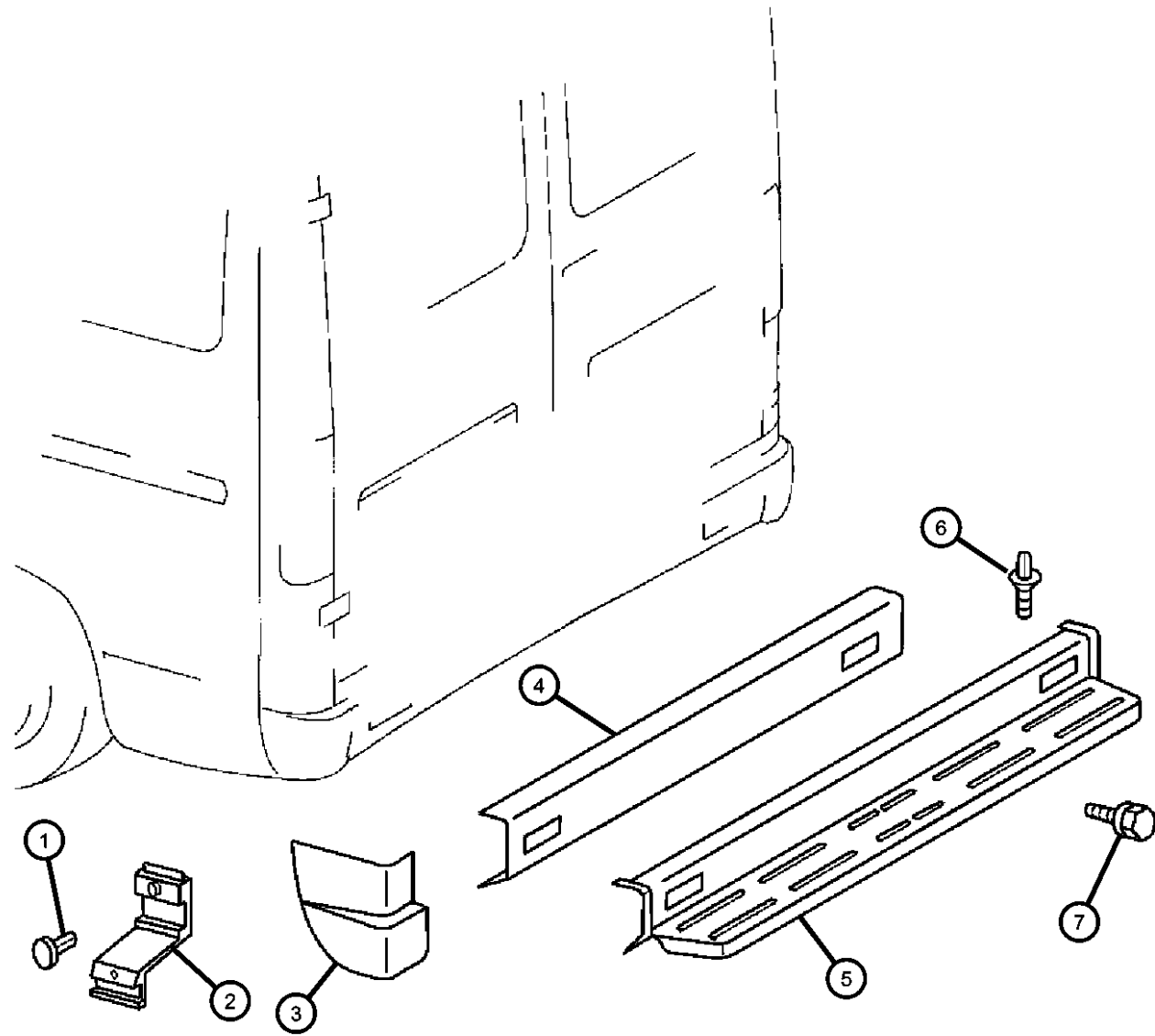
TRANSMISSION

DGJ = Transmission-5-Spd. Automatic, W5A580

AR = use ase required - = Non illustrated part

2004 VA

Bumper, Rear
Figure 13-320



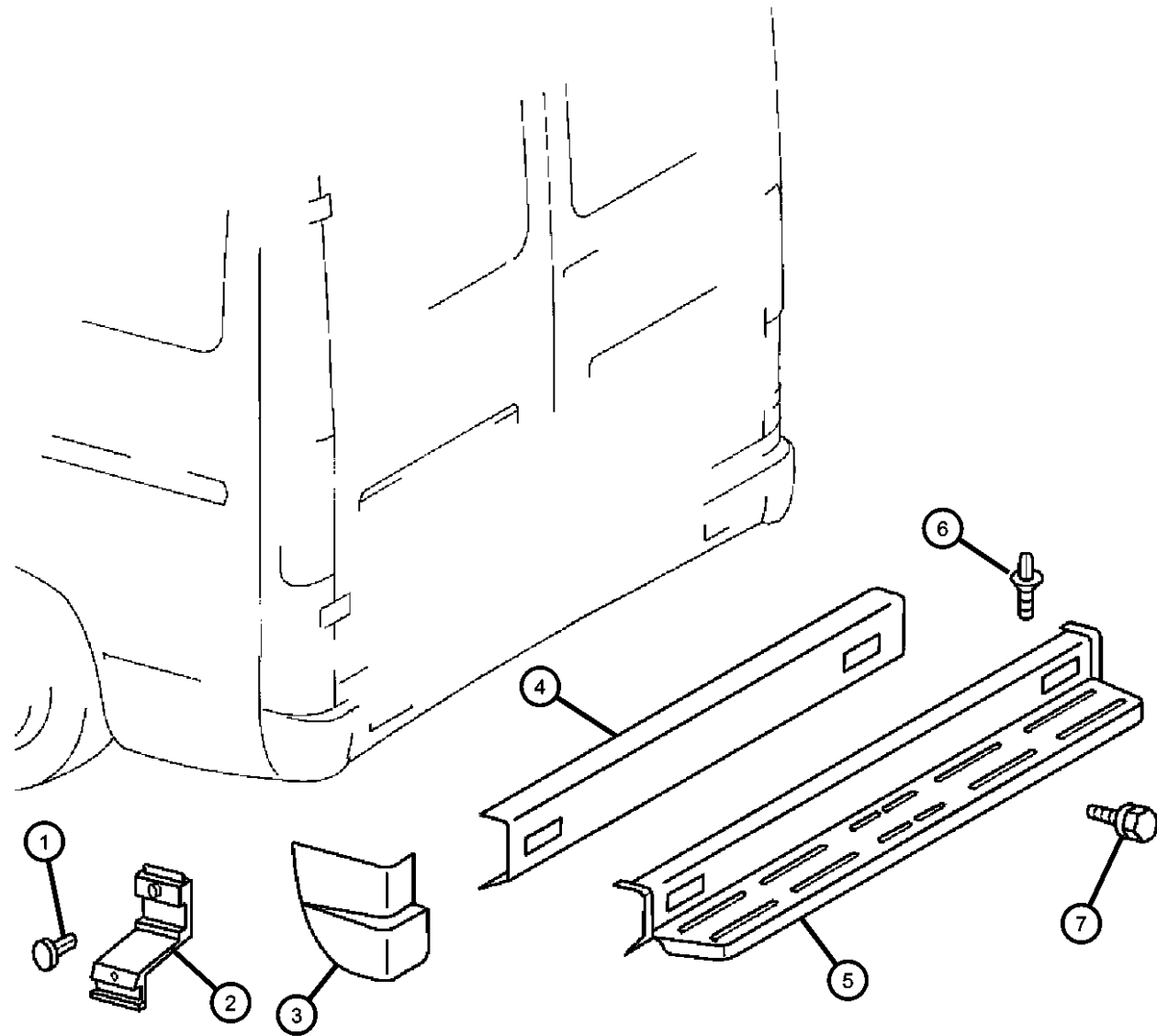
ITEM	PART NUMBER	QTY	LINE	SERIES	BODY	ENGINE	TRANS	TRIM	DESCRIPTION
1	05104543AA	4	2, 6	L	01, 02, 06				RETAINER, Fascia
		2	2, 6	L	11, 12, 14, 15, 16				
		2	2, 6	L	51, 52, 54, 55, 56				
		4	3, 7	L	02, 06				
		2	3, 7	L	12, 15, 16				
2	05104508AA	1	2, 6	L	11, 12, 14, 15, 16				BRACKET, Rear Bumper Left
		1	2, 6	L	51, 52, 54, 55, 56				Left
		1	3, 7	L	12, 15, 16				Left
	05104510AA	1	2, 6	L	11, 12, 14, 15, 16				Right
		1	2, 6	L	51, 52, 54, 55, 56				Right
		1	3, 7	L	12, 15, 16				Right
3	05104509AA	1	2, 6	L	11, 12, 14, 15, 16				COVER, Fascia Left
		1	2, 6	L	51, 52, 54, 55, 56				Left
		1	3, 7	L	12, 15, 16				Left
	05104511AA	1	2, 6	L	11, 12, 14, 15, 16				Right
		1	2, 6	L	51, 52, 54, 55, 56				Right
		1	3, 7	L	12, 15, 16				Right
4	05104512AA	1	2, 6	L	11, 12, 14, 15, 16				BUMPER, Fascia, Rear
		1	2, 6	L	51, 52, 54, 55, 56				

SPRINTER (VA)

SERIES	LINE	BODY	ENGINE	TRANSMISSION
L = LOWLINE	3 = HD DODGE 2WD 6 = Lt. Duty DODGE 4WD 2 = Med. Duty DODGE 2WD 7 = Med. Duty DODGE 4WD	55 = Wagon 140" 54 = Wagon 118" 52 = Wagon 140" 51 = Wagon 118" 12 = Van 140" 11 = Van 118" 06 = Front Section 158" 14 = Van 118" 15 = Van 140" 16 = Van 158" 56 = Wagon 158"	EX8 = Engine-2.7L I5 Mercedes Turbo Diesel	DGJ = Transmission-5-Spd. Automatic,W5A580
		01 = Chassis Forward Control 118" 02 = Chassis Forward Control 140"		

AR = use ase required - = Non illustrated part

Bumper, Rear
Figure 13-320



ITEM	PART NUMBER	QTY	LINE	SERIES	BODY	ENGINE	TRANS	TRIM	DESCRIPTION
5		1	3, 7	L	12, 15, 16				BUMPER, Fascia, Rear
	05104526AA	1	6, 2	L	11, 12, 14, 15, 16				[MBZ]
		1	2, 6	L	51, 52, 54, 55, 56				[MBZ]
6		1	3, 7	L	12, 15, 16				[MBZ]
	05103730AA	4	2, 6	L	11, 12, 14, 15, 16				RIVET
		4	2, 6	L	51, 52, 54, 55, 56				
		4	3, 7	L	12, 15, 16				
7		2	2, 6	L	01, 02, 06				SCREW
	05103728AA	2	3, 7	L	12, 15, 16				
		2	2, 6	L	11, 12, 14, 15, 16				
		2	2, 6	L	51, 52, 54, 55, 56				
-8		1	2, 6	L	12, 15, 16				BUMPER, Step
	05104132AA	1	2, 6	L	52, 55, 56				[MBZ,5AE,5AF]
	05104133AA	1	2, 6	L	11, 14				[MBZ,5AC]
		1	2, 6	L	51, 54				
	05104135AA	1	2, 6	L	11, 12, 14, 15, 16				[MKB]
		1	2, 6	L	51, 52, 54, 55, 56				
	05120038AA	1	3, 7	L	12, 15				[MBZ,5AE]
	05120040AA	1	3, 7	L	16				[MBZ,5AF]
-9	05120057AA	1	3, 7	L	02, 06				GUARD, Bumper

SPRINTER (VA)

SERIES

L = LOWLINE

LINE

3 = HD DODGE 2WD
6 = Lt. Duty DODGE 4WD
2 = Med. Duty DODGE 2WD
7 = Med. Duty DODGE 4WD

BODY

55 = Wagon 140"
54 = Wagon 118"
52 = Wagon 140"
51 = Wagon 118"
12 = Van 140"
11 = Van 118"
06 = Front Section 158"
14 = Van 118"
15 = Van 140"
16 = Van 158"
56 = Wagon 158"
01 = Chassis Forward Control 118"
02 = Chassis Forward Control 140"

ENGINE

EX8 = Engine-2.7L I5
Mercedes Turbo Diesel

TRANSMISSION

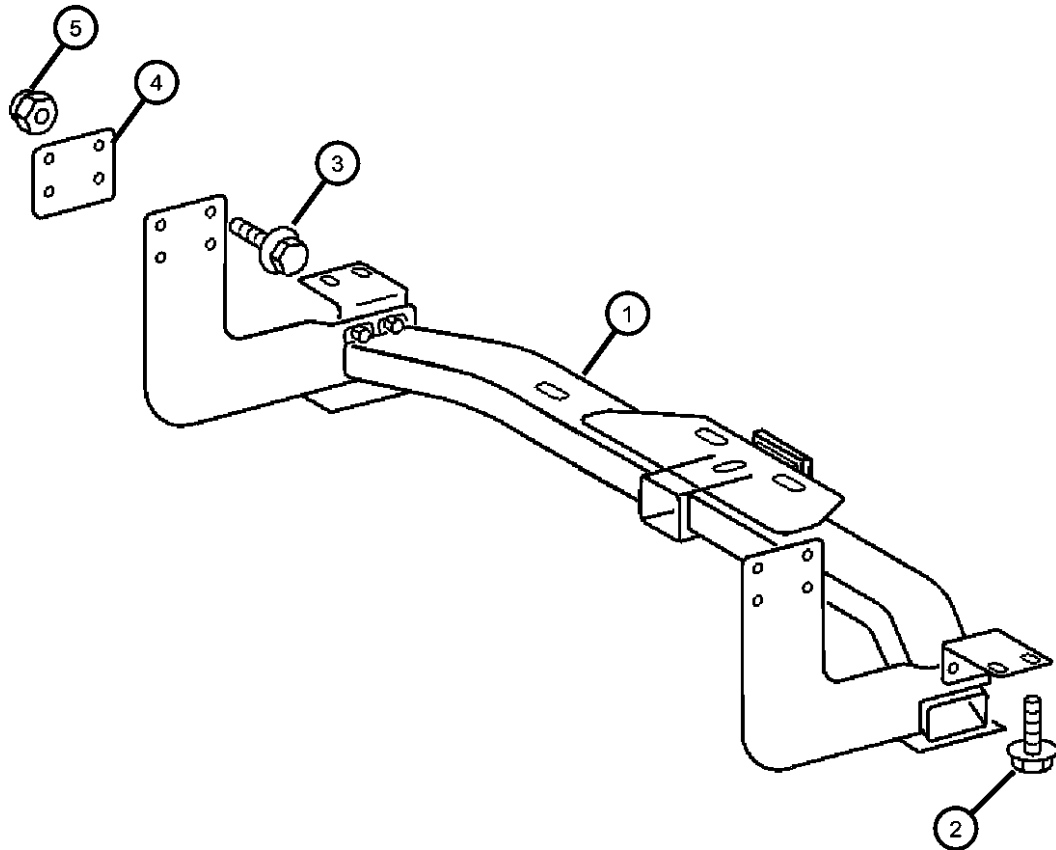
DGJ = Transmission-5-Spd. Automatic,W5A580

AR = use ase required - = Non illustrated part

2004 VA

Rear Hitch
Figure 13-610

ITEM	PART NUMBER	QTY	LINE	SERIES	BODY	ENGINE	TRANS	TRIM	DESCRIPTION
1									SUPPORT, Hitch
	05128441AA	1	2, 6	L	11, 14				
		1	2, 6	L	51, 54				
	05104057AA	1	2, 6	L	12, 15, 16				
		1	2, 6	L	52, 55, 56				
		1	3, 7	L	16				
	05118519AA	1	3, 7	L	12, 15				
2	06104215AA	8	2, 3, 6, 7						BOLT, Hex Flange Head, M10x1.50x25
3									SCREW
	05104664AA	2	2, 6	L	11, 12, 14, 15, 16				
		2	3, 7	L	12, 15, 16				
4									PLATE, Towing Mounting
	05104056AA	2	2, 6	L	01, 02, 06				
		2	2, 6	L	11, 12, 14, 15, 16				
		2	2, 6	L	51, 52, 54, 55, 56				
		2	3, 7	L	02, 06				
		2	3, 7	L	12, 15, 16				
5									NUT
	05103668AA	1	2, 6	L	11, 12, 14, 15, 16				
		1	2, 6	L	51, 52, 54, 55, 56				
		1	3, 7	L	12, 15, 16				
	06104718AA	8	3, 7	L	02, 06				
		8	2, 6	L	01, 02, 06				
		2	2, 6	L	11, 12, 14, 15, 16				



SPRINTER (VA)

SERIES

L = LOWLINE

LINE

3 = HD DODGE 2WD
6 = Lt. Duty DODGE 4WD
2 = Med. Duty DODGE 2WD
7 = Med. Duty DODGE 4WD

BODY

55 = Wagon 140"
54 = Wagon 118"
52 = Wagon 140"
51 = Wagon 118"
12 = Van 140"
11 = Van 118"
06 = Front Section 158"
14 = Van 118"
15 = Van 140"
16 = Van 158"
56 = Wagon 158"
01 = Chassis Forward Control
118"
02 = Chassis Forward Control
140"

ENGINE

EX8 = Engine-2.7L I5
Mercedes Turbo Diesel

TRANSMISSION

DGJ = Transmission-5-Spd.
Automatic,W5A580

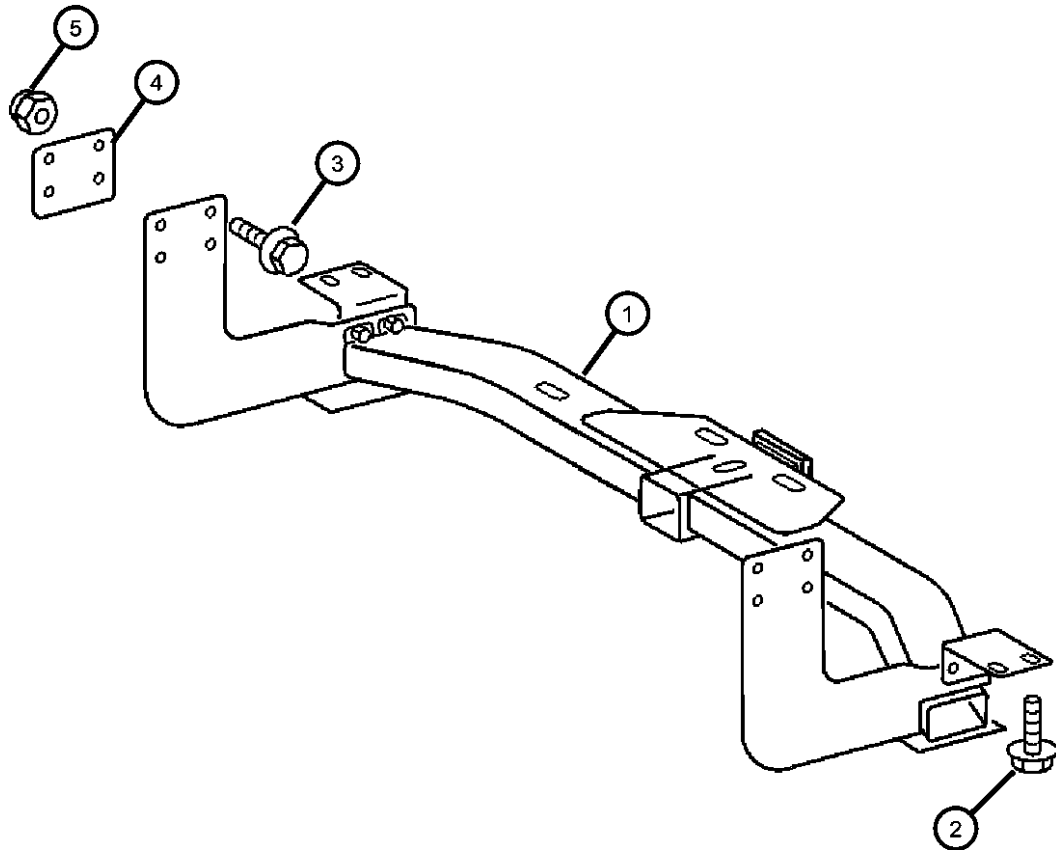
AR = use ase required - = Non illustrated part

2004 VA

Rear Hitch
Figure 13-610

ITEM	PART NUMBER	QTY	LINE	SERIES	BODY	ENGINE	TRANS	TRIM	DESCRIPTION
------	-------------	-----	------	--------	------	--------	-------	------	-------------

8		2, 6	L	51, 52, 54, 55, 56
8		6, 2	L	56

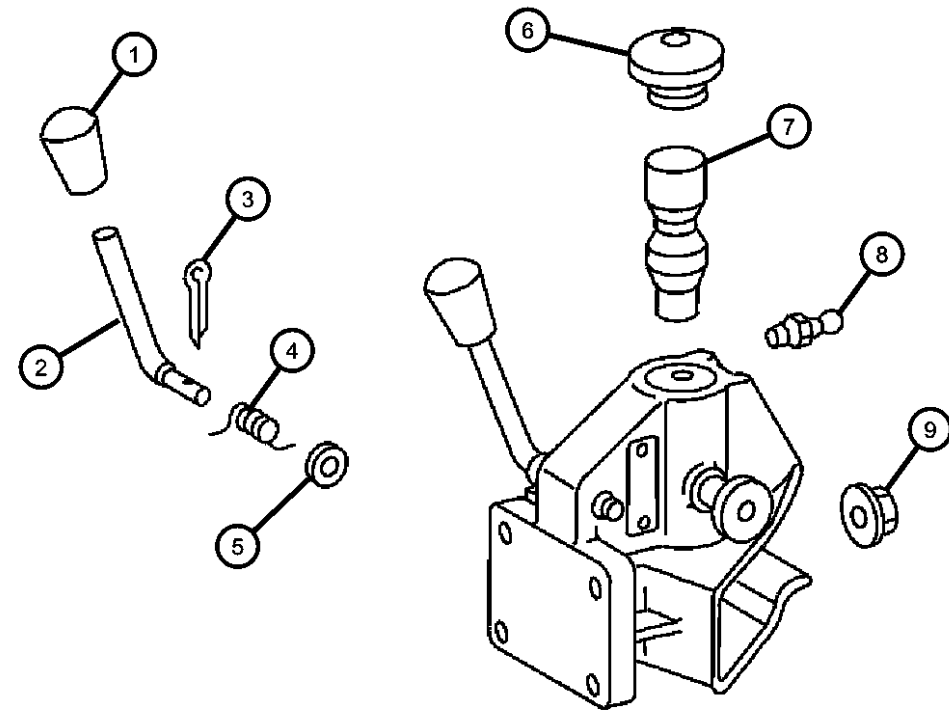


SPRINTER (VA)

SERIES	LINE	BODY	ENGINE	TRANSMISSION
L = LOWLINE	3 = HD DODGE 2WD 6 = Lt. Duty DODGE 4WD 2 = Med. Duty DODGE 2WD 7 = Med. Duty DODGE 4WD	55 = Wagon 140" 54 = Wagon 118" 52 = Wagon 140" 51 = Wagon 118" 12 = Van 140" 11 = Van 118" 06 = Front Section 158" 14 = Van 118" 15 = Van 140" 16 = Van 158" 56 = Wagon 158" 01 = Chassis Forward Control 118" 02 = Chassis Forward Control 140"	EX8 = Engine-2.7L I5 Mercedes Turbo Diesel	DGJ = Transmission-5-Spd. Automatic,W5A580

AR = use ase required - = Non illustrated part

Trailer Tow
Figure 13-620



ITEM	PART NUMBER	QTY	LINE	SERIES	BODY	ENGINE	TRANS	TRIM	DESCRIPTION
1		8							HANDLE, Latch, (NOT SERVICED)
2									LEVER
	05133855AA	1	2, 6	L	01, 02, 06				
		1	2, 6	L	11, 12, 14, 15, 16				
		1	2, 6	L	51, 52, 54, 55, 56				
		1	3, 7	L	02, 06				
		1	3, 7	L	12, 15, 16				
3									PIN
	05133860AA	1	2, 6	L	51, 52, 54, 55, 56				
		1	3, 7	L	02, 06				
		1	3, 7	L	12, 15, 16				
		1	2, 6	L	01, 02, 06				
		1	2, 6	L	11, 12, 14, 15, 16				
4		1							SPRING, Lever, (NOT SERVICED)
5		1							WASHER, (NOT SERVICED)
6		1							COVER, (NOT SERVICED)
7									PIN, Hitch
	05133853AA	1	2, 6	L	01, 02, 06				
		1	2, 6	L	16, 11, 12, 14, 15				
		1	2, 6	L	51, 52, 54, 55, 56				
		1	3, 7	L	02, 06				
		1	3, 7	L	12, 15, 16				
8									FITTING, Grease
	05133858AA	1	2, 6	L	01, 02, 06				
		1	2, 6	L	16, 11, 12, 14, 15				

SPRINTER (VA)

SERIES

L = LOWLINE

LINE

3 = HD DODGE 2WD
6 = Lt. Duty DODGE 4WD
2 = Med. Duty DODGE 2WD
7 = Med. Duty DODGE 4WD

BODY

55 = Wagon 140"
54 = Wagon 118"
52 = Wagon 140"
51 = Wagon 118"
12 = Van 140"
11 = Van 118"
06 = Front Section 158"
14 = Van 118"
15 = Van 140"
16 = Van 158"
56 = Wagon 158"
01 = Chassis Forward Control 118"
02 = Chassis Forward Control 140"

ENGINE

EX8 = Engine-2.7L I5
Mercedes Turbo Diesel

TRANSMISSION

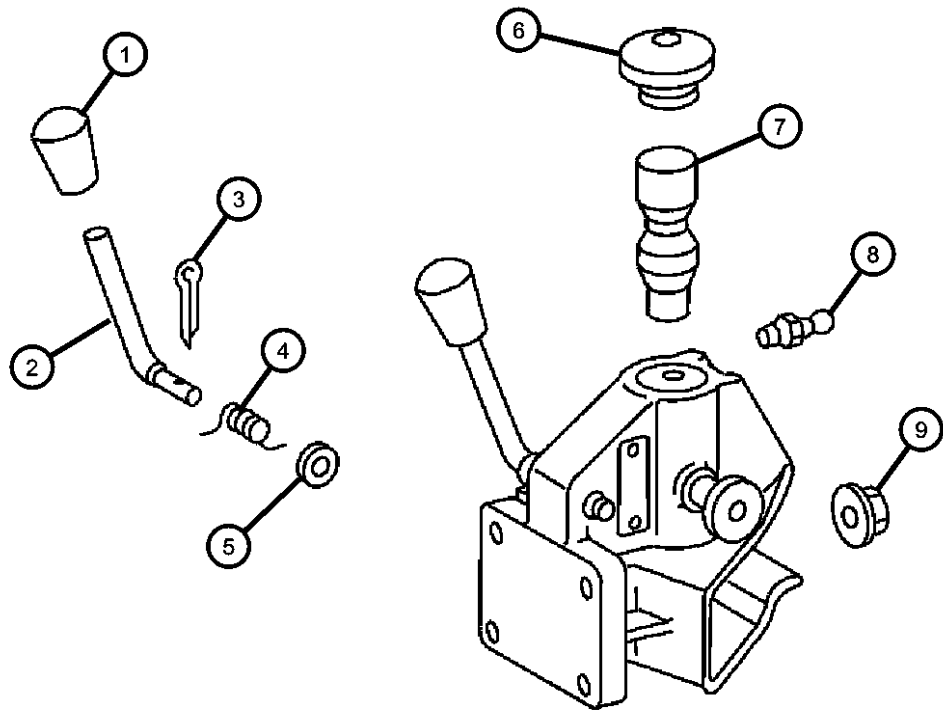
DGJ = Transmission-5-Spd. Automatic, W5A580

AR = use ase required - = Non illustrated part

2004 VA

Trailer Tow
Figure 13-620

ITEM	PART NUMBER	QTY	LINE	SERIES	BODY	ENGINE	TRANS	TRIM	DESCRIPTION
		1	2, 6	L	51, 52, 54, 55, 56				
		1	3, 7	L	02, 06				
		1	3, 7	L	12, 15, 16				
9	06104717AA	2	2, 6	L	01, 02, 06				NUT
		4	3, 7	L	02, 06				
		4	2, 6	L	11, 12, 14, 15, 16				
		4	2, 6	L	51, 52, 54, 55, 56				
		4	3, 7	L	12, 15, 16				
		2	3, 7	L	12, 15, 16				



SPRINTER (VA)

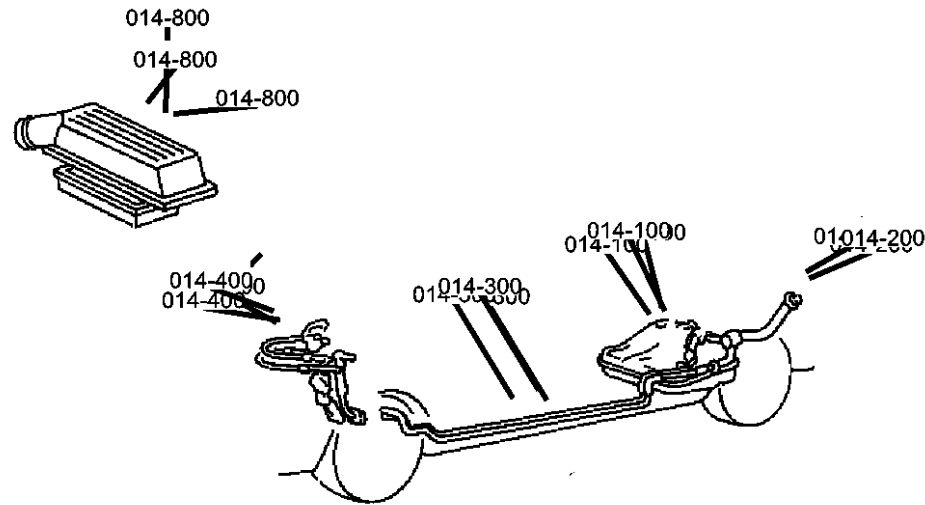
SERIES	LINE	BODY	ENGINE	TRANSMISSION
L = LOWLINE	3 = HD DODGE 2WD 6 = Lt. Duty DODGE 4WD 2 = Med. Duty DODGE 2WD 7 = Med. Duty DODGE 4WD	55 = Wagon 140" 54 = Wagon 118" 52 = Wagon 140" 51 = Wagon 118" 12 = Van 140" 11 = Van 118" 06 = Front Section 158" 14 = Van 118" 15 = Van 140" 16 = Van 158" 56 = Wagon 158" 01 = Chassis Forward Control 118" 02 = Chassis Forward Control 140"	EX8 = Engine-2.7L I5 Mercedes Turbo Diesel	DGJ = Transmission-5-Spd. Automatic,W5A580

AR = use ase required - = Non illustrated part

2004 VA

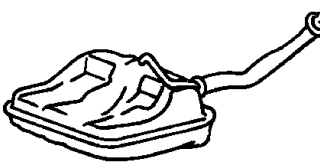
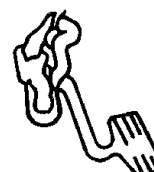
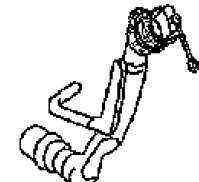
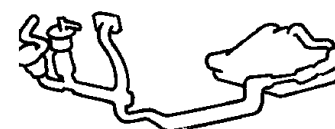
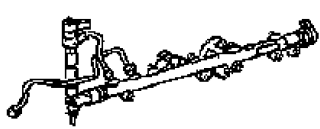
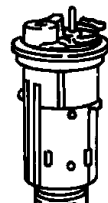
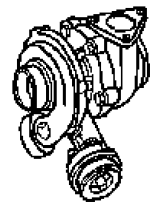
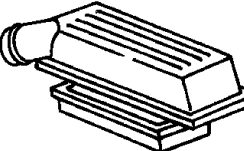
Group - 14

Fuel

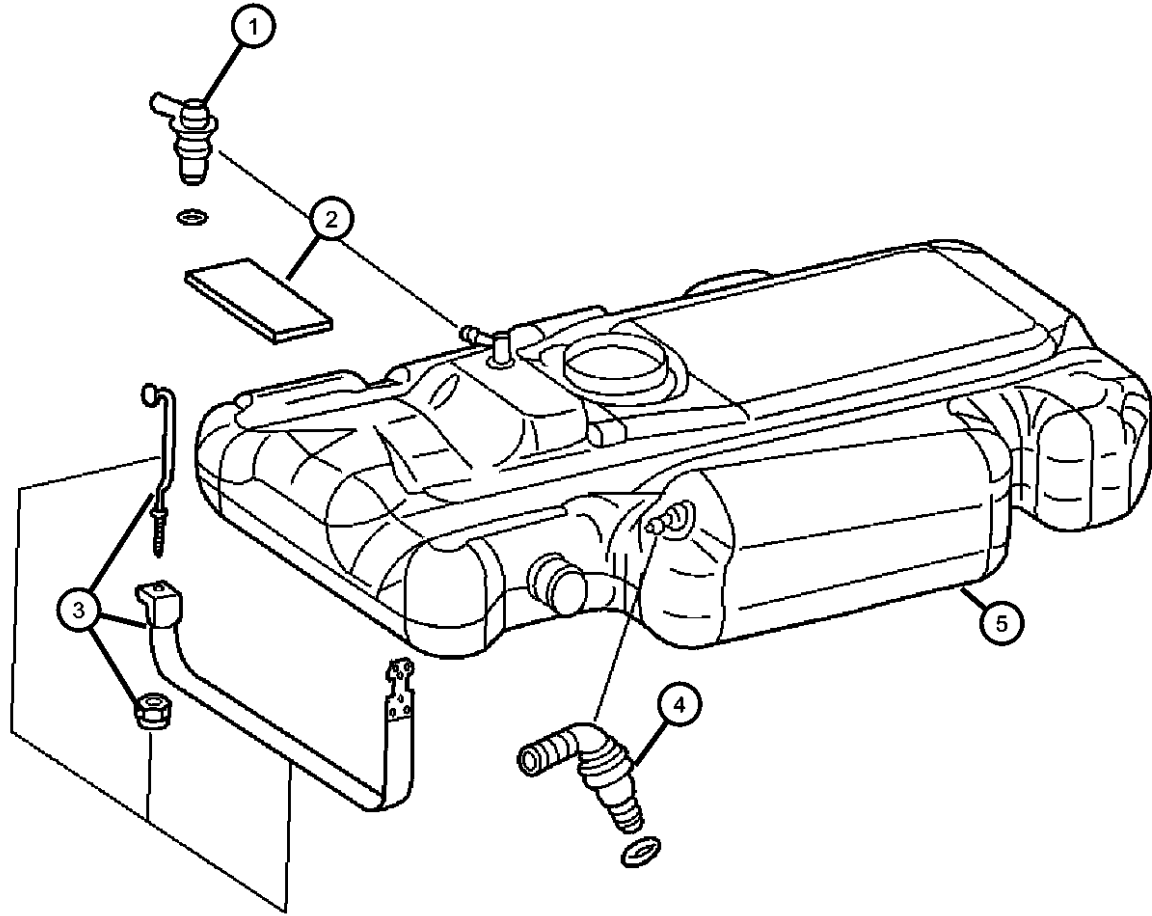


Group - 14 Fuel

Illustration Title	Group-Fig. No.
Tank, Fuel	
Fuel Tank	Fig. 14 - 110
Fuel Tank Filler Tube	
Fuel Tank Filler Tube.....	Fig. 14 - 210
Fuel Lines	
Fuel Lines.....	Fig. 14 - 310
Fuel Line and Filter.....	Fig. 14 - 320
Fuel Rail	
Injection System [EX8].....	Fig. 14 - 410
Fuel Pump and Sending Unit	
Fuel Module	Fig. 14 - 510
Fuel Injection Pump & Turbo Charger	
Fuel Injection Pump [EX8].....	Fig. 14 - 610
Turbo Charger	Fig. 14 - 630
Turbo Charger Heat Shield.....	Fig. 14 - 635
Air Cleaner	
Air Cleaner.....	Fig. 14 - 810
Accelerator Pedal	
Accelerator Pedal	Fig. 14 - 1110

014-100 Tank, Fuel 	014-1100 Accelerator Pedal 	014-200 Fuel Tank Filler Tube 	014-300 Fuel Lines 
014-400 Fuel Rail 	014-500 Fuel Pump and Sending Unit 	014-600 Fuel Injection Pump & Turbo Charger 	014-800 Air Cleaner 

Fuel Tank
Figure 14-110



ITEM	PART NUMBER	QTY	LINE	SERIES	BODY	ENGINE	TRANS	TRIM	DESCRIPTION
------	-------------	-----	------	--------	------	--------	-------	------	-------------

Sales Codes:EX8=ENGINE-2.7L I5 MERCEDES TURBO
DGJ=TRANSMISSION - 5-SPD AUTO

1									VALVE, Vent
	05133917AA	1	3, 7	L	02, 06				
		1	3, 7	L	12, 15, 16				
2									PAD
	05133443AA	5	2, 6	L	51, 52, 54, 55, 56				
		5	2, 6	L	01, 02, 06				
		5	2, 6	L	11, 12, 14, 15, 16				
		5	3, 7	L	12, 15, 16				
3									STRAP, Fuel Tank
	05104102AA	2	2, 6	L	01, 02, 06				
		2	2, 6	L	11, 12, 14, 15, 16				
		2	2, 6	L	51, 52, 54, 55, 56				
		2	3, 7	L	12, 15, 16				
4									VALVE, Vent
	05133918AA	1	3, 7	L	02, 06				
		1	3, 7	L	12, 15, 16				
5									TANK, Fuel
	05119634AB	1	2, 6	L	01, 02, 06				
		1	2, 6	L	11, 12, 14, 15, 16				
		1	2, 6	L	51, 52, 54, 55, 56				
		1	3, 7	L	12, 15, 16				

SPRINTER (VA)

SERIES

L = LOWLINE

LINE

3 = HD DODGE 2WD
6 = Lt. Duty DODGE 4WD
2 = Med. Duty DODGE 2WD
7 = Med. Duty DODGE 4WD

BODY

55 = Wagon 140"
54 = Wagon 118"
52 = Wagon 140"
51 = Wagon 118"
12 = Van 140"
11 = Van 118"
06 = Front Section 158"
14 = Van 118"
15 = Van 140"
16 = Van 158"
56 = Wagon 158"
01 = Chassis Forward Control
118"
02 = Chassis Forward Control
140"

ENGINE

EX8 = Engine-2.7L I5
Mercedes Turbo Diesel

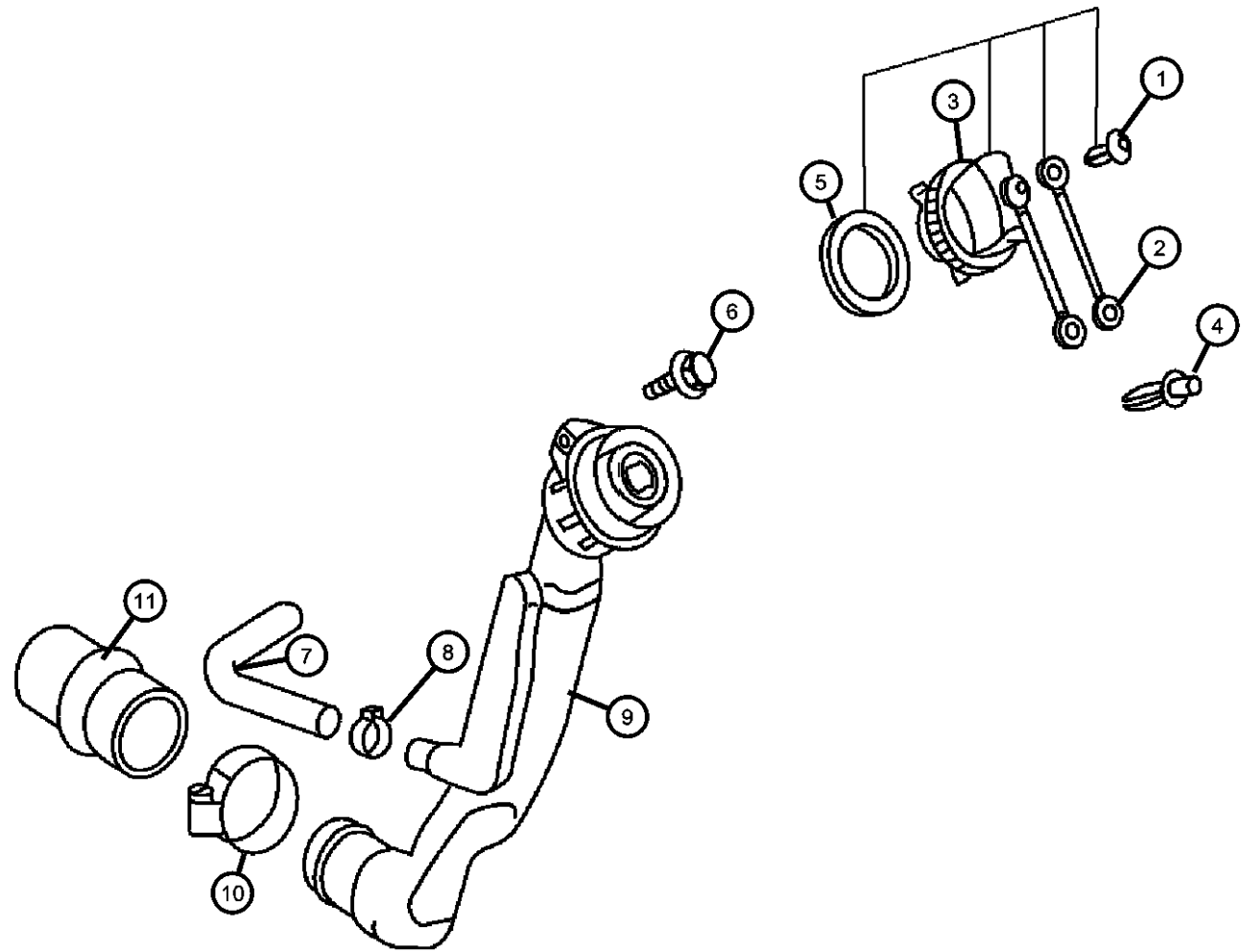
TRANSMISSION

DGJ = Transmission-5-Spd.
Automatic,W5A580

AR = use ase required - = Non illustrated part

2004 VA

**Fuel Tank Filler Tube
Figure 14-210**



ITEM	PART NUMBER	QTY	LINE	SERIES	BODY	ENGINE	TRANS	TRIM	DESCRIPTION
------	-------------	-----	------	--------	------	--------	-------	------	-------------

Sales Codes:EX8=ENGINE-2.7L I5 MERCEDES TURBO
DGJ=TRANSMISSION - 5-SPD AUTO

1									RIVET
	06104903AA	1	2, 6	L	01, 02, 06				
		1	2, 6	L	11, 12, 14, 15, 16				
		1	2, 6	L	51, 52, 54, 55, 56				
		1	3, 7	L	02, 06				
		1	3, 7	L	12, 15, 16				
2									TETHER, Fuel Filler Cap
	05133915AA	1	2, 6	L	01, 02, 06				
		1	2, 6	L	11, 12, 14, 15, 16				
		1	2, 6	L	51, 52, 54, 55, 56				
		1	3, 7	L	02, 06				
		1	3, 7	L	12, 15, 16				
3									CAP, Fuel Filler
	05119573AA	1	3, 7	L	12, 15, 16				
		1	2, 6	L	01, 02, 06				
		1	2, 6	L	11, 12, 14, 15, 16				
		1	2, 6	L	51, 52, 54, 55, 56				
4									RIVET
	05103787AA	1	2, 6	L	01, 02, 06				
		1	2, 6	L	11, 12, 14, 15, 16				
		1	2, 6	L	51, 52, 54, 55, 56				
		1	3, 7	L	12, 15, 16				
5									SEAL, Fuel Cap

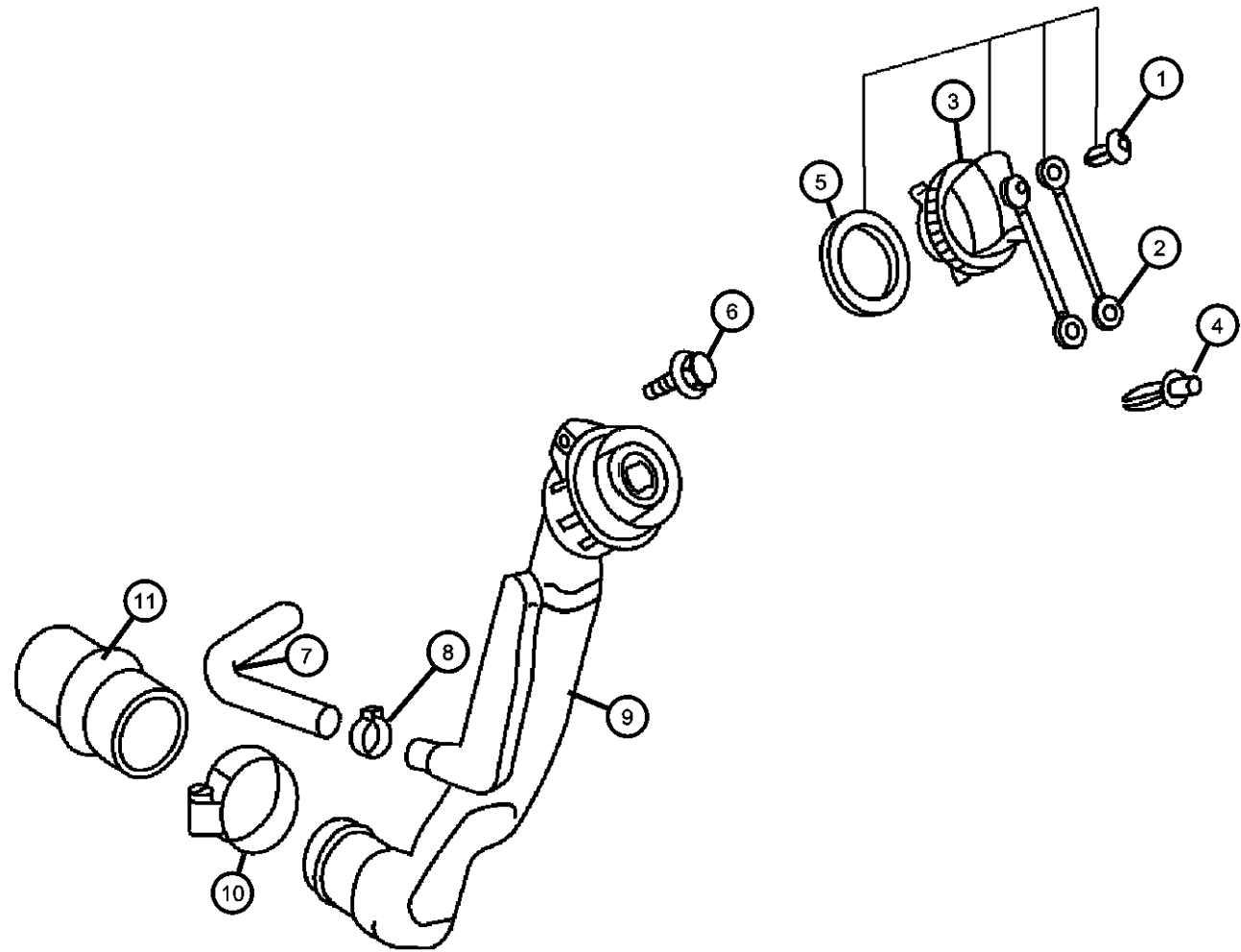
SPRINTER (VA)

SERIES	LINE	BODY	ENGINE	TRANSMISSION
L = LOWLINE	3 = HD DODGE 2WD 6 = Lt. Duty DODGE 4WD 2 = Med. Duty DODGE 2WD 7 = Med. Duty DODGE 4WD	55 = Wagon 140" 54 = Wagon 118" 52 = Wagon 140" 51 = Wagon 118" 12 = Van 140" 11 = Van 118" 06 = Front Section 158" 14 = Van 118" 15 = Van 140" 16 = Van 158" 56 = Wagon 158"	EX8 = Engine-2.7L I5 Mercedes Turbo Diesel	DGJ = Transmission-5-Spd. Automatic,W5A580
		01 = Chassis Forward Control 118" 02 = Chassis Forward Control 140"		

AR = use ase required - = Non illustrated part

2004 VA

Fuel Tank Filler Tube
Figure 14-210



ITEM	PART NUMBER	QTY	LINE	SERIES	BODY	ENGINE	TRANS	TRIM	DESCRIPTION
	05133916AA	1	2, 6	L	01, 02, 06				
		1	2, 6	L	11, 12, 14, 15, 16				
		1	2, 6	L	51, 52, 54, 55, 56				
		1	3, 7	L	12, 15, 16				
6									SCREW, Fuel Filler Tube Mounting
	06104515AA	1	2, 6	L	11, 12, 14, 15, 16				
		1	2, 6	L	51, 52, 54, 55, 56				
		1	3, 7	L	02, 06				
		1	2, 6	L	01, 02, 06				
		1	3, 7	L	12, 15, 16				
7									HOSE
	05103949AA	1	2, 6	L	01, 02, 06				1 Meter Long
		1	2, 6	L	11, 12, 14, 15, 16				1 Meter Long
		1	2, 6	L	51, 52, 54, 55, 56				1 Meter Long
		1	3, 7	L	12, 15, 16				1 Meter Long
8									CLAMP
	06104780AA	4	2, 6	L	11, 12, 14, 15, 16				
		4	2, 6	L	51, 52, 54, 55, 56				
		4	3, 7	L	12, 15, 16				
	06104787AA	1	2, 6	L	01, 02, 06				
9									TUBE, Fuel Filler
	05104103AA	1	2, 6	L	01, 02, 06	EX8, EX9			
		1	2, 6	L	11, 12, 14, 15, 16	EX8, EX9			

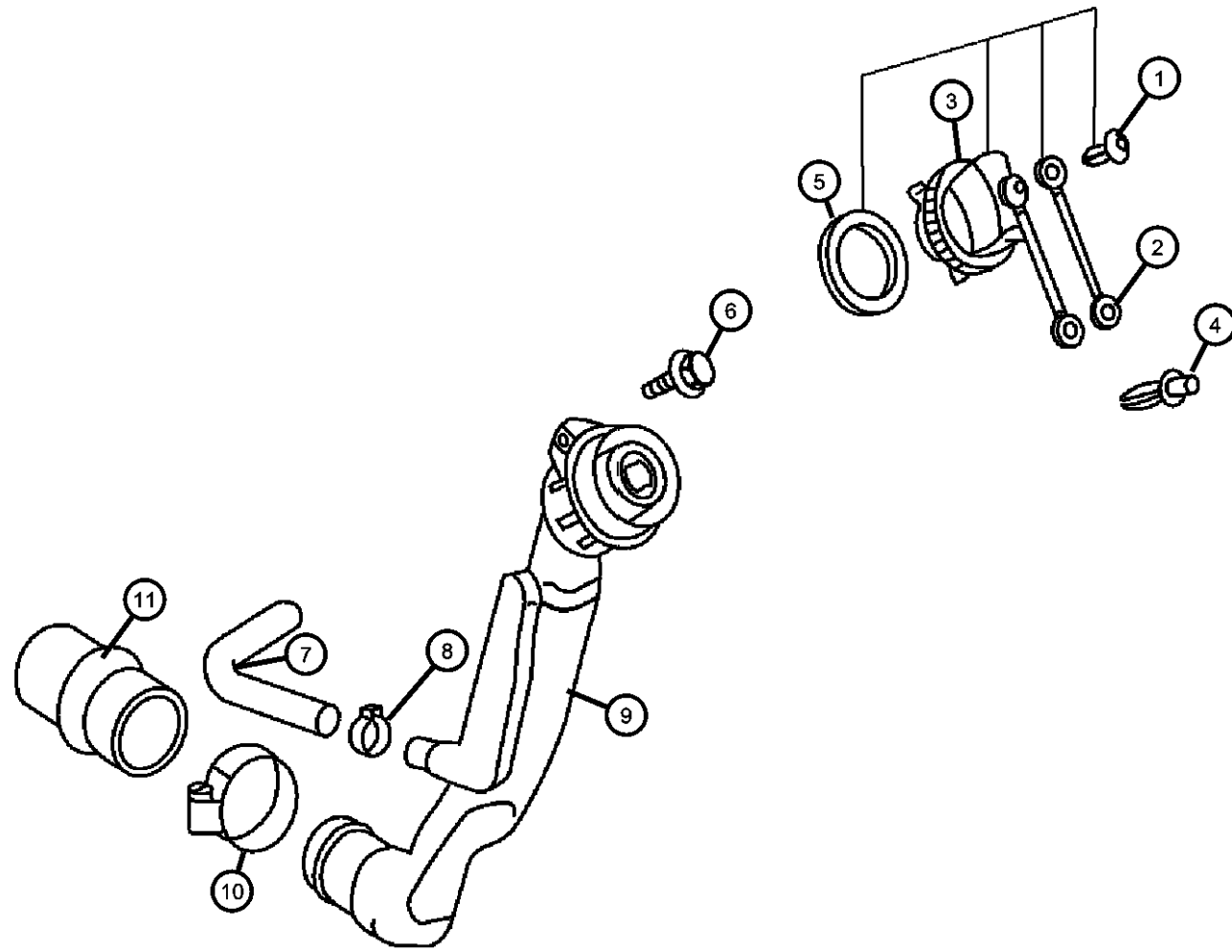
SPRINTER (VA)

SERIES	LINE	BODY	ENGINE	TRANSMISSION
L = LOWLINE	3 = HD DODGE 2WD 6 = Lt. Duty DODGE 4WD 2 = Med. Duty DODGE 2WD 7 = Med. Duty DODGE 4WD	55 = Wagon 140" 54 = Wagon 118" 52 = Wagon 140" 51 = Wagon 118" 12 = Van 140" 11 = Van 118" 06 = Front Section 158" 14 = Van 118" 15 = Van 140" 16 = Van 158" 56 = Wagon 158"	EX8 = Engine-2.7L I5 Mercedes Turbo Diesel	DGJ = Transmission-5-Spd. Automatic, W5A580
		01 = Chassis Forward Control 118" 02 = Chassis Forward Control 140"		

AR = use ase required - = Non illustrated part

Fuel Tank Filler Tube
Figure 14-210

ITEM	PART NUMBER	QTY	LINE	SERIES	BODY	ENGINE	TRANS	TRIM	DESCRIPTION
		1	2, 6	L	51, 52, 54,	EX8, EX9			
		1	3, 7	L	02, 06	EX8, EX9			
		1	3, 7	L	12, 15, 16	EX8, EX9			
10	05104601AA	2	2, 6	L	01, 02, 06				CLAMP, Hose
		2	2, 6	L	11, 12, 14,				
		2	2, 6	L	51, 52, 54,				
		2	3, 7	L	55, 56				
		2	3, 7	L	12, 15, 16				
11	05119668AA	1	3, 7	L	02, 06	EX8, EX9			HOSE
		1	2, 6	L	51, 52, 54,	EX8, EX9			
					55, 56				



SPRINTER (VA)

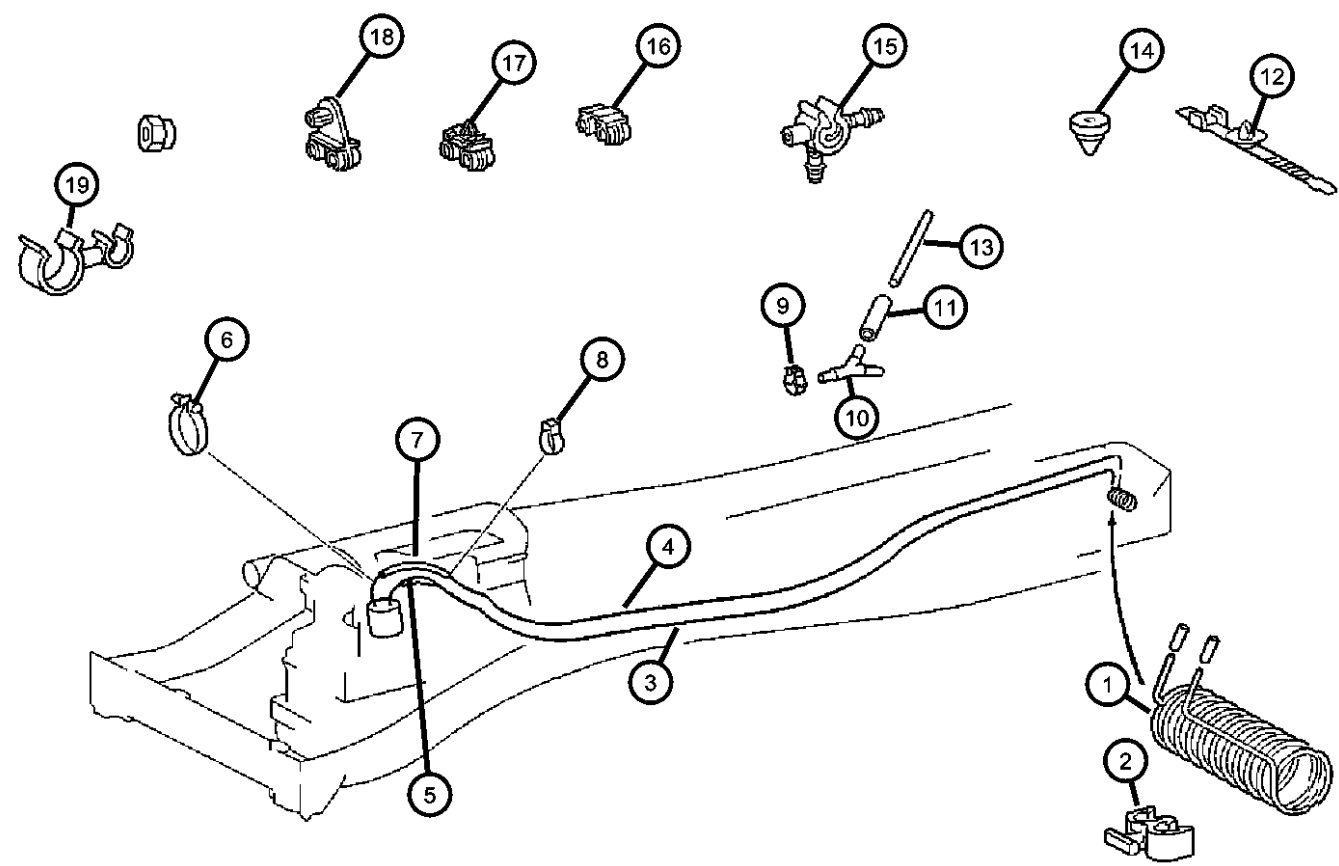
SERIES	LINE	BODY	ENGINE	TRANSMISSION
L = LOWLINE	3 = HD DODGE 2WD 6 = Lt. Duty DODGE 4WD 2 = Med. Duty DODGE 2WD 7 = Med. Duty DODGE 4WD	55 = Wagon 140" 54 = Wagon 118" 52 = Wagon 140" 51 = Wagon 118" 12 = Van 140" 11 = Van 118" 06 = Front Section 158" 14 = Van 118" 15 = Van 140" 16 = Van 158" 56 = Wagon 158" 01 = Chassis Forward Control 118" 02 = Chassis Forward Control 140"	EX8 = Engine-2.7L I5 Mercedes Turbo Diesel	DGJ = Transmission-5-Spd. Automatic,W5A580

AR = use ase required - = Non illustrated part

2004 VA

Fuel Lines
Figure 14-310

ITEM	PART NUMBER	QTY	LINE	SERIES	BODY	ENGINE	TRANS	TRIM	DESCRIPTION
1	05127509AA	1	2, 6	L	11, 12, 14, 15, 16	EX8			COOLER, Fuel, Diesel
		1	2, 6	L	51, 52, 54, 55, 56	EX8			
		1	3, 7	L	02, 06	EX8			
		1	3, 7	L	12, 15, 16	EX8			
		1	2, 6	L	01, 02, 06	EX8			
2	05119694AA	3	3, 7	L	12, 15, 16	EX9			CLIP, Fuel Line
		3	2, 6	L	01, 02, 06	EX9			
		3	2, 6	L	11, 12, 14, 15, 16	EX9			
		3	2, 6	L	51, 52, 54, 55, 56	EX9			
		3	3, 7	L	02, 06	EX9			
3	05125494AA	152	2, 6	L	01, 02, 06	EX9			TUBE, Nylon Straight
		152	2, 6	L	11, 12, 14, 15, 16	EX9			
		152	2, 6	L	51, 52, 54, 55, 56	EX9			
		152	3, 7	L	02, 06	EX9			
		152	3, 7	L	12, 15, 16	EX9			
4	05119643AA	1	2, 6	L	11, 12, 14, 15, 16	EX9			TUBE, Fuel
		1	2, 6	L	51, 52, 54, 55, 56	EX9			
		1	3, 7	L	12, 15, 16	EX9			
5	05119683AA	1	2, 3, 6, 7	L		EX8	DGJ		HOSE, Fuel
6	05133402AA	15	2, 6	L	11, 14				STRAP, Tie



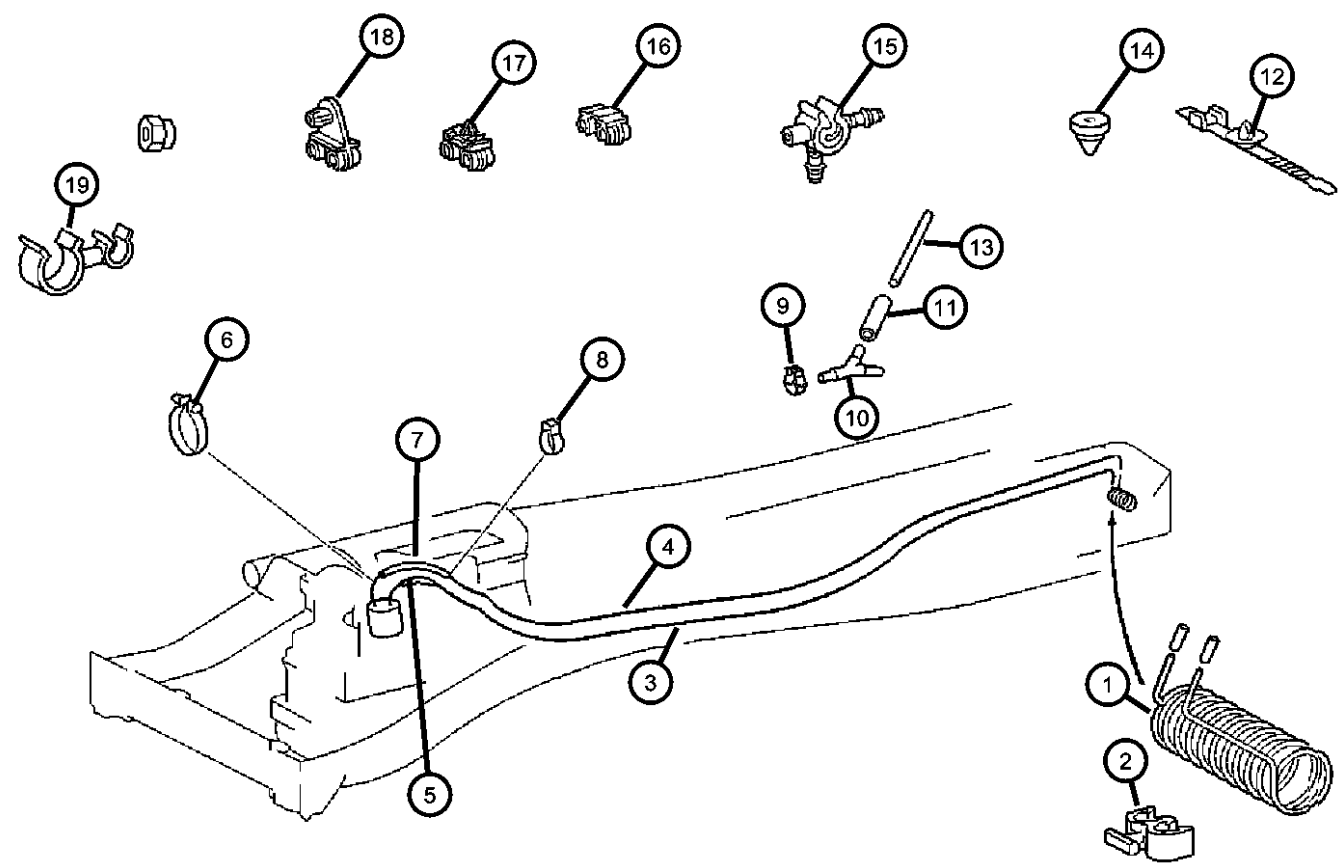
SPRINTER (VA)

SERIES	LINE	BODY	ENGINE	TRANSMISSION
L = LOWLINE	3 = HD DODGE 2WD 6 = Lt. Duty DODGE 4WD 2 = Med. Duty DODGE 2WD 7 = Med. Duty DODGE 4WD	55 = Wagon 140" 54 = Wagon 118" 52 = Wagon 140" 51 = Wagon 118" 12 = Van 140" 11 = Van 118" 06 = Front Section 158" 14 = Van 118" 15 = Van 140" 16 = Van 158" 56 = Wagon 158"	EX8 = Engine-2.7L I5 Mercedes Turbo Diesel	DGJ = Transmission-5-Spd. Automatic,W5A580
		01 = Chassis Forward Control 118" 02 = Chassis Forward Control 140"		

AR = use ase required - = Non illustrated part

Fuel Lines
Figure 14-310

ITEM	PART NUMBER	QTY	LINE	SERIES	BODY	ENGINE	TRANS	TRIM	DESCRIPTION
	05133690AA	8	2, 6	L	01, 02, 06				
		8	2, 6	L	11, 12, 14, 15, 16				
		8	2, 6	L	51, 52, 54, 55, 56				
		8	3, 7	L	02, 06				
		8	3, 7	L	12, 15, 16				
7	05119673AA	1	3, 7	L	02, 06	EX9			HOSE
		1	3, 7	L	12, 15, 16	EX9			
		1	2, 6	L	01, 02, 06	EX9			
		1	2, 6	L	11, 12, 14, 15, 16	EX9			
		1	2, 6	L	51, 52, 54, 55, 56	EX9			
8	05126025AA	1	2, 6	L	01, 02, 06				CLAMP, Hose
		2	3, 7	L	12, 15, 16				
		1	2, 6	L	11, 12, 14, 15, 16				
		2	2, 6	L	51, 52, 54, 55, 56				
		1	3, 7	L	02, 06				
9	05133923AA	1	3, 7	L	12, 15, 16	EX9			CLAMP
		1	2, 6	L	01, 02, 06				
		1	2, 6	L	11, 12, 14, 15, 16				
		1	2, 6	L	51, 52, 54, 55, 56				
10	05133920AA	1	2, 6	L	01, 02, 06				CONNECTOR, Fuel Line



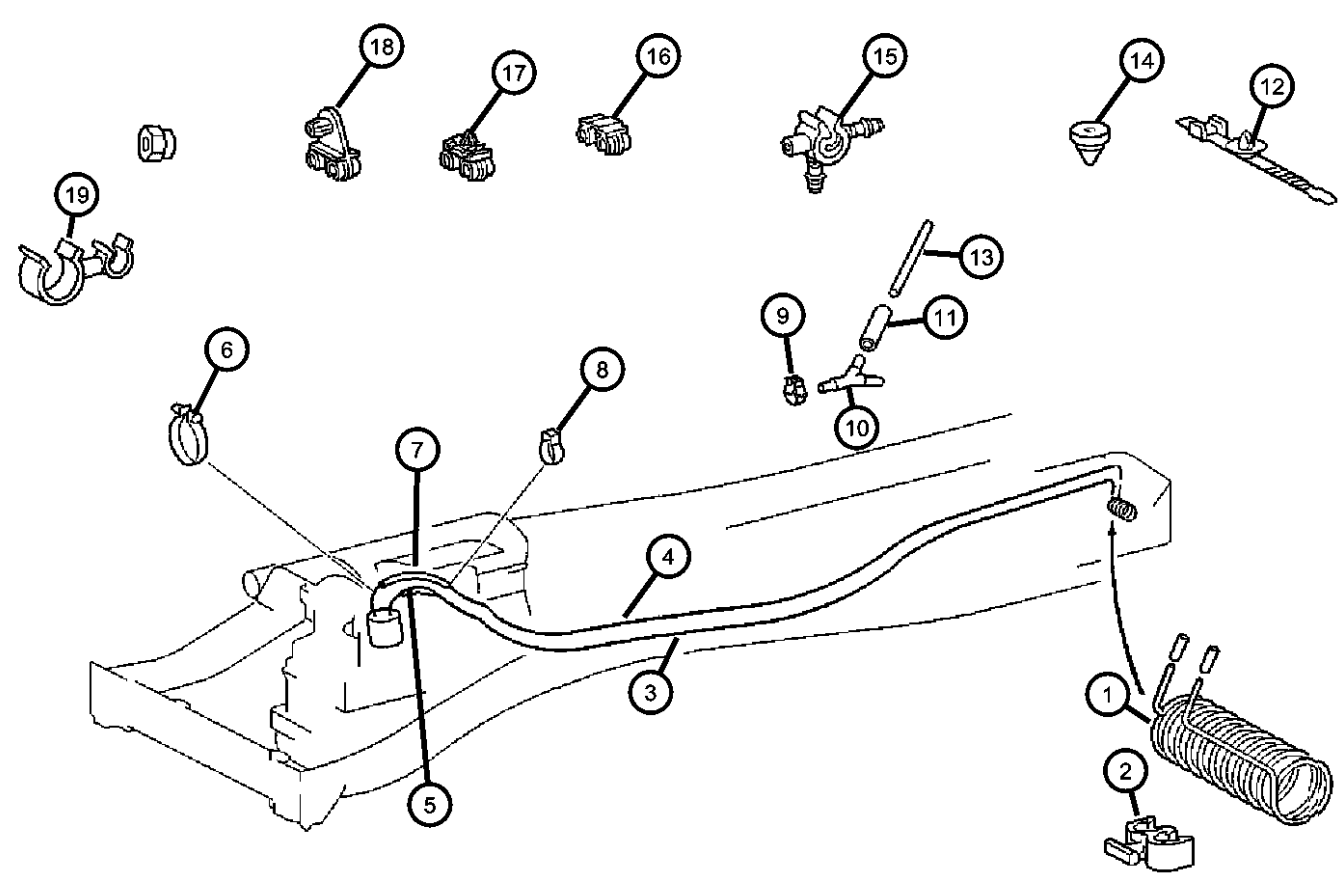
SPRINTER (VA)

SERIES	LINE	BODY	ENGINE	TRANSMISSION
L = LOWLINE	3 = HD DODGE 2WD 6 = Lt. Duty DODGE 4WD 2 = Med. Duty DODGE 2WD 7 = Med. Duty DODGE 4WD	55 = Wagon 140" 54 = Wagon 118" 52 = Wagon 140" 51 = Wagon 118" 12 = Van 140" 11 = Van 118" 06 = Front Section 158" 14 = Van 118" 15 = Van 140" 16 = Van 158" 56 = Wagon 158"	EX8 = Engine-2.7L I5 Mercedes Turbo Diesel	DGJ = Transmission-5-Spd. Automatic, W5A580
		01 = Chassis Forward Control 118" 02 = Chassis Forward Control 140"		

AR = use ase required - = Non illustrated part

Fuel Lines
Figure 14-310

ITEM	PART NUMBER	QTY	LINE	SERIES	BODY	ENGINE	TRANS	TRIM	DESCRIPTION
		1	2, 6	L	11, 12, 14, 15, 16				
		1	2, 6	L	51, 52, 54, 55, 56				
		1	3, 7	L	12, 15, 16	EX9			
11	05104491AA	1	2, 6	L	01, 02, 06	EX9			HOSE
		1	2, 6	L	11, 12, 14, 15, 16	EX9			
		1	2, 6	L	51, 52, 54, 55, 56	EX9			
		1	3, 7	L	02, 06	EX9			
		1	3, 7	L	12, 15, 16	EX9			
12	05126078AA	2	2, 6	L	51, 52, 54, 55, 56	EX8			TIE STRAP, Push In
		2	3, 7	L	02, 06	EX8			
		2	2, 6	L	01, 02, 06	EX8			
		2	2, 6	L	11, 12, 14, 15, 16	EX8			
		2	3, 7	L	12, 15, 16	EX8			
13	05133633AA	100	2, 6	L	11, 12, 14, 15, 16				PIPE, Fuel 1 Meter Long
		100	2, 6	L	51, 52, 54, 55, 56				1 Meter Long
		900	3, 7	L	12, 15, 16	EX9			1 Meter Long
		100	2, 6	L	01, 02, 06				1 Meter Long
14	05125501AA	2	2, 6	L	01, 02, 06				BUMPER, Rubber
		2	2, 6	L	11, 12, 14, 15, 16				



SPRINTER (VA)

SERIES

L = LOWLINE
 3 = HD DODGE 2WD
 6 = Lt. Duty DODGE 4WD
 2 = Med. Duty DODGE 2WD
 7 = Med. Duty DODGE 4WD

LINE

3 = HD DODGE 2WD
 6 = Lt. Duty DODGE 4WD
 2 = Med. Duty DODGE 2WD
 7 = Med. Duty DODGE 4WD

BODY

55 = Wagon 140"
 54 = Wagon 118"
 52 = Wagon 140"
 51 = Wagon 118"
 12 = Van 140"
 11 = Van 118"
 06 = Front Section 158"
 14 = Van 118"
 15 = Van 140"
 16 = Van 158"
 56 = Wagon 158"
 01 = Chassis Forward Control 118"
 02 = Chassis Forward Control 140"

ENGINE

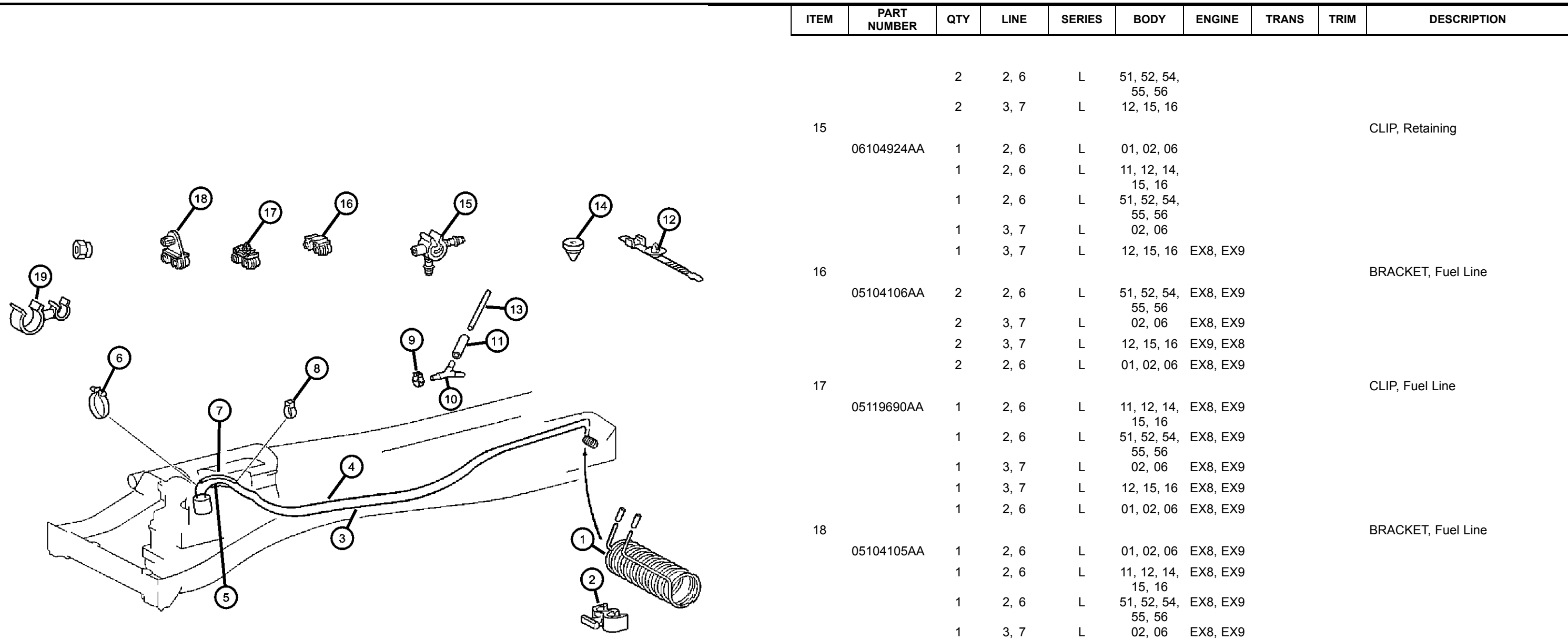
EX8 = Engine-2.7L I5
 Mercedes Turbo Diesel

TRANSMISSION

DGJ = Transmission-5-Spd. Automatic, W5A580

AR = use ase required - = Non illustrated part

Fuel Lines
Figure 14-310



ITEM	PART NUMBER	QTY	LINE	SERIES	BODY	ENGINE	TRANS	TRIM	DESCRIPTION
		2	2, 6	L	51, 52, 54, 55, 56				
		2	3, 7	L	12, 15, 16				
15									CLIP, Retaining
	06104924AA	1	2, 6	L	01, 02, 06				
		1	2, 6	L	11, 12, 14, 15, 16				
		1	2, 6	L	51, 52, 54, 55, 56				
		1	3, 7	L	02, 06				
		1	3, 7	L	12, 15, 16	EX8, EX9			
16									BRACKET, Fuel Line
	05104106AA	2	2, 6	L	51, 52, 54, 55, 56	EX8, EX9			
		2	3, 7	L	02, 06	EX8, EX9			
		2	3, 7	L	12, 15, 16	EX9, EX8			
		2	2, 6	L	01, 02, 06	EX8, EX9			
17									CLIP, Fuel Line
	05119690AA	1	2, 6	L	11, 12, 14, 15, 16	EX8, EX9			
		1	2, 6	L	51, 52, 54, 55, 56	EX8, EX9			
		1	3, 7	L	02, 06	EX8, EX9			
		1	3, 7	L	12, 15, 16	EX8, EX9			
		1	2, 6	L	01, 02, 06	EX8, EX9			
18									BRACKET, Fuel Line
	05104105AA	1	2, 6	L	01, 02, 06	EX8, EX9			
		1	2, 6	L	11, 12, 14, 15, 16	EX8, EX9			
		1	2, 6	L	51, 52, 54, 55, 56	EX8, EX9			
		1	3, 7	L	02, 06	EX8, EX9			

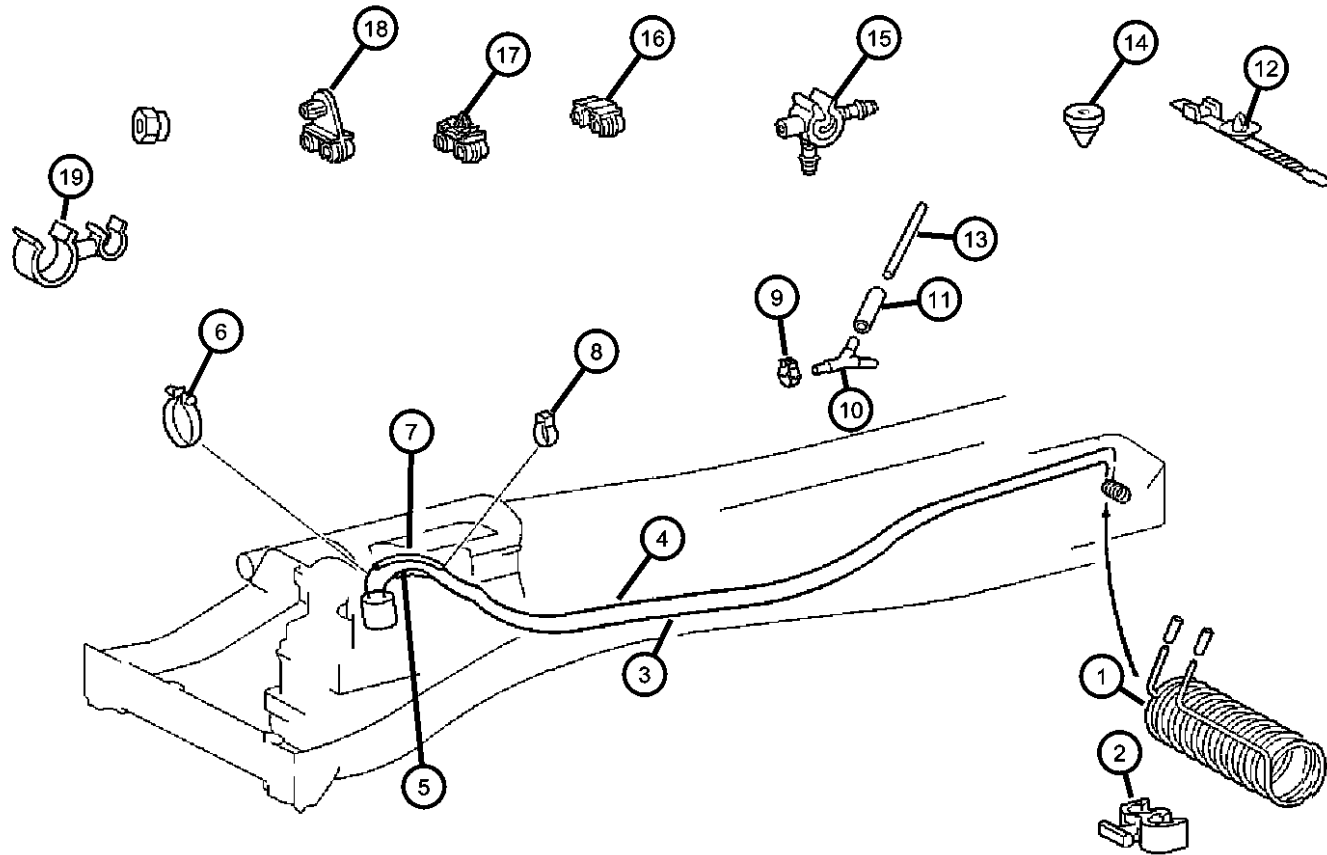
SPRINTER (VA)

SERIES	LINE	BODY	ENGINE	TRANSMISSION
L = LOWLINE	3 = HD DODGE 2WD 6 = Lt. Duty DODGE 4WD 2 = Med. Duty DODGE 2WD 7 = Med. Duty DODGE 4WD	55 = Wagon 140" 54 = Wagon 118" 52 = Wagon 140" 51 = Wagon 118" 12 = Van 140" 11 = Van 118" 06 = Front Section 158" 14 = Van 118" 15 = Van 140" 16 = Van 158" 56 = Wagon 158"	EX8 = Engine-2.7L I5 Mercedes Turbo Diesel	DGJ = Transmission-5-Spd. Automatic, W5A580
		01 = Chassis Forward Control 118" 02 = Chassis Forward Control 140"		

AR = use ase required - = Non illustrated part

Fuel Lines
Figure 14-310

ITEM	PART NUMBER	QTY	LINE	SERIES	BODY	ENGINE	TRANS	TRIM	DESCRIPTION
		1	3, 7	L	12, 15, 16	EX8, EX9			
19	05080437AB	1	2, 6	L	11, 12, 14, 15, 16	EX8			CLAMP
		99	2, 6	L	51, 52, 54, 55, 56				
		1	2, 6	L	51, 52, 54, 55, 56	EX8			
		99	2, 6	L	01, 02, 06				
		99	2, 6	L	11, 12, 14, 15, 16				
		2	3, 7	L	02, 06	EX9			
		2	3, 7	L	12, 15, 16	EX9			
		2	3, 7	L	12, 15, 16				

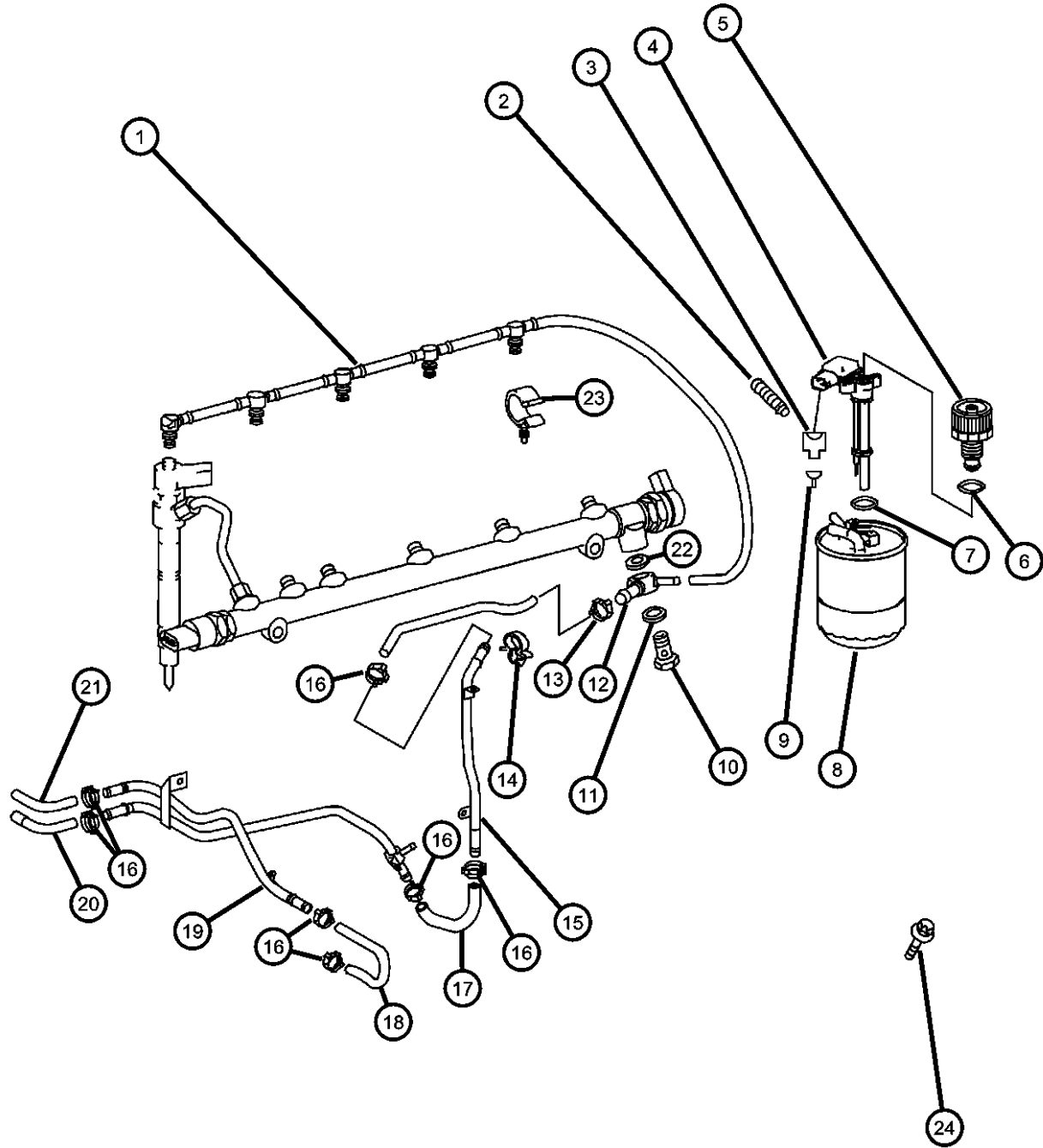


SPRINTER (VA)

SERIES	LINE	BODY	ENGINE	TRANSMISSION
L = LOWLINE	3 = HD DODGE 2WD 6 = Lt. Duty DODGE 4WD 2 = Med. Duty DODGE 2WD 7 = Med. Duty DODGE 4WD	55 = Wagon 140" 54 = Wagon 118" 52 = Wagon 140" 51 = Wagon 118" 12 = Van 140" 11 = Van 118" 06 = Front Section 158" 14 = Van 118" 15 = Van 140" 16 = Van 158" 56 = Wagon 158"	EX8 = Engine-2.7L I5 Mercedes Turbo Diesel	DGJ = Transmission-5-Spd. Automatic,W5A580
		01 = Chassis Forward Control 118" 02 = Chassis Forward Control 140"		

AR = use ase required - = Non illustrated part

Fuel Line and Filter
Figure 14-320



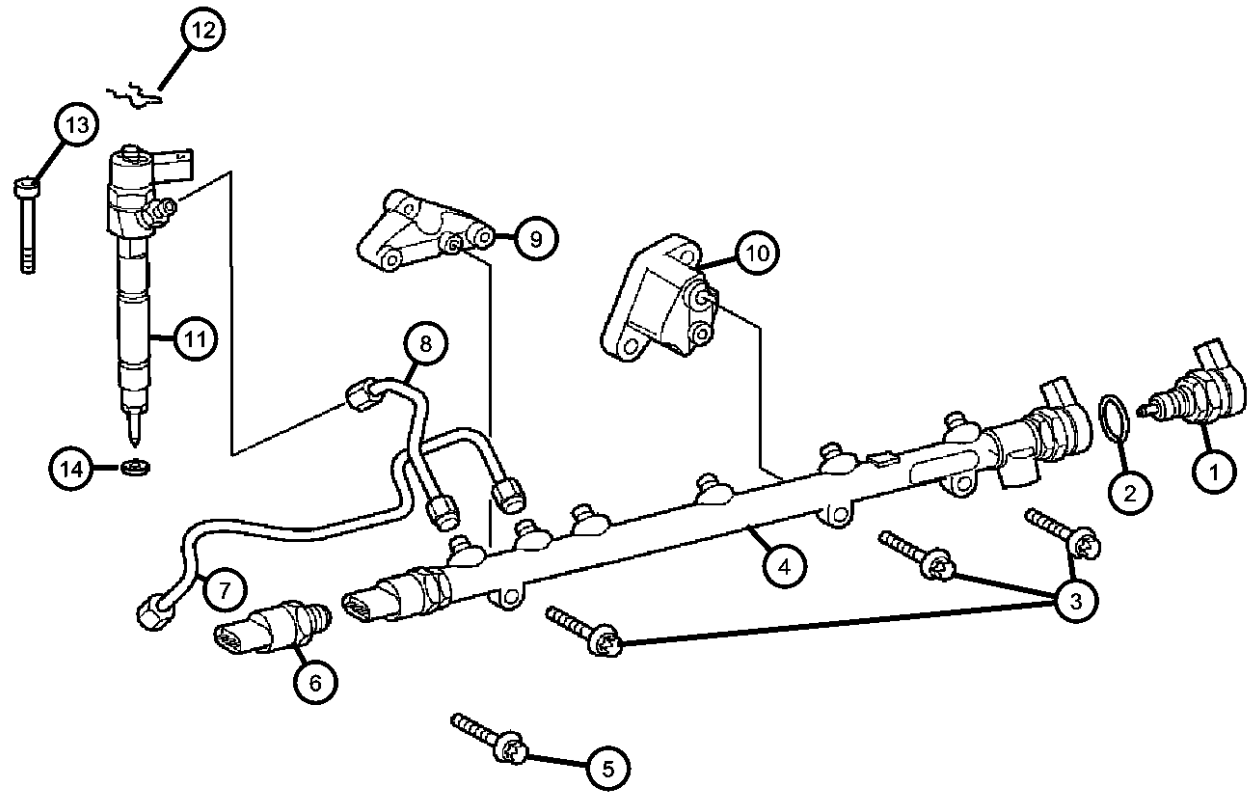
ITEM	PART NUMBER	QTY	LINE	SERIES	BODY	ENGINE	TRANS	TRIM	DESCRIPTION
1	05080487AA	1		L		EX8			TUBE
2	05135867AA	900		L		EX9			INSULATOR
3	05135845AA	1		L		EX9			CONNECTOR, Wiring Repair
4	05117542AA	1		L		EX8			SENSOR, Fuel/Water
5	05073900AA	1							SCREW
6	05179861AA	2	2, 3, 6, 7	L		EX8	DGJ		O RING
7	05138876AA	1		L		EX8			O RING
8	05117494AA	1		L		EX8			FILTER, Fuel
9	05135801AA	99		L		EX9			WIRING REPAIR KIT, Diesel Engine
10	05080339AA	1		L		EX8			BOLT, Banjo
11	05104625AA	2	2, 3, 6, 7	L		EX8			O RING
12	05103977AA	1		L		EX8			UNION
13	05080439AB	1		L		EX8			CLAMP
14	05080091AB	1		L		EX8			CLAMP
15	05137327AA	1		L					TUBE, Fuel
16	05080439AC	2		L		EX8			CLAMP
17	05137356AA	1		L		EX8			HOSE, Fuel
18	05137341AA	1		L		EX8			HOSE, Fuel
19	05137332AA	1		L					TUBE
20	05174009AA	1	2, 3, 6, 7	L		EX8	DGJ		HOSE, Fuel
21	05174008AA	1	2, 3, 6, 7	L		EX8	DGJ		HOSE, Fuel
22	05104625AA	2	2, 3, 6, 7	L		EX8			O RING
23	05080431AB	1		L		EX9			CLAMP
24	05073723AB	3		L					SCREW

SPRINTER (VA)

SERIES	LINE	BODY	ENGINE	TRANSMISSION
L = LOWLINE	3 = HD DODGE 2WD 6 = Lt. Duty DODGE 4WD 2 = Med. Duty DODGE 2WD 7 = Med. Duty DODGE 4WD	55 = Wagon 140" 54 = Wagon 118" 52 = Wagon 140" 51 = Wagon 118" 12 = Van 140" 11 = Van 118" 06 = Front Section 158" 14 = Van 118" 15 = Van 140" 16 = Van 158" 56 = Wagon 158"	EX8 = Engine-2.7L I5 Mercedes Turbo Diesel	DGJ = Transmission-5-Spd. Automatic,W5A580
		01 = Chassis Forward Control 118" 02 = Chassis Forward Control 140"		

AR = use ase required - = Non illustrated part

**Injection System [EX8]
Figure 14-410**



ITEM	PART NUMBER	QTY	LINE	SERIES	BODY	ENGINE	TRANS	TRIM	DESCRIPTION
Sales Codes:EX9=ENGINE-2.7L I5 MERCEDES TURBO DGJ=TRANSMISSION - 5-SPD AUTO									
1	05137291AA	1		L		EX8			VALVE
2	05138007AA	1		L					O RING
3	05073701AA	3		L		EX8			SCREW
4	05137290AA	1		L		EX8			RAIL, Fuel
5									SCREW
	05073701AA	3		L		EX9			
	05073824AA	2		L					
6	05117543AA	1		L		EX8			SENDING UNIT, Fuel
7	05117421AA	1		L		EX8			TUBE, Fuel Injector Supply
8	05117422AA	5		L		EX8			TUBE, Fuel Injector Supply
9	05117449AA	1		L		EX8			CLIP, Fuel Injector
10	05117450AA	1		L		EX8			CLIP, Fuel Injector
11	05137297AB	5		L		EX8			INJECTOR, Fuel
12	05086296AA	5		L		EX9			CLIP, Fuel Injector
13	05073719AA	5		L					SCREW
14	05080301AA	5		L		EX9			O RING, Fuel Injector

SPRINTER (VA)

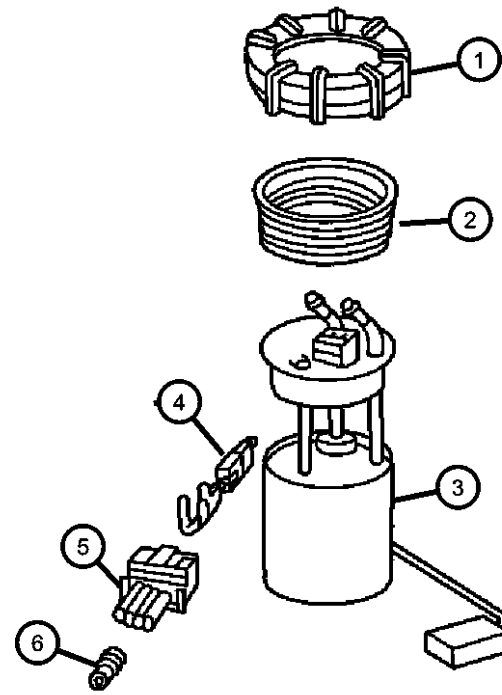
SERIES	LINE	BODY	ENGINE	TRANSMISSION
L = LOWLINE	3 = HD DODGE 2WD 6 = Lt. Duty DODGE 4WD 2 = Med. Duty DODGE 2WD 7 = Med. Duty DODGE 4WD	55 = Wagon 140" 54 = Wagon 118" 52 = Wagon 140" 51 = Wagon 118" 12 = Van 140" 11 = Van 118" 06 = Front Section 158" 14 = Van 118" 15 = Van 140" 16 = Van 158" 56 = Wagon 158"	EX8 = Engine-2.7L I5 Mercedes Turbo Diesel	DGJ = Transmission-5-Spd. Automatic,W5A580
		01 = Chassis Forward Control 118" 02 = Chassis Forward Control 140"		

AR = use ase required - = Non illustrated part

**Fuel Module
Figure 14-510**

ITEM	PART NUMBER	QTY	LINE	SERIES	BODY	ENGINE	TRANS	TRIM	DESCRIPTION
------	-------------	-----	------	--------	------	--------	-------	------	-------------

Sales Codes:EX8=2.7L I5 MERCEDES-BENZ
DGJ=TRANSMISSION - 5-SPD AUTO



1									NUT, Fuel Pump Module
	05104539AA	1	2, 6	L	01, 02, 06				
		1	2, 6	L	11, 12, 14, 15, 16				
		1	2, 6	L	51, 52, 54, 55, 56				
		1	3, 7	L	02, 06				
		1	3, 7	L	12, 15, 16				
2									SEAL, Fuel Pump and Level Unit
	05119613AA	1	2, 6	L	51, 52, 54, 55, 56				
		1	3, 7	L	02, 06				
		1	3, 7	L	12, 15, 16				
		1	2, 6	L	01, 02, 06				
		1	2, 6	L	11, 12, 14, 15, 16				
3									MODULE, Fuel Tank - Diesel
	05119607AA	1	3, 7	L	12, 15, 16	EX8			With heater booster
	05119605AA	1	2, 6	L	11, 12, 14, 15, 16	EX8			
		1	2, 6	L	51, 52, 54, 55, 56	EX8			
		1	3, 7	L	02, 06	EX8			
		1	3, 7	L	12, 15, 16	EX8			
		1	3, 7	L	02, 06	EX8			With heater booster
		1	2, 6	L	01, 02, 06	EX8			With heater booster
		1	2, 6	L	11, 12, 14, 15, 16	EX8			With heater booster
		1	2, 6	L	51, 52, 54, 55, 56	EX8			With heater booster
4									TERMINAL

SPRINTER (VA)

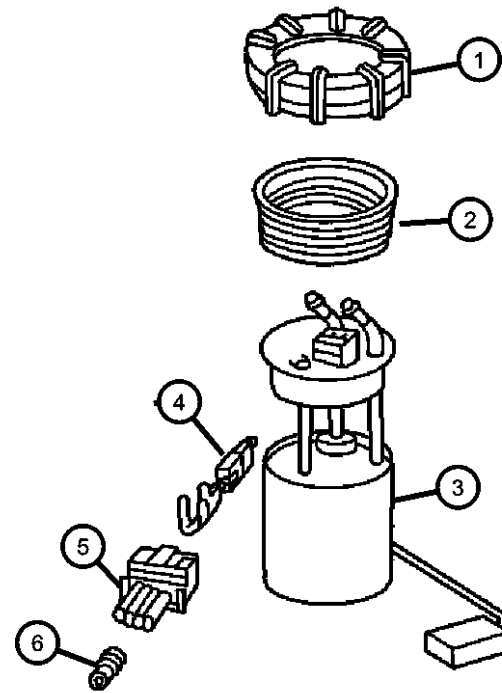
SERIES	LINE	BODY	ENGINE	TRANSMISSION
L = LOWLINE	3 = HD DODGE 2WD 6 = Lt. Duty DODGE 4WD 2 = Med. Duty DODGE 2WD 7 = Med. Duty DODGE 4WD	55 = Wagon 140" 54 = Wagon 118" 52 = Wagon 140" 51 = Wagon 118" 12 = Van 140" 11 = Van 118" 06 = Front Section 158" 14 = Van 118" 15 = Van 140" 16 = Van 158" 56 = Wagon 158"	EX8 = Engine-2.7L I5 Mercedes Turbo Diesel	DGJ = Transmission-5-Spd. Automatic,W5A580
		01 = Chassis Forward Control 118" 02 = Chassis Forward Control 140"		

AR = use ase required - = Non illustrated part

2004 VA

Fuel Module
Figure 14-510

ITEM	PART NUMBER	QTY	LINE	SERIES	BODY	ENGINE	TRANS	TRIM	DESCRIPTION
	05102935AA	1	2, 6	L	01, 02, 06				
		1	2, 6	L	11, 12, 14, 15, 16				
		1	2, 6	L	51, 52, 54, 55, 56				
		1	3, 7	L	02, 06				
5	05120544AA	1	3, 7	L	12, 15, 16				CONNECTOR
		1	2, 6	L	01, 02, 06				
		1	2, 6	L	11, 12, 14, 15, 16				
		1	2, 6	L	51, 52, 54, 55, 56				
6	05103661AA	99	2, 6	L	01, 02, 06				GASKET
		1	2, 6	L	11, 12, 14, 15, 16				
		1	2, 6	L	51, 52, 54, 55, 56				
		99	3, 7	L	02, 06				
		1	3, 7	L	12, 15, 16				



SPRINTER (VA)

SERIES	LINE	BODY	ENGINE	TRANSMISSION
L = LOWLINE	3 = HD DODGE 2WD 6 = Lt. Duty DODGE 4WD 2 = Med. Duty DODGE 2WD 7 = Med. Duty DODGE 4WD	55 = Wagon 140" 54 = Wagon 118" 52 = Wagon 140" 51 = Wagon 118" 12 = Van 140" 11 = Van 118" 06 = Front Section 158" 14 = Van 118" 15 = Van 140" 16 = Van 158" 56 = Wagon 158" 01 = Chassis Forward Control 118" 02 = Chassis Forward Control 140"	EX8 = Engine-2.7L I5 Mercedes Turbo Diesel	DGJ = Transmission-5-Spd. Automatic,W5A580

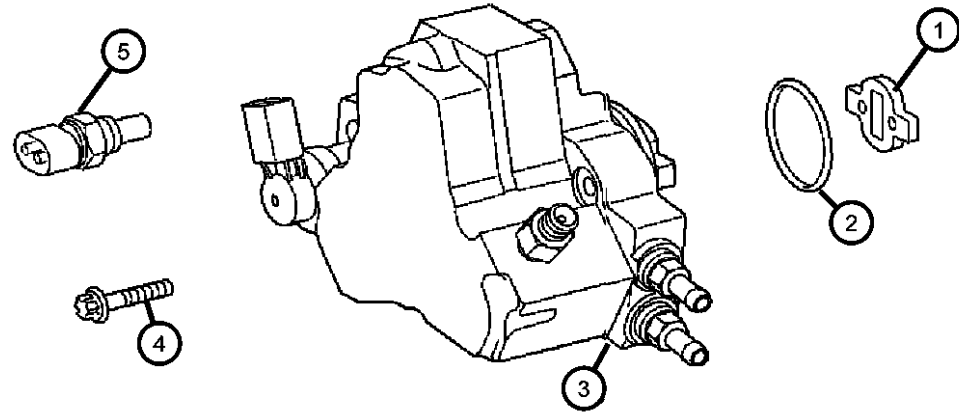
AR = use ase required - = Non illustrated part

**Fuel Injection Pump [EX8]
Figure 14-610**

ITEM	PART NUMBER	QTY	LINE	SERIES	BODY	ENGINE	TRANS	TRIM	DESCRIPTION
------	-------------	-----	------	--------	------	--------	-------	------	-------------

Sales Codes:EX8=2.7L I5 MERCEDES-BENZ
DGJ=TRANSMISSION - 5-SPD AUTO

1	05103610AA	1		L					DRIVE, Fuel Pump
2	05080115AA	1		L					O RING
3	05137289AA	1		L		EX8			PUMP, Injection
4	05125739AA	3		L		EX8			SCREW
5	05103534AB	1		L					SENDING UNIT, Temperature Gauge
-6	05142115AA	1		L		EX8			VALVE, Flow Control



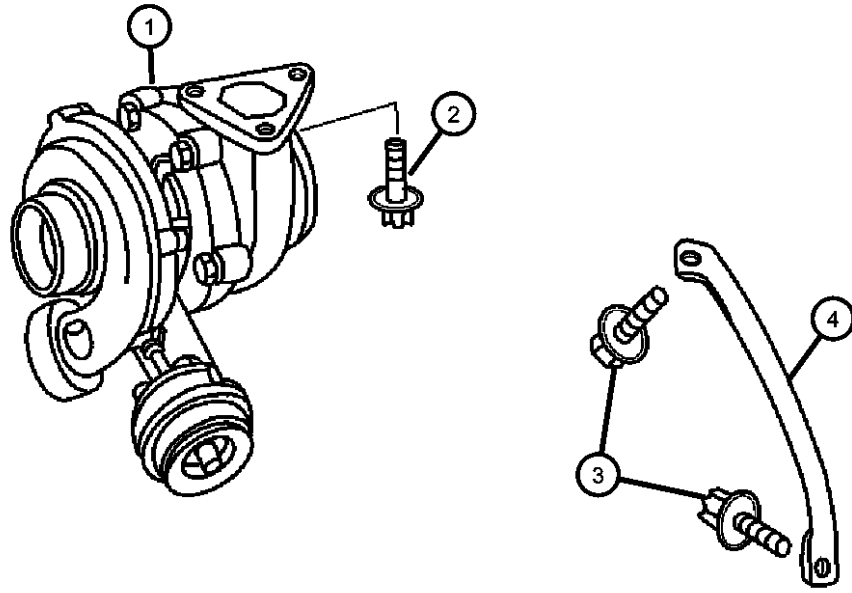
SPRINTER (VA)

SERIES	LINE	BODY	ENGINE	TRANSMISSION
L = LOWLINE	3 = HD DODGE 2WD 6 = Lt. Duty DODGE 4WD 2 = Med. Duty DODGE 2WD 7 = Med. Duty DODGE 4WD	55 = Wagon 140" 54 = Wagon 118" 52 = Wagon 140" 51 = Wagon 118" 12 = Van 140" 11 = Van 118" 06 = Front Section 158" 14 = Van 118" 15 = Van 140" 16 = Van 158" 56 = Wagon 158" 01 = Chassis Forward Control 118" 02 = Chassis Forward Control 140"	EX8 = Engine-2.7L I5 Mercedes Turbo Diesel	DGJ = Transmission-5-Spd. Automatic,W5A580

AR = use ase required - = Non illustrated part

Turbo Charger
Figure 14-630

ITEM	PART NUMBER	QTY	LINE	SERIES	BODY	ENGINE	TRANS	TRIM	DESCRIPTION
Sales Codes:EX8=ENGINE-2.7L I5 MERCEDES TURBO DGJ=TRANSMISSION - 5-SPD AUTO									
1	05117505AA	1		L		EX8			TURBOCHARGER, The wastgate actuator is service with the turbo
2	05073720AB	3		L					SCREW
3	05073720AB	3		L					SCREW
4	05137201AA	1		L					BRACKET, Turbo Charger
-5	05080371AA	1		L		EX9			REGULATOR, Pressure
-6	05137154AA	1		L					RESONATOR, Turbo, See Group 7 ILL#130
-7	05139047AA	1		L		EX8			O RING
-8	05138048AA	1		L					O RING
-9	05117529AA	1		L		EX8			GASKET, Exhaust Manifold To Turbo



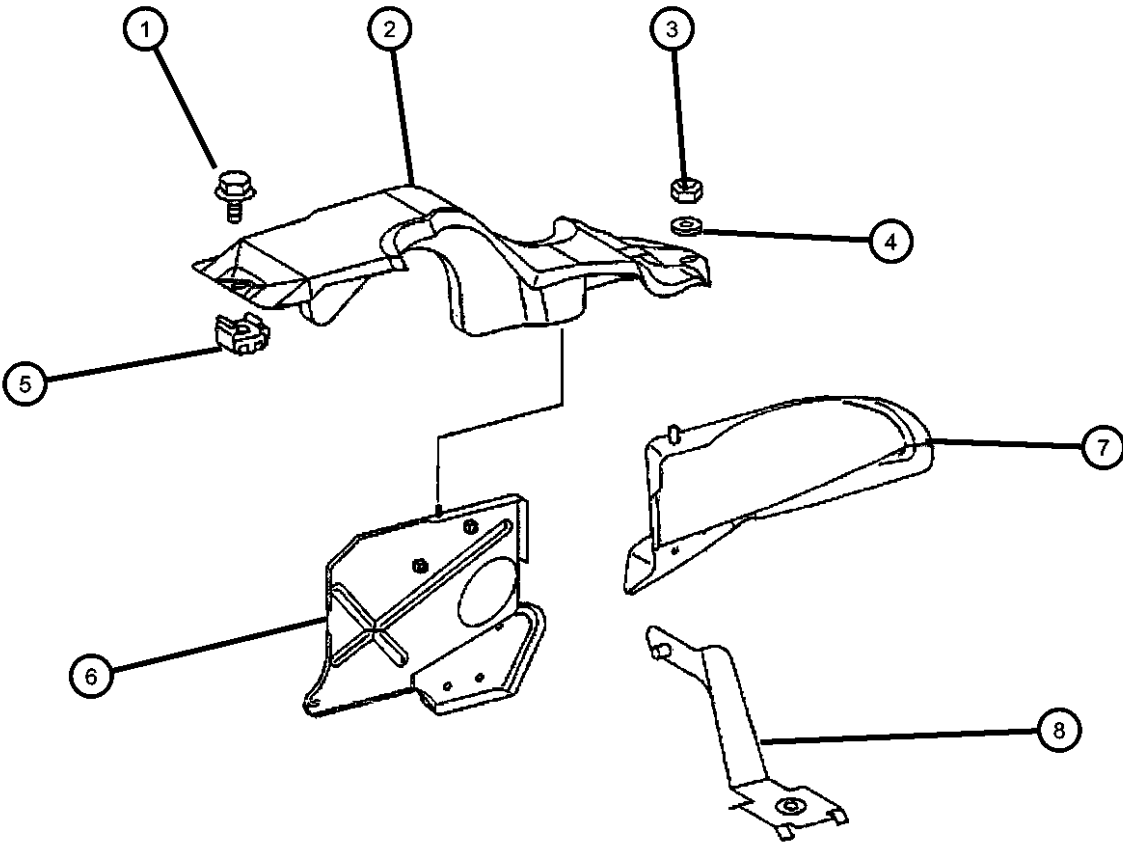
SPRINTER (VA)

SERIES	LINE	BODY	ENGINE	TRANSMISSION
L = LOWLINE	3 = HD DODGE 2WD 6 = Lt. Duty DODGE 4WD 2 = Med. Duty DODGE 2WD 7 = Med. Duty DODGE 4WD	55 = Wagon 140" 54 = Wagon 118" 52 = Wagon 140" 51 = Wagon 118" 12 = Van 140" 11 = Van 118" 06 = Front Section 158" 14 = Van 118" 15 = Van 140" 16 = Van 158" 56 = Wagon 158" 01 = Chassis Forward Control 118" 02 = Chassis Forward Control 140"	EX8 = Engine-2.7L I5 Mercedes Turbo Diesel	DGJ = Transmission-5-Spd. Automatic,W5A580

AR = use ase required - = Non illustrated part

2004 VA

Turbo Charger Heat Shield
Figure 14-635



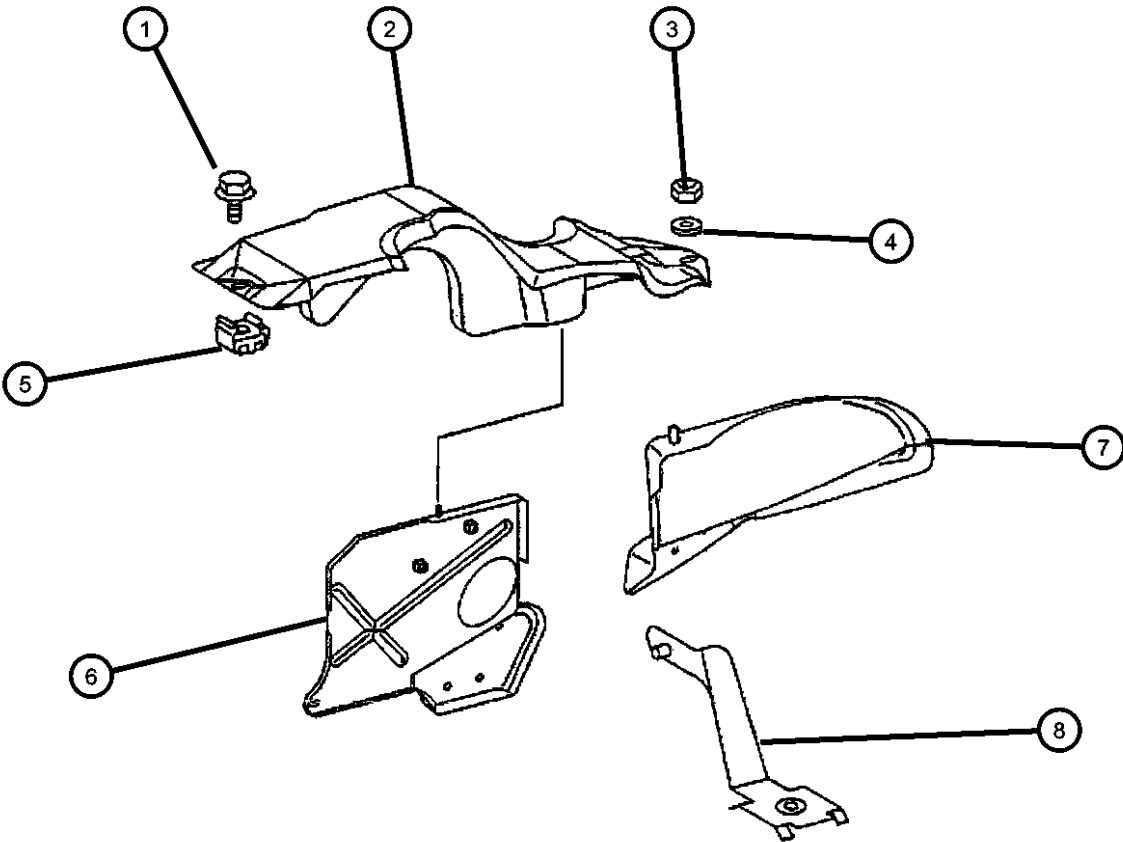
ITEM	PART NUMBER	QTY	LINE	SERIES	BODY	ENGINE	TRANS	TRIM	DESCRIPTION
Sales Codes:EX9=ENGINE-2.7L I5 MERCEDES TURBO DGJ=TRANSMISSION - 5-SPD AUTO									
1	06104179AA	1	2, 6	L	11, 12, 14, 15, 16				BOLT
		1	2, 6	L	51, 52, 54, 55, 56				
		1	3, 7	L	12, 15, 16				
2	05104138AA	1	2, 6	L	11, 12, 14, 15, 16				COVER, Turbo Charger Compressor
		1	2, 6	L	51, 52, 54, 55, 56				
		1	3, 7	L	12, 15, 16				
3	05097674AA	1	2, 6	L	11, 12, 14, 15, 16	EX9			NUT, Hex
		1	2, 6	L	51, 52, 54, 55, 56	EX9			
		1	3, 7	L	12, 15, 16	EX9			
4	05133908AA	1	2, 6	L	11, 12, 14, 15, 16				WASHER
		1	2, 6	L	51, 52, 54, 55, 56				
		1	3, 7	L	12, 15, 16				
5	05126253AA	1	2, 6	L	11, 12, 14, 15, 16				NUT
		1	2, 6	L	51, 52, 54, 55, 56				
		1	3, 7	L	12, 15, 16				
6	05120028AA	1	2, 6	L	11, 12, 14, 15, 16				COVER, Air Inlet

SPRINTER (VA)

SERIES	LINE	BODY	ENGINE	TRANSMISSION
L = LOWLINE	3 = HD DODGE 2WD 6 = Lt. Duty DODGE 4WD 2 = Med. Duty DODGE 2WD 7 = Med. Duty DODGE 4WD	55 = Wagon 140" 54 = Wagon 118" 52 = Wagon 140" 51 = Wagon 118" 12 = Van 140" 11 = Van 118" 06 = Front Section 158" 14 = Van 118" 15 = Van 140" 16 = Van 158" 56 = Wagon 158" 01 = Chassis Forward Control 118" 02 = Chassis Forward Control 140"	EX8 = Engine-2.7L I5 Mercedes Turbo Diesel	DGJ = Transmission-5-Spd. Automatic,W5A580

AR = use ase required - = Non illustrated part

**Turbo Charger Heat Shield
Figure 14-635**



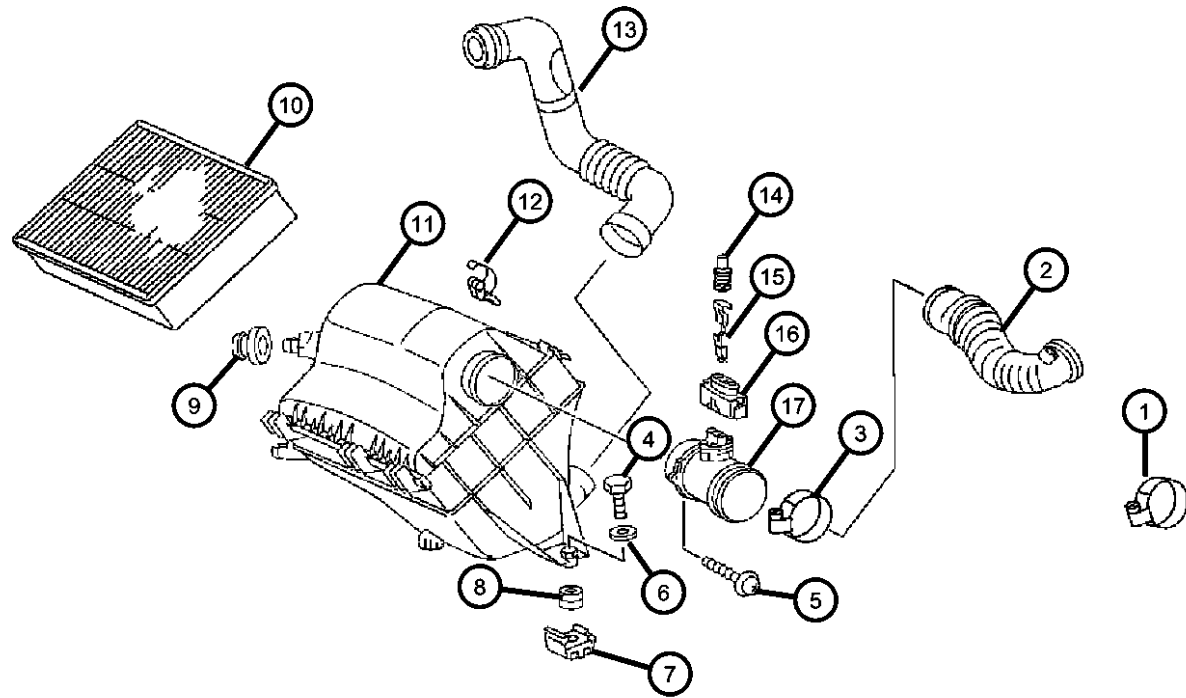
ITEM	PART NUMBER	QTY	LINE	SERIES	BODY	ENGINE	TRANS	TRIM	DESCRIPTION
7	05120025AA	1	2, 6	L	51, 52, 54, 55, 56				COVER, Air Inlet
		1	3, 7	L	12, 15, 16				
8	05120059AA	1	2, 6	L	11, 12, 14, 15, 16				BRACKET, Air Inlet
		1	2, 6	L	51, 52, 54, 55, 56				
		1	3, 7	L	12, 15, 16				
		1	2, 6	L	11, 12, 14, 15, 16				
		1	2, 6	L	51, 52, 54, 55, 56				

SPRINTER (VA)

SERIES	LINE	BODY	ENGINE	TRANSMISSION
L = LOWLINE	3 = HD DODGE 2WD 6 = Lt. Duty DODGE 4WD 2 = Med. Duty DODGE 2WD 7 = Med. Duty DODGE 4WD	55 = Wagon 140" 54 = Wagon 118" 52 = Wagon 140" 51 = Wagon 118" 12 = Van 140" 11 = Van 118" 06 = Front Section 158" 14 = Van 118" 15 = Van 140" 16 = Van 158" 56 = Wagon 158" 01 = Chassis Forward Control 118" 02 = Chassis Forward Control 140"	EX8 = Engine-2.7L I5 Mercedes Turbo Diesel	DGJ = Transmission-5-Spd. Automatic,W5A580

AR = use ase required - = Non illustrated part

**Air Cleaner
Figure 14-810**



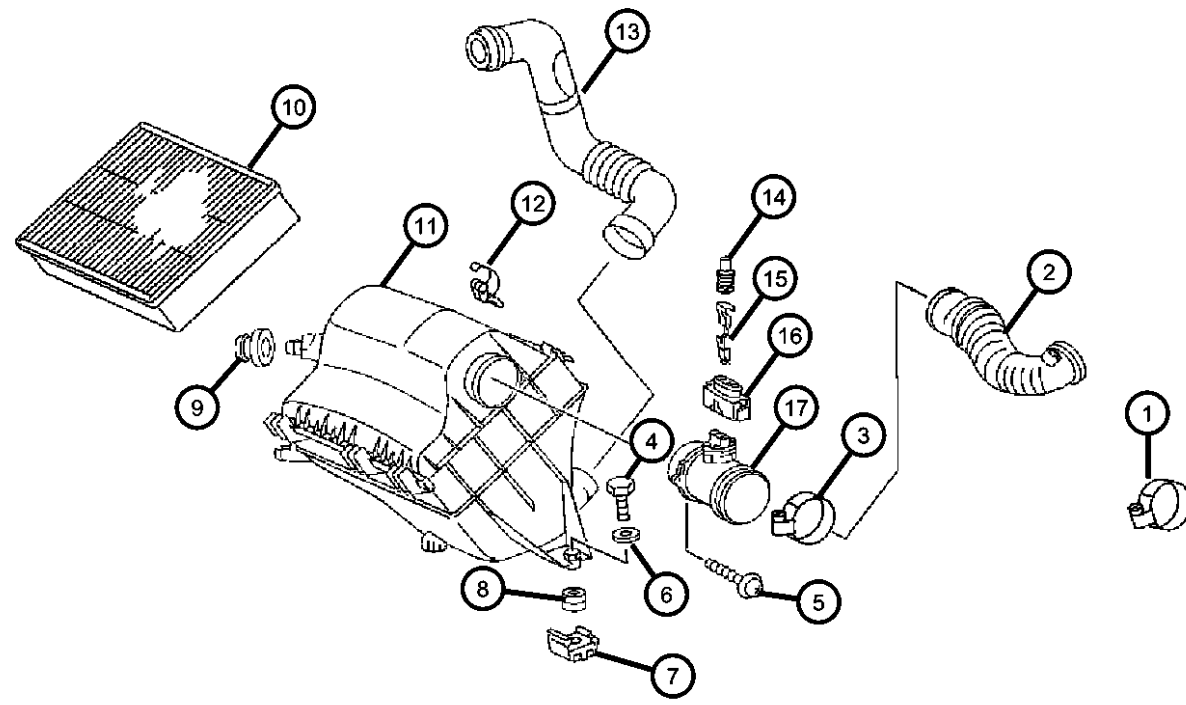
ITEM	PART NUMBER	QTY	LINE	SERIES	BODY	ENGINE	TRANS	TRIM	DESCRIPTION
1									CLAMP
	06104787AA	1	2, 6	L	01, 02, 06				
		1	2, 6	L	11, 12, 14, 15, 16				
		1	2, 6	L	51, 52, 54, 55, 56				
		1	3, 7	L	02, 06				
		1	3, 7	L	12, 15, 16				
2									HOSE, Air Cleaner to T/Body
	05104140AA	1	2, 6	L	11, 12, 14, 15, 16				
		1	2, 6	L	51, 52, 54, 55, 56				
		1	3, 7	L	12, 15, 16				
3									CLAMP
	06104790AA	1	2, 6	L	01, 02, 06	EX8			
		1	2, 6	L	11, 12, 14, 15, 16	EX8			
		1	2, 6	L	51, 52, 54, 55, 56	EX8			
		1	3, 7	L	02, 06	EX8			
		1	3, 7	L	12, 15, 16	EX8			
4									BOLT
	06104124AA	1	2, 6	L	11, 12, 14, 15, 16				
		1	2, 6	L	51, 52, 54, 55, 56				
		1	3, 7	L	12, 15, 16				
		1	2, 6	L	01, 02, 06				
		1	3, 7	L	02, 06				
5									BOLT, Hex Head
	05133748AA	2	2, 6	L	01, 02, 06	EX8			
		2	2, 6	L	11, 12, 14, 15, 16	EX8			

SPRINTER (VA)

SERIES	LINE	BODY	ENGINE	TRANSMISSION
L = LOWLINE	3 = HD DODGE 2WD 6 = Lt. Duty DODGE 4WD 2 = Med. Duty DODGE 2WD 7 = Med. Duty DODGE 4WD	55 = Wagon 140" 54 = Wagon 118" 52 = Wagon 140" 51 = Wagon 118" 12 = Van 140" 11 = Van 118" 06 = Front Section 158" 14 = Van 118" 15 = Van 140" 16 = Van 158" 56 = Wagon 158"	EX8 = Engine-2.7L I5 Mercedes Turbo Diesel	DGJ = Transmission-5-Spd. Automatic,W5A580
		01 = Chassis Forward Control 118" 02 = Chassis Forward Control 140"		

AR = use ase required - = Non illustrated part

**Air Cleaner
Figure 14-810**



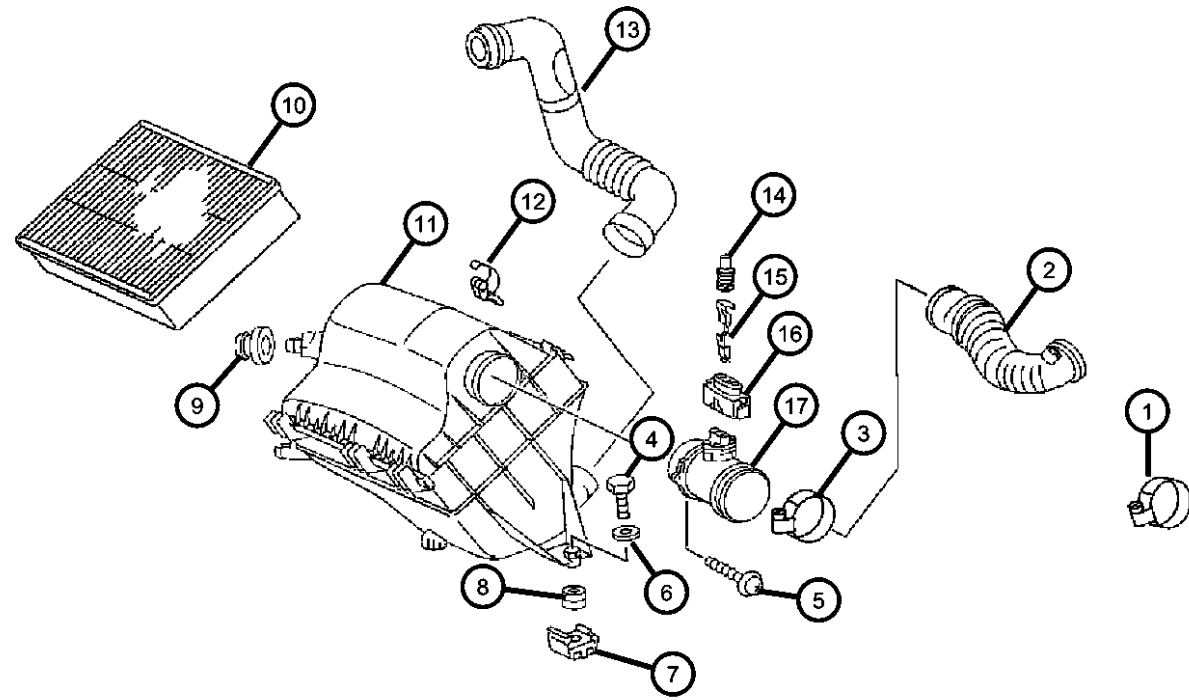
ITEM	PART NUMBER	QTY	LINE	SERIES	BODY	ENGINE	TRANS	TRIM	DESCRIPTION
		2	2, 6	L	51, 52, 54, 55, 56	EX8			
		2	3, 7	L	02, 06	EX8			
		2	3, 7	L	12, 15, 16				
6	05133908AA	1	3, 7	L	12, 15, 16				WASHER
		1	2, 6	L	01, 02, 06				
		1	2, 6	L	11, 12, 14, 15, 16				
		1	2, 6	L	51, 52, 54, 55, 56				
7	05126236AA	2	3, 7	L	02, 06				NUT
	05126253AA	1	2, 6	L	01, 02, 06				
		1	2, 6	L	11, 12, 14, 15, 16				
		1	2, 6	L	51, 52, 54, 55, 56				
		2	3, 7	L	12, 15, 16		DGJ		
8	05133742AA	1	2, 6	L	01, 02, 06				BUSHING, Isolator Mounting Leg
		1	2, 6	L	11, 12, 14, 15, 16				
		1	2, 6	L	51, 52, 54, 55, 56				
		1	3, 7	L	02, 06				
		1	3, 7	L	12, 15, 16				
9	05120012AA	2	2, 6	L	51, 52, 54, 55, 56				GROMMET, Air Cleaner
		2	2, 6	L	01, 02, 06				
		2	2, 6	L	11, 12, 14, 15, 16				

SPRINTER (VA)

SERIES	LINE	BODY	ENGINE	TRANSMISSION
L = LOWLINE	3 = HD DODGE 2WD 6 = Lt. Duty DODGE 4WD 2 = Med. Duty DODGE 2WD 7 = Med. Duty DODGE 4WD	55 = Wagon 140" 54 = Wagon 118" 52 = Wagon 140" 51 = Wagon 118" 12 = Van 140" 11 = Van 118" 06 = Front Section 158" 14 = Van 118" 15 = Van 140" 16 = Van 158" 56 = Wagon 158"	EX8 = Engine-2.7L I5 Mercedes Turbo Diesel	DGJ = Transmission-5-Spd. Automatic, W5A580
		01 = Chassis Forward Control 118" 02 = Chassis Forward Control 140"		

AR = use ase required - = Non illustrated part

**Air Cleaner
Figure 14-810**



ITEM	PART NUMBER	QTY	LINE	SERIES	BODY	ENGINE	TRANS	TRIM	DESCRIPTION
10		2	3, 7	L	12, 15, 16				FILTER, Air
	05103554AA	1	2, 6	L	01, 02, 06	EX8, EX9			
		1	2, 6	L	11, 12, 14, 15, 16	EX8, EX9			
		1	2, 6	L	51, 52, 54, 55, 56	EX8, EX9			
		1	3, 7	L	02, 06	EX8, EX9			
		1	3, 7	L	12, 15, 16	EX8, EX9			
11									AIR CLEANER
	05117478AA	1	2, 6	L	01, 02, 06	EX8	DGJ		
		1	2, 6	L	11, 12, 14, 15, 16	EX8	DGJ		
		1	2, 6	L	51, 52, 54, 55, 56	EX8	DGJ		
		1	3, 7	L	02, 06	EX8	DGJ		
		1	3, 7	L	12, 15, 16	EX8	DGJ		
12									LATCH, Air Cleaner
	05133741AA	1	2, 6	L	01, 02, 06				
		1	2, 6	L	11, 12, 14, 15, 16				
		1	3, 7	L	02, 06				
		1	3, 7	L	12, 15, 16				
		1	2, 6	L	51, 52, 54, 55, 56				
13									HOSE, Air Cleaner
	05103616AA	1	2, 6	L	01, 02, 06				
		1	2, 6	L	11, 12, 14, 15, 16				
		1	2, 6	L	51, 52, 54, 55, 56				
		1	3, 7	L	12, 15, 16				

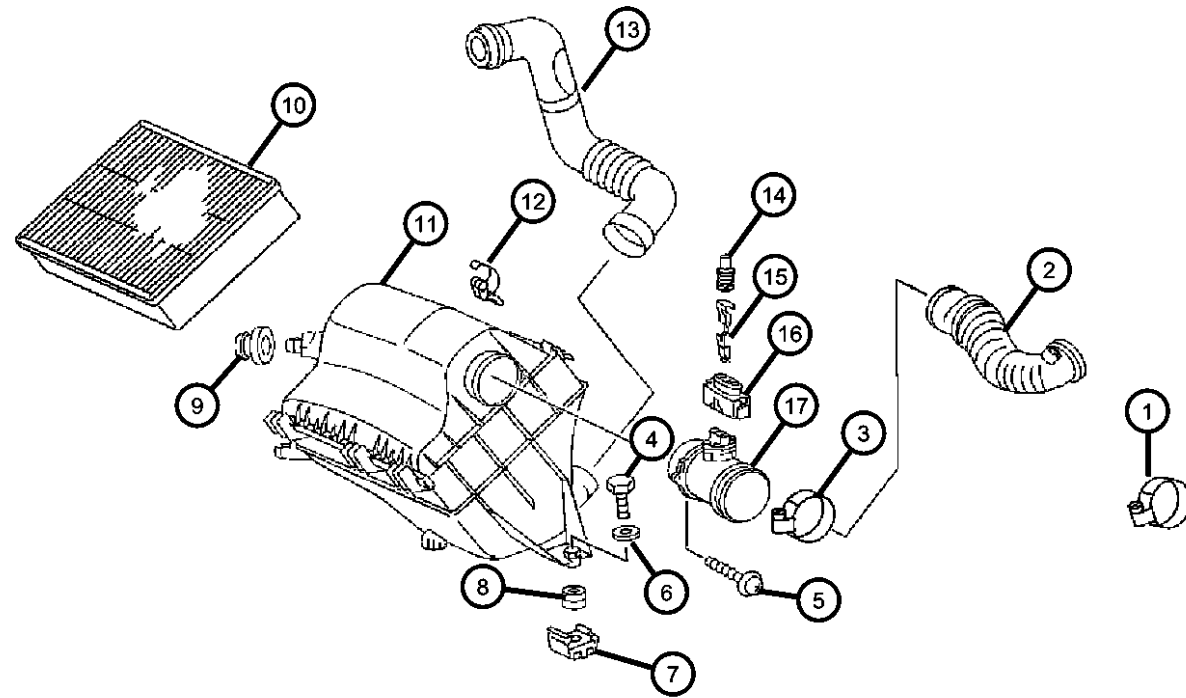
SPRINTER (VA)

SERIES	LINE	BODY	ENGINE	TRANSMISSION
L = LOWLINE	3 = HD DODGE 2WD 6 = Lt. Duty DODGE 4WD 2 = Med. Duty DODGE 2WD 7 = Med. Duty DODGE 4WD	55 = Wagon 140" 54 = Wagon 118" 52 = Wagon 140" 51 = Wagon 118" 12 = Van 140" 11 = Van 118" 06 = Front Section 158" 14 = Van 118" 15 = Van 140" 16 = Van 158" 56 = Wagon 158"	EX8 = Engine-2.7L I5 Mercedes Turbo Diesel	DGJ = Transmission-5-Spd. Automatic,W5A580
		01 = Chassis Forward Control 118" 02 = Chassis Forward Control 140"		

AR = use ase required - = Non illustrated part

2004 VA

**Air Cleaner
Figure 14-810**



ITEM	PART NUMBER	QTY	LINE	SERIES	BODY	ENGINE	TRANS	TRIM	DESCRIPTION
14	05120144AA	1	3, 7	L	02, 06	EX8			GASKET
	05103661AA	1	2, 6	L	01, 02, 06				
		1	2, 6	L	11, 12, 14, 15, 16				
		1	2, 6	L	51, 52, 54, 55, 56				
15	05102935AA	99	3, 7	L	02, 06				TERMINAL
		1	3, 7	L	12, 15, 16				
		1	2, 6	L	01, 02, 06				
		1	2, 6	L	11, 12, 14, 15, 16				
16	05120763AA	1	2, 6	L	51, 52, 54, 55, 56				PLUG
		1	2, 6	L	02, 06				
		1	2, 6	L	01, 02, 06				
		1	2, 6	L	11, 12, 14, 15, 16				
17	05117501AA	1	3, 7	L	12, 15, 16				SENSOR, Mass Airflow
		1	3, 7	L	02, 06	EX8			
		1	2, 6	L	01, 02, 06	EX8			
		1	2, 6	L	11, 12, 14, 15, 16	EX8			

SPRINTER (VA)

SERIES

L = LOWLINE

LINE

3 = HD DODGE 2WD
6 = Lt. Duty DODGE 4WD
2 = Med. Duty DODGE 2WD
7 = Med. Duty DODGE 4WD

BODY

55 = Wagon 140"
54 = Wagon 118"
52 = Wagon 140"
51 = Wagon 118"
12 = Van 140"
11 = Van 118"
06 = Front Section 158"
14 = Van 118"
15 = Van 140"
16 = Van 158"
56 = Wagon 158"
01 = Chassis Forward Control 118"
02 = Chassis Forward Control 140"

ENGINE

EX8 = Engine-2.7L I5
Mercedes Turbo Diesel

TRANSMISSION

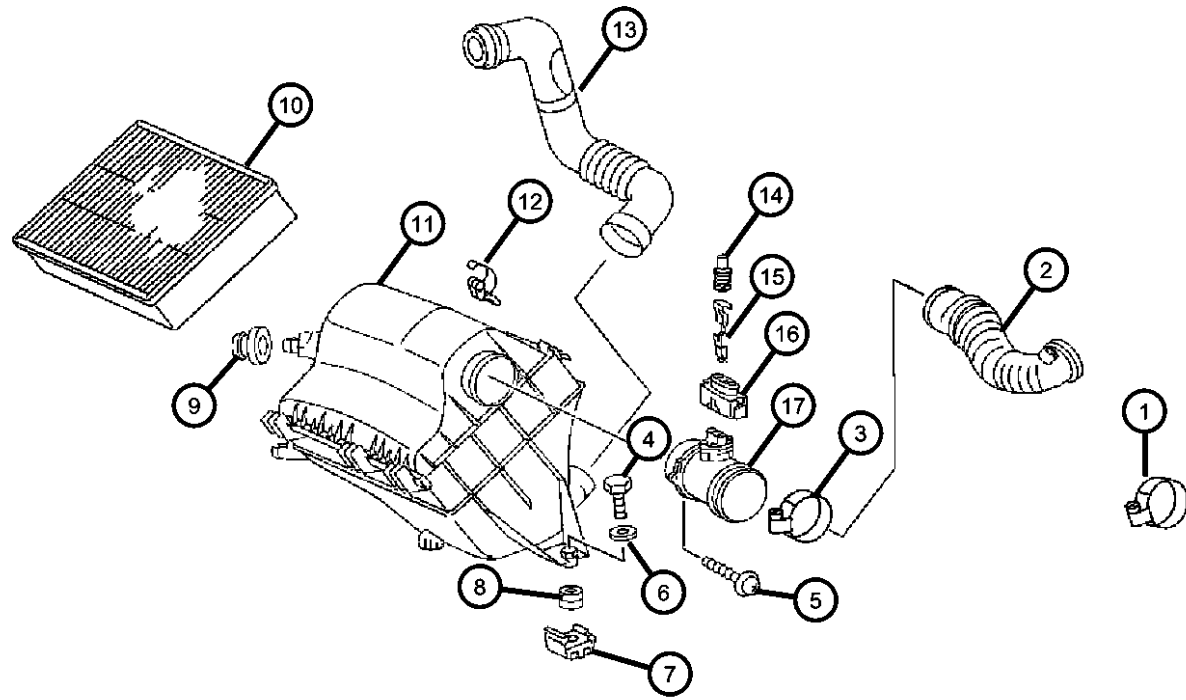
DGJ = Transmission-5-Spd. Automatic, W5A580

AR = use ase required - = Non illustrated part

2004 VA

**Air Cleaner
Figure 14-810**

ITEM	PART NUMBER	QTY	LINE	SERIES	BODY	ENGINE	TRANS	TRIM	DESCRIPTION
-18		1	3, 7	L	12, 15, 16	EX8			SEAL, O-Ring
	05133740AA	1	2, 6	L	01, 02, 06				Air Flow Meter To Air Hose Seal
		1	2, 6	L	11, 12, 14, 15, 16				Air Flow Meter To Air Hose Seal
		1	2, 6	L	51, 52, 54, 55, 56				Air Flow Meter To Air Hose Seal
		1	3, 7	L	02, 06				Air Flow Meter To Air Hose Seal
		1	3, 7	L	12, 15, 16				Air Flow Meter To Air Hose Seal
-19		1	2, 6	L	01, 02, 06				BRACKET, Air Inlet
	05120059AA	1	2, 6	L	11, 12, 14, 15, 16				
		1	2, 6	L	51, 52, 54, 55, 56				
		1	3, 7	L	02, 06				
		1	3, 7	L	12, 15, 16				



SPRINTER (VA)

SERIES

L = LOWLINE

LINE

3 = HD DODGE 2WD
6 = Lt. Duty DODGE 4WD
2 = Med. Duty DODGE 2WD
7 = Med. Duty DODGE 4WD

BODY

55 = Wagon 140"
54 = Wagon 118"
52 = Wagon 140"
51 = Wagon 118"
12 = Van 140"
11 = Van 118"
06 = Front Section 158"
14 = Van 118"
15 = Van 140"
16 = Van 158"
56 = Wagon 158"
01 = Chassis Forward Control
118"
02 = Chassis Forward Control
140"

ENGINE

EX8 = Engine-2.7L I5
Mercedes Turbo Diesel

TRANSMISSION

DGJ = Transmission-5-Spd.
Automatic,W5A580

AR = use ase required - = Non illustrated part

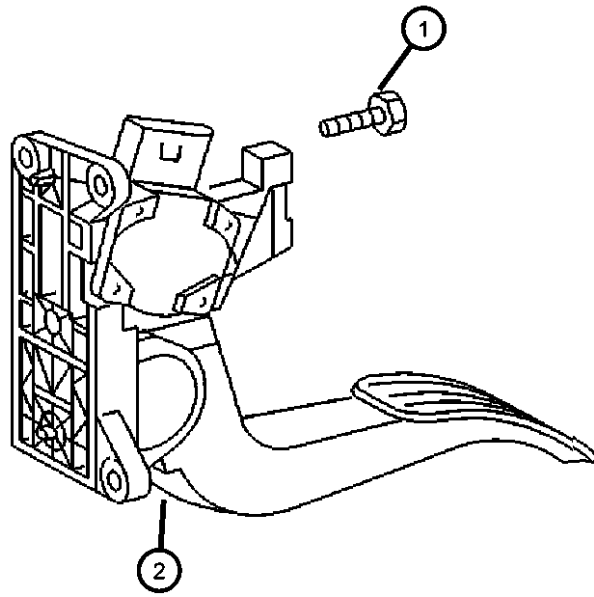
2004 VA

**Accelerator Pedal
Figure 14-1110**

ITEM	PART NUMBER	QTY	LINE	SERIES	BODY	ENGINE	TRANS	TRIM	DESCRIPTION
------	-------------	-----	------	--------	------	--------	-------	------	-------------

Sales Codes:[EX8]= 2.7L I5 MERCEDES-BENZ
DGJ=TRANSMISSION - 5-SPD AUTO

1	06104005AA	2		L					SCREW
2	05135510AA	1	2, 6	L	01, 02, 06	EX8			PEDAL, Accelerator
		1	2, 6	L	11, 12, 14, 15, 16	EX8			
		1	2, 6	L	51, 52, 54, 55, 56	EX8			
		1	3, 7	L	02, 06	EX8			
		1	3, 7	L	12, 15, 16	EX8			



SPRINTER (VA)

SERIES	LINE	BODY	ENGINE	TRANSMISSION
L = LOWLINE	3 = HD DODGE 2WD 6 = Lt. Duty DODGE 4WD 2 = Med. Duty DODGE 2WD 7 = Med. Duty DODGE 4WD	55 = Wagon 140" 54 = Wagon 118" 52 = Wagon 140" 51 = Wagon 118" 12 = Van 140" 11 = Van 118" 06 = Front Section 158" 14 = Van 118" 15 = Van 140" 16 = Van 158" 56 = Wagon 158" 01 = Chassis Forward Control 118" 02 = Chassis Forward Control 140"	EX8 = Engine-2.7L I5 Mercedes Turbo Diesel	DGJ = Transmission-5-Spd. Automatic,W5A580

AR = use ase required - = Non illustrated part

Group - 16

Propeller Shafts and U-Joints

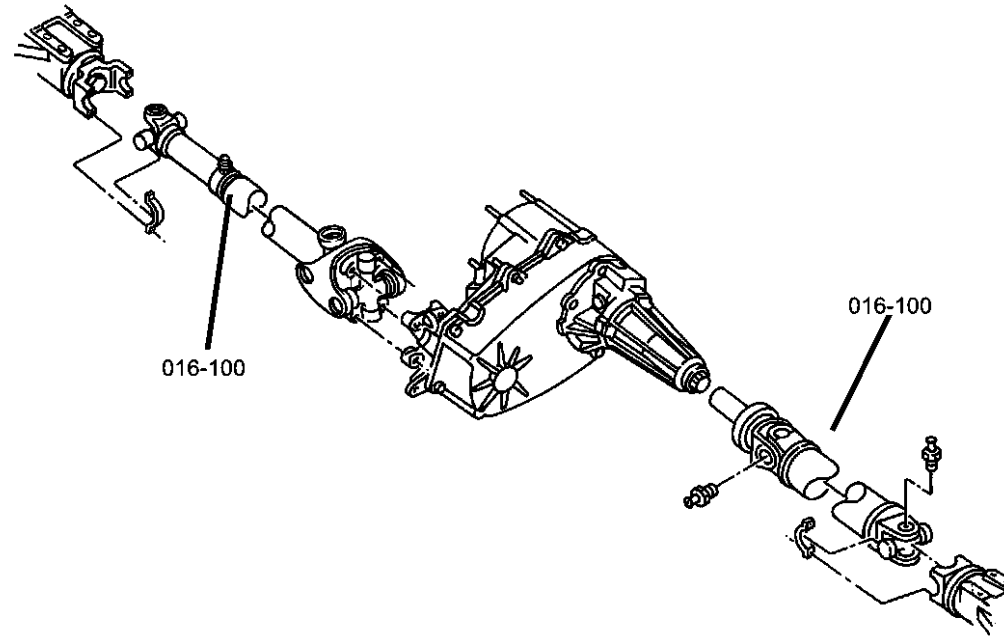
Group - 16 Propeller Shafts and U-Joints

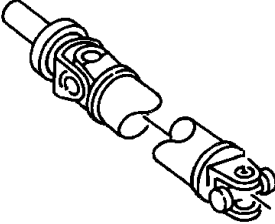
Illustration Title

Group-Fig. No.

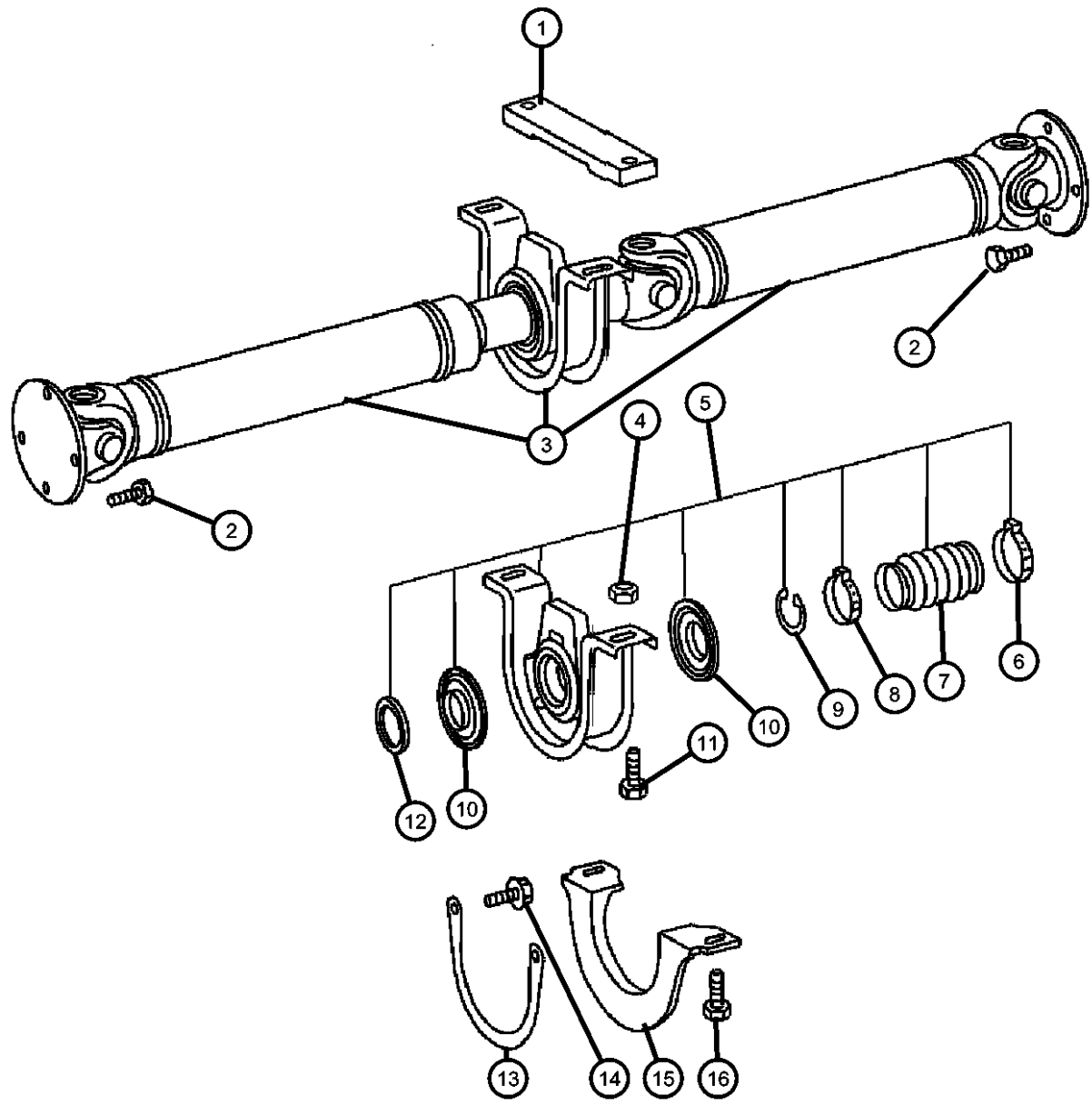
Propeller Shaft

Shaft, Propeller, Rear, 2 Piece	Fig. 16 - 120
Shaft, Propeller, Rear, 3 Piece	Fig. 16 - 130



<p>016-100 Propeller Shaft</p> 			
--	--	--	--

Shaft, Propeller, Rear, 2 Piece
Figure 16-120



ITEM	PART NUMBER	QTY	LINE	SERIES	BODY	ENGINE	TRANS	TRIM	DESCRIPTION
------	-------------	-----	------	--------	------	--------	-------	------	-------------

Note: Sales Codes;

[5AC]=118 Inch Wheelbase

[5AE]=140 Inch Wheelbase

[5AF]=158 Inch Wheelbase

1	05129044AA	2		L			DGJ		SHIM, Drive Shaft Bearing
2	05103939AA	8	2, 6	L	11, 12, 14, 15				BOLT
		12	2, 6	L	16				
		8	2, 6	L	51, 52, 54, 55				
		12	2, 6	L	56				
		8	2, 6	L	01, 02				
		12	2, 6	L	06				
		8	3, 7	L	12, 15				
		12	3, 7	L	16				
3	05119086AA	1	2, 6	L	11, 12, 14, 15, 16	EX9	DGJ		SHAFT, Drive, 2 Piece [5AE]
		1	2, 6	L	51, 52, 54, 55, 56	EX9	DGJ		[5AE]
		1	3, 7	L	02, 06	EX9	DGJ		[5AE]
		1	3, 7	L	12, 15, 16	EX9	DGJ		[5AE]
	05129034AA	1	2, 6	L	01, 02, 06	EX9	DGJ		[5AE]
		1	2, 6	L	11, 12, 14, 15, 16	EX9	DGJ		[5AC]
		1	2, 6	L	51, 52, 54, 55, 56	EX9	DGJ		[5AC]
		1	2, 6	L	01, 02, 06	EX9	DGJ		[5AC]
4	06104718AA	2	2, 6	L	01, 02, 06				NUT
		2	2, 6	L	11, 12, 14, 15, 16				

SPRINTER (VA)

SERIES

L = LOWLINE

LINE

- 3 = HD DODGE 2WD
- 6 = Lt. Duty DODGE 4WD
- 2 = Med. Duty DODGE 2WD
- 7 = Med. Duty DODGE 4WD

BODY

- 55 = Wagon 140"
- 54 = Wagon 118"
- 52 = Wagon 140"
- 51 = Wagon 118"
- 12 = Van 140"
- 11 = Van 118"
- 06 = Front Section 158"
- 14 = Van 118"
- 15 = Van 140"
- 16 = Van 158"
- 56 = Wagon 158"
- 01 = Chassis Forward Control 118"
- 02 = Chassis Forward Control 140"

ENGINE

- EX8 = Engine-2.7L I5
- Mercedes Turbo Diesel

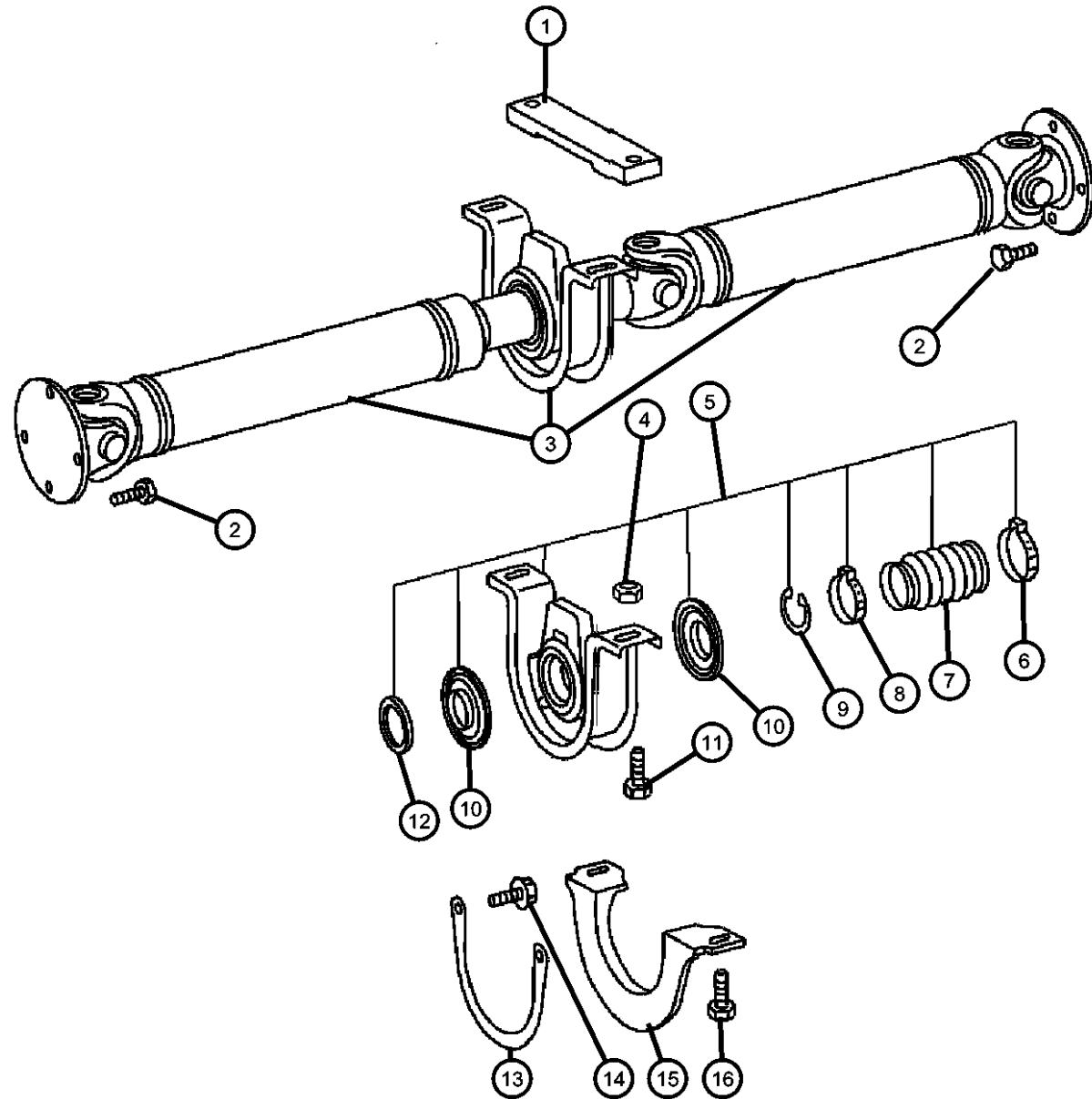
TRANSMISSION

- DGJ = Transmission-5-Spd. Automatic, W5A580

AR = use ase required - = Non illustrated part

2004 VA

Shaft, Propeller, Rear, 2 Piece
Figure 16-120



ITEM	PART NUMBER	QTY	LINE	SERIES	BODY	ENGINE	TRANS	TRIM	DESCRIPTION
		2	2, 6	L	51, 52, 54, 55, 56				
		2	3, 7	L	12, 15, 16				
5	05104574AA	1	2, 6	L	01, 02, 06				CENTER BEARING, Drive Shaft
		1	2, 6	L	11, 12, 14, 15, 16				
		1	2, 6	L	51, 52, 54, 55, 56				
		1	3, 7	L	12, 15, 16				
6	05133900AA	1	2, 6	L	01, 02, 06				CLAMP, Boot
		1	2, 6	L	11, 12, 14, 15, 16				
		1	2, 6	L	51, 52, 54, 55, 56				
		1	3, 7	L	12, 15, 16				
7	05133897AA	1	2, 6	L	01, 02, 06				BOOT, Driveshaft
		1	2, 6	L	11, 12, 14, 15, 16				
		1	2, 6	L	51, 52, 54, 55, 56				
		1	3, 7	L	12, 15, 16				
8	05133899AA	1	2, 6	L	01, 02, 06				CLAMP, Boot
		1	2, 6	L	11, 12, 14, 15, 16				
		1	2, 6	L	51, 52, 54, 55, 56				
		1	3, 7	L	12, 15, 16				
9		1							SNAP RING, Purchase Item 5, (NOT SERVICED)

SPRINTER (VA)

SERIES

L = LOWLINE

LINE

3 = HD DODGE 2WD
6 = Lt. Duty DODGE 4WD
2 = Med. Duty DODGE 2WD
7 = Med. Duty DODGE 4WD

BODY

55 = Wagon 140"
54 = Wagon 118"
52 = Wagon 140"
51 = Wagon 118"
12 = Van 140"
11 = Van 118"
06 = Front Section 158"
14 = Van 118"
15 = Van 140"
16 = Van 158"
56 = Wagon 158"
01 = Chassis Forward Control
118"
02 = Chassis Forward Control
140"

ENGINE

EX8 = Engine-2.7L I5
Mercedes Turbo Diesel

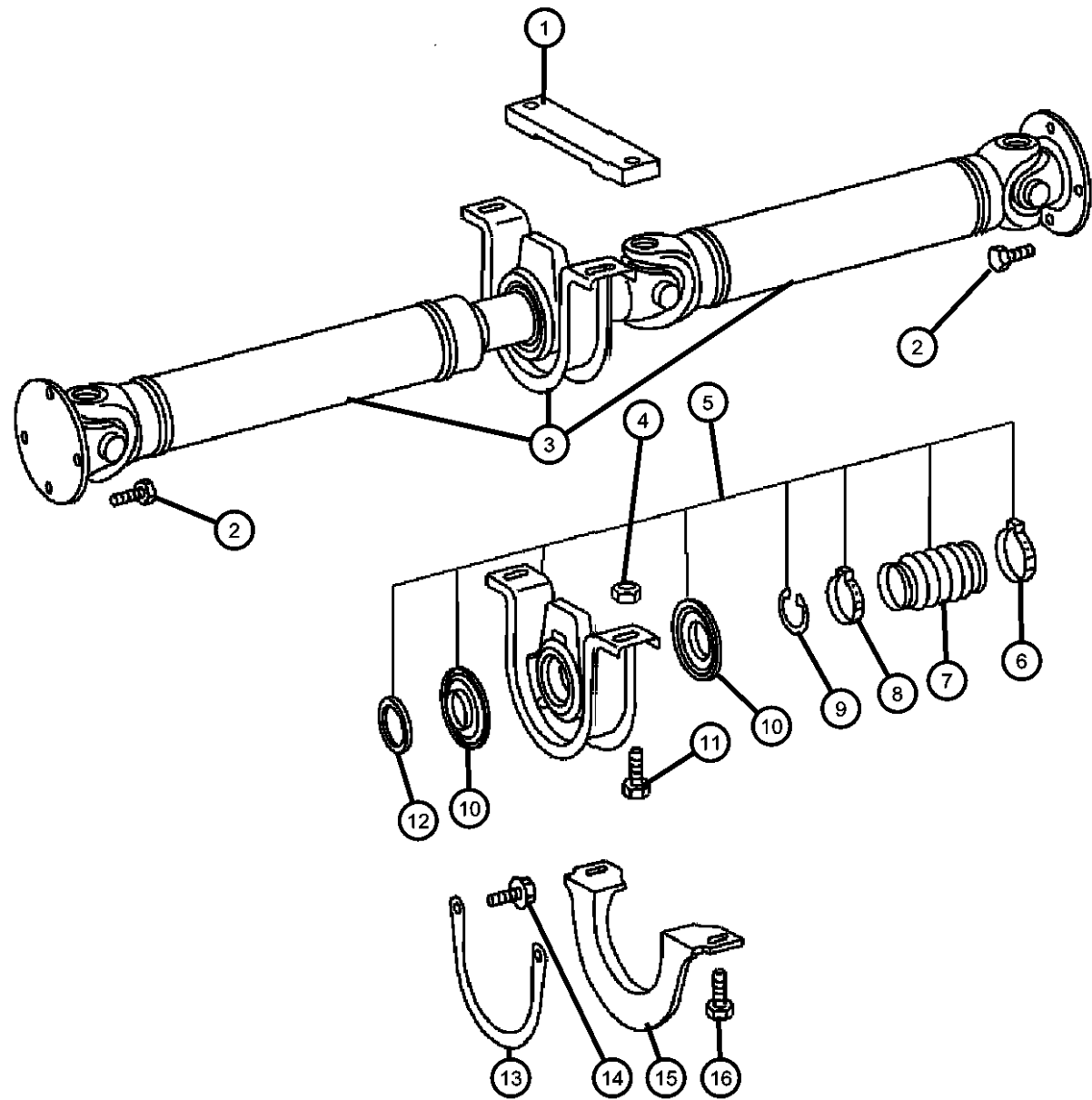
TRANSMISSION

DGJ = Transmission-5-Spd.
Automatic, W5A580

AR = use ase required - = Non illustrated part

2004 VA

Shaft, Propeller, Rear, 2 Piece
Figure 16-120



ITEM	PART NUMBER	QTY	LINE	SERIES	BODY	ENGINE	TRANS	TRIM	DESCRIPTION
10									BOOT, Driveshaft
	05133897AA	1	2, 6	L	01, 02, 06				
	05133898AA	1	2, 6	L	11, 12, 14, 15, 16				
		1	2, 6	L	51, 52, 54, 55, 56				
		1	3, 7	L	12, 15, 16				
11									BOLT
	06104229AA	1	3, 7	L	12, 15, 16				
	06104238AA	4	2, 6	L	11, 12, 14, 15, 16				
		4	2, 6	L	01, 02, 06				
		4	2, 6	L	51, 52, 54, 55, 56				
12		4							THRUST WASHER, Purchase Item 5, (NOT SERVICED)
13	05119131AA	1	2, 3, 6, 7	L			DGJ		STRAP, Prop Shaft
14	06104234AA	2		L			DGJ		SCREW
15	05119133AA	2		L					BRACKET, Prop Shaft
16									BOLT, Hex
	05133896AA	2	2, 6	L	16				Without [5AF]
		4	2, 6	L	16				With [5AF]
		2	2, 6	L	06				Without [5AF]
		4	2, 6	L	06				With [5AF]
		4	2, 6	L	56				With [5AF]
		2	3, 7	L	06				Without [5AF]
		2	2, 6	L	56				Without [5AF]
		4	3, 7	L	06				With [5AF]
		2	3, 7	L	16				Without [5AF]
		4	3, 7	L	16				With [5AF]

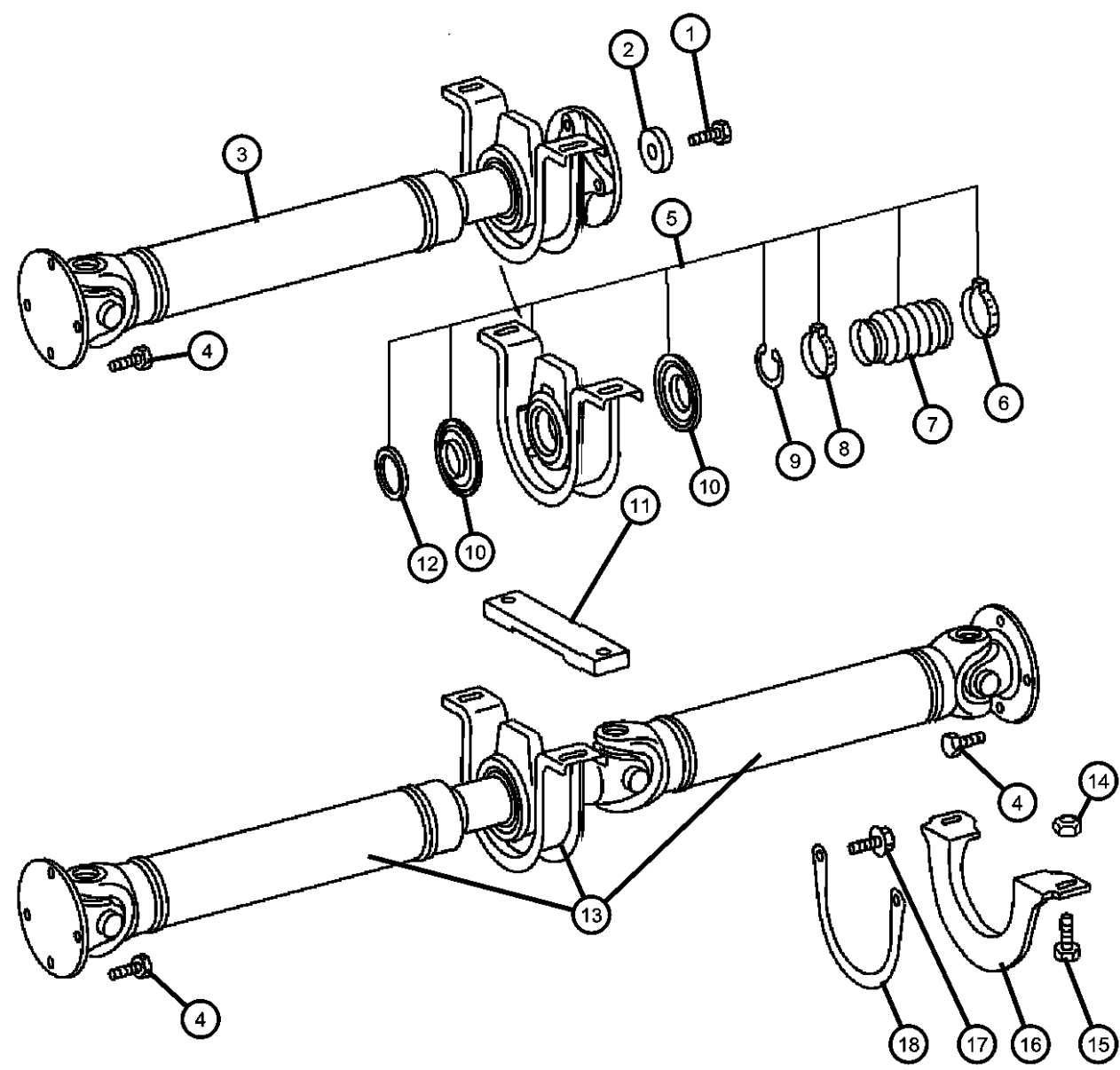
SPRINTER (VA)

SERIES	LINE	BODY	ENGINE	TRANSMISSION
L = LOWLINE	3 = HD DODGE 2WD 6 = Lt. Duty DODGE 4WD 2 = Med. Duty DODGE 2WD 7 = Med. Duty DODGE 4WD	55 = Wagon 140" 54 = Wagon 118" 52 = Wagon 140" 51 = Wagon 118" 12 = Van 140" 11 = Van 118" 06 = Front Section 158" 14 = Van 118" 15 = Van 140" 16 = Van 158" 56 = Wagon 158"	EX8 = Engine-2.7L I5 Mercedes Turbo Diesel	DGJ = Transmission-5-Spd. Automatic, W5A580
		01 = Chassis Forward Control 118" 02 = Chassis Forward Control 140"		

AR = use ase required - = Non illustrated part

2004 VA

**Shaft, Propeller, Rear, 3 Piece
Figure 16-130**



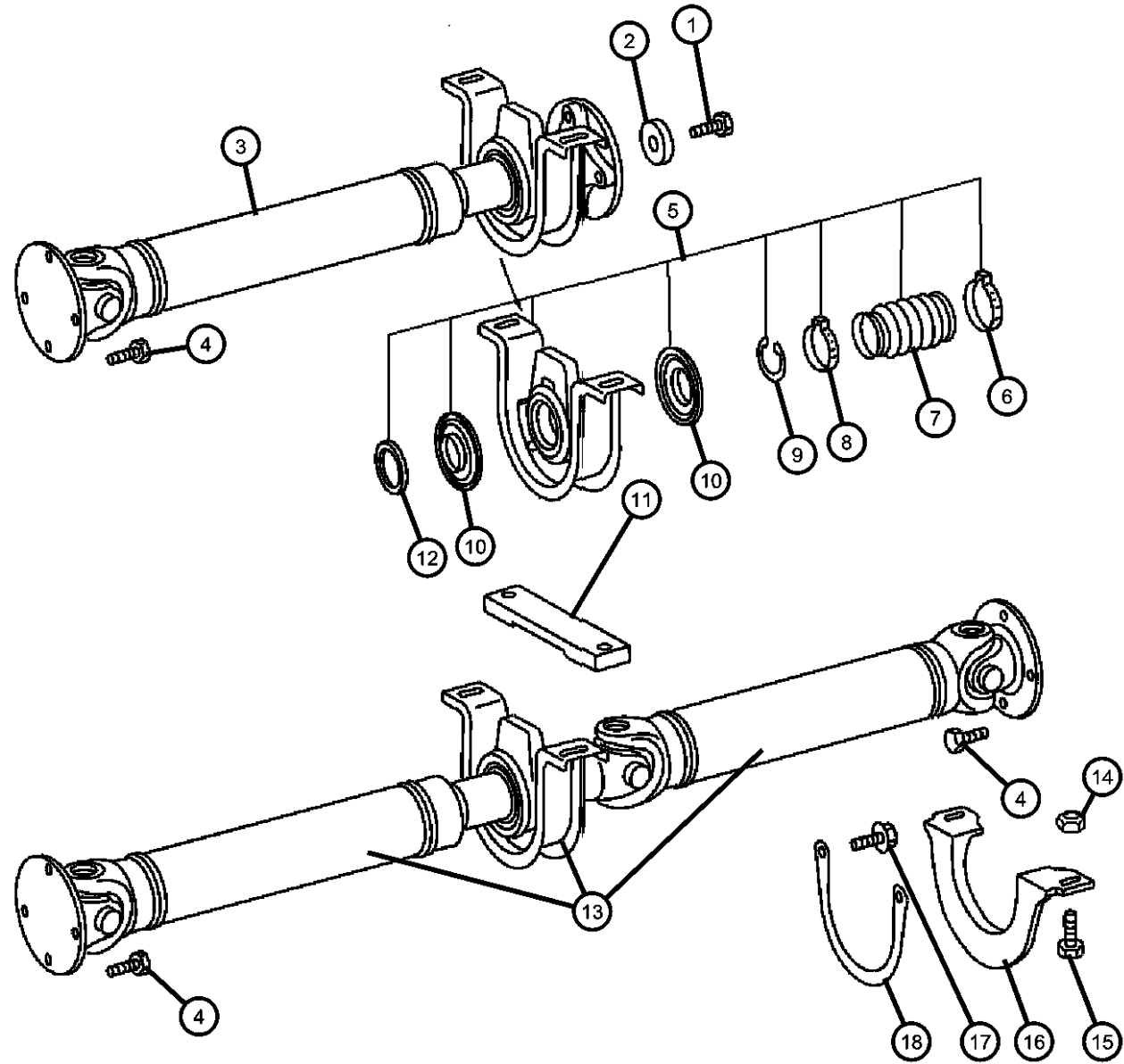
ITEM	PART NUMBER	QTY	LINE	SERIES	BODY	ENGINE	TRANS	TRIM	DESCRIPTION
1		4							BOLT, Drive Shaft, (NOT SERVICED),
2									WASHER, Thrust
	05133894AA	1	2, 6	L	51, 52, 54, 55, 56				
		1	2, 6	L	01, 02, 06				
		1	2, 6	L	11, 12, 14, 15, 16				
		1	3, 7	L	12, 15, 16				
3									SHAFT, Drive, Rear, Front section
	05104083AA	1	2, 6	L	01, 02, 06	EX9	DGJ		
		1	2, 6	L	51, 52, 54, 55, 56	EX9	DGJ		
		1	2, 6	L	11, 12, 14, 15, 16	EX9	DGJ		
		1	3, 7	L	12, 15, 16	EX9	DGJ		
		1	3, 7	L	02, 06	EX9	DGJ		
4									BOLT
	05103939AA	12	2, 6	L	06				
		12	2, 6	L	16				
		12	2, 6	L	56				
		12	3, 7	L	16				
5									CENTER BEARING, Drive Shaft
	05104574AA	1	2, 6	L	01, 02, 06				
		1	2, 6	L	11, 12, 14, 15, 16				
		1	2, 6	L	51, 52, 54, 55, 56				
		1	3, 7	L	12, 15, 16				
6									CLAMP, Boot
	05133900AA	1	2, 6	L	11, 12, 14, 15, 16				
		1	2, 6	L	51, 52, 54, 55, 56				

SPRINTER (VA)

SERIES	LINE	BODY	ENGINE	TRANSMISSION
L = LOWLINE	3 = HD DODGE 2WD 6 = Lt. Duty DODGE 4WD 2 = Med. Duty DODGE 2WD 7 = Med. Duty DODGE 4WD	55 = Wagon 140" 54 = Wagon 118" 52 = Wagon 140" 51 = Wagon 118" 12 = Van 140" 11 = Van 118" 06 = Front Section 158" 14 = Van 118" 15 = Van 140" 16 = Van 158" 56 = Wagon 158"	EX8 = Engine-2.7L I5 Mercedes Turbo Diesel	DGJ = Transmission-5-Spd. Automatic, W5A580
		01 = Chassis Forward Control 118" 02 = Chassis Forward Control 140"		

AR = use ase required - = Non illustrated part

**Shaft, Propeller, Rear, 3 Piece
Figure 16-130**



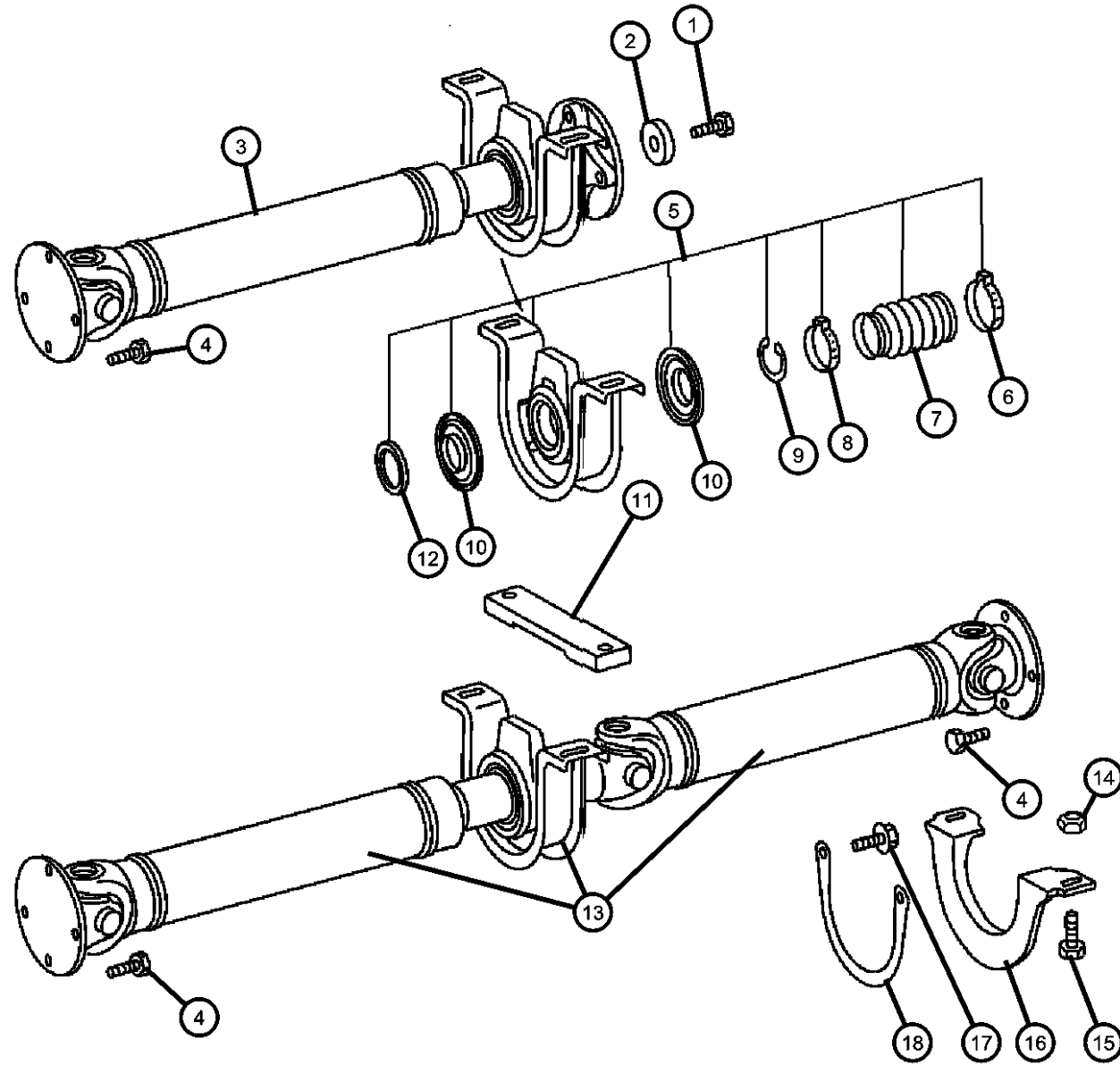
ITEM	PART NUMBER	QTY	LINE	SERIES	BODY	ENGINE	TRANS	TRIM	DESCRIPTION
		1	3, 7	L	12, 15, 16				
		1	2, 6	L	01, 02, 06				
7									BOOT, Driveshaft
	05133897AA	1	2, 6	L	01, 02, 06				
		1	2, 6	L	51, 52, 54, 55, 56				
		1	3, 7	L	12, 15, 16				
		1	2, 6	L	11, 12, 14, 15, 16				
8									CLAMP, Boot
	05133899AA	1	2, 6	L	01, 02, 06				
		1	2, 6	L	11, 12, 14, 15, 16				
		1	2, 6	L	51, 52, 54, 55, 56				
		1	3, 7	L	12, 15, 16				
9		1							SNAP RING, Purchase Item 5, (NOT SERVICED)
10									BOOT, Driveshaft
	05133898AA	1	2, 6	L	01, 02, 06				
		1	2, 6	L	11, 12, 14, 15, 16				
		1	2, 6	L	51, 52, 54, 55, 56				
		1	3, 7	L	12, 15, 16				
11	05129044AA	2		L			DGJ		SHIM, Drive Shaft Bearing
12	05129044AA	2							THRUST WASHER, Purchase Item 5, (NOT SERVICED)
13									SHAFT, Drive, Rear, Rear section
	05104084AA	1	2, 6	L	06				
		1	2, 6	L	16				
		1	2, 6	L	56				

SPRINTER (VA)

SERIES	LINE	BODY	ENGINE	TRANSMISSION
L = LOWLINE	3 = HD DODGE 2WD 6 = Lt. Duty DODGE 4WD 2 = Med. Duty DODGE 2WD 7 = Med. Duty DODGE 4WD	55 = Wagon 140" 54 = Wagon 118" 52 = Wagon 140" 51 = Wagon 118" 12 = Van 140" 11 = Van 118" 06 = Front Section 158" 14 = Van 118" 15 = Van 140" 16 = Van 158" 56 = Wagon 158"	EX8 = Engine-2.7L I5 Mercedes Turbo Diesel	DGJ = Transmission-5-Spd. Automatic, W5A580

AR = use ase required - = Non illustrated part

**Shaft, Propeller, Rear, 3 Piece
Figure 16-130**



ITEM	PART NUMBER	QTY	LINE	SERIES	BODY	ENGINE	TRANS	TRIM	DESCRIPTION
		1	3, 7	L	16				
14	06104718AA	4	2, 6	L	01, 02, 06				NUT
		4	2, 6	L	51, 52, 54, 55, 56				
		4	2, 6	L	11, 12, 14, 15, 16				
		2	3, 7	L	12, 15, 16				
15	05133896AA	2	2, 6	L	06				BOLT, Hex Without [5AF]
		4	2, 6	L	06				With [5AF]
		2	2, 6	L	16				Without [5AF]
		4	2, 6	L	16				With [5AF]
		2	2, 6	L	56				Without [5AF]
		4	2, 6	L	56				With [5AF]
		2	3, 7	L	06				Without [5AF]
		4	3, 7	L	06				With [5AF]
		2	3, 7	L	16				Without [5AF]
		4	3, 7	L	16				With [5AF]
16	05119133AA	2		L					BRACKET, Prop Shaft
17	06104234AA	2		L			DGJ		SCREW
18	05119131AA	1	2, 3, 6, 7	L			DGJ		STRAP, Prop Shaft

SPRINTER (VA)

SERIES	LINE	BODY	ENGINE	TRANSMISSION
L = LOWLINE	3 = HD DODGE 2WD 6 = Lt. Duty DODGE 4WD 2 = Med. Duty DODGE 2WD 7 = Med. Duty DODGE 4WD	55 = Wagon 140" 54 = Wagon 118" 52 = Wagon 140" 51 = Wagon 118" 12 = Van 140" 11 = Van 118" 06 = Front Section 158" 14 = Van 118" 15 = Van 140" 16 = Van 158" 56 = Wagon 158"	EX8 = Engine-2.7L I5 Mercedes Turbo Diesel	DGJ = Transmission-5-Spd. Automatic, W5A580
		01 = Chassis Forward Control 118" 02 = Chassis Forward Control 140"		

AR = use ase required - = Non illustrated part

2004 VA

Group - 17

Rear Suspension

Group - 17 Rear Suspension

Group-Fig. No.

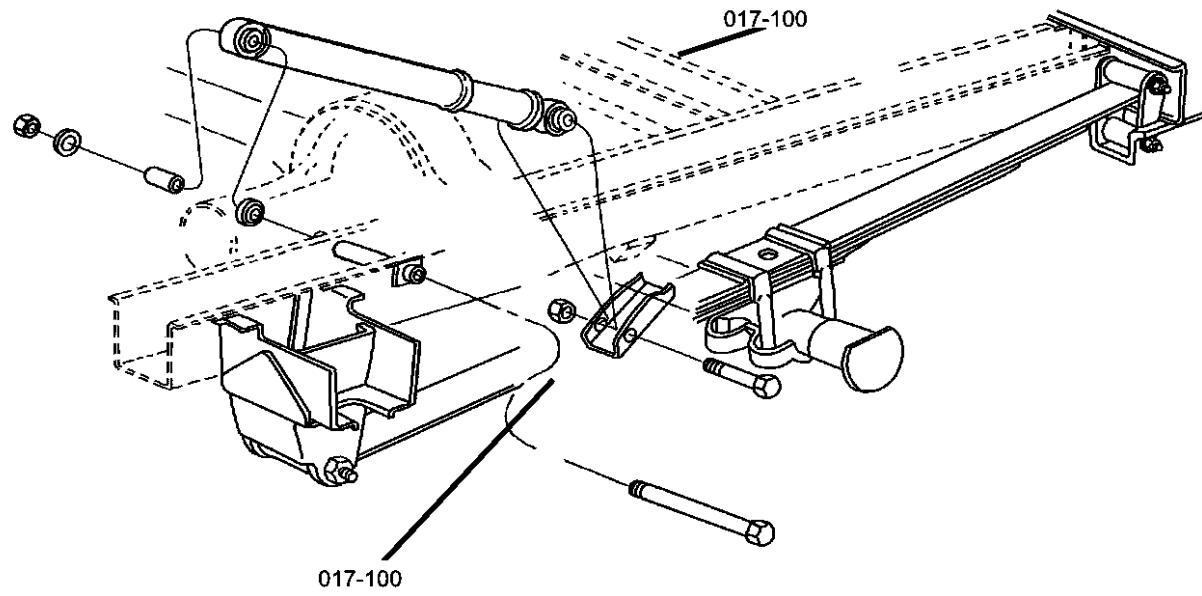
Illustration Title

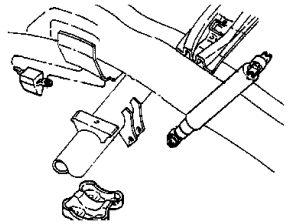
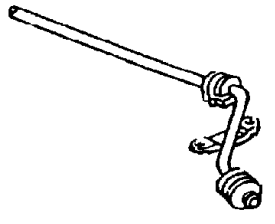
Rear Suspension

Rear Shocks	Fig. 17 - 110
Rear Springs, 2500 Series	Fig. 17 - 120
Rear Springs, 3500 Series	Fig. 17 - 130

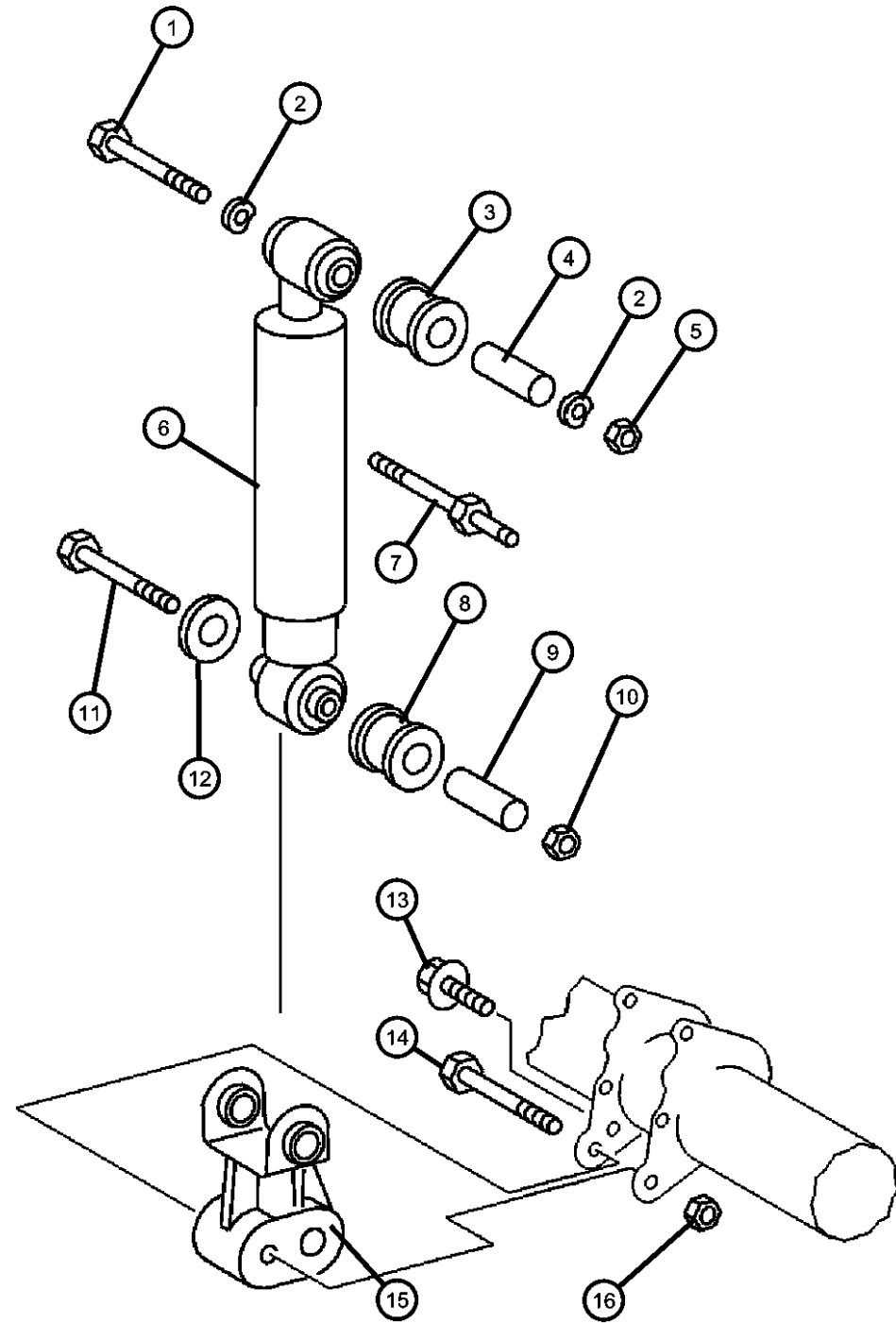
Rear Stabilizer

Stabilizer Bar,Rear	Fig. 17 - 210
---------------------------	---------------



<p>017-100 Rear Suspension</p> 	<p>017-200 Rear Stabilizer</p> 		
--	---	--	--

Rear Shocks
Figure 17-110



ITEM	PART NUMBER	QTY	LINE	SERIES	BODY	ENGINE	TRANS	TRIM	DESCRIPTION
1									SCREW
	06104265AA	2	3, 7	L	12, 15, 16				
	06104271AA	1	2, 6	L	01, 02, 06				
		1	2, 6	L	11, 12, 14, 15, 16				
		1	2, 6	L	51, 52, 54, 55, 56				
2									SPACER, Shock Absorber Bushing
	05133876AA	4	3, 7	L	12, 15, 16				
	05133883AA	4	2, 6	L	01, 02, 06				
		4	2, 6	L	11, 12, 14, 15, 16				
		4	2, 6	L	51, 52, 54, 55, 56				
3									BUSHING, Shock Absorber
	05133873AA	4	3, 7	L	12, 15, 16				Upper or Lower
	05133879AA	2	2, 6	L	01, 02, 06				Upper
		2	2, 6	L	11, 12, 14, 15, 16				Upper
		2	2, 6	L	51, 52, 54, 55, 56				Upper
4									SLEEVE, Shock Absorber
	05133874AA	2	3, 7	L	12, 15, 16				Upper
	05133881AA	2	2, 6	L	01, 02, 06				Upper
		2	2, 6	L	11, 12, 14, 15, 16				Upper
		2	2, 6	L	51, 52, 54, 55, 56				Upper
5									NUT
	06104719AA	2	2, 6	L	01, 02, 06				
		2	2, 6	L	11, 12, 14, 15, 16				
		2	2, 6	L	51, 52, 54, 55, 56				

SPRINTER (VA)

SERIES

L = LOWLINE

LINE

3 = HD DODGE 2WD
6 = Lt. Duty DODGE 4WD
2 = Med. Duty DODGE 2WD
7 = Med. Duty DODGE 4WD

BODY

55 = Wagon 140"
54 = Wagon 118"
52 = Wagon 140"
51 = Wagon 118"
12 = Van 140"
11 = Van 118"
06 = Front Section 158"
14 = Van 118"
15 = Van 140"
16 = Van 158"
56 = Wagon 158"
01 = Chassis Forward Control 118"
02 = Chassis Forward Control 140"

ENGINE

EX8 = Engine-2.7L I5
Mercedes Turbo Diesel

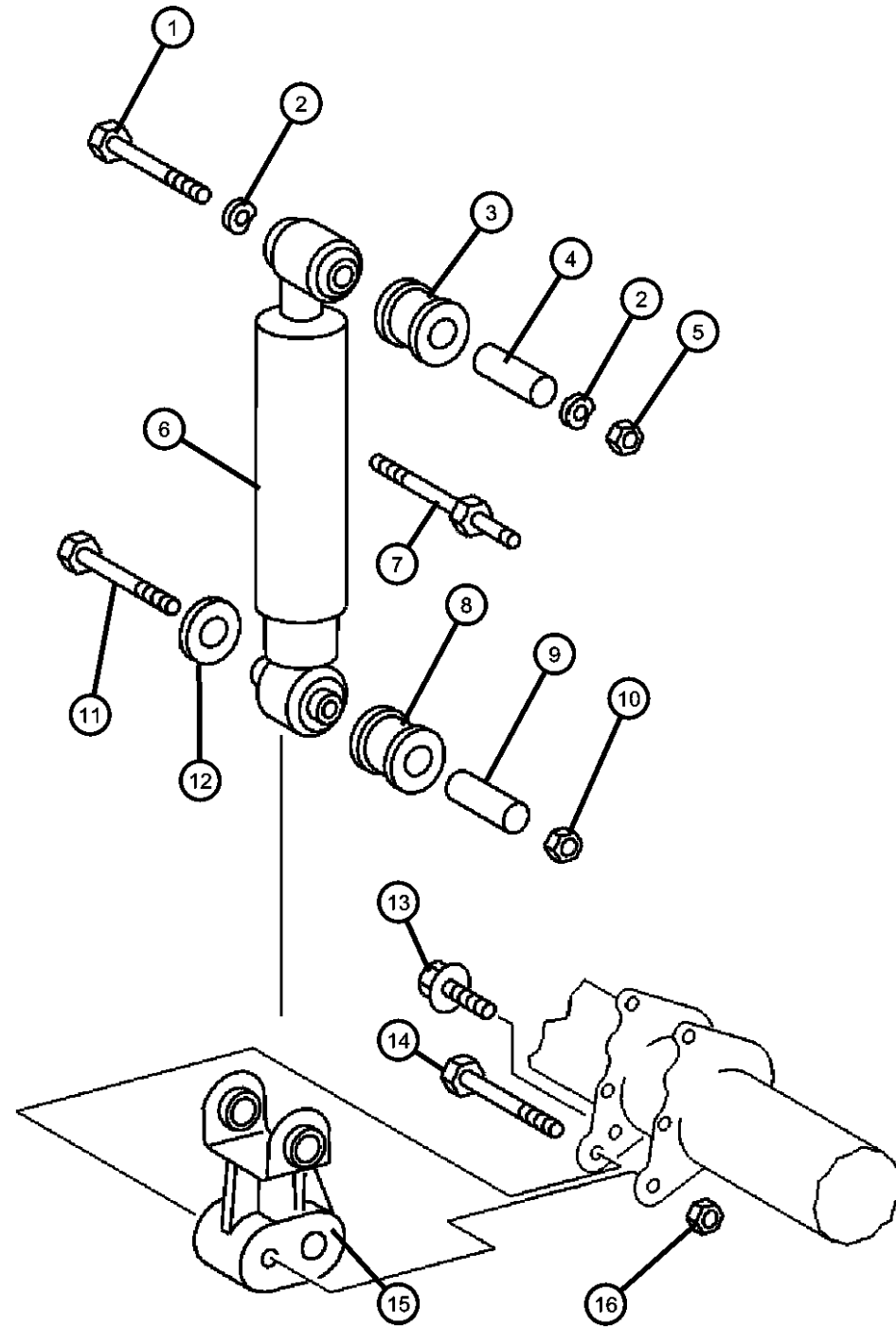
TRANSMISSION

DGJ = Transmission-5-Spd. Automatic, W5A580

AR = use ase required - = Non illustrated part

2004 VA

Rear Shocks
Figure 17-110



ITEM	PART NUMBER	QTY	LINE	SERIES	BODY	ENGINE	TRANS	TRIM	DESCRIPTION
6		2	3, 7	L	12, 15, 16				SHOCK ABSORBER, Suspension, Rear
	05104061AA	2	2, 6	L	11, 12, 14, 15, 16				[3B5]
		2	2, 6	L	51, 52, 54, 55, 56				[3B5]
	05118646AA	2	2, 6	L	01, 02, 06				
		2	2, 6	L	11, 12, 14, 15, 16				
		2	2, 6	L	51, 52, 54, 55, 56				
	05118648AA	2	3, 7	L	12, 15, 16				
	05127644AA	2	2, 6	L	01, 02, 06				[3B5, WDG]
		2	2, 6	L	11, 12, 14, 15, 16				[3B5, WDG]
		2	2, 6	L	51, 52, 54, 55, 56				[3B5, WDG]
7									BOLT
	05118796AA	1	2, 6	L	01, 02, 06				
		1	2, 6	L	11, 12, 14, 15, 16				
		1	2, 6	L	51, 52, 54, 55, 56				
8									BUSHING, Shock Absorber
	05133873AA	4	3, 7	L	12, 15, 16				Upper or Lower
	05133880AA	2	2, 6	L	01, 02, 06				Lower
		2	2, 6	L	11, 12, 14, 15, 16				Lower
		2	2, 6	L	51, 52, 54, 55, 56				Lower
9									SLEEVE, Shock Absorber
	05133875AA	2	3, 7	L	12, 15, 16				Lower
	05133882AA	2	2, 6	L	01, 02, 06				Lower

SPRINTER (VA)

SERIES

L = LOWLINE

LINE

3 = HD DODGE 2WD
6 = Lt. Duty DODGE 4WD
2 = Med. Duty DODGE 2WD
7 = Med. Duty DODGE 4WD

BODY

55 = Wagon 140"
54 = Wagon 118"
52 = Wagon 140"
51 = Wagon 118"
12 = Van 140"
11 = Van 118"
06 = Front Section 158"
14 = Van 118"
15 = Van 140"
16 = Van 158"
56 = Wagon 158"
01 = Chassis Forward Control 118"
02 = Chassis Forward Control 140"

ENGINE

EX8 = Engine-2.7L I5
Mercedes Turbo Diesel

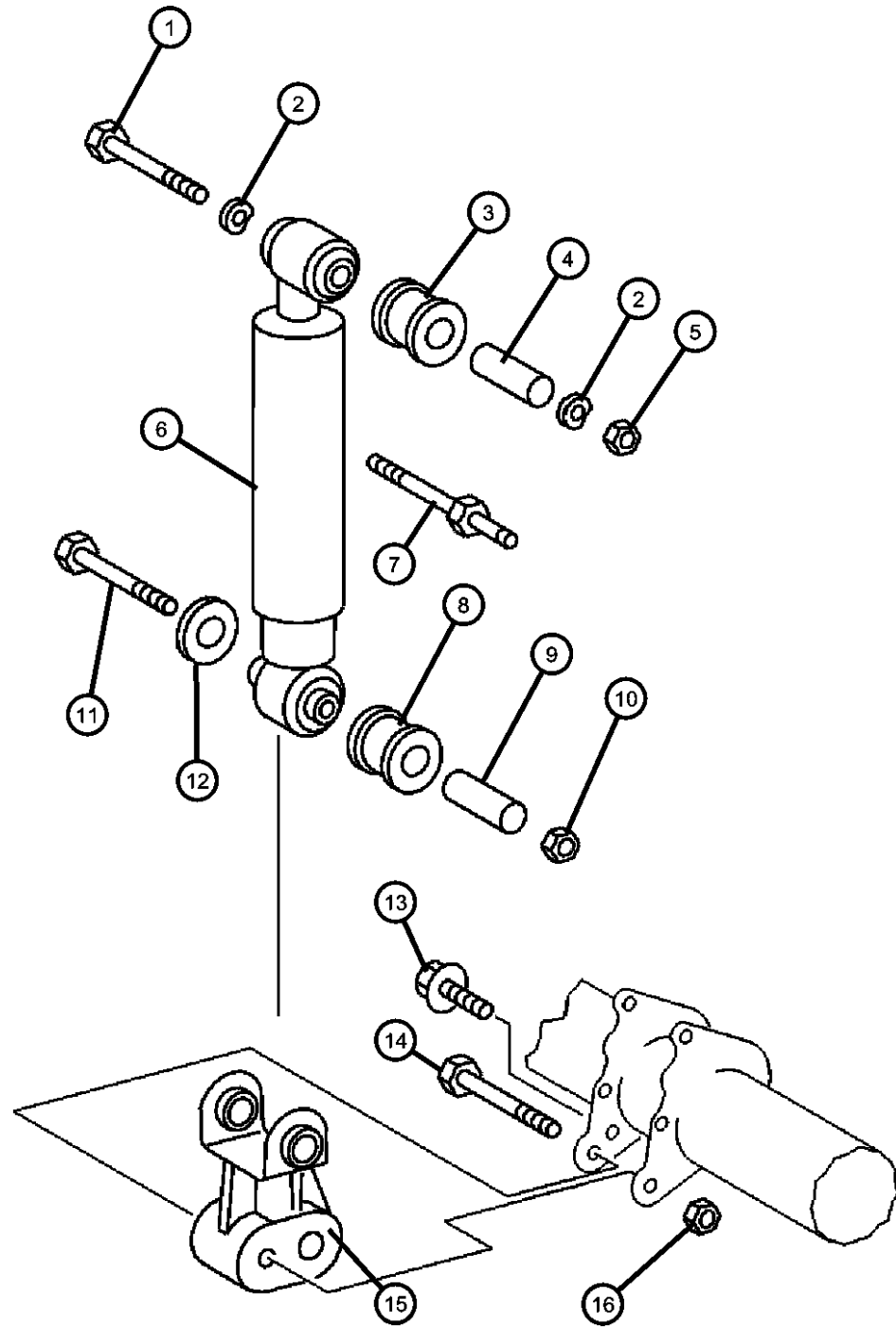
TRANSMISSION

DGJ = Transmission-5-Spd. Automatic, W5A580

AR = use ase required - = Non illustrated part

2004 VA

Rear Shocks
Figure 17-110



ITEM	PART NUMBER	QTY	LINE	SERIES	BODY	ENGINE	TRANS	TRIM	DESCRIPTION
		2	2, 6	L	11, 12, 14, 15, 16				Lower
		2	2, 6	L	51, 52, 54, 55, 56				Lower
10									NUT
	06104718AA	2	2, 6	L	01, 02, 06				
		2	2, 6	L	11, 12, 14, 15, 16				
		2	2, 6	L	51, 52, 54, 55, 56				
	06104719AA	2	3, 7	L	12, 15, 16				
11									SCREW
	06104241AA	2	2, 6	L	11, 12, 14, 15, 16				
		2	2, 6	L	51, 52, 54, 55, 56				
	06104241AB	2	2, 6	L	01, 02, 06				
	06104270AA	2	3, 7	L	12, 15, 16				
12	05133877AA	4	3, 7	L	12, 15, 16				WASHER, Shock Absorber, To Rear Axle
13	06104223AA	1	2, 3, 6, 7				DGJ		BOLT, As Required
14									SCREW
	06104243AA	2	2, 6	L	11, 12, 14, 15, 16				
		2	2, 6	L	51, 52, 54, 55, 56				
15		2							BRACKET, (NOT SERVICED)
16									NUT
	06104717AA	2	2, 6	L	01, 02, 06				M10x1.5
		2	2, 6	L	11, 12, 14, 15, 16				M10x1.5
		2	2, 6	L	51, 52, 54, 55, 56				M10x1.5
	06104718AA	2	2, 6	L	01, 02, 06				M12x1.5

SPRINTER (VA)

SERIES

L = LOWLINE

LINE

3 = HD DODGE 2WD
6 = Lt. Duty DODGE 4WD
2 = Med. Duty DODGE 2WD
7 = Med. Duty DODGE 4WD

BODY

55 = Wagon 140"
54 = Wagon 118"
52 = Wagon 140"
51 = Wagon 118"
12 = Van 140"
11 = Van 118"
06 = Front Section 158"
14 = Van 118"
15 = Van 140"
16 = Van 158"
56 = Wagon 158"
01 = Chassis Forward Control 118"
02 = Chassis Forward Control 140"

ENGINE

EX8 = Engine-2.7L I5
Mercedes Turbo Diesel

TRANSMISSION

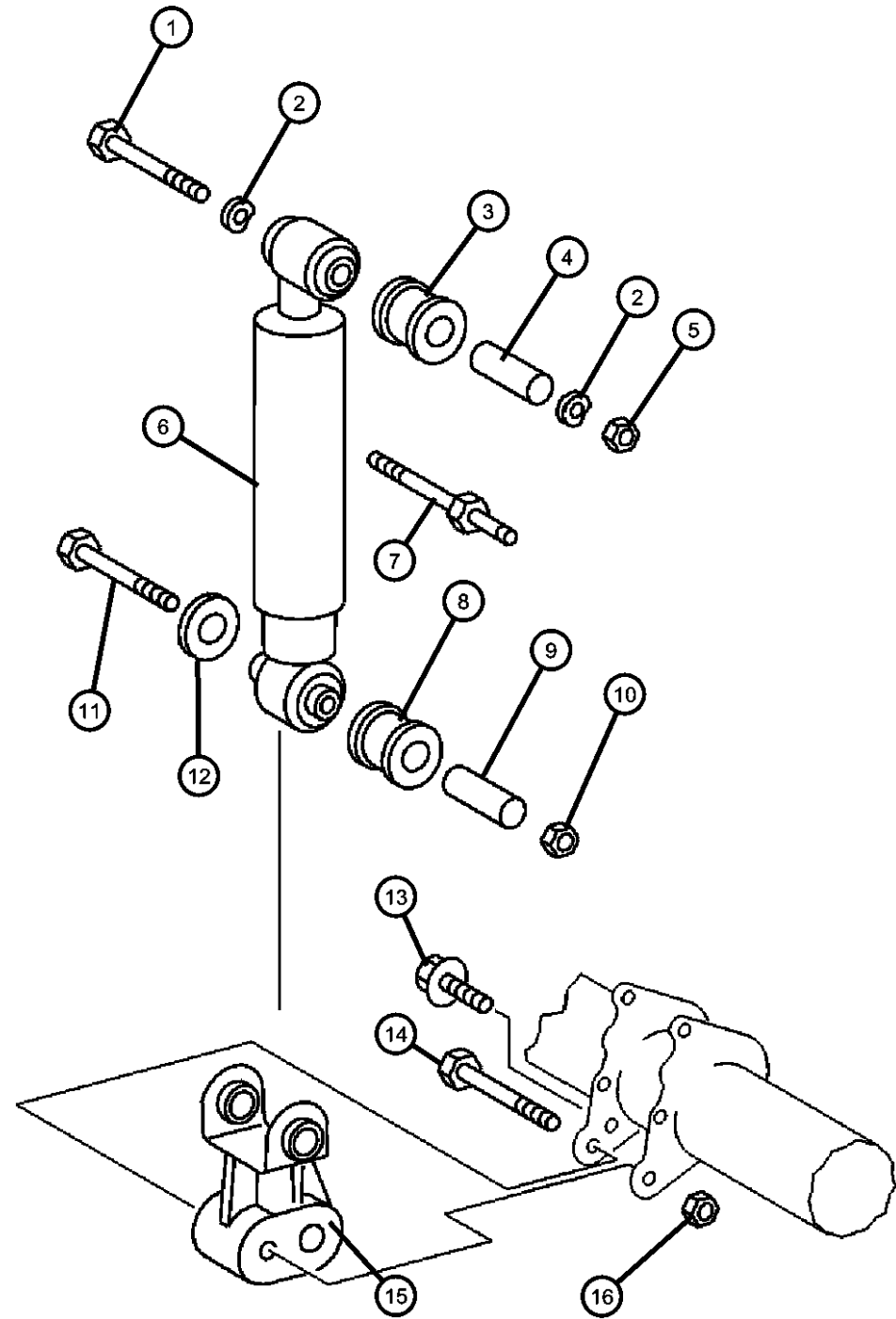
DGJ = Transmission-5-Spd. Automatic, W5A580

AR = use ase required - = Non illustrated part

2004 VA

Rear Shocks
Figure 17-110

ITEM	PART NUMBER	QTY	LINE	SERIES	BODY	ENGINE	TRANS	TRIM	DESCRIPTION
------	-------------	-----	------	--------	------	--------	-------	------	-------------



		2	2, 6	L	11, 12, 14,				M12x1.5
		2	2, 6	L	15, 16				M12x1.5
					51, 52, 54,				M12x1.5
					55, 56				

SPRINTER (VA)

SERIES

L = LOWLINE

LINE

3 = HD DODGE 2WD
6 = Lt. Duty DODGE 4WD
2 = Med. Duty DODGE 2WD
7 = Med. Duty DODGE 4WD

BODY

55 = Wagon 140"
54 = Wagon 118"
52 = Wagon 140"
51 = Wagon 118"
12 = Van 140"
11 = Van 118"
06 = Front Section 158"
14 = Van 118"
15 = Van 140"
16 = Van 158"
56 = Wagon 158"
01 = Chassis Forward Control
118"
02 = Chassis Forward Control
140"

ENGINE

EX8 = Engine-2.7L I5
Mercedes Turbo Diesel

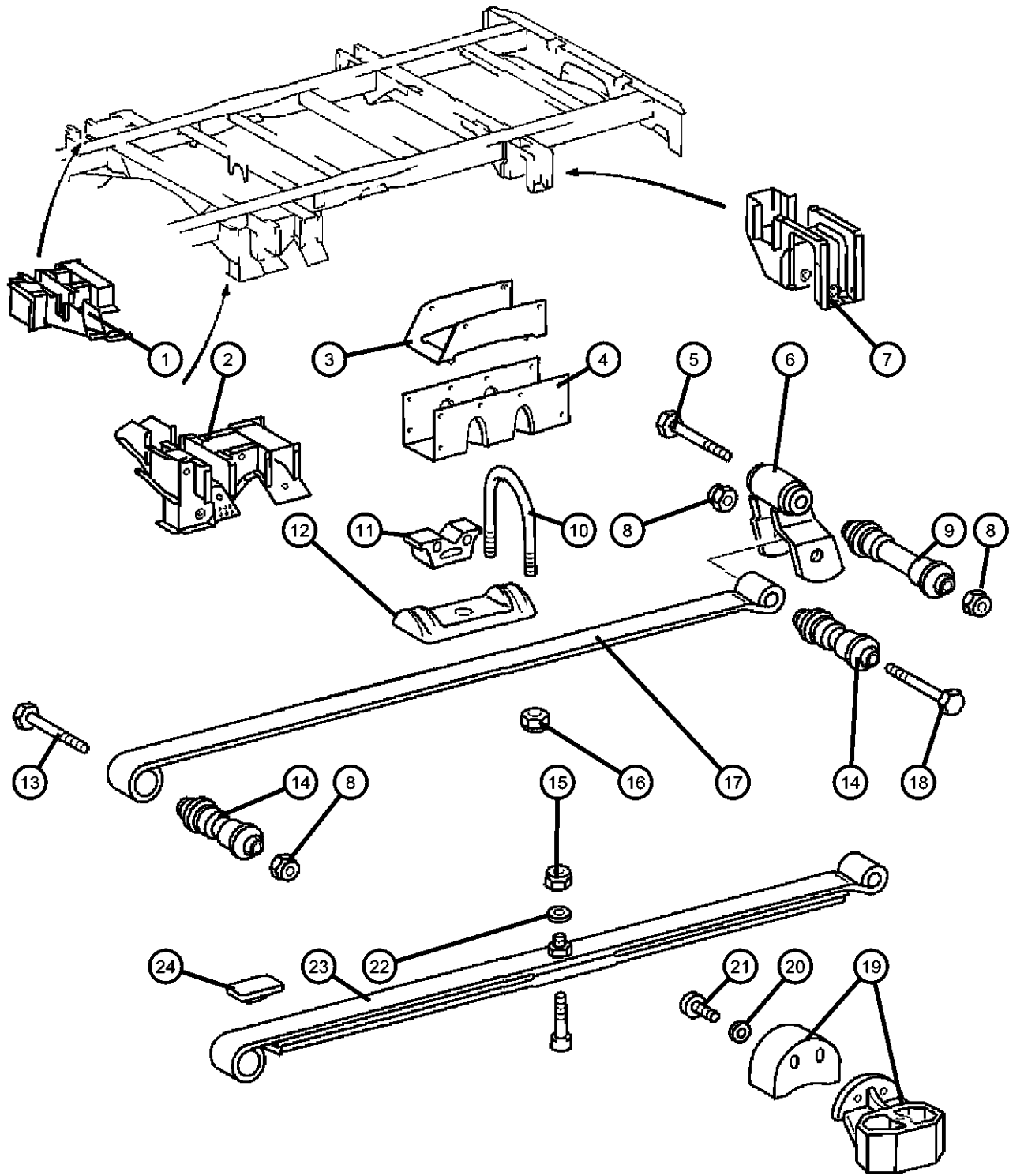
TRANSMISSION

DGJ = Transmission-5-Spd.
Automatic,W5A580

AR = use ase required - = Non illustrated part

2004 VA

Rear Springs, 2500 Series
Figure 17-120



ITEM	PART NUMBER	QTY	LINE	SERIES	BODY	ENGINE	TRANS	TRIM	DESCRIPTION
1	05118670AA	1	2, 6	L	11, 14				BRACKET, Spring Shackle Without [5AC,GKA], Right Front
		1	2, 6	L	51, 54				Without [5AC,GKA], Right Front
	05118672AA	1	2, 6	L	11, 14				With [5AC,GKA], Right Front
		1	2, 6	L	51, 54				With [5AC,GKA], Right Front
2	05118676AA	2	2, 6	L	01, 02, 06				Right Front
									BRACKET, Spring Shackle
3	05118668AA	1	2, 6	L	11, 14				Left Front
	05128553AA	1	2, 6	L	11, 14				[5AC,GKE], Left Front
		1	2, 6	L	51, 54				[5AC,GKE], Left Front
4	05118337AA	2	2, 6	L	01, 02, 06				BRACKET
		2	2, 6	L	11, 12, 14, 15, 16				
		2	2, 6	L	51, 52, 54, 55, 56				
	05118347AA	2	2, 6	L	01, 02, 06				TRUSS, Leaf spring
5		2	2, 6	L	11, 12, 14, 15, 16				Without [4XZ]
		2	2, 6	L	51, 52, 54, 55, 56				
	05128390AA	2	2, 6	L	11, 12, 14, 15, 16				With [4XZ]
6	05118734AA	2	2, 6	L	01, 02, 06				BOLT
		2	2, 6	L	11, 12, 14, 15, 16				Shackle to Frame Rear, Mounting
		2	2, 6	L	51, 52, 54, 55, 56				Shackle to Frame Rear, Mounting
6	05118653AA	2	2, 6	L	01, 02, 06				SHACKLE, Spring

SPRINTER (VA)

SERIES

L = LOWLINE

LINE

3 = HD DODGE 2WD
6 = Lt. Duty DODGE 4WD
2 = Med. Duty DODGE 2WD
7 = Med. Duty DODGE 4WD

BODY

55 = Wagon 140"
54 = Wagon 118"
52 = Wagon 140"
51 = Wagon 118"
12 = Van 140"
11 = Van 118"
06 = Front Section 158"
14 = Van 118"
15 = Van 140"
16 = Van 158"
56 = Wagon 158"
01 = Chassis Forward Control
118"
02 = Chassis Forward Control
140"

ENGINE

EX8 = Engine-2.7L I5
Mercedes Turbo Diesel

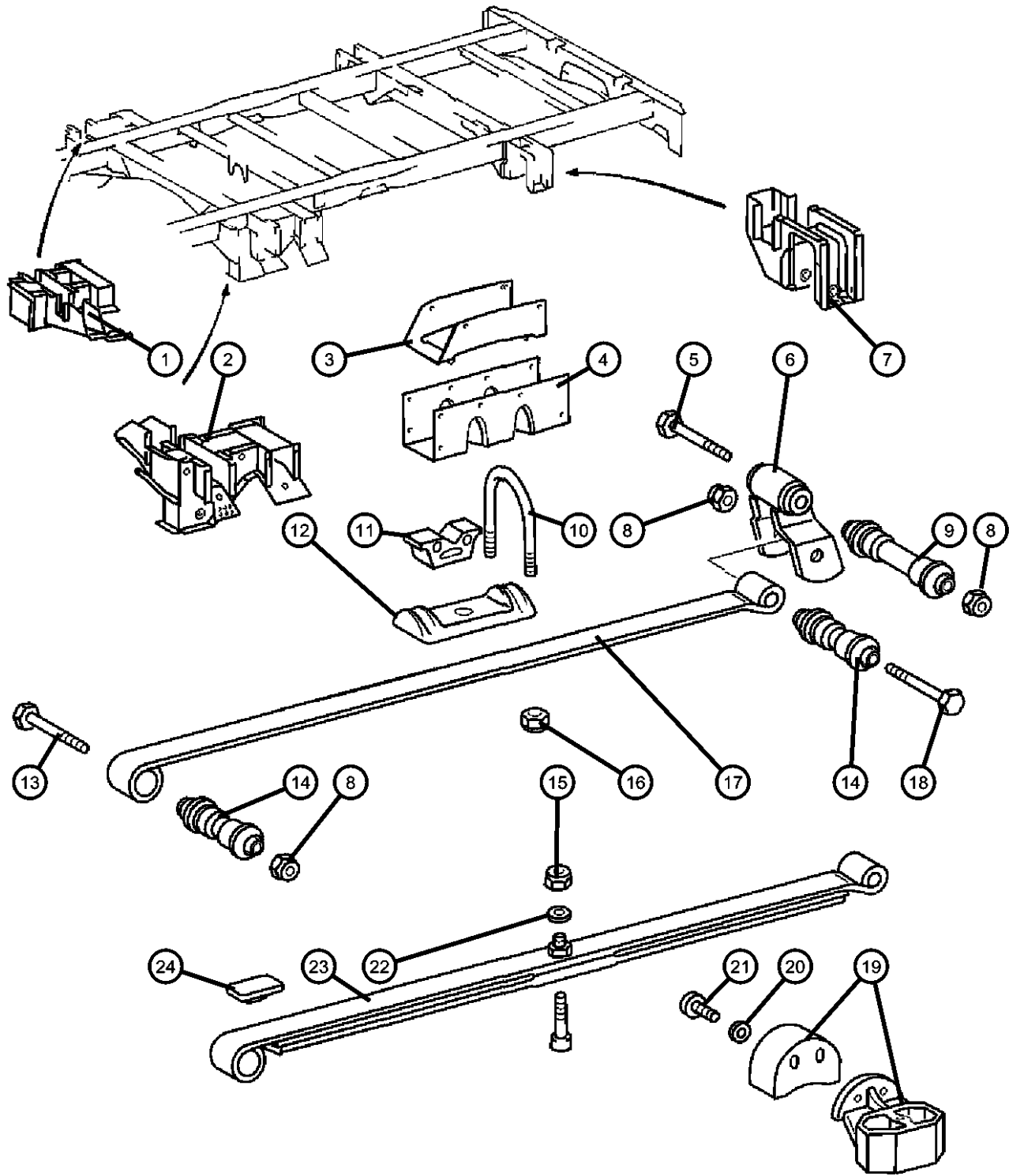
TRANSMISSION

DGJ = Transmission-5-Spd.
Automatic,W5A580

AR = use ase required - = Non illustrated part

2004 VA

Rear Springs, 2500 Series
Figure 17-120

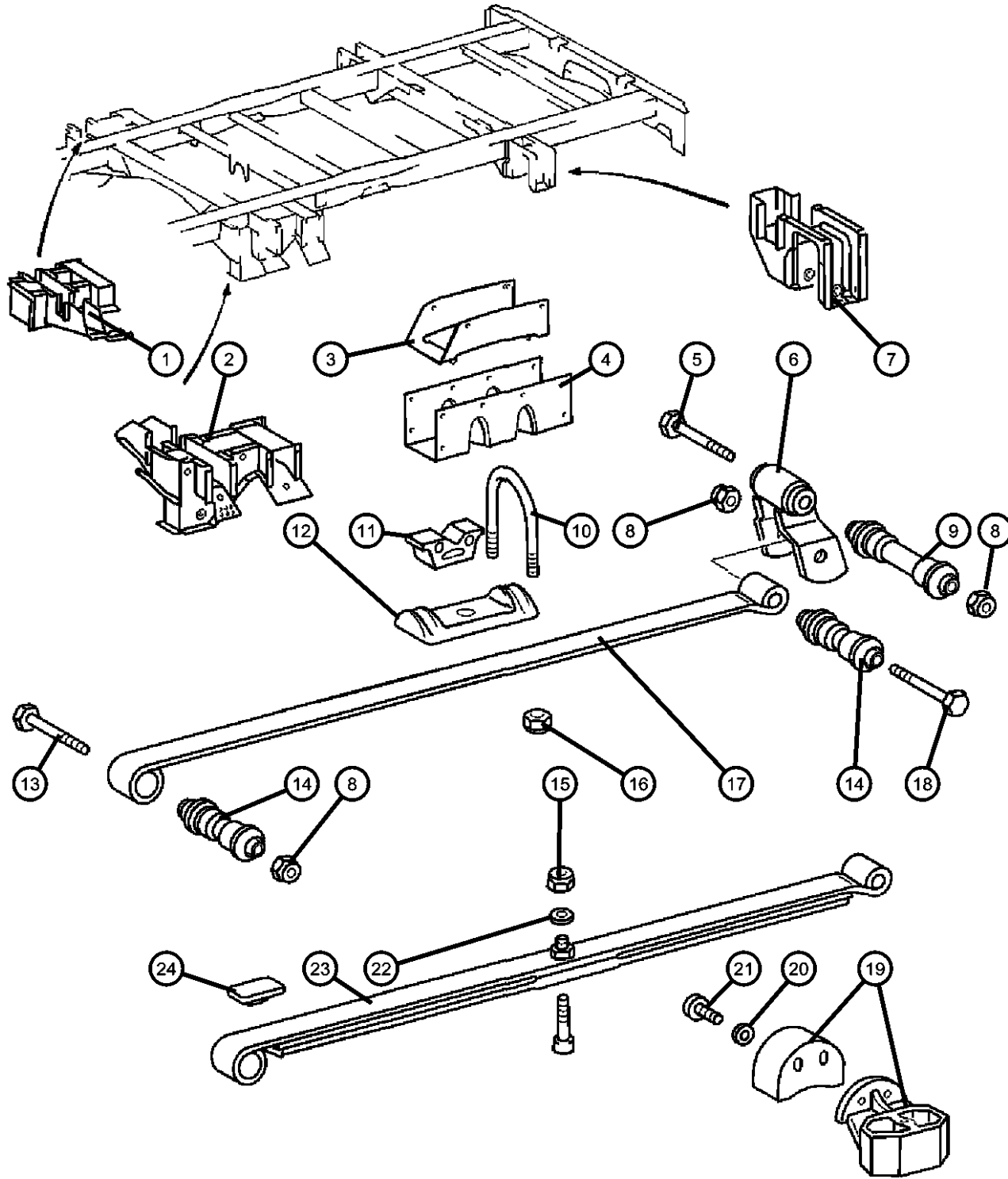


ITEM	PART NUMBER	QTY	LINE	SERIES	BODY	ENGINE	TRANS	TRIM	DESCRIPTION
7		2	2, 6	L	11, 12, 14, 15, 16				BRACKET, Spring Shackle
		2	2, 6	L	51, 52, 54, 55, 56				
	05118663AA	2	2, 6	L	12, 15				[5AE], Right or Left, Rear
		2	2, 6	L	52, 55				[5AE], Right or Left, Rear
	05118665AA	2	2, 6	L	01, 02, 06				Without [4XZ], Right or Left, Rear
		2	2, 6	L	11, 14				[5AC], Right or Left, Rear
		2	2, 6	L	16				[5AF], Right or Left, Rear
		2	2, 6	L	51, 54				[5AC], Right or Left, Rear
		2	2, 6	L	56				[5AF], Right or Left, Rear
	05128557AA	2	2, 6	L	11, 14				[5AC,4XZ], Right or Left, Rear
05128559AA	2	2, 6	L	51, 54				[5AC,4XZ], Right or Left, Rear	
05128561AA	2	2, 6	L	12, 15				[5AE,4XZ], Right or Left, Rear	
	2	2, 6	L	52, 55				[5AE,4XZ], Right or Left, Rear	
	2	2, 6	L	16				[5AF,4XZ], Right or Left, Rear	
	2	2, 6	L	56				[5AF,4XZ], Right or Left, Rear	
8		2	2, 6	L	01, 02, 06				NUT
	06104718AA	2	2, 6	L	01, 02, 06				Shackle to Frame and Spring, Mounting
		2	2, 6	L	11, 12, 14, 15, 16				Shackle to Frame and Spring, Mounting
9		2	2, 6	L	51, 52, 54, 55, 56				Shackle to Frame and Spring, Mounting
	05118731AA	2	2, 6	L	01, 02, 06				BUSHING, Shackle
		2	2, 6	L	11, 12, 14, 15, 16				Right or Left
10		2	2, 6	L	11, 12, 14, 15, 16				Right or Left
		2	2, 6	L	51, 52, 54, 55, 56				Right or Left
		2	2, 6	L	51, 52, 54, 55, 56				U-BOLT

SPRINTER (VA)
SERIES LINE BODY ENGINE TRANSMISSION
 L = LOWLINE 3 = HD DODGE 2WD 55 = Wagon 140" EX8 = Engine-2.7L I5 DGJ = Transmission-5-Spd.
 6 = Lt. Duty DODGE 4WD 54 = Wagon 118" Mercedes Turbo Diesel Automatic,W5A580
 2 = Med. Duty DODGE 2WD 52 = Wagon 140"
 7 = Med. Duty DODGE 4WD 51 = Wagon 118"
 12 = Van 140"
 11 = Van 118"
 06 = Front Section 158"
 14 = Van 118"
 15 = Van 140"
 16 = Van 158"
 56 = Wagon 158"
 01 = Chassis Forward Control 118"
 02 = Chassis Forward Control 140"

AR = use ase required - = Non illustrated part

Rear Springs, 2500 Series
Figure 17-120



ITEM	PART NUMBER	QTY	LINE	SERIES	BODY	ENGINE	TRANS	TRIM	DESCRIPTION
	05104069AA	4	2, 6	L	01, 02, 06				
		4	2, 6	L	11, 12, 14, 15, 16				
	05104070AA	4	2, 6	L	51, 52, 54, 55, 56				
11									BUMPER, Jounce
	05118762AA	2	2, 6	L	01, 02, 06				Without [WDG]
		2	2, 6	L	11, 12, 14, 15, 16				Without [WDG]
		2	2, 6	L	51, 52, 54, 55, 56				Without [WDG]
	05128586AA	2	2, 6	L	01, 02, 06				With [WDG]
		2	2, 6	L	11, 12, 14, 15, 16				With [WDG]
		2	2, 6	L	51, 52, 54, 55, 56				With [WDG]
12									PLATE, Rear Spring U-Bolt
	05118774AA	2	2, 6	L	01, 02, 06				
		2	2, 6	L	11, 12, 14, 15, 16				
		2	2, 6	L	51, 52, 54, 55, 56				
13									BOLT
	06104247AA	2	2, 6	L	11, 12, 14, 15, 16				Shackle to Frame Front, Mounting
		2	2, 6	L	51, 52, 54, 55, 56				Shackle to Frame Front, Mounting
14									BUSHING, Spring
	05118732AA	4	2, 6	L	01, 02, 06				Front or Rear
		4	2, 6	L	11, 12, 14, 15, 16				Front or Rear
		4	2, 6	L	51, 52, 54, 55, 56				Front or Rear
15									NUT, Hex

SPRINTER (VA)

SERIES

L = LOWLINE

LINE

3 = HD DODGE 2WD
6 = Lt. Duty DODGE 4WD
2 = Med. Duty DODGE 2WD
7 = Med. Duty DODGE 4WD

BODY

55 = Wagon 140"
54 = Wagon 118"
52 = Wagon 140"
51 = Wagon 118"
12 = Van 140"
11 = Van 118"
06 = Front Section 158"
14 = Van 118"
15 = Van 140"
16 = Van 158"
56 = Wagon 158"
01 = Chassis Forward Control 118"
02 = Chassis Forward Control 140"

ENGINE

EX8 = Engine-2.7L I5
Mercedes Turbo Diesel

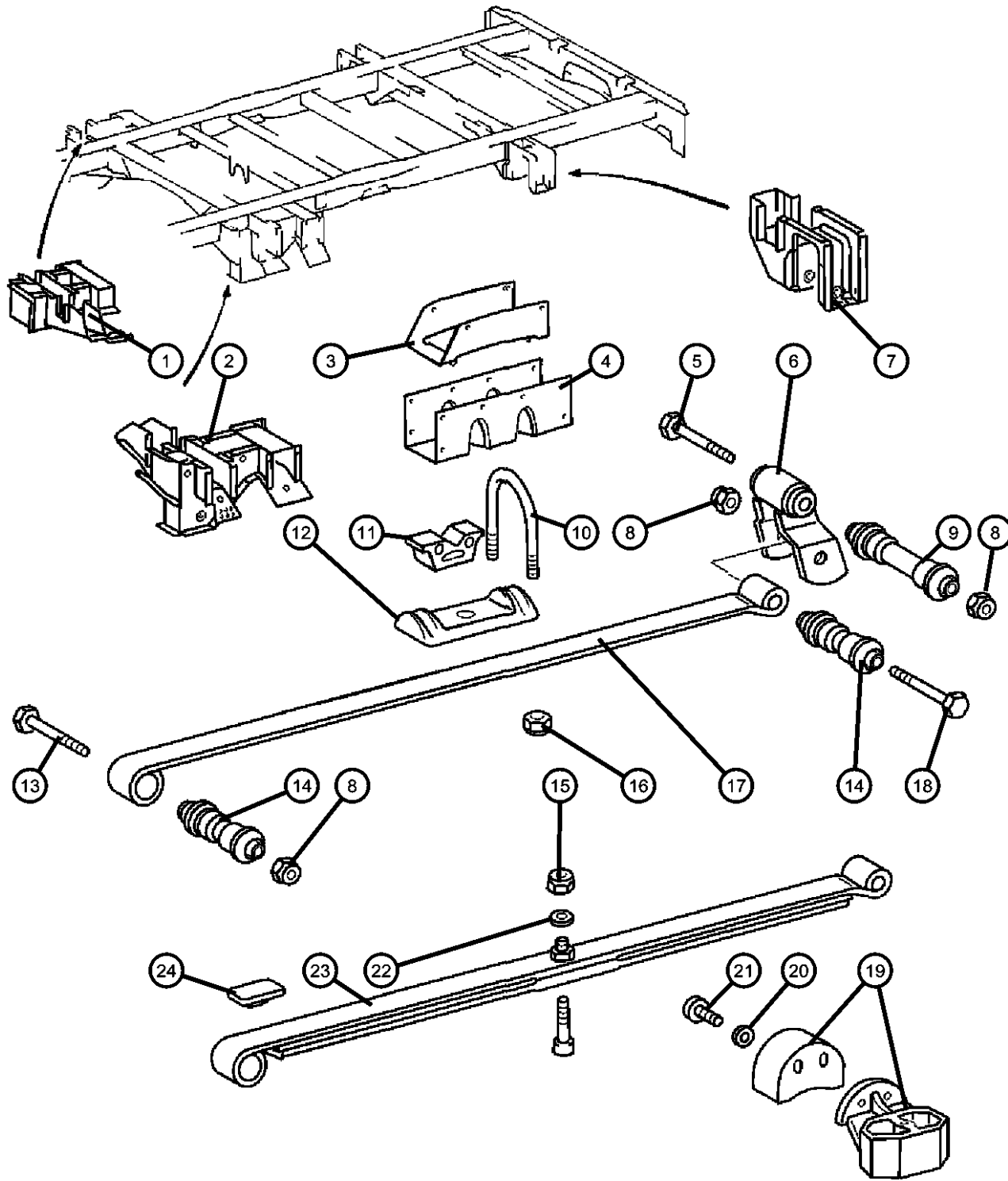
TRANSMISSION

DGJ = Transmission-5-Spd. Automatic, W5A580

AR = use ase required - = Non illustrated part

2004 VA

Rear Springs, 2500 Series
Figure 17-120



ITEM	PART NUMBER	QTY	LINE	SERIES	BODY	ENGINE	TRANS	TRIM	DESCRIPTION
	05097685AA	2	2, 6	L	11, 12, 14, 15, 16				
		2	2, 6	L	51, 52, 54, 55, 56				
		2	2, 6	L	01, 02, 06				
16	05103727AA	8	2, 6	L	01, 02, 06				NUT
		8	2, 6	L	11, 12, 14, 15, 16				
		8	2, 6	L	51, 52, 54, 55, 56				
17	05128488AA	2	2, 6	L	01, 02, 06				SPRING, Rear
		2	2, 6	L	11, 12, 14, 15, 16				[4E9,WDG,3AT]
	05118616AA	2	2, 6	L	01, 02, 06				[4E9], Right or Left
		2	2, 6	L	11, 12, 14, 15, 16				[4E9], Right or Left
	05118619AA	2	6, 2	L	51, 52, 54, 55, 56				
	05128482AA	2	2, 6	L	01, 02, 06				[4E9,3AT], Right or Left
		2	2, 6	L	11, 12, 14, 15, 16				[4E9,3AT], Right or Left
18	05125718AA	2	2, 6	L	01, 02, 06				BOLT
		2	2, 6	L	11, 12, 14, 15, 16				Shackle to Spring Rear, Mounting
		2	2, 6	L	51, 52, 54, 55, 56				Shackle to Spring Rear, Mounting
19		2							SHIM, (NOT SERVICED),
20	05126126AA	4	2, 6	L	11, 12, 14, 15, 16				NUT
21	05097678AA	4	2, 6	L	11, 12, 14, 15, 16				BOLT

SPRINTER (VA)

SERIES

L = LOWLINE

LINE

3 = HD DODGE 2WD
6 = Lt. Duty DODGE 4WD
2 = Med. Duty DODGE 2WD
7 = Med. Duty DODGE 4WD

BODY

55 = Wagon 140"
54 = Wagon 118"
52 = Wagon 140"
51 = Wagon 118"
12 = Van 140"
11 = Van 118"
06 = Front Section 158"
14 = Van 118"
15 = Van 140"
16 = Van 158"
56 = Wagon 158"
01 = Chassis Forward Control 118"
02 = Chassis Forward Control 140"

ENGINE

EX8 = Engine-2.7L I5
Mercedes Turbo Diesel

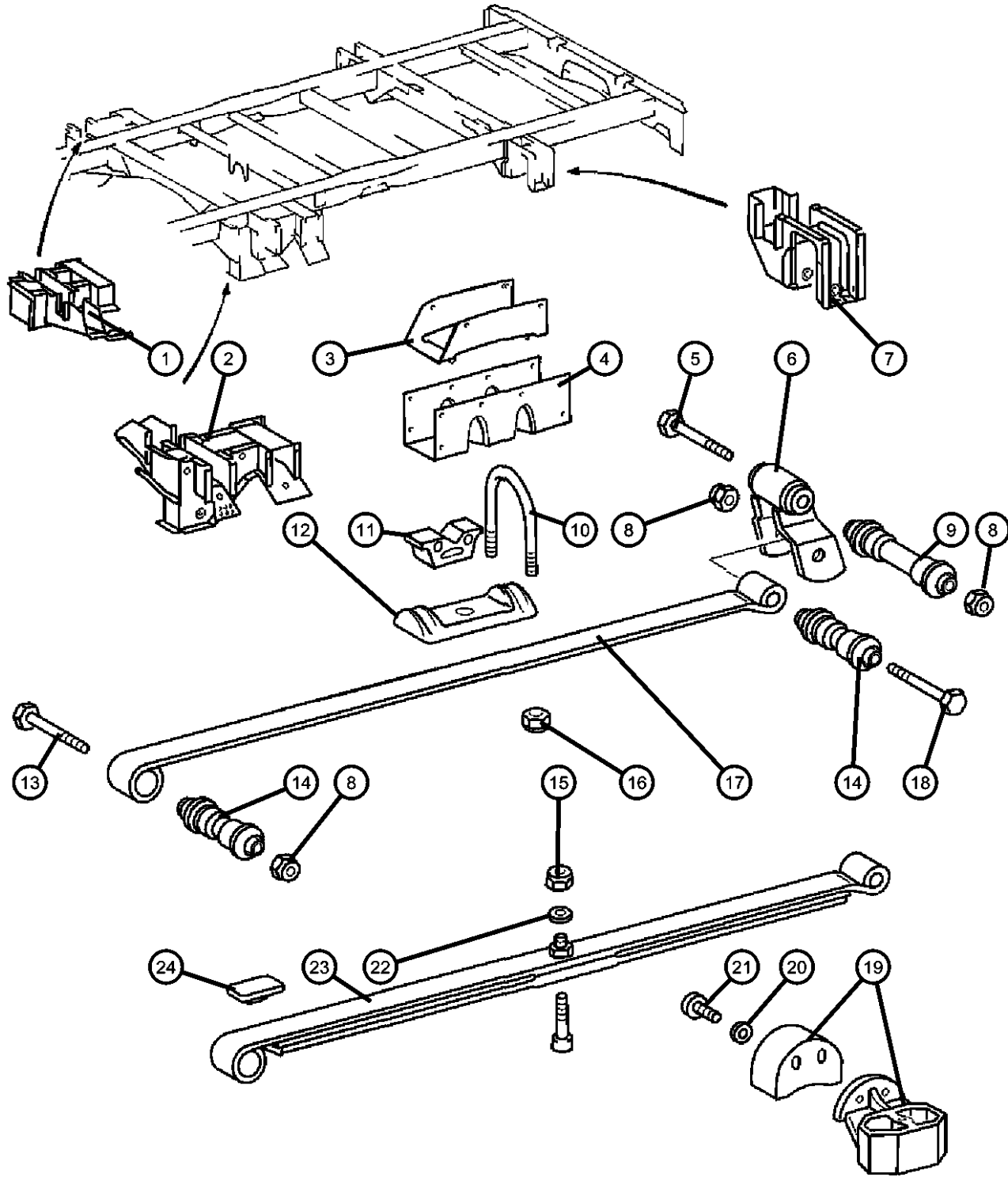
TRANSMISSION

DGJ = Transmission-5-Spd. Automatic,W5A580

AR = use ase required - = Non illustrated part

2004 VA

Rear Springs, 2500 Series
Figure 17-120

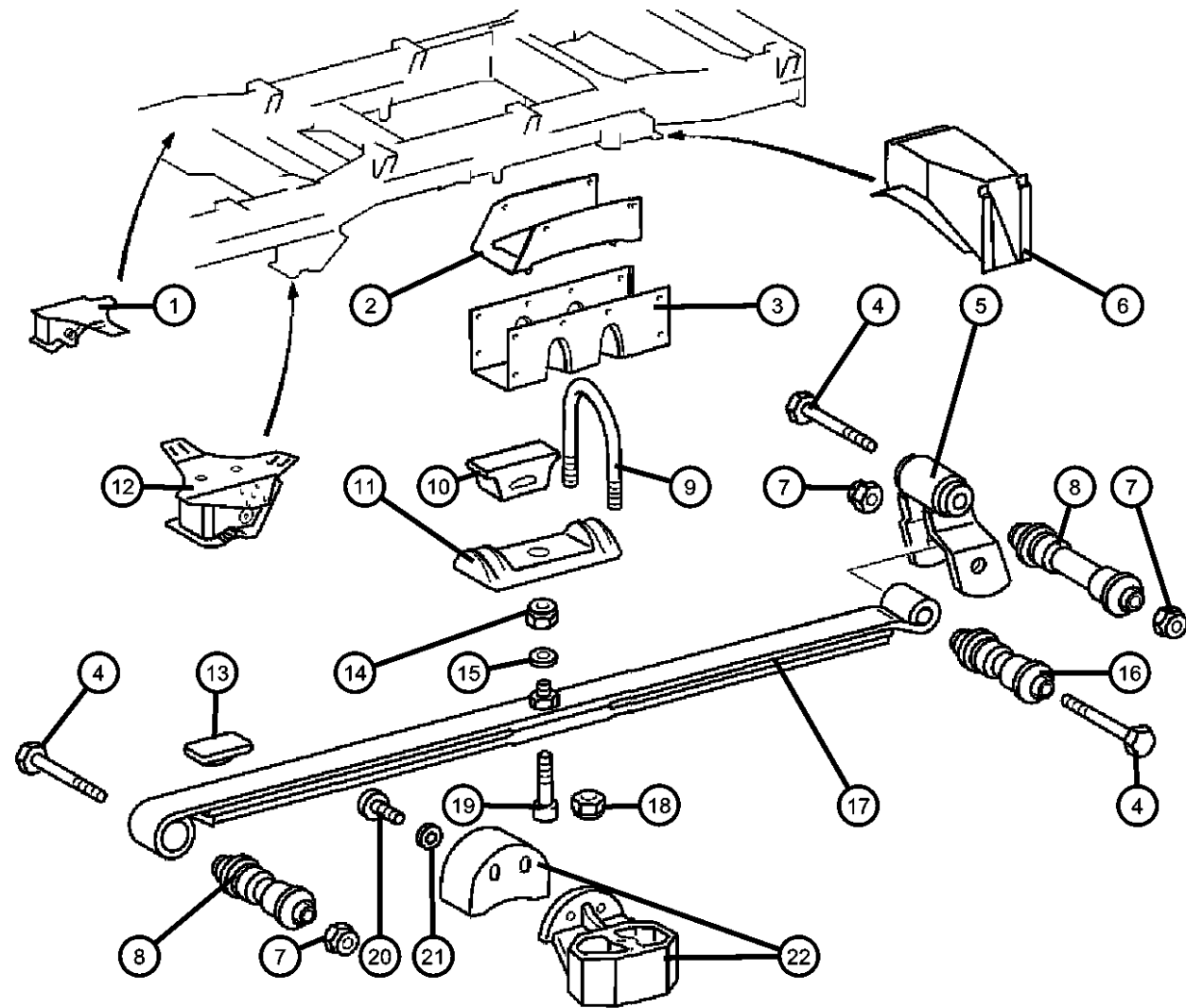


ITEM	PART NUMBER	QTY	LINE	SERIES	BODY	ENGINE	TRANS	TRIM	DESCRIPTION
22	05133886AA	4	2, 6	L	51, 52, 54, 55, 56				
23	05118619AA	2	2, 3, 6, 7				DGJ		WASHER
	05128484AA	2	2, 6	L	51, 52, 54, 55, 56				SPRING, Rear [4E9]
	05128490AA	2	2, 6	L	51, 52, 54, 55, 56				[4E9,3B4]
24	05104068AA	4	2, 6	L	51, 52, 54, 55, 56				CUSHION, [4E9,3B4]

SPRINTER (VA)
SERIES LINE BODY ENGINE TRANSMISSION
 L = LOWLINE 3 = HD DODGE 2WD 55 = Wagon 140" EX8 = Engine-2.7L I5 DGJ = Transmission-5-Spd.
 6 = Lt. Duty DODGE 4WD 54 = Wagon 118" Mercedes Turbo Diesel Automatic,W5A580
 2 = Med. Duty DODGE 2WD 52 = Wagon 140"
 7 = Med. Duty DODGE 4WD 51 = Wagon 118"
 12 = Van 140"
 11 = Van 118"
 06 = Front Section 158"
 14 = Van 118"
 15 = Van 140"
 16 = Van 158"
 56 = Wagon 158"
 01 = Chassis Forward Control 118"
 02 = Chassis Forward Control 140"

AR = use ase required - = Non illustrated part

Rear Springs, 3500 Series
Figure 17-130



ITEM	PART NUMBER	QTY	LINE	SERIES	BODY	ENGINE	TRANS	TRIM	DESCRIPTION
1	05118688AA	1	3, 7	L	12, 15, 16				BRACKET, SpringRight Front
2	05118339AA	2	3, 7	L	12, 15, 16				BRACKET, SpringRight or Left
3	05118355AA	2	3, 7	L	12, 15, 16				TRUSS, Leaf springRight or Left
4	06104285AA	2	3, 7	L	12, 15, 16				SCREW
5	05118655AA	2	3, 7	L	12, 15, 16				SHACKLE, SpringRight or Left
6	05118680AA	2	3, 7	L	12, 15, 16				BRACKET, SpringRight or Left
7	05125760AA	2	3, 7	L	12, 15, 16				NUT, Hex Flange Lock
8	05118729AA	2	3, 7	L	12, 15, 16				BUSHING, SpringFront
9	05118765AA	4	3, 7	L	12, 15, 16				U-BOLT
10	05118759AA	2	3, 7	L	12, 15, 16				BUMPER, Spring, Rear
11	05118759AA	2							PLATE, (NOT SERVICED)
12	05118686AA	1	3, 7	L	12, 15, 16				BRACKET, SpringLeft Front
13	05104068AA	4	3, 7	L	12, 15, 16				CUSHION
14	05133872AA	2	3, 7	L					NUT, Hex
15	05126120AB	2	3, 7	L	12, 15, 16				WASHER, Spring
16	05118703AA	2	3, 7	L	12, 15, 16				BUSHING, SpringRear
17	05118621AA	2	3, 7	L	12, 15, 16				SPRING, RearRight or Left
18	05103727AA	8	3, 7	L	12, 15, 16				NUT
19	05133871AA	2	3, 7	L	12, 15, 16				BOLT
20	05097678AA	4	3, 7	L	12, 15, 16				BOLT
21	05126126AA	4	3, 7	L	12, 15, 16				NUT
22	05126126AA	4							SHIM, (NOT SERVICED)

SPRINTER (VA)

SERIES

L = LOWLINE

LINE

3 = HD DODGE 2WD
6 = Lt. Duty DODGE 4WD
2 = Med. Duty DODGE 2WD
7 = Med. Duty DODGE 4WD

BODY

55 = Wagon 140"
54 = Wagon 118"
52 = Wagon 140"
51 = Wagon 118"
12 = Van 140"
11 = Van 118"
06 = Front Section 158"
14 = Van 118"
15 = Van 140"
16 = Van 158"
56 = Wagon 158"
01 = Chassis Forward Control
118"
02 = Chassis Forward Control
140"

ENGINE

EX8 = Engine-2.7L I5
Mercedes Turbo Diesel

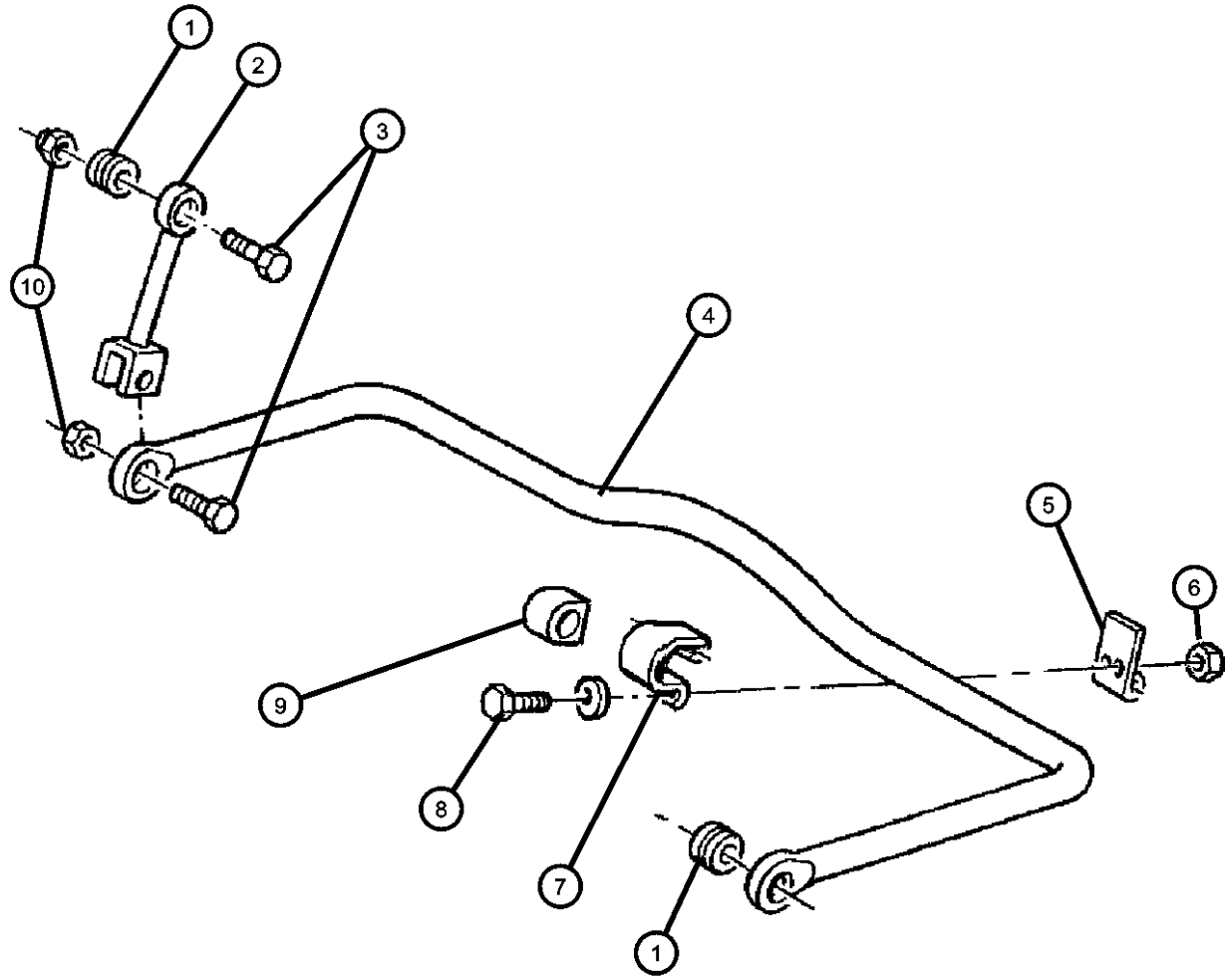
TRANSMISSION

DGJ = Transmission-5-Spd.
Automatic,W5A580

AR = use ase required - = Non illustrated part

2004 VA

**Stabilizer Bar,Rear
Figure 17-210**



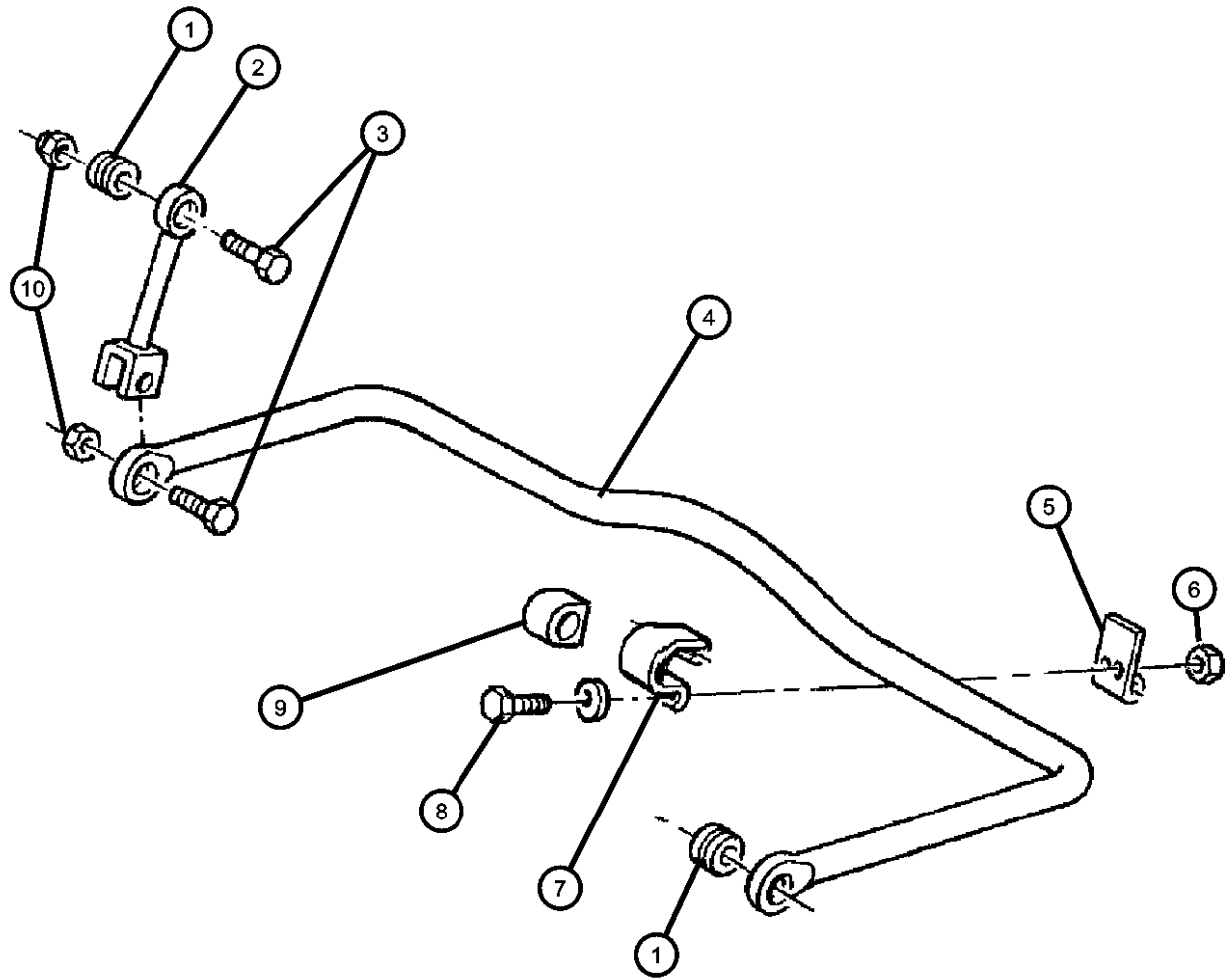
ITEM	PART NUMBER	QTY	LINE	SERIES	BODY	ENGINE	TRANS	TRIM	DESCRIPTION
1	05103955AA	2	2, 6	L	11, 12, 14, 15, 16				BUSHING, Stabilizer Bar
		2	2, 6	L	51, 52, 54, 55, 56				
		2	3, 7	L	12, 15, 16				
2	05104058AA	2	2, 6	L	11, 12, 14, 15, 16				LINK, Stabilizer Bar
		2	2, 6	L	51, 52, 54, 55, 56				
	05118696AA	2	3, 7	L	12, 15, 16				
3	06104238AA	4	2, 6	L	11, 12, 14, 15, 16				BOLT
		4	2, 6	L	51, 52, 54, 55, 56				
4	05118632AA	1	3, 7	L	12, 15, 16				SWAY BAR
	05128494AA	1	2, 6	L	11, 12, 14, 15, 16				
		1	2, 6	L	51, 52, 54, 55, 56				
5	05128598AA	2	2, 6	L	11, 12, 14, 15, 16				BRACKET, Stabilizer Bar
		2	2, 6	L	51, 52, 54, 55, 56				
6	06104716AA	4	2, 6	L	11, 12, 14, 15, 16				NUT
		4	2, 6	L	51, 52, 54, 55, 56				
		4	3, 7	L	12, 15, 16				
7									RETAINER, Stabilizer Bar Grommet

SPRINTER (VA)

SERIES	LINE	BODY	ENGINE	TRANSMISSION
L = LOWLINE	3 = HD DODGE 2WD 6 = Lt. Duty DODGE 4WD 2 = Med. Duty DODGE 2WD 7 = Med. Duty DODGE 4WD	55 = Wagon 140" 54 = Wagon 118" 52 = Wagon 140" 51 = Wagon 118" 12 = Van 140" 11 = Van 118" 06 = Front Section 158" 14 = Van 118" 15 = Van 140" 16 = Van 158" 56 = Wagon 158"	EX8 = Engine-2.7L I5 Mercedes Turbo Diesel	DGJ = Transmission-5-Spd. Automatic,W5A580
		01 = Chassis Forward Control 118" 02 = Chassis Forward Control 140"		

AR = use ase required - = Non illustrated part

**Stabilizer Bar,Rear
Figure 17-210**



ITEM	PART NUMBER	QTY	LINE	SERIES	BODY	ENGINE	TRANS	TRIM	DESCRIPTION
	05132782AA	2	2, 6	L	11, 12, 14, 15, 16				
		2	2, 6	L	51, 52, 54, 55, 56				
	05136068AA	2	3, 7	L	12, 15, 16				
8									SCREW
	06104031AA	4	2, 6	L	11, 12, 14, 15, 16				
		4	2, 6	L	51, 52, 54, 55, 56				
		4	3, 7	L	12, 15, 16				
9									BUSHING, Stabilizer Bar
	05104073AA	2	2, 6	L	11, 12, 14, 15, 16				
		2	2, 6	L	51, 52, 54, 55, 56				
	05118800AA	2	3, 7	L	12, 15, 16				
10									NUT
	06104718AA	4	2, 6	L	11, 12, 14, 15, 16				
		4	2, 6	L	51, 52, 54, 55, 56				
		8	3, 7	L	12, 15, 16				

SPRINTER (VA)

SERIES	LINE	BODY	ENGINE	TRANSMISSION
L = LOWLINE	3 = HD DODGE 2WD 6 = Lt. Duty DODGE 4WD 2 = Med. Duty DODGE 2WD 7 = Med. Duty DODGE 4WD	55 = Wagon 140" 54 = Wagon 118" 52 = Wagon 140" 51 = Wagon 118" 12 = Van 140" 11 = Van 118" 06 = Front Section 158" 14 = Van 118" 15 = Van 140" 16 = Van 158" 56 = Wagon 158" 01 = Chassis Forward Control 118" 02 = Chassis Forward Control 140"	EX8 = Engine-2.7L I5 Mercedes Turbo Diesel	DGJ = Transmission-5-Spd. Automatic,W5A580

AR = use ase required - = Non illustrated part

Group - 19

Steering

Group - 19 Steering

Group-Fig. No.

Illustration Title

Steering Wheel

Steering Wheel and Related Fig. 19 - 110

Steering Column

Column Steering and Related Fig. 19 - 210

Steering Gear

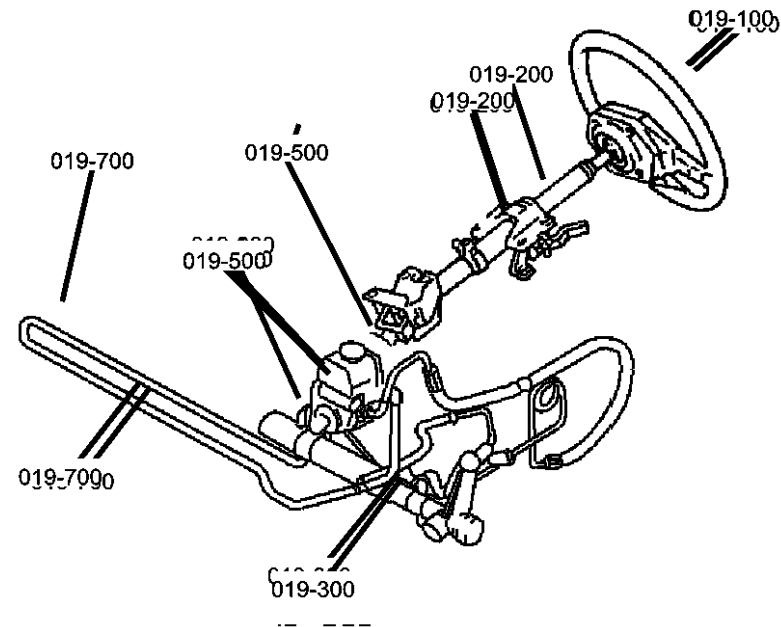
Gear - Steering Fig. 19 - 310

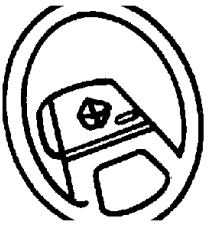
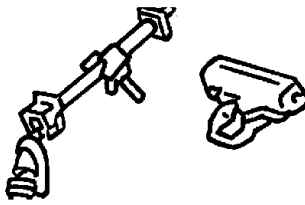
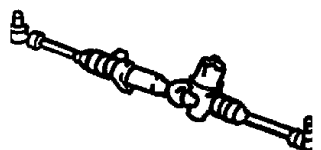
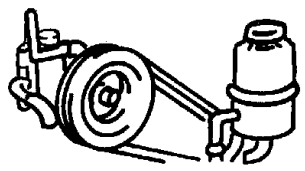
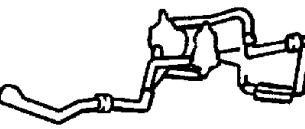
Power Steering Pump

Pump and Pulley, Steering Fig. 19 - 510

Power Steering Hoses

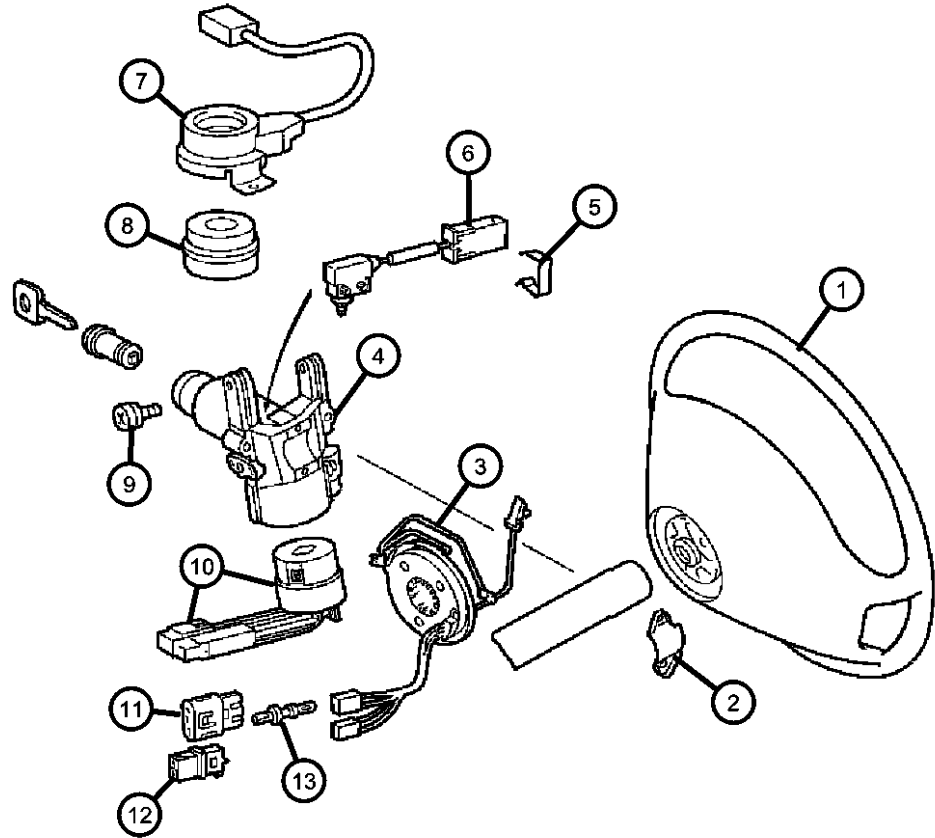
Hoses Steering and Related Fig. 19 - 710



<p>019-100 Steering Wheel</p> 	<p>019-200 Steering Column</p> 	<p>019-300 Steering Gear</p> 	<p>019-500 Power Steering Pump</p> 
<p>019-700 Power Steering Hoses</p> 			

**Steering Wheel and Related
Figure 19-110**

ITEM	PART NUMBER	QTY	LINE	SERIES	BODY	ENGINE	TRANS	TRIM	DESCRIPTION
Sale Code EX8=2.7L I5 MERCEDES-BENZ									
1									WHEEL, Steering
	0ZF45BD1AA	1	3, 7	L	02, 06				
		1	2, 6	L	01, 02, 06				
		1	2, 6	L	16, 11, 12, 14, 15				
		1	2, 6	L	51, 52, 54, 55, 56				
		1	3, 7	L	12, 15, 16				
2									BRACKET, STEERING LOCK, SPRINTER
	05104096AA	1	2, 6	L	11, 12, 14, 15, 16				
		1	2, 6	L	51, 52, 54, 55, 56				
		1	3, 7	L	12, 15, 16				
3									CLOCKSPRING
	05104089AA	1	2, 6	L	01, 02, 06				
		1	2, 6	L	11, 12, 14, 15, 16				
		1	2, 6	L	51, 52, 54, 55, 56				
		1	3, 7	L	02, 06				
		1	3, 7	L	12, 15, 16				
4									HOUSING, Steering Column Lock
	05104092AA	1	2, 6	L	01, 02, 06		DGJ		
		1	2, 6	L	11, 12, 14, 15, 16		DGJ		
		1	2, 6	L	51, 52, 54, 55, 56		DGJ		
		1	3, 7	L	02, 06		DGJ		
		1	3, 7	L	15, 16, 12		DGJ		
5									SPRING
	05103660AA	1	2, 6	L	01, 02, 06		DGJ		

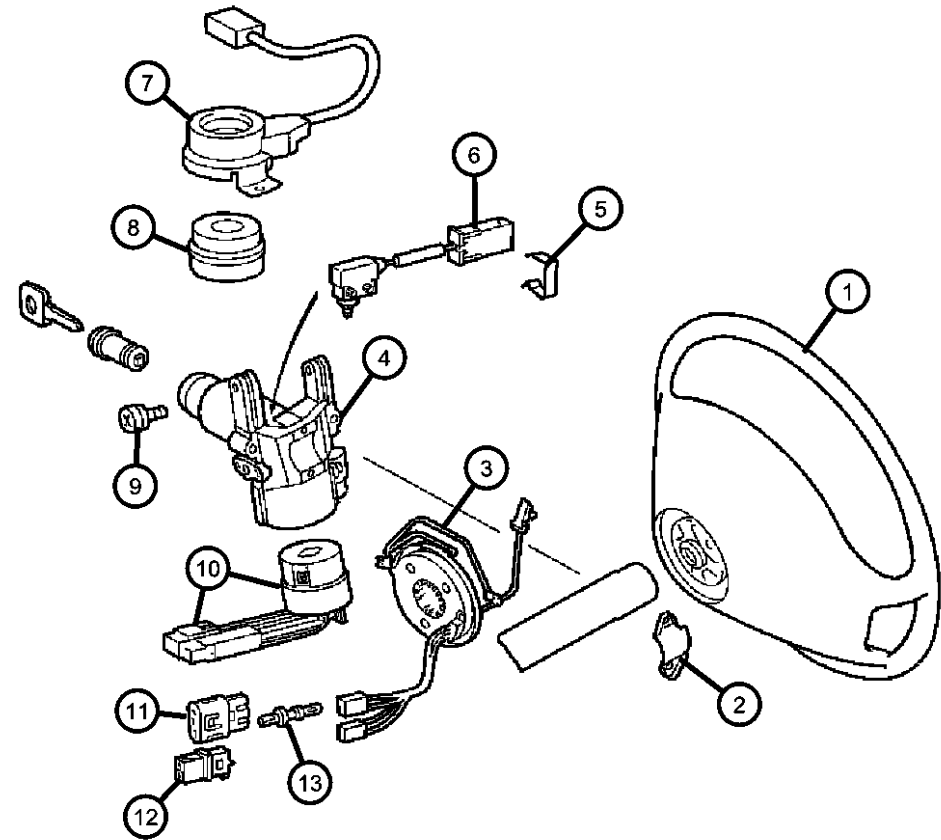


SPRINTER (VA)

SERIES	LINE	BODY	ENGINE	TRANSMISSION
L = LOWLINE	3 = HD DODGE 2WD 6 = Lt. Duty DODGE 4WD 2 = Med. Duty DODGE 2WD 7 = Med. Duty DODGE 4WD	55 = Wagon 140" 54 = Wagon 118" 52 = Wagon 140" 51 = Wagon 118" 12 = Van 140" 11 = Van 118" 06 = Front Section 158" 14 = Van 118" 15 = Van 140" 16 = Van 158" 56 = Wagon 158" 01 = Chassis Forward Control 118" 02 = Chassis Forward Control 140"	EX8 = Engine-2.7L I5 Mercedes Turbo Diesel	DGJ = Transmission-5-Spd. Automatic,W5A580

AR = use ase required - = Non illustrated part

Steering Wheel and Related
Figure 19-110



ITEM	PART NUMBER	QTY	LINE	SERIES	BODY	ENGINE	TRANS	TRIM	DESCRIPTION
		1	2, 6	L	11, 12, 14, 15, 16		DGJ		
		1	2, 6	L	51, 52, 54, 55, 56		DGJ		
		1	3, 7	L	02, 06		DGJ		
		1	3, 7	L	12, 15, 16		DGJ		
6	05103857AA	1	2, 6	L	01, 02, 06		DGJ		SWITCH
		1	2, 6	L	11, 12, 14, 15, 16		DGJ		
		1	2, 6	L	51, 52, 54, 55, 56		DGJ		
		1	3, 7	L	02, 06		DGJ		
		1	3, 7	L	12, 15, 16		DGJ		
7	05120812AA	1	3, 7	L	02, 06				TRANSPONDER, Steering Wheel
		1	3, 7	L	12, 15, 16				
		1	2, 6	L	01, 02, 06				
		1	2, 6	L	11, 12, 14, 15, 16				
		1	2, 6	L	51, 52, 54, 55, 56				
8	05104593AA	1	2, 6	L	01, 02, 06				RING
		1	2, 6	L	11, 12, 14, 15, 16				
		1	2, 6	L	51, 52, 54, 55, 56				
		1	3, 7	L	12, 15, 16				
		1	3, 7	L	02, 06				
9	05103652AA	2	2, 6	L	15, 16, 11, 12, 14				SCREW, Cap

SPRINTER (VA)

SERIES

L = LOWLINE

LINE

3 = HD DODGE 2WD
6 = Lt. Duty DODGE 4WD
2 = Med. Duty DODGE 2WD
7 = Med. Duty DODGE 4WD

BODY

55 = Wagon 140"
54 = Wagon 118"
52 = Wagon 140"
51 = Wagon 118"
12 = Van 140"
11 = Van 118"
06 = Front Section 158"
14 = Van 118"
15 = Van 140"
16 = Van 158"
56 = Wagon 158"
01 = Chassis Forward Control 118"
02 = Chassis Forward Control 140"

ENGINE

EX8 = Engine-2.7L I5
Mercedes Turbo Diesel

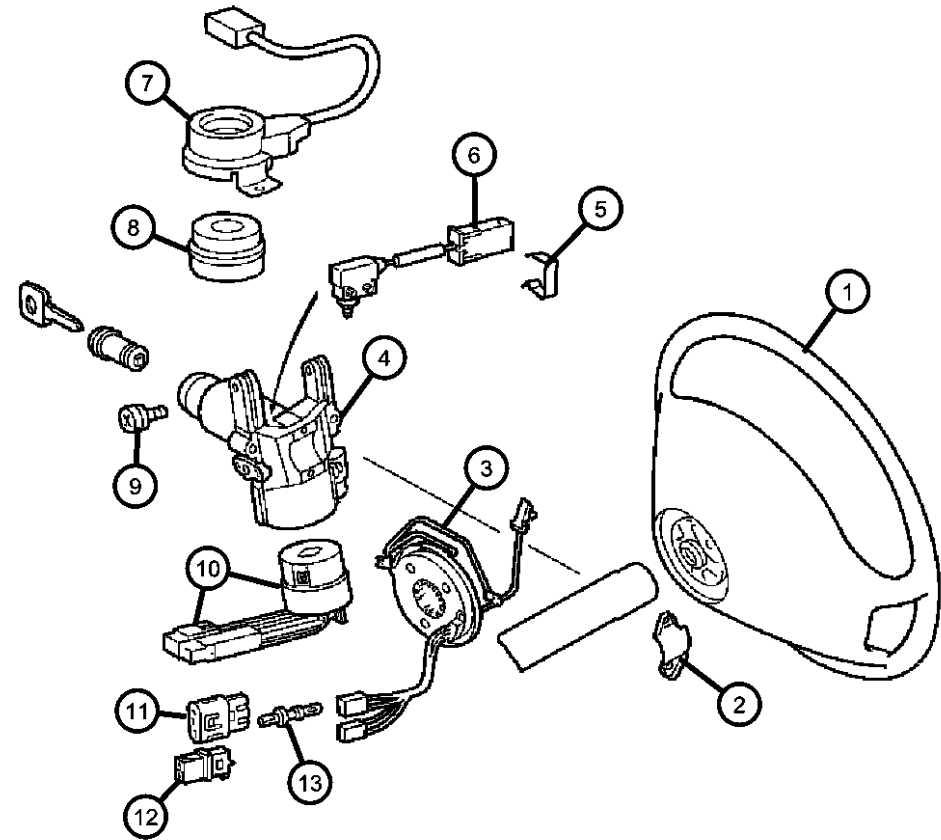
TRANSMISSION

DGJ = Transmission-5-Spd. Automatic,W5A580

AR = use ase required - = Non illustrated part

2004 VA

**Steering Wheel and Related
Figure 19-110**



ITEM	PART NUMBER	QTY	LINE	SERIES	BODY	ENGINE	TRANS	TRIM	DESCRIPTION
		2	2, 6	L	51, 52, 54, 55, 56				
		2	3, 7	L	12, 15, 16				
		2	2, 6	L	01, 02, 06				
	05119538AA	2	3, 7	L	02, 06				
10	05103664AA	1	2, 6	L	11, 12, 14, 15, 16		DGJ		SWITCH, Ignition
		1	2, 6	L	51, 52, 54, 55, 56		DGJ		
		1	3, 7	L	02, 06		DGJ		
		1	3, 7	L	12, 15, 16		DGJ		
		1	2, 6	L	01, 02, 06		DGJ		
11	05103904AA	1	2, 6	L	01, 02, 06				CONNECTOR
		1	2, 6	L	11, 12, 14, 15, 16				
		1	2, 6	L	51, 52, 54, 55, 56				
		1	3, 7	L	02, 06				
		1	3, 7	L	12, 15, 16				
12	05103902AA	1	2, 6	L	01, 02, 06				CONNECTOR
		1	2, 6	L	14, 15, 16, 11, 12				
		1	2, 6	L	51, 52, 54, 55, 56				
		1	3, 7	L	02, 06				
		1	3, 7	L	12, 15, 16				
13	05103828AA	1	2, 6	L	01, 02, 06				TERMINAL

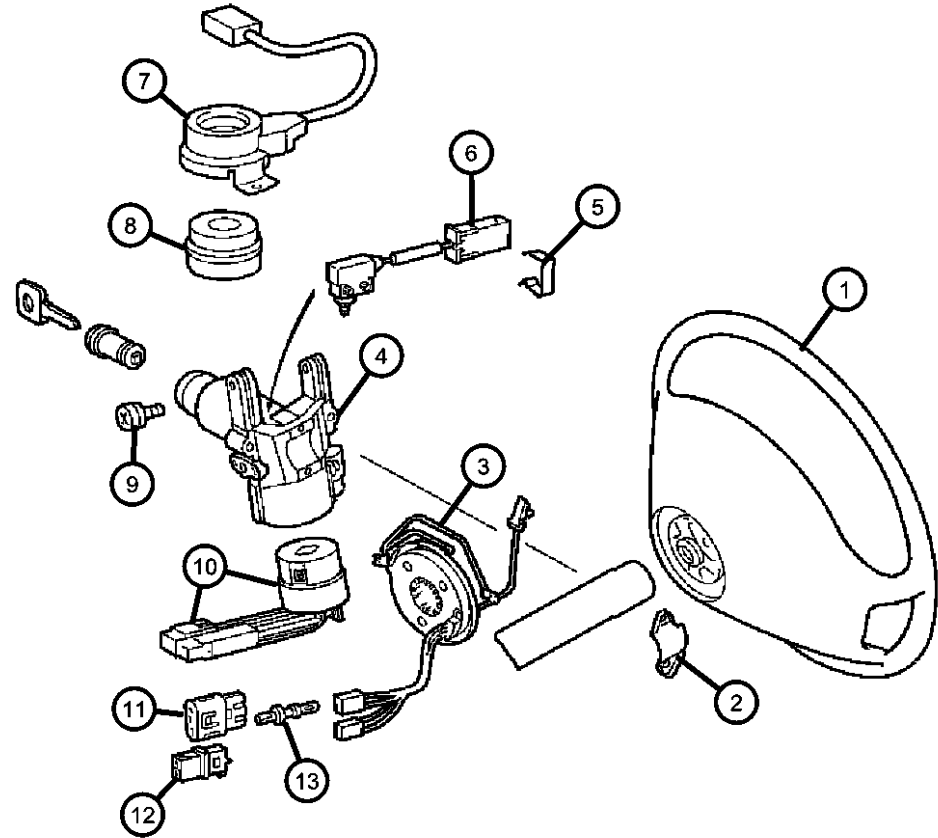
SPRINTER (VA)

SERIES	LINE	BODY	ENGINE	TRANSMISSION
L = LOWLINE	3 = HD DODGE 2WD 6 = Lt. Duty DODGE 4WD 2 = Med. Duty DODGE 2WD 7 = Med. Duty DODGE 4WD	55 = Wagon 140" 54 = Wagon 118" 52 = Wagon 140" 51 = Wagon 118" 12 = Van 140" 11 = Van 118" 06 = Front Section 158" 14 = Van 118" 15 = Van 140" 16 = Van 158" 56 = Wagon 158"	EX8 = Engine-2.7L I5 Mercedes Turbo Diesel	DGJ = Transmission-5-Spd. Automatic, W5A580
		01 = Chassis Forward Control 118" 02 = Chassis Forward Control 140"		

AR = use ase required - = Non illustrated part

**Steering Wheel and Related
Figure 19-110**

ITEM	PART NUMBER	QTY	LINE	SERIES	BODY	ENGINE	TRANS	TRIM	DESCRIPTION
		1	2, 6	L	11, 12, 14, 15, 16				
		1	2, 6	L	51, 52, 54, 55, 56				
		1	3, 7	L	02, 06				
		1	3, 7	L	12, 15, 16				
-14									CONTACT, Horn
	05119542AA	1	2, 6	L	01, 02, 06				
		1	2, 6	L	11, 12, 14, 15, 16				
		1	2, 6	L	51, 52, 54, 55, 56				
		1	3, 7	L	02, 06				
		1	3, 7	L	12, 15, 16				

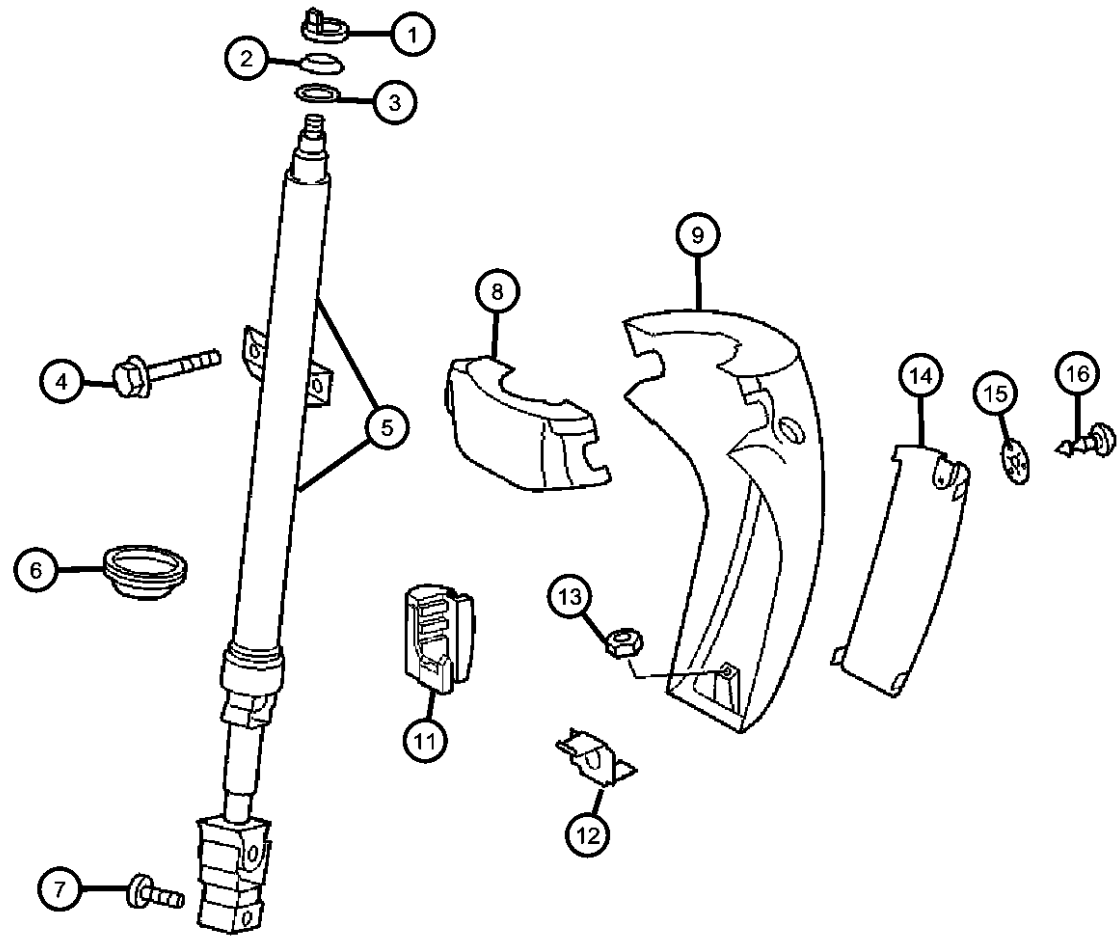


SPRINTER (VA)

SERIES	LINE	BODY	ENGINE	TRANSMISSION
L = LOWLINE	3 = HD DODGE 2WD 6 = Lt. Duty DODGE 4WD 2 = Med. Duty DODGE 2WD 7 = Med. Duty DODGE 4WD	55 = Wagon 140" 54 = Wagon 118" 52 = Wagon 140" 51 = Wagon 118" 12 = Van 140" 11 = Van 118" 06 = Front Section 158" 14 = Van 118" 15 = Van 140" 16 = Van 158" 56 = Wagon 158"	EX8 = Engine-2.7L I5 Mercedes Turbo Diesel	DGJ = Transmission-5-Spd. Automatic,W5A580
		01 = Chassis Forward Control 118" 02 = Chassis Forward Control 140"		

AR = use ase required - = Non illustrated part

**Column Steering and Related
Figure 19-210**



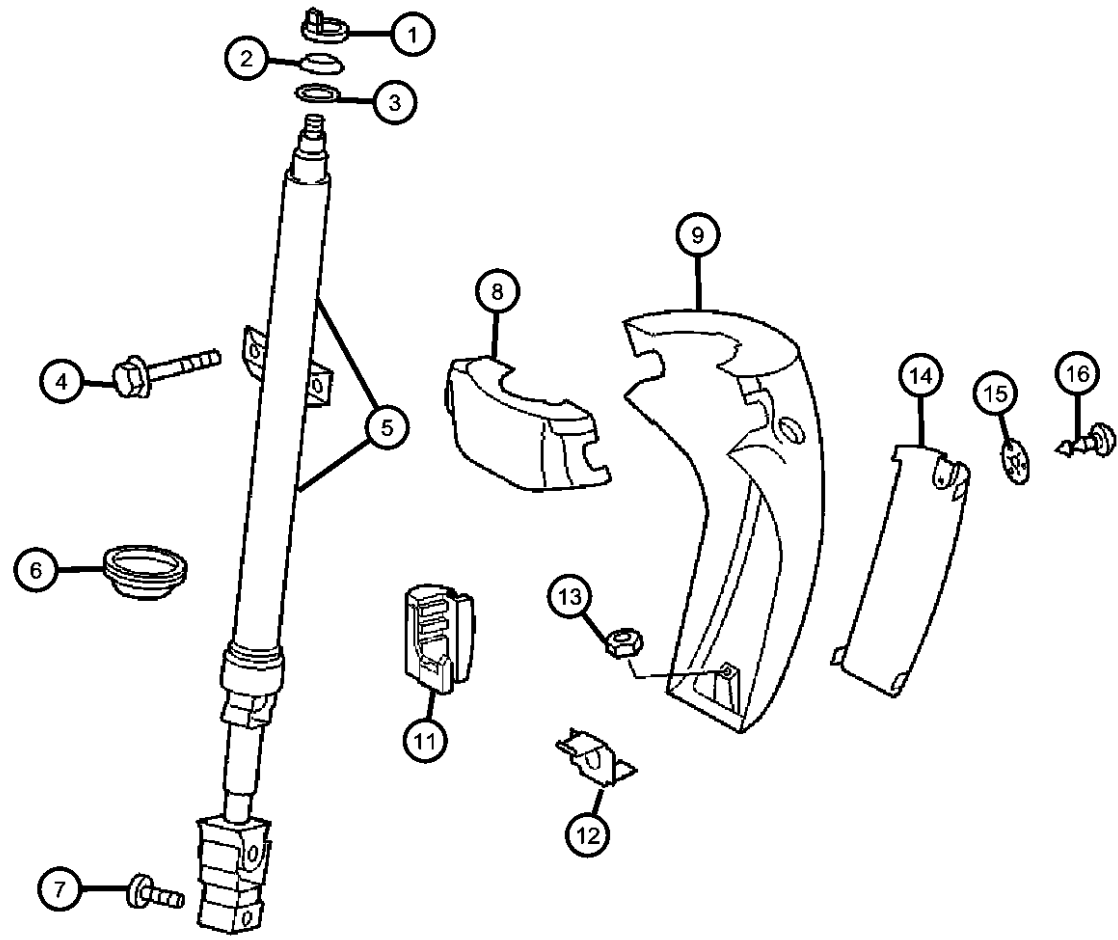
ITEM	PART NUMBER	QTY	LINE	SERIES	BODY	ENGINE	TRANS	TRIM	DESCRIPTION
Note; Sales Codes; [WCL] = 15 Inch Steel Wheels [WDG] = 16 Inch Steel Wheels									
1	05103651AA	1	2, 6	L	11, 12, 14, 15, 16				SUPPORTING RING, NONE, SPRINTER
		1	2, 6	L	51, 52, 54, 55, 56				
		1	3, 7	L	12, 15, 16				
2	05127709AA	1	2, 6	L	01, 02, 06				SPACER
		1	2, 6	L	11, 12, 14, 15, 16				
		1	2, 6	L	51, 52, 54, 55, 56				
		1	3, 7	L	02, 06				
		1	3, 7	L	12, 15, 16				
3	05127708AA	1	2, 6	L	01, 02, 06				WASHER, Thrust
		1	2, 6	L	11, 12, 14, 15, 16				
		1	2, 6	L	51, 52, 54, 55, 56				
		1	3, 7	L	02, 06				
		1	3, 7	L	12, 15, 16				
4	05126227AA	4	2, 6	L	01, 02, 06		DGJ		BOLT, Hex Head
		2	2, 6	L	11, 12, 14, 15, 16				
		2	2, 6	L	51, 52, 54, 55, 56				
		2	3, 7	L	02, 06				
		2	3, 7	L	12, 15, 16				

SPRINTER (VA)

SERIES	LINE	BODY	ENGINE	TRANSMISSION
L = LOWLINE	3 = HD DODGE 2WD 6 = Lt. Duty DODGE 4WD 2 = Med. Duty DODGE 2WD 7 = Med. Duty DODGE 4WD	55 = Wagon 140" 54 = Wagon 118" 52 = Wagon 140" 51 = Wagon 118" 12 = Van 140" 11 = Van 118" 06 = Front Section 158" 14 = Van 118" 15 = Van 140" 16 = Van 158" 56 = Wagon 158" 01 = Chassis Forward Control 118" 02 = Chassis Forward Control 140"	EX8 = Engine-2.7L I5 Mercedes Turbo Diesel	DGJ = Transmission-5-Spd. Automatic,W5A580

AR = use ase required - = Non illustrated part

**Column Steering and Related
Figure 19-210**



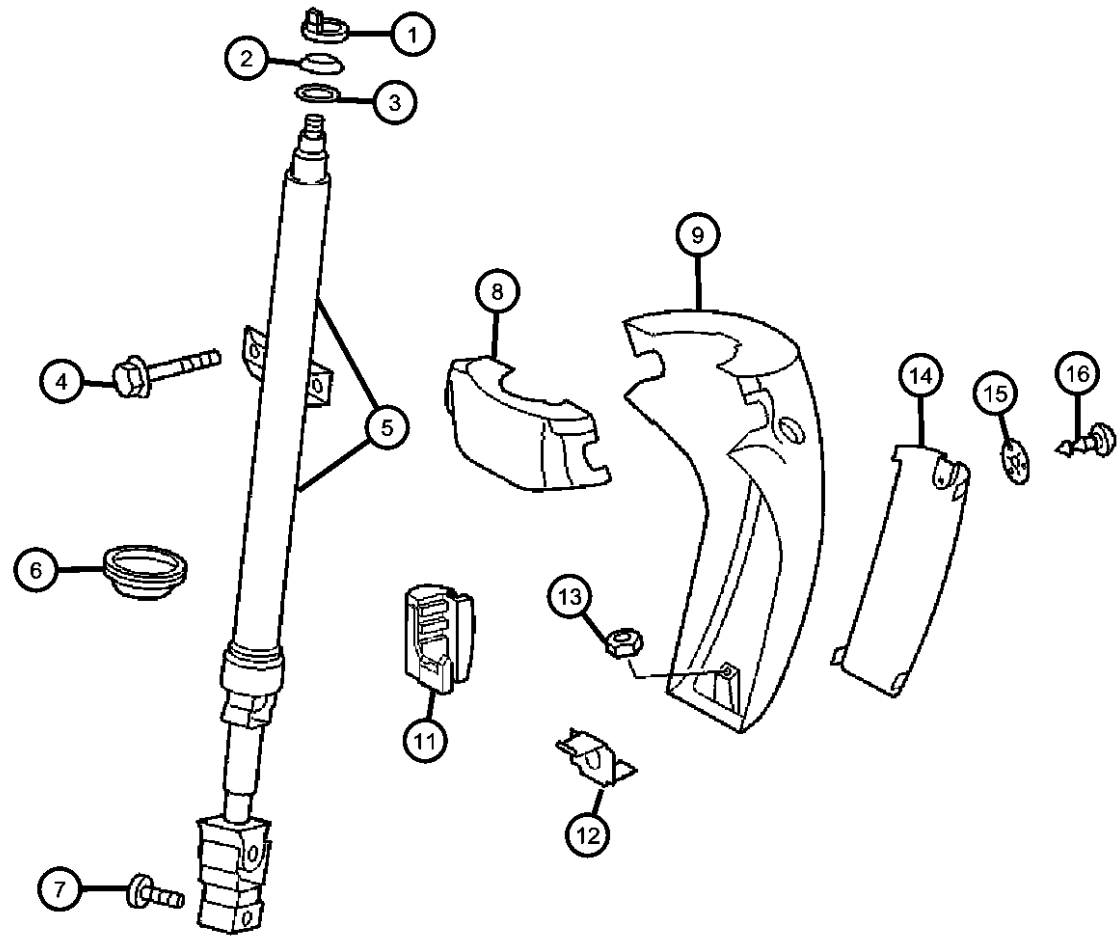
ITEM	PART NUMBER	QTY	LINE	SERIES	BODY	ENGINE	TRANS	TRIM	DESCRIPTION
5	05129404AA	1	2, 6	L	02, 06				COLUMN, Steering [WDG]
		1	2, 6	L	12, 15, 16				[WDG]
		1	2, 6	L	52, 55, 56				[WDG]
	05129396AA	1	2, 6	L	01				15" WHEELS ONLY
		1	2, 6	L	11, 14				15" WHEELS ONLY
		1	2, 6	L	51, 54				15" WHEELS ONLY
6	05119536AA	1	2, 6	L	01, 02, 06				SEAL, Steering Gear
		1	2, 6	L	11, 12, 14, 15, 16				
		1	2, 6	L	51, 52, 54, 55, 56				
		1	3, 7	L	02, 06				
		1	3, 7	L	12, 15, 16				
7	05125557AA	1	3, 7	L	02, 06				SCREW, Steering Column
		1	2, 6	L	01, 02, 06				
	05125707AA	1	2, 6	L	11, 12, 14, 15, 16				
		1	2, 6	L	51, 52, 54, 55, 56				
		1	3, 7	L	12, 15, 16				
8	05119534AA	1	3, 7	L	02, 06				SHROUD, Steering Column, Upper
		1	2, 6	L	01, 02, 06				
		1	2, 6	L	11, 12, 14, 15, 16				
		1	2, 6	L	51, 52, 54, 55, 56				
		1	3, 7	L	12, 15, 16				

SPRINTER (VA)

SERIES	LINE	BODY	ENGINE	TRANSMISSION
L = LOWLINE	3 = HD DODGE 2WD 6 = Lt. Duty DODGE 4WD 2 = Med. Duty DODGE 2WD 7 = Med. Duty DODGE 4WD	55 = Wagon 140" 54 = Wagon 118" 52 = Wagon 140" 51 = Wagon 118" 12 = Van 140" 11 = Van 118" 06 = Front Section 158" 14 = Van 118" 15 = Van 140" 16 = Van 158" 56 = Wagon 158"	EX8 = Engine-2.7L I5 Mercedes Turbo Diesel	DGJ = Transmission-5-Spd. Automatic, W5A580
		01 = Chassis Forward Control 118" 02 = Chassis Forward Control 140"		

AR = use ase required - = Non illustrated part

**Column Steering and Related
Figure 19-210**



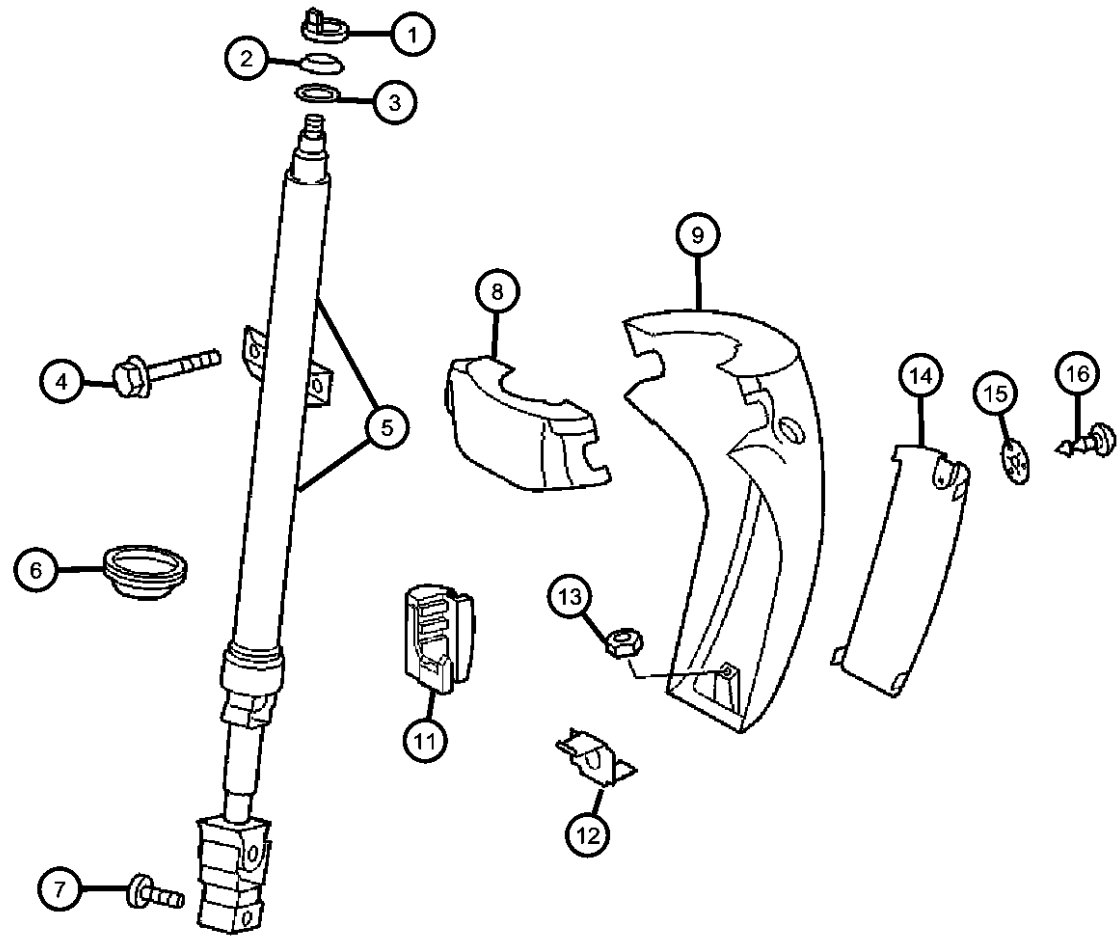
ITEM	PART NUMBER	QTY	LINE	SERIES	BODY	ENGINE	TRANS	TRIM	DESCRIPTION
9									SHROUD, Steering Column, Lower
	05119524AA	1	2, 6	L	01, 02, 06				
		1	2, 6	L	11, 12, 14, 15, 16				
		1	2, 6	L	51, 52, 54, 55, 56				
		1	3, 7	L	02, 06				
		1	3, 7	L	12, 15, 16				
-10									SCREW, Steering Column
	05126274AA	2	2, 6	L	01, 02, 06				
		2	2, 6	L	11, 12, 14, 15, 16				Shroud to Column
		2	2, 6	L	51, 52, 54, 55, 56				Shroud to Column
		2	3, 7	L	02, 06				
		2	3, 7	L	12, 15, 16				Shroud to Column
11									GROMMET, Steering Column Cover
	05122935AA	1	2, 6	L	01, 02, 06				
		1	2, 6	L	11, 12, 14, 15, 16				
		1	2, 6	L	51, 52, 54, 55, 56				
		1	3, 7	L	02, 06				
		1	3, 7	L	12, 15, 16				
12									CLIP, Steering Column
	05125568AA	1	2, 6	L	01, 02, 06				
		1	2, 6	L	11, 12, 14, 15, 16				
		1	2, 6	L	51, 52, 54, 55, 56				
		1	3, 7	L	02, 06				
		1	3, 7	L	12, 15, 16				

SPRINTER (VA)

SERIES	LINE	BODY	ENGINE	TRANSMISSION
L = LOWLINE	3 = HD DODGE 2WD 6 = Lt. Duty DODGE 4WD 2 = Med. Duty DODGE 2WD 7 = Med. Duty DODGE 4WD	55 = Wagon 140" 54 = Wagon 118" 52 = Wagon 140" 51 = Wagon 118" 12 = Van 140" 11 = Van 118" 06 = Front Section 158" 14 = Van 118" 15 = Van 140" 16 = Van 158" 56 = Wagon 158"	EX8 = Engine-2.7L I5 Mercedes Turbo Diesel	DGJ = Transmission-5-Spd. Automatic, W5A580
		01 = Chassis Forward Control 118" 02 = Chassis Forward Control 140"		

AR = use ase required - = Non illustrated part

**Column Steering and Related
Figure 19-210**



ITEM	PART NUMBER	QTY	LINE	SERIES	BODY	ENGINE	TRANS	TRIM	DESCRIPTION
13	05127449AA	1		L					NUT, Hex, M6
14	05119525AA	1	2, 6	L	01, 02, 06				COVER, Steering Column Opening
		1	2, 6	L	11, 12, 14, 15, 16				
		1	2, 6	L	51, 52, 54, 55, 56				
		1	3, 7	L	02, 06				
15	05125751AA	1	2, 6	L	01, 02, 06				WASHER, Steering Column
		1	3, 7	L	12, 15, 16				
		1	2, 6	L	11, 12, 14, 15, 16				
		1	2, 6	L	51, 52, 54, 55, 56				
16	05125557AA	1	3, 7	L	02, 06				SCREW, Steering Column
		1	2, 6	L	01, 02, 06				
		1	2, 6	L	11, 12, 14, 15, 16				
		1	2, 6	L	51, 52, 54, 55, 56				
		1	3, 7	L	12, 15, 16				

SPRINTER (VA)

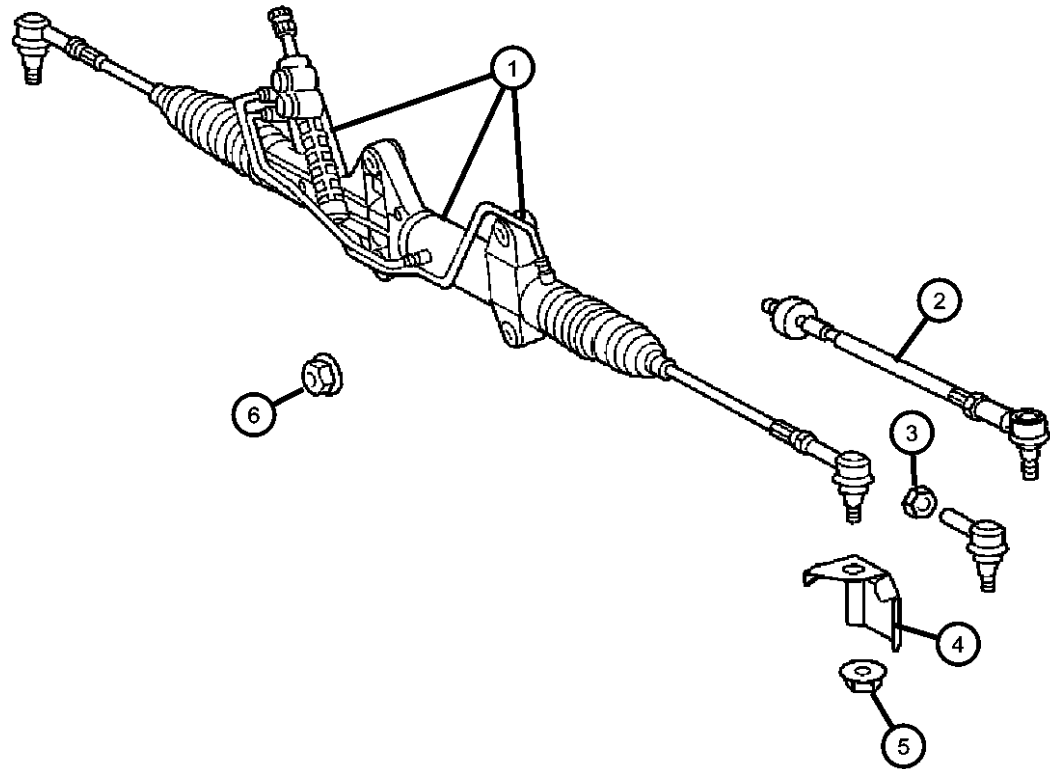
SERIES	LINE	BODY	ENGINE	TRANSMISSION
L = LOWLINE	3 = HD DODGE 2WD 6 = Lt. Duty DODGE 4WD 2 = Med. Duty DODGE 2WD 7 = Med. Duty DODGE 4WD	55 = Wagon 140" 54 = Wagon 118" 52 = Wagon 140" 51 = Wagon 118" 12 = Van 140" 11 = Van 118" 06 = Front Section 158" 14 = Van 118" 15 = Van 140" 16 = Van 158" 56 = Wagon 158"	EX8 = Engine-2.7L I5 Mercedes Turbo Diesel	DGJ = Transmission-5-Spd. Automatic,W5A580
		01 = Chassis Forward Control 118" 02 = Chassis Forward Control 140"		

AR = use ase required - = Non illustrated part

Gear - Steering
Figure 19-310

ITEM	PART NUMBER	QTY	LINE	SERIES	BODY	ENGINE	TRANS	TRIM	DESCRIPTION
------	-------------	-----	------	--------	------	--------	-------	------	-------------

Note; Sales Codes;
[WCL] = 15 inch Steel Wheels
[WDG] = 16 Inch Steel Wheels



1									GEAR, Power Steering
	05104094AA	1	2, 6	L	01, 02, 06				15 WHEELS
		1	2, 6	L	11, 12, 14, 15, 16				15 WHEELS
		1	2, 6	L	51, 52, 54, 55, 56				15 WHEELS
	05104585AA	1	2, 6	L	01, 02, 06				16 WHEELS
		1	2, 6	L	11, 12, 14, 15, 16				16 WHEELS
		1	2, 6	L	51, 52, 54, 55, 56				16 WHEELS
		1	3, 7	L	02, 06				16 WHEELS
		1	3, 7	L	12, 15, 16				16 WHEELS
2									END, Tie Rod
	05104091AA	2	3, 7	L	02, 06				
		2	3, 7	L	12, 15, 16				
		2	2, 6	L	01, 02, 06				
		2	2, 6	L	11, 12, 14, 15, 16				
		2	2, 6	L	51, 52, 54, 55, 56				
3									JAM NUT, Outer Tie Rod
	05133906AA	2	2, 6	L	01, 02, 06				
		2	2, 6	L	11, 12, 14, 15, 16				
		2	2, 6	L	51, 52, 54, 55, 56				
		2	3, 7	L	02, 06				
		2	3, 7	L	12, 15, 16				
4									PLATE, Backing
	05119249AA	2	2, 6	L	01, 02, 06				

SPRINTER (VA)

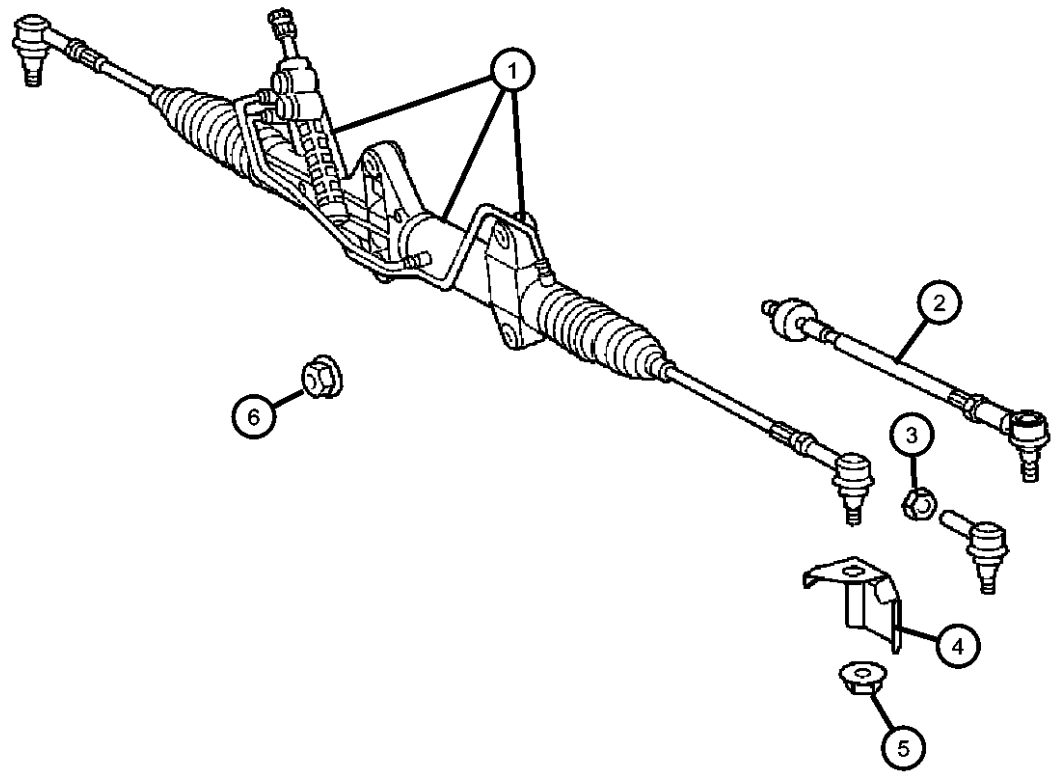
SERIES	LINE	BODY	ENGINE	TRANSMISSION
L = LOWLINE	3 = HD DODGE 2WD 6 = Lt. Duty DODGE 4WD 2 = Med. Duty DODGE 2WD 7 = Med. Duty DODGE 4WD	55 = Wagon 140" 54 = Wagon 118" 52 = Wagon 140" 51 = Wagon 118" 12 = Van 140" 11 = Van 118" 06 = Front Section 158" 14 = Van 118" 15 = Van 140" 16 = Van 158" 56 = Wagon 158"	EX8 = Engine-2.7L I5 Mercedes Turbo Diesel	DGJ = Transmission-5-Spd. Automatic, W5A580
		01 = Chassis Forward Control 118" 02 = Chassis Forward Control 140"		

AR = use ase required - = Non illustrated part

2004 VA

**Gear - Steering
Figure 19-310**

ITEM	PART NUMBER	QTY	LINE	SERIES	BODY	ENGINE	TRANS	TRIM	DESCRIPTION
		2	2, 6	L	11, 12, 14, 15, 16				
		2	2, 6	L	51, 52, 54, 55, 56				
5									NUT
	05125761AA	2	2, 6	L	01, 02, 06				
		2	2, 6	L	11, 12, 14, 15, 16				
		2	2, 6	L	51, 52, 54, 55, 56				
6									NUT
	06104717AA	4	2, 6	L	11, 12, 14, 15, 16				
		4	2, 6	L	51, 52, 54, 55, 56				
		2	2, 6	L	01, 02, 06				
		2	2, 6	L	11, 12, 14, 15, 16				
		2	2, 6	L	51, 52, 54, 55, 56				
		2	3, 7	L	02, 06				
		2	3, 7	L	12, 15, 16				



SPRINTER (VA)

SERIES	LINE	BODY	ENGINE	TRANSMISSION
L = LOWLINE	3 = HD DODGE 2WD 6 = Lt. Duty DODGE 4WD 2 = Med. Duty DODGE 2WD 7 = Med. Duty DODGE 4WD	55 = Wagon 140" 54 = Wagon 118" 52 = Wagon 140" 51 = Wagon 118" 12 = Van 140" 11 = Van 118" 06 = Front Section 158" 14 = Van 118" 15 = Van 140" 16 = Van 158" 56 = Wagon 158" 01 = Chassis Forward Control 118" 02 = Chassis Forward Control 140"	EX8 = Engine-2.7L I5 Mercedes Turbo Diesel	DGJ = Transmission-5-Spd. Automatic,W5A580

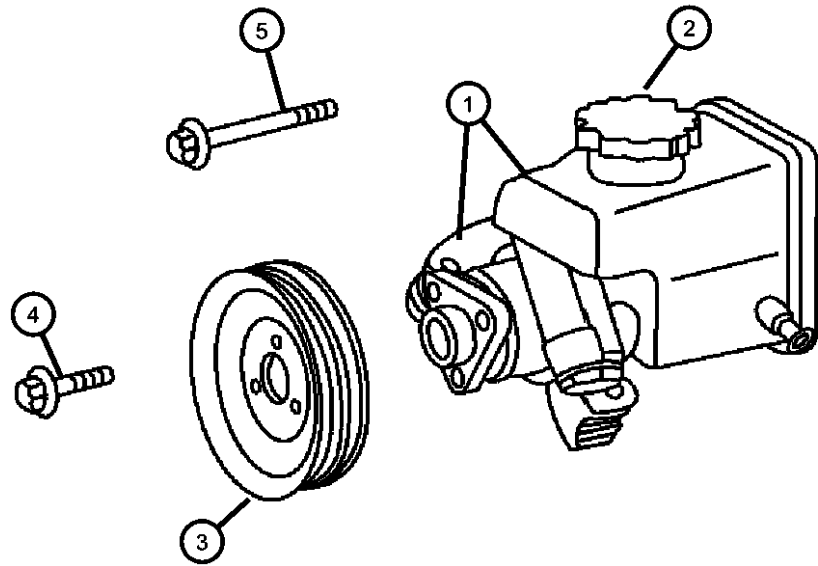
AR = use ase required - = Non illustrated part

Pump and Pulley, Steering
Figure 19-510

ITEM	PART NUMBER	QTY	LINE	SERIES	BODY	ENGINE	TRANS	TRIM	DESCRIPTION
------	-------------	-----	------	--------	------	--------	-------	------	-------------

Note; Sales Codes;
 [EX8] = 2.7L I5 MERCEDES-BENZ

1	05103795AA 05013457AA	1		L		EX9			PUMP, Power Steering Mopar Power Steering Fluid Quart
2	05139279AA	1							CAP, Power Steering Reservoir
3	05117692AA	1		L		EX9			PULLEY, Power Steering Pump
4	05133207AA	3		L					BOLT, Hex Head
5	05073718AA	1		L		EX9			SCREW



SPRINTER (VA)

SERIES	LINE	BODY	ENGINE	TRANSMISSION
L = LOWLINE	3 = HD DODGE 2WD 6 = Lt. Duty DODGE 4WD 2 = Med. Duty DODGE 2WD 7 = Med. Duty DODGE 4WD	55 = Wagon 140" 54 = Wagon 118" 52 = Wagon 140" 51 = Wagon 118" 12 = Van 140" 11 = Van 118" 06 = Front Section 158" 14 = Van 118" 15 = Van 140" 16 = Van 158" 56 = Wagon 158" 01 = Chassis Forward Control 118" 02 = Chassis Forward Control 140"	EX8 = Engine-2.7L I5 Mercedes Turbo Diesel	DGJ = Transmission-5-Spd. Automatic,W5A580

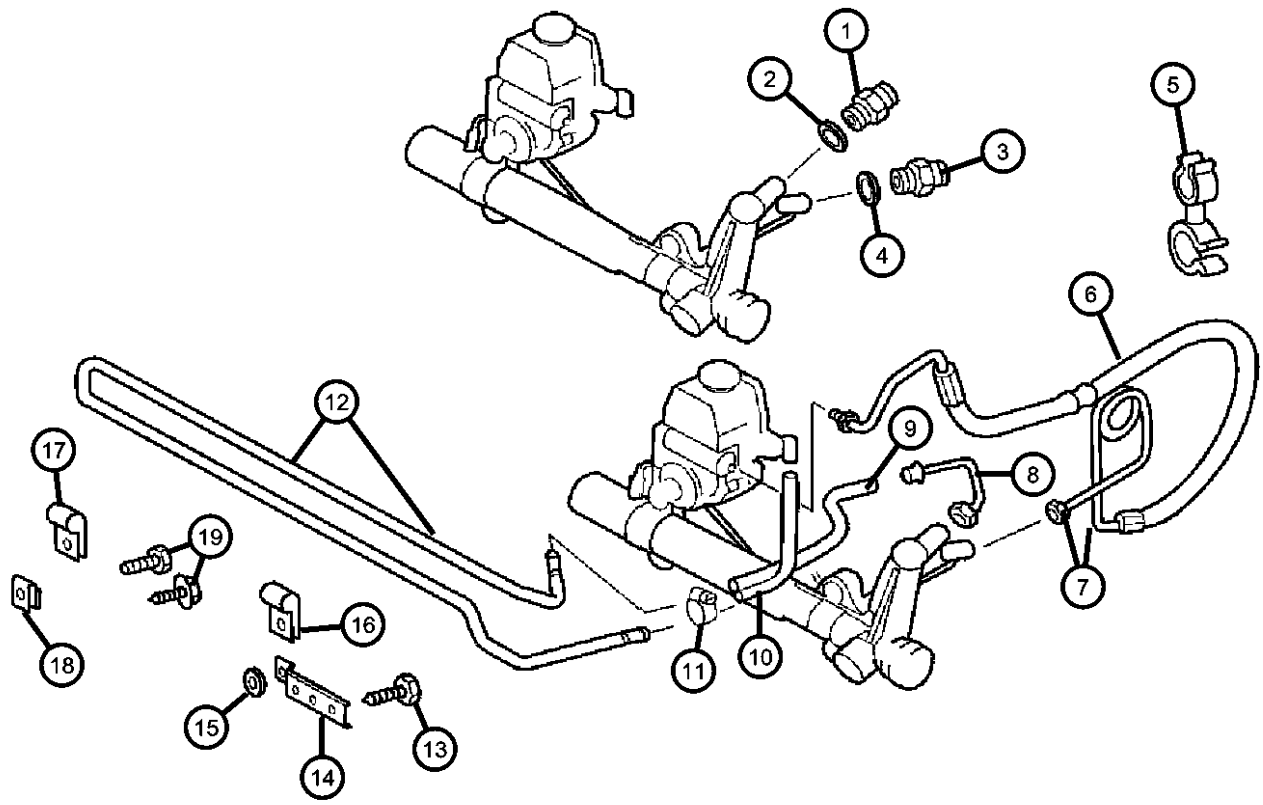
AR = use ase required - = Non illustrated part

2004 VA

Hoses Steering and Related
Figure 19-710

ITEM	PART NUMBER	QTY	LINE	SERIES	BODY	ENGINE	TRANS	TRIM	DESCRIPTION
------	-------------	-----	------	--------	------	--------	-------	------	-------------

Note; Sales Codes;
[EX8] = 2.7L I5 MERCEDES-BENZ



1									FITTING, RETURN LINE TO STEERING, SPRINTER
	05104540AA	1	3, 7	L	12, 15, 16				
		1	2, 6	L	11, 12, 14, 15, 16				
		1	2, 6	L	56, 51, 52, 54, 55				
2									SEAL
	05104626AA	1	2, 6	L	01, 02, 06				
		1	2, 6	L	11, 12, 14, 15, 16				
		1	2, 6	L	51, 52, 54, 55, 56				
		1	3, 7	L	02, 06				
		1	3, 7	L	12, 15, 16				
3									FITTING, HOSE TO STEERING, SPRINTER
	05104025AA	1	2, 6	L	11, 12, 14, 15, 16				
		1	2, 6	L	51, 52, 54, 55, 56				
		1	3, 7	L	12, 15, 16				
4									SEAL
	05102646AA	1	2, 6	L	01, 02, 06				
		1	2, 6	L	11, 12, 14, 15, 16				
		1	2, 6	L	51, 52, 54, 55, 56				
		1	3, 7	L	02, 06				
		1	3, 7	L	12, 15, 16				
5									CLAMP, Brake Hose
	05125887AA	1	3, 7	L	02, 06				

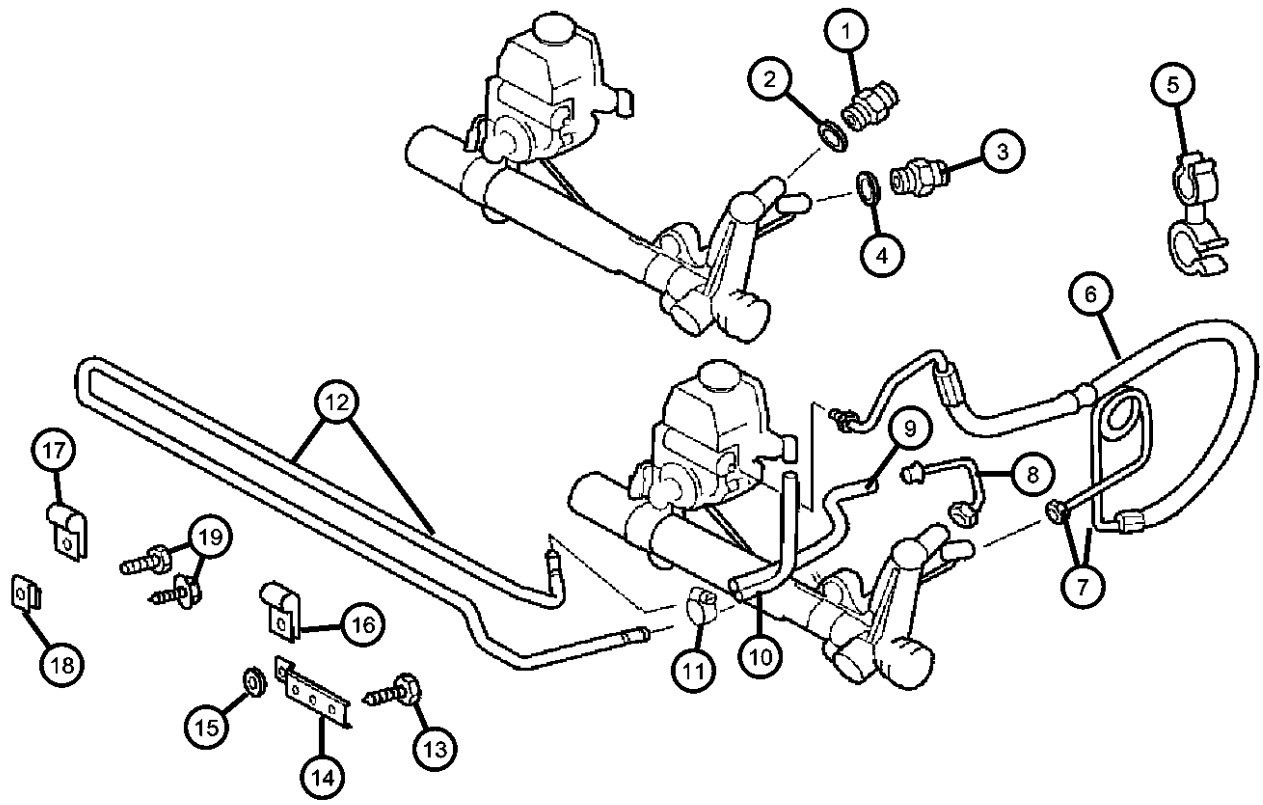
SPRINTER (VA)

SERIES	LINE	BODY	ENGINE	TRANSMISSION
L = LOWLINE	3 = HD DODGE 2WD 6 = Lt. Duty DODGE 4WD 2 = Med. Duty DODGE 2WD 7 = Med. Duty DODGE 4WD	55 = Wagon 140" 54 = Wagon 118" 52 = Wagon 140" 51 = Wagon 118" 12 = Van 140" 11 = Van 118" 06 = Front Section 158" 14 = Van 118" 15 = Van 140" 16 = Van 158" 56 = Wagon 158"	EX8 = Engine-2.7L I5 Mercedes Turbo Diesel	DGJ = Transmission-5-Spd. Automatic,W5A580
		01 = Chassis Forward Control 118" 02 = Chassis Forward Control 140"		

AR = use ase required - = Non illustrated part

Hoses Steering and Related
Figure 19-710

ITEM	PART NUMBER	QTY	LINE	SERIES	BODY	ENGINE	TRANS	TRIM	DESCRIPTION
		1	3, 7	L	12, 15, 16				
	05125887AB	1	2, 6	L	01, 02, 06				
		1	2, 6	L	11, 12, 14, 15, 16				
		1	2, 6	L	51, 52, 54, 55, 56				
6									HOSE, Power Steering Pressure
	05119564AA	1	2, 6	L	01, 02, 06				
		1	2, 6	L	11, 12, 14, 15, 16				
		1	2, 6	L	51, 52, 54, 55, 56				
		1	3, 7	L	02, 06				
		1	3, 7	L	12, 15, 16				
7									HOSE, Power Steering Return
	05119563AA	1	2, 6	L	01, 02, 06				
		1	2, 6	L	11, 12, 14, 15, 16				
		1	2, 6	L	51, 52, 54, 55, 56				
		1	3, 7	L	02, 06				
		1	3, 7	L	12, 15, 16				
8									LINE, Power Steering Return
	05104093AA	1	2, 6	L	01, 02, 06				
		1	2, 6	L	11, 12, 14, 15, 16				
		1	2, 6	L	51, 52, 54, 55, 56				
		1	3, 7	L	02, 06				
		1	3, 7	L	12, 15, 16				
9									HOSE
	05133784AA	100	2, 6	L	01, 02, 06				5 Meters Long



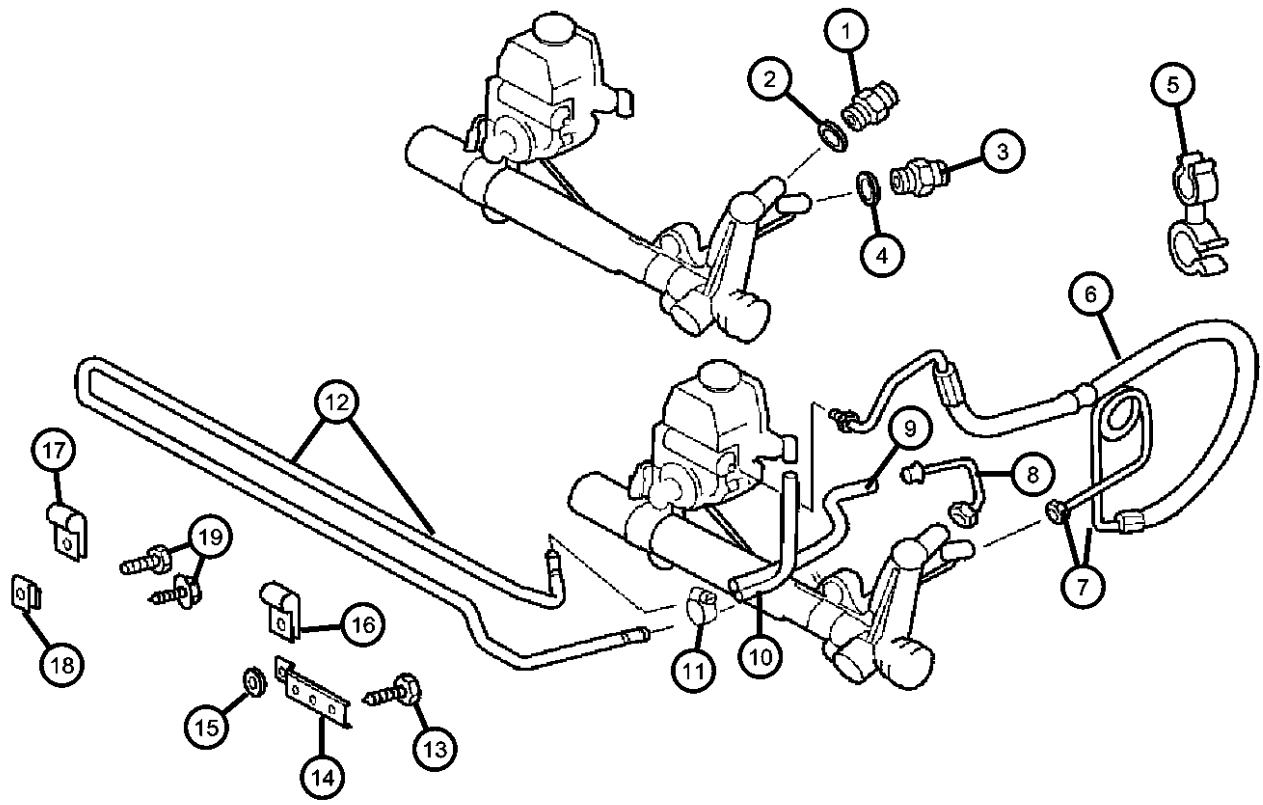
SPRINTER (VA)

SERIES	LINE	BODY	ENGINE	TRANSMISSION
L = LOWLINE	3 = HD DODGE 2WD 6 = Lt. Duty DODGE 4WD 2 = Med. Duty DODGE 2WD 7 = Med. Duty DODGE 4WD	55 = Wagon 140" 54 = Wagon 118" 52 = Wagon 140" 51 = Wagon 118" 12 = Van 140" 11 = Van 118" 06 = Front Section 158" 14 = Van 118" 15 = Van 140" 16 = Van 158" 56 = Wagon 158"	EX8 = Engine-2.7L I5 Mercedes Turbo Diesel	DGJ = Transmission-5-Spd. Automatic,W5A580
		01 = Chassis Forward Control 118" 02 = Chassis Forward Control 140"		

AR = use ase required - = Non illustrated part

Hoses Steering and Related
Figure 19-710

ITEM	PART NUMBER	QTY	LINE	SERIES	BODY	ENGINE	TRANS	TRIM	DESCRIPTION
		100	2, 6	L	11, 12, 14, 15, 16				5 Meters Long
		100	2, 6	L	51, 52, 54, 55, 56				5 Meters Long
		100	3, 7	L	02, 06				5 Meters Long
		100	3, 7	L	12, 15, 16				5 Meters Long
10									HOSE, Power Steering Return
	05119563AA	1	2, 6	L	51, 52, 54, 55, 56				
		1	3, 7	L	02, 06				
		1	3, 7	L	12, 15, 16				
		1	2, 6	L	01, 02, 06				
		1	2, 6	L	11, 12, 14, 15, 16				
11									CLAMP, Brake Hose
	05096431AA	2	2, 6	L	01, 02, 06				
		2	2, 6	L	11, 12, 14, 15, 16				
		2	2, 6	L	51, 52, 54, 55, 56				
		2	3, 7	L	02, 06				
		2	3, 7	L	12, 15, 16				
12									TUBE
	05104098AA	1	2, 6	L	01, 02, 06				
		1	2, 6	L	11, 12, 14, 15, 16				
		1	2, 6	L	51, 52, 54, 55, 56				
		1	3, 7	L	02, 06				
		1	3, 7	L	12, 15, 16				
13									SCREW, Tapping
	06104574AA	6	3, 7	L	02, 06	EX9			



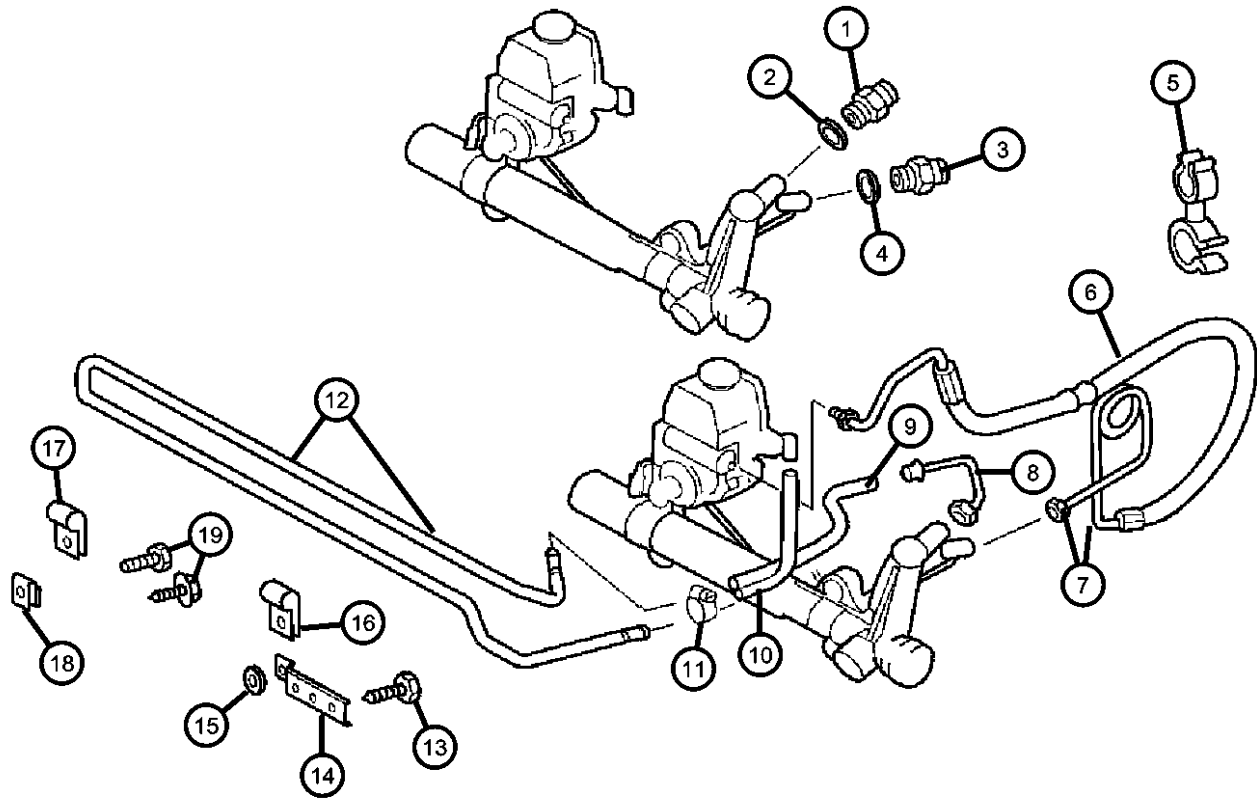
SPRINTER (VA)

SERIES	LINE	BODY	ENGINE	TRANSMISSION
L = LOWLINE	3 = HD DODGE 2WD 6 = Lt. Duty DODGE 4WD 2 = Med. Duty DODGE 2WD 7 = Med. Duty DODGE 4WD	55 = Wagon 140" 54 = Wagon 118" 52 = Wagon 140" 51 = Wagon 118" 12 = Van 140" 11 = Van 118" 06 = Front Section 158" 14 = Van 118" 15 = Van 140" 16 = Van 158" 56 = Wagon 158"	EX8 = Engine-2.7L I5 Mercedes Turbo Diesel	DGJ = Transmission-5-Spd. Automatic, W5A580
		01 = Chassis Forward Control 118" 02 = Chassis Forward Control 140"		

AR = use ase required - = Non illustrated part

Hoses Steering and Related
Figure 19-710

ITEM	PART NUMBER	QTY	LINE	SERIES	BODY	ENGINE	TRANS	TRIM	DESCRIPTION
		6	2, 6	L	01, 02, 06	EX9			
		6	2, 6	L	11, 12, 14, 15, 16	EX9			
		6	2, 6	L	51, 52, 54, 55, 56	EX9			
		6	3, 7	L	12, 15, 16	EX9			
14	05119556AA	2	2, 6	L	01, 02, 06	EX9			BRACKET, Mounting
		2	2, 6	L	11, 12, 14, 15, 16	EX9			
		2	2, 6	L	51, 52, 54, 55, 56	EX9			
		2	3, 7	L	02, 06	EX9			
		2	3, 7	L	12, 15, 16	EX9			
15	05104638AA	2	3, 7	L	12, 15, 16	EX9			WASHER
		2	3, 7	L	02, 06	EX9			
		2	2, 6	L	11, 12, 14, 15, 16				
		2	2, 6	L	51, 52, 54, 55, 56				
16	05126283AA	4	2, 6	L	01, 02, 06	EX9			CLAMP
		4	2, 6	L	11, 12, 14, 15, 16	EX9			
		4	2, 6	L	51, 52, 54, 55, 56	EX9			
		4	3, 7	L	02, 06	EX9			
		4	3, 7	L	12, 15, 16	EX9			
17	05132910AA	2	2, 6	L	01, 02, 06				CLAMP
		2	2, 6	L	11, 12, 14, 15, 16				



SPRINTER (VA)

SERIES

L = LOWLINE

LINE

3 = HD DODGE 2WD
6 = Lt. Duty DODGE 4WD
2 = Med. Duty DODGE 2WD
7 = Med. Duty DODGE 4WD

BODY

55 = Wagon 140"
54 = Wagon 118"
52 = Wagon 140"
51 = Wagon 118"
12 = Van 140"
11 = Van 118"
06 = Front Section 158"
14 = Van 118"
15 = Van 140"
16 = Van 158"
56 = Wagon 158"
01 = Chassis Forward Control
118"
02 = Chassis Forward Control
140"

ENGINE

EX8 = Engine-2.7L I5
Mercedes Turbo Diesel

TRANSMISSION

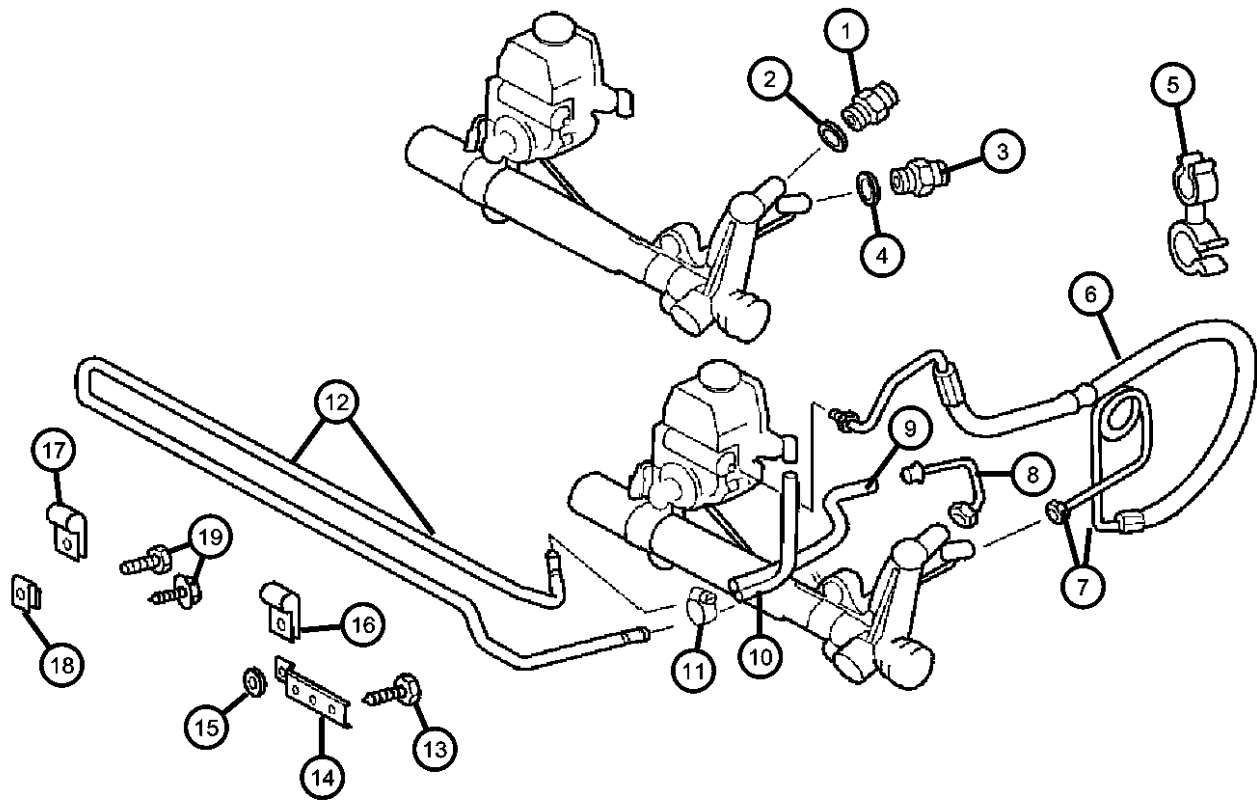
DGJ = Transmission-5-Spd.
Automatic,W5A580

AR = use ase required - = Non illustrated part

2004 VA

Hoses Steering and Related
Figure 19-710

ITEM	PART NUMBER	QTY	LINE	SERIES	BODY	ENGINE	TRANS	TRIM	DESCRIPTION
		2	2, 6	L	51, 52, 54, 55, 56				
18	05103733AA	1	3, 7	L	12, 15, 16				NUT RETAINER, NONE, SPRINTER
19	05103733AA	1							SCREW, (NOT SERVICED)



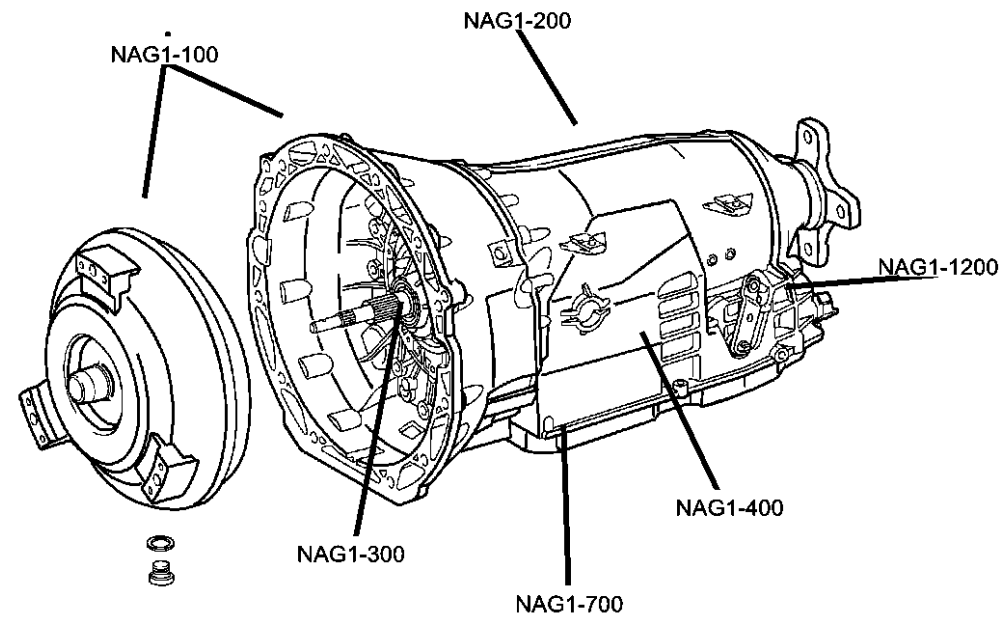
SPRINTER (VA)

SERIES	LINE	BODY	ENGINE	TRANSMISSION
L = LOWLINE	3 = HD DODGE 2WD 6 = Lt. Duty DODGE 4WD 2 = Med. Duty DODGE 2WD 7 = Med. Duty DODGE 4WD	55 = Wagon 140" 54 = Wagon 118" 52 = Wagon 140" 51 = Wagon 118" 12 = Van 140" 11 = Van 118" 06 = Front Section 158" 14 = Van 118" 15 = Van 140" 16 = Van 158" 56 = Wagon 158"	EX8 = Engine-2.7L I5 Mercedes Turbo Diesel	DGJ = Transmission-5-Spd. Automatic,W5A580
		01 = Chassis Forward Control 118" 02 = Chassis Forward Control 140"		

AR = use ase required - = Non illustrated part

Group - NAG1

Automatic Transmission 5 Speed [DGJ]



Group - NAG1 Automatic Transmission 5 Speed [DGJ]

Illustration Title

Group-Fig. No.

Transmission Assembly

Automatic Transmission Fig. NAG1 - 110

Case and Extension

Case and Related Parts Fig. NAG1 - 210

Oil Pump

Pump, Oil Fig. NAG1 - 310

Gear Train

Laminated Brake and Front Support - [B1] Fig. NAG1 - 410

Gear Train, Front Planetary Clutch - [K-1] Fig. NAG1 - 420

Carrier, Planetary - [K1] - [VPLS] Fig. NAG1 - 430

Clutch - Output Shaft - [K2] Fig. NAG1 - 440

Center & Rear Planetary Set - Output Shaft - [MPLS/HPLS] Fig. NAG1 - 450

Clutch - [K3] Fig. NAG1 - 460

Multiple Disc Brake - [B2 & B3] Fig. NAG1 - 470

Multiple Disc Brake - [B2 & B3] Fig. NAG1 - 480

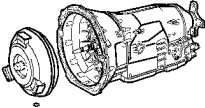
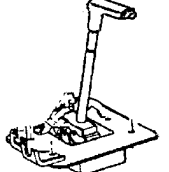
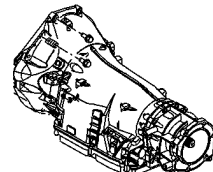
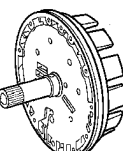
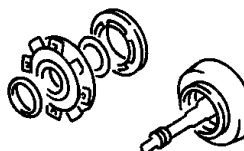
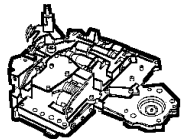
Multiple Disc Brake - [B2 & B3] Fig. NAG1 - 490

Valve Body

Electronic - Hydraulic Control Fig. NAG1 - 710

Gearshift Controls

Gear Shift Control Fig. NAG1 - 1210

<p>NAG1-100 Transmission Assembly</p> 	<p>NAG1-1200 Gearshift Controls</p> 	<p>NAG1-200 Case and Extension</p> 	<p>NAG1-300 Oil Pump</p> 
<p>NAG1-400 Gear Train</p> 	<p>NAG1-700 Valve Body</p> 		

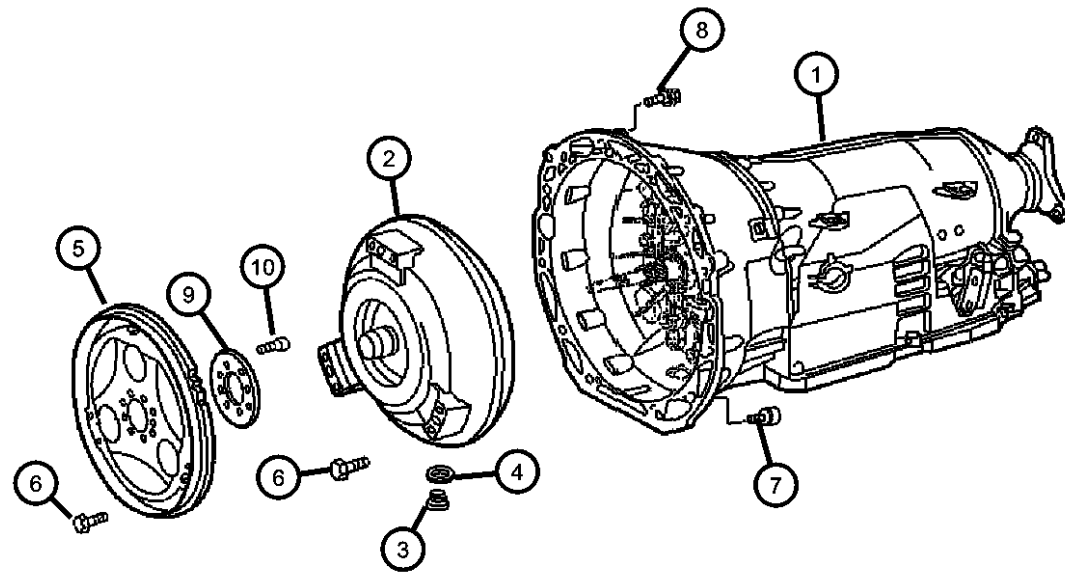
**Automatic Transmission
Figure NAG1-110**

ITEM	PART NUMBER	QTY	LINE	SERIES	BODY	ENGINE	TRANS	TRIM	DESCRIPTION
------	-------------	-----	------	--------	------	--------	-------	------	-------------

NOTE: Transmission Assembly Does Not Include Torque Converter. Torque Converter Serviced Separately.

Sales Codes:

[DGJ]=5 Speed Automatic Transmission - [NAG1] - [W5A380]



1	05104552AA 05127382AA R5104552AA	1		L					TRANSMISSION, Automatic Mopar Automatic Transmission Fluid Quart Mopar Remanufactured Part
2	05104567AA	1		L			DGJ		CONVERTER, Torque
3	05080398AB	1		L			DGJ		PLUG
4	05080014AA	1		L			DGJ		O RING
5	05137274AA	1		L		EX8			FLEX PLATE
6	06507095AA	6	2, 6	L			DGJ		SCREW
		6	3, 7	L			DGJ		
7	06104047AA	2	2, 6	L			DGJ		SCREW
		2	3, 7	L			DGJ		
8	06104218AA	6	2, 6	L			DGJ		SCREW
		6	3, 7	L			DGJ		
9	05080066AA	1				EX8	DGJ		WASHER
10	06104218AA	6	2, 6	L			DGJ		SCREW
		6	3, 7	L			DGJ		

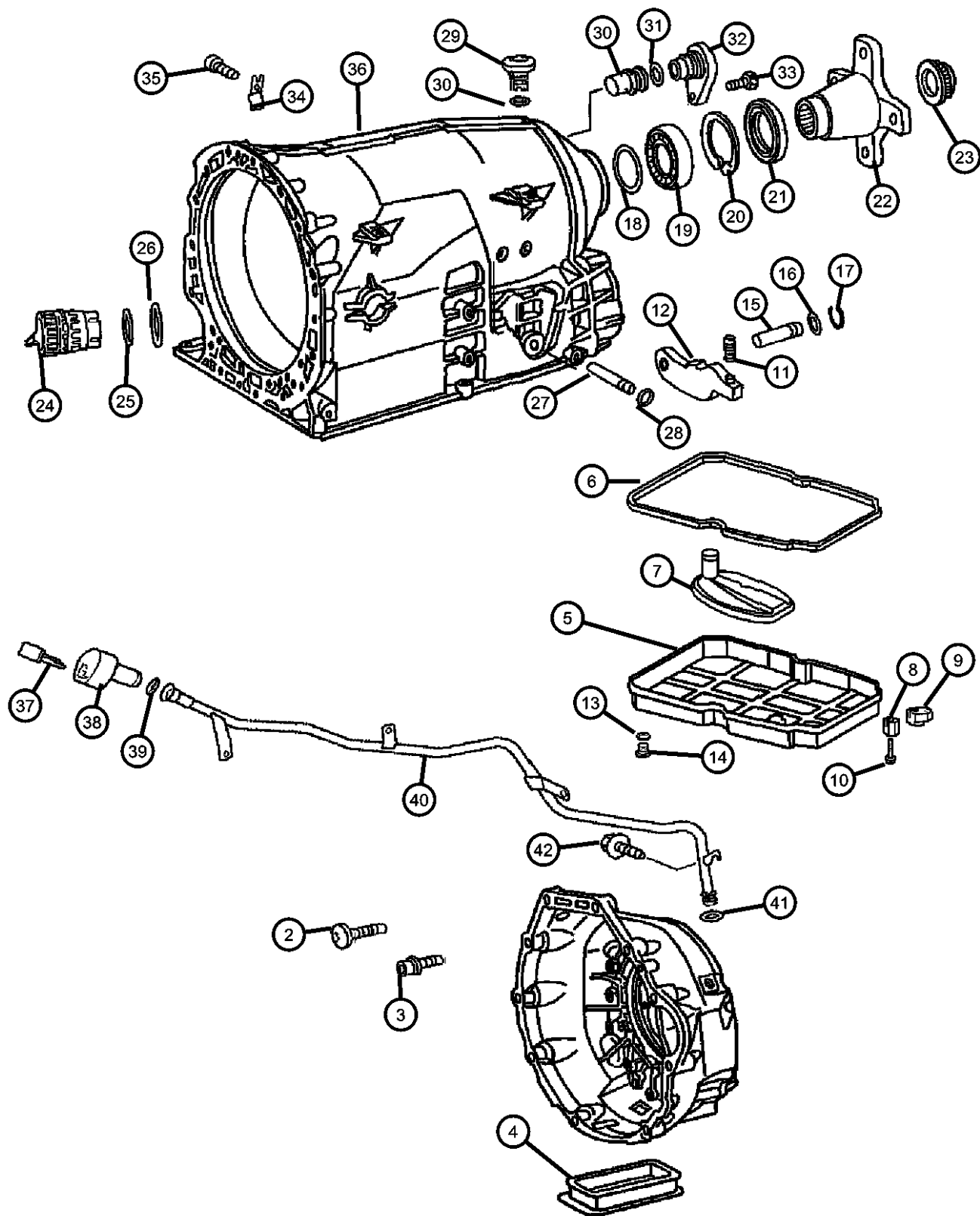
SPRINTER (VA)

SERIES	LINE	BODY	ENGINE	TRANSMISSION
L = LOWLINE	3 = HD DODGE 2WD 6 = Lt. Duty DODGE 4WD 2 = Med. Duty DODGE 2WD 7 = Med. Duty DODGE 4WD	55 = Wagon 140" 54 = Wagon 118" 52 = Wagon 140" 51 = Wagon 118" 12 = Van 140" 11 = Van 118" 06 = Front Section 158" 14 = Van 118" 15 = Van 140" 16 = Van 158" 56 = Wagon 158" 01 = Chassis Forward Control 118" 02 = Chassis Forward Control 140"	EX8 = Engine-2.7L I5 Mercedes Turbo Diesel	DGJ = Transmission-5-Spd. Automatic,W5A580

AR = use ase required - = Non illustrated part

2004 VA

Case and Related Parts
Figure NAG1-210



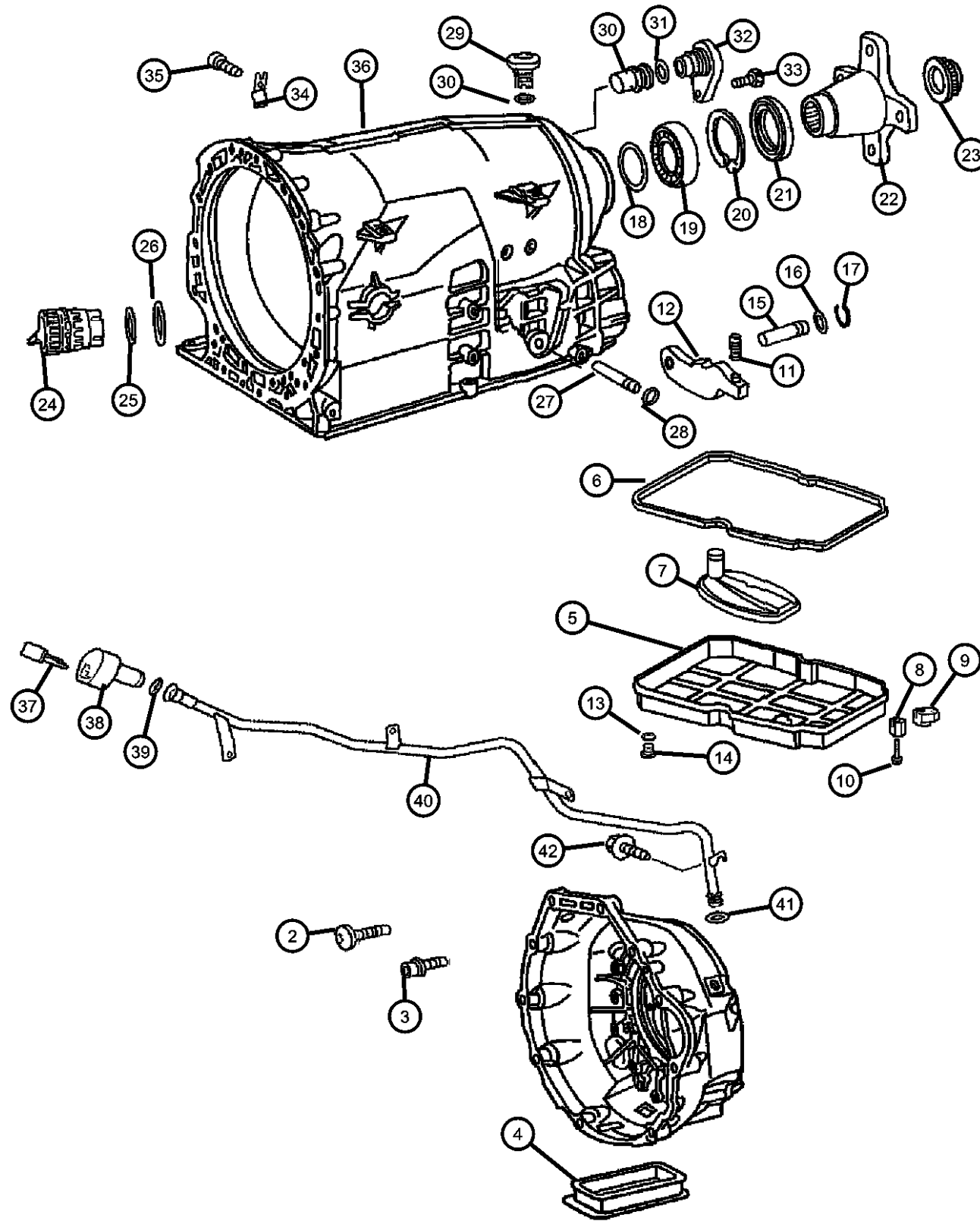
ITEM	PART NUMBER	QTY	LINE	SERIES	BODY	ENGINE	TRANS	TRIM	DESCRIPTION
NOTE:Sales Codes: [DGJ]=5 Speed Automatic Transmission - [NAG1] - [W5A380]									
-1	05080067AA	1		L			DGJ		GASKET PACKAGE, Transmission
2	52108396AA	2		L			DGJ		SCREW
3	52107934AA	11		L			DGJ		SCREW
4	05073886AA	2		L			DGJ		GASKET
5	52108326AA	1		L			DGJ		PAN, Transmission Oil
6	52108332AA	1		L			DGJ		GASKET
7	52108325AA	1		L			DGJ		FILTER, Transmission Oil
8	52108334AA	5		L			DGJ		NUT
9	05080289AA	1		L			DGJ		NUT
10	52108270AA	6		L			DGJ		SCREW
11	52108154AA	1		L			DGJ		PAWL, Parking Sprag
12	52108157AA	1		L			DGJ		SPRING
13	52108330AA	1		L			DGJ		SEAL, Transmission
14	52108331AA	1		L			DGJ		MAGNET
15	52108155AA	1		L			DGJ		PIN
16	52108160AA	1		L			DGJ		SEAL, Transmission
17	52107975AA	1		L			DGJ		SNAP RING
18									SPACER
	52108220AA	1		L					[0.3 MM]
	52108230AA	1		L					[0.2 MM]
	52108231AA	1		L					[0.4 MM]
	52108232AA	1		L					[0.5 MM]
19	52108207AA	1		L					BEARING, Ball
20	52108210AA	1		L					LOCK, Mounting
21	52108428AA	1		L			DGJ		SEAL, Transmission
22	05117859AA	1		L			DGJ		FLANGE, Drive Shaft
23	52108234AA	1		L			DGJ		NUT

SPRINTER (VA)

SERIES	LINE	BODY	ENGINE	TRANSMISSION
L = LOWLINE	3 = HD DODGE 2WD 6 = Lt. Duty DODGE 4WD 2 = Med. Duty DODGE 2WD 7 = Med. Duty DODGE 4WD	55 = Wagon 140" 54 = Wagon 118" 52 = Wagon 140" 51 = Wagon 118" 12 = Van 140" 11 = Van 118" 06 = Front Section 158" 14 = Van 118" 15 = Van 140" 16 = Van 158" 56 = Wagon 158"	EX8 = Engine-2.7L I5 Mercedes Turbo Diesel	DGJ = Transmission-5-Spd. Automatic,W5A580

AR = use ase required - = Non illustrated part

Case and Related Parts
Figure NAG1-210



ITEM	PART NUMBER	QTY	LINE	SERIES	BODY	ENGINE	TRANS	TRIM	DESCRIPTION
24	52108322AA	1		L			DGJ		PLUG, Adapter
25	52108324AA	1		L			DGJ		O RING, Adapter Plug
26	52108323AA	1		L			DGJ		O RING, Adapter Plug
27	52108159AA	1		L			DGJ		PIN
28	52108323AA	1		L			DGJ		O RING, Adapter Plug
29	52108364AA	1		L			DGJ		BREATHER, Transmission
30	52108367AA	1		L			DGJ		SEAL, Transmission
31	05125908AA	1		L			DGJ		O RING, Sensor
32	05117839AA	1		L			DGJ		CAP, Oil Filler
33	05117839AA	1							BOLT, (NOT SERVICED)
34	52108179AA	1		L			DGJ		SPRING
35	52108161AA	1		L			DGJ		SCREW
36	05117849AA	1		L			DGJ		HOUSING, Transmission
37	05093746AA	1	3, 7	L			DGJ		PIN
38	53013549AA	1	3, 7	L			DGJ		CAP, Oil Filler
39	05101154AA	1	3, 7	L			DGJ		SEAL, Oil Filler Tube
40	05117847AA	1	3, 7	L			DGJ		TUBE, Transmission Oil Filler
41	05101154AA	1	3, 7	L			DGJ		SEAL, Oil Filler Tube
42	05125738AA	1	3, 7	L			DGJ		SCREW

SPRINTER (VA)

SERIES

L = LOWLINE

LINE

3 = HD DODGE 2WD
6 = Lt. Duty DODGE 4WD
2 = Med. Duty DODGE 2WD
7 = Med. Duty DODGE 4WD

BODY

55 = Wagon 140"
54 = Wagon 118"
52 = Wagon 140"
51 = Wagon 118"
12 = Van 140"
11 = Van 118"
06 = Front Section 158"
14 = Van 118"
15 = Van 140"
16 = Van 158"
56 = Wagon 158"
01 = Chassis Forward Control
118"
02 = Chassis Forward Control
140"

ENGINE

EX8 = Engine-2.7L I5
Mercedes Turbo Diesel

TRANSMISSION

DGJ = Transmission-5-Spd.
Automatic,W5A580

AR = use ase required - = Non illustrated part

2004 VA

**Pump, Oil
Figure NAG1-310**

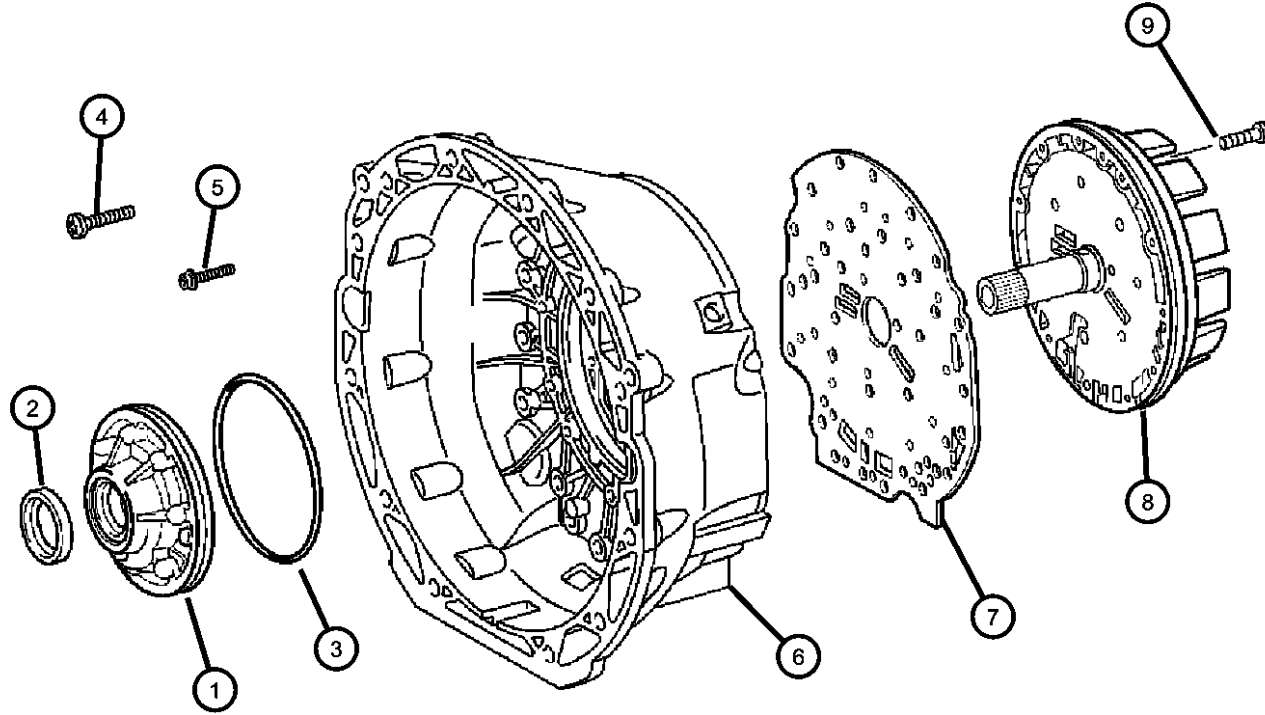
ITEM	PART NUMBER	QTY	LINE	SERIES	BODY	ENGINE	TRANS	TRIM	DESCRIPTION
------	-------------	-----	------	--------	------	--------	-------	------	-------------

NOTE:

Sales Codes:

[DGJ]=5 Speed Automatic Transmission - [NAG1] - [W5A380]

1	05080070AA	1		L			DGJ		PUMP, Transmission Oil
2	52107896AA	1		L			DGJ		SEAL
3	52107900AA	1		L			DGJ		O RING
4	52108396AA	2		L			DGJ		SCREW
5	52107934AA	11		L			DGJ		SCREW
6	05117848AA	1		L			DGJ		HOUSING, Torque Converter
7	52108147AA	1		L			DGJ		PLATE, Intermediate
8	05102926AA	1		L			DGJ		SUPPORT
9	52107933AA	7		L			DGJ		SCREW



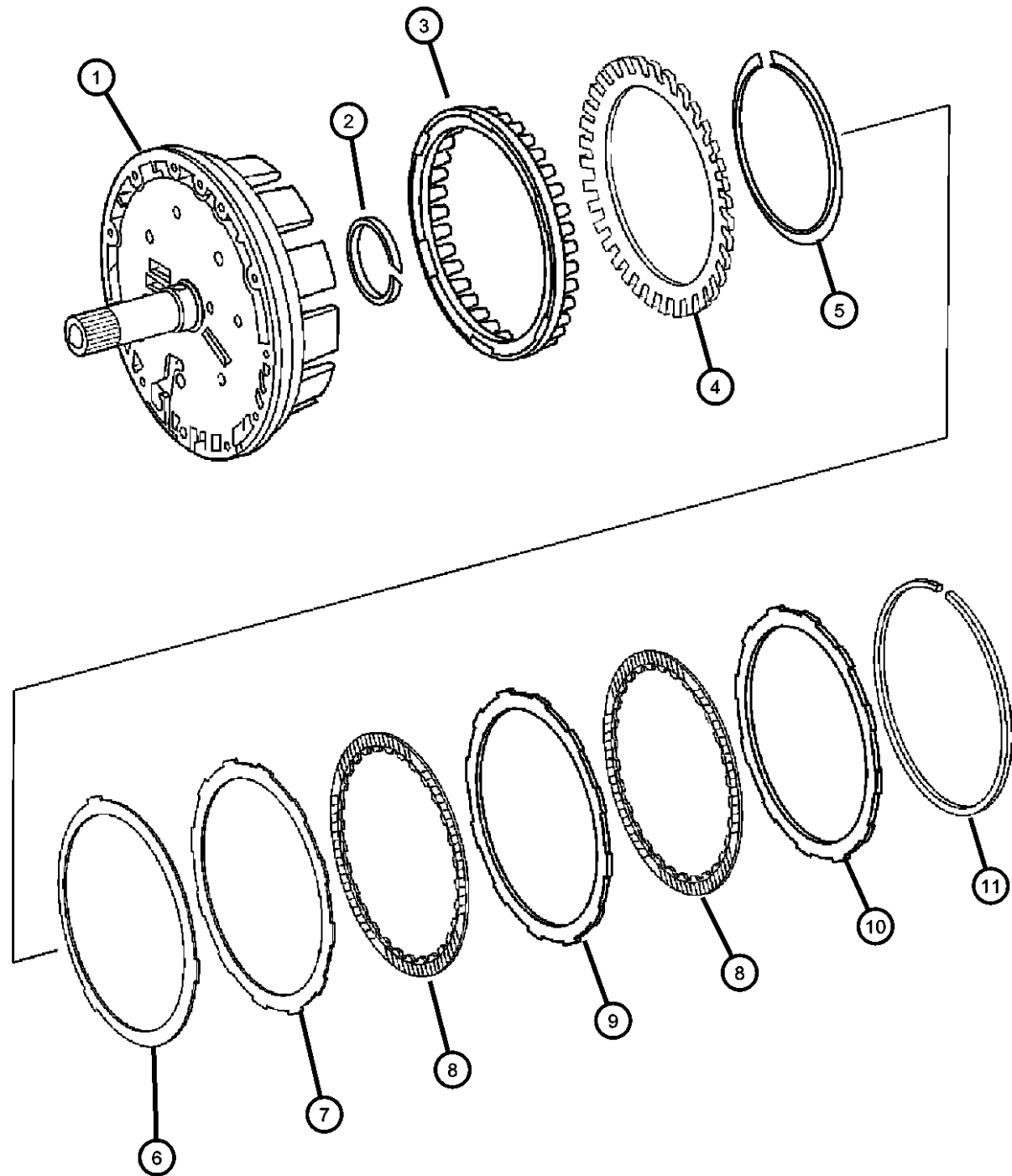
SPRINTER (VA)

SERIES	LINE	BODY	ENGINE	TRANSMISSION
L = LOWLINE	3 = HD DODGE 2WD 6 = Lt. Duty DODGE 4WD 2 = Med. Duty DODGE 2WD 7 = Med. Duty DODGE 4WD	55 = Wagon 140" 54 = Wagon 118" 52 = Wagon 140" 51 = Wagon 118" 12 = Van 140" 11 = Van 118" 06 = Front Section 158" 14 = Van 118" 15 = Van 140" 16 = Van 158" 56 = Wagon 158" 01 = Chassis Forward Control 118" 02 = Chassis Forward Control 140"	EX8 = Engine-2.7L I5 Mercedes Turbo Diesel	DGJ = Transmission-5-Spd. Automatic,W5A580

AR = use ase required - = Non illustrated part

2004 VA

Laminated Brake and Front Support - [B1]
Figure NAG1-410



ITEM	PART NUMBER	QTY	LINE	SERIES	BODY	ENGINE	TRANS	TRIM	DESCRIPTION
------	-------------	-----	------	--------	------	--------	-------	------	-------------

NOTE:

Sales Codes:

[DGJ]=5 Speed Automatic Transmission - [NAG1] - [W5A380]

1	05102926AA	1		L			DGJ		SUPPORT
2	52108028AA	2		L			DGJ		SEAL, Transmission
3	52108506AA	1		L			DGJ		PISTON
4	52108023AA	1		L			DGJ		DISC, Spring
5	52107936AA	1		L			DGJ		SNAP RING
6	52108024AA	1		L			DGJ		DISC, Spring
7	52107992AA	1		L					DISC, Outer
8	52108507AA	4		L			DGJ		DISC, Inner
9	52108508AA	4		L			DGJ		DISC, Outer
10	52107994AA	1		L			DGJ		DISC, Outer
11									SNAP RING
	52107949AA	1		L			DGJ		[2.6 MM]
	52107950AA	1		L			DGJ		[2.9 MM]
	52107951AA	1		L			DGJ		[3.2 MM]
	52107952AA	1		L			DGJ		[3.5 MM]

SPRINTER (VA)

SERIES

L = LOWLINE

LINE

3 = HD DODGE 2WD
6 = Lt. Duty DODGE 4WD
2 = Med. Duty DODGE 2WD
7 = Med. Duty DODGE 4WD

BODY

55 = Wagon 140"
54 = Wagon 118"
52 = Wagon 140"
51 = Wagon 118"
12 = Van 140"
11 = Van 118"
06 = Front Section 158"
14 = Van 118"
15 = Van 140"
16 = Van 158"
56 = Wagon 158"
01 = Chassis Forward Control
118"
02 = Chassis Forward Control
140"

ENGINE

EX8 = Engine-2.7L I5
Mercedes Turbo Diesel

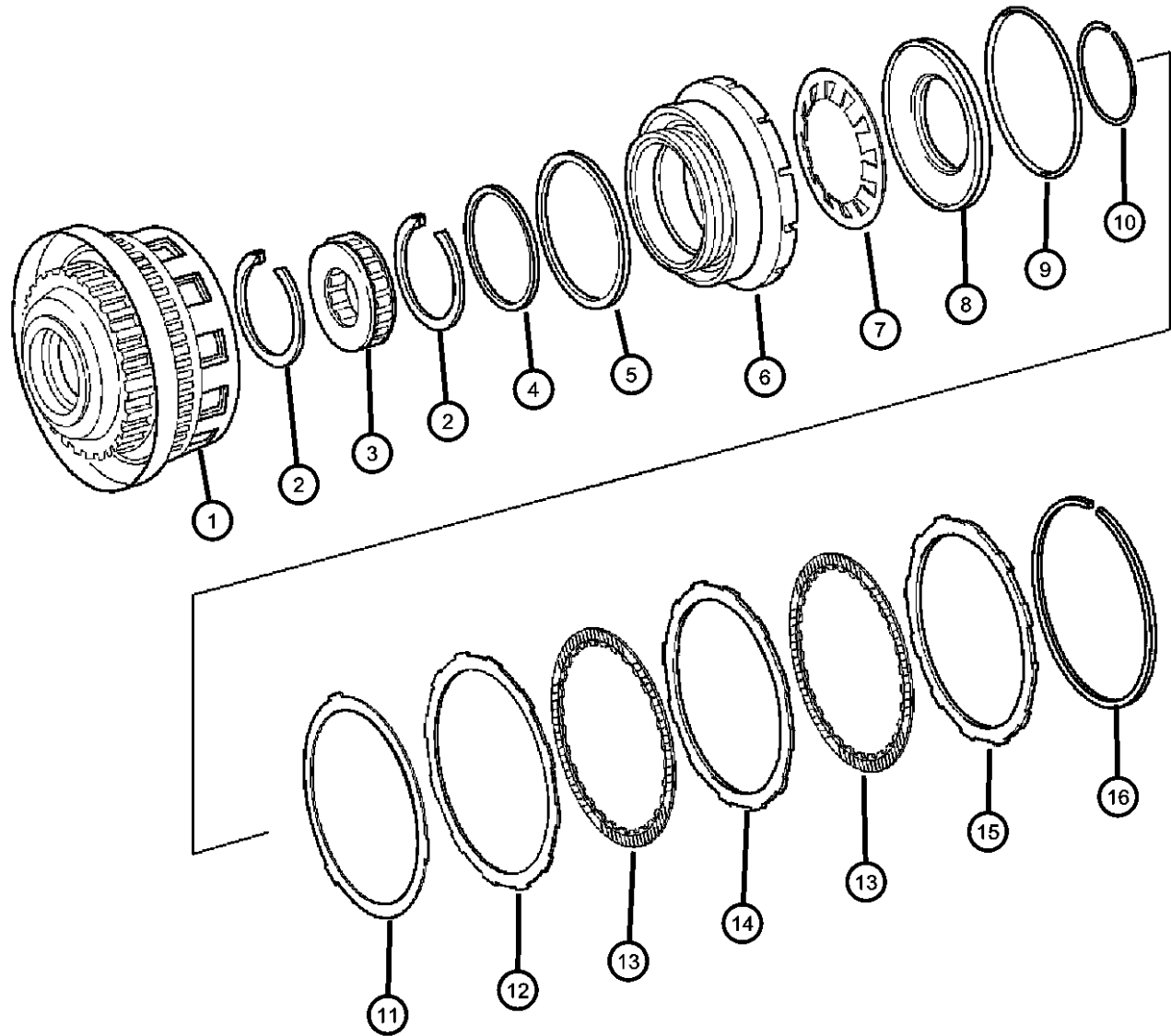
TRANSMISSION

DGJ = Transmission-5-Spd.
Automatic,W5A580

AR = use ase required - = Non illustrated part

2004 VA

**Gear Train, Front Planetary Clutch - [K-1]
Figure NAG1-420**



ITEM	PART NUMBER	QTY	LINE	SERIES	BODY	ENGINE	TRANS	TRIM	DESCRIPTION
------	-------------	-----	------	--------	------	--------	-------	------	-------------

NOTE:

Sales Codes:

[DGJ]=5 Speed Automatic Transmission - [NAG1] - [W5A380]

1	52108510AA	1		L					DISC, Support
2	52107955AA	2		L			DGJ		SNAP RING
3	52108342AA	1		L			DGJ		WHEEL
4	52107938AA	1		L			DGJ		SEAL, Transmission
5	52107939AA	1		L			DGJ		SEAL, Transmission
6	52108059AA	1		L			DGJ		PISTON
7	52108057AA	1		L			DGJ		DISC, Spring
8	52108058AA	1		L			DGJ		SPRING, Retainer
9	52107941AA	1		L			DGJ		SEAL, Transmission
10	52107954AA	1		L			DGJ		SNAP RING
11	52108024AA	1		L			DGJ		DISC, Spring
12	52108004AA	4		L					DISC, Outer
13	52108507AA	5		L			DGJ		DISC, Inner
14	52108508AA	4		L			DGJ		DISC, Outer
		5		L			DGJ		
15	52107994AA	1		L			DGJ		DISC, Outer
16	52107950AA	1		L			DGJ		SNAP RING
	52107951AA	1		L			DGJ		[2.9 MM]
	52107952AA	1		L			DGJ		[3.2 MM]
	52107949AA	1		L			DGJ		[3.5 MM]
	52108373AA	1		L			DGJ		[2.6 MM]
									[3.8 MM]

SPRINTER (VA)

SERIES	LINE	BODY	ENGINE	TRANSMISSION
L = LOWLINE	3 = HD DODGE 2WD 6 = Lt. Duty DODGE 4WD 2 = Med. Duty DODGE 2WD 7 = Med. Duty DODGE 4WD	55 = Wagon 140" 54 = Wagon 118" 52 = Wagon 140" 51 = Wagon 118" 12 = Van 140" 11 = Van 118" 06 = Front Section 158" 14 = Van 118" 15 = Van 140" 16 = Van 158" 56 = Wagon 158"	EX8 = Engine-2.7L I5 Mercedes Turbo Diesel	DGJ = Transmission-5-Spd. Automatic,W5A580
		01 = Chassis Forward Control 118" 02 = Chassis Forward Control 140"		

AR = use ase required - = Non illustrated part

2004 VA

**Carrier, Planetary - [K1] - [VPLS]
Figure NAG1-430**

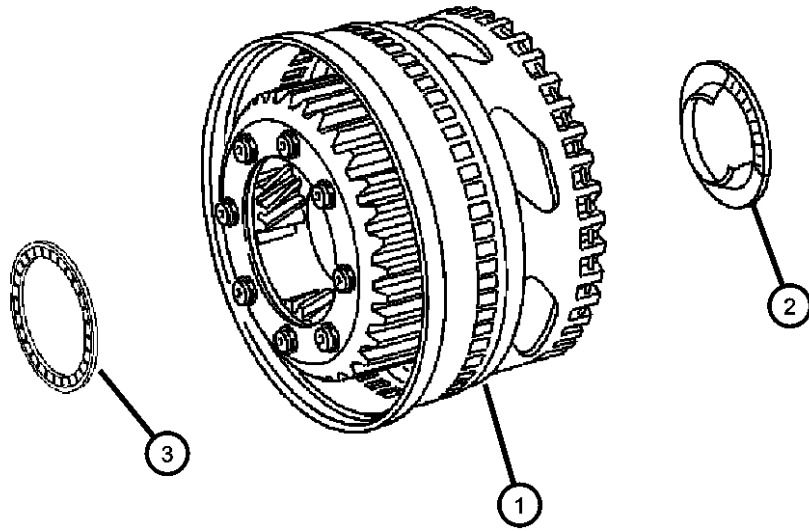
ITEM	PART NUMBER	QTY	LINE	SERIES	BODY	ENGINE	TRANS	TRIM	DESCRIPTION
------	-------------	-----	------	--------	------	--------	-------	------	-------------

NOTE:

Sales Codes:

[DGJ]=5 Speed Automatic Transmission -[NAG1] - [W5A380]

1	52108513AA	1		L			DGJ		CARRIER, Planetary
2	52108123AA	1		L			DGJ		NEEDLE BEARING
3	52108122AA	1		L			DGJ		NEEDLE BEARING



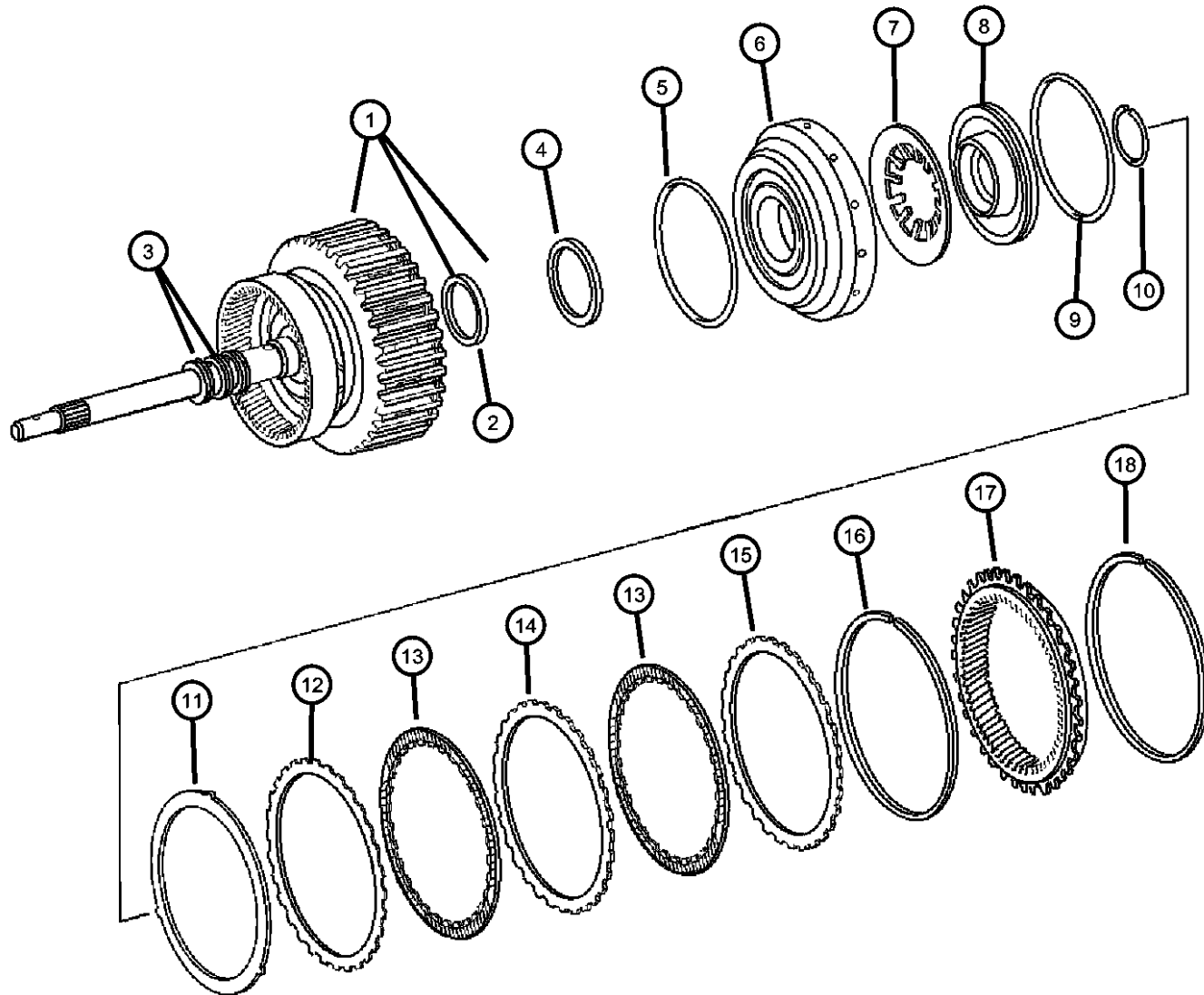
SPRINTER (VA)

SERIES	LINE	BODY	ENGINE	TRANSMISSION
L = LOWLINE	3 = HD DODGE 2WD 6 = Lt. Duty DODGE 4WD 2 = Med. Duty DODGE 2WD 7 = Med. Duty DODGE 4WD	55 = Wagon 140" 54 = Wagon 118" 52 = Wagon 140" 51 = Wagon 118" 12 = Van 140" 11 = Van 118" 06 = Front Section 158" 14 = Van 118" 15 = Van 140" 16 = Van 158" 56 = Wagon 158" 01 = Chassis Forward Control 118" 02 = Chassis Forward Control 140"	EX8 = Engine-2.7L I5 Mercedes Turbo Diesel	DGJ = Transmission-5-Spd. Automatic,W5A580

AR = use ase required - = Non illustrated part

2004 VA

**Clutch - Output Shaft - [K2]
Figure NAG1-440**



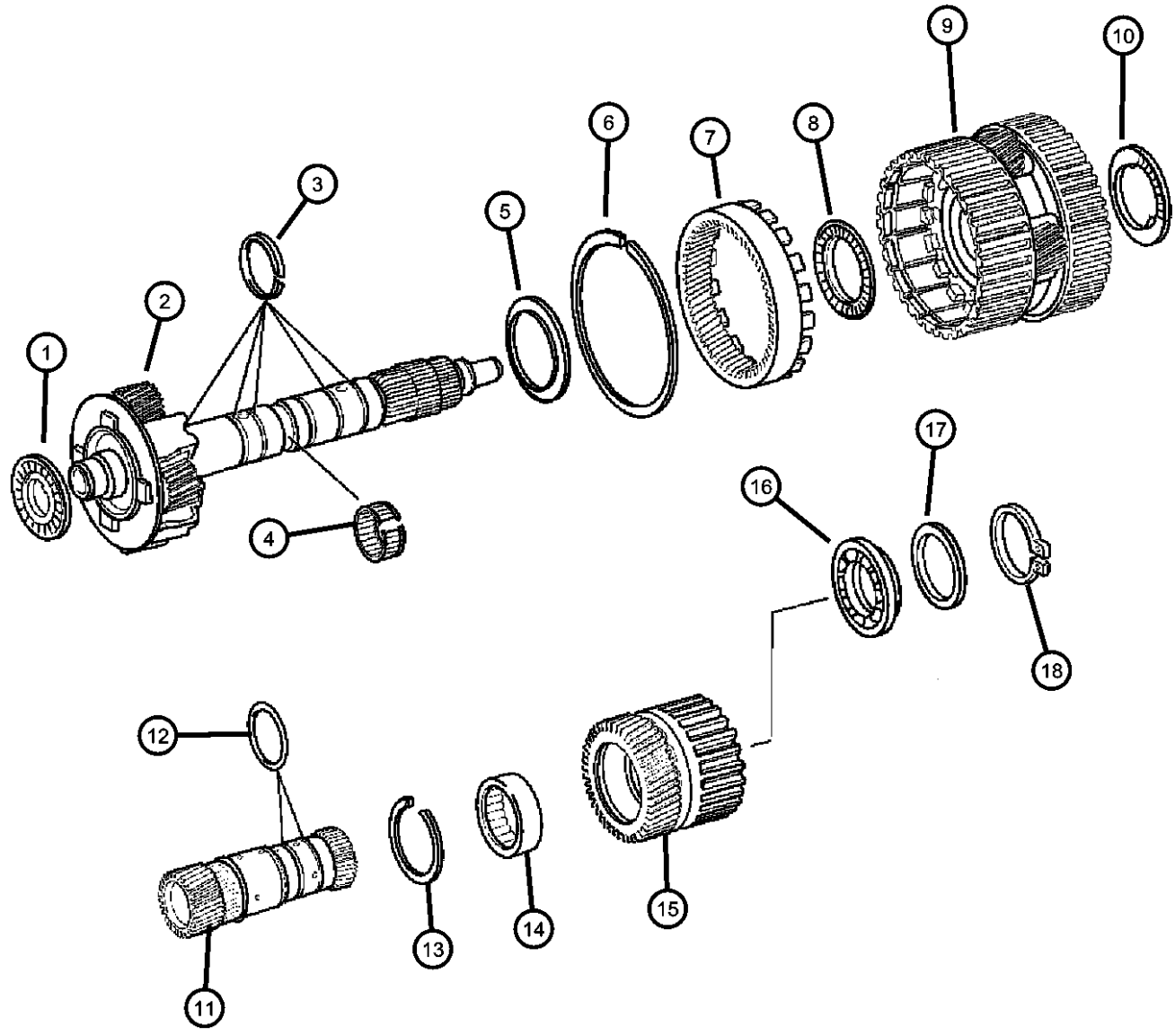
ITEM	PART NUMBER	QTY	LINE	SERIES	BODY	ENGINE	TRANS	TRIM	DESCRIPTION
NOTE: Sales Codes: [DGJ]=5 Speed Automatic Transmission - [NAG1] - [W5A380]									
1	52108044AA	1		L			DGJ		SHAFT, Input
2	52108127AA	1		L			DGJ		SEAL, Transmission
3	52108534AA	3		L			DGJ		SEAL, Transmission
4	52108134AA	1		L			DGJ		SEAL, Transmission
5	52108135AA	1		L			DGJ		SEAL, Input Shaft
6	52108517AA	1		L			DGJ		PISTON
7	52108137AA	1		L			DGJ		DISC, Spring
8	52108138AA	1		L			DGJ		SPRING, Retainer
9	52108140AA	1		L			DGJ		SEAL, Transmission
10	52107970AA	1		L			DGJ		SNAP RING
11	52108346AA	1		L			DGJ		DISC, Spring
12	52107996AA	1		L			DGJ		DISC, Outer
13	05135135AA	5		L			DGJ		DISC, Inner
14	52107997AA	4		L			DGJ		DISC, Outer, [3.5 MM]
15	52107998AA	1		L			DGJ		DISC, Outer
16									SNAP RING
	52107959AA	1		L			DGJ		[2.6 MM]
	52107960AA	1		L			DGJ		[2.9 MM]
	52107961AA	1		L			DGJ		[3.2 MM]
	52107962AA	1		L			DGJ		[3.5 MM]
	52107958AA	1		L			DGJ		[2.3 MM]
17	52107922AA	1		L			DGJ		GEAR, Rear Annulus
18	52107926AA	1		L			DGJ		SNAP RING

SPRINTER (VA)

SERIES	LINE	BODY	ENGINE	TRANSMISSION
L = LOWLINE	3 = HD DODGE 2WD 6 = Lt. Duty DODGE 4WD 2 = Med. Duty DODGE 2WD 7 = Med. Duty DODGE 4WD	55 = Wagon 140" 54 = Wagon 118" 52 = Wagon 140" 51 = Wagon 118" 12 = Van 140" 11 = Van 118" 06 = Front Section 158" 14 = Van 118" 15 = Van 140" 16 = Van 158" 56 = Wagon 158"	EX8 = Engine-2.7L I5 Mercedes Turbo Diesel	DGJ = Transmission-5-Spd. Automatic,W5A580
		01 = Chassis Forward Control 118" 02 = Chassis Forward Control 140"		

AR = use ase required - = Non illustrated part

**Center & Rear Planetary Set - Output Shaft - [MPLS/HPLS]
Figure NAG1-450**



ITEM	PART NUMBER	QTY	LINE	SERIES	BODY	ENGINE	TRANS	TRIM	DESCRIPTION
------	-------------	-----	------	--------	------	--------	-------	------	-------------

NOTE:
Sales Codes:
[DGJ]=5 Speed Automatic Transmission - [NAG1] - [W5A380]

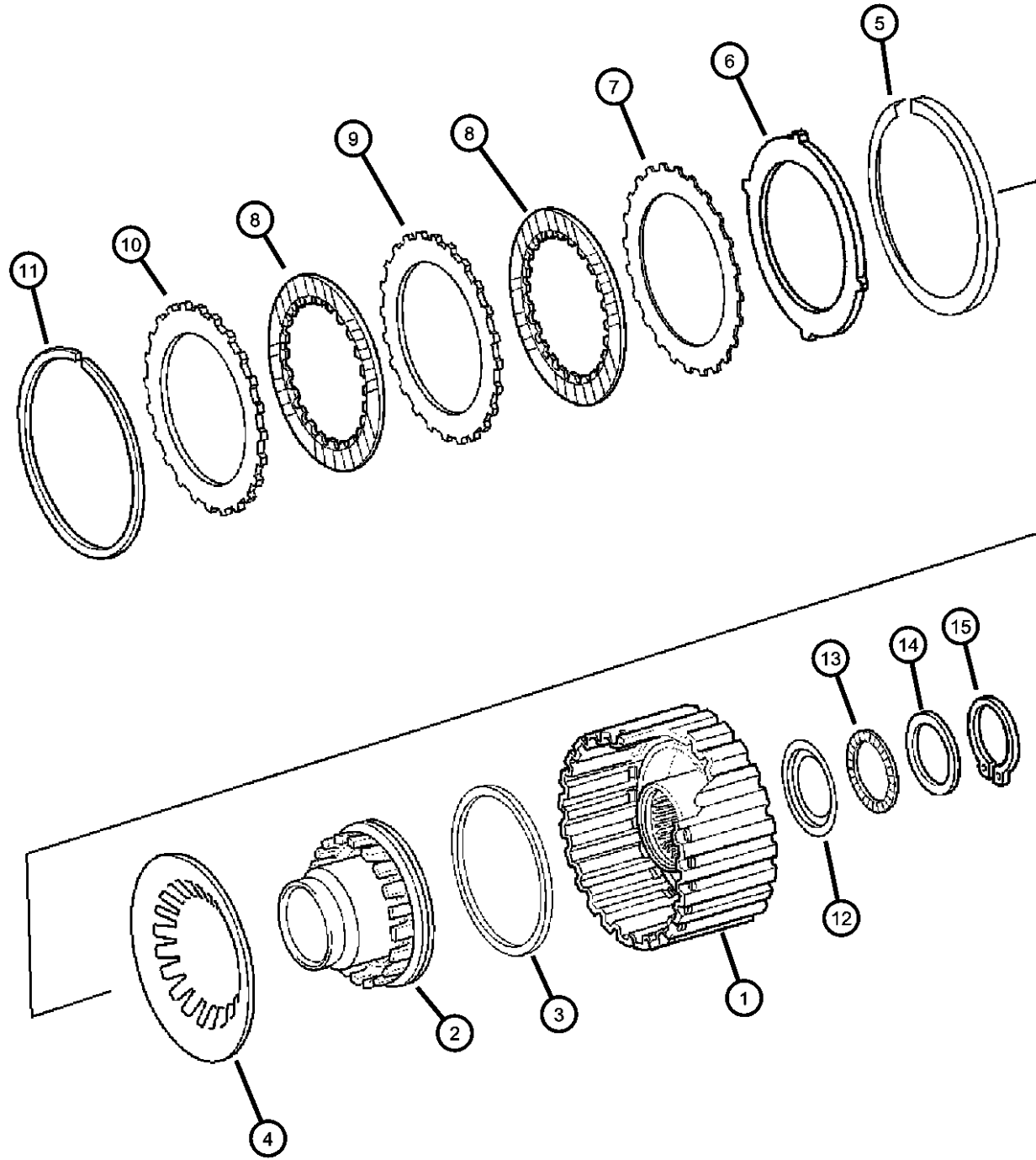
1	52107931AA	1		L			DGJ		NEEDLE BEARING
2	52107929AA	1		L			DGJ		SHAFT, Output
3	52108427AA	5		L			DGJ		SEAL, Transmission
4	52108069AA	1		L			DGJ		NEEDLE BEARING
5	52108070AA	1		L			DGJ		PLATE
6	52108374AA	1		L			DGJ		SNAP RING
7	52108376AA	1		L			DGJ		GEAR, Annulus
8	52107931AA	1		L			DGJ		NEEDLE BEARING
9	52108072AA	1		L			DGJ		CARRIER, Planetary
10	52107932AA	1		L			DGJ		NEEDLE BEARING
11	52108078AA	1		L			DGJ		GEAR, Sun
12	52108085AA	2		L			DGJ		SEAL, Transmission
13	52107966AA	1		L			DGJ		SNAP RING
14	52108522AA	1		L			DGJ		BEARING, Output Shaft
15	52108519AA	1		L			DGJ		GEAR, Sun
16	52108084AA	1		L			DGJ		BEARING
17	52108379AA	1		L			DGJ		SPACER
18	52107967AA	1		L			DGJ		SNAP RING

SPRINTER (VA)

SERIES	LINE	BODY	ENGINE	TRANSMISSION
L = LOWLINE	3 = HD DODGE 2WD 6 = Lt. Duty DODGE 4WD 2 = Med. Duty DODGE 2WD 7 = Med. Duty DODGE 4WD	55 = Wagon 140" 54 = Wagon 118" 52 = Wagon 140" 51 = Wagon 118" 12 = Van 140" 11 = Van 118"	EX8 = Engine-2.7L I5 Mercedes Turbo Diesel	DGJ = Transmission-5-Spd. Automatic,W5A580
		06 = Front Section 158" 14 = Van 118" 15 = Van 140" 16 = Van 158" 56 = Wagon 158"		
		01 = Chassis Forward Control 118" 02 = Chassis Forward Control 140"		

AR = use ase required - = Non illustrated part

Clutch - [K3]
Figure NAG1-460



ITEM	PART NUMBER	QTY	LINE	SERIES	BODY	ENGINE	TRANS	TRIM	DESCRIPTION
NOTE: Sales Codes: [DGJ]=5 Speed Automatic Transmission - [NAG1] - [W5A380]									
1	52108524AA	1		L			DGJ		RETAINER, Clutch
2	52108094AA	1		L			DGJ		PISTON
3	52108093AA	1		L			DGJ		SEAL, Transmission
4	52108095AA	1		L			DGJ		DISC, Spring
5	52107968AA	1		L			DGJ		SNAP RING
6	52108096AA	1		L			DGJ		DISC, Spring
7	52108004AA	4		L					DISC, Outer
8	52108528AA	4		L			DGJ		DISC, Inner
9	52108529AA	4		L			DGJ		DISC, Outer
10	52108011AA	1		L			DGJ		DISC, Outer
11									SNAP RING
	52107972AA	1		L			DGJ		[2.9 MM]
	52107974AA	1		L			DGJ		[2.0 MM]
	52107970AA	1		L			DGJ		[2.3 MM]
	52107971AA	0		L			DGJ		[2.6 MM]
12	52108148AA	1		L			DGJ		SPACER
13	52108152AA	1		L			DGJ		NEEDLE BEARING
14									PLATE
	52108149AA	1		L			DGJ		[3.7 MM]
	52108150AA	1		L			DGJ		[3.1 MM]
	52108151AA	1		L			DGJ		[3.4 MM]
15	06507358AA	1		L			DGJ		RING

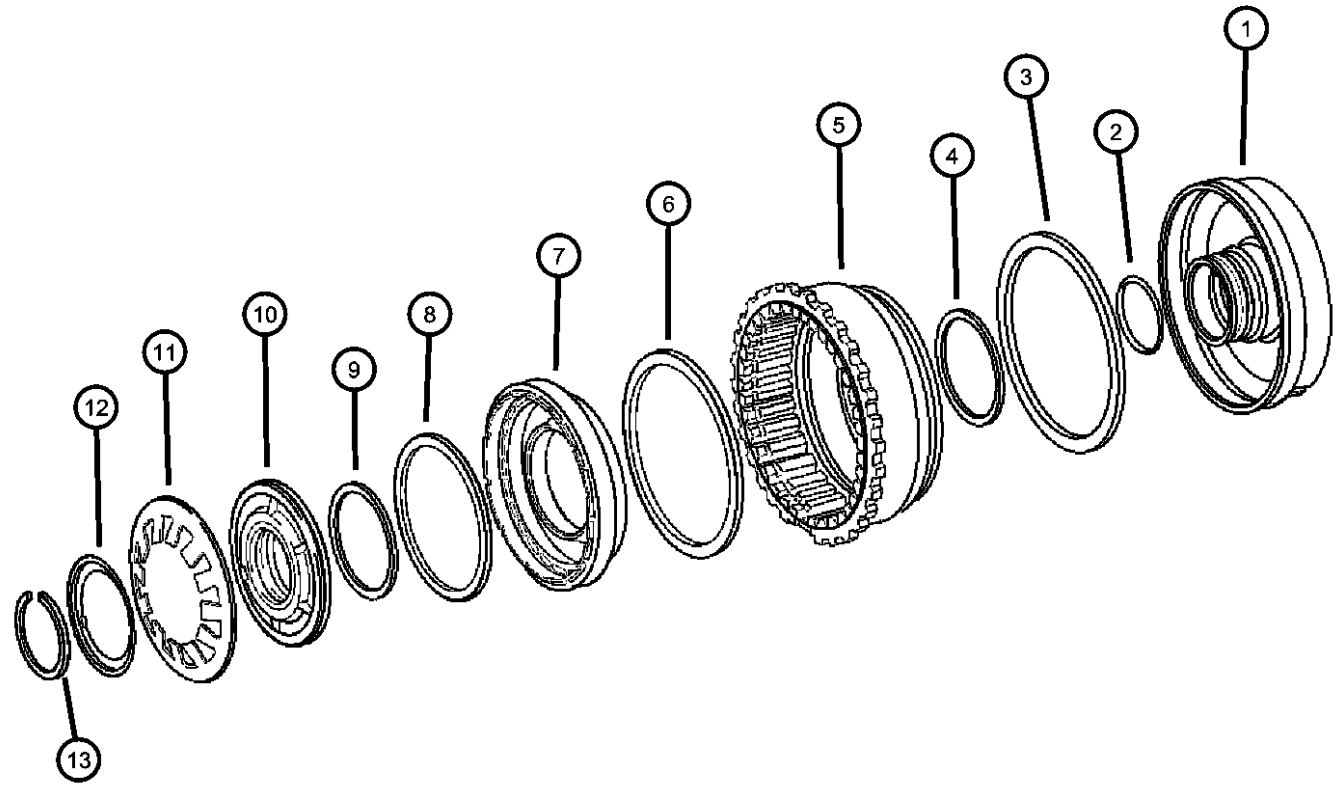
SPRINTER (VA)

SERIES	LINE	BODY	ENGINE	TRANSMISSION
L = LOWLINE	3 = HD DODGE 2WD 6 = Lt. Duty DODGE 4WD 2 = Med. Duty DODGE 2WD 7 = Med. Duty DODGE 4WD	55 = Wagon 140" 54 = Wagon 118" 52 = Wagon 140" 51 = Wagon 118" 12 = Van 140" 11 = Van 118" 06 = Front Section 158" 14 = Van 118" 15 = Van 140" 16 = Van 158" 56 = Wagon 158"	EX8 = Engine-2.7L I5 Mercedes Turbo Diesel	DGJ = Transmission-5-Spd. Automatic,W5A580
		01 = Chassis Forward Control 118" 02 = Chassis Forward Control 140"		

AR = use ase required - = Non illustrated part

2004 VA

**Multiple Disc Brake - [B2 & B3]
Figure NAG1-470**



ITEM	PART NUMBER	QTY	LINE	SERIES	BODY	ENGINE	TRANS	TRIM	DESCRIPTION
------	-------------	-----	------	--------	------	--------	-------	------	-------------

NOTE:
Sales Codes:
[DGJ]=5 Speed Automatic Transmission - [NAG1] - [W5A380]

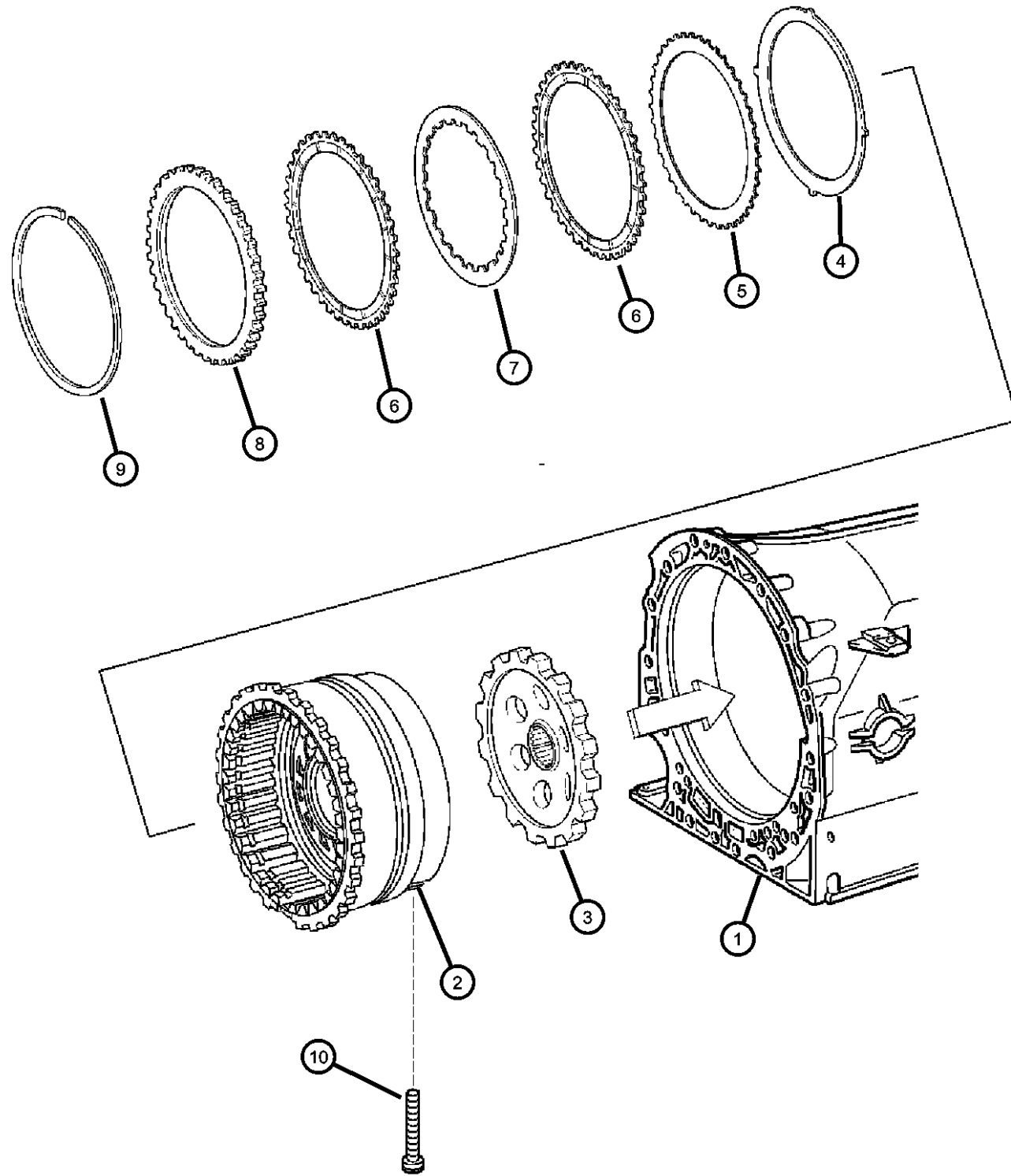
1	52108182AA	1		L			DGJ		PLUNGER
2	52108185AA	2		L			DGJ		SEAL, Transmission
3	52108188AA	1		L			DGJ		SEAL, Transmission
4	52108189AA	1		L			DGJ		SEAL, Transmission
5	52108395AA	1		L			DGJ		PISTON
6	52108199AA	1		L			DGJ		SEAL, Transmission
7	52108191AA	1		L			DGJ		PISTON
8	52108200AA	1		L			DGJ		SEAL, Transmission
9	52108201AA	1		L			DGJ		SEAL, Transmission
10	52108351AA	1		L			DGJ		RING, Piston
11	52108202AA	1		L			DGJ		DISC, Spring
12	52108203AA	1		L			DGJ		SPRING, Retainer
13	52107977AA	1		L			DGJ		SNAP RING

SPRINTER (VA)

SERIES	LINE	BODY	ENGINE	TRANSMISSION
L = LOWLINE	3 = HD DODGE 2WD 6 = Lt. Duty DODGE 4WD 2 = Med. Duty DODGE 2WD 7 = Med. Duty DODGE 4WD	55 = Wagon 140" 54 = Wagon 118" 52 = Wagon 140" 51 = Wagon 118" 12 = Van 140" 11 = Van 118" 06 = Front Section 158" 14 = Van 118" 15 = Van 140" 16 = Van 158" 56 = Wagon 158" 01 = Chassis Forward Control 118" 02 = Chassis Forward Control 140"	EX8 = Engine-2.7L I5 Mercedes Turbo Diesel	DGJ = Transmission-5-Spd. Automatic,W5A580

AR = use ase required - = Non illustrated part

**Multiple Disc Brake - [B2 & B3]
Figure NAG1-480**



ITEM	PART NUMBER	QTY	LINE	SERIES	BODY	ENGINE	TRANS	TRIM	DESCRIPTION
------	-------------	-----	------	--------	------	--------	-------	------	-------------

NOTE: Drum Package Is Not Serviced In An Assembly. Please See Illustration [#470] Callouts [1,2,3,4 & 5] To Obtain Part Numbers
Sales Codes:

[DGJ]=5 Speed Automatic Transmission - [NAG1] - [W5A380]

1	52107977AA	1							CASE, Transmission, See Illustration [#210], (NOT SERVICED)
2	52107977AA	1							DRUM PACKAGE, Transmission, See Illustration [#470] Callout [#1,2,3,4 & 5], (NOT SERVICED)
3	52108180AA	1		L			DGJ		LOCK, Parking Wheel
4	52108354AA	1		L			DGJ		DISC, Spring
5	52108013AA	1		L			DGJ		DISC, Outer
6	52108572AA	5		L			DGJ		DISC, Outer
7	52108015AA	4		L			DGJ		DISC, Inner
8	52108014AA	1		L			DGJ		DISC, Outer
9									SNAP RING
	52107979AA	1		L			DGJ		[4.1 MM]
	52107980AA	1		L			DGJ		[3.8 MM]
	52107981AA	0	2, 3, 6, 7	L		EX8	DGJ		[3.5 MM]
	52107982AA	1		L			DGJ		[3.2 MM]
	52107983AA	1		L			DGJ		[2.9 MM]
10	52108205AA	2		L			DGJ		SCREW

SPRINTER (VA)

SERIES

LINE

BODY

ENGINE

TRANSMISSION

L = LOWLINE

3 = HD DODGE 2WD
6 = Lt. Duty DODGE 4WD
2 = Med. Duty DODGE 2WD
7 = Med. Duty DODGE 4WD

55 = Wagon 140"
54 = Wagon 118"
52 = Wagon 140"
51 = Wagon 118"
12 = Van 140"
11 = Van 118"
06 = Front Section 158"
14 = Van 118"
15 = Van 140"
16 = Van 158"
56 = Wagon 158"
01 = Chassis Forward Control
118"
02 = Chassis Forward Control
140"

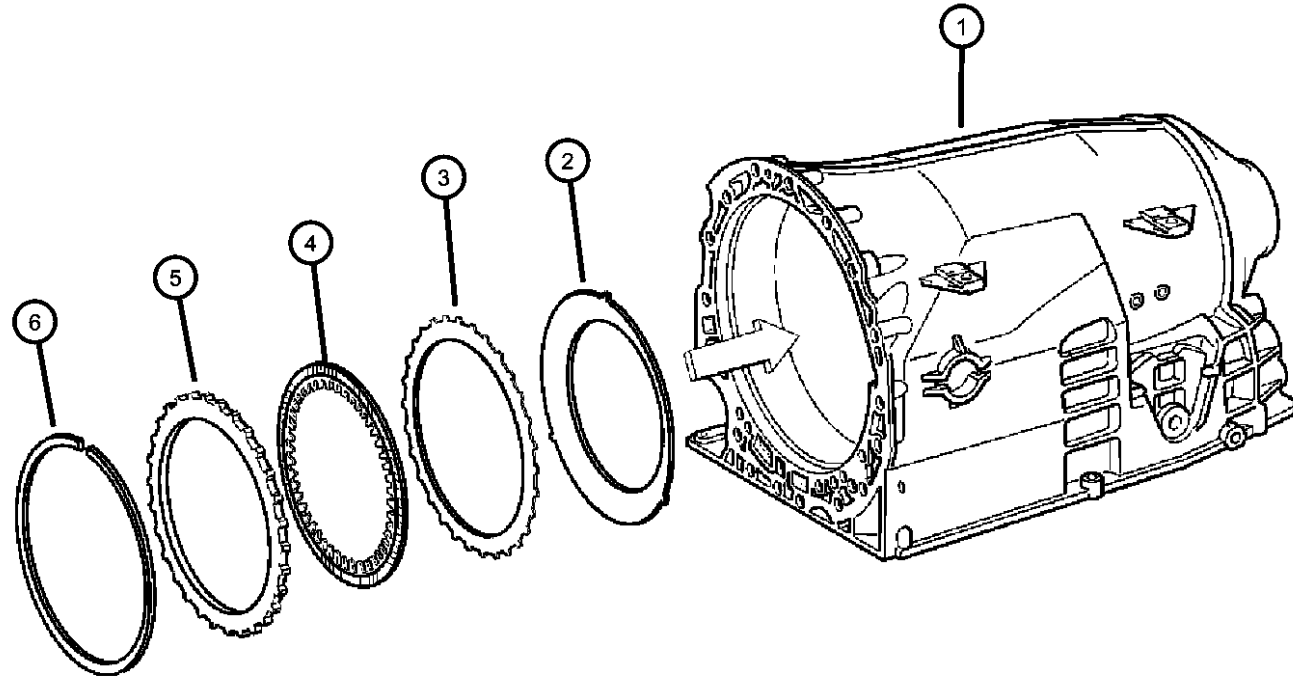
EX8 = Engine-2.7L I5
Mercedes Turbo Diesel

DGJ = Transmission-5-Spd.
Automatic,W5A580

AR = use ase required - = Non illustrated part

2004 VA

Multiple Disc Brake - [B2 & B3]
Figure NAG1-490



ITEM	PART NUMBER	QTY	LINE	SERIES	BODY	ENGINE	TRANS	TRIM	DESCRIPTION
------	-------------	-----	------	--------	------	--------	-------	------	-------------

NOTE:
Sales Codes:
[DGJ]=5 Speed Automatic Transmission - [NAG1] - [W5A380]

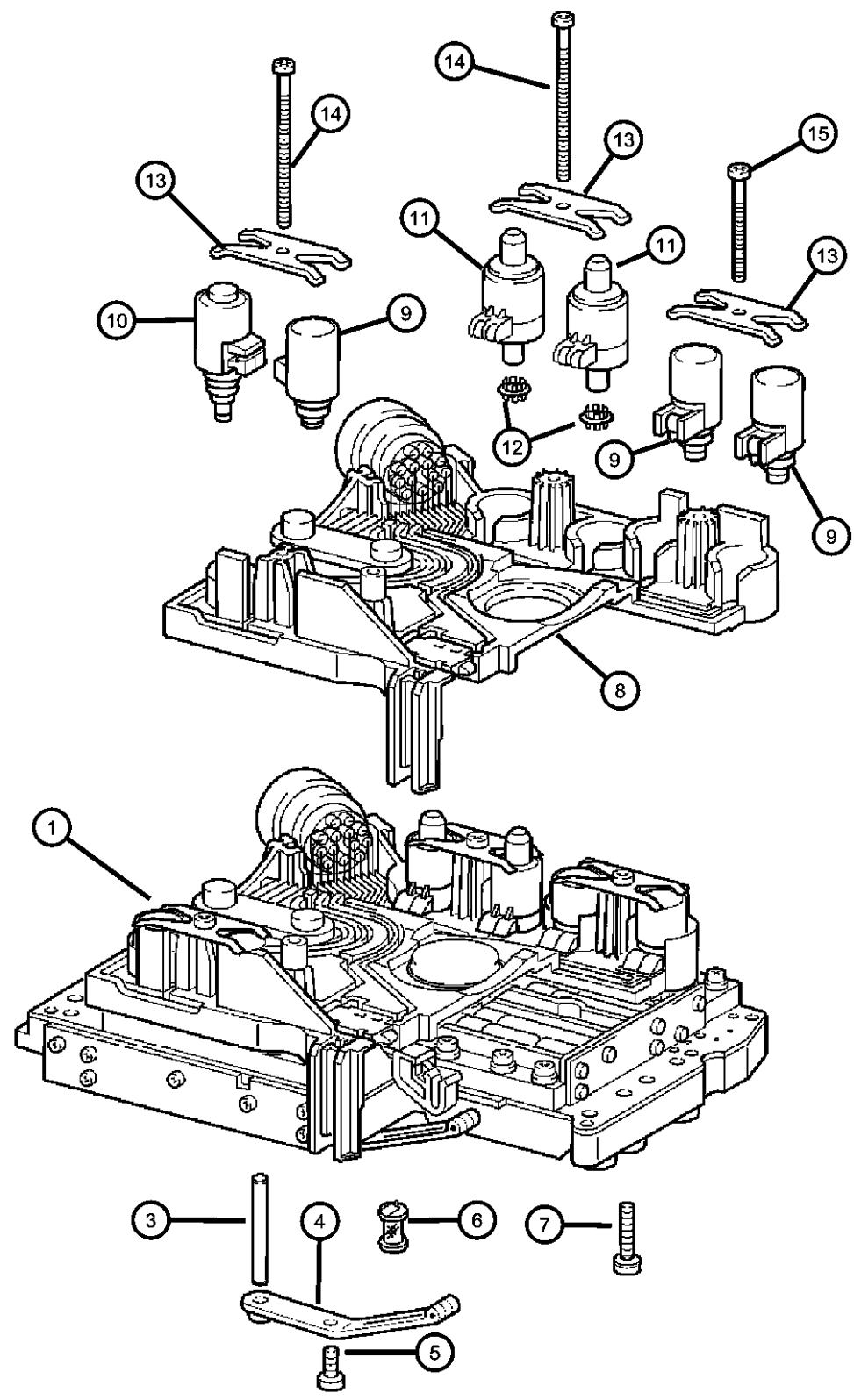
1	52108205AA	2							HOUSING, Transmission Case, Serviced With Transmission Assembly, (NOT SERVICED)
2	52108356AA	1		L			DGJ		DISC, Spring
3	52108572AA	5		L			DGJ		DISC, Outer
4	52108573AA	5		L			DGJ		DISC, Inner
5	52108018AA	1		L			DGJ		DISC, Outer
6									SNAP RING
	52107985AA	1		L			DGJ		[3.2 MM]
	52107986AA	1		L			DGJ		[3.5 MM]
	52107987AA	1		L			DGJ		[3.8 MM]
	52107988AA	1		L			DGJ		[4.1 MM]
	52107989AA	1		L			DGJ		[4.4 MM]
	52107990AA	1		L			DGJ		[4.8 MM]

SPRINTER (VA)				
SERIES	LINE	BODY	ENGINE	TRANSMISSION
L = LOWLINE	3 = HD DODGE 2WD 6 = Lt. Duty DODGE 4WD 2 = Med. Duty DODGE 2WD 7 = Med. Duty DODGE 4WD	55 = Wagon 140" 54 = Wagon 118" 52 = Wagon 140" 51 = Wagon 118" 12 = Van 140" 11 = Van 118" 06 = Front Section 158" 14 = Van 118" 15 = Van 140" 16 = Van 158" 56 = Wagon 158" 01 = Chassis Forward Control 118" 02 = Chassis Forward Control 140"	EX8 = Engine-2.7L I5 Mercedes Turbo Diesel	DGJ = Transmission-5-Spd. Automatic,W5A580

AR = use ase required - = Non illustrated part

**Electronic - Hydraulic Control
Figure NAG1-710**

ITEM	PART NUMBER	QTY	LINE	SERIES	BODY	ENGINE	TRANS	TRIM	DESCRIPTION
------	-------------	-----	------	--------	------	--------	-------	------	-------------



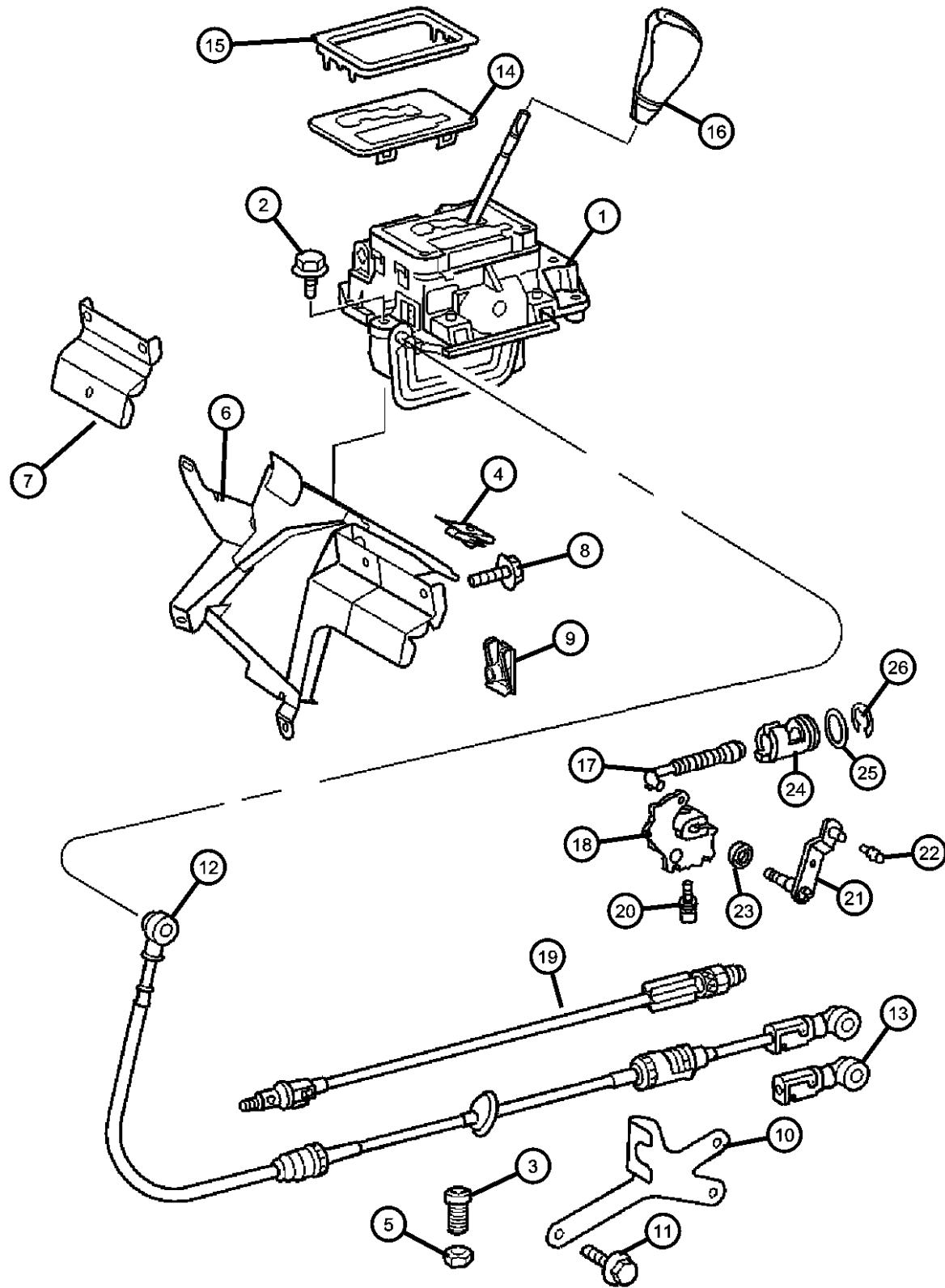
NOTE: Valve Body Connector Includes Speed Sensor
Sales Codes:
[DGJ]=5 Speed Automatic Transmission - [NAG1] - [W5A380]

1	05080262AA	1		L			DGJ		VALVE BODY, Complete
-2	52108320AA	1		L			DGJ		SHIELD, Transmission Solenoid
3	05098951AA	1		L			DGJ		DOWEL
4	52108258AA	1		L			DGJ		SPRING
5	05073867AA	1		L					SCREW
6	52108304AA	1		L			DGJ		FILTER, Transmission Oil
7	05073877AA	29		L					SCREW
8	52108308AA	1		L			DGJ		VALVE BODY
9	52108313AA	3		L			DGJ		SOLENOID, Transmission, Solenoid Valve
10	52108314AA	1		L			DGJ		SOLENOID, Transmission
11	52108312AA	2		L			DGJ		SOLENOID, Transmission
12	52108316AA	2		L			DGJ		FILTER, Transmission Oil
13	52108315AA	3		L			DGJ		PLATE
14	05073872AA	2		L					SCREW
15	05073873AA	1		L					SCREW

SPRINTER (VA)		BODY		ENGINE		TRANSMISSION	
SERIES	LINE						
L = LOWLINE	3 = HD DODGE 2WD 6 = Lt. Duty DODGE 4WD 2 = Med. Duty DODGE 2WD 7 = Med. Duty DODGE 4WD	55 = Wagon 140"	54 = Wagon 118"	EX8 = Engine-2.7L I5		DGJ = Transmission-5-Spd. Automatic, W5A580	
		52 = Wagon 140"	51 = Wagon 118"	Mercedes Turbo Diesel			
		12 = Van 140"	11 = Van 118"				
		06 = Front Section 158"					
		14 = Van 118"					
		15 = Van 140"					
		16 = Van 158"					
		56 = Wagon 158"					
		01 = Chassis Forward Control 118"					
		02 = Chassis Forward Control 140"					

AR = use ase required - = Non illustrated part

**Gear Shift Control
Figure NAG1-1210**



ITEM	PART NUMBER	QTY	LINE	SERIES	BODY	ENGINE	TRANS	TRIM	DESCRIPTION
------	-------------	-----	------	--------	------	--------	-------	------	-------------

NOTE:
Sales Codes:
[DGJ]=5 Speed Automatic Transmission - [NAG1] - [W5A380]

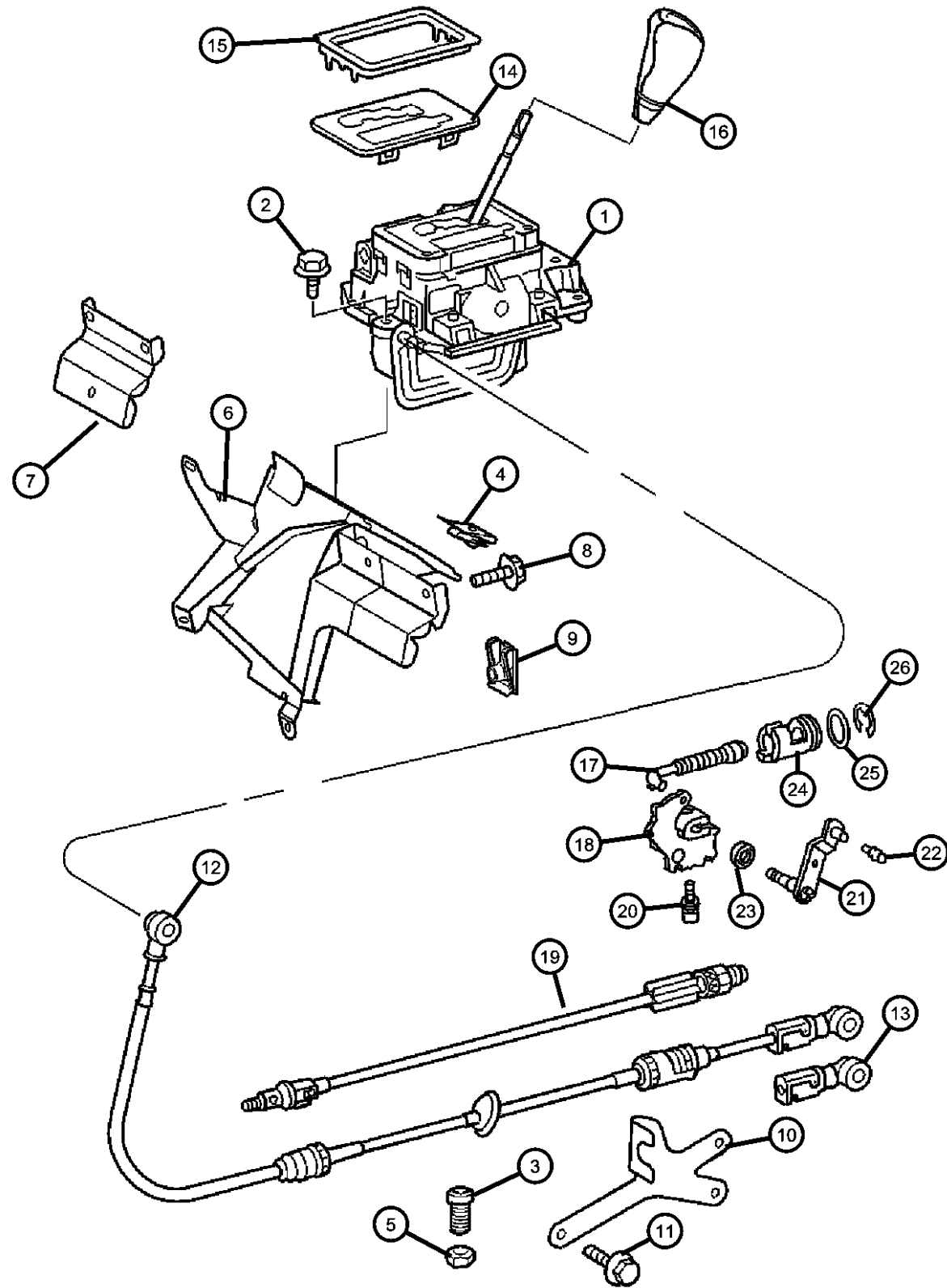
1									SHIFTER, Transmission
	05104040AA	1	3, 7	L			DGJ		With Out [BNB]
	05135728AA	1	2, 6	L			DGJ		With [BNB]
2	05133476AA	3	3, 7	L			DGJ		SCREW
3									SCREW
	06104142AA	2	2, 6	L			DGJ		
		2	3, 7	L			DGJ		
4									NUT
	05103733AA	3	2, 6	L			DGJ		
		3	3, 7	L			DGJ		
5									NUT
	05126253AA	2	3, 7	L			DGJ		
		2	2, 6	L			DGJ		
6									SUPPORT
	05117814AA	1	2, 6	L			DGJ		
		1	3, 7	L			DGJ		
7									BRACKET, Transmission Shifter
	05122893AA	1	2, 6	L			DGJ		
		1	3, 7	L			DGJ		
8									BOLT, Hex Head
	05126227AA	6	2, 6	L					
		6	3, 7	L					
9									U-NUT
	05125859AA	1	2, 6	L			DGJ		
		1	3, 7	L			DGJ		
10									BRACKET, Gearshift

SPRINTER (VA)

SERIES	LINE	BODY	ENGINE	TRANSMISSION
L = LOWLINE	3 = HD DODGE 2WD 6 = Lt. Duty DODGE 4WD 2 = Med. Duty DODGE 2WD 7 = Med. Duty DODGE 4WD	55 = Wagon 140" 54 = Wagon 118" 52 = Wagon 140" 51 = Wagon 118" 12 = Van 140" 11 = Van 118" 06 = Front Section 158" 14 = Van 118" 15 = Van 140" 16 = Van 158" 56 = Wagon 158"	EX8 = Engine-2.7L I5 Mercedes Turbo Diesel	DGJ = Transmission-5-Spd. Automatic,W5A580

AR = use ase required - = Non illustrated part

Gear Shift Control
Figure NAG1-1210



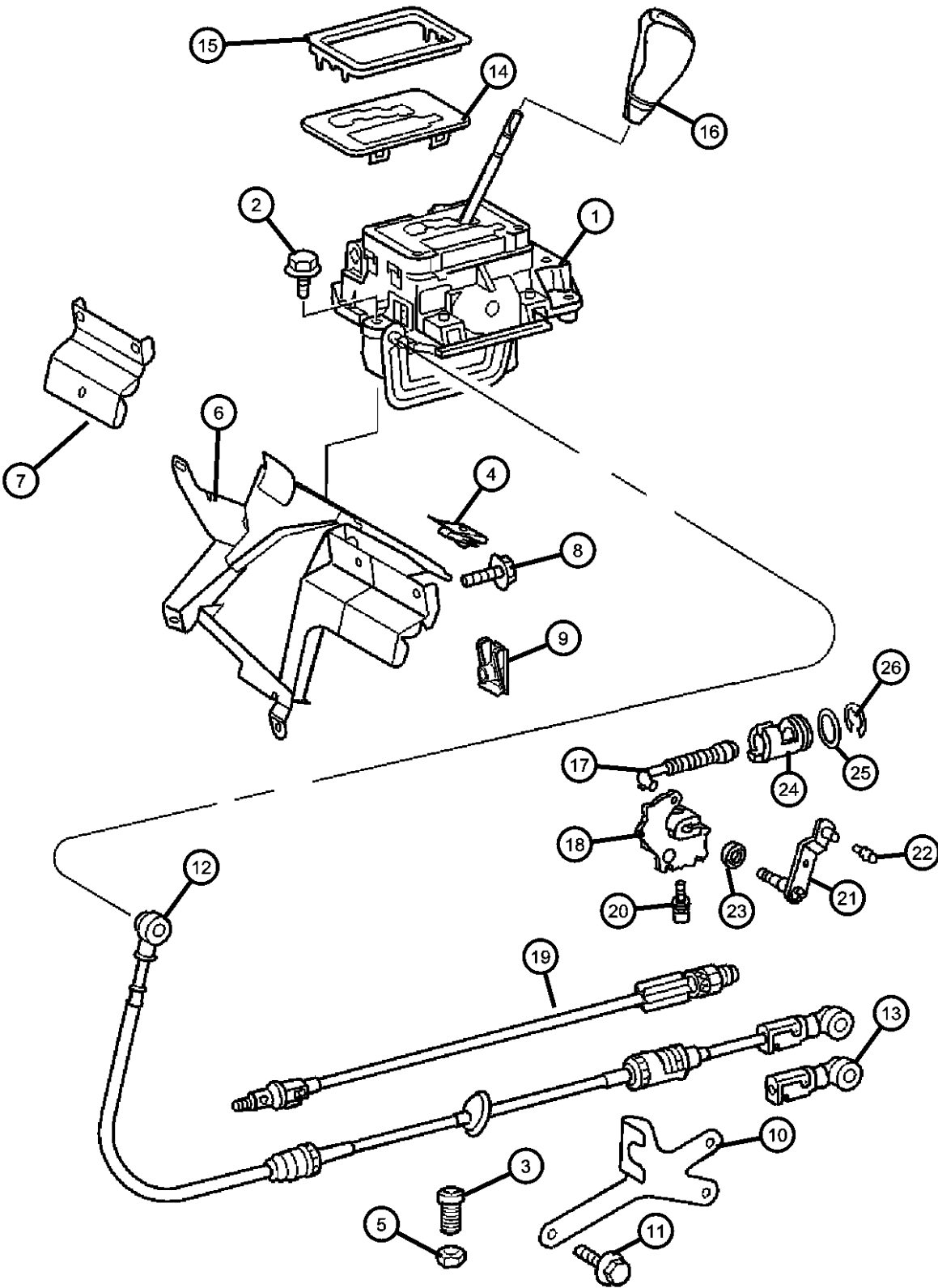
ITEM	PART NUMBER	QTY	LINE	SERIES	BODY	ENGINE	TRANS	TRIM	DESCRIPTION
11	05117826AA	1	3, 7	L			DGJ		
		1	2, 6	L			DGJ		BOLT, Hex Head
12	05126101AA	3	2, 6	L			DGJ		
		3	3, 7	L			DGJ		CABLE, Gear Selector
13	05104039AA	1	2, 6	L			DGJ		
		1	3, 7	L			DGJ		RETAINER, Transmission Control Shift
14	05104044AA	1	2, 6	L			DGJ		
		1	3, 7	L			DGJ		COVER, Gearshift
15	05104041AA	1	2, 6	L			DGJ		
		1	3, 7	L			DGJ		TRIM, See Center Console, (NOT SERVICED)
16		1							KNOB, Gearshift
17	05117825AA	1	2, 6	L			DGJ		
		1	3, 7	L			DGJ		LINKAGE, Transmission
18	52108166AA	1		L			DGJ		DETENT, Gearshift
19	05099886AA	1		L			DGJ		CABLE, Park Interlock
20	05104043AA	1	2, 6	L			DGJ		
		1	3, 7	L			DGJ		SCREW
21	52108178AA	1		L			DGJ		LEVER, Gearshift
22	05117845AA	1		L			DGJ		PIVOT
23	05096975AA	1		L			DGJ		SEAL, Transmission
	52108170AA	1		L			DGJ		

SPRINTER (VA)

SERIES	LINE	BODY	ENGINE	TRANSMISSION
L = LOWLINE	3 = HD DODGE 2WD 6 = Lt. Duty DODGE 4WD 2 = Med. Duty DODGE 2WD 7 = Med. Duty DODGE 4WD	55 = Wagon 140" 54 = Wagon 118" 52 = Wagon 140" 51 = Wagon 118" 12 = Van 140" 11 = Van 118" 06 = Front Section 158" 14 = Van 118" 15 = Van 140" 16 = Van 158" 56 = Wagon 158"	EX8 = Engine-2.7L I5 Mercedes Turbo Diesel	DGJ = Transmission-5-Spd. Automatic, W5A580

AR = use ase required - = Non illustrated part

**Gear Shift Control
Figure NAG1-1210**



ITEM	PART NUMBER	QTY	LINE	SERIES	BODY	ENGINE	TRANS	TRIM	DESCRIPTION
------	-------------	-----	------	--------	------	--------	-------	------	-------------

24	52108176AA	1		L			DGJ		GUIDE
25	52108177AA	1		L			DGJ		SEAL, Transmission
26	52107976AA	1		L			DGJ		SNAP RING

SPRINTER (VA)

SERIES	LINE	BODY	ENGINE	TRANSMISSION
L = LOWLINE	3 = HD DODGE 2WD 6 = Lt. Duty DODGE 4WD 2 = Med. Duty DODGE 2WD 7 = Med. Duty DODGE 4WD	55 = Wagon 140" 54 = Wagon 118" 52 = Wagon 140" 51 = Wagon 118" 12 = Van 140" 11 = Van 118" 06 = Front Section 158" 14 = Van 118" 15 = Van 140" 16 = Van 158" 56 = Wagon 158"	EX8 = Engine-2.7L I5 Mercedes Turbo Diesel	DGJ = Transmission-5-Spd. Automatic,W5A580

AR = use ase required - = Non illustrated part

Group - 22

Wheels, Covers and Jacks

Group - 22 Wheels, Covers and Jacks

Illustration Title

Group-Fig. No.

Wheels and Hardware

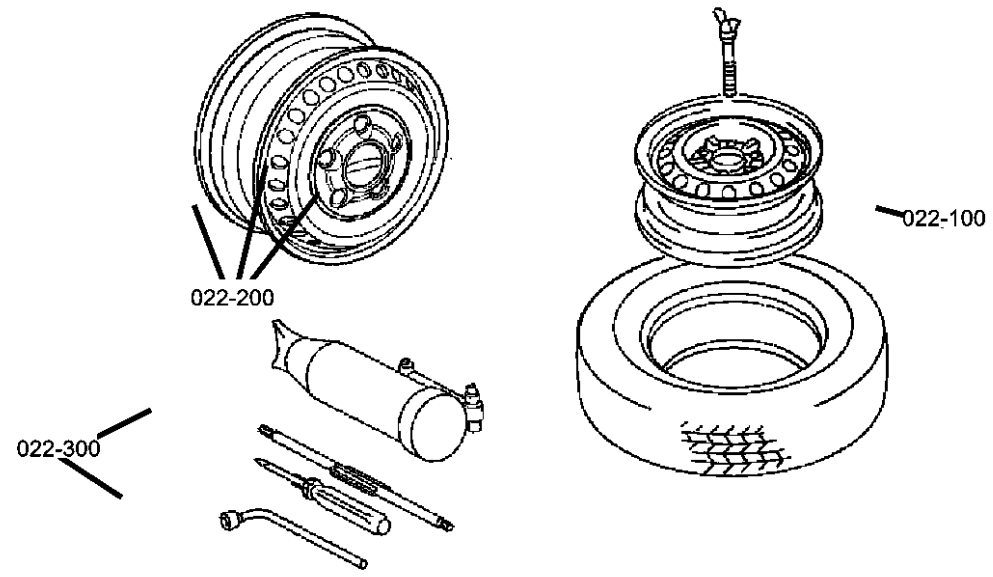
Wheels And Hardware.....Fig. 22 - 120

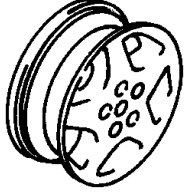
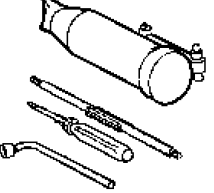
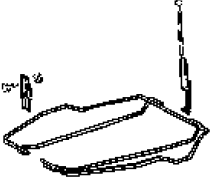
Jack Stowage

Jack and Stowage.....Fig. 22 - 340

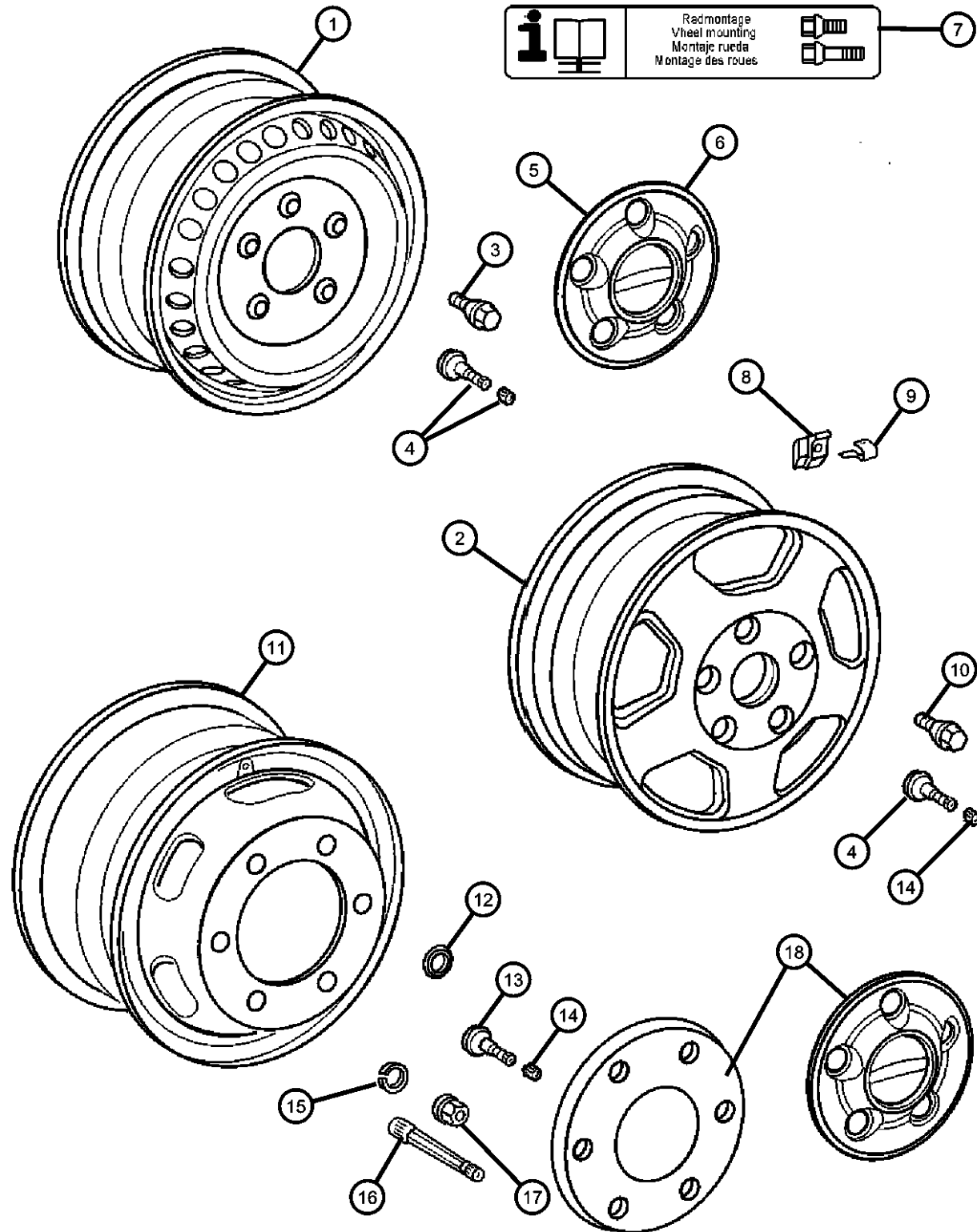
Spare Tire Stowage

Wheel, Spare.....Fig. 22 - 430



<p>022-100 Wheels and Hardware</p> 	<p>022-300 Jack Stowage</p> 	<p>022-400 Spare Tire Stowage</p> 	
---	--	---	--

Wheels And Hardware
Figure 22-120



ITEM	PART NUMBER	QTY	LINE	SERIES	BODY	ENGINE	TRANS	TRIM	DESCRIPTION
1									WHEEL
	05103605AA	1	2, 6	L	11, 12, 14, 15, 16				[WCL+WWW]
	05118929AA	2	2, 6	L	06, 01, 02				[WCL,-WWW]
		2	2, 6	L	11, 12, 14, 15, 16				[WCL,-WWW]
	05128908AA	2	2, 6	L	01, 02, 06				[WDG+WWA+4Z1,4XS]
		2	2, 6	L	11, 12, 14, 15, 16				[WDG+WWA+4Z1,4XS]
		2	2, 6	L	51, 52, 54, 55, 56				[WCL,-WWW]
	05128907AA	2	2, 6	L	01, 02, 06				[WCL+WWA]
		2	2, 6	L	11, 12, 14, 15, 16				[WCL+WWA]
		2	2, 6	L	51, 52, 54, 55, 56				[WCL+WWA]
	05128911AA	2	2, 6	L	11, 12, 14, 15, 16				[WDG+4Z1,4XS]
		2	2, 6	L	51, 52, 54, 55, 56				[WDG+WWA+4Z1,4XS]
		2	2, 6	L	01, 02, 06				[WDG+4Z1,4XS]
		2	2, 6	L	51, 52, 54, 55, 56				[WDG+4Z1,4XS]
2	05140692AA	4	2, 6						WHEEL, Aluminum, [WWB] [16x6.5]
3									BOLT
	05104080AA	20	2, 6	L	11, 12, 14, 15, 16				
		20	2, 6	L	52, 54, 55, 56, 51				
4									STEM, Wheel Valve
	05103629AA	99	2, 6	L	01, 02, 06				
		2	2, 6	L	11, 12, 14, 15, 16				
		2	2, 6	L	51, 52, 54, 55, 56				
	05118963AA	2	3, 7	L	12, 15, 16				

SPRINTER (VA)

SERIES

L = LOWLINE

LINE

3 = HD DODGE 2WD
6 = Lt. Duty DODGE 4WD
2 = Med. Duty DODGE 2WD
7 = Med. Duty DODGE 4WD

BODY

55 = Wagon 140"
54 = Wagon 118"
52 = Wagon 140"
51 = Wagon 118"
12 = Van 140"
11 = Van 118"
06 = Front Section 158"
14 = Van 118"
15 = Van 140"
16 = Van 158"
56 = Wagon 158"
01 = Chassis Forward Control
118"
02 = Chassis Forward Control
140"

ENGINE

EX8 = Engine-2.7L I5
Mercedes Turbo Diesel

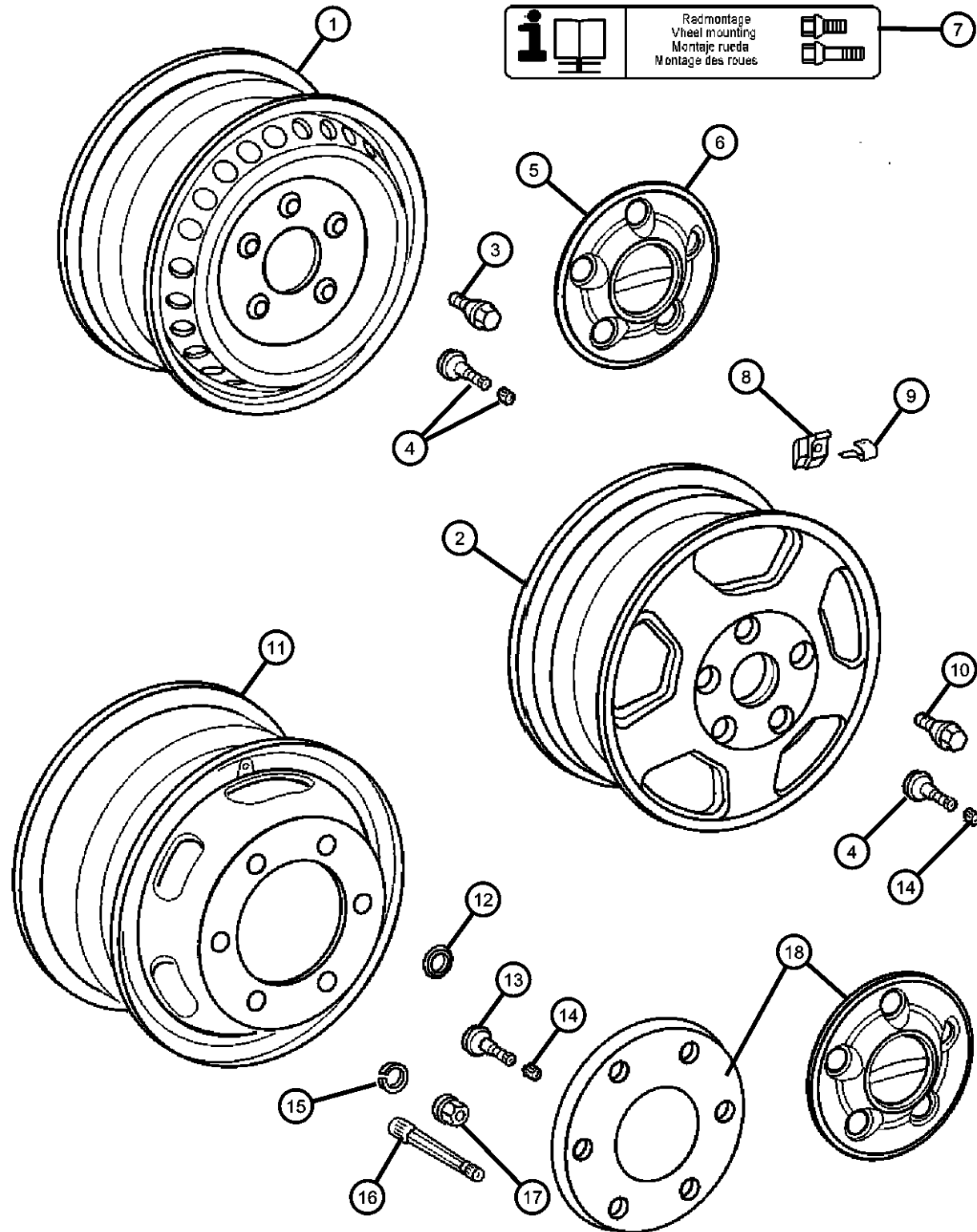
TRANSMISSION

DGJ = Transmission-5-Spd.
Automatic,W5A580

AR = use ase required - = Non illustrated part

2004 VA

Wheels And Hardware
Figure 22-120



ITEM	PART NUMBER	QTY	LINE	SERIES	BODY	ENGINE	TRANS	TRIM	DESCRIPTION
5									CAP, Wheel Center
	05104571AA	4	6	L	01, 02, 06				
		4	6	L	11, 12, 14, 15, 16				
		4	6	L	51, 52, 54, 55, 56				
	05128954AA	4	2	L	01, 02, 06				
		4	2	L	11, 12, 14, 15, 16				
		4	2	L	51, 52, 54, 55, 56				
6									CAP, Wheel Center
	05104582AA	2	7	L	12, 15, 16				
		2	7	L	02, 06				
7									LABEL
	05129737AA	1	2, 6	L	11, 12, 14, 15, 16				
		1	2, 6	L	51, 52, 54, 55, 56				
8		1							WEIGHT, Balance, Perf Part, (NOT SERVICED)
9		1							BRACKET, (NOT SERVICED)
10									BOLT
	05104018AA	5	6	L	11, 12, 14, 15, 16				
		5	6	L	51, 52, 54, 55, 56				
11	05104581AA	2	3, 7	L	12, 15, 16				WHEEL
12	05103941AA	12	3, 7	L	12, 15, 16				WASHER
13									STEM, Wheel Valve
	05103628AA	2	2, 6	L	01, 02, 06				
		2	2, 6	L	51, 52, 54, 55, 56				

SPRINTER (VA)

SERIES

L = LOWLINE

LINE

3 = HD DODGE 2WD
6 = Lt. Duty DODGE 4WD
2 = Med. Duty DODGE 2WD
7 = Med. Duty DODGE 4WD

BODY

55 = Wagon 140"
54 = Wagon 118"
52 = Wagon 140"
51 = Wagon 118"
12 = Van 140"
11 = Van 118"
06 = Front Section 158"
14 = Van 118"
15 = Van 140"
16 = Van 158"
56 = Wagon 158"
01 = Chassis Forward Control 118"
02 = Chassis Forward Control 140"

ENGINE

EX8 = Engine-2.7L I5
Mercedes Turbo Diesel

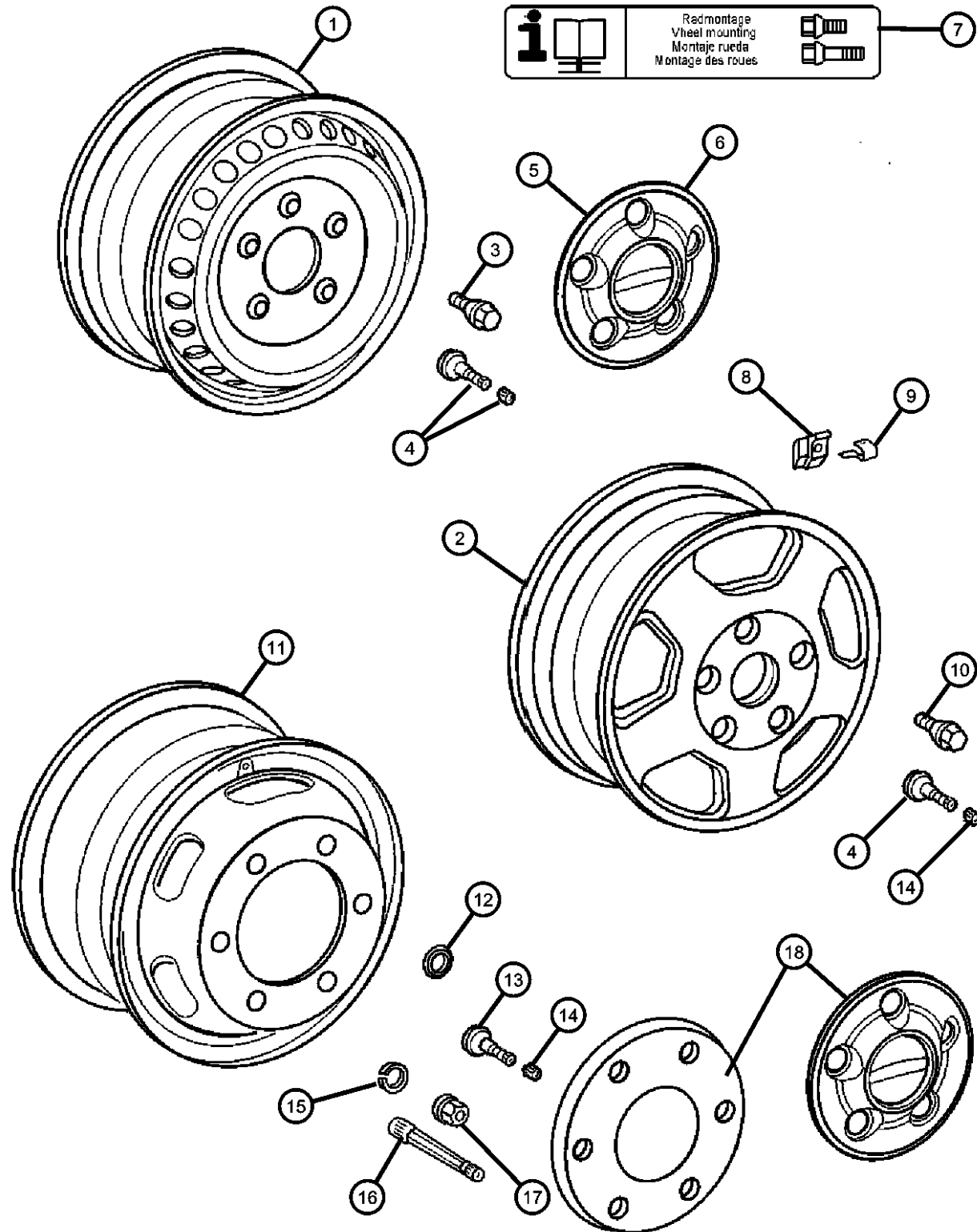
TRANSMISSION

DGJ = Transmission-5-Spd. Automatic, W5A580

AR = use ase required - = Non illustrated part

2004 VA

Wheels And Hardware
Figure 22-120



ITEM	PART NUMBER	QTY	LINE	SERIES	BODY	ENGINE	TRANS	TRIM	DESCRIPTION
		2	3, 7	L	12, 15, 16				
		2	2, 6	L	11, 12, 14, 15, 16				
14	05104630AA	2	2, 6	L	01, 02, 06				CAP, Valve stem
		2	2, 6	L	11, 12, 14, 15, 16				
		99	3, 7	L	12, 15, 16				
		2	2, 6	L	51, 52, 54, 55, 56				
15	05104538AA	12	3, 7	L	12, 15, 16				WASHER, Lock
16	05118963AA	2	3, 7	L	12, 15, 16				STEM, Wheel Valve
17	05104651AA	12	3, 7	L	16, 12, 15				NUT
18	05104570AA	4	2, 6	L	01, 02, 06				COVER, Wheel
		4	2, 6	L	11, 12, 14, 15, 16				
		4	2, 6	L	51, 52, 54, 55, 56				
	05114454AA	2	3	L	02, 06				Dodge 3500
		2	3	L	12, 15, 16				Dodge 3500

SPRINTER (VA)

SERIES

L = LOWLINE

LINE

3 = HD DODGE 2WD
6 = Lt. Duty DODGE 4WD
2 = Med. Duty DODGE 2WD
7 = Med. Duty DODGE 4WD

BODY

55 = Wagon 140"
54 = Wagon 118"
52 = Wagon 140"
51 = Wagon 118"
12 = Van 140"
11 = Van 118"
06 = Front Section 158"
14 = Van 118"
15 = Van 140"
16 = Van 158"
56 = Wagon 158"
01 = Chassis Forward Control 118"
02 = Chassis Forward Control 140"

ENGINE

EX8 = Engine-2.7L I5
Mercedes Turbo Diesel

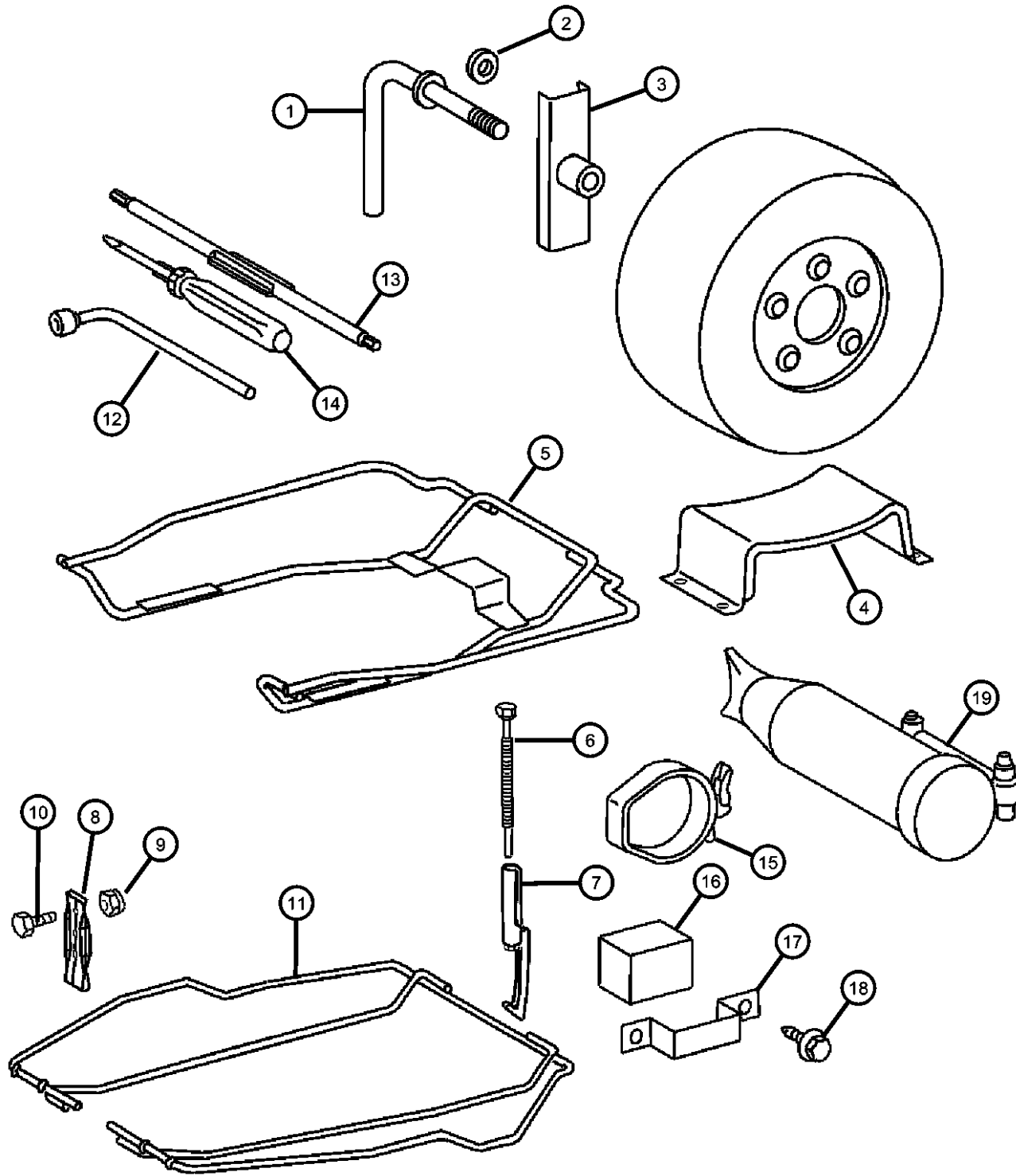
TRANSMISSION

DGJ = Transmission-5-Spd. Automatic, W5A580

AR = use ase required - = Non illustrated part

2004 VA

Jack and Stowage
Figure 22-340



ITEM	PART NUMBER	QTY	LINE	SERIES	BODY	ENGINE	TRANS	TRIM	DESCRIPTION
1	05104529AA	1	2, 6	L	11, 12, 14, 15, 16				SCREW
2									WASHER, Flat
	05126189AB	4	3, 7	L	12, 15, 16				
		4	2, 6	L	11, 12, 14, 15, 16				
		4	2, 6	L	51, 52, 54, 55, 56				
3	05104528AA	1	2, 6	L	11, 12, 14, 15, 16				BRACKET, Spare Tire Winch
4									REST, Spare Tire
	05121441AA	1	3, 7	L	12, 15, 16				
		1	2, 6	L	11, 12, 14, 15, 16				
5									SUPPORT, Spare Tire
	05104078AA	1	2, 6	L	51, 52, 54, 55, 56				
	05118911AA	1	3, 7	L	06				158 Inch Wheelbase
		1	3, 7	L	16				158 Inch Wheelbase
	05118913AA	1	3, 7	L	02				140 Inch Wheelbase
		1	3, 7	L	12, 15				140 Inch Wheelbase
		1	2, 6	L	11, 12, 14, 15, 16				
6	05104082AA	2	2, 6	L	51, 52, 54, 55, 56				SCREW, Spare Tire
7									HOOK, Spare Tire Attach
	05118920AA	2	2, 6	L	11, 12, 14, 15, 16				
		2	2, 6	L	51, 52, 54, 55, 56				
8									PLATE, Spare Tire
	05104081AA	2	2, 6	L	11, 12, 14, 15, 16				
		2	2, 6	L	51, 52, 54, 55, 56				

SPRINTER (VA)

SERIES

L = LOWLINE

LINE

3 = HD DODGE 2WD
6 = Lt. Duty DODGE 4WD
2 = Med. Duty DODGE 2WD
7 = Med. Duty DODGE 4WD

BODY

55 = Wagon 140"
54 = Wagon 118"
52 = Wagon 140"
51 = Wagon 118"
12 = Van 140"
11 = Van 118"
06 = Front Section 158"
14 = Van 118"
15 = Van 140"
16 = Van 158"
56 = Wagon 158"
01 = Chassis Forward Control
118"
02 = Chassis Forward Control
140"

ENGINE

EX8 = Engine-2.7L I5
Mercedes Turbo Diesel

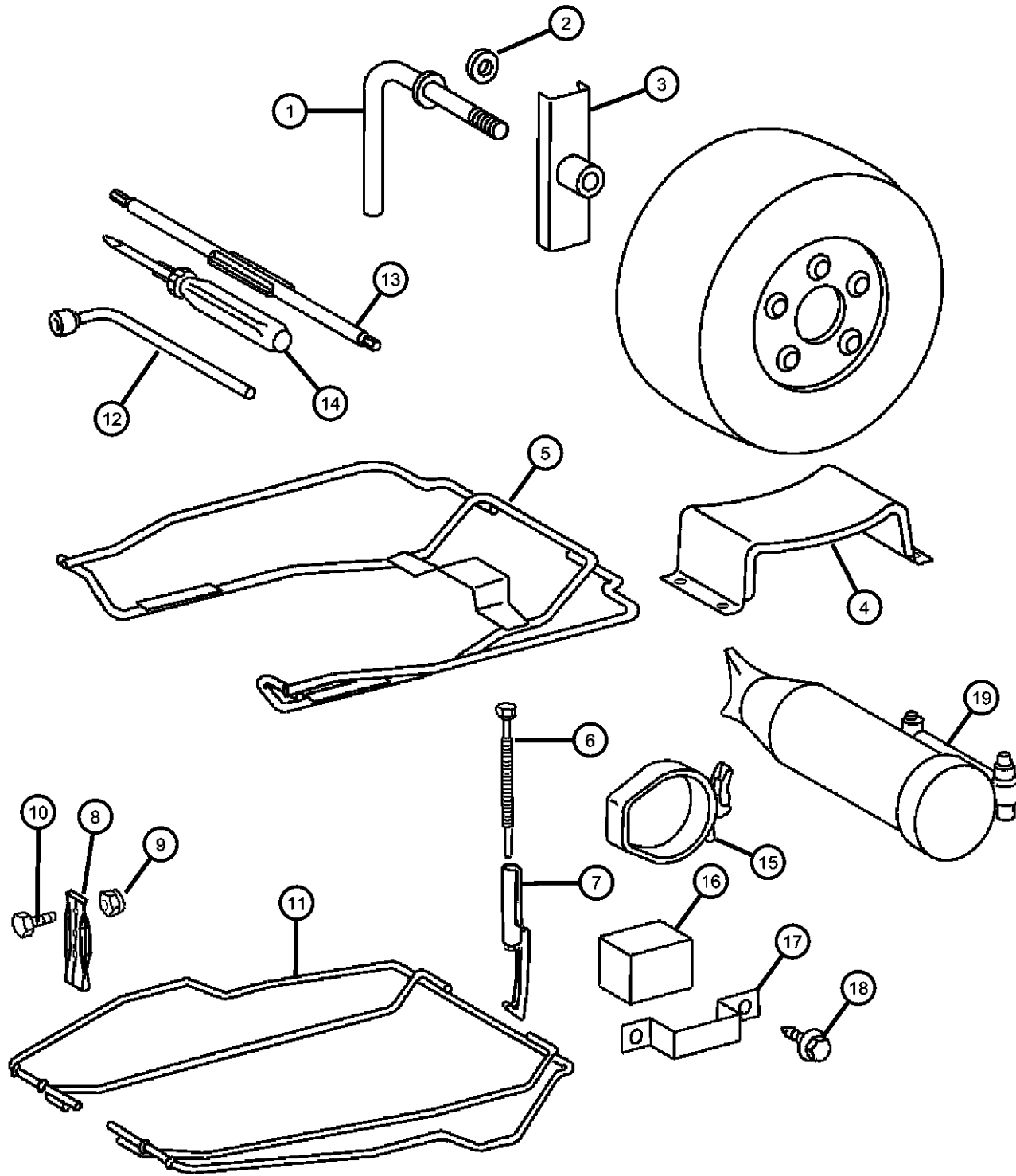
TRANSMISSION

DGJ = Transmission-5-Spd.
Automatic,W5A580

AR = use ase required - = Non illustrated part

2004 VA

Jack and Stowage
Figure 22-340



ITEM	PART NUMBER	QTY	LINE	SERIES	BODY	ENGINE	TRANS	TRIM	DESCRIPTION
9	05119009AA	2	3, 7	L	12, 15, 16				NUT, Hex
10	05126237AA	4	2, 6	L	51, 52, 54, 55, 56				BOLT
		4	2, 6	L	01, 02, 06				
		4	2, 6	L	11, 12, 14, 15, 16				
11	05104655AA	1	2, 6	L	11, 12, 14, 15, 16				SUPPORT, Spare Tire
		1	3, 7	L	12, 15, 16				
		1	2, 6	L	51, 52, 54, 55, 56				
12	05104077AA	1	2, 6	L	11, 12, 14, 15, 16				TOOL, Wrench
		1	2, 6	L	51, 52, 54, 55, 56				
	05120992AA	1	2, 6	L	51, 52, 54, 55, 56				
13		1	2, 6	L	01, 02, 06				TUBE, Spare Tire Winch
		1	2, 6	L	11, 12, 14, 15, 16				
	05120994AA	1	2, 6	L	11, 12, 14, 15, 16				
14		1							SCREWDRIVER, (NOT SERVICED)
15		1							BRACKET, Jack
	05125276AA	1	3, 7	L	12, 15, 16				

SPRINTER (VA)

SERIES

L = LOWLINE

LINE

3 = HD DODGE 2WD
6 = Lt. Duty DODGE 4WD
2 = Med. Duty DODGE 2WD
7 = Med. Duty DODGE 4WD

BODY

55 = Wagon 140"
54 = Wagon 118"
52 = Wagon 140"
51 = Wagon 118"
12 = Van 140"
11 = Van 118"
06 = Front Section 158"
14 = Van 118"
15 = Van 140"
16 = Van 158"
56 = Wagon 158"
01 = Chassis Forward Control 118"
02 = Chassis Forward Control 140"

ENGINE

EX8 = Engine-2.7L I5
Mercedes Turbo Diesel

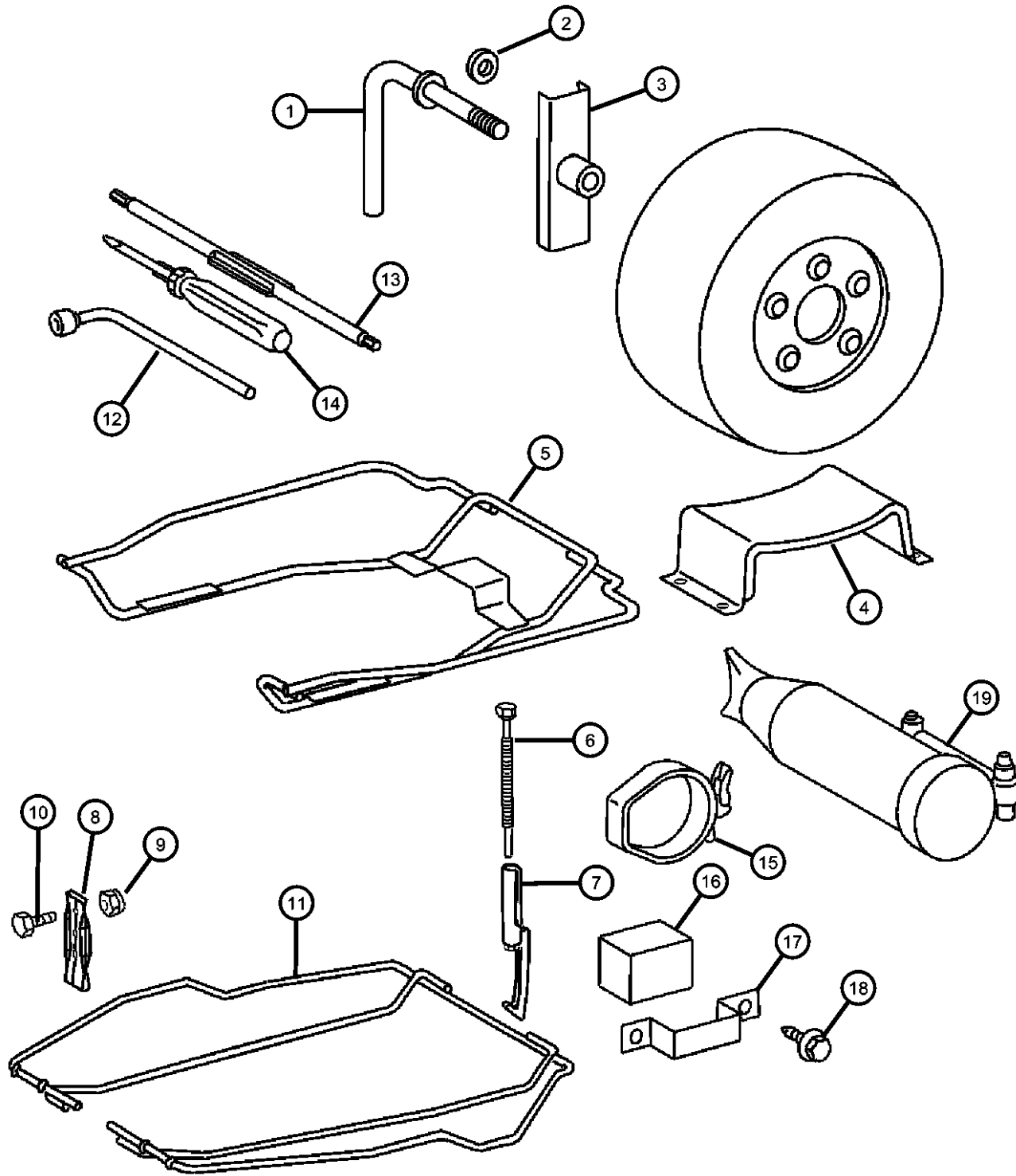
TRANSMISSION

DGJ = Transmission-5-Spd. Automatic, W5A580

AR = use ase required - = Non illustrated part

2004 VA

Jack and Stowage
Figure 22-340



ITEM	PART NUMBER	QTY	LINE	SERIES	BODY	ENGINE	TRANS	TRIM	DESCRIPTION
16	05125275AA	1	2, 6	L	11, 12, 14, 15, 16				PAD, Jack
		1	2, 6	L	51, 52, 54, 55, 56				
17	05133292AA	1	2, 6	L	11, 12, 14, 15, 16				BRACKET, Jack
		1	2, 6	L	51, 52, 54, 55, 56				
		1	3, 7	L	12, 15, 16				
18	05133293AA	1	2, 6	L	51, 52, 54, 55, 56				SCREW, Self-Tapping
		1	3, 7	L	12, 15, 16				
		1	2, 6	L	11, 12, 14, 15, 16				
19	05133295AA	2	2, 6	L	11, 12, 14, 15, 16				JACK Hydraulic
		2	2, 6	L	51, 52, 54, 55, 56				
		2	3, 7	L	12, 15, 16				
	05104587AA	1	2, 6	L	56, 51, 52, 54, 55				Hydraulic Hydraulic Hydraulic
		1	3, 7	L	12, 15, 16				
		1	2, 6	L	11, 12, 14, 15, 16				

SPRINTER (VA)

SERIES

L = LOWLINE

LINE

3 = HD DODGE 2WD
6 = Lt. Duty DODGE 4WD
2 = Med. Duty DODGE 2WD
7 = Med. Duty DODGE 4WD

BODY

55 = Wagon 140"
54 = Wagon 118"
52 = Wagon 140"
51 = Wagon 118"
12 = Van 140"
11 = Van 118"
06 = Front Section 158"
14 = Van 118"
15 = Van 140"
16 = Van 158"
56 = Wagon 158"
01 = Chassis Forward Control 118"
02 = Chassis Forward Control 140"

ENGINE

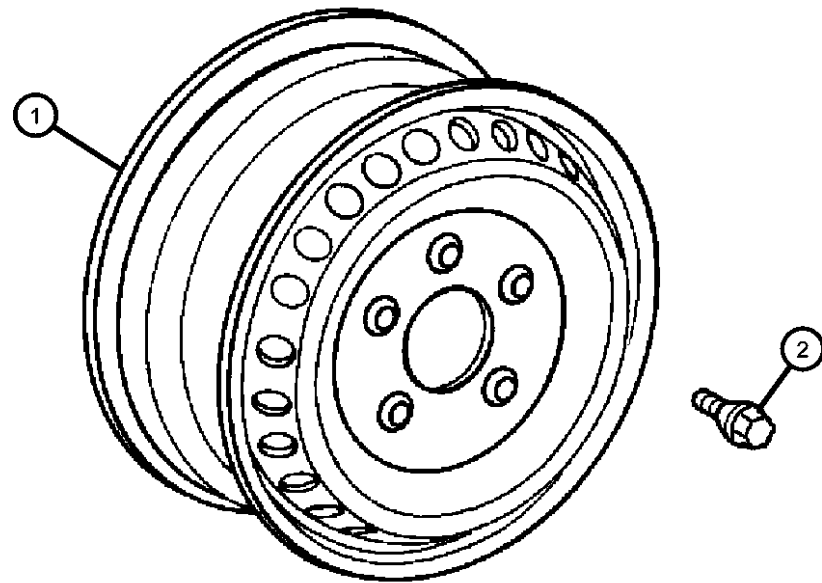
EX8 = Engine-2.7L I5
Mercedes Turbo Diesel

TRANSMISSION

DGJ = Transmission-5-Spd. Automatic, W5A580

AR = use ase required - = Non illustrated part

Wheel, Spare
Figure 22-430



ITEM	PART NUMBER	QTY	LINE	SERIES	BODY	ENGINE	TRANS	TRIM	DESCRIPTION
1									WHEEL
	05104581AA	1	3, 7	L	12, 15, 16				
	05103605AA	1	2, 6	L	11, 12, 14, 15, 16				[WCL+WWW+WLB+AMC+4XS]
	05128907AA	1	2, 6	L	51, 52, 54, 55, 56				[WCL+WWA+WLB]
	05118929AA	1	2, 6	L	01, 02, 06				[WCL+WLB]
		1	2, 6	L	11, 12, 14, 15, 16				[WCL+WLB]
		1	2, 6	L	51, 52, 54, 55, 56				[WCL+WLB]
		1	2, 6	L	01, 02, 06				[WCL+WWA+WLB]
		1	2, 6	L	11, 12, 14, 15, 16				[WCL+WWA+WLB]
	05128908AA	1	2, 6	L	01, 02, 06				[WDG+WWA+WLB,4Z1,4XS]
		1	2, 6	L	11, 12, 14, 15, 16				[WDG+WWA+WLB,4Z1,4XS]
		1	2, 6	L	51, 52, 54, 55, 56				[WDG+WWA+WLB,4Z1,4XS]
	05128911AA	1	2, 6	L	01, 02, 06				[WDG+WLB,4Z1,4XS]
		1	2, 6	L	11, 12, 14, 15, 16				[WDG+WLB,4Z1,4XS]
		1	2, 6	L	51, 52, 54, 55, 56				[WDG+WLB,4Z1,4XS]
2									BOLT
	05104080AA	20	2, 6	L	11, 12, 14, 15, 16				
		20	2, 6	L	51, 52, 54, 55, 56				

SPRINTER (VA)

SERIES

L = LOWLINE

LINE

3 = HD DODGE 2WD
6 = Lt. Duty DODGE 4WD
2 = Med. Duty DODGE 2WD
7 = Med. Duty DODGE 4WD

BODY

55 = Wagon 140"
54 = Wagon 118"
52 = Wagon 140"
51 = Wagon 118"
12 = Van 140"
11 = Van 118"
06 = Front Section 158"
14 = Van 118"
15 = Van 140"
16 = Van 158"
56 = Wagon 158"
01 = Chassis Forward Control 118"
02 = Chassis Forward Control 140"

ENGINE

EX8 = Engine-2.7L I5
Mercedes Turbo Diesel

TRANSMISSION

DGJ = Transmission-5-Spd. Automatic,W5A580

AR = use ase required - = Non illustrated part

2004 VA

Group - 23D

Wiper/Lock Cylinder and Keys

Group - 23D Wiper/Lock Cylinder and Keys

Illustration Title

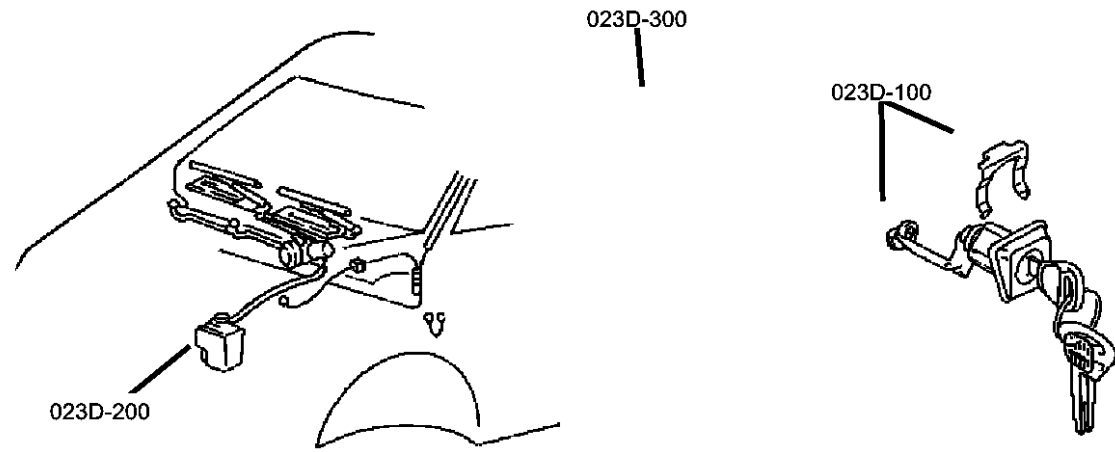
Group-Fig. No.

Lock Cylinders and Keys

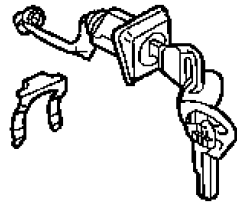
Lock Cylinders & ComponentsFig. 23D - 105

Windshield Wiper and Washer Systems

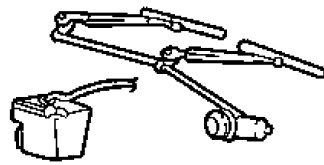
Windshield Wiper & Washer.....Fig. 23D - 205



23D-100
Lock Cylinders and Keys



23D-200
Windshield Wiper and Washer Systems



Lock Cylinders & Components
Figure 23D-105

	ITEM	PART NUMBER	QTY	LINE	SERIES	BODY	ENGINE	TRANS	TRIM	DESCRIPTION	
	1		20							LOCK, Door, For this package call 866 769 8092 or use STAR Parts Web Site order form, (NOT SERVICED)	
	2		20							LOCK, Door, For this package call 866 769 8092 or use STAR Parts Web Site order form, (NOT SERVICED)	
	3									WSP CONTROL UNIT, Remote Control Key	
			05135344AA	1	2, 6		01, 02, 06				Without Salescode [JPB] Power Locks
				1	2, 6		11, 12, 14, 15, 16				Without Salescode [JPB] Power Locks
			05135345AA	1	3, 7		12, 15, 16				With Salescode [JPB] Power locks
				1	2, 6		01, 02, 06				With Salescode [JPB] Power Locks
	4										BOLT, Door
			05126268AA	2	2, 6		11, 12, 14, 15, 16				
				2	2, 6		51, 52, 54, 55, 56				
				2	3, 7		12, 15, 16				
		5									CYLINDER, Ignition Lock
			05114365AA	1	2, 6		11, 12, 14, 15, 16				
				1	2, 6		51, 52, 54, 55, 56				
				1	3, 7		12, 15, 16				
6											KEY
			05114362AA	2	2, 6		11, 12, 14, 15, 16				Replacement Blade Only For Remote Key Sales Code [JPB]
			2	2, 6		51, 52, 54, 55, 56				Replacement Blade Only For Remote Key Sales Code [JPB]	
			2	3, 7		12, 15, 16				Replacement Blade Only For Remote Key Sales Code [JPB]	

SPRINTER (VA)

SERIES

L = LOWLINE

LINE

3 = HD DODGE 2WD
6 = Lt. Duty DODGE 4WD
2 = Med. Duty DODGE 2WD
7 = Med. Duty DODGE 4WD

BODY

55 = Wagon 140"
54 = Wagon 118"
52 = Wagon 140"
51 = Wagon 118"
12 = Van 140"
11 = Van 118"
06 = Front Section 158"
14 = Van 118"
15 = Van 140"
16 = Van 158"
56 = Wagon 158"
01 = Chassis Forward Control 118"
02 = Chassis Forward Control 140"

ENGINE

EX8 = Engine-2.7L I5
Mercedes Turbo Diesel

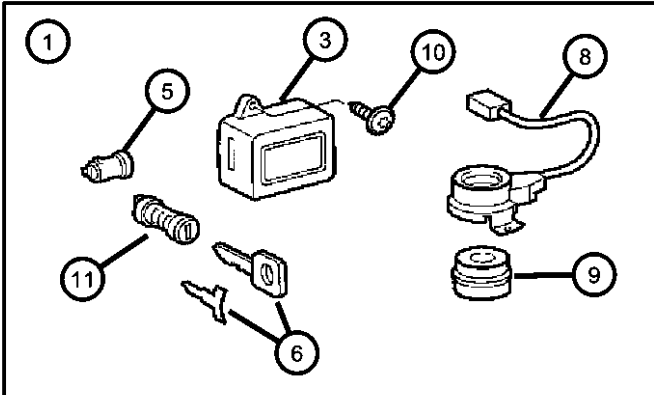
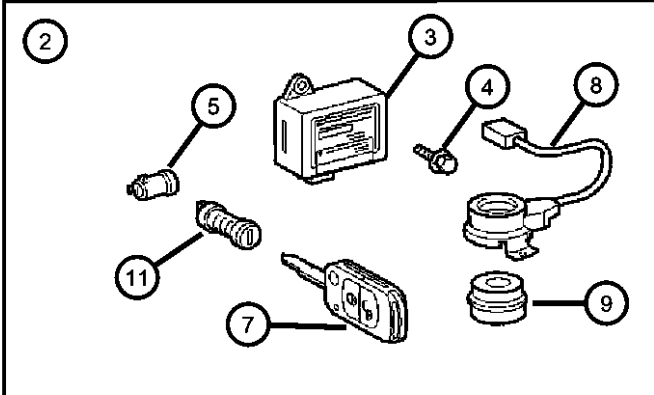
TRANSMISSION

DGJ = Transmission-5-Spd. Automatic, W5A580

AR = use ase required - = Non illustrated part

2004 VA

Lock Cylinders & Components
Figure 23D-105

	ITEM	PART NUMBER	QTY	LINE	SERIES	BODY	ENGINE	TRANS	TRIM	DESCRIPTION
		05114363AA	1	2, 6		11, 12, 14, 15, 16				Key With No Remote WithOut Sales Code [GXY] Or [JPB]. Can Be Used As A Spare For Sales Code [JPB]
			1	2, 6		52, 54, 55, 56, 51				Key With No Remote WithOut Sales Code [GXY] Or [JPB]. Can Be Used As A Spare For Sales Code [JPB]
	7	05114361AA	2	2, 6		11, 12, 14, 15, 16				Remote Key With Blade For Sales Code [JPB] Only
			2	2, 6		51, 52, 54, 55, 56				Remote Key With Blade For Sales Code [JPB] Only
			2	3, 7		12, 15, 16				Remote Key With Blade For Sales Code [JPB] Only
	8	05120812AA	1	2, 6		01, 02, 06				KEY, Remote Control Complete
			1	2, 6		11, 12, 14, 15, 16				
			1	2, 6		51, 52, 54, 55, 56				
			1	3, 7		02, 06				
		9	05104593AA	1	3, 7		12, 15, 16			
			1	2, 6		01, 02, 06				
			1	2, 6		11, 12, 14, 15, 16				
			1	2, 6		51, 52, 54, 55, 56				
	10	06104574AA	3	2, 6		01, 02, 06				SCREW, Tapping
			2	2, 6		11, 12, 14, 15, 16				
			2	2, 6		51, 52, 54, 55, 56				

SPRINTER (VA)

SERIES

LINE

BODY

ENGINE

TRANSMISSION

L = LOWLINE

3 = HD DODGE 2WD
6 = Lt. Duty DODGE 4WD
2 = Med. Duty DODGE 2WD
7 = Med. Duty DODGE 4WD

55 = Wagon 140"
54 = Wagon 118"
52 = Wagon 140"
51 = Wagon 118"
12 = Van 140"
11 = Van 118"
06 = Front Section 158"
14 = Van 118"
15 = Van 140"
16 = Van 158"
56 = Wagon 158"
01 = Chassis Forward Control 118"
02 = Chassis Forward Control 140"

EX8 = Engine-2.7L I5
Mercedes Turbo Diesel

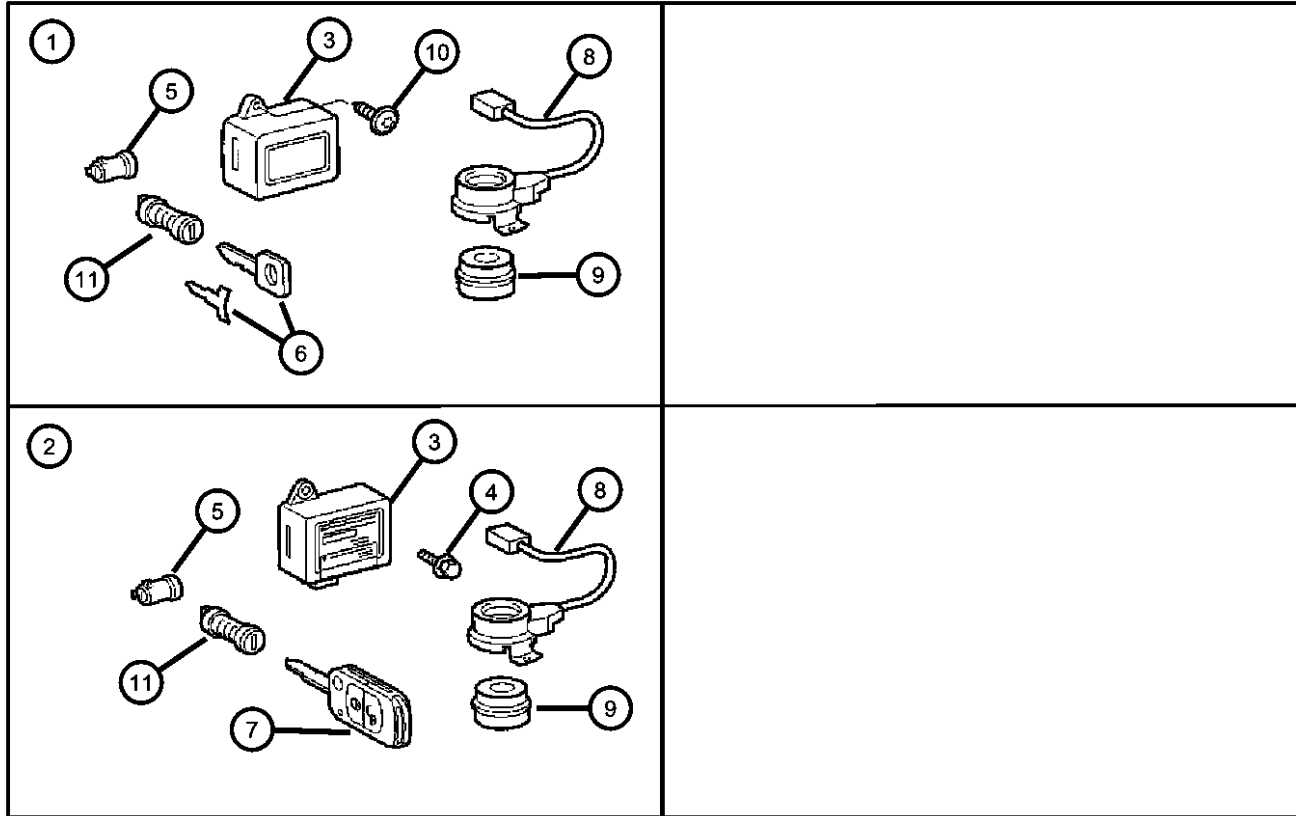
DGJ = Transmission-5-Spd. Automatic,W5A580

AR = use ase required - = Non illustrated part

2004 VA

Lock Cylinders & Components
Figure 23D-105

ITEM	PART NUMBER	QTY	LINE	SERIES	BODY	ENGINE	TRANS	TRIM	DESCRIPTION
11		2	3, 7		12, 15, 16				CYLINDER, Door Lock
	05114364AA	1	2, 6		01, 02, 06				
		1	2, 6		11, 12, 14, 15, 16				
		1	2, 6		51, 52, 54, 55, 56				
-12	05127746AA	4	2, 6		11, 12, 14, 15, 16				KEY, Blank, For Ups Vechiles Only

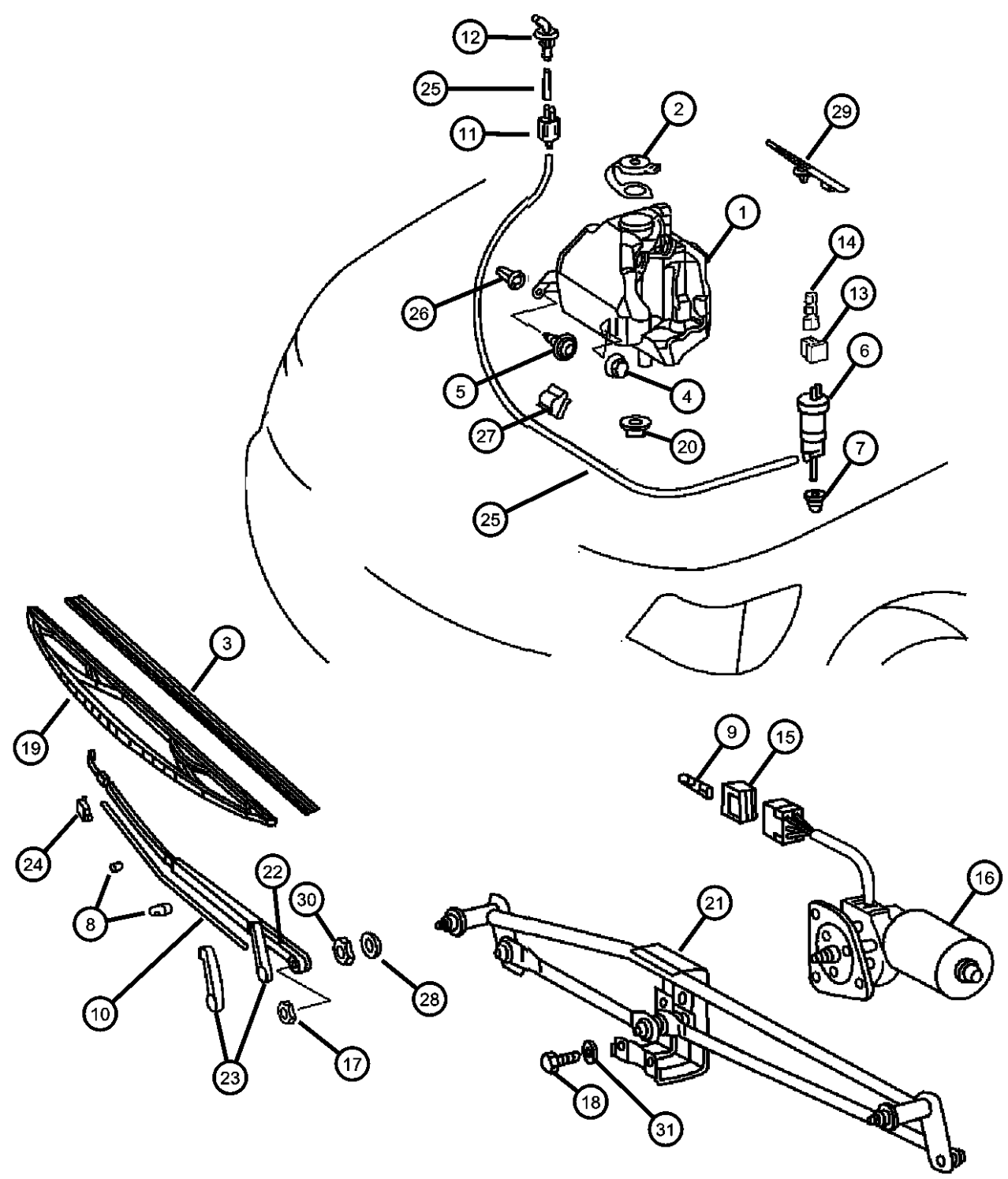


SPRINTER (VA)

SERIES	LINE	BODY	ENGINE	TRANSMISSION
L = LOWLINE	3 = HD DODGE 2WD 6 = Lt. Duty DODGE 4WD 2 = Med. Duty DODGE 2WD 7 = Med. Duty DODGE 4WD	55 = Wagon 140" 54 = Wagon 118" 52 = Wagon 140" 51 = Wagon 118" 12 = Van 140" 11 = Van 118" 06 = Front Section 158" 14 = Van 118" 15 = Van 140" 16 = Van 158" 56 = Wagon 158" 01 = Chassis Forward Control 118" 02 = Chassis Forward Control 140"	EX8 = Engine-2.7L I5 Mercedes Turbo Diesel	DGJ = Transmission-5-Spd. Automatic,W5A580

AR = use ase required - = Non illustrated part

**Windshield Wiper & Washer
Figure 23D-205**

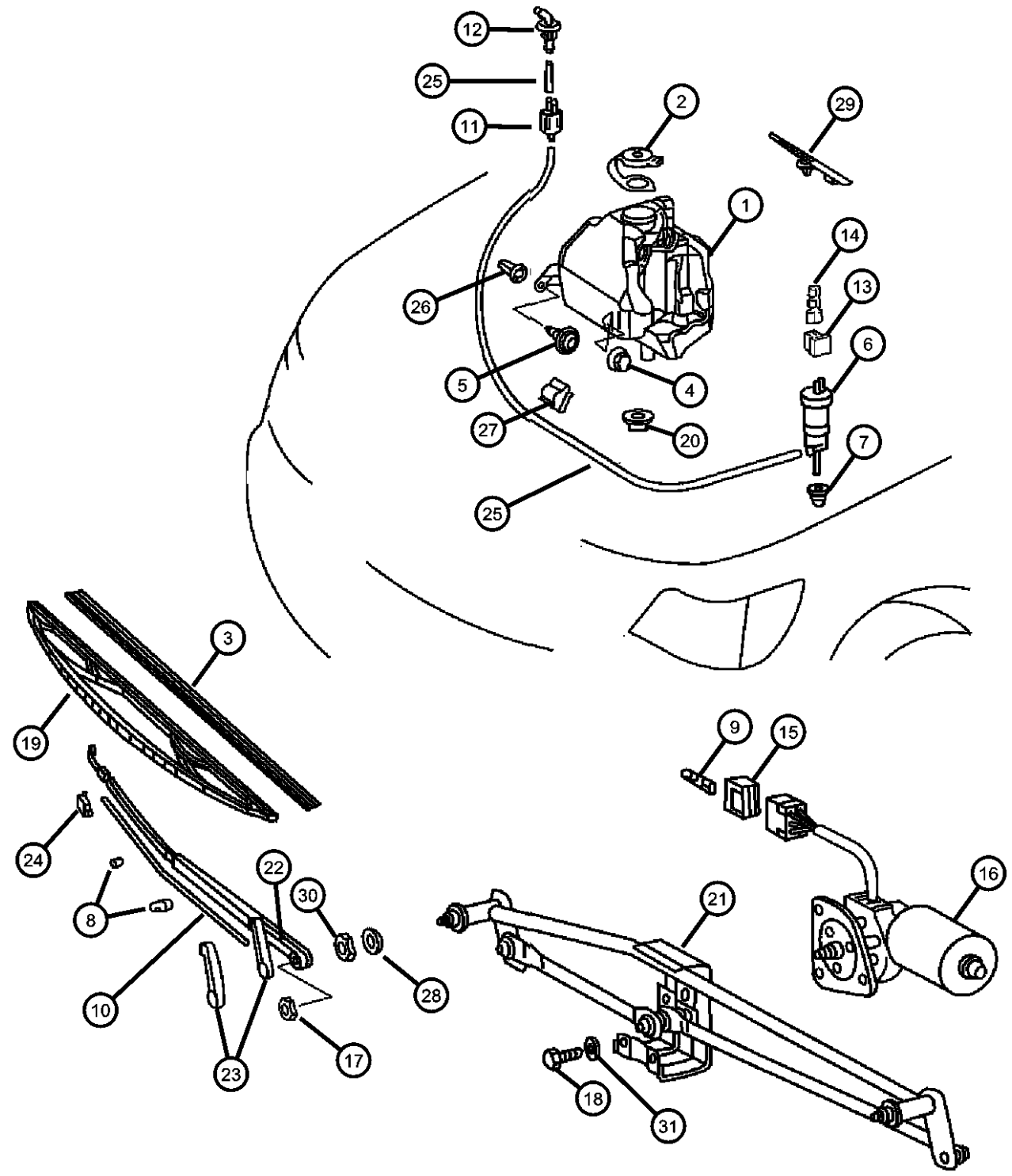


ITEM	PART NUMBER	QTY	LINE	SERIES	BODY	ENGINE	TRANS	TRIM	DESCRIPTION
1	05104503AA	1	2, 6		11, 12, 14, 15, 16				RESERVOIR, Washer
		1	2, 6		51, 52, 54, 55, 56				
		1	3, 7		12, 15, 16				
2	05125059AA	1	2, 6		11, 12, 14, 15, 16				CAP, Washer Reservoir
		1	2, 6		51, 52, 54, 55, 56				
		1	3, 7		12, 15, 16				
3	05133992AA	2	2, 6		11, 12, 14, 15, 16				REFILL, Wiper Blade
	WBW00024AD								Mopar Alternative Winter Wiper Blades
	WBW00022AD								Mopar Alternative Winter Wiper Blades
	WB000024AE								Mopar V-Line Alternative Part
	WB000022AE								Mopar V-Line Alternative Part
	WB-BLU022AA								Mopar Alternative Color Wiper Blade (Blue)
	WBRED022AA								Mopar Alternative Color Wiper Blade (Red)
	WBYEL022AA								Mopar Alternative Color Wiper Blade (Yellow)
	WB-WHI022AA								Mopar Alternative Color Wiper Blade (White)
	WB-CAR022AA								Mopar Alternative Color Wiper Blade (Carbon Fiber)
	WB-BLU024AA								Mopar Alternative Color Wiper Blade (Blue)
	WBRED024AA								Mopar Alternative Color Wiper Blade (Red)
	WBYEL024AA								Mopar Alternative Color Wiper Blade (Yellow)

SPRINTER (VA)				
SERIES	LINE	BODY	ENGINE	TRANSMISSION
L = LOWLINE	3 = HD DODGE 2WD 6 = Lt. Duty DODGE 4WD 2 = Med. Duty DODGE 2WD 7 = Med. Duty DODGE 4WD	55 = Wagon 140" 54 = Wagon 118" 52 = Wagon 140" 51 = Wagon 118" 12 = Van 140" 11 = Van 118" 06 = Front Section 158" 14 = Van 118" 15 = Van 140" 16 = Van 158" 56 = Wagon 158"	EX8 = Engine-2.7L I5 Mercedes Turbo Diesel	DGJ = Transmission-5-Spd. Automatic, W5A580
		01 = Chassis Forward Control 118" 02 = Chassis Forward Control 140"		

AR = use ase required - = Non illustrated part

**Windshield Wiper & Washer
Figure 23D-205**

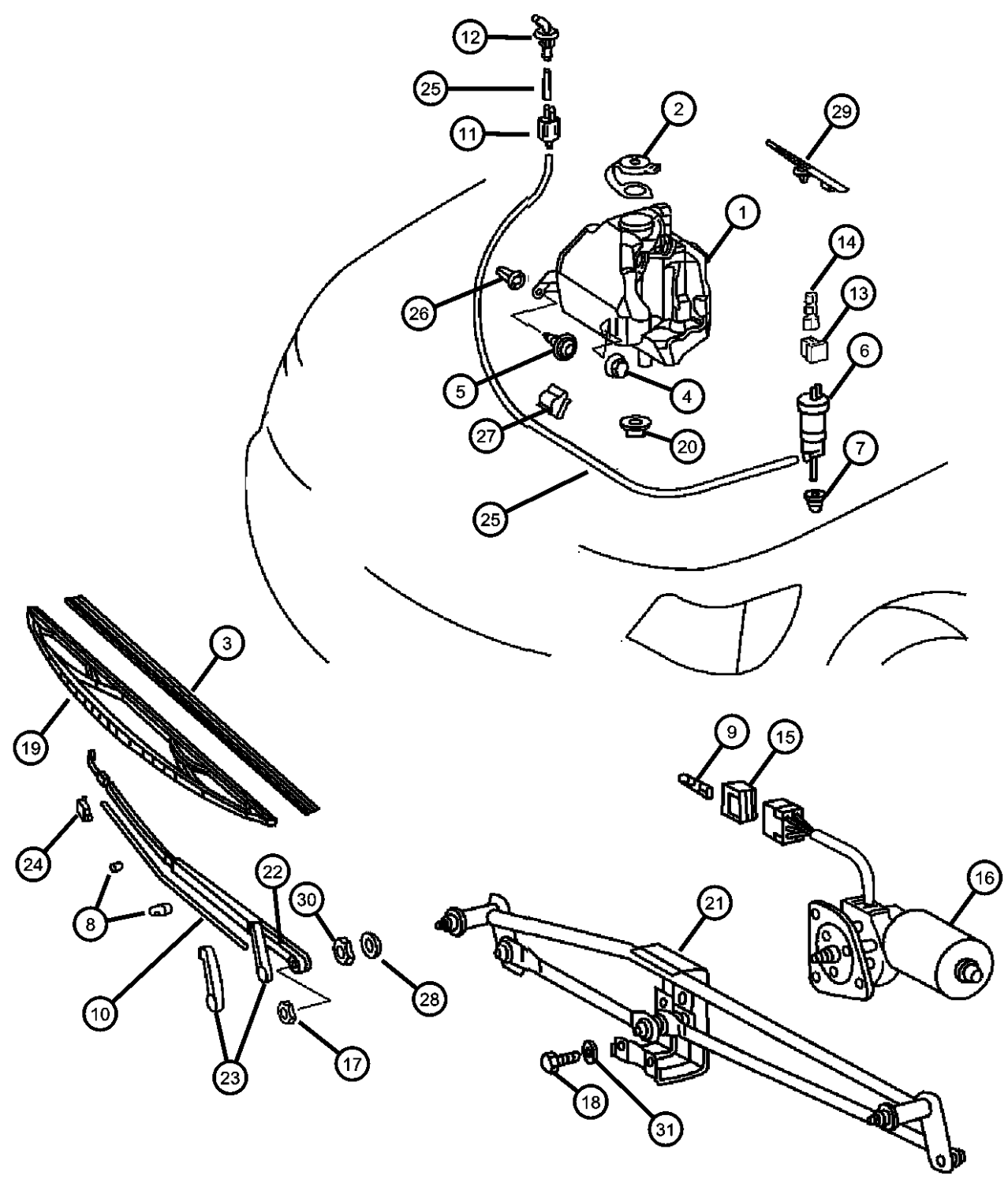


ITEM	PART NUMBER	QTY	LINE	SERIES	BODY	ENGINE	TRANS	TRIM	DESCRIPTION
	WB-WHI024AA								Mopar Alternative Color Wiper Blade (White)
	WB-CAR024AA								Mopar Alternative Color Wiper Blade (Carbon Fiber)
	WBW00024AD	2	2, 6		51, 52, 54, 55, 56				Mopar Alternative Winter Wiper Blades
	WBW00022AD								Mopar Alternative Winter Wiper Blades
	WB000024AE								Mopar V-Line Alternative Part
	WB000022AE								Mopar V-Line Alternative Part
	WB-BLU022AA								Mopar Alternative Color Wiper Blade (Blue)
	WBRED022AA								Mopar Alternative Color Wiper Blade (Red)
	WBYEL022AA								Mopar Alternative Color Wiper Blade (Yellow)
	WB-WHI022AA								Mopar Alternative Color Wiper Blade (White)
	WB-CAR022AA								Mopar Alternative Color Wiper Blade (Carbon Fiber)
	WB-BLU024AA								Mopar Alternative Color Wiper Blade (Blue)
	WBRED024AA								Mopar Alternative Color Wiper Blade (Red)
	WBYEL024AA								Mopar Alternative Color Wiper Blade (Yellow)
	WB-WHI024AA								Mopar Alternative Color Wiper Blade (White)
	WB-CAR024AA								Mopar Alternative Color Wiper Blade (Carbon Fiber)
	WBW00024AD	2	3, 7		12, 15, 16				Mopar Alternative Winter Wiper Blades
	WBW00022AD								Mopar Alternative Winter Wiper Blades

SPRINTER (VA)				
SERIES	LINE	BODY	ENGINE	TRANSMISSION
L = LOWLINE	3 = HD DODGE 2WD 6 = Lt. Duty DODGE 4WD 2 = Med. Duty DODGE 2WD 7 = Med. Duty DODGE 4WD	55 = Wagon 140" 54 = Wagon 118" 52 = Wagon 140" 51 = Wagon 118" 12 = Van 140" 11 = Van 118" 06 = Front Section 158" 14 = Van 118" 15 = Van 140" 16 = Van 158" 56 = Wagon 158"	EX8 = Engine-2.7L I5 Mercedes Turbo Diesel	DGJ = Transmission-5-Spd. Automatic, W5A580
		01 = Chassis Forward Control 118" 02 = Chassis Forward Control 140"		

AR = use ase required - = Non illustrated part

**Windshield Wiper & Washer
Figure 23D-205**

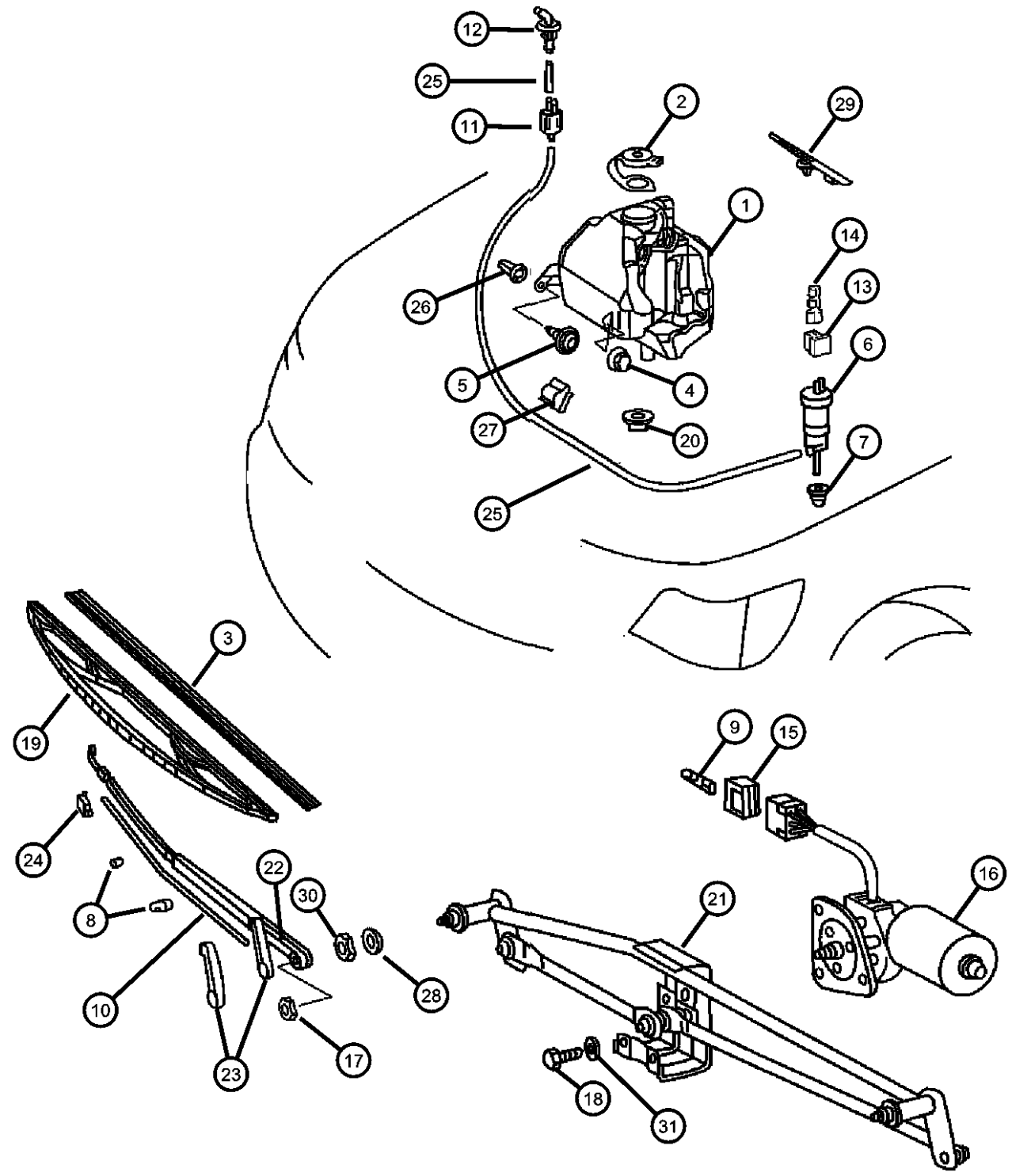


ITEM	PART NUMBER	QTY	LINE	SERIES	BODY	ENGINE	TRANS	TRIM	DESCRIPTION
	WB000024AE								Mopar V-Line Alternative Part
	WB000022AE								Mopar V-Line Alternative Part
	WB-BLU022AA								Mopar Alternative Color Wiper Blade (Blue)
	WBRED022AA								Mopar Alternative Color Wiper Blade (Red)
	WBYEL022AA								Mopar Alternative Color Wiper Blade (Yellow)
	WB-WHI022AA								Mopar Alternative Color Wiper Blade (White)
	WB-CAR022AA								Mopar Alternative Color Wiper Blade (Carbon Fiber)
	WB-BLU024AA								Mopar Alternative Color Wiper Blade (Blue)
	WBRED024AA								Mopar Alternative Color Wiper Blade (Red)
	WBYEL024AA								Mopar Alternative Color Wiper Blade (Yellow)
	WB-WHI024AA								Mopar Alternative Color Wiper Blade (White)
	WB-CAR024AA								Mopar Alternative Color Wiper Blade (Carbon Fiber)
4									NUT, Hex, M6
	05096978AA	3	2, 6		11, 12, 14, 15, 16				Reservoir Attach
		3	2, 6		51, 52, 54, 55, 56				Reservoir Attach
		1	3, 7		12, 15, 16				Reservoir Attach
5									SCREW
	06104582AA	4	2, 6		51, 52, 54, 55, 56				Reservoir Attach
		4	3, 7		12, 15, 16				Reservoir Attach
		2	2, 6		11, 12, 14, 15, 16				
6									PUMP, Washer, Windshield
	05124954AA	1	2, 6		01, 02, 06				Stamp nbr. A0008604826

SPRINTER (VA)				
SERIES	LINE	BODY	ENGINE	TRANSMISSION
L = LOWLINE	3 = HD DODGE 2WD 6 = Lt. Duty DODGE 4WD 2 = Med. Duty DODGE 2WD 7 = Med. Duty DODGE 4WD	55 = Wagon 140" 54 = Wagon 118" 52 = Wagon 140" 51 = Wagon 118" 12 = Van 140" 11 = Van 118" 06 = Front Section 158" 14 = Van 118" 15 = Van 140" 16 = Van 158" 56 = Wagon 158"	EX8 = Engine-2.7L I5 Mercedes Turbo Diesel	DGJ = Transmission-5-Spd. Automatic, W5A580
		01 = Chassis Forward Control 118" 02 = Chassis Forward Control 140"		

AR = use ase required - = Non illustrated part

**Windshield Wiper & Washer
Figure 23D-205**

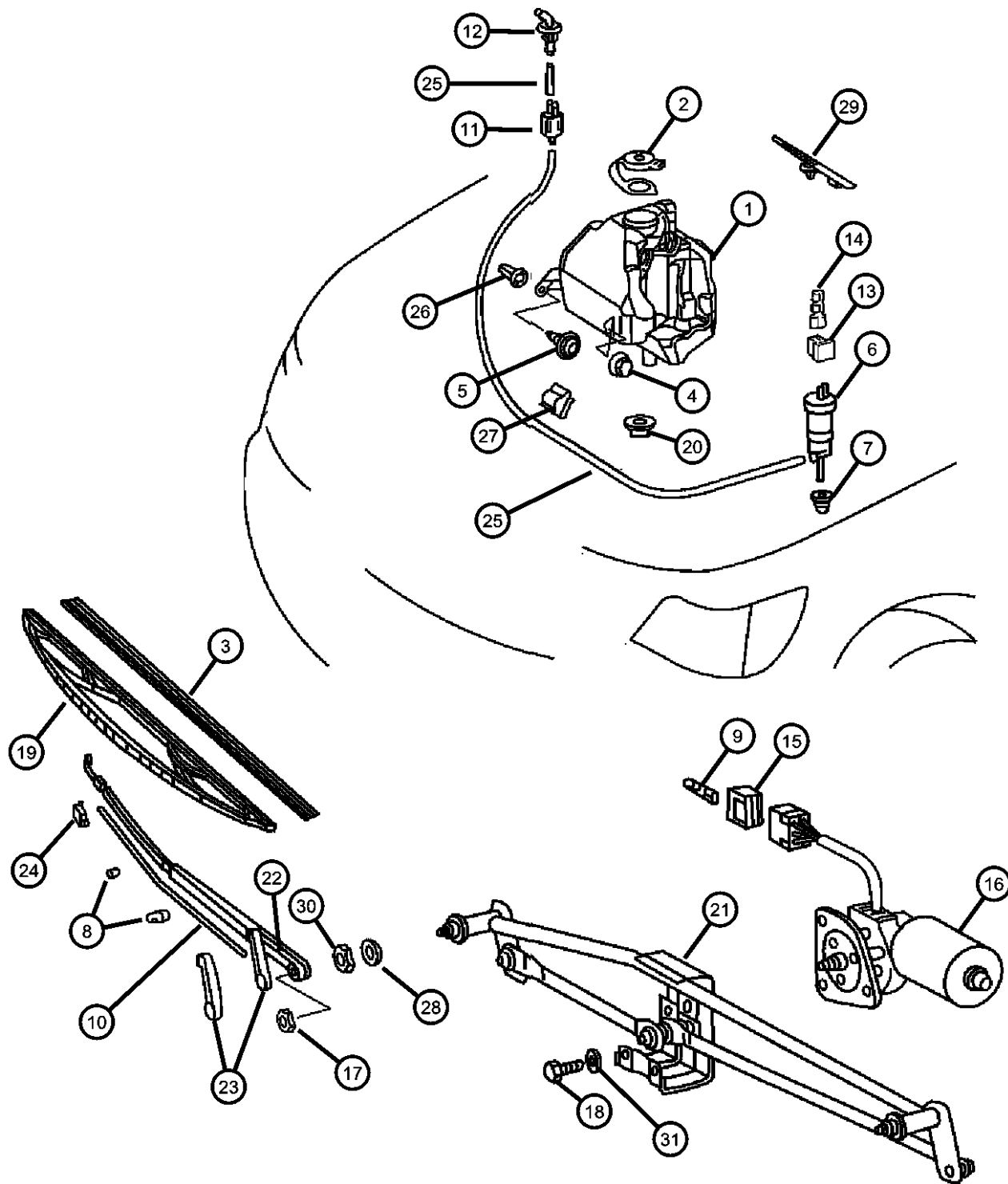


ITEM	PART NUMBER	QTY	LINE	SERIES	BODY	ENGINE	TRANS	TRIM	DESCRIPTION
		1	2, 6		11, 12, 14, 15, 16				Stamp nbr. A0008604826
	05103700AA	1	2, 6		01, 02, 06				Stamp nbr. A0008603326
		1	2, 6		11, 12, 14, 15, 16				Stamp nbr. A0008603326
		1	2, 6		51, 52, 54, 55, 56				Stamp nbr. A0008603326
		1	3, 7		02, 06				Stamp nbr. A0008603326
		1	2, 6		51, 52, 54, 55, 56				Stamp nbr. A0008604826
		1	3, 7		02, 06				Stamp nbr. A0008604826
		1	3, 7		12, 15, 16				Stamp nbr. A0008604826
7									GROMMET, Windshield Washer Pump
	05125077AA	1	2, 6		11, 12, 14, 15, 16				
		1	2, 6		51, 52, 54, 55, 56				
		1	3, 7		12, 15, 16				
8									CLIP, Washer Hose Upper Arm
	05133994AA	1	2, 6		11, 12, 14, 15, 16				Upper Arm
		1	2, 6		51, 52, 54, 55, 56				Upper Arm
		1	3, 7		12, 15, 16				Upper Arm
	05133995AA	1	2, 6		11, 12, 14, 15, 16				Lower Arm
		1	2, 6		51, 52, 54, 55, 56				Lower Arm
		1	3, 7		12, 15, 16				Lower Arm
9									TERMINAL, Female
	05133394AA	1	3, 7		12, 15, 16				
	05133359AA	99	2, 6		11, 12, 14, 15, 16				

SPRINTER (VA)
 SERIES LINE BODY ENGINE TRANSMISSION
 L = LOWLINE 3 = HD DODGE 2WD 55 = Wagon 140" EX8 = Engine-2.7L I5 DGJ = Transmission-5-Spd. Automatic, W5A580
 6 = Lt. Duty DODGE 4WD 54 = Wagon 118" Mercedes Turbo Diesel
 2 = Med. Duty DODGE 2WD 52 = Wagon 140"
 7 = Med. Duty DODGE 4WD 51 = Wagon 118"
 12 = Van 140"
 11 = Van 118"
 06 = Front Section 158"
 14 = Van 118"
 15 = Van 140"
 16 = Van 158"
 56 = Wagon 158"
 01 = Chassis Forward Control 118"
 02 = Chassis Forward Control 140"

AR = use ase required - = Non illustrated part

**Windshield Wiper & Washer
Figure 23D-205**

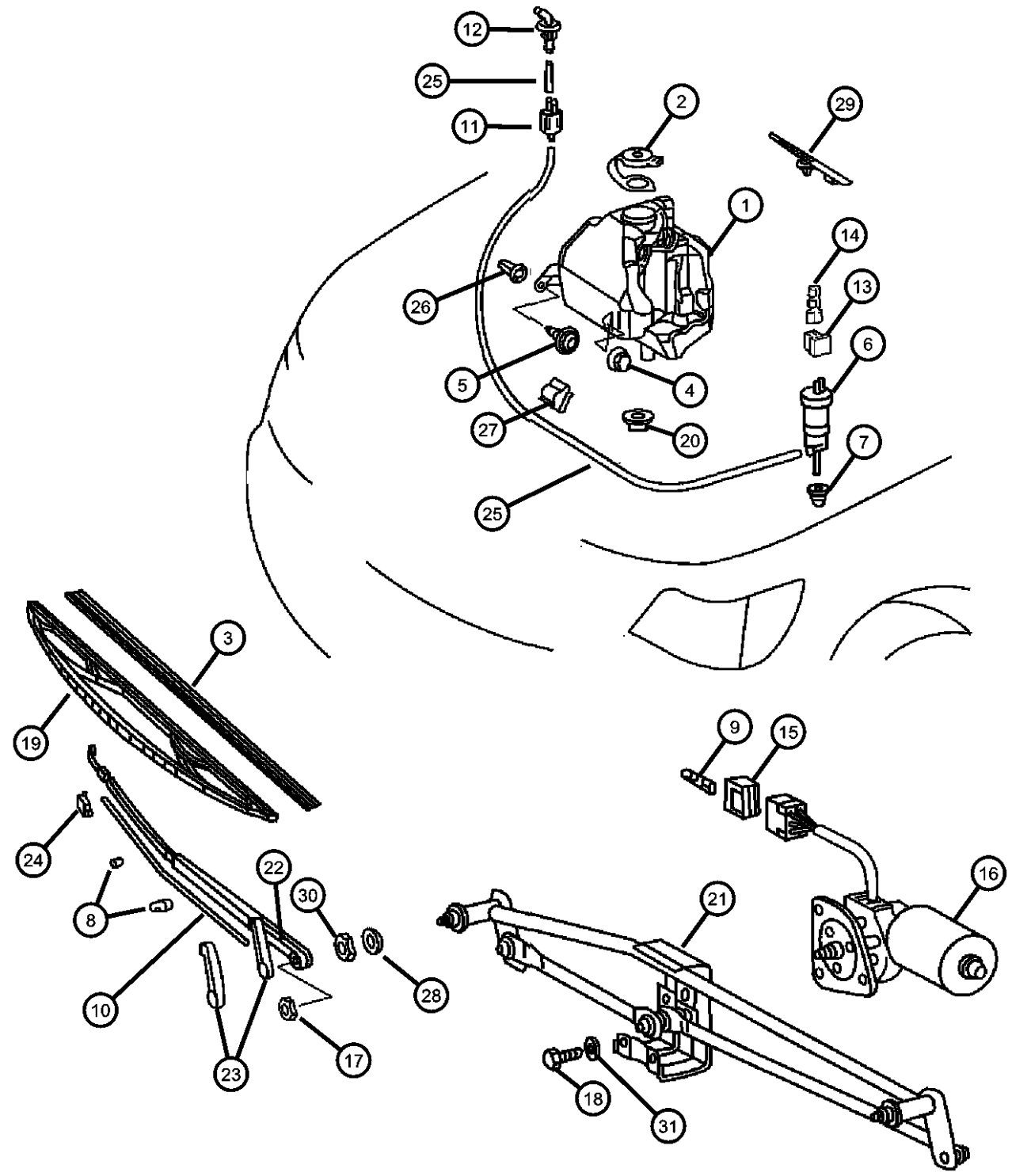


ITEM	PART NUMBER	QTY	LINE	SERIES	BODY	ENGINE	TRANS	TRIM	DESCRIPTION
10	05133993AA	99	2, 6		51, 52, 54, 55, 56				HOSE, Windshield Washer 5 Meters Long
		900	2, 6		11, 12, 14, 15, 16				5 Meters Long
		900	2, 6		51, 52, 54, 55, 56				5 Meters Long
		900	3, 7		12, 15, 16				5 Meters Long
11	05124963AA	1	2, 6		11, 12, 14, 15, 16				CHECK VALVE, Washer
		1	2, 6		51, 52, 54, 55, 56				
12	05125061AA	1	3, 7		12, 15, 16				CONNECTOR, Washer Hose, Elbow Type
		2	2, 6		11, 12, 14, 15, 16				
		2	2, 6		51, 52, 54, 55, 56				
13	05103754AA	2	3, 7		12, 15, 16				INSULATOR, 2 Way Female
		1	2, 6		11, 12, 14, 15, 16				
		1	2, 6		51, 52, 54, 55, 56				
14	05114451AA	1	3, 7		12, 15, 16				TERMINAL, Female
		99	2, 6		11, 12, 14, 15, 16				
		99	2, 6		01, 02, 06				
		99	2, 6		51, 52, 54, 55, 56				
15		99	3, 7		12, 15, 16			CONNECTOR	

SPRINTER (VA)									
SERIES	LINE	BODY	ENGINE	TRANSMISSION					
L = LOWLINE	3 = HD DODGE 2WD 6 = Lt. Duty DODGE 4WD 2 = Med. Duty DODGE 2WD 7 = Med. Duty DODGE 4WD	55 = Wagon 140" 54 = Wagon 118" 52 = Wagon 140" 51 = Wagon 118" 12 = Van 140" 11 = Van 118" 06 = Front Section 158" 14 = Van 118" 15 = Van 140" 16 = Van 158" 56 = Wagon 158"	EX8 = Engine-2.7L I5 Mercedes Turbo Diesel	DGJ = Transmission-5-Spd. Automatic,W5A580					

AR = use ase required - = Non illustrated part

**Windshield Wiper & Washer
Figure 23D-205**



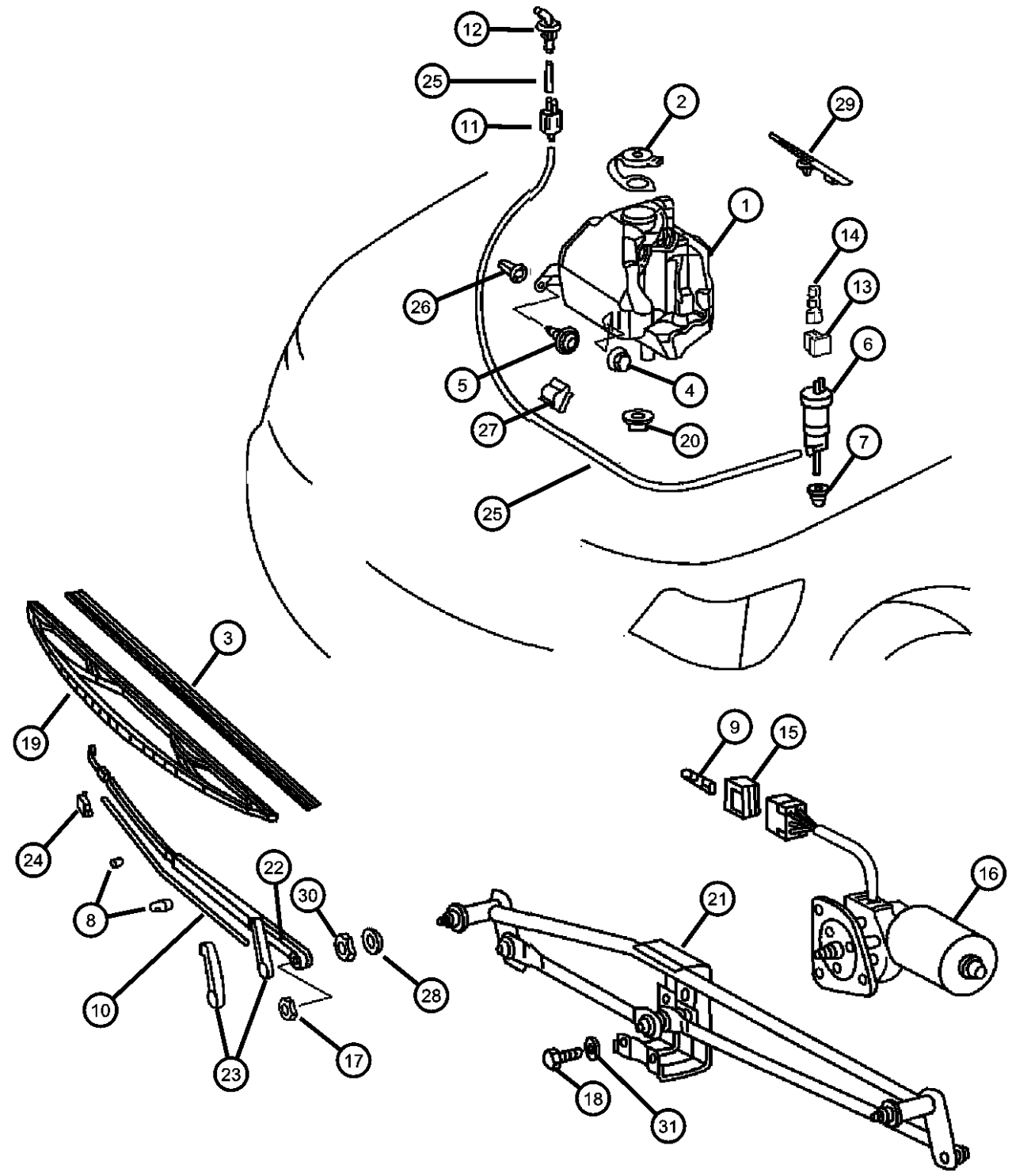
ITEM	PART NUMBER	QTY	LINE	SERIES	BODY	ENGINE	TRANS	TRIM	DESCRIPTION
	05103870AA	1	2, 6		11, 12, 14, 15, 16				
		1	2, 6		51, 52, 54, 55, 56				
16	05103561AA	1	2, 3, 6, 7		12, 15, 16				MOTOR, Wiper
17									NUT, M8
	06104709AA	1	2, 6		11, 12, 14, 15, 16				Wiper Arm to Bearing
		1	2, 6		51, 52, 54, 55, 56				Wiper Arm to Bearing
		1	3, 7		12, 15, 16				Wiper Arm to Bearing
18									SCREW
	06104179AA	1	2, 6		11, 12, 14, 15, 16				
		1	2, 6		51, 52, 54, 55, 56				
		1	3, 7		12, 15, 16				
19									WIPER BLADE
	05103543AA	1	2, 6		01, 02, 06				Passenger Side
	WBW00022AD								Mopar Alternative Winter Wiper Blades
	WB000022AE								Mopar V-Line Alternative Part
	WB-BLU022AA								Mopar Alternative Color Wiper Blade (Blue)
	WBRED022AA								Mopar Alternative Color Wiper Blade (Red)
	WBYEL022AA								Mopar Alternative Color Wiper Blade (Yellow)
	WB-WHI022AA								Mopar Alternative Color Wiper Blade (White)
	WB-CAR022AA								Mopar Alternative Color Wiper Blade (Carbon Fiber)
		1	2, 6		11, 12, 14, 15, 16				Passenger Side

SPRINTER (VA)

SERIES	LINE	BODY	ENGINE	TRANSMISSION
L = LOWLINE	3 = HD DODGE 2WD 6 = Lt. Duty DODGE 4WD 2 = Med. Duty DODGE 2WD 7 = Med. Duty DODGE 4WD	55 = Wagon 140" 54 = Wagon 118" 52 = Wagon 140" 51 = Wagon 118" 12 = Van 140" 11 = Van 118" 06 = Front Section 158" 14 = Van 118" 15 = Van 140" 16 = Van 158" 56 = Wagon 158"	EX8 = Engine-2.7L I5 Mercedes Turbo Diesel	DGJ = Transmission-5-Spd. Automatic, W5A580
		01 = Chassis Forward Control 118" 02 = Chassis Forward Control 140"		

AR = use ase required - = Non illustrated part

**Windshield Wiper & Washer
Figure 23D-205**

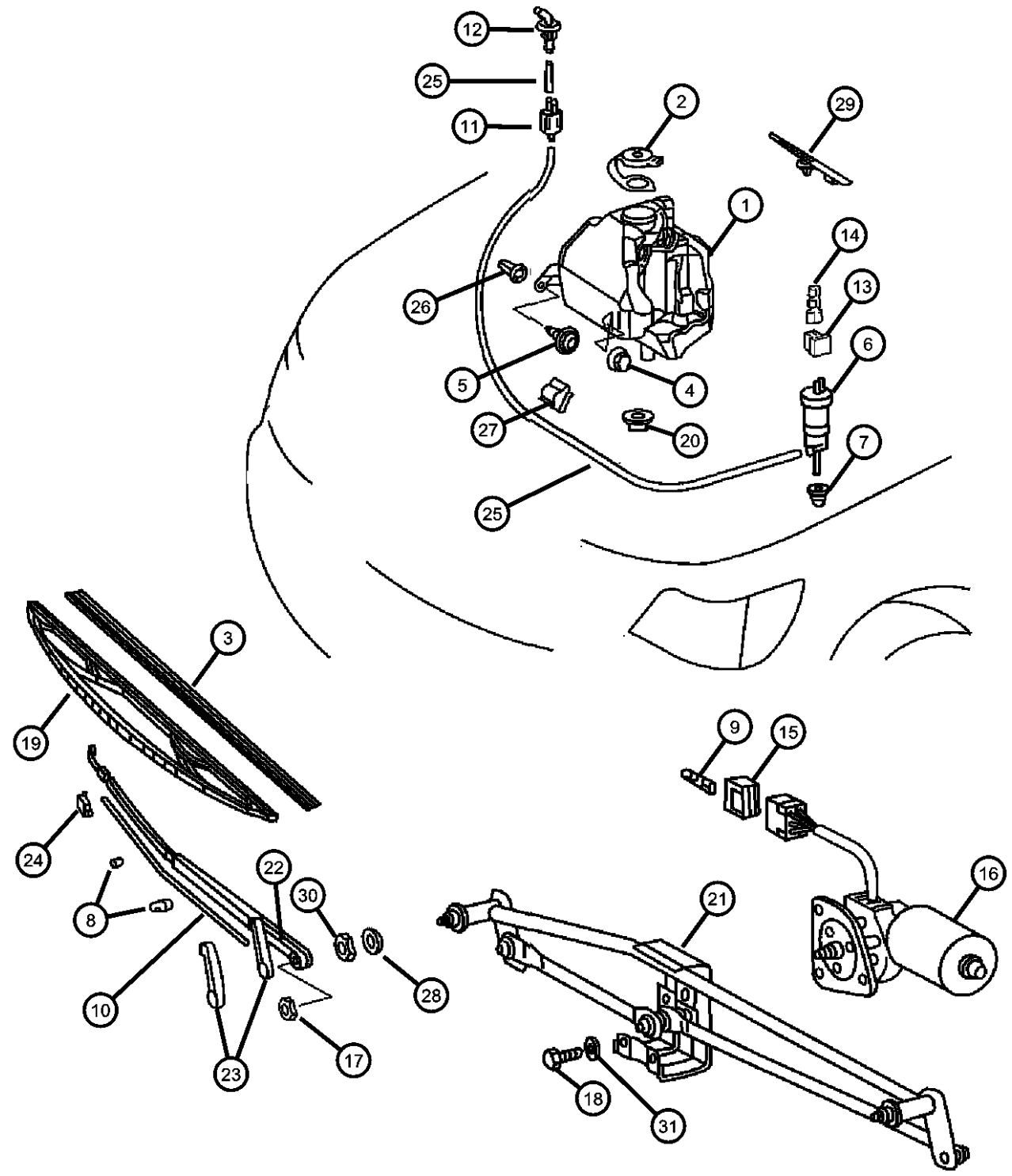


ITEM	PART NUMBER	QTY	LINE	SERIES	BODY	ENGINE	TRANS	TRIM	DESCRIPTION
	WBW00022AD								Mopar Alternative Winter Wiper Blades
	WB000022AE								Mopar V-Line Alternative Part
	WB-BLU022AA								Mopar Alternative Color Wiper Blade (Blue)
	WBRED022AA								Mopar Alternative Color Wiper Blade (Red)
	WBYEL022AA								Mopar Alternative Color Wiper Blade (Yellow)
	WB-WHI022AA								Mopar Alternative Color Wiper Blade (White)
	WB-CAR022AA								Mopar Alternative Color Wiper Blade (Carbon Fiber)
	WBW00022AD	1	2, 6		51, 52, 54, 55, 56				Mopar Alternative Winter Wiper Blades
	WB000022AE								Mopar V-Line Alternative Part
	WB-BLU022AA								Mopar Alternative Color Wiper Blade (Blue)
	WBRED022AA								Mopar Alternative Color Wiper Blade (Red)
	WBYEL022AA								Mopar Alternative Color Wiper Blade (Yellow)
	WB-WHI022AA								Mopar Alternative Color Wiper Blade (White)
	WB-CAR022AA								Mopar Alternative Color Wiper Blade (Carbon Fiber)
	WBW00022AD	1	3, 7		12, 15, 16				Mopar Alternative Winter Wiper Blades
	WB000022AE								Mopar V-Line Alternative Part
	WB-BLU022AA								Mopar Alternative Color Wiper Blade (Blue)
	WBRED022AA								Mopar Alternative Color Wiper Blade (Red)

SPRINTER (VA)				
SERIES	LINE	BODY	ENGINE	TRANSMISSION
L = LOWLINE	3 = HD DODGE 2WD 6 = Lt. Duty DODGE 4WD 2 = Med. Duty DODGE 2WD 7 = Med. Duty DODGE 4WD	55 = Wagon 140" 54 = Wagon 118" 52 = Wagon 140" 51 = Wagon 118" 12 = Van 140" 11 = Van 118" 06 = Front Section 158" 14 = Van 118" 15 = Van 140" 16 = Van 158" 56 = Wagon 158"	EX8 = Engine-2.7L I5 Mercedes Turbo Diesel	DGJ = Transmission-5-Spd. Automatic, W5A580
		01 = Chassis Forward Control 118" 02 = Chassis Forward Control 140"		

AR = use ase required - = Non illustrated part

**Windshield Wiper & Washer
Figure 23D-205**

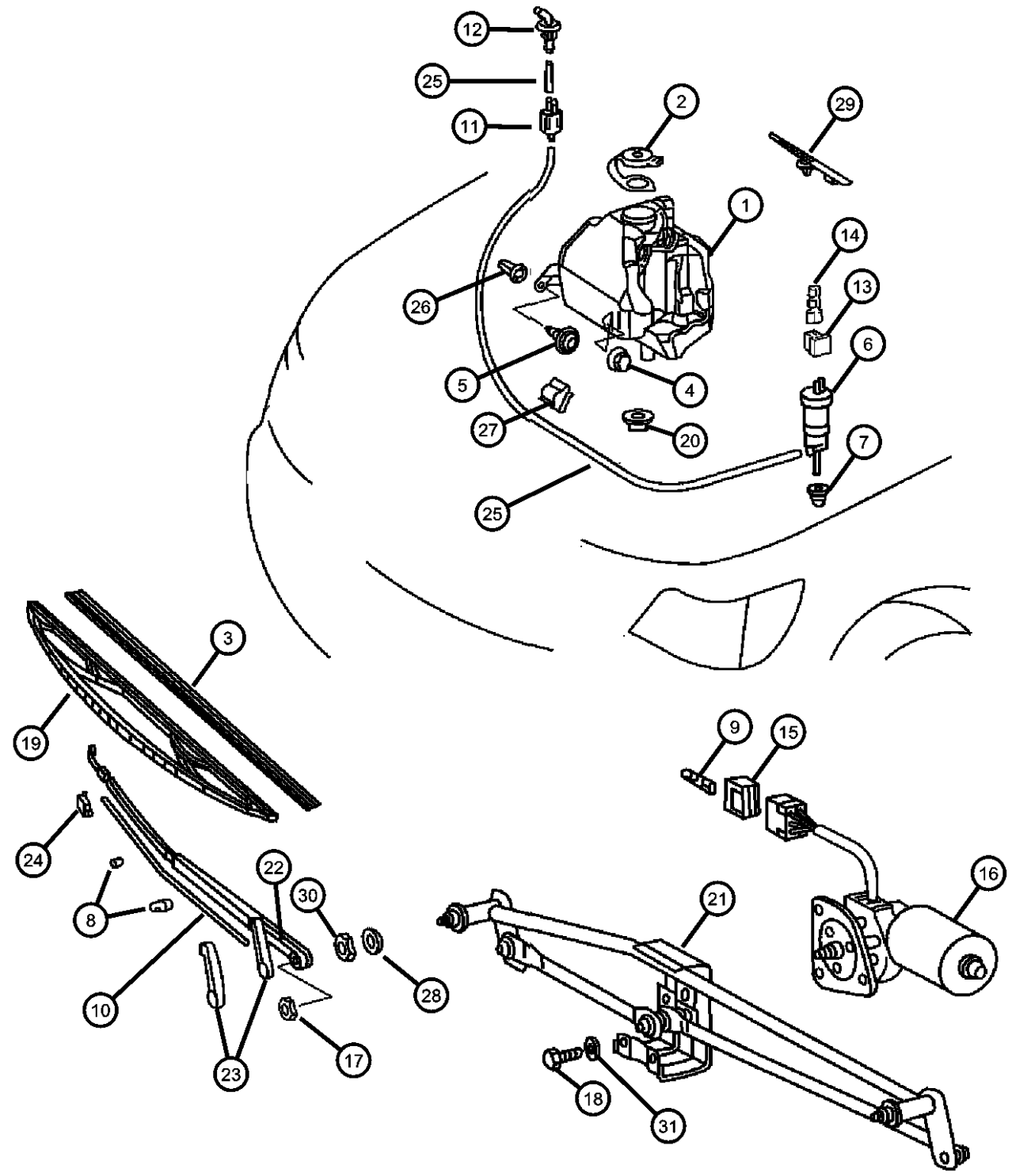


ITEM	PART NUMBER	QTY	LINE	SERIES	BODY	ENGINE	TRANS	TRIM	DESCRIPTION
	WBYEL022AA								Mopar Alternative Color Wiper Blade (Yellow)
	WB-WHI022AA								Mopar Alternative Color Wiper Blade (White)
	WB-CAR022AA								Mopar Alternative Color Wiper Blade (Carbon Fiber)
	05103544AA	1	2, 6		01, 02, 06				Driver Side
	WBW00027AD								Mopar Alternative Winter Wiper Blades
	WBW00024AD								Mopar Alternative Winter Wiper Blades
	WB000024AE								Mopar V-Line Alternative Part
	WB-BLU024AA								Mopar Alternative Color Wiper Blade (Blue)
	WBRED024AA								Mopar Alternative Color Wiper Blade (Red)
	WBYEL024AA								Mopar Alternative Color Wiper Blade (Yellow)
	WB-WHI024AA								Mopar Alternative Color Wiper Blade (White)
	WB-CAR024AA								Mopar Alternative Color Wiper Blade (Carbon Fiber)
		1	2, 6		11, 12, 14, 15, 16				Driver Side
	WBW00027AD								Mopar Alternative Winter Wiper Blades
	WBW00024AD								Mopar Alternative Winter Wiper Blades
	WB000024AE								Mopar V-Line Alternative Part
	WB-BLU024AA								Mopar Alternative Color Wiper Blade (Blue)
	WBRED024AA								Mopar Alternative Color Wiper Blade (Red)
	WBYEL024AA								Mopar Alternative Color Wiper Blade (Yellow)
	WB-WHI024AA								Mopar Alternative Color Wiper Blade (White)

SPRINTER (VA)				
SERIES	LINE	BODY	ENGINE	TRANSMISSION
L = LOWLINE	3 = HD DODGE 2WD 6 = Lt. Duty DODGE 4WD 2 = Med. Duty DODGE 2WD 7 = Med. Duty DODGE 4WD	55 = Wagon 140" 54 = Wagon 118" 52 = Wagon 140" 51 = Wagon 118" 12 = Van 140" 11 = Van 118" 06 = Front Section 158" 14 = Van 118" 15 = Van 140" 16 = Van 158" 56 = Wagon 158"	EX8 = Engine-2.7L I5 Mercedes Turbo Diesel	DGJ = Transmission-5-Spd. Automatic, W5A580

AR = use ase required - = Non illustrated part

**Windshield Wiper & Washer
Figure 23D-205**

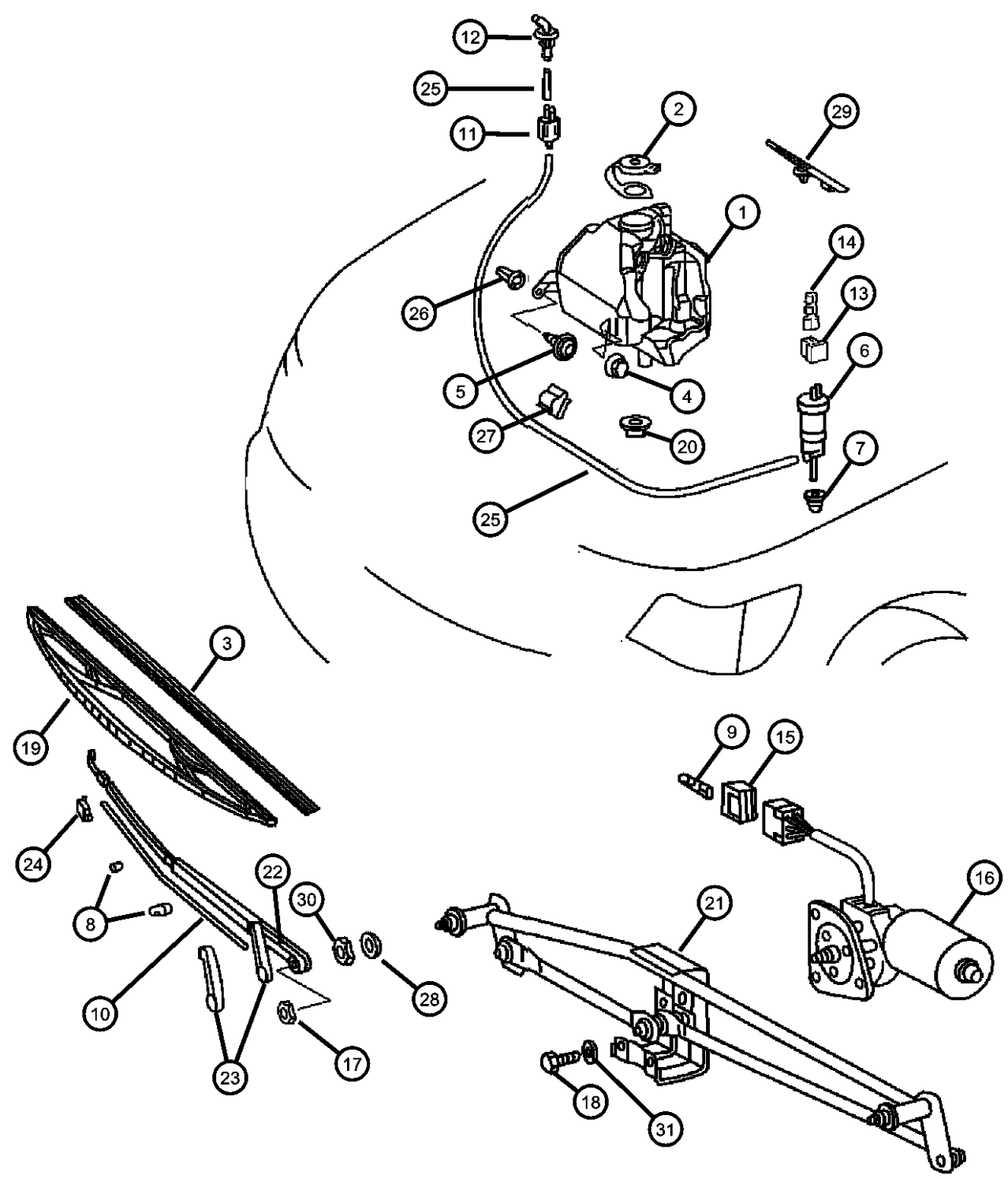


ITEM	PART NUMBER	QTY	LINE	SERIES	BODY	ENGINE	TRANS	TRIM	DESCRIPTION
	WB-CAR024AA	1	2, 6		51, 52, 54, 55, 56				Mopar Alternative Color Wiper Blade (Carbon Fiber) Driver Side
	WBW00027AD								Mopar Alternative Winter Wiper Blades
	WBW00024AD								Mopar Alternative Winter Wiper Blades
	WB000024AE								Mopar V-Line Alternative Part
	WB-BLU024AA								Mopar Alternative Color Wiper Blade (Blue)
	WBRED024AA								Mopar Alternative Color Wiper Blade (Red)
	WBYEL024AA								Mopar Alternative Color Wiper Blade (Yellow)
	WB-WHI024AA								Mopar Alternative Color Wiper Blade (White)
	WB-CAR024AA	1	3, 7		12, 15, 16				Mopar Alternative Color Wiper Blade (Carbon Fiber) Driver Side
	WBW00027AD								Mopar Alternative Winter Wiper Blades
	WBW00024AD								Mopar Alternative Winter Wiper Blades
	WB000024AE								Mopar V-Line Alternative Part
	WB-BLU024AA								Mopar Alternative Color Wiper Blade (Blue)
	WBRED024AA								Mopar Alternative Color Wiper Blade (Red)
	WBYEL024AA								Mopar Alternative Color Wiper Blade (Yellow)
	WB-WHI024AA								Mopar Alternative Color Wiper Blade (White)
	WB-CAR024AA								Mopar Alternative Color Wiper Blade (Carbon Fiber)
20									GROMMET, Washer Reservoir

SPRINTER (VA)				
SERIES	LINE	BODY	ENGINE	TRANSMISSION
L = LOWLINE	3 = HD DODGE 2WD 6 = Lt. Duty DODGE 4WD 2 = Med. Duty DODGE 2WD 7 = Med. Duty DODGE 4WD	55 = Wagon 140" 54 = Wagon 118" 52 = Wagon 140" 51 = Wagon 118" 12 = Van 140" 11 = Van 118" 06 = Front Section 158" 14 = Van 118" 15 = Van 140" 16 = Van 158" 56 = Wagon 158"	EX8 = Engine-2.7L I5 Mercedes Turbo Diesel	DGJ = Transmission-5-Spd. Automatic, W5A580
		01 = Chassis Forward Control 118" 02 = Chassis Forward Control 140"		

AR = use ase required - = Non illustrated part

**Windshield Wiper & Washer
Figure 23D-205**



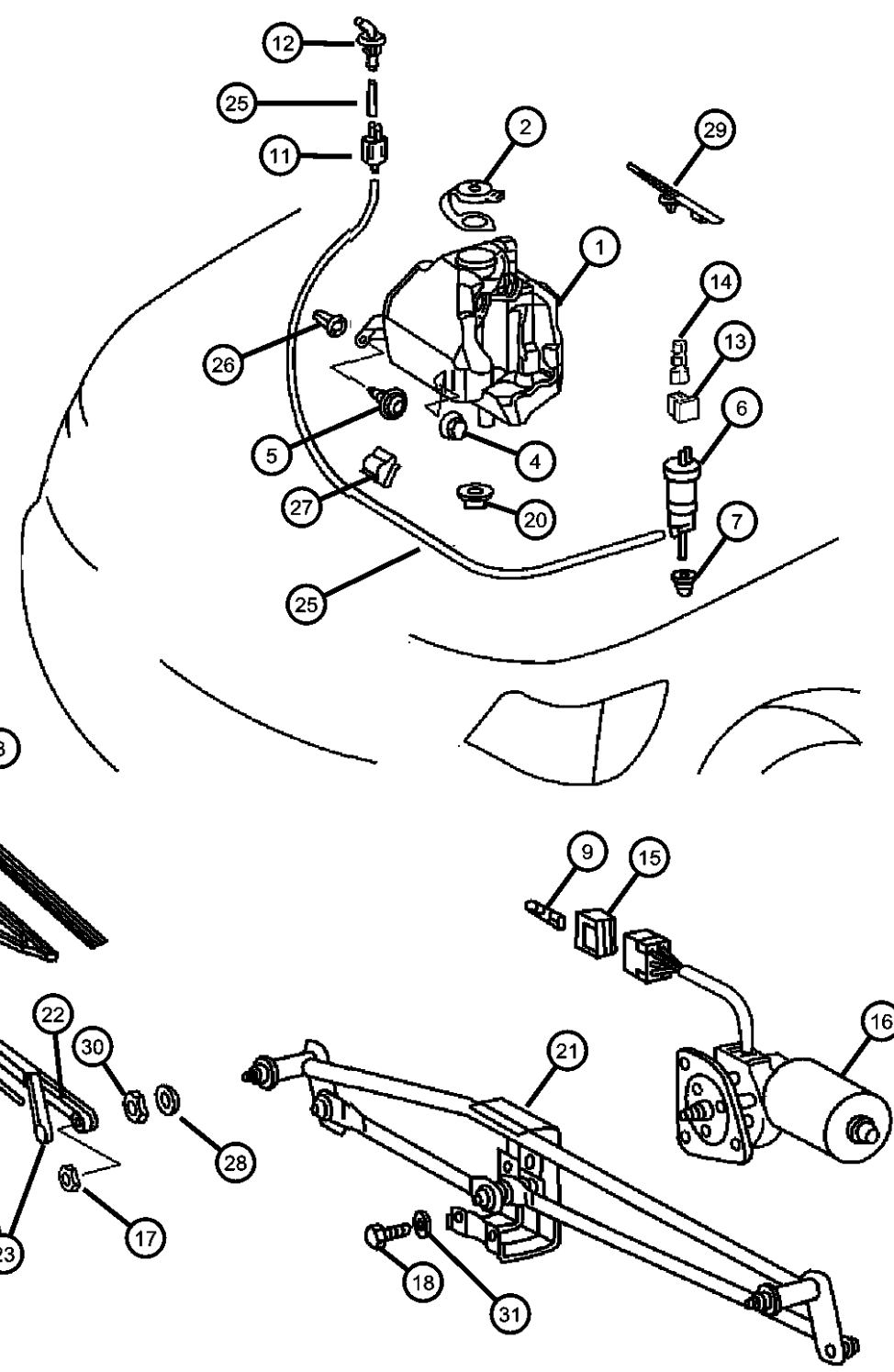
ITEM	PART NUMBER	QTY	LINE	SERIES	BODY	ENGINE	TRANS	TRIM	DESCRIPTION
	05125941AA	2	2, 6		11, 12, 14, 15, 16				
		2	2, 6		51, 52, 54, 55, 56				
		2	3, 7		12, 15, 16				
21	05133991AA	1							LINKAGE, Wiper Arm
22									ARM, Wiper Left
	05104458AA	1	2, 3, 6, 7						Right
	05104460AA	1	2, 3, 6, 7						
23	05103683AA	1	2, 3, 6, 7						COVER, Wiper Arm
24	05103698AA	1	2, 3, 6, 7						NOZZLE, Washer, Windshield
25									HOSE, Windshield Washer
	05125066AA	1	2, 6		11, 12, 14, 15, 16				
		1	2, 6		51, 52, 54, 55, 56				
		1	3, 7		12, 15, 16				
26		1							PLUG, Push Lock, (NOT SERVICED)
27									CLIP
	06507148AA	8	2, 6		11, 12, 14, 15, 16				
		8	2, 6		51, 52, 54, 55, 56				
		8	3, 7		12, 15, 16				
28	05125759AA	1	2, 3, 6, 7						WASHER STRAP, Tie
29									
	05133690AA	8	2, 6		11, 12, 14, 15, 16				
		8	2, 6		51, 52, 54, 55, 56				
		8	3, 7		12, 15, 16				
30	05125766AA	1	2, 3, 6, 7						NUT

SPRINTER (VA)
 SERIES LINE BODY ENGINE TRANSMISSION
 L = LOWLINE 3 = HD DODGE 2WD 55 = Wagon 140" EX8 = Engine-2.7L I5 DGJ = Transmission-5-Spd.
 6 = Lt. Duty DODGE 4WD 54 = Wagon 118" Mercedes Turbo Diesel Automatic,W5A580
 2 = Med. Duty DODGE 2WD
 7 = Med. Duty DODGE 4WD
 12 = Van 140"
 11 = Van 118"
 06 = Front Section 158"
 14 = Van 118"
 15 = Van 140"
 16 = Van 158"
 56 = Wagon 158"
 01 = Chassis Forward Control
 118"
 02 = Chassis Forward Control
 140"

AR = use ase required - = Non illustrated part

**Windshield Wiper & Washer
Figure 23D-205**

ITEM	PART NUMBER	QTY	LINE	SERIES	BODY	ENGINE	TRANS	TRIM	DESCRIPTION
------	-------------	-----	------	--------	------	--------	-------	------	-------------



31									WASHER
	05133908AA	1	2, 6		11, 12, 14, 15, 16				
		1	3, 7		12, 15, 16				
		1	2, 6		51, 52, 54, 55, 56				

SPRINTER (VA)

SERIES	LINE	BODY	ENGINE	TRANSMISSION
L = LOWLINE	3 = HD DODGE 2WD 6 = Lt. Duty DODGE 4WD 2 = Med. Duty DODGE 2WD 7 = Med. Duty DODGE 4WD	55 = Wagon 140" 54 = Wagon 118" 52 = Wagon 140" 51 = Wagon 118" 12 = Van 140" 11 = Van 118" 06 = Front Section 158" 14 = Van 118" 15 = Van 140" 16 = Van 158" 56 = Wagon 158"	EX8 = Engine-2.7L I5 Mercedes Turbo Diesel	DGJ = Transmission-5-Spd. Automatic,W5A580
		01 = Chassis Forward Control 118" 02 = Chassis Forward Control 140"		

AR = use ase required - = Non illustrated part

Group - 24

Air Conditioning & Heater

Group - 24 Air Conditioning & Heater

Illustration Title

Group-Fig. No.

Air Conditioner and Heater Units

Hevac Unit, Front.....Fig. 24 - 130

Air Conditioner and Heater Plumbing

Heat Exchanger and Plumbing.....Fig. 24 - 250
 Plumbing, Heater.....Fig. 24 - 260
 Plumbing, Heater with Auxiliary warm water Heater.....Fig. 24 - 265
 Plumbing, Air Conditioning.....Fig. 24 - 270
 Condenser, Fan Front.....Fig. 24 - 280
 Condenser, Fan Roof.....Fig. 24 - 285
 Auxiliary Warm Water Heater.....Fig. 24 - 290

Air Conditioner and Heater Controls

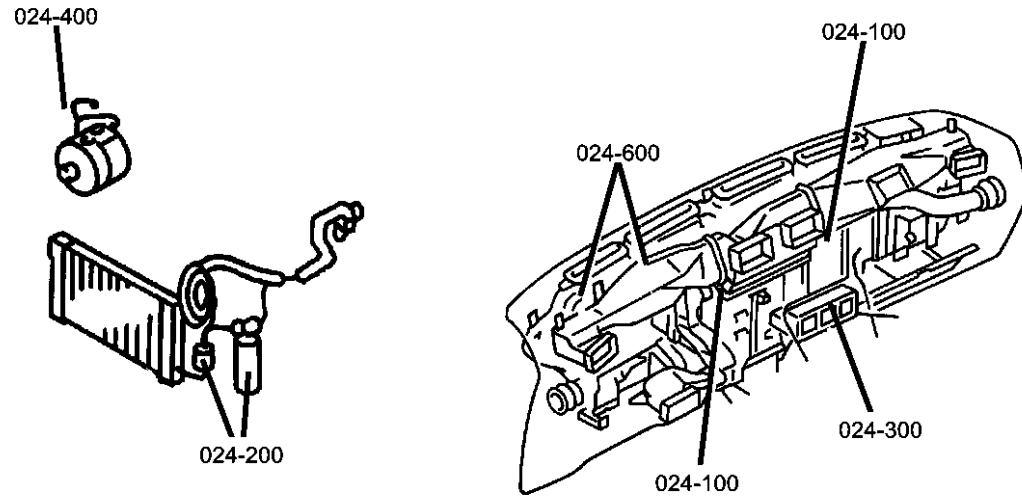
Control.....Fig. 24 - 320

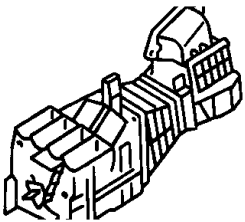
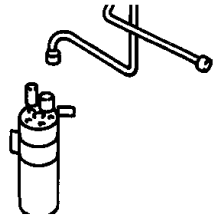
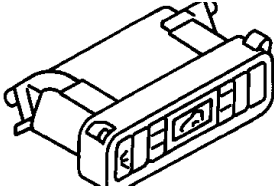
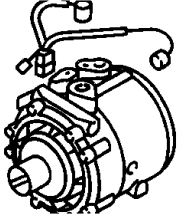
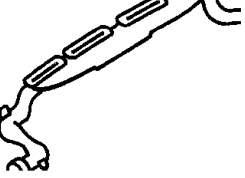
Air Conditioning Compressor

Compressor and Mounting.....Fig. 24 - 420

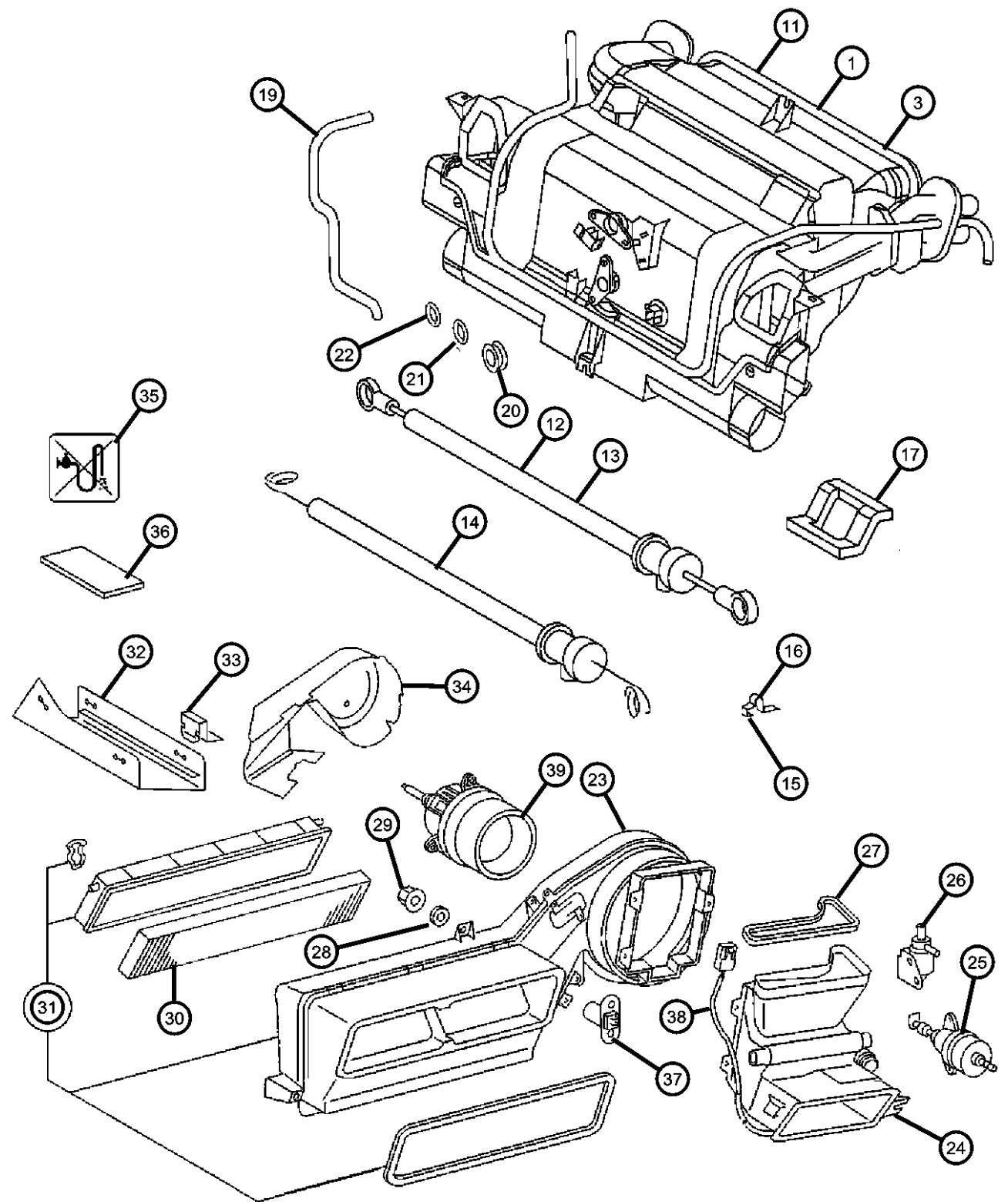
Air Ducts and Outlets

Air Ducts And Outlets, Front.....Fig. 24 - 630
 Air Ducts And Outlets, Rear.....Fig. 24 - 640
 Ventilator, Roof Mounted.....Fig. 24 - 650



<p>024-100 Air Conditioner and Heater Units</p> 	<p>024-200 Air Conditioner and Heater Plumbing</p> 	<p>024-300 Air Conditioner and Heater Controls</p> 	<p>024-400 Air Conditioning Compressor</p> 
<p>024-600 Air Ducts and Outlets</p> 			

Hevac Unit, Front
Figure 24-130



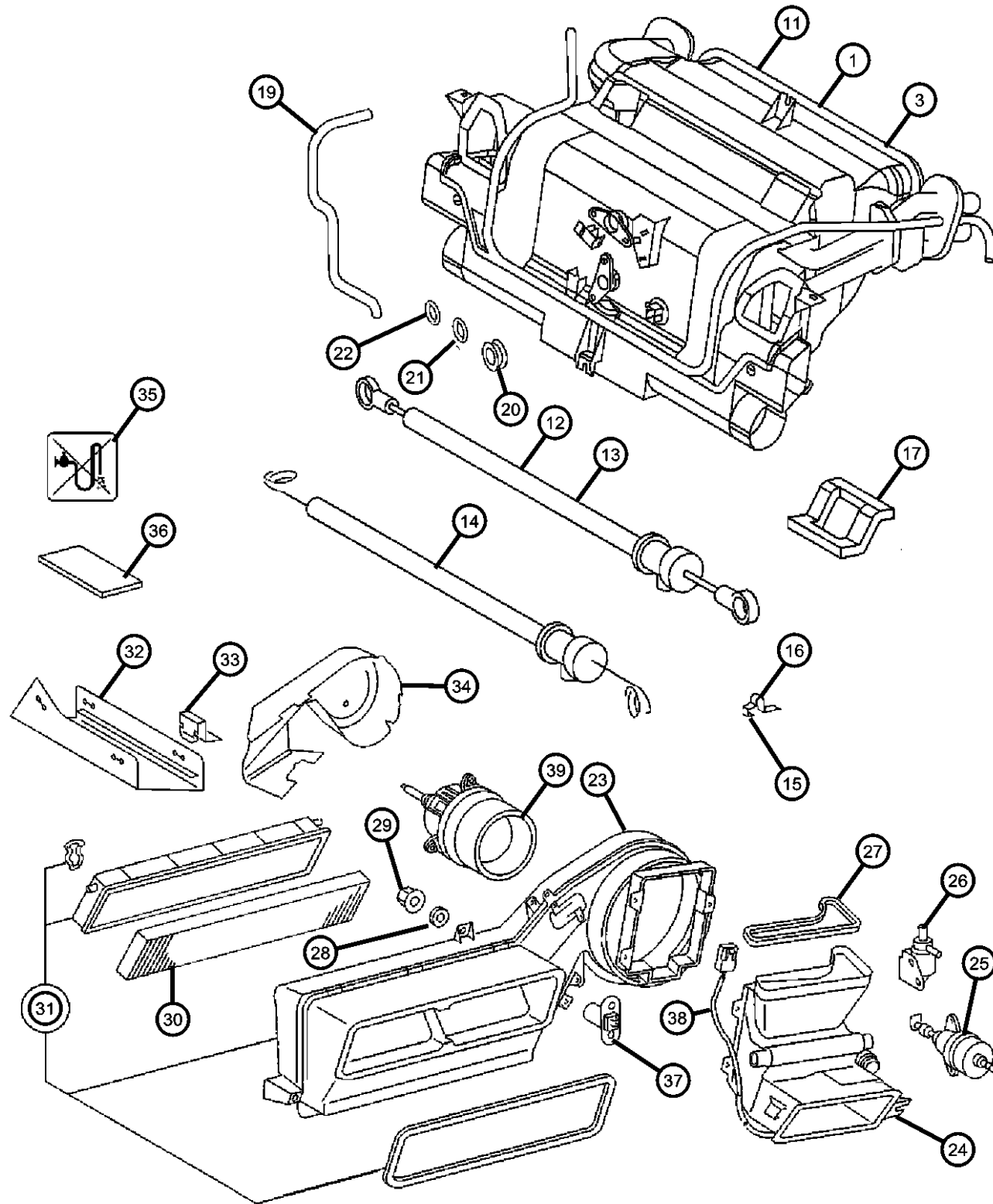
ITEM	PART NUMBER	QTY	LINE	SERIES	BODY	ENGINE	TRANS	TRIM	DESCRIPTION
1	05133422AA	1	2, 6		01, 02, 06				HEATER
		1	2, 6		11, 12, 14, 15, 16				Heater
		1	2, 6		51, 52, 54, 55, 56				Heater
		1	3, 7		02, 06				Heater
		1	3, 7		12, 15, 16				Heater
-2	06104610AA	4	2, 6		51, 52, 54, 55, 56				SCREW, Attaching
		4	2, 6		11, 12, 14, 15, 16				
		4	3, 7		12, 15, 16				
3	05134379AA	1	2, 6		01, 02, 06				HEATER AND A/C UNIT, Includes items 3 - 9
		1	2, 6		11, 12, 14, 15, 16				
		1	2, 6		51, 52, 54, 55, 56				
		1	3, 7		12, 15, 16				
-4	05133424AA	1	3, 7		02, 06				OUTLET, Air Conditioning & Heater
		1	3, 7		12, 15, 16				
		1	2, 6		01, 02, 06				
		1	2, 6		11, 12, 14, 15, 16				
		1	2, 6		51, 52, 54, 55, 56				
-5	05103773AA	1	2, 6		01, 02, 06				GASKET
		1	2, 6		11, 12, 14, 15, 16				

SPRINTER (VA)

SERIES	LINE	BODY	ENGINE	TRANSMISSION
L = LOWLINE	3 = HD DODGE 2WD 6 = Lt. Duty DODGE 4WD 2 = Med. Duty DODGE 2WD 7 = Med. Duty DODGE 4WD	55 = Wagon 140" 54 = Wagon 118" 52 = Wagon 140" 51 = Wagon 118" 12 = Van 140" 11 = Van 118" 06 = Front Section 158" 14 = Van 118" 15 = Van 140" 16 = Van 158" 56 = Wagon 158"	EX8 = Engine-2.7L I5 Mercedes Turbo Diesel	DGJ = Transmission-5-Spd. Automatic, W5A580
		01 = Chassis Forward Control 118" 02 = Chassis Forward Control 140"		

AR = use ase required - = Non illustrated part

Hevac Unit, Front
Figure 24-130



ITEM	PART NUMBER	QTY	LINE	SERIES	BODY	ENGINE	TRANS	TRIM	DESCRIPTION
		1	2, 6		51, 52, 54, 55, 56				
		1	3, 7		02, 06				
		1	3, 7		12, 15, 16				
-6	05103809AA	1	2, 6		01, 02, 06				VALVE
		1	2, 6		11, 12, 14, 15, 16				
		1	2, 6		51, 52, 54, 55, 56				
		1	3, 7		02, 06				
		1	3, 7		12, 15, 16				
-7	05133425AA	1	2, 6		01, 02, 06				TUBE
		1	2, 6		11, 12, 14, 15, 16				
		1	2, 6		51, 52, 54, 55, 56				
		1	3, 7		02, 06				
		1	3, 7		12, 15, 16				
-8	05133426AA	1	2, 6		01, 02, 06				HEATER, Exchanger
		1	2, 6		11, 12, 14, 15, 16				
		1	2, 6		51, 52, 54, 55, 56				
		1	3, 7		02, 06				
		1	3, 7		12, 15, 16				
-9	05103694AA	1	2, 6		01, 02, 06				EVAPORATOR, Air Conditioning
		1	2, 6		11, 12, 14, 15, 16				

SPRINTER (VA)

SERIES

L = LOWLINE

LINE

3 = HD DODGE 2WD
6 = Lt. Duty DODGE 4WD
2 = Med. Duty DODGE 2WD
7 = Med. Duty DODGE 4WD

BODY

55 = Wagon 140"
54 = Wagon 118"
52 = Wagon 140"
51 = Wagon 118"
12 = Van 140"
11 = Van 118"
06 = Front Section 158"
14 = Van 118"
15 = Van 140"
16 = Van 158"
56 = Wagon 158"
01 = Chassis Forward Control 118"
02 = Chassis Forward Control 140"

ENGINE

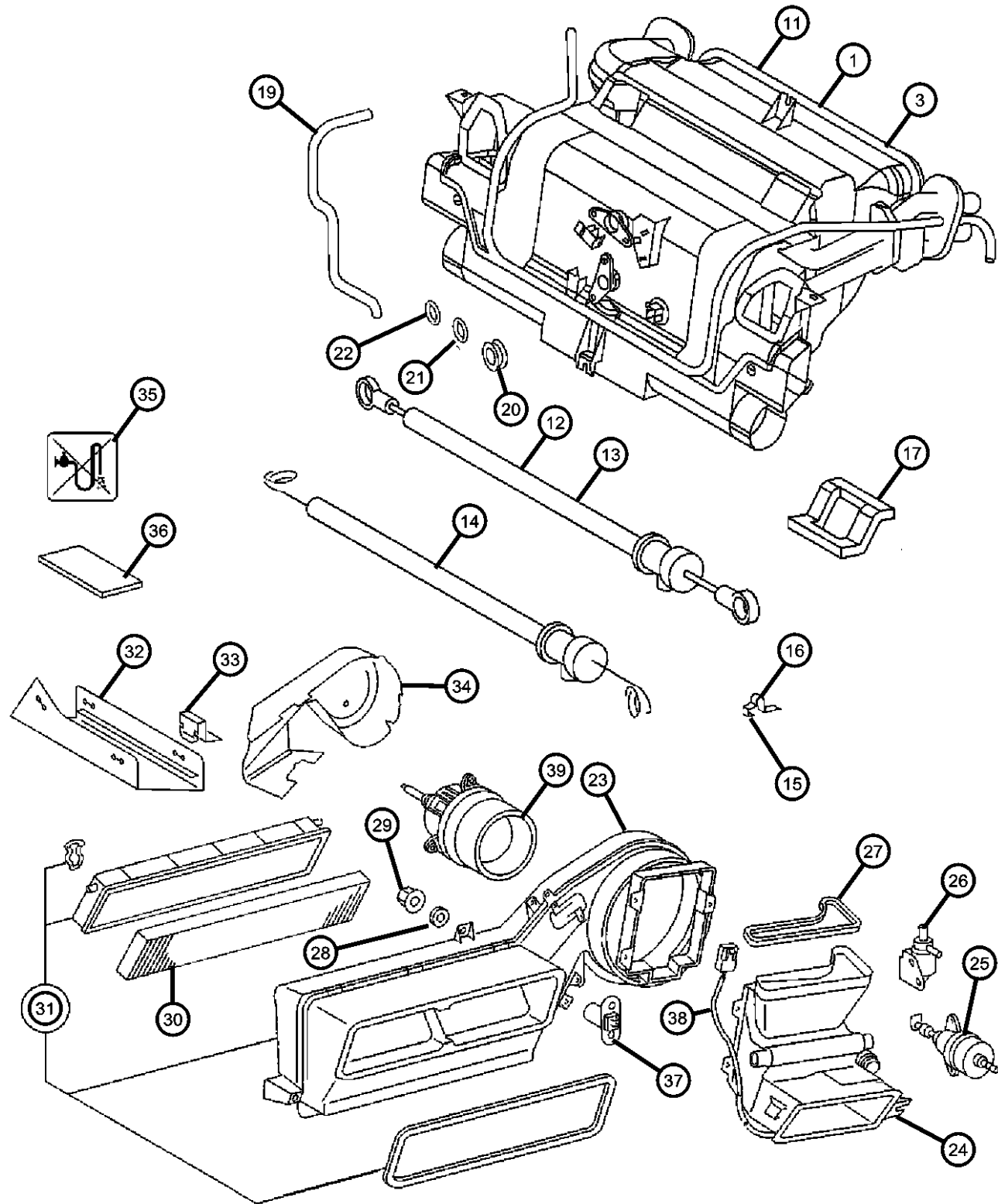
EX8 = Engine-2.7L I5
Mercedes Turbo Diesel

TRANSMISSION

DGJ = Transmission-5-Spd. Automatic, W5A580

AR = use ase required - = Non illustrated part

Hevac Unit, Front
Figure 24-130



ITEM	PART NUMBER	QTY	LINE	SERIES	BODY	ENGINE	TRANS	TRIM	DESCRIPTION
		1	2, 6		51, 52, 54, 55, 56				
		1	3, 7		02, 06				
		1	3, 7		12, 15, 16				
-10									SENSOR, Temperature
	05103937AA	1	2, 6		01, 02, 06				Flat Plug Version
	05133427AA	1	2, 6		01, 02, 06				
		1	2, 6		12, 14, 15, 16, 11				
		1	2, 6		51, 52, 54, 55, 56				
		1	3, 7		02, 06				
		1	3, 7		12, 15, 16				
		1	2, 6		51, 52, 54, 55, 56				Flat Plug Version
		1	3, 7		02, 06				Flat Plug Version
		1	3, 7		12, 15, 16				Flat Plug Version
	05103937AB	1	2, 6		11, 12, 14, 15, 16				Flat Plug Version
11									CONTROL, Electronic
	05104477AA	1	2, 6		01, 02, 06				
		1	2, 6		11, 12, 14, 15, 16				
		1	2, 6		51, 52, 54, 55, 56				
		1	3, 7		02, 06				
		1	3, 7		12, 15, 16				
12									CABLE, A/C And Heater Control
	05104492AA	1	2, 6		01, 02, 06				
		1	2, 6		11, 12, 14, 15, 16				
		1	2, 6		51, 52, 54, 55, 56				

SPRINTER (VA)

SERIES

L = LOWLINE

LINE

3 = HD DODGE 2WD
6 = Lt. Duty DODGE 4WD
2 = Med. Duty DODGE 2WD
7 = Med. Duty DODGE 4WD

BODY

55 = Wagon 140"
54 = Wagon 118"
52 = Wagon 140"
51 = Wagon 118"
12 = Van 140"
11 = Van 118"
06 = Front Section 158"
14 = Van 118"
15 = Van 140"
16 = Van 158"
56 = Wagon 158"
01 = Chassis Forward Control
118"
02 = Chassis Forward Control
140"

ENGINE

EX8 = Engine-2.7L I5
Mercedes Turbo Diesel

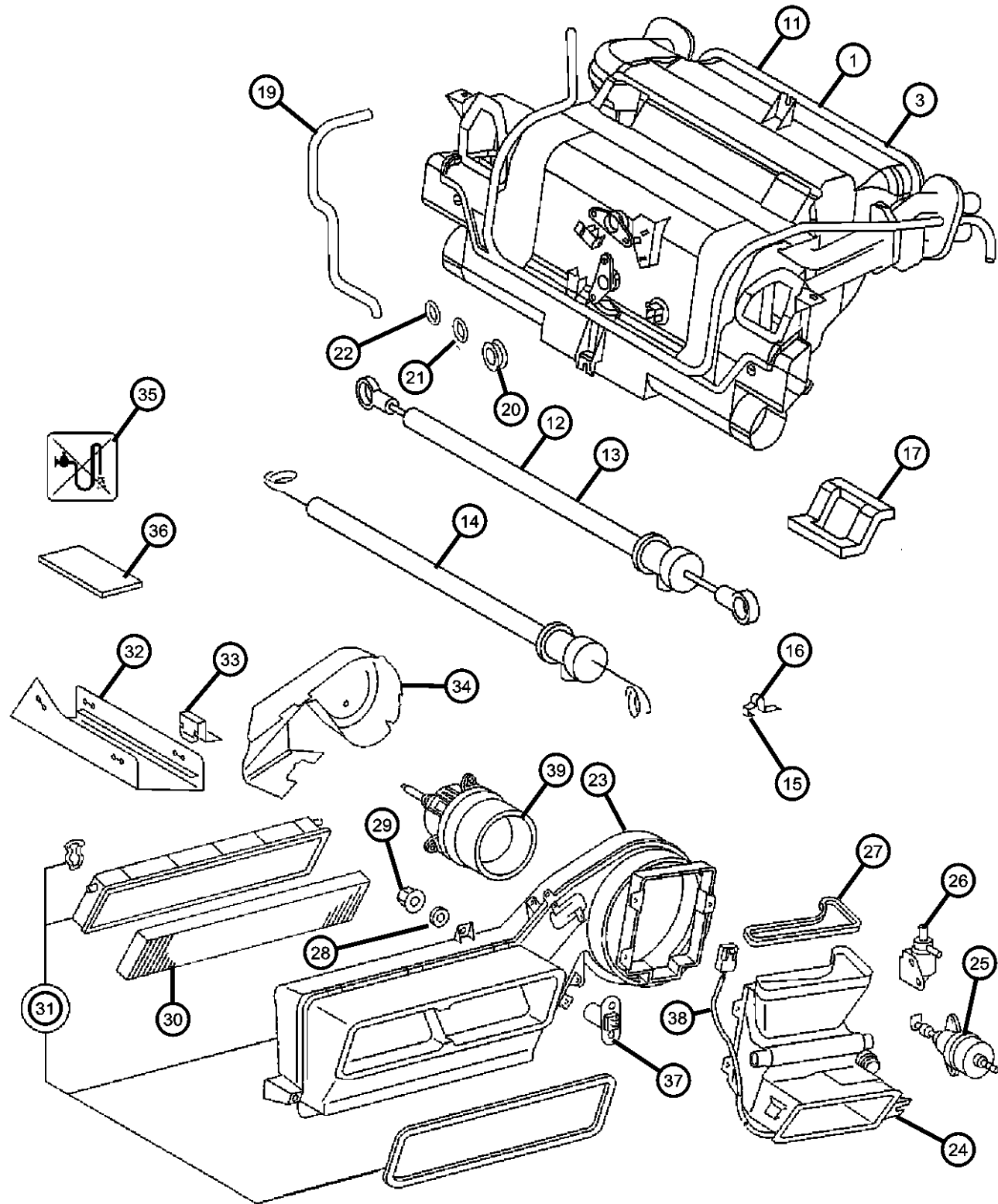
TRANSMISSION

DGJ = Transmission-5-Spd.
Automatic,W5A580

AR = use ase required - = Non illustrated part

2004 VA

Hevac Unit, Front
Figure 24-130



ITEM	PART NUMBER	QTY	LINE	SERIES	BODY	ENGINE	TRANS	TRIM	DESCRIPTION
		1	3, 7		02, 06				
		1	3, 7		12, 15, 16				
13									CABLE, A/C And Heater Control, Defrost
	05104493AA	1	2, 6		51, 52, 54, 55, 56				
		1	3, 7		02, 06				
		1	3, 7		12, 15, 16				
		1	2, 6		01, 02, 06				
		1	2, 6		11, 12, 14, 15, 16				
14									CABLE, A/C And Heater Control, Water Valve
	05104494AA	1	2, 6		01, 02, 06				
		1	2, 6		11, 12, 14, 15, 16				
		1	2, 6		51, 52, 54, 55, 56				
		1	3, 7		02, 06				
		1	3, 7		12, 15, 16				
15									CLIP
	05125562AA	1	2, 6		01, 02, 06				
		1	2, 6		11, 12, 14, 15, 16				
		1	2, 6		51, 52, 54, 55, 56				
		1	3, 7		02, 06				
		1	3, 7		12, 15, 16				
16									CLIP, Cable
	05103693AA	1	3, 7		12, 15, 16				
		1	2, 6		01, 02, 06				
		1	2, 6		11, 12, 14, 15, 16				

SPRINTER (VA)

SERIES

L = LOWLINE

LINE

3 = HD DODGE 2WD
6 = Lt. Duty DODGE 4WD
2 = Med. Duty DODGE 2WD
7 = Med. Duty DODGE 4WD

BODY

55 = Wagon 140"
54 = Wagon 118"
52 = Wagon 140"
51 = Wagon 118"
12 = Van 140"
11 = Van 118"
06 = Front Section 158"
14 = Van 118"
15 = Van 140"
16 = Van 158"
56 = Wagon 158"
01 = Chassis Forward Control 118"
02 = Chassis Forward Control 140"

ENGINE

EX8 = Engine-2.7L I5
Mercedes Turbo Diesel

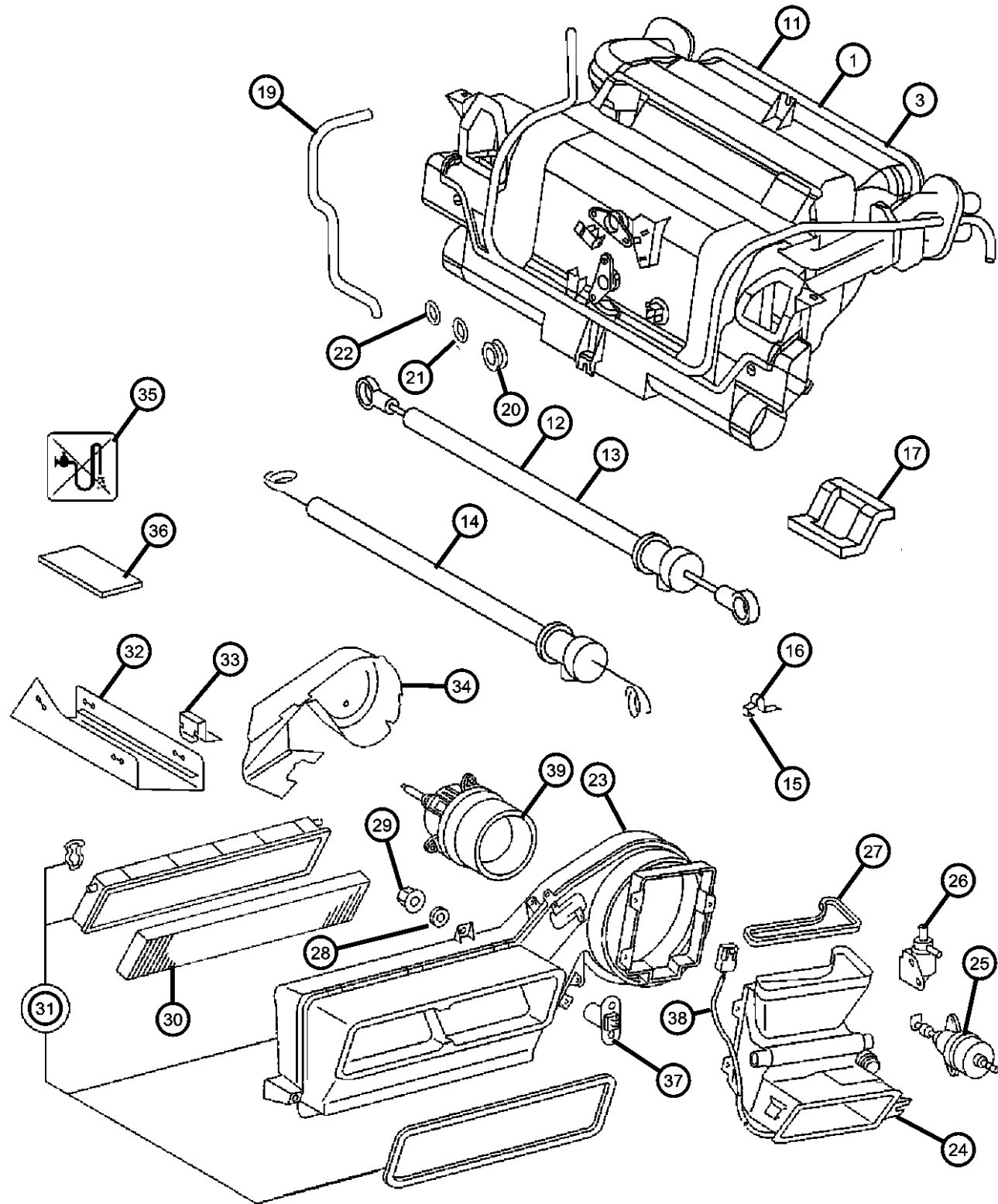
TRANSMISSION

DGJ = Transmission-5-Spd. Automatic, W5A580

AR = use ase required - = Non illustrated part

2004 VA

Hevac Unit, Front
Figure 24-130



ITEM	PART NUMBER	QTY	LINE	SERIES	BODY	ENGINE	TRANS	TRIM	DESCRIPTION
		1	2, 6		51, 52, 54, 55, 56				
		1	3, 7		02, 06				SEAL
17	05124786AA	2	2, 6		02, 06, 01				
		2	2, 6		11, 12, 14, 15, 16				
		2	2, 6		51, 52, 54, 55, 56				
		2	3, 7		02, 06				
		2	3, 7		12, 15, 16				
-18	05119332AA	1	3, 7		02, 06				CLIP, Hose
		1	2, 6		01, 02, 06				
		1	2, 6		11, 12, 14, 15, 16				
		1	2, 6		51, 52, 54, 55, 56				
		1	3, 7		12, 15, 16				
19	05124827AA	1	2, 6		01, 02, 06				HOSE
		1	2, 6		16, 11, 12, 14, 15				
		1	2, 6		51, 52, 54, 55, 56				
		1	3, 7		02, 06				
		1	3, 7		12, 15, 16				
20	05096558AA	2	2, 6		01, 02, 06				GROMMET
		2	3, 7		02, 06				
	05125938AA	1	2, 6		11, 12, 14, 15, 16				

SPRINTER (VA)

SERIES

L = LOWLINE

LINE

3 = HD DODGE 2WD
6 = Lt. Duty DODGE 4WD
2 = Med. Duty DODGE 2WD
7 = Med. Duty DODGE 4WD

BODY

55 = Wagon 140"
54 = Wagon 118"
52 = Wagon 140"
51 = Wagon 118"
12 = Van 140"
11 = Van 118"
06 = Front Section 158"
14 = Van 118"
15 = Van 140"
16 = Van 158"
56 = Wagon 158"
01 = Chassis Forward Control
118"
02 = Chassis Forward Control
140"

ENGINE

EX8 = Engine-2.7L I5
Mercedes Turbo Diesel

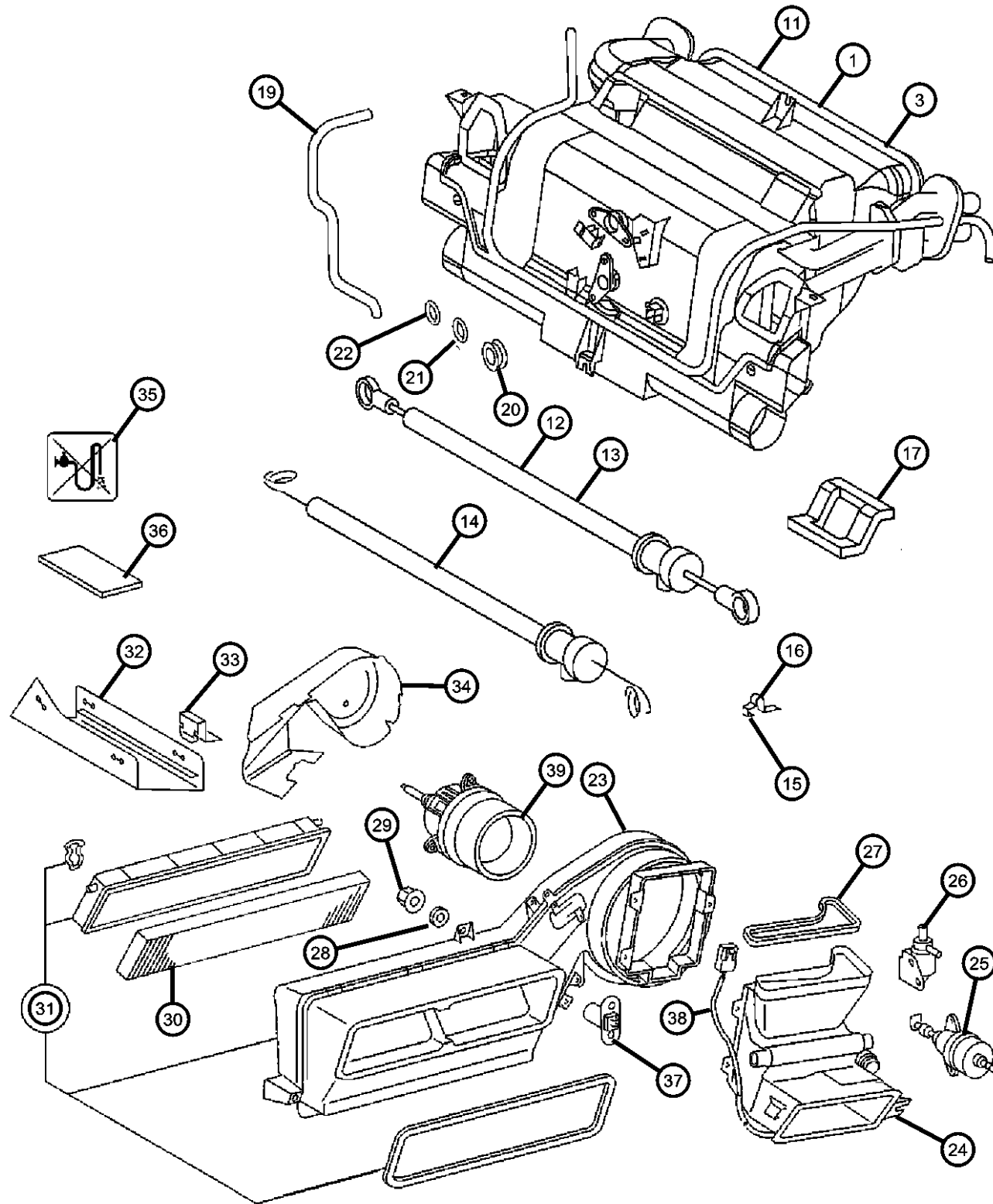
TRANSMISSION

DGJ = Transmission-5-Spd.
Automatic,W5A580

AR = use ase required - = Non illustrated part

2004 VA

Hevac Unit, Front
Figure 24-130



ITEM	PART NUMBER	QTY	LINE	SERIES	BODY	ENGINE	TRANS	TRIM	DESCRIPTION
		1	2, 6		51, 52, 54, 55, 56				
		1	3, 7		12, 15, 16				
21									O RING, A/C Line
	05098971AA	1	2, 6		01, 02, 06				
		1	2, 6		11, 12, 14, 15, 16				
		1	2, 6		51, 52, 54, 55, 56				
		1	3, 7		02, 06				
		1	3, 7		12, 15, 16				
22									O RING, A/C Line
	05098972AA	1	2, 6		52, 54, 55, 56, 51				
		1	3, 7		02, 06				
		1	3, 7		12, 15, 16				
		1	2, 6		01, 02, 06				
		1	2, 6		11, 12, 14, 15, 16				
23									HOUSING, Heater
	05124712AA	1	2, 6		51, 52, 54, 55, 56				[-HAB]
		1	3, 7		02, 06				[-HAB]
		1	3, 7		12, 15, 16				[-HAB]
	05124713AA	1	2, 6		01, 02, 06				[HAB]
		1	2, 6		11, 12, 14, 15, 16				[HAB]
		1	2, 6		51, 52, 54, 55, 56				[HAB]
		1	3, 7		02, 06				[HAB]
		1	3, 7		15, 16, 12				[HAB]
		1	2, 6		01, 02, 06				[-HAB]

SPRINTER (VA)

SERIES

L = LOWLINE

LINE

3 = HD DODGE 2WD
6 = Lt. Duty DODGE 4WD
2 = Med. Duty DODGE 2WD
7 = Med. Duty DODGE 4WD

BODY

55 = Wagon 140"
54 = Wagon 118"
52 = Wagon 140"
51 = Wagon 118"
12 = Van 140"
11 = Van 118"
06 = Front Section 158"
14 = Van 118"
15 = Van 140"
16 = Van 158"
56 = Wagon 158"
01 = Chassis Forward Control 118"
02 = Chassis Forward Control 140"

ENGINE

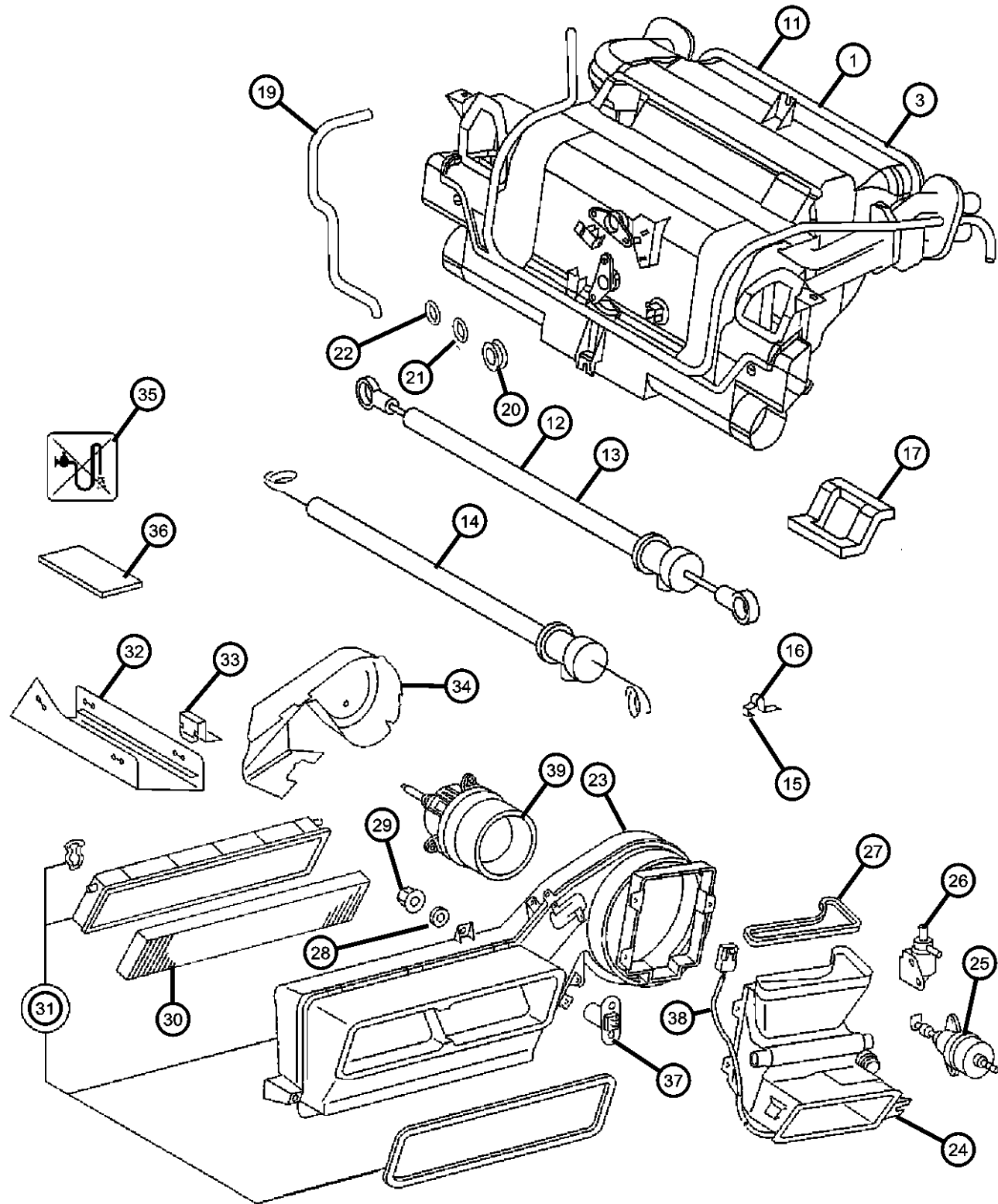
EX8 = Engine-2.7L I5
Mercedes Turbo Diesel

TRANSMISSION

DGJ = Transmission-5-Spd. Automatic, W5A580

AR = use ase required - = Non illustrated part

Hevac Unit, Front
Figure 24-130



ITEM	PART NUMBER	QTY	LINE	SERIES	BODY	ENGINE	TRANS	TRIM	DESCRIPTION
24		1	2, 6		11, 12, 14, 15, 16				[-HAB] DUCT, Air Outlet
	05133430AA	1	2, 6		01, 02, 06				
		1	2, 6		11, 12, 14, 15, 16				
		1	2, 6		51, 52, 54, 55, 56				
		1	3, 7		02, 06				
25		1	3, 7		12, 15, 16				ACTUATOR, A/C and Heater
	05133441AA	1	2, 6		11, 12, 14, 15, 16				
		1	2, 6		51, 52, 54, 55, 56				
		1	3, 7		02, 06				
		1	3, 7		12, 15, 16				
26		1	2, 6		01, 02, 06				VALVE
	05133433AA	1	2, 6		01, 02, 06				
		1	2, 6		11, 12, 14, 15, 16				
		1	2, 6		51, 52, 54, 55, 56				
		1	3, 7		02, 06				
		1	3, 7		12, 15, 16				
27		1	2, 6		01, 02, 06				SEAL
	05124770AA	1	2, 6		01, 02, 06				
		1	2, 6		11, 12, 14, 15, 16				
		1	2, 6		51, 52, 54, 55, 56				
		1	3, 7		02, 06				

SPRINTER (VA)

SERIES

L = LOWLINE

LINE

3 = HD DODGE 2WD
6 = Lt. Duty DODGE 4WD
2 = Med. Duty DODGE 2WD
7 = Med. Duty DODGE 4WD

BODY

55 = Wagon 140"
54 = Wagon 118"
52 = Wagon 140"
51 = Wagon 118"
12 = Van 140"
11 = Van 118"
06 = Front Section 158"
14 = Van 118"
15 = Van 140"
16 = Van 158"
56 = Wagon 158"
01 = Chassis Forward Control 118"
02 = Chassis Forward Control 140"

ENGINE

EX8 = Engine-2.7L I5
Mercedes Turbo Diesel

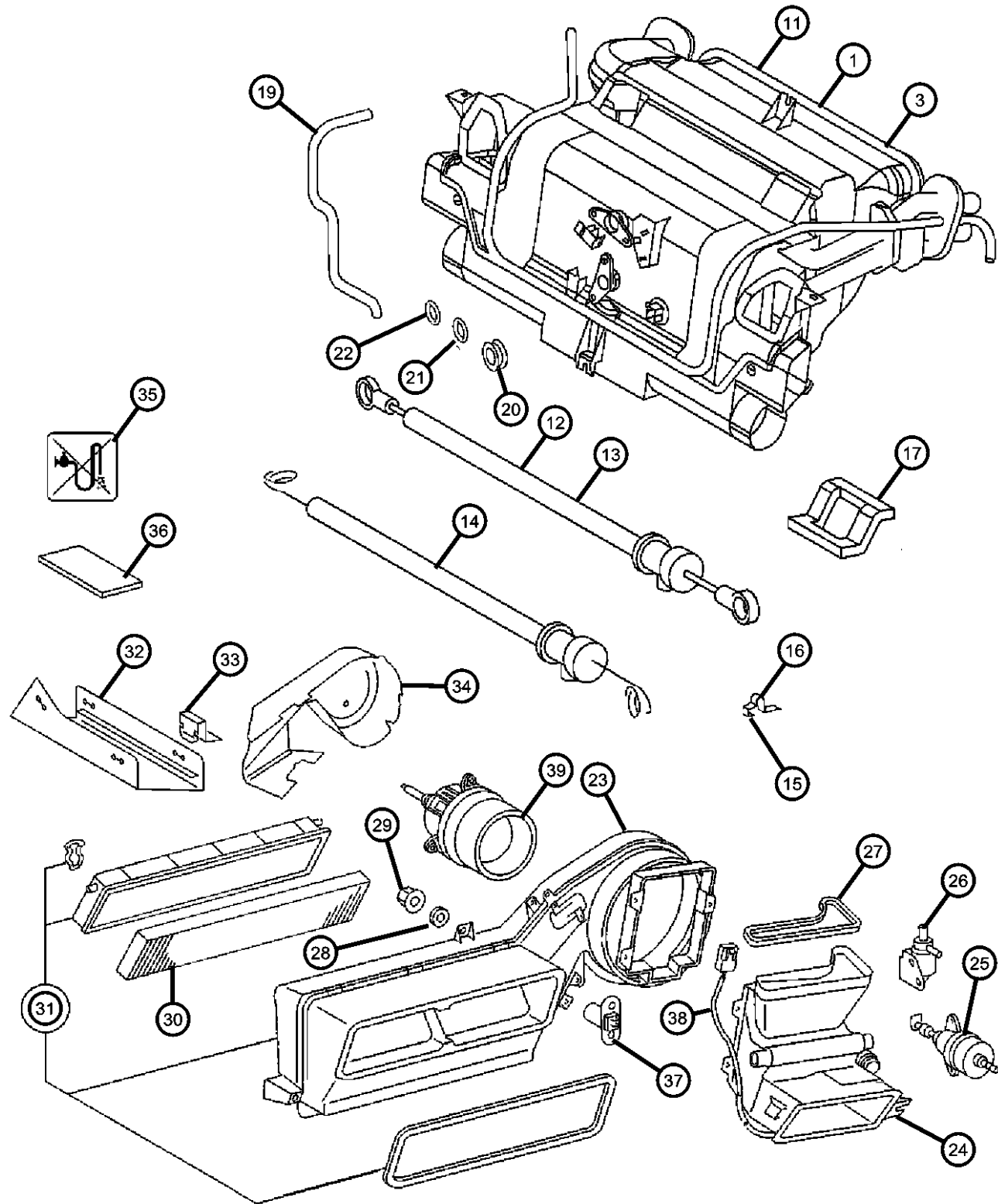
TRANSMISSION

DGJ = Transmission-5-Spd. Automatic, W5A580

AR = use ase required - = Non illustrated part

2004 VA

Hevac Unit, Front
Figure 24-130



ITEM	PART NUMBER	QTY	LINE	SERIES	BODY	ENGINE	TRANS	TRIM	DESCRIPTION
28		1	3, 7		12, 15, 16				WASHER
	05133908AA	1	2, 6		11, 12, 14, 15, 16				
		1	2, 6		51, 52, 54, 55, 56				
29		1	3, 7		12, 15, 16				NUT
	05125765AA	5	2, 6		01, 02, 06				
		5	2, 6		11, 12, 14, 15, 16				
		5	2, 6		51, 52, 54, 55, 56				
		5	3, 7		02, 06				
		5	3, 7		12, 15, 16				
30									FILTER, A/C and Heater Unit
	05103600AA	1	2, 6		01, 02, 06				
		1	2, 6		16, 11, 12, 14, 15				
		1	2, 6		51, 52, 54, 55, 56				
		1	3, 7		02, 06				
		1	3, 7		12, 15, 16				
31									COVER, A/C and Heater
	05133439AA	1	2, 6		01, 02, 06				
		1	2, 6		11, 12, 14, 15, 16				
		1	2, 6		51, 52, 54, 55, 56				
		1	3, 7		02, 06				
		1	3, 7		12, 15, 16				
32									ISOLATOR

SPRINTER (VA)

SERIES

L = LOWLINE

LINE

3 = HD DODGE 2WD
6 = Lt. Duty DODGE 4WD
2 = Med. Duty DODGE 2WD
7 = Med. Duty DODGE 4WD

BODY

55 = Wagon 140"
54 = Wagon 118"
52 = Wagon 140"
51 = Wagon 118"
12 = Van 140"
11 = Van 118"
06 = Front Section 158"
14 = Van 118"
15 = Van 140"
16 = Van 158"
56 = Wagon 158"
01 = Chassis Forward Control 118"
02 = Chassis Forward Control 140"

ENGINE

EX8 = Engine-2.7L I5
Mercedes Turbo Diesel

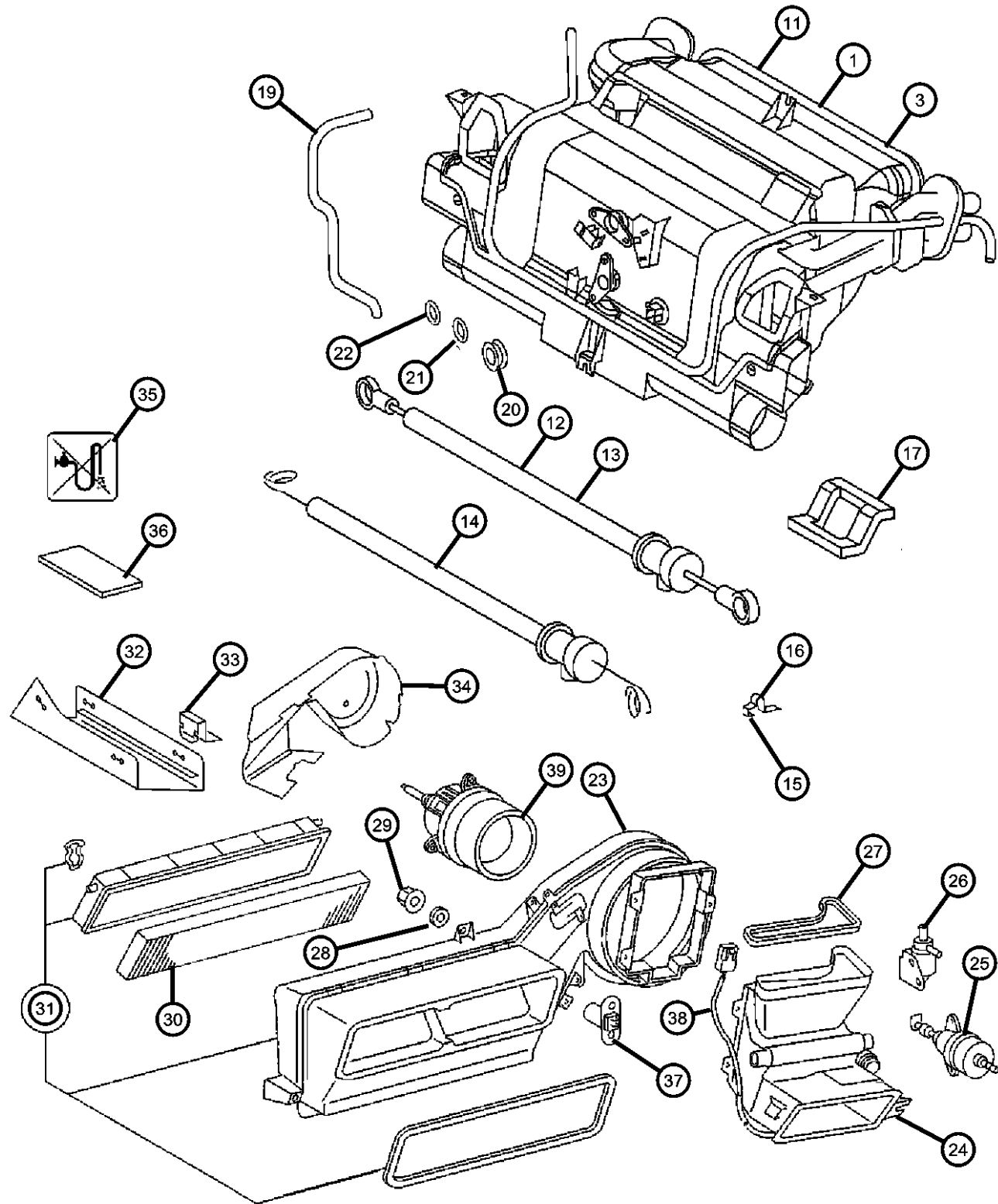
TRANSMISSION

DGJ = Transmission-5-Spd. Automatic, W5A580

AR = use ase required - = Non illustrated part

2004 VA

Hevac Unit, Front
Figure 24-130



ITEM	PART NUMBER	QTY	LINE	SERIES	BODY	ENGINE	TRANS	TRIM	DESCRIPTION
	05124759AA	1	2, 6		01, 02, 06				
		1	2, 6		11, 12, 14, 15, 16				
		1	2, 6		51, 52, 54, 55, 56				
		1	3, 7		02, 06				
		1	3, 7		12, 15, 16				
33									CLIP
	05125571AA	5	3, 7		12, 15, 16				
		5	2, 6		01, 02, 06				
		5	2, 6		11, 12, 14, 15, 16				
		5	2, 6		52, 54, 55, 56, 51				
		5	3, 7		02, 06				
34									INSULATION, Blower Motor
	05124760AA	1	2, 6		01, 02, 06				
		1	2, 6		11, 12, 14, 15, 16				
		1	2, 6		51, 52, 54, 55, 56				
		1	3, 7		02, 06				
		1	3, 7		12, 15, 16				
35									LABEL
	05121077AA	1	2, 6		01, 02, 06				
	05121077AB	1	3, 7		12, 15, 16				
		1	3, 7		02, 06				
		1	2, 6		11, 12, 14, 15, 16				
		1	2, 6		51, 52, 54, 55, 56				
36									PAD

SPRINTER (VA)

SERIES

L = LOWLINE

LINE

3 = HD DODGE 2WD
6 = Lt. Duty DODGE 4WD
2 = Med. Duty DODGE 2WD
7 = Med. Duty DODGE 4WD

BODY

55 = Wagon 140"
54 = Wagon 118"
52 = Wagon 140"
51 = Wagon 118"
12 = Van 140"
11 = Van 118"
06 = Front Section 158"
14 = Van 118"
15 = Van 140"
16 = Van 158"
56 = Wagon 158"
01 = Chassis Forward Control 118"
02 = Chassis Forward Control 140"

ENGINE

EX8 = Engine-2.7L I5
Mercedes Turbo Diesel

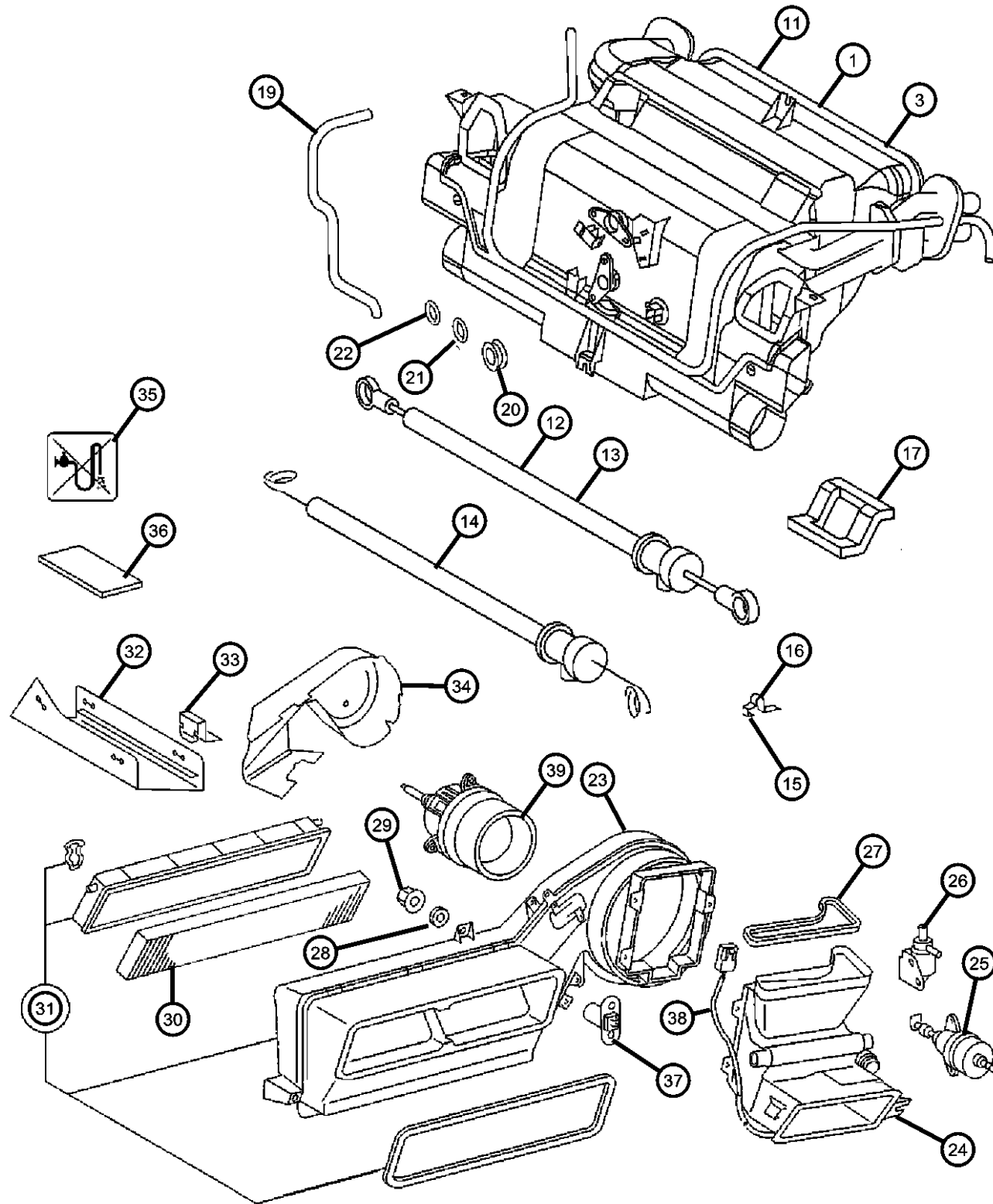
TRANSMISSION

DGJ = Transmission-5-Spd. Automatic, W5A580

AR = use ase required - = Non illustrated part

2004 VA

Hevac Unit, Front
Figure 24-130

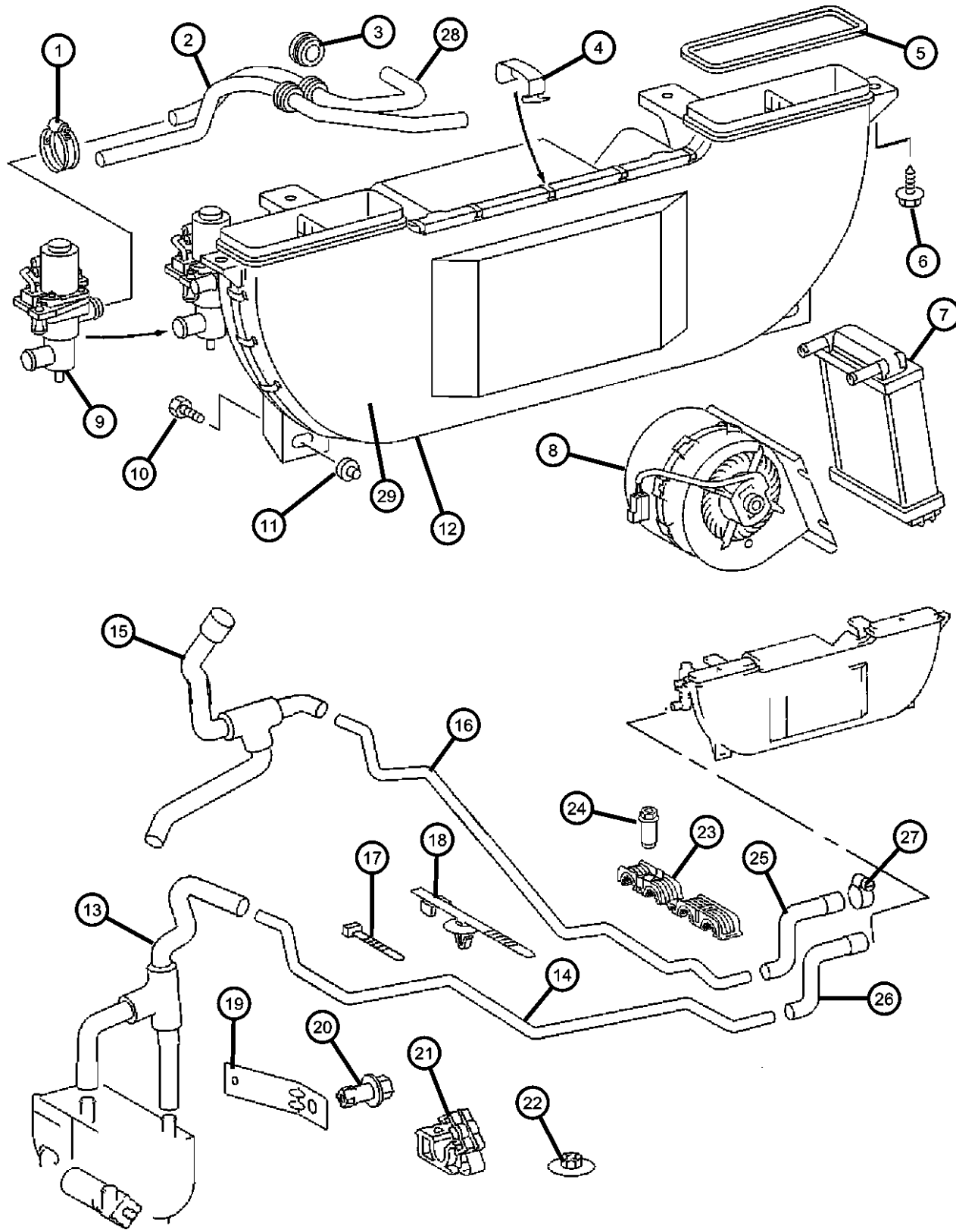


ITEM	PART NUMBER	QTY	LINE	SERIES	BODY	ENGINE	TRANS	TRIM	DESCRIPTION
	05133443AA	5	2, 6		11, 12, 14, 15, 16				
		5	2, 6		51, 52, 54, 55, 56				
		5	3, 7		15, 16, 12				
		4	2, 6		01, 02, 06				
		5	3, 7		02, 06				
37									RESISTOR, Blower Motor
	05133432AA	1	2, 6		11, 12, 14, 15, 16				
		1	2, 6		51, 52, 54, 55, 56				
		1	3, 7		12, 15, 16				
		1	2, 6		01, 02, 06				
38									CABLE
	05133437AA	1	2, 6		11, 12, 14, 15, 16				
		1	2, 6		51, 52, 54, 55, 56				
	05133471AA	1	3, 7		12, 15, 16				
		1	2, 6		01, 02, 06				
		1	3, 7		02, 06				
39									FAN
	05133435AA	1	2, 6		01, 02, 06				
		1	2, 6		11, 12, 14, 15, 16				
		1	2, 6		51, 52, 54, 55, 56				
		1	3, 7		02, 06				
		1	3, 7		12, 15, 16				

SPRINTER (VA)				
SERIES	LINE	BODY	ENGINE	TRANSMISSION
L = LOWLINE	3 = HD DODGE 2WD 6 = Lt. Duty DODGE 4WD 2 = Med. Duty DODGE 2WD 7 = Med. Duty DODGE 4WD	55 = Wagon 140" 54 = Wagon 118" 52 = Wagon 140" 51 = Wagon 118" 12 = Van 140" 11 = Van 118" 06 = Front Section 158" 14 = Van 118" 15 = Van 140" 16 = Van 158" 56 = Wagon 158"	EX8 = Engine-2.7L I5 Mercedes Turbo Diesel	DGJ = Transmission-5-Spd. Automatic, W5A580
		01 = Chassis Forward Control 118" 02 = Chassis Forward Control 140"		

AR = use ase required - = Non illustrated part

**Heat Exchanger and Plumbing
Figure 24-250**



ITEM	PART NUMBER	QTY	LINE	SERIES	BODY	ENGINE	TRANS	TRIM	DESCRIPTION
1	06104781AA	1	2, 6		11, 12, 14, 15, 16				CLAMP, Hose
		1	2, 6		51, 52, 54, 55, 56				
		6	3, 7		12, 15, 16				
2	05133587AA	1	2, 6		11, 12, 14, 15, 16				LINE, Heater
		1	2, 6		51, 52, 54, 55, 56				
		1	3, 7		12, 15, 16				
3	05133588AA	1	2, 6		11, 12, 14, 15, 16				GROMMET
		1	2, 6		51, 52, 54, 55, 56				
		2	3, 7		12, 15, 16				
4	05133592AA	22	2, 6		11, 12, 14, 15, 16				CLIP, HEATER
		22	2, 6		51, 52, 54, 55, 56				
		22	3, 7		12, 15, 16				
5	05133593AA	1	2, 6		11, 12, 14, 15, 16				GASKET, Heater duct
		1	2, 6		51, 52, 54, 55, 56				
		1	3, 7		12, 15, 16				
6	06104580AA	2	2, 6		11, 12, 14, 15, 16				SCREW, Tapping
		2	2, 6		51, 52, 54, 55, 56				
		2	2, 6		51, 52, 54, 55, 56				

SPRINTER (VA)

SERIES

L = LOWLINE

LINE

3 = HD DODGE 2WD
6 = Lt. Duty DODGE 4WD
2 = Med. Duty DODGE 2WD
7 = Med. Duty DODGE 4WD

BODY

55 = Wagon 140"
54 = Wagon 118"
52 = Wagon 140"
51 = Wagon 118"
12 = Van 140"
11 = Van 118"
06 = Front Section 158"
14 = Van 118"
15 = Van 140"
16 = Van 158"
56 = Wagon 158"
01 = Chassis Forward Control
118"
02 = Chassis Forward Control
140"

ENGINE

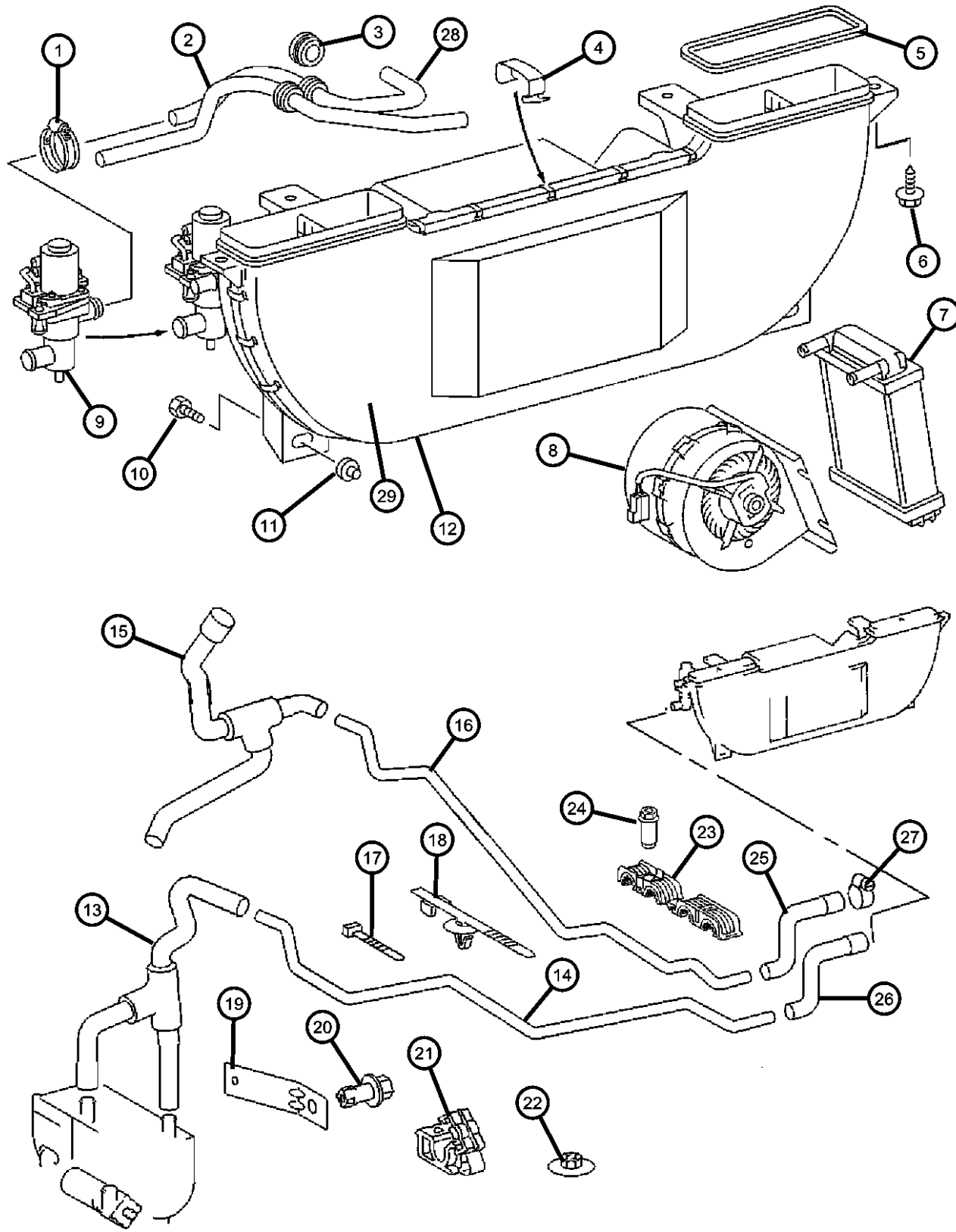
EX8 = Engine-2.7L I5
Mercedes Turbo Diesel

TRANSMISSION

DGJ = Transmission-5-Spd.
Automatic,W5A580

AR = use ase required - = Non illustrated part

**Heat Exchanger and Plumbing
Figure 24-250**



ITEM	PART NUMBER	QTY	LINE	SERIES	BODY	ENGINE	TRANS	TRIM	DESCRIPTION
7		2	3, 7		12, 15, 16				CORE, Heater
	05133586AA	1	2, 6		11, 12, 14, 15, 16				
		1	2, 6		51, 52, 54, 55, 56				BLOWER
8		1	3, 7		12, 15, 16				
	05103806AA	1	2, 6		11, 12, 14, 15, 16				VALVE, Water
		1	2, 6		51, 52, 54, 55, 56				
		1	3, 7		12, 15, 16				BOLT, Hex Head
9		1	2, 6		01, 02, 06				
	05103770AA	1	3, 7		02, 06				RIVNUT, Installation
		1	2, 6		11, 12, 14, 15, 16				
	05103807AA	1	2, 6		51, 52, 54, 55, 56				BOLT, Hex Head
		1	2, 6		12, 15, 16				
10		2	2, 6		01, 02, 06				RIVNUT, Installation
	05126227AA	2	2, 6		11, 12, 14, 15, 16				
		2	2, 6		51, 52, 54, 55, 56				RIVNUT, Installation
		2	3, 7		12, 15, 16				
11		2	2, 6		11, 12, 14, 15, 16				RIVNUT, Installation
	05126258AA	2	2, 6		51, 52, 54, 55, 56				

SPRINTER (VA)

SERIES

L = LOWLINE

LINE

3 = HD DODGE 2WD
6 = Lt. Duty DODGE 4WD
2 = Med. Duty DODGE 2WD
7 = Med. Duty DODGE 4WD

BODY

55 = Wagon 140"
54 = Wagon 118"
52 = Wagon 140"
51 = Wagon 118"
12 = Van 140"
11 = Van 118"
06 = Front Section 158"
14 = Van 118"
15 = Van 140"
16 = Van 158"
56 = Wagon 158"
01 = Chassis Forward Control 118"
02 = Chassis Forward Control 140"

ENGINE

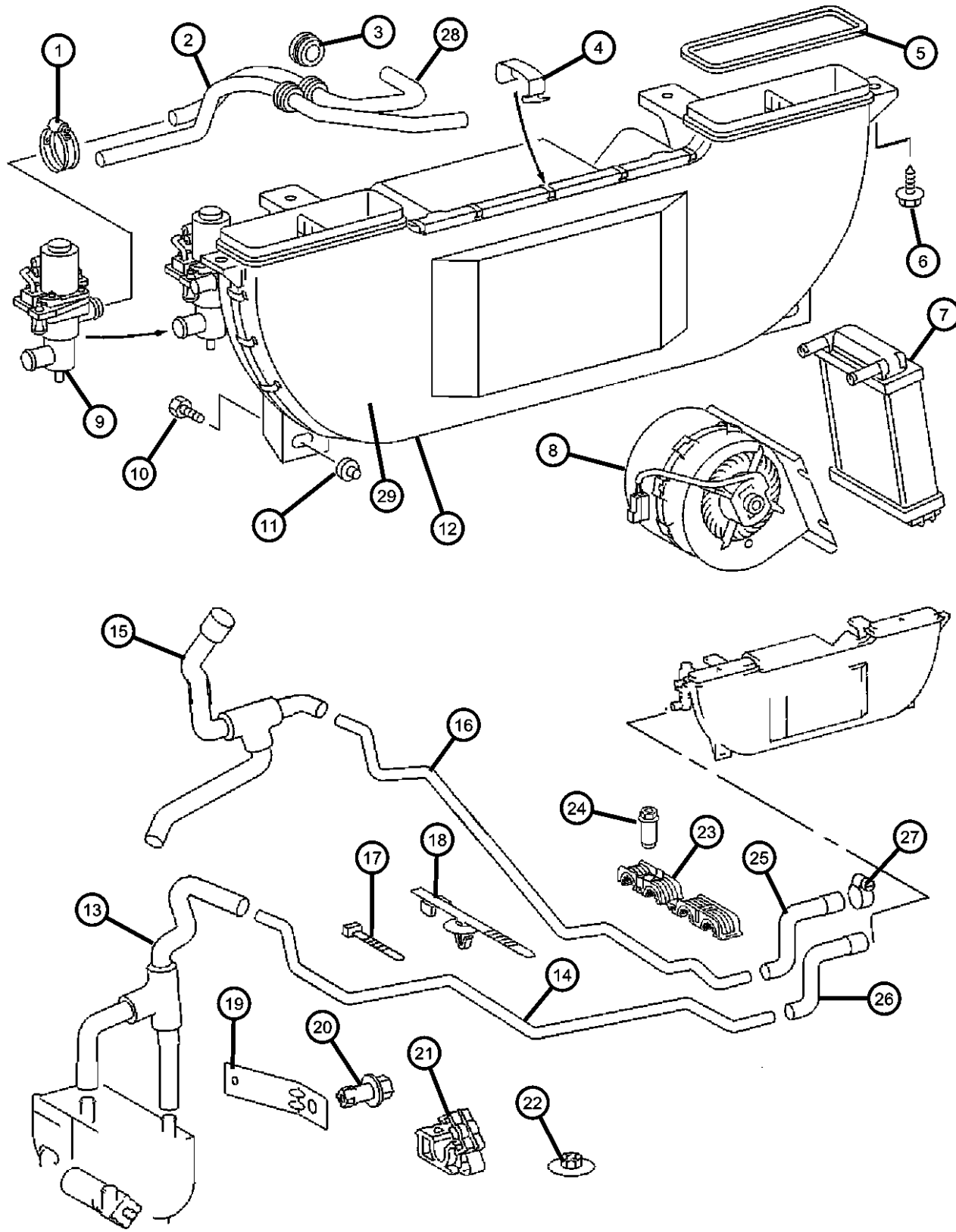
EX8 = Engine-2.7L I5
Mercedes Turbo Diesel

TRANSMISSION

DGJ = Transmission-5-Spd. Automatic, W5A580

AR = use ase required - = Non illustrated part

**Heat Exchanger and Plumbing
Figure 24-250**



ITEM	PART NUMBER	QTY	LINE	SERIES	BODY	ENGINE	TRANS	TRIM	DESCRIPTION
12		2	3, 7		12, 15, 16				HEATER
	05124700AA	1	2, 6		11, 12, 14, 15, 16				
		1	2, 6		51, 52, 54, 55, 56				
13		1	3, 7		12, 15, 16				HOSE, Auxiliary Heater
	05124886AA	1	2, 6		11, 12, 14, 15, 16				
		1	2, 6		51, 52, 54, 55, 56				
		1	3, 7		12, 15, 16				
14		1	2, 6		11, 12, 14, 15, 16				TUBE, Heater
	05124826AA	1	2, 6		11, 12, 14, 15, 16				
		1	2, 6		51, 52, 54, 55, 56				
		1	3, 7		12, 15, 16				
15		1	2, 6		01, 02, 06				HOSE
	05124837AA	1	2, 6		01, 02, 06				
		1	2, 6		11, 12, 14, 15, 16				
		1	2, 6		51, 52, 54, 55, 56				
		1	3, 7		02, 06				
		1	3, 7		12, 15, 16				
16		1	2, 6		11, 12, 14, 15, 16				TUBE, Heater
	05124820AA	1	2, 6		11, 12, 14, 15, 16				
		1	2, 6		51, 52, 54, 55, 56				
		1	3, 7		12, 15, 16				

SPRINTER (VA)

SERIES

L = LOWLINE

LINE

3 = HD DODGE 2WD
6 = Lt. Duty DODGE 4WD
2 = Med. Duty DODGE 2WD
7 = Med. Duty DODGE 4WD

BODY

55 = Wagon 140"
54 = Wagon 118"
52 = Wagon 140"
51 = Wagon 118"
12 = Van 140"
11 = Van 118"
06 = Front Section 158"
14 = Van 118"
15 = Van 140"
16 = Van 158"
56 = Wagon 158"
01 = Chassis Forward Control 118"
02 = Chassis Forward Control 140"

ENGINE

EX8 = Engine-2.7L I5
Mercedes Turbo Diesel

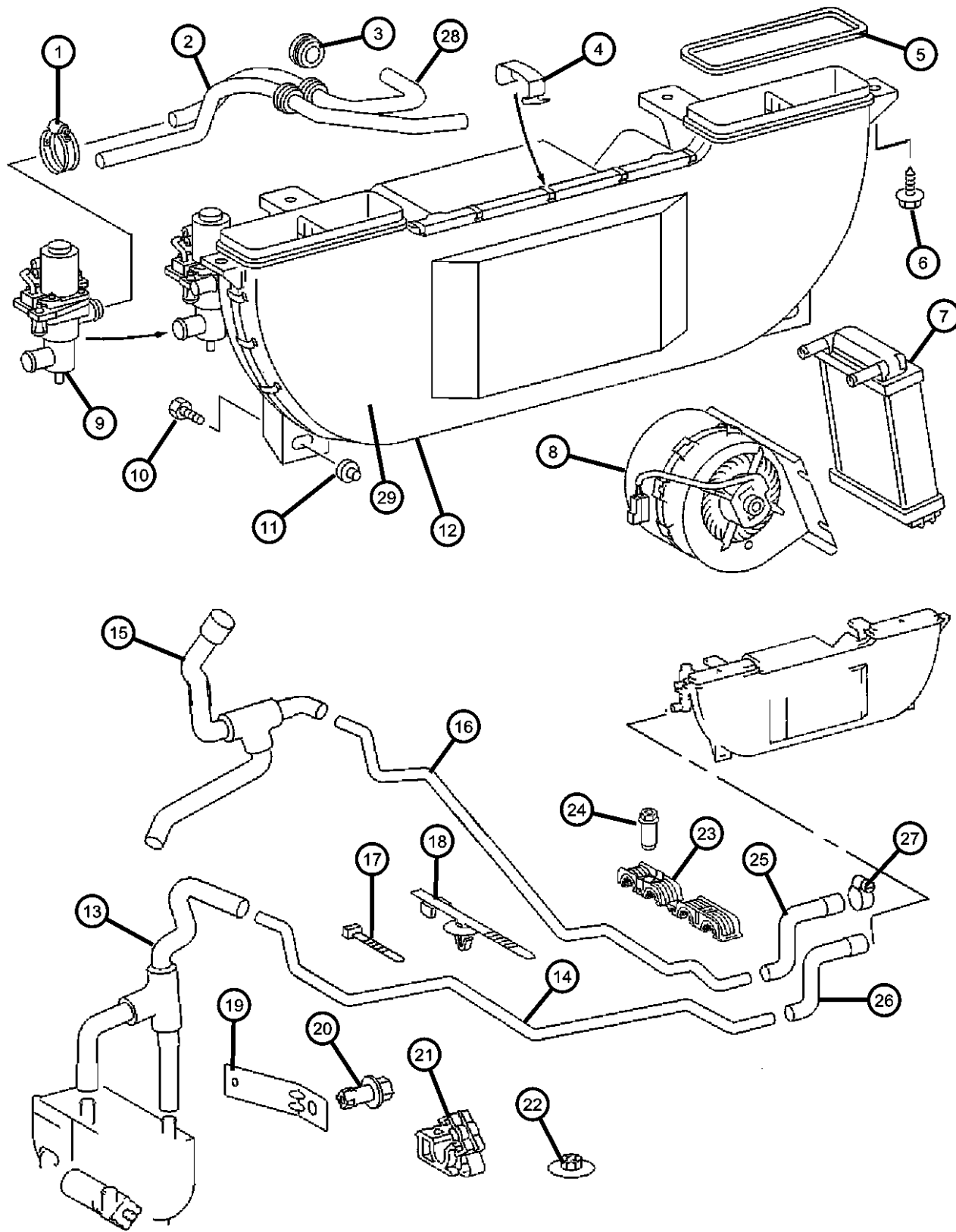
TRANSMISSION

DGJ = Transmission-5-Spd. Automatic, W5A580

AR = use ase required - = Non illustrated part

2004 VA

Heat Exchanger and Plumbing Figure 24-250



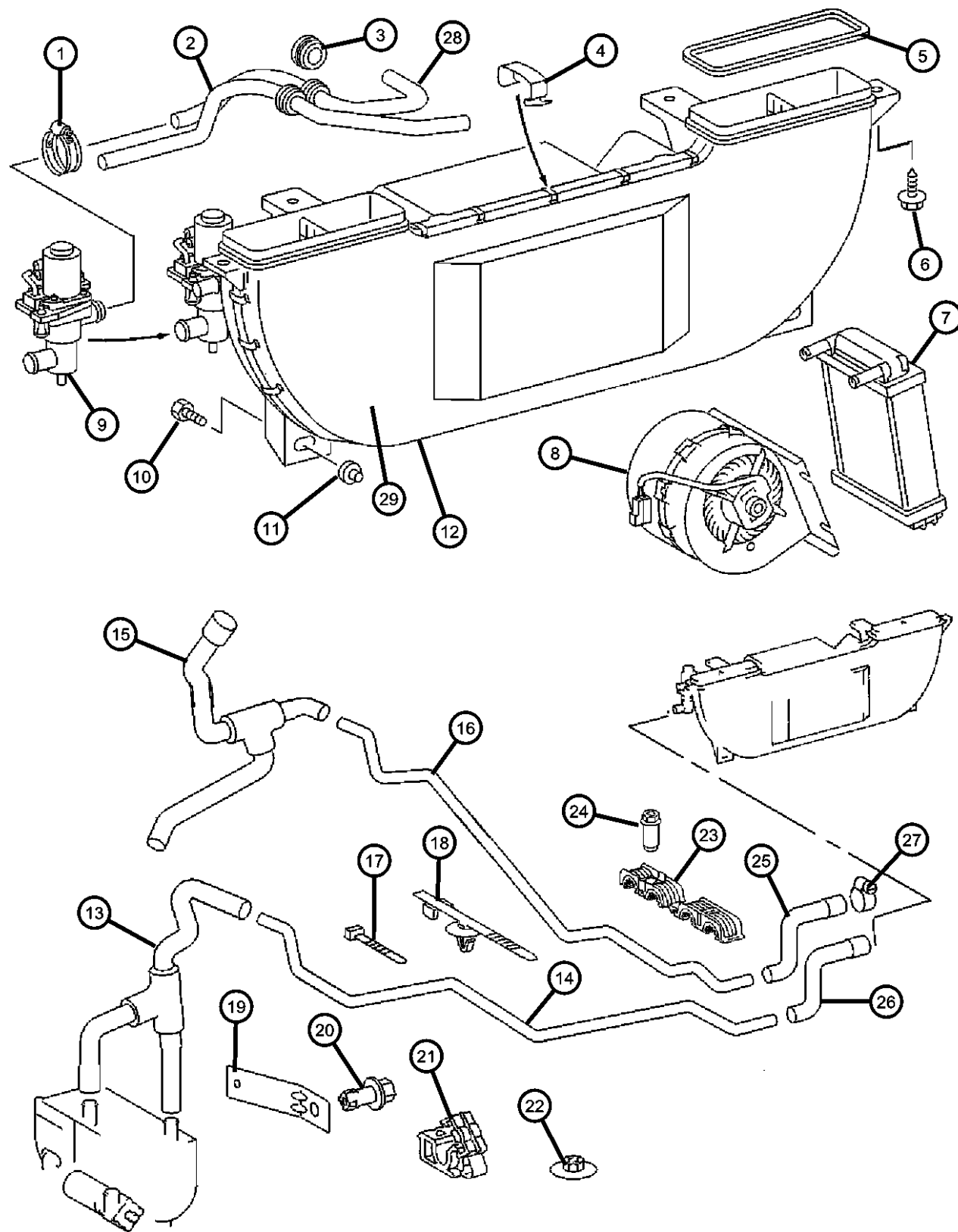
ITEM	PART NUMBER	QTY	LINE	SERIES	BODY	ENGINE	TRANS	TRIM	DESCRIPTION
17	05080475AB	1	2, 6		11, 12, 14, 15, 16				STRAP, Tie
		1	2, 6		51, 52, 54, 55, 56				
		1	3, 7		12, 15, 16				
18	05126053AA	2	2, 6		11, 12, 14, 15, 16				STRAP, Tie
		2	3, 7		12, 15, 16				
		2	2, 6		01, 02, 06				
		2	2, 6		51, 52, 54, 55, 56				
		1	3, 7		02, 06				
		1	3, 7		12, 15, 16				
19	05124814AA	1	2, 6		11, 12, 14, 15, 16				BRACKET, Recirculating Pump
		1	2, 6		51, 52, 54, 55, 56				
		1	3, 7		12, 15, 16				
20	05125594AA	1	2, 6		11, 12, 14, 15, 16				NUT, Push In
		1	2, 6		51, 52, 54, 55, 56				
		1	3, 7		12, 15, 16				
21	05125886AA	3	2, 6		11, 12, 14, 15, 16				CLAMP, Heater Hose
		3	2, 6		51, 52, 54, 55, 56				
		3	3, 7		12, 15, 16				

SPRINTER (VA)

SERIES	LINE	BODY	ENGINE	TRANSMISSION
L = LOWLINE	3 = HD DODGE 2WD 6 = Lt. Duty DODGE 4WD 2 = Med. Duty DODGE 2WD 7 = Med. Duty DODGE 4WD	55 = Wagon 140" 54 = Wagon 118" 52 = Wagon 140" 51 = Wagon 118" 12 = Van 140" 11 = Van 118" 06 = Front Section 158" 14 = Van 118" 15 = Van 140" 16 = Van 158" 56 = Wagon 158"	EX8 = Engine-2.7L I5 Mercedes Turbo Diesel	DGJ = Transmission-5-Spd. Automatic, W5A580
		01 = Chassis Forward Control 118" 02 = Chassis Forward Control 140"		

AR = use ase required - = Non illustrated part

Heat Exchanger and Plumbing Figure 24-250



ITEM	PART NUMBER	QTY	LINE	SERIES	BODY	ENGINE	TRANS	TRIM	DESCRIPTION
22	05125592AA	1	2, 6		51, 52, 54, 55, 56				PLUG, Button
		1	2, 6		01, 02, 06				
		1	2, 6		11, 12, 14, 15, 16				
		1	3, 7		02, 06				
		1	3, 7		12, 15, 16				
23	05125882AA	5	2, 6		11, 12, 14, 15, 16				CLAMP, Heater Hose
		5	2, 6		51, 52, 54, 55, 56				
		5	3, 7		12, 15, 16				
24	06104910AA	5	2, 6		11, 12, 14, 15, 16				NUT, Heater
		5	2, 6		51, 52, 54, 55, 56				
		5	3, 7		12, 15, 16				
25	05124841AA	1	2, 6		11, 12, 14, 15, 16				HOSE, Heater
		1	2, 6		51, 52, 54, 55, 56				
		1	3, 7		12, 15, 16				
26	05124885AA	1	2, 6		11, 12, 14, 15, 16				HOSE, Heater
		1	2, 6		51, 52, 54, 55, 56				
		1	3, 7		12, 15, 16				
27									CLAMP

SPRINTER (VA)

SERIES

L = LOWLINE

LINE

3 = HD DODGE 2WD
6 = Lt. Duty DODGE 4WD
2 = Med. Duty DODGE 2WD
7 = Med. Duty DODGE 4WD

BODY

55 = Wagon 140"
54 = Wagon 118"
52 = Wagon 140"
51 = Wagon 118"
12 = Van 140"
11 = Van 118"
06 = Front Section 158"
14 = Van 118"
15 = Van 140"
16 = Van 158"
56 = Wagon 158"
01 = Chassis Forward Control 118"
02 = Chassis Forward Control 140"

ENGINE

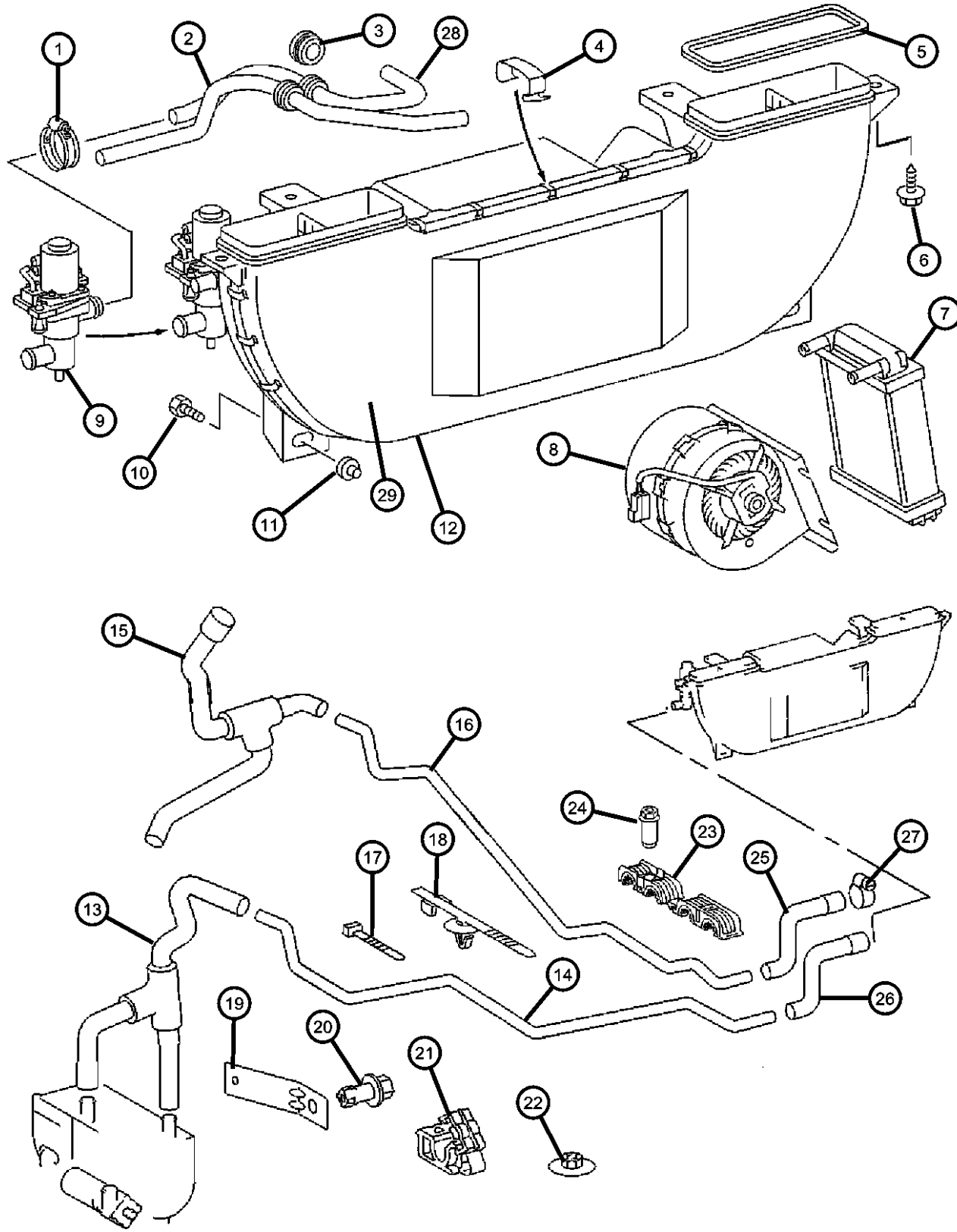
EX8 = Engine-2.7L I5
Mercedes Turbo Diesel

TRANSMISSION

DGJ = Transmission-5-Spd. Automatic, W5A580

AR = use ase required - = Non illustrated part

**Heat Exchanger and Plumbing
Figure 24-250**



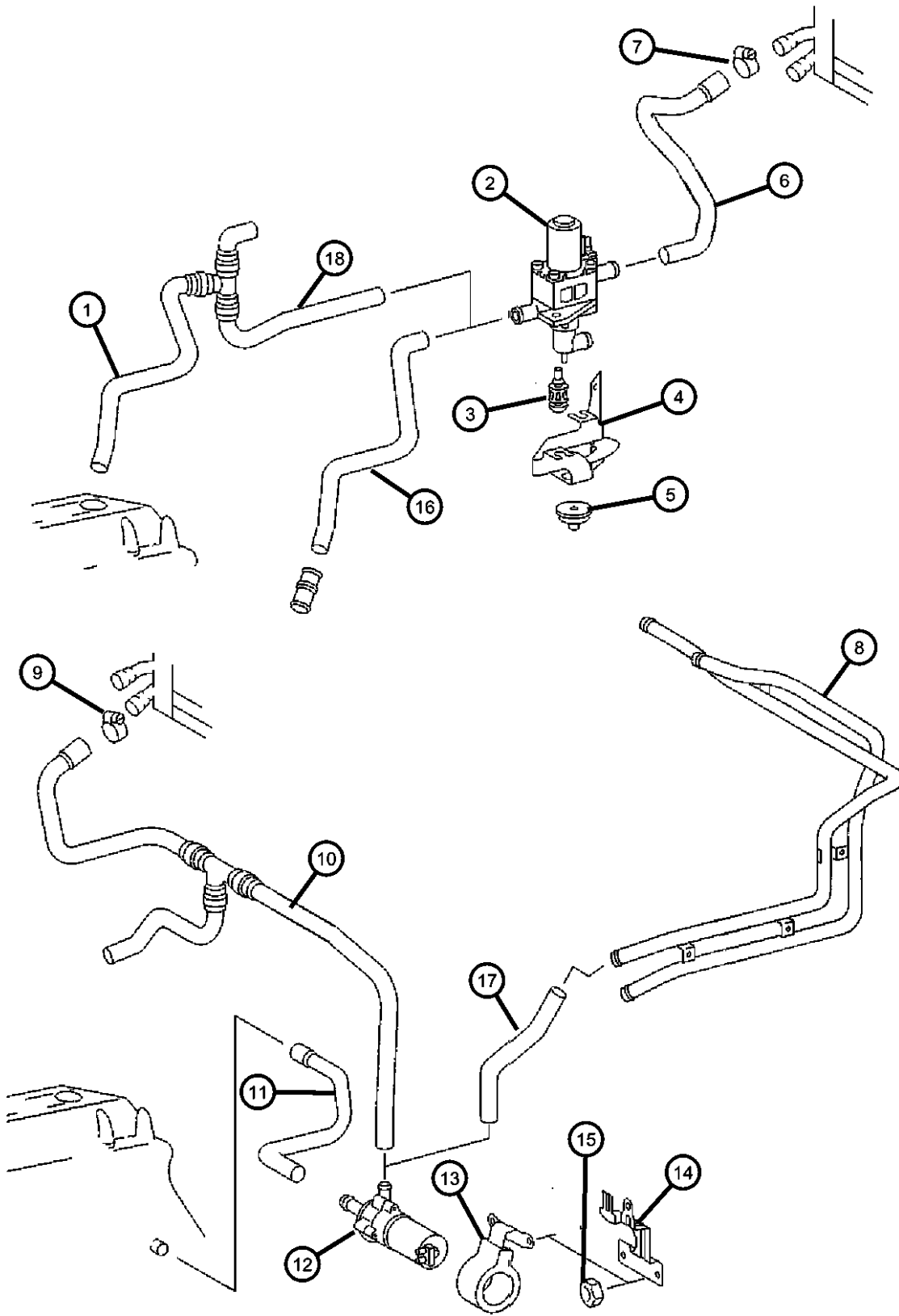
ITEM	PART NUMBER	QTY	LINE	SERIES	BODY	ENGINE	TRANS	TRIM	DESCRIPTION
	06104780AA	1	2, 6		11, 12, 14, 15, 16				
		1	2, 6		51, 52, 54, 55, 56				
28	05133889AA	1	3, 7		12, 15, 16				HOSE, Heater COVER
29	05133591AA	1	3, 7		12, 15, 16				
	05133591AA	1	2, 6		11, 12, 14, 15, 16				
		1	2, 6		51, 52, 54, 55, 56				
		1	3, 7		12, 15, 16				

SPRINTER (VA)

SERIES	LINE	BODY	ENGINE	TRANSMISSION
L = LOWLINE	3 = HD DODGE 2WD 6 = Lt. Duty DODGE 4WD 2 = Med. Duty DODGE 2WD 7 = Med. Duty DODGE 4WD	55 = Wagon 140" 54 = Wagon 118" 52 = Wagon 140" 51 = Wagon 118" 12 = Van 140" 11 = Van 118" 06 = Front Section 158" 14 = Van 118" 15 = Van 140" 16 = Van 158" 56 = Wagon 158"	EX8 = Engine-2.7L I5 Mercedes Turbo Diesel	DGJ = Transmission-5-Spd. Automatic, W5A580
		01 = Chassis Forward Control 118" 02 = Chassis Forward Control 140"		

AR = use ase required - = Non illustrated part

Plumbing, Heater
Figure 24-260



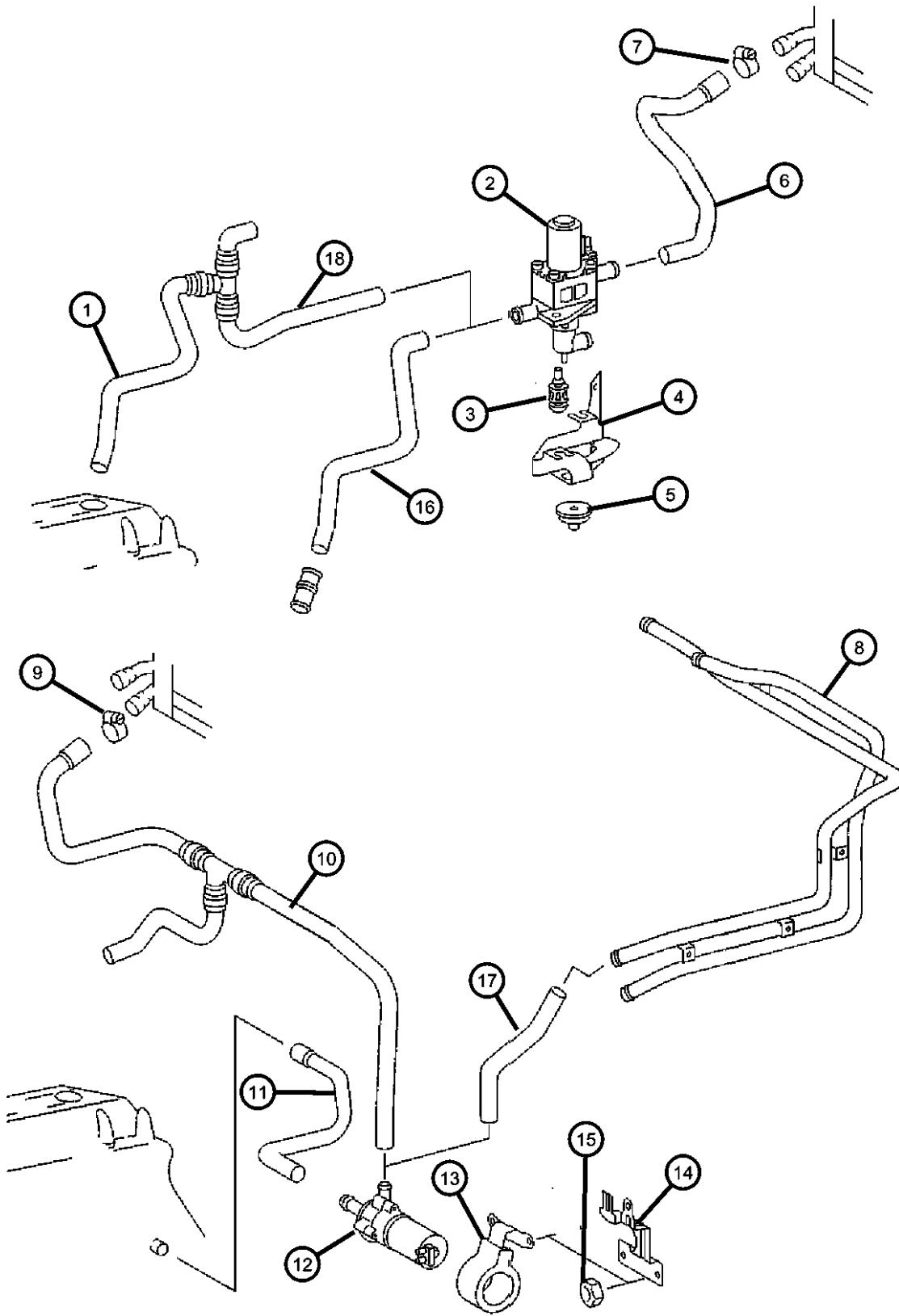
ITEM	PART NUMBER	QTY	LINE	SERIES	BODY	ENGINE	TRANS	TRIM	DESCRIPTION
1	05124858AA	1	2, 6		51, 52, 54, 55, 56				HOSE
		1	3, 7		12, 15, 16				
		1	2, 6		11, 12, 14, 15, 16				
2	05103770AA	1	2, 6		01, 02, 06				VALVE, Water
		1	2, 6		11, 12, 14, 15, 16				
		1	2, 6		51, 52, 54, 55, 56				
		1	3, 7		02, 06				
		1	3, 7		12, 15, 16				
3	05096558AA	2	2, 6		01, 02, 06				GROMMET
		2	2, 6		11, 12, 14, 15, 16				
		2	2, 6		51, 52, 54, 55, 56				
		2	3, 7		12, 15, 16				
4	05124791AA	1	2, 6		51, 52, 54, 55, 56				BRACKET, Recirculating Pump
		1	2, 6		01, 02, 06				
		1	2, 6		11, 12, 14, 15, 16				
		1	3, 7		12, 15, 16				
5	05125504AA	1	2, 6		01, 02, 06				BUMPER, Rubber
		1	2, 6		11, 12, 14, 15, 16				
		1	2, 6		54, 55, 56, 51, 52				

SPRINTER (VA)

SERIES	LINE	BODY	ENGINE	TRANSMISSION
L = LOWLINE	3 = HD DODGE 2WD 6 = Lt. Duty DODGE 4WD 2 = Med. Duty DODGE 2WD 7 = Med. Duty DODGE 4WD	55 = Wagon 140" 54 = Wagon 118" 52 = Wagon 140" 51 = Wagon 118" 12 = Van 140" 11 = Van 118" 06 = Front Section 158" 14 = Van 118" 15 = Van 140" 16 = Van 158" 56 = Wagon 158"	EX8 = Engine-2.7L I5 Mercedes Turbo Diesel	DGJ = Transmission-5-Spd. Automatic, W5A580
		01 = Chassis Forward Control 118" 02 = Chassis Forward Control 140"		

AR = use ase required - = Non illustrated part

Plumbing, Heater
Figure 24-260



ITEM	PART NUMBER	QTY	LINE	SERIES	BODY	ENGINE	TRANS	TRIM	DESCRIPTION
6		1	3, 7		12, 15, 16				HOSE
	05124846AA	1	2, 6		01, 02, 06				
		1	2, 6		11, 12, 14, 15, 16				
		1	2, 6		54, 55, 56, 51, 52				
		1	3, 7		12, 15, 16				
7									CLAMP, CLAMP
	05126287AA	11	2, 6		01, 02, 06	EX8			
		11	2, 6		11, 12, 14, 15, 16	EX8			
		11	3, 7		02, 06	EX8			
		11	3, 7		12, 15, 16	EX8			
		11	2, 6		51, 52, 54, 55, 56	EX8			
8									TUBE, Heater
	05124644AA	1	2, 6		01, 02, 06				
		1	2, 6		11, 12, 14, 15, 16				
		1	2, 6		51, 52, 54, 55, 56				
		1	3, 7		12, 15, 16				
9									CLAMP, Heater Hose
	05104681AA	3	2, 6		01, 02, 06	EX9, EX8			
		3	2, 6		11, 12, 14, 15, 16	EX8, EX9			
		3	2, 6		51, 52, 54, 55, 56	EX8, EX9			
		3	3, 7		15, 16, 12	EX8, EX9			
		3	3, 7		02, 06	EX8, EX9			
10									HOSE

SPRINTER (VA)

SERIES

L = LOWLINE

LINE

3 = HD DODGE 2WD
6 = Lt. Duty DODGE 4WD
2 = Med. Duty DODGE 2WD
7 = Med. Duty DODGE 4WD

BODY

55 = Wagon 140"
54 = Wagon 118"
52 = Wagon 140"
51 = Wagon 118"
12 = Van 140"
11 = Van 118"
06 = Front Section 158"
14 = Van 118"
15 = Van 140"
16 = Van 158"
56 = Wagon 158"
01 = Chassis Forward Control 118"
02 = Chassis Forward Control 140"

ENGINE

EX8 = Engine-2.7L I5
Mercedes Turbo Diesel

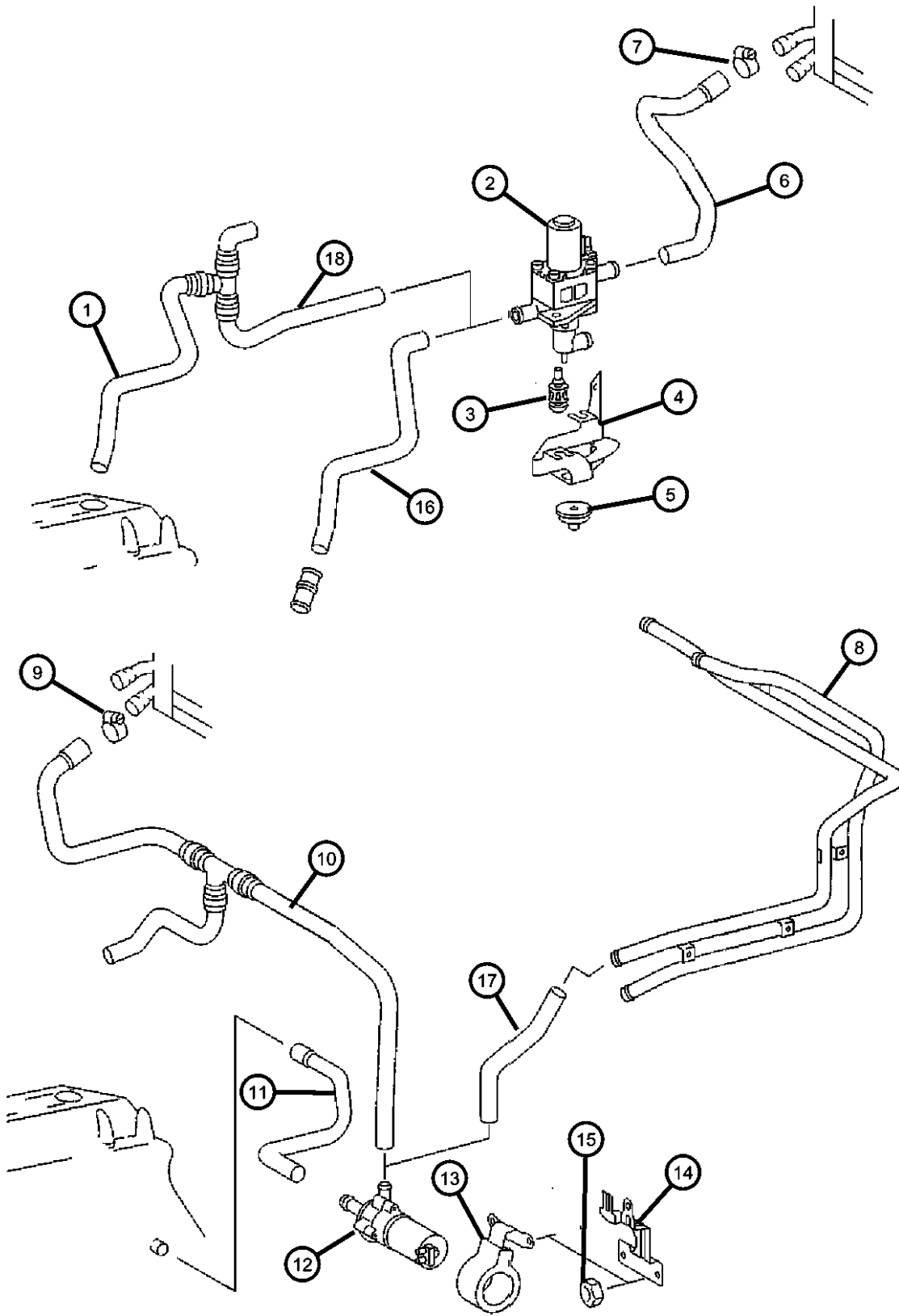
TRANSMISSION

DGJ = Transmission-5-Spd. Automatic, W5A580

AR = use ase required - = Non illustrated part

2004 VA

Plumbing, Heater
Figure 24-260



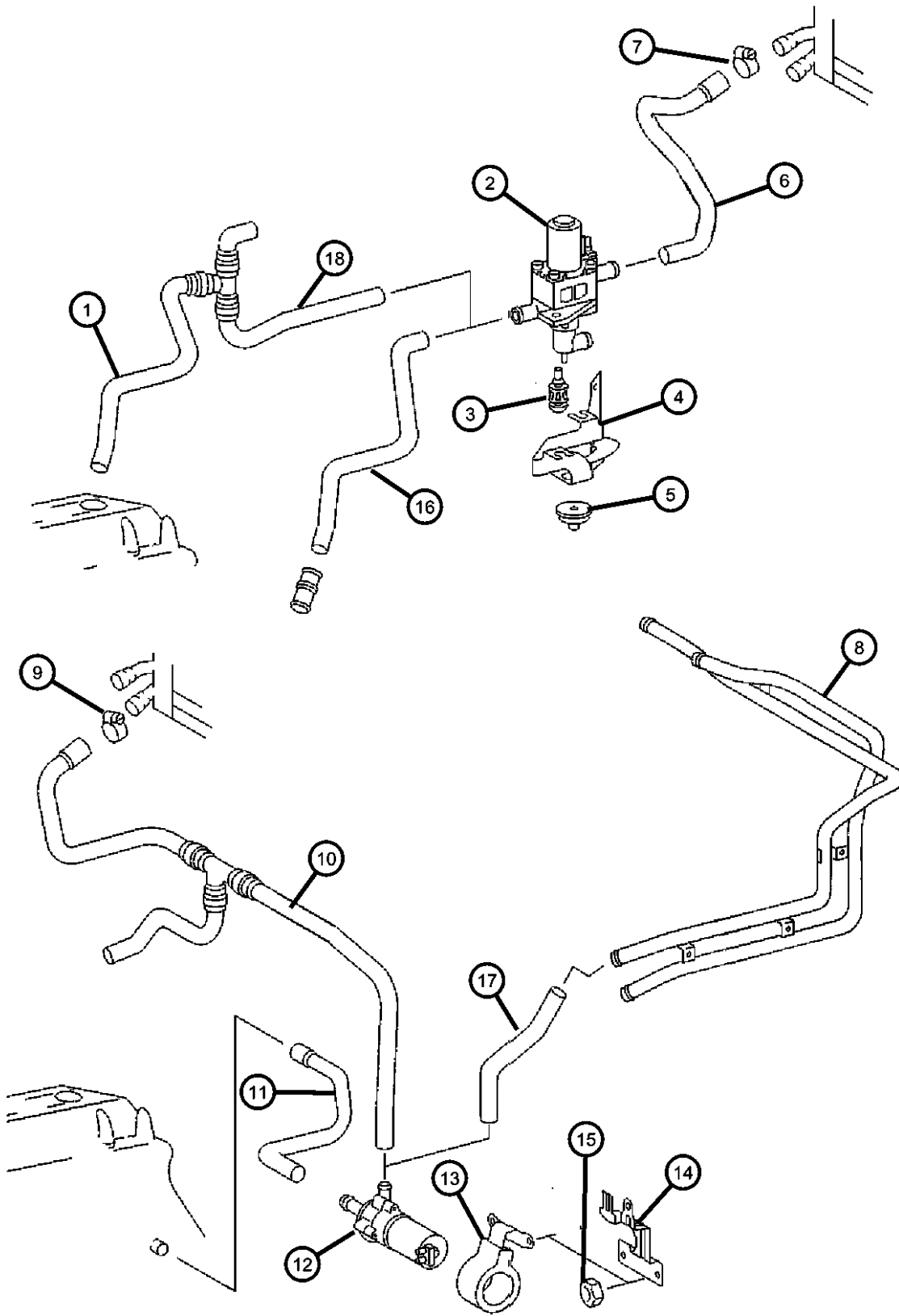
ITEM	PART NUMBER	QTY	LINE	SERIES	BODY	ENGINE	TRANS	TRIM	DESCRIPTION
	05124842AA	1	2, 6		01, 02, 06				
		1	2, 6		11, 12, 14, 15, 16				
		1	2, 6		51, 52, 54, 55, 56				
		1	3, 7		02, 06				
11		1	3, 7		12, 15, 16				HOSE
	05124867AA	1	2, 6		01, 02, 06				
		1	2, 6		11, 12, 14, 15, 16				
		1	2, 6		51, 52, 54, 55, 56				
12		1	3, 7		12, 15, 16				PUMP, Recirculating
	05098398AA	1	2, 6		14, 15, 16, 11, 12				
		1	2, 6		51, 52, 54, 55, 56				
		1	3, 7		02, 06	EX8, EX9			
		1	2, 6		01, 02, 06				
		1	3, 7		12, 15, 16	EX8, EX9			
13									BRACKET
	05124629AA	1	2, 6		01, 02, 06				
	05124629AB	1	2, 6		11, 12, 14, 15, 16				
		1	2, 6		51, 52, 54, 55, 56				
14		1	3, 7		12, 15, 16	EX9			BRACKET, Recirculating Pump
	05124808AA	1	2, 6		01, 02, 06	EX8, EX9			
		1	2, 6		11, 12, 14, 15, 16	EX8, EX9			

SPRINTER (VA)

SERIES	LINE	BODY	ENGINE	TRANSMISSION
L = LOWLINE	3 = HD DODGE 2WD 6 = Lt. Duty DODGE 4WD 2 = Med. Duty DODGE 2WD 7 = Med. Duty DODGE 4WD	55 = Wagon 140" 54 = Wagon 118" 52 = Wagon 140" 51 = Wagon 118" 12 = Van 140" 11 = Van 118" 06 = Front Section 158" 14 = Van 118" 15 = Van 140" 16 = Van 158" 56 = Wagon 158"	EX8 = Engine-2.7L I5 Mercedes Turbo Diesel	DGJ = Transmission-5-Spd. Automatic, W5A580
		01 = Chassis Forward Control 118" 02 = Chassis Forward Control 140"		

AR = use ase required - = Non illustrated part

Plumbing, Heater
Figure 24-260



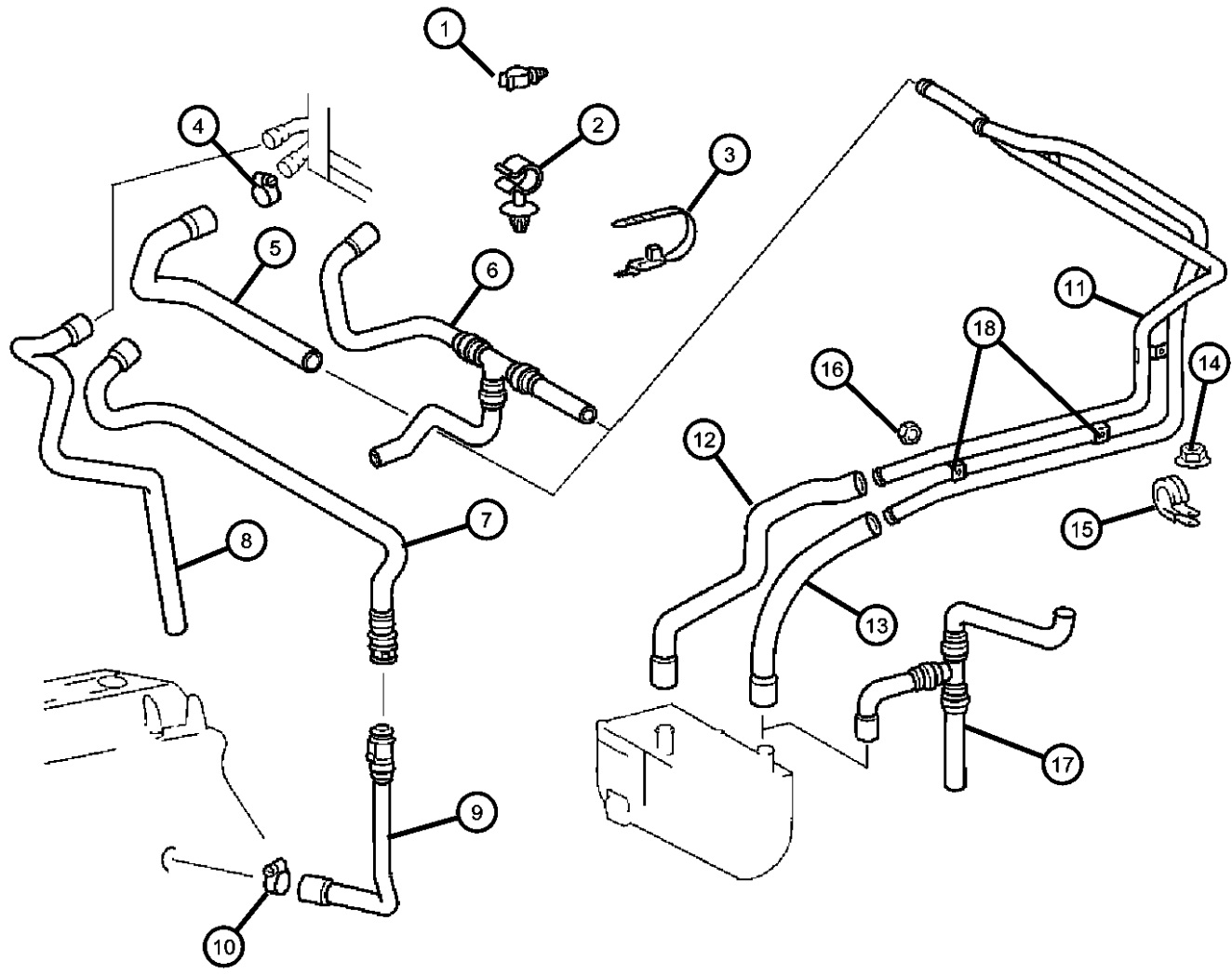
ITEM	PART NUMBER	QTY	LINE	SERIES	BODY	ENGINE	TRANS	TRIM	DESCRIPTION
		1	2, 6		51, 52, 54, 55, 56	EX8, EX9			
		1	3, 7		02, 06	EX8, EX9			
		1	3, 7		12, 15, 16	EX8, EX9			
15	05127449AA	1							NUT, Hex, M6
16	05124844AA	1	2, 6		52, 54, 55, 56, 51				HOSE
		1	3, 7		02, 06				
		1	3, 7		12, 15, 16				
		1	2, 6		01, 02, 06				
		1	2, 6		11, 12, 14, 15, 16				HOSE
17	05124848AA	1	2, 6		01, 02, 06				
		1	2, 6		11, 12, 14, 15, 16				
		1	2, 6		51, 52, 54, 55, 56				
		1	3, 7		12, 15, 16				
18	05125981AA	1	2, 6		01, 02, 06	EX8, EX9			HOSE, Flexible Exhaust, Supplemental Heater
		1	3, 7		02, 06	EX8, EX9			
		1	3, 7		12, 15, 16	EX9, EX8			
		1	2, 6		11, 12, 14, 15, 16	EX8, EX9			
		1	2, 6		51, 52, 54, 55, 56	EX8, EX9			

SPRINTER (VA)

SERIES	LINE	BODY	ENGINE	TRANSMISSION
L = LOWLINE	3 = HD DODGE 2WD 6 = Lt. Duty DODGE 4WD 2 = Med. Duty DODGE 2WD 7 = Med. Duty DODGE 4WD	55 = Wagon 140" 54 = Wagon 118" 52 = Wagon 140" 51 = Wagon 118" 12 = Van 140" 11 = Van 118" 06 = Front Section 158" 14 = Van 118" 15 = Van 140" 16 = Van 158" 56 = Wagon 158"	EX8 = Engine-2.7L I5 Mercedes Turbo Diesel	DGJ = Transmission-5-Spd. Automatic, W5A580
		01 = Chassis Forward Control 118" 02 = Chassis Forward Control 140"		

AR = use ase required - = Non illustrated part

**Plumbing, Heater with Auxiliary warm water Heater
Figure 24-265**



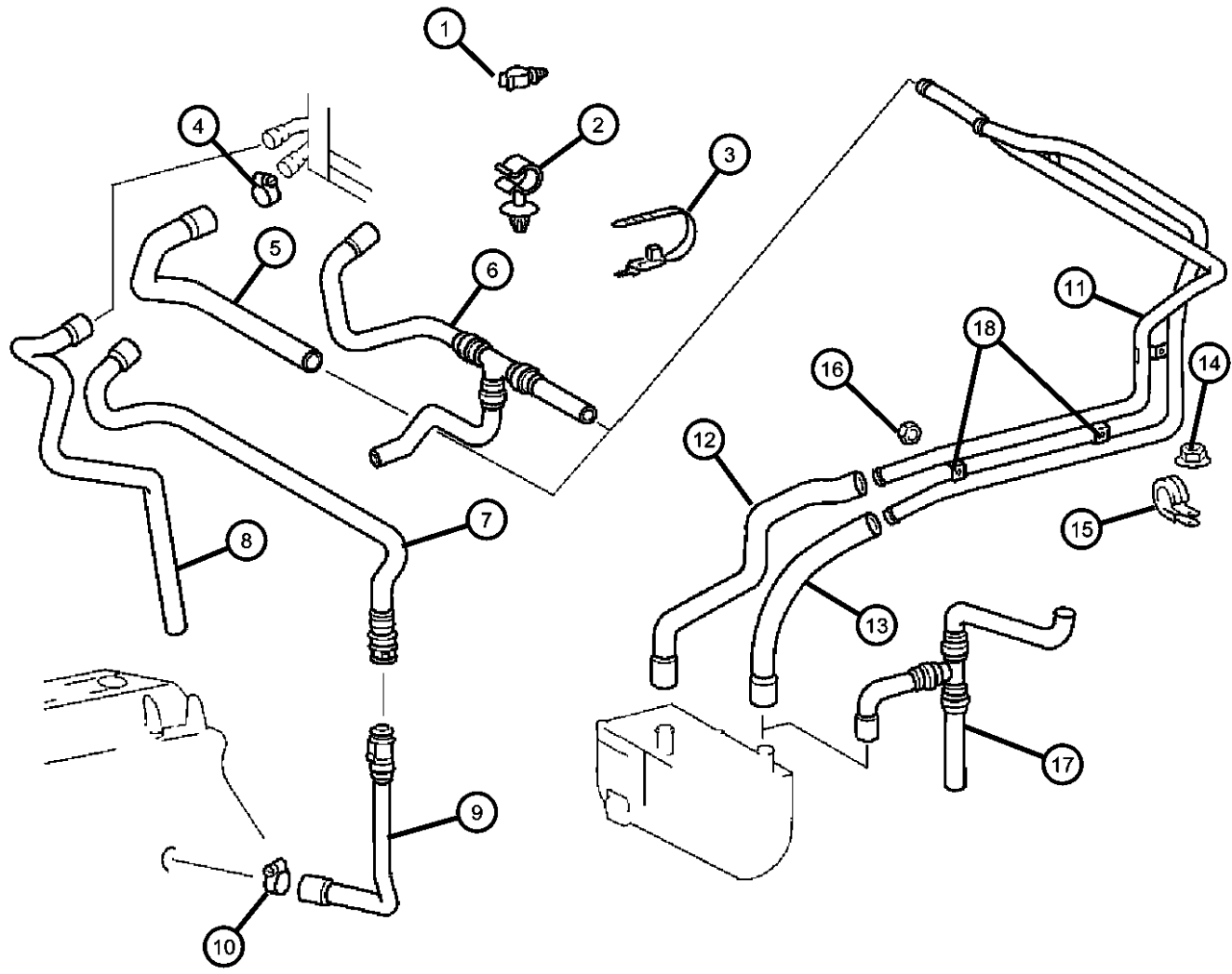
ITEM	PART NUMBER	QTY	LINE	SERIES	BODY	ENGINE	TRANS	TRIM	DESCRIPTION
1	05124806AA	1	2, 6		02, 06, 01				CLIP, Hose
		1	2, 6		11, 12, 14, 15, 16				
		1	2, 6		51, 52, 54, 55, 56				
		1	3, 7		02, 06				
		1	3, 7		12, 15, 16				
2	05117649AA	1	2, 6		01, 02, 06				CLIP, Hose
		1	2, 6		11, 12, 14, 15, 16				
		1	2, 6		51, 52, 54, 55, 56				
		1	3, 7		12, 15, 16				
3	05133297AA	99	2, 6		11, 12, 14, 15, 16				STRAP AND CLIP
		99	2, 6		51, 52, 54, 55, 56				
		99	2, 6		01, 02, 06				
		99	3, 7		12, 15, 16				
4	05104681AB	3	2, 6		51, 52, 54, 55, 56	EX9			CLAMP, Heater Hose
		3	3, 7		12, 15, 16	EX9			
		3	2, 6		01, 02, 06	EX9			
		3	2, 6		16, 11, 12, 14, 15	EX9			
5	05124854AA	1	2, 6		01, 02, 06				HOSE
		1	2, 6		11, 12, 14, 15, 16				

SPRINTER (VA)

SERIES	LINE	BODY	ENGINE	TRANSMISSION
L = LOWLINE	3 = HD DODGE 2WD 6 = Lt. Duty DODGE 4WD 2 = Med. Duty DODGE 2WD 7 = Med. Duty DODGE 4WD	55 = Wagon 140" 54 = Wagon 118" 52 = Wagon 140" 51 = Wagon 118" 12 = Van 140" 11 = Van 118" 06 = Front Section 158" 14 = Van 118" 15 = Van 140" 16 = Van 158" 56 = Wagon 158"	EX8 = Engine-2.7L I5 Mercedes Turbo Diesel	DGJ = Transmission-5-Spd. Automatic, W5A580
		01 = Chassis Forward Control 118" 02 = Chassis Forward Control 140"		

AR = use ase required - = Non illustrated part

**Plumbing, Heater with Auxiliary warm water Heater
Figure 24-265**



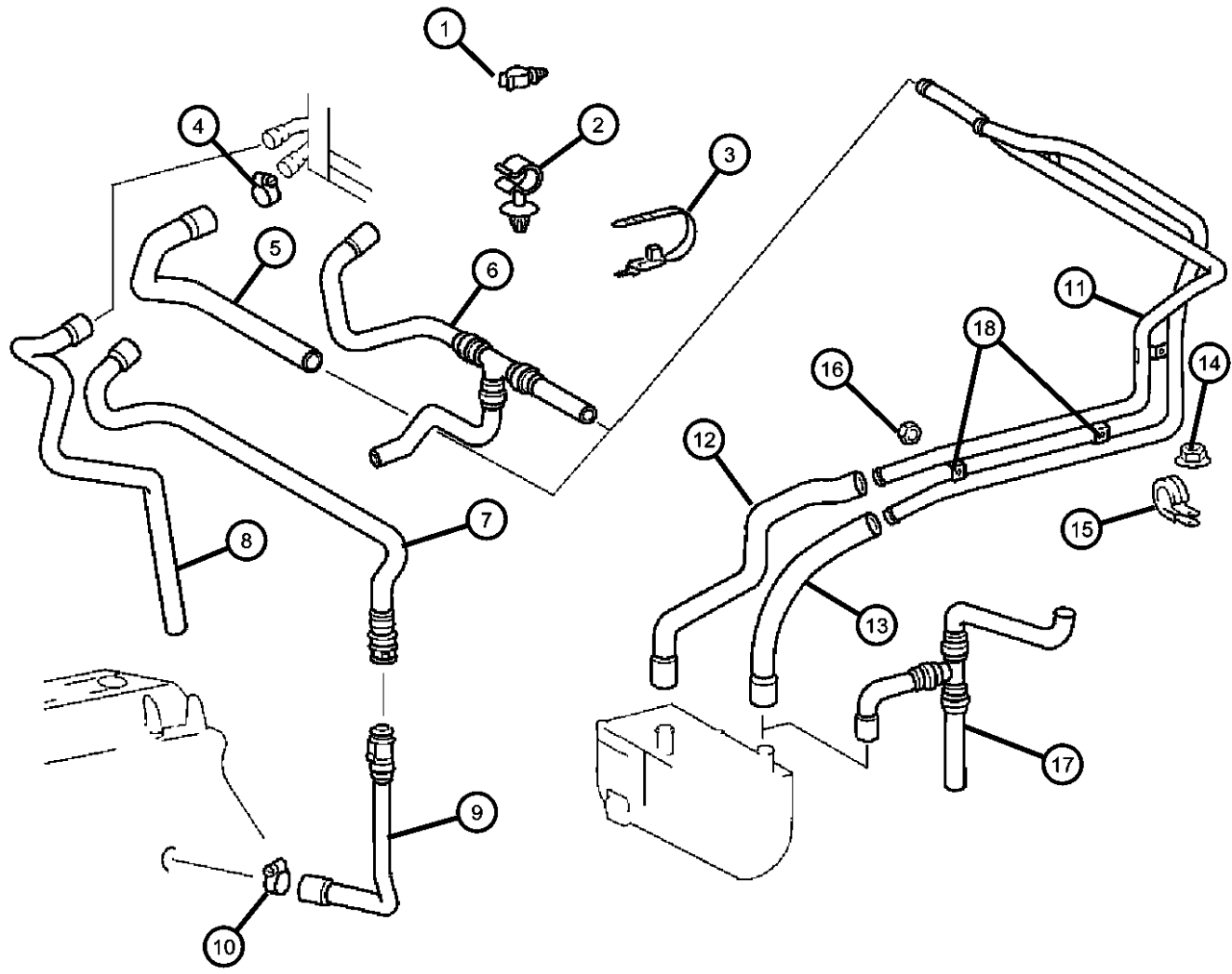
ITEM	PART NUMBER	QTY	LINE	SERIES	BODY	ENGINE	TRANS	TRIM	DESCRIPTION
6	05124837AA	1	2, 6		51, 52, 54, 55, 56				HOSE
		1	3, 7		02, 06				
		1	3, 7		12, 15, 16				
7	05104481AA	1	2, 6		11, 12, 14, 15, 16				HOSE
		1	2, 6		51, 52, 54, 55, 56				
		1	3, 7		02, 06				
		1	3, 7		12, 15, 16				
		1	2, 6		01, 02, 06				
		1	2, 6		01, 02, 06	EX9			
8	05104489AA	1	2, 6		51, 52, 54, 55, 56	EX8, EX9			HOSE
		1	3, 7		02, 06	EX8, EX9			
		1	2, 6		01, 02, 06	EX8, EX9			
		1	2, 6		11, 12, 14, 15, 16	EX8, EX9			
		1	3, 7		12, 15, 16	EX8, EX9			
		1	2, 6		01, 02, 06	EX8, EX9			
9	05124866AA	1	2, 6		11, 12, 14, 15, 16	EX9			HOSE, HOSE-WATER
		1	2, 6		11, 12, 14, 15, 16	EX8, EX9			
		1	2, 6		51, 52, 54, 55, 56	EX8, EX9			
		1	3, 7		02, 06	EX8, EX9			
		1	3, 7		12, 15, 16	EX8, EX9			

SPRINTER (VA)

SERIES	LINE	BODY	ENGINE	TRANSMISSION
L = LOWLINE	3 = HD DODGE 2WD 6 = Lt. Duty DODGE 4WD 2 = Med. Duty DODGE 2WD 7 = Med. Duty DODGE 4WD	55 = Wagon 140" 54 = Wagon 118" 52 = Wagon 140" 51 = Wagon 118" 12 = Van 140" 11 = Van 118" 06 = Front Section 158" 14 = Van 118" 15 = Van 140" 16 = Van 158" 56 = Wagon 158"	EX8 = Engine-2.7L I5 Mercedes Turbo Diesel	DGJ = Transmission-5-Spd. Automatic,W5A580
		01 = Chassis Forward Control 118" 02 = Chassis Forward Control 140"		

AR = use ase required - = Non illustrated part

Plumbing, Heater with Auxiliary warm water Heater
Figure 24-265



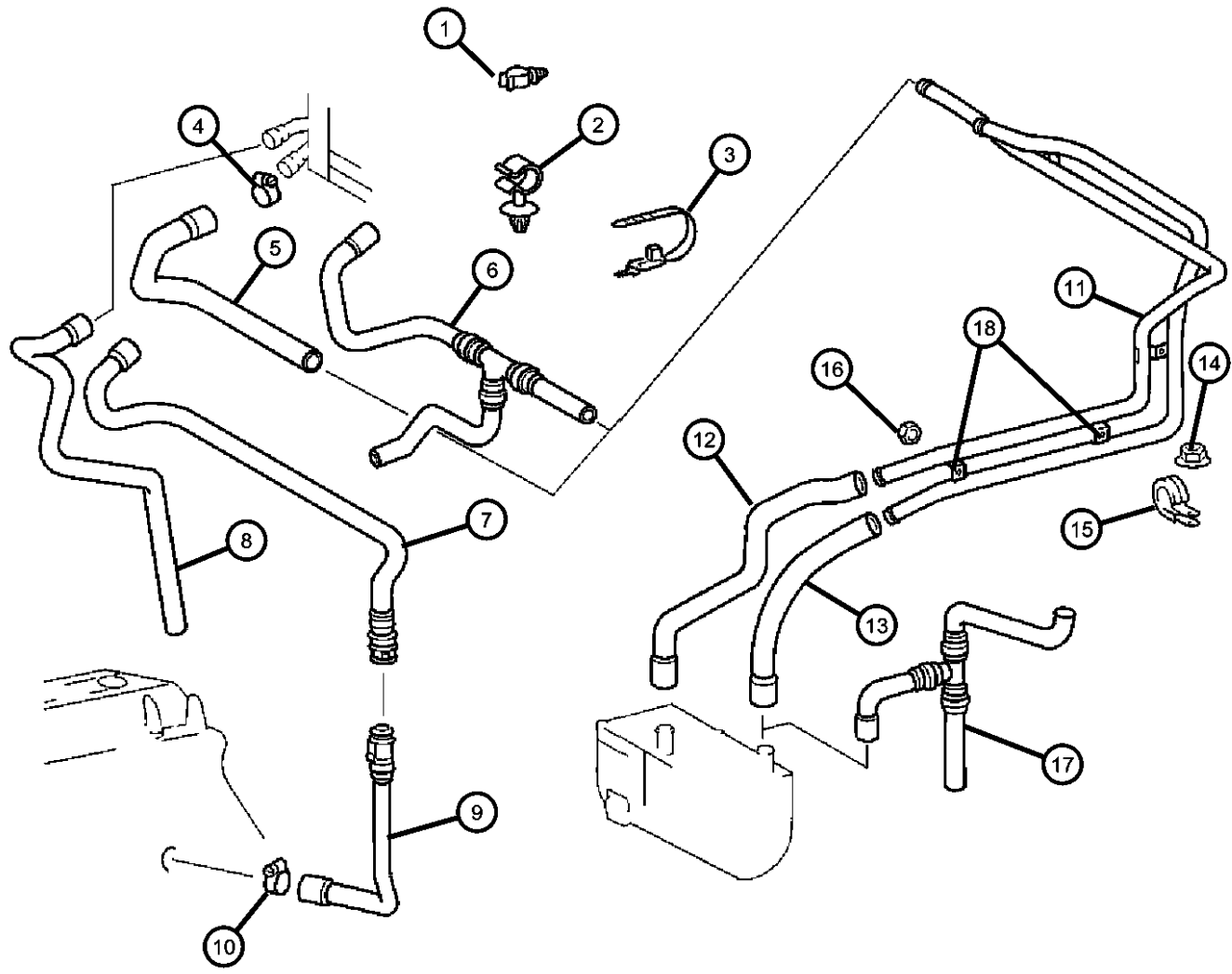
ITEM	PART NUMBER	QTY	LINE	SERIES	BODY	ENGINE	TRANS	TRIM	DESCRIPTION
		1	2, 6		51, 52, 54, 55, 56	EX9			
		1	3, 7		12, 15, 16	EX9			
		1	2, 6		01, 02, 06	EX9			
10									CLAMP, CLAMP
	05126287AA	6	2, 6		01, 02, 06	EX8, EX9			
		6	2, 6		56, 51, 52, 54, 55	EX8, EX9			
		6	2, 6		11, 12, 14, 15, 16	EX8, EX9			
		6	3, 7		12, 15, 16	EX8, EX9			
		6	3, 7		02, 06	EX8, EX9			
11									TUBE, Heater
	05124644AA	1	2, 6		01, 02, 06				
		1	2, 6		11, 12, 14, 15, 16				
		1	2, 6		51, 52, 54, 55, 56				
		1	3, 7		12, 15, 16				
12									HOSE
	05124850AA	1	2, 6		01, 02, 06				
		1	2, 6		11, 12, 14, 15, 16				
		1	2, 6		51, 52, 54, 55, 56				
		1	3, 7		02, 06				
		1	3, 7		12, 15, 16				
13									HOSE
	05124852AA	1	3, 7		12, 15, 16				
		1	2, 6		01, 02, 06				
14									NUT, Hex

SPRINTER (VA)

SERIES	LINE	BODY	ENGINE	TRANSMISSION
L = LOWLINE	3 = HD DODGE 2WD 6 = Lt. Duty DODGE 4WD 2 = Med. Duty DODGE 2WD 7 = Med. Duty DODGE 4WD	55 = Wagon 140" 54 = Wagon 118" 52 = Wagon 140" 51 = Wagon 118" 12 = Van 140" 11 = Van 118" 06 = Front Section 158" 14 = Van 118" 15 = Van 140" 16 = Van 158" 56 = Wagon 158"	EX8 = Engine-2.7L I5 Mercedes Turbo Diesel	DGJ = Transmission-5-Spd. Automatic, W5A580
		01 = Chassis Forward Control 118" 02 = Chassis Forward Control 140"		

AR = use ase required - = Non illustrated part

Plumbing, Heater with Auxiliary warm water Heater
Figure 24-265



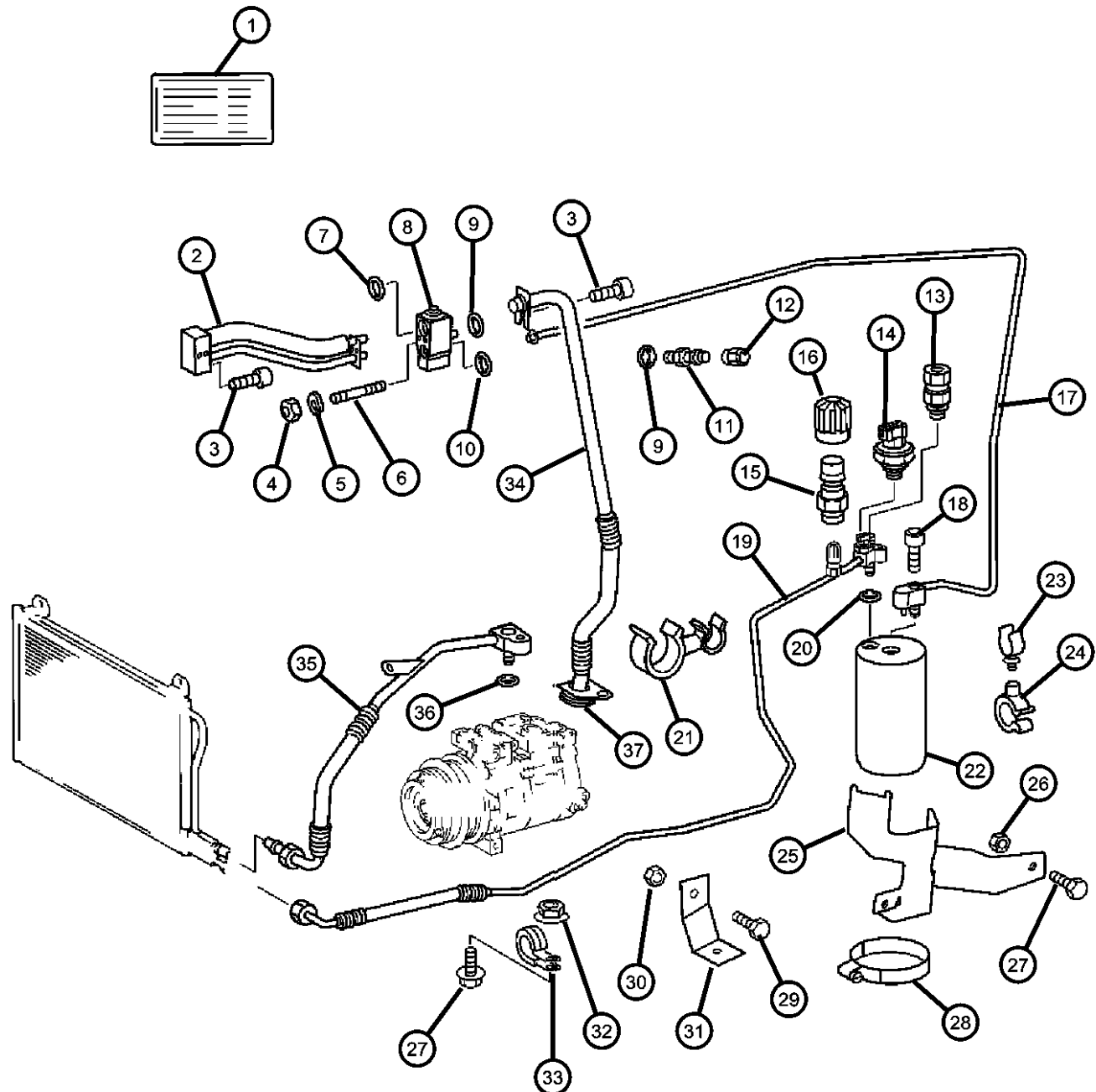
ITEM	PART NUMBER	QTY	LINE	SERIES	BODY	ENGINE	TRANS	TRIM	DESCRIPTION
	06104911AA	1	2, 6		11, 12, 14, 15, 16				
		1	2, 6		01, 02, 06				
		1	2, 6		54, 55, 56, 51, 52				
		1	3, 7		12, 15, 16				
15									CLAMP, Air Conditioning Piping
	05126284AA	1	2, 6		01, 02, 06				
		1	2, 6		11, 12, 14, 15, 16				
		1	2, 6		51, 52, 54, 55, 56				
		1	3, 7		12, 15, 16				
16									NUT, Hex, M6
	05096978AA	1	2, 6		01, 02, 06				
		2	2, 6		11, 12, 14, 15, 16				
		2	2, 6		51, 52, 54, 55, 56				
		2	3, 7		12, 15, 16				
17									HOSE, Auxiliary Heater
	05124886AA	1	2, 6		11, 12, 14, 15, 16				
		1	2, 6		51, 52, 54, 55, 56				
		1	3, 7		12, 15, 16				
18									BRACKET, Heater Core Tubes
	05133315AA	1	2, 6		01, 02, 06				
		1	2, 6		14, 15, 16, 11, 12				
		1	2, 6		51, 52, 54, 55, 56				
		1	3, 7		12, 15, 16				

SPRINTER (VA)

SERIES	LINE	BODY	ENGINE	TRANSMISSION
L = LOWLINE	3 = HD DODGE 2WD 6 = Lt. Duty DODGE 4WD 2 = Med. Duty DODGE 2WD 7 = Med. Duty DODGE 4WD	55 = Wagon 140" 54 = Wagon 118" 52 = Wagon 140" 51 = Wagon 118" 12 = Van 140" 11 = Van 118" 06 = Front Section 158" 14 = Van 118" 15 = Van 140" 16 = Van 158" 56 = Wagon 158"	EX8 = Engine-2.7L I5 Mercedes Turbo Diesel	DGJ = Transmission-5-Spd. Automatic, W5A580
		01 = Chassis Forward Control 118" 02 = Chassis Forward Control 140"		

AR = use ase required - = Non illustrated part

**Plumbing, Air Conditioning
Figure 24-270**

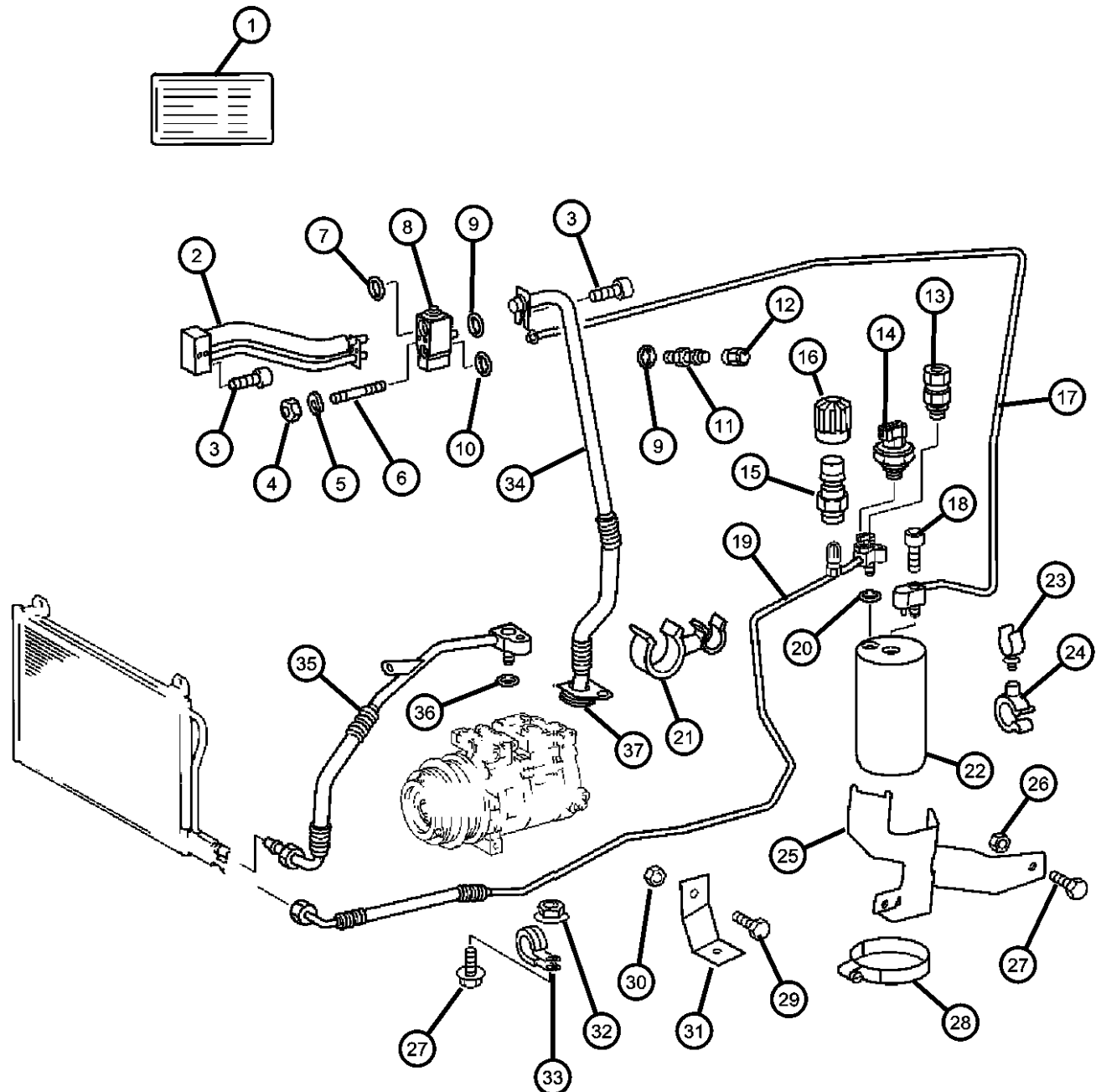


ITEM	PART NUMBER	QTY	LINE	SERIES	BODY	ENGINE	TRANS	TRIM	DESCRIPTION
1	05124359AA	1	2, 6		11, 12, 14, 15, 16				LABEL, A/C Spec.
		1	2, 6		51, 52, 54, 55, 56				
		1	3, 7		12, 15, 16				
2	05104479AA	1	2, 6		01, 02, 06				LINE, A/C Suction And Liquid
		1	2, 6		11, 12, 14, 15, 16				
		1	2, 6		51, 52, 54, 55, 56				
		1	3, 7		12, 15, 16				
3	05126135AA	2	2, 6		11, 12, 14, 15, 16				SCREW
		2	2, 6		51, 52, 54, 55, 56				
		2	3, 7		12, 15, 16				
4		2							NUT, (NOT SERVICED)
5									LOCK WASHER
	05126240AA	1	2, 6		11, 12, 14, 15, 16				
		1	2, 6		54, 55, 56, 51, 52				
		1	3, 7		12, 15, 16				
6	05134028AA	1	2, 6		11, 12, 14, 15, 16				STUD, Expansion Valve
		1	2, 6		51, 52, 54, 55, 56				
		1	3, 7		12, 15, 16				
7	05098971AA	1	2, 6		11, 12, 14, 15, 16				O RING, A/C Line

SPRINTER (VA)
SERIES **LINE** **BODY** **ENGINE** **TRANSMISSION**
L = LOWLINE 3 = HD DODGE 2WD 55 = Wagon 140" EX8 = Engine-2.7L I5 DGJ = Transmission-5-Spd.
 6 = Lt. Duty DODGE 4WD 54 = Wagon 118" Mercedes Turbo Diesel Automatic,W5A580
 2 = Med. Duty DODGE 2WD
 7 = Med. Duty DODGE 4WD
 51 = Wagon 118"
 12 = Van 140"
 11 = Van 118"
 06 = Front Section 158"
 14 = Van 118"
 15 = Van 140"
 16 = Van 158"
 56 = Wagon 158"
 01 = Chassis Forward Control
 118"
 02 = Chassis Forward Control
 140"

AR = use ase required - = Non illustrated part

Plumbing, Air Conditioning
Figure 24-270



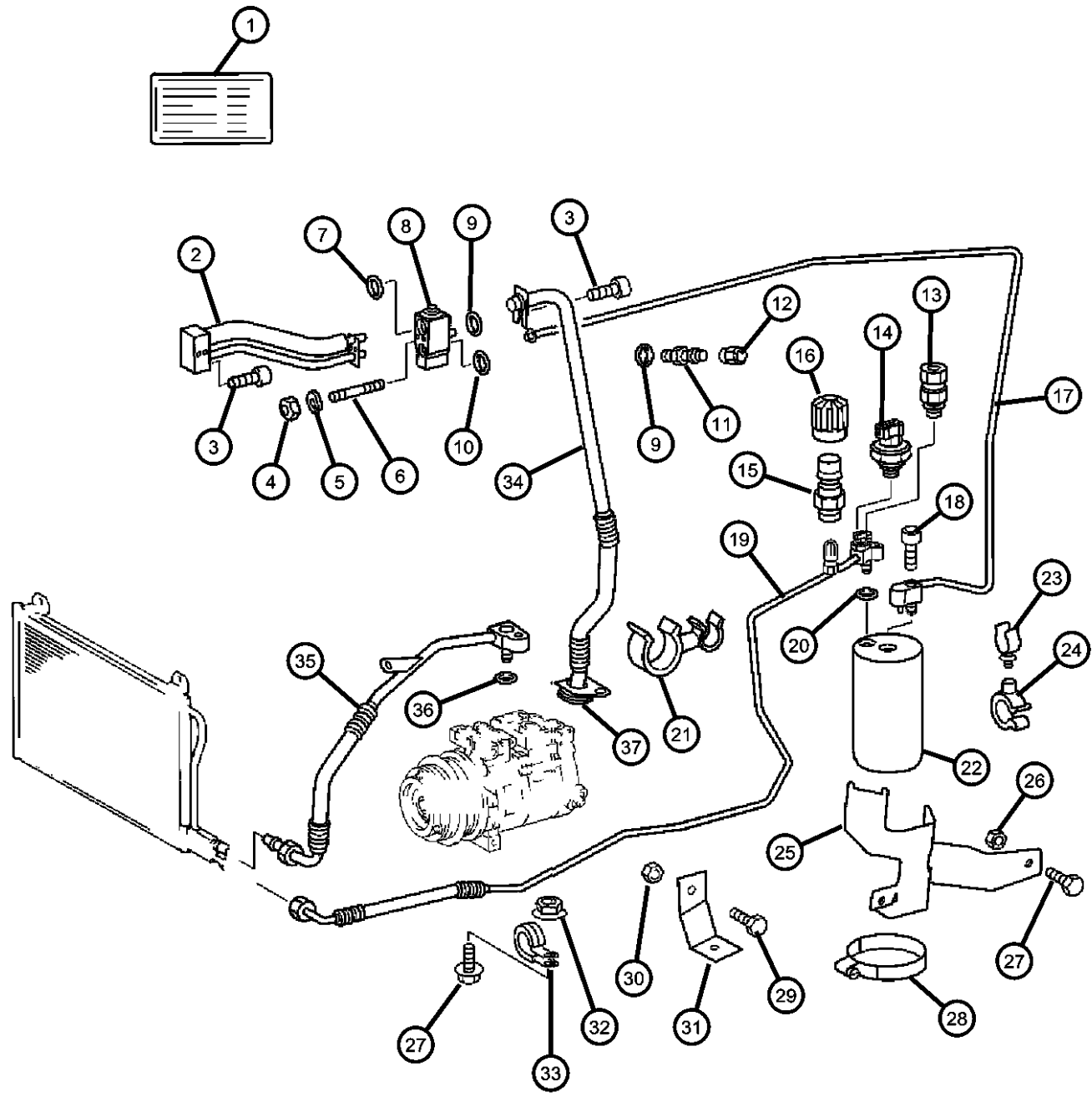
ITEM	PART NUMBER	QTY	LINE	SERIES	BODY	ENGINE	TRANS	TRIM	DESCRIPTION
		1	2, 6		51, 52, 54, 55, 56				
8		1	3, 7		12, 15, 16				VALVE, Expansion
	05103933AA	1	2, 6		11, 12, 14, 15, 16				
		1	2, 6		51, 52, 54, 55, 56				
		1	3, 7		12, 15, 16				
9		2	2, 6		11, 12, 14, 15, 16				O RING, A/C Line
	05103930AA	2	2, 6		11, 12, 14, 15, 16				
		2	2, 6		51, 52, 54, 55, 56				
		2	3, 7		12, 15, 16				
10		2	2, 6		11, 12, 14, 15, 16				O RING, A/C Line
	05098970AA	2	2, 6		11, 12, 14, 15, 16				
		2	2, 6		51, 52, 54, 55, 56				
		2	3, 7		12, 15, 16				
11		1	2, 6		11, 12, 14, 15, 16				VALVE, Check
	05103771AA	1	2, 6		11, 12, 14, 15, 16				
		1	2, 6		51, 52, 54, 55, 56				
		1	3, 7		12, 15, 16				
12		1	2, 6		11, 12, 14, 15, 16				CAP, Sealing
	05134029AA	1	2, 6		11, 12, 14, 15, 16				
		1	2, 6		51, 52, 54, 55, 56				
		1	3, 7		12, 15, 16				
13		1	3, 7		12, 15, 16				VALVE, A/C Pressure Relief

SPRINTER (VA)

SERIES	LINE	BODY	ENGINE	TRANSMISSION
L = LOWLINE	3 = HD DODGE 2WD 6 = Lt. Duty DODGE 4WD 2 = Med. Duty DODGE 2WD 7 = Med. Duty DODGE 4WD	55 = Wagon 140" 54 = Wagon 118" 52 = Wagon 140" 51 = Wagon 118" 12 = Van 140" 11 = Van 118" 06 = Front Section 158" 14 = Van 118" 15 = Van 140" 16 = Van 158" 56 = Wagon 158"	EX8 = Engine-2.7L I5 Mercedes Turbo Diesel	DGJ = Transmission-5-Spd. Automatic, W5A580
		01 = Chassis Forward Control 118" 02 = Chassis Forward Control 140"		

AR = use ase required - = Non illustrated part

Plumbing, Air Conditioning
Figure 24-270



ITEM	PART NUMBER	QTY	LINE	SERIES	BODY	ENGINE	TRANS	TRIM	DESCRIPTION
	05098395AA	1	3, 7		12, 15, 16				
		1	2, 6		16, 11, 12, 14, 15				
		1	2, 6		51, 52, 54, 55, 56				
14									SWITCH, A/C Pressure
	05097873AA	1	2, 6		11, 12, 14, 15, 16				
		1	2, 6		51, 52, 54, 55, 56				
		1	3, 7		12, 15, 16				
15									VALVE, Charging
	05098396AB	1	2, 6		11, 12, 14, 15, 16				
		1	2, 6		51, 52, 54, 55, 56				
		1	3, 7		12, 15, 16				
16									CAP, A/C Charge Valve
	05098958AA	1	2, 6		11, 12, 14, 15, 16				
		1	2, 6		51, 52, 54, 55, 56				
		1	3, 7		12, 15, 16				
17									LINE, Receiver/Drier to Expansion Valve
	05124646AA	1	3, 7		12, 15, 16				
		1	2, 6		11, 12, 14, 15, 16				
		1	2, 6		51, 52, 54, 55, 56				
18									SCREW
	05126136AA	2	2, 6		11, 12, 14, 15, 16				
		2	2, 6		55, 56, 51, 52, 54				

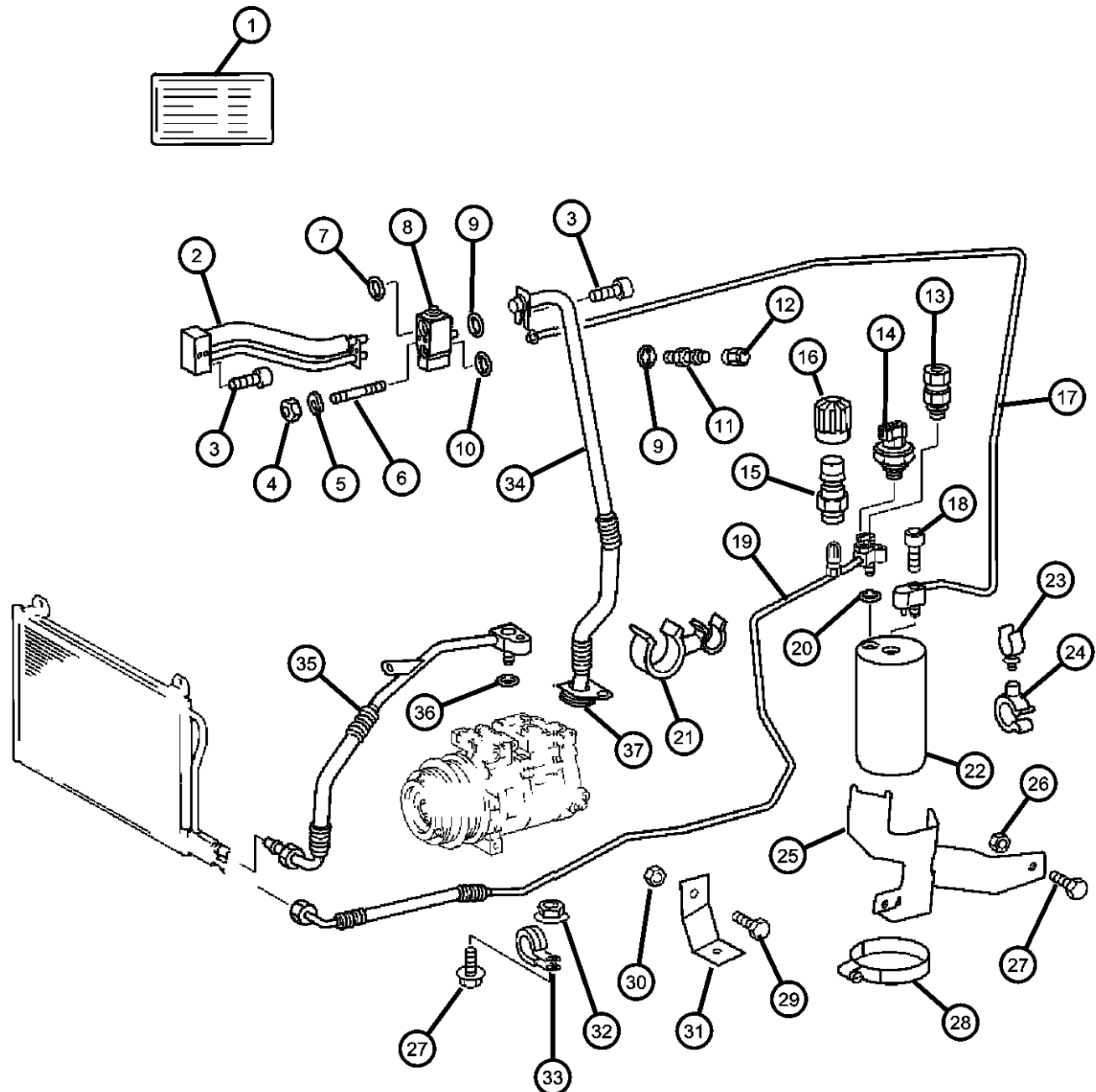
SPRINTER (VA)

SERIES	LINE	BODY	ENGINE	TRANSMISSION
L = LOWLINE	3 = HD DODGE 2WD 6 = Lt. Duty DODGE 4WD 2 = Med. Duty DODGE 2WD 7 = Med. Duty DODGE 4WD	55 = Wagon 140" 54 = Wagon 118" 52 = Wagon 140" 51 = Wagon 118" 12 = Van 140" 11 = Van 118" 06 = Front Section 158" 14 = Van 118" 15 = Van 140" 16 = Van 158" 56 = Wagon 158"	EX8 = Engine-2.7L I5 Mercedes Turbo Diesel	DGJ = Transmission-5-Spd. Automatic, W5A580
		01 = Chassis Forward Control 118" 02 = Chassis Forward Control 140"		

AR = use ase required - = Non illustrated part

Plumbing, Air Conditioning
Figure 24-270

ITEM	PART NUMBER	QTY	LINE	SERIES	BODY	ENGINE	TRANS	TRIM	DESCRIPTION
------	-------------	-----	------	--------	------	--------	-------	------	-------------



		2	3, 7		12, 15, 16				
19	05104484AA	1	2, 6		11, 12, 14, 15, 16				LINE, Condenser to Receiver/Drier
		1	2, 6		51, 52, 54, 55, 56				
		1	3, 7		12, 15, 16				
20	05103571AA	1	2, 6		11, 12, 14, 15, 16				O RING, Air Conditioning Line
		1	2, 6		51, 52, 54, 55, 56				
		1	3, 7		12, 15, 16				
21	05124806AA	1	2, 6		01, 02, 06				CLIP, Hose
		1	2, 6		11, 12, 14, 15, 16				
		1	2, 6		51, 52, 54, 55, 56				
	05125881AA	1	3, 7		02, 06	EX9			
		1	3, 7		02, 06	EX8, EX9			
		1	3, 7		12, 15, 16	EX8, EX9			
22	05103570AA	1	2, 6		11, 12, 14, 15, 16				RECEIVER DRIER
		1	2, 6		51, 52, 54, 55, 56				
		1	3, 7		12, 15, 16				
23	06104924AA	1	2, 6		11, 12, 14, 15, 16				CLIP, Retaining
		1	2, 6		51, 52, 54, 55, 56				

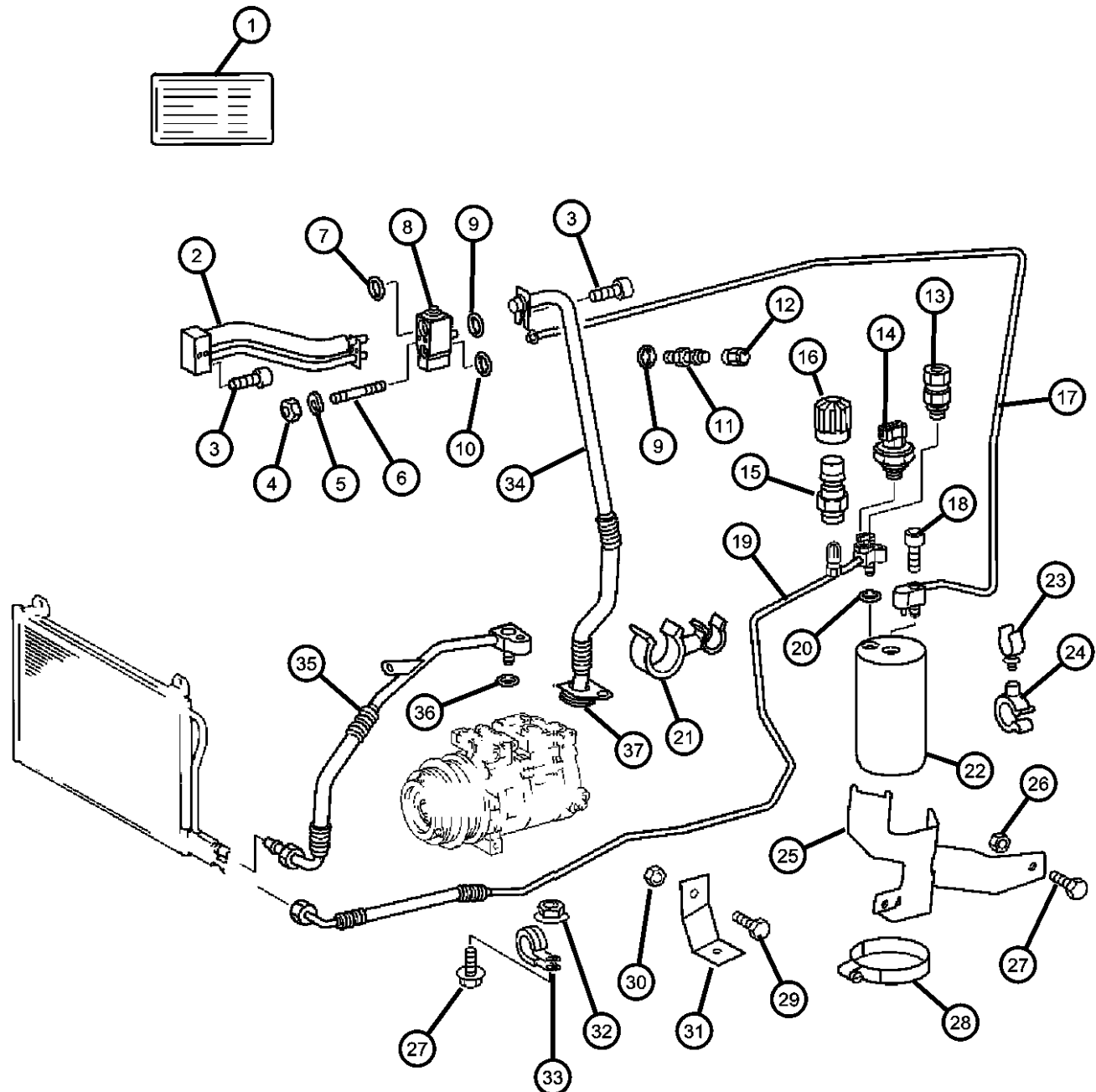
SPRINTER (VA)

SERIES	LINE	BODY	ENGINE	TRANSMISSION
L = LOWLINE	3 = HD DODGE 2WD 6 = Lt. Duty DODGE 4WD 2 = Med. Duty DODGE 2WD 7 = Med. Duty DODGE 4WD	55 = Wagon 140" 54 = Wagon 118" 52 = Wagon 140" 51 = Wagon 118" 12 = Van 140" 11 = Van 118" 06 = Front Section 158" 14 = Van 118" 15 = Van 140" 16 = Van 158" 56 = Wagon 158"	EX8 = Engine-2.7L I5 Mercedes Turbo Diesel	DGJ = Transmission-5-Spd. Automatic,W5A580
		01 = Chassis Forward Control 118" 02 = Chassis Forward Control 140"		

AR = use ase required - = Non illustrated part

2004 VA

Plumbing, Air Conditioning
Figure 24-270



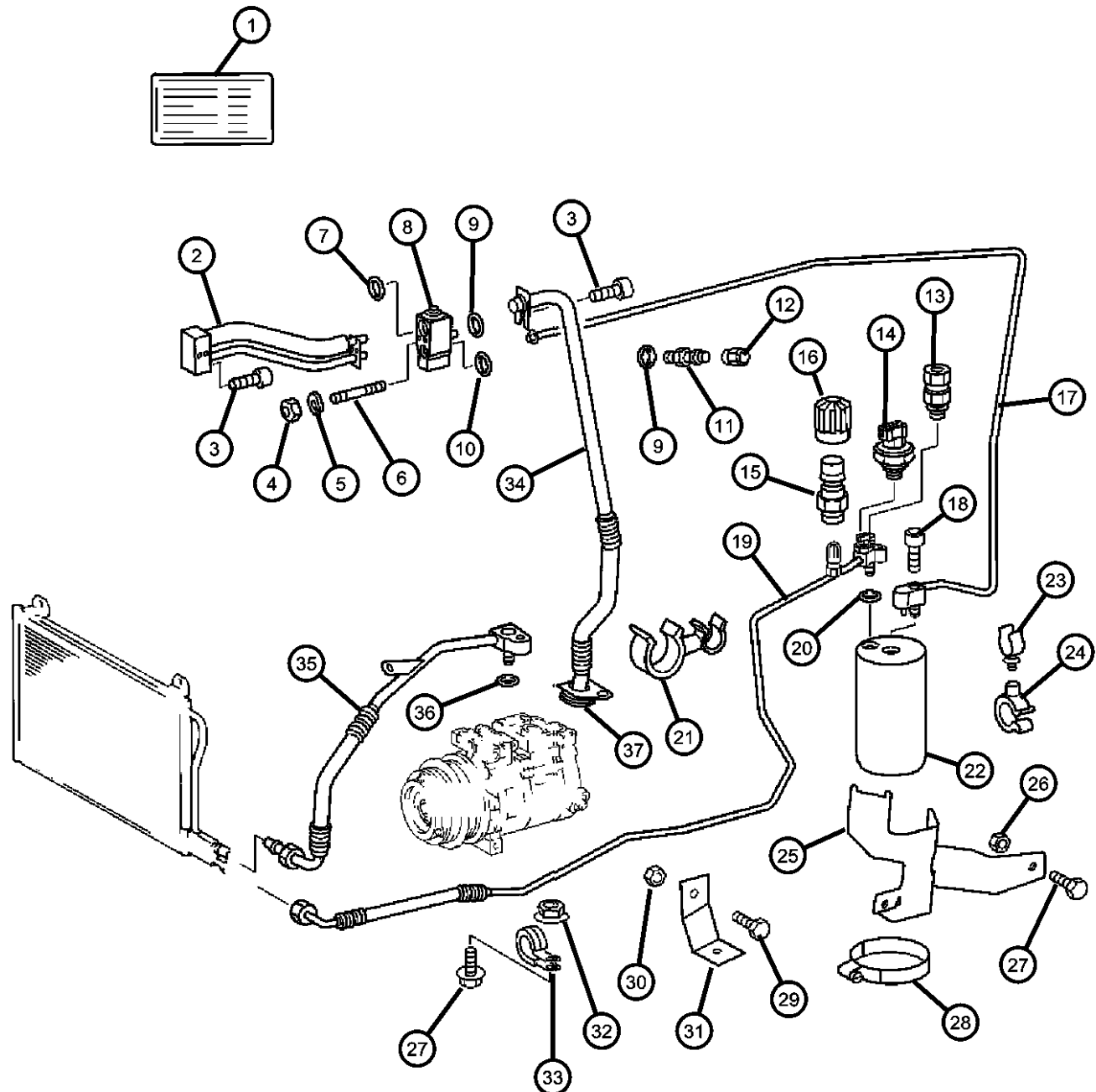
ITEM	PART NUMBER	QTY	LINE	SERIES	BODY	ENGINE	TRANS	TRIM	DESCRIPTION
24		1	3, 7		12, 15, 16				CLAMP, HOSE CLAMP
	05133495AA	1	3, 7		12, 15, 16				
		1	2, 6		11, 12, 14, 15, 16				
		1	2, 6		51, 52, 54, 55, 56				
25									BRACKET, Recirculating Pump
	05124810AA	1	2, 6		11, 12, 14, 15, 16				
		1	2, 6		51, 52, 54, 55, 56				
		1	3, 7		12, 15, 16				
26									NUT, Hex, M6
	05096978AA	2	2, 6		56, 51, 52, 54, 55				
		2	2, 6		11, 12, 14, 15, 16				
		2	3, 7		12, 15, 16				
27	06104005AA	2							SCREW
28									CLAMP
	06104787AA	1	2, 6		11, 12, 14, 15, 16				
		1	2, 6		51, 52, 54, 55, 56				
	06104791AA	1	3, 7		12, 15, 16				
29									NUT, Hex, M6
	05127449AA	1	2, 6		01, 02, 06				
		1	2, 6		11, 12, 14, 15, 16				
		1	2, 6		51, 52, 54, 55, 56				
		2	3, 7		12, 15, 16				

SPRINTER (VA)

SERIES	LINE	BODY	ENGINE	TRANSMISSION
L = LOWLINE	3 = HD DODGE 2WD 6 = Lt. Duty DODGE 4WD 2 = Med. Duty DODGE 2WD 7 = Med. Duty DODGE 4WD	55 = Wagon 140" 54 = Wagon 118" 52 = Wagon 140" 51 = Wagon 118" 12 = Van 140" 11 = Van 118" 06 = Front Section 158" 14 = Van 118" 15 = Van 140" 16 = Van 158" 56 = Wagon 158"	EX8 = Engine-2.7L I5 Mercedes Turbo Diesel	DGJ = Transmission-5-Spd. Automatic, W5A580
		01 = Chassis Forward Control 118" 02 = Chassis Forward Control 140"		

AR = use ase required - = Non illustrated part

Plumbing, Air Conditioning
Figure 24-270



ITEM	PART NUMBER	QTY	LINE	SERIES	BODY	ENGINE	TRANS	TRIM	DESCRIPTION
30	06104725AA	1	2, 6		11, 12, 14, 15, 16				NUT
		1	3, 7		12, 15, 16				
		1	2, 6		51, 52, 54, 55, 56				
31		1							BRACKET, (NOT SERVICED)
32	05096978AA	1	2, 6		51, 52, 54, 55, 56				NUT, Hex, M6
		1	3, 7		12, 15, 16				
		1	2, 6		11, 12, 14, 15, 16				
33	05126284AA	1	2, 6		11, 12, 14, 15, 16				CLAMP, Air Conditioning Piping
		1	2, 6		51, 52, 54, 55, 56				
		1	3, 7		12, 15, 16				
34	05124647AA	1	2, 6		01, 02, 06	EX8, EX9			LINE, Expansion Valve to Compressor
		1	2, 6		11, 12, 14, 15, 16	EX8, EX9			
		1	2, 6		51, 52, 54, 55, 56	EX8, EX9			
		1	3, 7		02, 06	EX8, EX9			
		1	3, 7		12, 15, 16	EX8, EX9			
35	05124817AA	1	3, 7		12, 15, 16	EX9			LINE, A/C Compressor
		1	2, 6		11, 12, 14, 15, 16				
		1	2, 6		51, 52, 54, 55, 56				

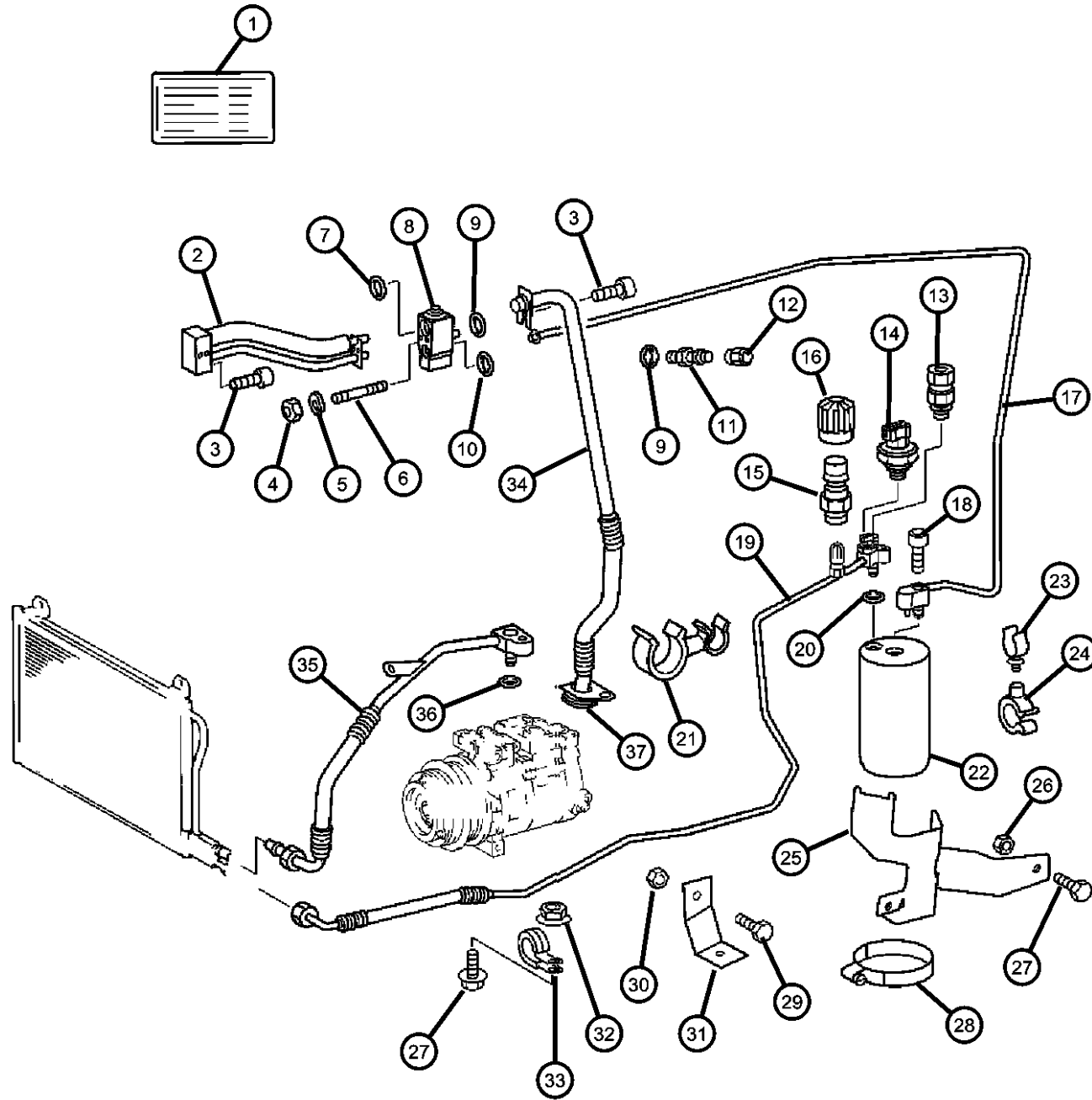
SPRINTER (VA)

SERIES	LINE	BODY	ENGINE	TRANSMISSION
L = LOWLINE	3 = HD DODGE 2WD 6 = Lt. Duty DODGE 4WD 2 = Med. Duty DODGE 2WD 7 = Med. Duty DODGE 4WD	55 = Wagon 140" 54 = Wagon 118" 52 = Wagon 140" 51 = Wagon 118" 12 = Van 140" 11 = Van 118" 06 = Front Section 158" 14 = Van 118" 15 = Van 140" 16 = Van 158" 56 = Wagon 158"	EX8 = Engine-2.7L I5 Mercedes Turbo Diesel	DGJ = Transmission-5-Spd. Automatic,W5A580
		01 = Chassis Forward Control 118" 02 = Chassis Forward Control 140"		

AR = use ase required - = Non illustrated part

Plumbing, Air Conditioning
Figure 24-270

ITEM	PART NUMBER	QTY	LINE	SERIES	BODY	ENGINE	TRANS	TRIM	DESCRIPTION
------	-------------	-----	------	--------	------	--------	-------	------	-------------



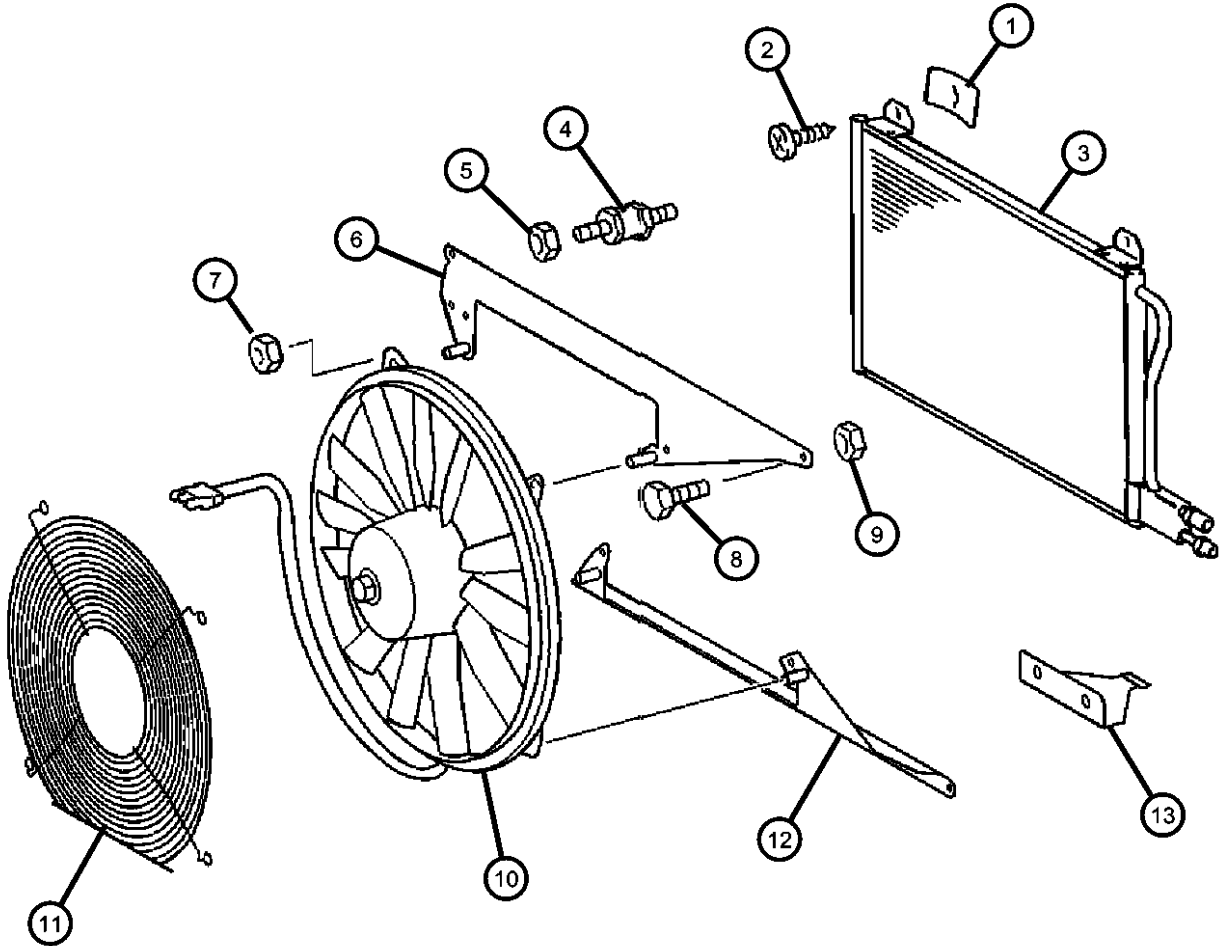
		1	3, 7		02, 06	EX8, EX9			
		1	3, 7		12, 15, 16	EX8, EX9			
		1	3, 7		02, 06	EX9			
36									O RING, A/C Line
	05098972AA	1	2, 6		51, 52, 54, 55, 56				
		1	3, 7		12, 15, 16				
		1	2, 6		14, 15, 16, 11, 12				
37									SEAL, O-Ring
	05134027AA	1	3, 7		12, 15, 16				
		1	2, 6		11, 12, 14, 15, 16				
		1	2, 6		51, 52, 54, 55, 56				

SPRINTER (VA)

SERIES	LINE	BODY	ENGINE	TRANSMISSION
L = LOWLINE	3 = HD DODGE 2WD 6 = Lt. Duty DODGE 4WD 2 = Med. Duty DODGE 2WD 7 = Med. Duty DODGE 4WD	55 = Wagon 140" 54 = Wagon 118" 52 = Wagon 140" 51 = Wagon 118" 12 = Van 140" 11 = Van 118" 06 = Front Section 158" 14 = Van 118" 15 = Van 140" 16 = Van 158" 56 = Wagon 158"	EX8 = Engine-2.7L I5 Mercedes Turbo Diesel	DGJ = Transmission-5-Spd. Automatic, W5A580
		01 = Chassis Forward Control 118" 02 = Chassis Forward Control 140"		

AR = use ase required - = Non illustrated part

Condenser, Fan Front
Figure 24-280



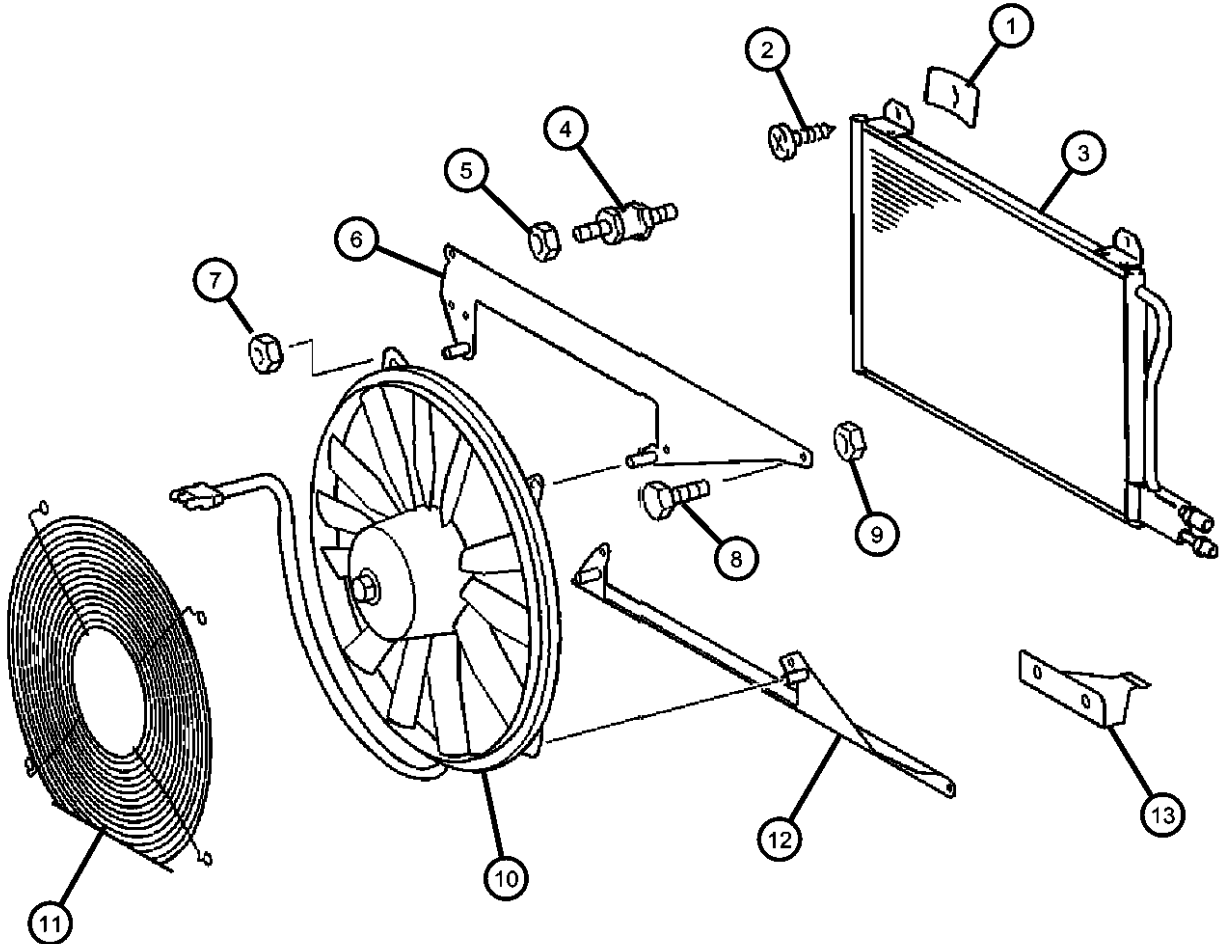
ITEM	PART NUMBER	QTY	LINE	SERIES	BODY	ENGINE	TRANS	TRIM	DESCRIPTION
1	05103735AA	4	2, 6		11, 12, 14, 15, 16				CLIP
		4	2, 6		51, 52, 54, 55, 56				
		4	3, 7		12, 15, 16				
2	06104574AA	4	2, 6		11, 12, 14, 15, 16				SCREW, Tapping
		4	2, 6		51, 52, 54, 55, 56				
		4	3, 7		12, 15, 16				
3	05104114AA	1	2, 6		11, 12, 14, 15, 16				CONDENSER, A/C [HAB]
		1	2, 6		51, 52, 54, 55, 56				[HAB]
		1	3, 7		12, 15, 16				[HAB]
	05132357AA	1	2, 6		51, 52, 54, 55, 56				HIGH PERFORMANCE FOR PASS COMP
4	05104031AA	2	2, 6		11, 12, 14, 15, 16				STUD, Cooling Fan
		2	2, 6		51, 52, 54, 55, 56				
		2	3, 7		12, 15, 16				
5	05104675AA	2	2, 6		11, 12, 14, 15, 16				NUT
		2	2, 6		51, 52, 54, 55, 56				
		2	3, 7		12, 15, 16				
6	05119989AA	1	2, 6		11, 12, 14, 15, 16				BRACKET, Fan

SPRINTER (VA)

SERIES	LINE	BODY	ENGINE	TRANSMISSION
L = LOWLINE	3 = HD DODGE 2WD 6 = Lt. Duty DODGE 4WD 2 = Med. Duty DODGE 2WD 7 = Med. Duty DODGE 4WD	55 = Wagon 140" 54 = Wagon 118" 52 = Wagon 140" 51 = Wagon 118" 12 = Van 140" 11 = Van 118" 06 = Front Section 158" 14 = Van 118" 15 = Van 140" 16 = Van 158" 56 = Wagon 158" 01 = Chassis Forward Control 118" 02 = Chassis Forward Control 140"	EX8 = Engine-2.7L I5 Mercedes Turbo Diesel	DGJ = Transmission-5-Spd. Automatic,W5A580

AR = use ase required - = Non illustrated part

**Condenser, Fan Front
Figure 24-280**



ITEM	PART NUMBER	QTY	LINE	SERIES	BODY	ENGINE	TRANS	TRIM	DESCRIPTION
		1	2, 6		51, 52, 54, 55, 56				
		1	3, 7		12, 15, 16				
7									NUT
	06104715AA	4	2, 6		11, 12, 14, 15, 16				
		4	2, 6		51, 52, 54, 55, 56				
		4	3, 7		12, 15, 16				
8									SCREW
	06104005AA	2	2, 6		01, 02, 06				
		2	2, 6		11, 12, 14, 15, 16				
		2	2, 6		51, 52, 54, 55, 56				
		2	3, 7		02, 06				
		2	3, 7		12, 15, 16				
9									NUT
	06104715AA	2	2, 6		11, 12, 14, 15, 16				
		2	2, 6		51, 52, 54, 55, 56				
		2	3, 7		12, 15, 16				
10									FAN, Condenser
	05103653AA	1	2, 6		11, 12, 14, 15, 16				
		1	2, 6		51, 52, 54, 55, 56				
		1	3, 7		12, 15, 16				
11									GRILLE, Air Inlet
	05104121AA	1	2, 6		11, 12, 14, 15, 16				
		1	2, 6		51, 52, 54, 55, 56				

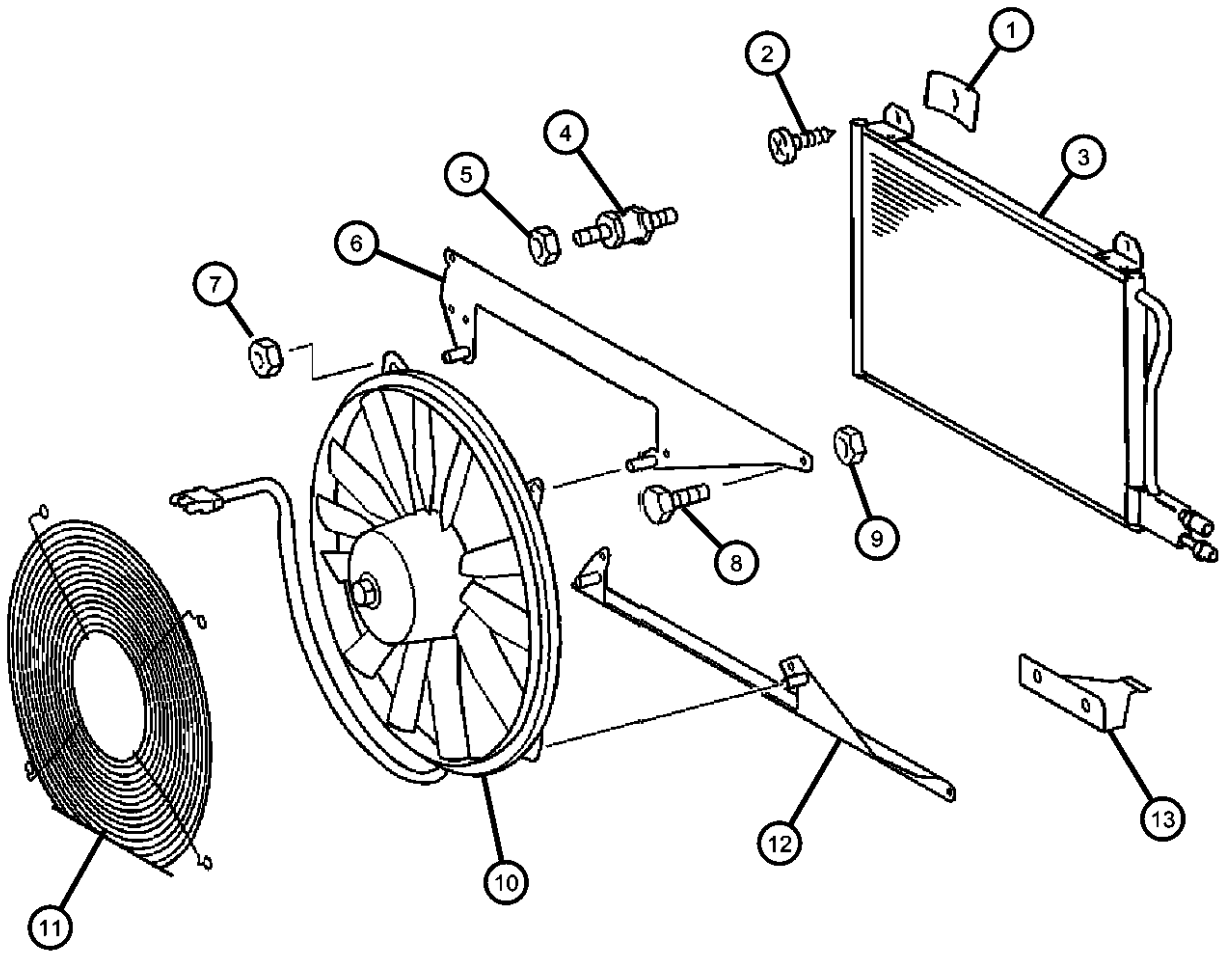
SPRINTER (VA)

SERIES	LINE	BODY	ENGINE	TRANSMISSION
L = LOWLINE	3 = HD DODGE 2WD 6 = Lt. Duty DODGE 4WD 2 = Med. Duty DODGE 2WD 7 = Med. Duty DODGE 4WD	55 = Wagon 140" 54 = Wagon 118" 52 = Wagon 140" 51 = Wagon 118" 12 = Van 140" 11 = Van 118" 06 = Front Section 158" 14 = Van 118" 15 = Van 140" 16 = Van 158" 56 = Wagon 158"	EX8 = Engine-2.7L I5 Mercedes Turbo Diesel	DGJ = Transmission-5-Spd. Automatic,W5A580
		01 = Chassis Forward Control 118" 02 = Chassis Forward Control 140"		

AR = use ase required - = Non illustrated part

**Condenser, Fan Front
Figure 24-280**

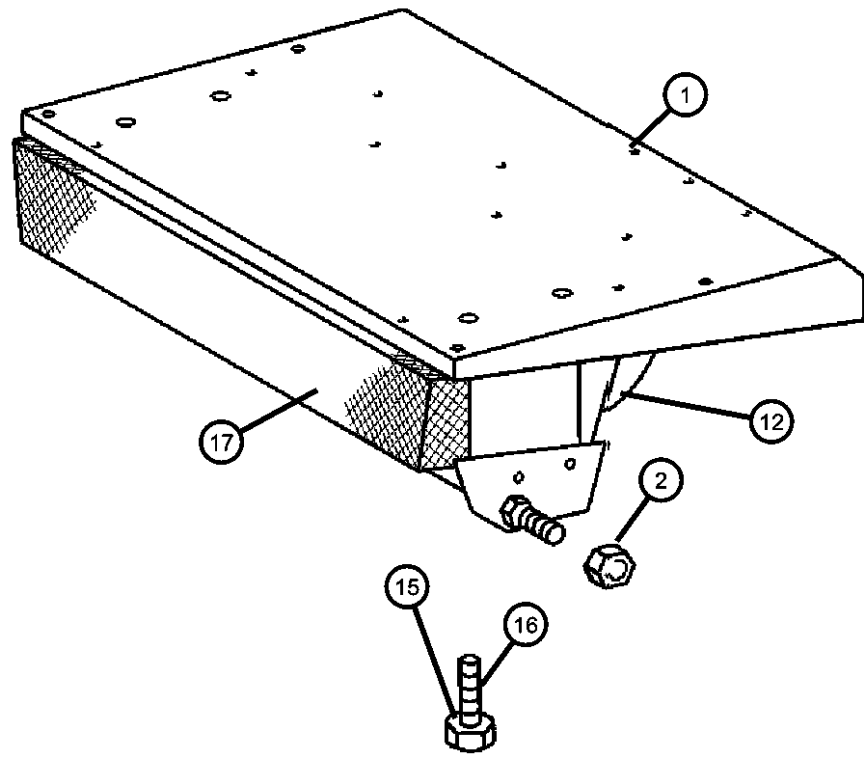
ITEM	PART NUMBER	QTY	LINE	SERIES	BODY	ENGINE	TRANS	TRIM	DESCRIPTION
12		1	3, 7		12, 15, 16				BRACKET, Fan
	05104113AA	1	2, 6		11, 12, 14, 15, 16				
		1	2, 6		51, 52, 54, 55, 56				
13		1	3, 7		12, 15, 16				BRACKET
	05120001AA	1	2, 6		11, 12, 14, 15, 16				
		1	2, 6		51, 52, 54, 55, 56				
		1	3, 7		12, 15, 16				



SPRINTER (VA)				
SERIES	LINE	BODY	ENGINE	TRANSMISSION
L = LOWLINE	3 = HD DODGE 2WD 6 = Lt. Duty DODGE 4WD 2 = Med. Duty DODGE 2WD 7 = Med. Duty DODGE 4WD	55 = Wagon 140" 54 = Wagon 118" 52 = Wagon 140" 51 = Wagon 118" 12 = Van 140" 11 = Van 118" 06 = Front Section 158" 14 = Van 118" 15 = Van 140" 16 = Van 158" 56 = Wagon 158" 01 = Chassis Forward Control 118" 02 = Chassis Forward Control 140"	EX8 = Engine-2.7L I5 Mercedes Turbo Diesel	DGJ = Transmission-5-Spd. Automatic,W5A580

AR = use ase required - = Non illustrated part

**Condenser, Fan Roof
Figure 24-285**



ITEM	PART NUMBER	QTY	LINE	SERIES	BODY	ENGINE	TRANS	TRIM	DESCRIPTION
1									EVAPORATOR, Air Conditioning
	05104473AA	1	2, 6		11, 12, 14, 15, 16				
		1	2, 6		51, 52, 54, 55, 56				
2	05133459AA	1	2, 6		51, 52, 54, 55, 56				EVAPORATOR, Air Conditioning
-3									TUBE, Auxiliary A/C and Heater
	05132374AA	2	2, 6		11, 12, 14, 15, 16				
		2	2, 6		51, 52, 54, 55, 56				
-4									LINE, Auxiliary A/C Liquid
	05132223AA	1	2, 6		16				
		1	2, 6		56				
-5	05132225AA	1	2, 6		52, 55				LINE, Auxiliary A/C Liquid
-6									LINE, Auxiliary A/C Liquid
	05132237AA	1	2, 6		11, 12, 14, 15, 16				
		1	2, 6		51, 52, 54, 55, 56				
-7									LINE, Auxiliary A/C Suction
	05132230AA	1	2, 6		16				
		1	2, 6		56				
-8									LINE, Auxiliary A/C Suction
	05127838AA	1	2, 6		11, 12, 14, 15, 16				
		1	2, 6		51, 52, 54, 55, 56				
-9	05133464AA	1	2, 6		51, 52, 54, 55, 56				VALVE
-10	05103546AA	1	2, 6		51, 52, 54, 55, 56				FILTER, A/C and Heater Unit
-11	05133452AA	1	2, 6		51, 52, 54, 55, 56				GRILLE, A/C And Heater

SPRINTER (VA)

SERIES

L = LOWLINE

LINE

3 = HD DODGE 2WD
6 = Lt. Duty DODGE 4WD
2 = Med. Duty DODGE 2WD
7 = Med. Duty DODGE 4WD

BODY

55 = Wagon 140"
54 = Wagon 118"
52 = Wagon 140"
51 = Wagon 118"
12 = Van 140"
11 = Van 118"
06 = Front Section 158"
14 = Van 118"
15 = Van 140"
16 = Van 158"
56 = Wagon 158"
01 = Chassis Forward Control
118"
02 = Chassis Forward Control
140"

ENGINE

EX8 = Engine-2.7L I5
Mercedes Turbo Diesel

TRANSMISSION

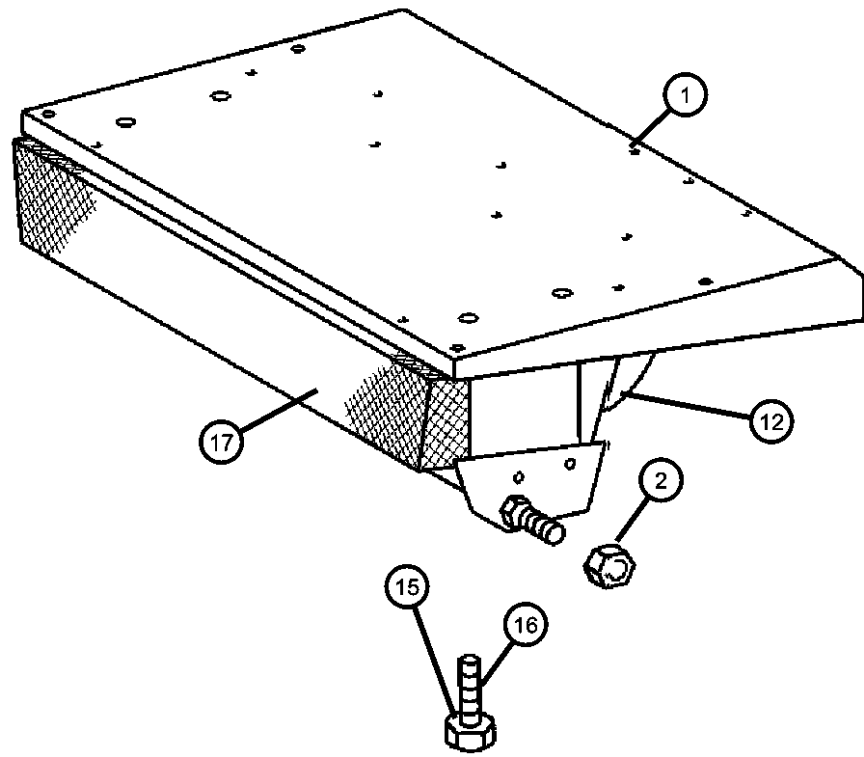
DGJ = Transmission-5-Spd.
Automatic,W5A580

AR = use ase required - = Non illustrated part

2004 VA

Condenser, Fan Roof
Figure 24-285

ITEM	PART NUMBER	QTY	LINE	SERIES	BODY	ENGINE	TRANS	TRIM	DESCRIPTION
12	05133460AA	1	2, 6		51, 52, 54, 55, 56				MOTOR, Blower
-13	05133456AA	6	2, 6		51, 52, 54, 55, 56				RING
-14	05133465AA	1	2, 6		51, 52, 54, 55, 56				MAGNET
15	05133455AA	6	2, 6		51, 52, 54, 55, 56				WASHER
16	05133455AA	6							SCREW, (NOT SERVICED)
17									CONDENSER, A/C
	05132357AA	1	2, 6		11, 12, 14, 15, 16				
		1	3, 7		12, 15, 16				
		1	2, 6		51, 52, 54, 55, 56				
-18									COVER
	05132358AA	1	2, 6		11, 12, 14, 15, 16				Plastic Cover for Roof Unit
		1	3, 7		12, 15, 16				Plastic Cover for Roof Unit
		1	2, 6		51, 52, 54, 55, 56				Plastic Cover for Roof Unit



SPRINTER (VA)

SERIES

L = LOWLINE

LINE

3 = HD DODGE 2WD
6 = Lt. Duty DODGE 4WD
2 = Med. Duty DODGE 2WD
7 = Med. Duty DODGE 4WD

BODY

55 = Wagon 140"
54 = Wagon 118"
52 = Wagon 140"
51 = Wagon 118"
12 = Van 140"
11 = Van 118"
06 = Front Section 158"
14 = Van 118"
15 = Van 140"
16 = Van 158"
56 = Wagon 158"
01 = Chassis Forward Control
118"
02 = Chassis Forward Control
140"

ENGINE

EX8 = Engine-2.7L I5
Mercedes Turbo Diesel

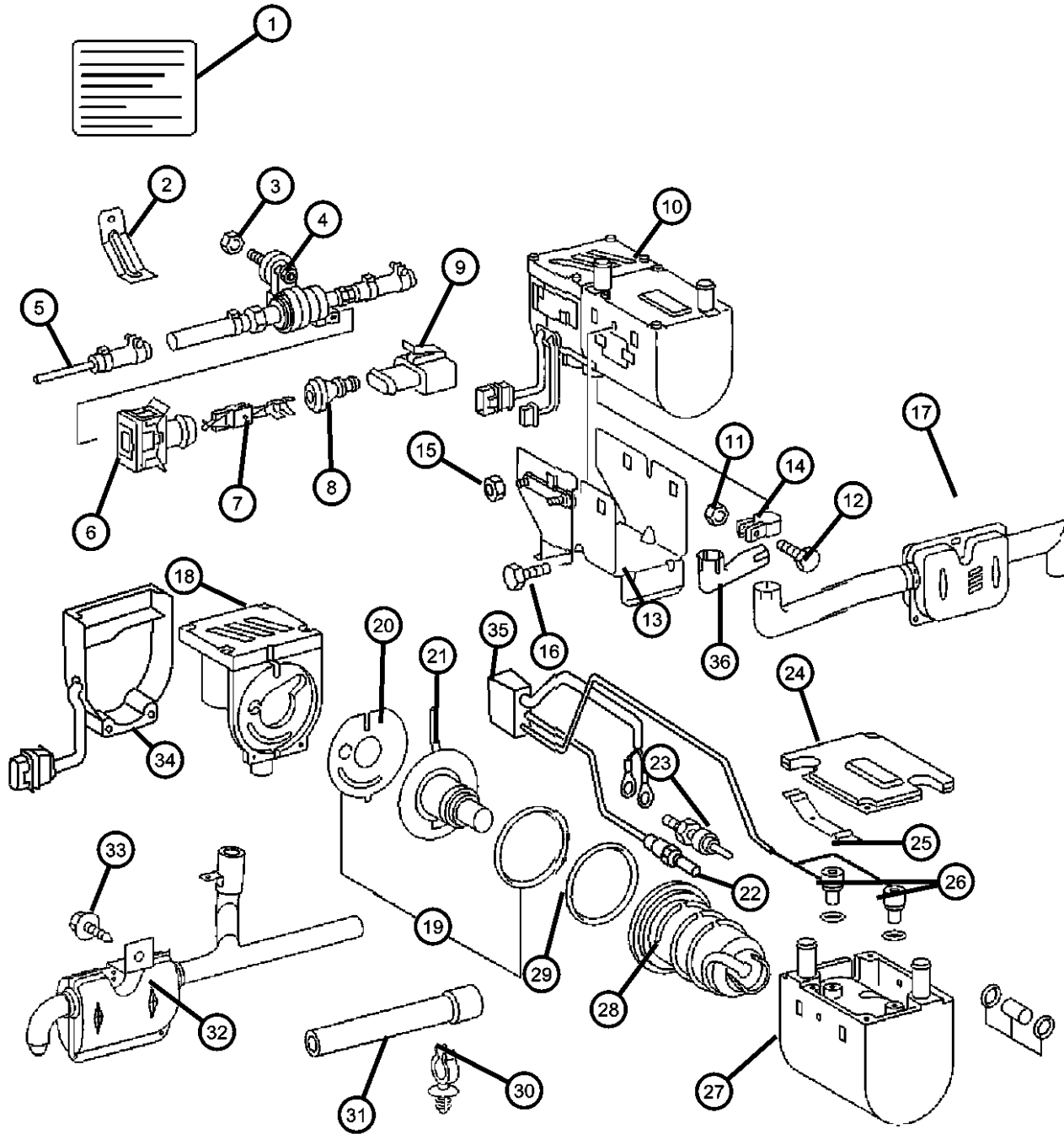
TRANSMISSION

DGJ = Transmission-5-Spd.
Automatic,W5A580

AR = use ase required - = Non illustrated part

2004 VA

**Auxiliary Warm Water Heater
Figure 24-290**



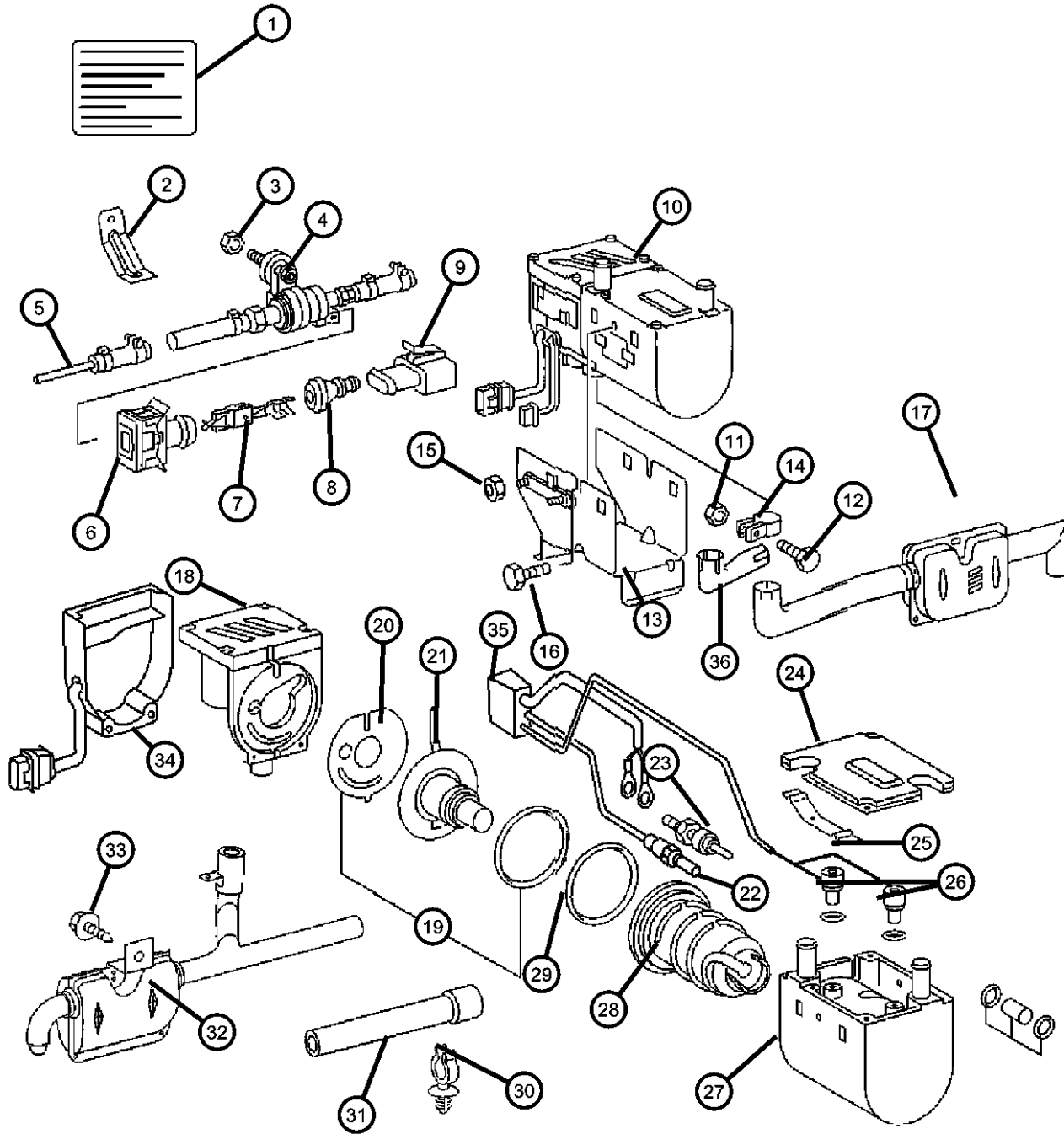
ITEM	PART NUMBER	QTY	LINE	SERIES	BODY	ENGINE	TRANS	TRIM	DESCRIPTION
1	05104152AA	1	2, 6		01, 02, 06				LABEL, Fuel
		1	2, 6		12, 14, 15, 16, 11				
		1	2, 6		51, 52, 54, 55, 56				
		1	3, 7		12, 15, 16				
2	05119706AA	1	2, 6		11, 12, 14, 15, 16	EX8, EX9			BRACKET
		1	2, 6		51, 52, 54, 55, 56	EX8, EX9			
		1	3, 7		02, 06	EX8, EX9			
		1	3, 7		02, 06	EX9			
		1	2, 6		01, 02, 06	EX8, EX9			
		1	3, 7		12, 15, 16	EX8, EX9			
3	05096978AA	1	2, 6		51, 52, 54, 55, 56				NUT, Hex, M6
		3	3, 7		02, 06				
		1	2, 6		01, 02, 06				
		1	2, 6		11, 12, 14, 15, 16				
		1	3, 7		12, 15, 16				
4	05124900AA	1	3, 7		12, 15, 16				PUMP, Water
		1	2, 6		02, 06, 01				
		1	2, 6		11, 12, 14, 15, 16				
		1	2, 6		51, 52, 54, 55, 56				
5	05124631AA	1	2, 6		01, 02, 06				LINE, Heater

SPRINTER (VA)

SERIES	LINE	BODY	ENGINE	TRANSMISSION
L = LOWLINE	3 = HD DODGE 2WD 6 = Lt. Duty DODGE 4WD 2 = Med. Duty DODGE 2WD 7 = Med. Duty DODGE 4WD	55 = Wagon 140" 54 = Wagon 118" 52 = Wagon 140" 51 = Wagon 118" 12 = Van 140" 11 = Van 118" 06 = Front Section 158" 14 = Van 118" 15 = Van 140" 16 = Van 158" 56 = Wagon 158"	EX8 = Engine-2.7L I5 Mercedes Turbo Diesel	DGJ = Transmission-5-Spd. Automatic, W5A580
		01 = Chassis Forward Control 118" 02 = Chassis Forward Control 140"		

AR = use ase required - = Non illustrated part

**Auxiliary Warm Water Heater
Figure 24-290**



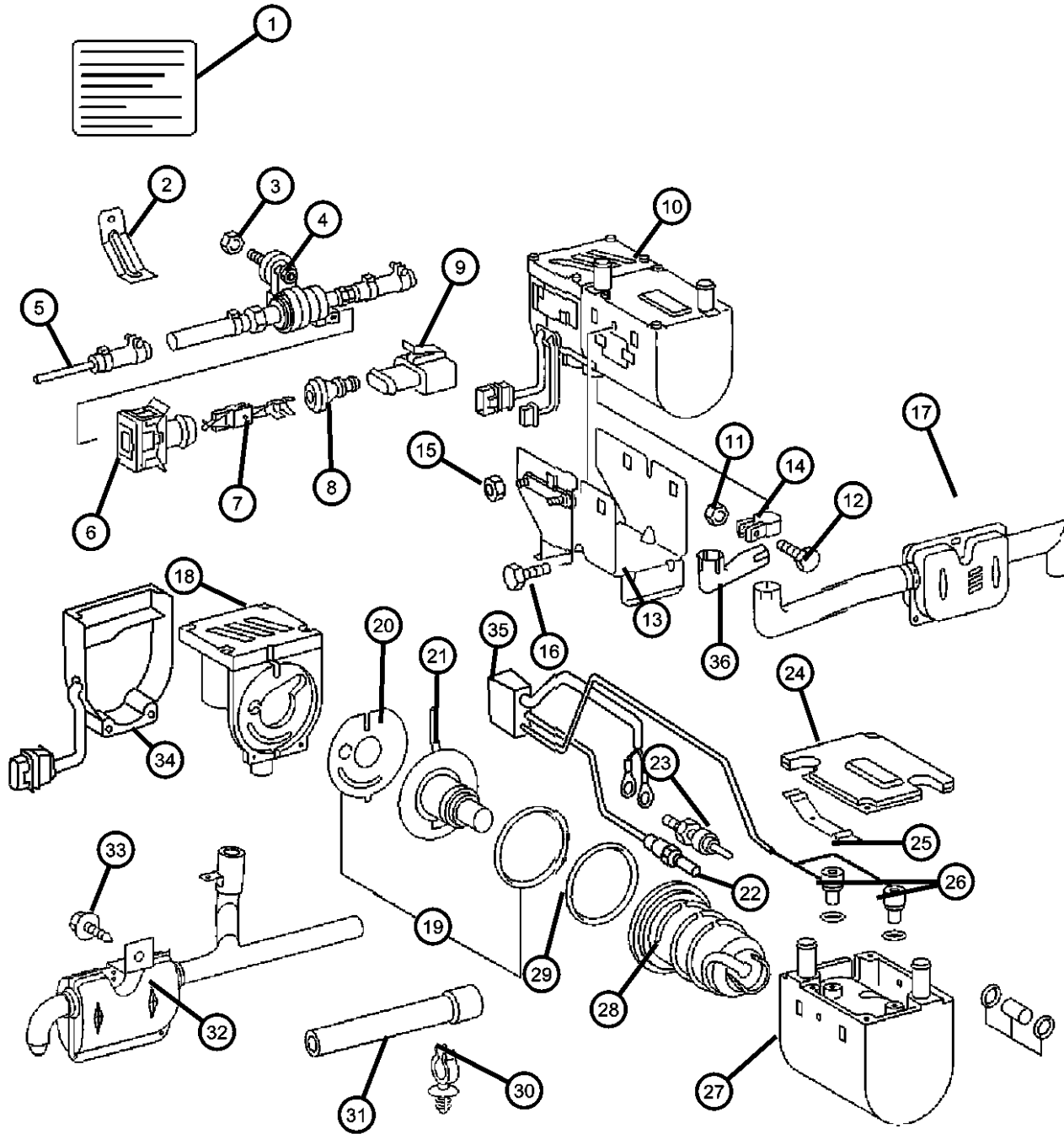
ITEM	PART NUMBER	QTY	LINE	SERIES	BODY	ENGINE	TRANS	TRIM	DESCRIPTION
		1	2, 6		11, 12, 14, 15, 16				
		1	2, 6		51, 52, 54, 55, 56				
		1	3, 7		12, 15, 16				
6									CONNECTOR
	05120749AA	1	2, 6		51, 52, 54, 55, 56				
		1	2, 6		01, 02, 06				
		1	2, 6		11, 12, 14, 15, 16				
		1	3, 7		12, 15, 16				
7									TERMINAL
	05103880AA	99	2, 6		51, 52, 54, 55, 56				
		99	2, 6		01, 02, 06				
		99	2, 6		11, 12, 14, 15, 16				
		99	3, 7		12, 15, 16				
8									BOOT
	05120881AA	1	2, 6		01, 02, 06				
		1	2, 6		11, 12, 14, 15, 16				
		1	2, 6		55, 56, 51, 52, 54				
		1	3, 7		12, 15, 16				
9									CONNECTOR
	05133296AA	1	2, 6		01, 02, 06				
		1	2, 6		11, 12, 14, 15, 16				
		1	2, 6		51, 52, 54, 55, 56				
		1	3, 7		12, 15, 16				

SPRINTER (VA)

SERIES	LINE	BODY	ENGINE	TRANSMISSION
L = LOWLINE	3 = HD DODGE 2WD 6 = Lt. Duty DODGE 4WD 2 = Med. Duty DODGE 2WD 7 = Med. Duty DODGE 4WD	55 = Wagon 140" 54 = Wagon 118" 52 = Wagon 140" 51 = Wagon 118" 12 = Van 140" 11 = Van 118" 06 = Front Section 158" 14 = Van 118" 15 = Van 140" 16 = Van 158" 56 = Wagon 158"	EX8 = Engine-2.7L I5 Mercedes Turbo Diesel	DGJ = Transmission-5-Spd. Automatic,W5A580
		01 = Chassis Forward Control 118" 02 = Chassis Forward Control 140"		

AR = use ase required - = Non illustrated part

**Auxiliary Warm Water Heater
Figure 24-290**



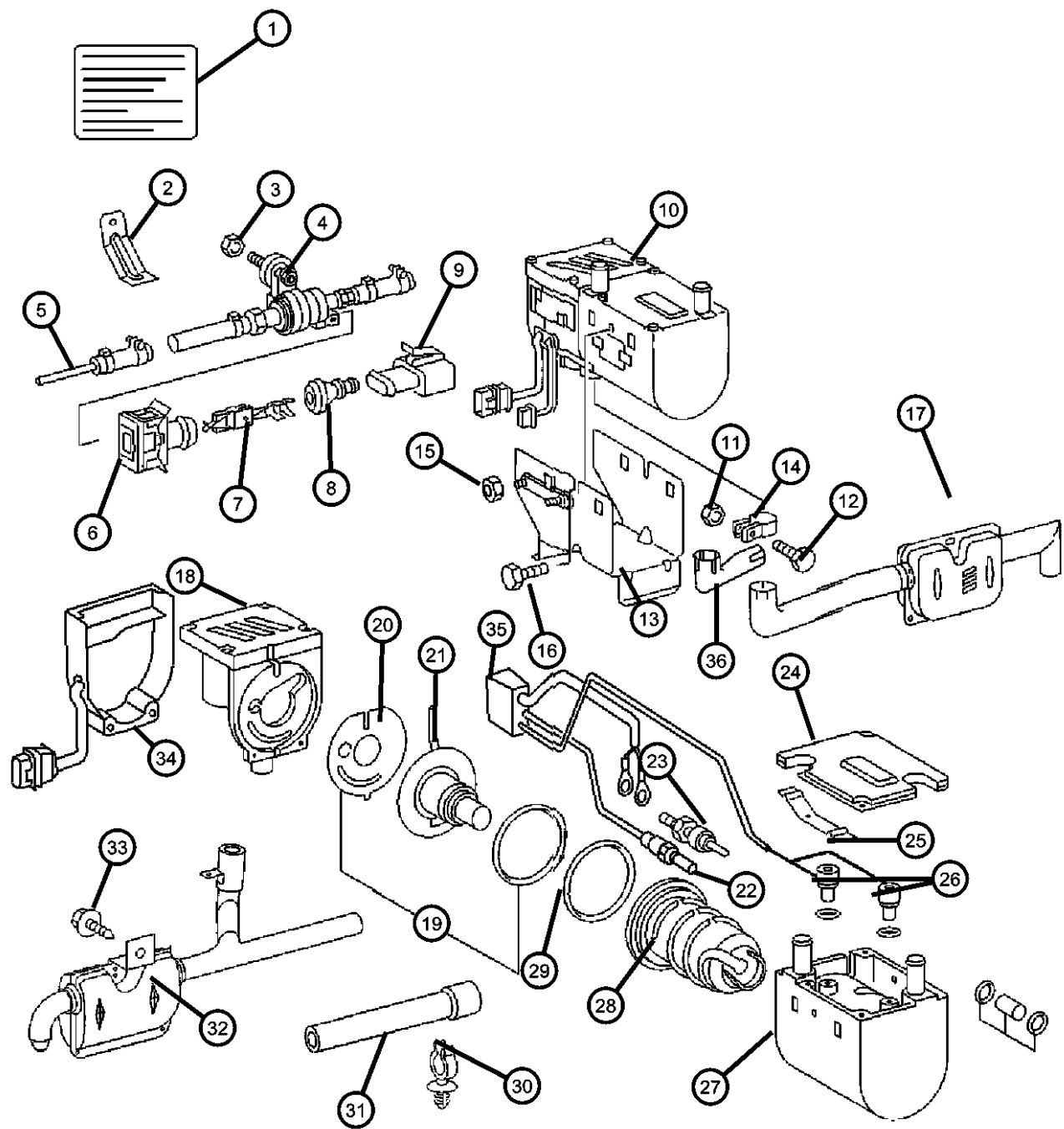
ITEM	PART NUMBER	QTY	LINE	SERIES	BODY	ENGINE	TRANS	TRIM	DESCRIPTION
10	05124687AA	1	2, 6		01, 02, 06				HEATER With [HDB]
		1	2, 6		11, 12, 14, 15, 16				With [HDB]
		1	2, 6		51, 52, 54, 55, 56				With [HDB]
		1	3, 7		12, 15, 16				With [HDB]
11	05133317AA 05133317AB	1	2, 6		01, 02, 06				NUT
		1	2, 6		11, 12, 14, 15, 16				
		1	2, 6		51, 52, 54, 55, 56				
		1	3, 7		12, 15, 16				
12	05133316AA	1	2, 6		01, 02, 06				BOLT
		1	2, 6		11, 12, 14, 15, 16				
		1	2, 6		51, 52, 54, 55, 56				
		1	3, 7		12, 15, 16				
13	05124626AA	1	3, 7		12, 15, 16				BRACKET, Heater Core
		1	2, 6		01, 02, 06				
		1	2, 6		11, 12, 14, 15, 16				
		1	2, 6		51, 52, 54, 55, 56				
14	05103627AA	1	2, 6		01, 02, 06				CLAMP, Exhaust
		1	2, 6		11, 12, 14, 15, 16				

SPRINTER (VA)
 SERIES LINE BODY ENGINE TRANSMISSION
 L = LOWLINE 3 = HD DODGE 2WD 55 = Wagon 140" EX8 = Engine-2.7L I5 DGJ = Transmission-5-Spd.
 6 = Lt. Duty DODGE 4WD 54 = Wagon 118" Mercedes Turbo Diesel Automatic,W5A580
 2 = Med. Duty DODGE 2WD
 7 = Med. Duty DODGE 4WD

BODY
 55 = Wagon 140"
 54 = Wagon 118"
 52 = Wagon 140"
 51 = Wagon 118"
 12 = Van 140"
 11 = Van 118"
 06 = Front Section 158"
 14 = Van 118"
 15 = Van 140"
 16 = Van 158"
 56 = Wagon 158"
 01 = Chassis Forward Control
 118"
 02 = Chassis Forward Control
 140"

AR = use ase required - = Non illustrated part

**Auxiliary Warm Water Heater
Figure 24-290**

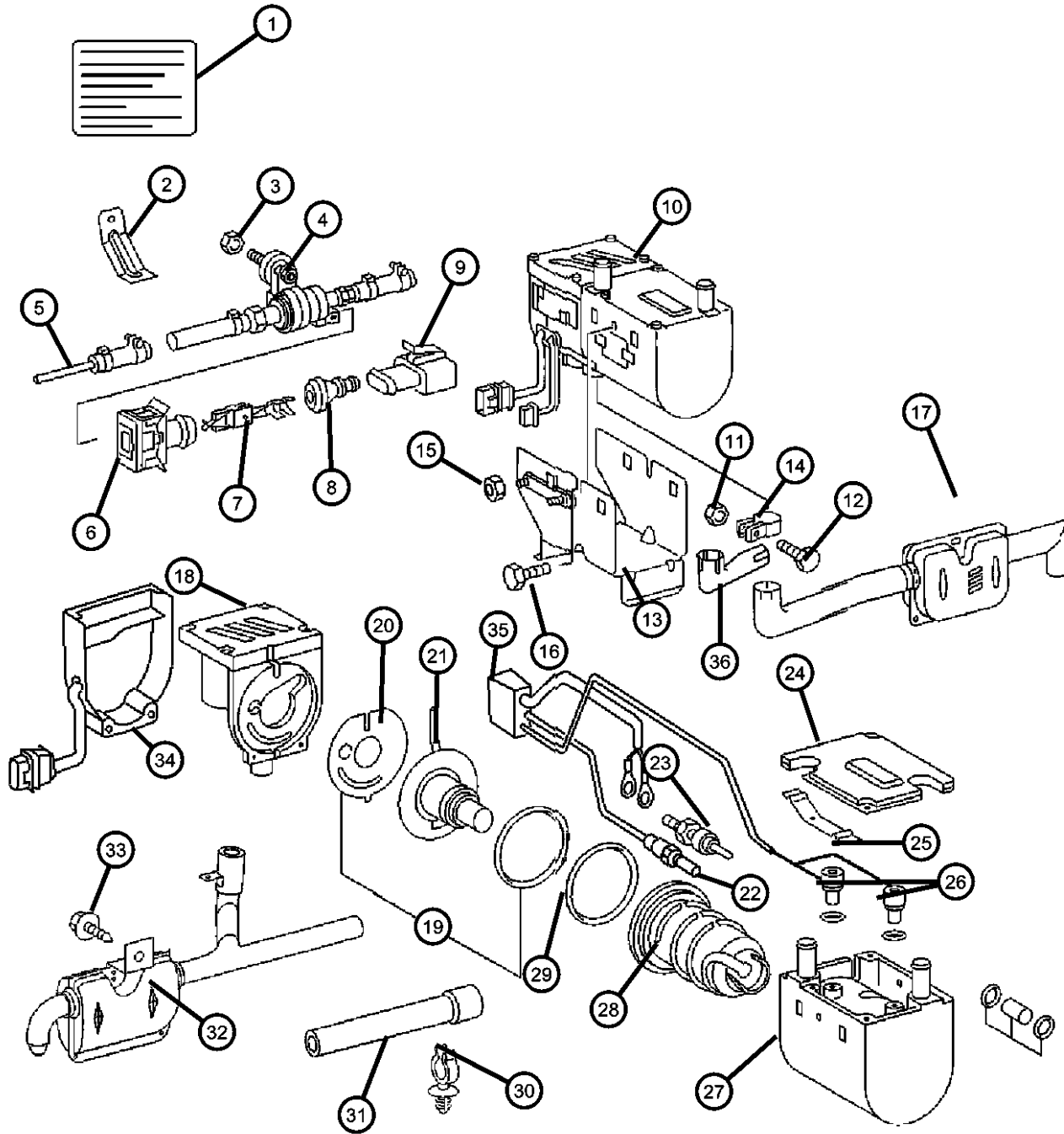


ITEM	PART NUMBER	QTY	LINE	SERIES	BODY	ENGINE	TRANS	TRIM	DESCRIPTION
		1	2, 6		51, 52, 54, 55, 56				
15		1	3, 7		12, 15, 16				NUT, Hex
	05097674AA	1	2, 6		01, 02, 06				
		1	2, 6		11, 12, 14, 15, 16				
		1	2, 6		55, 56, 51, 52, 54				
16		1	3, 7		12, 15, 16				SCREW
	06104003AA	2	2, 6		01, 02, 06				
		2	2, 6		11, 12, 14, 15, 16				
		2	2, 6		51, 52, 54, 55, 56				
		2	3, 7		02, 06				
		2	3, 7		12, 15, 16				
17		1	2, 6		01, 02, 06				MUFFLER, Exhaust
	05103808AA	1	2, 6		11, 12, 14, 15, 16				
		1	2, 6		51, 52, 54, 55, 56				
18		1	3, 7		12, 15, 16				BLOWER
	05133299AA	1	2, 6		01, 02, 06				
		1	3, 7		12, 15, 16				
		1	2, 6		11, 12, 14, 15, 16				
19		1	2, 6		51, 52, 54, 55, 56				SEAL

SPRINTER (VA)				
SERIES	LINE	BODY	ENGINE	TRANSMISSION
L = LOWLINE	3 = HD DODGE 2WD 6 = Lt. Duty DODGE 4WD 2 = Med. Duty DODGE 2WD 7 = Med. Duty DODGE 4WD	55 = Wagon 140" 54 = Wagon 118" 52 = Wagon 140" 51 = Wagon 118" 12 = Van 140" 11 = Van 118" 06 = Front Section 158" 14 = Van 118" 15 = Van 140" 16 = Van 158" 56 = Wagon 158"	EX8 = Engine-2.7L I5 Mercedes Turbo Diesel	DGJ = Transmission-5-Spd. Automatic, W5A580
		01 = Chassis Forward Control 118" 02 = Chassis Forward Control 140"		

AR = use ase required - = Non illustrated part

**Auxiliary Warm Water Heater
Figure 24-290**

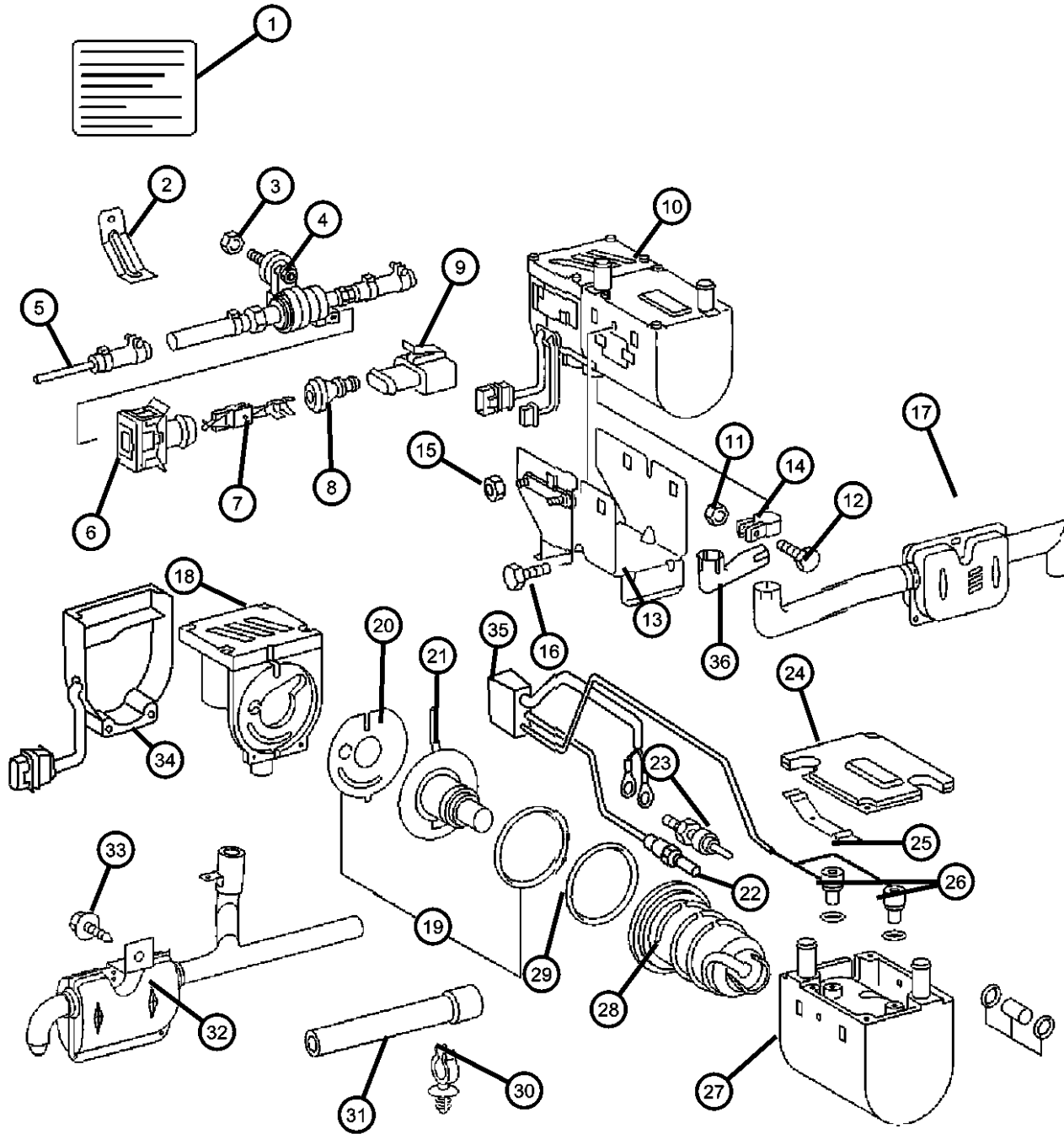


ITEM	PART NUMBER	QTY	LINE	SERIES	BODY	ENGINE	TRANS	TRIM	DESCRIPTION
	05133307AA	1	2, 6		02, 06, 01				
	05133307AB	1	2, 6		11, 12, 14, 15, 16				
		1	2, 6		51, 52, 54, 55, 56				
		1	3, 7		12, 15, 16				
20									PIPE, Heater Core
	05133301AA	1	2, 6		01, 02, 06				
		1	2, 6		11, 12, 14, 15, 16				
		1	2, 6		51, 52, 54, 55, 56				
		1	3, 7		12, 15, 16				
21									SENSOR, Temperature
	05133312AA	1	2, 6		01, 02, 06				
		1	2, 6		11, 12, 14, 15, 16				
		1	2, 6		51, 52, 54, 55, 56				
		1	3, 7		12, 15, 16				
22									SENSOR, Temperature
	05103691AA	1	2, 6		01, 02, 06				
		1	2, 6		11, 12, 14, 15, 16				
		1	2, 6		51, 52, 54, 55, 56				
		1	3, 7		12, 15, 16				
23									PLUG, Water Heater
	05133310AA	1	2, 6		01, 02, 06				
		1	2, 6		51, 52, 54, 55, 56				
		1	2, 6		11, 12, 14, 15, 16				

SPRINTER (VA)
 SERIES LINE BODY ENGINE TRANSMISSION
 L = LOWLINE 3 = HD DODGE 2WD 55 = Wagon 140" EX8 = Engine-2.7L I5 DGJ = Transmission-5-Spd.
 6 = Lt. Duty DODGE 4WD 54 = Wagon 118" Mercedes Turbo Diesel Automatic,W5A580
 2 = Med. Duty DODGE 2WD 52 = Wagon 140"
 7 = Med. Duty DODGE 4WD 51 = Wagon 118"
 12 = Van 140"
 11 = Van 118"
 06 = Front Section 158"
 14 = Van 118"
 15 = Van 140"
 16 = Van 158"
 56 = Wagon 158"
 01 = Chassis Forward Control
 118"
 02 = Chassis Forward Control
 140"

AR = use ase required - = Non illustrated part

**Auxiliary Warm Water Heater
Figure 24-290**



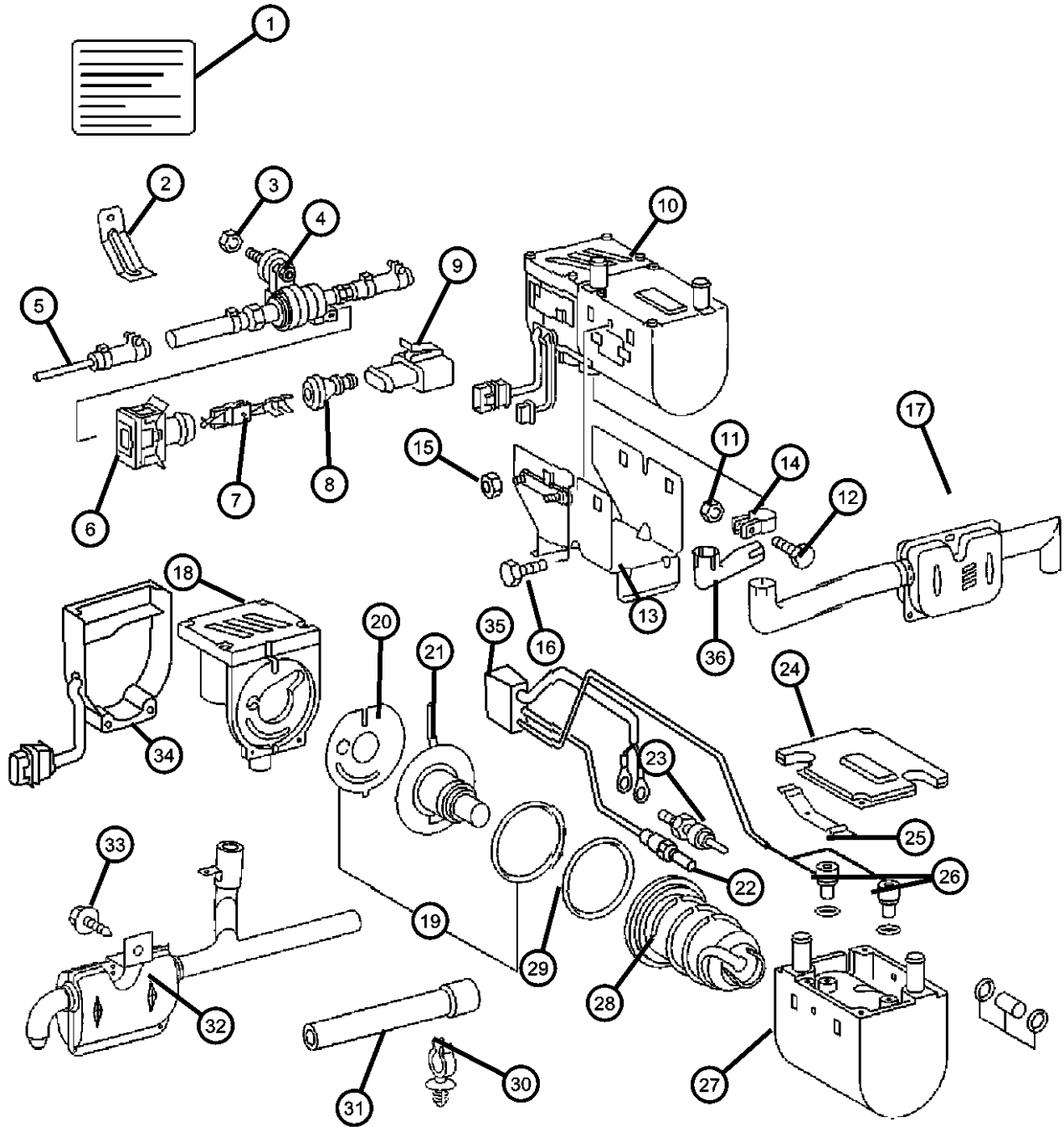
ITEM	PART NUMBER	QTY	LINE	SERIES	BODY	ENGINE	TRANS	TRIM	DESCRIPTION
24		1	3, 7		12, 15, 16				COVER, Heater Housing
	05133306AA	1	3, 7		12, 15, 16				
		1	2, 6		01, 02, 06				
		1	2, 6		11, 12, 14, 15, 16				
		1	2, 6		51, 52, 54, 55, 56				
25		1	2, 6		01, 02, 06				CLIP, Spring
	05133313AA	1	2, 6		01, 02, 06				
		1	2, 6		11, 12, 14, 15, 16				
		1	2, 6		51, 52, 54, 55, 56				
26		1	3, 7		12, 15, 16				O RING, Heater Core
	05133314AA	1	2, 6		11, 12, 14, 15, 16				
		1	2, 6		01, 02, 06				
		1	2, 6		51, 52, 54, 55, 56				
		1	3, 7		12, 15, 16				
27		1	2, 6		01, 02, 06				HOUSING, Heater
	05133298AA	1	2, 6		01, 02, 06				
		1	2, 6		11, 12, 14, 15, 16				
		1	2, 6		51, 52, 54, 55, 56				
		1	3, 7		12, 15, 16				
28		1	2, 6		01, 02, 06				CORE, Water Heater
	05133303AA	1	2, 6		01, 02, 06				
		1	2, 6		11, 12, 14, 15, 16				

SPRINTER (VA)

SERIES	LINE	BODY	ENGINE	TRANSMISSION
L = LOWLINE	3 = HD DODGE 2WD 6 = Lt. Duty DODGE 4WD 2 = Med. Duty DODGE 2WD 7 = Med. Duty DODGE 4WD	55 = Wagon 140" 54 = Wagon 118" 52 = Wagon 140" 51 = Wagon 118" 12 = Van 140" 11 = Van 118" 06 = Front Section 158" 14 = Van 118" 15 = Van 140" 16 = Van 158" 56 = Wagon 158"	EX8 = Engine-2.7L I5 Mercedes Turbo Diesel	DGJ = Transmission-5-Spd. Automatic, W5A580
		01 = Chassis Forward Control 118" 02 = Chassis Forward Control 140"		

AR = use ase required - = Non illustrated part

**Auxiliary Warm Water Heater
Figure 24-290**

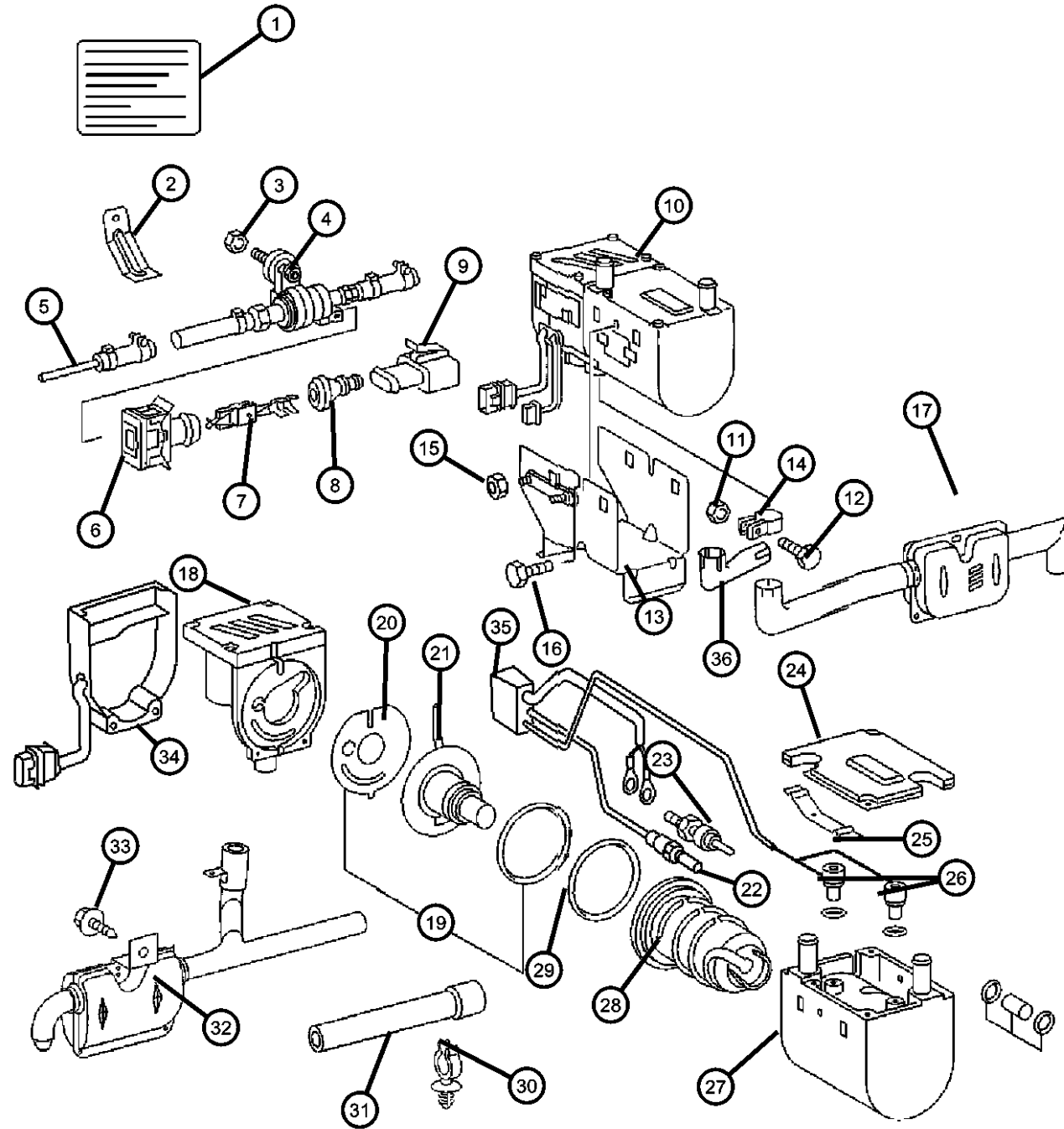


ITEM	PART NUMBER	QTY	LINE	SERIES	BODY	ENGINE	TRANS	TRIM	DESCRIPTION
		1	2, 6		51, 52, 54, 55, 56				
29		1	3, 7		12, 15, 16				O RING, Heater Core
	05133309AA	1	2, 6		01, 02, 06				
		1	2, 6		51, 52, 54, 55, 56				
		1	3, 7		12, 15, 16				
30		1	2, 6		11, 12, 14, 15, 16				CLIP, Hose
	05119332AA	3	2, 6		01, 02, 06				
		3	2, 6		11, 12, 14, 15, 16				
		3	2, 6		51, 52, 54, 55, 56				
		3	3, 7		12, 15, 16				
31		1	2, 6		01, 02, 06				PIPE, Air Intake
	05124674AA	1	2, 6		11, 12, 14, 15, 16				
		1	2, 6		51, 52, 54, 55, 56				
		1	3, 7		12, 15, 16				
32		1	2, 6		01, 02, 06				MUFFLER, Exhaust
	05103848AA	1	2, 6		11, 12, 14, 15, 16				
		1	2, 6		51, 52, 54, 55, 56				
		1	3, 7		12, 15, 16				
33		1	2, 6		01, 02, 06				SCREW, Tapping
	06104580AA	1	2, 6						

SPRINTER (VA)					
SERIES	LINE	BODY	ENGINE	TRANSMISSION	
L = LOWLINE	3 = HD DODGE 2WD 6 = Lt. Duty DODGE 4WD 2 = Med. Duty DODGE 2WD 7 = Med. Duty DODGE 4WD	55 = Wagon 140" 54 = Wagon 118" 52 = Wagon 140" 51 = Wagon 118" 12 = Van 140" 11 = Van 118" 06 = Front Section 158" 14 = Van 118" 15 = Van 140" 16 = Van 158" 56 = Wagon 158"	EX8 = Engine-2.7L I5 Mercedes Turbo Diesel	DGJ = Transmission-5-Spd. Automatic,W5A580	
		01 = Chassis Forward Control 118" 02 = Chassis Forward Control 140"			

AR = use ase required - = Non illustrated part

**Auxiliary Warm Water Heater
Figure 24-290**



ITEM	PART NUMBER	QTY	LINE	SERIES	BODY	ENGINE	TRANS	TRIM	DESCRIPTION
		1	2, 6		11, 12, 14, 15, 16				
		2	2, 6		51, 52, 54, 55, 56				
		2	3, 7		12, 15, 16				
34									CONTROL UNIT, Air Conditioniing
	05103648AA	1	2, 6		01, 02, 06				
		1	2, 6		11, 12, 14, 15, 16				
		1	2, 6		51, 52, 54, 55, 56				
		1	3, 7		02, 06				
		1	3, 7		12, 15, 16				
35									MODULE, Heater Control
	05133305AA	1	2, 6		01, 02, 06				
		1	2, 6		11, 12, 14, 15, 16				
		1	2, 6		51, 52, 54, 55, 56				
		1	3, 7		12, 15, 16				
36									TUBE, Heater Core
	05133318AA	1	2, 6		01, 02, 06				
		1	2, 6		11, 12, 14, 15, 16				
		1	2, 6		51, 52, 54, 55, 56				
		1	3, 7		12, 15, 16				

SPRINTER (VA)

SERIES

L = LOWLINE
 3 = HD DODGE 2WD
 6 = Lt. Duty DODGE 4WD
 2 = Med. Duty DODGE 2WD
 7 = Med. Duty DODGE 4WD

LINE

BODY

55 = Wagon 140"
 54 = Wagon 118"
 52 = Wagon 140"
 51 = Wagon 118"
 12 = Van 140"
 11 = Van 118"
 06 = Front Section 158"
 14 = Van 118"
 15 = Van 140"
 16 = Van 158"
 56 = Wagon 158"
 01 = Chassis Forward Control 118"
 02 = Chassis Forward Control 140"

ENGINE

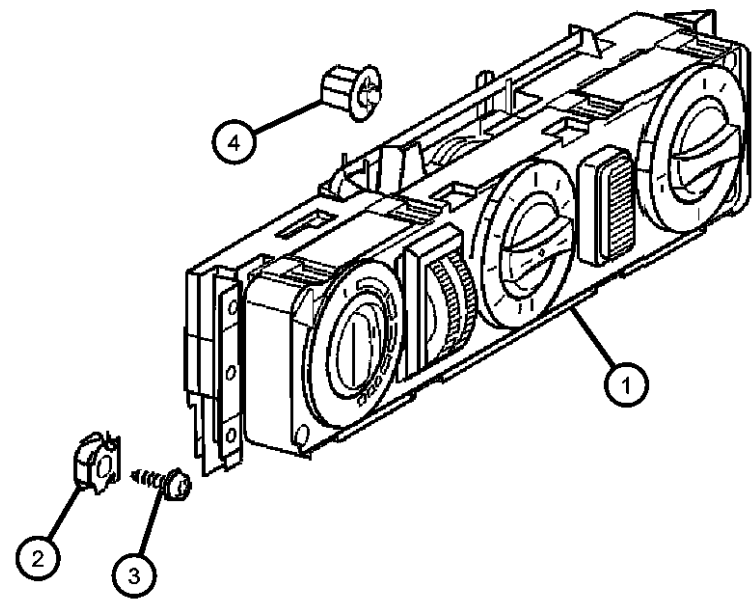
EX8 = Engine-2.7L I5
 Mercedes Turbo Diesel

TRANSMISSION

DGJ = Transmission-5-Spd. Automatic, W5A580

AR = use ase required - = Non illustrated part

Control
Figure 24-320



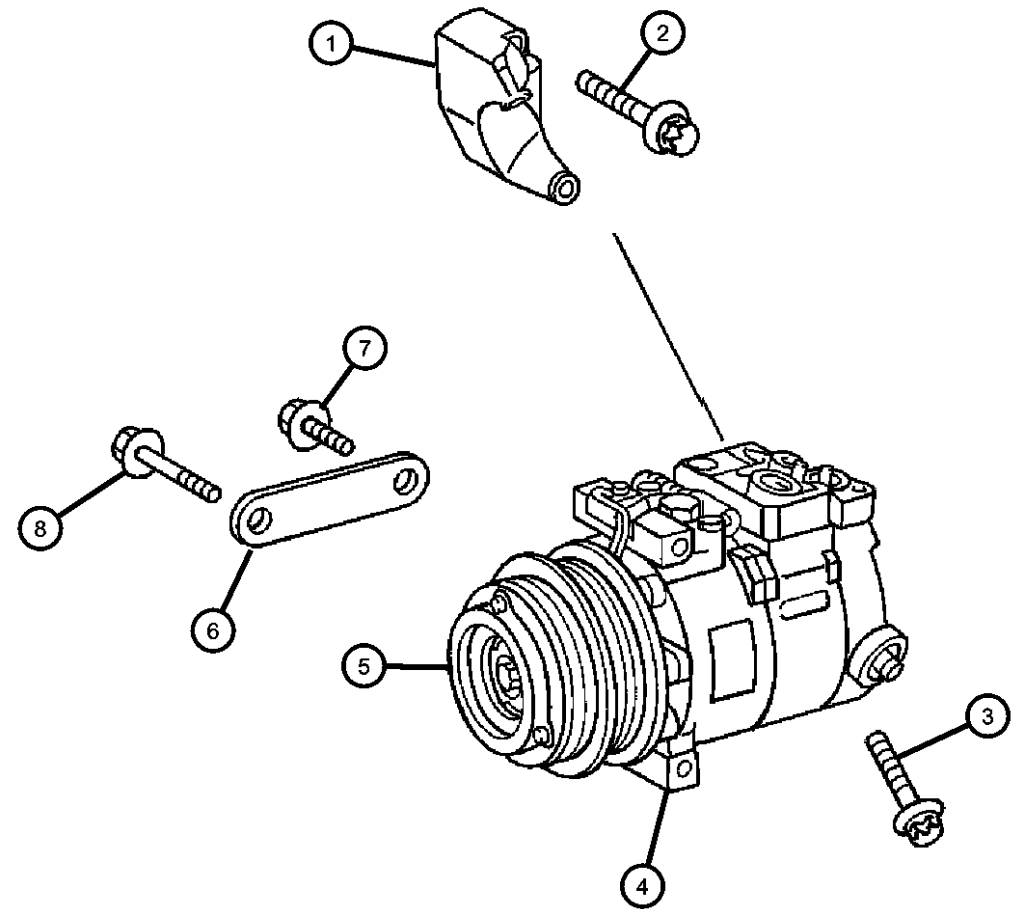
ITEM	PART NUMBER	QTY	LINE	SERIES	BODY	ENGINE	TRANS	TRIM	DESCRIPTION
1									CONTROL, A/C And Heater
	05103643AA	1	2, 6		01, 02, 06				Auto Temp
		1	2, 6		11, 12, 14, 15, 16				Auto Temp
		1	2, 6		51, 52, 54, 55, 56				Auto Temp
		1	3, 7		12, 15, 16				Auto Temp
	05103644AA	1	2, 6		01, 02, 06				W/AUXILIARY HOT WATERHEATER
		1	2, 6		11, 12, 14, 15, 16				W/AUXILIARY HOT WATERHEATER
		1	2, 6		51, 52, 54, 55, 56				W/AUXILIARY HOT WATERHEATER
	05103690AA	1	2, 6		01, 02, 06				Manual
		1	2, 6		11, 12, 14, 15, 16				Manual
		1	2, 6		51, 52, 54, 55, 56				Manual
		1	3, 7		02, 06				Manual
		1	3, 7		12, 15, 16				Manual
2									NUT, Spring
	05125861AA	2	2, 6		01, 02, 06				
		4	2, 6		11, 12, 14, 15, 16				
		4	2, 6		51, 52, 54, 55, 56				
		4	3, 7		12, 15, 16				
3	06104010AA	1							SCREW
4									BULB
	05133468AA	1	2, 6		01, 02, 06				
		1	2, 6		11, 12, 14, 15, 16				
		1	2, 6		51, 52, 54, 55, 56				
		1	3, 7		12, 15, 16				

SPRINTER (VA)

SERIES	LINE	BODY	ENGINE	TRANSMISSION
L = LOWLINE	3 = HD DODGE 2WD 6 = Lt. Duty DODGE 4WD 2 = Med. Duty DODGE 2WD 7 = Med. Duty DODGE 4WD	55 = Wagon 140" 54 = Wagon 118" 52 = Wagon 140" 51 = Wagon 118" 12 = Van 140" 11 = Van 118" 06 = Front Section 158" 14 = Van 118" 15 = Van 140" 16 = Van 158" 56 = Wagon 158" 01 = Chassis Forward Control 118" 02 = Chassis Forward Control 140"	EX8 = Engine-2.7L I5 Mercedes Turbo Diesel	DGJ = Transmission-5-Spd. Automatic, W5A580

AR = use ase required - = Non illustrated part

Compressor and Mounting
Figure 24-420



ITEM	PART NUMBER	QTY	LINE	SERIES	BODY	ENGINE	TRANS	TRIM	DESCRIPTION
1									SUPPORT
	05117682AA	1	3, 7		02, 06	EX8, EX9			
		1	3, 7		12, 15, 16	EX8, EX9			
		1	2, 6		01, 02, 06	EX8, EX9			
		1	2, 6		11, 12, 14, 15, 16	EX8, EX9			
		1	2, 6		51, 52, 54, 55, 56	EX8, EX9			
2									SCREW
	06104031AA	1	2, 6		11, 12, 14, 15, 16	EX8			
		1	2, 6		01, 02, 06	EX8			
		1	3, 7		12, 15, 16	EX8			
		1	2, 6		51, 52, 54, 55, 56	EX8			
		1	3, 7		02, 06	EX8			
3									SCREW
	06104035AA	2	2, 6		01, 02, 06	EX9			
		2	2, 6		11, 12, 14, 15, 16	EX9			
		2	3, 7		15, 16, 12	EX9			
		2	2, 6		51, 52, 54, 55, 56	EX9			
		2	3, 7		02, 06	EX9			
4									COMPRESSOR, Air Conditioning
	05117666AA	1	2, 3, 6, 7			EX8			
	05117668AA	1	2, 6		52, 55, 56	EX8			With [HBD]
5									CLUTCH, A/C Compressor
	05133208AA	1	3, 7		02, 06	EX9			
		1	3, 7		12, 15, 16	EX9			
6									BRACKET, A/C Compressor
	05117686AA	1	2, 6		01, 02, 06	EX8, EX9			

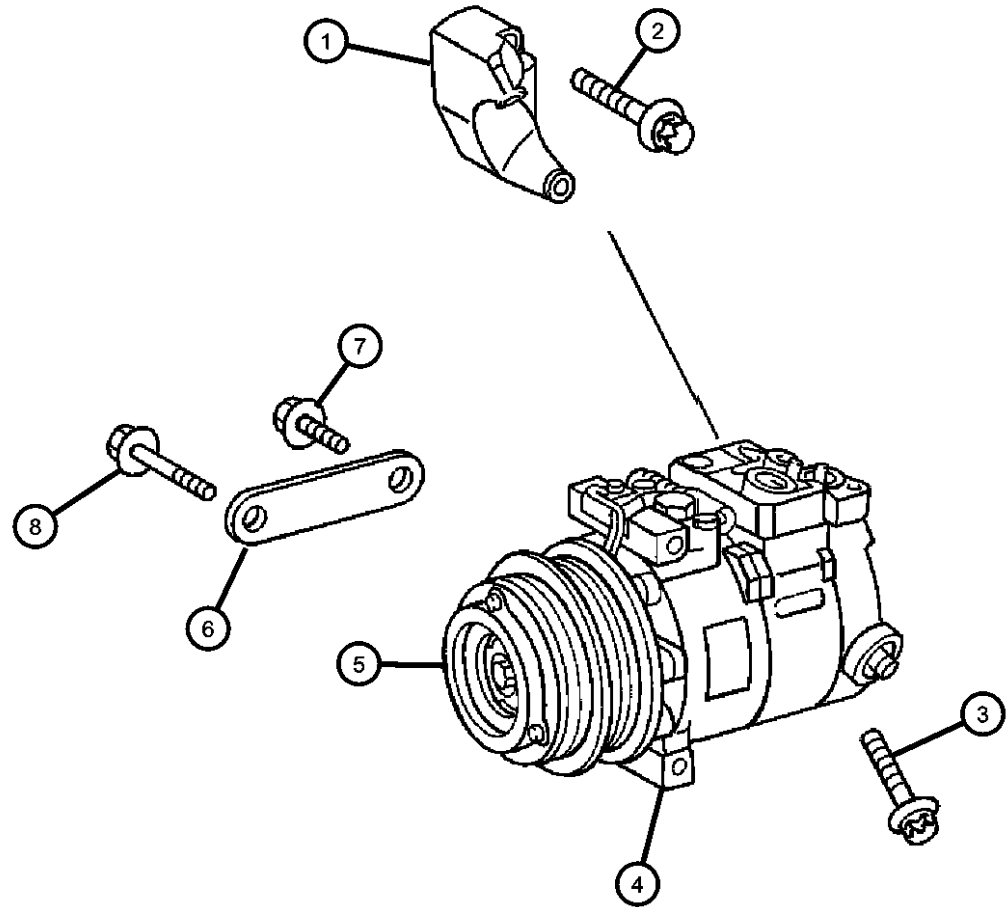
SPRINTER (VA)

SERIES	LINE	BODY	ENGINE	TRANSMISSION
L = LOWLINE	3 = HD DODGE 2WD 6 = Lt. Duty DODGE 4WD 2 = Med. Duty DODGE 2WD 7 = Med. Duty DODGE 4WD	55 = Wagon 140" 54 = Wagon 118" 52 = Wagon 140" 51 = Wagon 118" 12 = Van 140" 11 = Van 118" 06 = Front Section 158" 14 = Van 118" 15 = Van 140" 16 = Van 158" 56 = Wagon 158" 01 = Chassis Forward Control 118" 02 = Chassis Forward Control 140"	EX8 = Engine-2.7L I5 Mercedes Turbo Diesel	DGJ = Transmission-5-Spd. Automatic, W5A580

AR = use ase required - = Non illustrated part

**Compressor and Mounting
Figure 24-420**

ITEM	PART NUMBER	QTY	LINE	SERIES	BODY	ENGINE	TRANS	TRIM	DESCRIPTION
		1	2, 6		11, 12, 14, 15, 16	EX8, EX9			
		1	2, 6		51, 52, 54, 55, 56	EX8, EX9			
		1	3, 7		02, 06	EX8, EX9			
		1	3, 7		12, 15, 16	EX8, EX9			
7	06104022AA	1							SCREW
8	06104036AA	1	2, 6		01, 02, 06	EX8, EX9			SCREW
		1	2, 6		51, 52, 54, 55, 56	EX8, EX9			
		1	3, 7		02, 06	EX8, EX9			
		1	3, 7		12, 15, 16	EX8, EX9			
		1	2, 6		11, 12, 14, 15, 16	EX8, EX9			

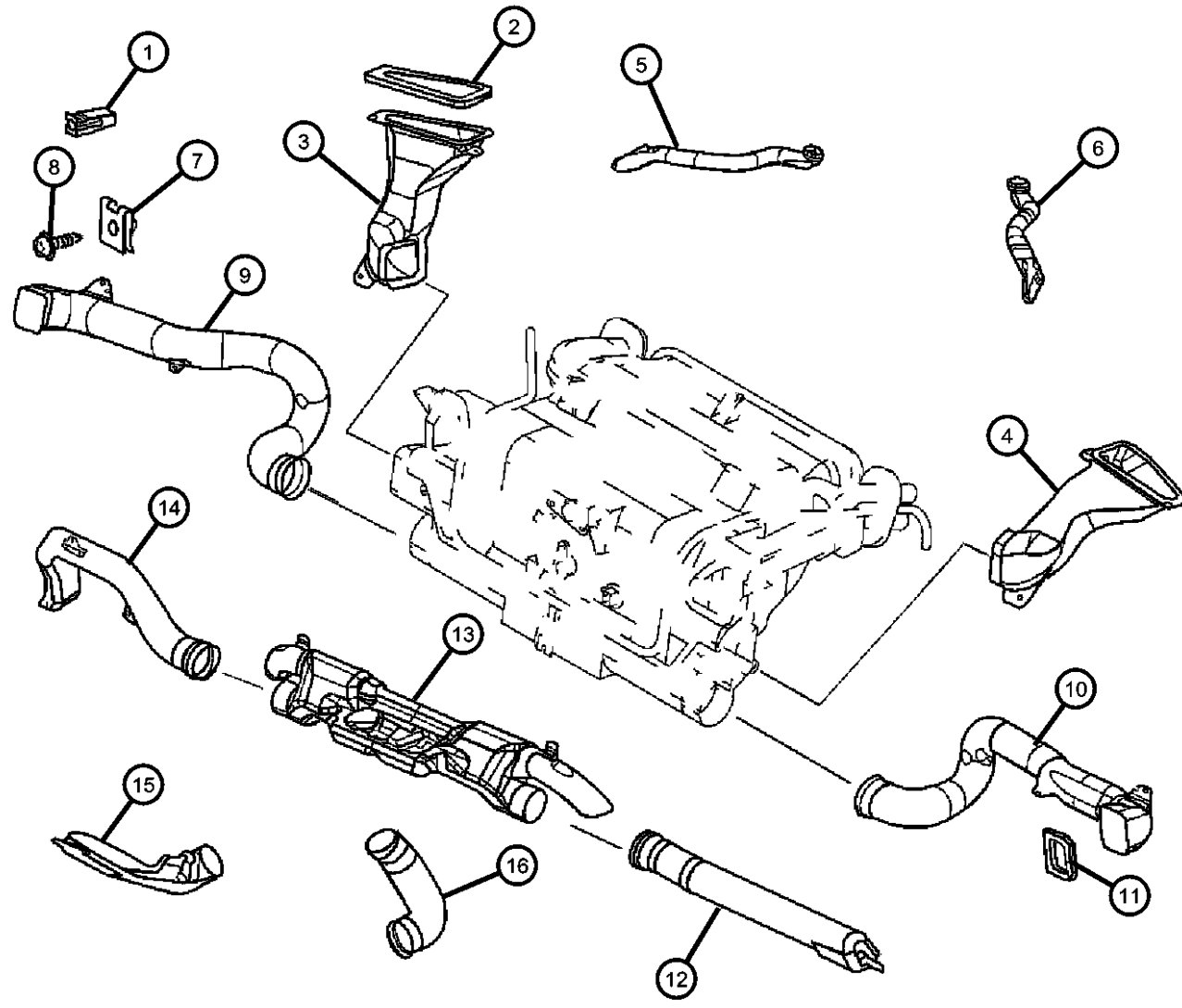


SPRINTER (VA)

SERIES	LINE	BODY	ENGINE	TRANSMISSION
L = LOWLINE	3 = HD DODGE 2WD 6 = Lt. Duty DODGE 4WD 2 = Med. Duty DODGE 2WD 7 = Med. Duty DODGE 4WD	55 = Wagon 140" 54 = Wagon 118" 52 = Wagon 140" 51 = Wagon 118" 12 = Van 140" 11 = Van 118" 06 = Front Section 158" 14 = Van 118" 15 = Van 140" 16 = Van 158" 56 = Wagon 158"	EX8 = Engine-2.7L I5 Mercedes Turbo Diesel	DGJ = Transmission-5-Spd. Automatic,W5A580
		01 = Chassis Forward Control 118" 02 = Chassis Forward Control 140"		

AR = use ase required - = Non illustrated part

Air Ducts And Outlets, Front
Figure 24-630



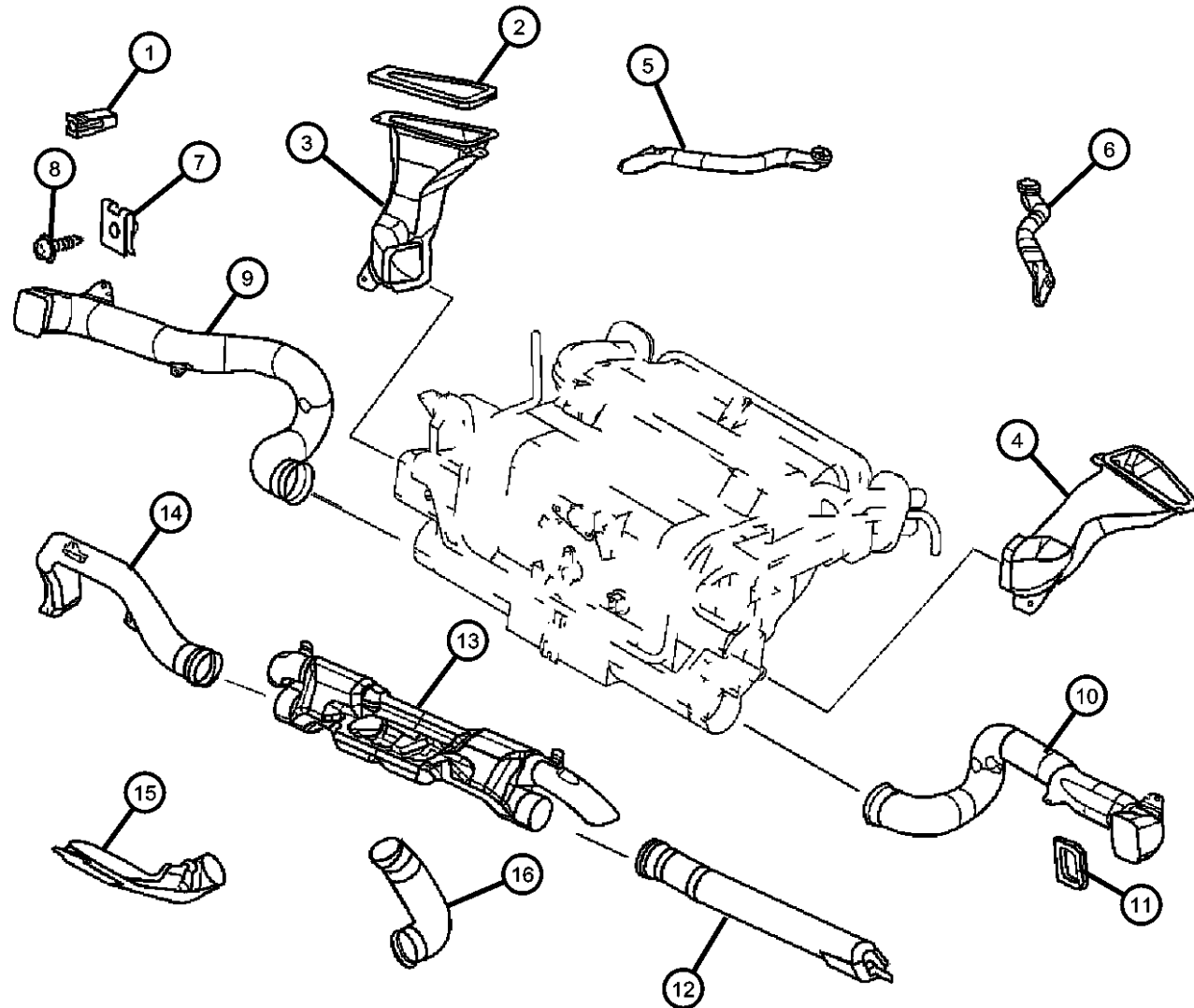
ITEM	PART NUMBER	QTY	LINE	SERIES	BODY	ENGINE	TRANS	TRIM	DESCRIPTION
6	05124746AA	1	2, 6		51, 52, 54, 55, 56				DUCT
		1	3, 7		12, 15, 16				
7	05125857AB	1	2, 6		11, 12, 14, 15, 16				NUT, Clip-On
		2	2, 6		51, 52, 54, 55, 56				
8	06104610AA	2	2, 6		11, 12, 14, 15, 16				SCREW
		2	3, 7		12, 15, 16				
9	05124744AA	2	2, 6		51, 52, 54, 55, 56				DUCT
		2	3, 7		12, 15, 16				
10	05124742AA	1	2, 6		11, 12, 14, 15, 16				DUCT
		1	3, 7		51, 52, 54, 55, 56				
11		1	2, 6		11, 12, 14, 15, 16				SEAL
		1	3, 7		51, 52, 54, 55, 56				

SPRINTER (VA)

SERIES	LINE	BODY	ENGINE	TRANSMISSION
L = LOWLINE	3 = HD DODGE 2WD 6 = Lt. Duty DODGE 4WD 2 = Med. Duty DODGE 2WD 7 = Med. Duty DODGE 4WD	55 = Wagon 140" 54 = Wagon 118" 52 = Wagon 140" 51 = Wagon 118" 12 = Van 140" 11 = Van 118" 06 = Front Section 158" 14 = Van 118" 15 = Van 140" 16 = Van 158" 56 = Wagon 158"	EX8 = Engine-2.7L I5 Mercedes Turbo Diesel	DGJ = Transmission-5-Spd. Automatic,W5A580
		01 = Chassis Forward Control 118" 02 = Chassis Forward Control 140"		

AR = use ase required - = Non illustrated part

**Air Ducts And Outlets, Front
Figure 24-630**



ITEM	PART NUMBER	QTY	LINE	SERIES	BODY	ENGINE	TRANS	TRIM	DESCRIPTION
	05124788AA	1	2, 6		11, 12, 14, 15, 16				Left
		1	2, 6		51, 52, 54, 55, 56				Left
		1	3, 7		12, 15, 16				Left
	05124789AA	1	2, 6		11, 12, 14, 15, 16				Right
		1	2, 6		51, 52, 54, 55, 56				Right
		1	3, 7		12, 15, 16				Right
12									DUCT
	05124740AA	1	2, 6		11, 12, 14, 15, 16				
		1	2, 6		51, 52, 54, 55, 56				
		1	3, 7		12, 15, 16				
13									DUCT
	05124737AA	1	2, 6		11, 12, 14, 15, 16				
		1	2, 6		51, 52, 54, 55, 56				
		1	3, 7		12, 15, 16				
14									DUCT
	05124739AA	1	2, 6		11, 12, 14, 15, 16				
		1	2, 6		51, 52, 54, 55, 56				
		1	3, 7		12, 15, 16				
15									DUCT
	05124748AA	1	2, 6		11, 12, 14, 15, 16				
		1	2, 6		51, 52, 54, 55, 56				
		1	3, 7		12, 15, 16				
16									DUCT

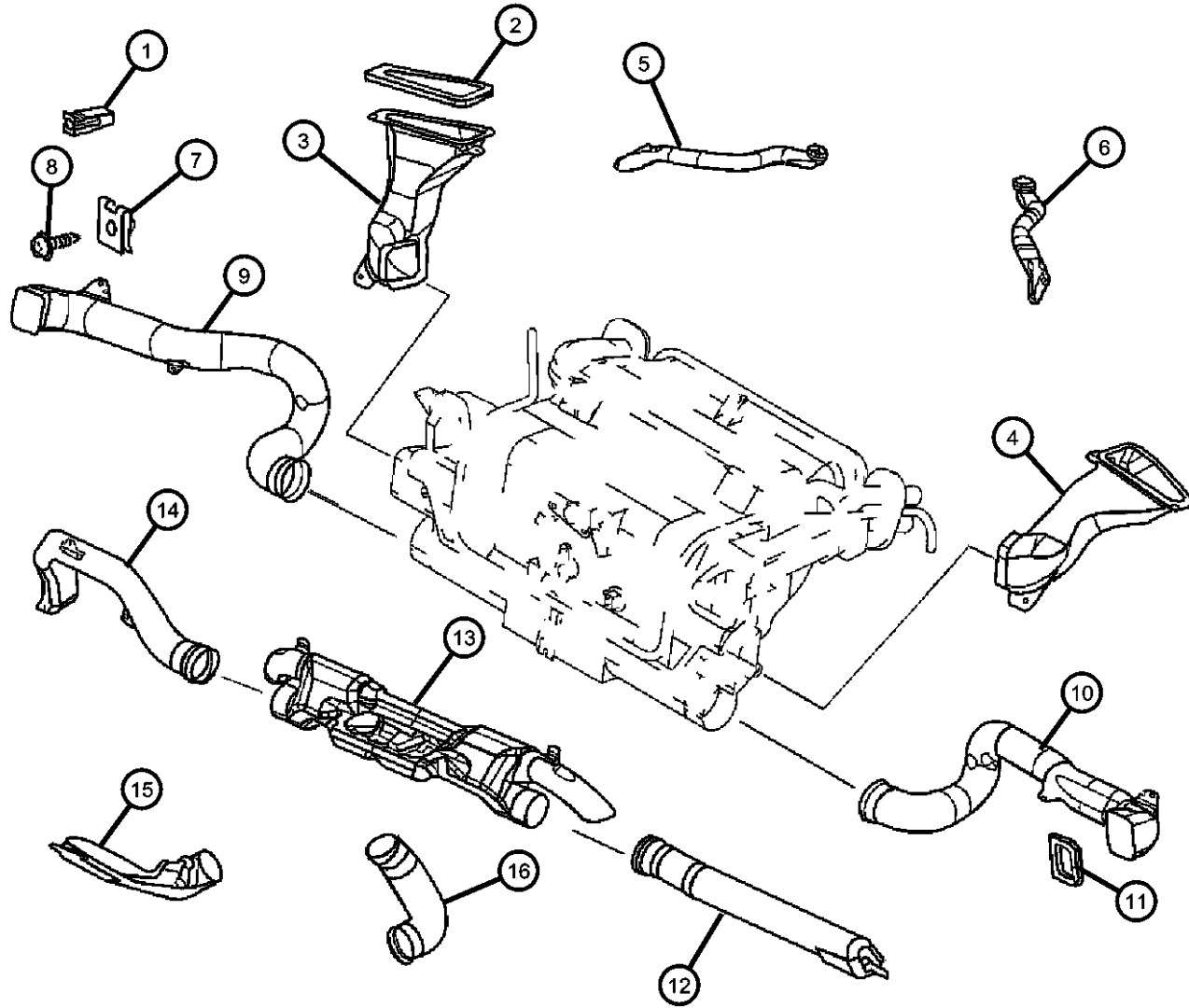
SPRINTER (VA)
 SERIES LINE BODY ENGINE TRANSMISSION
 L = LOWLINE 3 = HD DODGE 2WD 55 = Wagon 140" EX8 = Engine-2.7L I5 DGJ = Transmission-5-Spd.
 6 = Lt. Duty DODGE 4WD 54 = Wagon 118" Mercedes Turbo Diesel Automatic, W5A580
 2 = Med. Duty DODGE 2WD 52 = Wagon 140"
 7 = Med. Duty DODGE 4WD 51 = Wagon 118"
 12 = Van 140"
 11 = Van 118"
 06 = Front Section 158"
 14 = Van 118"
 15 = Van 140"
 16 = Van 158"
 56 = Wagon 158"
 01 = Chassis Forward Control
 118"
 02 = Chassis Forward Control
 140"

AR = use ase required - = Non illustrated part

Air Ducts And Outlets, Front
Figure 24-630

ITEM	PART NUMBER	QTY	LINE	SERIES	BODY	ENGINE	TRANS	TRIM	DESCRIPTION
------	-------------	-----	------	--------	------	--------	-------	------	-------------

	05124747AA	1	2, 6		11, 12, 14, 15, 16				
		1	2, 6		51, 52, 54, 55, 56				
		1	3, 7		12, 15, 16				



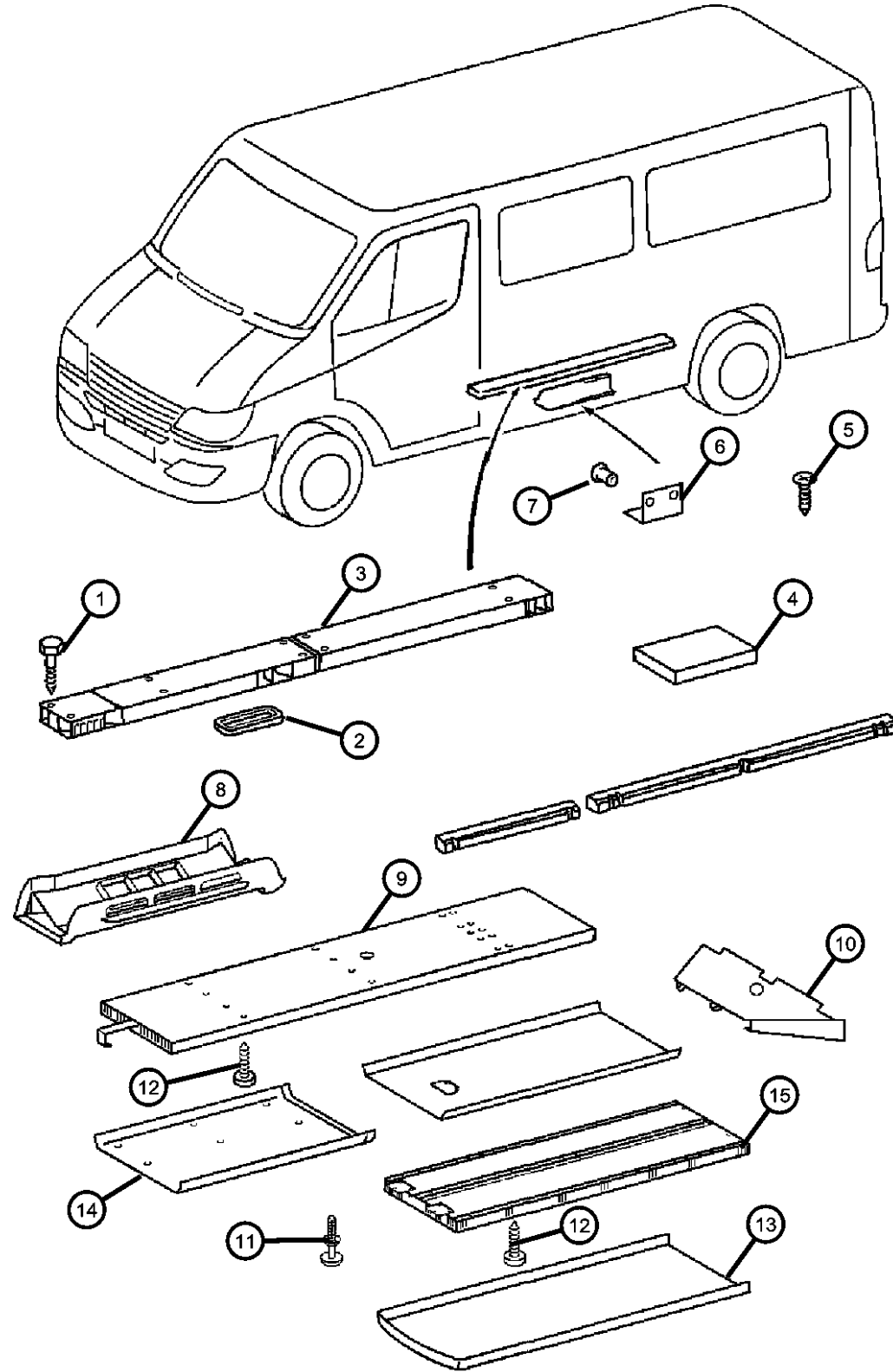
SPRINTER (VA)

SERIES	LINE	BODY	ENGINE	TRANSMISSION
L = LOWLINE	3 = HD DODGE 2WD 6 = Lt. Duty DODGE 4WD 2 = Med. Duty DODGE 2WD 7 = Med. Duty DODGE 4WD	55 = Wagon 140" 54 = Wagon 118" 52 = Wagon 140" 51 = Wagon 118" 12 = Van 140" 11 = Van 118" 06 = Front Section 158" 14 = Van 118" 15 = Van 140" 16 = Van 158" 56 = Wagon 158"	EX8 = Engine-2.7L I5 Mercedes Turbo Diesel	DGJ = Transmission-5-Spd. Automatic,W5A580
		01 = Chassis Forward Control 118" 02 = Chassis Forward Control 140"		

AR = use ase required - = Non illustrated part

2004 VA

Air Ducts And Outlets, Rear
Figure 24-640



ITEM	PART NUMBER	QTY	LINE	SERIES	BODY	ENGINE	TRANS	TRIM	DESCRIPTION
1	05126093AA	10	3, 7		12, 15, 16				SCREW
2									SEAL
	05102646AA	1	2, 6		01, 02, 06				
	05124763AA	1	2, 6		11, 12, 14, 15, 16				
		1	2, 6		51, 52, 54, 55, 56				
		1	3, 7		12, 15, 16				
3									HOUSING, Air Duct
	05124656AA	1	3, 7		12, 15, 16				Rear
	05124655AA	1	2, 6		12, 15, 16				
		1	2, 6		52, 55, 56				Front
		1	3, 7		12, 15, 16				
4									SEAL
	05124763AA	1	2, 6		11, 12, 14, 15, 16				
		1	2, 6		51, 52, 54, 55, 56				
		1	7, 3		12, 15, 16				
5		1							SCREW, (NOT SERVICED)
6		1							BRACKET, (NOT SERVICED)
7									RIVET, Blind Bulb
	05133417AA	3	2, 6		01, 02, 06				
		3	2, 6		11, 12, 14, 15, 16				
		3	2, 6		51, 52, 54, 55, 56				
		3	3, 7		02, 06				
		3	3, 7		16, 12, 15				
8		3							INSULATOR, 05133349aa, (NOT SERVICED)
9									AIR DUCT

SPRINTER (VA)

SERIES

L = LOWLINE

LINE

3 = HD DODGE 2WD
6 = Lt. Duty DODGE 4WD
2 = Med. Duty DODGE 2WD
7 = Med. Duty DODGE 4WD

BODY

55 = Wagon 140"
54 = Wagon 118"
52 = Wagon 140"
51 = Wagon 118"
12 = Van 140"
11 = Van 118"
06 = Front Section 158"
14 = Van 118"
15 = Van 140"
16 = Van 158"
56 = Wagon 158"
01 = Chassis Forward Control 118"
02 = Chassis Forward Control 140"

ENGINE

EX8 = Engine-2.7L I5
Mercedes Turbo Diesel

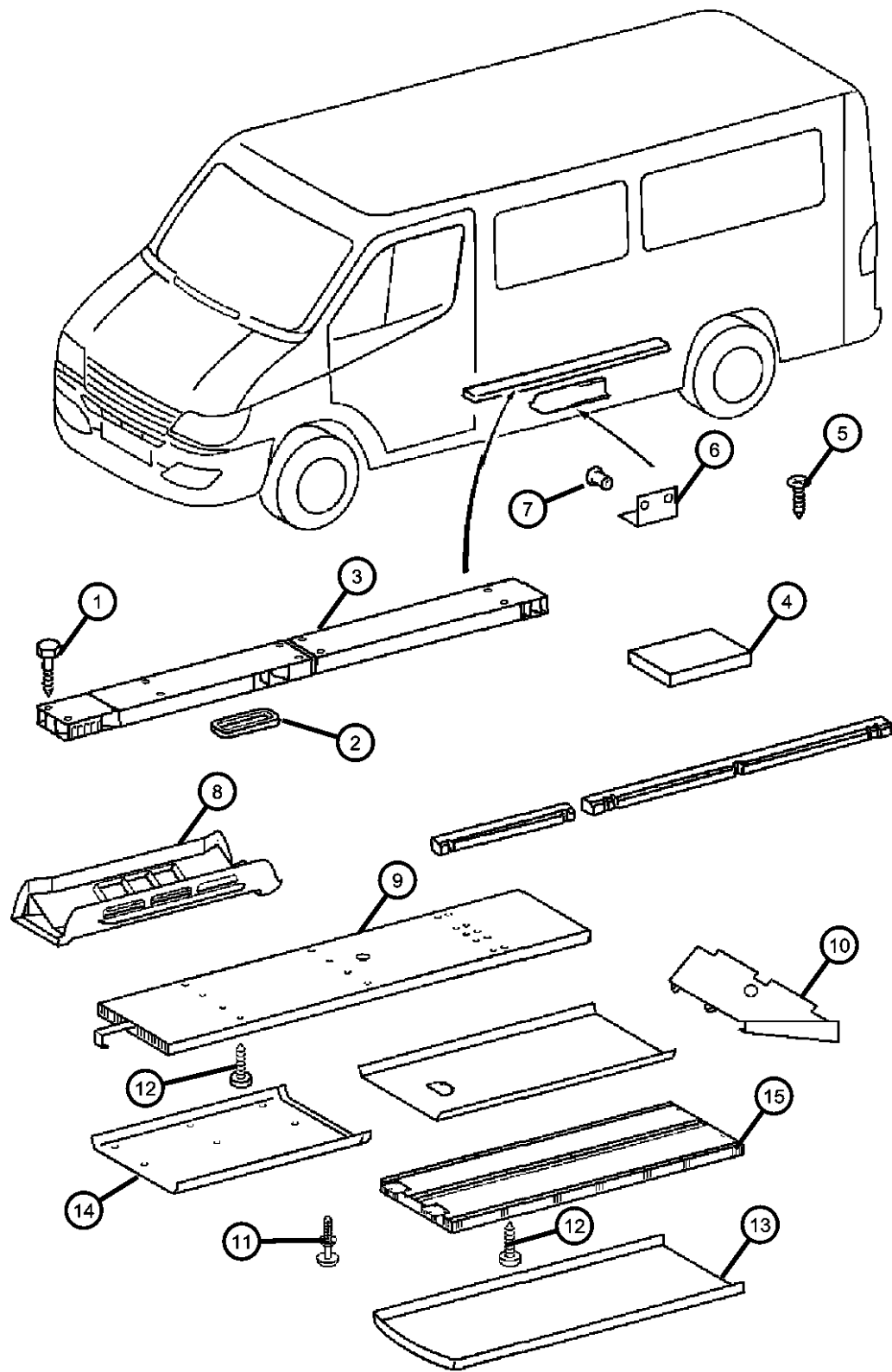
TRANSMISSION

DGJ = Transmission-5-Spd. Automatic, W5A580

AR = use ase required - = Non illustrated part

2004 VA

Air Ducts And Outlets, Rear
Figure 24-640



ITEM	PART NUMBER	QTY	LINE	SERIES	BODY	ENGINE	TRANS	TRIM	DESCRIPTION
	05132290AA	1	2, 6		51, 52, 54, 55, 56				
10		1	2, 6		11, 12, 14, 15, 16				AIR DUCT
	05132312AA	1	2, 6		11, 12, 14, 15, 16				
11		1	2, 6		51, 52, 54, 55, 56				RIVET
	05104541AA	2	3, 7		12, 15, 16				
		2	2, 6		11, 12, 14, 15, 16				
		2	2, 6		55, 56, 51, 52, 54				
12									SCREW, Self-Tapping
	05133449AA	20	2, 6		11, 12, 14, 15, 16				
		20	2, 6		51, 52, 54, 55, 56				
13									HOUSING, Air Duct
	05104482AA	1	2, 6		12, 14, 15, 16, 11				
		1	2, 6		51, 52, 54, 55, 56				
14									AIR DUCT
	05132291AA	1	2, 6		16				
		1	2, 6		56				
15									AIR DUCT
	05132292AA	1	2, 6		16				
		1	2, 6		56				
-16	05133453AA	6	2, 6		51, 52, 54, 55, 56				SPRING, Filter

SPRINTER (VA)

SERIES

L = LOWLINE

LINE

3 = HD DODGE 2WD
6 = Lt. Duty DODGE 4WD
2 = Med. Duty DODGE 2WD
7 = Med. Duty DODGE 4WD

BODY

55 = Wagon 140"
54 = Wagon 118"
52 = Wagon 140"
51 = Wagon 118"
12 = Van 140"
11 = Van 118"
06 = Front Section 158"
14 = Van 118"
15 = Van 140"
16 = Van 158"
56 = Wagon 158"
01 = Chassis Forward Control
118"
02 = Chassis Forward Control
140"

ENGINE

EX8 = Engine-2.7L I5
Mercedes Turbo Diesel

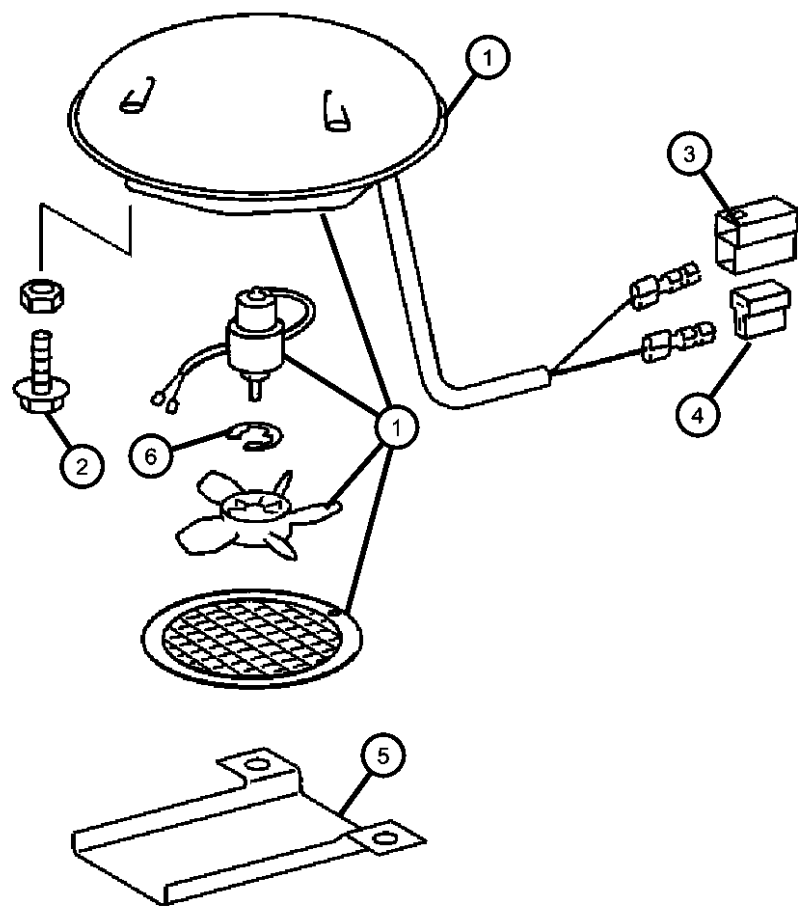
TRANSMISSION

DGJ = Transmission-5-Spd.
Automatic, W5A580

AR = use ase required - = Non illustrated part

2004 VA

Ventilator, Roof Mounted
Figure 24-650



ITEM	PART NUMBER	QTY	LINE	SERIES	BODY	ENGINE	TRANS	TRIM	DESCRIPTION
1	05103696AA	1	2, 6		11, 12, 14, 15, 16				HOUSING, Forced Vent Outlet
		1	3, 7		12, 15, 16				
2	06104351AA	9	2, 6		11, 12, 14, 15, 16				BOLT, M6x20
		9	3, 7		12, 15, 16				
3	05103754AA	1	2, 6		11, 12, 14, 15, 16				INSULATOR, 2 Way Female
		1	3, 7		12, 15, 16				
4	05103751AA	1	2, 6		11, 12, 14, 15, 16				CONNECTOR
		1	3, 7		12, 15, 16				
5	05124790AA	1	2, 6		11, 12, 14, 15, 16				COVER, Bracket
		1	3, 7		12, 15, 16				
6	05133639AA	1	2, 6		11, 12, 14, 15, 16				CLIP, Fan Shroud
		1	3, 7		12, 15, 16				
-7	05133638AA	1	2, 6		11, 12, 14, 15, 16				GRILLE, Vent
		1	3, 7		12, 15, 16				

SPRINTER (VA)

SERIES	LINE	BODY	ENGINE	TRANSMISSION
L = LOWLINE	3 = HD DODGE 2WD 6 = Lt. Duty DODGE 4WD 2 = Med. Duty DODGE 2WD 7 = Med. Duty DODGE 4WD	55 = Wagon 140" 54 = Wagon 118" 52 = Wagon 140" 51 = Wagon 118" 12 = Van 140" 11 = Van 118" 06 = Front Section 158" 14 = Van 118" 15 = Van 140" 16 = Van 158" 56 = Wagon 158" 01 = Chassis Forward Control 118" 02 = Chassis Forward Control 140"	EX8 = Engine-2.7L I5 Mercedes Turbo Diesel	DGJ = Transmission-5-Spd. Automatic,W5A580

AR = use ase required - = Non illustrated part

2004 VA

Group - DVA

Doors and Related Parts

Group - DVA Doors and Related Parts

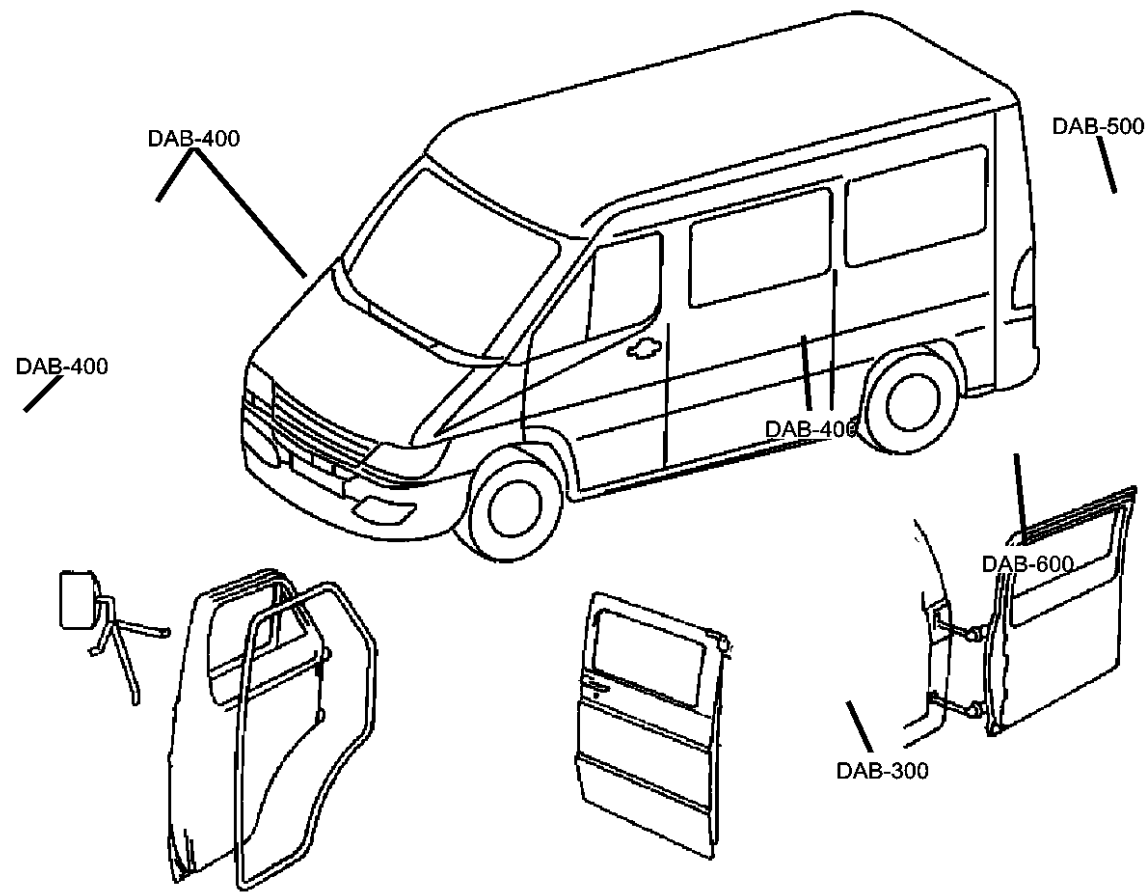


Illustration Title

Group-Fig. No.

Front Door

Door, Front Shell And Hinges	Fig. DVA - 110
Door, Front Glass And Regulator Handle	Fig. DVA - 120
Door, Front Exterior Handle And Links	Fig. DVA - 130

Door, Sliding Cargo

Door, Sliding Cargo Glass	Fig. DVA - 320
Door, Sliding Cargo Lock And Controls.....	Fig. DVA - 330

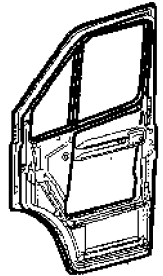
Door, Dual and Single Cargo

Door, Cargo Shell And Hinges	Fig. DVA - 410
Door, Cargo Glass And Hardware	Fig. DVA - 420
Door, Cargo Lock And Control	Fig. DVA - 430

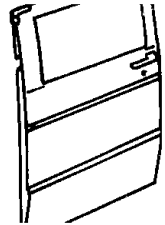
Exterior Mirror

Mirrors, Exterior	Fig. DVA - 520
-------------------------	----------------

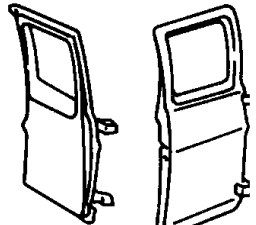
DVA-100
Front Door



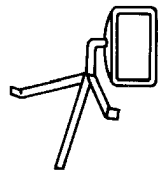
DVA-300
Door, Sliding Cargo



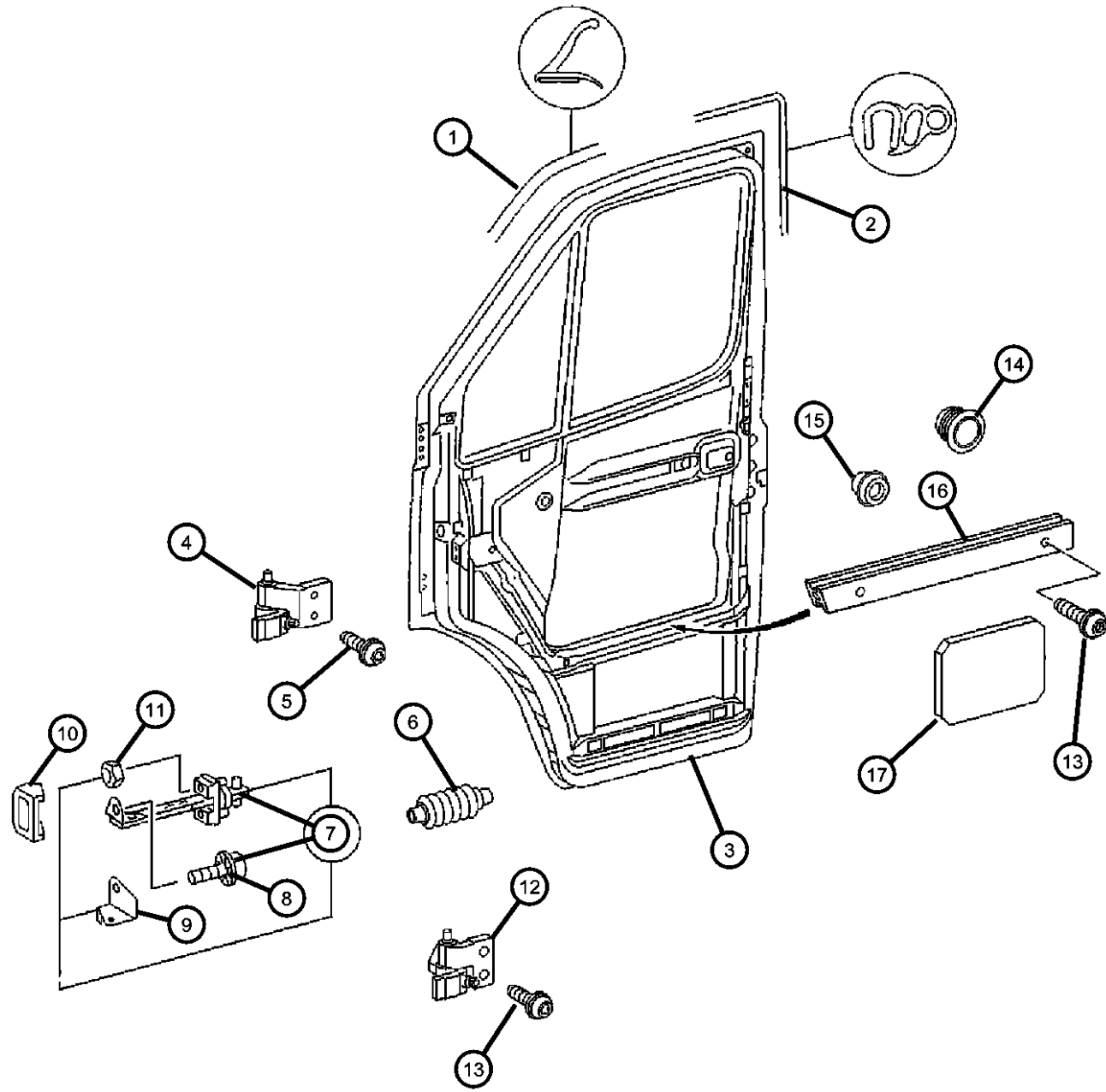
DVA-400
Door, Dual and Single Cargo



DVA-500
Exterior Mirror



Door, Front Shell And Hinges
Figure DVA-110



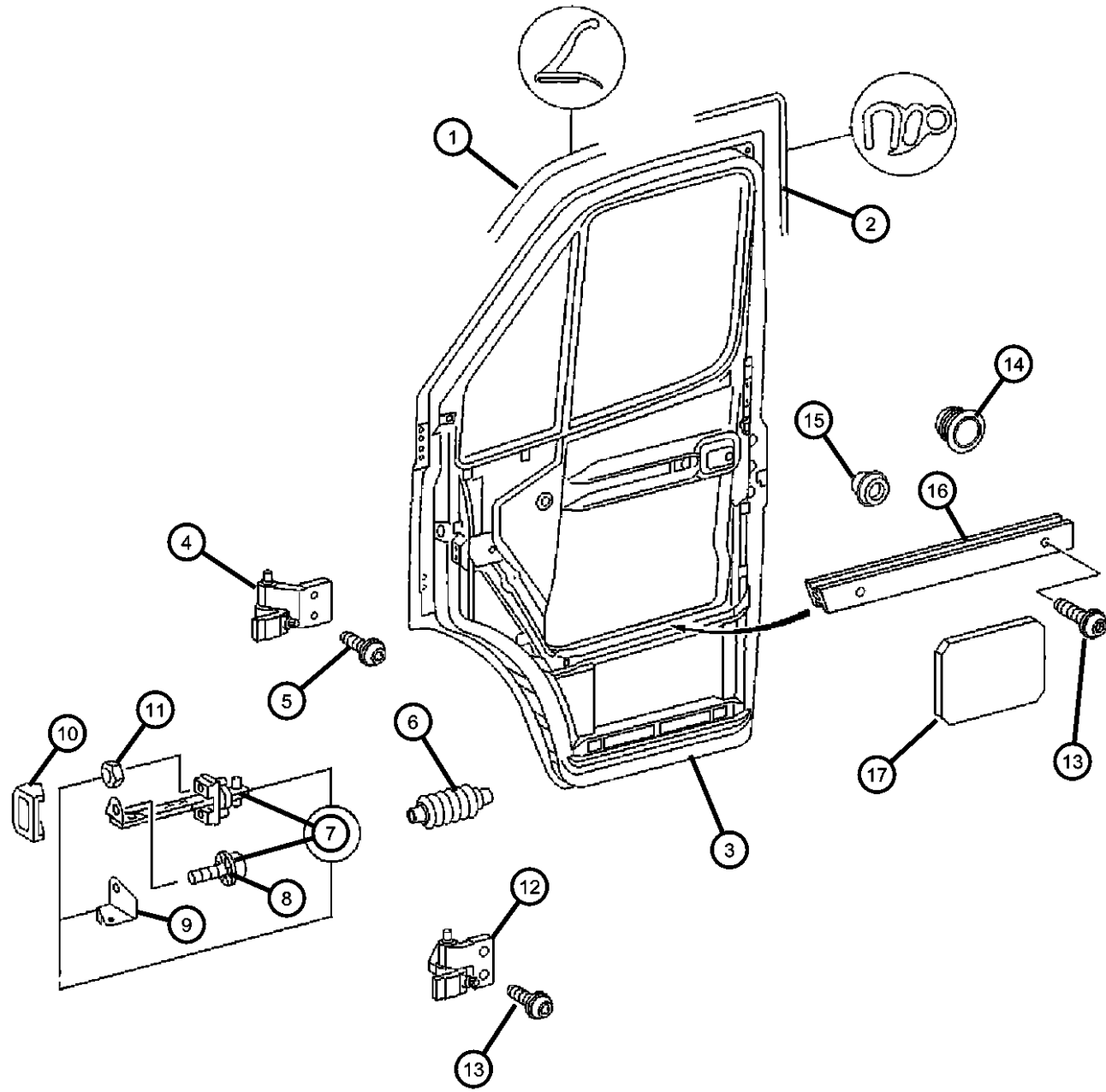
ITEM	PART NUMBER	QTY	LINE	SERIES	BODY	ENGINE	TRANS	TRIM	DESCRIPTION
1	05133518AA	1	2, 6	L	01, 02, 06				SEAL, Door
		1	2, 6	L	11, 12, 14, 15, 16				
		1	2, 6	L	51, 52, 54, 55, 56				
2	05104301AA	1	2, 6	L	11, 12, 14, 15, 16				SEAL, Door
		1	2, 6	L	51, 52, 54, 55, 56				
3	05135988AA	1	2, 6	L	01, 02, 06				PANEL, Front Door, Shell
		1	3, 7	L	02, 06				Right
	05135991AA	1	3, 7	L	02, 06				Left
		1	2, 6	L	11, 12, 14, 15, 16				Left
		1	2, 6	L	01, 02, 06				Left
4	05104321AA	1	2, 6	L	11, 12, 14, 15, 16				HINGE, Door, Upper
		1	2, 6	L	51, 52, 54, 55, 56				Left
		1	3, 7	L	12, 15, 16				Left
	05104324AA	1	2, 6	L	11, 12, 14, 15, 16				Right
		1	2, 6	L	51, 52, 54, 55, 56				Right
		1	3, 7	L	12, 15, 16				Right
5	05103780AA	1	3, 7	L	12, 15				SCREW
6	05125915AA	2	2, 6	L	01, 02, 06				GROMMET, Door Wiring
		2	2, 6	L	11, 12, 14, 15, 16				

SPRINTER (VA)

SERIES	LINE	BODY	ENGINE	TRANSMISSION
L = LOWLINE	3 = HD DODGE 2WD 6 = Lt. Duty DODGE 4WD 2 = Med. Duty DODGE 2WD 7 = Med. Duty DODGE 4WD	55 = Wagon 140" 54 = Wagon 118" 52 = Wagon 140" 51 = Wagon 118" 12 = Van 140" 11 = Van 118" 06 = Front Section 158" 14 = Van 118" 15 = Van 140" 16 = Van 158" 56 = Wagon 158"	EX8 = Engine-2.7L I5 Mercedes Turbo Diesel	DGJ = Transmission-5-Spd. Automatic, W5A580
		01 = Chassis Forward Control 118" 02 = Chassis Forward Control 140"		

AR = use ase required - = Non illustrated part

Door, Front Shell And Hinges
Figure DVA-110



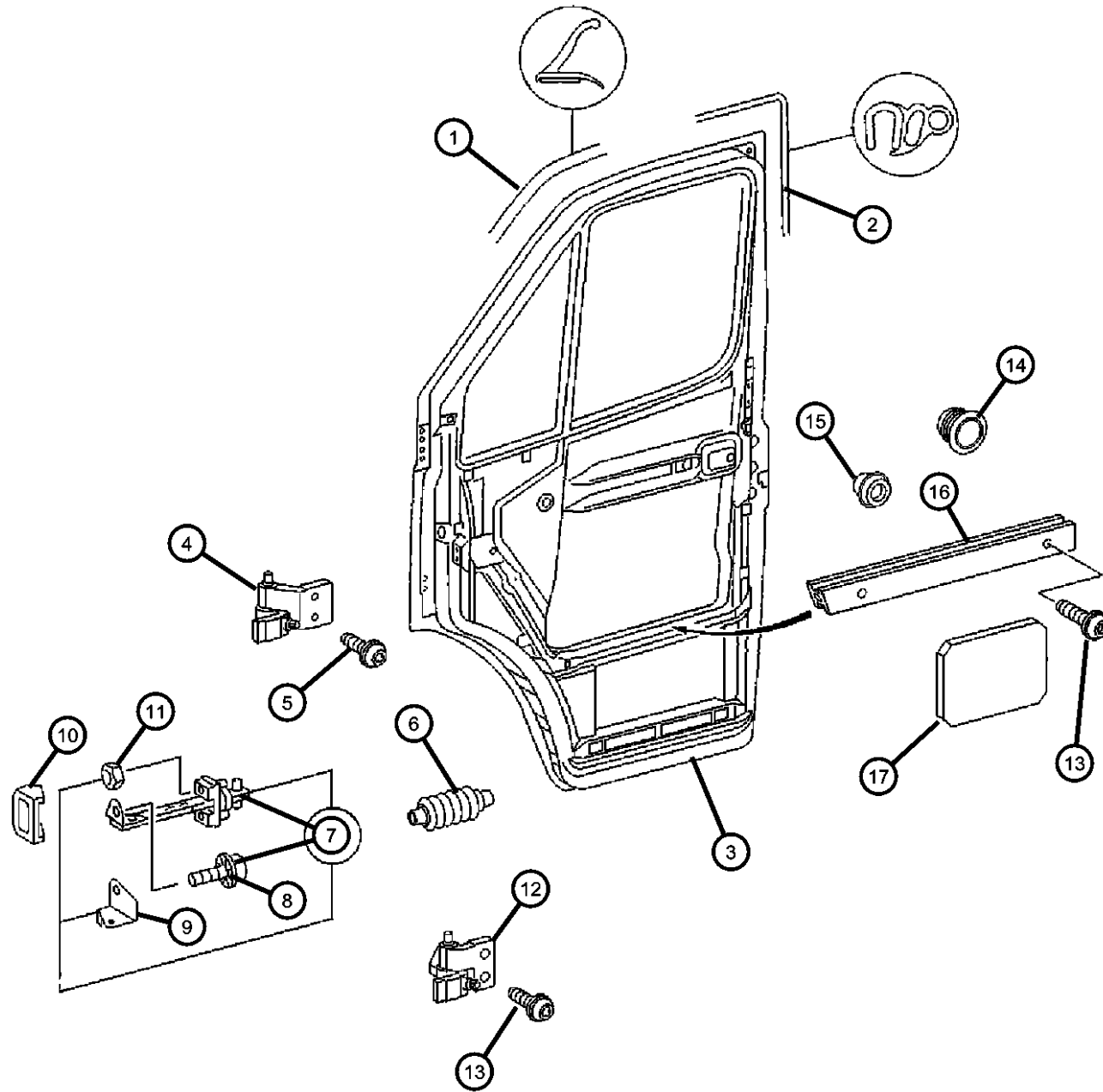
ITEM	PART NUMBER	QTY	LINE	SERIES	BODY	ENGINE	TRANS	TRIM	DESCRIPTION	
7		2	2, 6	L	51, 52, 54, 55, 56				CHECK, Front Door	
		2	3, 7	L	02, 06				Left	
		2	3, 7	L	12, 15, 16				Left	
	05104335AA	1	2, 6	L	51, 52, 54, 55, 56				Left	
		1	3, 7	L	02, 06				Left	
	05104338AA	1	3, 7	L	12, 15, 16				Left	
		1	2, 6	L	01, 02, 06				Right	
		1	2, 6	L	11, 12, 14, 15, 16				Right	
		1	2, 6	L	51, 52, 54, 55, 56				Right	
		1	3, 7	L	02, 06				Right	
8		1	3, 7	L	12, 15, 16				Right	
		1	2, 6	L	01, 02, 06				Left	
		1	2, 6	L	11, 12, 14, 15, 16				Left	
										SCREW
	05103788AA	2	2, 6	L	11, 12, 14, 15, 16					
		2	2, 6	L	51, 52, 54, 55, 56					
		2	3, 7	L	12, 15, 16					
	9									
		05103667AA	1	2, 6	L	11, 12, 14, 15, 16				BRACKET, Check Arm
			1	2, 6	L	51, 52, 54, 55, 56				
		1	3, 7	L	12, 15, 16					
10									SEAL, Front Door	

SPRINTER (VA)

SERIES	LINE	BODY	ENGINE	TRANSMISSION
L = LOWLINE	3 = HD DODGE 2WD 6 = Lt. Duty DODGE 4WD 2 = Med. Duty DODGE 2WD 7 = Med. Duty DODGE 4WD	55 = Wagon 140" 54 = Wagon 118" 52 = Wagon 140" 51 = Wagon 118" 12 = Van 140" 11 = Van 118" 06 = Front Section 158" 14 = Van 118" 15 = Van 140" 16 = Van 158" 56 = Wagon 158"	EX8 = Engine-2.7L I5 Mercedes Turbo Diesel	DGJ = Transmission-5-Spd. Automatic, W5A580

AR = use ase required - = Non illustrated part

Door, Front Shell And Hinges
Figure DVA-110



ITEM	PART NUMBER	QTY	LINE	SERIES	BODY	ENGINE	TRANS	TRIM	DESCRIPTION
	05123750AA	1	2, 6	L	51, 52, 54, 55, 56				
		1	3, 7	L	12, 15, 16				
		1		L	01, 02, 06				
11									NUT, Hex, M6
	05127449AA	1	2, 6	L	01, 02, 06				
		2	2, 6	L	51, 52, 54, 55, 56				
		2	3, 7	L	02, 06				
		2	3, 7	L	12, 15, 16				
		2	2, 6	L	11, 12, 14, 15, 16				
12									HINGE, Door, Lower Right
	05127220AA	1	2, 6	L	11, 12, 14, 15, 16				
		1	2, 6	L	51, 52, 54, 55, 56				Right
		1	3, 7	L	12, 15, 16				Right
	05127221AA	1	2, 6	L	11, 12, 14, 15, 16				Left
		1	2, 6	L	51, 52, 54, 55, 56				Left
		1	3, 7	L	12, 15, 16				Left
13									SCREW
	05103781AA	4	2, 6	L	51, 52, 54, 55, 56				
		4	3, 7	L	12, 15, 16				
		4	2, 6	L	11, 12, 14, 15, 16				
14									PLUG, Door
	05125992AA	4	2, 6	L	11, 12, 14, 15, 16				
		4	2, 6	L	51, 52, 54, 55, 56				

SPRINTER (VA)

SERIES

L = LOWLINE

LINE

3 = HD DODGE 2WD
6 = Lt. Duty DODGE 4WD
2 = Med. Duty DODGE 2WD
7 = Med. Duty DODGE 4WD

BODY

55 = Wagon 140"
54 = Wagon 118"
52 = Wagon 140"
51 = Wagon 118"
12 = Van 140"
11 = Van 118"
06 = Front Section 158"
14 = Van 118"
15 = Van 140"
16 = Van 158"
56 = Wagon 158"
01 = Chassis Forward Control
118"
02 = Chassis Forward Control
140"

ENGINE

EX8 = Engine-2.7L I5
Mercedes Turbo Diesel

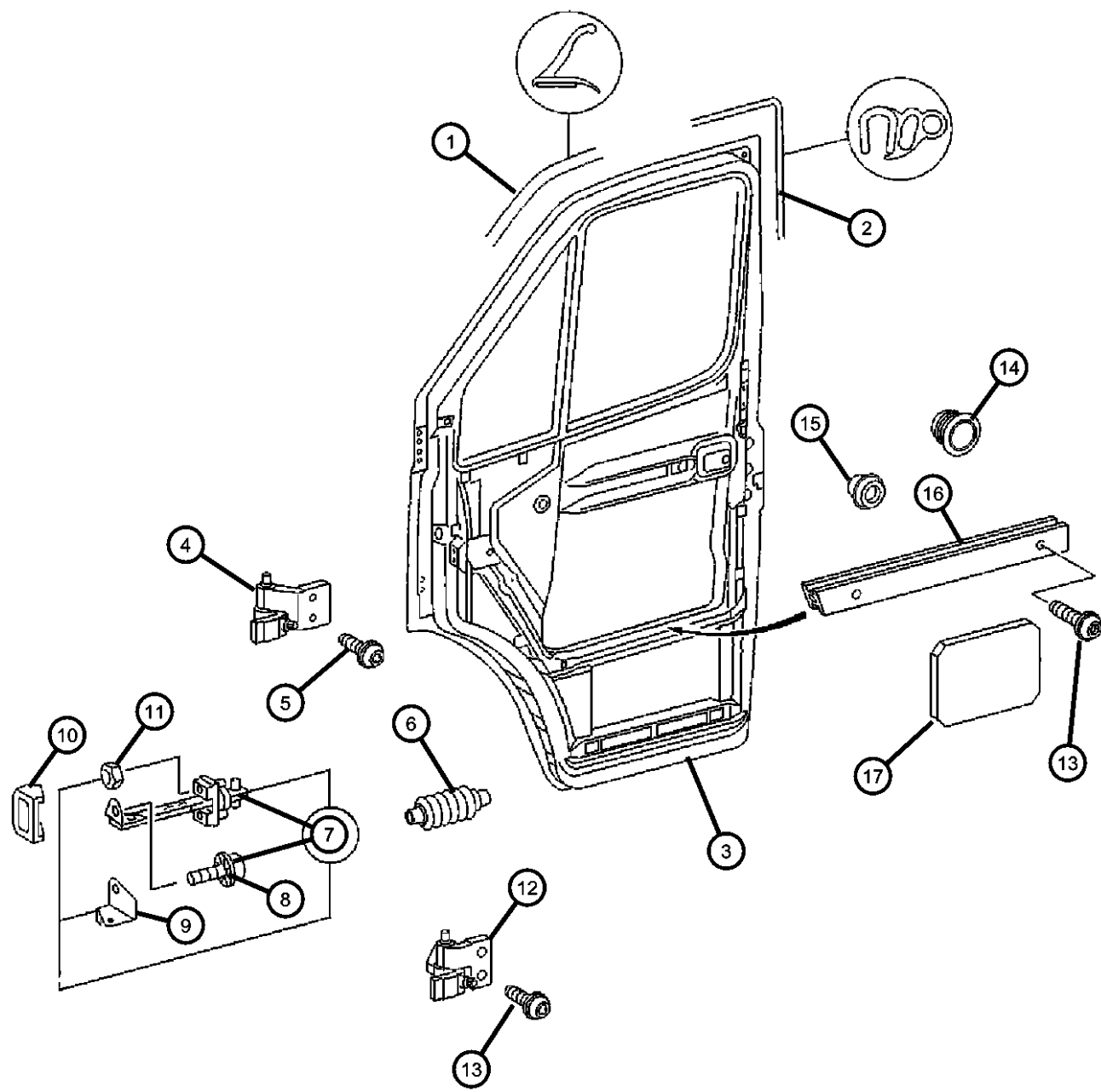
TRANSMISSION

DGJ = Transmission-5-Spd.
Automatic,W5A580

AR = use ase required - = Non illustrated part

2004 VA

Door, Front Shell And Hinges
Figure DVA-110



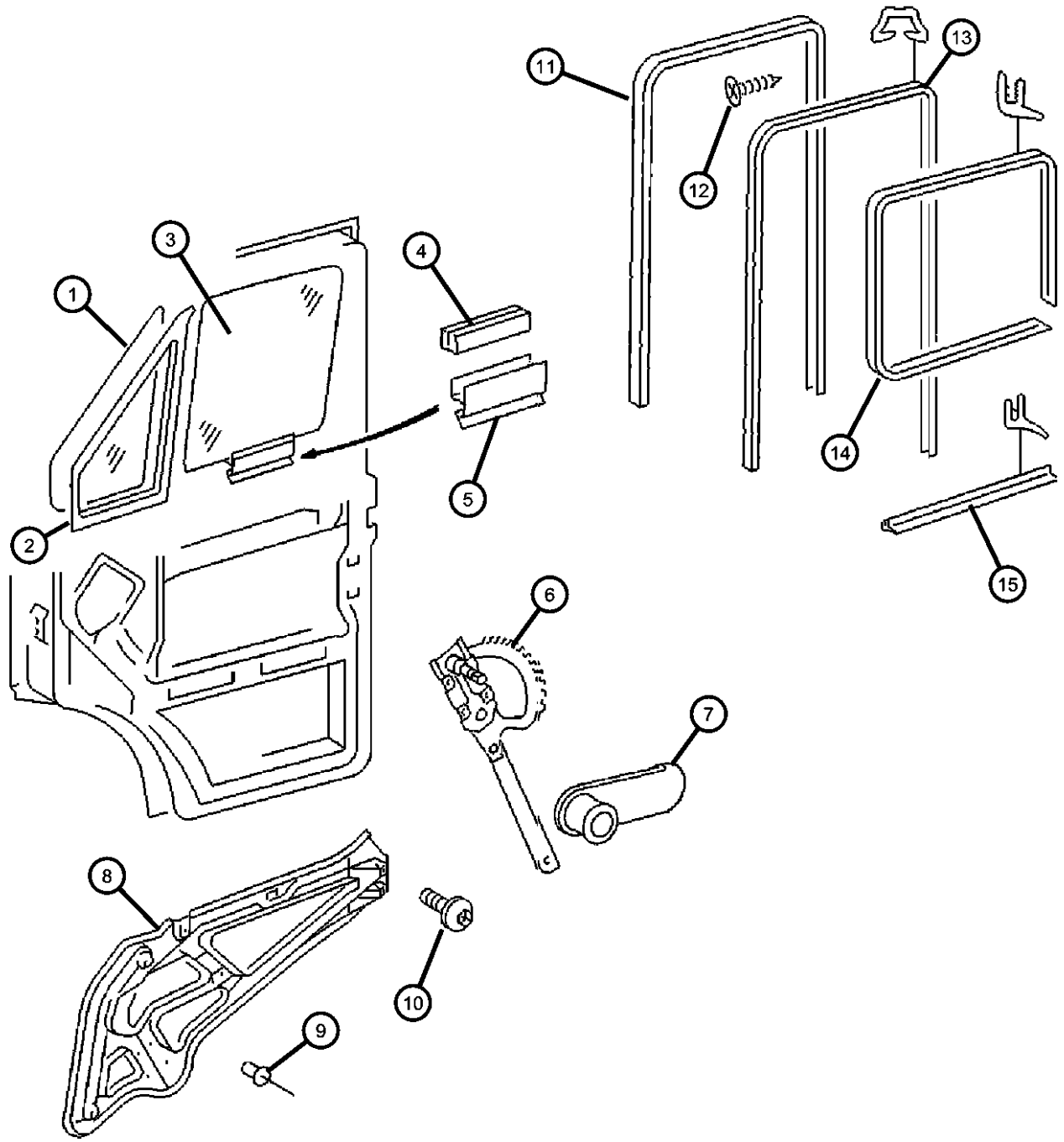
ITEM	PART NUMBER	QTY	LINE	SERIES	BODY	ENGINE	TRANS	TRIM	DESCRIPTION
		4	3, 7	L	12, 15, 16				
15									PLUG, Expansion
	05125514AA	4	2, 6	L	11, 12, 14, 15, 16				
		4	2, 6	L	51, 52, 54, 55, 56				
		4	3, 7	L	12, 15, 16				
	05133514AA	1	2, 6	L	01, 02, 06				
		1	3, 7	L	02, 06				
16									REINFORCEMENT, Door Inner
	05123683AA	1	2, 6	L	11, 12, 14, 15, 16				Left
		1	3, 7	L	12, 15, 16				Left
		1	2, 6	L	51, 52, 54, 55, 56				Left
	05123684AA	1	2, 6	L	51, 52, 54, 55, 56				Right
		1	2, 6	L	11, 12, 14, 15, 16				Right
		1	3, 7	L	12, 15, 16				Right
17									SHIELD, Door
	05122515AA	2	2, 6	L	01, 02, 06				
		2	2, 6	L	11, 12, 14, 15, 16				
		2	2, 6	L	51, 52, 54, 55, 56				
		2	3, 7	L	02, 06				
		2	3, 7	L	12, 15, 16				

SPRINTER (VA)

SERIES	LINE	BODY	ENGINE	TRANSMISSION
L = LOWLINE	3 = HD DODGE 2WD 6 = Lt. Duty DODGE 4WD 2 = Med. Duty DODGE 2WD 7 = Med. Duty DODGE 4WD	55 = Wagon 140" 54 = Wagon 118" 52 = Wagon 140" 51 = Wagon 118" 12 = Van 140" 11 = Van 118" 06 = Front Section 158" 14 = Van 118" 15 = Van 140" 16 = Van 158" 56 = Wagon 158"	EX8 = Engine-2.7L I5 Mercedes Turbo Diesel	DGJ = Transmission-5-Spd. Automatic, W5A580
		01 = Chassis Forward Control 118" 02 = Chassis Forward Control 140"		

AR = use ase required - = Non illustrated part

**Door, Front Glass And Regulator Handle
Figure DVA-120**



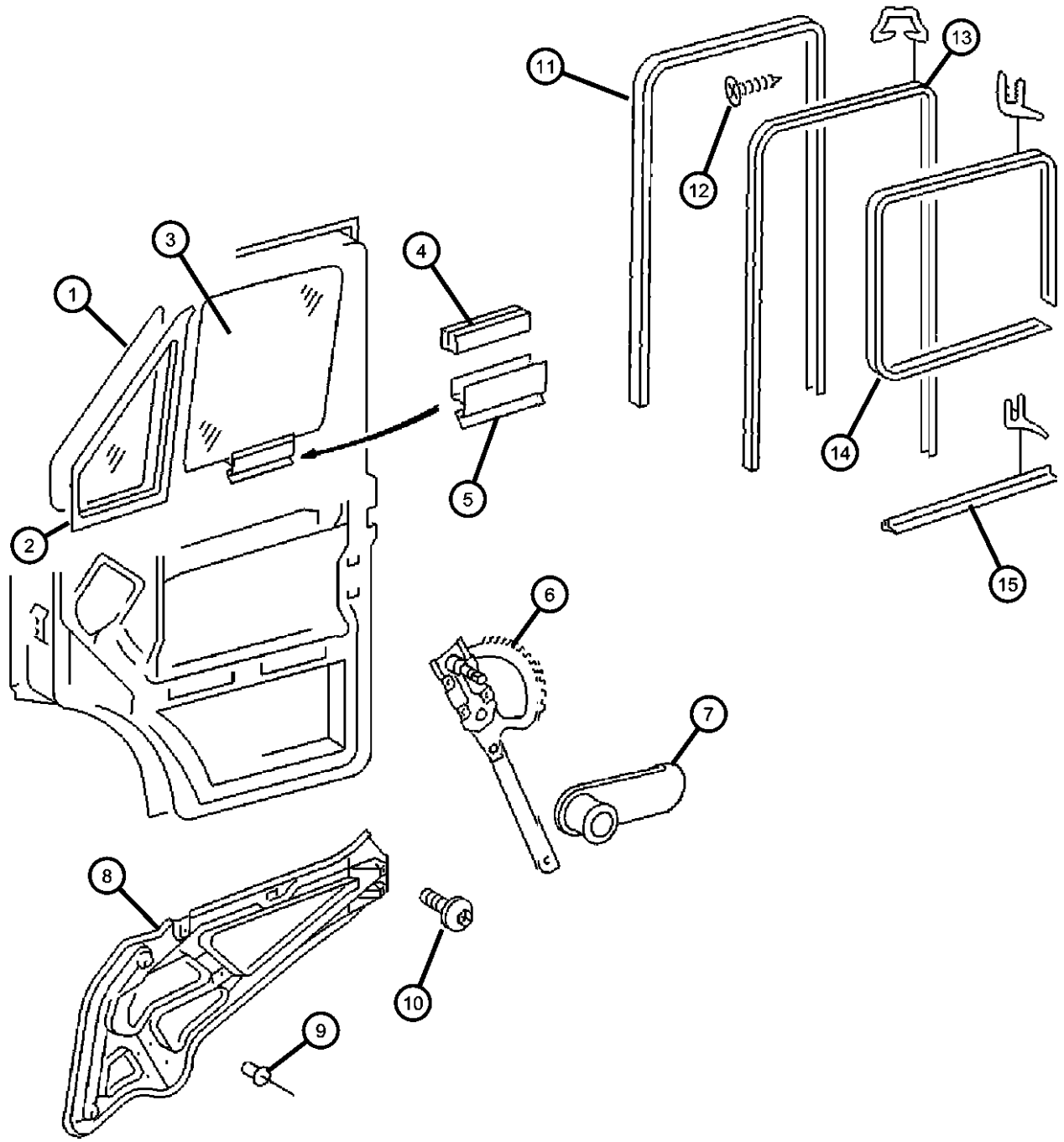
ITEM	PART NUMBER	QTY	LINE	SERIES	BODY	ENGINE	TRANS	TRIM	DESCRIPTION
1									GLASS, Front Door Vent
	05104352AA	1	2, 6	L	01, 02, 06				Left
		1	2, 6	L	11, 12, 14, 15, 16				Left
		1	2, 6	L	51, 52, 54, 55, 56				Left
		1	3, 7	L	02, 06				Left
		1	3, 7	L	12, 15, 16				Left
	05104353AA	1	2, 6	L	01, 02, 06				Right
		1	2, 6	L	11, 12, 14, 15, 16				Right
		1	2, 6	L	51, 52, 54, 55, 56				Right
		1	3, 7	L	02, 06				Right
		1	3, 7	L	12, 15, 16				Right
2									WEATHERSTRIP
	05104348AA	1	2, 6	L	11, 12, 14, 15, 16				Left
		1	2, 6	L	51, 52, 54, 55, 56				Left
		1	3, 7	L	12, 15, 16				Left
	05104350AA	1	2, 6	L	11, 12, 14, 15, 16				Right
		1	2, 6	L	51, 52, 54, 55, 56				Right
		1	3, 7	L	12, 15, 16				Right
3									GLASS, Front Door
	05104334AA	1	2, 6	L	01, 02, 06				Left
		1	2, 6	L	14, 15, 16, 11, 12				Left
		1	2, 6	L	51, 52, 54, 55, 56				Left
		1	3, 7	L	12, 15, 16				Left
	05104336AA	1	6, 2	L	01, 02, 06				Right

SPRINTER (VA)

SERIES	LINE	BODY	ENGINE	TRANSMISSION
L = LOWLINE	3 = HD DODGE 2WD 6 = Lt. Duty DODGE 4WD 2 = Med. Duty DODGE 2WD 7 = Med. Duty DODGE 4WD	55 = Wagon 140" 54 = Wagon 118" 52 = Wagon 140" 51 = Wagon 118" 12 = Van 140" 11 = Van 118" 06 = Front Section 158" 14 = Van 118" 15 = Van 140" 16 = Van 158" 56 = Wagon 158"	EX8 = Engine-2.7L I5 Mercedes Turbo Diesel	DGJ = Transmission-5-Spd. Automatic, W5A580
		01 = Chassis Forward Control 118" 02 = Chassis Forward Control 140"		

AR = use ase required - = Non illustrated part

Door, Front Glass And Regulator Handle
Figure DVA-120



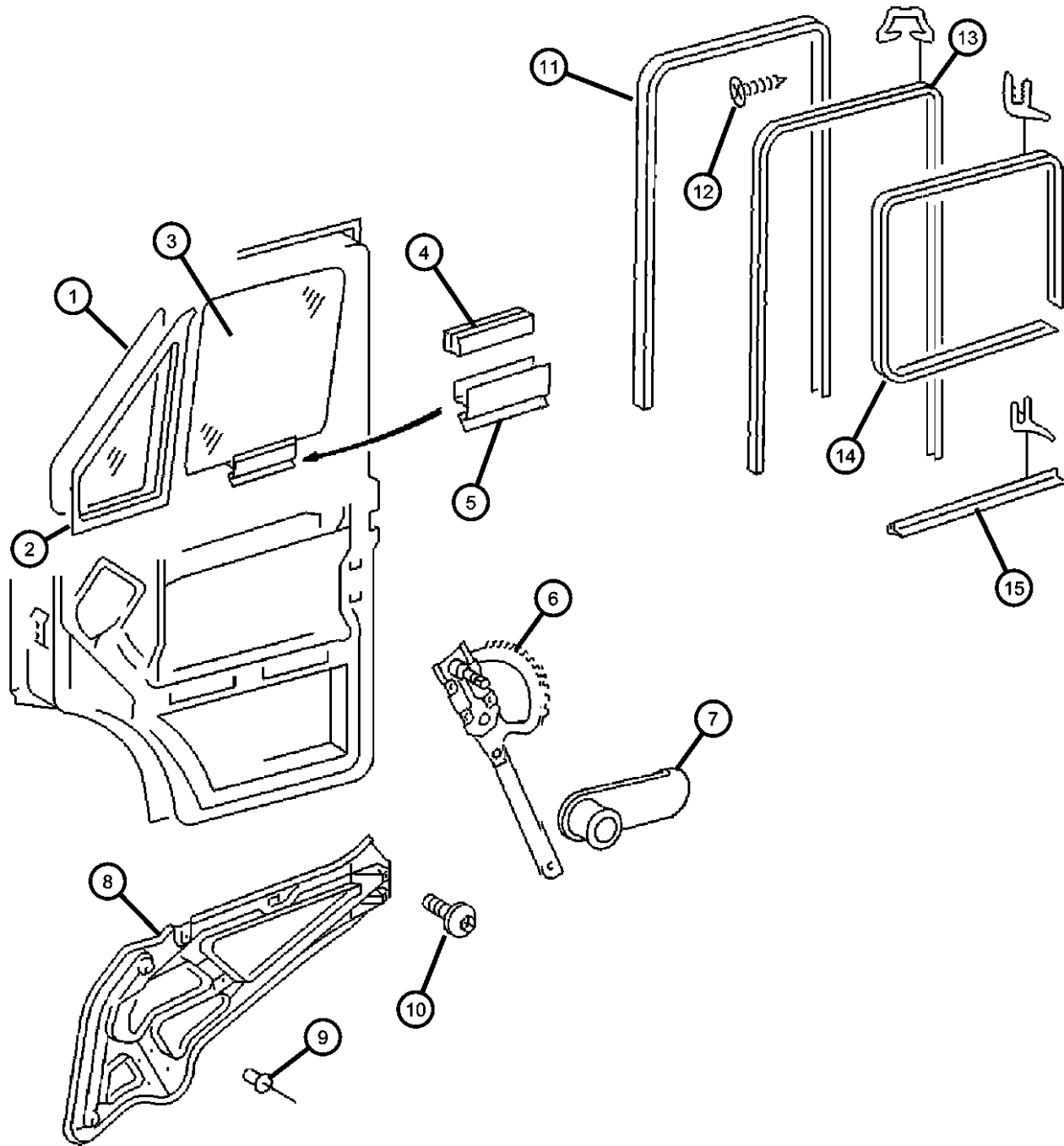
ITEM	PART NUMBER	QTY	LINE	SERIES	BODY	ENGINE	TRANS	TRIM	DESCRIPTION
		1	2, 6	L	11, 12, 14, 15, 16				Right
		1	2, 6	L	51, 52, 54, 55, 56				Right
		1	3, 7	L	12, 15, 16				Right
4									WEATHERSTRIP, Glass Channel Run
	05103783AA	1	2, 6	L	11, 12, 14, 15, 16				25 Meters Long
		1	2, 6	L	51, 52, 54, 55, 56				25 Meters Long
		1	3, 7	L	12, 15, 16				25 Meters Long
5									CHANNEL, Glass Run Lower
	05104029AA	1	2, 6	L	51, 52, 54, 55, 56				
		1	3, 7	L	12, 15, 16				
		1	2, 6	L	15, 16, 11, 12, 14				
6									REGULATOR, Front Door Window
	05104343AA	1	2, 6	L	11, 12, 14, 15, 16				Left
		1	2, 6	L	51, 52, 54, 55, 56				Left
		1	3, 7	L	12, 15, 16				Left
	05104345AA	1	2, 6	L	01, 02, 06				[JPA], Left
		1	2, 6	L	11, 12, 14, 15, 16				[JPA], Left
		1	2, 6	L	51, 52, 54, 55, 56				[JPA], Left
	05123727AA	1	2, 6	L	11, 12, 14, 15, 16				Right
		1	2, 6	L	54, 55, 56, 51, 52				Right
		1	3, 7	L	12, 15, 16				Right
	05104346AA	1	2, 6	L	01, 02, 06				[JPA], Right

SPRINTER (VA)

SERIES	LINE	BODY	ENGINE	TRANSMISSION
L = LOWLINE	3 = HD DODGE 2WD 6 = Lt. Duty DODGE 4WD 2 = Med. Duty DODGE 2WD 7 = Med. Duty DODGE 4WD	55 = Wagon 140" 54 = Wagon 118" 52 = Wagon 140" 51 = Wagon 118" 12 = Van 140" 11 = Van 118" 06 = Front Section 158" 14 = Van 118" 15 = Van 140" 16 = Van 158" 56 = Wagon 158"	EX8 = Engine-2.7L I5 Mercedes Turbo Diesel	DGJ = Transmission-5-Spd. Automatic, W5A580
		01 = Chassis Forward Control 118" 02 = Chassis Forward Control 140"		

AR = use ase required - = Non illustrated part

**Door, Front Glass And Regulator Handle
Figure DVA-120**



ITEM	PART NUMBER	QTY	LINE	SERIES	BODY	ENGINE	TRANS	TRIM	DESCRIPTION
		1	2, 6	L	11, 12, 14, 15, 16				[JPA], Right
		1	2, 6	L	51, 52, 54, 55, 56				[JPA], Right
7									HANDLE, Window Regulator
	1AR23CSSAA	1	2, 6	L	01, 02, 06				
		1	2, 6	L	11, 12, 14, 15, 16				
		1	2, 6	L	51, 52, 54, 55, 56				
		1	3, 7	L	02, 06				
		1	3, 7	L	12, 15, 16				
8									BRACKET, Door Inside
	05123685AA	1	2, 6	L	11, 12, 14, 15, 16				Left
		1	2, 6	L	51, 52, 54, 55, 56				Left
		1	3, 7	L	12, 15, 16				Left
	05123686AA	1	2, 6	L	11, 12, 14, 15, 16				Right
		1	2, 6	L	51, 52, 54, 55, 56				Right
		1	3, 7	L	12, 15, 16				Right
9									RIVET
	05103838AA	4	2, 6	L	11, 12, 14, 15, 16				
		4	3, 7	L	12, 15, 16				
		4	2, 6	L	52, 54, 55, 56, 51				
10									SCREW
	05125421AA	4	2, 6	L	11, 12, 14, 15, 16				
		4	2, 6	L	51, 52, 54, 55, 56				
		4	3, 7	L	12, 15, 16				

SPRINTER (VA)

SERIES

L = LOWLINE
 3 = HD DODGE 2WD
 6 = Lt. Duty DODGE 4WD
 2 = Med. Duty DODGE 2WD
 7 = Med. Duty DODGE 4WD

LINE

3 = HD DODGE 2WD
 6 = Lt. Duty DODGE 4WD
 2 = Med. Duty DODGE 2WD
 7 = Med. Duty DODGE 4WD

BODY

55 = Wagon 140"
 54 = Wagon 118"
 52 = Wagon 140"
 51 = Wagon 118"
 12 = Van 140"
 11 = Van 118"
 06 = Front Section 158"
 14 = Van 118"
 15 = Van 140"
 16 = Van 158"
 56 = Wagon 158"
 01 = Chassis Forward Control 118"
 02 = Chassis Forward Control 140"

ENGINE

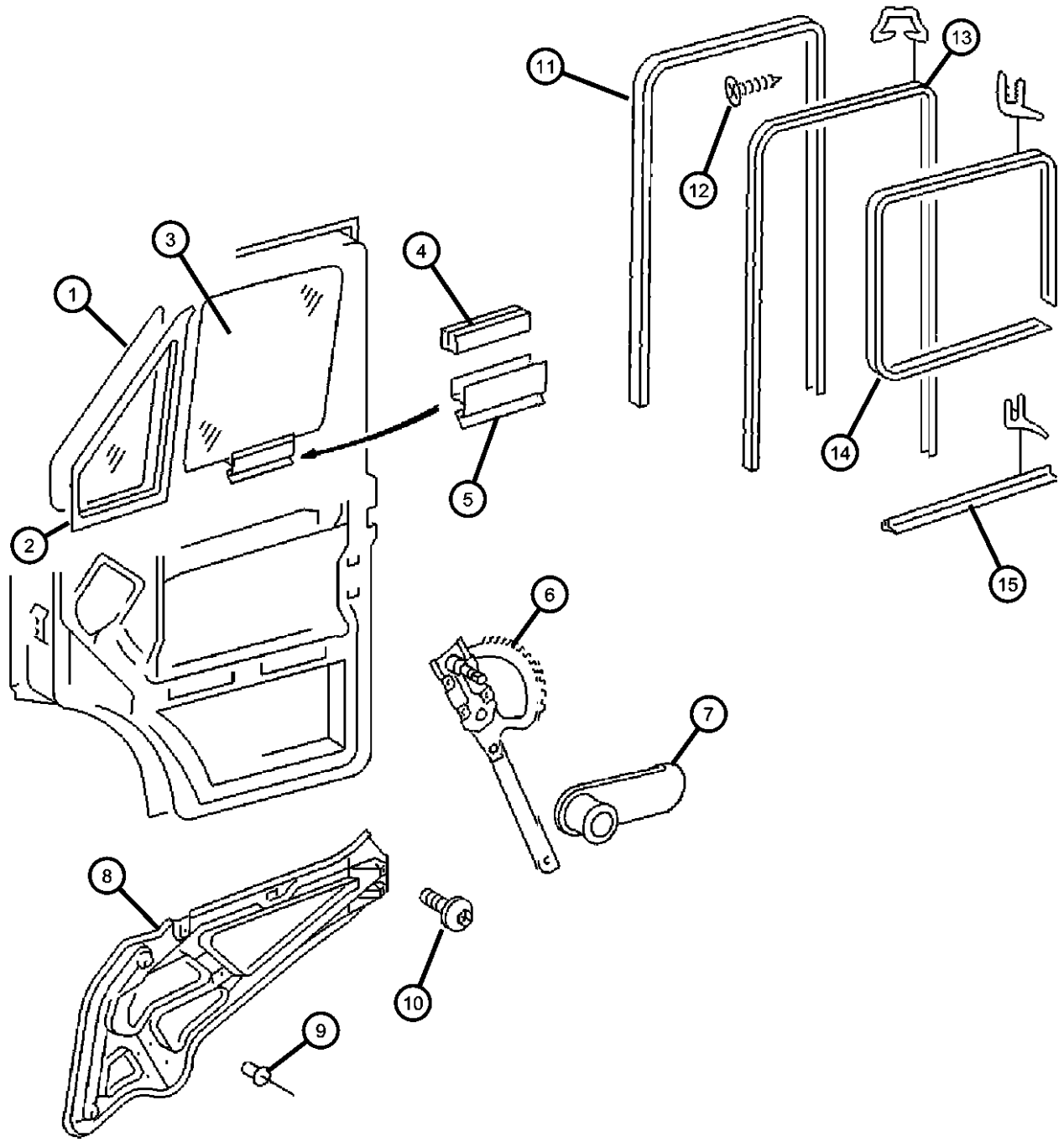
EX8 = Engine-2.7L I5
 Mercedes Turbo Diesel

TRANSMISSION

DGJ = Transmission-5-Spd. Automatic, W5A580

AR = use ase required - = Non illustrated part

**Door, Front Glass And Regulator Handle
Figure DVA-120**



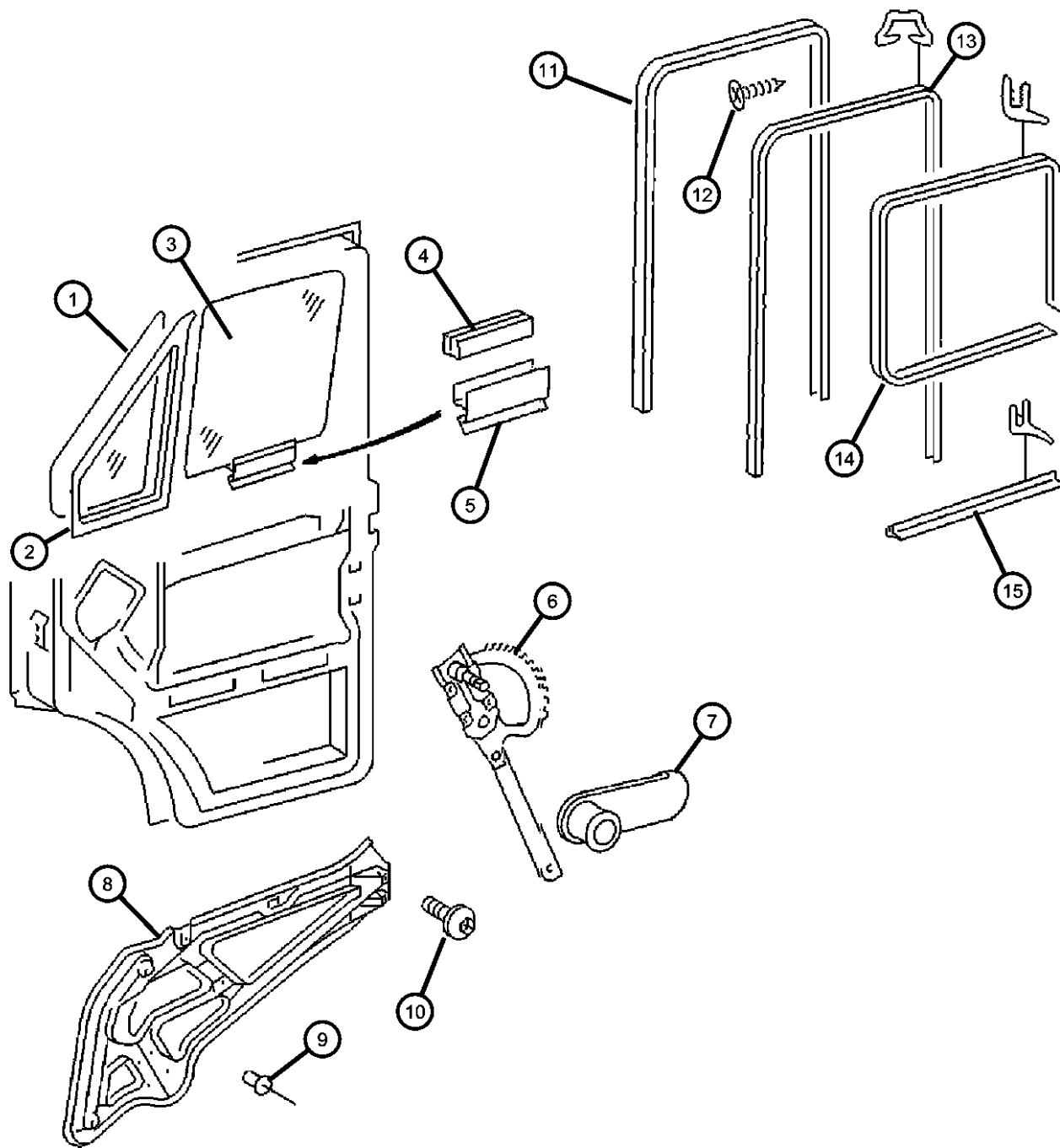
ITEM	PART NUMBER	QTY	LINE	SERIES	BODY	ENGINE	TRANS	TRIM	DESCRIPTION
11	05104351AA	1	2, 6	L	11, 12, 14, 15, 16				FRAME, Door Glass Right
		1	2, 6	L	51, 52, 54, 55, 56				Right
		1	3, 7	L	12, 15, 16				Right
	05123785AA	1	2, 6	L	11, 12, 14, 15, 16				Left
		1	2, 6	L	51, 52, 54, 55, 56				Left
		1	3, 7	L	12, 15, 16				Left
12	05133513AA	8	2, 6	L	51, 52, 54, 55, 56				SCREW, Tapping
		8	3, 7	L	12, 15, 16				
		8	2, 6	L	11, 12, 14, 15, 16				
13	05123782AA	1	2, 6	L	11, 12, 14, 15, 16				WEATHERSTRIP, Glass Channel Run
		1	2, 6	L	51, 52, 54, 55, 56				
		1	3, 7	L	12, 15, 16				
14	05123780AA	1	2, 6	L	11, 12, 14, 15, 16				WEATHERSTRIP, Front Door
		1	2, 6	L	51, 52, 54, 55, 56				
		1	3, 7	L	12, 15, 16				
15	05123775AA	1	2, 6	L	11, 12, 14, 15, 16				WEATHERSTRIP, Sill Front Secondary

SPRINTER (VA)
 SERIES LINE BODY ENGINE TRANSMISSION
 L = LOWLINE 3 = HD DODGE 2WD 55 = Wagon 140" EX8 = Engine-2.7L I5 DGJ = Transmission-5-Spd.
 6 = Lt. Duty DODGE 4WD 54 = Wagon 118" Mercedes Turbo Diesel Automatic,W5A580
 2 = Med. Duty DODGE 2WD 52 = Wagon 140"
 7 = Med. Duty DODGE 4WD 51 = Wagon 118"
 12 = Van 140"
 11 = Van 118"
 06 = Front Section 158"
 14 = Van 118"
 15 = Van 140"
 16 = Van 158"
 56 = Wagon 158"
 01 = Chassis Forward Control
 118"
 02 = Chassis Forward Control
 140"

AR = use ase required - = Non illustrated part

**Door, Front Glass And Regulator Handle
Figure DVA-120**

ITEM	PART NUMBER	QTY	LINE	SERIES	BODY	ENGINE	TRANS	TRIM	DESCRIPTION
------	-------------	-----	------	--------	------	--------	-------	------	-------------



1		2, 6	L	51, 52, 54, 55, 56
1		3, 7	L	12, 15, 16

SPRINTER (VA)

SERIES

L = LOWLINE

LINE

3 = HD DODGE 2WD
6 = Lt. Duty DODGE 4WD
2 = Med. Duty DODGE 2WD
7 = Med. Duty DODGE 4WD

BODY

55 = Wagon 140"
54 = Wagon 118"
52 = Wagon 140"
51 = Wagon 118"
12 = Van 140"
11 = Van 118"
06 = Front Section 158"
14 = Van 118"
15 = Van 140"
16 = Van 158"
56 = Wagon 158"
01 = Chassis Forward Control
118"
02 = Chassis Forward Control
140"

ENGINE

EX8 = Engine-2.7L I5
Mercedes Turbo Diesel

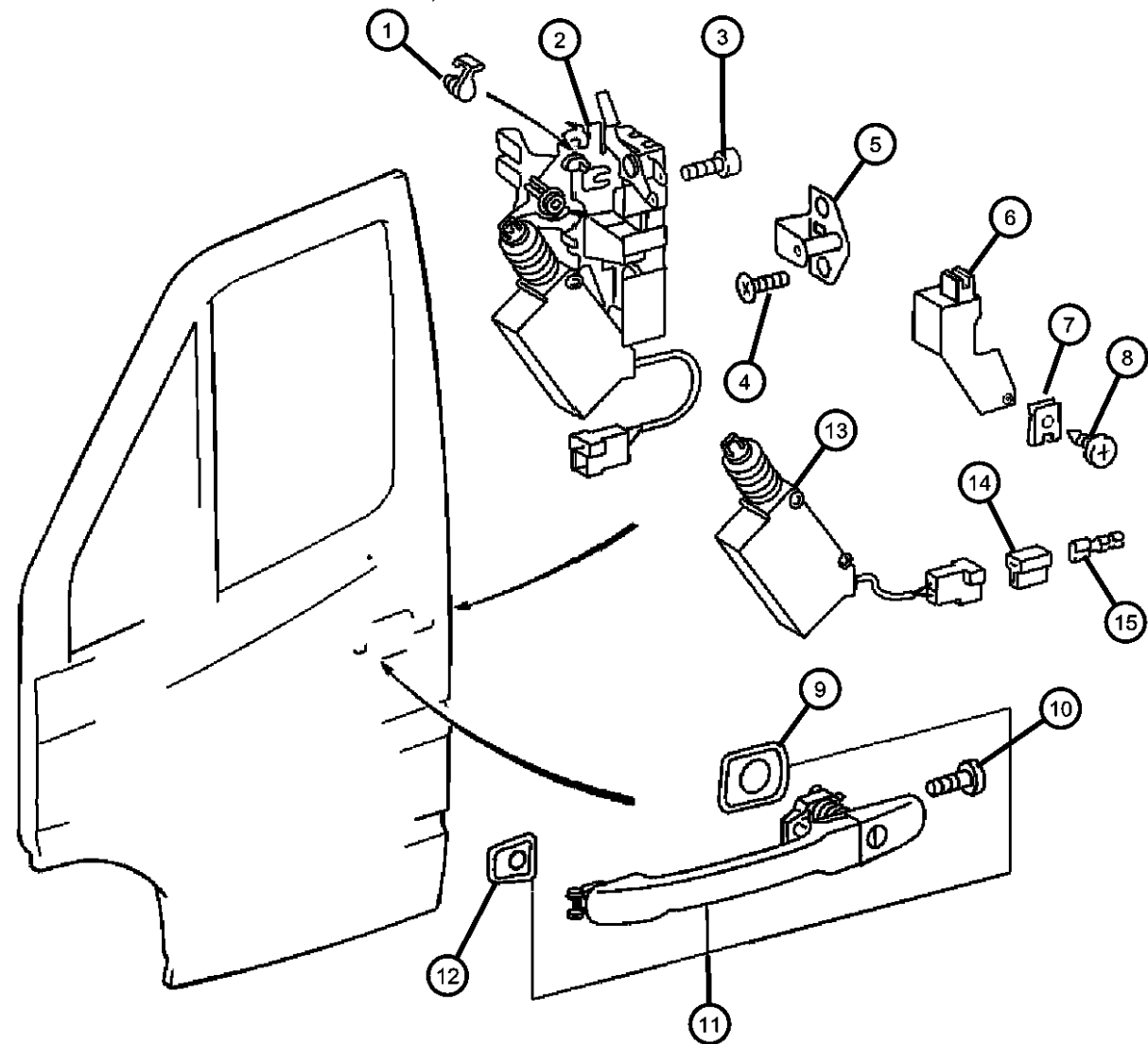
TRANSMISSION

DGJ = Transmission-5-Spd.
Automatic,W5A580

AR = use ase required - = Non illustrated part

2004 VA

Door, Front Exterior Handle And Links
Figure DVA-130



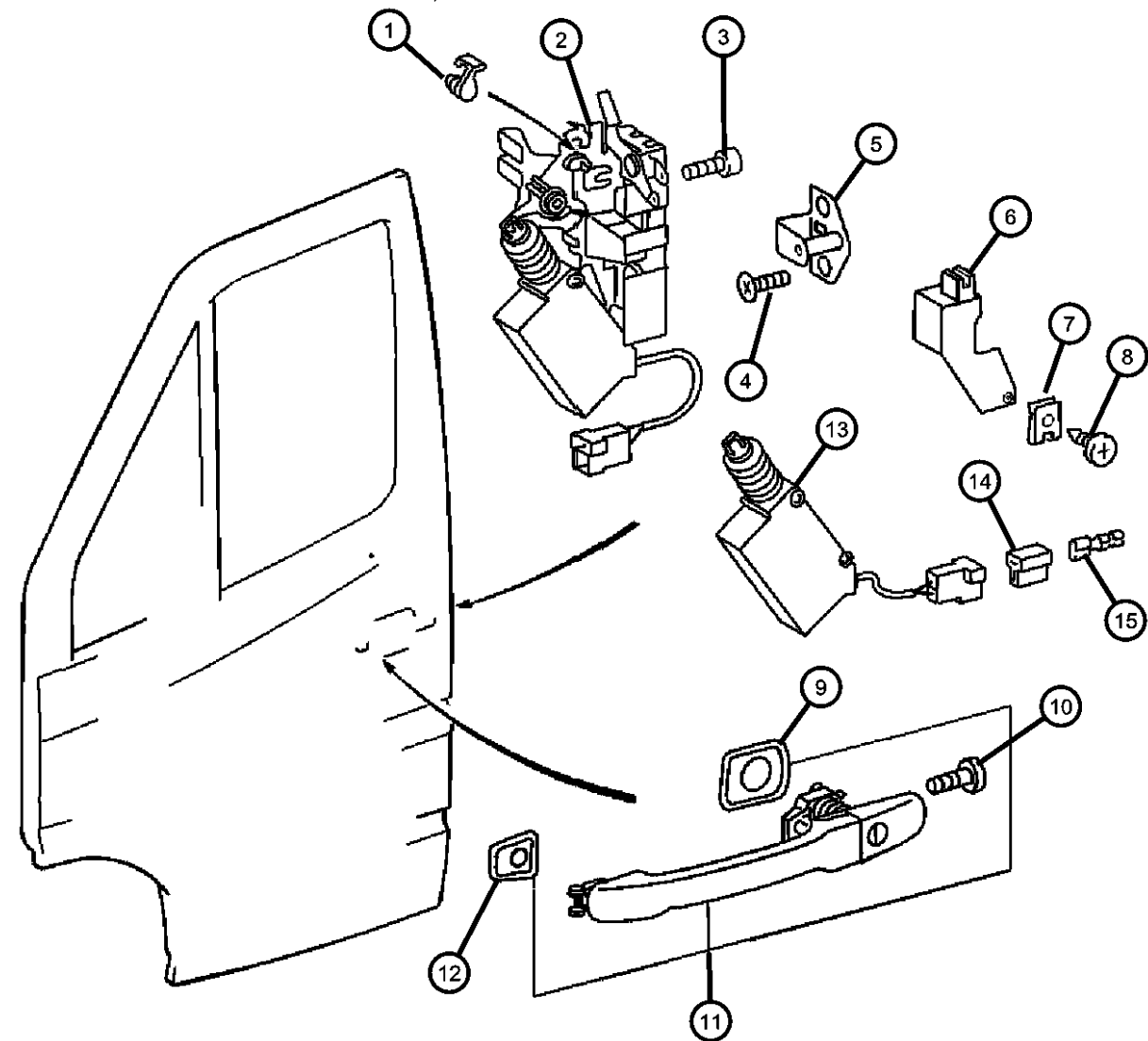
ITEM	PART NUMBER	QTY	LINE	SERIES	BODY	ENGINE	TRANS	TRIM	DESCRIPTION
1	05103674AA	1	2, 6	L	11, 12, 14, 15, 16				CONNECTOR, Solenoid
		1	2, 6	L	51, 52, 54, 55, 56				
		1	3, 7	L	12, 15, 16				
2	05104337AA	1	2, 6	L	11, 12, 14, 15, 16				LATCH, Front Door Left
		1	2, 6	L	51, 52, 54, 55, 56				Left
	05104341AA	1	3, 7	L	12, 15, 16				Right
		1	3, 7	L	12, 15, 16				Left
		1	2, 6	L	11, 12, 14, 15, 16				Right
		1	2, 6	L	51, 52, 54, 55, 56				Right
3	05103723AA	3	3, 7	L	12, 15, 16				SCREW
		3	2, 6	L	11, 12, 14, 15, 16				
		3	2, 6	L	51, 52, 54, 55, 56				
4	05103715AA	2	2, 6	L	11, 12, 14, 15, 16				SCREW
		2	2, 6	L	51, 52, 54, 55, 56				
		2	3, 7	L	12, 15, 16				
5	05104330AA	1	2, 6	L	51, 52, 54, 55, 56				STRIKER
		1	2, 6	L	11, 12, 14, 15, 16				
		1	3, 7	L	12, 15, 16				

SPRINTER (VA)

SERIES	LINE	BODY	ENGINE	TRANSMISSION
L = LOWLINE	3 = HD DODGE 2WD 6 = Lt. Duty DODGE 4WD 2 = Med. Duty DODGE 2WD 7 = Med. Duty DODGE 4WD	55 = Wagon 140" 54 = Wagon 118" 52 = Wagon 140" 51 = Wagon 118" 12 = Van 140" 11 = Van 118" 06 = Front Section 158" 14 = Van 118" 15 = Van 140" 16 = Van 158" 56 = Wagon 158"	EX8 = Engine-2.7L I5 Mercedes Turbo Diesel	DGJ = Transmission-5-Spd. Automatic, W5A580
		01 = Chassis Forward Control 118" 02 = Chassis Forward Control 140"		

AR = use ase required - = Non illustrated part

Door, Front Exterior Handle And Links
Figure DVA-130



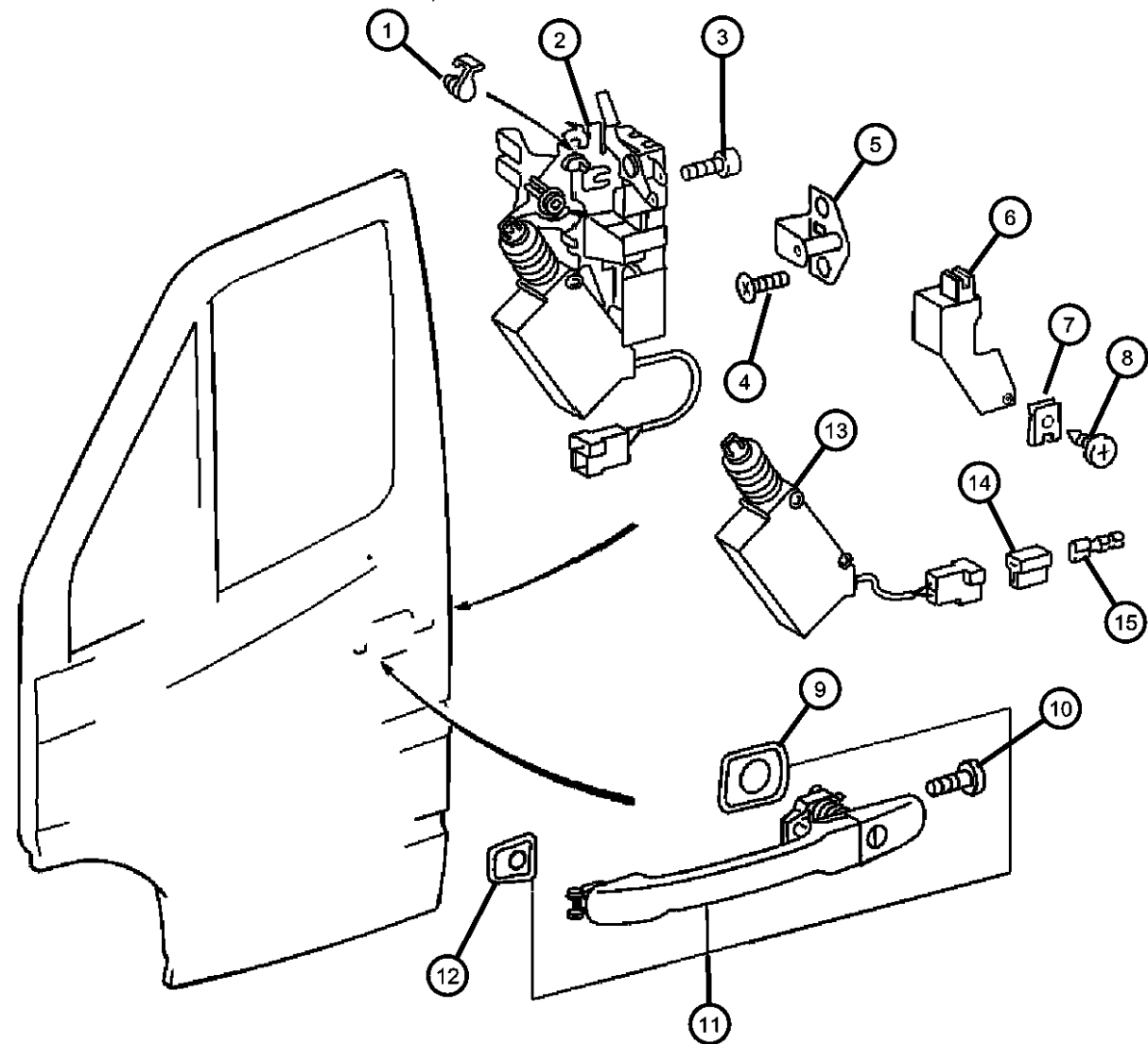
ITEM	PART NUMBER	QTY	LINE	SERIES	BODY	ENGINE	TRANS	TRIM	DESCRIPTION
6	05123764AA	1	2, 6	L	11, 12, 14, 15, 16				COVER, Lock Housing
		1	2, 6	L	56, 51, 52, 54, 55				
		1	3, 7	L	12, 15, 16				
7	05125858AA	1	2, 6	L	11, 12, 14, 15, 16				CLIP, U Type
		1	2, 6	L	51, 52, 54, 55, 56				
		1	3, 7	L	12, 15, 16				
8	05126095AA	6	2, 6	L	11, 12, 14, 15, 16				SCREW, Tapping
9	05103673AA	1	2, 6	L	11, 12, 14, 15, 16				PAD
		1	2, 6	L	51, 52, 54, 55, 56				
		1	3, 7	L	12, 15, 16				
10	05125414AA	1	2, 6	L	11, 12, 14, 15, 16				SCREW, Front Door Handle
		1	2, 6	L	51, 52, 54, 55, 56				
		1	3, 7	L	12, 15, 16				
11	05124094AA	1	2, 6	L	51, 52, 54, 55, 56				HANDLE, Front Door Right & Left
		1	3, 7	L	12, 15, 16				Right & Left
		1	2, 6	L	11, 12, 14, 15, 16				Right & Left
12	05103672AA	1	2, 6	L	11, 12, 14, 15, 16				PAD

SPRINTER (VA)

SERIES	LINE	BODY	ENGINE	TRANSMISSION
L = LOWLINE	3 = HD DODGE 2WD 6 = Lt. Duty DODGE 4WD 2 = Med. Duty DODGE 2WD 7 = Med. Duty DODGE 4WD	55 = Wagon 140" 54 = Wagon 118" 52 = Wagon 140" 51 = Wagon 118" 12 = Van 140" 11 = Van 118" 06 = Front Section 158" 14 = Van 118" 15 = Van 140" 16 = Van 158" 56 = Wagon 158"	EX8 = Engine-2.7L I5 Mercedes Turbo Diesel	DGJ = Transmission-5-Spd. Automatic,W5A580
		01 = Chassis Forward Control 118" 02 = Chassis Forward Control 140"		

AR = use ase required - = Non illustrated part

Door, Front Exterior Handle And Links
Figure DVA-130



ITEM	PART NUMBER	QTY	LINE	SERIES	BODY	ENGINE	TRANS	TRIM	DESCRIPTION
		1	2, 6	L	51, 52, 54, 55, 56				
		1	3, 7	L	12, 15, 16				
13									ACTUATOR, Power Door Lock
	05133510AA	1	2, 6	L	01, 02, 06				With Convenience Locking System, Right
		1	2, 6	L	11, 12, 14, 15, 16				With Convenience Locking System, Right
	05133512AA	1	2, 6	L	01, 02, 06				Without Convenience Locking System, Right
		1	2, 6	L	11, 12, 14, 15, 16				Without Convenience Locking System, Right
		1	2, 6	L	51, 52, 54, 55, 56				With Convenience Locking System, Right
		1	3, 7	L	12, 15, 16				With Convenience Locking System, Right
	05133511AA	1	2, 6	L	01, 02, 06				With Convenience Locking System, Left
		1	2, 6	L	11, 12, 14, 15, 16				With Convenience Locking System, Left
		1	2, 6	L	51, 52, 54, 55, 56				With Convenience Locking System, Left
		1	3, 7	L	12, 15, 16				With Convenience Locking System, Left
		1	2, 6	L	51, 52, 54, 55, 56				Without Convenience Locking System, Right
		1	3, 7	L	12, 15, 16				Without Convenience Locking System, Right
	05133986AA	1	2, 6	L	06, 01, 02				Without Convenience Locking System, Left
		1	2, 6	L	11, 12, 14, 15, 16				Without Convenience Locking System, Left
		1	2, 6	L	51, 52, 54, 55, 56				Without Convenience Locking System, Left
		1	3, 7	L	12, 15, 16				Without Convenience Locking System, Left
14									INSULATOR, 2 Way Female

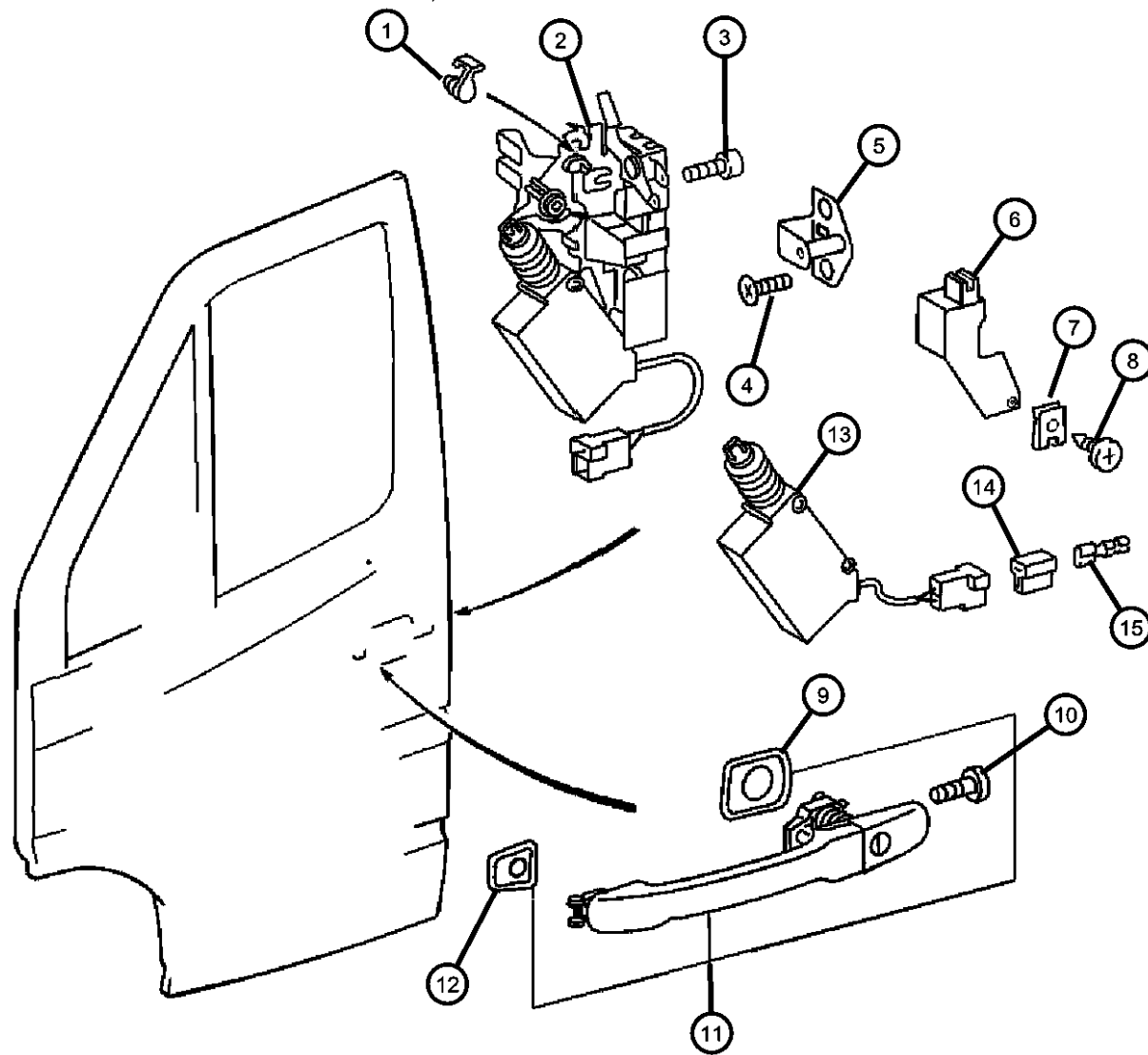
SPRINTER (VA)

SERIES	LINE	BODY	ENGINE	TRANSMISSION
L = LOWLINE	3 = HD DODGE 2WD 6 = Lt. Duty DODGE 4WD 2 = Med. Duty DODGE 2WD 7 = Med. Duty DODGE 4WD	55 = Wagon 140" 54 = Wagon 118" 52 = Wagon 140" 51 = Wagon 118" 12 = Van 140" 11 = Van 118" 06 = Front Section 158" 14 = Van 118" 15 = Van 140" 16 = Van 158" 56 = Wagon 158"	EX8 = Engine-2.7L I5 Mercedes Turbo Diesel	DGJ = Transmission-5-Spd. Automatic, W5A580
		01 = Chassis Forward Control 118" 02 = Chassis Forward Control 140"		

AR = use ase required - = Non illustrated part

Door, Front Exterior Handle And Links
Figure DVA-130

ITEM	PART NUMBER	QTY	LINE	SERIES	BODY	ENGINE	TRANS	TRIM	DESCRIPTION
	05103754AA	1	2, 6	L	11, 12, 14, 15, 16				
		1	3, 7	L	12, 15, 16				
		1	2, 6	L	51, 52, 54, 55, 56				
15									TERMINAL, Female
	05114451AA	99	2, 6	L	11, 12, 14, 15, 16				
		99	2, 6	L	51, 52, 54, 55, 56				
		99	2, 6	L	01, 02, 06				
		99	3, 7	L	12, 15, 16				



SPRINTER (VA)

SERIES

L = LOWLINE
 3 = HD DODGE 2WD
 6 = Lt. Duty DODGE 4WD
 2 = Med. Duty DODGE 2WD
 7 = Med. Duty DODGE 4WD

LINE

3 = HD DODGE 2WD
 6 = Lt. Duty DODGE 4WD
 2 = Med. Duty DODGE 2WD
 7 = Med. Duty DODGE 4WD

BODY

55 = Wagon 140"
 54 = Wagon 118"
 52 = Wagon 140"
 51 = Wagon 118"
 12 = Van 140"
 11 = Van 118"
 06 = Front Section 158"
 14 = Van 118"
 15 = Van 140"
 16 = Van 158"
 56 = Wagon 158"
 01 = Chassis Forward Control
 118"
 02 = Chassis Forward Control
 140"

ENGINE

EX8 = Engine-2.7L I5
 Mercedes Turbo Diesel

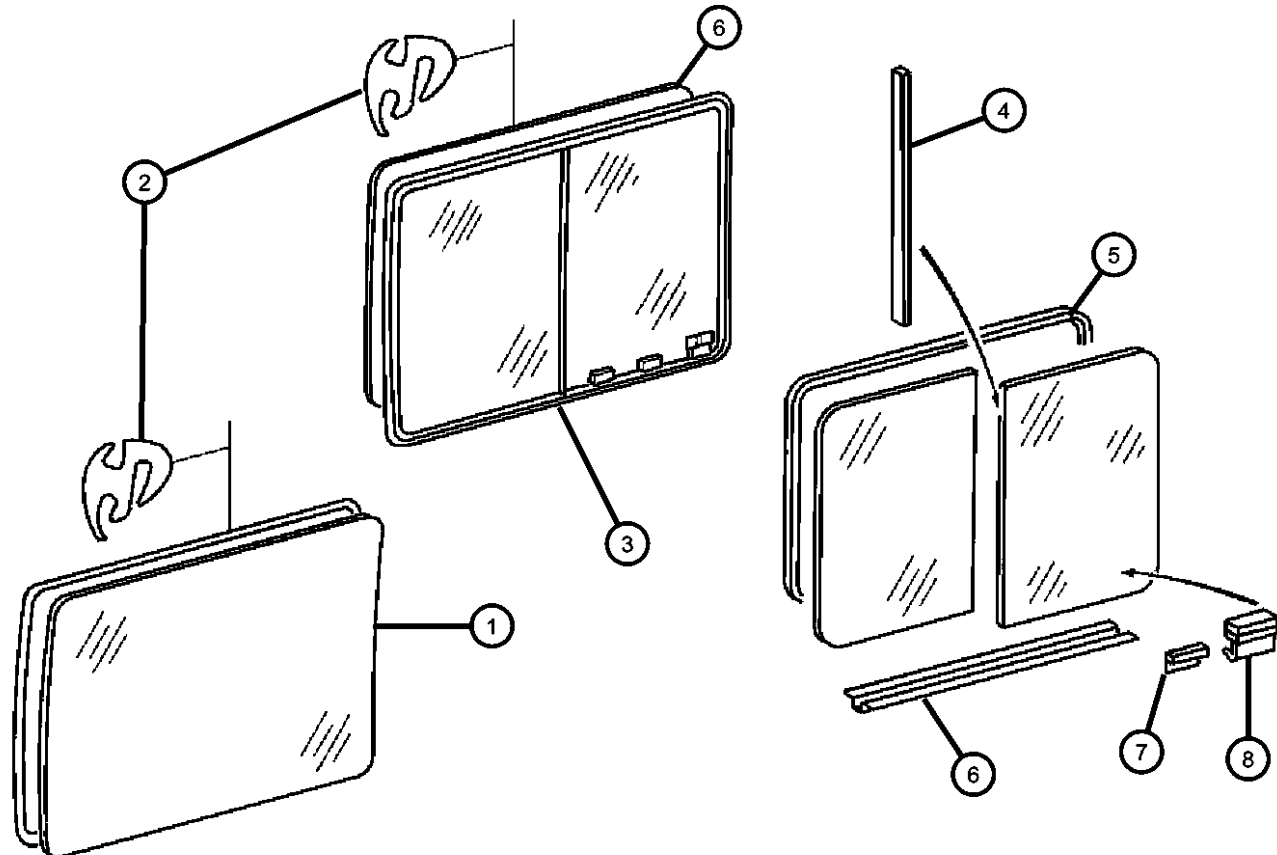
TRANSMISSION

DGJ = Transmission-5-Spd.
 Automatic,W5A580

AR = use ase required - = Non illustrated part

2004 VA

**Door, Sliding Cargo Glass
Figure DVA-320**



ITEM	PART NUMBER	QTY	LINE	SERIES	BODY	ENGINE	TRANS	TRIM	DESCRIPTION
1	05104363AA	1	2, 6	L	11, 12, 14, 15, 16				GLASS, Side Cargo Door, Fixed [3FQ]
		1	2, 6	L	51, 52, 54, 55, 56				[3FQ]
		1	3, 7	L	12, 15, 16				[3FQ]
2	05104364AA	1	2, 6	L	11, 12, 14, 15, 16				WEATHERSTRIP, Sliding Door Glass
		1	3, 7	L	12, 15, 16				
		1	2, 6	L	51, 52, 54, 55, 56				
3	05123832AA	1	2, 6	L	11, 12, 14, 15, 16				GLASS, Sliding Door, Vented [3FQ], Left
		1	2, 6	L	51, 52, 54, 55, 56				[3FQ], Left
		1	3, 7	L	12, 15, 16				[3FQ], Left
	05123834AA	1	2, 6	L	11, 12, 14, 15, 16				[3FQ], Right
		1	2, 6	L	51, 52, 54, 55, 56				[3FQ], Right
		1	3, 7	L	12, 15, 16				[3FQ], Right
4	05133536AA	1	2, 6	L	11, 12, 14, 15, 16				WEATHERSTRIP, Side Panel Vent
		1	2, 6	L	51, 52, 54, 55, 56				
		1	3, 7	L	12, 15, 16				
5	05133533AA	1	2, 6	L	11, 12, 14, 15, 16				WEATHERSTRIP, Side Panel Vent Right
		1	2, 6	L	51, 52, 54, 55, 56				Right
		1	3, 7	L	12, 15, 16				Right

SPRINTER (VA)

SERIES

L = LOWLINE

LINE

3 = HD DODGE 2WD
6 = Lt. Duty DODGE 4WD
2 = Med. Duty DODGE 2WD
7 = Med. Duty DODGE 4WD

BODY

55 = Wagon 140"
54 = Wagon 118"
52 = Wagon 140"
51 = Wagon 118"
12 = Van 140"
11 = Van 118"
06 = Front Section 158"
14 = Van 118"
15 = Van 140"
16 = Van 158"
56 = Wagon 158"
01 = Chassis Forward Control
118"
02 = Chassis Forward Control
140"

ENGINE

EX8 = Engine-2.7L I5
Mercedes Turbo Diesel

TRANSMISSION

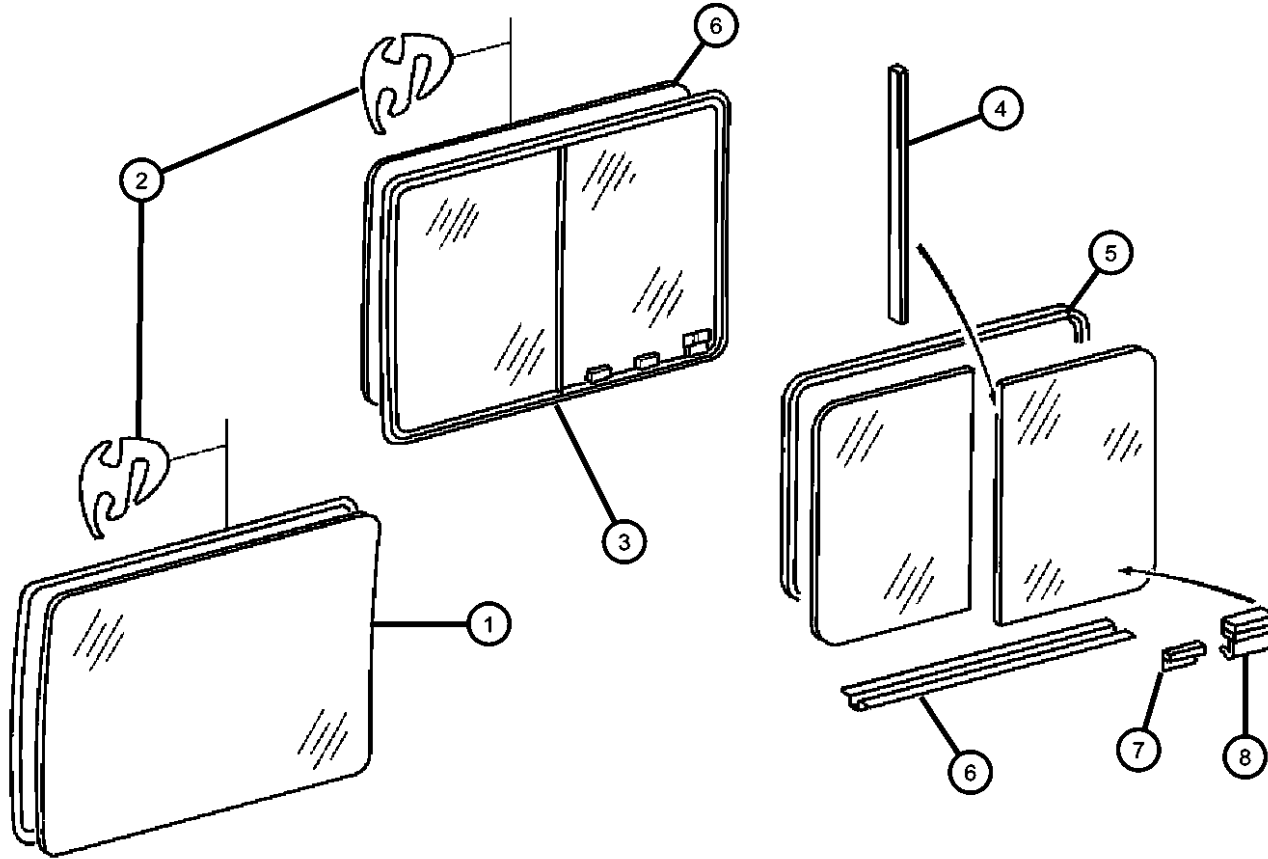
DGJ = Transmission-5-Spd.
Automatic,W5A580

AR = use ase required - = Non illustrated part

2004 VA

**Door, Sliding Cargo Glass
Figure DVA-320**

ITEM	PART NUMBER	QTY	LINE	SERIES	BODY	ENGINE	TRANS	TRIM	DESCRIPTION
6									WEATHERSTRIP, Glass Channel Run
	05133537AA	1	6, 2	L	11, 12, 14, 15, 16				
		1	2, 6	L	51, 52, 54, 55, 56				
		1	3, 7	L	12, 15, 16				
7									RETAINER, Side Panel Vent Window
	05133535AA	3	2, 6	L	11, 12, 14, 15, 16				
		1	2, 6	L	51, 52, 54, 55, 56				
		1	3, 7	L	12, 15, 16				
8									WEATHERSTRIP, Side Panel Vent
	05133536AA	1	2, 6	L	11, 12, 14, 15, 16				
		1	2, 6	L	51, 52, 54, 55, 56				
		1	3, 7	L	12, 15, 16				

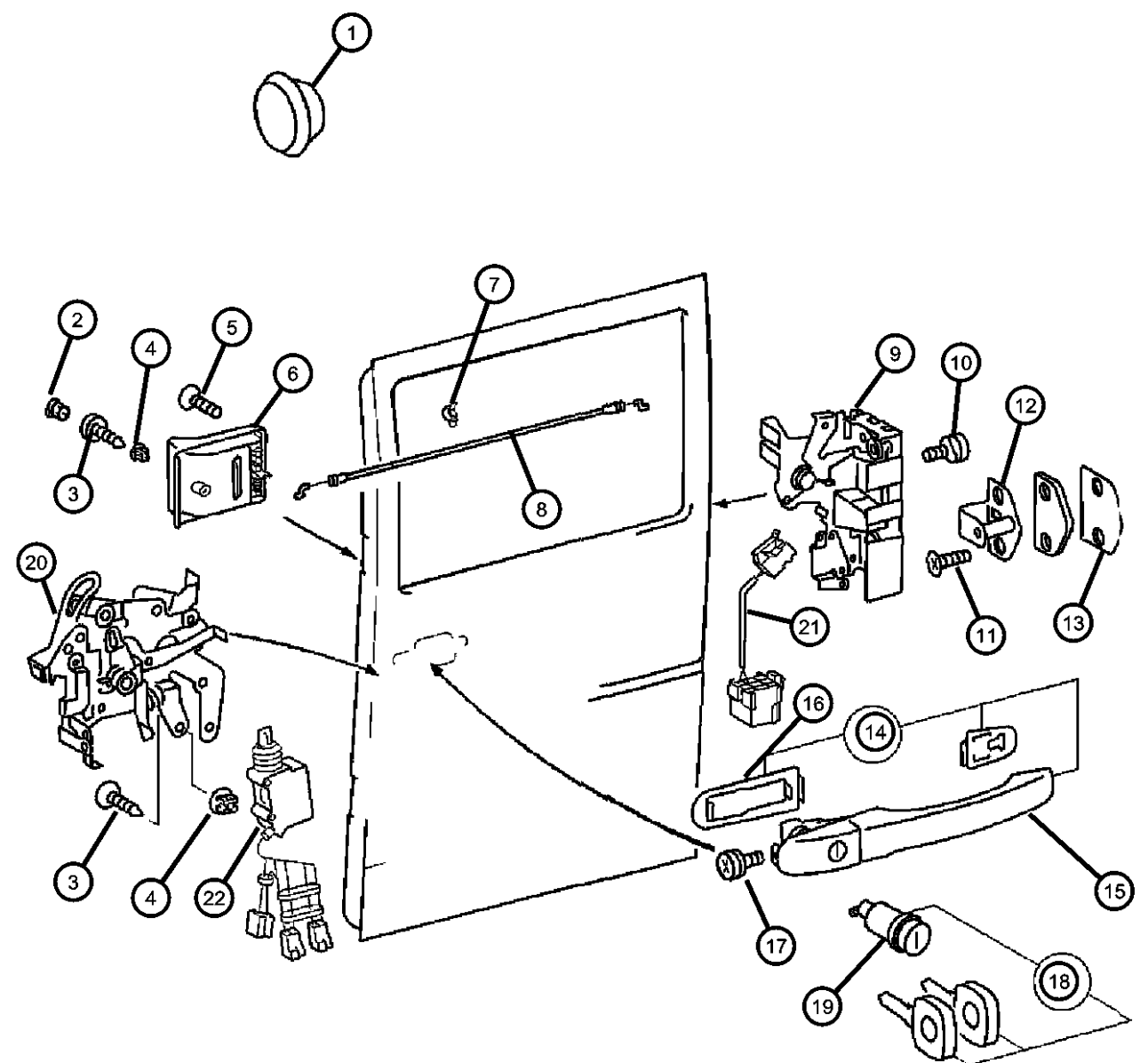


SPRINTER (VA)

SERIES	LINE	BODY	ENGINE	TRANSMISSION
L = LOWLINE	3 = HD DODGE 2WD 6 = Lt. Duty DODGE 4WD 2 = Med. Duty DODGE 2WD 7 = Med. Duty DODGE 4WD	55 = Wagon 140" 54 = Wagon 118" 52 = Wagon 140" 51 = Wagon 118" 12 = Van 140" 11 = Van 118" 06 = Front Section 158" 14 = Van 118" 15 = Van 140" 16 = Van 158" 56 = Wagon 158"	EX8 = Engine-2.7L I5 Mercedes Turbo Diesel	DGJ = Transmission-5-Spd. Automatic,W5A580
		01 = Chassis Forward Control 118" 02 = Chassis Forward Control 140"		

AR = use ase required - = Non illustrated part

Door, Sliding Cargo Lock And Controls
Figure DVA-330



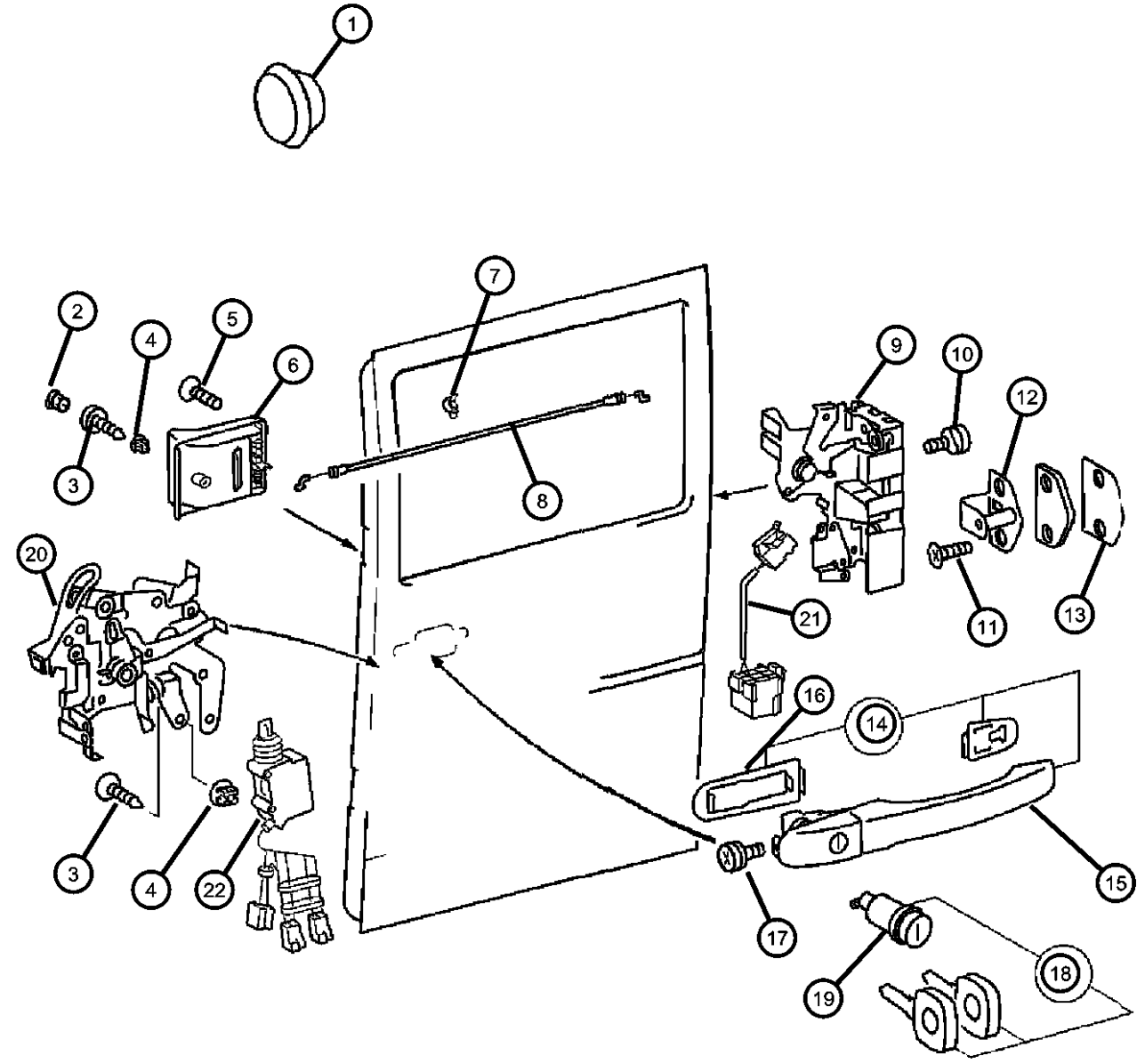
ITEM	PART NUMBER	QTY	LINE	SERIES	BODY	ENGINE	TRANS	TRIM	DESCRIPTION
1	05125508AA	1	2, 6	L	51, 52, 54, 55, 56				PLUG, Door
		1	3, 7	L	12, 15, 16				
		1	2, 6	L	11, 12, 14, 15, 16				
2	0ZF54DX9AA	1	2, 6	L	11, 12, 14, 15, 16				CAP, Door Handle Screw Cover
		1	2, 6	L	51, 52, 54, 55, 56				
		1	3, 7	L	12, 15, 16				
3	05104632AA	2	2, 6	L	54, 55, 56, 51, 52				SCREW
		2	3, 7	L	12, 15, 16				
		2	2, 6	L	11, 12, 14, 15, 16				
4	05125862AA	2	2, 6	L	11, 12, 14, 15, 16				NUT
		2	2, 6	L	51, 52, 54, 55, 56				
		2	3, 7	L	12, 15, 16				
5	05104679AA	1	2, 6	L	11, 12, 14, 15, 16				SCREW
		1	2, 6	L	51, 52, 54, 55, 56				
		4	3, 7	L	12, 15, 16				
6	05132049AA	1	2, 6	L	11, 12, 14, 15, 16				HANDLE, Sliding Door Interior
		1	2, 6	L	51, 52, 54, 55, 56				

SPRINTER (VA)

SERIES	LINE	BODY	ENGINE	TRANSMISSION
L = LOWLINE	3 = HD DODGE 2WD 6 = Lt. Duty DODGE 4WD 2 = Med. Duty DODGE 2WD 7 = Med. Duty DODGE 4WD	55 = Wagon 140" 54 = Wagon 118" 52 = Wagon 140" 51 = Wagon 118" 12 = Van 140" 11 = Van 118" 06 = Front Section 158" 14 = Van 118" 15 = Van 140" 16 = Van 158" 56 = Wagon 158"	EX8 = Engine-2.7L I5 Mercedes Turbo Diesel	DGJ = Transmission-5-Spd. Automatic,W5A580
		01 = Chassis Forward Control 118" 02 = Chassis Forward Control 140"		

AR = use ase required - = Non illustrated part

Door, Sliding Cargo Lock And Controls
Figure DVA-330



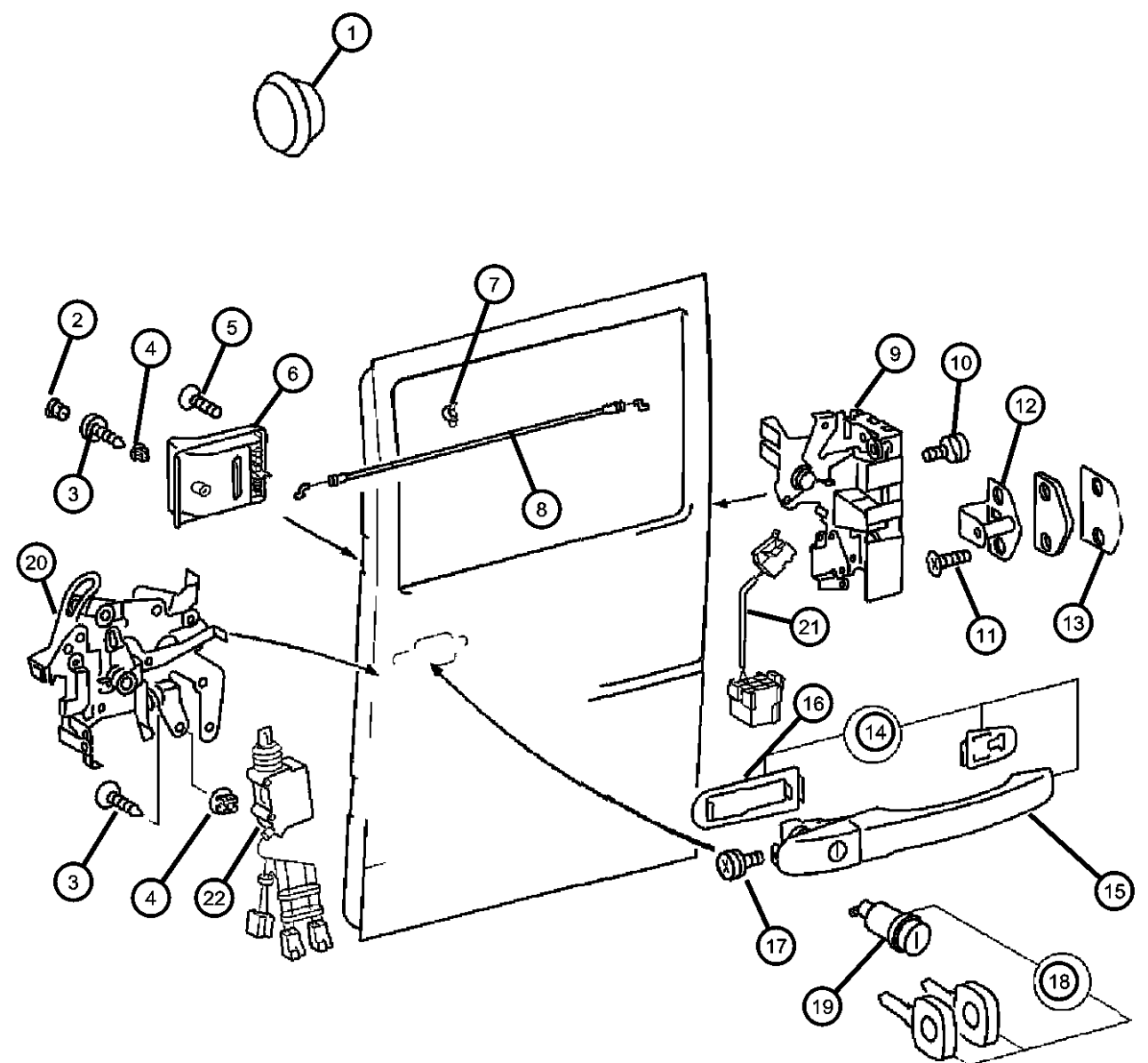
ITEM	PART NUMBER	QTY	LINE	SERIES	BODY	ENGINE	TRANS	TRIM	DESCRIPTION
7	05103736AA	1	2, 6	L	51, 52, 54, 55, 56				CLAMP
		1	3, 7	L	12, 15, 16				
		1	2, 6	L	14, 15, 16, 11, 12				
8	05103587AA	1	2, 6	L	11, 12, 14, 15, 16				ROD, Inside Handle to Latch
		1	2, 6	L	51, 52, 54, 55, 56				
		1	3, 7	L	12, 15, 16				
9	05104357AA	1	3, 7	L	12, 15, 16				LATCH, Cargo Door
		1	2, 6	L	11, 12, 14, 15, 16				[GKE]
		1	2, 6	L	51, 52, 54, 55, 56				[GKE]
	05104358AA	1	2, 6	L	11, 12, 14, 15, 16				[GKA]
10	05103723AA	3	2, 6	L	11, 12, 14, 15, 16				SCREW
		2	2, 6	L	51, 52, 54, 55, 56				
		2	3, 7	L	12, 15, 16				
11	05103715AA	2	2, 6	L	12, 14, 15, 16, 11				SCREW
		2	2, 6	L	51, 52, 54, 55, 56				
		2	3, 7	L	12, 15, 16				
12	05123700AA	1	3, 7	L	12, 15, 16				LATCH, Front Door

SPRINTER (VA)

SERIES	LINE	BODY	ENGINE	TRANSMISSION
L = LOWLINE	3 = HD DODGE 2WD 6 = Lt. Duty DODGE 4WD 2 = Med. Duty DODGE 2WD 7 = Med. Duty DODGE 4WD	55 = Wagon 140" 54 = Wagon 118" 52 = Wagon 140" 51 = Wagon 118" 12 = Van 140" 11 = Van 118" 06 = Front Section 158" 14 = Van 118" 15 = Van 140" 16 = Van 158" 56 = Wagon 158"	EX8 = Engine-2.7L I5 Mercedes Turbo Diesel	DGJ = Transmission-5-Spd. Automatic,W5A580
		01 = Chassis Forward Control 118" 02 = Chassis Forward Control 140"		

AR = use ase required - = Non illustrated part

Door, Sliding Cargo Lock And Controls
Figure DVA-330



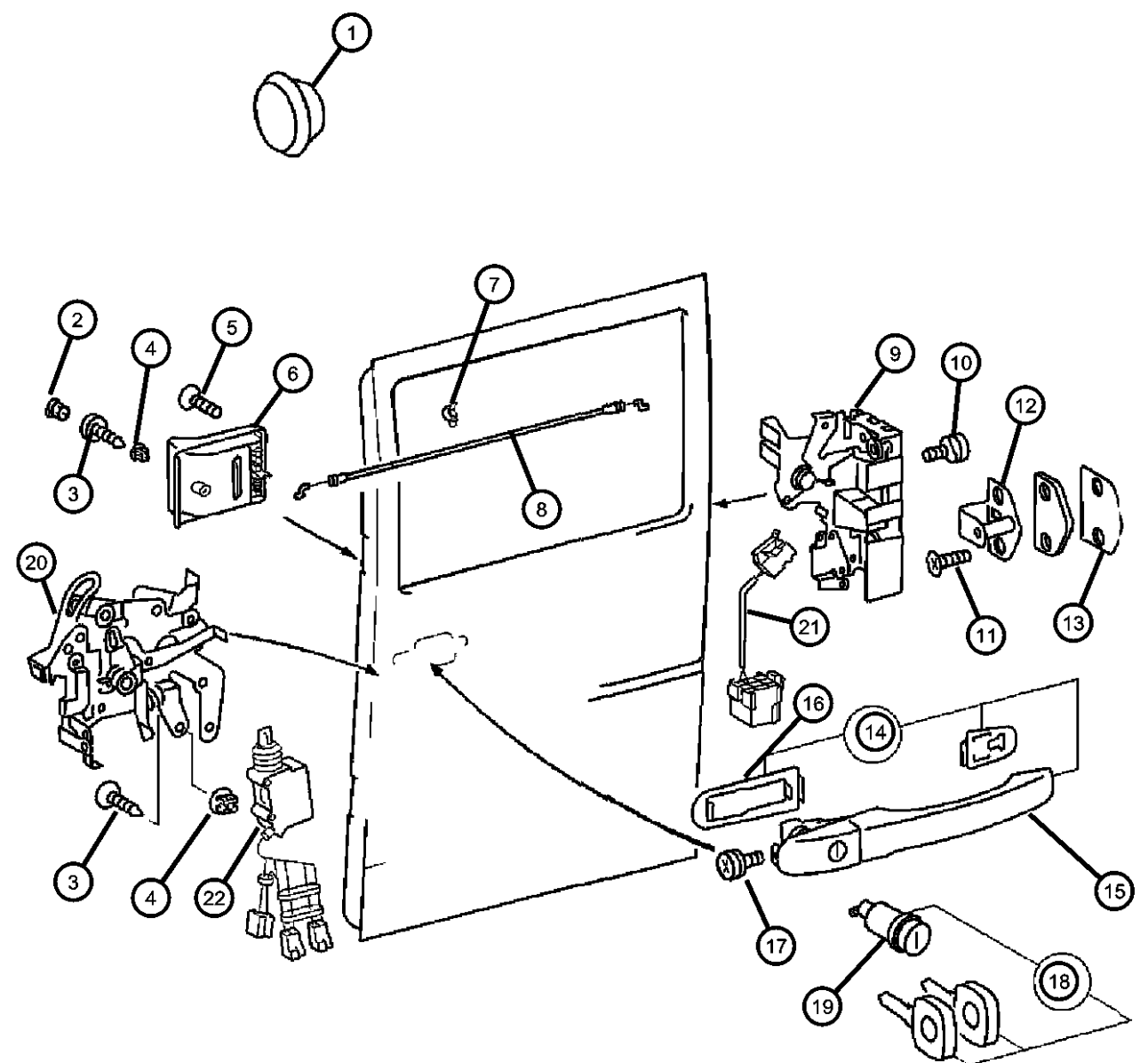
ITEM	PART NUMBER	QTY	LINE	SERIES	BODY	ENGINE	TRANS	TRIM	DESCRIPTION
		1	2, 6	L	11, 12, 14, 15, 16				
		1	2, 6	L	51, 52, 54, 55, 56				
13	05103591AA	1	2, 6	L	11, 12, 14, 15, 16				PLATE, Striker
		1	2, 6	L	51, 52, 54, 55, 56				
		1	3, 7	L	12, 15, 16				
14	05104415AA	1	2, 6	L	11, 12, 14, 15, 16				HANDLE, Cargo Door
		1	2, 6	L	51, 52, 54, 55, 56				
		1	3, 7	L	12, 15, 16				
15	05103672AA	1	2, 6	L	11, 12, 14, 15, 16				PAD
		1	2, 6	L	51, 52, 54, 55, 56				
		1	3, 7	L	12, 15, 16				
16	05103673AA	1	3, 7	L	12, 15, 16				PAD
		1	2, 6	L	11, 12, 14, 15, 16				
		1	2, 6	L	51, 52, 54, 55, 56				
17	05125414AA	1	2, 6	L	11, 12, 14, 15, 16				SCREW, Front Door Handle
		1	2, 6	L	51, 52, 54, 55, 56				
		1	3, 7	L	12, 15, 16				
18									CYLINDER, Door Lock

SPRINTER (VA)

SERIES	LINE	BODY	ENGINE	TRANSMISSION
L = LOWLINE	3 = HD DODGE 2WD 6 = Lt. Duty DODGE 4WD 2 = Med. Duty DODGE 2WD 7 = Med. Duty DODGE 4WD	55 = Wagon 140" 54 = Wagon 118" 52 = Wagon 140" 51 = Wagon 118" 12 = Van 140" 11 = Van 118" 06 = Front Section 158" 14 = Van 118" 15 = Van 140" 16 = Van 158" 56 = Wagon 158"	EX8 = Engine-2.7L I5 Mercedes Turbo Diesel	DGJ = Transmission-5-Spd. Automatic, W5A580
		01 = Chassis Forward Control 118" 02 = Chassis Forward Control 140"		

AR = use ase required - = Non illustrated part

Door, Sliding Cargo Lock And Controls
Figure DVA-330



ITEM	PART NUMBER	QTY	LINE	SERIES	BODY	ENGINE	TRANS	TRIM	DESCRIPTION
	05133521AA	1	2, 6	L	11, 12, 14, 15, 16				
		1	2, 6	L	51, 52, 54, 55, 56				
19		1	3, 7	L	12, 15, 16				CYLINDER, Door Lock
	05114364AA	1	2, 6	L	01, 02, 06				
		1	2, 6	L	11, 12, 14, 15, 16				
		1	6, 2	L	52, 54, 55, 56, 51				
20		1	3, 7	L	12, 15, 16				LOCK, Side Cargo Door
	05104359AA	1	2, 6	L	11, 12, 14, 15, 16				With or Without Power Locks [JPB], Without First Rear Bench 3 Passenger Seat [[CFB], Right
		1	2, 6	L	51, 52, 54, 55, 56				Without Power Locks [JPB], Right
		1	3, 7	L	12, 15, 16				Must also order 05103756AA, Right
	05104361AA	1	3, 7	L	12, 15, 16				Anti-Child Device, Right
	05123814AA	1	2, 6	L	11, 12, 14, 15, 16				Must also order 05103756AA, Left
		1	2, 6	L	51, 52, 54, 55, 56				Must also order 05103756AA, Left
	05131977AA	1	2, 6	L	11, 12, 14, 15, 16				With Power Locks [JPB], With First Rear Bench 3 Passenger Seat [[CFB], Right
		1	2, 6	L	51, 52, 54, 55, 56				With Power Locks [JPB], Right
21		1	2, 6	L	11, 12, 14, 15, 16				SWITCH, Door Lock
	05133999AA	1	2, 6	L	11, 12, 14, 15, 16				Left
		1	2, 6	L	51, 52, 54, 55, 56				Left
		1	3, 7	L	12, 15, 16				Left

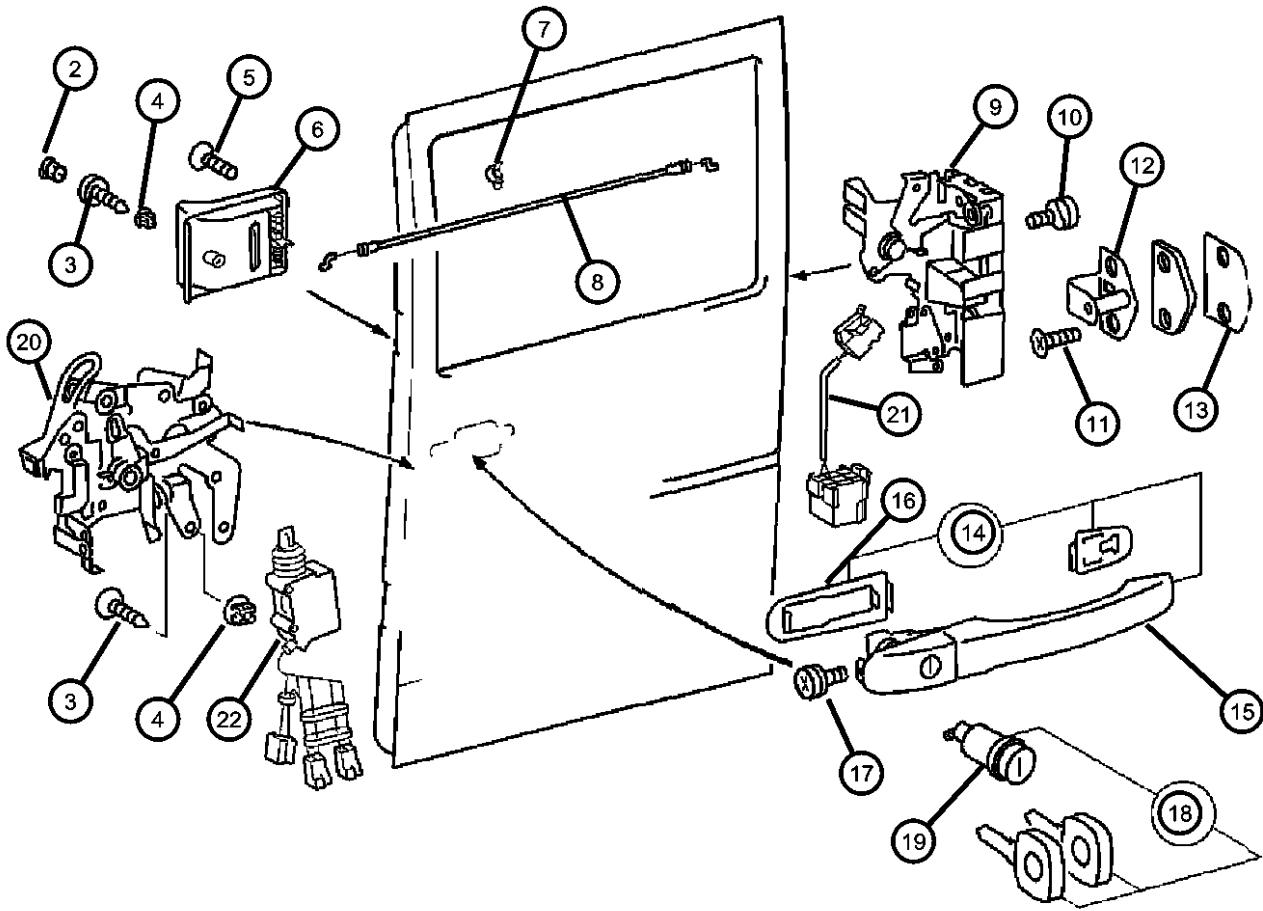
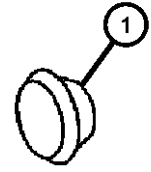
SPRINTER (VA)

SERIES	LINE	BODY	ENGINE	TRANSMISSION
L = LOWLINE	3 = HD DODGE 2WD 6 = Lt. Duty DODGE 4WD 2 = Med. Duty DODGE 2WD 7 = Med. Duty DODGE 4WD	55 = Wagon 140" 54 = Wagon 118" 52 = Wagon 140" 51 = Wagon 118" 12 = Van 140" 11 = Van 118" 06 = Front Section 158" 14 = Van 118" 15 = Van 140" 16 = Van 158" 56 = Wagon 158"	EX8 = Engine-2.7L I5 Mercedes Turbo Diesel	DGJ = Transmission-5-Spd. Automatic, W5A580
		01 = Chassis Forward Control 118" 02 = Chassis Forward Control 140"		

AR = use ase required - = Non illustrated part

Door, Sliding Cargo Lock And Controls
Figure DVA-330

ITEM	PART NUMBER	QTY	LINE	SERIES	BODY	ENGINE	TRANS	TRIM	DESCRIPTION
	05133527AA	1	2, 6	L	11, 12, 14, 15, 16				Right
		1	2, 6	L	51, 52, 54, 55, 56				Right
		1	3, 7	L	12, 15, 16				Right
22	05103756AA	1	3, 7	L	12, 15, 16				ACTUATOR, Power Door Lock
		1	2, 6	L	15, 16, 11, 12, 14				
		1	2, 6	L	51, 52, 54, 55, 56				

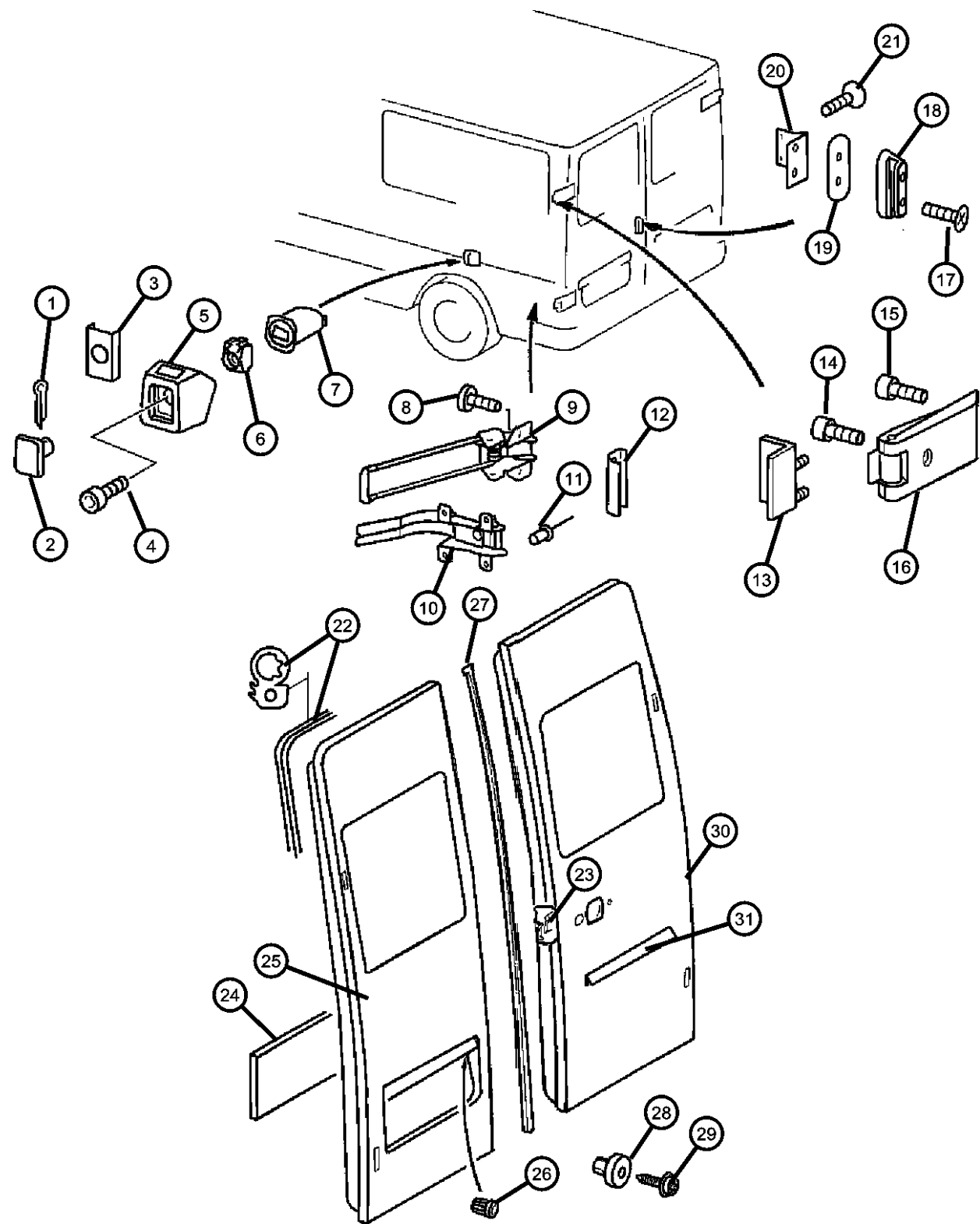


SPRINTER (VA)

SERIES	LINE	BODY	ENGINE	TRANSMISSION
L = LOWLINE	3 = HD DODGE 2WD 6 = Lt. Duty DODGE 4WD 2 = Med. Duty DODGE 2WD 7 = Med. Duty DODGE 4WD	55 = Wagon 140" 54 = Wagon 118" 52 = Wagon 140" 51 = Wagon 118" 12 = Van 140" 11 = Van 118" 06 = Front Section 158" 14 = Van 118" 15 = Van 140" 16 = Van 158" 56 = Wagon 158"	EX8 = Engine-2.7L I5 Mercedes Turbo Diesel	DGJ = Transmission-5-Spd. Automatic, W5A580
		01 = Chassis Forward Control 118" 02 = Chassis Forward Control 140"		

AR = use ase required - = Non illustrated part

Door, Cargo Shell And Hinges
Figure DVA-410



ITEM	PART NUMBER	QTY	LINE	SERIES	BODY	ENGINE	TRANS	TRIM	DESCRIPTION
1	05104611AA	2	2, 6	L	11, 12, 14, 15, 16				PIN, Cotter
		2	2, 6	L	51, 52, 54, 55, 56				
		2	3, 7	L	12, 15, 16				
2	05104423AA	1	2, 6	L	11, 12, 14, 15, 16				MAGNET
		1	2, 6	L	51, 52, 54, 55, 56				
		1	3, 7	L	12, 15, 16				
3	05104433AA	1	2, 6	L	11, 12, 14, 15, 16				PLATE, Support
		1	2, 6	L	51, 52, 54, 55, 56				
		1	3, 7	L	12, 15, 16				
4	05103719AA	1	2, 6	L	11, 12, 14, 15, 16				SCREW
		1	2, 6	L	52, 54, 55, 56, 51				
		1	3, 7	L	12, 15, 16				
5	05104369AA	1	2, 6	L	11, 12, 14, 15, 16				BUMPER, Door
		1	2, 6	L	51, 52, 54, 55, 56				
		1	3, 7	L	12, 15, 16				
6	05103840AA	1	2, 6	L	11, 12, 14, 15, 16				NUT, Snap In
		1	2, 6	L	51, 52, 54, 55, 56				

SPRINTER (VA)

SERIES

L = LOWLINE
 3 = HD DODGE 2WD
 6 = Lt. Duty DODGE 4WD
 2 = Med. Duty DODGE 2WD
 7 = Med. Duty DODGE 4WD

LINE

3 = HD DODGE 2WD
 6 = Lt. Duty DODGE 4WD
 2 = Med. Duty DODGE 2WD
 7 = Med. Duty DODGE 4WD

BODY

55 = Wagon 140"
 54 = Wagon 118"
 52 = Wagon 140"
 51 = Wagon 118"
 12 = Van 140"
 11 = Van 118"
 06 = Front Section 158"
 14 = Van 118"
 15 = Van 140"
 16 = Van 158"
 56 = Wagon 158"
 01 = Chassis Forward Control 118"
 02 = Chassis Forward Control 140"

ENGINE

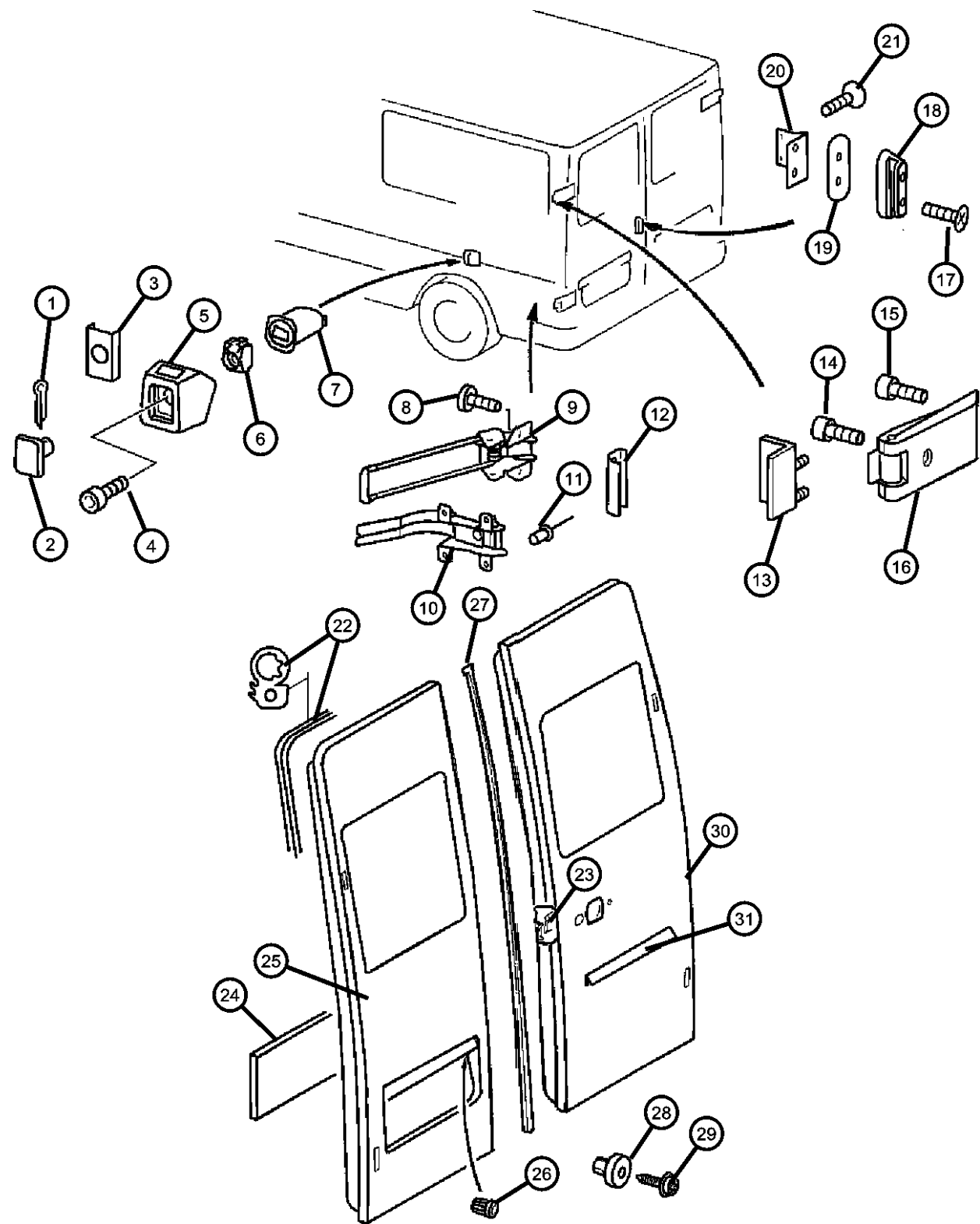
EX8 = Engine-2.7L I5
 Mercedes Turbo Diesel

TRANSMISSION

DGJ = Transmission-5-Spd. Automatic, W5A580

AR = use ase required - = Non illustrated part

Door, Cargo Shell And Hinges
Figure DVA-410



ITEM	PART NUMBER	QTY	LINE	SERIES	BODY	ENGINE	TRANS	TRIM	DESCRIPTION
7		1	3, 7	L	12, 15, 16				REINFORCEMENT
	05104173AA	1	2, 6	L	11, 12, 14, 15				
		1	2, 6	L	51, 52, 54, 55				
8		1	3, 7	L	12, 15				SCREW, 05103716aa, (NOT SERVICED)
9		1							CHECK, Rear Door
	05104414AA	1	2, 6	L	11, 12, 14, 15, 16				
		1	2, 6	L	51, 52, 54, 55, 56				
		1	3, 7	L	12, 15, 16				
10									BRACKET, Door Inside
	05104413AA	1	2, 6	L	51, 52, 54, 55, 56				
		1	2, 6	L	11, 12, 14, 15, 16				
		1	3, 7	L	12, 15, 16				
11									RIVET
	05103838AA	4	2, 6	L	11, 12, 14, 15, 16				
		4	2, 6	L	51, 52, 54, 55, 56				
		4	3, 7	L	12, 15, 16				
12									BRACKET, Cargo Door Hinge
	05104430AA	1	2, 6	L	11, 12, 14, 15, 16				
		1	2, 6	L	51, 52, 54, 55, 56				
		1	3, 7	L	12, 15, 16				
13									STOPPER, Cargo Door

SPRINTER (VA)

SERIES

L = LOWLINE

LINE

3 = HD DODGE 2WD
6 = Lt. Duty DODGE 4WD
2 = Med. Duty DODGE 2WD
7 = Med. Duty DODGE 4WD

BODY

55 = Wagon 140"
54 = Wagon 118"
52 = Wagon 140"
51 = Wagon 118"
12 = Van 140"
11 = Van 118"
06 = Front Section 158"
14 = Van 118"
15 = Van 140"
16 = Van 158"
56 = Wagon 158"
01 = Chassis Forward Control 118"
02 = Chassis Forward Control 140"

ENGINE

EX8 = Engine-2.7L I5
Mercedes Turbo Diesel

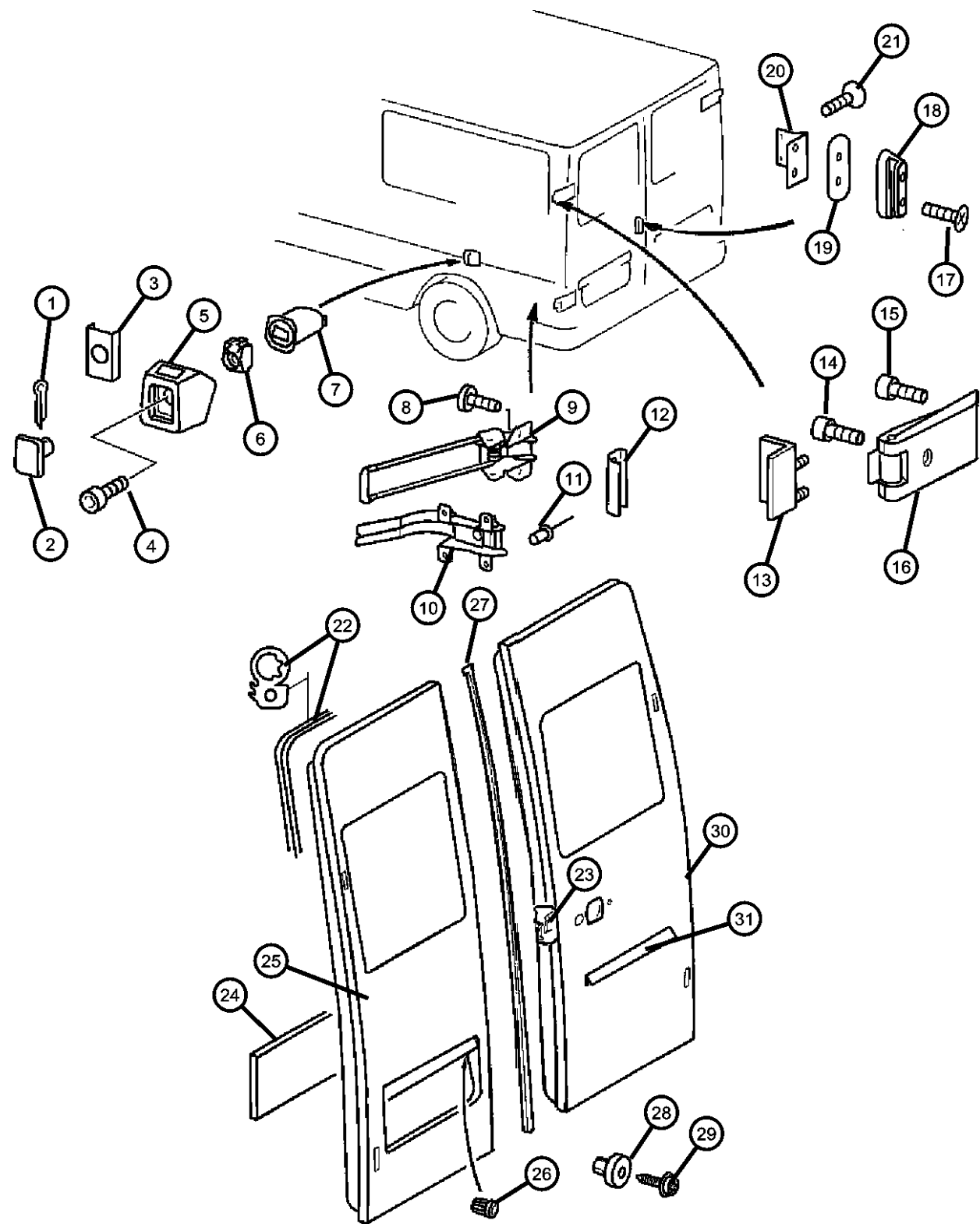
TRANSMISSION

DGJ = Transmission-5-Spd. Automatic, W5A580

AR = use ase required - = Non illustrated part

2004 VA

**Door, Cargo Shell And Hinges
Figure DVA-410**



ITEM	PART NUMBER	QTY	LINE	SERIES	BODY	ENGINE	TRANS	TRIM	DESCRIPTION
	05104385AA	2	2, 6	L	16, 11, 12, 14, 15				
		2	2, 6	L	51, 52, 54, 55, 56				
		2	3, 7	L	12, 15, 16				
14	05125420AA	1	2, 6	L	51, 52, 54, 55, 56				BOLT, Torx
		1	2, 6	L	01, 02, 06				
		1	2, 6	L	11, 12, 14, 15, 16				
15	05073721AA	1		L					SCREW
16	05104378AA	2	2, 6	L	11, 12, 14, 15, 16				HINGE, Rear Door
		2	2, 6	L	51, 52, 54, 55, 56				
		2	3, 7	L	12, 15, 16				
17	05104635AA	2	2, 6	L	11, 12, 14, 15, 16				SCREW
		2	2, 6	L	51, 52, 54, 55, 56				
		2	3, 7	L	12, 15, 16				
18	05104370AA	1	2, 6	L	11, 12, 14, 15, 16				BUMPER, Door
		1	2, 6	L	55, 56, 51, 52, 54				
		1	3, 7	L	12, 15, 16				
19	05104432AA	1	2, 6	L	11, 12, 14, 15, 16				GASKET, Bumper Bracket
		1	2, 6	L	51, 52, 54, 55, 56				

SPRINTER (VA)

SERIES

L = LOWLINE
 3 = HD DODGE 2WD
 6 = Lt. Duty DODGE 4WD
 2 = Med. Duty DODGE 2WD
 7 = Med. Duty DODGE 4WD

LINE

3 = HD DODGE 2WD
 6 = Lt. Duty DODGE 4WD
 2 = Med. Duty DODGE 2WD
 7 = Med. Duty DODGE 4WD

BODY

55 = Wagon 140"
 54 = Wagon 118"
 52 = Wagon 140"
 51 = Wagon 118"
 12 = Van 140"
 11 = Van 118"
 06 = Front Section 158"
 14 = Van 118"
 15 = Van 140"
 16 = Van 158"
 56 = Wagon 158"
 01 = Chassis Forward Control
 118"
 02 = Chassis Forward Control
 140"

ENGINE

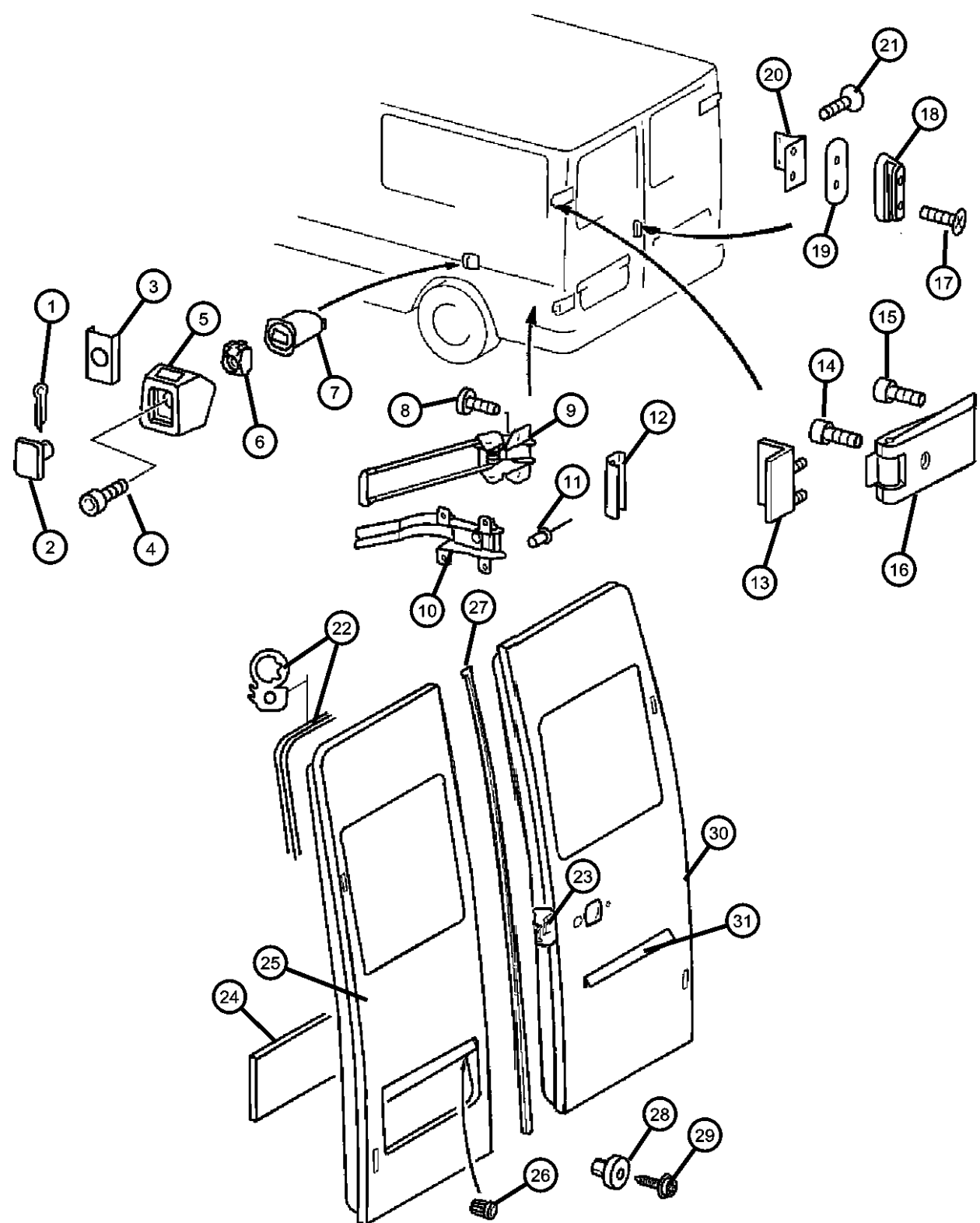
EX8 = Engine-2.7L I5
 Mercedes Turbo Diesel

TRANSMISSION

DGJ = Transmission-5-Spd.
 Automatic, W5A580

AR = use ase required - = Non illustrated part

**Door, Cargo Shell And Hinges
Figure DVA-410**



ITEM	PART NUMBER	QTY	LINE	SERIES	BODY	ENGINE	TRANS	TRIM	DESCRIPTION
20		1	3, 7	L	12, 15, 16				BRACKET, Hinge Reinforcement
	05123934AA	1	2, 6	L	11, 12, 14, 15, 16				
		1	2, 6	L	51, 52, 54, 55, 56				
21		1	3, 7	L	12, 15, 16				SCREW
	05133932AA	4	3, 7	L	12, 15, 16				
		4	2, 6	L	11, 12, 14, 15, 16				
		4	2, 6	L	51, 52, 54, 55, 56				
22									WEATHERSTRIP, Cargo Door
	05104272AA	1	2, 6	L	11, 12, 14, 15, 16				[-GL8]
		1	2, 6	L	51, 52, 54, 55, 56				[-GL8]
		1	3, 7	L	16, 12, 15				[-GL8]
	05104274AA	1	2, 6	L	11, 12, 14, 15, 16				
		1	2, 6	L	51, 52, 54, 55, 56				
		1	3, 7	L	12, 15, 16				
23		1							FILM, (NOT SERVICED)
24									SILENCER, Door
	05122518AA	2	2, 6	L	11, 12, 14, 15, 16				
		2	2, 6	L	51, 52, 54, 55, 56				
		2	3, 7	L	12, 15, 16				
25									DOOR, Rear Cargo
	05123913AA	1	2, 6	L	11, 12, 14, 15, 16				[GEM], Left

SPRINTER (VA)

SERIES

L = LOWLINE
 3 = HD DODGE 2WD
 6 = Lt. Duty DODGE 4WD
 2 = Med. Duty DODGE 2WD
 7 = Med. Duty DODGE 4WD

LINE

BODY

55 = Wagon 140"
 54 = Wagon 118"
 52 = Wagon 140"
 51 = Wagon 118"
 12 = Van 140"
 11 = Van 118"
 06 = Front Section 158"
 14 = Van 118"
 15 = Van 140"
 16 = Van 158"
 56 = Wagon 158"
 01 = Chassis Forward Control 118"
 02 = Chassis Forward Control 140"

ENGINE

EX8 = Engine-2.7L I5
 Mercedes Turbo Diesel

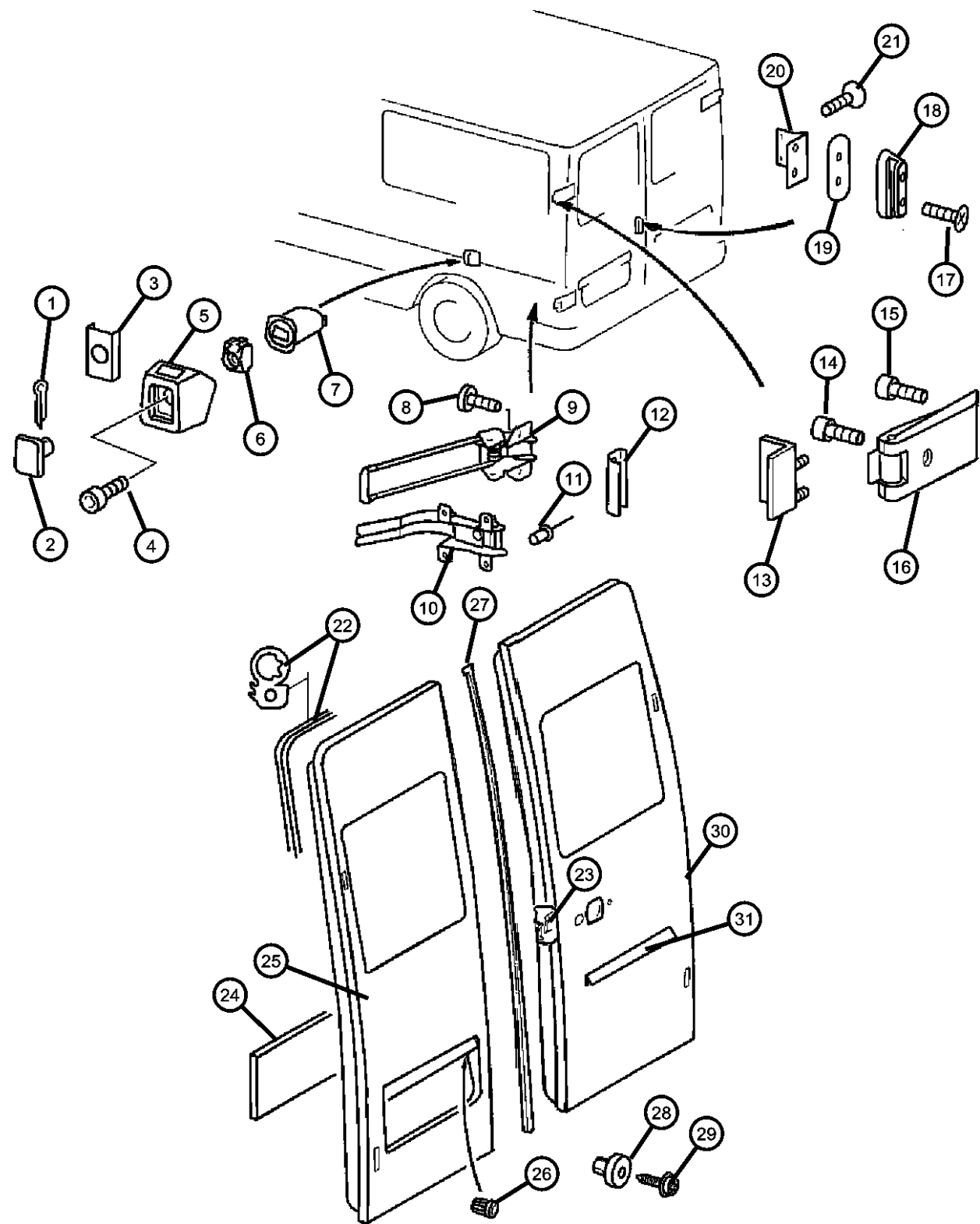
TRANSMISSION

DGJ = Transmission-5-Spd. Automatic, W5A580

AR = use ase required - = Non illustrated part

2004 VA

Door, Cargo Shell And Hinges
Figure DVA-410

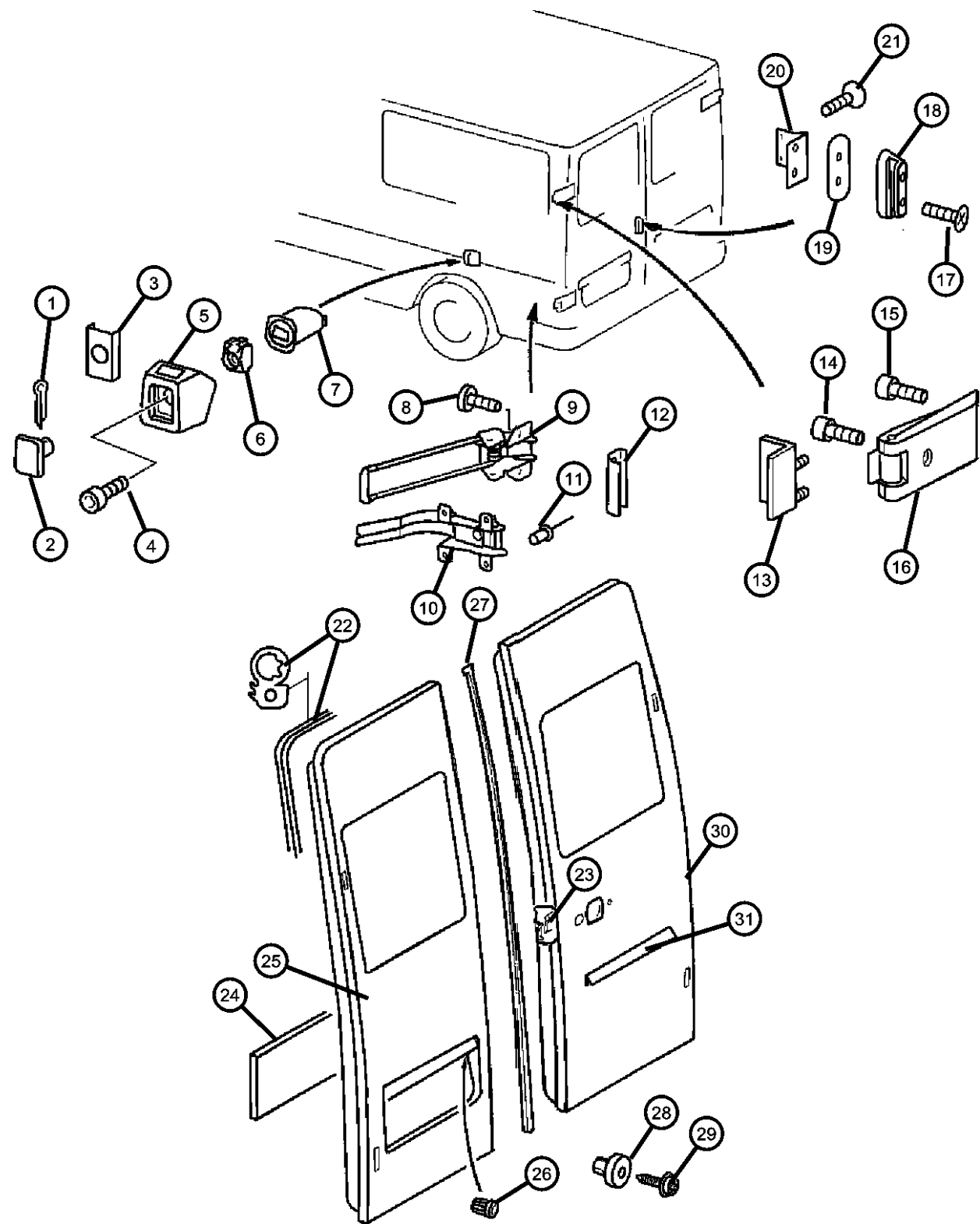


ITEM	PART NUMBER	QTY	LINE	SERIES	BODY	ENGINE	TRANS	TRIM	DESCRIPTION
		1	2, 6	L	51, 52, 54, 55, 56				[-GL8], Left
		1	3, 7	L	12, 15, 16				[GEM], Left
	05123917AA	1	2, 6	L	11, 12, 14, 15, 16				[MWJ+GEM], Left
		1	2, 6	L	51, 52, 54, 55, 56				[MWJ-GL8], Left
	05123905AA	1	2, 6	L	11, 12, 14, 15, 16				[-GL8], Left
		1	3, 7	L	12, 15, 16				[-GL8], Left
	05123909AA	1	2, 6	L	11, 12, 14, 15, 16				[MWJ-GL8], Left
		1	3, 7	L	12, 15, 16				[MWJ-GL8], Left
		1	3, 7	L	12, 15, 16				[MWJ+GEM], Left
26									NUT, Push In
	05103929AA	4	2, 6	L	11, 12, 14, 15, 16				
		4	2, 6	L	51, 52, 54, 55, 56				
		4	3, 7	L	12, 15, 16				
27									WEATHERSTRIP, Cargo Door
	05123955AA	1	3, 7	L	12, 15, 16				[-GL8]
	05104375AA	1	2, 6	L	11, 12, 14, 15, 16				
		1	2, 6	L	51, 52, 54, 55, 56				
		1	3, 7	L	12, 15, 16				
		1	2, 6	L	11, 12, 14, 15, 16				[-GL8]
		1	2, 6	L	51, 52, 54, 55, 56				[-GL8]
28		1							NUTSERT, Rivet, (NOT SERVICED),
29									SCREW

SPRINTER (VA)				
SERIES	LINE	BODY	ENGINE	TRANSMISSION
L = LOWLINE	3 = HD DODGE 2WD 6 = Lt. Duty DODGE 4WD 2 = Med. Duty DODGE 2WD 7 = Med. Duty DODGE 4WD	55 = Wagon 140" 54 = Wagon 118" 52 = Wagon 140" 51 = Wagon 118" 12 = Van 140" 11 = Van 118" 06 = Front Section 158" 14 = Van 118" 15 = Van 140" 16 = Van 158" 56 = Wagon 158"	EX8 = Engine-2.7L I5 Mercedes Turbo Diesel	DGJ = Transmission-5-Spd. Automatic,W5A580
		01 = Chassis Forward Control 118" 02 = Chassis Forward Control 140"		

AR = use ase required - = Non illustrated part

**Door, Cargo Shell And Hinges
Figure DVA-410**



ITEM	PART NUMBER	QTY	LINE	SERIES	BODY	ENGINE	TRANS	TRIM	DESCRIPTION
30	05133931AA	4	2, 6	L	16, 11, 12, 14, 15				DOOR, Rear Cargo [-GL8], Right
		4	2, 6	L	51, 52, 54, 55, 56				
		4	3, 7	L	12, 15, 16				
	05123907AA	1	2, 6	L	11, 12, 14, 15, 16				
		1	3, 7	L	12, 15, 16				
	05123911AA	1	2, 6	L	11, 12, 14, 15, 16				
		1	3, 7	L	12, 15, 16				
	05123915AA	1	2, 6	L	11, 12, 14, 15, 16				
		1	2, 6	L	51, 52, 54, 55, 56				
		1	3, 7	L	12, 15, 16				
31	05123919AA	1	2, 6	L	11, 12, 14, 15, 16				[GEM], Right
		1	2, 6	L	11, 12, 14, 15, 16				[MWJ+GEM], Right
		1	2, 6	L	51, 52, 54, 55, 56				[MWJ-GL8], Right
		1	3, 7	L	12, 15, 16				[MWJ-GL8], Right
	05104454AA	1	2, 6	L	51, 52, 54, 55, 56				NAMEPLATE, Rear Door SPRINTER
	1	3, 7	L	12, 15, 16				SPRINTER	

SPRINTER (VA)

SERIES

L = LOWLINE
 3 = HD DODGE 2WD
 6 = Lt. Duty DODGE 4WD
 2 = Med. Duty DODGE 2WD
 7 = Med. Duty DODGE 4WD

LINE

3 = HD DODGE 2WD
 6 = Lt. Duty DODGE 4WD
 2 = Med. Duty DODGE 2WD
 7 = Med. Duty DODGE 4WD

BODY

55 = Wagon 140"
 54 = Wagon 118"
 52 = Wagon 140"
 51 = Wagon 118"
 12 = Van 140"
 11 = Van 118"
 06 = Front Section 158"
 14 = Van 118"
 15 = Van 140"
 16 = Van 158"
 56 = Wagon 158"
 01 = Chassis Forward Control
 118"
 02 = Chassis Forward Control
 140"

ENGINE

EX8 = Engine-2.7L I5
 Mercedes Turbo Diesel

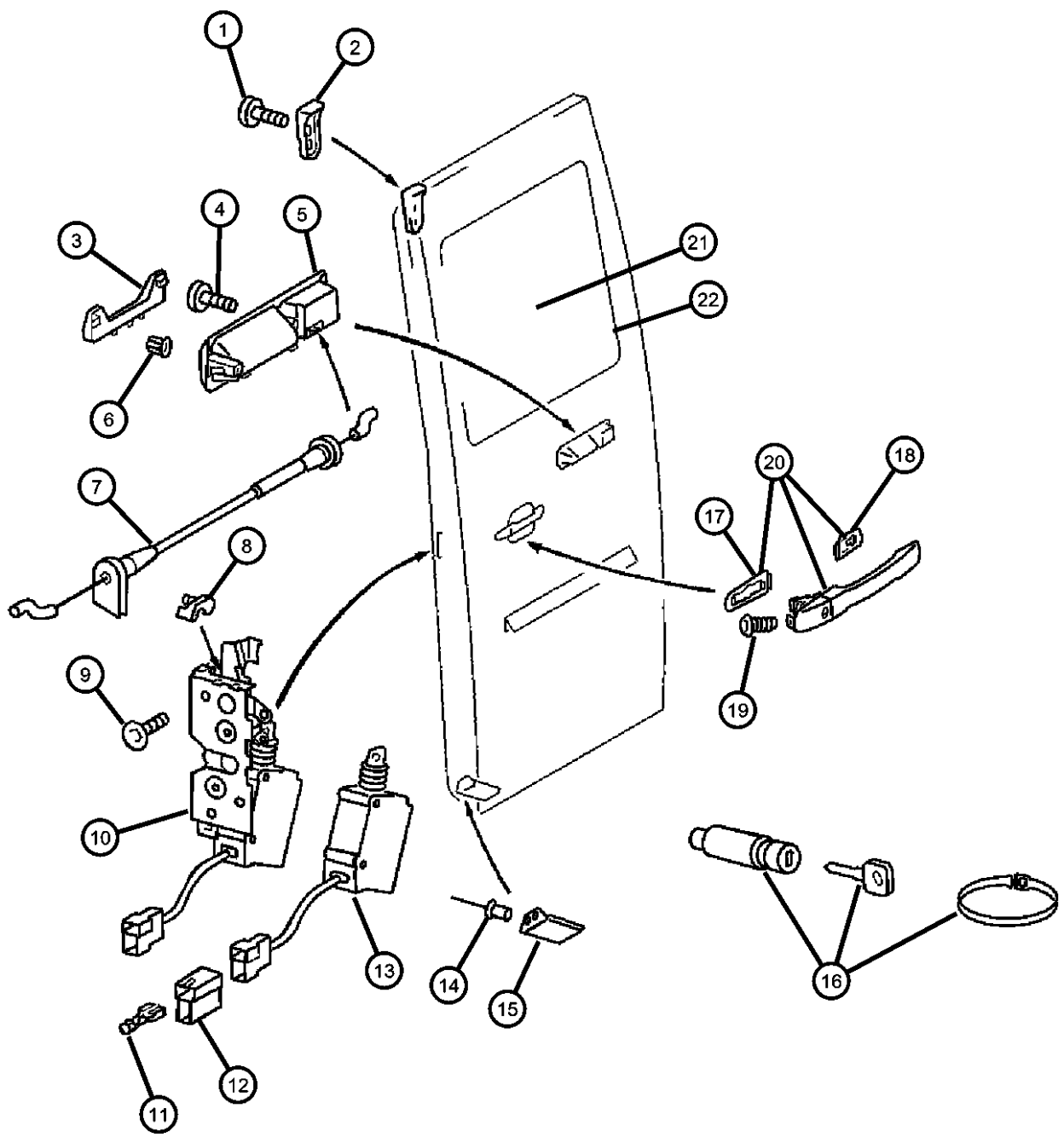
TRANSMISSION

DGJ = Transmission-5-Spd.
 Automatic,W5A580

AR = use ase required - = Non illustrated part

2004 VA

**Door, Cargo Glass And Hardware
Figure DVA-420**

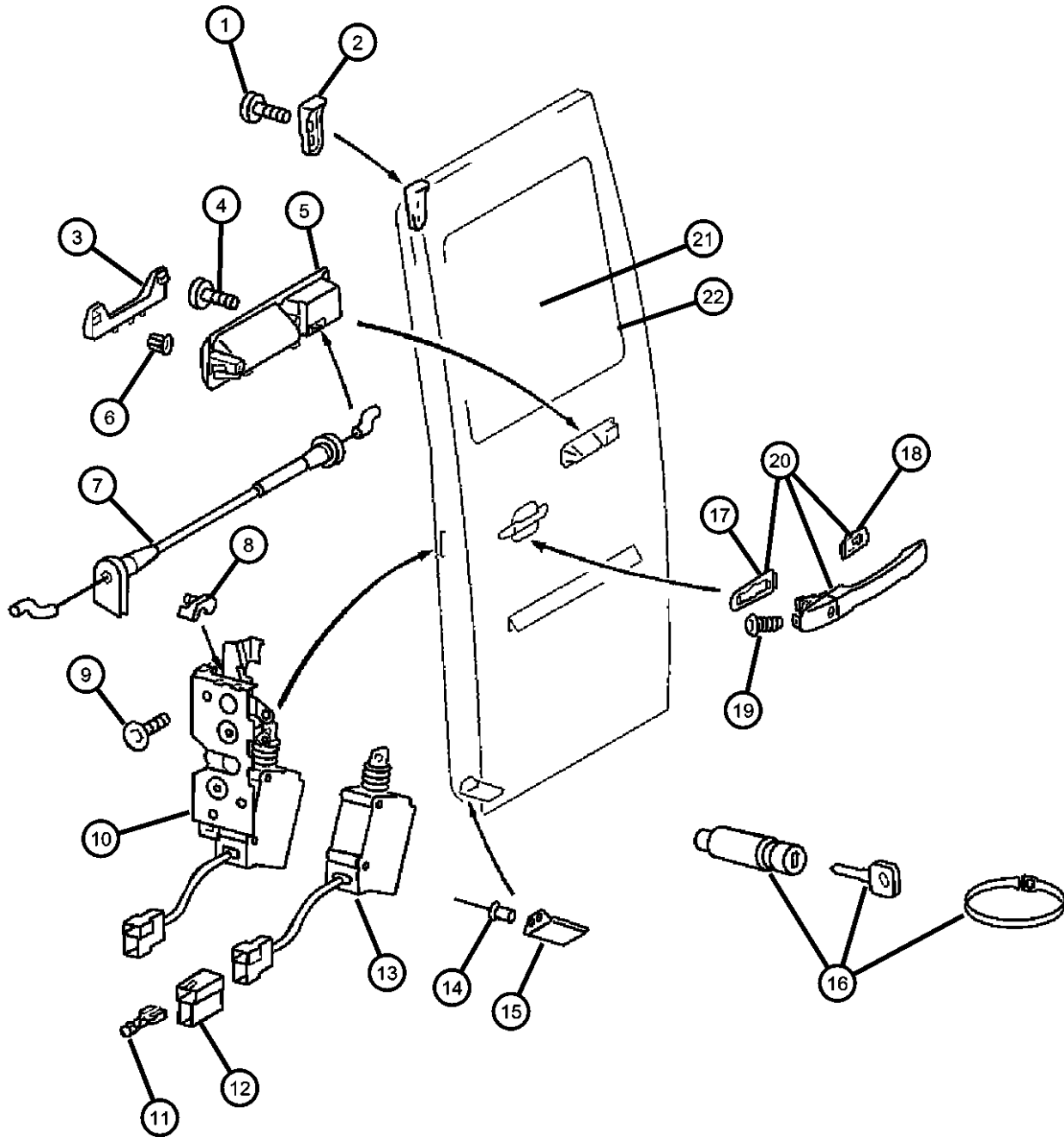


ITEM	PART NUMBER	QTY	LINE	SERIES	BODY	ENGINE	TRANS	TRIM	DESCRIPTION
1	06104142AA	2	2, 6	L	11, 12, 14, 15, 16				SCREW
		2	2, 6	L	51, 52, 54, 55, 56				
		2	3, 7	L	12, 15, 16				
2	05123997AA	1	2, 6	L	12, 14, 15, 16, 11				SPACER, Door Lock Striker
		1	2, 6	L	51, 52, 54, 55, 56				
		1	3, 7	L	12, 15, 16				
3	1AT60BD1AA	1	2, 6	L	51, 52, 54, 55, 56				COVER, Handle
		1	3, 7	L	12, 15, 16				
		1	2, 6	L	11, 12, 14, 15, 16				
4	06104142AA	2	2, 6	L	11, 12, 14, 15, 16				SCREW
		2	2, 6	L	51, 52, 54, 55, 56				
		2	3, 7	L	12, 15, 16				
5	05132053AA	1	2, 6	L	11, 12, 14, 15, 16				HANDLE, Rear Door Interior
		1	2, 6	L	51, 52, 54, 55, 56				
6	06104884AA	2	3, 7	L	12, 15, 16				NUT
		2	2, 6	L	11, 12, 14, 15, 16				
		2	2, 6	L	55, 56, 51, 52, 54				

SPRINTER (VA)
 SERIES LINE BODY ENGINE TRANSMISSION
 L = LOWLINE 3 = HD DODGE 2WD 55 = Wagon 140" EX8 = Engine-2.7L I5 DGJ = Transmission-5-Spd. Automatic, W5A580
 6 = Lt. Duty DODGE 4WD 54 = Wagon 118" Mercedes Turbo Diesel
 2 = Med. Duty DODGE 2WD 52 = Wagon 140"
 7 = Med. Duty DODGE 4WD 51 = Wagon 118"
 12 = Van 140"
 11 = Van 118"
 06 = Front Section 158"
 14 = Van 118"
 15 = Van 140"
 16 = Van 158"
 56 = Wagon 158"
 01 = Chassis Forward Control 118"
 02 = Chassis Forward Control 140"

AR = use ase required - = Non illustrated part

**Door, Cargo Glass And Hardware
Figure DVA-420**



ITEM	PART NUMBER	QTY	LINE	SERIES	BODY	ENGINE	TRANS	TRIM	DESCRIPTION
7	05104416AA	1	2, 6	L	11, 12, 14, 15, 16				CABLE
		1	2, 6	L	51, 52, 54, 55, 56				
		1	3, 7	L	12, 15, 16				
8	05103674AA	1	2, 6	L	11, 12, 14, 15, 16				CONNECTOR, Solenoid
		1	2, 6	L	51, 52, 54, 55, 56				
		1	3, 7	L	12, 15, 16				
9	05103723AA	2	2, 6	L	11, 12, 14, 15, 16				SCREW
		2	2, 6	L	51, 52, 54, 55, 56				
		2	3, 7	L	12, 15, 16				
10	05131997AA	1	2, 6	L	11, 12, 14, 15, 16				LATCH, Rear Door
		1	2, 6	L	51, 52, 54, 55, 56				
11	05114451AA	99	2, 6	L	14, 15, 16, 11, 12				TERMINAL, Female
		99	2, 6	L	51, 52, 54, 55, 56				
		99	3, 7	L	12, 15, 16				
12	05103754AA	1	2, 6	L	11, 12, 14, 15, 16				INSULATOR, 2 Way Female
		1	2, 6	L	51, 52, 54, 55, 56				
		1	3, 7	L	12, 15, 16				

SPRINTER (VA)

SERIES

L = LOWLINE

LINE

3 = HD DODGE 2WD
6 = Lt. Duty DODGE 4WD
2 = Med. Duty DODGE 2WD
7 = Med. Duty DODGE 4WD

BODY

55 = Wagon 140"
54 = Wagon 118"
52 = Wagon 140"
51 = Wagon 118"
12 = Van 140"
11 = Van 118"
06 = Front Section 158"
14 = Van 118"
15 = Van 140"
16 = Van 158"
56 = Wagon 158"
01 = Chassis Forward Control 118"
02 = Chassis Forward Control 140"

ENGINE

EX8 = Engine-2.7L I5
Mercedes Turbo Diesel

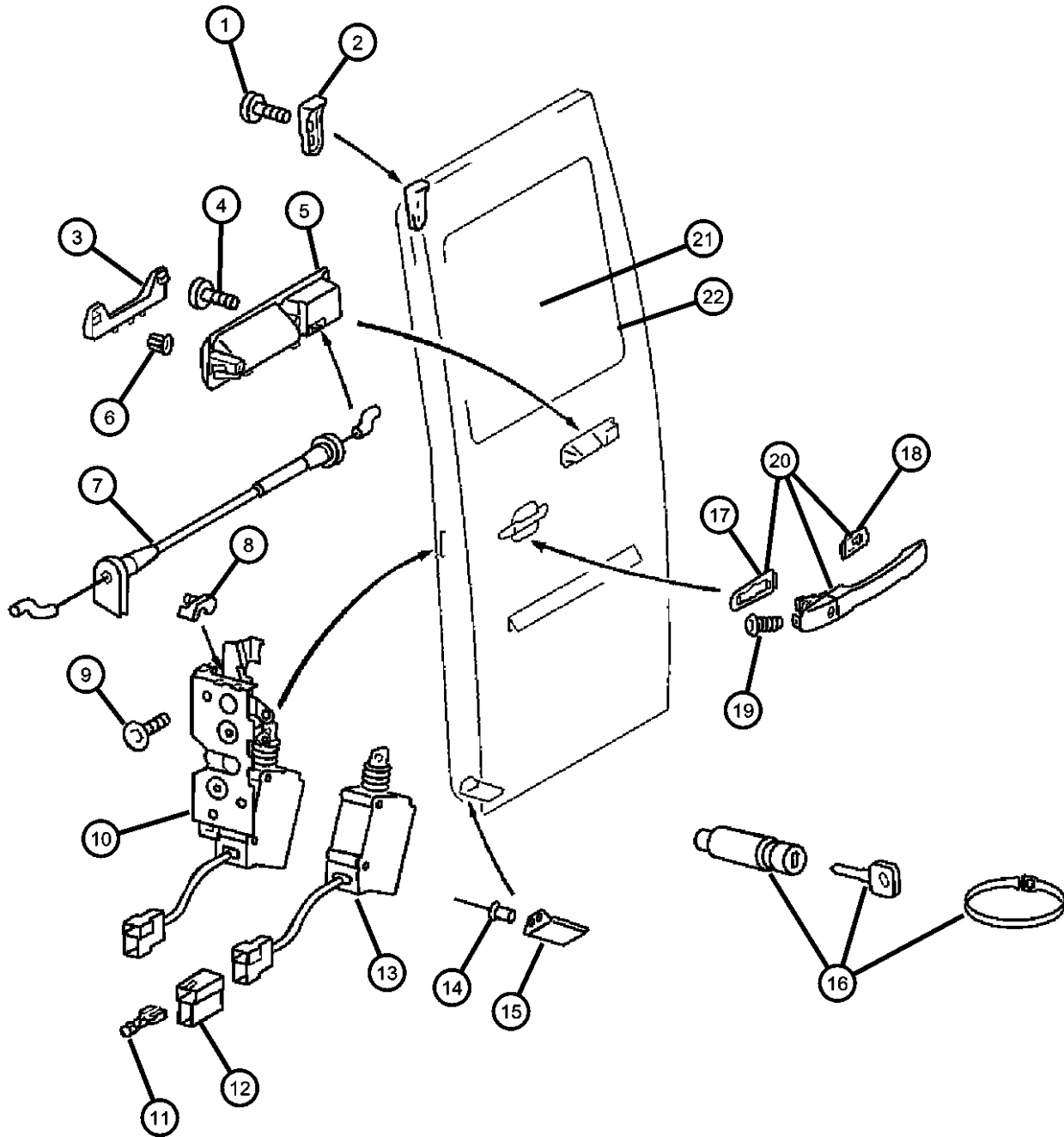
TRANSMISSION

DGJ = Transmission-5-Spd. Automatic, W5A580

AR = use ase required - = Non illustrated part

2004 VA

**Door, Cargo Glass And Hardware
Figure DVA-420**



ITEM	PART NUMBER	QTY	LINE	SERIES	BODY	ENGINE	TRANS	TRIM	DESCRIPTION
19		1	2, 6	L	51, 52, 54, 55, 56				SCREW, Front Door Handle
	05125414AA	1	2, 6	L	11, 12, 14, 15, 16				
		1	2, 6	L	51, 52, 54, 55, 56				
		1	3, 7	L	12, 15, 16				
20		1	2, 6	L	11, 12, 14, 15, 16				HANDLE, Front Door
	05124094AA	1	2, 6	L	11, 12, 14, 15, 16				
		1	2, 6	L	51, 52, 54, 55, 56				
		1	3, 7	L	12, 15, 16				
21		1	2, 6	L	11, 12, 14, 15, 16				GLASS, Cargo Door
	05124006AA	1	2, 6	L	11, 12, 14, 15, 16				[GEM+GAQ,3FQ], Left
		1	2, 6	L	51, 52, 54, 55, 56				[GAQ,3FQ-GL8], Left
	05124008AA	1	3, 7	L	12, 15, 16				[GEM+GAQ,3FQ], Right
	05124014AA	1	2, 6	L	11, 12, 14, 15, 16				[GEM+GAQ,3FQ+GFA], Left
		1	2, 6	L	51, 52, 54, 55, 56				[GAQ,3FQ+GFA], Left
		1	3, 7	L	12, 15, 16				[GEM+GAQ,3FQ], Left
		1	2, 6	L	11, 12, 14, 15, 16				[GEM+GAQ,3FQ], Right
		1	2, 6	L	51, 52, 54, 55, 56				[GAQ,3FQ-GL8], Right
	05134318AA	1	2, 6	L	11, 12, 14, 15, 16				[GAQ,3FQ+GFA+GEM+GAE], Left
		1	2, 6	L	51, 52, 54, 55, 56				[GAQ,3FQ+GFA+GAE], Left
		1	3, 7	L	12, 15, 16				[GEM+GAQ,3FQ+GFA], Left
	05124016AA	1	2, 6	L	12, 14, 15, 16, 11				[GAQ,3FQ+GFA+GEM], Right

SPRINTER (VA)

SERIES

L = LOWLINE

LINE

3 = HD DODGE 2WD
6 = Lt. Duty DODGE 4WD
2 = Med. Duty DODGE 2WD
7 = Med. Duty DODGE 4WD

BODY

55 = Wagon 140"
54 = Wagon 118"
52 = Wagon 140"
51 = Wagon 118"
12 = Van 140"
11 = Van 118"
06 = Front Section 158"
14 = Van 118"
15 = Van 140"
16 = Van 158"
56 = Wagon 158"
01 = Chassis Forward Control 118"
02 = Chassis Forward Control 140"

ENGINE

EX8 = Engine-2.7L I5
Mercedes Turbo Diesel

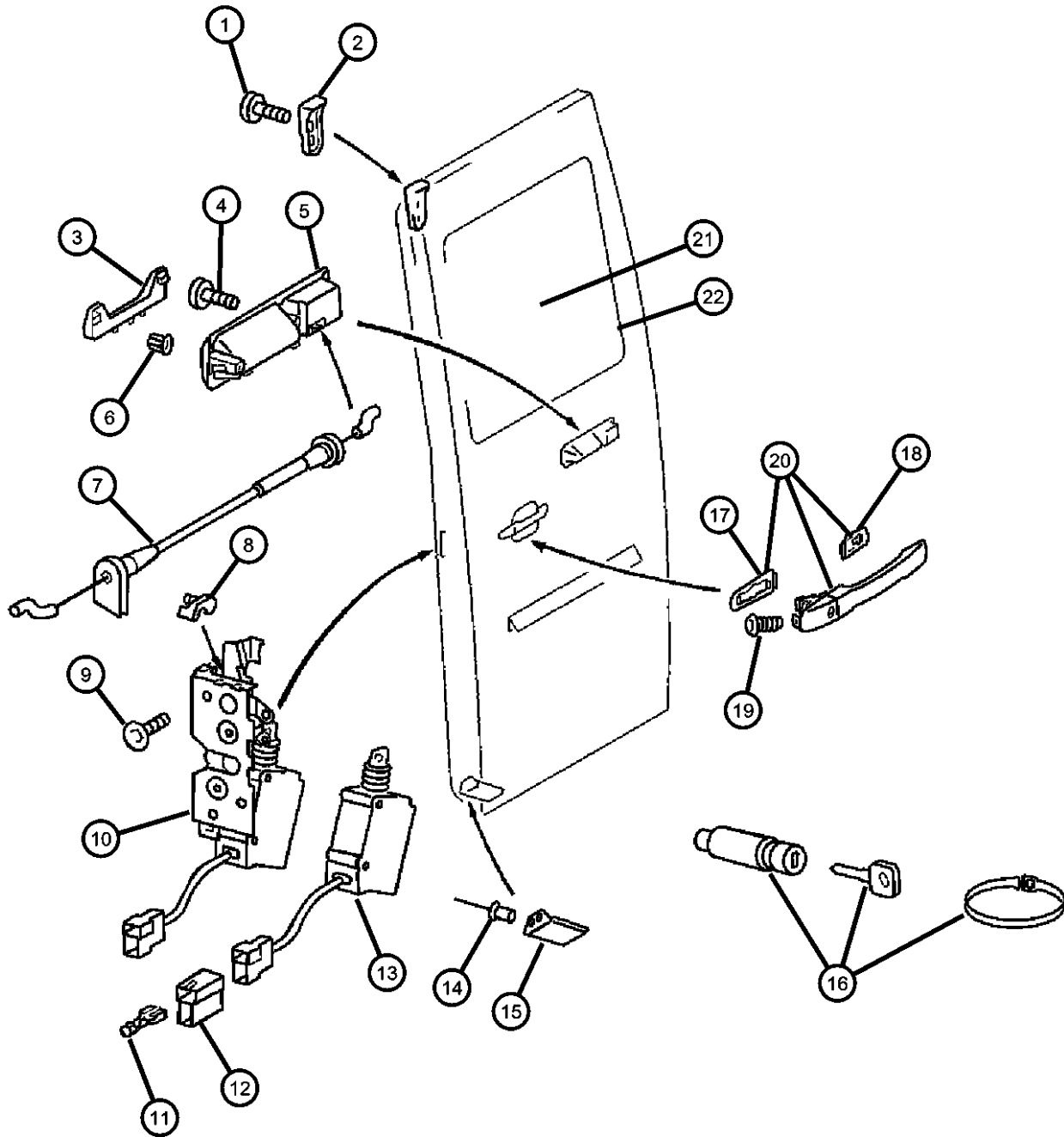
TRANSMISSION

DGJ = Transmission-5-Spd. Automatic,W5A580

AR = use ase required - = Non illustrated part

2004 VA

**Door, Cargo Glass And Hardware
Figure DVA-420**



ITEM	PART NUMBER	QTY	LINE	SERIES	BODY	ENGINE	TRANS	TRIM	DESCRIPTION
		1	2, 6	L	51, 52, 54, 55, 56				[GAQ,3FQ+GFA], Right
		1	3, 7	L	12, 15, 16				[GAQ,3FQ+GFA+GEM], Right
	05134319AA	1	3, 7	L	12, 15, 16				[GAQ,3FQ+GEM+GAE], Left
		1	3, 7	L	12, 15, 16				[GAQ,3FQ+GFA+GEM+GAE], Left
		1	2, 6	L	11, 12, 14, 15, 16				[GAQ,3FQ+GEM+GAE], Left
		1	2, 6	L	51, 52, 54, 55, 56				[GAQ,3FQ+GAE-GL8], Left
	05134325AA	1	2, 6	L	11, 12, 14, 15, 16				[GAQ,3FQ+GEM+GAE], Right
	05134324AA	1	2, 6	L	11, 12, 14, 15, 16				[GAQ,3FQ+GFA+GEM+GAE], Right
		1	2, 6	L	51, 52, 54, 55, 56				[GAQ,3FQ+GFA+GAE], Right
		1	3, 7	L	12, 15, 16				[GAQ,3FQ+GFA+GEM+GAE], Right
		1	2, 6	L	51, 52, 54, 55, 56				[GAQ,3FQ+GAE-GL8], Right
22		1	3, 7	L	12, 15, 16				[GAQ,3FQ+GEM+GAE], Right
	05104364AA	1	2, 6	L	11, 12, 14, 15, 16				WEATHERSTRIP, Cargo Door Glass
		1	2, 6	L	51, 52, 54, 55, 56				
		1	3, 7	L	12, 15, 16				

SPRINTER (VA)

SERIES

L = LOWLINE

LINE

3 = HD DODGE 2WD
6 = Lt. Duty DODGE 4WD
2 = Med. Duty DODGE 2WD
7 = Med. Duty DODGE 4WD

BODY

55 = Wagon 140"
54 = Wagon 118"
52 = Wagon 140"
51 = Wagon 118"
12 = Van 140"
11 = Van 118"
06 = Front Section 158"
14 = Van 118"
15 = Van 140"
16 = Van 158"
56 = Wagon 158"
01 = Chassis Forward Control 118"
02 = Chassis Forward Control 140"

ENGINE

EX8 = Engine-2.7L I5
Mercedes Turbo Diesel

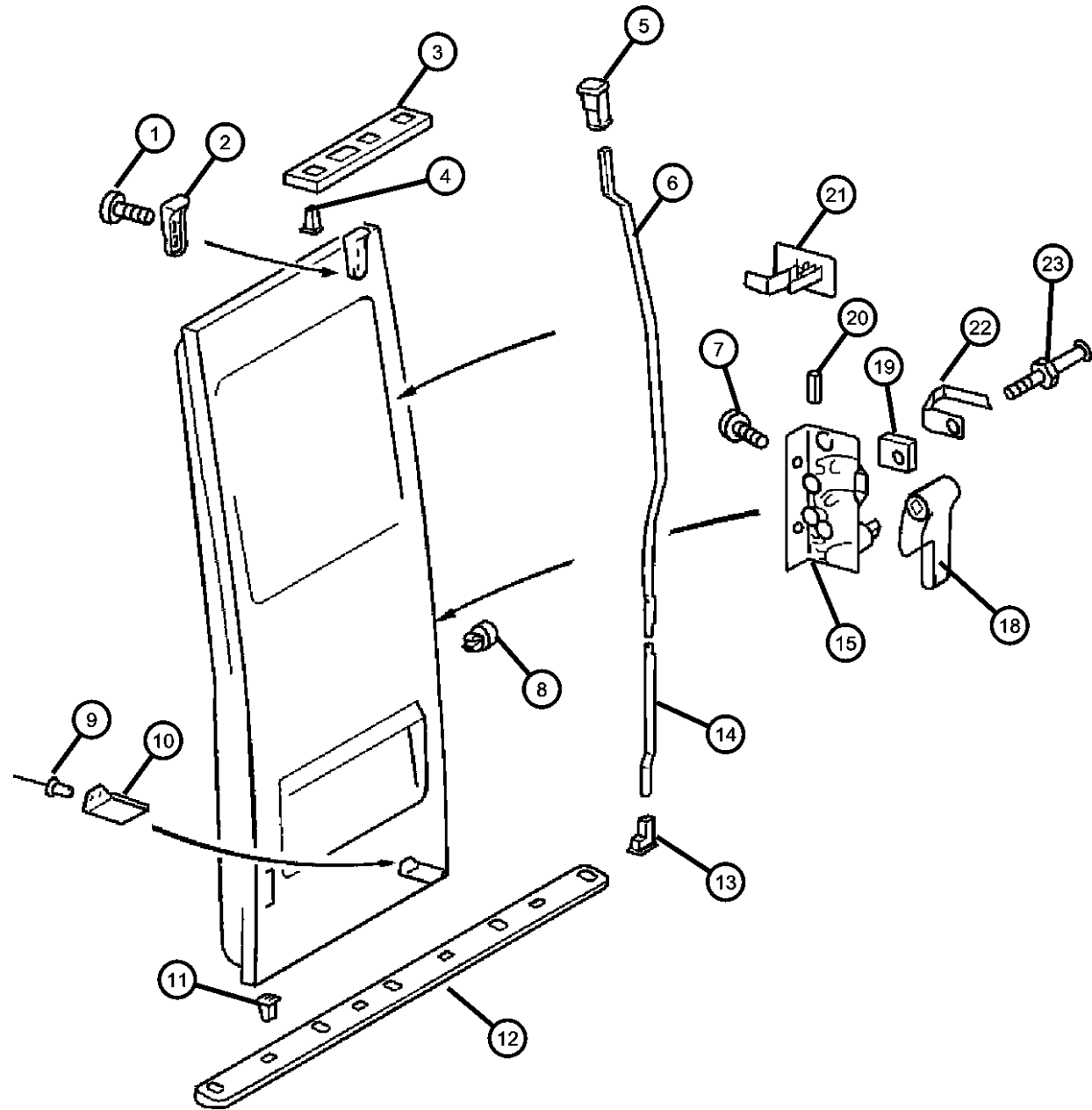
TRANSMISSION

DGJ = Transmission-5-Spd. Automatic,W5A580

AR = use ase required - = Non illustrated part

2004 VA

**Door, Cargo Lock And Control
Figure DVA-430**



ITEM	PART NUMBER	QTY	LINE	SERIES	BODY	ENGINE	TRANS	TRIM	DESCRIPTION
1	06104142AA	4	2, 6	L	11, 12, 14, 15, 16				SCREW
2	05123997AA	2	3, 7	L	12, 15, 16				SPACER, Door Lock Striker
		2	2, 6	L	51, 52, 54, 55, 56				
		1	3, 7	L	12, 15, 16				
3	05104428AA	1	2, 6	L	11, 12, 14, 15, 16				PLATE, Door Latch Striker
		1	2, 6	L	51, 52, 54, 55, 56				
		1	3, 7	L	12, 15, 16				
4	05104536AA	10	2, 6	L	14, 11, 12, 15, 16				RETAINER
		10	2, 6	L	51, 52, 54, 55, 56				
		10	3, 7	L	12, 15, 16				
5	05104384AA	1	2, 6	L	11, 12, 14, 15, 16				GUIDE
		1	2, 6	L	51, 52, 54, 55, 56				
		1	3, 7	L	12, 15, 16				
6	05133928AA	1	3, 7	L	12, 15, 16				ROD, Inside Handle to Latch With Standard Roof
	05133929AA	1	2, 6	L	11, 12, 14, 15, 16				With High Roof

SPRINTER (VA)

SERIES

L = LOWLINE

LINE

3 = HD DODGE 2WD
6 = Lt. Duty DODGE 4WD
2 = Med. Duty DODGE 2WD
7 = Med. Duty DODGE 4WD

BODY

55 = Wagon 140"
54 = Wagon 118"
52 = Wagon 140"
51 = Wagon 118"
12 = Van 140"
11 = Van 118"
06 = Front Section 158"
14 = Van 118"
15 = Van 140"
16 = Van 158"
56 = Wagon 158"
01 = Chassis Forward Control
118"
02 = Chassis Forward Control
140"

ENGINE

EX8 = Engine-2.7L I5
Mercedes Turbo Diesel

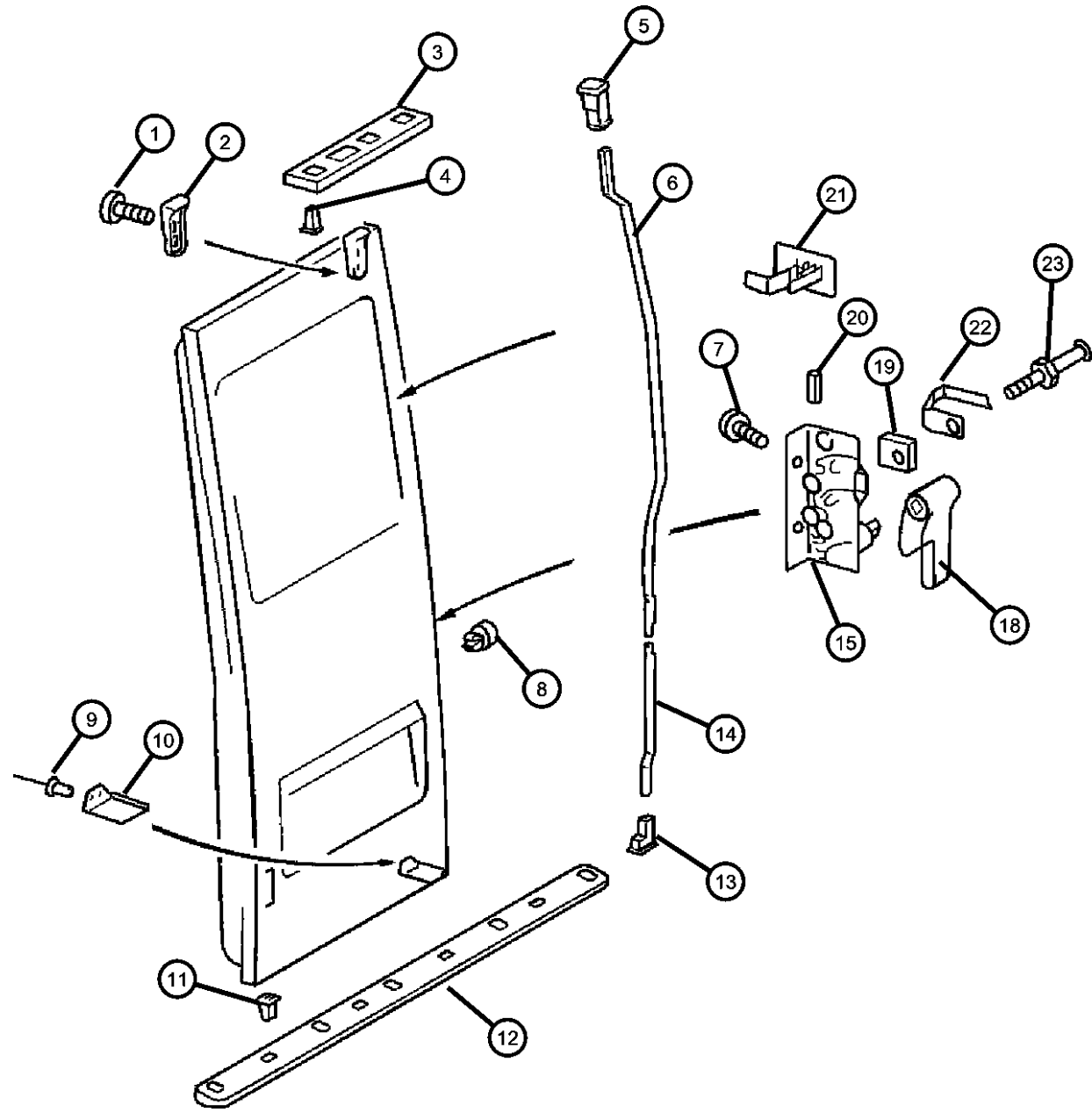
TRANSMISSION

DGJ = Transmission-5-Spd.
Automatic,W5A580

AR = use ase required - = Non illustrated part

2004 VA

**Door, Cargo Lock And Control
Figure DVA-430**



ITEM	PART NUMBER	QTY	LINE	SERIES	BODY	ENGINE	TRANS	TRIM	DESCRIPTION
		1	2, 6	L	51, 52, 54, 55, 56				With High Roof
		1	2, 6	L	11, 12, 14, 15, 16				With Standard Roof
		1	2, 6	L	51, 52, 54, 55, 56				With Standard Roof
		1	3, 7	L	12, 15, 16				With High Roof
7		1							SCREW, "ELECTRIC CHANGE-OVER VALVE TO BRACKET, M 6X12", SPRINTER, 05103722aa, (NOT SERVICED), CLIP
8	05125577AA	2	2, 6	L	11, 12, 14, 15, 16				
		2	2, 6	L	52, 51, 54, 55, 56				
		2	3, 7	L	12, 15, 16				
9	05125819AA	2	2, 6	L	11, 12, 14, 15, 16				RIVET
		2	2, 6	L	51, 52, 54, 55, 56				
		2	3, 7	L	12, 15, 16				
10	05123997AA	1	2, 6	L	11, 12, 14, 15, 16				SPACER, Door Lock Striker
		1	2, 6	L	51, 52, 54, 55, 56				
		1	3, 7	L	12, 15, 16				
11	05104536AA	10	2, 6	L	11, 12, 14, 15, 16				RETAINER
		10	2, 6	L	51, 52, 54, 55, 56				
		10	3, 7	L	12, 15, 16				

SPRINTER (VA)

SERIES

L = LOWLINE
 3 = HD DODGE 2WD
 6 = Lt. Duty DODGE 4WD
 2 = Med. Duty DODGE 2WD
 7 = Med. Duty DODGE 4WD

LINE

3 = HD DODGE 2WD
 6 = Lt. Duty DODGE 4WD
 2 = Med. Duty DODGE 2WD
 7 = Med. Duty DODGE 4WD

BODY

55 = Wagon 140"
 54 = Wagon 118"
 52 = Wagon 140"
 51 = Wagon 118"
 12 = Van 140"
 11 = Van 118"
 06 = Front Section 158"
 14 = Van 118"
 15 = Van 140"
 16 = Van 158"
 56 = Wagon 158"
 01 = Chassis Forward Control 118"
 02 = Chassis Forward Control 140"

ENGINE

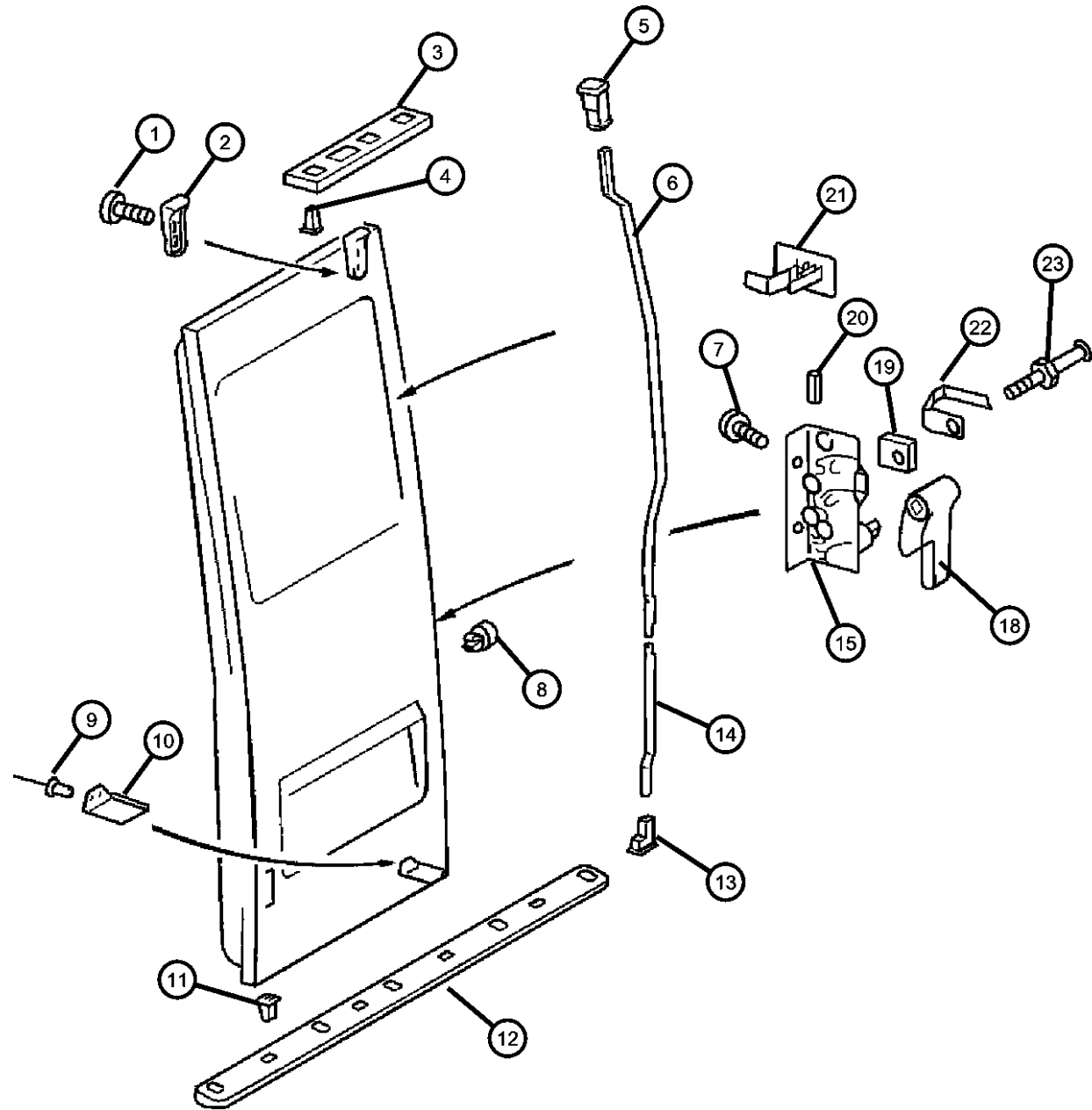
EX8 = Engine-2.7L I5
 Mercedes Turbo Diesel

TRANSMISSION

DGJ = Transmission-5-Spd. Automatic, W5A580

AR = use ase required - = Non illustrated part

**Door, Cargo Lock And Control
Figure DVA-430**



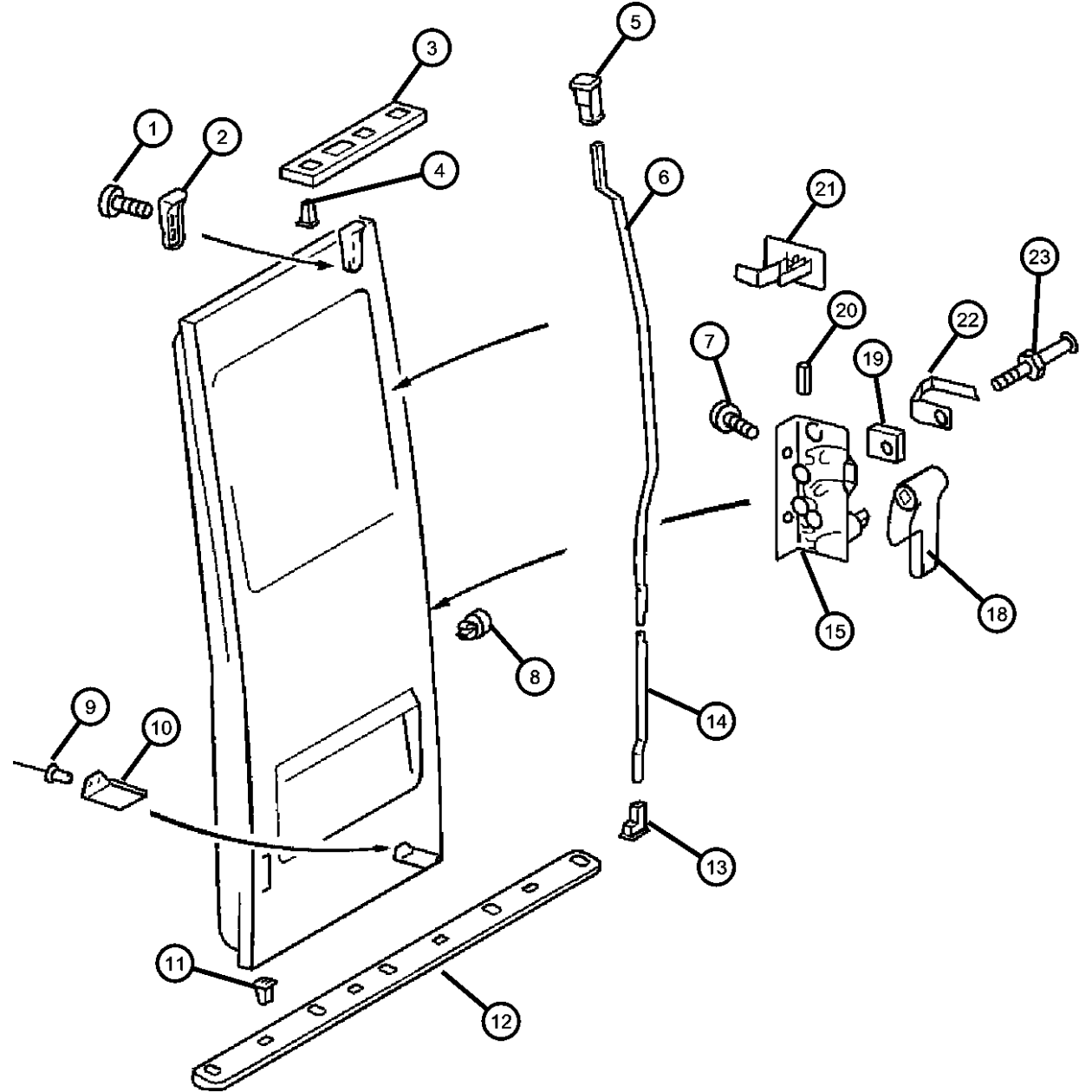
ITEM	PART NUMBER	QTY	LINE	SERIES	BODY	ENGINE	TRANS	TRIM	DESCRIPTION
12	05104425AA	1	2, 6	L	11, 12, 14, 15, 16				PLATE, Door Latch Striker
		1	2, 6	L	51, 52, 54, 55, 56				
		1	3, 7	L	12, 15, 16				
13	05103959AA	1	2, 6	L	11, 12, 14, 15, 16				GUIDE
		1	2, 6	L	51, 52, 54, 55, 56				
		1	3, 7	L	12, 15, 16				
14	05124000AA	1	2, 6	L	11, 12, 14, 15, 16				ROD, Inside Handle to Latch
		1	2, 6	L	55, 56, 51, 52, 54				
		1	3, 7	L	12, 15, 16				
15	05104368AA	1	2, 6	L	51, 52, 54, 55, 56				LOCK, Rear Cargo Door
		1	3, 7	L	12, 15, 16				
		1	2, 6	L	11, 12, 14, 15, 16				
-16	05104371AA	1	2, 6	L	11, 12, 14, 15, 16				LATCH, Rear Door
		1	2, 6	L	51, 52, 54, 55, 56				
		1	3, 7	L	12, 15, 16				
-17	05104303AA	1	2, 6	L	11, 12, 14, 15, 16				LATCH, Rear Manual Right
	05104339AA	1	2, 6	L	51, 52, 54, 55, 56				Right

SPRINTER (VA)

SERIES	LINE	BODY	ENGINE	TRANSMISSION
L = LOWLINE	3 = HD DODGE 2WD 6 = Lt. Duty DODGE 4WD 2 = Med. Duty DODGE 2WD 7 = Med. Duty DODGE 4WD	55 = Wagon 140" 54 = Wagon 118" 52 = Wagon 140" 51 = Wagon 118" 12 = Van 140" 11 = Van 118" 06 = Front Section 158" 14 = Van 118" 15 = Van 140" 16 = Van 158" 56 = Wagon 158"	EX8 = Engine-2.7L I5 Mercedes Turbo Diesel	DGJ = Transmission-5-Spd. Automatic,W5A580
		01 = Chassis Forward Control 118" 02 = Chassis Forward Control 140"		

AR = use ase required - = Non illustrated part

Door, Cargo Lock And Control Figure DVA-430



ITEM	PART NUMBER	QTY	LINE	SERIES	BODY	ENGINE	TRANS	TRIM	DESCRIPTION
18		1	3, 7	L	12, 15, 16				Right HANDLE, Inside Release
	05104383AA	1	2, 6	L	11, 12, 14, 15, 16				
		1	2, 6	L	51, 52, 54, 55, 56				
19		1	3, 7	L	12, 15, 16				NUT
	05103668AA	1	2, 6	L	11, 12, 14, 15, 16				
		1	2, 6	L	51, 52, 54, 55, 56				
20		1	3, 7	L	12, 15, 16				BUSHING
	05133930AA	1	2, 6	L	11, 12, 14, 15, 16				
		1	2, 6	L	51, 52, 54, 55, 56				
21		1	3, 7	L	16, 12, 15				GUIDE
	05104382AA	1	2, 6	L	11, 12, 14, 15, 16				
		1	2, 6	L	51, 52, 54, 55, 56				
22		1	3, 7	L	12, 15, 16				CLAMP
	05103670AA	1	2, 6	L	11, 12, 14, 15, 16				
		1	2, 6	L	51, 52, 54, 55, 56				
23		1	3, 7	L	12, 15, 16				PIN, Latch Striker
	05103669AA	1	2, 6	L	51, 52, 54, 55, 56				

SPRINTER (VA)

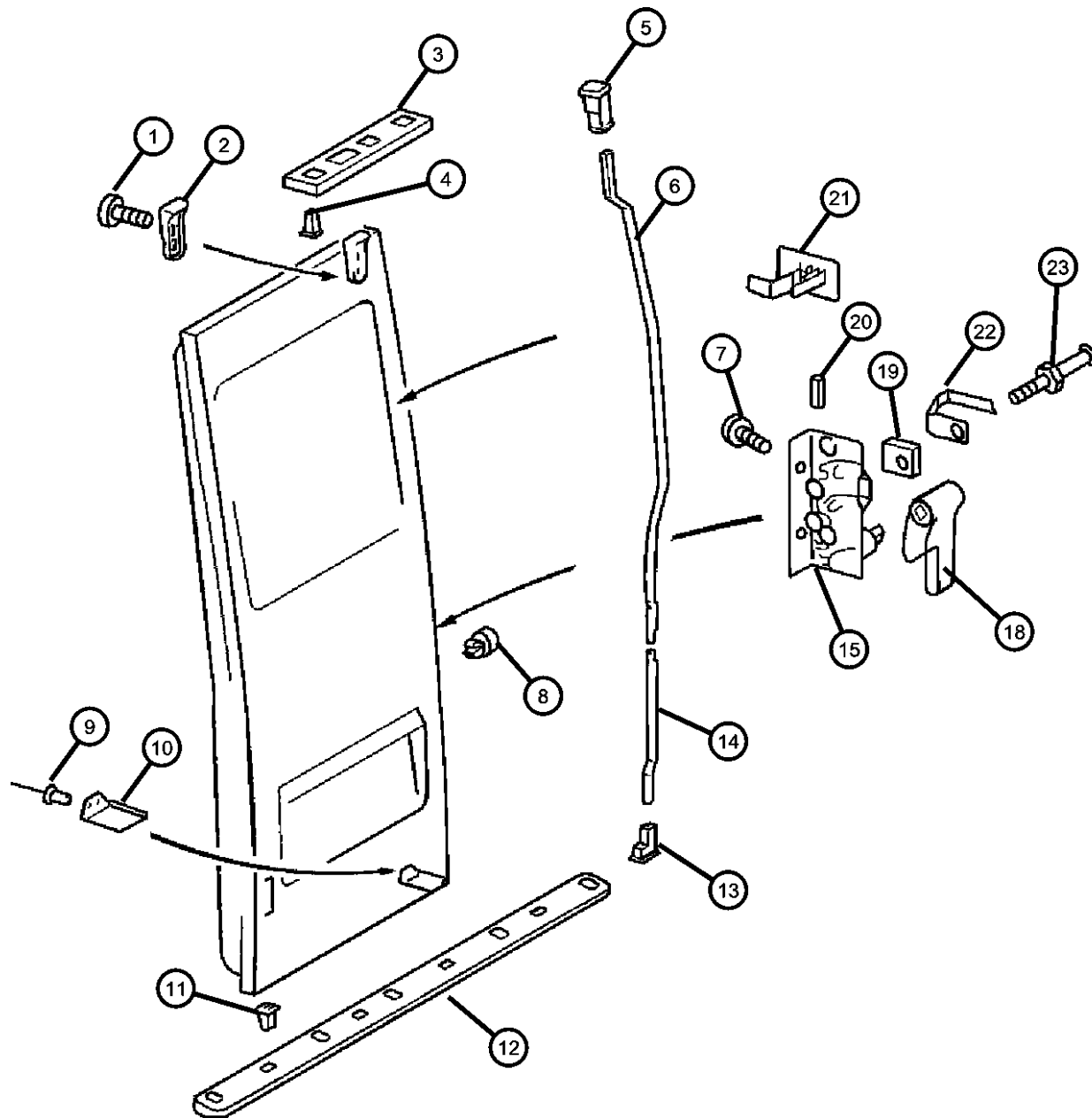
SERIES	LINE	BODY	ENGINE	TRANSMISSION
L = LOWLINE	3 = HD DODGE 2WD 6 = Lt. Duty DODGE 4WD 2 = Med. Duty DODGE 2WD 7 = Med. Duty DODGE 4WD	55 = Wagon 140" 54 = Wagon 118" 52 = Wagon 140" 51 = Wagon 118" 12 = Van 140" 11 = Van 118" 06 = Front Section 158" 14 = Van 118" 15 = Van 140" 16 = Van 158" 56 = Wagon 158"	EX8 = Engine-2.7L I5 Mercedes Turbo Diesel	DGJ = Transmission-5-Spd. Automatic, W5A580
		01 = Chassis Forward Control 118" 02 = Chassis Forward Control 140"		

AR = use ase required - = Non illustrated part

Door, Cargo Lock And Control
Figure DVA-430

ITEM	PART NUMBER	QTY	LINE	SERIES	BODY	ENGINE	TRANS	TRIM	DESCRIPTION
------	-------------	-----	------	--------	------	--------	-------	------	-------------

		1	3, 7	L	12, 15, 16				
		1	2, 6	L	11, 12, 14, 15, 16				



SPRINTER (VA)

SERIES

L = LOWLINE

LINE

3 = HD DODGE 2WD
6 = Lt. Duty DODGE 4WD
2 = Med. Duty DODGE 2WD
7 = Med. Duty DODGE 4WD

BODY

55 = Wagon 140"
54 = Wagon 118"
52 = Wagon 140"
51 = Wagon 118"
12 = Van 140"
11 = Van 118"
06 = Front Section 158"
14 = Van 118"
15 = Van 140"
16 = Van 158"
56 = Wagon 158"
01 = Chassis Forward Control
118"
02 = Chassis Forward Control
140"

ENGINE

EX8 = Engine-2.7L I5
Mercedes Turbo Diesel

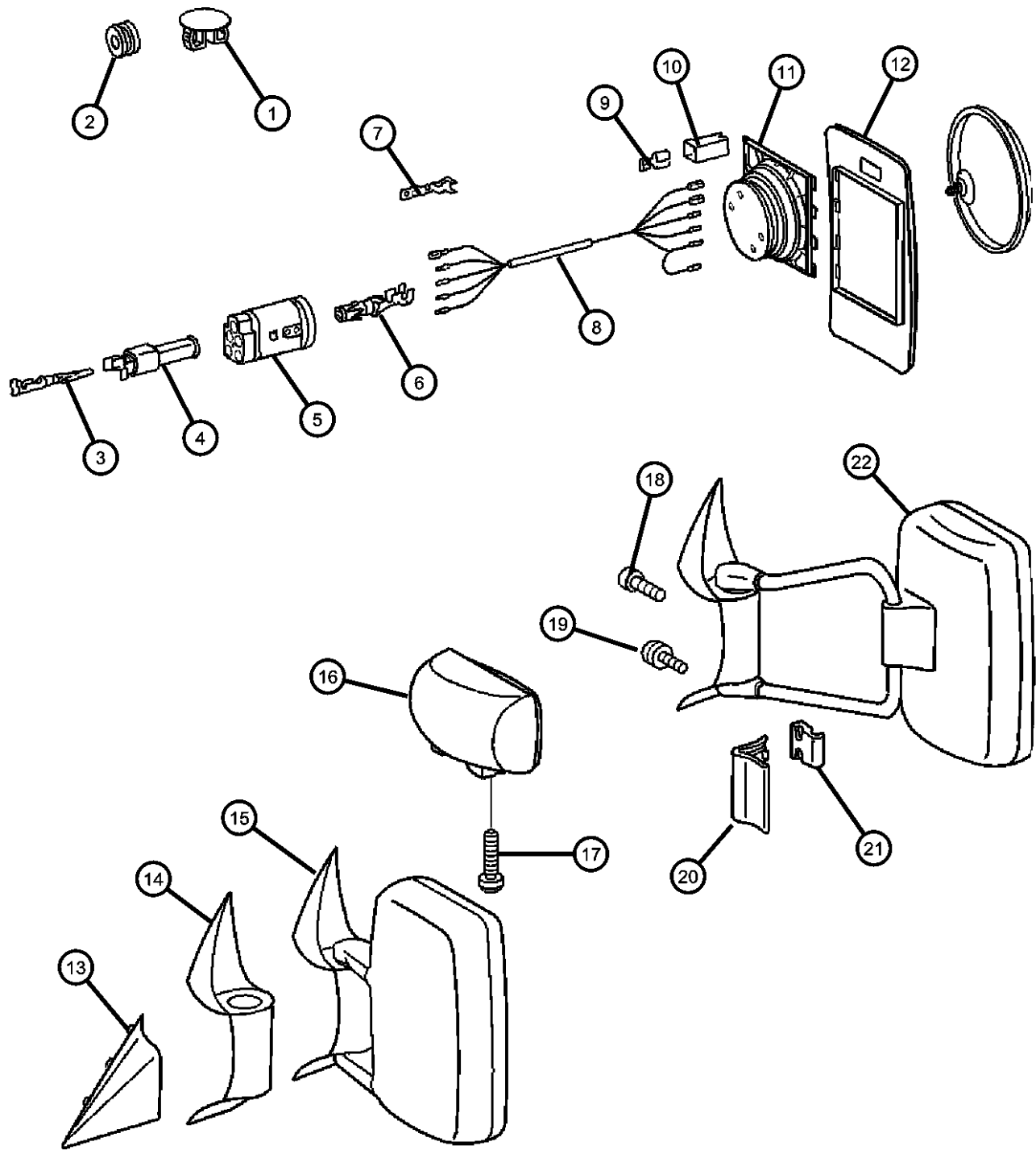
TRANSMISSION

DGJ = Transmission-5-Spd.
Automatic,W5A580

AR = use ase required - = Non illustrated part

2004 VA

Mirrors, Exterior
Figure DVA-520



ITEM	PART NUMBER	QTY	LINE	SERIES	BODY	ENGINE	TRANS	TRIM	DESCRIPTION
1	05104032AA	1	3, 7	L	12, 15, 16				PLUG
		1	2, 6	L	11, 12, 14, 15, 16				
		1	2, 6	L	51, 52, 54, 55, 56				
2	05125929AA	1	2, 6	L	11, 12, 14, 15, 16				GROMMET
		1	3, 7	L	12, 15, 16				
		1	2, 6	L	51, 52, 54, 55, 56				
3	05133367AA	1	2, 6	L	51, 52, 54, 55, 56				PLUG
4	05120744AA	1	2, 6	L	11, 12, 14, 15, 16				CONNECTOR
		1	2, 6	L	51, 52, 54, 55, 56				
		1	3, 7	L	12, 15, 16				
5	05133508AA	1	2, 6	L	11, 12, 14, 15, 16				PLUG
		1	2, 6	L	51, 52, 54, 55, 56				
		1	3, 7	L	12, 15, 16				
6	05133509AA	5	3, 7	L	12, 15, 16				TERMINAL
		5	2, 6	L	11, 12, 14, 15, 16				
		5	2, 6	L	51, 52, 54, 55, 56				
7	05133377AA	99	2, 6	L	01, 02, 06				TERMINAL, Male

SPRINTER (VA)

SERIES

L = LOWLINE

LINE

3 = HD DODGE 2WD
6 = Lt. Duty DODGE 4WD
2 = Med. Duty DODGE 2WD
7 = Med. Duty DODGE 4WD

BODY

55 = Wagon 140"
54 = Wagon 118"
52 = Wagon 140"
51 = Wagon 118"
12 = Van 140"
11 = Van 118"
06 = Front Section 158"
14 = Van 118"
15 = Van 140"
16 = Van 158"
56 = Wagon 158"
01 = Chassis Forward Control 118"
02 = Chassis Forward Control 140"

ENGINE

EX8 = Engine-2.7L I5
Mercedes Turbo Diesel

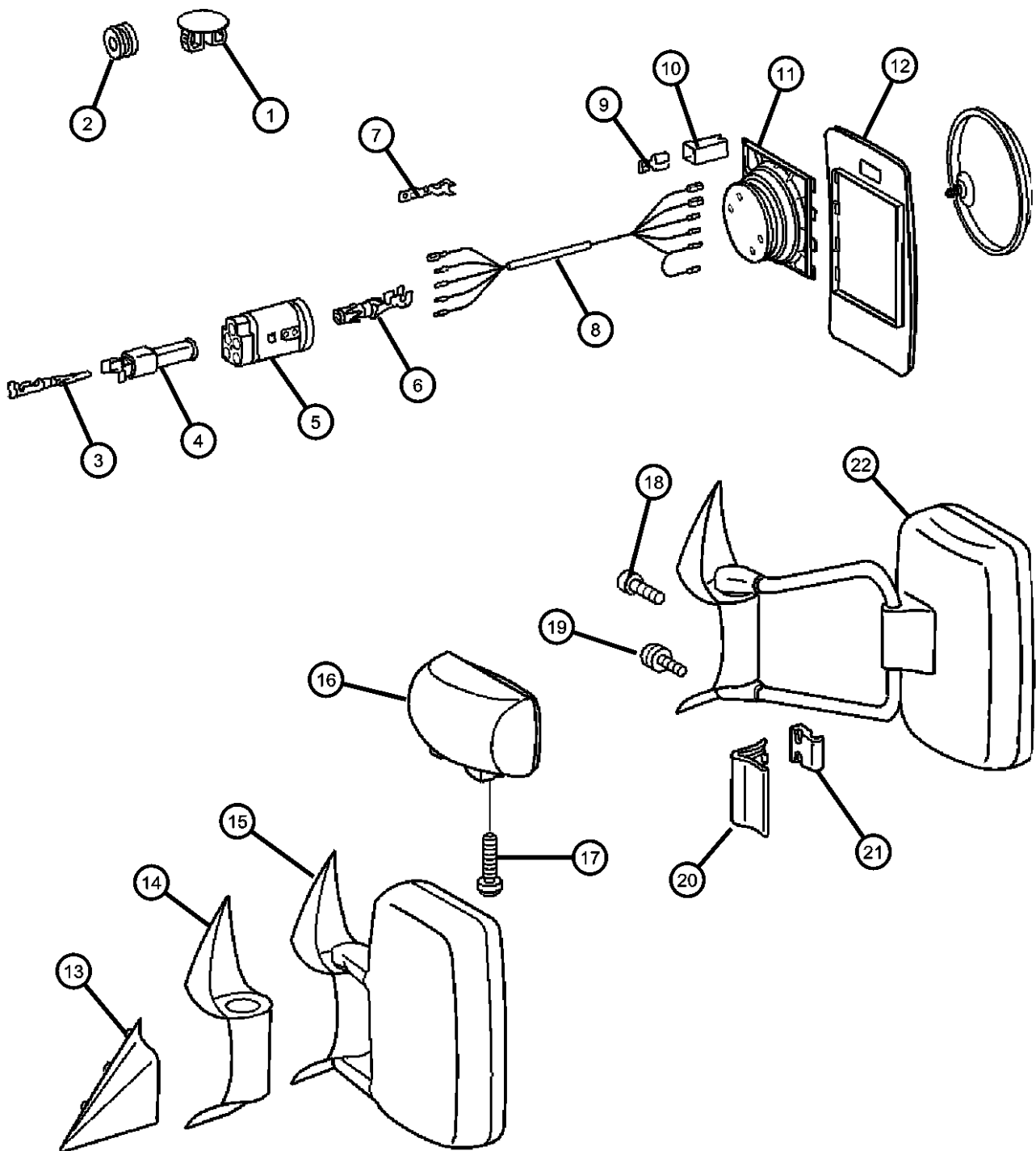
TRANSMISSION

DGJ = Transmission-5-Spd. Automatic, W5A580

AR = use ase required - = Non illustrated part

2004 VA

Mirrors, Exterior
Figure DVA-520



ITEM	PART NUMBER	QTY	LINE	SERIES	BODY	ENGINE	TRANS	TRIM	DESCRIPTION
		99	2, 6	L	11, 12, 14, 15, 16				
		99	2, 6	L	51, 52, 54, 55, 56				
		99	3, 7	L	12, 15, 16				
8	05133502AA	1	2, 6	L	51, 52, 54, 55, 56				WIRING, Mirror Jumper
		1	3, 7	L	12, 15, 16				
	05133503AA	1	2, 6	L	11, 12, 14, 15, 16				[4E9,4XL]
		1	2, 6	L	51, 52, 54, 55, 56				[4E9,4XL]
9	05133367AA	1	2, 6	L	11, 12, 14, 15, 16				PLUG
		1	2, 6	L	51, 52, 54, 55, 56				
		1	3, 7	L	12, 15, 16				
10	05133504AA	1	2, 6	L	51, 52, 54, 55, 56				TERMINAL
		1	3, 7	L	12, 15, 16				
		1	2, 6	L	11, 12, 14, 15, 16				
11	05133505AA	1	2, 6	L	11, 12, 14, 15, 16				MOTOR, Electric
		1	2, 6	L	51, 52, 54, 55, 56				
		1	3, 7	L	12, 15, 16				
12	05103757AA	1	2, 6	L	01, 02, 06				GLASS, Mirror Replacement Right

SPRINTER (VA)

SERIES

L = LOWLINE

LINE

3 = HD DODGE 2WD
6 = Lt. Duty DODGE 4WD
2 = Med. Duty DODGE 2WD
7 = Med. Duty DODGE 4WD

BODY

55 = Wagon 140"
54 = Wagon 118"
52 = Wagon 140"
51 = Wagon 118"
12 = Van 140"
11 = Van 118"
06 = Front Section 158"
14 = Van 118"
15 = Van 140"
16 = Van 158"
56 = Wagon 158"
01 = Chassis Forward Control 118"
02 = Chassis Forward Control 140"

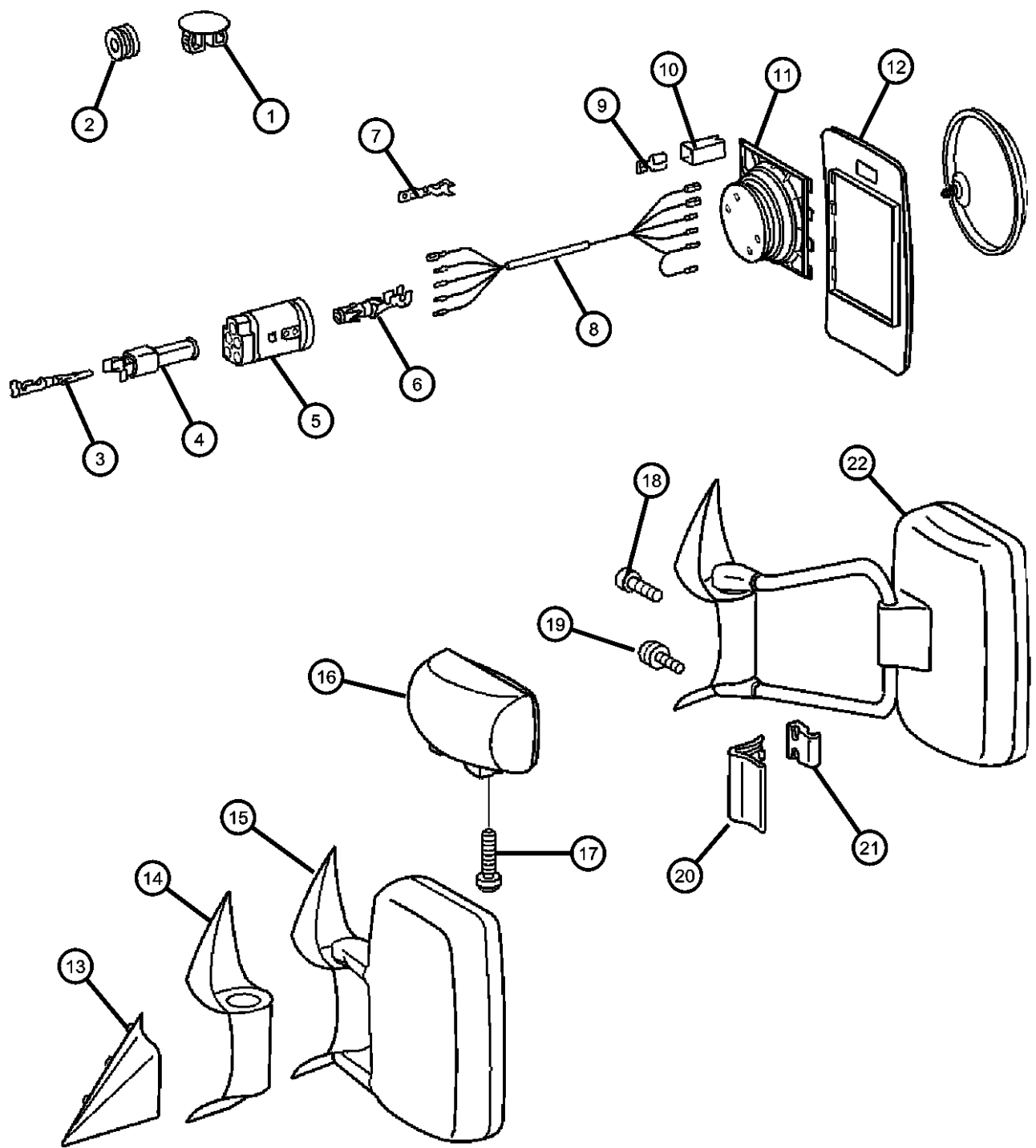
ENGINE

EX8 = Engine-2.7L I5
Mercedes Turbo Diesel

TRANSMISSION

DGJ = Transmission-5-Spd. Automatic,W5A580

Mirrors, Exterior Figure DVA-520

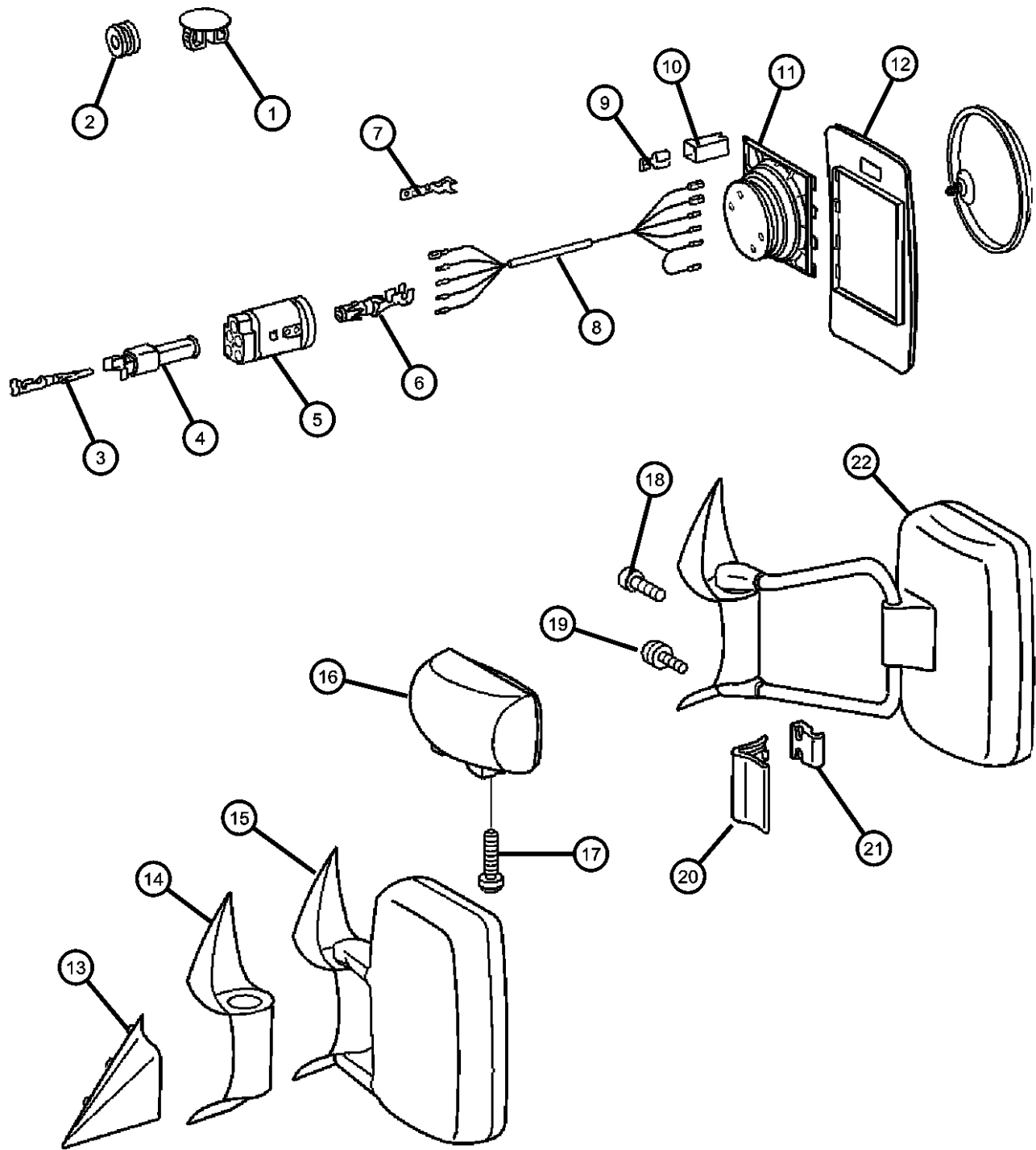


ITEM	PART NUMBER	QTY	LINE	SERIES	BODY	ENGINE	TRANS	TRIM	DESCRIPTION
		1	2, 6	L	11, 12, 14, 15, 16				Right
		1	2, 6	L	51, 52, 54, 55, 56				Right
	05103758AA	1	2, 6	L	11, 12, 14, 15, 16				Left
		1	2, 6	L	51, 52, 54, 55, 56				Left
13		1	3, 7	L	12, 15, 16				Left
	05104444AA	1	2, 6	L	11, 12, 14, 15, 16				COVER, Mirror Flag Left
	05104445AA	1	2, 6	L	11, 12, 14, 15, 16				Right
14		1	2, 6	L	01, 02, 06				COVER, Mirror Flag Left
		1	2, 6	L	11, 12, 14, 15, 16				Left
		1	2, 6	L	51, 52, 54, 55, 56				Left
	05133499AA	1	3, 7	L	12, 15, 16				Left
		1	2, 6	L	11, 12, 14, 15, 16				Right
		1	2, 6	L	51, 52, 54, 55, 56				Right
15		1	3, 7	L	12, 15, 16				Right
	05104440AA	1	2, 6	L	01, 02, 06				MIRROR, Outside Rearview [GTC], Left
		1	2, 6	L	11, 12, 14, 15, 16				[GTC], Left
		1	2, 6	L	51, 52, 54, 55, 56				[GTC], Left
	05104441AA	1	2, 6	L	01, 02, 06				[GTC], Right
		1	2, 6	L	11, 12, 14, 15, 16				[GTC], Right

- SPRINTER (VA)**
- SERIES LINE BODY ENGINE TRANSMISSION
- L = LOWLINE 3 = HD DODGE 2WD 55 = Wagon 140" EX8 = Engine-2.7L I5 DGJ = Transmission-5-Spd.
 6 = Lt. Duty DODGE 4WD 54 = Wagon 118" Mercedes Turbo Diesel Automatic,W5A580
 2 = Med. Duty DODGE 2WD
 7 = Med. Duty DODGE 4WD
- 52 = Wagon 140"
 51 = Wagon 118"
 12 = Van 140"
 11 = Van 118"
 06 = Front Section 158"
 14 = Van 118"
 15 = Van 140"
 16 = Van 158"
 56 = Wagon 158"
 01 = Chassis Forward Control
 118"
 02 = Chassis Forward Control
 140"

AR = use ase required - = Non illustrated part

Mirrors, Exterior
Figure DVA-520



ITEM	PART NUMBER	QTY	LINE	SERIES	BODY	ENGINE	TRANS	TRIM	DESCRIPTION
		1	2, 6	L	51, 52, 54, 55, 56				[GTC], Right
		1	3, 7	L	12, 15, 16				[GTC], Right
	05124184AA	1	2, 6	L	01, 02, 06				[GTB], Left
		1	3, 7	L	12, 15, 16				[GTC], Left
		1	3, 7	L	12, 15, 16				[GTB], Left
	05124196AA	1	2, 6	L	01, 02, 06				[GTB], Right
		1	2, 6	L	11, 12, 14, 15, 16				[GTB], Right
		1	2, 6	L	51, 52, 54, 55, 56				[GTB], Right
		1	3, 7	L	02, 06				[GTB], Right
		1	3, 7	L	12, 15, 16				[GTB], Right
	05140544AA	1	2, 6	L	01, 02, 06				[GYB]
		1	2, 6	L	11, 12, 14, 15, 16				[GYB]
		1	2, 6	L	11, 12, 14, 15, 16				[GTB], Left
		1	2, 6	L	51, 52, 54, 55, 56				[GTB], Left
		1	3, 7	L	02, 06				[GTB], Left
		1	3, 7	L	02, 06				[GYB]
		1	3, 7	L	12, 15, 16				[GYB]
16									MIRROR, Outside Rearview
	05103592AA	1	2, 6	L	11, 12, 14, 15, 16				Left
		1	2, 6	L	51, 52, 54, 55, 56				Left
		1	3, 7	L	12, 15, 16				Left
	05103593AA	1	2, 6	L	11, 12, 14, 15, 16				Right
		1	2, 6	L	51, 52, 54, 55, 56				Right

SPRINTER (VA)

SERIES

L = LOWLINE
 3 = HD DODGE 2WD
 6 = Lt. Duty DODGE 4WD
 2 = Med. Duty DODGE 2WD
 7 = Med. Duty DODGE 4WD

LINE

BODY

55 = Wagon 140"
 54 = Wagon 118"
 52 = Wagon 140"
 51 = Wagon 118"
 12 = Van 140"
 11 = Van 118"
 06 = Front Section 158"
 14 = Van 118"
 15 = Van 140"
 16 = Van 158"
 56 = Wagon 158"
 01 = Chassis Forward Control 118"
 02 = Chassis Forward Control 140"

ENGINE

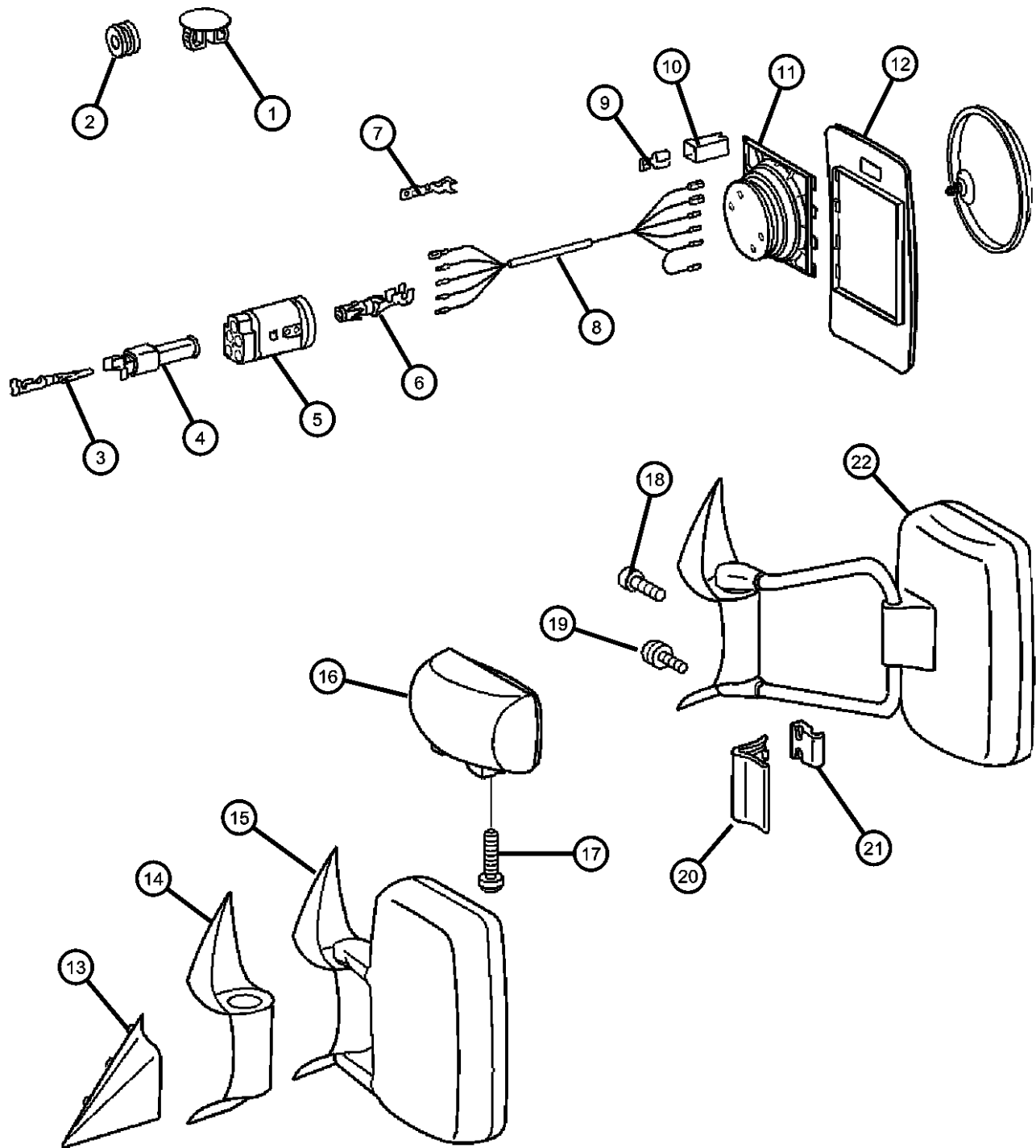
EX8 = Engine-2.7L I5
 Mercedes Turbo Diesel

TRANSMISSION

DGJ = Transmission-5-Spd. Automatic, W5A580

AR = use ase required - = Non illustrated part

Mirrors, Exterior
Figure DVA-520



ITEM	PART NUMBER	QTY	LINE	SERIES	BODY	ENGINE	TRANS	TRIM	DESCRIPTION
17	05133507AA	1	3, 7	L	12, 15, 16				Right SCREW
18	05125420AA	1	2, 6	L	01, 02, 06				BOLT, Torx
		1	2, 6	L	11, 12, 14, 15, 16				
		1	2, 6	L	51, 52, 54, 55, 56				SCREW
19	05104610AA	2	2, 6	L	51, 52, 54, 55, 56				
		2	2, 6	L	11, 12, 14, 15, 16				
		2	3, 7	L	12, 15, 16				COVER, Mirror Flag
20	05103675AA	1	2, 6	L	01, 02, 06				
		1	2, 6	L	11, 12, 14, 15, 16				
		1	2, 6	L	51, 52, 54, 55, 56				
		1	3, 7	L	12, 15, 16				CLAMP
21	05133500AA	2	2, 6	L	51, 52, 54, 55, 56				
		2	3, 7	L	12, 15, 16				
		2	2, 6	L	01, 02, 06				
		2	2, 6	L	11, 12, 14, 15, 16				
22	05103594AA	1	2, 6	L	01, 02, 06				MIRROR, Outside Rearview [XZD+4XS] Or [XZD+4XS], Left
		1	3, 7	L	02, 06				[XZD+4XS] Or [XZD+4XS], Left
	05124233AA	1	3, 7	L	02, 06				[GTB+XZD+4XS] Or [GTB+XZD+4XS], Left

SPRINTER (VA)

SERIES LINE
L = LOWLINE 3 = HD DODGE 2WD
 6 = Lt. Duty DODGE 4WD
 2 = Med. Duty DODGE 2WD
 7 = Med. Duty DODGE 4WD

BODY
55 = Wagon 140"
54 = Wagon 118"
52 = Wagon 140"
51 = Wagon 118"
12 = Van 140"
11 = Van 118"
06 = Front Section 158"
14 = Van 118"
15 = Van 140"
16 = Van 158"
56 = Wagon 158"
01 = Chassis Forward Control
118"
02 = Chassis Forward Control
140"

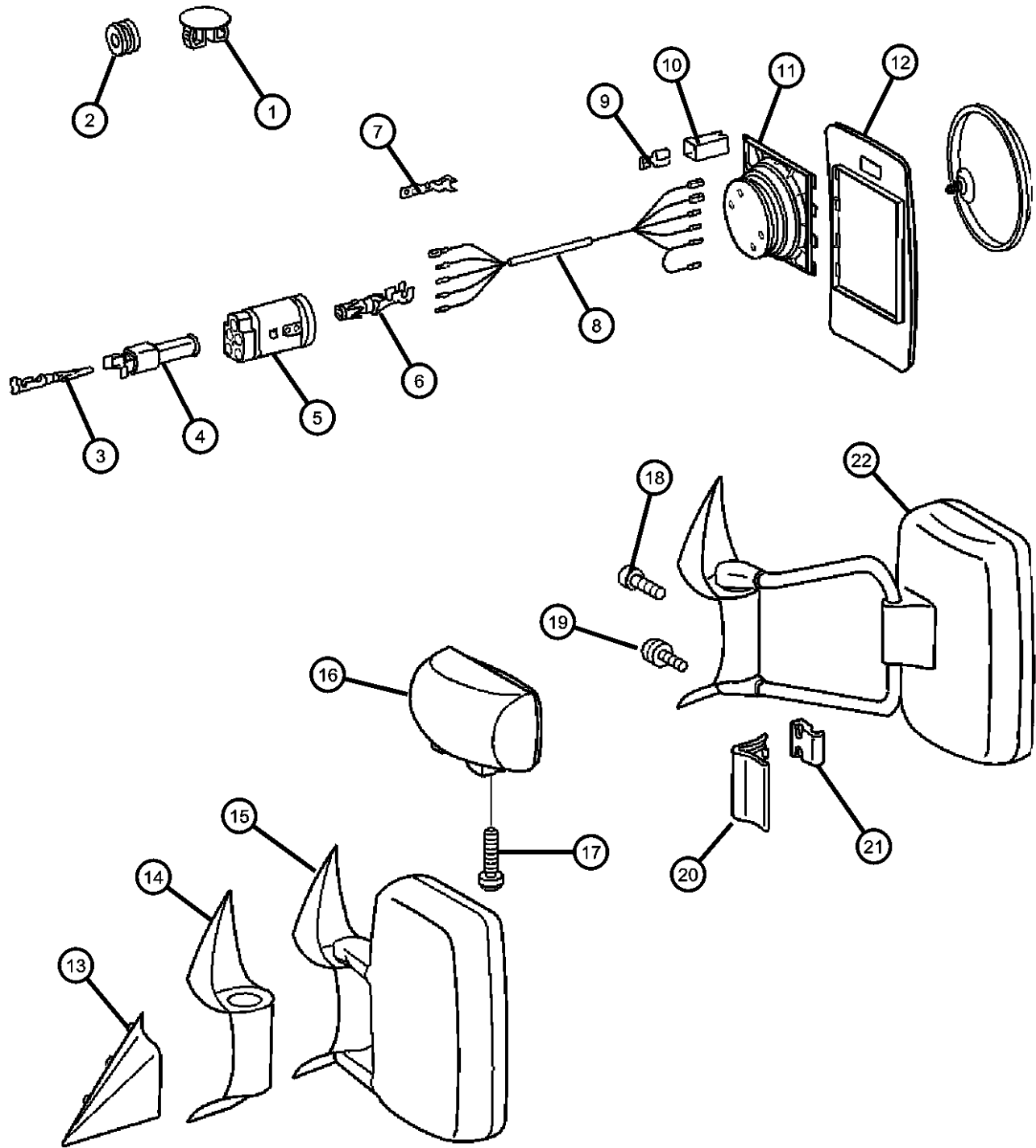
ENGINE
EX8 = Engine-2.7L I5
Mercedes Turbo Diesel

TRANSMISSION
DGJ = Transmission-5-Spd.
Automatic,W5A580

AR = use ase required - = Non illustrated part

2004 VA

Mirrors, Exterior
Figure DVA-520



ITEM	PART NUMBER	QTY	LINE	SERIES	BODY	ENGINE	TRANS	TRIM	DESCRIPTION
	05124235AA	1	2, 6	L	01, 02, 06				[GTB+XZD+4XS] Or
	05103595AA	1	2, 6	L	01, 02, 06				[GTB+XZD+4XS], Right
		1	3, 7	L	02, 06				[XZD+4XS] Or [XZD+4XS], Right
		1	2, 6	L	01, 02, 06				[GTB+XZD+4XS] Or
		1	3, 7	L	02, 06				[GTB+XZD+4XS], Left
	05124237AA	1	2, 6	L	01, 02, 06				[GTB+XZD+4XS] Or
		1	3, 7	L	02, 06				[GTB+XZD+4XS], Right
	05124239AA	1	2, 6	L	01, 02, 06				[XZE+4XS] Or [XZE+4XS], Left
		1	3, 7	L	02, 06				[XZE+4XS] Or [XZE+4XS], Right
	05124241AA	1	2, 6	L	01, 02, 06				[GTB+XZE+4XS] Or
		1	3, 7	L	02, 06				[GTB+XZE+4XS], Left
	05124243AA	1	2, 6	L	01, 02, 06				[GTB+XZE+4XS] Or
		1	3, 7	L	02, 06				[GTB+XZE+4XS], Right
	05124251AA	1	2, 6	L	01, 02, 06				[GTB+XZE+4XS] Or
		1	2, 6	L	11, 12, 14, 15, 16				[GTB+XZE+4XS], Right
		1	2, 6	L	51, 52, 54, 55, 56				[LEG+GTB]+[4Z1,4XS]+[4E9], Left
	05124255AA	1	2, 6	L	11, 12, 14, 15, 16				[LEG+GTB]+[4Z1,4XS]+[4E9], Right
		1	2, 6	L	51, 52, 54, 55, 56				[LEG+GTB]+[4Z1,4XS]+[4E9], Right
		1	3, 7	L	12, 15, 16				[LEG+GTB]+[4Z1,4XS], Left
		1	2, 6	L	01, 02, 06				[LEG+GTB]+[4Z1,4XS]+[4E9], Right
	05124259AA	1	3, 7	L	12, 15, 16				[LEG-GTB]+[4Z1,4XS], Left
	05124261AA	1	2, 6	L	01, 02, 06				[LEG-GTB]+[4Z1,4XS]+[4E9], Right

SPRINTER (VA)

SERIES

L = LOWLINE
 3 = HD DODGE 2WD
 6 = Lt. Duty DODGE 4WD
 2 = Med. Duty DODGE 2WD
 7 = Med. Duty DODGE 4WD

LINE

BODY

55 = Wagon 140"
 54 = Wagon 118"
 52 = Wagon 140"
 51 = Wagon 118"
 12 = Van 140"
 11 = Van 118"
 06 = Front Section 158"
 14 = Van 118"
 15 = Van 140"
 16 = Van 158"
 56 = Wagon 158"
 01 = Chassis Forward Control 118"
 02 = Chassis Forward Control 140"

ENGINE

EX8 = Engine-2.7L I5
 Mercedes Turbo Diesel

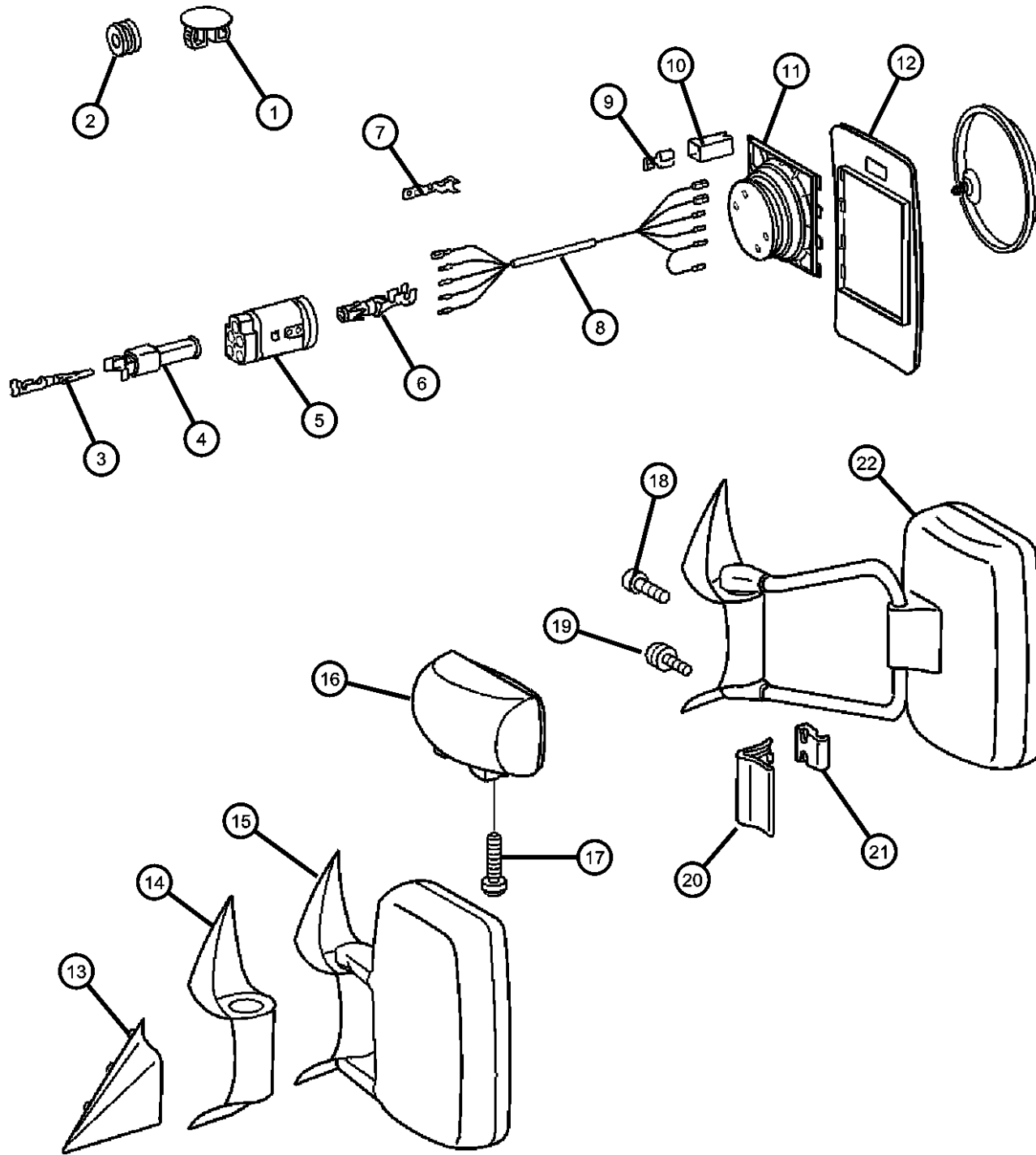
TRANSMISSION

DGJ = Transmission-5-Spd. Automatic,W5A580

AR = use ase required - = Non illustrated part

2004 VA

Mirrors, Exterior
Figure DVA-520



ITEM	PART NUMBER	QTY	LINE	SERIES	BODY	ENGINE	TRANS	TRIM	DESCRIPTION
		1	3, 7	L	12, 15, 16				[LEG+GTB]+[4Z1,4XS], Right
		1	2, 6	L	01, 02, 06				[LEG-GTB]+[4Z1,4XS]+[4E9], Left
		1	2, 6	L	11, 12, 14, 15, 16				[LEG-GTB]+[4Z1,4XS]+[4E9], Left
		1	2, 6	L	51, 52, 54, 55, 56				[LEG-GTB]+[4Z1,4XS]+[4E9], Left
		1	2, 6	L	11, 12, 14, 15, 16				[LEG-GTB]+[4Z1,4XS]+[4E9], Right
		1	2, 6	L	51, 52, 54, 55, 56				[LEG-GTB]+[4Z1,4XS]+[4E9], Right
		1	3, 7	L	12, 15, 16				[LEG-GTB]+[4Z1,4XS], Right

SPRINTER (VA)

SERIES	LINE	BODY	ENGINE	TRANSMISSION
L = LOWLINE	3 = HD DODGE 2WD 6 = Lt. Duty DODGE 4WD 2 = Med. Duty DODGE 2WD 7 = Med. Duty DODGE 4WD	55 = Wagon 140" 54 = Wagon 118" 52 = Wagon 140" 51 = Wagon 118" 12 = Van 140" 11 = Van 118" 06 = Front Section 158" 14 = Van 118" 15 = Van 140" 16 = Van 158" 56 = Wagon 158"	EX8 = Engine-2.7L I5 Mercedes Turbo Diesel	DGJ = Transmission-5-Spd. Automatic, W5A580
		01 = Chassis Forward Control 118" 02 = Chassis Forward Control 140"		

AR = use ase required - = Non illustrated part

Group - EVA

Exterior Ornamentation

Group - EVA Exterior Ornamentation

Group-Fig. No.

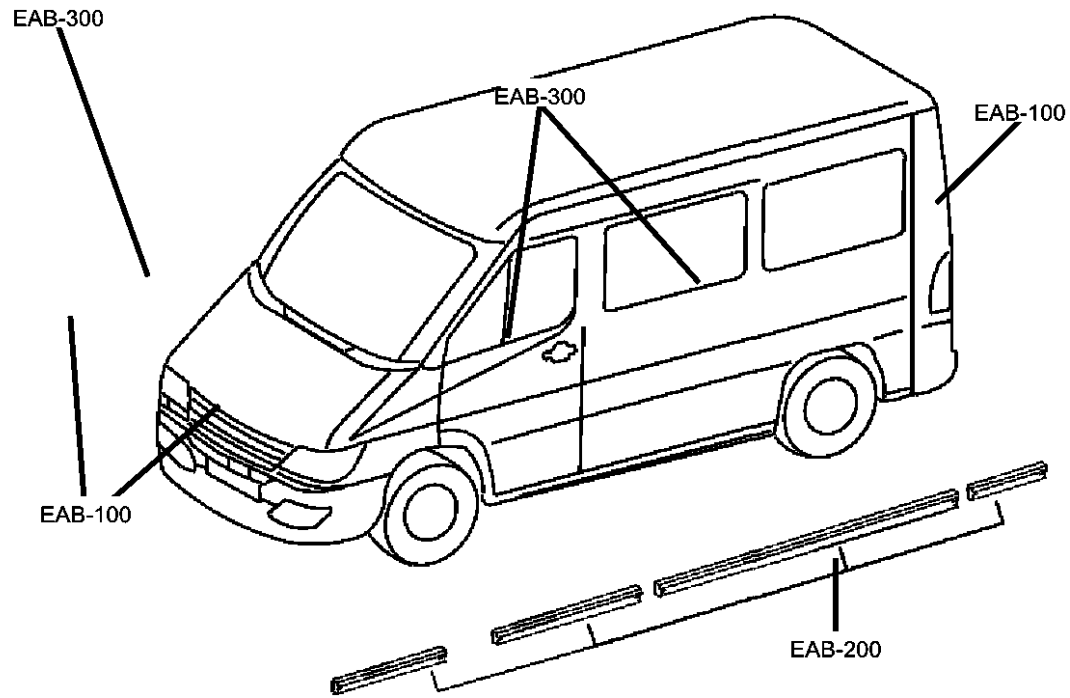
Illustration Title

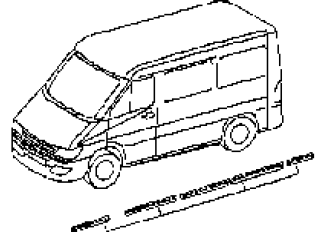
Nameplates

Nameplates And DecalsFig. EVA - 120

Moldings and Ornamentation

Exterior Moldings.....Fig. EVA - 210

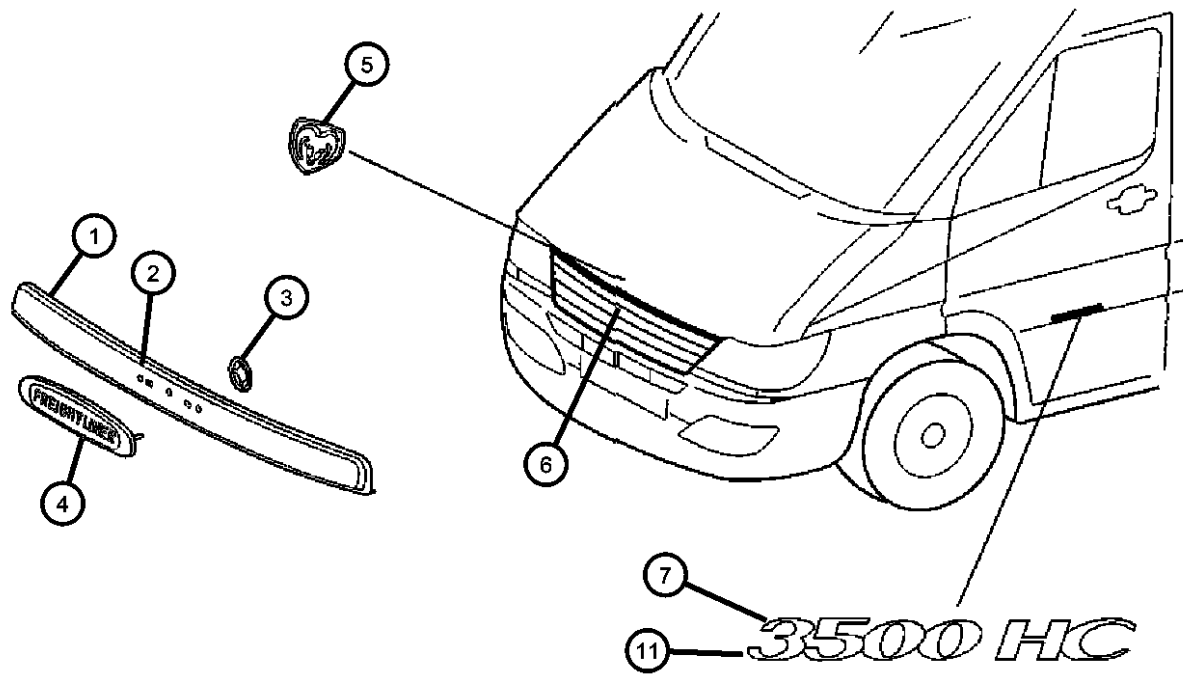


<p>EVA-100 Nameplates</p> <p><i>3500 HC</i></p>	<p>EVA-200 Moldings and Ornamentation</p> 		
--	--	--	--

**Nameplates And Decals
Figure EVA-120**

ITEM	PART NUMBER	QTY	LINE	SERIES	BODY	ENGINE	TRANS	TRIM	DESCRIPTION
------	-------------	-----	------	--------	------	--------	-------	------	-------------

NOTE:For [Dodge Sprinter] Applications Dealer Must Remove The ['Ram'] Portion Of The Name Plate Prior To Instalation On The Vehicle.
[Sprinter] Is Identified As A [2500, 3500] Not [Ram 2500, Ram 3500].
Line Code [2 & 3] Are For [Dodge Sprinter] Only
Line Code [6 & 7] Are For [Freightliner Sprinter] Only
Sales Codes:



1									MOLDING, Hood, DODGE
	05114372AA	1	2	L	01, 02, 06				
		1	2	L	11, 12, 14, 15, 16				
		1	2	L	51, 52, 54, 55, 56				
		1	3	L	02, 06				
		1	3	L	12, 15, 16				
2									MOLDING, Hood, FREIGHTLINER
	05104400AA	1	6	L	11, 12, 14, 15, 16				
		1	6	L	51, 52, 54, 55, 56				
		1	7	L	12, 15, 16				
3									RETAINER, Hood Ornament
	05096429AA	2	2, 6	L	11, 12, 14, 15, 16				
		2	2, 6	L	51, 52, 54, 55, 56				
		2	2, 6	L	01, 02, 06				
		2	3, 7	L	02, 06				
		2	3, 7	L	12, 15, 16				
4									NAMEPLATE, Hood
	05104449AA	1	6	L	01, 02, 06				
		1	6	L	11, 12, 14, 15, 16				
		1	6	L	51, 52, 54, 55, 56				
		1	7	L	12, 15, 16				

SPRINTER (VA)

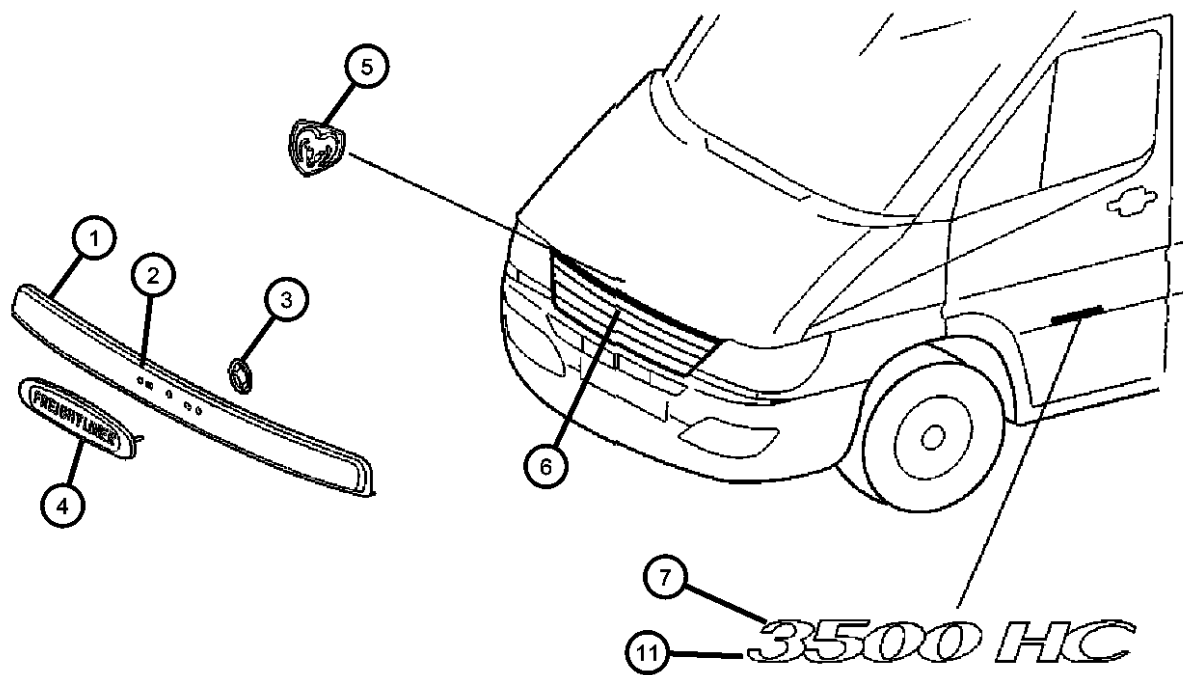
SERIES	LINE	BODY	ENGINE	TRANSMISSION
L = LOWLINE	3 = HD DODGE 2WD 6 = Lt. Duty DODGE 4WD 2 = Med. Duty DODGE 2WD 7 = Med. Duty DODGE 4WD	55 = Wagon 140" 54 = Wagon 118" 52 = Wagon 140" 51 = Wagon 118" 12 = Van 140" 11 = Van 118" 06 = Front Section 158" 14 = Van 118" 15 = Van 140" 16 = Van 158" 56 = Wagon 158"	EX8 = Engine-2.7L I5 Mercedes Turbo Diesel	DGJ = Transmission-5-Spd. Automatic,W5A580
		01 = Chassis Forward Control 118" 02 = Chassis Forward Control 140"		

AR = use ase required - = Non illustrated part

2004 VA

**Nameplates And Decals
Figure EVA-120**

ITEM	PART NUMBER	QTY	LINE	SERIES	BODY	ENGINE	TRANS	TRIM	DESCRIPTION
5									MEDALLION, Ram Head
	52851538AA	1	2	L	01, 02, 06				
		1	2	L	11, 12, 14, 15, 16				
		1	2	L	51, 52, 54, 55, 56				
		1	3	L	02, 06				
		1	3	L	12, 15, 16				
6		1							GRILLE, Radiator, See Group 7, (NOT SERVICED)
7									NAMEPLATE
	05124314AA	2	7	L	12, 15, 16				[3500 SHC] With [MWJ + MGQ]
	05124315AA	2	7	L	12, 15, 16				[3500 HC] With [MGQ]
	05124316AA	2	7	L	02, 06				[3500 C] With [MGQ]
	05132136AA	2	6	L	51, 52, 54, 55, 56				[2500 SHC] With [MWJ + MGQ]
	05132137AA	2	6	L	11, 12				[2500 HC] With MGQ]
-8									NAMEPLATE, Rear Door
	05104454AA	1	2, 6	L	51, 52, 54, 55, 56				SPRINTER
		1	3, 7	L	12, 15, 16				SPRINTER
-9									NAMEPLATE, Dodge
	55077300AA	1	2	L	01, 02, 06				Rear Door
		1	2	L	11, 12, 14, 15, 16				Rear Door
		1	2	L	51, 52, 54, 55, 56				Rear Door
		1	3	L	02, 06				Rear Door
		1	3	L	12, 15, 16				Rear Door
-10									NAMEPLATE, Powered By Mercedes
	05124317AA	2	6	L	01, 02, 06				[MGQ]



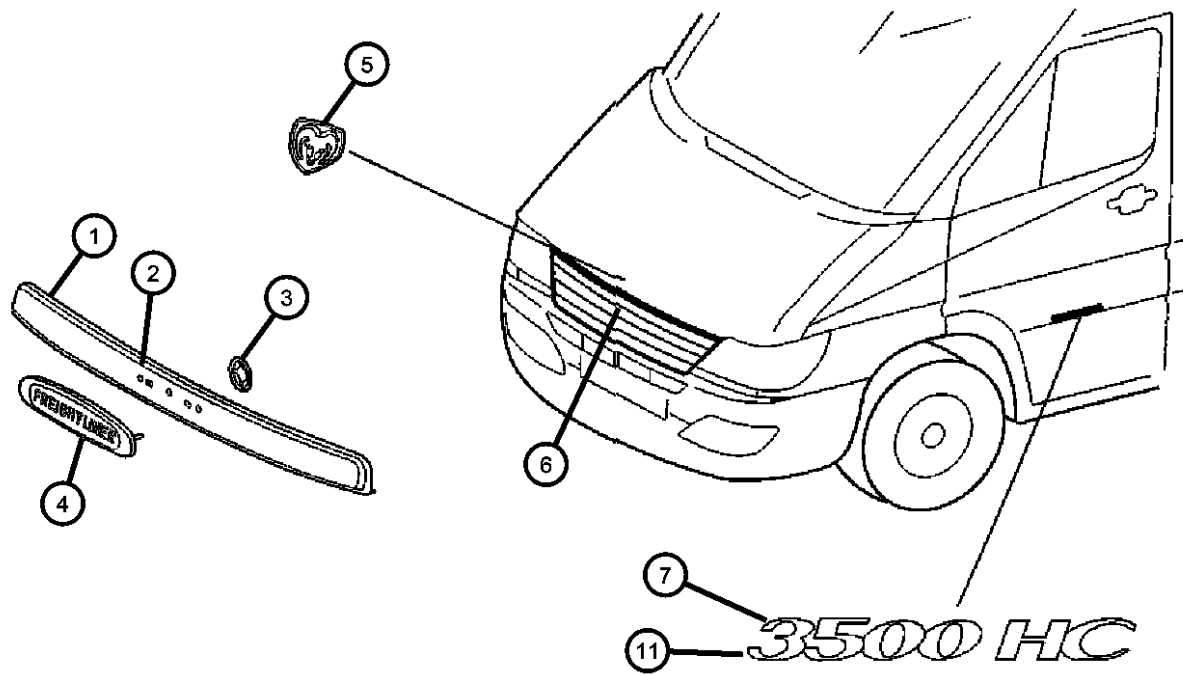
SPRINTER (VA)

SERIES	LINE	BODY	ENGINE	TRANSMISSION
L = LOWLINE	3 = HD DODGE 2WD 6 = Lt. Duty DODGE 4WD 2 = Med. Duty DODGE 2WD 7 = Med. Duty DODGE 4WD	55 = Wagon 140" 54 = Wagon 118" 52 = Wagon 140" 51 = Wagon 118" 12 = Van 140" 11 = Van 118" 06 = Front Section 158" 14 = Van 118" 15 = Van 140" 16 = Van 158" 56 = Wagon 158" 01 = Chassis Forward Control 118" 02 = Chassis Forward Control 140"	EX8 = Engine-2.7L I5 Mercedes Turbo Diesel	DGJ = Transmission-5-Spd. Automatic, W5A580

AR = use ase required - = Non illustrated part

**Nameplates And Decals
Figure EVA-120**

ITEM	PART NUMBER	QTY	LINE	SERIES	BODY	ENGINE	TRANS	TRIM	DESCRIPTION
		2	6	L	11, 12, 14, 15, 16				[MGQ]
		2	6	L	51, 52, 54, 55, 56				[MGQ]
		2	7	L	12, 15, 16				[MGQ]
		2	7	L	02, 06				[MGQ]
11	55077331AB	2	2	L	01, 02, 06				NAMEPLATE, [2500]



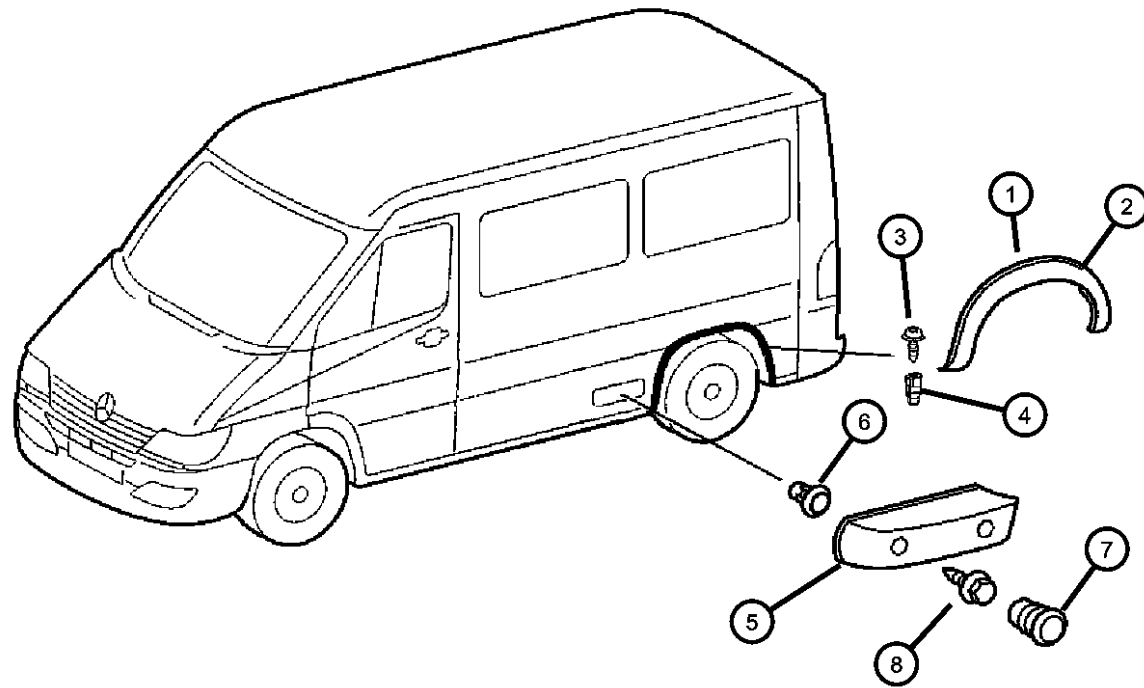
SPRINTER (VA)

SERIES	LINE	BODY	ENGINE	TRANSMISSION
L = LOWLINE	3 = HD DODGE 2WD 6 = Lt. Duty DODGE 4WD 2 = Med. Duty DODGE 2WD 7 = Med. Duty DODGE 4WD	55 = Wagon 140" 54 = Wagon 118" 52 = Wagon 140" 51 = Wagon 118" 12 = Van 140" 11 = Van 118" 06 = Front Section 158" 14 = Van 118" 15 = Van 140" 16 = Van 158" 56 = Wagon 158" 01 = Chassis Forward Control 118" 02 = Chassis Forward Control 140"	EX8 = Engine-2.7L I5 Mercedes Turbo Diesel	DGJ = Transmission-5-Spd. Automatic,W5A580

AR = use ase required - = Non illustrated part

Exterior Moldings
Figure EVA-210

ITEM	PART NUMBER	QTY	LINE	SERIES	BODY	ENGINE	TRANS	TRIM	DESCRIPTION
NOTE: Line Code [2 & 3] Are For [Dodge Sprinter] Only Line Code [6 & 7] Are For [Freightliner] Only Sales Codes:									
1									MOLDING, Wheel Opening Flare
	05132499AA	2	2, 6	L	11, 12, 14, 15, 16				
		2	2, 6	L	51, 52, 54, 55, 56				
2	05125142AA	2	3, 7	L	12, 15, 16				MOLDING, Wheel Opening Flare
3									SCREW
	06104614AA	16	2, 6	L	51, 52, 54, 55, 56				
		16	2, 6	L	11, 12, 14, 15, 16				
4									NUT, Plastic Snap-in
	05098837AA	16	2, 6	L	11, 12, 14, 15, 16				
		16	2, 6	L	51, 52, 54, 55, 56				
5									MOLDING, Quarter Trim
	05123563AA	1	3, 7	L	12, 15, 16				Left
	05123564AA	1	3, 7	L	12, 15, 16				Right
6	05125550AA	4	3, 7	L	12, 15, 16				RETAINER
7	05126001AA	4	3, 7	L	12, 15, 16				PLUG, Cover
8	06104614AA	16	3, 7	L	12, 15, 16				SCREW
-9	05104639AA	16	3, 7	L	12, 15, 16				WASHER



SPRINTER (VA)

SERIES	LINE	BODY	ENGINE	TRANSMISSION
L = LOWLINE	3 = HD DODGE 2WD 6 = Lt. Duty DODGE 4WD 2 = Med. Duty DODGE 2WD 7 = Med. Duty DODGE 4WD	55 = Wagon 140" 54 = Wagon 118" 52 = Wagon 140" 51 = Wagon 118" 12 = Van 140" 11 = Van 118" 06 = Front Section 158" 14 = Van 118" 15 = Van 140" 16 = Van 158" 56 = Wagon 158" 01 = Chassis Forward Control 118" 02 = Chassis Forward Control 140"	EX8 = Engine-2.7L I5 Mercedes Turbo Diesel	DGJ = Transmission-5-Spd. Automatic,W5A580

AR = use ase required - = Non illustrated part

Group - IVA

Interior Trim

Group - IVA Interior Trim

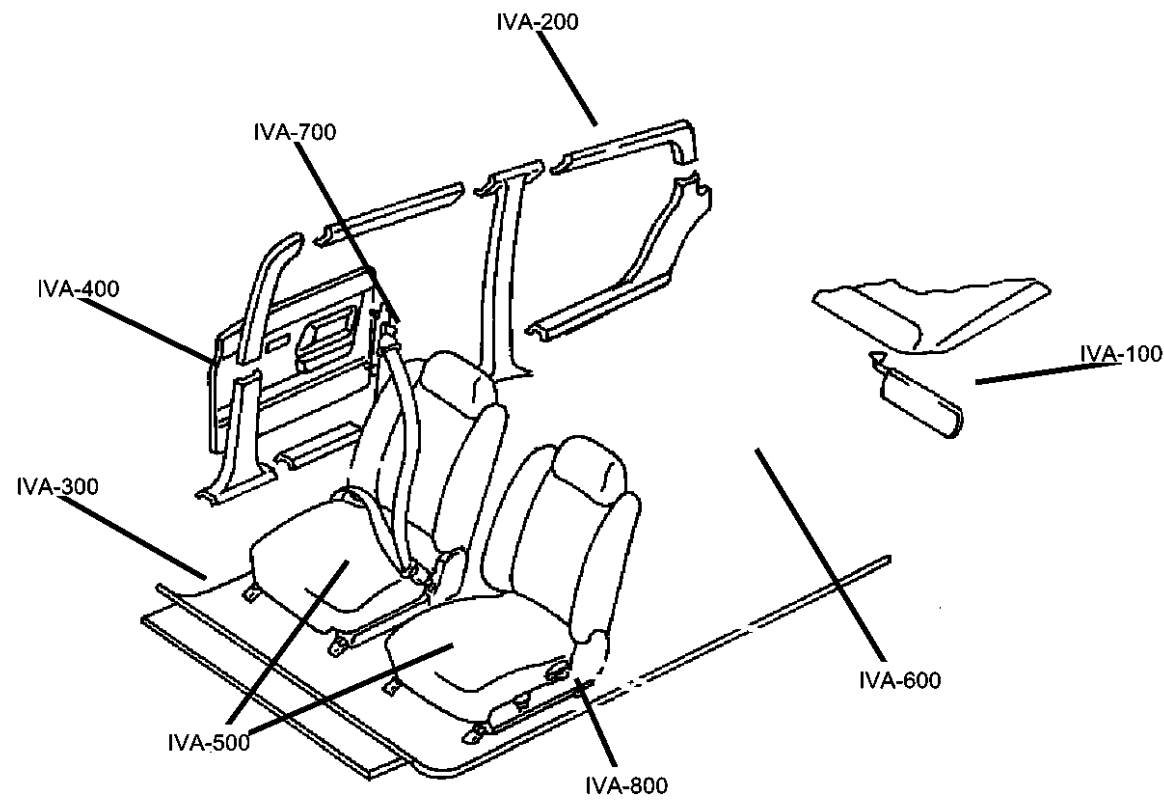


Illustration Title

Group-Fig. No.

Headliner and Visor

Headliner, Low Roof	Fig. IVA - 110
Headliner, High Roof	Fig. IVA - 115
Sunvisors, Grabhandles, Shelf and Attaching Parts	Fig. IVA - 120

Moldings, Scuff Plates

Inner Panels - Fabric	Fig. IVA - 210
Inner Panels - Cab	Fig. IVA - 215
Inner Panels - Plywood	Fig. IVA - 220
Inner Panel, Hard Fiber	Fig. IVA - 221
Inner Panels	Fig. IVA - 225
Inner Paneling Window - Pillar In Cab	Fig. IVA - 230
Cargo Retainers - Without Windows	Fig. IVA - 235
Cargo Retainers - With Windows	Fig. IVA - 240
Rear Pillar Inner Panel	Fig. IVA - 245
Cowl Panel - Silencer	Fig. IVA - 250
Partition Panel	Fig. IVA - 255
Partition Wall and Sliding Door	Fig. IVA - 260

Carpet

Carpet - Floor	Fig. IVA - 310
Floor Lining, Entry Paneling & Footrest	Fig. IVA - 315
Floor - Rubber	Fig. IVA - 320
Floor - Wooden	Fig. IVA - 330
Insulation - Carpet	Fig. IVA - 340
Insulation Floor	Fig. IVA - 350

Door Trim Panels-Front and Sliding

Front Door Trim	Fig. IVA - 410
Sliding Door Trim	Fig. IVA - 420
Rear Dual Door Trim	Fig. IVA - 430

Front Seats and Attaching Parts

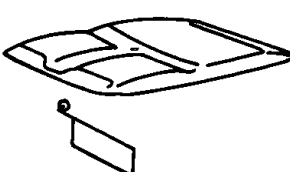
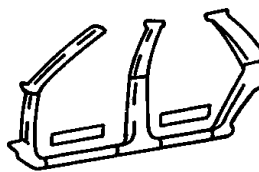
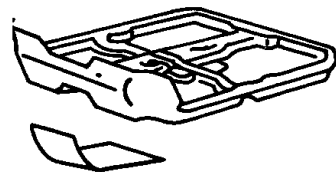
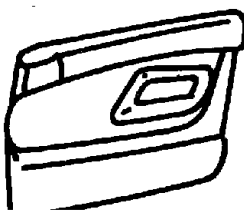


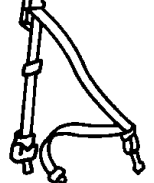
Front Seat - Venice	Fig. IVA - 510
Front Seat - Santos	Fig. IVA - 515
Front Seat - Catano	Fig. IVA - 520
Front Seat - Attaching Parts	Fig. IVA - 525
Front Seat - Attaching Parts - Riser	Fig. IVA - 530
Front Seat - Attaching Parts	Fig. IVA - 535

Rear Seats

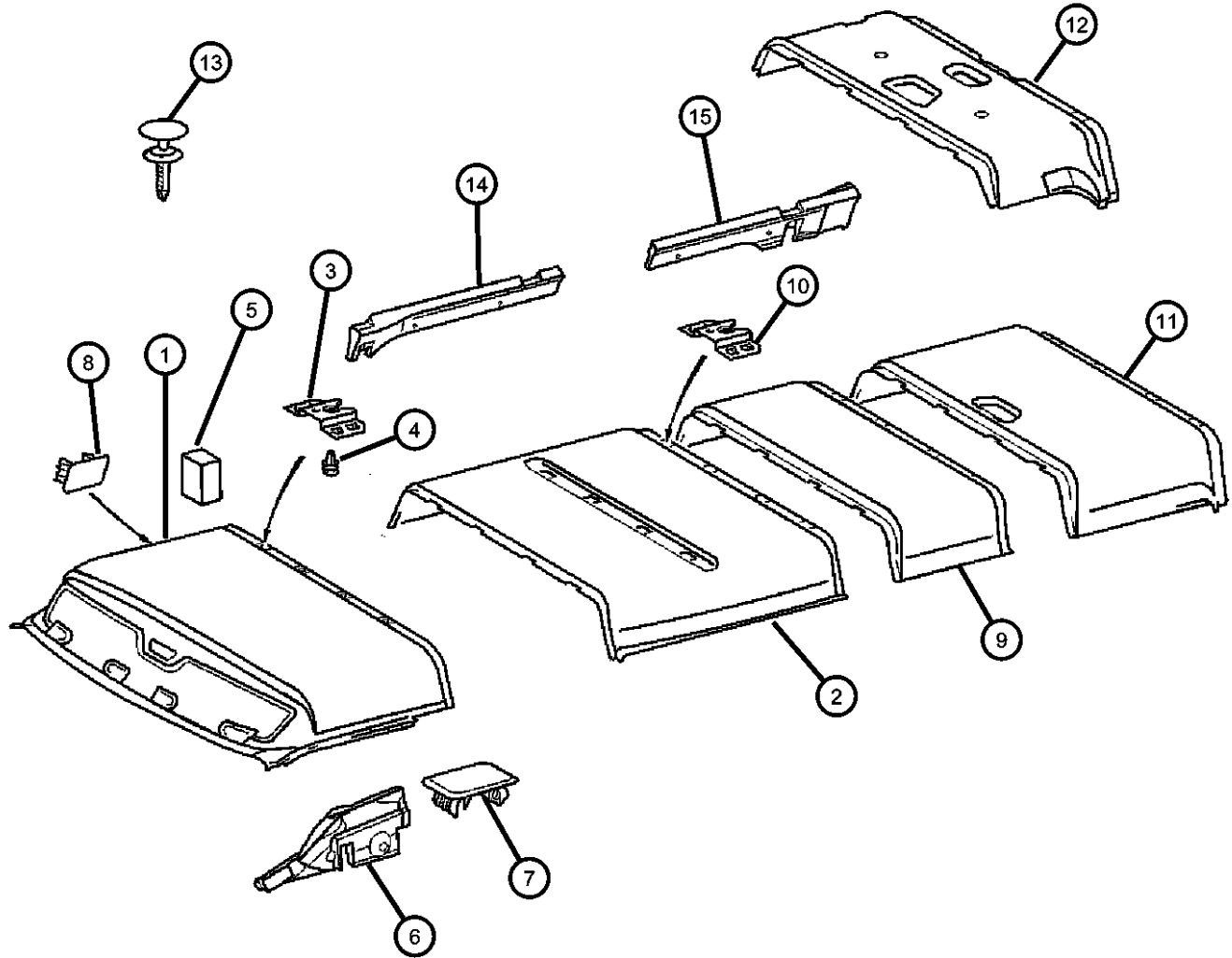
Rear Seat - 2 Passenger	Fig. IVA - 610
Rear Seat - 3 Passenger	Fig. IVA - 615
Attaching Parts - 3rd Passenger Seat	Fig. IVA - 620

Seat Belts-Front and Rear

Seat Belt - Front	Fig. IVA - 710
Seat Belt - Second Row	Fig. IVA - 720

<p>IVA-100 Headliner and Visor</p> 	<p>IVA-200 Moldings, Scuff Plates</p> 	<p>IVA-300 Carpet</p> 	<p>IVA-400 Door Trim Panels-Front and Sliding</p> 
<p>IVA-500 Front Seats and Attaching Parts</p> 	<p>IVA-600 Rear Seats</p> 	<p>IVA-700 Seat Belts-Front and Rear</p> 	

**Headliner, Low Roof
Figure IVA-110**



ITEM	PART NUMBER	QTY	LINE	SERIES	BODY	ENGINE	TRANS	TRIM	DESCRIPTION
1									HEADLINER, Front
	05123465AA	1	2, 6	L	11, 12, 14, 15, 16				Without Sunroof With Cargo Partition
		1	2, 6	L	51, 52, 54, 55, 56				Without Sunroof With Cargo Partition
	05123080AA	1	2, 6	L	16				Without Sunroof or Cargo Partition
		1	2, 6	L	56				Without Sunroof or Cargo Partition
		1	3, 7	L	16				Without Sunroof or Cargo Partition
	05123083AA	1	2, 6	L	16				With Sunroof, Without Cargo Partition
		1	2, 6	L	56				With Sunroof, Without Cargo Partition
		1	3, 7	L	16				With Sunroof, Without Cargo Partition
		1	3, 7	L	12, 15, 16				Without Sunroof With Cargo Partition
	05123470AA	1	2, 6	L	11, 12, 14, 15, 16				With Sunroof and Cargo Partition
		1	2, 6	L	51, 52, 54, 55, 56				With Sunroof and Cargo Partition
		1	3, 7	L	12, 15, 16				With Sunroof and Cargo Partition
2									HEADLINER, Center
	05123093AA	1	2, 6	L	11, 12, 14, 15				With Right Sliding Door
		1	2, 6	L	51, 52, 54, 55				With Right Sliding Door
		1	3, 7	L	12, 15				With Right Sliding Door
	05123095AA	1	2, 6	L	11, 12, 14, 15				With Left Sliding Door
		1	2, 6	L	51, 52, 54, 55				With Left Sliding Door
		1	3, 7	L	12, 15				With Left Sliding Door
	05123097AA	1	3, 7	L	12, 15				With Right & Left Sliding Door
		1	2, 6	L	11, 12, 14, 15				With Right & Left Sliding Door

SPRINTER (VA)

SERIES

L = LOWLINE

LINE

3 = HD DODGE 2WD
6 = Lt. Duty DODGE 4WD
2 = Med. Duty DODGE 2WD
7 = Med. Duty DODGE 4WD

BODY

55 = Wagon 140"
54 = Wagon 118"
52 = Wagon 140"
51 = Wagon 118"
12 = Van 140"
11 = Van 118"
06 = Front Section 158"
14 = Van 118"
15 = Van 140"
16 = Van 158"
56 = Wagon 158"
01 = Chassis Forward Control 118"
02 = Chassis Forward Control 140"

ENGINE

EX8 = Engine-2.7L I5
Mercedes Turbo Diesel

TRANSMISSION

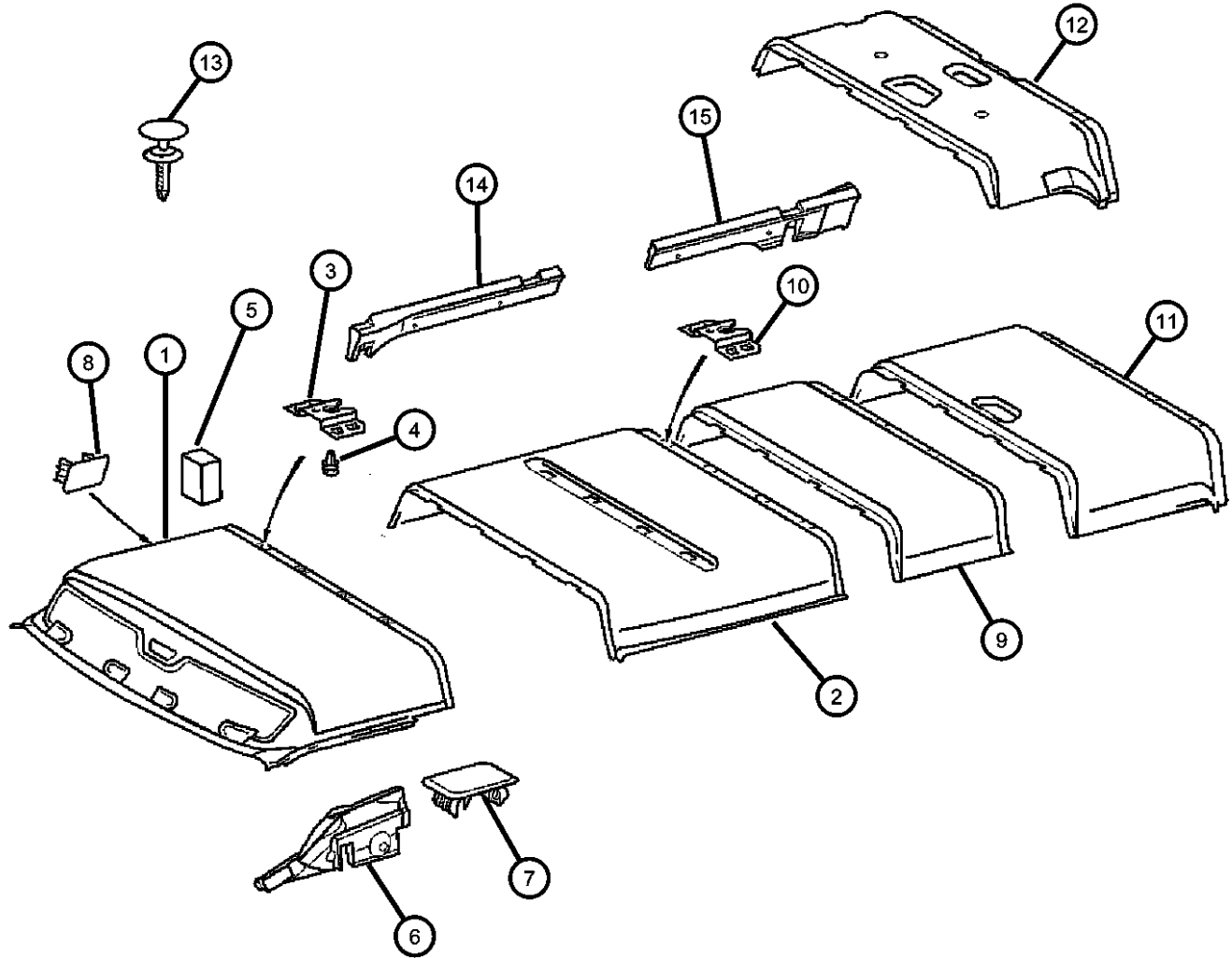
DGJ = Transmission-5-Spd. Automatic, W5A580

AR = use ase required - = Non illustrated part

2004 VA

**Headliner, Low Roof
Figure IVA-110**

ITEM	PART NUMBER	QTY	LINE	SERIES	BODY	ENGINE	TRANS	TRIM	DESCRIPTION
		1	2, 6	L	51, 52, 54, 55				With Right & Left Sliding Door
3	05123436AA	4	2, 6	L	11, 12, 14, 15, 16				BRACKET, Headliner to Roof Rail
		4	2, 6	L	51, 52, 54, 55, 56				
		4	3, 7	L	12, 15, 16				
4	05125569AA	8	2, 6	L	11, 12, 14, 15, 16				CLIP, Headlining
		8	2, 6	L	51, 52, 54, 55, 56				
		8	3, 7	L	12, 15, 16				
5	05123547AA	2	2, 6	L	11, 12, 14, 15, 16				PAD, Headlining
		2	2, 6	L	51, 52, 54, 55, 56				
		2	3, 7	L	12, 15, 16				
6	05123496AA	1	2, 6	L	11, 12, 14, 15, 16				FLOCK, Nylon Left
		1	2, 6	L	51, 52, 54, 55, 56				Left
		1	3, 7	L	12, 15, 16				Left
	05123497AA	1	2, 6	L	11, 12, 14, 15, 16				Right
		1	2, 6	L	51, 52, 54, 55, 56				Right
		1	3, 7	L	12, 15				Right
7	05125569AA	8	2, 6	L	11, 12, 14, 15, 16				CLIP, Headlining



SPRINTER (VA)

SERIES

L = LOWLINE
 3 = HD DODGE 2WD
 6 = Lt. Duty DODGE 4WD
 2 = Med. Duty DODGE 2WD
 7 = Med. Duty DODGE 4WD

LINE

55 = Wagon 140"
 54 = Wagon 118"
 52 = Wagon 140"
 51 = Wagon 118"
 12 = Van 140"
 11 = Van 118"

BODY

06 = Front Section 158"
 14 = Van 118"
 15 = Van 140"
 16 = Van 158"
 56 = Wagon 158"
 01 = Chassis Forward Control
 118"
 02 = Chassis Forward Control
 140"

ENGINE

EX8 = Engine-2.7L I5
 Mercedes Turbo Diesel

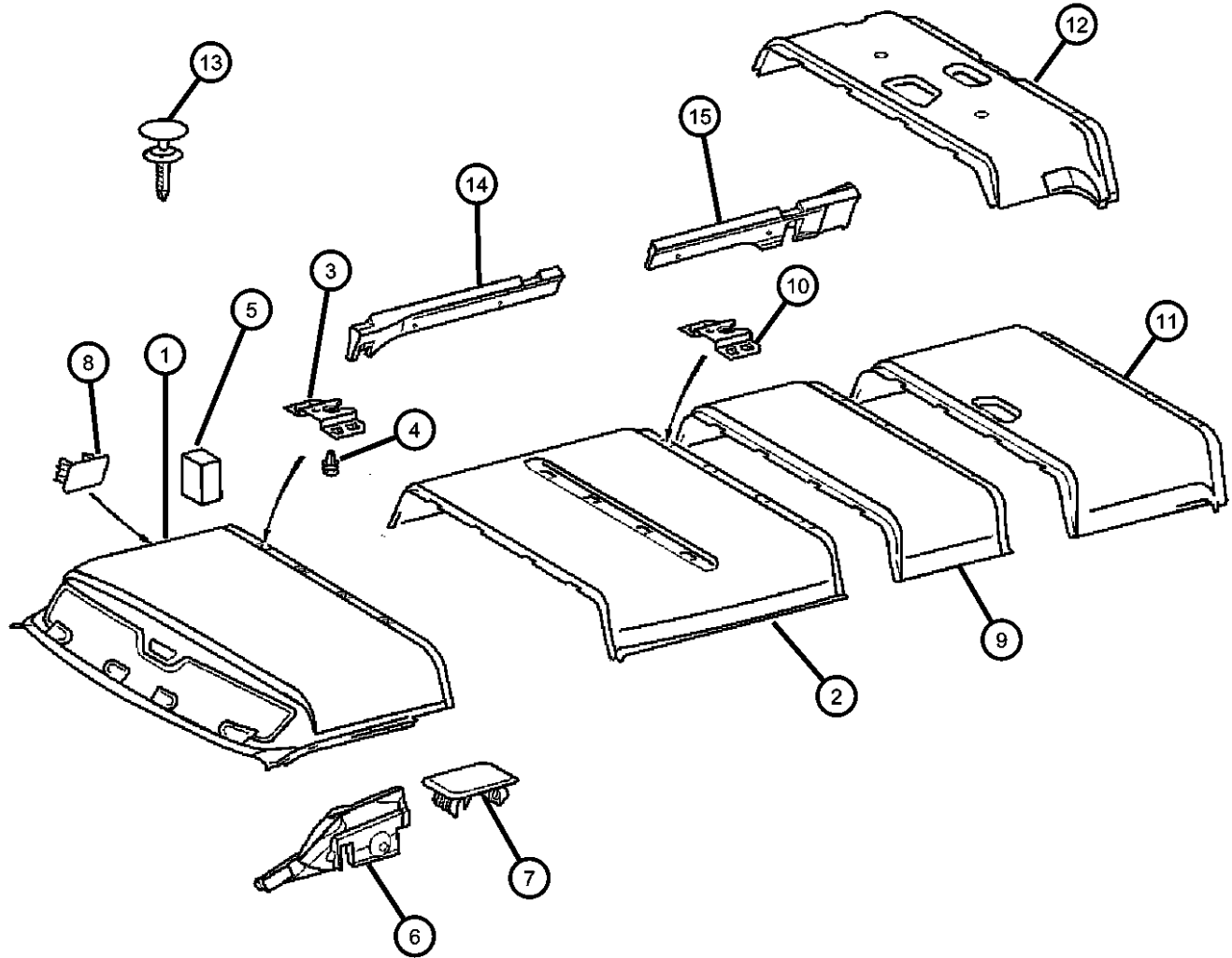
TRANSMISSION

DGJ = Transmission-5-Spd.
 Automatic,W5A580

AR = use ase required - = Non illustrated part

2004 VA

**Headliner, Low Roof
Figure IVA-110**



ITEM	PART NUMBER	QTY	LINE	SERIES	BODY	ENGINE	TRANS	TRIM	DESCRIPTION
8	05123443AA	8	2, 6	L	51, 52, 54, 55, 56				PLUG, Headliner
		4	3, 7	L	12, 15, 16				
		2	2, 6	L	11, 12, 14, 15, 16				
		2	2, 6	L	51, 52, 54, 55, 56				
9	05123107AA	1	2, 6	L	11, 12, 14, 15				HEADLINER, Center With Interior Lamp
		1	2, 6	L	51, 52, 54, 55				
		1	3, 7	L	12, 15				
		1	2, 6	L	12, 15				
		1	2, 6	L	52, 55				
10	05123140AA	1	3, 7	L	12, 15				With Interior Lamp With Sunroof
		1	2, 6	L	12, 15				
		1	3, 7	L	12, 15				
11	05123436AA	8	2, 6	L	11, 12, 14, 15				BRACKET
		8	2, 6	L	51, 52, 54, 55				
		8	3, 7	L	12, 15, 16				
12	05123108AA	1	2, 6	L	11, 12, 14, 15				HEADLINER, Rear
		1	2, 6	L	51, 52, 54, 55				
		1	3, 7	L	12, 15				
		1	2, 6	L	52, 55				
12	05123155AA	1	2, 6	L	52, 55				PANEL, Quarter
		1	3, 7	L	12, 15				

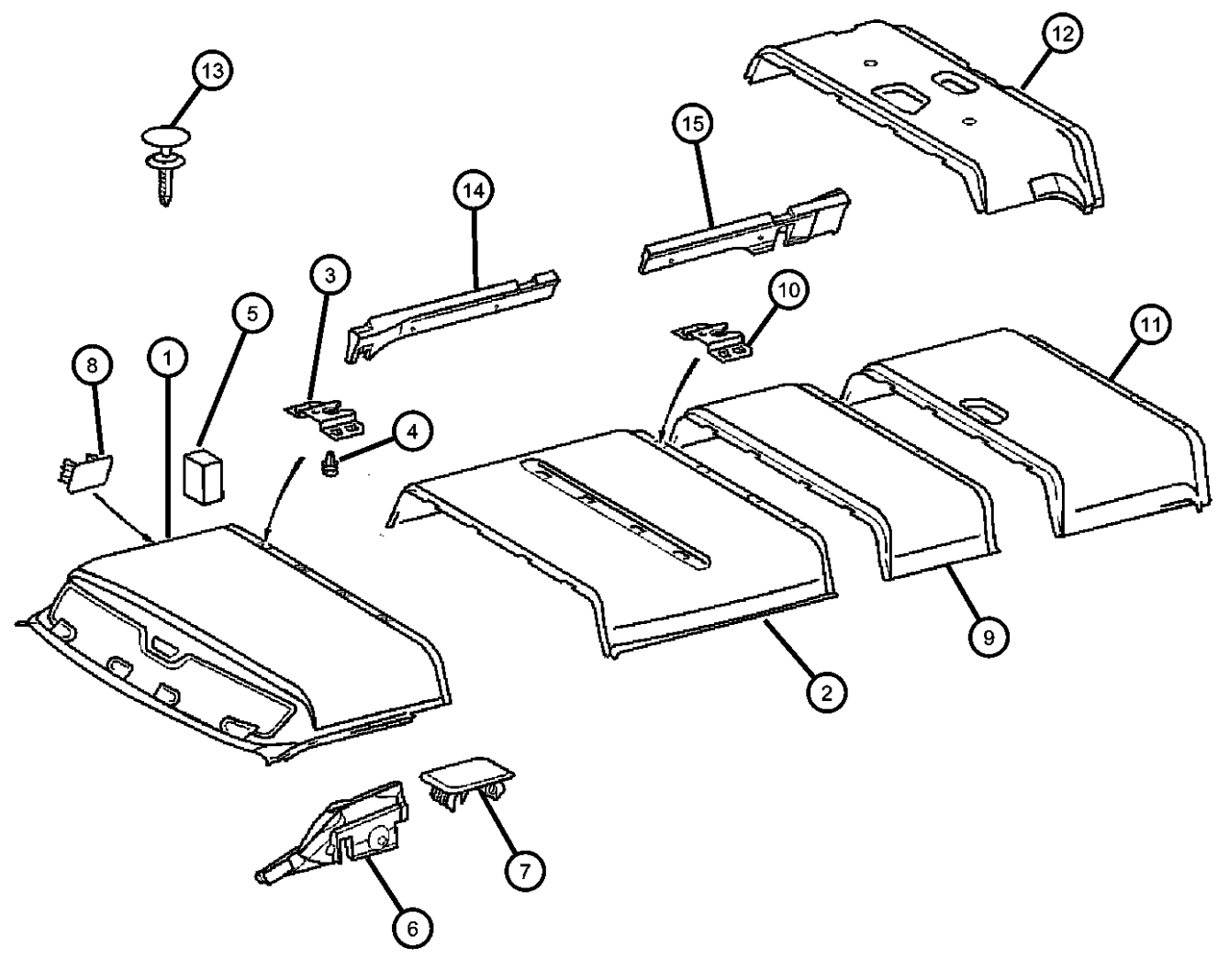
SPRINTER (VA)

SERIES	LINE	BODY	ENGINE	TRANSMISSION
L = LOWLINE	3 = HD DODGE 2WD 6 = Lt. Duty DODGE 4WD 2 = Med. Duty DODGE 2WD 7 = Med. Duty DODGE 4WD	55 = Wagon 140" 54 = Wagon 118" 52 = Wagon 140" 51 = Wagon 118" 12 = Van 140" 11 = Van 118" 06 = Front Section 158" 14 = Van 118" 15 = Van 140" 16 = Van 158" 56 = Wagon 158"	EX8 = Engine-2.7L I5 Mercedes Turbo Diesel	DGJ = Transmission-5-Spd. Automatic,W5A580
		01 = Chassis Forward Control 118" 02 = Chassis Forward Control 140"		

AR = use ase required - = Non illustrated part

**Headliner, Low Roof
Figure IVA-110**

ITEM	PART NUMBER	QTY	LINE	SERIES	BODY	ENGINE	TRANS	TRIM	DESCRIPTION
		1	2, 6	L	12, 15				RIVET
13	05104541AA	2	2, 6	L	11, 12, 14, 15, 16				Headliner to Rear Roof Rail
	05125810AA	2	2, 6	L	51, 52, 54, 55, 56				Paneling to Roof Rear Rail
		2	3, 7	L	12, 15, 16				Paneling to Roof Rear Rail
		2	2, 6	L	51, 52, 54, 55, 56				Headliner to Rear Roof Rail
		2	3, 7	L	12, 15, 16				Headliner to Rear Roof Rail
		2	2, 6	L	11, 12, 14, 15, 16				Paneling to Roof Rear Rail
14	05104297AA	1	2, 6	L	51, 52, 54, 55, 56				FLOCK, Nylon
15	05104298AA	1	2, 6	L	51, 52, 54, 55, 56				FLOCK, Nylon
		1	3, 7	L	12, 15, 16				FLOCK, Nylon, Spacer
-16	05123510AA	1	2, 6	L	11, 12, 14, 15, 16				FLOCK, Nylon, Spacer
		1	3, 7	L	12, 15, 16				FLOCK, Nylon, Spacer
-17	05123512AA	1	2, 6	L	11, 12, 14, 15, 16				SPACER, Foam Headliner
		1	3, 7	L	12, 15, 16				SPACER, Foam Headliner
-18	05123514AA	1	3, 7	L	12, 15, 16				SPACER, Foam Headliner
		1	2, 6	L	11, 12, 14, 15, 16				SPACER, Foam Headliner
-19	05123516AA	1	2, 6	L	11, 12, 14, 15, 16				SPACER, Foam Headliner
		1	3, 7	L	12, 15, 16				SPACER, Foam Headliner

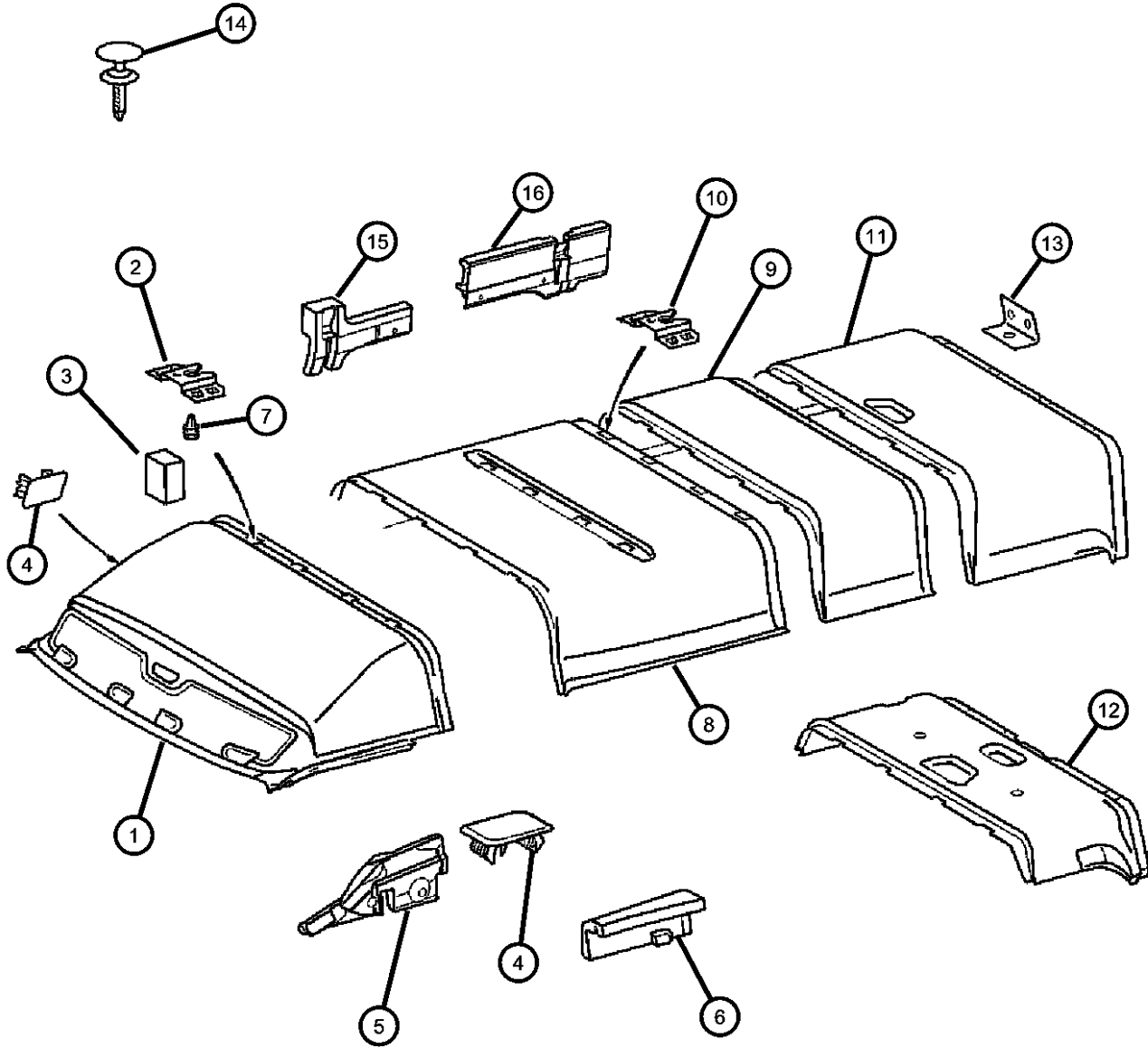


SPRINTER (VA)

SERIES	LINE	BODY	ENGINE	TRANSMISSION
L = LOWLINE	3 = HD DODGE 2WD 6 = Lt. Duty DODGE 4WD 2 = Med. Duty DODGE 2WD 7 = Med. Duty DODGE 4WD	55 = Wagon 140" 54 = Wagon 118" 52 = Wagon 140" 51 = Wagon 118" 12 = Van 140" 11 = Van 118" 06 = Front Section 158" 14 = Van 118" 15 = Van 140" 16 = Van 158" 56 = Wagon 158" 01 = Chassis Forward Control 118" 02 = Chassis Forward Control 140"	EX8 = Engine-2.7L I5 Mercedes Turbo Diesel	DGJ = Transmission-5-Spd. Automatic, W5A580

AR = use ase required - = Non illustrated part

Headliner, High Roof
Figure IVA-115



ITEM	PART NUMBER	QTY	LINE	SERIES	BODY	ENGINE	TRANS	TRIM	DESCRIPTION
------	-------------	-----	------	--------	------	--------	-------	------	-------------

Sales Code:
[XJY] = Cargo Partition with Sliding Door

1	05104300AA	1	2, 6	L	11, 12, 14, 15, 16				HEADLINER, Front With Sliding Door [XJY]
		1	2, 6	L	51, 52, 54, 55, 56				With Sliding Door [XJY]
	05123473AA	1	2, 6	L	11, 12, 14, 15, 16				Without Sliding Door [XJY]
		1	3, 7	L	12, 15, 16				Without Sliding Door [XJY]
		1	3, 7	L	12, 15, 16				With Sliding Door [XJY]
2	05123436AA	4	2, 6	L	11, 12, 14, 15, 16				BRACKET
		4	3, 7	L	12, 15, 16				
		4	2, 6	L	51, 52, 54, 55, 56				
3	05123547AA	1	2, 6	L	11, 12, 14, 15, 16				PAD, Headlining
		2	2, 6	L	51, 52, 54, 55, 56				
		2	3, 7	L	12, 15, 16				
4	05123443AA	2	2, 6	L	11, 12, 14, 15, 16				PLUG, Headliner
		2	2, 6	L	51, 52, 54, 55, 56				
		2	3, 7	L	12, 15, 16				
5	05123496AA	1	2, 6	L	11, 12, 14, 15, 16				FLOCK, Nylon Left
		1	2, 6	L	51, 52, 54, 55, 56				Left
	05123497AA	1	3, 7	L	12, 15				Right

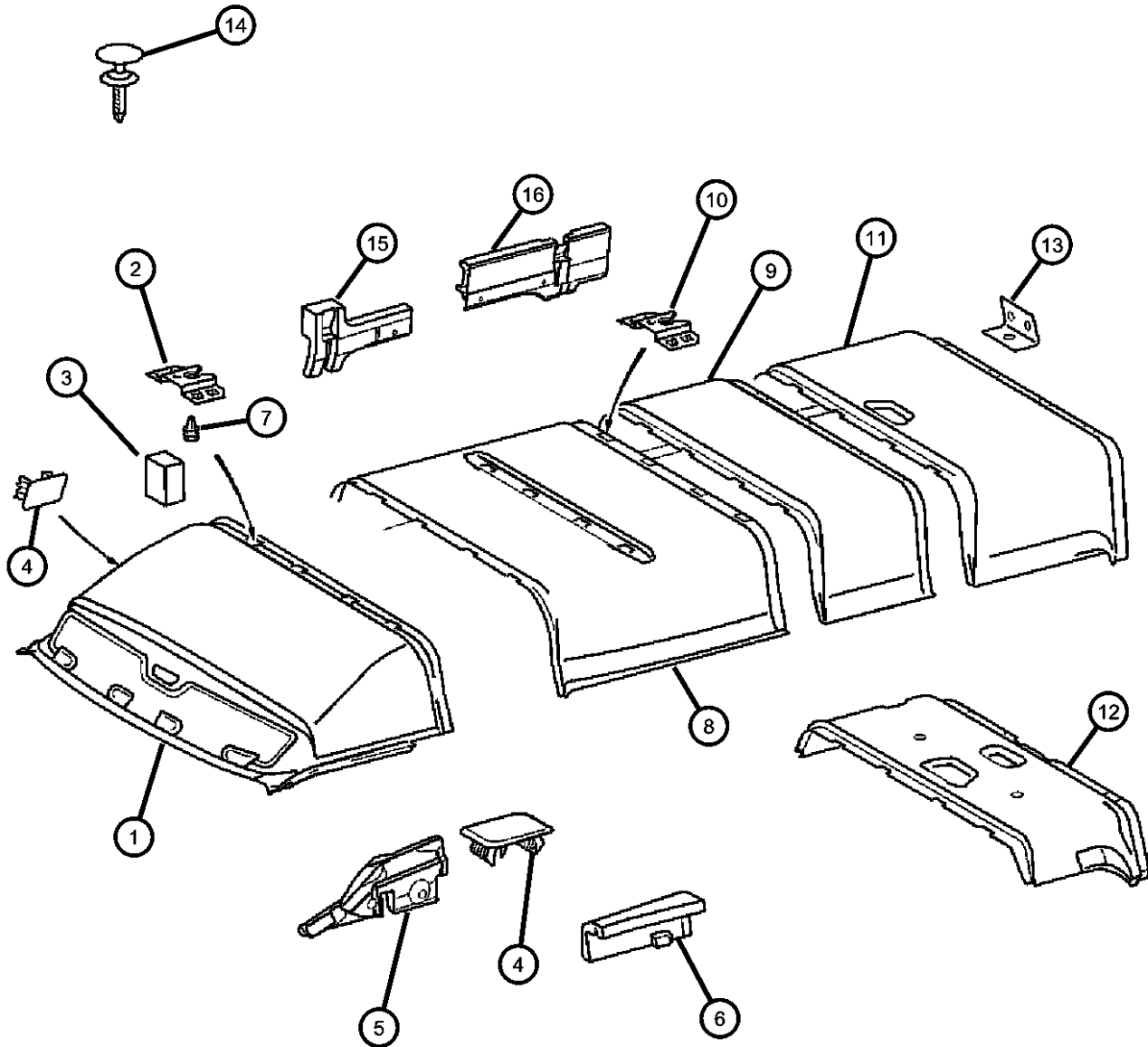
SPRINTER (VA)

SERIES	LINE	BODY	ENGINE	TRANSMISSION
L = LOWLINE	3 = HD DODGE 2WD 6 = Lt. Duty DODGE 4WD 2 = Med. Duty DODGE 2WD 7 = Med. Duty DODGE 4WD	55 = Wagon 140" 54 = Wagon 118" 52 = Wagon 140" 51 = Wagon 118" 12 = Van 140" 11 = Van 118" 06 = Front Section 158" 14 = Van 118" 15 = Van 140" 16 = Van 158" 56 = Wagon 158"	EX8 = Engine-2.7L I5 Mercedes Turbo Diesel	DGJ = Transmission-5-Spd. Automatic,W5A580

AR = use ase required - = Non illustrated part

2004 VA

**Headliner, High Roof
Figure IVA-115**



ITEM	PART NUMBER	QTY	LINE	SERIES	BODY	ENGINE	TRANS	TRIM	DESCRIPTION
		1	3, 7	L	12, 15, 16				Left
		1	2, 6	L	11, 12, 14, 15, 16				Right
		1	2, 6	L	51, 52, 54, 55, 56				Right
6									FLOCK, Nylon
	05123498AA	1	2, 6	L	11, 12, 14, 15, 16				Left
		1	2, 6	L	51, 52, 54, 55, 56				Left
	05123499AA	1	3, 7	L	12, 15, 16				Left
		1	2, 6	L	11, 12, 14, 15, 16				Right
		1	2, 6	L	51, 52, 54, 55, 56				Right
		1	3, 7	L	12, 15, 16				Right
7									CLIP, Headlining
	05125569AA	4	2, 6	L	11, 12, 14, 15, 16				Paneling to Roof Rail
		8	2, 6	L	11, 12, 14, 15, 16				Headliner to Roof Bow
		8	2, 6	L	12, 15				Headliner to Roof Bow
		12	2, 6	L	16				Headliner to Rear Roof Rail
		4	2, 6	L	51, 52, 54, 55, 56				Paneling to Roof Rail
		8	2, 6	L	51, 52, 54, 55, 56				Headliner to Roof Bow
		12	2, 6	L	56				Headliner to Rear Roof Rail
		4	3, 7	L	12, 15, 16				Paneling to Roof Rail
		8	7, 3	L	12, 15, 16				Headliner to Rear Roof Rail
8									HEADLINER, Center
	05104278AA	1	2, 6	L	11, 12, 14, 15, 16				With Right Sliding Door
		1	2, 6	L	51, 52, 54, 55, 56				With Right Sliding Door

SPRINTER (VA)

SERIES

L = LOWLINE
 3 = HD DODGE 2WD
 6 = Lt. Duty DODGE 4WD
 2 = Med. Duty DODGE 2WD
 7 = Med. Duty DODGE 4WD

LINE

3 = HD DODGE 2WD
 6 = Lt. Duty DODGE 4WD
 2 = Med. Duty DODGE 2WD
 7 = Med. Duty DODGE 4WD

BODY

55 = Wagon 140"
 54 = Wagon 118"
 52 = Wagon 140"
 51 = Wagon 118"
 12 = Van 140"
 11 = Van 118"
 06 = Front Section 158"
 14 = Van 118"
 15 = Van 140"
 16 = Van 158"
 56 = Wagon 158"
 01 = Chassis Forward Control 118"
 02 = Chassis Forward Control 140"

ENGINE

EX8 = Engine-2.7L I5
 Mercedes Turbo Diesel

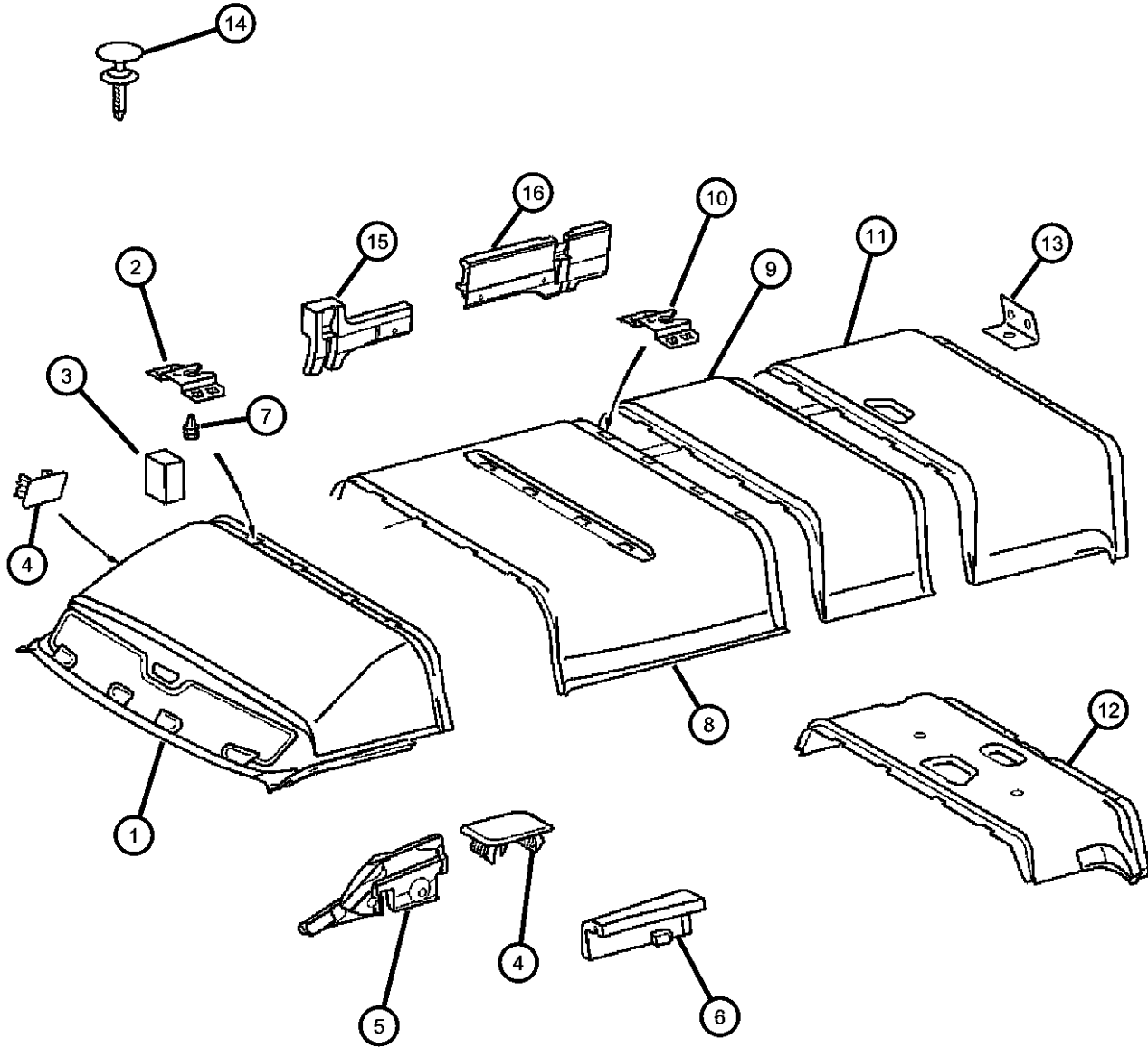
TRANSMISSION

DGJ = Transmission-5-Spd. Automatic, W5A580

AR = use ase required - = Non illustrated part

2004 VA

**Headliner, High Roof
Figure IVA-115**



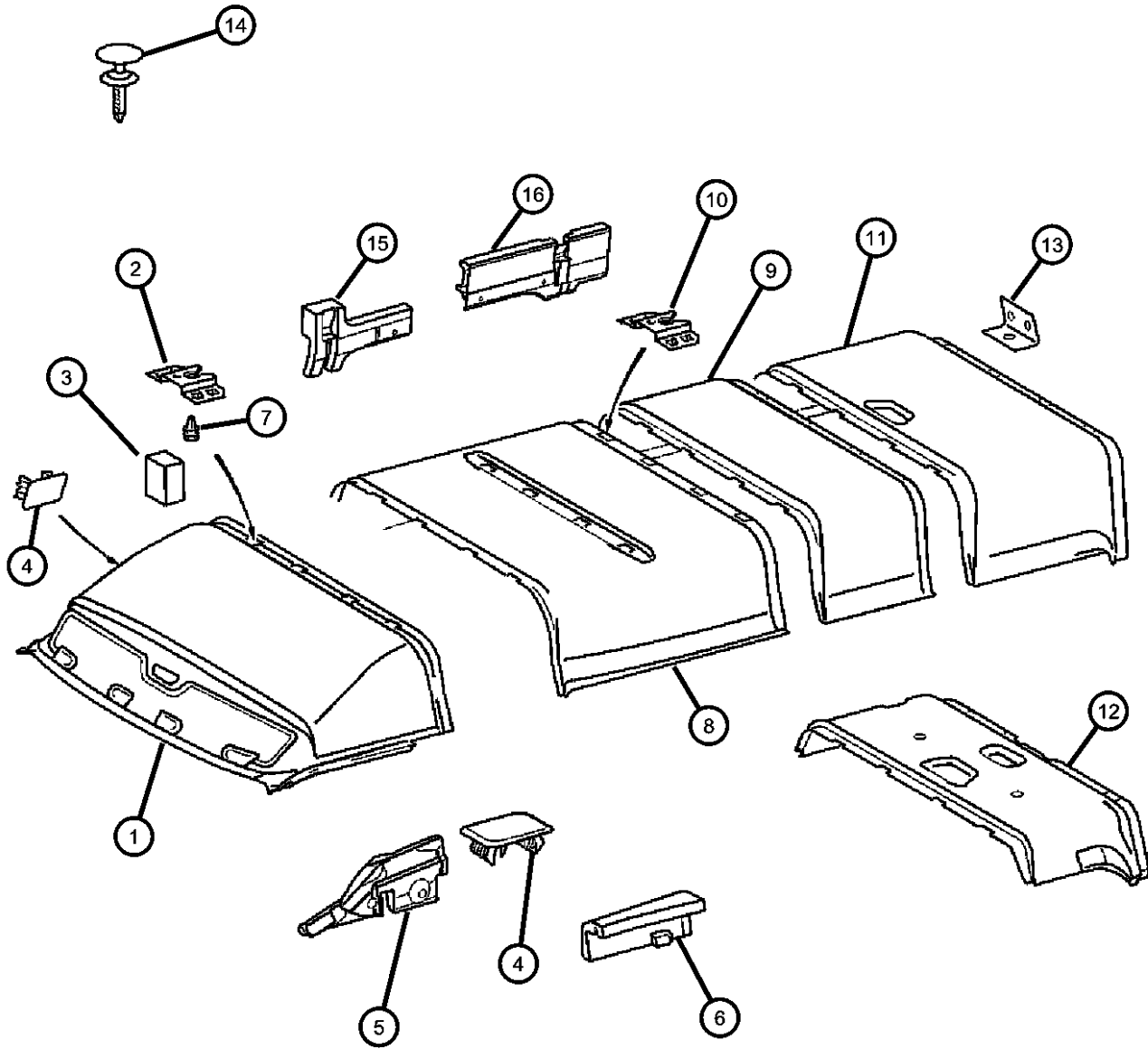
ITEM	PART NUMBER	QTY	LINE	SERIES	BODY	ENGINE	TRANS	TRIM	DESCRIPTION
		1	3, 7	L	12, 15, 16				With Right Sliding Door
	05123112AA	1	2, 6	L	11, 12, 14, 15, 16				With Left Sliding Door
		1	2, 6	L	51, 52, 54, 55, 56				With Left Sliding Door
	05123114AA	1	3, 7	L	12, 15, 16				With Left Sliding Door
		1	2, 6	L	51, 52, 54, 55, 56				With Right & Left Sliding Door
		1	3, 7	L	12, 15, 16				With Right & Left Sliding Door
		1	2, 6	L	11, 12, 14, 15, 16				With Right & Left Sliding Door
9	05104279AA	1	2, 6	L	12, 15, 16				HEADLINER, Center With Sunroof
		1	3, 7	L	12, 15				
	05123141AA	2	3, 7	L	16				With Sunroof
		1	2, 6	L	12, 15, 16				With Interior Lamp
		1	2, 6	L	52, 55, 56				With Interior Lamp
		1	3, 7	L	12, 15, 16				With Interior Lamp
		1	2, 6	L	52, 55, 56				With Sunroof
10	05123436AA	4	2, 6	L	51, 52, 54, 55, 56				BRACKET Paneling to Roof Rail
		12	2, 6	L	56				Headliner to Rear Roof Rail
		4	3, 7	L	12, 15, 16				Paneling to Roof Rail
		4	2, 6	L	11, 12, 14, 15, 16				Paneling to Roof Rail
		12	2, 6	L	16				Headliner to Rear Roof Rail
11	05123144AA	1	2, 6	L	16				HEADLINER, Rear
		1	2, 6	L	56				
		1	3, 7	L	16				

SPRINTER (VA)

SERIES	LINE	BODY	ENGINE	TRANSMISSION
L = LOWLINE	3 = HD DODGE 2WD 6 = Lt. Duty DODGE 4WD 2 = Med. Duty DODGE 2WD 7 = Med. Duty DODGE 4WD	55 = Wagon 140" 54 = Wagon 118" 52 = Wagon 140" 51 = Wagon 118" 12 = Van 140" 11 = Van 118" 06 = Front Section 158" 14 = Van 118" 15 = Van 140" 16 = Van 158" 56 = Wagon 158"	EX8 = Engine-2.7L I5 Mercedes Turbo Diesel	DGJ = Transmission-5-Spd. Automatic,W5A580
		01 = Chassis Forward Control 118" 02 = Chassis Forward Control 140"		

AR = use ase required - = Non illustrated part

**Headliner, High Roof
Figure IVA-115**



ITEM	PART NUMBER	QTY	LINE	SERIES	BODY	ENGINE	TRANS	TRIM	DESCRIPTION
12									HEADLINER, Rear
	05104277AA	1	3, 7	L	12, 15				
		1	2, 6	L	12, 15				
		1	2, 6	L	52, 55				
13									BRACKET
	05123437AA	1	2, 6	L	11, 12, 14, 15, 16				
		1	2, 6	L	51, 52, 54, 55, 56				
		1	3, 7	L	12, 15, 16				
14									RIVET
	05125810AA	2	2, 6	L	11, 12, 14, 15, 16				Headliner to Rear Roof Rail
		2	2, 6	L	51, 52, 54, 55, 56				Headliner to Rear Roof Rail
		2	7, 3	L	12, 15, 16				Headliner to Rear Roof Rail
15	05131910AA	1	2, 6	L	51, 52, 54, 55, 56				FLOCK, Nylon
16									SPACER
	05104299AA	1	2, 6	L	51, 52, 54, 55, 56				
		1	3, 7	L	12, 15, 16				
-17									SPACER, Foam Headliner
	05123502AA	1	2, 6	L	11, 12, 14, 15, 16				
		1	3, 7	L	12, 15, 16				
-18									SPACER, Foam Headliner
	05123504AA	1	2, 6	L	11, 12, 14, 15, 16				
		1	3, 7	L	12, 15, 16				
-19									SPACER, Foam Headliner
	05123506AA	1	2, 6	L	11, 12, 14, 15, 16				

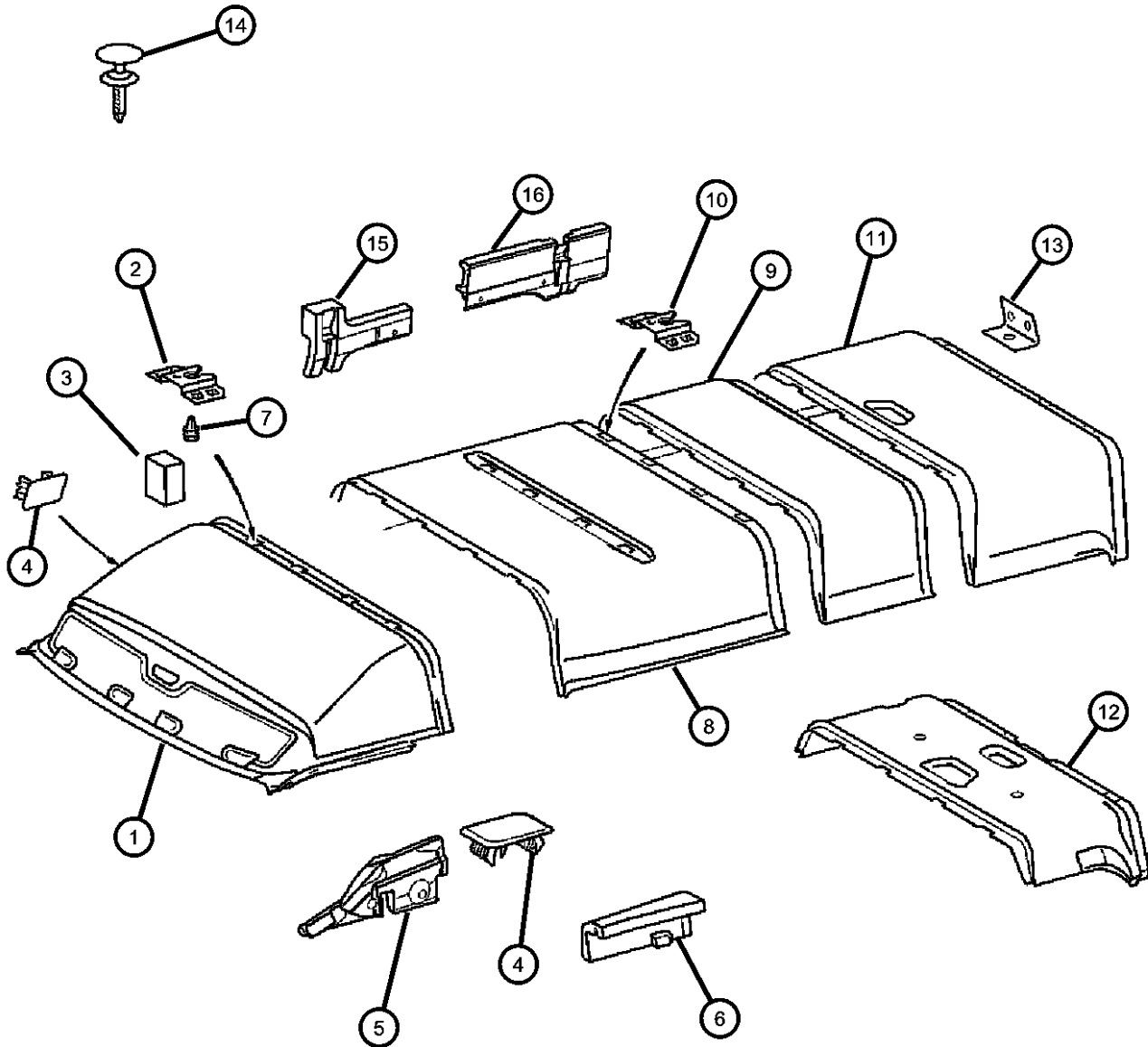
SPRINTER (VA)

SERIES	LINE	BODY	ENGINE	TRANSMISSION
L = LOWLINE	3 = HD DODGE 2WD 6 = Lt. Duty DODGE 4WD 2 = Med. Duty DODGE 2WD 7 = Med. Duty DODGE 4WD	55 = Wagon 140" 54 = Wagon 118" 52 = Wagon 140" 51 = Wagon 118" 12 = Van 140" 11 = Van 118" 06 = Front Section 158" 14 = Van 118" 15 = Van 140" 16 = Van 158" 56 = Wagon 158"	EX8 = Engine-2.7L I5 Mercedes Turbo Diesel	DGJ = Transmission-5-Spd. Automatic,W5A580
		01 = Chassis Forward Control 118" 02 = Chassis Forward Control 140"		

AR = use ase required - = Non illustrated part

**Headliner, High Roof
Figure IVA-115**

ITEM	PART NUMBER	QTY	LINE	SERIES	BODY	ENGINE	TRANS	TRIM	DESCRIPTION
-20		1	3, 7	L	12, 15, 16				SPACER, Foam Headliner
	05123508AA	1	2, 6	L	11, 12, 14, 15, 16				
		1	3, 7	L	12, 15, 16				

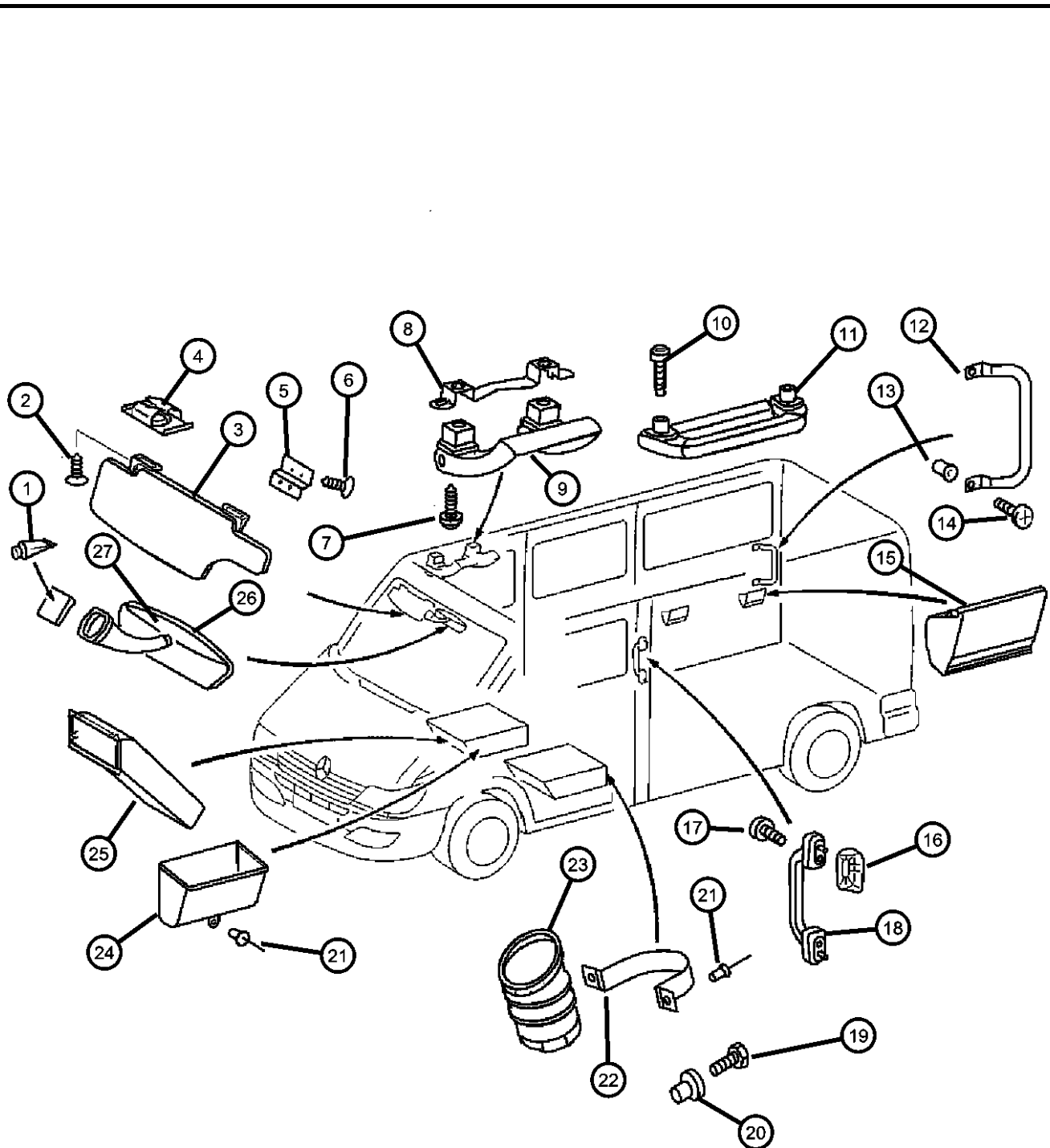


SPRINTER (VA)

SERIES	LINE	BODY	ENGINE	TRANSMISSION
L = LOWLINE	3 = HD DODGE 2WD 6 = Lt. Duty DODGE 4WD 2 = Med. Duty DODGE 2WD 7 = Med. Duty DODGE 4WD	55 = Wagon 140" 54 = Wagon 118" 52 = Wagon 140" 51 = Wagon 118" 12 = Van 140" 11 = Van 118" 06 = Front Section 158" 14 = Van 118" 15 = Van 140" 16 = Van 158" 56 = Wagon 158"	EX8 = Engine-2.7L I5 Mercedes Turbo Diesel	DGJ = Transmission-5-Spd. Automatic,W5A580
		01 = Chassis Forward Control 118" 02 = Chassis Forward Control 140"		

AR = use ase required - = Non illustrated part

Sunvisors, Grabhandles, Shelf and Attaching Parts
Figure IVA-120



ITEM	PART NUMBER	QTY	LINE	SERIES	BODY	ENGINE	TRANS	TRIM	DESCRIPTION
1		1							ADHESIVE, (NOT SERVICED)
2									SCREW
	06104505AA	8	2, 6	L	11, 12, 14, 15, 16				
		8	2, 6	L	51, 52, 54, 55, 56				
		8	3, 7	L	12, 15, 16				
3									VISOR
	05104438AA	1	2, 6	L	11, 12, 14, 15, 16				Left
		1	2, 6	L	51, 52, 54, 55, 56				Left
		1	3, 7	L	12, 15, 16				Left
	05104439AA	1	2, 6	L	11, 12, 14, 15, 16				Right
		1	6, 2	L	51, 52, 54, 55, 56				Right
		1	3, 7	L	12, 15, 16				Right
4									CLIP, Visor
	05125854AA	8	2, 6	L	11, 12, 14, 15, 16				
		8	2, 6	L	51, 52, 54, 55, 56				
		2	3, 7	L	12, 15, 16				
5									BRACKET, Trim
	05124268AA	4	2, 6	L	11, 12, 14, 15, 16				
		4	2, 6	L	51, 52, 54, 55, 56				
		4	3, 7	L	12, 15, 16				
6									SCREW
	06104505AA	8	2, 6	L	11, 12, 14, 15, 16				
		8	2, 6	L	51, 52, 54, 55, 56				

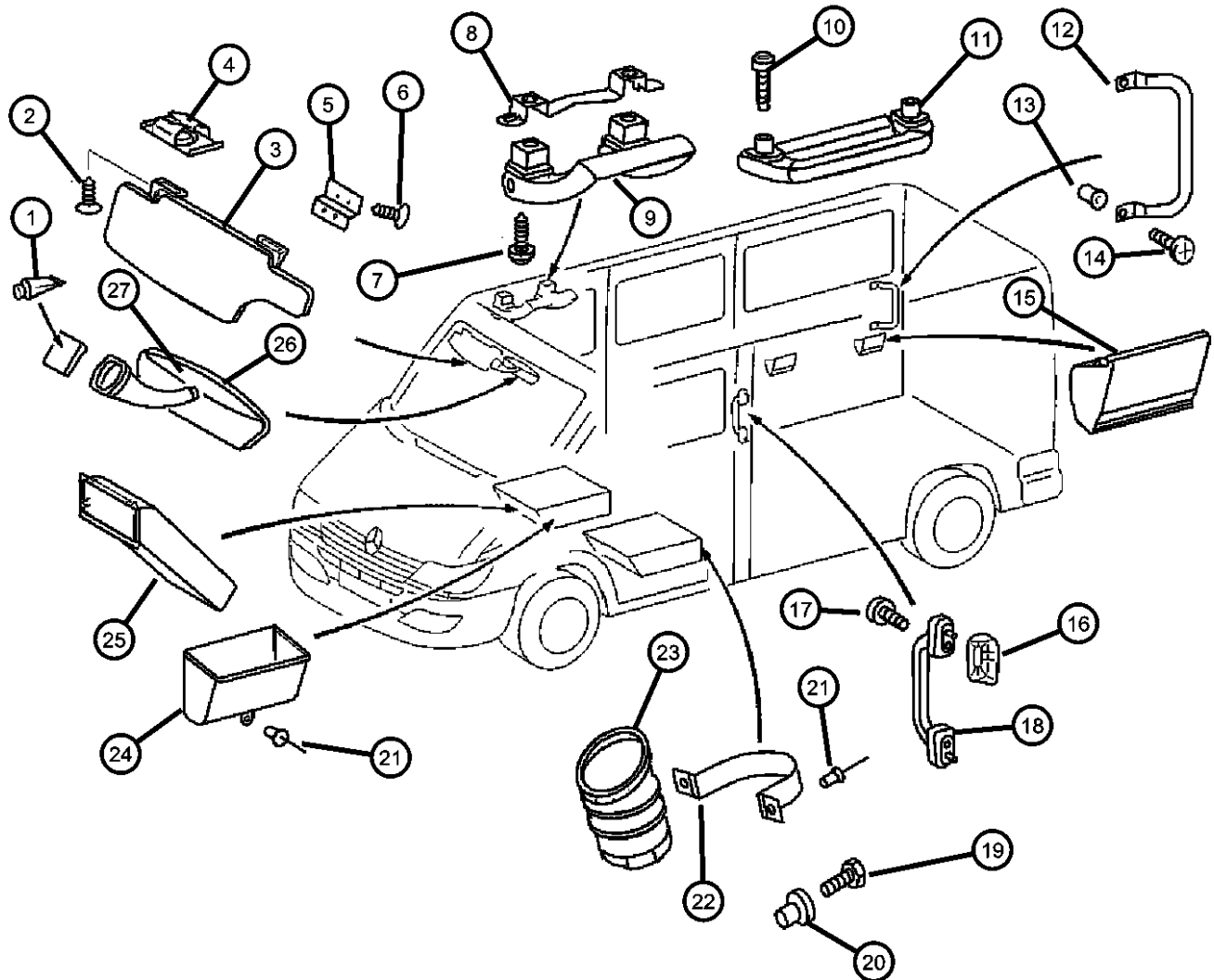
SPRINTER (VA)

SERIES	LINE	BODY	ENGINE	TRANSMISSION
L = LOWLINE	3 = HD DODGE 2WD 6 = Lt. Duty DODGE 4WD 2 = Med. Duty DODGE 2WD 7 = Med. Duty DODGE 4WD	55 = Wagon 140" 54 = Wagon 118" 52 = Wagon 140" 51 = Wagon 118" 12 = Van 140" 11 = Van 118" 06 = Front Section 158" 14 = Van 118" 15 = Van 140" 16 = Van 158" 56 = Wagon 158"	EX8 = Engine-2.7L I5 Mercedes Turbo Diesel	DGJ = Transmission-5-Spd. Automatic,W5A580

01 = Chassis Forward Control
118"
02 = Chassis Forward Control
140"

AR = use ase required - = Non illustrated part

Sunvisors, Grabhandles, Shelf and Attaching Parts
Figure IVA-120



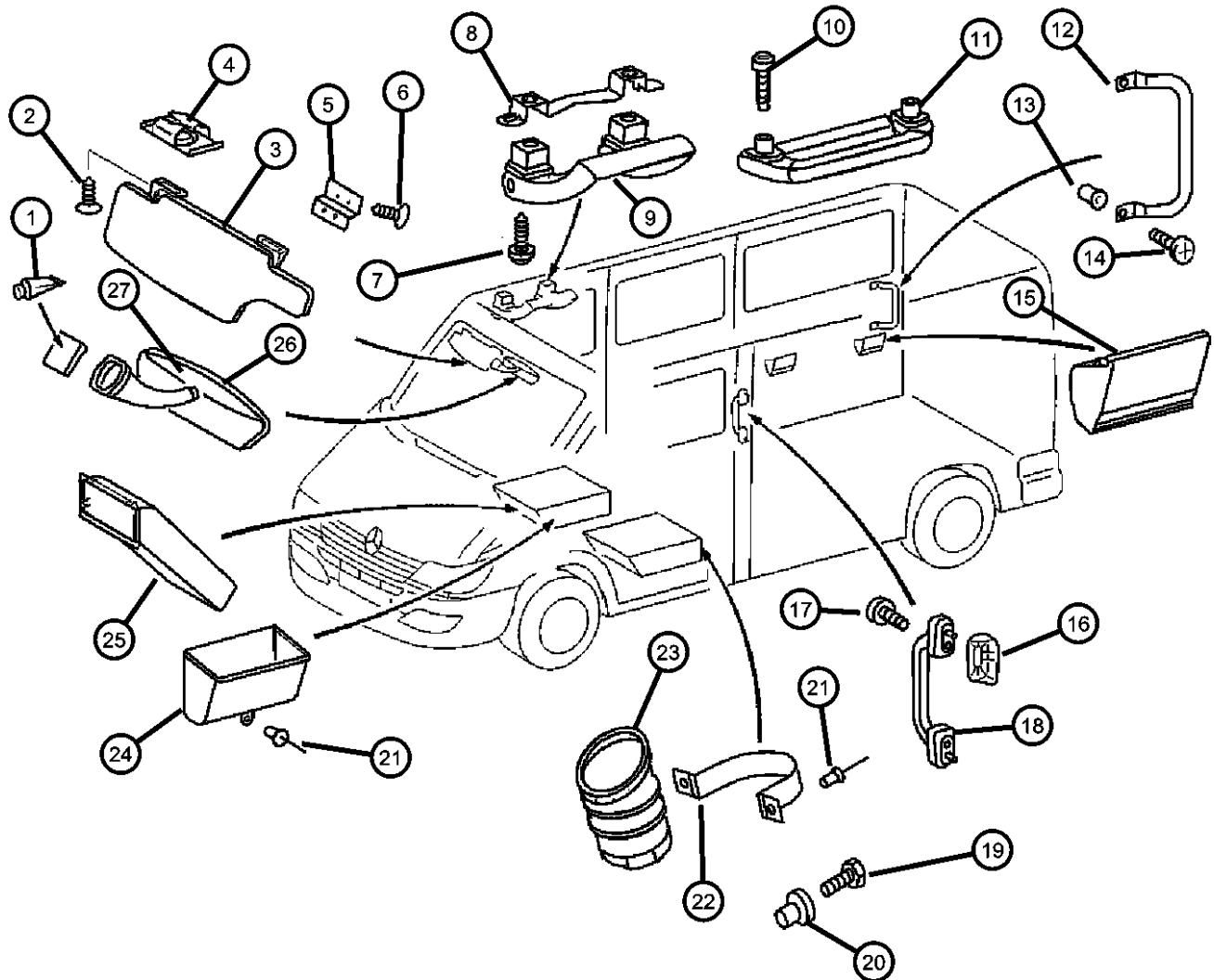
ITEM	PART NUMBER	QTY	LINE	SERIES	BODY	ENGINE	TRANS	TRIM	DESCRIPTION
7		8	3, 7	L	12, 15, 16				SCREW, Tapping
	06104574AA	2	2, 6	L	11, 12, 14, 15, 16				
		2	2, 6	L	51, 52, 54, 55, 56				
		2	3, 7	L	12, 15, 16				
8									BRACKET, Grab Handle
	05124271AA	1	2, 6	L	11, 12, 14, 15, 16				
		1	2, 6	L	51, 52, 54, 55, 56				
		1	3, 7	L	12, 15, 16				
9									HANDLE, Grab
	05104437AA	1	3, 7	L	12, 15, 16				
		1	2, 6	L	11, 12, 14, 15, 16				
		1	2, 6	L	51, 52, 54, 55, 56				
10		1							SCREW, (NOT SERVICED)
11									HANDLE, Grab
	0ZF48CS8AA	1	3, 7	L	02, 06			-AA	
		1	2, 6	L	01, 02, 06			-AA	
12									HANDLE, Grab
	05104448AA	1	2, 6	L	11, 12, 14, 15, 16				
		1	2, 6	L	51, 52, 54, 55, 56				
		1	3, 7	L	12, 15, 16				
13									NUTSERT, Rivet
	05104678AA	2	2, 6	L	11, 12, 14, 15, 16				

SPRINTER (VA)

SERIES	LINE	BODY	ENGINE	TRANSMISSION
L = LOWLINE	3 = HD DODGE 2WD 6 = Lt. Duty DODGE 4WD 2 = Med. Duty DODGE 2WD 7 = Med. Duty DODGE 4WD	55 = Wagon 140" 54 = Wagon 118" 52 = Wagon 140" 51 = Wagon 118" 12 = Van 140" 11 = Van 118" 06 = Front Section 158" 14 = Van 118" 15 = Van 140" 16 = Van 158" 56 = Wagon 158"	EX8 = Engine-2.7L I5 Mercedes Turbo Diesel	DGJ = Transmission-5-Spd. Automatic, W5A580
		01 = Chassis Forward Control 118" 02 = Chassis Forward Control 140"		

AR = use ase required - = Non illustrated part

Sunvisors, Grabhandles, Shelf and Attaching Parts
Figure IVA-120



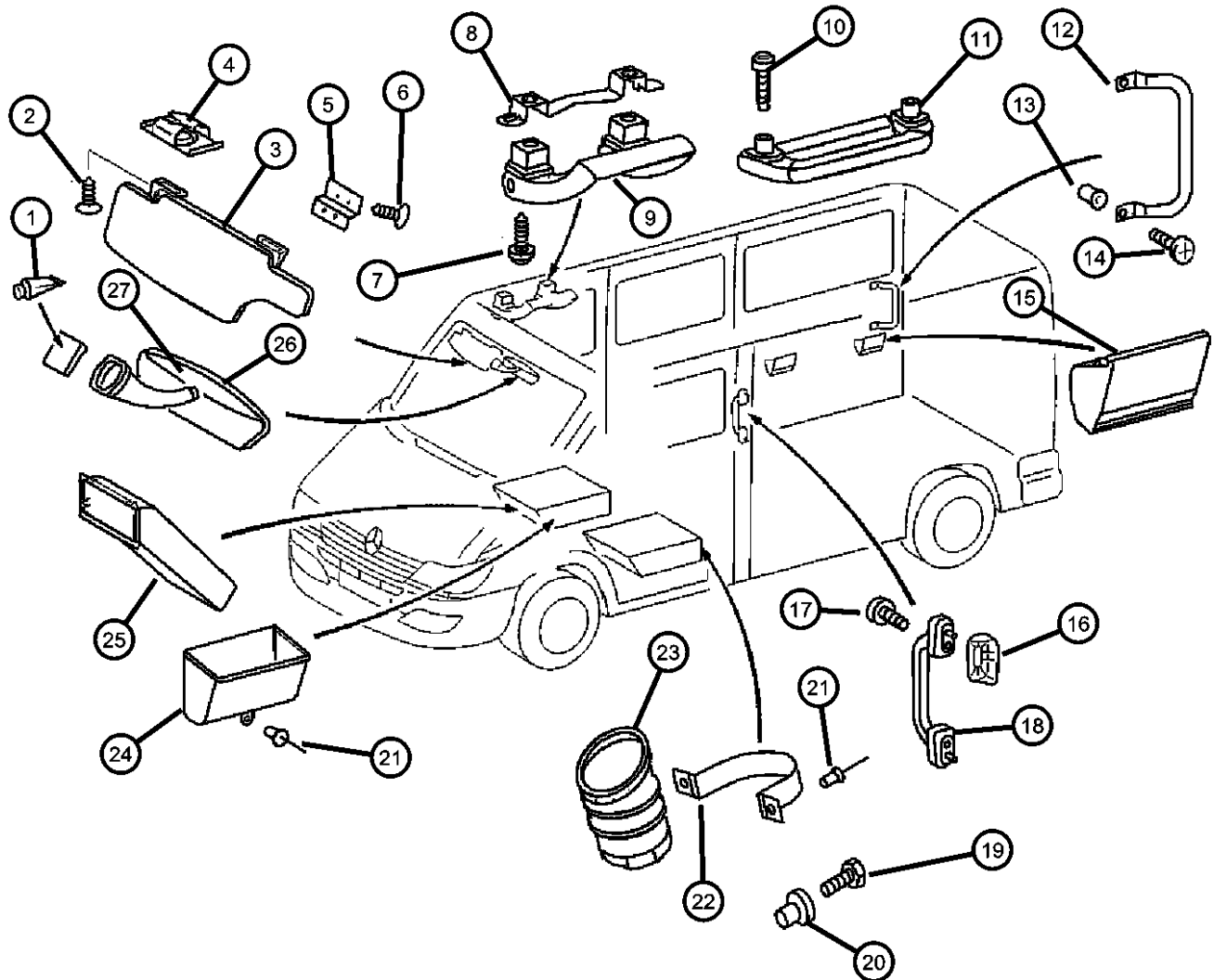
ITEM	PART NUMBER	QTY	LINE	SERIES	BODY	ENGINE	TRANS	TRIM	DESCRIPTION
		2	2, 6	L	51, 52, 54, 55, 56				
		2	3, 7	L	12, 15, 16				
14	06104153AA	2	2, 6	L	51, 52, 54, 55, 56				SCREW
		2	2, 6	L	11, 12, 14, 15, 16				
		4	3, 7	L	12, 15, 16				
15	05124222AA	4	2, 6	L	11, 14				ASHTRAY
		4	2, 6	L	52, 55, 56				
		6	3, 7	L	12, 15, 16				
16	05124285AA	2	2, 6	L	11, 12, 14, 15, 16				COVER, Assist Handle
		2	2, 6	L	51, 52, 54, 55, 56				
		4	3, 7	L	12, 15, 16				
17	06104142AA	2	2, 6	L	11, 12, 14, 15, 16				SCREW
		2	2, 6	L	51, 52, 54, 55, 56				
		2	3, 7	L	12, 15, 16				
18	05103676AA	1	2, 6	L	11, 12, 14, 15, 16				HANDLE, Grab
		1	2, 6	L	51, 52, 54, 55, 56				
		2	3, 7	L	12, 15, 16				
19									SCREW

SPRINTER (VA)

SERIES	LINE	BODY	ENGINE	TRANSMISSION
L = LOWLINE	3 = HD DODGE 2WD 6 = Lt. Duty DODGE 4WD 2 = Med. Duty DODGE 2WD 7 = Med. Duty DODGE 4WD	55 = Wagon 140" 54 = Wagon 118" 52 = Wagon 140" 51 = Wagon 118" 12 = Van 140" 11 = Van 118" 06 = Front Section 158" 14 = Van 118" 15 = Van 140" 16 = Van 158" 56 = Wagon 158"	EX8 = Engine-2.7L I5 Mercedes Turbo Diesel	DGJ = Transmission-5-Spd. Automatic, W5A580
		01 = Chassis Forward Control 118" 02 = Chassis Forward Control 140"		

AR = use ase required - = Non illustrated part

Sunvisors, Grabhandles, Shelf and Attaching Parts
Figure IVA-120



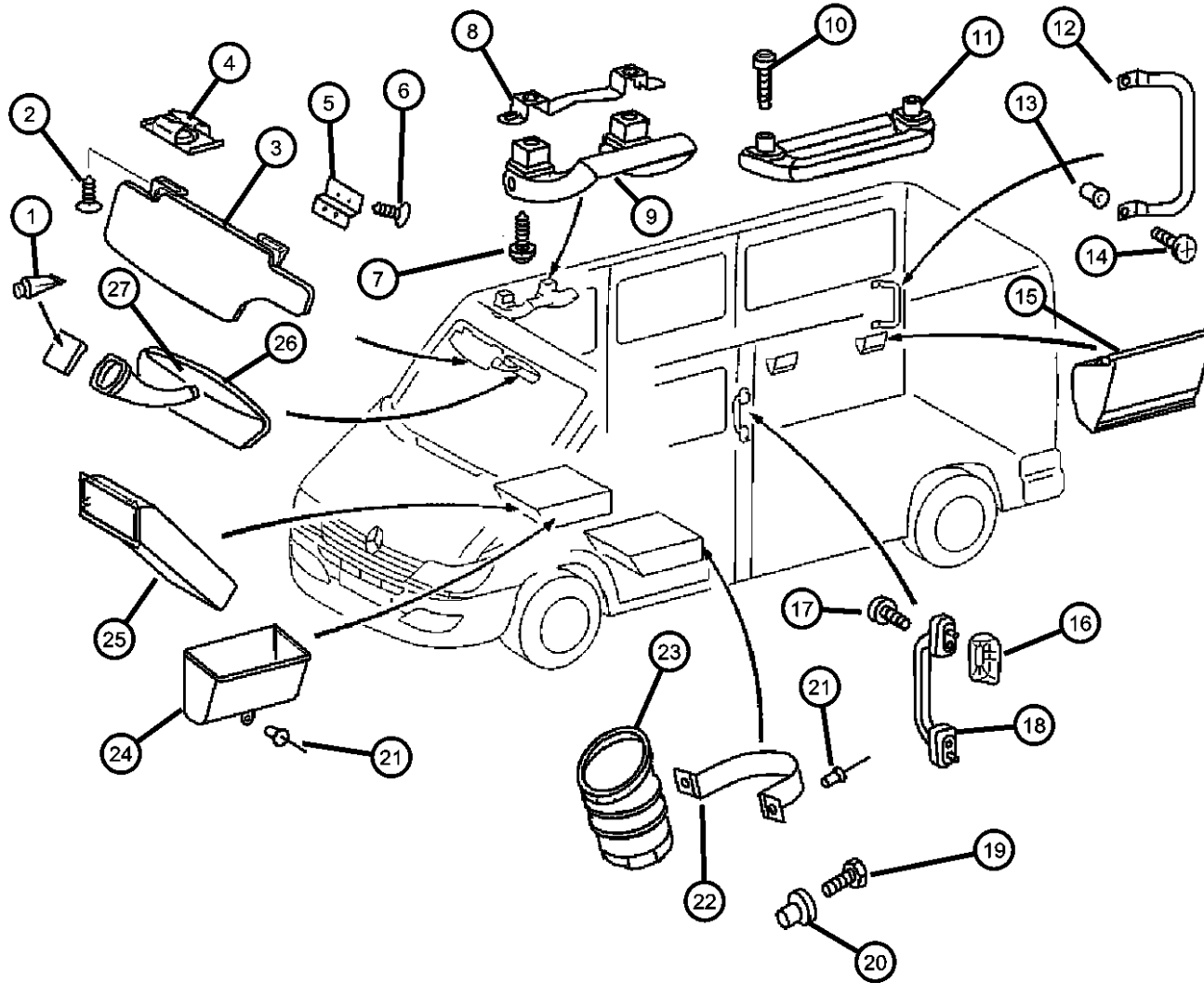
ITEM	PART NUMBER	QTY	LINE	SERIES	BODY	ENGINE	TRANS	TRIM	DESCRIPTION
	05134034AA	2	2, 6	L	11, 12, 14, 15, 16				
		2	2, 6	L	51, 52, 54, 55, 56				
20	05133943AA	2	2, 6	L	11, 12, 14, 15, 16				NUT
		2	2, 6	L	51, 52, 54, 55, 56				
		99	3, 7	L	12, 15, 16				
21	05133934AA	1	2, 6	L	11, 12, 14, 15, 16				RIVET, M4.8
		1	2, 6	L	51, 52, 54, 55, 56				
		1	3, 7	L	12, 15, 16				
22	05125038AA	1	2, 6	L	51, 52, 54, 55, 56				BRACKET, Cup Holder
		1	3, 7	L	12, 15, 16				
		1	2, 6	L	11, 12, 14, 15, 16				
23	05125041AA	1	2, 6	L	11, 12, 14, 15, 16				HOLDER, Cup
		1	2, 6	L	51, 52, 54, 55, 56				
		1	3, 7	L	12, 15, 16				
24	05104496AA	1	6, 2	L	11, 12, 14, 15, 16				BIN, Storage
		1	2, 6	L	51, 52, 54, 55, 56				
		1	3, 7	L	12, 15, 16				
25		1							BIN, Storage, (NOT SERVICED)

SPRINTER (VA)
SERIES LINE BODY ENGINE TRANSMISSION
 L = LOWLINE 3 = HD DODGE 2WD 55 = Wagon 140" EX8 = Engine-2.7L I5 DGJ = Transmission-5-Spd.
 6 = Lt. Duty DODGE 4WD 54 = Wagon 118" Mercedes Turbo Diesel Automatic,W5A580
 2 = Med. Duty DODGE 2WD 52 = Wagon 140"
 7 = Med. Duty DODGE 4WD 51 = Wagon 118"
 12 = Van 140"
 11 = Van 118"
 06 = Front Section 158"
 14 = Van 118"
 15 = Van 140"
 16 = Van 158"
 56 = Wagon 158"
 01 = Chassis Forward Control
 118"
 02 = Chassis Forward Control
 140"

AR = use ase required - = Non illustrated part

Sunvisors, Grabhandles, Shelf and Attaching Parts
Figure IVA-120

ITEM	PART NUMBER	QTY	LINE	SERIES	BODY	ENGINE	TRANS	TRIM	DESCRIPTION
26	05104435AA	1	3, 7	L	12, 15, 16				MIRROR, Inside Rear View
		1	2, 6	L	11, 12, 14, 15, 16				
		1	2, 6	L	51, 52, 54, 55, 56				
27	05104241AA	1	2, 6	L	11, 12, 14, 15, 16				BUTTON, Rear View Mirror
		1	2, 6	L	51, 52, 54, 55, 56				
		1	3, 7	L	12, 15, 16				



SPRINTER (VA)

SERIES

L = LOWLINE
 3 = HD DODGE 2WD
 6 = Lt. Duty DODGE 4WD
 2 = Med. Duty DODGE 2WD
 7 = Med. Duty DODGE 4WD

LINE

3 = HD DODGE 2WD
 6 = Lt. Duty DODGE 4WD
 2 = Med. Duty DODGE 2WD
 7 = Med. Duty DODGE 4WD

BODY

55 = Wagon 140"
 54 = Wagon 118"
 52 = Wagon 140"
 51 = Wagon 118"
 12 = Van 140"
 11 = Van 118"
 06 = Front Section 158"
 14 = Van 118"
 15 = Van 140"
 16 = Van 158"
 56 = Wagon 158"
 01 = Chassis Forward Control 118"
 02 = Chassis Forward Control 140"

ENGINE

EX8 = Engine-2.7L I5
 Mercedes Turbo Diesel

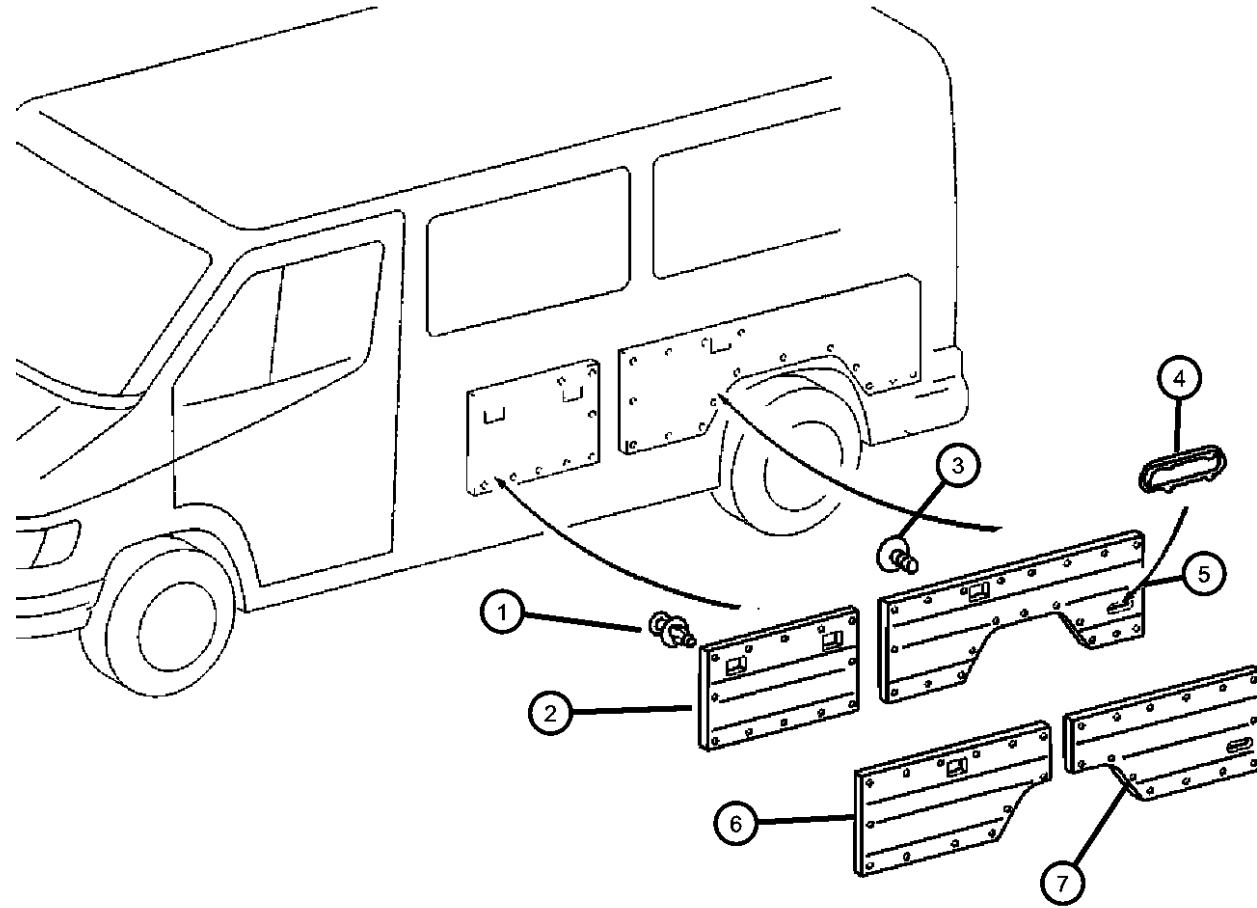
TRANSMISSION

DGJ = Transmission-5-Spd. Automatic, W5A580

AR = use ase required - = Non illustrated part

2004 VA

**Inner Panels - Fabric
Figure IVA-210**



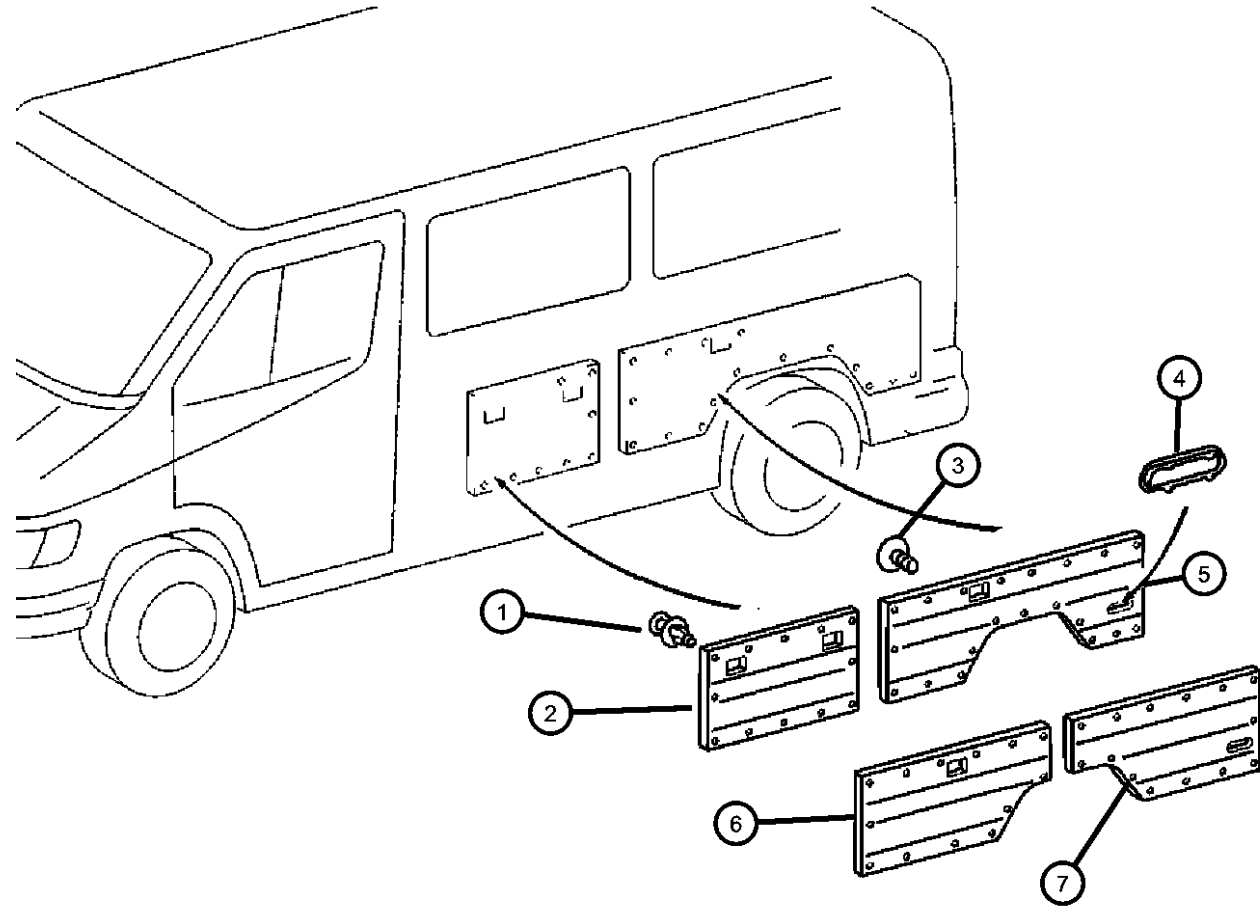
ITEM	PART NUMBER	QTY	LINE	SERIES	BODY	ENGINE	TRANS	TRIM	DESCRIPTION
1	06104895AA	10	2, 6	L	11, 12, 14, 15, 16				PIN, Push
		10	2, 6	L	51, 52, 54, 55, 56				
		10	3, 7	L	12, 15, 16				
2	05123006AA	1	2, 6	L	11, 12, 14, 15, 16				PANEL, Inner Left
		1	2, 6	L	51, 52, 54, 55, 56				Left
		1	3, 7	L	12, 15, 16				Left
	05123007AA	1	2, 6	L	11, 12, 14, 15, 16				Right
		1	2, 6	L	51, 52, 54, 55, 56				Right
		1	3, 7	L	12, 15, 16				Right
3	05125988AA	4	2, 6	L	51, 54				PLUG, Rear Seatbelt Hole
		4	2, 6	L	52, 55				
		6	2, 6	L	56				
4	05123426AA	2	2, 6	L	11, 12, 14, 15, 16				EXHAUSTER, Quarter Panel
		2	3, 7	L	12, 15, 16				
	1AS83JB5AA	2	2, 6	L	51, 52, 54, 55, 56				
5	05123014AA	1	2, 6	L	12, 15				PANEL, Quarter Trim
		1	2, 6	L	52, 55				Used With Four Fold Loudspeakers
		1	3, 7	L	12, 15				Used With Four Fold Loudspeakers
6									PANEL, Quarter Trim

SPRINTER (VA)

SERIES	LINE	BODY	ENGINE	TRANSMISSION
L = LOWLINE	3 = HD DODGE 2WD 6 = Lt. Duty DODGE 4WD 2 = Med. Duty DODGE 2WD 7 = Med. Duty DODGE 4WD	55 = Wagon 140" 54 = Wagon 118" 52 = Wagon 140" 51 = Wagon 118" 12 = Van 140" 11 = Van 118" 06 = Front Section 158" 14 = Van 118" 15 = Van 140" 16 = Van 158" 56 = Wagon 158" 01 = Chassis Forward Control 118" 02 = Chassis Forward Control 140"	EX8 = Engine-2.7L I5 Mercedes Turbo Diesel	DGJ = Transmission-5-Spd. Automatic, W5A580

AR = use ase required - = Non illustrated part

Inner Panels - Fabric
Figure IVA-210



ITEM	PART NUMBER	QTY	LINE	SERIES	BODY	ENGINE	TRANS	TRIM	DESCRIPTION
	05123020AA	1	2, 6	L	16				In Front Of Wheelhouse, Without Loudspeaker, Left
		1	2, 6	L	56				In Front Of Wheelhouse, Without Loudspeaker, Left
		1	3, 7	L	16				In Front Of Wheelhouse, Without Loudspeaker, Left
	05123023AA	1	2, 6	L	16				In Front Of Wheelhouse, Without Loudspeaker, Right
		1	2, 6	L	56				In Front Of Wheelhouse, Without Loudspeaker, Right
		1	3, 7	L	16				In Front Of Wheelhouse, Without Loudspeaker, Right
	05123032AA	1	2, 6	L	16				In Front Of Wheelhouse, With Loudspeaker, Right
		1	2, 6	L	56				In Front Of Wheelhouse, With Loudspeaker, Right
		1	3, 7	L	16				In Front Of Wheelhouse, With Loudspeaker, Right
	05123029AA	1	2, 6	L	16				In Front Of Wheelhouse, With Loudspeaker, Left
		1	2, 6	L	56				In Front Of Wheelhouse, With Loudspeaker, Left
		1	3, 7	L	16				In Front Of Wheelhouse, With Loudspeaker, Left
7									PANEL, Quarter Trim
	05123025AA	1	2, 6	L	16				Behind the Wheel Arch, Left
		1	2, 6	L	56				Behind the Wheel Arch, Left
		1	3, 7	L	16				Behind the Wheel Arch, Left
	05123027AA	1	2, 6	L	16				Behind the Wheel Arch, Right
		1	2, 6	L	56				Behind the Wheel Arch, Right
		1	3, 7	L	16				Behind the Wheel Arch, Right

SPRINTER (VA)

SERIES

L = LOWLINE

LINE

3 = HD DODGE 2WD
6 = Lt. Duty DODGE 4WD
2 = Med. Duty DODGE 2WD
7 = Med. Duty DODGE 4WD

BODY

55 = Wagon 140"
54 = Wagon 118"
52 = Wagon 140"
51 = Wagon 118"
12 = Van 140"
11 = Van 118"
06 = Front Section 158"
14 = Van 118"
15 = Van 140"
16 = Van 158"
56 = Wagon 158"
01 = Chassis Forward Control 118"
02 = Chassis Forward Control 140"

ENGINE

EX8 = Engine-2.7L I5
Mercedes Turbo Diesel

TRANSMISSION

DGJ = Transmission-5-Spd. Automatic,W5A580

AR = use ase required - = Non illustrated part

2004 VA

Inner Panels - Cab
Figure IVA-215

ITEM	PART NUMBER	QTY	LINE	SERIES	BODY	ENGINE	TRANS	TRIM	DESCRIPTION
1	06104724AA	1	2, 6	L	01, 02, 06				NUT, Hex
2									HOOK, Coat
	05124273AA	1	3, 7	L	02, 06				
		1	2, 6	L	01, 02, 06				
3									HANGER, Coat
	0ZF49CS8AA	1	2, 6	L	06, 01, 02			-AA	
		1	3, 7	L	02, 06			-AA	
4									SCREW
	06104172AA	2	3, 7	L	12, 15, 16				
		2	2, 6	L	11, 12, 14, 15, 16				
		2	2, 6	L	51, 52, 54, 55, 56				
5									FILLER
	05104273AA	1	2, 6	L	11, 12, 14, 15, 16				Right
		1	2, 6	L	51, 52, 54, 55, 56				Right
		1	3, 7	L	12, 15, 16				Right
	05123185AA	1	3, 7	L	12, 15, 16				Left
		1	2, 6	L	11, 12, 14, 15, 16				Left
		1	2, 6	L	51, 52, 54, 55, 56				Left
6									SCREW
	06104610AA	5	2, 6	L	11, 12, 14, 15, 16				
		5	2, 6	L	51, 52, 54, 55, 56				
		5	3, 7	L	12, 15, 16				
7		5							SPACER, (NOT SERVICED)
8									COVER, Seat Belt Guide
	05104275AA	1	2, 6	L	11, 12, 14, 15, 16				

SPRINTER (VA)

SERIES

L = LOWLINE

LINE

3 = HD DODGE 2WD
6 = Lt. Duty DODGE 4WD
2 = Med. Duty DODGE 2WD
7 = Med. Duty DODGE 4WD

BODY

55 = Wagon 140"
54 = Wagon 118"
52 = Wagon 140"
51 = Wagon 118"
12 = Van 140"
11 = Van 118"
06 = Front Section 158"
14 = Van 118"
15 = Van 140"
16 = Van 158"
56 = Wagon 158"
01 = Chassis Forward Control 118"
02 = Chassis Forward Control 140"

ENGINE

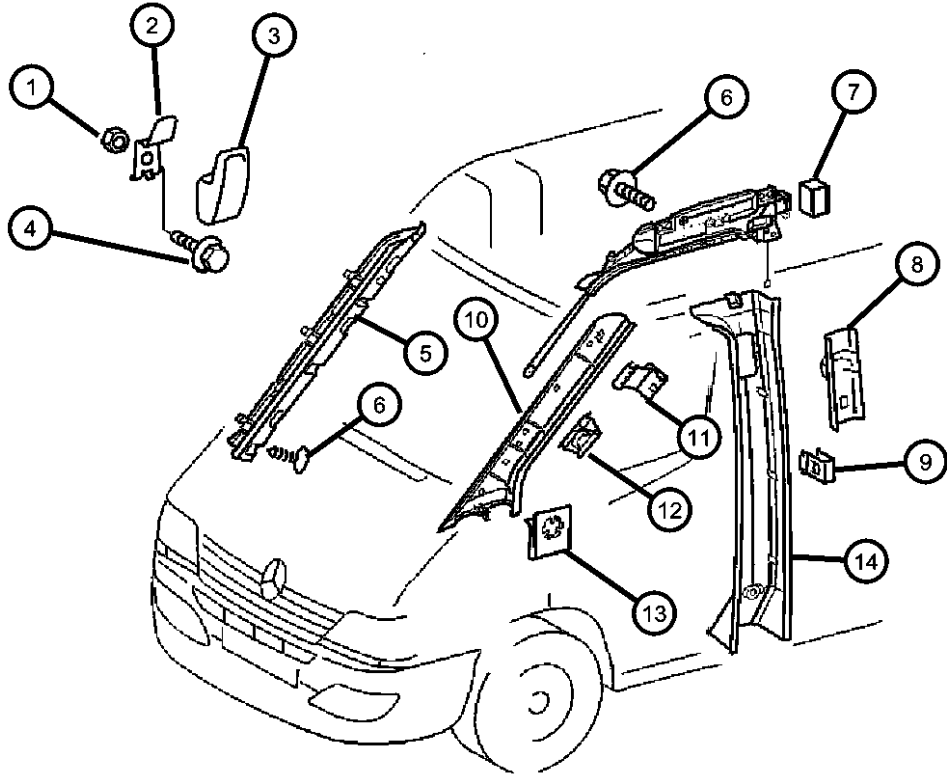
EX8 = Engine-2.7L I5
Mercedes Turbo Diesel

TRANSMISSION

DGJ = Transmission-5-Spd. Automatic, W5A580

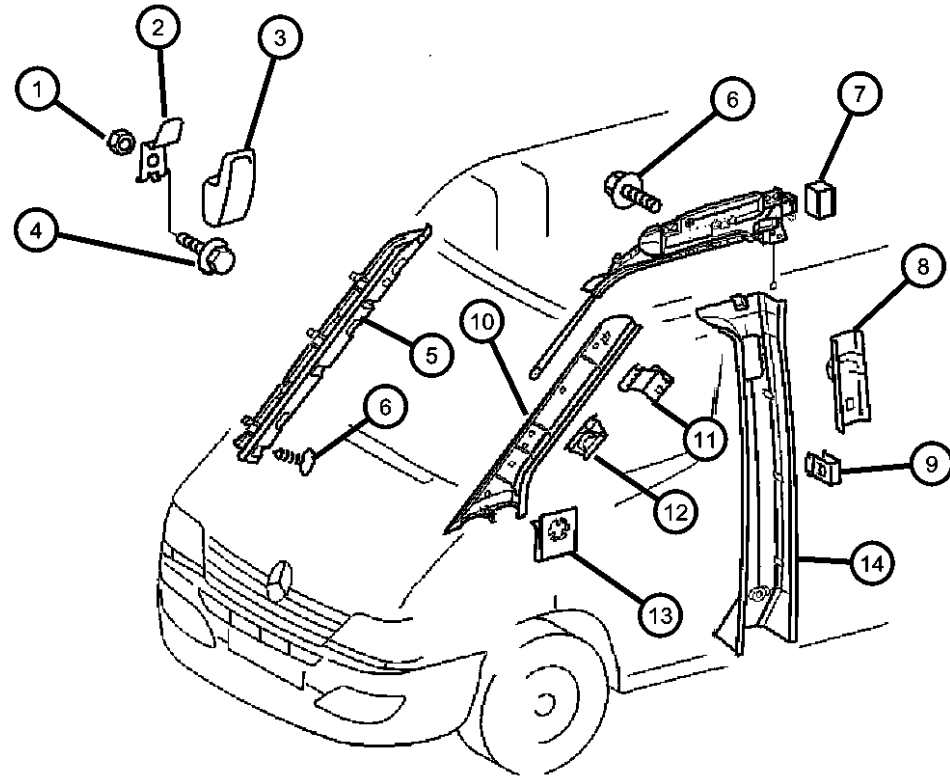
AR = use ase required - = Non illustrated part

2004 VA



**Inner Panels - Cab
Figure IVA-215**

ITEM	PART NUMBER	QTY	LINE	SERIES	BODY	ENGINE	TRANS	TRIM	DESCRIPTION
		1	2, 6	L	51, 52, 54, 55, 56				
9	05125575AA	5	2, 6	L	11, 12, 14, 15, 16				CLIP, Trim
		5	2, 6	L	51, 52, 54, 55, 56				
		5	3, 7	L	12, 15, 16				
10	05104276AA	1	2, 6	L	11, 12, 14, 15, 16				PANEL, A Pillar Trim Left
		1	2, 6	L	51, 52, 54, 55, 56				Left
		1	3, 7	L	12, 15, 16				Left
	05123043AA	1	2, 6	L	11, 12, 14, 15, 16				With Cell Phone Prep Package, Left
		1	3, 7	L	12, 15, 16				With Cell Phone Prep Package, Left
	05123046AA	1	2, 6	L	11, 12, 14, 15, 16				Right
		1	2, 6	L	51, 52, 54, 55, 56				Right
		1	3, 7	L	12, 15, 16				Right
		1	2, 6	L	51, 52, 54, 55, 56				With Cell Phone Prep Package, Left
11		1							CLIP, (NOT SERVICED),
12									CLIP, Trim
	05125575AA	5	2, 6	L	11, 12, 14, 15, 16				
		5	2, 6	L	51, 52, 54, 55, 56				
		5	3, 7	L	12, 15, 16				
13		5							CLIP, (NOT SERVICED)
14									PANEL, B Pillar Trim



SPRINTER (VA)

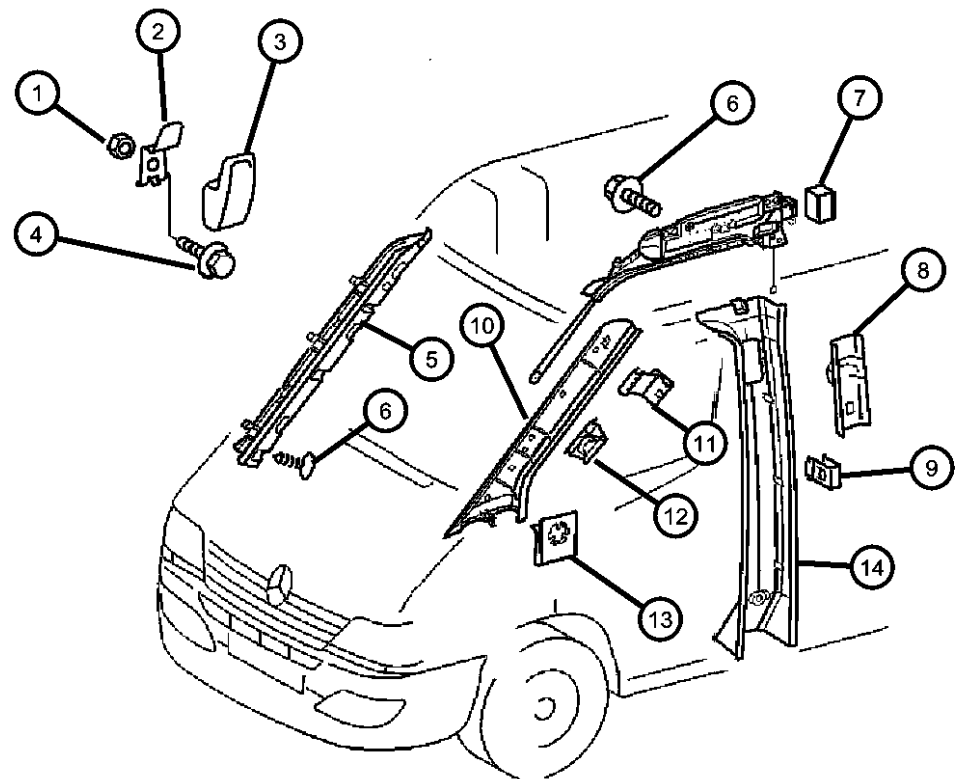
SERIES	LINE	BODY	ENGINE	TRANSMISSION
L = LOWLINE	3 = HD DODGE 2WD 6 = Lt. Duty DODGE 4WD 2 = Med. Duty DODGE 2WD 7 = Med. Duty DODGE 4WD	55 = Wagon 140" 54 = Wagon 118" 52 = Wagon 140" 51 = Wagon 118" 12 = Van 140" 11 = Van 118" 06 = Front Section 158" 14 = Van 118" 15 = Van 140" 16 = Van 158" 56 = Wagon 158" 01 = Chassis Forward Control 118" 02 = Chassis Forward Control 140"	EX8 = Engine-2.7L I5 Mercedes Turbo Diesel	DGJ = Transmission-5-Spd. Automatic,W5A580

AR = use ase required - = Non illustrated part

2004 VA

**Inner Panels - Cab
Figure IVA-215**

ITEM	PART NUMBER	QTY	LINE	SERIES	BODY	ENGINE	TRANS	TRIM	DESCRIPTION
	05104290AA	1	2, 6	L	11, 12, 14, 15, 16				With Partition, With Passable Partition, Right
	05104288AA	1	2, 6	L	11, 12, 14, 15, 16				With Partition, Left
		1	3, 7	L	12, 15, 16				With Partition, Left
	05104289AA	1	2, 6	L	11, 12, 14, 15, 16				With Partition, With Non Passable Partition, Right
		1	3, 7	L	12, 15, 16				With Partition, With Non Passable Partition, Right
		1	3, 7	L	12, 15, 16				With Partition, With Passable Partition, Right
	05123267AA	1	2, 6	L	11, 12, 14, 15, 16				Without Left Sliding Door, Left
		1	2, 6	L	51, 52, 54, 55, 56				Without Left Sliding Door, Left
		1	3, 7	L	12, 15, 16				Without Left Sliding Door, Left
	05123275AA	1	2, 6	L	11, 12, 14, 15, 16				With Left Sliding Door, Without Grab Handle, Load Ring, Left
		1	2, 6	L	51, 52, 54, 55, 56				With Left Sliding Door, Without Grab Handle, Load Ring, Left
		1	3, 7	L	12, 15, 16				With Left Sliding Door, Without Grab Handle, Load Ring, Left
	05123285AA	1	2, 6	L	11, 12, 14, 15, 16				With Left Sliding Door and Load Ring, Without Grab Handle, Left
		1	2, 6	L	51, 52, 54, 55, 56				With Left Sliding Door and Load Ring, Without Grab Handle, Left
		1	3, 7	L	12, 15, 16				With Left Sliding Door and Load Ring, Without Grab Handle, Left
	05123287AA	1	2, 6	L	11, 12, 14, 15, 16				With Right Sliding Door and Load Ring, Without Grab Handle, Right
		1	2, 6	L	51, 52, 54, 55, 56				With Right Sliding Door and Load Ring, Without Grab Handle, Right
		1	3, 7	L	12, 15, 16				With Right Sliding Door and Load Ring, Without Grab Handle, Right



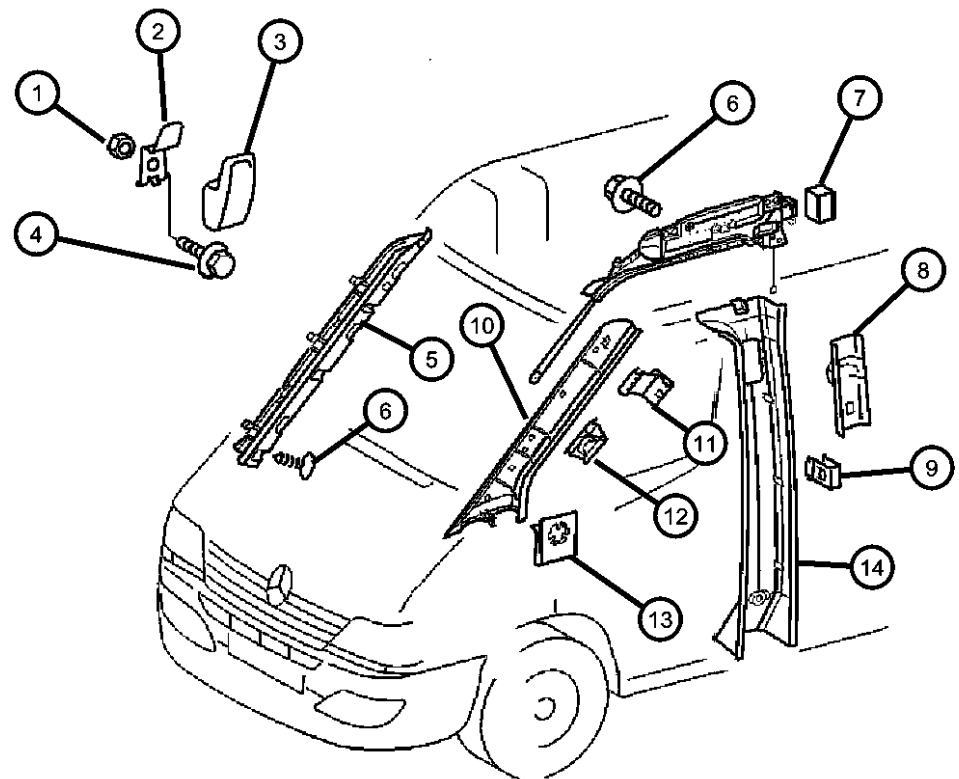
SPRINTER (VA)

SERIES	LINE	BODY	ENGINE	TRANSMISSION
L = LOWLINE	3 = HD DODGE 2WD 6 = Lt. Duty DODGE 4WD 2 = Med. Duty DODGE 2WD 7 = Med. Duty DODGE 4WD	55 = Wagon 140" 54 = Wagon 118" 52 = Wagon 140" 51 = Wagon 118" 12 = Van 140" 11 = Van 118" 06 = Front Section 158" 14 = Van 118" 15 = Van 140" 16 = Van 158" 56 = Wagon 158" 01 = Chassis Forward Control 118" 02 = Chassis Forward Control 140"	EX8 = Engine-2.7L I5 Mercedes Turbo Diesel	DGJ = Transmission-5-Spd. Automatic, W5A580

AR = use ase required - = Non illustrated part

**Inner Panels - Cab
Figure IVA-215**

ITEM	PART NUMBER	QTY	LINE	SERIES	BODY	ENGINE	TRANS	TRIM	DESCRIPTION
	05123304AA	1	2, 6	L	11, 12, 14, 15, 16				With Left Sliding Door and Grab Handle Without Load Ring, Left
		1	2, 6	L	51, 52, 54, 55, 56				With Left Sliding Door and Grab Handle Without Load Ring, Left
		1	3, 7	L	12, 15, 16				With Left Sliding Door and Grab Handle Without Load Ring, Left
	05123306AA	1	2, 6	L	11, 12, 14, 15, 16				With Right Sliding Door and Grab Handle Without Load Ring, Right
		1	2, 6	L	51, 52, 54, 55, 56				With Right Sliding Door and Grab Handle Without Load Ring, Right
		1	3, 7	L	12, 15, 16				With Right Sliding Door and Grab Handle Without Load Ring, Right
	05123308AA	1	2, 6	L	11, 12, 14, 15, 16				With Left Sliding Door, Grab Handle and Load Ring, Left
		1	2, 6	L	51, 52, 54, 55, 56				With Left Sliding Door, Grab Handle and Load Ring, Left
		1	3, 7	L	12, 15, 16				With Left Sliding Door, Grab Handle and Load Ring, Left
	05123310AA	1	2, 6	L	11, 12, 14, 15, 16				With Right Sliding Door, Grab Handle and Load Ring, Right
		1	2, 6	L	51, 52, 54, 55, 56				With Right Sliding Door, Grab Handle and Load Ring, Right
		1	3, 7	L	12, 15, 16				With Right Sliding Door, Grab Handle and Load Ring, Right
-15	05125582AA	5	2, 6	L	01, 02, 06				CLIP, U Type
		5	2, 6	L	11, 12, 14, 15, 16				
		5	2, 6	L	51, 52, 54, 55, 56				

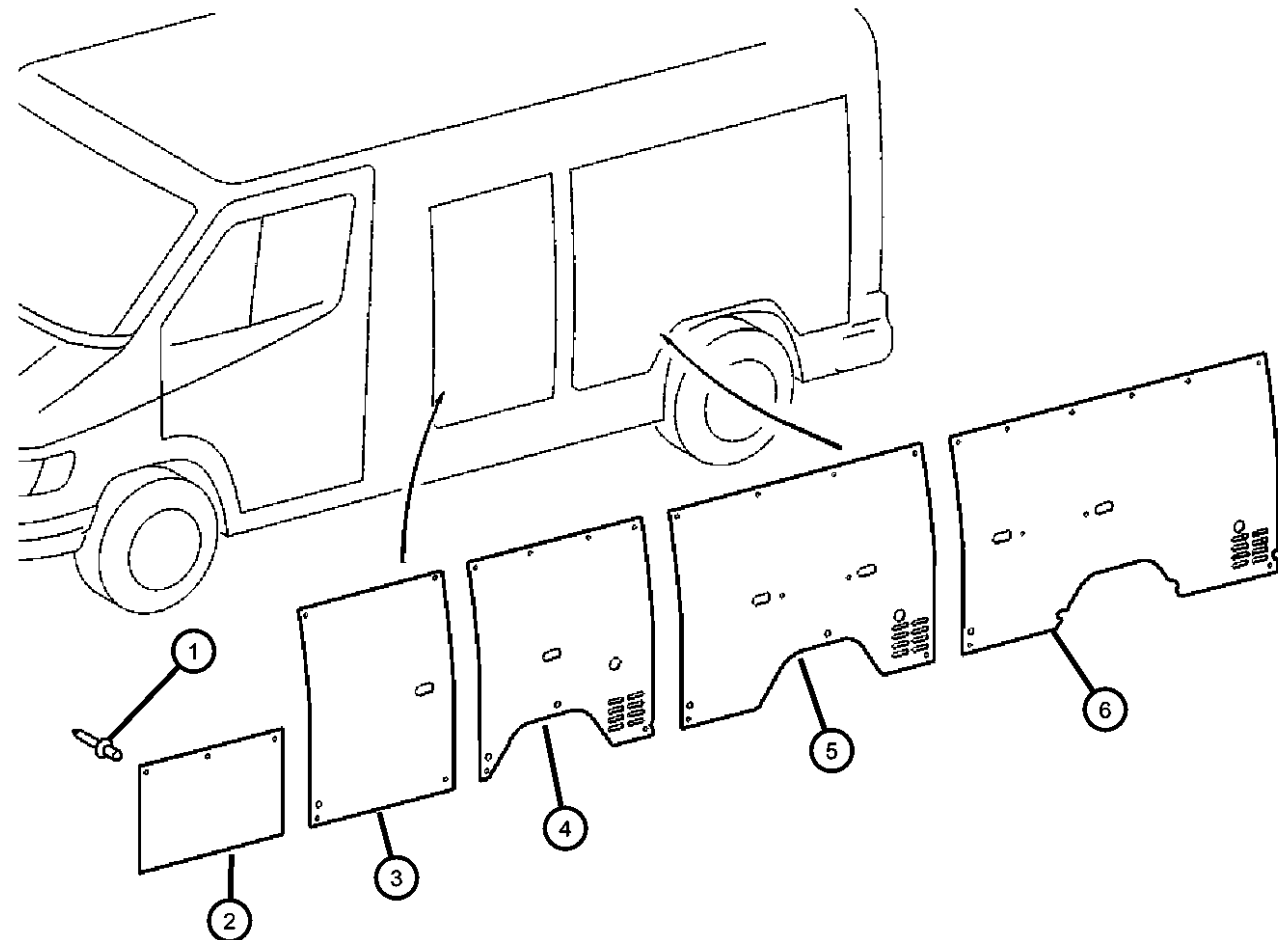


SPRINTER (VA)

SERIES	LINE	BODY	ENGINE	TRANSMISSION
L = LOWLINE	3 = HD DODGE 2WD 6 = Lt. Duty DODGE 4WD 2 = Med. Duty DODGE 2WD 7 = Med. Duty DODGE 4WD	55 = Wagon 140" 54 = Wagon 118" 52 = Wagon 140" 51 = Wagon 118" 12 = Van 140" 11 = Van 118" 06 = Front Section 158" 14 = Van 118" 15 = Van 140" 16 = Van 158" 56 = Wagon 158"	EX8 = Engine-2.7L I5 Mercedes Turbo Diesel	DGJ = Transmission-5-Spd. Automatic,W5A580
		01 = Chassis Forward Control 118" 02 = Chassis Forward Control 140"		

AR = use ase required - = Non illustrated part

Inner Panels - Plywood
Figure IVA-220



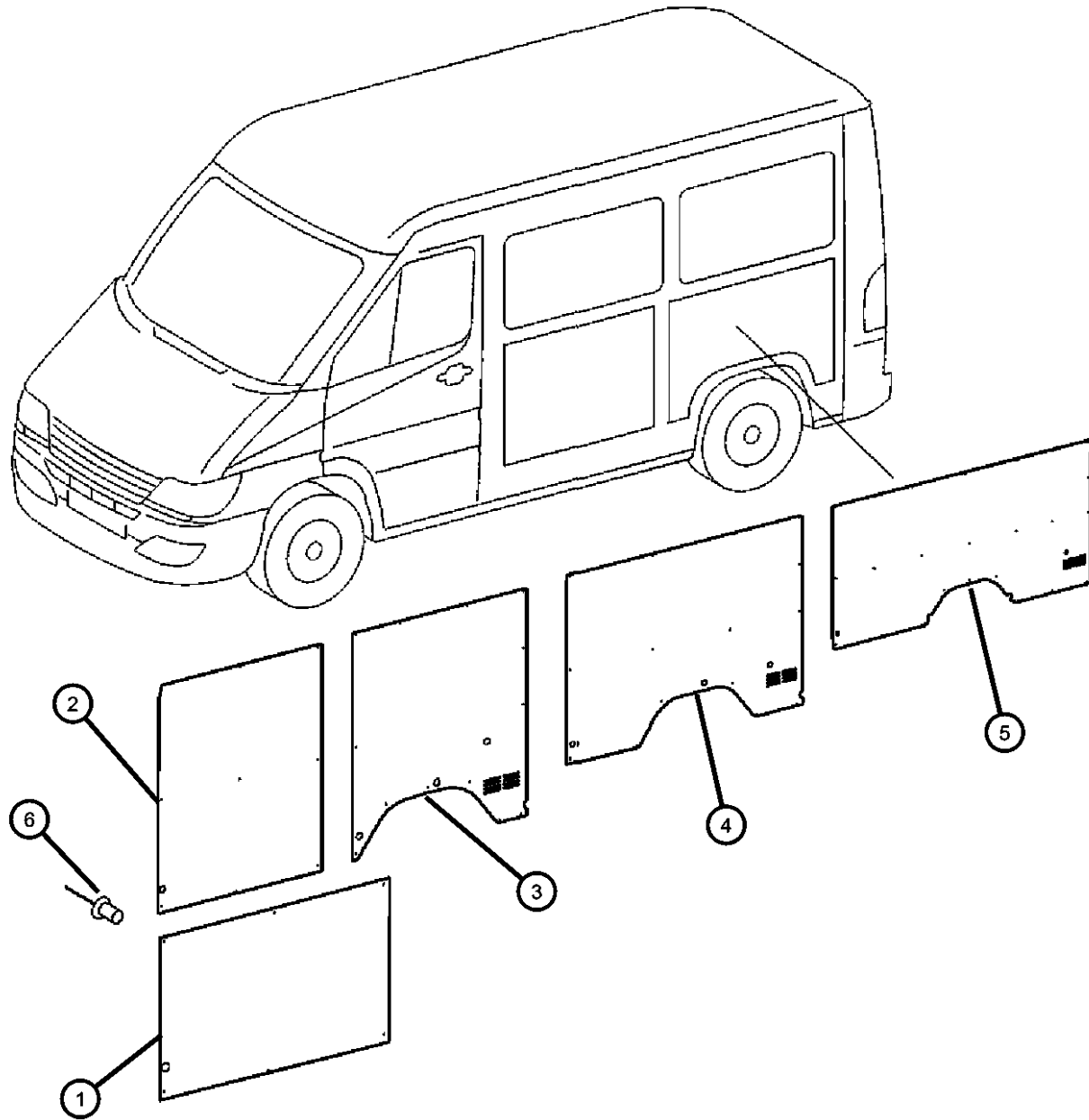
ITEM	PART NUMBER	QTY	LINE	SERIES	BODY	ENGINE	TRANS	TRIM	DESCRIPTION
1									RIVET
	06104865AA	10	2, 6	L	11, 12, 14, 15, 16				
		10	2, 6	L	51, 52, 54, 55, 56				
		10	3, 7	L	12, 15, 16				
2									PANEL, Inner
	05104295AA	1	2, 6	L	11, 12, 14, 15, 16				
		1	3, 7	L	12, 15, 16				
3									PANEL, Inner
	05104296AA	1	3, 7	L	12, 15, 16				
		2	2, 6	L	11, 12, 14, 15, 16				
4	05131868AA	2	2, 6	L	11, 14				PANEL, Side Trim
5									PANEL, Side Trim
	05123247AA	2	2, 6	L	12, 15				
		2	3, 7	L	12, 15				
6									PANEL, Quarter Trim
	05104294AA	2	2, 6	L	16				
		2	3, 7	L	16				

SPRINTER (VA)

SERIES	LINE	BODY	ENGINE	TRANSMISSION
L = LOWLINE	3 = HD DODGE 2WD 6 = Lt. Duty DODGE 4WD 2 = Med. Duty DODGE 2WD 7 = Med. Duty DODGE 4WD	55 = Wagon 140" 54 = Wagon 118" 52 = Wagon 140" 51 = Wagon 118" 12 = Van 140" 11 = Van 118" 06 = Front Section 158" 14 = Van 118" 15 = Van 140" 16 = Van 158" 56 = Wagon 158"	EX8 = Engine-2.7L I5 Mercedes Turbo Diesel	DGJ = Transmission-5-Spd. Automatic,W5A580
		01 = Chassis Forward Control 118" 02 = Chassis Forward Control 140"		

AR = use ase required - = Non illustrated part

**Inner Panel, Hard Fiber
Figure IVA-221**



ITEM	PART NUMBER	QTY	LINE	SERIES	BODY	ENGINE	TRANS	TRIM	DESCRIPTION
1									PANEL, Cargo Compartment, Without Windows
	05123222AA	1	2, 6	L	11, 12, 14, 15, 16				
		1	3, 7	L	12, 15, 16				
2									PANEL, Cargo Compartment, Without Windows
	05123223AA	1	2, 6	L	11, 12, 14, 15, 16				
		1	3, 7	L	12, 15, 16				
3	05131857AA	2	2, 6	L	11, 14				PANEL, Quarter TrimRight & Left
4									PANEL, Quarter Trim Right & Left
	05123224AA	2	2, 6	L	12, 15				Right & Left
		2	3, 7	L	12, 15				Right & Left
5									PANEL, Quarter Trim Right & Left
	05123225AA	2	2, 6	L	16				Right & Left
		2	3, 7	L	16				Right & Left
6									RIVET
	06104865AA	10	2, 6	L	11, 12, 14, 15, 16				
		10	3, 7	L	12, 15, 16				

SPRINTER (VA)

SERIES

L = LOWLINE
 3 = HD DODGE 2WD
 6 = Lt. Duty DODGE 4WD
 2 = Med. Duty DODGE 2WD
 7 = Med. Duty DODGE 4WD

LINE

3 = HD DODGE 2WD
 6 = Lt. Duty DODGE 4WD
 2 = Med. Duty DODGE 2WD
 7 = Med. Duty DODGE 4WD

BODY

55 = Wagon 140"
 54 = Wagon 118"
 52 = Wagon 140"
 51 = Wagon 118"
 12 = Van 140"
 11 = Van 118"
 06 = Front Section 158"
 14 = Van 118"
 15 = Van 140"
 16 = Van 158"
 56 = Wagon 158"
 01 = Chassis Forward Control 118"
 02 = Chassis Forward Control 140"

ENGINE

EX8 = Engine-2.7L I5
 Mercedes Turbo Diesel

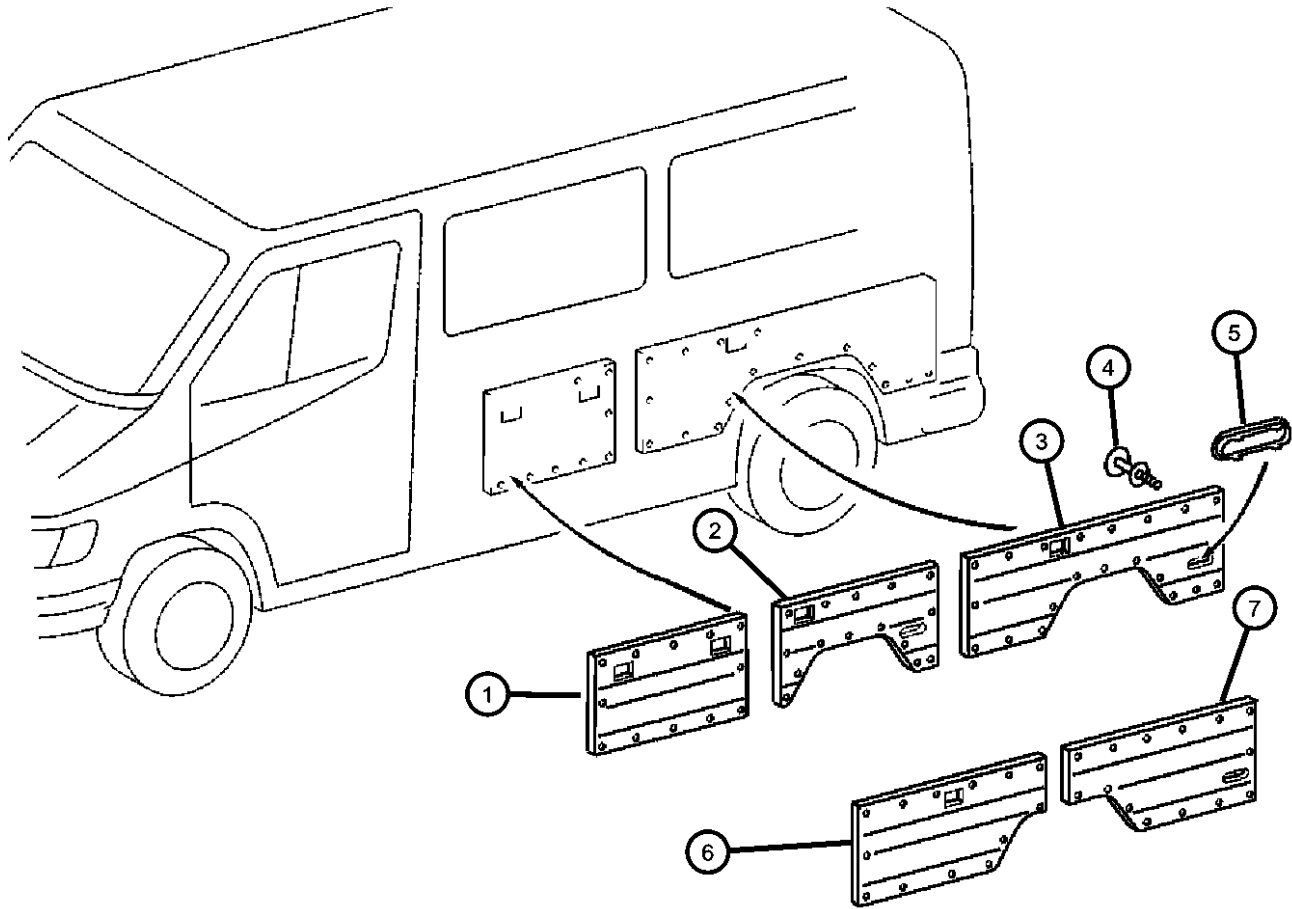
TRANSMISSION

DGJ = Transmission-5-Spd. Automatic,W5A580

AR = use ase required - = Non illustrated part

2004 VA

Inner Panels
Figure IVA-225



ITEM	PART NUMBER	QTY	LINE	SERIES	BODY	ENGINE	TRANS	TRIM	DESCRIPTION
1	05123228AA	1	2, 6	L	11, 12, 14, 15, 16				PANEL, Cargo compartment
		1	2, 6	L	51, 52, 54, 55, 56				
		1	3, 7	L	12, 15, 16				
2	05123233AA	1	2, 6	L	11, 14				PANEL, Cargo compartment Right
		1	2, 6	L	51, 54				Right
	05123231AA	1	2, 6	L	11, 14				Left
		1	2, 6	L	51, 54				Left
3	05123234AA	1	2, 6	L	12, 15				PANEL, Cargo compartment 140 Inch Wheelbase, Left
		1	2, 6	L	52, 55				140 Inch Wheelbase, Left
		1	3, 7	L	12, 15				140 Inch Wheelbase, Left
	05123236AA	1	2, 6	L	12, 15				140 Inch Wheelbase, Right
		1	2, 6	L	52, 55				140 Inch Wheelbase, Right
		1	3, 7	L	12, 15				140 Inch Wheelbase, Right
4	05103553AA	9	2, 6	L	11, 12, 14, 15, 16				PIN, Push
		9	2, 6	L	51, 52, 54, 55, 56				
		9	3, 7	L	12, 15, 16				
5	1AS83JB5AA	2	2, 6	L	11, 12, 14, 15, 16				EXHAUSTER, Quarter Panel
		2	2, 6	L	51, 52, 54, 55, 56				
		2	3, 7	L	12, 15, 16				
6	05123238AA	1	2, 6	L	16				PANEL, Cargo compartment 158 Inch Wheelbase, Left Front

SPRINTER (VA)

SERIES

L = LOWLINE

LINE

3 = HD DODGE 2WD
6 = Lt. Duty DODGE 4WD
2 = Med. Duty DODGE 2WD
7 = Med. Duty DODGE 4WD

BODY

55 = Wagon 140"
54 = Wagon 118"
52 = Wagon 140"
51 = Wagon 118"
12 = Van 140"
11 = Van 118"
06 = Front Section 158"
14 = Van 118"
15 = Van 140"
16 = Van 158"
56 = Wagon 158"
01 = Chassis Forward Control
118"
02 = Chassis Forward Control
140"

ENGINE

EX8 = Engine-2.7L I5
Mercedes Turbo Diesel

TRANSMISSION

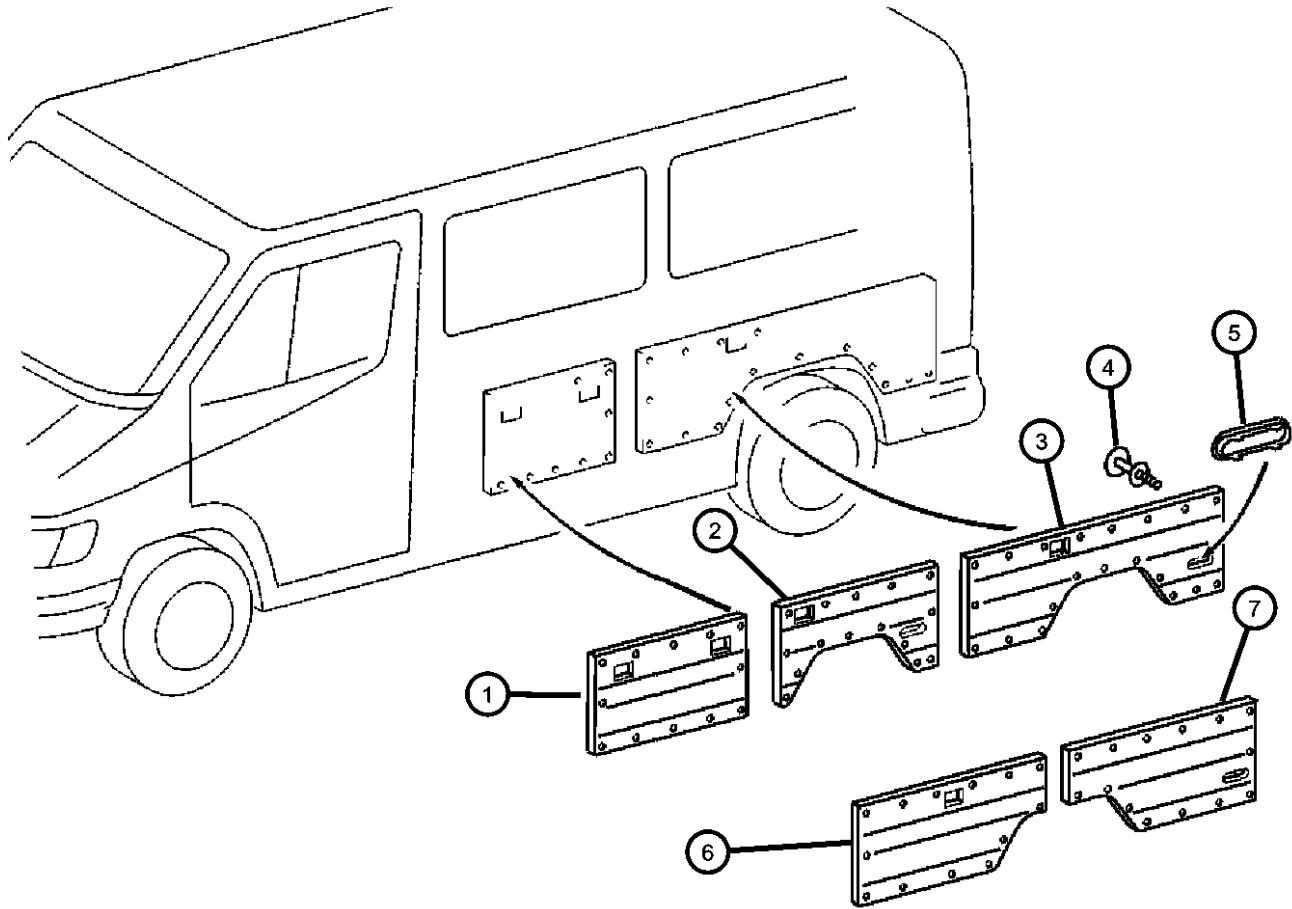
DGJ = Transmission-5-Spd.
Automatic,W5A580

AR = use ase required - = Non illustrated part

2004 VA

Inner Panels
Figure IVA-225

ITEM	PART NUMBER	QTY	LINE	SERIES	BODY	ENGINE	TRANS	TRIM	DESCRIPTION
		1	2, 6	L	56				158 Inch Wheelbase, Left Front
		1	3, 7	L	16				158 Inch Wheelbase, Left Front
	05123240AA	1	2, 6	L	16				158 Inch Wheelbase, Right Front
		1	2, 6	L	56				158 Inch Wheelbase, Right Front
		1	3, 7	L	16				158 Inch Wheelbase, Right Front
7									PANEL, Cargo compartment
	05123243AA	1	3, 7	L	16				158 Inch Wheelbase, Right Rear
	05123242AA	1	2, 6	L	16				158 Inch Wheelbase, Left Rear
		1	2, 6	L	56				158 Inch Wheelbase, Left Rear
		1	3, 7	L	16				158 Inch Wheelbase, Left Rear
		1	2, 6	L	16				158 Inch Wheelbase, Right Rear
		1	2, 6	L	56				158 Inch Wheelbase, Right Rear

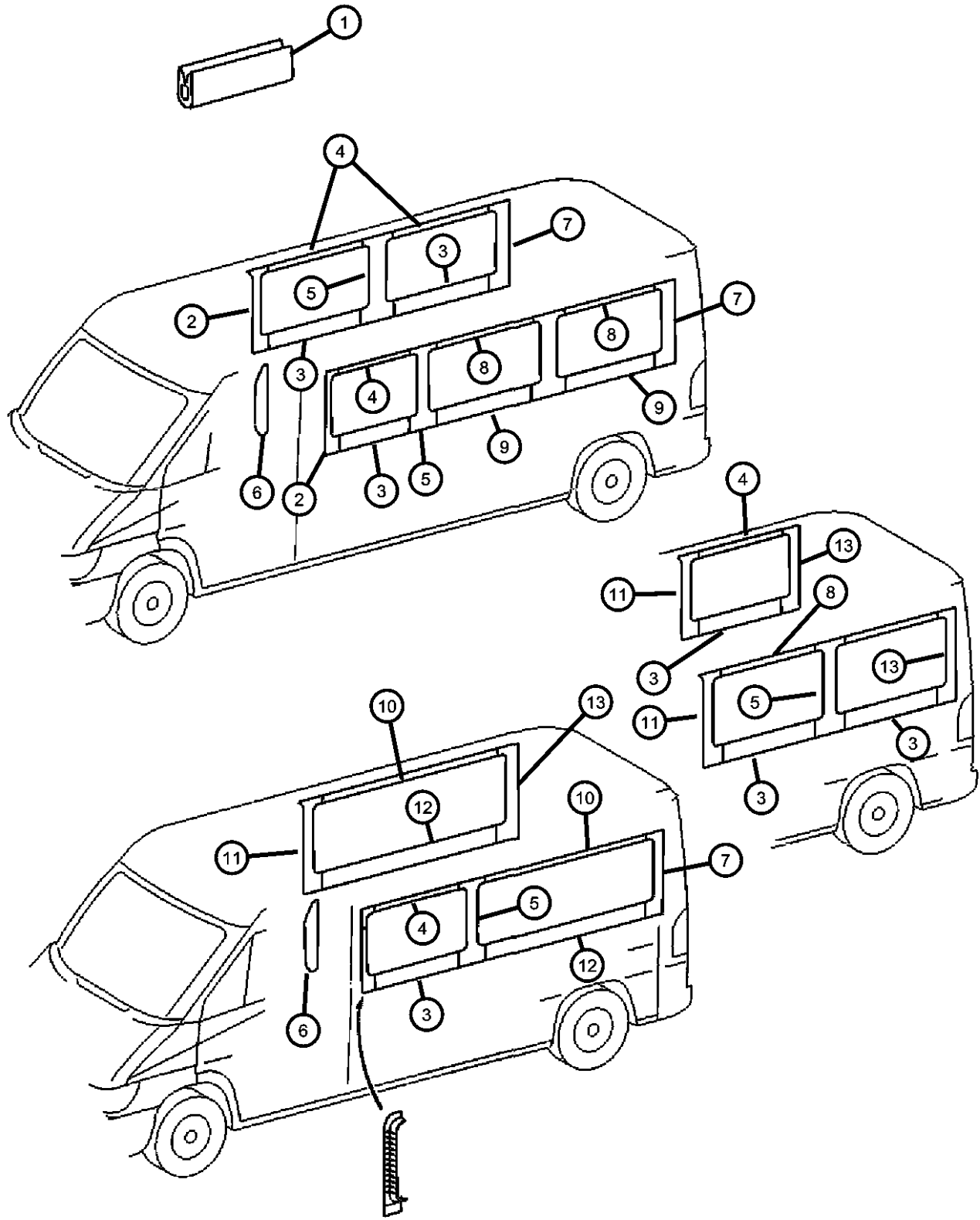


SPRINTER (VA)

SERIES	LINE	BODY	ENGINE	TRANSMISSION
L = LOWLINE	3 = HD DODGE 2WD 6 = Lt. Duty DODGE 4WD 2 = Med. Duty DODGE 2WD 7 = Med. Duty DODGE 4WD	55 = Wagon 140" 54 = Wagon 118" 52 = Wagon 140" 51 = Wagon 118" 12 = Van 140" 11 = Van 118" 06 = Front Section 158" 14 = Van 118" 15 = Van 140" 16 = Van 158" 56 = Wagon 158" 01 = Chassis Forward Control 118" 02 = Chassis Forward Control 140"	EX8 = Engine-2.7L I5 Mercedes Turbo Diesel	DGJ = Transmission-5-Spd. Automatic,W5A580

AR = use ase required - = Non illustrated part

Inner Paneling Window - Pillar In Cab
Figure IVA-230



ITEM	PART NUMBER	QTY	LINE	SERIES	BODY	ENGINE	TRANS	TRIM	DESCRIPTION
1	05134108AA	1	2, 6	L	16				WEATHERSTRIP, Glass, 2 Meters Long
2	05123334AA	1	2, 6	L	11, 12, 14, 15, 16				COVER, Rear Window Moulding Side Window, Left
		1	2, 6	L	51, 52, 54, 55, 56				Side Window, Left
	05123365AA	1	3, 7	L	12, 15, 16				Side Window, Left
		1	2, 6	L	11, 12, 14, 15, 16				Side Window, Right
		1	2, 6	L	51, 52, 54, 55, 56				Side Window, Right
		1	3, 7	L	12, 15, 16				Side Window, Right
3	05123366AA	2	2, 6	L	12, 15, 16				PANEL, Lower Rear Lower Side Windows, Left, Right
		3	2, 6	L	11, 14				Lower Side Windows, Left, Right
		1	3, 7	L	12, 15, 16				Lower Side Windows, Left, Right
4	05104293AA	2	2, 6	L	51, 52, 54, 55, 56				PANEL, Header Upper, Window
		1	3, 7	L	12, 15, 16				Garnish, Upper, Window
		2	2, 6	L	11, 12, 14, 15, 16				Upper, Window
5	05123335AA	2	2, 6	L	51, 52, 54, 55, 56				COVER, Rear Window Moulding
		2	2, 6	L	11, 12, 14, 15, 16				
		2	3, 7	L	12, 15, 16				
6	05123367AA	1	2, 6	L	11, 12, 14, 15, 16				PANEL, B Pillar Upper Trim Right
		1	2, 6	L	51, 52, 54, 55, 56				Right
		1	3, 7	L	12, 15, 16				Right

SPRINTER (VA)

SERIES

L = LOWLINE

LINE

3 = HD DODGE 2WD
 6 = Lt. Duty DODGE 4WD
 2 = Med. Duty DODGE 2WD
 7 = Med. Duty DODGE 4WD

BODY

55 = Wagon 140"
 54 = Wagon 118"
 52 = Wagon 140"
 51 = Wagon 118"
 12 = Van 140"
 11 = Van 118"
 06 = Front Section 158"
 14 = Van 118"
 15 = Van 140"
 16 = Van 158"
 56 = Wagon 158"
 01 = Chassis Forward Control 118"
 02 = Chassis Forward Control 140"

ENGINE

EX8 = Engine-2.7L I5
 Mercedes Turbo Diesel

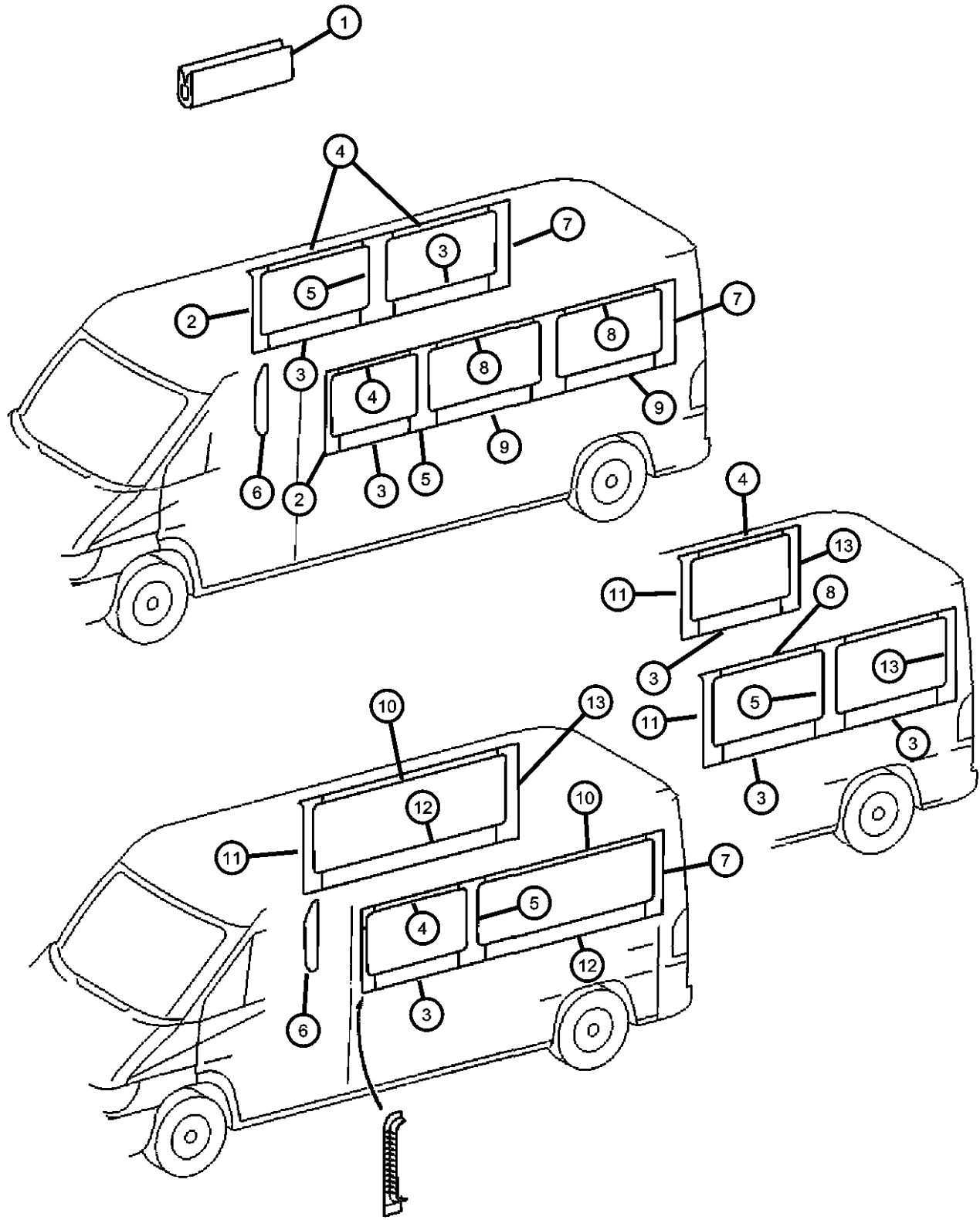
TRANSMISSION

DGJ = Transmission-5-Spd. Automatic, W5A580

AR = use ase required - = Non illustrated part

2004 VA

Inner Paneling Window - Pillar In Cab
Figure IVA-230



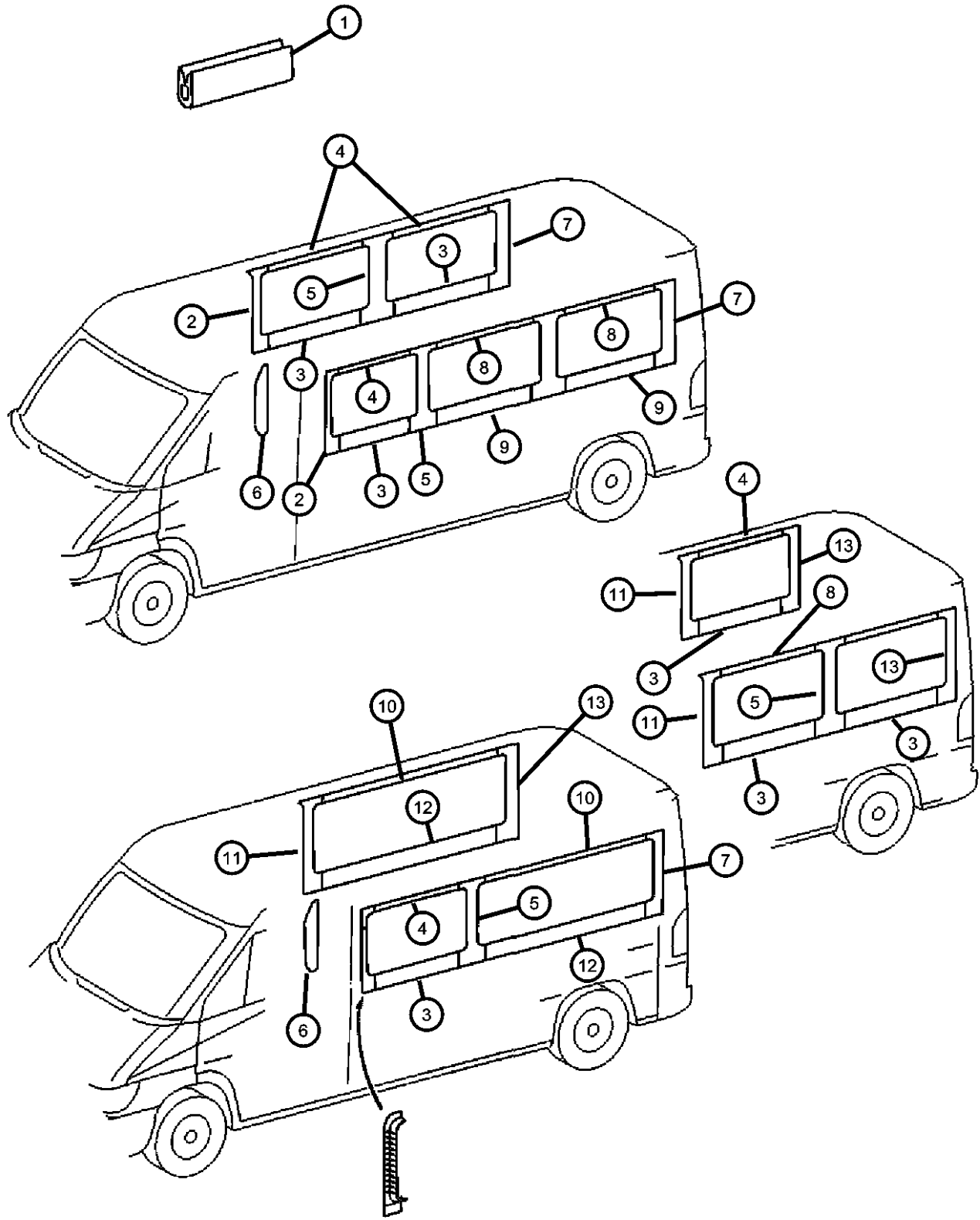
ITEM	PART NUMBER	QTY	LINE	SERIES	BODY	ENGINE	TRANS	TRIM	DESCRIPTION
	05123368AA	1	2, 6	L	11, 12, 14, 15, 16				Left
		1	2, 6	L	51, 52, 54, 55, 56				Left
		1	3, 7	L	12, 15, 16				Left
7	05123337AA	1	2, 6	L	12, 15				COVER, Rear Window Moulding
		1	2, 6	L	52, 55				
		1	3, 7	L	12, 15				
8	05123332AA	4	2, 6	L	16				PANEL, Header
		4	2, 6	L	56				Garnish (Medium), Upper
		4	3, 7	L	16				Garnish (Medium), Upper
9	05123363AA	4	2, 6	L	16				PANEL, Lower Rear
		4	2, 6	L	56				Garnish (Medium), Lower
		4	3, 7	L	16				Garnish (Medium), Lower
10	05123333AA	2	2, 6	L	12, 15				PANEL, Header
		2	2, 6	L	52, 55				Garnish (Long), Upper
		2	3, 7	L	12, 15				Garnish (Long), Upper
11	05123364AA	1	2, 6	L	51, 52, 54, 55, 56				COVER, Rear Window Moulding
		1	3, 7	L	12, 15, 16				Verdical Molding, Left
	05123362AA	1	2, 6	L	11, 12, 14, 15, 16				Verdical Molding, Right
		1	2, 6	L	51, 52, 54, 55, 56				Verdical Molding, Right
		1	3, 7	L	12, 15, 16				Verdical Molding, Right

SPRINTER (VA)

SERIES	LINE	BODY	ENGINE	TRANSMISSION
L = LOWLINE	3 = HD DODGE 2WD 6 = Lt. Duty DODGE 4WD 2 = Med. Duty DODGE 2WD 7 = Med. Duty DODGE 4WD	55 = Wagon 140" 54 = Wagon 118" 52 = Wagon 140" 51 = Wagon 118" 12 = Van 140" 11 = Van 118" 06 = Front Section 158" 14 = Van 118" 15 = Van 140" 16 = Van 158" 56 = Wagon 158"	EX8 = Engine-2.7L I5 Mercedes Turbo Diesel	DGJ = Transmission-5-Spd. Automatic, W5A580
		01 = Chassis Forward Control 118" 02 = Chassis Forward Control 140"		

AR = use ase required - = Non illustrated part

Inner Paneling Window - Pillar In Cab
Figure IVA-230



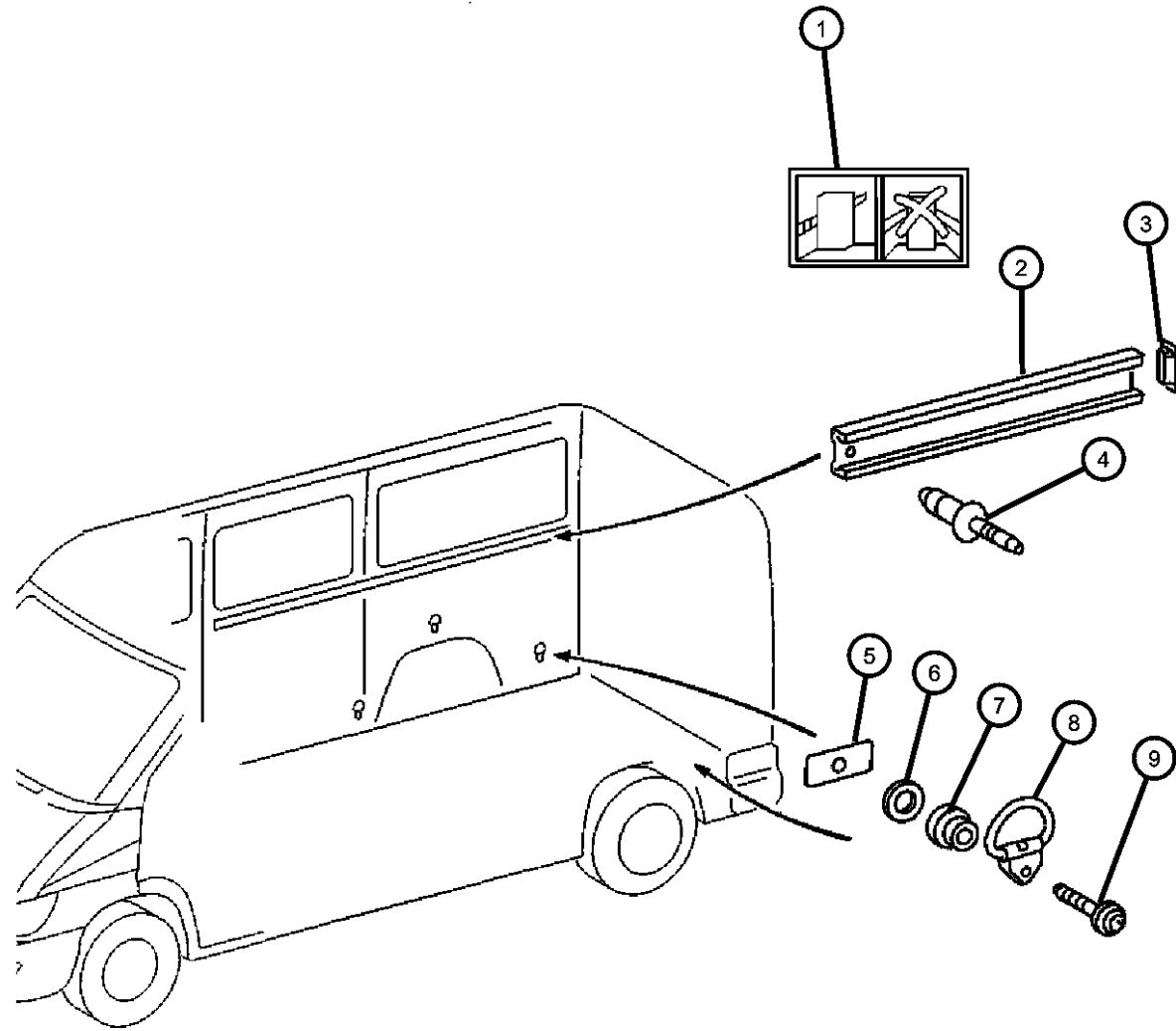
ITEM	PART NUMBER	QTY	LINE	SERIES	BODY	ENGINE	TRANS	TRIM	DESCRIPTION
		1	2, 6	L	11, 12, 14, 15, 16				Vertical Molding, Left
12	05123369AA	2	2, 6	L	12, 15				PANEL, Lower Rear
		2	2, 6	L	52, 55				Garnish (Long), Lower
		2	3, 7	L	12, 15				Garnish (Long), Lower
13	05123361AA	1	2, 6	L	12, 15				COVER, Rear Window Moulding
		1	2, 6	L	52, 55				Right
		1	3, 7	L	12, 15				Right

SPRINTER (VA)

SERIES	LINE	BODY	ENGINE	TRANSMISSION
L = LOWLINE	3 = HD DODGE 2WD 6 = Lt. Duty DODGE 4WD 2 = Med. Duty DODGE 2WD 7 = Med. Duty DODGE 4WD	55 = Wagon 140" 54 = Wagon 118" 52 = Wagon 140" 51 = Wagon 118" 12 = Van 140" 11 = Van 118" 06 = Front Section 158" 14 = Van 118" 15 = Van 140" 16 = Van 158" 56 = Wagon 158"	EX8 = Engine-2.7L I5 Mercedes Turbo Diesel	DGJ = Transmission-5-Spd. Automatic,W5A580
		01 = Chassis Forward Control 118" 02 = Chassis Forward Control 140"		

AR = use ase required - = Non illustrated part

Cargo Retainers - Without Windows
Figure IVA-235



ITEM	PART NUMBER	QTY	LINE	SERIES	BODY	ENGINE	TRANS	TRIM	DESCRIPTION
1	05124356AA	1	2, 6	L	12, 15, 16				LABEL Cargo Tie Down
		1	3, 7	L	12, 15, 16				Cargo Tie Down
2	05121437AA	1	2, 6	L	12, 15				RAIL Cargo Retaning, Right & Left
		1	2, 6	L	11, 12, 14, 15				Cargo Retaning, Right & Left
3	05121423AA	4	2, 6	L	11, 12, 14, 15, 16				END CAP, Side Rail Right & Left
		4	3, 7	L	12, 15, 16				Right & Left
4	05125821AA	16	2, 6	L	12, 15				RIVET
		16	3, 7	L	12, 15				
5	05103926AA	4	2, 6	L	11, 12, 14, 15				NUT
		4	2, 6	L	51, 52, 54, 55				
		4	3, 7	L	12, 15				
6	05103726AA	8	2, 6	L	11, 12, 14, 15, 16				WASHER
		8	2, 6	L	51, 52, 54, 55, 56				
		7	3, 7	L	12, 15				
7	05104544AA	8	2, 6	L	11, 12, 14, 15, 16				BUSHING
		8	2, 6	L	51, 52, 54, 55, 56				
		8	3, 7	L	12, 15				
8									RING, RING-RETAINER

SPRINTER (VA)

SERIES

L = LOWLINE

LINE

3 = HD DODGE 2WD
 6 = Lt. Duty DODGE 4WD
 2 = Med. Duty DODGE 2WD
 7 = Med. Duty DODGE 4WD

BODY

55 = Wagon 140"
 54 = Wagon 118"
 52 = Wagon 140"
 51 = Wagon 118"
 12 = Van 140"
 11 = Van 118"
 06 = Front Section 158"
 14 = Van 118"
 15 = Van 140"
 16 = Van 158"
 56 = Wagon 158"
 01 = Chassis Forward Control 118"
 02 = Chassis Forward Control 140"

ENGINE

EX8 = Engine-2.7L I5
 Mercedes Turbo Diesel

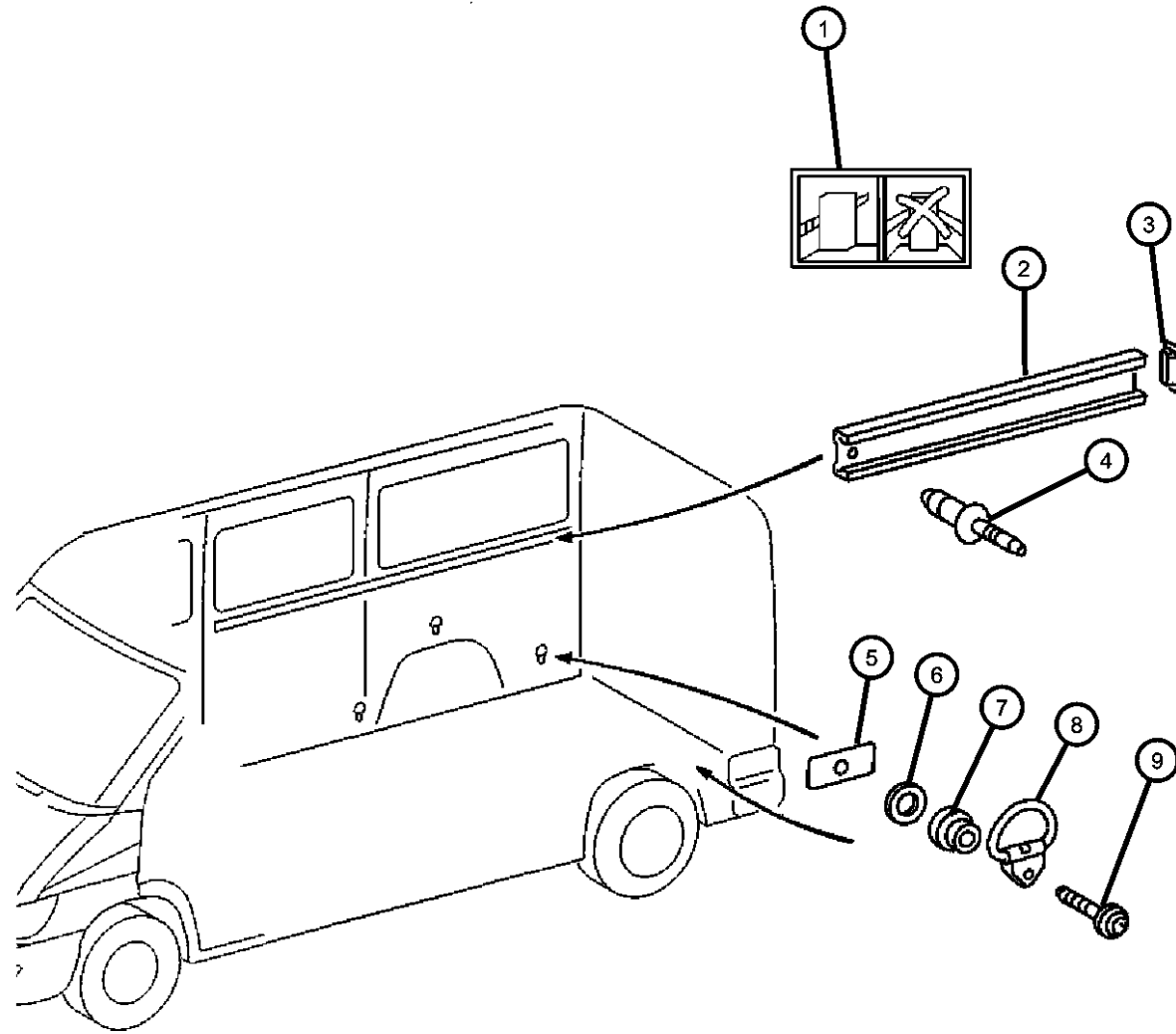
TRANSMISSION

DGJ = Transmission-5-Spd. Automatic, W5A580

AR = use ase required - = Non illustrated part

2004 VA

Cargo Retainers - Without Windows
Figure IVA-235



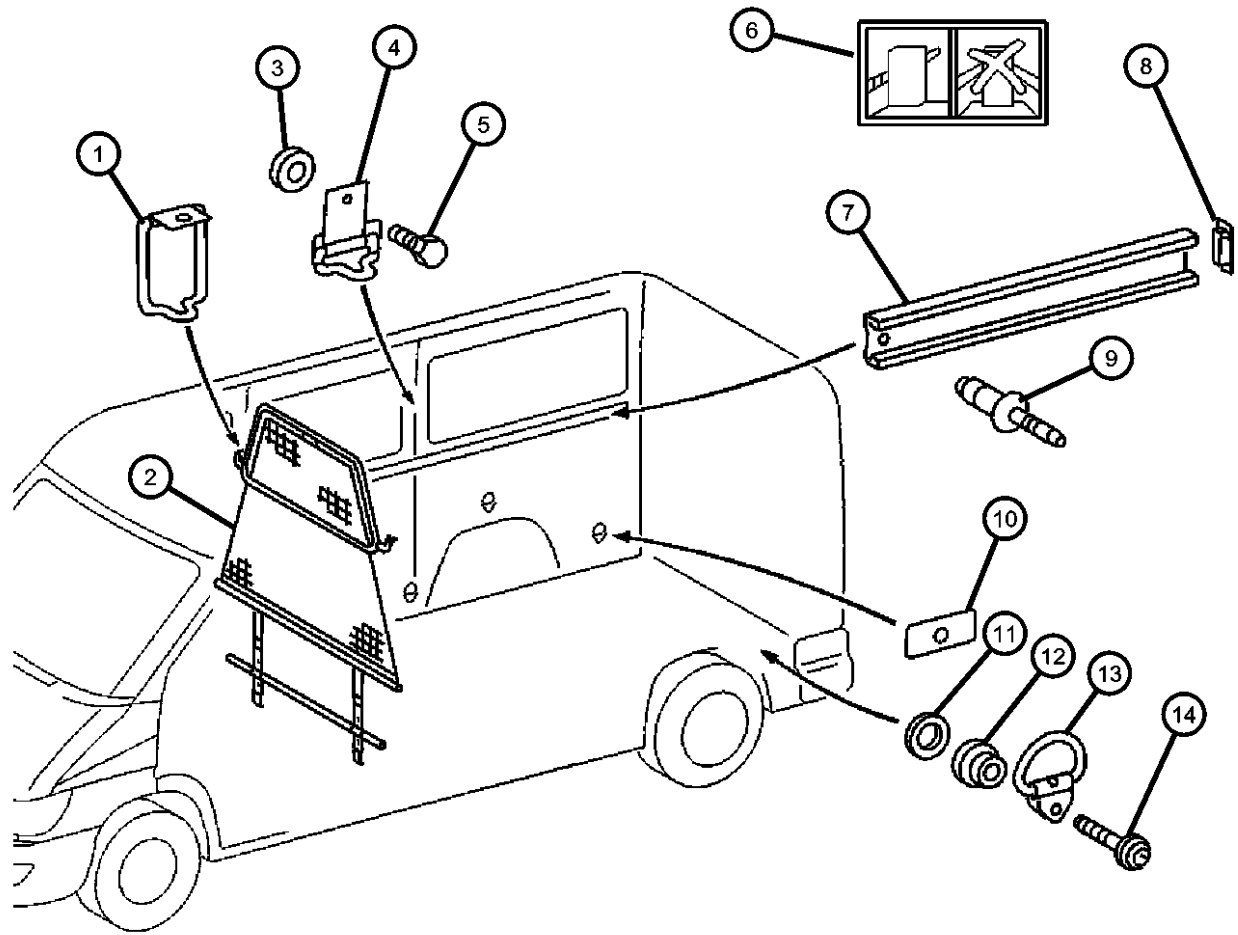
ITEM	PART NUMBER	QTY	LINE	SERIES	BODY	ENGINE	TRANS	TRIM	DESCRIPTION
	05104500AA	8	2, 6	L	51, 52, 54, 55, 56				
		8	3, 7	L	12, 15				
		8	2, 6	L	11, 12, 14, 15, 16				
9	05103816AA	8	3, 7	L	12, 15				BOLT, Hex Head
		8	2, 6	L	11, 12, 14, 15, 16				
		8	2, 6	L	51, 52, 54, 55, 56				

SPRINTER (VA)

SERIES	LINE	BODY	ENGINE	TRANSMISSION
L = LOWLINE	3 = HD DODGE 2WD 6 = Lt. Duty DODGE 4WD 2 = Med. Duty DODGE 2WD 7 = Med. Duty DODGE 4WD	55 = Wagon 140" 54 = Wagon 118" 52 = Wagon 140" 51 = Wagon 118" 12 = Van 140" 11 = Van 118" 06 = Front Section 158" 14 = Van 118" 15 = Van 140" 16 = Van 158" 56 = Wagon 158" 01 = Chassis Forward Control 118" 02 = Chassis Forward Control 140"	EX8 = Engine-2.7L I5 Mercedes Turbo Diesel	DGJ = Transmission-5-Spd. Automatic,W5A580

AR = use ase required - = Non illustrated part

Cargo Retainers - With Windows
Figure IVA-240



ITEM	PART NUMBER	QTY	LINE	SERIES	BODY	ENGINE	TRANS	TRIM	DESCRIPTION
1		8							BRACKET, (NOT SERVICED)
2		8							GRILLE, Texture, (NOT SERVICED)
3									WASHER, Flat, M8
	05133977AA	1	2, 6	L	11, 12, 14, 15, 16				
		1	2, 6	L	51, 52, 54, 55, 56				
4		1							BRACKET, (NOT SERVICED)
5									BOLT, Hex Head
	05126227AA	6	2, 6	L	51, 52, 54, 55, 56				
		6	2, 6	L	11, 12, 14, 15, 16				
6	05124356AA	1	3, 7	L	12, 15, 16				LABEL, Cargo Tie Down
7									RAIL
	05121437AA	1	2, 6	L	11, 12, 14, 15				Cargo Retaning
		1	2, 6	L	11, 14, 16				Cargo Retaning
		99	3, 7	L	12, 15, 16				Cargo Retaning
8									END CAP, Side Rail
	05121423AA	4	2, 6	L	11, 12, 14, 15, 16				Right & Left
		4	3, 7	L	12, 15, 16				Right & Left
9									RIVET
	05125821AA	13	2, 6	L	11, 14				
		16	3, 7	L	12, 15				
10									NUT
	05103926AA	4	2, 6	L	11, 12, 14, 15				
		4	2, 6	L	51, 52, 54, 55				
		4	3, 7	L	12, 15				

SPRINTER (VA)

SERIES

L = LOWLINE

LINE

3 = HD DODGE 2WD
 6 = Lt. Duty DODGE 4WD
 2 = Med. Duty DODGE 2WD
 7 = Med. Duty DODGE 4WD

BODY

55 = Wagon 140"
 54 = Wagon 118"
 52 = Wagon 140"
 51 = Wagon 118"
 12 = Van 140"
 11 = Van 118"
 06 = Front Section 158"
 14 = Van 118"
 15 = Van 140"
 16 = Van 158"
 56 = Wagon 158"
 01 = Chassis Forward Control 118"
 02 = Chassis Forward Control 140"

ENGINE

EX8 = Engine-2.7L I5
 Mercedes Turbo Diesel

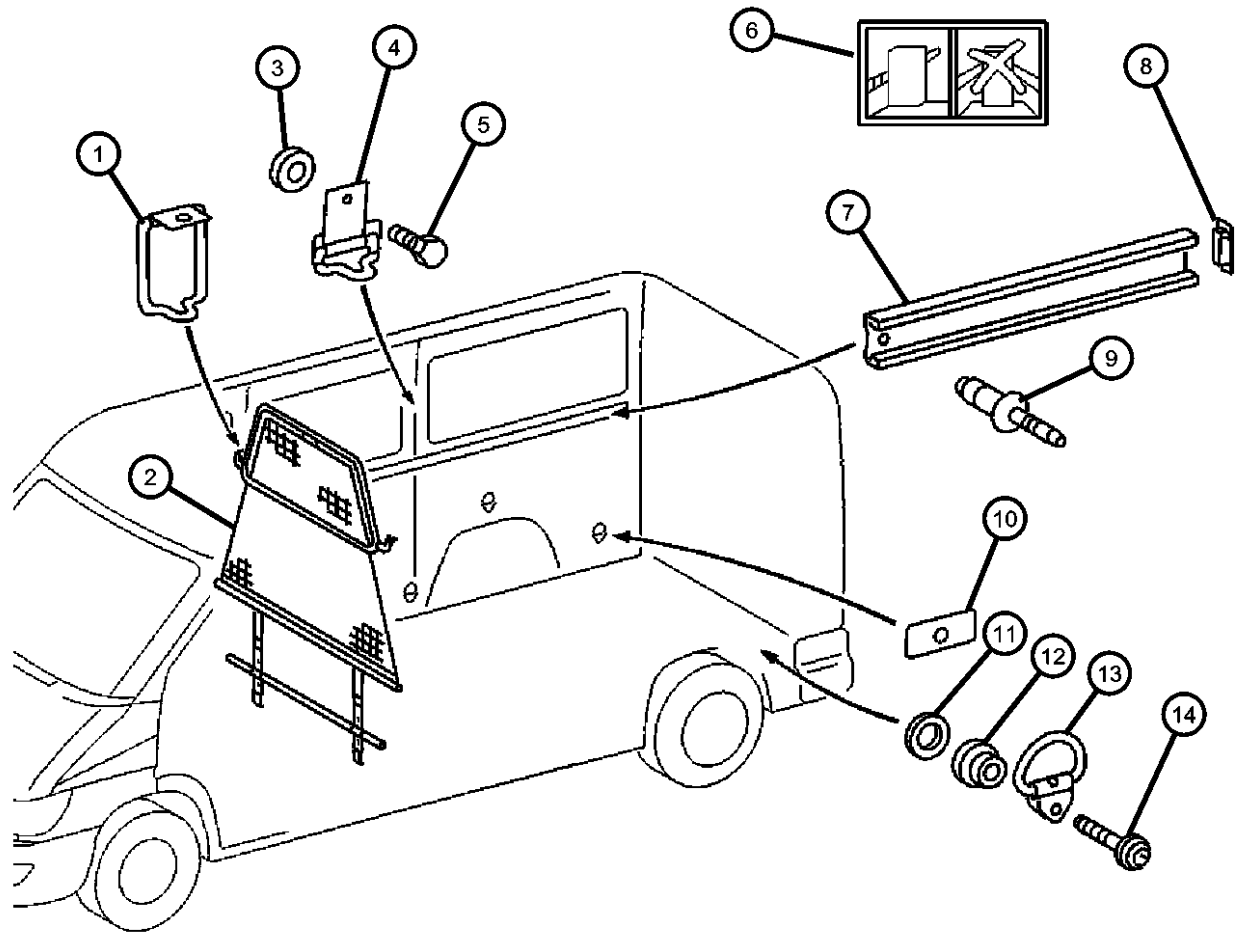
TRANSMISSION

DGJ = Transmission-5-Spd. Automatic, W5A580

AR = use ase required - = Non illustrated part

2004 VA

Cargo Retainers - With Windows
Figure IVA-240



ITEM	PART NUMBER	QTY	LINE	SERIES	BODY	ENGINE	TRANS	TRIM	DESCRIPTION
11	05103726AA	7	2, 6	L	11, 12, 14, 15				WASHER
		7	3, 7	L	12, 15				
12	05104544AA	7	2, 6	L	11, 12, 14, 15				BUSHING
		7	3, 7	L	12, 15				
13	05104500AA	8	2, 6	L	51, 52, 54, 55, 56				RING, RING-RETAINER
		8	3, 7	L	12, 15				
14	05103816AA	8	2, 6	L	11, 12, 14, 15, 16				BOLT, Hex Head
		8	2, 6	L	51, 52, 54, 55, 56				
		8	3, 7	L	12, 15				
-15	05104317AA	1	2, 6	L	11, 12, 14, 15, 16				PARTITION, Cargo Left
		1	3, 7	L	12, 15, 16				Left
	05104318AA	1	2, 6	L	11, 12, 14, 15, 16				Right
		1	3, 7	L	12, 15, 16				Right

SPRINTER (VA)

SERIES

L = LOWLINE

LINE

3 = HD DODGE 2WD
 6 = Lt. Duty DODGE 4WD
 2 = Med. Duty DODGE 2WD
 7 = Med. Duty DODGE 4WD

BODY

55 = Wagon 140"
 54 = Wagon 118"
 52 = Wagon 140"
 51 = Wagon 118"
 12 = Van 140"
 11 = Van 118"
 06 = Front Section 158"
 14 = Van 118"
 15 = Van 140"
 16 = Van 158"
 56 = Wagon 158"
 01 = Chassis Forward Control 118"
 02 = Chassis Forward Control 140"

ENGINE

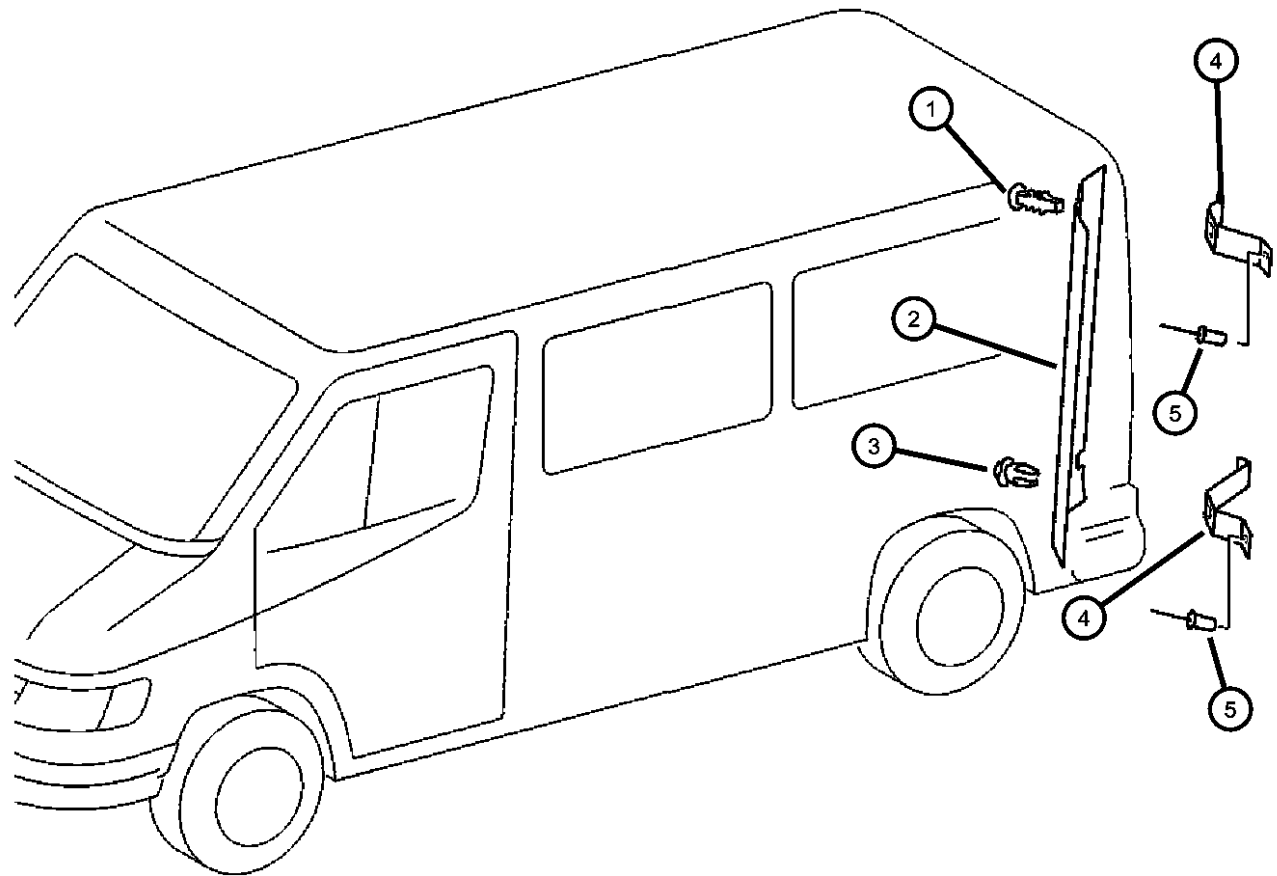
EX8 = Engine-2.7L I5
 Mercedes Turbo Diesel

TRANSMISSION

DGJ = Transmission-5-Spd. Automatic, W5A580

AR = use ase required - = Non illustrated part

**Rear Pillar Inner Panel
Figure IVA-245**



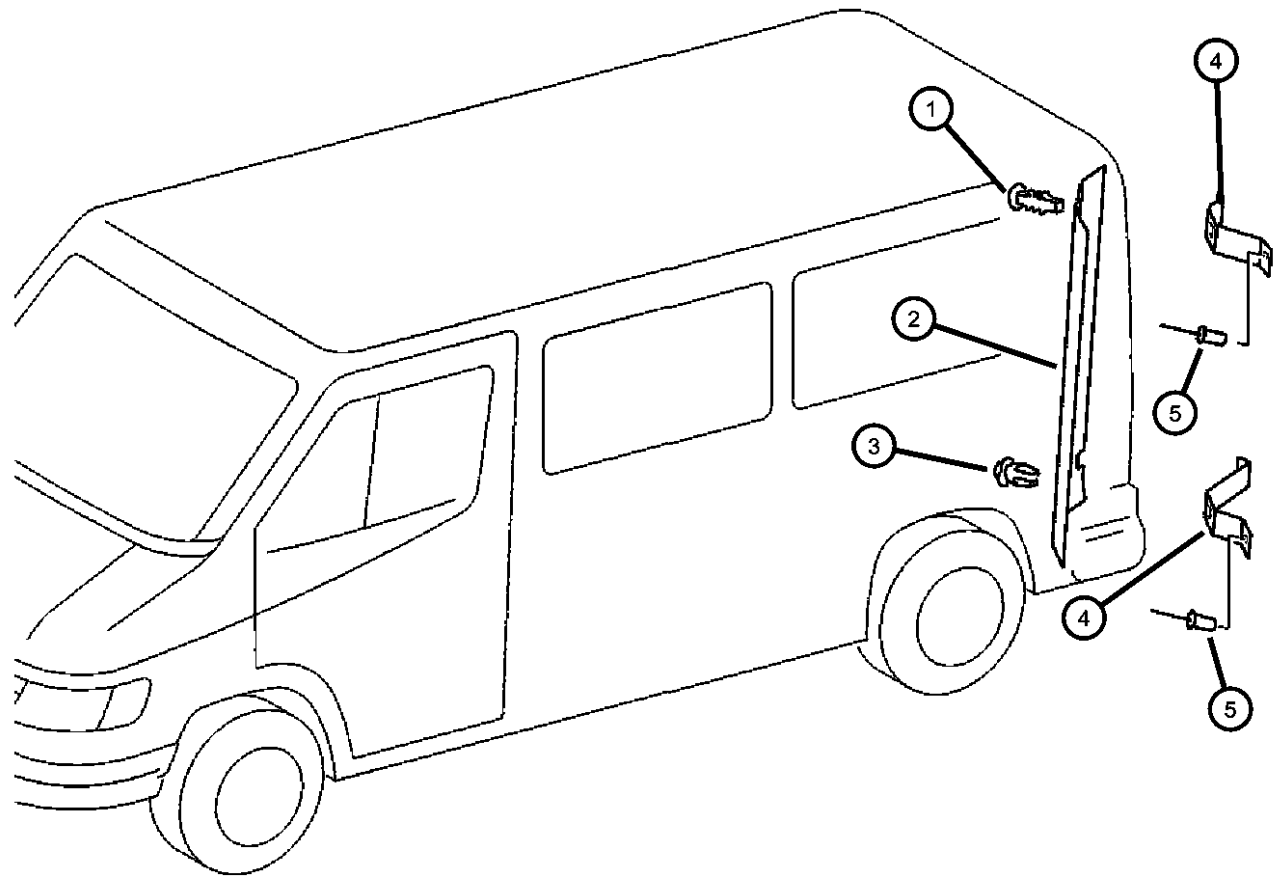
ITEM	PART NUMBER	QTY	LINE	SERIES	BODY	ENGINE	TRANS	TRIM	DESCRIPTION
1									PIN, Push
	05103814AA	3	2, 6	L	11, 12, 14, 15, 16				
		3	2, 6	L	51, 52, 54, 55, 56				
		3	3, 7	L	12, 15, 16				
2									PANEL, D Pillar Trim
	05104291AA	1	2, 6	L	11, 12, 14, 15, 16				With Grab Handles and Without Load Rings, Left
		1	2, 6	L	51, 52, 54, 55, 56				With Grab Handles and Without Load Rings, Left
		1	3, 7	L	12, 15, 16				With Grab Handles and Without Load Rings, Left
	05104292AA	1	2, 6	L	11, 12, 14, 15, 16				With Grab Handles and Without Load Rings, Right
		1	2, 6	L	51, 52, 54, 55, 56				With Grab Handles and Without Load Rings, Right
		1	3, 7	L	12, 15, 16				With Grab Handles and Without Load Rings, Right
	05123318AA	1	2, 6	L	11, 12, 14, 15, 16				Without Grab Handles and Load Rings, Left, Rear
		1	2, 6	L	51, 52, 54, 55, 56				Without Grab Handles and Load Rings, Left, Rear
		1	3, 7	L	12, 15, 16				Without Grab Handles and Load Rings, Left, Rear
	05123320AA	1	2, 6	L	11, 12, 14, 15, 16				Without Grab Handles and Load Rings, Right, Rear
		1	2, 6	L	51, 52, 54, 55, 56				Without Grab Handles and Load Rings, Right, Rear
		1	3, 7	L	12, 15, 16				Without Grab Handles and Load Rings, Right, Rear
	05123324AA	1	2, 6	L	11, 12, 14, 15, 16				With Load Rings Without Grab Handles, Left
		1	2, 6	L	51, 52, 54, 55, 56				With Load Rings Without Grab Handles, Left
		1	3, 7	L	12, 15, 16				With Load Rings Without Grab Handles, Left
	05123326AA	1	2, 6	L	11, 12, 14, 15, 16				With Load Rings Without Grab Handles, Right

SPRINTER (VA)

SERIES	LINE	BODY	ENGINE	TRANSMISSION
L = LOWLINE	3 = HD DODGE 2WD 6 = Lt. Duty DODGE 4WD 2 = Med. Duty DODGE 2WD 7 = Med. Duty DODGE 4WD	55 = Wagon 140" 54 = Wagon 118" 52 = Wagon 140" 51 = Wagon 118" 12 = Van 140" 11 = Van 118" 06 = Front Section 158" 14 = Van 118" 15 = Van 140" 16 = Van 158" 56 = Wagon 158" 01 = Chassis Forward Control 118" 02 = Chassis Forward Control 140"	EX8 = Engine-2.7L I5 Mercedes Turbo Diesel	DGJ = Transmission-5-Spd. Automatic,W5A580

AR = use ase required - = Non illustrated part

**Rear Pillar Inner Panel
Figure IVA-245**



ITEM	PART NUMBER	QTY	LINE	SERIES	BODY	ENGINE	TRANS	TRIM	DESCRIPTION
		1	2, 6	L	51, 52, 54, 55, 56				With Load Rings Without Grab Handles, Right
		1	3, 7	L	12, 15, 16				With Load Rings Without Grab Handles, Right
	05123328AA	1	2, 6	L	11, 12, 14, 15, 16				With Grab Handles and Load Rings, Left
		1	2, 6	L	51, 52, 54, 55, 56				With Grab Handles and Load Rings, Left
		1	3, 7	L	12, 15, 16				With Grab Handles and Load Rings, Left
	05123330AA	1	2, 6	L	11, 12, 14, 15, 16				With Grab Handles and Load Rings, Right
		1	2, 6	L	51, 52, 54, 55, 56				With Grab Handles and Load Rings, Right
		1	3, 7	L	12, 15, 16				With Grab Handles and Load Rings, Right
3	05103785AA	3	2, 6	L	11, 12, 14, 15, 16				PIN, Push
		3	2, 6	L	51, 52, 54, 55, 56				
		3	3, 7	L	12, 15, 16				
4	05104280AA	2	2, 6	L	11, 12, 14, 15, 16				BRACKET, Trim Panel Left, D Pillar, Upper
		2	2, 6	L	51, 52, 54, 55, 56				Left, D Pillar, Upper
		2	3, 7	L	12, 15, 16				Left, D Pillar, Upper
	05104281AA	1	2, 6	L	11, 12, 14, 15, 16				Right, D Pillar, Upper
		1	2, 6	L	51, 52, 54, 55, 56				Right, D Pillar, Upper
		1	3, 7	L	12, 15, 16				Right, D Pillar, Upper
5	05104624AA	6	2, 6	L	11, 12, 14, 15, 16				RIVET

SPRINTER (VA)

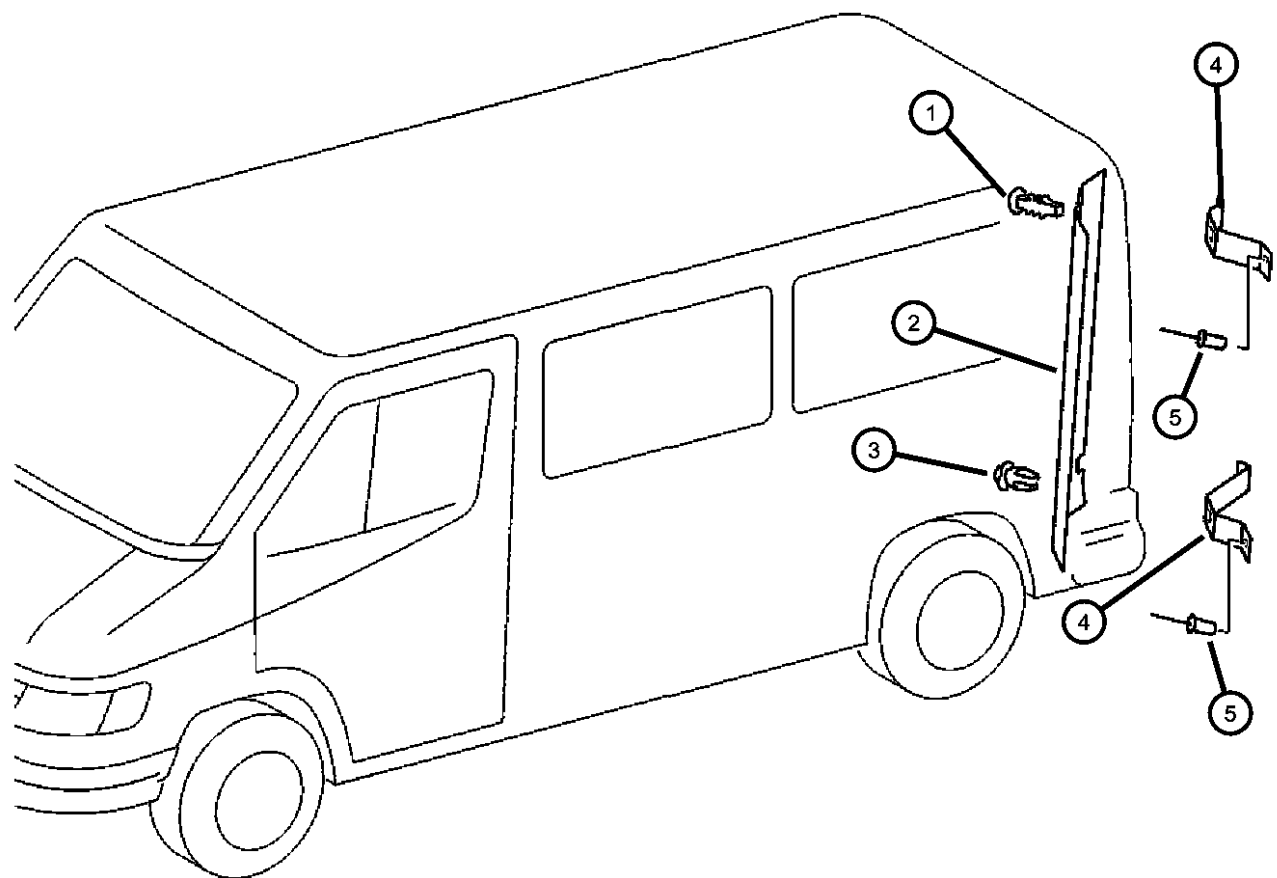
SERIES	LINE	BODY	ENGINE	TRANSMISSION
L = LOWLINE	3 = HD DODGE 2WD 6 = Lt. Duty DODGE 4WD 2 = Med. Duty DODGE 2WD 7 = Med. Duty DODGE 4WD	55 = Wagon 140" 54 = Wagon 118" 52 = Wagon 140" 51 = Wagon 118" 12 = Van 140" 11 = Van 118" 06 = Front Section 158" 14 = Van 118" 15 = Van 140" 16 = Van 158" 56 = Wagon 158" 01 = Chassis Forward Control 118" 02 = Chassis Forward Control 140"	EX8 = Engine-2.7L I5 Mercedes Turbo Diesel	DGJ = Transmission-5-Spd. Automatic, W5A580

AR = use ase required - = Non illustrated part

Rear Pillar Inner Panel
Figure IVA-245

ITEM	PART NUMBER	QTY	LINE	SERIES	BODY	ENGINE	TRANS	TRIM	DESCRIPTION
------	-------------	-----	------	--------	------	--------	-------	------	-------------

6	2, 6	L	51, 52, 54, 55, 56
6	3, 7	L	12, 15, 16



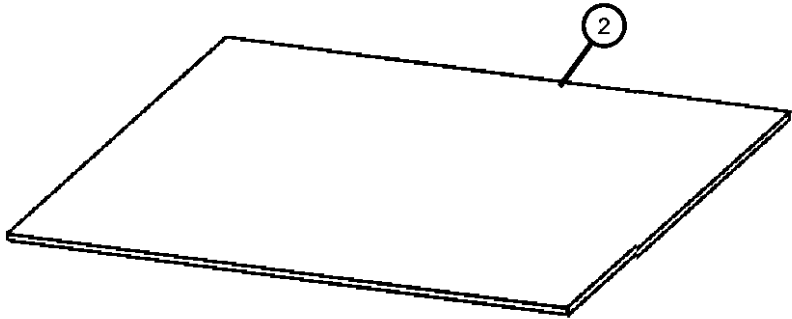
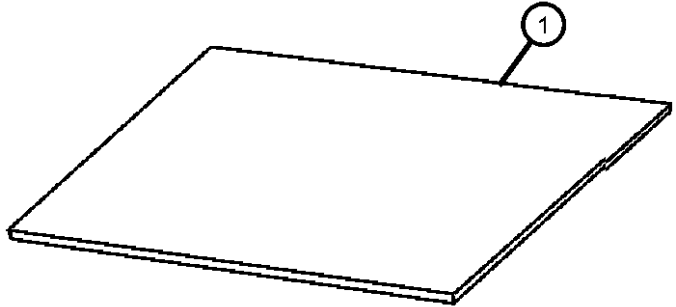
SPRINTER (VA)

SERIES	LINE	BODY	ENGINE	TRANSMISSION
L = LOWLINE	3 = HD DODGE 2WD 6 = Lt. Duty DODGE 4WD 2 = Med. Duty DODGE 2WD 7 = Med. Duty DODGE 4WD	55 = Wagon 140" 54 = Wagon 118" 52 = Wagon 140" 51 = Wagon 118" 12 = Van 140" 11 = Van 118" 06 = Front Section 158" 14 = Van 118" 15 = Van 140" 16 = Van 158" 56 = Wagon 158" 01 = Chassis Forward Control 118" 02 = Chassis Forward Control 140"	EX8 = Engine-2.7L I5 Mercedes Turbo Diesel	DGJ = Transmission-5-Spd. Automatic,W5A580

AR = use ase required - = Non illustrated part

**Cowl Panel - Silencer
Figure IVA-250**

ITEM	PART NUMBER	QTY	LINE	SERIES	BODY	ENGINE	TRANS	TRIM	DESCRIPTION
1									SILENCER, Cowl Side
	05133640AA	1	3, 7	L	12, 15, 16				Window Sill, Left, Front
	05133641AA	1	3, 7	L	12, 15, 16				Window Sill, Right, Front
2									SILENCER, Cowl Side
	05133642AA	1	3, 7	L	12, 15, 16				Window Sill, Left, Rear
	05133643AA	1	3, 7	L	12, 15, 16				Window Sill, Right, Rear

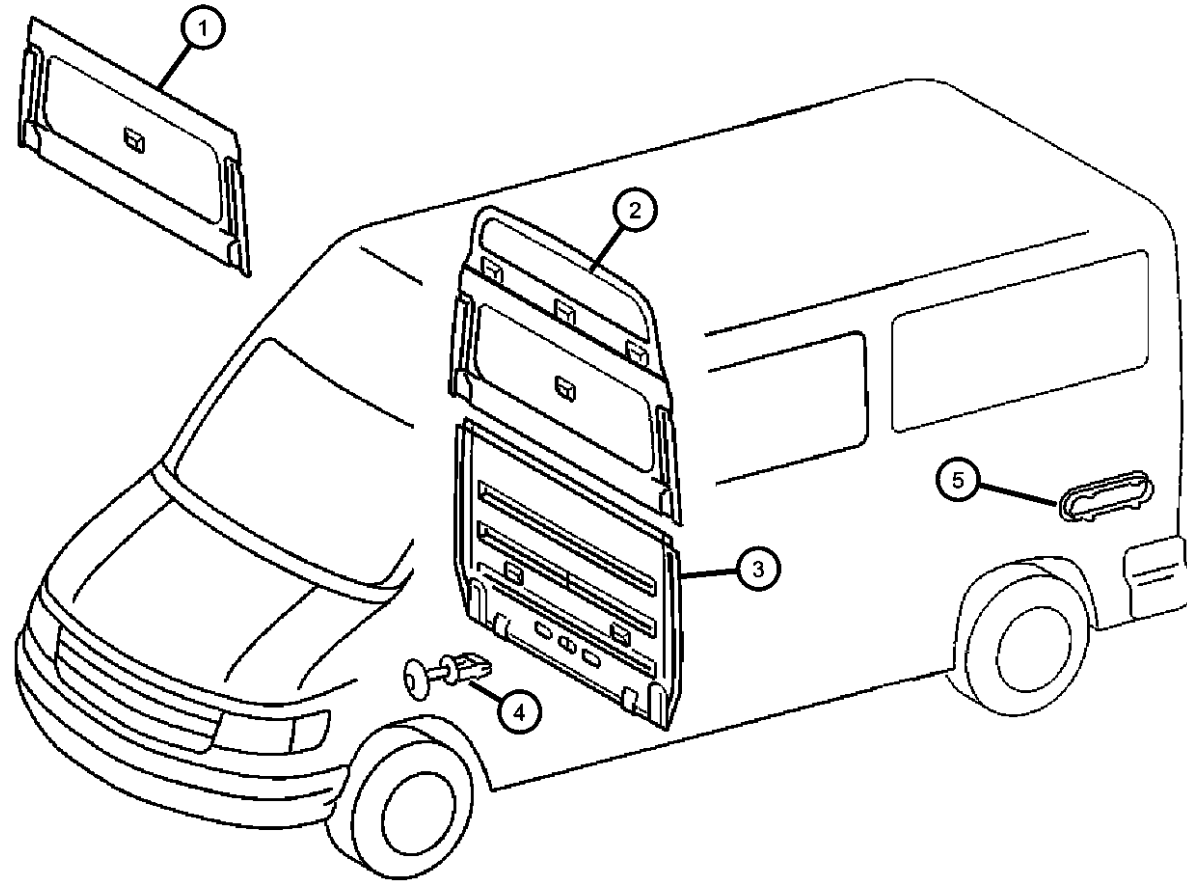


SPRINTER (VA)

SERIES	LINE	BODY	ENGINE	TRANSMISSION
L = LOWLINE	3 = HD DODGE 2WD 6 = Lt. Duty DODGE 4WD 2 = Med. Duty DODGE 2WD 7 = Med. Duty DODGE 4WD	55 = Wagon 140" 54 = Wagon 118" 52 = Wagon 140" 51 = Wagon 118" 12 = Van 140" 11 = Van 118" 06 = Front Section 158" 14 = Van 118" 15 = Van 140" 16 = Van 158" 56 = Wagon 158" 01 = Chassis Forward Control 118" 02 = Chassis Forward Control 140"	EX8 = Engine-2.7L I5 Mercedes Turbo Diesel	DGJ = Transmission-5-Spd. Automatic,W5A580

AR = use ase required - = Non illustrated part

Partition Panel
Figure IVA-255



ITEM	PART NUMBER	QTY	LINE	SERIES	BODY	ENGINE	TRANS	TRIM	DESCRIPTION
1	05122967AA	1	2, 6	L	11, 12, 14, 15, 16				PANEL, Quarter Without Window
	05122969AA	1	3, 7	L	12, 15, 16				Without Window
	05122969AA	1	2, 6	L	11, 12, 14, 15, 16				With Window
		1	3, 7	L	12, 15, 16				With Window
2	05122971AA	1	2, 6	L	11, 12, 14, 15, 16				PANEL, Quarter
		1	3, 7	L	12, 15, 16				
3	05122962AA	1	2, 6	L	11, 12, 14, 15, 16				PANEL, Quarter
		1	3, 7	L	12, 15, 16				
4	05125808AA	7	2, 6	L	11, 12, 14, 15, 16				RIVET
		7	3, 7	L	12, 15, 16				
5	05123426AA	2	2, 6	L	01, 02, 06				EXHAUSTER, Quarter Panel
		2	2, 6	L	11, 12, 14, 15, 16				
		2	2, 6	L	51, 52, 54, 55, 56				
		2	3, 7	L	12, 15, 16				

SPRINTER (VA)

SERIES

L = LOWLINE

LINE

3 = HD DODGE 2WD
6 = Lt. Duty DODGE 4WD
2 = Med. Duty DODGE 2WD
7 = Med. Duty DODGE 4WD

BODY

55 = Wagon 140"
54 = Wagon 118"
52 = Wagon 140"
51 = Wagon 118"
12 = Van 140"
11 = Van 118"
06 = Front Section 158"
14 = Van 118"
15 = Van 140"
16 = Van 158"
56 = Wagon 158"
01 = Chassis Forward Control
118"
02 = Chassis Forward Control
140"

ENGINE

EX8 = Engine-2.7L I5
Mercedes Turbo Diesel

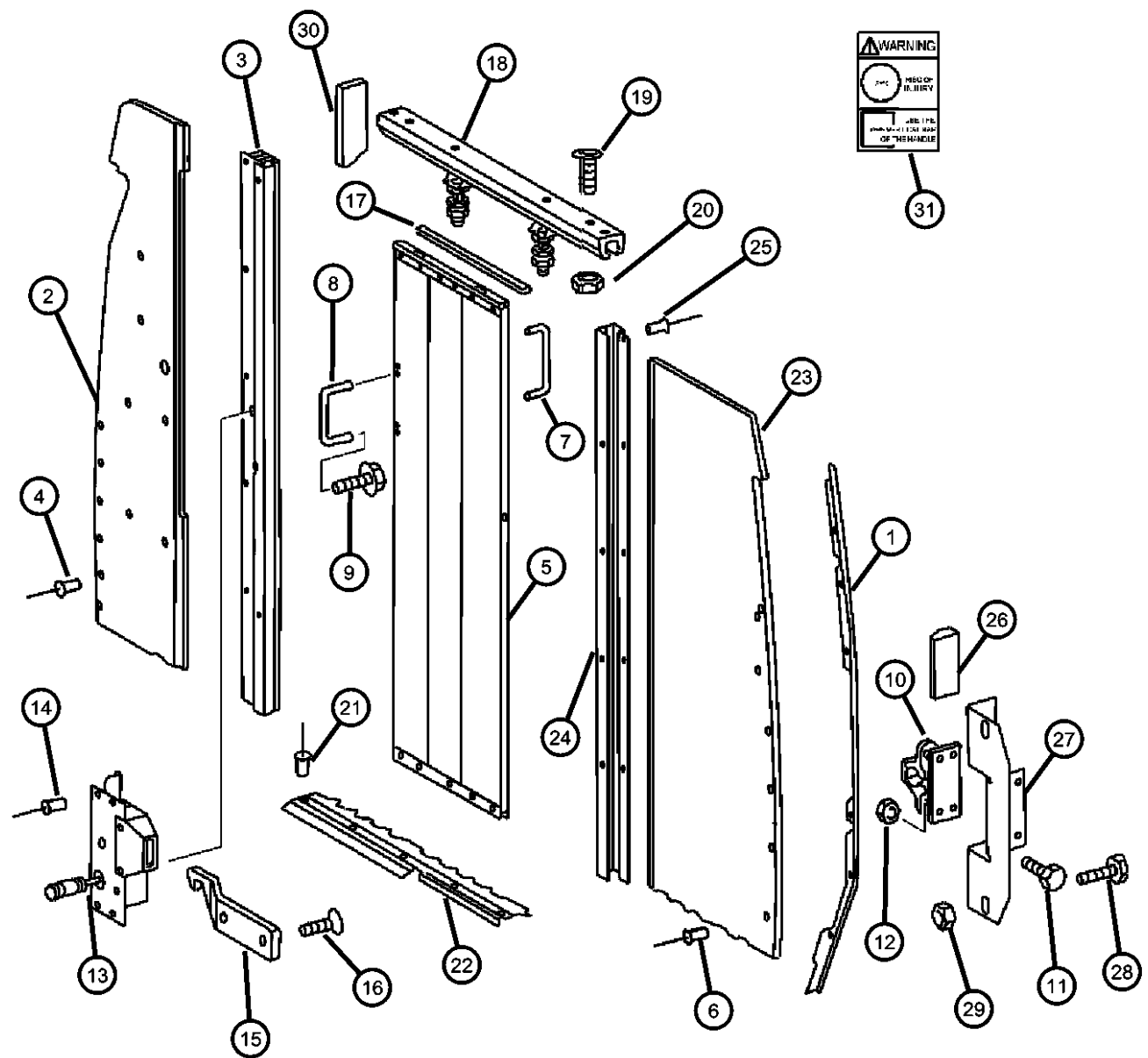
TRANSMISSION

DGJ = Transmission-5-Spd.
Automatic,W5A580

AR = use ase required - = Non illustrated part

2004 VA

**Partition Wall and Sliding Door
Figure IVA-260**



ITEM	PART NUMBER	QTY	LINE	SERIES	BODY	ENGINE	TRANS	TRIM	DESCRIPTION
1	05104315AA	1	2, 6	L	11, 12, 14, 15, 16				PANEL EXTENSION, Extension, W/O Slide
		1	3, 7	L	12, 15, 16				
2	05104318AA	1	2, 6	L	11, 12, 14, 15, 16				PARTITION, Cargo
		1	3, 7	L	12, 15, 16				
3	05104306AA	1	2, 6	L	11, 12, 14, 15, 16				RAIL, Cargo Partition, Sliding Door
		1	3, 7	L	12, 15, 16				
4	05125811AA	7	2, 6	L	11, 12, 14, 15, 16				RIVET, Blind Bulb
		7	3, 7	L	12, 15, 16				
5	05123575AA	1	2, 6	L	11, 12, 14, 15, 16				PANEL, Cargo Compartment, Without Windows
		1	3, 7	L	12, 15, 16				
6	05126108AA	5	2, 6	L	11, 12, 14, 15, 16				RIVET, Blind
		5	3, 7	L	12, 15, 16				
	05126109AA	25	2, 6	L	11, 12, 14, 15, 16				
		25	3, 7	L	12, 15, 16				
7	05123662AA	1	2, 6	L	11, 12, 14, 15, 16				HANDLE, Cargo Door Interior
		1	3, 7	L	12, 15, 16				
8									HANDLE, Cargo Door Interior

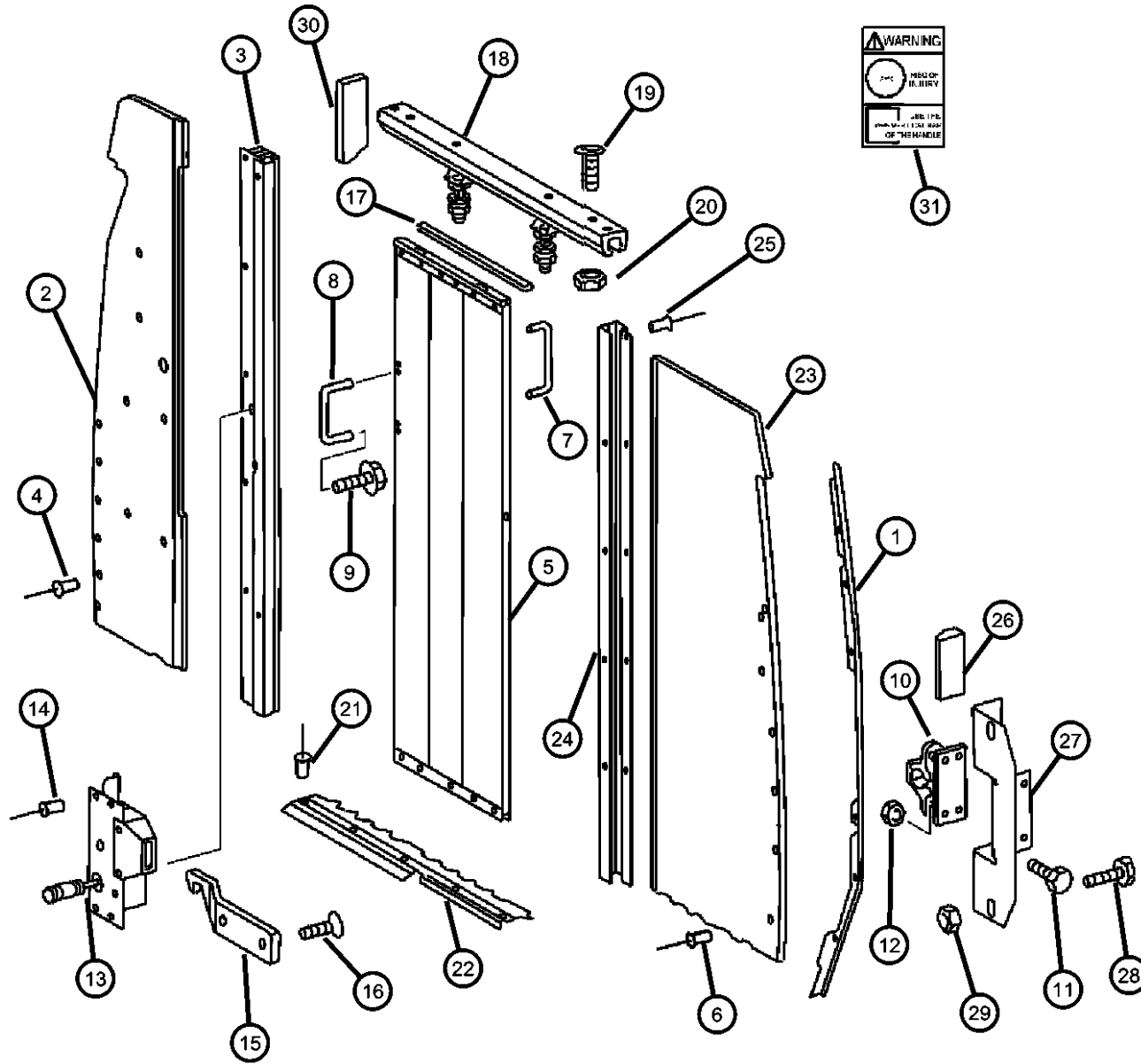
SPRINTER (VA)

SERIES	LINE	BODY	ENGINE	TRANSMISSION
L = LOWLINE	3 = HD DODGE 2WD 6 = Lt. Duty DODGE 4WD 2 = Med. Duty DODGE 2WD 7 = Med. Duty DODGE 4WD	55 = Wagon 140" 54 = Wagon 118" 52 = Wagon 140" 51 = Wagon 118" 12 = Van 140" 11 = Van 118" 06 = Front Section 158" 14 = Van 118" 15 = Van 140" 16 = Van 158" 56 = Wagon 158"	EX8 = Engine-2.7L I5 Mercedes Turbo Diesel	DGJ = Transmission-5-Spd. Automatic, W5A580

01 = Chassis Forward Control 118"
02 = Chassis Forward Control 140"

AR = use ase required - = Non illustrated part

**Partition Wall and Sliding Door
Figure IVA-260**



ITEM	PART NUMBER	QTY	LINE	SERIES	BODY	ENGINE	TRANS	TRIM	DESCRIPTION
	05123663AA	1	2, 6	L	11, 12, 14, 15, 16				
9		1	3, 7	L	12, 15, 16				SCREW
	06104119AA	4	3, 7	L	12, 15, 16				
10		4	2, 6	L	11, 12, 14, 15, 16				ADJUSTER, Cargo Door
	05104419AA	1	2, 6	L	11, 12, 14, 15, 16				
11		1	3, 7	L	12, 15, 16				SCREW
	05104652AA	4	2, 6	L	11, 12, 14, 15, 16				
12		4	3, 7	L	12, 15, 16				NUT
	05104660AA	4	2, 6	L	11, 12, 14, 15, 16				
13		4	3, 7	L	12, 15, 16				LATCH
	05104303AA	1	2, 6	L	11, 12, 14, 15, 16				
14		1	3, 7	L	12, 15, 16				RIVET
	05104623AA	4	2, 6	L	11, 12, 14, 15, 16				
15		4	3, 7	L	12, 15, 16				CATCH, Sliding Partition Door
	05104424AA	1	2, 6	L	11, 12, 14, 15, 16				
16		1	3, 7	L	12, 15, 16				SCREW, Hex Flange Head

SPRINTER (VA)

SERIES

L = LOWLINE
 3 = HD DODGE 2WD
 6 = Lt. Duty DODGE 4WD
 2 = Med. Duty DODGE 2WD
 7 = Med. Duty DODGE 4WD

LINE

55 = Wagon 140"
 54 = Wagon 118"
 52 = Wagon 140"
 51 = Wagon 118"
 12 = Van 140"
 11 = Van 118"
 06 = Front Section 158"
 14 = Van 118"
 15 = Van 140"
 16 = Van 158"
 56 = Wagon 158"

BODY

01 = Chassis Forward Control
 118"
 02 = Chassis Forward Control
 140"

ENGINE

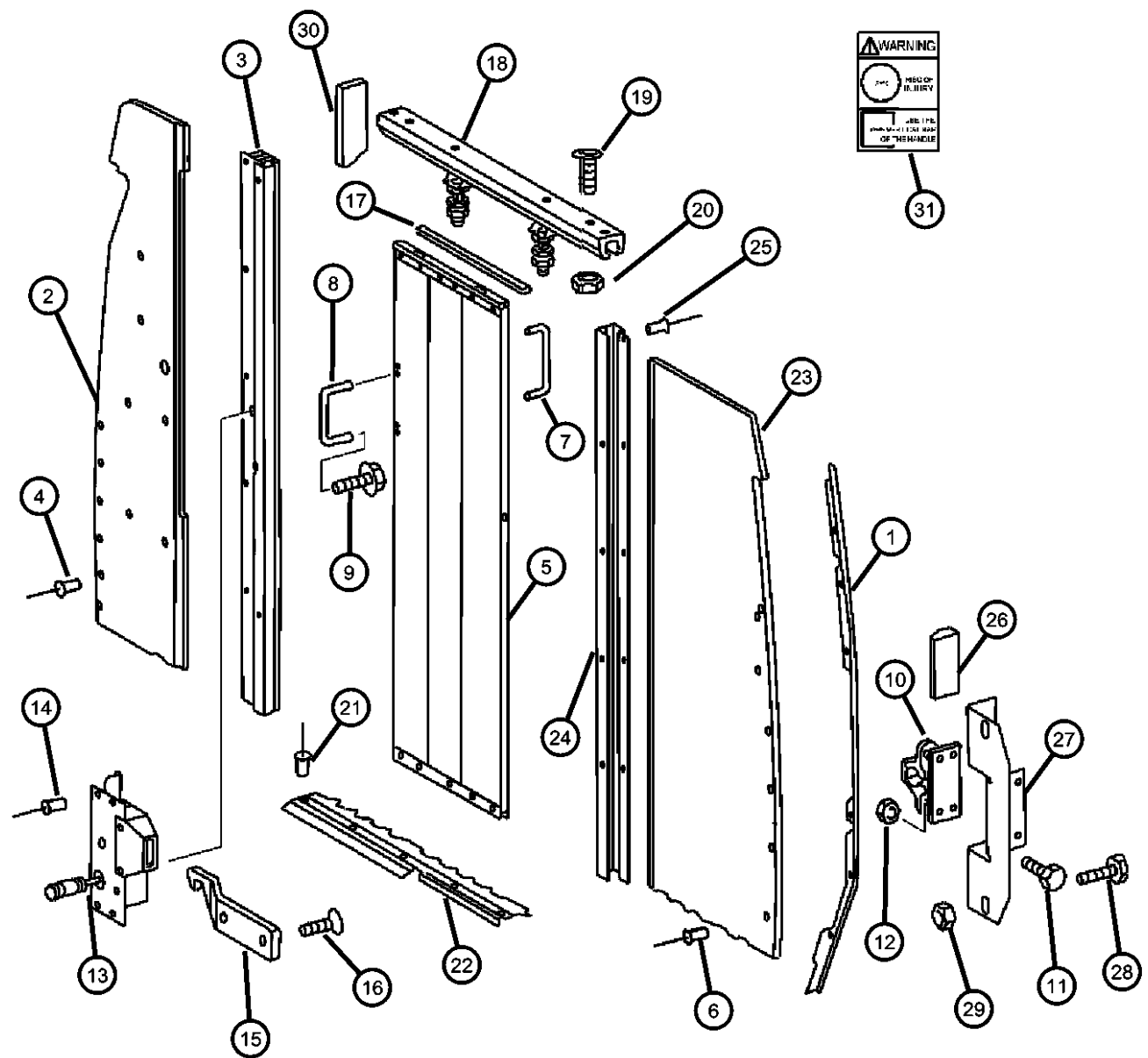
EX8 = Engine-2.7L I5
 Mercedes Turbo Diesel

TRANSMISSION

DGJ = Transmission-5-Spd.
 Automatic, W5A580

AR = use ase required - = Non illustrated part

**Partition Wall and Sliding Door
Figure IVA-260**



ITEM	PART NUMBER	QTY	LINE	SERIES	BODY	ENGINE	TRANS	TRIM	DESCRIPTION
	06104121AA	4	2, 6	L	11, 12, 14, 15, 16				
		4	3, 7	L	12, 15, 16				
17	05103782AA	1	2, 6	L	11, 12, 14, 15, 16				GUARD, Door Edge 3 Meters Long
		1	3, 7	L	12, 15, 16				3 Meters Long
18	05123585AA	1	3, 7	L	12, 15, 16				RAIL, Cargo Partition, Sliding Door
		1	2, 6	L	11, 12, 14, 15, 16				
19	05126110AA	1	2, 6	L	11, 12, 14, 15, 16				SCREW, Hex Head
		1	3, 7	L	12, 15, 16				
20	06104714AA	5	2, 6	L	11, 12, 14, 15, 16				NUT
		5	3, 7	L	12, 15, 16				
21	05104623AA	5	2, 6	L	11, 12, 14, 15, 16				RIVET
		5	3, 7	L	12, 15, 16				
22	05104156AA	1	2, 6	L	11, 12, 14, 15, 16				MOLDING, Cargo Area Carpet
		1	3, 7	L	12, 15, 16				
23	05104317AA	1	2, 6	L	11, 12, 14, 15, 16				PARTITION, Cargo Left
		1	3, 7	L	12, 15, 16				Left
24		1	3, 7	L	12, 15, 16				RAIL, Cargo Partition, Sliding Door

SPRINTER (VA)

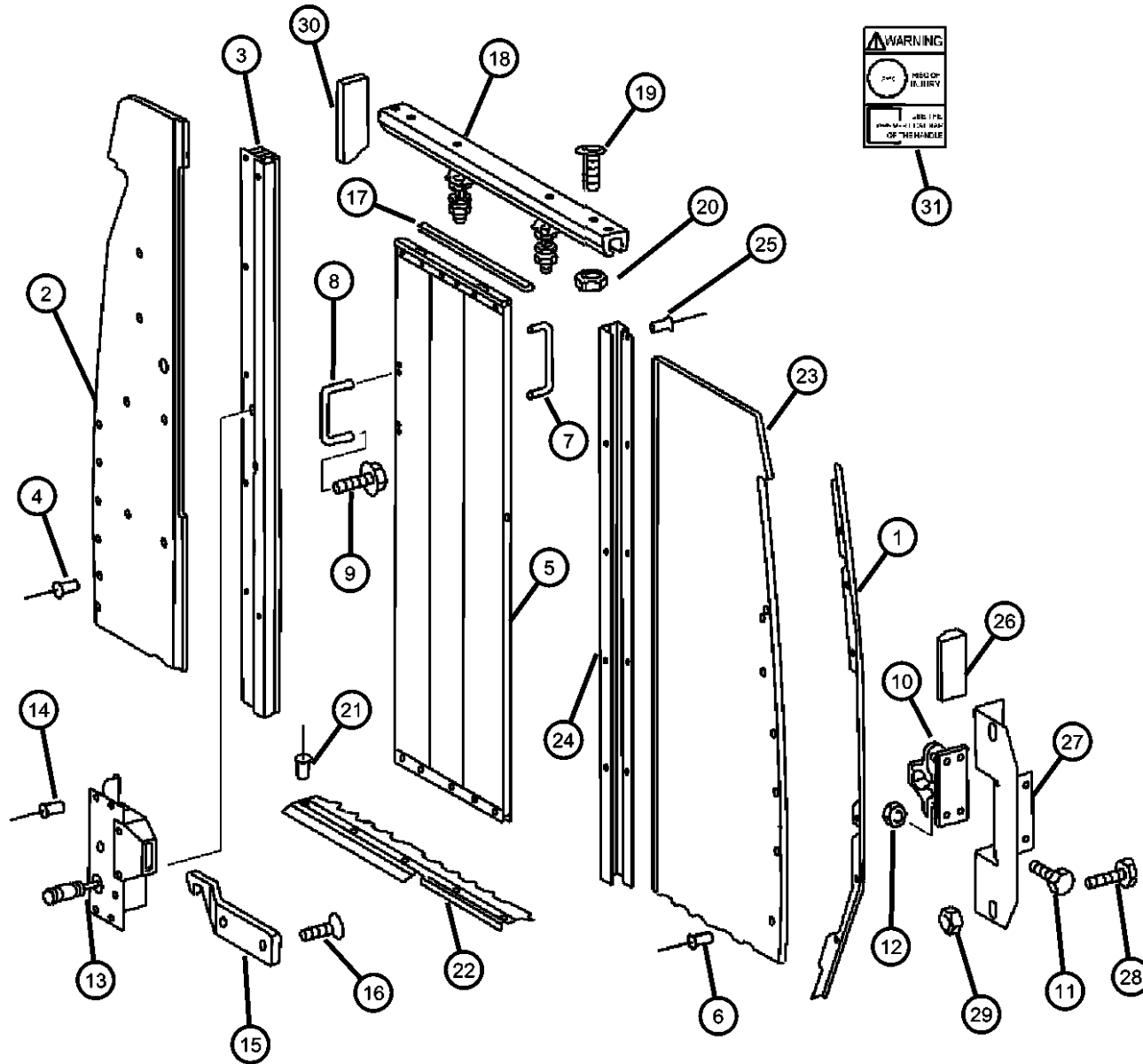
SERIES	LINE	BODY	ENGINE	TRANSMISSION
L = LOWLINE	3 = HD DODGE 2WD 6 = Lt. Duty DODGE 4WD 2 = Med. Duty DODGE 2WD 7 = Med. Duty DODGE 4WD	55 = Wagon 140" 54 = Wagon 118" 52 = Wagon 140" 51 = Wagon 118" 12 = Van 140" 11 = Van 118" 06 = Front Section 158" 14 = Van 118" 15 = Van 140" 16 = Van 158" 56 = Wagon 158"	EX8 = Engine-2.7L I5 Mercedes Turbo Diesel	DGJ = Transmission-5-Spd. Automatic, W5A580

01 = Chassis Forward Control
118"
02 = Chassis Forward Control
140"

AR = use ase required - = Non illustrated part

**Partition Wall and Sliding Door
Figure IVA-260**

ITEM	PART NUMBER	QTY	LINE	SERIES	BODY	ENGINE	TRANS	TRIM	DESCRIPTION
	05104309AA	1	2, 6	L	11, 12, 14, 15, 16				
		1	3, 7	L	12, 15, 16				
25	05125812AA	9	2, 6	L	11, 12, 14, 15, 16				RIVET
		9	3, 7	L	12, 15, 16				
26	05104427AA	2	2, 6	L	11, 12, 14, 15, 16				BUMPER, Rubber
		2	3, 7	L	12, 15, 16				
27	05104305AA	1	2, 6	L	11, 12, 14, 15, 16				HOUSING
		1	3, 7	L	12, 15, 16				
28	05126132AA	2	2, 6	L	11, 12, 14, 15, 16				BOLT, Hex Head
		2	3, 7	L	12, 15, 16				
29	06104716AA	2	2, 6	L	11, 12, 14, 15, 16				NUT
		2	3, 7	L	12, 15, 16				
30	05123661AA	1	2, 6	L	11, 12, 14, 15, 16				SEAL
		1	3, 7	L	12, 15, 16				
31	05121162AA	1	2, 6	L	11, 12, 14, 15, 16				LABEL, Warning
		1	3, 7	L	12, 15, 16				
-32									LABEL, Gummed Label on Door

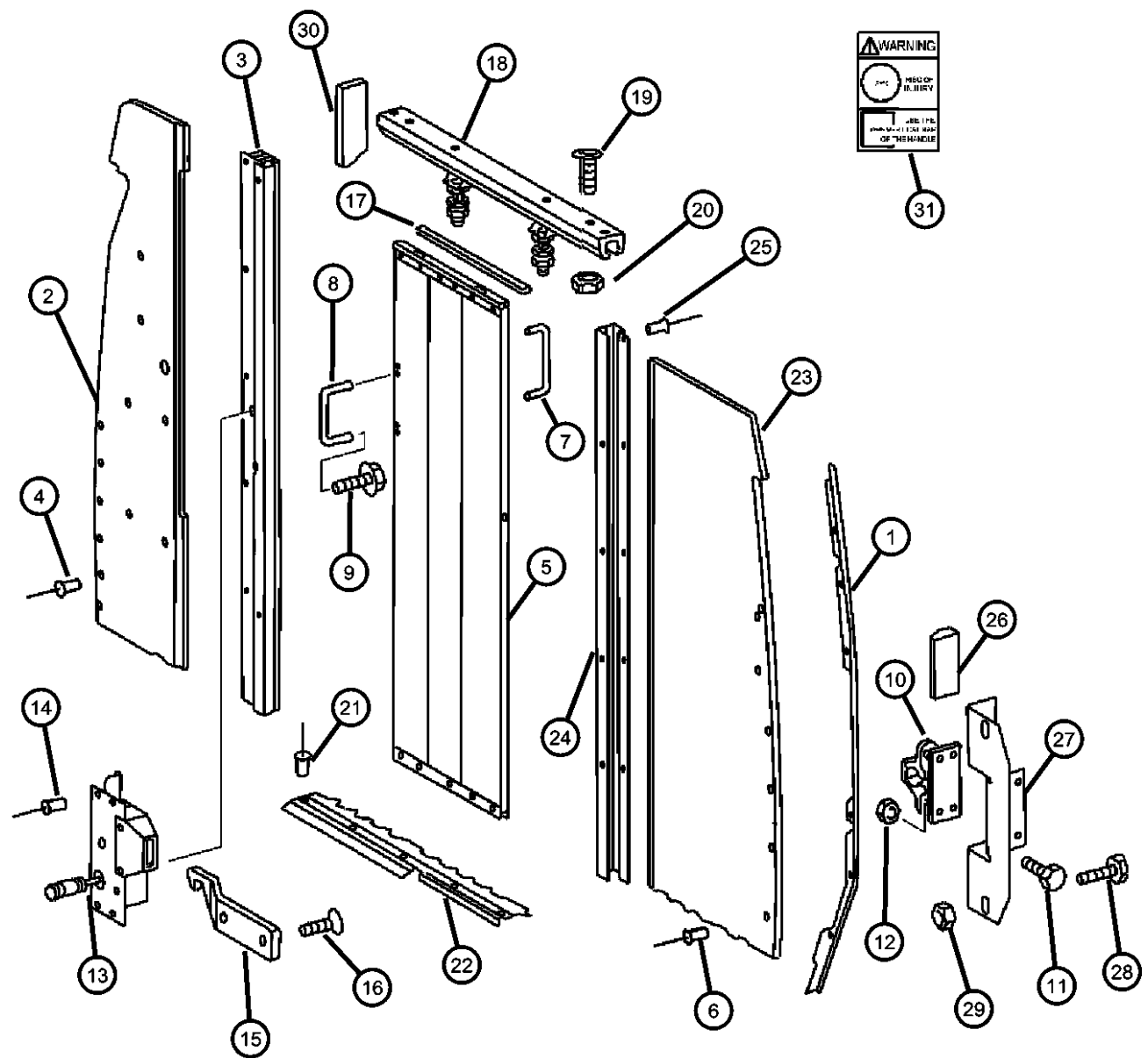


SPRINTER (VA)

SERIES	LINE	BODY	ENGINE	TRANSMISSION
L = LOWLINE	3 = HD DODGE 2WD 6 = Lt. Duty DODGE 4WD 2 = Med. Duty DODGE 2WD 7 = Med. Duty DODGE 4WD	55 = Wagon 140" 54 = Wagon 118" 52 = Wagon 140" 51 = Wagon 118" 12 = Van 140" 11 = Van 118" 06 = Front Section 158" 14 = Van 118" 15 = Van 140" 16 = Van 158" 56 = Wagon 158"	EX8 = Engine-2.7L I5 Mercedes Turbo Diesel	DGJ = Transmission-5-Spd. Automatic, W5A580
		01 = Chassis Forward Control 118" 02 = Chassis Forward Control 140"		

AR = use ase required - = Non illustrated part

**Partition Wall and Sliding Door
Figure IVA-260**



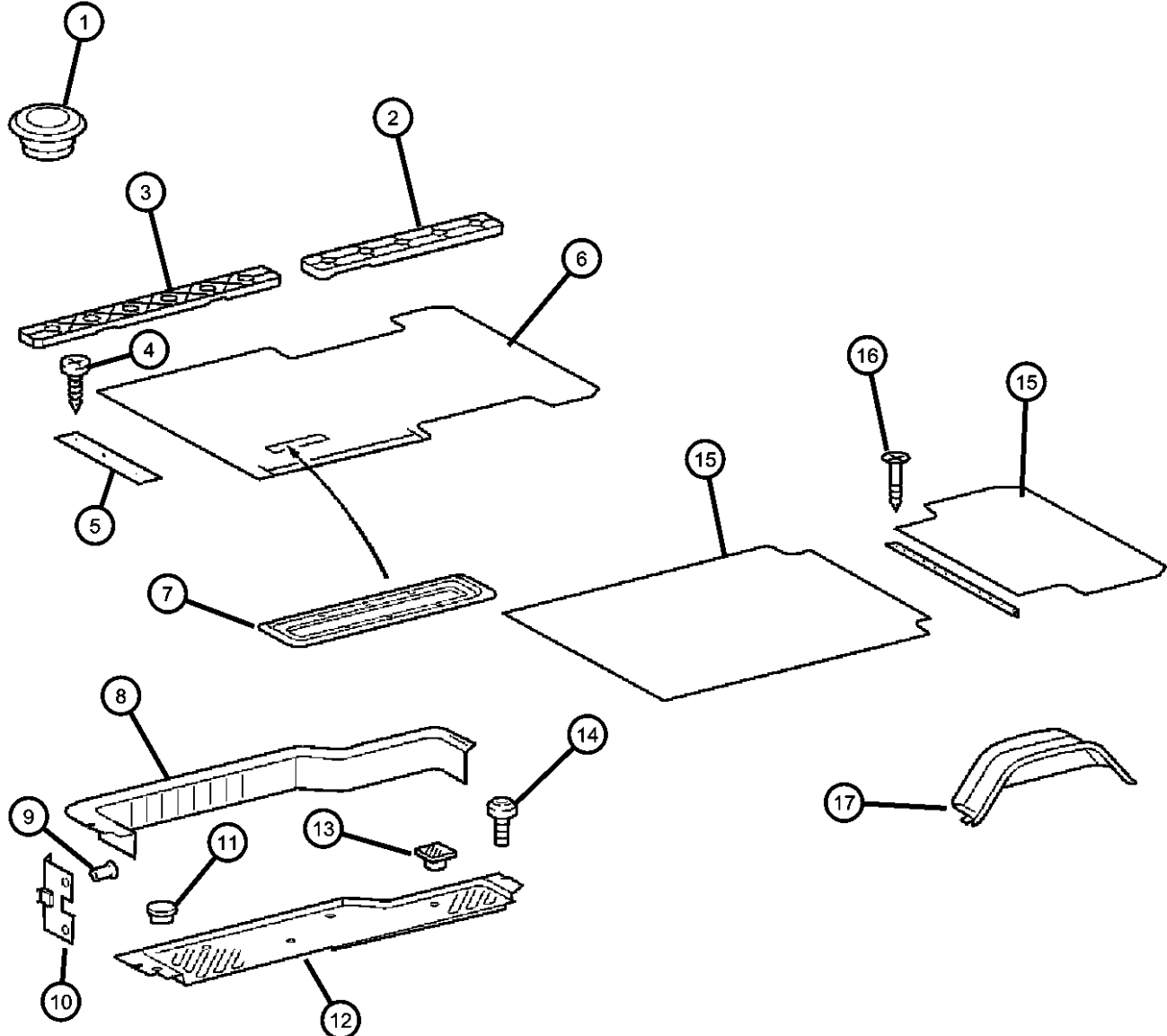
ITEM	PART NUMBER	QTY	LINE	SERIES	BODY	ENGINE	TRANS	TRIM	DESCRIPTION
	05121146AA	1	2, 6	L	11, 12, 14, 15, 16				
		1	3, 7	L	12, 15, 16				
-33									BOLT, Door to Guide
	05125721AA	2	2, 6	L	11, 12, 14, 15, 16				
		2	3, 7	L	12, 15, 16				
-34									NUT, Door to Guide
	05126126AA	4	2, 6	L	11, 12, 14, 15, 16				
		4	3, 7	L	12, 15, 16				
-35									NUT, Hex, Door to Guide
	05126208AA	4	2, 6	L	11, 12, 14, 15, 16				
		4	3, 7	L	12, 15, 16				

SPRINTER (VA)

SERIES	LINE	BODY	ENGINE	TRANSMISSION
L = LOWLINE	3 = HD DODGE 2WD 6 = Lt. Duty DODGE 4WD 2 = Med. Duty DODGE 2WD 7 = Med. Duty DODGE 4WD	55 = Wagon 140" 54 = Wagon 118" 52 = Wagon 140" 51 = Wagon 118" 12 = Van 140" 11 = Van 118" 06 = Front Section 158" 14 = Van 118" 15 = Van 140" 16 = Van 158" 56 = Wagon 158"	EX8 = Engine-2.7L I5 Mercedes Turbo Diesel	DGJ = Transmission-5-Spd. Automatic, W5A580
		01 = Chassis Forward Control 118" 02 = Chassis Forward Control 140"		

AR = use ase required - = Non illustrated part

Carpet - Floor
Figure IVA-310



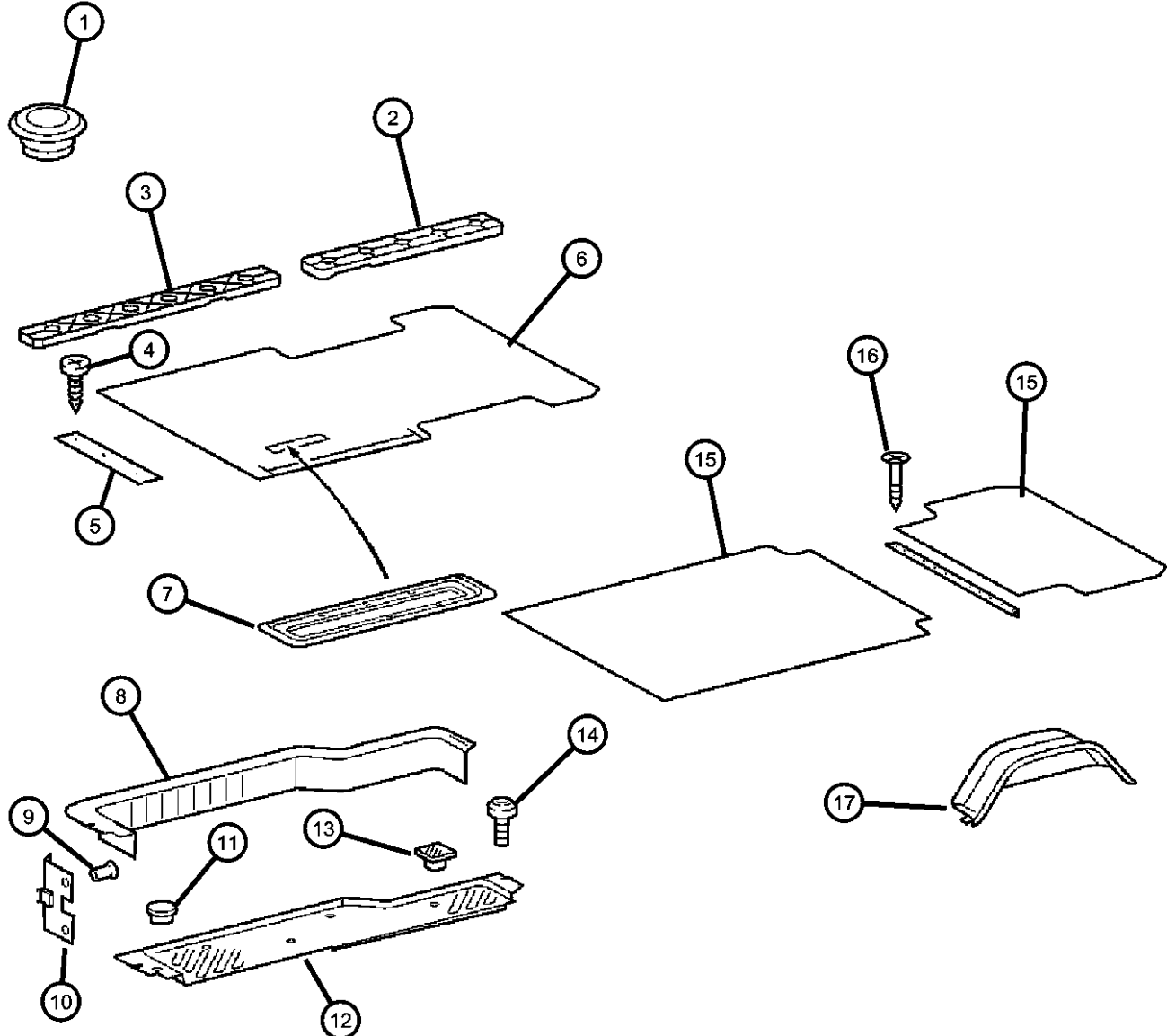
ITEM	PART NUMBER	QTY	LINE	SERIES	BODY	ENGINE	TRANS	TRIM	DESCRIPTION
1	05125991AA	99	2, 6	L	51, 52, 54, 55, 56				PLUG
		2	3, 7	L	12, 15, 16				
2	05122642AA	1	3, 7	L	12, 15, 16				COVER, Seat Track Rear
		1	2, 6	L	11, 12, 14, 15, 16				Rear
		1	2, 6	L	51, 52, 54, 55, 56				Rear
3	05122650AA	2	2, 6	L	11, 12, 14, 15, 16				COVER, Seat Track Front
		1	2, 6	L	51, 52, 54, 55, 56				Front
		1	3, 7	L	12, 15, 16				Front
4		1							SCREW, (NOT SERVICED)
5	05122835AA	1	2, 6	L	11, 12, 14, 15, 16				PLATE Carpet Ledge, Sliding Door, Right
		1	2, 6	L	51, 52, 54, 55, 56				Carpet Ledge, Sliding Door, Right
		1	3, 7	L	12, 15, 16				Carpet Ledge, Sliding Door, Right
6		1							LINING, NONE, SPRINTER, (NOT SERVICED),
7		1							COVERING, NONE, SPRINTER, (NOT SERVICED)
8	05122827AA	1	2, 6	L	11, 12, 14, 15, 16				PANEL, Sliding Door Trim
		1	2, 6	L	51, 52, 54, 55, 56				
		1	3, 7	L	12, 15, 16				
9									RIVET

SPRINTER (VA)

SERIES	LINE	BODY	ENGINE	TRANSMISSION
L = LOWLINE	3 = HD DODGE 2WD 6 = Lt. Duty DODGE 4WD 2 = Med. Duty DODGE 2WD 7 = Med. Duty DODGE 4WD	55 = Wagon 140" 54 = Wagon 118" 52 = Wagon 140" 51 = Wagon 118" 12 = Van 140" 11 = Van 118" 06 = Front Section 158" 14 = Van 118" 15 = Van 140" 16 = Van 158" 56 = Wagon 158"	EX8 = Engine-2.7L I5 Mercedes Turbo Diesel	DGJ = Transmission-5-Spd. Automatic, W5A580
		01 = Chassis Forward Control 118" 02 = Chassis Forward Control 140"		

AR = use ase required - = Non illustrated part

Carpet - Floor
Figure IVA-310



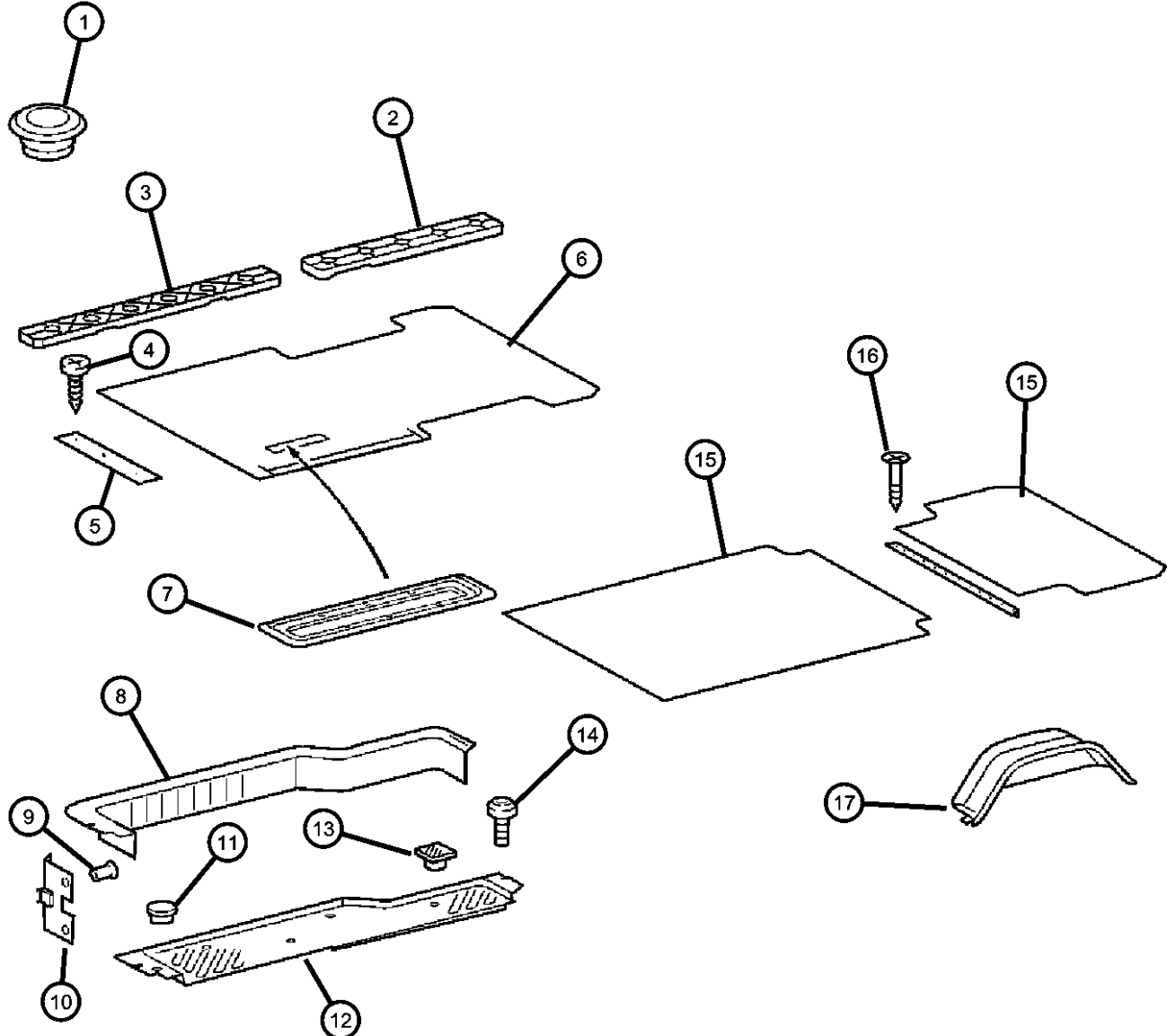
ITEM	PART NUMBER	QTY	LINE	SERIES	BODY	ENGINE	TRANS	TRIM	DESCRIPTION
	05134061AA	8	2, 6	L	11, 12, 14, 15, 16				
		8	2, 6	L	51, 52, 54, 55, 56				
		8	3, 7	L	12, 15, 16				
10									CLIP, Floor Trim
	05125584AA	8	2, 6	L	56, 51, 52, 54, 55				
		8	2, 6	L	11, 12, 14, 15, 16				
		8	3, 7	L	12, 15, 16				
11									PLUG
	05122808AA	1	2, 6	L	11, 12, 14, 15, 16				
		1	2, 6	L	51, 52, 54, 55, 56				
		1	3, 7	L	12, 15, 16				
12									PAD, Side Cargo Door Sill
	05122815AA	1	2, 6	L	11, 12, 14, 15, 16				Entrance, Sliding Door, Left
		1	2, 6	L	51, 52, 54, 55, 56				Entrance, Sliding Door, Left
		1	3, 7	L	12, 15, 16				Entrance, Sliding Door, Left
	05122816AA	1	2, 6	L	11, 12, 14, 15, 16				Entrance, Sliding Door, Right
		1	2, 6	L	54, 55, 56, 51, 52				Entrance, Sliding Door, Right
		1	3, 7	L	12, 15, 16				Entrance, Sliding Door, Right
13									PLUG
	05122811AA	4	2, 6	L	51, 52, 54, 55, 56				
		4	3, 7	L	12, 15, 16				
		4	2, 6	L	11, 12, 14, 15, 16				
14									SCREW

SPRINTER (VA)

SERIES	LINE	BODY	ENGINE	TRANSMISSION
L = LOWLINE	3 = HD DODGE 2WD 6 = Lt. Duty DODGE 4WD 2 = Med. Duty DODGE 2WD 7 = Med. Duty DODGE 4WD	55 = Wagon 140" 54 = Wagon 118" 52 = Wagon 140" 51 = Wagon 118" 12 = Van 140" 11 = Van 118" 06 = Front Section 158" 14 = Van 118" 15 = Van 140" 16 = Van 158" 56 = Wagon 158"	EX8 = Engine-2.7L I5 Mercedes Turbo Diesel	DGJ = Transmission-5-Spd. Automatic,W5A580
		01 = Chassis Forward Control 118" 02 = Chassis Forward Control 140"		

AR = use ase required - = Non illustrated part

Carpet - Floor
Figure IVA-310



ITEM	PART NUMBER	QTY	LINE	SERIES	BODY	ENGINE	TRANS	TRIM	DESCRIPTION
	06104142AA	2	2, 6	L	51, 52, 54, 55, 56				
		2	2, 6	L	11, 12, 14, 15, 16				
		2	3, 7	L	12, 15, 16				
15		2							LINING, NONE, SPRINTER, (NOT SERVICED)
16	05134062AA	9	3, 7	L	12, 15, 16				SCREW
17									MAT, Wheelhouse
	05122563AA	2	3, 7	L	12, 15, 16				
	05131453AA	2	2, 6	L	11, 12, 14, 15, 16				
		2	2, 6	L	51, 52, 54, 55, 56				
-18									MOLDING, Cargo Area Carpet
	05104156AA	1	2, 6	L	11, 12, 14, 15, 16				Threshold for Partition Door
		1	3, 7	L	12, 15, 16				Threshold for Partition Door

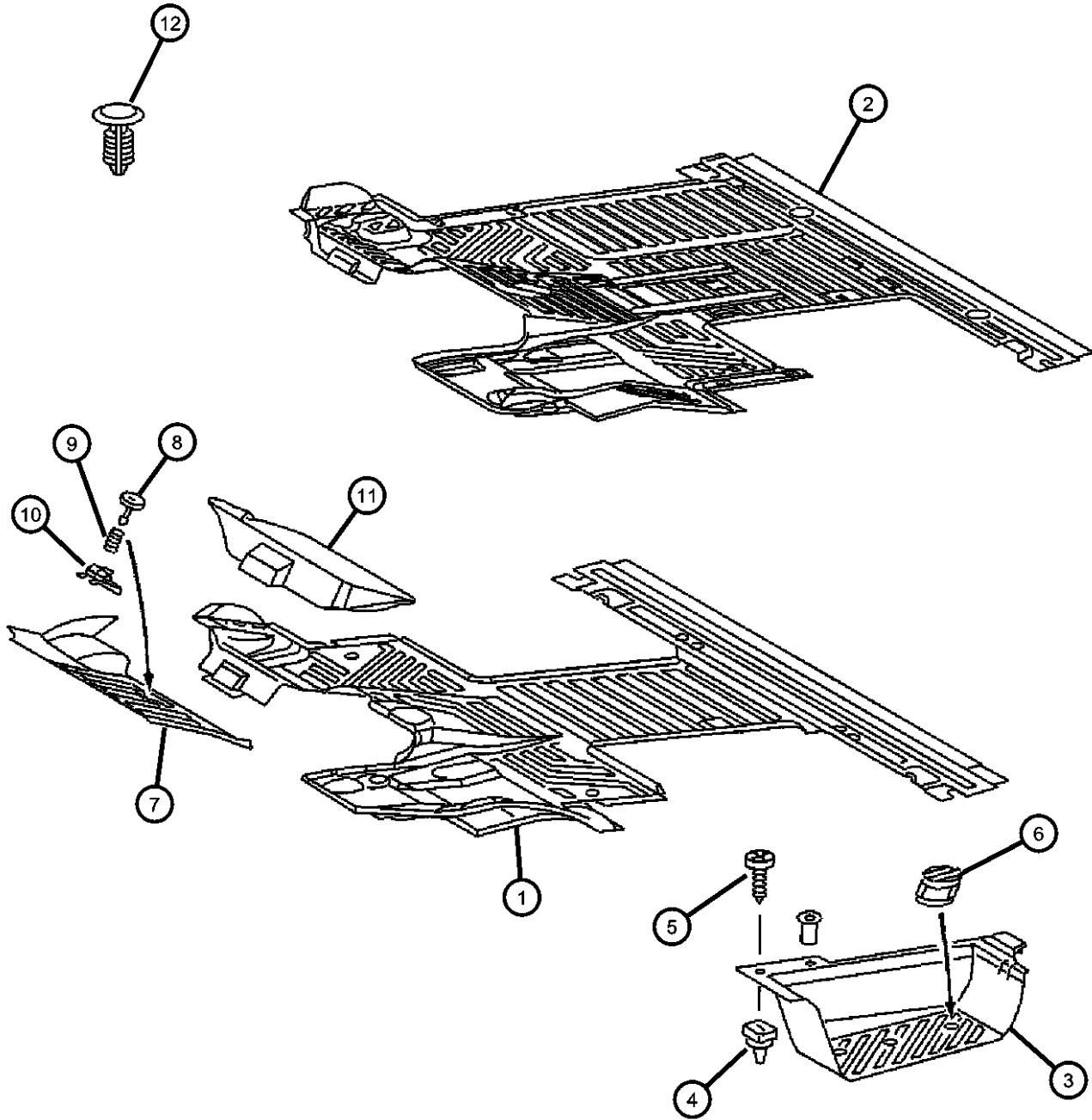
SPRINTER (VA)

SERIES	LINE	BODY	ENGINE	TRANSMISSION
L = LOWLINE	3 = HD DODGE 2WD 6 = Lt. Duty DODGE 4WD 2 = Med. Duty DODGE 2WD 7 = Med. Duty DODGE 4WD	55 = Wagon 140" 54 = Wagon 118" 52 = Wagon 140" 51 = Wagon 118" 12 = Van 140" 11 = Van 118" 06 = Front Section 158" 14 = Van 118" 15 = Van 140" 16 = Van 158" 56 = Wagon 158"	EX8 = Engine-2.7L I5 Mercedes Turbo Diesel	DGJ = Transmission-5-Spd. Automatic,W5A580
		01 = Chassis Forward Control 118" 02 = Chassis Forward Control 140"		

AR = use ase required - = Non illustrated part

**Floor Lining, Entry Paneling & Footrest
Figure IVA-315**

ITEM	PART NUMBER	QTY	LINE	SERIES	BODY	ENGINE	TRANS	TRIM	DESCRIPTION
1									MAT, Front Floor, Rubber
	05122614AA	1	3, 7	L	12, 15, 16				Lining
		1	2, 6	L	51, 52, 54, 55, 56				Lining
		1	2, 6	L	11, 12, 14, 15, 16				Lining
	05122633AA	1	3, 7	L	12, 15, 16				Rubber
		1	2, 6	L	11, 12, 14, 15, 16				Rubber
		1	2, 6	L	51, 52, 54, 55, 56				Rubber
	05122640AA	1	2, 6	L	11, 12, 14, 15, 16				Rubber, With Floor Console
		1	2, 6	L	51, 52, 54, 55, 56				Rubber, With Floor Console
		1	3, 7	L	12, 15, 16				Rubber, With Floor Console
2									MAT, Front Floor, Rubber
	05104264AA	1	2, 6	L	11, 12, 14, 15, 16				With Partition Wall
		1	3, 7	L	12, 15, 16				With Partition Wall
	05122635AA	1	2, 6	L	11, 12, 14, 15, 16				With Center Console
		1	2, 6	L	51, 52, 54, 55, 56				With Center Console
		1	3, 7	L	12, 15, 16				With Center Console
3									PLATE, Scuff
	05104265AA	1	2, 6	L	51, 52, 54, 55, 56				Left
		1	3, 7	L	12, 15, 16				Left
	05122821AA	1	2, 6	L	11, 12, 14, 15, 16				Right
		1	2, 6	L	51, 52, 54, 55, 56				Right
	05122822AA	1	2, 6	L	11, 12, 14, 15, 16				Illuminated Exit, Left
		1	2, 6	L	51, 52, 54, 55, 56				Illuminated Exit, Left



SPRINTER (VA)

SERIES

L = LOWLINE

LINE

3 = HD DODGE 2WD
6 = Lt. Duty DODGE 4WD
2 = Med. Duty DODGE 2WD
7 = Med. Duty DODGE 4WD

BODY

55 = Wagon 140"
54 = Wagon 118"
52 = Wagon 140"
51 = Wagon 118"
12 = Van 140"
11 = Van 118"
06 = Front Section 158"
14 = Van 118"
15 = Van 140"
16 = Van 158"
56 = Wagon 158"
01 = Chassis Forward Control
118"
02 = Chassis Forward Control
140"

ENGINE

EX8 = Engine-2.7L I5
Mercedes Turbo Diesel

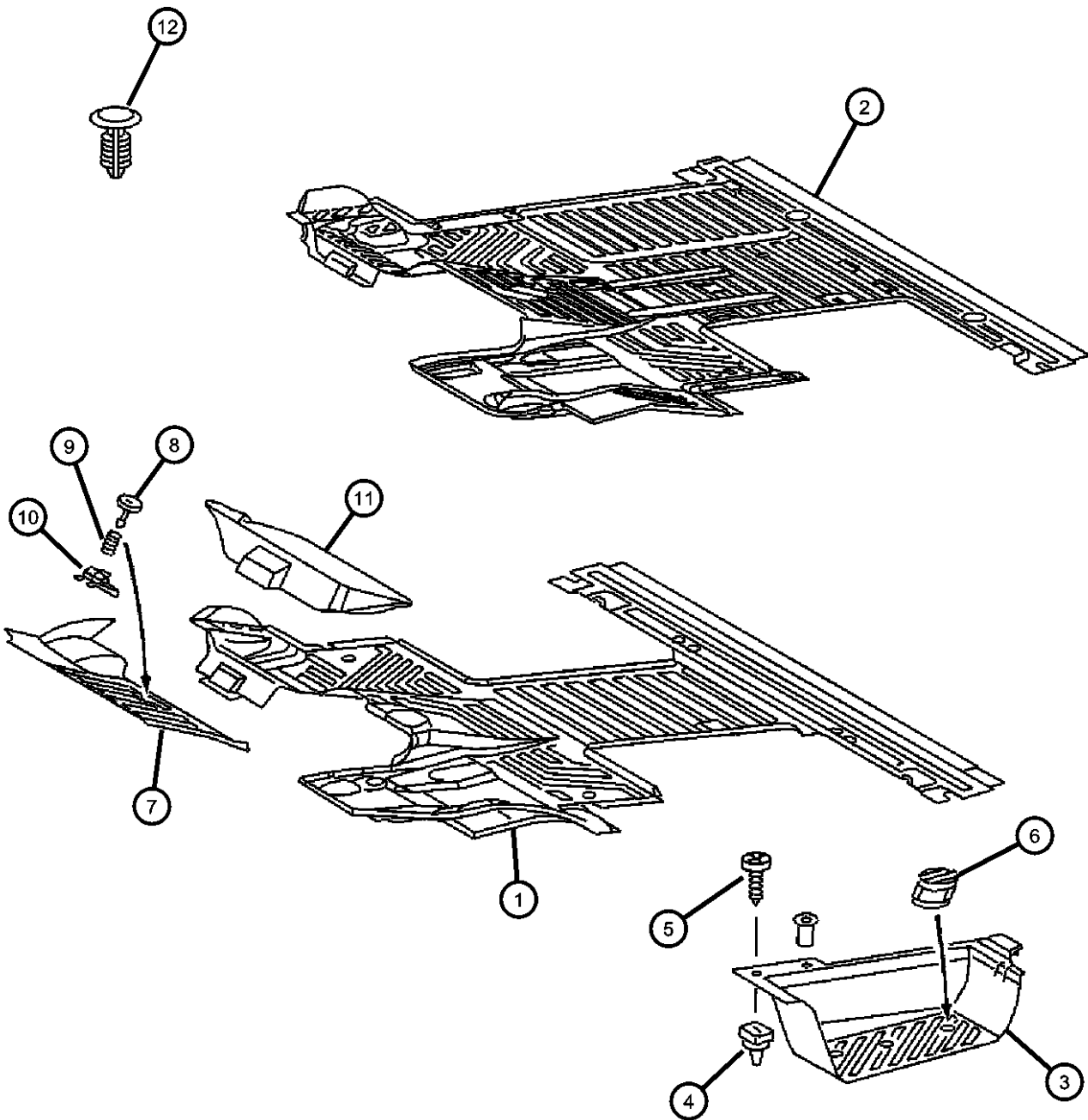
TRANSMISSION

DGJ = Transmission-5-Spd.
Automatic,W5A580

AR = use ase required - = Non illustrated part

2004 VA

Floor Lining, Entry Paneling & Footrest Figure IVA-315



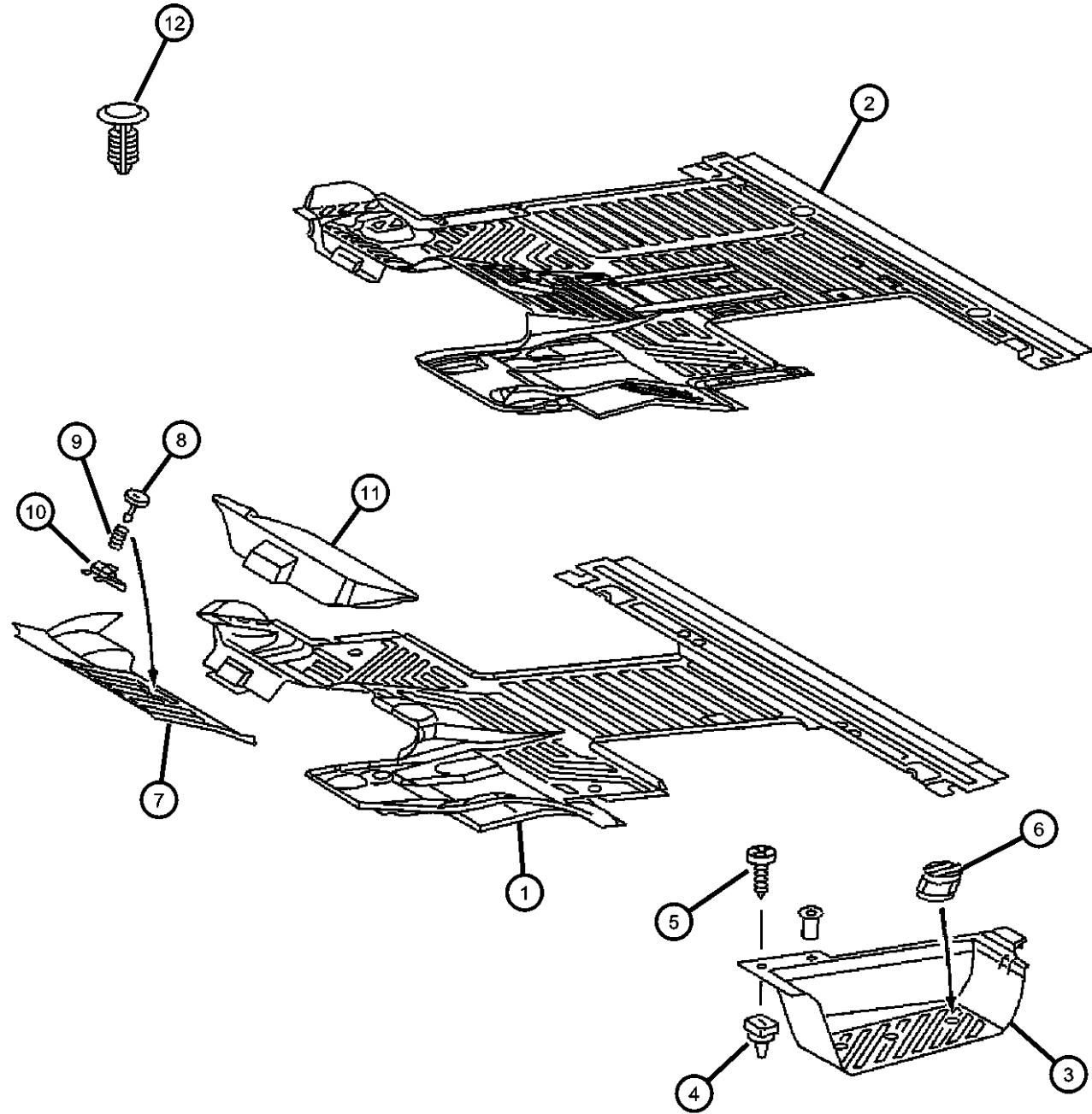
SPRINTER (VA)

SERIES	LINE	BODY	ENGINE	TRANSMISSION
L = LOWLINE	3 = HD DODGE 2WD 6 = Lt. Duty DODGE 4WD 2 = Med. Duty DODGE 2WD 7 = Med. Duty DODGE 4WD	55 = Wagon 140" 54 = Wagon 118" 52 = Wagon 140" 51 = Wagon 118" 12 = Van 140" 11 = Van 118" 06 = Front Section 158" 14 = Van 118" 15 = Van 140" 16 = Van 158" 56 = Wagon 158" 01 = Chassis Forward Control 118" 02 = Chassis Forward Control 140"	EX8 = Engine-2.7L I5 Mercedes Turbo Diesel	DGJ = Transmission-5-Spd. Automatic,W5A580

ITEM	PART NUMBER	QTY	LINE	SERIES	BODY	ENGINE	TRANS	TRIM	DESCRIPTION
		1	3, 7	L	12, 15, 16				Illuminated Exit, Left
		1	2, 6	L	11, 12, 14, 15, 16				Left
	05122824AA	1	2, 6	L	51, 52, 54, 55, 56				Illuminated Exit, Right
		1	3, 7	L	12, 15, 16				Illuminated Exit, Right
		1	2, 6	L	11, 12, 14, 15, 16				Illuminated Exit, Right
4									NUT, Plastic Snap-in
	05098837AA	6	2, 6	L	11, 12, 14, 15, 16				
		6	2, 6	L	51, 52, 54, 55, 56				
		6	3, 7	L	12, 15, 16				
5									SCREW
	06104575AA	6	2, 6	L	11, 12, 14, 15, 16				
		6	2, 6	L	51, 52, 54, 55, 56				
		6	3, 7	L	12, 15, 16				
6									PLUG
	05104549AA	3	2, 6	L	11, 12, 14, 15, 16				
		3	2, 6	L	51, 52, 54, 55, 56				
		3	3, 7	L	12, 15, 16				
7									COVER, Jack
	05122408AA	1	3, 7	L	12, 15, 16				
		1	2, 6	L	11, 12, 14, 15, 16				
		1	2, 6	L	51, 52, 54, 55, 56				
8									FASTENER, Footrest
	05122665AA	1	2, 6	L	11, 12, 14, 15, 16				

AR = use ase required - = Non illustrated part 2004 VA

Floor Lining, Entry Paneling & Footrest
Figure IVA-315



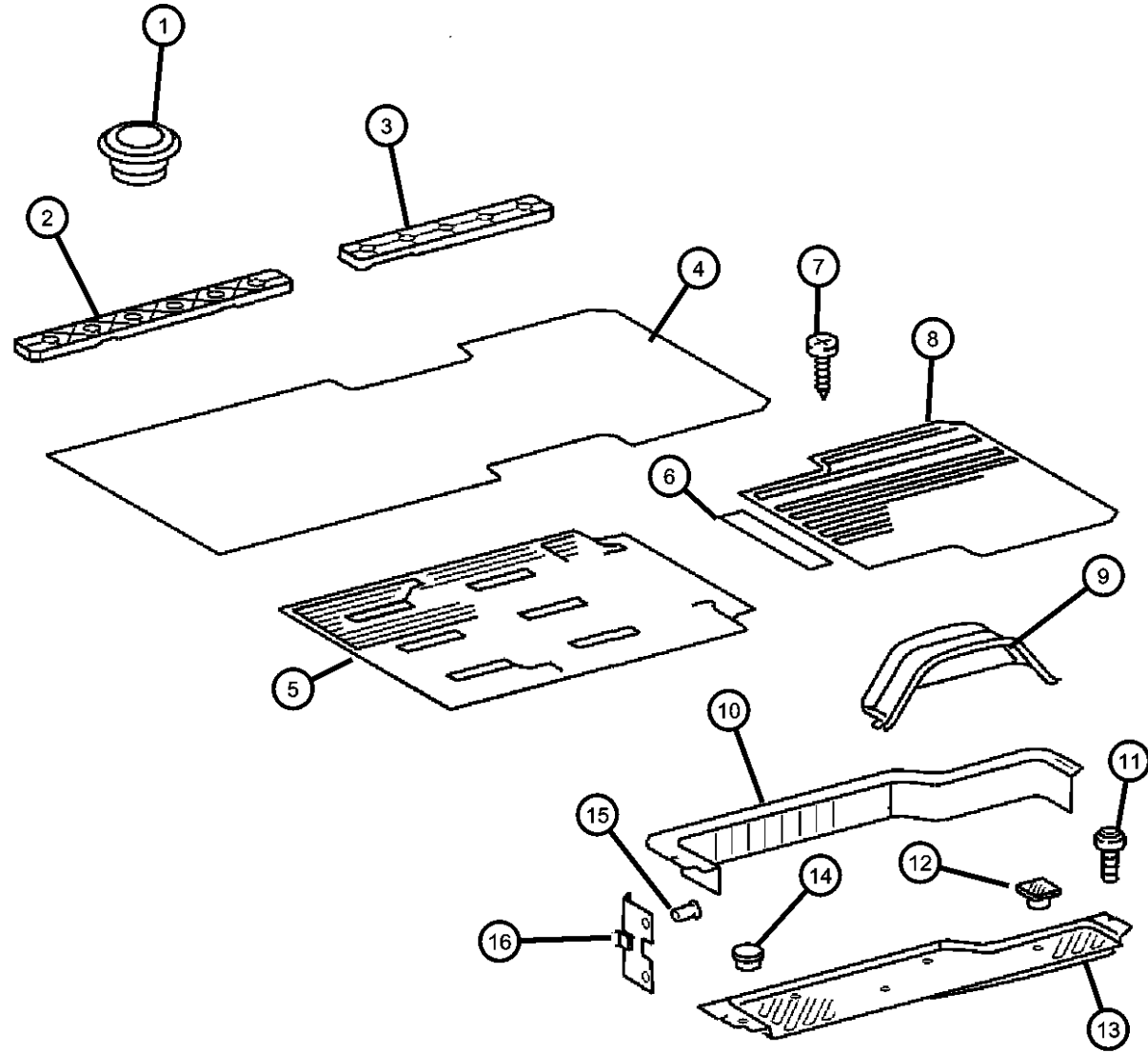
ITEM	PART NUMBER	QTY	LINE	SERIES	BODY	ENGINE	TRANS	TRIM	DESCRIPTION
		1	2, 6	L	51, 52, 54, 55, 56				
9		1	3, 7	L	12, 15, 16				SPRING
	05125845AA	1	2, 6	L	11, 12, 14, 15, 16				
		1	2, 6	L	51, 52, 54, 55, 56				
10		1	3, 7	L	12, 15, 16				CLIP, Footrest
	05125587AA	1	2, 6	L	11, 12, 14, 15, 16				
		1	2, 6	L	51, 52, 54, 55, 56				
11		1	3, 7	L	12, 15, 16				SUPPORT, Jack
	05122662AA	1	2, 6	L	11, 12, 14, 15, 16				
		1	2, 6	L	51, 52, 54, 55, 56				
12		1	3, 7	L	12, 15, 16				PLUG, Seat Mounting
	05103817AA	1	2, 6	L	11, 12, 14, 15, 16				
		1	2, 6	L	51, 52, 54, 55, 56				
-13		1	3, 7	L	12, 15, 16				SEAL, Paneling to Entry Front
	05125906AA	4	2, 6	L	11, 12, 14, 15, 16				
		4	2, 6	L	51, 52, 54, 55, 56				
		4	3, 7	L	12, 15, 16				

SPRINTER (VA)

SERIES	LINE	BODY	ENGINE	TRANSMISSION
L = LOWLINE	3 = HD DODGE 2WD 6 = Lt. Duty DODGE 4WD 2 = Med. Duty DODGE 2WD 7 = Med. Duty DODGE 4WD	55 = Wagon 140" 54 = Wagon 118" 52 = Wagon 140" 51 = Wagon 118" 12 = Van 140" 11 = Van 118" 06 = Front Section 158" 14 = Van 118" 15 = Van 140" 16 = Van 158" 56 = Wagon 158"	EX8 = Engine-2.7L I5 Mercedes Turbo Diesel	DGJ = Transmission-5-Spd. Automatic, W5A580
		01 = Chassis Forward Control 118" 02 = Chassis Forward Control 140"		

AR = use ase required - = Non illustrated part

Floor - Rubber
Figure IVA-320



ITEM	PART NUMBER	QTY	LINE	SERIES	BODY	ENGINE	TRANS	TRIM	DESCRIPTION
1	05125991AA	99	2, 6	L	51, 52, 54, 55, 56				PLUG
		2	3, 7	L	12, 15, 16				
2	05122650AA	2	2, 6	L	11, 12, 14, 15, 16				COVER, Seat Track Front
		1	2, 6	L	51, 52, 54, 55, 56				Front
		1	3, 7	L	12, 15, 16				Front
3	05122642AA	1	2, 6	L	11, 12, 14, 15, 16				COVER, Seat Track Rear
		1	2, 6	L	51, 52, 54, 55, 56				Rear
		1	3, 7	L	12, 15, 16				Rear
4	05131455AA	1	2, 6	L	51, 54				MAT, Floor
		1	2, 6	L	11, 14				
5	05122564AA	1	3, 7	L	12, 15				MAT, Front Floor, Rubber 140 Inch Wheelbase
	05122572AA	1	3, 7	L	16				158 Inch Wheelbase
	05131462AA	1	2, 6	L	12, 15				140 Inch Wheelbase
		1	2, 6	L	52, 55				140 Inch Wheelbase
	05131469AA	1	2, 6	L	16				158 Inch Wheelbase
		1	2, 6	L	56				158 Inch Wheelbase
6	05122835AA	1	2, 6	L	11, 12, 14, 15, 16				PLATE With Load Compartment Sliding Door, Right
		1	2, 6	L	51, 52, 54, 55, 56				With Load Compartment Sliding Door, Right
		1	3, 7	L	12, 15, 16				With Load Compartment Sliding Door, Right

SPRINTER (VA)

SERIES

L = LOWLINE

LINE

3 = HD DODGE 2WD
6 = Lt. Duty DODGE 4WD
2 = Med. Duty DODGE 2WD
7 = Med. Duty DODGE 4WD

BODY

55 = Wagon 140"
54 = Wagon 118"
52 = Wagon 140"
51 = Wagon 118"
12 = Van 140"
11 = Van 118"
06 = Front Section 158"
14 = Van 118"
15 = Van 140"
16 = Van 158"
56 = Wagon 158"
01 = Chassis Forward Control
118"
02 = Chassis Forward Control
140"

ENGINE

EX8 = Engine-2.7L I5
Mercedes Turbo Diesel

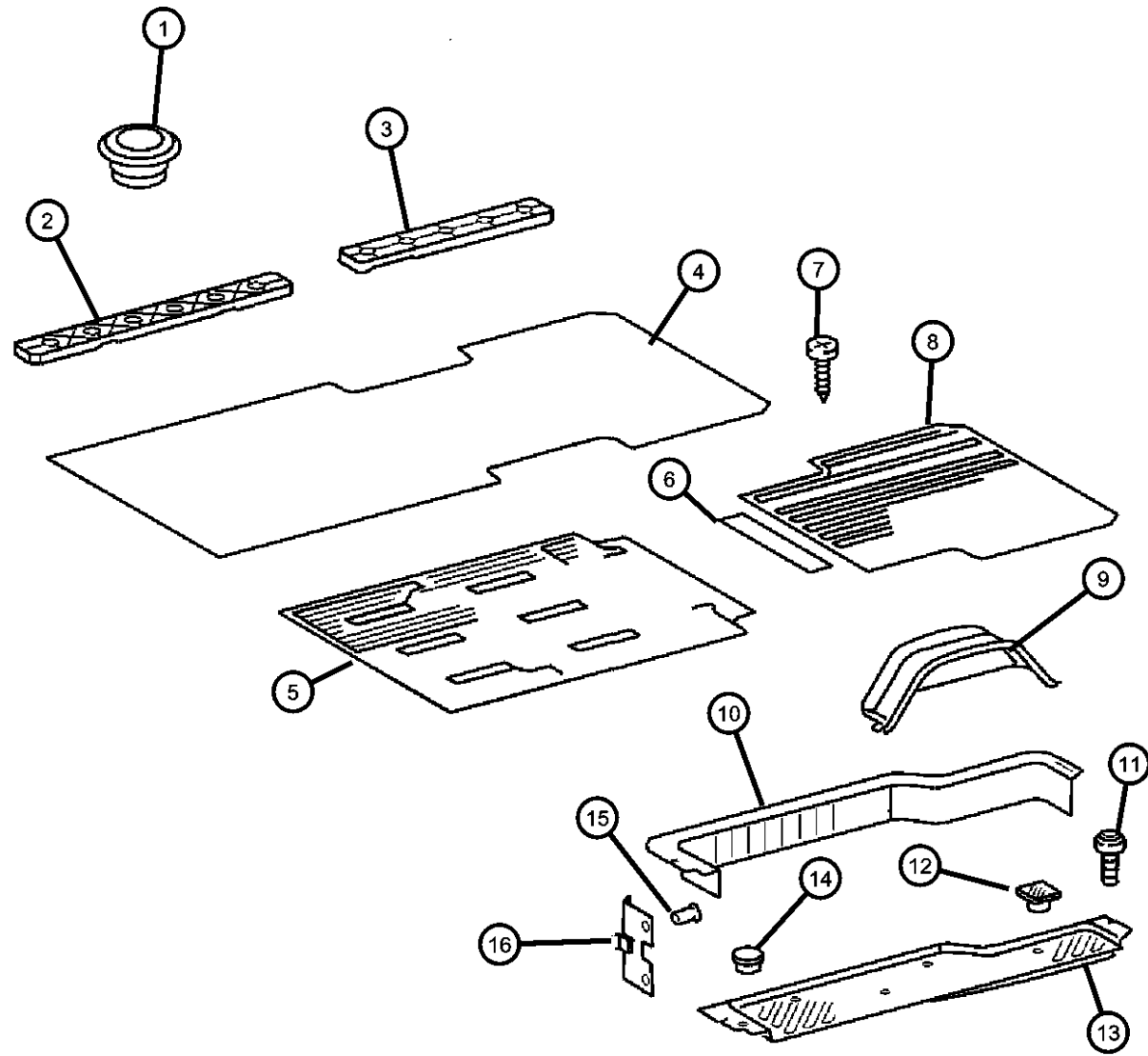
TRANSMISSION

DGJ = Transmission-5-Spd.
Automatic,W5A580

AR = use ase required - = Non illustrated part

2004 VA

Floor - Rubber
Figure IVA-320



ITEM	PART NUMBER	QTY	LINE	SERIES	BODY	ENGINE	TRANS	TRIM	DESCRIPTION
	05122837AA	1	2, 6	L	11, 12, 14, 15, 16				With Load Compartment Sliding Door, Left
		1	2, 6	L	51, 52, 54, 55, 56				With Load Compartment Sliding Door, Left
		1	3, 7	L	12, 15, 16				With Load Compartment Sliding Door, Left
	05122840AA	1	3, 7	L	12, 15, 16				With Load Compartment Sliding Door, Left & Right
	05122842AA	1	2, 6	L	11, 12, 14, 15, 16				Without Load Compartment Sliding Door
		1	2, 6	L	51, 52, 54, 55, 56				Without Load Compartment Sliding Door
		1	3, 7	L	12, 15, 16				Without Load Compartment Sliding Door
		1	2, 6	L	11, 12, 14, 15, 16				With Load Compartment Sliding Door, Left & Right
		1	2, 6	L	51, 52, 54, 55, 56				With Load Compartment Sliding Door, Left & Right
7									RIVET, RIVET
	05133555AA	7	3, 7	L	12, 15, 16				
		7	2, 6	L	11, 12, 14, 15, 16				
		7	2, 6	L	51, 52, 54, 55, 56				
8									MAT, Floor
	05122580AA	1	3, 7	L	12, 15				140 Inch Wheelbase, Rear
	05122581AA	1	3, 7	L	16				158 Inch Wheelbase, Rear
	05131477AA	1	2, 6	L	16				158 Inch Wheelbase, Rear
		1	2, 6	L	56				158 Inch Wheelbase, Rear
	05131478AA	1	2, 6	L	12, 15				140 Inch Wheelbase, Rear
		1	2, 6	L	52, 55				140 Inch Wheelbase, Rear
9									MAT, Wheelhouse
	05122563AA	2	3, 7	L	12, 15, 16				3500 GVW
	05131453AA	2	2, 6	L	11, 12, 14, 15, 16				2500 GVW

SPRINTER (VA)

SERIES

L = LOWLINE

LINE

3 = HD DODGE 2WD
6 = Lt. Duty DODGE 4WD
2 = Med. Duty DODGE 2WD
7 = Med. Duty DODGE 4WD

BODY

55 = Wagon 140"
54 = Wagon 118"
52 = Wagon 140"
51 = Wagon 118"
12 = Van 140"
11 = Van 118"
06 = Front Section 158"
14 = Van 118"
15 = Van 140"
16 = Van 158"
56 = Wagon 158"
01 = Chassis Forward Control 118"
02 = Chassis Forward Control 140"

ENGINE

EX8 = Engine-2.7L I5
Mercedes Turbo Diesel

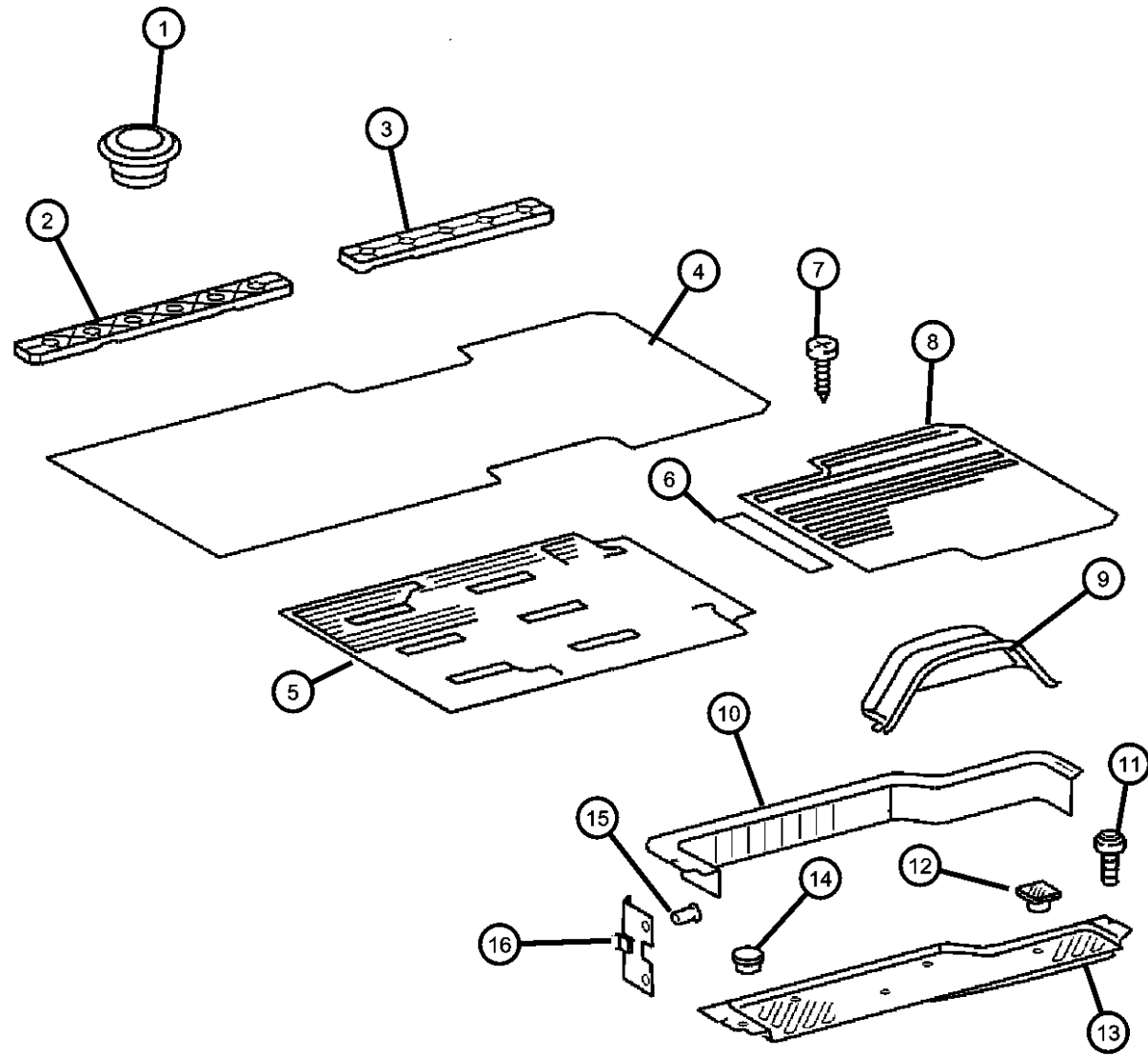
TRANSMISSION

DGJ = Transmission-5-Spd. Automatic, W5A580

AR = use ase required - = Non illustrated part

2004 VA

Floor - Rubber
Figure IVA-320



ITEM	PART NUMBER	QTY	LINE	SERIES	BODY	ENGINE	TRANS	TRIM	DESCRIPTION
		2	2, 6	L	51, 52, 54, 55, 56				2500 GVW
10	05122825AA	1	2, 6	L	11, 12, 14, 15, 16				PANEL, Sliding Door Trim
		1	2, 6	L	51, 52, 54, 55, 56				Sliding Door Left
	05122832AA	1	3, 7	L	12, 15, 16				Sliding Door Left
		1	2, 6	L	51, 52, 54, 55, 56				Sliding Door Right With Entrance Light
		1	3, 7	L	12, 15, 16				Sliding Door Right With Entrance Light
	05122827AA	1	2, 6	L	11, 12, 14, 15, 16				Sliding Door Right
		1	2, 6	L	51, 52, 54, 55, 56				Sliding Door Right
	05122830AA	1	3, 7	L	12, 15, 16				Sliding Door Right
		1	2, 6	L	11, 12, 14, 15, 16				Sliding Door Left With Entrance Light
		1	2, 6	L	51, 52, 54, 55, 56				Sliding Door Left With Entrance Light
		1	3, 7	L	12, 15, 16				Sliding Door Left With Entrance Light
		1	2, 6	L	11, 12, 14, 15, 16				Sliding Door Right With Entrance Light
11	06104142AA	2	2, 6	L	51, 52, 54, 55, 56				SCREW
		2	2, 6	L	11, 12, 14, 15, 16				
		2	3, 7	L	12, 15, 16				
12	05122811AA	4	2, 6	L	11, 12, 14, 15, 16				PLUG
		4	2, 6	L	51, 52, 54, 55, 56				

SPRINTER (VA)

SERIES

L = LOWLINE

LINE

3 = HD DODGE 2WD
6 = Lt. Duty DODGE 4WD
2 = Med. Duty DODGE 2WD
7 = Med. Duty DODGE 4WD

BODY

55 = Wagon 140"
54 = Wagon 118"
52 = Wagon 140"
51 = Wagon 118"
12 = Van 140"
11 = Van 118"
06 = Front Section 158"
14 = Van 118"
15 = Van 140"
16 = Van 158"
56 = Wagon 158"
01 = Chassis Forward Control 118"
02 = Chassis Forward Control 140"

ENGINE

EX8 = Engine-2.7L I5
Mercedes Turbo Diesel

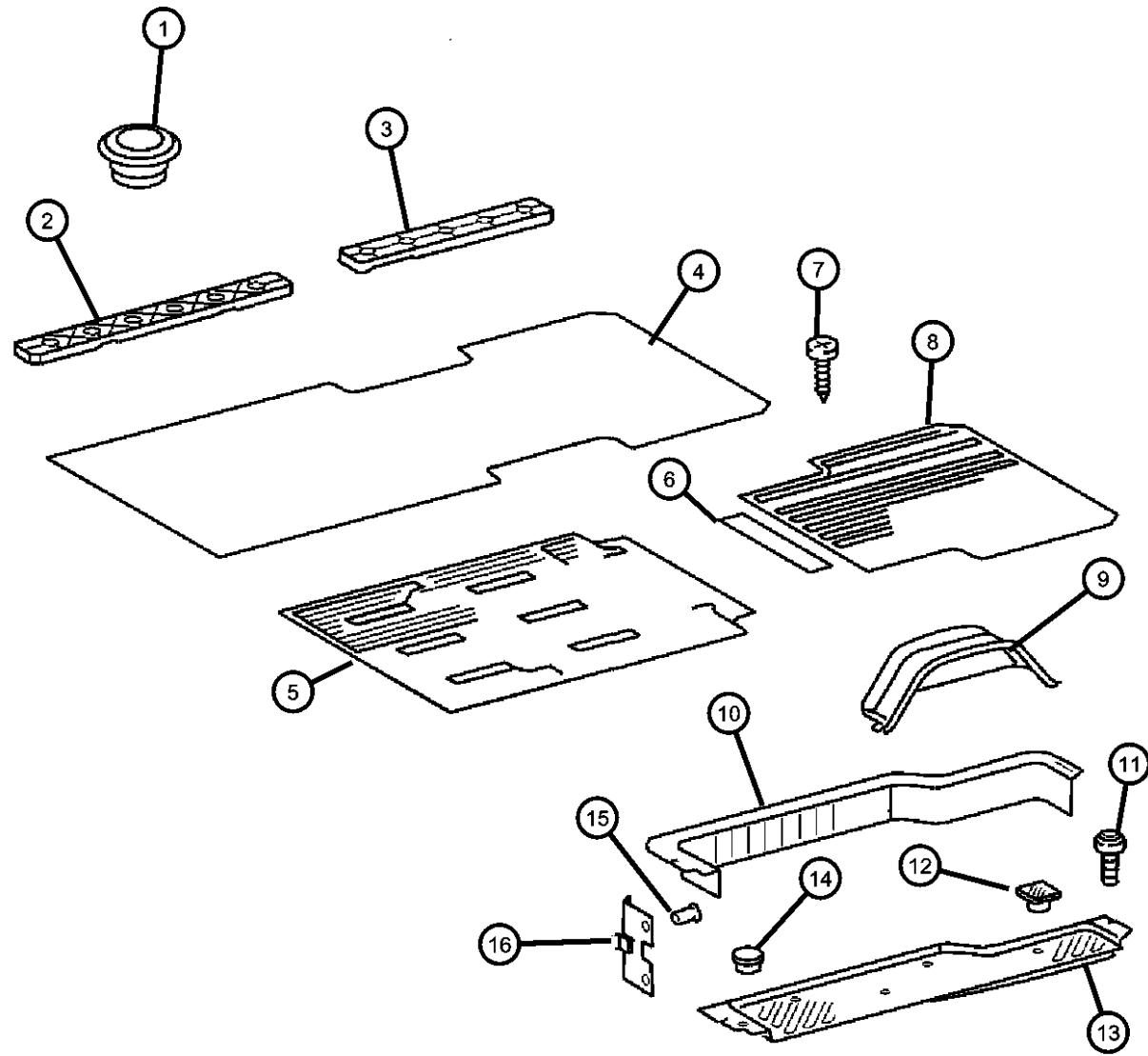
TRANSMISSION

DGJ = Transmission-5-Spd. Automatic, W5A580

AR = use ase required - = Non illustrated part

2004 VA

Floor - Rubber
Figure IVA-320



ITEM	PART NUMBER	QTY	LINE	SERIES	BODY	ENGINE	TRANS	TRIM	DESCRIPTION
		4	3, 7	L	12, 15, 16				
13	05122815AA	1	2, 6	L	51, 52, 54, 55, 56				PAD, Side Cargo Door Sill Entrance Sliding Door, Left
	05122816AA	1	3, 7	L	12, 15, 16				Entrance Sliding Door, Left
		1	2, 6	L	11, 12, 14, 15, 16				Entrance Sliding Door, Right
		1	2, 6	L	51, 52, 54, 55, 56				Entrance Sliding Door, Right
		1	2, 6	L	11, 12, 14, 15, 16				Entrance Sliding Door, Left
		1	3, 7	L	12, 15, 16				Entrance Sliding Door, Right
14	05122808AA	1	2, 6	L	11, 12, 14, 15, 16				PLUG
		1	2, 6	L	51, 52, 54, 55, 56				
		1	3, 7	L	12, 15, 16				
15	05134061AA	8	2, 6	L	51, 52, 54, 55, 56				RIVET
		8	2, 6	L	11, 12, 14, 15, 16				
		16	3, 7	L	12, 15, 16				
16	05125584AA	4	2, 6	L	11, 12, 14, 15, 16				CLIP, Floor Trim
		4	2, 6	L	51, 52, 54, 55, 56				
		8	3, 7	L	12, 15, 16				

SPRINTER (VA)

SERIES

L = LOWLINE

LINE

3 = HD DODGE 2WD
6 = Lt. Duty DODGE 4WD
2 = Med. Duty DODGE 2WD
7 = Med. Duty DODGE 4WD

BODY

55 = Wagon 140"
54 = Wagon 118"
52 = Wagon 140"
51 = Wagon 118"
12 = Van 140"
11 = Van 118"
06 = Front Section 158"
14 = Van 118"
15 = Van 140"
16 = Van 158"
56 = Wagon 158"
01 = Chassis Forward Control 118"
02 = Chassis Forward Control 140"

ENGINE

EX8 = Engine-2.7L I5
Mercedes Turbo Diesel

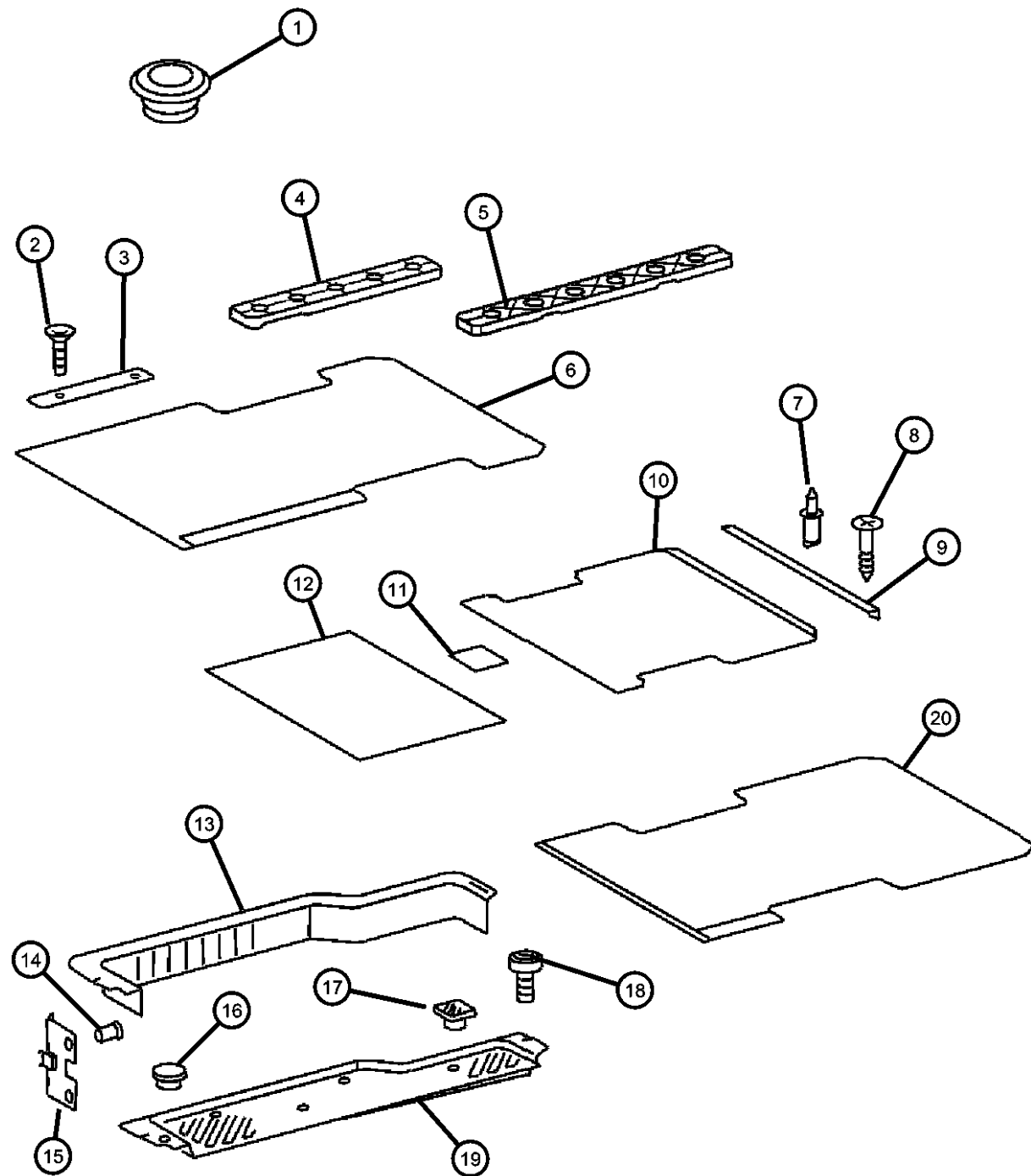
TRANSMISSION

DGJ = Transmission-5-Spd. Automatic, W5A580

AR = use ase required - = Non illustrated part

2004 VA

Floor - Wooden
Figure IVA-330



ITEM	PART NUMBER	QTY	LINE	SERIES	BODY	ENGINE	TRANS	TRIM	DESCRIPTION
1	05125991AA	AR	2, 6	L	11, 12, 14, 15, 16				PLUG
		AR	2, 6	L	51, 52, 54, 55, 56				
		1	3, 7	L	12, 15, 16				
2		1							SCREW, (NOT SERVICED)
3		1							PLATE, (NOT SERVICED)
4	05122642AA	1	2, 6	L	11, 12, 14, 15, 16				COVER, Seat Track Rear
		1	2, 6	L	51, 52, 54, 55, 56				Rear
		1	3, 7	L	12, 15, 16				Rear
5	05122650AA	2	2, 6	L	11, 12, 14, 15, 16				COVER, Seat Track Front
		1	2, 6	L	51, 52, 54, 55, 56				Front
		1	3, 7	L	12, 15, 16				Front
6	05122778AA	1	2, 6	L	52, 55, 56				FLOOR, Wooden With Front Seats, 140 & 158 Inch Wheelbase
		1	3, 7	L	12, 15, 16				With Front Seats, 140 & 158 Inch Wheelbase
	05131631AA	1	2, 6	L	11, 14				With 118 Inch WWheelbase, Cargo, No Seats
	05131663AA	1	2, 6	L	51, 54				With 118 Inch Wheelbase, Passenger Van With Seats
7	06104871AA	16	2, 6	L	12, 15				RIVET
		16	2, 6	L	52, 55				
		16	3, 7	L	12, 15				
8	05134062AA	9	3, 7	L	12, 15, 16				SCREW

SPRINTER (VA)

SERIES

L = LOWLINE

LINE

3 = HD DODGE 2WD
6 = Lt. Duty DODGE 4WD
2 = Med. Duty DODGE 2WD
7 = Med. Duty DODGE 4WD

BODY

55 = Wagon 140"
54 = Wagon 118"
52 = Wagon 140"
51 = Wagon 118"
12 = Van 140"
11 = Van 118"
06 = Front Section 158"
14 = Van 118"
15 = Van 140"
16 = Van 158"
56 = Wagon 158"
01 = Chassis Forward Control
118"
02 = Chassis Forward Control
140"

ENGINE

EX8 = Engine-2.7L I5
Mercedes Turbo Diesel

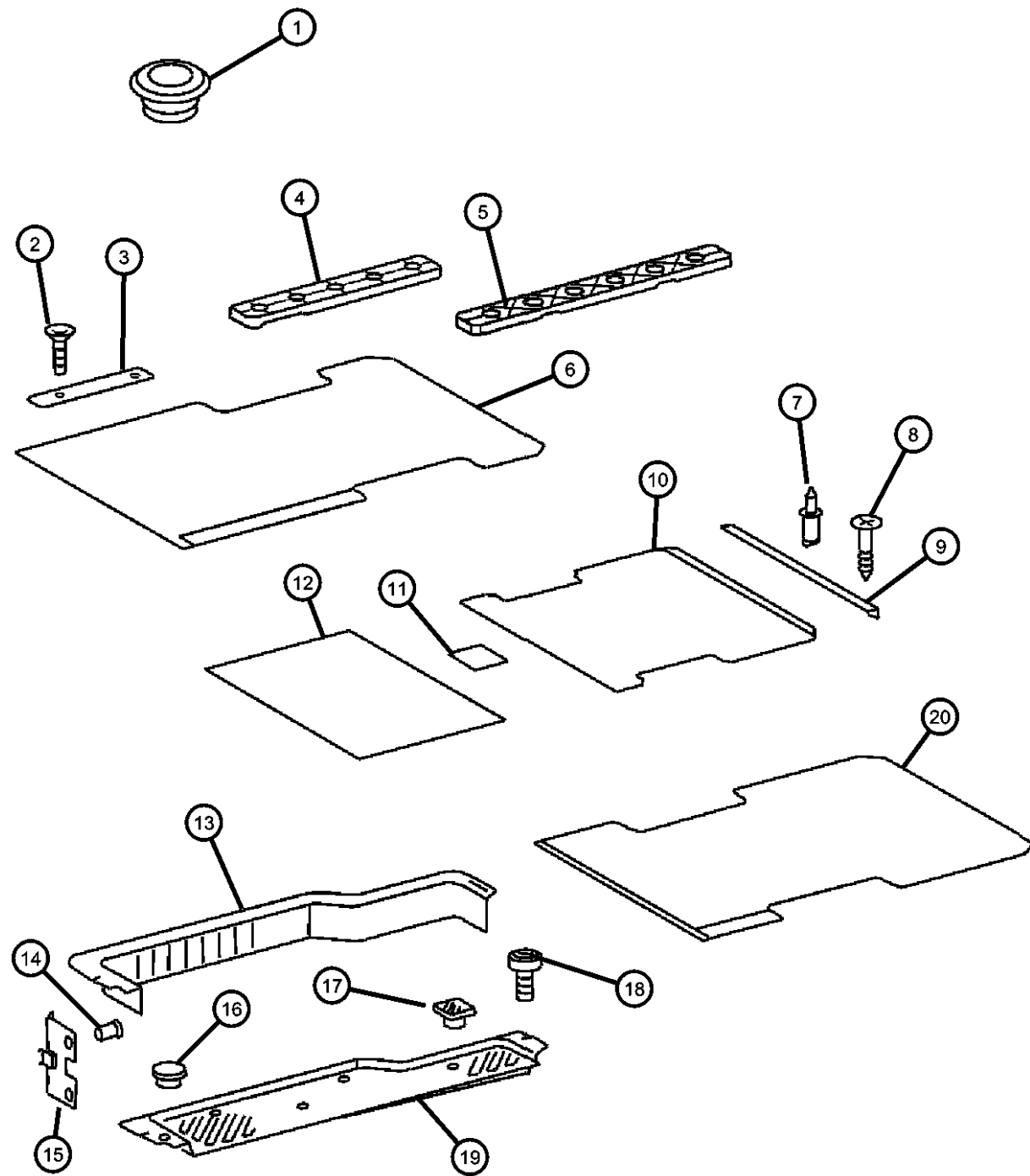
TRANSMISSION

DGJ = Transmission-5-Spd.
Automatic,W5A580

AR = use ase required - = Non illustrated part

2004 VA

Floor - Wooden
Figure IVA-330



ITEM	PART NUMBER	QTY	LINE	SERIES	BODY	ENGINE	TRANS	TRIM	DESCRIPTION
9	05122669AA	1	2, 6	L	11, 12, 14, 15, 16				MOLDING, Cargo Area Carpet
		1	2, 6	L	51, 52, 54, 55, 56				
		1	3, 7	L	12, 15, 16				
10	05122802AA	1	2, 6	L	12, 15				FLOOR, Wooden With Seats, 140 Inch Wheelbase, Rear
		1	2, 6	L	52, 55				With Seats, 140 Inch Wheelbase, Rear
	05122804AA	1	2, 6	L	16				With Seats, 158 Inch Wheelbase, Rear
		1	2, 6	L	56				With Seats, 158 Inch Wheelbase, Rear
	05127784AA	1	2, 6	L	16				Without Seats, 158 Inch Wheelbase, Rear
		1	3, 7	L	16				Without Seats, 158 Inch Wheelbase, Rear
	05127806AA	1	2, 6	L	12, 15				Without Seats - 140 Inch Wheelbase, Rear
		1	3, 7	L	12, 15				Without Seats - 140 Inch Wheelbase, Rear
11	05122671AA	5	2, 6	L	12, 15				MOLDING, Cargo Area Carpet
		5	2, 6	L	52, 55				
		5	3, 7	L	12, 15				
12	05122730AA	1	3, 7	L	12, 15, 16				FLOOR, Wooden Without Seats 8 mm Thick, 140 & 158 Inch Wheelbase, Without Sliding Door
		1	2, 6	L	12, 15, 16				Without Seats 8 mm Thick, 140 & 158 Inch Wheelbase
	05122732AA	1	3, 7	L	12, 15, 16				Without Seats 8 mm Thick, 140 & 158 Inch Wheelbase, With Sliding Door

SPRINTER (VA)

SERIES

L = LOWLINE

LINE

3 = HD DODGE 2WD
6 = Lt. Duty DODGE 4WD
2 = Med. Duty DODGE 2WD
7 = Med. Duty DODGE 4WD

BODY

55 = Wagon 140"
54 = Wagon 118"
52 = Wagon 140"
51 = Wagon 118"
12 = Van 140"
11 = Van 118"
06 = Front Section 158"
14 = Van 118"
15 = Van 140"
16 = Van 158"
56 = Wagon 158"
01 = Chassis Forward Control 118"
02 = Chassis Forward Control 140"

ENGINE

EX8 = Engine-2.7L I5
Mercedes Turbo Diesel

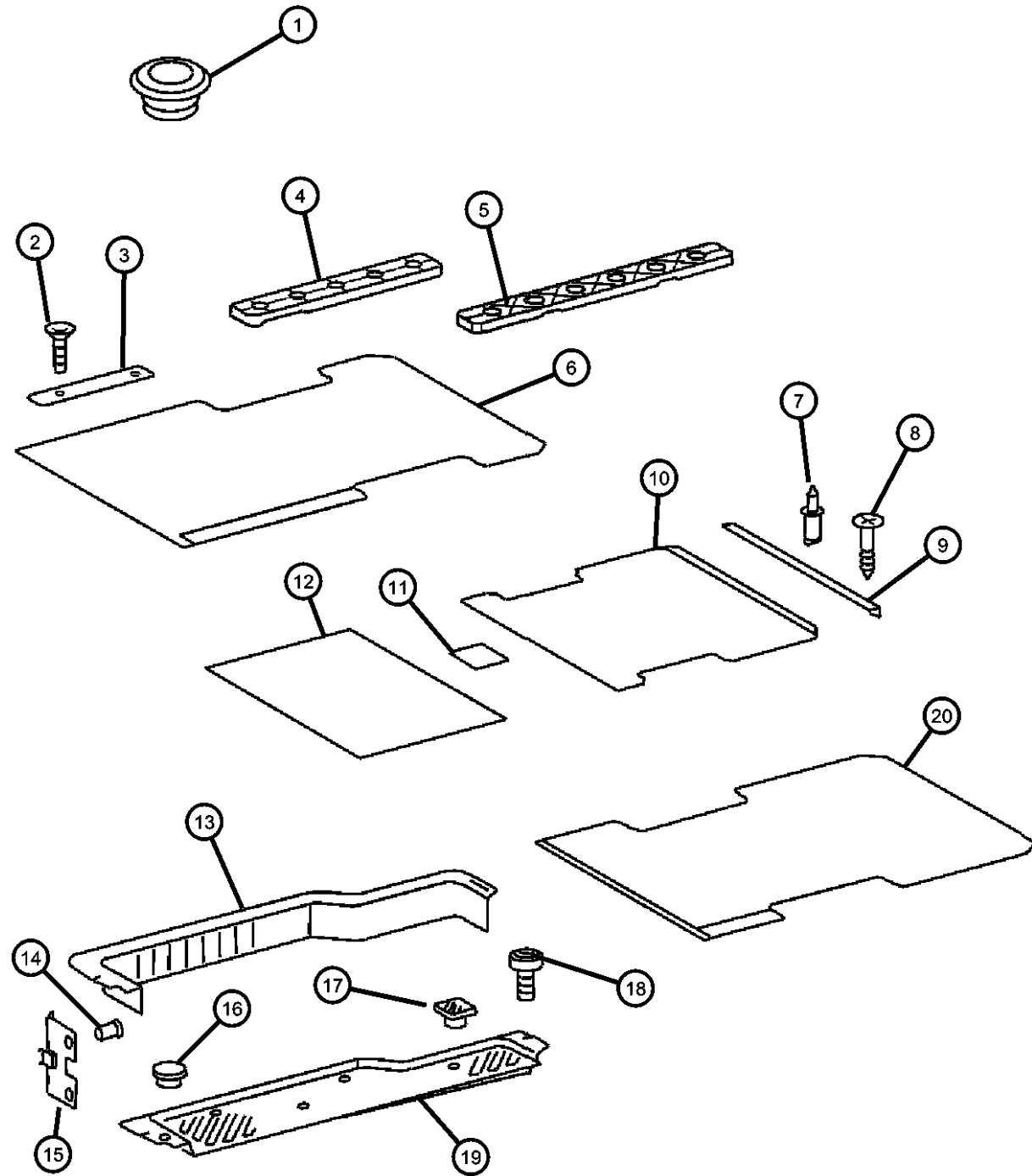
TRANSMISSION

DGJ = Transmission-5-Spd. Automatic, W5A580

AR = use ase required - = Non illustrated part

2004 VA

Floor - Wooden
Figure IVA-330



ITEM	PART NUMBER	QTY	LINE	SERIES	BODY	ENGINE	TRANS	TRIM	DESCRIPTION
		1	2, 6	L	12, 15, 16				Without Seats 8 mm Thick, 140 & 158 Inch Wheelbase, With Sliding Door
	05122778AA	1	2, 6	L	52, 55, 56				With Seats, 140 & 158 Inch Wheelbase
	05131631AA	1	2, 6	L	11, 14				No Seat - Cargo - 118 Inch Wheelbase
		1	3, 7	L	12, 15, 16				With Seats, 140 & 158 Inch Wheelbase
13	05122827AA	1	2, 6	L	11, 12, 14, 15, 16				PANEL, Sliding Door Trim
		1	2, 6	L	51, 52, 54, 55, 56				
		1	3, 7	L	12, 15, 16				
14	05134061AA	16	2, 6	L	11, 12, 14, 15, 16				RIVET
		8	2, 6	L	51, 52, 54, 55, 56				
		8	3, 7	L	12, 15, 16				
15	05125584AA	4	2, 6	L	11, 12, 14, 15, 16				CLIP, Floor Trim
		4	2, 6	L	51, 52, 54, 55, 56				
		4	3, 7	L	12, 15, 16				
16	05122808AA	1	2, 6	L	11, 12, 14, 15, 16				PLUG
		1	2, 6	L	51, 52, 54, 55, 56				
		1	3, 7	L	12, 15, 16				
17									PLUG

SPRINTER (VA)

SERIES

L = LOWLINE

LINE

3 = HD DODGE 2WD
6 = Lt. Duty DODGE 4WD
2 = Med. Duty DODGE 2WD
7 = Med. Duty DODGE 4WD

BODY

55 = Wagon 140"
54 = Wagon 118"
52 = Wagon 140"
51 = Wagon 118"
12 = Van 140"
11 = Van 118"
06 = Front Section 158"
14 = Van 118"
15 = Van 140"
16 = Van 158"
56 = Wagon 158"
01 = Chassis Forward Control 118"
02 = Chassis Forward Control 140"

ENGINE

EX8 = Engine-2.7L I5
Mercedes Turbo Diesel

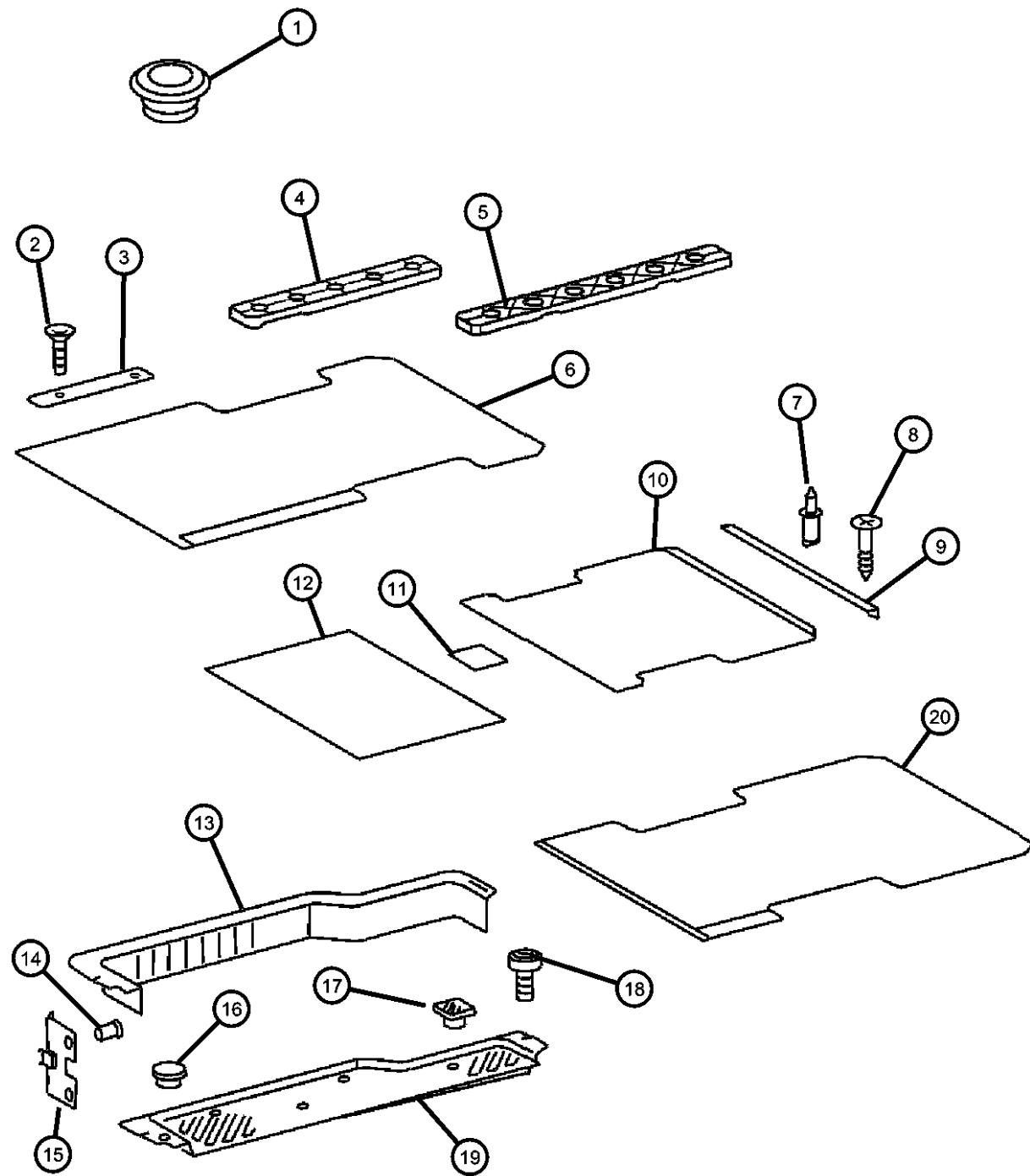
TRANSMISSION

DGJ = Transmission-5-Spd. Automatic, W5A580

AR = use ase required - = Non illustrated part

2004 VA

Floor - Wooden
Figure IVA-330



ITEM	PART NUMBER	QTY	LINE	SERIES	BODY	ENGINE	TRANS	TRIM	DESCRIPTION
	05122811AA	4	2, 6	L	11, 12, 14, 15, 16				
		4	2, 6	L	51, 52, 54, 55, 56				
		4	3, 7	L	12, 15, 16				
18									SCREW
	06104142AA	2	2, 6	L	11, 12, 14, 15, 16				
		2	3, 7	L	12, 15, 16				
		2	2, 6	L	51, 52, 54, 55, 56				
19									PAD, Side Cargo Door Sill
	05122815AA	1	2, 6	L	11, 12, 14, 15, 16				Entrance Sliding Door, Left
		1	2, 6	L	51, 52, 54, 55, 56				Entrance Sliding Door, Left
		1	3, 7	L	12, 15, 16				Entrance Sliding Door, Left
	05122816AA	1	2, 6	L	11, 12, 14, 15, 16				Entrance Sliding Door, Right
		1	2, 6	L	51, 52, 54, 55, 56				Entrance Sliding Door, Right
		1	3, 7	L	12, 15, 16				Entrance Sliding Door, Right
20									FLOOR, Wooden
	05122804AA	1	2, 6	L	16				With Seats - 158 Inch Wheelbase
		1	2, 6	L	56				With Seats - 158 Inch Wheelbase
	05127784AA	1	2, 6	L	16				Without Seats - 158 Inch Wheelbase
		1	3, 7	L	16				Without Seats - 158 Inch Wheelbase
-21									MOLDING, Cargo Area Carpet
	05121438AA	1	2, 6	L	11, 12, 14, 15, 16				Threshold For Partition Door
		1	3, 7	L	12, 15, 16				Threshold For Partition Door
-22									MOLDING, Cargo Area Carpet

SPRINTER (VA)

SERIES

L = LOWLINE

LINE

3 = HD DODGE 2WD
6 = Lt. Duty DODGE 4WD
2 = Med. Duty DODGE 2WD
7 = Med. Duty DODGE 4WD

BODY

55 = Wagon 140"
54 = Wagon 118"
52 = Wagon 140"
51 = Wagon 118"
12 = Van 140"
11 = Van 118"
06 = Front Section 158"
14 = Van 118"
15 = Van 140"
16 = Van 158"
56 = Wagon 158"
01 = Chassis Forward Control 118"
02 = Chassis Forward Control 140"

ENGINE

EX8 = Engine-2.7L I5
Mercedes Turbo Diesel

TRANSMISSION

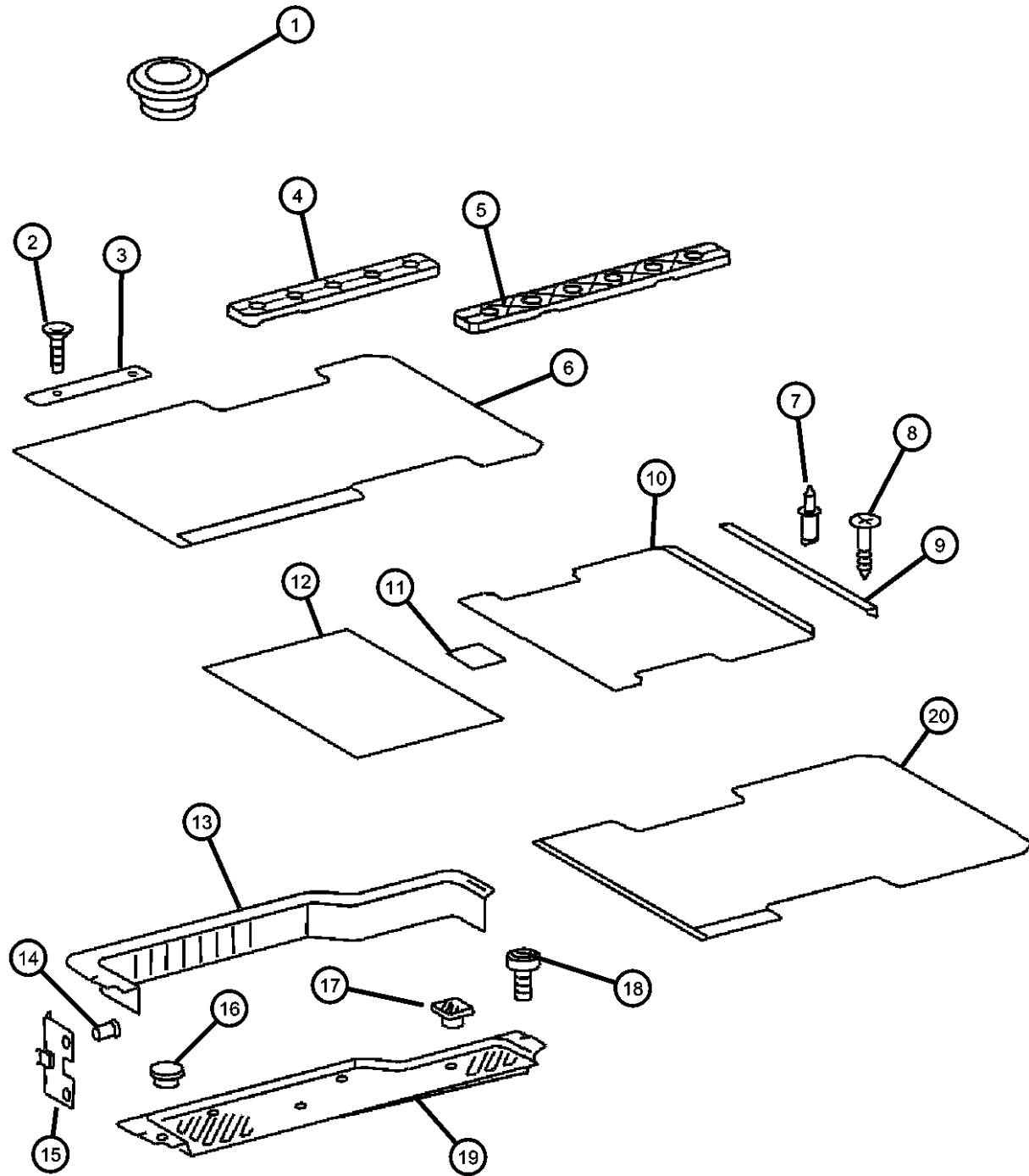
DGJ = Transmission-5-Spd. Automatic, W5A580

AR = use ase required - = Non illustrated part

2004 VA

Floor - Wooden
Figure IVA-330

ITEM	PART NUMBER	QTY	LINE	SERIES	BODY	ENGINE	TRANS	TRIM	DESCRIPTION
	05122670AA	1	2, 6	L	11, 12, 14, 15, 16				With Sliding Doors, Right & Left
		2	2, 6	L	51, 52, 54, 55, 56				With Sliding Doors, Right & Left
		1	3, 7	L	12, 15, 16				With Sliding Doors, Right & Left
	05131522AA	1	2, 6	L	11, 12, 14, 15, 16				For (UPS)



SPRINTER (VA)

SERIES

L = LOWLINE

LINE

3 = HD DODGE 2WD
6 = Lt. Duty DODGE 4WD
2 = Med. Duty DODGE 2WD
7 = Med. Duty DODGE 4WD

BODY

55 = Wagon 140"
54 = Wagon 118"
52 = Wagon 140"
51 = Wagon 118"
12 = Van 140"
11 = Van 118"
06 = Front Section 158"
14 = Van 118"
15 = Van 140"
16 = Van 158"
56 = Wagon 158"
01 = Chassis Forward Control
118"
02 = Chassis Forward Control
140"

ENGINE

EX8 = Engine-2.7L I5
Mercedes Turbo Diesel

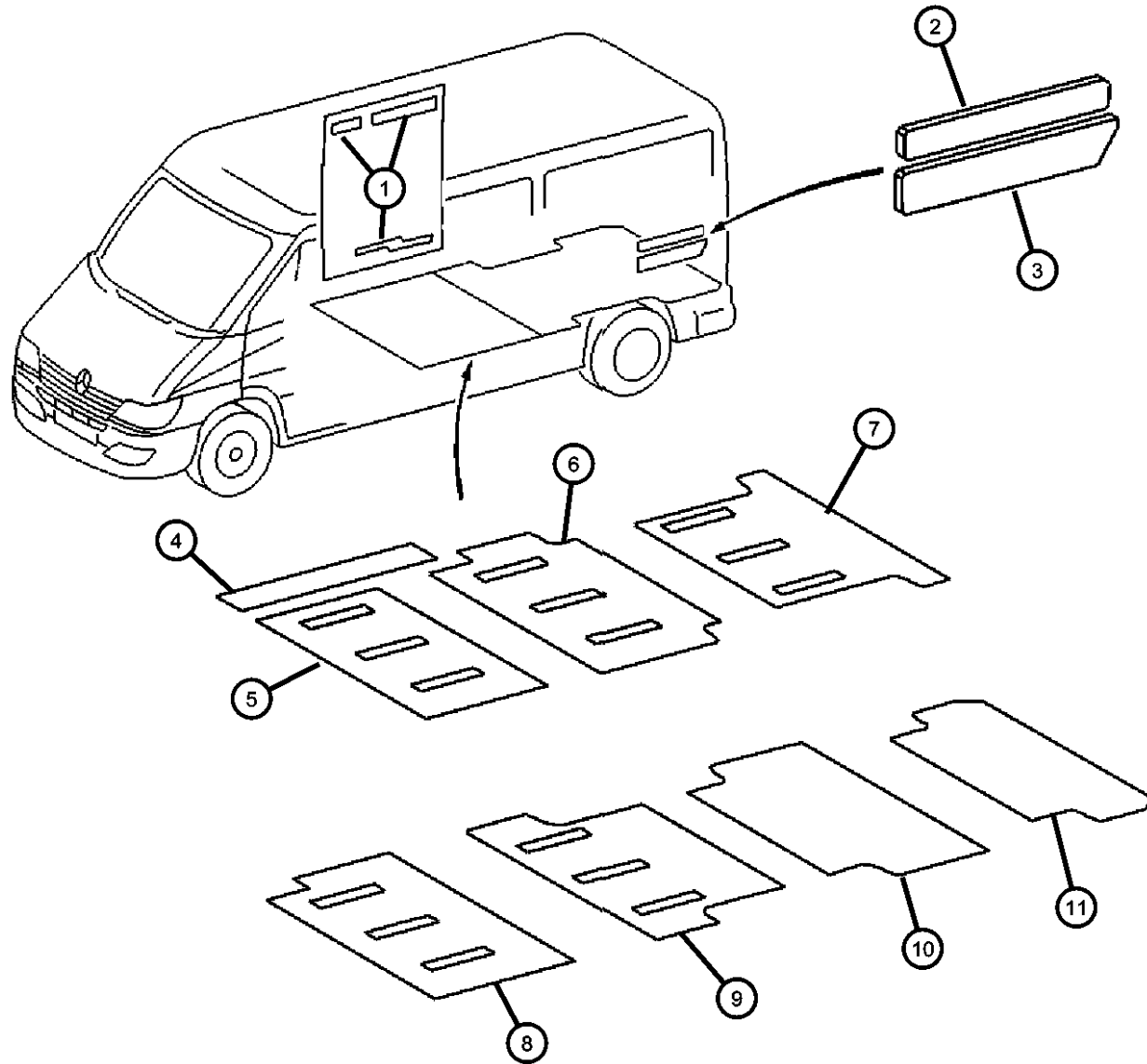
TRANSMISSION

DGJ = Transmission-5-Spd.
Automatic,W5A580

AR = use ase required - = Non illustrated part

2004 VA

Insulation - Carpet
Figure IVA-340



ITEM	PART NUMBER	QTY	LINE	SERIES	BODY	ENGINE	TRANS	TRIM	DESCRIPTION
1	05131522AA	1							INSULATION, NONE, SPRINTER, (NOT SERVICED), INSULATION, Side Panel
2	05131360AA	2	3, 7	L	12, 15, 16				
		2	2, 6	L	11, 12, 14, 15, 16				
		2	2, 6	L	51, 52, 54, 55, 56				
3	05122497AA	1	2, 6	L	11, 12, 14, 15, 16				INSULATION, Side Panel [910x265x20mm]
	05122504AA	1	2, 6	L	56				[910x265x20mm], Left
		1	2, 6	L	51, 54				[910x265x20mm], Left
		1	2, 6	L	51, 52, 54, 55, 56				[910x265x20mm]
		2	3, 7	L	12, 15, 16				[910x265x20mm]
		1	2, 6	L	16				[910x265x20mm], Left
		1	2, 6	L	11, 14				[910x265x20mm], Left
		1	2, 6	L	12, 15				[910x265x20mm], Left
		1	2, 6	L	52, 55				[910x265x20mm], Left
		1	3, 7	L	12, 15, 16				[910x265x20mm], Left
	05122507AA	99	2, 6	L	12, 15, 16				[910x265x20mm], Right
		1	2, 6	L	16				[910x265x20mm], Right
		1	2, 6	L	11, 14				[910x265x20mm], Right
		99	2, 6	L	52, 55, 56				[910x265x20mm], Right
		1	2, 6	L	51, 54				[910x265x20mm], Right
		1	3, 7	L	12, 15, 16				[910x265x20mm], Right
4	05133560AA	1	2, 6	L	11, 12, 14, 15, 16				INSULATION, Floor
		1	2, 6	L	51, 52, 54, 55, 56				

SPRINTER (VA)

SERIES

L = LOWLINE

LINE

3 = HD DODGE 2WD
6 = Lt. Duty DODGE 4WD
2 = Med. Duty DODGE 2WD
7 = Med. Duty DODGE 4WD

BODY

55 = Wagon 140"
54 = Wagon 118"
52 = Wagon 140"
51 = Wagon 118"
12 = Van 140"
11 = Van 118"
06 = Front Section 158"
14 = Van 118"
15 = Van 140"
16 = Van 158"
56 = Wagon 158"
01 = Chassis Forward Control 118"
02 = Chassis Forward Control 140"

ENGINE

EX8 = Engine-2.7L I5
Mercedes Turbo Diesel

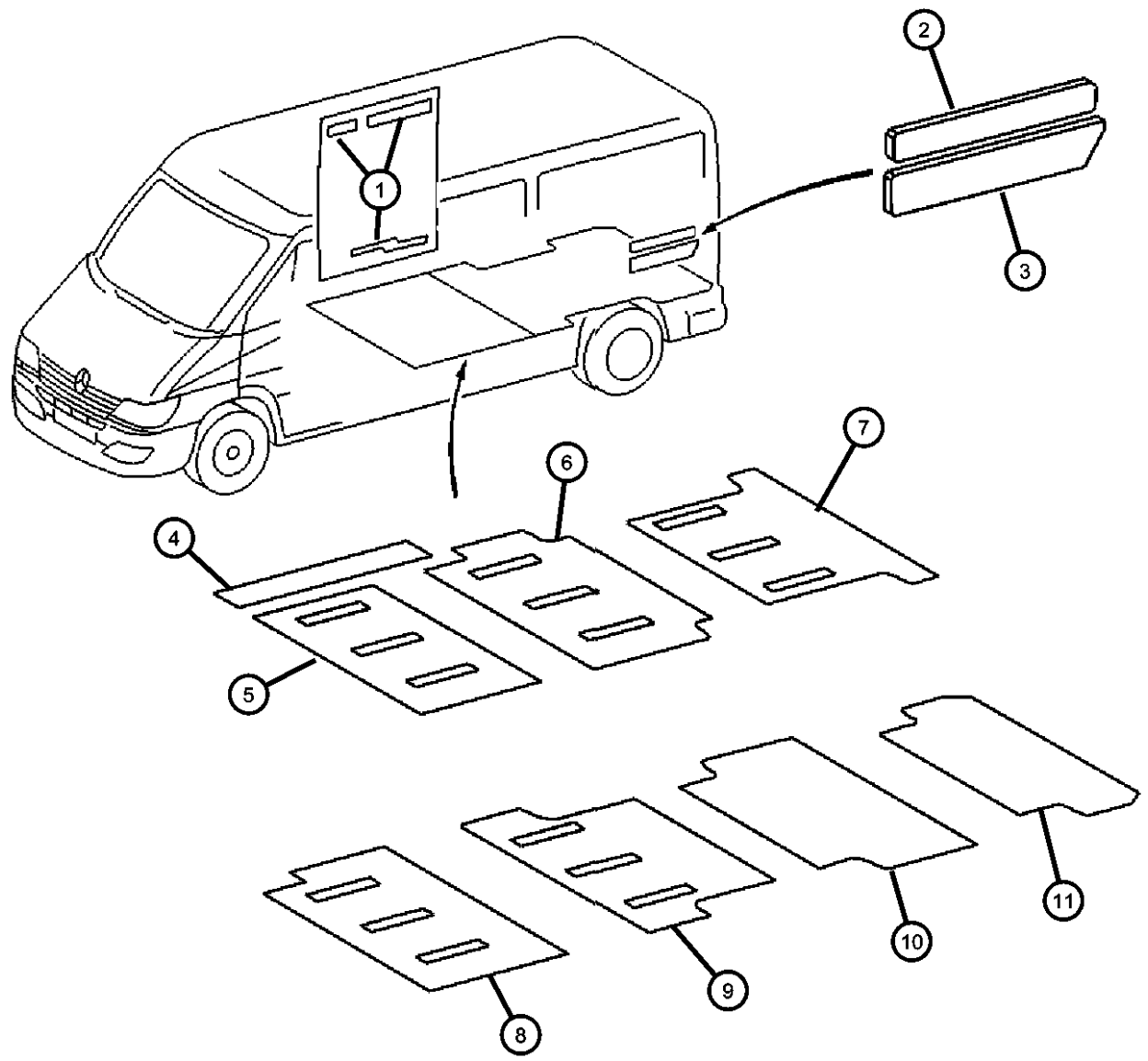
TRANSMISSION

DGJ = Transmission-5-Spd. Automatic, W5A580

AR = use ase required - = Non illustrated part

2004 VA

Insulation - Carpet
Figure IVA-340



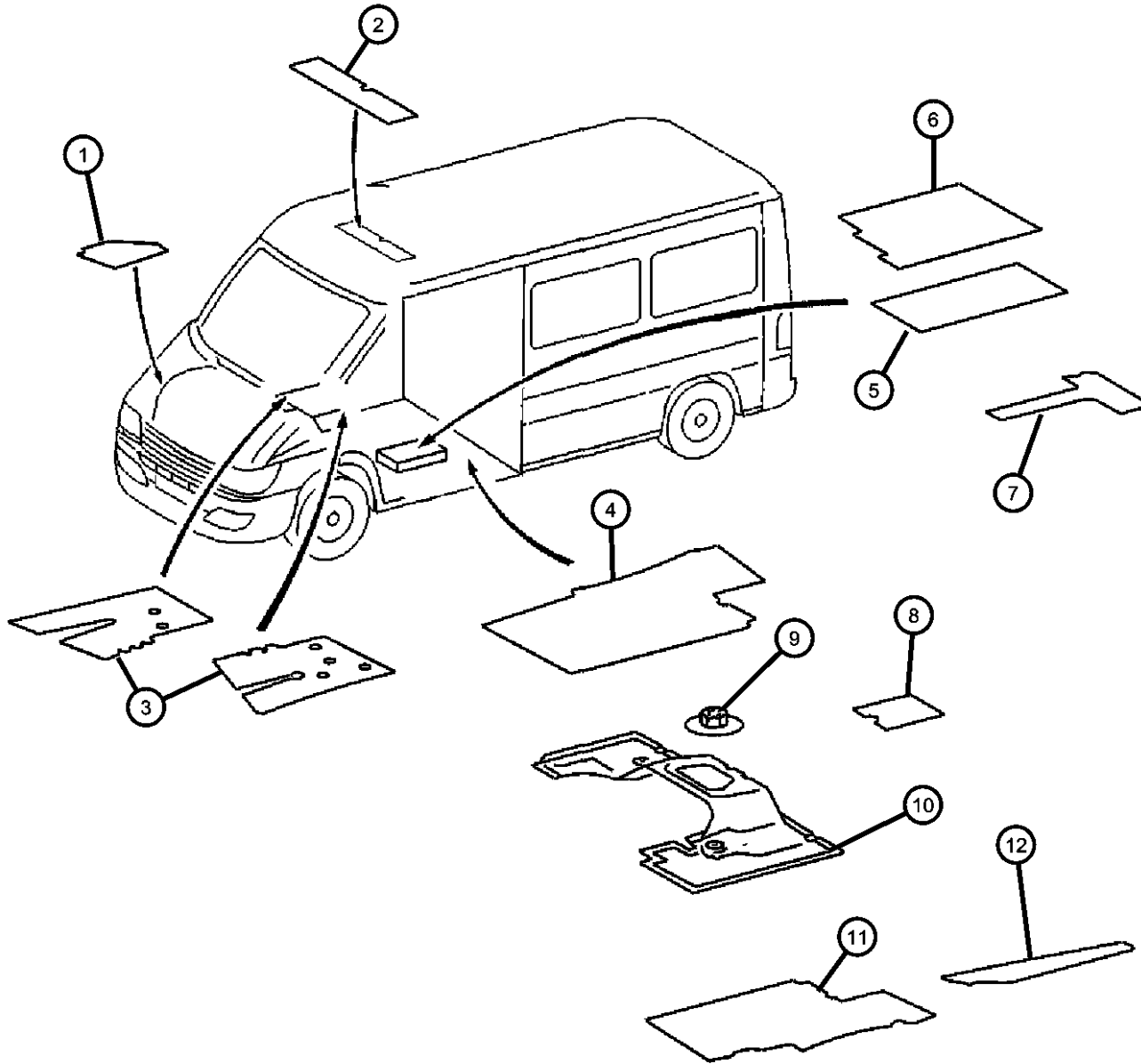
ITEM	PART NUMBER	QTY	LINE	SERIES	BODY	ENGINE	TRANS	TRIM	DESCRIPTION
5		1	3, 7	L	12, 15, 16				INSULATION, Floor
	05122432AA	1	2, 6	L	11, 12, 14, 15, 16				
		1	2, 6	L	51, 52, 54, 55, 56				
6		1	3, 7	L	15, 16, 12				INSULATION, Floor
	05122435AA	1	2, 6	L	52, 55				
		1	3, 7	L	12, 15				
		1	2, 6	L	12, 15				
7		1	2, 6	L	12, 15				INSULATION, Floor
	05122454AA	1	2, 6	L	12, 15				
		1	2, 6	L	52, 55				
		1	3, 7	L	15, 12				
8		1	2, 6	L	16				INSULATION, Floor
	05122436AA	1	2, 6	L	16				
		1	2, 6	L	56				
9		1	2, 6	L	16				INSULATION, Floor
	05122455AA	1	2, 6	L	16				
		1	2, 6	L	56				
		1	3, 7	L	16				
10		1	2, 6	L	16				INSULATION, Floor
	05122456AA	1	2, 6	L	16				
		1	2, 6	L	56				
		1	3, 7	L	12, 15, 16				
11		1	2, 6	L	11, 14				INSULATION, Floor
	05122453AA	1	2, 6	L	11, 14				
		1	2, 6	L	51, 54				

SPRINTER (VA)

SERIES	LINE	BODY	ENGINE	TRANSMISSION
L = LOWLINE	3 = HD DODGE 2WD 6 = Lt. Duty DODGE 4WD 2 = Med. Duty DODGE 2WD 7 = Med. Duty DODGE 4WD	55 = Wagon 140" 54 = Wagon 118" 52 = Wagon 140" 51 = Wagon 118" 12 = Van 140" 11 = Van 118" 06 = Front Section 158" 14 = Van 118" 15 = Van 140" 16 = Van 158" 56 = Wagon 158"	EX8 = Engine-2.7L I5 Mercedes Turbo Diesel	DGJ = Transmission-5-Spd. Automatic, W5A580
		01 = Chassis Forward Control 118" 02 = Chassis Forward Control 140"		

AR = use ase required - = Non illustrated part

Insulation Floor
Figure IVA-350



ITEM	PART NUMBER	QTY	LINE	SERIES	BODY	ENGINE	TRANS	TRIM	DESCRIPTION
1									SILENCER, Wheelhouse
	05122468AA	1	2, 6	L	11, 12, 14, 15, 16				Inside, Left
		1	2, 6	L	51, 52, 54, 55, 56				Inside, Left
		1	3, 7	L	12, 15, 16				Inside, Left
	05122469AA	1	3, 7	L	12, 15, 16				Inside, Right
		1	2, 6	L	11, 12, 14, 15, 16				Inside, Right
		1	2, 6	L	51, 52, 54, 55, 56				Inside, Right
2									INSULATION, Roof Headliner
	05122541AA	1	2, 6	L	11, 12, 14, 15, 16				
		1	2, 6	L	51, 52, 54, 55, 56				
		1	3, 7	L	12, 15, 16				
3		1							INSULATION, NONE, SPRINTER, Engine Room, (NOT SERVICED)
4									INSULATION, Floor
	05122482AA	1	2, 6	L	11, 12, 14, 15, 16				
		1	2, 6	L	51, 52, 54, 55, 56				
		1	3, 7	L	12, 15, 16				
5		1							INSULATION, NONE, SPRINTER, (NOT SERVICED)
6									INSULATION, Floor
	05122535AA	1	2, 6	L	51, 52, 54, 55, 56				
		1	3, 7	L	12, 15, 16				
		1	2, 6	L	11, 12, 14, 15, 16				
7									INSULATION, Floor
	05122471AA	1	2, 6	L	11, 12, 14, 15, 16				

SPRINTER (VA)

SERIES

L = LOWLINE

LINE

3 = HD DODGE 2WD
6 = Lt. Duty DODGE 4WD
2 = Med. Duty DODGE 2WD
7 = Med. Duty DODGE 4WD

BODY

55 = Wagon 140"
54 = Wagon 118"
52 = Wagon 140"
51 = Wagon 118"
12 = Van 140"
11 = Van 118"
06 = Front Section 158"
14 = Van 118"
15 = Van 140"
16 = Van 158"
56 = Wagon 158"
01 = Chassis Forward Control 118"
02 = Chassis Forward Control 140"

ENGINE

EX8 = Engine-2.7L I5
Mercedes Turbo Diesel

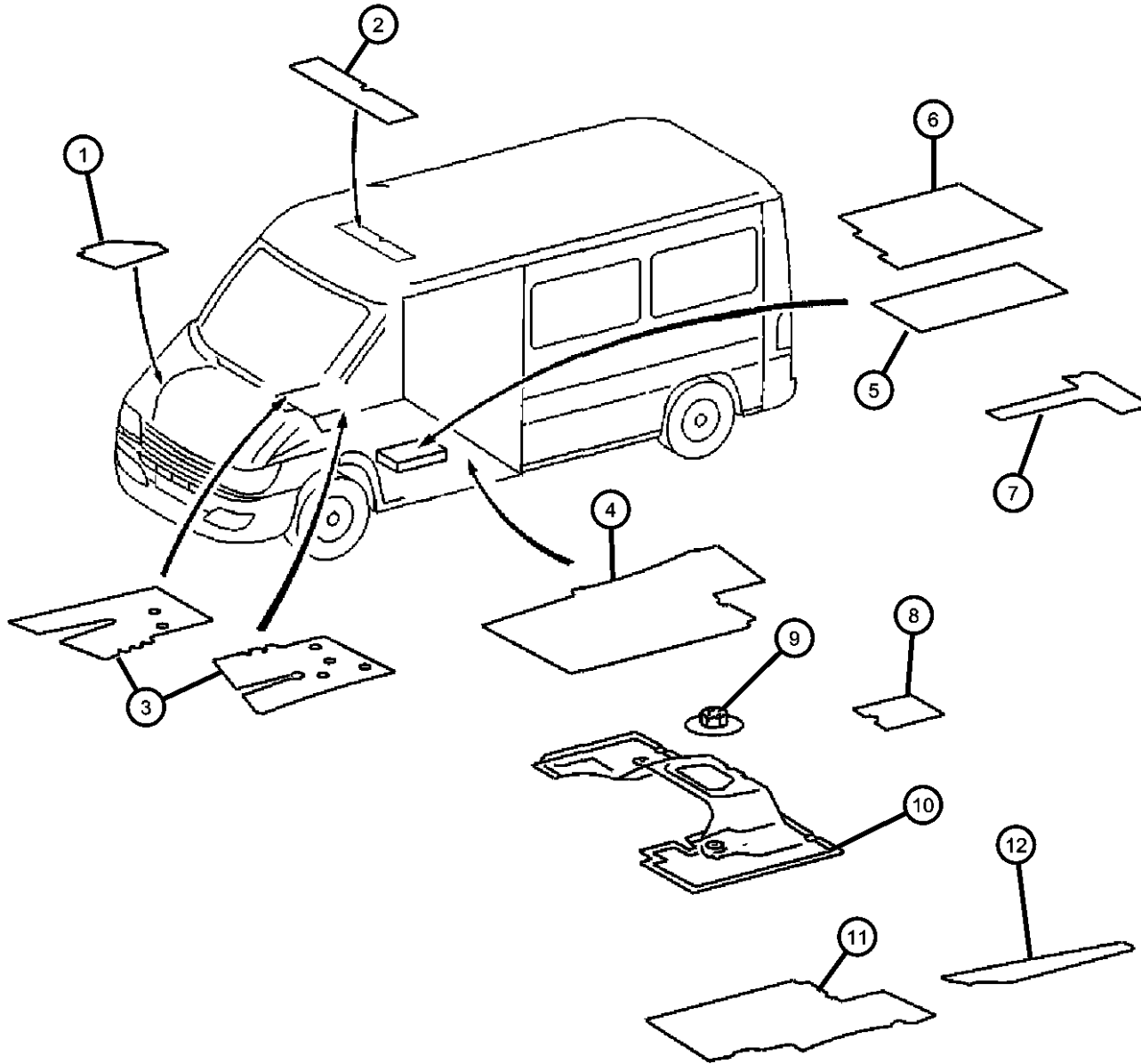
TRANSMISSION

DGJ = Transmission-5-Spd. Automatic, W5A580

AR = use ase required - = Non illustrated part

2004 VA

Insulation Floor
Figure IVA-350



ITEM	PART NUMBER	QTY	LINE	SERIES	BODY	ENGINE	TRANS	TRIM	DESCRIPTION
		1	2, 6	L	51, 52, 54, 55, 56				
8		1	3, 7	L	12, 15, 16				INSULATION, Floor
	05122473AA	2	2, 6	L	56, 51, 52, 54, 55				
		2	3, 7	L	12, 15, 16				
		2	2, 6	L	11, 12, 14, 15, 16				
9		1	2, 6	L	11, 12, 14, 15, 16				FASTENER, Buttonhead
	05125593AA	1	2, 6	L	11, 12, 14, 15, 16				
		1	2, 6	L	51, 52, 54, 55, 56				
		1	3, 7	L	12, 15, 16				
10		1	2, 6	L	11, 12, 14, 15, 16				INSULATION, Floor
	05122476AA	1	2, 6	L	11, 12, 14, 15, 16				
		1	2, 6	L	51, 52, 54, 55, 56				
		1	3, 7	L	12, 15, 16				
11		1	2, 6	L	11, 12, 14, 15, 16				INSULATION, Floor
	05122478AA	1	2, 6	L	11, 12, 14, 15, 16				
		1	2, 6	L	51, 52, 54, 55, 56				
		1	3, 7	L	12, 15, 16				
12		1	2, 6	L	11, 12, 14, 15, 16				INSULATION, Floor
	05122466AA	1	2, 6	L	11, 12, 14, 15, 16				
		1	6, 2	L	51, 52, 54, 55, 56				
		1	3, 7	L	12, 15, 16				
-13									INSULATION, Floor

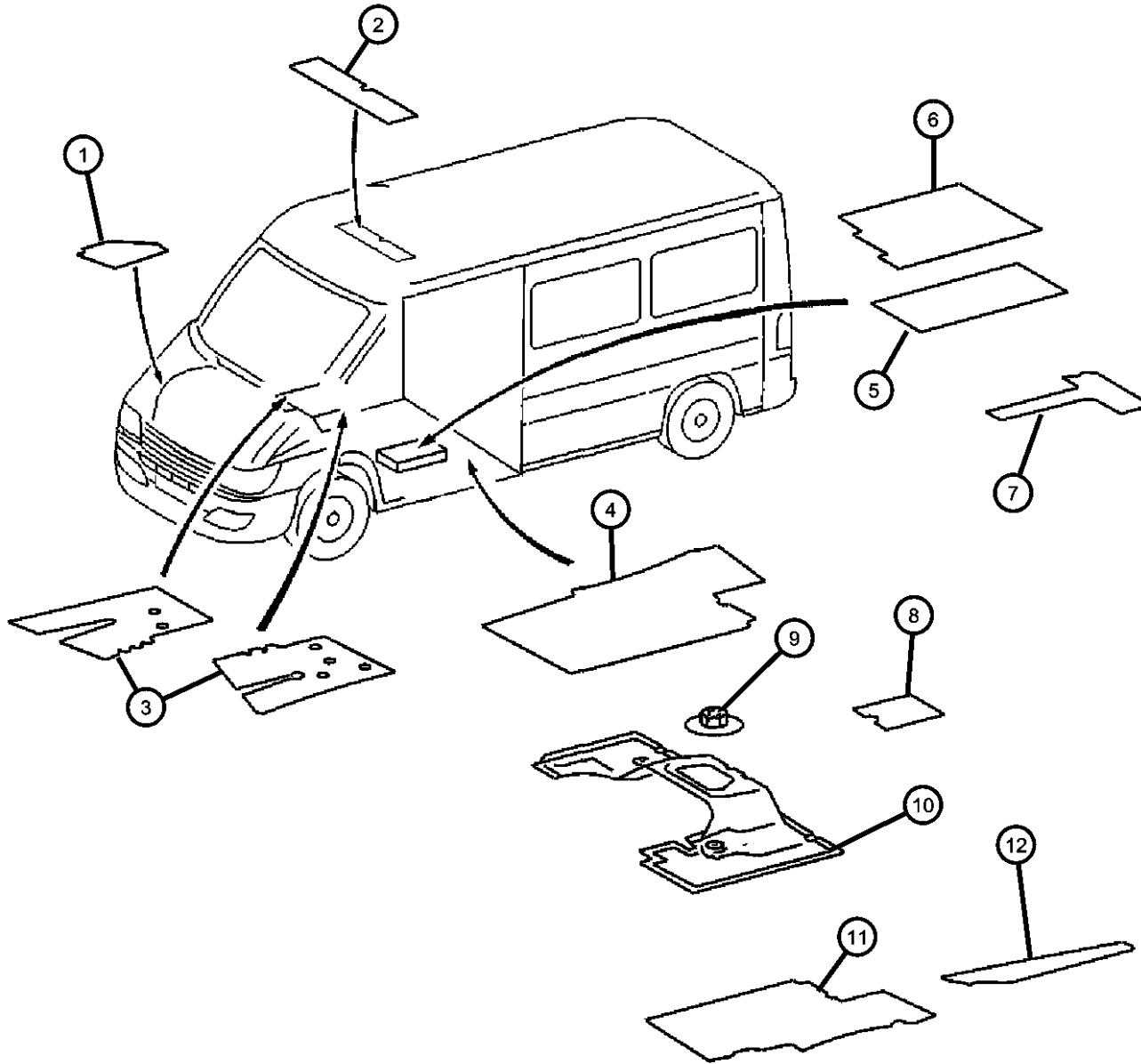
SPRINTER (VA)

SERIES	LINE	BODY	ENGINE	TRANSMISSION
L = LOWLINE	3 = HD DODGE 2WD 6 = Lt. Duty DODGE 4WD 2 = Med. Duty DODGE 2WD 7 = Med. Duty DODGE 4WD	55 = Wagon 140" 54 = Wagon 118" 52 = Wagon 140" 51 = Wagon 118" 12 = Van 140" 11 = Van 118" 06 = Front Section 158" 14 = Van 118" 15 = Van 140" 16 = Van 158" 56 = Wagon 158"	EX8 = Engine-2.7L I5 Mercedes Turbo Diesel	DGJ = Transmission-5-Spd. Automatic, W5A580
		01 = Chassis Forward Control 118" 02 = Chassis Forward Control 140"		

AR = use ase required - = Non illustrated part

Insulation Floor
Figure IVA-350

ITEM	PART NUMBER	QTY	LINE	SERIES	BODY	ENGINE	TRANS	TRIM	DESCRIPTION
	05122467AA	1	2, 6	L	11, 12, 14, 15, 16				Entrance, Inside, Right
		1	2, 6	L	51, 52, 54, 55, 56				Entrance, Inside, Right
		1	3, 7	L	12, 15, 16				Entrance, Inside, Right
-14									INSULATION, Floor
	05122470AA	1	2, 6	L	11, 12, 14, 15, 16				Seat Box, Right
		1	2, 6	L	51, 52, 54, 55, 56				Seat Box, Right
		1	3, 7	L	12, 15, 16				Seat Box, Right

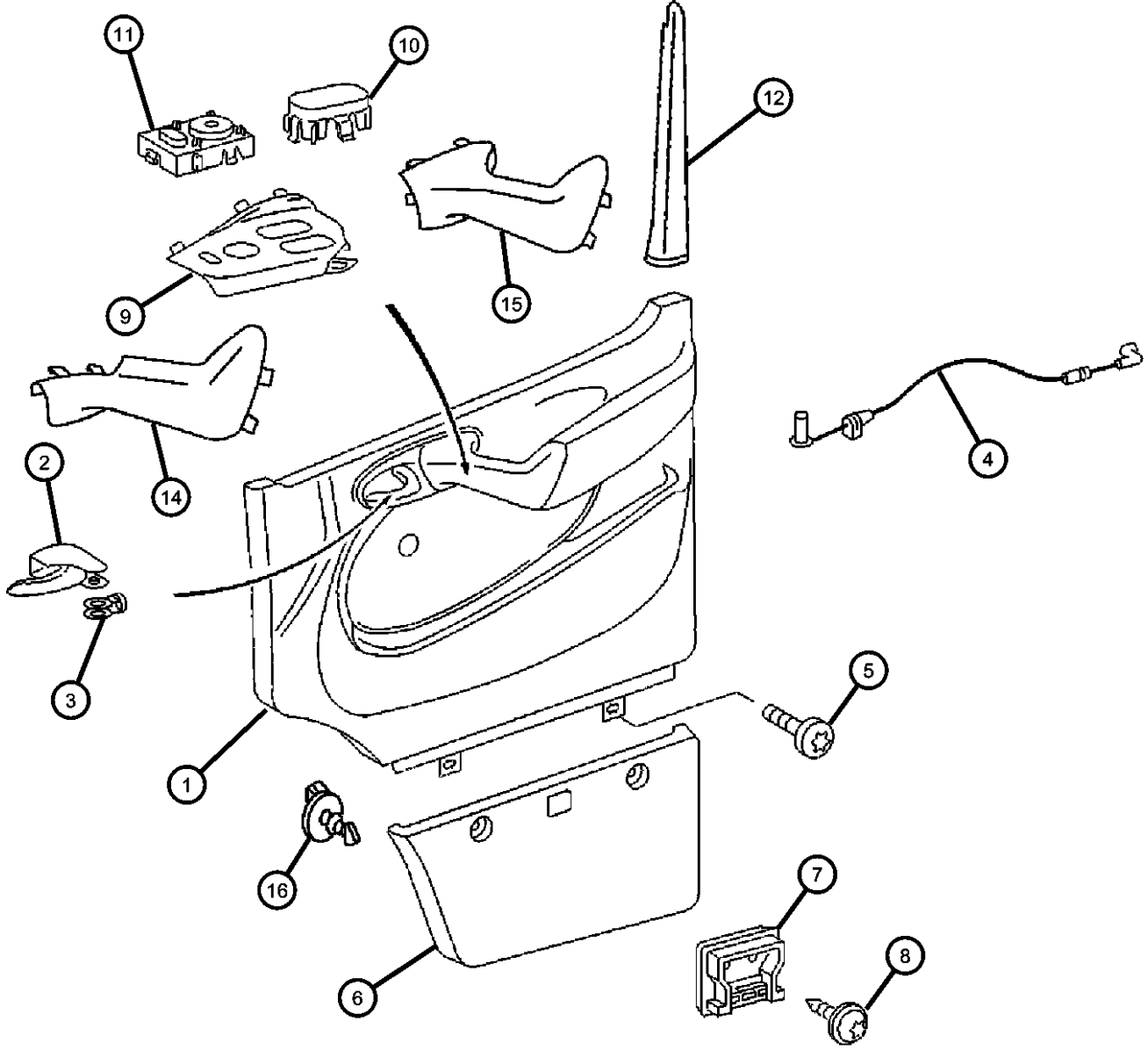


SPRINTER (VA)

SERIES	LINE	BODY	ENGINE	TRANSMISSION
L = LOWLINE	3 = HD DODGE 2WD 6 = Lt. Duty DODGE 4WD 2 = Med. Duty DODGE 2WD 7 = Med. Duty DODGE 4WD	55 = Wagon 140" 54 = Wagon 118" 52 = Wagon 140" 51 = Wagon 118" 12 = Van 140" 11 = Van 118" 06 = Front Section 158" 14 = Van 118" 15 = Van 140" 16 = Van 158" 56 = Wagon 158"	EX8 = Engine-2.7L I5 Mercedes Turbo Diesel	DGJ = Transmission-5-Spd. Automatic,W5A580
		01 = Chassis Forward Control 118" 02 = Chassis Forward Control 140"		

AR = use ase required - = Non illustrated part

Front Door Trim
Figure IVA-410



ITEM	PART NUMBER	QTY	LINE	SERIES	BODY	ENGINE	TRANS	TRIM	DESCRIPTION
1									PANEL, Front Door Trim
	05104344AA	1	3, 7	L	12, 15, 16				Without [JPA] Electric Windows, Right
	05123742AA	1	2, 6	L	01, 02, 06				With [JPA] Electric Windows, Left
	05104340AA	1	2, 6	L	01, 02, 06				Without [JPA] Electric Windows, Left
		1	2, 6	L	11, 12, 14, 15, 16				Without [JPA] Electric Windows, Left
		1	2, 6	L	55, 56, 51, 52, 54				Without [JPA] Electric Windows, Left
		1	3, 7	L	02, 06				Without [JPA] Electric Windows, Left
		1	3, 7	L	12, 15, 16				Without [JPA] Electric Windows, Left
		1	2, 6	L	01, 02, 06				Without [JPA] Electric Windows, Right
		1	2, 6	L	11, 12, 14, 15, 16				Without [JPA] Electric Windows, Right
		1	2, 6	L	51, 52, 54, 55, 56				Without [JPA] Electric Windows, Right
		1	3, 7	L	02, 06				Without [JPA] Electric Windows, Right
		1	2, 6	L	11, 12, 14, 15, 16				With [JPA] Electric Windows, Left
		1	2, 6	L	51, 52, 54, 55, 56				With [JPA] Electric Windows, Left
	05123747AA	1	3, 7	L	12, 15, 16				With [JPA] Electric Windows, Left
		1	2, 6	L	01, 02, 06				With [JPA] Electric Windows, Right
		1	2, 6	L	12, 14, 15, 16, 11				With [JPA] Electric Windows, Right
		1	2, 6	L	51, 52, 54, 55, 56				With [JPA] Electric Windows, Right
		1	3, 7	L	12, 15, 16				With [JPA] Electric Windows, Right
2									HANDLE, Door Interior
	05133515AA	1	2, 6	L	01, 02, 06				Right

SPRINTER (VA)

SERIES

L = LOWLINE

LINE

3 = HD DODGE 2WD
6 = Lt. Duty DODGE 4WD
2 = Med. Duty DODGE 2WD
7 = Med. Duty DODGE 4WD

BODY

55 = Wagon 140"
54 = Wagon 118"
52 = Wagon 140"
51 = Wagon 118"
12 = Van 140"
11 = Van 118"
06 = Front Section 158"
14 = Van 118"
15 = Van 140"
16 = Van 158"
56 = Wagon 158"
01 = Chassis Forward Control 118"
02 = Chassis Forward Control 140"

ENGINE

EX8 = Engine-2.7L I5
Mercedes Turbo Diesel

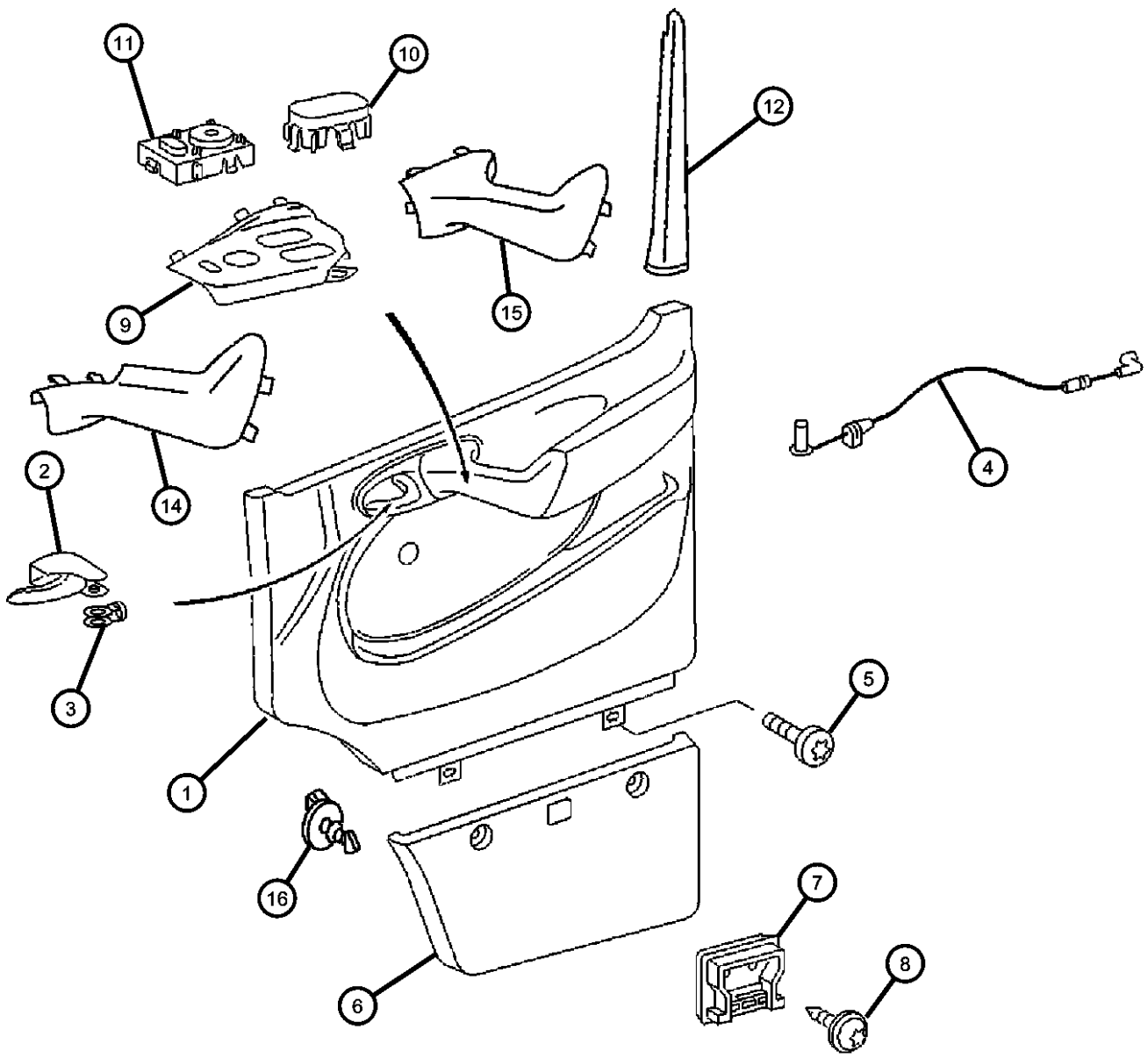
TRANSMISSION

DGJ = Transmission-5-Spd. Automatic, W5A580

AR = use ase required - = Non illustrated part

2004 VA

Front Door Trim Figure IVA-410



ITEM	PART NUMBER	QTY	LINE	SERIES	BODY	ENGINE	TRANS	TRIM	DESCRIPTION
		1	2, 6	L	11, 12, 14, 15, 16				Right
		1	2, 6	L	51, 52, 54, 55, 56				Right
		1	3, 7	L	12, 15, 16				Right
	05133988AA	1	2, 6	L	01, 02, 06				Left
		1	2, 6	L	11, 12, 14, 15, 16				Left
		1	2, 6	L	51, 52, 54, 55, 56				Left
		1	3, 7	L	12, 15, 16				Left
3									CLIP, Door Trim
	05133516AA	1	2, 6	L	01, 02, 06				Right
		1	2, 6	L	11, 12, 14, 15, 16				Right
		1	2, 6	L	51, 52, 54, 55, 56				Right
		1	3, 7	L	12, 15, 16				Right
	05133989AA	1	2, 6	L	01, 02, 06				Left
		1	2, 6	L	51, 52, 54, 55, 56				Left
		1	3, 7	L	12, 15, 16				Left
		1	2, 6	L	11, 12, 14, 15, 16				Left
4									LINK, Door Latch
	05124068AA	1	2, 6	L	01, 02, 06				Left
		1	2, 6	L	11, 12, 14, 15, 16				Left
		1	2, 6	L	51, 52, 54, 55, 56				Left
		1	3, 7	L	12, 15, 16				Left
	05124069AA	1	2, 6	L	01, 02, 06				Right
		1	2, 6	L	11, 12, 14, 15, 16				Right

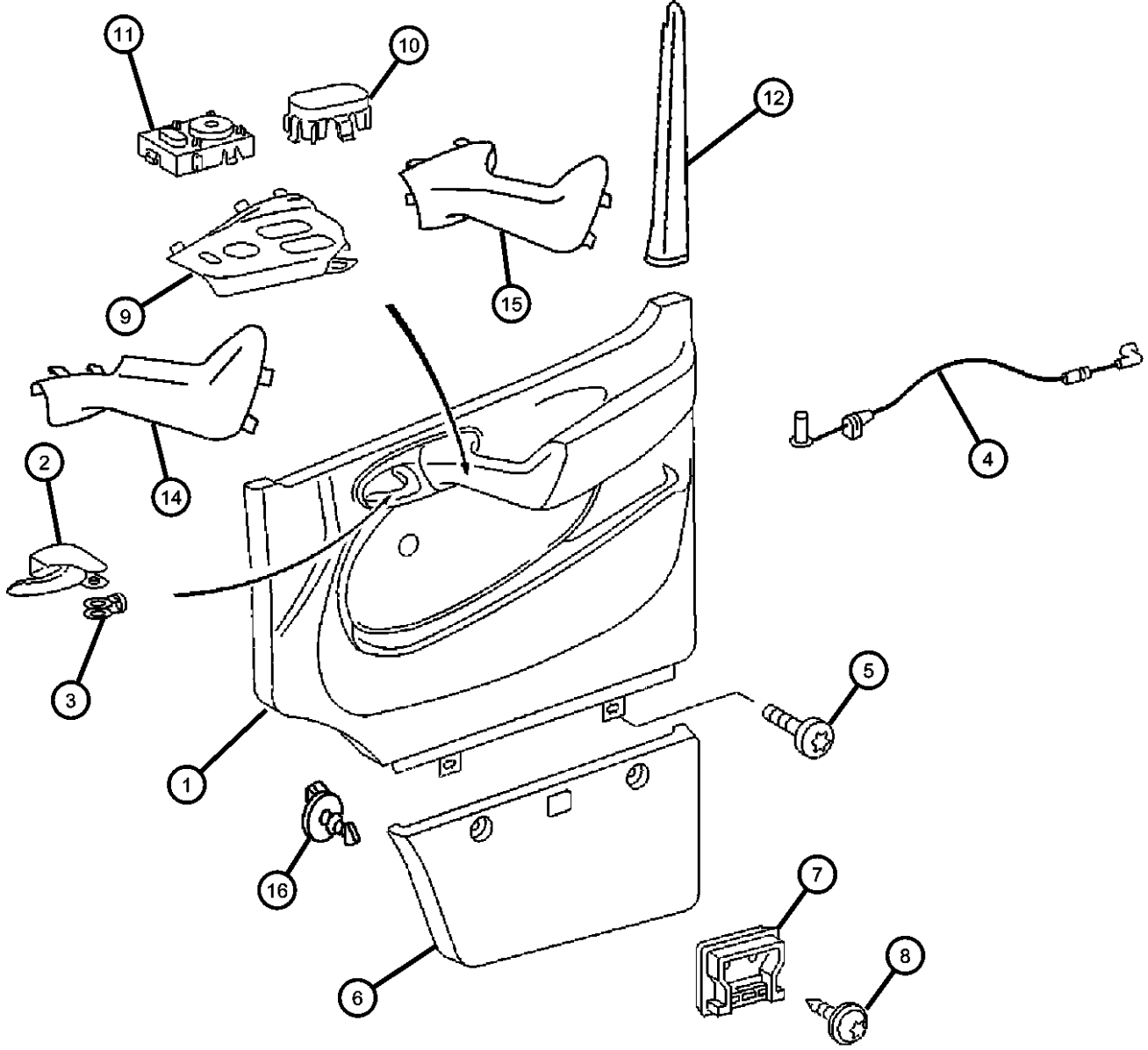
SPRINTER (VA)

SERIES	LINE	BODY	ENGINE	TRANSMISSION
L = LOWLINE	3 = HD DODGE 2WD 6 = Lt. Duty DODGE 4WD 2 = Med. Duty DODGE 2WD 7 = Med. Duty DODGE 4WD	55 = Wagon 140" 54 = Wagon 118" 52 = Wagon 140" 51 = Wagon 118" 12 = Van 140" 11 = Van 118" 06 = Front Section 158" 14 = Van 118" 15 = Van 140" 16 = Van 158" 56 = Wagon 158"	EX8 = Engine-2.7L I5 Mercedes Turbo Diesel	DGJ = Transmission-5-Spd. Automatic, W5A580

01 = Chassis Forward Control 118"	02 = Chassis Forward Control 140"
-----------------------------------	-----------------------------------

AR = use ase required - = Non illustrated part

Front Door Trim
Figure IVA-410



ITEM	PART NUMBER	QTY	LINE	SERIES	BODY	ENGINE	TRANS	TRIM	DESCRIPTION
		1	2, 6	L	51, 52, 54, 55, 56				Right
		1	3, 7	L	12, 15, 16				Right
5	06104142AA	2	2, 6	L	11, 12, 14, 15, 16				SCREW
		2	3, 7	L	12, 15, 16				
		2	2, 6	L	51, 52, 54, 55, 56				
6	05104325AA	1	2, 6	L	51, 52, 54, 55, 56				COVER, Door Panel
		1	3, 7	L	12, 15, 16				Left
		1	3, 7	L	12, 15, 16				Left
		1	2, 6	L	11, 12, 14, 15, 16				Right
		1	2, 6	L	11, 12, 14, 15, 16				Left
7	05123763AA	2	2, 6	L	11, 12, 14, 15, 16				BEZEL, Door Trim Panel
		2	2, 6	L	51, 52, 54, 55, 56				
		2	3, 7	L	12, 15, 16				
8	06104567AA	4	2, 6	L	11, 12, 14, 15, 16				SCREW
		4	2, 6	L	51, 52, 54, 55, 56				
		4	3, 7	L	12, 15, 16				
9	05123790AA	1	2, 6	L	01, 02, 06				BEZEL, Power Window/Door Lock Switch
		1	2, 6	L	11, 12, 14, 15, 16				Left
		1	2, 6	L	15, 16, 11, 12, 14				Right

SPRINTER (VA)

SERIES

L = LOWLINE
 3 = HD DODGE 2WD
 6 = Lt. Duty DODGE 4WD
 2 = Med. Duty DODGE 2WD
 7 = Med. Duty DODGE 4WD

LINE

BODY

55 = Wagon 140"
 54 = Wagon 118"
 52 = Wagon 140"
 51 = Wagon 118"
 12 = Van 140"
 11 = Van 118"
 06 = Front Section 158"
 14 = Van 118"
 15 = Van 140"
 16 = Van 158"
 56 = Wagon 158"
 01 = Chassis Forward Control 118"
 02 = Chassis Forward Control 140"

ENGINE

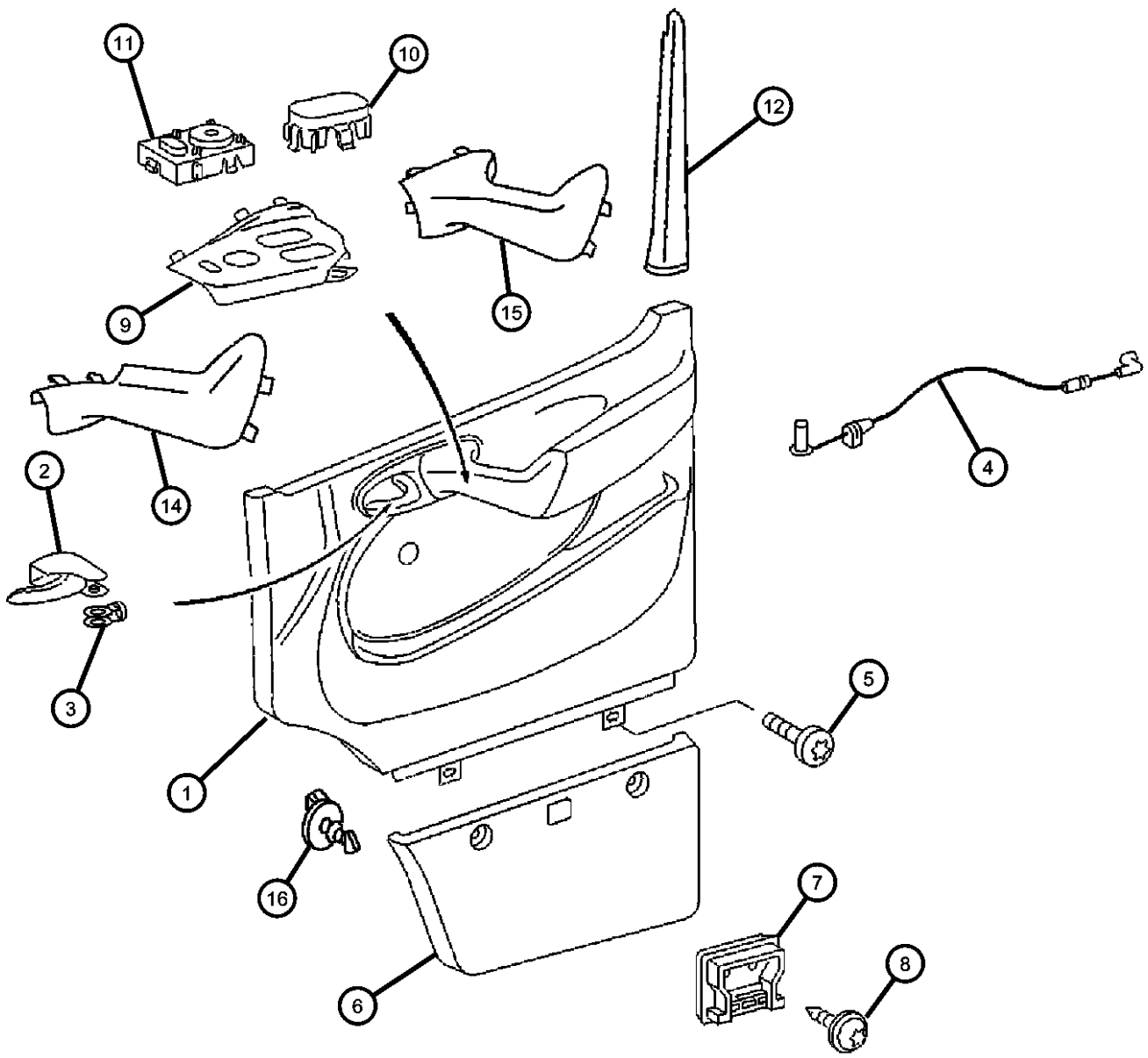
EX8 = Engine-2.7L I5
 Mercedes Turbo Diesel

TRANSMISSION

DGJ = Transmission-5-Spd. Automatic,W5A580

AR = use ase required - = Non illustrated part

Front Door Trim
Figure IVA-410



ITEM	PART NUMBER	QTY	LINE	SERIES	BODY	ENGINE	TRANS	TRIM	DESCRIPTION
		1	2, 6	L	51, 52, 54, 55, 56				Right
		1	2, 6	L	51, 52, 54, 55, 56				Left
		1	3, 7	L	12, 15, 16				Left
		1	2, 6	L	01, 02, 06				Right
		1	3, 7	L	12, 15, 16				Right
10	05104354AA	2	3, 7	L	12, 15, 16				COVER, Switch
		2	2, 6	L	01, 02, 06				
		2	2, 6	L	11, 12, 14, 15, 16				
		2	2, 6	L	51, 52, 54, 55, 56				
11	05103845AA	1	2, 6	L	01, 02, 06				SWITCH, Mirror
		1	2, 6	L	11, 12, 14, 15, 16				
		1	2, 6	L	51, 52, 54, 55, 56				
		1	3, 7	L	02, 06				
12	05104322AA	1	3, 7	L	12, 15, 16				MOLDING, Front Door Closeout
		1	2, 6	L	01, 02, 06				Left
		1	2, 6	L	11, 12, 14, 15, 16				Left
		1	2, 6	L	51, 52, 54, 55, 56				Left
	05123738AA	1	2, 6	L	01, 02, 06				Right
		1	2, 6	L	11, 14, 15, 12, 16				Right
		1	2, 6	L	54, 55, 56, 51, 52				Right

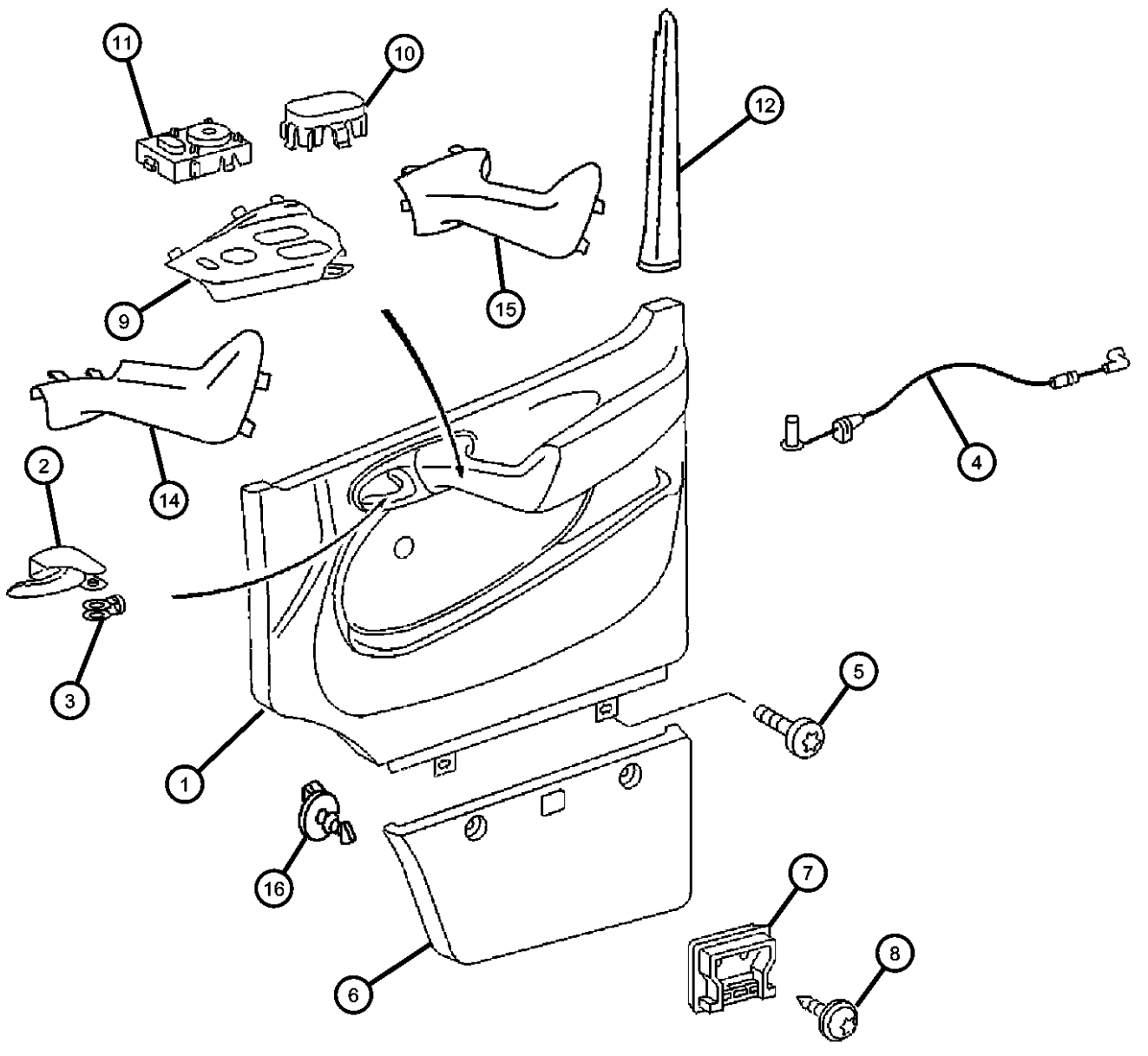
SPRINTER (VA)

SERIES	LINE	BODY	ENGINE	TRANSMISSION
L = LOWLINE	3 = HD DODGE 2WD 6 = Lt. Duty DODGE 4WD 2 = Med. Duty DODGE 2WD 7 = Med. Duty DODGE 4WD	55 = Wagon 140" 54 = Wagon 118" 52 = Wagon 140" 51 = Wagon 118" 12 = Van 140" 11 = Van 118" 06 = Front Section 158" 14 = Van 118" 15 = Van 140" 16 = Van 158" 56 = Wagon 158"	EX8 = Engine-2.7L I5 Mercedes Turbo Diesel	DGJ = Transmission-5-Spd. Automatic, W5A580
		01 = Chassis Forward Control 118" 02 = Chassis Forward Control 140"		

AR = use ase required - = Non illustrated part

Front Door Trim
Figure IVA-410

ITEM	PART NUMBER	QTY	LINE	SERIES	BODY	ENGINE	TRANS	TRIM	DESCRIPTION
------	-------------	-----	------	--------	------	--------	-------	------	-------------

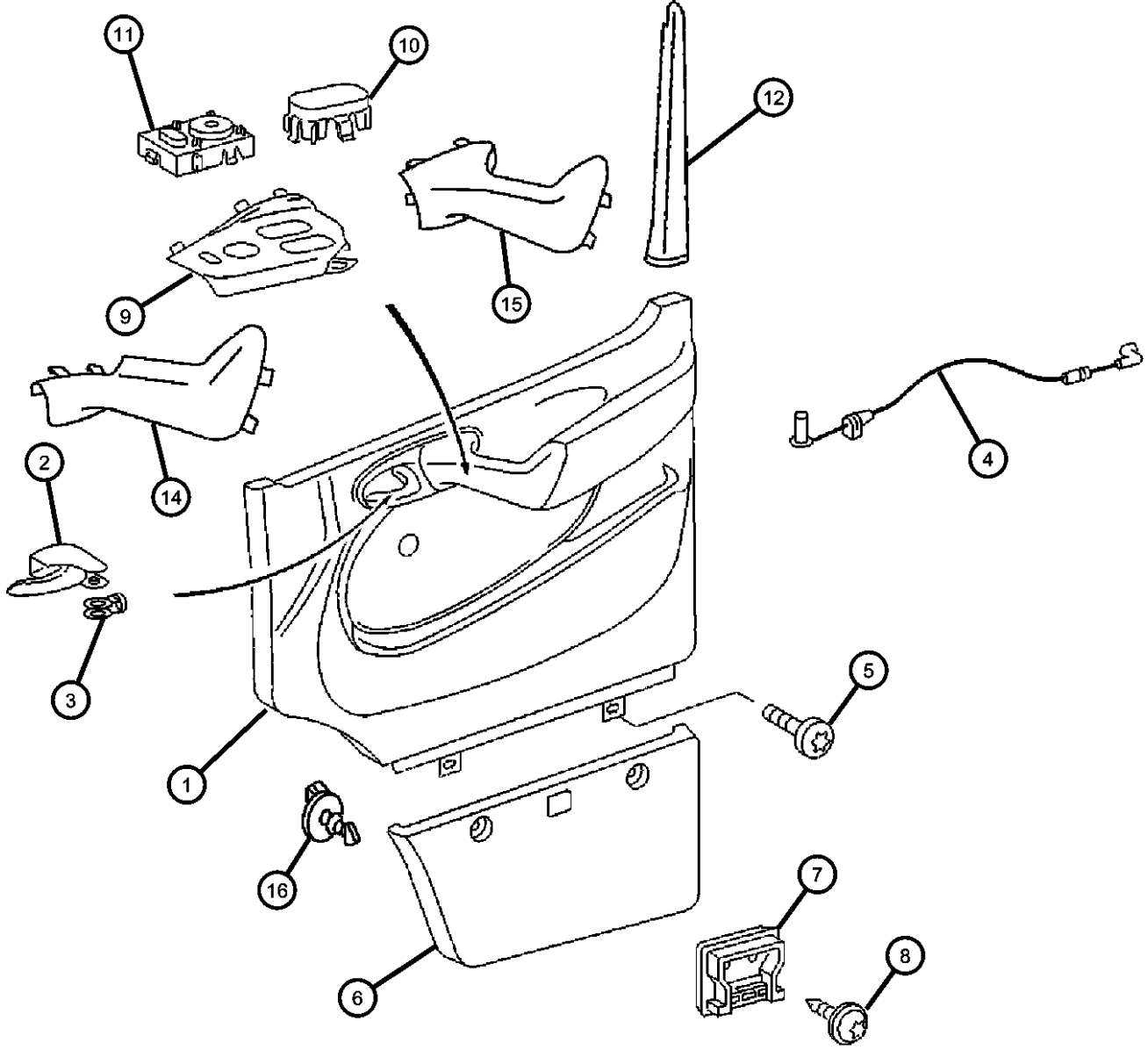


-13		1	3, 7	L	12, 15, 16				Right CLIP, Trim
	06104897AA	6	2, 6	L	01, 02, 06				
		6	2, 6	L	11, 12, 14, 15, 16				
		6	2, 6	L	51, 52, 54, 55, 56				
		6	7, 3	L	12, 15, 16				
14									HANDLE, Door Interior
	05123788AA	1	2, 6	L	01, 02, 06				With [JPA] Power Heated Mirrors, Left
		1	2, 6	L	11, 12, 14, 15, 16				With [JPA] Power Heated Mirrors, Left
		1	2, 6	L	51, 52, 54, 55, 56				With [JPA] Power Heated Mirrors, Left
		1	3, 7	L	02, 06				With [JPA] Power Heated Mirrors, Left
		1	3, 7	L	12, 15, 16				With [JPA] Power Heated Mirrors, Left
	05123789AA	1	2, 6	L	01, 02, 06				With [JPA] Power Heated Mirrors, Right
		1	2, 6	L	11, 12, 14, 15, 16				With [JPA] Power Heated Mirrors, Right
		1	2, 6	L	51, 52, 54, 55, 56				With [JPA] Power Heated Mirrors, Right
		1	3, 7	L	02, 06				With [JPA] Power Heated Mirrors, Right
		1	3, 7	L	12, 15, 16				With [JPA] Power Heated Mirrors, Right
15									HANDLE, Door Interior
	05123786AA	1	2, 6	L	06, 01, 02				Without [JPA] Power Heated Mirrors, Left
		1	2, 6	L	11, 12, 14, 15, 16				Without [JPA] Power Heated Mirrors, Left
		1	2, 6	L	51, 52, 54, 55, 56				Without [JPA] Power Heated Mirrors, Left

SPRINTER (VA)

SERIES	LINE	BODY	ENGINE	TRANSMISSION
L = LOWLINE	3 = HD DODGE 2WD 6 = Lt. Duty DODGE 4WD 2 = Med. Duty DODGE 2WD 7 = Med. Duty DODGE 4WD	55 = Wagon 140" 54 = Wagon 118" 52 = Wagon 140" 51 = Wagon 118" 12 = Van 140" 11 = Van 118" 06 = Front Section 158" 14 = Van 118" 15 = Van 140" 16 = Van 158" 56 = Wagon 158"	EX8 = Engine-2.7L I5 Mercedes Turbo Diesel	DGJ = Transmission-5-Spd. Automatic,W5A580
		01 = Chassis Forward Control 118" 02 = Chassis Forward Control 140"		

Front Door Trim
Figure IVA-410



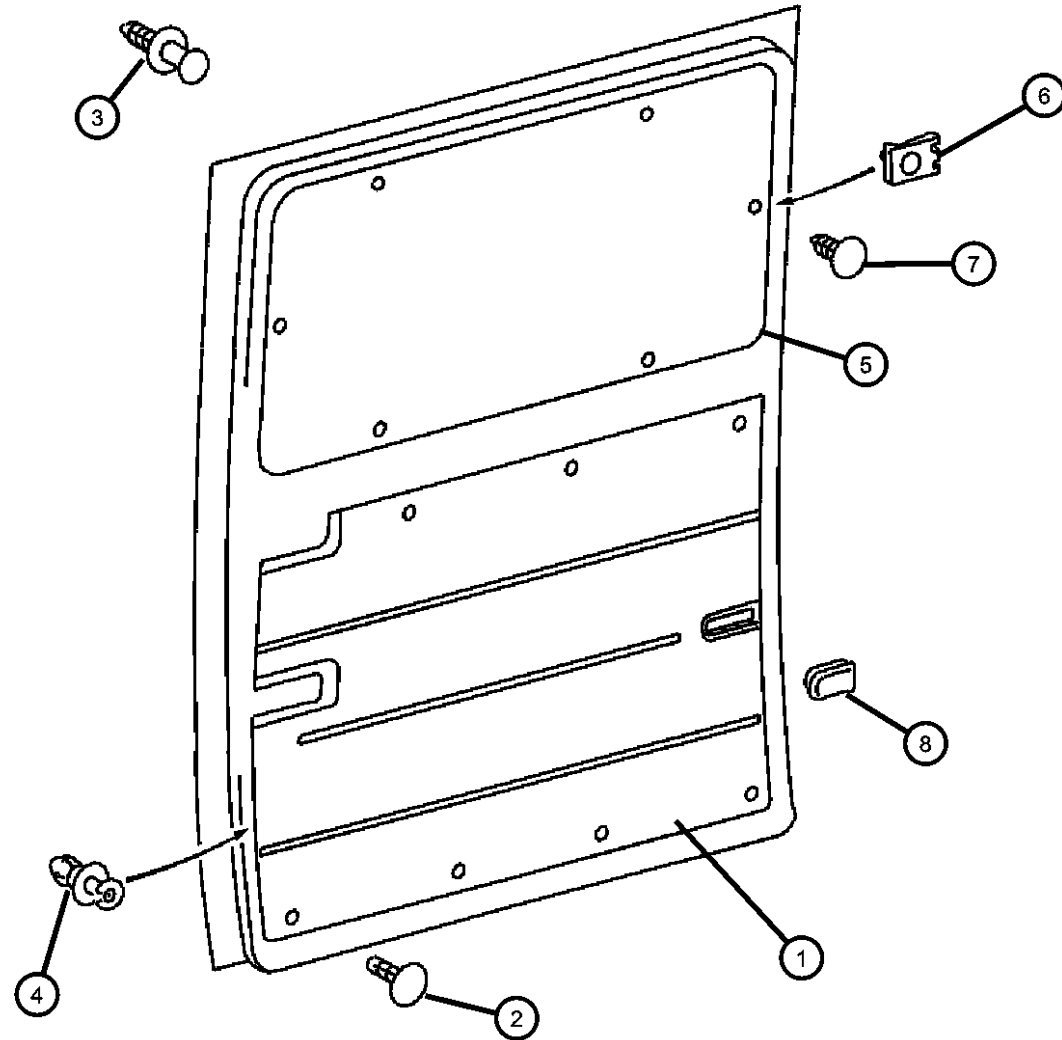
ITEM	PART NUMBER	QTY	LINE	SERIES	BODY	ENGINE	TRANS	TRIM	DESCRIPTION
		1	3, 7	L	02, 06				Without [JPA] Power Heated Mirrors, Left
		1	3, 7	L	12, 15, 16				Without [JPA] Power Heated Mirrors, Left
	05123787AA	1	2, 6	L	51, 52, 54, 55, 56				Without [JPA] Power Heated Mirrors, Right
		1	3, 7	L	02, 06				Without [JPA] Power Heated Mirrors, Right
		1	3, 7	L	12, 15, 16				Without [JPA] Power Heated Mirrors, Right
		1	2, 6	L	01, 02, 06				Without [JPA] Power Heated Mirrors, Right
		1	2, 6	L	11, 12, 14, 15, 16				Without [JPA] Power Heated Mirrors, Right
16	05133517AA	1	2, 6	L	11, 12, 14, 15, 16				RETAINER, Trim Panel
		1	2, 6	L	51, 52, 54, 55, 56				
		1	3, 7	L	16, 12, 15				

SPRINTER (VA)

SERIES	LINE	BODY	ENGINE	TRANSMISSION
L = LOWLINE	3 = HD DODGE 2WD 6 = Lt. Duty DODGE 4WD 2 = Med. Duty DODGE 2WD 7 = Med. Duty DODGE 4WD	55 = Wagon 140" 54 = Wagon 118" 52 = Wagon 140" 51 = Wagon 118" 12 = Van 140" 11 = Van 118" 06 = Front Section 158" 14 = Van 118" 15 = Van 140" 16 = Van 158" 56 = Wagon 158"	EX8 = Engine-2.7L I5 Mercedes Turbo Diesel	DGJ = Transmission-5-Spd. Automatic, W5A580
		01 = Chassis Forward Control 118" 02 = Chassis Forward Control 140"		

AR = use ase required - = Non illustrated part

**Sliding Door Trim
Figure IVA-420**



ITEM	PART NUMBER	QTY	LINE	SERIES	BODY	ENGINE	TRANS	TRIM	DESCRIPTION
------	-------------	-----	------	--------	------	--------	-------	------	-------------

Sales Codes:
 [4UW] = Interior Paneling Luxury
 [CMF] = Cargo Panels
 [GKA] = Right Sliding Door
 [GKE] = Left Sliding Door
 [GKG] = High Clearance

1									PANEL, Sliding Door Trim
	05104367AA	1	3, 7	L	12, 15, 16				With [GKA] Sliding Right Door and [CMF] Cargo Panels
	05123841AA	1	2, 6	L	11, 12, 14, 15, 16				With [GKE] Sliding Left Door and [4UW] Interior Paneling Luxury
		1	2, 6	L	51, 52, 54, 55, 56				With [GKE] Sliding Left Door and [4UW] Interior Paneling Luxury
		1	3, 7	L	12, 15, 16				With [GKE] Sliding Left Door and [4UW] Interior Paneling Luxury
	05104366AA	1	2, 6	L	11, 12, 14, 15, 16				With [GKA] Sliding Right Door
		1	2, 6	L	51, 52, 54, 55, 56				With [GKA] Sliding Right Door
		1	3, 7	L	12, 15, 16				With [GKA] Sliding Right Door
		1	2, 6	L	11, 12, 14, 15, 16				With [GKA] Sliding Right Door and [CMF] Cargo Panels
	05123881AA	1	3, 7	L	12, 15, 16				With [GKE] Sliding Left Door and [CTE] Washable Wall
	05123882AA	1	2, 6	L	11, 12, 14, 15, 16				With [GKA] Sliding Right Door and [CTE] Washable Wall
	05123845AA	1	2, 6	L	11, 12, 14, 15, 16				With [GKA] Sliding Right Door and [4UW] Interior Paneling Luxury
		1	2, 6	L	52, 54, 55, 56, 51				With [GKA] Sliding Right Door and [4UW] Interior Paneling Luxury
		1	3, 7	L	12, 15, 16				With [GKA] Sliding Right Door and [4UW] Interior Paneling Luxury
	05123875AA	1	2, 6	L	11, 12, 14, 15, 16				With [GKE] Sliding Left Door and [CMF] Full Laminated Wood
		1	3, 7	L	12, 15, 16				With [GKE] Sliding Left Door and [CMF] Full Laminated Wood

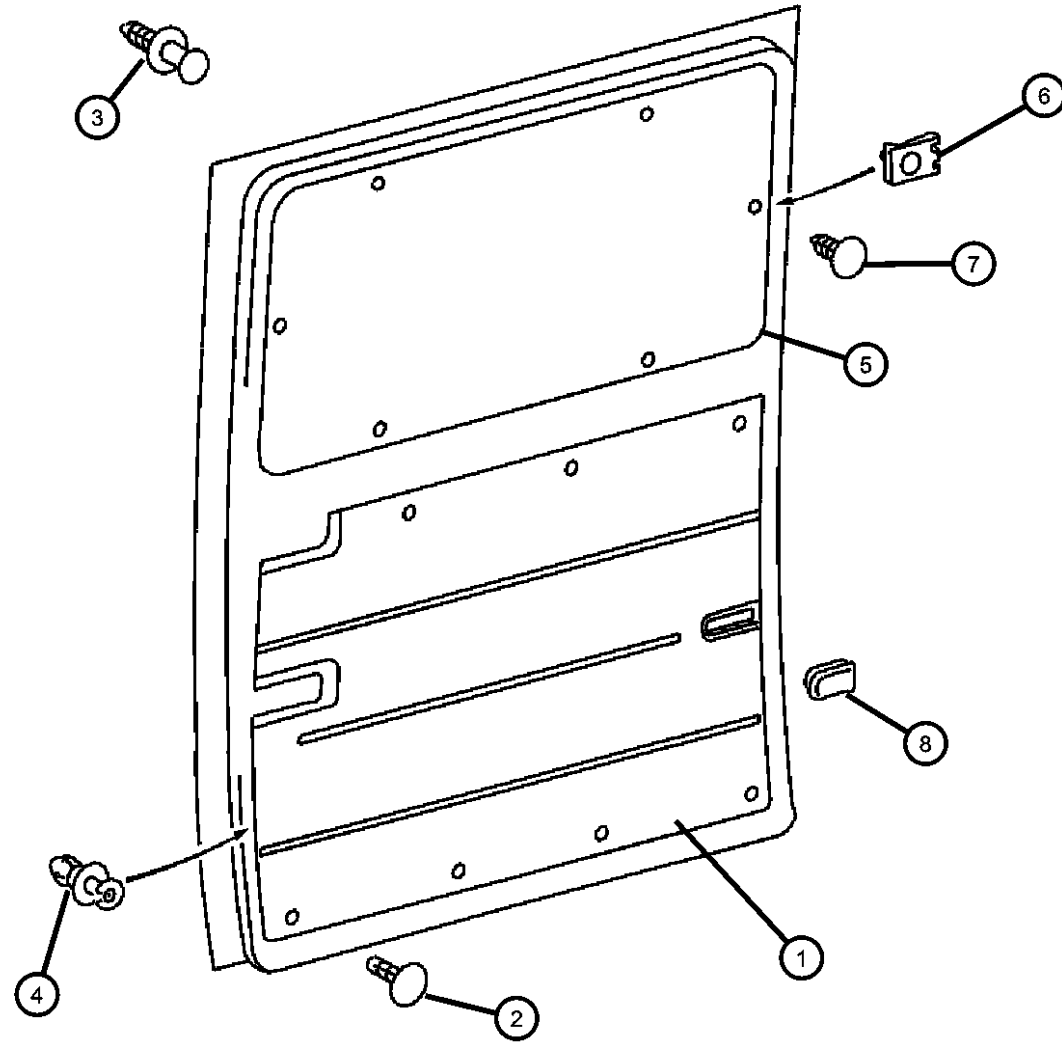
SPRINTER (VA)

SERIES	LINE	BODY	ENGINE	TRANSMISSION
L = LOWLINE	3 = HD DODGE 2WD 6 = Lt. Duty DODGE 4WD 2 = Med. Duty DODGE 2WD 7 = Med. Duty DODGE 4WD	55 = Wagon 140" 54 = Wagon 118" 52 = Wagon 140" 51 = Wagon 118" 12 = Van 140" 11 = Van 118" 06 = Front Section 158" 14 = Van 118" 15 = Van 140" 16 = Van 158" 56 = Wagon 158" 01 = Chassis Forward Control 118" 02 = Chassis Forward Control 140"	EX8 = Engine-2.7L I5 Mercedes Turbo Diesel	DGJ = Transmission-5-Spd. Automatic,W5A580

AR = use ase required - = Non illustrated part

2004 VA

**Sliding Door Trim
Figure IVA-420**



ITEM	PART NUMBER	QTY	LINE	SERIES	BODY	ENGINE	TRANS	TRIM	DESCRIPTION
	05123877AA	1	2, 6	L	11, 12, 14, 15, 16				With [GKE] Sliding Left Door
		1	2, 6	L	51, 52, 54, 55, 56				With [GKE] Sliding Left Door
		1	3, 7	L	12, 15, 16				With [GKE] Sliding Left Door
		1	2, 6	L	11, 12, 14, 15, 16				With [GKE] Sliding Left Door and [CTE] Washable Wall
		1	3, 7	L	12, 15, 16				With [GKA] Sliding Right Door and [CTE] Washable Wall
2									PIN, Push
	05103553AA	9	2, 6	L	11, 12, 14, 15, 16				
		9	2, 6	L	51, 52, 54, 55, 56				
		9	3, 7	L	16, 12, 15				
3									PIN, Push
	05103925AA	1	2, 6	L	11, 12, 14, 15, 16				
		1	2, 6	L	51, 52, 54, 55, 56				
		1	3, 7	L	12, 15, 16				
4									PIN, Push
	06104895AA	10	2, 6	L	11, 12, 14, 15, 16				
		10	2, 6	L	51, 52, 54, 55, 56				
		10	3, 7	L	12, 15, 16				
5									PANEL, Cargo Door, Upper Right & Left
	05123888AA	1	2, 6	L	11, 12, 14, 15, 16				
		1	3, 7	L	12, 15, 16				
6									U-NUT
	05125859AA	10	3, 7	L	12, 15, 16				

SPRINTER (VA)

SERIES

L = LOWLINE
 3 = HD DODGE 2WD
 6 = Lt. Duty DODGE 4WD
 2 = Med. Duty DODGE 2WD
 7 = Med. Duty DODGE 4WD

LINE

3 = HD DODGE 2WD
 6 = Lt. Duty DODGE 4WD
 2 = Med. Duty DODGE 2WD
 7 = Med. Duty DODGE 4WD

BODY

55 = Wagon 140"
 54 = Wagon 118"
 52 = Wagon 140"
 51 = Wagon 118"
 12 = Van 140"
 11 = Van 118"
 06 = Front Section 158"
 14 = Van 118"
 15 = Van 140"
 16 = Van 158"
 56 = Wagon 158"
 01 = Chassis Forward Control 118"
 02 = Chassis Forward Control 140"

ENGINE

EX8 = Engine-2.7L I5
 Mercedes Turbo Diesel

TRANSMISSION

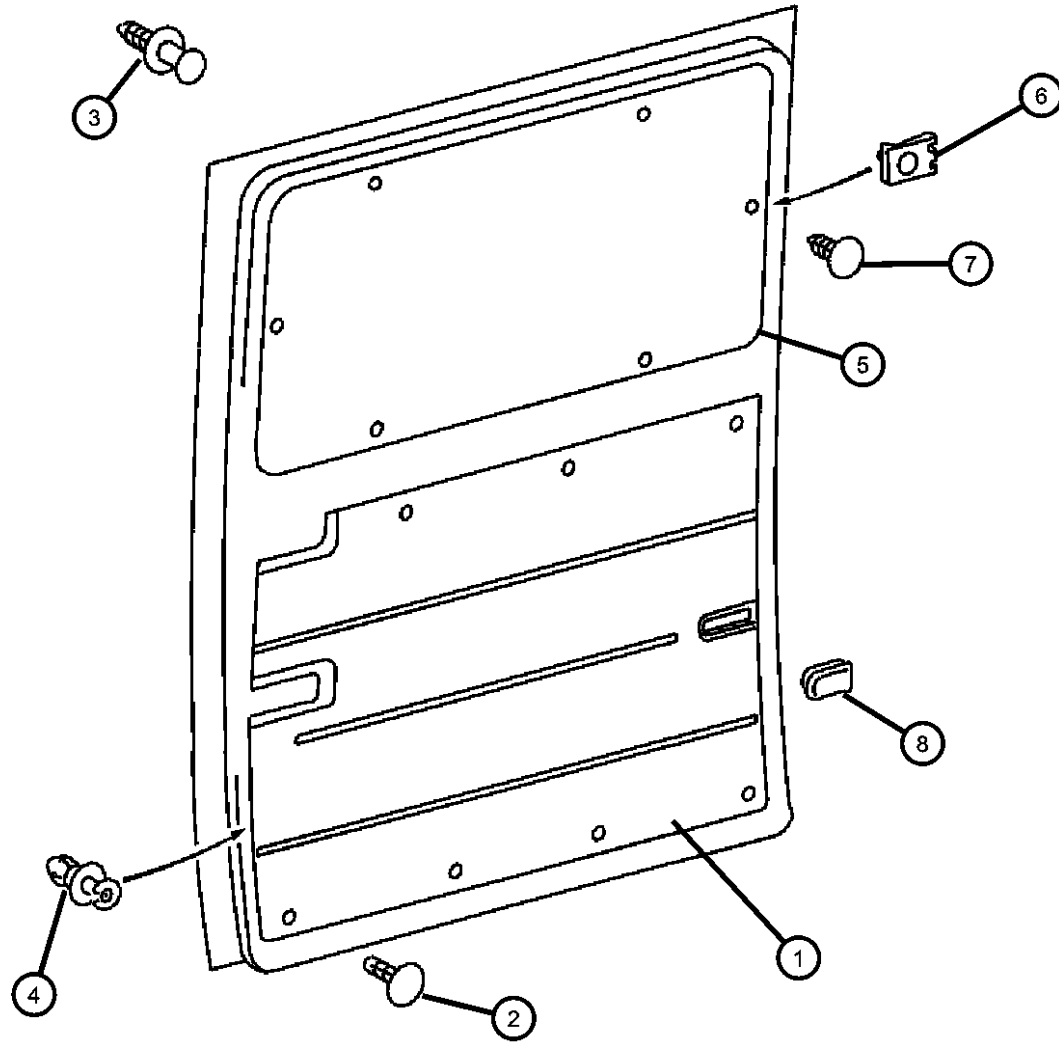
DGJ = Transmission-5-Spd. Automatic, W5A580

AR = use ase required - = Non illustrated part

2004 VA

**Sliding Door Trim
Figure IVA-420**

ITEM	PART NUMBER	QTY	LINE	SERIES	BODY	ENGINE	TRANS	TRIM	DESCRIPTION
		10	2, 6	L	11, 12, 14, 15, 16				
7	05103818AA	10	2, 6	L	11, 12, 14, 15, 16				PIN, Push
		10	3, 7	L	12, 15, 16				
8	05104365AA	1	2, 6	L	11, 12, 14, 15, 16				PLUG, Access Hole Without [GKG], High Clearance
		1	2, 6	L	51, 52, 54, 55, 56				Without [GKG], High Clearance
		1	3, 7	L	16				Without [GKG], High Clearance
	05104588AA	1	2, 6	L	11, 12, 14, 15, 16				With [GKG], High Clearance
		1	3, 7	L	12, 15				With [GKG], High Clearance
-9	05104424AA	1	2, 6	L	11, 12, 14, 15, 16				CATCH, Sliding Partition Door Cargo Partition
		1	3, 7	L	12, 15, 16				Cargo Partition
-10	05124110AA	2	2, 6	L	11, 12, 14, 15, 16				TAPPING PLATE, Side Door Lock Striker
		2	2, 6	L	51, 52, 54, 55, 56				
		2	3, 7	L	12, 15, 16				



SPRINTER (VA)

SERIES

L = LOWLINE
 3 = HD DODGE 2WD
 6 = Lt. Duty DODGE 4WD
 2 = Med. Duty DODGE 2WD
 7 = Med. Duty DODGE 4WD

LINE

3 = HD DODGE 2WD
 6 = Lt. Duty DODGE 4WD
 2 = Med. Duty DODGE 2WD
 7 = Med. Duty DODGE 4WD

BODY

55 = Wagon 140"
 54 = Wagon 118"
 52 = Wagon 140"
 51 = Wagon 118"
 12 = Van 140"
 11 = Van 118"
 06 = Front Section 158"
 14 = Van 118"
 15 = Van 140"
 16 = Van 158"
 56 = Wagon 158"
 01 = Chassis Forward Control
 118"
 02 = Chassis Forward Control
 140"

ENGINE

EX8 = Engine-2.7L I5
 Mercedes Turbo Diesel

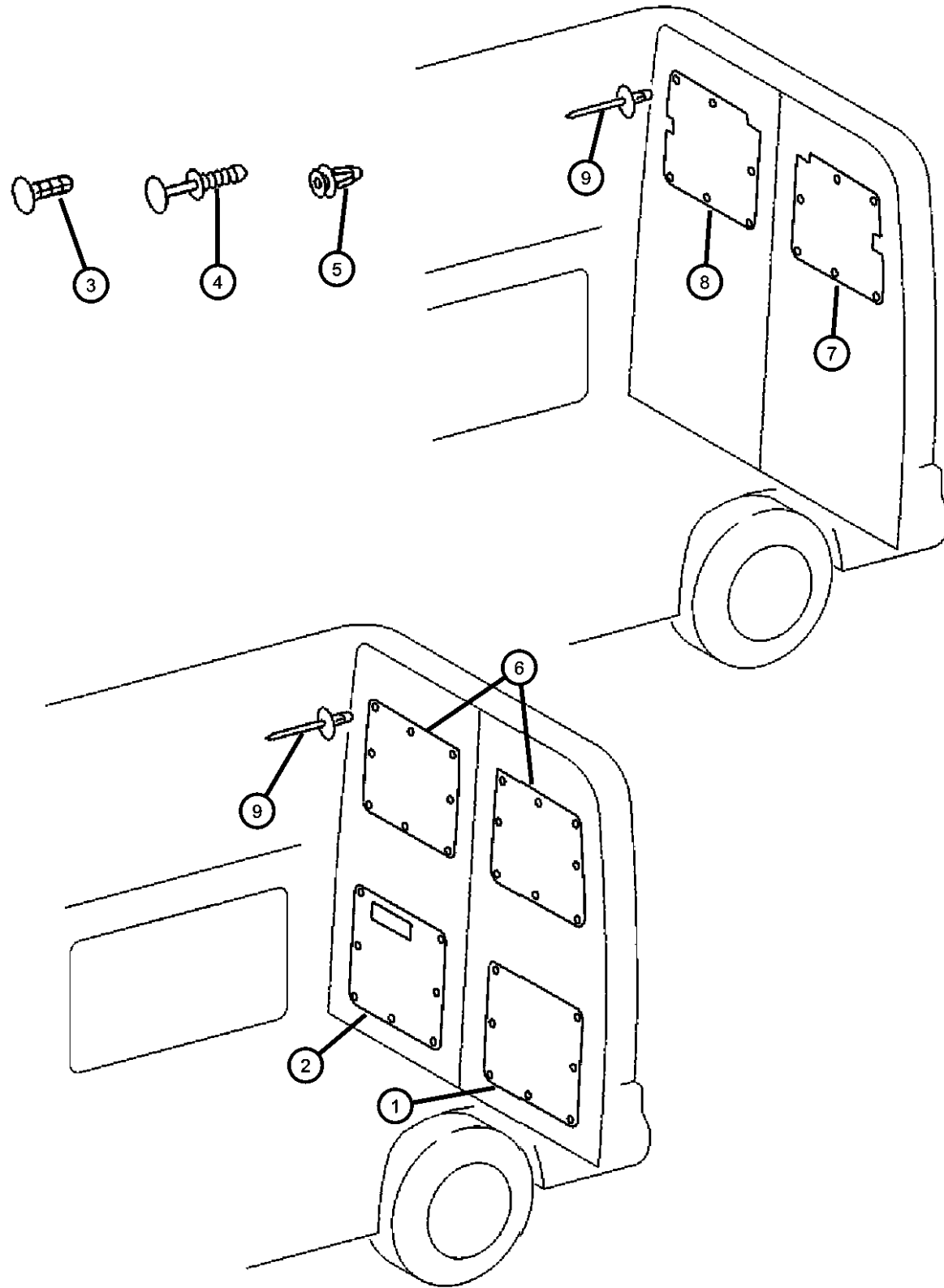
TRANSMISSION

DGJ = Transmission-5-Spd.
 Automatic,W5A580

AR = use ase required - = Non illustrated part

2004 VA

Rear Dual Door Trim
Figure IVA-430



ITEM	PART NUMBER	QTY	LINE	SERIES	BODY	ENGINE	TRANS	TRIM	DESCRIPTION
1	05104395AA	1	2, 6	L	11, 12, 14, 15, 16				PANEL, Cargo Door, Left Hard Fiber
		1	2, 6	L	51, 52, 54, 55, 56				Hard Fiber
	05123950AA	1	3, 7	L	12, 15, 16				Hard Fiber
		1	2, 6	L	11, 12, 14, 15, 16				Fabric
		1	2, 6	L	51, 52, 54, 55, 56				Fabric
	05124024AA	1	3, 7	L	12, 15, 16				Plywood
		1	3, 7	L	12, 15, 16				Fabric
		1	2, 6	L	11, 12, 14, 15, 16				Plywood
	2	05104396AA	1	2, 6	L	11, 12, 14, 15, 16			
1			2, 6	L	51, 52, 54, 55, 56				Hard Fiber
1			3, 7	L	12, 15, 16				Hard Fiber
05123953AA		1	2, 6	L	11, 12, 14, 15, 16				Fabric
		1	2, 6	L	51, 52, 54, 55, 56				Fabric
		1	3, 7	L	12, 15, 16				Fabric
05124026AA		1	2, 6	L	11, 12, 14, 15, 16				Plywood
		1	3, 7	L	12, 15, 16				Plywood
3	05103553AA	7	2, 6	L	11, 12, 14, 15, 16				PIN, Push, White
		7	2, 6	L	51, 52, 54, 55, 56				
		7	3, 7	L	12, 15, 16				
4								PIN, Push	

SPRINTER (VA)

SERIES

L = LOWLINE

LINE

3 = HD DODGE 2WD
6 = Lt. Duty DODGE 4WD
2 = Med. Duty DODGE 2WD
7 = Med. Duty DODGE 4WD

BODY

55 = Wagon 140"
54 = Wagon 118"
52 = Wagon 140"
51 = Wagon 118"
12 = Van 140"
11 = Van 118"
06 = Front Section 158"
14 = Van 118"
15 = Van 140"
16 = Van 158"
56 = Wagon 158"
01 = Chassis Forward Control
118"
02 = Chassis Forward Control
140"

ENGINE

EX8 = Engine-2.7L I5
Mercedes Turbo Diesel

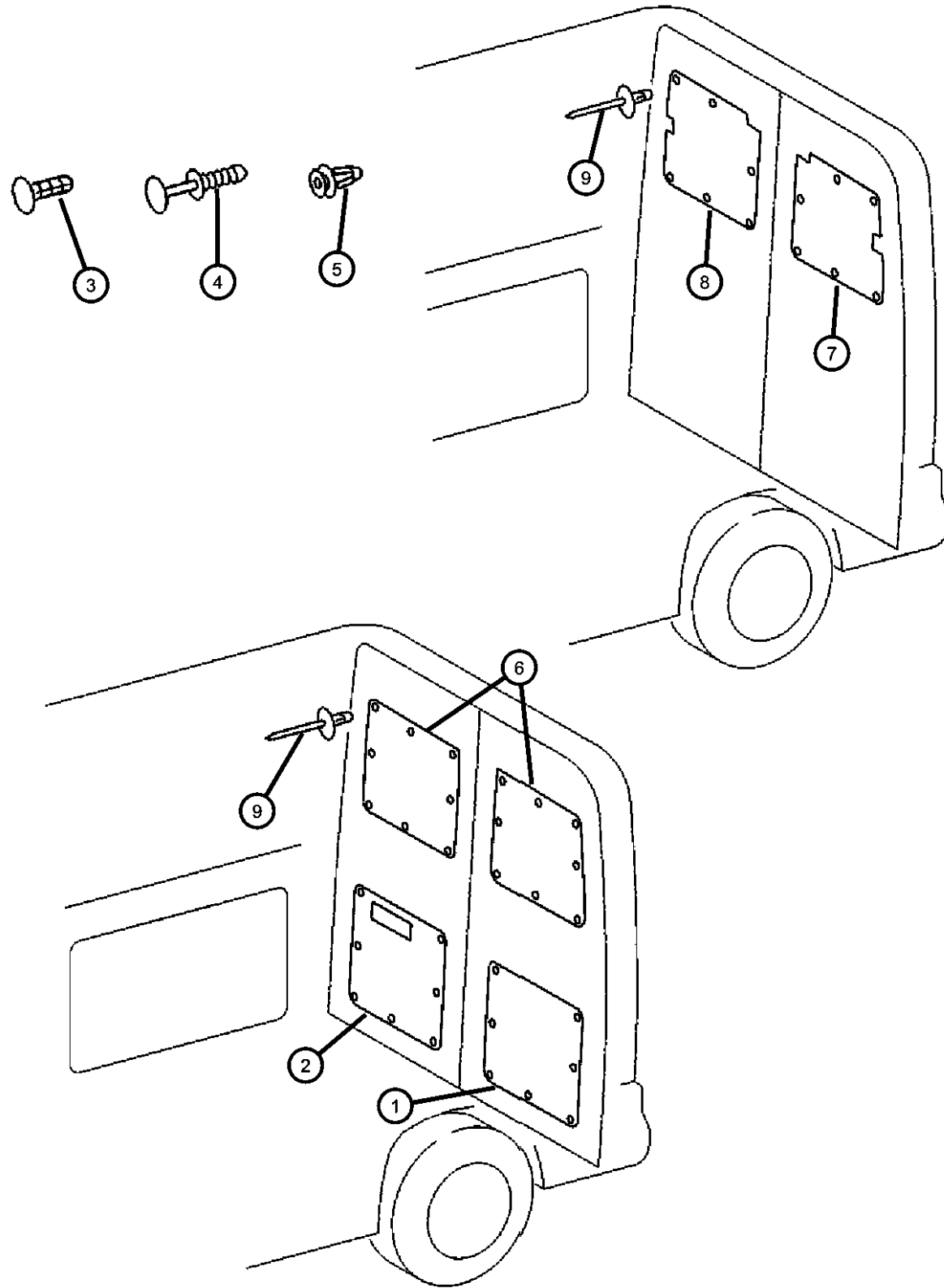
TRANSMISSION

DGJ = Transmission-5-Spd.
Automatic,W5A580

AR = use ase required - = Non illustrated part

2004 VA

Rear Dual Door Trim
Figure IVA-430



ITEM	PART NUMBER	QTY	LINE	SERIES	BODY	ENGINE	TRANS	TRIM	DESCRIPTION
	05103925AA	1	2, 6	L	11, 12, 14, 15, 16				
		1	2, 6	L	51, 52, 54, 55, 56				
		1	3, 7	L	12, 15, 16				
5									PIN, Push
	06104895AA	15	2, 6	L	11, 12, 14, 15, 16				
		15	2, 6	L	51, 52, 54, 55, 56				
		15	3, 7	L	12, 15, 16				
6									PANEL, Cargo Door, Right & Left
	05124035AA	1	2, 6	L	11, 12, 14, 15, 16				
		1	3, 7	L	12, 15, 16				
7									PANEL, Cargo Door, Left
	05124036AA	1	2, 6	L	11, 12, 14, 15, 16				
		1	3, 7	L	12, 15, 16				
8									PANEL, Cargo Door, Right
	05124036AA	1	2, 6	L	11, 12, 14, 15, 16				
		1	3, 7	L	12, 15, 16				
9									RIVET
	06104865AA	AR	3, 7	L	12, 15, 16				
		AR	2, 6	L	11, 12, 14, 15, 16				
		AR	2, 6	L	51, 52, 54, 55, 56				

SPRINTER (VA)

SERIES

L = LOWLINE

LINE

3 = HD DODGE 2WD
6 = Lt. Duty DODGE 4WD
2 = Med. Duty DODGE 2WD
7 = Med. Duty DODGE 4WD

BODY

55 = Wagon 140"
54 = Wagon 118"
52 = Wagon 140"
51 = Wagon 118"
12 = Van 140"
11 = Van 118"
06 = Front Section 158"
14 = Van 118"
15 = Van 140"
16 = Van 158"
56 = Wagon 158"
01 = Chassis Forward Control 118"
02 = Chassis Forward Control 140"

ENGINE

EX8 = Engine-2.7L I5
Mercedes Turbo Diesel

TRANSMISSION

DGJ = Transmission-5-Spd. Automatic, W5A580

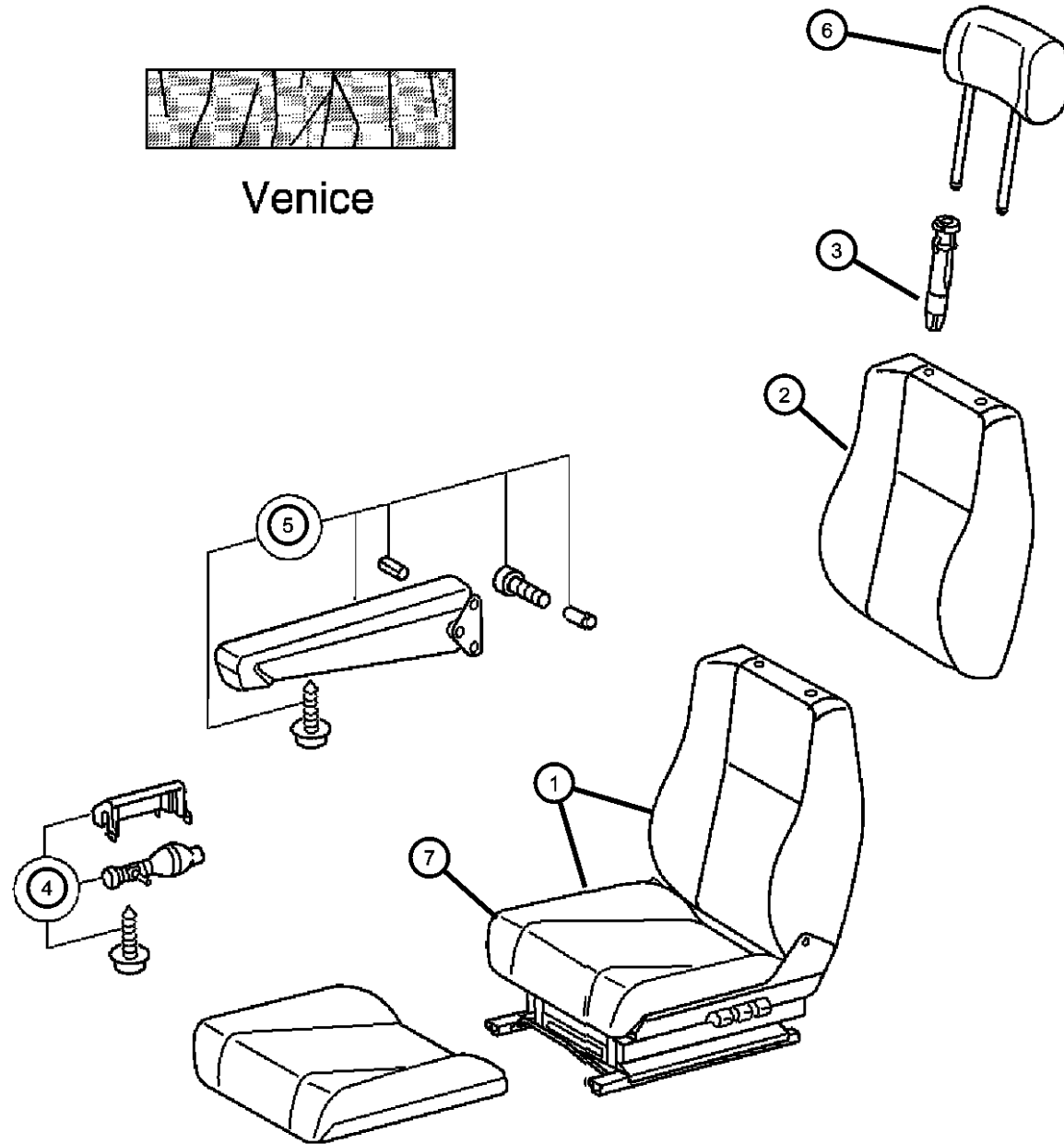
AR = use ase required - = Non illustrated part

2004 VA

Front Seat - Venice
Figure IVA-510



Venice



ITEM	PART NUMBER	QTY	LINE	SERIES	BODY	ENGINE	TRANS	TRIM	DESCRIPTION
1									SEAT COMPLETE, Front
	05126970AA	1	3, 7	L	12, 15, 16				Auxiliary Seat, Right
		1	2, 6	L	01, 02, 06				Auxiliary Seat, Right
		1	2, 6	L	11, 12, 14, 15, 16				Auxiliary Seat, Right
		1	2, 6	L	51, 52, 54, 55, 56				Auxiliary Seat, Right
	05126975AA	1	2, 6	L	01, 02, 06				Heated, Left
		1	2, 6	L	11, 12, 14, 15, 16				Heated, Left
		1	2, 6	L	51, 52, 54, 55, 56				Heated, Left
		1	3, 7	L	12, 15, 16				Heated, Left
	05126982AA	1	2, 6	L	01, 02, 06				Comfort Seat, Left
		1	2, 6	L	11, 12, 14, 15, 16				Comfort Seat, Left
		1	2, 6	L	51, 52, 54, 55, 56				Comfort Seat, Left
		1	3, 7	L	12, 15, 16				Comfort Seat, Left
	05126985AA	1	2, 6	L	01, 02, 06				Heated Comfort Seat, Left
		1	2, 6	L	11, 12, 14, 15, 16				Heated Comfort Seat, Left
		1	2, 6	L	51, 52, 54, 55, 56				Heated Comfort Seat, Left
		1	3, 7	L	12, 15, 16				Heated Comfort Seat, Left
	05126986AA	1	2, 6	L	01, 02, 06				Comfort Seat, Right
		1	2, 6	L	11, 12, 14, 15, 16				Comfort Seat, Right
		1	2, 6	L	54, 55, 56, 51, 52				Comfort Seat, Right
		1	3, 7	L	12, 15, 16				Comfort Seat, Right
	05126989AA	1	2, 6	L	01, 02, 06				Heated, Right
		1	3, 7	L	12, 15, 16				Heated, Right
		1	2, 6	L	11, 12, 14, 15, 16				Heated, Right

SPRINTER (VA)

SERIES

L = LOWLINE

LINE

3 = HD DODGE 2WD
6 = Lt. Duty DODGE 4WD
2 = Med. Duty DODGE 2WD
7 = Med. Duty DODGE 4WD

BODY

55 = Wagon 140"
54 = Wagon 118"
52 = Wagon 140"
51 = Wagon 118"
12 = Van 140"
11 = Van 118"
06 = Front Section 158"
14 = Van 118"
15 = Van 140"
16 = Van 158"
56 = Wagon 158"
01 = Chassis Forward Control 118"
02 = Chassis Forward Control 140"

ENGINE

EX8 = Engine-2.7L I5
Mercedes Turbo Diesel

TRANSMISSION

DGJ = Transmission-5-Spd. Automatic, W5A580

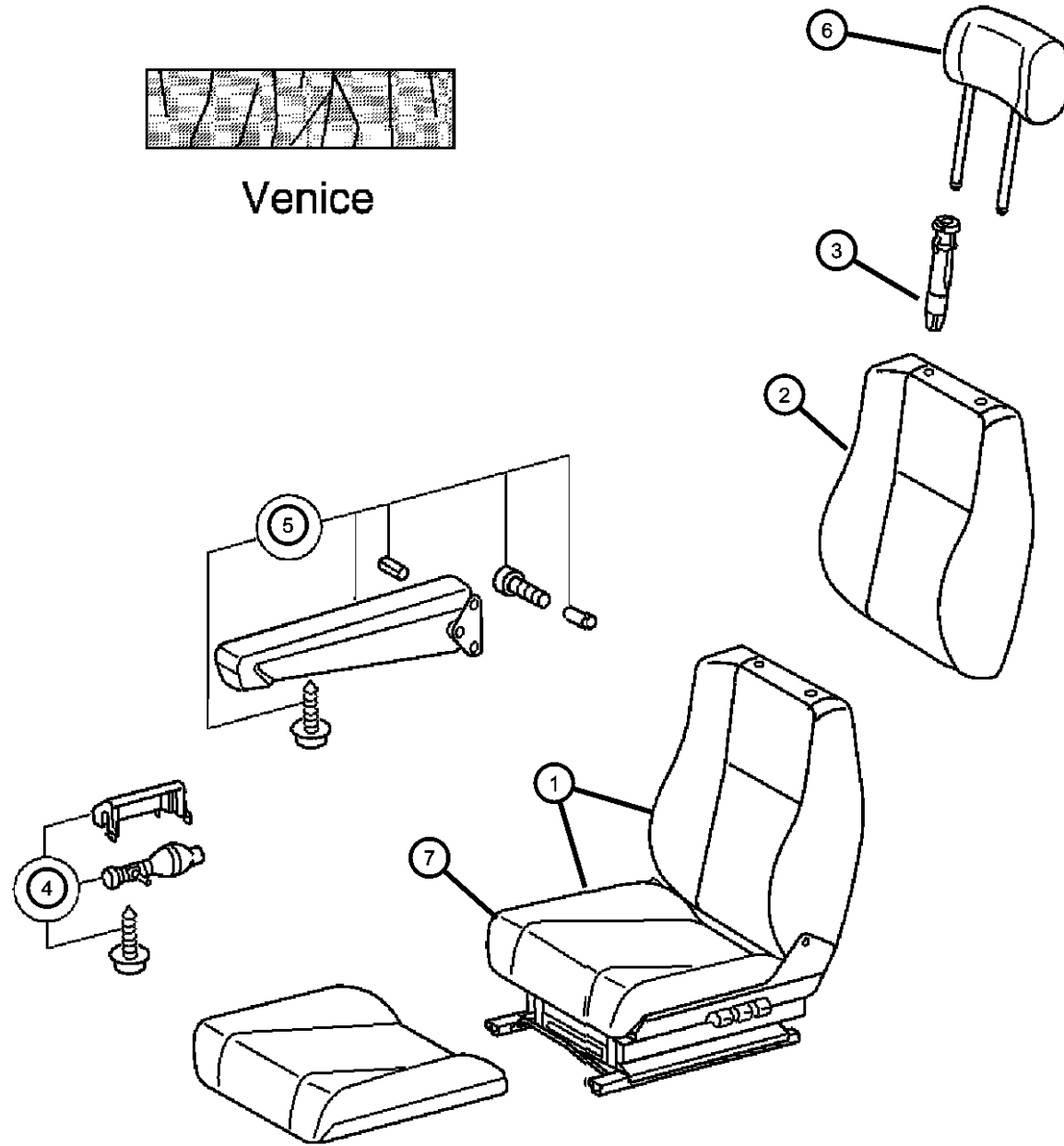
AR = use ase required - = Non illustrated part

2004 VA

Front Seat - Venice
Figure IVA-510



Venice



ITEM	PART NUMBER	QTY	LINE	SERIES	BODY	ENGINE	TRANS	TRIM	DESCRIPTION
		1	2, 6	L	51, 52, 54, 55, 56				Heated, Right
2	05103777AA	1						*O0	SEAT BACK, Front Right
	05134643AA	1	2, 3, 6, 7					*A7	SEAT BACK, Front Left
3	1AV08AA7AA	2	2, 6	L	01, 02, 06				SLEEVE, Headrest
		2	2, 6	L	11, 12, 14, 15, 16				
		2	3, 7	L	12, 15, 16				
		2	2, 6	L	51, 52, 54, 55, 56				
4	05127631AA	1	2, 6	L	01, 02, 06				PUMP, Lumbar Support
		1	2, 6	L	11, 12, 14, 15, 16				
		1	2, 6	L	51, 52, 54, 55, 56				
		1	3, 7	L	12, 15, 16				
5	05103710AA	1	2, 6	L	11, 12, 14, 15, 16				ARMREST, Seat With Mounting Hardware, Left
		1	2, 6	L	51, 52, 54, 55, 56				With Mounting Hardware, Left
	05103711AA	1	2, 6	L	01, 02, 06				With Mounting Hardware, Right
		1	2, 6	L	11, 12, 14, 15, 16				With Mounting Hardware, Right
		1	2, 6	L	51, 52, 54, 55, 56				With Mounting Hardware, Right
		1	2, 6	L	01, 02, 06				With Mounting Hardware, Left
6	05125368AA	1	2, 6	L	01, 02, 06				HEADREST Venice

SPRINTER (VA)

SERIES

L = LOWLINE

LINE

3 = HD DODGE 2WD
6 = Lt. Duty DODGE 4WD
2 = Med. Duty DODGE 2WD
7 = Med. Duty DODGE 4WD

BODY

55 = Wagon 140"
54 = Wagon 118"
52 = Wagon 140"
51 = Wagon 118"
12 = Van 140"
11 = Van 118"
06 = Front Section 158"
14 = Van 118"
15 = Van 140"
16 = Van 158"
56 = Wagon 158"
01 = Chassis Forward Control 118"
02 = Chassis Forward Control 140"

ENGINE

EX8 = Engine-2.7L I5
Mercedes Turbo Diesel

TRANSMISSION

DGJ = Transmission-5-Spd. Automatic, W5A580

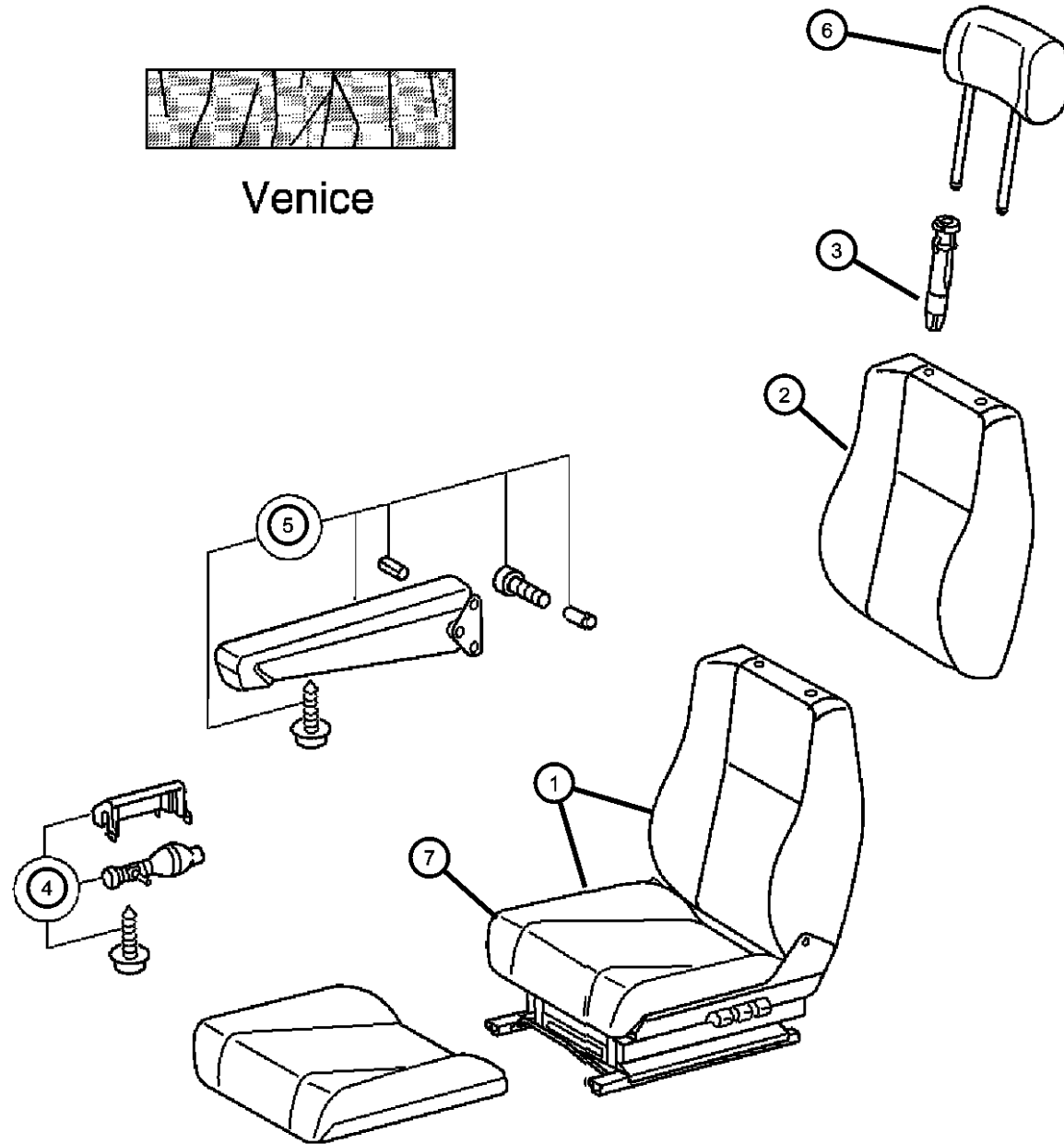
AR = use ase required - = Non illustrated part

2004 VA

Front Seat - Venice
Figure IVA-510



Venice



ITEM	PART NUMBER	QTY	LINE	SERIES	BODY	ENGINE	TRANS	TRIM	DESCRIPTION
		3	2, 6	L	11, 12, 14, 15, 16				Venice
		1	2, 6	L	51, 52, 54, 55, 56				Venice
		1	3, 7	L	12, 15, 16				Venice
7									SEAT
	05133020AA	1	2, 6	L	11, 12, 14, 15, 16				Standard Seat - Heated, Left
		1	2, 6	L	51, 52, 54, 55, 56				Standard Seat - Heated, Left
		1	3, 7	L	12, 15, 16				Standard Seat - Heated, Left
	05133025AA	1	2, 6	L	11, 12, 14, 15, 16				Comfort Seat, Left
	05133015AA	1	2, 6	L	11, 12, 14, 15, 16				Single Seat, Driver Side
		1	2, 6	L	51, 52, 54, 55, 56				Single Seat, Driver Side
		1	3, 7	L	12, 15, 16				Single Seat, Driver Side
		1	2, 6	L	51, 52, 54, 55, 56				Comfort Seat, Left
	05133028AA	1	3, 7	L	12, 15, 16				Comfort Seat, Left
		1	2, 6	L	11, 12, 14, 15, 16				Comfort Seat - Heated, Left
		1	2, 6	L	51, 52, 54, 55, 56				Comfort Seat - Heated, Left
	05133029AA	1	3, 7	L	12, 15, 16				Comfort Seat - Heated, Left
		1	6, 2	L	12, 14, 15, 16, 11				Comfort Seat, Right
		1	2, 6	L	51, 52, 54, 55, 56				Comfort Seat, Right
		1	3, 7	L	12, 15, 16				Comfort Seat, Right
	05133032AA	1	2, 6	L	11, 12, 14, 15, 16				Comfort Seat - Heated, Right
		1	2, 6	L	51, 52, 54, 55, 56				Comfort Seat - Heated, Right
		1	3, 7	L	12, 15, 16				Comfort Seat - Heated, Right

SPRINTER (VA)

SERIES

L = LOWLINE

LINE

3 = HD DODGE 2WD
6 = Lt. Duty DODGE 4WD
2 = Med. Duty DODGE 2WD
7 = Med. Duty DODGE 4WD

BODY

55 = Wagon 140"
54 = Wagon 118"
52 = Wagon 140"
51 = Wagon 118"
12 = Van 140"
11 = Van 118"
06 = Front Section 158"
14 = Van 118"
15 = Van 140"
16 = Van 158"
56 = Wagon 158"
01 = Chassis Forward Control 118"
02 = Chassis Forward Control 140"

ENGINE

EX8 = Engine-2.7L I5
Mercedes Turbo Diesel

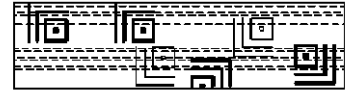
TRANSMISSION

DGJ = Transmission-5-Spd. Automatic, W5A580

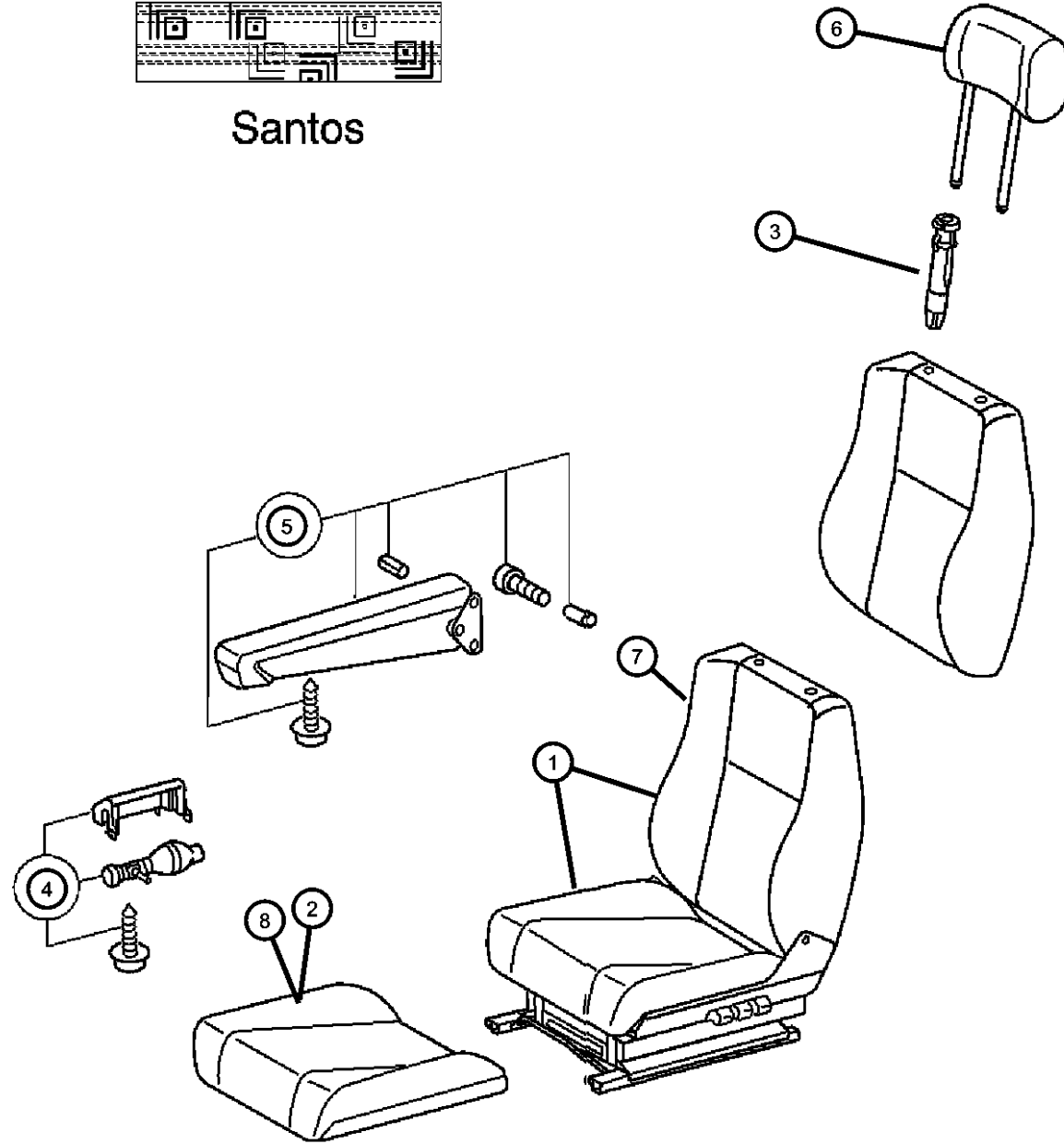
AR = use ase required - = Non illustrated part

2004 VA

Front Seat - Santos
Figure IVA-515



Santos



ITEM	PART NUMBER	QTY	LINE	SERIES	BODY	ENGINE	TRANS	TRIM	DESCRIPTION
1									SEAT COMPLETE, Front
	05127100AA	1	2, 6	L	01, 02, 06				Right
		1	2, 6	L	11, 12, 14, 15, 16				Right
		1	2, 6	L	51, 52, 54, 55, 56				Right
		1	3, 7	L	16, 12, 15				Right
	05127102AA	1	2, 6	L	01, 02, 06			*B7	Left
		1	2, 6	L	11, 12, 14, 15, 16			*B7	Left
	05127105AA	1	2, 6	L	11, 12, 14, 15, 16				Heated, Left
		1	2, 6	L	51, 52, 54, 55, 56				Heated, Left
		1	2, 6	L	51, 52, 54, 55, 56			*B7	Left
		1	3, 7	L	12, 15, 16			*B7	Left
		1	2, 6	L	01, 02, 06				Heated, Left
	05127110AA	1	3, 7	L	12, 15, 16				Comfort Seat, Left
	05127114AA	1	2, 6	L	01, 02, 06				Comfort Seat, Right
		1	3, 7	L	12, 15, 16				Heated, Left
		1	2, 6	L	01, 02, 06				Comfort Seat, Left
		1	2, 6	L	11, 12, 14, 15, 16				Comfort Seat, Left
		1	2, 6	L	51, 52, 54, 55, 56				Comfort Seat, Left
		1	2, 6	L	16, 11, 12, 14, 15				Comfort Seat, Right
		1	2, 6	L	51, 52, 54, 55, 56				Comfort Seat, Right
		1	3, 7	L	12, 15, 16				Comfort Seat, Right
2									CUSHION, Front Seat, Driver
	05133234AA	1	2, 6	L	11, 12, 14, 15, 16				

SPRINTER (VA)

SERIES

L = LOWLINE

LINE

3 = HD DODGE 2WD
6 = Lt. Duty DODGE 4WD
2 = Med. Duty DODGE 2WD
7 = Med. Duty DODGE 4WD

BODY

55 = Wagon 140"
54 = Wagon 118"
52 = Wagon 140"
51 = Wagon 118"
12 = Van 140"
11 = Van 118"
06 = Front Section 158"
14 = Van 118"
15 = Van 140"
16 = Van 158"
56 = Wagon 158"
01 = Chassis Forward Control 118"
02 = Chassis Forward Control 140"

ENGINE

EX8 = Engine-2.7L I5
Mercedes Turbo Diesel

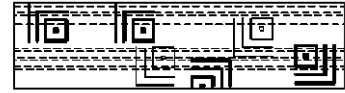
TRANSMISSION

DGJ = Transmission-5-Spd. Automatic, W5A580

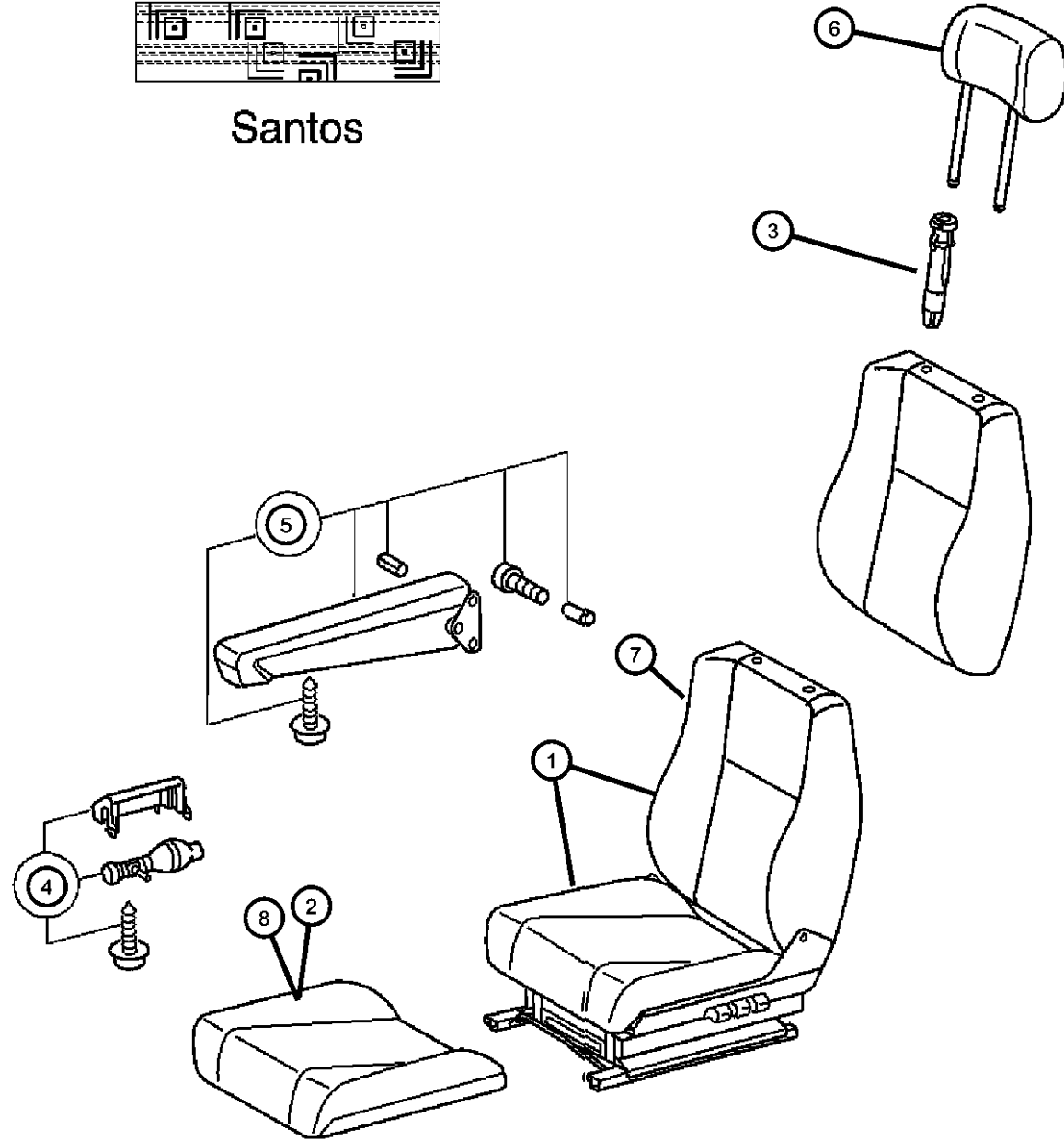
AR = use ase required - = Non illustrated part

2004 VA

Front Seat - Santos
Figure IVA-515



Santos



ITEM	PART NUMBER	QTY	LINE	SERIES	BODY	ENGINE	TRANS	TRIM	DESCRIPTION
		1	2, 6	L	51, 52, 54, 55, 56				
		1	3, 7	L					
		1	2, 6	L	01, 02, 06				
3	1AV08AA7AA	2	2, 6	L	01, 02, 06				SLEEVE, Headrest
		2	2, 6	L	11, 12, 14, 15, 16				
		2	2, 6	L	51, 52, 54, 55, 56				
		2	3, 7	L	12, 15, 16				
4	05127631AA	1	2, 6	L	01, 02, 06				PUMP, Lumbar Support
		1	2, 6	L	11, 12, 14, 15, 16				
		1	2, 6	L	51, 52, 54, 55, 56				
		1	7, 3	L	12, 15, 16				
5	05103710AA	1	2, 6	L	11, 12, 14, 15, 16				ARMREST, Seat With Mounting Hardware, Left
		1	2, 6	L	51, 52, 54, 55, 56				With Mounting Hardware, Left
		1	2, 6	L	01, 02, 06				With Mounting Hardware, Left
	05103711AA	1	2, 6	L	01, 02, 06				With Mounting Hardware, Right
		1	2, 6	L	11, 12, 14, 15, 16				With Mounting Hardware, Right
		1	2, 6	L	51, 52, 54, 55, 56				With Mounting Hardware, Right
6	05125377AA	1	2, 6	L	11, 12, 14, 15, 16				HEADREST Santos
		1	2, 6	L	52, 54, 55, 56, 51				Santos

SPRINTER (VA)

SERIES

L = LOWLINE

LINE

3 = HD DODGE 2WD
6 = Lt. Duty DODGE 4WD
2 = Med. Duty DODGE 2WD
7 = Med. Duty DODGE 4WD

BODY

55 = Wagon 140"
54 = Wagon 118"
52 = Wagon 140"
51 = Wagon 118"
12 = Van 140"
11 = Van 118"
06 = Front Section 158"
14 = Van 118"
15 = Van 140"
16 = Van 158"
56 = Wagon 158"
01 = Chassis Forward Control 118"
02 = Chassis Forward Control 140"

ENGINE

EX8 = Engine-2.7L I5
Mercedes Turbo Diesel

TRANSMISSION

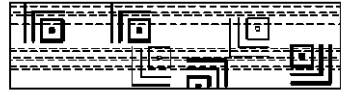
DGJ = Transmission-5-Spd. Automatic, W5A580

AR = use ase required - = Non illustrated part

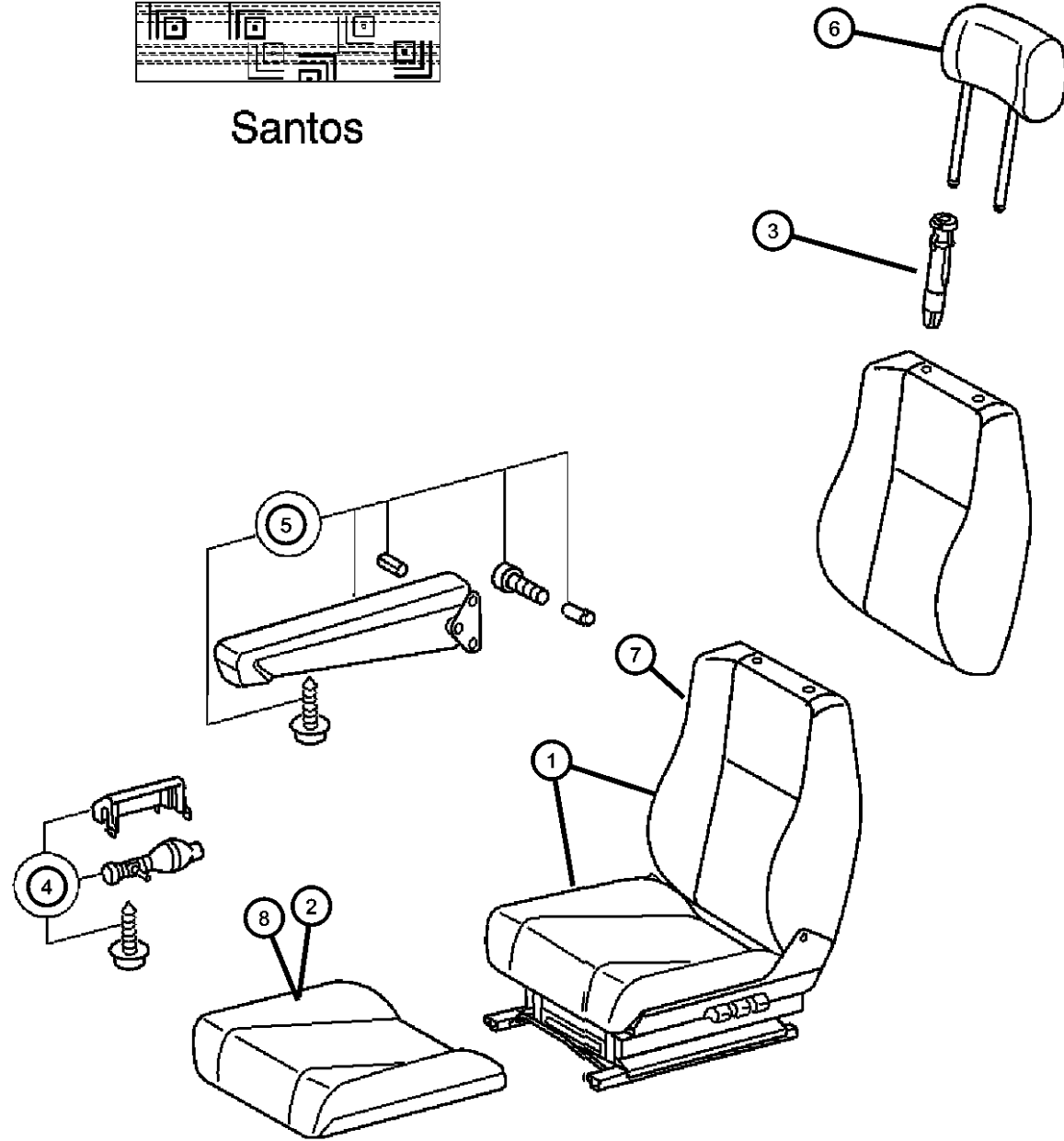
2004 VA

Front Seat - Santos
Figure IVA-515

ITEM	PART NUMBER	QTY	LINE	SERIES	BODY	ENGINE	TRANS	TRIM	DESCRIPTION
7	05125385AA	1	3, 7	L	12, 15, 16				Santos BACK, Front Seat
	05133276AA	1	2, 6	L	11, 12, 14, 15, 16				Right
8		1	2, 6	L	51, 52, 54, 55, 56				Right CUSHION, Front Seat, Passenger
	05133244AA	1	2, 6	L	01, 02, 06				
		1	2, 6	L	11, 12, 14, 15, 16				
		1	2, 6	L	51, 52, 54, 55, 56				
		1	3, 7	L					



Santos



SPRINTER (VA)

SERIES

L = LOWLINE

LINE

3 = HD DODGE 2WD
6 = Lt. Duty DODGE 4WD
2 = Med. Duty DODGE 2WD
7 = Med. Duty DODGE 4WD

BODY

55 = Wagon 140"
54 = Wagon 118"
52 = Wagon 140"
51 = Wagon 118"
12 = Van 140"
11 = Van 118"
06 = Front Section 158"
14 = Van 118"
15 = Van 140"
16 = Van 158"
56 = Wagon 158"
01 = Chassis Forward Control
118"
02 = Chassis Forward Control
140"

ENGINE

EX8 = Engine-2.7L I5
Mercedes Turbo Diesel

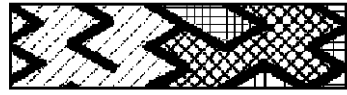
TRANSMISSION

DGJ = Transmission-5-Spd.
Automatic,W5A580

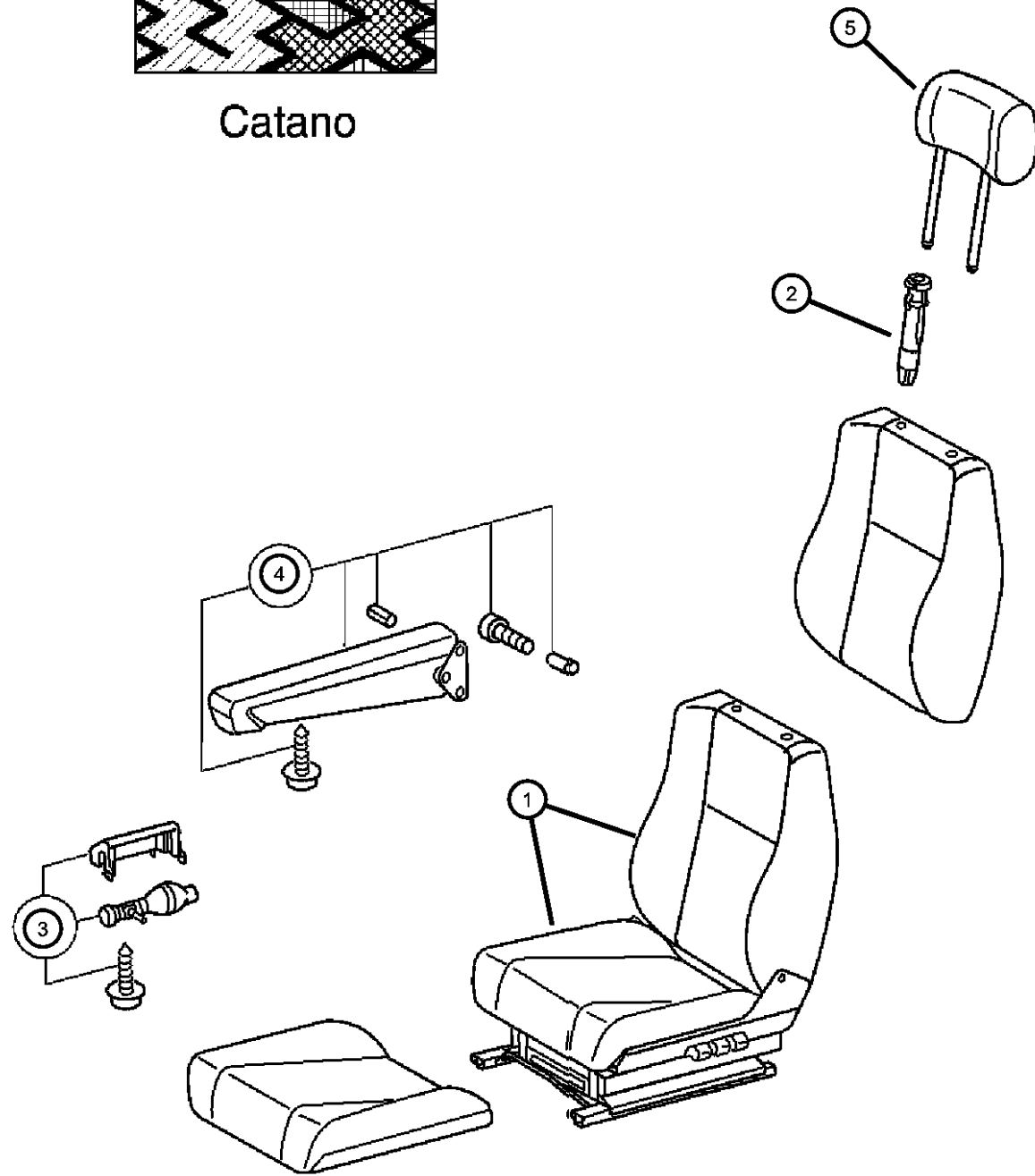
AR = use ase required - = Non illustrated part

2004 VA

Front Seat - Catano
Figure IVA-520



Catano



ITEM	PART NUMBER	QTY	LINE	SERIES	BODY	ENGINE	TRANS	TRIM	DESCRIPTION
1	05126994AA	1	2, 6	L	11, 12, 14, 15, 16			*C7	SEAT COMPLETE, Front Left
		1	2, 6	L	01, 02, 06			*C7	Left
		1	2, 6	L	51, 52, 54, 55, 56			*C7	Left
		1	3, 7	L	12, 15, 16			*C7	Left
2	1AV08AA7AA	2	2, 6	L	01, 02, 06				SLEEVE, Headrest
		2	2, 6	L	11, 12, 14, 15, 16				
		2	2, 6	L	54, 55, 56, 51, 52				
		2	3, 7	L	12, 15, 16				
3	05127631AA	1	2, 6	L	01, 02, 06				PUMP, Lumbar Support
		1	2, 6	L	11, 12, 14, 15, 16				
		1	2, 6	L	51, 52, 54, 55, 56				
		1	3, 7	L	12, 15, 16				
4	05103710AA	1	2, 6	L	01, 02, 06				ARMREST, Seat With Mounting Hardware, Left
		1	2, 6	L	11, 12, 14, 15, 16				With Mounting Hardware, Left
		1	2, 6	L	51, 52, 54, 55, 56				With Mounting Hardware, Left
	05103711AA	1	2, 6	L	01, 02, 06				With Mounting Hardware, Right
		1	2, 6	L	11, 12, 14, 15, 16				With Mounting Hardware, Right
		1	2, 6	L	51, 52, 54, 55, 56				With Mounting Hardware, Right
5	05104534AA	1	2, 6	L	01, 02, 06				HEADREST Catano

SPRINTER (VA)

SERIES

L = LOWLINE

LINE

3 = HD DODGE 2WD
6 = Lt. Duty DODGE 4WD
2 = Med. Duty DODGE 2WD
7 = Med. Duty DODGE 4WD

BODY

55 = Wagon 140"
54 = Wagon 118"
52 = Wagon 140"
51 = Wagon 118"
12 = Van 140"
11 = Van 118"
06 = Front Section 158"
14 = Van 118"
15 = Van 140"
16 = Van 158"
56 = Wagon 158"
01 = Chassis Forward Control 118"
02 = Chassis Forward Control 140"

ENGINE

EX8 = Engine-2.7L I5
Mercedes Turbo Diesel

TRANSMISSION

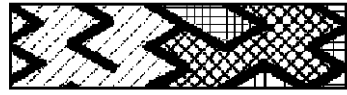
DGJ = Transmission-5-Spd. Automatic, W5A580

AR = use ase required - = Non illustrated part

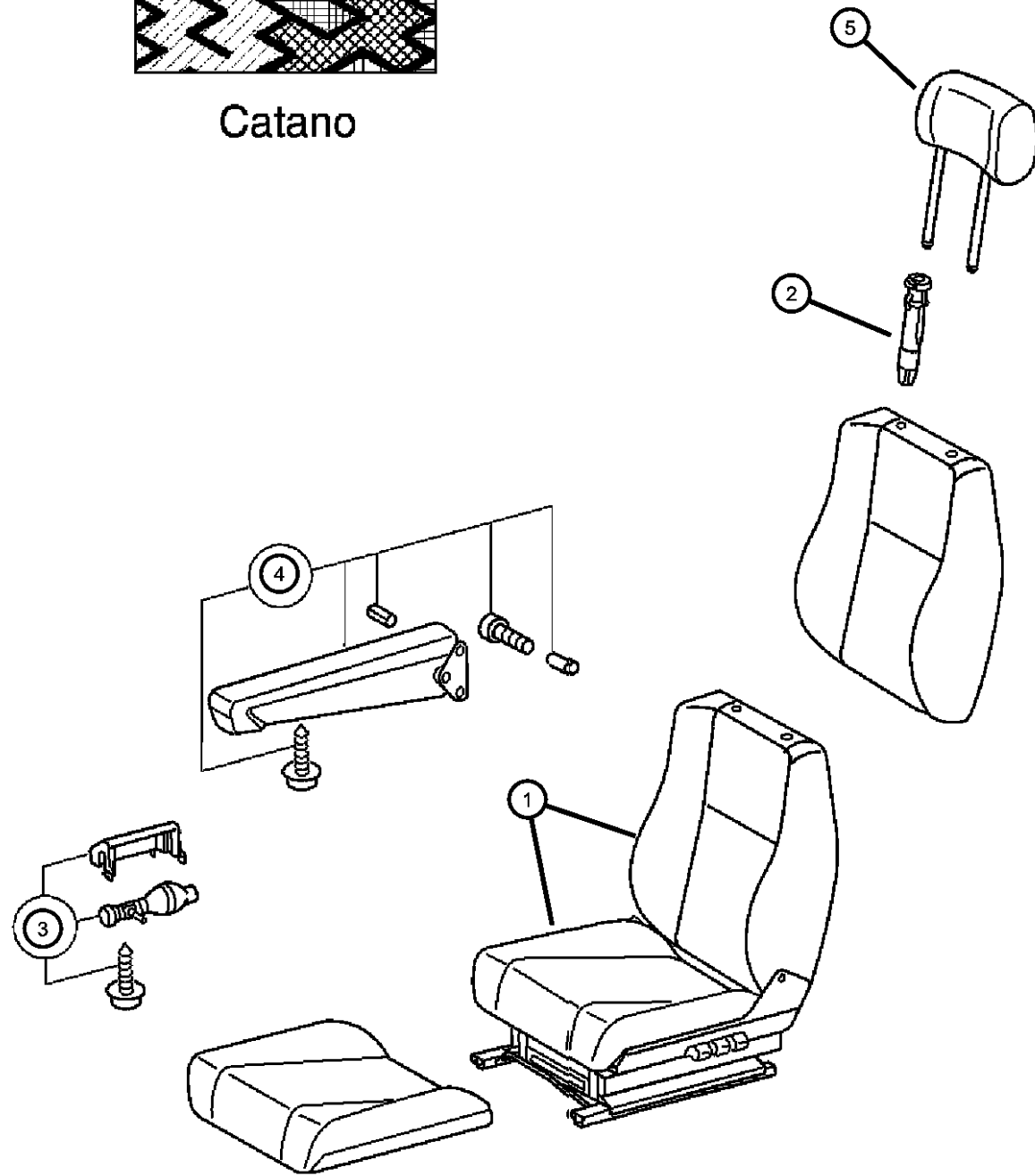
2004 VA

Front Seat - Catano
Figure IVA-520

ITEM	PART NUMBER	QTY	LINE	SERIES	BODY	ENGINE	TRANS	TRIM	DESCRIPTION
------	-------------	-----	------	--------	------	--------	-------	------	-------------



Catano



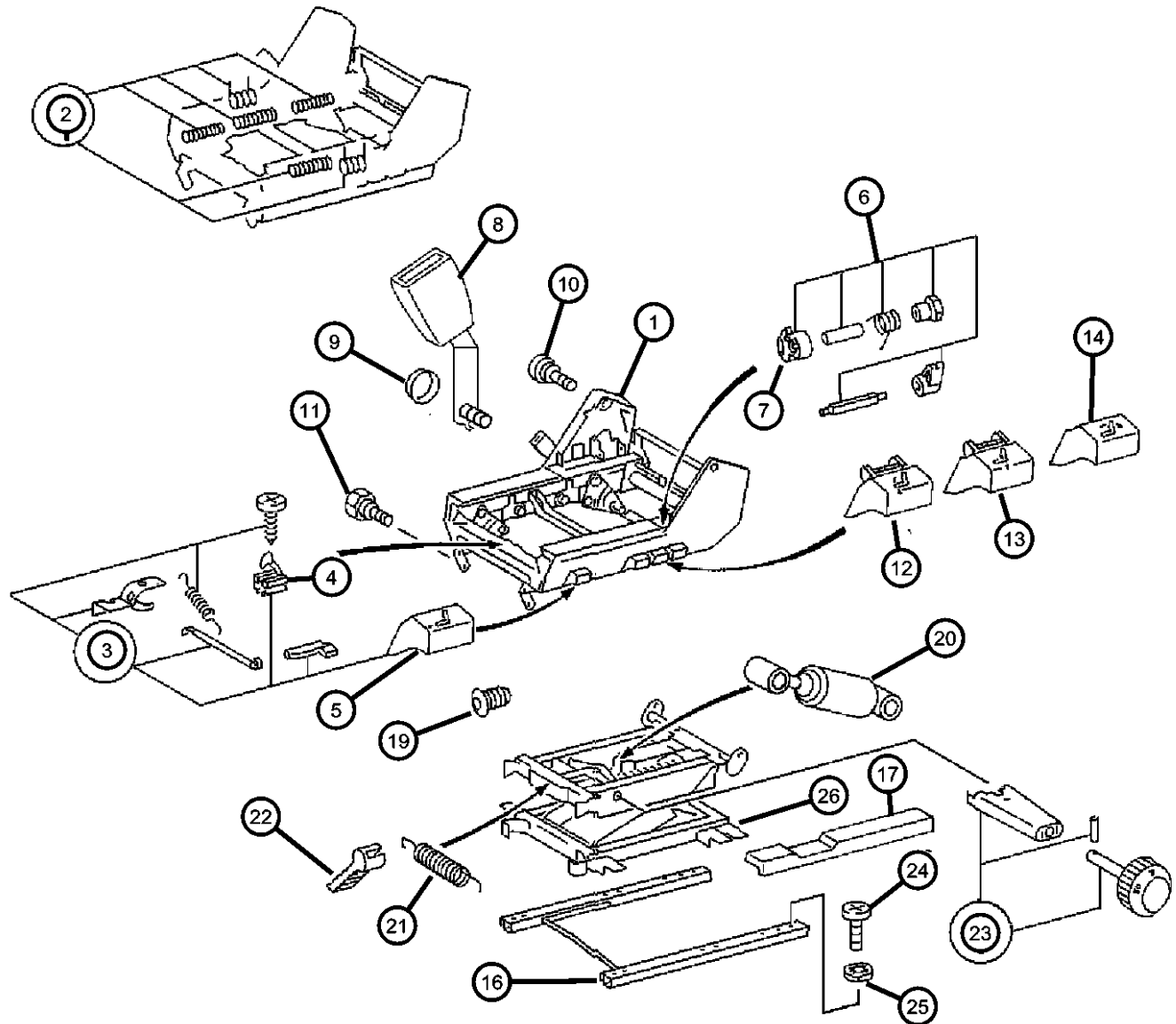
1			2, 6	L	11, 12, 14, 15, 16			*C7	Catano
1			2, 6	L	51, 52, 54, 55, 56				Catano
1			3, 7	L	12, 15, 16				Catano

SPRINTER (VA)

SERIES	LINE	BODY	ENGINE	TRANSMISSION
L = LOWLINE	3 = HD DODGE 2WD 6 = Lt. Duty DODGE 4WD 2 = Med. Duty DODGE 2WD 7 = Med. Duty DODGE 4WD	55 = Wagon 140" 54 = Wagon 118" 52 = Wagon 140" 51 = Wagon 118" 12 = Van 140" 11 = Van 118" 06 = Front Section 158" 14 = Van 118" 15 = Van 140" 16 = Van 158" 56 = Wagon 158" 01 = Chassis Forward Control 118" 02 = Chassis Forward Control 140"	EX8 = Engine-2.7L I5 Mercedes Turbo Diesel	DGJ = Transmission-5-Spd. Automatic, W5A580

AR = use ase required - = Non illustrated part

Front Seat - Attaching Parts
Figure IVA-525



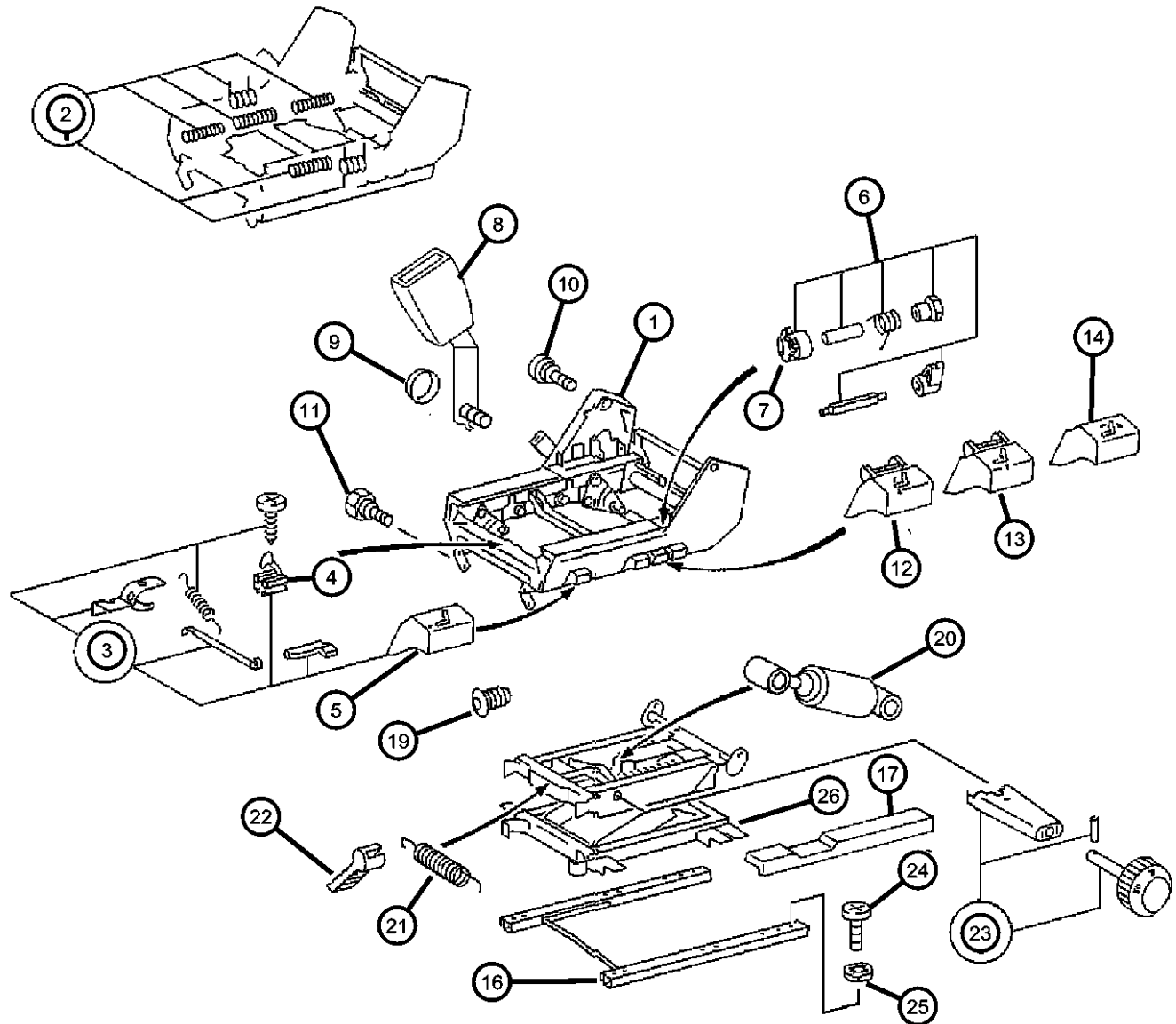
ITEM	PART NUMBER	QTY	LINE	SERIES	BODY	ENGINE	TRANS	TRIM	DESCRIPTION
1									ADJUSTER, Seat
	05103703AA	1	2, 6	L	01, 02, 06				
		1	2, 6	L	51, 52, 54, 55, 56				Driver
		1	3, 7	L	12, 15, 16				Driver
	05133211AA	1	2, 6	L	01, 02, 06				[CDD], Luxury Bucket, Driver
		1	2, 6	L	11, 12, 14, 15, 16				[CDD], Luxury Bucket, Driver
		1	2, 6	L	51, 52, 54, 55, 56				[CDD], Luxury Bucket, Driver
	05133266AA	1	2, 6	L	01, 02, 06				Passenger
		1	2, 6	L	11, 12, 14, 15, 16				Passenger
		1	2, 6	L	51, 52, 54, 55, 56				Passenger
		1	3, 7	L	12, 15, 16				Passenger
	05133264AA	1	3, 7	L	12, 15, 16				[CDD], Luxury Bucket, Driver
		1	2, 6	L	01, 02, 06				[CDY], Luxury Bucket, Passenger
		1	2, 6	L	11, 12, 14, 15, 16				[CDY], Luxury Bucket, Passenger
		1	2, 6	L	51, 52, 54, 55, 56				[CDY], Luxury Bucket, Passenger
		1	3, 7	L	12, 15, 16				[CDY], Luxury Bucket, Passenger
2									SPRING, Seat Track Adjuster
	05133214AA	1	2, 6	L	01, 02, 06				
		1	2, 6	L	11, 12, 14, 15, 16				
		1	2, 6	L	51, 52, 54, 55, 56				
		1	3, 7	L	12, 15, 16				
3									HANDLE, Seat Adjuster

SPRINTER (VA)

SERIES	LINE	BODY	ENGINE	TRANSMISSION
L = LOWLINE	3 = HD DODGE 2WD 6 = Lt. Duty DODGE 4WD 2 = Med. Duty DODGE 2WD 7 = Med. Duty DODGE 4WD	55 = Wagon 140" 54 = Wagon 118" 52 = Wagon 140" 51 = Wagon 118" 12 = Van 140" 11 = Van 118" 06 = Front Section 158" 14 = Van 118" 15 = Van 140" 16 = Van 158" 56 = Wagon 158"	EX8 = Engine-2.7L I5 Mercedes Turbo Diesel	DGJ = Transmission-5-Spd. Automatic,W5A580

AR = use ase required - = Non illustrated part

Front Seat - Attaching Parts
Figure IVA-525

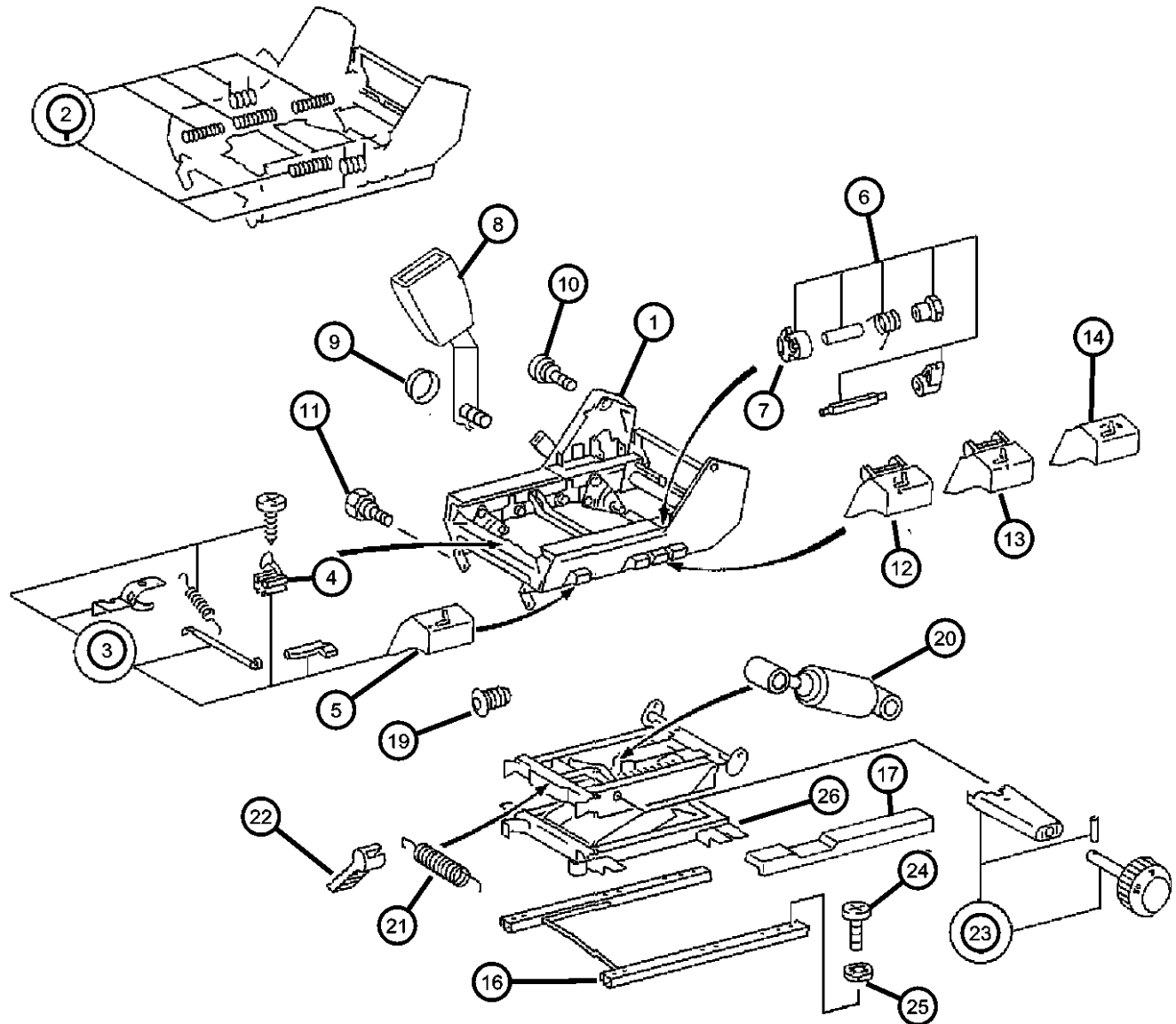


ITEM	PART NUMBER	QTY	LINE	SERIES	BODY	ENGINE	TRANS	TRIM	DESCRIPTION
	05133216AA	1	2, 6	L	01, 02, 06				Seat Cushion Depth, Driver Side
		1	2, 6	L	11, 12, 14, 15, 16				Seat Cushion Depth, Driver Side
		1	2, 6	L	51, 52, 54, 55, 56				Seat Cushion Depth, Driver Side
	0ZN48TE4AA	1	3, 7	L	12, 15, 16				Seat Cushion Depth, Driver Side
		1	3, 7	L	02, 06				Seat Cushion Depth, Passenger Side
4									LOCK, Adjuster
	05133215AA	1	2, 6	L	01, 02, 06				
		1	2, 6	L	11, 12, 14, 15, 16				
		1	2, 6	L	51, 52, 54, 55, 56				
		1	3, 7	L	12, 15, 16				
5									HANDLE, Seat Adjuster
	05133216AA	1	2, 6	L	01, 02, 06				Seat Cushion Depth, Driver Side
	05133267AA	1	2, 6	L	01, 02, 06				Seat Cushion Depth, Passenger Side
		1	2, 6	L	11, 12, 14, 15, 16				Seat Cushion Depth, Passenger Side
		1	2, 6	L	51, 52, 54, 55, 56				Seat Cushion Depth, Passenger Side
		1	2, 6	L	11, 12, 14, 15, 16				Seat Cushion Depth, Driver Side
		1	2, 6	L	51, 52, 54, 55, 56				Seat Cushion Depth, Driver Side
6									HARDWARE KIT
	05133217AA	1	2, 6	L	01, 02, 06				
		1	2, 6	L	11, 12, 14, 15, 16				
		1	2, 6	L	51, 52, 54, 55, 56				
		1	3, 7	L	12, 15, 16				
7									LOCK, Adjuster

SPRINTER (VA)
 SERIES LINE BODY ENGINE TRANSMISSION
 L = LOWLINE 3 = HD DODGE 2WD 55 = Wagon 140" EX8 = Engine-2.7L I5 DGJ = Transmission-5-Spd.
 6 = Lt. Duty DODGE 4WD 54 = Wagon 118" Mercedes Turbo Diesel Automatic,W5A580
 2 = Med. Duty DODGE 2WD 52 = Wagon 140"
 7 = Med. Duty DODGE 4WD 51 = Wagon 118"
 12 = Van 140"
 11 = Van 118"
 06 = Front Section 158"
 14 = Van 118"
 15 = Van 140"
 16 = Van 158"
 56 = Wagon 158"
 01 = Chassis Forward Control 118"
 02 = Chassis Forward Control 140"

AR = use ase required - = Non illustrated part

Front Seat - Attaching Parts
Figure IVA-525



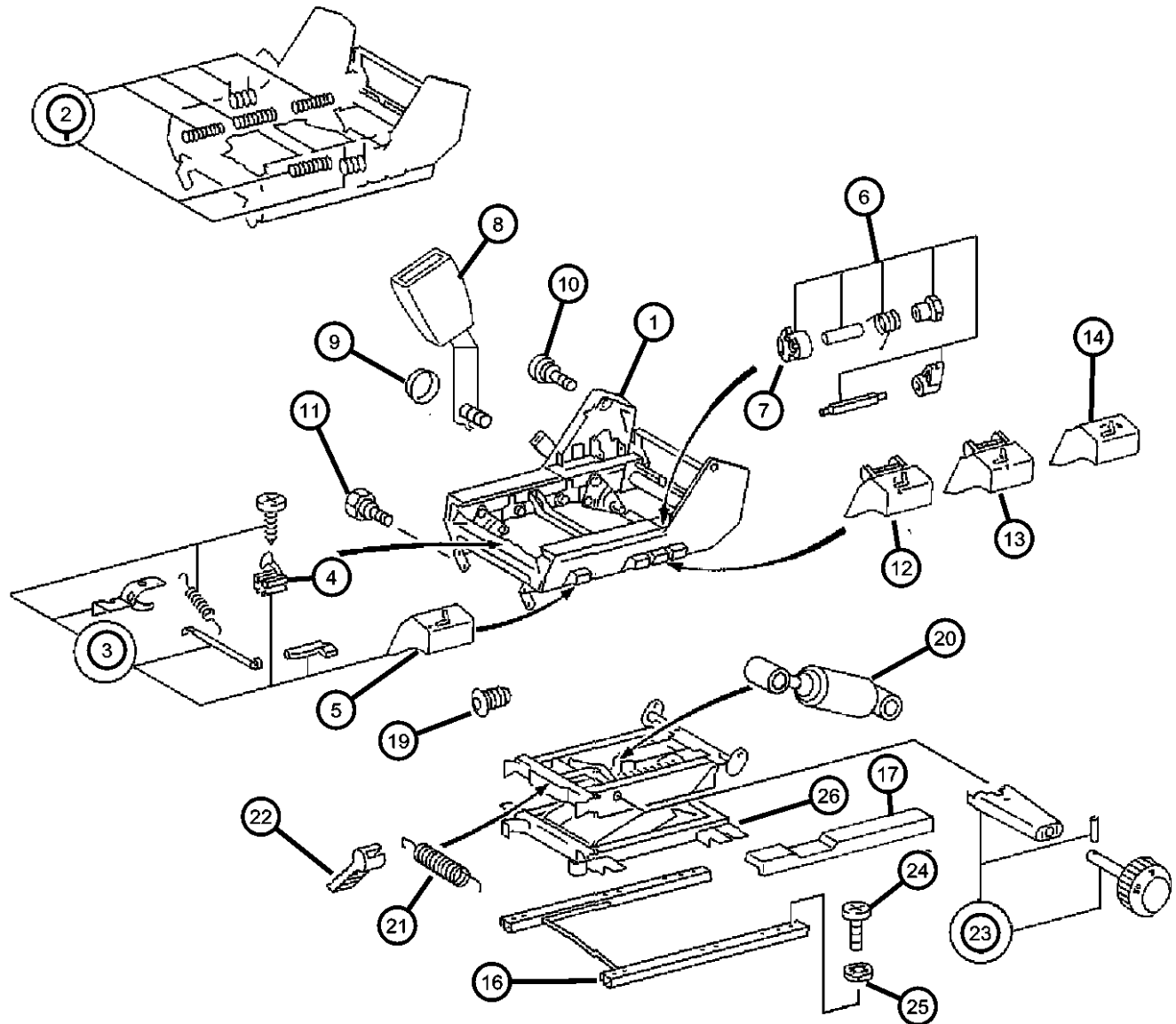
ITEM	PART NUMBER	QTY	LINE	SERIES	BODY	ENGINE	TRANS	TRIM	DESCRIPTION
	05133269AA	1	3, 7	L	12, 15, 16				
		1	2, 6	L	01, 02, 06				
		1	2, 6	L	11, 12, 14, 15, 16				
		1	2, 6	L	51, 52, 54, 55, 56				
8		1							SEAT BELT, Front, For Part Numbers See Ill 710, (NOT SERVICED)
9									CAP, Screw Cover
	05125999AA	1	2, 6	L	11, 12, 14, 15, 16				
		1	2, 6	L	51, 52, 54, 55, 56				
		1	3, 7	L	12, 15, 16				
		1	2, 6	L	01, 02, 06				
10									BOLT, Pivot
	05133219AA	2	3, 7	L	12, 15, 16				
		2	2, 6	L	01, 02, 06				
		2	2, 6	L	11, 12, 14, 15, 16				
		2	2, 6	L	51, 52, 54, 55, 56				
11									BOLT, Seat
	05133220AA	2	2, 6	L	01, 02, 06				
		2	2, 6	L	11, 12, 14, 15, 16				
		2	2, 6	L	51, 52, 54, 55, 56				
		2	3, 7	L	12, 15, 16				
12									HANDLE, Seat Adjuster
	0ZN44TE4AA	1	2, 6	L	01, 02, 06			-AA	Seat Cushion Depth, Drivers Side

SPRINTER (VA)

SERIES	LINE	BODY	ENGINE	TRANSMISSION
L = LOWLINE	3 = HD DODGE 2WD 6 = Lt. Duty DODGE 4WD 2 = Med. Duty DODGE 2WD 7 = Med. Duty DODGE 4WD	55 = Wagon 140" 54 = Wagon 118" 52 = Wagon 140" 51 = Wagon 118" 12 = Van 140" 11 = Van 118" 06 = Front Section 158" 14 = Van 118" 15 = Van 140" 16 = Van 158" 56 = Wagon 158"	EX8 = Engine-2.7L I5 Mercedes Turbo Diesel	DGJ = Transmission-5-Spd. Automatic, W5A580
		01 = Chassis Forward Control 118" 02 = Chassis Forward Control 140"		

AR = use ase required - = Non illustrated part

Front Seat - Attaching Parts
Figure IVA-525



ITEM	PART NUMBER	QTY	LINE	SERIES	BODY	ENGINE	TRANS	TRIM	DESCRIPTION
		1	2, 6	L	11, 12, 14, 15, 16			-AA	Seat Cushion Depth, Drivers Side
		1	2, 6	L	51, 52, 54, 55, 56			-AA	Seat Cushion Depth, Drivers Side
		1	3, 7	L	12, 15, 16			-AA	Seat Cushion Depth, Drivers Side
	0ZLN45TE4AA	1	2, 6	L	01, 02, 06			-AA	Raises Front of Cushion, Drivers Side
		1	2, 6	L	11, 12, 14, 15, 16			-AA	Raises Front of Cushion, Drivers Side
		1	2, 6	L	51, 52, 54, 55, 56			-AA	Raises Front of Cushion, Drivers Side
		1	3, 7	L	12, 15, 16			-AA	Raises Front of Cushion, Drivers Side
	0ZLN49TE4AA	1	2, 6	L	01, 02, 06			-AA	Raises Front of Cushion, Passenger Side
		1	2, 6	L	11, 12, 14, 15, 16			-AA	Raises Front of Cushion, Passenger Side
		1	2, 6	L	51, 52, 54, 55, 56			-AA	Raises Front of Cushion, Passenger Side
		1	3, 7	L	12, 15, 16			-AA	Raises Front of Cushion, Passenger Side
	0ZLN50TE4AA	1	2, 6	L	01, 02, 06			-AA	Raises Rear of Cushion, Passenger Side
		1	3, 7	L	12, 15, 16			-AA	Raises Rear of Cushion, Passenger Side
		1	2, 6	L	11, 12, 14, 15, 16			-AA	Raises Rear of Cushion, Passenger Side
		1	2, 6	L	51, 52, 54, 55, 56			-AA	Raises Rear of Cushion, Passenger Side
13									HANDLE, Seat Adjuster
	05133283AA	1	3, 7	L	12, 15, 16				Adjuster, Front, Cushion
	0ZLN46TE4AA	1	2, 6	L	01, 02, 06			-AA	Raises Rear of Cushion, Drivers Side, Cushion
		1	2, 6	L	11, 12, 14, 15, 16			-AA	Raises Rear of Cushion, Drivers Side
		1	2, 6	L	51, 52, 54, 55, 56			-AA	Raises Rear of Cushion, Drivers Side

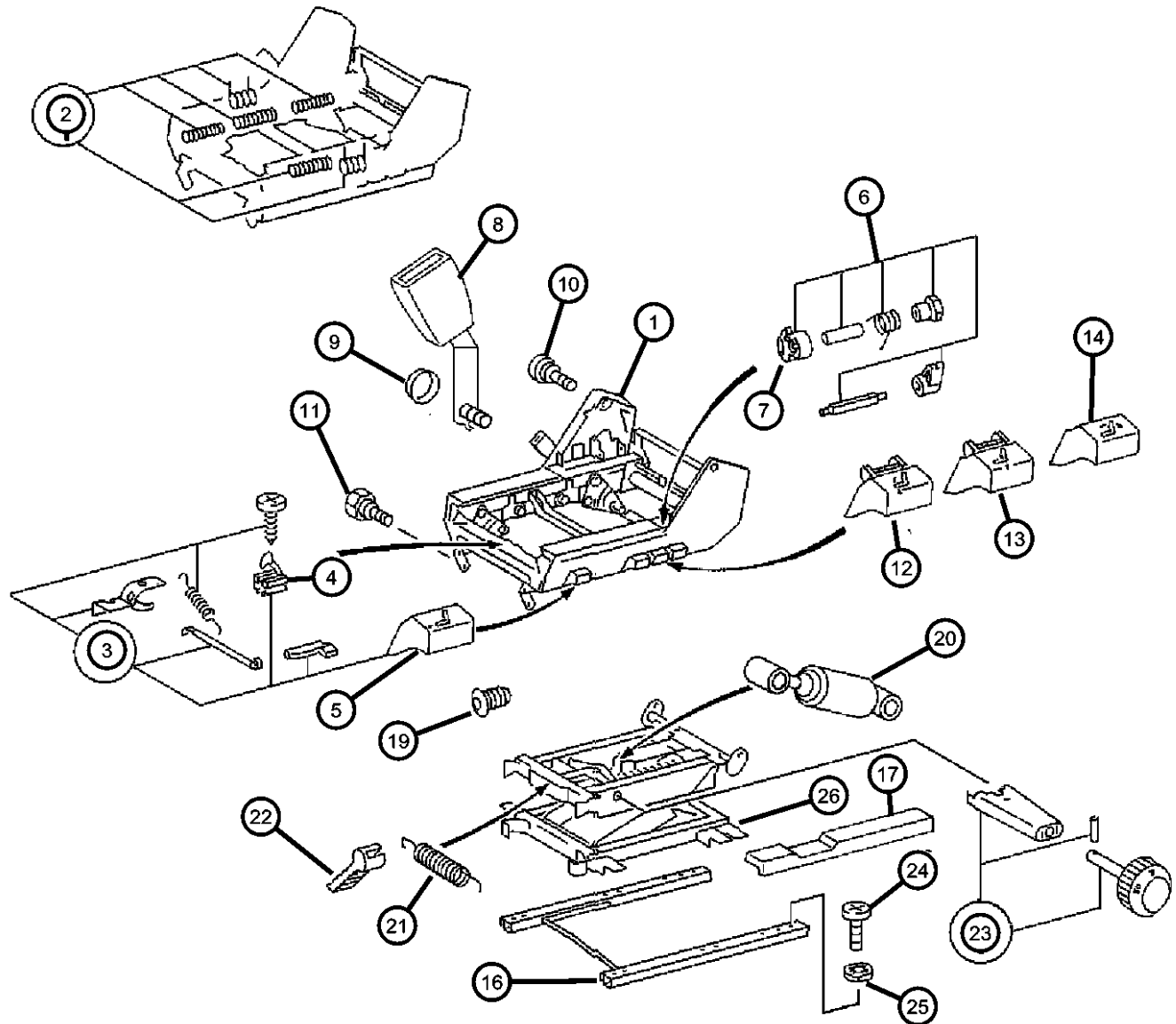
SPRINTER (VA)

SERIES	LINE	BODY	ENGINE	TRANSMISSION
L = LOWLINE	3 = HD DODGE 2WD 6 = Lt. Duty DODGE 4WD 2 = Med. Duty DODGE 2WD 7 = Med. Duty DODGE 4WD	55 = Wagon 140" 54 = Wagon 118" 52 = Wagon 140" 51 = Wagon 118" 12 = Van 140" 11 = Van 118" 06 = Front Section 158" 14 = Van 118" 15 = Van 140" 16 = Van 158" 56 = Wagon 158"	EX8 = Engine-2.7L I5 Mercedes Turbo Diesel	DGJ = Transmission-5-Spd. Automatic, W5A580

01 = Chassis Forward Control 118"
02 = Chassis Forward Control 140"

AR = use ase required - = Non illustrated part

Front Seat - Attaching Parts
Figure IVA-525



ITEM	PART NUMBER	QTY	LINE	SERIES	BODY	ENGINE	TRANS	TRIM	DESCRIPTION
		1	3, 7	L	12, 15, 16			-AA	Raises Rear of Cushion, Drivers Side
	0ZN50TE4AA	1	3, 7	L	12, 15, 16			-AA	Raises Rear of Cushion, Passenger Side
		1	2, 6	L	01, 02, 06			-AA	Raises Rear of Cushion, Passenger Side
		1	2, 6	L	11, 12, 14, 15, 16			-AA	Raises Rear of Cushion, Passenger Side
		1	2, 6	L	51, 52, 54, 55, 56			-AA	Raises Rear of Cushion, Passenger Side
14									HANDLE, Seat Recliner Passenger Side
	0ZN51TE4AA	1	2, 6	L	11, 12, 14, 15, 16				Passenger Side
		1	3, 7	L	12, 15, 16				Passenger Side
		1	2, 6	L	51, 52, 54, 55, 56				HANDLE, Recliner
-15									
	05103778AA	1	2, 6	L	01, 02, 06				
		1	2, 6	L	11, 12, 14, 15, 16				
		1	2, 6	L	51, 52, 54, 55, 56				
		1	3, 7	L	12, 15, 16				
16									TRACK, Seat Adjuster
	05103702AA	1	3, 7	L	12, 15, 16				
		1	2, 6	L	01, 02, 06				
		1	2, 6	L	11, 12, 14, 15, 16				
		1	2, 6	L	51, 52, 54, 55, 56				
17									COVER, Seat Adjuster
	05133224AA	1	2, 6	L	01, 02, 06				
		1	2, 6	L	11, 12, 14, 15, 16				

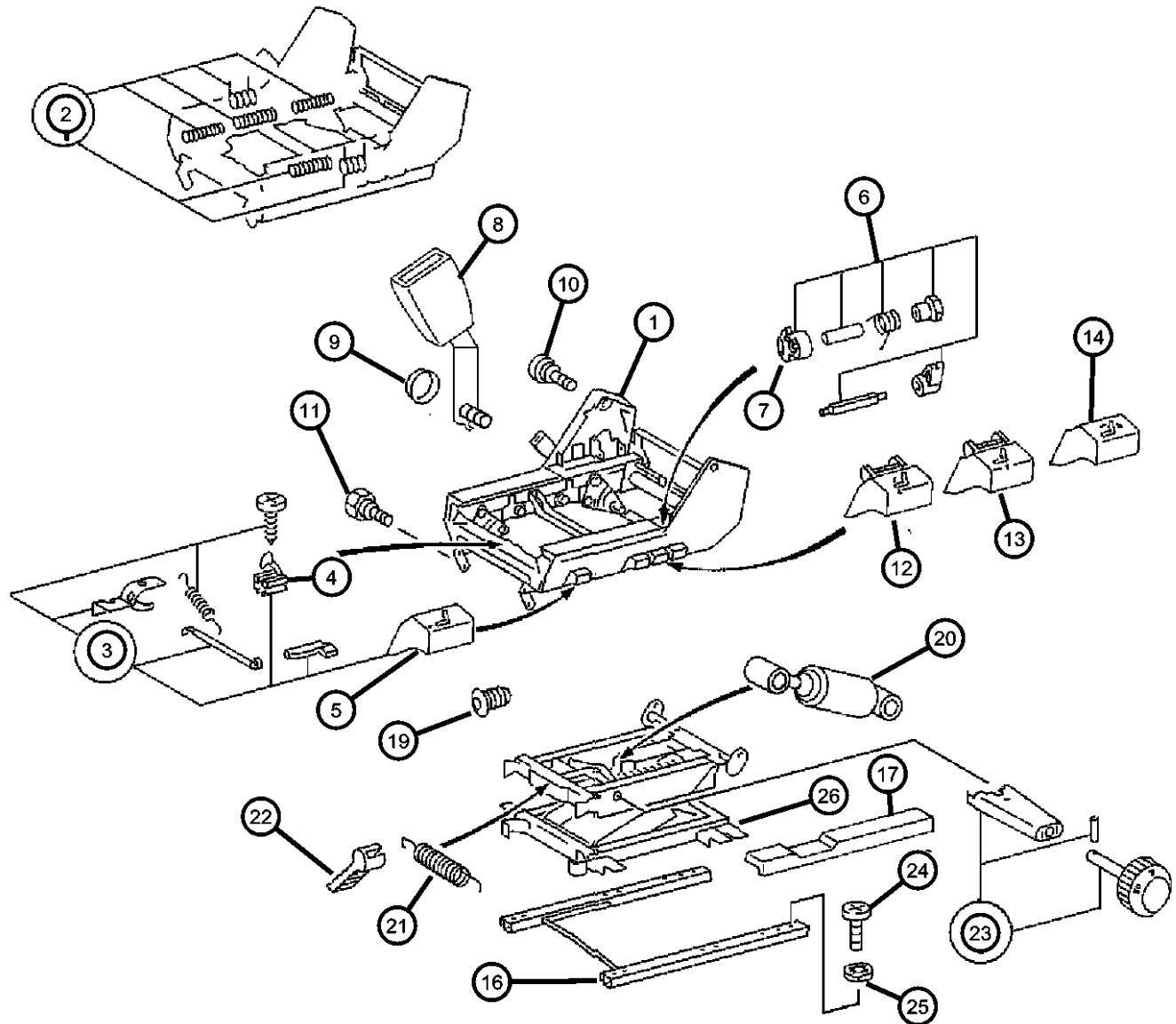
SPRINTER (VA)

SERIES	LINE	BODY	ENGINE	TRANSMISSION
L = LOWLINE	3 = HD DODGE 2WD 6 = Lt. Duty DODGE 4WD 2 = Med. Duty DODGE 2WD 7 = Med. Duty DODGE 4WD	55 = Wagon 140" 54 = Wagon 118" 52 = Wagon 140" 51 = Wagon 118" 12 = Van 140" 11 = Van 118" 06 = Front Section 158" 14 = Van 118" 15 = Van 140" 16 = Van 158" 56 = Wagon 158"	EX8 = Engine-2.7L I5 Mercedes Turbo Diesel	DGJ = Transmission-5-Spd. Automatic, W5A580

01 = Chassis Forward Control 118"
02 = Chassis Forward Control 140"

AR = use ase required - = Non illustrated part

Front Seat - Attaching Parts
Figure IVA-525



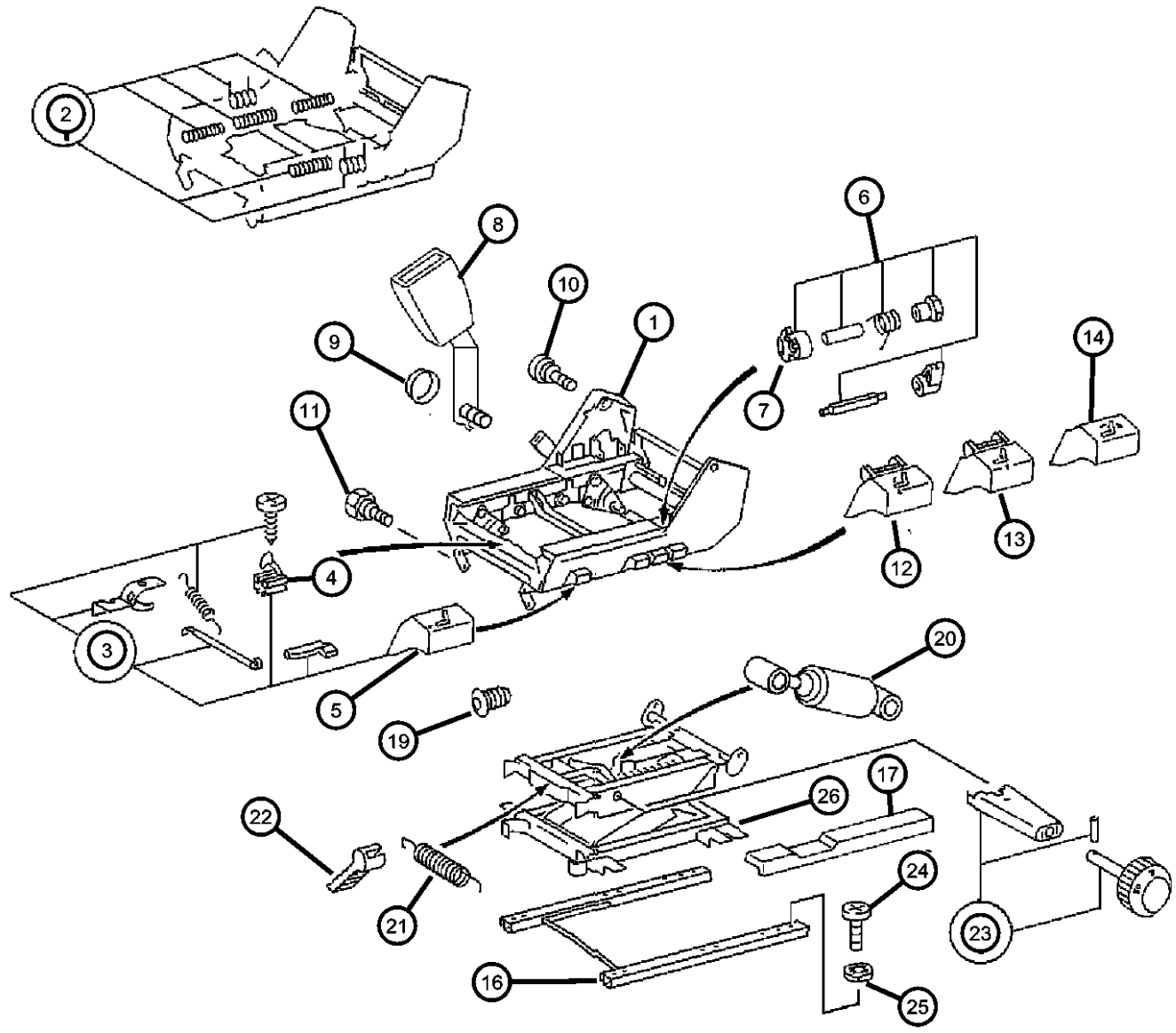
ITEM	PART NUMBER	QTY	LINE	SERIES	BODY	ENGINE	TRANS	TRIM	DESCRIPTION
		1	2, 6	L	51, 52, 54, 55, 56				
		1	3, 7	L	12, 15, 16				
-18									SHIELD, Seat Adjuster
	05133222AA	1	2, 6	L	01, 02, 06				
		1	2, 6	L	11, 12, 14, 15, 16				
		1	2, 6	L	51, 52, 54, 55, 56				
		1	3, 7	L	12, 15, 16				
19		1							PLUG, (NOT SERVICED)
20									ABSORBER
	05133483AA	1	2, 6	L	01, 02, 06				Seat Suspension
		1	2, 6	L	11, 12, 14, 15, 16				Seat Suspension
		1	2, 6	L	51, 52, 54, 55, 56				Seat Suspension
		1	3, 7	L	12, 15, 16				Seat Suspension
21		1							SPRING, (NOT SERVICED),
22		1							LEVER, (NOT SERVICED)
23		1							WHEEL, Hand, (NOT SERVICED)
24									SCREW, Seat
	05126139AA	6	2, 6	L	01, 02, 06				
		6	2, 6	L	11, 12, 14, 15, 16				
		6	2, 6	L	51, 52, 54, 55, 56				
		6	3, 7	L	12, 15, 16				
25									WASHER, Locking
	05125426AA	4	2, 6	L	11, 12, 14, 15, 16				
		4	2, 6	L	51, 52, 54, 55, 56				

SPRINTER (VA)
 SERIES LINE BODY ENGINE TRANSMISSION
 L = LOWLINE 3 = HD DODGE 2WD 55 = Wagon 140" EX8 = Engine-2.7L I5 DGJ = Transmission-5-Spd.
 6 = Lt. Duty DODGE 4WD 54 = Wagon 118" Mercedes Turbo Diesel Automatic,W5A580
 2 = Med. Duty DODGE 2WD 52 = Wagon 140"
 7 = Med. Duty DODGE 4WD 51 = Wagon 118"
 12 = Van 140"
 11 = Van 118"
 06 = Front Section 158"
 14 = Van 118"
 15 = Van 140"
 16 = Van 158"
 56 = Wagon 158"
 01 = Chassis Forward Control 118"
 02 = Chassis Forward Control 140"

AR = use ase required - = Non illustrated part

Front Seat - Attaching Parts
Figure IVA-525

ITEM	PART NUMBER	QTY	LINE	SERIES	BODY	ENGINE	TRANS	TRIM	DESCRIPTION
		4	2, 6	L	01, 02, 06				
		4	3, 7	L	12, 15, 16				
26	05166120AA	1	2, 3, 6, 7	L					FRAME, Front Seat Cushion



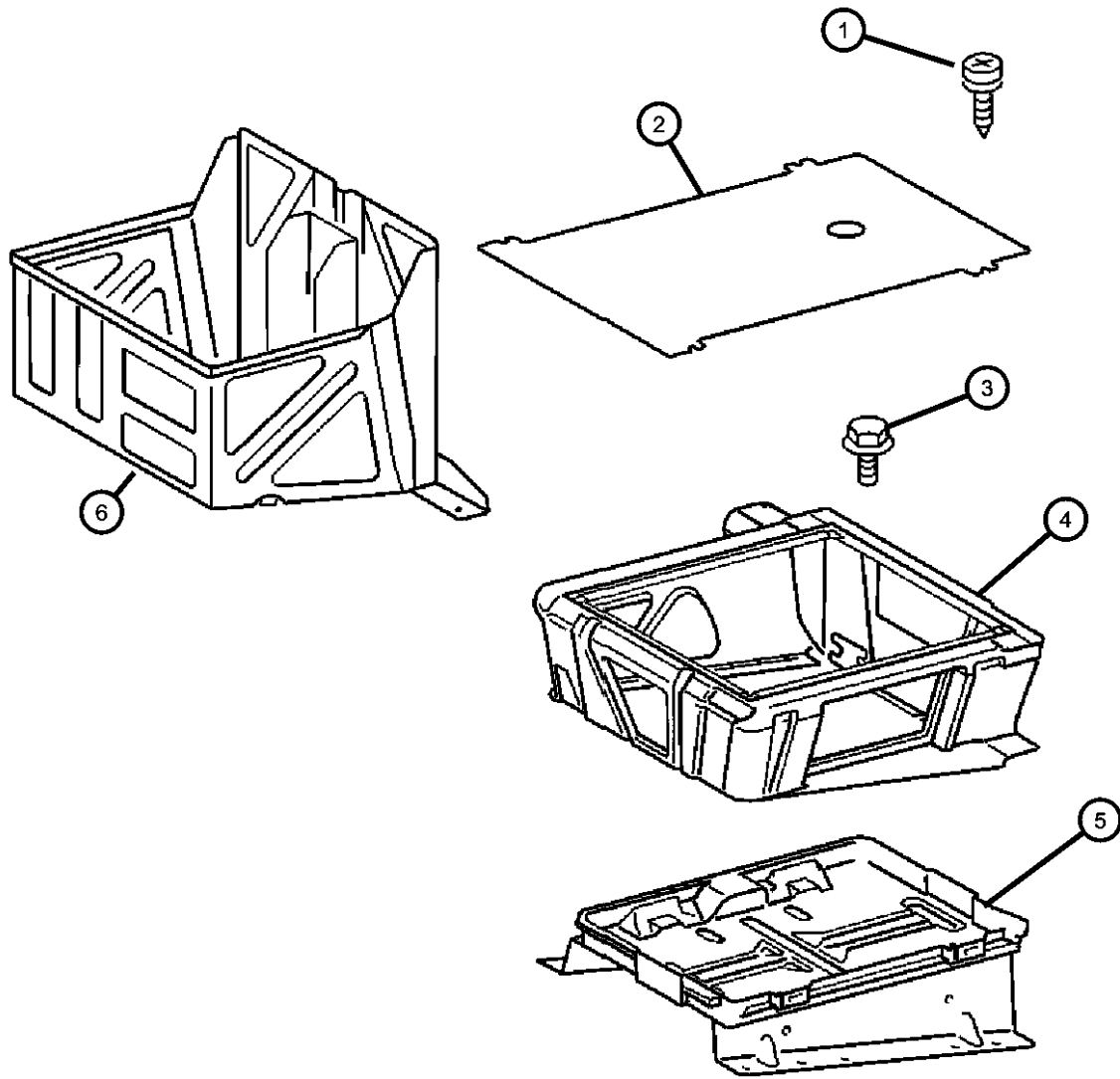
SPRINTER (VA)

SERIES	LINE	BODY	ENGINE	TRANSMISSION
L = LOWLINE	3 = HD DODGE 2WD 6 = Lt. Duty DODGE 4WD 2 = Med. Duty DODGE 2WD 7 = Med. Duty DODGE 4WD	55 = Wagon 140" 54 = Wagon 118" 52 = Wagon 140" 51 = Wagon 118" 12 = Van 140" 11 = Van 118" 06 = Front Section 158" 14 = Van 118" 15 = Van 140" 16 = Van 158" 56 = Wagon 158"	EX8 = Engine-2.7L I5 Mercedes Turbo Diesel	DGJ = Transmission-5-Spd. Automatic,W5A580
		01 = Chassis Forward Control 118" 02 = Chassis Forward Control 140"		

AR = use ase required - = Non illustrated part

Front Seat - Attaching Parts - Riser
Figure IVA-530

ITEM	PART NUMBER	QTY	LINE	SERIES	BODY	ENGINE	TRANS	TRIM	DESCRIPTION
1	06104574AA	2	2, 6	L	11, 12, 14, 15, 16				SCREW, Tapping
		2	2, 6	L	51, 52, 54, 55, 56				
		2	3, 7	L	12, 15, 16				
2	05104234AA	1	2, 6	L	11, 12, 14, 15, 16				COVER Seat Box
		1	2, 6	L	51, 52, 54, 55, 56				Seat Box
		1	3, 7	L	12, 15, 16				Seat Box
3	05126227AA	2	2, 6	L	01, 02, 06				BOLT, Hex Head
		2	2, 6	L	11, 12, 14, 15, 16				
		2	2, 6	L	51, 52, 54, 55, 56				
		2	3, 7	L	12, 15, 16				
4	05122168AA	1	3, 7	L	12, 15, 16				RISER, Seat With Aux. Battery (3500GVW)
	05122187AA	1	2, 6	L	11, 12, 14, 15, 16				Driver
		1	2, 6	L	51, 52, 54, 55, 56				Driver
		1	3, 7	L	12, 15, 16				Driver
	05122192AA	1	2, 6	L	11, 12, 14, 15, 16				Passenger
		1	2, 6	L	51, 52, 54, 55, 56				Passenger
		1	3, 7	L	12, 15, 16				Passenger
5	05122170AA	1	2, 6	L	11, 12, 14, 15, 16				TRAY, Battery With Aux. Battery (2500GVW)



SPRINTER (VA)

SERIES

L = LOWLINE

LINE

3 = HD DODGE 2WD
 6 = Lt. Duty DODGE 4WD
 2 = Med. Duty DODGE 2WD
 7 = Med. Duty DODGE 4WD

BODY

55 = Wagon 140"
 54 = Wagon 118"
 52 = Wagon 140"
 51 = Wagon 118"
 12 = Van 140"
 11 = Van 118"
 06 = Front Section 158"
 14 = Van 118"
 15 = Van 140"
 16 = Van 158"
 56 = Wagon 158"
 01 = Chassis Forward Control 118"
 02 = Chassis Forward Control 140"

ENGINE

EX8 = Engine-2.7L I5
 Mercedes Turbo Diesel

TRANSMISSION

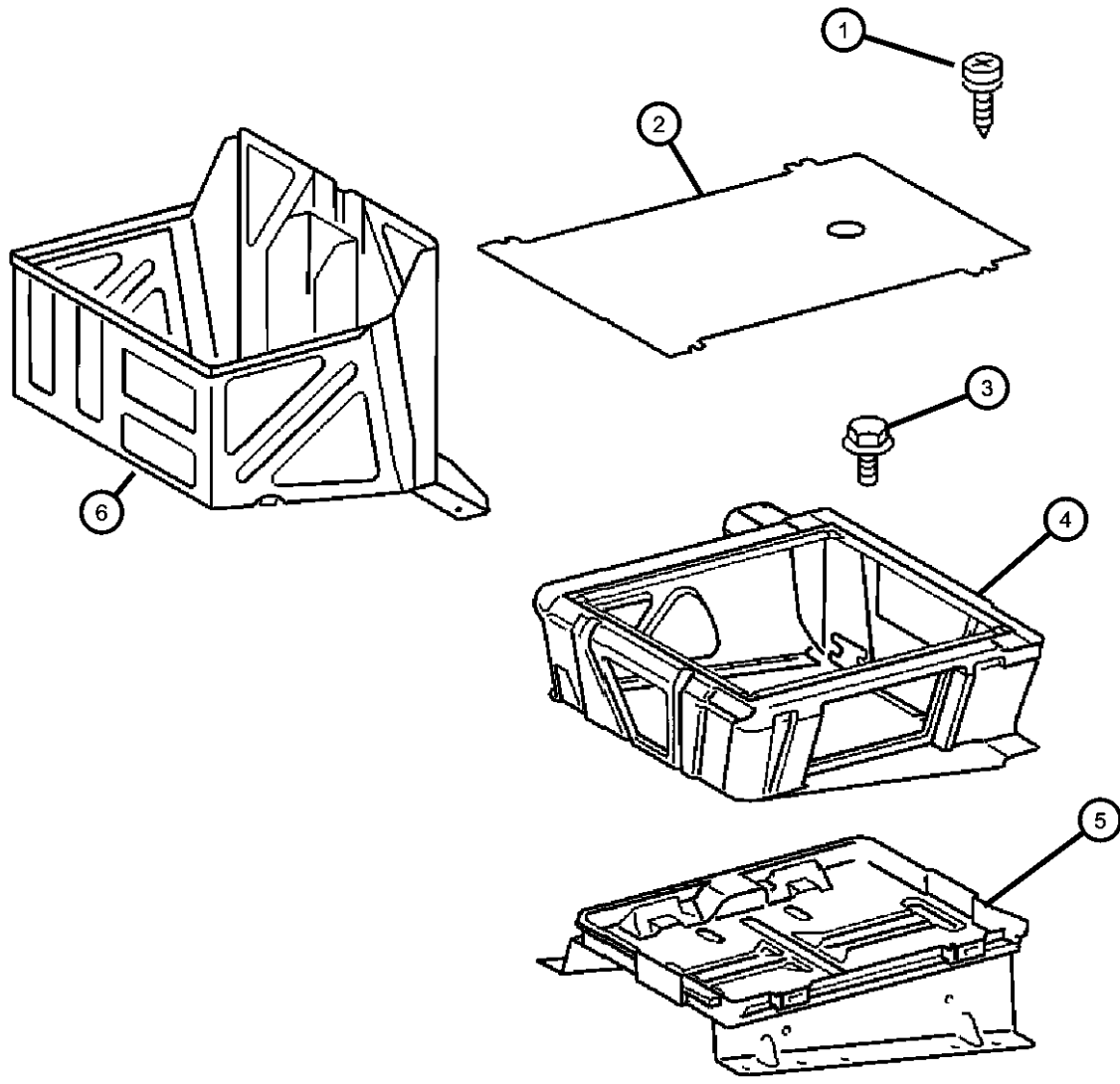
DGJ = Transmission-5-Spd. Automatic, W5A580

AR = use ase required - = Non illustrated part

2004 VA

Front Seat - Attaching Parts - Riser
Figure IVA-530

ITEM	PART NUMBER	QTY	LINE	SERIES	BODY	ENGINE	TRANS	TRIM	DESCRIPTION
	0VU01205								Repair Battery Terminal End Top Post (Ten Per Box)
	0VU01207								Repair Battery Terminal End Side Post (Ten Per Box)
		1	2, 6	L	51, 52, 54, 55, 56				With Aux. Battery (2500GVW)
	0VU01205								Repair Battery Terminal End Top Post (Ten Per Box)
	0VU01207								Repair Battery Terminal End Side Post (Ten Per Box)
		1	3, 7	L	12, 15, 16				With Aux. Battery (2500GVW)
	0VU01205								Repair Battery Terminal End Top Post (Ten Per Box)
	0VU01207								Repair Battery Terminal End Side Post (Ten Per Box)
6		1							BOX, Riser, (NOT SERVICED),

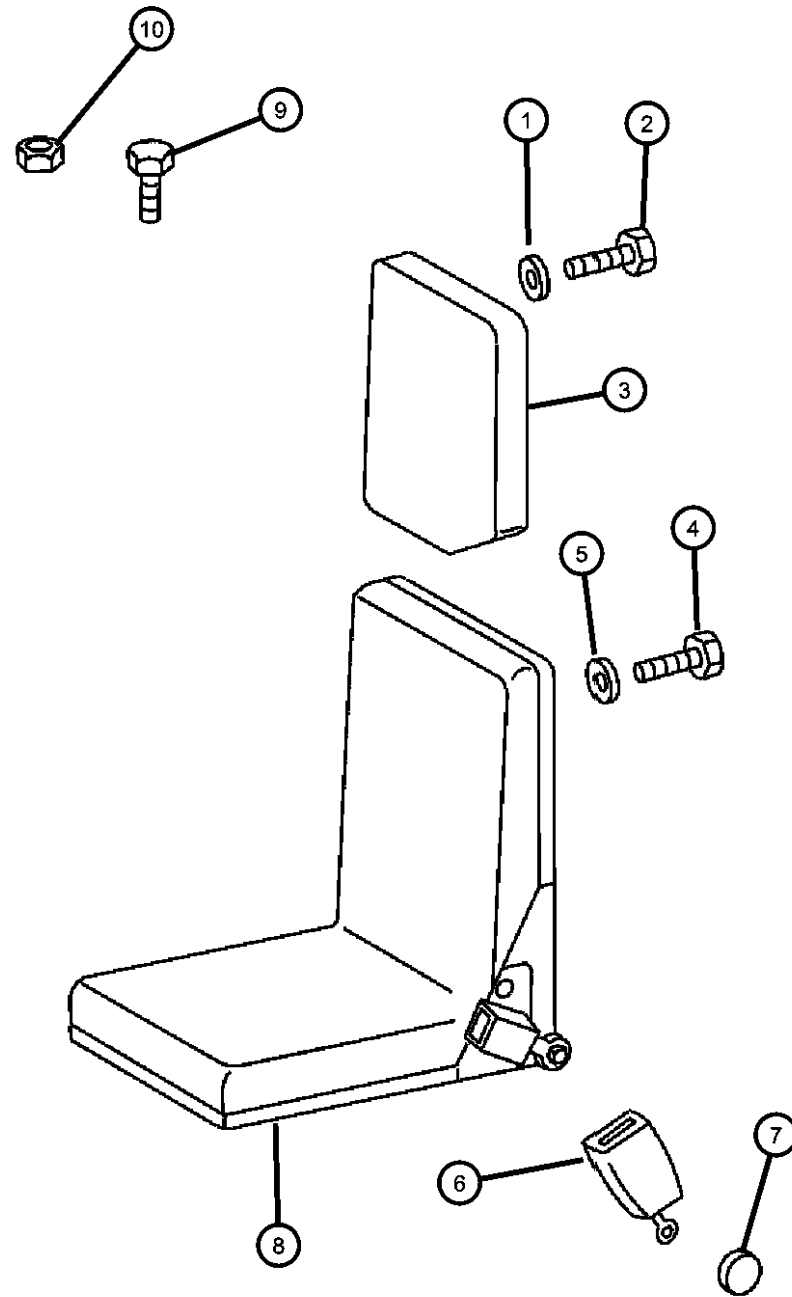


SPRINTER (VA)

SERIES	LINE	BODY	ENGINE	TRANSMISSION
L = LOWLINE	3 = HD DODGE 2WD 6 = Lt. Duty DODGE 4WD 2 = Med. Duty DODGE 2WD 7 = Med. Duty DODGE 4WD	55 = Wagon 140" 54 = Wagon 118" 52 = Wagon 140" 51 = Wagon 118" 12 = Van 140" 11 = Van 118" 06 = Front Section 158" 14 = Van 118" 15 = Van 140" 16 = Van 158" 56 = Wagon 158" 01 = Chassis Forward Control 118" 02 = Chassis Forward Control 140"	EX8 = Engine-2.7L I5 Mercedes Turbo Diesel	DGJ = Transmission-5-Spd. Automatic,W5A580

AR = use ase required - = Non illustrated part

Front Seat - Attaching Parts
Figure IVA-535



ITEM	PART NUMBER	QTY	LINE	SERIES	BODY	ENGINE	TRANS	TRIM	DESCRIPTION
1	05098108AA	1	2, 6	L	11, 12, 14, 15, 16				WASHER, Flat
		1	2, 6	L	51, 52, 54, 55, 56				
		1	3, 7	L	12, 15, 16				
2	06104025AA	4	2, 6	L	11, 12, 14, 15, 16				SCREW
		4	2, 6	L	51, 52, 54, 55, 56				
		1	3, 7	L	12, 15, 16				
3	05104535AA	1	3, 7	L	12, 15, 16				HEADREST, Front
4	06104049AA	6	2, 6	L	11, 12, 14, 15, 16				SCREW
		6	2, 6	L	54, 55, 56, 51, 52				
		2	3, 7	L	12, 15, 16				
5	05104641AA	2	2, 6	L	11, 12, 14, 15, 16				WASHER, Flat
		2	2, 6	L	51, 52, 54, 55, 56				
		2	3, 7	L	12, 15, 16				
6		2							SEAT BELT, See III 710 For Part Numbers, (NOT SERVICED)
7	05125999AA	1	2, 6	L	11, 12, 14, 15, 16				CAP, Screw Cover
		1	2, 6	L	51, 52, 54, 55, 56				
		1	3, 7	L	12, 15, 16				
8	05125327AA	1	3, 7	L					SEAT COMPLETE, Front
9									BOLT, Hex Head

SPRINTER (VA)

SERIES

L = LOWLINE

LINE

3 = HD DODGE 2WD
6 = Lt. Duty DODGE 4WD
2 = Med. Duty DODGE 2WD
7 = Med. Duty DODGE 4WD

BODY

55 = Wagon 140"
54 = Wagon 118"
52 = Wagon 140"
51 = Wagon 118"
12 = Van 140"
11 = Van 118"
06 = Front Section 158"
14 = Van 118"
15 = Van 140"
16 = Van 158"
56 = Wagon 158"
01 = Chassis Forward Control 118"
02 = Chassis Forward Control 140"

ENGINE

EX8 = Engine-2.7L I5
Mercedes Turbo Diesel

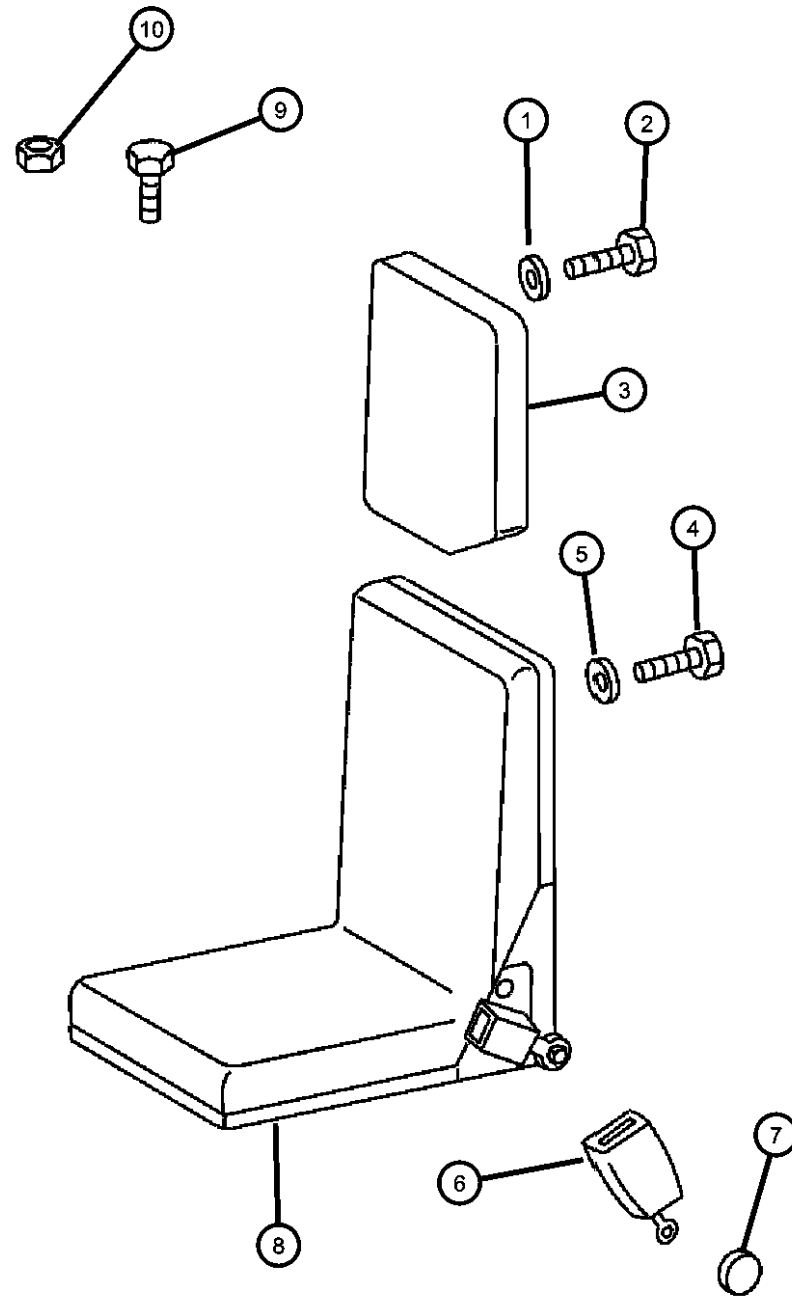
TRANSMISSION

DGJ = Transmission-5-Spd. Automatic, W5A580

AR = use ase required - = Non illustrated part

2004 VA

**Front Seat - Attaching Parts
Figure IVA-535**



ITEM	PART NUMBER	QTY	LINE	SERIES	BODY	ENGINE	TRANS	TRIM	DESCRIPTION
	05103816AA	8	2, 6	L	51, 52, 54, 55, 56				
		8	2, 6	L	11, 12, 14, 15, 16				
		8	3, 7	L	12, 15				
10									NUT
	06104716AA	2	2, 6	L	11, 12, 14, 15, 16				
		8	2, 6	L	52, 54, 55, 56, 51				
		2	3, 7	L	12, 15, 16				

SPRINTER (VA)

SERIES

L = LOWLINE

LINE

3 = HD DODGE 2WD
6 = Lt. Duty DODGE 4WD
2 = Med. Duty DODGE 2WD
7 = Med. Duty DODGE 4WD

BODY

55 = Wagon 140"
54 = Wagon 118"
52 = Wagon 140"
51 = Wagon 118"
12 = Van 140"
11 = Van 118"
06 = Front Section 158"
14 = Van 118"
15 = Van 140"
16 = Van 158"
56 = Wagon 158"
01 = Chassis Forward Control
118"
02 = Chassis Forward Control
140"

ENGINE

EX8 = Engine-2.7L I5
Mercedes Turbo Diesel

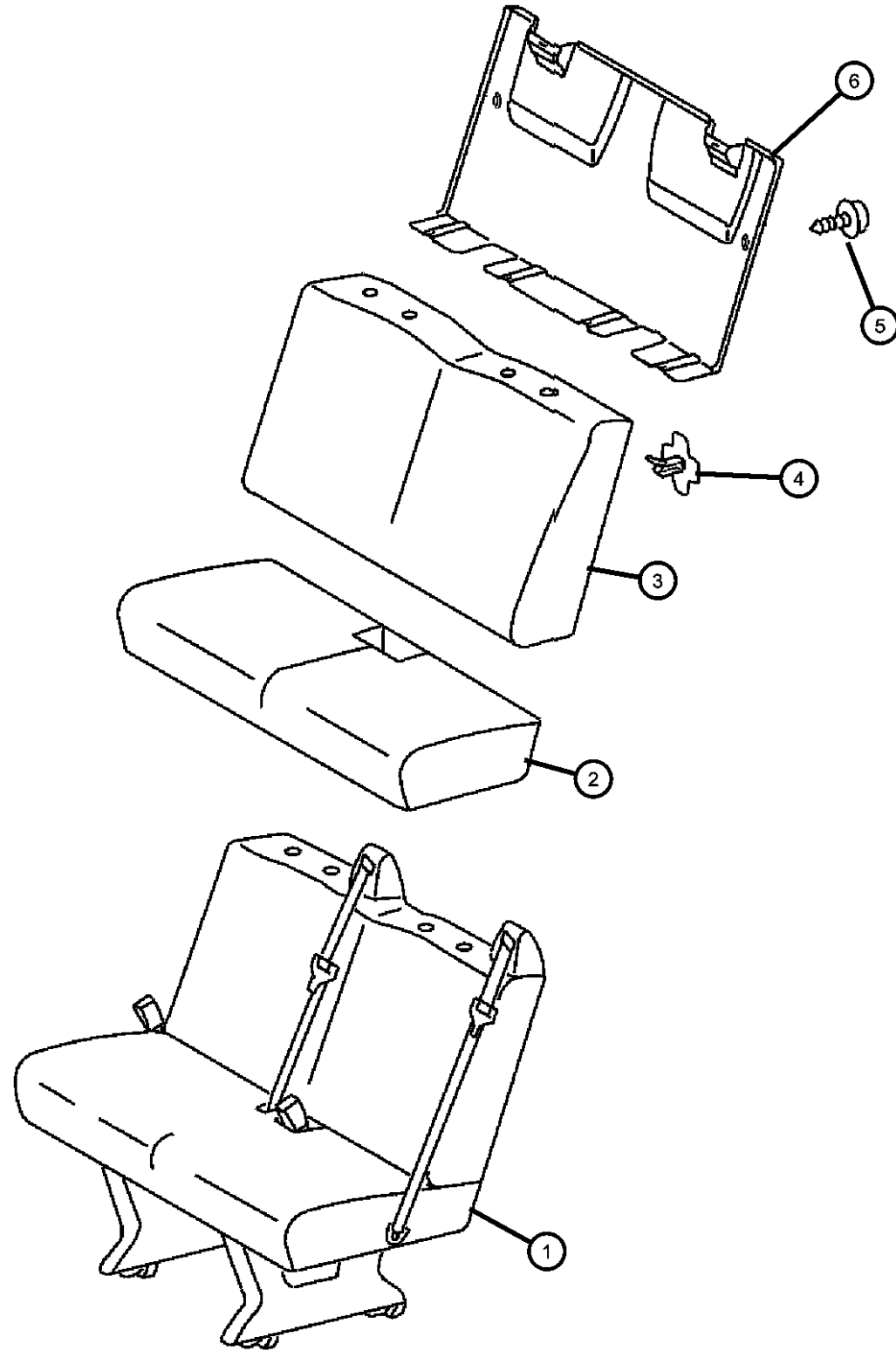
TRANSMISSION

DGJ = Transmission-5-Spd.
Automatic,W5A580

AR = use ase required - = Non illustrated part

2004 VA

Rear Seat - 2 Passenger
Figure IVA-610



ITEM	PART NUMBER	QTY	LINE	SERIES	BODY	ENGINE	TRANS	TRIM	DESCRIPTION
1	05133134AA	1	2, 6	L	51, 52, 54, 55, 56			*B7	SEAT COMPLETE, Rear, Two Passenger
	05133138AA	1	2, 6	L	51, 52, 54, 55, 56			*C7	
2	05134085AA	1	2, 3, 6, 7	L				*B7	CUSHION, Rear Seat, Two Passenger
	05134610AA	1	2, 3, 6, 7	L				*C7	
3	05134088AA	1	2, 3, 6, 7	L				*B7	SEAT BACK, Rear, 2 Passenger
	05134611AA	1	2, 3, 6, 7	L				*C7	
4	05103706AA	1	2, 6	L	11, 12, 14, 15, 16				BRACKET, Rear Seatback Right
		1	2, 6	L	51, 52, 54, 55, 56				Right
		1	3, 7	L	12, 15, 16				Right
	05103707AA	1	3, 7	L	12, 15, 16				Left
		1	2, 6	L	11, 12, 14, 15, 16				Left
		1	2, 6	L	51, 52, 54, 55, 56				Left
5	05134089AA	1	2, 6	L	11, 12, 14, 15, 16				PANEL, Rear Seat Back Two Passenger
		1	2, 6	L	51, 52, 54, 55, 56				Two Passenger
		1	3, 7	L	12, 15, 16				Two Passenger
6	05133295AA	2	2, 6	L	01, 02, 06				SCREW, Self-Tapping

SPRINTER (VA)

SERIES

L = LOWLINE

LINE

3 = HD DODGE 2WD
6 = Lt. Duty DODGE 4WD
2 = Med. Duty DODGE 2WD
7 = Med. Duty DODGE 4WD

BODY

55 = Wagon 140"
54 = Wagon 118"
52 = Wagon 140"
51 = Wagon 118"
12 = Van 140"
11 = Van 118"
06 = Front Section 158"
14 = Van 118"
15 = Van 140"
16 = Van 158"
56 = Wagon 158"
01 = Chassis Forward Control
118"
02 = Chassis Forward Control
140"

ENGINE

EX8 = Engine-2.7L I5
Mercedes Turbo Diesel

TRANSMISSION

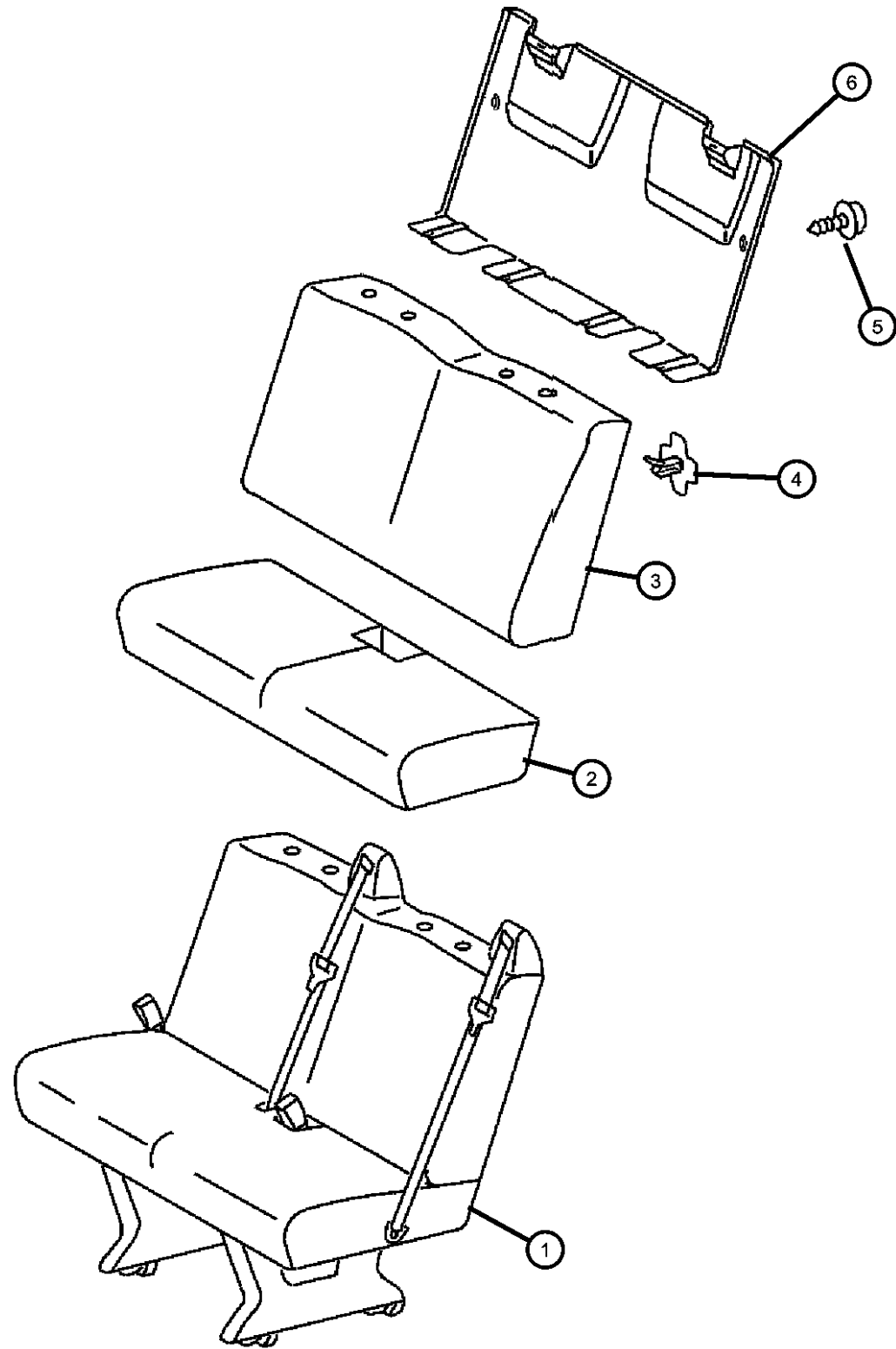
DGJ = Transmission-5-Spd.
Automatic,W5A580

AR = use ase required - = Non illustrated part

2004 VA

Rear Seat - 2 Passenger
Figure IVA-610

ITEM	PART NUMBER	QTY	LINE	SERIES	BODY	ENGINE	TRANS	TRIM	DESCRIPTION
------	-------------	-----	------	--------	------	--------	-------	------	-------------



2		2, 6	L	16, 11, 12, 14, 15
2		2, 6	L	51, 52, 54, 55, 56

SPRINTER (VA)

SERIES

L = LOWLINE

LINE

3 = HD DODGE 2WD
6 = Lt. Duty DODGE 4WD
2 = Med. Duty DODGE 2WD
7 = Med. Duty DODGE 4WD

BODY

55 = Wagon 140"
54 = Wagon 118"
52 = Wagon 140"
51 = Wagon 118"
12 = Van 140"
11 = Van 118"
06 = Front Section 158"
14 = Van 118"
15 = Van 140"
16 = Van 158"
56 = Wagon 158"
01 = Chassis Forward Control
118"
02 = Chassis Forward Control
140"

ENGINE

EX8 = Engine-2.7L I5
Mercedes Turbo Diesel

TRANSMISSION

DGJ = Transmission-5-Spd.
Automatic,W5A580

AR = use ase required - = Non illustrated part

2004 VA

Rear Seat - 3 Passenger
Figure IVA-615

ITEM	PART NUMBER	QTY	LINE	SERIES	BODY	ENGINE	TRANS	TRIM	DESCRIPTION
------	-------------	-----	------	--------	------	--------	-------	------	-------------

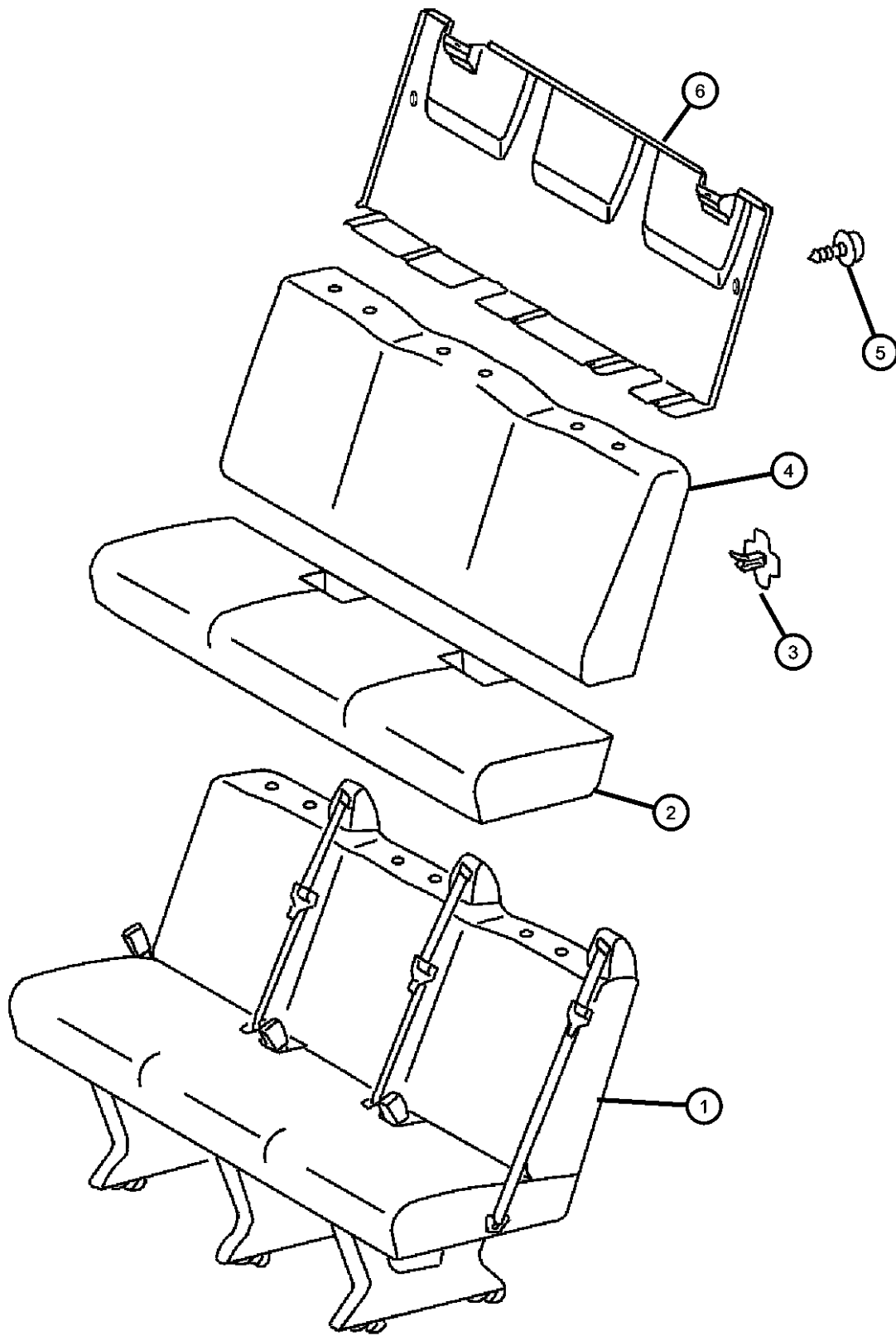
1									SEAT COMPLETE, Rear, Three Passenger
	05133118AA	1	2, 6	L	11, 12, 14, 15, 16			*B7	First Rear Bench
		1	2, 6	L	51, 52, 54, 55, 56			*B7	First Rear Bench
	05133122AA	1	2, 6	L	11, 12, 14, 15, 16			*C7	First Rear Bench
		1	2, 6	L	51, 52, 54, 55, 56			*C7	First Rear Bench
	05133126AA	1	2, 6	L	51, 52, 54, 55, 56			*B7	Second Rear Bench
		1	2, 6	L	51, 52, 54, 55, 56			*B7	Third Rear Bench
	05133130AA	1	2, 6	L	51, 52, 54, 55, 56			*C7	Second Rear Bench
		1	2, 6	L	51, 52, 54, 55, 56			*C7	Third Rear Bench
2									CUSHION, Rear Seat, Three Passenger
	05134090AA	1	2, 3, 6, 7	L				*B7	First Rear Bench
	05134103AA	1	2, 3, 6, 7	L				*B7	Second & Third Row Rear Bench
	05134612AA	1	2, 3, 6, 7	L				*C7	First Rear Bench
	05134614AA	1	2, 3, 6, 7	L				*C7	Second & Third Row Rear Bench
3									BRACKET, Rear Seatback
	05103706AA	1	2, 6	L	51, 52, 54, 55, 56				Right
		1	3, 7	L	12, 15, 16				Right
	05103707AA	1	2, 6	L	11, 12, 14, 15, 16				Left
		1	2, 6	L	11, 12, 14, 15, 16				Right
		1	2, 6	L	51, 52, 54, 55, 56				Left
		1	3, 7	L	12, 15, 16				Left
4									SEAT BACK, Rear, 3 Passenger

SPRINTER (VA)							
SERIES	LINE	BODY	ENGINE	TRANSMISSION			
L = LOWLINE	3 = HD DODGE 2WD 6 = Lt. Duty DODGE 4WD 2 = Med. Duty DODGE 2WD 7 = Med. Duty DODGE 4WD	55 = Wagon 140" 54 = Wagon 118" 52 = Wagon 140" 51 = Wagon 118" 12 = Van 140" 11 = Van 118" 06 = Front Section 158" 14 = Van 118" 15 = Van 140" 16 = Van 158" 56 = Wagon 158"	EX8 = Engine-2.7L I5 Mercedes Turbo Diesel	DGJ = Transmission-5-Spd. Automatic, W5A580			
		01 = Chassis Forward Control 118" 02 = Chassis Forward Control 140"					

AR = use ase required - = Non illustrated part

Rear Seat - 3 Passenger
Figure IVA-615

ITEM	PART NUMBER	QTY	LINE	SERIES	BODY	ENGINE	TRANS	TRIM	DESCRIPTION
	05134093AA	1	2, 3, 6, 7	L				*B7	First Rear Bench
	05134106AA	1	2, 3, 6, 7	L				*B7	Second & Third Row Rear Bench
	05134613AA	1	2, 3, 6, 7	L				*C7	First Rear Bench
	05134615AA	1	2, 3, 6, 7	L				*C7	Second & Third Row Rear Bench
5	05133295AA	2	2, 6	L	01, 02, 06				SCREW, Self-Tapping
		2	2, 6	L	11, 12, 14, 15, 16				
		2	2, 6	L	51, 52, 54, 55, 56				
6	05134100AA	1	2, 6	L	11, 12, 14, 15, 16				PANEL, Seat Back, Three Passenger
		1	2, 6	L	51, 52, 54, 55, 56				
		1	3, 7	L	12, 15, 16				



SPRINTER (VA)

SERIES

L = LOWLINE

LINE

3 = HD DODGE 2WD
6 = Lt. Duty DODGE 4WD
2 = Med. Duty DODGE 2WD
7 = Med. Duty DODGE 4WD

BODY

55 = Wagon 140"
54 = Wagon 118"
52 = Wagon 140"
51 = Wagon 118"
12 = Van 140"
11 = Van 118"
06 = Front Section 158"
14 = Van 118"
15 = Van 140"
16 = Van 158"
56 = Wagon 158"
01 = Chassis Forward Control
118"
02 = Chassis Forward Control
140"

ENGINE

EX8 = Engine-2.7L I5
Mercedes Turbo Diesel

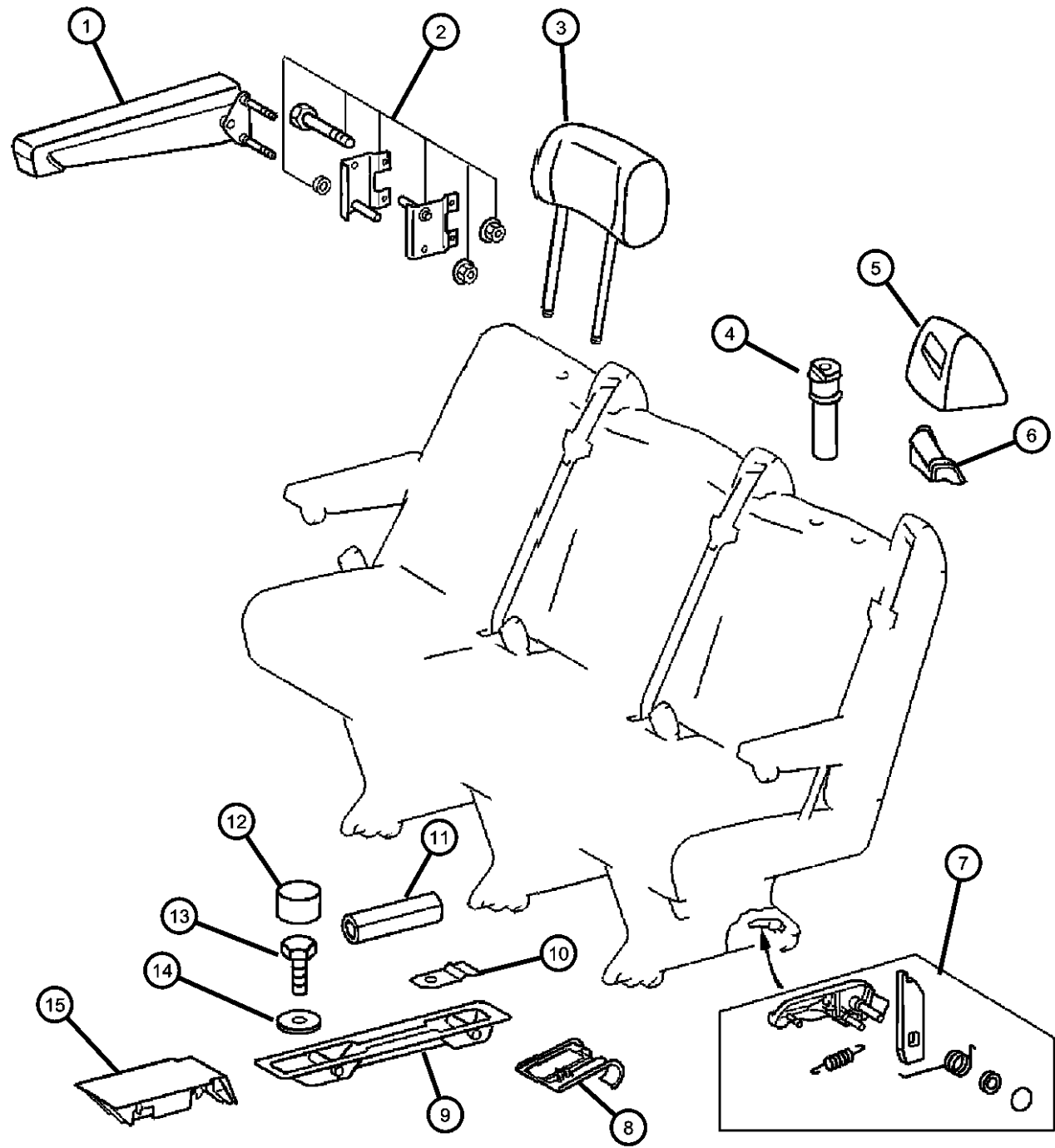
TRANSMISSION

DGJ = Transmission-5-Spd.
Automatic,W5A580

AR = use ase required - = Non illustrated part

2004 VA

**Attaching Parts - 3rd Passenger Seat
Figure IVA-620**



ITEM	PART NUMBER	QTY	LINE	SERIES	BODY	ENGINE	TRANS	TRIM	DESCRIPTION
1	0ZN58CSSAA	1	2, 6	L	11, 12, 14, 15, 16			-AA	ARMREST, REAR SEAT
		1	2, 6	L	51, 52, 54, 55, 56			-AA	
		1	3, 7	L	12, 15, 16			-AA	
2	05134098AA	1	2, 6	L	11, 12, 14, 15, 16				BRACKET, Arm Rest
		1	2, 6	L	51, 52, 54, 55, 56				
		1	3, 7	L	12, 15, 16				
3	05104534AA	1	2, 6	L	11, 12, 14, 15, 16				HEADREST Catano
		1	2, 6	L	51, 52, 54, 55, 56				
		1	3, 7	L	12, 15, 16				
	05125368AA	3	2, 6	L	11, 12, 14, 15, 16				Venice
		1	2, 6	L	51, 52, 54, 55, 56				
		1	3, 7	L	12, 15, 16				
	05125377AA	1	2, 6	L	11, 12, 14, 15, 16				Santos
		1	3, 7	L	12, 15, 16				
		1	2, 6	L	51, 52, 54, 55, 56				
4	1AV08AA7AA	6	2, 6	L	11, 12, 14, 15, 16				SLEEVE, Headrest
		2	2, 6	L	51, 52, 54, 55, 56				
		2	3, 7	L	12, 15, 16				
5								COVER, Seat Belt Opening	

SPRINTER (VA)

SERIES

L = LOWLINE

LINE

3 = HD DODGE 2WD
6 = Lt. Duty DODGE 4WD
2 = Med. Duty DODGE 2WD
7 = Med. Duty DODGE 4WD

BODY

55 = Wagon 140"
54 = Wagon 118"
52 = Wagon 140"
51 = Wagon 118"
12 = Van 140"
11 = Van 118"
06 = Front Section 158"
14 = Van 118"
15 = Van 140"
16 = Van 158"
56 = Wagon 158"
01 = Chassis Forward Control
118"
02 = Chassis Forward Control
140"

ENGINE

EX8 = Engine-2.7L I5
Mercedes Turbo Diesel

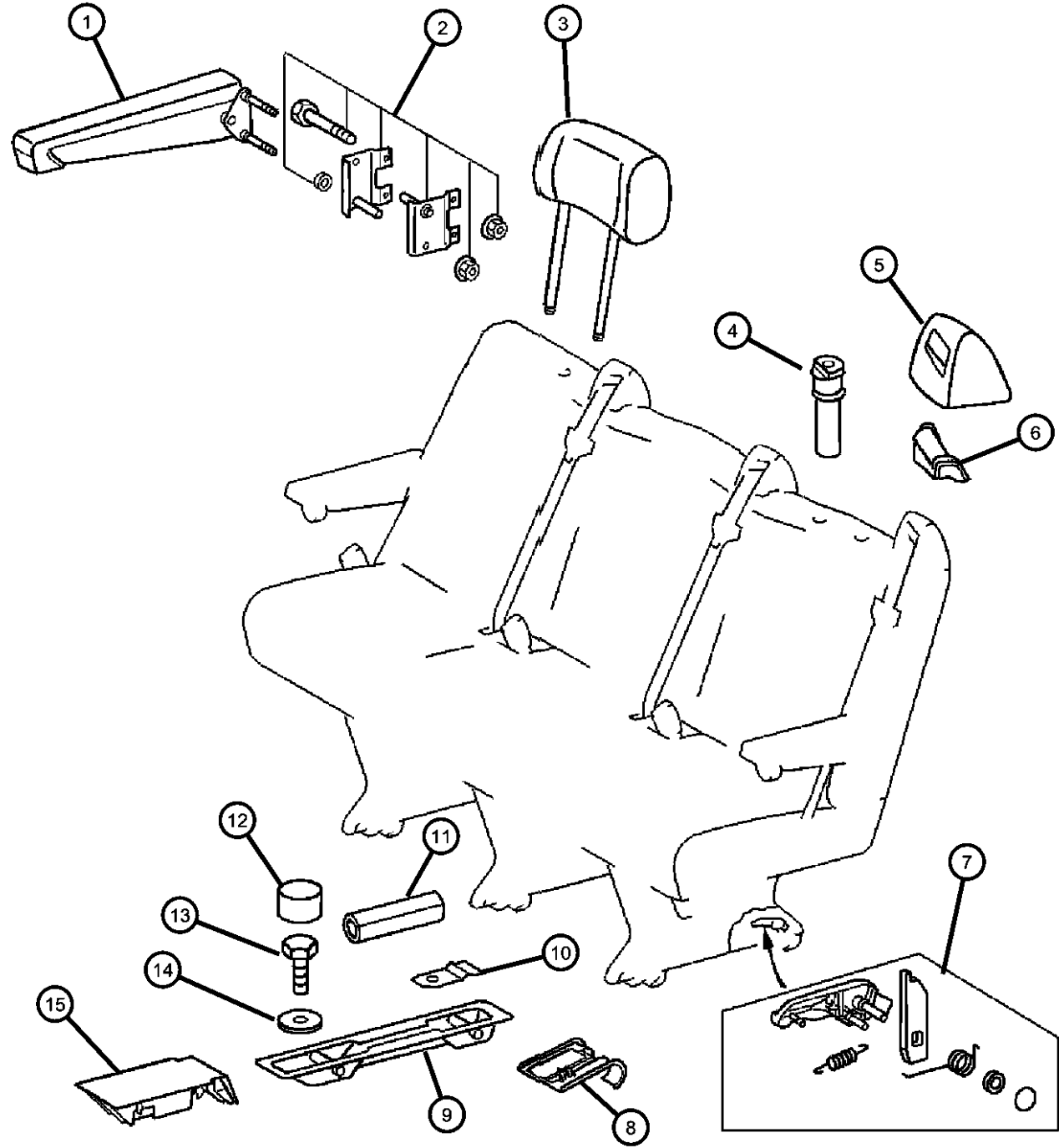
TRANSMISSION

DGJ = Transmission-5-Spd.
Automatic,W5A580

AR = use ase required - = Non illustrated part

2004 VA

**Attaching Parts - 3rd Passenger Seat
Figure IVA-620**



ITEM	PART NUMBER	QTY	LINE	SERIES	BODY	ENGINE	TRANS	TRIM	DESCRIPTION
6	05103708AA	1	2, 6	L	11, 12, 14, 15, 16				GUIDE, Seat Belt
		1	2, 6	L	51, 52, 54, 55, 56				
		1	3, 7	L	12, 15, 16				
7	05103709AA	1	2, 6	L	11, 14, 15, 16, 12				LATCH, Seat
		1	2, 6	L	51, 52, 54, 55, 56				
		1	3, 7	L	12, 15, 16				
8	05103704AA	2	2, 6	L	11, 12, 14, 15, 16				ESCUTCHEON, Seat Anchor
		2	2, 6	L	51, 52, 54, 55, 56				
		2	3, 7	L	12, 15, 16				
9	05134099AA	4	2, 6	L	11, 12, 14, 15, 16				ESCUTCHEON, Seat Anchor
		4	2, 6	L	51, 52, 54, 55, 56				
		4	3, 7	L	12, 15, 16				
	05104531AA	1	2, 6	L	51, 52, 54, 55, 56				Second Rear Bench, 2 Passenger
		1	2, 6	L	11, 12, 14, 15, 16				
		1	3, 7	L	12, 15, 16				
	05104532AA	2	2, 6	L	11, 12, 14, 15, 16				First Rear Bench, 3 Passenger
		1	2, 6	L	51, 52, 54, 55, 56				
		1	3, 7	L	15, 16, 12				

SPRINTER (VA)

SERIES

L = LOWLINE

LINE

3 = HD DODGE 2WD
6 = Lt. Duty DODGE 4WD
2 = Med. Duty DODGE 2WD
7 = Med. Duty DODGE 4WD

BODY

55 = Wagon 140"
54 = Wagon 118"
52 = Wagon 140"
51 = Wagon 118"
12 = Van 140"
11 = Van 118"
06 = Front Section 158"
14 = Van 118"
15 = Van 140"
16 = Van 158"
56 = Wagon 158"
01 = Chassis Forward Control
118"
02 = Chassis Forward Control
140"

ENGINE

EX8 = Engine-2.7L I5
Mercedes Turbo Diesel

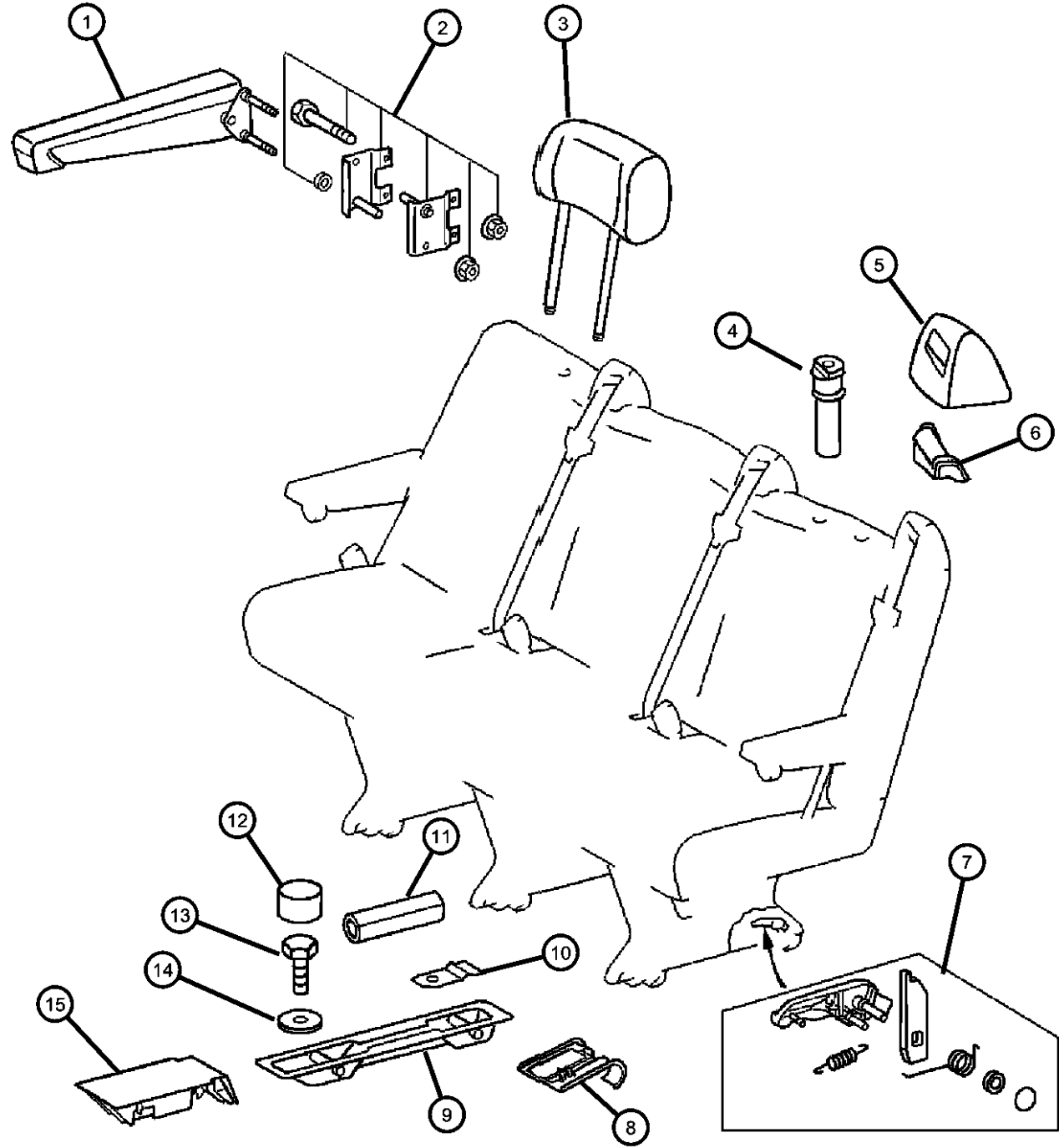
TRANSMISSION

DGJ = Transmission-5-Spd.
Automatic,W5A580

AR = use ase required - = Non illustrated part

2004 VA

**Attaching Parts - 3rd Passenger Seat
Figure IVA-620**



ITEM	PART NUMBER	QTY	LINE	SERIES	BODY	ENGINE	TRANS	TRIM	DESCRIPTION
10	05134097AA	2	2, 6	L	11, 12, 14, 15, 16				SPRING, Seat Latch Return
		2	2, 6	L	51, 52, 54, 55, 56				
		2	3, 7	L	12, 15, 16				
11	05104550AA	2	2, 6	L	11, 12, 14, 15, 16				PIN, Roll
		6	2, 6	L	51, 52, 54, 55, 56				
12	05133484AA	6	2, 6	L	11, 12, 14, 15, 16				COVER, Seat Belt
		6	2, 6	L	51, 52, 54, 55, 56				
		6	3, 7	L	12, 15, 16				
13	06104216AA	4	3, 7	L	02, 06				BOLT, Hex Head
		4	2, 6	L	11, 12, 14, 15, 16				
		4	2, 6	L	51, 52, 54, 55, 56				
		4	3, 7	L	12, 15, 16				
14	05126189AA	4	2, 6	L	15, 16, 11, 12, 14				WASHER, Flat
		4	2, 6	L	51, 52, 54, 55, 56				
		4	3, 7	L	12, 15, 16				
15	05104533AA	1	2, 6	L	11, 12, 14, 15, 16				COVER, Seat Anchor
		1	2, 6	L	51, 52, 54, 55, 56				

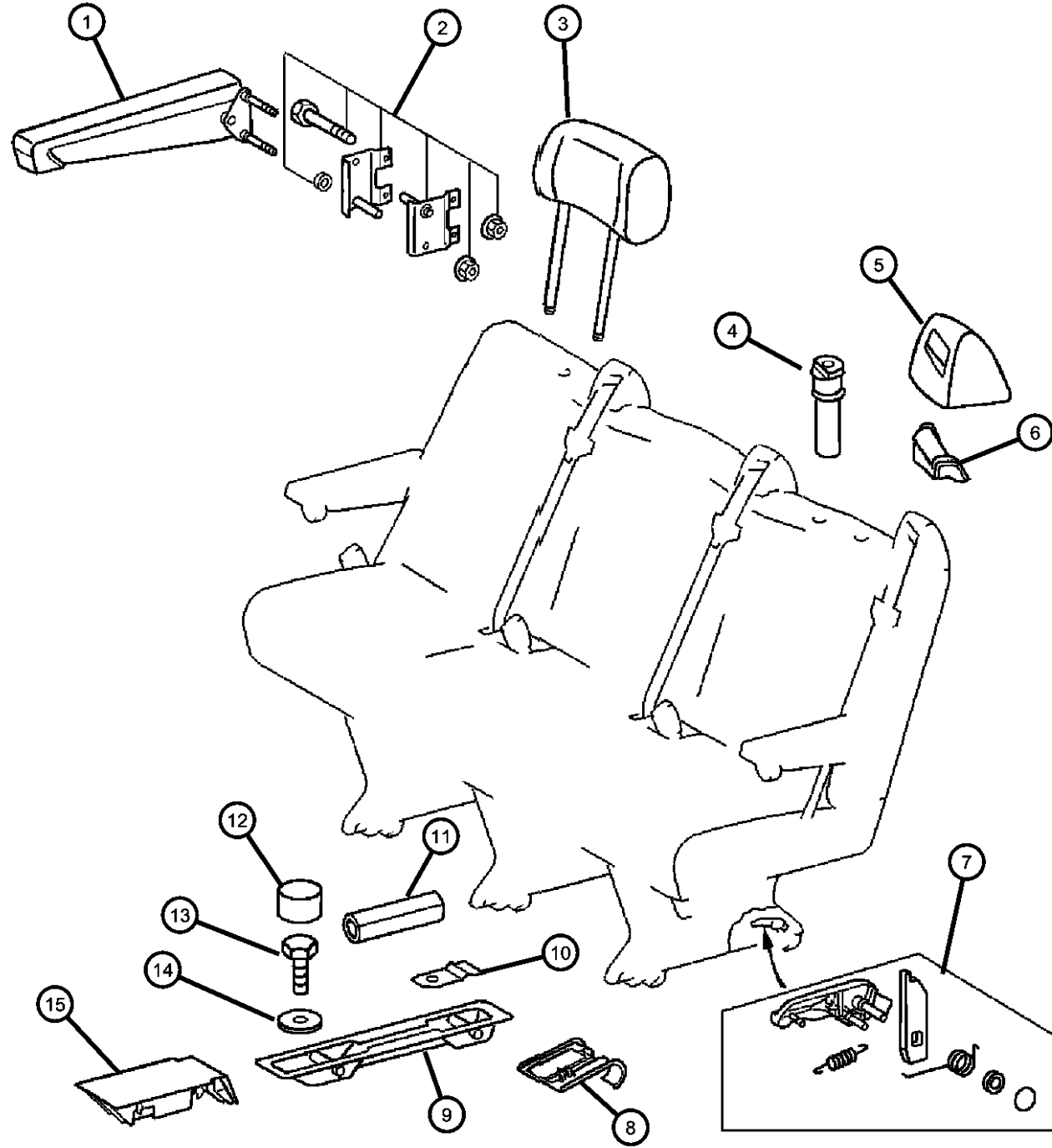
SPRINTER (VA)

SERIES	LINE	BODY	ENGINE	TRANSMISSION
L = LOWLINE	3 = HD DODGE 2WD 6 = Lt. Duty DODGE 4WD 2 = Med. Duty DODGE 2WD 7 = Med. Duty DODGE 4WD	55 = Wagon 140" 54 = Wagon 118" 52 = Wagon 140" 51 = Wagon 118" 12 = Van 140" 11 = Van 118" 06 = Front Section 158" 14 = Van 118" 15 = Van 140" 16 = Van 158" 56 = Wagon 158"	EX8 = Engine-2.7L I5 Mercedes Turbo Diesel	DGJ = Transmission-5-Spd. Automatic, W5A580
		01 = Chassis Forward Control 118" 02 = Chassis Forward Control 140"		

AR = use ase required - = Non illustrated part

**Attaching Parts - 3rd Passenger Seat
Figure IVA-620**

ITEM	PART NUMBER	QTY	LINE	SERIES	BODY	ENGINE	TRANS	TRIM	DESCRIPTION
------	-------------	-----	------	--------	------	--------	-------	------	-------------



		1	3, 7	L	12, 15, 16				
-16	05133285AA	1	3, 7	L	12, 15, 16				

HANDLE, Seat Adjuster, Adjuster, Rear, Cushion

SPRINTER (VA)

SERIES

L = LOWLINE

LINE

3 = HD DODGE 2WD
6 = Lt. Duty DODGE 4WD
2 = Med. Duty DODGE 2WD
7 = Med. Duty DODGE 4WD

BODY

55 = Wagon 140"
54 = Wagon 118"
52 = Wagon 140"
51 = Wagon 118"
12 = Van 140"
11 = Van 118"
06 = Front Section 158"
14 = Van 118"
15 = Van 140"
16 = Van 158"
56 = Wagon 158"
01 = Chassis Forward Control 118"
02 = Chassis Forward Control 140"

ENGINE

EX8 = Engine-2.7L I5
Mercedes Turbo Diesel

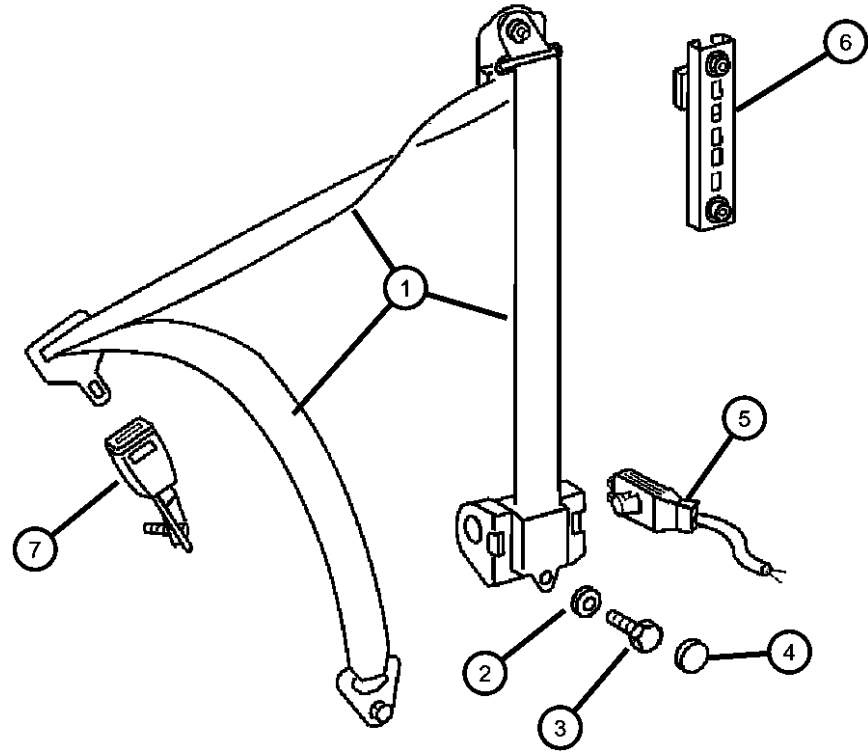
TRANSMISSION

DGJ = Transmission-5-Spd. Automatic, W5A580

AR = use ase required - = Non illustrated part

2004 VA

**Seat Belt - Front
Figure IVA-710**



ITEM	PART NUMBER	QTY	LINE	SERIES	BODY	ENGINE	TRANS	TRIM	DESCRIPTION
1									SEAT BELT, Front Outer
	05103812AA	1	2, 6	L	01, 02, 06				Left
		1	2, 6	L	11, 12, 16, 14, 15				Left
		1	2, 6	L	51, 52, 54, 55, 56				Left
		1	3, 7	L	02, 06				Left
		1	3, 7	L	12, 15, 16				Left
	05103835AA	1	2, 6	L	01, 02, 06				Used without Jump Seat, Right
		1	2, 6	L	11, 12, 14, 15, 16				Used without Jump Seat, Right
		1	2, 6	L	51, 52, 54, 55, 56				Used without Jump Seat, Right
		1	3, 7	L	02, 06				Used without Jump Seat, Right
		1	3, 7	L	12, 15, 16				Used without Jump Seat, Right
	05103836AA	1	2, 6	L	11, 12, 14, 15, 16				Orange Seat Belts, Right & Left
		1	3, 7	L	12, 15, 16				Orange Seat Belts, Right & Left
	05125023AA	1	2, 6	L	11, 12, 14, 15, 16				Right
		1	3, 7	L	12, 15, 16				Right
	05125026AA	1	2, 6	L	01, 02, 06				Used with Jump Seat, Right
		1	2, 6	L	11, 12, 14, 15, 16				Used with Jump Seat, Right
		1	2, 6	L	51, 52, 54, 55, 56				Used with Jump Seat, Right
		1	3, 7	L	12, 15, 16				Used with Jump Seat, Right
2									WASHER, Seat Belt Attaching
	05125755AA	2	2, 6	L	11, 12, 14, 15, 16				
		2	2, 6	L	51, 52, 54, 55, 56				
		2	3, 7	L	12, 15, 16				
3									BOLT, Seat Belt

SPRINTER (VA)

SERIES

L = LOWLINE
 3 = HD DODGE 2WD
 6 = Lt. Duty DODGE 4WD
 2 = Med. Duty DODGE 2WD
 7 = Med. Duty DODGE 4WD

LINE

3 = HD DODGE 2WD
 6 = Lt. Duty DODGE 4WD
 2 = Med. Duty DODGE 2WD
 7 = Med. Duty DODGE 4WD

BODY

55 = Wagon 140"
 54 = Wagon 118"
 52 = Wagon 140"
 51 = Wagon 118"
 12 = Van 140"
 11 = Van 118"
 06 = Front Section 158"
 14 = Van 118"
 15 = Van 140"
 16 = Van 158"
 56 = Wagon 158"
 01 = Chassis Forward Control
 118"
 02 = Chassis Forward Control
 140"

ENGINE

EX8 = Engine-2.7L I5
 Mercedes Turbo Diesel

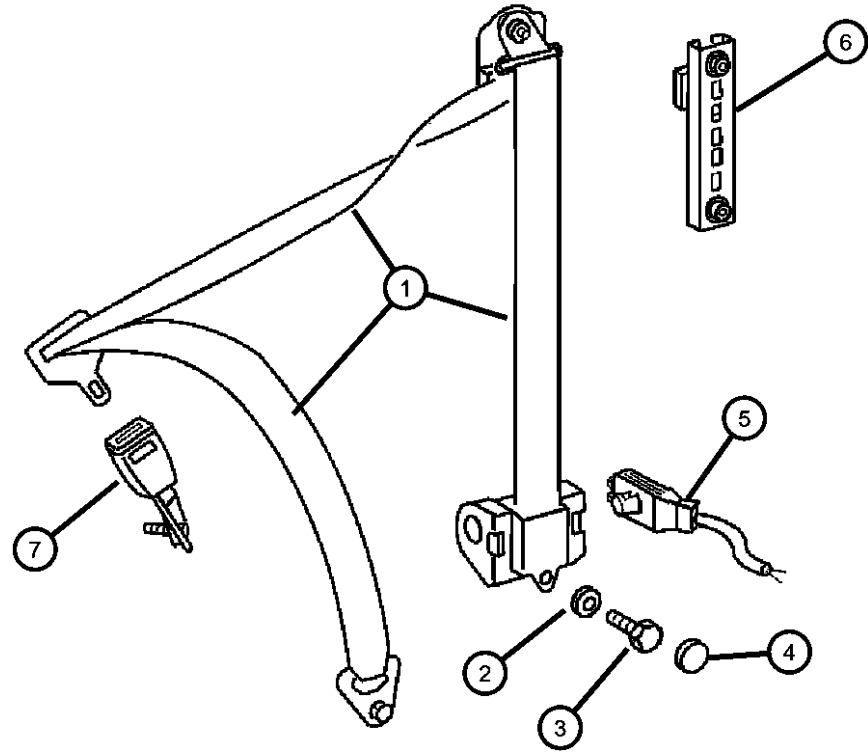
TRANSMISSION

DGJ = Transmission-5-Spd.
 Automatic,W5A580

AR = use ase required - = Non illustrated part

2004 VA

Seat Belt - Front
Figure IVA-710



ITEM	PART NUMBER	QTY	LINE	SERIES	BODY	ENGINE	TRANS	TRIM	DESCRIPTION
	05125705AA	2	3, 7	L	12, 15, 16				
		2	2, 6	L	11, 12, 14, 15, 16				
		2	2, 6	L	51, 52, 54, 55, 56				
4									CAP, Screw Cover
	05125999AA	1	2, 6	L	11, 12, 14, 15, 16				
		1	2, 6	L	51, 52, 54, 55, 56				
		1	3, 7	L	12, 15, 16				
		1	2, 6	L	01, 02, 06				
5									HARNES, Wiring
	05133485AA	2	2, 6	L	01, 02, 06				
		2	2, 6	L	11, 12, 14, 15, 16				
		2	2, 6	L	51, 52, 54, 55, 56				
		2	3, 7	L	12, 15, 16				
6									ADJUSTER, Seat Belt Turning Loop
	05104498AA	2	3, 7	L	12, 15, 16				
		2	2, 6	L	11, 12, 14, 15, 16				
		2	2, 6	L	51, 52, 54, 55, 56				
7									SEAT BELT, Buckle Half
	05103810AA	1	2, 6	L	01, 02, 06				Passenger Side
		1	2, 6	L	11, 12, 14, 15, 16				Passenger Side
		1	2, 6	L	51, 52, 54, 55, 56				Passenger Side
		1	3, 7	L	12, 15, 16				Passenger Side
	05103811AA	1	2, 6	L	11, 12, 14, 15, 16				Driver Side

SPRINTER (VA)

SERIES

L = LOWLINE

LINE

3 = HD DODGE 2WD
6 = Lt. Duty DODGE 4WD
2 = Med. Duty DODGE 2WD
7 = Med. Duty DODGE 4WD

BODY

55 = Wagon 140"
54 = Wagon 118"
52 = Wagon 140"
51 = Wagon 118"
12 = Van 140"
11 = Van 118"
06 = Front Section 158"
14 = Van 118"
15 = Van 140"
16 = Van 158"
56 = Wagon 158"
01 = Chassis Forward Control 118"
02 = Chassis Forward Control 140"

ENGINE

EX8 = Engine-2.7L I5
Mercedes Turbo Diesel

TRANSMISSION

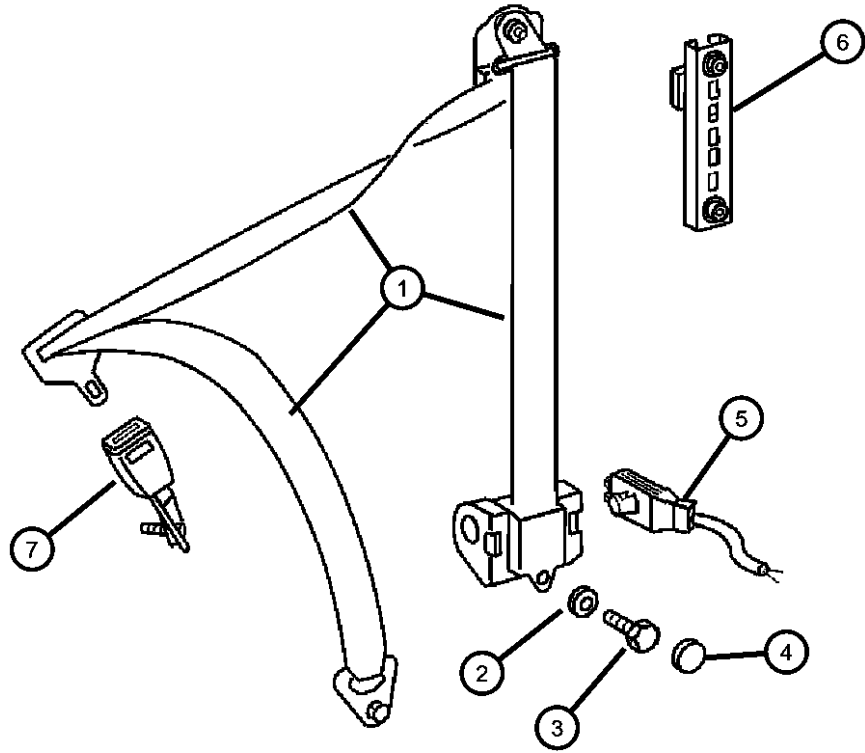
DGJ = Transmission-5-Spd. Automatic, W5A580

AR = use ase required - = Non illustrated part

2004 VA

Seat Belt - Front
Figure IVA-710

ITEM	PART NUMBER	QTY	LINE	SERIES	BODY	ENGINE	TRANS	TRIM	DESCRIPTION
		1	2, 6	L	51, 52, 54, 55, 56				Driver Side
		1	3, 7	L	12, 15, 16				Driver Side
	05124982AA	1	3, 7	L	12, 15, 16				With Luxury Bucket, Passenger Side
		1	2, 6	L	11, 12, 14, 15, 16				With Luxury Bucket, Passenger Side
		1	2, 6	L	51, 52, 54, 55, 56				With Luxury Bucket, Passenger Side
-8									SEAT BELT, Retractor
	05103834AA	3	2, 6	L	51, 52, 54, 55, 56				
	05125014AA	2	2, 6	L	11, 12, 14, 15, 16				



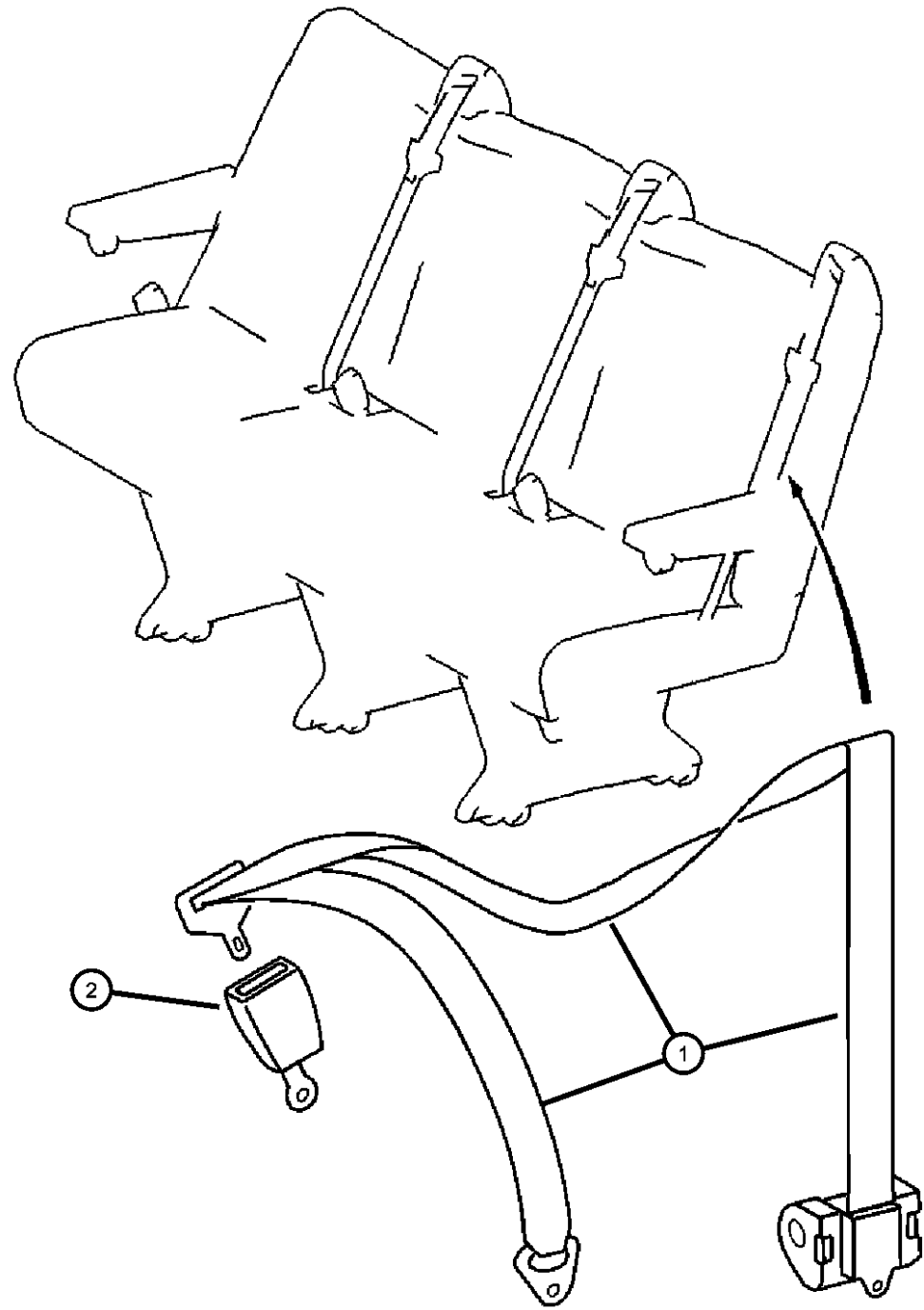
SPRINTER (VA)

SERIES	LINE	BODY	ENGINE	TRANSMISSION
L = LOWLINE	3 = HD DODGE 2WD 6 = Lt. Duty DODGE 4WD 2 = Med. Duty DODGE 2WD 7 = Med. Duty DODGE 4WD	55 = Wagon 140" 54 = Wagon 118" 52 = Wagon 140" 51 = Wagon 118" 12 = Van 140" 11 = Van 118" 06 = Front Section 158" 14 = Van 118" 15 = Van 140" 16 = Van 158" 56 = Wagon 158" 01 = Chassis Forward Control 118" 02 = Chassis Forward Control 140"	EX8 = Engine-2.7L I5 Mercedes Turbo Diesel	DGJ = Transmission-5-Spd. Automatic,W5A580

AR = use ase required - = Non illustrated part

**Seat Belt - Second Row
Figure IVA-720**

ITEM	PART NUMBER	QTY	LINE	SERIES	BODY	ENGINE	TRANS	TRIM	DESCRIPTION
------	-------------	-----	------	--------	------	--------	-------	------	-------------



1									SEAT BELT, Retractor
	05125014AA	2	2, 6	L	11, 12, 14, 15, 16				
		2	2, 6	L	51, 52, 54, 55, 56				
		2	3, 7	L	12, 15, 16				
2									SEAT BELT, Buckle Half
	05104502AA	2	2, 6	L	11, 12, 14, 15, 16				
		2	2, 6	L	51, 52, 54, 55, 56				
		2	3, 7	L	12, 15, 16				

SPRINTER (VA)

SERIES

L = LOWLINE

LINE

3 = HD DODGE 2WD
6 = Lt. Duty DODGE 4WD
2 = Med. Duty DODGE 2WD
7 = Med. Duty DODGE 4WD

BODY

55 = Wagon 140"
54 = Wagon 118"
52 = Wagon 140"
51 = Wagon 118"
12 = Van 140"
11 = Van 118"
06 = Front Section 158"
14 = Van 118"
15 = Van 140"
16 = Van 158"
56 = Wagon 158"
01 = Chassis Forward Control
118"
02 = Chassis Forward Control
140"

ENGINE

EX8 = Engine-2.7L I5
Mercedes Turbo Diesel

TRANSMISSION

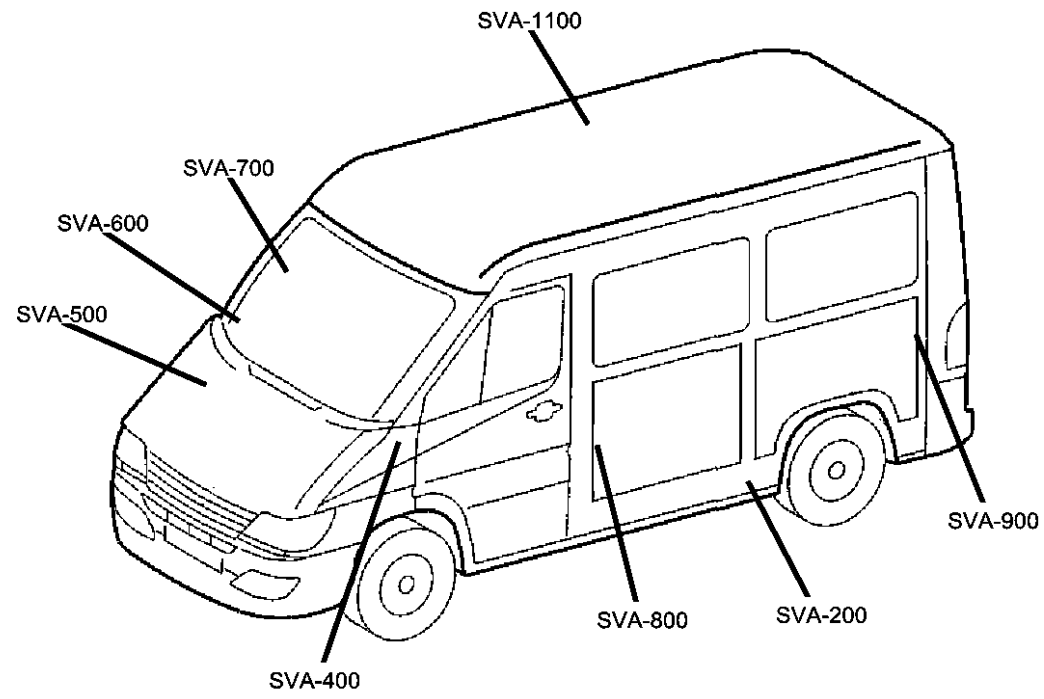
DGJ = Transmission-5-Spd.
Automatic,W5A580

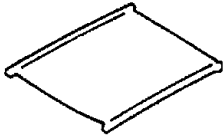

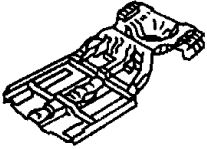

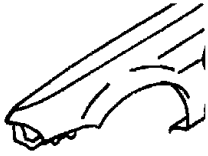
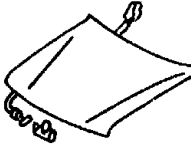
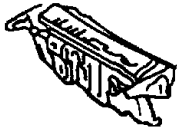

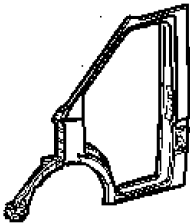
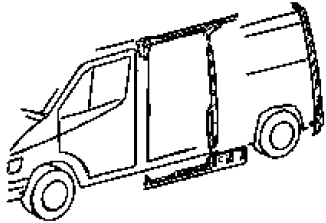
AR = use ase required - = Non illustrated part

2004 VA

Group - SVA

Body Sheet Metal Except Doors

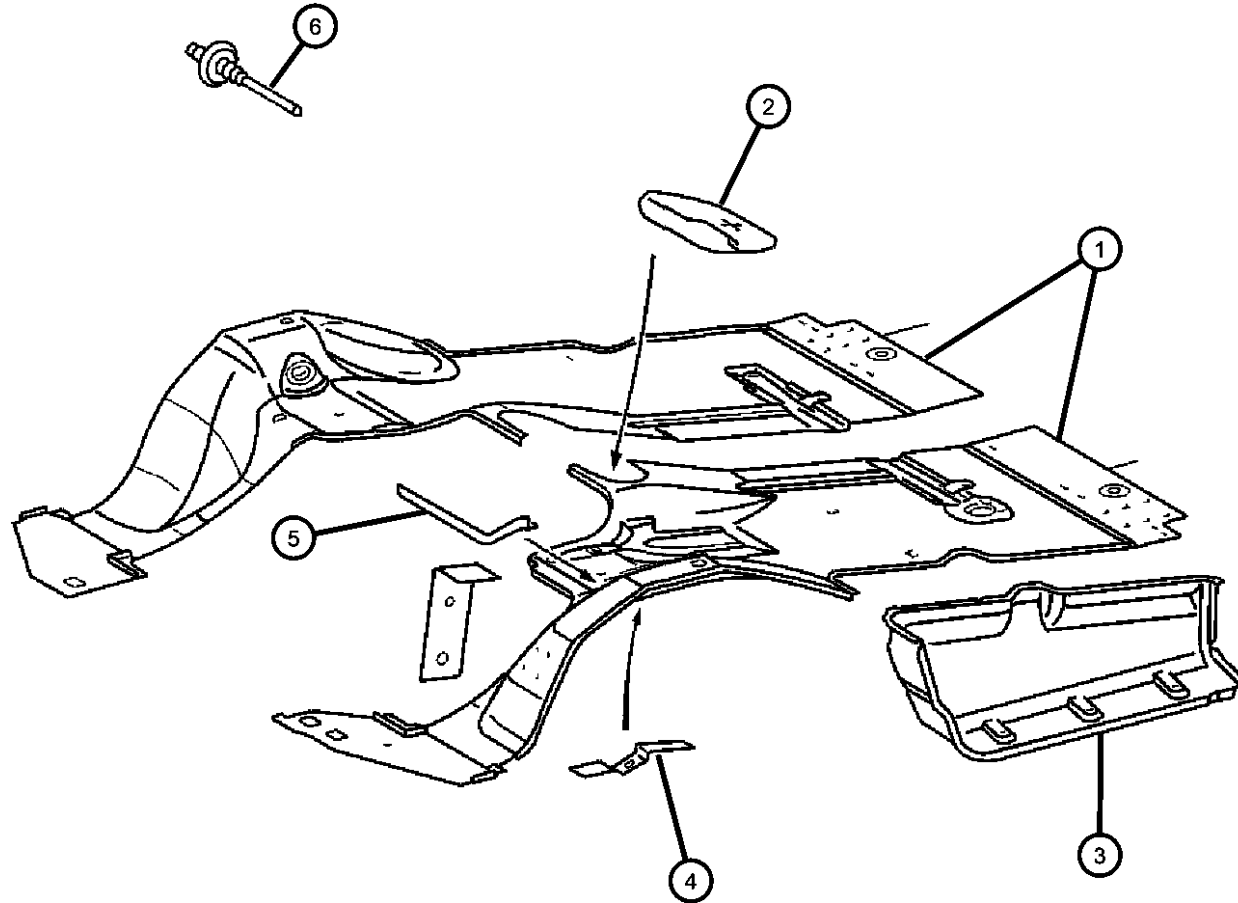


<p>SVA-1100 Roof Panels</p> 	<p>SVA-1200 Sunroof</p> 	<p>SVA-200 Floor Pans</p> 	<p>SVA-300 Plugs</p> 
<p>SVA-400 Front Fenders</p> 	<p>SVA-500 Hood and Hood Release</p> 	<p>SVA-600 Cowl and Dash Panel</p> 	<p>SVA-700 Glass and Rear View Mirror</p> 
<p>SVA-800 Aperture Panel</p> 	<p>SVA-900 Quarter Panel and Pillars</p> 		

Group - SVA Body Sheet Metal Except Doors

Illustration Title	Group-Fig. No.
Floor Pans	
Front Floor Pan.....	Fig. SVA - 210
Rear Floor Pan.....	Fig. SVA - 220
Plugs	
Plugs.....	Fig. SVA - 310
Front Fenders	
Front Fender.....	Fig. SVA - 410
Fender Splash Guards.....	Fig. SVA - 420
Hood and Hood Release	
Hood and Hood Release.....	Fig. SVA - 510
Cowl and Dash Panel	
Cowl and Dash.....	Fig. SVA - 610
Inner Paneling in Cab, Cowl.....	Fig. SVA - 620
Glass and Rear View Mirror	
Windshield, Backlite and Rear View Mirror.....	Fig. SVA - 710
Front Right Side Sliding Glass.....	Fig. SVA - 720
Side Glass, Fixed.....	Fig. SVA - 730
Aperture Panel	
Front Aperture, Inner, Left.....	Fig. SVA - 810
Front Aperture, Outer, Left.....	Fig. SVA - 820
Front Aperture, Inner, Right.....	Fig. SVA - 830
Front Aperture, Outer, Right.....	Fig. SVA - 840
Quarter Panel and Pillars	
Right Side Cargo Door Pillars & Wheelhouse.....	Fig. SVA - 910
Right Side Panels, Cargo.....	Fig. SVA - 920
Right Side Panels, Wagon.....	Fig. SVA - 930
Left Side Cargo Door Pillars & Wheelhouse.....	Fig. SVA - 940
Left Side Panels, Cargo.....	Fig. SVA - 950
Left Side Panels, Wagon.....	Fig. SVA - 960
Rear Splash Shield.....	Fig. SVA - 970
Rear Step Panel.....	Fig. SVA - 980
Partition Wall & Load Protection Grill.....	Fig. SVA - 990
Roof Panels	
Low Roof Panel.....	Fig. SVA - 1110
High Roof Panel.....	Fig. SVA - 1120
Sunroof	
Manual Sunroof.....	Fig. SVA - 1210
Fixed Sunroof.....	Fig. SVA - 1220

Front Floor Pan
Figure SVA-210



ITEM	PART NUMBER	QTY	LINE	SERIES	BODY	ENGINE	TRANS	TRIM	DESCRIPTION
1	05121511AB	1	2, 6		01, 02, 06				PAD, Floor Pan
		1	2, 6		11, 12, 14, 15, 16				
		1	2, 6		51, 52, 54, 55, 56				
		1	3, 7		12, 15, 16				
2	05121510AA	1	2, 6		01, 02, 06				ESCUTCHEON, Floor
		1	2, 6		11, 12, 14, 15, 16				
		1	2, 6		51, 52, 54, 55, 56				
		1	3, 7		12, 15, 16				
3	05104161AA	1	2, 6		01, 02, 06				STEP PAD, Side Step
		1	2, 6		11, 12, 14, 15, 16				Left
		1	2, 6		51, 52, 54, 55, 56				Left
		1	2, 6		12, 15, 16				Left
	05121571AA	1	2, 6		01, 02, 06				Right
		1	2, 6		11, 12, 14, 15, 16				Right
		1	2, 6		51, 52, 54, 55, 56				Right
		1	3, 7		12, 15, 16				Right
4	05119269AA	1	2, 6		01, 02, 06				BRACKET, Floor Pan, Brake Cable
		1	2, 6		11, 12, 14, 15, 16				
		1	2, 6		51, 52, 54, 55, 56				
		1	3, 7		12, 15, 16				

SPRINTER (VA)

SERIES

L = LOWLINE

LINE

3 = HD DODGE 2WD
6 = Lt. Duty DODGE 4WD
2 = Med. Duty DODGE 2WD
7 = Med. Duty DODGE 4WD

BODY

55 = Wagon 140"
54 = Wagon 118"
52 = Wagon 140"
51 = Wagon 118"
12 = Van 140"
11 = Van 118"
06 = Front Section 158"
14 = Van 118"
15 = Van 140"
16 = Van 158"
56 = Wagon 158"
01 = Chassis Forward Control 118"
02 = Chassis Forward Control 140"

ENGINE

EX8 = Engine-2.7L I5
Mercedes Turbo Diesel

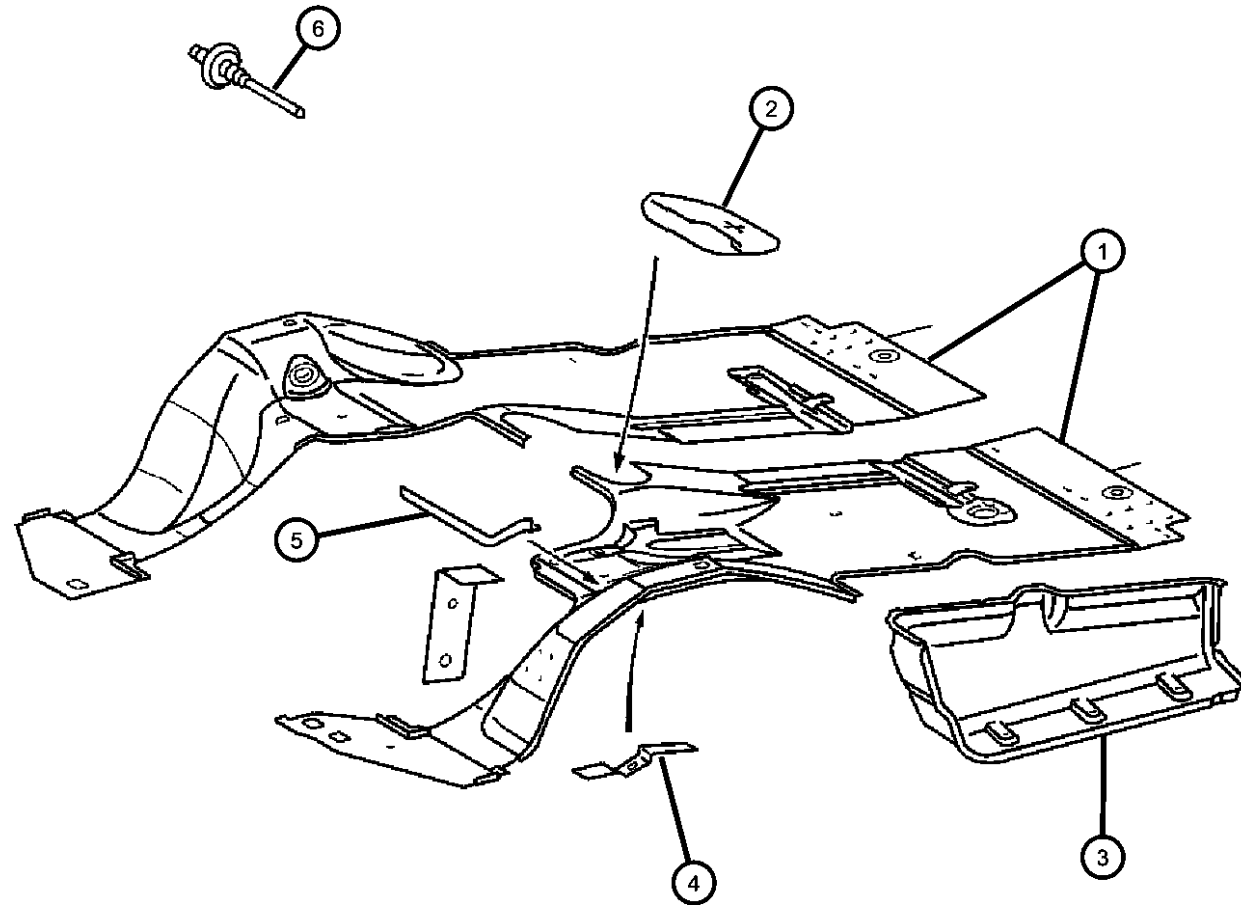
TRANSMISSION

DGJ = Transmission-5-Spd. Automatic, W5A580

AR = use ase required - = Non illustrated part

2004 VA

Front Floor Pan
Figure SVA-210



ITEM	PART NUMBER	QTY	LINE	SERIES	BODY	ENGINE	TRANS	TRIM	DESCRIPTION
5									PAD, Floor Pan
	05121494AA	1	2, 6		01, 02, 06				Left
		1	2, 6		11, 12, 14, 15, 16				Left
		1	2, 6		51, 52, 54, 55, 56				Left
		1	3, 7		12, 15, 16				Left
	05121495AA	1	2, 6		01, 02, 06				Right
		1	2, 6		11, 12, 14, 15, 16				Right
		1	2, 6		51, 52, 54, 55, 56				Right
		1	3, 7		12, 15, 16				Right
6									RIVET
	05133847AA	99	2, 6		01, 02, 06				
		99	2, 6		11, 12, 14, 15, 16				
		99	2, 6		51, 52, 54, 55, 56				
		99	3, 7		12, 15, 16				

SPRINTER (VA)

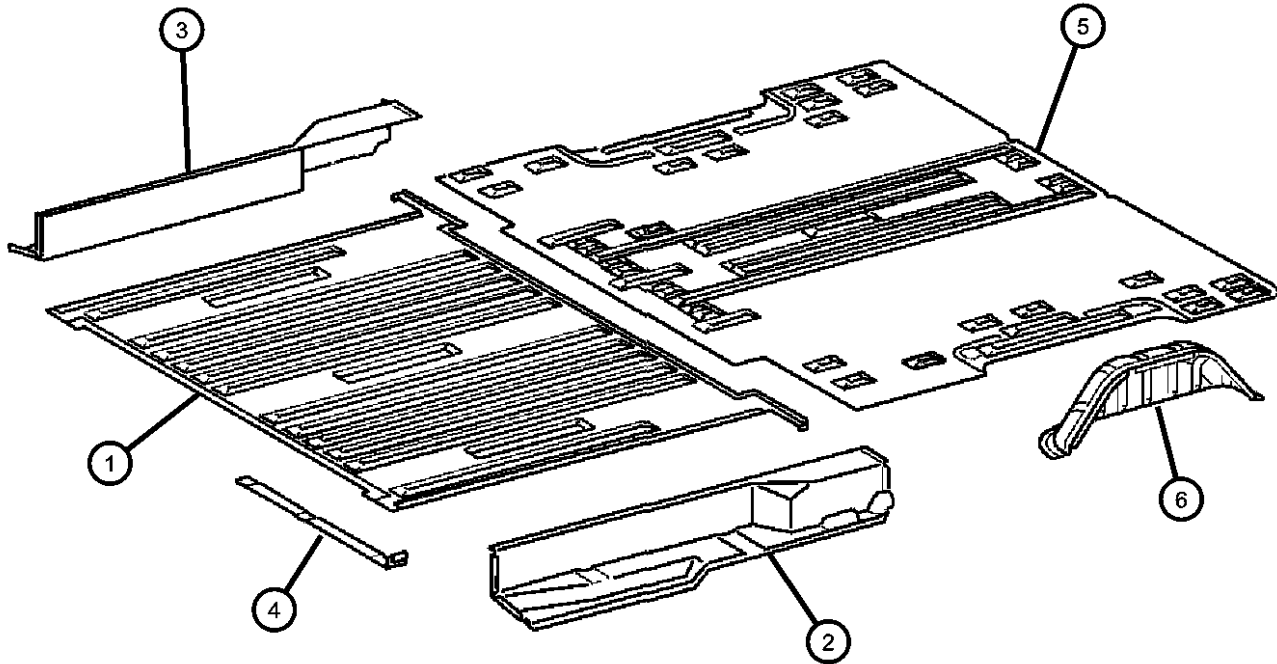
SERIES	LINE	BODY	ENGINE	TRANSMISSION
L = LOWLINE	3 = HD DODGE 2WD 6 = Lt. Duty DODGE 4WD 2 = Med. Duty DODGE 2WD 7 = Med. Duty DODGE 4WD	55 = Wagon 140" 54 = Wagon 118" 52 = Wagon 140" 51 = Wagon 118" 12 = Van 140" 11 = Van 118" 06 = Front Section 158" 14 = Van 118" 15 = Van 140" 16 = Van 158" 56 = Wagon 158" 01 = Chassis Forward Control 118" 02 = Chassis Forward Control 140"	EX8 = Engine-2.7L I5 Mercedes Turbo Diesel	DGJ = Transmission-5-Spd. Automatic,W5A580

AR = use ase required - = Non illustrated part

Rear Floor Pan Figure SVA-220

ITEM	PART NUMBER	QTY	LINE	SERIES	BODY	ENGINE	TRANS	TRIM	DESCRIPTION
------	-------------	-----	------	--------	------	--------	-------	------	-------------

Sales Codes:
 [CKZ] = Floor Covering, Rubber
 [CWC] = Cargo Partition
 [GKA] = Right Sliding Door
 [GKE] = Left Sliding Door



1									PAN, Center Floor
	05121536AA	1	2, 6		11, 12, 14, 15, 16				[GKE], Left Door Sliding
		1	2, 6		51, 52, 54, 55, 56				[GKE], Left Door Sliding
		1	3, 7		12, 15, 16				[GKE], Left Door Sliding
	05121540AA	1	2, 6		11, 12, 14, 15, 16				[GKE], Left Door Sliding & [GKA], Right Door Sliding
		1	2, 6		51, 52, 54, 55, 56				[GKE], Left Door Sliding & [GKA], Right Door Sliding
		1	3, 7		12, 15, 16				[GKE], Left Door Sliding & [GKA], Right Door Sliding
	05121544AA	1	2, 6		11, 12, 14, 15, 16				[GKA], Right Door Sliding
		1	2, 6		51, 52, 54, 55, 56				[GKA], Right Door Sliding
		1	3, 7		12, 15, 16				[GKA], Right Door Sliding
	05121546AA	1	2, 6		11, 12, 14, 15, 16				[CWC], With Cargo Partition
		1	2, 6		51, 52, 54, 55, 56				[CWC], With Cargo Partition
		1	3, 7		12, 15, 16				[CWC], With Cargo Partition
2									PANEL, Side Step Well, Left
	05121457AA	1	2, 6		11, 12, 14, 15, 16				[GKE], Left Door Sliding
		1	2, 6		51, 52, 54, 55, 56				[GKE], Left Door Sliding
		1	3, 7		12, 15, 16				[GKE], Left Door Sliding
	05121461AA	1	2, 6		11, 12, 14, 15, 16				[GKE], Left Door Sliding & [CKZ], Floor Covering, Rubber
		1	3, 7		12, 15, 16				[GKE], Left Door Sliding & [CKZ], Floor Covering, Rubber

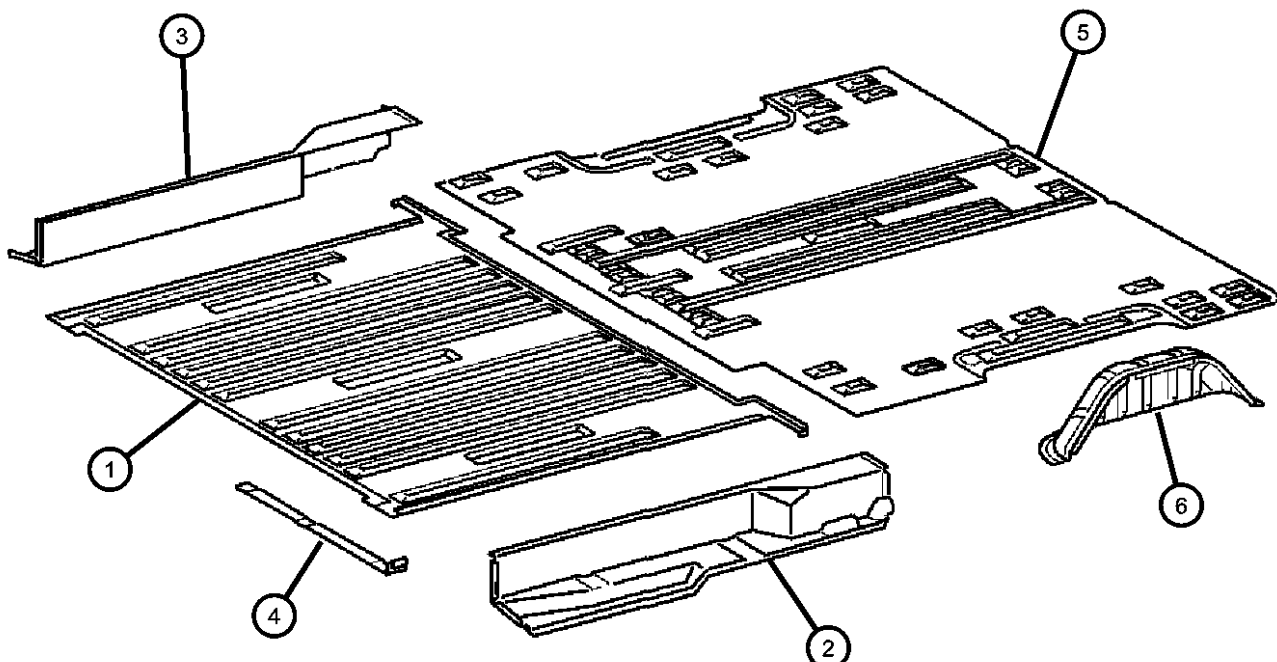
SPRINTER (VA)

SERIES	LINE	BODY	ENGINE	TRANSMISSION
L = LOWLINE	3 = HD DODGE 2WD 6 = Lt. Duty DODGE 4WD 2 = Med. Duty DODGE 2WD 7 = Med. Duty DODGE 4WD	55 = Wagon 140" 54 = Wagon 118" 52 = Wagon 140" 51 = Wagon 118" 12 = Van 140" 11 = Van 118" 06 = Front Section 158" 14 = Van 118" 15 = Van 140" 16 = Van 158" 56 = Wagon 158"	EX8 = Engine-2.7L I5 Mercedes Turbo Diesel	DGJ = Transmission-5-Spd. Automatic,W5A580
		01 = Chassis Forward Control 118" 02 = Chassis Forward Control 140"		

AR = use ase required - = Non illustrated part

**Rear Floor Pan
Figure SVA-220**

ITEM	PART NUMBER	QTY	LINE	SERIES	BODY	ENGINE	TRANS	TRIM	DESCRIPTION
		1	2, 6		51, 52, 54, 55, 56				[GKE], Left Door Sliding & [CKZ], Floor Covering, Rubber
3	05104158AA	1	2, 6		11, 12, 14, 15, 16				PANEL, Side Step Well, Right
		1	2, 6		51, 52, 54, 55, 56				[GKA], Right Door Sliding
		1	3, 7		12, 15, 16				[GKA], Right Door Sliding
	05121464AA	1	2, 6		11, 12, 14, 15, 16				[GKA], Right Door Sliding & [CKZ], Floor Covering, Rubber
		1	2, 6		51, 52, 54, 55, 56				[GKA], Right Door Sliding & [CKZ], Floor Covering, Rubber
		1	3, 7		12, 15, 16				[GKA], Right Door Sliding & [CKZ], Floor Covering, Rubber
4	05121501AA	2	2, 6		11, 12, 14, 15, 16				BRACKET, Floor Pan, In Front of Central Entrance
		2	2, 6		51, 52, 54, 55, 56				
		2	3, 7		12, 15, 16				
5	05104565AA	1	2, 6		56				PAN, Rear Floor
	05121561AA	1	2, 6		11, 12, 14, 15, 16				158 Inch Wheelbase
	05121474AA	1	3, 7		12, 15				140 Inch Wheelbase
	05121476AA	1	3, 7		16				158 Inch Wheelbase
		1	2, 6		12, 15				140 Inch Wheelbase
		1	2, 6		52, 55				140 Inch Wheelbase
	05121563AA	1	2, 6		51, 54				118 Inch Wheelbase
6	05104162AA	2	2, 6		11, 12, 14, 15, 16				PANEL, Wheelhouse



SPRINTER (VA)

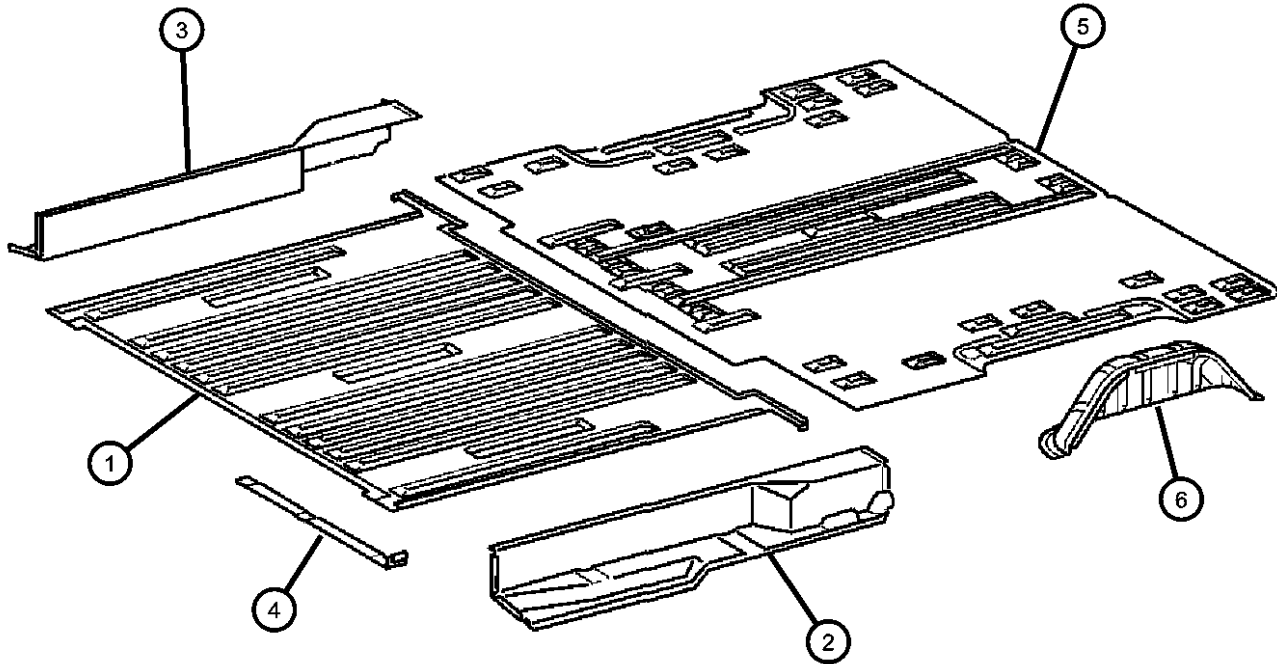
SERIES	LINE	BODY	ENGINE	TRANSMISSION
L = LOWLINE	3 = HD DODGE 2WD 6 = Lt. Duty DODGE 4WD 2 = Med. Duty DODGE 2WD 7 = Med. Duty DODGE 4WD	55 = Wagon 140" 54 = Wagon 118" 52 = Wagon 140" 51 = Wagon 118" 12 = Van 140" 11 = Van 118" 06 = Front Section 158" 14 = Van 118" 15 = Van 140" 16 = Van 158" 56 = Wagon 158" 01 = Chassis Forward Control 118" 02 = Chassis Forward Control 140"	EX8 = Engine-2.7L I5 Mercedes Turbo Diesel	DGJ = Transmission-5-Spd. Automatic,W5A580

AR = use ase required - = Non illustrated part

Rear Floor Pan
Figure SVA-220

ITEM	PART NUMBER	QTY	LINE	SERIES	BODY	ENGINE	TRANS	TRIM	DESCRIPTION
------	-------------	-----	------	--------	------	--------	-------	------	-------------

		2	2, 6		51, 52, 54, 55, 56				
		2	3, 7		12, 15, 16				

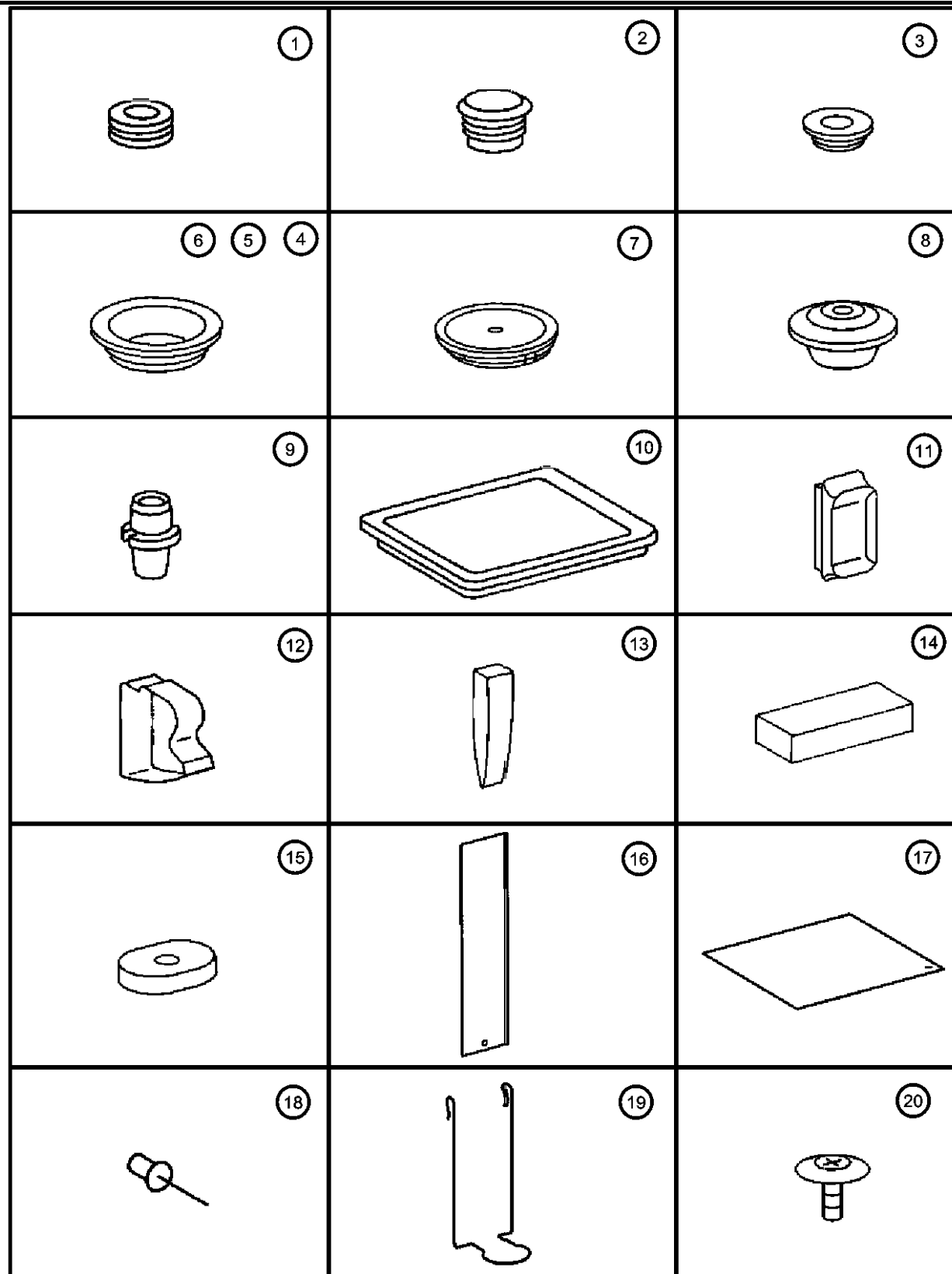


SPRINTER (VA)

SERIES	LINE	BODY	ENGINE	TRANSMISSION
L = LOWLINE	3 = HD DODGE 2WD 6 = Lt. Duty DODGE 4WD 2 = Med. Duty DODGE 2WD 7 = Med. Duty DODGE 4WD	55 = Wagon 140" 54 = Wagon 118" 52 = Wagon 140" 51 = Wagon 118" 12 = Van 140" 11 = Van 118" 06 = Front Section 158" 14 = Van 118" 15 = Van 140" 16 = Van 158" 56 = Wagon 158" 01 = Chassis Forward Control 118" 02 = Chassis Forward Control 140"	EX8 = Engine-2.7L I5 Mercedes Turbo Diesel	DGJ = Transmission-5-Spd. Automatic,W5A580

AR = use ase required - = Non illustrated part

Plugs
Figure SVA-310

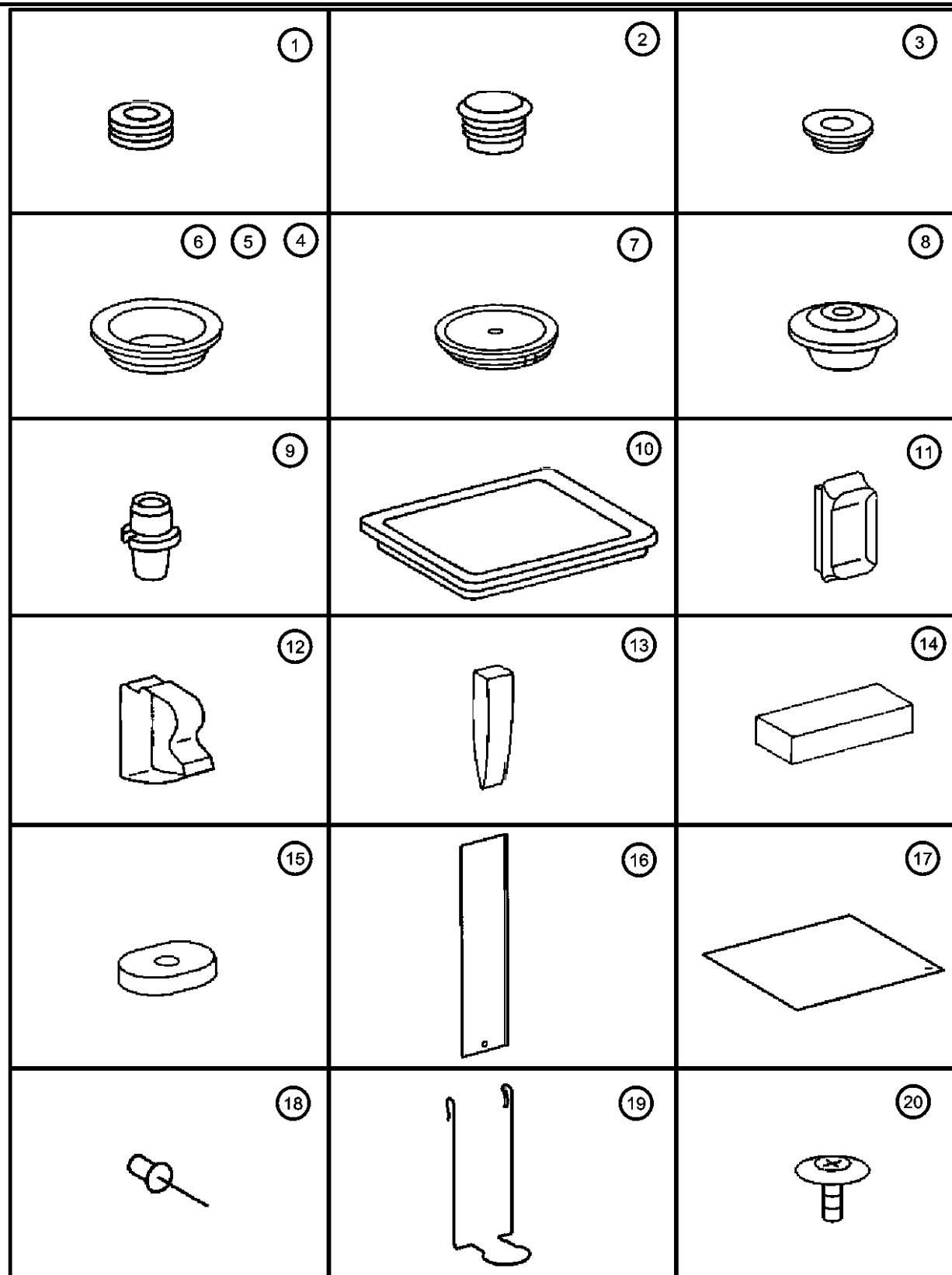


ITEM	PART NUMBER	QTY	LINE	SERIES	BODY	ENGINE	TRANS	TRIM	DESCRIPTION
1	05133557AA	1	2, 6		51, 52, 54, 55, 56				PLUG, Expansion, Dash Panel, Engine Compartment
		1	2, 6		01, 02, 06				
		1	2, 6		11, 12, 14, 15, 16				
	05133657AA	1	3, 7		12, 15, 16				
2	05125994AA	2	2, 6		01, 02, 06				PLUG, Body, Water Drain, 22mm
		2	2, 6		11, 12, 14, 15, 16				
		2	2, 6		51, 52, 54, 55, 56				
		2	3, 7		12, 15, 16				
3	05098417AA	1	2, 6		11, 12, 14, 15, 16				PLUG, Door Contact Switch
		1	2, 6		51, 52, 54, 55, 56				
		1	3, 7		12, 15, 16				
4	05098441AA	2	2, 6		11, 12, 14, 15, 16				PLUG, W/S Washer Reservoir Hole
		2	3, 7		12, 15, 16				
5	05125511AA	2	2, 6		11, 12, 14, 15, 16				GROMMET, Body
		2	3, 7		12, 15, 16				
6	05098415AA	4	2, 6		01, 02, 06				PLUG, Body
		6	2, 6		11, 12, 14, 15, 16				
		6	2, 6		51, 52, 54, 55, 56				

SPRINTER (VA)				
SERIES	LINE	BODY	ENGINE	TRANSMISSION
L = LOWLINE	3 = HD DODGE 2WD 6 = Lt. Duty DODGE 4WD 2 = Med. Duty DODGE 2WD 7 = Med. Duty DODGE 4WD	55 = Wagon 140" 54 = Wagon 118" 52 = Wagon 140" 51 = Wagon 118" 12 = Van 140" 11 = Van 118" 06 = Front Section 158" 14 = Van 118" 15 = Van 140" 16 = Van 158" 56 = Wagon 158"	EX8 = Engine-2.7L I5 Mercedes Turbo Diesel	DGJ = Transmission-5-Spd. Automatic,W5A580
		01 = Chassis Forward Control 118" 02 = Chassis Forward Control 140"		

AR = use ase required - = Non illustrated part

Plugs
Figure SVA-310



ITEM	PART NUMBER	QTY	LINE	SERIES	BODY	ENGINE	TRANS	TRIM	DESCRIPTION
7	05125518AA	8	3, 7		12, 15, 16				PLUG, Body, [89mm]
		6	2, 6		11, 14				
		14	2, 6		16				
8	05103947AA	8	2, 6		12, 15				PLUG
		6	2, 6		51, 54				
		4	2, 6		52, 55				
		14	2, 6		56				
9	05133556AA	2	2, 6		11, 12, 14, 15, 16				DRAIN SPOUT, Drain Tube, [13mm]
		2	3, 7		51, 52, 54, 55, 56				
		2	2, 6		12, 15, 16				
10	05126003AA	2	2, 6		01, 02, 06				PLUG, Body, Water Drain
		2	2, 6		11, 12, 14, 15, 16				
		2	2, 6		52, 54, 55, 56, 51				
		2	3, 7		12, 15, 16				
11	05125514AA	4	2, 6		11, 12, 14, 15, 16				PLUG, Expansion
		4	2, 6		51, 52, 54, 55, 56				

SPRINTER (VA)

SERIES

L = LOWLINE

LINE

3 = HD DODGE 2WD
6 = Lt. Duty DODGE 4WD
2 = Med. Duty DODGE 2WD
7 = Med. Duty DODGE 4WD

BODY

55 = Wagon 140"
54 = Wagon 118"
52 = Wagon 140"
51 = Wagon 118"
12 = Van 140"
11 = Van 118"
06 = Front Section 158"
14 = Van 118"
15 = Van 140"
16 = Van 158"
56 = Wagon 158"
01 = Chassis Forward Control
118"
02 = Chassis Forward Control
140"

ENGINE

EX8 = Engine-2.7L I5
Mercedes Turbo Diesel

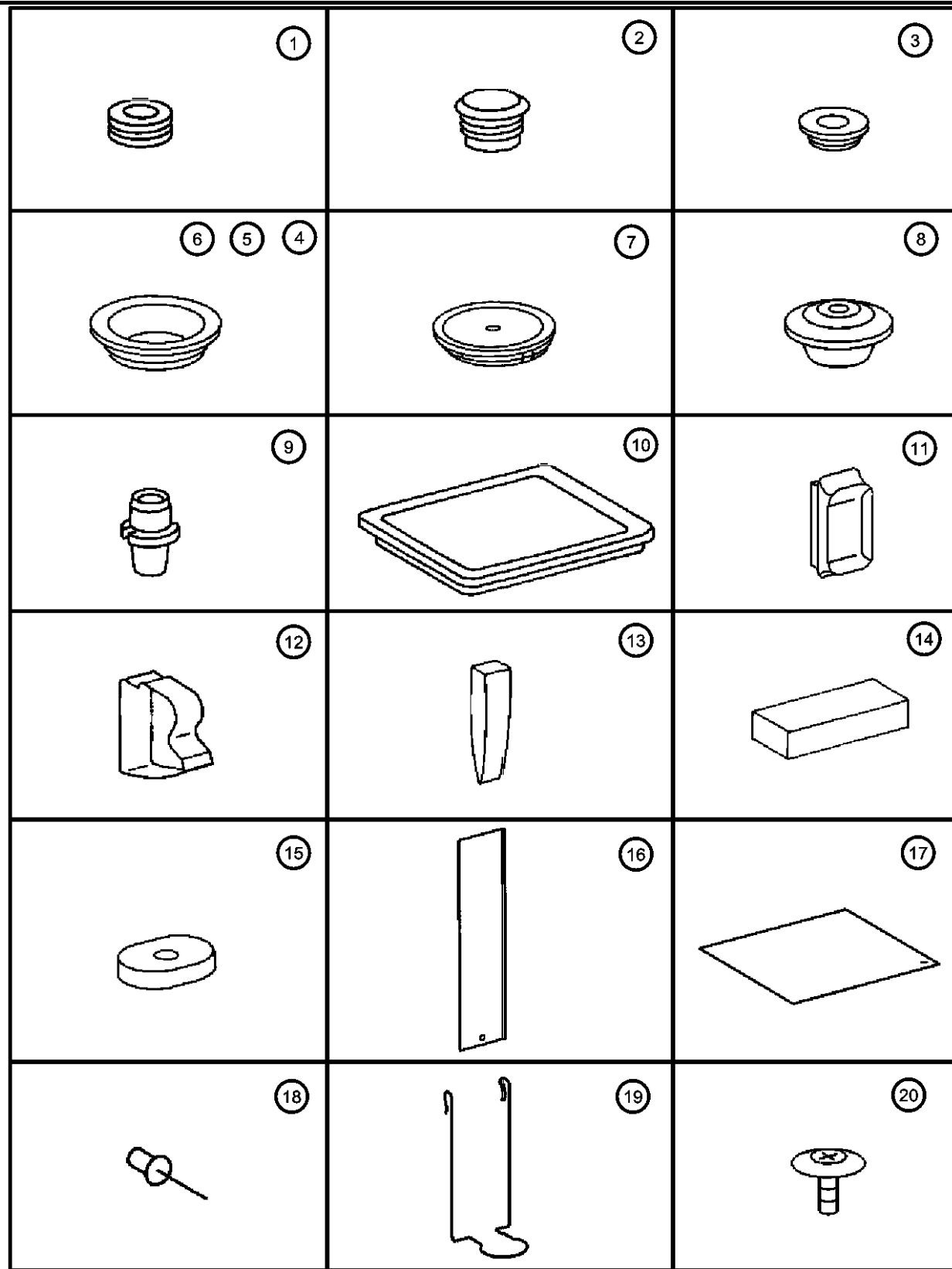
TRANSMISSION

DGJ = Transmission-5-Spd.
Automatic,W5A580

AR = use ase required - = Non illustrated part

2004 VA

Plugs
Figure SVA-310



ITEM	PART NUMBER	QTY	LINE	SERIES	BODY	ENGINE	TRANS	TRIM	DESCRIPTION
12		4	3, 7		12, 15, 16				SEAL
	05124765AA	2	2, 6		01, 02, 06				
		4	2, 6		51, 52, 54, 55, 56				
		4	2, 6		11, 12, 14, 15, 16				
13		4	3, 7		12, 15, 16				SEAL
	05124768AA	2	2, 6		11, 12, 14, 15, 16				
		2	2, 6		54, 55, 56, 51, 52				
		2	3, 7		12, 15, 16				
14		2	3, 7		12, 15, 16				SEAL, B-Pillar, Right
	05124771AA	1	2, 6		01, 02, 06				
		1	2, 6		11, 12, 14, 15, 16				
		1	2, 6		51, 52, 54, 55, 56				
		1	3, 7		12, 15, 16				
15		1	2, 6		01, 02, 06				GROMMET
	05124774AA	1	2, 6		01, 02, 06				Oval Shape
		1	2, 6		11, 12, 14, 15, 16				Oval Shape
		1	2, 6		51, 52, 54, 55, 56				Oval Shape
		1	3, 7		12, 15, 16				Oval Shape
	05124775AA	1	2, 6		01, 02, 06				Circular Solid
		1	2, 6		11, 12, 14, 15, 16				Circular Solid
		1	2, 6		51, 52, 54, 55, 56				Circular Solid

SPRINTER (VA)

SERIES

L = LOWLINE

LINE

3 = HD DODGE 2WD
6 = Lt. Duty DODGE 4WD
2 = Med. Duty DODGE 2WD
7 = Med. Duty DODGE 4WD

BODY

55 = Wagon 140"
54 = Wagon 118"
52 = Wagon 140"
51 = Wagon 118"
12 = Van 140"
11 = Van 118"
06 = Front Section 158"
14 = Van 118"
15 = Van 140"
16 = Van 158"
56 = Wagon 158"
01 = Chassis Forward Control 118"
02 = Chassis Forward Control 140"

ENGINE

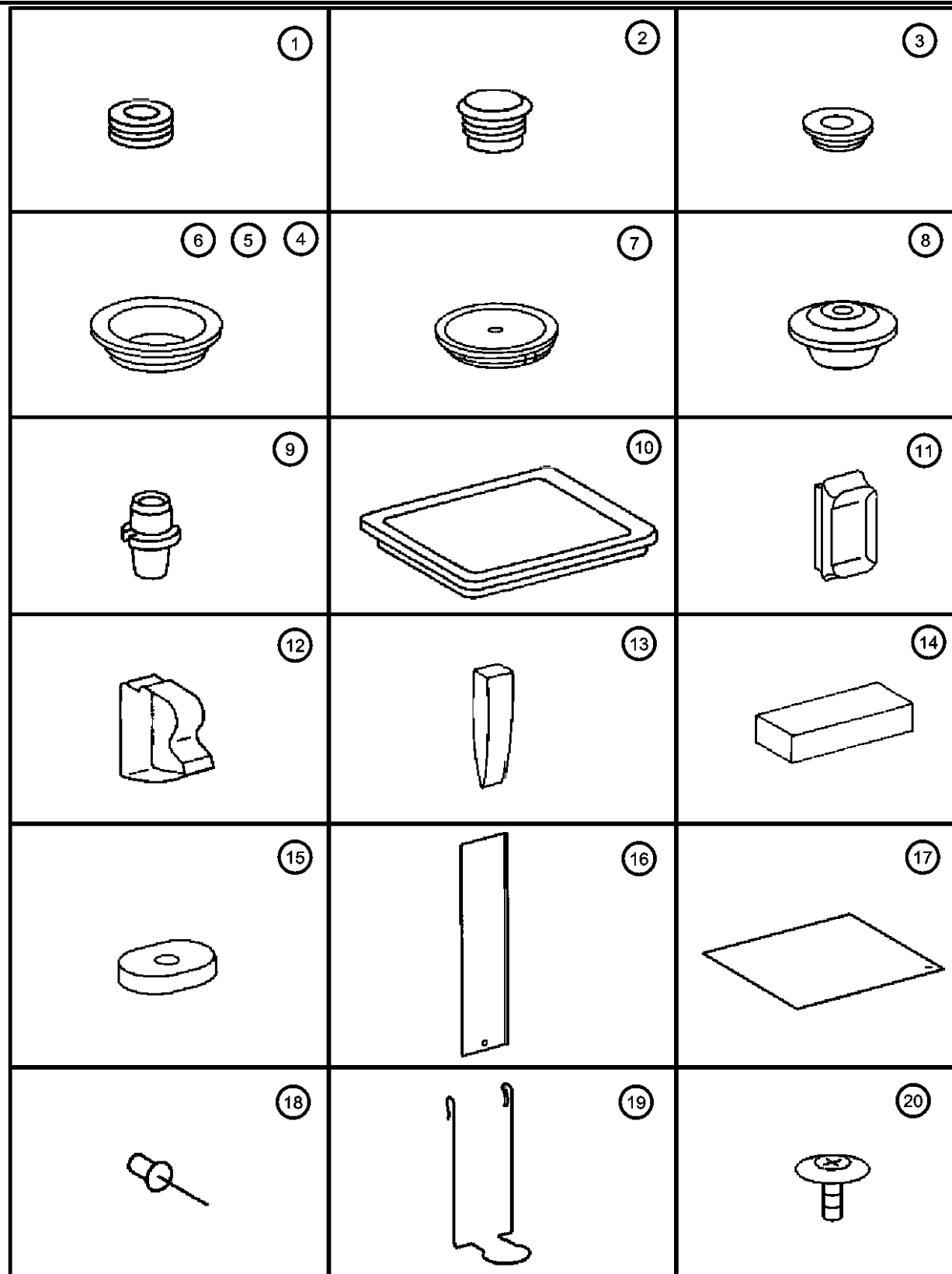
EX8 = Engine-2.7L I5
Mercedes Turbo Diesel

TRANSMISSION

DGJ = Transmission-5-Spd. Automatic, W5A580

AR = use ase required - = Non illustrated part

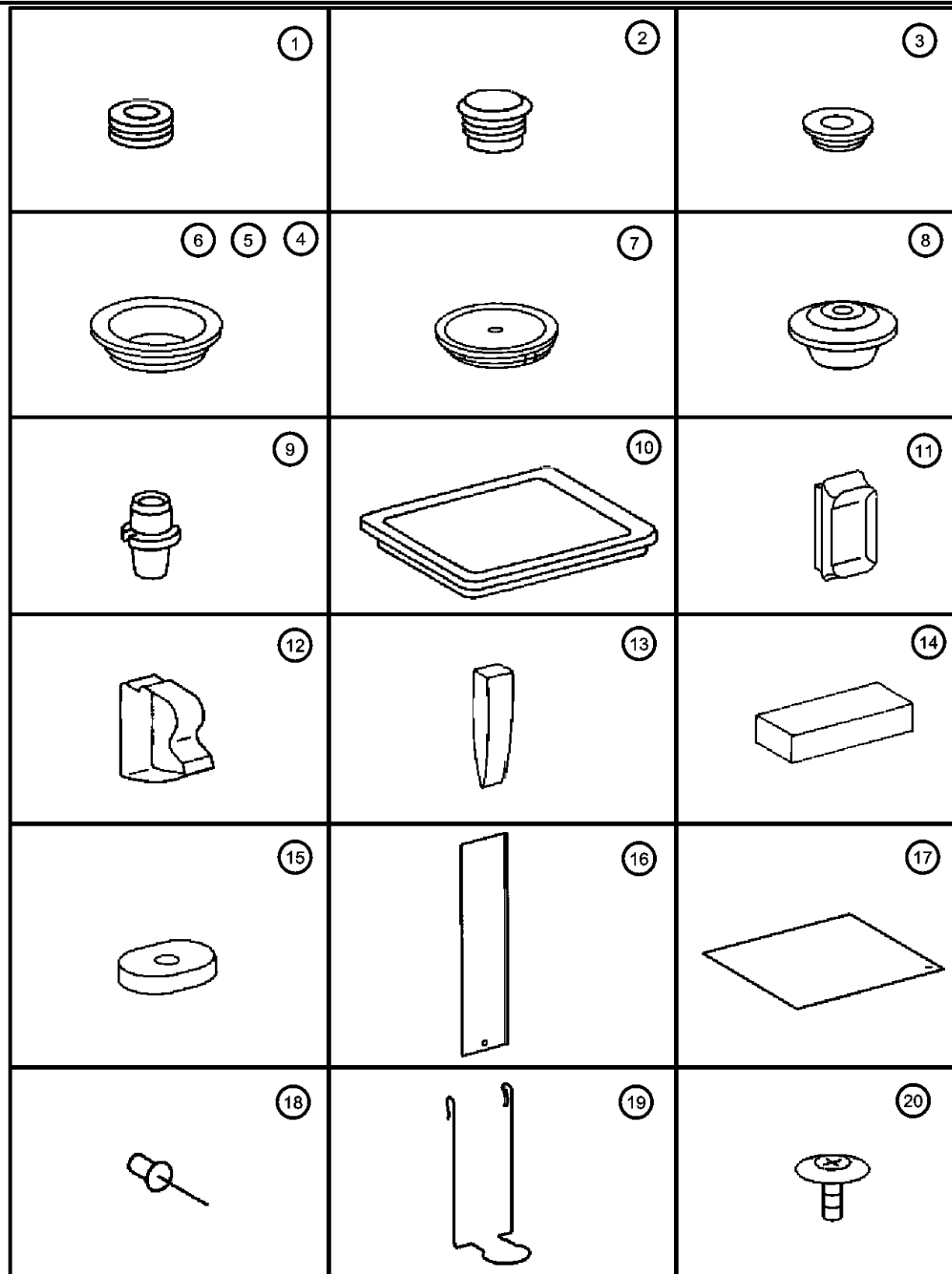
Plugs
Figure SVA-310



ITEM	PART NUMBER	QTY	LINE	SERIES	BODY	ENGINE	TRANS	TRIM	DESCRIPTION
		1	3, 7		12, 15, 16				Circular Solid
	05124777AA	1	3, 7		12, 15, 16				Circular With Hole
		1	2, 6		06, 01, 02				Circular With Hole
		1	2, 6		11, 12, 14, 15, 16				Circular With Hole
16		1	2, 6		51, 52, 54, 55, 56				Circular With Hole
	05122651AA	1	2, 6		01, 02, 06				COVER, Cable Guide Duct
		1	2, 6		51, 52, 54, 55, 56				
		1	2, 6		11, 12, 14, 15, 16				
17		1	3, 7		12, 15, 16				COVER, Cable Guide Duct
	05122648AA	1	2, 6		01, 02, 06				
		1	2, 6		11, 12, 14, 15, 16				
		1	2, 6		51, 52, 54, 55, 56				
		1	3, 7		12, 15, 16				
18									RIVET, Blind Bulb, Cable Guide Duct [4.0x8]
	05133417AA	3	2, 6		01, 02, 06				
		3	2, 6		11, 12, 14, 15, 16				
		3	2, 6		54, 55, 56, 51, 52				
		3	3, 7		12, 15, 16				
19									CLIP, Instrument Panel
	05133558AA	2	2, 6		11, 12, 14, 15, 16				
		2	2, 6		51, 52, 54, 55, 56				
<p>SPRINTER (VA) SERIES L = LOWLINE LINE 3 = HD DODGE 2WD 6 = Lt. Duty DODGE 4WD 2 = Med. Duty DODGE 2WD 7 = Med. Duty DODGE 4WD BODY 55 = Wagon 140" 54 = Wagon 118" 52 = Wagon 140" 51 = Wagon 118" 12 = Van 140" 11 = Van 118" 06 = Front Section 158" 14 = Van 118" 15 = Van 140" 16 = Van 158" 56 = Wagon 158" ENGINE EX8 = Engine-2.7L I5 Mercedes Turbo Diesel TRANSMISSION DGJ = Transmission-5-Spd. Automatic, W5A580</p>									

AR = use ase required - = Non illustrated part

Plugs
Figure SVA-310



ITEM	PART NUMBER	QTY	LINE	SERIES	BODY	ENGINE	TRANS	TRIM	DESCRIPTION
20	05125982AA	1	3, 7		12, 15, 16				PLUG, Body
		1	2, 6		11, 12, 14, 15, 16				
		1	2, 6		51, 52, 54, 55, 56				
		1	3, 7		12, 15, 16				

SPRINTER (VA)

SERIES

L = LOWLINE

LINE

3 = HD DODGE 2WD
6 = Lt. Duty DODGE 4WD
2 = Med. Duty DODGE 2WD
7 = Med. Duty DODGE 4WD

BODY

55 = Wagon 140"
54 = Wagon 118"
52 = Wagon 140"
51 = Wagon 118"
12 = Van 140"
11 = Van 118"
06 = Front Section 158"
14 = Van 118"
15 = Van 140"
16 = Van 158"
56 = Wagon 158"
01 = Chassis Forward Control 118"
02 = Chassis Forward Control 140"

ENGINE

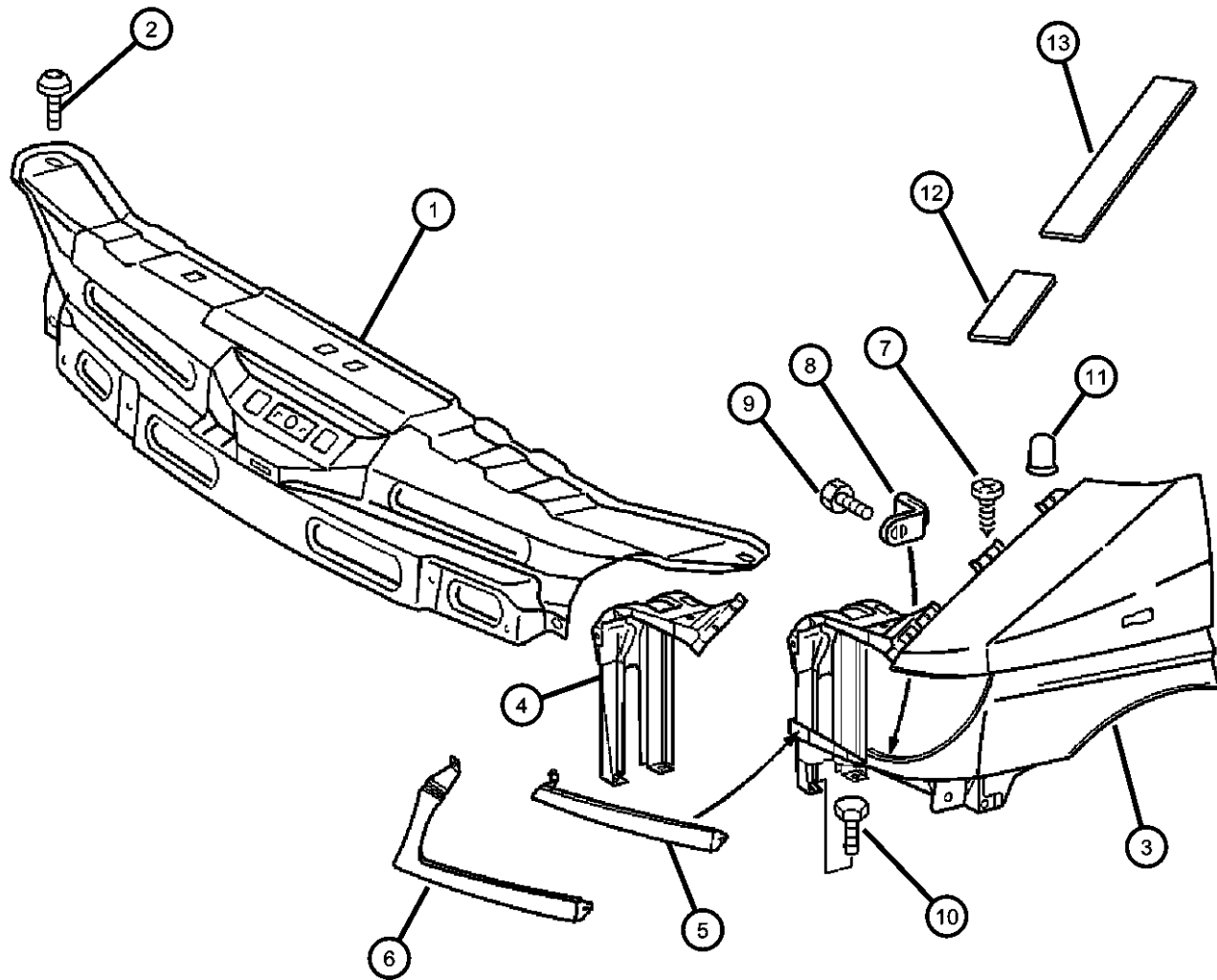
EX8 = Engine-2.7L I5
Mercedes Turbo Diesel

TRANSMISSION

DGJ = Transmission-5-Spd. Automatic, W5A580

AR = use ase required - = Non illustrated part

Front Fender
Figure SVA-410



ITEM	PART NUMBER	QTY	LINE	SERIES	BODY	ENGINE	TRANS	TRIM	DESCRIPTION
1									CROSSMEMBER, Radiator
	05104504AA	1	2, 6		01, 02, 06				
		1	2, 6		11, 12, 14, 15, 16				
		1	2, 6		51, 52, 54, 55, 56				
		1	3, 7		12, 15, 16				
2									SCREW
	05103713AA	4	2, 6		01, 02, 06				
		4	2, 6		11, 12, 14, 15, 16				
		4	2, 6		51, 52, 54, 55, 56				
		4	3, 7		12, 15, 16				
3									FENDER, Front
	05104180AA	1	2, 6		11, 12, 14, 15, 16				Left
		1	2, 6		51, 52, 54, 55, 56				Left
		1	2, 6		01, 02, 06				Left
	05104181AA	1	2, 6		12, 14, 15, 16, 11				Right
		1	2, 6		51, 52, 54, 55, 56				Right
		1	3, 7		12, 15, 16				Right
		1	3, 7		12, 15, 16				Left
		1	2, 6		01, 02, 06				Right
4									SUPPORT, Radiator Closure Panel
	05104165AA	1	2, 6		01, 02, 06				Left
		1	2, 6		11, 12, 14, 15, 16				Left
		1	2, 6		51, 52, 54, 55, 56				Left
		1	3, 7		12, 15, 16				Left

SPRINTER (VA)

SERIES

L = LOWLINE

LINE

3 = HD DODGE 2WD
6 = Lt. Duty DODGE 4WD
2 = Med. Duty DODGE 2WD
7 = Med. Duty DODGE 4WD

BODY

55 = Wagon 140"
54 = Wagon 118"
52 = Wagon 140"
51 = Wagon 118"
12 = Van 140"
11 = Van 118"
06 = Front Section 158"
14 = Van 118"
15 = Van 140"
16 = Van 158"
56 = Wagon 158"
01 = Chassis Forward Control 118"
02 = Chassis Forward Control 140"

ENGINE

EX8 = Engine-2.7L I5
Mercedes Turbo Diesel

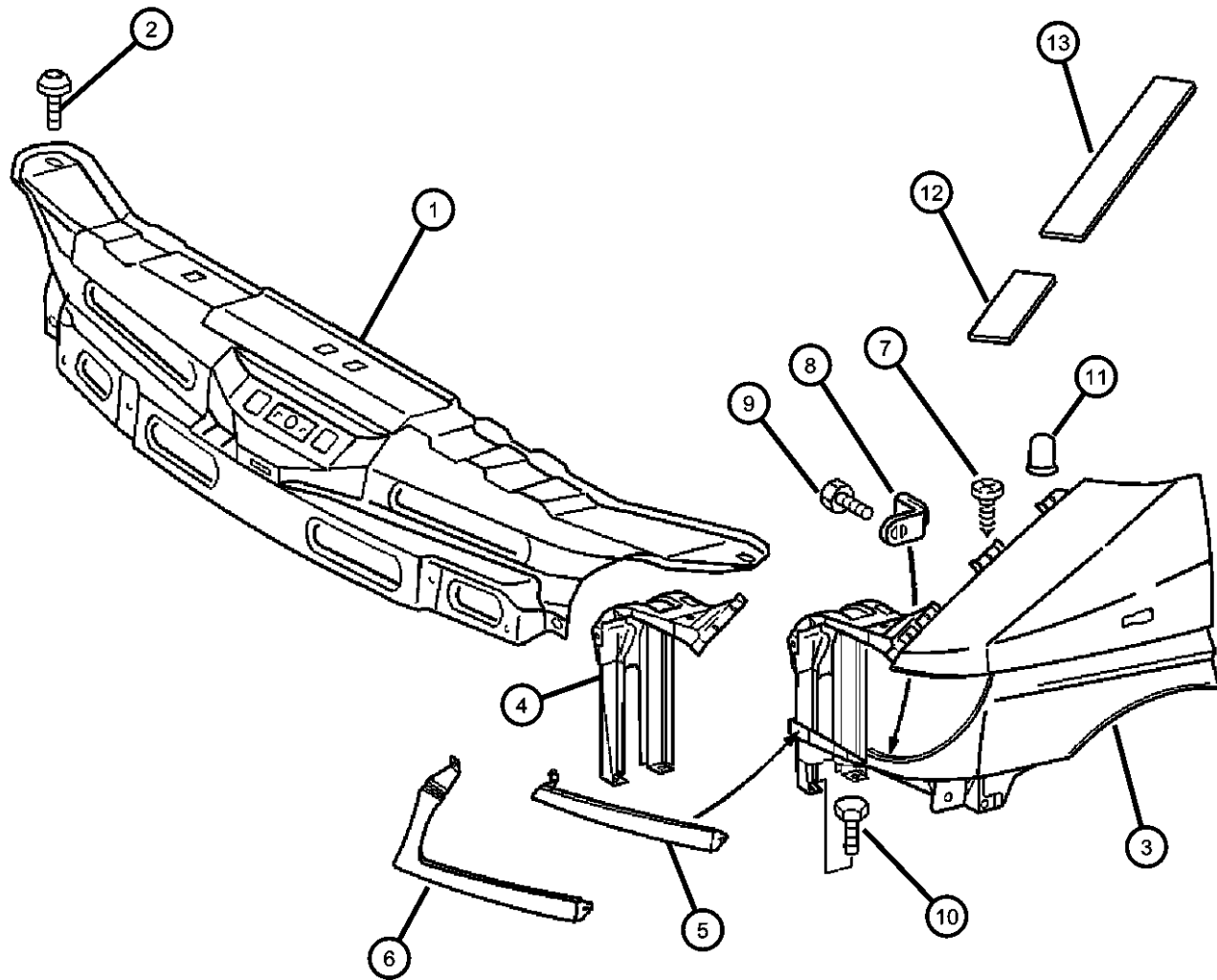
TRANSMISSION

DGJ = Transmission-5-Spd. Automatic, W5A580

AR = use ase required - = Non illustrated part

2004 VA

**Front Fender
Figure SVA-410**



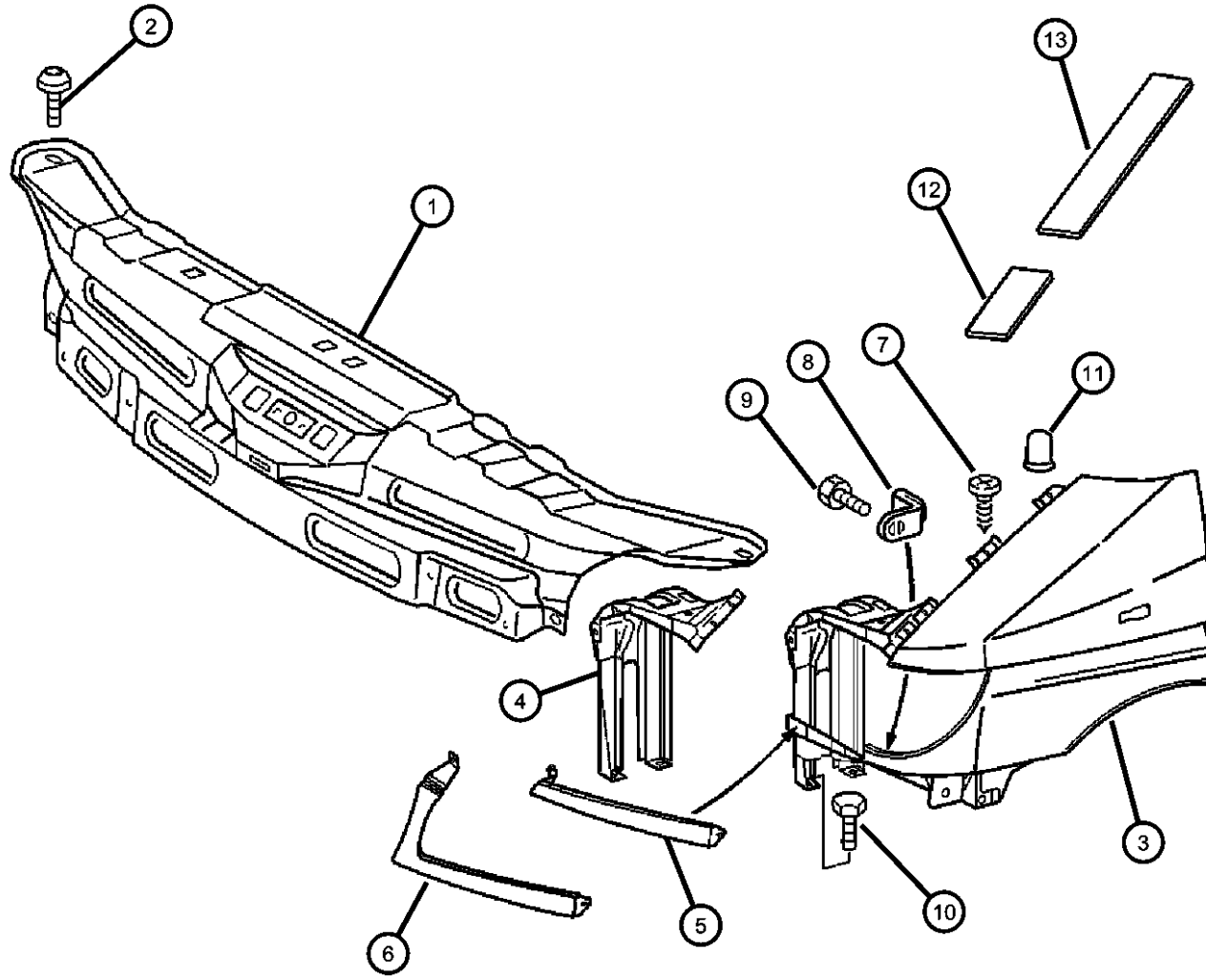
ITEM	PART NUMBER	QTY	LINE	SERIES	BODY	ENGINE	TRANS	TRIM	DESCRIPTION
	05104169AA	1	2, 6		01, 02, 06				Right
		1	2, 6		11, 12, 14, 15, 16				Right
		1	2, 6		51, 52, 54, 55, 56				Right
		1	3, 7		12, 15, 16				Right
5									BEZEL, Headlamp, Dodge
	05104210AA	1	2, 3						Left
	05104213AA	1	2, 3						Right
6									BEZEL, Headlamp, Freightliner
	05104216AA	1	6		01, 02, 06				Left
		1	6		11, 12, 14, 15, 16				Left
		1	6		56, 51, 52, 54, 55				Left
		1	7		02, 06				Left
		1	7		12, 15, 16				Left
	05104217AA	1	6		01, 02, 06				Right
		1	6		11, 12, 14, 15, 16				Right
		1	6		51, 52, 54, 55, 56				Right
		1	7		02, 06				Right
		1	7		12, 15, 16				Right
7									SCREW
	06104581AA	7	2, 6		01, 02, 06				
		7	2, 6		11, 12, 14, 15, 16				
		7	2, 6		51, 52, 54, 55, 56				
		7	3, 7		12, 15, 16				
8									RETAINER

SPRINTER (VA)

SERIES	LINE	BODY	ENGINE	TRANSMISSION
L = LOWLINE	3 = HD DODGE 2WD	55 = Wagon 140"	EX8 = Engine-2.7L I5	DGJ = Transmission-5-Spd.
	6 = Lt. Duty DODGE 4WD	54 = Wagon 118"	Mercedes Turbo Diesel	Automatic, W5A580
	2 = Med. Duty DODGE 2WD	52 = Wagon 140"		
	7 = Med. Duty DODGE 4WD	51 = Wagon 118"		
		12 = Van 140"		
		11 = Van 118"		
		06 = Front Section 158"		
		14 = Van 118"		
		15 = Van 140"		
		16 = Van 158"		
		56 = Wagon 158"		
		01 = Chassis Forward Control		
		118"		
		02 = Chassis Forward Control		
		140"		

AR = use ase required - = Non illustrated part

**Front Fender
Figure SVA-410**



ITEM	PART NUMBER	QTY	LINE	SERIES	BODY	ENGINE	TRANS	TRIM	DESCRIPTION
	05104527AA	1	2, 6		01, 02, 06				
		1	2, 6		11, 12, 14, 15, 16				
		1	2, 6		51, 52, 54, 55, 56				
		1	3, 7		12, 15, 16				
9									SCREW, Tapping
	06104574AA	2	2, 6		11, 12, 14, 15, 16				
		2	2, 6		51, 52, 54, 55, 56				
		2	3, 7		12, 15, 16				
10	06104022AA	3							SCREW
11									CAP, Protective
	05104537AA	1	2, 6		01, 02, 06				
		1	2, 6		51, 52, 54, 55, 56				
		1	2, 6		11, 12, 14, 15, 16				
		1	3, 7		12, 15, 16				
12									SEAL, Fender To Cowl
	05121445AA	2	2, 6		51, 52, 54, 55, 56				
		2	2, 6		01, 02, 06				
		2	2, 6		11, 12, 14, 15, 16				
		2	3, 7		12, 15, 16				
13									SEAL, Fender To Cowl
	05121446AA	1	2, 6		11, 12, 14, 15, 16				
		1	2, 6		01, 02, 06				
		1	2, 6		55, 56, 51, 52, 54				
		1	3, 7		12, 15, 16				

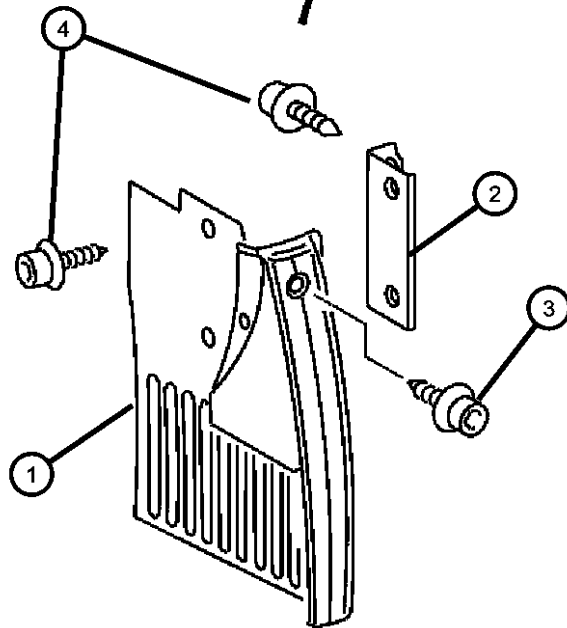
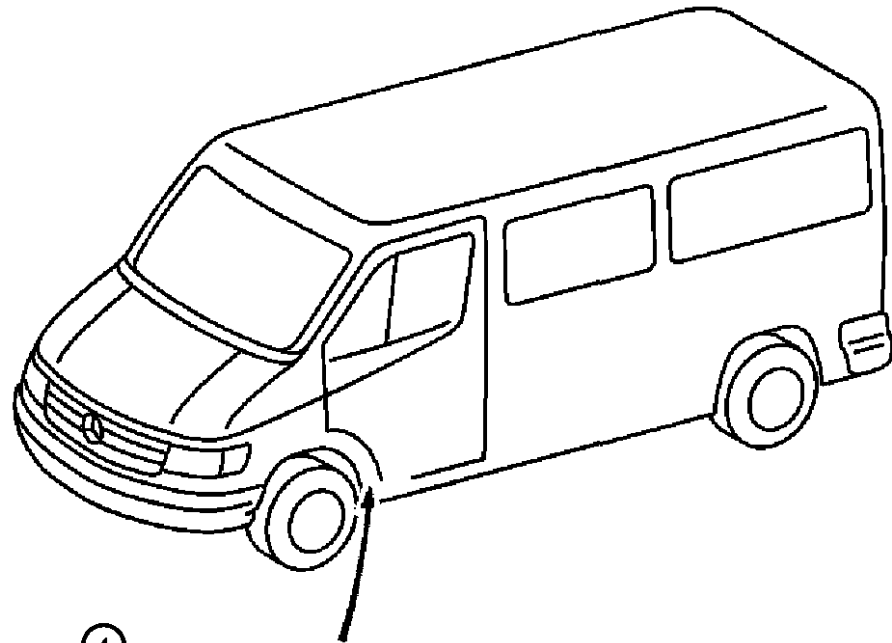
SPRINTER (VA)

SERIES	LINE	BODY	ENGINE	TRANSMISSION
L = LOWLINE	3 = HD DODGE 2WD 6 = Lt. Duty DODGE 4WD 2 = Med. Duty DODGE 2WD 7 = Med. Duty DODGE 4WD	55 = Wagon 140" 54 = Wagon 118" 52 = Wagon 140" 51 = Wagon 118" 12 = Van 140" 11 = Van 118" 06 = Front Section 158" 14 = Van 118" 15 = Van 140" 16 = Van 158" 56 = Wagon 158"	EX8 = Engine-2.7L I5 Mercedes Turbo Diesel	DGJ = Transmission-5-Spd. Automatic, W5A580

01 = Chassis Forward Control
118"
02 = Chassis Forward Control
140"

AR = use ase required - = Non illustrated part

Fender Splash Guards
Figure SVA-420



ITEM	PART NUMBER	QTY	LINE	SERIES	BODY	ENGINE	TRANS	TRIM	DESCRIPTION
1									GUARD, Splash
	05104518AA	1	2, 6		01, 02, 06				Left
		1	2, 6		11, 12, 14, 15, 16				Left
		1	2, 6		51, 52, 54, 55, 56				Left
		1	3, 7		12, 15, 16				Left
	05104521AA	1	2, 6		01, 02, 06				Right
		1	2, 6		11, 12, 14, 15, 16				Right
		1	2, 6		51, 52, 54, 55, 56				Right
		1	3, 7		12, 15, 16				Right
	05132502AA	1	2, 6		01, 02, 06				With 16 Inch Wheels, Left
		1	2, 6		11, 12, 14, 15, 16				With 16 Inch Wheels, Left
		1	2, 6		51, 52, 54, 55, 56				With 16 Inch Wheels, Left
	05132504AA	1	2, 6		01, 02, 06				With 16 Inch Wheels, Right
		1	2, 6		11, 12, 14, 15, 16				With 16 Inch Wheels, Right
		1	2, 6		51, 52, 54, 55, 56				With 16 Inch Wheels, Right
2									BRACKET
	05104519AA	2	2, 6		01, 02, 06				
		2	2, 6		11, 12, 14, 15, 16				
		2	2, 6		51, 52, 54, 55, 56				
		2	3, 7		12, 15, 16				
3									SCREW
	06104582AA	4	2, 6		01, 02, 06				
		4	2, 6		11, 12, 14, 15, 16				

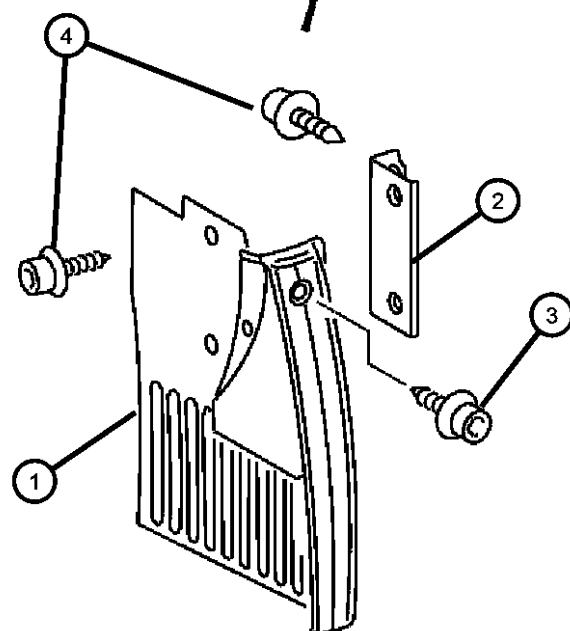
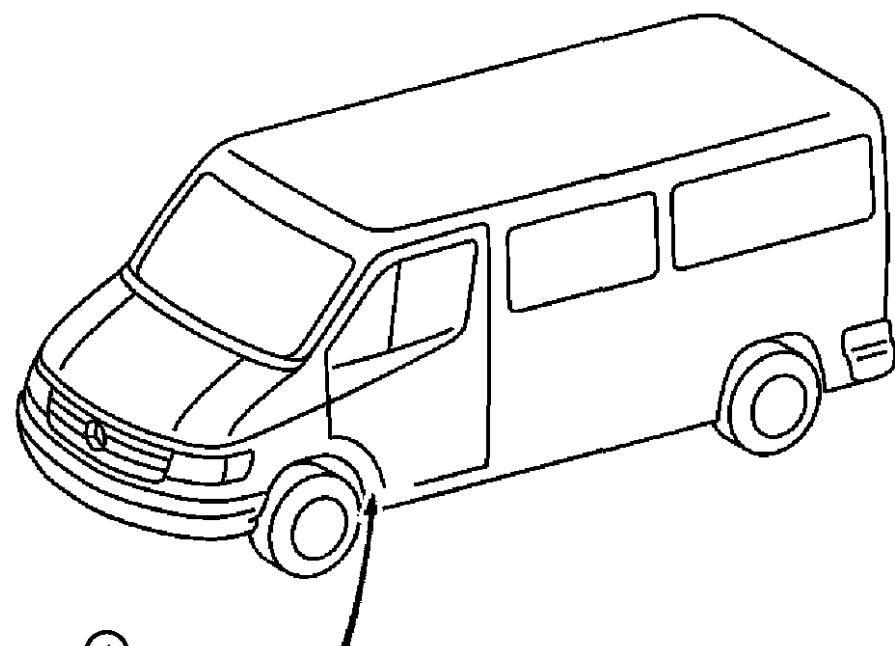
SPRINTER (VA)

SERIES	LINE	BODY	ENGINE	TRANSMISSION
L = LOWLINE	3 = HD DODGE 2WD 6 = Lt. Duty DODGE 4WD 2 = Med. Duty DODGE 2WD 7 = Med. Duty DODGE 4WD	55 = Wagon 140" 54 = Wagon 118" 52 = Wagon 140" 51 = Wagon 118" 12 = Van 140" 11 = Van 118" 06 = Front Section 158" 14 = Van 118" 15 = Van 140" 16 = Van 158" 56 = Wagon 158"	EX8 = Engine-2.7L I5 Mercedes Turbo Diesel	DGJ = Transmission-5-Spd. Automatic, W5A580
		01 = Chassis Forward Control 118" 02 = Chassis Forward Control 140"		

AR = use ase required - = Non illustrated part

Fender Splash Guards
Figure SVA-420

ITEM	PART NUMBER	QTY	LINE	SERIES	BODY	ENGINE	TRANS	TRIM	DESCRIPTION
------	-------------	-----	------	--------	------	--------	-------	------	-------------



		4	2, 6		51, 52, 54, 55, 56				
		4	3, 7		12, 15, 16				
4	06104581AA	6	2, 6		11, 12, 14, 15, 16				SCREW
		6	2, 6		51, 52, 54, 55, 56				
		6	3, 7		12, 15, 16				

SPRINTER (VA)

SERIES

L = LOWLINE

LINE

3 = HD DODGE 2WD
6 = Lt. Duty DODGE 4WD
2 = Med. Duty DODGE 2WD
7 = Med. Duty DODGE 4WD

BODY

55 = Wagon 140"
54 = Wagon 118"
52 = Wagon 140"
51 = Wagon 118"
12 = Van 140"
11 = Van 118"
06 = Front Section 158"
14 = Van 118"
15 = Van 140"
16 = Van 158"
56 = Wagon 158"
01 = Chassis Forward Control
118"
02 = Chassis Forward Control
140"

ENGINE

EX8 = Engine-2.7L I5
Mercedes Turbo Diesel

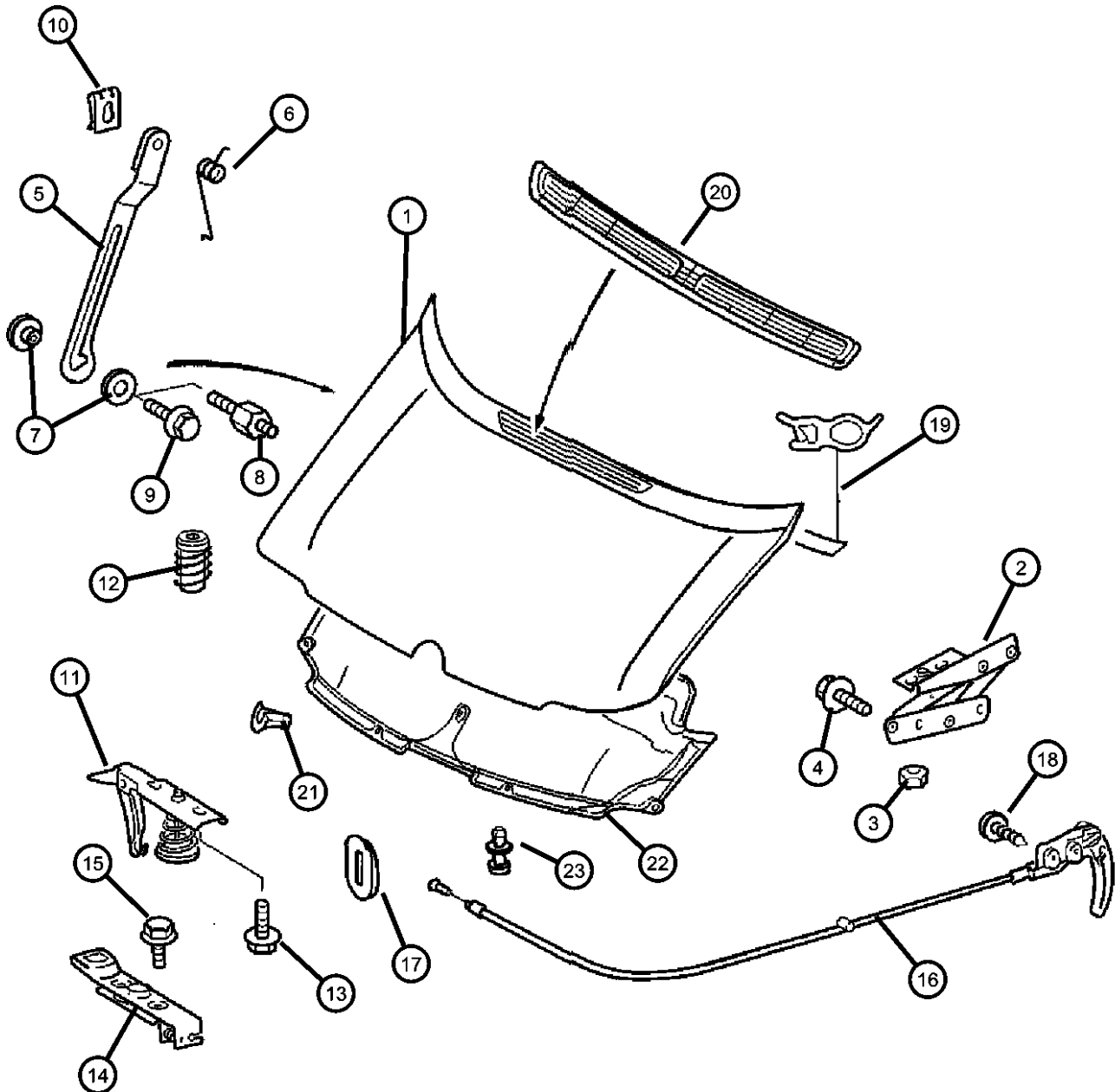
TRANSMISSION

DGJ = Transmission-5-Spd.
Automatic,W5A580

AR = use ase required - = Non illustrated part

2004 VA

Hood and Hood Release Figure SVA-510



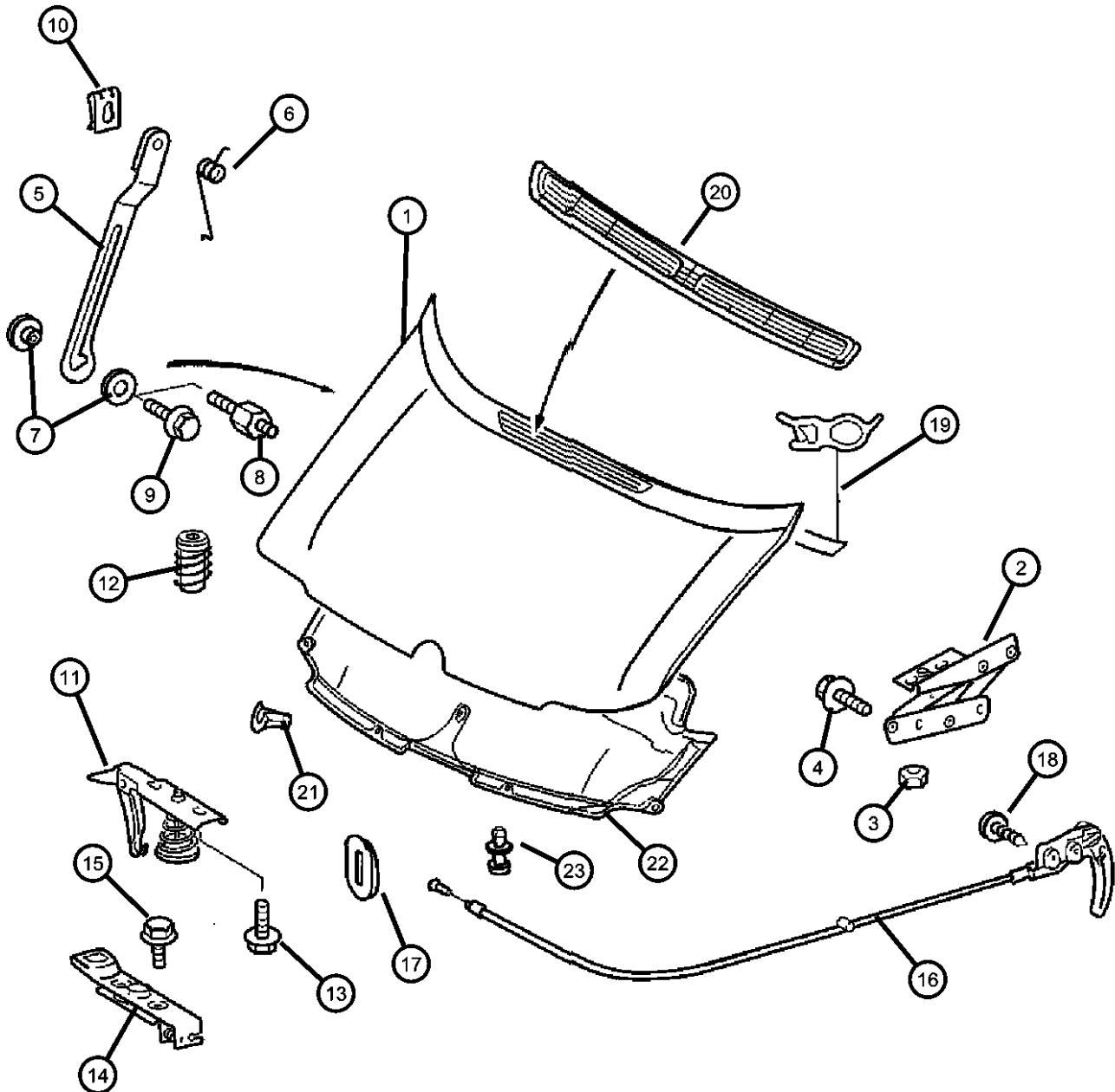
ITEM	PART NUMBER	QTY	LINE	SERIES	BODY	ENGINE	TRANS	TRIM	DESCRIPTION
1	05104402AB	1	2, 6		01, 02, 06				HOOD
		1	2, 6		11, 12, 14, 15, 16				
		1	2, 6		51, 52, 54, 55, 56				
		1	3, 7		12, 15, 16				
2	05104404AA	1	2, 6		01, 02, 06				HINGE, Hood Left
		1	2, 6		11, 12, 14, 15, 16				Left
		1	2, 6		51, 52, 54, 55, 56				Left
		1	3, 7		12, 15, 16				Left
	05104406AA	1	2, 6		01, 02, 06				Right
		1	2, 6		11, 12, 14, 15, 16				Right
		1	2, 6		51, 52, 54, 55, 56				Right
		1	3, 7		12, 15, 16				Right
3	05103731AA	4	2, 6		01, 02, 06				NUT
		4	2, 6		11, 12, 14, 15, 16				
		4	2, 6		51, 52, 54, 55, 56				
		4	3, 7		12, 15, 16				
4	06104022AA	4	2, 6		01, 02, 06				SCREW
		4	2, 6		11, 12, 14, 15, 16				
		4	2, 6		51, 52, 54, 55, 56				
		4	3, 7		12, 15, 16				

SPRINTER (VA)

SERIES	LINE	BODY	ENGINE	TRANSMISSION
L = LOWLINE	3 = HD DODGE 2WD 6 = Lt. Duty DODGE 4WD 2 = Med. Duty DODGE 2WD 7 = Med. Duty DODGE 4WD	55 = Wagon 140" 54 = Wagon 118" 52 = Wagon 140" 51 = Wagon 118" 12 = Van 140" 11 = Van 118" 06 = Front Section 158" 14 = Van 118" 15 = Van 140" 16 = Van 158" 56 = Wagon 158"	EX8 = Engine-2.7L I5 Mercedes Turbo Diesel	DGJ = Transmission-5-Spd. Automatic, W5A580
		01 = Chassis Forward Control 118" 02 = Chassis Forward Control 140"		

AR = use ase required - = Non illustrated part

Hood and Hood Release Figure SVA-510



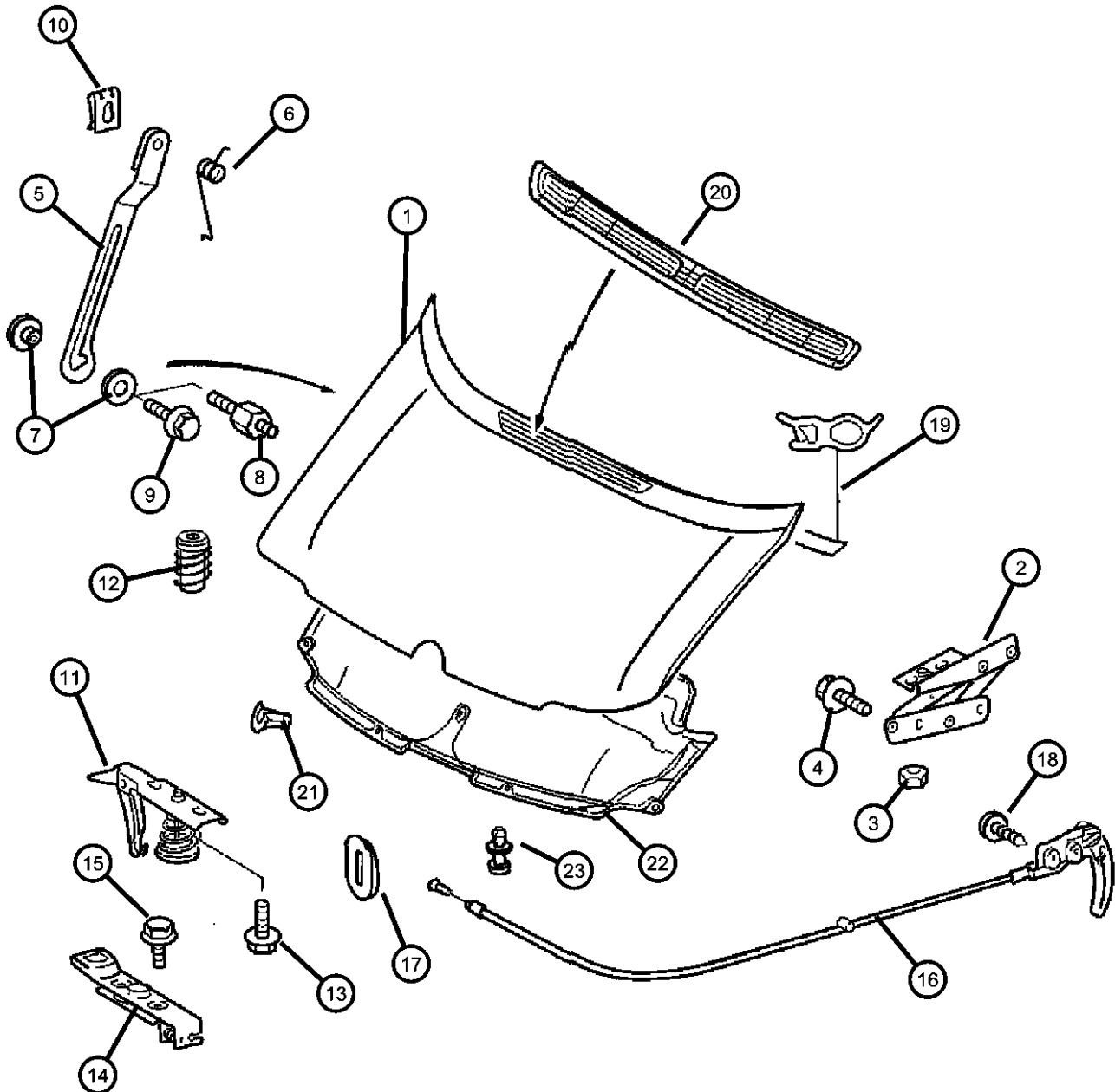
ITEM	PART NUMBER	QTY	LINE	SERIES	BODY	ENGINE	TRANS	TRIM	DESCRIPTION
5	05104407AA	1	2, 6		01, 02, 06				PROP, Hood
		1	2, 6		11, 12, 14, 15, 16				
		1	2, 6		51, 52, 54, 55, 56				
		1	3, 7		12, 15, 16				
6	05104546AA	1	2, 6		01, 02, 06				SPRING
		1	2, 6		11, 12, 14, 15, 16				
		1	2, 6		51, 52, 54, 55, 56				
		1	3, 7		12, 15, 16				
7	05104545AA	2	2, 6		01, 02, 06				BUSHING, Hood Prop Rod Pivot
		2	2, 6		11, 12, 14, 15, 16				
		2	2, 6		51, 52, 54, 55, 56				
		2	3, 7		12, 15, 16				
8	05104542AA	1	2, 6		01, 02, 06				SCREW
		1	2, 6		11, 12, 14, 15, 16				
		1	2, 6		51, 52, 54, 55, 56				
		1	3, 7		12, 15, 16				
9	06104024AA	1	3, 7		12, 15, 16				SCREW
		1	2, 6		01, 02, 06				
		1	2, 6		11, 12, 14, 15, 16				

SPRINTER (VA)

SERIES	LINE	BODY	ENGINE	TRANSMISSION
L = LOWLINE	3 = HD DODGE 2WD 6 = Lt. Duty DODGE 4WD 2 = Med. Duty DODGE 2WD 7 = Med. Duty DODGE 4WD	55 = Wagon 140" 54 = Wagon 118" 52 = Wagon 140" 51 = Wagon 118" 12 = Van 140" 11 = Van 118" 06 = Front Section 158" 14 = Van 118" 15 = Van 140" 16 = Van 158" 56 = Wagon 158"	EX8 = Engine-2.7L I5 Mercedes Turbo Diesel	DGJ = Transmission-5-Spd. Automatic, W5A580
		01 = Chassis Forward Control 118" 02 = Chassis Forward Control 140"		

AR = use ase required - = Non illustrated part

**Hood and Hood Release
Figure SVA-510**



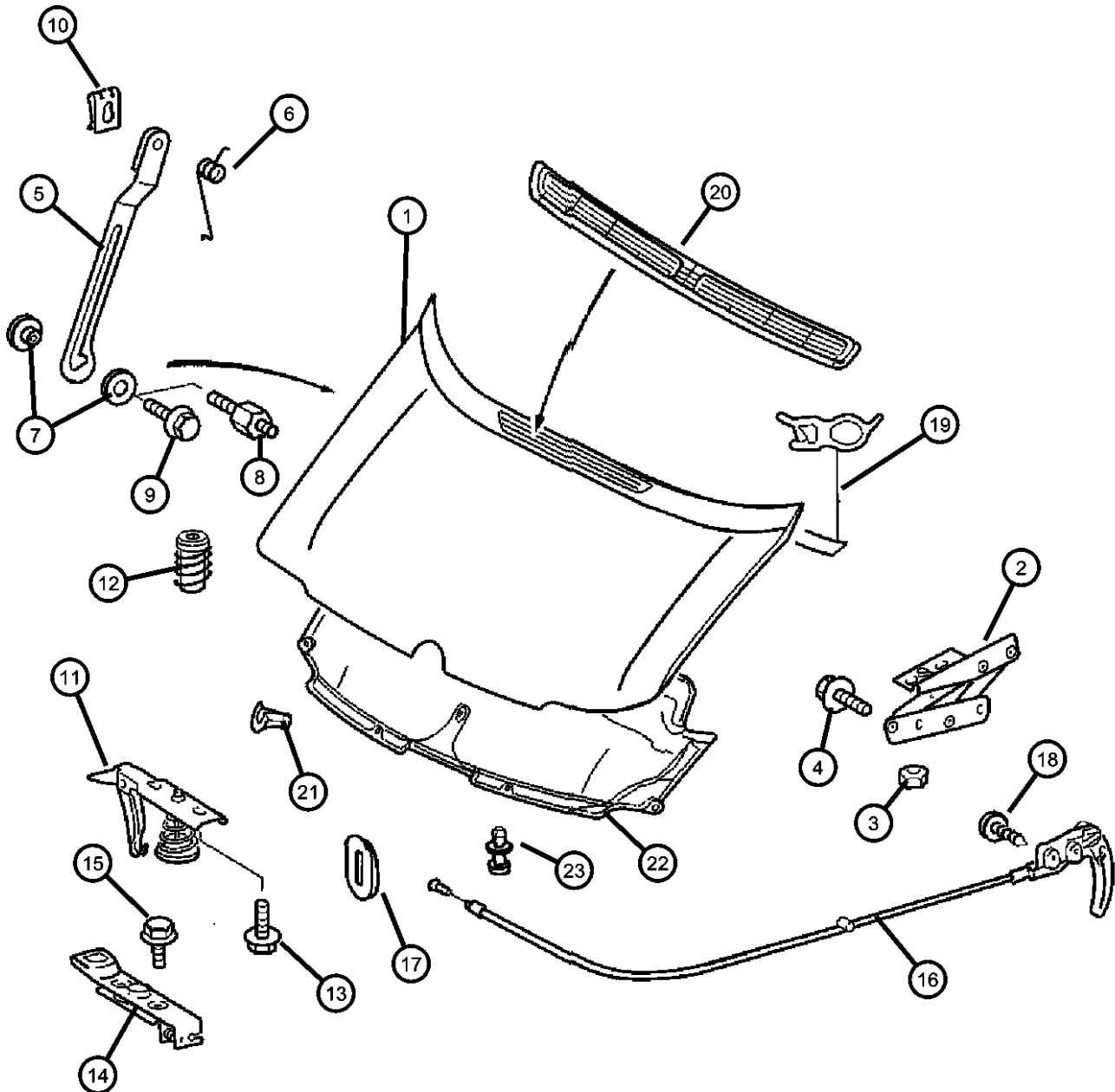
ITEM	PART NUMBER	QTY	LINE	SERIES	BODY	ENGINE	TRANS	TRIM	DESCRIPTION
		1	2, 6		51, 52, 54, 55, 56				
10	05126111AA	1	2, 6		11, 12, 14, 15, 16				CLIP, Hood
		1	2, 6		51, 52, 54, 55, 56				
		1	3, 7		12, 15, 16				
11	05104401AA	1	3, 7		12, 15, 16				STRIKER, Hood Latch
		1	2, 6		11, 12, 14, 15, 16				
		1	2, 6		51, 52, 54, 55, 56				
12	05134041AA	2	2, 6		11, 12, 14, 15, 16				BUMPER, Rubber
		2	2, 6		51, 52, 54, 55, 56				
		2	3, 7		12, 15, 16				
13	05073824AA	2							SCREW
14	05104028AA	1	2, 6		01, 02, 06				LATCH, Hood
		1	2, 6		11, 12, 14, 15, 16				
		1	2, 6		51, 52, 54, 55, 56				
		1	3, 7		12, 15, 16				
15	05133476AA	3	2, 6		01, 02, 06				SCREW
		2	2, 6		11, 12, 14, 15, 16				
		2	2, 6		51, 52, 54, 55, 56				

SPRINTER (VA)

SERIES	LINE	BODY	ENGINE	TRANSMISSION
L = LOWLINE	3 = HD DODGE 2WD 6 = Lt. Duty DODGE 4WD 2 = Med. Duty DODGE 2WD 7 = Med. Duty DODGE 4WD	55 = Wagon 140" 54 = Wagon 118" 52 = Wagon 140" 51 = Wagon 118" 12 = Van 140" 11 = Van 118" 06 = Front Section 158" 14 = Van 118" 15 = Van 140" 16 = Van 158" 56 = Wagon 158"	EX8 = Engine-2.7L I5 Mercedes Turbo Diesel	DGJ = Transmission-5-Spd. Automatic, W5A580
		01 = Chassis Forward Control 118" 02 = Chassis Forward Control 140"		

AR = use ase required - = Non illustrated part

**Hood and Hood Release
Figure SVA-510**



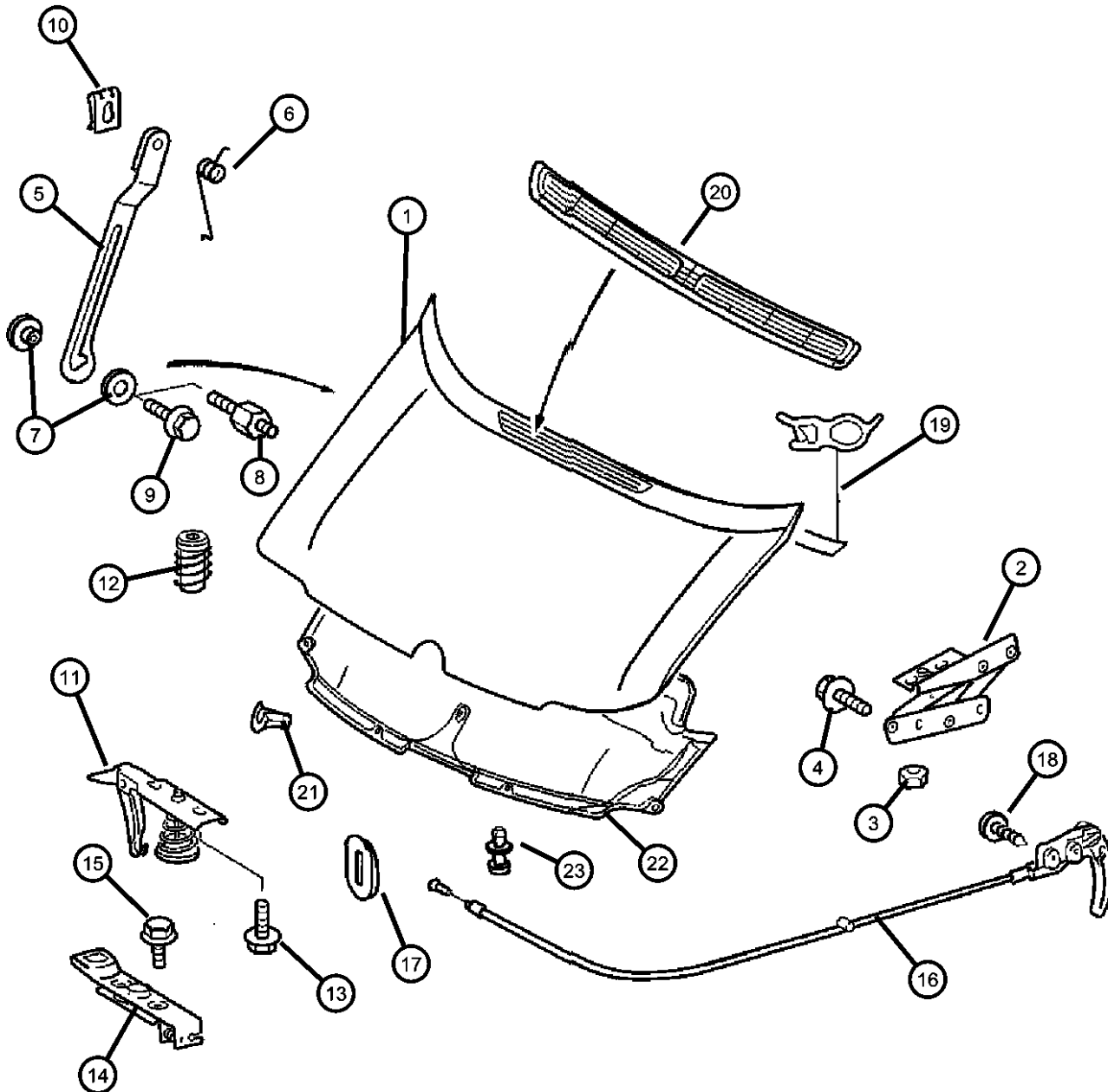
ITEM	PART NUMBER	QTY	LINE	SERIES	BODY	ENGINE	TRANS	TRIM	DESCRIPTION
16		3	3, 7		12, 15, 16				CABLE, Hood Release
	05104405AA	1	3, 7		12, 15, 16				
		1	2, 6		01, 02, 06				
		1	2, 6		11, 12, 14, 15, 16				
		1	2, 6		51, 52, 54, 55, 56				
17									GROMMET, Door Wiring
	05133935AA	1	3, 7		12, 15, 16				
		1	2, 6		11, 12, 14, 15, 16				
		1	2, 6		51, 52, 54, 55, 56				
18									SCREW
	06104507AA	2	2, 6		01, 02, 06				
		2	2, 6		11, 12, 14, 15, 16				
		2	2, 6		51, 52, 54, 55, 56				
19									SEAL, Hood
	05134040AA	1	2, 6		01, 02, 06				
		1	2, 6		11, 12, 14, 15, 16				
		1	2, 6		51, 52, 54, 55, 56				
		1	3, 7		12, 15, 16				
20									GRILLE, Hood
	05124653AA	1	3, 7						
		1	2, 6		01, 02, 06				
21									GROMMET
	05103932AA	1	2, 6		11, 12, 14, 15, 16				

SPRINTER (VA)

SERIES	LINE	BODY	ENGINE	TRANSMISSION
L = LOWLINE	3 = HD DODGE 2WD 6 = Lt. Duty DODGE 4WD 2 = Med. Duty DODGE 2WD 7 = Med. Duty DODGE 4WD	55 = Wagon 140" 54 = Wagon 118" 52 = Wagon 140" 51 = Wagon 118" 12 = Van 140" 11 = Van 118" 06 = Front Section 158" 14 = Van 118" 15 = Van 140" 16 = Van 158" 56 = Wagon 158"	EX8 = Engine-2.7L I5 Mercedes Turbo Diesel	DGJ = Transmission-5-Spd. Automatic, W5A580
		01 = Chassis Forward Control 118" 02 = Chassis Forward Control 140"		

AR = use ase required - = Non illustrated part

Hood and Hood Release Figure SVA-510



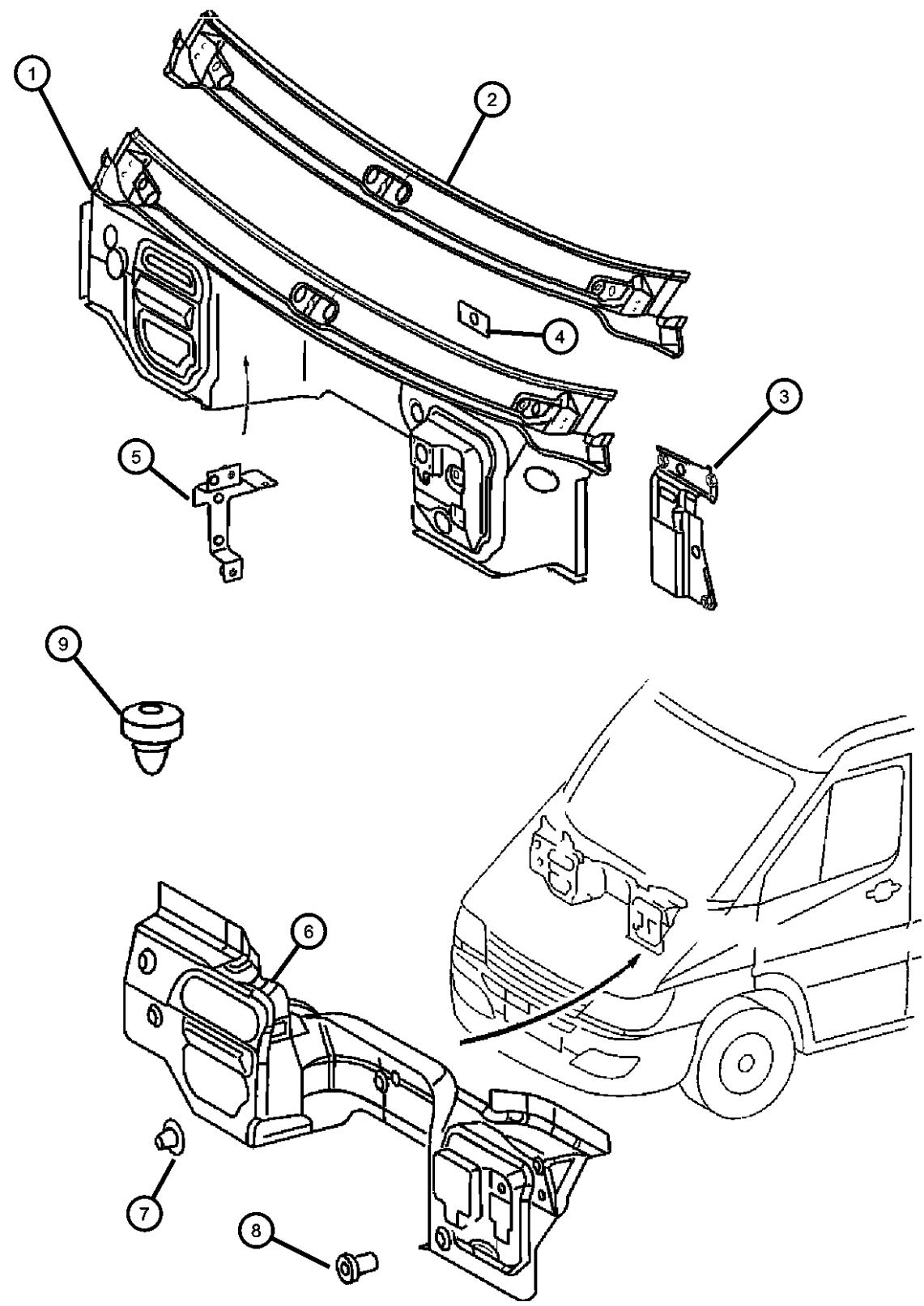
ITEM	PART NUMBER	QTY	LINE	SERIES	BODY	ENGINE	TRANS	TRIM	DESCRIPTION
		1	3, 7		12, 15, 16				
		1	2, 6		51, 52, 54, 55, 56				
22									INSULATION, Hood
	05104486AA	1	2, 6		01, 02, 06				
		1	2, 6		11, 12, 14, 15, 16				
		1	2, 6		51, 52, 54, 55, 56				
		1	3, 7		12, 15, 16				
23									RIVET
	05103921AA	12	2, 6		01, 02, 06				
		12	2, 6		11, 12, 14, 15, 16				
		12	2, 6		51, 52, 54, 55, 56				
		12	3, 7		12, 15, 16				

SPRINTER (VA)

SERIES	LINE	BODY	ENGINE	TRANSMISSION
L = LOWLINE	3 = HD DODGE 2WD 6 = Lt. Duty DODGE 4WD 2 = Med. Duty DODGE 2WD 7 = Med. Duty DODGE 4WD	55 = Wagon 140" 54 = Wagon 118" 52 = Wagon 140" 51 = Wagon 118" 12 = Van 140" 11 = Van 118" 06 = Front Section 158" 14 = Van 118" 15 = Van 140" 16 = Van 158" 56 = Wagon 158"	EX8 = Engine-2.7L I5 Mercedes Turbo Diesel	DGJ = Transmission-5-Spd. Automatic, W5A580
		01 = Chassis Forward Control 118" 02 = Chassis Forward Control 140"		

AR = use ase required - = Non illustrated part

**Cowl and Dash
Figure SVA-610**



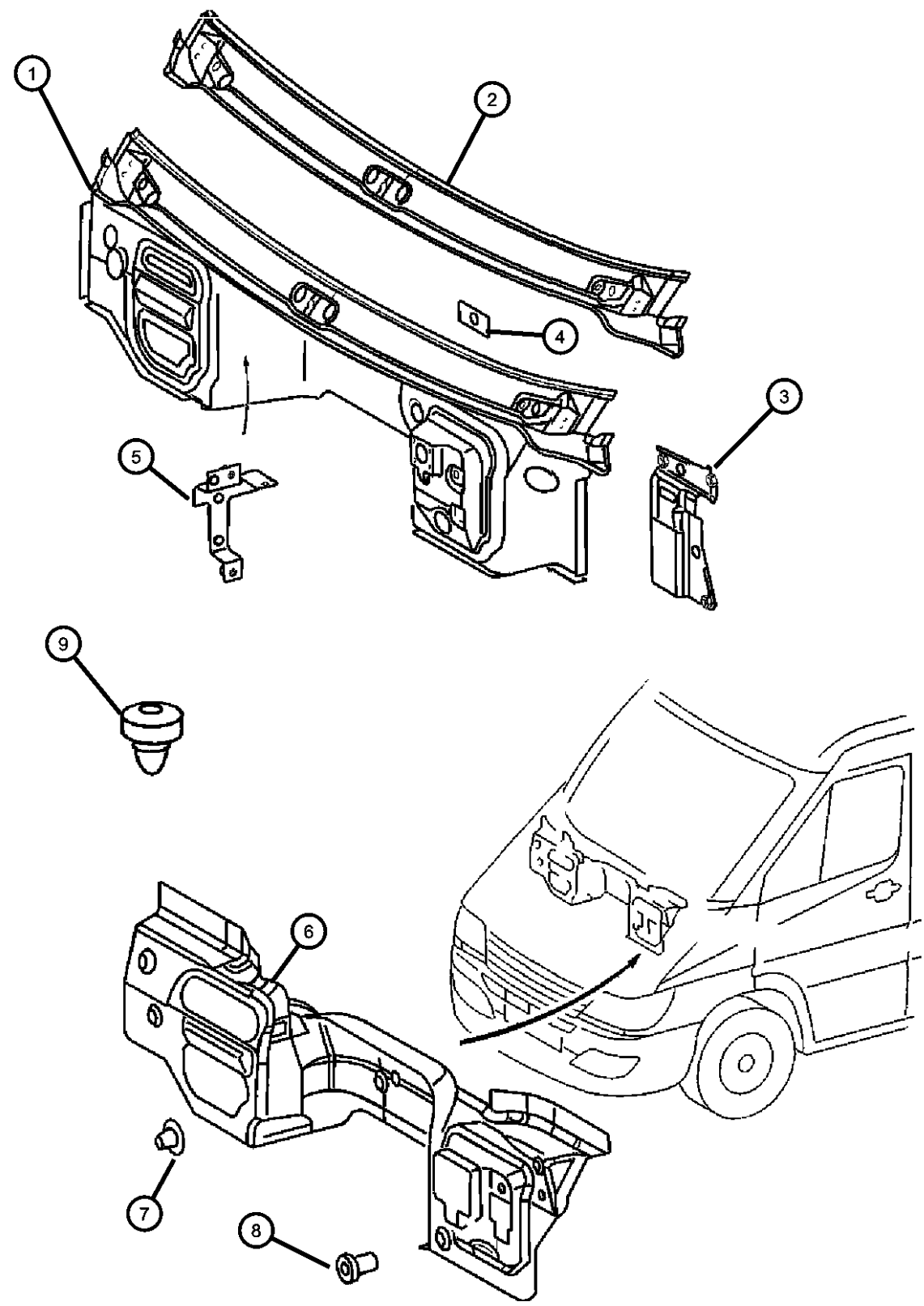
ITEM	PART NUMBER	QTY	LINE	SERIES	BODY	ENGINE	TRANS	TRIM	DESCRIPTION
1	05121578AA	1	2, 6		11, 12, 14, 15, 16				PANEL, Dash Upper
		1	2, 6		51, 52, 54, 55, 56				
		1	3, 7		12, 15, 16				
2	05104164AA	1	2, 6		11, 12, 14, 15, 16				PANEL, Cowl Top
		1	2, 6		51, 52, 54, 55, 56				
		1	3, 7		12, 15, 16				
3	05121583AA	1	2, 6		11, 12, 14, 15, 16				BRACKET, Dash
		1	2, 6		51, 52, 54, 55, 56				
		1	3, 7		12, 15, 16				
4	05121447AA	1	2, 6		11, 12, 14, 15, 16				PLATE
		1	2, 6		51, 52, 54, 55, 56				
		1	3, 7		12, 15, 16				
5	05124627AA	1	2, 6		11, 12, 14, 15, 16				BRACKET
		1	2, 6		51, 52, 54, 55, 56				
		1	3, 7		12, 15, 16				
6	05122526AA	1	2, 6		11, 12, 14, 15, 16				SILENCER, Dash Panel-Engine Compartment
		1	2, 6		51, 52, 54, 55, 56				

SPRINTER (VA)

SERIES	LINE	BODY	ENGINE	TRANSMISSION
L = LOWLINE	3 = HD DODGE 2WD 6 = Lt. Duty DODGE 4WD 2 = Med. Duty DODGE 2WD 7 = Med. Duty DODGE 4WD	55 = Wagon 140" 54 = Wagon 118" 52 = Wagon 140" 51 = Wagon 118" 12 = Van 140" 11 = Van 118" 06 = Front Section 158" 14 = Van 118" 15 = Van 140" 16 = Van 158" 56 = Wagon 158"	EX8 = Engine-2.7L I5 Mercedes Turbo Diesel	DGJ = Transmission-5-Spd. Automatic, W5A580
		01 = Chassis Forward Control 118" 02 = Chassis Forward Control 140"		

AR = use ase required - = Non illustrated part

**Cowl and Dash
Figure SVA-610**



ITEM	PART NUMBER	QTY	LINE	SERIES	BODY	ENGINE	TRANS	TRIM	DESCRIPTION
7		1	3, 7		12, 15, 16				PLUG, Button
	05097041AA	4	2, 6		11, 12, 14, 15, 16				
		4	2, 6		51, 52, 54, 55, 56				
		4	3, 7		12, 15, 16				
8		2	2, 6		11, 12, 14, 15, 16				PLUG, Button
	05125592AA	2	2, 6		51, 52, 54, 55, 56				
		2	2, 6		51, 52, 54, 55, 56				
		2	3, 7		12, 15, 16				
9		2	2, 6		11, 12, 14, 15, 16				BUMPER, Rubber
	05103724AA	2	2, 6		51, 52, 54, 55, 56				
		2	2, 6		51, 52, 54, 55, 56				
		2	3, 7		12, 15, 16				

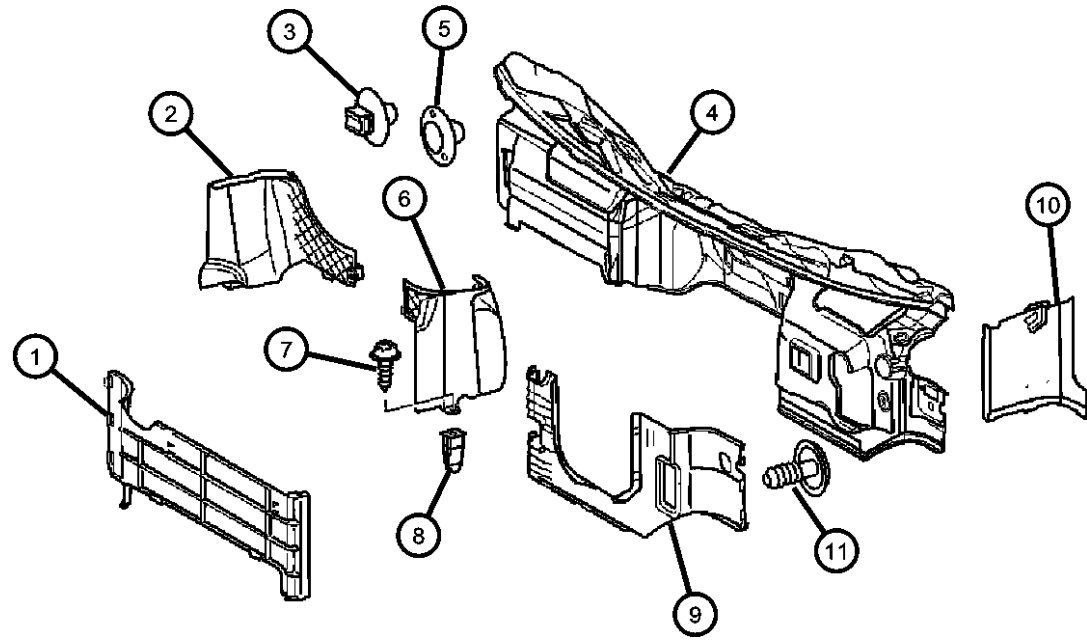
SPRINTER (VA)

SERIES	LINE	BODY	ENGINE	TRANSMISSION
L = LOWLINE	3 = HD DODGE 2WD 6 = Lt. Duty DODGE 4WD 2 = Med. Duty DODGE 2WD 7 = Med. Duty DODGE 4WD	55 = Wagon 140" 54 = Wagon 118" 52 = Wagon 140" 51 = Wagon 118" 12 = Van 140" 11 = Van 118" 06 = Front Section 158" 14 = Van 118" 15 = Van 140" 16 = Van 158" 56 = Wagon 158"	EX8 = Engine-2.7L I5 Mercedes Turbo Diesel	DGJ = Transmission-5-Spd. Automatic,W5A580
		01 = Chassis Forward Control 118" 02 = Chassis Forward Control 140"		

AR = use ase required - = Non illustrated part

**Inner Paneling in Cab, Cowl
Figure SVA-620**

ITEM	PART NUMBER	QTY	LINE	SERIES	BODY	ENGINE	TRANS	TRIM	DESCRIPTION
1	05131688AA	1	2, 6		11, 12, 14, 15, 16				SILENCER, Dash And Cowl Sides
		1	2, 6		51, 52, 54, 55, 56				
		1	3, 7		12, 15, 16				
2	05122864AA	1	2, 6		11, 12, 14, 15, 16				PANEL, Bulkhead Support
		1	2, 6		51, 52, 54, 55, 56				
		1	3, 7		12, 15, 16				
3	05125592AA	1	2, 6		51, 52, 54, 55, 56				PLUG, Button
		1	2, 6		11, 12, 14, 15, 16				
		1	3, 7		12, 15, 16				
4	05122857AA	1	2, 6		11, 12, 14, 15, 16				PANEL, Cowl
		1	2, 6		51, 52, 54, 55, 56				
		1	3, 7		12, 15, 16				
5	05097041AA	1	2, 6		11, 12, 14, 15, 16				PLUG, Button
		1	2, 6		51, 52, 54, 55, 56				
		3	3, 7		12, 15, 16				
6	05122862AA	1	2, 6		11, 12, 14, 15, 16				PANEL, Bulkhead Support
		1	2, 6		51, 52, 54, 55, 56				

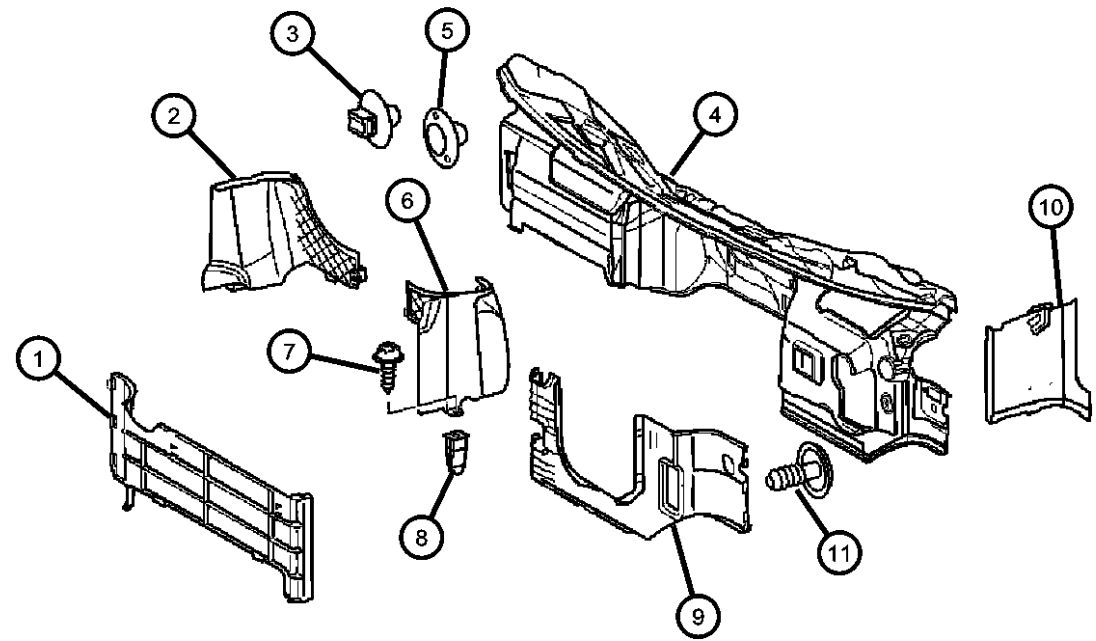


SPRINTER (VA)

SERIES	LINE	BODY	ENGINE	TRANSMISSION
L = LOWLINE	3 = HD DODGE 2WD 6 = Lt. Duty DODGE 4WD 2 = Med. Duty DODGE 2WD 7 = Med. Duty DODGE 4WD	55 = Wagon 140" 54 = Wagon 118" 52 = Wagon 140" 51 = Wagon 118" 12 = Van 140" 11 = Van 118" 06 = Front Section 158" 14 = Van 118" 15 = Van 140" 16 = Van 158" 56 = Wagon 158" 01 = Chassis Forward Control 118" 02 = Chassis Forward Control 140"	EX8 = Engine-2.7L I5 Mercedes Turbo Diesel	DGJ = Transmission-5-Spd. Automatic,W5A580

AR = use ase required - = Non illustrated part

**Inner Paneling in Cab, Cowl
Figure SVA-620**



ITEM	PART NUMBER	QTY	LINE	SERIES	BODY	ENGINE	TRANS	TRIM	DESCRIPTION
7		1	3, 7		12, 15, 16				SCREW, Tapping
	06104574AA	2	2, 6		11, 12, 14, 15, 16				
		2	2, 6		51, 52, 54, 55, 56				
		2	3, 7		12, 15, 16				
8		8	2, 6		11, 12, 14, 15, 16				NUT, Plastic Snap-in
	05098837AA	8	2, 6		11, 12, 14, 15, 16				
		8	2, 6		51, 52, 54, 55, 56				
		8	3, 7		12, 15, 16				
9		1	2, 6		11, 12, 14, 15, 16				PANEL, Dash
	05131685AA	1	2, 6		11, 12, 14, 15, 16				
		1	2, 6		51, 52, 54, 55, 56				
		1	3, 7		12, 15, 16				
10		1	2, 6		11, 12, 14, 15, 16				PANEL, Cowl Side Right
	05104266AA	1	2, 6		11, 12, 14, 15, 16				
		1	2, 6		51, 52, 54, 55, 56				Right
		1	3, 7		12, 15, 16				Right
	05122865AA	1	2, 6		11, 12, 14, 15, 16				Left
		1	2, 6		51, 52, 54, 55, 56				Left
		1	3, 7		12, 15, 16				Left
11		2	2, 6		11, 12, 14, 15, 16				PLUG, Body
	1AS62DX9AA	2	2, 6		11, 12, 14, 15, 16				

SPRINTER (VA)

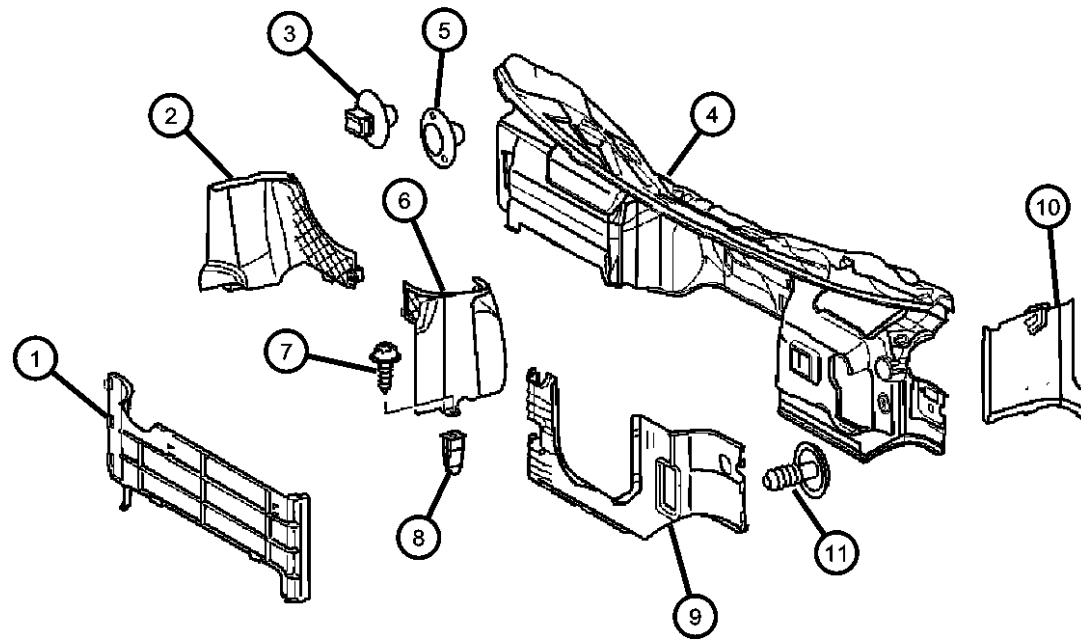
SERIES	LINE	BODY	ENGINE	TRANSMISSION
L = LOWLINE	3 = HD DODGE 2WD 6 = Lt. Duty DODGE 4WD 2 = Med. Duty DODGE 2WD 7 = Med. Duty DODGE 4WD	55 = Wagon 140" 54 = Wagon 118" 52 = Wagon 140" 51 = Wagon 118" 12 = Van 140" 11 = Van 118" 06 = Front Section 158" 14 = Van 118" 15 = Van 140" 16 = Van 158" 56 = Wagon 158" 01 = Chassis Forward Control 118" 02 = Chassis Forward Control 140"	EX8 = Engine-2.7L I5 Mercedes Turbo Diesel	DGJ = Transmission-5-Spd. Automatic, W5A580

AR = use ase required - = Non illustrated part

**Inner Paneling in Cab, Cowl
Figure SVA-620**

ITEM	PART NUMBER	QTY	LINE	SERIES	BODY	ENGINE	TRANS	TRIM	DESCRIPTION
------	-------------	-----	------	--------	------	--------	-------	------	-------------

2	2, 6	51, 52, 54, 55, 56
2	3, 7	12, 15, 16



SPRINTER (VA)

SERIES

L = LOWLINE

LINE

3 = HD DODGE 2WD
6 = Lt. Duty DODGE 4WD
2 = Med. Duty DODGE 2WD
7 = Med. Duty DODGE 4WD

BODY

55 = Wagon 140"
54 = Wagon 118"
52 = Wagon 140"
51 = Wagon 118"
12 = Van 140"
11 = Van 118"
06 = Front Section 158"
14 = Van 118"
15 = Van 140"
16 = Van 158"
56 = Wagon 158"
01 = Chassis Forward Control
118"
02 = Chassis Forward Control
140"

ENGINE

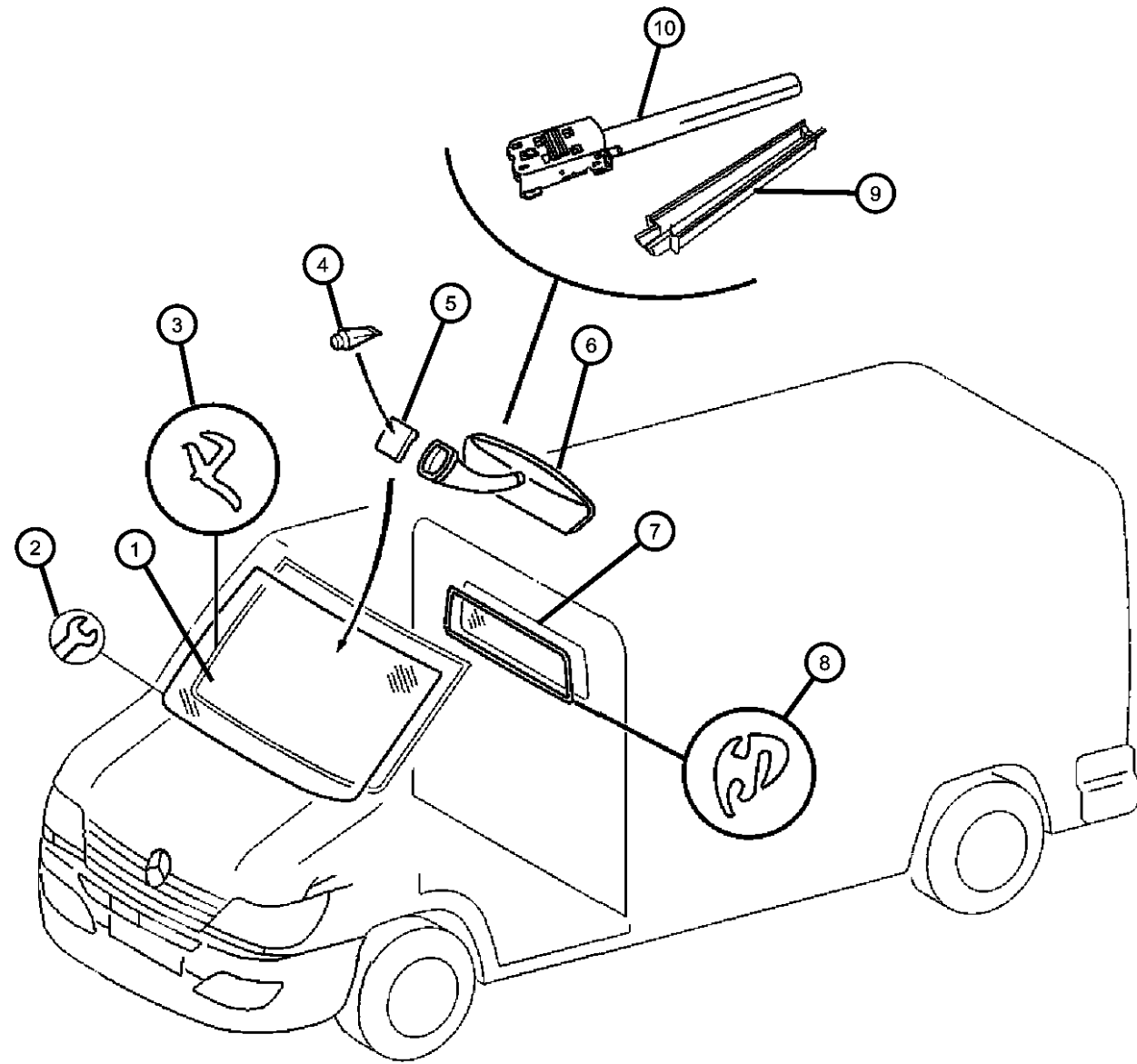
EX8 = Engine-2.7L I5
Mercedes Turbo Diesel

TRANSMISSION

DGJ = Transmission-5-Spd.
Automatic,W5A580

AR = use ase required - = Non illustrated part

**Windshield, Backlite and Rear View Mirror
Figure SVA-710**



ITEM	PART NUMBER	QTY	LINE	SERIES	BODY	ENGINE	TRANS	TRIM	DESCRIPTION
1									WINDSHIELD
	05103585AA	1	2, 6		11, 12, 14, 15, 16				Solar, Without Shade Band
		1	2, 6		51, 52, 54, 55, 56				Solar, Without Shade Band
		1	3, 7		12, 15, 16				Solar, Without Shade Band
	05103586AA	1	2, 6		11, 12, 14, 15, 16				Solar, With Shade Band
		1	2, 6		51, 52, 54, 55, 56				Solar, With Shade Band
		1	3, 7		12, 15, 16				Solar, With Shade Band
	05122272AA	1	2, 6		11, 12, 14, 15, 16				Heated, With Rain Sensor
		1	2, 6		51, 52, 54, 55, 56				Heated, With Rain Sensor
		1	3, 7		12, 15, 16				Heated, With Rain Sensor
	05122274AA	1	2, 6		01, 02, 06				Heated, With Rain Sensor
		1	3, 7		02, 06				Heated, With Rain Sensor
	05122335AA	1	2, 6		01, 02, 06				Solar, With Shade Band
		1	3, 7		02, 06				Solar, With Shade Band
	05136429AA	1	2, 6		01, 02, 06				Solar, Without Shade Band
		1	3, 7		02, 06				Solar, Without Shade Band
2									REPAIR KIT, Windshield
	05104594AA	1	2, 6		11, 12, 14, 15, 16				
		1	2, 6		51, 52, 54, 55, 56				
		1	3, 7		12, 15, 16				
3									WEATHERSTRIP
	05103584AA	1	2, 6		11, 12, 14, 15, 16				
		1	2, 6		51, 52, 54, 55, 56				
		1	3, 7		12, 15, 16				

SPRINTER (VA)

SERIES

L = LOWLINE

LINE

3 = HD DODGE 2WD
6 = Lt. Duty DODGE 4WD
2 = Med. Duty DODGE 2WD
7 = Med. Duty DODGE 4WD

BODY

55 = Wagon 140"
54 = Wagon 118"
52 = Wagon 140"
51 = Wagon 118"
12 = Van 140"
11 = Van 118"
06 = Front Section 158"
14 = Van 118"
15 = Van 140"
16 = Van 158"
56 = Wagon 158"
01 = Chassis Forward Control 118"
02 = Chassis Forward Control 140"

ENGINE

EX8 = Engine-2.7L I5
Mercedes Turbo Diesel

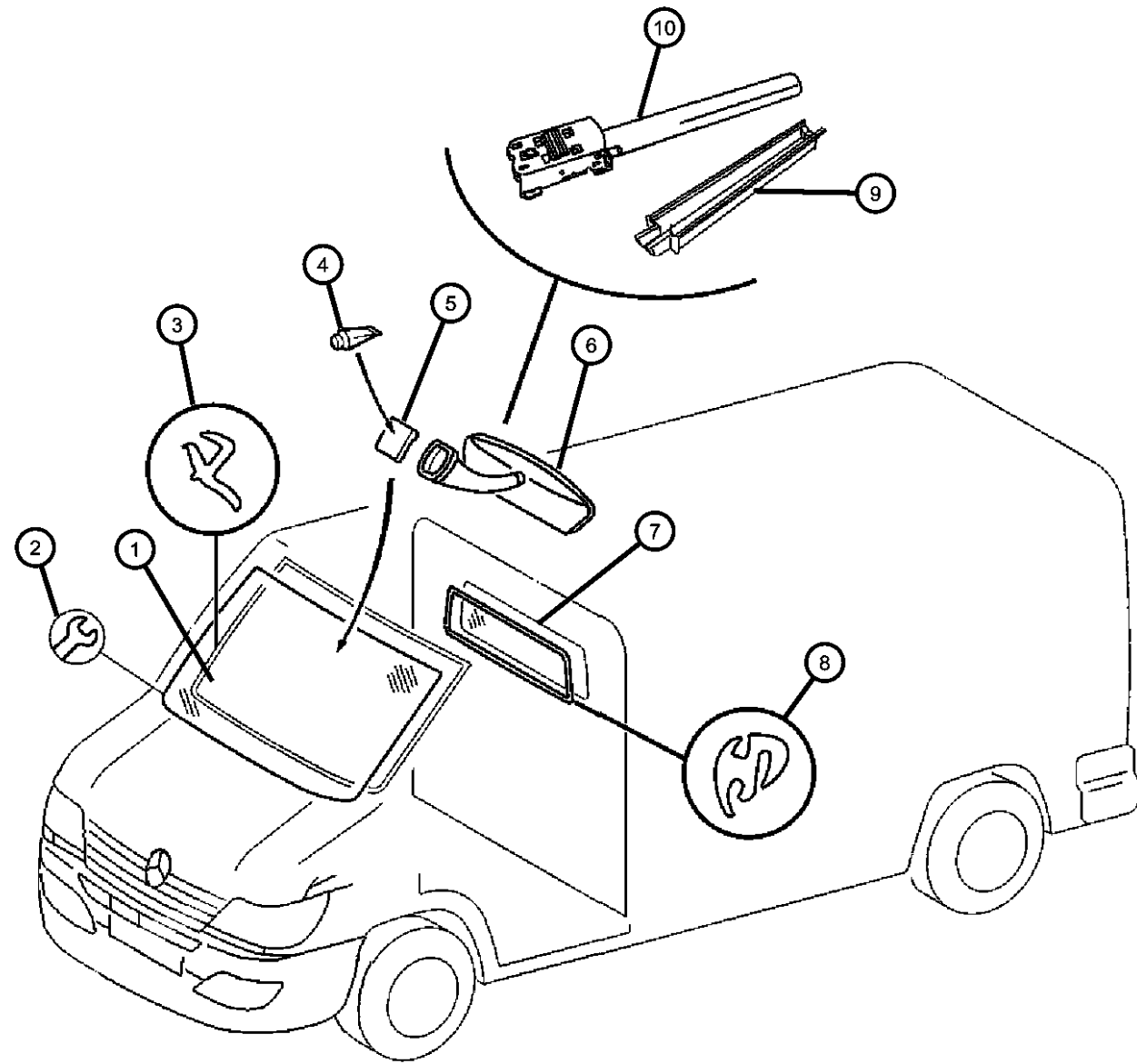
TRANSMISSION

DGJ = Transmission-5-Spd. Automatic, W5A580

AR = use ase required - = Non illustrated part

2004 VA

**Windshield, Backlite and Rear View Mirror
Figure SVA-710**



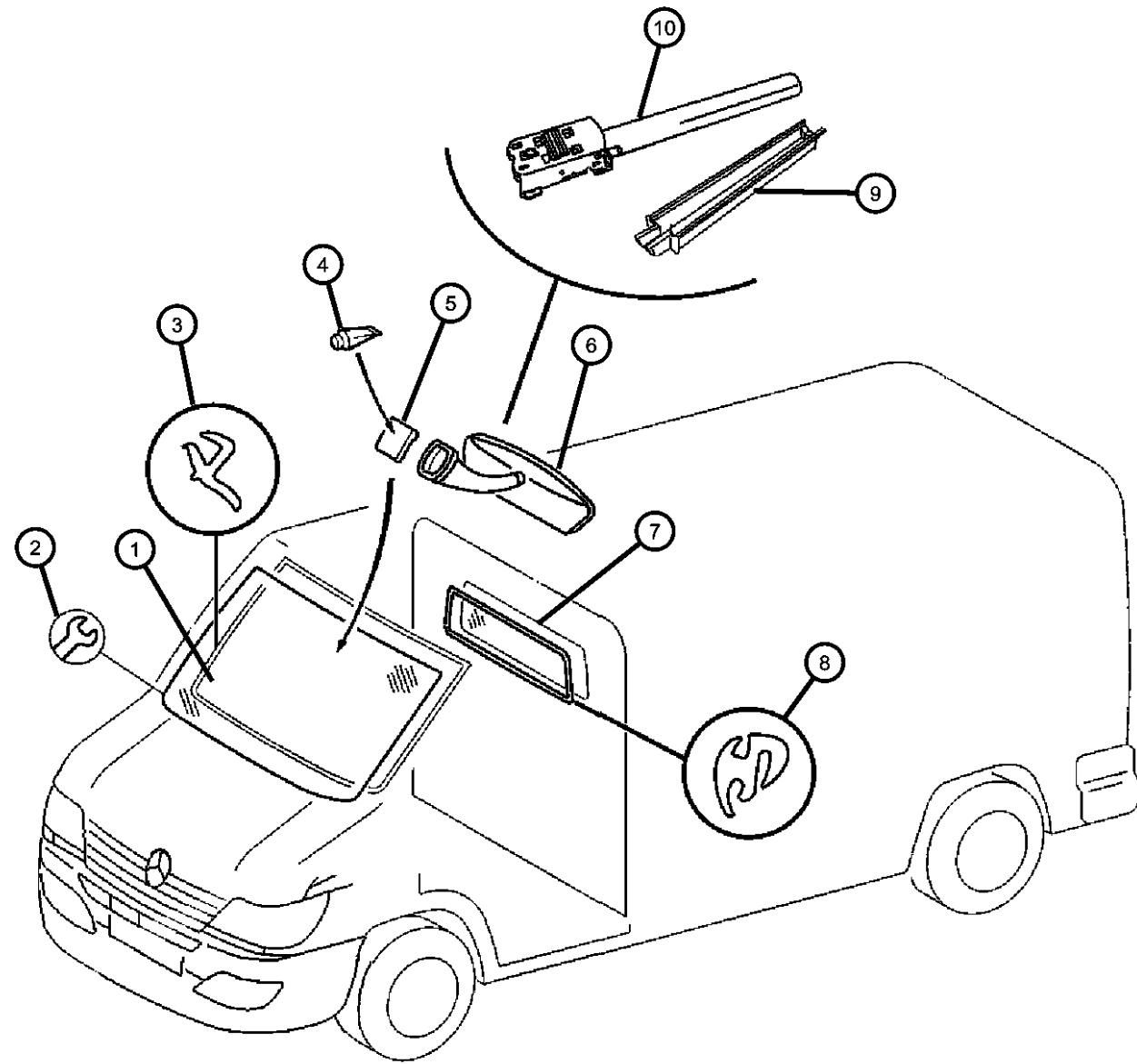
ITEM	PART NUMBER	QTY	LINE	SERIES	BODY	ENGINE	TRANS	TRIM	DESCRIPTION
	05122341AA	1	2, 6		01, 02, 06				
		1	3, 7		02, 06				
4	05073862AA	2							ADHESIVE
5									BUTTON, Rear View Mirror
	05104241AA	1	2, 6		01, 02, 06				
		1	2, 6		11, 12, 14, 15, 16				
		1	2, 6		51, 52, 54, 55, 56				
		1	3, 7		12, 15, 16				
6									MIRROR, Inside Rear View
	05104435AA	1	2, 6		01, 02, 06				
		1	2, 6		11, 12, 14, 15, 16				
		1	2, 6		51, 52, 54, 55, 56				
		1	3, 7		02, 06				
		1	3, 7		12, 15, 16				
	05127266AA	1	2, 6		01, 02, 06				With Rain Sensor [GBF]
		1	2, 6		11, 12, 14, 15, 16				With Rain Sensor [GBF]
		1	2, 6		51, 52, 54, 55, 56				With Rain Sensor [GBF]
		1	3, 7		02, 06				With Rain Sensor [GBF]
7									GLASS, Backlite, Fixed
	05104249AA	1	2, 6		11, 12, 14, 15, 16				
		1	3, 7		12, 15, 16				
8									WEATHERSTRIP, Fixed
	05104250AA	1	2, 6		11, 12, 14, 15, 16				
		1	3, 7		12, 15, 16				

SPRINTER (VA)

SERIES	LINE	BODY	ENGINE	TRANSMISSION
L = LOWLINE	3 = HD DODGE 2WD 6 = Lt. Duty DODGE 4WD 2 = Med. Duty DODGE 2WD 7 = Med. Duty DODGE 4WD	55 = Wagon 140" 54 = Wagon 118" 52 = Wagon 140" 51 = Wagon 118" 12 = Van 140" 11 = Van 118" 06 = Front Section 158" 14 = Van 118" 15 = Van 140" 16 = Van 158" 56 = Wagon 158"	EX8 = Engine-2.7L I5 Mercedes Turbo Diesel	DGJ = Transmission-5-Spd. Automatic,W5A580
		01 = Chassis Forward Control 118" 02 = Chassis Forward Control 140"		

AR = use ase required - = Non illustrated part

**Windshield, Backlite and Rear View Mirror
Figure SVA-710**



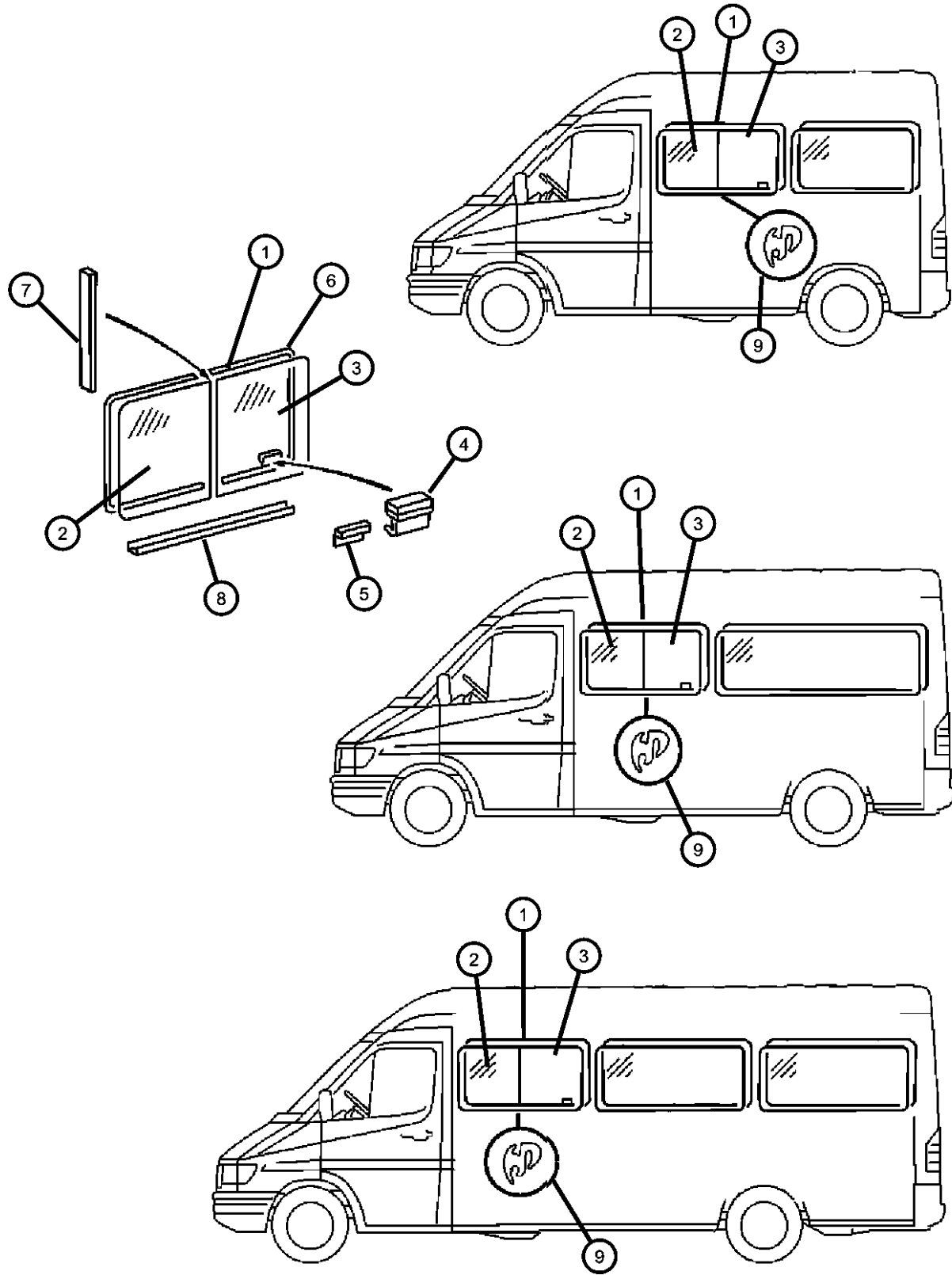
ITEM	PART NUMBER	QTY	LINE	SERIES	BODY	ENGINE	TRANS	TRIM	DESCRIPTION
9	05127268AA	1	2, 6		01, 02, 06				COVER, Rear View Mirror Wire, Outer
		1	2, 6		11, 12, 14, 15, 16				
		1	2, 6		51, 52, 54, 55, 56				
		1	3, 7		02, 06				
		1	3, 7		12, 15, 16				
10	05127267AA	1	2, 6		01, 02, 06				COVER, Rear View Mirror Wire, Inner
		1	2, 6		11, 12, 14, 15, 16				
		1	2, 6		51, 52, 54, 55, 56				
		1	3, 7		02, 06				
		1	3, 7		12, 15, 16				

SPRINTER (VA)

SERIES	LINE	BODY	ENGINE	TRANSMISSION
L = LOWLINE	3 = HD DODGE 2WD 6 = Lt. Duty DODGE 4WD 2 = Med. Duty DODGE 2WD 7 = Med. Duty DODGE 4WD	55 = Wagon 140" 54 = Wagon 118" 52 = Wagon 140" 51 = Wagon 118" 12 = Van 140" 11 = Van 118" 06 = Front Section 158" 14 = Van 118" 15 = Van 140" 16 = Van 158" 56 = Wagon 158"	EX8 = Engine-2.7L I5 Mercedes Turbo Diesel	DGJ = Transmission-5-Spd. Automatic,W5A580
		01 = Chassis Forward Control 118" 02 = Chassis Forward Control 140"		

AR = use ase required - = Non illustrated part

**Front Right Side Sliding Glass
Figure SVA-720**



ITEM	PART NUMBER	QTY	LINE	SERIES	BODY	ENGINE	TRANS	TRIM	DESCRIPTION
1	05122302AA	1	2, 6		11, 12, 14, 15, 16				GLASS, Bodyside Window Privacy
		1	2, 6		51, 52, 54, 55, 56				Privacy
		1	3, 7		15, 16, 12				Privacy
2	05134043AA	1	2, 6		11, 12, 14, 15, 16				GLASS, Bodyside Window, Fixed Privacy
		1	2, 6		51, 52, 54, 55, 56				Privacy
		1	3, 7		12, 15, 16				Privacy
3	05123832AA	1	2, 6		11, 12, 14, 15, 16				GLASS, Sliding Door, Vented Privacy
	05134003AA	1	2, 6		51, 52, 54, 55, 56				Privacy
		1	3, 7		12, 15, 16				Privacy
4	05134004AA	1	2, 6		11, 12, 14, 15, 16				HANDLE, Vent Window
		1	3, 7		12, 15, 16				
		1	2, 6		51, 52, 54, 55, 56				
5	05133535AA	1	2, 6		11, 12, 14, 15, 16				RETAINER, Side Panel Vent Window
		1	2, 6		51, 52, 54, 55, 56				
		1	3, 7		12, 15, 16				
6	05134055AA	2	2, 6		11, 12, 14, 15, 16				WEATHERSTRIP, Side Panel Vent
		2	2, 6		51, 52, 54, 55, 56				

SPRINTER (VA)

SERIES

L = LOWLINE

LINE

3 = HD DODGE 2WD
6 = Lt. Duty DODGE 4WD
2 = Med. Duty DODGE 2WD
7 = Med. Duty DODGE 4WD

BODY

55 = Wagon 140"
54 = Wagon 118"
52 = Wagon 140"
51 = Wagon 118"
12 = Van 140"
11 = Van 118"
06 = Front Section 158"
14 = Van 118"
15 = Van 140"
16 = Van 158"
56 = Wagon 158"
01 = Chassis Forward Control
118"
02 = Chassis Forward Control
140"

ENGINE

EX8 = Engine-2.7L I5
Mercedes Turbo Diesel

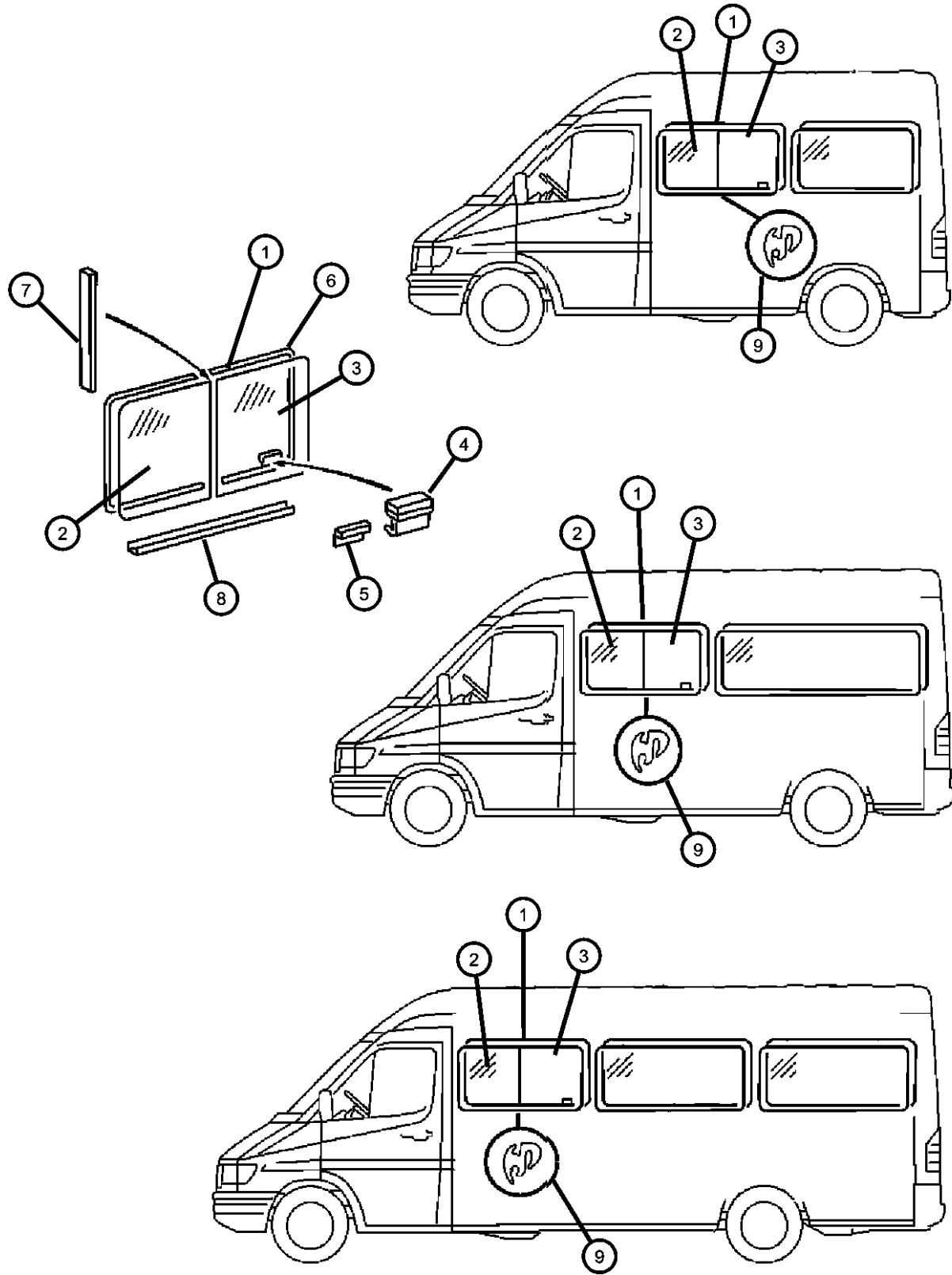
TRANSMISSION

DGJ = Transmission-5-Spd.
Automatic,W5A580

AR = use ase required - = Non illustrated part

2004 VA

**Front Right Side Sliding Glass
Figure SVA-720**



ITEM	PART NUMBER	QTY	LINE	SERIES	BODY	ENGINE	TRANS	TRIM	DESCRIPTION
7		2	3, 7		12, 15, 16				WEATHERSTRIP, Side Panel Vent
	05133536AA	1	2, 6		11, 12, 14, 15, 16				
		1	2, 6		51, 52, 54, 55, 56				
8		1	3, 7		12, 15, 16				WEATHERSTRIP, Glass
	05134059AA	2	2, 6		11, 12, 14, 15, 16				
		2	2, 6		56, 51, 52, 54, 55				
		2	3, 7		12, 15, 16				
9		1	2, 6		11, 12, 14, 15, 16				SEAL, Window Opening
	05104246AA	1	2, 6		11, 12, 14, 15, 16				
		1	2, 6		51, 52, 54, 55, 56				
		1	3, 7		12, 15, 16				

SPRINTER (VA)

SERIES

L = LOWLINE

LINE

3 = HD DODGE 2WD
6 = Lt. Duty DODGE 4WD
2 = Med. Duty DODGE 2WD
7 = Med. Duty DODGE 4WD

BODY

55 = Wagon 140"
54 = Wagon 118"
52 = Wagon 140"
51 = Wagon 118"
12 = Van 140"
11 = Van 118"
06 = Front Section 158"
14 = Van 118"
15 = Van 140"
16 = Van 158"
56 = Wagon 158"
01 = Chassis Forward Control
118"
02 = Chassis Forward Control
140"

ENGINE

EX8 = Engine-2.7L I5
Mercedes Turbo Diesel

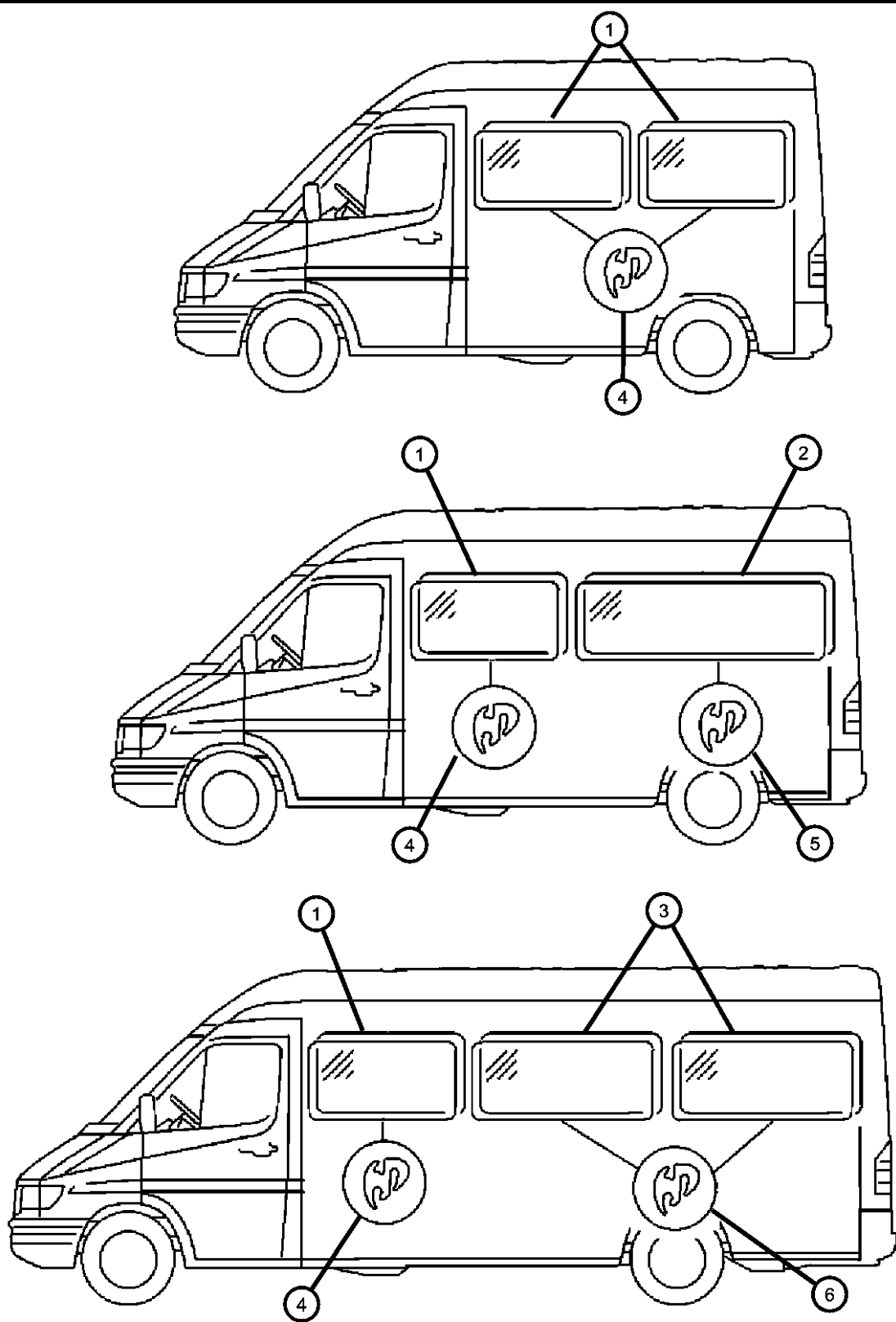
TRANSMISSION

DGJ = Transmission-5-Spd.
Automatic,W5A580

AR = use ase required - = Non illustrated part

2004 VA

Side Glass, Fixed
Figure SVA-730



ITEM	PART NUMBER	QTY	LINE	SERIES	BODY	ENGINE	TRANS	TRIM	DESCRIPTION
1	05104245AA	1	2, 6		11, 12, 14, 15, 16				GLASS, Bodyside Window Privacy
		1	2, 6		51, 52, 54, 55, 56				Privacy
		1	3, 7		12, 15, 16				Privacy
2	05122350AA	1	2, 6		12, 15				GLASS, Bodyside Window Tint
		1	2, 6		52, 55				Tint
		1	3, 7		12, 15				Tint
	05134334AA	1	2, 6		52, 55				Privacy
		1	2, 6		12, 15				Privacy
		1	3, 7		12, 15				Privacy
3	05104247AA	1	2, 6		16				GLASS, Bodyside Window Tint
		1	2, 6		56				Tint
		1	3, 7		16				Tint
	05134335AA	1	2, 6		56				Privacy
		1	2, 6		16				Privacy
		1	3, 7		16				Privacy
4	05104246AA	1	2, 6		11, 12, 14, 15, 16				SEAL, Window Opening
		1	2, 6		55, 56, 51, 52, 54				
		1	3, 7		12, 15, 16				
5	05104248AA	1	2, 6		12, 15				SEAL, Window Opening
		1	2, 6		52, 55				
		1	3, 7		12, 15				
6									SEAL, Window Opening

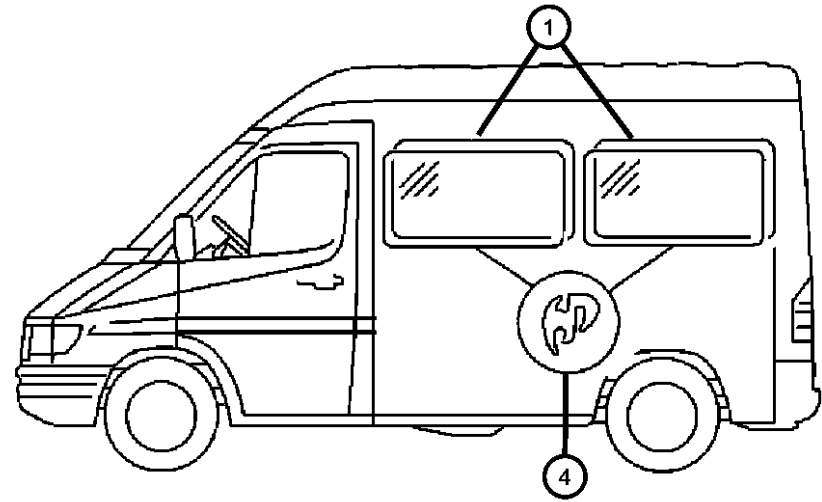
SPRINTER (VA)

SERIES	LINE	BODY	ENGINE	TRANSMISSION
L = LOWLINE	3 = HD DODGE 2WD 6 = Lt. Duty DODGE 4WD 2 = Med. Duty DODGE 2WD 7 = Med. Duty DODGE 4WD	55 = Wagon 140" 54 = Wagon 118" 52 = Wagon 140" 51 = Wagon 118" 12 = Van 140" 11 = Van 118" 06 = Front Section 158" 14 = Van 118" 15 = Van 140" 16 = Van 158" 56 = Wagon 158"	EX8 = Engine-2.7L I5 Mercedes Turbo Diesel	DGJ = Transmission-5-Spd. Automatic, W5A580
		01 = Chassis Forward Control 118" 02 = Chassis Forward Control 140"		

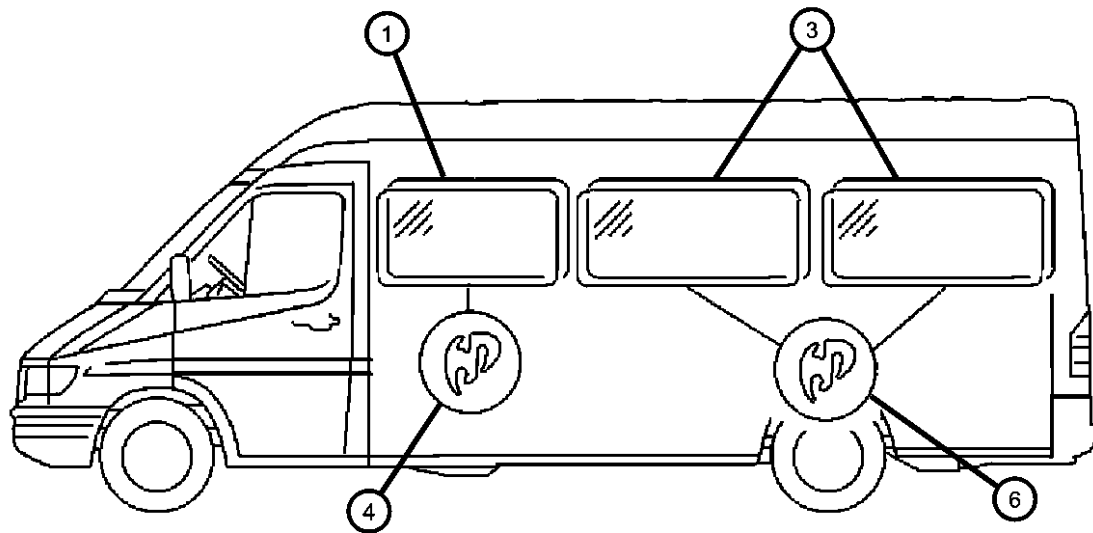
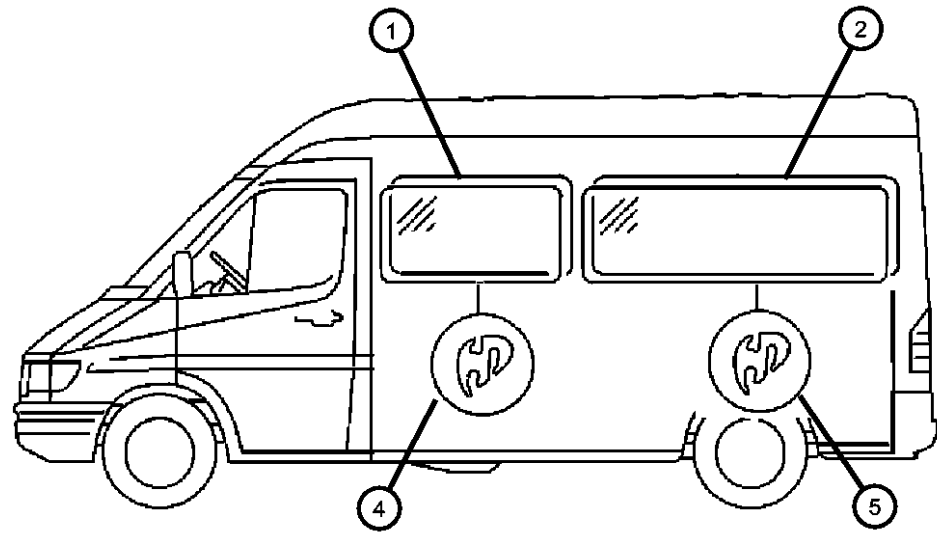
AR = use ase required - = Non illustrated part

Side Glass, Fixed
Figure SVA-730

ITEM	PART NUMBER	QTY	LINE	SERIES	BODY	ENGINE	TRANS	TRIM	DESCRIPTION
------	-------------	-----	------	--------	------	--------	-------	------	-------------



	05122354AA	1	2, 6		16				
			1	2, 6	56				
			1	3, 7	16				



SPRINTER (VA)

SERIES

L = LOWLINE

LINE

3 = HD DODGE 2WD
6 = Lt. Duty DODGE 4WD
2 = Med. Duty DODGE 2WD
7 = Med. Duty DODGE 4WD

BODY

55 = Wagon 140"
54 = Wagon 118"
52 = Wagon 140"
51 = Wagon 118"
12 = Van 140"
11 = Van 118"
06 = Front Section 158"
14 = Van 118"
15 = Van 140"
16 = Van 158"
56 = Wagon 158"
01 = Chassis Forward Control
118"
02 = Chassis Forward Control
140"

ENGINE

EX8 = Engine-2.7L I5
Mercedes Turbo Diesel

TRANSMISSION

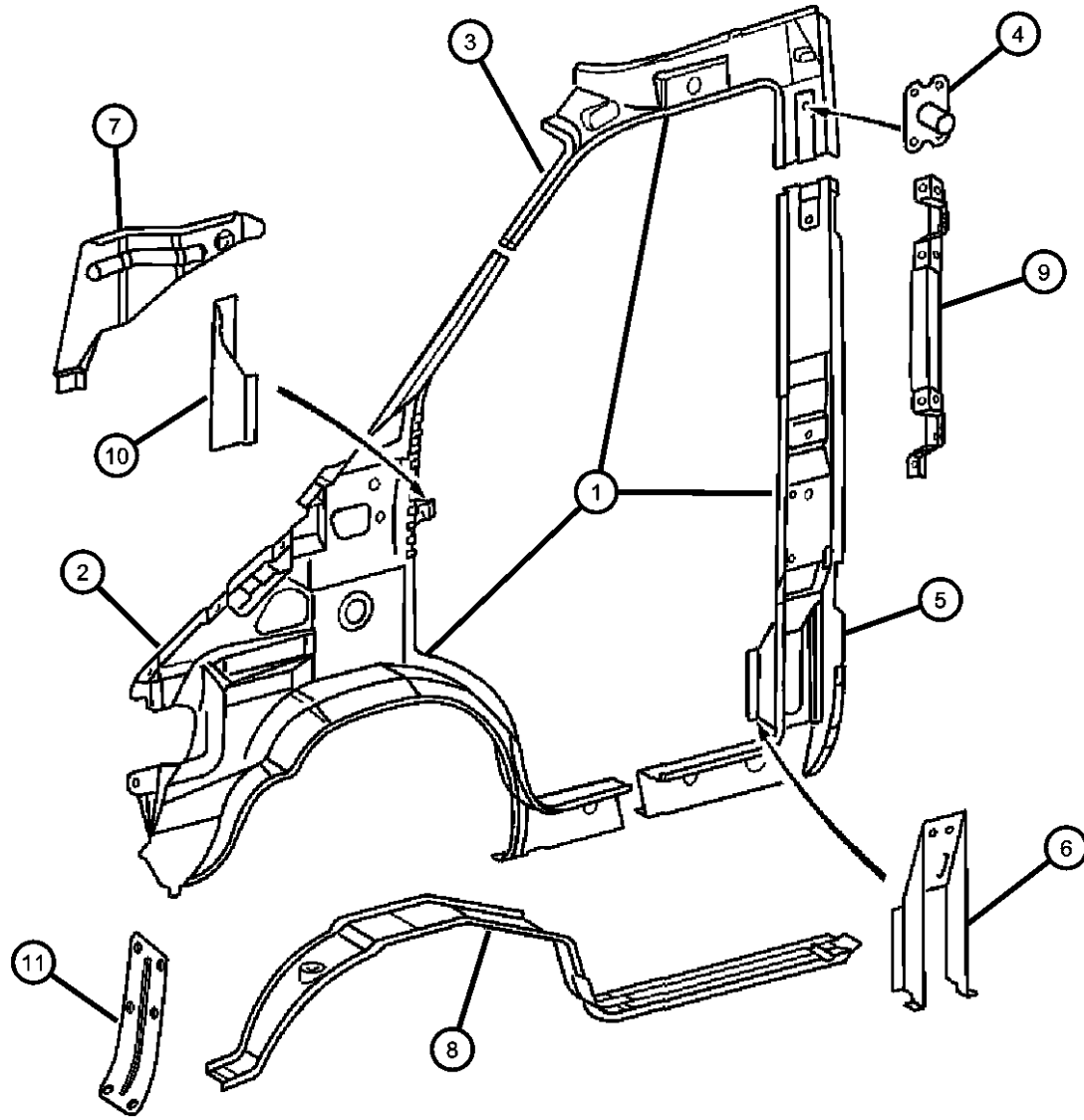
DGJ = Transmission-5-Spd.
Automatic,W5A580

AR = use ase required - = Non illustrated part

2004 VA

Front Aperture, Inner, Left
Figure SVA-810

ITEM	PART NUMBER	QTY	LINE	SERIES	BODY	ENGINE	TRANS	TRIM	DESCRIPTION
1									APERTURE, Body Side Door
	05121784AA	1	2, 6		11, 12, 14, 15, 16				Without Left Sliding Door
		1	2, 6		51, 52, 54, 55, 56				Without Left Sliding Door
		1	3, 7		12, 15, 16				Without Left Sliding Door
	05121786AA	1	2, 6		11, 12, 14, 15, 16				With Left Sliding Door
		1	2, 6		51, 52, 54, 55, 56				With Left Sliding Door
		1	3, 7		12, 15, 16				With Left Sliding Door
2									PANEL, Body Side Aperture
	05104184AA	1	2, 6		11, 12, 14, 15, 16				
		1	2, 6		51, 52, 54, 55, 56				
		1	3, 7		12, 15, 16				
3									PANEL, Body Side Aperture
	05121647AA	1	2, 6		11, 12, 14, 15, 16				Without Left Sliding Door
		1	2, 6		51, 52, 54, 55, 56				Without Left Sliding Door
		1	3, 7		12, 15, 16				Without Left Sliding Door
	05121649AA	1	2, 6		11, 12, 14, 15, 16				With Left Sliding Door
		1	2, 6		51, 52, 54, 55, 56				With Left Sliding Door
		1	3, 7		12, 15, 16				With Left Sliding Door
4									TAPPING PLATE, Side Panel
	05125412AA	1	2, 6		11, 12, 14, 15, 16				
		1	2, 6		51, 52, 54, 55, 56				
		1	3, 7		12, 15, 16				
5									PILLAR, Front Door Lock



SPRINTER (VA)

SERIES

L = LOWLINE

LINE

3 = HD DODGE 2WD
6 = Lt. Duty DODGE 4WD
2 = Med. Duty DODGE 2WD
7 = Med. Duty DODGE 4WD

BODY

55 = Wagon 140"
54 = Wagon 118"
52 = Wagon 140"
51 = Wagon 118"
12 = Van 140"
11 = Van 118"
06 = Front Section 158"
14 = Van 118"
15 = Van 140"
16 = Van 158"
56 = Wagon 158"
01 = Chassis Forward Control
118"
02 = Chassis Forward Control
140"

ENGINE

EX8 = Engine-2.7L I5
Mercedes Turbo Diesel

TRANSMISSION

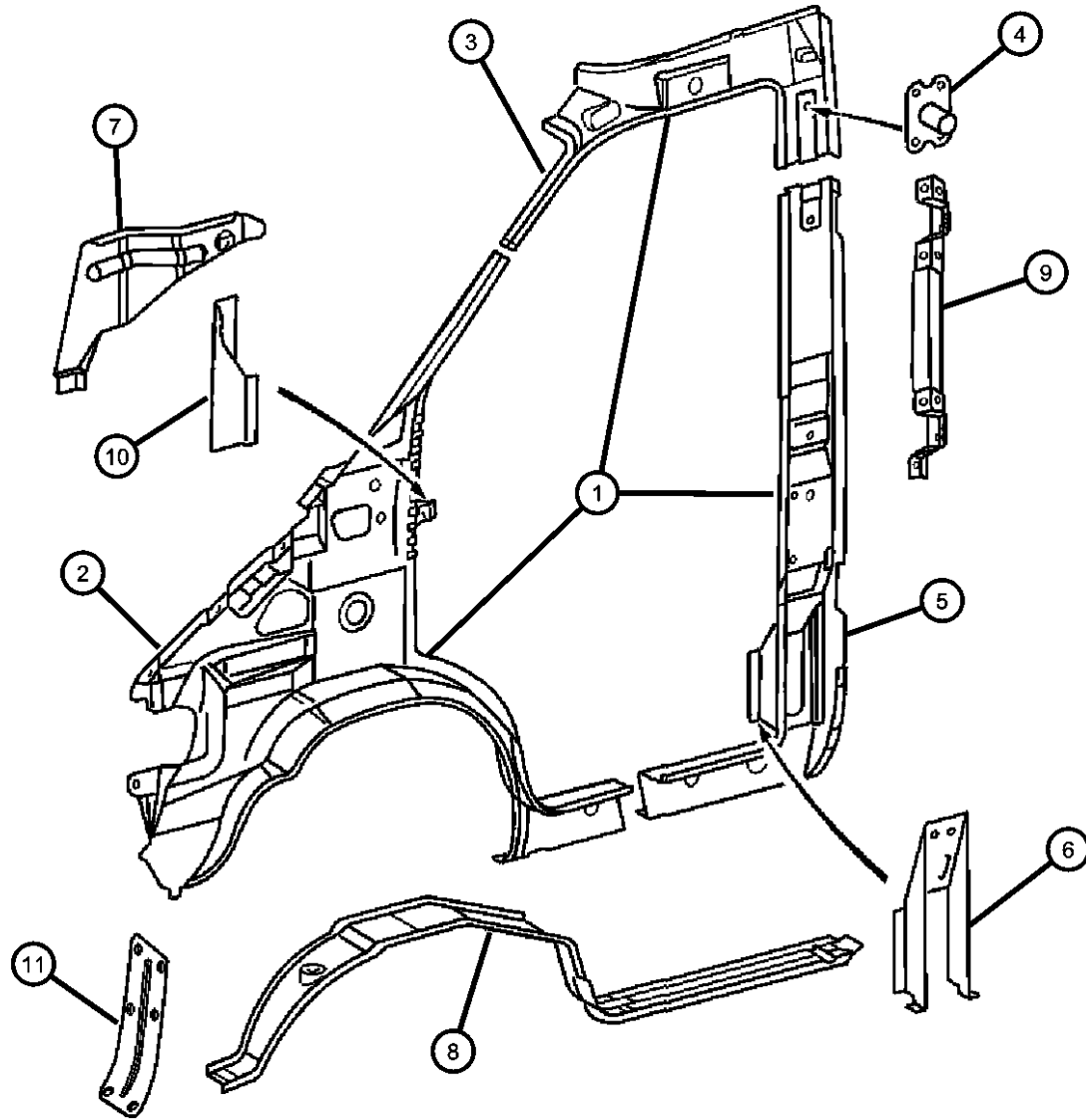
DGJ = Transmission-5-Spd.
Automatic,W5A580

AR = use ase required - = Non illustrated part

2004 VA

Front Aperture, Inner, Left
Figure SVA-810

ITEM	PART NUMBER	QTY	LINE	SERIES	BODY	ENGINE	TRANS	TRIM	DESCRIPTION
	05104186AA	1	3, 7		12, 15, 16				Without Left Sliding Door
	05121668AA	1	3, 7		12, 15, 16				With Left Sliding Door
6	05104189AA	1	2, 6		11, 12, 14, 15, 16				REINFORCEMENT, Center Pillar
		1	3, 7		12, 15, 16				
		1	2, 6		51, 52, 54, 55, 56				
7	05104193AA	1	3, 7		12, 15, 16				BRACKET, Body Side Aperture
8	05104199AA	1	2, 6		11, 12, 14, 15, 16				WHEELHOUSE, Front Inner
		1	2, 6		51, 52, 54, 55, 56				
		1	3, 7		12, 15, 16				
9	05121721AA	1	2, 6		11, 12, 14, 15, 16				BRACKET, Grab Handle
		1	2, 6		51, 52, 54, 55, 56				
		1	3, 7		12, 15, 16				
10	05133552AA	1	2, 6		11, 12, 14, 15, 16				REINFORCEMENT, Pillar And Cowl
		1	2, 6		51, 52, 54, 55, 56				
		1	3, 7		12, 15, 16				
11	05129943AA	1	2, 6		01, 02, 06				PANEL, Access
		1	2, 6		11, 12, 14, 15, 16				
		1	2, 6		51, 52, 54, 55, 56				



SPRINTER (VA)

SERIES

L = LOWLINE

LINE

3 = HD DODGE 2WD
6 = Lt. Duty DODGE 4WD
2 = Med. Duty DODGE 2WD
7 = Med. Duty DODGE 4WD

BODY

55 = Wagon 140"
54 = Wagon 118"
52 = Wagon 140"
51 = Wagon 118"
12 = Van 140"
11 = Van 118"
06 = Front Section 158"
14 = Van 118"
15 = Van 140"
16 = Van 158"
56 = Wagon 158"
01 = Chassis Forward Control
118"
02 = Chassis Forward Control
140"

ENGINE

EX8 = Engine-2.7L I5
Mercedes Turbo Diesel

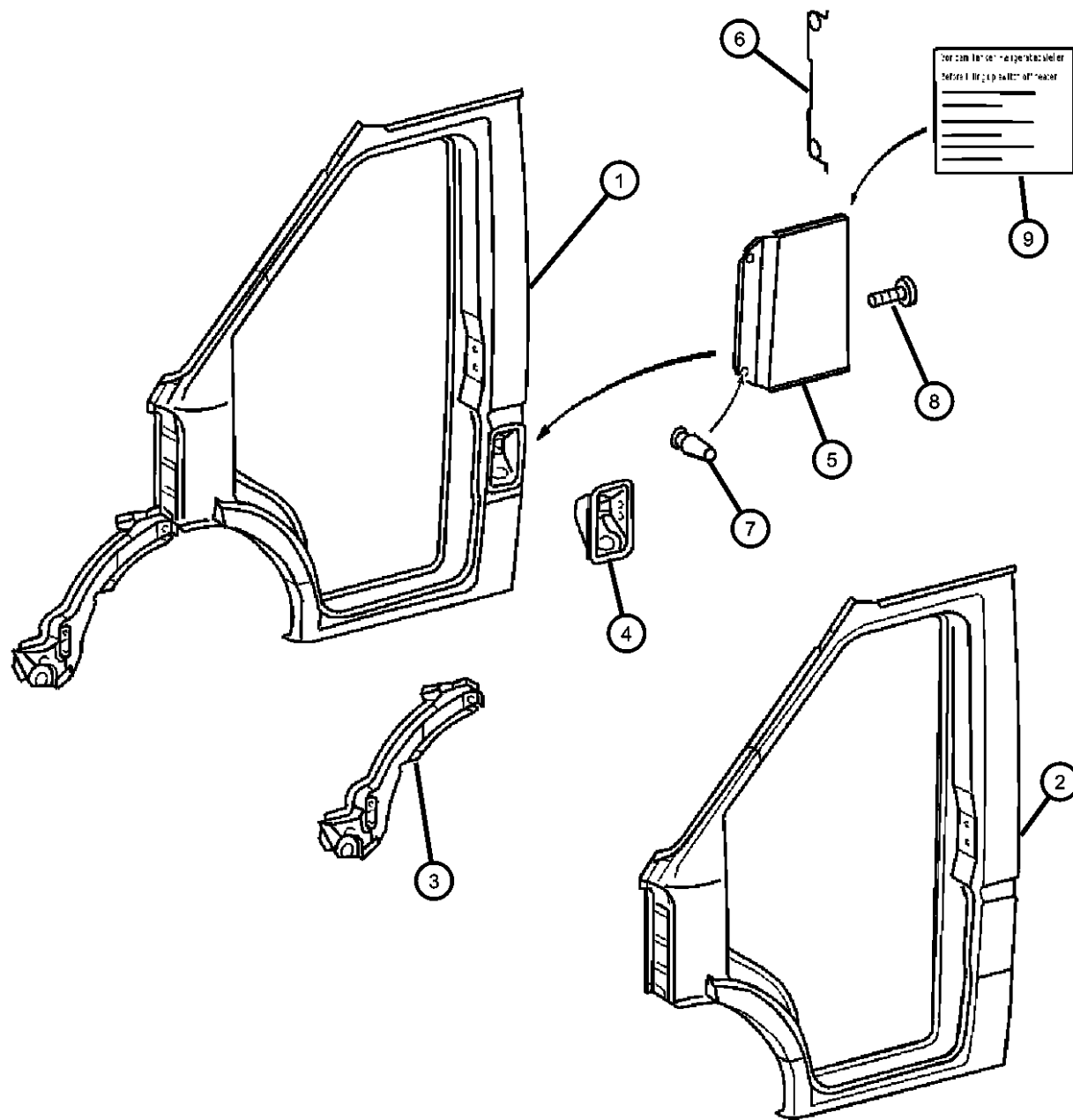
TRANSMISSION

DGJ = Transmission-5-Spd.
Automatic,W5A580

AR = use ase required - = Non illustrated part

2004 VA

Front Aperture, Outer, Left
Figure SVA-820

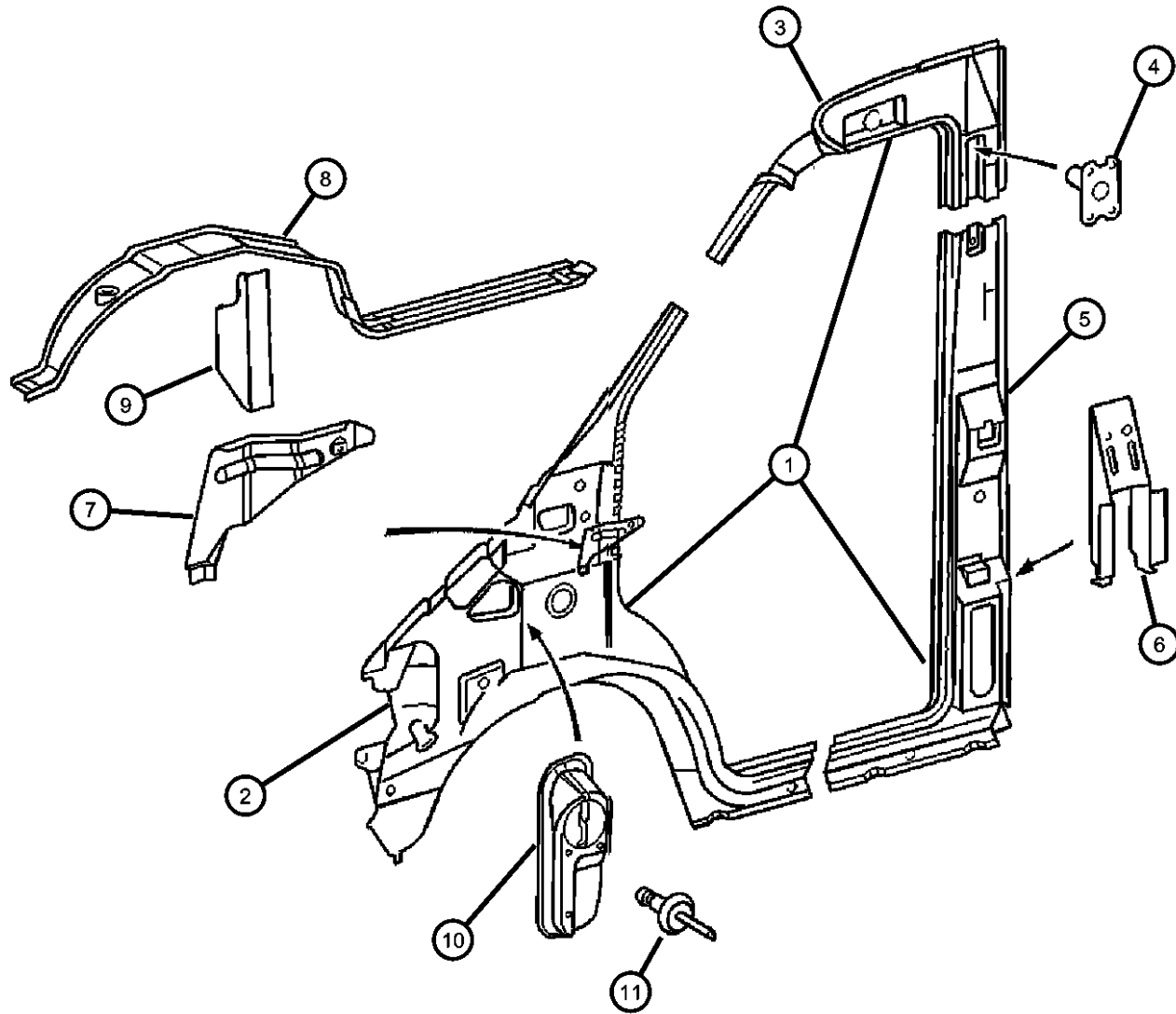


ITEM	PART NUMBER	QTY	LINE	SERIES	BODY	ENGINE	TRANS	TRIM	DESCRIPTION
		2	2, 6		11, 12, 14, 15, 16				
		2	2, 6		51, 52, 54, 55, 56				
8	05103714AA	2	2, 6		11, 12, 14, 15, 16				SCREW
		2	2, 6		51, 52, 54, 55, 56				
9	05104152AA	1	3, 7		12, 15, 16				LABEL, Fuel
		1	2, 6		11, 12, 14, 15, 16				
		1	2, 6		51, 52, 54, 55, 56				
		1	3, 7		12, 15, 16				

SPRINTER (VA)				
SERIES	LINE	BODY	ENGINE	TRANSMISSION
L = LOWLINE	3 = HD DODGE 2WD 6 = Lt. Duty DODGE 4WD 2 = Med. Duty DODGE 2WD 7 = Med. Duty DODGE 4WD	55 = Wagon 140" 54 = Wagon 118" 52 = Wagon 140" 51 = Wagon 118" 12 = Van 140" 11 = Van 118" 06 = Front Section 158" 14 = Van 118" 15 = Van 140" 16 = Van 158" 56 = Wagon 158" 01 = Chassis Forward Control 118" 02 = Chassis Forward Control 140"	EX8 = Engine-2.7L I5 Mercedes Turbo Diesel	DGJ = Transmission-5-Spd. Automatic, W5A580

AR = use ase required - = Non illustrated part

**Front Aperture, Inner, Right
Figure SVA-830**



ITEM	PART NUMBER	QTY	LINE	SERIES	BODY	ENGINE	TRANS	TRIM	DESCRIPTION
1	05104183AA	1	2, 6		11, 12, 14, 15, 16				APERTURE, Body Side Door With Sliding Door
		1	2, 6		51, 52, 54, 55, 56				With Sliding Door
	05121659AA	1	3, 7		12, 15, 16				With Sliding Door
		1	2, 6		11, 12, 14, 15, 16				Without Sliding Door
		1	2, 6		51, 52, 54, 55, 56				Without Sliding Door
2	05104185AA	1	3, 7		12, 15, 16				Without Sliding Door
		1	2, 6		11, 12, 14, 15, 16				PANEL, Body Side Aperture
		1	2, 6		51, 52, 54, 55, 56				
3	05121648AA	1	2, 6		11, 12, 14, 15, 16				PANEL, Body Side Aperture Without Sliding Door
		1	2, 6		51, 52, 54, 55, 56				Without Sliding Door
	05121650AA	1	3, 7		12, 15, 16				Without Sliding Door
		1	2, 6		11, 12, 14, 15, 16				With Sliding Door
		1	2, 6		51, 52, 54, 55, 56				With Sliding Door
4	05125412AA	1	3, 7		12, 15, 16				With Sliding Door
		1	2, 6		11, 12, 14, 15, 16				TAPPING PLATE, Side Panel
		1	2, 6		51, 52, 54, 55, 56				
5								PANEL, Body Side Aperture	

SPRINTER (VA)

SERIES

L = LOWLINE

LINE

3 = HD DODGE 2WD
6 = Lt. Duty DODGE 4WD
2 = Med. Duty DODGE 2WD
7 = Med. Duty DODGE 4WD

BODY

55 = Wagon 140"
54 = Wagon 118"
52 = Wagon 140"
51 = Wagon 118"
12 = Van 140"
11 = Van 118"
06 = Front Section 158"
14 = Van 118"
15 = Van 140"
16 = Van 158"
56 = Wagon 158"
01 = Chassis Forward Control
118"
02 = Chassis Forward Control
140"

ENGINE

EX8 = Engine-2.7L I5
Mercedes Turbo Diesel

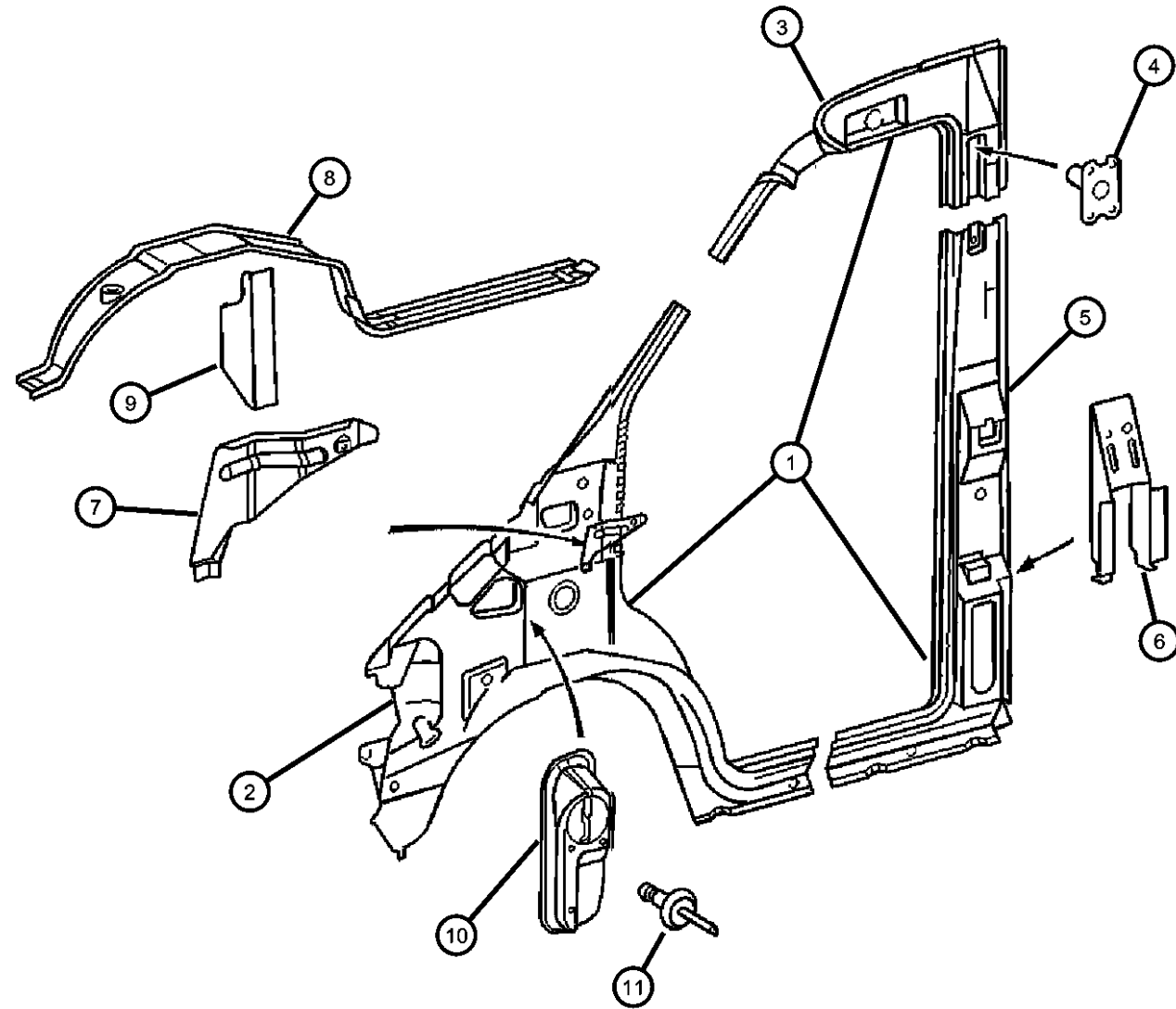
TRANSMISSION

DGJ = Transmission-5-Spd.
Automatic,W5A580

AR = use ase required - = Non illustrated part

2004 VA

**Front Aperture, Inner, Right
Figure SVA-830**



ITEM	PART NUMBER	QTY	LINE	SERIES	BODY	ENGINE	TRANS	TRIM	DESCRIPTION
	05121644AA	1	2, 6		11, 12, 14, 15, 16				Without Sliding Door
		1	2, 6		51, 52, 54, 55, 56				Without Sliding Door
		1	3, 7		12, 15, 16				Without Sliding Door
	05121645AA	1	2, 6		11, 12, 14, 15, 16				With Sliding Door
		1	2, 6		51, 52, 54, 55, 56				With Sliding Door
		1	3, 7		12, 15, 16				With Sliding Door
6	05104189AA	1	2, 6		11, 12, 14, 15, 16				REINFORCEMENT, Center Pillar
		1	3, 7		12, 15, 16				
		1	2, 6		51, 52, 54, 55, 56				
7	05104195AA	1	2, 6		11, 12, 14, 15, 16				BRACKET, Instrument Panel
		1	2, 6		51, 52, 54, 55, 56				
		1	3, 7		12, 15, 16				
8	05104199AA	1	2, 6		11, 12, 14, 15, 16				WHEELHOUSE, Front Inner
	05104200AA	1	2, 6		51, 52, 54, 55, 56				
		1	3, 7		12, 15, 16				
9	05133552AA	1	2, 6		11, 12, 14, 15, 16				REINFORCEMENT, Pillar And Cowl
		1	2, 6		51, 52, 54, 55, 56				
		1	3, 7		12, 15, 16				

SPRINTER (VA)

SERIES

L = LOWLINE

LINE

3 = HD DODGE 2WD
6 = Lt. Duty DODGE 4WD
2 = Med. Duty DODGE 2WD
7 = Med. Duty DODGE 4WD

BODY

55 = Wagon 140"
54 = Wagon 118"
52 = Wagon 140"
51 = Wagon 118"
12 = Van 140"
11 = Van 118"
06 = Front Section 158"
14 = Van 118"
15 = Van 140"
16 = Van 158"
56 = Wagon 158"
01 = Chassis Forward Control 118"
02 = Chassis Forward Control 140"

ENGINE

EX8 = Engine-2.7L I5
Mercedes Turbo Diesel

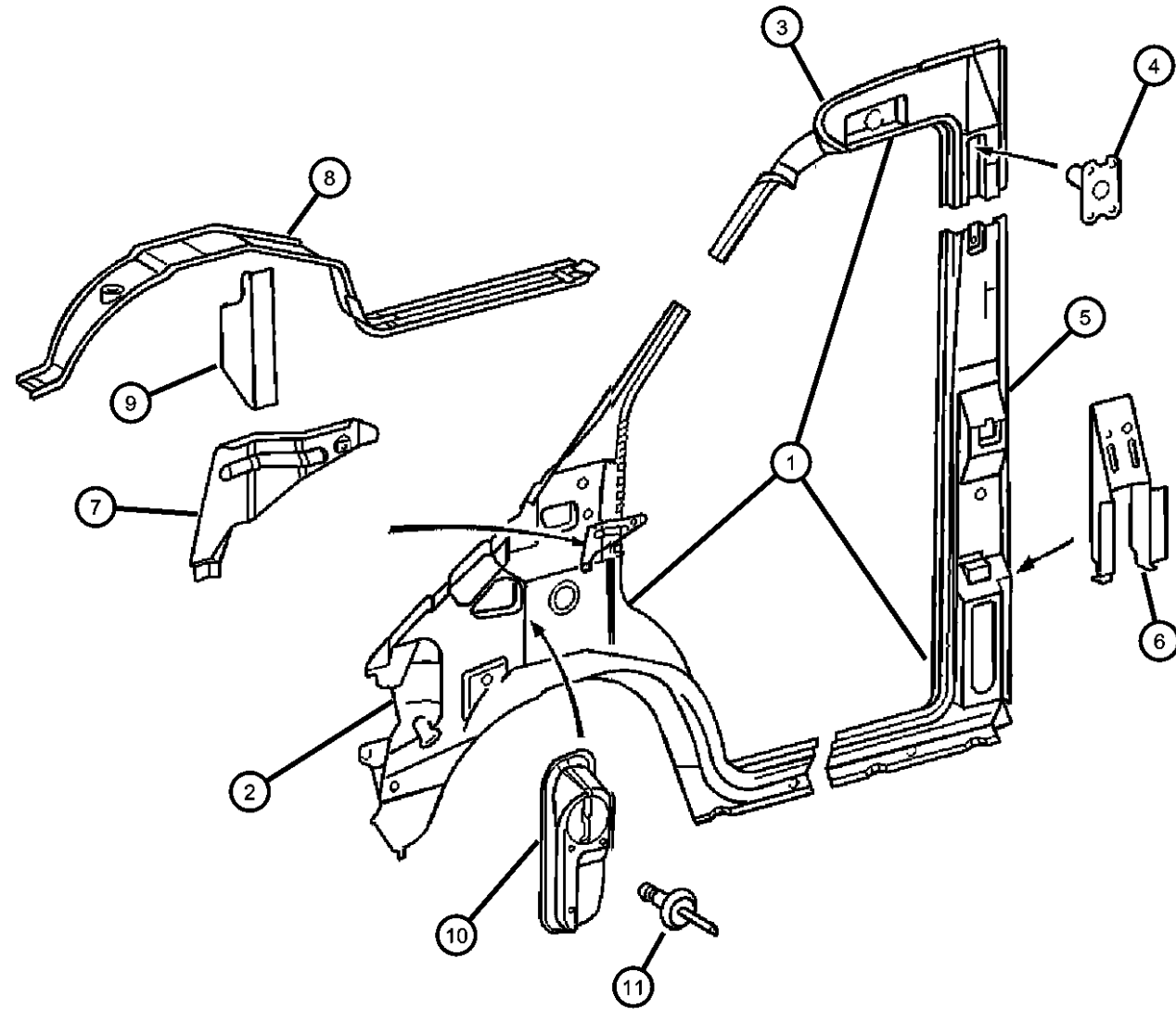
TRANSMISSION

DGJ = Transmission-5-Spd. Automatic, W5A580

AR = use ase required - = Non illustrated part

2004 VA

**Front Aperture, Inner, Right
Figure SVA-830**



ITEM	PART NUMBER	QTY	LINE	SERIES	BODY	ENGINE	TRANS	TRIM	DESCRIPTION
10	05104187AA	1	2, 6		11, 12, 14, 15, 16				BUSHING, Door Aperture
		1	2, 6		51, 52, 54, 55, 56				
		1	3, 7		12, 15, 16				
11	05133554AA	3	2, 6		11, 12, 14, 15, 16				RIVET
		3	2, 6		51, 52, 54, 55, 56				
		3	3, 7		12, 15, 16				
12	05122859AA	1	2, 6		01, 02, 06				COVER
		1	2, 6		11, 12, 14, 15, 16				
		1	2, 6		51, 52, 54, 55, 56				
		1	3, 7		02, 06				
		1	3, 7		12, 15, 16				

SPRINTER (VA)

SERIES

L = LOWLINE

LINE

3 = HD DODGE 2WD
6 = Lt. Duty DODGE 4WD
2 = Med. Duty DODGE 2WD
7 = Med. Duty DODGE 4WD

BODY

55 = Wagon 140"
54 = Wagon 118"
52 = Wagon 140"
51 = Wagon 118"
12 = Van 140"
11 = Van 118"
06 = Front Section 158"
14 = Van 118"
15 = Van 140"
16 = Van 158"
56 = Wagon 158"
01 = Chassis Forward Control
118"
02 = Chassis Forward Control
140"

ENGINE

EX8 = Engine-2.7L I5
Mercedes Turbo Diesel

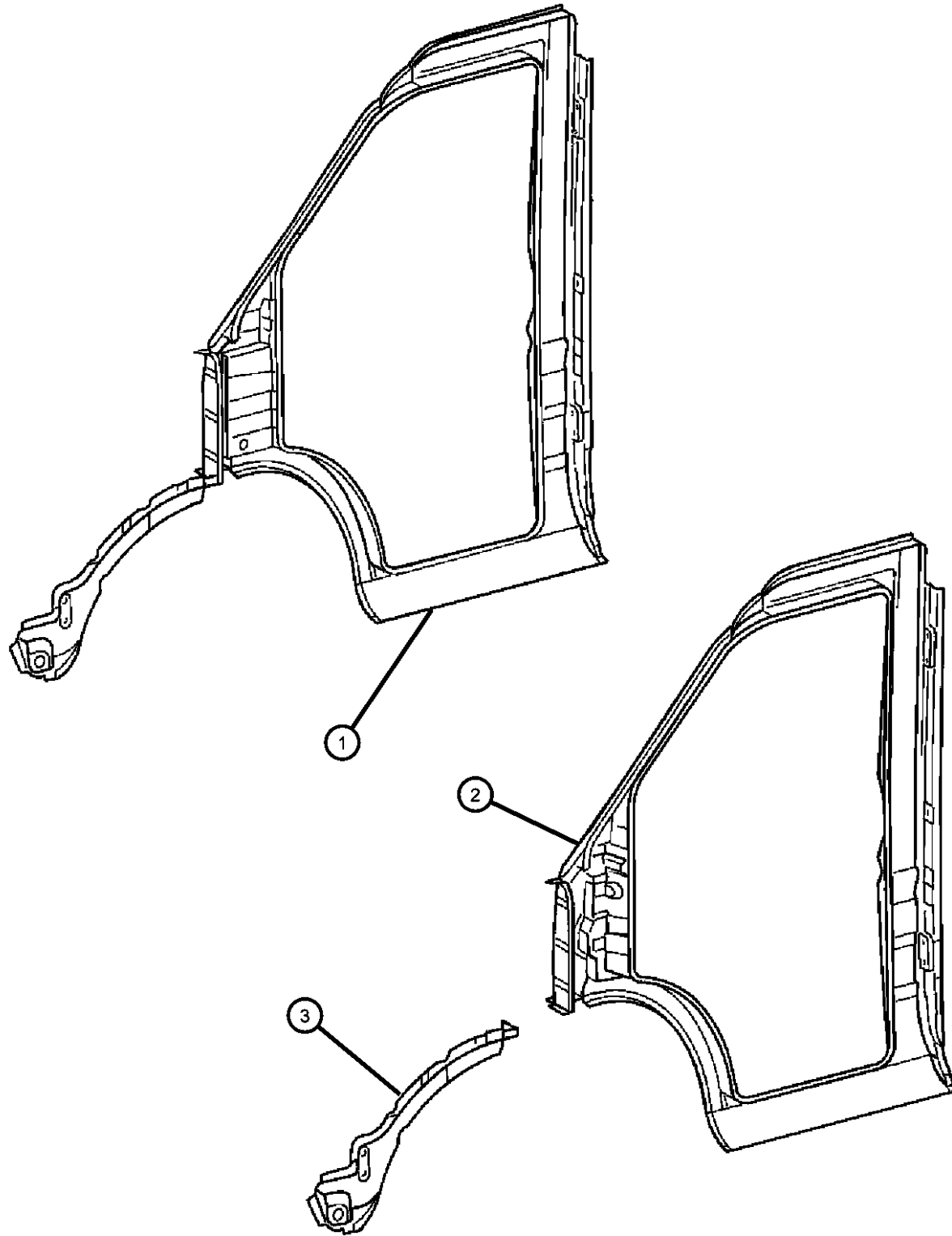
TRANSMISSION

DGJ = Transmission-5-Spd.
Automatic,W5A580

AR = use ase required - = Non illustrated part

2004 VA

Front Aperture, Outer, Right
Figure SVA-840



ITEM	PART NUMBER	QTY	LINE	SERIES	BODY	ENGINE	TRANS	TRIM	DESCRIPTION
1	05121683AA	1	2, 6		11, 12, 14, 15, 16				APERTURE, Body Side Door
		1	2, 6		51, 52, 54, 55, 56				
		1	3, 7		12, 15, 16				
2	05104221AA	1	2, 6		11, 12, 14, 15, 16				APERTURE, Body Side Door
		1	2, 6		51, 52, 54, 55, 56				
		1	3, 7		12, 15, 16				
3	05104190AA	1	3, 7		12, 15, 16				PANEL, Fender Extentsion

SPRINTER (VA)

SERIES

L = LOWLINE

LINE

3 = HD DODGE 2WD
6 = Lt. Duty DODGE 4WD
2 = Med. Duty DODGE 2WD
7 = Med. Duty DODGE 4WD

BODY

55 = Wagon 140"
54 = Wagon 118"
52 = Wagon 140"
51 = Wagon 118"
12 = Van 140"
11 = Van 118"
06 = Front Section 158"
14 = Van 118"
15 = Van 140"
16 = Van 158"
56 = Wagon 158"
01 = Chassis Forward Control
118"
02 = Chassis Forward Control
140"

ENGINE

EX8 = Engine-2.7L I5
Mercedes Turbo Diesel

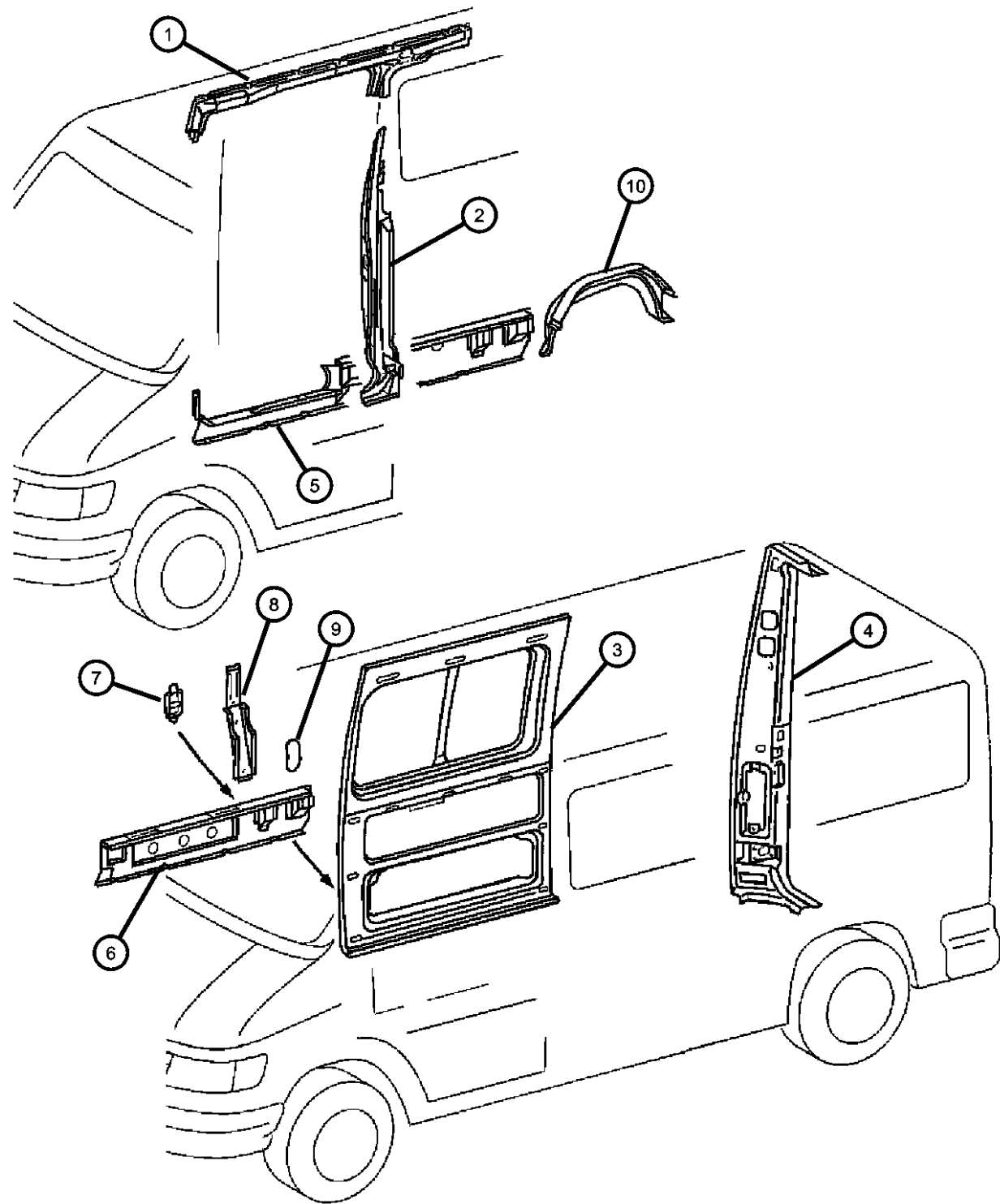
TRANSMISSION

DGJ = Transmission-5-Spd.
Automatic,W5A580

AR = use ase required - = Non illustrated part

2004 VA

**Right Side Cargo Door Pillars & Wheelhouse
Figure SVA-910**



ITEM	PART NUMBER	QTY	LINE	SERIES	BODY	ENGINE	TRANS	TRIM	DESCRIPTION
1									REINFORCEMENT, Body Side Aperture
	05104204AA	1	2, 6		11, 12, 14, 15, 16				
		1	2, 6		51, 52, 54, 55, 56				
		1	3, 7		12, 15, 16				
2									PILLAR, Side Cargo Door
	05104166AA	1	2, 6		11, 12, 14, 15, 16				[140 & 158] Inch Wheelbase
		1	2, 6		51, 52, 54, 55, 56				[140 & 158] Inch Wheelbase
		1	3, 7		12, 15, 16				[140 & 158] Inch Wheelbase
	05121699AA	1	2, 6		11, 14				[118] Inch Wheelbase
		1	2, 6		12, 15, 16				[118] Inch Wheelbase
		1	2, 6		51, 54				[118] Inch Wheelbase
		1	2, 6		55, 56, 52				[118] Inch Wheelbase
		1	3, 7		12, 15, 16				[118] Inch Wheelbase
3									PANEL, Body Side Front
	05104197AA	1	2, 6		11, 12, 14, 15, 16				
		1	2, 6		51, 52, 54, 55, 56				
		1	3, 7		12, 15, 16				
4									PILLAR, Rear Cargo Door Hinge
	05104178AA	1	2, 6		11, 12, 14, 15, 16				High Roof
		1	2, 6		51, 52, 54, 55, 56				High Roof
	05121908AA	1	2, 6		11, 12, 14, 15, 16				Low Roof
		1	2, 6		51, 52, 54, 55, 56				Low Roof
		1	3, 7		12, 15, 16				Low Roof
		1	3, 7		12, 15, 16				High Roof

SPRINTER (VA)

SERIES

L = LOWLINE

LINE

3 = HD DODGE 2WD
6 = Lt. Duty DODGE 4WD
2 = Med. Duty DODGE 2WD
7 = Med. Duty DODGE 4WD

BODY

55 = Wagon 140"
54 = Wagon 118"
52 = Wagon 140"
51 = Wagon 118"
12 = Van 140"
11 = Van 118"
06 = Front Section 158"
14 = Van 118"
15 = Van 140"
16 = Van 158"
56 = Wagon 158"
01 = Chassis Forward Control 118"
02 = Chassis Forward Control 140"

ENGINE

EX8 = Engine-2.7L I5
Mercedes Turbo Diesel

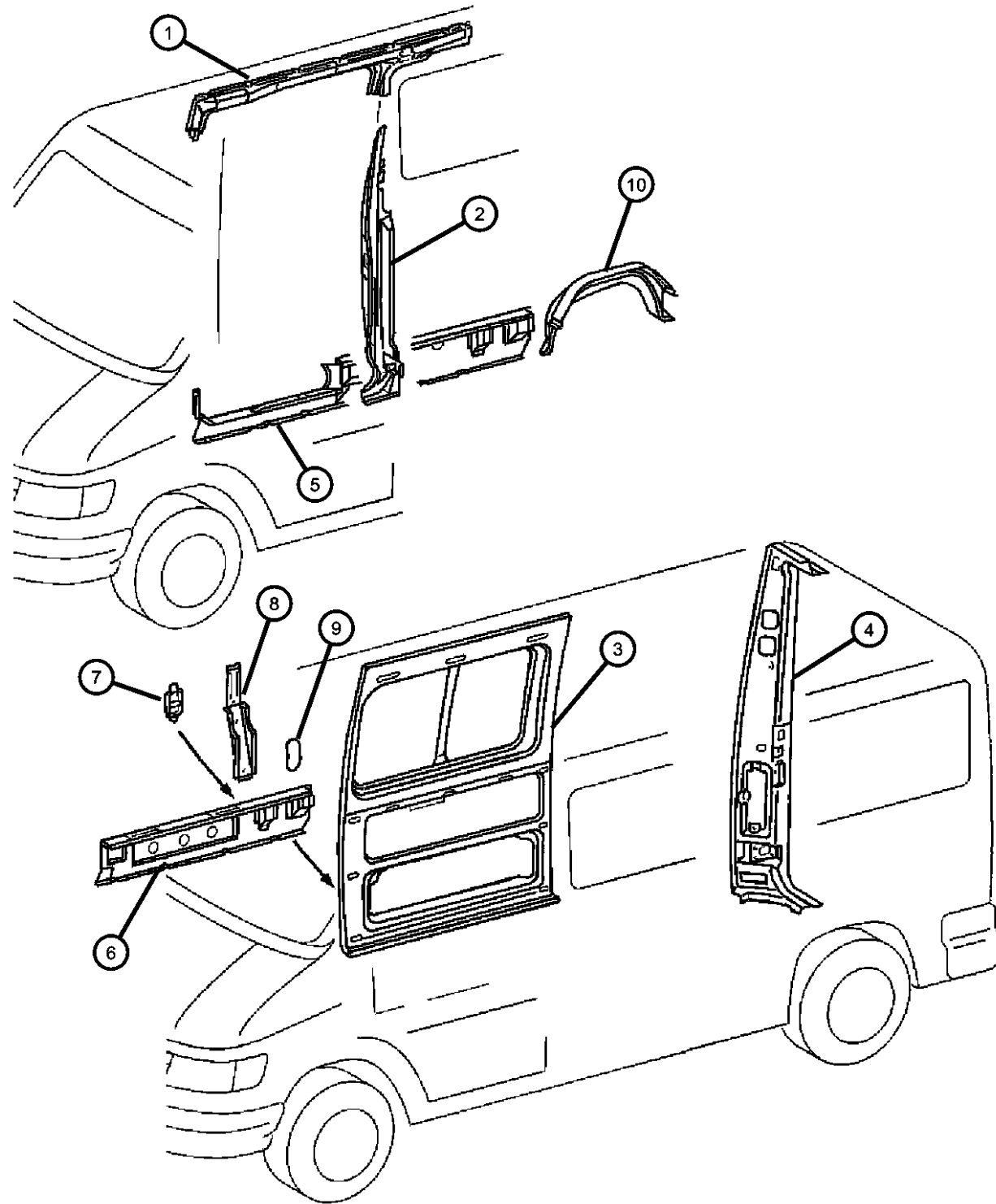
TRANSMISSION

DGJ = Transmission-5-Spd. Automatic, W5A580

AR = use ase required - = Non illustrated part

2004 VA

**Right Side Cargo Door Pillars & Wheelhouse
Figure SVA-910**



ITEM	PART NUMBER	QTY	LINE	SERIES	BODY	ENGINE	TRANS	TRIM	DESCRIPTION
5	05104171AA	1	2, 6		11, 14				SUPPORT, Sill Reinforcement [118] Inch Wheelbase
		1	2, 6		51, 54				[118] Inch Wheelbase
	05121747AA	1	2, 6		16				[158] Inch Wheelbase, Without Right Sliding Door
		1	2, 6		56				[158] Inch Wheelbase, Without Right Sliding Door
		1	3, 7		16				[158] Inch Wheelbase, Without Right Sliding Door
	05121752AA	1	2, 6		12, 15				[140] Inch Wheelbase
		1	2, 6		52, 55				[140] Inch Wheelbase
	05121755AA	1	2, 6		16				[158] Inch Wheelbase, With Right Sliding Door
		1	2, 6		56				[158] Inch Wheelbase, With Right Sliding Door
		05121776AA	1	3, 7		12, 15			[140] Inch Wheelbase
6	05121780AA	1	3, 7		16				[158] Inch Wheelbase, With Right Sliding Door
	SUPPORT, Sill Reinforcement								
	05121743AA	1	2, 6		12, 15				[140] Inch Wheelbase, With Right Sliding Door
		1	2, 6		52, 55				[140] Inch Wheelbase, With Right Sliding Door
		1	3, 7		12, 15				[140] Inch Wheelbase, With Right Sliding Door
	05121766AA	1	3, 7		12, 15, 16				[140] Inch Wheelbase, Without Right Sliding Door
	05131075AA	1	2, 6		11, 14				[118] Inch Wheelbase, Without Right Sliding Door
		1	2, 6		51, 54				[118] Inch Wheelbase, Without Right Sliding Door
	05131079AA	1	2, 6		12, 15				[140] Inch Wheelbase, Without Right Sliding Door
		1	2, 6		52, 55				[140] Inch Wheelbase, Without Right Sliding Door

SPRINTER (VA)

SERIES

L = LOWLINE

LINE

3 = HD DODGE 2WD
6 = Lt. Duty DODGE 4WD
2 = Med. Duty DODGE 2WD
7 = Med. Duty DODGE 4WD

BODY

55 = Wagon 140"
54 = Wagon 118"
52 = Wagon 140"
51 = Wagon 118"
12 = Van 140"
11 = Van 118"
06 = Front Section 158"
14 = Van 118"
15 = Van 140"
16 = Van 158"
56 = Wagon 158"
01 = Chassis Forward Control
118"
02 = Chassis Forward Control
140"

ENGINE

EX8 = Engine-2.7L I5
Mercedes Turbo Diesel

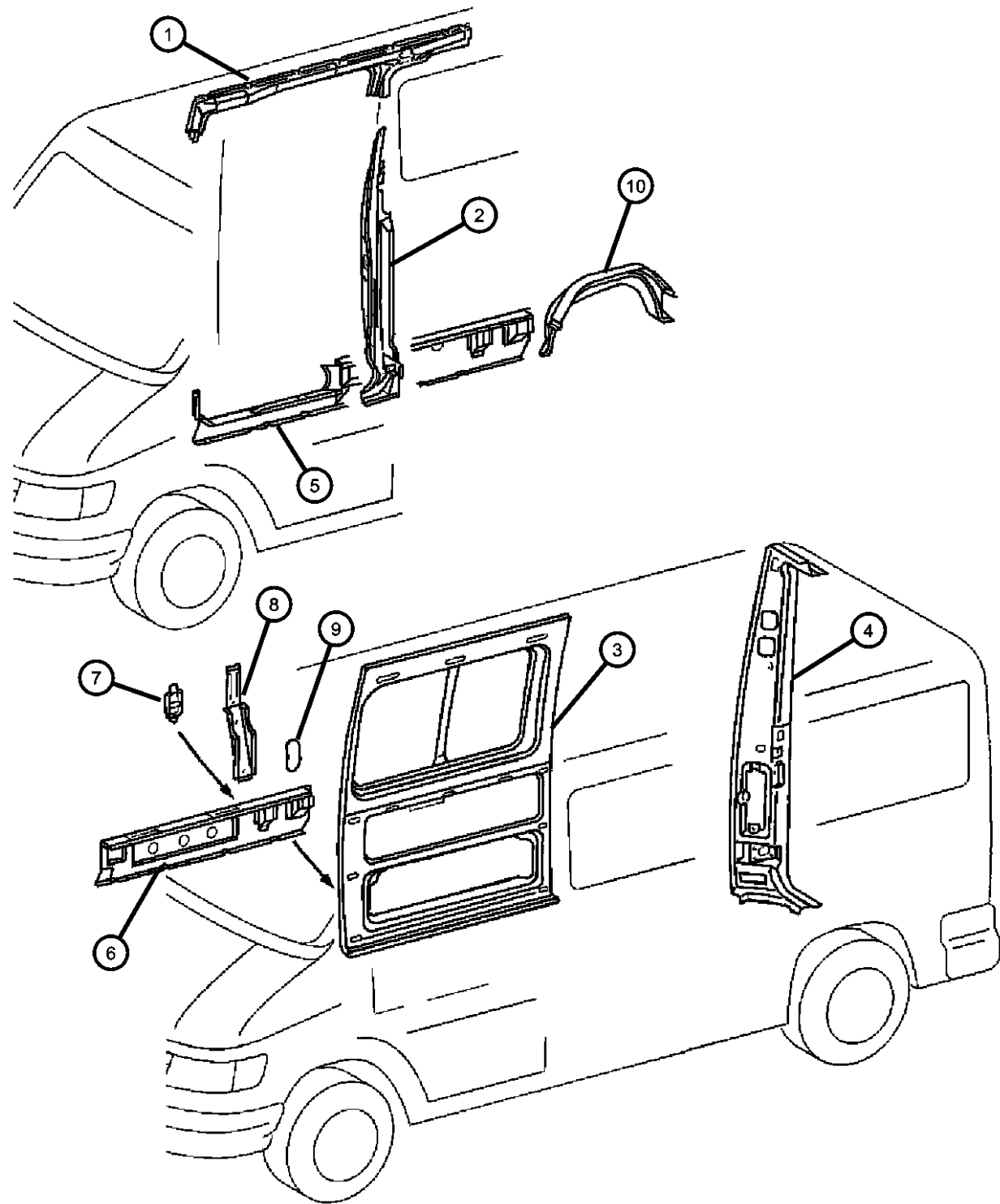
TRANSMISSION

DGJ = Transmission-5-Spd.
Automatic,W5A580

AR = use ase required - = Non illustrated part

2004 VA

**Right Side Cargo Door Pillars & Wheelhouse
Figure SVA-910**



ITEM	PART NUMBER	QTY	LINE	SERIES	BODY	ENGINE	TRANS	TRIM	DESCRIPTION
	05131083AA	1	2, 6		16				[158] Inch Wheelbase, Without Right Sliding Door
		1	2, 6		56				[158] Inch Wheelbase, Without Right Sliding Door
7									PLUG, Body
	05125519AA	2	2, 6		12, 15, 16				
		1	2, 6		11, 14				
		2	2, 6		52, 55, 56				
		1	2, 6		51, 54				
		1	3, 7		12, 15, 16				
8									REINFORCEMENT, Side Panel
	05104198AA	1	2, 6		11, 12, 14, 15, 16				
		1	2, 6		51, 52, 54, 55, 56				
		1	3, 7		12, 15, 16				
9									COVER, Sill
	05121838AA	1	2, 6		15, 16, 11, 12, 14				
		1	2, 6		51, 52, 54, 55, 56				
		1	3, 7		12, 15, 16				
10									WHEELHOUSE
	05121862AA	1	2, 6		11, 12, 14, 15, 16				
		1	2, 6		51, 52, 54, 55, 56				
	05121865AA	1	2, 6		51, 52, 54, 55, 56				With [WDG], 16x6 Steel Wheels
		1	3, 7		12, 15, 16				With [WDG], 16x6 Steel Wheels
		1	2, 6		11, 12, 14, 15, 16				With [WDG], 16x6 Steel Wheels

SPRINTER (VA)

SERIES

L = LOWLINE

LINE

3 = HD DODGE 2WD
6 = Lt. Duty DODGE 4WD
2 = Med. Duty DODGE 2WD
7 = Med. Duty DODGE 4WD

BODY

55 = Wagon 140"
54 = Wagon 118"
52 = Wagon 140"
51 = Wagon 118"
12 = Van 140"
11 = Van 118"
06 = Front Section 158"
14 = Van 118"
15 = Van 140"
16 = Van 158"
56 = Wagon 158"
01 = Chassis Forward Control 118"
02 = Chassis Forward Control 140"

ENGINE

EX8 = Engine-2.7L I5
Mercedes Turbo Diesel

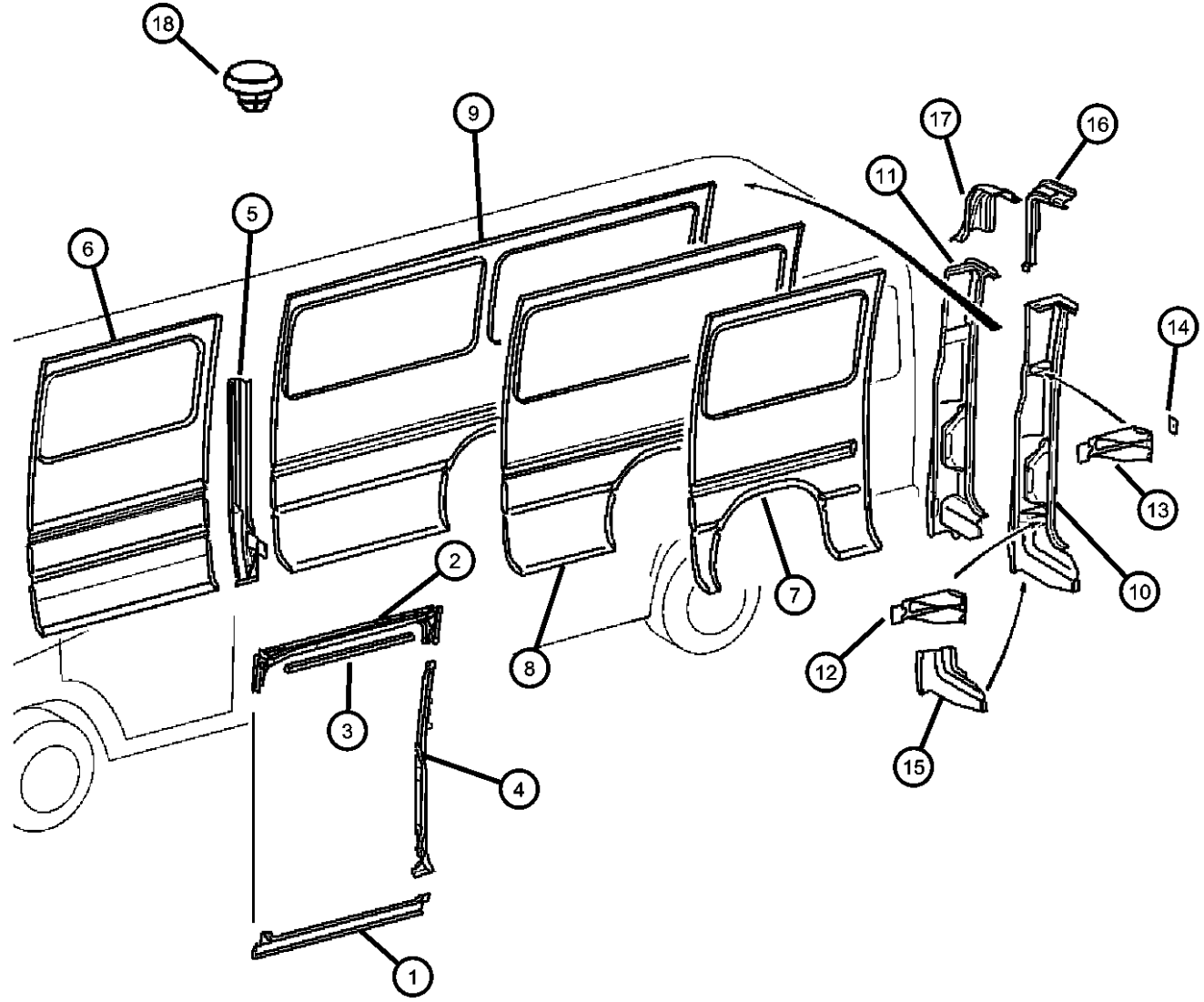
TRANSMISSION

DGJ = Transmission-5-Spd. Automatic, W5A580

AR = use ase required - = Non illustrated part

2004 VA

**Right Side Panels, Cargo
Figure SVA-920**



ITEM	PART NUMBER	QTY	LINE	SERIES	BODY	ENGINE	TRANS	TRIM	DESCRIPTION
1	05104214AA	1	2, 6		11, 12, 14, 15, 16				PANEL, Sill
		1	2, 6		51, 52, 54, 55, 56				
		1	3, 7		12, 15, 16				
2	05104179AA	1	2, 6		11, 12, 14, 15, 16				PANEL, Cargo Compartment, Upper
		1	2, 6		51, 52, 54, 55, 56				
		1	3, 7		12, 15, 16				
3	05122036AA	1	2, 6		11, 12, 14, 15, 16				TRACK, Sliding Door
		1	2, 6		51, 52, 54, 55, 56				
		1	3, 7		12, 15, 16				
4	05104166AA	1	2, 6		11, 12, 14, 15, 16				PILLAR, Side Cargo Door [140 & 158] Inch Wheelbase
		1	2, 6		51, 52, 54, 55, 56				[140 & 158] Inch Wheelbase
		1	3, 7		12, 15, 16				[140 & 158] Inch Wheelbase
	05121699AA	1	2, 6		11, 14				[118] Inch Wheelbase
		1	2, 6		51, 54				[118] Inch Wheelbase
		1	2, 6		52, 55, 56				[118] Inch Wheelbase
		1	3, 7		12, 15, 16				[118] Inch Wheelbase
		1	2, 6		12, 15, 16				[118] Inch Wheelbase
5	05121704AA	1	2, 6		12, 15, 16				PILLAR, Side Cargo Door [140 & 158] Inch Wheelbase
		1	2, 6		52, 55, 56				[140 & 158] Inch Wheelbase
		1	3, 7		12, 15, 16				[140 & 158] Inch Wheelbase

SPRINTER (VA)

SERIES

L = LOWLINE
 3 = HD DODGE 2WD
 6 = Lt. Duty DODGE 4WD
 2 = Med. Duty DODGE 2WD
 7 = Med. Duty DODGE 4WD

LINE

BODY

55 = Wagon 140"
 54 = Wagon 118"
 52 = Wagon 140"
 51 = Wagon 118"
 12 = Van 140"
 11 = Van 118"
 06 = Front Section 158"
 14 = Van 118"
 15 = Van 140"
 16 = Van 158"
 56 = Wagon 158"
 01 = Chassis Forward Control
 118"
 02 = Chassis Forward Control
 140"

ENGINE

EX8 = Engine-2.7L I5
 Mercedes Turbo Diesel

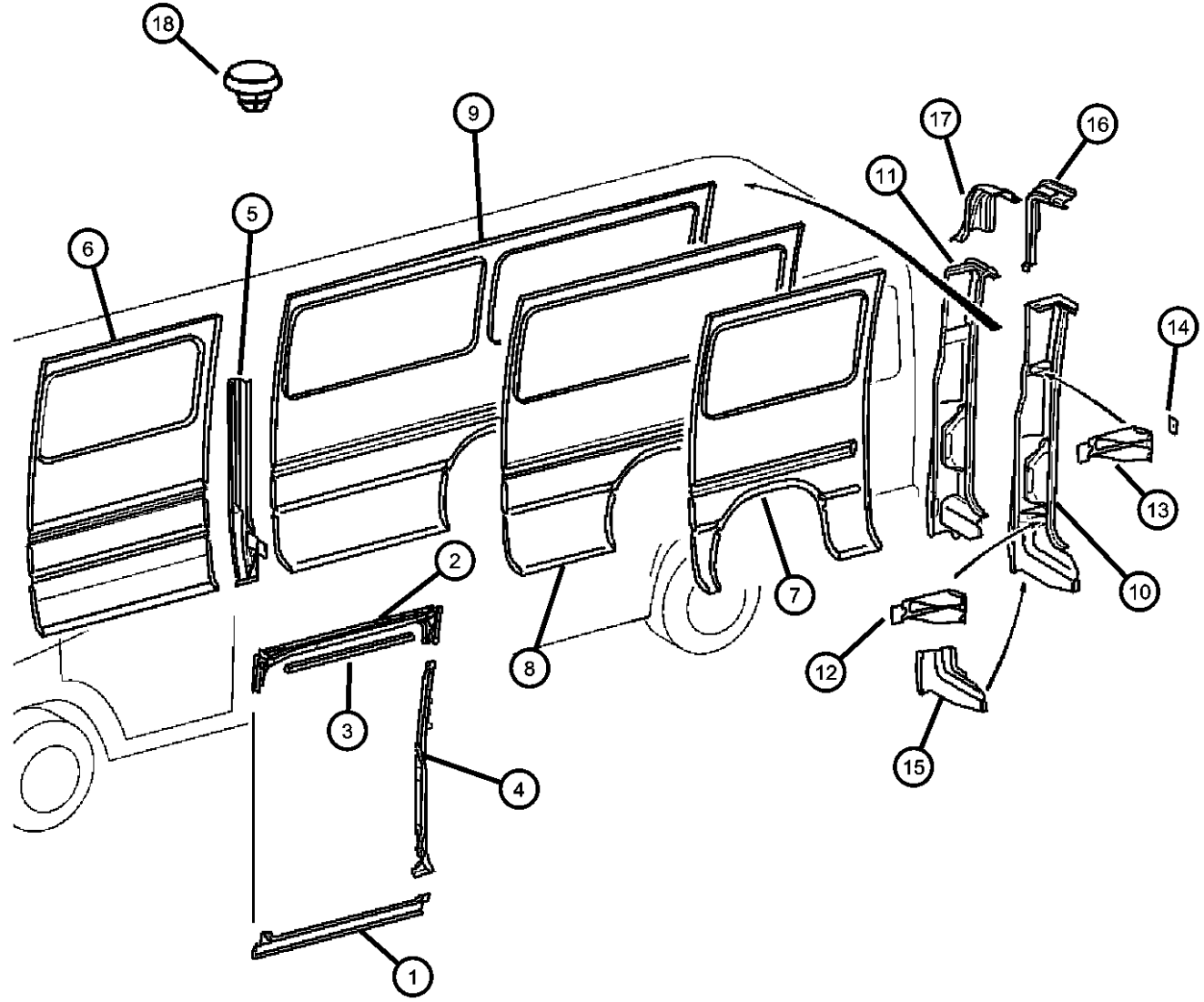
TRANSMISSION

DGJ = Transmission-5-Spd.
 Automatic,W5A580

AR = use ase required - = Non illustrated part

2004 VA

**Right Side Panels, Cargo
Figure SVA-920**



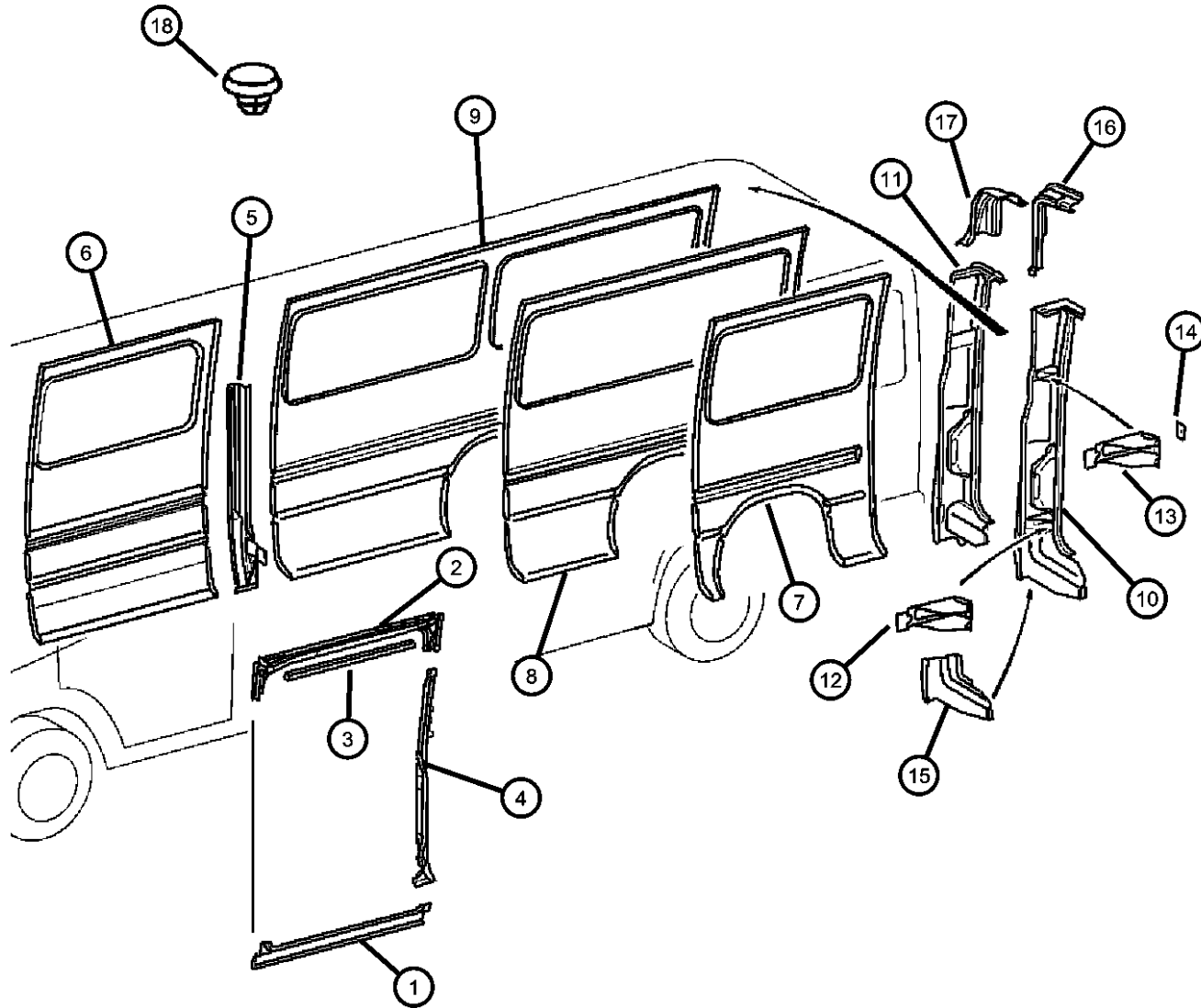
ITEM	PART NUMBER	QTY	LINE	SERIES	BODY	ENGINE	TRANS	TRIM	DESCRIPTION
	05131053AA	1	2, 6		11, 14				[118] Inch Wheelbase
		1	2, 6		51, 54				[118] Inch Wheelbase
6									PANEL, Body Side Front
	05104205AA	1	2, 6		11, 12, 14, 15, 16				
		1	3, 7		12, 15, 16				
7									PANEL, Body Side Rear
	05131138AA	1	2, 6		51, 52, 54, 55, 56				
	05131146AA	1	2, 6		11, 14				
		1	2, 6		51, 54				
8									PANEL, Body Side Rear
	05121965AA	1	2, 6		12, 15				Without Windows, 15 Inch Wheels,Outer
	05121967AA	1	2, 6		12, 15				With Windows,Outer
		1	2, 6		52, 55				With Windows,Outer
	05121993AA	1	3, 7		12, 15				
	05131161AA	1	2, 6		12, 15				Without Windows, 16 Inch Wheels,Outer
9									PANEL, Body Side Rear
	05121970AA	1	2, 6		16				With Windows, Without [R16] Wheels
	05104225AA	1	2, 6		16				No Windows, Without [R16] Wheels
	05121998AA	1							
		1	2, 6		56				With Windows, Without [R16] Wheels
	05131173AA	1	2, 6		16				No Windows, With [R16] Wheels
	05131178AA	1	2, 6		56				With Windows & [R16] Wheels
		1	2, 6		16				With Windows & [R16] Wheels
10									PANEL, D Pillar

SPRINTER (VA)

SERIES	LINE	BODY	ENGINE	TRANSMISSION
L = LOWLINE	3 = HD DODGE 2WD 6 = Lt. Duty DODGE 4WD 2 = Med. Duty DODGE 2WD 7 = Med. Duty DODGE 4WD	55 = Wagon 140" 54 = Wagon 118" 52 = Wagon 140" 51 = Wagon 118" 12 = Van 140" 11 = Van 118" 06 = Front Section 158" 14 = Van 118" 15 = Van 140" 16 = Van 158" 56 = Wagon 158"	EX8 = Engine-2.7L I5 Mercedes Turbo Diesel	DGJ = Transmission-5-Spd. Automatic,W5A580
		01 = Chassis Forward Control 118" 02 = Chassis Forward Control 140"		

AR = use ase required - = Non illustrated part

Right Side Panels, Cargo
Figure SVA-920



ITEM	PART NUMBER	QTY	LINE	SERIES	BODY	ENGINE	TRANS	TRIM	DESCRIPTION
	05104176AA	1	2, 6		11, 12, 14, 15, 16				With High Roof
		1	2, 6		51, 52, 54, 55, 56				With High Roof
		1	3, 7		12, 15, 16				With High Roof
	05121679AA	1	2, 6		11, 12, 14, 15, 16				With Low Roof
		1	2, 6		51, 52, 54, 55, 56				With Low Roof
		1	3, 7		12, 15, 16				With Low Roof
11	05104208AA	1	2, 6		11, 12, 14, 15, 16				PANEL, D Pillar
		1	3, 7		12, 15, 16				
		1	2, 6		51, 52, 54, 55, 56				
12	05104209AA	1	2, 6		11, 12, 14, 15, 16				REINFORCEMENT, Rear door hinge
		1	3, 7		12, 15, 16				
		1	2, 6		51, 52, 54, 55, 56				
13	05104215AA	1	2, 6		11, 12, 14, 15, 16				REINFORCEMENT, Rear door hinge
		1	2, 6		51, 52, 54, 55, 56				
		1	3, 7		12, 15, 16				
14	05104188AA	2	2, 6		11, 12, 14, 15, 16				PLATE, Rear Door Hinge
		2	2, 6		51, 52, 54, 55, 56				
		2	3, 7		12, 15, 16				

SPRINTER (VA)

SERIES

L = LOWLINE
 3 = HD DODGE 2WD
 6 = Lt. Duty DODGE 4WD
 2 = Med. Duty DODGE 2WD
 7 = Med. Duty DODGE 4WD

LINE

3 = HD DODGE 2WD
 6 = Lt. Duty DODGE 4WD
 2 = Med. Duty DODGE 2WD
 7 = Med. Duty DODGE 4WD

BODY

55 = Wagon 140"
 54 = Wagon 118"
 52 = Wagon 140"
 51 = Wagon 118"
 12 = Van 140"
 11 = Van 118"
 06 = Front Section 158"
 14 = Van 118"
 15 = Van 140"
 16 = Van 158"
 56 = Wagon 158"
 01 = Chassis Forward Control 118"
 02 = Chassis Forward Control 140"

ENGINE

EX8 = Engine-2.7L I5
 Mercedes Turbo Diesel

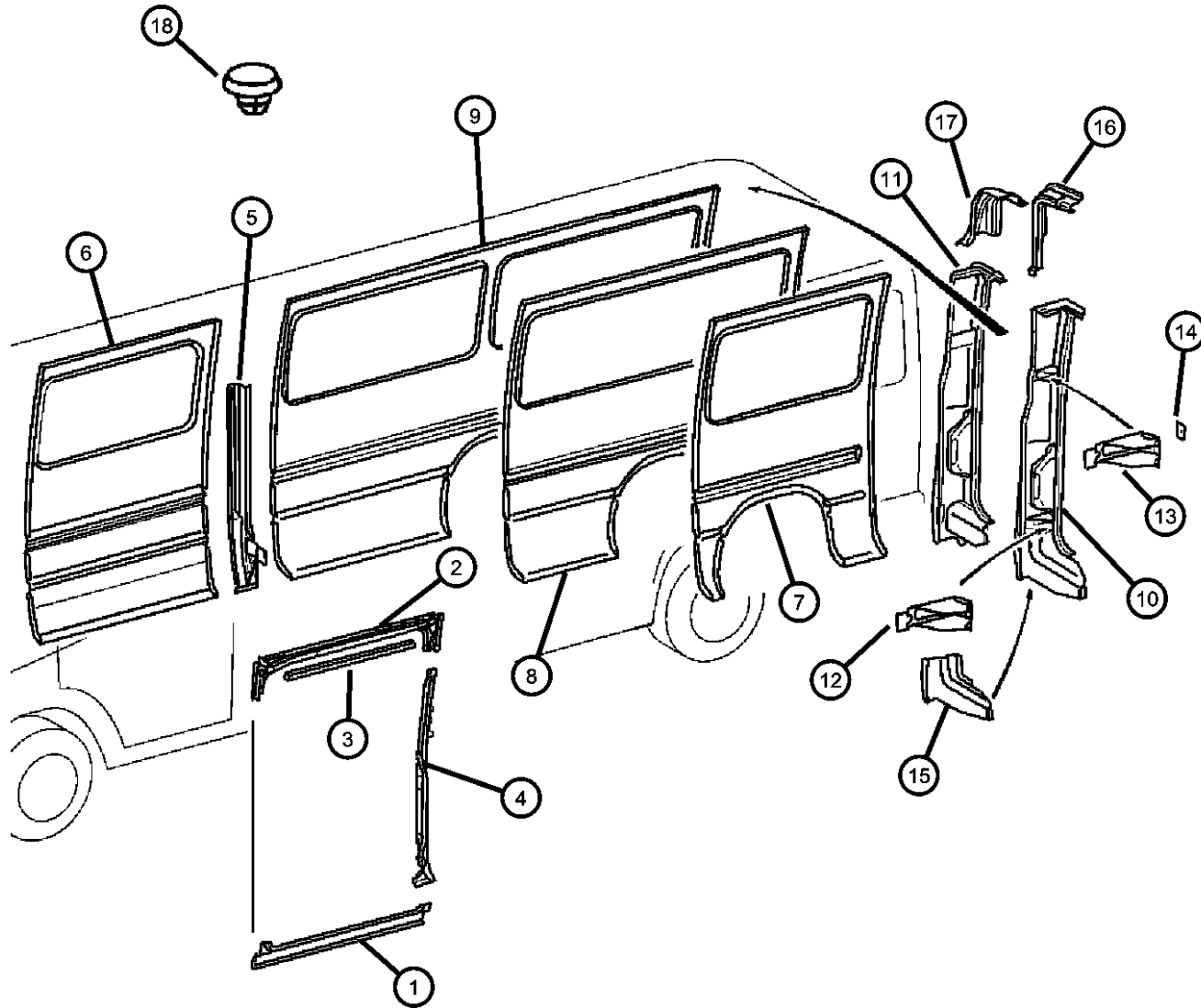
TRANSMISSION

DGJ = Transmission-5-Spd. Automatic, W5A580

AR = use ase required - = Non illustrated part

2004 VA

**Right Side Panels, Cargo
Figure SVA-920**



ITEM	PART NUMBER	QTY	LINE	SERIES	BODY	ENGINE	TRANS	TRIM	DESCRIPTION
15	05104211AA	1	2, 6		11, 12, 14, 15, 16				EXTENSION, D Pillar Lower
		1	2, 6		51, 52, 54, 55, 56				
		1	3, 7		12, 15, 16				
16	05104224AA	1	2, 6		11, 12, 14, 15, 16				EXTENSION, D Pillar Upper
		1	2, 6		51, 52, 54, 55, 56				
		1	3, 7		12, 15, 16				
17	05104218AA	1	2, 6		11, 12, 14, 15, 16				PANEL, D Pillar Trim
		1	2, 6		51, 52, 54, 55, 56				
		1	3, 7		12, 15, 16				
18	05133657AA	1	2, 6		11, 12, 14, 15, 16				PLUG, Expansion
		1	2, 6		51, 52, 54, 55, 56				
		1	3, 7		12, 15, 16				

SPRINTER (VA)

SERIES

L = LOWLINE

LINE

3 = HD DODGE 2WD
6 = Lt. Duty DODGE 4WD
2 = Med. Duty DODGE 2WD
7 = Med. Duty DODGE 4WD

BODY

55 = Wagon 140"
54 = Wagon 118"
52 = Wagon 140"
51 = Wagon 118"
12 = Van 140"
11 = Van 118"
06 = Front Section 158"
14 = Van 118"
15 = Van 140"
16 = Van 158"
56 = Wagon 158"
01 = Chassis Forward Control
118"
02 = Chassis Forward Control
140"

ENGINE

EX8 = Engine-2.7L I5
Mercedes Turbo Diesel

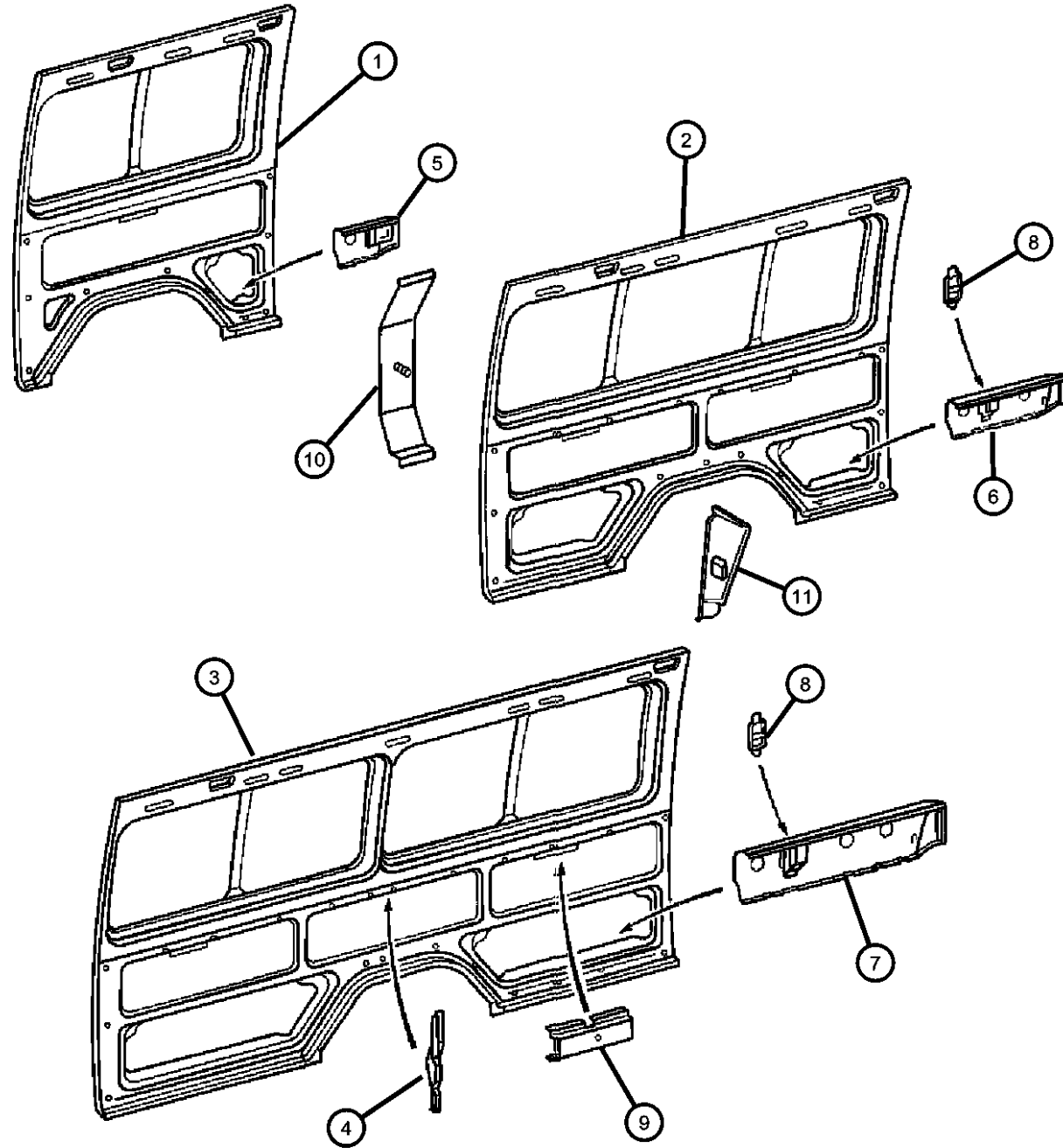
TRANSMISSION

DGJ = Transmission-5-Spd.
Automatic,W5A580

AR = use ase required - = Non illustrated part

2004 VA

**Right Side Panels, Wagon
Figure SVA-930**



ITEM	PART NUMBER	QTY	LINE	SERIES	BODY	ENGINE	TRANS	TRIM	DESCRIPTION
1									PANEL, Body Side Rear, [118] Inch Wheelbase
	05121897AA	1	2, 6		11, 14				With Sliding Door
		1	2, 6		51, 54				With Sliding Door
	05131122AA	1	2, 6		11, 14				Without Sliding Door
		1	2, 6		51, 54				Without Sliding Door
2									PANEL, Body Side Rear, [140] Inch Wheelbase
	05121892AA	1	2, 3, 6, 7		12, 15, 52, 55				Without Sliding Door,Inner
	05121899AA	1	2, 6		12, 15				With Sliding Door,Inner
		1	2, 6		52, 55				With Sliding Door,Inner
		1	3, 7		12, 15				With Sliding Door,Inner
3									PANEL, Body Side Rear, [158] Inch Wheelbase
	05104203AA	1	2, 6		16				With Sliding Door
		1	2, 6		56				With Sliding Door
		1	3, 7		16				With Sliding Door
	05121895AA	1	2, 3, 6, 7		16, 56				Without Sliding Door
4									REINFORCEMENT, Quarter Inner
	05121707AA	1	2, 6		16				With 16x6 Steel Wheels
		1	2, 6		56				With 16x6 Steel Wheels
	05131056AA	1	2, 6		16				
		1	2, 6		56				
		1	3, 7		16				With 16x6 Steel Wheels
5									SUPPORT
	05121739AA	1	2, 6		11, 14				
		1	2, 6		51, 54				
6									SUPPORT, Sill Reinforcement
	05121743AA	1	2, 6		12, 15				
		1	2, 6		52, 55				

SPRINTER (VA)

SERIES

L = LOWLINE

LINE

3 = HD DODGE 2WD
6 = Lt. Duty DODGE 4WD
2 = Med. Duty DODGE 2WD
7 = Med. Duty DODGE 4WD

BODY

55 = Wagon 140"
54 = Wagon 118"
52 = Wagon 140"
51 = Wagon 118"
12 = Van 140"
11 = Van 118"
06 = Front Section 158"
14 = Van 118"
15 = Van 140"
16 = Van 158"
56 = Wagon 158"
01 = Chassis Forward Control 118"
02 = Chassis Forward Control 140"

ENGINE

EX8 = Engine-2.7L I5
Mercedes Turbo Diesel

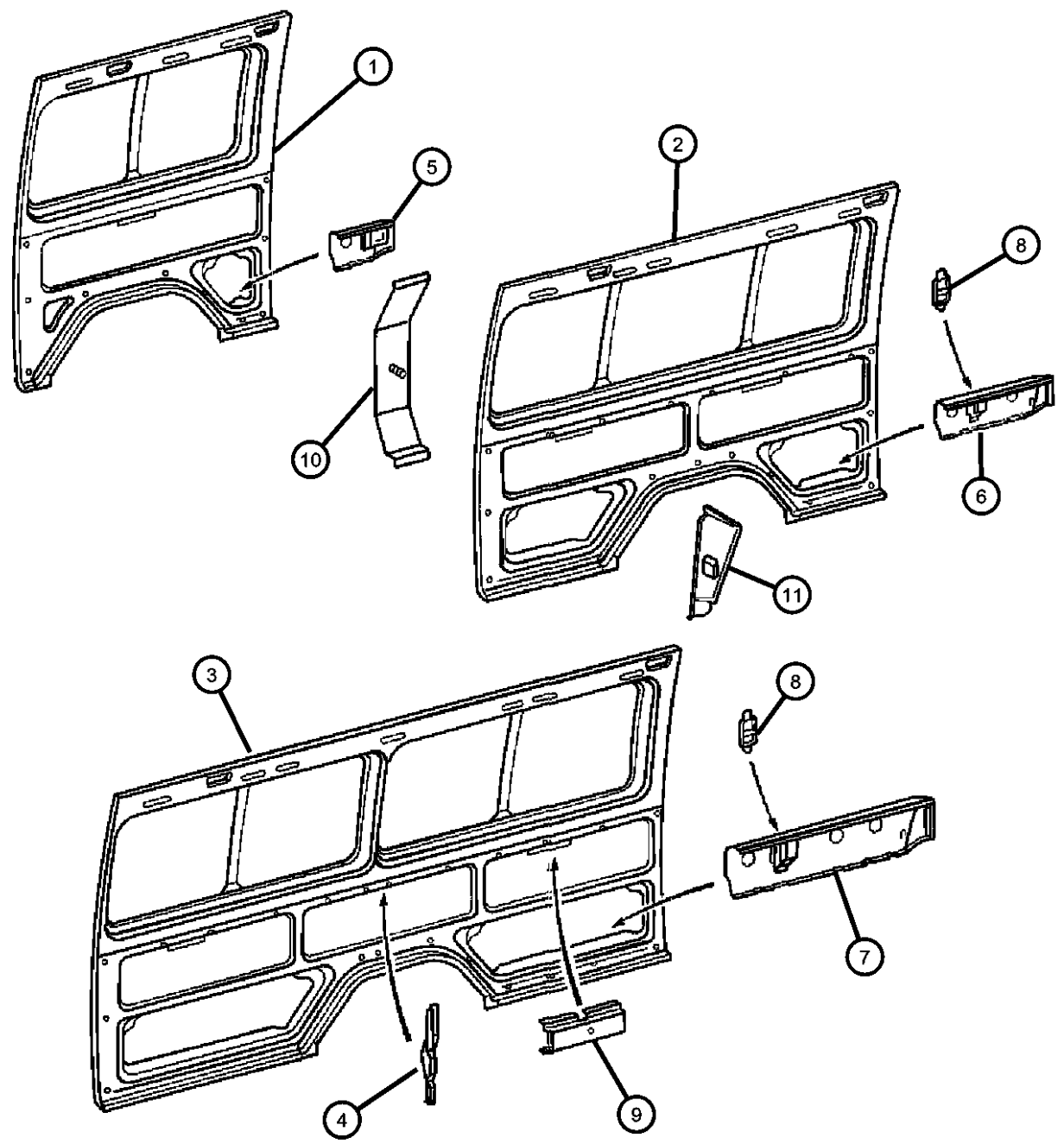
TRANSMISSION

DGJ = Transmission-5-Spd. Automatic,W5A580

AR = use ase required - = Non illustrated part

2004 VA

**Right Side Panels, Wagon
Figure SVA-930**



ITEM	PART NUMBER	QTY	LINE	SERIES	BODY	ENGINE	TRANS	TRIM	DESCRIPTION
7		1	3, 7		12, 15				SUPPORT, Sill Reinforcement
	05121747AA	1	2, 6		16				
		1	2, 6		56				
		1	3, 7		16				
8									PLUG, Body
	05125519AA	2	2, 6		15, 16, 12				
		2	2, 6		52, 55, 56				
		1	3, 7		12, 15, 16				
9									REINFORCEMENT, Side Panel
	05131057AA	2	2, 6		11, 12, 14, 15, 16				
		1	2, 6		51, 52, 54, 55, 56				
10									BRACKET
	05127239AA	2	2, 6		12, 15				
		3	2, 6		16				
		2	2, 6		52, 55				
		3	2, 6		56				
		5	3, 7		12, 15				
		7	3, 7		16				
11									PANEL, Rear Side
	05129938AA	2	2, 6		11, 12, 14, 15, 16				
		2	2, 6		51, 52, 54, 55, 56				

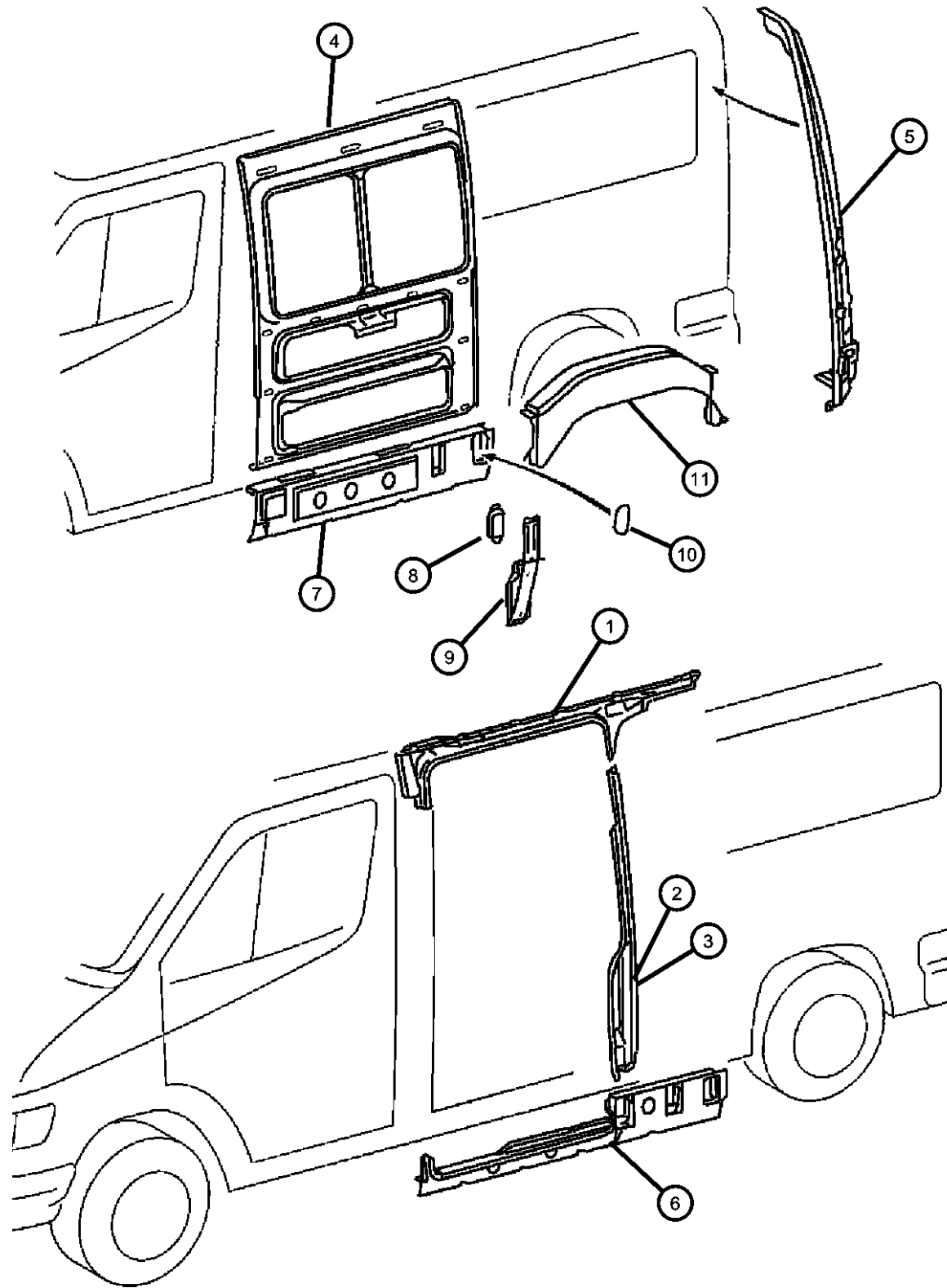
SPRINTER (VA)

SERIES	LINE	BODY	ENGINE	TRANSMISSION
L = LOWLINE	3 = HD DODGE 2WD 6 = Lt. Duty DODGE 4WD 2 = Med. Duty DODGE 2WD 7 = Med. Duty DODGE 4WD	55 = Wagon 140" 54 = Wagon 118" 52 = Wagon 140" 51 = Wagon 118" 12 = Van 140" 11 = Van 118" 06 = Front Section 158" 14 = Van 118" 15 = Van 140" 16 = Van 158" 56 = Wagon 158"	EX8 = Engine-2.7L I5 Mercedes Turbo Diesel	DGJ = Transmission-5-Spd. Automatic,W5A580

01 = Chassis Forward Control
118"
02 = Chassis Forward Control
140"

AR = use ase required - = Non illustrated part

**Left Side Cargo Door Pillars & Wheelhouse
Figure SVA-940**



ITEM	PART NUMBER	QTY	LINE	SERIES	BODY	ENGINE	TRANS	TRIM	DESCRIPTION
1									REINFORCEMENT, Body Side Aperture
	05121903AA	1	2, 6		11, 12, 14, 15, 16				
		1	2, 6		51, 52, 54, 55, 56				
		1	3, 7		12, 15, 16				
2									PILLAR, Side Cargo Door
	05121914AA	1	2, 6		11, 12, 14, 15, 16				
		1	2, 6		51, 52, 54, 55, 56				
		1	3, 7		12, 15, 16				
3									REINFORCEMENT, Quarter Inner
	05121706AA	1	2, 6		16				
		1	2, 6		56				
		1	3, 7		16				
4									PANEL, Body Side Front
	05104197AA	1	2, 6		51, 52, 54, 55, 56				
		1	2, 6		11, 12, 14, 15, 16				
		1	3, 7		12, 15, 16				
5									PILLAR, Rear Cargo Door Hinge With High Roof
	05104177AA	1	2, 6		11, 12, 14, 15, 16				
		1	2, 6		54, 55, 56, 51, 52				With High Roof
		1	3, 7		12, 15, 16				With High Roof
	05121906AA	1	2, 6		51, 52, 54, 55, 56				With Low Roof
		1	3, 7		12, 15, 16				With Low Roof
		1	2, 6		11, 12, 14, 15, 16				With Low Roof
6									SUPPORT, Sill Reinforcement

SPRINTER (VA)

SERIES

L = LOWLINE

LINE

3 = HD DODGE 2WD
6 = Lt. Duty DODGE 4WD
2 = Med. Duty DODGE 2WD
7 = Med. Duty DODGE 4WD

BODY

55 = Wagon 140"
54 = Wagon 118"
52 = Wagon 140"
51 = Wagon 118"
12 = Van 140"
11 = Van 118"
06 = Front Section 158"
14 = Van 118"
15 = Van 140"
16 = Van 158"
56 = Wagon 158"
01 = Chassis Forward Control 118"
02 = Chassis Forward Control 140"

ENGINE

EX8 = Engine-2.7L I5
Mercedes Turbo Diesel

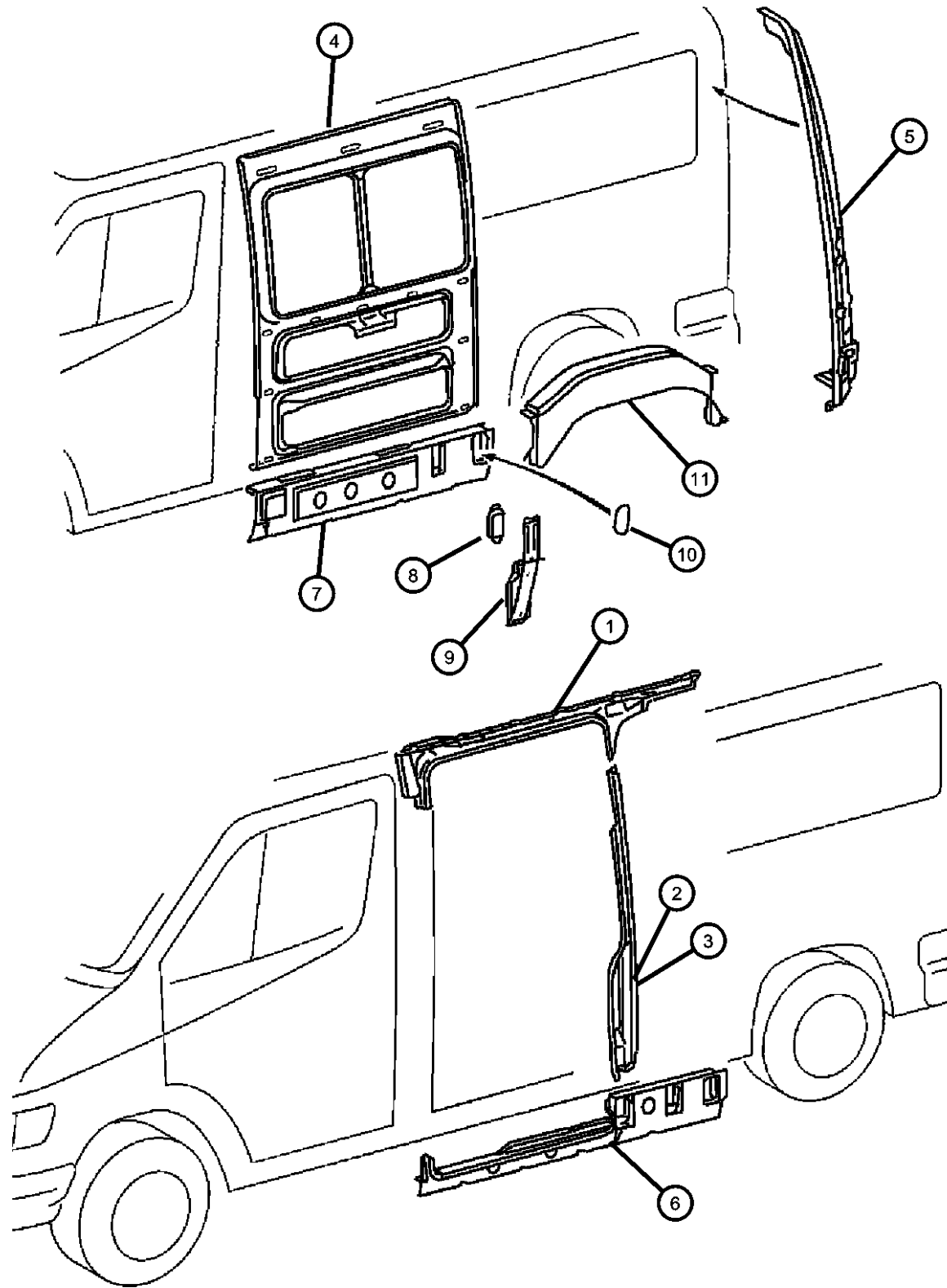
TRANSMISSION

DGJ = Transmission-5-Spd. Automatic,W5A580

AR = use ase required - = Non illustrated part

2004 VA

**Left Side Cargo Door Pillars & Wheelhouse
Figure SVA-940**

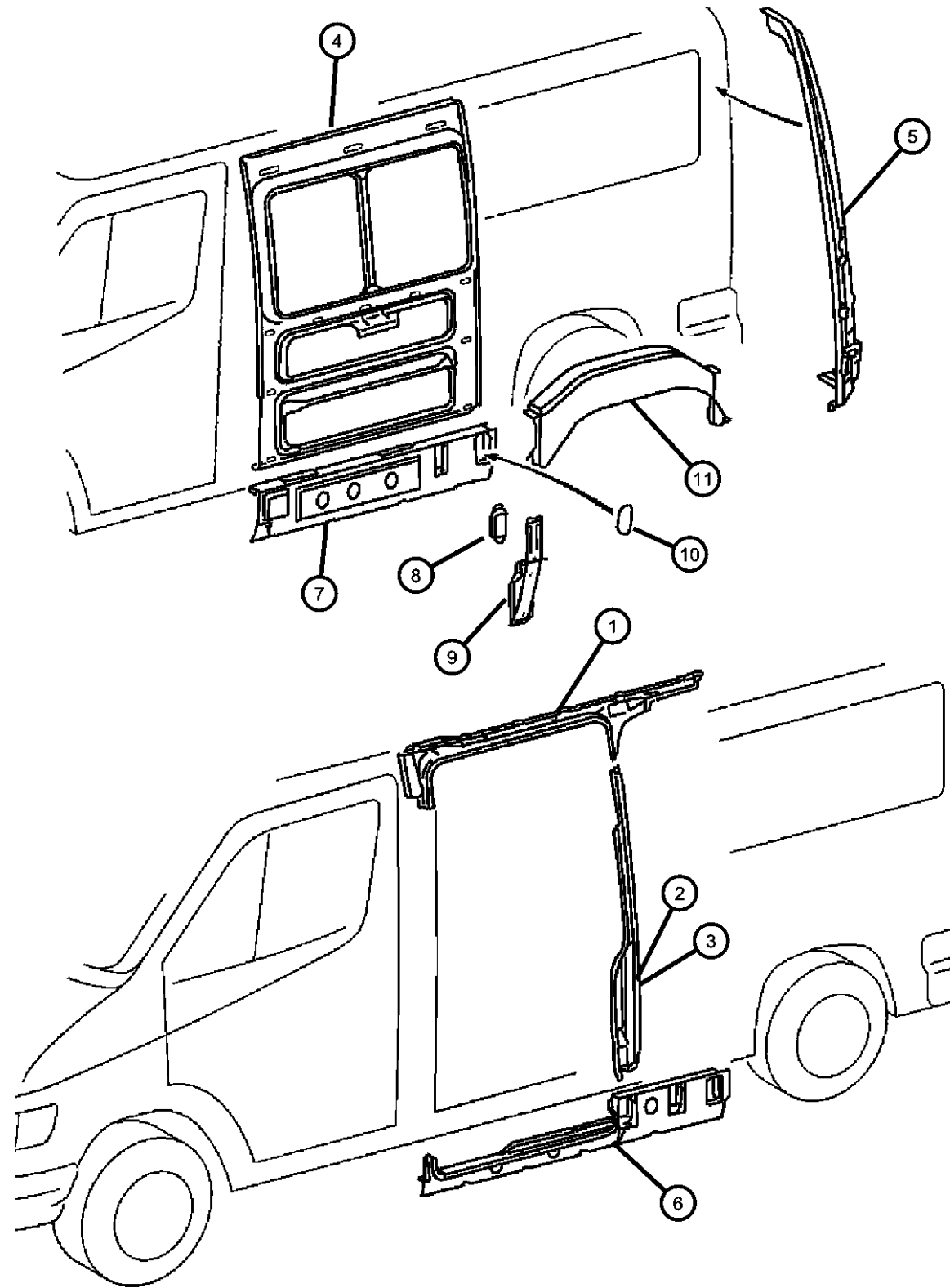


ITEM	PART NUMBER	QTY	LINE	SERIES	BODY	ENGINE	TRANS	TRIM	DESCRIPTION
	05121749AA	1	2, 6		11, 14				With 118 Inch Wheelbase
		1	2, 6		51, 54				With 118 Inch Wheelbase
	05121751AA	1	2, 6		12, 15				With 140 Inch Wheelbase
		1	2, 6		52, 55				With 140 Inch Wheelbase
	05121774AA	1	3, 7		12, 15				With 140 Inch Wheelbase
	05121778AA	1	3, 7		16				With 158 Inch Wheelbase
	05121754AA	1	2, 6		16				With 158 Inch Wheelbase
7		1	2, 6		56				With 158 Inch Wheelbase SUPPORT, Sill Reinforcement
	05104175AA	1	2, 6		16				With 158 Inch Wheelbase
		1	2, 6		56				With 158 Inch Wheelbase
	05121759AA	1	2, 6		11, 14				With 118 Inch Wheelbase
		1	2, 6		51, 54				With 118 Inch Wheelbase
	05121761AA	1	2, 6		12, 15				With 140 Inch Wheelbase
		1	2, 6		52, 55				With 140 Inch Wheelbase
	05121764AA	1	3, 7		12, 15				With 140 Inch Wheelbase
	05121769AA	1	3, 7		16				With 158 Inch Wheelbase
8									PLUG, Body
	05125519AA	1	2, 6		11, 14				
		3	2, 6		12, 15, 16				
		2	2, 6		52, 55, 56				
		1	2, 6		51, 54				
		2	2, 6		12, 15, 16				
9									REINFORCEMENT, Side Panel
	05104198AA	1	2, 6		11, 12, 14, 15, 16				
		1	2, 6		51, 52, 54, 55, 56				
		1	3, 7		12, 15, 16				

SPRINTER (VA)								
SERIES	LINE	BODY	ENGINE	TRANSMISSION				
L = LOWLINE	3 = HD DODGE 2WD 6 = Lt. Duty DODGE 4WD 2 = Med. Duty DODGE 2WD 7 = Med. Duty DODGE 4WD	55 = Wagon 140" 54 = Wagon 118" 52 = Wagon 140" 51 = Wagon 118" 12 = Van 140" 11 = Van 118" 06 = Front Section 158" 14 = Van 118" 15 = Van 140" 16 = Van 158" 56 = Wagon 158"	EX8 = Engine-2.7L I5 Mercedes Turbo Diesel	DGJ = Transmission-5-Spd. Automatic,W5A580				
		01 = Chassis Forward Control 118"						
		02 = Chassis Forward Control 140"						

AR = use ase required - = Non illustrated part

**Left Side Cargo Door Pillars & Wheelhouse
Figure SVA-940**



ITEM	PART NUMBER	QTY	LINE	SERIES	BODY	ENGINE	TRANS	TRIM	DESCRIPTION
10	05121838AA	1	2, 6		11, 12, 14, 15, 16				COVER, Sill
		1	2, 6		51, 52, 54, 55, 56				
11	05121862AA	1	3, 7		12, 15, 16				WHEELHOUSE
		1	2, 6		11, 12, 14, 15, 16				

SPRINTER (VA)

SERIES

L = LOWLINE

LINE

3 = HD DODGE 2WD
6 = Lt. Duty DODGE 4WD
2 = Med. Duty DODGE 2WD
7 = Med. Duty DODGE 4WD

BODY

55 = Wagon 140"
54 = Wagon 118"
52 = Wagon 140"
51 = Wagon 118"
12 = Van 140"
11 = Van 118"
06 = Front Section 158"
14 = Van 118"
15 = Van 140"
16 = Van 158"
56 = Wagon 158"
01 = Chassis Forward Control
118"
02 = Chassis Forward Control
140"

ENGINE

EX8 = Engine-2.7L I5
Mercedes Turbo Diesel

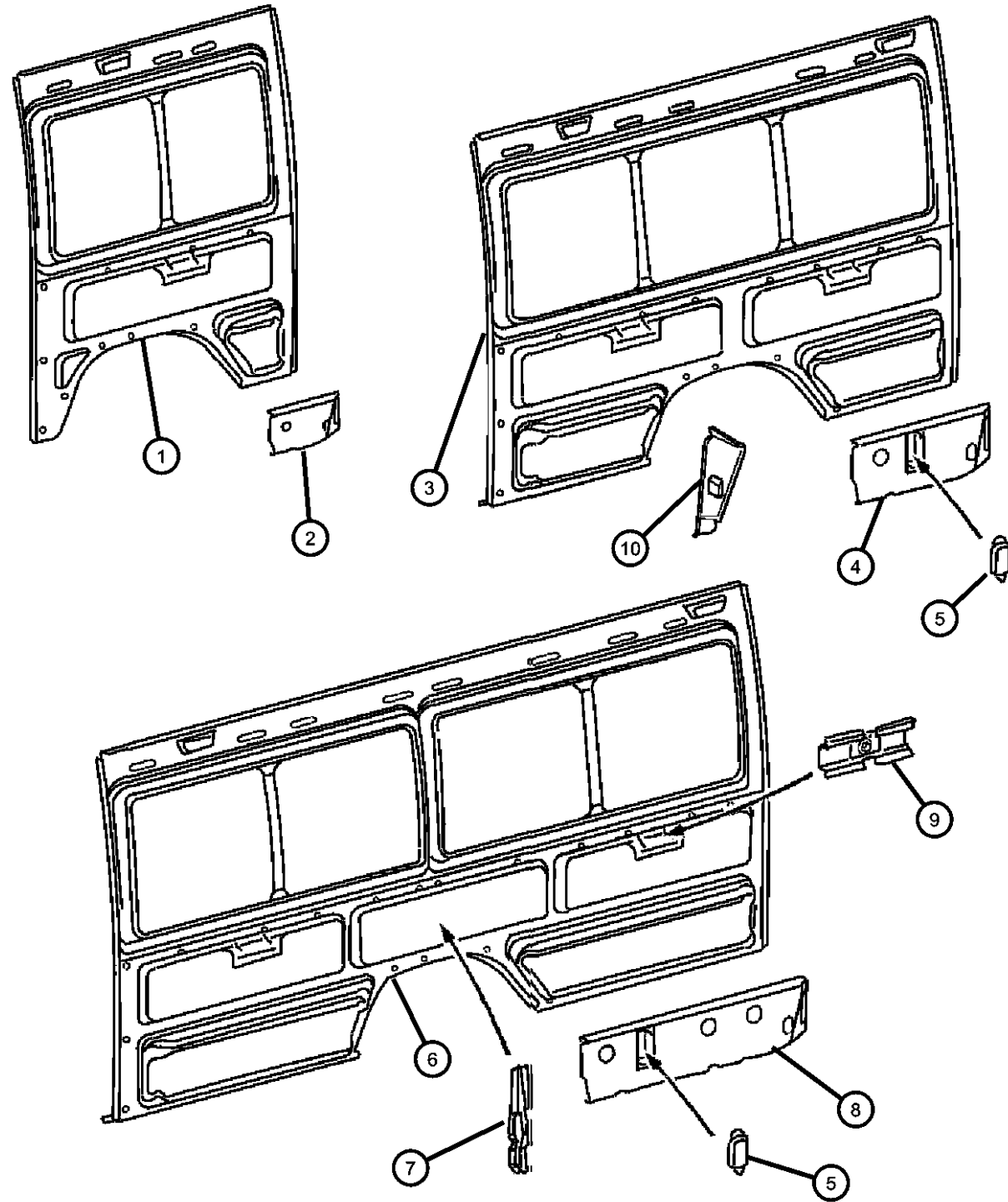
TRANSMISSION

DGJ = Transmission-5-Spd.
Automatic,W5A580

AR = use ase required - = Non illustrated part

2004 VA

Left Side Panels, Cargo
Figure SVA-950



ITEM	PART NUMBER	QTY	LINE	SERIES	BODY	ENGINE	TRANS	TRIM	DESCRIPTION
1									PANEL, Body Side Rear, With 118 Inch Wheelbase
	05121888AA	1	2, 6		11, 14				
		1	2, 6		51, 54				
2									SUPPORT, With 118 Inch Wheelbase
	05121737AA	1	2, 6		11, 14				
		1	2, 6		51, 54				
3									PANEL, Body Side Rear, With 140 Inch Wheelbase
	05121890AA	1	2, 6		12, 15				
		1	2, 6		52, 55				
		1	3, 7		12, 15				
4									SUPPORT, With 140 & 158 Inch Wheelbase
	05121741AA	1	2, 6		12, 15				
		1	2, 6		52, 55				
		1	3, 7		12, 15				
5									PLUG, Body, With 140 Inch Wheelbase
	05125519AA	2	2, 6		12, 15, 16				
		1	2, 6		11, 14				
		1	2, 6		51, 54				
		3	2, 6		52, 55, 56				
		1	3, 7		12, 15, 16				
6									PANEL, Body Side Rear, With 158 Inch Wheelbase
	05104202AA	1	2, 6		16				
		1	2, 6		56				
		1	3, 7		16				
7									REINFORCEMENT, Quarter Inner, With 158 Inch Wheelbase

SPRINTER (VA)

SERIES

L = LOWLINE

LINE

3 = HD DODGE 2WD
6 = Lt. Duty DODGE 4WD
2 = Med. Duty DODGE 2WD
7 = Med. Duty DODGE 4WD

BODY

55 = Wagon 140"
54 = Wagon 118"
52 = Wagon 140"
51 = Wagon 118"
12 = Van 140"
11 = Van 118"
06 = Front Section 158"
14 = Van 118"
15 = Van 140"
16 = Van 158"
56 = Wagon 158"
01 = Chassis Forward Control 118"
02 = Chassis Forward Control 140"

ENGINE

EX8 = Engine-2.7L I5
Mercedes Turbo Diesel

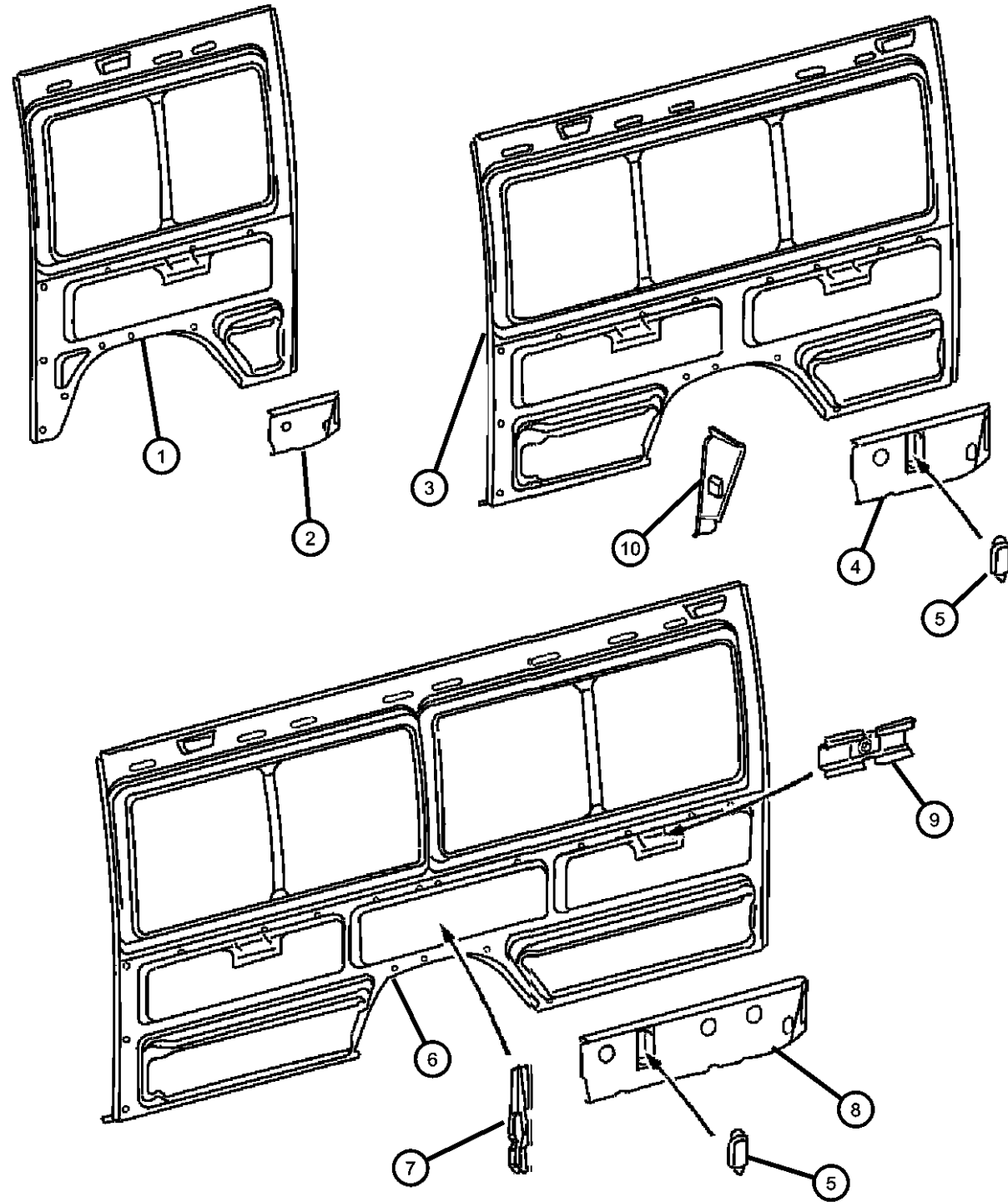
TRANSMISSION

DGJ = Transmission-5-Spd. Automatic, W5A580

AR = use ase required - = Non illustrated part

2004 VA

Left Side Panels, Cargo
Figure SVA-950



ITEM	PART NUMBER	QTY	LINE	SERIES	BODY	ENGINE	TRANS	TRIM	DESCRIPTION
	05121799AA	1	2, 6		16				
		1	2, 6		56				
8									SUPPORT, With 158 Inch Wheelbase
	05121745AA	1	2, 6		16				
		1	2, 6		56				
		1	3, 7		16				
9									REINFORCEMENT, Side Panel, With 158 Inch Wheelbase
	05131057AA	2	2, 6		11, 12, 14, 15, 16				
		1	2, 6		51, 52, 54, 55, 56				
10									PANEL, Rear Side
	05129937AA	2	2, 6		11, 12, 14, 15, 16				
		2	2, 6		51, 52, 54, 55, 56				

SPRINTER (VA)

SERIES

L = LOWLINE

LINE

3 = HD DODGE 2WD
6 = Lt. Duty DODGE 4WD
2 = Med. Duty DODGE 2WD
7 = Med. Duty DODGE 4WD

BODY

55 = Wagon 140"
54 = Wagon 118"
52 = Wagon 140"
51 = Wagon 118"
12 = Van 140"
11 = Van 118"
06 = Front Section 158"
14 = Van 118"
15 = Van 140"
16 = Van 158"
56 = Wagon 158"
01 = Chassis Forward Control 118"
02 = Chassis Forward Control 140"

ENGINE

EX8 = Engine-2.7L I5
Mercedes Turbo Diesel

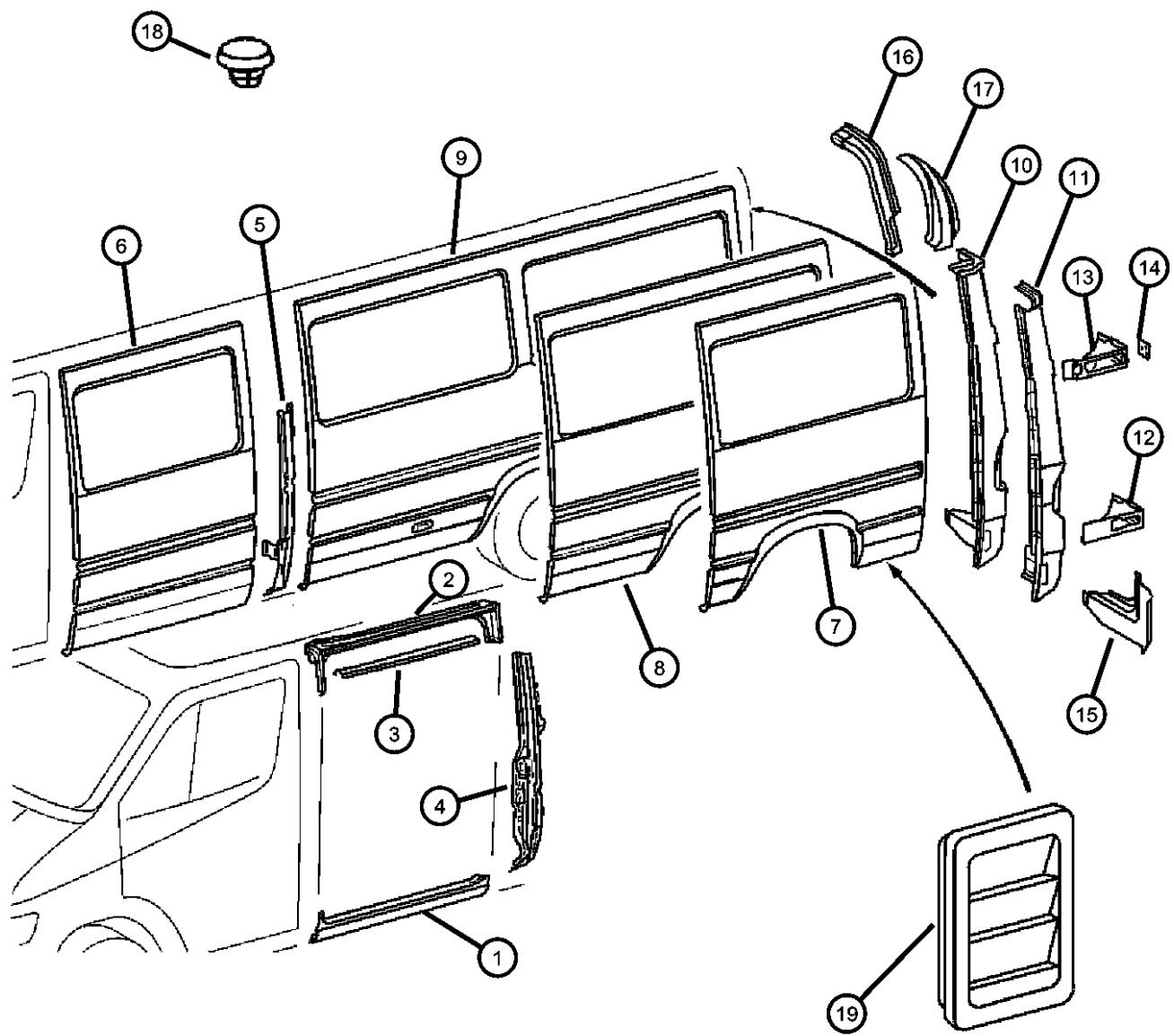
TRANSMISSION

DGJ = Transmission-5-Spd. Automatic, W5A580

AR = use ase required - = Non illustrated part

2004 VA

**Left Side Panels, Wagon
Figure SVA-960**



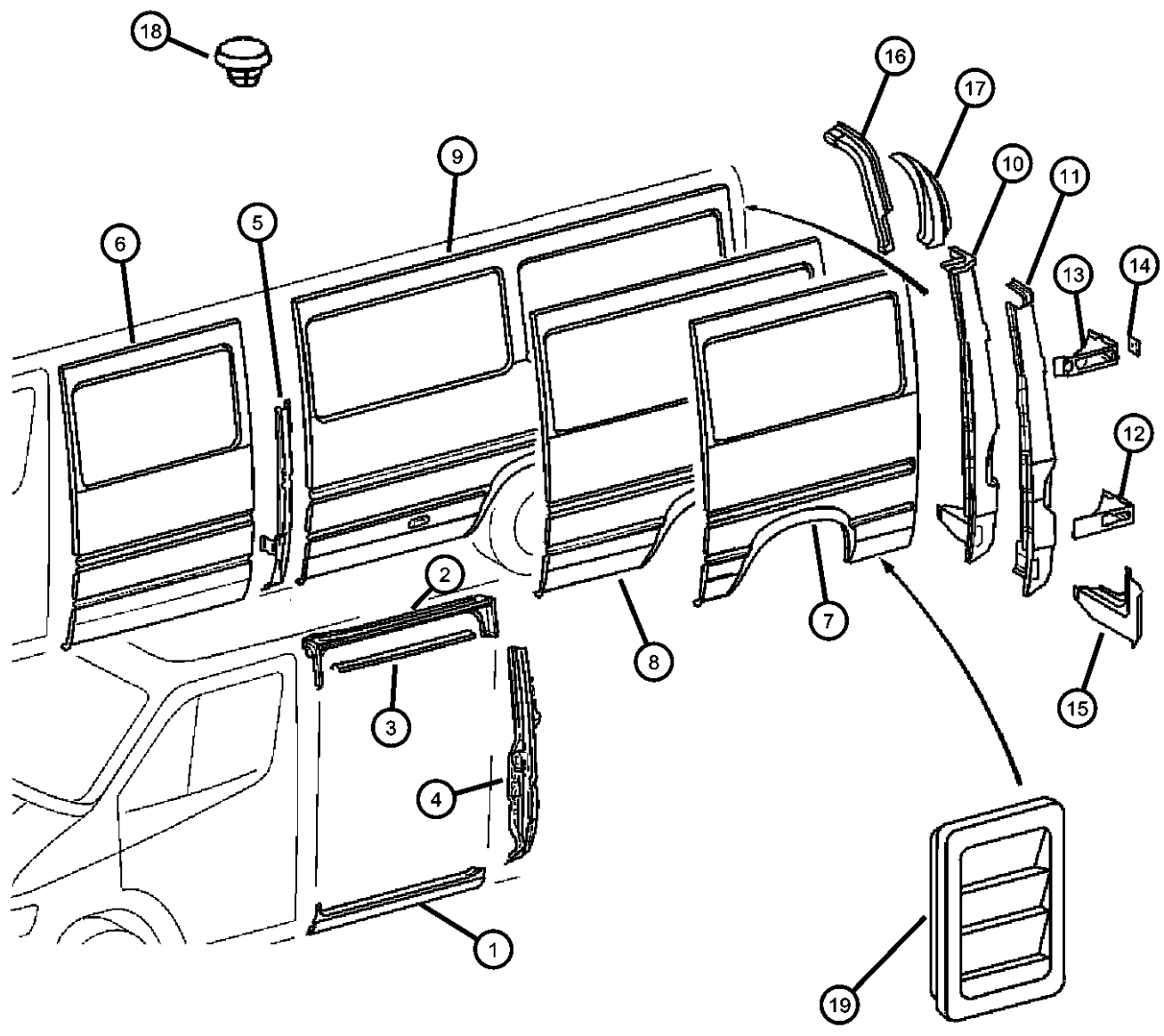
ITEM	PART NUMBER	QTY	LINE	SERIES	BODY	ENGINE	TRANS	TRIM	DESCRIPTION
	05104205AA	1	2, 6		11, 12, 14, 15, 16				PANEL, Body Side Rear, With 118 Inch Wheelbase
		1	3, 7		12, 15, 16				
7	05104212AA	1	2, 6		11, 12, 14, 15, 16				PANEL, Body Side Rear, With 140 Inch Wheelbase
	1	2, 6			51, 52, 54, 55, 56				
8	05121941AA	1	2, 6		11, 12, 14, 15, 16				PANEL, Body Side Rear, With 158 Inch Wheelbase
	05121990AA	1	3, 7		12, 15				
	05121948AA	1	2, 6		52, 55				
	05131158AA	1	2, 6		12, 15			With 16x6 Steel Wheels	
	05131164AA	1	2, 6		52, 55			With 16x6 Steel Wheels	
9	05104219AA	1	2, 6		16				PANEL, D Pillar
	1	2, 6			56				
	05121995AA	1	3, 7		16				
	05131170AA	1	2, 6		16			With 16x6 Steel Wheels	
	05131176AA	1	2, 6		56			With 16x6 Steel Wheels	
10	05104172AA	1	2, 6		11, 12, 14, 15, 16				PANEL, D Pillar
	1	2, 6			51, 52, 54, 55, 56			Low Roof	
	1	2, 6			12, 15, 16			Low Roof	
	05104174AA	1	2, 6		11, 12, 14, 15, 16			High Roof	
	1	2, 6			51, 52, 54, 55, 56			High Roof	

SPRINTER (VA)

SERIES	LINE	BODY	ENGINE	TRANSMISSION
L = LOWLINE	3 = HD DODGE 2WD 6 = Lt. Duty DODGE 4WD 2 = Med. Duty DODGE 2WD 7 = Med. Duty DODGE 4WD	55 = Wagon 140" 54 = Wagon 118" 52 = Wagon 140" 51 = Wagon 118" 12 = Van 140" 11 = Van 118" 06 = Front Section 158" 14 = Van 118" 15 = Van 140" 16 = Van 158" 56 = Wagon 158"	EX8 = Engine-2.7L I5 Mercedes Turbo Diesel	DGJ = Transmission-5-Spd. Automatic,W5A580
		01 = Chassis Forward Control 118" 02 = Chassis Forward Control 140"		

AR = use ase required - = Non illustrated part

Left Side Panels, Wagon
Figure SVA-960



ITEM	PART NUMBER	QTY	LINE	SERIES	BODY	ENGINE	TRANS	TRIM	DESCRIPTION
11		1	3, 7		12, 15, 16				High Roof PANEL, D Pillar
	05104206AA	1	2, 6		11, 12, 14, 15, 16				
		1	2, 6		51, 52, 54, 55, 56				
12		1	3, 7		12, 15, 16				REINFORCEMENT, Rear door hinge
	05122031AA	1	2, 6		11, 12, 14, 15, 16				
		1	2, 6		51, 52, 54, 55, 56				
13		1	3, 7		12, 15, 16				REINFORCEMENT, Rear door hinge
	05122032AA	1	3, 7		12, 15, 16				
		1	2, 6		11, 12, 14, 15, 16				
		1	2, 6		51, 52, 54, 55, 56				
14		2	3, 7		12, 15, 16				PLATE, Rear Door Hinge
	05104188AA	2	3, 7		12, 15, 16				
		2	2, 6		11, 12, 14, 15, 16				
		2	2, 6		51, 52, 54, 55, 56				
15		1	2, 6		11, 12, 14, 15, 16				EXTENSION, D Pillar Lower
	05104207AA	1	2, 6		11, 12, 14, 15, 16				
		1	2, 6		51, 52, 54, 55, 56				
16		1	3, 7		12, 15, 16				EXTENSION, D Pillar Upper
	05121988AA	1	3, 7		12, 15, 16				

SPRINTER (VA)

SERIES

L = LOWLINE

LINE

3 = HD DODGE 2WD
6 = Lt. Duty DODGE 4WD
2 = Med. Duty DODGE 2WD
7 = Med. Duty DODGE 4WD

BODY

55 = Wagon 140"
54 = Wagon 118"
52 = Wagon 140"
51 = Wagon 118"
12 = Van 140"
11 = Van 118"
06 = Front Section 158"
14 = Van 118"
15 = Van 140"
16 = Van 158"
56 = Wagon 158"
01 = Chassis Forward Control
118"
02 = Chassis Forward Control
140"

ENGINE

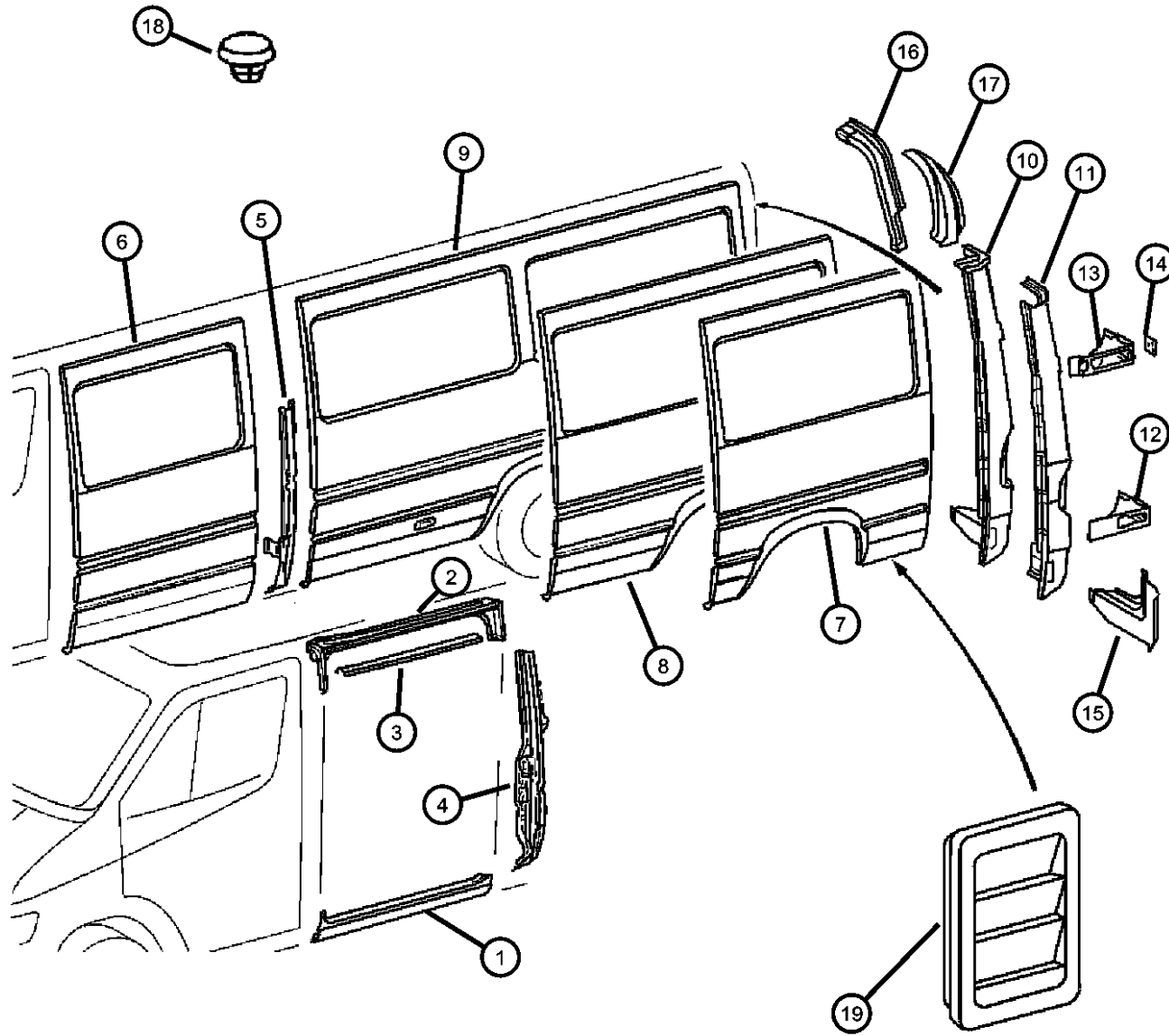
EX8 = Engine-2.7L I5
Mercedes Turbo Diesel

TRANSMISSION

DGJ = Transmission-5-Spd.
Automatic,W5A580

AR = use ase required - = Non illustrated part

Left Side Panels, Wagon
Figure SVA-960



ITEM	PART NUMBER	QTY	LINE	SERIES	BODY	ENGINE	TRANS	TRIM	DESCRIPTION
		1	2, 6		11, 12, 14, 15, 16				
		1	2, 6		51, 52, 54, 55, 56				
17	05122050AA	1	2, 6		11, 12, 14, 15, 16				PANEL, D Pillar Trim
		1	2, 6		51, 52, 54, 55, 56				
		1	3, 7		12, 15, 16				
18	05133657AA	1	3, 7		12, 15, 16				PLUG, Expansion
		1	2, 6		11, 12, 14, 15, 16				
		1	2, 6		51, 52, 54, 55, 56				
19	05104472AA	2	2, 6		11, 12, 14, 15, 16				EXHAUSTER, Quarter Panel
		2	2, 6		51, 52, 54, 55, 56				
		2	3, 7		12, 15, 16				

SPRINTER (VA)

SERIES

L = LOWLINE

LINE

3 = HD DODGE 2WD
6 = Lt. Duty DODGE 4WD
2 = Med. Duty DODGE 2WD
7 = Med. Duty DODGE 4WD

BODY

55 = Wagon 140"
54 = Wagon 118"
52 = Wagon 140"
51 = Wagon 118"
12 = Van 140"
11 = Van 118"
06 = Front Section 158"
14 = Van 118"
15 = Van 140"
16 = Van 158"
56 = Wagon 158"
01 = Chassis Forward Control
118"
02 = Chassis Forward Control
140"

ENGINE

EX8 = Engine-2.7L I5
Mercedes Turbo Diesel

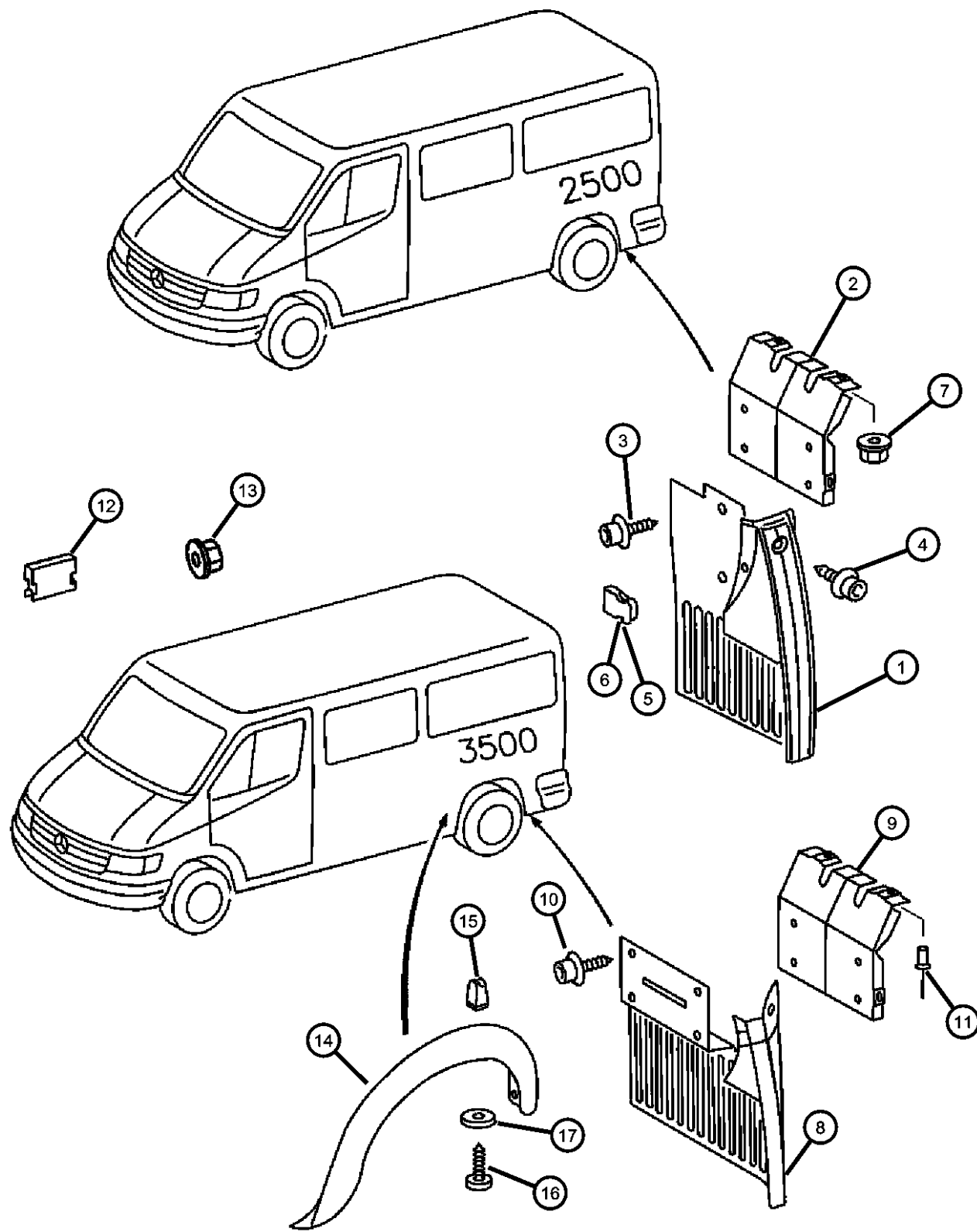
TRANSMISSION

DGJ = Transmission-5-Spd.
Automatic,W5A580

AR = use ase required - = Non illustrated part

2004 VA

Rear Splash Shield
Figure SVA-970



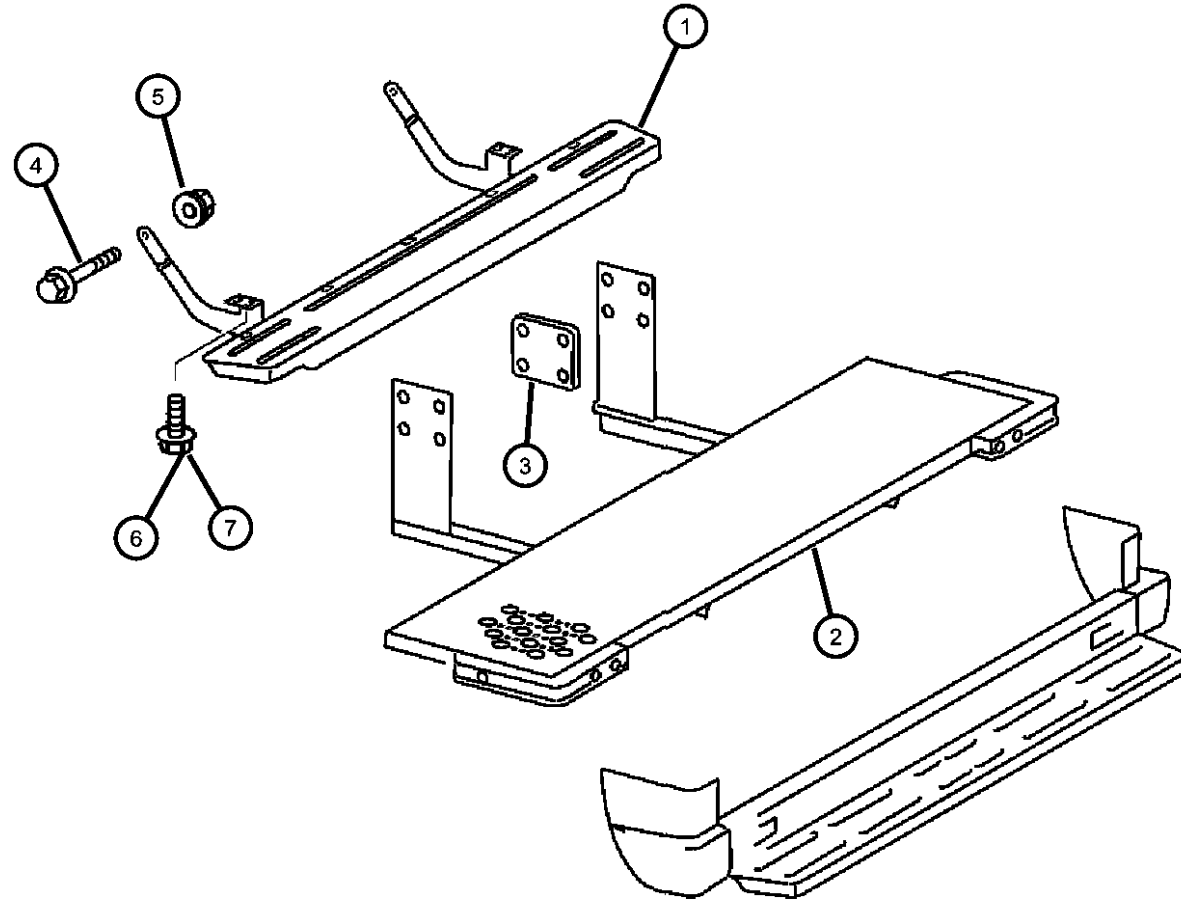
ITEM	PART NUMBER	QTY	LINE	SERIES	BODY	ENGINE	TRANS	TRIM	DESCRIPTION
5	05103875AA	2	2, 6		11, 12, 14, 15, 16				CLIP
		2	2, 6		51, 52, 54, 55, 56				
6	05132726AA	2	2, 6		11, 12, 14, 15, 16				CLIP
		2	2, 6		51, 52, 54, 55, 56				
7	06104911AA	2	2, 6		11, 12, 14, 15, 16				NUT, Hex
		2	2, 6		51, 52, 54, 55, 56				
		1	2, 6		01, 02, 06				
		2	3, 7		12, 15, 16				
8	05125152AA	1	3, 7		12, 15, 16				GUARD, Splash Left
	05125153AA	1	3, 7		12, 15, 16				Right
9	05125158AA	2	3, 7		12, 15, 16				BRACKET Right & Left
10	06104581AA	8	3, 7		12, 15, 16				SCREW
11	06104871AA	4	3, 7		12, 15, 16				RIVET
12	05125567AA	4	3, 7		12, 15, 16				CLIP
13	06104911AA	2	3, 7		12, 15, 16				NUT, Hex
14	05125142AA	2	3, 7		12, 15, 16				MOLDING, Wheel Opening Flare
15	05098837AA	16	3, 7		12, 15, 16				NUT, Plastic Snap-in
16	06104614AA	16	3, 7		12, 15, 16				SCREW
17	05104639AA	16	3, 7		12, 15, 16				WASHER

SPRINTER (VA)

SERIES	LINE	BODY	ENGINE	TRANSMISSION
L = LOWLINE	3 = HD DODGE 2WD 6 = Lt. Duty DODGE 4WD 2 = Med. Duty DODGE 2WD 7 = Med. Duty DODGE 4WD	55 = Wagon 140" 54 = Wagon 118" 52 = Wagon 140" 51 = Wagon 118" 12 = Van 140" 11 = Van 118" 06 = Front Section 158" 14 = Van 118" 15 = Van 140" 16 = Van 158" 56 = Wagon 158"	EX8 = Engine-2.7L I5 Mercedes Turbo Diesel	DGJ = Transmission-5-Spd. Automatic, W5A580
		01 = Chassis Forward Control 118" 02 = Chassis Forward Control 140"		

AR = use ase required - = Non illustrated part

Rear Step Panel
Figure SVA-980



ITEM	PART NUMBER	QTY	LINE	SERIES	BODY	ENGINE	TRANS	TRIM	DESCRIPTION
1									BUMPER, Step
	05104132AA	1	2, 6		12, 15, 16				With 140 & 158 Inch Wheelbase
	05120038AA	1	3, 7		12, 15				With 140 Inch Wheelbase
		1	2, 6		52, 55, 56				With 140 & 158 Inch Wheelbase
	05104133AA	1	2, 6		11, 14				With 118 Inch Wheelbase
		1	2, 6		51, 54				With 118 Inch Wheelbase
	05120040AA	1	3, 7		16				With 158 Inch Wheelbase
2									BUMPER, Step
	05104135AA	1	2, 6		11, 12, 14, 15, 16				
		1	2, 6		51, 52, 54, 55, 56				
	05120038AA	1	3, 7		12, 15				
3									PLATE, Towing Mounting
	05104056AA	2	2, 6		51, 52, 54, 55, 56				
		2	3, 7		12, 15, 16				
		2	2, 6		11, 12, 14, 15, 16				
4									SCREW
	05104664AA	8	3, 7		12, 15, 16				
		8	2, 6		11, 12, 14, 15, 16				
		8	2, 6		51, 52, 54, 55, 56				
5									NUT
	06104718AA	8	2, 6		11, 12, 14, 15, 16				
		8	2, 6		51, 52, 54, 55, 56				
		8	3, 7		12, 15, 16				
6									BOLT, Hex Flange Head, M10x1.50x25

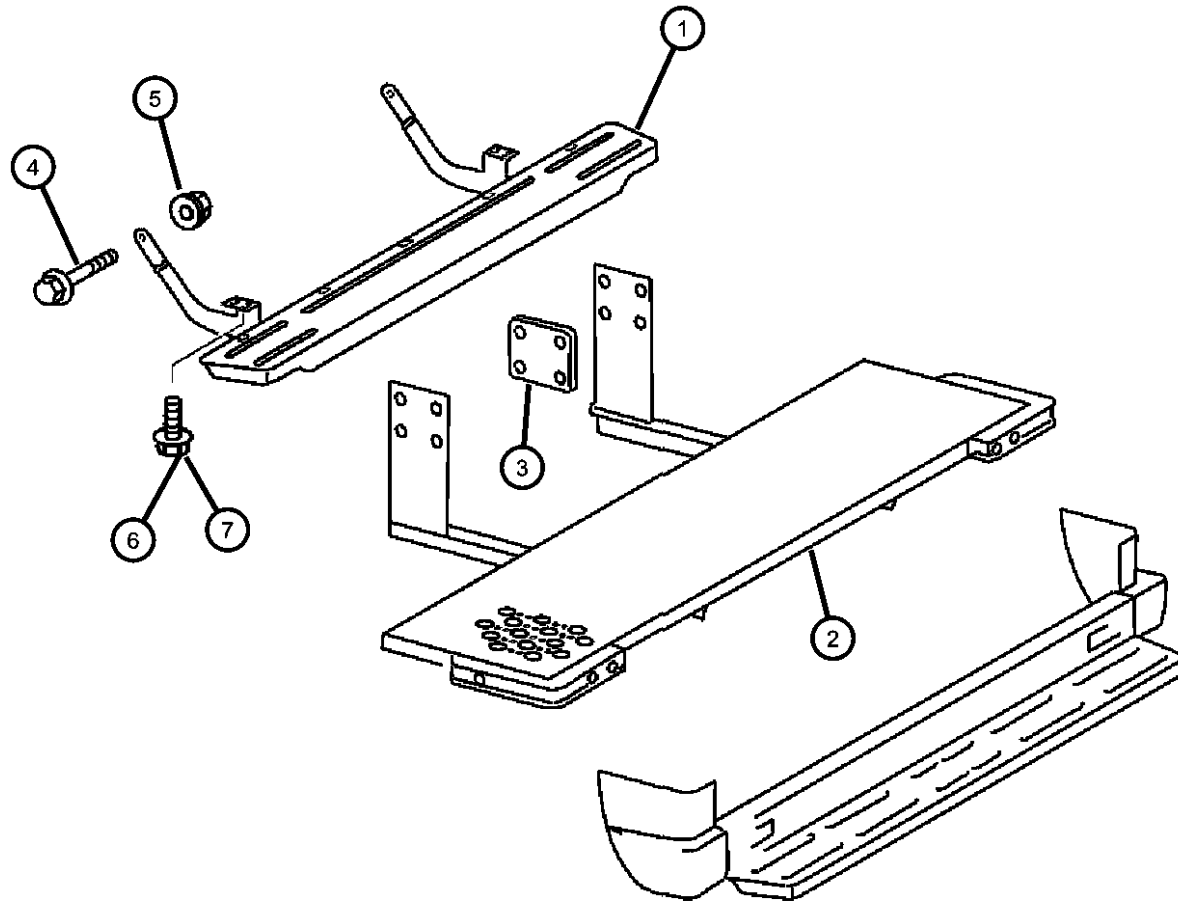
SPRINTER (VA)

SERIES	LINE	BODY	ENGINE	TRANSMISSION
L = LOWLINE	3 = HD DODGE 2WD 6 = Lt. Duty DODGE 4WD 2 = Med. Duty DODGE 2WD 7 = Med. Duty DODGE 4WD	55 = Wagon 140" 54 = Wagon 118" 52 = Wagon 140" 51 = Wagon 118" 12 = Van 140" 11 = Van 118" 06 = Front Section 158" 14 = Van 118" 15 = Van 140" 16 = Van 158" 56 = Wagon 158" 01 = Chassis Forward Control 118" 02 = Chassis Forward Control 140"	EX8 = Engine-2.7L I5 Mercedes Turbo Diesel	DGJ = Transmission-5-Spd. Automatic, W5A580

AR = use ase required - = Non illustrated part

Rear Step Panel
Figure SVA-980

ITEM	PART NUMBER	QTY	LINE	SERIES	BODY	ENGINE	TRANS	TRIM	DESCRIPTION
	06104215AA	4	2, 6		11, 12, 14, 15, 16				Rocker Panel to Frame
		4	2, 6		51, 52, 54, 55, 56				Rocker Panel to Frame
		4	3, 7		12, 15, 16				Rocker Panel to Frame
7									SCREW
	05104666AA	4	2, 6		51, 52, 54, 55, 56				Step to Crossmember
		4	3, 7		12, 15, 16				Step to Crossmember
		4	2, 6		11, 12, 14, 15, 16				Step to Crossmember



SPRINTER (VA)

SERIES

L = LOWLINE

LINE

3 = HD DODGE 2WD
6 = Lt. Duty DODGE 4WD
2 = Med. Duty DODGE 2WD
7 = Med. Duty DODGE 4WD

BODY

55 = Wagon 140"
54 = Wagon 118"
52 = Wagon 140"
51 = Wagon 118"
12 = Van 140"
11 = Van 118"
06 = Front Section 158"
14 = Van 118"
15 = Van 140"
16 = Van 158"
56 = Wagon 158"
01 = Chassis Forward Control
118"
02 = Chassis Forward Control
140"

ENGINE

EX8 = Engine-2.7L I5
Mercedes Turbo Diesel

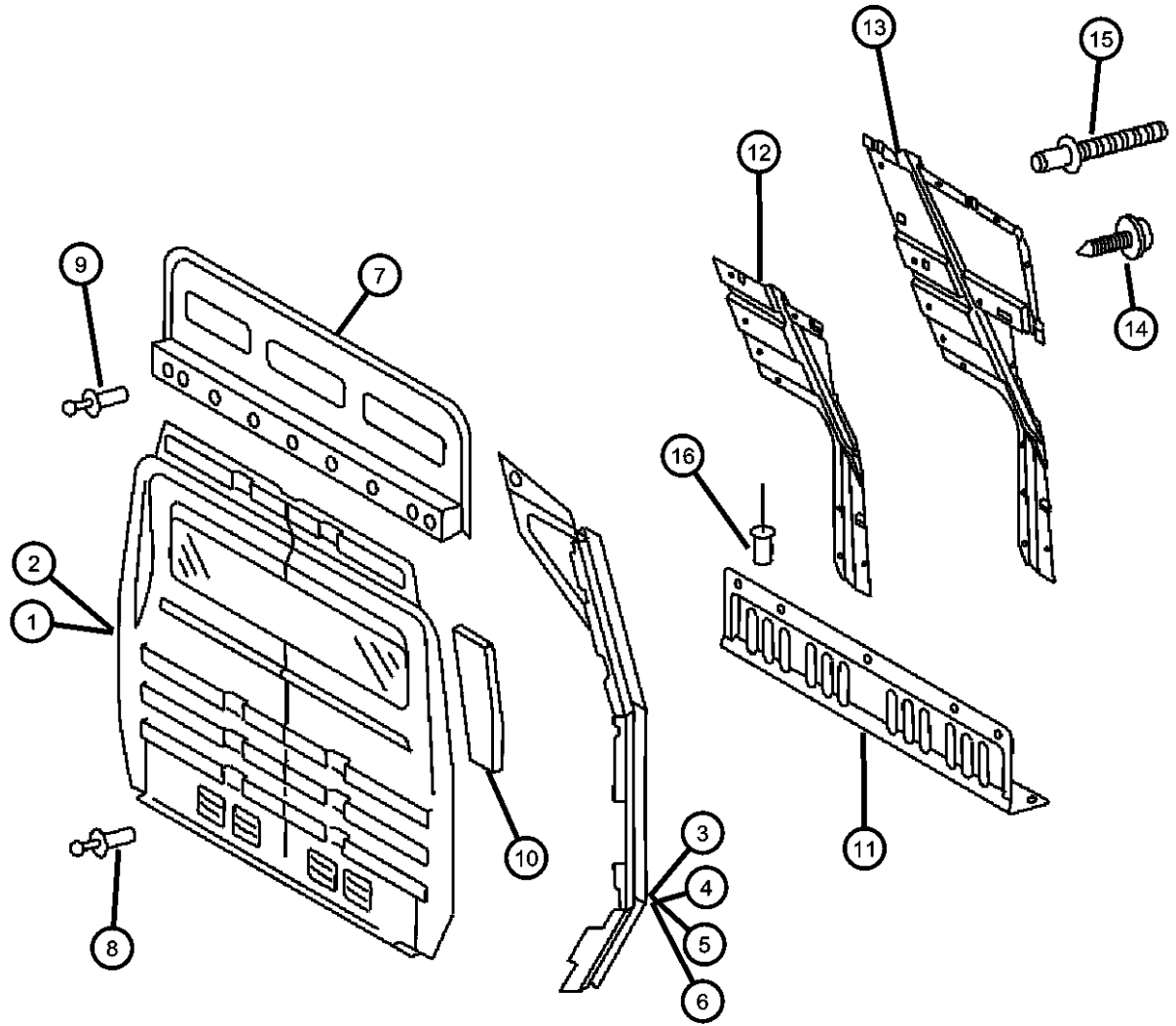
TRANSMISSION

DGJ = Transmission-5-Spd.
Automatic,W5A580

AR = use ase required - = Non illustrated part

2004 VA

Partition Wall & Load Protection Grill
Figure SVA-990



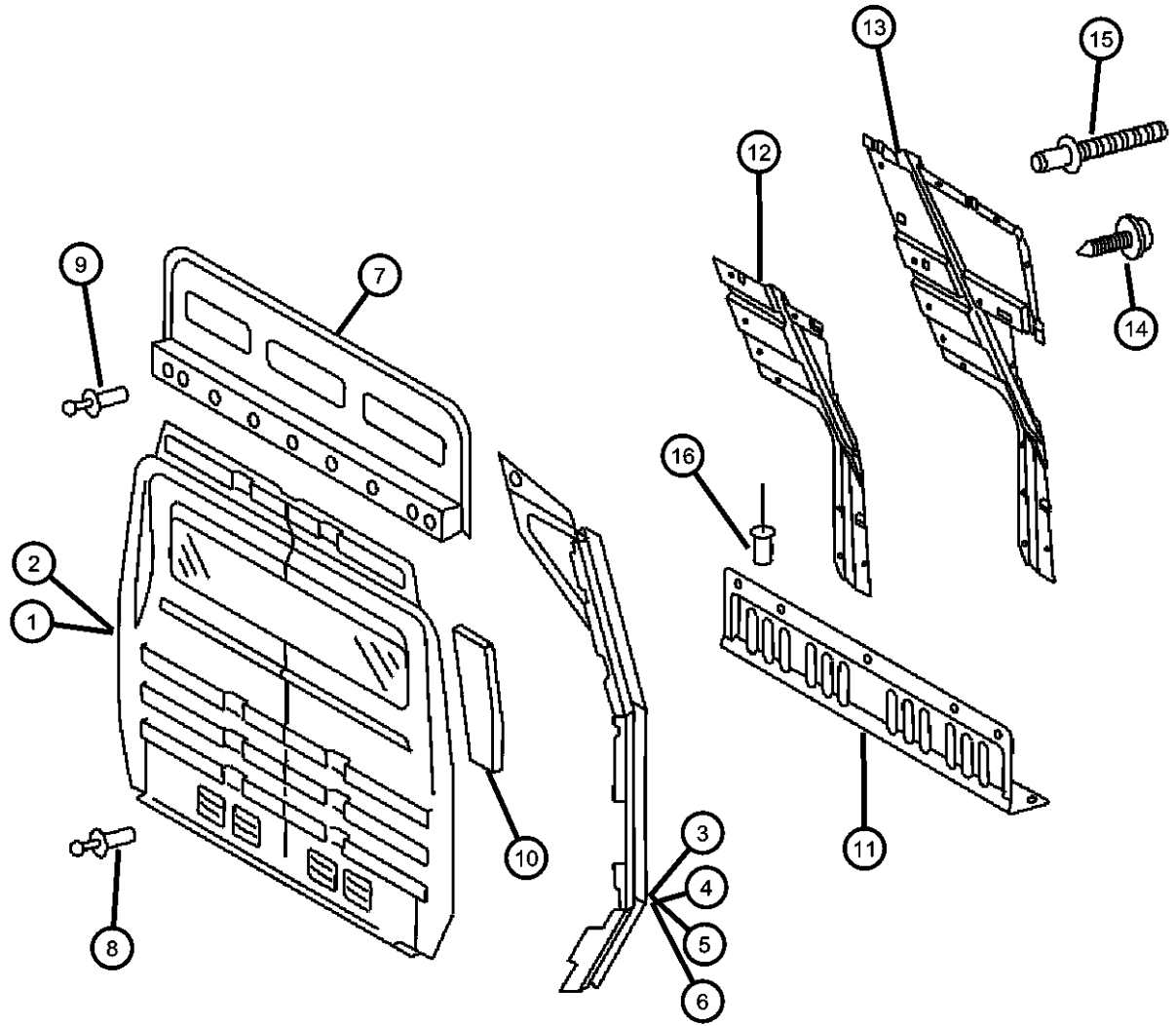
ITEM	PART NUMBER	QTY	LINE	SERIES	BODY	ENGINE	TRANS	TRIM	DESCRIPTION
1	05104304AA	1	2, 6		11, 12, 14, 15, 16				PANEL, Cargo Compartment, Without Windows
		1	3, 7		12, 15, 16				
2	05104307AA	1	2, 6		11, 12, 14, 15, 16				PANEL, Cargo Compartment, With Windows
		1	3, 7		12, 15, 16				
3	05104310AA	1	2, 6		11, 12, 14, 15, 16				PANEL EXTENSION, Extension, W/O Slide Left
		1	3, 7		12, 15, 16				Left
4	05104311AA	1	2, 6		11, 12, 14, 15, 16				PANEL EXTENSION, Extension, W/ Slide Left
		1	3, 7		12, 15, 16				Left
5	05123641AA	1	2, 6		11, 12, 14, 15, 16				PANEL EXTENSION, Extension, W/O Slide Right
		1	3, 7		12, 15, 16				Right
6	05104312AA	1	2, 6		11, 12, 14, 15, 16				PANEL EXTENSION, Extension, W/ Slide Right
		1	3, 7		12, 15, 16				Right
7	05104308AA	1	3, 7		12, 15, 16				PANEL, Cargo Compartment, Upper
		1	2, 6		11, 12, 14, 15, 16				
8									RIVET

SPRINTER (VA)

SERIES	LINE	BODY	ENGINE	TRANSMISSION
L = LOWLINE	3 = HD DODGE 2WD 6 = Lt. Duty DODGE 4WD 2 = Med. Duty DODGE 2WD 7 = Med. Duty DODGE 4WD	55 = Wagon 140" 54 = Wagon 118" 52 = Wagon 140" 51 = Wagon 118" 12 = Van 140" 11 = Van 118" 06 = Front Section 158" 14 = Van 118" 15 = Van 140" 16 = Van 158" 56 = Wagon 158"	EX8 = Engine-2.7L I5 Mercedes Turbo Diesel	DGJ = Transmission-5-Spd. Automatic,W5A580
		01 = Chassis Forward Control 118" 02 = Chassis Forward Control 140"		

AR = use ase required - = Non illustrated part

Partition Wall & Load Protection Grill
Figure SVA-990



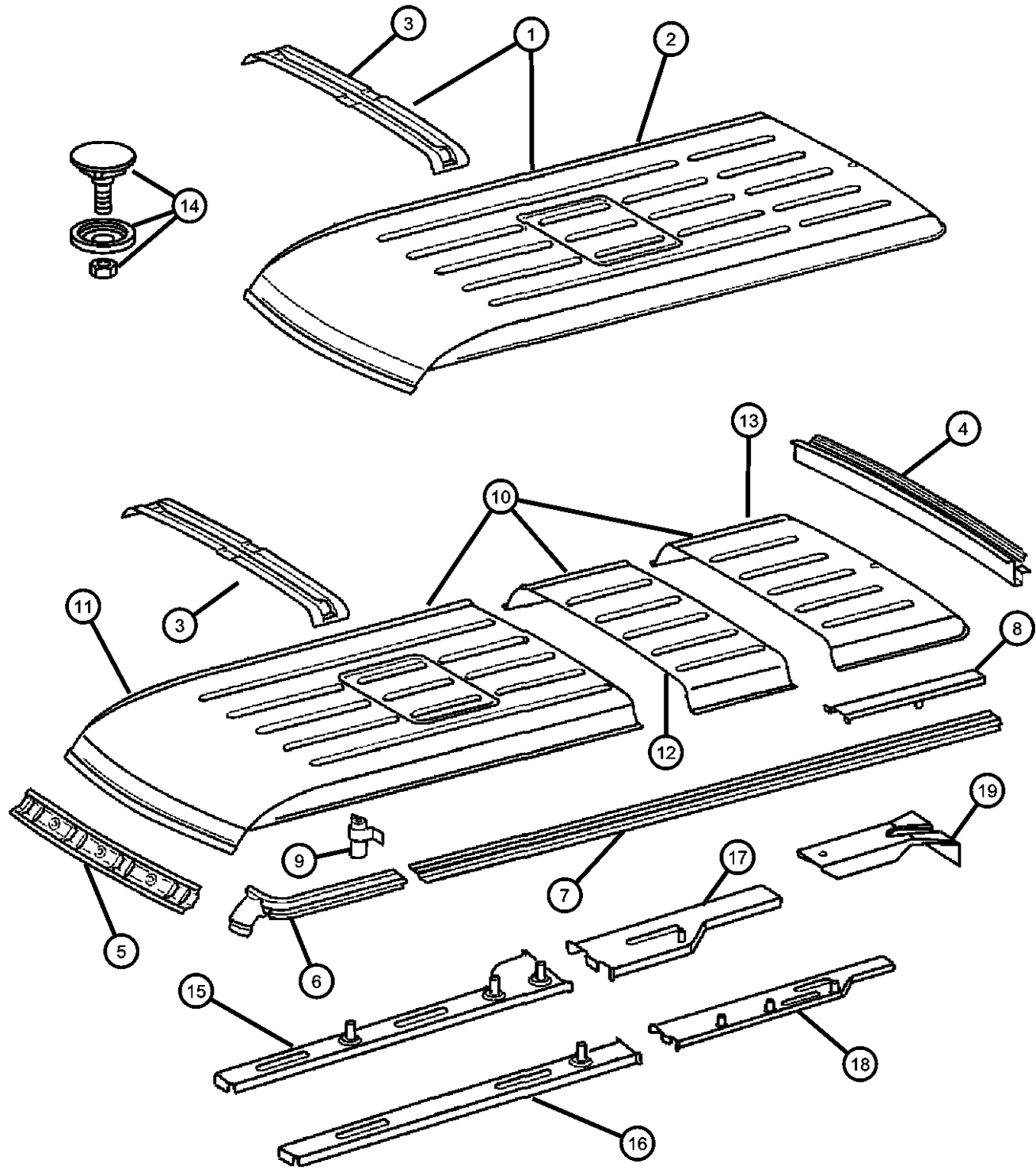
ITEM	PART NUMBER	QTY	LINE	SERIES	BODY	ENGINE	TRANS	TRIM	DESCRIPTION
	05103839AA	16	2, 6		11, 12, 14, 15, 16				
		16	3, 7		12, 15, 16				
9									RIVET
	05103838AA	12	2, 6		11, 12, 14, 15, 16				
		12	3, 7		12, 15, 16				
10									PAD, Isolator
	05103712AA	2	2, 6		11, 12, 14, 15, 16				10 Meters Long
		2	3, 7		12, 15, 16				10 Meters Long
11	05123631AA	1	3, 7		12, 15, 16				REINFORCEMENT, Cab Back
12	05104313AA	1							REINFORCEMENT, Side PanelLeft
13	05104314AA	1							REINFORCEMENT, Side PanelRight
14	06104580AA	2	3, 7		12, 15, 16				SCREW, Tapping
15	05103838AA	16	3, 7		12, 15, 16				RIVET
16	05125822AA	10	3, 7		12, 15, 16				RIVET, Blind Bulb

SPRINTER (VA)

SERIES	LINE	BODY	ENGINE	TRANSMISSION
L = LOWLINE	3 = HD DODGE 2WD 6 = Lt. Duty DODGE 4WD 2 = Med. Duty DODGE 2WD 7 = Med. Duty DODGE 4WD	55 = Wagon 140" 54 = Wagon 118" 52 = Wagon 140" 51 = Wagon 118" 12 = Van 140" 11 = Van 118" 06 = Front Section 158" 14 = Van 118" 15 = Van 140" 16 = Van 158" 56 = Wagon 158"	EX8 = Engine-2.7L I5 Mercedes Turbo Diesel	DGJ = Transmission-5-Spd. Automatic,W5A580
		01 = Chassis Forward Control 118" 02 = Chassis Forward Control 140"		

AR = use ase required - = Non illustrated part

Low Roof Panel
Figure SVA-1110



ITEM	PART NUMBER	QTY	LINE	SERIES	BODY	ENGINE	TRANS	TRIM	DESCRIPTION
1	05134039AA	1	2, 6		11, 14				ROOF [118] Inch Wheel Base
		1	2, 6		51, 54				[118] Inch Wheel Base
2	05122155AA	1	2, 6		51, 54				PANEL, Roof [118] Inch Wheel Base
		1	2, 6		11, 14				[118] Inch Wheel Base
3	05122107AA	4	2, 6		12, 15				BOW, Roof
		3	2, 6		51, 54				
		3	2, 6		11, 14				
		4	2, 6		52, 55				
		4	3, 7		15, 12				
4	05122058AA	1	3, 7		12, 15, 16				RAIL, Roof
		1	2, 6		11, 12, 14, 15, 16				
		1	2, 6		51, 52, 54, 55, 56				
5	05104163AA	1	2, 6		11, 12, 14, 15, 16				SUPPORT, Roof
		1	2, 6		51, 52, 54, 55, 56				
		1	3, 7		12, 15, 16				
6	05104194AA	1	2, 6		11, 12, 14, 15, 16				RAIL, Roof Side Left
		1	2, 6		51, 52, 54, 55, 56				Left
	05104196AA	1	2, 6		11, 12, 14, 15, 16				Right
		1	2, 6		55, 56, 51, 52, 54				Right

SPRINTER (VA)

SERIES

L = LOWLINE

LINE

3 = HD DODGE 2WD
6 = Lt. Duty DODGE 4WD
2 = Med. Duty DODGE 2WD
7 = Med. Duty DODGE 4WD

BODY

55 = Wagon 140"
54 = Wagon 118"
52 = Wagon 140"
51 = Wagon 118"
12 = Van 140"
11 = Van 118"
06 = Front Section 158"
14 = Van 118"
15 = Van 140"
16 = Van 158"
56 = Wagon 158"
01 = Chassis Forward Control
118"
02 = Chassis Forward Control
140"

ENGINE

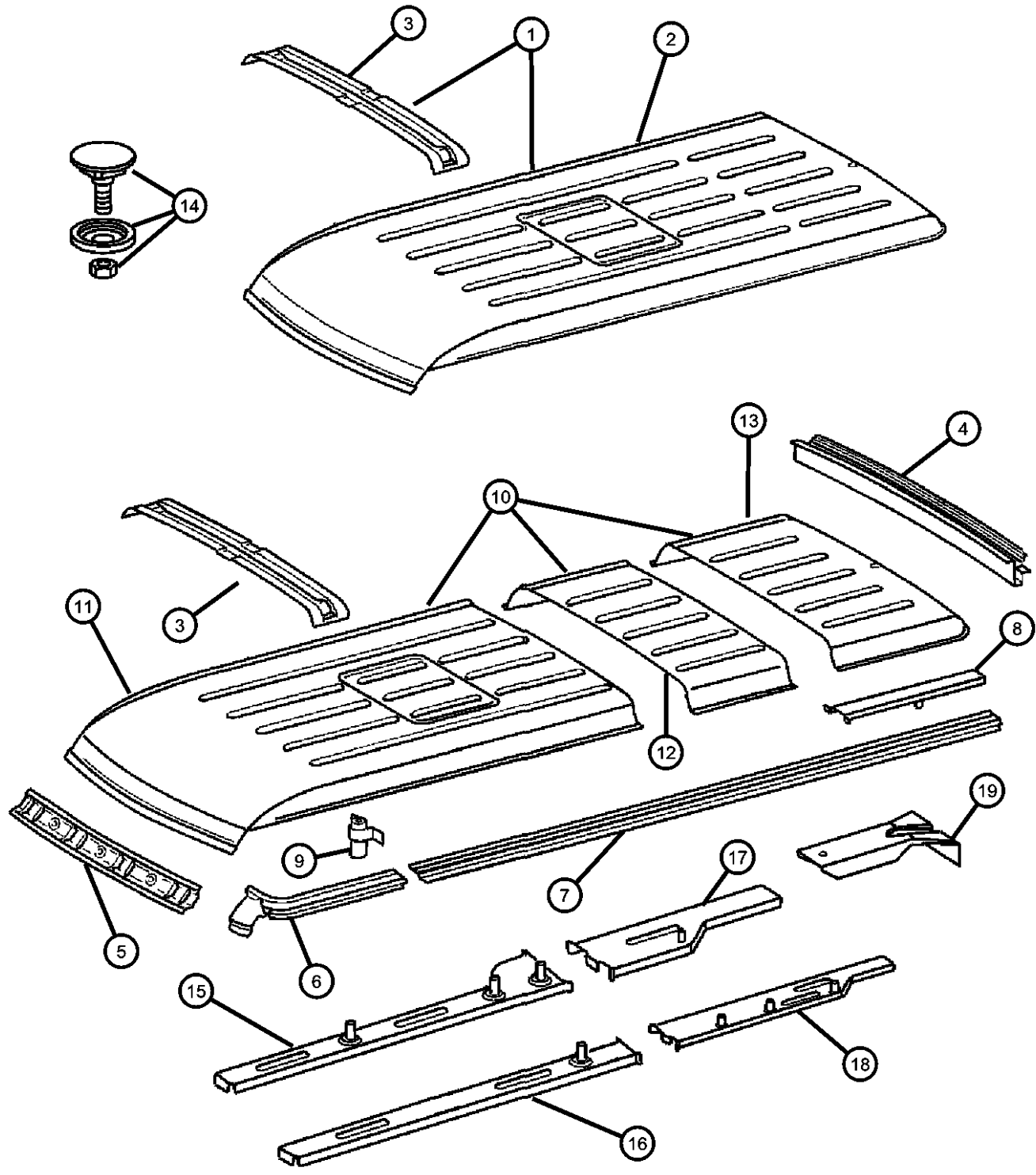
EX8 = Engine-2.7L I5
Mercedes Turbo Diesel

TRANSMISSION

DGJ = Transmission-5-Spd.
Automatic,W5A580

AR = use ase required - = Non illustrated part

Low Roof Panel
Figure SVA-1110



ITEM	PART NUMBER	QTY	LINE	SERIES	BODY	ENGINE	TRANS	TRIM	DESCRIPTION
7	05104191AA	1	2, 6		16				RAIL, Roof Side
		1	3, 7		16				[158] Inch Wheel Base, Right & Left
	05121826AA	1	2, 6		11, 14				[158] Inch Wheel Base, Right & Left
		1	2, 6		51, 54				[118] Inch Wheel Base, Right & Left
	05121827AA	1	2, 6		12, 15				[118] Inch Wheel Base, Right & Left
		1	2, 6		52, 55				[140] Inch Wheel Base, Right & Left
		1	3, 7		12, 15				[140] Inch Wheel Base, Right & Left
		1	2, 6		56				[158] Inch Wheel Base, Right & Left
8	05131214AA	2	2, 6		12, 15				REINFORCEMENT, Roof Panel
		2	2, 6		52, 55				[140] Inch Wheel Base
9	05131213AA	2	2, 6		12, 15				REINFORCEMENT, Roof Panel
		2	2, 6		52, 55				[140] Inch Wheel Base
10	05134036AA	1	2, 6		12, 15				ROOF
		1	2, 6		52, 55				[140] Inch Wheel Base
		1	3, 7		12, 15				[140] Inch Wheel Base
11	05122156AA	1	2, 6		12, 15				PANEL, Roof
		1	2, 6		52, 55				[140] Inch Wheel Base
		1	3, 7		12, 15				[140] Inch Wheel Base
12									PANEL, Roof

SPRINTER (VA)

SERIES

L = LOWLINE

LINE

3 = HD DODGE 2WD
6 = Lt. Duty DODGE 4WD
2 = Med. Duty DODGE 2WD
7 = Med. Duty DODGE 4WD

BODY

55 = Wagon 140"
54 = Wagon 118"
52 = Wagon 140"
51 = Wagon 118"
12 = Van 140"
11 = Van 118"
06 = Front Section 158"
14 = Van 118"
15 = Van 140"
16 = Van 158"
56 = Wagon 158"
01 = Chassis Forward Control
118"
02 = Chassis Forward Control
140"

ENGINE

EX8 = Engine-2.7L I5
Mercedes Turbo Diesel

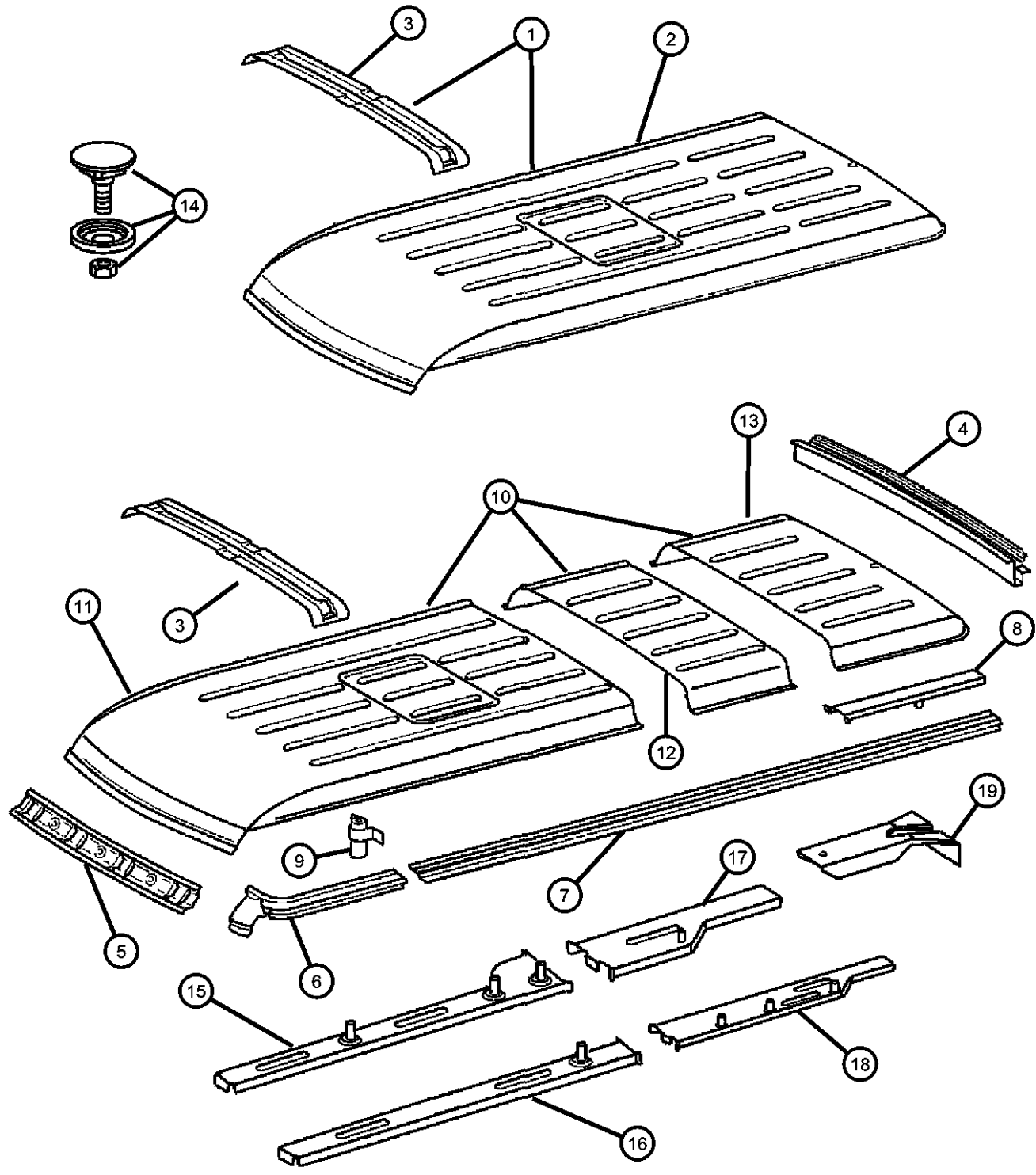
TRANSMISSION

DGJ = Transmission-5-Spd.
Automatic,W5A580

AR = use ase required - = Non illustrated part

2004 VA

Low Roof Panel
Figure SVA-1110



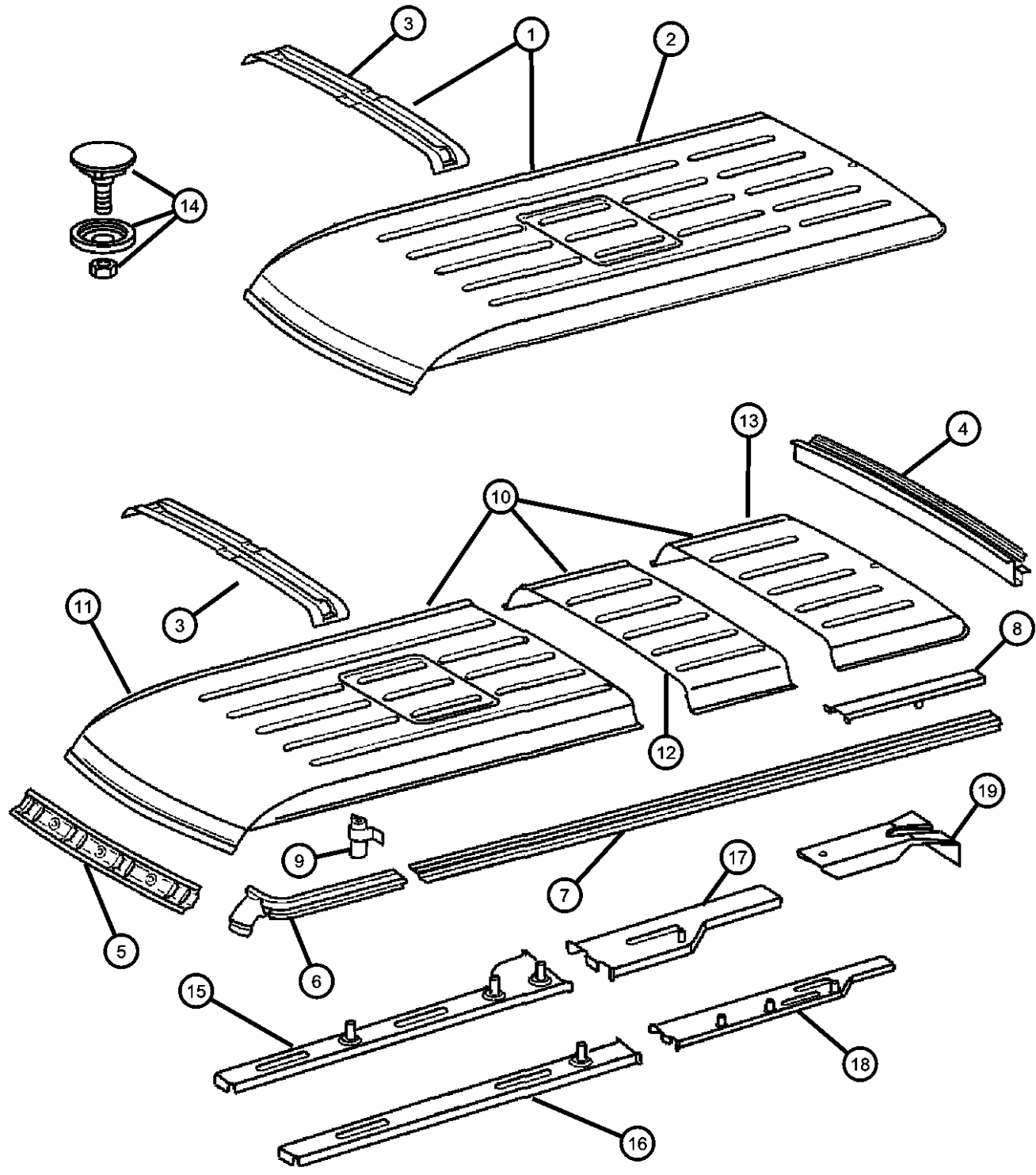
ITEM	PART NUMBER	QTY	LINE	SERIES	BODY	ENGINE	TRANS	TRIM	DESCRIPTION
	05122133AA	1	2, 6		12, 15				[140] Inch Wheel Base
		1	2, 6		52, 55				[140] Inch Wheel Base
		1	3, 7		12, 15				[140] Inch Wheel Base
13									PANEL, Roof
	05122134AA	1	2, 6		12, 15				[140] Inch Wheel Base
		1	2, 6		52, 55				[140] Inch Wheel Base
		1	3, 7		12, 15				[140] Inch Wheel Base
14									PANEL, For Sealing Antenna
	05124422AA	1	2, 6		11, 12, 14, 15, 16				
		1	2, 6		56, 51, 52, 54, 55				
		1	3, 7		12, 15, 16				
15									BRACKET, Roof
	05122083AA	1	2, 6		52, 55				Right
		1	3, 7		12, 15				Right
	05122081AA	1	2, 6		12, 15				Left
		1	2, 6		52, 55				Left
		1	3, 7		12, 15				Left
		1	2, 6		12, 15				Right
16									BRACKET, Roof, Front Right
	05122090AA	1	2, 6		16				
		1	2, 6		56				
		1	3, 7		16				
17									BRACKET, Roof
	05122084AA	1	2, 6		12, 15				Left
		1	2, 6		52, 55				Left
		1	3, 7		12, 15				Left
	05122085AA	1	2, 6		12, 15				Right

SPRINTER (VA)

SERIES	LINE	BODY	ENGINE	TRANSMISSION
L = LOWLINE	3 = HD DODGE 2WD 6 = Lt. Duty DODGE 4WD 2 = Med. Duty DODGE 2WD 7 = Med. Duty DODGE 4WD	55 = Wagon 140" 54 = Wagon 118" 52 = Wagon 140" 51 = Wagon 118" 12 = Van 140" 11 = Van 118" 06 = Front Section 158" 14 = Van 118" 15 = Van 140" 16 = Van 158" 56 = Wagon 158"	EX8 = Engine-2.7L I5 Mercedes Turbo Diesel	DGJ = Transmission-5-Spd. Automatic,W5A580
		01 = Chassis Forward Control 118" 02 = Chassis Forward Control 140"		

AR = use ase required - = Non illustrated part

Low Roof Panel
Figure SVA-1110



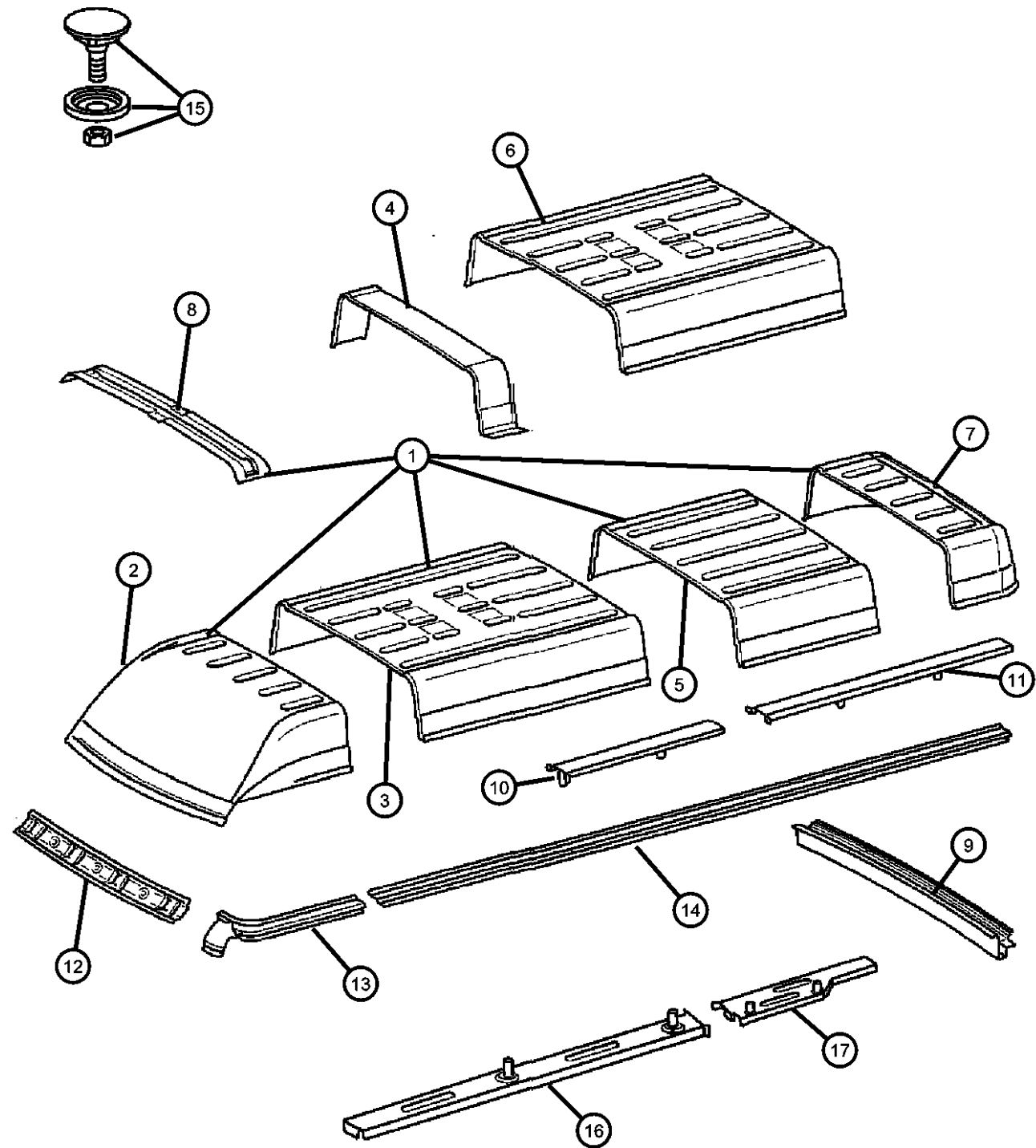
ITEM	PART NUMBER	QTY	LINE	SERIES	BODY	ENGINE	TRANS	TRIM	DESCRIPTION
18		1	2, 6		52, 55				Right
		1	3, 7		12, 15				Right
		05122092AA	1	2, 6		16			BRACKET, Roof
			1	2, 6		56			Left
			1	3, 7		16			Left
		05122093AA	1	2, 6		16			Right
			1	2, 6		56			Right
19		1	3, 7		16				Right
		05122125AA	2	2, 6		11, 12, 14, 15, 16			REINFORCEMENT, Roof Panel
			2	2, 6		51, 52, 54, 55, 56			
			2	3, 7		12, 15, 16			

SPRINTER (VA)

SERIES	LINE	BODY	ENGINE	TRANSMISSION
L = LOWLINE	3 = HD DODGE 2WD 6 = Lt. Duty DODGE 4WD 2 = Med. Duty DODGE 2WD 7 = Med. Duty DODGE 4WD	55 = Wagon 140" 54 = Wagon 118" 52 = Wagon 140" 51 = Wagon 118" 12 = Van 140" 11 = Van 118" 06 = Front Section 158" 14 = Van 118" 15 = Van 140" 16 = Van 158" 56 = Wagon 158"	EX8 = Engine-2.7L I5 Mercedes Turbo Diesel	DGJ = Transmission-5-Spd. Automatic,W5A580
		01 = Chassis Forward Control 118" 02 = Chassis Forward Control 140"		

AR = use ase required - = Non illustrated part

High Roof Panel
Figure SVA-1120



ITEM	PART NUMBER	QTY	LINE	SERIES	BODY	ENGINE	TRANS	TRIM	DESCRIPTION
1									ROOF
	05104228AA	1	2, 6		12, 15				140 Inch Wheel Base
		1	2, 6		52, 55				140 Inch Wheel Base
		1	3, 7		12, 15				140 Inch Wheel Base
	05134037AA	1	2, 6		16				158 Inch Wheel Base
		1	2, 6		56				158 Inch Wheel Base
		1	3, 7		16				158 Inch Wheel Base
	05134038AA	1	2, 6		11, 14				118 Inch Wheel Base
		1	2, 6		54, 51				118 Inch Wheel Base
2									PANEL, Roof
	05104233AA	1	2, 6		11, 12, 14, 15, 16				
		1	3, 7		12, 15, 16				
		1	2, 6		51, 52, 54, 55, 56				
3									PANEL, Roof
	05122143AA	1	2, 6		11, 12, 14, 15, 16				
		1	2, 6		51, 52, 54, 55, 56				
		1	3, 7		12, 15, 16				
4									EXTENSION, Roof Bow
	05131242AA	1	2, 6		11, 14				
		1	2, 6		51, 54				
5									PANEL, Roof
	05122144AA	1	2, 6		12, 15				140 Inch Wheel Base
		1	2, 6		52, 55				140 Inch Wheel Base
		1	3, 7		12, 15				140 Inch Wheel Base
6									PANEL, Roof
	05104232AA	1	2, 6		11, 12, 14, 15, 16				158 Inch Wheel Base, With Electric Fan

SPRINTER (VA)

SERIES

L = LOWLINE

LINE

3 = HD DODGE 2WD
6 = Lt. Duty DODGE 4WD
2 = Med. Duty DODGE 2WD
7 = Med. Duty DODGE 4WD

BODY

55 = Wagon 140"
54 = Wagon 118"
52 = Wagon 140"
51 = Wagon 118"
12 = Van 140"
11 = Van 118"
06 = Front Section 158"
14 = Van 118"
15 = Van 140"
16 = Van 158"
56 = Wagon 158"
01 = Chassis Forward Control 118"
02 = Chassis Forward Control 140"

ENGINE

EX8 = Engine-2.7L I5
Mercedes Turbo Diesel

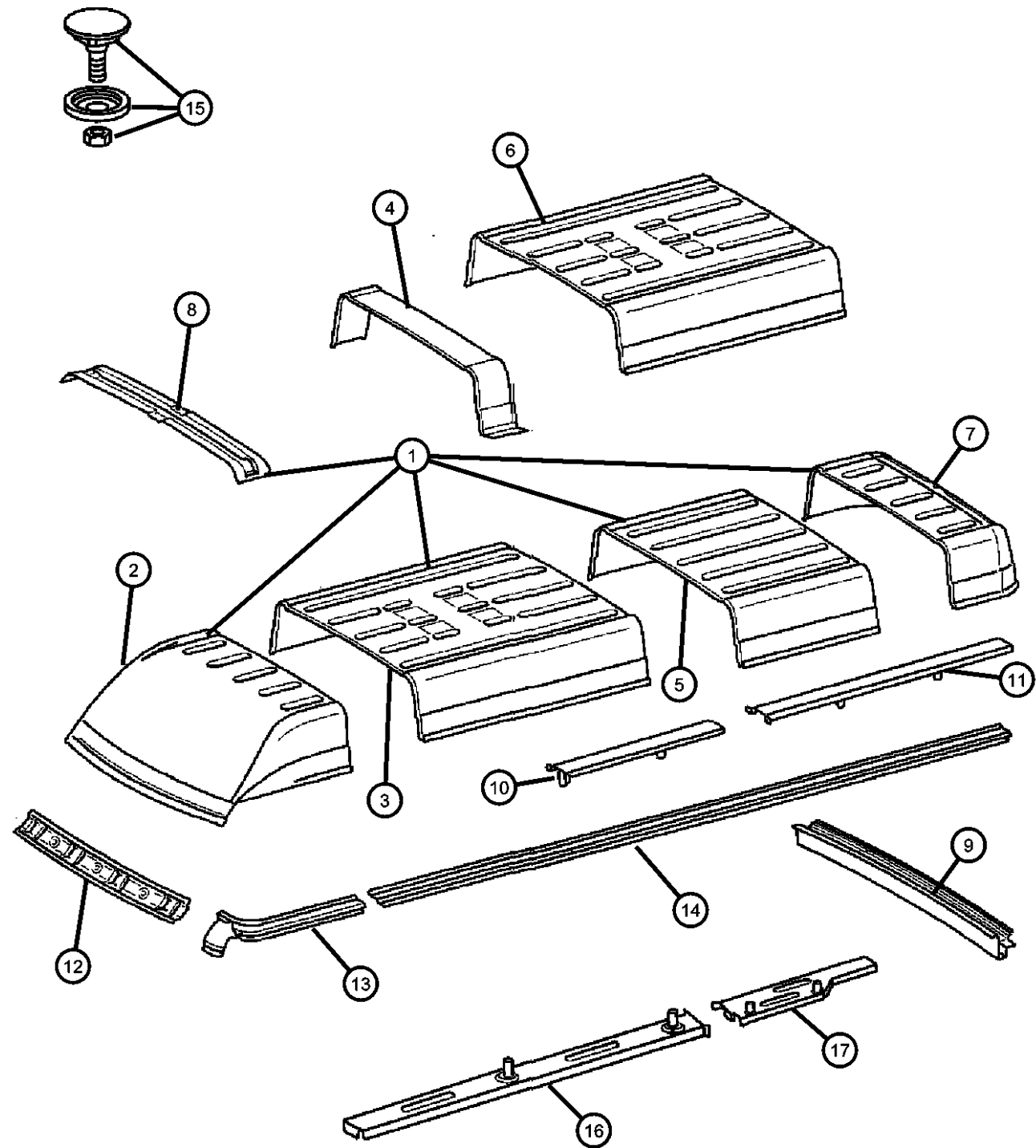
TRANSMISSION

DGJ = Transmission-5-Spd. Automatic, W5A580

AR = use ase required - = Non illustrated part

2004 VA

High Roof Panel
Figure SVA-1120



ITEM	PART NUMBER	QTY	LINE	SERIES	BODY	ENGINE	TRANS	TRIM	DESCRIPTION
	05122143AA	1	3, 7		15, 16, 12				140 & 158 Inch Wheel Base
		1	3, 7		12, 15, 16				158 Inch Wheel Base, With Electric Fan
		1	2, 6		11, 12, 14, 15, 16				140 & 158 Inch Wheel Base
		1	2, 6		51, 52, 54, 55, 56				140 & 158 Inch Wheel Base
7	05104231AA	1	2, 6		12, 15, 16				PANEL, Roof
		1	2, 6		52, 55, 56				
		1	3, 7		12, 15, 16				
8	05104227AA	1	2, 6		11, 12, 14, 15, 16				BOW, Roof With 140 & 158 Inch Wheelbase
		1	3, 7		12, 15, 16				With 140 & 158 Inch Wheelbase
	05104229AA	2	2, 6		11, 14				With Electric Fan
		3	2, 6		12, 15				With Electric Fan
		4	2, 6		16				With Electric Fan
		2	2, 6		51, 54				With Electric Fan
		3	2, 6		52, 55				With Electric Fan
		4	2, 6		56				With Electric Fan
		3	3, 7		12, 15				With Electric Fan
		4	3, 7		16				With Electric Fan
	05122107AA	3	2, 6		11, 14				With 118 Inch Wheelbase
		1	2, 6		51, 52, 54, 55, 56				With 140 & 158 Inch Wheelbase
		4	2, 6		52, 55				With 118 Inch Wheelbase
		4	3, 7		12, 15				With 118 Inch Wheelbase
		4	2, 6		12, 15				With 118 Inch Wheelbase
		3	2, 6		51, 54				With 118 Inch Wheelbase
9									BOW, Roof

SPRINTER (VA)

SERIES

L = LOWLINE

LINE

3 = HD DODGE 2WD
6 = Lt. Duty DODGE 4WD
2 = Med. Duty DODGE 2WD
7 = Med. Duty DODGE 4WD

BODY

55 = Wagon 140"
54 = Wagon 118"
52 = Wagon 140"
51 = Wagon 118"
12 = Van 140"
11 = Van 118"
06 = Front Section 158"
14 = Van 118"
15 = Van 140"
16 = Van 158"
56 = Wagon 158"
01 = Chassis Forward Control 118"
02 = Chassis Forward Control 140"

ENGINE

EX8 = Engine-2.7L I5
Mercedes Turbo Diesel

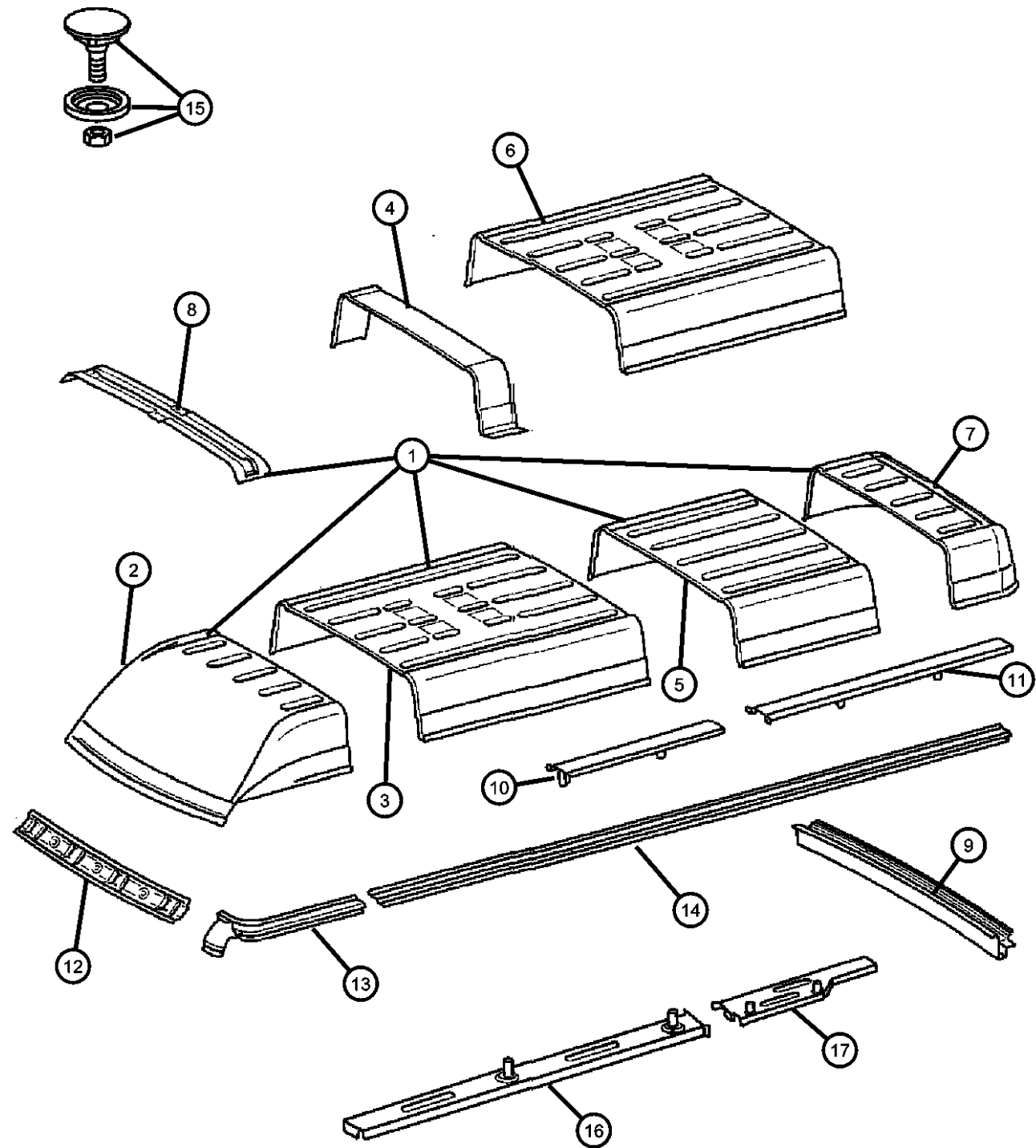
TRANSMISSION

DGJ = Transmission-5-Spd. Automatic, W5A580

AR = use ase required - = Non illustrated part

2004 VA

High Roof Panel
Figure SVA-1120



ITEM	PART NUMBER	QTY	LINE	SERIES	BODY	ENGINE	TRANS	TRIM	DESCRIPTION
	05104226AA	1	2, 6		11, 12, 14, 15, 16				
10		1	3, 7		12, 15, 16				REINFORCEMENT, Roof Panel
	05131215AA	2	2, 6		15, 12				
11		2	2, 6		52, 55				REINFORCEMENT, Roof Panel
	05131216AA	2	2, 6		16				
12		2	2, 6		56				SUPPORT, Roof
	05104163AA	1	2, 6		11, 12, 14, 15, 16				
		1	2, 6		51, 52, 54, 55, 56				
		1	3, 7		12, 15, 16				
13									RAIL, Roof Side
	05104194AA	1	2, 6		51, 52, 54, 55, 56				Left
		1	3, 7		12, 15, 16				Left
	05104196AA	1	2, 6		11, 12, 14, 15, 16				Right
		1	2, 6		51, 52, 54, 55, 56				Right
		1	3, 7		12, 15, 16				Right
		1	2, 6		11, 12, 14, 15, 16				Left
14									RAIL, Roof Side
	05104191AA	1	2, 6		16				158 Inch Wheel Base
		1	2, 6		56				158 Inch Wheel Base
		1	3, 7		16				158 Inch Wheel Base
	05121827AA	1	2, 6		12, 15				140 Inch Wheel Base
		1	2, 6		52, 55				140 Inch Wheel Base

SPRINTER (VA)

SERIES

L = LOWLINE

LINE

3 = HD DODGE 2WD
6 = Lt. Duty DODGE 4WD
2 = Med. Duty DODGE 2WD
7 = Med. Duty DODGE 4WD

BODY

55 = Wagon 140"
54 = Wagon 118"
52 = Wagon 140"
51 = Wagon 118"
12 = Van 140"
11 = Van 118"
06 = Front Section 158"
14 = Van 118"
15 = Van 140"
16 = Van 158"
56 = Wagon 158"
01 = Chassis Forward Control
118"
02 = Chassis Forward Control
140"

ENGINE

EX8 = Engine-2.7L I5
Mercedes Turbo Diesel

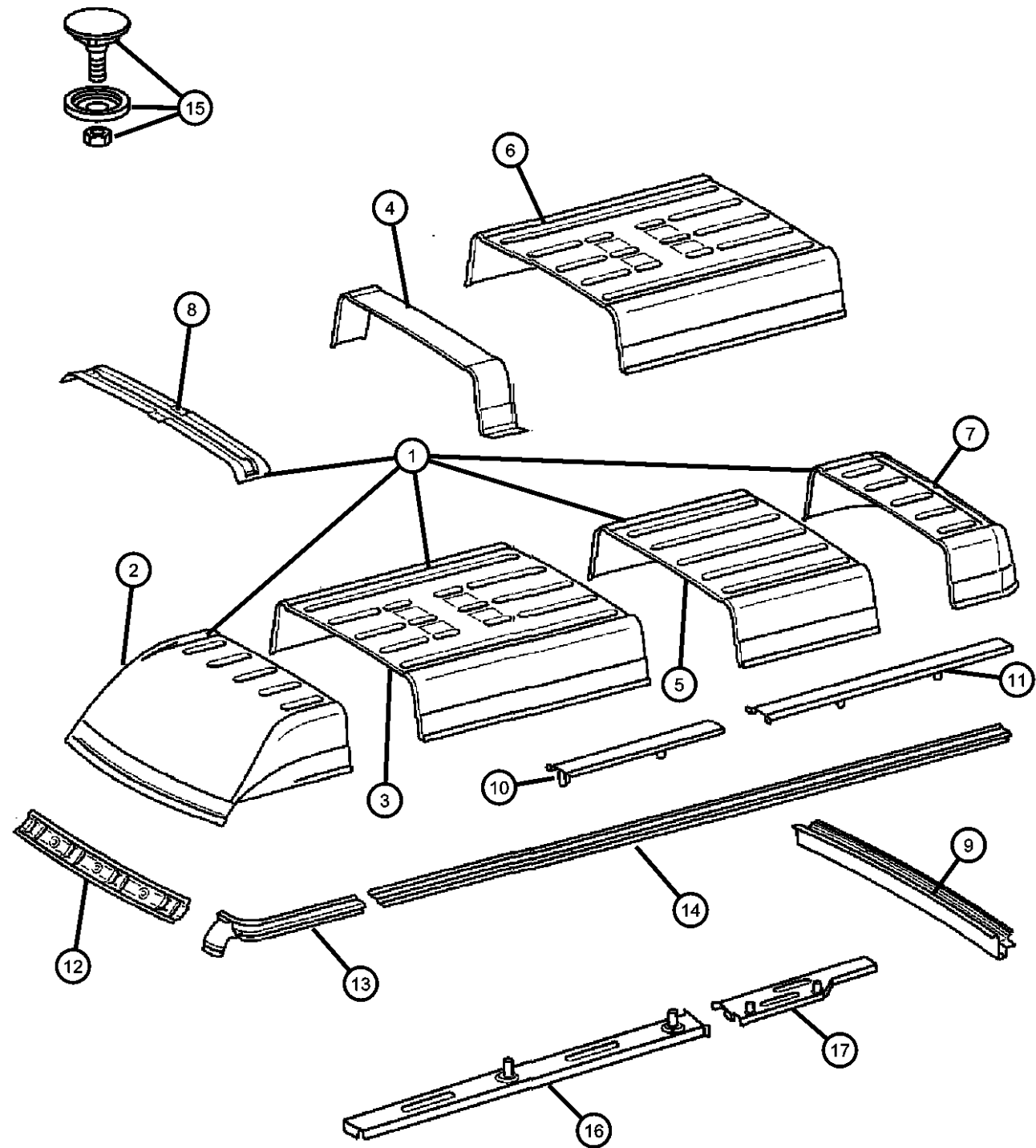
TRANSMISSION

DGJ = Transmission-5-Spd.
Automatic,W5A580

AR = use ase required - = Non illustrated part

2004 VA

High Roof Panel
Figure SVA-1120



ITEM	PART NUMBER	QTY	LINE	SERIES	BODY	ENGINE	TRANS	TRIM	DESCRIPTION
		1	3, 7		12, 15				140 Inch Wheel Base
15	05124422AA	1	2, 6		51, 52, 54, 55, 56				PANEL, For Sealing Antenna
		1	3, 7		12, 15, 16				
		1	2, 6		15, 16, 11, 12, 14				
16	05122086AA	1	2, 6		12, 15				BRACKET, Roof
		1	2, 6		52, 55				
		1	3, 7		12, 15				
17	05122089AA	1	2, 6		52, 55				BRACKET, Roof
		1	3, 7		12, 15				Rear Right
	05122088AA	1	2, 6		12, 15				Rear Right
		1	2, 6		52, 55				Rear Left
		1	3, 7		12, 15				Rear Left
		1	2, 6		12, 15				Rear Left
		1	3, 7		12, 15				Rear Left
		1	2, 6		12, 15				Rear Right

SPRINTER (VA)

SERIES

L = LOWLINE

LINE

3 = HD DODGE 2WD
6 = Lt. Duty DODGE 4WD
2 = Med. Duty DODGE 2WD
7 = Med. Duty DODGE 4WD

BODY

55 = Wagon 140"
54 = Wagon 118"
52 = Wagon 140"
51 = Wagon 118"
12 = Van 140"
11 = Van 118"
06 = Front Section 158"
14 = Van 118"
15 = Van 140"
16 = Van 158"
56 = Wagon 158"
01 = Chassis Forward Control
118"
02 = Chassis Forward Control
140"

ENGINE

EX8 = Engine-2.7L I5
Mercedes Turbo Diesel

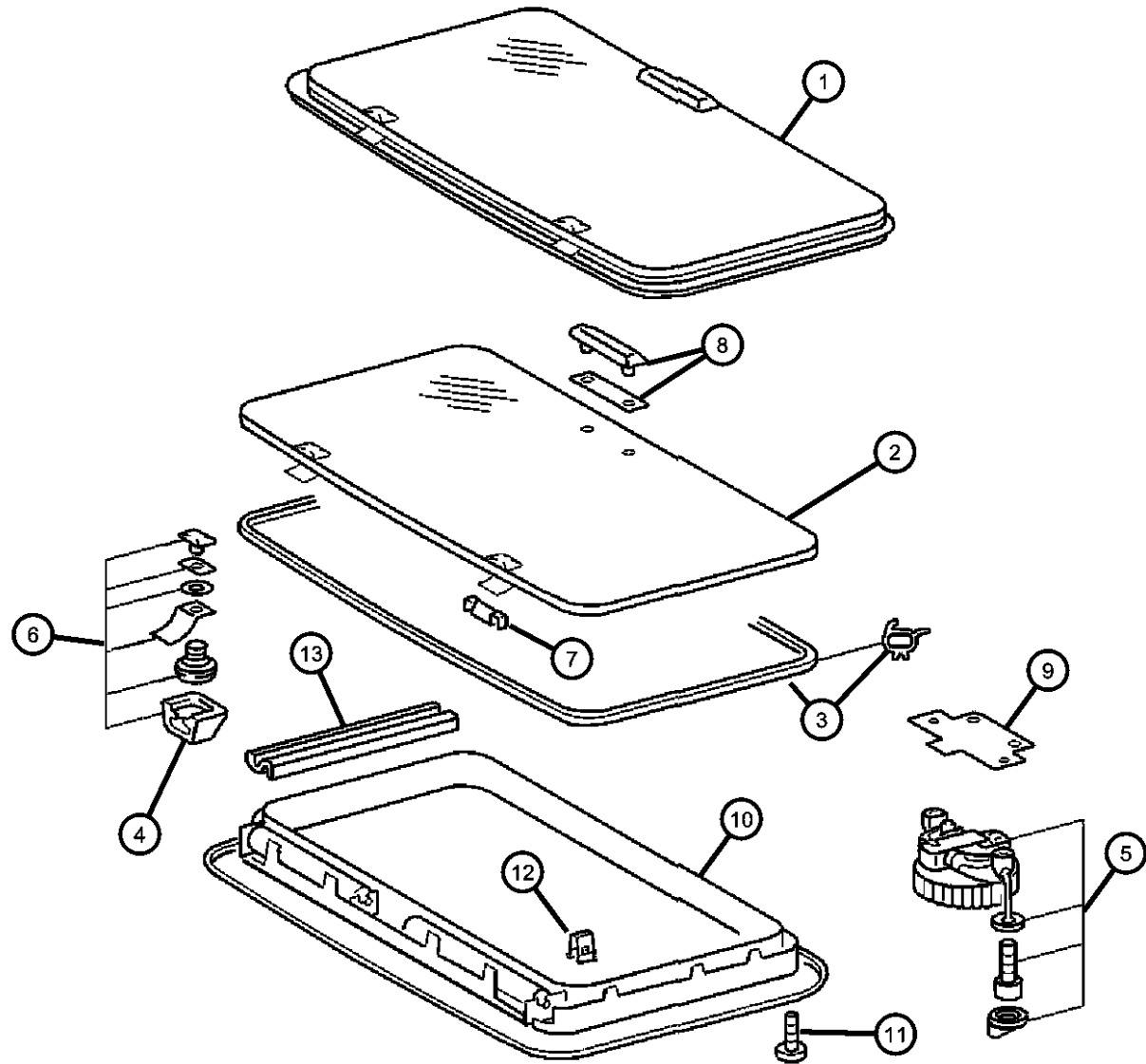
TRANSMISSION

DGJ = Transmission-5-Spd.
Automatic,W5A580

AR = use ase required - = Non illustrated part

2004 VA

Manual Sunroof
Figure SVA-1210



ITEM	PART NUMBER	QTY	LINE	SERIES	BODY	ENGINE	TRANS	TRIM	DESCRIPTION
7		1	3, 7		12, 15, 16				HINGE, Sunroof
	05134010AA	1	3, 7		12, 15, 16				
		1	2, 6		11, 12, 14, 15, 16				
		1	2, 6		51, 52, 54, 55, 56				
8									PLATE, Sunroof
	05134011AA	1	3, 7		12, 15, 16				
		1	2, 6		11, 12, 14, 15, 16				
		1	2, 6		51, 52, 54, 55, 56				
9									PLATE, Sunroof
	05134012AA	1	2, 6		51, 52, 54, 55, 56				
		1	3, 7		12, 15, 16				
		1	2, 6		11, 12, 14, 15, 16				
10									FRAME, Sunroof
	05124714AA	1	2, 6		11, 12, 14, 15, 16				
		1	2, 6		51, 52, 54, 55, 56				
		1	3, 7		12, 15, 16				Without Double Shade
	05124715AA	1	2, 6		11, 12, 14, 15, 16				Without Double Shade
		1	2, 6		51, 52, 54, 55, 56				Without Double Shade
		1	3, 7		12, 15, 16				Without Double Shade
11									SCREW
	05126276AA	24	2, 6		11, 12, 14, 15				
		24	2, 6		11, 12, 14, 15, 16				

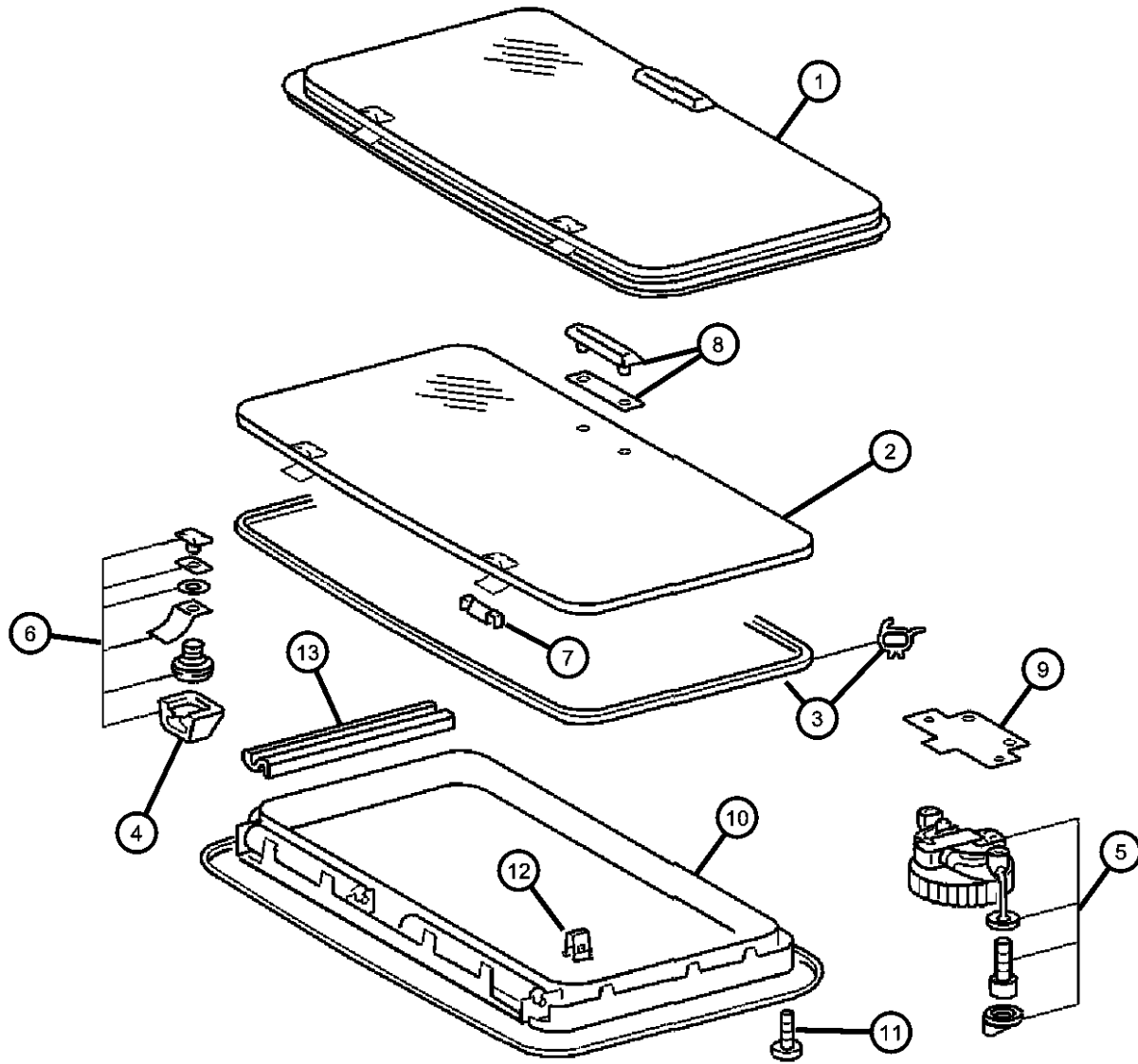
SPRINTER (VA)

SERIES	LINE	BODY	ENGINE	TRANSMISSION
L = LOWLINE	3 = HD DODGE 2WD 6 = Lt. Duty DODGE 4WD 2 = Med. Duty DODGE 2WD 7 = Med. Duty DODGE 4WD	55 = Wagon 140" 54 = Wagon 118" 52 = Wagon 140" 51 = Wagon 118" 12 = Van 140" 11 = Van 118" 06 = Front Section 158" 14 = Van 118" 15 = Van 140" 16 = Van 158" 56 = Wagon 158"	EX8 = Engine-2.7L I5 Mercedes Turbo Diesel	DGJ = Transmission-5-Spd. Automatic, W5A580
		01 = Chassis Forward Control 118" 02 = Chassis Forward Control 140"		

AR = use ase required - = Non illustrated part

Manual Sunroof
Figure SVA-1210

ITEM	PART NUMBER	QTY	LINE	SERIES	BODY	ENGINE	TRANS	TRIM	DESCRIPTION
12		24	3, 7		12, 15, 16				CLIP, Sunroof
	05125572AA	14	2, 6		11, 12, 14, 15, 16				
		14	2, 6		51, 52, 54, 55, 56				
13		14	3, 7		12, 15, 16				SUPPORT
	05104495AA	2	2, 6		11, 12, 14, 15, 16				
		2	2, 6		51, 52, 54, 55, 56				
		2	3, 7		12, 15, 16				



SPRINTER (VA)

SERIES

L = LOWLINE

LINE

3 = HD DODGE 2WD
6 = Lt. Duty DODGE 4WD
2 = Med. Duty DODGE 2WD
7 = Med. Duty DODGE 4WD

BODY

55 = Wagon 140"
54 = Wagon 118"
52 = Wagon 140"
51 = Wagon 118"
12 = Van 140"
11 = Van 118"
06 = Front Section 158"
14 = Van 118"
15 = Van 140"
16 = Van 158"
56 = Wagon 158"
01 = Chassis Forward Control
118"
02 = Chassis Forward Control
140"

ENGINE

EX8 = Engine-2.7L I5
Mercedes Turbo Diesel

TRANSMISSION

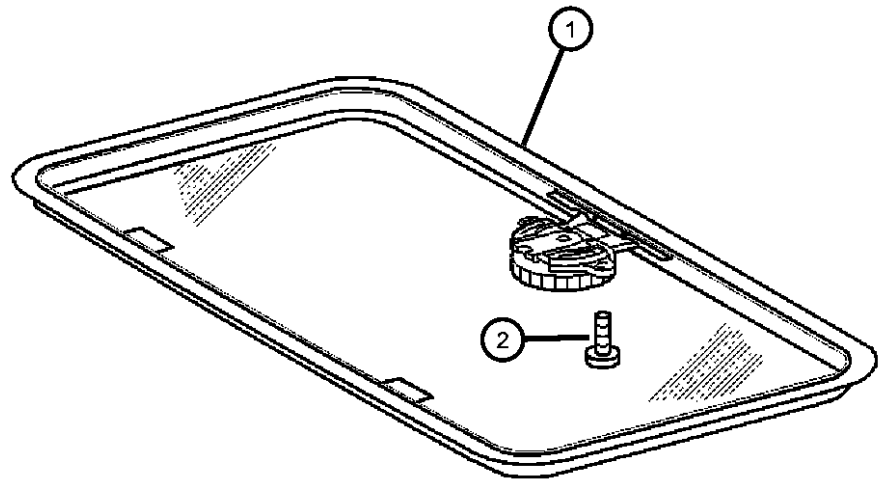
DGJ = Transmission-5-Spd.
Automatic,W5A580

AR = use ase required - = Non illustrated part

2004 VA

**Fixed Sunroof
Figure SVA-1220**

ITEM	PART NUMBER	QTY	LINE	SERIES	BODY	ENGINE	TRANS	TRIM	DESCRIPTION
1	05104480AA	1	2, 6		11, 12, 14, 15, 16				GLASS, Sunroof
		1	2, 6		51, 52, 54, 55, 56				
		1	3, 7		12, 15, 16				
2	05126276AA	24	2, 6		11, 12, 14, 15, 16				SCREW
		24	2, 6		51, 52, 54, 55, 56				
		24	3, 7		12, 15, 16				



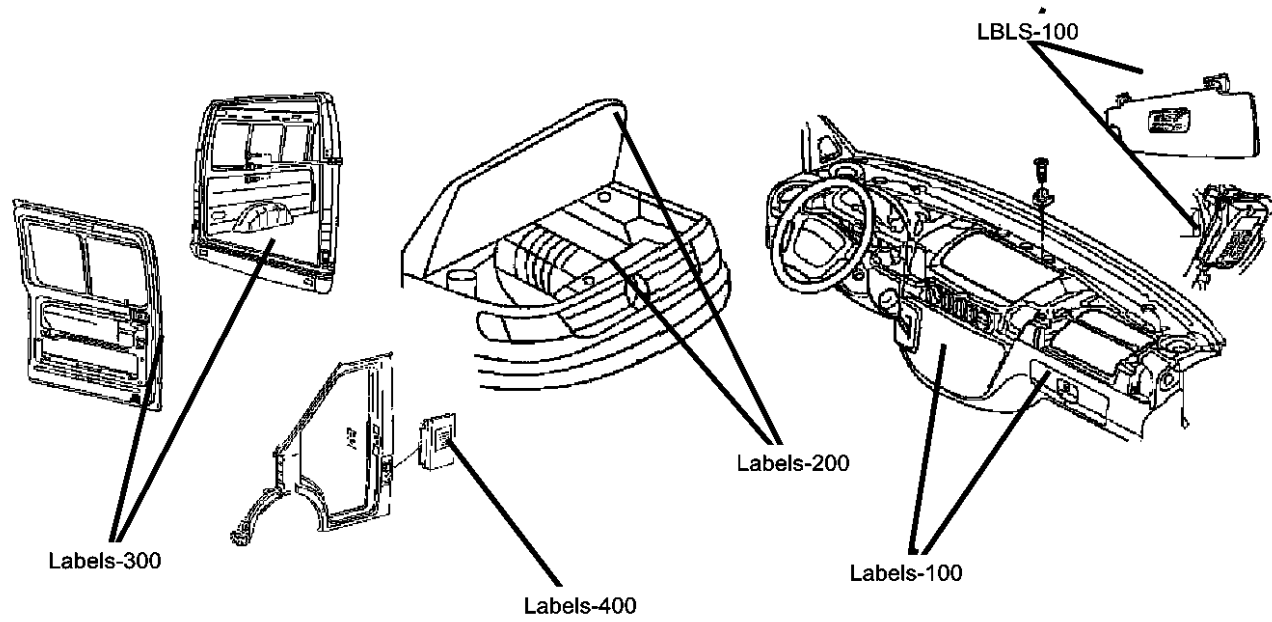
SPRINTER (VA)

SERIES	LINE	BODY	ENGINE	TRANSMISSION
L = LOWLINE	3 = HD DODGE 2WD 6 = Lt. Duty DODGE 4WD 2 = Med. Duty DODGE 2WD 7 = Med. Duty DODGE 4WD	55 = Wagon 140" 54 = Wagon 118" 52 = Wagon 140" 51 = Wagon 118" 12 = Van 140" 11 = Van 118" 06 = Front Section 158" 14 = Van 118" 15 = Van 140" 16 = Van 158" 56 = Wagon 158" 01 = Chassis Forward Control 118" 02 = Chassis Forward Control 140"	EX8 = Engine-2.7L I5 Mercedes Turbo Diesel	DGJ = Transmission-5-Spd. Automatic,W5A580

AR = use ase required - = Non illustrated part

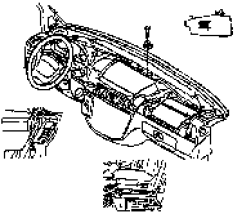
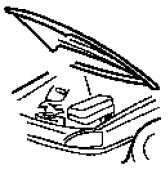
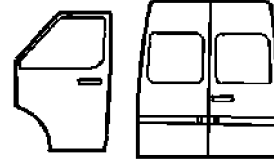
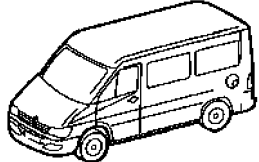
Group - LBLS

Labels All Vehicle Locations

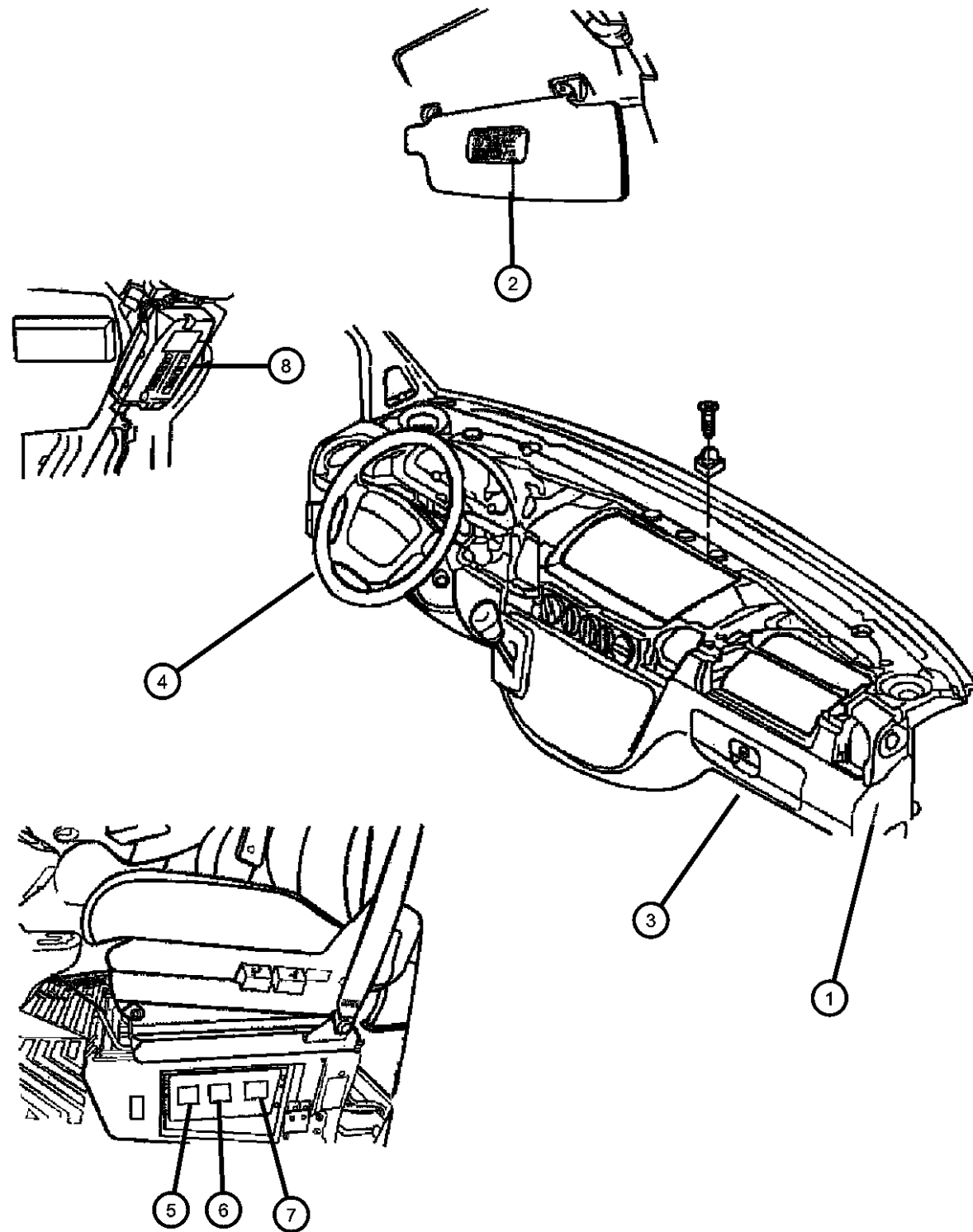


Group - LBLS Labels All Vehicle Locations

Illustration Title	Group-Fig. No.
Interior	
Instrument Panel / Visors & Interior.....	Fig. LBLS - 105
Under Hood	
Engine Compartment	Fig. LBLS - 205
Doors	
Front / Side & Cargo	Fig. LBLS - 305
Exterior	
Fuel Door & Filler.....	Fig. LBLS - 410

<p>LBLS-100 Interior</p> 	<p>LBLS-200 Under Hood</p> 	<p>LBLS-300 Doors</p> 	<p>LBLS-400 Exterior</p> 
--	---	---	---

**Instrument Panel / Visors & Interior
Figure LBLS-105**



ITEM	PART NUMBER	QTY	LINE	SERIES	BODY	ENGINE	TRANS	TRIM	DESCRIPTION
1	05096894AA	1		L	11, 12, 14, 15, 16				LABEL, Airbag Round Sticker on I/P
		1		L	51, 52, 54, 55, 56				Round Sticker on I/P
		1		L	12, 15, 16				Round Sticker on I/P
		1		L	01, 02, 06				Round Sticker on I/P
2	05121033AA	2		L	01, 02, 06				LABEL, Airbag
		2		L	11, 12, 14, 15, 16				
		2		L	51, 52, 54, 55, 56				
		2		L	12, 15, 16				
3	05124329AB	1		L	01, 02, 06				LABEL, Airbag
	05124329AA	1		L	11, 12, 14, 15, 16				
		1		L	51, 52, 54, 55, 56				
		1		L	12, 15, 16				
4	05121112AA	1		L	11, 12, 14, 15, 16				LABEL, Warning Electrical Shock
		1		L	51, 52, 54, 55, 56				Electrical Shock
		1		L	12, 15, 16				Electrical Shock
5	05121129AA	1		L	12, 15, 16				LABEL, Fuse Block Under Driver Seat
		1		L	01, 02, 06				Under Driver Seat
		1		L	11, 12, 14, 15, 16				Under Driver Seat
		1		L	51, 52, 54, 55, 56				Under Driver Seat

SPRINTER (VA)

SERIES

L = LOWLINE

LINE

3 = HD DODGE 2WD
6 = Lt. Duty DODGE 4WD
2 = Med. Duty DODGE 2WD
7 = Med. Duty DODGE 4WD

BODY

55 = Wagon 140"
54 = Wagon 118"
52 = Wagon 140"
51 = Wagon 118"
12 = Van 140"
11 = Van 118"
06 = Front Section 158"
14 = Van 118"
15 = Van 140"
16 = Van 158"
56 = Wagon 158"
01 = Chassis Forward Control
118"
02 = Chassis Forward Control
140"

ENGINE

EX8 = Engine-2.7L I5
Mercedes Turbo Diesel

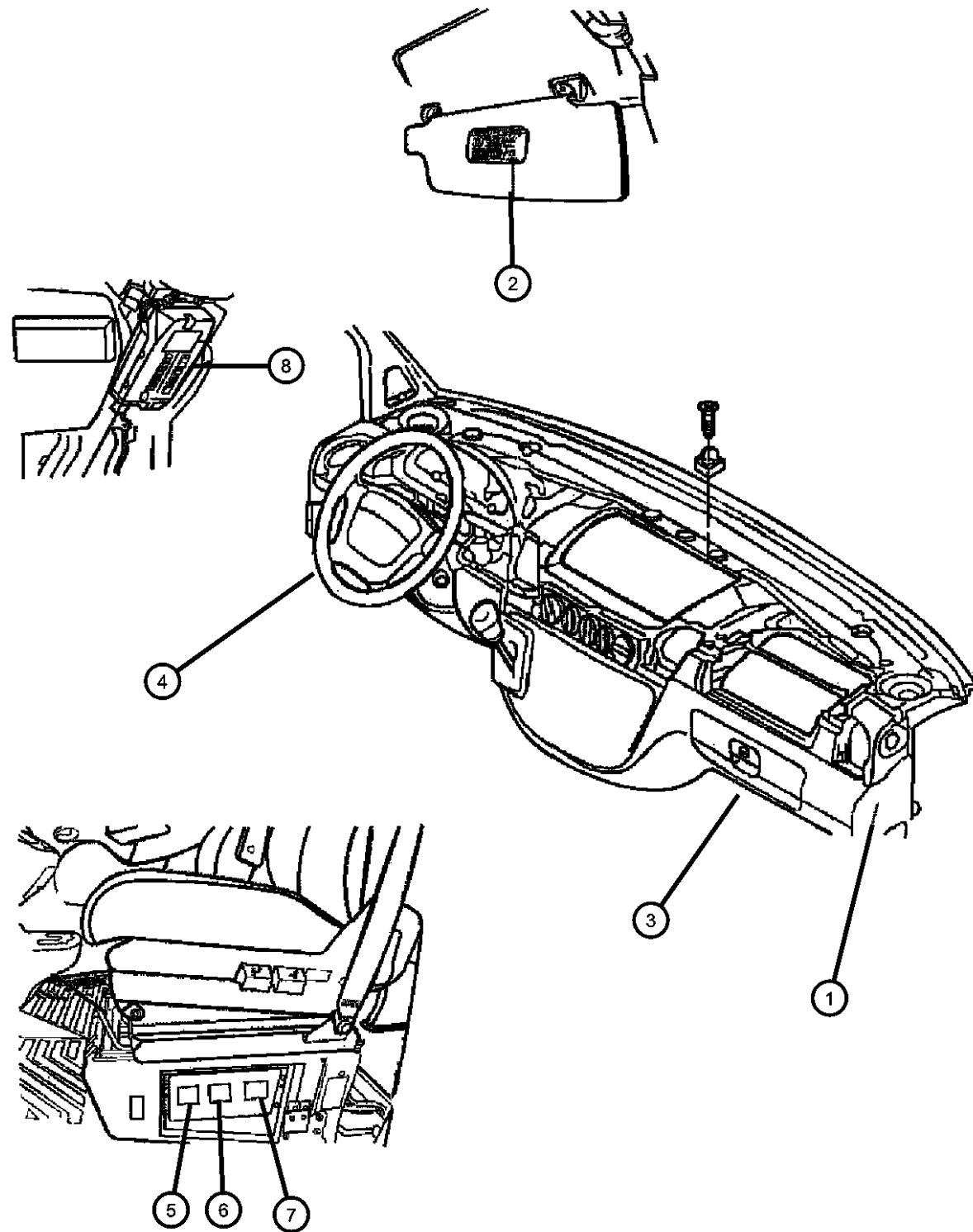
TRANSMISSION

DGJ = Transmission-5-Spd.
Automatic,W5A580

AR = use ase required - = Non illustrated part

2004 VA

**Instrument Panel / Visors & Interior
Figure LBLS-105**



ITEM	PART NUMBER	QTY	LINE	SERIES	BODY	ENGINE	TRANS	TRIM	DESCRIPTION
6	05121077AA	1		L	01, 02, 06				LABEL No Water
	05121077AB	1		L	11, 12, 14, 15, 16				No Water
		1		L	51, 52, 54, 55, 56				No Water
		1		L	12, 15, 16				No Water
7	05121147AA	2		L	11, 12, 14, 15, 16				LABEL, Tire
		2		L	55, 56, 51, 52, 54				
		2		L	12, 15, 16				
		2		L	01, 02, 06				
8	05121032AA	1		L	01, 02, 06				LABEL
		1		L	11, 12, 14, 15, 16				
		1		L	51, 52, 54, 55, 56				
		1		L	12, 15, 16				

SPRINTER (VA)

SERIES

L = LOWLINE

LINE

3 = HD DODGE 2WD
6 = Lt. Duty DODGE 4WD
2 = Med. Duty DODGE 2WD
7 = Med. Duty DODGE 4WD

BODY

55 = Wagon 140"
54 = Wagon 118"
52 = Wagon 140"
51 = Wagon 118"
12 = Van 140"
11 = Van 118"
06 = Front Section 158"
14 = Van 118"
15 = Van 140"
16 = Van 158"
56 = Wagon 158"
01 = Chassis Forward Control
118"
02 = Chassis Forward Control
140"

ENGINE

EX8 = Engine-2.7L I5
Mercedes Turbo Diesel

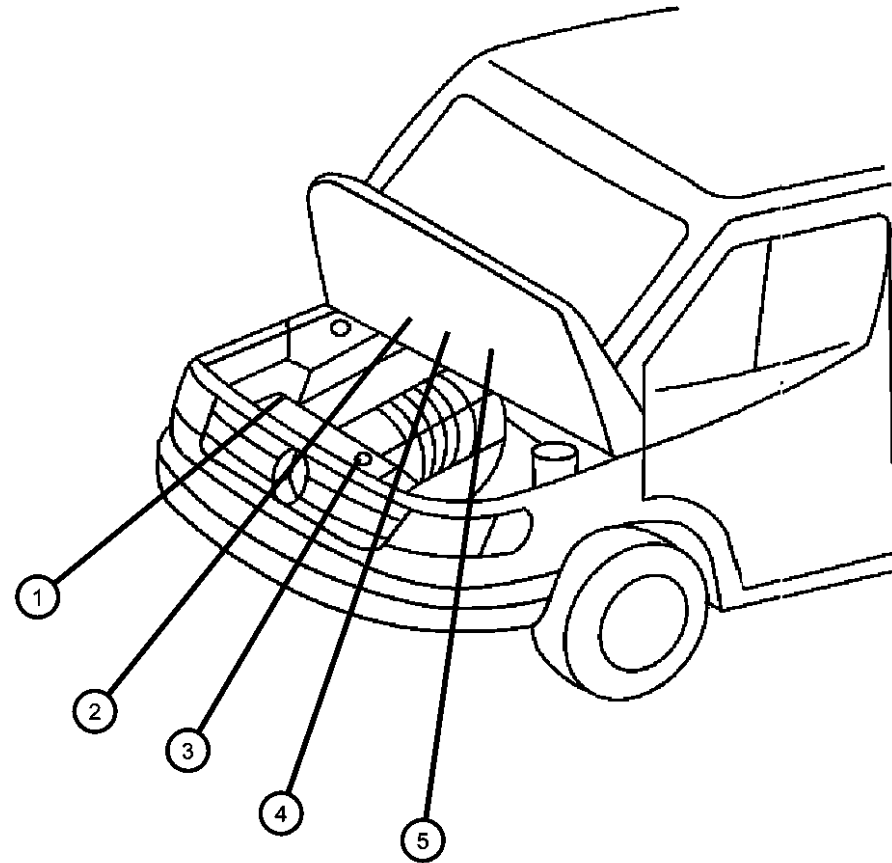
TRANSMISSION

DGJ = Transmission-5-Spd.
Automatic,W5A580

AR = use ase required - = Non illustrated part

2004 VA

**Engine Compartment
Figure LBLS-205**



ITEM	PART NUMBER	QTY	LINE	SERIES	BODY	ENGINE	TRANS	TRIM	DESCRIPTION
1	05104155AA	1		L	01, 02, 06				LABEL, Fan Caution
		1		L	11, 12, 14, 15, 16				
		1		L	51, 52, 54, 55, 56				
		1		L	12, 15, 16				
2	05124359AA	1		L	01, 02, 06				LABEL, A/C Spec.
		1		L	11, 12, 14, 15, 16				
		1		L	51, 52, 54, 55, 56				
		1		L	12, 15, 16				
3	05104154AA	1		L	01, 02, 06				LABEL, Coolant Warning
		1		L	11, 12, 14, 15, 16				
		1		L	54, 55, 56, 51, 52				
		1		L	12, 15, 16				
4	05121165AA	1		L	01, 02, 06				LABEL, Adhesive Foil
		1		L	11, 12, 14, 15, 16				
		1		L	12, 15, 16				
		1		L	51, 52, 54, 55, 56				
5	05121159AA	1		L	14, 15, 16, 11, 12				LABEL, Tire Pressure
		1		L	51, 52, 54, 55, 56				

SPRINTER (VA)

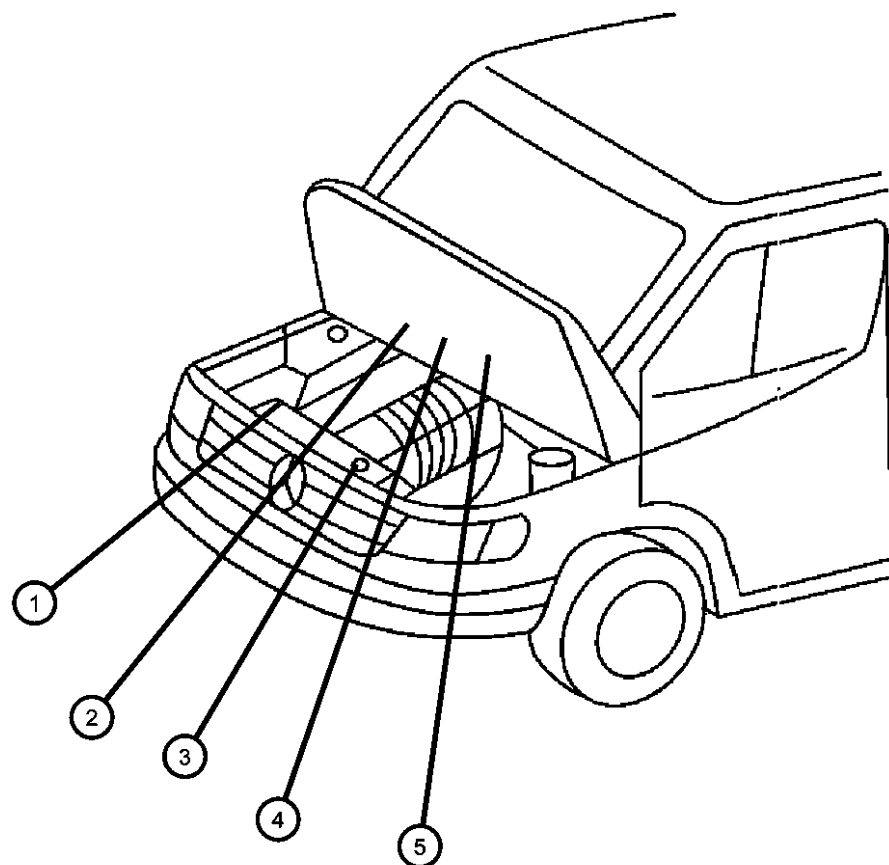
SERIES	LINE	BODY	ENGINE	TRANSMISSION
L = LOWLINE	3 = HD DODGE 2WD 6 = Lt. Duty DODGE 4WD 2 = Med. Duty DODGE 2WD 7 = Med. Duty DODGE 4WD	55 = Wagon 140" 54 = Wagon 118" 52 = Wagon 140" 51 = Wagon 118" 12 = Van 140" 11 = Van 118" 06 = Front Section 158" 14 = Van 118" 15 = Van 140" 16 = Van 158" 56 = Wagon 158" 01 = Chassis Forward Control 118" 02 = Chassis Forward Control 140"	EX8 = Engine-2.7L I5 Mercedes Turbo Diesel	DGJ = Transmission-5-Spd. Automatic,W5A580

AR = use ase required - = Non illustrated part

**Engine Compartment
Figure LBL5-205**

ITEM	PART NUMBER	QTY	LINE	SERIES	BODY	ENGINE	TRANS	TRIM	DESCRIPTION
------	-------------	-----	------	--------	------	--------	-------	------	-------------

		1		L	12, 15, 16				
		1		L	01, 02, 06				



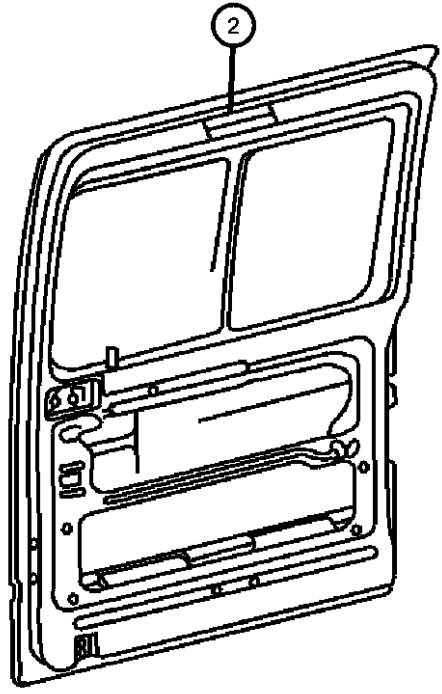
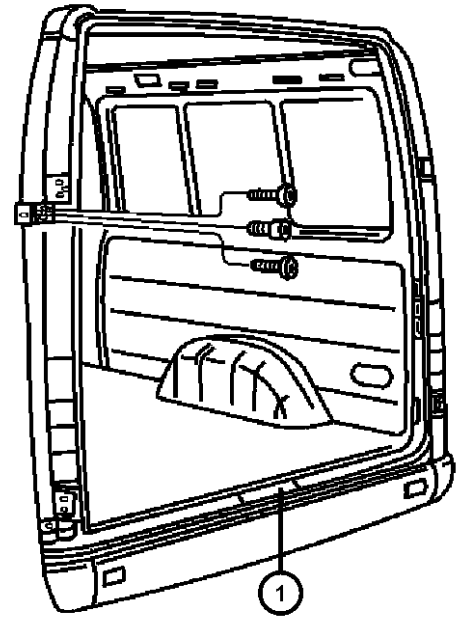
SPRINTER (VA)

SERIES	LINE	BODY	ENGINE	TRANSMISSION
L = LOWLINE	3 = HD DODGE 2WD 6 = Lt. Duty DODGE 4WD 2 = Med. Duty DODGE 2WD 7 = Med. Duty DODGE 4WD	55 = Wagon 140" 54 = Wagon 118" 52 = Wagon 140" 51 = Wagon 118" 12 = Van 140" 11 = Van 118" 06 = Front Section 158" 14 = Van 118" 15 = Van 140" 16 = Van 158" 56 = Wagon 158" 01 = Chassis Forward Control 118" 02 = Chassis Forward Control 140"	EX8 = Engine-2.7L I5 Mercedes Turbo Diesel	DGJ = Transmission-5-Spd. Automatic,W5A580

AR = use ase required - = Non illustrated part

2004 VA

Front / Side & Cargo
Figure LBL-305



ITEM	PART NUMBER	QTY	LINE	SERIES	BODY	ENGINE	TRANS	TRIM	DESCRIPTION
1	05124356AA	1		L	12, 15, 16				LABEL
		1		L	12, 15, 16				Cargo Hold Down LABEL, Warning
2	05121112AA	1		L	01, 02, 06				
		1		L	11, 12, 14, 15, 16				
		1		L	51, 52, 54, 55, 56				Sliding Door

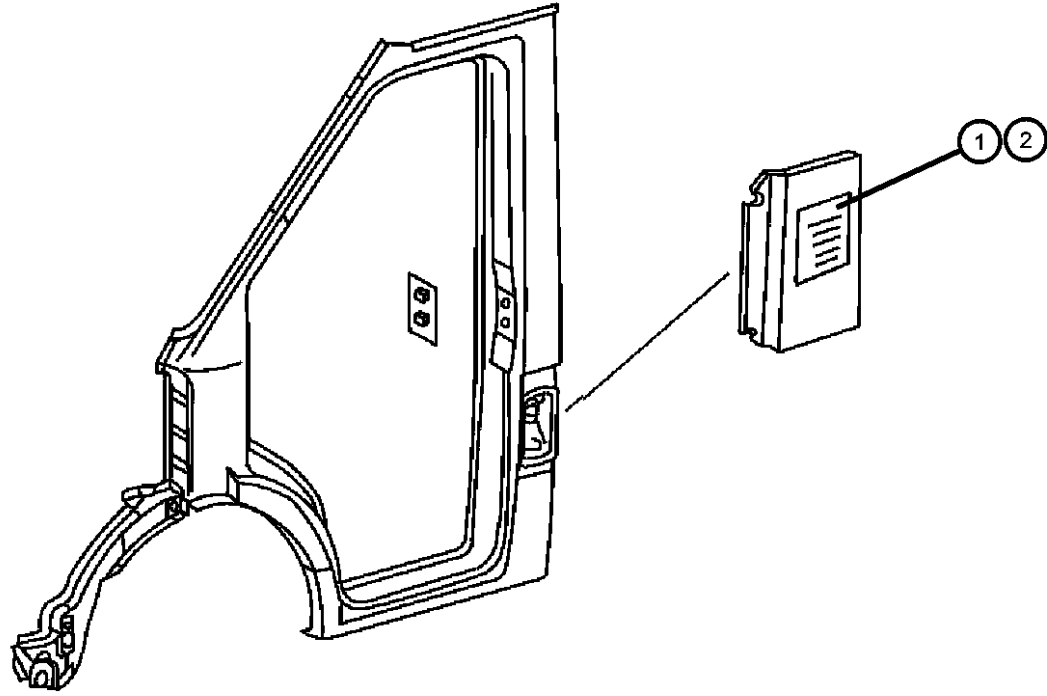
SPRINTER (VA)

SERIES	LINE	BODY	ENGINE	TRANSMISSION
L = LOWLINE	3 = HD DODGE 2WD 6 = Lt. Duty DODGE 4WD 2 = Med. Duty DODGE 2WD 7 = Med. Duty DODGE 4WD	55 = Wagon 140" 54 = Wagon 118" 52 = Wagon 140" 51 = Wagon 118" 12 = Van 140" 11 = Van 118" 06 = Front Section 158" 14 = Van 118" 15 = Van 140" 16 = Van 158" 56 = Wagon 158" 01 = Chassis Forward Control 118" 02 = Chassis Forward Control 140"	EX8 = Engine-2.7L I5 Mercedes Turbo Diesel	DGJ = Transmission-5-Spd. Automatic, W5A580

AR = use ase required - = Non illustrated part

Fuel Door & Filler
Figure LBLS-410

ITEM	PART NUMBER	QTY	LINE	SERIES	BODY	ENGINE	TRANS	TRIM	DESCRIPTION
1	05104152AA	1		L	11, 12, 14, 15, 16				LABEL, Fuel
		1		L	51, 52, 54, 55, 56				
		1		L	12, 15, 16				
2	05104153AA	1		L	11, 12, 14, 15, 16	EX9			LABEL, Diesel Fuel
		1		L	51, 52, 54, 55, 56	EX9			
		1		L	12, 15, 16	EX9			



SPRINTER (VA)

SERIES	LINE	BODY	ENGINE	TRANSMISSION
L = LOWLINE	3 = HD DODGE 2WD 6 = Lt. Duty DODGE 4WD 2 = Med. Duty DODGE 2WD 7 = Med. Duty DODGE 4WD	55 = Wagon 140" 54 = Wagon 118" 52 = Wagon 140" 51 = Wagon 118" 12 = Van 140" 11 = Van 118" 06 = Front Section 158" 14 = Van 118" 15 = Van 140" 16 = Van 158" 56 = Wagon 158"	EX8 = Engine-2.7L I5 Mercedes Turbo Diesel	DGJ = Transmission-5-Spd. Automatic,W5A580
		01 = Chassis Forward Control 118" 02 = Chassis Forward Control 140"		

AR = use ase required - = Non illustrated part