

## VIN PLATE DECODING INFORMATION

1	2	3	4	5	6	7	8	9	10	11	12 thru 17
WMI	WMI	WMI	Other	Model	Model	Engine, Brake	Engine, Brake	Check Digit	Model Year	Assy. Plant	Sequence No.

The following table interprets the VIN Plate position shown above.

Position	Interpretation	Codes = Description
1	World Manufacturer Identification	W = DaimlerChrysler AG
2	World Manufacturer Identification	D = Sprinter
3	World Manufacturer Identification	2 = Sprinter Truck 1 = Sprinter Cab-Chassis 5 = Sprinter Multipurpose Passenger Vehicle
4	Chassis Configuration	X = 4 X 2 Cab-Chassis Y = 4 X 2 Truck W = 4 X 2 Multipurpose Passenger Vehicle
5	Model, Wheelbase, GVWR	D = Combine with position 6
6	Model, Wheelbase, GVWR	1 = 2500C/C2500/P2500 3000 mm 15 in. wheel 8,001 - 9,000 lbs. Class G 2 = 2500C/C2500/P2500 3550 mm 15 in. wheel 8,001 - 9,000 lbs. Class G 6 = 2500C/C2500/P2500 3567 mm 16in. wheel 8,001 - 9,000 lbs. Class G 3 = 2500C/C2500/P2500 4025 mm 15 in. wheel 8,001 - 9,000 lbs. Class G 7 = 2500C/C2500/P2500 4042 mm 16in. wheel 8,001 - 9,000 lbs. Class G 4 = 3500C/C3500 3550 mm 15 in. wheel 9,001 - 10,000 lbs. Class H 5 = 3500C/C3500 4025 mm 15 in. wheel 9,001 - 10,000 lbs. Class H
7	Engine, Brake	4 = Combine with position 8
8	Engine, Brake	3 = 2.7L 45 State Diesel, Hydraulic Brakes 4 = 2.7L 50 State Diesel, Hydraulic Brakes 1 = 2.7L I-5 Diesel, Hydraulic Brakes
9	Check Digit	0 = Check Digit 0 = Check Digit
10	Model Year	4 = 2004 5 = 2005 3 = 2003
11	Assembly Plant	5 = Dusseldorf
12 thru 17	Vehicle Build Sequence	Model Year Assembly Sequence

# Group - 2

## Front Suspension & Drive

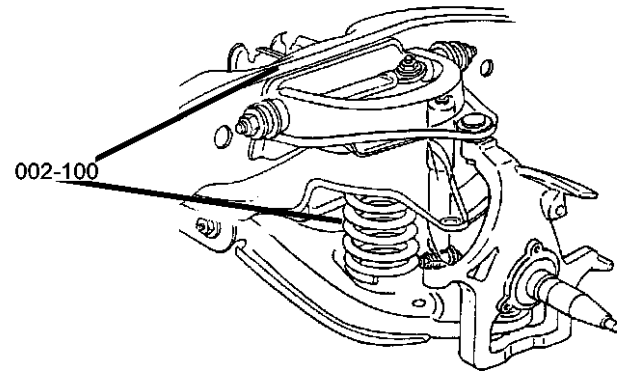
### Group - 2 Front Suspension & Drive

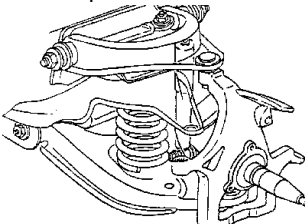
Illustration Title

Group-Fig. No.

#### Front Suspension

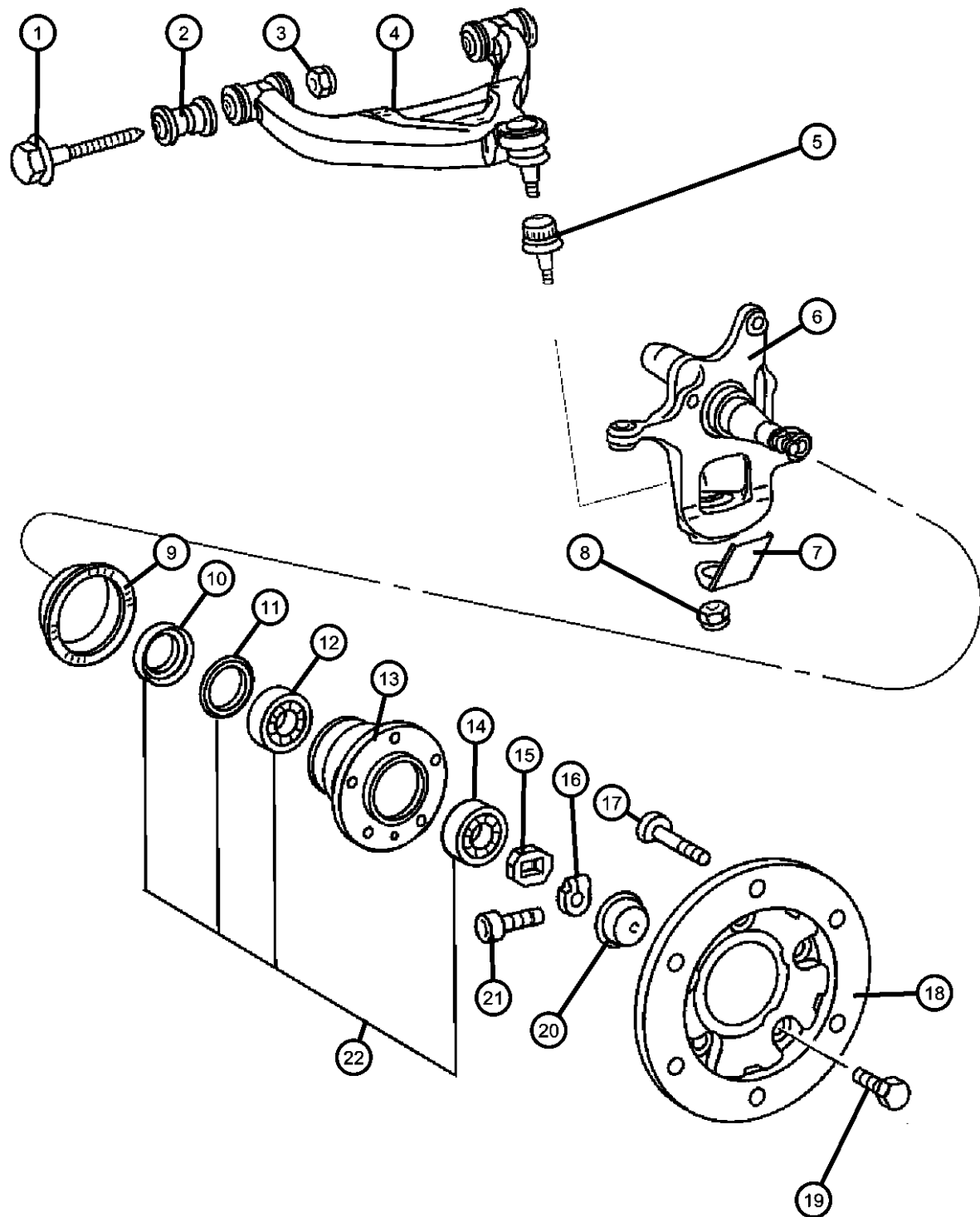
Front Control Arms, Knuckles, Bearings and Hubs.....	Fig. 2 - 110
Front Shocks .....	Fig. 2 - 120
Front Stabilizer Bar .....	Fig. 2 - 130
Front, Spring.....	Fig. 2 - 140



<p><b>002-100</b> Front Suspension</p> 			
---	--	--	--

Front Control Arms, Knuckles, Bearings and Hubs

Figure 2-110



ITEM	PART NUMBER	QTY	LINE	SERIES	BODY	ENGINE	TRANS	TRIM	DESCRIPTION
Note: Sales Codes Note: On Up To and From parts, you will have to refer to the Vehicle Data Card. [DGJ]=TRANSMISSION - 5-SPD AUTO, W5A3 [BGK]= 4-WHEEL ANTI-LOCK									
1	05133819AA	4							BOLT, Hex Head
2	05133818AA	2	2, 3, 6, 7						BUSHING, Control Arm
3									NUT
	06104719AA	2	2, 6	L	11, 12, 14, 15, 16				
		2	2, 6	L	51, 52, 54, 55, 56				
		2	3, 7	L	12, 15, 16				
4									ARM, Lower Control, Front
	05104578AA	1	2, 3, 6, 7						Left
	05136057AA	1	2, 3, 6, 7						Right
	05137552AA	1	3, 7	L	12, 15, 16				[BGK], Right
	05137632AA	1	3, 7	L	12, 15, 16				[BGK], Left
5	05104075AA	1	2, 3, 6, 7						BALL JOINT, Lower Control Arm Right or Left
6									KNUCKLE, Front
	05104579AA	1	3, 7						Left
	05135232AA	1	2, 6	L	11, 12, 14, 15, 16				Right
		1	2, 6	L	51, 52, 54, 55, 56				Right
	05135233AA	1	2, 6	L	11, 12, 14, 15, 16				Left
		1	2, 6	L	51, 52, 54, 55, 56				Left
	05139492AA	1	3, 7						Right
7	05136122AA	2							PLATE, Control Arm
8	05136123AA	1	2, 3, 6, 7						NUT, Ball Joint
9	05139358AA	2							RING, Tone
10	05103901AA	2							SEAL, Hub
11	05139359AA	2							SEAL, Wheel Hub
12	05103779AA	2							BEARING, AxleInner

SPRINTER (VA)

SERIES

L = LOWLINE

LINE

3 = HD DODGE 2WD  
 6 = Lt. Duty DODGE 4WD  
 2 = Med. Duty DODGE 2WD  
 7 = Med. Duty DODGE 4WD

BODY

51 = WAGON WHEEL BASE 1 EX9 = Engine - 2.7L 5 Cly  
 52 = WAGON WHEEL BASE 2 Mercedes Diesel  
 14 = VAN WHEEL BASE 4  
 15 = VAN WHEEL BASE 5  
 16 = VAN WHEEL BASE 6  
 54 = WAGON WHEEL BASE 4  
 55 = WAGON WHEEL BASE 5  
 56 = WAGON WHEEL BASE 6  
 11 = VAN WHEEL BASE 1  
 12 = VAN WHEEL BASE 2

ENGINE

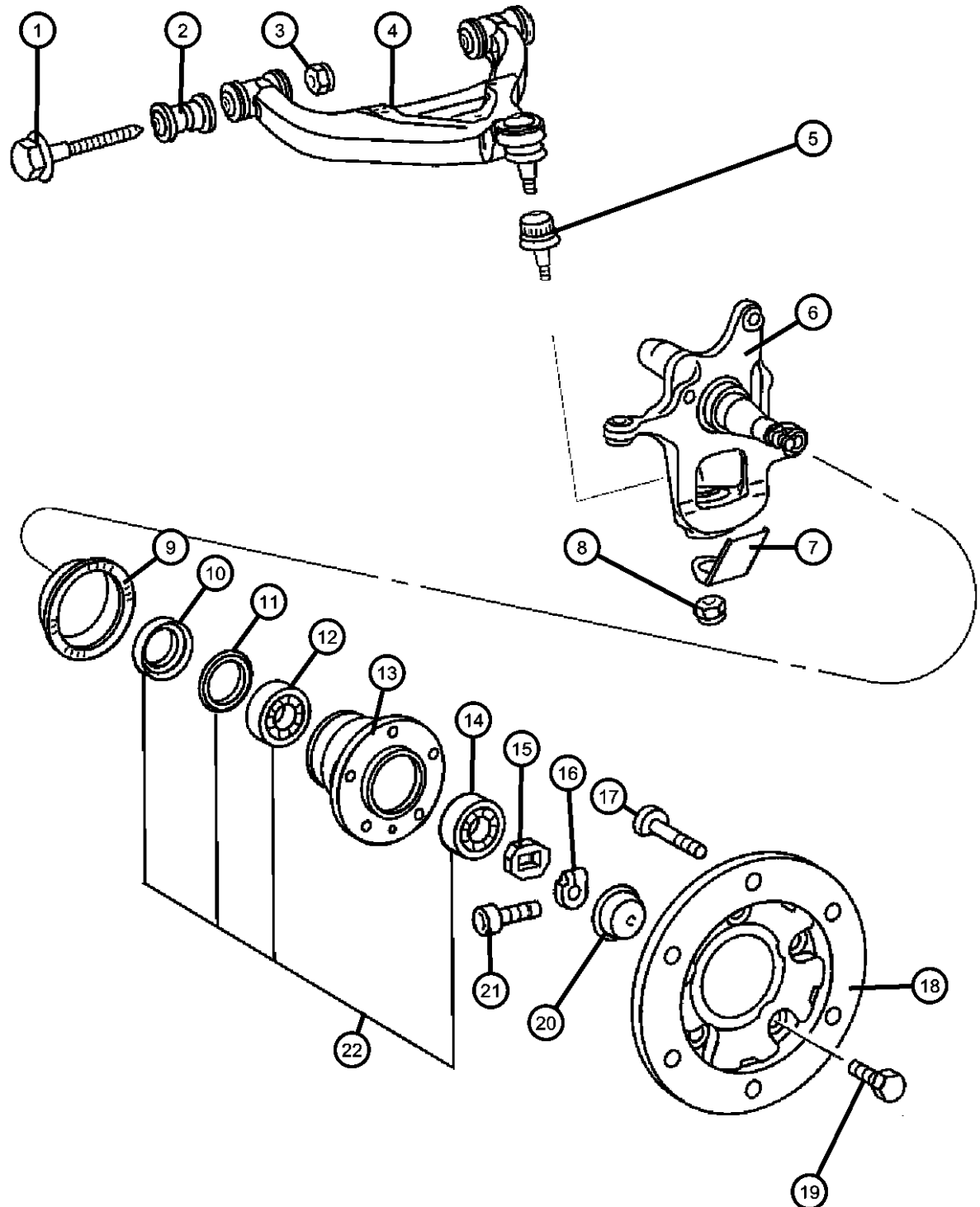
TRANSMISSION

DGJ = Transmission-5-Spd. Automatic, W5A580

AR = use ase required - = Non illustrated part

2003 VA

**Front Control Arms, Knuckles, Bearings and Hubs**  
**Figure 2-110**

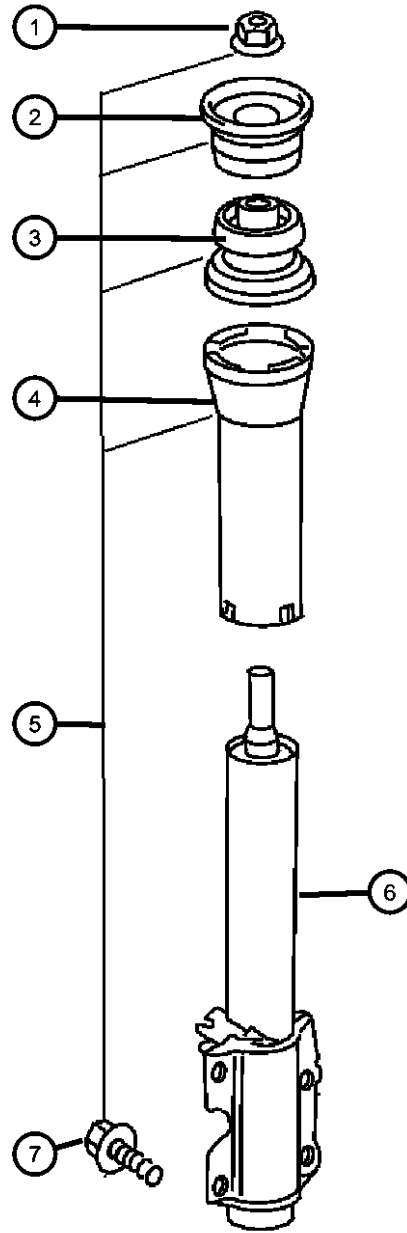


ITEM	PART NUMBER	QTY	LINE	SERIES	BODY	ENGINE	TRANS	TRIM	DESCRIPTION
13									HUB, Front Wheel
	05104556AA	2							Up To Front Axle S482213/Y422059
	05139360AA	2							From Front Axle S482214/Y422060
14	05103869AA	2							BEARING, AxleOuter
15	05103956AA	2							WASHER, Thrust, Front
16	05097843AA	2							NUT
17	05139905AA	12	3, 7						BOLT
18	05139903AA	2	3, 7						FLANGE, Axle Output
19	06104258AA	12	3, 7	L	12, 15, 16				BOLT, Hub
20	05103914AA	2							CAP, Wheel Hub Grease
21	05104617AA	2							SCREW
22									HUB AND BEARING PACKAGE, Kit
	05103579AA	1							From Front Axle S231916/Y245977
	05139357AA	1							Up To Front Axle 231915/Y245976

<b>SPRINTER (VA)</b>				
SERIES	LINE	BODY	ENGINE	TRANSMISSION
L = LOWLINE	3 = HD DODGE 2WD 6 = Lt. Duty DODGE 4WD 2 = Med. Duty DODGE 2WD 7 = Med. Duty DODGE 4WD	51 = WAGON WHEEL BASE 1 52 = WAGON WHEEL BASE 2 14 = VAN WHEEL BASE 4 15 = VAN WHEEL BASE 5 16 = VAN WHEEL BASE 6 54 = WAGON WHEEL BASE 4 55 = WAGON WHEEL BASE 5 56 = WAGON WHEEL BASE 6 11 = VAN WHEEL BASE 1 12 = VAN WHEEL BASE 2	EX9 = Engine - 2.7L 5 Cly Mercedes Diesel	DGJ = Transmission-5-Spd. Automatic,W5A580

AR = use ase required - = Non illustrated part

Front Shocks  
Figure 2-120



ITEM	PART NUMBER	QTY	LINE	SERIES	BODY	ENGINE	TRANS	TRIM	DESCRIPTION
	Note: Sales Codes: [SHA]=Stabilizer Bar - Front [3AT]=Rear Springs Weight 3.88T								
1	05125762AA	2	2, 6	L	11, 12, 14, 15, 16				NUT
		2	2, 6	L	51, 52, 54, 55, 56				
		2	3, 7	L	12, 15, 16				
2	05118718AA	2	2, 6	L	11, 12, 14, 15, 16				BUSHING, Shock Absorber
		2	2, 6	L	51, 52, 54, 55, 56				
		2	3, 7	L	12, 15, 16				
3	05118722AA	2	2, 6	L	11, 12, 14, 15, 16				BUSHING, Shock Absorber
		2	2, 6	L	51, 52, 54, 55, 56				
		2	3, 7	L	12, 15, 16				
4	05118728AA	2	2, 6	L	11, 12, 14, 15, 16				SHIELD, Shock Absorber Dust
		2	2, 6	L	51, 52, 54, 55, 56				
		2	3, 7	L	12, 15, 16				
5	05133869AA	2	3, 7	L	12, 15, 16				PARTS KIT, Shock
		2	2, 6	L	11, 12, 14, 15, 16				Includes Items 1,2,3,4,7
		2	2, 6	L	51, 52, 54, 55, 56				Includes Items 1,2,3,4,7
6	05104063AA	2	2, 6	L					ABSORBER, Shock
		2	2, 6	L					Shock Only
	05104575AA	2	3, 7	L	12, 15, 16				Shock Only
	05128502AA	1	3, 7	L	12, 15, 16				Shock Only

SPRINTER (VA)

SERIES

L = LOWLINE

LINE

3 = HD DODGE 2WD  
6 = Lt. Duty DODGE 4WD  
2 = Med. Duty DODGE 2WD  
7 = Med. Duty DODGE 4WD

BODY

51 = WAGON WHEEL BASE 1 EX9 = Engine - 2.7L 5 Clj  
52 = WAGON WHEEL BASE 2 Mercedes Diesel  
14 = VAN WHEEL BASE 4  
15 = VAN WHEEL BASE 5  
16 = VAN WHEEL BASE 6  
54 = WAGON WHEEL BASE 4  
55 = WAGON WHEEL BASE 5  
56 = WAGON WHEEL BASE 6  
11 = VAN WHEEL BASE 1  
12 = VAN WHEEL BASE 2

ENGINE

TRANSMISSION

DGJ = Transmission-5-Spd. Automatic,W5A580

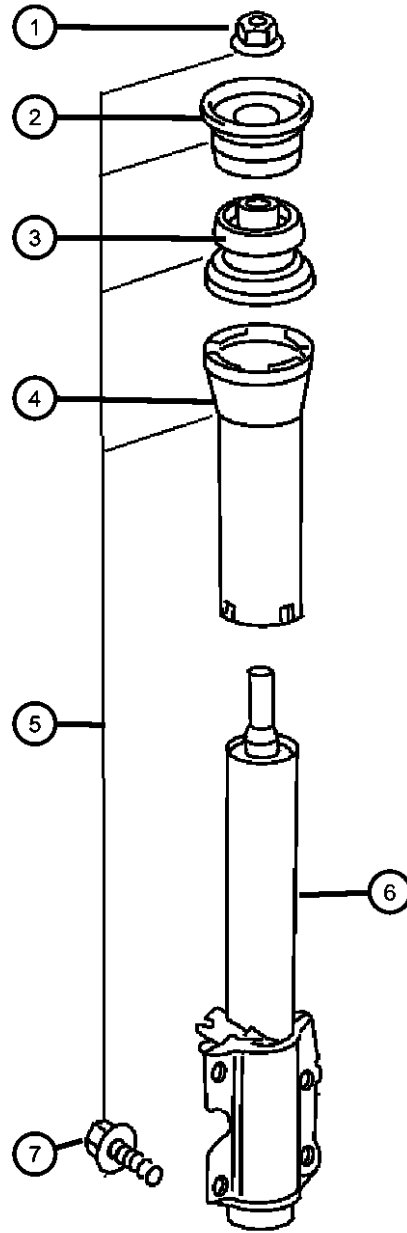
AR = use ase required - = Non illustrated part

2003 VA

Front Shocks  
Figure 2-120

ITEM	PART NUMBER	QTY	LINE	SERIES	BODY	ENGINE	TRANS	TRIM	DESCRIPTION
------	-------------	-----	------	--------	------	--------	-------	------	-------------

	05139548AA	2	2, 6						Shock Only [3AT,SHA]
7	05125699AA	8							SCREW, Strut to Knuckle, Mounting



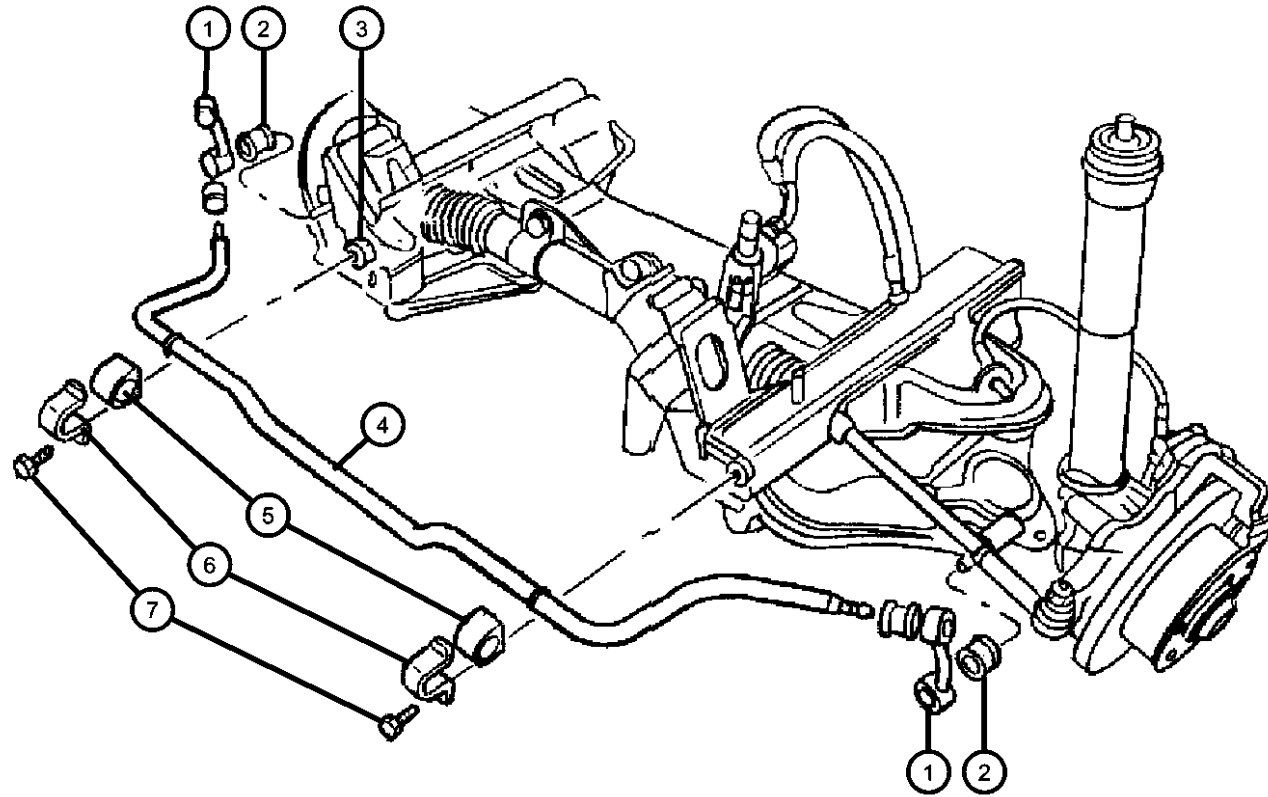
SPRINTER (VA)

SERIES	LINE	BODY	ENGINE	TRANSMISSION
L = LOWLINE	3 = HD DODGE 2WD 6 = Lt. Duty DODGE 4WD 2 = Med. Duty DODGE 2WD 7 = Med. Duty DODGE 4WD	51 = WAGON WHEEL BASE 1 52 = WAGON WHEEL BASE 2 14 = VAN WHEEL BASE 4 15 = VAN WHEEL BASE 5 16 = VAN WHEEL BASE 6 54 = WAGON WHEEL BASE 4 55 = WAGON WHEEL BASE 5 56 = WAGON WHEEL BASE 6 11 = VAN WHEEL BASE 1 12 = VAN WHEEL BASE 2	EX9 = Engine - 2.7L 5 Cly Mercedes Diesel	DGJ = Transmission-5-Spd. Automatic,W5A580

AR = use ase required - = Non illustrated part

2003 VA

Front Stabilizer Bar  
Figure 2-130



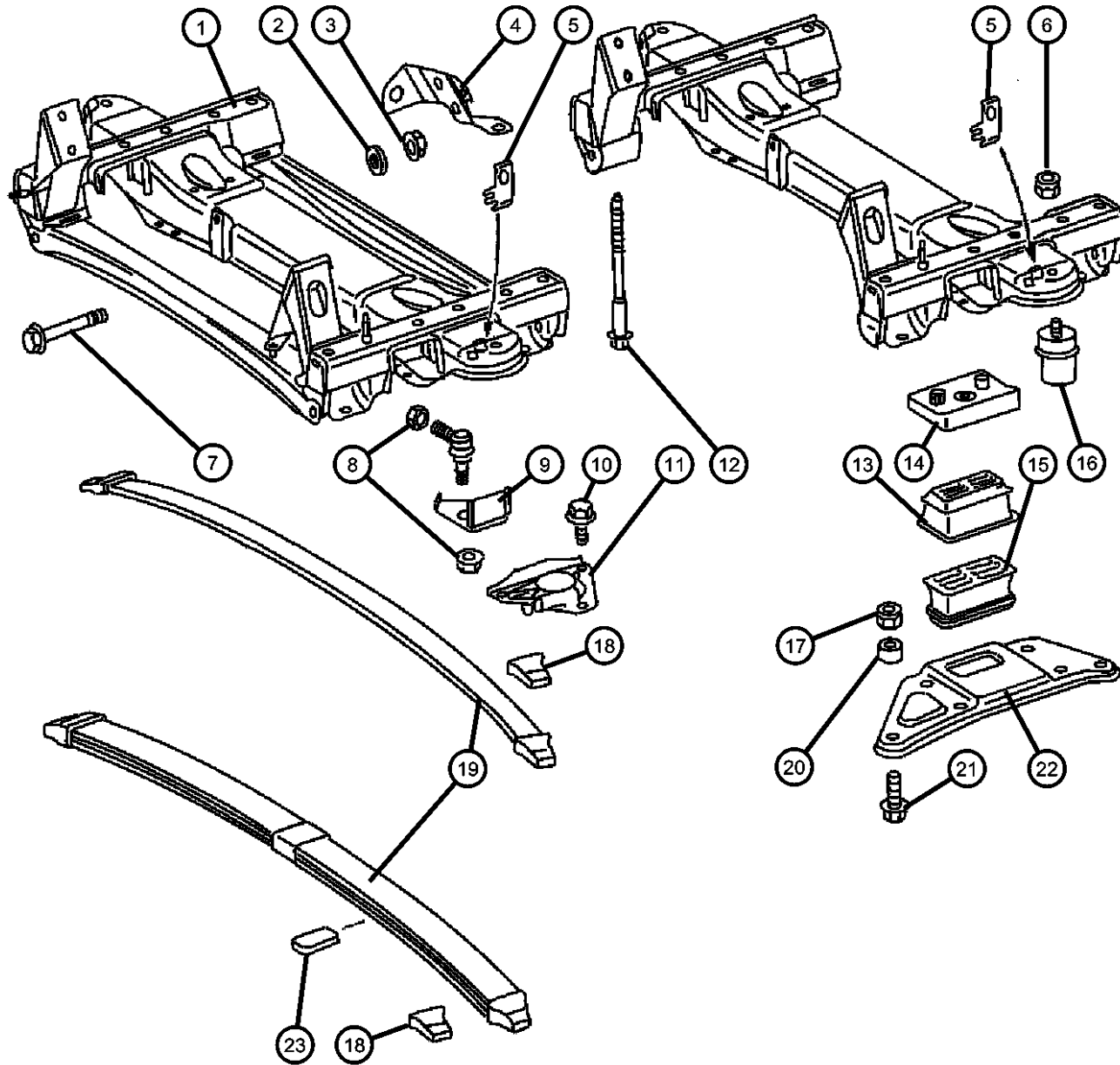
ITEM	PART NUMBER	QTY	LINE	SERIES	BODY	ENGINE	TRANS	TRIM	DESCRIPTION
1	05104059AA	1	2, 6	L	11, 12, 14, 15, 16				LINK, Stabilizer Bar Left
		1	2, 6	L	51, 52, 54, 55, 56				Left
	05104060AA	1	2, 6	L	11, 12, 14, 15, 16				Right
		1	2, 6	L	51, 52, 54, 55, 56				Right
2	05104066AA	4	2, 6	L	11, 12, 14, 15, 16				BUSHING Torsion Bar to Control Arm
		4	2, 6	L	51, 52, 54, 55, 56				Torsion Bar to Control Arm
3	05104677AA	2	2, 6	L	11, 12, 14, 15, 16				NUT
		2	2, 6	L	51, 52, 54, 55, 56				
4	05104576AA	1		L					BAR, Front Sway
5	05104577AA	2		L					BUSHING, Stabilizer Bar, Torsion Bar to Front Axle
6	05104067AA	2		L					RETAINER, Stabilizer Bar Grommet
7	05104656AA	2		L					BOLT

SPRINTER (VA)

SERIES	LINE	BODY	ENGINE	TRANSMISSION
L = LOWLINE	3 = HD DODGE 2WD 6 = Lt. Duty DODGE 4WD 2 = Med. Duty DODGE 2WD 7 = Med. Duty DODGE 4WD	51 = WAGON WHEEL BASE 1 52 = WAGON WHEEL BASE 2 14 = VAN WHEEL BASE 4 15 = VAN WHEEL BASE 5 16 = VAN WHEEL BASE 6 54 = WAGON WHEEL BASE 4 55 = WAGON WHEEL BASE 5 56 = WAGON WHEEL BASE 6 11 = VAN WHEEL BASE 1 12 = VAN WHEEL BASE 2	EX9 = Engine - 2.7L 5 Cly Mercedes Diesel	DGJ = Transmission-5-Spd. Automatic,W5A580

AR = use ase required - = Non illustrated part

Front, Spring  
Figure 2-140



ITEM	PART NUMBER	QTY	LINE	SERIES	BODY	ENGINE	TRANS	TRIM	DESCRIPTION
1	05139740AA	1							CROSSMEMBER, Front Axle
2	05139740AA	1							WASHER, (NOT SERVICED)
3									NUT
	06104718AA	4	2, 6	L	11, 12, 14, 15, 16				
		4	2, 6	L	51, 52, 54, 55, 56				
4	05119553AA	1							BRACKET, Steering Gear
5	05119553AA	1							BRACKET, (NOT SERVICED)
6									NUT
	05132896AA	6	2, 6	L	51, 52, 54, 55, 56				
		6	2, 6	L	11, 12, 14, 15, 16				
7	05125714AA	4							SCREW
8									NUT
	05125761AA	2	2, 6	L	11, 12, 14, 15, 16				
		2	2, 6	L	51, 52, 54, 55, 56				
9									PLATE, Backing
	05119249AA	2	2, 6	L	11, 12, 14, 15, 16				
		2	2, 6	L	51, 52, 54, 55, 56				
10									BOLT
	05126233AA	6	2, 6	L	11, 12, 14, 15, 16				
		6	2, 6	L	51, 52, 54, 55, 56				
11									MOUNT, Shock Upper
	05104064AA	1		L					Right
	05118705AA	2	3, 7						
	05118707AA	1		L					Left
12									SCREW AND WASHER, Hex

SPRINTER (VA)

SERIES

L = LOWLINE

LINE

3 = HD DODGE 2WD  
6 = Lt. Duty DODGE 4WD  
2 = Med. Duty DODGE 2WD  
7 = Med. Duty DODGE 4WD

BODY

51 = WAGON WHEEL BASE 1  
52 = WAGON WHEEL BASE 2  
14 = VAN WHEEL BASE 4  
15 = VAN WHEEL BASE 5  
16 = VAN WHEEL BASE 6  
54 = WAGON WHEEL BASE 4  
55 = WAGON WHEEL BASE 5  
56 = WAGON WHEEL BASE 6  
11 = VAN WHEEL BASE 1  
12 = VAN WHEEL BASE 2

ENGINE

EX9 = Engine - 2.7L 5 Cly  
Mercedes Diesel

TRANSMISSION

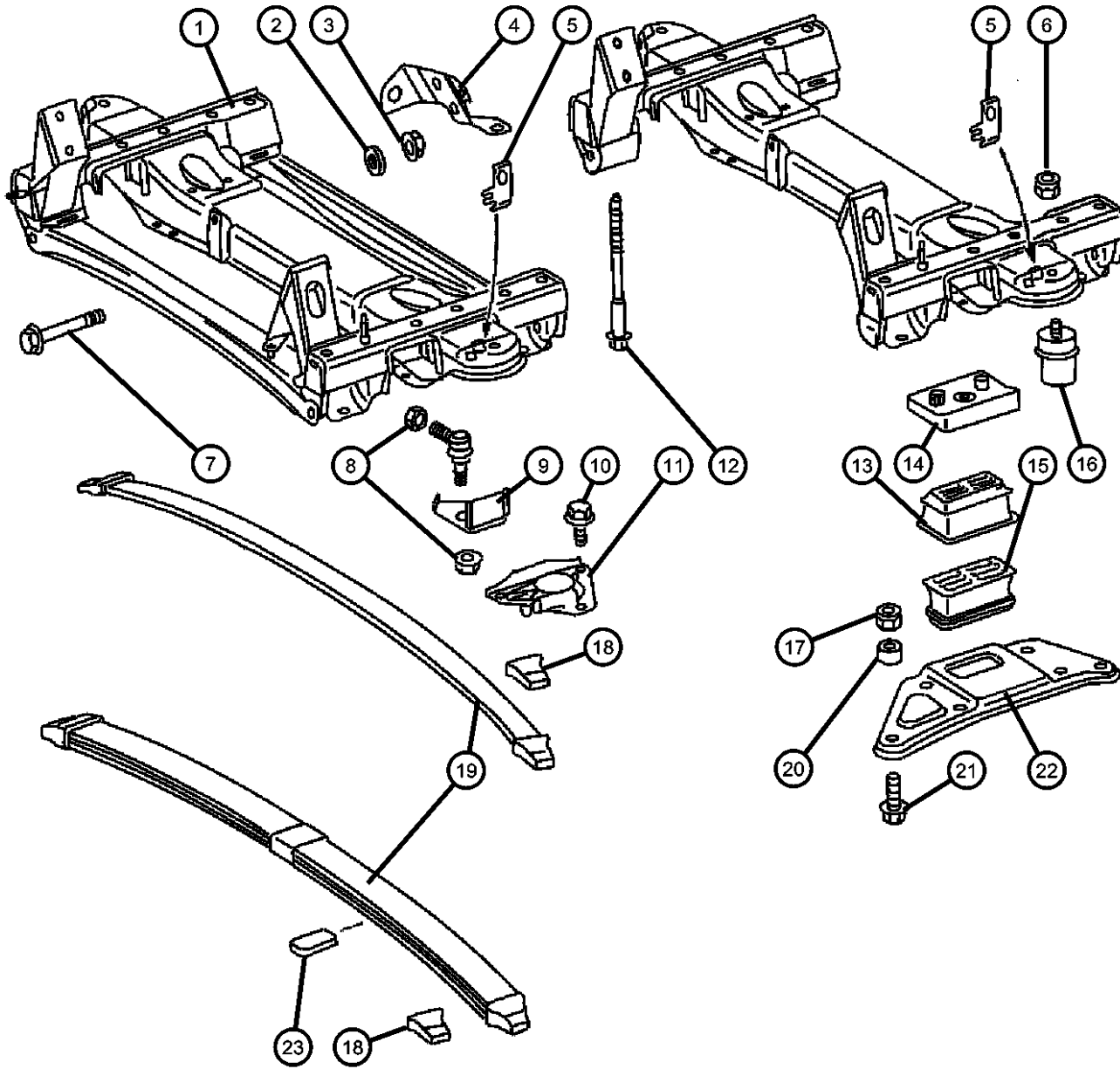
DGJ = Transmission-5-Spd.  
Automatic,W5A580

AR = use ase required - = Non illustrated part

2003 VA



Front, Spring  
Figure 2-140



ITEM	PART NUMBER	QTY	LINE	SERIES	BODY	ENGINE	TRANS	TRIM	DESCRIPTION
	05125725AA	8	2, 6	L	11, 12, 14, 15, 16				
		8	2, 6	L	51, 52, 54, 55, 56				
13	05139190AA	2							SEAT, Spring To Frame With SV#500323/03
	05139558AA	2							To Frame With SV#500323/02
14	05139552AA	1							SHIM, Spring Seat Left
	05139554AA	1							Right
15	05139189AA	1							SEAT, Spring Right
	05139188AA	1							Left
16	05139555AA	2							BUMPER, Suspension Jounce
17	06104717AA	8	2, 6	L	11, 12, 14, 15, 16				NUT M10 x 1.5
		8	2, 6	L	51, 52, 54, 55, 56				M10 x 1.5
		8	3, 7	L	12, 15, 16				M10 x 1.5
	06104718AA	4	2, 6	L	11, 12, 14, 15, 16				M12 x 1.5
		4	2, 6	L	51, 52, 54, 55, 56				M12 x 1.5
		4	3, 7	L	12, 15, 16				M12 x 1.5
18	05139556AA	2							SEAT, Spring
19	05139112AA	1							SPRING, Front Leaf
20	05139737AA	4							BUSHING, Spring
21	06104215AA	8	2, 3, 6, 7						BOLT, Hex Head M10 x 1.5 x 25.00
	06104233AA	4							M12 x 1.5 x 25.00
22	05139186AA	1							PLATE, Suspension Left

SPRINTER (VA)

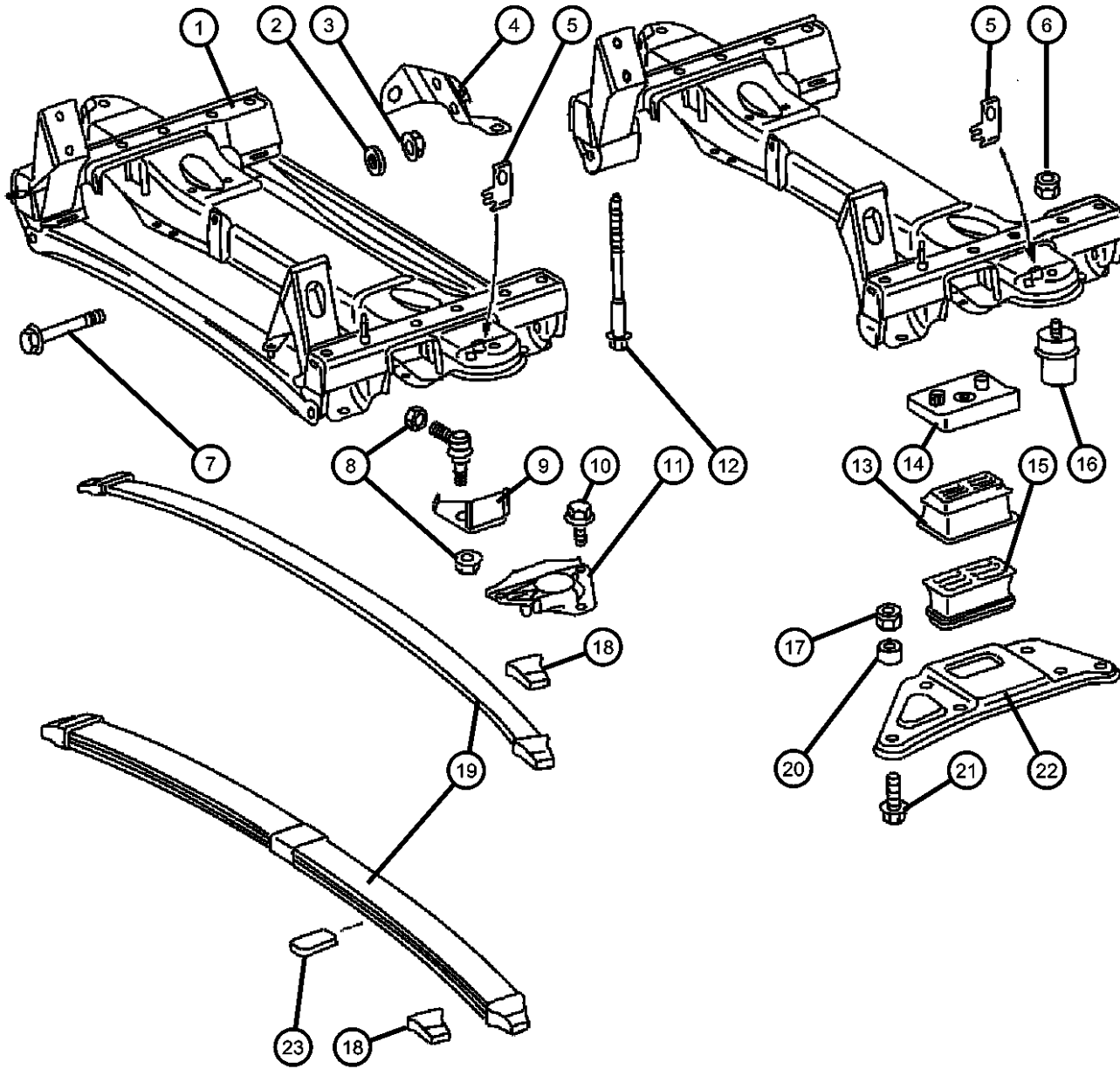
SERIES	LINE	BODY	ENGINE	TRANSMISSION
L = LOWLINE	3 = HD DODGE 2WD 6 = Lt. Duty DODGE 4WD 2 = Med. Duty DODGE 2WD 7 = Med. Duty DODGE 4WD	51 = WAGON WHEEL BASE 1 52 = WAGON WHEEL BASE 2 14 = VAN WHEEL BASE 4 15 = VAN WHEEL BASE 5 16 = VAN WHEEL BASE 6 54 = WAGON WHEEL BASE 4 55 = WAGON WHEEL BASE 5 56 = WAGON WHEEL BASE 6 11 = VAN WHEEL BASE 1 12 = VAN WHEEL BASE 2	EX9 = Engine - 2.7L 5 Cly Mercedes Diesel	DGJ = Transmission-5-Spd. Automatic, W5A580

AR = use ase required - = Non illustrated part

Front, Spring  
Figure 2-140

ITEM	PART NUMBER	QTY	LINE	SERIES	BODY	ENGINE	TRANS	TRIM	DESCRIPTION
------	-------------	-----	------	--------	------	--------	-------	------	-------------

	05139187AA	1							Right
23	05139187AA	1							SHIM, (NOT SERVICED)



SPRINTER (VA)

SERIES	LINE	BODY	ENGINE	TRANSMISSION
L = LOWLINE	3 = HD DODGE 2WD	51 = WAGON WHEEL BASE 1	EX9 = Engine - 2.7L 5 Cly	DGJ = Transmission-5-Spd. Automatic,W5A580
	6 = Lt. Duty DODGE 4WD	52 = WAGON WHEEL BASE 2	Mercedes Diesel	
	2 = Med. Duty DODGE 2WD	14 = VAN WHEEL BASE 4		
	7 = Med. Duty DODGE 4WD	15 = VAN WHEEL BASE 5		
		16 = VAN WHEEL BASE 6		
		54 = WAGON WHEEL BASE 4		
		55 = WAGON WHEEL BASE 5		
		56 = WAGON WHEEL BASE 6		
		11 = VAN WHEEL BASE 1		
		12 = VAN WHEEL BASE 2		

AR = use ase required - = Non illustrated part

# Group - 3

## Rear Axle

### Group - 3 Rear Axle

Group-Fig. No.

Illustration Title

#### Rear Axle

Differential Assembly,Rear ..... Fig. 3 - 110

#### Differential and Housing

Internal Differential Parts,Rear ..... Fig. 3 - 210

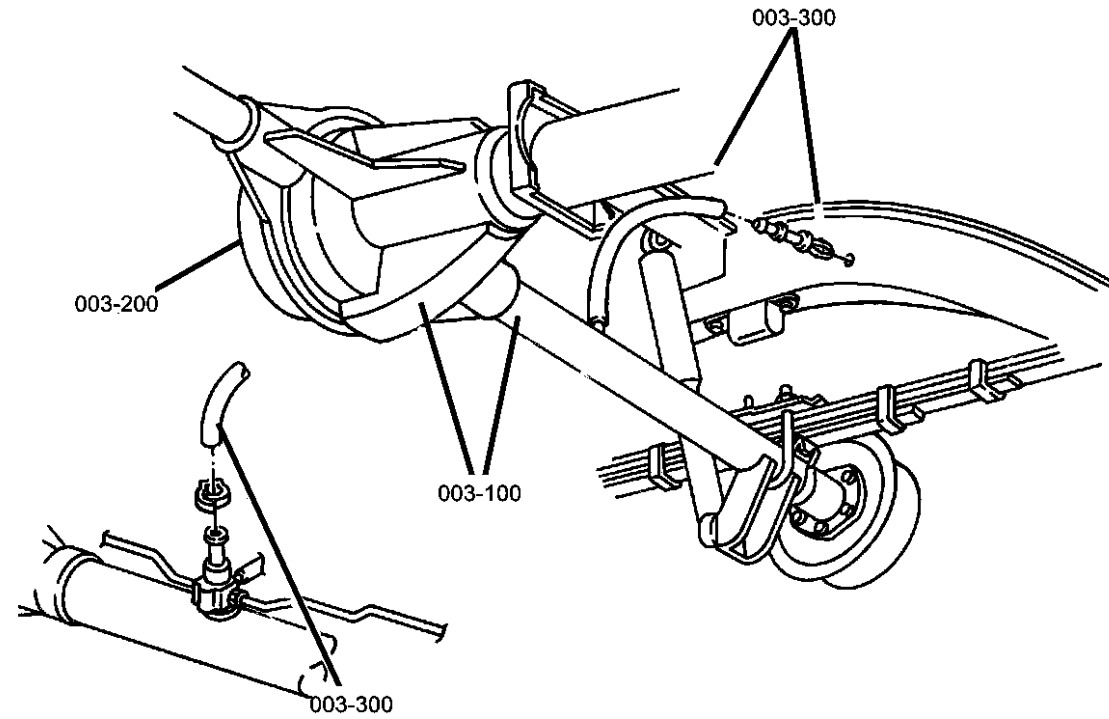
Differential Housing,Rear ..... Fig. 3 - 220

Axle Shaft and Wheel Bearings,Single Rear Wheels ..... Fig. 3 - 230

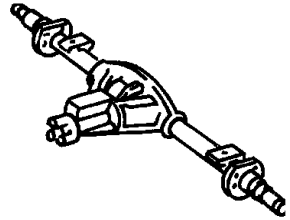
Axle Shaft and Wheel Bearings,Dual Rear Wheels ..... Fig. 3 - 240

#### Rear Axle Vent

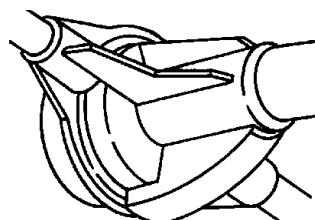
Vent,Rear Axle ..... Fig. 3 - 310



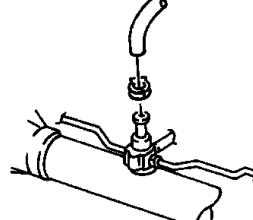
**003-100**  
Rear Axle



**003-200**  
Differential and Housing



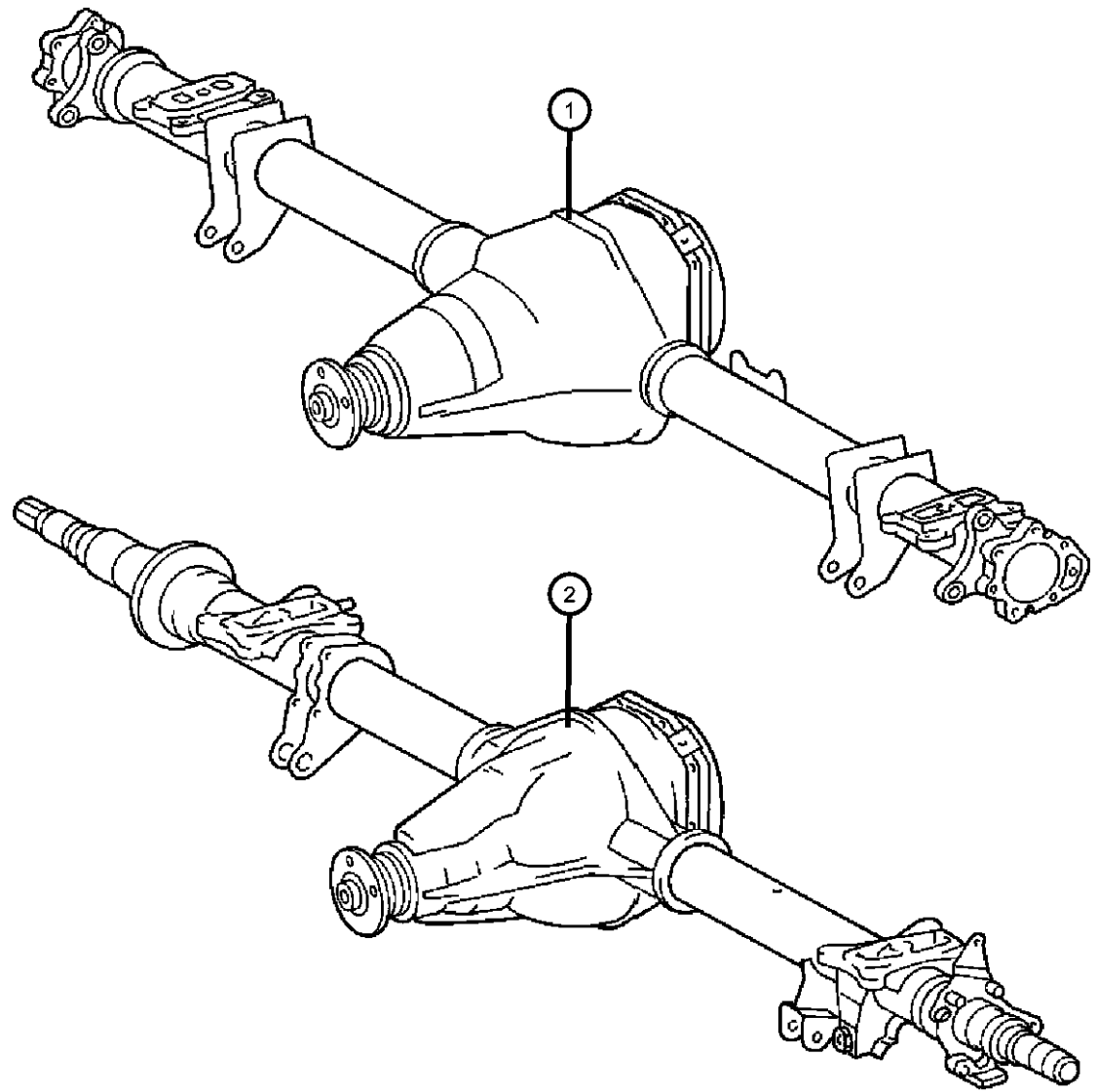
**003-300**  
Rear Axle Vent



**Differential Assembly,Rear**  
**Figure 3-110**

ITEM	PART NUMBER	QTY	LINE	SERIES	BODY	ENGINE	TRANS	TRIM	DESCRIPTION
------	-------------	-----	------	--------	------	--------	-------	------	-------------

Note: Sales Codes:  
[DME]=Axle Ratio - 3.72  
[DMF]=Axle Ratio - 4.11



1	05137591AA	1	2, 6						AXLE, Service Rear
	05136033AA								[DMF] Single Rear Axle
	05137755AA	1	2, 6	L					Mopar SAE 90 Gear Lube Quart for Sprinter Axles
	05136033AA								[DME] Single Rear Axle
	05136033AA								Mopar SAE 90 Gear Lube Quart for Sprinter Axles
2	05135823AA	1	3, 7	L	12, 15, 16				AXLE, Service Rear
	05136033AA								[DME] Dual Rear Axle
	05135928AA	1	3, 7	L					Mopar SAE 90 Gear Lube Quart for Sprinter Axles
	05136033AA								[DMF] Dual Rear Axle
	05136033AA								Mopar SAE 90 Gear Lube Quart for Sprinter Axles

**SPRINTER (VA)**

SERIES	LINE	BODY	ENGINE	TRANSMISSION
L = LOWLINE	3 = HD DODGE 2WD	51 = WAGON WHEEL BASE 1	EX9 = Engine - 2.7L 5 Cly	DGJ = Transmission-5-Spd. Automatic,W5A580
	6 = Lt. Duty DODGE 4WD	52 = WAGON WHEEL BASE 2	Mercedes Diesel	
	2 = Med. Duty DODGE 2WD	14 = VAN WHEEL BASE 4		
	7 = Med. Duty DODGE 4WD	15 = VAN WHEEL BASE 5		
		16 = VAN WHEEL BASE 6		
		54 = WAGON WHEEL BASE 4		
		55 = WAGON WHEEL BASE 5		
		56 = WAGON WHEEL BASE 6		
		11 = VAN WHEEL BASE 1		
		12 = VAN WHEEL BASE 2		

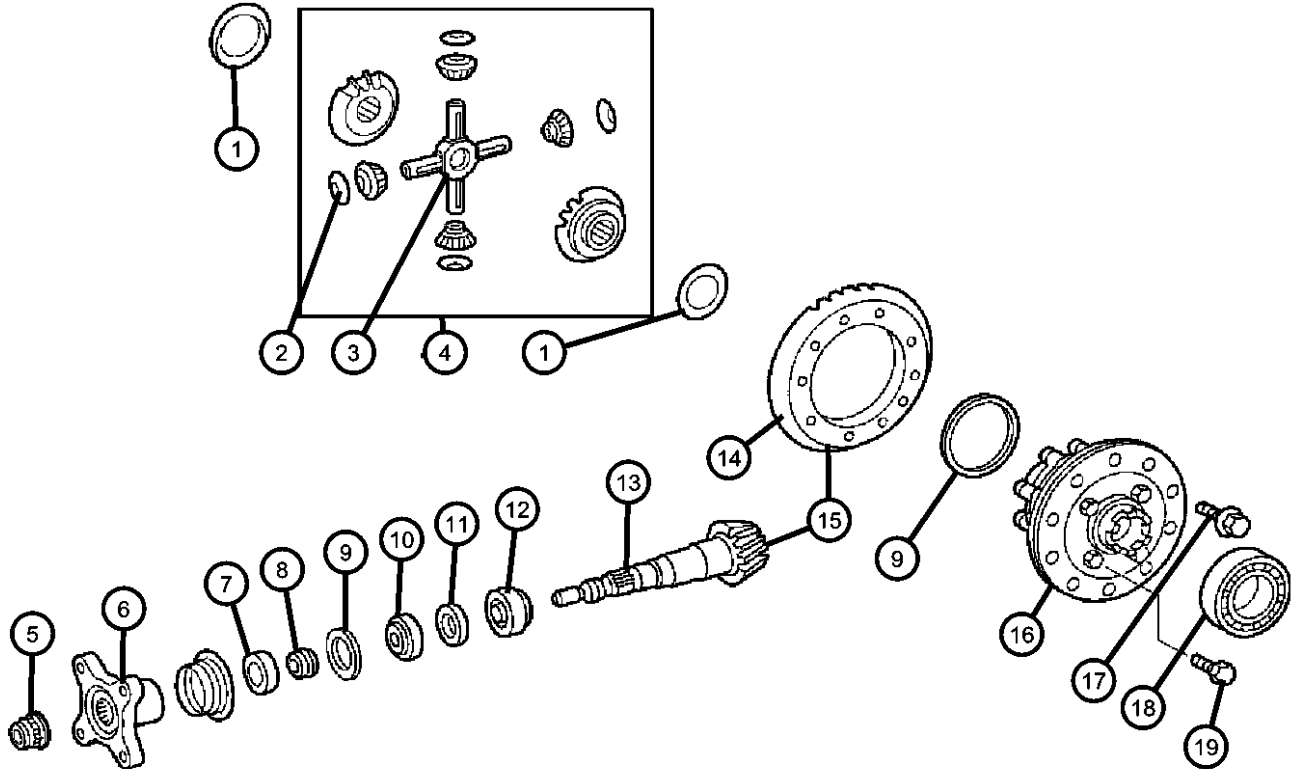
AR = use ase required - = Non illustrated part

2003 VA



**Internal Differential Parts,Rear**  
**Figure 3-210**

ITEM	PART NUMBER	QTY	LINE	SERIES	BODY	ENGINE	TRANS	TRIM	DESCRIPTION
	05103958AA	1							From Axle L538155 or X004695
6	05134541AA	1		L					FLANGE, Driveshaft Yoke
7	05103966AA	1		L					RING, Pinion flange
8	05134540AA	1		L					SPACER, Drive Pinion Bearing
9									SHIM, Axle
	05134418AB	1	2, 3, 6, 7						[4.96 MM]
	05134419AA	1	2, 3, 6, 7						[5.00 MM]
	05134415AA	1	2, 3, 6, 7						[4.90 MM]
	05134416AA	1	2, 3, 6, 7						[4.92 MM]
	05134417AA	1	2, 3, 6, 7						[4.94 MM]
	05134425AA	1	2, 3, 6, 7	L					[5.20 MM]
	05134427AA	1	2, 3, 6, 7	L					[5.24 MM]
	05134428AA	1	2, 3, 6, 7	L					[5.28 MM]
	05134429AA	1	2, 3, 6, 7	L					[5.32 MM]
	05134420AA	1	2, 3, 6, 7						[5.02 MM]
	05134421AA	1	2, 3, 6, 7						[5.04 MM]
	05134422AB	1	2, 3, 6, 7						[5.06 MM]
	05134423AA	1	2, 3, 6, 7						[5.12 MM]
	05134424AA	1	2, 3, 6, 7	L					[5.16 MM]
	05134439AA	1	2, 3, 6, 7	L					[5.92 MM]
	05134440AA	1	2, 3, 6, 7						[5.96 MM]
	05134441AA	1	2, 3, 6, 7	L					[6.00 MM]
	05134466AA	1	2, 3, 6, 7	L					[6.10 MM]
	05134430AA	1	2, 3, 6, 7	L					[5.36 MM]
	05134431AA	1	2, 3, 6, 7	L					[5.40 MM]
	05134432AA	1	2, 3, 6, 7	L					[5.50 MM]
	05134433AA	1	2, 3, 6, 7	L					[5.60 MM]
	05134434AA	1	2, 3, 6, 7	L					[5.72 MM]
	05134435AA	1	2, 3, 6, 7	L					[5.76 MM]
	05134436AA	1	2, 3, 6, 7	L					[5.80 MM]
	05134437AA	1	2, 3, 6, 7	L					[5.84 MM]

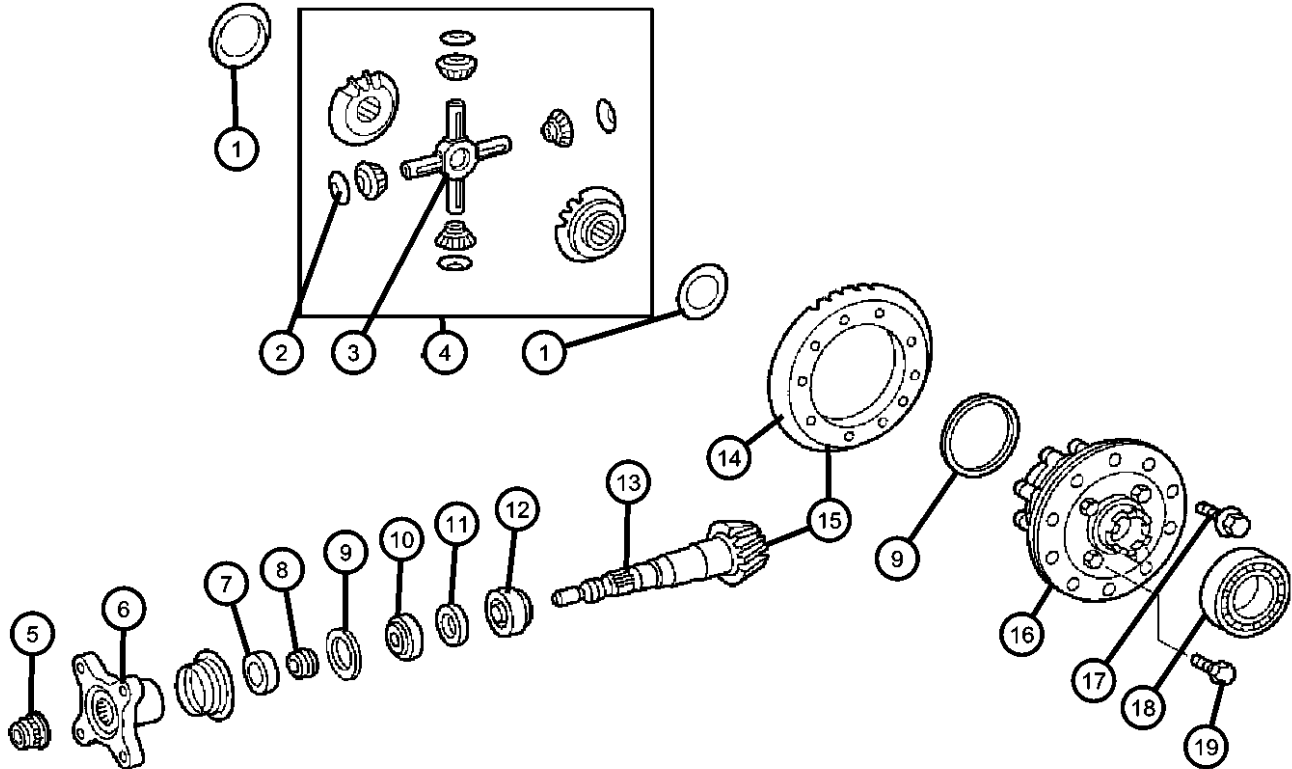


**SPRINTER (VA)**

<b>SERIES</b>	<b>LINE</b>	<b>BODY</b>	<b>ENGINE</b>	<b>TRANSMISSION</b>
L = LOWLINE	3 = HD DODGE 2WD 6 = Lt. Duty DODGE 4WD 2 = Med. Duty DODGE 2WD 7 = Med. Duty DODGE 4WD	51 = WAGON WHEEL BASE 1 52 = WAGON WHEEL BASE 2 14 = VAN WHEEL BASE 4 15 = VAN WHEEL BASE 5 16 = VAN WHEEL BASE 6 54 = WAGON WHEEL BASE 4 55 = WAGON WHEEL BASE 5 56 = WAGON WHEEL BASE 6 11 = VAN WHEEL BASE 1 12 = VAN WHEEL BASE 2	EX9 = Engine - 2.7L 5 Cly Mercedes Diesel	DGJ = Transmission-5-Spd. Automatic,W5A580

AR = use ase required - = Non illustrated part

Internal Differential Parts,Rear  
Figure 3-210



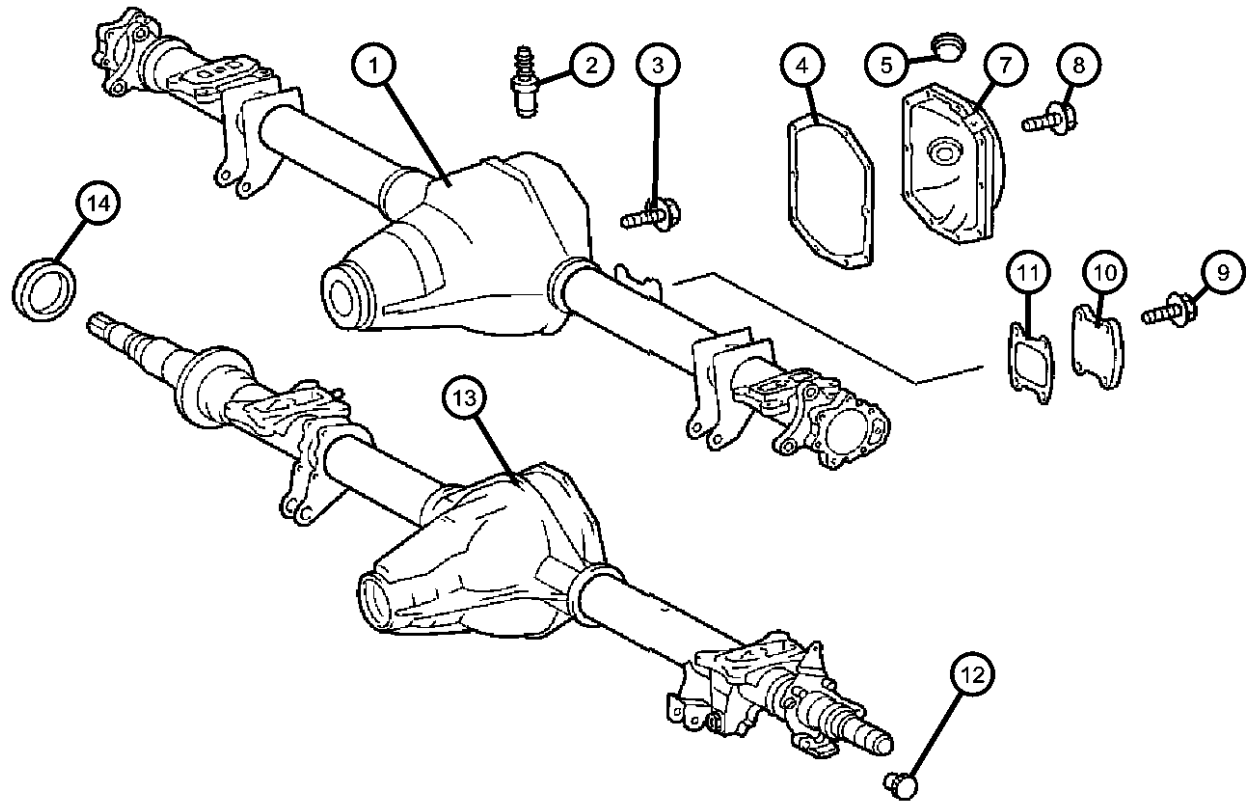
ITEM	PART NUMBER	QTY	LINE	SERIES	BODY	ENGINE	TRANS	TRIM	DESCRIPTION
	05134438AA	1	2, 3, 6, 7	L					[5.88 MM]
	05134467AA	1	2, 3, 6, 7	L					[6.20 MM]
	05134468AB	1	2, 3, 6, 7	L					[6.30 MM]
	05134469AA	1	2, 3, 6, 7	L					[6.38 MM]
10	05136772AA	1		L					BEARINGFront
11	05103900AA	1		L					SEAL, Drive Pinion
12	05134442AA	1		L					BEARING, Drive PinionRear
13	05136773AA	1	2, 3, 6, 7	L					PINION, Differential, [DME]
14	05136774AA	1		L					GEAR, Differential Ring, [DME]
15	05136156AA	1	2, 3, 6, 7	L	11, 12, 14, 15, 16				GEAR KIT, Ring And Pinion [DMF]
		1	2, 3, 6, 7	L	51, 52, 54, 55, 56				[DMF]
16	05136172AA	1	3, 7		11, 12, 14, 15, 16				CASE, Differential [DMF]
	05104557AA	1	2, 6	L	11, 12, 14, 15, 16				[DME]
		1	2, 6	L	56, 51, 52, 54, 55				[DME]
17	05103849AA	10	2, 3, 6, 7	L					BOLT, Ring Gear, Mounting
18	05097700AA	1	2, 3, 6, 7						BEARING, Differential
19	05136178AA	8							SCREW, Differential, Differential Case Half, Mounting

SPRINTER (VA)

SERIES	LINE	BODY	ENGINE	TRANSMISSION
L = LOWLINE	3 = HD DODGE 2WD 6 = Lt. Duty DODGE 4WD 2 = Med. Duty DODGE 2WD 7 = Med. Duty DODGE 4WD	51 = WAGON WHEEL BASE 1 52 = WAGON WHEEL BASE 2 14 = VAN WHEEL BASE 4 15 = VAN WHEEL BASE 5 16 = VAN WHEEL BASE 6 54 = WAGON WHEEL BASE 4 55 = WAGON WHEEL BASE 5 56 = WAGON WHEEL BASE 6 11 = VAN WHEEL BASE 1 12 = VAN WHEEL BASE 2	EX9 = Engine - 2.7L 5 Cly Mercedes Diesel	DGJ = Transmission-5-Spd. Automatic,W5A580

AR = use ase required - = Non illustrated part

Differential Housing,Rear  
Figure 3-220



ITEM	PART NUMBER	QTY	LINE	SERIES	BODY	ENGINE	TRANS	TRIM	DESCRIPTION
1	05136178AA	8							HOUSING, Rear Axle, Serviced in complete assy only, (NOT SERVICED)
2	05134368AA	1	3, 7	L	12, 15, 16				VENT, Axle
		1	2, 6	L	11, 12, 14, 15, 16				
		1	2, 6	L	51, 52, 54, 55, 56				
3	06104225AA	4	3, 7	L	12, 15, 16				BOLT, Hex Head
		4	2, 6	L	11, 12, 14, 15, 16				Carrier Bearing Cap, Mounting
		4	2, 6	L	51, 52, 54, 55, 56				Carrier Bearing Cap, Mounting
4	05103574AA	1	2, 3, 6, 7						GASKET, Differential CoverMounting
5	05097712AA	1	2, 3, 6, 7						PLUG, Oil Drain, Oil Filling and Oil Drain
-6	05134372AA	1	2, 3, 6, 7						GASKET, Oil Filling and Oil Drain Plug, Mounting
7	05103953AA	1	3, 7	L	12, 15, 16				COVER, Differential
		1	2, 6	L	11, 12, 14, 15, 16				
		1	2, 6	L	51, 52, 54, 55, 56				
8	05134371AA	10	2, 3, 6, 7						SCREW AND WASHER, Differential Cover, Mounting
9	06104195AA	4	2, 6	L	11, 12, 14, 15, 16				Axle Housing Cover, Mounting
		4	2, 6	L	51, 52, 54, 55, 56				Axle Housing Cover, Mounting
10	05134668AA	1	2, 6	L	11, 12, 14, 15, 16				COVER
		1	2, 6	L	51, 52, 54, 55, 56				Axle Housing
11									GASKET

SPRINTER (VA)

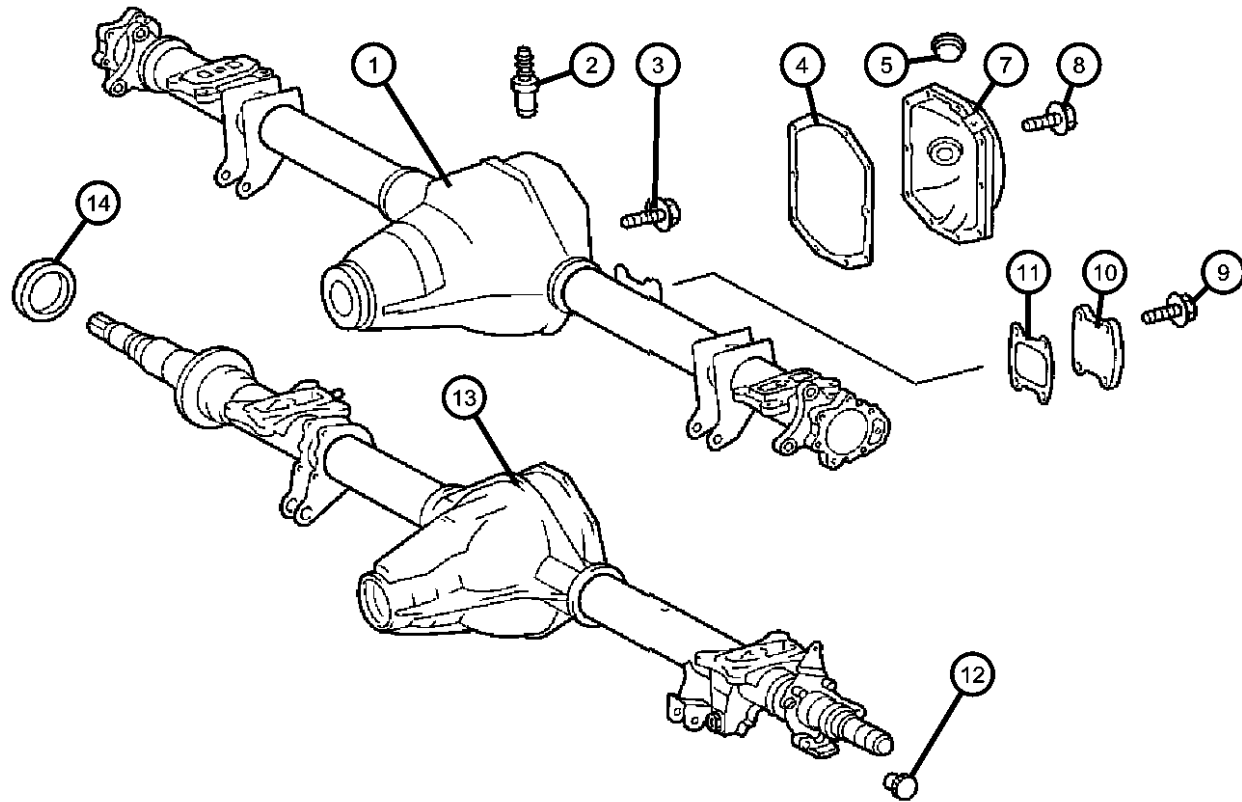
SERIES	LINE	BODY	ENGINE	TRANSMISSION
L = LOWLINE	3 = HD DODGE 2WD 6 = Lt. Duty DODGE 4WD 2 = Med. Duty DODGE 2WD 7 = Med. Duty DODGE 4WD	51 = WAGON WHEEL BASE 1 52 = WAGON WHEEL BASE 2 14 = VAN WHEEL BASE 4 15 = VAN WHEEL BASE 5 16 = VAN WHEEL BASE 6 54 = WAGON WHEEL BASE 4 55 = WAGON WHEEL BASE 5 56 = WAGON WHEEL BASE 6 11 = VAN WHEEL BASE 1 12 = VAN WHEEL BASE 2	EX9 = Engine - 2.7L 5 Cyl Mercedes Diesel	DGJ = Transmission-5-Spd. Automatic,W5A580

AR = use ase required - = Non illustrated part



Differential Housing,Rear  
Figure 3-220

ITEM	PART NUMBER	QTY	LINE	SERIES	BODY	ENGINE	TRANS	TRIM	DESCRIPTION
	05134669AA	1	2, 6	L	11, 12, 14, 15, 16				Axle Housing Cover, Mounting
		1	2, 6	L	51, 52, 54, 55, 56				Axle Housing Cover, Mounting
12	05134667AA	2	3, 7	L	12, 15, 16				PLUG, To Lock Holes for ABS
13	05139133AA	1	3, 7	L	12, 15, 16				HOUSING, Rear Axle, For Dual Rear Wheels
14									THRUST RING
	05104027AA	1	3, 7	L	12, 15, 16				Right
	05134665AA	1	3, 7	L	12, 15, 16				Left



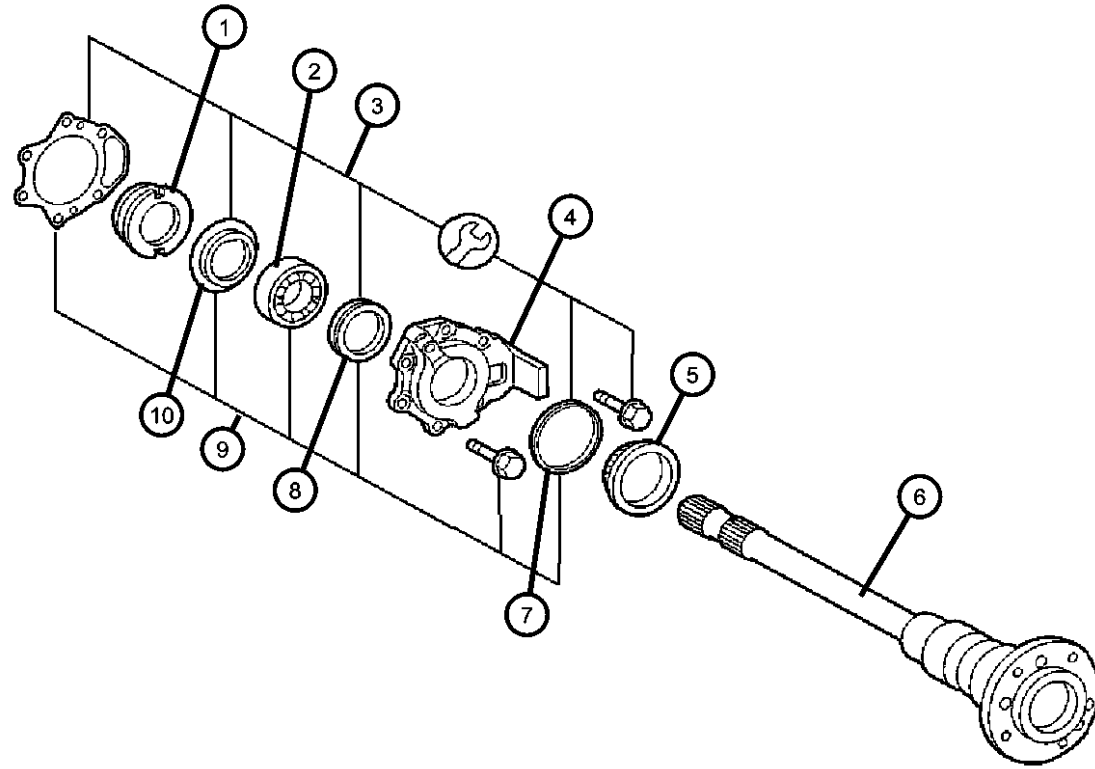
**SPRINTER (VA)**

SERIES	LINE	BODY	ENGINE	TRANSMISSION
L = LOWLINE	3 = HD DODGE 2WD 6 = Lt. Duty DODGE 4WD 2 = Med. Duty DODGE 2WD 7 = Med. Duty DODGE 4WD	51 = WAGON WHEEL BASE 1 52 = WAGON WHEEL BASE 2 14 = VAN WHEEL BASE 4 15 = VAN WHEEL BASE 5 16 = VAN WHEEL BASE 6 54 = WAGON WHEEL BASE 4 55 = WAGON WHEEL BASE 5 56 = WAGON WHEEL BASE 6 11 = VAN WHEEL BASE 1 12 = VAN WHEEL BASE 2	EX9 = Engine - 2.7L 5 Cly Mercedes Diesel	DGJ = Transmission-5-Spd. Automatic,W5A580

AR = use ase required - = Non illustrated part

2003 VA

**Axle Shaft and Wheel Bearings, Single Rear Wheels**  
**Figure 3-230**



ITEM	PART NUMBER	QTY	LINE	SERIES	BODY	ENGINE	TRANS	TRIM	DESCRIPTION
1	05134634AA	1	2, 6	L	11, 12, 14, 15, 16				NUT, Axle shaft Right
		1	2, 6	L	51, 52, 54, 55, 56				Right
	05134635AA	1	2, 6	L	11, 12, 14, 15, 16				Left
		1	2, 6	L	51, 52, 54, 55, 56				Left
2	05103883AA	2	2, 6	L	11, 12, 14, 15, 16				BEARING, Wheel
		2	2, 6	L	51, 52, 54, 55, 56				
3	05104559AA	2	2, 6	L	11, 12, 14, 15, 16				SEAL KIT, Axle shaft
		2	2, 6	L	51, 52, 54, 55, 56				
4	05134636AA	1	2, 6	L	11, 12, 14, 15, 16				COVER, Axle bearing Up To Rear Axle L833737 or X246061 or Z122707, Right
		1	2, 6	L	51, 52, 54, 55, 56				
	05134637AA	1	2, 6	L	11, 12, 14, 15, 16				COVER, Axle bearing Up To Rear Axle L833737 or X246061 or Z122707, Left
		1	2, 6	L	51, 52, 54, 55, 56				
	05134638AA	1	2, 6	L	11, 12, 14, 15, 16				COVER, Axle bearing From Rear Axle L833738 or X246062 or Z122708, Right
		1	2, 6	L	51, 52, 54, 55, 56				
05134639AA	1	2, 6	L	11, 12, 14, 15, 16				COVER, Axle bearing From Rear Axle L833738 or X246062 or Z122708, Left	
	1	2, 6	L	51, 52, 54, 55, 56					From Rear Axle L833738 or X246062 or Z122708, Left
5	05134640AA	2	2, 6	L	11, 12, 14, 15, 16				TONE RING, Sensor Up To Axle L653742 or X094896 or Z020253
		2	2, 6	L	51, 52, 54, 55, 56				

**SPRINTER (VA)**

**SERIES**

L = LOWLINE

**LINE**

3 = HD DODGE 2WD  
 6 = Lt. Duty DODGE 4WD  
 2 = Med. Duty DODGE 2WD  
 7 = Med. Duty DODGE 4WD

**BODY**

51 = WAGON WHEEL BASE 1 EX9 = Engine - 2.7L 5 Clj  
 52 = WAGON WHEEL BASE 2 Mercedes Diesel  
 14 = VAN WHEEL BASE 4  
 15 = VAN WHEEL BASE 5  
 16 = VAN WHEEL BASE 6  
 54 = WAGON WHEEL BASE 4  
 55 = WAGON WHEEL BASE 5  
 56 = WAGON WHEEL BASE 6  
 11 = VAN WHEEL BASE 1  
 12 = VAN WHEEL BASE 2

**ENGINE**

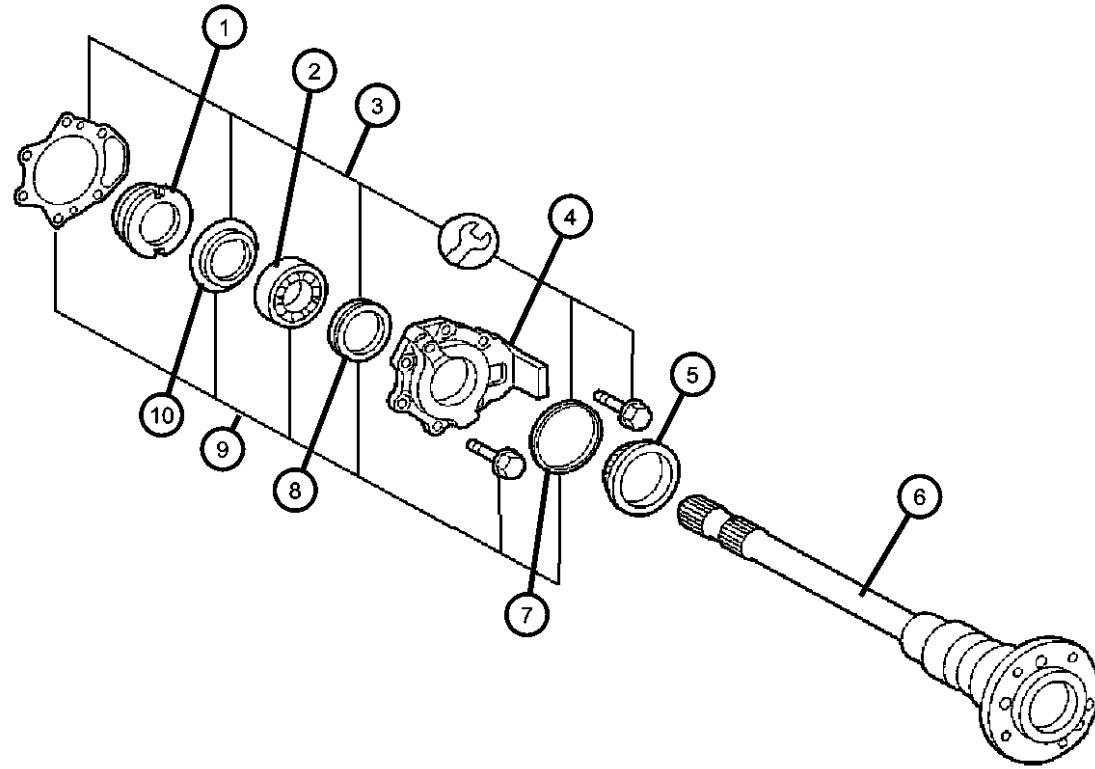
EX9 = Engine - 2.7L 5 Clj  
 Mercedes Diesel

**TRANSMISSION**

DGJ = Transmission-5-Spd.  
 Automatic, W5A580

AR = use ase required - = Non illustrated part

**Axle Shaft and Wheel Bearings, Single Rear Wheels**  
**Figure 3-230**



ITEM	PART NUMBER	QTY	LINE	SERIES	BODY	ENGINE	TRANS	TRIM	DESCRIPTION
6	05134641AA	2	2, 6	L	11, 12, 14, 15, 16				From Axle L653743 or X0904897 or Z020254
		2	2, 6	L	51, 52, 54, 55, 56				From Axle L653743 or X0904897 or Z020254
	05134658AA	1	2, 6	L	11, 12, 14, 15, 16				Up To Rear Axle L874988 or X304860 or Z161213, Right
		1	2, 6	L	51, 52, 54, 55, 56				Up To Rear Axle L874988 or X304860 or Z161213, Right
	05134659AA	1	2, 6	L	11, 12, 14, 15, 16				Up To Rear Axle L874988 or X304860 or Z161213, Left
		1	2, 6	L	51, 52, 54, 55, 56				Up To Rear Axle L874988 or X304860 or Z161213, Left
	05134660AA	1	2, 6	L	11, 12, 14, 15, 16				From Rear Axle L874989 or X304861 or Z161214, Right
	05134661AA	1	2, 6	L	11, 12, 14, 15, 16				From Rear Axle L874989 or X304861 or Z161214, Left
		1	2, 6	L	51, 52, 54, 55, 56				From Rear Axle L874989 or X304861 or Z161214, Left
		1	2, 6	L	51, 52, 54, 55, 56				From Rear Axle L874989 or X304861 or Z161214, Right
7	05104566AA	2	2, 6						SEAL, Rear Axle Flange
8	05139760AA	2	2, 6						SEAL, Rear Axle Flange
9	05103601AA	2	2, 6	L	11, 12, 14, 15, 16				BEARING KIT, Axle shaft
		2	2, 6	L	51, 52, 54, 55, 56				
10	05139738AA	2	2, 6						LOCK, Hub Nut

**SPRINTER (VA)**

**SERIES**

L = LOWLINE

**LINE**

3 = HD DODGE 2WD  
 6 = Lt. Duty DODGE 4WD  
 2 = Med. Duty DODGE 2WD  
 7 = Med. Duty DODGE 4WD

**BODY**

51 = WAGON WHEEL BASE 1  
 52 = WAGON WHEEL BASE 2  
 14 = VAN WHEEL BASE 4  
 15 = VAN WHEEL BASE 5  
 16 = VAN WHEEL BASE 6  
 54 = WAGON WHEEL BASE 4  
 55 = WAGON WHEEL BASE 5  
 56 = WAGON WHEEL BASE 6  
 11 = VAN WHEEL BASE 1  
 12 = VAN WHEEL BASE 2

**ENGINE**

EX9 = Engine - 2.7L 5 Cly  
 Mercedes Diesel

**TRANSMISSION**

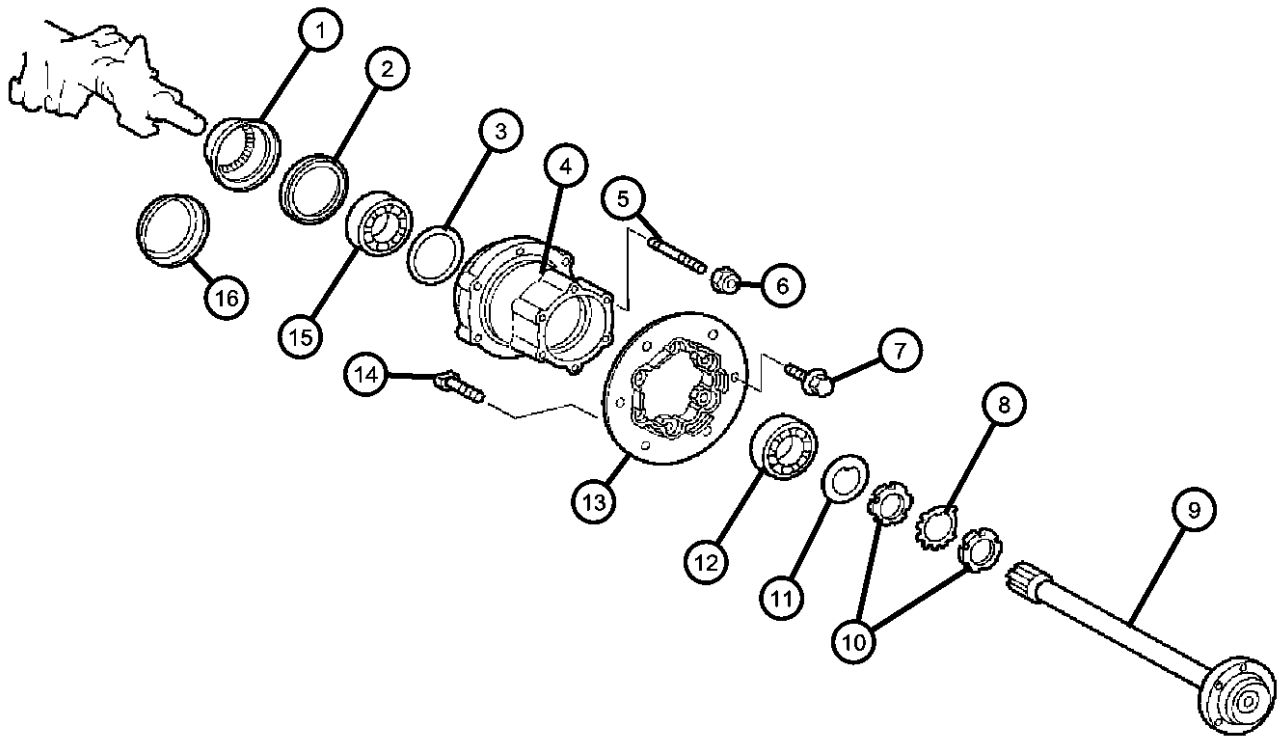
DGJ = Transmission-5-Spd.  
 Automatic, W5A580

AR = use ase required - = Non illustrated part

2003 VA

**Axle Shaft and Wheel Bearings, Dual Rear Wheels**  
**Figure 3-240**

ITEM	PART NUMBER	QTY	LINE	SERIES	BODY	ENGINE	TRANS	TRIM	DESCRIPTION
1	05161914AA	2	3, 7	L	12, 15, 16				TONE RING, Sensor, 54 Teeth
2	05103566AB	2	3, 7	L	12, 15, 16				SEAL, Wheel Bearing
3	05134706AA	2	3, 7	L	12, 15, 16				SPACER
4	05104580AA	1	3, 7	L	12, 15, 16				HUB, WheelRight or Left
5	05134714AA	12	3, 7	L	12, 15, 16				STUD, Hub, Axle, Mounting
6	05134715AA	12	3, 7	L	12, 15, 16				NUT, Hex Lock, Axle, Mounting
7	06104258AA	12	3, 7	L	12, 15, 16				BOLT, Hub
8	05103578AA	2	3, 7	L	12, 15, 16				LOCK, Bearing Adjusting Nut
9	05134721AA	2	3, 7	L	12, 15, 16				SHAFT, Axle
10	05134720AA	4	3, 7	L	12, 15, 16				NUT, Bearing Adjusting
11	05134719AA	1	3, 7		12, 15, 16				SPACER
12	05103547AA	2	3, 7	L	12, 15, 16				BEARING, WheelOuter
13	05134718AA	2	3, 7	L	12, 15, 16				FLANGE, Axle OutputRight or Left
14	05103938AA	12	3, 7	L	12, 15, 16				STUD, Wheel
15	05103562AA	2	3, 7	L	12, 15, 16				BEARING, WheelInner
16	05134709AA	2	3, 7	L	12, 15, 16				SLINGER, Oil



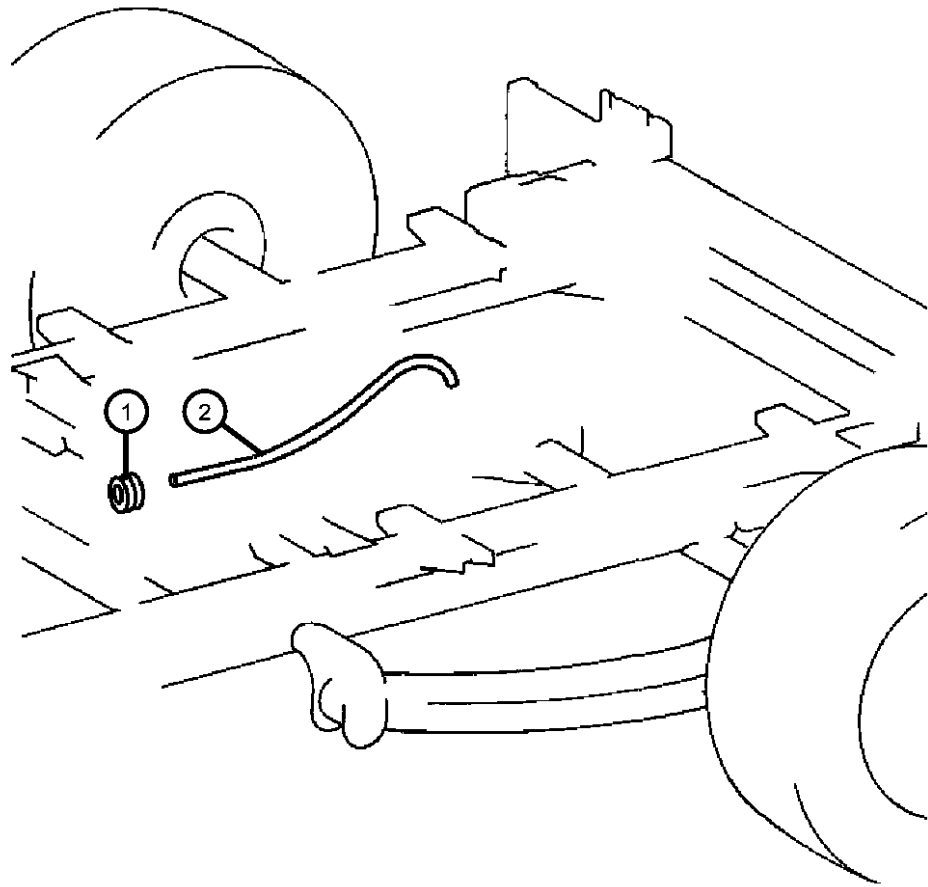
**SPRINTER (VA)**

SERIES	LINE	BODY	ENGINE	TRANSMISSION
L = LOWLINE	3 = HD DODGE 2WD 6 = Lt. Duty DODGE 4WD 2 = Med. Duty DODGE 2WD 7 = Med. Duty DODGE 4WD	51 = WAGON WHEEL BASE 1 52 = WAGON WHEEL BASE 2 14 = VAN WHEEL BASE 4 15 = VAN WHEEL BASE 5 16 = VAN WHEEL BASE 6 54 = WAGON WHEEL BASE 4 55 = WAGON WHEEL BASE 5 56 = WAGON WHEEL BASE 6 11 = VAN WHEEL BASE 1 12 = VAN WHEEL BASE 2	EX9 = Engine - 2.7L 5 Cly Mercedes Diesel	DGJ = Transmission-5-Spd. Automatic, W5A580

AR = use ase required - = Non illustrated part

Vent,Rear Axle  
Figure 3-310

ITEM	PART NUMBER	QTY	LINE	SERIES	BODY	ENGINE	TRANS	TRIM	DESCRIPTION
1	05125930AA	1	2, 6	L	11, 12, 14, 15, 16				GROMMET
		1	2, 6	L	51, 52, 54, 55, 56				
		1	3, 7	L	12, 15, 16				
2	05104076AA	1	2, 6	L	11, 12, 14, 15, 16				HOSE, Axle Vent
		1	2, 6	L	51, 52, 54, 55, 56				
		1	3, 7	L	12, 15, 16				



SPRINTER (VA)

SERIES	LINE	BODY	ENGINE	TRANSMISSION
L = LOWLINE	3 = HD DODGE 2WD 6 = Lt. Duty DODGE 4WD 2 = Med. Duty DODGE 2WD 7 = Med. Duty DODGE 4WD	51 = WAGON WHEEL BASE 1 52 = WAGON WHEEL BASE 2 14 = VAN WHEEL BASE 4 15 = VAN WHEEL BASE 5 16 = VAN WHEEL BASE 6 54 = WAGON WHEEL BASE 4 55 = WAGON WHEEL BASE 5 56 = WAGON WHEEL BASE 6 11 = VAN WHEEL BASE 1 12 = VAN WHEEL BASE 2	EX9 = Engine - 2.7L 5 Cly Mercedes Diesel	DGJ = Transmission-5-Spd. Automatic,W5A580

AR = use ase required - = Non illustrated part

2003 VA

# Group - 4

## Parking Brake

### Group - 4 Parking Brake

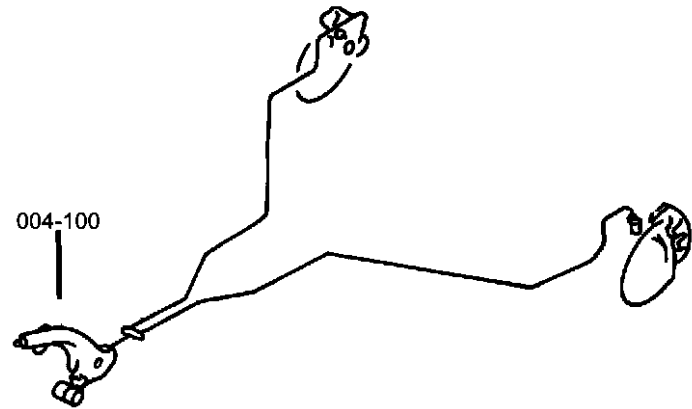
Illustration Title

Group-Fig. No.

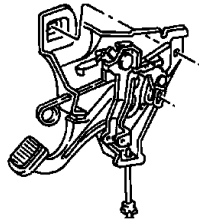
#### Parking Brake Lever and Cables

Parking Brake Lever Assembly ..... Fig. 4 - 110

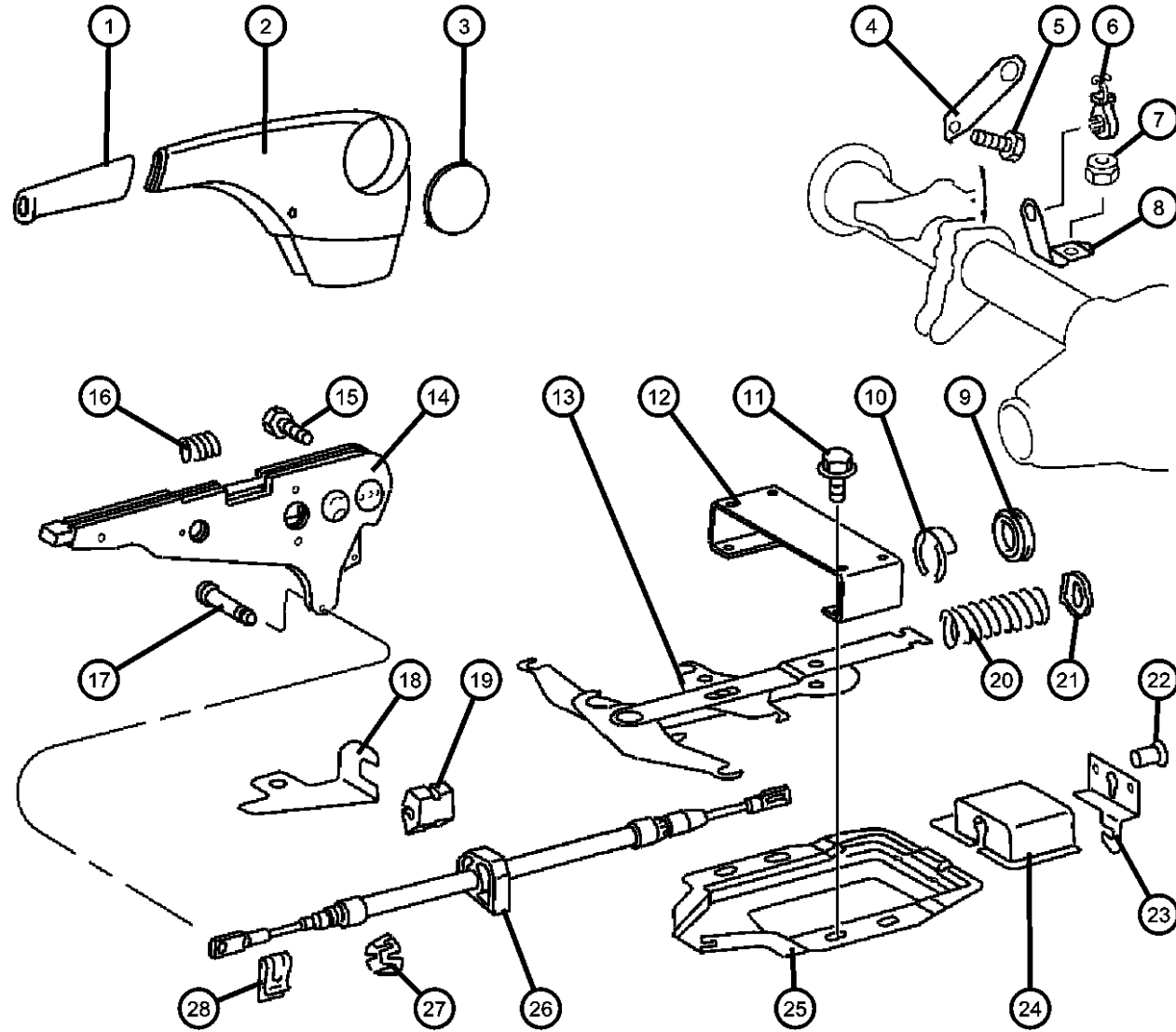
Parking Brake Assembly..... Fig. 4 - 120



**004-100**  
Parking Brake Lever and Cables



**Parking Brake Lever Assembly  
Figure 4-110**



ITEM	PART NUMBER	QTY	LINE	SERIES	BODY	ENGINE	TRANS	TRIM	DESCRIPTION
1	05119259AA	1	3, 7		12, 15, 16				HANDLE, Parking Brake
		1	2, 6		51, 52, 54, 55, 56				
		1	2, 6		11, 12, 14, 15, 16				
2	05119264AA	1	3, 7		12, 15, 16				COVER, Parking Brake Housing
		1	2, 6		11, 12, 14, 15, 16				
		1	2, 6		51, 52, 54, 55, 56				
3	05104086AA	1	2, 6		11, 12, 14, 15, 16				COVER, Parking Brake
		1	2, 6		51, 52, 54, 55, 56				
		1	3, 7		12, 15, 16				
4	05119274AA	1	2, 6		11, 12, 14, 15, 16				BRACKET Left
		1	2, 6		51, 52, 54, 55, 56				Left
	05119277AA	1	2, 6		11, 12, 14, 15, 16				Right
		1	2, 6		51, 52, 54, 55, 56				Right
	05136069AA	1	3, 7		12, 15, 16				Right
	05136070AA	1	3, 7		12, 15, 16				Left
5	05104655AA	2	2, 6		11, 12, 14, 15, 16				BOLT
		2	2, 6		51, 52, 54, 55, 56				
		2	3, 7		12, 15, 16				
6	05119283AA	6	2, 6		51, 52, 54, 55, 56				CLIP, Parking Brake Cable
		6	3, 7		12, 15, 16				

**SPRINTER (VA)**

**SERIES**

L = LOWLINE

**LINE**

3 = HD DODGE 2WD  
6 = Lt. Duty DODGE 4WD  
2 = Med. Duty DODGE 2WD  
7 = Med. Duty DODGE 4WD

**BODY**

51 = WAGON WHEEL BASE 1 EX9 = Engine - 2.7L 5 Cly  
52 = WAGON WHEEL BASE 2 Mercedes Diesel  
14 = VAN WHEEL BASE 4  
15 = VAN WHEEL BASE 5  
16 = VAN WHEEL BASE 6  
54 = WAGON WHEEL BASE 4  
55 = WAGON WHEEL BASE 5  
56 = WAGON WHEEL BASE 6  
11 = VAN WHEEL BASE 1  
12 = VAN WHEEL BASE 2

**ENGINE**

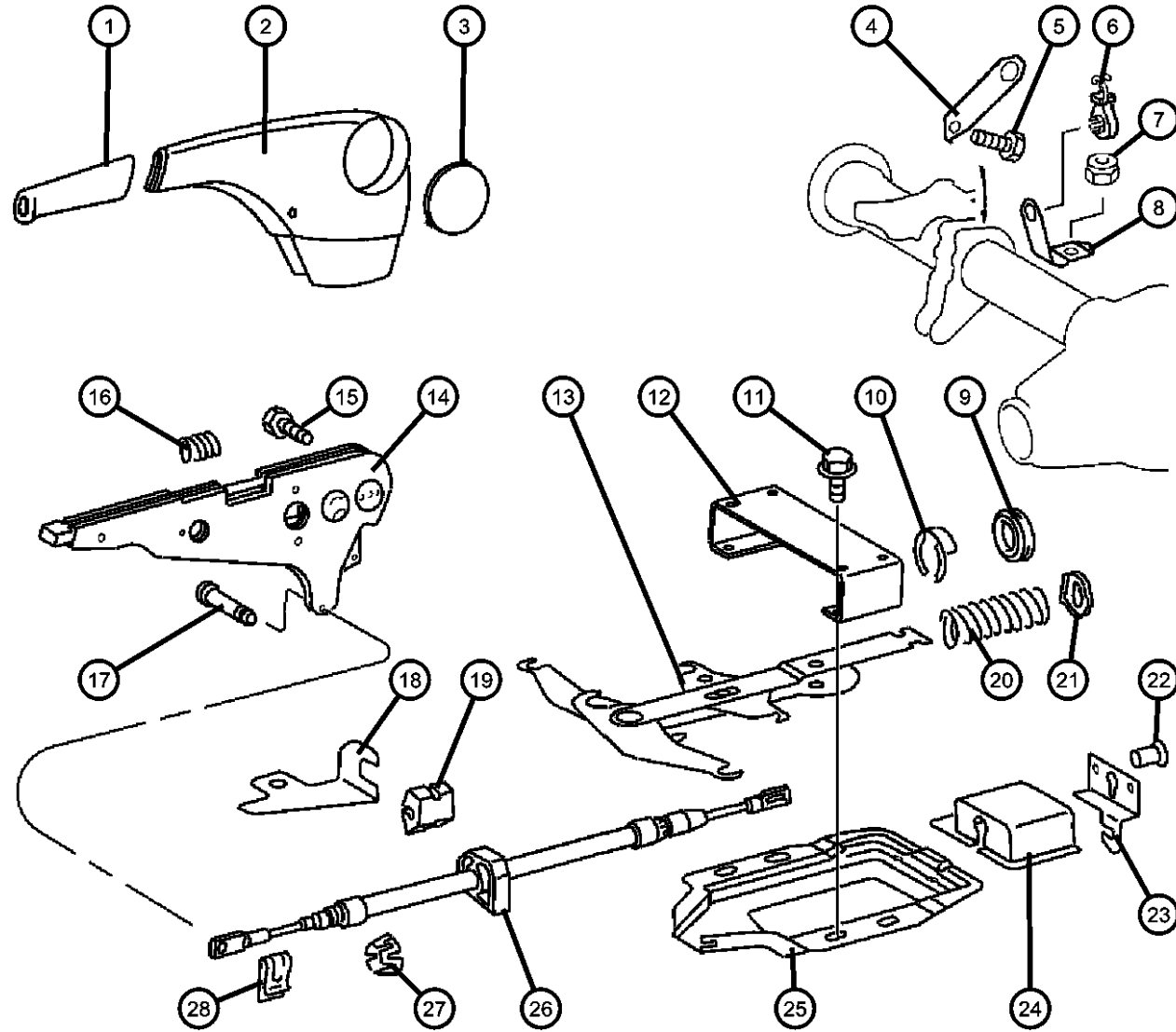
**TRANSMISSION**

DGJ = Transmission-5-Spd. Automatic, W5A580

AR = use ase required - = Non illustrated part

2003 VA

**Parking Brake Lever Assembly  
Figure 4-110**



ITEM	PART NUMBER	QTY	LINE	SERIES	BODY	ENGINE	TRANS	TRIM	DESCRIPTION
		6	2, 6		11, 12, 14, 15, 16				
7									NUT, Hex, M6
	05127449AA	2	3, 7		12, 15, 16				M6
		2	2, 6		11, 12, 14, 15, 16				M6
		2	2, 6		51, 52, 54, 55, 56				M6
8									BRACKET, Parking Brake Cable Guide
	05119273AA	1	2, 6		51, 52, 54, 55, 56				Right
	05119270AA	1	2, 6		11, 12, 14, 15, 16				Left
		1	2, 6		51, 52, 54, 55, 56				Left
		1	2, 6		11, 12, 14, 15, 16				Right
9									GROMMET, Parking Brake Cable
	05125927AA	1	2, 6		11, 12, 14, 15, 16				
		1	2, 6		51, 52, 54, 55, 56				
		1	3, 7		12, 15, 16				
10									CLIP, Spring
	05125586AA	1	2, 6		11, 12, 14, 15, 16				
		1	3, 7		12, 15, 16				
		1	2, 6		51, 52, 54, 55, 56				
11									SCREW
	05126264AA	4	3, 7		12, 15, 16				
		4	2, 6		11, 12, 14, 15, 16				
		4	2, 6		51, 52, 54, 55, 56				
12	05133901AA	1	3, 7		12, 15, 16				BRACKET
13									EQUALIZER, Parking Brake Cable

**SPRINTER (VA)**

**SERIES**

L = LOWLINE

**LINE**

3 = HD DODGE 2WD  
6 = Lt. Duty DODGE 4WD  
2 = Med. Duty DODGE 2WD  
7 = Med. Duty DODGE 4WD

**BODY**

51 = WAGON WHEEL BASE 1  
52 = WAGON WHEEL BASE 2  
14 = VAN WHEEL BASE 4  
15 = VAN WHEEL BASE 5  
16 = VAN WHEEL BASE 6  
54 = WAGON WHEEL BASE 4  
55 = WAGON WHEEL BASE 5  
56 = WAGON WHEEL BASE 6  
11 = VAN WHEEL BASE 1  
12 = VAN WHEEL BASE 2

**ENGINE**

EX9 = Engine - 2.7L 5 Cly  
Mercedes Diesel

**TRANSMISSION**

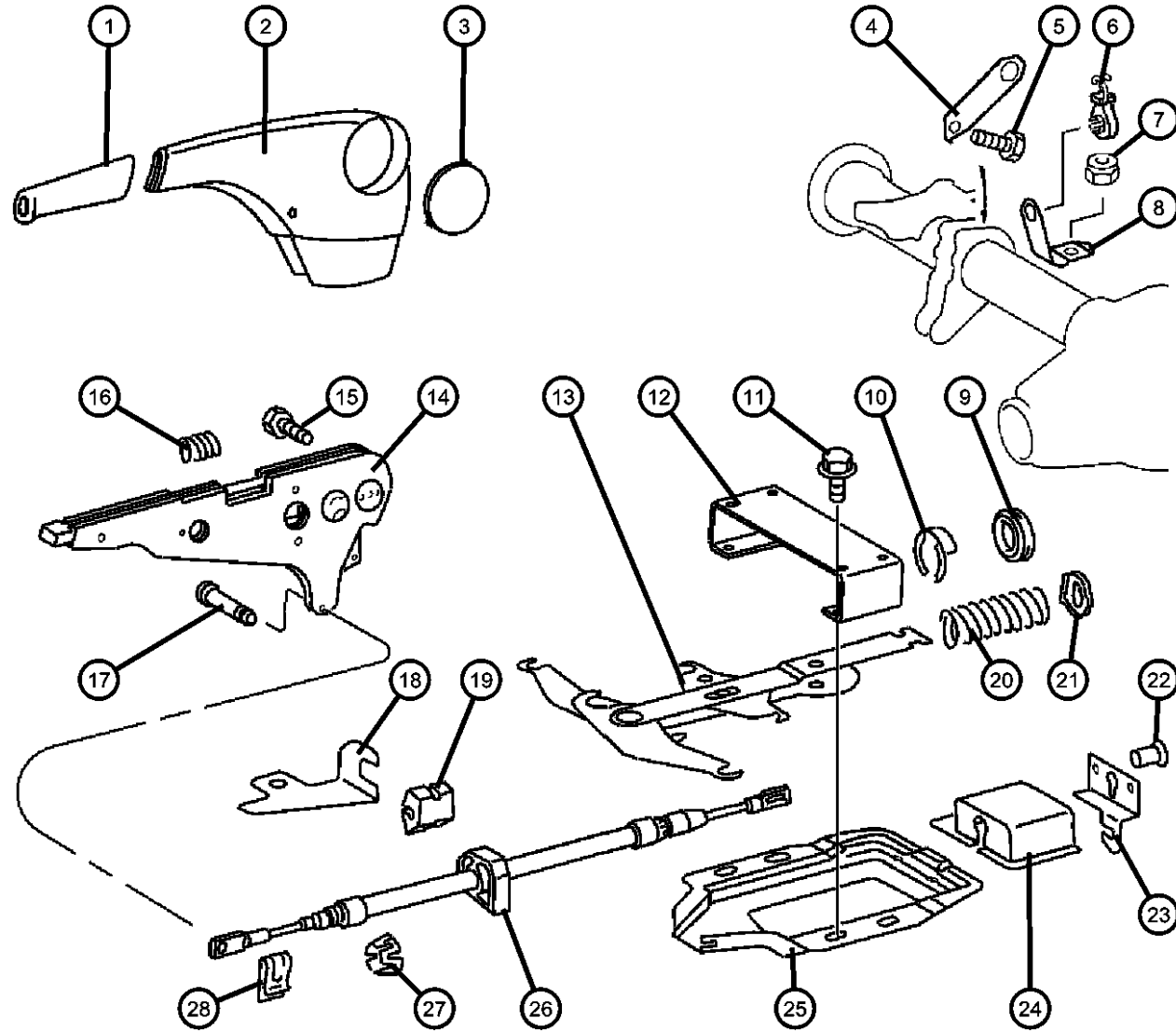
DGJ = Transmission-5-Spd. Automatic, W5A580

AR = use ase required - = Non illustrated part

2003 VA



**Parking Brake Lever Assembly  
Figure 4-110**



ITEM	PART NUMBER	QTY	LINE	SERIES	BODY	ENGINE	TRANS	TRIM	DESCRIPTION
	05119231AA	1	2, 6		51, 52, 54, 55, 56				
	05119232AA	1	3, 7		12, 15, 16				
		1	2, 6		11, 12, 14, 15, 16				
14	05119145AA	1	2, 6		11, 12, 14, 15, 16				LEVER, Park Brake
		1	2, 6		51, 52, 54, 55, 56				
	05119146AA	1	2, 6		11, 12, 14, 15, 16				[4XS]
		1	2, 6		51, 52, 54, 55, 56				[4XS]
		1	3, 7		12, 15, 16				
15	05097692AA	2	2, 3, 6, 7						SCREW, M8x20
16									SPRING
	05125844AA	1	3, 7		12, 15, 16				
		1	2, 6		11, 12, 14, 15, 16				
		1	2, 6		51, 52, 54, 55, 56				
17	05119284AA	1	2, 6		11, 12, 14, 15, 16				PIN, Parking Brake Handle
		1	2, 6		51, 52, 54, 55, 56				
		1	3, 7		12, 15, 16				
18	05119275AA	1	2, 6		11, 12, 14, 15, 16				BRACKET, Hand Brake
		1	2, 6		51, 52, 54, 55, 56				
		1	3, 7		12, 15, 16				
	05129199AA	1	3, 7		12, 15, 16				[DGJ]
19	05119295AA	1	2, 6		11, 12, 14, 15, 16				GROMMET, Parking Brake Cable

**SPRINTER (VA)**

**SERIES**

L = LOWLINE  
 3 = HD DODGE 2WD  
 6 = Lt. Duty DODGE 4WD  
 2 = Med. Duty DODGE 2WD  
 7 = Med. Duty DODGE 4WD

**LINE**

**BODY**

51 = WAGON WHEEL BASE 1 EX9 = Engine - 2.7L 5 Cly  
 52 = WAGON WHEEL BASE 2 Mercedes Diesel  
 14 = VAN WHEEL BASE 4  
 15 = VAN WHEEL BASE 5  
 16 = VAN WHEEL BASE 6  
 54 = WAGON WHEEL BASE 4  
 55 = WAGON WHEEL BASE 5  
 56 = WAGON WHEEL BASE 6  
 11 = VAN WHEEL BASE 1  
 12 = VAN WHEEL BASE 2

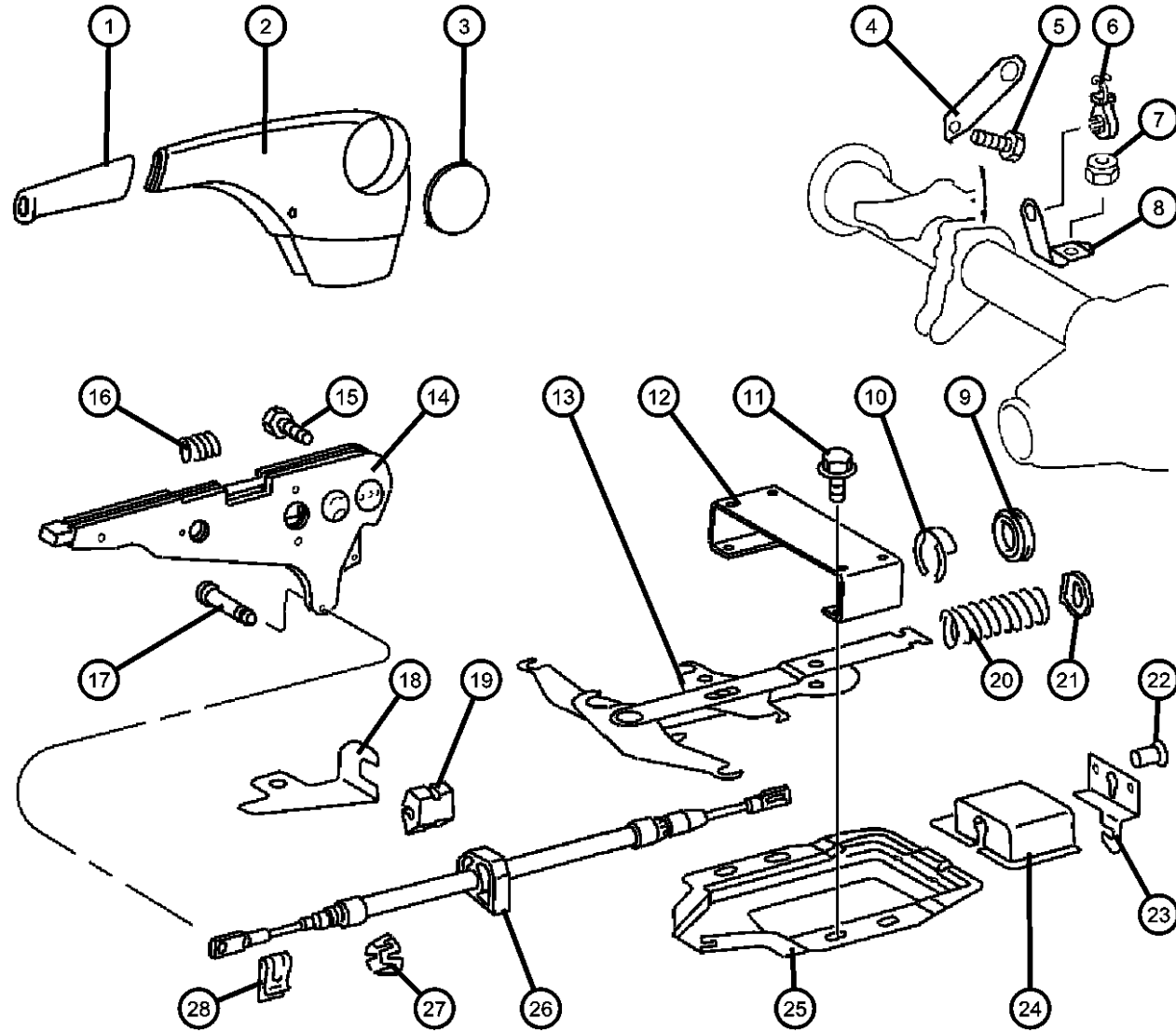
**ENGINE**

**TRANSMISSION**

DGJ = Transmission-5-Spd. Automatic, W5A580

AR = use ase required - = Non illustrated part

**Parking Brake Lever Assembly  
Figure 4-110**



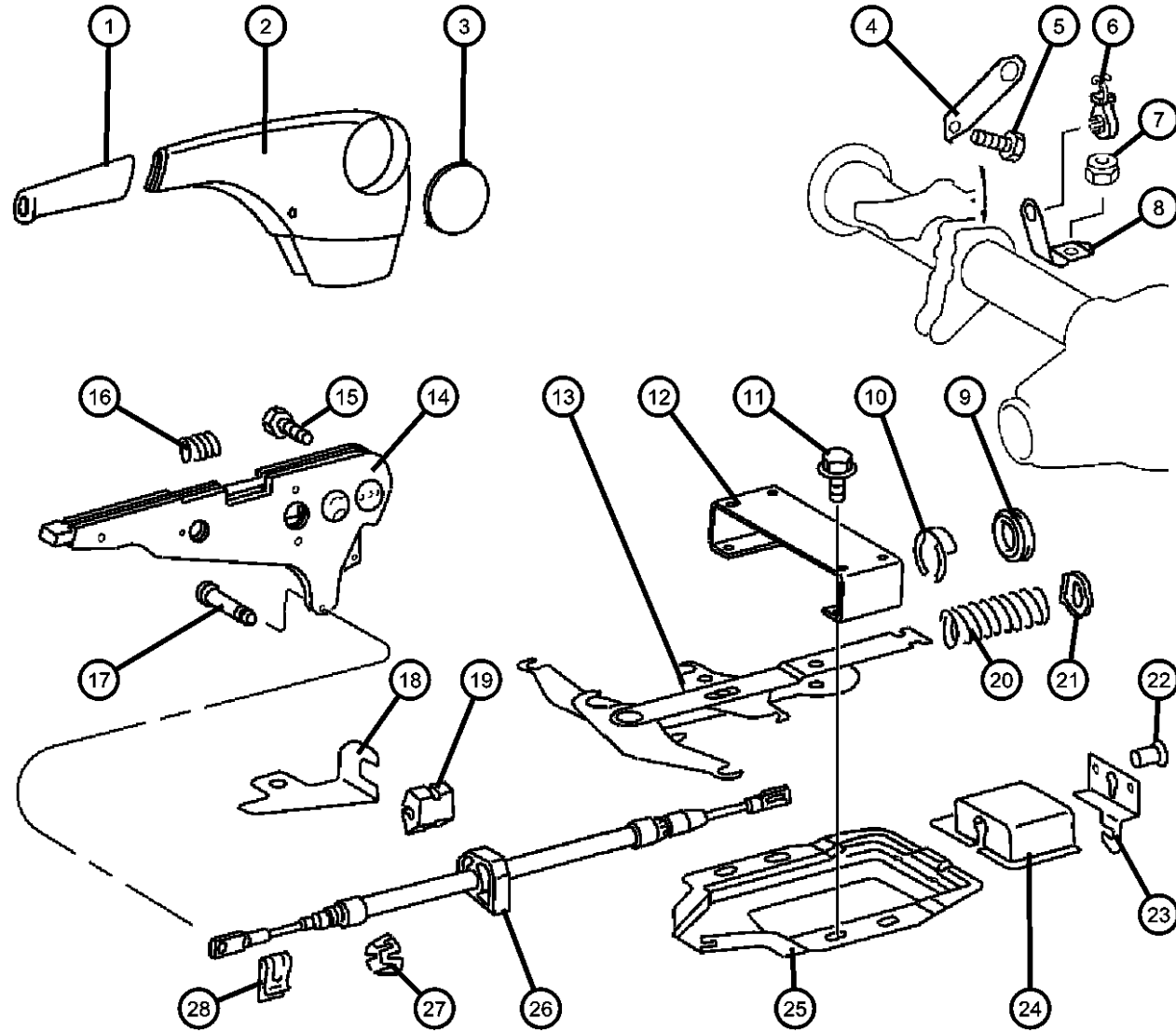
ITEM	PART NUMBER	QTY	LINE	SERIES	BODY	ENGINE	TRANS	TRIM	DESCRIPTION
		1	2, 6		51, 52, 54, 55, 56				
		2	3, 7		12, 15, 16				
20	05119260AA	1	2, 6		11, 12, 14, 15, 16				SPRING, Parking Brake Release
		1	2, 6		51, 52, 54, 55, 56				
		1	3, 7		12, 15, 16				
21	05119287AA	1	2, 6		11, 12, 14, 15, 16				WASHER
		1	2, 6		51, 52, 54, 55, 56				
		1	3, 7		12, 15, 16				
22	05133417AA	3	2, 6		11, 12, 14, 15, 16				RIVET, Blind Bulb
		3	2, 6		51, 52, 54, 55, 56				
		3	3, 7		12, 15, 16				
23	05118455AA	1	3, 7		12, 15, 16				REINFORCEMENT, Park Brake Mounting
		1	2, 6		11, 12, 14, 15, 16				
24	05118469AA	1	3, 7		12, 15, 16				COVER, Parking Brake Cable
		1	2, 6		11, 12, 14, 15, 16				
		1	2, 6		51, 52, 54, 55, 56				
25	05119224AA	1	2, 6		11, 12, 14, 15, 16				COVER, Equalizer
		1	2, 6		51, 52, 54, 55, 56				
		1	3, 7		12, 15, 16				

**SPRINTER (VA)**

SERIES	LINE	BODY	ENGINE	TRANSMISSION
L = LOWLINE	3 = HD DODGE 2WD 6 = Lt. Duty DODGE 4WD 2 = Med. Duty DODGE 2WD 7 = Med. Duty DODGE 4WD	51 = WAGON WHEEL BASE 1 52 = WAGON WHEEL BASE 2 14 = VAN WHEEL BASE 4 15 = VAN WHEEL BASE 5 16 = VAN WHEEL BASE 6 54 = WAGON WHEEL BASE 4 55 = WAGON WHEEL BASE 5 56 = WAGON WHEEL BASE 6 11 = VAN WHEEL BASE 1 12 = VAN WHEEL BASE 2	EX9 = Engine - 2.7L 5 Cly Mercedes Diesel	DGJ = Transmission-5-Spd. Automatic, W5A580

AR = use ase required - = Non illustrated part

**Parking Brake Lever Assembly  
Figure 4-110**



ITEM	PART NUMBER	QTY	LINE	SERIES	BODY	ENGINE	TRANS	TRIM	DESCRIPTION
26	05119245AA	1	2, 6		11, 12, 14, 15, 16				CABLE, Parking Brake [5AE,4XS]
		1	2, 6		51, 52, 54, 55, 56				[5AE,4XS]
	05119247AA	1	3, 7		12, 15, 16				[5AE]
		1	2, 6		11, 12, 14, 15, 16				[5AF,4XS]
		1	2, 6		51, 52, 54, 55, 56				[5AF,4XS]
	05129192AA	1	3, 7		12, 15, 16				[5AF]
		1	2, 6		11, 12, 14, 15, 16				[5AC,4XS]
		1	2, 6		51, 52, 54, 55, 56				[5AC,4XS]
27	05119298AA	1	2, 6		11, 12, 14, 15, 16				CLIP, Cable
		1	2, 6		51, 52, 54, 55, 56				
		1	3, 7		12, 15, 16				
28	05126243AA	1	2, 6		11, 12, 14, 15, 16				CLIP, Retaining
		1	2, 6		51, 52, 54, 55, 56				
		1	3, 7		12, 15, 16				

**SPRINTER (VA)**

**SERIES**

L = LOWLINE

**LINE**

3 = HD DODGE 2WD  
6 = Lt. Duty DODGE 4WD  
2 = Med. Duty DODGE 2WD  
7 = Med. Duty DODGE 4WD

**BODY**

51 = WAGON WHEEL BASE 1  
52 = WAGON WHEEL BASE 2  
14 = VAN WHEEL BASE 4  
15 = VAN WHEEL BASE 5  
16 = VAN WHEEL BASE 6  
54 = WAGON WHEEL BASE 4  
55 = WAGON WHEEL BASE 5  
56 = WAGON WHEEL BASE 6  
11 = VAN WHEEL BASE 1  
12 = VAN WHEEL BASE 2

**ENGINE**

EX9 = Engine - 2.7L 5 Cly  
Mercedes Diesel

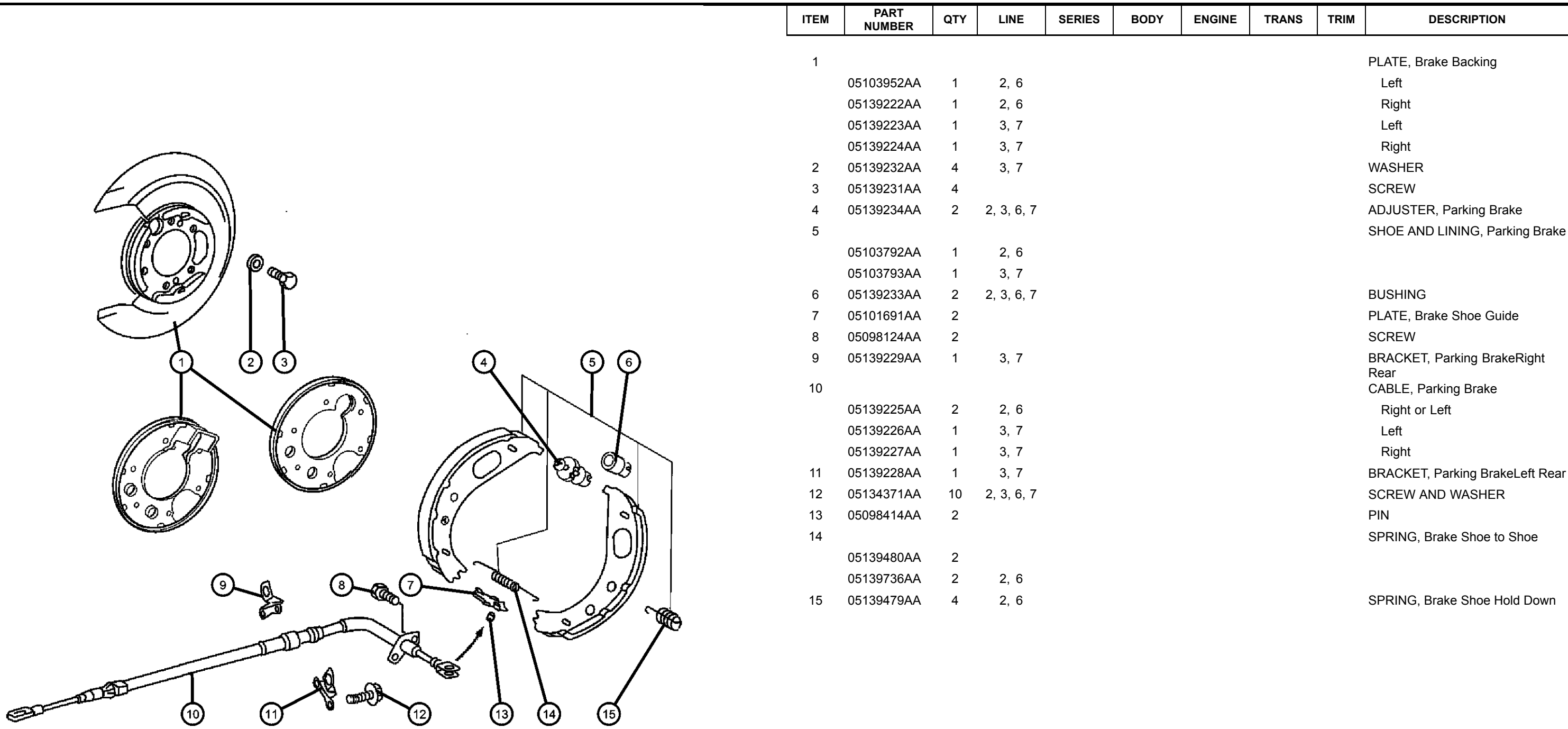
**TRANSMISSION**

DGJ = Transmission-5-Spd.  
Automatic,W5A580

AR = use ase required - = Non illustrated part

2003 VA

**Parking Brake Assembly  
Figure 4-120**



ITEM	PART NUMBER	QTY	LINE	SERIES	BODY	ENGINE	TRANS	TRIM	DESCRIPTION
1									PLATE, Brake Backing
	05103952AA	1	2, 6						Left
	05139222AA	1	2, 6						Right
	05139223AA	1	3, 7						Left
	05139224AA	1	3, 7						Right
2	05139232AA	4	3, 7						WASHER
3	05139231AA	4							SCREW
4	05139234AA	2	2, 3, 6, 7						ADJUSTER, Parking Brake
5									SHOE AND LINING, Parking Brake
	05103792AA	1	2, 6						
	05103793AA	1	3, 7						
6	05139233AA	2	2, 3, 6, 7						BUSHING
7	05101691AA	2							PLATE, Brake Shoe Guide
8	05098124AA	2							SCREW
9	05139229AA	1	3, 7						BRACKET, Parking BrakeRight Rear
10									CABLE, Parking Brake
	05139225AA	2	2, 6						Right or Left
	05139226AA	1	3, 7						Left
	05139227AA	1	3, 7						Right
11	05139228AA	1	3, 7						BRACKET, Parking BrakeLeft Rear
12	05134371AA	10	2, 3, 6, 7						SCREW AND WASHER
13	05098414AA	2							PIN
14									SPRING, Brake Shoe to Shoe
	05139480AA	2							
	05139736AA	2	2, 6						
15	05139479AA	4	2, 6						SPRING, Brake Shoe Hold Down

<b>SPRINTER (VA)</b>				
SERIES	LINE	BODY	ENGINE	TRANSMISSION
L = LOWLINE	3 = HD DODGE 2WD 6 = Lt. Duty DODGE 4WD 2 = Med. Duty DODGE 2WD 7 = Med. Duty DODGE 4WD	51 = WAGON WHEEL BASE 1 52 = WAGON WHEEL BASE 2 14 = VAN WHEEL BASE 4 15 = VAN WHEEL BASE 5 16 = VAN WHEEL BASE 6 54 = WAGON WHEEL BASE 4 55 = WAGON WHEEL BASE 5 56 = WAGON WHEEL BASE 6 11 = VAN WHEEL BASE 1 12 = VAN WHEEL BASE 2	EX9 = Engine - 2.7L 5 Cly Mercedes Diesel	DGJ = Transmission-5-Spd. Automatic,W5A580

AR = use ase required - = Non illustrated part

# Group - 5

## Service Brakes

### Group - 5 Service Brakes

Illustration Title

Group-Fig. No.

#### Front Brakes

Brakes, Front ..... Fig. 5 - 110

#### Rear Brakes

Brakes,Rear,272MM ..... Fig. 5 - 210

Brakes,Rear,285MM ..... Fig. 5 - 220

#### Power Brake Booster

Booster ..... Fig. 5 - 310

Vacuum Lines ..... Fig. 5 - 320

Vacuum Reservoir ..... Fig. 5 - 330

#### Brake Master Cylinder

Master Cylinder ..... Fig. 5 - 410

Hydraulic Control Unit and ABS Module ..... Fig. 5 - 420

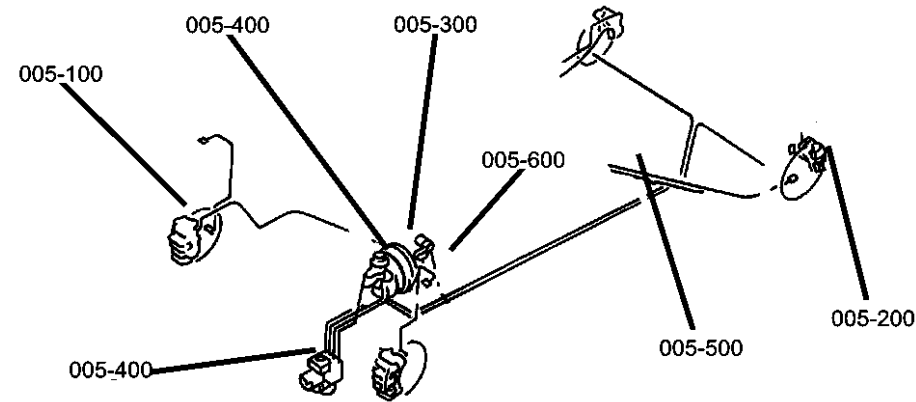
#### Brake Lines and Hoses

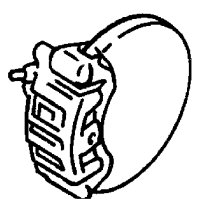
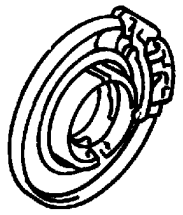
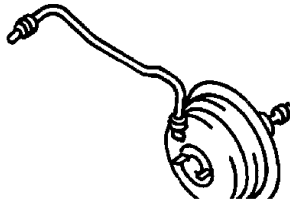
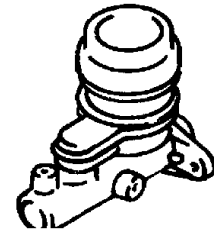
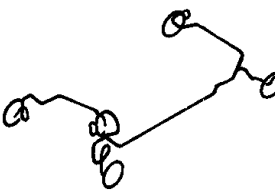

Lines,Brake,With ABS,2500/3500 Series ..... Fig. 5 - 510

Brake, Power Regulator ..... Fig. 5 - 520

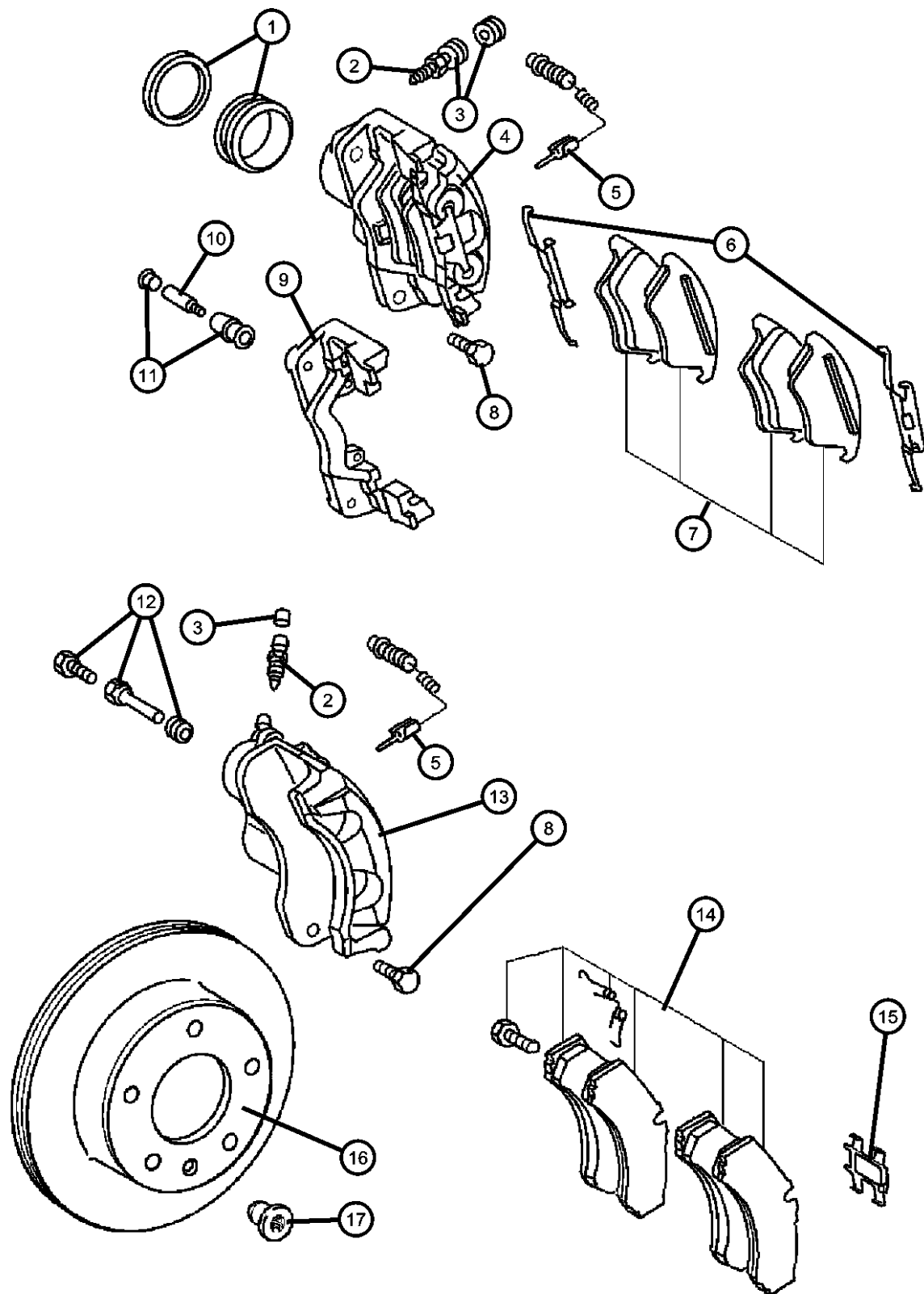
#### Brake Pedals

Pedal Brake ..... Fig. 5 - 610



<p><b>005-100</b> Front Brakes</p> 	<p><b>005-200</b> Rear Brakes</p> 	<p><b>005-300</b> Power Brake Booster</p> 	<p><b>005-400</b> Brake Master Cylinder</p> 
<p><b>005-500</b> Brake Lines and Hoses</p> 	<p><b>005-600</b> Brake Pedals</p> 		

**Brakes, Front**  
**Figure 5-110**



ITEM	PART NUMBER	QTY	LINE	SERIES	BODY	ENGINE	TRANS	TRIM	DESCRIPTION
------	-------------	-----	------	--------	------	--------	-------	------	-------------

Note: You must check the brand name on the old caliper to determine which one to order.

1	05139261AA	1							SEAL, Caliper Piston
2	05139258AA	1	2, 6						BLEEDER SCREW, Brake
3	05126309AA	1	2, 3, 6, 7						CAP, Bleeder
4									CALIPER, Disc Brake
	05127482AA	1							With Bosch Linings-Without Pads, Right
	05127483AA	1							With Bosch Linings-Without Pads, Left
	05127486AA	1							With Wabco/Perrot Linings-Without Pads, Right
	05135215AA	1							With Wabco/Perrot Linings-Without Pads, Left
	05135642AA	1							With Teves/Jurid Linings-Without Pads, Right
	05135643AA	1							With Teves/Jurid Linings-Without Pads, Left
5	05103583AA	2	2, 3, 6, 7						SENSOR, Brake wearRight or Left
6	05139906AA	2	2, 6						SPRING, Brake Pad Retraction
7									PAD KIT, Disc Brake
	05103794AA	1	3, 7						Galfer
	05135895AA	1	3, 7						Teves/Jurid
8	05139464AA	4							SCREW
9									ADAPTER, Disc Brake Caliper
	05103631AA	1							Teves/Jurid, Right or Left
	05135915AA	1							Bosch, Right or Left
	05135916AA	1							Wabco, Right or Left
10	05103632AA	1	2, 6						PIN KIT, Disc Brake, Teves, Right or Left
11	05114556AA	1	2, 6						BUSHING, Caliper
12									PIN KIT, Disc Brake
	05103630AA	1							Perrot
	05103729AA	1							
13									CALIPER, Disc Brake
	05135214AA	1							Wabco/Perrot-Without Items 7,13, Right

**SPRINTER (VA)**

SERIES	LINE
L = LOWLINE	3 = HD DODGE 2WD 6 = Lt. Duty DODGE 4WD 2 = Med. Duty DODGE 2WD 7 = Med. Duty DODGE 4WD

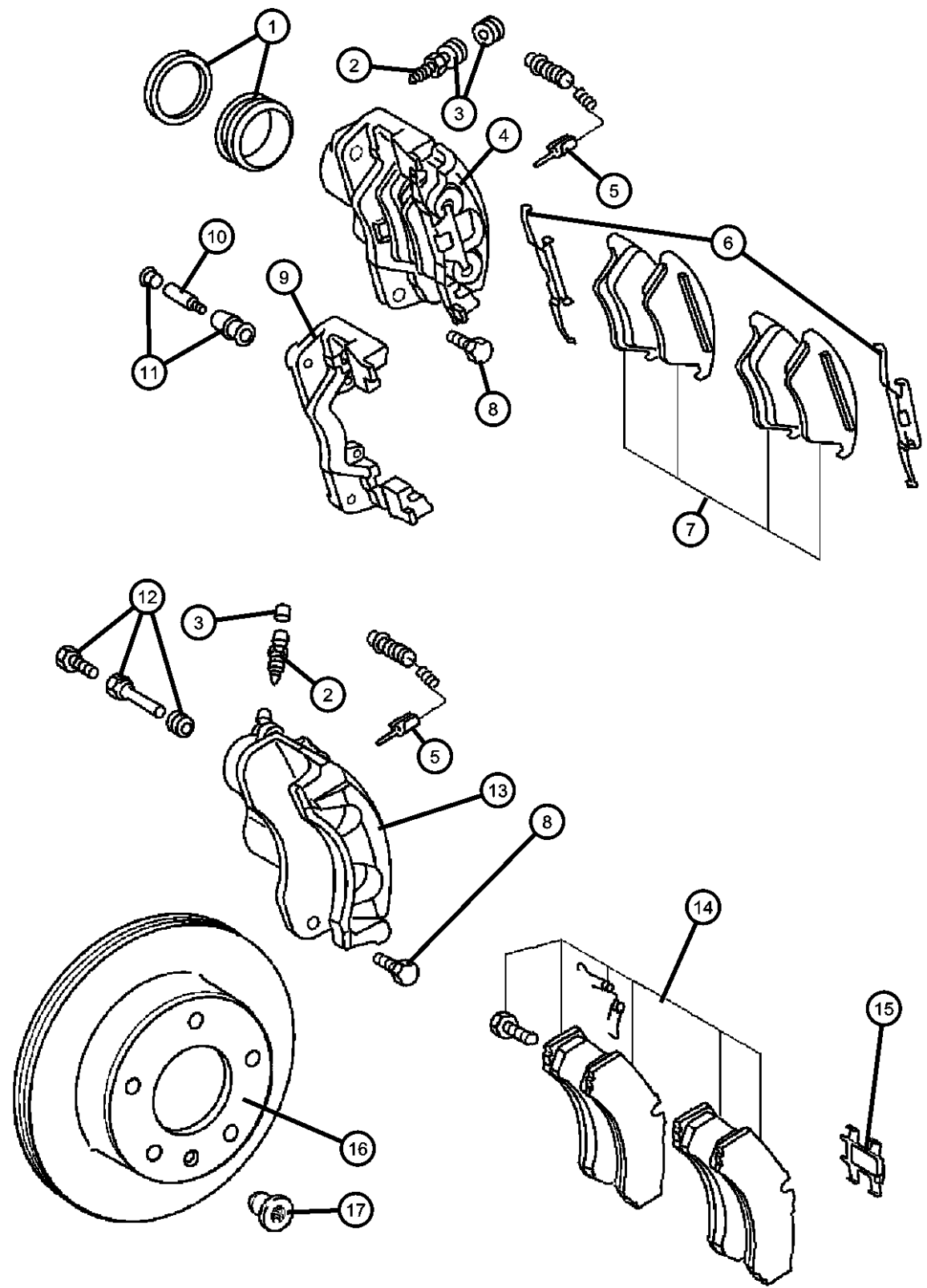
BODY	ENGINE
51 = WAGON WHEEL BASE 1 52 = WAGON WHEEL BASE 2 14 = VAN WHEEL BASE 4 15 = VAN WHEEL BASE 5 16 = VAN WHEEL BASE 6 54 = WAGON WHEEL BASE 4 55 = WAGON WHEEL BASE 5 56 = WAGON WHEEL BASE 6 11 = VAN WHEEL BASE 1 12 = VAN WHEEL BASE 2	EX9 = Engine - 2.7L 5 Cly Mercedes Diesel

TRANSMISSION
DGJ = Transmission-5-Spd. Automatic, W5A580

AR = use ase required - = Non illustrated part

2003 VA

Brakes, Front  
Figure 5-110



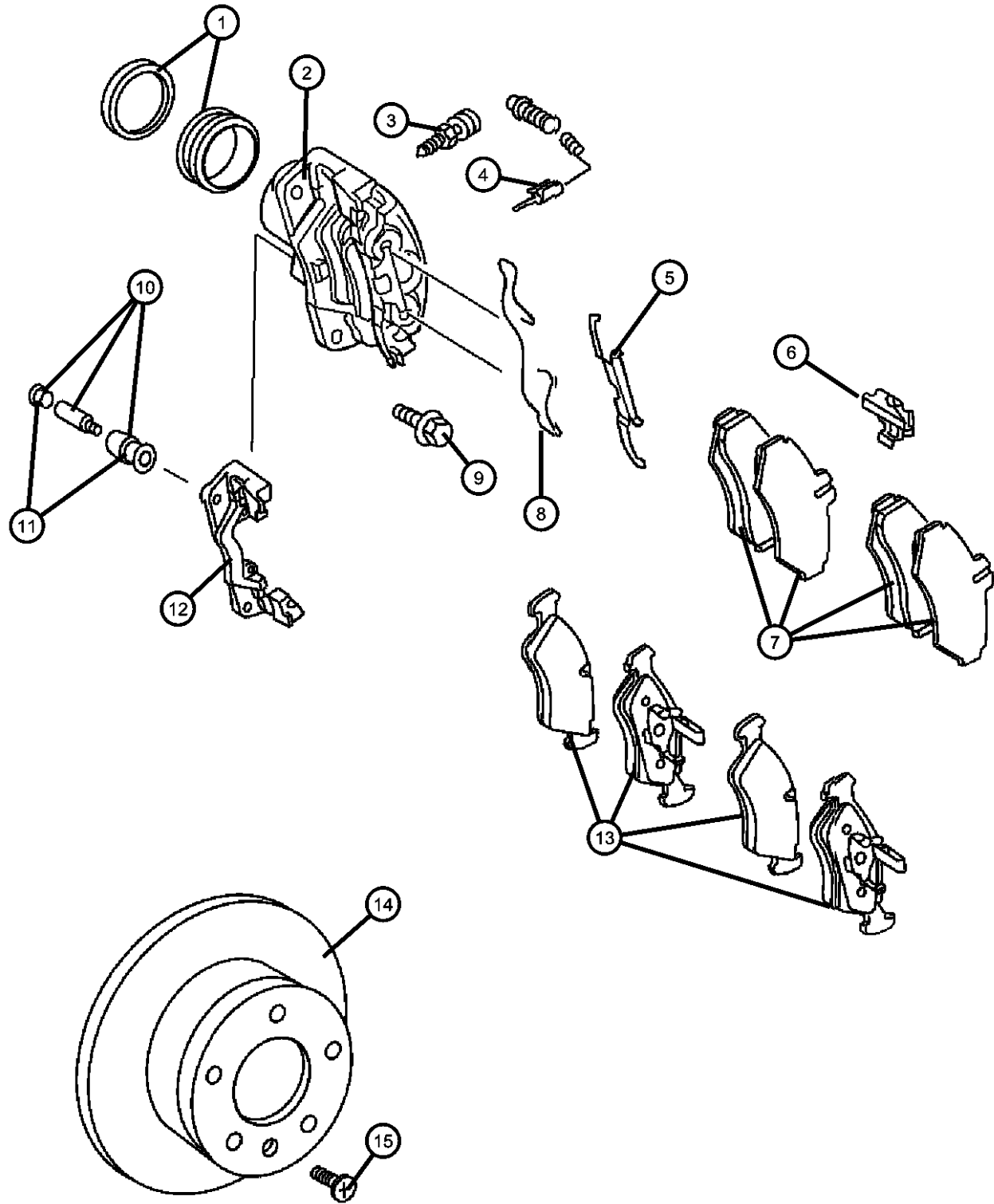
ITEM	PART NUMBER	QTY	LINE	SERIES	BODY	ENGINE	TRANS	TRIM	DESCRIPTION
14	05135215AA	1							Wabco/Perrot-Without Items 7,13, Left PAD KIT, Disc Brake
	05103556AA	1	2, 3, 6, 7						Bosch/Textar Mopar V-Line Alternative Part
	VP101790								Mopar V-Line Alternative Part
	05103790AA	1							Perrot/Textar Mopar V-Line Alternative Part
	VP101790								Mopar V-Line Alternative Part
15	05103635AA	2							RETAINER, Brake Hold Down Spring Right or Left
16	05103602AA	1							ROTOR, Brake With 15 Inch Wheels-From Front Axle S 482214 or Y 422060, Right or Left
	05104561AA	1							With 15 Inch Wheels-Up to Front Axle S 482213 or Y 422059, Right or Left
	05114479AB	1							With 16 Inch Wheels-SV #504304 91, Right or Left
17	05104621AA	2							SCREW Up to Front Axle S 482213
	05139361AA	2							From Front Axle S 482214

SPRINTER (VA)

SERIES	LINE	BODY	ENGINE	TRANSMISSION
L = LOWLINE	3 = HD DODGE 2WD 6 = Lt. Duty DODGE 4WD 2 = Med. Duty DODGE 2WD 7 = Med. Duty DODGE 4WD	51 = WAGON WHEEL BASE 1 52 = WAGON WHEEL BASE 2 14 = VAN WHEEL BASE 4 15 = VAN WHEEL BASE 5 16 = VAN WHEEL BASE 6 54 = WAGON WHEEL BASE 4 55 = WAGON WHEEL BASE 5 56 = WAGON WHEEL BASE 6 11 = VAN WHEEL BASE 1 12 = VAN WHEEL BASE 2	EX9 = Engine - 2.7L 5 Cly Mercedes Diesel	DGJ = Transmission-5-Spd. Automatic, W5A580

AR = use ase required - = Non illustrated part

**Brakes,Rear,272MM**  
**Figure 5-210**



ITEM	PART NUMBER	QTY	LINE	SERIES	BODY	ENGINE	TRANS	TRIM	DESCRIPTION
Note: You must check the brand name on the old caliper to determine which one to order.									
1	05139263AA	1	2, 6						SEAL, Caliper Piston Teves
	05139264AA	1	2, 6						Bosch
2	05103741AA	1	2, 6						CALIPER, Disc Brake Bosch-Without Item 7, Left
	05103742AA	1	2, 6						Bosch-Without Item 7, Right
	05135897AA	1	2, 6						Teves-Without Item 13, Right
	05135898AA	1	2, 6						Teves-Without Item 13, Left
3	05139245AA	1	2, 6						BLEEDER SCREW, Brake Teves
	05139258AA	1	2, 6						Bosch
4	05103583AA	2	2, 3, 6, 7						SENSOR, Brake wear
5	05139265AA	1	2, 3, 6, 7						SPRING, Retainer
6	05103634AA	1	2, 6						CLIP, Brake Anti-Rattle
7	05103557AA	1	2, 6						PAD KIT, Disc Brake Bosch-With Hardware
	05139260AA	1	2, 6						Bosch-Without Hardware
8	05139266AA	1	2, 6						SPRING, Retainer
9	06104234AA	2	2, 6		11, 12, 14, 15, 16				SCREW
		2	2, 6		51, 52, 54, 55, 56				
		2	3, 7		12, 15, 16				
10	05103632AA	1	2, 6						PIN KIT, Disc Brake Teves
	05103729AA	1							Bosch
11	05114556AA	1	2, 6						BUSHING, Caliper
12	05103633AA	1	2, 6						ADAPTER, Disc Brake Caliper Bosch, Right or Left
	05135747AA	1	2, 6						Teves, Right or Left
13	05103550AA	1	2, 3, 6, 7						PAD KIT, Disc Brake, Teves

**SPRINTER (VA)**

SERIES	LINE
L = LOWLINE	3 = HD DODGE 2WD 6 = Lt. Duty DODGE 4WD 2 = Med. Duty DODGE 2WD 7 = Med. Duty DODGE 4WD

BODY	ENGINE
51 = WAGON WHEEL BASE 1 52 = WAGON WHEEL BASE 2 14 = VAN WHEEL BASE 4 15 = VAN WHEEL BASE 5 16 = VAN WHEEL BASE 6 54 = WAGON WHEEL BASE 4 55 = WAGON WHEEL BASE 5 56 = WAGON WHEEL BASE 6 11 = VAN WHEEL BASE 1 12 = VAN WHEEL BASE 2	EX9 = Engine - 2.7L 5 Cly Mercedes Diesel

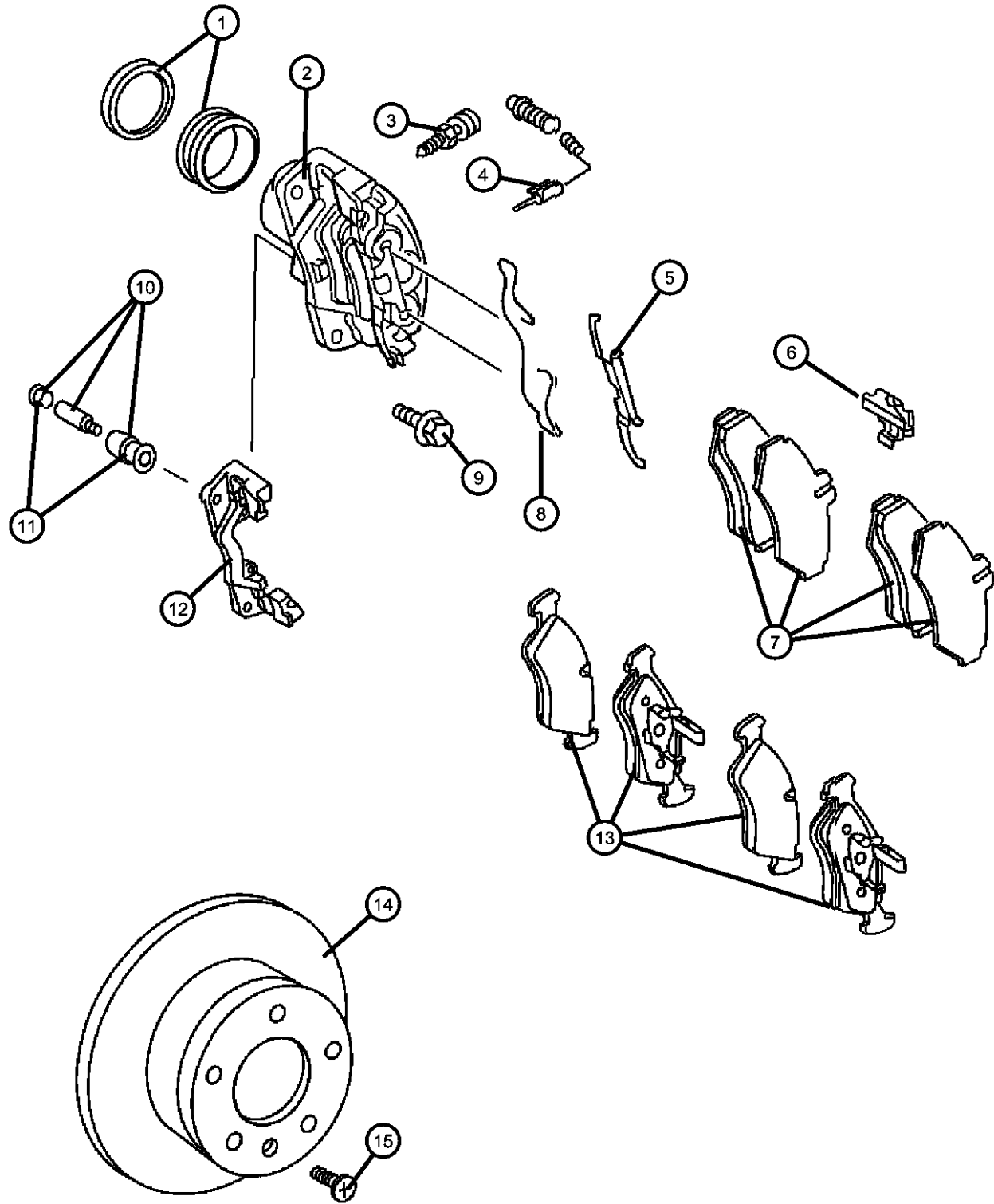
TRANSMISSION
DGJ = Transmission-5-Spd. Automatic,W5A580

AR = use ase required - = Non illustrated part

2003 VA



**Brakes,Rear,272MM  
Figure 5-210**



ITEM	PART NUMBER	QTY	LINE	SERIES	BODY	ENGINE	TRANS	TRIM	DESCRIPTION
14	05103603AA	2	2, 6		11, 12, 14, 15, 16				ROTOR, Brake 15 inch Wheels-From Rear Axle L 874989,X304861,Z161213
	05103603AB	2	2, 6		51, 52, 54, 55, 56				15 inch Wheels-From Rear Axle L 874989,X304861,Z161213
	05104562AA	2	2, 6		11, 12, 14, 15, 16				All 16 inch Wheels
	05104562AA	2	2, 6		51, 52, 54, 55, 56				All 16 inch Wheels
	05104621AA	2	2, 6		11, 12, 14, 15, 16				15 inch Wheels-Up To Rear Axle L 874988,X304860,Z161213
	05139361AA	2	2, 6		51, 52, 54, 55, 56				15 inch Wheels-Up To Rear Axle L 874988,X304860,Z161213
15	05104621AA	2							SCREW Up To Rear Axle L 874988,X304860,Z161213
	05139361AA	2							From Rear Axle L 874989,X304861,Z161213

**SPRINTER (VA)**

SERIES  
L = LOWLINE

LINE  
3 = HD DODGE 2WD  
6 = Lt. Duty DODGE 4WD  
2 = Med. Duty DODGE 2WD  
7 = Med. Duty DODGE 4WD

**BODY**

51 = WAGON WHEEL BASE 1  
52 = WAGON WHEEL BASE 2  
14 = VAN WHEEL BASE 4  
15 = VAN WHEEL BASE 5  
16 = VAN WHEEL BASE 6  
54 = WAGON WHEEL BASE 4  
55 = WAGON WHEEL BASE 5  
56 = WAGON WHEEL BASE 6  
11 = VAN WHEEL BASE 1  
12 = VAN WHEEL BASE 2

**ENGINE**

EX9 = Engine - 2.7L 5 Cly  
Mercedes Diesel

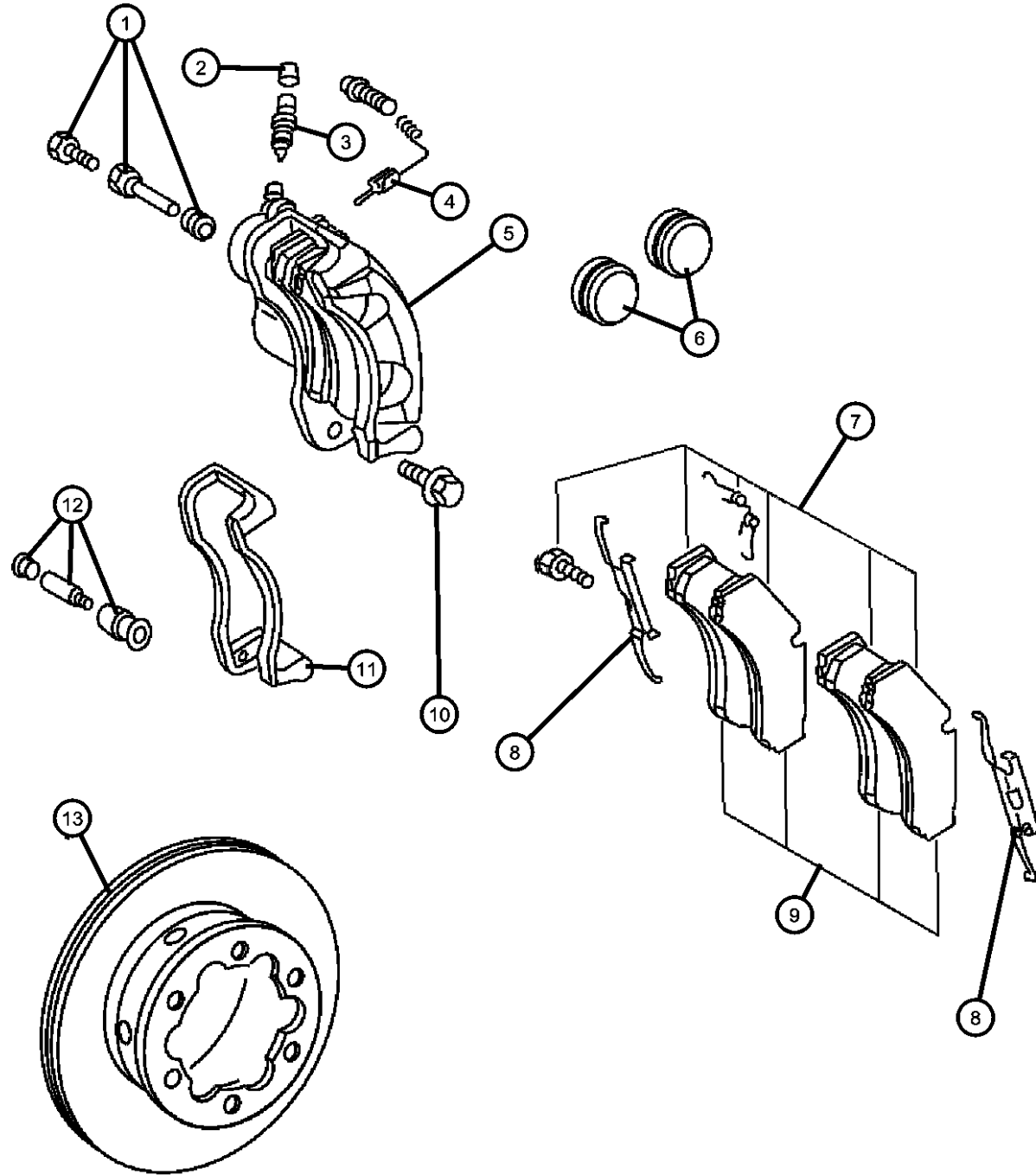
**TRANSMISSION**

DGJ = Transmission-5-Spd.  
Automatic,W5A580

AR = use ase required - = Non illustrated part

2003 VA

**Brakes,Rear,285MM**  
**Figure 5-220**



ITEM	PART NUMBER	QTY	LINE	SERIES	BODY	ENGINE	TRANS	TRIM	DESCRIPTION
------	-------------	-----	------	--------	------	--------	-------	------	-------------

Note: You must check the brand name on the old caliper to determine which one to order.

1	05103630AA	1							PIN KIT, Disc Brake, Perrot/Wabco,Textar
2	05126309AA	1	2, 3, 6, 7						CAP, Bleeder
3									BLEEDER SCREW, Brake
	05139258AA	1	2, 6						Bosch
	05139259AA	1							Perrot/Wabco,Textar
4	05103583AA	2	2, 3, 6, 7						SENSOR, Brake wear
5									CALIPER, Disc Brake
	05135212AA	1							Wabco-Without Items 7,11, Left
	05135213AA	1							Wabco-Without Items 7,11, Right
	05135917AA	1	3, 7						Bosch, Right
	05135918AA	1	3, 7						Bosch, Left
6	05139261AA	1							SEAL, Caliper Piston, Bosch,Textar
7	05103790AA	1							PAD KIT, Disc Brake, Perrot/Wabco,Textar
	VP101790								Mopar V-Line Alternative Part
8	05103635AA	2							RETAINER, Brake Hold Down Spring, Bosch,Textar, Right or Left
9	05103556AA	1	2, 3, 6, 7						PAD KIT, Disc Brake, Bosch,Textar
	VP101790								Mopar V-Line Alternative Part
10	05139464AA	4							SCREW
11									ADAPTER, Disc Brake Caliper
	05135915AA	1							Bosch, Right or Left
	05135916AA	1							Wabco, Right or Left
12	05103729AA	1							PIN KIT, Disc Brake, Bosch, Right or Left
13	05103606AA	2	3, 7		12, 15, 16				ROTOR, Brake

**SPRINTER (VA)**

**SERIES**

L = LOWLINE

**LINE**

3 = HD DODGE 2WD  
6 = Lt. Duty DODGE 4WD  
2 = Med. Duty DODGE 2WD  
7 = Med. Duty DODGE 4WD

**BODY**

51 = WAGON WHEEL BASE 1  
52 = WAGON WHEEL BASE 2  
14 = VAN WHEEL BASE 4  
15 = VAN WHEEL BASE 5  
16 = VAN WHEEL BASE 6  
54 = WAGON WHEEL BASE 4  
55 = WAGON WHEEL BASE 5  
56 = WAGON WHEEL BASE 6  
11 = VAN WHEEL BASE 1  
12 = VAN WHEEL BASE 2

**ENGINE**

EX9 = Engine - 2.7L 5 Cly  
Mercedes Diesel

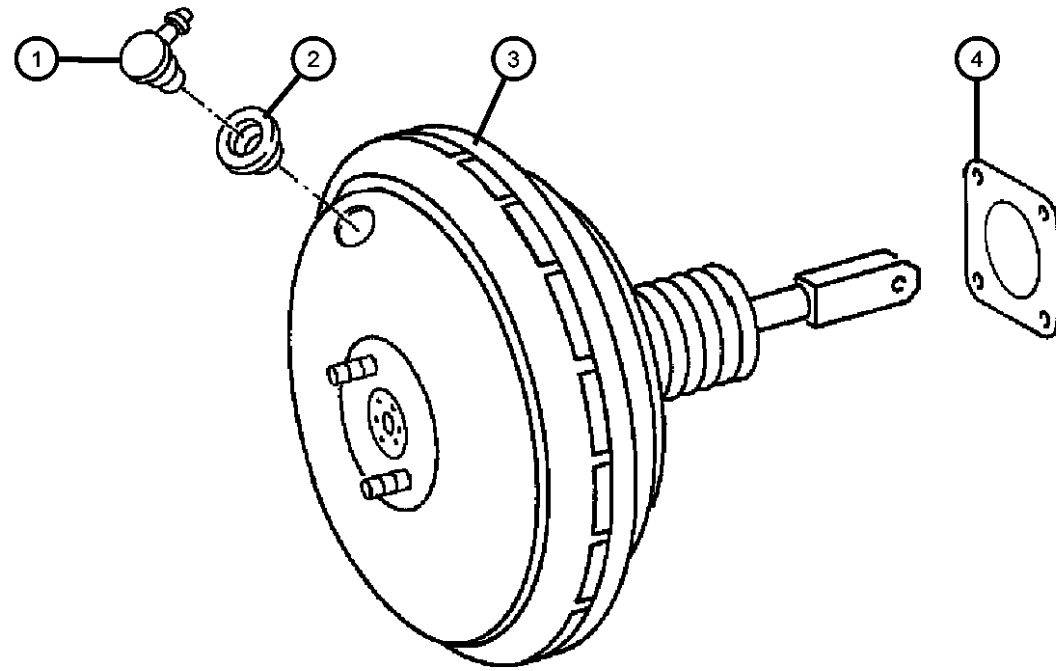
**TRANSMISSION**

DGJ = Transmission-5-Spd. Automatic,W5A580

AR = use ase required - = Non illustrated part

2003 VA

**Booster**  
**Figure 5-310**



ITEM	PART NUMBER	QTY	LINE	SERIES	BODY	ENGINE	TRANS	TRIM	DESCRIPTION
1	05119360AA	1	2, 6		11, 12, 14, 15, 16				VALVE, Brake Booster Check Up To Ident. No. R 400726
		1	2, 6		51, 52, 54, 55, 56				Up To Ident. No. R 400726
	05119362AA	1	2, 6		11, 12, 14, 15, 16				
		1	2, 6		51, 52, 54, 55, 56				
		1	3, 7		12, 15, 16				
2	05133696AA	1	3, 7		12, 15, 16				GASKET, Vacuum Line to Booster
		1	2, 6		11, 12, 14, 15, 16				
		1	2, 6		51, 52, 54, 55, 56				
3	05119372AA	1	2, 6		11, 12, 14, 15, 16				BOOSTER, Power Brake From Ident. No. A 905512/R 400727
		1	2, 6		51, 52, 54, 55, 56				From Ident. No. A 905512/R 400727
		1	3, 7		12, 15, 16				From Ident. No. A 905512/R 400727
	05129285AA	1	2, 6		11, 12, 14, 15, 16				Up To Ident. A 905511/R 400726
		1	2, 6		51, 52, 54, 55, 56				Up To Ident. A 905511/R 400726
1	3, 7		12, 15, 16					Up To Ident. A 905511/R 400726	
4	05119386AA	1	2, 6		11, 12, 14, 15, 16				GASKET, Booster To Dash
		1	2, 6		51, 52, 54, 55, 56				
		1	3, 7		12, 15, 16				

**SPRINTER (VA)**

**SERIES**

L = LOWLINE

**LINE**

3 = HD DODGE 2WD  
6 = Lt. Duty DODGE 4WD  
2 = Med. Duty DODGE 2WD  
7 = Med. Duty DODGE 4WD

**BODY**

51 = WAGON WHEEL BASE 1  
52 = WAGON WHEEL BASE 2  
14 = VAN WHEEL BASE 4  
15 = VAN WHEEL BASE 5  
16 = VAN WHEEL BASE 6  
54 = WAGON WHEEL BASE 4  
55 = WAGON WHEEL BASE 5  
56 = WAGON WHEEL BASE 6  
11 = VAN WHEEL BASE 1  
12 = VAN WHEEL BASE 2

**ENGINE**

EX9 = Engine - 2.7L 5 Cly  
Mercedes Diesel

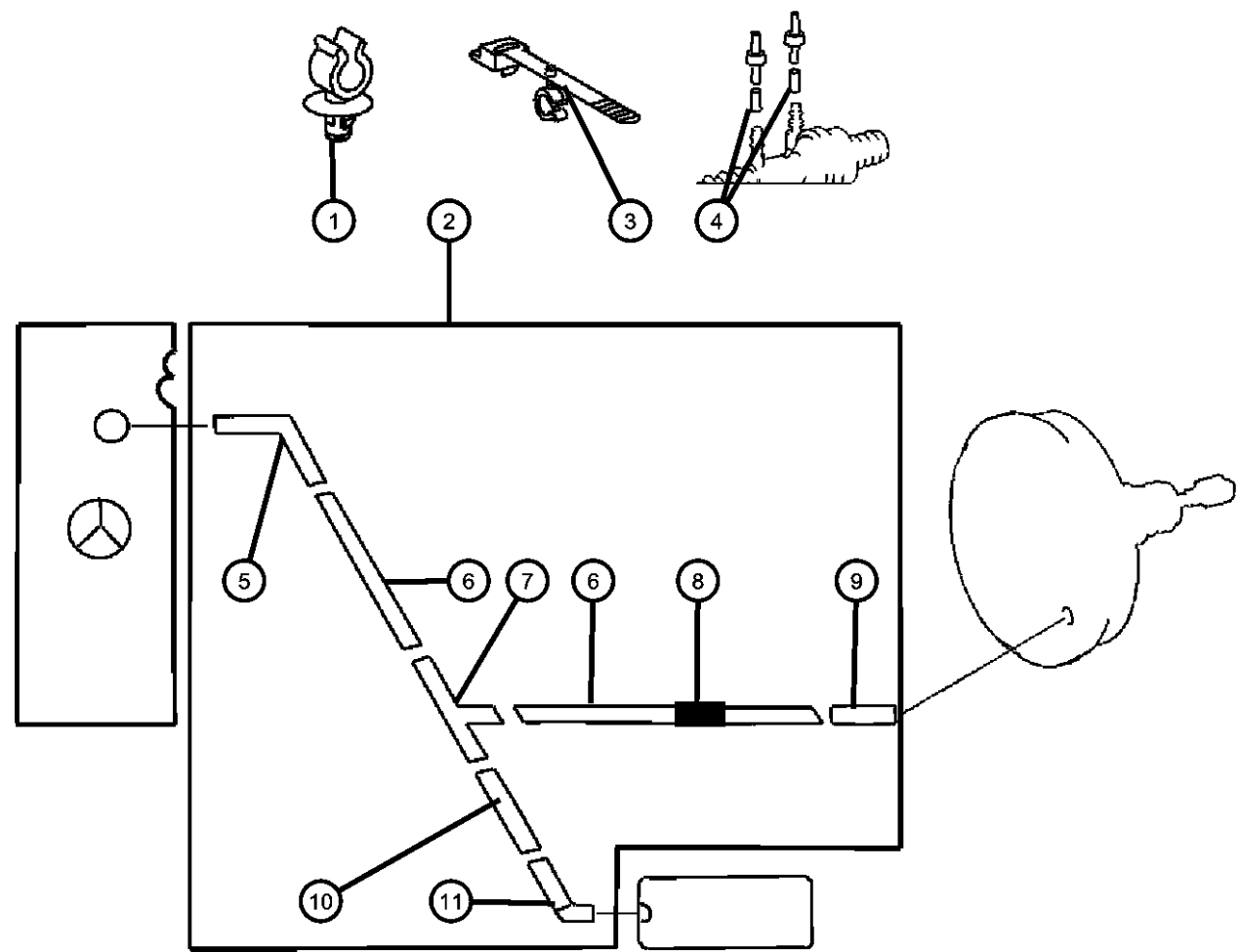
**TRANSMISSION**

DGJ = Transmission-5-Spd.  
Automatic,W5A580

AR = use ase required - = Non illustrated part

Vacuum Lines  
Figure 5-320

ITEM	PART NUMBER	QTY	LINE	SERIES	BODY	ENGINE	TRANS	TRIM	DESCRIPTION
1	05125578AA	2	3, 7		12, 15, 16				CLIP, Brake Line
2	05119349AA	1	3, 7		12, 15, 16				HARNESS, Vacuum
	05129239AA	1	2, 6		11, 12, 14, 15, 16				
		1	2, 6		51, 52, 54, 55, 56				
3	06104770AA	1	3, 7		12, 15, 16				STRAP
		1	2, 6		11, 12, 14, 15, 16				
		1	2, 6		51, 52, 54, 55, 56				
4	05080390AB	1	3, 7		12, 15, 16				HOSE
		1	2, 6		11, 12, 14, 15, 16				
		1	2, 6		51, 52, 54, 55, 56				
5	05126007AA	1	2, 6		11, 12, 14, 15, 16				CONNECTOR
		1	2, 6		51, 52, 54, 55, 56				
		1	3, 7		12, 15, 16				
6	05129290AA	1	2, 6		11, 12, 14, 15, 16				HOSE, Vacuum
		1	2, 6		51, 52, 54, 55, 56				
		1	3, 7		12, 15, 16				
7	05119363AA	1	3, 7		12, 15, 16				TEE, Vacuum hose
8	05125507AA	2	2, 6		11, 12, 14, 15, 16				WASHER
		2	2, 6		51, 52, 54, 55, 56				
		2	3, 7		12, 15, 16				



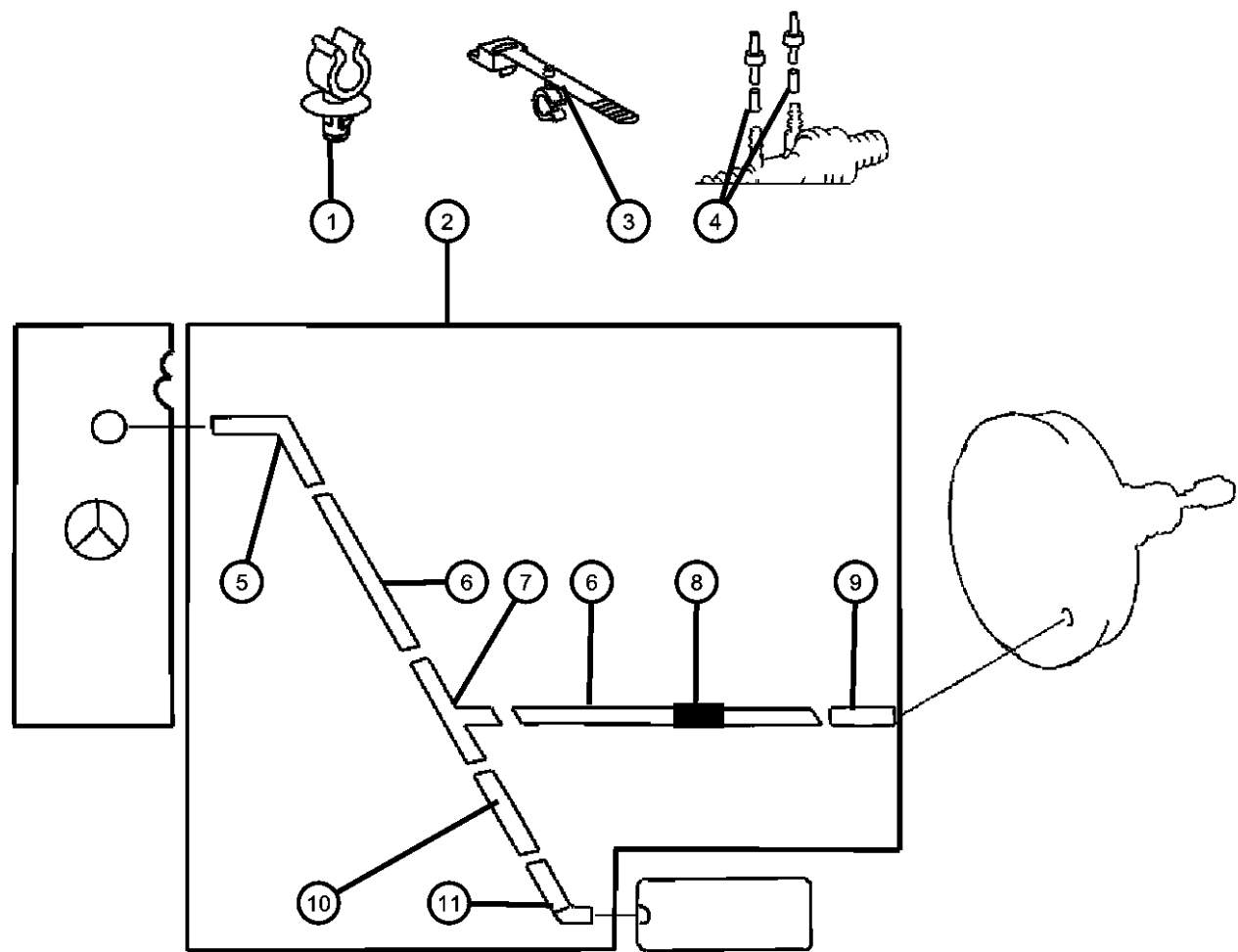
**SPRINTER (VA)**

<b>SERIES</b>	<b>LINE</b>	<b>BODY</b>	<b>ENGINE</b>	<b>TRANSMISSION</b>
L = LOWLINE	3 = HD DODGE 2WD 6 = Lt. Duty DODGE 4WD 2 = Med. Duty DODGE 2WD 7 = Med. Duty DODGE 4WD	51 = WAGON WHEEL BASE 1 52 = WAGON WHEEL BASE 2 14 = VAN WHEEL BASE 4 15 = VAN WHEEL BASE 5 16 = VAN WHEEL BASE 6 54 = WAGON WHEEL BASE 4 55 = WAGON WHEEL BASE 5 56 = WAGON WHEEL BASE 6 11 = VAN WHEEL BASE 1 12 = VAN WHEEL BASE 2	EX9 = Engine - 2.7L 5 Cyl Mercedes Diesel	DGJ = Transmission-5-Spd. Automatic, W5A580

AR = use ase required - = Non illustrated part

Vacuum Lines  
Figure 5-320

ITEM	PART NUMBER	QTY	LINE	SERIES	BODY	ENGINE	TRANS	TRIM	DESCRIPTION
9	05119360AA	1	2, 6		11, 12, 14, 15, 16				VALVE, Brake Booster Check
		1	2, 6		51, 52, 54, 55, 56				
	05119362AA	1	3, 7		12, 15, 16				
10	05119392AA	1	2, 3, 6, 7						HOSE, Vacuum
	05119397AA	1	3, 7		12, 15, 16				
11	05125804AA	1	3, 7		12, 15, 16				COUPLING, Male
-12	05098383AA	1	2, 3, 6, 7						CAP, Nut



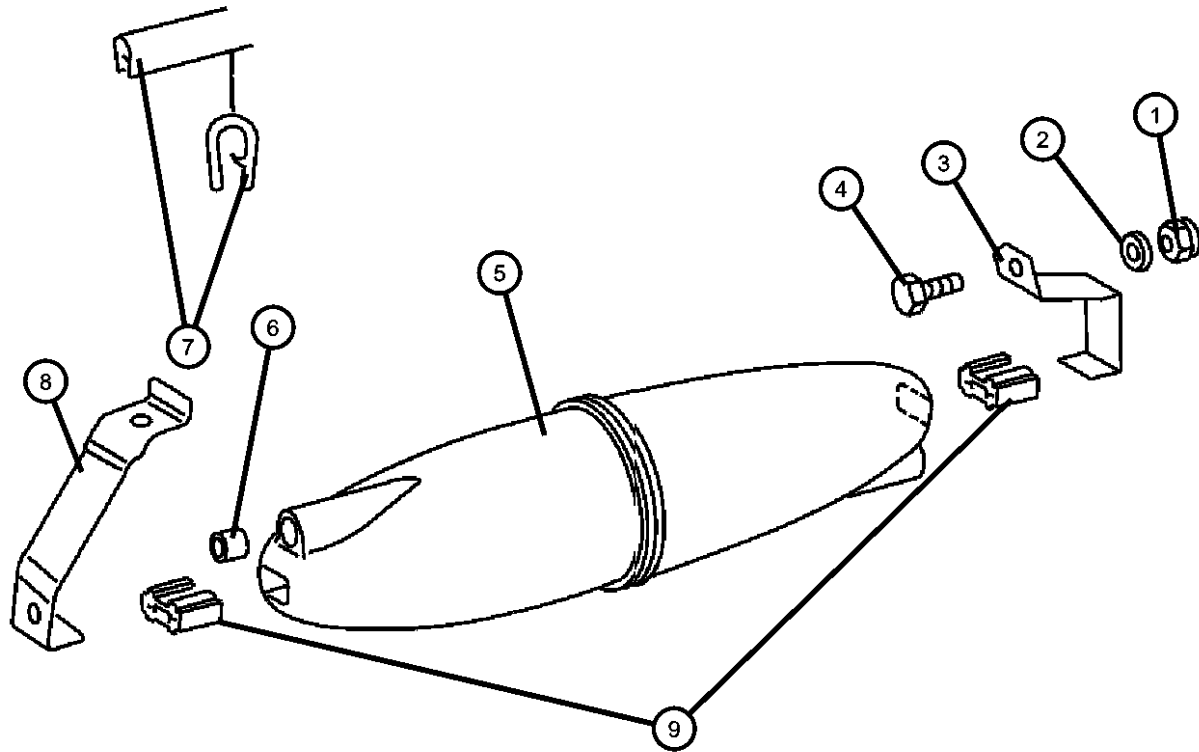
**SPRINTER (VA)**

SERIES	LINE	BODY	ENGINE	TRANSMISSION
L = LOWLINE	3 = HD DODGE 2WD	51 = WAGON WHEEL BASE 1	EX9 = Engine - 2.7L 5 Cly	DGJ = Transmission-5-Spd.
	6 = Lt. Duty DODGE 4WD	52 = WAGON WHEEL BASE 2	Mercedes Diesel	Automatic,W5A580
	2 = Med. Duty DODGE 2WD	14 = VAN WHEEL BASE 4		
	7 = Med. Duty DODGE 4WD	15 = VAN WHEEL BASE 5		
		16 = VAN WHEEL BASE 6		
		54 = WAGON WHEEL BASE 4		
		55 = WAGON WHEEL BASE 5		
		56 = WAGON WHEEL BASE 6		
		11 = VAN WHEEL BASE 1		
		12 = VAN WHEEL BASE 2		

AR = use ase required - = Non illustrated part

Vacuum Reservoir  
Figure 5-330

ITEM	PART NUMBER	QTY	LINE	SERIES	BODY	ENGINE	TRANS	TRIM	DESCRIPTION
1	05126237AA	1	3, 7		12, 15, 16				NUT, Hex
2	05126237AA	1							WASHER, Flat, M8, (NOT SERVICED)
3	05119388AA	1	3, 7		12, 15, 16				BRACKET, Vacuum Reservoir
4	05104655AA	1	3, 7		12, 15, 16				BOLT
5	05119357AA	1	3, 7		12, 15, 16				RESERVOIR, Vacuum
6	05119400AA	1	3, 7		12, 15, 16				SEAL, Vacuum Line
7	05132721AA	2	3, 7		12, 15, 16				GUARD, Edge, 10 Meters Long
8	05119389AA	1	3, 7		12, 15, 16				BRACKET, Vacuum Reservoir
9	05125498AA	2	3, 7		12, 15, 16				ISOLATOR

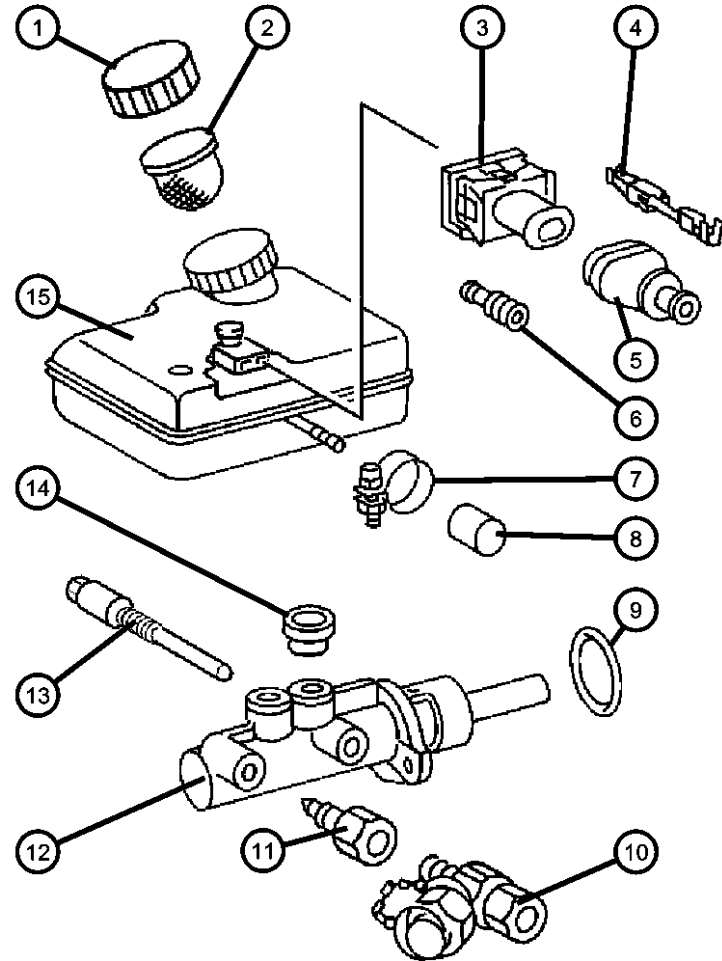


**SPRINTER (VA)**

SERIES	LINE	BODY	ENGINE	TRANSMISSION
L = LOWLINE	3 = HD DODGE 2WD	51 = WAGON WHEEL BASE 1	EX9 = Engine - 2.7L 5 Cly	DGJ = Transmission-5-Spd. Automatic, W5A580
	6 = Lt. Duty DODGE 4WD	52 = WAGON WHEEL BASE 2	Mercedes Diesel	
	2 = Med. Duty DODGE 2WD	14 = VAN WHEEL BASE 4		
	7 = Med. Duty DODGE 4WD	15 = VAN WHEEL BASE 5		
		16 = VAN WHEEL BASE 6		
		54 = WAGON WHEEL BASE 4		
		55 = WAGON WHEEL BASE 5		
		56 = WAGON WHEEL BASE 6		
		11 = VAN WHEEL BASE 1		
		12 = VAN WHEEL BASE 2		

AR = use ase required - = Non illustrated part

**Master Cylinder  
Figure 5-410**



ITEM	PART NUMBER	QTY	LINE	SERIES	BODY	ENGINE	TRANS	TRIM	DESCRIPTION
Note: Sales Codes: [4DR]=Weight Variant 3.88T									
1	05103743AA	1							CAP, Master Cylinder Reservoir
2	05119374AA	1	2, 6		11, 12, 14, 15, 16				FILTER, Brake Master Cylinder
3	05120749AA	1	2, 6		51, 52, 54, 55, 56				CONNECTOR
4	05103880AA	1	3, 7		12, 15, 16				TERMINAL BOOT
5	05120881AA	1	3, 7		12, 15, 16				
6	05103661AA	1	2, 6		11, 12, 14, 15, 16				GASKET
7	05080440AB	1	2, 6		51, 52, 54, 55, 56				CLAMP
8	05119387AA	1	2, 6		11, 12, 14, 15, 16				CAP
9	05133695AA	1	2, 6		51, 52, 54, 55, 56				GASKET
		1	3, 7		12, 15, 16				GASKET

**SPRINTER (VA)**

**SERIES**

L = LOWLINE

**LINE**

3 = HD DODGE 2WD  
6 = Lt. Duty DODGE 4WD  
2 = Med. Duty DODGE 2WD  
7 = Med. Duty DODGE 4WD

**BODY**

51 = WAGON WHEEL BASE 1  
52 = WAGON WHEEL BASE 2  
14 = VAN WHEEL BASE 4  
15 = VAN WHEEL BASE 5  
16 = VAN WHEEL BASE 6  
54 = WAGON WHEEL BASE 4  
55 = WAGON WHEEL BASE 5  
56 = WAGON WHEEL BASE 6  
11 = VAN WHEEL BASE 1  
12 = VAN WHEEL BASE 2

**ENGINE**

EX9 = Engine - 2.7L 5 Cly  
Mercedes Diesel

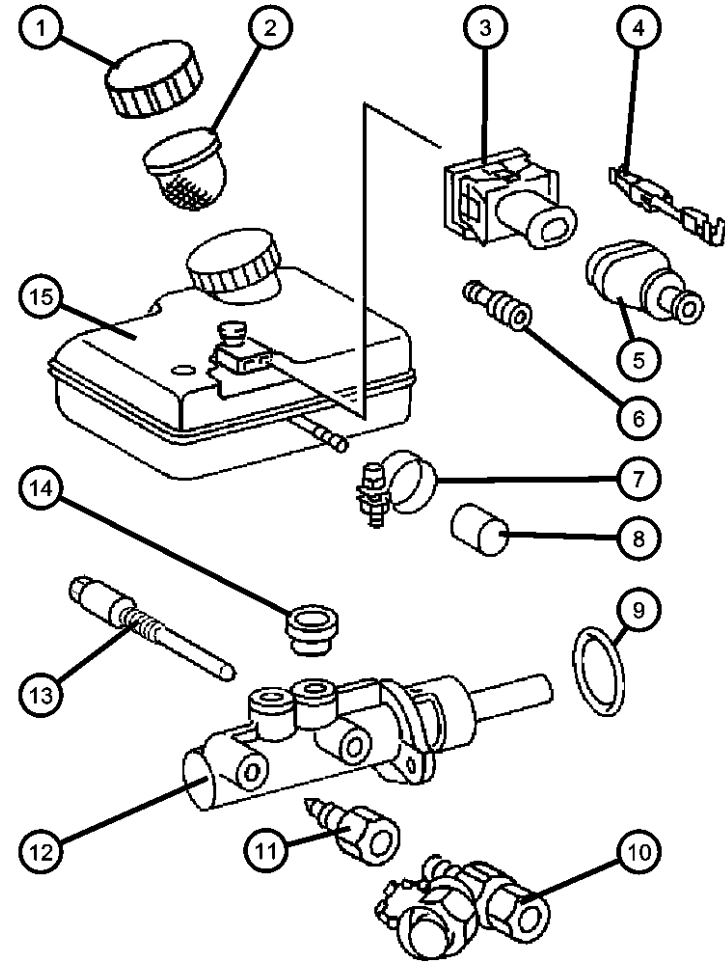
**TRANSMISSION**

DGJ = Transmission-5-Spd.  
Automatic,W5A580

AR = use ase required - = Non illustrated part

2003 VA

**Master Cylinder  
Figure 5-410**



ITEM	PART NUMBER	QTY	LINE	SERIES	BODY	ENGINE	TRANS	TRIM	DESCRIPTION
		1	2, 6		11, 12, 14, 15, 16				
		1	2, 6		51, 52, 54, 55, 56				
10									TEST CONNECTION, Master Cylinder
	05103640AA	2	2, 6		11, 12, 14, 15, 16				
		2	2, 6		51, 52, 54, 55, 56				
11		2	3, 7		12, 15, 16				
12		2							FITTING, Order Item 12, (NOT SERVICED) CYLINDER, Brake Master
	05119354AA	1	2, 6		11, 12, 14, 15, 16				4DR
		1	3, 7		12, 15, 16				
	05119355AA	1	2, 6		11, 12, 14, 15, 16				
		1	2, 6		51, 52, 54, 55, 56				
13		1							SCREW, (NOT SERVICED)
14	05103637AA	2							SEAL, Brake Cylinder To Reservoir
15									RESERVOIR, Brake Master Cylinder
	05119356AA	1	2, 6		11, 12, 14, 15, 16				
		1	2, 6		51, 52, 54, 55, 56				
		1	3, 7		12, 15, 16				

**SPRINTER (VA)**

**SERIES**

L = LOWLINE

**LINE**

3 = HD DODGE 2WD  
6 = Lt. Duty DODGE 4WD  
2 = Med. Duty DODGE 2WD  
7 = Med. Duty DODGE 4WD

**BODY**

51 = WAGON WHEEL BASE 1  
52 = WAGON WHEEL BASE 2  
14 = VAN WHEEL BASE 4  
15 = VAN WHEEL BASE 5  
16 = VAN WHEEL BASE 6  
54 = WAGON WHEEL BASE 4  
55 = WAGON WHEEL BASE 5  
56 = WAGON WHEEL BASE 6  
11 = VAN WHEEL BASE 1  
12 = VAN WHEEL BASE 2

**ENGINE**

EX9 = Engine - 2.7L 5 Cly  
Mercedes Diesel

**TRANSMISSION**

DGJ = Transmission-5-Spd.  
Automatic,W5A580

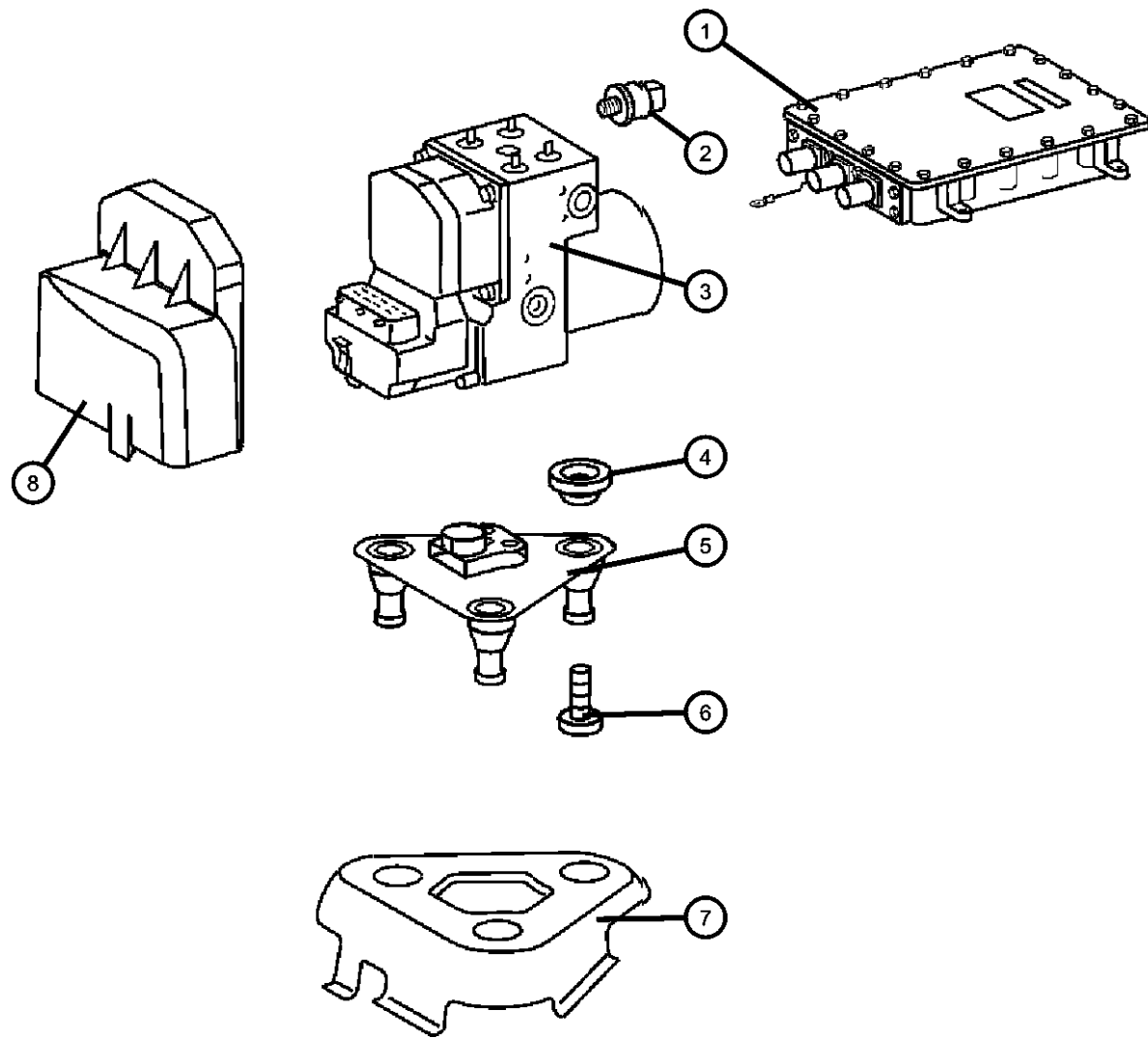
AR = use ase required - = Non illustrated part

2003 VA



### Hydraulic Control Unit and ABS Module

Figure 5-420



ITEM	PART NUMBER	QTY	LINE	SERIES	BODY	ENGINE	TRANS	TRIM	DESCRIPTION
1	05133700AA	1	2, 6		11, 12, 14, 15, 16				MODULE, Anti-lock Brakes Module
		1	2, 6		51, 52, 54, 55, 56				Module
2	05133702AA	1	3, 7		12, 15, 16				SENDING UNIT
3	05127536AA	1							CONTROL UNIT, Anti-Lock Brake
	05127538AA	1	2, 6		11, 12, 14, 15, 16				With [BGK], Hydraulic Control Unit
		1	2, 6		51, 52, 54, 55, 56				With [BGK + 4DR], Hydraulic Control Unit
4	05099283AA	3	2, 6		11, 12, 14, 15, 16				GROMMET, Hydraulic Control Unit
		3	2, 6		51, 52, 54, 55, 56				
		3	3, 7		12, 15, 16				
5	05119383AA	1	2, 6		11, 12, 14, 15, 16				BRACKET, Hydraulic control unit, Upper
		1	2, 6		51, 52, 54, 55, 56				
		1	3, 7		12, 15, 16				
6	05126138AA	2	2, 6		11, 12, 14, 15, 16				SCREW
		2	2, 6		51, 52, 54, 55, 56				
		2	3, 7		12, 15, 16				
7	05104088AA	1	2, 6		11, 12, 14, 15, 16				BRACKET, Hydraulic control unit, Lower
		1	2, 6		51, 52, 54, 55, 56				
		1	3, 7		12, 15, 16				

**SPRINTER (VA)**

**SERIES**

L = LOWLINE

**LINE**

3 = HD DODGE 2WD  
 6 = Lt. Duty DODGE 4WD  
 2 = Med. Duty DODGE 2WD  
 7 = Med. Duty DODGE 4WD

**BODY**

51 = WAGON WHEEL BASE 1  
 52 = WAGON WHEEL BASE 2  
 14 = VAN WHEEL BASE 4  
 15 = VAN WHEEL BASE 5  
 16 = VAN WHEEL BASE 6  
 54 = WAGON WHEEL BASE 4  
 55 = WAGON WHEEL BASE 5  
 56 = WAGON WHEEL BASE 6  
 11 = VAN WHEEL BASE 1  
 12 = VAN WHEEL BASE 2

**ENGINE**

EX9 = Engine - 2.7L 5 Cyl  
 Mercedes Diesel

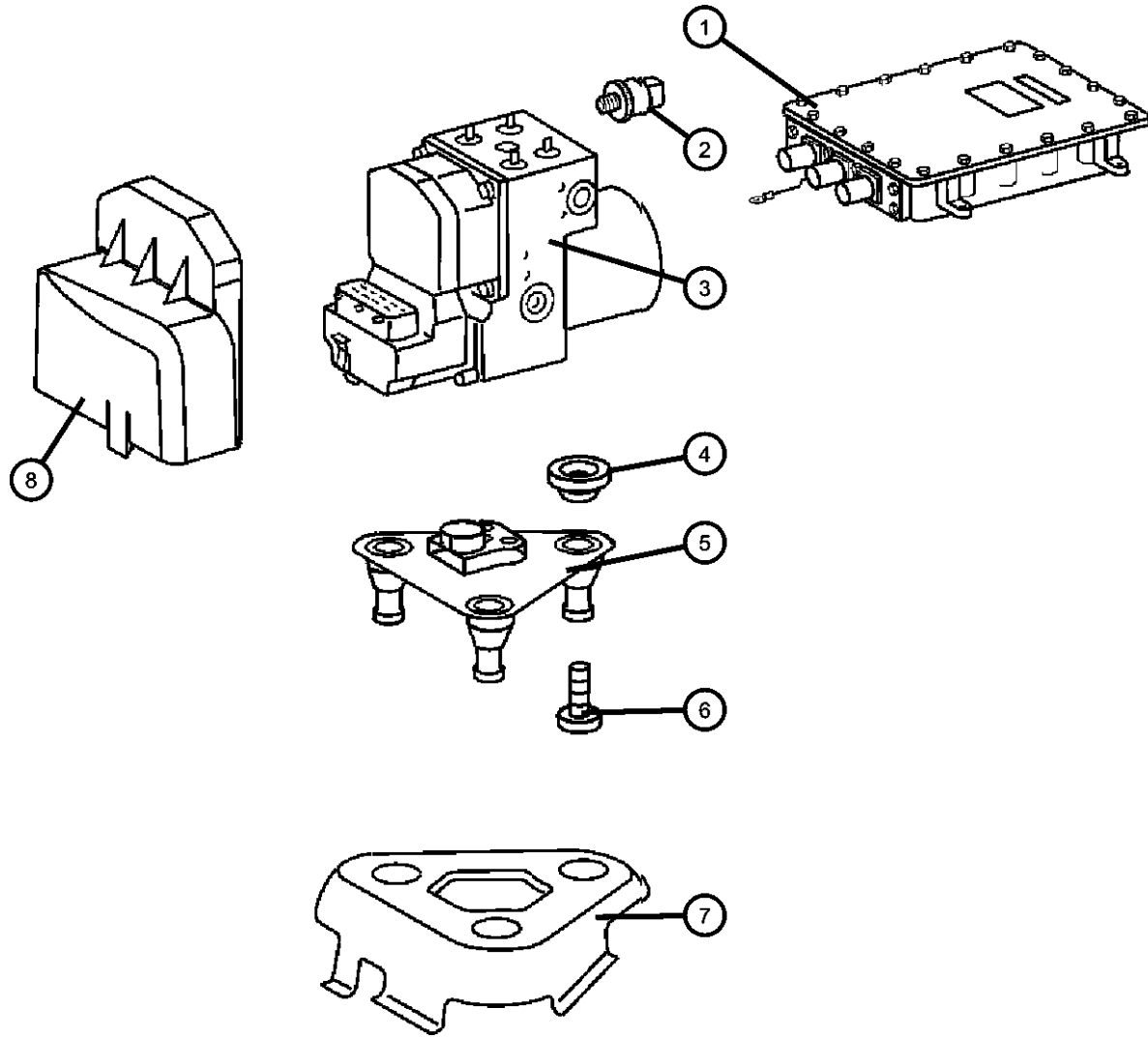
**TRANSMISSION**

DGJ = Transmission-5-Spd. Automatic, W5A580

AR = use ase required - = Non illustrated part

**Hydraulic Control Unit and ABS Module**  
**Figure 5-420**

ITEM	PART NUMBER	QTY	LINE	SERIES	BODY	ENGINE	TRANS	TRIM	DESCRIPTION
8	05120888AA	1	2, 6		11, 12, 14, 15, 16				COVER, Hydraulic Control Unit
		1	2, 6		51, 52, 54, 55, 56				
		1	3, 7		12, 15, 16				



**SPRINTER (VA)**

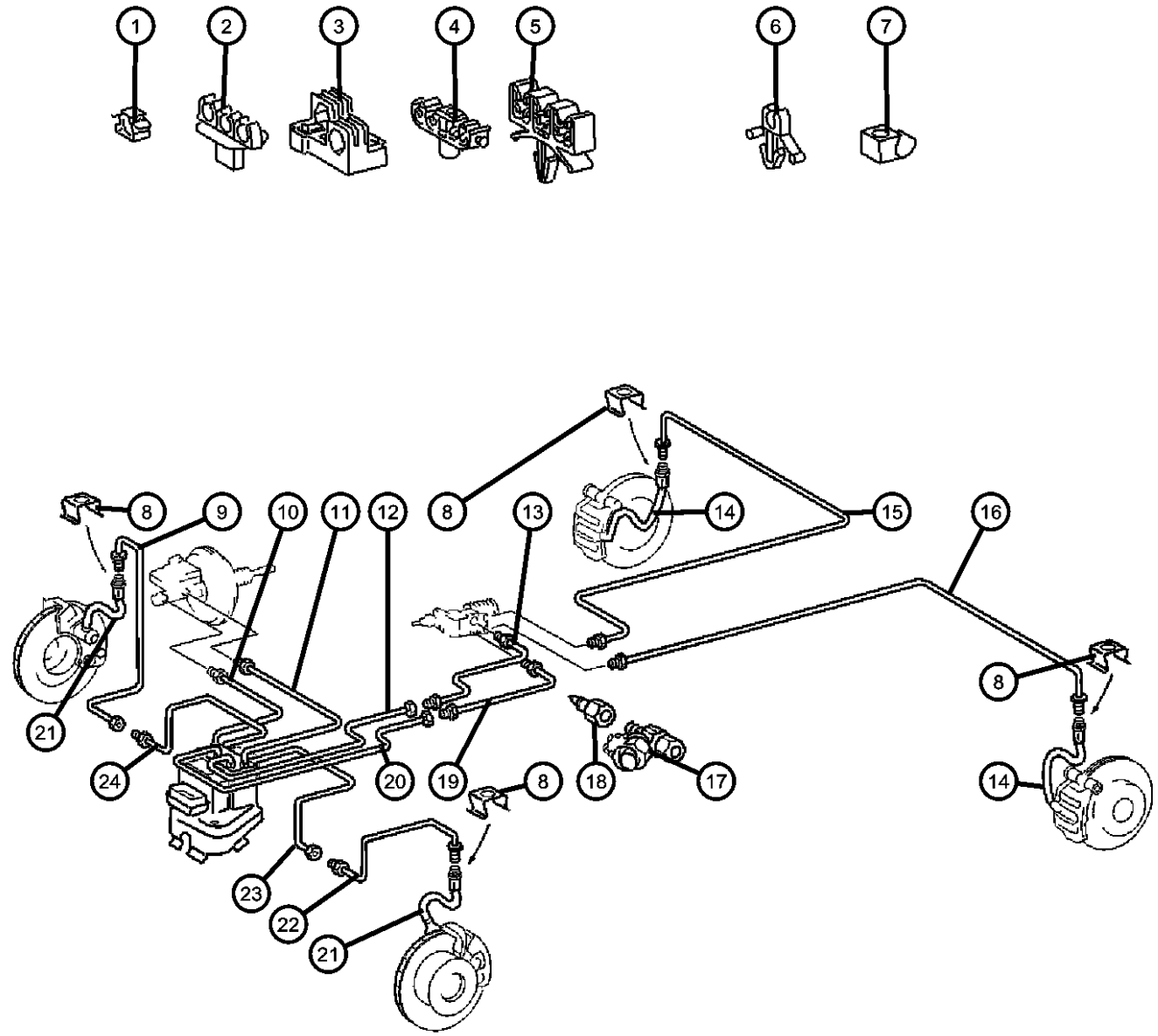
SERIES	LINE	BODY	ENGINE	TRANSMISSION
L = LOWLINE	3 = HD DODGE 2WD 6 = Lt. Duty DODGE 4WD 2 = Med. Duty DODGE 2WD 7 = Med. Duty DODGE 4WD	51 = WAGON WHEEL BASE 1 52 = WAGON WHEEL BASE 2 14 = VAN WHEEL BASE 4 15 = VAN WHEEL BASE 5 16 = VAN WHEEL BASE 6 54 = WAGON WHEEL BASE 4 55 = WAGON WHEEL BASE 5 56 = WAGON WHEEL BASE 6 11 = VAN WHEEL BASE 1 12 = VAN WHEEL BASE 2	EX9 = Engine - 2.7L 5 Cly Mercedes Diesel	DGJ = Transmission-5-Spd. Automatic,W5A580

AR = use ase required - = Non illustrated part

**Lines,Brake,With ABS,2500/3500 Series**  
**Figure 5-510**

ITEM	PART NUMBER	QTY	LINE	SERIES	BODY	ENGINE	TRANS	TRIM	DESCRIPTION
------	-------------	-----	------	--------	------	--------	-------	------	-------------

Note;Sales Codes;  
 [WDG]=Wheels - 16 X 6 STEEL  
 [3S6]=Test Connections Hydraulic Brake  
 [5AC]=118" Wheelbase  
 [5AE]=140" Wheelbase  
 [5AF]=158" Wheelbase



1	05119689AA	4	2, 6		11, 12, 14, 15, 16				CLIP, Brake Line As Required
		4	2, 6		51, 52, 54, 55, 56				As Required
		4	3, 7		12, 15, 16				As Required
2	05132788AA	4	2, 6		11, 12, 14, 15, 16				CLIP, Brake Line As Required
		4	2, 6		51, 52, 54, 55, 56				As Required
		4	3, 7		12, 15, 16				As Required
3	05119331AA	1	2, 6		11, 12, 14, 15, 16				BRACKET, Brake Tube As Required
		1	2, 6		51, 52, 54, 55, 56				As Required
		1	3, 7		12, 15, 16				As Required
4	05119330AA	2	3, 7		12, 15, 16				CLIP, Brake Line As Required
		2	2, 6		11, 12, 14, 15, 16				As Required
		2	2, 6		51, 52, 54, 55, 56				As Required
5	05119328AA	1	3, 7		12, 15, 16				CLIP, Brake Line As Required
		1	2, 6		11, 12, 14, 15, 16				As Required
		1	2, 6		51, 52, 54, 55, 56				As Required
6	05119329AA	2	2, 6		11, 12, 14, 15, 16				CLIP, Brake Line As Required

**SPRINTER (VA)**

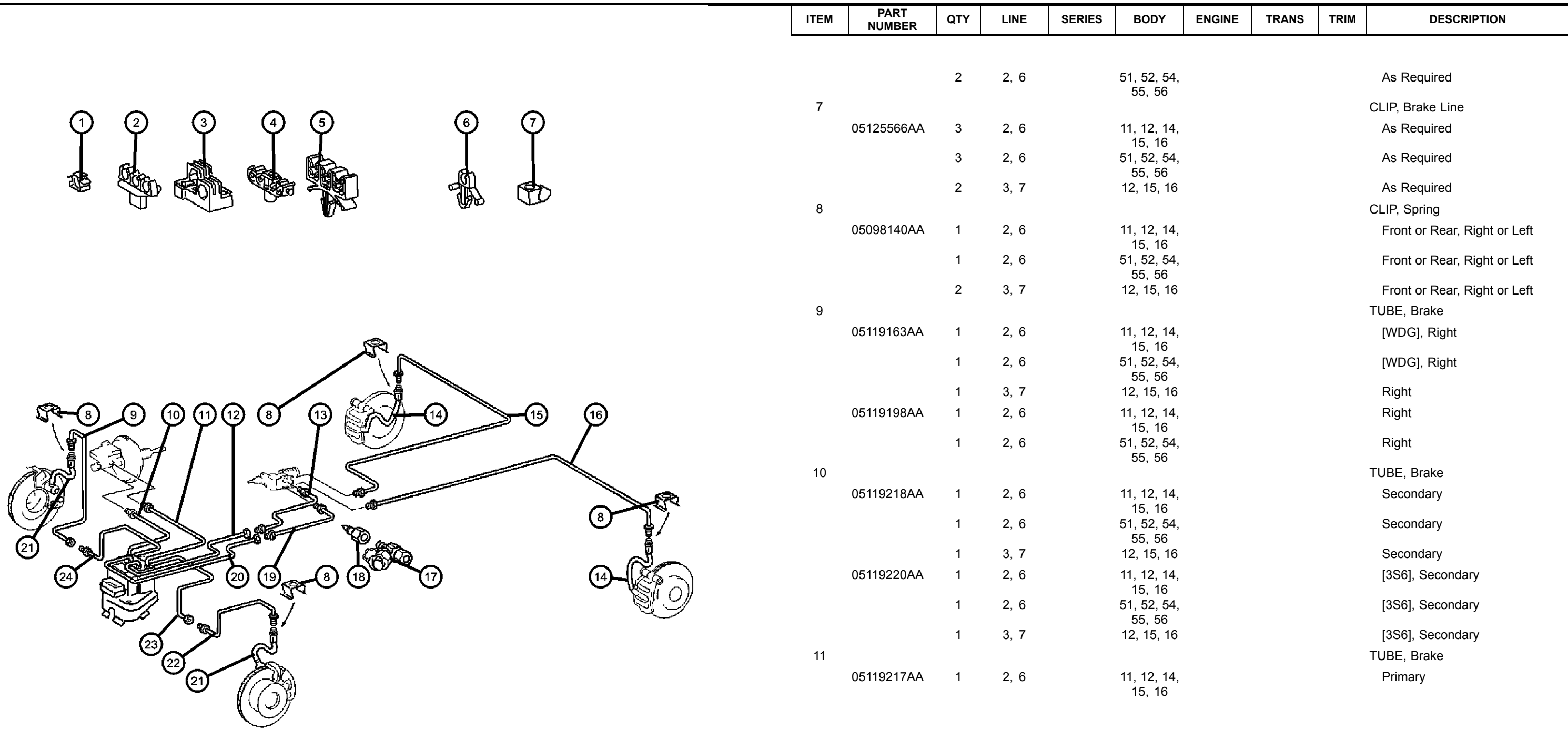
SERIES      LINE  
 L = LOWLINE      3 = HD DODGE 2WD  
                          6 = Lt. Duty DODGE 4WD  
                          2 = Med. Duty DODGE 2WD  
                          7 = Med. Duty DODGE 4WD

BODY                      ENGINE  
 51 = WAGON WHEEL BASE 1 EX9 = Engine - 2.7L 5 Cly  
 52 = WAGON WHEEL BASE 2 Mercedes Diesel  
 14 = VAN WHEEL BASE 4  
 15 = VAN WHEEL BASE 5  
 16 = VAN WHEEL BASE 6  
 54 = WAGON WHEEL BASE 4  
 55 = WAGON WHEEL BASE 5  
 56 = WAGON WHEEL BASE 6  
 11 = VAN WHEEL BASE 1  
 12 = VAN WHEEL BASE 2

TRANSMISSION  
 DGJ = Transmission-5-Spd.  
 Automatic,W5A580

AR = use ase required    - = Non illustrated part

Lines,Brake,With ABS,2500/3500 Series  
Figure 5-510

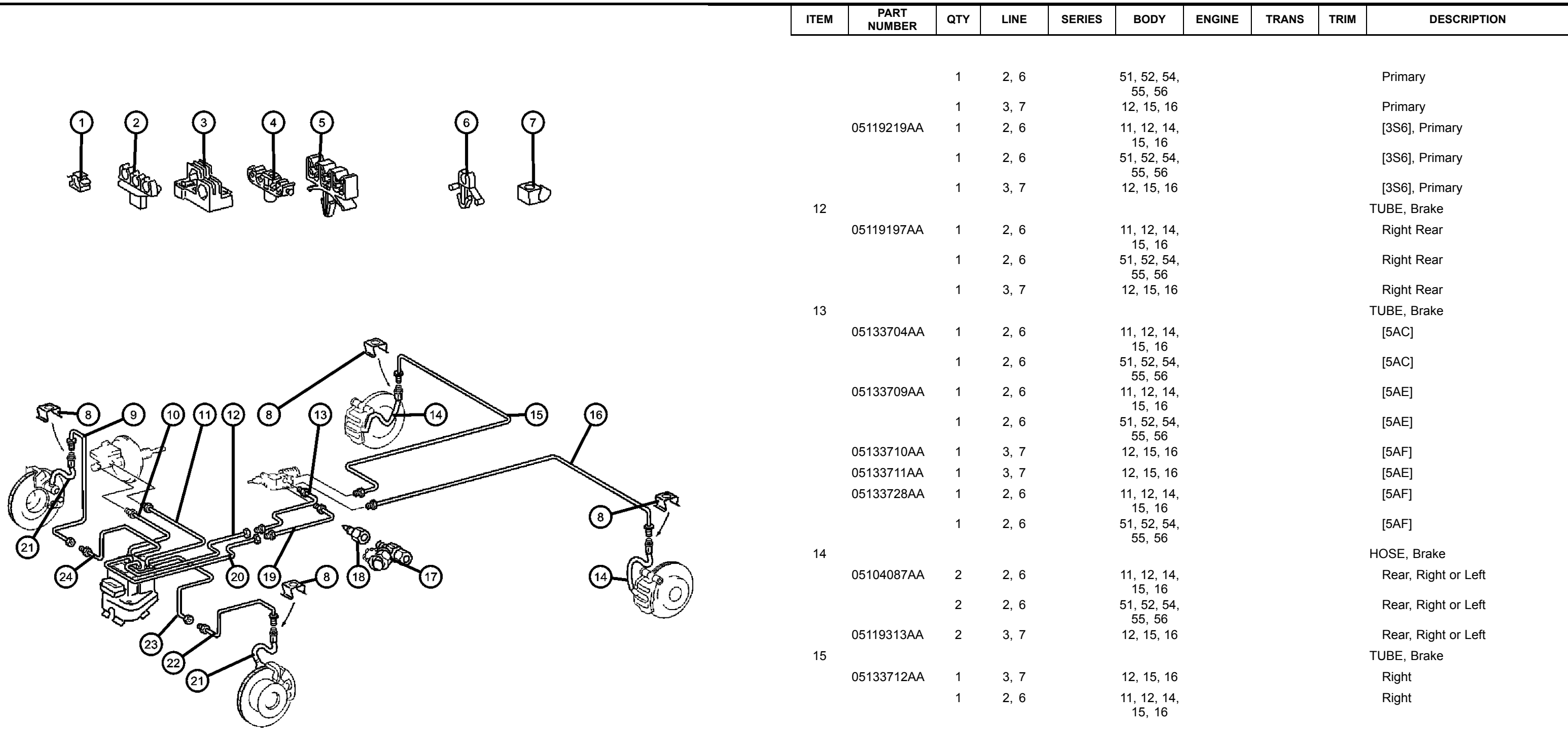


ITEM	PART NUMBER	QTY	LINE	SERIES	BODY	ENGINE	TRANS	TRIM	DESCRIPTION
		2	2, 6		51, 52, 54, 55, 56				As Required
7									CLIP, Brake Line
	05125566AA	3	2, 6		11, 12, 14, 15, 16				As Required
		3	2, 6		51, 52, 54, 55, 56				As Required
		2	3, 7		12, 15, 16				As Required
8									CLIP, Spring
	05098140AA	1	2, 6		11, 12, 14, 15, 16				Front or Rear, Right or Left
		1	2, 6		51, 52, 54, 55, 56				Front or Rear, Right or Left
		2	3, 7		12, 15, 16				Front or Rear, Right or Left
9									TUBE, Brake
	05119163AA	1	2, 6		11, 12, 14, 15, 16				[WDG], Right
		1	2, 6		51, 52, 54, 55, 56				[WDG], Right
		1	3, 7		12, 15, 16				Right
	05119198AA	1	2, 6		11, 12, 14, 15, 16				Right
		1	2, 6		51, 52, 54, 55, 56				Right
10									TUBE, Brake
	05119218AA	1	2, 6		11, 12, 14, 15, 16				Secondary
		1	2, 6		51, 52, 54, 55, 56				Secondary
		1	3, 7		12, 15, 16				Secondary
	05119220AA	1	2, 6		11, 12, 14, 15, 16				[3S6], Secondary
		1	2, 6		51, 52, 54, 55, 56				[3S6], Secondary
		1	3, 7		12, 15, 16				[3S6], Secondary
11									TUBE, Brake
	05119217AA	1	2, 6		11, 12, 14, 15, 16				Primary

**SPRINTER (VA)**  
**SERIES**      **LINE**      **BODY**      **ENGINE**      **TRANSMISSION**  
L = LOWLINE    3 = HD DODGE 2WD    51 = WAGON WHEEL BASE 1    EX9 = Engine - 2.7L 5 Cly    DGJ = Transmission-5-Spd.  
                     6 = Lt. Duty DODGE 4WD    52 = WAGON WHEEL BASE 2    Mercedes Diesel                    Automatic,W5A580  
                     2 = Med. Duty DODGE 2WD  
                     7 = Med. Duty DODGE 4WD  
14 = VAN WHEEL BASE 4  
15 = VAN WHEEL BASE 5  
16 = VAN WHEEL BASE 6  
54 = WAGON WHEEL BASE 4  
55 = WAGON WHEEL BASE 5  
56 = WAGON WHEEL BASE 6  
11 = VAN WHEEL BASE 1  
12 = VAN WHEEL BASE 2

AR = use ase required - = Non illustrated part

Lines,Brake,With ABS,2500/3500 Series  
Figure 5-510

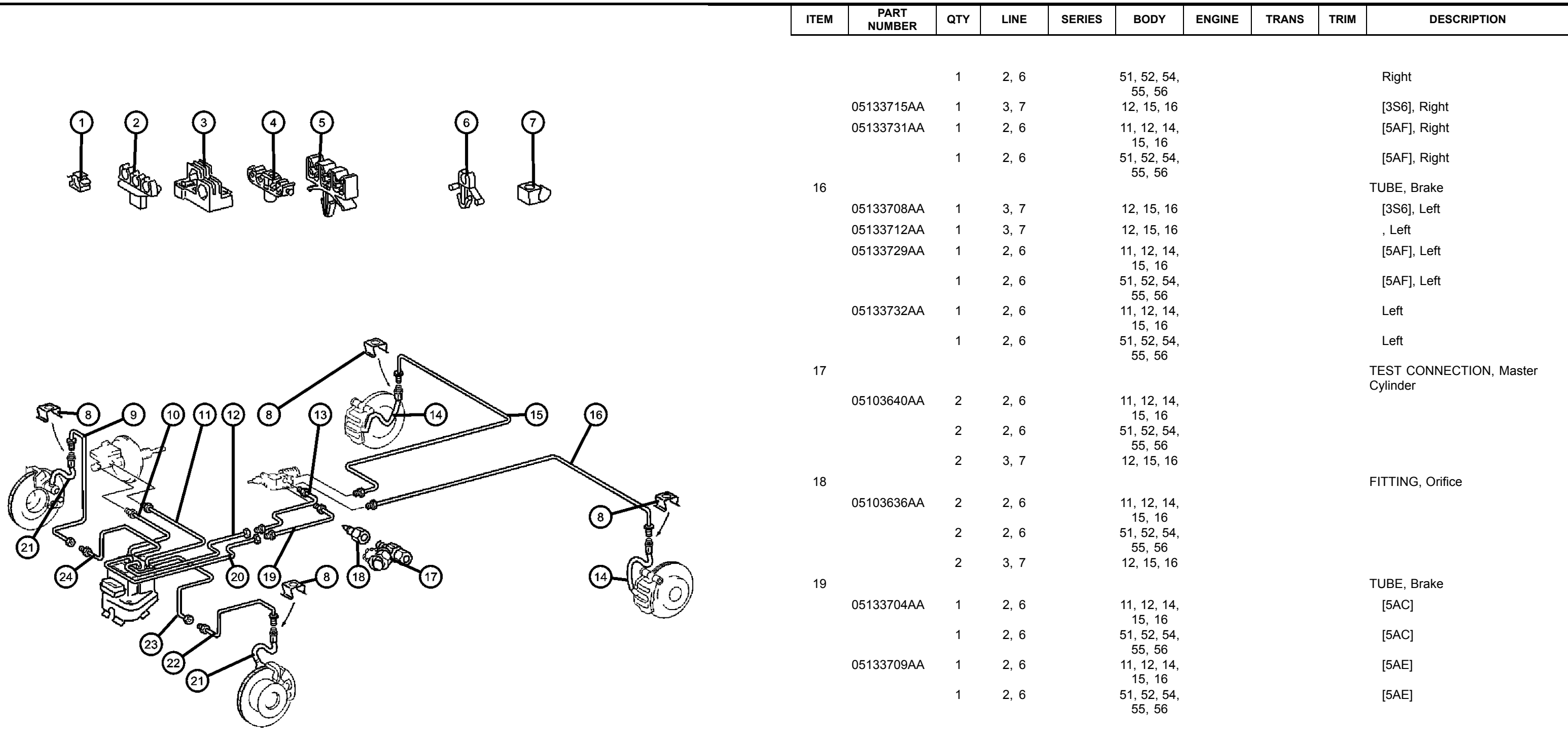


ITEM	PART NUMBER	QTY	LINE	SERIES	BODY	ENGINE	TRANS	TRIM	DESCRIPTION
		1	2, 6		51, 52, 54, 55, 56				Primary
		1	3, 7		12, 15, 16				Primary
	05119219AA	1	2, 6		11, 12, 14, 15, 16				[3S6], Primary
		1	2, 6		51, 52, 54, 55, 56				[3S6], Primary
		1	3, 7		12, 15, 16				[3S6], Primary
12	05119197AA	1	2, 6		11, 12, 14, 15, 16				TUBE, Brake Right Rear
		1	2, 6		51, 52, 54, 55, 56				Right Rear
		1	3, 7		12, 15, 16				Right Rear
13	05133704AA	1	2, 6		11, 12, 14, 15, 16				TUBE, Brake [5AC]
		1	2, 6		51, 52, 54, 55, 56				[5AC]
	05133709AA	1	2, 6		11, 12, 14, 15, 16				[5AE]
		1	2, 6		51, 52, 54, 55, 56				[5AE]
	05133710AA	1	3, 7		12, 15, 16				[5AF]
	05133711AA	1	3, 7		12, 15, 16				[5AE]
	05133728AA	1	2, 6		11, 12, 14, 15, 16				[5AF]
		1	2, 6		51, 52, 54, 55, 56				[5AF]
14	05104087AA	2	2, 6		11, 12, 14, 15, 16				HOSE, Brake Rear, Right or Left
		2	2, 6		51, 52, 54, 55, 56				Rear, Right or Left
	05119313AA	2	3, 7		12, 15, 16				Rear, Right or Left
15	05133712AA	1	3, 7		12, 15, 16				TUBE, Brake Right
		1	2, 6		11, 12, 14, 15, 16				Right

**SPRINTER (VA)**  
**SERIES**      **LINE**      **BODY**      **ENGINE**      **TRANSMISSION**  
L = LOWLINE    3 = HD DODGE 2WD    51 = WAGON WHEEL BASE 1    EX9 = Engine - 2.7L 5 Cly    DGJ = Transmission-5-Spd.  
                     6 = Lt. Duty DODGE 4WD    52 = WAGON WHEEL BASE 2    Mercedes Diesel    Automatic,W5A580  
                     2 = Med. Duty DODGE 2WD  
                     7 = Med. Duty DODGE 4WD  
14 = VAN WHEEL BASE 4  
15 = VAN WHEEL BASE 5  
16 = VAN WHEEL BASE 6  
54 = WAGON WHEEL BASE 4  
55 = WAGON WHEEL BASE 5  
56 = WAGON WHEEL BASE 6  
11 = VAN WHEEL BASE 1  
12 = VAN WHEEL BASE 2

AR = use ase required - = Non illustrated part

Lines,Brake,With ABS,2500/3500 Series  
Figure 5-510



ITEM	PART NUMBER	QTY	LINE	SERIES	BODY	ENGINE	TRANS	TRIM	DESCRIPTION
		1	2, 6		51, 52, 54, 55, 56				Right
	05133715AA	1	3, 7		12, 15, 16				[3S6], Right
	05133731AA	1	2, 6		11, 12, 14, 15, 16				[5AF], Right
		1	2, 6		51, 52, 54, 55, 56				[5AF], Right
16									TUBE, Brake
	05133708AA	1	3, 7		12, 15, 16				[3S6], Left
	05133712AA	1	3, 7		12, 15, 16				, Left
	05133729AA	1	2, 6		11, 12, 14, 15, 16				[5AF], Left
		1	2, 6		51, 52, 54, 55, 56				[5AF], Left
	05133732AA	1	2, 6		11, 12, 14, 15, 16				Left
		1	2, 6		51, 52, 54, 55, 56				Left
17									TEST CONNECTION, Master Cylinder
	05103640AA	2	2, 6		11, 12, 14, 15, 16				
		2	2, 6		51, 52, 54, 55, 56				
		2	3, 7		12, 15, 16				
18									FITTING, Orifice
	05103636AA	2	2, 6		11, 12, 14, 15, 16				
		2	2, 6		51, 52, 54, 55, 56				
		2	3, 7		12, 15, 16				
19									TUBE, Brake
	05133704AA	1	2, 6		11, 12, 14, 15, 16				[5AC]
		1	2, 6		51, 52, 54, 55, 56				[5AC]
	05133709AA	1	2, 6		11, 12, 14, 15, 16				[5AE]
		1	2, 6		51, 52, 54, 55, 56				[5AE]

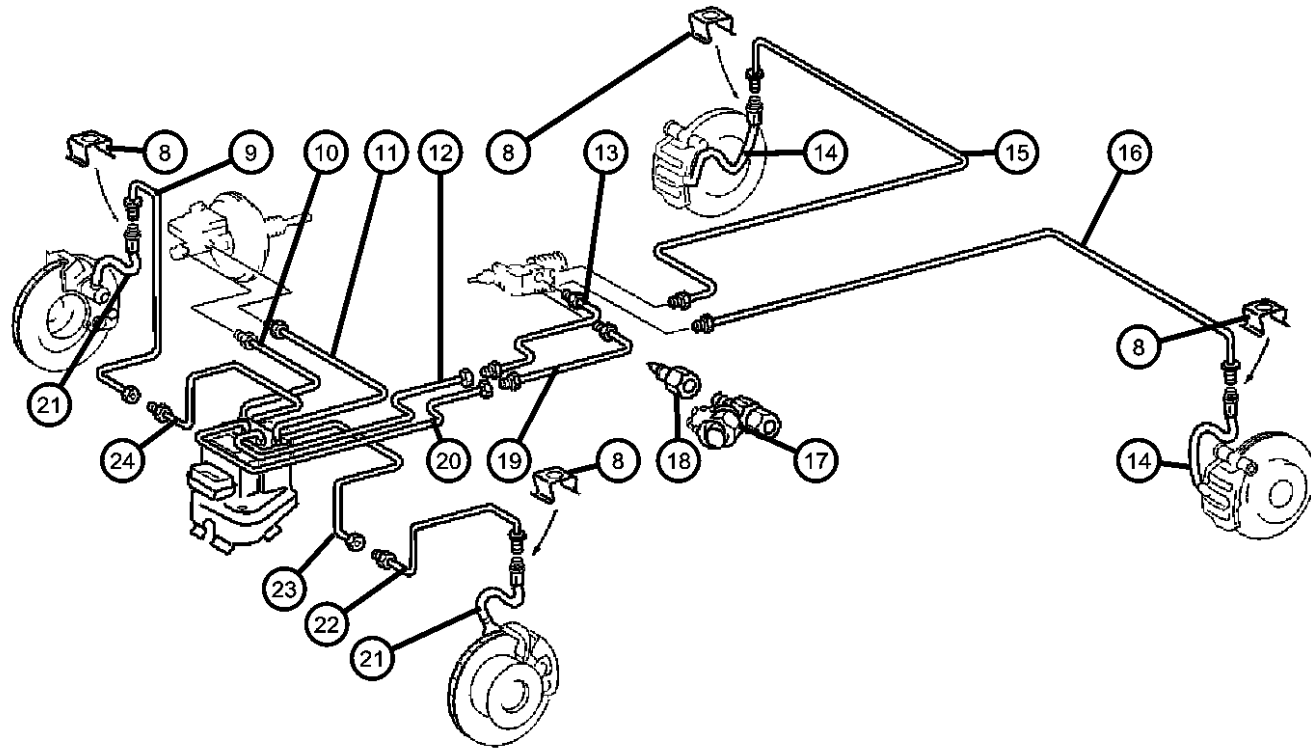
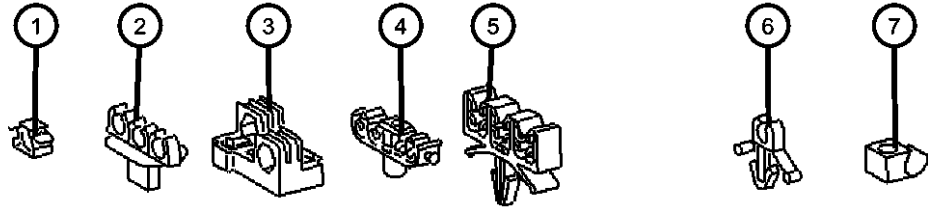
**SPRINTER (VA)**  
**SERIES**      **LINE**      **BODY**      **ENGINE**      **TRANSMISSION**  
L = LOWLINE    3 = HD DODGE 2WD    51 = WAGON WHEEL BASE 1    EX9 = Engine - 2.7L 5 Cly    DGJ = Transmission-5-Spd.  
                     6 = Lt. Duty DODGE 4WD    52 = WAGON WHEEL BASE 2    Mercedes Diesel    Automatic,W5A580  
                     2 = Med. Duty DODGE 2WD  
                     7 = Med. Duty DODGE 4WD  
14 = VAN WHEEL BASE 4  
15 = VAN WHEEL BASE 5  
16 = VAN WHEEL BASE 6  
54 = WAGON WHEEL BASE 4  
55 = WAGON WHEEL BASE 5  
56 = WAGON WHEEL BASE 6  
11 = VAN WHEEL BASE 1  
12 = VAN WHEEL BASE 2

AR = use ase required - = Non illustrated part



Lines,Brake,With ABS,2500/3500 Series  
Figure 5-510

ITEM	PART NUMBER	QTY	LINE	SERIES	BODY	ENGINE	TRANS	TRIM	DESCRIPTION
		1	2, 6		51, 52, 54, 55, 56				Right
-25	05098485AA	1	2, 6		11, 12, 14, 15, 16				UNION, Brake Line Repair
		1	2, 6		51, 52, 54, 55, 56				
		1	3, 7		12, 15, 16				



SPRINTER (VA)

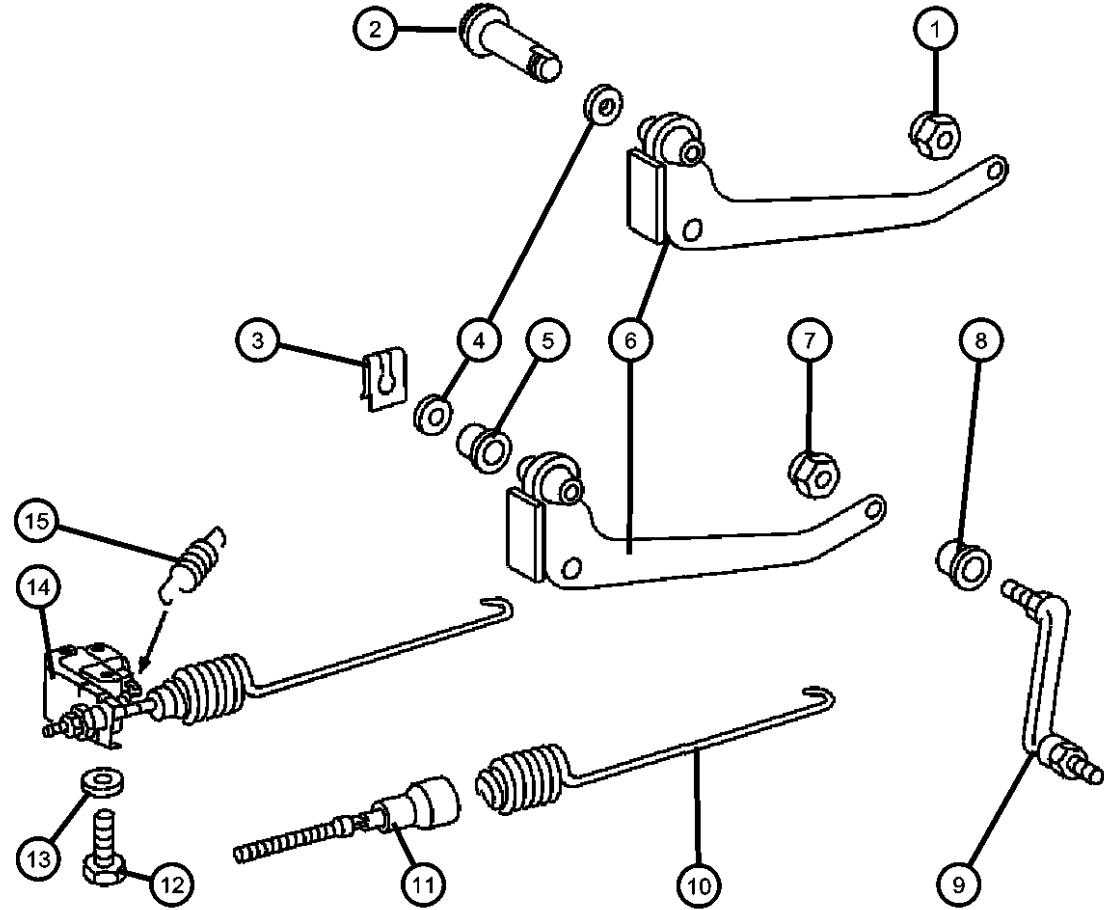
SERIES	LINE	BODY	ENGINE	TRANSMISSION
L = LOWLINE	3 = HD DODGE 2WD 6 = Lt. Duty DODGE 4WD 2 = Med. Duty DODGE 2WD 7 = Med. Duty DODGE 4WD	51 = WAGON WHEEL BASE 1 52 = WAGON WHEEL BASE 2 14 = VAN WHEEL BASE 4 15 = VAN WHEEL BASE 5 16 = VAN WHEEL BASE 6 54 = WAGON WHEEL BASE 4 55 = WAGON WHEEL BASE 5 56 = WAGON WHEEL BASE 6 11 = VAN WHEEL BASE 1 12 = VAN WHEEL BASE 2	EX9 = Engine - 2.7L 5 Cly Mercedes Diesel	DGJ = Transmission-5-Spd. Automatic,W5A580

AR = use ase required - = Non illustrated part

2003 VA



**Brake, Power Regulator  
Figure 5-520**



ITEM	PART NUMBER	QTY	LINE	SERIES	BODY	ENGINE	TRANS	TRIM	DESCRIPTION
Note: Sales Codes [BGK]= 4-WHEEL ANTI-LOCK [5AF]=158" WHEELBASE									
1	05097684AA	2	2, 3, 6, 7						NUT
2	05119385AA	1	3, 7		12, 15, 16				PIN
3	05126244AA	1	2, 6		11, 12, 14, 15, 16				CLIP, Retaining
4	05133725AA	1	3, 7		12, 15, 16				WASHER
5	05096550AA	2	3, 7		12, 15, 16				BUSHING, Pedal Shaft
6	05119337AA	1	2, 6		11, 12, 14, 15, 16				LEVER, Load Sensing
7	05119339AA	1	3, 7		12, 15, 16				NUT, Hex
8	05118723AA	2	2, 6		11, 12, 14, 15, 16				BUSHING

**SPRINTER (VA)**

**SERIES**

L = LOWLINE

**LINE**

3 = HD DODGE 2WD  
6 = Lt. Duty DODGE 4WD  
2 = Med. Duty DODGE 2WD  
7 = Med. Duty DODGE 4WD

**BODY**

51 = WAGON WHEEL BASE 1  
52 = WAGON WHEEL BASE 2  
14 = VAN WHEEL BASE 4  
15 = VAN WHEEL BASE 5  
16 = VAN WHEEL BASE 6  
54 = WAGON WHEEL BASE 4  
55 = WAGON WHEEL BASE 5  
56 = WAGON WHEEL BASE 6  
11 = VAN WHEEL BASE 1  
12 = VAN WHEEL BASE 2

**ENGINE**

EX9 = Engine - 2.7L 5 Cyl  
Mercedes Diesel

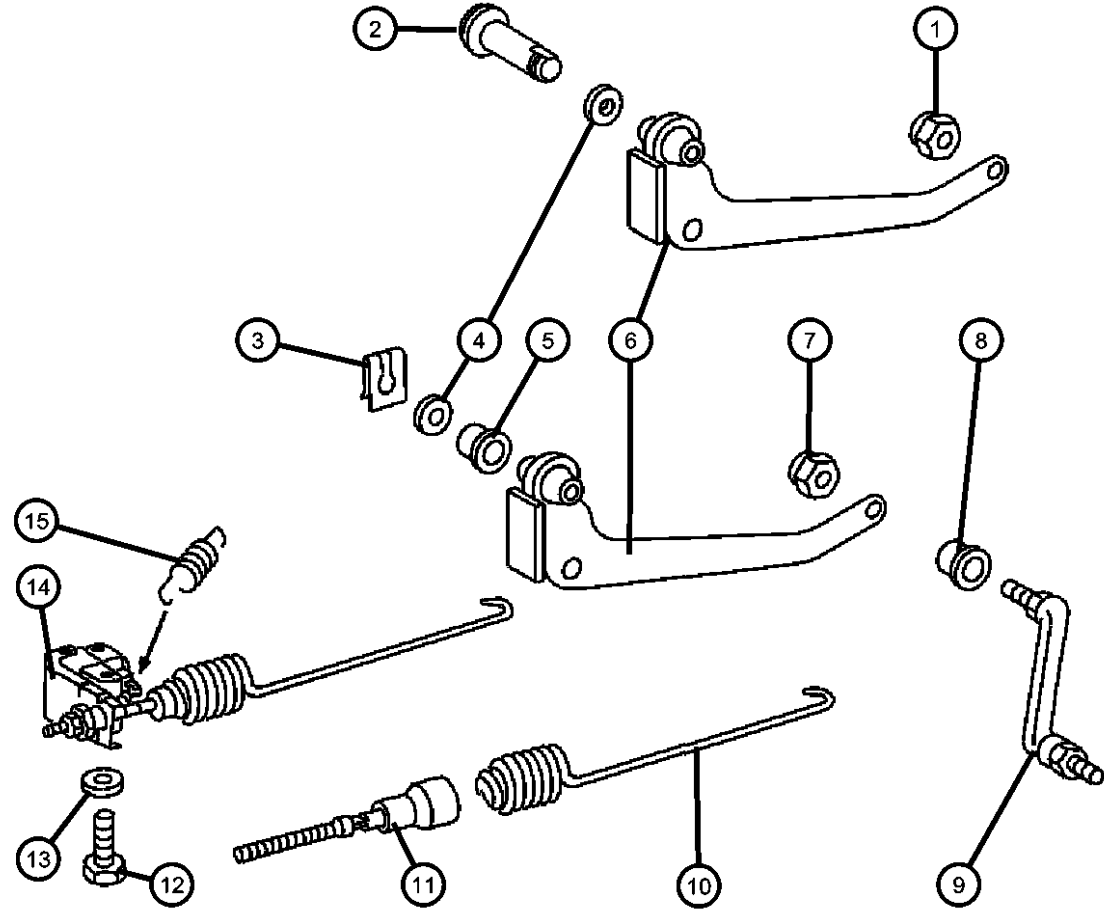
**TRANSMISSION**

DGJ = Transmission-5-Spd.  
Automatic, W5A580

AR = use ase required - = Non illustrated part

2003 VA

Brake, Power Regulator  
Figure 5-520



ITEM	PART NUMBER	QTY	LINE	SERIES	BODY	ENGINE	TRANS	TRIM	DESCRIPTION
		2	2, 6		51, 52, 54, 55, 56				
		2	3, 7		12, 15, 16				
9	05103920AA	1	2, 6		11, 12, 14, 15, 16				LINK, Load Sensing
		1	2, 6		51, 52, 54, 55, 56				
		1	3, 7		12, 15, 16				
10	05133721AA	1	3, 7		12, 15, 16				SPRING, Load Sensing Lever
		1	2, 6		51, 52, 54, 55, 56				[5AF]
	05133722AA	1	3, 7		12, 15, 16				[BGK]
		1	2, 6		11, 12, 14, 15, 16				
		1	2, 6		51, 52, 54, 55, 56				
11	05133723AA	1	3, 7		12, 15, 16				SCREW, Load Sensing Adjustment
		1	2, 6		11, 12, 14, 15, 16				
		1	2, 6		51, 52, 54, 55, 56				
12	05133724AA	2	2, 6		11, 12, 14, 15, 16				BOLT, M8
		2	2, 6		51, 52, 54, 55, 56				
		2	3, 7		12, 15, 16				
13	05104613AA	1	2, 6		51, 52, 54, 55, 56				WASHER
		1	3, 7		12, 15, 16				
		1	2, 6		11, 12, 14, 15, 16				
14									VALVE, Load sensing

SPRINTER (VA)

SERIES

L = LOWLINE

LINE

3 = HD DODGE 2WD  
6 = Lt. Duty DODGE 4WD  
2 = Med. Duty DODGE 2WD  
7 = Med. Duty DODGE 4WD

BODY

51 = WAGON WHEEL BASE 1  
52 = WAGON WHEEL BASE 2  
14 = VAN WHEEL BASE 4  
15 = VAN WHEEL BASE 5  
16 = VAN WHEEL BASE 6  
54 = WAGON WHEEL BASE 4  
55 = WAGON WHEEL BASE 5  
56 = WAGON WHEEL BASE 6  
11 = VAN WHEEL BASE 1  
12 = VAN WHEEL BASE 2

ENGINE

EX9 = Engine - 2.7L 5 Cyl  
Mercedes Diesel

TRANSMISSION

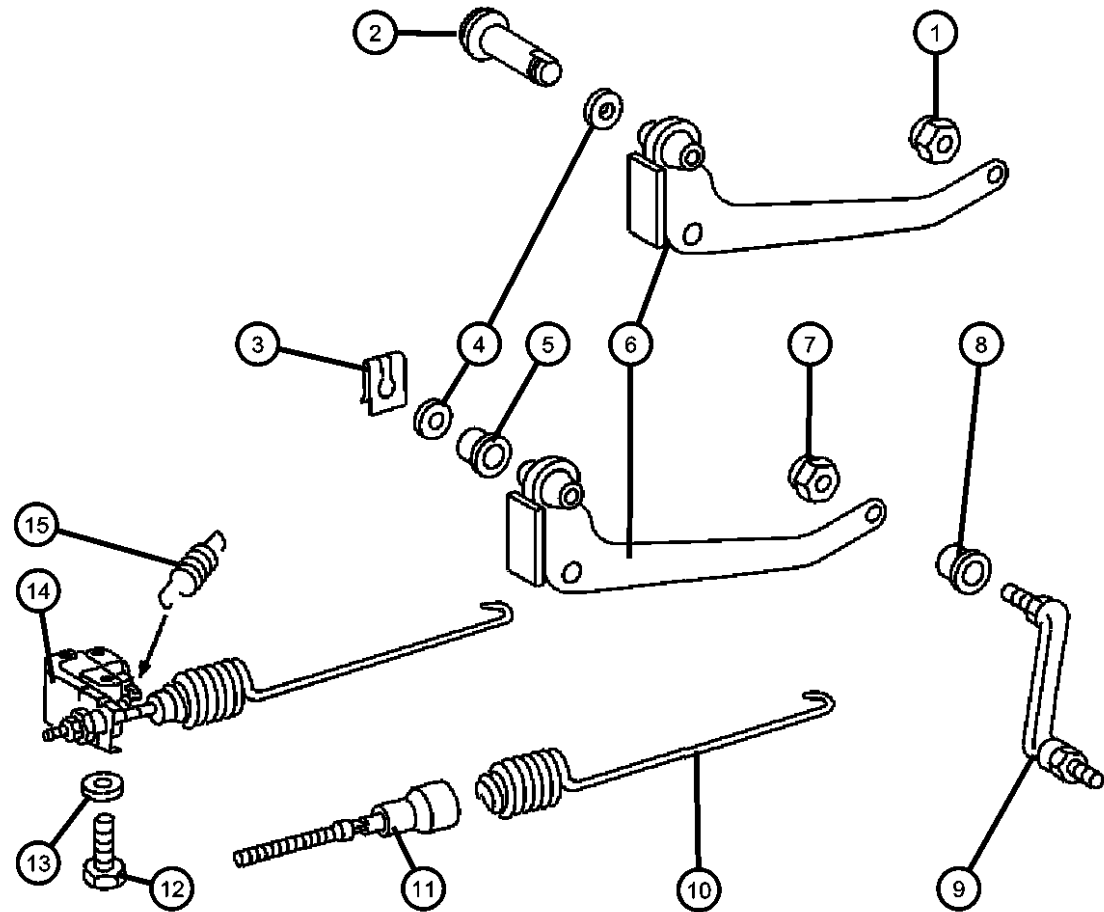
DGJ = Transmission-5-Spd.  
Automatic,W5A580

AR = use ase required - = Non illustrated part

2003 VA

**Brake, Power Regulator  
Figure 5-520**

ITEM	PART NUMBER	QTY	LINE	SERIES	BODY	ENGINE	TRANS	TRIM	DESCRIPTION
	05103824AA	1	2, 6		11, 12, 14, 15, 16				
		1	2, 6		51, 52, 54, 55, 56				
	05119368AA	1	3, 7		12, 15, 16				
		1	3, 7		12, 15, 16				From Ident. No. A 901091 / R 315499
15	05133720AA	1	3, 7		12, 15, 16				SPRING, Load Sensing Valve
		1	2, 6		11, 12, 14, 15, 16				
		1	2, 6		51, 52, 54, 55, 56				

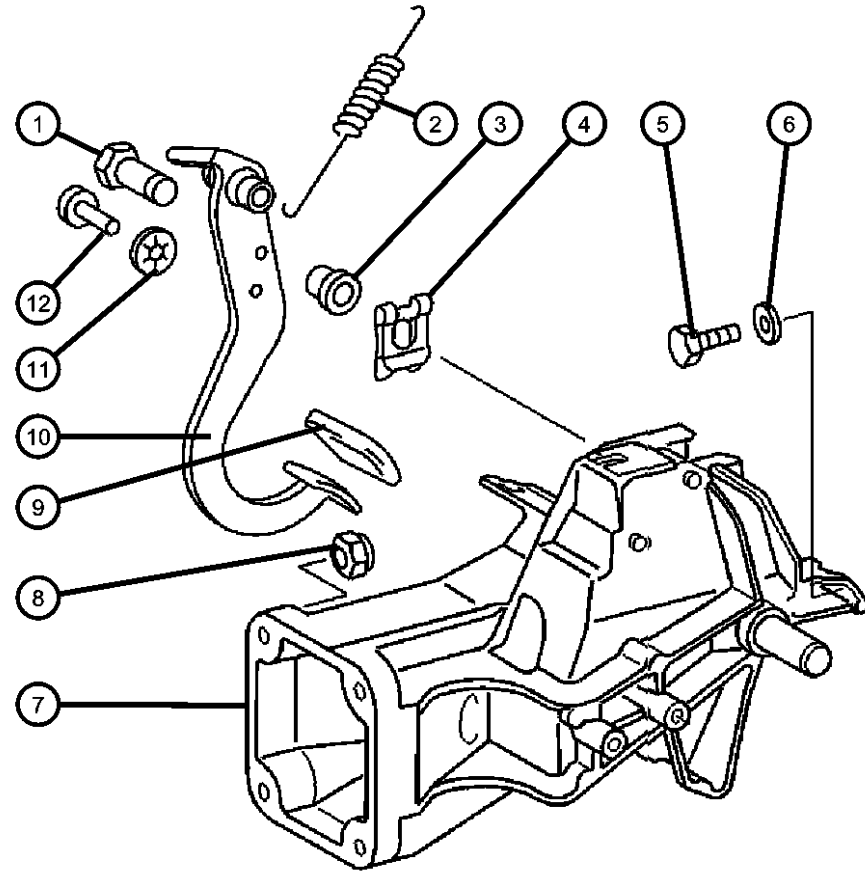


**SPRINTER (VA)**

<b>SERIES</b>	<b>LINE</b>	<b>BODY</b>	<b>ENGINE</b>	<b>TRANSMISSION</b>
L = LOWLINE	3 = HD DODGE 2WD 6 = Lt. Duty DODGE 4WD 2 = Med. Duty DODGE 2WD 7 = Med. Duty DODGE 4WD	51 = WAGON WHEEL BASE 1 52 = WAGON WHEEL BASE 2 14 = VAN WHEEL BASE 4 15 = VAN WHEEL BASE 5 16 = VAN WHEEL BASE 6 54 = WAGON WHEEL BASE 4 55 = WAGON WHEEL BASE 5 56 = WAGON WHEEL BASE 6 11 = VAN WHEEL BASE 1 12 = VAN WHEEL BASE 2	EX9 = Engine - 2.7L 5 Cly Mercedes Diesel	DGJ = Transmission-5-Spd. Automatic,W5A580

AR = use ase required - = Non illustrated part

**Pedal Brake  
Figure 5-610**



ITEM	PART NUMBER	QTY	LINE	SERIES	BODY	ENGINE	TRANS	TRIM	DESCRIPTION
1	05117911AA	1	2, 6		11, 12, 14, 15, 16				PIN, Brake Pedal Pivot Shaft
		1	2, 6		51, 52, 54, 55, 56				
		1	3, 7		12, 15, 16				
2	05125847AA	1	2, 6		11, 12, 14, 15, 16				SPRING, Brake Pedal Return
		1	2, 6		51, 52, 54, 55, 56				
		1	3, 7		12, 15, 16				
3	05096550AA	2	2, 6		11, 12, 14, 15, 16				BUSHING, Pedal Shaft
		2	2, 6		51, 52, 54, 55, 56				
		2	3, 7		12, 15, 16				
4	05125872AA	1	2, 6		11, 12, 14, 15, 16				RETAINER
		1	2, 6		51, 52, 54, 55, 56				
		1	3, 7		12, 15, 16				
5	05126231AA	1	2, 6		11, 12, 14, 15, 16				BOLT Bracket to Fire Wall, Mounting
		1	2, 6		51, 52, 54, 55, 56				Bracket to Fire Wall, Mounting
		1	3, 7		12, 15, 16				Bracket to Fire Wall, Mounting
6	05098108AA	1	3, 7		12, 15, 16				WASHER, Flat Bracket to Fire Wall, Mounting
		1	2, 6		11, 12, 14, 15, 16				Bracket to Fire Wall, Mounting
		1	2, 6		51, 52, 54, 55, 56				Bracket to Fire Wall, Mounting
7	05128211AA	1	2, 6		11, 12, 14, 15, 16				BRACKET, Brake Pedal

**SPRINTER (VA)**

**SERIES**

L = LOWLINE

**LINE**

3 = HD DODGE 2WD  
6 = Lt. Duty DODGE 4WD  
2 = Med. Duty DODGE 2WD  
7 = Med. Duty DODGE 4WD

**BODY**

51 = WAGON WHEEL BASE 1  
52 = WAGON WHEEL BASE 2  
14 = VAN WHEEL BASE 4  
15 = VAN WHEEL BASE 5  
16 = VAN WHEEL BASE 6  
54 = WAGON WHEEL BASE 4  
55 = WAGON WHEEL BASE 5  
56 = WAGON WHEEL BASE 6  
11 = VAN WHEEL BASE 1  
12 = VAN WHEEL BASE 2

**ENGINE**

EX9 = Engine - 2.7L 5 Cyl  
Mercedes Diesel

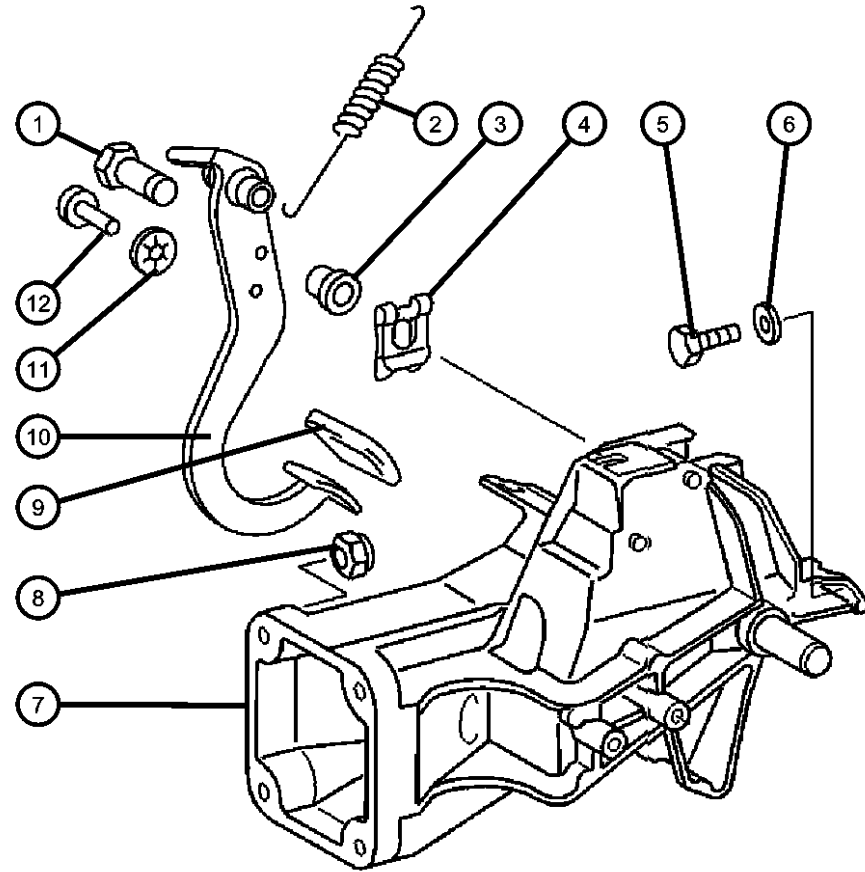
**TRANSMISSION**

DGJ = Transmission-5-Spd.  
Automatic, W5A580

AR = use ase required - = Non illustrated part

2003 VA

**Pedal Brake  
Figure 5-610**



ITEM	PART NUMBER	QTY	LINE	SERIES	BODY	ENGINE	TRANS	TRIM	DESCRIPTION
		1	2, 6		51, 52, 54, 55, 56				
		1	3, 7		12, 15, 16				
8	06104716AA	4	2, 6		11, 12, 14, 15, 16				NUT
		4	3, 7		12, 15, 16				
9	05117904AA	1	2, 6		11, 12, 14, 15, 16				PAD, Pedal Brake
		1	2, 6		51, 52, 54, 55, 56				
		1	3, 7		12, 15, 16				
10	05104045AA	1	2, 6		11, 12, 14, 15, 16				PEDAL, Brake
		1	2, 6		51, 52, 54, 55, 56				
		1	3, 7		12, 15, 16				
11	05097670AA	1	2, 6		11, 12, 14, 15, 16				CLIP, Spring
		1	2, 6		51, 52, 54, 55, 56				
		1	3, 7		12, 15, 16				
12	05117903AA	1	2, 6		11, 12, 14, 15, 16				PIN, Brake Pedal Pivot Shaft
		1	2, 6		51, 52, 54, 55, 56				
		1	3, 7		12, 15, 16				

**SPRINTER (VA)**

**SERIES**

L = LOWLINE

**LINE**

3 = HD DODGE 2WD  
6 = Lt. Duty DODGE 4WD  
2 = Med. Duty DODGE 2WD  
7 = Med. Duty DODGE 4WD

**BODY**

51 = WAGON WHEEL BASE 1  
52 = WAGON WHEEL BASE 2  
14 = VAN WHEEL BASE 4  
15 = VAN WHEEL BASE 5  
16 = VAN WHEEL BASE 6  
54 = WAGON WHEEL BASE 4  
55 = WAGON WHEEL BASE 5  
56 = WAGON WHEEL BASE 6  
11 = VAN WHEEL BASE 1  
12 = VAN WHEEL BASE 2

**ENGINE**

EX9 = Engine - 2.7L 5 Cly  
Mercedes Diesel

**TRANSMISSION**

DGJ = Transmission-5-Spd.  
Automatic,W5A580

AR = use ase required - = Non illustrated part

2003 VA

# Group - 7

## Cooling

### Group - 7 Cooling

Illustration Title

Group-Fig. No.

#### Radiator and Related Parts

Radiator And Related parts..... Fig. 7 - 120  
 Charge Air Intercooler ..... Fig. 7 - 130

#### Water Pump and Related Parts

Water Pump And Related Parts..... Fig. 7 - 210

#### Pulleys and Related Parts

Drive pulleys..... Fig. 7 - 410

#### Drive Belts

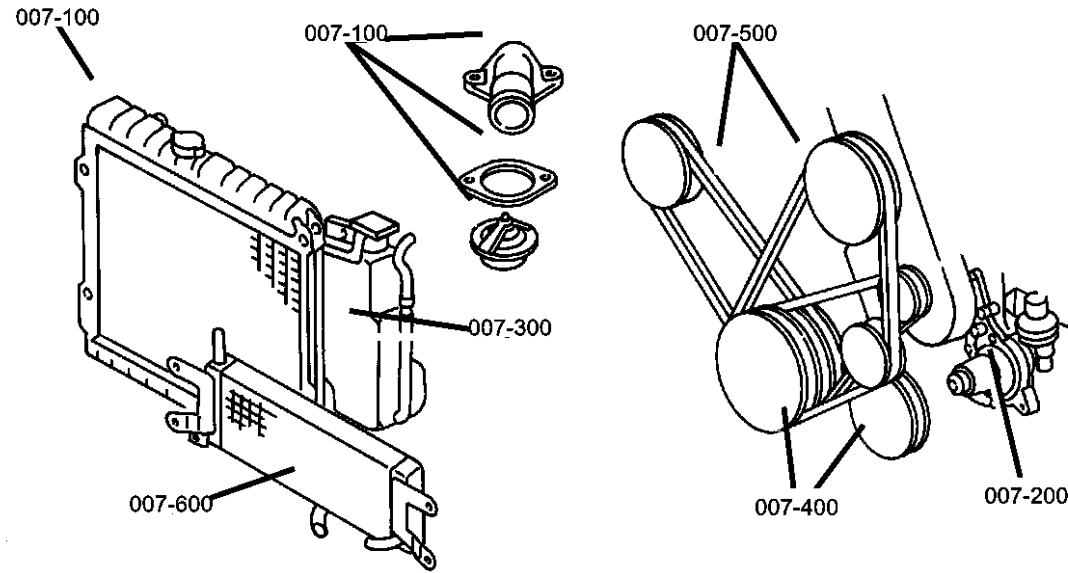
Drive Belts..... Fig. 7 - 520

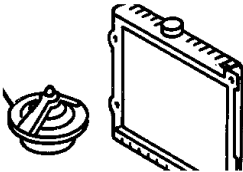
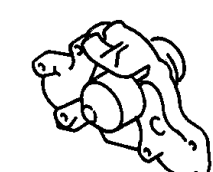
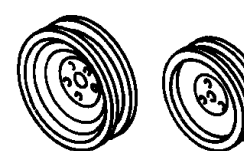
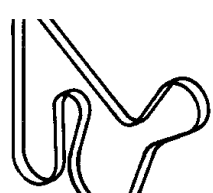
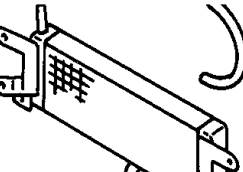
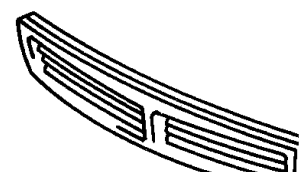
#### Lines, Transmission Oil Cooler

Oil Cooler Lines ..... Fig. 7 - 610

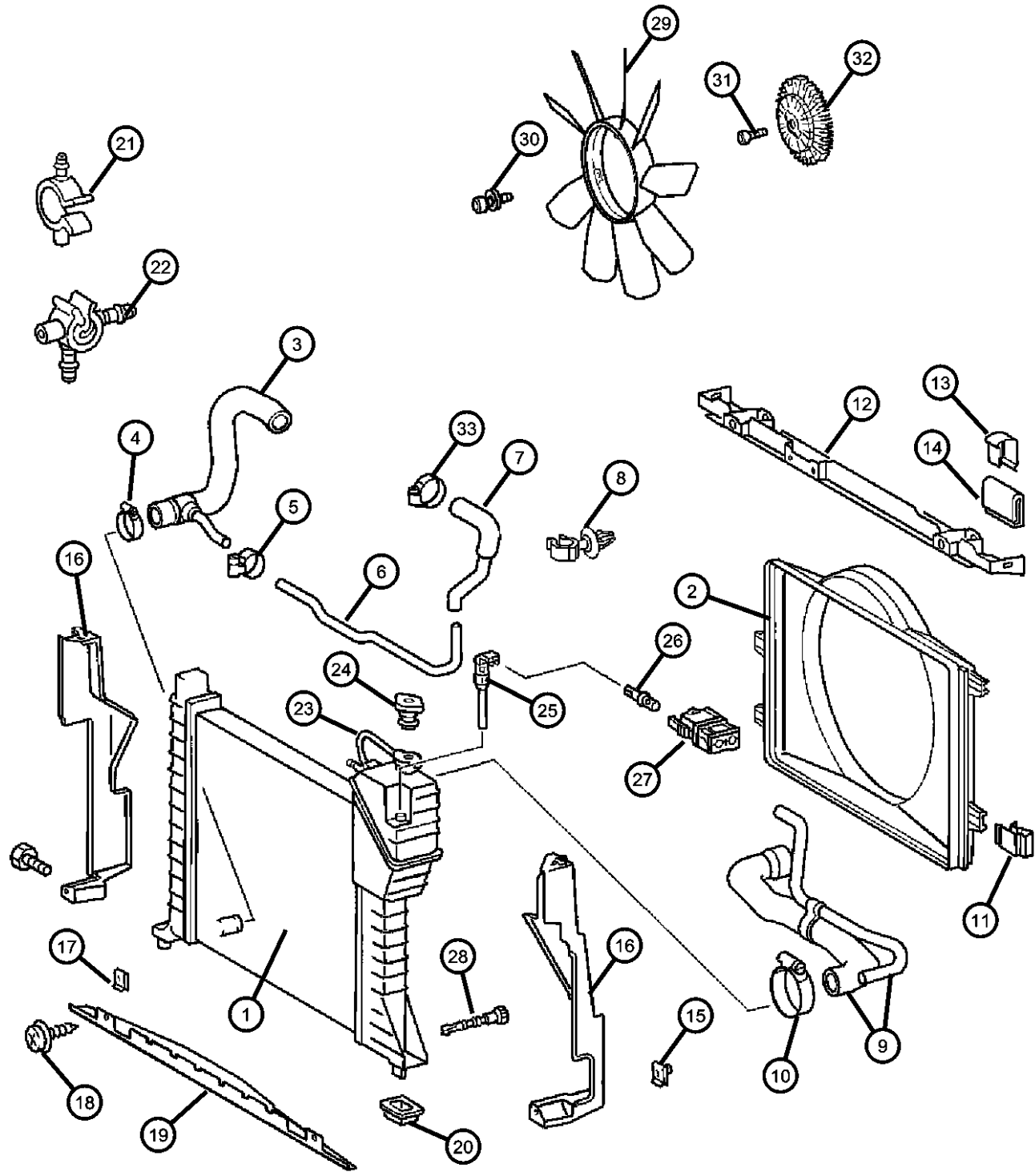
#### Grilles

Grille And Related Parts..... Fig. 7 - 710



<p><b>007-100</b> Radiator and Related Parts</p> 	<p><b>007-200</b> Water Pump and Related Parts</p> 	<p><b>007-400</b> Pulleys and Related Parts</p> 	<p><b>007-500</b> Drive Belts</p> 
<p><b>007-600</b> Lines, Transmission Oil Cooler</p> 	<p><b>007-700</b> Grilles</p> 		

**Radiator And Related parts**  
**Figure 7-120**



ITEM	PART NUMBER	QTY	LINE	SERIES	BODY	ENGINE	TRANS	TRIM	DESCRIPTION
1	05104117AA 05066386AA	1				EX8, EX9	DGJ		RADIATOR Mopar Coolant 5 Year/100,000 Mile Formula 1 Gallon
2	05104130AA	1	2, 6						SHROUD, Fan
3	05103581AA	1	3, 7						HOSE, Radiator Outlet
4	05103581AA	1	2, 6						CLAMP, Hose
5	06104785AA	2	2, 6						CLAMP, HOSE CLAMP
6	06104779AA	2	3, 7						COOLING WATER PIPE, BOTTOM, SPRINTER
7	05104118AA	1	2, 6						HOSE, Radiator
8	05103580AA	1	3, 7						CLIP, Cable
9	05125879AA	4	2, 6						HOSE, Radiator Inlet
10	05103582AA	4	3, 7						CLAMP, Hose
11	06104784AA	2	2, 6						CLIP, Fan Shroud
	05099355AA	2	3, 7						
	05099355AA	4	2, 6						

**SPRINTER (VA)**

<b>SERIES</b>	<b>LINE</b>
L = LOWLINE	3 = HD DODGE 2WD 6 = Lt. Duty DODGE 4WD 2 = Med. Duty DODGE 2WD 7 = Med. Duty DODGE 4WD

**BODY**

51 = WAGON WHEEL BASE 1 52 = WAGON WHEEL BASE 2 14 = VAN WHEEL BASE 4 15 = VAN WHEEL BASE 5 16 = VAN WHEEL BASE 6 54 = WAGON WHEEL BASE 4 55 = WAGON WHEEL BASE 5 56 = WAGON WHEEL BASE 6 11 = VAN WHEEL BASE 1 12 = VAN WHEEL BASE 2
--

**ENGINE**

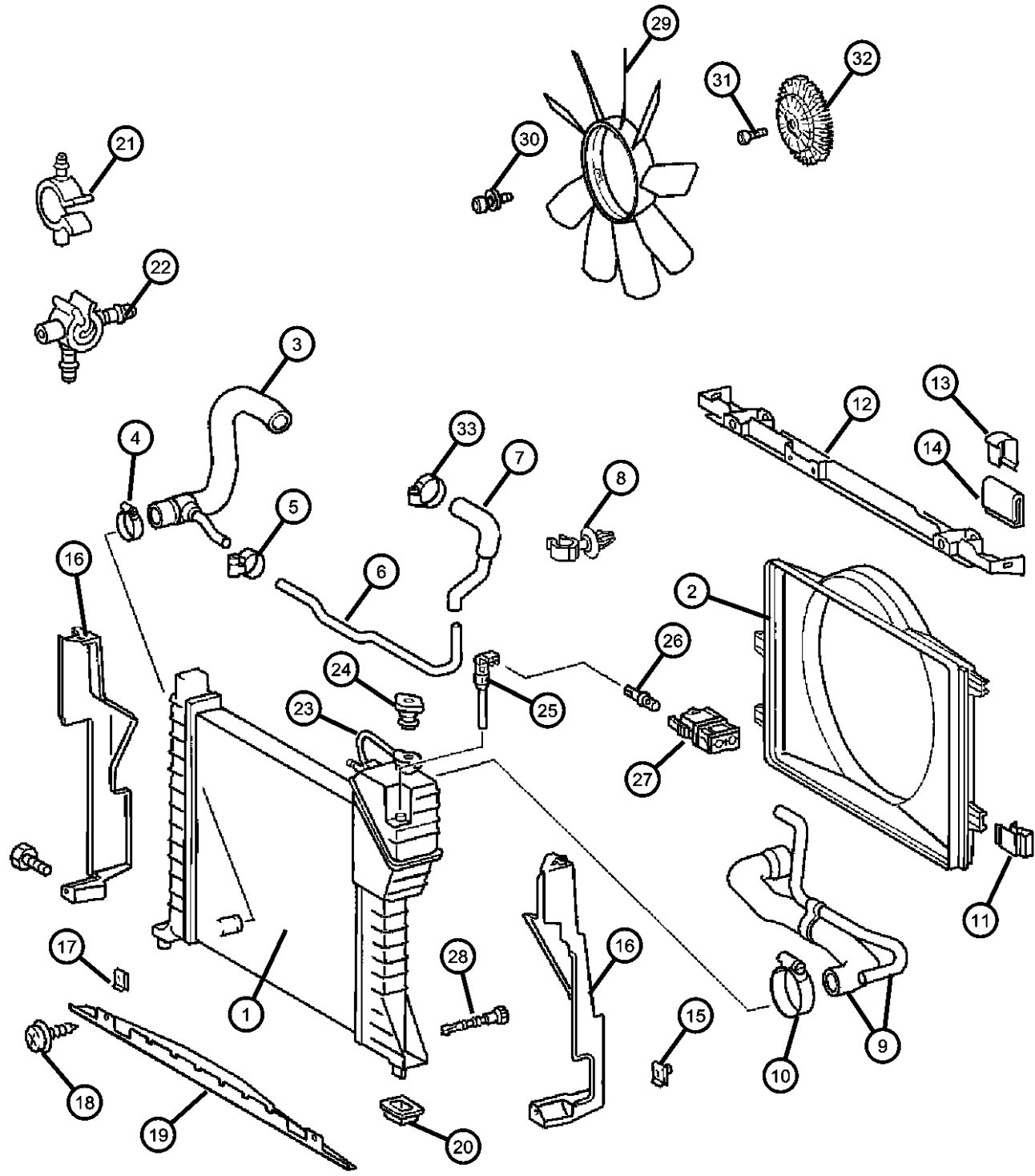
EX9 = Engine - 2.7L 5 Cly Mercedes Diesel
--

**TRANSMISSION**

DGJ = Transmission-5-Spd. Automatic, W5A580
--

AR = use ase required - = Non illustrated part

**Radiator And Related parts**  
**Figure 7-120**



ITEM	PART NUMBER	QTY	LINE	SERIES	BODY	ENGINE	TRANS	TRIM	DESCRIPTION
12		4	3, 7						COVER, Radiator
	05104125AA	1	2, 6						
		1	3, 7						
13									CLAMP, "RADIATOR MOUNTING, TOP ", SPRINTER
	05104122AA	2	2, 6						
		2	3, 7						
14									ISOLATOR, Radiator
	05104123AA	2	2, 6						
		2	3, 7						
15									NUT RETAINER, NONE, SPRINTER
	05103733AA	3	2, 6				DGJ		
		3	3, 7				DGJ		
16									SHIELD, Side, Radiator Cooling
	05104127AA	1	2, 6						Left
		1	3, 7						Left
	05104128AA	1	2, 6						Right
		1	3, 7						Right
17									CLIP
	05133497AA	2	3, 7						
		2	2, 6						
18									SCREW, Tapping
	06104574AA	2	2, 6						
		2	3, 7						
19									SHIELD, Radiator
	05104129AA	1	2, 6						
		1	3, 7						
20									ISOLATOR, Radiator
	05104021AA	2	2, 6						
		2	3, 7						

**SPRINTER (VA)**

<b>SERIES</b>	<b>LINE</b>
L = LOWLINE	3 = HD DODGE 2WD
	6 = Lt. Duty DODGE 4WD
	2 = Med. Duty DODGE 2WD
	7 = Med. Duty DODGE 4WD

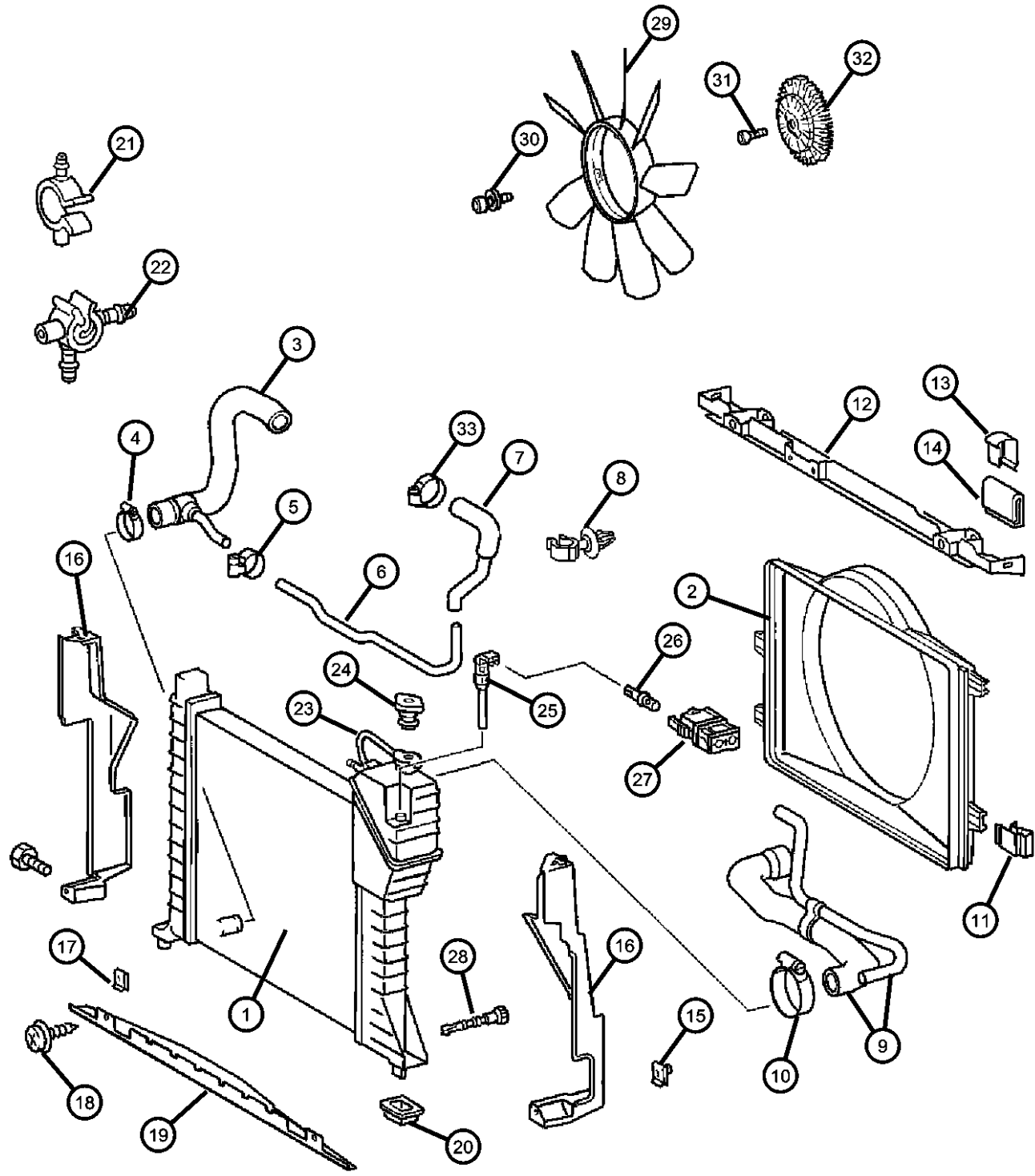
<b>BODY</b>	<b>ENGINE</b>
51 = WAGON WHEEL BASE 1	EX9 = Engine - 2.7L 5 Cly
52 = WAGON WHEEL BASE 2	Mercedes Diesel
14 = VAN WHEEL BASE 4	
15 = VAN WHEEL BASE 5	
16 = VAN WHEEL BASE 6	
54 = WAGON WHEEL BASE 4	
55 = WAGON WHEEL BASE 5	
56 = WAGON WHEEL BASE 6	
11 = VAN WHEEL BASE 1	
12 = VAN WHEEL BASE 2	

<b>TRANSMISSION</b>
DGJ = Transmission-5-Spd. Automatic,W5A580

AR = use ase required - = Non illustrated part



**Radiator And Related parts**  
**Figure 7-120**



ITEM	PART NUMBER	QTY	LINE	SERIES	BODY	ENGINE	TRANS	TRIM	DESCRIPTION
21		2							CLIP, (NOT SERVICED)
22									CLIP, Retaining
	06104924AA	1	2, 6						
		1	3, 7						
23									HOSE
	05133493AA	900	3, 7						5 Meters Long
		900	2, 6						5 Meters Long
24									RADIATOR CAP, NONE, SPRINTER
	05103533AA	1	3, 7						
		1	2, 6						
25									SENSOR, Coolant Level
	05120509AA	1	2, 6						
		1	3, 7						
26									TERMINAL
	05120519AA	2	3, 7						
		1	2, 6						
27									CONNECTOR
	05120691AA	1	2, 6						
		1	3, 7						
28									DRAINCOCK, Radiator
	05098834AA	1	3, 7						
		1	2, 6						
29									FAN, Cooling
	05103912AA	1	2, 6			EX9			
		1	3, 7			EX9			
30		1							SCREW, (NOT SERVICED)
31									SCREW, Hitch Ball
	05104618AA	1	2, 6			EX9			
		1	3, 7			EX9			
32									DRIVE, Fan

**SPRINTER (VA)**

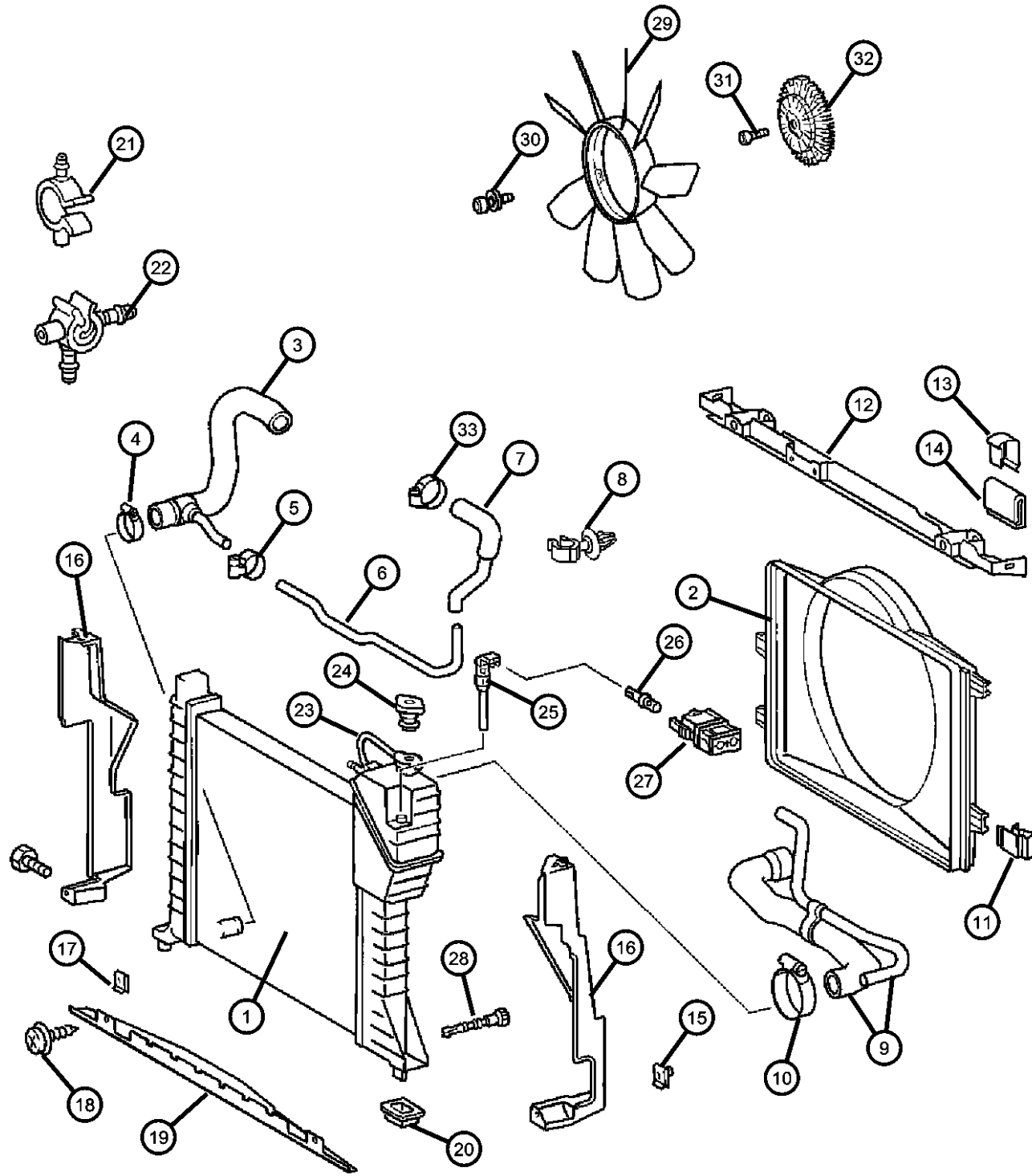
SERIES      LINE  
L = LOWLINE    3 = HD DODGE 2WD  
                  6 = Lt. Duty DODGE 4WD  
                  2 = Med. Duty DODGE 2WD  
                  7 = Med. Duty DODGE 4WD

BODY                      ENGINE  
51 = WAGON WHEEL BASE 1    EX9 = Engine - 2.7L 5 Cly  
52 = WAGON WHEEL BASE 2    Mercedes Diesel  
14 = VAN WHEEL BASE 4  
15 = VAN WHEEL BASE 5  
16 = VAN WHEEL BASE 6  
54 = WAGON WHEEL BASE 4  
55 = WAGON WHEEL BASE 5  
56 = WAGON WHEEL BASE 6  
11 = VAN WHEEL BASE 1  
12 = VAN WHEEL BASE 2

TRANSMISSION  
DGJ = Transmission-5-Spd.  
Automatic,W5A580

AR = use ase required    - = Non illustrated part

Radiator And Related parts  
Figure 7-120



ITEM	PART NUMBER	QTY	LINE	SERIES	BODY	ENGINE	TRANS	TRIM	DESCRIPTION
------	-------------	-----	------	--------	------	--------	-------	------	-------------

	05103623AA	1	2, 6			EX9			
		1	3, 7			EX9			
33	05133494AA	1	2, 6						CLAMP
		1	3, 7						

**SPRINTER (VA)**

**SERIES**

L = LOWLINE

**LINE**

3 = HD DODGE 2WD  
6 = Lt. Duty DODGE 4WD  
2 = Med. Duty DODGE 2WD  
7 = Med. Duty DODGE 4WD

**BODY**

51 = WAGON WHEEL BASE 1  
52 = WAGON WHEEL BASE 2  
14 = VAN WHEEL BASE 4  
15 = VAN WHEEL BASE 5  
16 = VAN WHEEL BASE 6  
54 = WAGON WHEEL BASE 4  
55 = WAGON WHEEL BASE 5  
56 = WAGON WHEEL BASE 6  
11 = VAN WHEEL BASE 1  
12 = VAN WHEEL BASE 2

**ENGINE**

EX9 = Engine - 2.7L 5 Cly  
Mercedes Diesel

**TRANSMISSION**

DGJ = Transmission-5-Spd.  
Automatic,W5A580

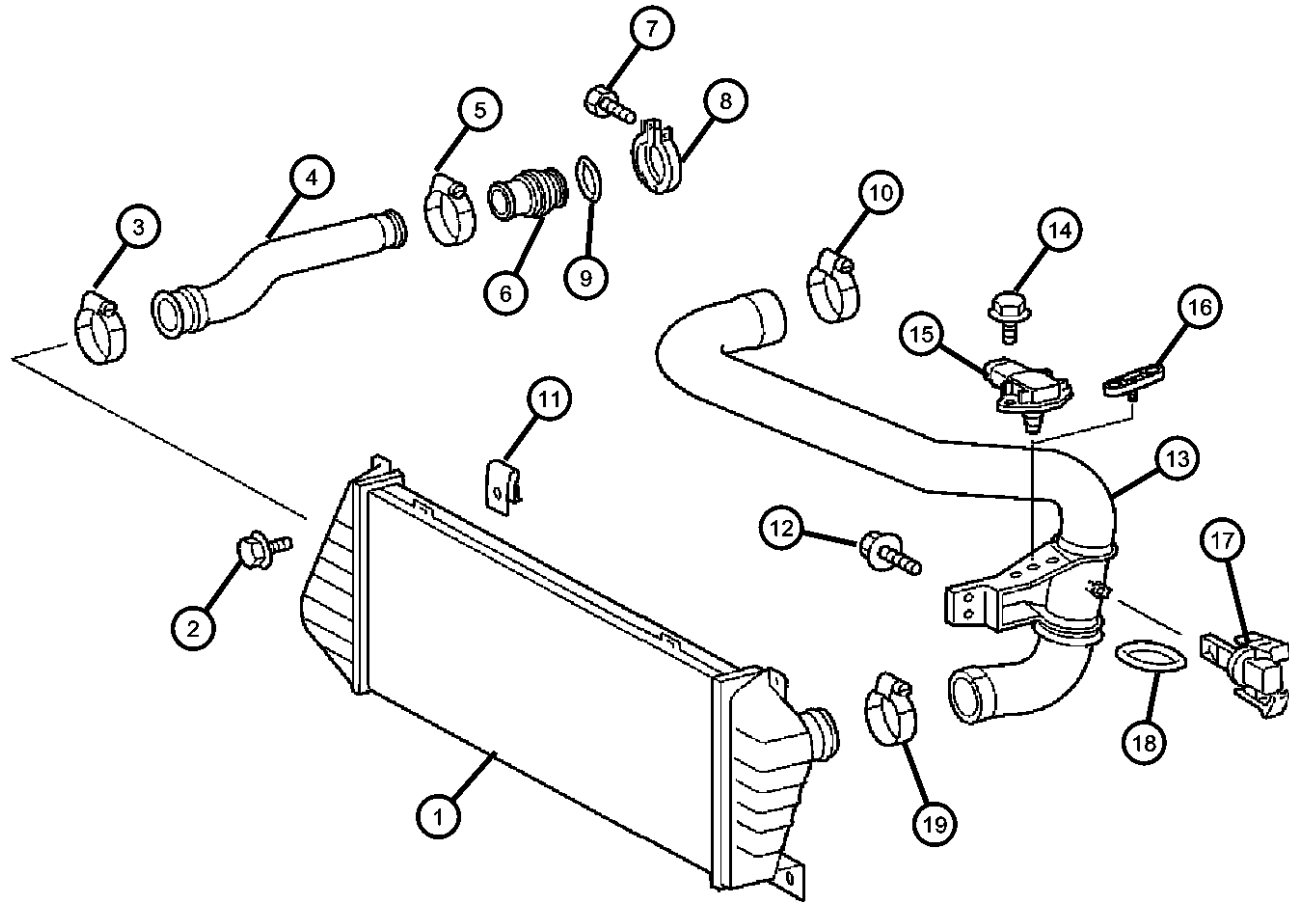
AR = use ase required - = Non illustrated part

2003 VA

**Charge Air Intercooler  
Figure 7-130**

ITEM	PART NUMBER	QTY	LINE	SERIES	BODY	ENGINE	TRANS	TRIM	DESCRIPTION
------	-------------	-----	------	--------	------	--------	-------	------	-------------

NOTE:  
Sales Codes:  
[EX9]=2.7L I-5 Mercedes-Benz Turbo Diesel Engine  
[NAA]=Federal Emissions  
[4XS]=National Version for U.S.A.  
[5T7]=Emission Tracking



1									COOLER, Charge Air
	05104119AA	1	2, 6						
	05119997AA	1	2, 6						[4XS]
		1	3, 7						[4XS]
		1	2, 6						[NAA]
		1	3, 7						[NAA]
		1	3, 7						[5T7]
		1	2, 6						[5T7]
		1	3, 7						[5T7]
2									SCREW
	05133476AA	4	2, 6						
		4	3, 7						
3									CLAMP
	05104602AA	1	2, 6			EX9			
		1	3, 7			EX9			
4									HOSE, Turbo to Charge Air Cooler
	05129577AA	1	2, 6			EX9			
		1	3, 7			EX9			
5									CLAMP, Hose
	05104601AA	2	2, 6						
		2	3, 7						
6									PIPE
	05104139AA	1	2, 6			EX9			
		1	3, 7			EX9			
7	05096986AA	1	2, 6			EX9			SCREW
8									CLAMP, Mounting
	05126043AA	1	2, 6			EX9			

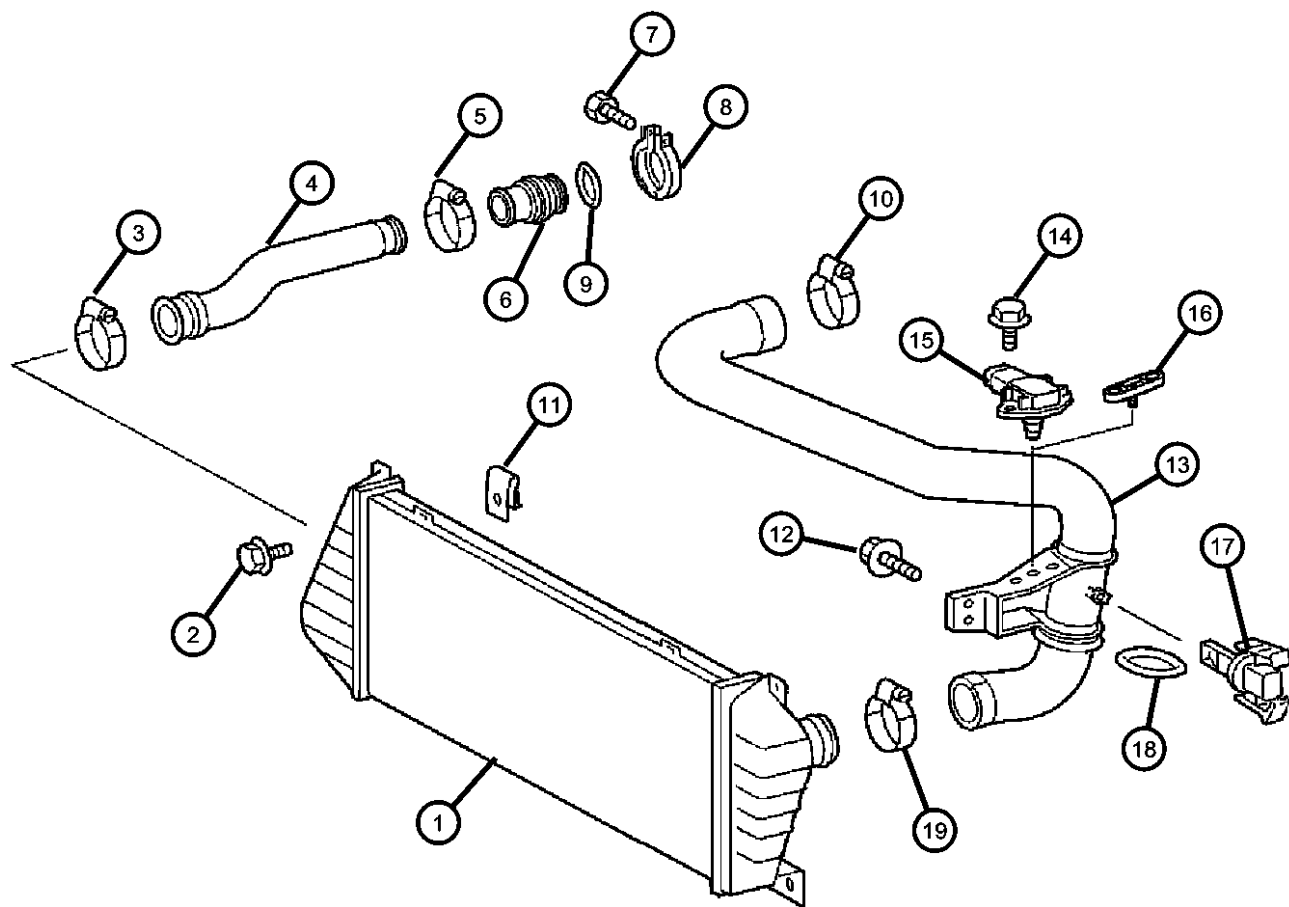
**SPRINTER (VA)**

SERIES	LINE	BODY	ENGINE	TRANSMISSION
L = LOWLINE	3 = HD DODGE 2WD 6 = Lt. Duty DODGE 4WD 2 = Med. Duty DODGE 2WD 7 = Med. Duty DODGE 4WD	51 = WAGON WHEEL BASE 1 52 = WAGON WHEEL BASE 2 14 = VAN WHEEL BASE 4 15 = VAN WHEEL BASE 5 16 = VAN WHEEL BASE 6 54 = WAGON WHEEL BASE 4 55 = WAGON WHEEL BASE 5 56 = WAGON WHEEL BASE 6 11 = VAN WHEEL BASE 1 12 = VAN WHEEL BASE 2	EX9 = Engine - 2.7L 5 Cly Mercedes Diesel	DGJ = Transmission-5-Spd. Automatic,W5A580

AR = use ase required - = Non illustrated part

2003 VA

Charge Air Intercooler  
Figure 7-130



ITEM	PART NUMBER	QTY	LINE	SERIES	BODY	ENGINE	TRANS	TRIM	DESCRIPTION
9		1	3, 7			EX9			O RING
	05080311AA	1	2, 6			EX9			
		1	3, 7			EX9			
10		1	2, 6			EX9			CLAMP
	05104602AA	1	3, 7			EX9			
		1	2, 6			EX9			
		4	2, 6						U-NUT
	05125863AA	4	3, 7						
12									SCREW, DOOR SLIDE MECHANISM TO DOOR, SPRINTER
	05104610AA	2	3, 7						
		2	2, 6						
13									HOSE, Radiator
	05120147AA	1	3, 7			EX9			[NAA or 5T7]
		1	2, 6			EX9			[4XS]
	05104141AA	1	2, 6			EX9			
		1	3, 7			EX9			
		1	2, 6			EX9			[NAA or 5T7]
		1	3, 7			EX9			[4XS]
14									SCREW
	06104172AA	2	2, 6			EX9			
		2	3, 7			EX9			
15									SENSOR, Coolant Level
	05080345AA	1	2, 6			EX9			
		1	3, 7			EX9			
16		1							SPACER, (NOT SERVICED)
17									SENSOR, Temperature
	05174042AA	1	2, 6			EX9			AIR INTAKE TEMP. SENSOR
		1	3, 7			EX9			AIR INTAKE TEMP. SENSOR

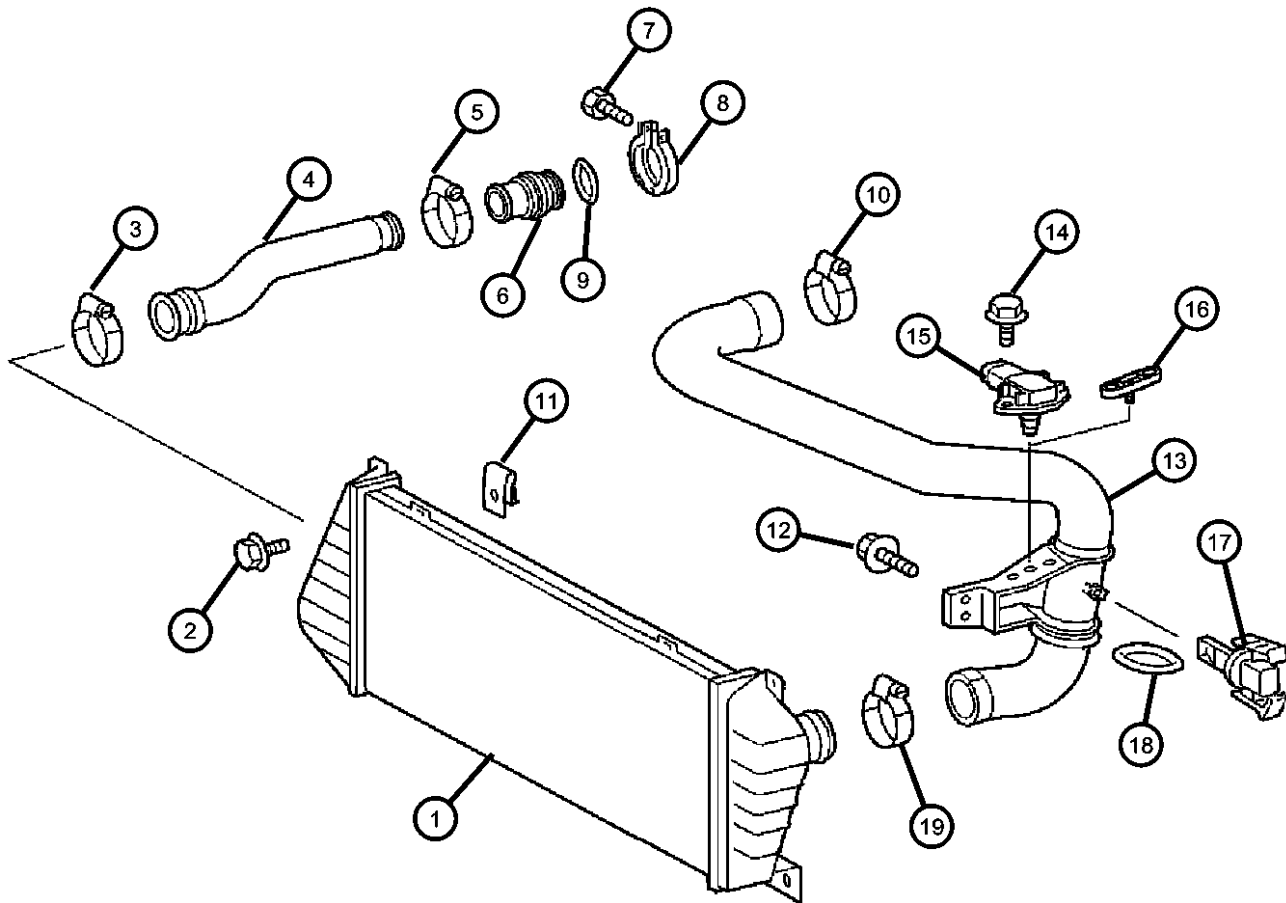
**SPRINTER (VA)**

<b>SERIES</b>	<b>LINE</b>	<b>BODY</b>	<b>ENGINE</b>	<b>TRANSMISSION</b>
L = LOWLINE	3 = HD DODGE 2WD 6 = Lt. Duty DODGE 4WD 2 = Med. Duty DODGE 2WD 7 = Med. Duty DODGE 4WD	51 = WAGON WHEEL BASE 1 52 = WAGON WHEEL BASE 2 14 = VAN WHEEL BASE 4 15 = VAN WHEEL BASE 5 16 = VAN WHEEL BASE 6 54 = WAGON WHEEL BASE 4 55 = WAGON WHEEL BASE 5 56 = WAGON WHEEL BASE 6 11 = VAN WHEEL BASE 1 12 = VAN WHEEL BASE 2	EX9 = Engine - 2.7L 5 Cly Mercedes Diesel	DGJ = Transmission-5-Spd. Automatic,W5A580

AR = use ase required - = Non illustrated part

**Charge Air Intercooler  
Figure 7-130**

ITEM	PART NUMBER	QTY	LINE	SERIES	BODY	ENGINE	TRANS	TRIM	DESCRIPTION
18	05103906AA	1	3, 7						O RING
19	05104602AA	1	2, 6			EX9			CLAMP
		1	3, 7			EX9			

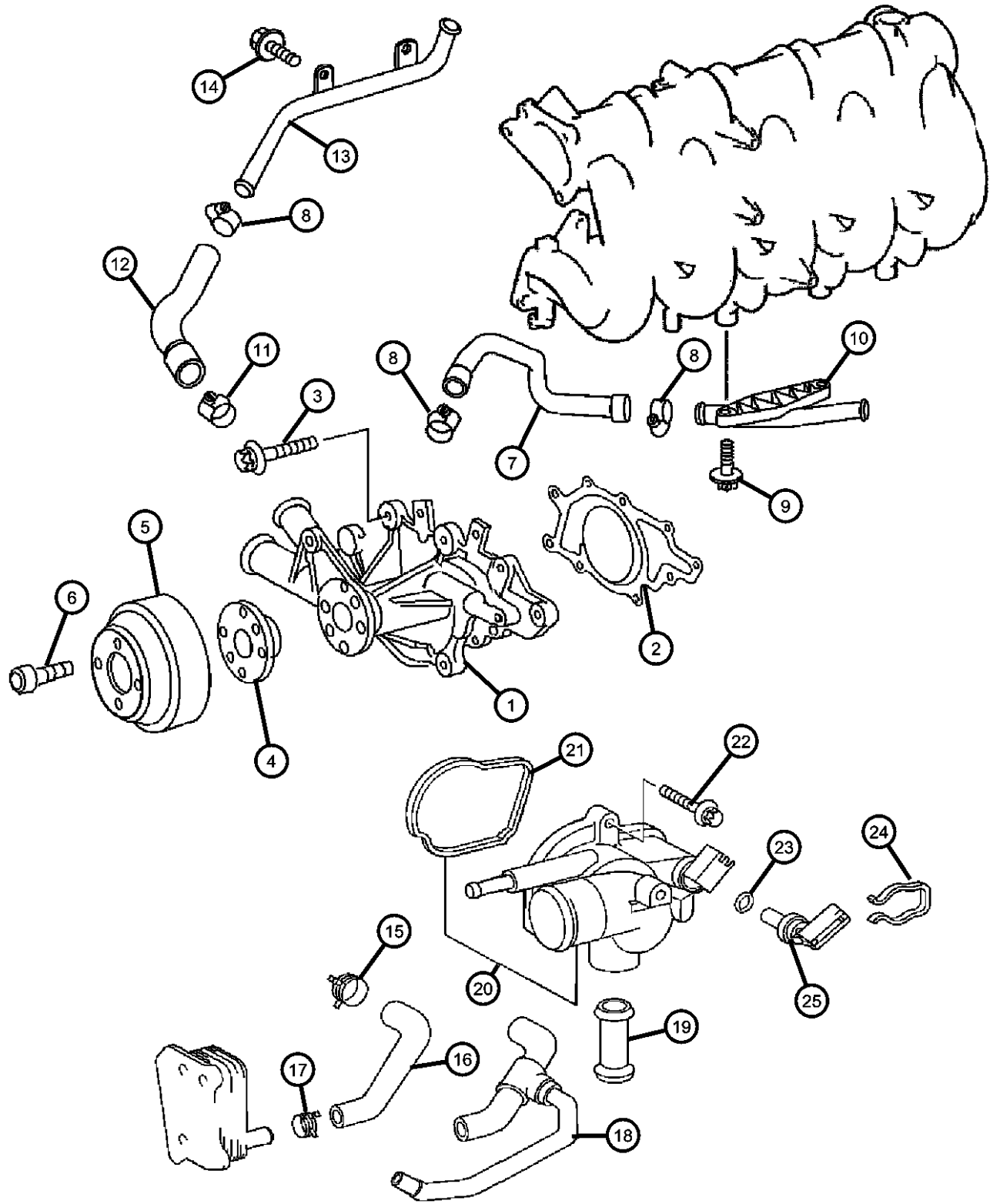


**SPRINTER (VA)**

SERIES	LINE	BODY	ENGINE	TRANSMISSION
L = LOWLINE	3 = HD DODGE 2WD 6 = Lt. Duty DODGE 4WD 2 = Med. Duty DODGE 2WD 7 = Med. Duty DODGE 4WD	51 = WAGON WHEEL BASE 1 52 = WAGON WHEEL BASE 2 14 = VAN WHEEL BASE 4 15 = VAN WHEEL BASE 5 16 = VAN WHEEL BASE 6 54 = WAGON WHEEL BASE 4 55 = WAGON WHEEL BASE 5 56 = WAGON WHEEL BASE 6 11 = VAN WHEEL BASE 1 12 = VAN WHEEL BASE 2	EX9 = Engine - 2.7L 5 Cly Mercedes Diesel	DGJ = Transmission-5-Spd. Automatic,W5A580

AR = use ase required - = Non illustrated part

**Water Pump And Related Parts**  
Figure 7-210



ITEM	PART NUMBER	QTY	LINE	SERIES	BODY	ENGINE	TRANS	TRIM	DESCRIPTION
1	05103576AA	1							PUMP, Water
2	05080144AA	1							GASKET, Water Pump
3	06104684AA	5							SCREW
4	05117648AA	1							FLANGE, Water Pump Drive
5	05103987AA	1							PULLEY, Water Pump
6	06104140AA	4							SCREW
7	05104013AA	1							TUBE, Heater Feed
8	06104781AA	2							CLAMP, Hose
9	06104026AA	3							SCREW
10	05104012AA	1							HOSE, Heater Feed
11									CLAMP
	06104782AA	1	2, 6						
		1	3, 7						
12	05103985AA	1							TUBE, Heater Return
13	05117644AA	1							TUBE, Heater Return
14	06104005AA	2							SCREW
15	05080153AA	1							CLAMP, Hose
16	05103986AA	1							HOSE
17	05133496AA	1							CLAMP
18	05080151AA	1							HOSE, Oil Cooler
19	05137454AA	1							INSULATOR
20	05080146AB	1							THERMOSTAT
21	05080150AA	1							GASKET, Thermostat
22	06104144AA	2	2, 6						SCREW
23	05080148AA	1							O RING
24	05080149AA	1							CLIP
25	05080147AA	1							SENDING UNIT, Temperature Gauge

**SPRINTER (VA)**

**SERIES**

L = LOWLINE

**LINE**

3 = HD DODGE 2WD  
6 = Lt. Duty DODGE 4WD  
2 = Med. Duty DODGE 2WD  
7 = Med. Duty DODGE 4WD

**BODY**

51 = WAGON WHEEL BASE 1  
52 = WAGON WHEEL BASE 2  
14 = VAN WHEEL BASE 4  
15 = VAN WHEEL BASE 5  
16 = VAN WHEEL BASE 6  
54 = WAGON WHEEL BASE 4  
55 = WAGON WHEEL BASE 5  
56 = WAGON WHEEL BASE 6  
11 = VAN WHEEL BASE 1  
12 = VAN WHEEL BASE 2

**ENGINE**

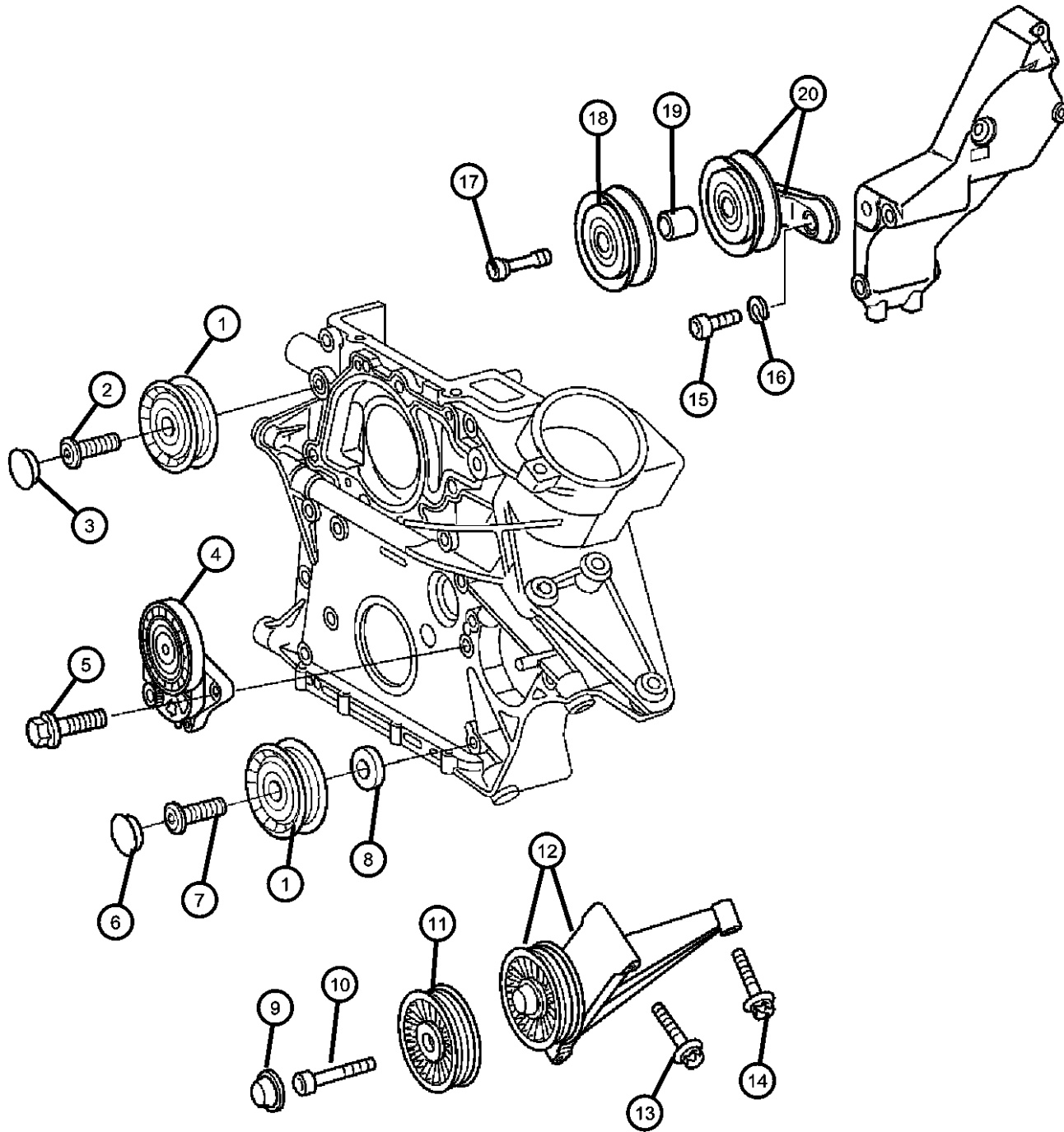
EX9 = Engine - 2.7L 5 Cly  
Mercedes Diesel

**TRANSMISSION**

DGJ = Transmission-5-Spd. Automatic, W5A580

AR = use ase required - = Non illustrated part

Drive pulleys  
Figure 7-410



ITEM	PART NUMBER	QTY	LINE	SERIES	BODY	ENGINE	TRANS	TRIM	DESCRIPTION
1	05080246AA	2							PULLEY, Tensioner
2	05073902AA	1							SCREW
3	05080250AA	1							CAP, CAP
4	05080243AA	1							TENSIONER, Belt
5	05073898AA	2							SCREW
6	05080250AA	1							CAP, CAP
7	05073902AA	1							SCREW
8	05080248AA	1							WASHER
9	05125553AA	1							CAP, Screw Cover
10	05126143AA	1							SCREW
11	05117690AA	1							PULLEY, Tensioner
12	05117691AA	1							PULLEY, Tensioner
13	06104035AA	1							SCREW
14	05133207AA	3	2, 6			EX9			BOLT, Hex Head
15	05133207AA	3							SCREW, (NOT SERVICED)
16	05133207AA	3							WASHER, (NOT SERVICED)
17									SCREW
	05125736AA	1	2, 6			EX9			
		1	3, 7			EX9			
18									TENSIONER, Belt
	05117510AA	1	2, 6			EX9			
		1	3, 7			EX9			
19									BUSHING, Idler Pulley
	05117516AA	1	2, 6			EX9			
		1	3, 7			EX9			
20									TENSIONER, Belt
	05117512AA	1	2, 6			EX9			
		1	3, 7			EX9			

SPRINTER (VA)

SERIES LINE  
 L = LOWLINE 3 = HD DODGE 2WD  
 6 = Lt. Duty DODGE 4WD  
 2 = Med. Duty DODGE 2WD  
 7 = Med. Duty DODGE 4WD

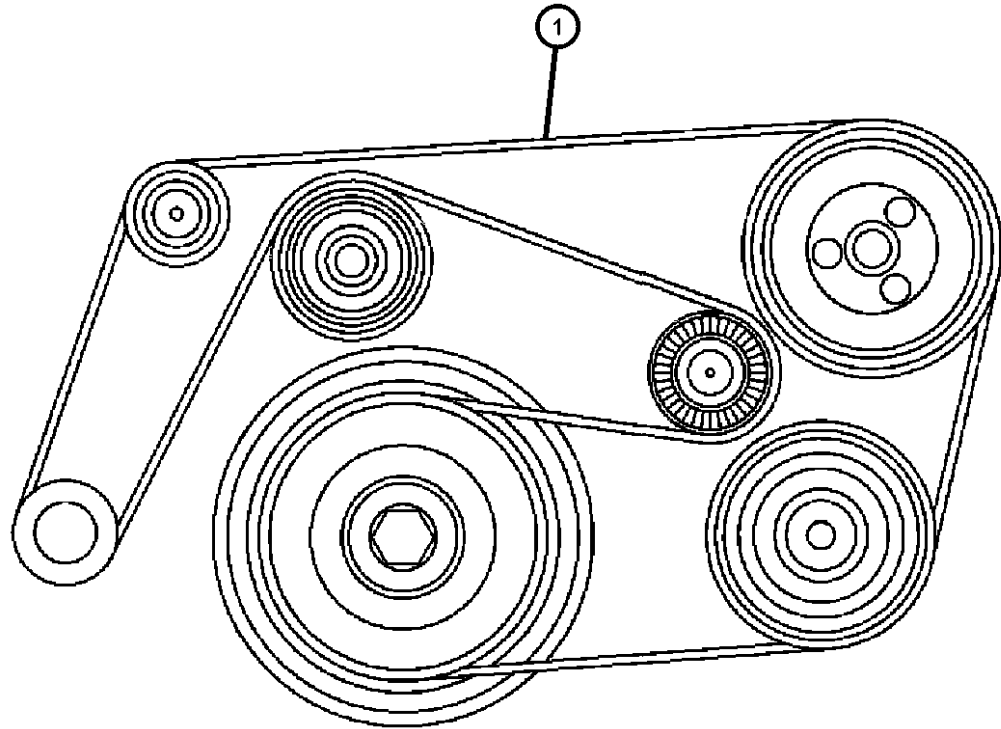
BODY ENGINE TRANSMISSION  
 51 = WAGON WHEEL BASE 1 EX9 = Engine - 2.7L 5 Cly  
 52 = WAGON WHEEL BASE 2 Mercedes Diesel  
 14 = VAN WHEEL BASE 4  
 15 = VAN WHEEL BASE 5  
 16 = VAN WHEEL BASE 6  
 54 = WAGON WHEEL BASE 4  
 55 = WAGON WHEEL BASE 5  
 56 = WAGON WHEEL BASE 6  
 11 = VAN WHEEL BASE 1  
 12 = VAN WHEEL BASE 2

DGJ = Transmission-5-Spd. Automatic, W5A580

AR = use ase required - = Non illustrated part

Drive Belts  
Figure 7-520

ITEM	PART NUMBER	QTY	LINE	SERIES	BODY	ENGINE	TRANS	TRIM	DESCRIPTION
1									BELT, Accessory Drive
	05103564AA	1	2, 6						With Air Conditioning
		1	3, 7						With Air Conditioning
	05103565AA	1	2, 6						Without Air Conditioning
		1	3, 7						Without Air Conditioning



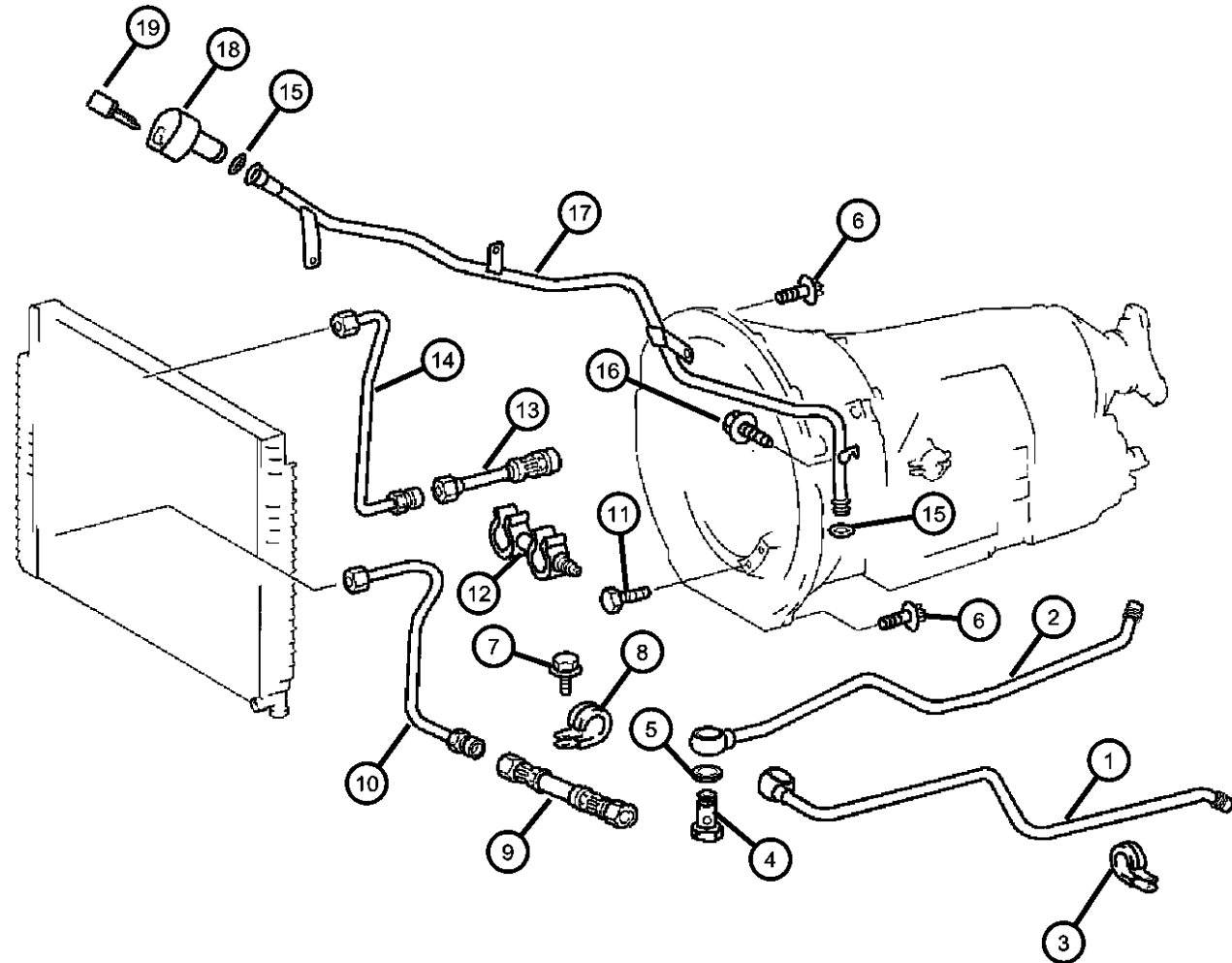
SPRINTER (VA)

SERIES	LINE	BODY	ENGINE	TRANSMISSION
L = LOWLINE	3 = HD DODGE 2WD	51 = WAGON WHEEL BASE 1	EX9 = Engine - 2.7L 5 Cly	DGJ = Transmission-5-Spd.
	6 = Lt. Duty DODGE 4WD	52 = WAGON WHEEL BASE 2	Mercedes Diesel	Automatic,W5A580
	2 = Med. Duty DODGE 2WD	14 = VAN WHEEL BASE 4		
	7 = Med. Duty DODGE 4WD	15 = VAN WHEEL BASE 5		
		16 = VAN WHEEL BASE 6		
		54 = WAGON WHEEL BASE 4		
		55 = WAGON WHEEL BASE 5		
		56 = WAGON WHEEL BASE 6		
		11 = VAN WHEEL BASE 1		
		12 = VAN WHEEL BASE 2		

AR = use ase required - = Non illustrated part



**Oil Cooler Lines  
Figure 7-610**



ITEM	PART NUMBER	QTY	LINE	SERIES	BODY	ENGINE	TRANS	TRIM	DESCRIPTION
1	05117855AA	1	2, 6				DGJ		TUBE, Oil Feed
		1	3, 7				DGJ		
2	05117857AA	1	2, 6				DGJ		LINE, TRANSMISSION OIL COOLING, SPRINTER
		1	3, 7				DGJ		
3	05097689AA	2	2, 6				DGJ		CLAMP, CLAMP
		2	3, 7				DGJ		
4	06507437AA	2	2, 6				DGJ		BOLT, Banjo
		2	3, 7				DGJ		
5	06507454AA	1							WASHER, Banjo
6	06104047AA	2	2, 6				DGJ		SCREW
		2	3, 7				DGJ		
7	05073824AA	1	2, 6				DGJ		SCREW
		1	3, 7				DGJ		
8	05096952AA	1	3, 7				DGJ		CLAMP, Oil Cooler Line
		1	2, 6				DGJ		
9	05103903AA	1	2, 6				DGJ		HOSE
		1	3, 7				DGJ		
10	05119991AA	1	2, 6				DGJ		LINE, Oil Cooler Supply
		1	3, 7				DGJ		
11	06507095AA	6	2, 6				DGJ		SCREW
		6	3, 7				DGJ		

**SPRINTER (VA)**

**SERIES**

L = LOWLINE

**LINE**

3 = HD DODGE 2WD  
6 = Lt. Duty DODGE 4WD  
2 = Med. Duty DODGE 2WD  
7 = Med. Duty DODGE 4WD

**BODY**

51 = WAGON WHEEL BASE 1 EX9 = Engine - 2.7L 5 Cly  
52 = WAGON WHEEL BASE 2 Mercedes Diesel  
14 = VAN WHEEL BASE 4  
15 = VAN WHEEL BASE 5  
16 = VAN WHEEL BASE 6  
54 = WAGON WHEEL BASE 4  
55 = WAGON WHEEL BASE 5  
56 = WAGON WHEEL BASE 6  
11 = VAN WHEEL BASE 1  
12 = VAN WHEEL BASE 2

**ENGINE**

**TRANSMISSION**

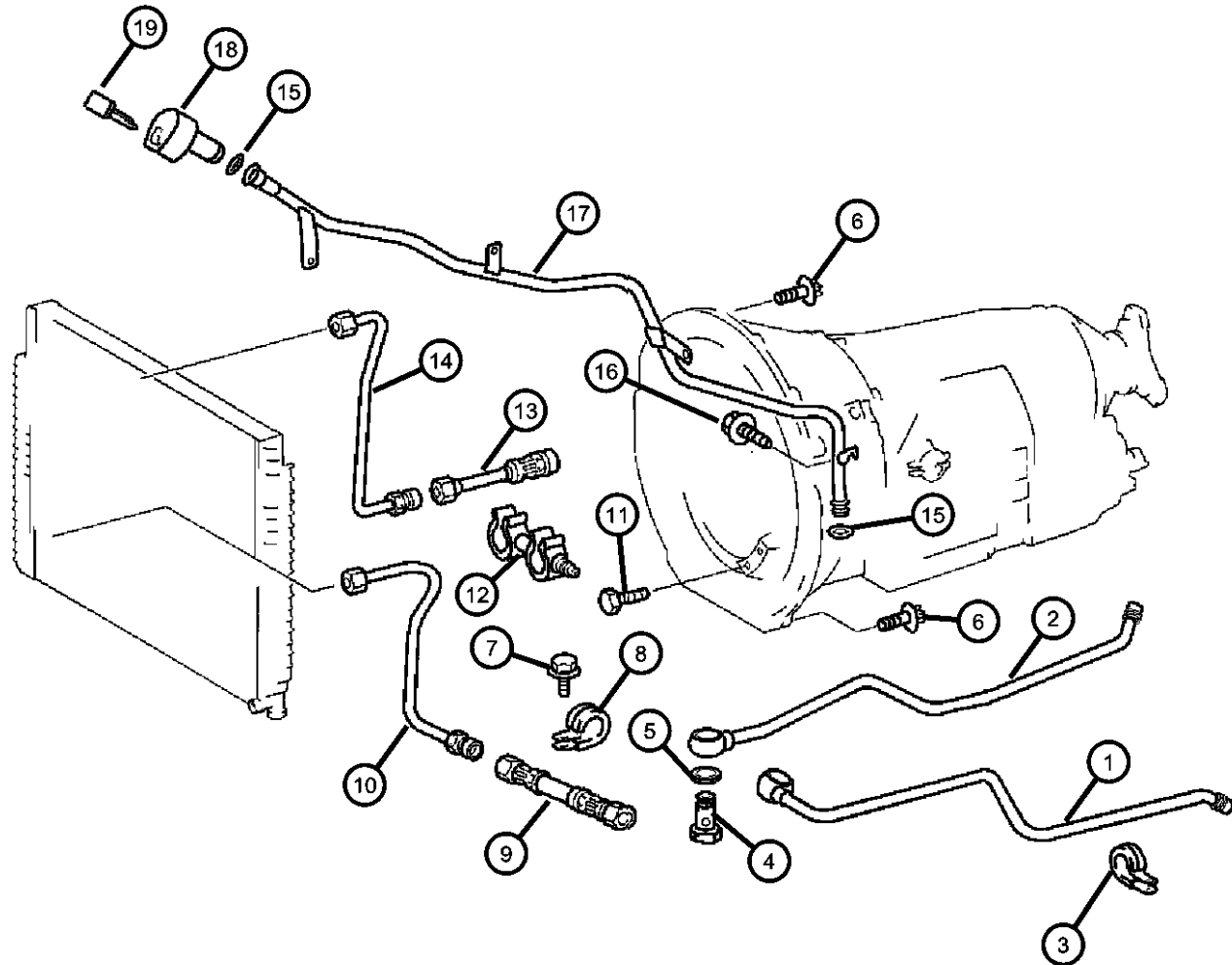
DGJ = Transmission-5-Spd. Automatic, W5A580

AR = use ase required - = Non illustrated part

2003 VA

**Oil Cooler Lines  
Figure 7-610**

ITEM	PART NUMBER	QTY	LINE	SERIES	BODY	ENGINE	TRANS	TRIM	DESCRIPTION
12									BRACKET, Transmission Oil Cooler
	05125878AA	2	2, 6				DGJ		
		2	3, 7				DGJ		
13	05127830AA	1					DGJ		TUBE AND HOSE, Oil Cooler
14									LINE, Oil Cooler Return
	05119993AA	1	2, 6				DGJ		
		1	3, 7				DGJ		
15									SEAL, Oil Filler Tube
	05101154AA	1	2, 6				DGJ		
		1	3, 7				DGJ		
16									SCREW
	05125738AA	1	2, 6				DGJ		
		1	3, 7				DGJ		
17									TUBE, Transmission Oil Filler
	05104551AA	1	2, 6				DGJ		
		1	3, 7				DGJ		
18									CAP, Oil Filler
	53013549AA	1	2, 6				DGJ		
		1	3, 7				DGJ		
19									PIN
	05093746AA	1	2, 6				DGJ		
		1	3, 7				DGJ		



**SPRINTER (VA)**

**SERIES**

L = LOWLINE

**LINE**

3 = HD DODGE 2WD  
6 = Lt. Duty DODGE 4WD  
2 = Med. Duty DODGE 2WD  
7 = Med. Duty DODGE 4WD

**BODY**

51 = WAGON WHEEL BASE 1 EX9 = Engine - 2.7L 5 Cly  
52 = WAGON WHEEL BASE 2 Mercedes Diesel  
14 = VAN WHEEL BASE 4  
15 = VAN WHEEL BASE 5  
16 = VAN WHEEL BASE 6  
54 = WAGON WHEEL BASE 4  
55 = WAGON WHEEL BASE 5  
56 = WAGON WHEEL BASE 6  
11 = VAN WHEEL BASE 1  
12 = VAN WHEEL BASE 2

**ENGINE**

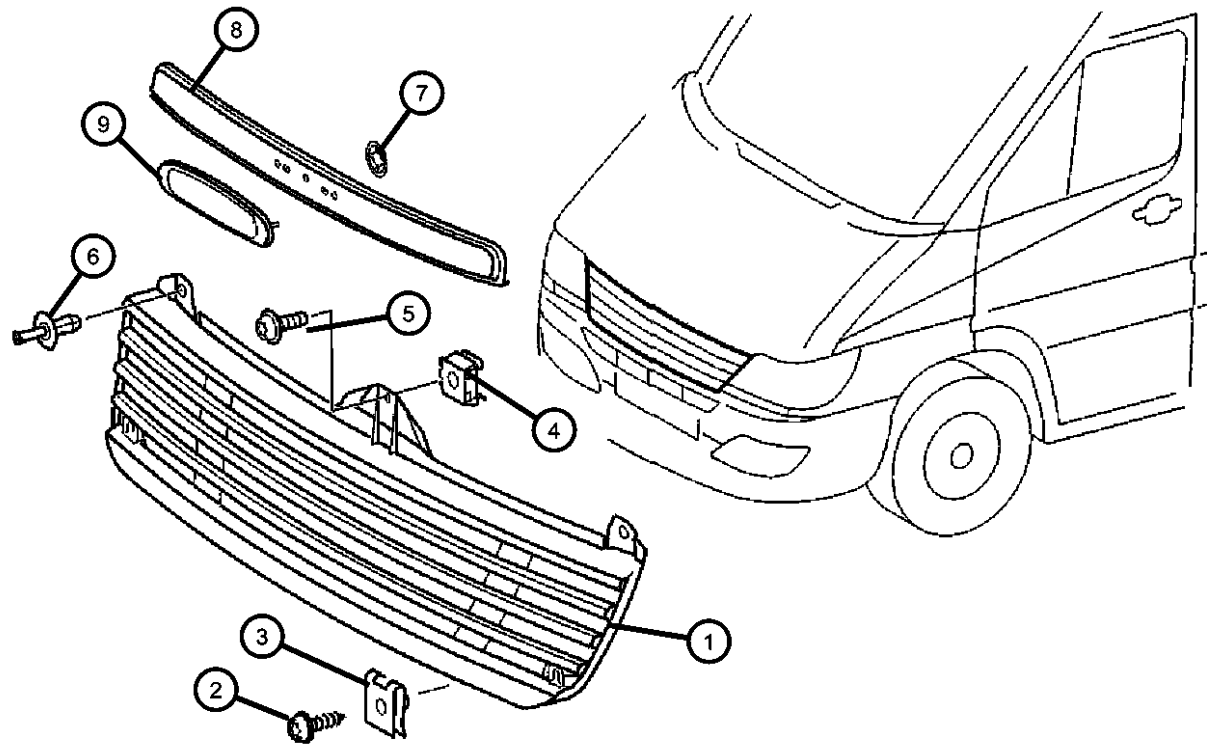
**TRANSMISSION**

DGJ = Transmission-5-Spd. Automatic, W5A580

AR = use ase required - = Non illustrated part

2003 VA

**Grille And Related Parts  
Figure 7-710**



ITEM	PART NUMBER	QTY	LINE	SERIES	BODY	ENGINE	TRANS	TRIM	DESCRIPTION
1	05104507AA	1	3, 7						GRILLE, Radiator Freightliner
	05114373AA	1							Dodge
		1	2, 6						Freightliner
2	06104576AA	2	2, 6						SCREW
		2	3, 7						
3	06104736AA	4	2, 6						NUT, Clip-On
		4	3, 7						
4	05104676AA	1	2, 6						NUT
		1	3, 7						
5	06104121AA	1	2, 6						SCREW, Hex Flange Head
		1	3, 7						
6	06104905AA	2							PIN, Push
7	05096429AA	2	2, 6						RETAINER, Hood Ornament
		2	3, 7						
8	05104400AA	1	6						MOLDING, Hood Freightliner
		1	7						Freightliner
	05114372AA	1	2						Dodge
		1	3						Dodge
9	05104449AA	1	6, 7						NAMEPLATE, Hood

**SPRINTER (VA)**

**SERIES**

L = LOWLINE

**LINE**

3 = HD DODGE 2WD  
6 = Lt. Duty DODGE 4WD  
2 = Med. Duty DODGE 2WD  
7 = Med. Duty DODGE 4WD

**BODY**

51 = WAGON WHEEL BASE 1  
52 = WAGON WHEEL BASE 2  
14 = VAN WHEEL BASE 4  
15 = VAN WHEEL BASE 5  
16 = VAN WHEEL BASE 6  
54 = WAGON WHEEL BASE 4  
55 = WAGON WHEEL BASE 5  
56 = WAGON WHEEL BASE 6  
11 = VAN WHEEL BASE 1  
12 = VAN WHEEL BASE 2

**ENGINE**

EX9 = Engine - 2.7L 5 Cly  
Mercedes Diesel

**TRANSMISSION**

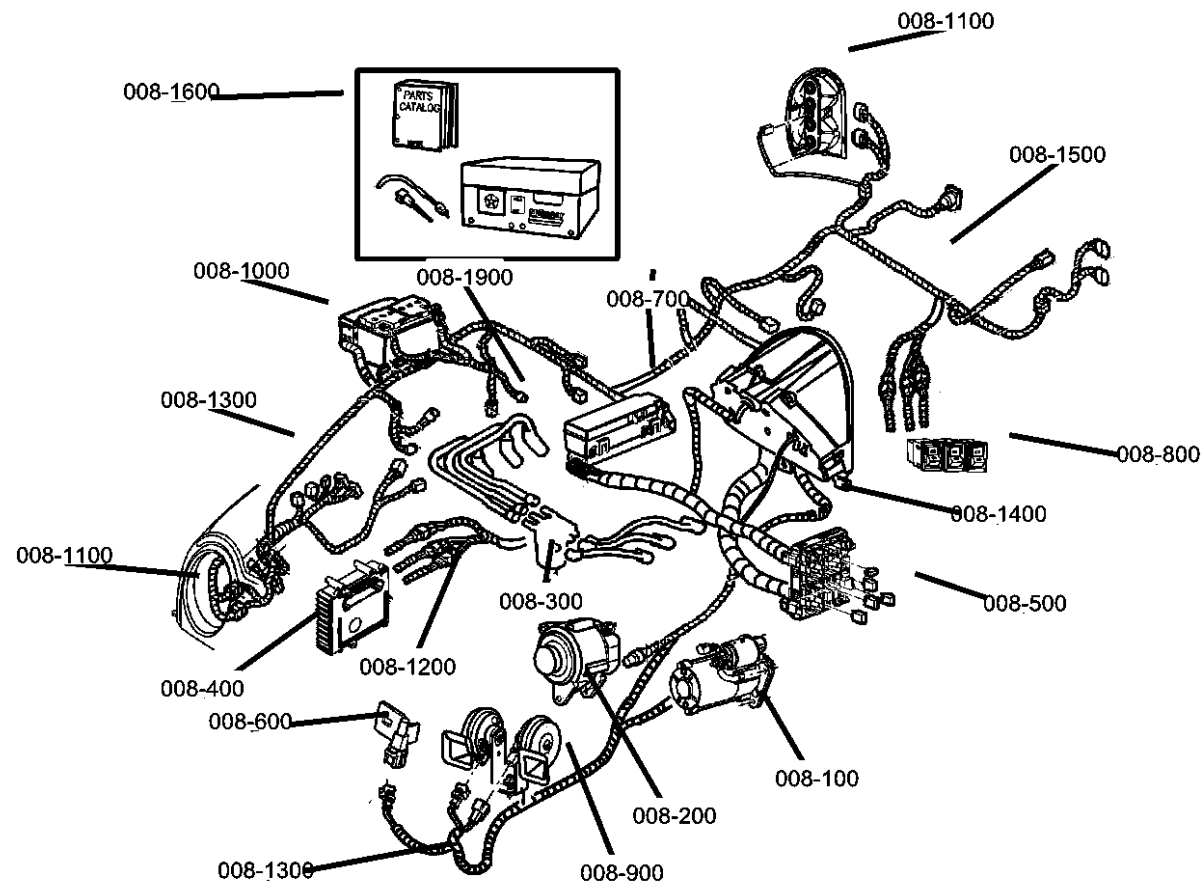
DGJ = Transmission-5-Spd.  
Automatic,W5A580

AR = use ase required - = Non illustrated part

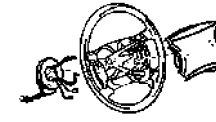
2003 VA

# Group - 8

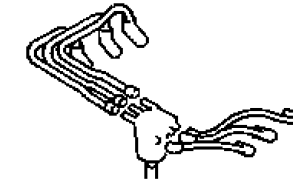
## Electrical



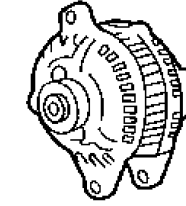
**008-1700**  
Air Bag Systems



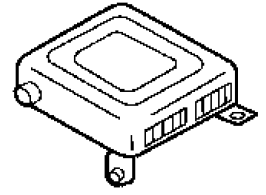
**008-1900**  
Spark Plugs-Cables-Coils



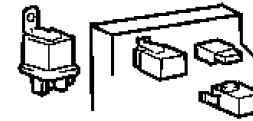
**008-200**  
Alternators



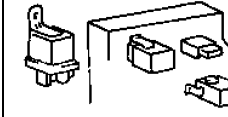
**008-400**  
Modules



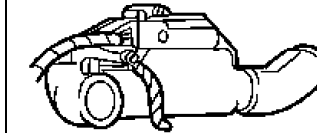
**008-500**  
Relays



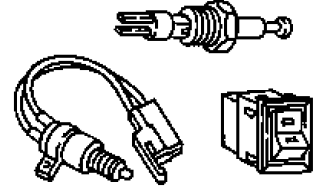
**008-600**  
Sensors



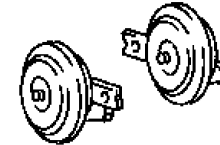
**008-700**  
Single Board Engine Controllers



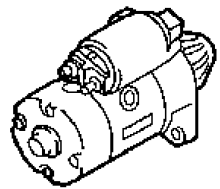
**008-800**  
Switches



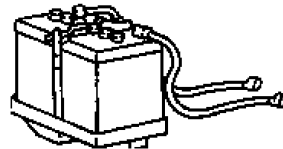
**008-900**  
Horns



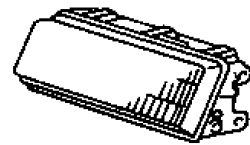
**008-100**  
Starters



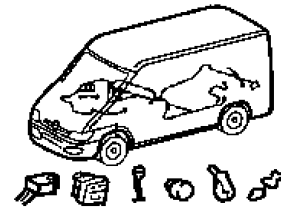
**008-1000**  
Battery Tray and Cables



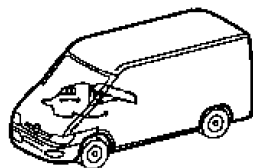
**008-1100**  
Lamps - Front, Rear and Courtesy



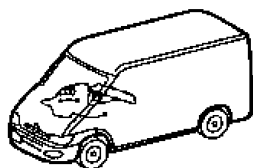
**008-1200**  
Wiring-Engine & Related Parts



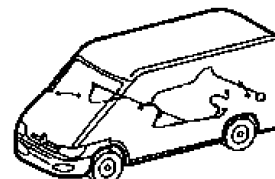
**008-1300**  
Wiring-Headlamp to Dash



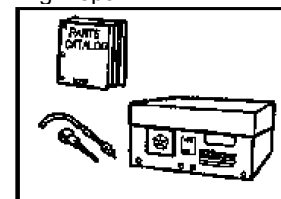
**008-1400**  
Wiring-Instrument Panel



**008-1500**  
Wiring-Body & Accessories



**008-1600**  
Wiring Repair



---

## Group - 8 Electrical

### Air Bag Systems

Air Bag System Drivers Side .....	Fig. 8 - 1705
Air Bag System Passenger Side .....	Fig. 8 - 1710

### Spark Plugs-Cables-Coils

Glow Plugs.....	Fig. 8 - 1910
-----------------	---------------

Illustration Title

Group-Fig. No.

<b>Starters</b>	
Starters & Mounting .....	Fig. 8 - 105

<b>Alternators</b>	
Alternators (Generator) .....	Fig. 8 - 205

<b>Modules</b>	
Modules Seating Area .....	Fig. 8 - 405
Modules and Related Parts.....	Fig. 8 - 410
Module Back up .....	Fig. 8 - 415

<b>Relays</b>	
Under Seat - Relays & Fuses .....	Fig. 8 - 505
Instrument Panel - Relays & Fuses.....	Fig. 8 - 510

<b>Sensors</b>	
Sensors - Engine.....	Fig. 8 - 605
Sensors - Drivetrain.....	Fig. 8 - 610
Sensors - Brakes.....	Fig. 8 - 615
Sensor Ambient Temperature .....	Fig. 8 - 620

<b>Single Board Engine Controllers</b>	
Single Board Engine Controller (S.B.E.C.).....	Fig. 8 - 715

<b>Switches</b>	
Switches - Instrument Panel.....	Fig. 8 - 805
Switches -Steering Column.....	Fig. 8 - 810
Switches - Door .....	Fig. 8 - 815
Switch Brake.....	Fig. 8 - 820

<b>Horns</b>	
Horns & Alarm.....	Fig. 8 - 905

<b>Battery Tray and Cables</b>	
Battery Tray & Cables .....	Fig. 8 - 1005

<b>Lamps - Front, Rear and Courtesy</b>	
Lamps - Front End .....	Fig. 8 - 1105
Lamps - Rear End.....	Fig. 8 - 1110
Lamps Interior Passenger Van .....	Fig. 8 - 1115
Lamps Interior Cargo Van .....	Fig. 8 - 1120
Lamp - Bulbs .....	Fig. 8 - 1125

<b>Wiring-Engine &amp; Related Parts</b>	
Wiring - Engine .....	Fig. 8 - 1205

<b>Wiring-Headlamp to Dash</b>	
Wiring - Headlamp & Dash .....	Fig. 8 - 1305

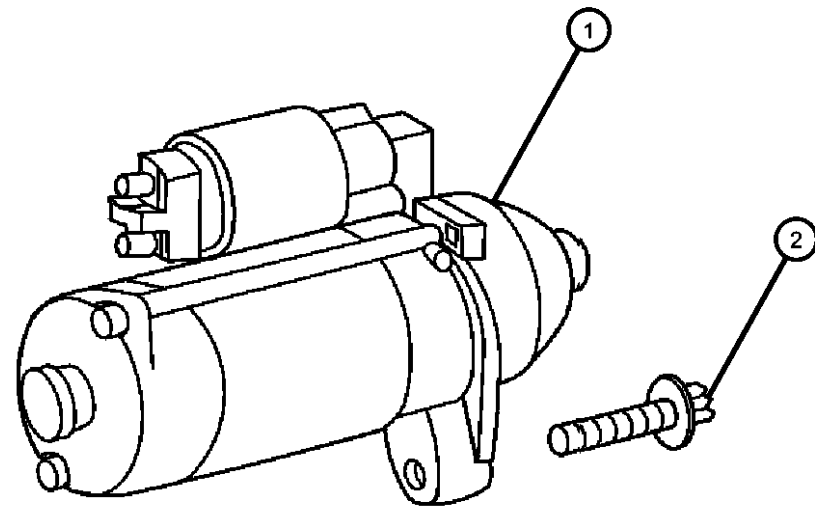
<b>Wiring-Instrument Panel</b>	
Wiring - Instrument Panel.....	Fig. 8 - 1405

<b>Wiring-Body &amp; Accessories</b>	
Wiring - Body & Accessories .....	Fig. 8 - 1505

<b>Wiring Repair</b>	
Connectors Engine Compartment .....	Fig. 8 - 1605
Connectors Body.....	Fig. 8 - 1610
Connectors Roof .....	Fig. 8 - 1615
Connectors Front Doors .....	Fig. 8 - 1620
Connectors Rear Doors.....	Fig. 8 - 1625
Connectors Seating Area.....	Fig. 8 - 1630

**Starters & Mounting  
Figure 8-105**

ITEM	PART NUMBER	QTY	LINE	SERIES	BODY	ENGINE	TRANS	TRIM	DESCRIPTION
1									STARTER, Engine
	05117537AA	1	2, 6	L	11, 12, 14, 15, 16	EX9			Valeo
		1	2, 6	L	51, 52, 54, 55, 56	EX9			Valeo
	05134510AA	1	2, 6	L	51, 52, 54, 55, 56	EX9			Bosch
		1	2, 6	L	11, 12, 14, 15, 16	EX9			Bosch
		1	3, 7	L	12, 15, 16	EX9			Bosch
		1		L					Bosch
2	06104053AA	2		L					SCREW, Starter Motor



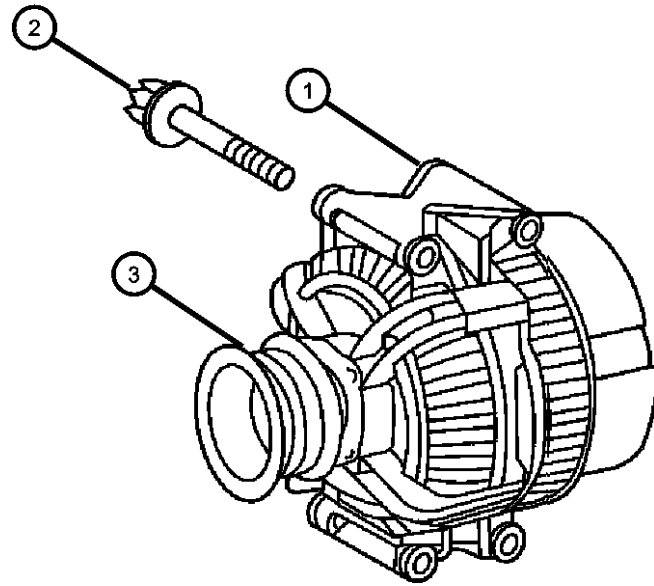
**SPRINTER (VA)**

<b>SERIES</b>	<b>LINE</b>	<b>BODY</b>	<b>ENGINE</b>	<b>TRANSMISSION</b>
L = LOWLINE	3 = HD DODGE 2WD 6 = Lt. Duty DODGE 4WD 2 = Med. Duty DODGE 2WD 7 = Med. Duty DODGE 4WD	51 = WAGON WHEEL BASE 1 52 = WAGON WHEEL BASE 2 14 = VAN WHEEL BASE 4 15 = VAN WHEEL BASE 5 16 = VAN WHEEL BASE 6 54 = WAGON WHEEL BASE 4 55 = WAGON WHEEL BASE 5 56 = WAGON WHEEL BASE 6 11 = VAN WHEEL BASE 1 12 = VAN WHEEL BASE 2	EX9 = Engine - 2.7L 5 Cly Mercedes Diesel	DGJ = Transmission-5-Spd. Automatic,W5A580

AR = use ase required - = Non illustrated part

2003 VA

**Alternators (Generator)  
Figure 8-205**



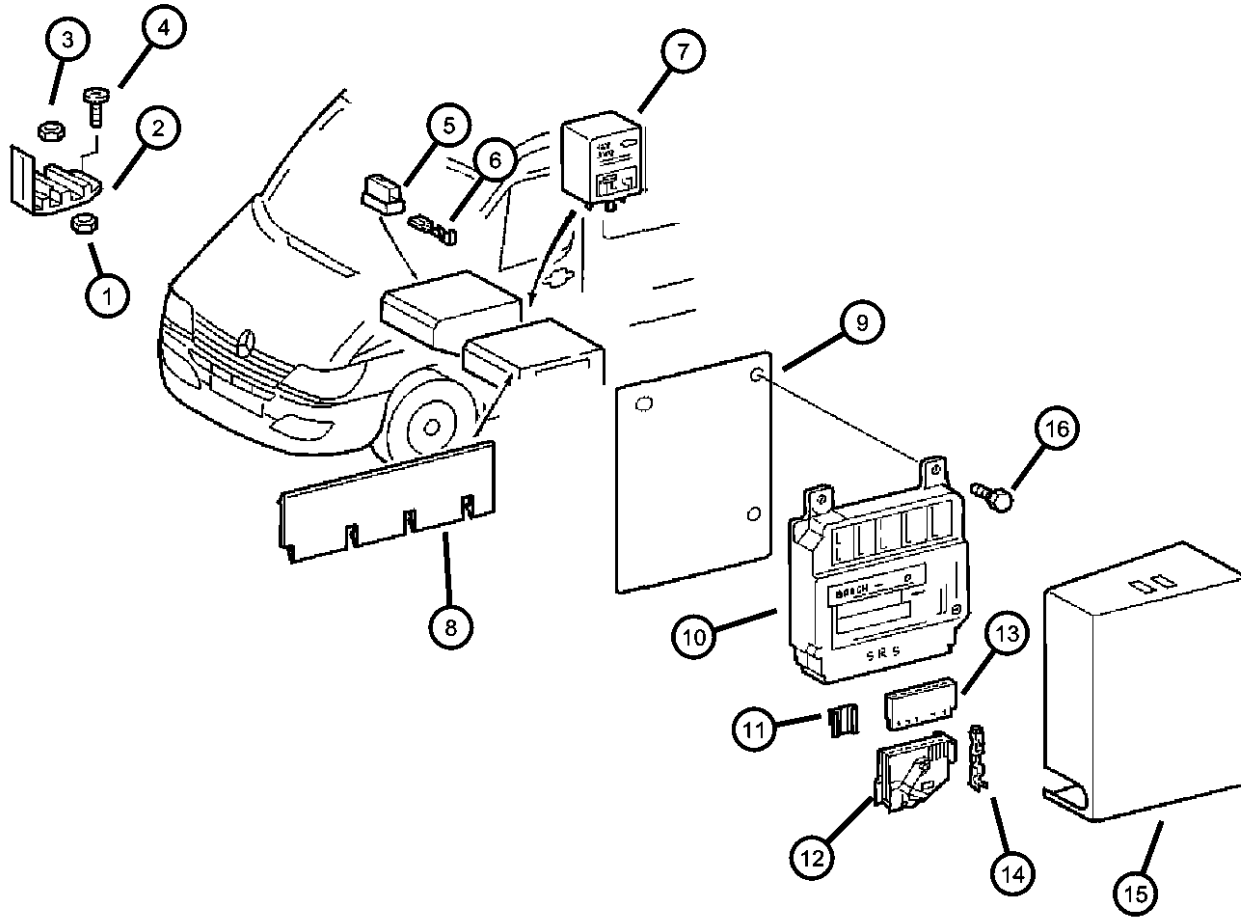
ITEM	PART NUMBER	QTY	LINE	SERIES	BODY	ENGINE	TRANS	TRIM	DESCRIPTION
1									ALTERNATOR
	05103885AA	1	2, 6	L	11, 12, 14, 15, 16				90 AMP
		1	2, 6	L	51, 52, 54, 55, 56				90 AMP
		1	3, 7	L	12, 15, 16				90 AMP
		1		L					90 AMP
	05103886AA	1	2, 6	L	11, 12, 14, 15, 16				115 AMP
		1	2, 6	L	51, 52, 54, 55, 56				115 AMP
		1	3, 7	L	12, 15, 16				115 AMP
	05103887AA	1	2, 6	L	11, 12, 14, 15, 16				150 AMP
		1	2, 6	L	51, 52, 54, 55, 56				150 AMP
		1	3, 7	L	12, 15, 16				150 AMP
2	06104035AA	1		L					SCREW
3									PULLEY, Alternator
	05117591AA	1	2, 6	L	11, 12, 14, 15, 16				Except 150 AMP Alternator
		1	2, 6	L	51, 52, 54, 55, 56				Except 150 AMP Alternator
		1	3, 7	L	12, 15, 16				Except 150 AMP Alternator
-4									REGULATOR, Alternator
	05133774AA	1	2, 6	L	11, 12, 14, 15, 16				
		1	2, 6	L	51, 52, 54, 55, 56				
		1	3, 7	L	12, 15, 16				

**SPRINTER (VA)**

SERIES	LINE	BODY	ENGINE	TRANSMISSION
L = LOWLINE	3 = HD DODGE 2WD 6 = Lt. Duty DODGE 4WD 2 = Med. Duty DODGE 2WD 7 = Med. Duty DODGE 4WD	51 = WAGON WHEEL BASE 1 52 = WAGON WHEEL BASE 2 14 = VAN WHEEL BASE 4 15 = VAN WHEEL BASE 5 16 = VAN WHEEL BASE 6 54 = WAGON WHEEL BASE 4 55 = WAGON WHEEL BASE 5 56 = WAGON WHEEL BASE 6 11 = VAN WHEEL BASE 1 12 = VAN WHEEL BASE 2	EX9 = Engine - 2.7L 5 Cly Mercedes Diesel	DGJ = Transmission-5-Spd. Automatic,W5A580

AR = use ase required - = Non illustrated part

Modules Seating Area  
Figure 8-405



ITEM	PART NUMBER	QTY	LINE	SERIES	BODY	ENGINE	TRANS	TRIM	DESCRIPTION
1	05120249AA	1	2, 6	L	11, 12, 14, 15, 16				RETAINER, Wiring Harness
		1	2, 6	L	51, 52, 54, 55, 56				
		1	3, 7	L	12, 15, 16				
2	06104723AA	2	2, 6	L	11, 12, 14, 15, 16				NUT
		2	2, 6	L	51, 52, 54, 55, 56				
		2	3, 7	L	12, 15, 16				
3	05126203AA	2	2, 6	L	11, 12, 14, 15, 16				NUT
		2	2, 6	L	51, 52, 54, 55, 56				
		2	3, 7	L	12, 15, 16				
4	05132854AA	2	2, 6	L	11, 12, 14, 15, 16				SCREW
		2	2, 6	L	51, 52, 54, 55, 56				
		2	3, 7	L	12, 15, 16				
5	05103754AA	1	2, 6	L	11, 12, 14, 15, 16				INSULATOR, 2 Way Female
		1	2, 6	L	51, 52, 54, 55, 56				
		1	3, 7	L	12, 15, 16				
6	05133395AA	99	3, 7	L	12, 15, 16				TERMINAL, Female
		99	2, 6	L	11, 12, 14, 15, 16				
		99	2, 6	L	51, 52, 54, 55, 56				
7		99							CONTROL UNIT, NONE, SPRINTER, (NOT REQUIRED)
8	05123542AA	2	2, 6	L	51, 52, 54, 55, 56				PANEL, Seat Base

SPRINTER (VA)

SERIES

L = LOWLINE

LINE

3 = HD DODGE 2WD  
6 = Lt. Duty DODGE 4WD  
2 = Med. Duty DODGE 2WD  
7 = Med. Duty DODGE 4WD

BODY

51 = WAGON WHEEL BASE 1 EX9 = Engine - 2.7L 5 Cyl  
52 = WAGON WHEEL BASE 2 Mercedes Diesel  
14 = VAN WHEEL BASE 4  
15 = VAN WHEEL BASE 5  
16 = VAN WHEEL BASE 6  
54 = WAGON WHEEL BASE 4  
55 = WAGON WHEEL BASE 5  
56 = WAGON WHEEL BASE 6  
11 = VAN WHEEL BASE 1  
12 = VAN WHEEL BASE 2

ENGINE

TRANSMISSION

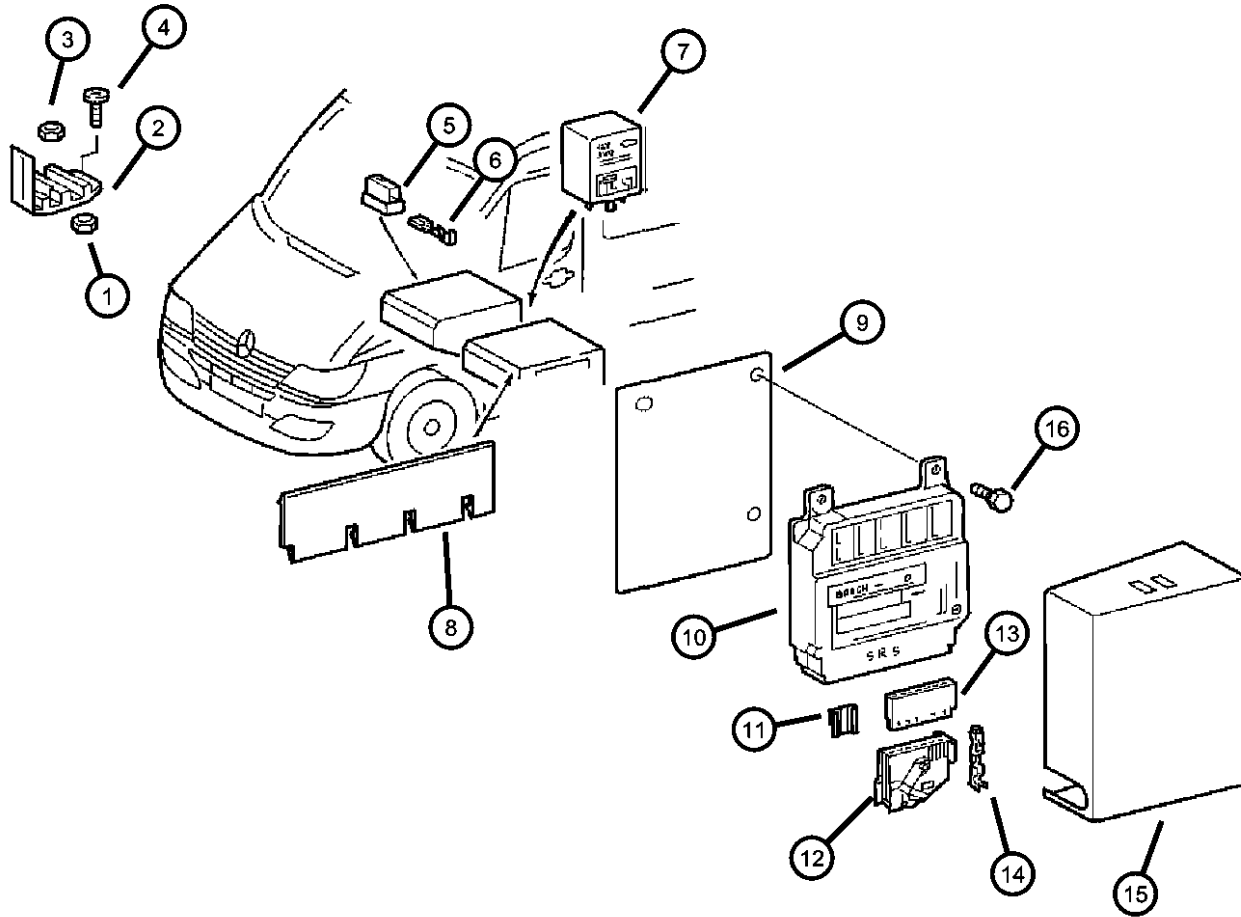
DGJ = Transmission-5-Spd.  
Automatic,W5A580

AR = use ase required - = Non illustrated part

2003 VA



Modules Seating Area  
Figure 8-405



ITEM	PART NUMBER	QTY	LINE	SERIES	BODY	ENGINE	TRANS	TRIM	DESCRIPTION
9	05120891AA	1	2, 6	L	11, 12, 14, 15, 16				PLATE, Air Bag Module
		1	2, 6	L	51, 52, 54, 55, 56				
		1	3, 7	L	12, 15, 16				
10	05119435AA	1	2, 6	L	11, 12, 14, 15, 16				MODULE, Air Bag Control
		1	2, 6	L	51, 52, 54, 55, 56				
		1	3, 7	L	12, 15, 16				
11	05120412AA	1	2, 6	L	11, 12, 14, 15, 16				COVER, Insulator, Wiring Protection
		1	2, 6	L	51, 52, 54, 55, 56				
		1	3, 7	L	12, 15, 16				
12	05120799AA	1	2, 6	L	11, 12, 14, 15, 16				CONNECTOR, Wiring
		1	2, 6	L	51, 52, 54, 55, 56				
		1	3, 7	L	12, 15, 16				
13	05120834AA	1	2, 6	L	11, 12, 14, 15, 16				CONNECTOR
		1	2, 6	L	51, 52, 54, 55, 56				
		1	3, 7	L	12, 15, 16				
14	05120549AA	1	2, 6	L	11, 12, 14, 15, 16				TERMINAL
		1	2, 6	L	51, 52, 54, 55, 56				
		1	3, 7	L	12, 15, 16				
15									COVER, Air Bag Module

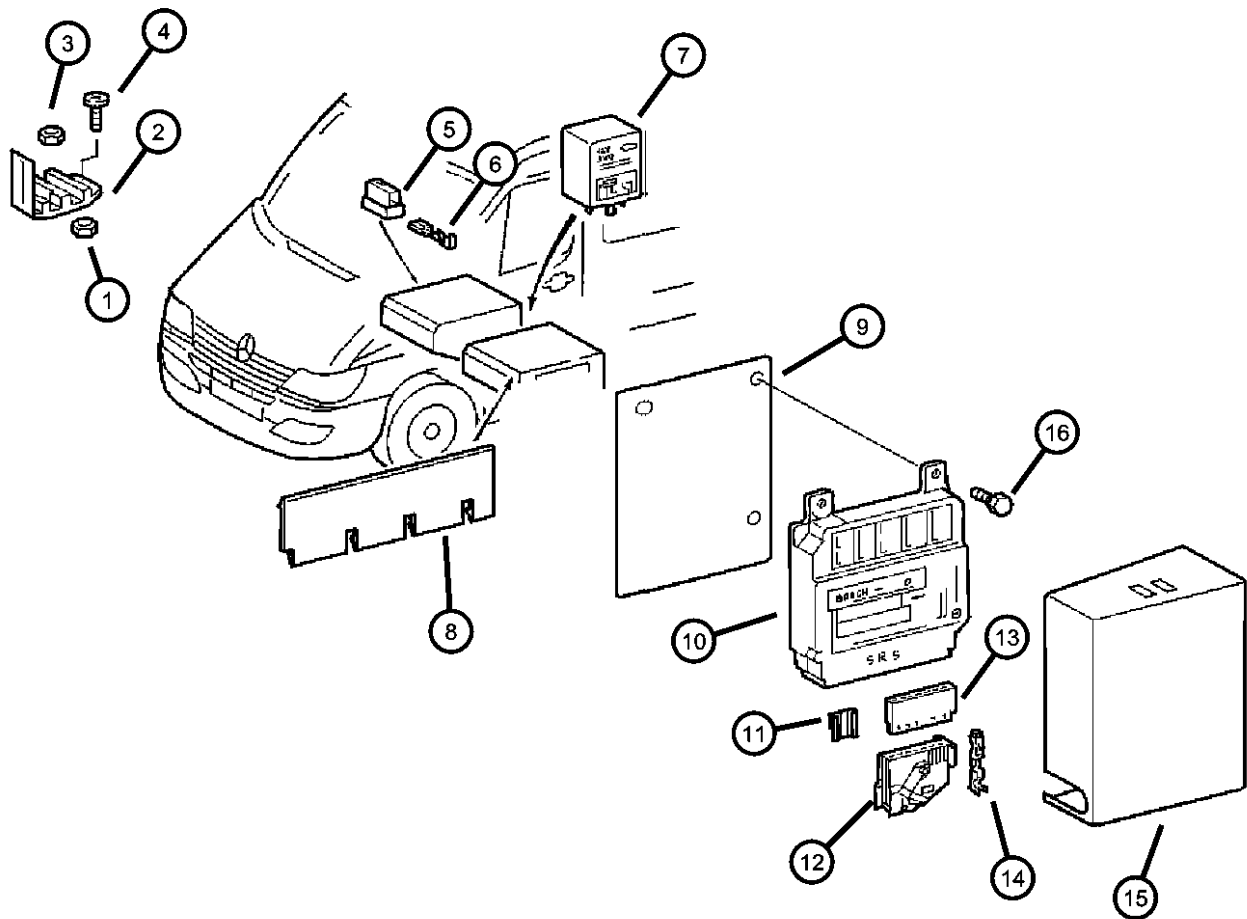
SPRINTER (VA)

SERIES	LINE	BODY	ENGINE	TRANSMISSION
L = LOWLINE	3 = HD DODGE 2WD 6 = Lt. Duty DODGE 4WD 2 = Med. Duty DODGE 2WD 7 = Med. Duty DODGE 4WD	51 = WAGON WHEEL BASE 1 52 = WAGON WHEEL BASE 2 14 = VAN WHEEL BASE 4 15 = VAN WHEEL BASE 5 16 = VAN WHEEL BASE 6 54 = WAGON WHEEL BASE 4 55 = WAGON WHEEL BASE 5 56 = WAGON WHEEL BASE 6 11 = VAN WHEEL BASE 1 12 = VAN WHEEL BASE 2	EX9 = Engine - 2.7L 5 Cyl Mercedes Diesel	DGJ = Transmission-5-Spd. Automatic, W5A580

AR = use ase required - = Non illustrated part

Modules Seating Area  
Figure 8-405

ITEM	PART NUMBER	QTY	LINE	SERIES	BODY	ENGINE	TRANS	TRIM	DESCRIPTION
	05104148AA	1	2, 6	L	11, 12, 14, 15, 16				
		1	2, 6	L	51, 52, 54, 55, 56				
		1	3, 7	L	12, 15, 16				
16									SCREW
	06104005AA	2	3, 7	L	12, 15, 16				
		2	2, 6	L	11, 12, 14, 15, 16				
		2	2, 6	L	51, 52, 54, 55, 56				



SPRINTER (VA)

SERIES

L = LOWLINE

LINE

3 = HD DODGE 2WD  
6 = Lt. Duty DODGE 4WD  
2 = Med. Duty DODGE 2WD  
7 = Med. Duty DODGE 4WD

BODY

51 = WAGON WHEEL BASE 1  
52 = WAGON WHEEL BASE 2  
14 = VAN WHEEL BASE 4  
15 = VAN WHEEL BASE 5  
16 = VAN WHEEL BASE 6  
54 = WAGON WHEEL BASE 4  
55 = WAGON WHEEL BASE 5  
56 = WAGON WHEEL BASE 6  
11 = VAN WHEEL BASE 1  
12 = VAN WHEEL BASE 2

ENGINE

EX9 = Engine - 2.7L 5 Cly  
Mercedes Diesel

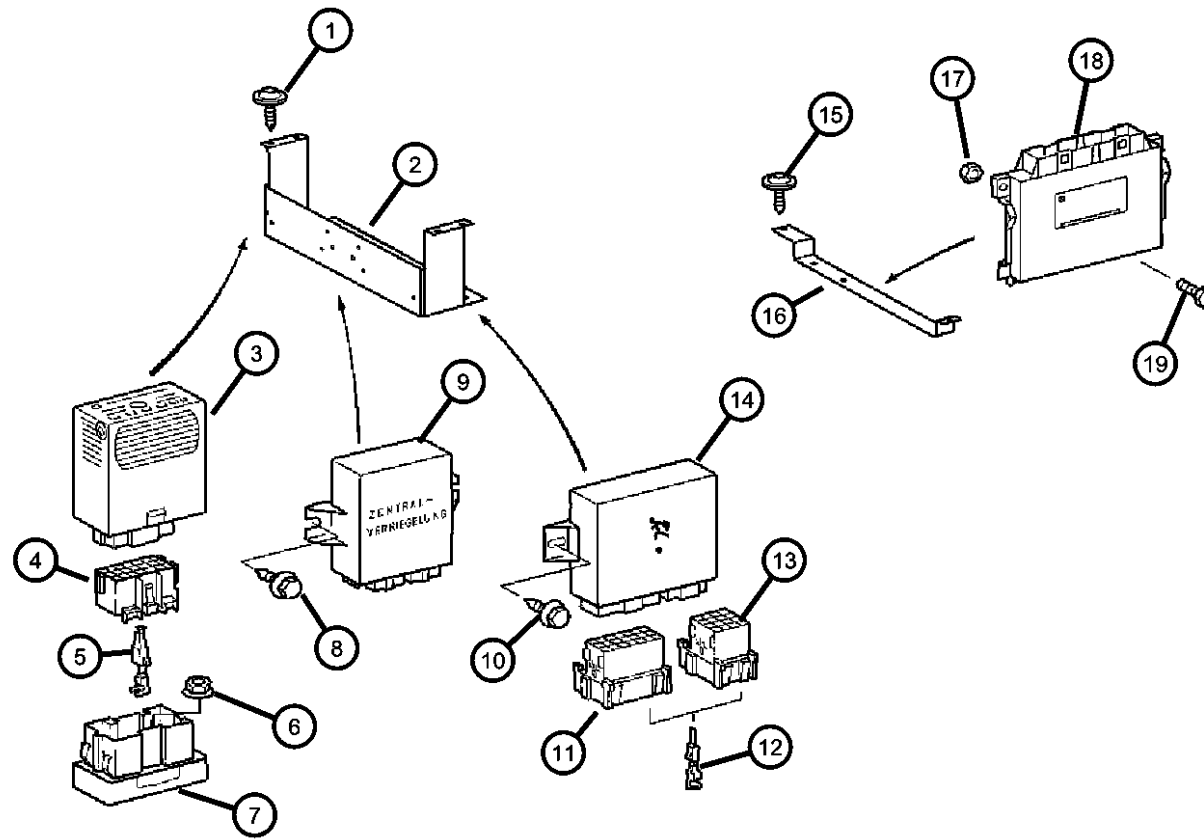
TRANSMISSION

DGJ = Transmission-5-Spd.  
Automatic,W5A580

AR = use ase required - = Non illustrated part

2003 VA

Modules and Related Parts  
Figure 8-410



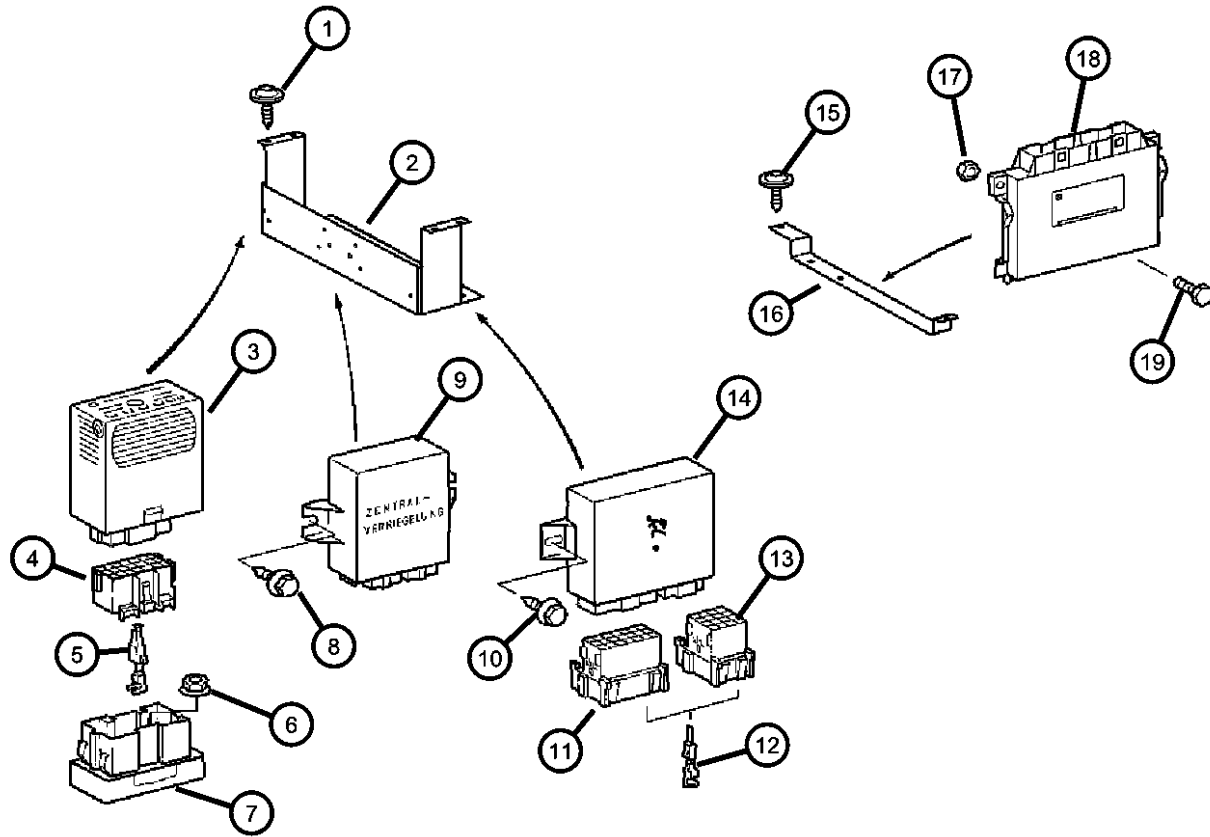
ITEM	PART NUMBER	QTY	LINE	SERIES	BODY	ENGINE	TRANS	TRIM	DESCRIPTION
1	06104573AA	2	2, 6	L	11, 12, 14, 15, 16				SCREW, Tapping
		2	3, 7	L	12, 15, 16				
		2	2, 6	L	51, 52, 54, 55, 56				
2	05120844AA	1	2, 6	L	11, 12, 14, 15, 16				BRACKET, Fuse Block
		1	2, 6	L	51, 52, 54, 55, 56				
		1	3, 7	L	12, 15, 16				
3	05103899AA	1	2, 6	L	11, 12, 14, 15, 16				CONTROL UNIT, NONE, SPRINTER Dome Lamp
		1	2, 6	L	51, 52, 54, 55, 56				Dome Lamp
		1	3, 7	L	12, 15, 16				Dome Lamp
4		1							CONNECTOR, (NOT SERVICED), TERMINAL
5	05103881AA	1	2, 6	L	11, 12, 14, 15, 16				
		1	2, 6	L	51, 52, 54, 55, 56				
		1	3, 7	L	12, 15, 16				
6	06104714AA	2	2, 6	L	11, 12, 14, 15, 16		DGJ		NUT
		2	2, 6	L	51, 52, 54, 55, 56		DGJ		
		2	3, 7	L	12, 15, 16		DGJ		
7	05120506AA	1	2, 6	L	11, 12, 14, 15, 16				CONNECTOR
		1	2, 6	L	51, 52, 54, 55, 56				
		1	3, 7	L	12, 15, 16				
8									SCREW

SPRINTER (VA)

SERIES	LINE	BODY	ENGINE	TRANSMISSION
L = LOWLINE	3 = HD DODGE 2WD 6 = Lt. Duty DODGE 4WD 2 = Med. Duty DODGE 2WD 7 = Med. Duty DODGE 4WD	51 = WAGON WHEEL BASE 1 52 = WAGON WHEEL BASE 2 14 = VAN WHEEL BASE 4 15 = VAN WHEEL BASE 5 16 = VAN WHEEL BASE 6 54 = WAGON WHEEL BASE 4 55 = WAGON WHEEL BASE 5 56 = WAGON WHEEL BASE 6 11 = VAN WHEEL BASE 1 12 = VAN WHEEL BASE 2	EX9 = Engine - 2.7L 5 Cyl Mercedes Diesel	DGJ = Transmission-5-Spd. Automatic, W5A580

AR = use ase required - = Non illustrated part

Modules and Related Parts  
Figure 8-410



ITEM	PART NUMBER	QTY	LINE	SERIES	BODY	ENGINE	TRANS	TRIM	DESCRIPTION
	05104609AA	2	3, 7	L	12, 15, 16				
		2	2, 6	L	11, 12, 14, 15, 16				
		2	2, 6	L	51, 52, 54, 55, 56				
9									MODULE, Central Locking
	05103642AA	1	2, 6	L	11, 12, 14, 15, 16				
		1	3, 7	L	12, 15, 16				
10									SCREW, Tapping
	06104574AA	2	2, 6	L	11, 12, 14, 15, 16				
		2	2, 6	L	51, 52, 54, 55, 56				
11		2							CONNECTOR, (NOT SERVICED)
12									TERMINAL
	05120526AA	1	2, 6	L	11, 12, 14, 15, 16				
		1	2, 6	L	51, 52, 54, 55, 56				
		1	3, 7	L	12, 15, 16				
13									CONNECTOR
	05120552AA	1	2, 6	L	11, 12, 14, 15, 16				
		1	2, 6	L	51, 52, 54, 55, 56				
		1	3, 7	L	12, 15, 16				
14									CONTROL, Theftproof
	05119439AA	1	2, 6	L	11, 12, 14, 15, 16				
		1	2, 6	L	51, 52, 54, 55, 56				
		1	3, 7	L	12, 15, 16				
15									SCREW, Tapping
	06104573AA	2	2, 6	L	11, 12, 14, 15, 16				
		2	3, 7	L	12, 15, 16				

SPRINTER (VA)

SERIES

L = LOWLINE  
 3 = HD DODGE 2WD  
 6 = Lt. Duty DODGE 4WD  
 2 = Med. Duty DODGE 2WD  
 7 = Med. Duty DODGE 4WD

LINE

BODY

51 = WAGON WHEEL BASE 1  
 52 = WAGON WHEEL BASE 2  
 14 = VAN WHEEL BASE 4  
 15 = VAN WHEEL BASE 5  
 16 = VAN WHEEL BASE 6  
 54 = WAGON WHEEL BASE 4  
 55 = WAGON WHEEL BASE 5  
 56 = WAGON WHEEL BASE 6  
 11 = VAN WHEEL BASE 1  
 12 = VAN WHEEL BASE 2

ENGINE

EX9 = Engine - 2.7L 5 Cly  
 Mercedes Diesel

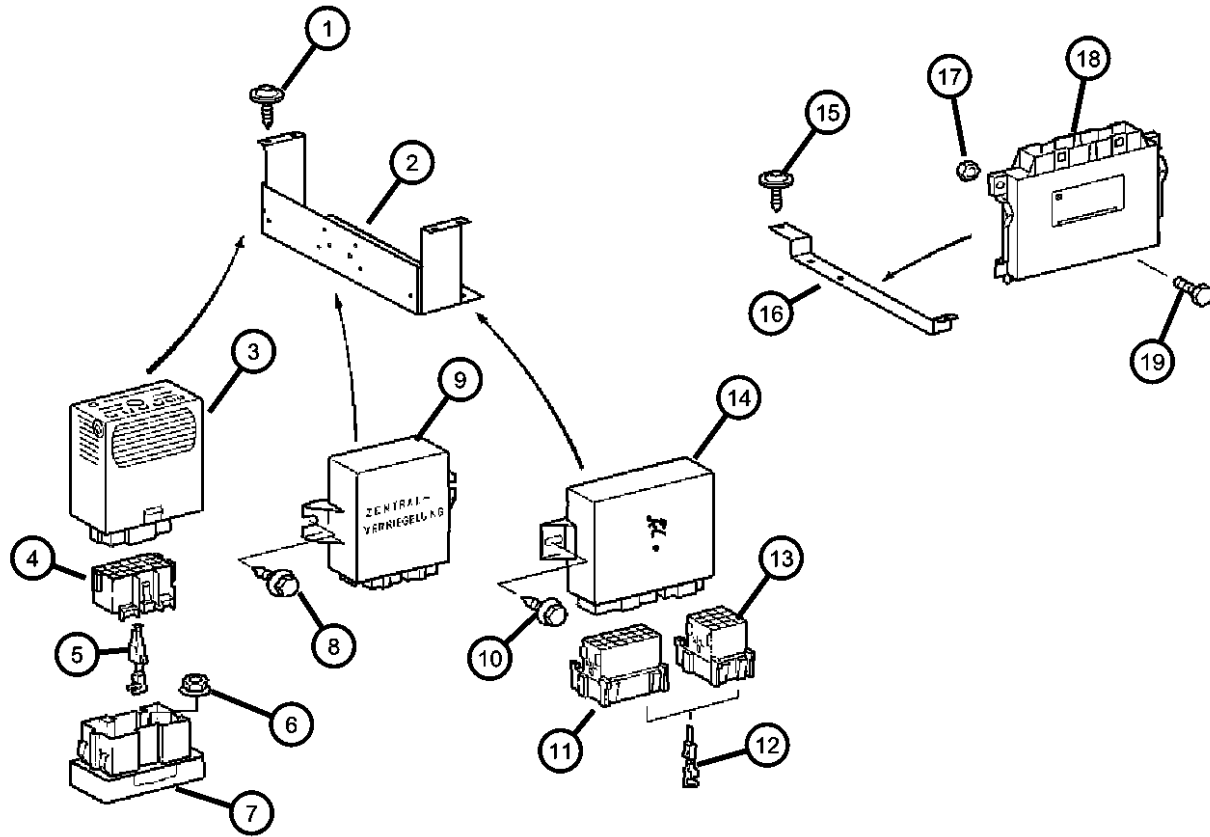
TRANSMISSION

DGJ = Transmission-5-Spd. Automatic, W5A580

AR = use ase required - = Non illustrated part

2003 VA

Modules and Related Parts  
Figure 8-410



ITEM	PART NUMBER	QTY	LINE	SERIES	BODY	ENGINE	TRANS	TRIM	DESCRIPTION
16		2	2, 6	L	51, 52, 54, 55, 56				BRACKET, Control Unit
	05120842AA	2	2, 6	L	11, 12, 14, 15, 16		DGJ		
		2	2, 6	L	51, 52, 54, 55, 56		DGJ		
		2	3, 7	L	12, 15, 16		DGJ		
17		2	2, 6	L	11, 12, 14, 15, 16		DGJ		NUT
	06104714AA	2	2, 6	L	51, 52, 54, 55, 56		DGJ		
		2	3, 7	L	12, 15, 16		DGJ		
18		1	2, 6	L	11, 12, 14, 15, 16		DGJ		MODULE, Transmission Control
	05103908AA	1	2, 6	L	51, 52, 54, 55, 56		DGJ		
		1	3, 7	L	12, 15, 16		DGJ		
19		2	2, 6	L	11, 12, 14, 15, 16		DGJ		SCREW, Hex Head
	06104173AA	2	2, 6	L	51, 52, 54, 55, 56		DGJ		
		2	3, 7	L	12, 15, 16		DGJ		

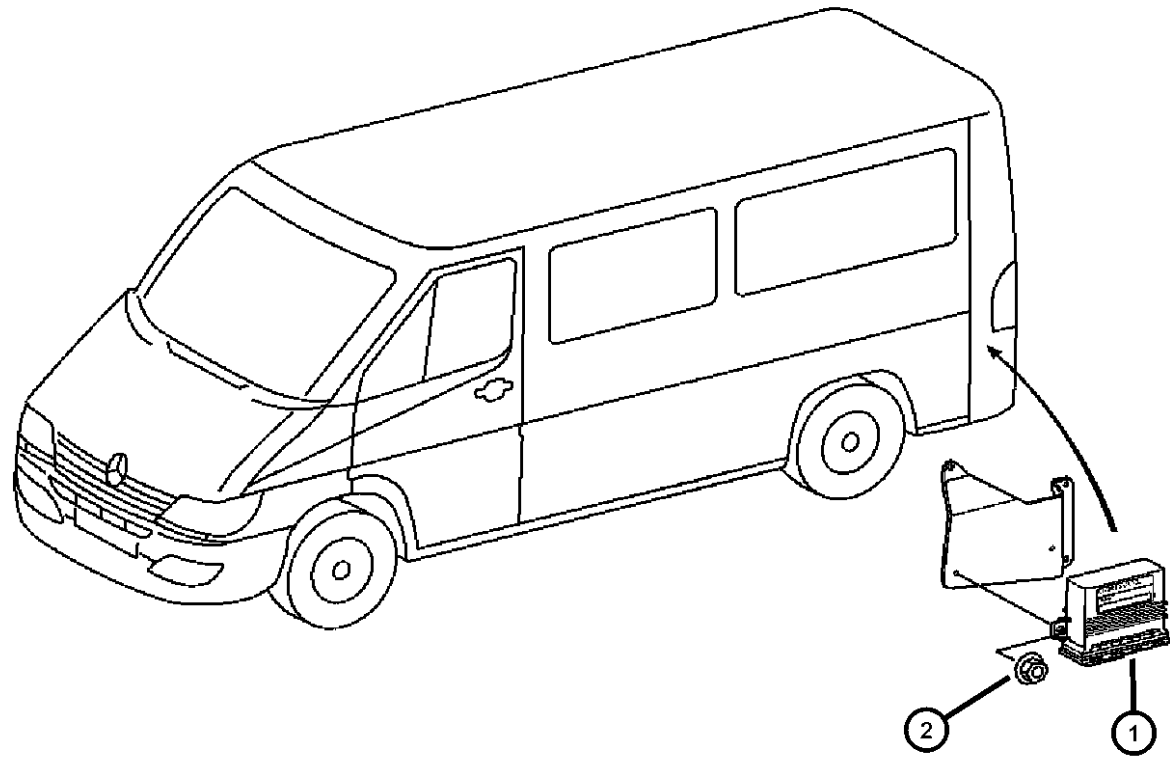
SPRINTER (VA)

SERIES	LINE	BODY	ENGINE	TRANSMISSION
L = LOWLINE	3 = HD DODGE 2WD 6 = Lt. Duty DODGE 4WD 2 = Med. Duty DODGE 2WD 7 = Med. Duty DODGE 4WD	51 = WAGON WHEEL BASE 1 52 = WAGON WHEEL BASE 2 14 = VAN WHEEL BASE 4 15 = VAN WHEEL BASE 5 16 = VAN WHEEL BASE 6 54 = WAGON WHEEL BASE 4 55 = WAGON WHEEL BASE 5 56 = WAGON WHEEL BASE 6 11 = VAN WHEEL BASE 1 12 = VAN WHEEL BASE 2	EX9 = Engine - 2.7L 5 Cly Mercedes Diesel	DGJ = Transmission-5-Spd. Automatic, W5A580

AR = use ase required - = Non illustrated part

Module Back up  
Figure 8-415

ITEM	PART NUMBER	QTY	LINE	SERIES	BODY	ENGINE	TRANS	TRIM	DESCRIPTION
1	05120828AA	1	2, 6	L	11, 12, 14, 15, 16				CONTROL UNIT, Back Up Aid
		1	2, 6	L	51, 52, 54, 55, 56				
		1	3, 7	L	12, 15, 16				
2	06104911AA	2	2, 6	L	11, 12, 14, 15, 16				NUT, Hex
		3	3, 7	L	12, 15, 16				
		2	2, 6	L	51, 52, 54, 55, 56				



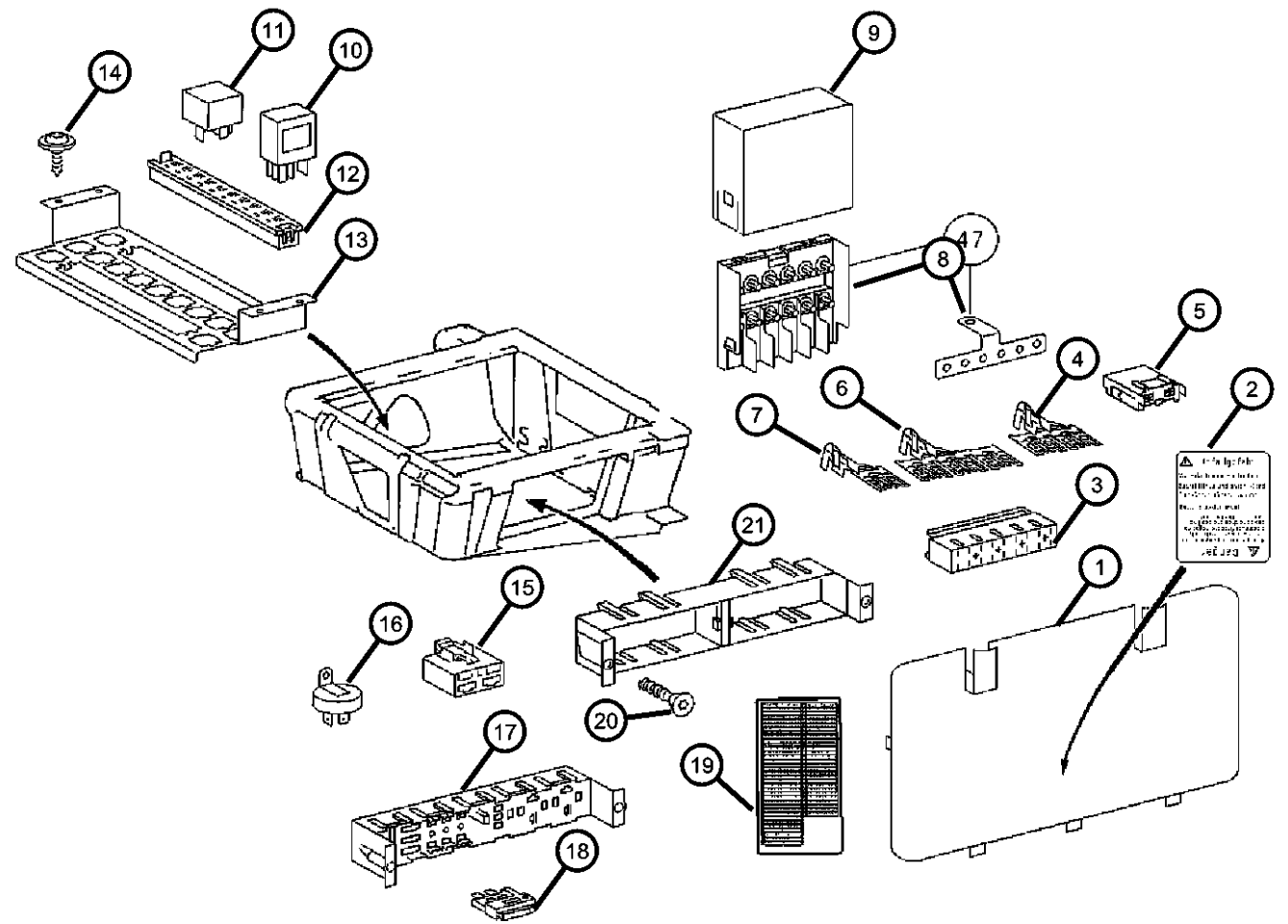
SPRINTER (VA)

SERIES	LINE	BODY	ENGINE	TRANSMISSION
L = LOWLINE	3 = HD DODGE 2WD	51 = WAGON WHEEL BASE 1	EX9 = Engine - 2.7L 5 Cly	DGJ = Transmission-5-Spd.
	6 = Lt. Duty DODGE 4WD	52 = WAGON WHEEL BASE 2	Mercedes Diesel	Automatic,W5A580
	2 = Med. Duty DODGE 2WD	14 = VAN WHEEL BASE 4		
	7 = Med. Duty DODGE 4WD	15 = VAN WHEEL BASE 5		
		16 = VAN WHEEL BASE 6		
		54 = WAGON WHEEL BASE 4		
		55 = WAGON WHEEL BASE 5		
		56 = WAGON WHEEL BASE 6		
		11 = VAN WHEEL BASE 1		
		12 = VAN WHEEL BASE 2		

AR = use ase required - = Non illustrated part

**Under Seat - Relays & Fuses  
Figure 8-505**

ITEM	PART NUMBER	QTY	LINE	SERIES	BODY	ENGINE	TRANS	TRIM	DESCRIPTION	
1	05104149AA	1	2, 6	L	11, 12, 14, 15, 16				COVER, Fuse Access	
		1	2, 6	L	51, 52, 54, 55, 56					
		1	3, 7	L	12, 15, 16					
2	05121112AA	1	2, 6	L	11, 12, 14, 15, 16				LABEL, Warning	
		1	3, 7	L	12, 15, 16					
		1	2, 6	L	51, 52, 54, 55, 56					
3	05120399AA	1	2, 6	L	51, 52, 54, 55, 56				CONNECTOR Number 19 thru 27	
		1	3, 7	L	12, 15, 16					
		1	2, 6	L	11, 12, 14, 15, 16					Number 1 thru 9
		1	2, 6	L	51, 52, 54, 55, 56					Number 1 thru 9
		1	2, 6	L	11, 12, 14, 15, 16					Number 19 thru 27
		1	3, 7	L	12, 15, 16					Number 1 thru 9
		1	2, 6	L	11, 12, 14, 15, 16					Number 10 thru 18
		1	2, 6	L	51, 52, 54, 55, 56					Number 10 thru 18
		1	3, 7	L	12, 15, 16					Number 10 thru 18
		1	2, 6	L	11, 12, 14, 15, 16					Number 28 thru 36
4	05133404AA	99	3, 7	L	12, 15, 16				TERMINAL	
		99	2, 6	L	11, 12, 14, 15, 16					
		99	2, 6	L	51, 52, 54, 55, 56					
		99	2, 6	L	51, 52, 54, 55, 56					
		99	3, 7	L	12, 15, 16					
		99	3, 7	L	12, 15, 16					
5								FUSE		

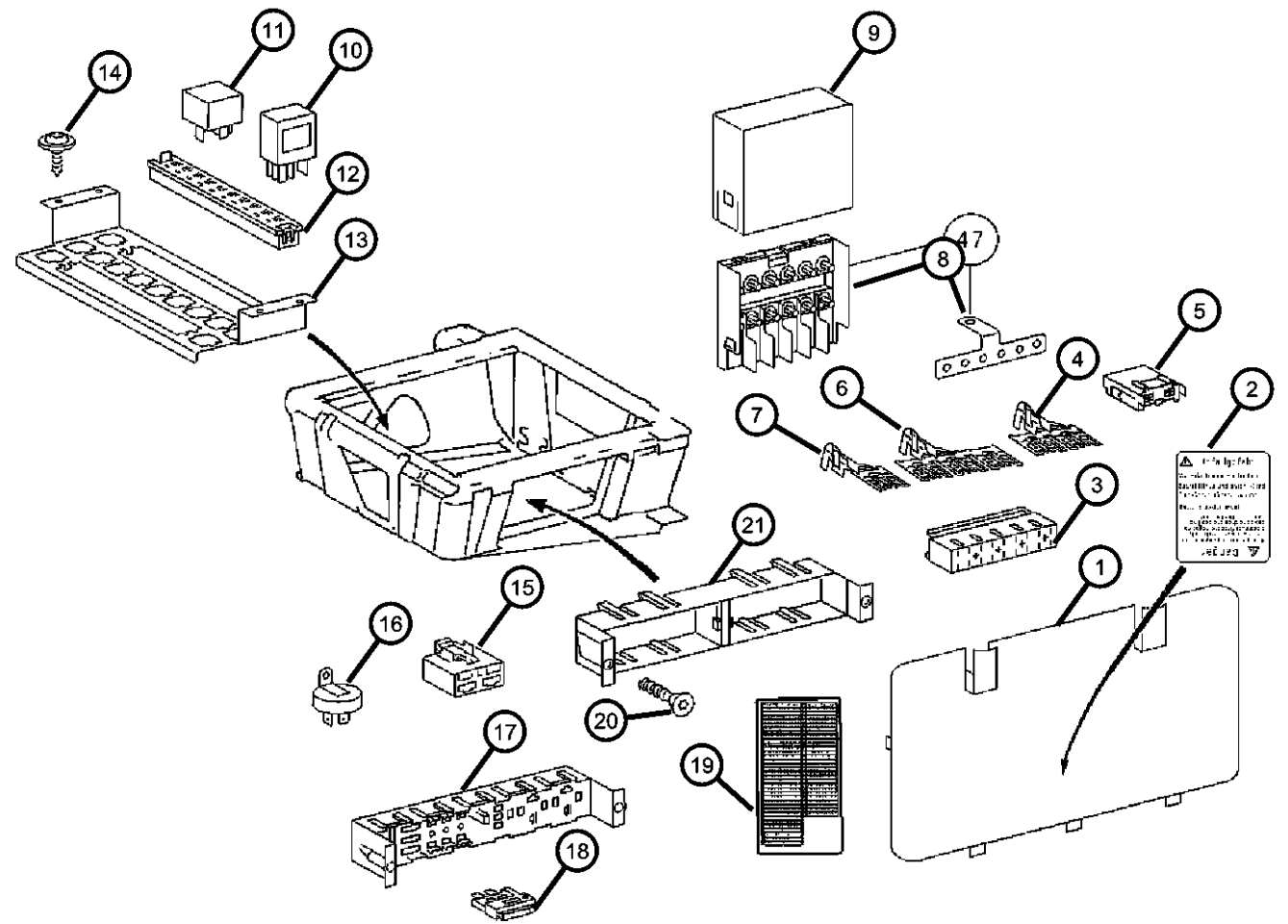


**SPRINTER (VA)**  
 SERIES      LINE      BODY      ENGINE      TRANSMISSION  
 L = LOWLINE    3 = HD DODGE 2WD    51 = WAGON WHEEL BASE 1 EX9 = Engine - 2.7L 5 Cyl    DGJ = Transmission-5-Spd. Automatic, W5A580  
                   6 = Lt. Duty DODGE 4WD    52 = WAGON WHEEL BASE 2 Mercedes Diesel  
                   2 = Med. Duty DODGE 2WD    14 = VAN WHEEL BASE 4  
                   7 = Med. Duty DODGE 4WD    15 = VAN WHEEL BASE 5  
   16 = VAN WHEEL BASE 6  
   54 = WAGON WHEEL BASE 4  
   55 = WAGON WHEEL BASE 5  
   56 = WAGON WHEEL BASE 6  
   11 = VAN WHEEL BASE 1  
   12 = VAN WHEEL BASE 2

AR = use ase required - = Non illustrated part

**Under Seat - Relays & Fuses**  
**Figure 8-505**

ITEM	PART NUMBER	QTY	LINE	SERIES	BODY	ENGINE	TRANS	TRIM	DESCRIPTION
	05133407AA	1	2, 6	L	11, 12, 14, 15, 16				
		1	2, 6	L	51, 52, 54, 55, 56				
		1	3, 7	L	12, 15, 16				
6	05133405AA	99	2, 6	L	11, 12, 14, 15, 16				TERMINAL
		99	2, 6	L	51, 52, 54, 55, 56				
		99	3, 7	L	12, 15, 16				
7	05133403AA	99	2, 6	L	11, 12, 14, 15, 16				TERMINAL
		99	2, 6	L	51, 52, 54, 55, 56				
		99	3, 7	L	12, 15, 16				
8	05103829AA	1	2, 6	L	11, 12, 14, 15, 16				HOLDER, Fuse
		1	2, 6	L	51, 52, 54, 55, 56				
		1	3, 7	L	12, 15, 16				
9	05103749AA	1	2, 6	L	11, 12, 14, 15, 16				COVER, Fuse Access
		1	2, 6	L	51, 52, 54, 55, 56				
		1	3, 7	L	12, 15, 16				
10	05103560AA	1	3, 7	L	12, 15, 16				RELAY
		1	2, 6	L	11, 12, 14, 15, 16				
		1	2, 6	L	51, 52, 54, 55, 56				
11	05103551AA	1	2, 6	L	11, 12, 14, 15, 16		DGJ		RELAY



**SPRINTER (VA)**

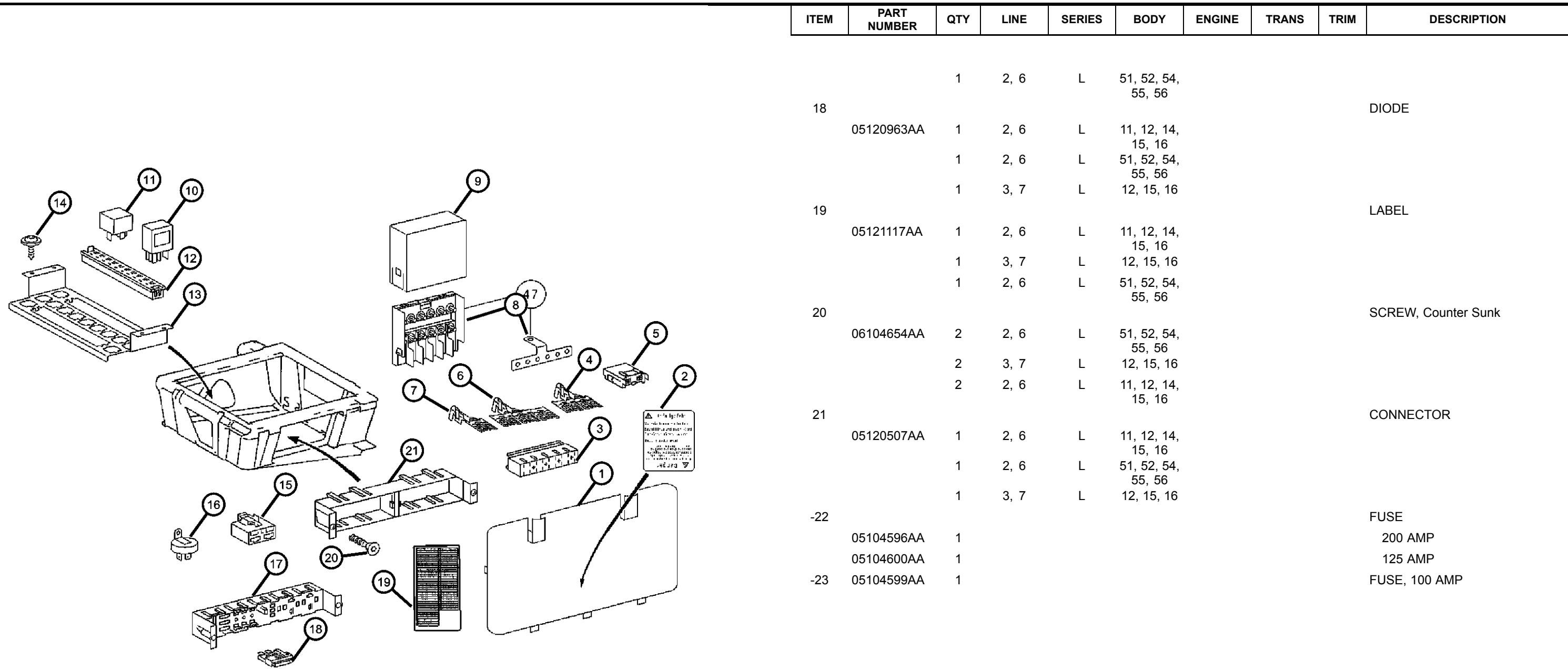
<b>SERIES</b>	<b>LINE</b>	<b>BODY</b>	<b>ENGINE</b>	<b>TRANSMISSION</b>
L = LOWLINE	3 = HD DODGE 2WD 6 = Lt. Duty DODGE 4WD 2 = Med. Duty DODGE 2WD 7 = Med. Duty DODGE 4WD	51 = WAGON WHEEL BASE 1 52 = WAGON WHEEL BASE 2 14 = VAN WHEEL BASE 4 15 = VAN WHEEL BASE 5 16 = VAN WHEEL BASE 6 54 = WAGON WHEEL BASE 4 55 = WAGON WHEEL BASE 5 56 = WAGON WHEEL BASE 6 11 = VAN WHEEL BASE 1 12 = VAN WHEEL BASE 2	EX9 = Engine - 2.7L 5 Cly Mercedes Diesel	DGJ = Transmission-5-Spd. Automatic,W5A580

AR = use ase required - = Non illustrated part





**Under Seat - Relays & Fuses**  
**Figure 8-505**



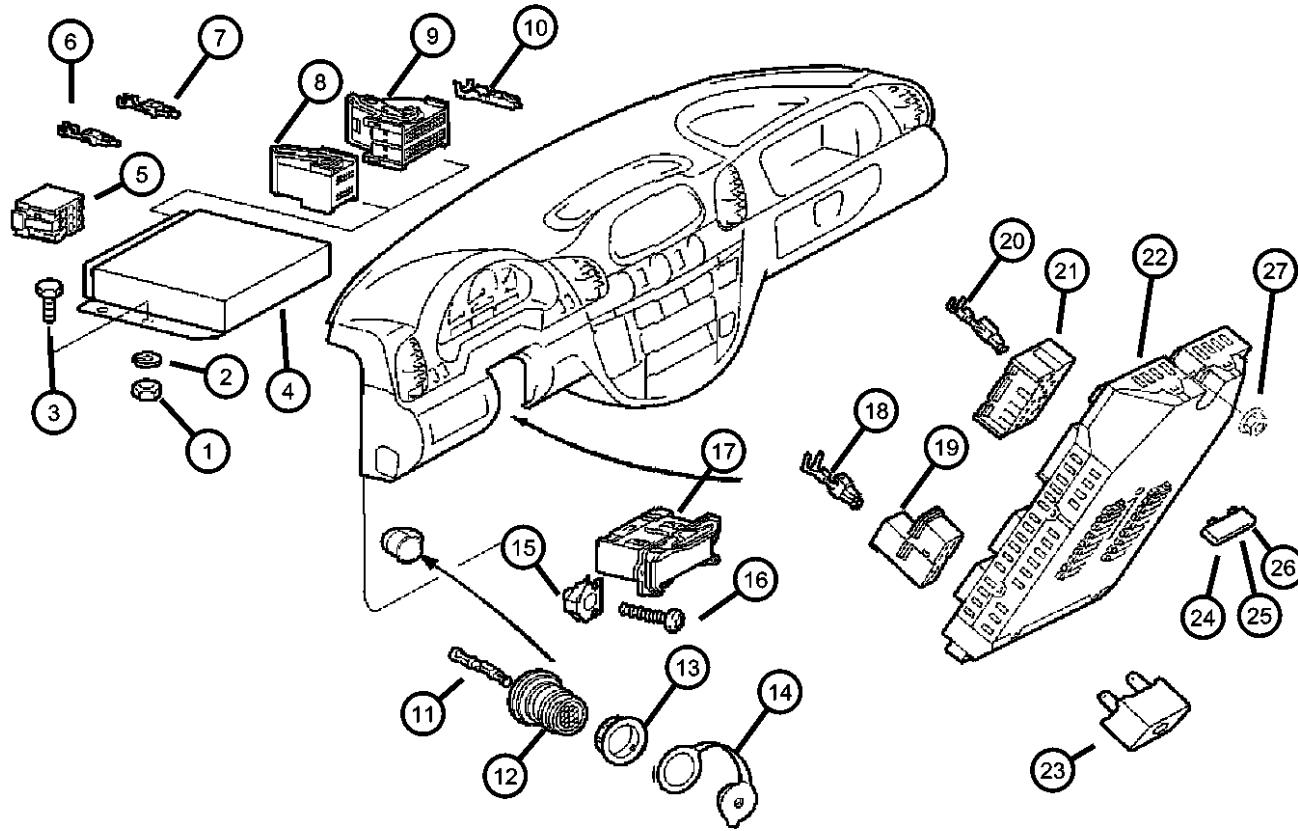
ITEM	PART NUMBER	QTY	LINE	SERIES	BODY	ENGINE	TRANS	TRIM	DESCRIPTION
18		1	2, 6	L	51, 52, 54, 55, 56				DIODE
	05120963AA	1	2, 6	L	11, 12, 14, 15, 16				
		1	2, 6	L	51, 52, 54, 55, 56				
		1	3, 7	L	12, 15, 16				
19		1	2, 6	L	11, 12, 14, 15, 16				LABEL
	05121117AA	1	2, 6	L	11, 12, 14, 15, 16				
		1	3, 7	L	12, 15, 16				
		1	2, 6	L	51, 52, 54, 55, 56				
20		2	2, 6	L	51, 52, 54, 55, 56				SCREW, Counter Sunk
	06104654AA	2	2, 6	L	51, 52, 54, 55, 56				
		2	3, 7	L	12, 15, 16				
		2	2, 6	L	11, 12, 14, 15, 16				
21		1	2, 6	L	11, 12, 14, 15, 16				CONNECTOR
	05120507AA	1	2, 6	L	11, 12, 14, 15, 16				
		1	2, 6	L	51, 52, 54, 55, 56				
		1	3, 7	L	12, 15, 16				
-22									FUSE
	05104596AA	1							200 AMP
	05104600AA	1							125 AMP
-23	05104599AA	1							FUSE, 100 AMP

**SPRINTER (VA)**

<b>SERIES</b>	<b>LINE</b>	<b>BODY</b>	<b>ENGINE</b>	<b>TRANSMISSION</b>
L = LOWLINE	3 = HD DODGE 2WD 6 = Lt. Duty DODGE 4WD 2 = Med. Duty DODGE 2WD 7 = Med. Duty DODGE 4WD	51 = WAGON WHEEL BASE 1 52 = WAGON WHEEL BASE 2 14 = VAN WHEEL BASE 4 15 = VAN WHEEL BASE 5 16 = VAN WHEEL BASE 6 54 = WAGON WHEEL BASE 4 55 = WAGON WHEEL BASE 5 56 = WAGON WHEEL BASE 6 11 = VAN WHEEL BASE 1 12 = VAN WHEEL BASE 2	EX9 = Engine - 2.7L 5 Cly Mercedes Diesel	DGJ = Transmission-5-Spd. Automatic, W5A580

AR = use ase required - = Non illustrated part

**Instrument Panel - Relays & Fuses**  
**Figure 8-510**



ITEM	PART NUMBER	QTY	LINE	SERIES	BODY	ENGINE	TRANS	TRIM	DESCRIPTION
1									BOLT, M6x20
	05126198AA	4	2, 6	L	51, 52, 54, 55, 56				
		4	2, 6	L	11, 12, 14, 15, 16				
		4	3, 7	L	12, 15, 16				
2		4							NUT, Hex, (NOT SERVICED)
3									LOCK WASHER
	05126240AA	4	3, 7	L	12, 15, 16				
		4	2, 6	L	11, 12, 14, 15, 16				
		4	2, 6	L	51, 52, 54, 55, 56				
4									MODULE, Powertrain Control
	05117562AA	1	2, 6	L	51, 52, 54, 55, 56	EX9			
		1	3, 7	L	12, 15, 16	EX9			
		1	2, 6	L	11, 12, 14, 15, 16	EX9			
5									CONNECTOR
	05120752AA	1	2, 6	L	15, 16, 11, 12, 14				
		1	2, 6	L	51, 52, 54, 55, 56				
		1	3, 7	L	12, 15, 16				
6									TERMINAL
	05133372AA	1	2, 6	L	11, 12, 14, 15, 16				
		1	2, 6	L	51, 52, 54, 55, 56				
		1	3, 7	L	12, 15, 16				
7									TERMINAL
	05103882AA	1	3, 7	L	12, 15, 16				
		1	2, 6	L	11, 12, 14, 15, 16				
		1	2, 6	L	51, 52, 54, 55, 56				
8									CONNECTOR

**SPRINTER (VA)**

**SERIES**

L = LOWLINE

**LINE**

3 = HD DODGE 2WD  
 6 = Lt. Duty DODGE 4WD  
 2 = Med. Duty DODGE 2WD  
 7 = Med. Duty DODGE 4WD

**BODY**

51 = WAGON WHEEL BASE 1  
 52 = WAGON WHEEL BASE 2  
 14 = VAN WHEEL BASE 4  
 15 = VAN WHEEL BASE 5  
 16 = VAN WHEEL BASE 6  
 54 = WAGON WHEEL BASE 4  
 55 = WAGON WHEEL BASE 5  
 56 = WAGON WHEEL BASE 6  
 11 = VAN WHEEL BASE 1  
 12 = VAN WHEEL BASE 2

**ENGINE**

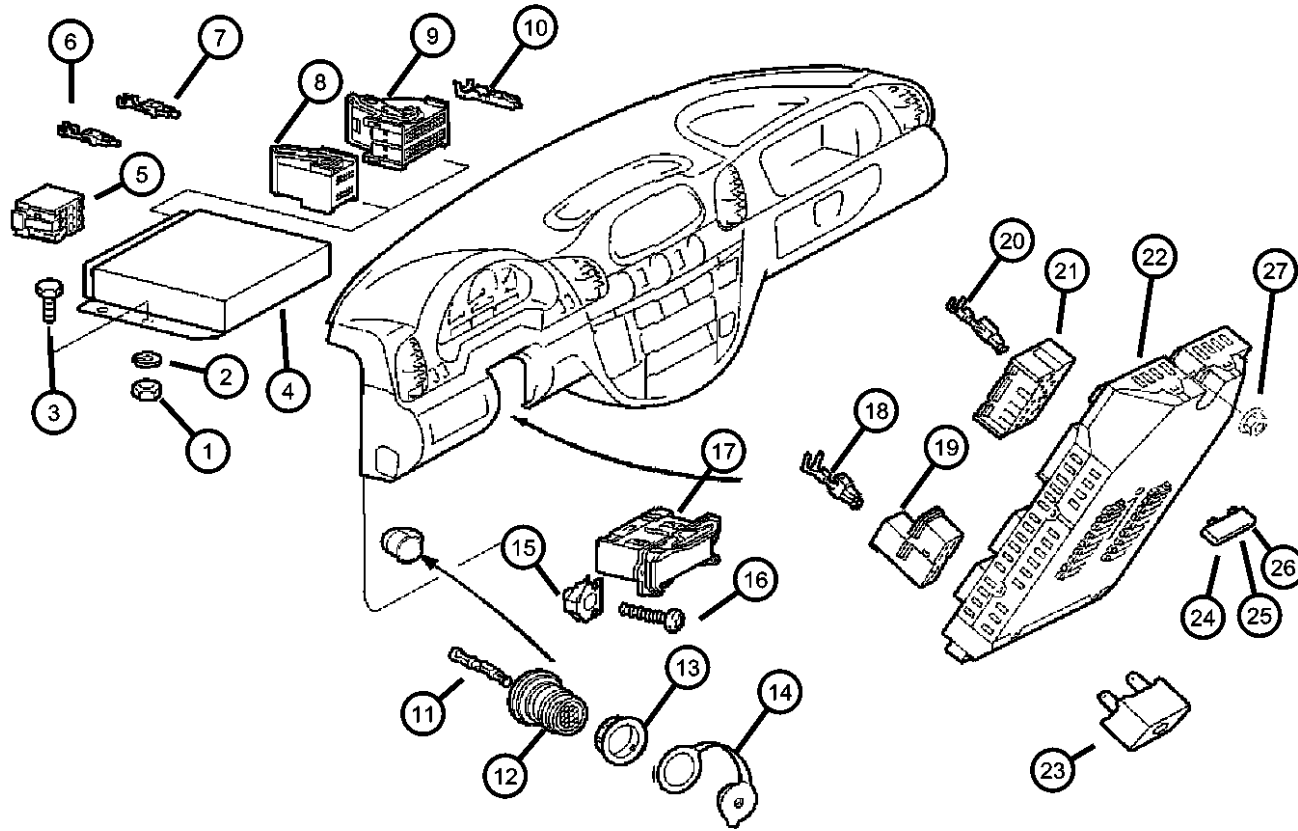
EX9 = Engine - 2.7L 5 Cyl Mercedes Diesel

**TRANSMISSION**

DGJ = Transmission-5-Spd. Automatic, W5A580

AR = use ase required - = Non illustrated part

**Instrument Panel - Relays & Fuses**  
**Figure 8-510**



ITEM	PART NUMBER	QTY	LINE	SERIES	BODY	ENGINE	TRANS	TRIM	DESCRIPTION
	05120753AA	1	2, 6	L	11, 12, 14, 15, 16				
		1	2, 6	L	51, 52, 54, 55, 56				
		1	3, 7	L	12, 15, 16				
9									CONNECTOR
	05120754AA	1	2, 6	L	11, 12, 14, 15, 16				
		1	2, 6	L	51, 52, 54, 55, 56				
		1	3, 7	L	12, 15, 16				
10									TERMINAL
	05103874AA	99	3, 7	L	12, 15, 16				
		99	2, 6	L	11, 12, 14, 15, 16				
		99	2, 6	L	51, 52, 54, 55, 56				
11									TERMINAL
	05133383AA	99	2, 6	L	51, 52, 54, 55, 56				
		1	3, 7	L	15, 16, 12				
		99	2, 6	L	11, 12, 14, 15, 16				
12									CONNECTOR
	05120544AA	1	2, 6	L	11, 12, 14, 15, 16				
		1	2, 6	L	51, 52, 54, 55, 56				
		1	3, 7	L	12, 15, 16				
13									STRAP, Ground
	05120912AA	1	2, 6	L	11, 12, 14, 15, 16				
		1	2, 6	L	51, 52, 54, 55, 56				
		1	3, 7	L	12, 15, 16				
14									PLUG, Wiring
	05103747AA	1	2, 6	L	11, 12, 14, 15, 16				

**SPRINTER (VA)**

**SERIES**

L = LOWLINE

**LINE**

- 3 = HD DODGE 2WD
- 6 = Lt. Duty DODGE 4WD
- 2 = Med. Duty DODGE 2WD
- 7 = Med. Duty DODGE 4WD

**BODY**

- 51 = WAGON WHEEL BASE 1
- 52 = WAGON WHEEL BASE 2
- 14 = VAN WHEEL BASE 4
- 15 = VAN WHEEL BASE 5
- 16 = VAN WHEEL BASE 6
- 54 = WAGON WHEEL BASE 4
- 55 = WAGON WHEEL BASE 5
- 56 = WAGON WHEEL BASE 6
- 11 = VAN WHEEL BASE 1
- 12 = VAN WHEEL BASE 2

**ENGINE**

- EX9 = Engine - 2.7L 5 Cly
- Mercedes Diesel

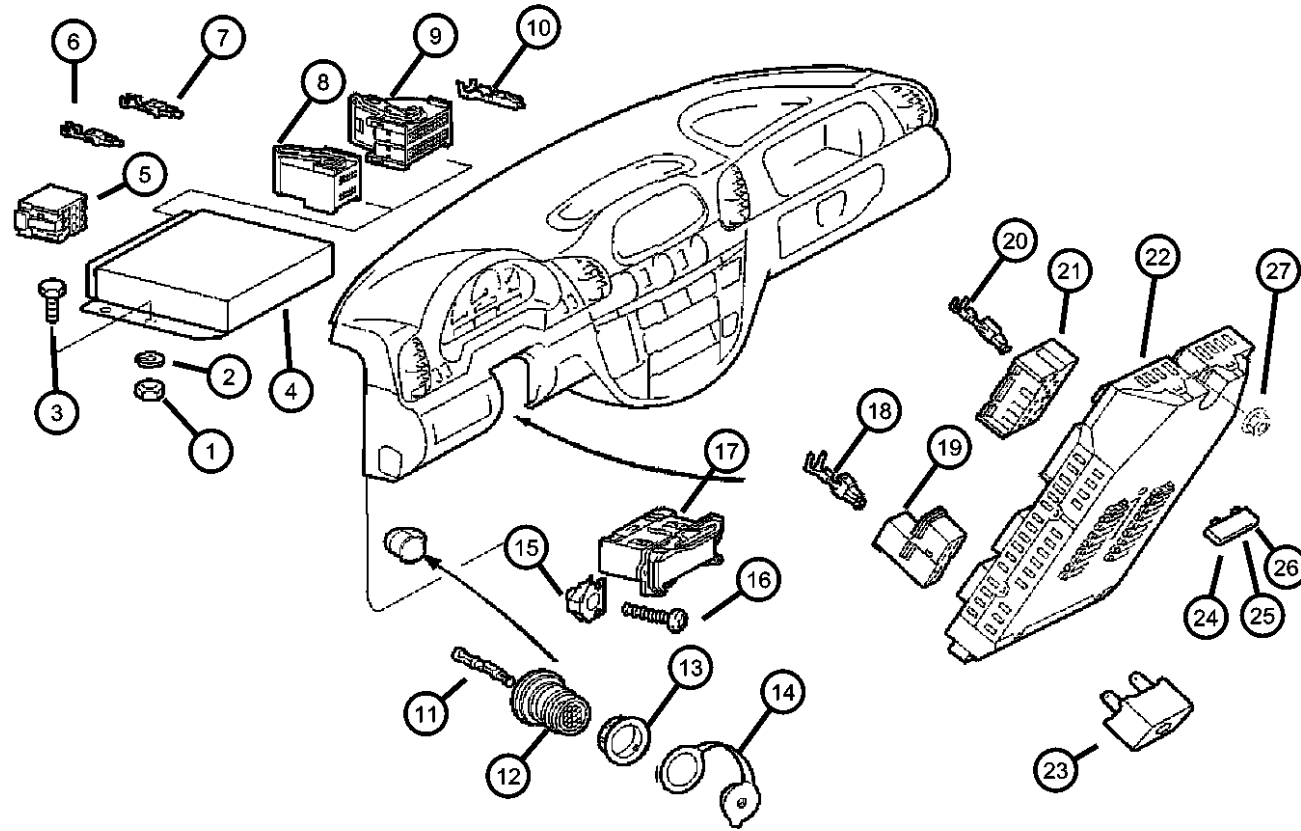
**TRANSMISSION**

- DGJ = Transmission-5-Spd. Automatic, W5A580

AR = use ase required - = Non illustrated part

2003 VA

**Instrument Panel - Relays & Fuses**  
**Figure 8-510**



ITEM	PART NUMBER	QTY	LINE	SERIES	BODY	ENGINE	TRANS	TRIM	DESCRIPTION
		1	2, 6	L	51, 52, 54, 55, 56				
		1	3, 7	L	12, 15, 16				
15	05125861AA	2	2, 6	L	11, 12, 14, 15, 16				NUT, Spring
		2	2, 6	L	51, 52, 54, 55, 56				
		2	3, 7	L	12, 15, 16				
16	06104496AA	2	2, 6	L	11, 12, 14, 15, 16				SHEET METAL SCREW, NONE, SPRINTER
		2	2, 6	L	51, 52, 54, 55, 56				
		2	3, 7	L	12, 15, 16				
17	05098297AA	1	2, 6	L	11, 12, 14, 15, 16				BRACKET, Diagnostic Module
		1	2, 6	L	51, 52, 54, 55, 56				
		1	3, 7	L	12, 15, 16				
18	05133372AA	1	2, 6	L	11, 12, 14, 15, 16				TERMINAL
		1	2, 6	L	51, 52, 54, 55, 56				
		1	3, 7	L	12, 15, 16				
19	05120555AA	1	2, 6	L	11, 12, 14, 15, 16				CONNECTOR
		1	2, 6	L	51, 52, 54, 55, 56				
		1	3, 7	L	12, 15, 16				
20	05103893AA	99	3, 7	L	12, 15, 16				TERMINAL
		99	2, 6	L	11, 12, 14, 15, 16				

**SPRINTER (VA)**

**SERIES**

L = LOWLINE

**LINE**

- 3 = HD DODGE 2WD
- 6 = Lt. Duty DODGE 4WD
- 2 = Med. Duty DODGE 2WD
- 7 = Med. Duty DODGE 4WD

**BODY**

- 51 = WAGON WHEEL BASE 1
- 52 = WAGON WHEEL BASE 2
- 14 = VAN WHEEL BASE 4
- 15 = VAN WHEEL BASE 5
- 16 = VAN WHEEL BASE 6
- 54 = WAGON WHEEL BASE 4
- 55 = WAGON WHEEL BASE 5
- 56 = WAGON WHEEL BASE 6
- 11 = VAN WHEEL BASE 1
- 12 = VAN WHEEL BASE 2

**ENGINE**

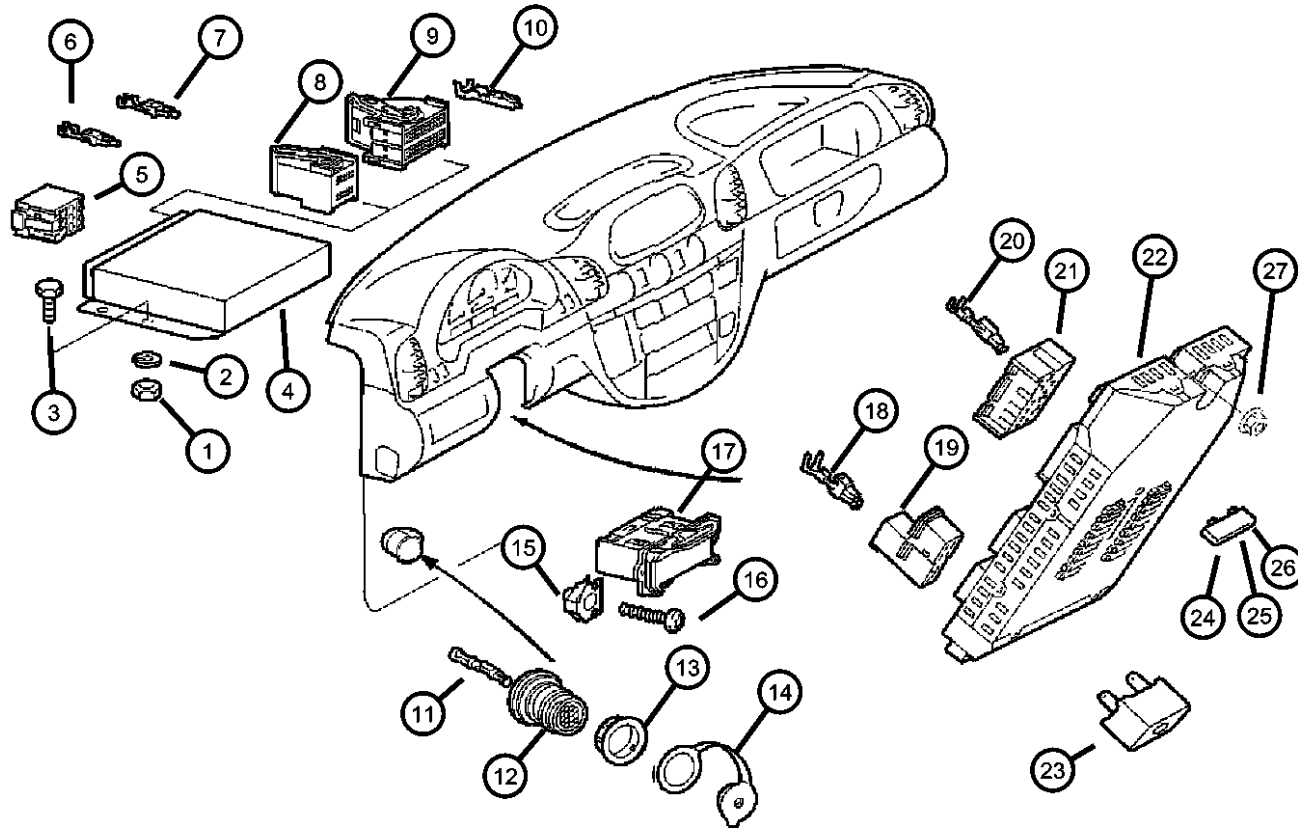
- EX9 = Engine - 2.7L 5 Cly
- Mercedes Diesel

**TRANSMISSION**

- DGJ = Transmission-5-Spd. Automatic, W5A580

AR = use ase required - = Non illustrated part

**Instrument Panel - Relays & Fuses**  
**Figure 8-510**



ITEM	PART NUMBER	QTY	LINE	SERIES	BODY	ENGINE	TRANS	TRIM	DESCRIPTION
21		99	2, 6	L	51, 52, 54, 55, 56				CONNECTOR
	05120646AA	1	2, 6	L	11, 12, 14, 15, 16				
		1	2, 6	L	51, 52, 54, 55, 56				
		1	3, 7	L	12, 15, 16				
22									BLOCK, Fuse
	05120244AA	1	2, 6	L	11, 12, 14, 15, 16	EX9			
		1	2, 6	L	51, 52, 54, 55, 56	EX9			
		1	3, 7	L	12, 15, 16	EX9			
23									RELAY
	05103746AA	1	2, 6	L	11, 12, 14, 15, 16				
		1	2, 6	L	51, 52, 54, 55, 56				
		1	3, 7	L	12, 15, 16				
24									FUSE, Standard, 10 AMP, Red
	05104643AA	99	3, 7	L	12, 15, 16				
		99	2, 6	L	11, 12, 14, 15, 16				
		99	2, 6	L	51, 52, 54, 55, 56				
25									FUSE, 20 A, SPRINTER
	05104604AA	1	2, 6	L	11, 12, 14, 15, 16				
		1	2, 6	L	51, 52, 54, 55, 56				
		1	3, 7	L	12, 15, 16				
26									FUSE, 25 A, SPRINTER
	05104644AA	99	3, 7	L	12, 15, 16				
		99	2, 6	L	11, 12, 14, 15, 16				
		99	2, 6	L	51, 52, 54, 55, 56				

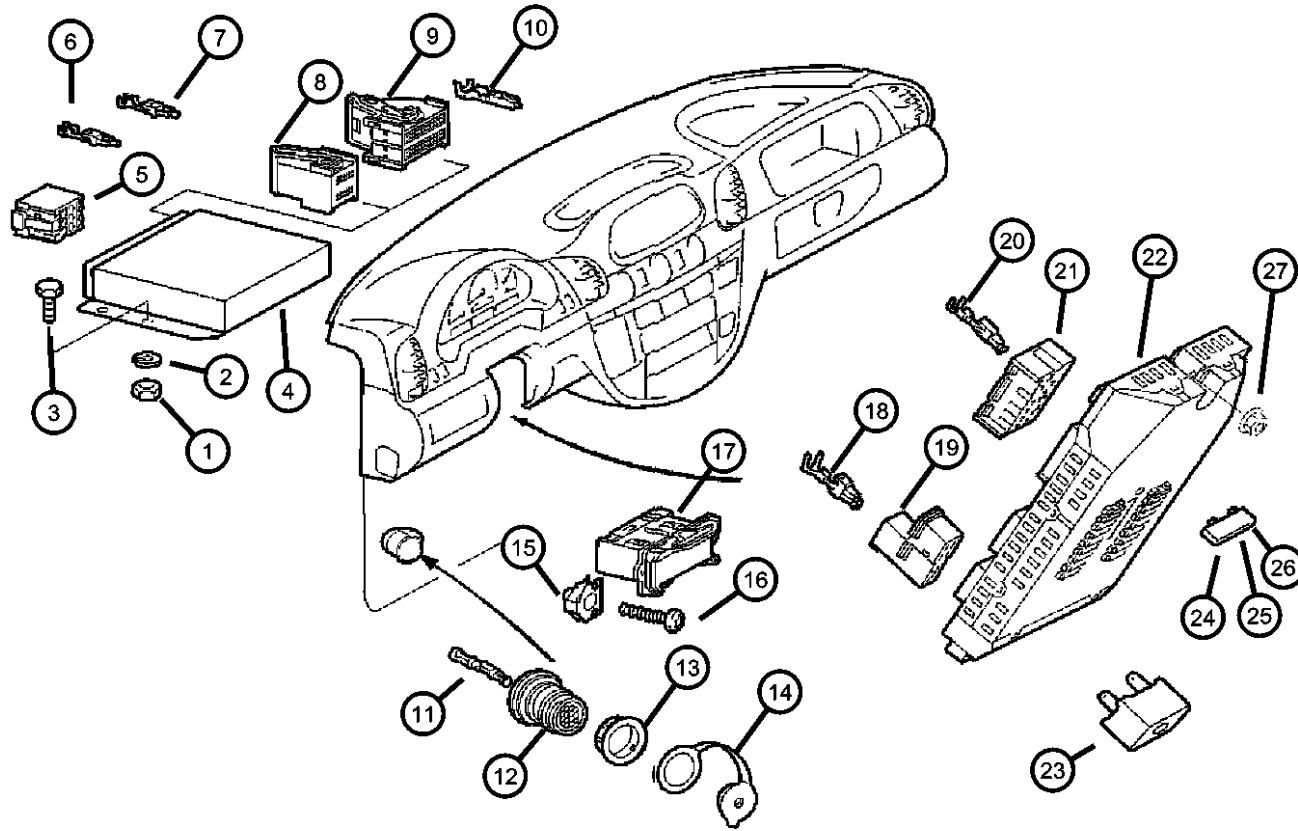
**SPRINTER (VA)**

SERIES	LINE	BODY	ENGINE	TRANSMISSION
L = LOWLINE	3 = HD DODGE 2WD	51 = WAGON WHEEL BASE 1	EX9 = Engine - 2.7L 5 Cly	DGJ = Transmission-5-Spd. Automatic, W5A580
	6 = Lt. Duty DODGE 4WD	52 = WAGON WHEEL BASE 2	Mercedes Diesel	
	2 = Med. Duty DODGE 2WD	14 = VAN WHEEL BASE 4		
	7 = Med. Duty DODGE 4WD	15 = VAN WHEEL BASE 5		
		16 = VAN WHEEL BASE 6		
		54 = WAGON WHEEL BASE 4		
		55 = WAGON WHEEL BASE 5		
		56 = WAGON WHEEL BASE 6		
		11 = VAN WHEEL BASE 1		
		12 = VAN WHEEL BASE 2		

AR = use ase required - = Non illustrated part

**Instrument Panel - Relays & Fuses**  
**Figure 8-510**

ITEM	PART NUMBER	QTY	LINE	SERIES	BODY	ENGINE	TRANS	TRIM	DESCRIPTION
27	05097674AA	2	2, 6	L	11, 12, 14, 15, 16				NUT, Hex
		2	2, 6	L	51, 52, 54, 55, 56				
		1	3, 7	L	12, 15, 16				



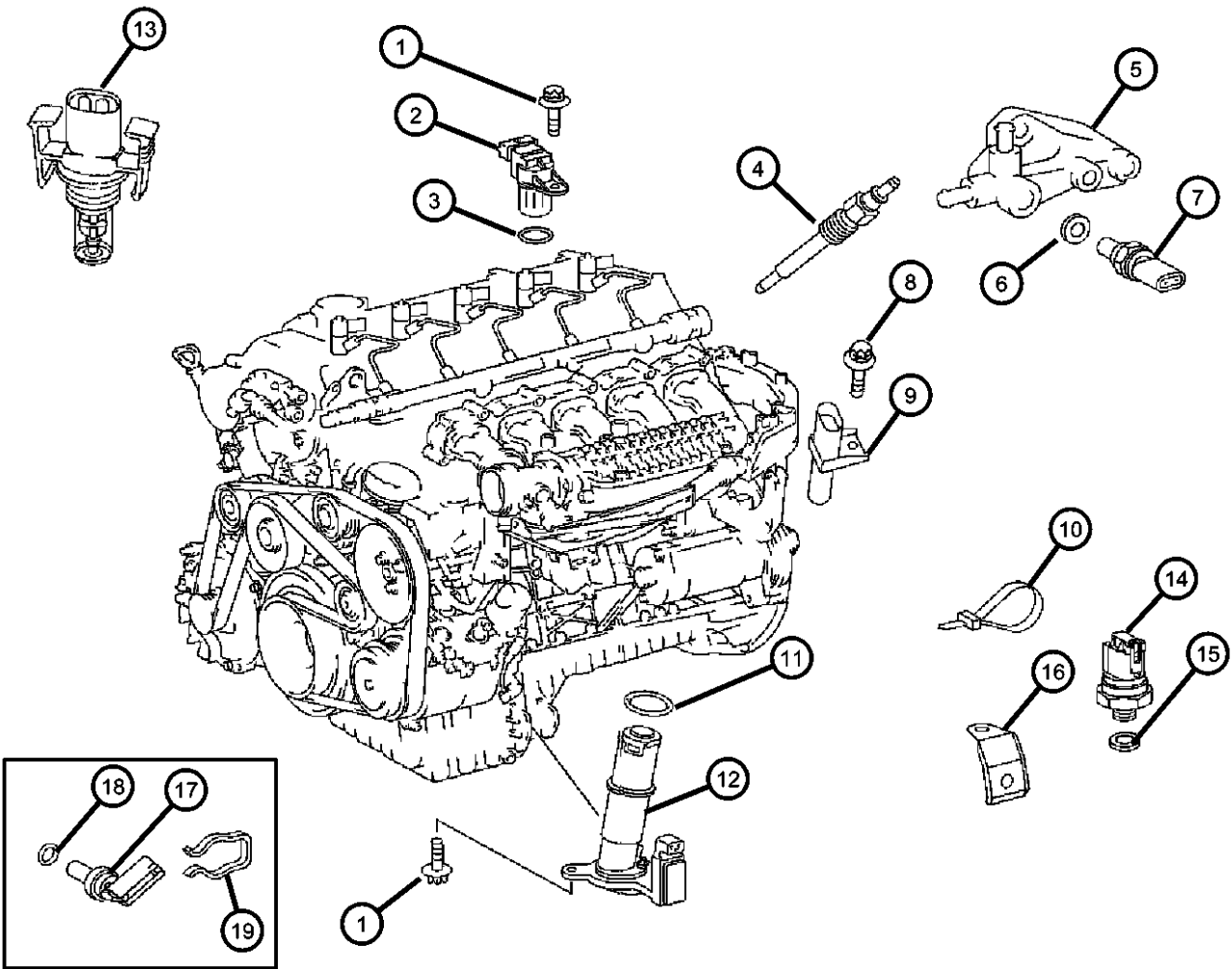
**SPRINTER (VA)**

<b>SERIES</b>	<b>LINE</b>	<b>BODY</b>	<b>ENGINE</b>	<b>TRANSMISSION</b>
L = LOWLINE	3 = HD DODGE 2WD 6 = Lt. Duty DODGE 4WD 2 = Med. Duty DODGE 2WD 7 = Med. Duty DODGE 4WD	51 = WAGON WHEEL BASE 1 52 = WAGON WHEEL BASE 2 14 = VAN WHEEL BASE 4 15 = VAN WHEEL BASE 5 16 = VAN WHEEL BASE 6 54 = WAGON WHEEL BASE 4 55 = WAGON WHEEL BASE 5 56 = WAGON WHEEL BASE 6 11 = VAN WHEEL BASE 1 12 = VAN WHEEL BASE 2	EX9 = Engine - 2.7L 5 Cly Mercedes Diesel	DGJ = Transmission-5-Spd. Automatic,W5A580

AR = use ase required - = Non illustrated part

Sensors - Engine  
Figure 8-605

ITEM	PART NUMBER	QTY	LINE	SERIES	BODY	ENGINE	TRANS	TRIM	DESCRIPTION
1	06104682AA	1		L					SCREW
2	05080346AA	1		L					SENSOR, Camshaft
3	05080348AA	1		L					O RING
4	05117592AA	5		L					PLUG, Glow
5	05117425AA	1		L					BRACKET
6	06507454AA	1		L					WASHER, Banjo
7	05103534AB	1		L					SENDING UNIT, Temperature Gauge
8	06104076AA	1		L					SCREW
9	05080352AA	1		L					SENSOR, Crankshaft
10	05080475AB	1	3, 7	L	12, 15, 16				STRAP, Tie
		1	2, 6	L	11, 12, 14, 15, 16				
		1	2, 6	L	51, 52, 54, 55, 56				
11	05103567AA	1		L					SEAL RING, OIL LEVEL CONTACTOR TO OIL PAN, SPRINTER
12	05103559AA	1		L					SENDER UNIT, OIL LEVEL CONTACTOR, SPRINTER
13	05174042AA	1	2, 6	L	11, 12, 14, 15, 16	EX9			SENSOR, Temperature Air Intake Temperature
		1	2, 6	L	51, 52, 54, 55, 56	EX9			Air Intake Temperature
		1	3, 7	L	12, 15, 16	EX9			Air Intake Temperature
14	05103558AA	1		L					SENSOR, Fuel Pressure, Low pressure
15	05104683AB	1		L					SEAL RING, NONE, SPRINTER
16	05096466AA	1		L					BRACKET, Wiring
17	05080147AA	1		L					SENDING UNIT, Temperature Gauge
18	05080148AA	1		L					O RING
19	05080149AA	1		L					CLIP



SPRINTER (VA)

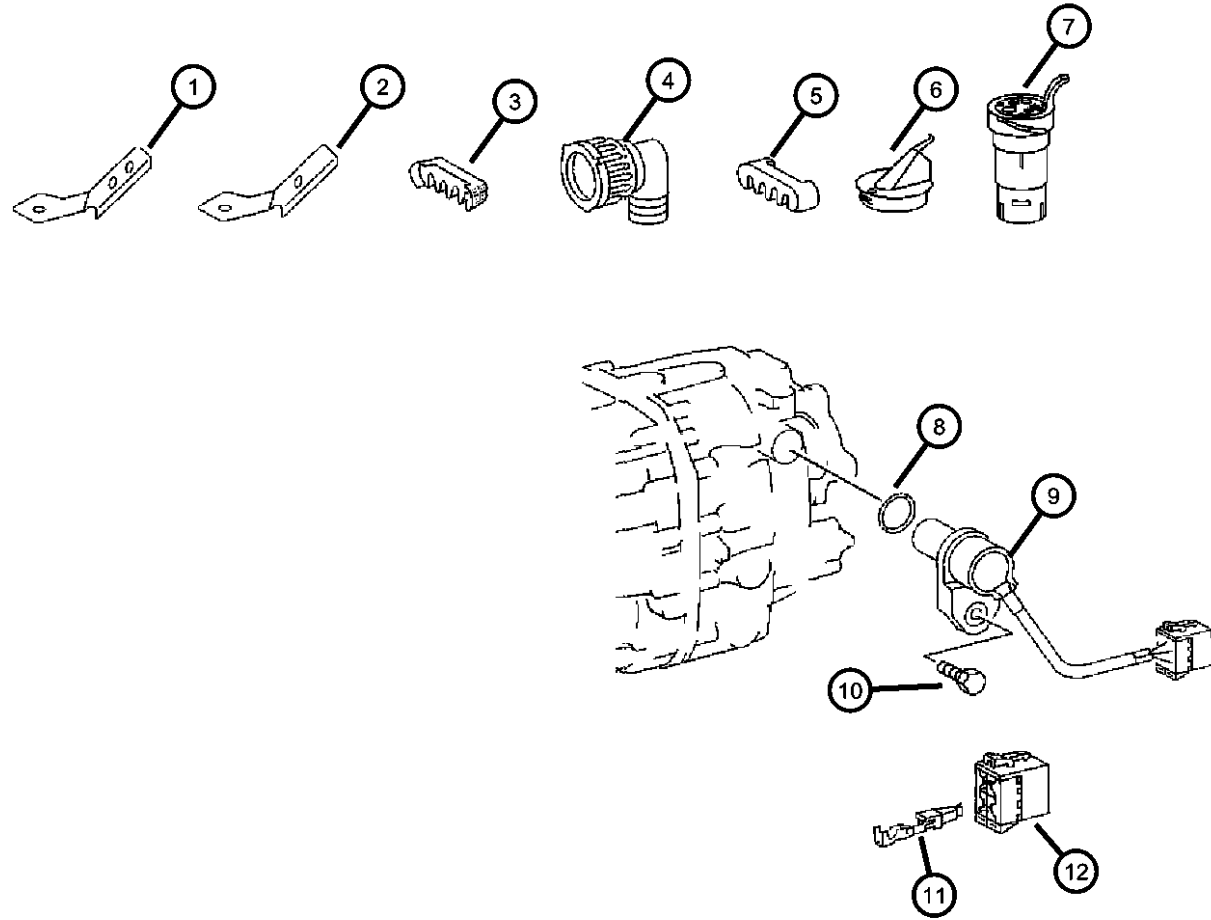
SERIES	LINE	BODY	ENGINE	TRANSMISSION
L = LOWLINE	3 = HD DODGE 2WD 6 = Lt. Duty DODGE 4WD 2 = Med. Duty DODGE 2WD 7 = Med. Duty DODGE 4WD	51 = WAGON WHEEL BASE 1 52 = WAGON WHEEL BASE 2 14 = VAN WHEEL BASE 4 15 = VAN WHEEL BASE 5 16 = VAN WHEEL BASE 6 54 = WAGON WHEEL BASE 4 55 = WAGON WHEEL BASE 5 56 = WAGON WHEEL BASE 6 11 = VAN WHEEL BASE 1 12 = VAN WHEEL BASE 2	EX9 = Engine - 2.7L 5 Cly Mercedes Diesel	DGJ = Transmission-5-Spd. Automatic, W5A580

AR = use ase required - = Non illustrated part



Sensors - Drivetrain  
Figure 8-610

ITEM	PART NUMBER	QTY	LINE	SERIES	BODY	ENGINE	TRANS	TRIM	DESCRIPTION
1	05120944AA	1	2, 6	L	11, 12, 14, 15, 16	EX9			BRACKET
		1	2, 6	L	51, 52, 54, 55, 56	EX9			
		1	3, 7	L	12, 15, 16	EX9			
2	05120947AA	1	2, 6	L	11, 12, 14, 15, 16	EX9			BRACKET
		1	2, 6	L	51, 52, 54, 55, 56	EX9			
		1	3, 7	L	12, 15, 16	EX9			
3	05120852AA	1	2, 6	L	11, 12, 14, 15, 16				RETAINER, Wiring Harness
		1	2, 6	L	51, 52, 54, 55, 56				
		1	3, 7	L	12, 15, 16				
4	05120915AA	1	2, 6	L	11, 12, 14, 15, 16				BOOT, BOOT
		1	2, 6	L	51, 52, 54, 55, 56				
		1	3, 7	L	12, 15, 16				
5	05120883AA	1	2, 6	L	11, 12, 14, 15, 16				RETAINER, Wiring Harness
		1	2, 6	L	51, 52, 54, 55, 56				
		1	3, 7	L	12, 15, 16				
6	05120884AA	1	2, 6	L	11, 12, 14, 15, 16				CAP
		1	2, 6	L	51, 52, 54, 55, 56				
		1	3, 7	L	12, 15, 16				
7	05120265AA	1	2, 6	L	11, 12, 14, 15, 16				CONNECTOR



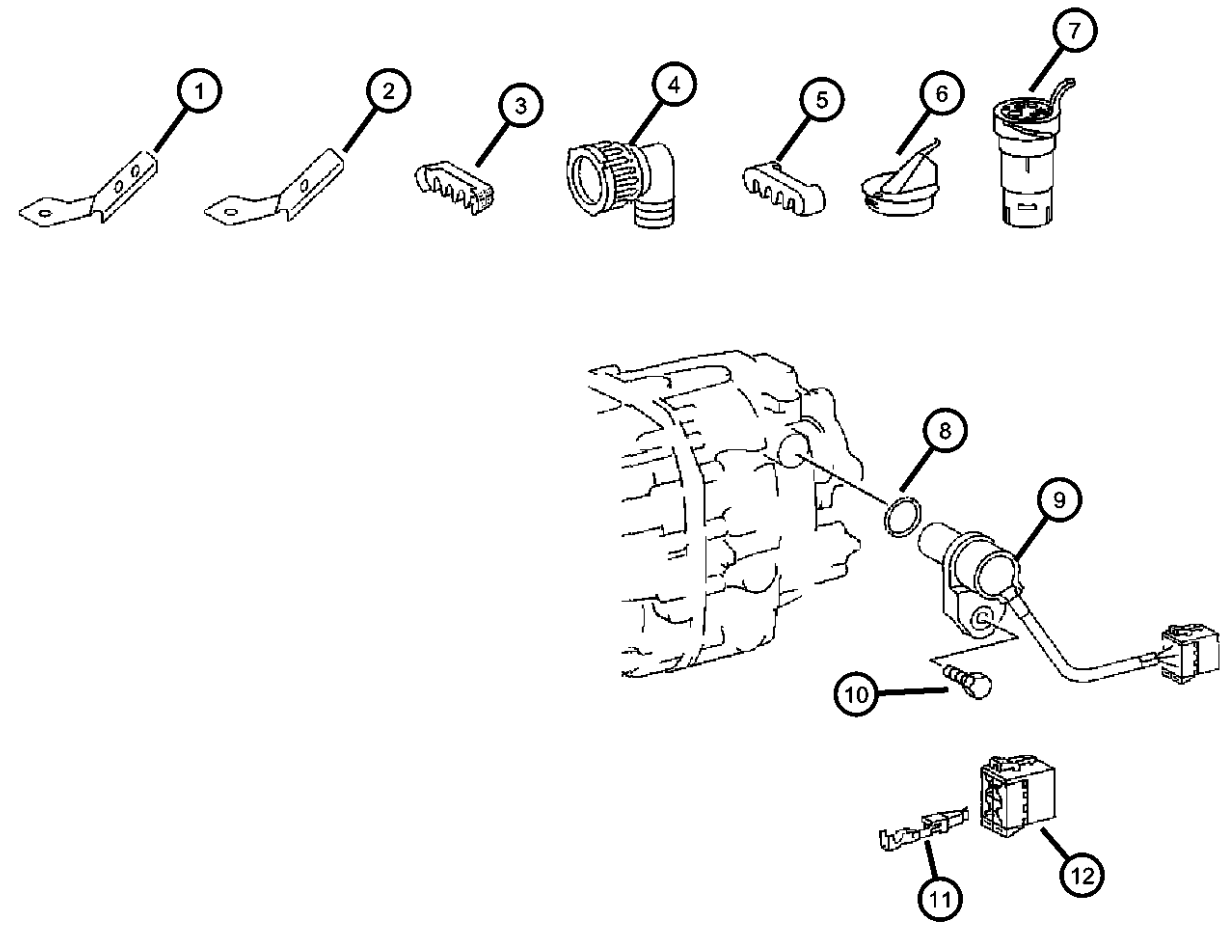
SPRINTER (VA)

SERIES	LINE	BODY	ENGINE	TRANSMISSION
L = LOWLINE	3 = HD DODGE 2WD 6 = Lt. Duty DODGE 4WD 2 = Med. Duty DODGE 2WD 7 = Med. Duty DODGE 4WD	51 = WAGON WHEEL BASE 1 52 = WAGON WHEEL BASE 2 14 = VAN WHEEL BASE 4 15 = VAN WHEEL BASE 5 16 = VAN WHEEL BASE 6 54 = WAGON WHEEL BASE 4 55 = WAGON WHEEL BASE 5 56 = WAGON WHEEL BASE 6 11 = VAN WHEEL BASE 1 12 = VAN WHEEL BASE 2	EX9 = Engine - 2.7L 5 Cyl Mercedes Diesel	DGJ = Transmission-5-Spd. Automatic,W5A580

AR = use ase required - = Non illustrated part

Sensors - Drivetrain  
Figure 8-610

ITEM	PART NUMBER	QTY	LINE	SERIES	BODY	ENGINE	TRANS	TRIM	DESCRIPTION
		1	2, 6	L	51, 52, 54, 55, 56				
		1	3, 7	L	12, 15, 16				
8	05125908AA	1		L					O RING, Sensor
9									SENSOR, Vehicle Speed
	05120309AA	1	2, 6	L	11, 12, 14, 15, 16				Tach Pulse Sender
		1	2, 6	L	51, 52, 54, 55, 56				Tach Pulse Sender
		1	3, 7	L	12, 15, 16				Tach Pulse Sender
	05120316AA	1	2, 6	L	11, 12, 14, 15, 16				All Wheel Drive
		1	2, 6	L	51, 52, 54, 55, 56				All Wheel Drive
		1	3, 7	L	12, 15, 16				All Wheel Drive
	05120317AA	1	2, 6	L	11, 12, 14, 15, 16				Auto Trans
		1	2, 6	L	51, 52, 54, 55, 56				Auto Trans
		1	3, 7	L	12, 15, 16				Auto Trans
10	05126234AA	1	2, 6	L	11, 12, 14, 15, 16				SCREW
		1	2, 6	L	51, 52, 54, 55, 56				
		1	3, 7	L	12, 15, 16				
11	05103877AA	99	3, 7	L	12, 15, 16				TERMINAL
		99	2, 6	L	11, 12, 14, 15, 16				
		99	2, 6	L	51, 52, 54, 55, 56				
12	05103931AA	1	2, 6	L	11, 12, 14, 15, 16				CONNECTOR
		1	2, 6	L	51, 52, 54, 55, 56				
		1	3, 7	L	12, 15, 16				

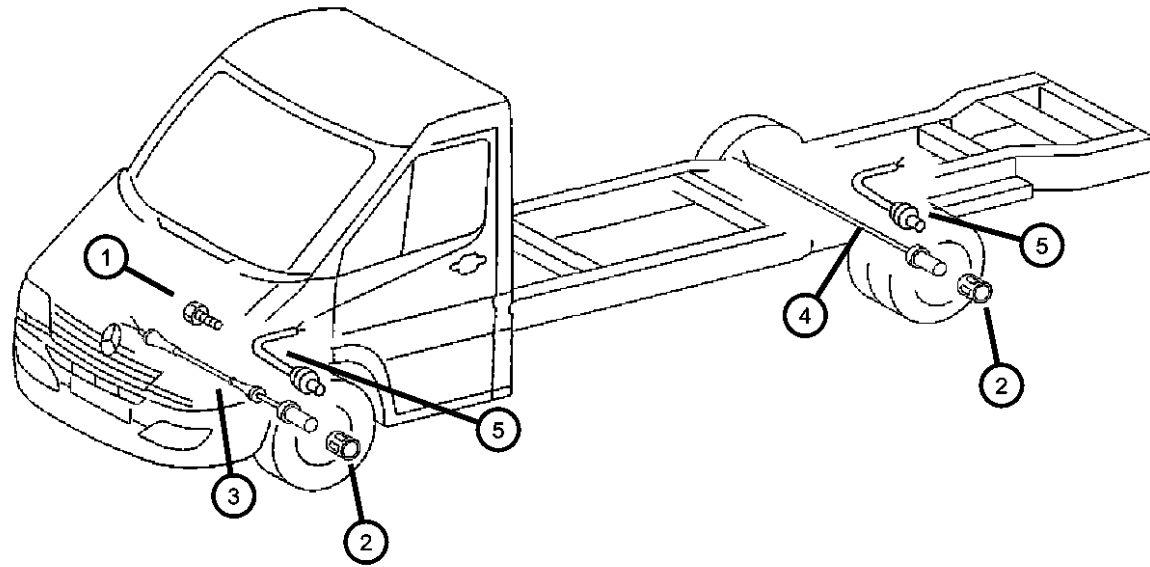
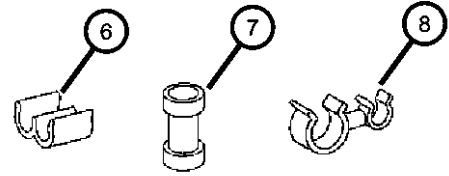


SPRINTER (VA)

SERIES	LINE	BODY	ENGINE	TRANSMISSION
L = LOWLINE	3 = HD DODGE 2WD 6 = Lt. Duty DODGE 4WD 2 = Med. Duty DODGE 2WD 7 = Med. Duty DODGE 4WD	51 = WAGON WHEEL BASE 1 52 = WAGON WHEEL BASE 2 14 = VAN WHEEL BASE 4 15 = VAN WHEEL BASE 5 16 = VAN WHEEL BASE 6 54 = WAGON WHEEL BASE 4 55 = WAGON WHEEL BASE 5 56 = WAGON WHEEL BASE 6 11 = VAN WHEEL BASE 1 12 = VAN WHEEL BASE 2	EX9 = Engine - 2.7L 5 Cly Mercedes Diesel	DGJ = Transmission-5-Spd. Automatic,W5A580

AR = use ase required - = Non illustrated part

Sensors - Brakes  
Figure 8-615



ITEM	PART NUMBER	QTY	LINE	SERIES	BODY	ENGINE	TRANS	TRIM	DESCRIPTION
1	05126269AA	2	2, 6	L	11, 12, 14, 15, 16				SCREW
		2	2, 6	L	51, 52, 54, 55, 56				
		2	3, 7	L	12, 15, 16				
2	05120376AA	2	2, 6	L	11, 12, 14, 15, 16				RETAINER
		2	2, 6	L	51, 52, 54, 55, 56				
		2	3, 7	L	12, 15, 16				
3	05104145AA	2	3, 7	L	12, 15, 16				SENSOR, Wheel Speed
		2	2, 6	L	11, 12, 14, 15, 16				When ordering must also order 2 of 05120376AA, 1 of 5103755AA
		2	2, 6	L	51, 52, 54, 55, 56				When ordering must also order 2 of 05120376AA, 1 of 5103755AA
4	05104144AA	2	3, 7	L	12, 15, 16				SENSOR, Wheel Speed
		2	2, 6	L	11, 12, 14, 15, 16				When ordering must also order 2 of 05120376AA, 1 of 5103755AA
		2	2, 6	L	51, 52, 54, 55, 56				When ordering must also order 2 of 05120376AA, 1 of 5103755AA
5	05103654AA	1	2, 6	L	11, 12, 14, 15, 16				WIRING, Brake Indicator
		1	2, 6	L	51, 52, 54, 55, 56				When ordering must also order 2 of 05103755AA and 1 of 05103801AA
		1	3, 7	L	12, 15, 16				When ordering must also order 2 of 05103755AA and 1 of 05103801AA
6	05126024AA	2	2, 6	L	11, 12, 14, 15, 16				CLIP, Wiring
		2	2, 6	L	51, 52, 54, 55, 56				

SPRINTER (VA)

SERIES

L = LOWLINE

LINE

3 = HD DODGE 2WD  
6 = Lt. Duty DODGE 4WD  
2 = Med. Duty DODGE 2WD  
7 = Med. Duty DODGE 4WD

BODY

51 = WAGON WHEEL BASE 1 EX9 = Engine - 2.7L 5 Cly  
52 = WAGON WHEEL BASE 2 Mercedes Diesel  
14 = VAN WHEEL BASE 4  
15 = VAN WHEEL BASE 5  
16 = VAN WHEEL BASE 6  
54 = WAGON WHEEL BASE 4  
55 = WAGON WHEEL BASE 5  
56 = WAGON WHEEL BASE 6  
11 = VAN WHEEL BASE 1  
12 = VAN WHEEL BASE 2

ENGINE

TRANSMISSION

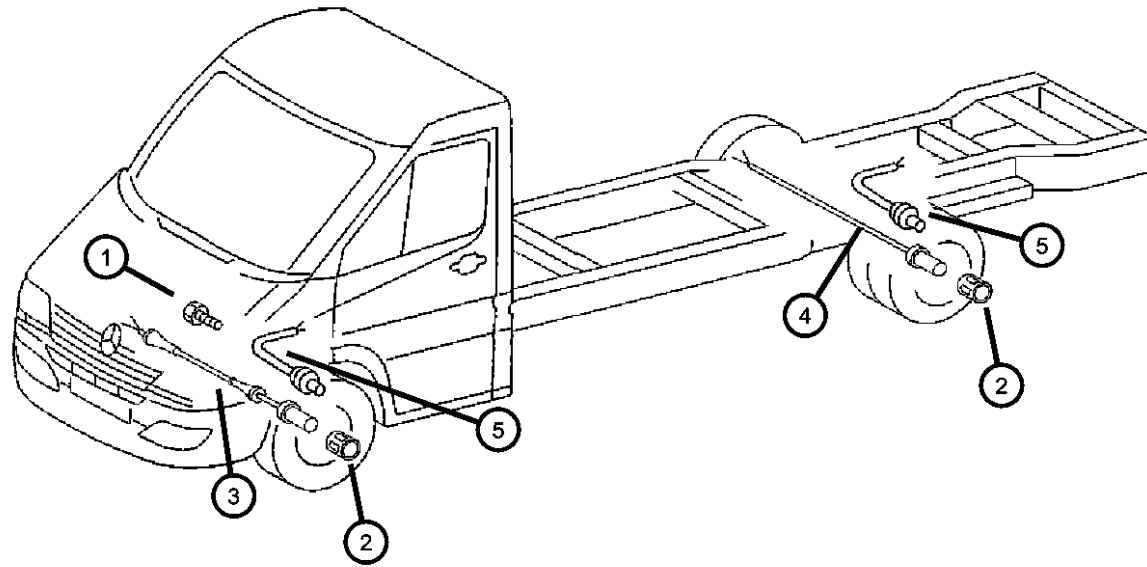
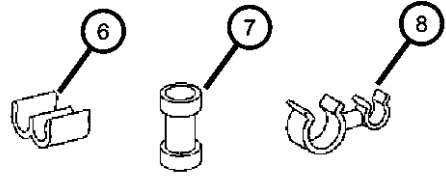
DGJ = Transmission-5-Spd. Automatic, W5A580

AR = use ase required - = Non illustrated part

2003 VA

Sensors - Brakes  
Figure 8-615

ITEM	PART NUMBER	QTY	LINE	SERIES	BODY	ENGINE	TRANS	TRIM	DESCRIPTION
7		2	3, 7	L	12, 15, 16				CONNECTOR
	05103755AA	99	3, 7	L	12, 15, 16				
		99	2, 6	L	11, 12, 14, 15, 16				
		99	2, 6	L	51, 52, 54, 55, 56				
8		6	2, 6	L	51, 52, 54, 55, 56				BRACKET
	05120943AA	6	2, 6	L	51, 52, 54, 55, 56				
		6	3, 7	L	12, 15, 16				
		6	2, 6	L	11, 12, 14, 15, 16				

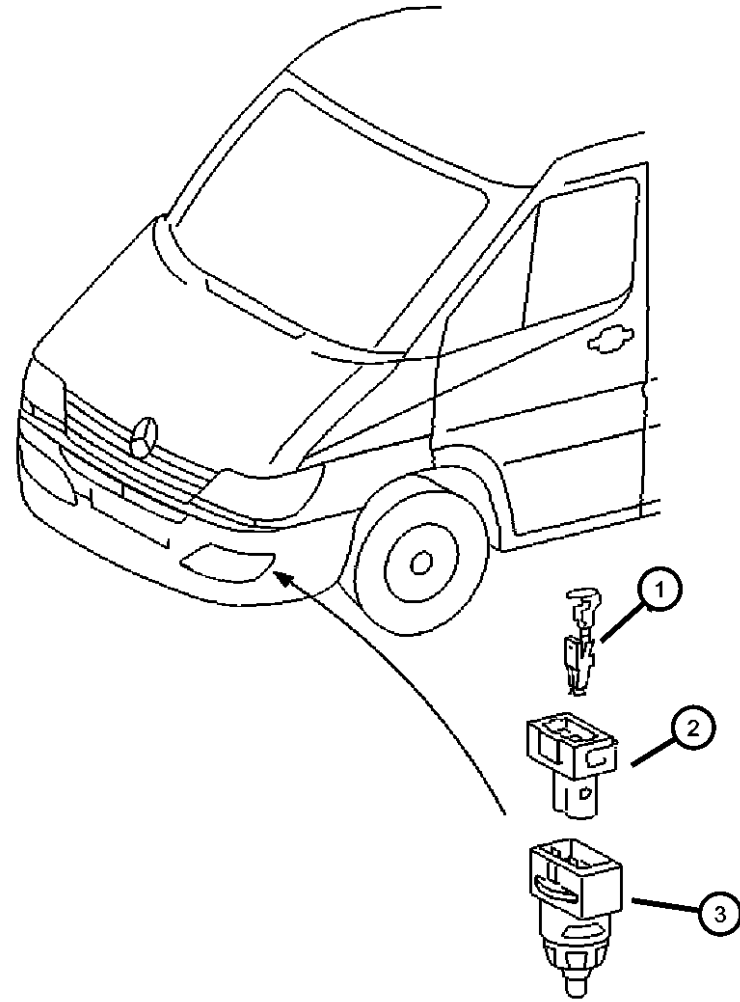


SPRINTER (VA)

SERIES	LINE	BODY	ENGINE	TRANSMISSION
L = LOWLINE	3 = HD DODGE 2WD 6 = Lt. Duty DODGE 4WD 2 = Med. Duty DODGE 2WD 7 = Med. Duty DODGE 4WD	51 = WAGON WHEEL BASE 1 52 = WAGON WHEEL BASE 2 14 = VAN WHEEL BASE 4 15 = VAN WHEEL BASE 5 16 = VAN WHEEL BASE 6 54 = WAGON WHEEL BASE 4 55 = WAGON WHEEL BASE 5 56 = WAGON WHEEL BASE 6 11 = VAN WHEEL BASE 1 12 = VAN WHEEL BASE 2	EX9 = Engine - 2.7L 5 Cly Mercedes Diesel	DGJ = Transmission-5-Spd. Automatic,W5A580

AR = use ase required - = Non illustrated part

**Sensor Ambient Temperature  
Figure 8-620**



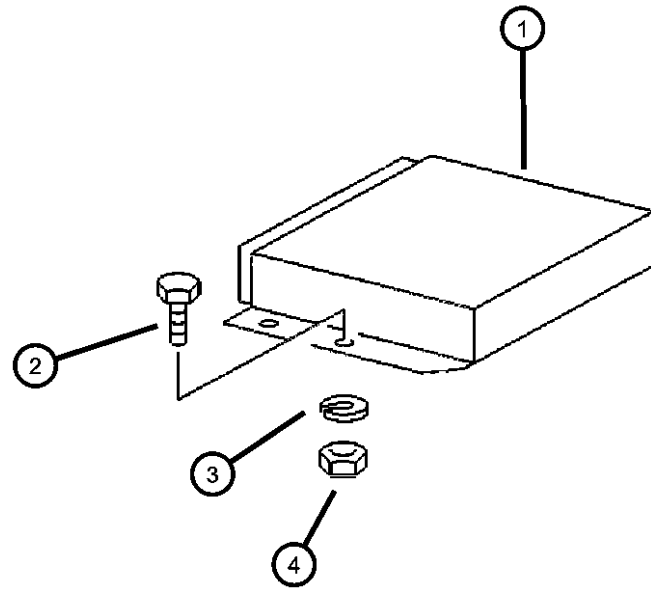
ITEM	PART NUMBER	QTY	LINE	SERIES	BODY	ENGINE	TRANS	TRIM	DESCRIPTION
1	05103880AA	99	2, 6	L	11, 12, 14, 15, 16				TERMINAL
		99	2, 6	L	51, 52, 54, 55, 56				
		99	3, 7	L	12, 15, 16				
2	05120749AA	1	2, 6	L	11, 12, 14, 15, 16				CONNECTOR
		1	2, 6	L	51, 52, 54, 55, 56				
		1	3, 7	L	12, 15, 16				
3	05103563AA	1	3, 7	L	12, 15, 16				SENSOR, Ambient Temperature
		1	2, 6	L	11, 12, 14, 15, 16				
		1	2, 6	L	51, 52, 54, 55, 56				

**SPRINTER (VA)**

<b>SERIES</b>	<b>LINE</b>	<b>BODY</b>	<b>ENGINE</b>	<b>TRANSMISSION</b>
L = LOWLINE	3 = HD DODGE 2WD 6 = Lt. Duty DODGE 4WD 2 = Med. Duty DODGE 2WD 7 = Med. Duty DODGE 4WD	51 = WAGON WHEEL BASE 1 52 = WAGON WHEEL BASE 2 14 = VAN WHEEL BASE 4 15 = VAN WHEEL BASE 5 16 = VAN WHEEL BASE 6 54 = WAGON WHEEL BASE 4 55 = WAGON WHEEL BASE 5 56 = WAGON WHEEL BASE 6 11 = VAN WHEEL BASE 1 12 = VAN WHEEL BASE 2	EX9 = Engine - 2.7L 5 Cly Mercedes Diesel	DGJ = Transmission-5-Spd. Automatic,W5A580

AR = use ase required - = Non illustrated part

**Single Board Engine Controller (S.B.E.C.)  
Figure 8-715**



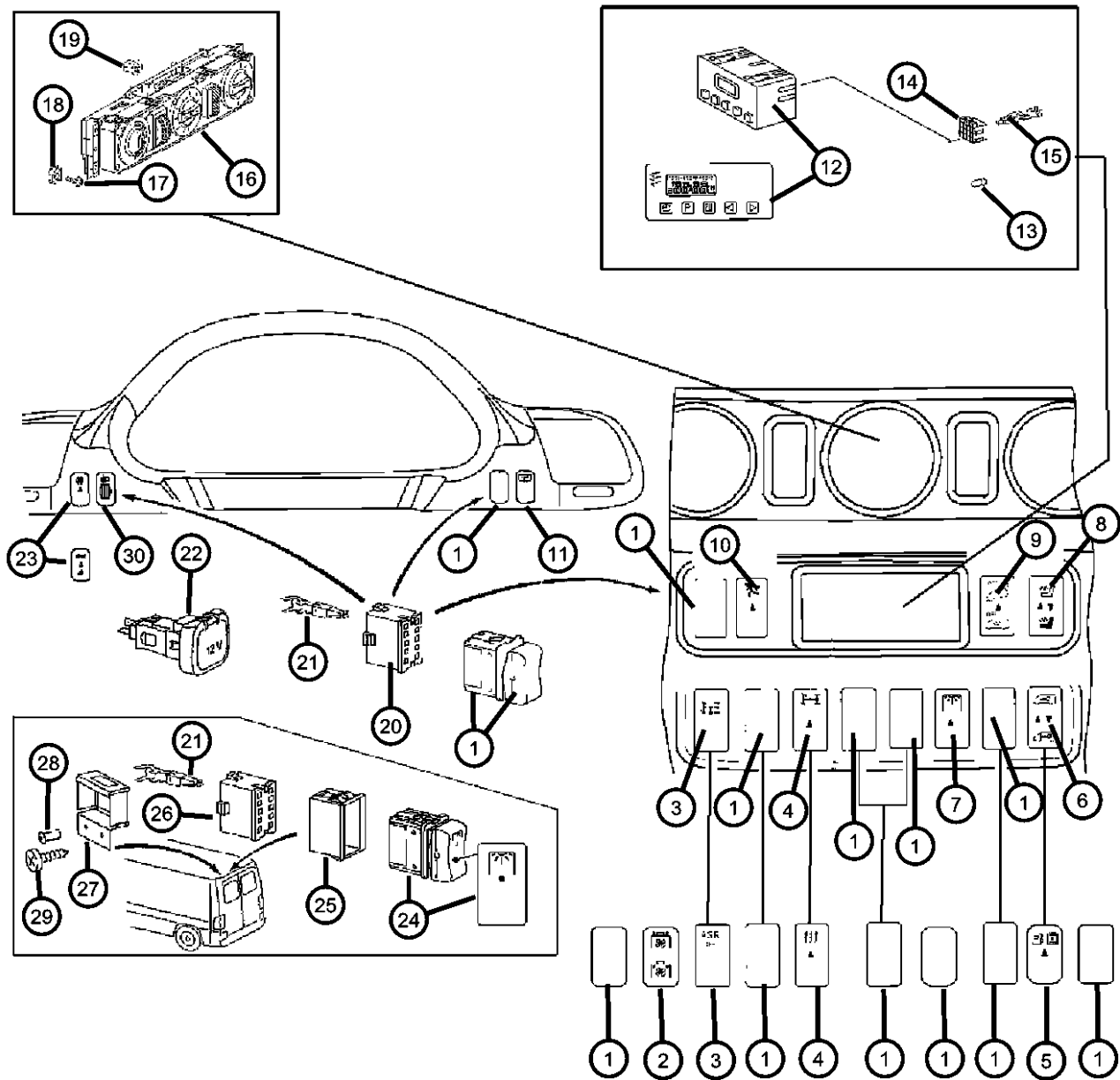
ITEM	PART NUMBER	QTY	LINE	SERIES	BODY	ENGINE	TRANS	TRIM	DESCRIPTION
DG0=All Speed Automatic Transmission DGG=3 Speed Automatic Transmission DGT=4 Speed Automatic Transmission EH0=3.9L Engine ELF=5.2L SMPI 'MAGNUM' Engine ELN=5.2L MPI CNG Engine EM0=5.9L Engine									
1	05117562AA	1	2, 6	L	11, 12, 14, 15, 16	EX9			MODULE, Powertrain Control [EX9,4XS]
		1	2, 6	L	51, 52, 54, 55, 56	EX9			[EX9,4XS]
		1	3, 7	L	12, 15, 16	EX9			[EX9,4XS]
	05117567AA	1	2, 6	L	11, 12, 14, 15, 16	EX9			[EX9,4XS,NAA]
		1	2, 6	L	51, 52, 54, 55, 56	EX9			[EX9,4XS,NAA]
		1	3, 7	L	12, 15, 16	EX9			[EX9,4XS,NAA]
2	05126198AA	4	2, 6	L	51, 52, 54, 55, 56				BOLT, M6x20
		4	2, 6	L	11, 12, 14, 15, 16				
		4	3, 7	L	12, 15, 16				
3	05126240AA	4	3, 7	L	12, 15, 16				LOCK WASHER
		4	2, 6	L	11, 12, 14, 15, 16				
		4	2, 6	L	51, 52, 54, 55, 56				
4		4							NUT, Hex, (NOT SERVICED)

**SPRINTER (VA)**

<b>SERIES</b>	<b>LINE</b>	<b>BODY</b>	<b>ENGINE</b>	<b>TRANSMISSION</b>
L = LOWLINE	3 = HD DODGE 2WD 6 = Lt. Duty DODGE 4WD 2 = Med. Duty DODGE 2WD 7 = Med. Duty DODGE 4WD	51 = WAGON WHEEL BASE 1 52 = WAGON WHEEL BASE 2 14 = VAN WHEEL BASE 4 15 = VAN WHEEL BASE 5 16 = VAN WHEEL BASE 6 54 = WAGON WHEEL BASE 4 55 = WAGON WHEEL BASE 5 56 = WAGON WHEEL BASE 6 11 = VAN WHEEL BASE 1 12 = VAN WHEEL BASE 2	EX9 = Engine - 2.7L 5 Cly Mercedes Diesel	DGJ = Transmission-5-Spd. Automatic,W5A580

AR = use ase required - = Non illustrated part

Switches - Instrument Panel  
Figure 8-805



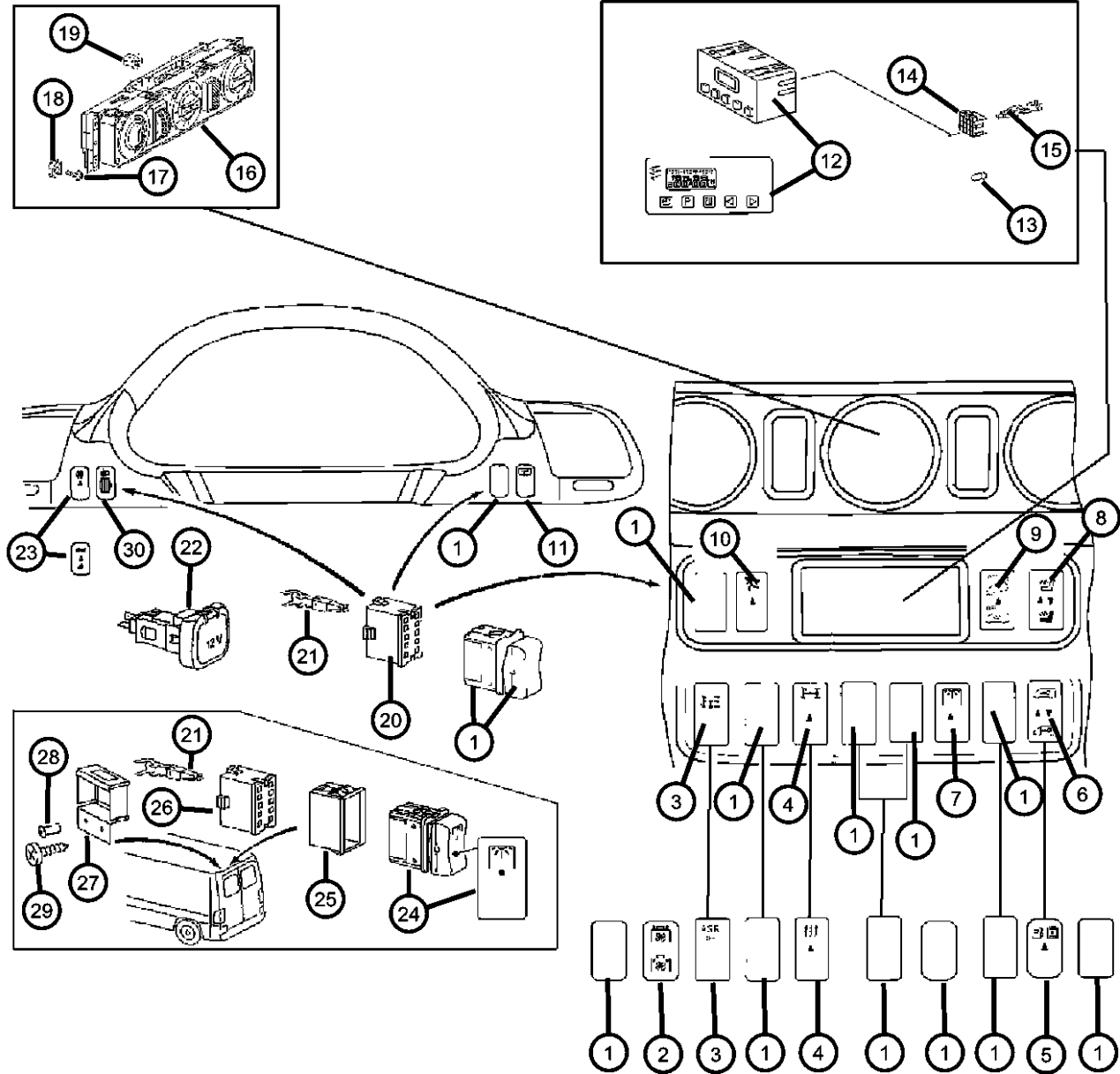
ITEM	PART NUMBER	QTY	LINE	SERIES	BODY	ENGINE	TRANS	TRIM	DESCRIPTION
1	05122925AA	3	2, 6	L	11, 12, 14, 15, 16				COVER, Switch Opening
		3	2, 6	L	51, 52, 54, 55, 56				
		3	3, 7	L	12, 15, 16				
2	05120490AA	1	2, 6	L	11, 12, 14, 15, 16				SWITCH, Ventilator
		1	2, 6	L	51, 52, 54, 55, 56				
		1	3, 7	L	12, 15, 16				
3	05120472AA	1	2, 6	L	11, 12, 14, 15, 16				SWITCH, Traction Control
		1	2, 6	L	51, 52, 54, 55, 56				
		1	3, 7	L	12, 15, 16				
4	05103853AA	1	2, 6	L	11, 12, 14, 15, 16				SWITCH, Rear Blower
		1	2, 6	L	51, 52, 54, 55, 56				
		1	3, 7	L	12, 15, 16				
5	05124392AA	1	2, 6	L	11, 12, 14, 15, 16				SWITCH, Wiper and Washer
		1	2, 6	L	51, 52, 54, 55, 56				
		1	3, 7	L	12, 15, 16				
6	05103855AA	1	2, 6	L	11, 12, 14, 15, 16				SWITCH, Central Locking
		1	2, 6	L	51, 52, 54, 55, 56				
		1	3, 7	L	12, 15, 16				
7	05103854AA	1	2, 6	L	11, 12, 14, 15, 16				SWITCH, Cargo Lamp

SPRINTER (VA)

SERIES	LINE	BODY	ENGINE	TRANSMISSION
L = LOWLINE	3 = HD DODGE 2WD 6 = Lt. Duty DODGE 4WD 2 = Med. Duty DODGE 2WD 7 = Med. Duty DODGE 4WD	51 = WAGON WHEEL BASE 1 52 = WAGON WHEEL BASE 2 14 = VAN WHEEL BASE 4 15 = VAN WHEEL BASE 5 16 = VAN WHEEL BASE 6 54 = WAGON WHEEL BASE 4 55 = WAGON WHEEL BASE 5 56 = WAGON WHEEL BASE 6 11 = VAN WHEEL BASE 1 12 = VAN WHEEL BASE 2	EX9 = Engine - 2.7L 5 Cyl Mercedes Diesel	DGJ = Transmission-5-Spd. Automatic, W5A580

AR = use ase required - = Non illustrated part

Switches - Instrument Panel  
Figure 8-805



ITEM	PART NUMBER	QTY	LINE	SERIES	BODY	ENGINE	TRANS	TRIM	DESCRIPTION
8		1	3, 7	L	12, 15, 16				SWITCH, Heated Seat
	05120444AA	2	2, 6	L	11, 12, 14, 15, 16				
		1	2, 6	L	51, 52, 54, 55, 56				
9		2	3, 7	L	12, 15, 16				SWITCH, Security Alarm
	05120465AA	1	2, 6	L	11, 12, 14, 15, 16				
		1	2, 6	L	51, 52, 54, 55, 56				
10		1	3, 7	L	12, 15, 16				SWITCH, Security Alarm
	05120466AA	1	2, 6	L	11, 12, 14, 15, 16				
		1	2, 6	L	51, 52, 54, 55, 56				
11		1	3, 7	L	12, 15, 16				SWITCH, Defogger
	05120438AA	1	2, 6	L	11, 12, 14, 15, 16				
		1	2, 6	L	51, 52, 54, 55, 56				
12		1	3, 7	L	12, 15, 16				CLOCK
	05120301AA	1	2, 6	L	11, 12, 14, 15, 16				
		1	2, 6	L	51, 52, 54, 55, 56				
13		1	3, 7	L	12, 15, 16				BULB, 12V 1.5W
	05133469AA	1	2, 6	L	11, 12, 14, 15, 16				
		1	2, 6	L	51, 52, 54, 55, 56				
14		1	3, 7	L	12, 15, 16				CONNECTOR

SPRINTER (VA)

SERIES

L = LOWLINE

LINE

3 = HD DODGE 2WD  
6 = Lt. Duty DODGE 4WD  
2 = Med. Duty DODGE 2WD  
7 = Med. Duty DODGE 4WD

BODY

51 = WAGON WHEEL BASE 1 EX9 = Engine - 2.7L 5 Cly  
52 = WAGON WHEEL BASE 2 Mercedes Diesel  
14 = VAN WHEEL BASE 4  
15 = VAN WHEEL BASE 5  
16 = VAN WHEEL BASE 6  
54 = WAGON WHEEL BASE 4  
55 = WAGON WHEEL BASE 5  
56 = WAGON WHEEL BASE 6  
11 = VAN WHEEL BASE 1  
12 = VAN WHEEL BASE 2

ENGINE

TRANSMISSION

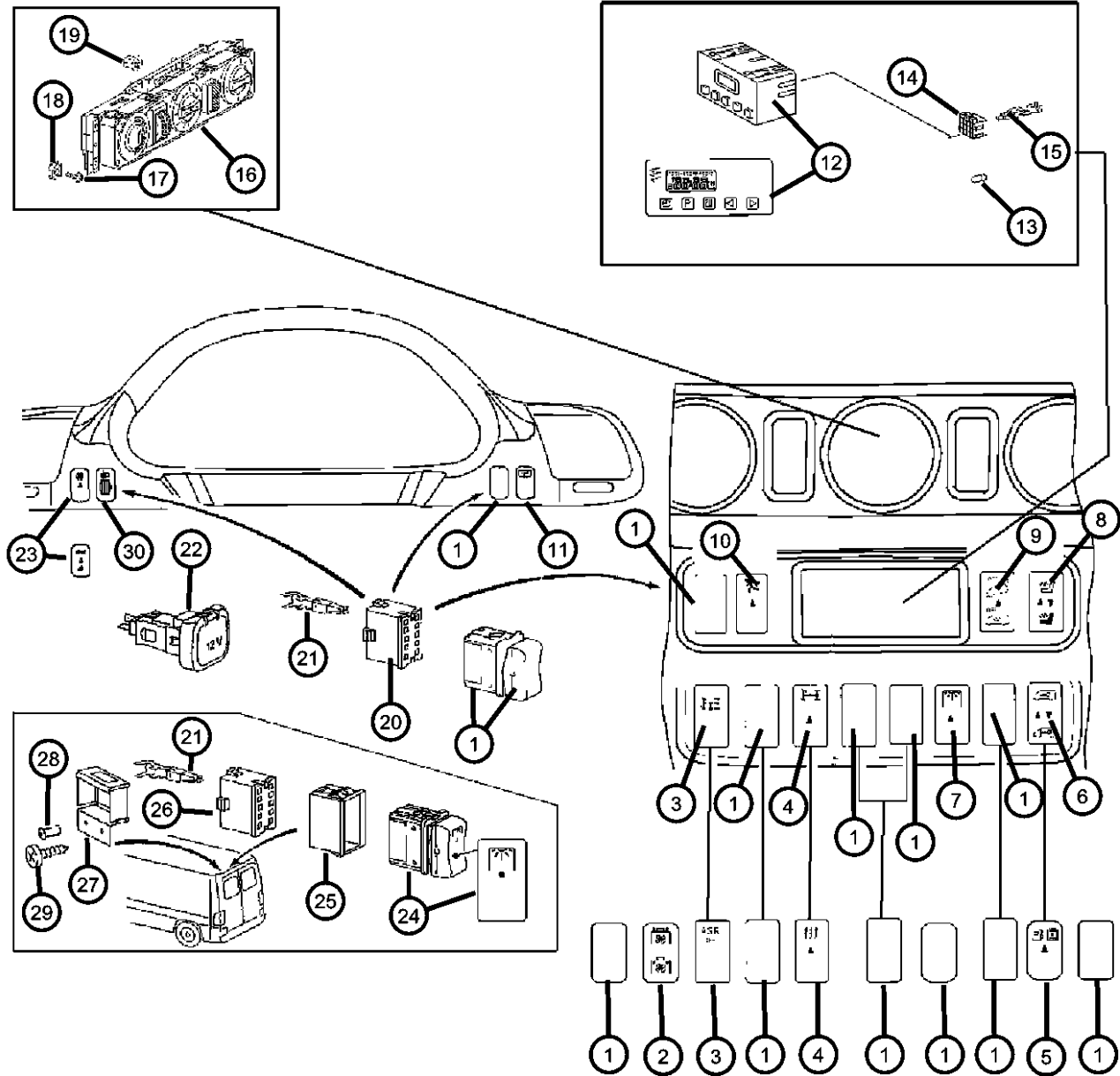
DGJ = Transmission-5-Spd. Automatic, W5A580

AR = use ase required - = Non illustrated part

2003 VA



Switches - Instrument Panel  
Figure 8-805



ITEM	PART NUMBER	QTY	LINE	SERIES	BODY	ENGINE	TRANS	TRIM	DESCRIPTION
	05120552AA	1	2, 6	L	11, 12, 14, 15, 16				
		1	2, 6	L	51, 52, 54, 55, 56				
		1	3, 7	L	12, 15, 16				
15	05103881AA	1	2, 6	L	11, 12, 14, 15, 16				TERMINAL
		1	2, 6	L	51, 52, 54, 55, 56				
		1	3, 7	L	12, 15, 16				
16	05103643AA	1	2, 6	L	11, 12, 14, 15, 16				CONTROL, A/C And Heater
		1	2, 6	L	51, 52, 54, 55, 56				Air Conditionig with Auto Temperature Control
		1	2, 6	L	51, 52, 54, 55, 56				Air Conditionig with Auto Temperature Control
		1	3, 7	L	12, 15, 16				Air Conditionig with Auto Temperature Control[HAB]
	05103644AA	1	2, 6	L	11, 12, 14, 15, 16				Air Conditionig with Auto Temperature Control & with Auxiliary Hot Water Heater
		1	2, 6	L	51, 52, 54, 55, 56				Air Conditionig with Auto Temperature Control & with Auxiliary Hot Water Heater
		1	3, 7	L	12, 15, 16				Air Conditionig with Auto Temperature Control & with Auxiliary Hot Water Heater
	05103690AA	1	3, 7	L	12, 15, 16				Air Conditionig without Auto Temperature Control & without Auxiliary Hot Water Heater
17	06104610AA	4	2, 6	L	51, 52, 54, 55, 56				SCREW
		4	3, 7	L	12, 15, 16				
		2	2, 6	L	11, 12, 14, 15, 16				
18	05125861AA	2	3, 7	L	12, 15, 16				NUT, Spring
		2	2, 6	L	11, 12, 14, 15, 16				

SPRINTER (VA)

SERIES

L = LOWLINE

LINE

3 = HD DODGE 2WD  
6 = Lt. Duty DODGE 4WD  
2 = Med. Duty DODGE 2WD  
7 = Med. Duty DODGE 4WD

BODY

51 = WAGON WHEEL BASE 1 EX9 = Engine - 2.7L 5 Cly  
52 = WAGON WHEEL BASE 2 Mercedes Diesel  
14 = VAN WHEEL BASE 4  
15 = VAN WHEEL BASE 5  
16 = VAN WHEEL BASE 6  
54 = WAGON WHEEL BASE 4  
55 = WAGON WHEEL BASE 5  
56 = WAGON WHEEL BASE 6  
11 = VAN WHEEL BASE 1  
12 = VAN WHEEL BASE 2

ENGINE

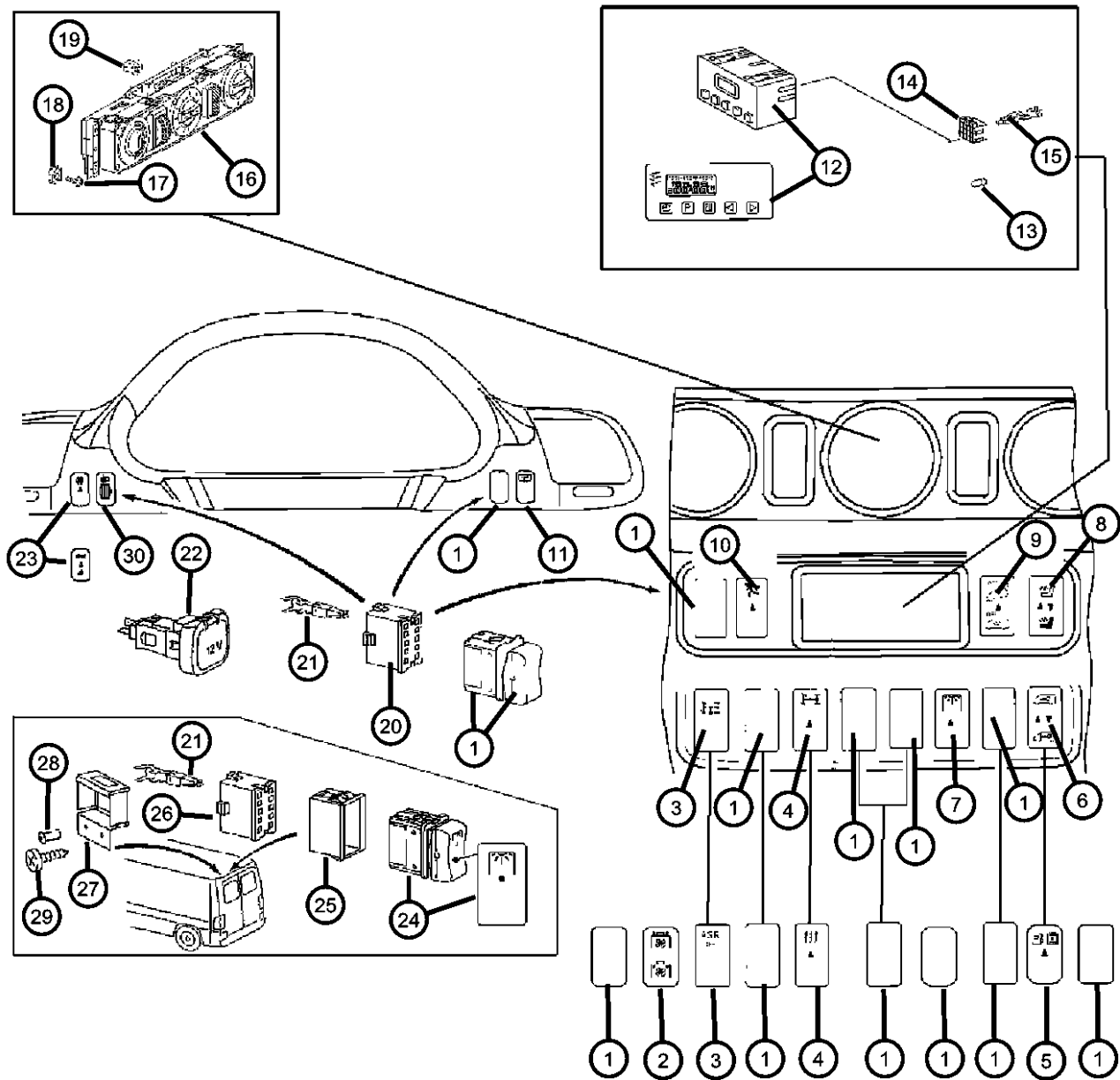
TRANSMISSION

DGJ = Transmission-5-Spd. Automatic, W5A580

AR = use ase required - = Non illustrated part

2003 VA

Switches - Instrument Panel  
Figure 8-805



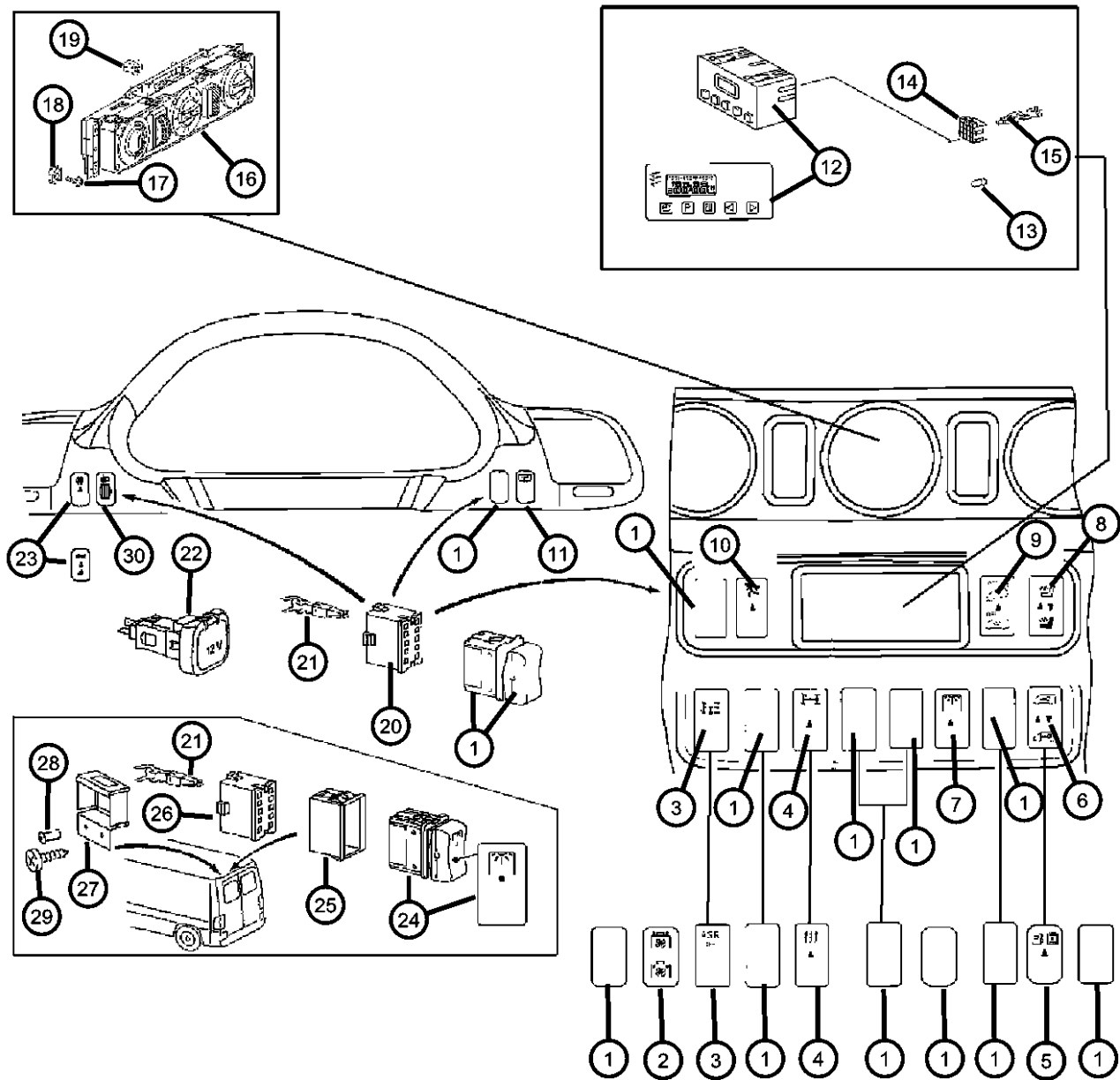
ITEM	PART NUMBER	QTY	LINE	SERIES	BODY	ENGINE	TRANS	TRIM	DESCRIPTION
19		2	2, 6	L	51, 52, 54, 55, 56				BULB
	05133468AA	1	2, 6	L	11, 12, 14, 15, 16				
		1	2, 6	L	51, 52, 54, 55, 56				
		1	3, 7	L	12, 15, 16				
20		1	2, 6	L	11, 12, 14, 15, 16				CONNECTOR
	05120633AA	1	2, 6	L	51, 52, 54, 55, 56				
		1	2, 6	L	51, 52, 54, 55, 56				
		1	3, 7	L	12, 15, 16				
21		1	2, 6	L	11, 12, 14, 15, 16				TERMINAL
	05103882AA	1	2, 6	L	51, 52, 54, 55, 56				
		1	2, 6	L	51, 52, 54, 55, 56				
		1	3, 7	L	12, 15, 16				
22		1	2, 6	L	11, 12, 14, 15, 16				CONTROL, Air Conditioning
	05103907AA	1	2, 6	L	51, 52, 54, 55, 56				
		1	2, 6	L	51, 52, 54, 55, 56				
		1	3, 7	L	12, 15, 16				
23		1	2, 6	L	11, 12, 14, 15, 16				SWITCH, Fog Lamp
	05120484AA	1	2, 6	L	51, 52, 54, 55, 56				
		1	2, 6	L	51, 52, 54, 55, 56				
		1	3, 7	L	12, 15, 16				
24		1	2, 6	L	11, 12, 14, 15, 16				SWITCH, Cargo Lamp
	05103844AA	1	2, 6	L	51, 52, 54, 55, 56				
		1	3, 7	L	12, 15, 16				
25									HOUSING, Switch

SPRINTER (VA)

SERIES	LINE	BODY	ENGINE	TRANSMISSION
L = LOWLINE	3 = HD DODGE 2WD 6 = Lt. Duty DODGE 4WD 2 = Med. Duty DODGE 2WD 7 = Med. Duty DODGE 4WD	51 = WAGON WHEEL BASE 1 52 = WAGON WHEEL BASE 2 14 = VAN WHEEL BASE 4 15 = VAN WHEEL BASE 5 16 = VAN WHEEL BASE 6 54 = WAGON WHEEL BASE 4 55 = WAGON WHEEL BASE 5 56 = WAGON WHEEL BASE 6 11 = VAN WHEEL BASE 1 12 = VAN WHEEL BASE 2	EX9 = Engine - 2.7L 5 Cyl Mercedes Diesel	DGJ = Transmission-5-Spd. Automatic, W5A580

AR = use ase required - = Non illustrated part

Switches - Instrument Panel  
Figure 8-805



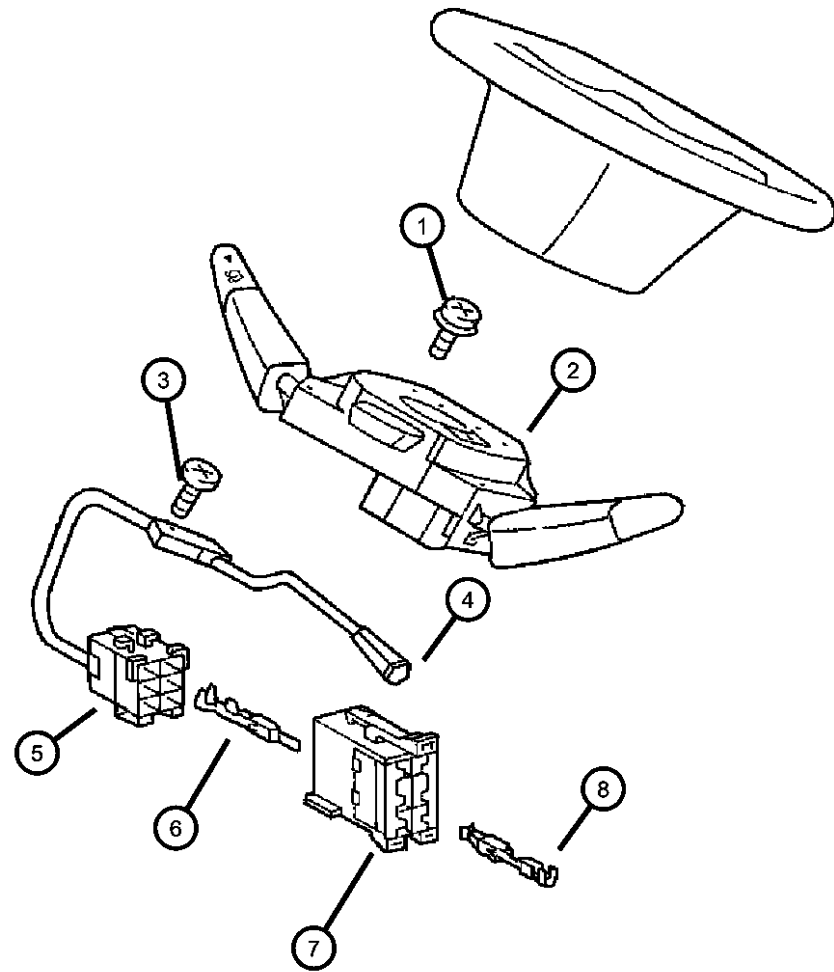
ITEM	PART NUMBER	QTY	LINE	SERIES	BODY	ENGINE	TRANS	TRIM	DESCRIPTION
	05120247AA	2	2, 6	L	11, 12, 14, 15, 16				
		2	3, 7	L	12, 15, 16				
26	05120596AA	2	2, 6	L	11, 12, 14, 15, 16				CONNECTOR
		2	3, 7	L	12, 15, 16				
27	05120411AA	1	3, 7	L	12, 15, 16				COVER, Switch
		1	2, 6	L	11, 12, 14, 15, 16				
28	05103838AA	4	2, 6	L	51, 52, 54, 55, 56				RIVET
		4	3, 7	L	12, 15, 16				
		4	2, 6	L	11, 12, 14, 15, 16				
29	05126271AA	2	3, 7	L	12, 15, 16				SCREW
30	05103658AA	1	2, 6	L	11, 12, 14, 15, 16				SWITCH, Headlamp Leveling
		1	2, 6	L	51, 52, 54, 55, 56				
		1	3, 7	L	12, 15, 16				
-31	05103664AA	1	2, 6	L	11, 12, 14, 15, 16		DGJ		SWITCH, Ignition
		1	3, 7	L	12, 15, 16		DGJ		
		1	2, 6	L	51, 52, 54, 55, 56		DGJ		

SPRINTER (VA)

SERIES	LINE	BODY	ENGINE	TRANSMISSION
L = LOWLINE	3 = HD DODGE 2WD 6 = Lt. Duty DODGE 4WD 2 = Med. Duty DODGE 2WD 7 = Med. Duty DODGE 4WD	51 = WAGON WHEEL BASE 1 52 = WAGON WHEEL BASE 2 14 = VAN WHEEL BASE 4 15 = VAN WHEEL BASE 5 16 = VAN WHEEL BASE 6 54 = WAGON WHEEL BASE 4 55 = WAGON WHEEL BASE 5 56 = WAGON WHEEL BASE 6 11 = VAN WHEEL BASE 1 12 = VAN WHEEL BASE 2	EX9 = Engine - 2.7L 5 Cly Mercedes Diesel	DGJ = Transmission-5-Spd. Automatic, W5A580

AR = use ase required - = Non illustrated part

**Switches -Steering Column**  
**Figure 8-810**



ITEM	PART NUMBER	QTY	LINE	SERIES	BODY	ENGINE	TRANS	TRIM	DESCRIPTION
1									SCREW
	05104636AA	2	3, 7	L	12, 15, 16				
		2	2, 6	L	11, 12, 14, 15, 16				
		2	2, 6	L	51, 52, 54, 55, 56				
2									SWITCH, Steering column
	05103539AA	1	2, 6	L	11, 12, 14, 15, 16				[5AF]
		1	3, 7	L	12, 15, 16				[5AF]
		1	2, 6	L	51, 52, 54, 55, 56				[5AF]
	05103745AA	1	3, 7	L	12, 15, 16				
		1	2, 6	L	11, 12, 14, 15, 16				
		1	2, 6	L	51, 52, 54, 55, 56				
		1		L					
3									SCREW
	05126175AA	1	2, 6	L	51, 52, 54, 55, 56				
		1	2, 6	L	11, 12, 14, 15, 16				
		1	3, 7	L	12, 15, 16				
4									SWITCH, Speed Control
	05103744AA	1	2, 6	L	11, 12, 14, 15, 16				
		1	3, 7	L	12, 15, 16				
		1	2, 6	L	51, 52, 54, 55, 56				
5									INSULATOR, 6 Way
	05120792AA	1	2, 6	L	11, 12, 14, 15, 16				
		1	2, 6	L	51, 52, 54, 55, 56				
		1	3, 7	L	12, 15, 16				
6									TERMINAL, Male
	05133909AA	99	3, 7	L	12, 15, 16				

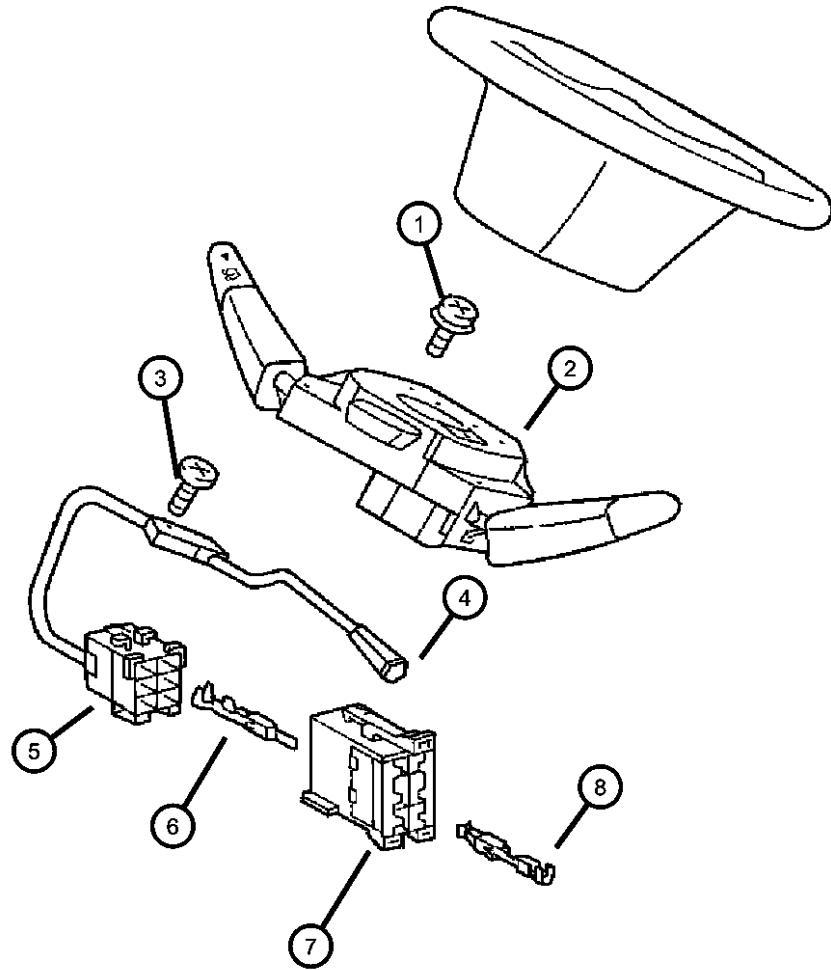
**SPRINTER (VA)**

SERIES	LINE	BODY	ENGINE	TRANSMISSION
L = LOWLINE	3 = HD DODGE 2WD	51 = WAGON WHEEL BASE 1	EX9 = Engine - 2.7L 5 Cly	DGJ = Transmission-5-Spd.
	6 = Lt. Duty DODGE 4WD	52 = WAGON WHEEL BASE 2	Mercedes Diesel	Automatic,W5A580
	2 = Med. Duty DODGE 2WD	14 = VAN WHEEL BASE 4		
	7 = Med. Duty DODGE 4WD	15 = VAN WHEEL BASE 5		
		16 = VAN WHEEL BASE 6		
		54 = WAGON WHEEL BASE 4		
		55 = WAGON WHEEL BASE 5		
		56 = WAGON WHEEL BASE 6		
		11 = VAN WHEEL BASE 1		
		12 = VAN WHEEL BASE 2		

AR = use ase required - = Non illustrated part

**Switches -Steering Column**  
**Figure 8-810**

ITEM	PART NUMBER	QTY	LINE	SERIES	BODY	ENGINE	TRANS	TRIM	DESCRIPTION
		99	2, 6	L	11, 12, 14, 15, 16				
		99	2, 6	L	51, 52, 54, 55, 56				
7	05120786AA	1	2, 6	L	11, 12, 14, 15, 16				CONNECTOR
		1	2, 6	L	51, 52, 54, 55, 56				
		1	3, 7	L	12, 15, 16				
8	05133478AA	99	3, 7	L	12, 15, 16				TERMINAL
		99	2, 6	L	11, 12, 14, 15, 16				
		99	2, 6	L	51, 52, 54, 55, 56				



**SPRINTER (VA)**

**SERIES**

L = LOWLINE

**LINE**

3 = HD DODGE 2WD  
6 = Lt. Duty DODGE 4WD  
2 = Med. Duty DODGE 2WD  
7 = Med. Duty DODGE 4WD

**BODY**

51 = WAGON WHEEL BASE 1  
52 = WAGON WHEEL BASE 2  
14 = VAN WHEEL BASE 4  
15 = VAN WHEEL BASE 5  
16 = VAN WHEEL BASE 6  
54 = WAGON WHEEL BASE 4  
55 = WAGON WHEEL BASE 5  
56 = WAGON WHEEL BASE 6  
11 = VAN WHEEL BASE 1  
12 = VAN WHEEL BASE 2

**ENGINE**

EX9 = Engine - 2.7L 5 Cly  
Mercedes Diesel

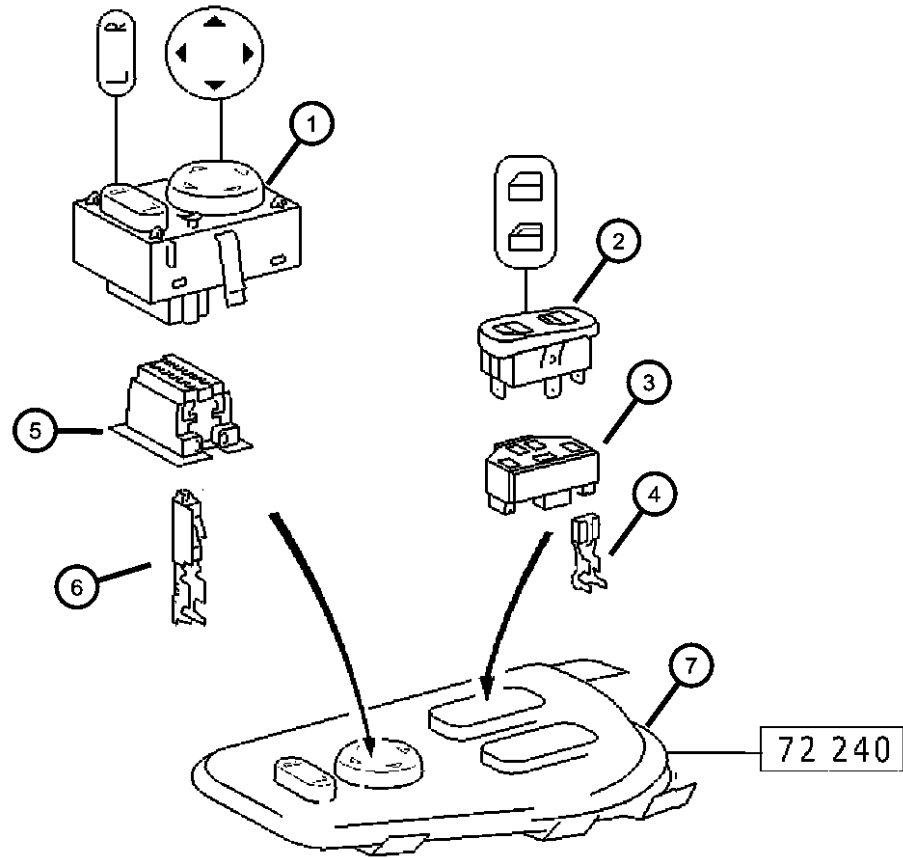
**TRANSMISSION**

DGJ = Transmission-5-Spd.  
Automatic,W5A580

AR = use ase required - = Non illustrated part

2003 VA

Switches - Door  
Figure 8-815



ITEM	PART NUMBER	QTY	LINE	SERIES	BODY	ENGINE	TRANS	TRIM	DESCRIPTION
1	05103845AA	1	2, 6	L	11, 12, 14, 15, 16				SWITCH, Mirror
		1	2, 6	L	51, 52, 54, 55, 56				
		1	3, 7	L	12, 15, 16				
2	05103856AA	2	3, 7	L	12, 15, 16				SWITCH, Power Window
		2	2, 6	L	11, 12, 14, 15, 16				
		2	2, 6	L	51, 52, 54, 55, 56				
3	05120604AA	1	2, 6	L	11, 12, 14, 15, 16				CONNECTOR
		1	2, 6	L	51, 52, 54, 55, 56				
		1	3, 7	L	12, 15, 16				
4	05133519AA	99	3, 7	L	12, 15, 16				TERMINAL, Female
		99	2, 6	L	11, 12, 14, 15, 16				
		99	2, 6	L	51, 52, 54, 55, 56				
5	05120782AA	1	3, 7	L	12, 15, 16				CONNECTOR
		1	2, 6	L	11, 12, 14, 15, 16				
		1	2, 6	L	51, 52, 54, 55, 56				
6	05103873AA	99	3, 7	L	12, 15, 16				TERMINAL
		99	2, 6	L	11, 12, 14, 15, 16				
		99	2, 6	L	51, 52, 54, 55, 56				
7	05123790AA	1	2, 6	L	51, 52, 54, 55, 56				BEZEL, Power Window/Door Lock Switch Left

SPRINTER (VA)

SERIES

L = LOWLINE

LINE

3 = HD DODGE 2WD  
6 = Lt. Duty DODGE 4WD  
2 = Med. Duty DODGE 2WD  
7 = Med. Duty DODGE 4WD

BODY

51 = WAGON WHEEL BASE 1 EX9 = Engine - 2.7L 5 Cly  
52 = WAGON WHEEL BASE 2 Mercedes Diesel  
14 = VAN WHEEL BASE 4  
15 = VAN WHEEL BASE 5  
16 = VAN WHEEL BASE 6  
54 = WAGON WHEEL BASE 4  
55 = WAGON WHEEL BASE 5  
56 = WAGON WHEEL BASE 6  
11 = VAN WHEEL BASE 1  
12 = VAN WHEEL BASE 2

ENGINE

TRANSMISSION

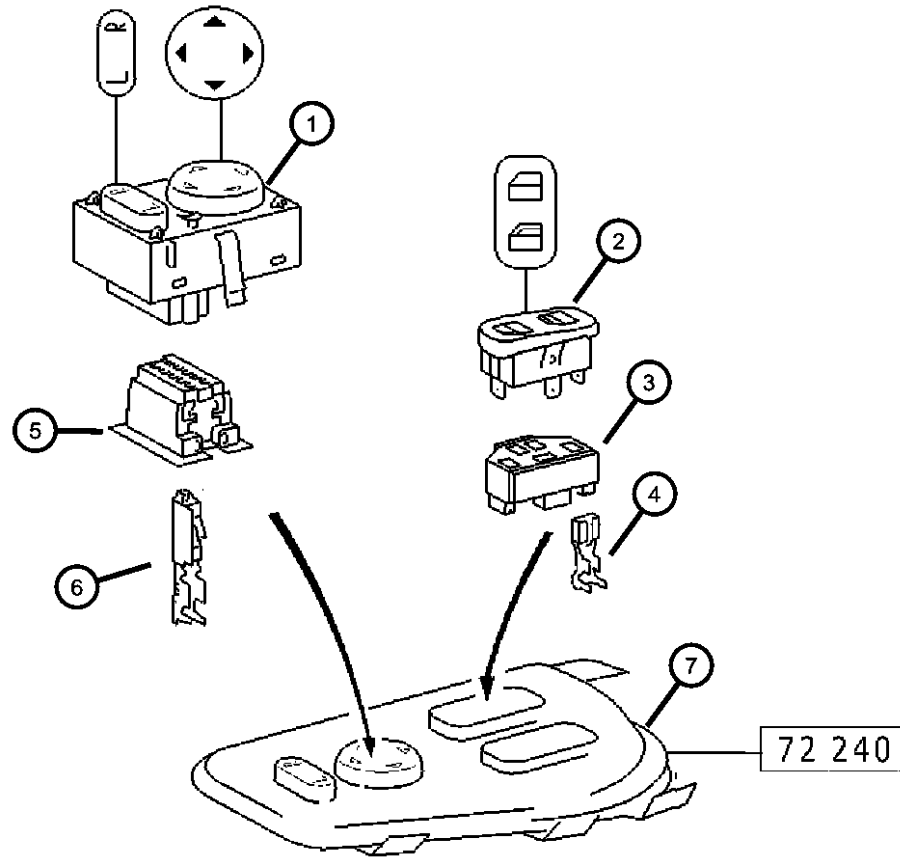
DGJ = Transmission-5-Spd. Automatic, W5A580

AR = use ase required - = Non illustrated part

2003 VA

Switches - Door  
Figure 8-815

ITEM	PART NUMBER	QTY	LINE	SERIES	BODY	ENGINE	TRANS	TRIM	DESCRIPTION
		1	3, 7	L	12, 15, 16				Left
		1	2, 6	L	11, 12, 14, 15, 16				Left
	05123791AA	1	2, 6	L	11, 12, 14, 15, 16				Right
		1	2, 6	L	51, 52, 54, 55, 56				Right
		1	3, 7	L	12, 15, 16				Right

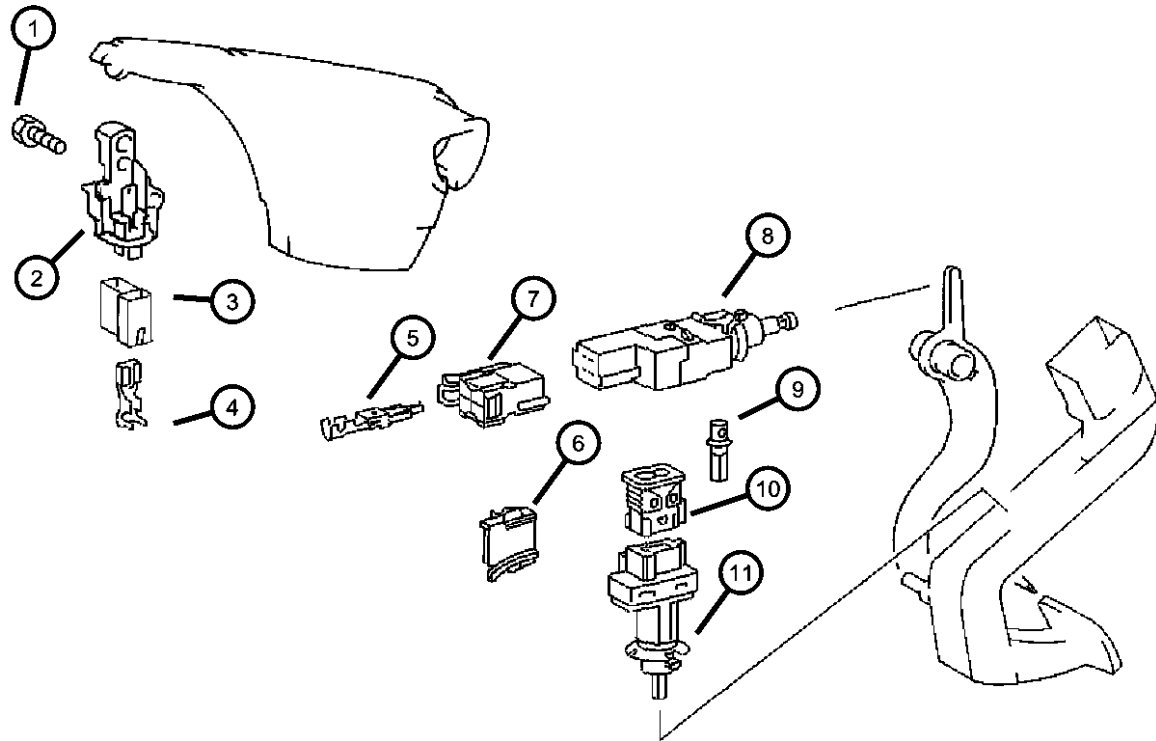


SPRINTER (VA)

SERIES	LINE	BODY	ENGINE	TRANSMISSION
L = LOWLINE	3 = HD DODGE 2WD	51 = WAGON WHEEL BASE 1	EX9 = Engine - 2.7L 5 Cly	DGJ = Transmission-5-Spd.
	6 = Lt. Duty DODGE 4WD	52 = WAGON WHEEL BASE 2	Mercedes Diesel	Automatic,W5A580
	2 = Med. Duty DODGE 2WD	14 = VAN WHEEL BASE 4		
	7 = Med. Duty DODGE 4WD	15 = VAN WHEEL BASE 5		
		16 = VAN WHEEL BASE 6		
		54 = WAGON WHEEL BASE 4		
		55 = WAGON WHEEL BASE 5		
		56 = WAGON WHEEL BASE 6		
		11 = VAN WHEEL BASE 1		
		12 = VAN WHEEL BASE 2		

AR = use ase required - = Non illustrated part

Switch Brake  
Figure 8-820



ITEM	PART NUMBER	QTY	LINE	SERIES	BODY	ENGINE	TRANS	TRIM	DESCRIPTION
1	05126147AA	1	2, 6	L	11, 12, 14, 15, 16				SCREW
		1	2, 6	L	51, 52, 54, 55, 56				
		1	3, 7	L	12, 15, 16				
2	05103540AA	1	2, 6	L	11, 12, 14, 15, 16				SWITCH, Parking Brake
		1	2, 6	L	51, 52, 54, 55, 56				
		1	3, 7	L	12, 15, 16				
3	05103754AA	2	2, 6	L	11, 12, 14, 15, 16				INSULATOR, 2 Way Female
		2	2, 6	L	51, 52, 54, 55, 56				
		2	3, 7	L	12, 15, 16				
4	05114451AA	99	3, 7	L	12, 15, 16				TERMINAL, Female
		99	2, 6	L	11, 12, 14, 15, 16				
		99	2, 6	L	51, 52, 54, 55, 56				
5	05133979AA	99	3, 7	L	12, 15, 16				TERMINAL
		99	2, 6	L	11, 12, 14, 15, 16				
		99	2, 6	L	51, 52, 54, 55, 56				
6	05120772AA	1	2, 6	L	11, 12, 14, 15, 16				CONNECTOR
		1	2, 6	L	51, 52, 54, 55, 56				
		1	3, 7	L	12, 15, 16				
7									INSULATOR, 4 Way

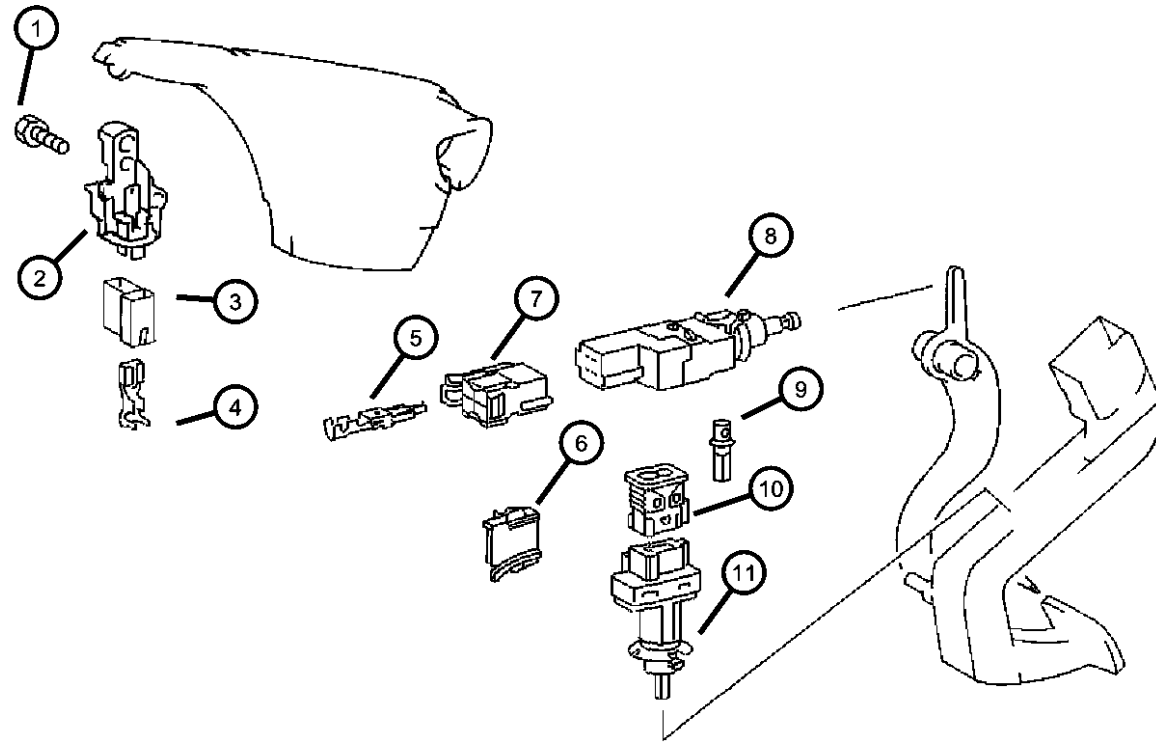
SPRINTER (VA)

SERIES	LINE	BODY	ENGINE	TRANSMISSION
L = LOWLINE	3 = HD DODGE 2WD 6 = Lt. Duty DODGE 4WD 2 = Med. Duty DODGE 2WD 7 = Med. Duty DODGE 4WD	51 = WAGON WHEEL BASE 1 52 = WAGON WHEEL BASE 2 14 = VAN WHEEL BASE 4 15 = VAN WHEEL BASE 5 16 = VAN WHEEL BASE 6 54 = WAGON WHEEL BASE 4 55 = WAGON WHEEL BASE 5 56 = WAGON WHEEL BASE 6 11 = VAN WHEEL BASE 1 12 = VAN WHEEL BASE 2	EX9 = Engine - 2.7L 5 Cly Mercedes Diesel	DGJ = Transmission-5-Spd. Automatic, W5A580

AR = use ase required - = Non illustrated part



Switch Brake  
Figure 8-820



ITEM	PART NUMBER	QTY	LINE	SERIES	BODY	ENGINE	TRANS	TRIM	DESCRIPTION
	05120776AA	1	2, 6	L	11, 12, 14, 15, 16				
		1	2, 6	L	51, 52, 54, 55, 56				
		1	3, 7	L	12, 15, 16				
8	05101496AA	1	2, 3, 6, 7	L			DGJ		SWITCH, Stop Lamp
	05103748AA	1	2, 6	L			DGJ		[BNB]
9									TERMINAL
	05133478AA	99	3, 7	L	12, 15, 16				
		99	2, 6	L	11, 12, 14, 15, 16				
		99	2, 6	L	51, 52, 54, 55, 56				
10	05120725AA	1	2, 6	L	11, 12, 14, 15, 16				INSULATOR, 2 Way Female
		1	2, 6	L	51, 52, 54, 55, 56				
		1	3, 7	L	12, 15, 16				
11	05098407AA	1	2, 6	L	11, 12, 14, 15, 16		DGJ		SWITCH, Clutch
		1	2, 6	L	51, 52, 54, 55, 56		DGJ		
		1	3, 7	L	12, 15, 16		DGJ		

SPRINTER (VA)

SERIES

L = LOWLINE

LINE

3 = HD DODGE 2WD  
6 = Lt. Duty DODGE 4WD  
2 = Med. Duty DODGE 2WD  
7 = Med. Duty DODGE 4WD

BODY

51 = WAGON WHEEL BASE 1  
52 = WAGON WHEEL BASE 2  
14 = VAN WHEEL BASE 4  
15 = VAN WHEEL BASE 5  
16 = VAN WHEEL BASE 6  
54 = WAGON WHEEL BASE 4  
55 = WAGON WHEEL BASE 5  
56 = WAGON WHEEL BASE 6  
11 = VAN WHEEL BASE 1  
12 = VAN WHEEL BASE 2

ENGINE

EX9 = Engine - 2.7L 5 Cly  
Mercedes Diesel

TRANSMISSION

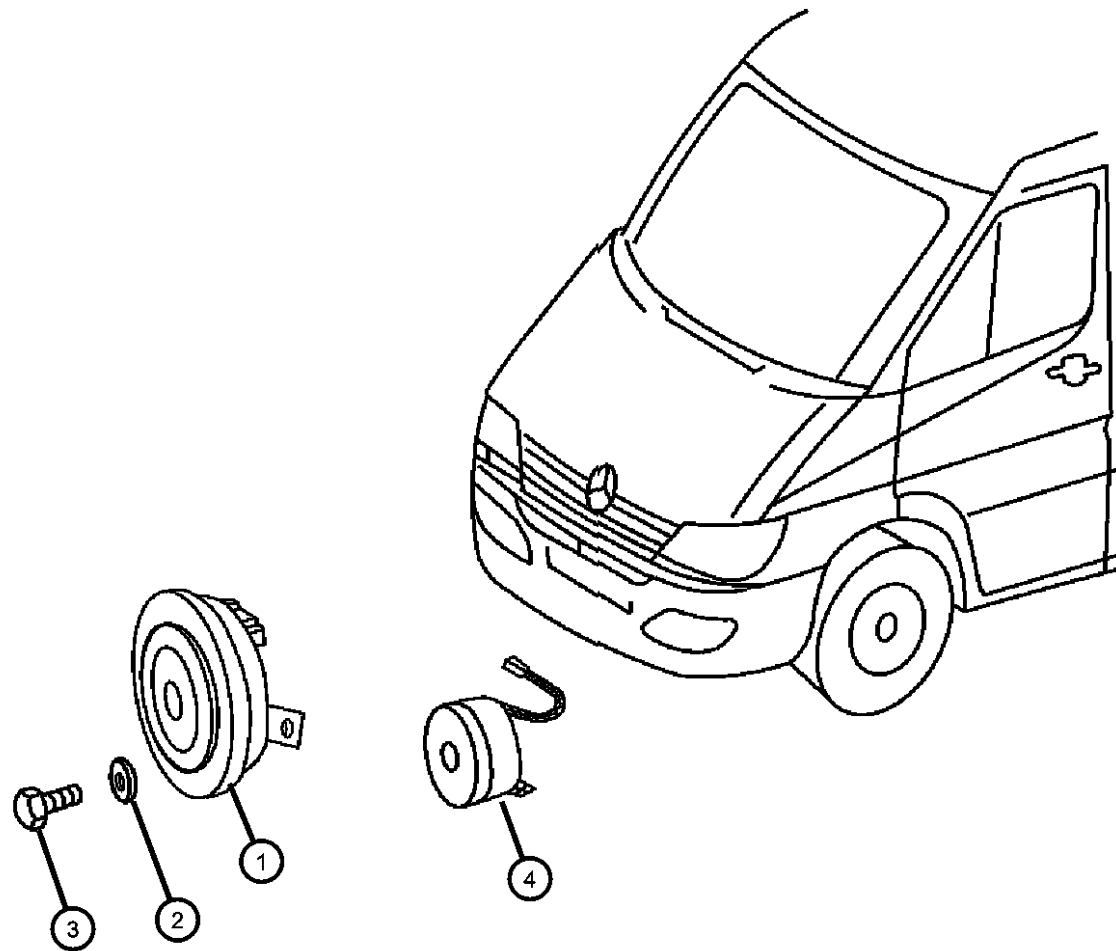
DGJ = Transmission-5-Spd.  
Automatic,W5A580

AR = use ase required - = Non illustrated part

2003 VA

Horns & Alarm  
Figure 8-905

ITEM	PART NUMBER	QTY	LINE	SERIES	BODY	ENGINE	TRANS	TRIM	DESCRIPTION
1	05120370AA	1	2, 6	L	11, 12, 14, 15, 16				HORN
		1	2, 6	L	51, 52, 54, 55, 56				
		1	3, 7	L	12, 15, 16				
2	05104669AA	1	2, 6	L	11, 12, 14, 15, 16				LOCK WASHER
		1	2, 6	L	51, 52, 54, 55, 56				
		1	3, 7	L	12, 15, 16				
3	06104195AA	1	3, 7	L	12, 15, 16				SCREW
		1	2, 6	L	11, 12, 14, 15, 16				
		1	2, 6	L	51, 52, 54, 55, 56				
4	05103852AA	1	2, 6	L	11, 12, 14, 15, 16				ALARM
		1	2, 6	L	51, 52, 54, 55, 56				Up to 11/26/03 back up warning
		1	3, 7	L	12, 15, 16				Up to 11/26/03 back up warning
	05135946AA	1	2, 6	L	11, 12, 14, 15, 16				After 11/26/03 back up warning
		1	2, 6	L	51, 52, 54, 55, 56				After 11/26/03 back up warning
		1	3, 7	L	12, 15, 16				After 11/26/03 back up warning



SPRINTER (VA)

SERIES

L = LOWLINE

LINE

3 = HD DODGE 2WD  
6 = Lt. Duty DODGE 4WD  
2 = Med. Duty DODGE 2WD  
7 = Med. Duty DODGE 4WD

BODY

51 = WAGON WHEEL BASE 1  
52 = WAGON WHEEL BASE 2  
14 = VAN WHEEL BASE 4  
15 = VAN WHEEL BASE 5  
16 = VAN WHEEL BASE 6  
54 = WAGON WHEEL BASE 4  
55 = WAGON WHEEL BASE 5  
56 = WAGON WHEEL BASE 6  
11 = VAN WHEEL BASE 1  
12 = VAN WHEEL BASE 2

ENGINE

EX9 = Engine - 2.7L 5 Cly  
Mercedes Diesel

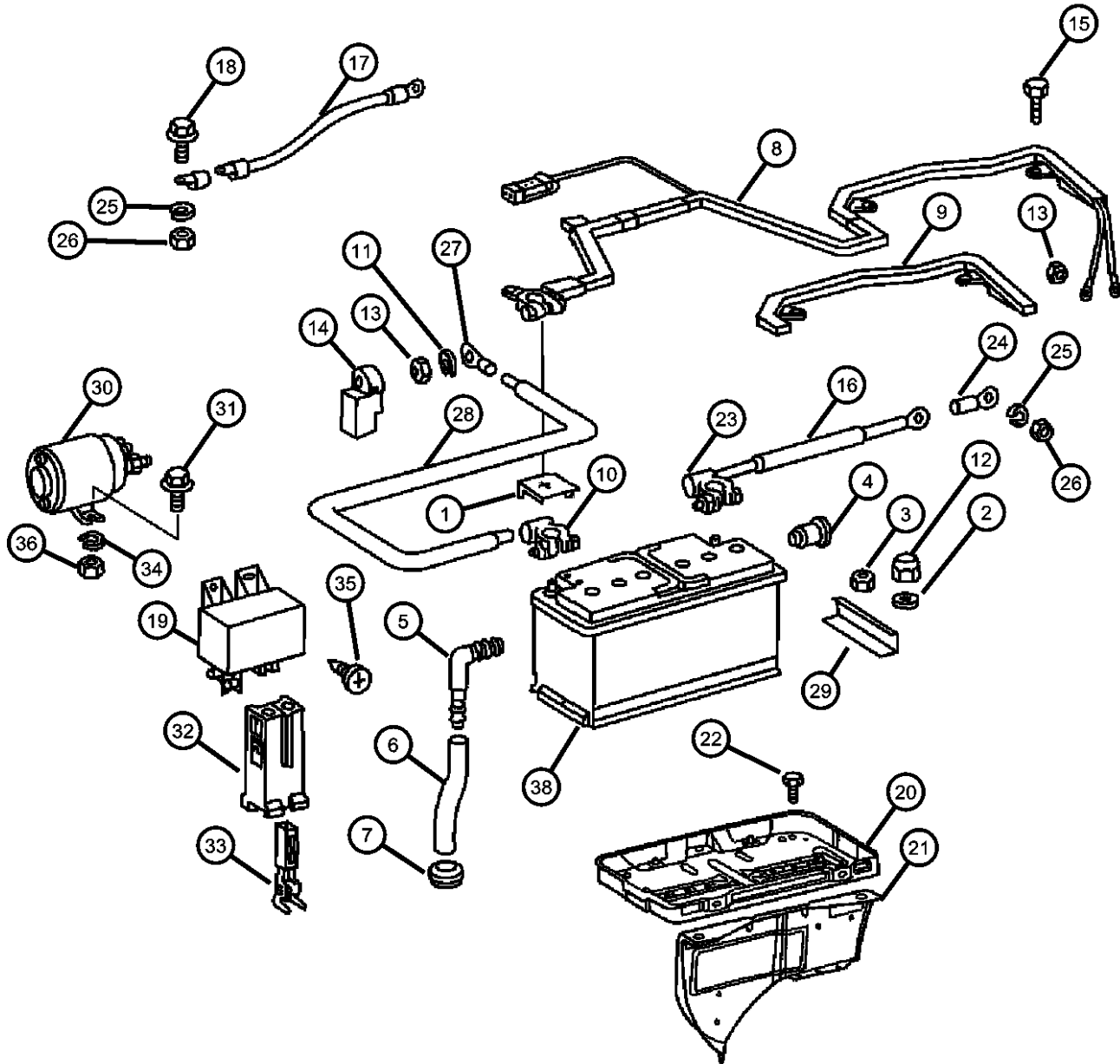
TRANSMISSION

DGJ = Transmission-5-Spd.  
Automatic,W5A580

AR = use ase required - = Non illustrated part

2003 VA

**Battery Tray & Cables**  
**Figure 8-1005**



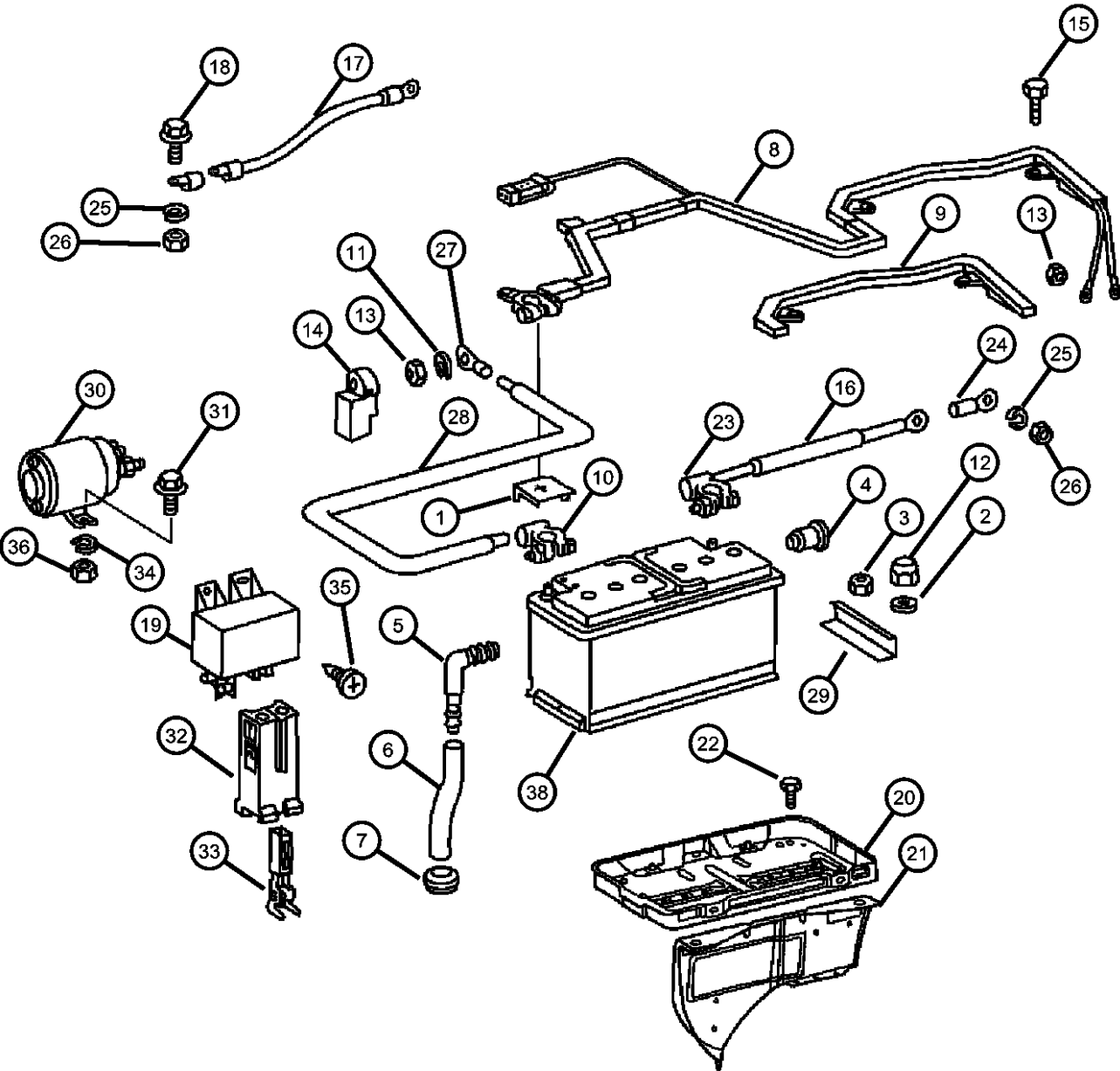
ITEM	PART NUMBER	QTY	LINE	SERIES	BODY	ENGINE	TRANS	TRIM	DESCRIPTION
1	05098850AA	1	2, 6	L	11, 12, 14, 15, 16				COVER, Battery Terminal
		1	2, 6	L	51, 52, 54, 55, 56				
		1	3, 7	L	12, 15, 16				
2	05104612AA	2	3, 7	L	12, 15, 16				WASHER, Flat
		2	2, 6	L	51, 52, 54, 55, 56				
3	05126254AA	2	2, 6	L	12, 14, 15, 16, 11				NUT
		2	2, 6	L	51, 52, 54, 55, 56				
		2	3, 7	L	12, 15, 16				
4	05099303AA	1	2, 6	L	11, 12, 14, 15, 16				PLUG
		1	2, 6	L	51, 52, 54, 55, 56				
		1	3, 7	L	12, 15, 16				
5	05125802AA	1	2, 6	L	11, 12, 14, 15, 16				ELBOW, Male Adapter
		1	2, 6	L	51, 52, 54, 55, 56				
		1	3, 7	L	15, 16, 12				
6	05125962AA	75	2, 6	L	11, 12, 14, 15, 16				HOSE, Battery Vent 10 Meters Long
		75	2, 6	L	51, 52, 54, 55, 56				10 Meters Long
		75	3, 7	L	12, 15, 16				10 Meters Long
7	05125940AA	1	2, 6	L	11, 12, 14, 15, 16				GROMMET, Floor
		1	2, 6	L	51, 52, 54, 55, 56				

**SPRINTER (VA)**

<b>SERIES</b>	<b>LINE</b>	<b>BODY</b>	<b>ENGINE</b>	<b>TRANSMISSION</b>
L = LOWLINE	3 = HD DODGE 2WD 6 = Lt. Duty DODGE 4WD 2 = Med. Duty DODGE 2WD 7 = Med. Duty DODGE 4WD	51 = WAGON WHEEL BASE 1 52 = WAGON WHEEL BASE 2 14 = VAN WHEEL BASE 4 15 = VAN WHEEL BASE 5 16 = VAN WHEEL BASE 6 54 = WAGON WHEEL BASE 4 55 = WAGON WHEEL BASE 5 56 = WAGON WHEEL BASE 6 11 = VAN WHEEL BASE 1 12 = VAN WHEEL BASE 2	EX9 = Engine - 2.7L 5 Cly Mercedes Diesel	DGJ = Transmission-5-Spd. Automatic,W5A580

AR = use ase required - = Non illustrated part

**Battery Tray & Cables**  
**Figure 8-1005**



ITEM	PART NUMBER	QTY	LINE	SERIES	BODY	ENGINE	TRANS	TRIM	DESCRIPTION
8		1	3, 7	L	12, 15, 16				CABLE, Battery Positive
	05120157AA	1		L		EX9			With Pre-Fuse Box Connection Wiring
	05120180AA	1	2, 6	L	11, 12, 14, 15, 16	EX9			Without Pre-Fuse Box Connection Wiring
		1	2, 6	L	51, 52, 54, 55, 56	EX9			Without Pre-Fuse Box Connection Wiring
		1	3, 7	L	12, 15, 16	EX9			Without Pre-Fuse Box Connection Wiring
9		1	2, 6	L	11, 12, 14, 15, 16	EX9			COVER, Wiring Protector
	05120950AA	1	2, 6	L	11, 12, 14, 15, 16	EX9			
		1	2, 6	L	51, 52, 54, 55, 56	EX9			
		1	3, 7	L	12, 15, 16	EX9			
10		1	2, 6	L	11, 12, 14, 15, 16				TERMINAL, Battery
	05120949AA	1	2, 6	L	11, 12, 14, 15, 16				
		1	2, 6	L	51, 52, 54, 55, 56				
		1	3, 7	L	12, 15, 16				
11		1	6, 2	L	11, 12, 14, 15, 16				LOCK WASHER
	05104669AA	1	2, 6	L	51, 52, 54, 55, 56				
		1	3, 7	L	12, 15, 16				
12		99	3, 7	L	12, 15, 16				NUT
	05133943AA	2	2, 6	L	11, 12, 14, 15, 16				
		2	2, 6	L	55, 56, 51, 52, 54				
13		1	2, 6	L	11, 12, 14, 15, 16				NUT, M8
	06104709AA	1	2, 6	L	51, 52, 54, 55, 56				

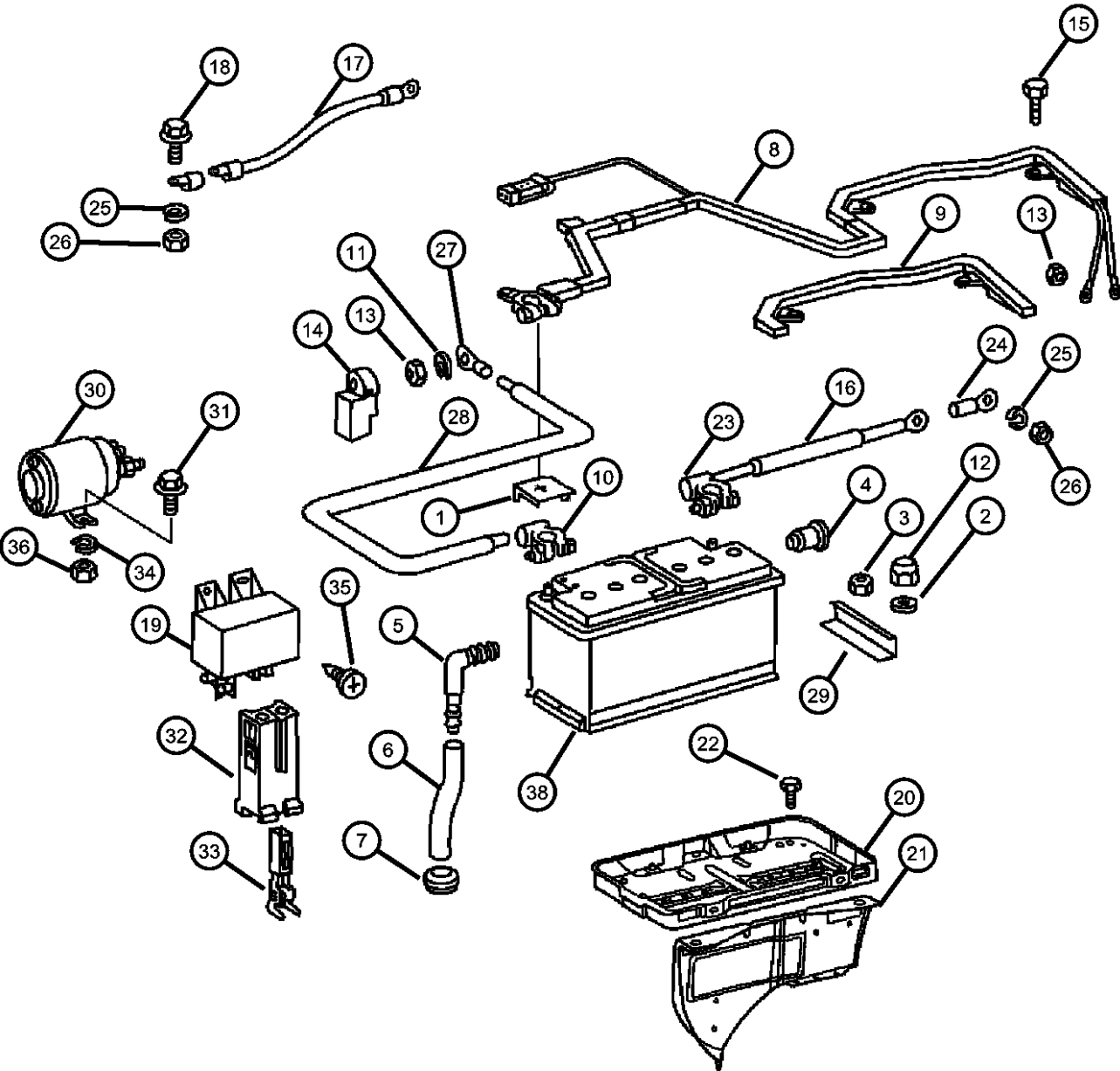
**SPRINTER (VA)**

<b>SERIES</b>	<b>LINE</b>	<b>BODY</b>	<b>ENGINE</b>	<b>TRANSMISSION</b>
L = LOWLINE	3 = HD DODGE 2WD 6 = Lt. Duty DODGE 4WD 2 = Med. Duty DODGE 2WD 7 = Med. Duty DODGE 4WD	51 = WAGON WHEEL BASE 1 52 = WAGON WHEEL BASE 2 14 = VAN WHEEL BASE 4 15 = VAN WHEEL BASE 5 16 = VAN WHEEL BASE 6 54 = WAGON WHEEL BASE 4 55 = WAGON WHEEL BASE 5 56 = WAGON WHEEL BASE 6 11 = VAN WHEEL BASE 1 12 = VAN WHEEL BASE 2	EX9 = Engine - 2.7L 5 Cly Mercedes Diesel	DGJ = Transmission-5-Spd. Automatic, W5A580

AR = use ase required - = Non illustrated part

Battery Tray & Cables

Figure 8-1005

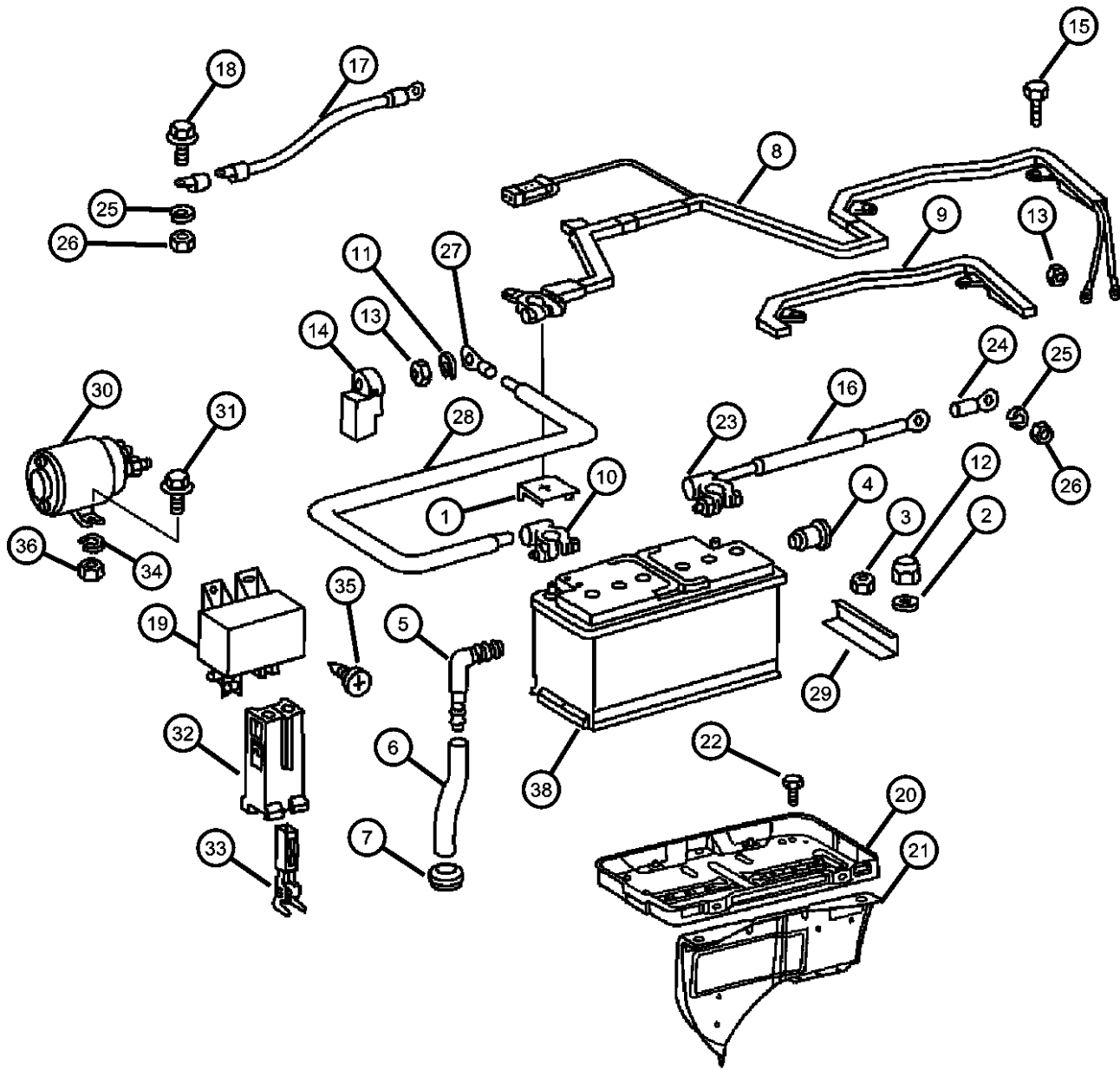


ITEM	PART NUMBER	QTY	LINE	SERIES	BODY	ENGINE	TRANS	TRIM	DESCRIPTION
14		1	3, 7	L	12, 15, 16				COVER, Battery Terminal
	05120925AA	1	2, 6	L	11, 12, 14, 15, 16				
		1	2, 6	L	51, 52, 54, 55, 56				
		1	3, 7	L	12, 15, 16				
15		2	2, 6	L	11, 12, 14, 15, 16				SCREW
	05073824AA	2	2, 6	L	11, 12, 14, 15, 16				
		2	2, 6	L	51, 52, 54, 55, 56				
		2	3, 7	L	12, 15, 16				
16		1	2, 6	L	11, 12, 14, 15, 16				CABLE, Battery Negative 10 Meters Long
	05120219AA	1	2, 6	L	11, 12, 14, 15, 16				
		1	2, 6	L	51, 52, 54, 55, 56				10 Meters Long
		1	3, 7	L	12, 15, 16				10 Meters Long
	05133954AA	100	2, 6	L	11, 12, 14, 15, 16				10 Meters Long
		100	2, 6	L	51, 52, 54, 55, 56				10 Meters Long
		100	3, 7	L	12, 15, 16				10 Meters Long
17									STRAP, Ground
	05120226AA	1	2, 6	L	11, 12, 14, 15, 16				
		1	2, 6	L	51, 52, 54, 55, 56				
		1	3, 7	L	12, 15, 16				
18									BOLT
	05126259AA	1	2, 6	L	11, 12, 14, 15, 16				Ground Cable to Fire Wall
		1	2, 6	L	51, 52, 54, 55, 56				Ground Cable to Fire Wall
		1	3, 7	L	12, 15, 16				Ground Cable to Fire Wall
	05126260AA	1	2, 6	L	11, 12, 14, 15, 16				Ground Cable to Body

**SPRINTER (VA)**  
 SERIES      LINE      BODY      ENGINE      TRANSMISSION  
 L = LOWLINE    3 = HD DODGE 2WD    51 = WAGON WHEEL BASE 1    EX9 = Engine - 2.7L 5 Cly    DGJ = Transmission-5-Spd.  
                   6 = Lt. Duty DODGE 4WD    52 = WAGON WHEEL BASE 2    Mercedes Diesel    Automatic,W5A580  
                   2 = Med. Duty DODGE 2WD  
                   7 = Med. Duty DODGE 4WD  
   14 = VAN WHEEL BASE 4  
   15 = VAN WHEEL BASE 5  
   16 = VAN WHEEL BASE 6  
   54 = WAGON WHEEL BASE 4  
   55 = WAGON WHEEL BASE 5  
   56 = WAGON WHEEL BASE 6  
   11 = VAN WHEEL BASE 1  
   12 = VAN WHEEL BASE 2

AR = use ase required - = Non illustrated part

**Battery Tray & Cables**  
**Figure 8-1005**



ITEM	PART NUMBER	QTY	LINE	SERIES	BODY	ENGINE	TRANS	TRIM	DESCRIPTION
		1	2, 6	L	51, 52, 54, 55, 56				Ground Cable to Body
		1	3, 7	L	12, 15, 16				Ground Cable to Body
19	05120361AA	1	2, 6	L	11, 12, 14, 15, 16				RELAY
		1	2, 6	L	51, 52, 54, 55, 56				
		1	3, 7	L	12, 15, 16				
20	05125223AA	1	2, 6	L	11, 12, 14, 15, 16				TRAY, Battery
	0VU01205								Repair Battery Terminal End Top Post ( Ten Per Box)
	0VU01207								Repair Battery Terminal End Side Post ( Ten Per Box)
	BA049850EX								Mopar Power Pro 6
		1	3, 7	L	12, 15, 16				
	0VU01205								Repair Battery Terminal End Top Post ( Ten Per Box)
	0VU01207								Repair Battery Terminal End Side Post ( Ten Per Box)
	BA049850EX								Mopar Power Pro 6
		1	2, 6	L	51, 52, 54, 55, 56				
	0VU01205								Repair Battery Terminal End Top Post ( Ten Per Box)
	0VU01207								Repair Battery Terminal End Side Post ( Ten Per Box)
	BA049850EX								Mopar Power Pro 6
21									BRACKET, Battery Tray
	05104157AA	1	2, 6	L	11, 12, 14, 15, 16				
		1	3, 7	L	12, 15, 16				
		1	2, 6	L	51, 52, 54, 55, 56				
22									BOLT, Hex Head
	05126227AA	2	3, 7	L	12, 15, 16				

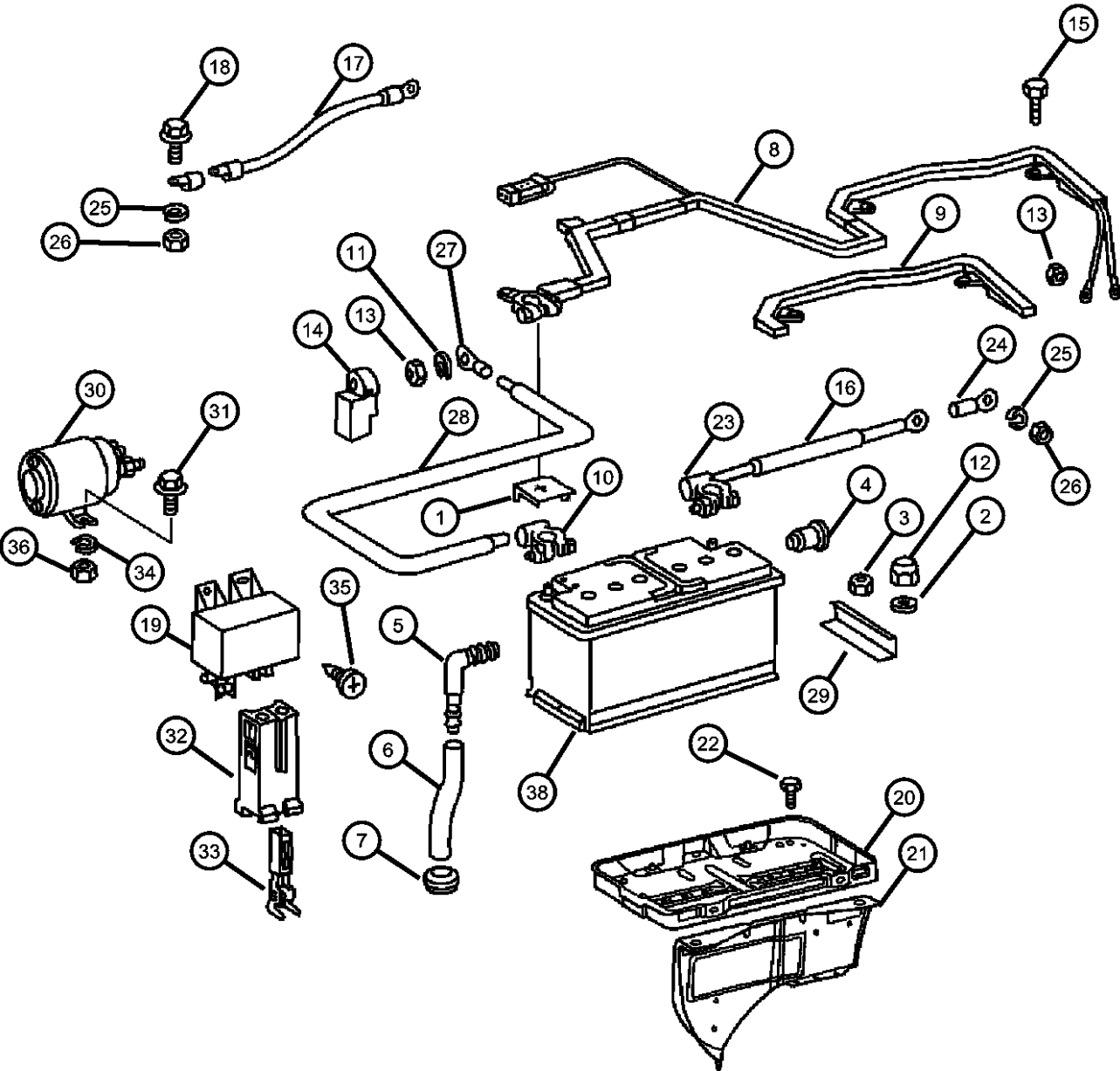
**SPRINTER (VA)**

SERIES	LINE	BODY	ENGINE	TRANSMISSION
L = LOWLINE	3 = HD DODGE 2WD 6 = Lt. Duty DODGE 4WD 2 = Med. Duty DODGE 2WD 7 = Med. Duty DODGE 4WD	51 = WAGON WHEEL BASE 1 52 = WAGON WHEEL BASE 2 14 = VAN WHEEL BASE 4 15 = VAN WHEEL BASE 5 16 = VAN WHEEL BASE 6 54 = WAGON WHEEL BASE 4 55 = WAGON WHEEL BASE 5 56 = WAGON WHEEL BASE 6 11 = VAN WHEEL BASE 1 12 = VAN WHEEL BASE 2	EX9 = Engine - 2.7L 5 Cly Mercedes Diesel	DGJ = Transmission-5-Spd. Automatic, W5A580

AR = use ase required - = Non illustrated part

Battery Tray & Cables

Figure 8-1005



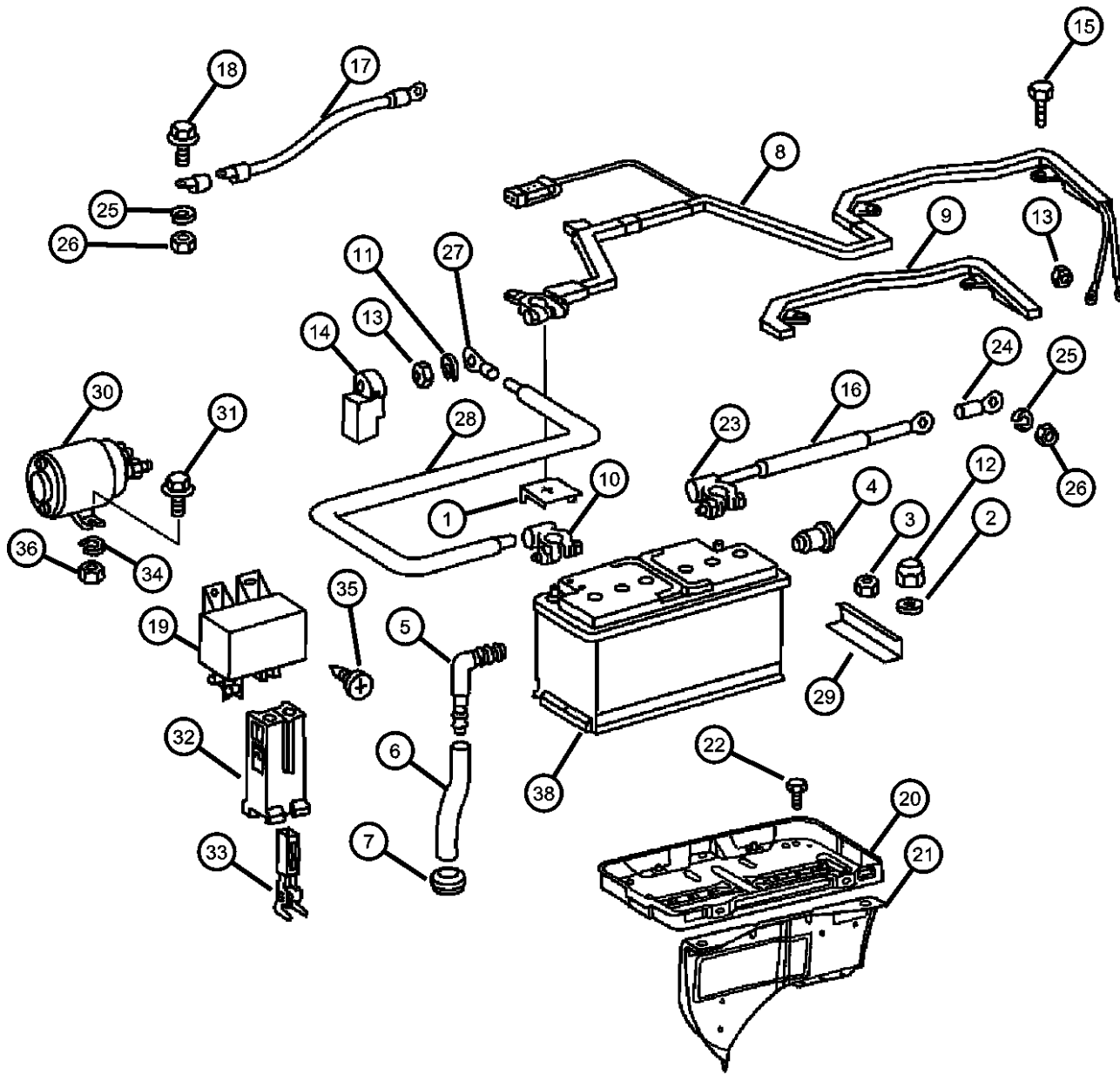
ITEM	PART NUMBER	QTY	LINE	SERIES	BODY	ENGINE	TRANS	TRIM	DESCRIPTION
		2	2, 6	L	11, 12, 14, 15, 16				
		2	2, 6	L	51, 52, 54, 55, 56				
23	05133952AA	1	2, 6	L	11, 12, 14, 15, 16				TERMINAL, Battery
		1	2, 6	L	51, 52, 54, 55, 56				
		1	3, 7	L	12, 15, 16				
24	05133953AA	1	2, 6	L	11, 12, 14, 15, 16				TERMINAL, Eyelet
		1	2, 6	L	51, 52, 54, 55, 56				
		1	3, 7	L	12, 15, 16				
25	05104669AA	1	2, 6	L	11, 12, 14, 15, 16				LOCK WASHER
		1	2, 6	L	51, 52, 54, 55, 56				
		1	3, 7	L	16, 12, 15				
26	05126206AA	1	3, 7	L	12, 15, 16				NUT
		1	2, 6	L	11, 12, 14, 15, 16				
		1	2, 6	L	51, 52, 54, 55, 56				
27	05133950AA	1	3, 7	L	12, 15, 16				WASHER, Spring
		1	2, 6	L	11, 12, 14, 15, 16				
	05133951AA	99	3, 7	L	12, 15, 16				CABLE, Battery Positive
		900	2, 6	L	11, 12, 14, 15, 16				10 Meters Long
		900	2, 6	L	51, 52, 54, 55, 56				10 Meters Long

**SPRINTER (VA)**

<b>SERIES</b>	<b>LINE</b>	<b>BODY</b>	<b>ENGINE</b>	<b>TRANSMISSION</b>
L = LOWLINE	3 = HD DODGE 2WD 6 = Lt. Duty DODGE 4WD 2 = Med. Duty DODGE 2WD 7 = Med. Duty DODGE 4WD	51 = WAGON WHEEL BASE 1 52 = WAGON WHEEL BASE 2 14 = VAN WHEEL BASE 4 15 = VAN WHEEL BASE 5 16 = VAN WHEEL BASE 6 54 = WAGON WHEEL BASE 4 55 = WAGON WHEEL BASE 5 56 = WAGON WHEEL BASE 6 11 = VAN WHEEL BASE 1 12 = VAN WHEEL BASE 2	EX9 = Engine - 2.7L 5 Cly Mercedes Diesel	DGJ = Transmission-5-Spd. Automatic, W5A580

AR = use ase required - = Non illustrated part

**Battery Tray & Cables**  
**Figure 8-1005**



ITEM	PART NUMBER	QTY	LINE	SERIES	BODY	ENGINE	TRANS	TRIM	DESCRIPTION
29		900	3, 7	L	12, 15, 16				10 Meters Long RAIL
	05121607AA	2	2, 6	L	11, 12, 14, 15, 16				
		2	2, 6	L	51, 52, 54, 55, 56				
		2	3, 7	L	15, 16, 12				
30									RELAY
	05133946AA	1	3, 7	L	12, 15, 16				
		1	2, 6	L	11, 12, 14, 15, 16				
		1	2, 6	L	51, 52, 54, 55, 56				
31									BOLT
	05133947AA	2	3, 7	L	12, 15, 16				
		2	2, 6	L	11, 12, 14, 15, 16				
		2	2, 6	L	51, 52, 54, 55, 56				
32									CONNECTOR
	05133944AA	1	3, 7	L	12, 15, 16				
		1	2, 6	L	11, 12, 14, 15, 16				
		1	2, 6	L	56, 51, 52, 54, 55				
33									TERMINAL
	05133945AA	2	3, 7	L	12, 15, 16				
		1	2, 6	L	11, 12, 14, 15, 16				
		1	2, 6	L	51, 52, 54, 55, 56				
34									WASHER, Lock
	05104668AA	2	3, 7	L	12, 15, 16				
		2	2, 6	L	11, 12, 14, 15, 16				
		2	2, 6	L	51, 52, 54, 55, 56				
35	05104609AA	4		L					SCREW

**SPRINTER (VA)**

**SERIES**

L = LOWLINE

**LINE**

3 = HD DODGE 2WD  
6 = Lt. Duty DODGE 4WD  
2 = Med. Duty DODGE 2WD  
7 = Med. Duty DODGE 4WD

**BODY**

51 = WAGON WHEEL BASE 1 EX9 = Engine - 2.7L 5 Cly  
52 = WAGON WHEEL BASE 2 Mercedes Diesel  
14 = VAN WHEEL BASE 4  
15 = VAN WHEEL BASE 5  
16 = VAN WHEEL BASE 6  
54 = WAGON WHEEL BASE 4  
55 = WAGON WHEEL BASE 5  
56 = WAGON WHEEL BASE 6  
11 = VAN WHEEL BASE 1  
12 = VAN WHEEL BASE 2

**ENGINE**

**TRANSMISSION**

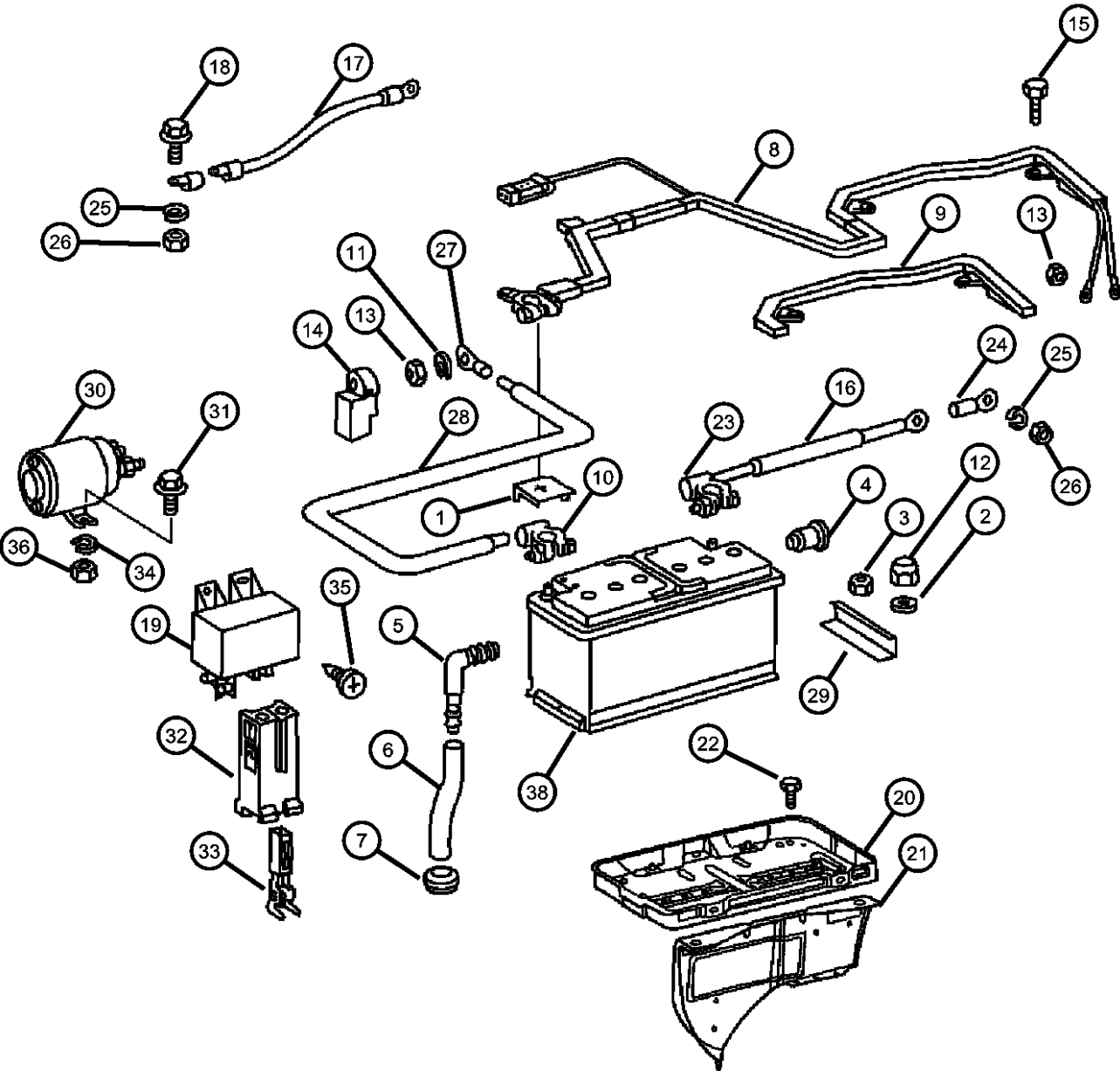
DGJ = Transmission-5-Spd.  
Automatic,W5A580

AR = use ase required - = Non illustrated part

2003 VA



**Battery Tray & Cables**  
**Figure 8-1005**



ITEM	PART NUMBER	QTY	LINE	SERIES	BODY	ENGINE	TRANS	TRIM	DESCRIPTION
36									NUT, Hex
	05133948AA	2	3, 7	L	12, 15, 16				
		2	2, 6	L	11, 12, 14, 15, 16				
		2	2, 6	L	54, 55, 56, 51, 52				
-37									FUSE
	05104596AA	1							200 AMP [located near battery]
	05104600AA	1							125 AMP [located near battery]
38									BATTERY
	05133941AA	1	2, 6	L	11, 12, 14, 15, 16				[BC1] Under seat
	BB049850AA								Mopar Replacement Battery (72 Series)
		1	2, 6	L	51, 52, 54, 55, 56				[BC1] Under seat
	BB049850AA								Mopar Replacement Battery (72 Series)
		1	3, 7	L	12, 15, 16				[BC1] Under seat
	BB049850AA								Mopar Replacement Battery (72 Series)
	BA049850EX	1	2, 3, 6, 7						With [BDC]
		1	2, 6	L	11, 12, 14, 15, 16	EX9			With [BDC]
		1	2, 6	L	51, 52, 54, 55, 56	EX9			With [BDC]
		1	3, 7	L	12, 15, 16	EX9			With [BDC]

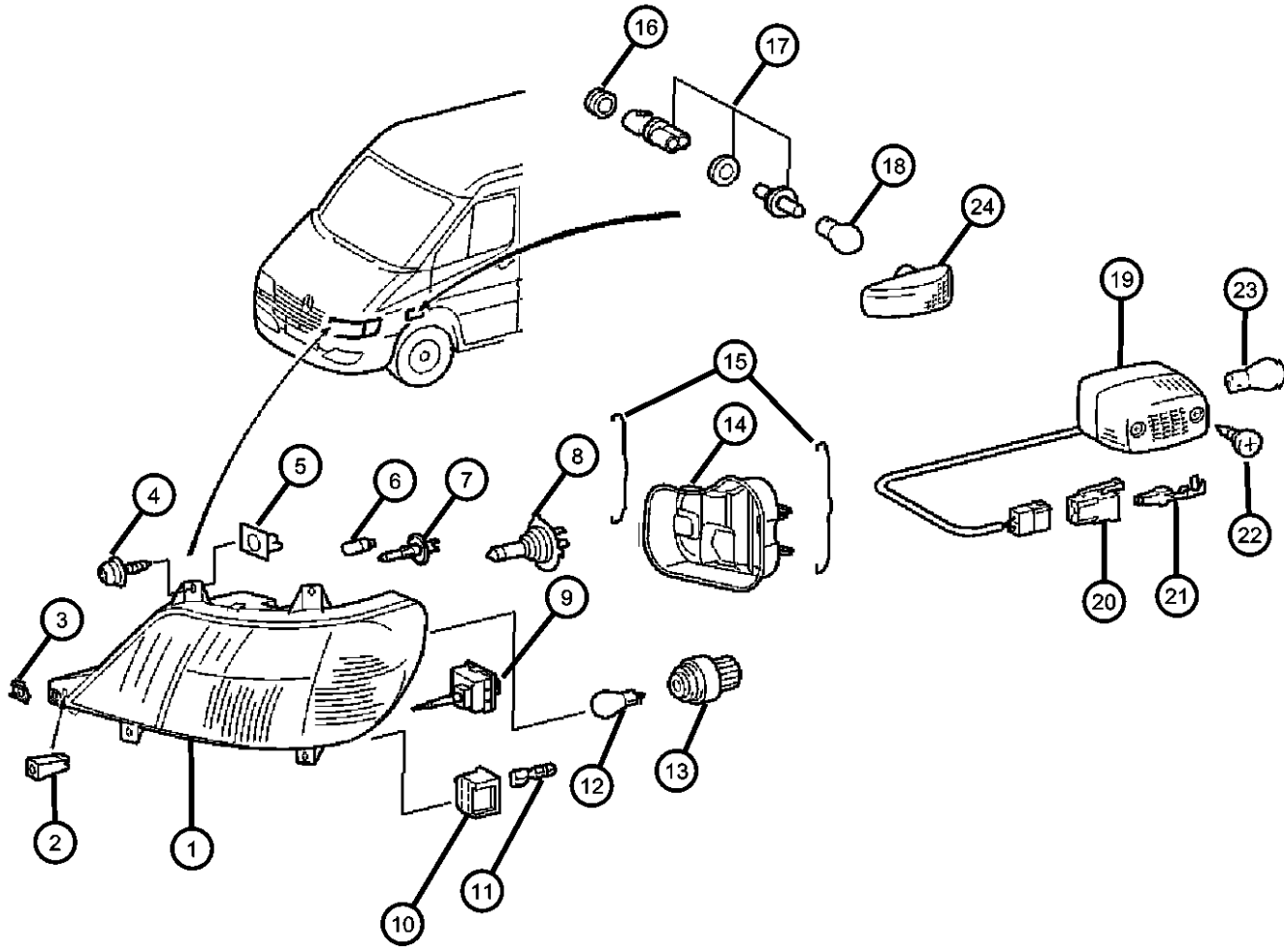
**SPRINTER (VA)**

<b>SERIES</b>	<b>LINE</b>	<b>BODY</b>	<b>ENGINE</b>	<b>TRANSMISSION</b>
L = LOWLINE	3 = HD DODGE 2WD 6 = Lt. Duty DODGE 4WD 2 = Med. Duty DODGE 2WD 7 = Med. Duty DODGE 4WD	51 = WAGON WHEEL BASE 1 52 = WAGON WHEEL BASE 2 14 = VAN WHEEL BASE 4 15 = VAN WHEEL BASE 5 16 = VAN WHEEL BASE 6 54 = WAGON WHEEL BASE 4 55 = WAGON WHEEL BASE 5 56 = WAGON WHEEL BASE 6 11 = VAN WHEEL BASE 1 12 = VAN WHEEL BASE 2	EX9 = Engine - 2.7L 5 Cly Mercedes Diesel	DGJ = Transmission-5-Spd. Automatic,W5A580

AR = use ase required - = Non illustrated part

Lamps - Front End  
Figure 8-1105

ITEM	PART NUMBER	QTY	LINE	SERIES	BODY	ENGINE	TRANS	TRIM	DESCRIPTION
1									LAMP, Headlamp Park And Turn
	05103598AA	1	6	L	11, 12, 14, 15, 16				[MGQ], Left
		1	7	L	12, 15, 16				[MGQ], Left
		1	6	L	51, 52, 54, 55, 56				[MGQ], Left
		1	6	L	11, 12, 14, 15, 16				[MCQ], Left
		1	6	L	51, 52, 54, 55, 56				[MCQ], Left
		1	7	L	12, 15, 16				[MCQ], Left
	05103599AA	1	6	L	11, 12, 14, 15, 16				[MGQ], Right
		1	7	L	12, 15, 16				[MGQ], Right
		1	6	L	51, 52, 54, 55, 56				[MGQ], Right
		1	6	L	11, 12, 14, 15, 16				[MCQ], Right
		1	6	L	51, 52, 54, 55, 56				[MCQ], Right
		1	7	L	12, 15, 16				[MCQ], Right
	05104469AA	1	2, 6	L	11, 12, 14, 15, 16				[LNJ] [MGQ], Right
		1	3, 7	L	12, 15, 16				[LNJ] [MGQ], Right
		1	2, 6	L	51, 52, 54, 55, 56				[LNJ] [MGQ], Right
		1	2, 6	L	11, 12, 14, 15, 16				[LNJ] [4XS], Right
		1	2, 6	L	51, 52, 54, 55, 56				[LNJ] [4XS], Right
		1	3, 7	L	12, 15, 16				[LNJ] [4XS], Right
	05124503AA	1	2, 6	L	11, 12, 14, 15, 16				[LNJ], Left
		1	3, 7	L	12, 15, 16				[LNJ], Left
		1	2, 6	L	51, 52, 54, 55, 56				[LNJ], Left
	05124505AA	1	2, 6	L	11, 12, 14, 15, 16				[LNJ], Right
		1	3, 7	L	12, 15, 16				[LNJ], Right
		1	2, 6	L	51, 52, 54, 55, 56				[LNJ], Right



SPRINTER (VA)

SERIES

L = LOWLINE

LINE

3 = HD DODGE 2WD  
6 = Lt. Duty DODGE 4WD  
2 = Med. Duty DODGE 2WD  
7 = Med. Duty DODGE 4WD

BODY

51 = WAGON WHEEL BASE 1  
52 = WAGON WHEEL BASE 2  
14 = VAN WHEEL BASE 4  
15 = VAN WHEEL BASE 5  
16 = VAN WHEEL BASE 6  
54 = WAGON WHEEL BASE 4  
55 = WAGON WHEEL BASE 5  
56 = WAGON WHEEL BASE 6  
11 = VAN WHEEL BASE 1  
12 = VAN WHEEL BASE 2

ENGINE

EX9 = Engine - 2.7L 5 Cyl  
Mercedes Diesel

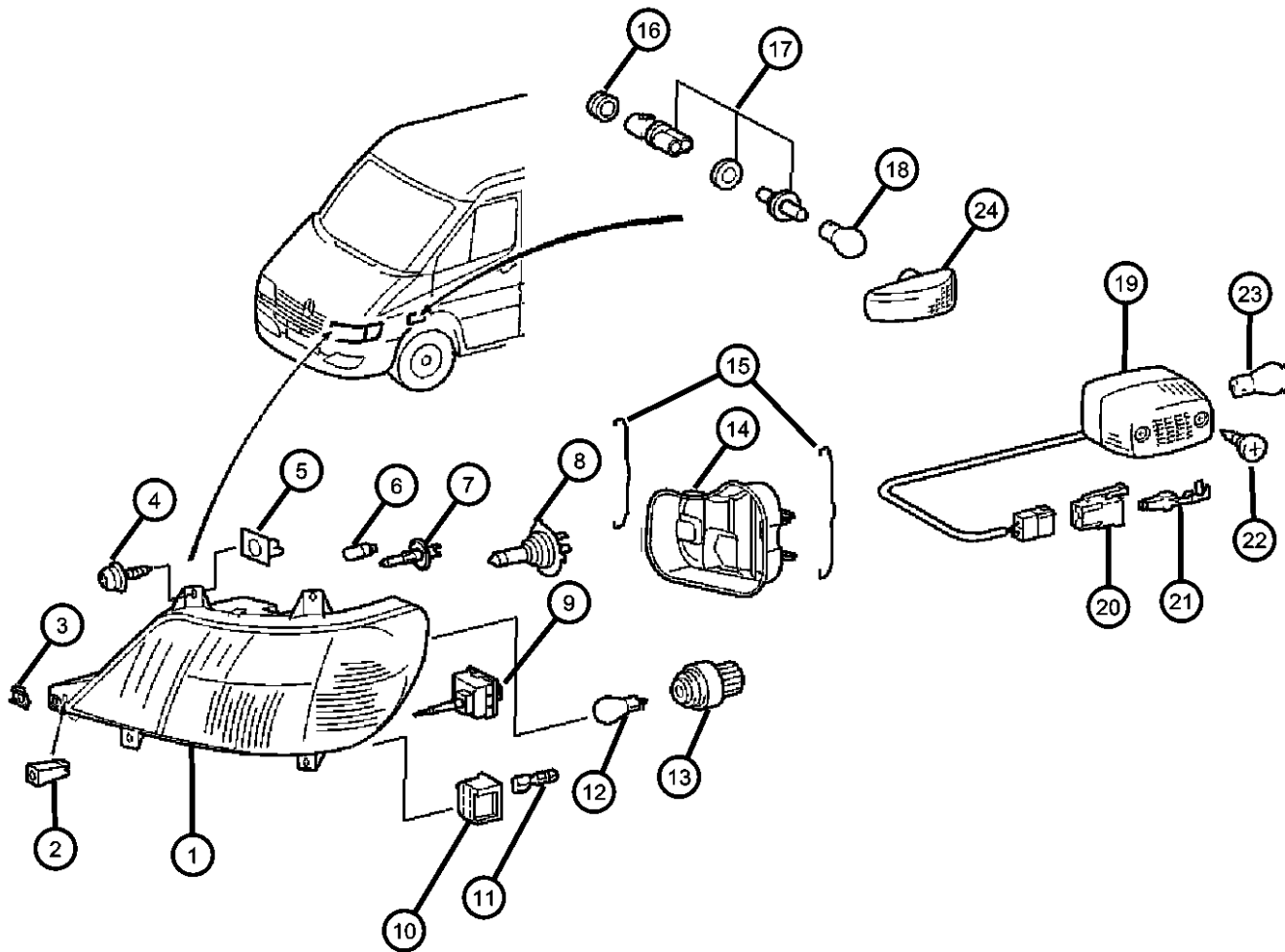
TRANSMISSION

DGJ = Transmission-5-Spd.  
Automatic, W5A580

AR = use ase required - = Non illustrated part

2003 VA

Lamps - Front End  
Figure 8-1105



ITEM	PART NUMBER	QTY	LINE	SERIES	BODY	ENGINE	TRANS	TRIM	DESCRIPTION
	05124510AA	1	2, 6	L	11, 12, 14, 15, 16				[LNJ] [MGQ], Left
		1	3, 7	L	12, 15, 16				[LNJ] [MGQ], Left
		1	2, 6	L	51, 52, 54, 55, 56				[LNJ] [MGQ], Left
		1	2, 6	L	11, 12, 14, 15, 16				[LNJ] [4XS], Left
		1	2, 6	L	51, 52, 54, 55, 56				[LNJ] [4XS], Left
	05124526AA	1	3, 7	L	12, 15, 16				[LNJ] [4XS], Left
		1	2	L	11, 12, 14, 15, 16				[MG4], Left
		1	3	L	12, 15, 16				[MG4], Left
		1	2	L	51, 52, 54, 55, 56				[MG4], Left
	05124528AA	1	2	L	11, 12, 14, 15, 16				[MG4], Right
		1	3	L	12, 15, 16				[MG4], Right
		1	2	L	51, 52, 54, 55, 56				[MG4], Right
	05124529AA	1	2, 6	L	11, 12, 14, 15, 16				[MG4] [LNJ], Left
		1	3, 7	L	12, 15, 16				[MG4] [LNJ], Left
		1	2, 6	L	51, 52, 54, 55, 56				[MG4] [LNJ], Left
	05124531AA	1	2, 6	L	11, 12, 14, 15, 16				[MG4] [LNJ], Right
		1	3, 7	L	12, 15, 16				[MG4] [LNJ], Right
		1	2, 6	L	51, 52, 54, 55, 56				[MG4] [LNJ], Right
2									NUT, Push In
	05103784AA	2	3, 7	L	12, 15, 16				
		2	2, 6	L	11, 12, 14, 15, 16				
		2	2, 6	L	51, 52, 54, 55, 56				
3									NUT, Spring U Type
	05103850AA	2	2, 6	L	11, 12, 14, 15, 16				

SPRINTER (VA)

SERIES

L = LOWLINE

LINE

3 = HD DODGE 2WD  
6 = Lt. Duty DODGE 4WD  
2 = Med. Duty DODGE 2WD  
7 = Med. Duty DODGE 4WD

BODY

51 = WAGON WHEEL BASE 1  
52 = WAGON WHEEL BASE 2  
14 = VAN WHEEL BASE 4  
15 = VAN WHEEL BASE 5  
16 = VAN WHEEL BASE 6  
54 = WAGON WHEEL BASE 4  
55 = WAGON WHEEL BASE 5  
56 = WAGON WHEEL BASE 6  
11 = VAN WHEEL BASE 1  
12 = VAN WHEEL BASE 2

ENGINE

EX9 = Engine - 2.7L 5 Cly  
Mercedes Diesel

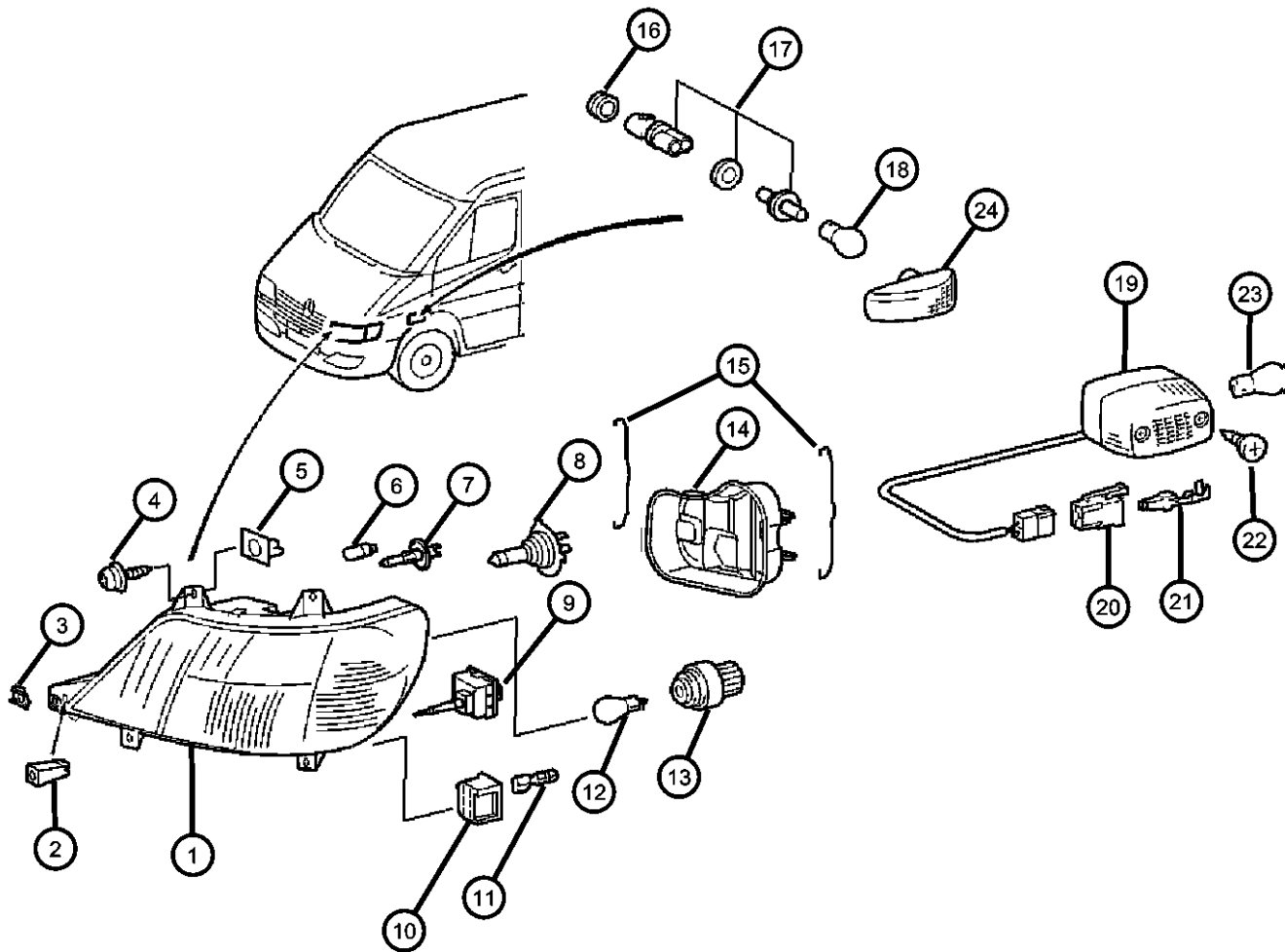
TRANSMISSION

DGJ = Transmission-5-Spd. Automatic, W5A580

AR = use ase required - = Non illustrated part

2003 VA

Lamps - Front End  
Figure 8-1105



ITEM	PART NUMBER	QTY	LINE	SERIES	BODY	ENGINE	TRANS	TRIM	DESCRIPTION
		2	2, 6	L	51, 52, 54, 55, 56				
		2	3, 7	L	12, 15, 16				
4	06104614AA	8		L					SCREW
5									NUT, Plastic Snap-in
	05098837AA	8	2, 6	L	11, 12, 14, 15, 16				
		8	2, 6	L	51, 52, 54, 55, 56				
		8	3, 7	L	12, 15, 16				
6									BULB, 12V 5W
	05096968AA	2	3, 7	L	12, 15, 16				
	05104608AA	2	2, 6	L	11, 12, 14, 15, 16				
		2	2, 6	L	51, 52, 54, 55, 56				
7									BULB, Fog Lamp, H-3 55 WATT
	05133960AA	2	2, 6	L	11, 12, 14, 15, 16				
		2	2, 6	L	51, 52, 54, 55, 56				
		2	3, 7	L	12, 15, 16				
8									BULB, Headlamp, H-7
	05104684AA	2	2, 6	L	11, 12, 14, 15, 16				
		2	2, 6	L	51, 52, 54, 55, 56				
		2	3, 7	L	12, 15, 16				
9									MOTOR, Headlamp Leveling
	05103688AA	2	2, 6	L	11, 12, 14, 15, 16				
		2	2, 6	L	51, 52, 54, 55, 56				
		2	3, 7	L	12, 15, 16				
10									CONNECTOR
	05103896AA	1	2, 6	L	11, 12, 14, 15, 16				

SPRINTER (VA)

SERIES

L = LOWLINE

LINE

3 = HD DODGE 2WD  
6 = Lt. Duty DODGE 4WD  
2 = Med. Duty DODGE 2WD  
7 = Med. Duty DODGE 4WD

BODY

51 = WAGON WHEEL BASE 1 EX9 = Engine - 2.7L 5 Cly  
52 = WAGON WHEEL BASE 2 Mercedes Diesel  
14 = VAN WHEEL BASE 4  
15 = VAN WHEEL BASE 5  
16 = VAN WHEEL BASE 6  
54 = WAGON WHEEL BASE 4  
55 = WAGON WHEEL BASE 5  
56 = WAGON WHEEL BASE 6  
11 = VAN WHEEL BASE 1  
12 = VAN WHEEL BASE 2

ENGINE

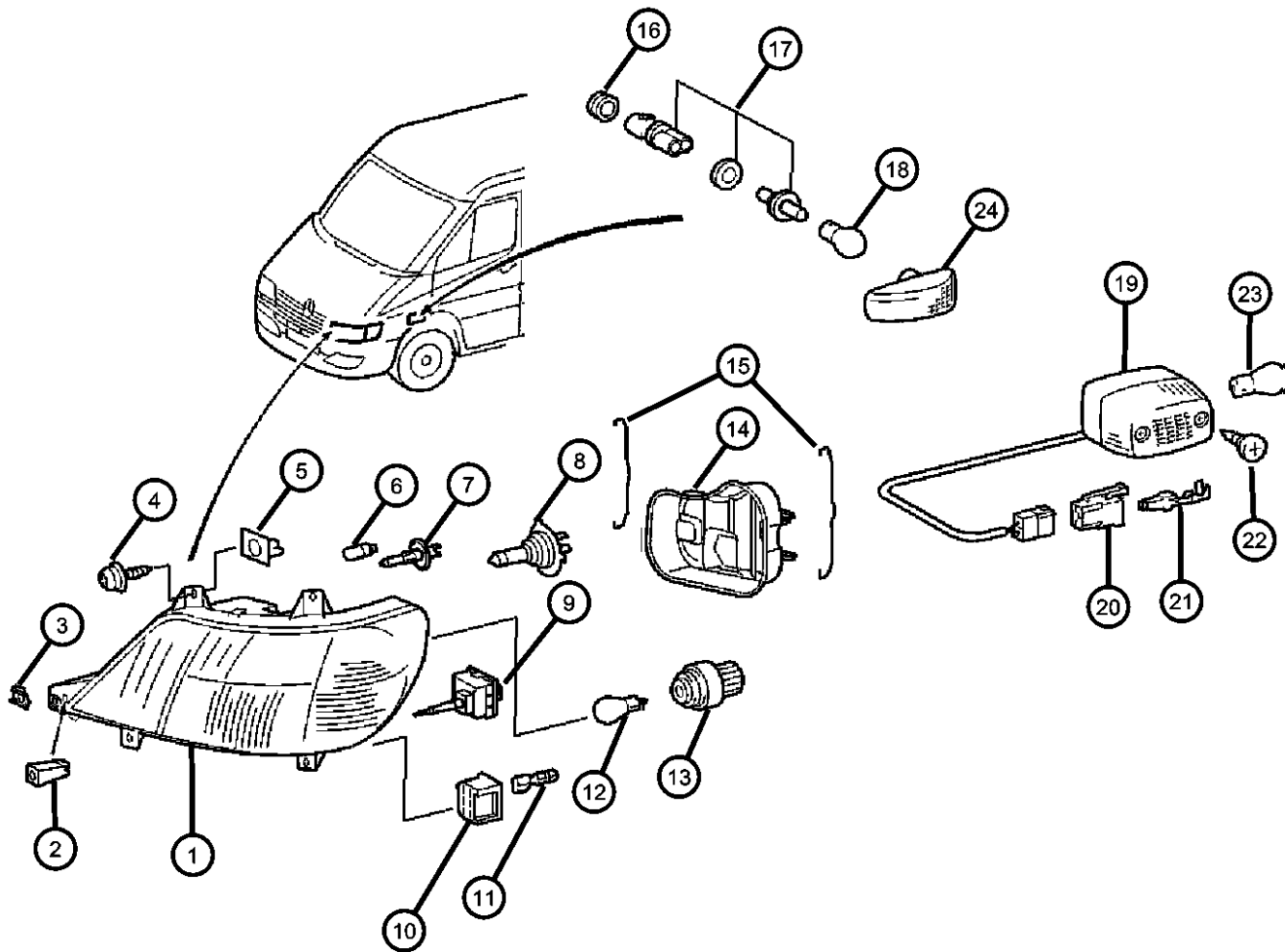
TRANSMISSION

DGJ = Transmission-5-Spd. Automatic, W5A580

AR = use ase required - = Non illustrated part

2003 VA

Lamps - Front End  
Figure 8-1105



ITEM	PART NUMBER	QTY	LINE	SERIES	BODY	ENGINE	TRANS	TRIM	DESCRIPTION
		1	2, 6	L	51, 52, 54, 55, 56				
		1	3, 7	L	12, 15, 16				
11	05103898AA	1	2, 6	L	11, 12, 14, 15, 16				CONTACT SPRING, "0, 5-1, 0 MM2 0,5-1,0 MM2", SPRINTER
		1	2, 6	L	51, 52, 54, 55, 56				
12	05104662AA	99	3, 7	L	12, 15, 16				BULB, TAIL LAMP
		2	2, 6	L	11, 12, 14, 15, 16				
		2	2, 6	L	51, 52, 54, 55, 56				
		2	3, 7	L	12, 15, 16				
13	05103769AA	2	2, 6	L	11, 12, 14, 15, 16				SOCKET, Lamp
		2	2, 6	L	51, 52, 54, 55, 56				
		2	3, 7	L	12, 15, 16				
14	05103685AA	1	2, 6	L	11, 12, 14, 15, 16				COVER, Lamp Left
		1	2, 6	L	51, 52, 54, 55, 56				Left
		1	3, 7	L	12, 15, 16				Left
	05103686AA	1	2, 6	L	51, 52, 54, 55, 56				Right
		1	3, 7	L	12, 15, 16				Right
		1	2, 6	L	11, 12, 14, 15, 16				Right
15	05103681AA	2	2, 6	L	11, 12, 14, 15, 16				SPRING, Retainer Inside of Lamp
		2	2, 6	L	51, 52, 54, 55, 56				Inside of Lamp
		2	3, 7	L	12, 15, 16				Inside of Lamp

SPRINTER (VA)

SERIES

L = LOWLINE

LINE

3 = HD DODGE 2WD  
6 = Lt. Duty DODGE 4WD  
2 = Med. Duty DODGE 2WD  
7 = Med. Duty DODGE 4WD

BODY

51 = WAGON WHEEL BASE 1 EX9 = Engine - 2.7L 5 Cly  
52 = WAGON WHEEL BASE 2 Mercedes Diesel  
14 = VAN WHEEL BASE 4  
15 = VAN WHEEL BASE 5  
16 = VAN WHEEL BASE 6  
54 = WAGON WHEEL BASE 4  
55 = WAGON WHEEL BASE 5  
56 = WAGON WHEEL BASE 6  
11 = VAN WHEEL BASE 1  
12 = VAN WHEEL BASE 2

ENGINE

TRANSMISSION

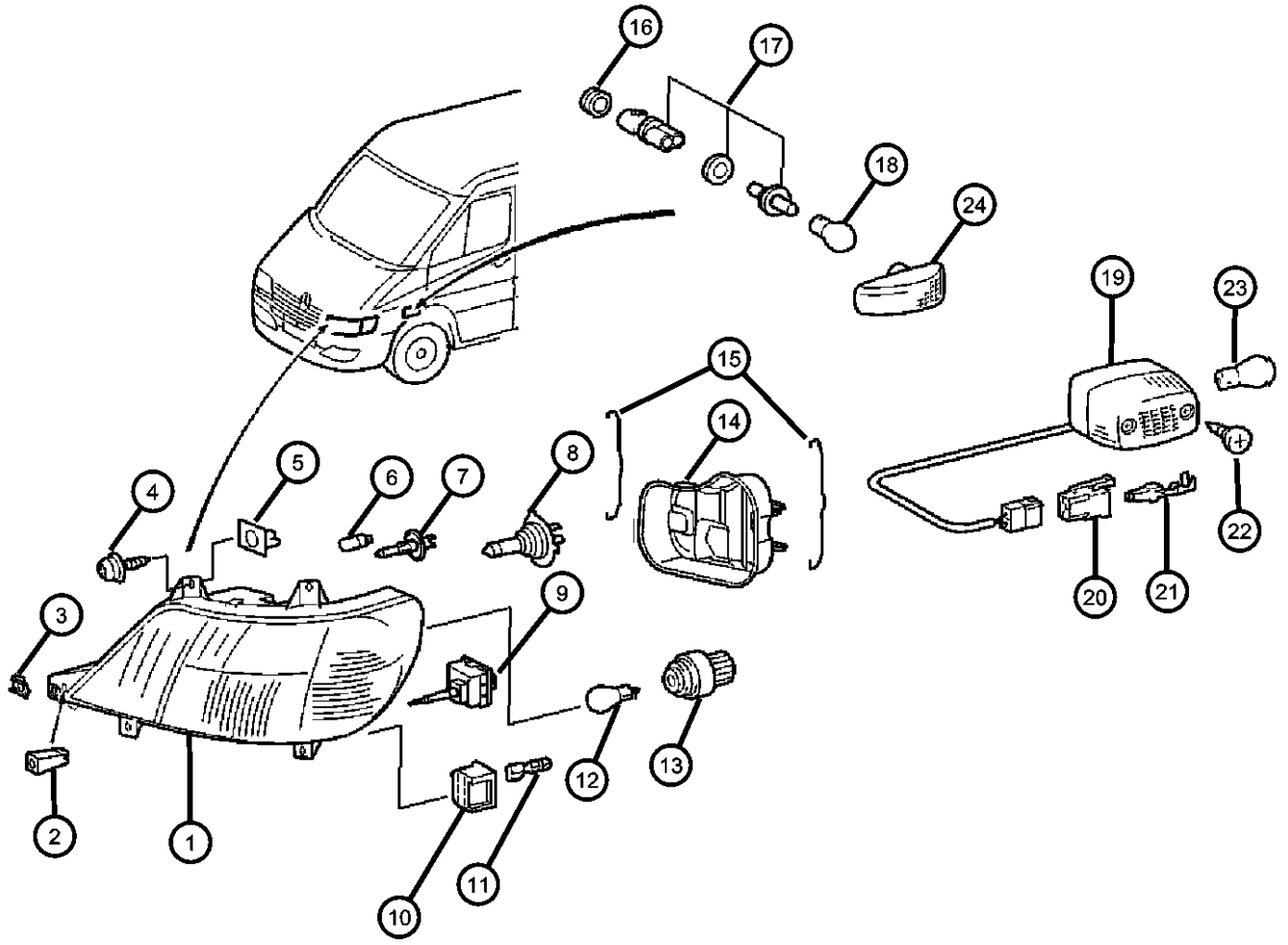
DGJ = Transmission-5-Spd. Automatic, W5A580

AR = use ase required - = Non illustrated part

2003 VA

Lamps - Front End  
Figure 8-1105

ITEM	PART NUMBER	QTY	LINE	SERIES	BODY	ENGINE	TRANS	TRIM	DESCRIPTION
	05103682AA	2	2, 6	L	11, 12, 14, 15, 16				Outside of Lamp
		2	2, 6	L	51, 52, 54, 55, 56				Outside of Lamp
		2	3, 7	L	12, 15, 16				Outside of Lamp
16	05133964AA	2	3, 7	L	12, 15, 16				GROMMET, Lamp
17									SOCKET
	05103655AA	1	2, 6	L	11, 12, 14, 15, 16				
		1	2, 6	L	51, 52, 54, 55, 56				
		1	3, 7	L	12, 15, 16				
18	05104648AA	1	3, 7	L	12, 15, 16				BULB, 12V 5W
19									LAMP, Turn Signal
	05103935AA	2	2, 6	L	11, 12, 14, 15, 16				
		2	2, 6	L	51, 52, 54, 55, 56				
		2	3, 7	L	12, 15, 16				
	05124426AA	1	2, 6	L	11, 12, 14, 15, 16				[-4XS], Left
		1	3, 7	L	12, 15, 16				[-4XS], Left
		1	2, 6	L	51, 52, 54, 55, 56				[-4XS], Left
	05124428AA	1	2, 6	L	11, 12, 14, 15, 16				[-4XS], Right
		1	3, 7	L	12, 15, 16				[-4XS], Right
		1	2, 6	L	51, 52, 54, 55, 56				[-4XS], Right
20									CONNECTOR
	05120679AA	1	2, 6	L	11, 12, 14, 15, 16				
		1	2, 6	L	51, 52, 54, 55, 56				
		1	3, 7	L	12, 15, 16				
21									TERMINAL
	05103881AA	1	2, 6	L	11, 12, 14, 15, 16				



SPRINTER (VA)

SERIES

L = LOWLINE

LINE

3 = HD DODGE 2WD  
6 = Lt. Duty DODGE 4WD  
2 = Med. Duty DODGE 2WD  
7 = Med. Duty DODGE 4WD

BODY

51 = WAGON WHEEL BASE 1 EX9 = Engine - 2.7L 5 Cly  
52 = WAGON WHEEL BASE 2 Mercedes Diesel  
14 = VAN WHEEL BASE 4  
15 = VAN WHEEL BASE 5  
16 = VAN WHEEL BASE 6  
54 = WAGON WHEEL BASE 4  
55 = WAGON WHEEL BASE 5  
56 = WAGON WHEEL BASE 6  
11 = VAN WHEEL BASE 1  
12 = VAN WHEEL BASE 2

ENGINE

TRANSMISSION

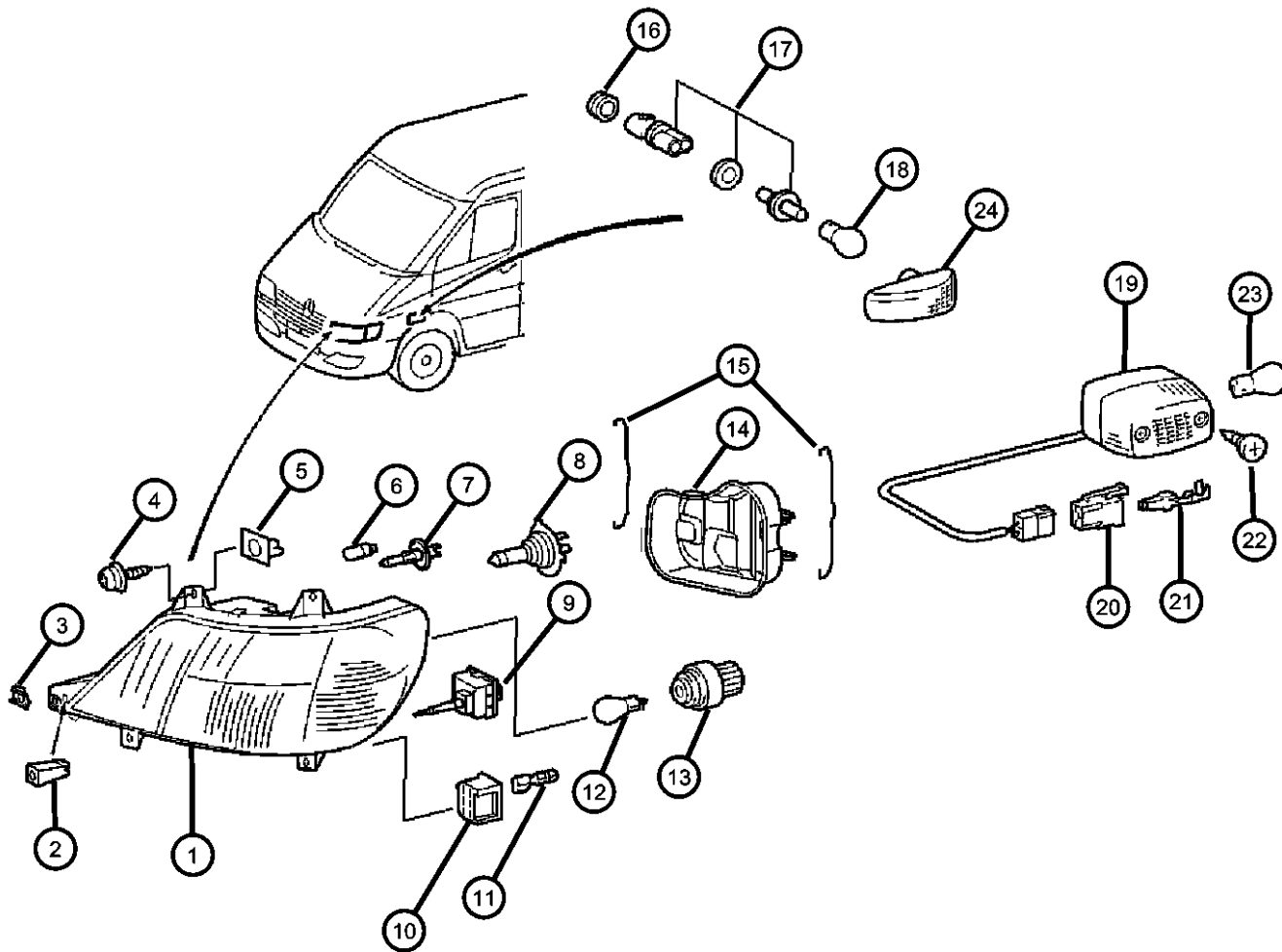
DGJ = Transmission-5-Spd. Automatic, W5A580

AR = use ase required - = Non illustrated part

2003 VA

Lamps - Front End  
Figure 8-1105

ITEM	PART NUMBER	QTY	LINE	SERIES	BODY	ENGINE	TRANS	TRIM	DESCRIPTION
		1	2, 6	L	51, 52, 54, 55, 56				
		1	3, 7	L	12, 15, 16				
22	06104498AA	4		L					SCREW
23	05104646AA	4	2, 6	L	11, 12, 14, 15, 16				BULB
		4	3, 7	L	12, 15, 16				
		4	2, 6	L	51, 52, 54, 55, 56				
24	05124431AA	2	2, 6	L	11, 12, 14, 15, 16				LAMP, Side Repeater
		2	3, 7	L	12, 15, 16				
		2	2, 6	L	51, 52, 54, 55, 56				

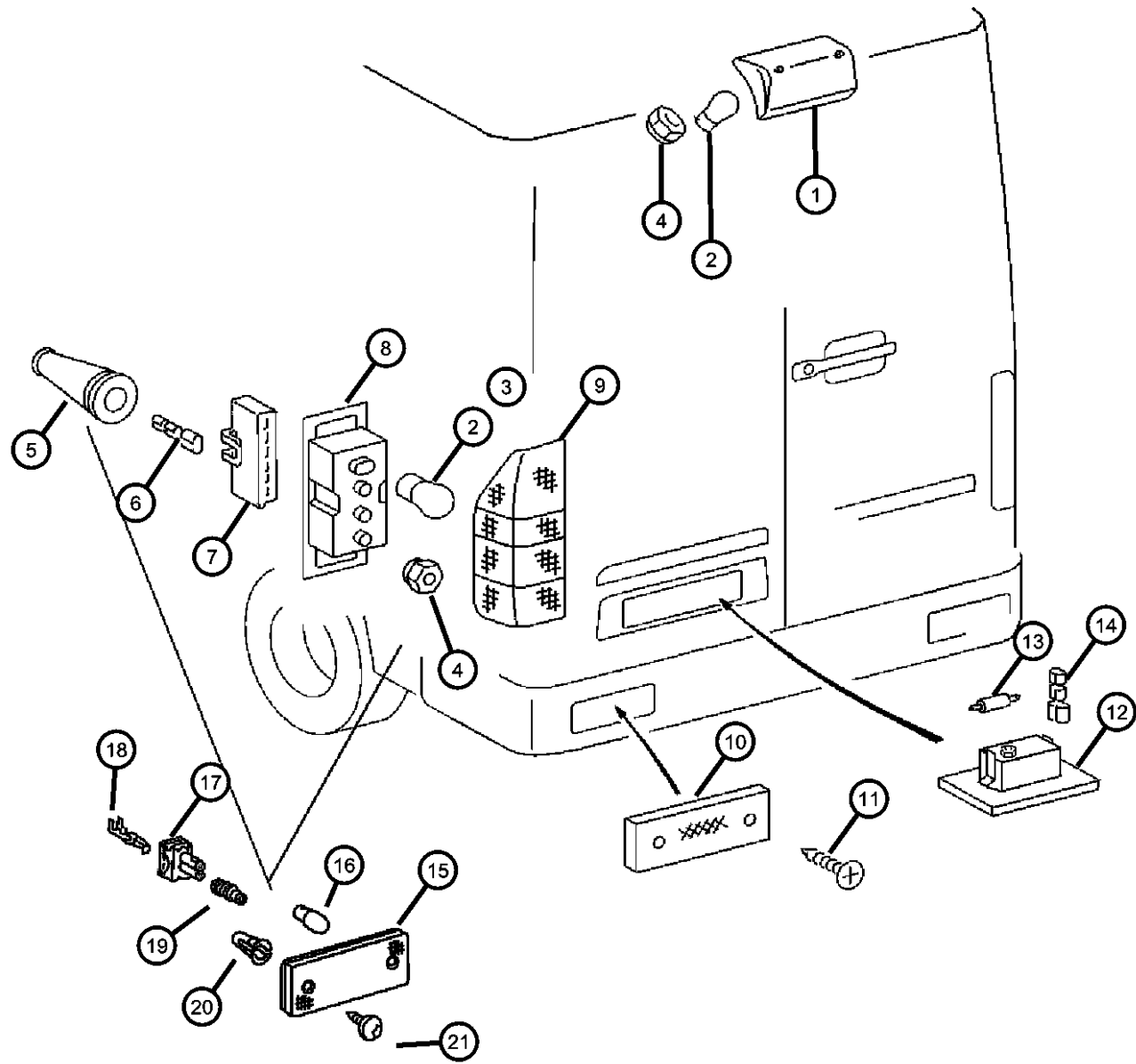


SPRINTER (VA)

SERIES	LINE	BODY	ENGINE	TRANSMISSION
L = LOWLINE	3 = HD DODGE 2WD	51 = WAGON WHEEL BASE 1	EX9 = Engine - 2.7L 5 Cly	DGJ = Transmission-5-Spd.
	6 = Lt. Duty DODGE 4WD	52 = WAGON WHEEL BASE 2	Mercedes Diesel	Automatic,W5A580
	2 = Med. Duty DODGE 2WD	14 = VAN WHEEL BASE 4		
	7 = Med. Duty DODGE 4WD	15 = VAN WHEEL BASE 5		
		16 = VAN WHEEL BASE 6		
		54 = WAGON WHEEL BASE 4		
		55 = WAGON WHEEL BASE 5		
		56 = WAGON WHEEL BASE 6		
		11 = VAN WHEEL BASE 1		
		12 = VAN WHEEL BASE 2		

AR = use ase required - = Non illustrated part

Lamps - Rear End  
Figure 8-1110



ITEM	PART NUMBER	QTY	LINE	SERIES	BODY	ENGINE	TRANS	TRIM	DESCRIPTION
1	05103804AA	1	2, 6	L	11, 12, 14, 15, 16				LAMP, Center High Mounted Stop [MWJ]
		1	3, 7	L	12, 15, 16				[MWJ]
		1	2, 6	L	51, 52, 54, 55, 56				[MWJ]
	05124473AA	1	2, 6	L	11, 12, 14, 15, 16				
		1	3, 7	L	12, 15, 16				
		1	2, 6	L	51, 52, 54, 55, 56				
2	05104646AA	4	2, 6	L	51, 52, 54, 55, 56				BULB Single filament
		4	2, 6	L	11, 12, 14, 15, 16				Single filament
		4	3, 7	L	12, 15, 16				Single filament
3	05104647AA	2	2, 6	L	11, 12, 14, 15, 16				BULB, TAIL LAMP Double filament
		2	3, 7	L	12, 15, 16				Double filament
		2	2, 6	L	51, 52, 54, 55, 56				Double filament
4	06104707AA	2	2, 6	L	11, 12, 14, 15, 16				NUT, M5
		2	3, 7	L	12, 15, 16				
		2	2, 6	L	51, 52, 54, 55, 56				
5	05133963AA	1	3, 7	L	12, 15, 16				GROMMET, GROMMET
		1	2, 6	L	11, 12, 14, 15, 16				
		1	2, 6	L	51, 52, 54, 55, 56				
6	05133956AA	99	3, 7	L	12, 15, 16				TERMINAL, Female
		99	2, 6	L	11, 12, 14, 15, 16				

SPRINTER (VA)

SERIES

L = LOWLINE

LINE

3 = HD DODGE 2WD  
6 = Lt. Duty DODGE 4WD  
2 = Med. Duty DODGE 2WD  
7 = Med. Duty DODGE 4WD

BODY

51 = WAGON WHEEL BASE 1  
52 = WAGON WHEEL BASE 2  
14 = VAN WHEEL BASE 4  
15 = VAN WHEEL BASE 5  
16 = VAN WHEEL BASE 6  
54 = WAGON WHEEL BASE 4  
55 = WAGON WHEEL BASE 5  
56 = WAGON WHEEL BASE 6  
11 = VAN WHEEL BASE 1  
12 = VAN WHEEL BASE 2

ENGINE

EX9 = Engine - 2.7L 5 Cyl  
Mercedes Diesel

TRANSMISSION

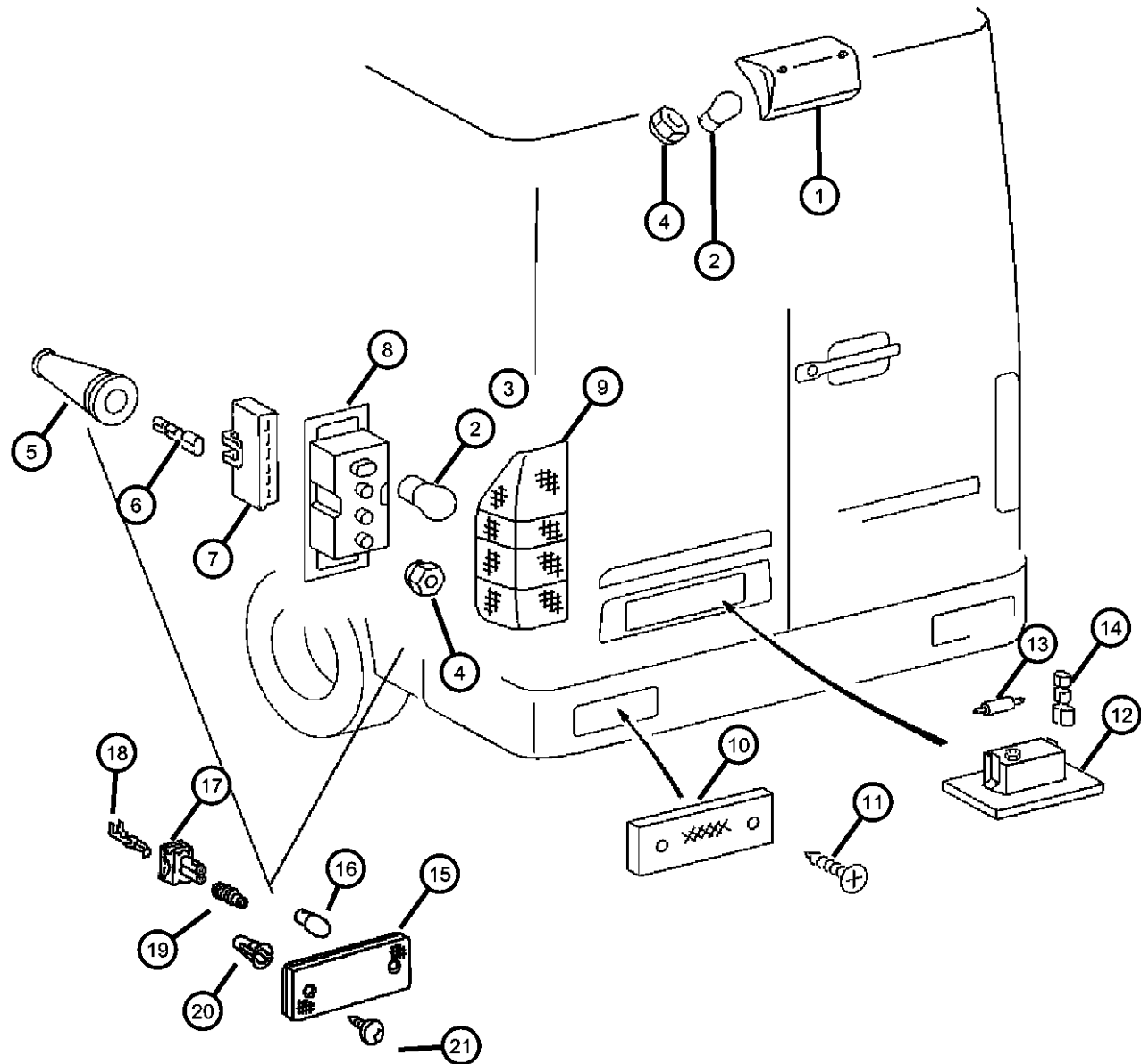
DGJ = Transmission-5-Spd. Automatic, W5A580

AR = use ase required - = Non illustrated part

2003 VA



Lamps - Rear End  
Figure 8-1110



ITEM	PART NUMBER	QTY	LINE	SERIES	BODY	ENGINE	TRANS	TRIM	DESCRIPTION
		99	2, 6	L	51, 52, 54, 55, 56				
7									CONNECTOR
	05120543AA	1	2, 6	L	11, 12, 14, 15, 16				
		1	2, 6	L	51, 52, 54, 55, 56				
		1	3, 7	L	12, 15, 16				
8									LAMP, Tail Stop Turn
	05103596AA	1		L					Left
	05103597AA	1		L					Right
9									LENS, Taillamp
	05103537AA	1		L					Left
	05103538AA	1		L					Right
10									REFLECTOR, NONE, SPRINTER
	05103684AA	2	3, 7	L	12, 15, 16				
		2	2, 6	L	11, 12, 14, 15, 16				
		2	2, 6	L	51, 52, 54, 55, 56				
11	06104498AA	4		L					SCREW
12									LAMP, License Plate
	05104462AA	2	2, 6	L	11, 12, 14, 15, 16				
		2	3, 7	L	12, 15, 16				
		2	2, 6	L	51, 52, 54, 55, 56				
13									BULB, 12V 5W
	05096968AA	2	2, 6	L	11, 12, 14, 15, 16				
		2	2, 6	L	51, 52, 54, 55, 56				
		2	3, 7	L	12, 15, 16				
14									TERMINAL, Female
	05133927AA	99	3, 7	L	12, 15, 16				
		99	2, 6	L	11, 12, 14, 15, 16				

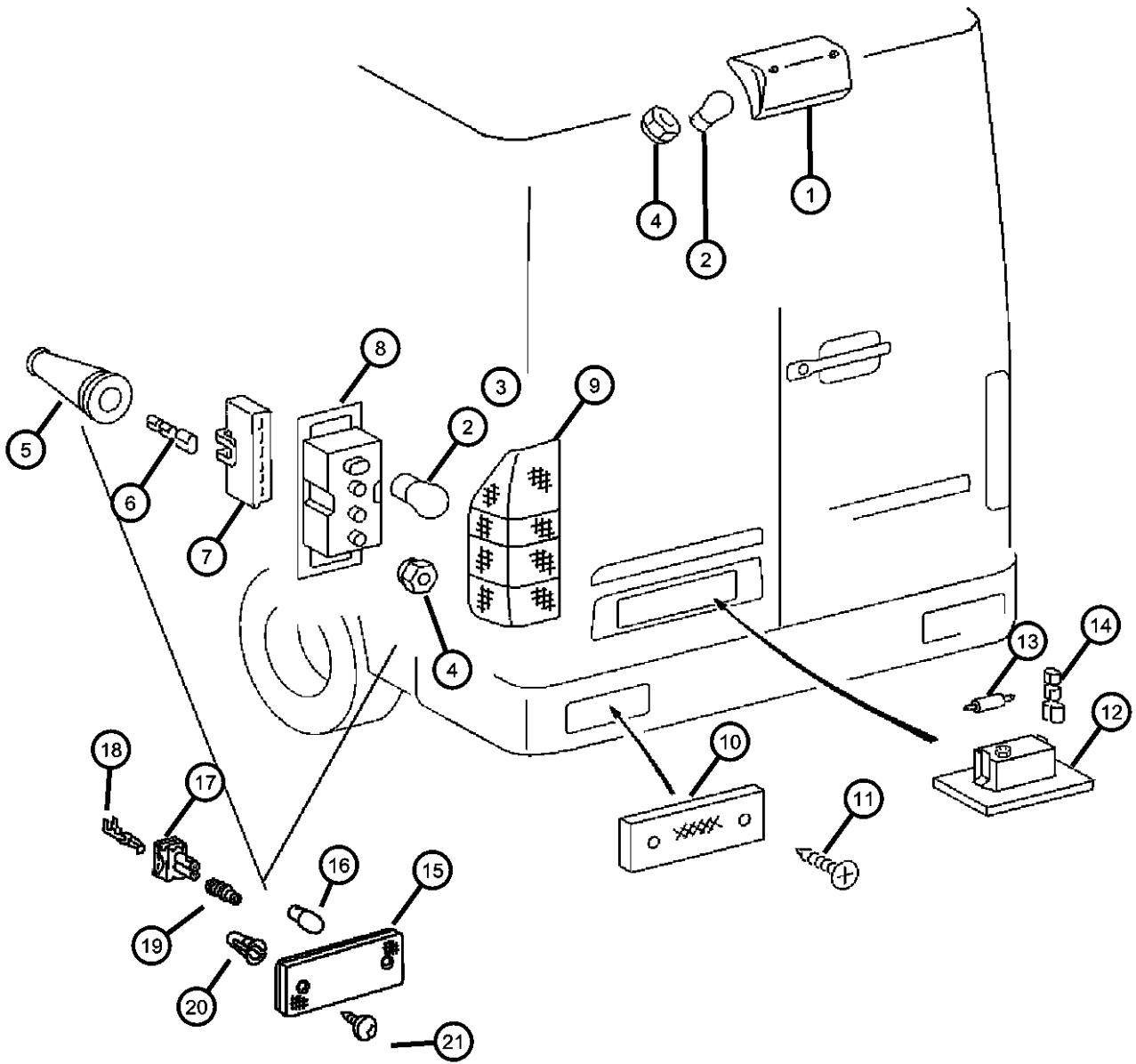
SPRINTER (VA)

SERIES	LINE	BODY	ENGINE	TRANSMISSION
L = LOWLINE	3 = HD DODGE 2WD	51 = WAGON WHEEL BASE 1	EX9 = Engine - 2.7L 5 Cly	DGJ = Transmission-5-Spd. Automatic, W5A580
	6 = Lt. Duty DODGE 4WD	52 = WAGON WHEEL BASE 2	Mercedes Diesel	
	2 = Med. Duty DODGE 2WD	14 = VAN WHEEL BASE 4		
	7 = Med. Duty DODGE 4WD	15 = VAN WHEEL BASE 5		
		16 = VAN WHEEL BASE 6		
		54 = WAGON WHEEL BASE 4		
		55 = WAGON WHEEL BASE 5		
		56 = WAGON WHEEL BASE 6		
		11 = VAN WHEEL BASE 1		
		12 = VAN WHEEL BASE 2		

AR = use ase required - = Non illustrated part

Lamps - Rear End  
Figure 8-1110

ITEM	PART NUMBER	QTY	LINE	SERIES	BODY	ENGINE	TRANS	TRIM	DESCRIPTION
		99	2, 6	L	51, 52, 54, 55, 56				
15									LAMP, Side Marker
	05124477AA	4	2, 6	L	11, 12, 14, 15, 16				Body side, Front or Rear
		4	3, 7	L	12, 15, 16				Body side, Front or Rear
		4	2, 6	L	51, 52, 54, 55, 56				Body side, Front or Rear
16									BULB
	05104649AA	2	2, 6	L	51, 52, 54, 55, 56				
		2	2, 6	L	11, 12, 14, 15, 16				
		2	3, 7	L	12, 15, 16				
17									CONNECTOR
	05103879AA	1	2, 6	L	11, 12, 14, 15, 16				
		1	2, 6	L	51, 52, 54, 55, 56				
		1	3, 7	L	12, 15, 16				
18									TERMINAL
	05102935AA	1	2, 6	L	11, 12, 14, 15, 16				
		1	2, 6	L	51, 52, 54, 55, 56				
		1	3, 7	L	12, 15, 16				
19									GASKET
	05103661AA	1	2, 6	L	11, 12, 14, 15, 16				
		1	2, 6	L	51, 52, 54, 55, 56				
		1	3, 7	L	12, 15, 16				
20									NUT, Push In
	05103841AA	8	3, 7	L	12, 15, 16				
		8	2, 6	L	51, 52, 54, 55, 56				
		8	2, 6	L	11, 12, 14, 15, 16				



SPRINTER (VA)

SERIES

L = LOWLINE

LINE

3 = HD DODGE 2WD  
6 = Lt. Duty DODGE 4WD  
2 = Med. Duty DODGE 2WD  
7 = Med. Duty DODGE 4WD

BODY

51 = WAGON WHEEL BASE 1  
52 = WAGON WHEEL BASE 2  
14 = VAN WHEEL BASE 4  
15 = VAN WHEEL BASE 5  
16 = VAN WHEEL BASE 6  
54 = WAGON WHEEL BASE 4  
55 = WAGON WHEEL BASE 5  
56 = WAGON WHEEL BASE 6  
11 = VAN WHEEL BASE 1  
12 = VAN WHEEL BASE 2

ENGINE

EX9 = Engine - 2.7L 5 Cly  
Mercedes Diesel

TRANSMISSION

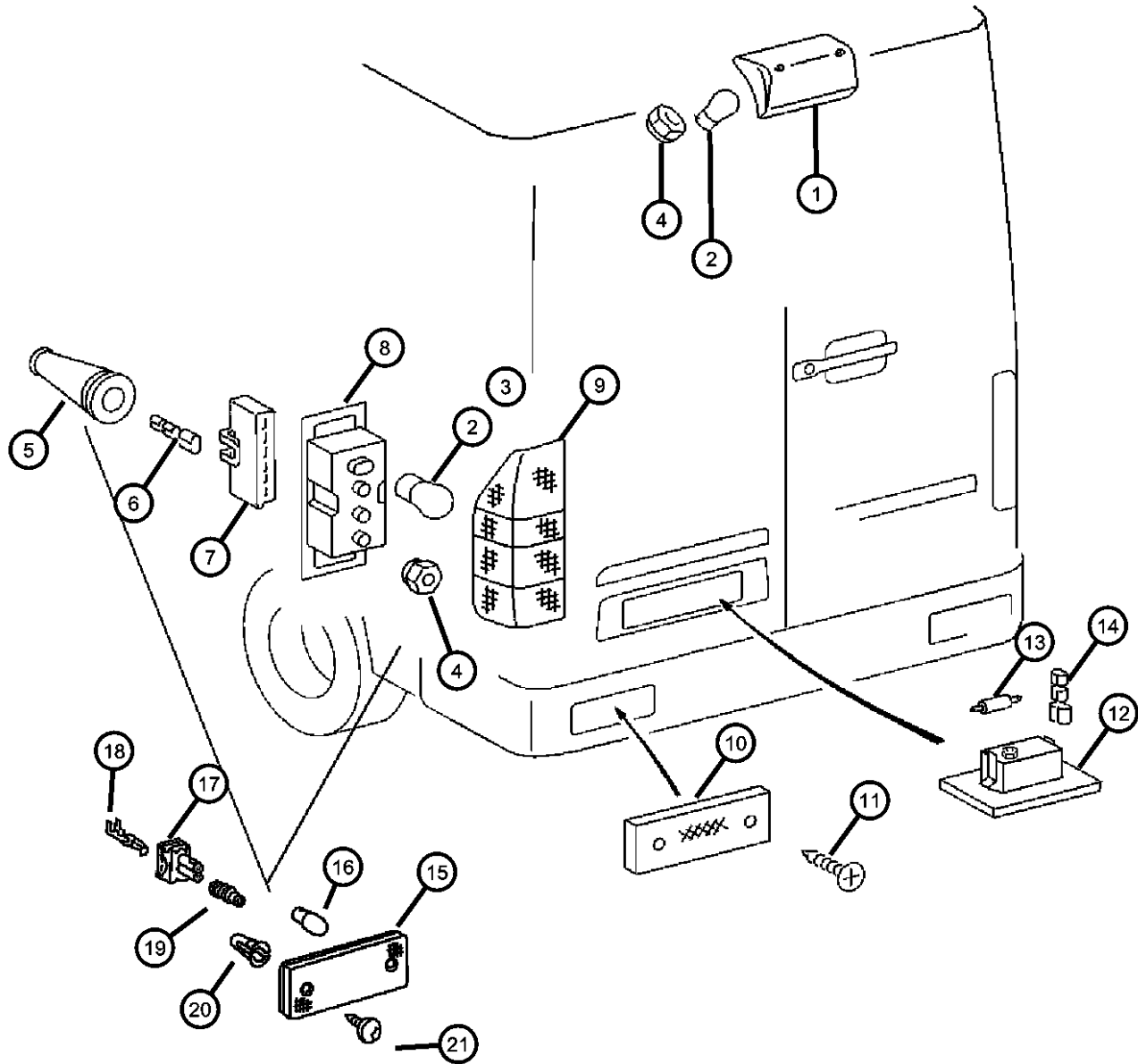
DGJ = Transmission-5-Spd.  
Automatic,W5A580

AR = use ase required - = Non illustrated part

2003 VA

Lamps - Rear End  
Figure 8-1110

ITEM	PART NUMBER	QTY	LINE	SERIES	BODY	ENGINE	TRANS	TRIM	DESCRIPTION
21	06104498AA	8	2, 6	L	11, 12, 14, 15, 16				SCREW
		8	3, 7	L	12, 15, 16				
		8	2, 6	L	51, 52, 54, 55, 56				

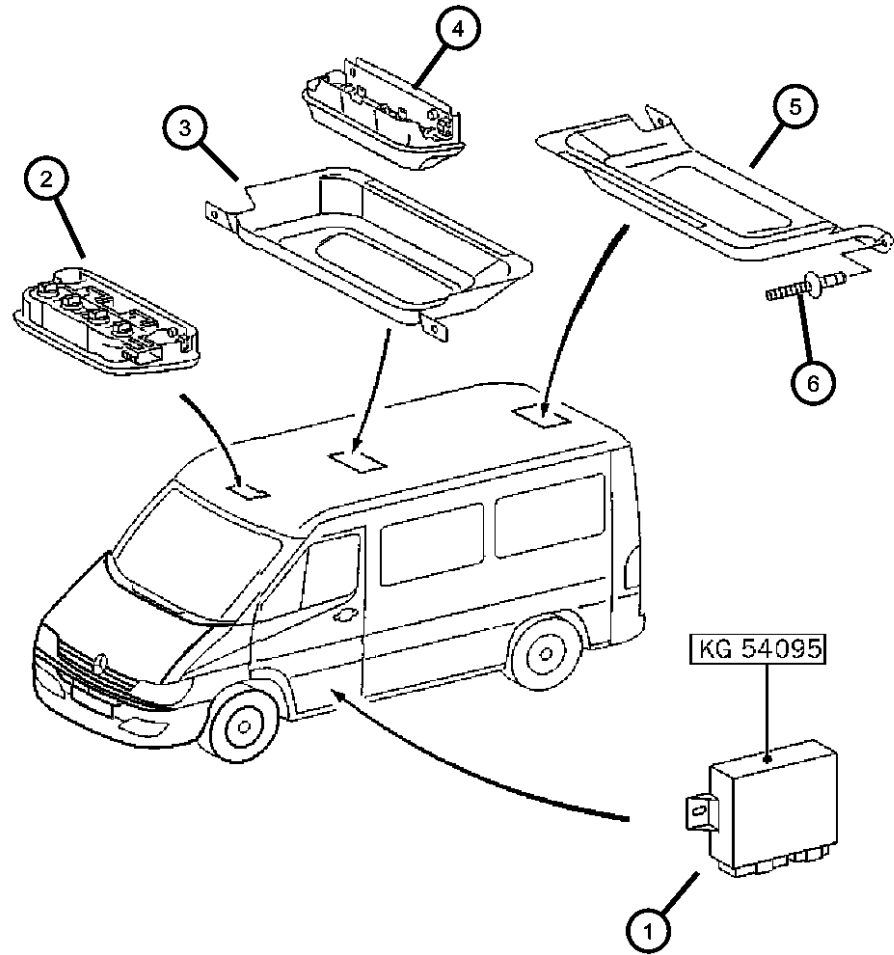


SPRINTER (VA)

SERIES	LINE	BODY	ENGINE	TRANSMISSION
L = LOWLINE	3 = HD DODGE 2WD	51 = WAGON WHEEL BASE 1	EX9 = Engine - 2.7L 5 Cly	DGJ = Transmission-5-Spd.
	6 = Lt. Duty DODGE 4WD	52 = WAGON WHEEL BASE 2	Mercedes Diesel	Automatic,W5A580
	2 = Med. Duty DODGE 2WD	14 = VAN WHEEL BASE 4		
	7 = Med. Duty DODGE 4WD	15 = VAN WHEEL BASE 5		
		16 = VAN WHEEL BASE 6		
		54 = WAGON WHEEL BASE 4		
		55 = WAGON WHEEL BASE 5		
		56 = WAGON WHEEL BASE 6		
		11 = VAN WHEEL BASE 1		
		12 = VAN WHEEL BASE 2		

AR = use ase required - = Non illustrated part

Lamps Interior Passenger Van  
Figure 8-1115



ITEM	PART NUMBER	QTY	LINE	SERIES	BODY	ENGINE	TRANS	TRIM	DESCRIPTION
1									CONTROL UNIT, NONE, SPRINTER
	05103899AA	1	2, 6	L	11, 12, 14, 15, 16				
		1	2, 6	L	51, 52, 54, 55, 56				
		1	3, 7	L	12, 15, 16				
2									LAMP, Reading
	05124399AA	1	2, 6	L	11, 12, 14, 15, 16				
		1	2, 6	L	51, 52, 54, 55, 56				
		1	3, 7	L	12, 15, 16				
3									BRACKET
	05124591AA	1	2, 6	L	11, 12, 14, 15, 16				
		1	2, 6	L	51, 52, 54, 55, 56				
		1	3, 7	L	12, 15, 16				
4									SWITCH Dome Lamp
	0ZF50RC3AA	2	2, 6	L	11, 12, 14, 15, 16				
		2	2, 6	L	51, 52, 54, 55, 56				Dome Lamp
		2	3, 7	L	12, 15, 16				Dome Lamp
5									BRACKET
	05124594AA	1	2, 6	L	11, 12, 14, 15, 16				
		1	2, 6	L	51, 52, 54, 55, 56				
		1	3, 7	L	12, 15, 16				
6									RIVET, M4.8
	05133934AA	4	2, 6	L	11, 12, 14, 15, 16				
		4	2, 6	L	51, 52, 54, 55, 56				
		4	3, 7	L	12, 15, 16				

SPRINTER (VA)

SERIES

L = LOWLINE

LINE

3 = HD DODGE 2WD  
6 = Lt. Duty DODGE 4WD  
2 = Med. Duty DODGE 2WD  
7 = Med. Duty DODGE 4WD

BODY

51 = WAGON WHEEL BASE 1  
52 = WAGON WHEEL BASE 2  
14 = VAN WHEEL BASE 4  
15 = VAN WHEEL BASE 5  
16 = VAN WHEEL BASE 6  
54 = WAGON WHEEL BASE 4  
55 = WAGON WHEEL BASE 5  
56 = WAGON WHEEL BASE 6  
11 = VAN WHEEL BASE 1  
12 = VAN WHEEL BASE 2

ENGINE

EX9 = Engine - 2.7L 5 Cly  
Mercedes Diesel

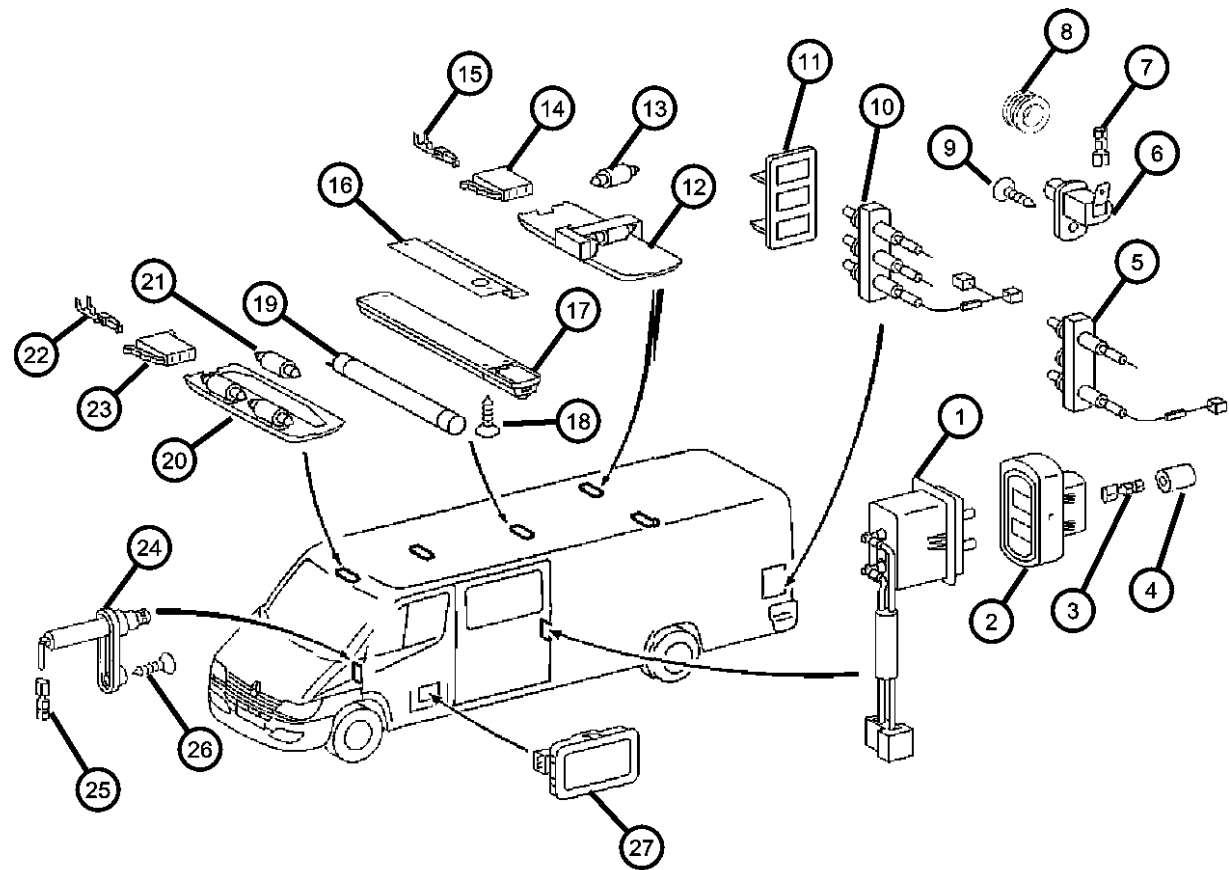
TRANSMISSION

DGJ = Transmission-5-Spd. Automatic, W5A580

AR = use ase required - = Non illustrated part

2003 VA

Lamps Interior Cargo Van  
Figure 8-1120



ITEM	PART NUMBER	QTY	LINE	SERIES	BODY	ENGINE	TRANS	TRIM	DESCRIPTION
1	05104463AA	4	2, 6	L	11, 12, 14, 15, 16				CONTACT, Power Door Lock
		4	2, 6	L	51, 52, 54, 55, 56				
		4	3, 7	L	12, 15, 16				
2	05104461AA	2	3, 7	L	12, 15, 16				CONTACT, Power Door Lock
		4	2, 6	L	11, 12, 14, 15, 16				
		2	2, 6	L	51, 52, 54, 55, 56				
3	05114451AA	99	3, 7	L	12, 15, 16				TERMINAL, Female
		99	2, 6	L	11, 12, 14, 15, 16				
		99	2, 6	L	51, 52, 54, 55, 56				
4	05133968AA	99	3, 7	L	12, 15, 16				GROMMET
		99	2, 6	L	11, 12, 14, 15, 16				
		99	2, 6	L	51, 52, 54, 55, 56				
5	05104016AA	1	2, 6	L	11, 12, 14, 15, 16				CONTACT, Power Door Lock
		1	2, 6	L	51, 52, 54, 55, 56				
		1	3, 7	L	12, 15, 16				
6	05103678AA	1	2, 6	L	11, 12, 14, 15, 16				CONTACTOR, REAR PANEL DOOR, SPRINTER
		1	2, 6	L	51, 52, 54, 55, 56				
		1	3, 7	L	12, 15, 16				
7	05133395AA	99	3, 7	L	12, 15, 16				TERMINAL, Female

SPRINTER (VA)

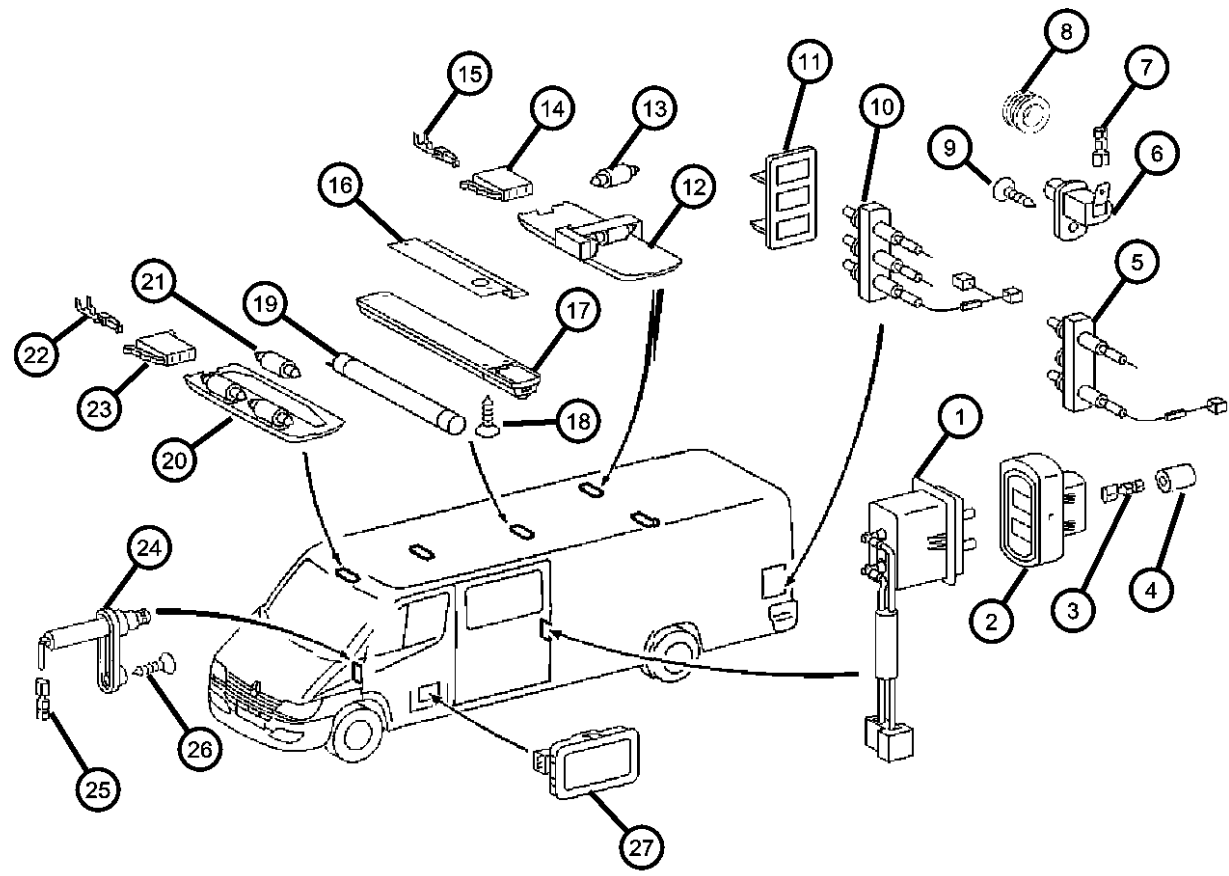
SERIES	LINE	BODY	ENGINE	TRANSMISSION
L = LOWLINE	3 = HD DODGE 2WD 6 = Lt. Duty DODGE 4WD 2 = Med. Duty DODGE 2WD 7 = Med. Duty DODGE 4WD	51 = WAGON WHEEL BASE 1 52 = WAGON WHEEL BASE 2 14 = VAN WHEEL BASE 4 15 = VAN WHEEL BASE 5 16 = VAN WHEEL BASE 6 54 = WAGON WHEEL BASE 4 55 = WAGON WHEEL BASE 5 56 = WAGON WHEEL BASE 6 11 = VAN WHEEL BASE 1 12 = VAN WHEEL BASE 2	EX9 = Engine - 2.7L 5 Cyl Mercedes Diesel	DGJ = Transmission-5-Spd. Automatic,W5A580

AR = use ase required - = Non illustrated part

2003 VA

Lamps Interior Cargo Van  
Figure 8-1120

ITEM	PART NUMBER	QTY	LINE	SERIES	BODY	ENGINE	TRANS	TRIM	DESCRIPTION
		99	2, 6	L	11, 12, 14, 15, 16				
		99	2, 6	L	51, 52, 54, 55, 56				
8									GROMMET
	05125931AA	1	2, 6	L	11, 12, 14, 15, 16				
		2	3, 7	L	12, 15, 16				
		1	2, 6	L	51, 52, 54, 55, 56				
9									SCREW
	05126106AA	1	2, 6	L	11, 12, 14, 15, 16				
		1	2, 6	L	51, 52, 54, 55, 56				
		1	3, 7	L	12, 15, 16				
10									CONTACTOR, HEATED REAR WINDOW PANE, SPRINTER
	05104015AA	3	2, 6	L	11, 12, 14, 15, 16				
		3	2, 6	L	51, 52, 54, 55, 56				
		3	3, 7	L	12, 15, 16				
11									CONTACT, Power Door Lock
	05104465AA	1	3, 7	L	12, 15, 16				2 contact
		1	2, 6	L	11, 12, 14, 15, 16				2 contact
		1	2, 6	L	51, 52, 54, 55, 56				2 contact
	05124466AA	1	2, 6	L	11, 12, 14, 15, 16				3 contact
		1	2, 6	L	51, 52, 54, 55, 56				3 contact
		1	3, 7	L	12, 15, 16				3 contact
12									LAMP, Cargo
	05104459AA	1	2, 6	L	51, 52, 54, 55, 56				
		1	2, 6	L	11, 12, 14, 15, 16				

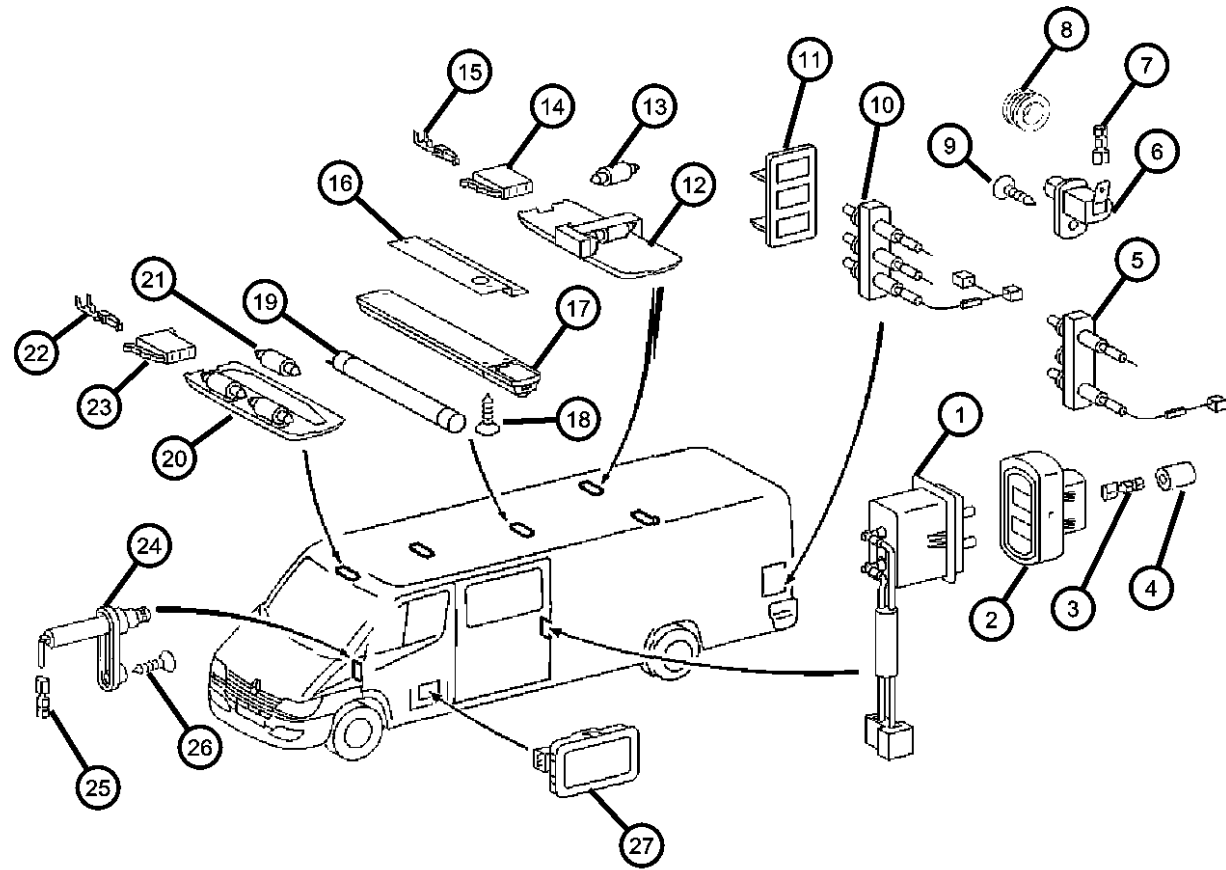


SPRINTER (VA)

SERIES	LINE	BODY	ENGINE	TRANSMISSION
L = LOWLINE	3 = HD DODGE 2WD 6 = Lt. Duty DODGE 4WD 2 = Med. Duty DODGE 2WD 7 = Med. Duty DODGE 4WD	51 = WAGON WHEEL BASE 1 52 = WAGON WHEEL BASE 2 14 = VAN WHEEL BASE 4 15 = VAN WHEEL BASE 5 16 = VAN WHEEL BASE 6 54 = WAGON WHEEL BASE 4 55 = WAGON WHEEL BASE 5 56 = WAGON WHEEL BASE 6 11 = VAN WHEEL BASE 1 12 = VAN WHEEL BASE 2	EX9 = Engine - 2.7L 5 Cly Mercedes Diesel	DGJ = Transmission-5-Spd. Automatic,W5A580

AR = use ase required - = Non illustrated part

Lamps Interior Cargo Van  
Figure 8-1120



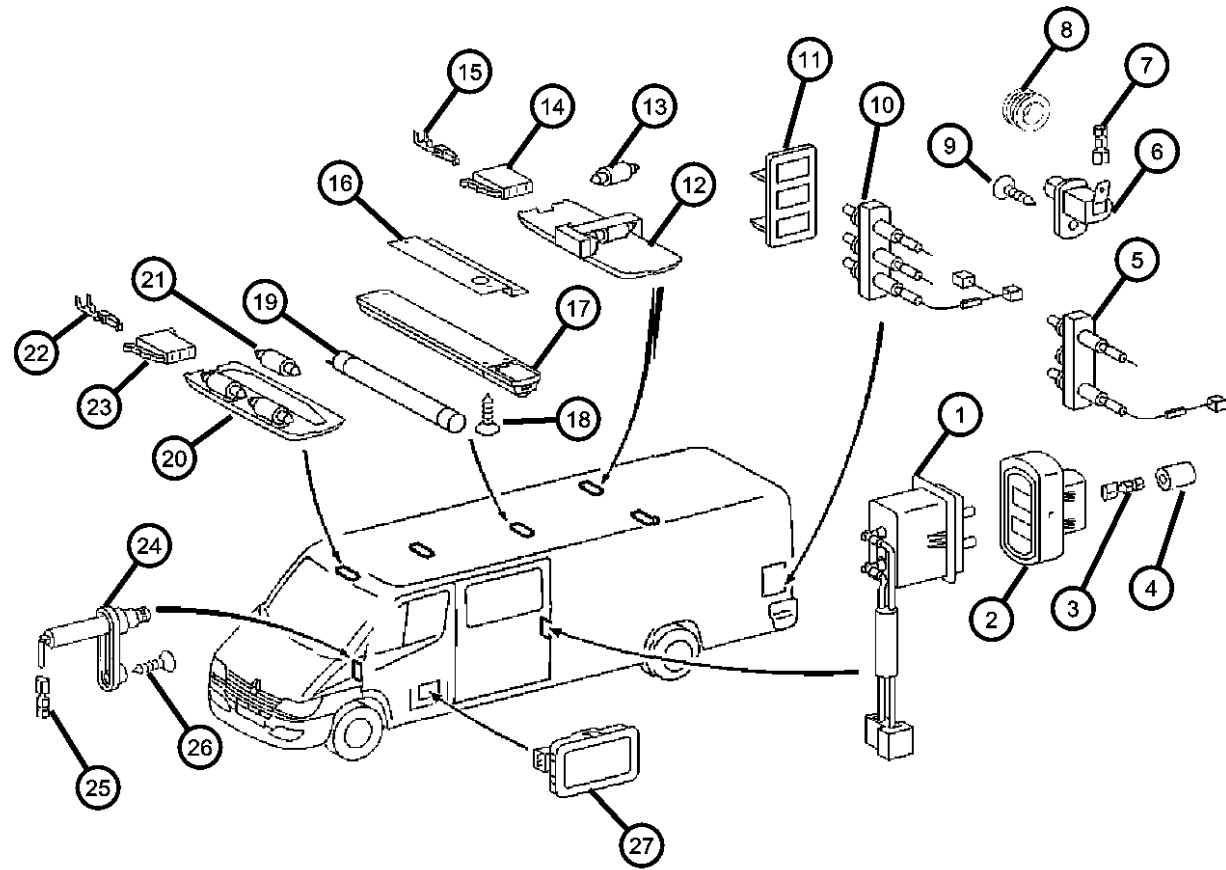
ITEM	PART NUMBER	QTY	LINE	SERIES	BODY	ENGINE	TRANS	TRIM	DESCRIPTION
13		3	3, 7	L	12, 15, 16				BULB
	05104645AA	1	2, 6	L	51, 52, 54, 55, 56				
		1	2, 6	L	11, 12, 14, 15, 16				
		3	3, 7	L	12, 15, 16				
14									CONNECTOR
	05120545AA	1	2, 6	L	11, 12, 14, 15, 16				
		1	2, 6	L	51, 52, 54, 55, 56				
		1	3, 7	L	12, 15, 16				
15									TERMINAL
	05103881AA	1	2, 6	L	11, 12, 14, 15, 16				
		1	2, 6	L	51, 52, 54, 55, 56				
		1	3, 7	L	12, 15, 16				
16									BRACKET
	05121426AA	1	6, 2	L	11, 12, 14, 15, 16				
		1	3, 7	L	12, 15, 16				
17									INTERIOR LAMP, NONE, SPRINTER
	05103764AA	1	3, 7	L	12, 15, 16				
		1	2, 6	L	11, 12, 14, 15, 16				
18									SCREW
	06104527AA	4	2, 6	L	11, 12, 14, 15, 16				
		9	3, 7	L	12, 15, 16				
19									LAMP, Glove Box
	05133563AA	99	3, 7	L	12, 15, 16				
		1	2, 6	L	11, 12, 14, 15, 16				
20									LAMP, Dome

SPRINTER (VA)

SERIES	LINE	BODY	ENGINE	TRANSMISSION
L = LOWLINE	3 = HD DODGE 2WD 6 = Lt. Duty DODGE 4WD 2 = Med. Duty DODGE 2WD 7 = Med. Duty DODGE 4WD	51 = WAGON WHEEL BASE 1 52 = WAGON WHEEL BASE 2 14 = VAN WHEEL BASE 4 15 = VAN WHEEL BASE 5 16 = VAN WHEEL BASE 6 54 = WAGON WHEEL BASE 4 55 = WAGON WHEEL BASE 5 56 = WAGON WHEEL BASE 6 11 = VAN WHEEL BASE 1 12 = VAN WHEEL BASE 2	EX9 = Engine - 2.7L 5 Cly Mercedes Diesel	DGJ = Transmission-5-Spd. Automatic, W5A580

AR = use ase required - = Non illustrated part

Lamps Interior Cargo Van  
Figure 8-1120



ITEM	PART NUMBER	QTY	LINE	SERIES	BODY	ENGINE	TRANS	TRIM	DESCRIPTION
	05133561AA	1	3, 7	L	12, 15, 16				[LBG]
		1	2, 6	L	11, 12, 14, 15, 16				[LBG]
		1	2, 6	L	51, 52, 54, 55, 56				[LBG]
21									BULB, 12V 10W
	05096967AA	2	2, 6	L	11, 12, 14, 15, 16				
		2	2, 6	L	51, 52, 54, 55, 56				
		2	3, 7	L	12, 15, 16				
22									TERMINAL
	05103882AA	1	2, 6	L	11, 12, 14, 15, 16				
		1	2, 6	L	51, 52, 54, 55, 56				
		1	3, 7	L	12, 15, 16				
23									CONNECTOR
	05120545AA	1	2, 6	L	11, 12, 14, 15, 16				
		1	2, 6	L	51, 52, 54, 55, 56				
		1	3, 7	L	12, 15, 16				
24									SWITCH, Door Ajar
	05103861AA	2	2, 6	L	11, 12, 14, 15, 16				
		2	2, 6	L	51, 52, 54, 55, 56				
		2	7, 3	L	12, 15, 16				
25									TERMINAL, Female
	05133395AA	99	2, 6	L	11, 12, 14, 15, 16				
		99	3, 7	L	12, 15, 16				
		99	2, 6	L	51, 52, 54, 55, 56				
26									SCREW
	05126106AA	2	2, 6	L	11, 12, 14, 15, 16				

SPRINTER (VA)

SERIES	LINE	BODY	ENGINE	TRANSMISSION
L = LOWLINE	3 = HD DODGE 2WD 6 = Lt. Duty DODGE 4WD 2 = Med. Duty DODGE 2WD 7 = Med. Duty DODGE 4WD	51 = WAGON WHEEL BASE 1 52 = WAGON WHEEL BASE 2 14 = VAN WHEEL BASE 4 15 = VAN WHEEL BASE 5 16 = VAN WHEEL BASE 6 54 = WAGON WHEEL BASE 4 55 = WAGON WHEEL BASE 5 56 = WAGON WHEEL BASE 6 11 = VAN WHEEL BASE 1 12 = VAN WHEEL BASE 2	EX9 = Engine - 2.7L 5 Cyl Mercedes Diesel	DGJ = Transmission-5-Spd. Automatic, W5A580

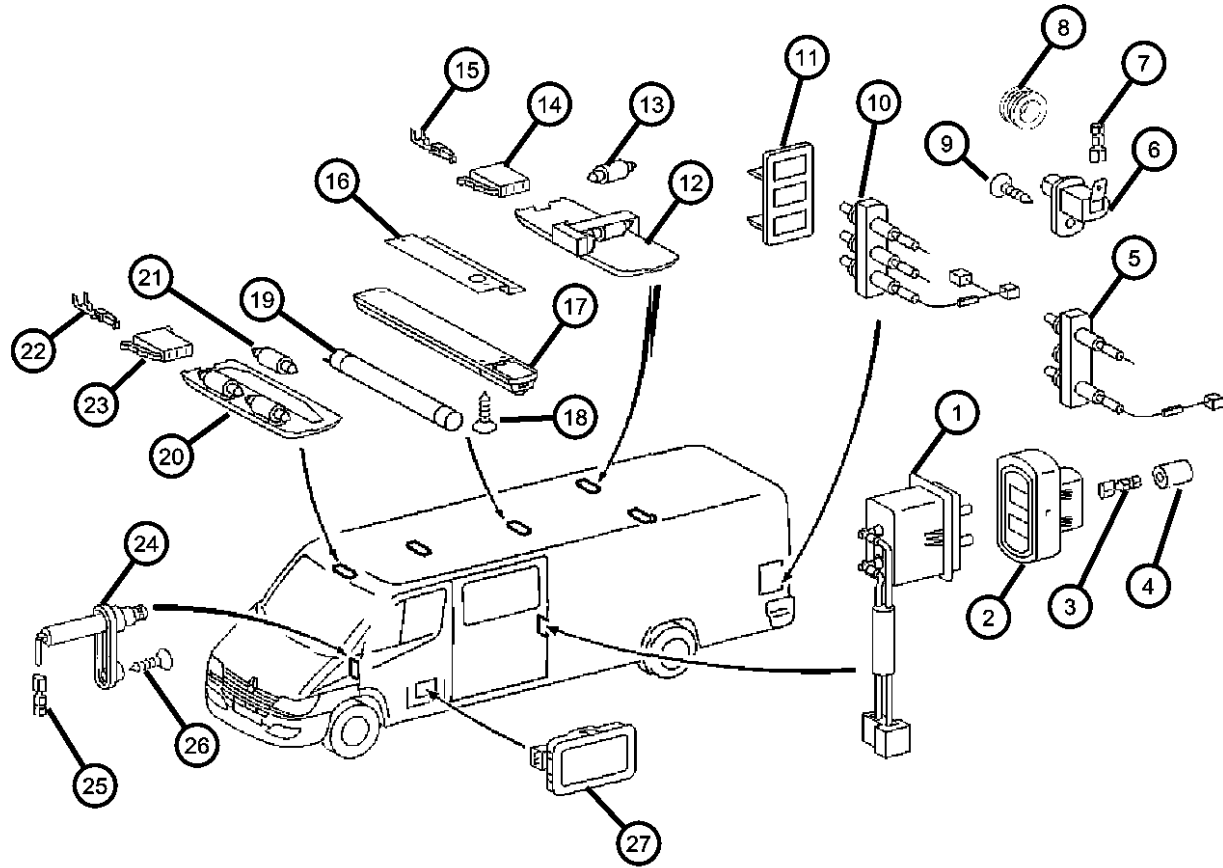
AR = use ase required - = Non illustrated part

2003 VA



Lamps Interior Cargo Van  
Figure 8-1120

ITEM	PART NUMBER	QTY	LINE	SERIES	BODY	ENGINE	TRANS	TRIM	DESCRIPTION
		2	2, 6	L	51, 52, 54, 55, 56				
		1	3, 7	L	12, 15, 16				
27	05103765AA	1	2, 6	L	11, 12, 14, 15, 16				LAMP, Courtesy
		1	2, 6	L	51, 52, 54, 55, 56				
		1	3, 7	L	12, 15, 16				



SPRINTER (VA)

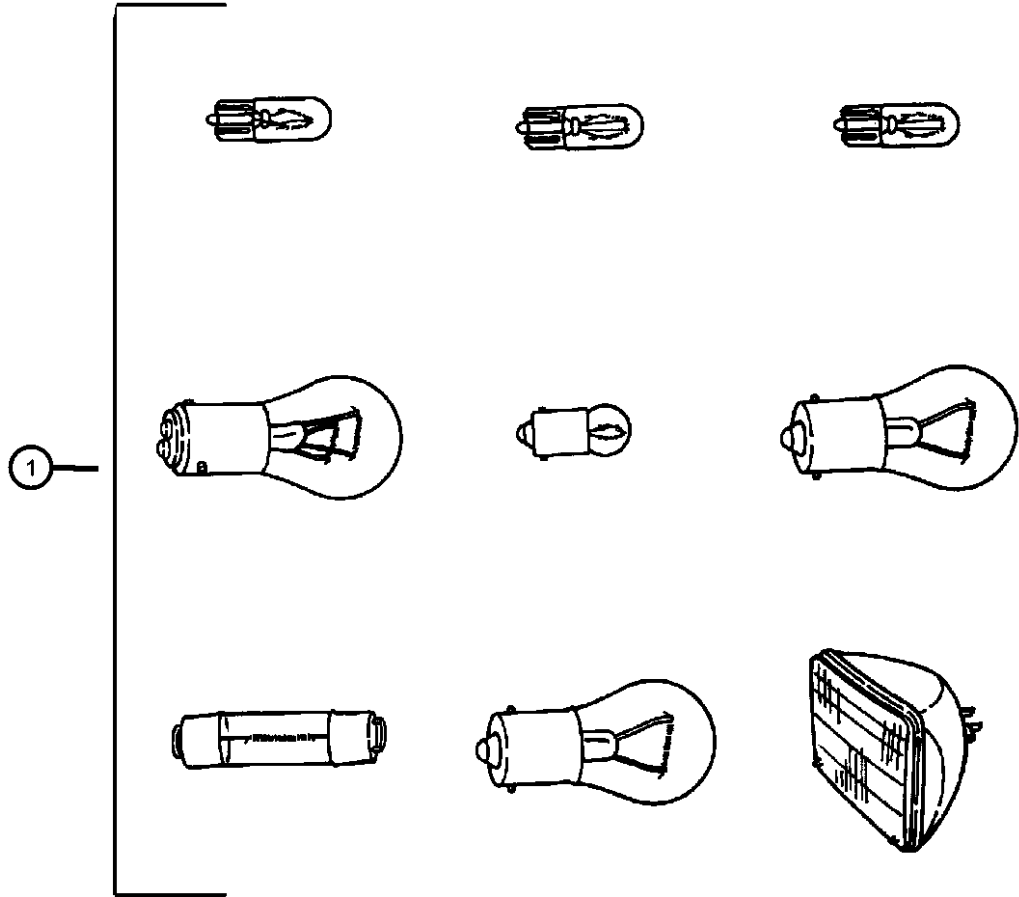
SERIES	LINE	BODY	ENGINE	TRANSMISSION
L = LOWLINE	3 = HD DODGE 2WD 6 = Lt. Duty DODGE 4WD 2 = Med. Duty DODGE 2WD 7 = Med. Duty DODGE 4WD	51 = WAGON WHEEL BASE 1 52 = WAGON WHEEL BASE 2 14 = VAN WHEEL BASE 4 15 = VAN WHEEL BASE 5 16 = VAN WHEEL BASE 6 54 = WAGON WHEEL BASE 4 55 = WAGON WHEEL BASE 5 56 = WAGON WHEEL BASE 6 11 = VAN WHEEL BASE 1 12 = VAN WHEEL BASE 2	EX9 = Engine - 2.7L 5 Cly Mercedes Diesel	DGJ = Transmission-5-Spd. Automatic,W5A580

AR = use ase required - = Non illustrated part

2003 VA

Lamp - Bulbs  
Figure 8-1125

ITEM	PART NUMBER	QTY	LINE	SERIES	BODY	ENGINE	TRANS	TRIM	DESCRIPTION
1	05126194AA	2	2, 6	L	11, 12, 14, 15, 16				BULB Side Marker
		2	3, 7	L	12, 15, 16				Side Marker
		2	2, 6	L	51, 52, 54, 55, 56				Side Marker
-2	05104646AA	4	2, 6	L	11, 12, 14, 15, 16				BULB High mounted stop lamp
		4	3, 7	L	12, 15, 16				High mounted stop lamp
		4	2, 6	L	51, 52, 54, 55, 56				High mounted stop lamp
-3	05104684AA	2	2, 6	L	11, 12, 14, 15, 16				BULB, Headlamp, H-7
		2	2, 6	L	51, 52, 54, 55, 56				
		2	3, 7	L	12, 15, 16				
-4	05104682AA	99	3, 7	L	12, 15, 16				BULB, Fog Lamp, 12V 55W
		99	2, 6	L	11, 12, 14, 15, 16				
		99	2, 6	L	51, 52, 54, 55, 56				
-5	05104608AA	2	2, 6	L	11, 12, 14, 15, 16				BULB, 12V 5W Licenses lamp
		2	2, 6	L	51, 52, 54, 55, 56				Licenses lamp
		2	3, 7	L	12, 15, 16				Licenses lamp
-6	05104649AA	2	2, 6	L	11, 12, 14, 15, 16				BULB Tail Lamp Parking Light
		2	3, 7	L	12, 15, 16				Tail Lamp Parking Light
		2	2, 6	L	51, 52, 54, 55, 56				Tail Lamp Parking Light
-7	05096968AA	2	2, 6	L	11, 12, 14, 15, 16				BULB, 12V 5W License Plate Lamp



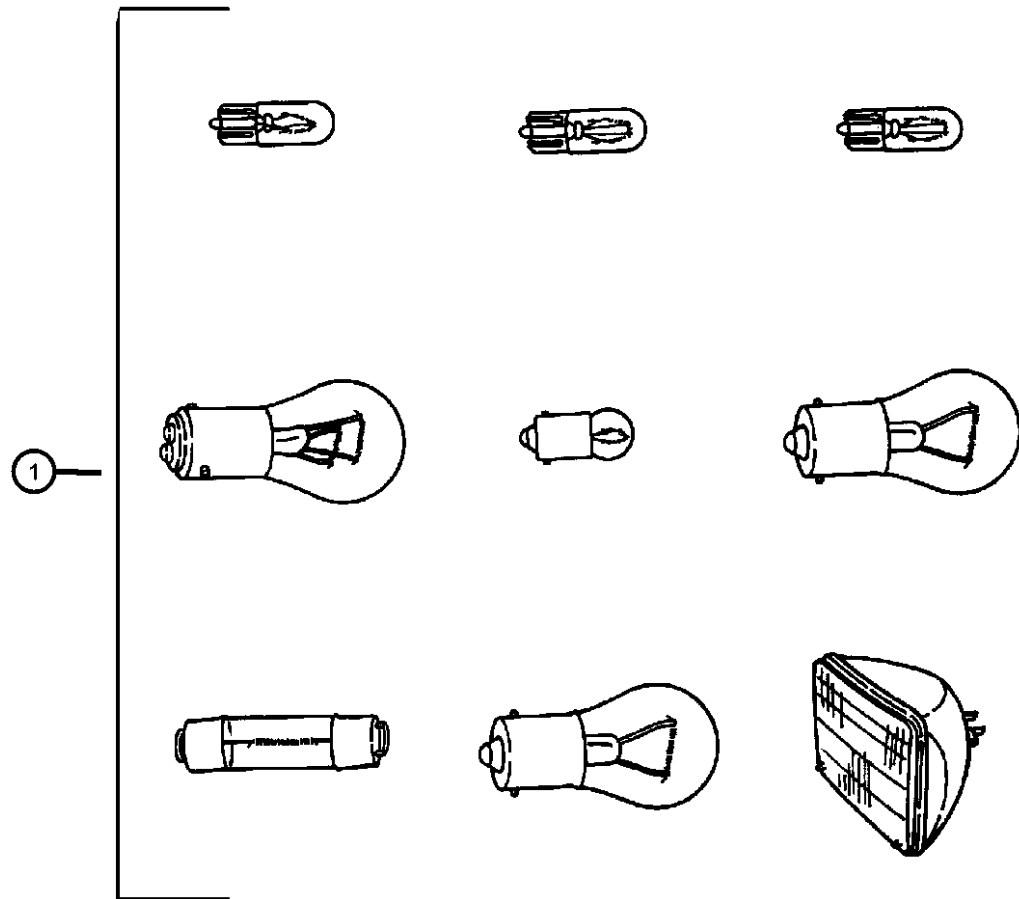
SPRINTER (VA)

SERIES	LINE	BODY	ENGINE	TRANSMISSION
L = LOWLINE	3 = HD DODGE 2WD 6 = Lt. Duty DODGE 4WD 2 = Med. Duty DODGE 2WD 7 = Med. Duty DODGE 4WD	51 = WAGON WHEEL BASE 1 52 = WAGON WHEEL BASE 2 14 = VAN WHEEL BASE 4 15 = VAN WHEEL BASE 5 16 = VAN WHEEL BASE 6 54 = WAGON WHEEL BASE 4 55 = WAGON WHEEL BASE 5 56 = WAGON WHEEL BASE 6 11 = VAN WHEEL BASE 1 12 = VAN WHEEL BASE 2	EX9 = Engine - 2.7L 5 Cly Mercedes Diesel	DGJ = Transmission-5-Spd. Automatic,W5A580

AR = use ase required - = Non illustrated part

Lamp - Bulbs  
Figure 8-1125

ITEM	PART NUMBER	QTY	LINE	SERIES	BODY	ENGINE	TRANS	TRIM	DESCRIPTION
		2	2, 6	L	51, 52, 54, 55, 56				License Plate Lamp
		2	3, 7	L	12, 15, 16				License Plate Lamp
-8	05175563AB	1		L					BULB KIT, CONTENTS 1 PC EACH 64210 LONGLIFE H7 L0000000H7 64150 LONGLIFE H1 05104682AA 7507 PY21W 05104662AA 2825 W5W 05104608AA
-9	05104647AA	2	2, 6	L	11, 12, 14, 15, 16				BULB, TAIL LAMP
		2	3, 7	L	12, 15, 16				
		2	2, 6	L	51, 52, 54, 55, 56				



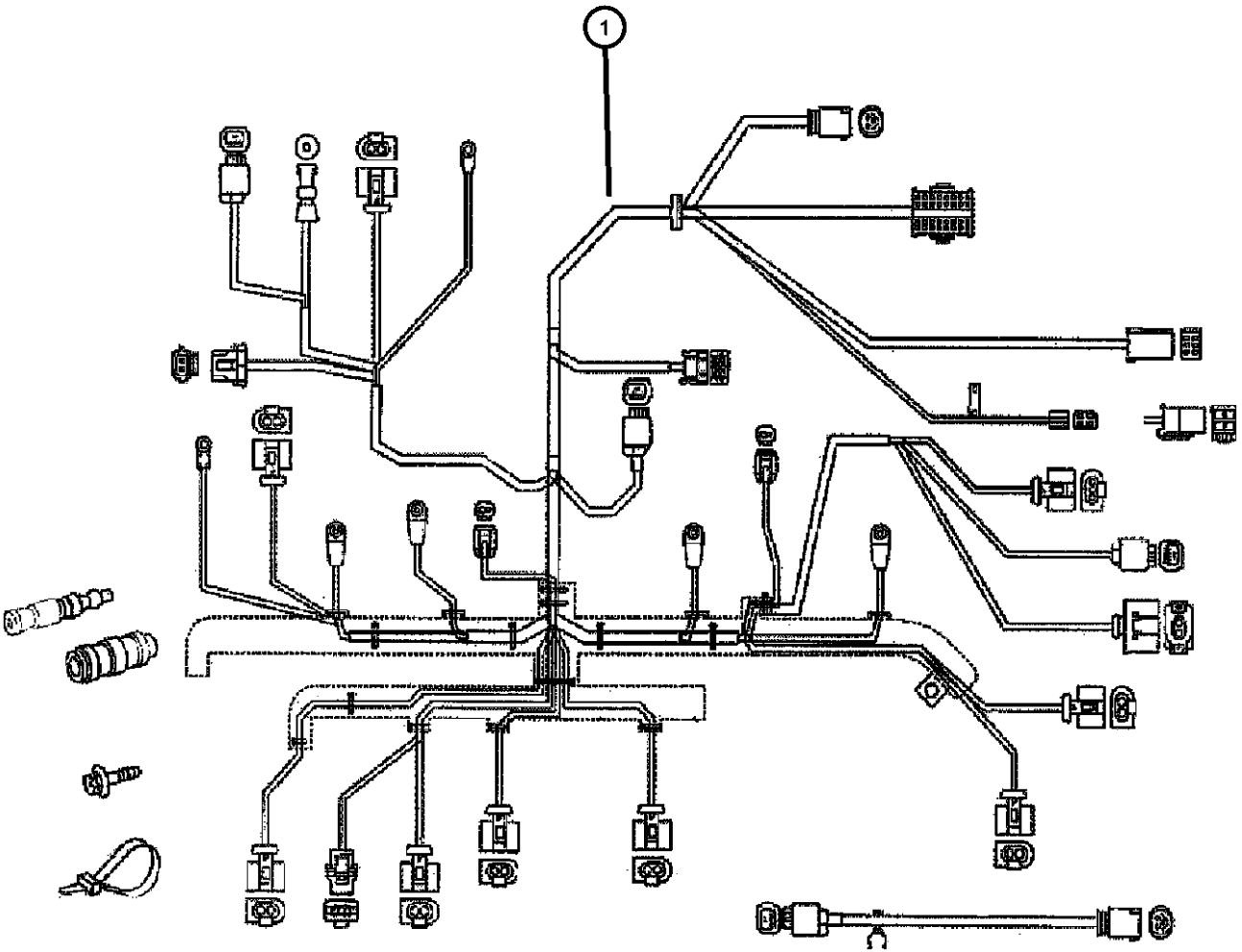
SPRINTER (VA)

SERIES	LINE	BODY	ENGINE	TRANSMISSION
L = LOWLINE	3 = HD DODGE 2WD 6 = Lt. Duty DODGE 4WD 2 = Med. Duty DODGE 2WD 7 = Med. Duty DODGE 4WD	51 = WAGON WHEEL BASE 1 52 = WAGON WHEEL BASE 2 14 = VAN WHEEL BASE 4 15 = VAN WHEEL BASE 5 16 = VAN WHEEL BASE 6 54 = WAGON WHEEL BASE 4 55 = WAGON WHEEL BASE 5 56 = WAGON WHEEL BASE 6 11 = VAN WHEEL BASE 1 12 = VAN WHEEL BASE 2	EX9 = Engine - 2.7L 5 Cly Mercedes Diesel	DGJ = Transmission-5-Spd. Automatic,W5A580

AR = use ase required - = Non illustrated part

Wiring - Engine  
Figure 8-1205

ITEM	PART NUMBER	QTY	LINE	SERIES	BODY	ENGINE	TRANS	TRIM	DESCRIPTION
1	05120160AA	1		L					WIRING, Engine With Tag # [A 901 540 19 07]
	05120166AA	1		L					With Tag # [A901 540 30 07]
	05135872AA	1		L		EX9			With Tag #[A901 540 11 07 or A901 540 21 07]
-2	05135839AA	1		L					CONNECTOR, Control Unit Connector
-3									TERMINAL
	05103881AA	1	2, 6	L	11, 12, 14, 15, 16				Contact Spring [1.5-2.5 MM]
		1	2, 6	L	51, 52, 54, 55, 56				Contact Spring [1.5-2.5 MM]
		1	3, 7	L	12, 15, 16				Contact Spring [1.5-2.5 MM]
-4									CONNECTOR, Wiring
	05133396AA	1	2, 6	L	11, 12, 14, 15, 16				Engine Harness To Chasis Harness
		1	2, 6	L	51, 52, 54, 55, 56				Engine Harness To Chasis Harness
		1	3, 7	L	12, 15, 16				Engine Harness To Chasis Harness
-5									CONNECTOR
	05103753AA	1	2, 6	L	11, 12, 14, 15, 16				Engine Harness To Chasis Harness
		1	2, 6	L	51, 52, 54, 55, 56				Engine Harness To Chasis Harness
		1	3, 7	L	12, 15, 16				Engine Harness To Chasis Harness
-6									TERMINAL, Female
	05114451AA	2	2, 6	L	11, 12, 14, 15, 16				Engine Harness To Frame Harness [.5-2.5 MM]
		2	2, 6	L	51, 52, 54, 55, 56				Engine Harness To Frame Harness [.5-2.5 MM]
		2	3, 7	L	12, 15, 16				Engine Harness To Frame Harness [.5-2.5 MM]
-7	05135838AA	1		L					INSULATOR, Common Rail Connector



SPRINTER (VA)

SERIES

L = LOWLINE

LINE

3 = HD DODGE 2WD  
6 = Lt. Duty DODGE 4WD  
2 = Med. Duty DODGE 2WD  
7 = Med. Duty DODGE 4WD

BODY

51 = WAGON WHEEL BASE 1  
52 = WAGON WHEEL BASE 2  
14 = VAN WHEEL BASE 4  
15 = VAN WHEEL BASE 5  
16 = VAN WHEEL BASE 6  
54 = WAGON WHEEL BASE 4  
55 = WAGON WHEEL BASE 5  
56 = WAGON WHEEL BASE 6  
11 = VAN WHEEL BASE 1  
12 = VAN WHEEL BASE 2

ENGINE

EX9 = Engine - 2.7L 5 Cyl  
Mercedes Diesel

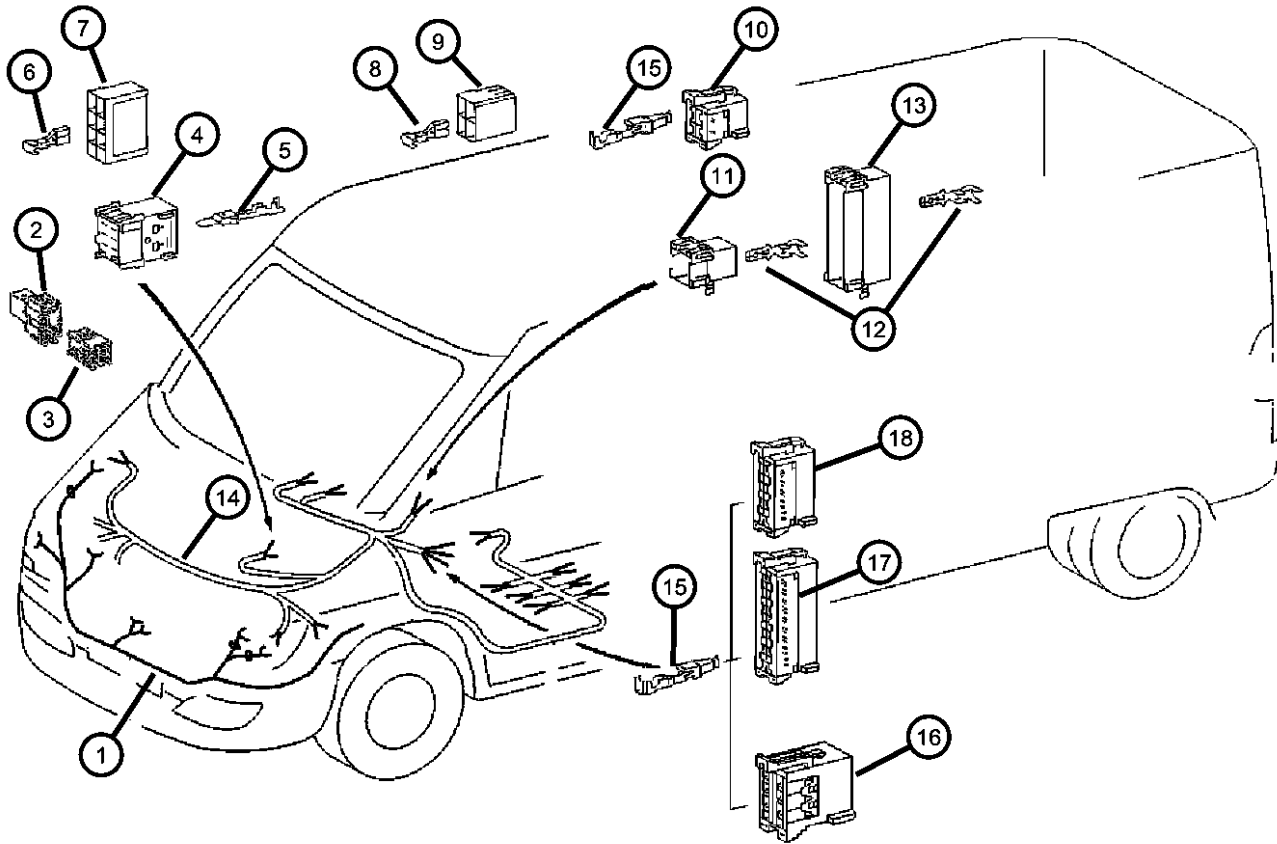
TRANSMISSION

DGJ = Transmission-5-Spd.  
Automatic, W5A580

AR = use ase required - = Non illustrated part

2003 VA

**Wiring - Headlamp & Dash**  
**Figure 8-1305**



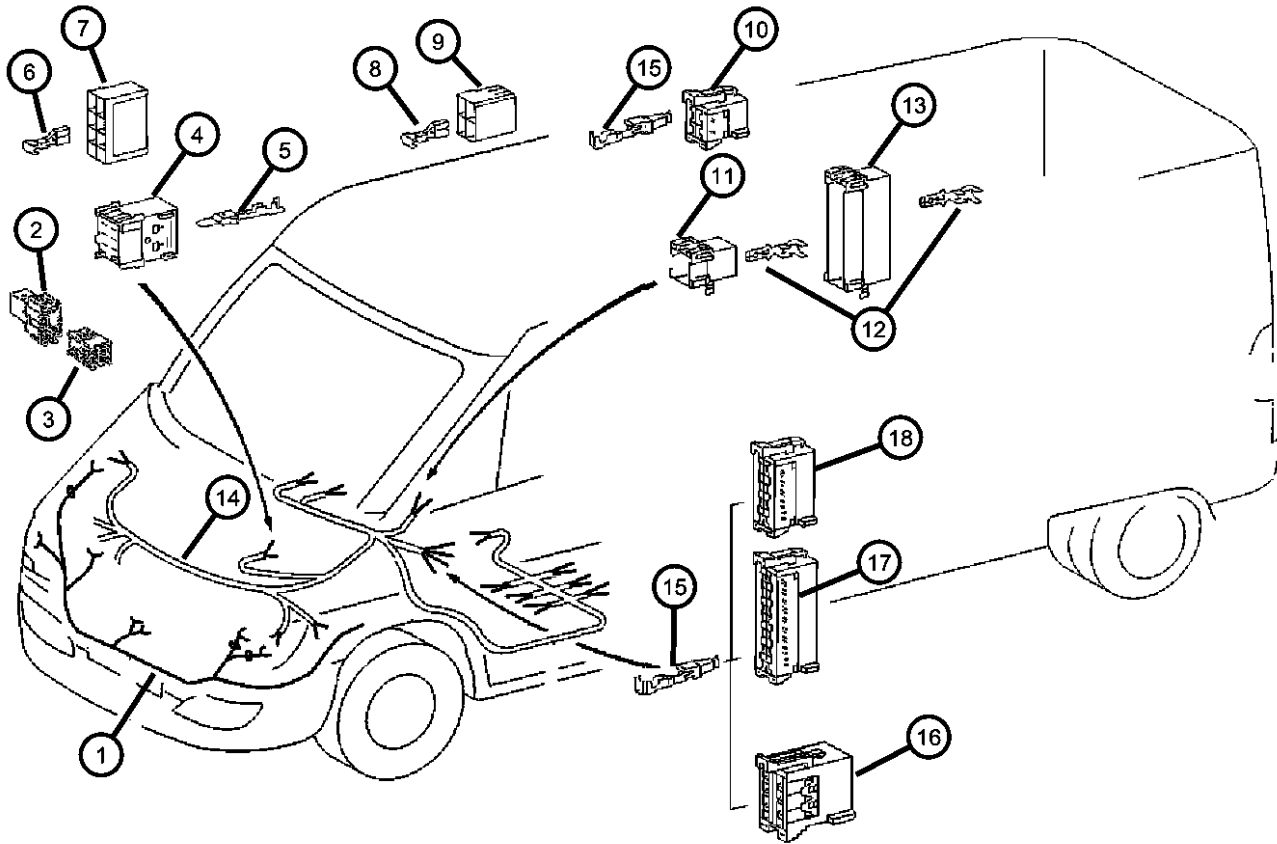
ITEM	PART NUMBER	QTY	LINE	SERIES	BODY	ENGINE	TRANS	TRIM	DESCRIPTION
1	05133398AA	1	3, 7	L	12, 15, 16				WIRING, Headlamp
		1	2, 6	L	11, 12, 14, 15, 16				
		1	2, 6	L	51, 52, 54, 55, 56				
2	05133397AA	1	2, 6	L	11, 12, 14, 15, 16				INSULATOR, 4 Way Male
		1	2, 6	L	51, 52, 54, 55, 56				
		1	3, 7	L	12, 15, 16				
3	05133396AA	1	2, 6	L	11, 12, 14, 15, 16				CONNECTOR, Wiring
		1	2, 6	L	51, 52, 54, 55, 56				
		1	3, 7	L	12, 15, 16				
4	05133327AA	1	2, 6	L	11, 12, 14, 15, 16				INSULATOR, 6 Way Male
		1	2, 6	L	51, 52, 54, 55, 56				
		1	3, 7	L	12, 15, 16				
5	05103909AA	1	2, 6	L	11, 12, 14, 15, 16				TERMINAL, Male
		1	2, 6	L	51, 52, 54, 55, 56				
		1	3, 7	L	12, 15, 16				
6	05133395AA	99	3, 7	L	12, 15, 16				TERMINAL, Female
		99	2, 6	L	11, 12, 14, 15, 16				
		99	2, 6	L	51, 52, 54, 55, 56				
7	05103752AA	1	3, 7	L	12, 15, 16				CONNECTOR

**SPRINTER (VA)**

<b>SERIES</b>	<b>LINE</b>	<b>BODY</b>	<b>ENGINE</b>	<b>TRANSMISSION</b>
L = LOWLINE	3 = HD DODGE 2WD 6 = Lt. Duty DODGE 4WD 2 = Med. Duty DODGE 2WD 7 = Med. Duty DODGE 4WD	51 = WAGON WHEEL BASE 1 52 = WAGON WHEEL BASE 2 14 = VAN WHEEL BASE 4 15 = VAN WHEEL BASE 5 16 = VAN WHEEL BASE 6 54 = WAGON WHEEL BASE 4 55 = WAGON WHEEL BASE 5 56 = WAGON WHEEL BASE 6 11 = VAN WHEEL BASE 1 12 = VAN WHEEL BASE 2	EX9 = Engine - 2.7L 5 Cly Mercedes Diesel	DGJ = Transmission-5-Spd. Automatic, W5A580

AR = use ase required - = Non illustrated part

**Wiring - Headlamp & Dash  
Figure 8-1305**



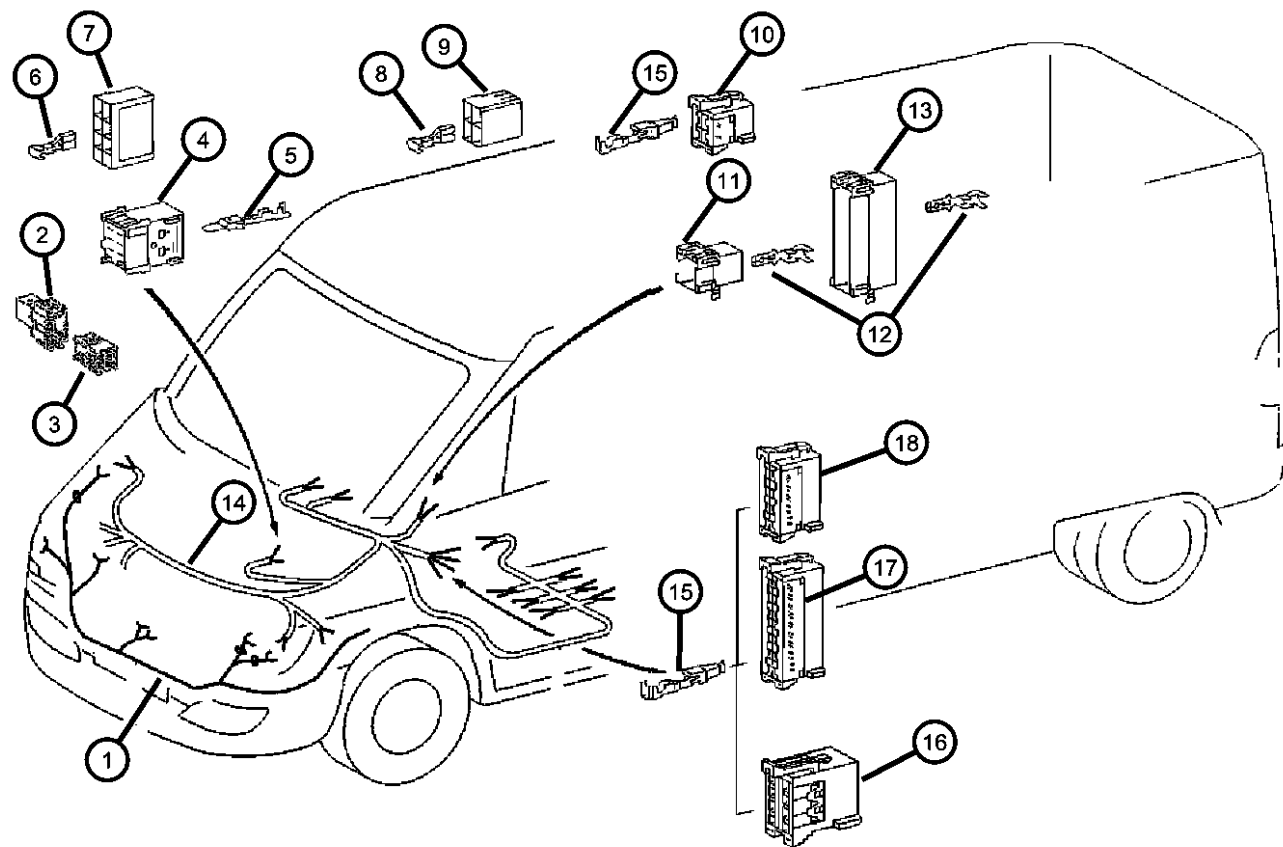
ITEM	PART NUMBER	QTY	LINE	SERIES	BODY	ENGINE	TRANS	TRIM	DESCRIPTION
8		1	2, 6	L	11, 12, 14, 15, 16				TERMINAL, Female
		1	2, 6	L	51, 52, 54, 55, 56				
9	05133360AA	99	3, 7	L	12, 15, 16				CONNECTOR
		99	2, 6	L	11, 12, 14, 15, 16				
		99	2, 6	L	51, 52, 54, 55, 56				
10	05103753AA	1	2, 6	L	11, 12, 14, 15, 16				CONNECTOR
		1	2, 6	L	51, 52, 54, 55, 56				
		1	3, 7	L	12, 15, 16				
11	05120785AA	1	2, 6	L	11, 12, 14, 15, 16				CONNECTOR
		1	2, 6	L	51, 52, 54, 55, 56				
		1	3, 7	L	12, 15, 16				
12	05120791AA	1	2, 6	L	11, 12, 14, 15, 16				CONNECTOR
		1	2, 6	L	51, 52, 54, 55, 56				
		1	3, 7	L	12, 15, 16				
13	05133377AA	1	3, 7	L	12, 15, 16				TERMINAL, Male
		1	2, 6	L	11, 12, 14, 15, 16				
		1	2, 6	L	51, 52, 54, 55, 56				
13	05120794AA	1	2, 6	L	11, 12, 14, 15, 16				CONNECTOR
		1	2, 6	L	51, 52, 54, 55, 56				

**SPRINTER (VA)**

<b>SERIES</b>	<b>LINE</b>	<b>BODY</b>	<b>ENGINE</b>	<b>TRANSMISSION</b>
L = LOWLINE	3 = HD DODGE 2WD 6 = Lt. Duty DODGE 4WD 2 = Med. Duty DODGE 2WD 7 = Med. Duty DODGE 4WD	51 = WAGON WHEEL BASE 1 52 = WAGON WHEEL BASE 2 14 = VAN WHEEL BASE 4 15 = VAN WHEEL BASE 5 16 = VAN WHEEL BASE 6 54 = WAGON WHEEL BASE 4 55 = WAGON WHEEL BASE 5 56 = WAGON WHEEL BASE 6 11 = VAN WHEEL BASE 1 12 = VAN WHEEL BASE 2	EX9 = Engine - 2.7L 5 Cly Mercedes Diesel	DGJ = Transmission-5-Spd. Automatic,W5A580

AR = use ase required - = Non illustrated part

**Wiring - Headlamp & Dash**  
**Figure 8-1305**



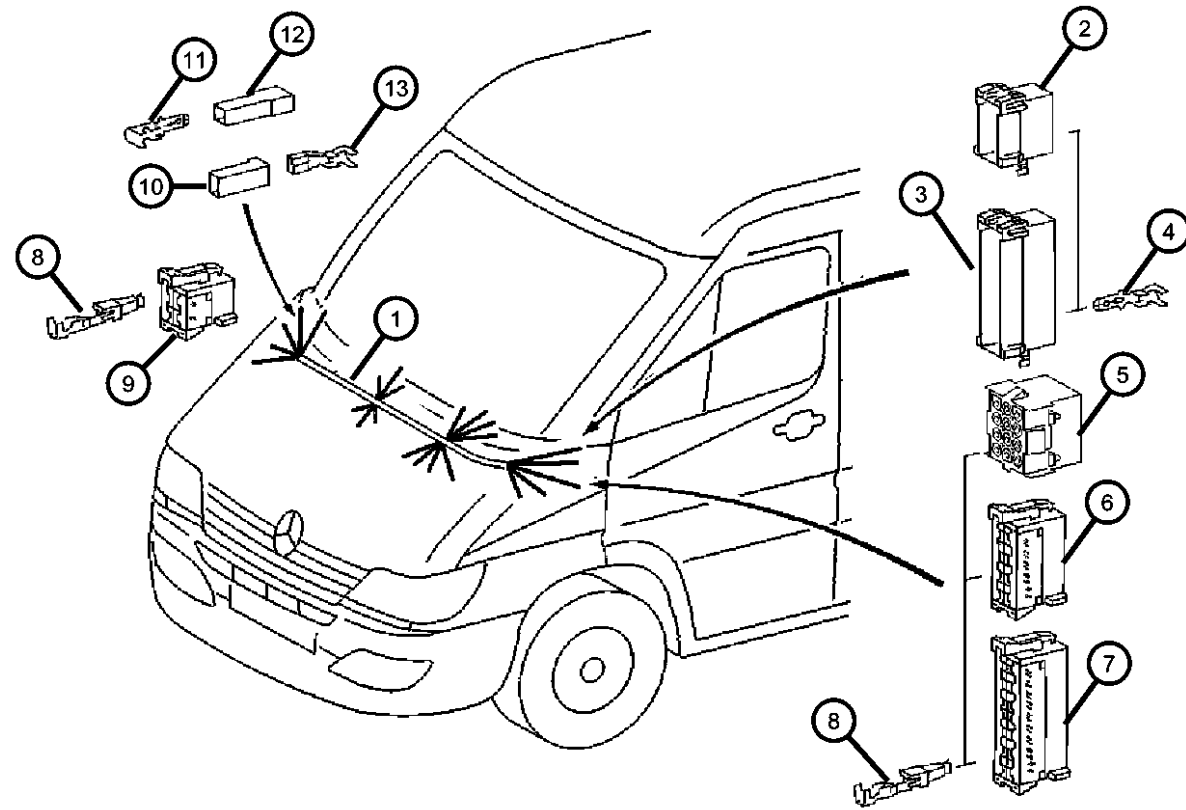
ITEM	PART NUMBER	QTY	LINE	SERIES	BODY	ENGINE	TRANS	TRIM	DESCRIPTION
14		1	3, 7	L	12, 15, 16				WIRING, Headlamp to Dash
	05114935AA	1	2, 6	L	11, 12, 14, 15, 16				
		1	2, 6	L	51, 52, 54, 55, 56				
15		1	3, 7	L	12, 15, 16				TERMINAL
	05103881AA	1	2, 6	L	11, 12, 14, 15, 16				
		1	2, 6	L	51, 52, 54, 55, 56				
16		1	3, 7	L	12, 15, 16				CONNECTOR
	05120796AA	1	2, 6	L	11, 12, 14, 15, 16				
		1	2, 6	L	51, 52, 54, 55, 56				
17		1	3, 7	L	12, 15, 16				CONNECTOR
	05120789AA	1	2, 6	L	11, 12, 14, 15, 16				
		1	2, 6	L	51, 52, 54, 55, 56				
18		1	3, 7	L	12, 15, 16				CONNECTOR
	05120788AA	1	2, 6	L	11, 12, 14, 15, 16				
		1	2, 6	L	51, 52, 54, 55, 56				
		1	3, 7	L	12, 15, 16				

**SPRINTER (VA)**

SERIES	LINE	BODY	ENGINE	TRANSMISSION
L = LOWLINE	3 = HD DODGE 2WD	51 = WAGON WHEEL BASE 1	EX9 = Engine - 2.7L 5 Cly	DGJ = Transmission-5-Spd. Automatic, W5A580
	6 = Lt. Duty DODGE 4WD	52 = WAGON WHEEL BASE 2	Mercedes Diesel	
	2 = Med. Duty DODGE 2WD	14 = VAN WHEEL BASE 4		
	7 = Med. Duty DODGE 4WD	15 = VAN WHEEL BASE 5		
		16 = VAN WHEEL BASE 6		
		54 = WAGON WHEEL BASE 4		
		55 = WAGON WHEEL BASE 5		
		56 = WAGON WHEEL BASE 6		
		11 = VAN WHEEL BASE 1		
		12 = VAN WHEEL BASE 2		

AR = use ase required - = Non illustrated part

Wiring - Instrument Panel  
Figure 8-1405



ITEM	PART NUMBER	QTY	LINE	SERIES	BODY	ENGINE	TRANS	TRIM	DESCRIPTION
1	05114933AA	1	2, 6	L	11, 12, 14, 15, 16				WIRING, Instrument Panel Built to order by VIN
		1	2, 6	L	51, 52, 54, 55, 56				Built to order by VIN
		1	3, 7	L	12, 15, 16				Built to order by VIN
2	05133393AA	1	3, 7	L	12, 15, 16				INSULATOR
		1	2, 6	L	11, 12, 14, 15, 16				
		1	2, 6	L	51, 52, 54, 55, 56				
3	05120793AA	1	2, 6	L	11, 12, 14, 15, 16				CONNECTOR
		1	2, 6	L	51, 52, 54, 55, 56				
		1	3, 7	L	12, 15, 16				
4	05133377AA	1	3, 7	L	12, 15, 16				TERMINAL, Male
		1	2, 6	L	11, 12, 14, 15, 16				
		1	2, 6	L	51, 52, 54, 55, 56				
5	05120675AA	1	2, 6	L	11, 12, 14, 15, 16				CONNECTOR
		1	2, 6	L	51, 52, 54, 55, 56				
		1	3, 7	L	12, 15, 16				
6	05120787AA	1	2, 6	L	11, 12, 14, 15, 16				CONNECTOR
		1	2, 6	L	51, 52, 54, 55, 56				
		1	3, 7	L	12, 15, 16				
7	05120789AA	1	2, 6	L	11, 12, 14, 15, 16				CONNECTOR

SPRINTER (VA)

SERIES

L = LOWLINE

LINE

3 = HD DODGE 2WD  
6 = Lt. Duty DODGE 4WD  
2 = Med. Duty DODGE 2WD  
7 = Med. Duty DODGE 4WD

BODY

51 = WAGON WHEEL BASE 1 EX9 = Engine - 2.7L 5 Cyl  
52 = WAGON WHEEL BASE 2 Mercedes Diesel  
14 = VAN WHEEL BASE 4  
15 = VAN WHEEL BASE 5  
16 = VAN WHEEL BASE 6  
54 = WAGON WHEEL BASE 4  
55 = WAGON WHEEL BASE 5  
56 = WAGON WHEEL BASE 6  
11 = VAN WHEEL BASE 1  
12 = VAN WHEEL BASE 2

ENGINE

TRANSMISSION

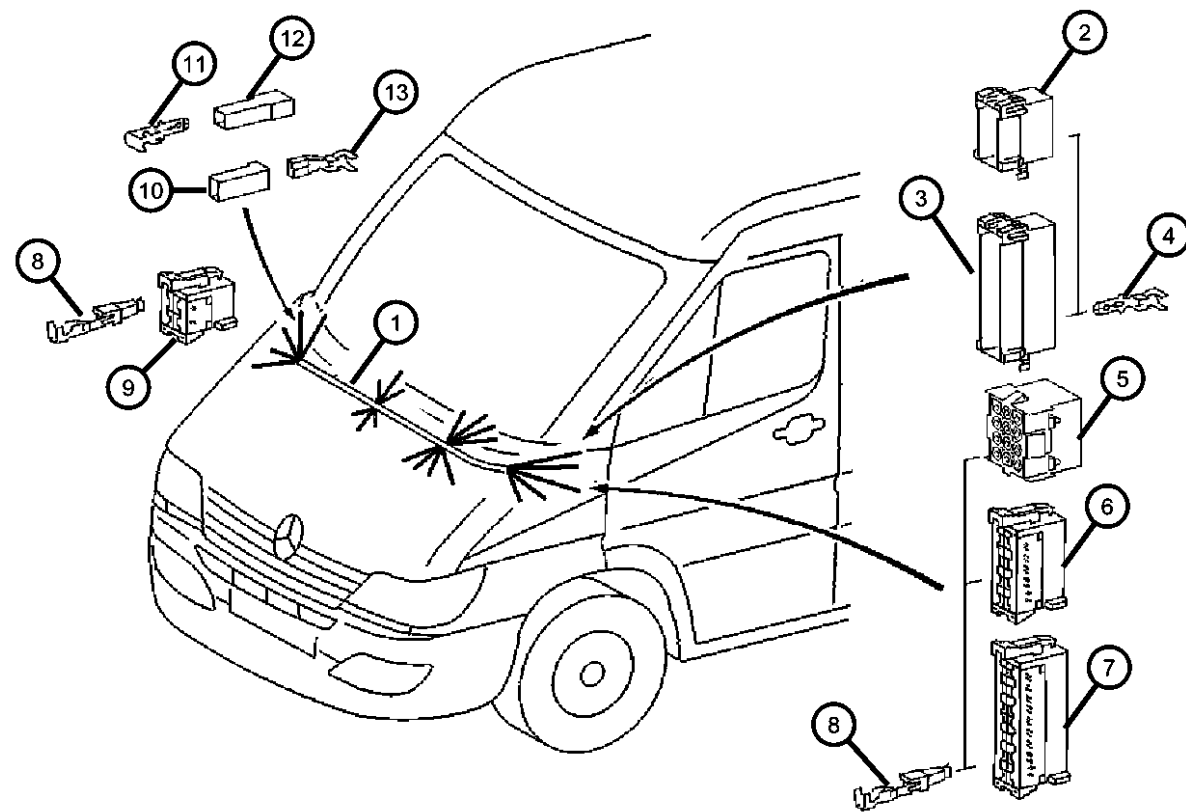
DGJ = Transmission-5-Spd. Automatic, W5A580

AR = use ase required - = Non illustrated part

2003 VA



Wiring - Instrument Panel  
Figure 8-1405



ITEM	PART NUMBER	QTY	LINE	SERIES	BODY	ENGINE	TRANS	TRIM	DESCRIPTION
8	05103881AA	1	2, 6	L	51, 52, 54, 55, 56				TERMINAL
		1	3, 7	L	12, 15, 16				
9	05120785AA	1	2, 6	L	11, 12, 14, 15, 16				CONNECTOR
		1	2, 6	L	51, 52, 54, 55, 56				
10	05120684AA	1	2, 6	L	11, 12, 14, 15, 16				CONNECTOR
		1	2, 6	L	51, 52, 54, 55, 56				
11	05133391AA	1	3, 7	L	12, 15, 16				TERMINAL, Male
		99	2, 6	L	11, 12, 14, 15, 16				
		99	2, 6	L	51, 52, 54, 55, 56				
12	05120685AA	1	2, 6	L	11, 12, 14, 15, 16				INSULATOR
		1	2, 6	L	51, 52, 54, 55, 56				
13	05103871AA	1	3, 7	L	12, 15, 16				TERMINAL, Female
		1	2, 6	L	11, 12, 14, 15, 16				

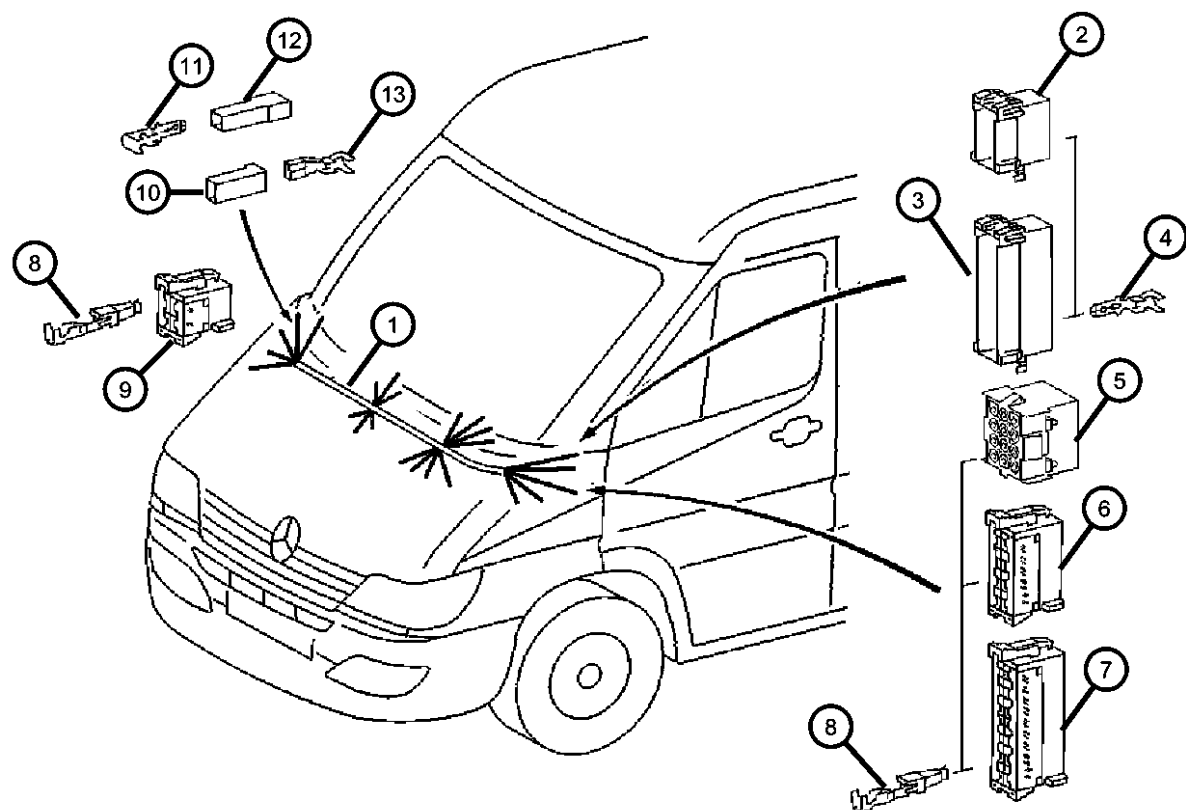
SPRINTER (VA)

SERIES	LINE	BODY	ENGINE	TRANSMISSION
L = LOWLINE	3 = HD DODGE 2WD 6 = Lt. Duty DODGE 4WD 2 = Med. Duty DODGE 2WD 7 = Med. Duty DODGE 4WD	51 = WAGON WHEEL BASE 1 52 = WAGON WHEEL BASE 2 14 = VAN WHEEL BASE 4 15 = VAN WHEEL BASE 5 16 = VAN WHEEL BASE 6 54 = WAGON WHEEL BASE 4 55 = WAGON WHEEL BASE 5 56 = WAGON WHEEL BASE 6 11 = VAN WHEEL BASE 1 12 = VAN WHEEL BASE 2	EX9 = Engine - 2.7L 5 Cly Mercedes Diesel	DGJ = Transmission-5-Spd. Automatic,W5A580

AR = use ase required - = Non illustrated part

Wiring - Instrument Panel  
Figure 8-1405

ITEM	PART NUMBER	QTY	LINE	SERIES	BODY	ENGINE	TRANS	TRIM	DESCRIPTION
-14		1	2, 6	L	51, 52, 54, 55, 56				WIRING, Instrument Panel Jumper
	05133418AA	1	2, 6	L	11, 12, 14, 15, 16				Ash Tray
		1	2, 6	L	51, 52, 54, 55, 56				Ash Tray
		1	3, 7	L	12, 15, 16				Ash Tray



SPRINTER (VA)

SERIES

L = LOWLINE

LINE

3 = HD DODGE 2WD  
6 = Lt. Duty DODGE 4WD  
2 = Med. Duty DODGE 2WD  
7 = Med. Duty DODGE 4WD

BODY

51 = WAGON WHEEL BASE 1  
52 = WAGON WHEEL BASE 2  
14 = VAN WHEEL BASE 4  
15 = VAN WHEEL BASE 5  
16 = VAN WHEEL BASE 6  
54 = WAGON WHEEL BASE 4  
55 = WAGON WHEEL BASE 5  
56 = WAGON WHEEL BASE 6  
11 = VAN WHEEL BASE 1  
12 = VAN WHEEL BASE 2

ENGINE

EX9 = Engine - 2.7L 5 Cly  
Mercedes Diesel

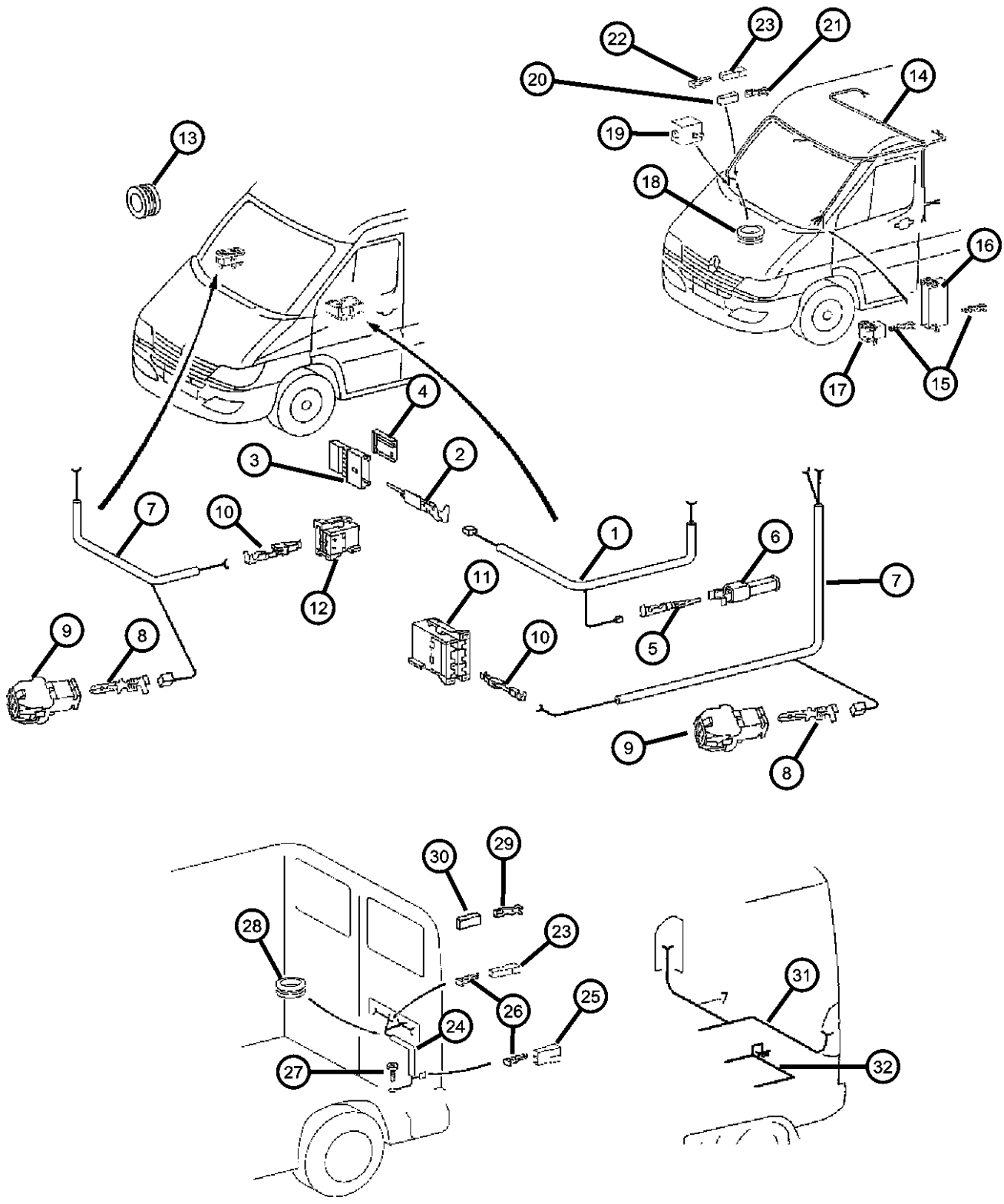
TRANSMISSION

DGJ = Transmission-5-Spd.  
Automatic,W5A580

AR = use ase required - = Non illustrated part

2003 VA

Wiring - Body & Accessories  
Figure 8-1505

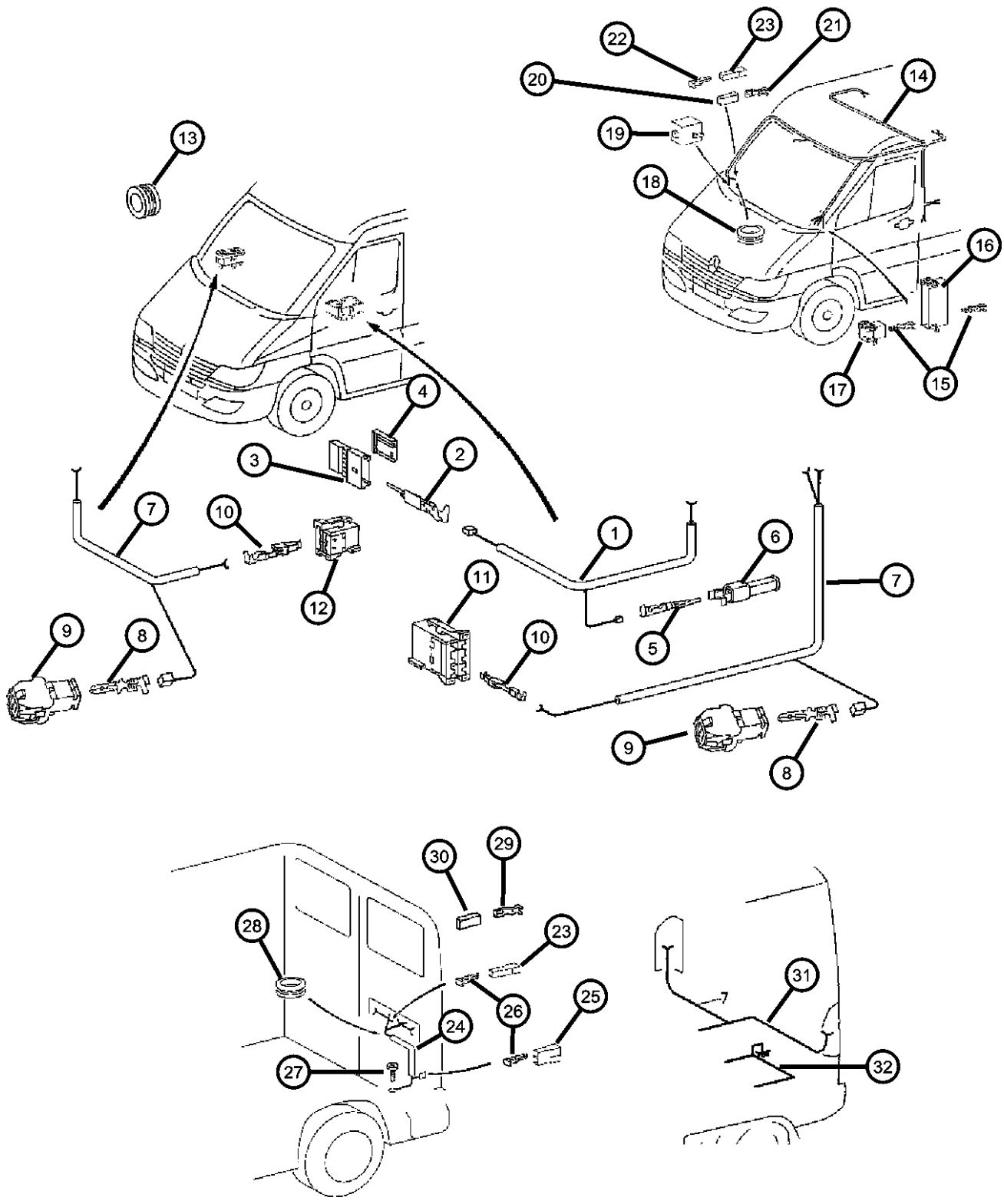


ITEM	PART NUMBER	QTY	LINE	SERIES	BODY	ENGINE	TRANS	TRIM	DESCRIPTION
1	05120224AA	1	2, 6	L	11, 12, 14, 15, 16				WIRING, Mirror Jumper
		1	2, 6	L	51, 52, 54, 55, 56				
		1	3, 7	L	12, 15, 16				
2	05133990AA	99	2, 6	L	11, 12, 14, 15, 16				TERMINAL, Male
		99	2, 6	L	51, 52, 54, 55, 56				
		99	3, 7	L	12, 15, 16				
3	05133330AA	1	3, 7	L	12, 15, 16				INSULATOR, 6 Way
		1	2, 6	L	11, 12, 14, 15, 16				
		1	2, 6	L	51, 52, 54, 55, 56				
4	05133331AA	1	3, 7	L	12, 15, 16				CONNECTOR, Instrument cluster
		1	2, 6	L	11, 12, 14, 15, 16				
		1	2, 6	L	51, 52, 54, 55, 56				
5	05133387AA	1	2, 6	L	11, 12, 14, 15, 16				TERMINAL
		1	2, 6	L	51, 52, 54, 55, 56				
		1	3, 7	L	12, 15, 16				
6	05120744AA	1	3, 7	L	12, 15, 16				CONNECTOR
		1	2, 6	L	51, 52, 54, 55, 56				
		1	2, 6	L	11, 12, 14, 15, 16				
7	05120220AA	1	2, 6	L	11, 12, 14, 15, 16				WIRING, Power Window Driver Side

**SPRINTER (VA)**  
**SERIES**      **LINE**      **BODY**      **ENGINE**      **TRANSMISSION**  
L = LOWLINE    3 = HD DODGE 2WD    51 = WAGON WHEEL BASE 1    EX9 = Engine - 2.7L 5 Cly    DGJ = Transmission-5-Spd.  
                     6 = Lt. Duty DODGE 4WD    52 = WAGON WHEEL BASE 2    Mercedes Diesel    Automatic,W5A580  
                     2 = Med. Duty DODGE 2WD  
                     7 = Med. Duty DODGE 4WD  
   14 = VAN WHEEL BASE 4  
   15 = VAN WHEEL BASE 5  
   16 = VAN WHEEL BASE 6  
   54 = WAGON WHEEL BASE 4  
   55 = WAGON WHEEL BASE 5  
   56 = WAGON WHEEL BASE 6  
   11 = VAN WHEEL BASE 1  
   12 = VAN WHEEL BASE 2

AR = use ase required - = Non illustrated part

Wiring - Body & Accessories  
Figure 8-1505

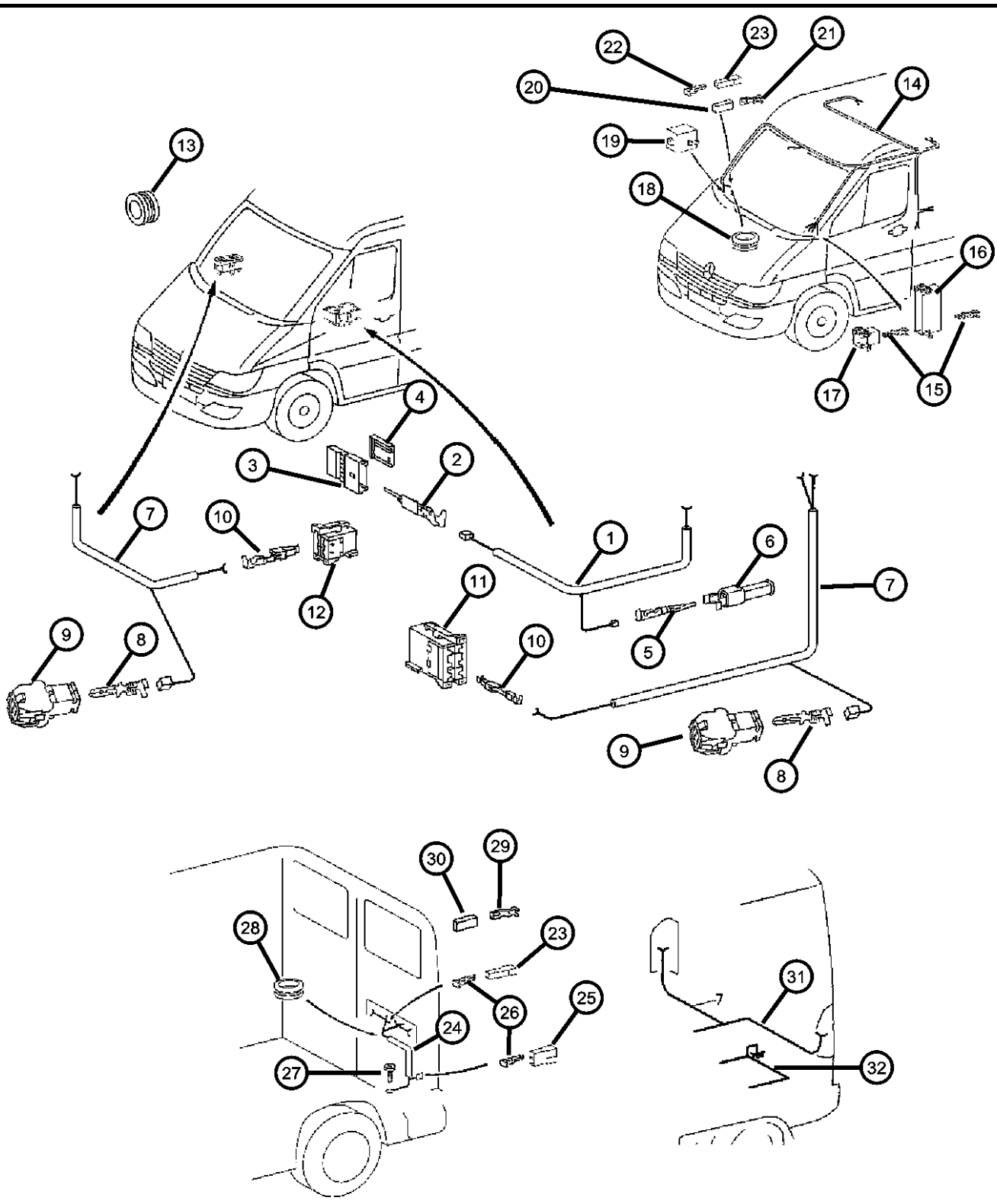


ITEM	PART NUMBER	QTY	LINE	SERIES	BODY	ENGINE	TRANS	TRIM	DESCRIPTION
8	05120222AA	1	2, 6	L	51, 52, 54, 55, 56				Driver Side
		1	3, 7	L	12, 15, 16				Driver Side
		1	2, 6	L	11, 12, 14, 15, 16				Passenger Side
		1	2, 6	L	51, 52, 54, 55, 56				Passenger Side
	05133378AA	1	3, 7	L	12, 15, 16				Passenger Side
		1	2, 6	L	11, 12, 14, 15, 16				TERMINAL, Male
		1	2, 6	L	51, 52, 54, 55, 56				
		1	3, 7	L	12, 15, 16				
9	05103895AA	1	2, 6	L	11, 12, 14, 15, 16				CONNECTOR
		1	2, 6	L	51, 52, 54, 55, 56				
		1	3, 7	L	12, 15, 16				
10	05103881AA	1	2, 6	L	11, 12, 14, 15, 16				TERMINAL
		1	2, 6	L	51, 52, 54, 55, 56				
		1	3, 7	L	12, 15, 16				
11	05120786AA	1	2, 6	L	11, 12, 14, 15, 16				CONNECTOR
		1	2, 6	L	51, 52, 54, 55, 56				
		1	3, 7	L	12, 15, 16				
12	05120785AA	1	2, 6	L	11, 12, 14, 15, 16				CONNECTOR
		1	2, 6	L	51, 52, 54, 55, 56				
		1	3, 7	L	12, 15, 16				

**SPRINTER (VA)**  
**SERIES**      **LINE**      **BODY**      **ENGINE**      **TRANSMISSION**  
L = LOWLINE    3 = HD DODGE 2WD    51 = WAGON WHEEL BASE 1    EX9 = Engine - 2.7L 5 Cly    DGJ = Transmission-5-Spd.  
                     6 = Lt. Duty DODGE 4WD    52 = WAGON WHEEL BASE 2    Mercedes Diesel    Automatic, W5A580  
                     2 = Med. Duty DODGE 2WD  
                     7 = Med. Duty DODGE 4WD  
   14 = VAN WHEEL BASE 4  
   15 = VAN WHEEL BASE 5  
   16 = VAN WHEEL BASE 6  
   54 = WAGON WHEEL BASE 4  
   55 = WAGON WHEEL BASE 5  
   56 = WAGON WHEEL BASE 6  
   11 = VAN WHEEL BASE 1  
   12 = VAN WHEEL BASE 2

AR = use ase required - = Non illustrated part

**Wiring - Body & Accessories**  
**Figure 8-1505**



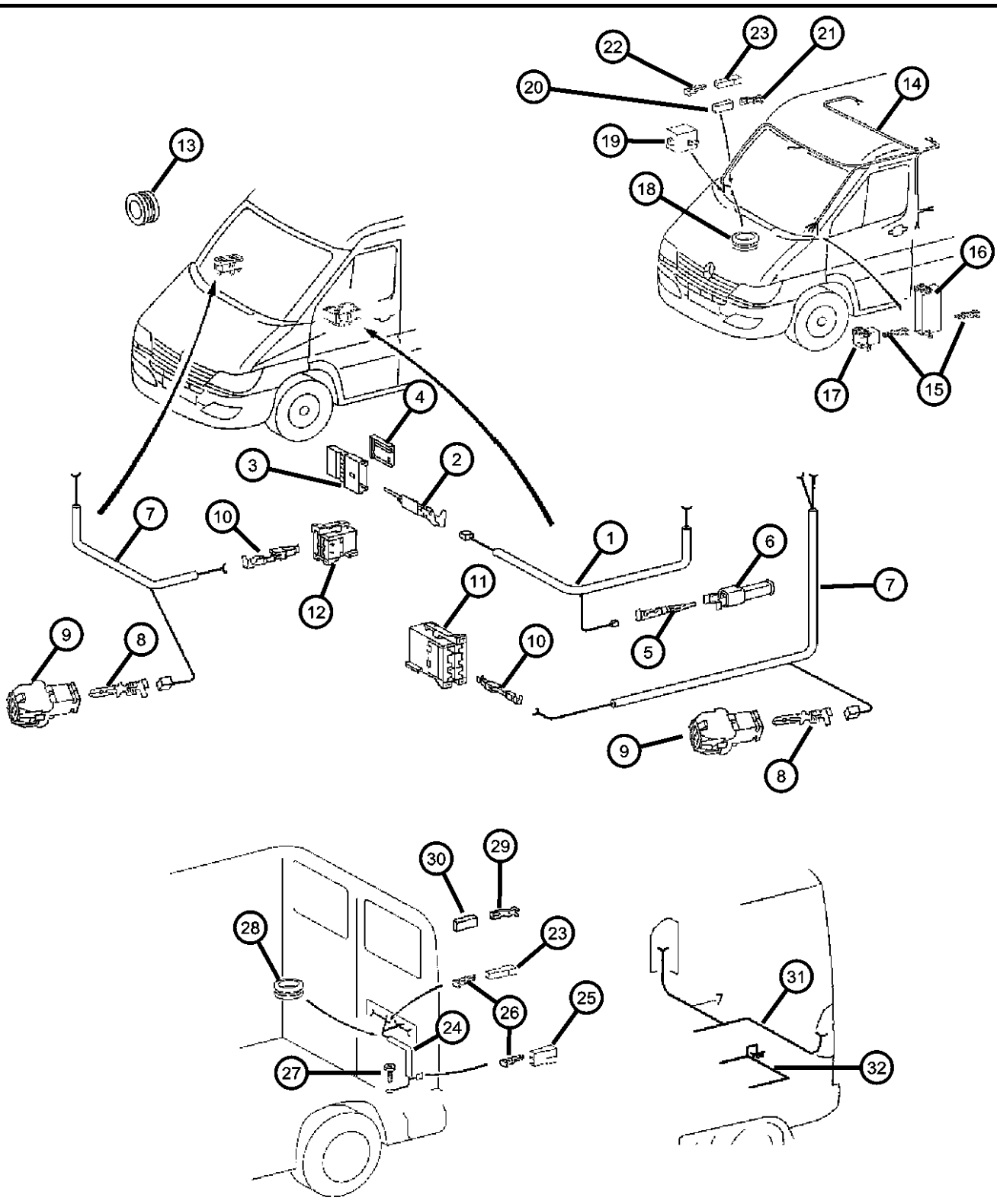
ITEM	PART NUMBER	QTY	LINE	SERIES	BODY	ENGINE	TRANS	TRIM	DESCRIPTION
13	05125942AA	1	2, 6	L	11, 12, 14, 15, 16				GROMMET
		1	2, 6	L	51, 52, 54, 55, 56				
		1	3, 7	L	12, 15, 16				
14	05114931AA	1	2, 6	L	11, 12, 14, 15, 16				WIRING, Body
		1	2, 6	L	51, 52, 54, 55, 56				
		1	3, 7	L	12, 15, 16				
15	05133377AA	1	3, 7	L	12, 15, 16				TERMINAL, Male
		1	2, 6	L	11, 12, 14, 15, 16				
		1	2, 6	L	51, 52, 54, 55, 56				
16	05120794AA	1	2, 6	L	11, 12, 14, 15, 16				CONNECTOR
		1	2, 6	L	51, 52, 54, 55, 56				
		1	3, 7	L	12, 15, 16				
17	05120791AA	1	2, 6	L	11, 12, 14, 15, 16				CONNECTOR
		1	2, 6	L	51, 52, 54, 55, 56				
		1	3, 7	L	12, 15, 16				
18	05133408AA	1	3, 7	L	12, 15, 16				GROMMET, Chassis Wiring
		1	2, 6	L	11, 12, 14, 15, 16				
		1	2, 6	L	51, 52, 54, 55, 56				
19	05133401AA	1	3, 7	L	12, 15, 16				INSULATOR, 2 Way

**SPRINTER (VA)**

<b>SERIES</b>	<b>LINE</b>	<b>BODY</b>	<b>ENGINE</b>	<b>TRANSMISSION</b>
L = LOWLINE	3 = HD DODGE 2WD 6 = Lt. Duty DODGE 4WD 2 = Med. Duty DODGE 2WD 7 = Med. Duty DODGE 4WD	51 = WAGON WHEEL BASE 1 52 = WAGON WHEEL BASE 2 14 = VAN WHEEL BASE 4 15 = VAN WHEEL BASE 5 16 = VAN WHEEL BASE 6 54 = WAGON WHEEL BASE 4 55 = WAGON WHEEL BASE 5 56 = WAGON WHEEL BASE 6 11 = VAN WHEEL BASE 1 12 = VAN WHEEL BASE 2	EX9 = Engine - 2.7L 5 Cly Mercedes Diesel	DGJ = Transmission-5-Spd. Automatic, W5A580

AR = use ase required - = Non illustrated part

**Wiring - Body & Accessories**  
**Figure 8-1505**



ITEM	PART NUMBER	QTY	LINE	SERIES	BODY	ENGINE	TRANS	TRIM	DESCRIPTION
20	05120684AA	1	2, 6	L	11, 12, 14, 15, 16				CONNECTOR
		1	2, 6	L	51, 52, 54, 55, 56				
21	05103871AA	1	3, 7	L	12, 15, 16				TERMINAL, Female
		1	2, 6	L	11, 12, 14, 15, 16				
22	05133358AA	1	2, 6	L	11, 12, 14, 15, 16				TERMINAL, Male
		1	2, 6	L	51, 52, 54, 55, 56				
23	05120685AA	1	3, 7	L	12, 15, 16				INSULATOR
		1	2, 6	L	11, 12, 14, 15, 16				
24	05129584AA	1	2, 6	L	51, 52, 54, 55, 56				WIRING, Rear Door
		1	3, 7	L	12, 15, 16				
25	05103751AA	1	2, 6	L	11, 12, 14, 15, 16				CONNECTOR
		1	2, 6	L	51, 52, 54, 55, 56				

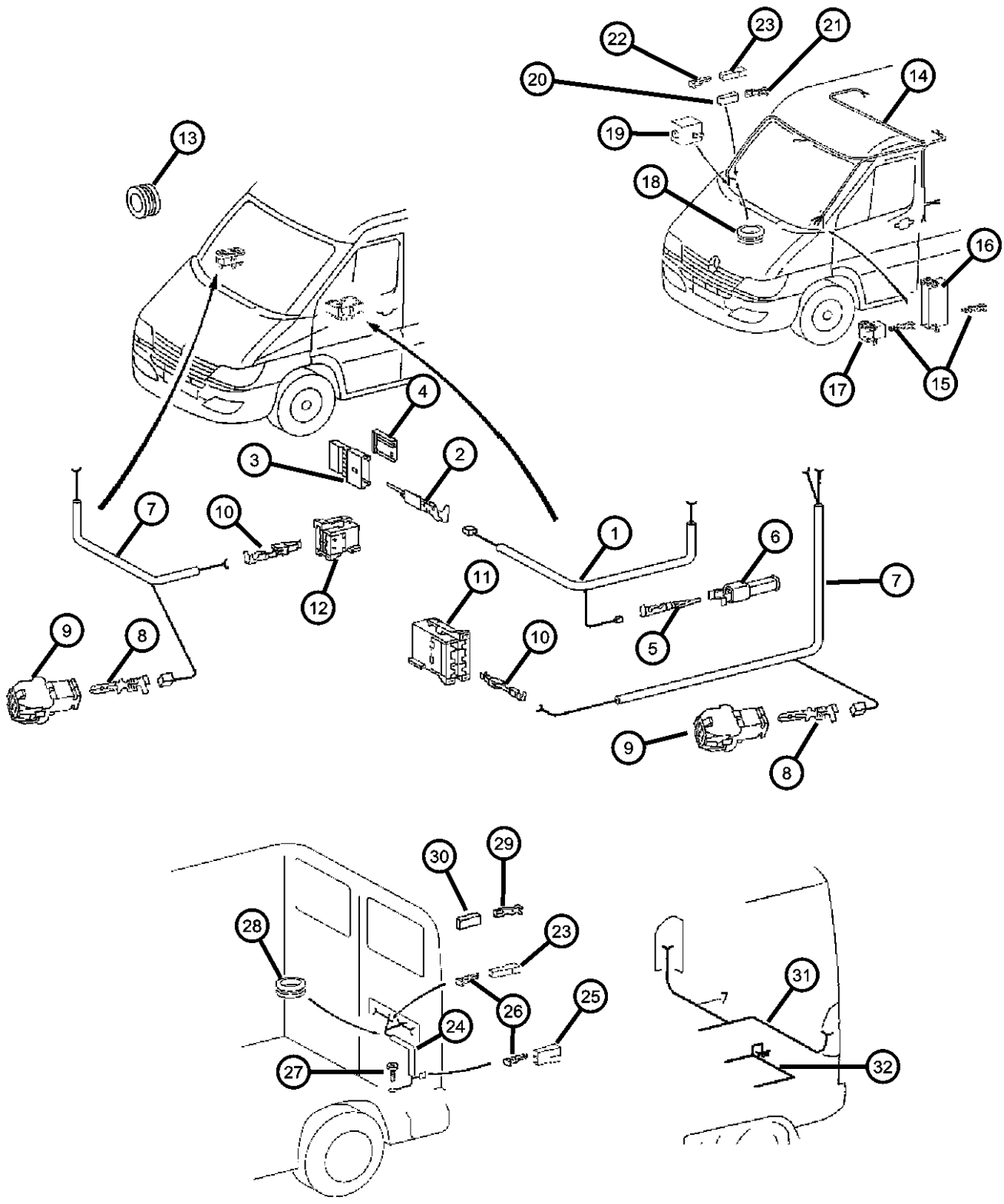
**SPRINTER (VA)**

<b>SERIES</b>	<b>LINE</b>	<b>BODY</b>	<b>ENGINE</b>	<b>TRANSMISSION</b>
L = LOWLINE	3 = HD DODGE 2WD 6 = Lt. Duty DODGE 4WD 2 = Med. Duty DODGE 2WD 7 = Med. Duty DODGE 4WD	51 = WAGON WHEEL BASE 1 52 = WAGON WHEEL BASE 2 14 = VAN WHEEL BASE 4 15 = VAN WHEEL BASE 5 16 = VAN WHEEL BASE 6 54 = WAGON WHEEL BASE 4 55 = WAGON WHEEL BASE 5 56 = WAGON WHEEL BASE 6 11 = VAN WHEEL BASE 1 12 = VAN WHEEL BASE 2	EX9 = Engine - 2.7L 5 Cly Mercedes Diesel	DGJ = Transmission-5-Spd. Automatic, W5A580

AR = use ase required - = Non illustrated part



Wiring - Body & Accessories  
Figure 8-1505



ITEM	PART NUMBER	QTY	LINE	SERIES	BODY	ENGINE	TRANS	TRIM	DESCRIPTION
------	-------------	-----	------	--------	------	--------	-------	------	-------------

	05133400AA	1	3, 7	L	12, 15, 16				
		1	2, 6	L	11, 12, 14, 15, 16				
		1	2, 6	L	51, 52, 54, 55, 56				

SPRINTER (VA)

SERIES

L = LOWLINE

LINE

3 = HD DODGE 2WD  
6 = Lt. Duty DODGE 4WD  
2 = Med. Duty DODGE 2WD  
7 = Med. Duty DODGE 4WD

BODY

51 = WAGON WHEEL BASE 1  
52 = WAGON WHEEL BASE 2  
14 = VAN WHEEL BASE 4  
15 = VAN WHEEL BASE 5  
16 = VAN WHEEL BASE 6  
54 = WAGON WHEEL BASE 4  
55 = WAGON WHEEL BASE 5  
56 = WAGON WHEEL BASE 6  
11 = VAN WHEEL BASE 1  
12 = VAN WHEEL BASE 2

ENGINE

EX9 = Engine - 2.7L 5 Cly  
Mercedes Diesel

TRANSMISSION

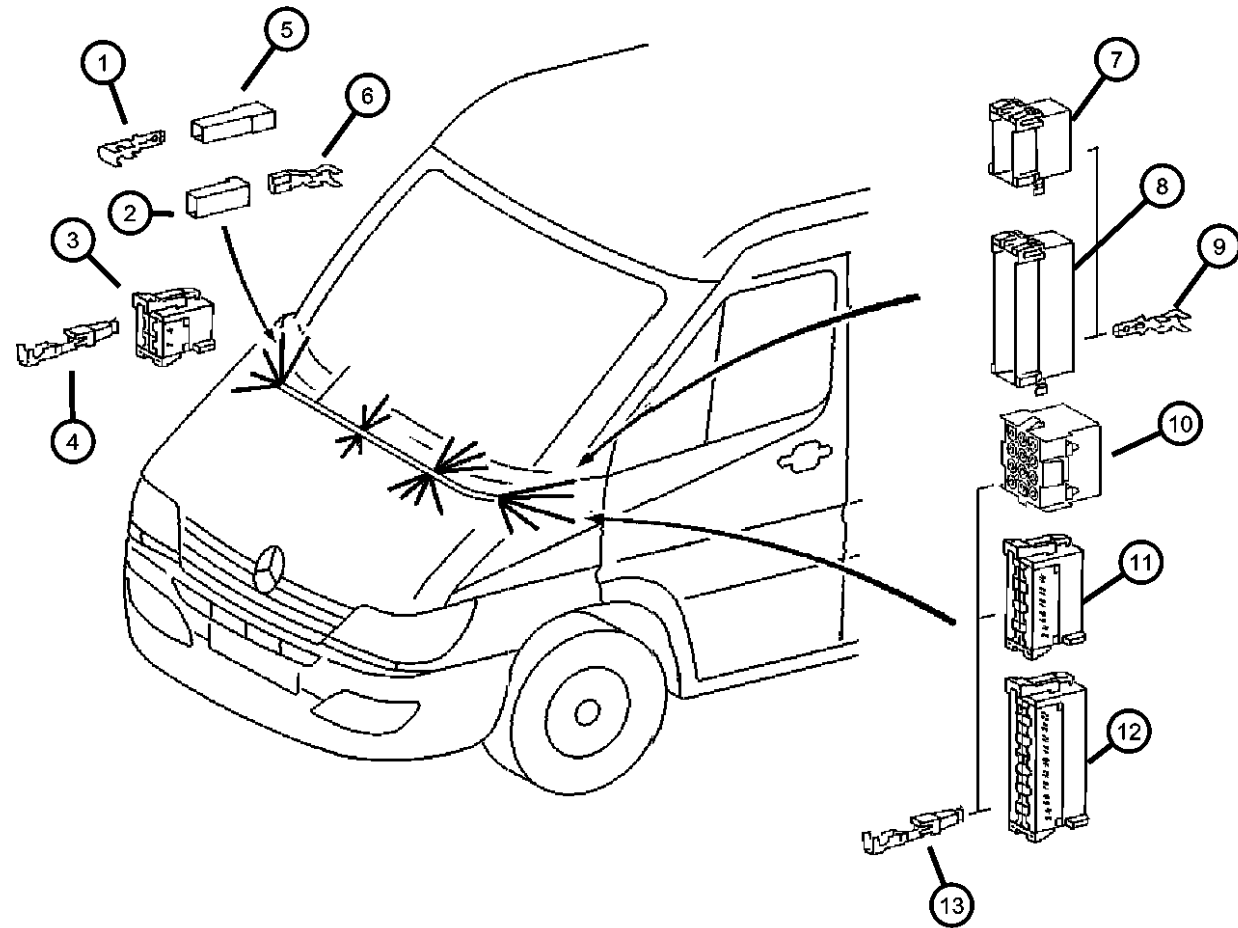
DGJ = Transmission-5-Spd.  
Automatic,W5A580

AR = use ase required - = Non illustrated part

2003 VA



**Connectors Engine Compartment  
Figure 8-1605**



ITEM	PART NUMBER	QTY	LINE	SERIES	BODY	ENGINE	TRANS	TRIM	DESCRIPTION
1	05133391AA	99	3, 7	L	12, 15, 16				TERMINAL, Male
		99	2, 6	L	11, 12, 14, 15, 16				
		99	2, 6	L	51, 52, 54, 55, 56				
2	05120684AA	1	2, 6	L	11, 12, 14, 15, 16				CONNECTOR
		1	2, 6	L	51, 52, 54, 55, 56				
		1	3, 7	L	12, 15, 16				
3	05103882AA	1	2, 6	L	11, 12, 14, 15, 16				TERMINAL
		1	2, 6	L	51, 52, 54, 55, 56				
		1	3, 7	L	12, 15, 16				
4	05120785AA	1	2, 6	L	11, 12, 14, 15, 16				CONNECTOR
		1	2, 6	L	51, 52, 54, 55, 56				
		1	3, 7	L	12, 15, 16				
5	05120685AA	2	2, 6	L	11, 12, 14, 15, 16				INSULATOR
		2	2, 6	L	51, 52, 54, 55, 56				
		2	3, 7	L	12, 15, 16				
6	05103871AA	99	3, 7	L	12, 15, 16				TERMINAL, Female
		99	2, 6	L	11, 12, 14, 15, 16				
		99	2, 6	L	51, 52, 54, 55, 56				
7	05133393AA	1	2, 6	L	51, 52, 54, 55, 56				INSULATOR

**SPRINTER (VA)**

**SERIES**

L = LOWLINE  
 3 = HD DODGE 2WD  
 6 = Lt. Duty DODGE 4WD  
 2 = Med. Duty DODGE 2WD  
 7 = Med. Duty DODGE 4WD

**BODY**

51 = WAGON WHEEL BASE 1  
 52 = WAGON WHEEL BASE 2  
 14 = VAN WHEEL BASE 4  
 15 = VAN WHEEL BASE 5  
 16 = VAN WHEEL BASE 6  
 54 = WAGON WHEEL BASE 4  
 55 = WAGON WHEEL BASE 5  
 56 = WAGON WHEEL BASE 6  
 11 = VAN WHEEL BASE 1  
 12 = VAN WHEEL BASE 2

**ENGINE**

EX9 = Engine - 2.7L 5 Cyl  
 Mercedes Diesel

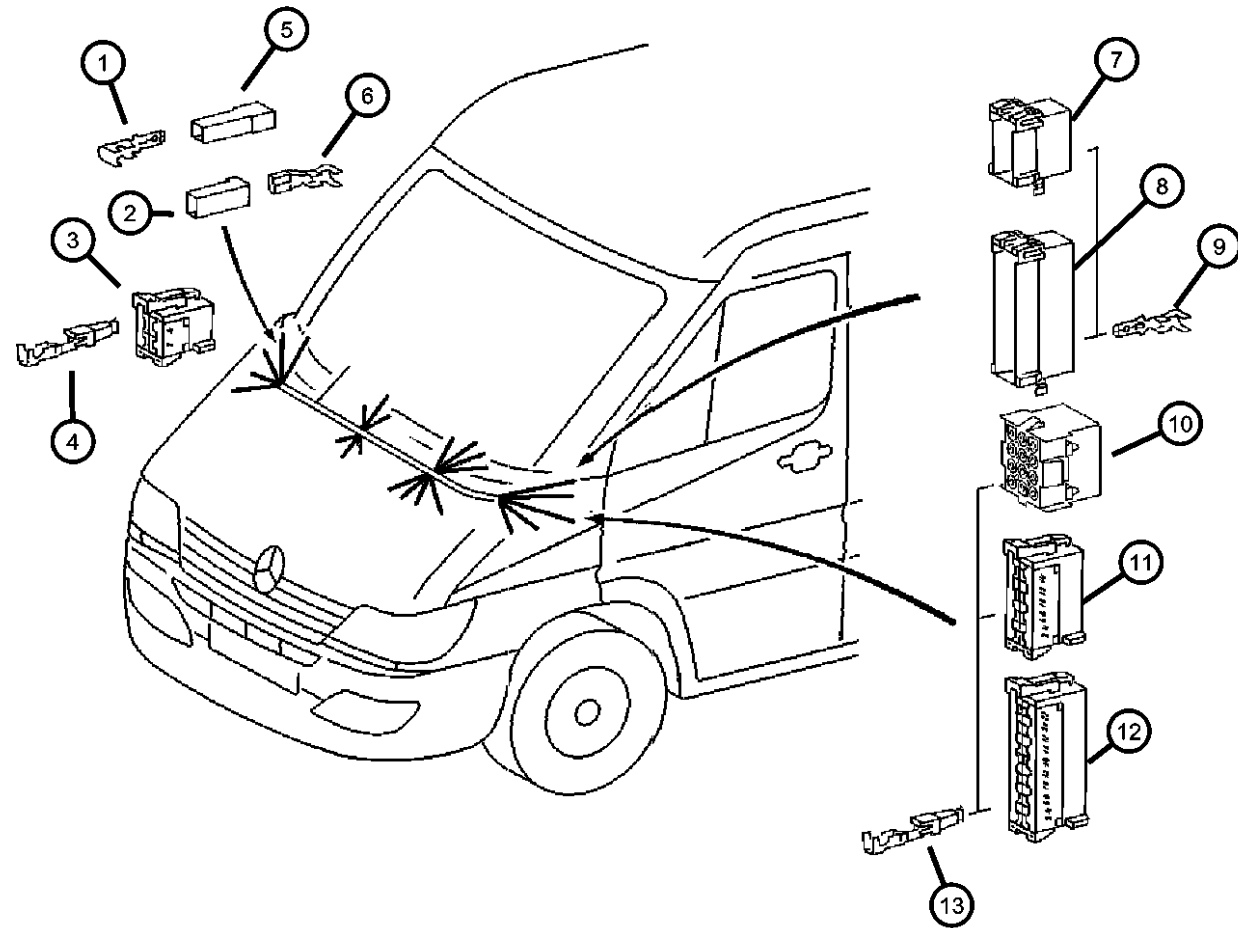
**TRANSMISSION**

DGJ = Transmission-5-Spd. Automatic, W5A580

AR = use ase required - = Non illustrated part

**Connectors Engine Compartment  
Figure 8-1605**

ITEM	PART NUMBER	QTY	LINE	SERIES	BODY	ENGINE	TRANS	TRIM	DESCRIPTION
8	05120793AA	1	2, 6	L	11, 12, 14, 15, 16				CONNECTOR
		1	3, 7	L	12, 15, 16				
		1	2, 6	L	11, 12, 14, 15, 16				
		1	2, 6	L	51, 52, 54, 55, 56				
9	05133371AA	1	3, 7	L	12, 15, 16				TERMINAL, Male
		99	2, 6	L	11, 12, 14, 15, 16				
		99	2, 6	L	51, 52, 54, 55, 56				
10	05120675AA	1	3, 7	L	12, 15, 16				CONNECTOR
		1	2, 6	L	11, 12, 14, 15, 16				
		1	2, 6	L	51, 52, 54, 55, 56				
11	05120787AA	1	2, 6	L	11, 12, 14, 15, 16				CONNECTOR
		1	2, 6	L	51, 52, 54, 55, 56				
12	05120789AA	1	3, 7	L	12, 15, 16				CONNECTOR
		1	2, 6	L	11, 12, 14, 15, 16				
		1	2, 6	L	51, 52, 54, 55, 56				
13	05103881AA	1	3, 7	L	12, 15, 16				TERMINAL
		1	2, 6	L	11, 12, 14, 15, 16				



**SPRINTER (VA)**

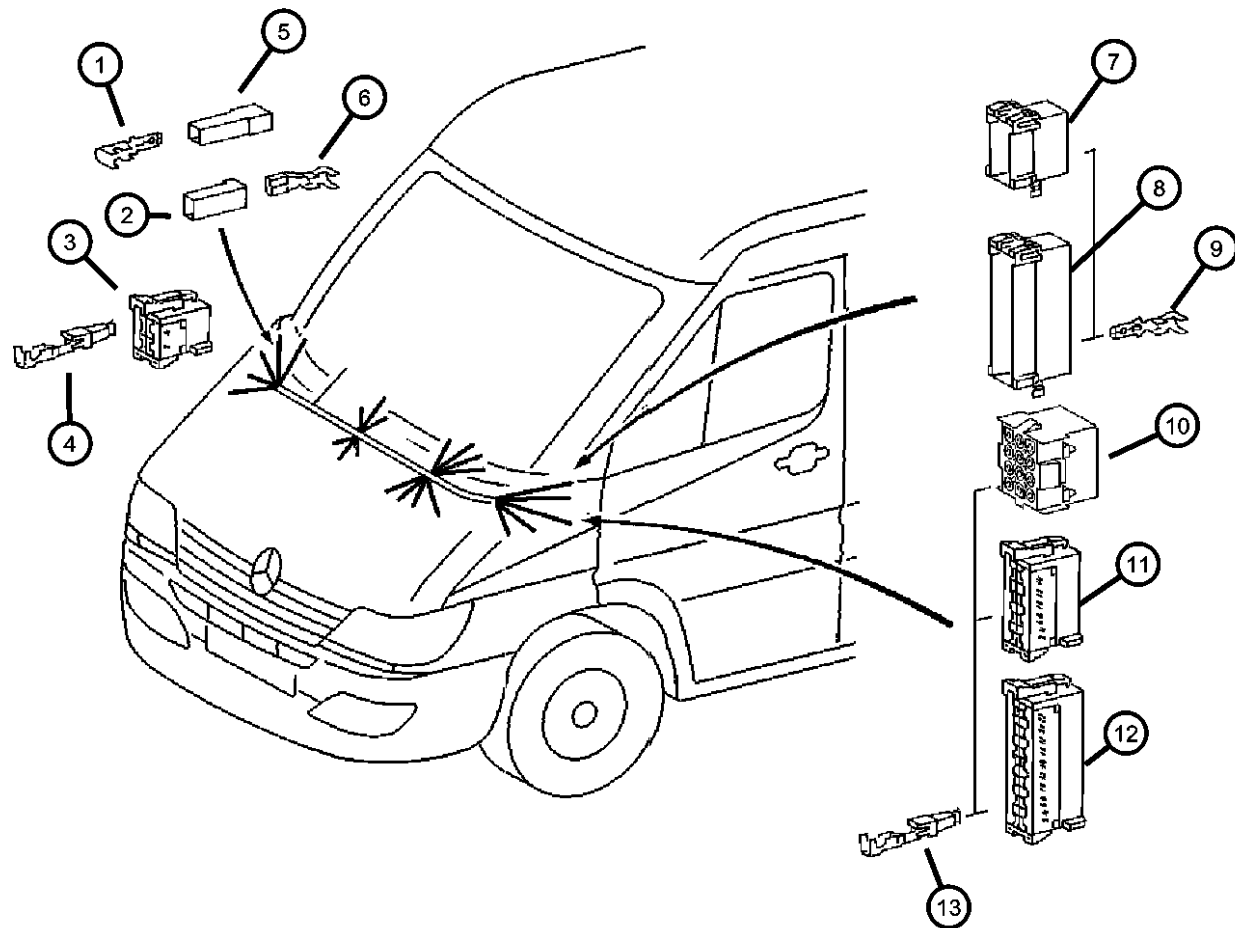
<b>SERIES</b>	<b>LINE</b>	<b>BODY</b>	<b>ENGINE</b>	<b>TRANSMISSION</b>
L = LOWLINE	3 = HD DODGE 2WD 6 = Lt. Duty DODGE 4WD 2 = Med. Duty DODGE 2WD 7 = Med. Duty DODGE 4WD	51 = WAGON WHEEL BASE 1 52 = WAGON WHEEL BASE 2 14 = VAN WHEEL BASE 4 15 = VAN WHEEL BASE 5 16 = VAN WHEEL BASE 6 54 = WAGON WHEEL BASE 4 55 = WAGON WHEEL BASE 5 56 = WAGON WHEEL BASE 6 11 = VAN WHEEL BASE 1 12 = VAN WHEEL BASE 2	EX9 = Engine - 2.7L 5 Cly Mercedes Diesel	DGJ = Transmission-5-Spd. Automatic,W5A580

AR = use ase required - = Non illustrated part

**Connectors Engine Compartment  
Figure 8-1605**

ITEM	PART NUMBER	QTY	LINE	SERIES	BODY	ENGINE	TRANS	TRIM	DESCRIPTION
------	-------------	-----	------	--------	------	--------	-------	------	-------------

1	2, 6	L	51, 52, 54, 55, 56
1	3, 7	L	12, 15, 16

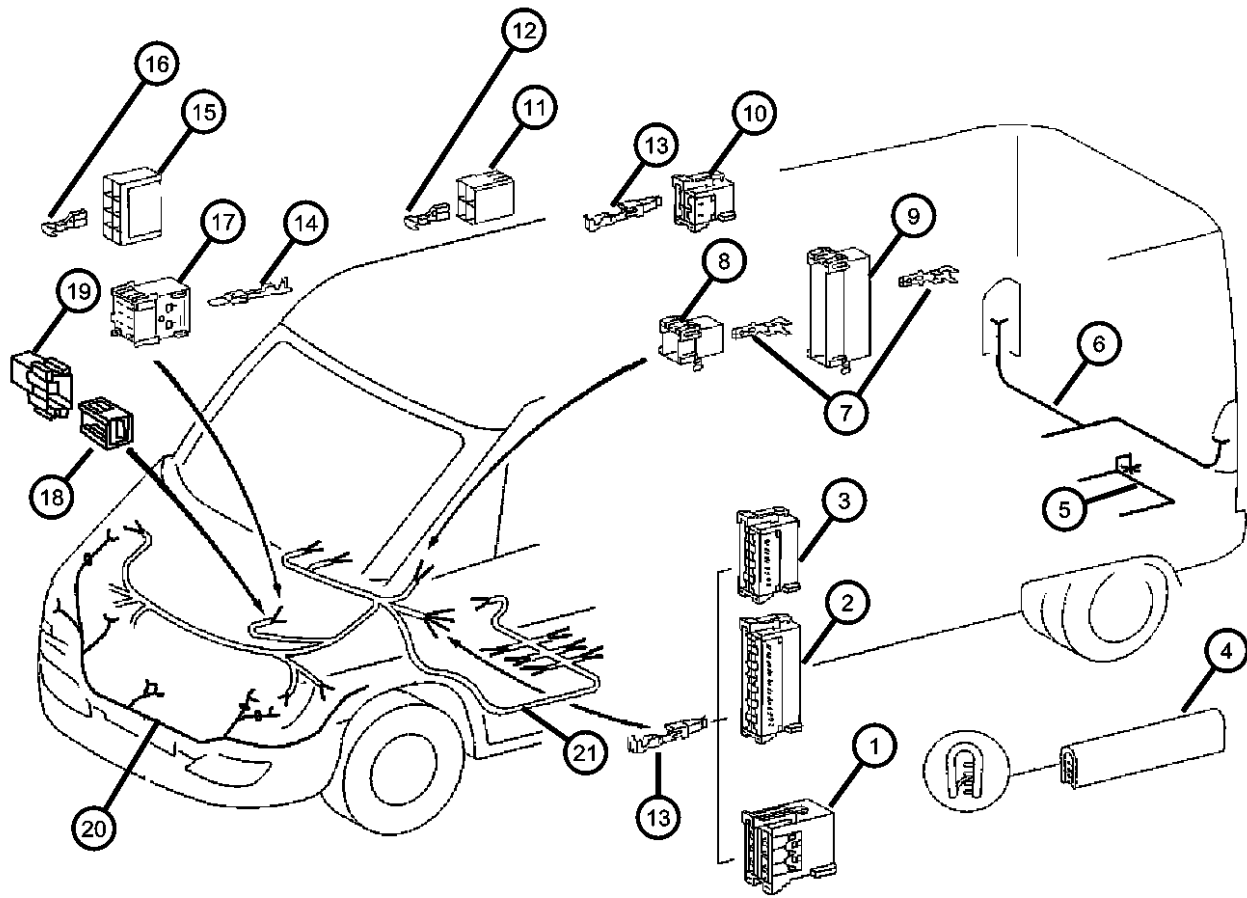


**SPRINTER (VA)**

SERIES	LINE	BODY	ENGINE	TRANSMISSION
L = LOWLINE	3 = HD DODGE 2WD	51 = WAGON WHEEL BASE 1	EX9 = Engine - 2.7L 5 Cly	DGJ = Transmission-5-Spd.
	6 = Lt. Duty DODGE 4WD	52 = WAGON WHEEL BASE 2	Mercedes Diesel	Automatic,W5A580
	2 = Med. Duty DODGE 2WD	14 = VAN WHEEL BASE 4		
	7 = Med. Duty DODGE 4WD	15 = VAN WHEEL BASE 5		
		16 = VAN WHEEL BASE 6		
		54 = WAGON WHEEL BASE 4		
		55 = WAGON WHEEL BASE 5		
		56 = WAGON WHEEL BASE 6		
		11 = VAN WHEEL BASE 1		
		12 = VAN WHEEL BASE 2		

AR = use ase required - = Non illustrated part

**Connectors Body  
Figure 8-1610**



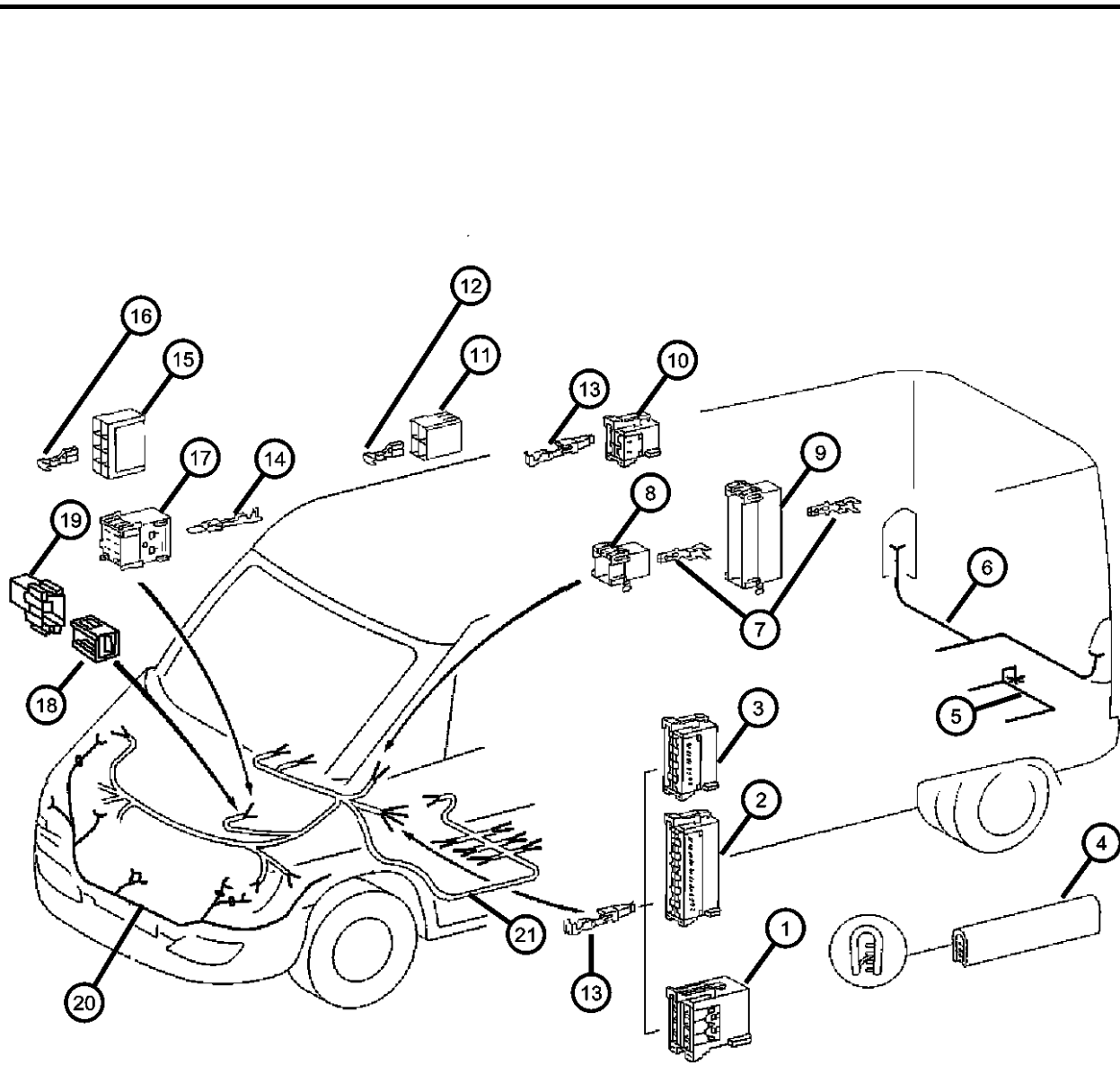
ITEM	PART NUMBER	QTY	LINE	SERIES	BODY	ENGINE	TRANS	TRIM	DESCRIPTION
1	05120796AA	1	2, 6	L	11, 12, 14, 15, 16				CONNECTOR
		1	2, 6	L	51, 52, 54, 55, 56				
		1	3, 7	L	12, 15, 16				
2	05120789AA	1	2, 6	L	11, 12, 14, 15, 16				CONNECTOR
		1	2, 6	L	51, 52, 54, 55, 56				
		1	3, 7	L	12, 15, 16				
3	05120788AA	1	2, 6	L	11, 12, 14, 15, 16				CONNECTOR
		1	2, 6	L	51, 52, 54, 55, 56				
		1	3, 7	L	12, 15, 16				
4	05132391AA	1	2, 6	L	51, 52, 54, 55, 56				PROTECTOR
		1	2, 6	L	11, 12, 14, 15, 16				
5	05133400AA	1	3, 7	L	12, 15, 16				WIRING, Trailer Tow
		1	2, 6	L	11, 12, 14, 15, 16				
		1	2, 6	L	51, 52, 54, 55, 56				
6	05133399AA	1	3, 7	L	12, 15, 16				WIRING, Rear Body
		1	2, 6	L	11, 12, 14, 15, 16				
		1	2, 6	L	51, 52, 54, 55, 56				
7	05133377AA	1	3, 7	L	12, 15, 16				TERMINAL, Male
		1	2, 6	L	11, 12, 14, 15, 16				

**SPRINTER (VA)**

<b>SERIES</b>	<b>LINE</b>	<b>BODY</b>	<b>ENGINE</b>	<b>TRANSMISSION</b>
L = LOWLINE	3 = HD DODGE 2WD 6 = Lt. Duty DODGE 4WD 2 = Med. Duty DODGE 2WD 7 = Med. Duty DODGE 4WD	51 = WAGON WHEEL BASE 1 52 = WAGON WHEEL BASE 2 14 = VAN WHEEL BASE 4 15 = VAN WHEEL BASE 5 16 = VAN WHEEL BASE 6 54 = WAGON WHEEL BASE 4 55 = WAGON WHEEL BASE 5 56 = WAGON WHEEL BASE 6 11 = VAN WHEEL BASE 1 12 = VAN WHEEL BASE 2	EX9 = Engine - 2.7L 5 Cyl Mercedes Diesel	DGJ = Transmission-5-Spd. Automatic, W5A580

AR = use ase required - = Non illustrated part

**Connectors Body  
Figure 8-1610**



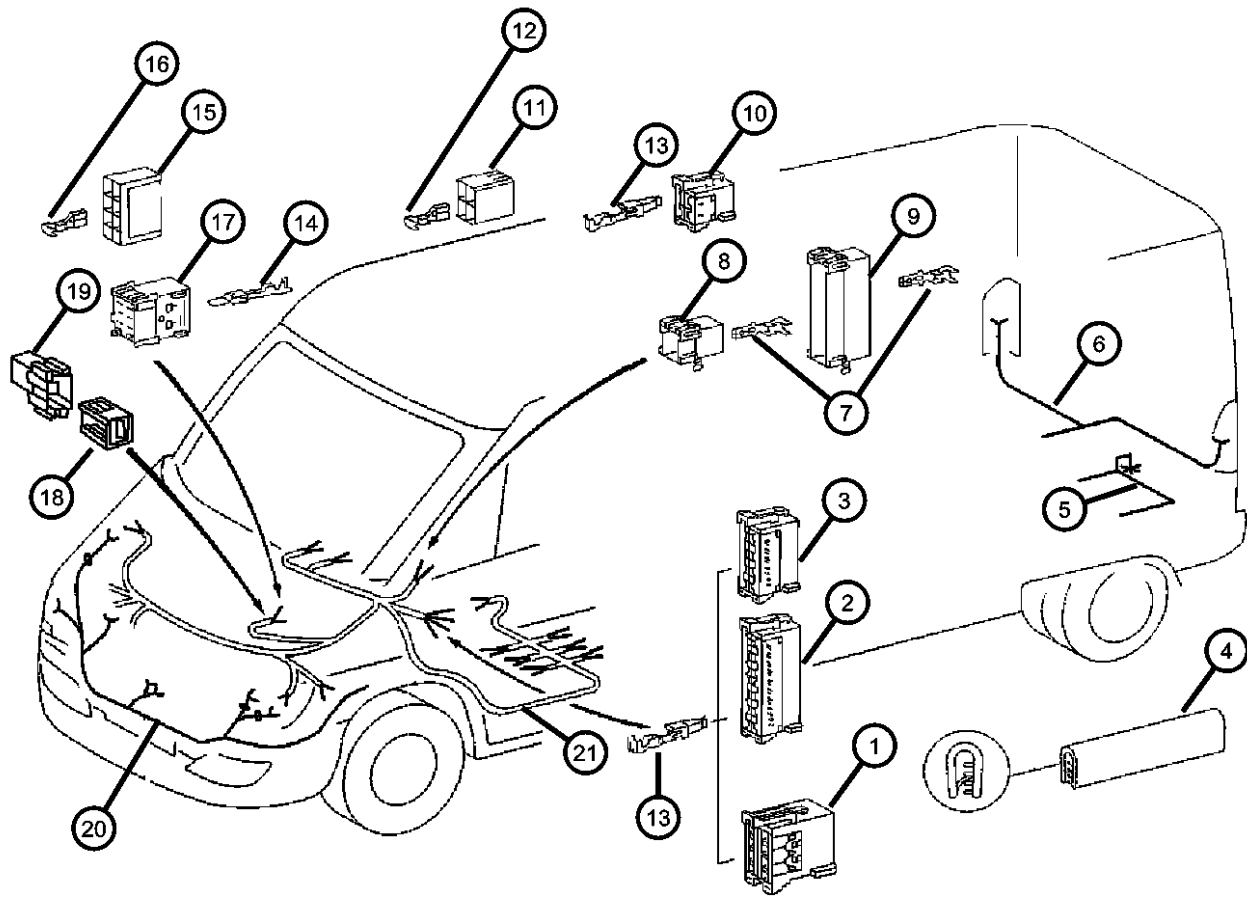
ITEM	PART NUMBER	QTY	LINE	SERIES	BODY	ENGINE	TRANS	TRIM	DESCRIPTION
8		1	2, 6	L	51, 52, 54, 55, 56				CONNECTOR
	05120791AA	1	2, 6	L	11, 12, 14, 15, 16				
9		1	2, 6	L	51, 52, 54, 55, 56				CONNECTOR
	05120794AA	1	2, 6	L	11, 12, 14, 15, 16				
10		1	2, 6	L	51, 52, 54, 55, 56				CONNECTOR
	05120785AA	1	2, 6	L	11, 12, 14, 15, 16				
11		1	2, 6	L	51, 52, 54, 55, 56				CONNECTOR
	05103753AA	1	2, 6	L	11, 12, 14, 15, 16				
12		1	2, 6	L	51, 52, 54, 55, 56				TERMINAL, Female
	05133360AA	1	2, 6	L	11, 12, 14, 15, 16				
13		1	2, 6	L	51, 52, 54, 55, 56				TERMINAL
	05103881AA	1	2, 6	L	11, 12, 14, 15, 16				
		1	2, 6	L	51, 52, 54, 55, 56				
		1	3, 7	L	12, 15, 16				

**SPRINTER (VA)**

<b>SERIES</b>	<b>LINE</b>	<b>BODY</b>	<b>ENGINE</b>	<b>TRANSMISSION</b>
L = LOWLINE	3 = HD DODGE 2WD 6 = Lt. Duty DODGE 4WD 2 = Med. Duty DODGE 2WD 7 = Med. Duty DODGE 4WD	51 = WAGON WHEEL BASE 1 52 = WAGON WHEEL BASE 2 14 = VAN WHEEL BASE 4 15 = VAN WHEEL BASE 5 16 = VAN WHEEL BASE 6 54 = WAGON WHEEL BASE 4 55 = WAGON WHEEL BASE 5 56 = WAGON WHEEL BASE 6 11 = VAN WHEEL BASE 1 12 = VAN WHEEL BASE 2	EX9 = Engine - 2.7L 5 Cly Mercedes Diesel	DGJ = Transmission-5-Spd. Automatic, W5A580

AR = use ase required - = Non illustrated part

**Connectors Body**  
**Figure 8-1610**



ITEM	PART NUMBER	QTY	LINE	SERIES	BODY	ENGINE	TRANS	TRIM	DESCRIPTION
14	05103909AA	1	2, 6	L	11, 12, 14, 15, 16				TERMINAL, Male
		1	2, 6	L	51, 52, 54, 55, 56				
		1	3, 7	L	12, 15, 16				
15	05103752AA	1	3, 7	L	12, 15, 16				CONNECTOR
		1	2, 6	L	11, 12, 14, 15, 16				
		1	2, 6	L	51, 52, 54, 55, 56				
16	05133395AA	99	3, 7	L	12, 15, 16				TERMINAL, Female
		99	2, 6	L	11, 12, 14, 15, 16				
		99	2, 6	L	51, 52, 54, 55, 56				
17	05133327AA	1	2, 6	L	11, 12, 14, 15, 16				INSULATOR, 6 Way Male
		1	2, 6	L	51, 52, 54, 55, 56				
		1	3, 7	L	12, 15, 16				
18	05133396AA	1	2, 6	L	11, 12, 14, 15, 16				CONNECTOR, Wiring
		1	2, 6	L	51, 52, 54, 55, 56				
		1	3, 7	L	12, 15, 16				
19	05133397AA	1	2, 6	L	11, 12, 14, 15, 16				INSULATOR, 4 Way Male
		1	2, 6	L	51, 52, 54, 55, 56				
		1	3, 7	L	12, 15, 16				
20	05133398AA	1	3, 7	L	12, 15, 16				WIRING, Headlamp

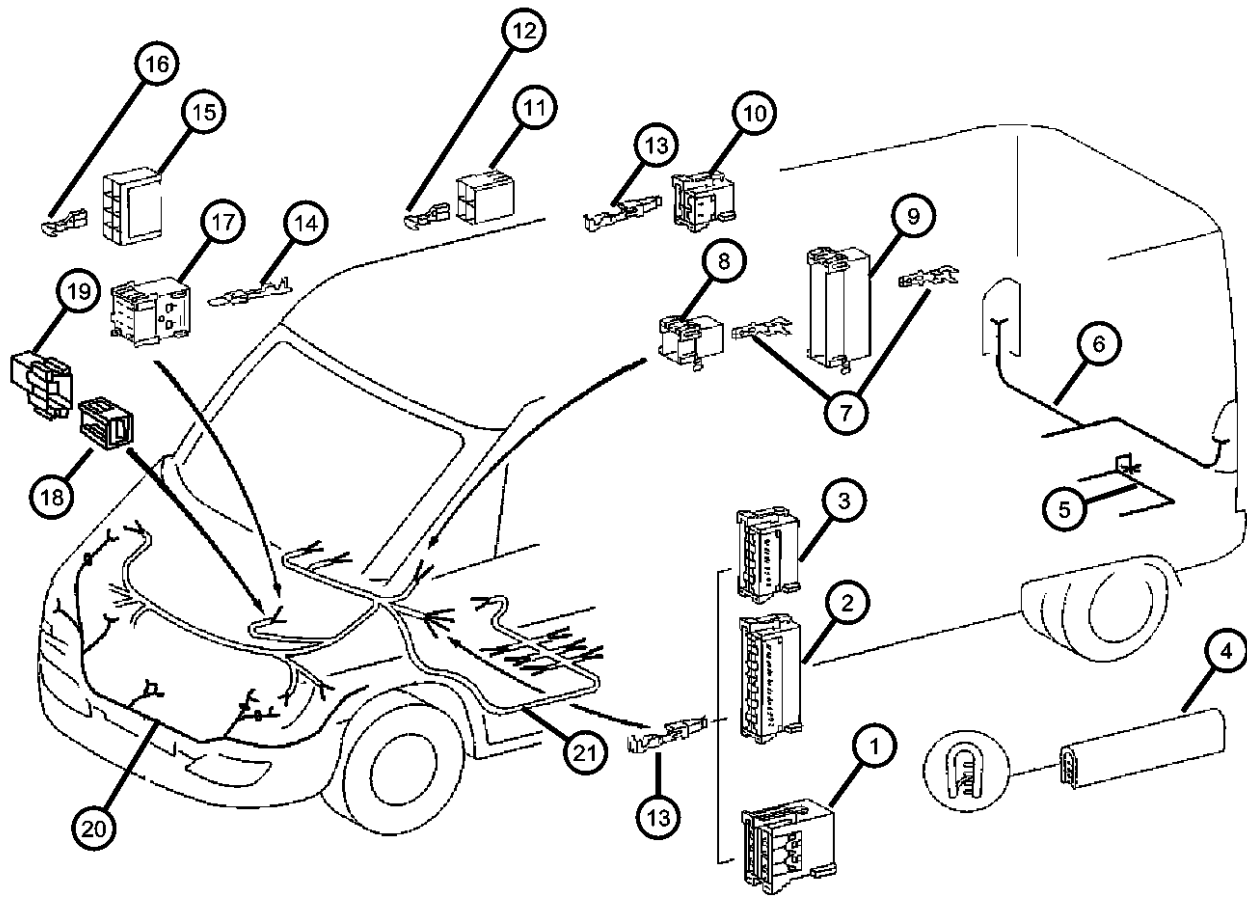
**SPRINTER (VA)**

<b>SERIES</b>	<b>LINE</b>	<b>BODY</b>	<b>ENGINE</b>	<b>TRANSMISSION</b>
L = LOWLINE	3 = HD DODGE 2WD 6 = Lt. Duty DODGE 4WD 2 = Med. Duty DODGE 2WD 7 = Med. Duty DODGE 4WD	51 = WAGON WHEEL BASE 1 52 = WAGON WHEEL BASE 2 14 = VAN WHEEL BASE 4 15 = VAN WHEEL BASE 5 16 = VAN WHEEL BASE 6 54 = WAGON WHEEL BASE 4 55 = WAGON WHEEL BASE 5 56 = WAGON WHEEL BASE 6 11 = VAN WHEEL BASE 1 12 = VAN WHEEL BASE 2	EX9 = Engine - 2.7L 5 Cyl Mercedes Diesel	DGJ = Transmission-5-Spd. Automatic, W5A580

AR = use ase required - = Non illustrated part

**Connectors Body  
Figure 8-1610**

ITEM	PART NUMBER	QTY	LINE	SERIES	BODY	ENGINE	TRANS	TRIM	DESCRIPTION
		1	2, 6	L	11, 12, 14, 15, 16				
		1	2, 6	L	51, 52, 54, 55, 56				
21	05114935AA	1	2, 6	L	11, 12, 14, 15, 16				WIRING, Headlamp to Dash
		1	2, 6	L	51, 52, 54, 55, 56				
		1	3, 7	L	12, 15, 16				

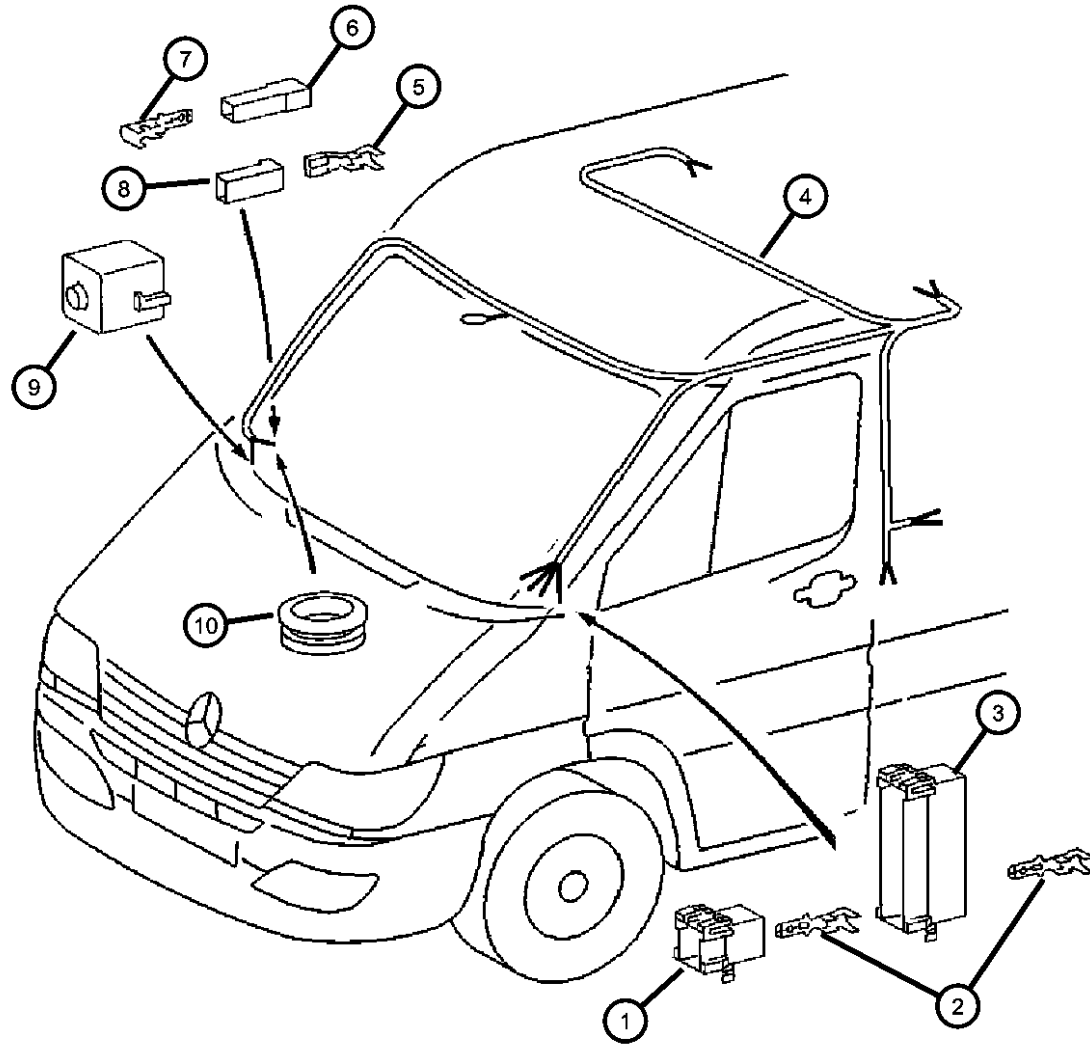


**SPRINTER (VA)**

<b>SERIES</b>	<b>LINE</b>	<b>BODY</b>	<b>ENGINE</b>	<b>TRANSMISSION</b>
L = LOWLINE	3 = HD DODGE 2WD 6 = Lt. Duty DODGE 4WD 2 = Med. Duty DODGE 2WD 7 = Med. Duty DODGE 4WD	51 = WAGON WHEEL BASE 1 52 = WAGON WHEEL BASE 2 14 = VAN WHEEL BASE 4 15 = VAN WHEEL BASE 5 16 = VAN WHEEL BASE 6 54 = WAGON WHEEL BASE 4 55 = WAGON WHEEL BASE 5 56 = WAGON WHEEL BASE 6 11 = VAN WHEEL BASE 1 12 = VAN WHEEL BASE 2	EX9 = Engine - 2.7L 5 Cly Mercedes Diesel	DGJ = Transmission-5-Spd. Automatic,W5A580

AR = use ase required - = Non illustrated part

**Connectors Roof  
Figure 8-1615**



ITEM	PART NUMBER	QTY	LINE	SERIES	BODY	ENGINE	TRANS	TRIM	DESCRIPTION
1									CONNECTOR
	05120791AA	1	2, 6	L	11, 12, 14, 15, 16				
		1	2, 6	L	51, 52, 54, 55, 56				
		1	3, 7	L	12, 15, 16				
2									TERMINAL, Male
	05133377AA	1	3, 7	L	12, 15, 16				Small
		1	2, 6	L	11, 12, 14, 15, 16				Small
		1	2, 6	L	51, 52, 54, 55, 56				Small
	05133378AA	1	2, 6	L	11, 12, 14, 15, 16				Large
		1	2, 6	L	51, 52, 54, 55, 56				Large
		1	3, 7	L	12, 15, 16				Large
3									CONNECTOR
	05120794AA	1	2, 6	L	11, 12, 14, 15, 16				
		1	2, 6	L	51, 52, 54, 55, 56				
		1	3, 7	L	12, 15, 16				
4									WIRING, Body
	05114931AA	1	2, 6	L	11, 12, 14, 15, 16				
		1	2, 6	L	51, 52, 54, 55, 56				
		1	3, 7	L	12, 15, 16				
5									TERMINAL, Female
	05103871AA	1	3, 7	L	12, 15, 16				
		1	2, 6	L	11, 12, 14, 15, 16				
		1	2, 6	L	51, 52, 54, 55, 56				
6									INSULATOR
	05120685AA	1	2, 6	L	11, 12, 14, 15, 16				
		1	2, 6	L	51, 52, 54, 55, 56				

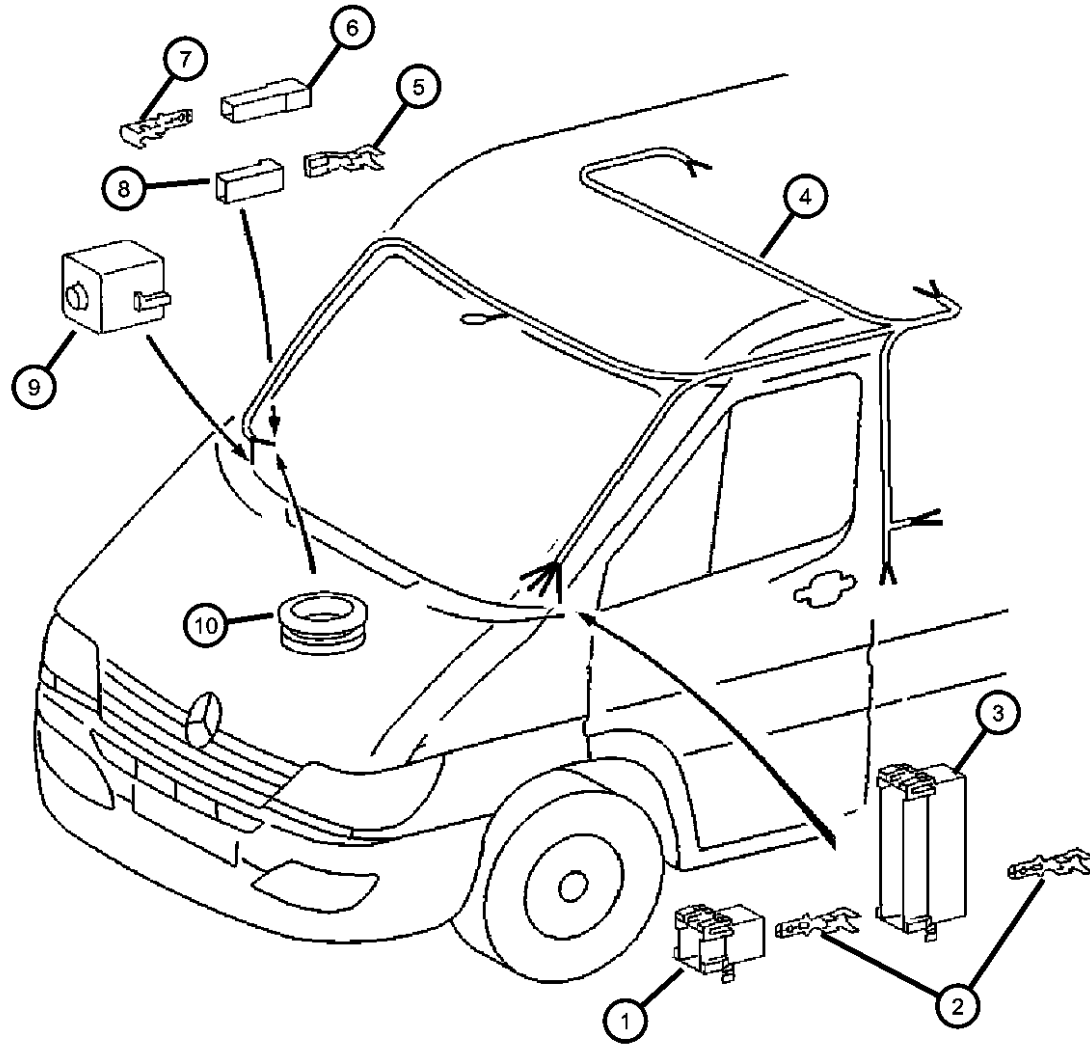
**SPRINTER (VA)**

<b>SERIES</b>	<b>LINE</b>	<b>BODY</b>	<b>ENGINE</b>	<b>TRANSMISSION</b>
L = LOWLINE	3 = HD DODGE 2WD 6 = Lt. Duty DODGE 4WD 2 = Med. Duty DODGE 2WD 7 = Med. Duty DODGE 4WD	51 = WAGON WHEEL BASE 1 52 = WAGON WHEEL BASE 2 14 = VAN WHEEL BASE 4 15 = VAN WHEEL BASE 5 16 = VAN WHEEL BASE 6 54 = WAGON WHEEL BASE 4 55 = WAGON WHEEL BASE 5 56 = WAGON WHEEL BASE 6 11 = VAN WHEEL BASE 1 12 = VAN WHEEL BASE 2	EX9 = Engine - 2.7L 5 Cyl Mercedes Diesel	DGJ = Transmission-5-Spd. Automatic, W5A580

AR = use ase required - = Non illustrated part



**Connectors Roof  
Figure 8-1615**



ITEM	PART NUMBER	QTY	LINE	SERIES	BODY	ENGINE	TRANS	TRIM	DESCRIPTION
7		1	3, 7	L	12, 15, 16				TERMINAL, Male
	05133358AA	1	2, 6	L	11, 12, 14, 15, 16				
		1	2, 6	L	51, 52, 54, 55, 56				
8		1	3, 7	L	12, 15, 16				CONNECTOR
	05120684AA	1	2, 6	L	11, 12, 14, 15, 16				
		1	2, 6	L	51, 52, 54, 55, 56				
9		1	3, 7	L	12, 15, 16				INSULATOR, 2 Way
	05133401AA	1	2, 6	L	11, 12, 14, 15, 16				
		1	2, 6	L	51, 52, 54, 55, 56				
10		1	3, 7	L	12, 15, 16				GROMMET, Chassis Wiring
	05133408AA	1	2, 6	L	11, 12, 14, 15, 16				
		1	2, 6	L	51, 52, 54, 55, 56				

**SPRINTER (VA)**

**SERIES**

L = LOWLINE

**LINE**

3 = HD DODGE 2WD  
6 = Lt. Duty DODGE 4WD  
2 = Med. Duty DODGE 2WD  
7 = Med. Duty DODGE 4WD

**BODY**

51 = WAGON WHEEL BASE 1  
52 = WAGON WHEEL BASE 2  
14 = VAN WHEEL BASE 4  
15 = VAN WHEEL BASE 5  
16 = VAN WHEEL BASE 6  
54 = WAGON WHEEL BASE 4  
55 = WAGON WHEEL BASE 5  
56 = WAGON WHEEL BASE 6  
11 = VAN WHEEL BASE 1  
12 = VAN WHEEL BASE 2

**ENGINE**

EX9 = Engine - 2.7L 5 Cly  
Mercedes Diesel

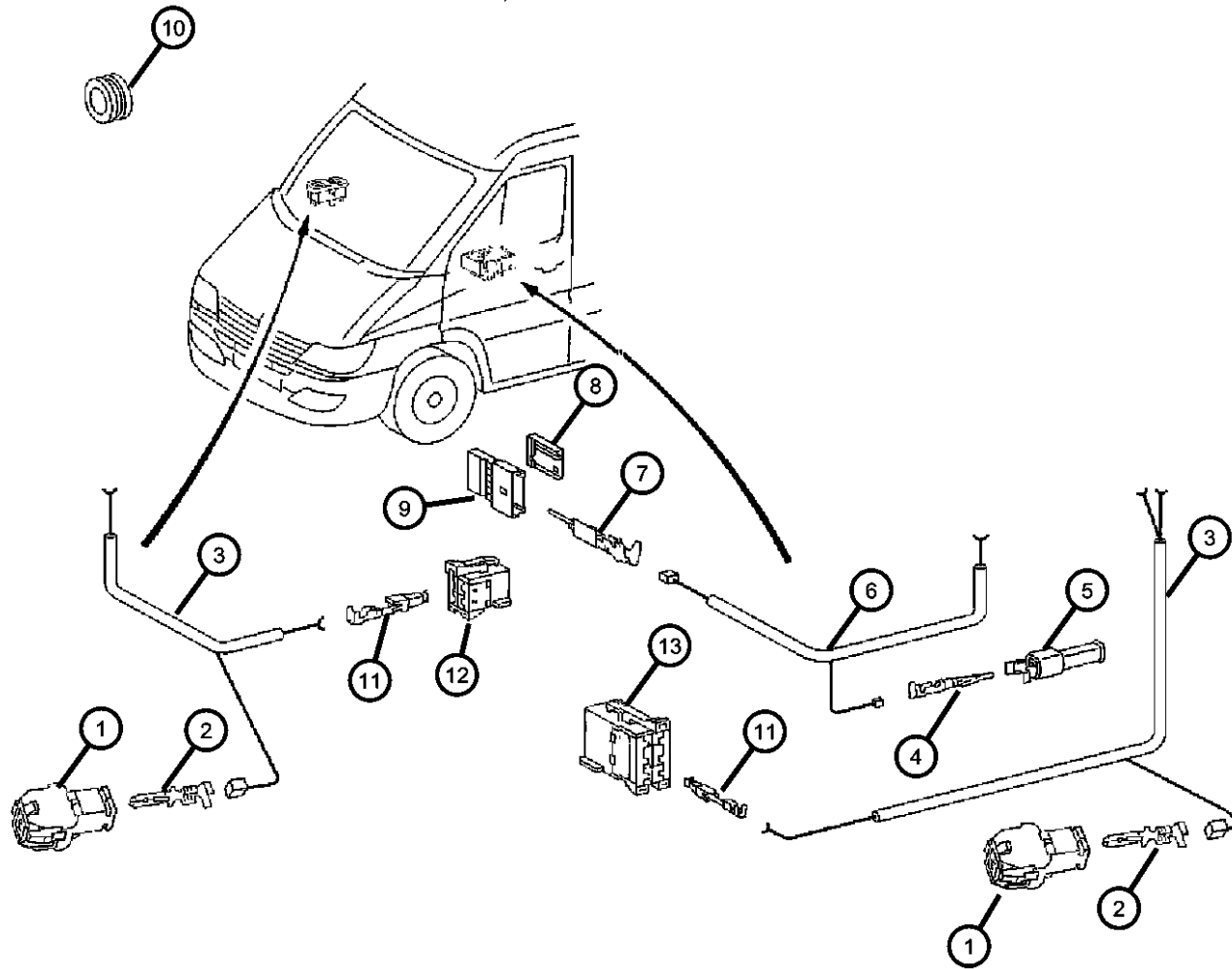
**TRANSMISSION**

DGJ = Transmission-5-Spd.  
Automatic,W5A580

AR = use ase required - = Non illustrated part

2003 VA

**Connectors Front Doors  
Figure 8-1620**



ITEM	PART NUMBER	QTY	LINE	SERIES	BODY	ENGINE	TRANS	TRIM	DESCRIPTION
1	05120795AA	1	2, 6	L	11, 12, 14, 15, 16				CONNECTOR
		1	2, 6	L	51, 52, 54, 55, 56				
		1	3, 7	L	12, 15, 16				
2	05133378AA	1	2, 6	L	11, 12, 14, 15, 16				TERMINAL, Male
		1	2, 6	L	51, 52, 54, 55, 56				
		1	3, 7	L	12, 15, 16				
3	05120220AA	1	2, 6	L	11, 12, 14, 15, 16				WIRING, Power Window Driver Side
		1	2, 6	L	51, 52, 54, 55, 56				Driver Side
		1	3, 7	L	12, 15, 16				Driver Side
	05120222AA	1	2, 6	L	11, 12, 14, 15, 16				Passenger Side
		1	2, 6	L	51, 52, 54, 55, 56				Passenger Side
		1	3, 7	L	12, 15, 16				Passenger Side
4	05133387AA	1	2, 6	L	11, 12, 14, 15, 16				TERMINAL
		1	2, 6	L	51, 52, 54, 55, 56				
		1	3, 7	L	12, 15, 16				
5	05120744AA	1	2, 6	L	11, 12, 14, 15, 16				CONNECTOR
		1	2, 6	L	51, 52, 54, 55, 56				
		1	3, 7	L	12, 15, 16				
6	05120224AA	1	2, 6	L	11, 12, 14, 15, 16				WIRING, Mirror Jumper
		1	2, 6	L	51, 52, 54, 55, 56				

**SPRINTER (VA)**

**SERIES**

L = LOWLINE

**LINE**

3 = HD DODGE 2WD  
6 = Lt. Duty DODGE 4WD  
2 = Med. Duty DODGE 2WD  
7 = Med. Duty DODGE 4WD

**BODY**

51 = WAGON WHEEL BASE 1 EX9 = Engine - 2.7L 5 Cyl  
52 = WAGON WHEEL BASE 2 Mercedes Diesel  
14 = VAN WHEEL BASE 4  
15 = VAN WHEEL BASE 5  
16 = VAN WHEEL BASE 6  
54 = WAGON WHEEL BASE 4  
55 = WAGON WHEEL BASE 5  
56 = WAGON WHEEL BASE 6  
11 = VAN WHEEL BASE 1  
12 = VAN WHEEL BASE 2

**ENGINE**

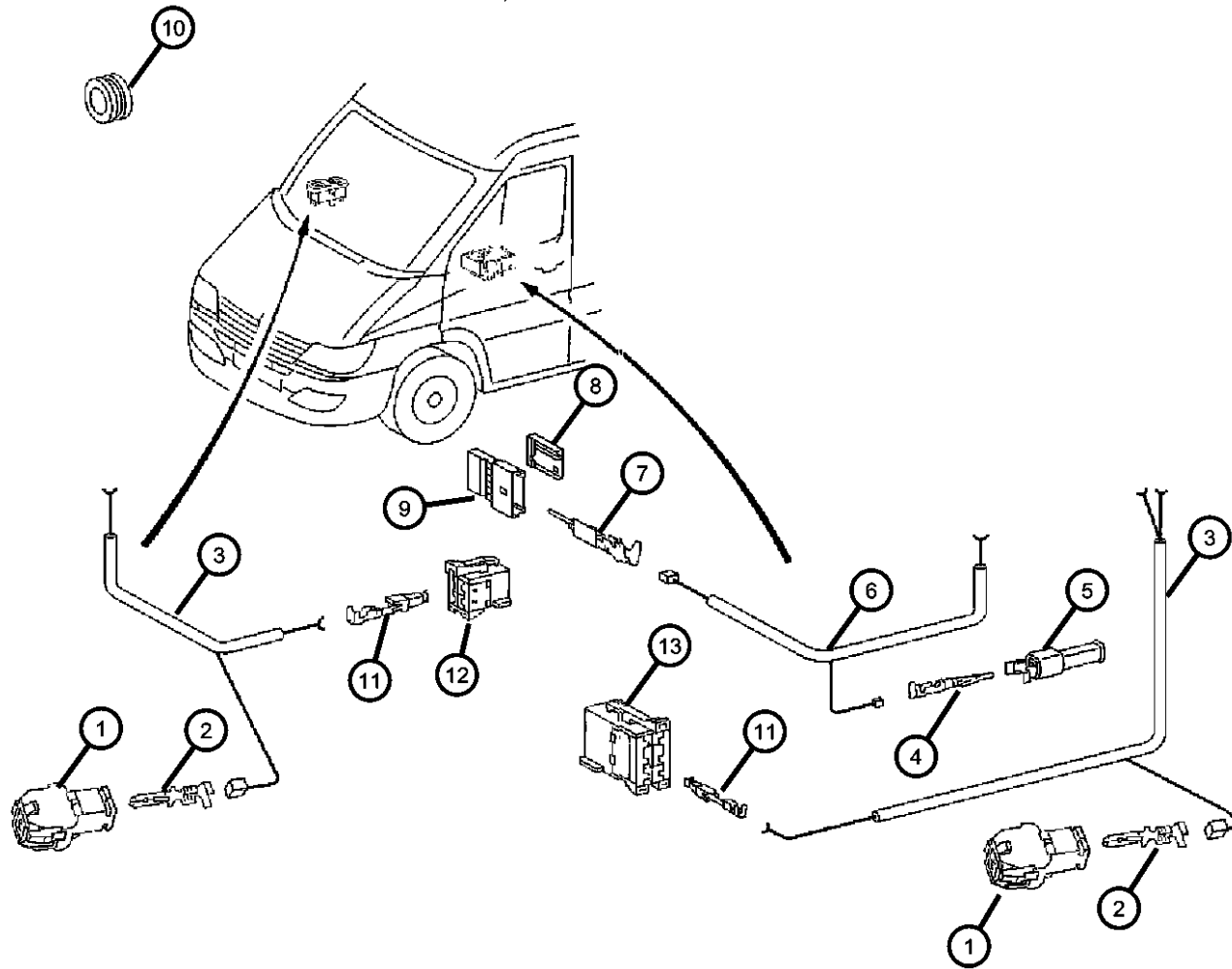
**TRANSMISSION**

DGJ = Transmission-5-Spd. Automatic, W5A580

AR = use ase required - = Non illustrated part

2003 VA

**Connectors Front Doors**  
**Figure 8-1620**



ITEM	PART NUMBER	QTY	LINE	SERIES	BODY	ENGINE	TRANS	TRIM	DESCRIPTION
7		1	3, 7	L	12, 15, 16				TERMINAL, Male
	05133990AA	99	3, 7	L	12, 15, 16				
		99	2, 6	L	11, 12, 14, 15, 16				
		99	2, 6	L	51, 52, 54, 55, 56				
8		1	2, 6	L	11, 12, 14, 15, 16				CONNECTOR, Instrument cluster
	05133331AA	1	2, 6	L	11, 12, 14, 15, 16				
		1	2, 6	L	51, 52, 54, 55, 56				
		1	3, 7	L	12, 15, 16				
9		1	2, 6	L	11, 12, 14, 15, 16				INSULATOR, 6 Way
	05133330AA	1	2, 6	L	11, 12, 14, 15, 16				
		1	2, 6	L	51, 52, 54, 55, 56				
		1	3, 7	L	12, 15, 16				
10		1	2, 6	L	11, 12, 14, 15, 16				GROMMET
	05125942AA	1	2, 6	L	11, 12, 14, 15, 16				
		1	2, 6	L	51, 52, 54, 55, 56				
		1	3, 7	L	12, 15, 16				
11		1	2, 6	L	11, 12, 14, 15, 16				TERMINAL
	05103881AA	1	2, 6	L	11, 12, 14, 15, 16				
		1	2, 6	L	51, 52, 54, 55, 56				
		1	3, 7	L	12, 15, 16				
12		1	2, 6	L	11, 12, 14, 15, 16				CONNECTOR
	05120785AA	1	2, 6	L	11, 12, 14, 15, 16				
		1	2, 6	L	51, 52, 54, 55, 56				
		1	3, 7	L	12, 15, 16				
13		1	3, 7	L	12, 15, 16				CONNECTOR

**SPRINTER (VA)**

**SERIES**

L = LOWLINE

**LINE**

3 = HD DODGE 2WD  
6 = Lt. Duty DODGE 4WD  
2 = Med. Duty DODGE 2WD  
7 = Med. Duty DODGE 4WD

**BODY**

51 = WAGON WHEEL BASE 1 EX9 = Engine - 2.7L 5 Cly  
52 = WAGON WHEEL BASE 2 Mercedes Diesel  
14 = VAN WHEEL BASE 4  
15 = VAN WHEEL BASE 5  
16 = VAN WHEEL BASE 6  
54 = WAGON WHEEL BASE 4  
55 = WAGON WHEEL BASE 5  
56 = WAGON WHEEL BASE 6  
11 = VAN WHEEL BASE 1  
12 = VAN WHEEL BASE 2

**ENGINE**

**TRANSMISSION**

DGJ = Transmission-5-Spd. Automatic, W5A580

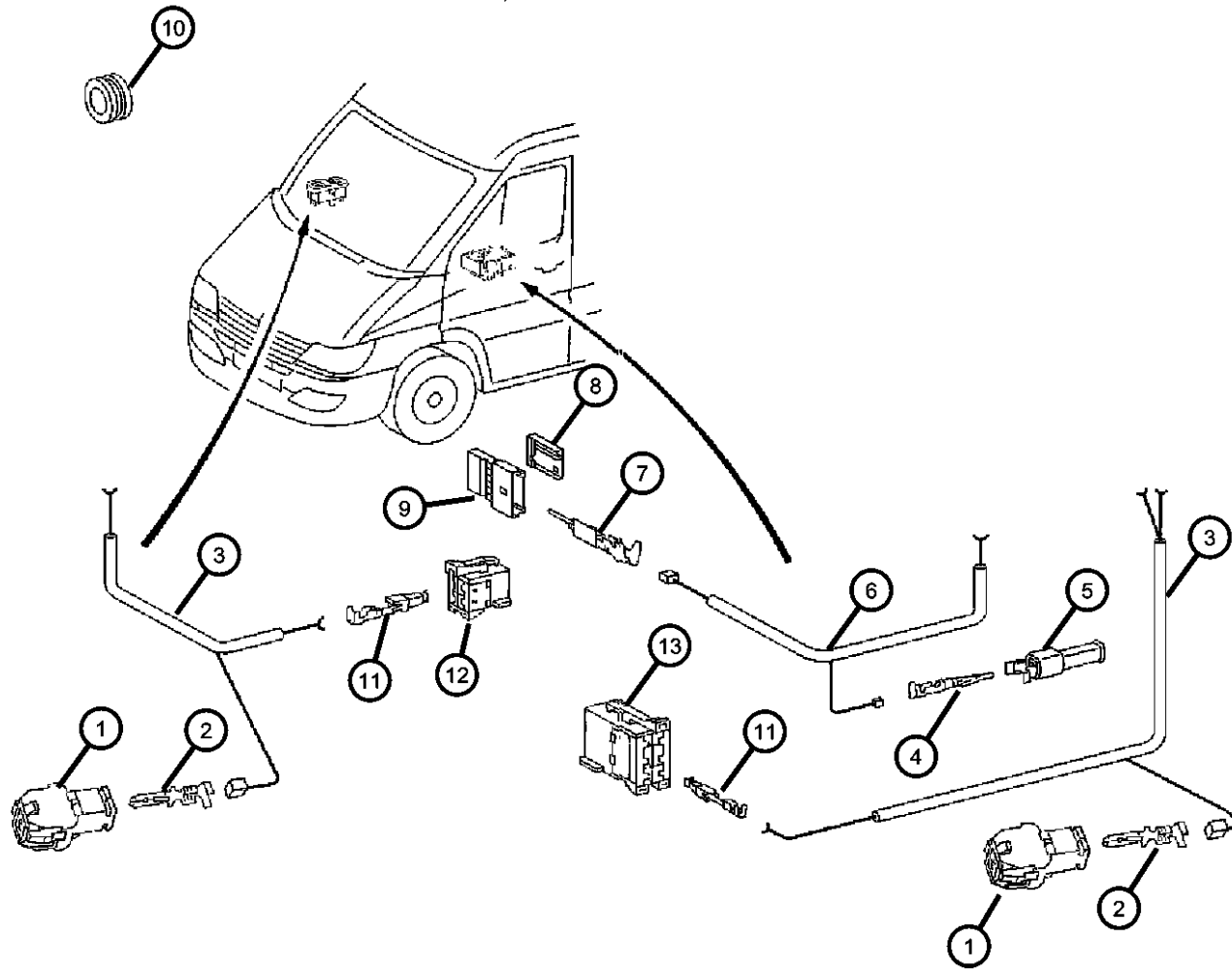
AR = use ase required - = Non illustrated part

2003 VA

**Connectors Front Doors**  
**Figure 8-1620**

ITEM	PART NUMBER	QTY	LINE	SERIES	BODY	ENGINE	TRANS	TRIM	DESCRIPTION
------	-------------	-----	------	--------	------	--------	-------	------	-------------

	05120786AA	1	2, 6	L	11, 12, 14, 15, 16				
		1	2, 6	L	51, 52, 54, 55, 56				
		1	3, 7	L	12, 15, 16				



**SPRINTER (VA)**

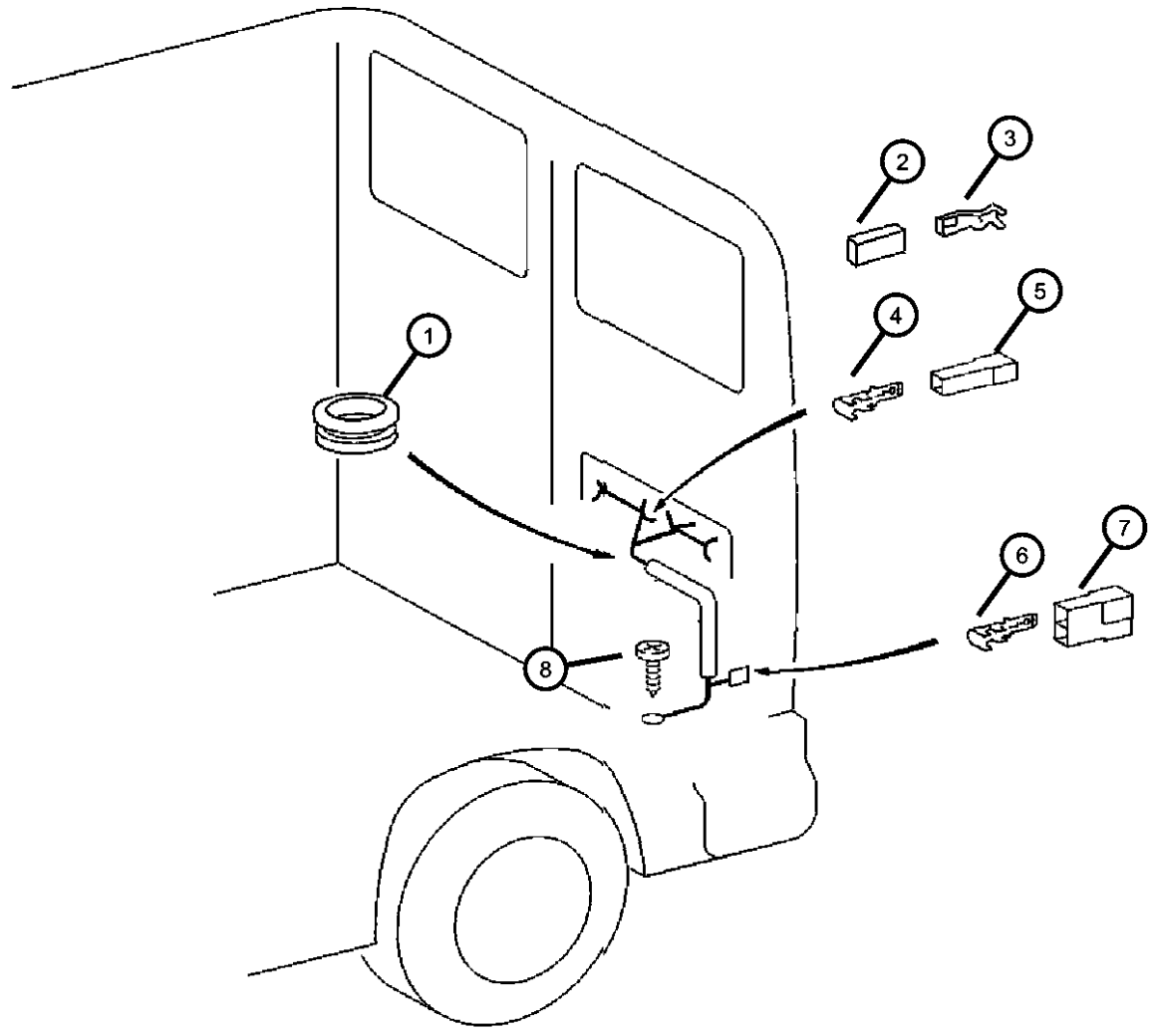
SERIES	LINE
L = LOWLINE	3 = HD DODGE 2WD
	6 = Lt. Duty DODGE 4WD
	2 = Med. Duty DODGE 2WD
	7 = Med. Duty DODGE 4WD

BODY	ENGINE
51 = WAGON WHEEL BASE 1	EX9 = Engine - 2.7L 5 Cly
52 = WAGON WHEEL BASE 2	Mercedes Diesel
14 = VAN WHEEL BASE 4	
15 = VAN WHEEL BASE 5	
16 = VAN WHEEL BASE 6	
54 = WAGON WHEEL BASE 4	
55 = WAGON WHEEL BASE 5	
56 = WAGON WHEEL BASE 6	
11 = VAN WHEEL BASE 1	
12 = VAN WHEEL BASE 2	

TRANSMISSION
DGJ = Transmission-5-Spd. Automatic,W5A580

AR = use ase required - = Non illustrated part

**Connectors Rear Doors  
Figure 8-1625**



ITEM	PART NUMBER	QTY	LINE	SERIES	BODY	ENGINE	TRANS	TRIM	DESCRIPTION
1	05125931AA	1	2, 6	L	11, 12, 14, 15, 16				GROMMET
		2	3, 7	L	12, 15, 16				
		1	2, 6	L	51, 52, 54, 55, 56				
2	05120684AA	1	2, 6	L	11, 12, 14, 15, 16				CONNECTOR
		1	2, 6	L	51, 52, 54, 55, 56				
		1	3, 7	L	12, 15, 16				
3	05114451AA	99	3, 7	L	12, 15, 16				TERMINAL, Female
		99	2, 6	L	11, 12, 14, 15, 16				
		99	2, 6	L	51, 52, 54, 55, 56				
4	05103798AA	1	2, 6	L	11, 12, 14, 15, 16				TERMINAL, Male
		1	2, 6	L	51, 52, 54, 55, 56				
		1	3, 7	L	12, 15, 16				
5	05120685AA	2	2, 6	L	11, 12, 14, 15, 16				INSULATOR
		2	2, 6	L	51, 52, 54, 55, 56				
		2	3, 7	L	12, 15, 16				
6	05103751AA	1	2, 6	L	11, 12, 14, 15, 16				CONNECTOR
		1	2, 6	L	51, 52, 54, 55, 56				
		1	3, 7	L	12, 15, 16				
7	05103798AA	1	2, 6	L	11, 12, 14, 15, 16				TERMINAL, Male

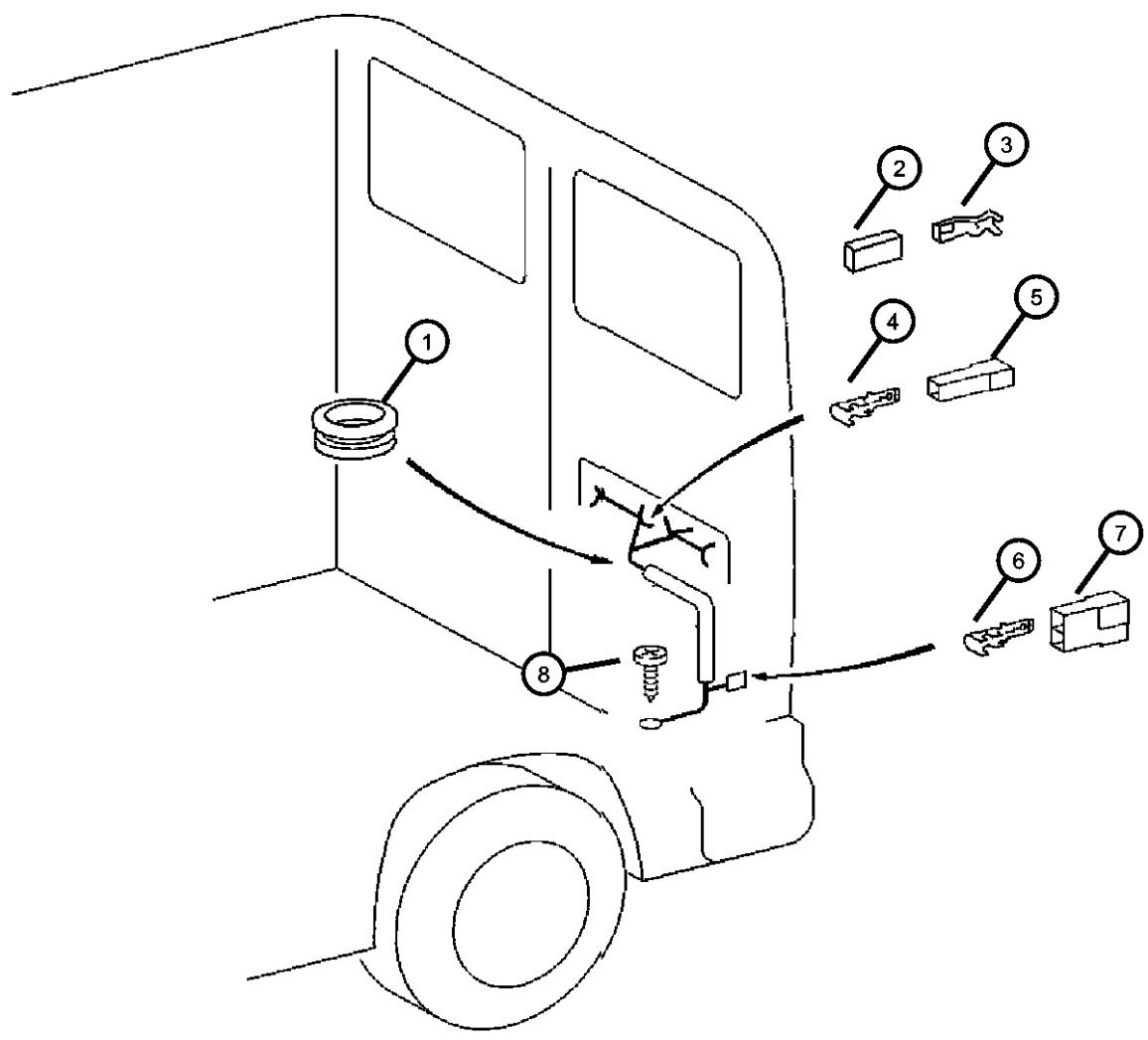
**SPRINTER (VA)**

<b>SERIES</b>	<b>LINE</b>	<b>BODY</b>	<b>ENGINE</b>	<b>TRANSMISSION</b>
L = LOWLINE	3 = HD DODGE 2WD 6 = Lt. Duty DODGE 4WD 2 = Med. Duty DODGE 2WD 7 = Med. Duty DODGE 4WD	51 = WAGON WHEEL BASE 1 52 = WAGON WHEEL BASE 2 14 = VAN WHEEL BASE 4 15 = VAN WHEEL BASE 5 16 = VAN WHEEL BASE 6 54 = WAGON WHEEL BASE 4 55 = WAGON WHEEL BASE 5 56 = WAGON WHEEL BASE 6 11 = VAN WHEEL BASE 1 12 = VAN WHEEL BASE 2	EX9 = Engine - 2.7L 5 Cyl Mercedes Diesel	DGJ = Transmission-5-Spd. Automatic,W5A580

AR = use ase required - = Non illustrated part

**Connectors Rear Doors  
Figure 8-1625**

ITEM	PART NUMBER	QTY	LINE	SERIES	BODY	ENGINE	TRANS	TRIM	DESCRIPTION
		1	2, 6	L	51, 52, 54, 55, 56				
		1	3, 7	L	12, 15, 16				
8	05132835AA	1	2, 6	L	11, 12, 14, 15, 16				SCREW, Tapping
		1	2, 6	L	51, 52, 54, 55, 56				
		1	3, 7	L	12, 15, 16				

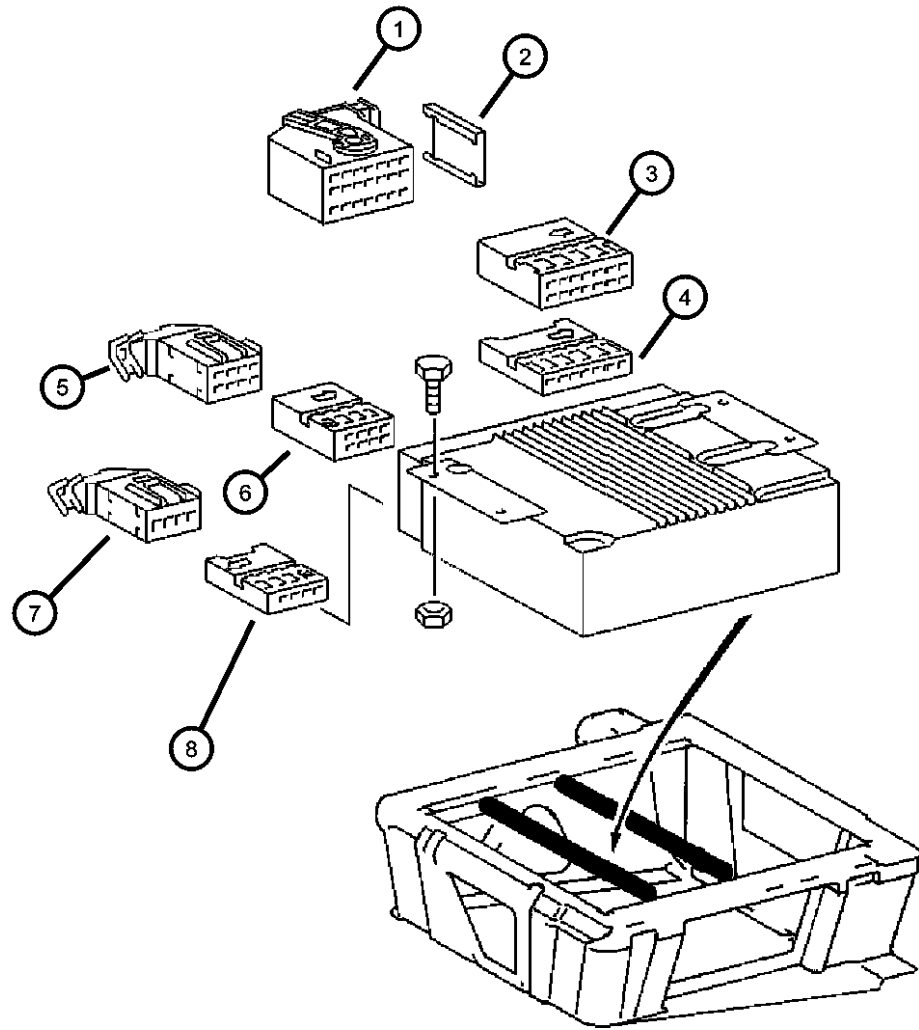


**SPRINTER (VA)**

<b>SERIES</b>	<b>LINE</b>	<b>BODY</b>	<b>ENGINE</b>	<b>TRANSMISSION</b>
L = LOWLINE	3 = HD DODGE 2WD 6 = Lt. Duty DODGE 4WD 2 = Med. Duty DODGE 2WD 7 = Med. Duty DODGE 4WD	51 = WAGON WHEEL BASE 1 52 = WAGON WHEEL BASE 2 14 = VAN WHEEL BASE 4 15 = VAN WHEEL BASE 5 16 = VAN WHEEL BASE 6 54 = WAGON WHEEL BASE 4 55 = WAGON WHEEL BASE 5 56 = WAGON WHEEL BASE 6 11 = VAN WHEEL BASE 1 12 = VAN WHEEL BASE 2	EX9 = Engine - 2.7L 5 Cly Mercedes Diesel	DGJ = Transmission-5-Spd. Automatic,W5A580

AR = use ase required - = Non illustrated part

**Connectors Seating Area**  
**Figure 8-1630**



ITEM	PART NUMBER	QTY	LINE	SERIES	BODY	ENGINE	TRANS	TRIM	DESCRIPTION
1	05102941AA	1	2, 6	L	11, 12, 14, 15, 16				INSULATOR
		1	2, 6	L	51, 52, 54, 55, 56				
		1	3, 7	L	12, 15, 16				
2	05102945AA	1	2, 6	L	11, 12, 14, 15, 16				CONNECTOR
		1	2, 6	L	51, 52, 54, 55, 56				
		1	3, 7	L	12, 15, 16				
3	05102943AA	1	2, 6	L	11, 12, 14, 15, 16				CONNECTOR
		1	2, 6	L	51, 52, 54, 55, 56				
		1	3, 7	L	12, 15, 16				
4	05102944AA	1	2, 6	L	11, 12, 14, 15, 16				CONNECTOR, 7 Way
		1	2, 6	L	51, 52, 54, 55, 56				
		1	3, 7	L	12, 15, 16				
5	05133339AA	1	2, 6	L	11, 12, 14, 15, 16				INSULATOR, 8 Way
		1	2, 6	L	51, 52, 54, 55, 56				
		1	3, 7	L	12, 15, 16				
6	05133340AA	1	2, 6	L	11, 12, 14, 15, 16				INSULATOR, 8 Way
		1	2, 6	L	51, 52, 54, 55, 56				
		1	3, 7	L	12, 15, 16				
7	05133342AA	1	2, 6	L	11, 12, 14, 15, 16				INSULATOR, 8 Way

**SPRINTER (VA)**

**SERIES**

L = LOWLINE

**LINE**

3 = HD DODGE 2WD  
6 = Lt. Duty DODGE 4WD  
2 = Med. Duty DODGE 2WD  
7 = Med. Duty DODGE 4WD

**BODY**

51 = WAGON WHEEL BASE 1 EX9 = Engine - 2.7L 5 Cyl  
52 = WAGON WHEEL BASE 2 Mercedes Diesel  
14 = VAN WHEEL BASE 4  
15 = VAN WHEEL BASE 5  
16 = VAN WHEEL BASE 6  
54 = WAGON WHEEL BASE 4  
55 = WAGON WHEEL BASE 5  
56 = WAGON WHEEL BASE 6  
11 = VAN WHEEL BASE 1  
12 = VAN WHEEL BASE 2

**ENGINE**

**TRANSMISSION**

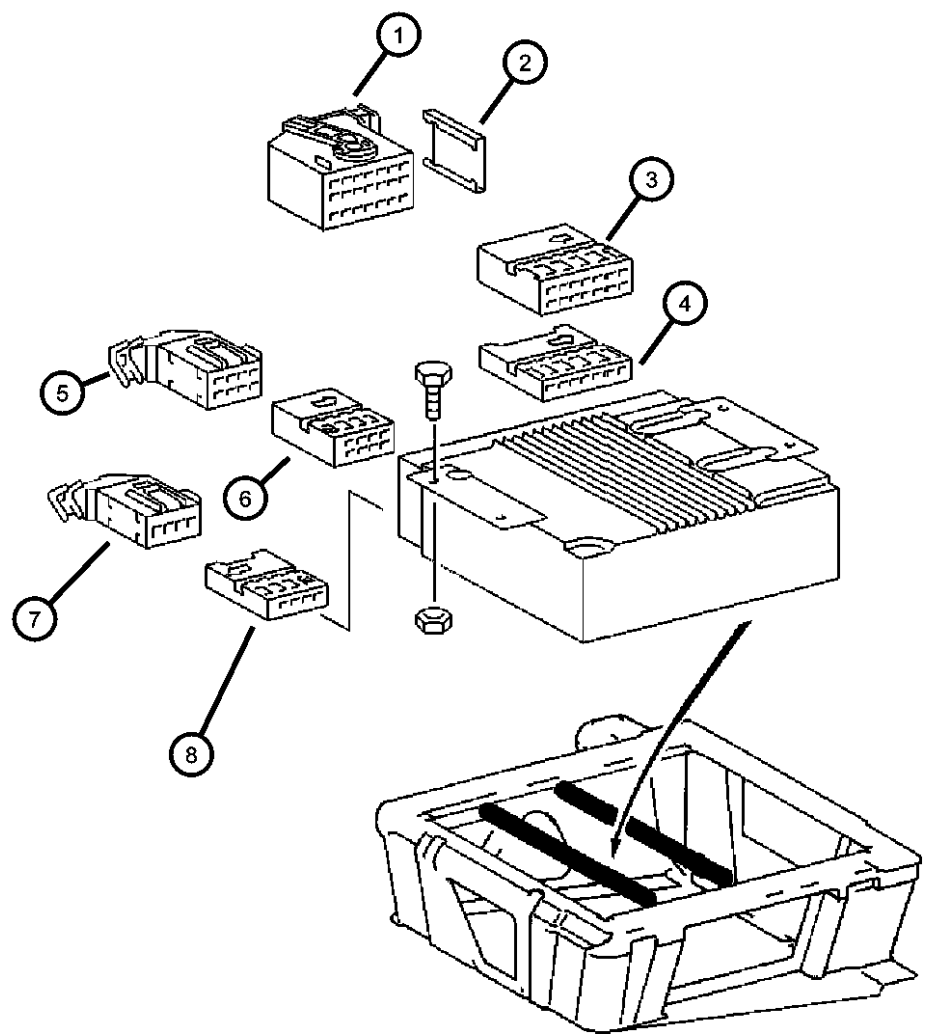
DGJ = Transmission-5-Spd. Automatic, W5A580

AR = use ase required - = Non illustrated part

2003 VA

**Connectors Seating Area  
Figure 8-1630**

ITEM	PART NUMBER	QTY	LINE	SERIES	BODY	ENGINE	TRANS	TRIM	DESCRIPTION
		1	2, 6	L	51, 52, 54, 55, 56				
		1	3, 7	L	12, 15, 16				
8	05133341AA	1	2, 6	L	11, 12, 14, 15, 16				INSULATOR, 8 Way
		1	2, 6	L	51, 52, 54, 55, 56				
		1	3, 7	L	12, 15, 16				



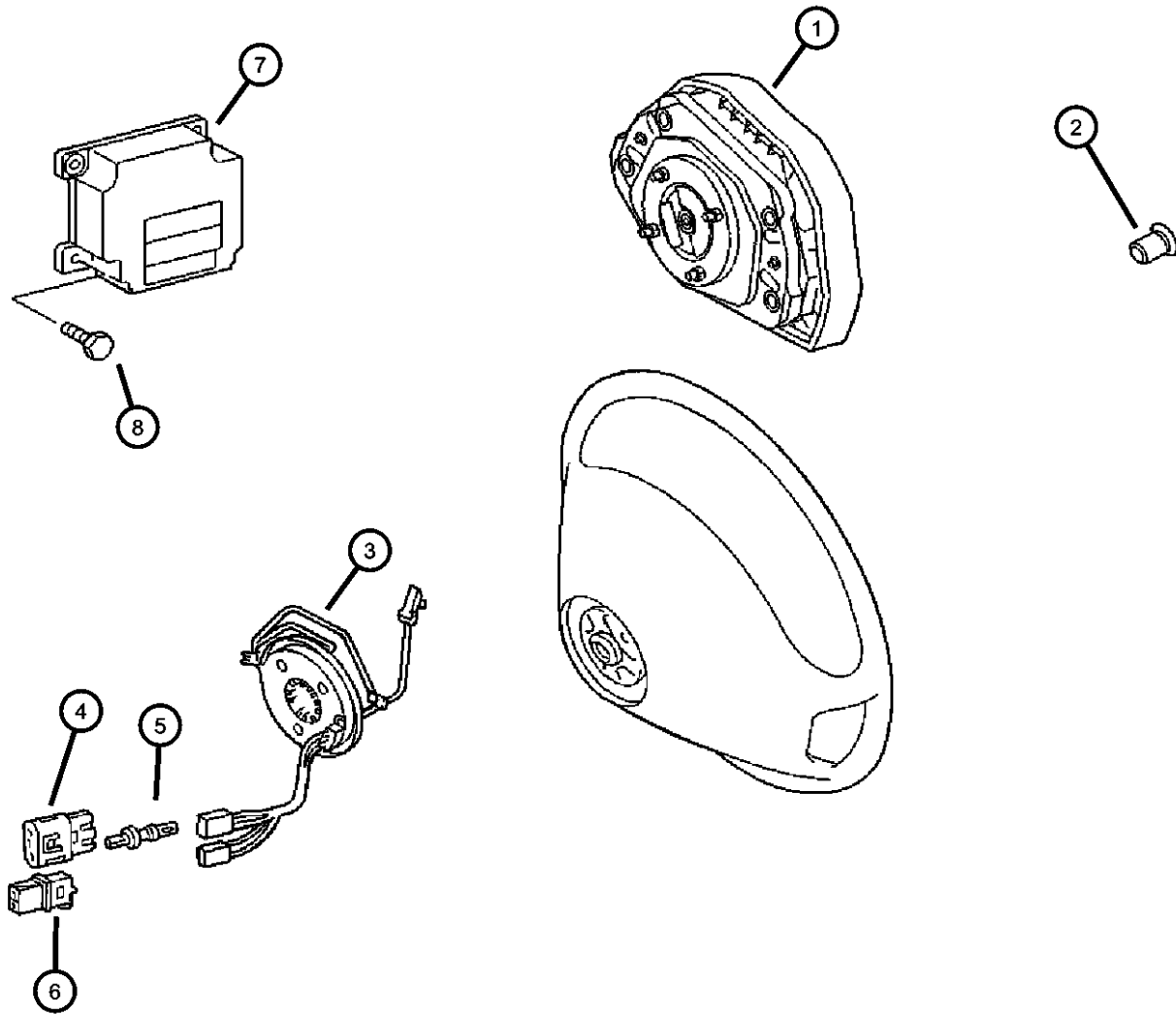
**SPRINTER (VA)**

<b>SERIES</b>	<b>LINE</b>	<b>BODY</b>	<b>ENGINE</b>	<b>TRANSMISSION</b>
L = LOWLINE	3 = HD DODGE 2WD 6 = Lt. Duty DODGE 4WD 2 = Med. Duty DODGE 2WD 7 = Med. Duty DODGE 4WD	51 = WAGON WHEEL BASE 1 52 = WAGON WHEEL BASE 2 14 = VAN WHEEL BASE 4 15 = VAN WHEEL BASE 5 16 = VAN WHEEL BASE 6 54 = WAGON WHEEL BASE 4 55 = WAGON WHEEL BASE 5 56 = WAGON WHEEL BASE 6 11 = VAN WHEEL BASE 1 12 = VAN WHEEL BASE 2	EX9 = Engine - 2.7L 5 Cly Mercedes Diesel	DGJ = Transmission-5-Spd. Automatic,W5A580

AR = use ase required - = Non illustrated part



**Air Bag System Drivers Side  
Figure 8-1705**



ITEM	PART NUMBER	QTY	LINE	SERIES	BODY	ENGINE	TRANS	TRIM	DESCRIPTION
1									AIR BAG, Driver
	05119529AA	1	2	L	11, 12, 14, 15, 16				Dodge Emblem
		1	2	L	51, 52, 54, 55, 56				Dodge Emblem
		1	3	L	12, 15, 16				Dodge Emblem
	1AR08CSSAA	1	6	L	11, 12, 14, 15, 16				Freightliner Eblem
		1	6	L	51, 52, 54, 55, 56				Freightliner Eblem
		1	7	L	12, 15, 16				Freightliner Eblem
2									SCREW
	05103604AA	1	2, 6	L	11, 12, 14, 15, 16				
		1	3, 7	L	12, 15, 16				
		1	2, 6	L	51, 52, 54, 55, 56				
3									CLOCKSPRING
	05104089AA	1	2, 6	L	11, 12, 14, 15, 16				
		1	3, 7	L	12, 15, 16				
		1	2, 6	L	51, 52, 54, 55, 56				
4									CONNECTOR
	05103904AA	1	2, 6	L	11, 12, 14, 15, 16				
		1	2, 6	L	51, 52, 54, 55, 56				
		1	3, 7	L	12, 15, 16				
5									TERMINAL
	05103828AA	1	2, 6	L	51, 52, 54, 55, 56				
		1	3, 7	L	12, 15, 16				
6									CONNECTOR
	05103902AA	1	2, 6	L	11, 12, 14, 15, 16				
		1	2, 6	L	51, 52, 54, 55, 56				
		1	3, 7	L	12, 15, 16				

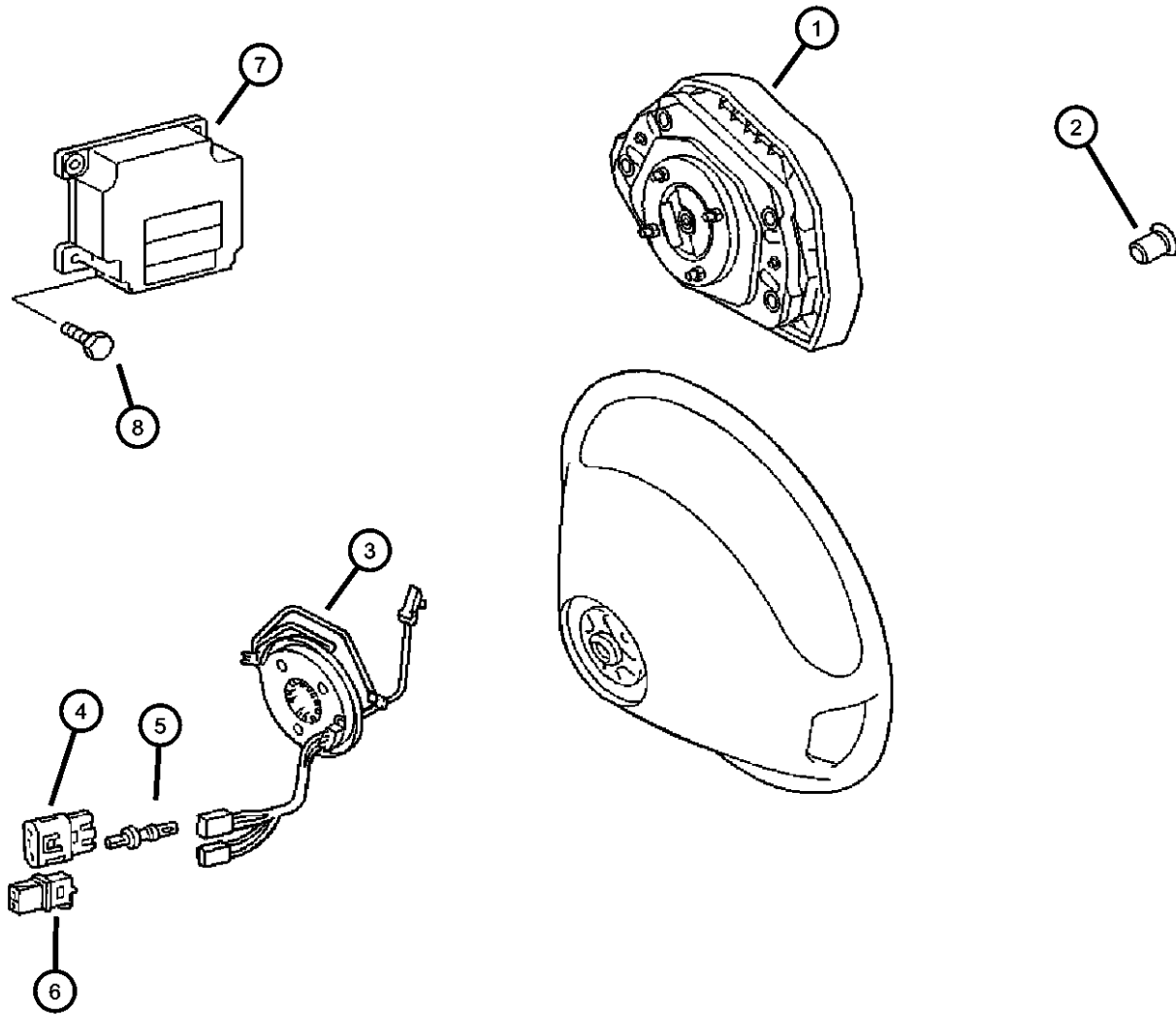
**SPRINTER (VA)**

<b>SERIES</b>	<b>LINE</b>	<b>BODY</b>	<b>ENGINE</b>	<b>TRANSMISSION</b>
L = LOWLINE	3 = HD DODGE 2WD 6 = Lt. Duty DODGE 4WD 2 = Med. Duty DODGE 2WD 7 = Med. Duty DODGE 4WD	51 = WAGON WHEEL BASE 1 52 = WAGON WHEEL BASE 2 14 = VAN WHEEL BASE 4 15 = VAN WHEEL BASE 5 16 = VAN WHEEL BASE 6 54 = WAGON WHEEL BASE 4 55 = WAGON WHEEL BASE 5 56 = WAGON WHEEL BASE 6 11 = VAN WHEEL BASE 1 12 = VAN WHEEL BASE 2	EX9 = Engine - 2.7L 5 Cly Mercedes Diesel	DGJ = Transmission-5-Spd. Automatic,W5A580

AR = use ase required - = Non illustrated part

**Air Bag System Drivers Side  
Figure 8-1705**

ITEM	PART NUMBER	QTY	LINE	SERIES	BODY	ENGINE	TRANS	TRIM	DESCRIPTION
7	05119435AA	1	2, 6	L	11, 12, 14, 15, 16				MODULE, Air Bag Control
		1	2, 6	L	51, 52, 54, 55, 56				
		1	3, 7	L	12, 15, 16				
8	06104005AA	2	3, 7	L	12, 15, 16				SCREW
		2	2, 6	L	11, 12, 14, 15, 16				
		2	2, 6	L	51, 52, 54, 55, 56				

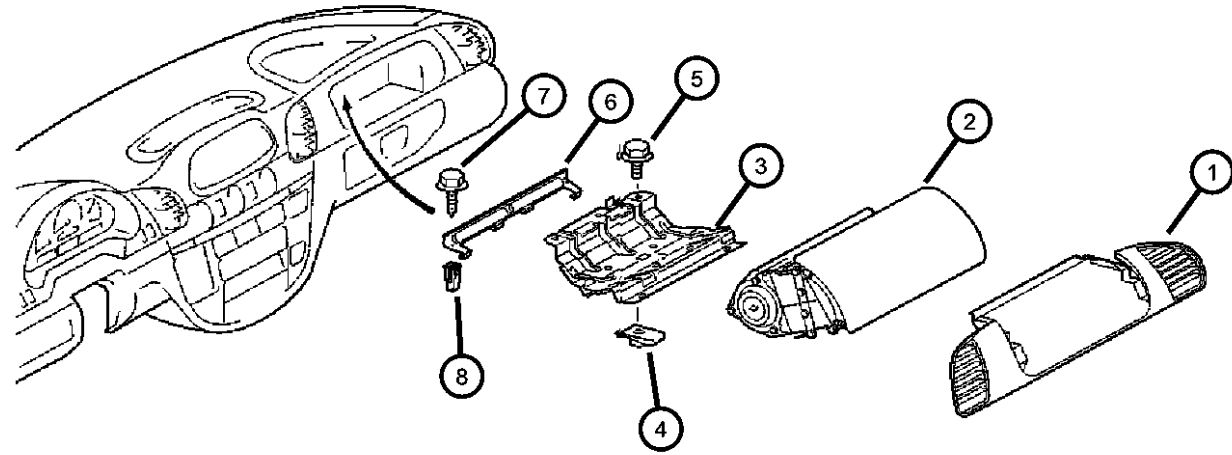


**SPRINTER (VA)**

<b>SERIES</b>	<b>LINE</b>	<b>BODY</b>	<b>ENGINE</b>	<b>TRANSMISSION</b>
L = LOWLINE	3 = HD DODGE 2WD 6 = Lt. Duty DODGE 4WD 2 = Med. Duty DODGE 2WD 7 = Med. Duty DODGE 4WD	51 = WAGON WHEEL BASE 1 52 = WAGON WHEEL BASE 2 14 = VAN WHEEL BASE 4 15 = VAN WHEEL BASE 5 16 = VAN WHEEL BASE 6 54 = WAGON WHEEL BASE 4 55 = WAGON WHEEL BASE 5 56 = WAGON WHEEL BASE 6 11 = VAN WHEEL BASE 1 12 = VAN WHEEL BASE 2	EX9 = Engine - 2.7L 5 Cly Mercedes Diesel	DGJ = Transmission-5-Spd. Automatic,W5A580

AR = use ase required - = Non illustrated part

**Air Bag System Passenger Side  
Figure 8-1710**



ITEM	PART NUMBER	QTY	LINE	SERIES	BODY	ENGINE	TRANS	TRIM	DESCRIPTION
1									DOOR, Passenger Air Bag
	05104261AA	1	2, 6	L	11, 12, 14, 15, 16				
		1	2, 6	L	51, 52, 54, 55, 56				
		1	3, 7	L	12, 15, 16				
2									AIR BAG, Passenger
	05124931AA	1	2, 6	L	11, 12, 14, 15, 16				
		1	2, 6	L	51, 52, 54, 55, 56				
		1	3, 7	L	12, 15, 16				
3									BRACKET, Air Bag
	05122389AA	1	2, 6	L	11, 12, 14, 15, 16				
		1	2, 6	L	51, 52, 54, 55, 56				
		1	3, 7	L	12, 15, 16				
4									NUT, Clip-On
	05133420AA	1	3, 7	L	12, 15, 16				
		2	2, 6	L	11, 12, 14, 15, 16				
		2	2, 6	L	51, 52, 54, 55, 56				
5									SCREW
	05104665AA	2	2, 6	L	11, 12, 14, 15, 16		DGJ		
		2	2, 6	L	51, 52, 54, 55, 56		DGJ		
		2	3, 7	L	12, 15, 16		DGJ		
	06104565AA	2	2, 6	L	11, 12, 14, 15, 16				
		2	2, 6	L	51, 52, 54, 55, 56				
		2	3, 7	L	12, 15, 16				
6									BRACKET, Air Bag
	05122937AA	1	2, 6	L	11, 12, 14, 15, 16				
		1	2, 6	L	51, 52, 54, 55, 56				

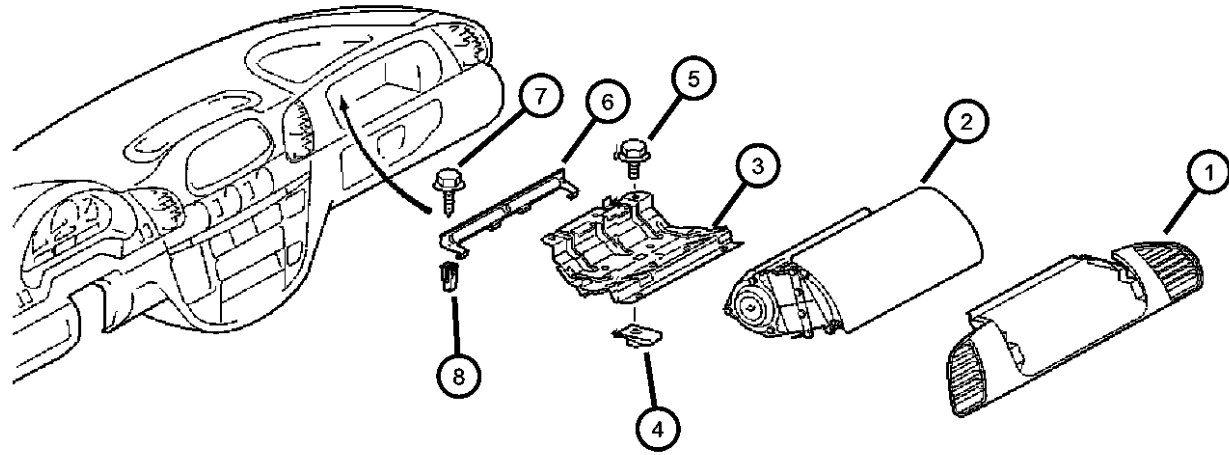
**SPRINTER (VA)**

<b>SERIES</b>	<b>LINE</b>	<b>BODY</b>	<b>ENGINE</b>	<b>TRANSMISSION</b>
L = LOWLINE	3 = HD DODGE 2WD 6 = Lt. Duty DODGE 4WD 2 = Med. Duty DODGE 2WD 7 = Med. Duty DODGE 4WD	51 = WAGON WHEEL BASE 1 52 = WAGON WHEEL BASE 2 14 = VAN WHEEL BASE 4 15 = VAN WHEEL BASE 5 16 = VAN WHEEL BASE 6 54 = WAGON WHEEL BASE 4 55 = WAGON WHEEL BASE 5 56 = WAGON WHEEL BASE 6 11 = VAN WHEEL BASE 1 12 = VAN WHEEL BASE 2	EX9 = Engine - 2.7L 5 Cyl Mercedes Diesel	DGJ = Transmission-5-Spd. Automatic,W5A580

AR = use ase required - = Non illustrated part

**Air Bag System Passenger Side  
Figure 8-1710**

ITEM	PART NUMBER	QTY	LINE	SERIES	BODY	ENGINE	TRANS	TRIM	DESCRIPTION
7		1	3, 7	L	12, 15, 16				SCREW, (NOT SERVICED)
8		1							NUT, Plastic Snap-in
	05125576AA	2	2, 6	L	11, 12, 14, 15, 16		DGJ		
		3	2, 6	L	11, 12, 14, 15, 16				
		2	3, 7	L	12, 15, 16		DGJ		



**SPRINTER (VA)**

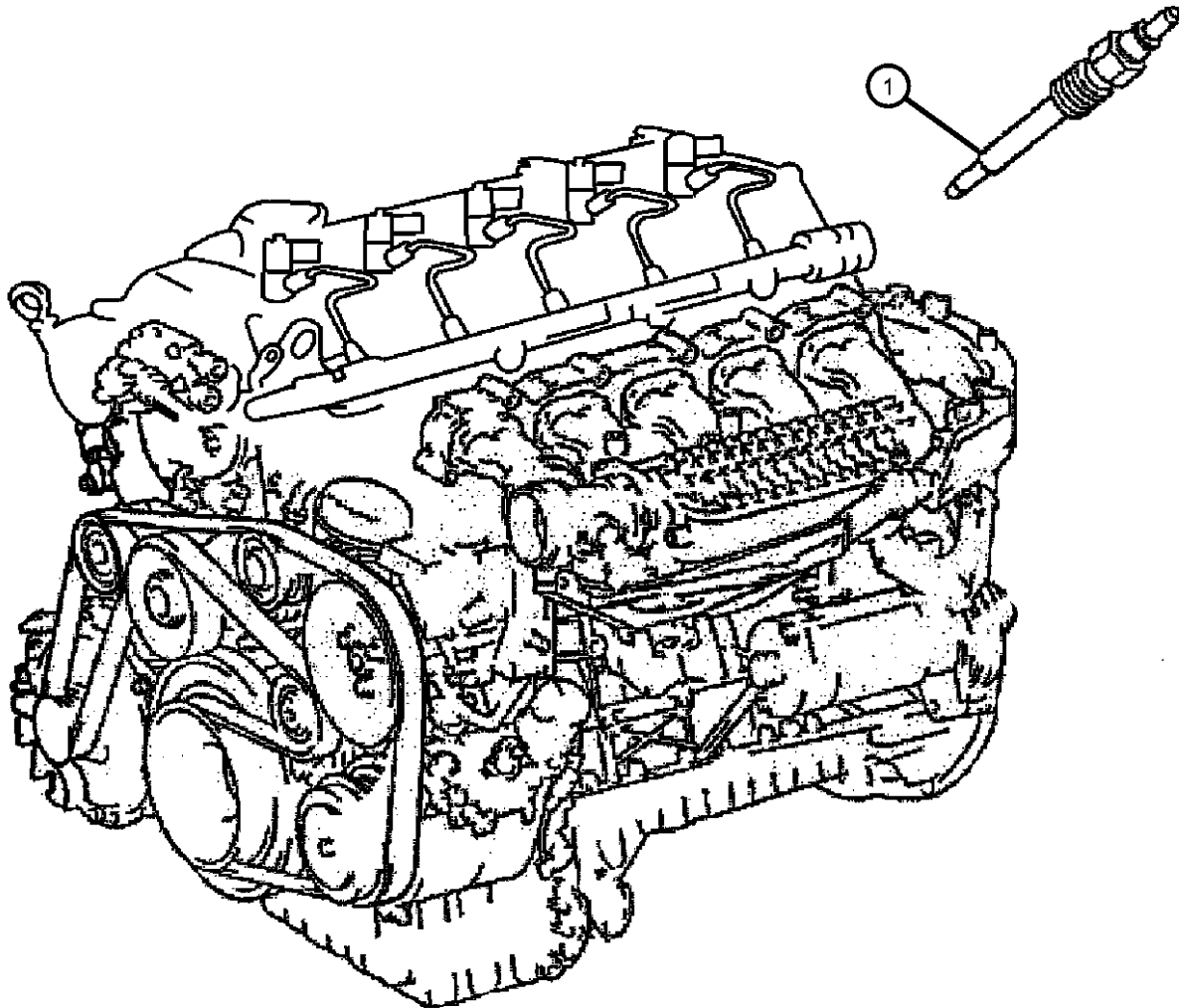
<b>SERIES</b>	<b>LINE</b>	<b>BODY</b>	<b>ENGINE</b>	<b>TRANSMISSION</b>
L = LOWLINE	3 = HD DODGE 2WD 6 = Lt. Duty DODGE 4WD 2 = Med. Duty DODGE 2WD 7 = Med. Duty DODGE 4WD	51 = WAGON WHEEL BASE 1 52 = WAGON WHEEL BASE 2 14 = VAN WHEEL BASE 4 15 = VAN WHEEL BASE 5 16 = VAN WHEEL BASE 6 54 = WAGON WHEEL BASE 4 55 = WAGON WHEEL BASE 5 56 = WAGON WHEEL BASE 6 11 = VAN WHEEL BASE 1 12 = VAN WHEEL BASE 2	EX9 = Engine - 2.7L 5 Cly Mercedes Diesel	DGJ = Transmission-5-Spd. Automatic,W5A580

AR = use ase required - = Non illustrated part

2003 VA

Glow Plugs  
Figure 8-1910

ITEM	PART NUMBER	QTY	LINE	SERIES	BODY	ENGINE	TRANS	TRIM	DESCRIPTION
1	05080047AB	5		L					PLUG, Glow Optional With [05117592AA]
	05117592AA	5		L					Optional With [05080047AA]
-2	05103568AA	1	2, 6	L	11, 12, 14,	EX9			RELAY, Electrical Glow plug
		1	2, 6	L	51, 52, 54,	EX9			Glow plug
		1	3, 7	L	55, 56 12, 15, 16	EX9			Glow plug



SPRINTER (VA)

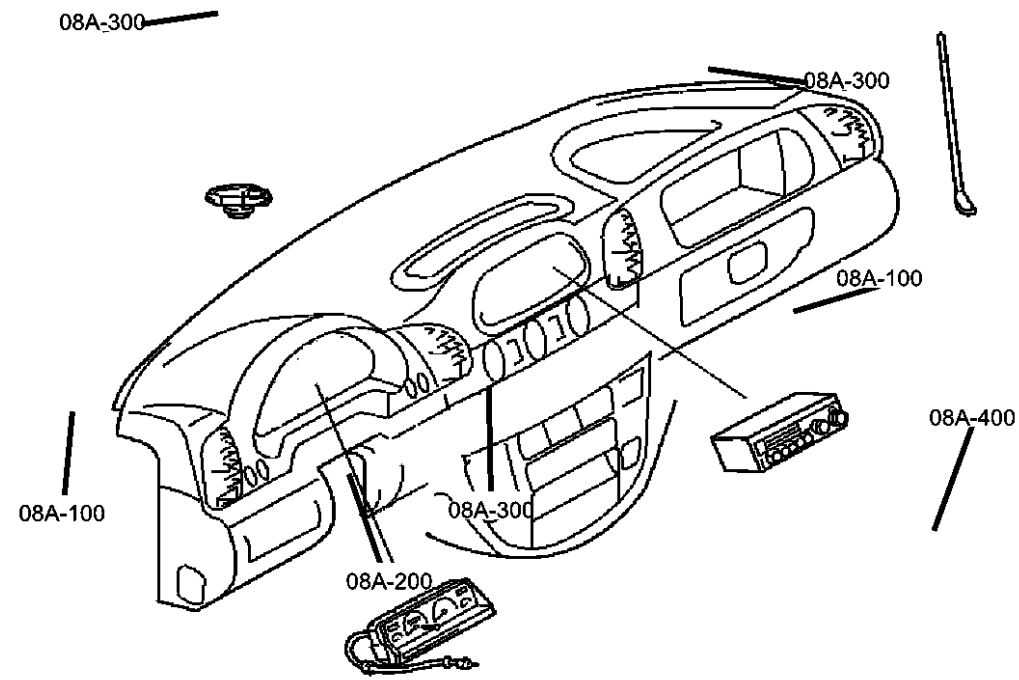
SERIES	LINE	BODY	ENGINE	TRANSMISSION
L = LOWLINE	3 = HD DODGE 2WD 6 = Lt. Duty DODGE 4WD 2 = Med. Duty DODGE 2WD 7 = Med. Duty DODGE 4WD	51 = WAGON WHEEL BASE 1 52 = WAGON WHEEL BASE 2 14 = VAN WHEEL BASE 4 15 = VAN WHEEL BASE 5 16 = VAN WHEEL BASE 6 54 = WAGON WHEEL BASE 4 55 = WAGON WHEEL BASE 5 56 = WAGON WHEEL BASE 6 11 = VAN WHEEL BASE 1 12 = VAN WHEEL BASE 2	EX9 = Engine - 2.7L 5 Cly Mercedes Diesel	DGJ = Transmission-5-Spd. Automatic,W5A580

AR = use ase required - = Non illustrated part

2003 VA

# Group - 08A

## Instrument Panel and Radios and Consoles



## Group - 08A Instrument Panel and Radios and Consoles

Illustration Title

Group-Fig. No.

### Instrument Panel

Instrument Panel .....	Fig. 08A - 105
Instrument Panel Bezel and Related Parts .....	Fig. 08A - 110
Ash Receiver and Glove Box .....	Fig. 08A - 115
Instrument Panel Cover and Related Parts .....	Fig. 08A - 120
Instrument Panel Reinforcement .....	Fig. 08A - 125

### Instrument Panel Cluster

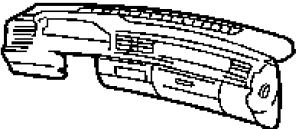
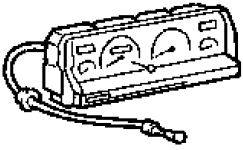
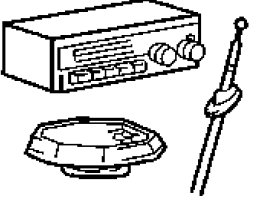
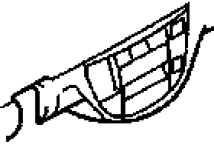
Instrument Panel Cluster .....	Fig. 08A - 205
--------------------------------	----------------

### Radio, Antenna, and Speakers

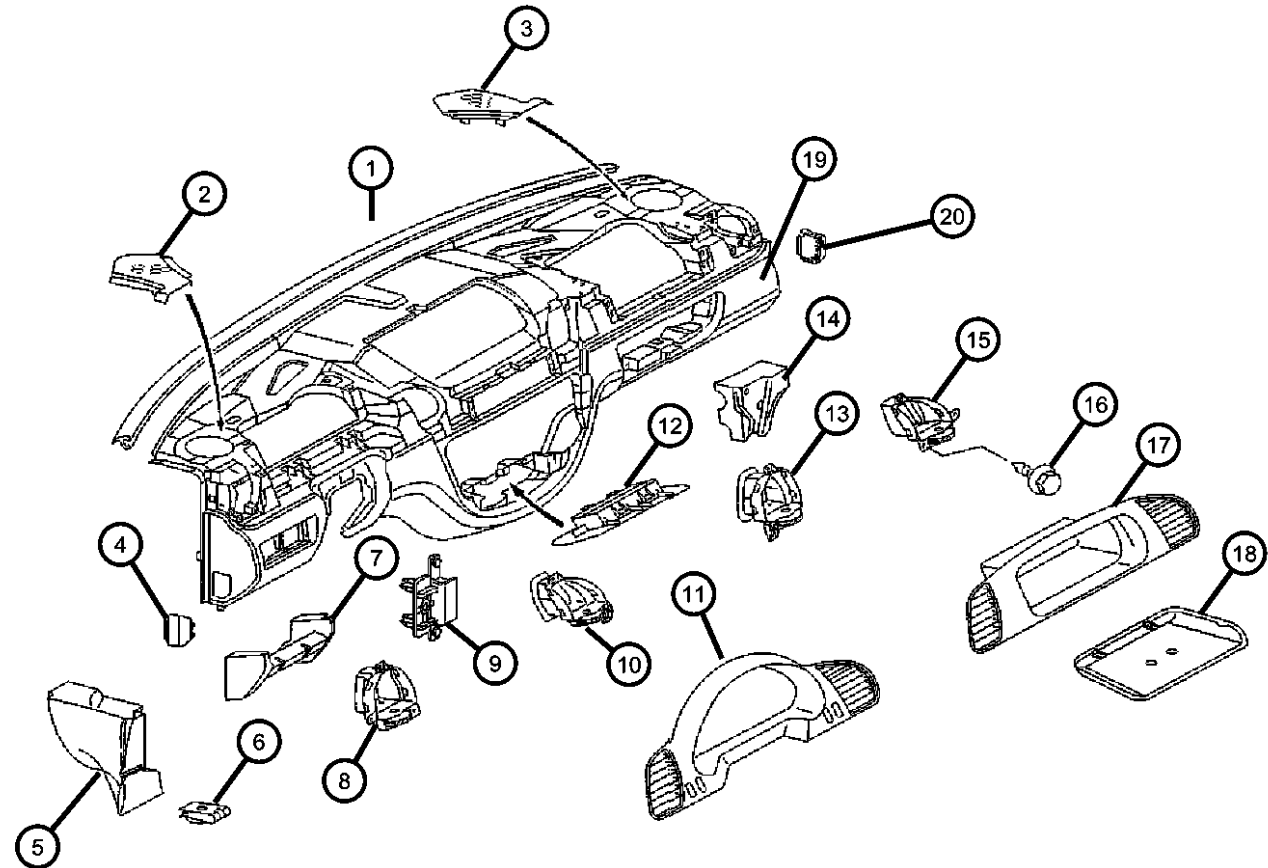
Radio .....	Fig. 08A - 305
Antenna .....	Fig. 08A - 310
Speakers .....	Fig. 08A - 315

### Consoles

Console Cup Holder .....	Fig. 08A - 405
--------------------------	----------------

<p><b>08A-100</b> Instrument Panel</p> 	<p><b>08A-200</b> Instrument Panel Cluster</p> 	<p><b>08A-300</b> Radio, Antenna, and Speakers</p> 	<p><b>08A-400</b> Consoles</p> 
---	--	---	--

**Instrument Panel  
Figure 08A-105**



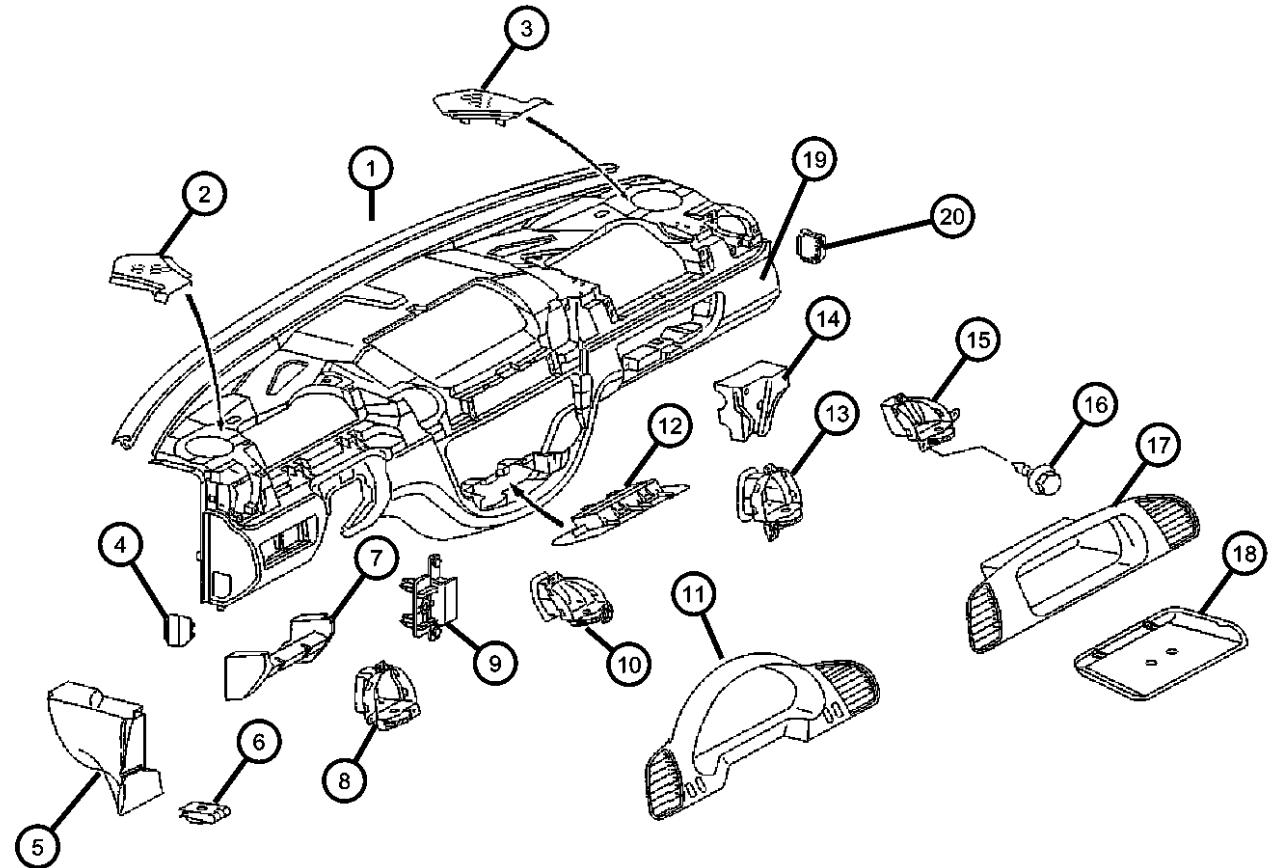
ITEM	PART NUMBER	QTY	LINE	SERIES	BODY	ENGINE	TRANS	TRIM	DESCRIPTION
1	05122955AA	1	2, 6	L	11, 12, 14, 15, 16				SEAL, Windshield
		1	2, 6	L	51, 52, 54, 55, 56				
		1	3, 7	L	12, 15, 16				
2	05104269AA	1	2, 6	L	11, 12, 14, 15, 16				COVER, Speaker Opening Left
		1	2, 6	L	51, 52, 54, 55, 56				Left
		1	3, 7	L	12, 15, 16				Left
3	05104270AA	1	2, 6	L	11, 12, 14, 15, 16				COVER, Speaker Opening
		1	2, 6	L	51, 52, 54, 55, 56				
		1	3, 7	L	12, 15, 16				
4	05122919AA	1	2, 6	L	11, 12, 14, 15, 16				PLUG, Instrument Panel
		1	2, 6	L	51, 52, 54, 55, 56				
		1	3, 7	L	12, 15, 16				
5	05122934AA	1	2, 6	L	11, 12, 14, 15, 16				END CAP, Instrument Panel
		1	2, 6	L	51, 52, 54, 55, 56				
		1	3, 7	L	12, 15, 16				
6	05133416AA	4	3, 7	L	12, 15, 16				NUT, Spring U Type
		99	2, 6	L	11, 12, 14, 15, 16				
		99	2, 6	L	51, 52, 54, 55, 56				
7	05122933AA	1	2, 6	L	11, 12, 14, 15, 16				PAD, Instrument Panel

**SPRINTER (VA)**

<b>SERIES</b>	<b>LINE</b>	<b>BODY</b>	<b>ENGINE</b>	<b>TRANSMISSION</b>
L = LOWLINE	3 = HD DODGE 2WD 6 = Lt. Duty DODGE 4WD 2 = Med. Duty DODGE 2WD 7 = Med. Duty DODGE 4WD	51 = WAGON WHEEL BASE 1 52 = WAGON WHEEL BASE 2 14 = VAN WHEEL BASE 4 15 = VAN WHEEL BASE 5 16 = VAN WHEEL BASE 6 54 = WAGON WHEEL BASE 4 55 = WAGON WHEEL BASE 5 56 = WAGON WHEEL BASE 6 11 = VAN WHEEL BASE 1 12 = VAN WHEEL BASE 2	EX9 = Engine - 2.7L 5 Cyl Mercedes Diesel	DGJ = Transmission-5-Spd. Automatic, W5A580

AR = use ase required - = Non illustrated part

**Instrument Panel  
Figure 08A-105**



ITEM	PART NUMBER	QTY	LINE	SERIES	BODY	ENGINE	TRANS	TRIM	DESCRIPTION
		1	2, 6	L	51, 52, 54, 55, 56				
		1	3, 7	L	12, 15, 16				OUTLET, Air
8	05104252AA	1	2, 6	L	11, 12, 14, 15, 16				
		1	2, 6	L	51, 52, 54, 55, 56				
		1	3, 7	L	12, 15, 16				BRACKET, Mounting
9	05122891AA	2	2, 6	L	11, 12, 14, 15, 16				
		2	2, 6	L	51, 52, 54, 55, 56				
		2	3, 7	L	12, 15, 16				OUTLET, Air
10	05104253AA	1	2, 6	L	11, 12, 14, 15, 16				
		1	2, 6	L	51, 52, 54, 55, 56				
		1	3, 7	L	12, 15, 16				BEZEL, Cluster
11	05104262AA	1	2, 6	L	11, 12, 14, 15, 16				
		1	2, 6	L	51, 52, 54, 55, 56				
		1	3, 7	L	12, 15, 16				COVER, Instrument Panel
12	05122927AA	1	2, 6	L	11, 12, 14, 15, 16				
		1	2, 6	L	51, 52, 54, 55, 56				
		1	3, 7	L	12, 15, 16				OUTLET, Air
13	05104256AA	1	2, 6	L	11, 12, 14, 15, 16				
		1	2, 6	L	51, 52, 54, 55, 56				

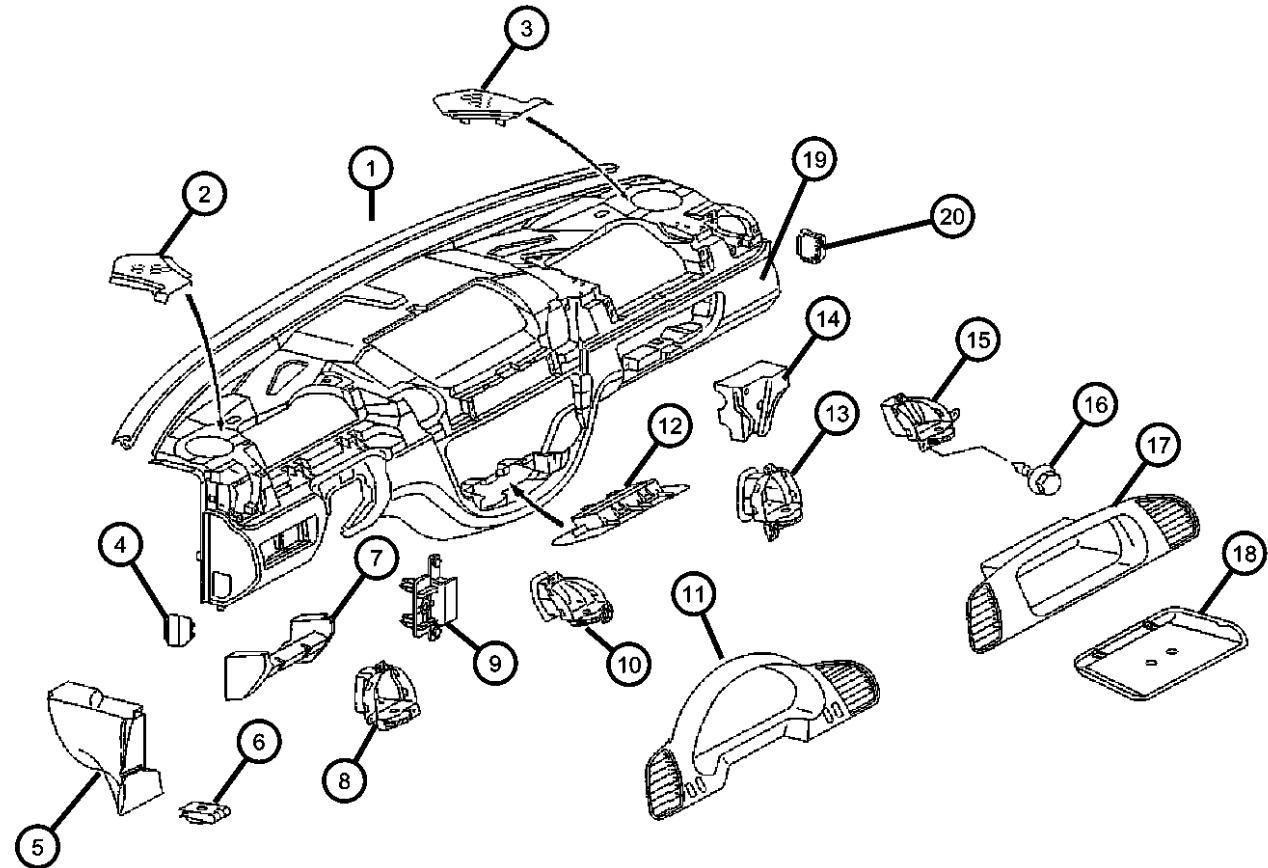
**SPRINTER (VA)**

<b>SERIES</b>	<b>LINE</b>	<b>BODY</b>	<b>ENGINE</b>	<b>TRANSMISSION</b>
L = LOWLINE	3 = HD DODGE 2WD 6 = Lt. Duty DODGE 4WD 2 = Med. Duty DODGE 2WD 7 = Med. Duty DODGE 4WD	51 = WAGON WHEEL BASE 1 52 = WAGON WHEEL BASE 2 14 = VAN WHEEL BASE 4 15 = VAN WHEEL BASE 5 16 = VAN WHEEL BASE 6 54 = WAGON WHEEL BASE 4 55 = WAGON WHEEL BASE 5 56 = WAGON WHEEL BASE 6 11 = VAN WHEEL BASE 1 12 = VAN WHEEL BASE 2	EX9 = Engine - 2.7L 5 Cly Mercedes Diesel	DGJ = Transmission-5-Spd. Automatic,W5A580

AR = use ase required - = Non illustrated part



**Instrument Panel  
Figure 08A-105**



ITEM	PART NUMBER	QTY	LINE	SERIES	BODY	ENGINE	TRANS	TRIM	DESCRIPTION
14		1	3, 7	L	12, 15, 16				PAD, Instrument Panel
	05122932AA	1	2, 6	L	11, 12, 14, 15, 16				
		1	2, 6	L	51, 52, 54, 55, 56				
15		1	3, 7	L	12, 15, 16				OUTLET, Air
	05104258AA	1	2, 6	L	11, 12, 14, 15, 16				
		1	2, 6	L	51, 52, 54, 55, 56				
16		1	3, 7	L	12, 15, 16				SCREW
	06104610AA	1	2, 6	L	11, 12, 14, 15, 16				
		1	2, 6	L	51, 52, 54, 55, 56				
17		1	3, 7	L	12, 15, 16				DOOR, Passenger Air Bag
	05104261AA	1	2, 6	L	11, 12, 14, 15, 16				
		1	2, 6	L	51, 52, 54, 55, 56				
18		1	3, 7	L	12, 15, 16				TRAY, Instrument Panel
	05122952AA	1	2, 6	L	11, 12, 14, 15, 16				
		1	2, 6	L	51, 52, 54, 55, 56				
19		1	3, 7	L	12, 15, 16				PANEL, Instrument
	05122362AA	1	2, 6	L	11, 12, 14, 15, 16				
		1	2, 6	L	51, 52, 54, 55, 56				
20		1	3, 7	L	12, 15, 16				PLUG, Instrument Panel

**SPRINTER (VA)**

**SERIES**

L = LOWLINE

**LINE**

3 = HD DODGE 2WD  
6 = Lt. Duty DODGE 4WD  
2 = Med. Duty DODGE 2WD  
7 = Med. Duty DODGE 4WD

**BODY**

51 = WAGON WHEEL BASE 1  
52 = WAGON WHEEL BASE 2  
14 = VAN WHEEL BASE 4  
15 = VAN WHEEL BASE 5  
16 = VAN WHEEL BASE 6  
54 = WAGON WHEEL BASE 4  
55 = WAGON WHEEL BASE 5  
56 = WAGON WHEEL BASE 6  
11 = VAN WHEEL BASE 1  
12 = VAN WHEEL BASE 2

**ENGINE**

EX9 = Engine - 2.7L 5 Cyl  
Mercedes Diesel

**TRANSMISSION**

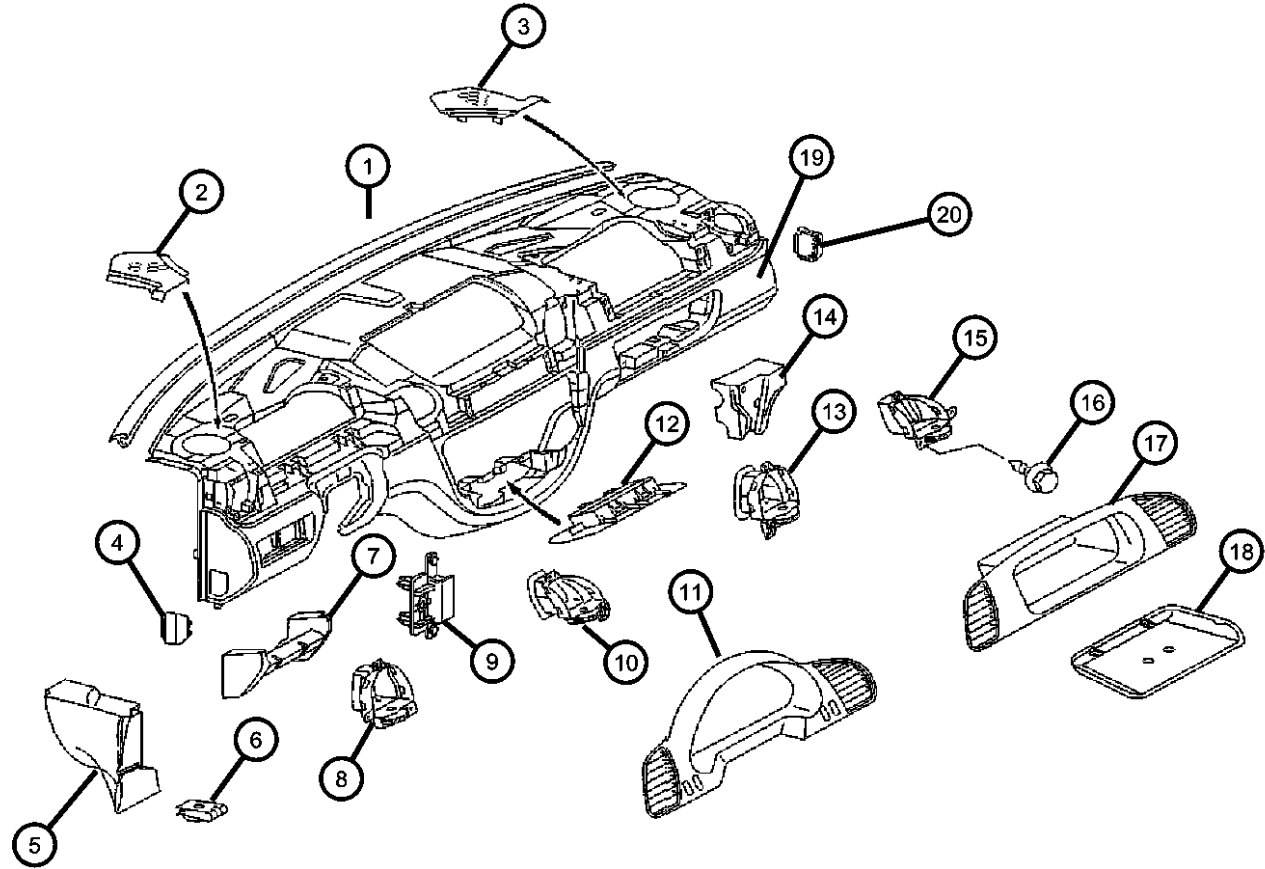
DGJ = Transmission-5-Spd. Automatic, W5A580

AR = use ase required - = Non illustrated part

2003 VA

**Instrument Panel  
Figure 08A-105**

ITEM	PART NUMBER	QTY	LINE	SERIES	BODY	ENGINE	TRANS	TRIM	DESCRIPTION
	05122921AA	1	2, 6	L	11, 12, 14, 15, 16				
		1	2, 6	L	51, 52, 54, 55, 56				
		1	3, 7	L	12, 15, 16				
-21									BIN, Instrument Panel
	05104263AA	1	2, 6	L	01, 02, 06	EX8	DGJ		UPS ONLY (PASS AIRBAG DELETE)
		1	2, 6	L	11, 12, 14, 15, 16	EX8	DGJ		UPS ONLY (PASS AIRBAG DELETE)
		1	2, 6	L	51, 52, 54, 55, 56	EX8	DGJ		UPS ONLY (PASS AIRBAG DELETE)
		1	3, 7	L	02, 06	EX8	DGJ		UPS ONLY (PASS AIRBAG DELETE)
		1	3, 7	L	12, 15, 16	EX8	DGJ		UPS ONLY (PASS AIRBAG DELETE)



**SPRINTER (VA)**

**SERIES**

L = LOWLINE

**LINE**

3 = HD DODGE 2WD  
6 = Lt. Duty DODGE 4WD  
2 = Med. Duty DODGE 2WD  
7 = Med. Duty DODGE 4WD

**BODY**

51 = WAGON WHEEL BASE 1  
52 = WAGON WHEEL BASE 2  
14 = VAN WHEEL BASE 4  
15 = VAN WHEEL BASE 5  
16 = VAN WHEEL BASE 6  
54 = WAGON WHEEL BASE 4  
55 = WAGON WHEEL BASE 5  
56 = WAGON WHEEL BASE 6  
11 = VAN WHEEL BASE 1  
12 = VAN WHEEL BASE 2

**ENGINE**

EX9 = Engine - 2.7L 5 Cly  
Mercedes Diesel

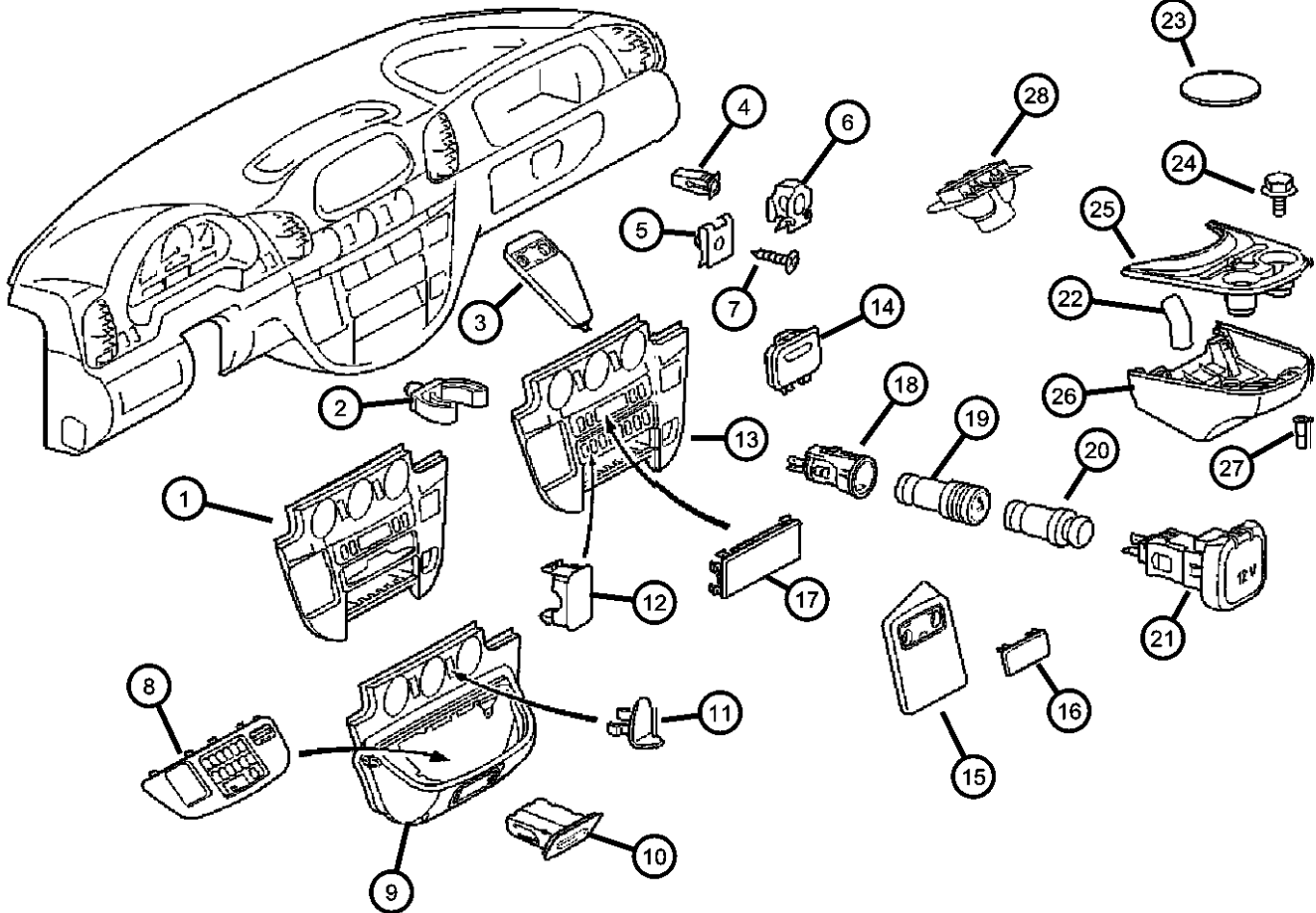
**TRANSMISSION**

DGJ = Transmission-5-Spd.  
Automatic,W5A580

AR = use ase required - = Non illustrated part

2003 VA

### Instrument Panel Bezel and Related Parts Figure 08A-110



ITEM	PART NUMBER	QTY	LINE	SERIES	BODY	ENGINE	TRANS	TRIM	DESCRIPTION
1	05122372AA	1	2, 6	L	11, 12, 14, 15, 16				BEZEL, Instrument Panel, Center
		1	2, 6	L	51, 52, 54, 55, 56				
		1	3, 7	L	12, 15, 16				
2	05125871AA	2	3, 7	L	12, 15, 16				CLIP, U Type
		2	2, 6	L	11, 12, 14, 15, 16				
		2	2, 6	L	51, 52, 54, 55, 56				
3	05122912AA	1	2, 6	L	11, 12, 14, 15, 16				BRACKET, Instrument Panel Cell Phone
		1	2, 6	L	51, 52, 54, 55, 56				
		1	3, 7	L	12, 15, 16				
4	05125576AA	3	2, 6	L	51, 52, 54, 55, 56				NUT, Plastic Snap-in
		3	2, 6	L	11, 12, 14, 15, 16				
		3	3, 7	L	12, 15, 16				
5	05125857AA	2	2, 6	L	11, 12, 14, 15, 16				NUT, Clip-On
		2	2, 6	L	51, 52, 54, 55, 56				
		2	3, 7	L	12, 15, 16				
6	05125861AA	2	2, 6	L	11, 12, 14, 15, 16				NUT, Spring
		2	2, 6	L	51, 52, 54, 55, 56				
		2	3, 7	L	12, 15, 16				
7	06104610AA	2	2, 6	L	51, 52, 54, 55, 56				SCREW

**SPRINTER (VA)**

**SERIES**

L = LOWLINE

**LINE**

3 = HD DODGE 2WD  
6 = Lt. Duty DODGE 4WD  
2 = Med. Duty DODGE 2WD  
7 = Med. Duty DODGE 4WD

**BODY**

51 = WAGON WHEEL BASE 1  
52 = WAGON WHEEL BASE 2  
14 = VAN WHEEL BASE 4  
15 = VAN WHEEL BASE 5  
16 = VAN WHEEL BASE 6  
54 = WAGON WHEEL BASE 4  
55 = WAGON WHEEL BASE 5  
56 = WAGON WHEEL BASE 6  
11 = VAN WHEEL BASE 1  
12 = VAN WHEEL BASE 2

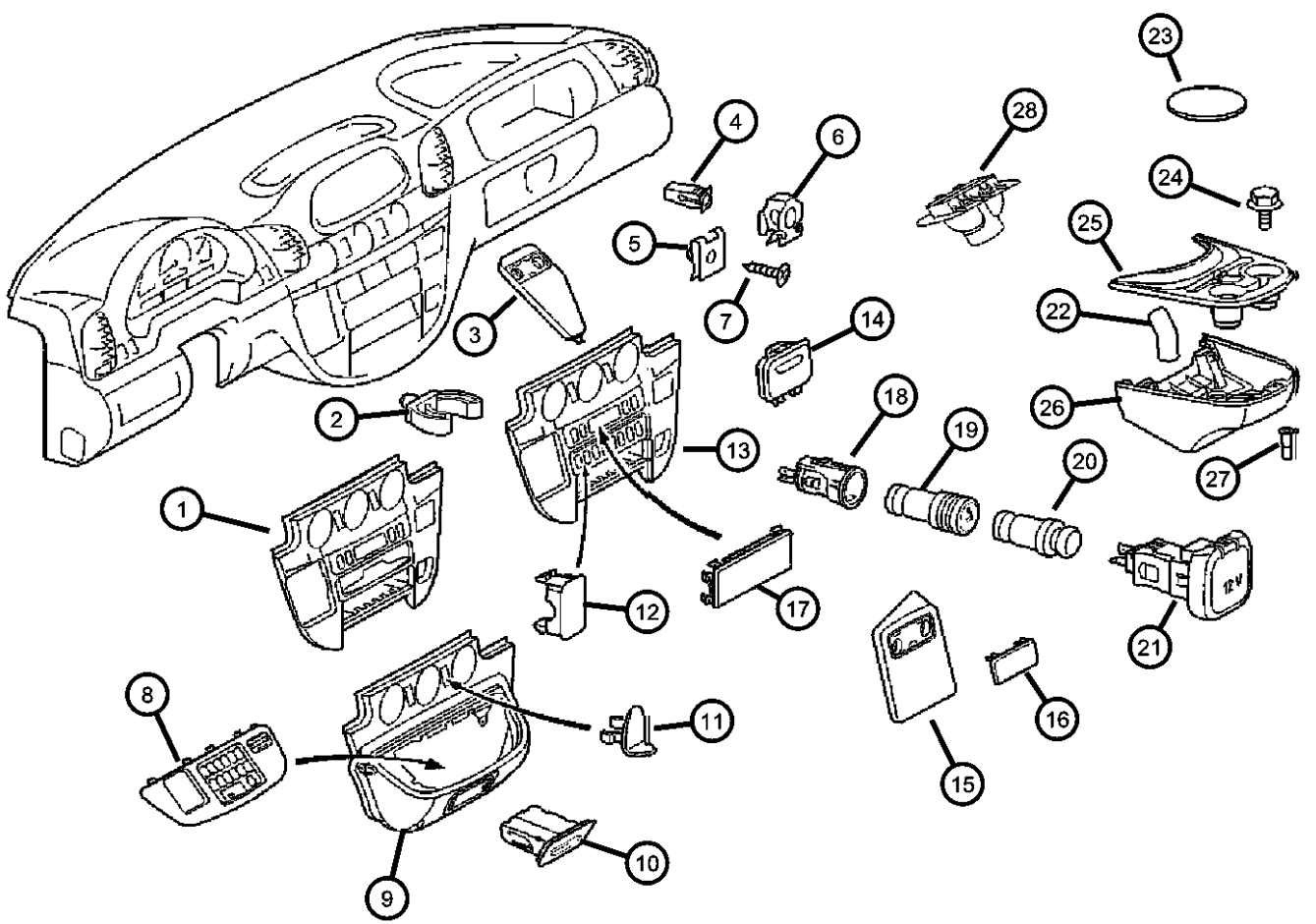
**ENGINE**

EX9 = Engine - 2.7L 5 Cly  
Mercedes Diesel

**TRANSMISSION**

DGJ = Transmission-5-Spd.  
Automatic, W5A580

**Instrument Panel Bezel and Related Parts  
Figure 08A-110**



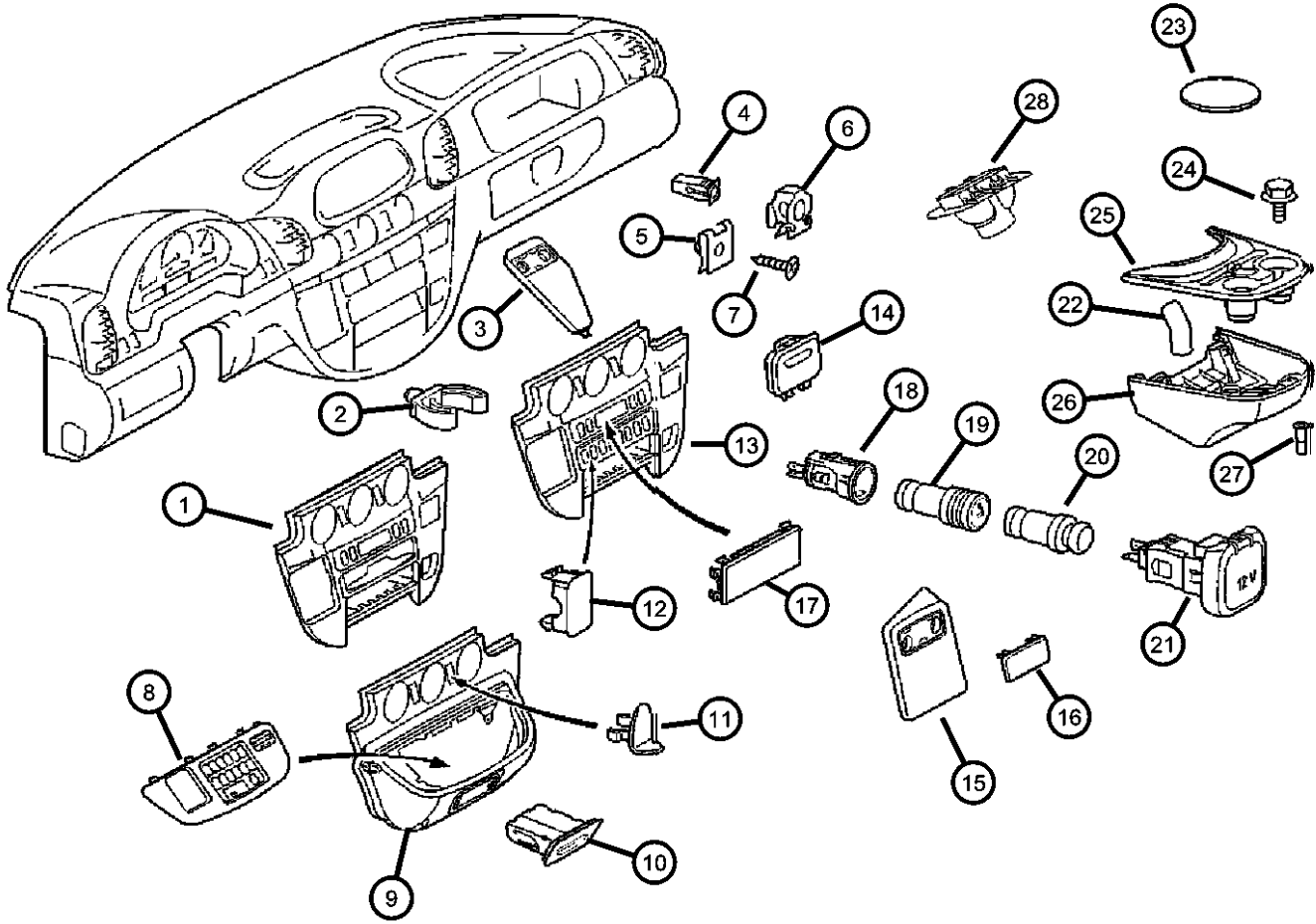
ITEM	PART NUMBER	QTY	LINE	SERIES	BODY	ENGINE	TRANS	TRIM	DESCRIPTION
8	05122928AA	2	2, 6	L	11, 12, 14, 15, 16				BEZEL, Center Console
		2	3, 7	L	12, 15, 16				
9	05122880AA	1	2, 6	L	11, 12, 14, 15, 16				CONSOLE, Instrument Panel
		1	2, 6	L	51, 52, 54, 55, 56				
10	05124226AA	1	3, 7	L	12, 15, 16				ASH RECEIVER, Instrument Panel
		1	2, 6	L	11, 12, 14, 15, 16				
11	05122885AA	1	2, 6	L	51, 52, 54, 55, 56				COVER, Center Console
		1	3, 7	L	12, 15, 16				
12	05122925AA	1	2, 6	L	11, 12, 14, 15, 16				COVER, Switch Opening
		3	2, 6	L	51, 52, 54, 55, 56				
13	05122873AA	3	3, 7	L	12, 15, 16				BEZEL, Instrument Panel, Center
		1	2, 6	L	11, 12, 14, 15, 16				

**SPRINTER (VA)**

<b>SERIES</b>	<b>LINE</b>	<b>BODY</b>	<b>ENGINE</b>	<b>TRANSMISSION</b>
L = LOWLINE	3 = HD DODGE 2WD 6 = Lt. Duty DODGE 4WD 2 = Med. Duty DODGE 2WD 7 = Med. Duty DODGE 4WD	51 = WAGON WHEEL BASE 1 52 = WAGON WHEEL BASE 2 14 = VAN WHEEL BASE 4 15 = VAN WHEEL BASE 5 16 = VAN WHEEL BASE 6 54 = WAGON WHEEL BASE 4 55 = WAGON WHEEL BASE 5 56 = WAGON WHEEL BASE 6 11 = VAN WHEEL BASE 1 12 = VAN WHEEL BASE 2	EX9 = Engine - 2.7L 5 Cyl Mercedes Diesel	DGJ = Transmission-5-Spd. Automatic,W5A580

AR = use ase required - = Non illustrated part

**Instrument Panel Bezel and Related Parts  
Figure 08A-110**



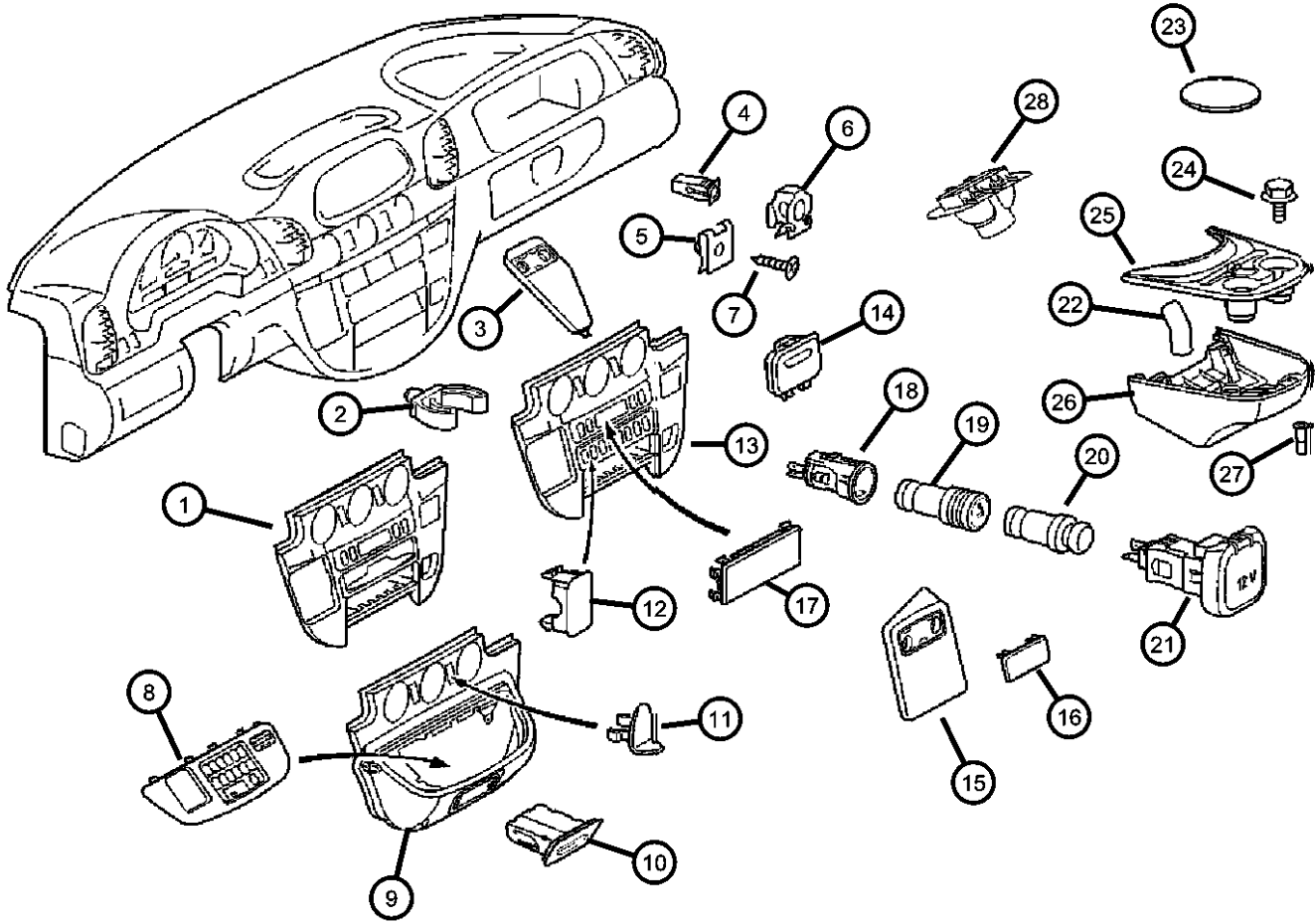
ITEM	PART NUMBER	QTY	LINE	SERIES	BODY	ENGINE	TRANS	TRIM	DESCRIPTION
14		1	2, 6	L	51, 52, 54, 55, 56				COVER, Instrument Panel
	05122391AA	1	2, 6	L	11, 12, 14, 15, 16				Paper clip
		1	2, 6	L	51, 52, 54, 55, 56				Paper clip
		1	3, 7	L	12, 15, 16				Paper clip
15		1	2, 6	L	11, 12, 14, 15, 16				BEZEL, Instrument Panel
	05122909AA	1	2, 6	L	11, 12, 14, 15, 16				
		1	2, 6	L	51, 52, 54, 55, 56				
		1	3, 7	L	12, 15, 16				
16		1	2, 6	L	51, 52, 54, 55, 56				COVER, Instrument Panel
	05122878AA	1	2, 6	L	51, 52, 54, 55, 56				
		1	3, 7	L	12, 15, 16				
		1	2, 6	L	11, 12, 14, 15, 16				
17		1	2, 6	L	11, 12, 14, 15, 16				COVER, Radio Opening
	05103928AA	1	2, 6	L	11, 12, 14, 15, 16				
		1	2, 6	L	51, 52, 54, 55, 56				
		1	3, 7	L	12, 15, 16				
18		1	2, 6	L	11, 12, 14, 15, 16				BASE, Cigar Lighter
	05124456AA	1	2, 6	L	11, 12, 14, 15, 16				
		1	2, 6	L	51, 52, 54, 55, 56				
		1	3, 7	L	12, 15, 16				
19		1	2, 6	L	11, 12, 14, 15, 16				ELEMENT, Cigar Lighter
	05103679AA	1	2, 6	L	11, 12, 14, 15, 16				
		1	2, 6	L	51, 52, 54, 55, 56				
		1	3, 7	L	12, 15, 16				

**SPRINTER (VA)**

<b>SERIES</b>	<b>LINE</b>	<b>BODY</b>	<b>ENGINE</b>	<b>TRANSMISSION</b>
L = LOWLINE	3 = HD DODGE 2WD 6 = Lt. Duty DODGE 4WD 2 = Med. Duty DODGE 2WD 7 = Med. Duty DODGE 4WD	51 = WAGON WHEEL BASE 1 52 = WAGON WHEEL BASE 2 14 = VAN WHEEL BASE 4 15 = VAN WHEEL BASE 5 16 = VAN WHEEL BASE 6 54 = WAGON WHEEL BASE 4 55 = WAGON WHEEL BASE 5 56 = WAGON WHEEL BASE 6 11 = VAN WHEEL BASE 1 12 = VAN WHEEL BASE 2	EX9 = Engine - 2.7L 5 Cly Mercedes Diesel	DGJ = Transmission-5-Spd. Automatic, W5A580

AR = use ase required - = Non illustrated part

**Instrument Panel Bezel and Related Parts  
Figure 08A-110**



ITEM	PART NUMBER	QTY	LINE	SERIES	BODY	ENGINE	TRANS	TRIM	DESCRIPTION
20	05124598AA	1	6, 2	L	11, 12, 14, 15, 16				SOCKET, Accessory
		1	2, 6	L	51, 52, 54, 55, 56				
		1	3, 7	L	12, 15, 16				
21	05124458AA	1	2, 6	L	11, 12, 14, 15, 16				POWER OUTLET
		1	2, 6	L	51, 52, 54, 55, 56				
		1	3, 7	L	12, 15, 16				
22	05104488AA	1	2, 6	L	11, 12, 14, 15, 16				HOSE Air Duct Adapter
		1	2, 6	L	51, 52, 54, 55, 56				Air Duct Adapter
		1	3, 7	L	12, 15, 16				Air Duct Adapter
23	05122953AA	2	2, 6	L	11, 12, 14, 15, 16				MAT, Single Cup
		2	2, 6	L	51, 52, 54, 55, 56				
		2	3, 7	L	12, 15, 16				
24	06104121AA	4	2, 6	L	11, 12, 14, 15, 16				SCREW, Hex Flange Head
		4	2, 6	L	51, 52, 54, 55, 56				
		4	3, 7	L	12, 15, 16				
25	05104254AA	1	2, 6	L	11, 12, 14, 15, 16				CUP HOLDER, Lid
		1	2, 6	L	51, 52, 54, 55, 56				
		1	3, 7	L	12, 15, 16				
26									HOUSING, Cup Holder

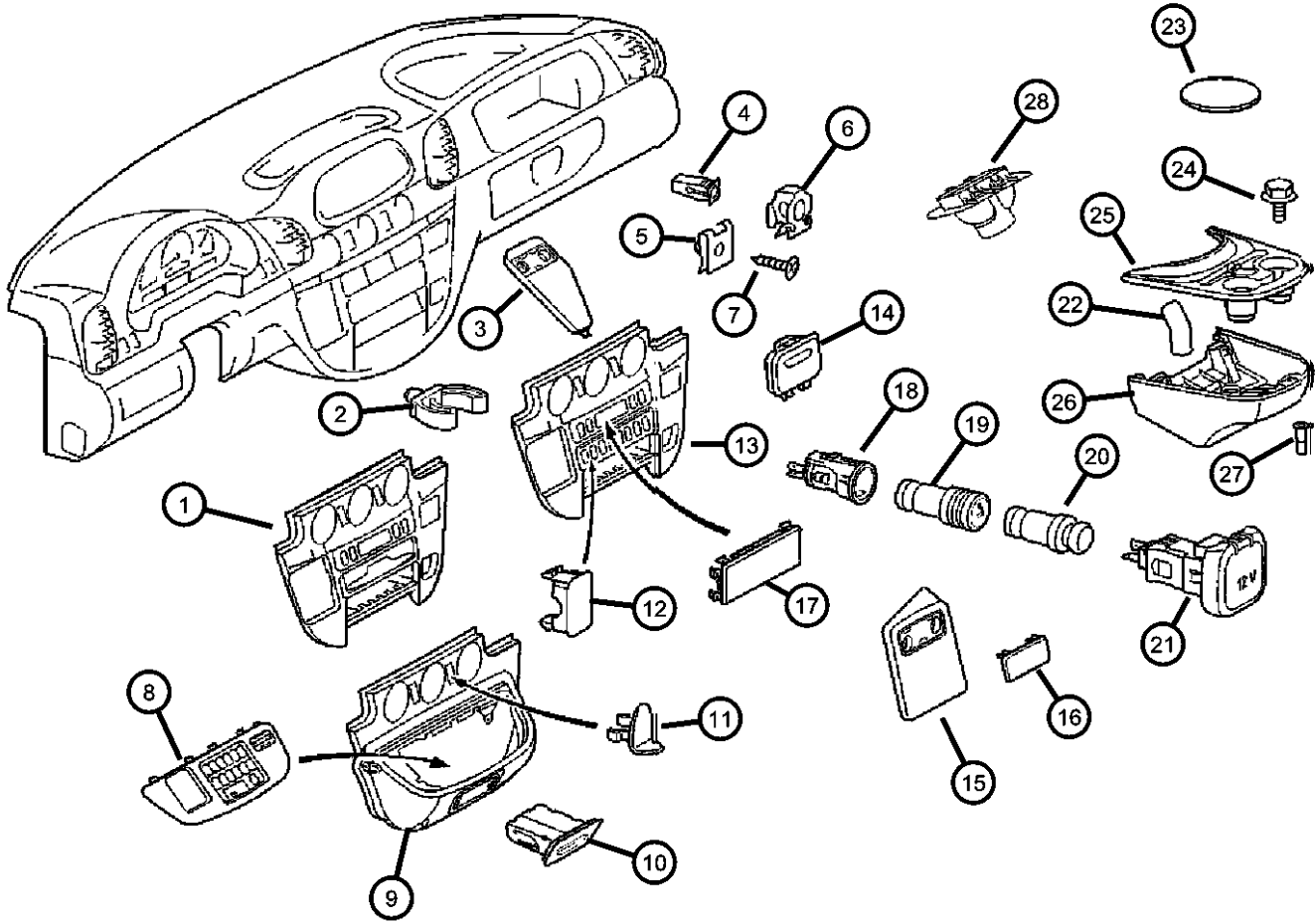
**SPRINTER (VA)**

<b>SERIES</b>	<b>LINE</b>	<b>BODY</b>	<b>ENGINE</b>	<b>TRANSMISSION</b>
L = LOWLINE	3 = HD DODGE 2WD 6 = Lt. Duty DODGE 4WD 2 = Med. Duty DODGE 2WD 7 = Med. Duty DODGE 4WD	51 = WAGON WHEEL BASE 1 52 = WAGON WHEEL BASE 2 14 = VAN WHEEL BASE 4 15 = VAN WHEEL BASE 5 16 = VAN WHEEL BASE 6 54 = WAGON WHEEL BASE 4 55 = WAGON WHEEL BASE 5 56 = WAGON WHEEL BASE 6 11 = VAN WHEEL BASE 1 12 = VAN WHEEL BASE 2	EX9 = Engine - 2.7L 5 Cyl Mercedes Diesel	DGJ = Transmission-5-Spd. Automatic, W5A580

AR = use ase required - = Non illustrated part

**Instrument Panel Bezel and Related Parts  
Figure 08A-110**

ITEM	PART NUMBER	QTY	LINE	SERIES	BODY	ENGINE	TRANS	TRIM	DESCRIPTION
	05104255AA	1	2, 6	L	11, 12, 14, 15, 16				
		1	2, 6	L	51, 52, 54, 55, 56				
		1	3, 7	L	12, 15, 16				
27									NUT, Rivet
	05133975AA	4	2, 6	L	11, 12, 14, 15, 16				
		4	2, 6	L	51, 52, 54, 55, 56				
		4	3, 7	L	12, 15, 16				
28									ADAPTER, Air Duct
	05104267AA	1	3, 7	L	12, 15, 16				
		1	2, 6	L	11, 12, 14, 15, 16				
		1	2, 6	L	51, 52, 54, 55, 56				



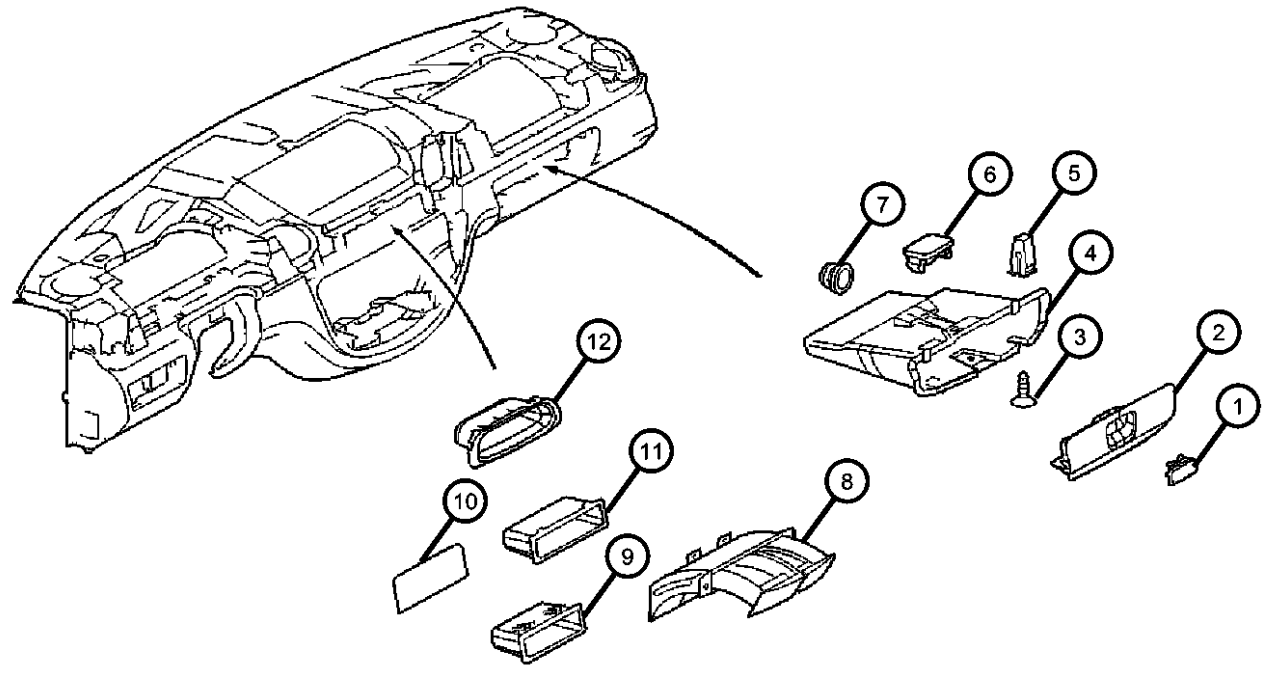
**SPRINTER (VA)**

<b>SERIES</b>	<b>LINE</b>	<b>BODY</b>	<b>ENGINE</b>	<b>TRANSMISSION</b>
L = LOWLINE	3 = HD DODGE 2WD 6 = Lt. Duty DODGE 4WD 2 = Med. Duty DODGE 2WD 7 = Med. Duty DODGE 4WD	51 = WAGON WHEEL BASE 1 52 = WAGON WHEEL BASE 2 14 = VAN WHEEL BASE 4 15 = VAN WHEEL BASE 5 16 = VAN WHEEL BASE 6 54 = WAGON WHEEL BASE 4 55 = WAGON WHEEL BASE 5 56 = WAGON WHEEL BASE 6 11 = VAN WHEEL BASE 1 12 = VAN WHEEL BASE 2	EX9 = Engine - 2.7L 5 Cly Mercedes Diesel	DGJ = Transmission-5-Spd. Automatic,W5A580

AR = use ase required - = Non illustrated part

2003 VA

**Ash Reciever and Glove Box  
Figure 08A-115**



ITEM	PART NUMBER	QTY	LINE	SERIES	BODY	ENGINE	TRANS	TRIM	DESCRIPTION
1	05104257AA	1	2, 6	L	11, 12, 14, 15, 16				LATCH, Glovebox
		1	2, 6	L	51, 52, 54, 55, 56				
		1	3, 7	L	12, 15, 16				
2	05104260AA	1	2, 6	L	11, 12, 14, 15, 16				DOOR, Glove Box
		1	2, 6	L	51, 52, 54, 55, 56				
		1	3, 7	L	12, 15, 16				
3	06104610AA	1	2, 6	L	11, 12, 14, 15, 16				SCREW
		1	2, 6	L	51, 52, 54, 55, 56				
		1	3, 7	L	12, 15, 16				
4	05122413AA	1	3, 7	L	12, 15, 16				GLOVE BOX, Instrument Panel
		1	2, 6	L	11, 12, 14, 15, 16				
		1	2, 6	L	51, 52, 54, 55, 56				
5	05125576AA	2	2, 6	L	11, 12, 14, 15, 16				NUT, Plastic Snap-in
		2	3, 7	L	12, 15, 16				
		2	2, 6	L	51, 52, 54, 55, 56				
6	05125551AA	1	2, 6	L	11, 12, 14, 15, 16				PLUG
		1	2, 6	L	51, 52, 54, 55, 56				
		1	3, 7	L	12, 15, 16				
7	05122919AA	1	2, 6	L	11, 12, 14, 15, 16				PLUG, Instrument Panel

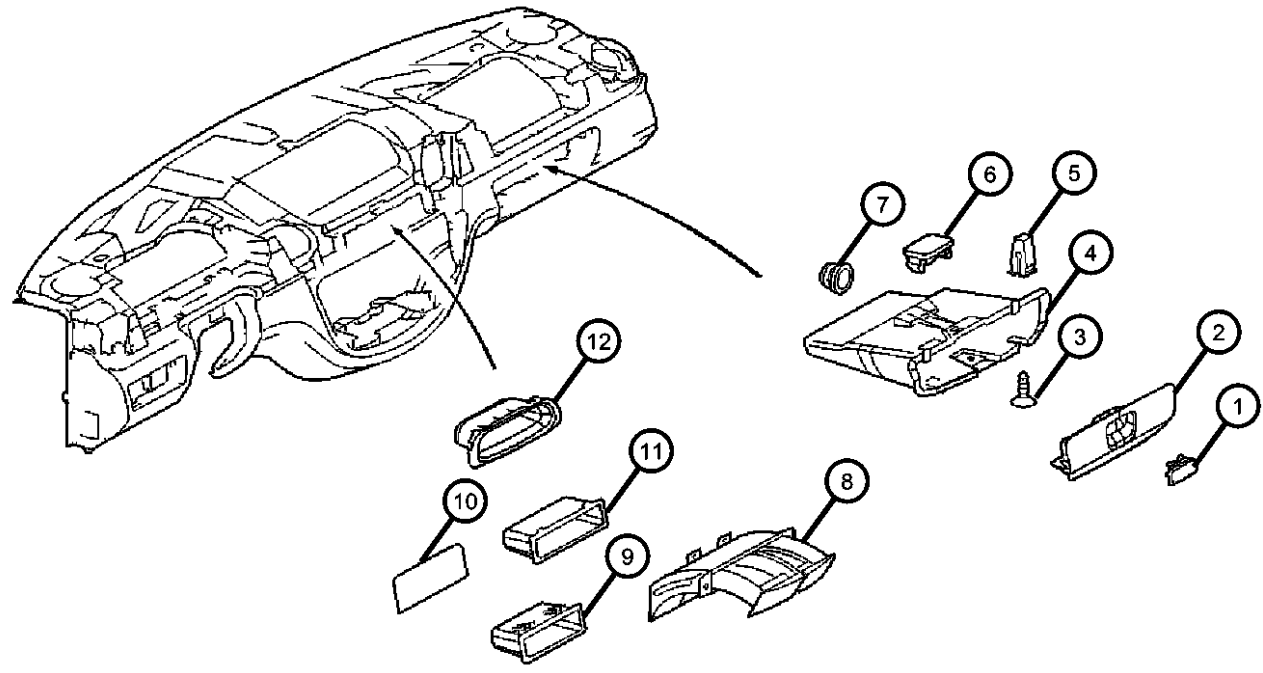
**SPRINTER (VA)**  
 SERIES      LINE      BODY      ENGINE      TRANSMISSION  
 L = LOWLINE    3 = HD DODGE 2WD    51 = WAGON WHEEL BASE 1    EX9 = Engine - 2.7L 5 Clj    DGJ = Transmission-5-Spd. Automatic, W5A580  
                   6 = Lt. Duty DODGE 4WD    52 = WAGON WHEEL BASE 2    Mercedes Diesel  
                   2 = Med. Duty DODGE 2WD    14 = VAN WHEEL BASE 4  
                   7 = Med. Duty DODGE 4WD    15 = VAN WHEEL BASE 5  
   16 = VAN WHEEL BASE 6  
   54 = WAGON WHEEL BASE 4  
   55 = WAGON WHEEL BASE 5  
   56 = WAGON WHEEL BASE 6  
   11 = VAN WHEEL BASE 1  
   12 = VAN WHEEL BASE 2

AR = use ase required - = Non illustrated part



**Ash Reciever and Glove Box  
Figure 08A-115**

ITEM	PART NUMBER	QTY	LINE	SERIES	BODY	ENGINE	TRANS	TRIM	DESCRIPTION
8		1	2, 6	L	51, 52, 54, 55, 56				ASH RECEIVER, Instrument Panel
		1	3, 7	L	12, 15, 16				
	05124226AA	1	3, 7	L	12, 15, 16				
		1	2, 6	L	11, 12, 14, 15, 16				
9		1	2, 6	L	51, 52, 54, 55, 56				CUBBY BOX, Instrument Panel
	05122948AA	1	2, 6	L	11, 12, 14, 15, 16				
		1	2, 6	L	51, 52, 54, 55, 56				
10		1	3, 7	L	12, 15, 16				PAD, Backing
	05122951AA	1	2, 6	L	51, 52, 54, 55, 56				
		1	3, 7	L	12, 15, 16				
11		1	2, 6	L	11, 12, 14, 15, 16				CUBBY BOX, Instrument Panel
	05122948AA	1	2, 6	L	11, 12, 14, 15, 16				
		1	2, 6	L	51, 52, 54, 55, 56				
12		1	3, 7	L	12, 15, 16				CUBBY BOX, Instrument Panel
	05122943AA	1	2, 6	L	11, 12, 14, 15, 16				
		1	2, 6	L	51, 52, 54, 55, 56				
		1	3, 7	L	12, 15, 16				

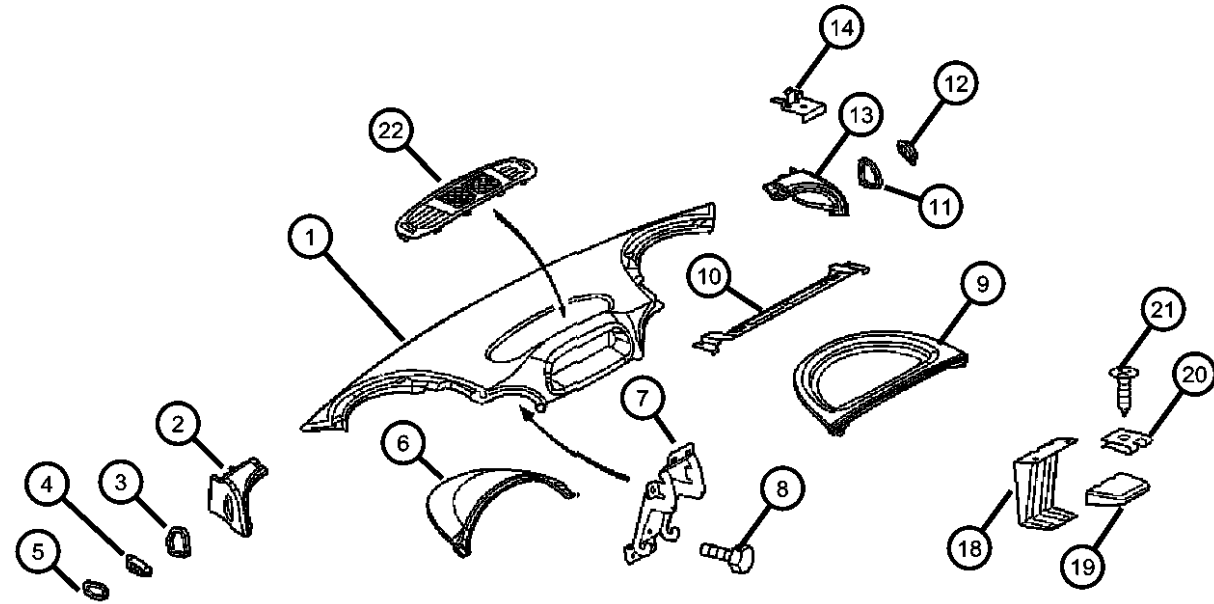
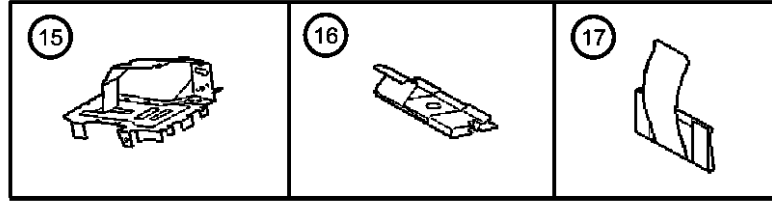


**SPRINTER (VA)**

<b>SERIES</b>	<b>LINE</b>	<b>BODY</b>	<b>ENGINE</b>	<b>TRANSMISSION</b>
L = LOWLINE	3 = HD DODGE 2WD 6 = Lt. Duty DODGE 4WD 2 = Med. Duty DODGE 2WD 7 = Med. Duty DODGE 4WD	51 = WAGON WHEEL BASE 1 52 = WAGON WHEEL BASE 2 14 = VAN WHEEL BASE 4 15 = VAN WHEEL BASE 5 16 = VAN WHEEL BASE 6 54 = WAGON WHEEL BASE 4 55 = WAGON WHEEL BASE 5 56 = WAGON WHEEL BASE 6 11 = VAN WHEEL BASE 1 12 = VAN WHEEL BASE 2	EX9 = Engine - 2.7L 5 Cly Mercedes Diesel	DGJ = Transmission-5-Spd. Automatic,W5A580

AR = use ase required - = Non illustrated part

**Instrument Panel Cover and Related Parts  
Figure 08A-120**



ITEM	PART NUMBER	QTY	LINE	SERIES	BODY	ENGINE	TRANS	TRIM	DESCRIPTION
1	05122364AA	1	2, 6	L	11, 12, 14, 15, 16				COVER, Instrument Panel With Comfort / Soft Look Dash
		1	2, 6	L	51, 52, 54, 55, 56				With Comfort / Soft Look Dash
		1	3, 7	L	12, 15, 16				With Comfort / Soft Look Dash
	05122366AA	1	2, 6	L	11, 12, 14, 15, 16				Without Comfort / Soft Look Dash
		1	2, 6	L	51, 52, 54, 55, 56				Without Comfort / Soft Look Dash
		1	3, 7	L	12, 15, 16				Without Comfort / Soft Look Dash
2	05122876AA	1	2, 6	L	11, 12, 14, 15, 16				HOUSING, Air Outlet
		1	3, 7	L	12, 15, 16				
3	05124784AA	1	2, 6	L	11, 12, 14, 15, 16				SEAL
		1	2, 6	L	51, 52, 54, 55, 56				
		1	3, 7	L	12, 15, 16				
4	05124910AA	1	2, 6	L	11, 12, 14, 15, 16				GRILLE, Demister
		1	2, 6	L	51, 52, 54, 55, 56				
		1	3, 7	L	12, 15, 16				
5	05124787AA	2	2, 6	L	11, 12, 14, 15, 16				SEAL
		2	2, 6	L	51, 52, 54, 55, 56				
		2	3, 7	L	12, 15, 16				
6	05122369AA	1	2, 6	L	11, 12, 14, 15, 16				COVER
		1	2, 6	L	51, 52, 54, 55, 56				
		1	3, 7	L	12, 15, 16				

**SPRINTER (VA)**

**SERIES**

L = LOWLINE

**LINE**

3 = HD DODGE 2WD  
6 = Lt. Duty DODGE 4WD  
2 = Med. Duty DODGE 2WD  
7 = Med. Duty DODGE 4WD

**BODY**

51 = WAGON WHEEL BASE 1 EX9 = Engine - 2.7L 5 Cyl  
52 = WAGON WHEEL BASE 2 Mercedes Diesel  
14 = VAN WHEEL BASE 4  
15 = VAN WHEEL BASE 5  
16 = VAN WHEEL BASE 6  
54 = WAGON WHEEL BASE 4  
55 = WAGON WHEEL BASE 5  
56 = WAGON WHEEL BASE 6  
11 = VAN WHEEL BASE 1  
12 = VAN WHEEL BASE 2

**ENGINE**

**TRANSMISSION**

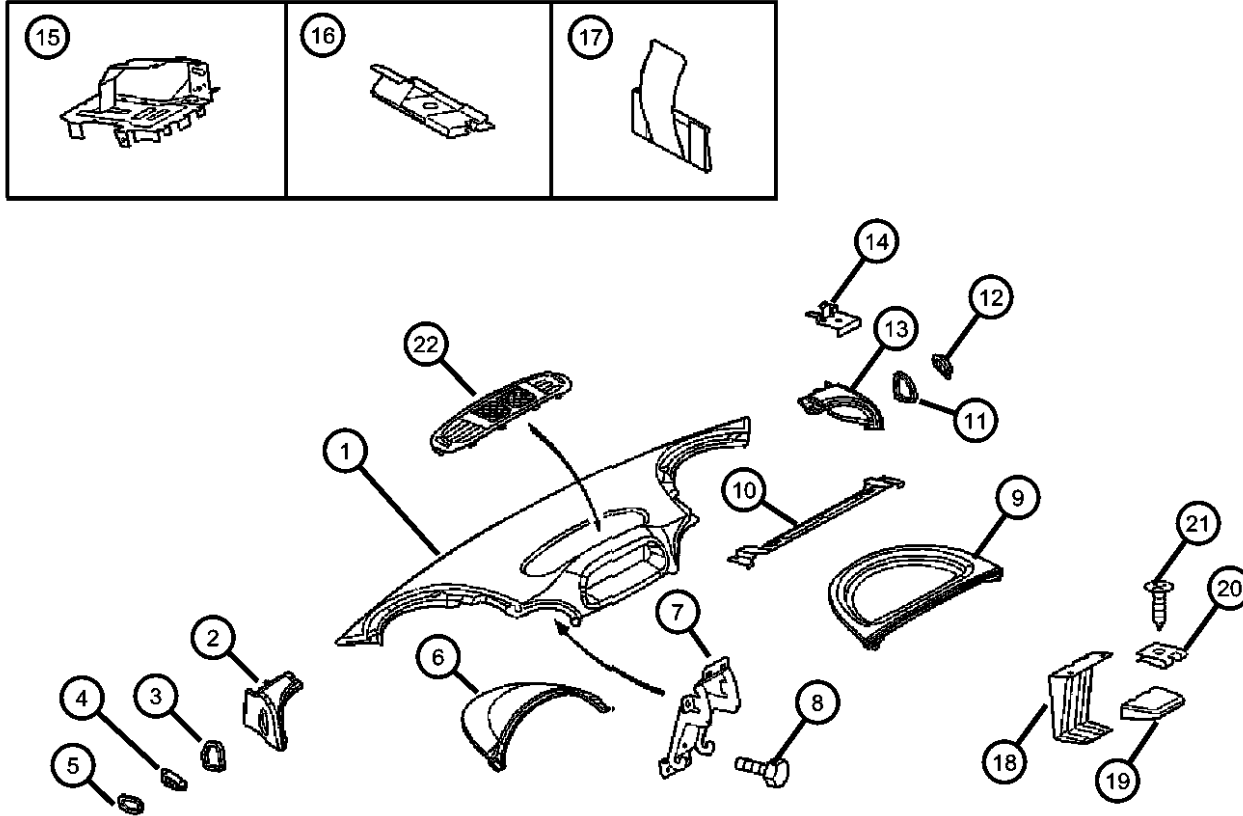
DGJ = Transmission-5-Spd. Automatic, W5A580

AR = use ase required - = Non illustrated part

2003 VA

**Instrument Panel Cover and Related Parts  
Figure 08A-120**

ITEM	PART NUMBER	QTY	LINE	SERIES	BODY	ENGINE	TRANS	TRIM	DESCRIPTION
7	05122390AA	1	2, 6	L	11, 12, 14, 15, 16			DGJ	BRACKET, Instrument Panel
		1	2, 6	L	51, 52, 54, 55, 56			DGJ	
		1	3, 7	L	12, 15, 16			DGJ	
8	05104663AA	2	2, 6	L	11, 12, 14, 15, 16	EX9			SCREW
		2	2, 6	L	51, 52, 54, 55, 56	EX9			
		2	3, 7	L	12, 15, 16	EX9			
9	05104268AA	1	2, 6	L	11, 12, 14, 15, 16				BEZEL, Instrument Panel
		1	2, 6	L	51, 52, 54, 55, 56				
		1	3, 7	L	12, 15, 16				
10	05122905AA	1	2, 6	L	11, 12, 14, 15, 16				BRACKET, Instrument Panel
		1	2, 6	L	51, 52, 54, 55, 56				
		1	3, 7	L	12, 15, 16				
11	05124785AA	1	2, 6	L	11, 12, 14, 15, 16				SEAL
		1	2, 6	L	51, 52, 54, 55, 56				
		1	3, 7	L	12, 15, 16				
12	05124911AA	1	2, 6	L	11, 12, 14, 15, 16				GRILLE, Demister
		1	2, 6	L	51, 52, 54, 55, 56				
		1	3, 7	L	12, 15, 16				
13									HOUSING, Air Outlet



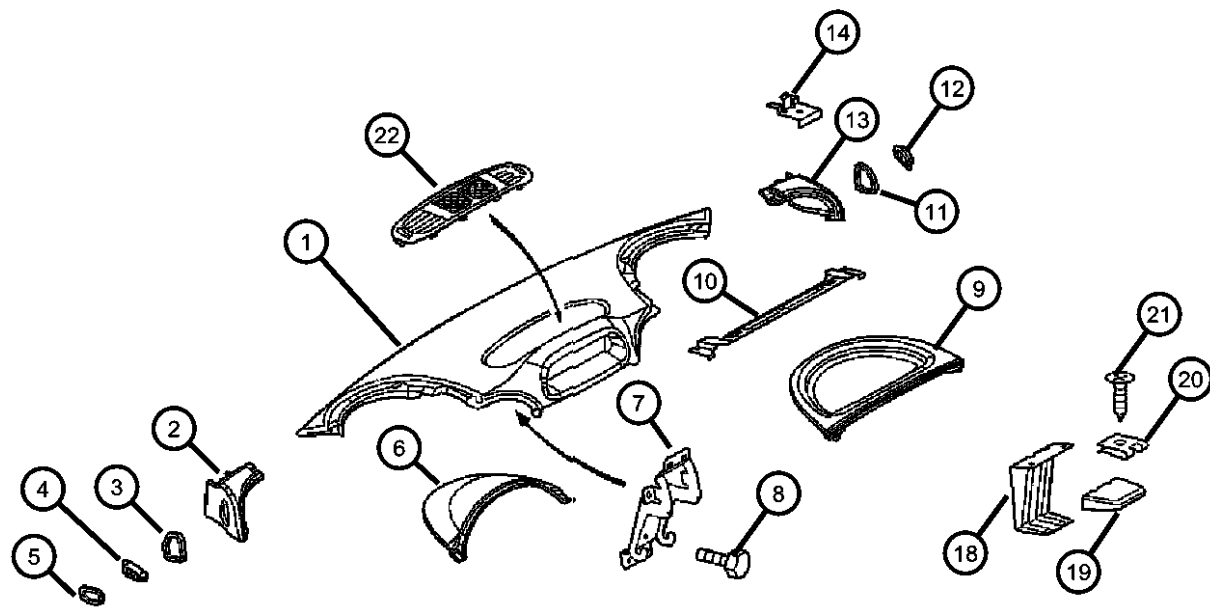
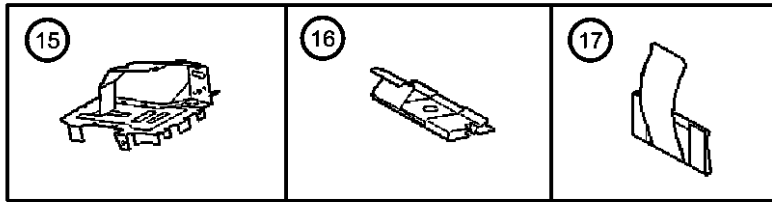
**SPRINTER (VA)**

<b>SERIES</b>	<b>LINE</b>	<b>BODY</b>	<b>ENGINE</b>	<b>TRANSMISSION</b>
L = LOWLINE	3 = HD DODGE 2WD 6 = Lt. Duty DODGE 4WD 2 = Med. Duty DODGE 2WD 7 = Med. Duty DODGE 4WD	51 = WAGON WHEEL BASE 1 52 = WAGON WHEEL BASE 2 14 = VAN WHEEL BASE 4 15 = VAN WHEEL BASE 5 16 = VAN WHEEL BASE 6 54 = WAGON WHEEL BASE 4 55 = WAGON WHEEL BASE 5 56 = WAGON WHEEL BASE 6 11 = VAN WHEEL BASE 1 12 = VAN WHEEL BASE 2	EX9 = Engine - 2.7L 5 Cyl Mercedes Diesel	DGJ = Transmission-5-Spd. Automatic,W5A580

AR = use ase required - = Non illustrated part

**Instrument Panel Cover and Related Parts  
Figure 08A-120**

ITEM	PART NUMBER	QTY	LINE	SERIES	BODY	ENGINE	TRANS	TRIM	DESCRIPTION
	05122877AA	1	2, 6	L	11, 12, 14, 15, 16				
		1	3, 7	L	12, 15, 16				
14	05122889AA	2	2, 6	L	11, 12, 14, 15, 16				BRACKET, Instrument Panel
		2	2, 6	L	51, 52, 54, 55, 56				
		2	3, 7	L	12, 15, 16				
15	05122388AA	1	2, 6	L	11, 12, 14, 15, 16				BRACKET, Instrument Panel
		1	2, 6	L	51, 52, 54, 55, 56				
		1	3, 7	L	12, 15, 16				
16	05125589AA	2	2, 6	L	11, 12, 14, 15, 16				CLIP, Bracket
		2	2, 6	L	51, 52, 54, 55, 56				
		2	3, 7	L	12, 15, 16				
17	05125590AA	1	2, 6	L	11, 12, 14, 15, 16				CLIP, Spring
		1	2, 6	L	51, 52, 54, 55, 56				
		1	3, 7	L	12, 15, 16				
18	05122890AA	1	2, 6	L	11, 12, 14, 15, 16				BRACKET, Instrument Panel
		1	2, 6	L	51, 52, 54, 55, 56				
		1	3, 7	L	12, 15, 16				
19	05122942AA	1	2, 6	L	11, 12, 14, 15, 16				PAD, Console
		1	2, 6	L	51, 52, 54, 55, 56				



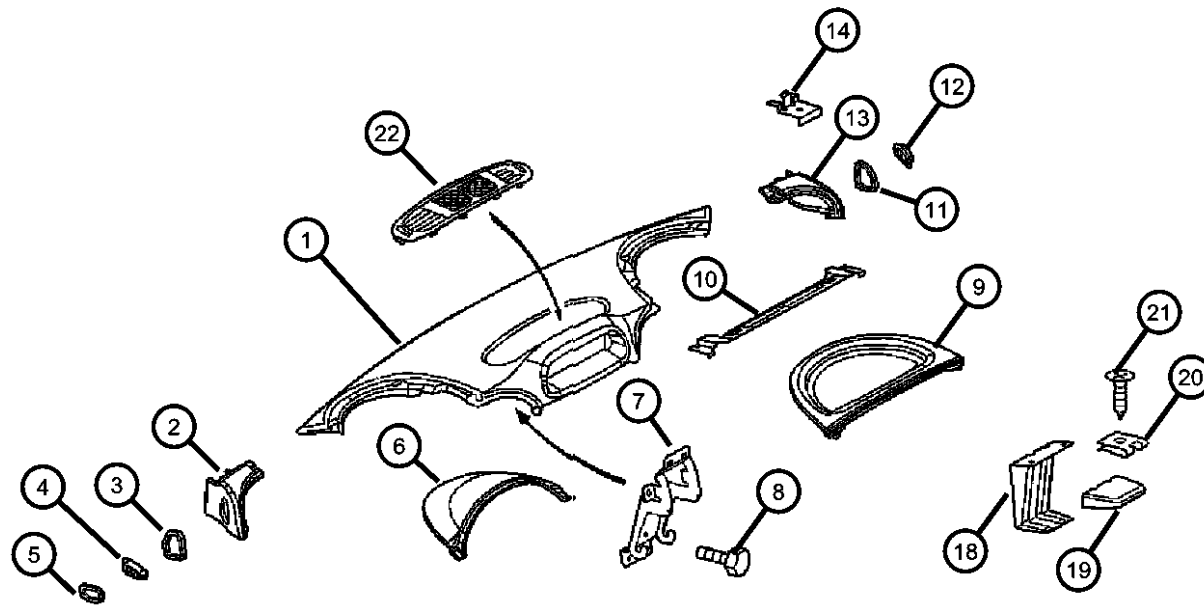
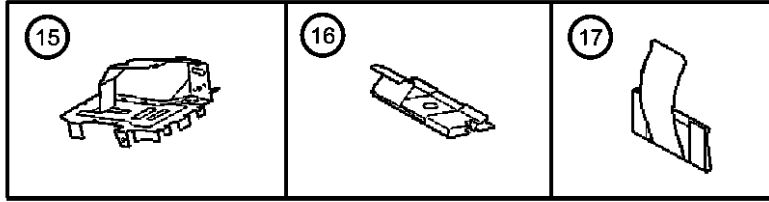
**SPRINTER (VA)**

<b>SERIES</b>	<b>LINE</b>	<b>BODY</b>	<b>ENGINE</b>	<b>TRANSMISSION</b>
L = LOWLINE	3 = HD DODGE 2WD 6 = Lt. Duty DODGE 4WD 2 = Med. Duty DODGE 2WD 7 = Med. Duty DODGE 4WD	51 = WAGON WHEEL BASE 1 52 = WAGON WHEEL BASE 2 14 = VAN WHEEL BASE 4 15 = VAN WHEEL BASE 5 16 = VAN WHEEL BASE 6 54 = WAGON WHEEL BASE 4 55 = WAGON WHEEL BASE 5 56 = WAGON WHEEL BASE 6 11 = VAN WHEEL BASE 1 12 = VAN WHEEL BASE 2	EX9 = Engine - 2.7L 5 Cly Mercedes Diesel	DGJ = Transmission-5-Spd. Automatic,W5A580

AR = use ase required - = Non illustrated part

**Instrument Panel Cover and Related Parts  
Figure 08A-120**

ITEM	PART NUMBER	QTY	LINE	SERIES	BODY	ENGINE	TRANS	TRIM	DESCRIPTION
20		1	3, 7	L	12, 15, 16				NUT, Clip-On
	05125867AA	2	2, 6	L	11, 12, 14, 15, 16				
		2	2, 6	L	51, 52, 54, 55, 56				
		2	3, 7	L	12, 15, 16				
21		1	2, 6	L	11, 12, 14, 15, 16				SCREW
	06104610AA	1	2, 6	L	51, 52, 54, 55, 56				
		1	3, 7	L	12, 15, 16				
22		1	2, 6	L	11, 12, 14, 15, 16				GRILLE, Defroster
	05104271AA	1	2, 6	L	51, 52, 54, 55, 56				
		1	2, 6	L	51, 52, 54, 55, 56				
		1	3, 7	L	12, 15, 16				



**SPRINTER (VA)**

**SERIES**

L = LOWLINE

**LINE**

3 = HD DODGE 2WD  
6 = Lt. Duty DODGE 4WD  
2 = Med. Duty DODGE 2WD  
7 = Med. Duty DODGE 4WD

**BODY**

51 = WAGON WHEEL BASE 1  
52 = WAGON WHEEL BASE 2  
14 = VAN WHEEL BASE 4  
15 = VAN WHEEL BASE 5  
16 = VAN WHEEL BASE 6  
54 = WAGON WHEEL BASE 4  
55 = WAGON WHEEL BASE 5  
56 = WAGON WHEEL BASE 6  
11 = VAN WHEEL BASE 1  
12 = VAN WHEEL BASE 2

**ENGINE**

EX9 = Engine - 2.7L 5 Cly  
Mercedes Diesel

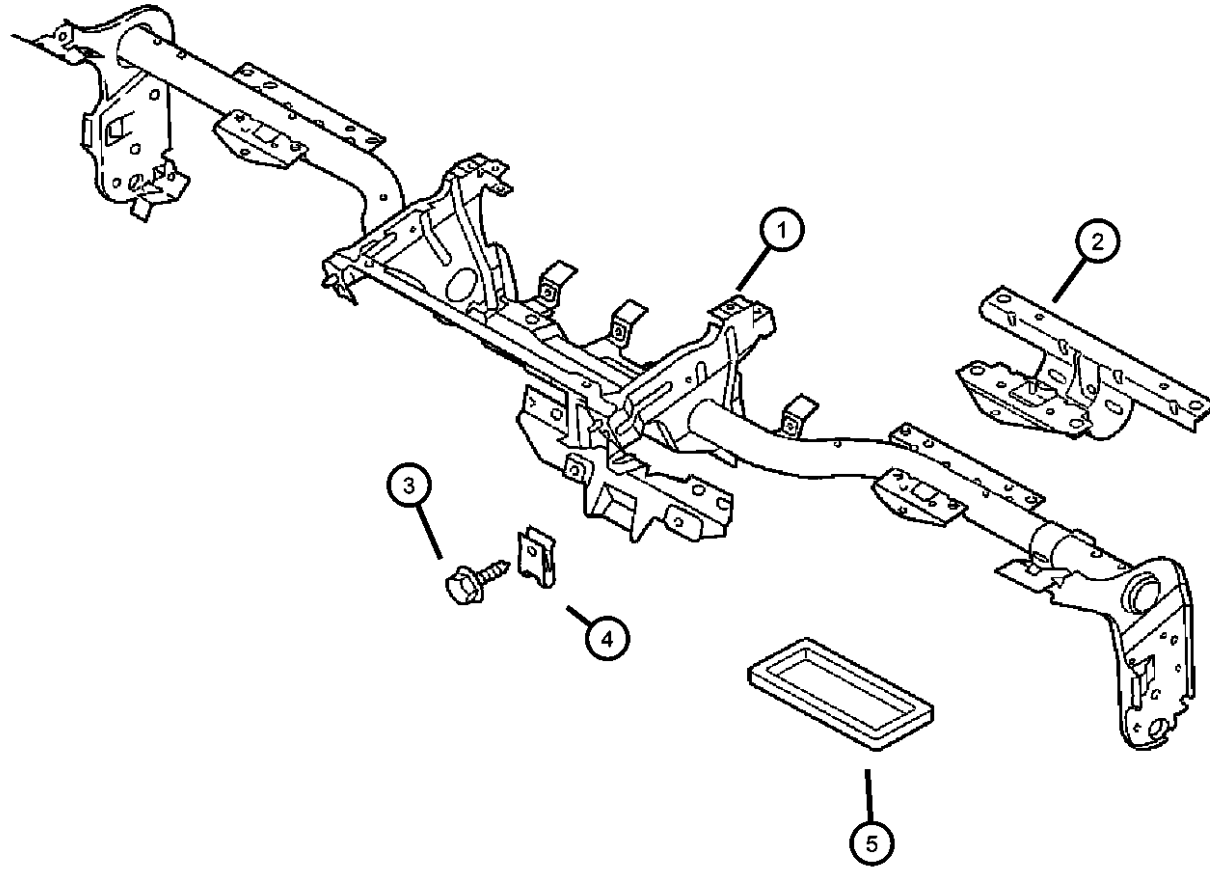
**TRANSMISSION**

DGJ = Transmission-5-Spd.  
Automatic,W5A580

AR = use ase required - = Non illustrated part

2003 VA

**Instrument Panel Reinforcement  
Figure 08A-125**



ITEM	PART NUMBER	QTY	LINE	SERIES	BODY	ENGINE	TRANS	TRIM	DESCRIPTION
1	05122403AA	1	2, 6	L	11, 12, 14, 15, 16				FRAME, Instrument Panel
		1	2, 6	L	51, 52, 54, 55, 56				
		1	3, 7	L	12, 15, 16				
2	05122398AA	1	2, 6	L	11, 12, 14, 15, 16				SUPPORT, Instrument Panel
		1	2, 6	L	51, 52, 54, 55, 56				
		1	3, 7	L	12, 15, 16				
3	05126267AA	6	2, 6	L	11, 12, 14, 15, 16				SCREW
		6	2, 6	L	51, 52, 54, 55, 56				
		6	3, 7	L	12, 15, 16				
4	05125855AA	6	2, 6	L	11, 12, 14, 15, 16				NUT, Clip-On
		6	2, 6	L	51, 52, 54, 55, 56				
		6	3, 7	L	12, 15, 16				
5	05124783AA	2	2, 6	L	11, 12, 14, 15, 16				SEAL
		2	2, 6	L	51, 52, 54, 55, 56				
		2	3, 7	L	12, 15, 16				

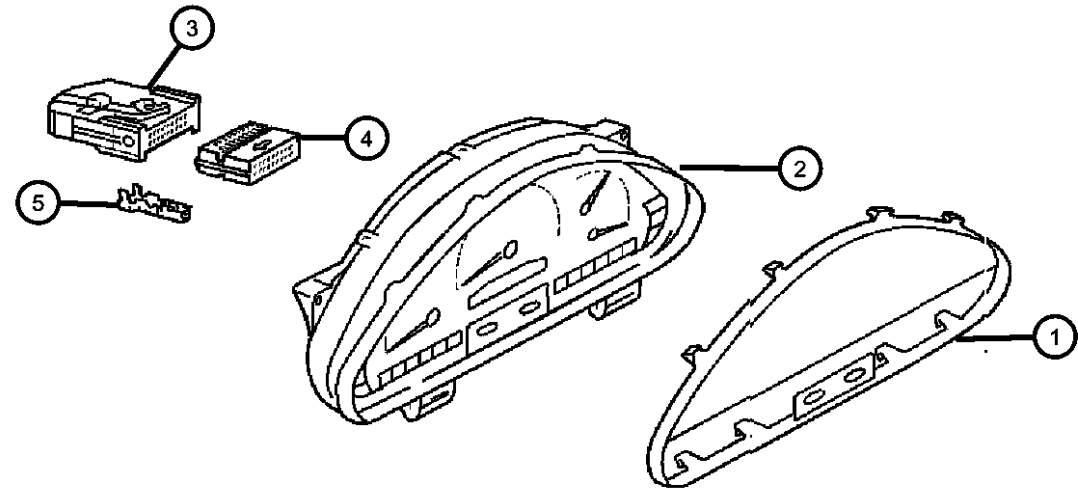
**SPRINTER (VA)**

<b>SERIES</b>	<b>LINE</b>	<b>BODY</b>	<b>ENGINE</b>	<b>TRANSMISSION</b>
L = LOWLINE	3 = HD DODGE 2WD 6 = Lt. Duty DODGE 4WD 2 = Med. Duty DODGE 2WD 7 = Med. Duty DODGE 4WD	51 = WAGON WHEEL BASE 1 52 = WAGON WHEEL BASE 2 14 = VAN WHEEL BASE 4 15 = VAN WHEEL BASE 5 16 = VAN WHEEL BASE 6 54 = WAGON WHEEL BASE 4 55 = WAGON WHEEL BASE 5 56 = WAGON WHEEL BASE 6 11 = VAN WHEEL BASE 1 12 = VAN WHEEL BASE 2	EX9 = Engine - 2.7L 5 Cly Mercedes Diesel	DGJ = Transmission-5-Spd. Automatic,W5A580

AR = use ase required - = Non illustrated part

**Instrument Panel Cluster  
Figure 08A-205**

ITEM	PART NUMBER	QTY	LINE	SERIES	BODY	ENGINE	TRANS	TRIM	DESCRIPTION
1									LENS, Cluster
	05103657AA	1	2, 6	L	11, 12, 14, 15, 16				
		1	2, 6	L	51, 52, 54, 55, 56				
		1	3, 7	L	12, 15, 16				
2									CLUSTER
	05103649AA	1	2, 6	L	11, 12, 14, 15, 16				[3SL,4XS]
		1	2, 6	L	51, 52, 54, 55, 56				[3SL,4XS]
		1	3, 7	L	12, 15, 16				[3SL,4XS]
	05119415AA	1	2, 6	L	11, 12, 14, 15, 16				
		1	2, 6	L	51, 52, 54, 55, 56				
		1	3, 7	L	12, 15, 16				
	05119417AA	1	2, 6	L	11, 12, 14, 15, 16				[3SL]
		1	2, 6	L	51, 52, 54, 55, 56				[3SL]
		1	3, 7	L	12, 15, 16				[3SL]
3									CONNECTOR, Wiring
	05103662AA	1	2, 6	L	11, 12, 14, 15, 16				
		1	2, 6	L	51, 52, 54, 55, 56				
		1	3, 7	L	12, 15, 16				
4									CONNECTOR
	05103750AA	1	2, 6	L	11, 12, 14, 15, 16				
		1	2, 6	L	51, 52, 54, 55, 56				
		1	3, 7	L	12, 15, 16				
5									TERMINAL
	05103873AA	99	3, 7	L	12, 15, 16				
		99	2, 6	L	11, 12, 14, 15, 16				
		99	2, 6	L	51, 52, 54, 55, 56				



**SPRINTER (VA)**

**SERIES**

L = LOWLINE

**LINE**

3 = HD DODGE 2WD  
6 = Lt. Duty DODGE 4WD  
2 = Med. Duty DODGE 2WD  
7 = Med. Duty DODGE 4WD

**BODY**

51 = WAGON WHEEL BASE 1  
52 = WAGON WHEEL BASE 2  
14 = VAN WHEEL BASE 4  
15 = VAN WHEEL BASE 5  
16 = VAN WHEEL BASE 6  
54 = WAGON WHEEL BASE 4  
55 = WAGON WHEEL BASE 5  
56 = WAGON WHEEL BASE 6  
11 = VAN WHEEL BASE 1  
12 = VAN WHEEL BASE 2

**ENGINE**

EX9 = Engine - 2.7L 5 Cyl  
Mercedes Diesel

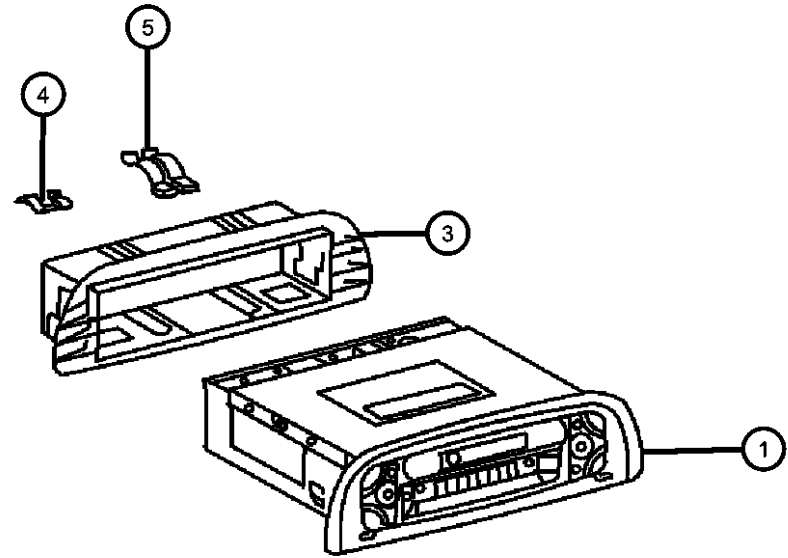
**TRANSMISSION**

DGJ = Transmission-5-Spd.  
Automatic,W5A580

AR = use ase required - = Non illustrated part

2003 VA

**Radio  
Figure 08A-305**



ITEM	PART NUMBER	QTY	LINE	SERIES	BODY	ENGINE	TRANS	TRIM	DESCRIPTION
1	05103832AA	1	2, 6	L	11, 12, 14, 15, 16				RADIO [RBE]
		1	2, 6	L	51, 52, 54, 55, 56				[RBE]
		1	3, 7	L	12, 15, 16				[RBE]
-2	05103831AA	1	2, 6	L	11, 12, 14, 15, 16				RADIO [RAF]
		1	2, 6	L	51, 52, 54, 55, 56				[RAF]
		1	3, 7	L	12, 15, 16				[RAF]
	05139880AA	1	2, 6	L	11, 12, 14, 15, 16				[RAF,4XS]
		1	2, 6	L	51, 52, 54, 55, 56				[RAF,4XS]
		1	3, 7	L	12, 15, 16				[RAF,4XS]
3	05122939AA	1	2, 6	L	11, 12, 14, 15, 16				BEZEL, Instrument Panel, Radio Housing
		1	2, 6	L	51, 52, 54, 55, 56				
		1	3, 7	L	12, 15, 16				
4	05124612AA	2	2, 6	L	11, 12, 14, 15, 16				CLIP, Spring
		2	2, 6	L	51, 52, 54, 55, 56				
		2	3, 7	L	12, 15, 16				
5	05124613AA	2	2, 6	L	51, 52, 54, 55, 56				CLIP, Spring
		2	3, 7	L	12, 15, 16				
		2	2, 6	L	11, 12, 14, 15, 16				
-6									WIRING, Radio

**SPRINTER (VA)**

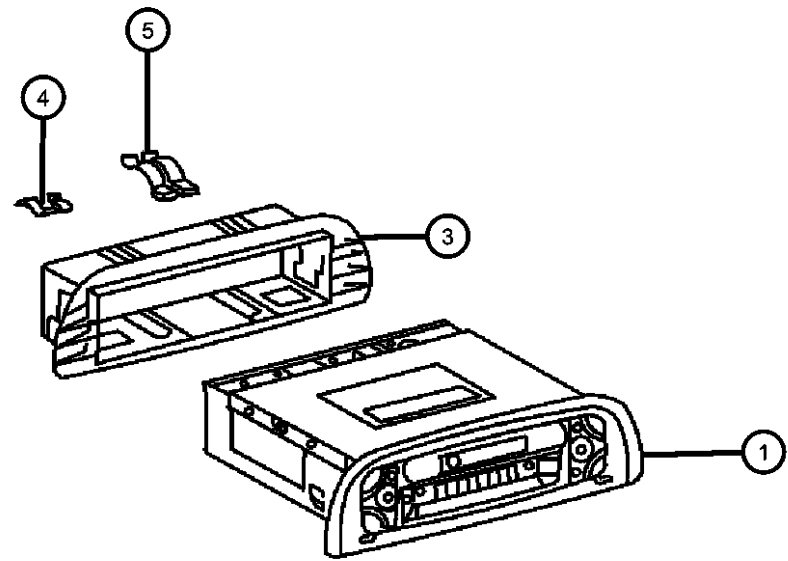
<b>SERIES</b>	<b>LINE</b>	<b>BODY</b>	<b>ENGINE</b>	<b>TRANSMISSION</b>
L = LOWLINE	3 = HD DODGE 2WD 6 = Lt. Duty DODGE 4WD 2 = Med. Duty DODGE 2WD 7 = Med. Duty DODGE 4WD	51 = WAGON WHEEL BASE 1 52 = WAGON WHEEL BASE 2 14 = VAN WHEEL BASE 4 15 = VAN WHEEL BASE 5 16 = VAN WHEEL BASE 6 54 = WAGON WHEEL BASE 4 55 = WAGON WHEEL BASE 5 56 = WAGON WHEEL BASE 6 11 = VAN WHEEL BASE 1 12 = VAN WHEEL BASE 2	EX9 = Engine - 2.7L 5 Cly Mercedes Diesel	DGJ = Transmission-5-Spd. Automatic,W5A580

AR = use ase required - = Non illustrated part



**Radio  
Figure 08A-305**

ITEM	PART NUMBER	QTY	LINE	SERIES	BODY	ENGINE	TRANS	TRIM	DESCRIPTION
	05135191AA	1	2, 6	L	11, 12, 14, 15, 16				[FEDEX] Power Cable
	05135194AA	1	2, 6	L	11, 12, 14, 15, 16				[FEDEX] Battery to Radio

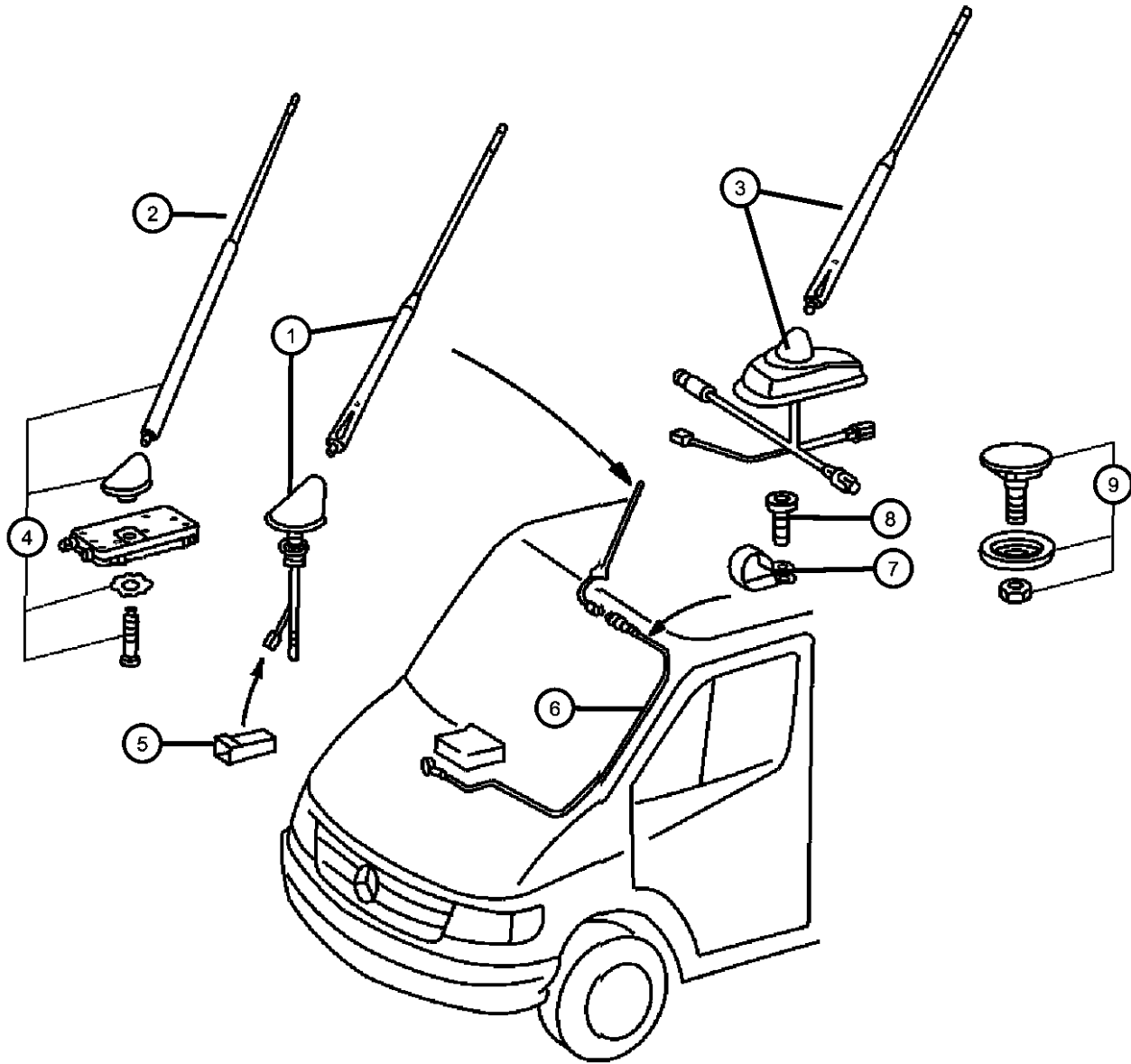


**SPRINTER (VA)**

SERIES	LINE	BODY	ENGINE	TRANSMISSION
L = LOWLINE	3 = HD DODGE 2WD 6 = Lt. Duty DODGE 4WD 2 = Med. Duty DODGE 2WD 7 = Med. Duty DODGE 4WD	51 = WAGON WHEEL BASE 1 52 = WAGON WHEEL BASE 2 14 = VAN WHEEL BASE 4 15 = VAN WHEEL BASE 5 16 = VAN WHEEL BASE 6 54 = WAGON WHEEL BASE 4 55 = WAGON WHEEL BASE 5 56 = WAGON WHEEL BASE 6 11 = VAN WHEEL BASE 1 12 = VAN WHEEL BASE 2	EX9 = Engine - 2.7L 5 Cly Mercedes Diesel	DGJ = Transmission-5-Spd. Automatic,W5A580

AR = use ase required - = Non illustrated part

Antenna  
Figure 08A-310



ITEM	PART NUMBER	QTY	LINE	SERIES	BODY	ENGINE	TRANS	TRIM	DESCRIPTION
1									ANTENNA
	05103680AA	1	2, 6	L	11, 12, 14, 15, 16				
		1	2, 6	L	51, 52, 54, 55, 56				
2	05124561AA	1		L					ANTENNA, Radio and Telephone
3	05124561AA	1		L					ANTENNA, Sound 30 W/ APS
4									ANTENNA
	05124555AA	1	2, 6	L	11, 12, 14, 15, 16				Radio with Channel Group Comm.
		1	2, 6	L	51, 52, 54, 55, 56				Radio with Channel Group Comm.
		1	3, 7	L	12, 15, 16				Radio with Channel Group Comm.
5									CONNECTOR
	05120596AA	2	2, 6	L	11, 12, 14, 15, 16				
		2	3, 7	L	12, 15, 16				
	05120604AA	1	2, 6	L	51, 52, 54, 55, 56				
6									CABLE, Antenna
	05133983AA	1	3, 7	L	12, 15, 16				
		1	2, 6	L	11, 12, 14, 15, 16				
		1	2, 6	L	51, 52, 54, 55, 56				
7									CLAMP, Mounting
	05125874AA	1	3, 7	L	12, 15, 16				
		1	2, 6	L	11, 12, 14, 15, 16				
		1	2, 6	L	51, 52, 54, 55, 56				
8									SCREW
	06104504AA	1	2, 6	L	11, 12, 14, 15, 16				
		1	2, 6	L	51, 52, 54, 55, 56				
		1	3, 7	L	12, 15, 16				
9									PANEL

SPRINTER (VA)

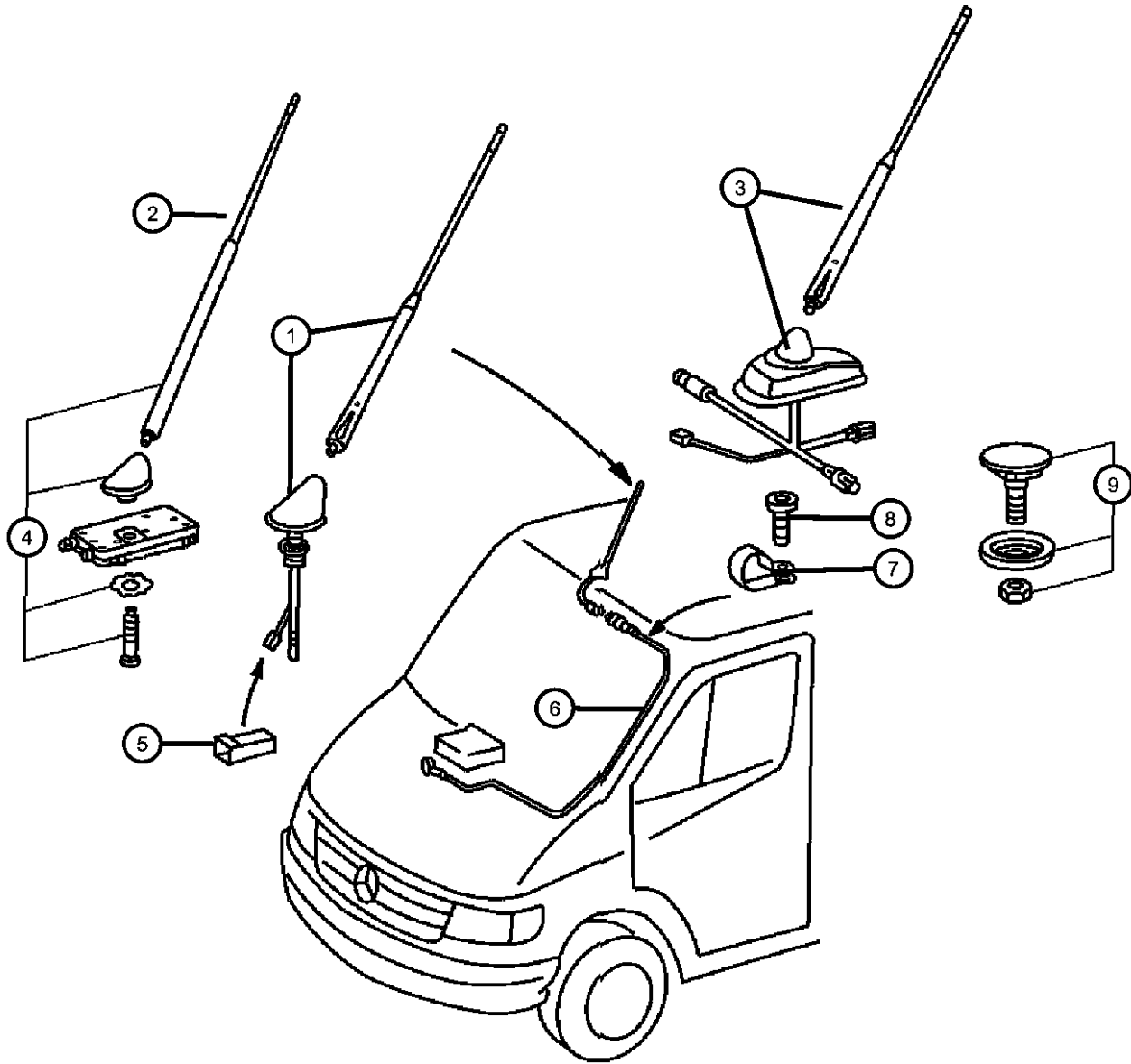
SERIES	LINE	BODY	ENGINE	TRANSMISSION
L = LOWLINE	3 = HD DODGE 2WD	51 = WAGON WHEEL BASE 1	EX9 = Engine - 2.7L 5 Cyl	DGJ = Transmission-5-Spd.
	6 = Lt. Duty DODGE 4WD	52 = WAGON WHEEL BASE 2	Mercedes Diesel	Automatic,W5A580
	2 = Med. Duty DODGE 2WD	14 = VAN WHEEL BASE 4		
	7 = Med. Duty DODGE 4WD	15 = VAN WHEEL BASE 5		
		16 = VAN WHEEL BASE 6		
		54 = WAGON WHEEL BASE 4		
		55 = WAGON WHEEL BASE 5		
		56 = WAGON WHEEL BASE 6		
		11 = VAN WHEEL BASE 1		
		12 = VAN WHEEL BASE 2		

AR = use ase required - = Non illustrated part

Antenna  
Figure 08A-310

ITEM	PART NUMBER	QTY	LINE	SERIES	BODY	ENGINE	TRANS	TRIM	DESCRIPTION
------	-------------	-----	------	--------	------	--------	-------	------	-------------

	05124422AA	1	2, 6	L	11, 12, 14, 15, 16				
		1	2, 6	L	51, 52, 54, 55, 56				
		1	3, 7	L	12, 15, 16				



SPRINTER (VA)

SERIES

L = LOWLINE

LINE

3 = HD DODGE 2WD  
6 = Lt. Duty DODGE 4WD  
2 = Med. Duty DODGE 2WD  
7 = Med. Duty DODGE 4WD

BODY

51 = WAGON WHEEL BASE 1  
52 = WAGON WHEEL BASE 2  
14 = VAN WHEEL BASE 4  
15 = VAN WHEEL BASE 5  
16 = VAN WHEEL BASE 6  
54 = WAGON WHEEL BASE 4  
55 = WAGON WHEEL BASE 5  
56 = WAGON WHEEL BASE 6  
11 = VAN WHEEL BASE 1  
12 = VAN WHEEL BASE 2

ENGINE

EX9 = Engine - 2.7L 5 Cly  
Mercedes Diesel

TRANSMISSION

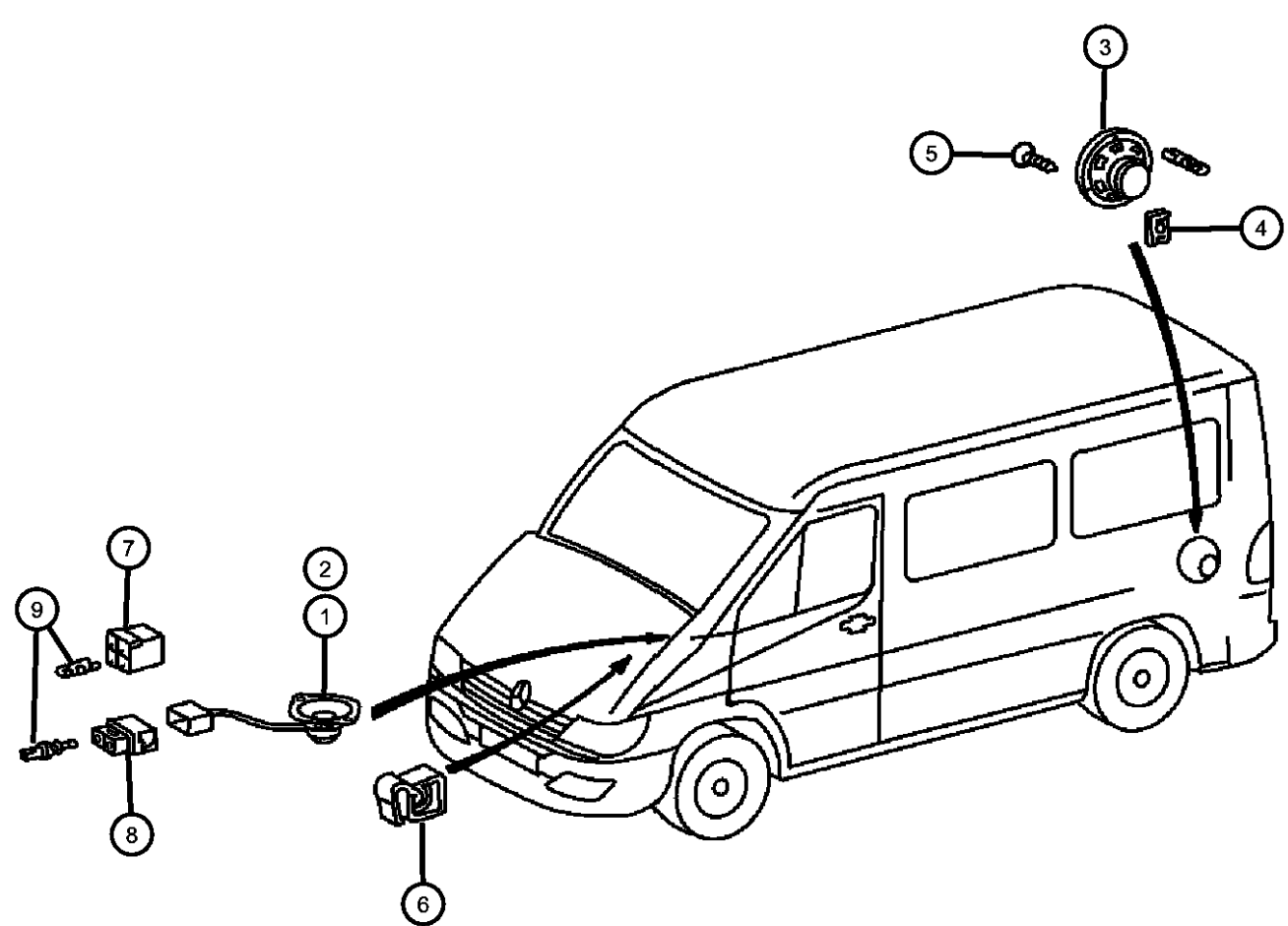
DGJ = Transmission-5-Spd.  
Automatic,W5A580

AR = use ase required - = Non illustrated part

2003 VA

**Speakers**  
**Figure 08A-315**

ITEM	PART NUMBER	QTY	LINE	SERIES	BODY	ENGINE	TRANS	TRIM	DESCRIPTION
1	05103762AA	1	2, 6	L	51, 52, 54, 55, 56				SPEAKER, Front
		2	2, 6	L	11, 12, 14, 15, 16				
		1	3, 7	L	12, 15, 16				
2	05124409AA	1	2, 6	L	11, 12, 14, 15, 16				SPEAKER Used With Hands Free Phone System
		1	2, 6	L	51, 52, 54, 55, 56				Used With Hands Free Phone System
		1	3, 7	L	12, 15, 16				Used With Hands Free Phone System
3	05124619AA	2	3, 7	L	12, 15, 16				SPEAKER, Rear
		2	2, 6	L	51, 52, 54, 55, 56				
		2	2, 6	L	11, 12, 14, 15, 16				
4	05125853AA	8	3, 7	L	12, 15, 16				NUT, Clip-On
		8	2, 6	L	51, 52, 54, 55, 56				
		8	2, 6	L	11, 12, 14, 15, 16				
5	06104498AA	4		L					SCREW
6	05126041AA	4	2, 6	L	11, 12, 14, 15, 16				RETAINER, Wiring Harness
		4	2, 6	L	51, 52, 54, 55, 56				
		4	3, 7	L	12, 15, 16				
7	05103753AA	1	2, 6	L	11, 12, 14, 15, 16				CONNECTOR
		1	2, 6	L	51, 52, 54, 55, 56				
		1	3, 7	L	12, 15, 16				
8									CONNECTOR



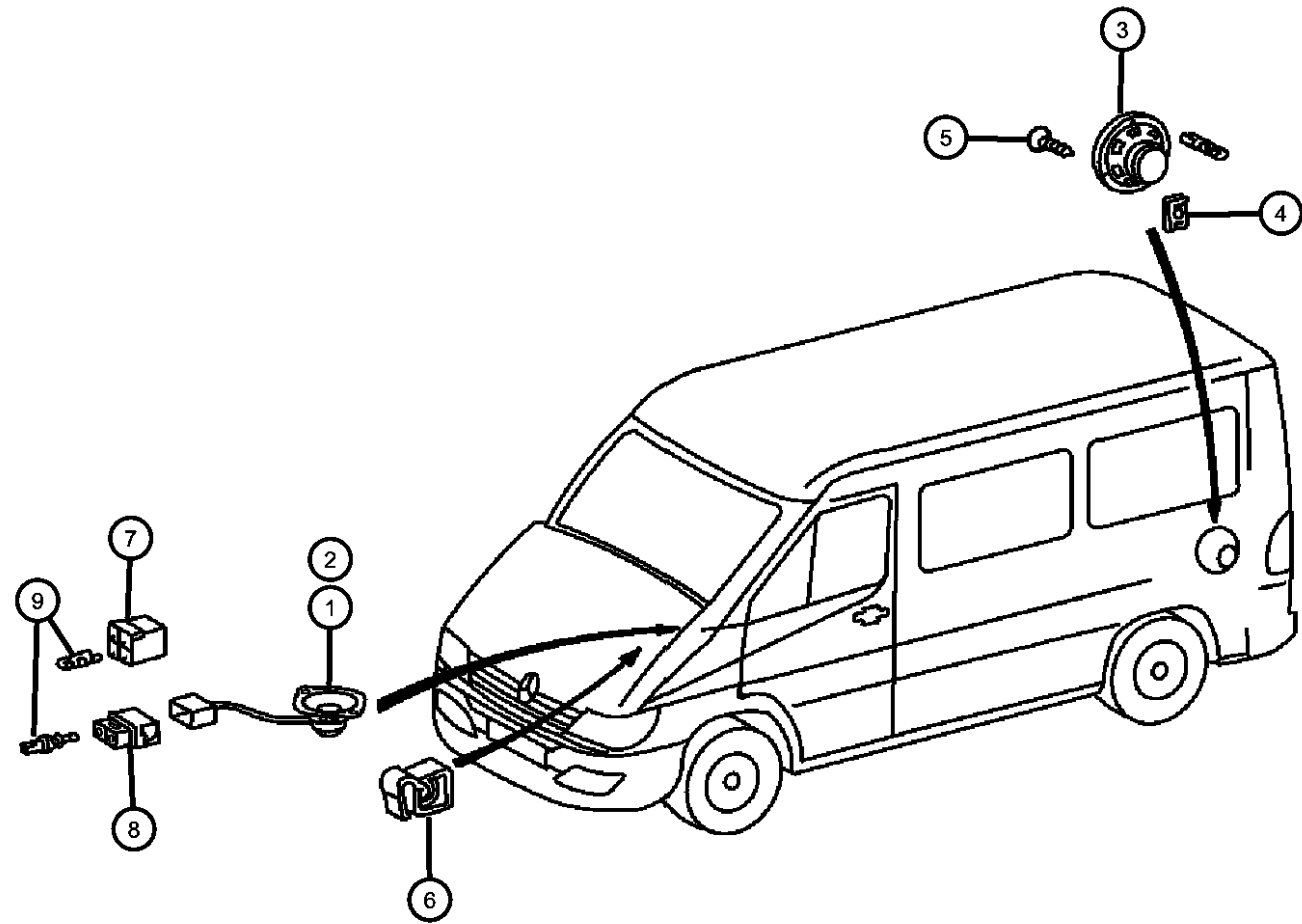
**SPRINTER (VA)**

<b>SERIES</b>	<b>LINE</b>	<b>BODY</b>	<b>ENGINE</b>	<b>TRANSMISSION</b>
L = LOWLINE	3 = HD DODGE 2WD 6 = Lt. Duty DODGE 4WD 2 = Med. Duty DODGE 2WD 7 = Med. Duty DODGE 4WD	51 = WAGON WHEEL BASE 1 52 = WAGON WHEEL BASE 2 14 = VAN WHEEL BASE 4 15 = VAN WHEEL BASE 5 16 = VAN WHEEL BASE 6 54 = WAGON WHEEL BASE 4 55 = WAGON WHEEL BASE 5 56 = WAGON WHEEL BASE 6 11 = VAN WHEEL BASE 1 12 = VAN WHEEL BASE 2	EX9 = Engine - 2.7L 5 Cyl Mercedes Diesel	DGJ = Transmission-5-Spd. Automatic, W5A580

AR = use ase required - = Non illustrated part

**Speakers  
Figure 08A-315**

ITEM	PART NUMBER	QTY	LINE	SERIES	BODY	ENGINE	TRANS	TRIM	DESCRIPTION
	05120694AA	1	2, 6	L	11, 12, 14, 15, 16				
		1	2, 6	L	51, 52, 54, 55, 56				
		1	3, 7	L	12, 15, 16				
9									TERMINAL
	05120523AA	1	2, 6	L	11, 12, 14, 15, 16				
		1	2, 6	L	51, 52, 54, 55, 56				
		1	3, 7	L	12, 15, 16				

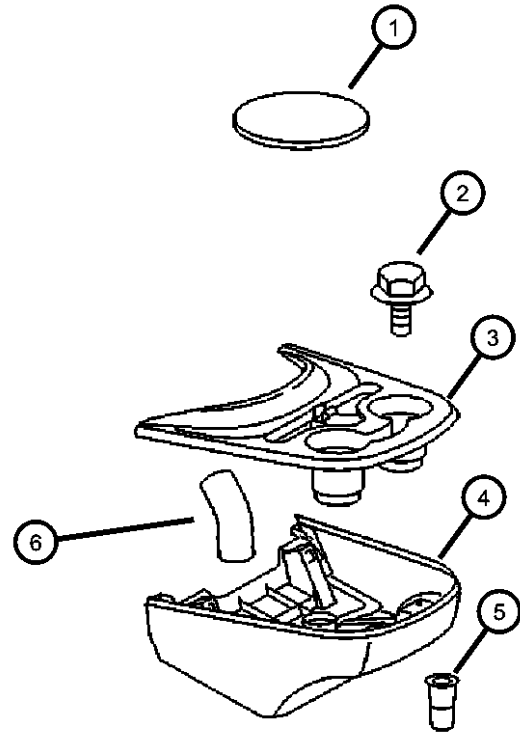


**SPRINTER (VA)**

SERIES	LINE	BODY	ENGINE	TRANSMISSION
L = LOWLINE	3 = HD DODGE 2WD 6 = Lt. Duty DODGE 4WD 2 = Med. Duty DODGE 2WD 7 = Med. Duty DODGE 4WD	51 = WAGON WHEEL BASE 1 52 = WAGON WHEEL BASE 2 14 = VAN WHEEL BASE 4 15 = VAN WHEEL BASE 5 16 = VAN WHEEL BASE 6 54 = WAGON WHEEL BASE 4 55 = WAGON WHEEL BASE 5 56 = WAGON WHEEL BASE 6 11 = VAN WHEEL BASE 1 12 = VAN WHEEL BASE 2	EX9 = Engine - 2.7L 5 Cly Mercedes Diesel	DGJ = Transmission-5-Spd. Automatic,W5A580

AR = use ase required - = Non illustrated part

**Console Cup Holder  
Figure 08A-405**



ITEM	PART NUMBER	QTY	LINE	SERIES	BODY	ENGINE	TRANS	TRIM	DESCRIPTION
1	05122953AA	2	2, 6	L	11, 12, 14, 15, 16				MAT, Single Cup
		2	2, 6	L	51, 52, 54, 55, 56				
		2	3, 7	L	12, 15, 16				
2	06104121AA	4	2, 6	L	11, 12, 14, 15, 16				SCREW, Hex Flange Head
		4	2, 6	L	51, 52, 54, 55, 56				
		4	3, 7	L	12, 15, 16				
3	05104254AA	1	2, 6	L	11, 12, 14, 15, 16				CUP HOLDER, Lid
		1	2, 6	L	51, 52, 54, 55, 56				
		1	3, 7	L	12, 15, 16				
4	05104255AA	1	2, 6	L	11, 12, 14, 15, 16				HOUSING, Cup Holder
		1	2, 6	L	51, 52, 54, 55, 56				
		1	3, 7	L	12, 15, 16				
5	05133975AA	4	2, 6	L	51, 52, 54, 55, 56				NUT, Rivet
		4	3, 7	L	12, 15, 16				
		4	2, 6	L	11, 12, 14, 15, 16				
6	05104488AA	1	2, 6	L	11, 12, 14, 15, 16				HOSE
		1	2, 6	L	51, 52, 54, 55, 56				
		1	3, 7	L	12, 15, 16				

**SPRINTER (VA)**

**SERIES**

L = LOWLINE

**LINE**

3 = HD DODGE 2WD  
6 = Lt. Duty DODGE 4WD  
2 = Med. Duty DODGE 2WD  
7 = Med. Duty DODGE 4WD

**BODY**

51 = WAGON WHEEL BASE 1  
52 = WAGON WHEEL BASE 2  
14 = VAN WHEEL BASE 4  
15 = VAN WHEEL BASE 5  
16 = VAN WHEEL BASE 6  
54 = WAGON WHEEL BASE 4  
55 = WAGON WHEEL BASE 5  
56 = WAGON WHEEL BASE 6  
11 = VAN WHEEL BASE 1  
12 = VAN WHEEL BASE 2

**ENGINE**

EX9 = Engine - 2.7L 5 Cyl  
Mercedes Diesel

**TRANSMISSION**

DGJ = Transmission-5-Spd.  
Automatic,W5A580

AR = use ase required - = Non illustrated part

2003 VA

# Group - 9

## Engine Mounting

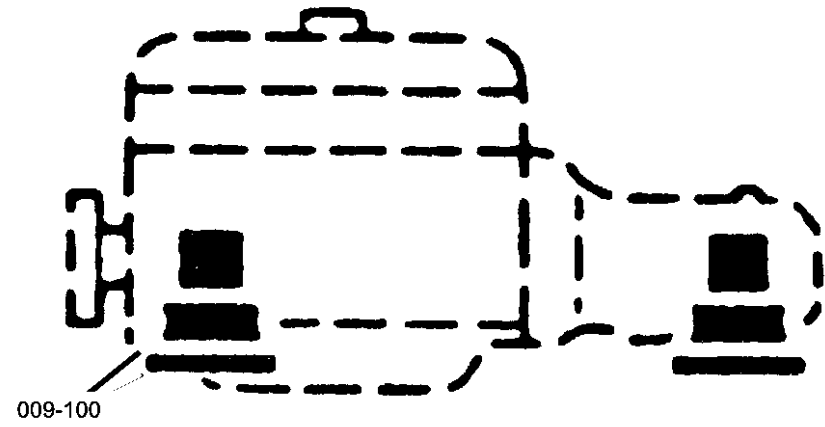
### Group - 9 Engine Mounting

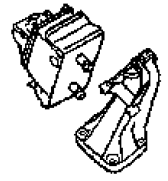
Group-Fig. No.

Illustration Title

#### Engine Mounting

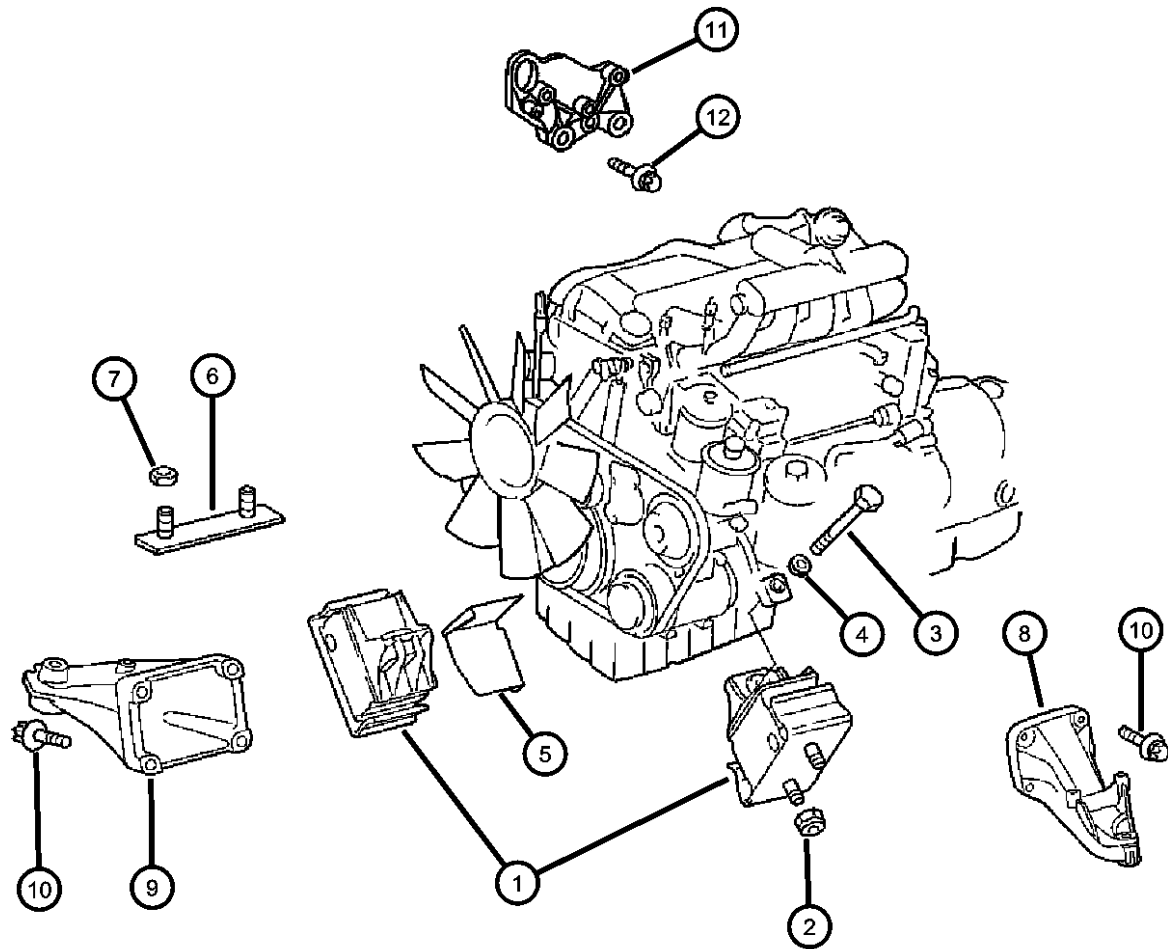
Engine Mounting .....	Fig. 9 - 110
Transmission Mounting .....	Fig. 9 - 120



<p><b>009-100</b> Engine Mounting</p> 			
---	--	--	--

**Engine Mounting  
Figure 9-110**

ITEM	PART NUMBER	QTY	LINE	SERIES	BODY	ENGINE	TRANS	TRIM	DESCRIPTION
Note: Sales Codes: [EX9] = 2.7L I5 Turbo Diesel Engine									
1									RUBBER MOUNTING, NONE, SPRINTER
	05104035AA	2	2, 6			EX9			
		2	3, 7			EX9			
2									NUT
	06104717AA	4	2, 6			EX9			
		4	3, 7			EX9			
3									BOLT
	06104239AA	2	2, 6			EX9			
		2	3, 7			EX9			
4									WASHER, NONE, SPRINTER
	05104614AA	2	3, 7			EX9			
		2	2, 6			EX9			
5	05117714AA	1	2, 6			EX9			SHIELD, Engine Mount
6									PLATE, Engine Mount
	05117695AA	1	2, 6			EX9			
		1	3, 7			EX9			
7									NUT, Hex, M6
	05127449AA	2	3, 7						
		2	2, 6						
8	05117659AA	1							BRACKET, Engine MountLeft
9	05103988AA	1							SUPPORT, EngineRight
10	05098813AA	4							BOLT, Engine Mounting Bracket
11	05117660AA	1							BRACKET, Engine Lift
12	06104026AA	3							SCREW, Engine Lift Bracket



**SPRINTER (VA)**

**SERIES**

L = LOWLINE

**LINE**

3 = HD DODGE 2WD  
6 = Lt. Duty DODGE 4WD  
2 = Med. Duty DODGE 2WD  
7 = Med. Duty DODGE 4WD

**BODY**

51 = WAGON WHEEL BASE 1  
52 = WAGON WHEEL BASE 2  
14 = VAN WHEEL BASE 4  
15 = VAN WHEEL BASE 5  
16 = VAN WHEEL BASE 6  
54 = WAGON WHEEL BASE 4  
55 = WAGON WHEEL BASE 5  
56 = WAGON WHEEL BASE 6  
11 = VAN WHEEL BASE 1  
12 = VAN WHEEL BASE 2

**ENGINE**

EX9 = Engine - 2.7L 5 Cly Mercedes Diesel

**TRANSMISSION**

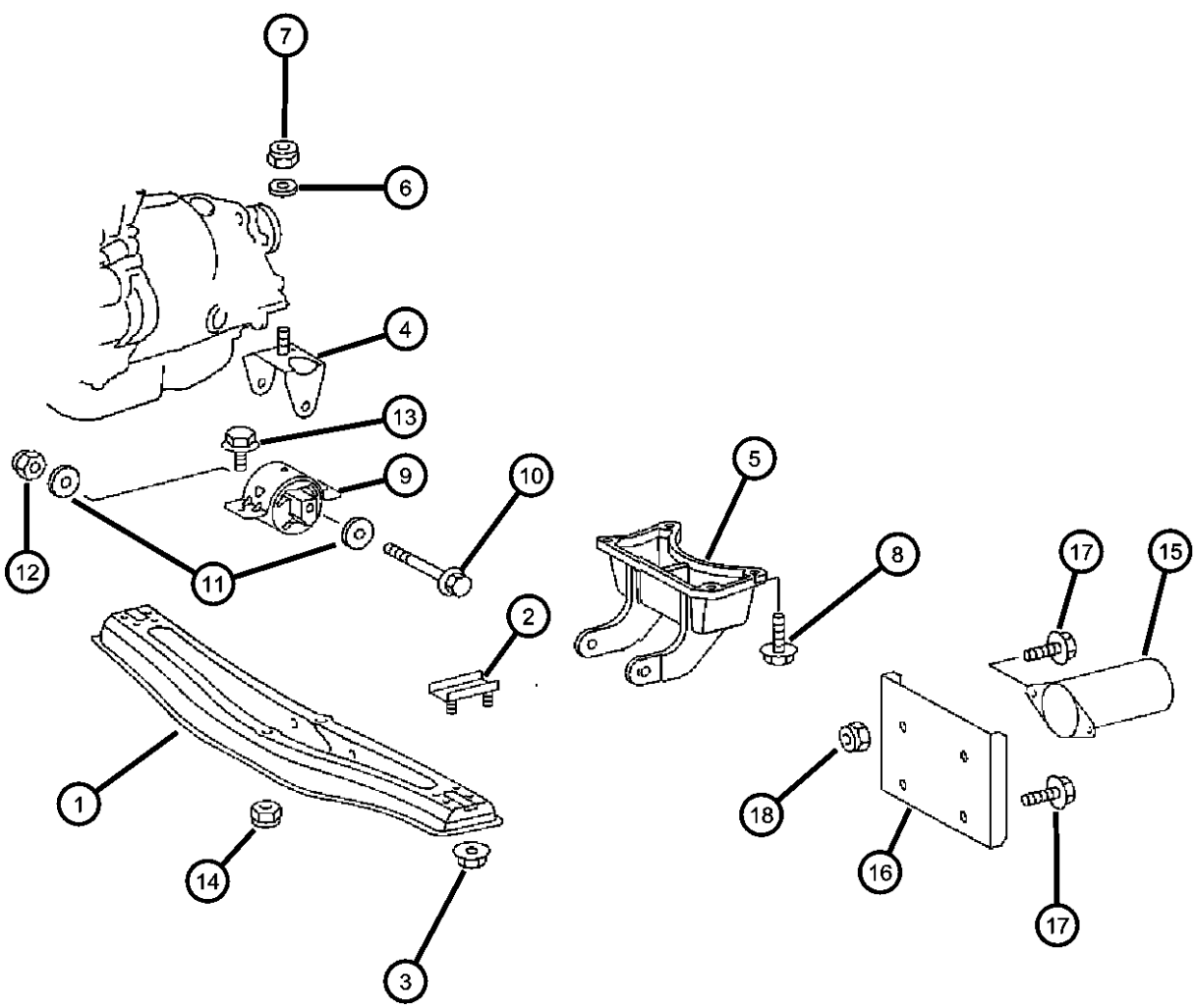
DGJ = Transmission-5-Spd. Automatic,W5A580

AR = use ase required - = Non illustrated part

2003 VA



### Transmission Mounting Figure 9-120



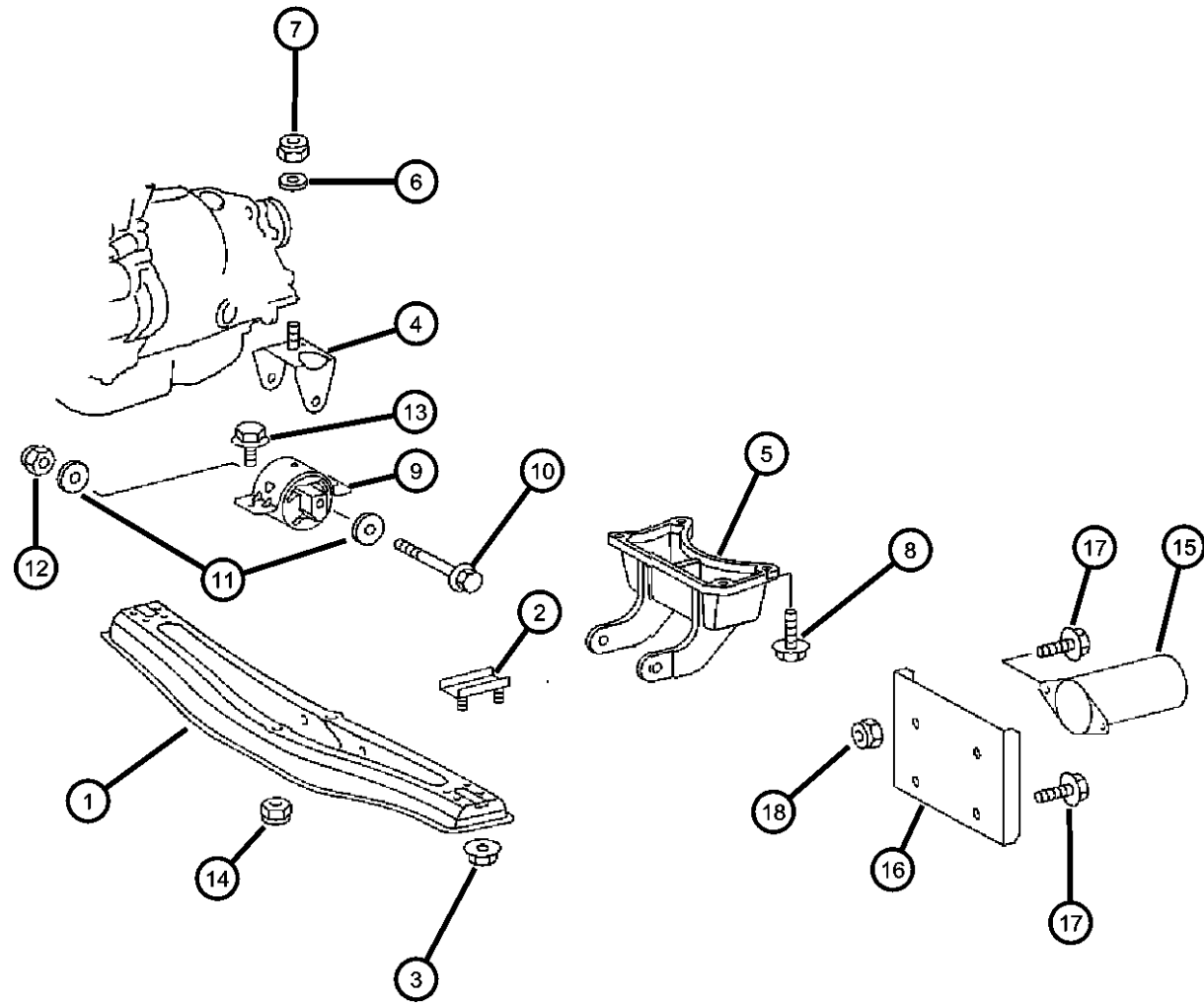
ITEM	PART NUMBER	QTY	LINE	SERIES	BODY	ENGINE	TRANS	TRIM	DESCRIPTION
1	05104036AA	1	3, 7				DGJ		SUPPORT, Engine
		1	2, 6				DGJ		
2	05117696AA	1	2, 6			EX9	DGJ		BRACKET, Engine Mount
		1	3, 7			EX9	DGJ		
3	06104717AA	4	2, 6			EX9			NUT
		4	3, 7			EX9			
4	05117712AA	1	3, 7				DGJ		BRACKET, Engine Mount
		1	2, 6				DGJ		
5	05104037AA	1	2, 6				DGJ		BRACKET, NONE, SPRINTER
		1	3, 7				DGJ		
6	05132839AA	1	3, 7						WASHER
7	06104718AA	1	3, 7						NUT
8	06104198AA	4	2, 6				DGJ		BOLT, Hex Head
		4	3, 7				DGJ		
9	05104038AA	1	2, 6				DGJ		RUBBER MOUNTING, NONE, SPRINTER
		1	3, 7				DGJ		
10	06104229AA	1	2, 6						BOLT
		1	3, 7						
11	05104641AA	2	2, 6						WASHER, Flat
		2	3, 7						

**SPRINTER (VA)**

<p><b>SERIES</b></p> <p>L = LOWLINE</p>	<p><b>LINE</b></p> <p>3 = HD DODGE 2WD 6 = Lt. Duty DODGE 4WD 2 = Med. Duty DODGE 2WD 7 = Med. Duty DODGE 4WD</p>	<p><b>BODY</b></p> <p>51 = WAGON WHEEL BASE 1 52 = WAGON WHEEL BASE 2 14 = VAN WHEEL BASE 4 15 = VAN WHEEL BASE 5 16 = VAN WHEEL BASE 6 54 = WAGON WHEEL BASE 4 55 = WAGON WHEEL BASE 5 56 = WAGON WHEEL BASE 6 11 = VAN WHEEL BASE 1 12 = VAN WHEEL BASE 2</p>	<p><b>ENGINE</b></p> <p>EX9 = Engine - 2.7L 5 Cly Mercedes Diesel</p>	<p><b>TRANSMISSION</b></p> <p>DGJ = Transmission-5-Spd. Automatic, W5A580</p>
---	---	---	---	---

AR = use ase required - = Non illustrated part

**Transmission Mounting  
Figure 9-120**



ITEM	PART NUMBER	QTY	LINE	SERIES	BODY	ENGINE	TRANS	TRIM	DESCRIPTION
12									NUT
	06104717AA	1	2, 6						
		1	3, 7						
13									BOLT, Hex Head
	06104215AA	2	2, 6						
		2	3, 7						
14									NUT
	06104717AA	2	2, 6						
		2	3, 7						
15									ISOLATOR, Engine Mount
	05117716AA	1	2, 6						
		1	3, 7						
16									BRACKET, Engine Roll Dampener
	05133781AA	1	3, 7						
		1	2, 6						
17									SCREW
	06104195AA	2	3, 7						
		2	2, 6						
18									NUT
	06104716AA	2	2, 6						
		2	3, 7						

**SPRINTER (VA)**

SERIES      LINE  
L = LOWLINE    3 = HD DODGE 2WD  
                  6 = Lt. Duty DODGE 4WD  
                  2 = Med. Duty DODGE 2WD  
                  7 = Med. Duty DODGE 4WD

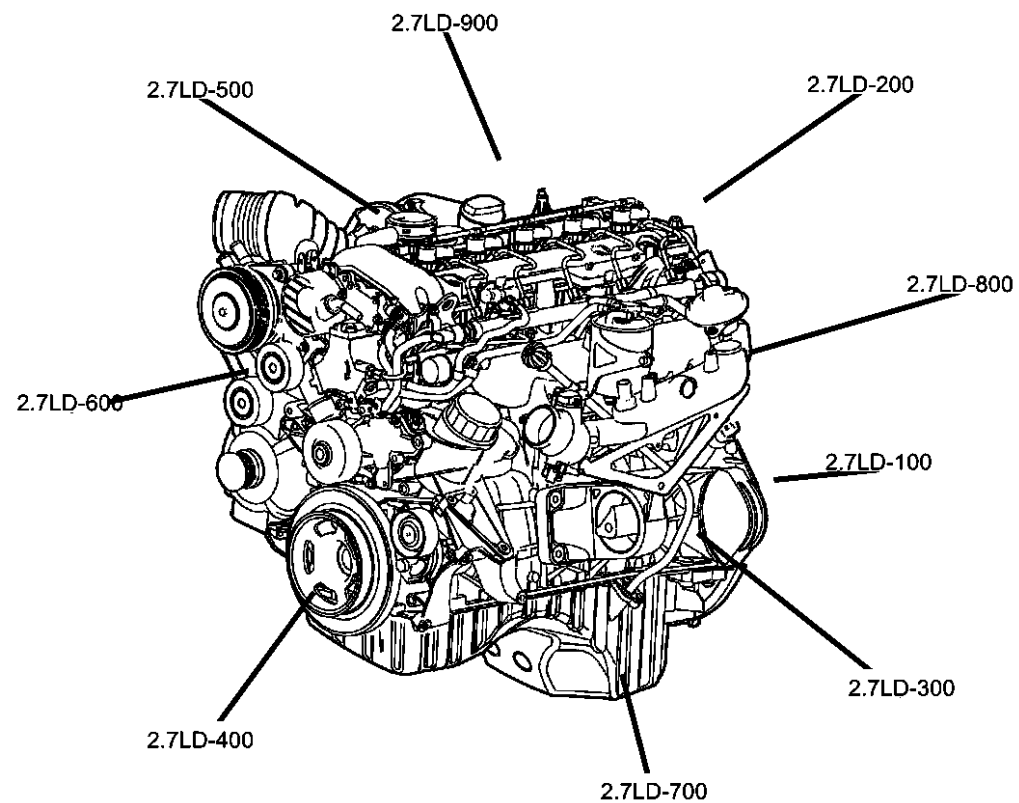
BODY                      ENGINE  
51 = WAGON WHEEL BASE 1 EX9 = Engine - 2.7L 5 Cly  
52 = WAGON WHEEL BASE 2 Mercedes Diesel  
14 = VAN WHEEL BASE 4  
15 = VAN WHEEL BASE 5  
16 = VAN WHEEL BASE 6  
54 = WAGON WHEEL BASE 4  
55 = WAGON WHEEL BASE 5  
56 = WAGON WHEEL BASE 6  
11 = VAN WHEEL BASE 1  
12 = VAN WHEEL BASE 2

TRANSMISSION  
DGJ = Transmission-5-Spd.  
Automatic,W5A580

AR = use ase required - = Non illustrated part

# Group - 2.7LD

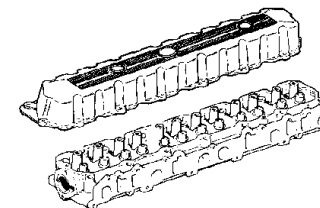
2.7L Diesel - Mercedes Benz [EX9]



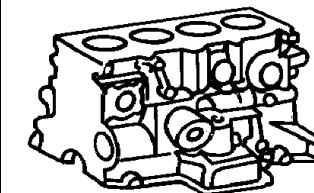
## 2.7LD-100 Engine Identification

X Model Year	X Manufacturing Plant	XXXXX Component Code/Usage	XXXX Month/Day	XXXXXXXXXX Serial Code
Last digit of model year	Schilo S Tranton T Tokoo K	Engine 3.0L - 3.0L Usage Pass Car PC Truck T		Last 8 Digits of VIN

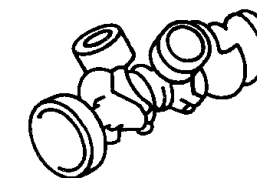
## 2.7LD-200 Cylinder Head



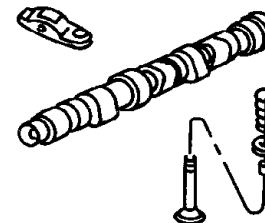
## 2.7LD-300 Cylinder Block



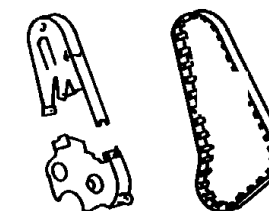
## 2.7LD-400 Crankshaft, Piston and Drive Plate



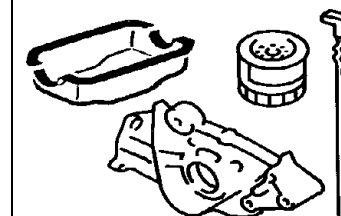
## 2.7LD-500 Camshafts and Valves



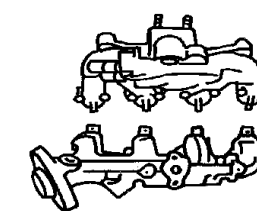
## 2.7LD-600 Timing Belt and Cover



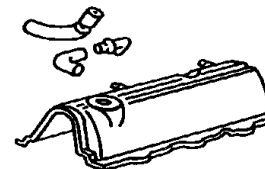
## 2.7LD-700 Engine Oiling



## 2.7LD-800 Manifolds



## 2.7LD-900 Crankcase Ventilation



---

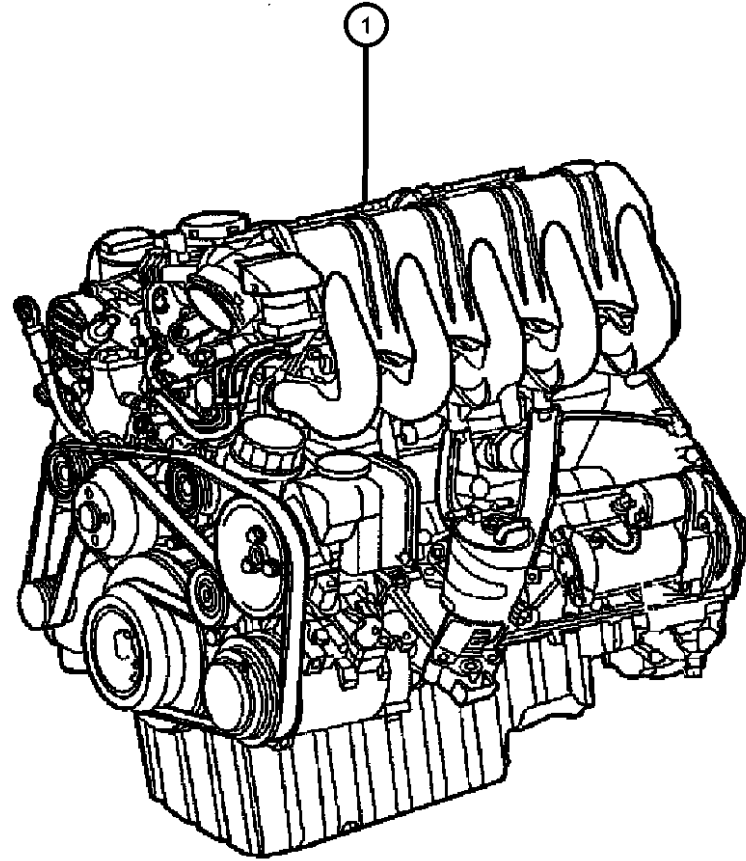
**Group - 2.7LD 2.7L Diesel - Mercedes Benz [EX9]**

Illustration Title	Group-Fig. No.
<b>Engine Identification</b>	
Engine Assembly.....	Fig. 2.7LD - 110
<b>Cylinder Head</b>	
Head, Cylinder.....	Fig. 2.7LD - 210
Cover, Cylinder Head.....	Fig. 2.7LD - 220
<b>Cylinder Block</b>	
Cylinder Block and Related Parts.....	Fig. 2.7LD - 310
<b>Crankshaft, Piston and Drive Plate</b>	
Crankshaft and Pistons.....	Fig. 2.7LD - 410
<b>Camshafts and Valves</b>	
Camshaft and Valves.....	Fig. 2.7LD - 510
<b>Timing Belt and Cover</b>	
Timing Cover and Chain.....	Fig. 2.7LD - 610
Vaccum Pump.....	Fig. 2.7LD - 620
<b>Engine Oiling</b>	
Oil Pump.....	Fig. 2.7LD - 710
Oil Cooler and Filter.....	Fig. 2.7LD - 720
Oil Pan.....	Fig. 2.7LD - 730
Turbo Oil Feed and Return Lines.....	Fig. 2.7LD - 740
<b>Manifolds</b>	
Intake Manifold.....	Fig. 2.7LD - 810
Exhaust Manifold.....	Fig. 2.7LD - 820
<b>Crankcase Ventilation</b>	
Crankcase Ventilation.....	Fig. 2.7LD - 910

**Engine Assembly  
Figure 2.7LD-110**

ITEM	PART NUMBER	QTY	LINE	SERIES	BODY	ENGINE	TRANS	TRIM	DESCRIPTION
------	-------------	-----	------	--------	------	--------	-------	------	-------------

Notes:  
[EX9] = 2.7L I5 Mercedes-Benz Turbo Diesel  
[NAA] = Federal Emissions



1	05117176AA	1	2, 6			EX9			ENGINE, Complete, See Notes [EX9+NAA]
	04798231AD								Mopar 15W-40 Engine Oil Quart
	04798232AD								Mopar 15W-40 Engine Oil Gallon
		1	3, 7			EX9			[EX9+NAA]
	04798231AD								Mopar 15W-40 Engine Oil Quart
	04798232AD								Mopar 15W-40 Engine Oil Gallon

**SPRINTER (VA)**

SERIES	LINE	BODY	ENGINE	TRANSMISSION
L = LOWLINE	3 = HD DODGE 2WD	51 = WAGON WHEEL BASE 1	EX9 = Engine - 2.7L 5 Cly	DGJ = Transmission-5-Spd.
	6 = Lt. Duty DODGE 4WD	52 = WAGON WHEEL BASE 2	Mercedes Diesel	Automatic, W5A580
	2 = Med. Duty DODGE 2WD	14 = VAN WHEEL BASE 4		
	7 = Med. Duty DODGE 4WD	15 = VAN WHEEL BASE 5		
		16 = VAN WHEEL BASE 6		
		54 = WAGON WHEEL BASE 4		
		55 = WAGON WHEEL BASE 5		
		56 = WAGON WHEEL BASE 6		
		11 = VAN WHEEL BASE 1		
		12 = VAN WHEEL BASE 2		

AR = use ase required - = Non illustrated part

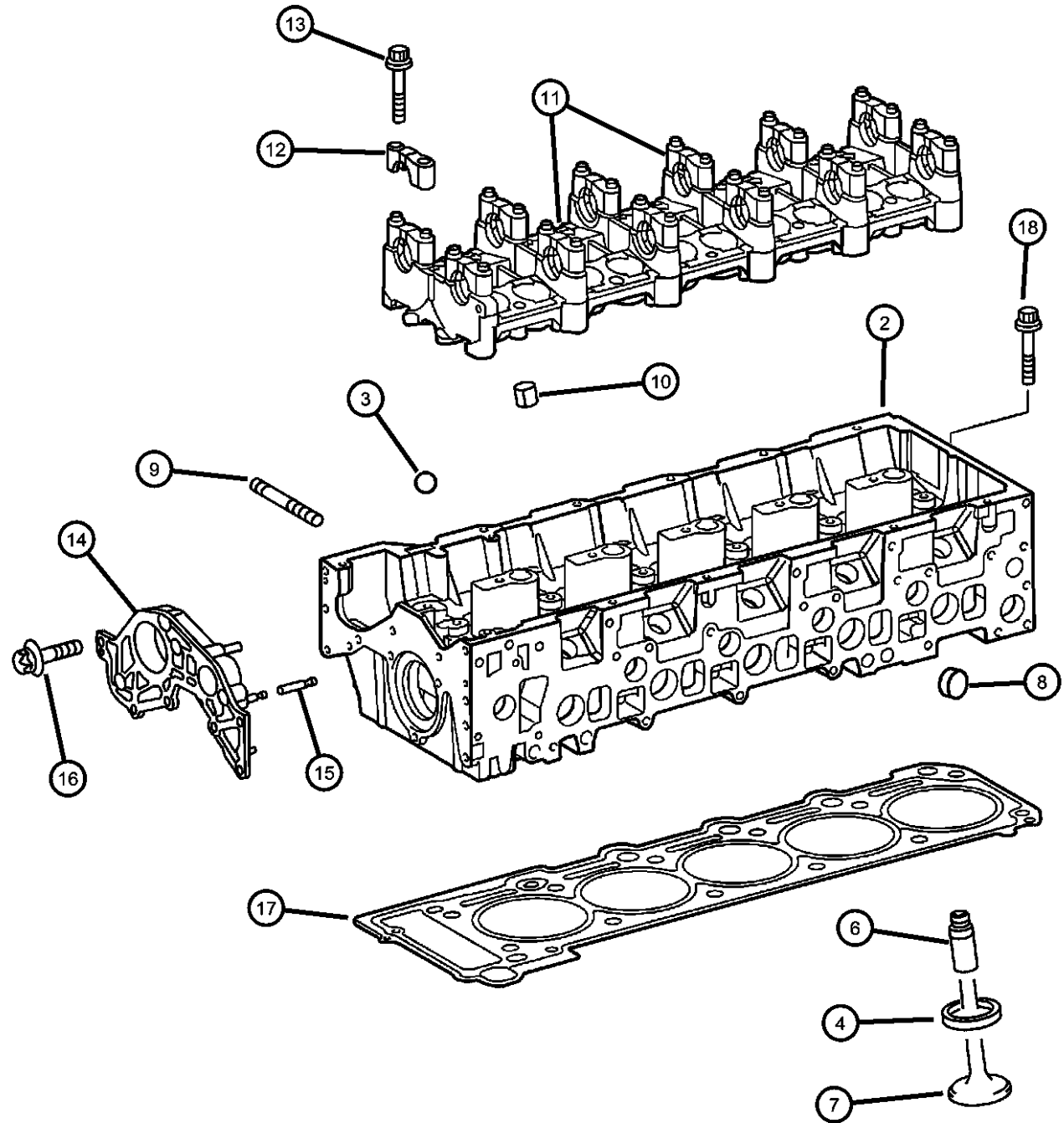
**Head, Cylinder**  
**Figure 2.7LD-210**

ITEM	PART NUMBER	QTY	LINE	SERIES	BODY	ENGINE	TRANS	TRIM	DESCRIPTION
------	-------------	-----	------	--------	------	--------	-------	------	-------------

NOTE:

Sales Codes:

[EX9]=2.7L Turbo Diesel 5 Cyl. Inline Engine - [OM612]



-1	05103995AA	1							GASKET KIT, Cylinder Head Overhaul, Upper Gasket Package
2	05117156AA	1							HEAD, Cylinder
3	05080045AA	5							BALL
4	05080042AA	10							SEAT, Intake Valve
-5	05080043AA	10							SEAT, Exhaust Valve
6	05080044AB	20							GUIDE, Intake/Exhaust Valve, Standard Size, Valve
7	05080044AB	20							VALVE, See Camshaft Illustration, (NOT SERVICED)
8	05080071AA	1							PLUG, Expansion, 22mm
9	05080027AA	11							STUD
10	05073868AA	2							SLEEVE
11	05080072AA	1							HOUSING, Camshaft Bearing, With Caps
12	05117389AA	12							COVERCamshaft Bearing Cap
13	05073921AA	24							SCREW
14	05080076AA	1							CAPCylinder Head, Front
15	05080080AA	1							PIN
16	05125732AA	6							SCREW, Front Cover to Head
17	05134783AA	1							GASKET, Cylinder Head
18	05073703AA	12							BOLT, Cylinder Head

**SPRINTER (VA)**

**SERIES**

L = LOWLINE

**LINE**

3 = HD DODGE 2WD  
 6 = Lt. Duty DODGE 4WD  
 2 = Med. Duty DODGE 2WD  
 7 = Med. Duty DODGE 4WD

**BODY**

51 = WAGON WHEEL BASE 1  
 52 = WAGON WHEEL BASE 2  
 14 = VAN WHEEL BASE 4  
 15 = VAN WHEEL BASE 5  
 16 = VAN WHEEL BASE 6  
 54 = WAGON WHEEL BASE 4  
 55 = WAGON WHEEL BASE 5  
 56 = WAGON WHEEL BASE 6  
 11 = VAN WHEEL BASE 1  
 12 = VAN WHEEL BASE 2

**ENGINE**

EX9 = Engine - 2.7L 5 Cly Mercedes Diesel

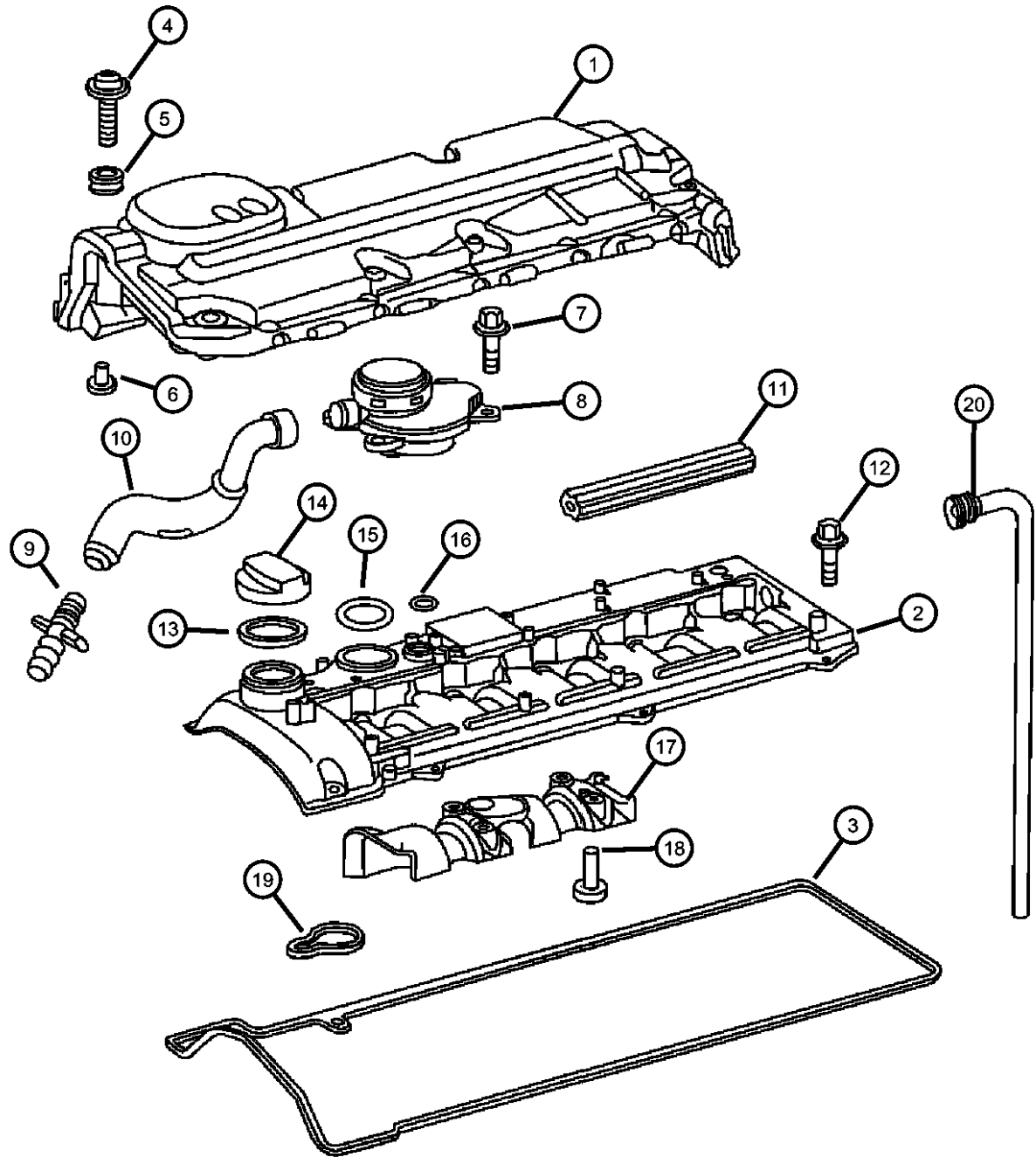
**TRANSMISSION**

DGJ = Transmission-5-Spd. Automatic, W5A580

AR = use ase required - = Non illustrated part

2003 VA

**Cover, Cylinder Head**  
**Figure 2.7LD-220**



ITEM	PART NUMBER	QTY	LINE	SERIES	BODY	ENGINE	TRANS	TRIM	DESCRIPTION
------	-------------	-----	------	--------	------	--------	-------	------	-------------

NOTE:

Sales Codes:

[EX9]=2.7L Turbo Diesel 5 Cyl. Inline Engine - [OM612]

1	05103996AA	1							COVER, Engine, Estetic Cover
2	05117164AA	1							COVER, Cylinder Head
3	05117284AA	1							GASKET, Valve Cover
4	05103968AA	8							SCREW
5	05125943AA	8							GROMMET
6	05125840AA	8							SLEEVE
7	06104682AA	4							SCREW, SCREW
8	05103970AA	1							SEPERATOR, Oil
9	05080183AA	1							TUBE, Crankcase Vent Valve
10	05117234AA	1							HOSE, Air Induction
11	05080222AA	1							GASKET
12	06104008AA	8							SCREW
13	05080088AA	1							GASKET, Oil Filler Cap
14	05080172AA	1							CAP, Oil Filler
15	05080114AA	1							O RING
16	05080112AA	1							O RING
17	05080168AA	1							PLATE
18	05073704AA	4							SCREW
19	05080083AA	5							GASKET
20	05117291AA	1							HOSE

**SPRINTER (VA)**

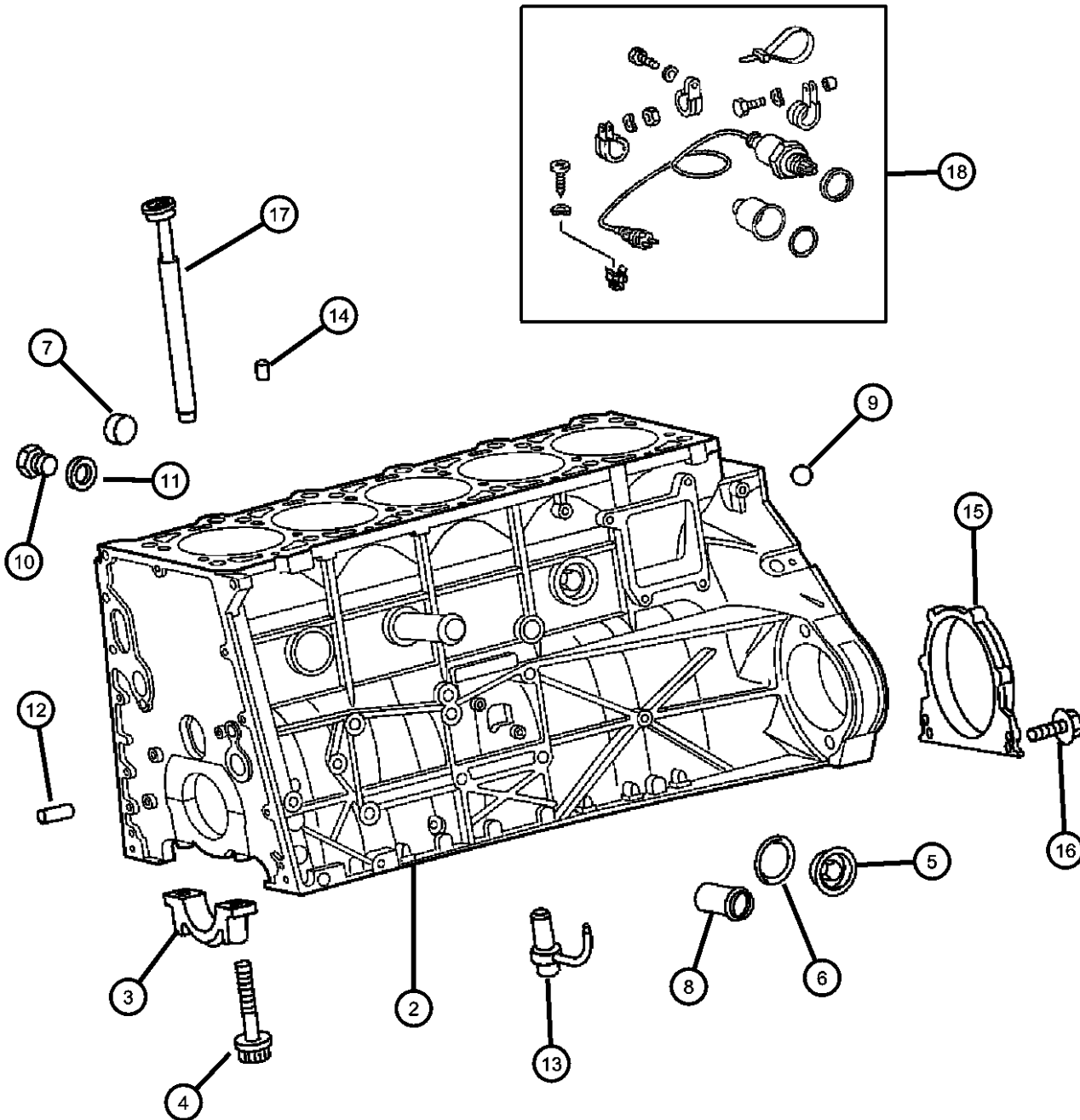
SERIES	LINE	BODY	ENGINE	TRANSMISSION
L = LOWLINE	3 = HD DODGE 2WD	51 = WAGON WHEEL BASE 1	EX9 = Engine - 2.7L 5 Cyl	DGJ = Transmission-5-Spd.
	6 = Lt. Duty DODGE 4WD	52 = WAGON WHEEL BASE 2	Mercedes Diesel	Automatic,W5A580
	2 = Med. Duty DODGE 2WD	14 = VAN WHEEL BASE 4		
	7 = Med. Duty DODGE 4WD	15 = VAN WHEEL BASE 5		
		16 = VAN WHEEL BASE 6		
		54 = WAGON WHEEL BASE 4		
		55 = WAGON WHEEL BASE 5		
		56 = WAGON WHEEL BASE 6		
		11 = VAN WHEEL BASE 1		
		12 = VAN WHEEL BASE 2		

AR = use ase required - = Non illustrated part

2003 VA

**Cylinder Block and Related Parts**  
**Figure 2.7LD-310**

ITEM	PART NUMBER	QTY	LINE	SERIES	BODY	ENGINE	TRANS	TRIM	DESCRIPTION
------	-------------	-----	------	--------	------	--------	-------	------	-------------



**NOTE:**

Sales Codes:

[EX9]=2.7L Turbo Diesel 5 Cyl. Inline Engine - [OM612]

-1	05103994AA	1							GASKET KIT, Engine, Lower
2	05073918AB	1							BLOCK, Cylinder
	R2527513AA								Mopar Reman Complete Engine 2002-2003 Sprinter Mopar 15W-40 Engine Oil Quart Mopar 15W-40 Engine Oil Gallon
	04798231AD								
	04798232AD								
3	05073918AB	1							CAP, Main, Serviced With # 1, (NOT SERVICED)
4	05073918AB	1							BOLT, Main Bearing Cap, Serviced With # 1, (NOT SERVICED)
5	05073837AA	2							PLUG, Screw, Cylinder Block
6	05073850AA	2							O RING
7	05073860AA	3							PLUG, Expansion
8	05073861AA	1							CONNECTOR
9	05073864AA	1							BALL
10	05073890AA	1							PLUG
11	05073866AA	1							O RING
12	05073869AA	2							DOWEL
13	05073895AA	5							JET, Piston Oil Cooler
14	05073868AA	2							SLEEVE
15	05073887AA	1							COVER
16	06104006AA	6							BOLT
17	05073894AA	1							PIPE, Oil Return
18	05135855AA	1							HEATER, Engine Block

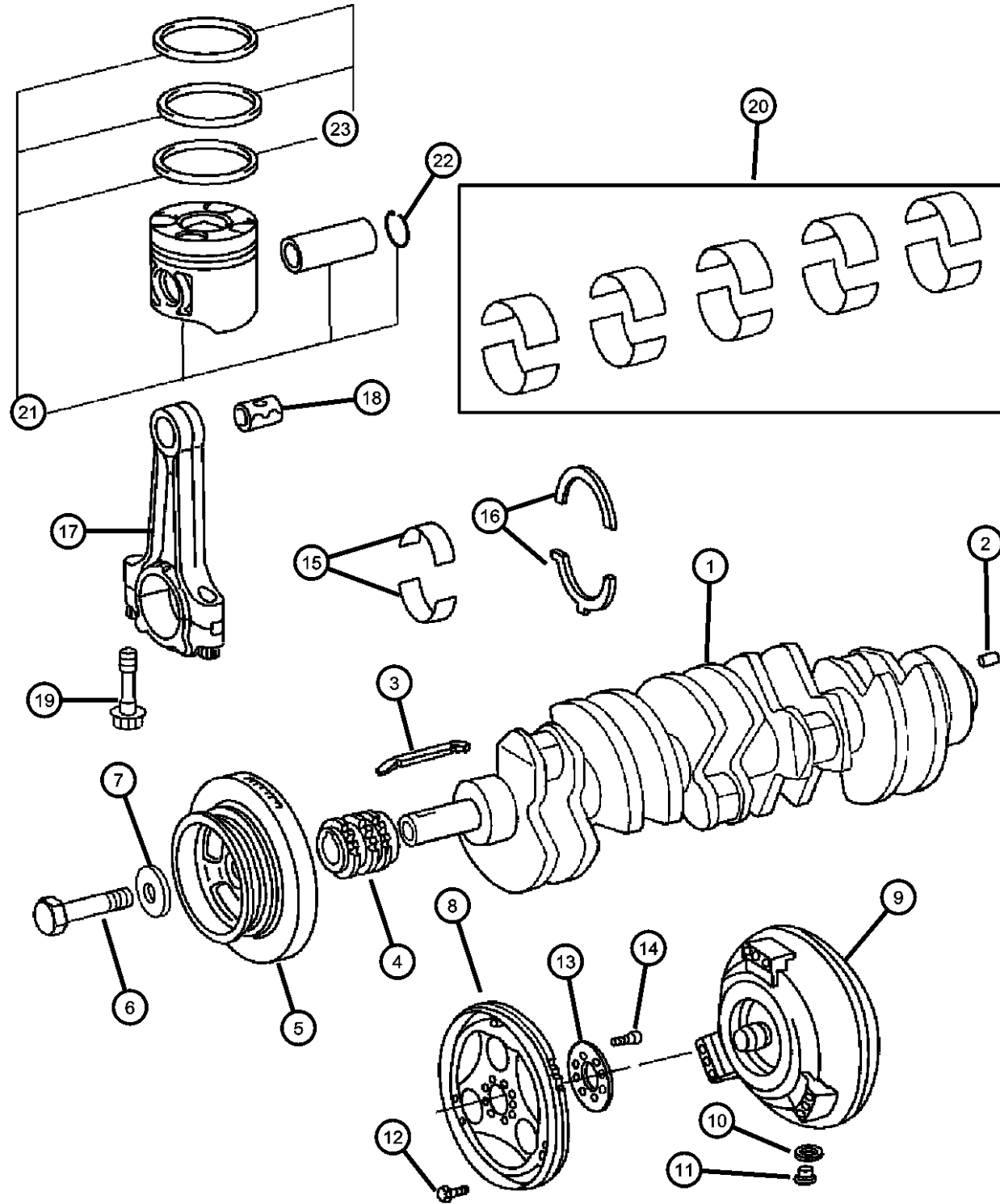
**SPRINTER (VA)**

SERIES	LINE	BODY	ENGINE	TRANSMISSION
L = LOWLINE	3 = HD DODGE 2WD 6 = Lt. Duty DODGE 4WD 2 = Med. Duty DODGE 2WD 7 = Med. Duty DODGE 4WD	51 = WAGON WHEEL BASE 1 52 = WAGON WHEEL BASE 2 14 = VAN WHEEL BASE 4 15 = VAN WHEEL BASE 5 16 = VAN WHEEL BASE 6 54 = WAGON WHEEL BASE 4 55 = WAGON WHEEL BASE 5 56 = WAGON WHEEL BASE 6 11 = VAN WHEEL BASE 1 12 = VAN WHEEL BASE 2	EX9 = Engine - 2.7L 5 Cyl Mercedes Diesel	DGJ = Transmission-5-Spd. Automatic,W5A580

AR = use ase required - = Non illustrated part



**Crankshaft and Pistons  
Figure 2.7LD-410**



ITEM	PART NUMBER	QTY	LINE	SERIES	BODY	ENGINE	TRANS	TRIM	DESCRIPTION
NOTE: Sales Codes: [EX9]=2.7L Turbo Diesel 5 Cyl. Inline Engine - [OM612]									
1	05080012AA	1							CRANKSHAFT, Engine, See [TSB 09-003-06]
2	05080024AA	1							DOWEL
3	05073998AA	1							KEY, Woodruff
4	05117378AA	1							GEAR, Crankshaft
5	05103972AA	1							DAMPER, Crankshaft
6	05073696AA	1							SCREW
7	05080005AA	1							WASHER
8	05137274AA	1							FLEX PLATE
9	05104567AA	1							CONVERTER, Torque
10	05080014AA	1							O RING
11	05080398AB	1							PLUG
12									SCREW
	06507095AA	6	2, 6				DGJ		
		6	3, 7				DGJ		
13	05080066AA	1							WASHER
14	05073700AB	8							SCREW
15									BEARING, Crankshaft
	05179498AA	AR							Color [VIOLET] - See [TSB 09-003-06] Main Bearing Cap Only
	05073953AB	AR							Color [WHITE] - See [TSB 009-003-06] Main Bearing Cap Only
	05102127AA	AR							Color [BLUE] - See [TSB 09-003-06]
	05102128AA	AR							Color [YELLOW] - See [TSB 09-003-06]
	05102129AA	AR							Color [RED] - See [TSB 09-003-06]
16	05086295AA	2							BEARING, Crankshaft, Thrust Bearing
17	05117318AA	5							ROD, Connecting
18	05117367AA	5							BUSHING, Connecting Rod

**SPRINTER (VA)**

**SERIES**

L = LOWLINE  
 3 = HD DODGE 2WD  
 6 = Lt. Duty DODGE 4WD  
 2 = Med. Duty DODGE 2WD  
 7 = Med. Duty DODGE 4WD

**LINE**

**BODY**

51 = WAGON WHEEL BASE 1 EX9 = Engine - 2.7L 5 Cyl  
 52 = WAGON WHEEL BASE 2 Mercedes Diesel  
 14 = VAN WHEEL BASE 4  
 15 = VAN WHEEL BASE 5  
 16 = VAN WHEEL BASE 6  
 54 = WAGON WHEEL BASE 4  
 55 = WAGON WHEEL BASE 5  
 56 = WAGON WHEEL BASE 6  
 11 = VAN WHEEL BASE 1  
 12 = VAN WHEEL BASE 2

**ENGINE**

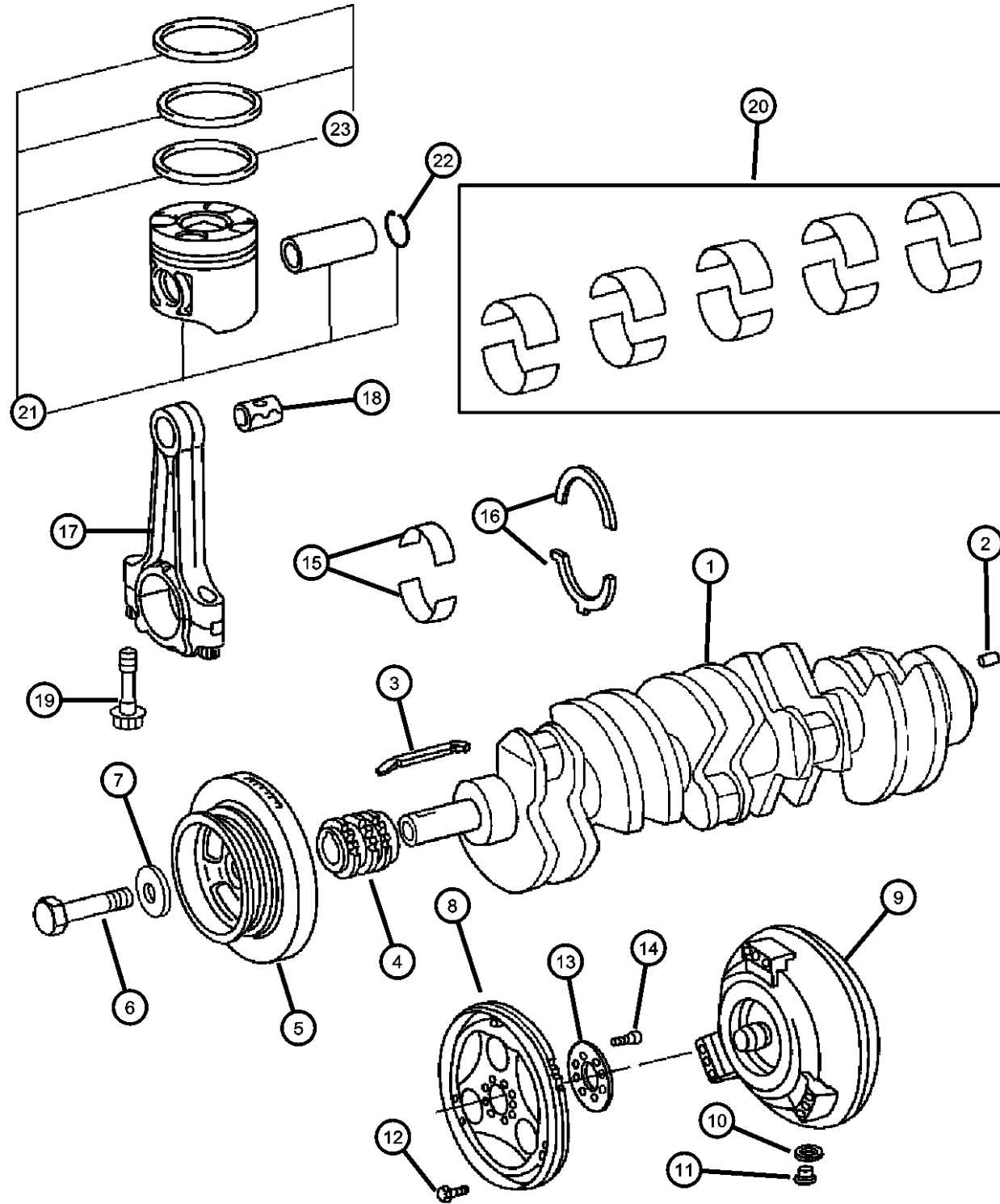
**TRANSMISSION**

DGJ = Transmission-5-Spd. Automatic, W5A580

AR = use ase required - = Non illustrated part

2003 VA

**Crankshaft and Pistons  
Figure 2.7LD-410**



ITEM	PART NUMBER	QTY	LINE	SERIES	BODY	ENGINE	TRANS	TRIM	DESCRIPTION
19	05073698AA	10							BOLT, Connecting Rod
20	05086153AA	5							BEARING, Connecting Rod, STD.
21	05137280AA	5							PISTON
22	05080034AA	10							RING, Piston Pin
23	05086254AA	5							RING KIT, Piston

**SPRINTER (VA)**

SERIES  
L = LOWLINE

LINE  
3 = HD DODGE 2WD  
6 = Lt. Duty DODGE 4WD  
2 = Med. Duty DODGE 2WD  
7 = Med. Duty DODGE 4WD

BODY

51 = WAGON WHEEL BASE 1  
52 = WAGON WHEEL BASE 2  
14 = VAN WHEEL BASE 4  
15 = VAN WHEEL BASE 5  
16 = VAN WHEEL BASE 6  
54 = WAGON WHEEL BASE 4  
55 = WAGON WHEEL BASE 5  
56 = WAGON WHEEL BASE 6  
11 = VAN WHEEL BASE 1  
12 = VAN WHEEL BASE 2

ENGINE

EX9 = Engine - 2.7L 5 Cly  
Mercedes Diesel

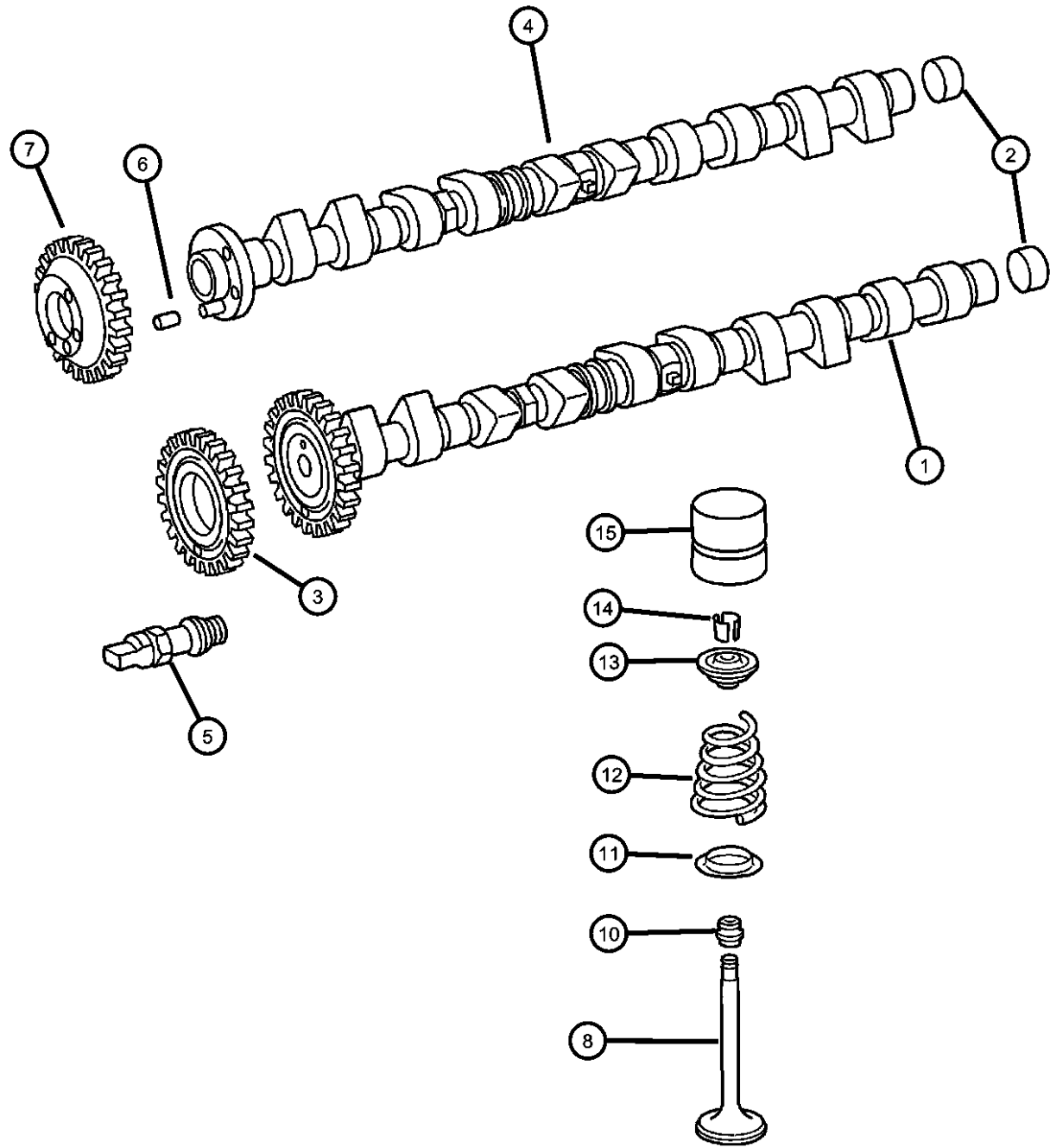
TRANSMISSION

DGJ = Transmission-5-Spd.  
Automatic,W5A580

AR = use ase required - = Non illustrated part

2003 VA

**Camshaft and Valves**  
**Figure 2.7LD-510**



ITEM	PART NUMBER	QTY	LINE	SERIES	BODY	ENGINE	TRANS	TRIM	DESCRIPTION
------	-------------	-----	------	--------	------	--------	-------	------	-------------

NOTE:

Sales Codes:

[EX9]=2.7L Turbo Diesel 5 Cyl. Inline Engine - [OM612]

1	05080093AA	1							CAMSHAFT, Intake
2									PLUG, Expansion
	05080071AA	1							Intake
		1							Exhaust
3	05080110AA	1							GEAR, Camshaft
4	05080095AA	1							CAMSHAFT, Exhaust
5	05086157AB	1							FOLLOWER, Camshaft, Fuel Pump Drive
6	05080096AA	1							PIN, Dowel
7	05073814AA	1							GEAR, CamshaftExhaust
8	05073735AA	10							VALVE, Intake, Standard
-9	05073737AA	10							VALVE, Engine Exhaust
10	05080057AA	20							SEAL, Valve Guide
11	05080055AA	20							RETAINER, Valve Spring
12									SPRING, Valve
	05080054AA	10							Intake
	05117403AA	10							Exhaust
13	05080052AA	20							RETAINER, Valve Spring
14	05080051AA	40							LOCK, Valve Spring Retainer
15	05080060AB	20							TAPPET, Valve

**SPRINTER (VA)**

**SERIES**

L = LOWLINE

**LINE**

3 = HD DODGE 2WD  
 6 = Lt. Duty DODGE 4WD  
 2 = Med. Duty DODGE 2WD  
 7 = Med. Duty DODGE 4WD

**BODY**

51 = WAGON WHEEL BASE 1  
 52 = WAGON WHEEL BASE 2  
 14 = VAN WHEEL BASE 4  
 15 = VAN WHEEL BASE 5  
 16 = VAN WHEEL BASE 6  
 54 = WAGON WHEEL BASE 4  
 55 = WAGON WHEEL BASE 5  
 56 = WAGON WHEEL BASE 6  
 11 = VAN WHEEL BASE 1  
 12 = VAN WHEEL BASE 2

**ENGINE**

EX9 = Engine - 2.7L 5 Cly  
 Mercedes Diesel

**TRANSMISSION**

DGJ = Transmission-5-Spd. Automatic, W5A580

AR = use ase required - = Non illustrated part

2003 VA

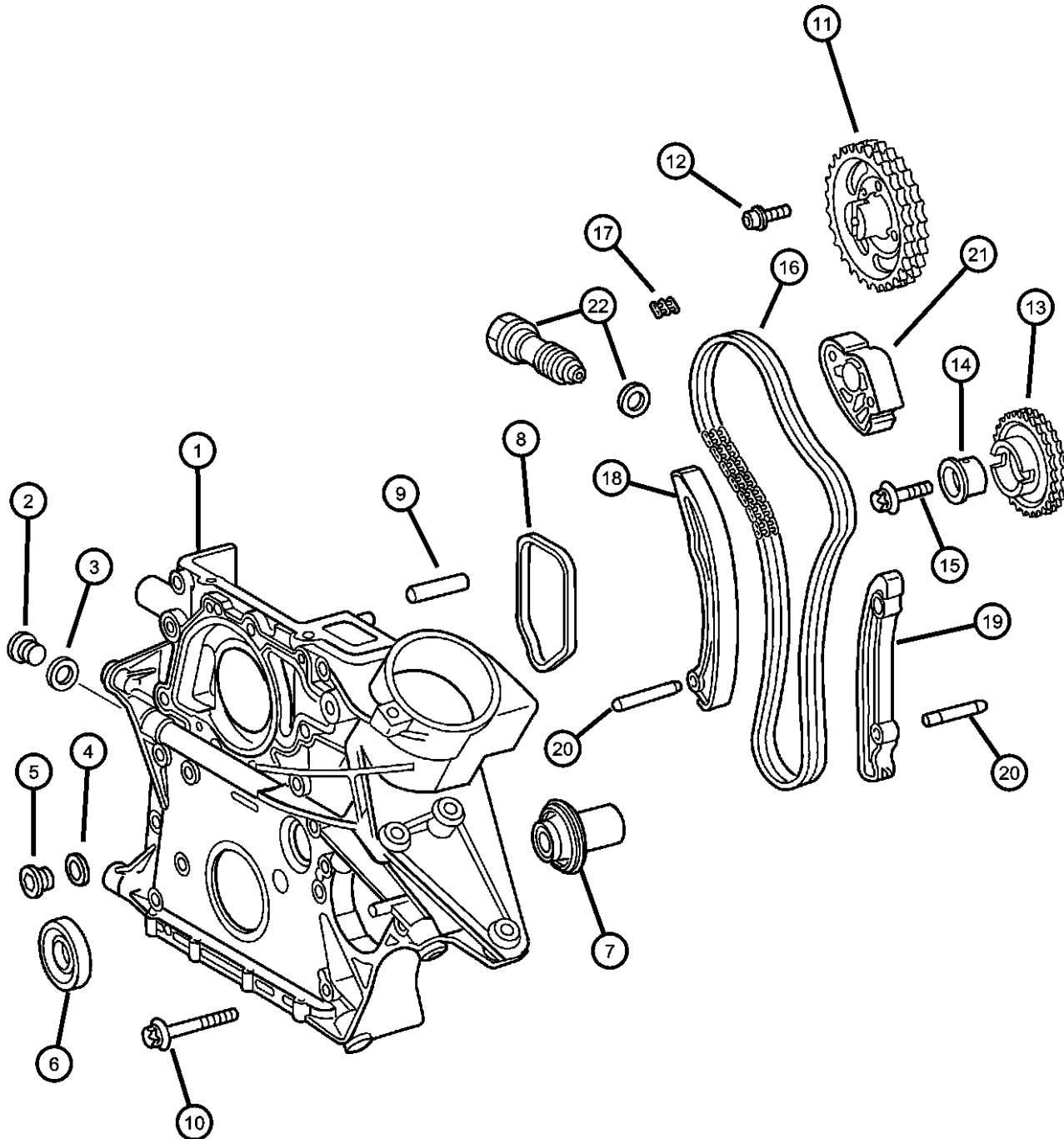
**Timing Cover and Chain  
Figure 2.7LD-610**

ITEM	PART NUMBER	QTY	LINE	SERIES	BODY	ENGINE	TRANS	TRIM	DESCRIPTION
------	-------------	-----	------	--------	------	--------	-------	------	-------------

NOTE:

Sales Codes:

[EX9]=2.7L Turbo Diesel 5 Cyl. Inline Engine - [OM612]



1	05103969AA	1							COVER, Timing Case
2	06104473AA	1							PLUG
3	05080015AA	1							O RING
4	05080014AA	1							O RING
5	05080398AA	1							PLUG
6	05073675AB	1							OIL SEAL
7	05080179AA	1							VALVE, Pressure Relief
8	05073677AA	1							GASKET, Timing Cover
9	05073936AA	1							DOWEL
10									SCREW
	05137660AA	3	3, 7						[M8x80]
		3	2, 6						[M8x80]
	06104031AA	4	3, 7						[M8x60]
		4	2, 6						[M8x60]
	06104035AA	1	2, 6			EX9			[M8x90]
		1	3, 7			EX9			[M8x90]
11									GEAR, Camshaft
	05080110AA	1							Optional Uses 05073901AA Bolts
	05080110AB	1				EX9			Uses 05086285AA Bolts
12									SCREW
	05073901AA	3							Used With 05080110AA Gear
	05086285AA	3							Used With 05080110AB Gear
13	05117380AA	1							GEAR, Intermediate
14	05080098AA	1							BEARING
15	05073707AA	1							SCREW
16	05080209AA	1							CHAIN, Timing
17	05086196AA	1							LINK, Chain
18	05080099AA	1							GUIDE, Timing Chain
19	05080100AA	1							GUIDE, Timing Chain

**SPRINTER (VA)**

SERIES

L = LOWLINE

LINE

3 = HD DODGE 2WD  
6 = Lt. Duty DODGE 4WD  
2 = Med. Duty DODGE 2WD  
7 = Med. Duty DODGE 4WD

BODY

51 = WAGON WHEEL BASE 1  
52 = WAGON WHEEL BASE 2  
14 = VAN WHEEL BASE 4  
15 = VAN WHEEL BASE 5  
16 = VAN WHEEL BASE 6  
54 = WAGON WHEEL BASE 4  
55 = WAGON WHEEL BASE 5  
56 = WAGON WHEEL BASE 6  
11 = VAN WHEEL BASE 1  
12 = VAN WHEEL BASE 2

ENGINE

EX9 = Engine - 2.7L 5 Cyl Mercedes Diesel

TRANSMISSION

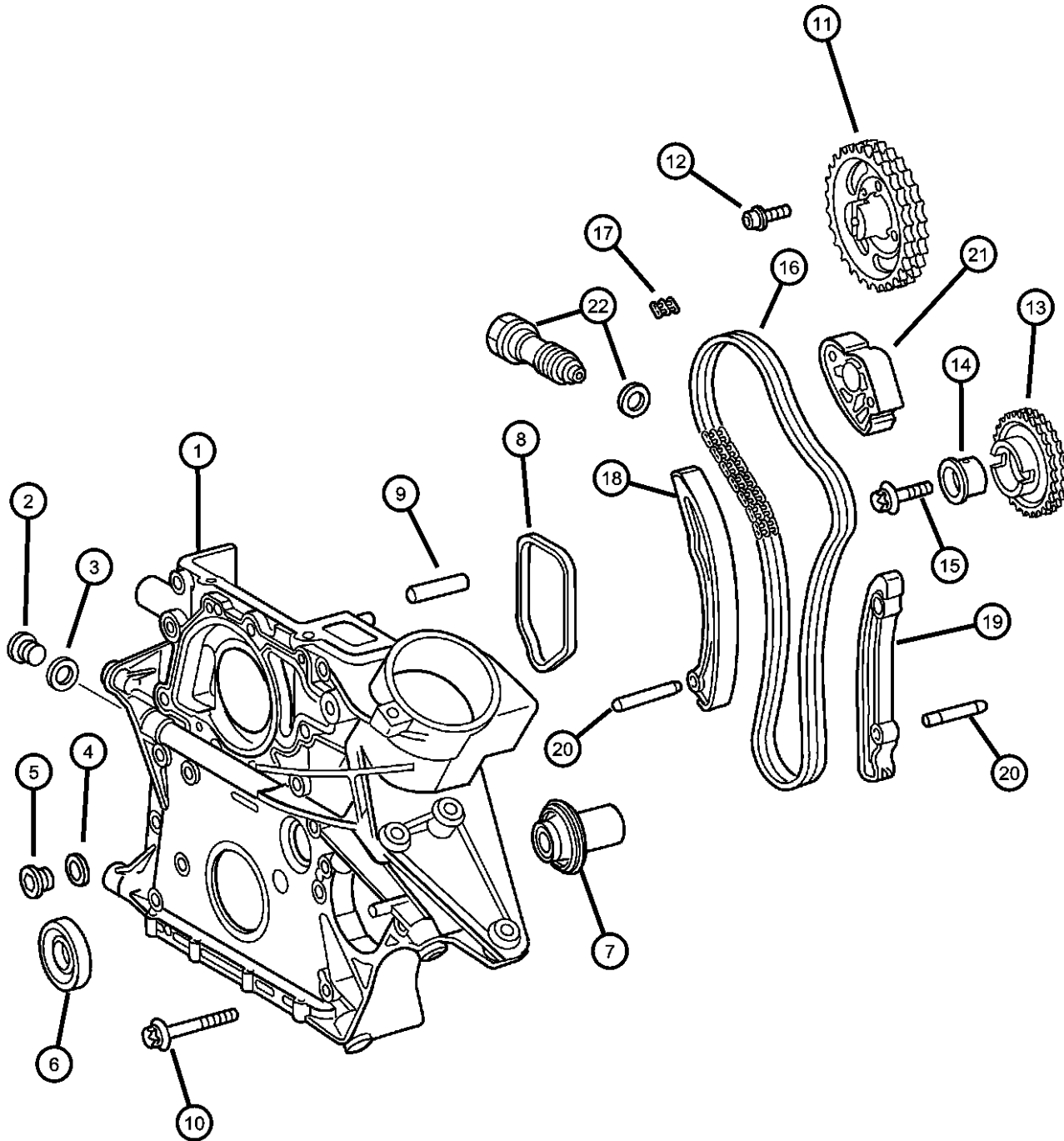
DGJ = Transmission-5-Spd. Automatic, W5A580

AR = use ase required - = Non illustrated part

2003 VA

Timing Cover and Chain  
Figure 2.7LD-610

ITEM	PART NUMBER	QTY	LINE	SERIES	BODY	ENGINE	TRANS	TRIM	DESCRIPTION
20	05073870AA	2							DOWEL
21	05080101AA	1							GUIDE, Timing Chain
22	05080102AB	1							TENSIONER, Chain
-23	05080103AA	1							SPRING, Timing Belt Tensioner, Internal Parts Of Tensioner
-24	05080104AA	1							WASHER, Internal Parts Of Tensioner
-25	05080105AA	1							BALL, Internal Parts Of Tensioner
-26	05080106AA	1							BALL, Internal Parts Of Tensioner
-27	05080109AA	1							RACE, Internal Parts Of Tensioner



SPRINTER (VA)

SERIES	LINE	BODY	ENGINE	TRANSMISSION
L = LOWLINE	3 = HD DODGE 2WD 6 = Lt. Duty DODGE 4WD 2 = Med. Duty DODGE 2WD 7 = Med. Duty DODGE 4WD	51 = WAGON WHEEL BASE 1 52 = WAGON WHEEL BASE 2 14 = VAN WHEEL BASE 4 15 = VAN WHEEL BASE 5 16 = VAN WHEEL BASE 6 54 = WAGON WHEEL BASE 4 55 = WAGON WHEEL BASE 5 56 = WAGON WHEEL BASE 6 11 = VAN WHEEL BASE 1 12 = VAN WHEEL BASE 2	EX9 = Engine - 2.7L 5 Cly Mercedes Diesel	DGJ = Transmission-5-Spd. Automatic,W5A580

AR = use ase required - = Non illustrated part

2003 VA

Vaccum Pump  
Figure 2.7LD-620

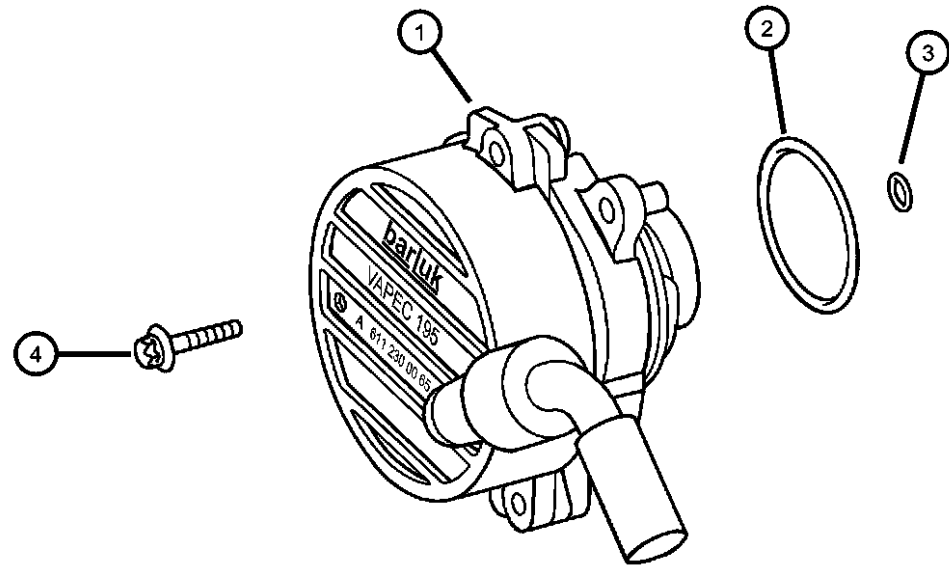
ITEM	PART NUMBER	QTY	LINE	SERIES	BODY	ENGINE	TRANS	TRIM	DESCRIPTION
------	-------------	-----	------	--------	------	--------	-------	------	-------------

NOTE:

Sales Codes:

[EX9]=2.7L Turbo Diesel 5 Cyl. Inline Engine - [OM612]

1	05117674AA	1							PUMP, Vacuum
2	05080334AA	1							O RING
3	05080335AA	1							O RING
4	05073702AA	2							SCREW



**SPRINTER (VA)**

SERIES	LINE	BODY	ENGINE	TRANSMISSION
L = LOWLINE	3 = HD DODGE 2WD 6 = Lt. Duty DODGE 4WD 2 = Med. Duty DODGE 2WD 7 = Med. Duty DODGE 4WD	51 = WAGON WHEEL BASE 1 52 = WAGON WHEEL BASE 2 14 = VAN WHEEL BASE 4 15 = VAN WHEEL BASE 5 16 = VAN WHEEL BASE 6 54 = WAGON WHEEL BASE 4 55 = WAGON WHEEL BASE 5 56 = WAGON WHEEL BASE 6 11 = VAN WHEEL BASE 1 12 = VAN WHEEL BASE 2	EX9 = Engine - 2.7L 5 Cly Mercedes Diesel	DGJ = Transmission-5-Spd. Automatic,W5A580

AR = use ase required - = Non illustrated part

2003 VA

**Oil Pump  
Figure 2.7LD-710**

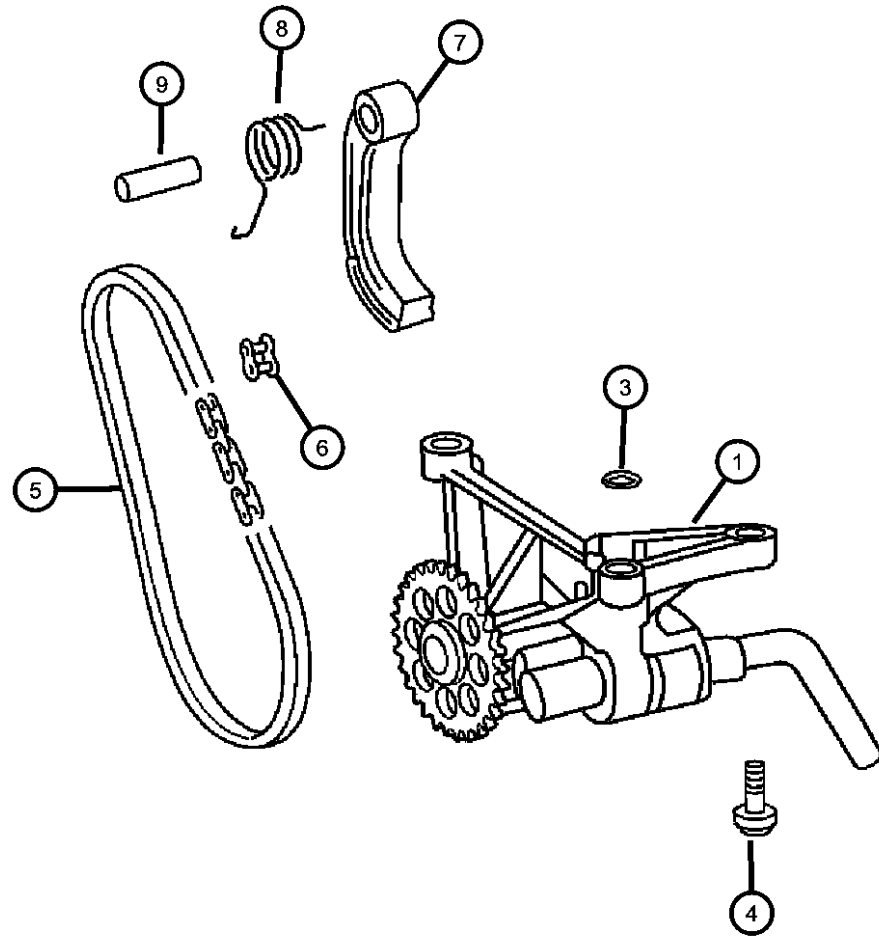
ITEM	PART NUMBER	QTY	LINE	SERIES	BODY	ENGINE	TRANS	TRIM	DESCRIPTION
------	-------------	-----	------	--------	------	--------	-------	------	-------------

NOTE:

Sales Codes:

[EX9]=2.7L Turbo Diesel 5 Cyl. Inline Engine - [OM612]

1	05117594AA	1							PUMP, Engine Oil
-2	05080119AA	1							SNAP RING
3	05080123AB	1							O RING
4	05073710AA	3							SCREW
5	05098406AA	1							CHAIN, Pump Drive
6	05086196AA	1							LINK, Chain
7	05080121AB	1							ARM, Tensioner
8	05080120AA	1							SPRING
9	05073871AA	1							DOWEL



**SPRINTER (VA)**

SERIES	LINE	BODY	ENGINE	TRANSMISSION
L = LOWLINE	3 = HD DODGE 2WD 6 = Lt. Duty DODGE 4WD 2 = Med. Duty DODGE 2WD 7 = Med. Duty DODGE 4WD	51 = WAGON WHEEL BASE 1 52 = WAGON WHEEL BASE 2 14 = VAN WHEEL BASE 4 15 = VAN WHEEL BASE 5 16 = VAN WHEEL BASE 6 54 = WAGON WHEEL BASE 4 55 = WAGON WHEEL BASE 5 56 = WAGON WHEEL BASE 6 11 = VAN WHEEL BASE 1 12 = VAN WHEEL BASE 2	EX9 = Engine - 2.7L 5 Cly Mercedes Diesel	DGJ = Transmission-5-Spd. Automatic,W5A580

AR = use ase required - = Non illustrated part

2003 VA

**Oil Cooler and Filter  
Figure 2.7LD-720**

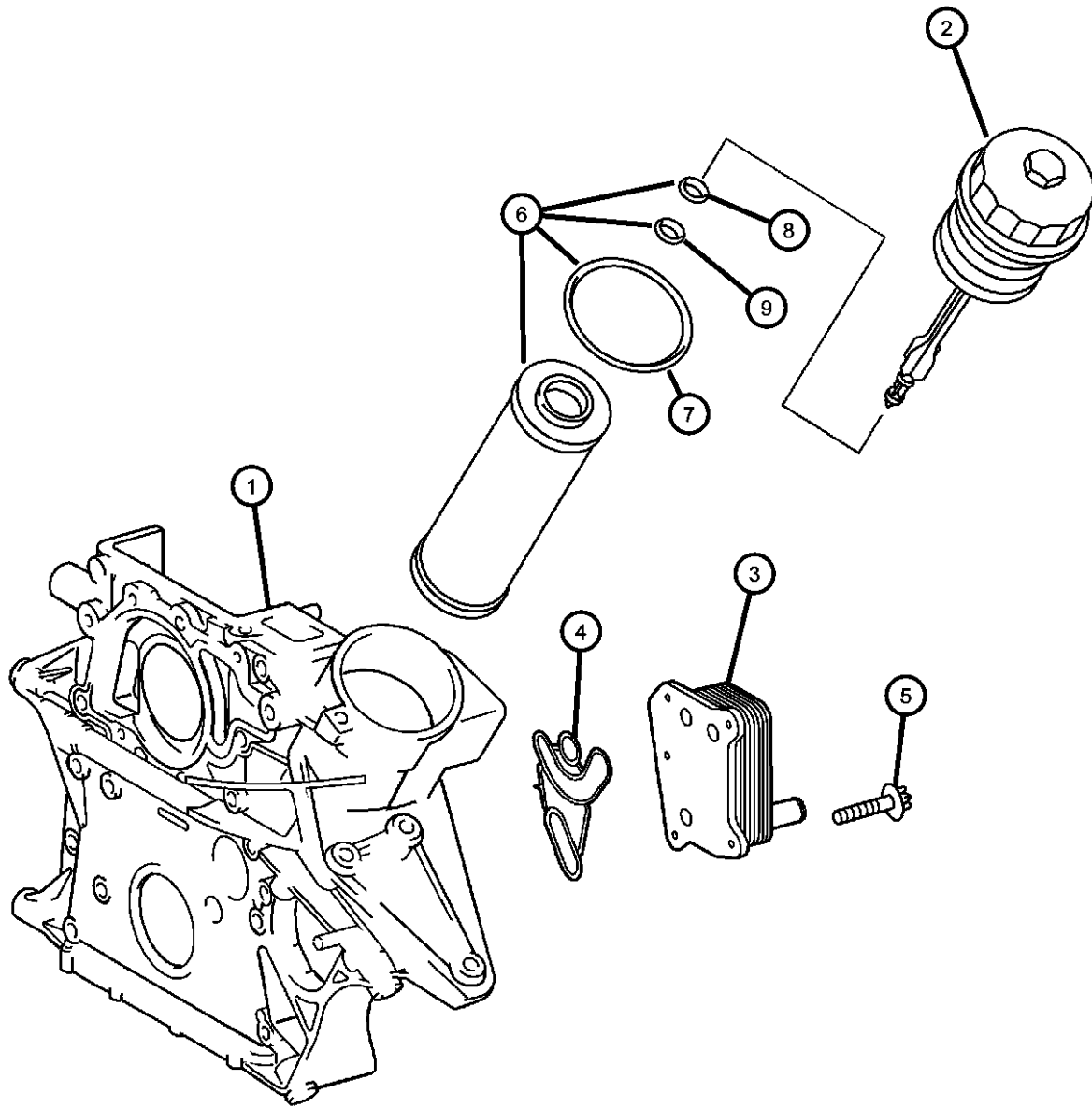
ITEM	PART NUMBER	QTY	LINE	SERIES	BODY	ENGINE	TRANS	TRIM	DESCRIPTION
------	-------------	-----	------	--------	------	--------	-------	------	-------------

NOTE:

Sales Codes:

[EX9]=2.7L Turbo Diesel 5 Cyl. Inline Engine - [OM612]

1	05103969AA	1							COVER, Timing Case
2	05080029AA	1							HEAD, Oil Filter
3	05080402AA	1							COOLER, Oil
4	05080141AA	1							GASKET, Oil Cooler
5	06104681AA	5							SCREW
6	05086301AA	1							FILTER, Engine Oil
7	05080242AA	1							O RING
8	05080245AA	1							O RING
9	05086297AA	1							O RING



**SPRINTER (VA)**

SERIES	LINE	BODY	ENGINE	TRANSMISSION
L = LOWLINE	3 = HD DODGE 2WD 6 = Lt. Duty DODGE 4WD 2 = Med. Duty DODGE 2WD 7 = Med. Duty DODGE 4WD	51 = WAGON WHEEL BASE 1 52 = WAGON WHEEL BASE 2 14 = VAN WHEEL BASE 4 15 = VAN WHEEL BASE 5 16 = VAN WHEEL BASE 6 54 = WAGON WHEEL BASE 4 55 = WAGON WHEEL BASE 5 56 = WAGON WHEEL BASE 6 11 = VAN WHEEL BASE 1 12 = VAN WHEEL BASE 2	EX9 = Engine - 2.7L 5 Cly Mercedes Diesel	DGJ = Transmission-5-Spd. Automatic,W5A580

AR = use ase required - = Non illustrated part

2003 VA



**Oil Pan**  
Figure 2.7LD-730

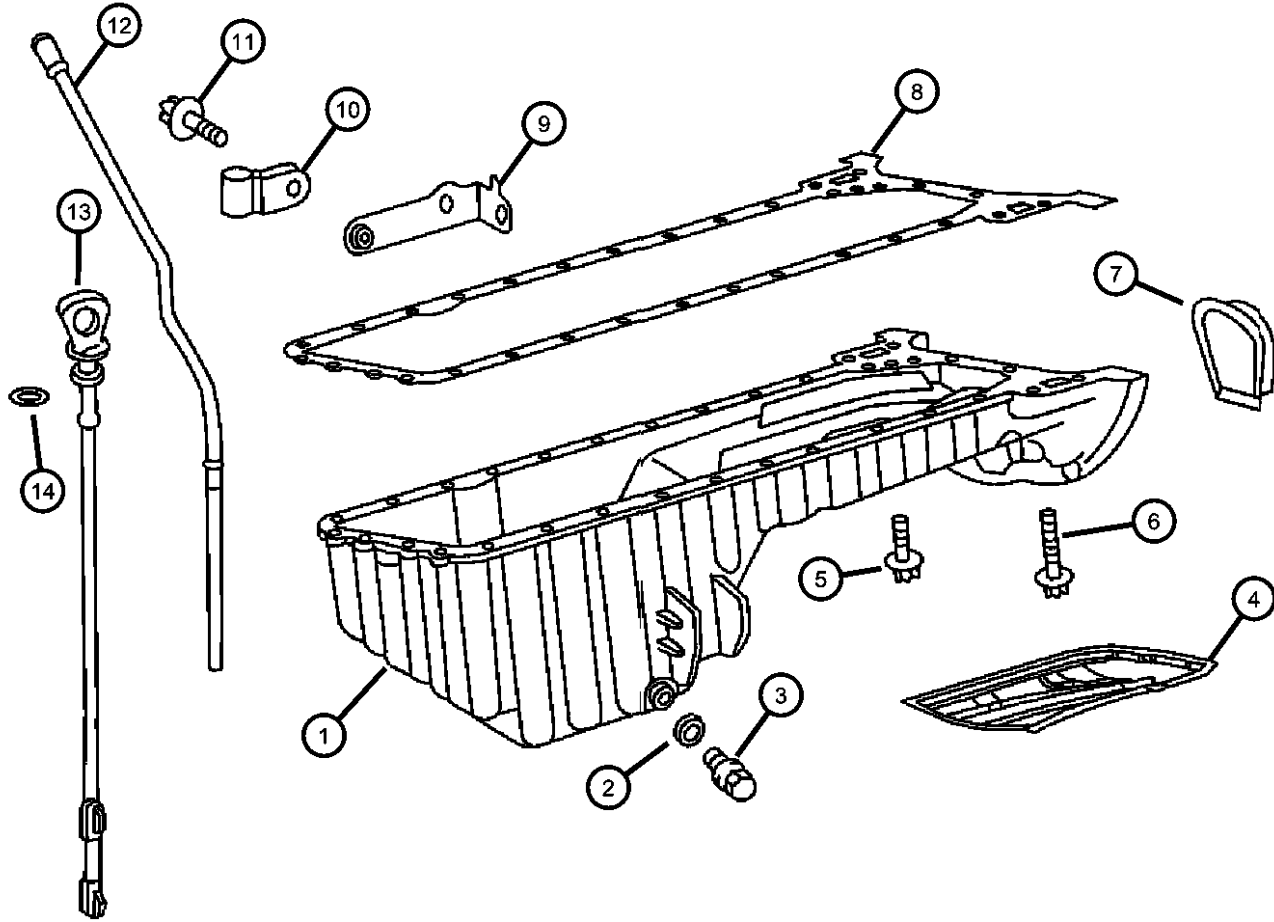
ITEM	PART NUMBER	QTY	LINE	SERIES	BODY	ENGINE	TRANS	TRIM	DESCRIPTION
------	-------------	-----	------	--------	------	--------	-------	------	-------------

NOTE:

Sales Codes:

[EX9]=2.7L Turbo Diesel 5 Cyl. Inline Engine - [OM612]

1	05117152AA	1							PAN, Oil
2	05073946AA	1							GASKET, Drain Plug
3	05073945AA	1							PLUG, Oil Drain
4	05117250AA	1							PAN, OilWindage Tray
5									BOLT, M6x20
	05073692AA	1							[M6x85]
	05126198AA	4	2, 6						[M6x20]
		4	3, 7						[M6x20]
6									BOLT
	06104006AA	18							[M6x20]
	06104029AA	2							
7	05103911AA	1							COVER
8	05080064AA	1							GASKET, Oil Pan
9	05117307AA	1							BRACKET
10	05125875AA	1							CLIP
11	05135828AA	1							SCREW
12	05117300AA	1							TUBE, Engine Oil Indicator
13	05103962AA	1							INDICATOR, Engine Oil Level
14	05073943AA	1							O RING, Engine Oil Level Tube
-15	05073692AA	1							SCREW



**SPRINTER (VA)**

SERIES

L = LOWLINE

LINE

3 = HD DODGE 2WD  
6 = Lt. Duty DODGE 4WD  
2 = Med. Duty DODGE 2WD  
7 = Med. Duty DODGE 4WD

BODY

51 = WAGON WHEEL BASE 1  
52 = WAGON WHEEL BASE 2  
14 = VAN WHEEL BASE 4  
15 = VAN WHEEL BASE 5  
16 = VAN WHEEL BASE 6  
54 = WAGON WHEEL BASE 4  
55 = WAGON WHEEL BASE 5  
56 = WAGON WHEEL BASE 6  
11 = VAN WHEEL BASE 1  
12 = VAN WHEEL BASE 2

ENGINE

EX9 = Engine - 2.7L 5 Cyl  
Mercedes Diesel

TRANSMISSION

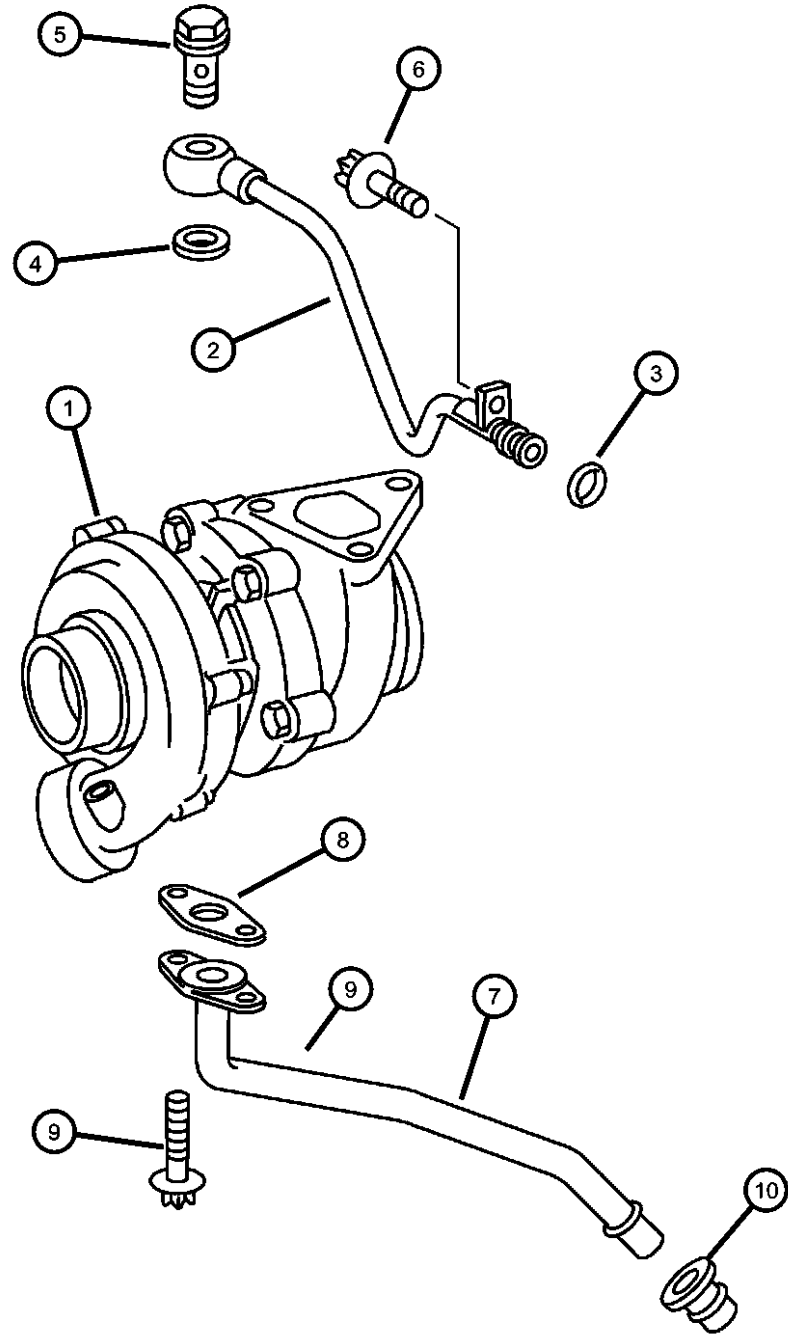
DGJ = Transmission-5-Spd.  
Automatic,W5A580

AR = use ase required - = Non illustrated part

2003 VA

**Turbo Oil Feed and Return Lines**  
**Figure 2.7LD-740**

ITEM	PART NUMBER	QTY	LINE	SERIES	BODY	ENGINE	TRANS	TRIM	DESCRIPTION
------	-------------	-----	------	--------	------	--------	-------	------	-------------



**NOTE:**

Sales Codes:

[EX9]=2.7L Turbo Diesel 5 Cyl. Inline Engine - [OM612]

1	05104006AA	1							TURBOCHARGER
2	05103984AA	1							TUBE, Turbo Oil Feed
3	05080135AA	1							O RING
4	05080136AB	2							O RING
5	05080137AA	1							SCREW
6	06104005AA	1							SCREW
7	05103983AA	1							TUBE, Turbo Oil Return
8	05117624AA	1							GASKET, Turbo Oil Return Pipe
9	06104005AA	2							SCREW
10	05080140AB	1							GASKET, Turbo Oil Return Pipe

**SPRINTER (VA)**

**SERIES**

L = LOWLINE

**LINE**

3 = HD DODGE 2WD  
 6 = Lt. Duty DODGE 4WD  
 2 = Med. Duty DODGE 2WD  
 7 = Med. Duty DODGE 4WD

**BODY**

51 = WAGON WHEEL BASE 1  
 52 = WAGON WHEEL BASE 2  
 14 = VAN WHEEL BASE 4  
 15 = VAN WHEEL BASE 5  
 16 = VAN WHEEL BASE 6  
 54 = WAGON WHEEL BASE 4  
 55 = WAGON WHEEL BASE 5  
 56 = WAGON WHEEL BASE 6  
 11 = VAN WHEEL BASE 1  
 12 = VAN WHEEL BASE 2

**ENGINE**

EX9 = Engine - 2.7L 5 Cly  
 Mercedes Diesel

**TRANSMISSION**

DGJ = Transmission-5-Spd.  
 Automatic,W5A580

AR = use ase required - = Non illustrated part

2003 VA

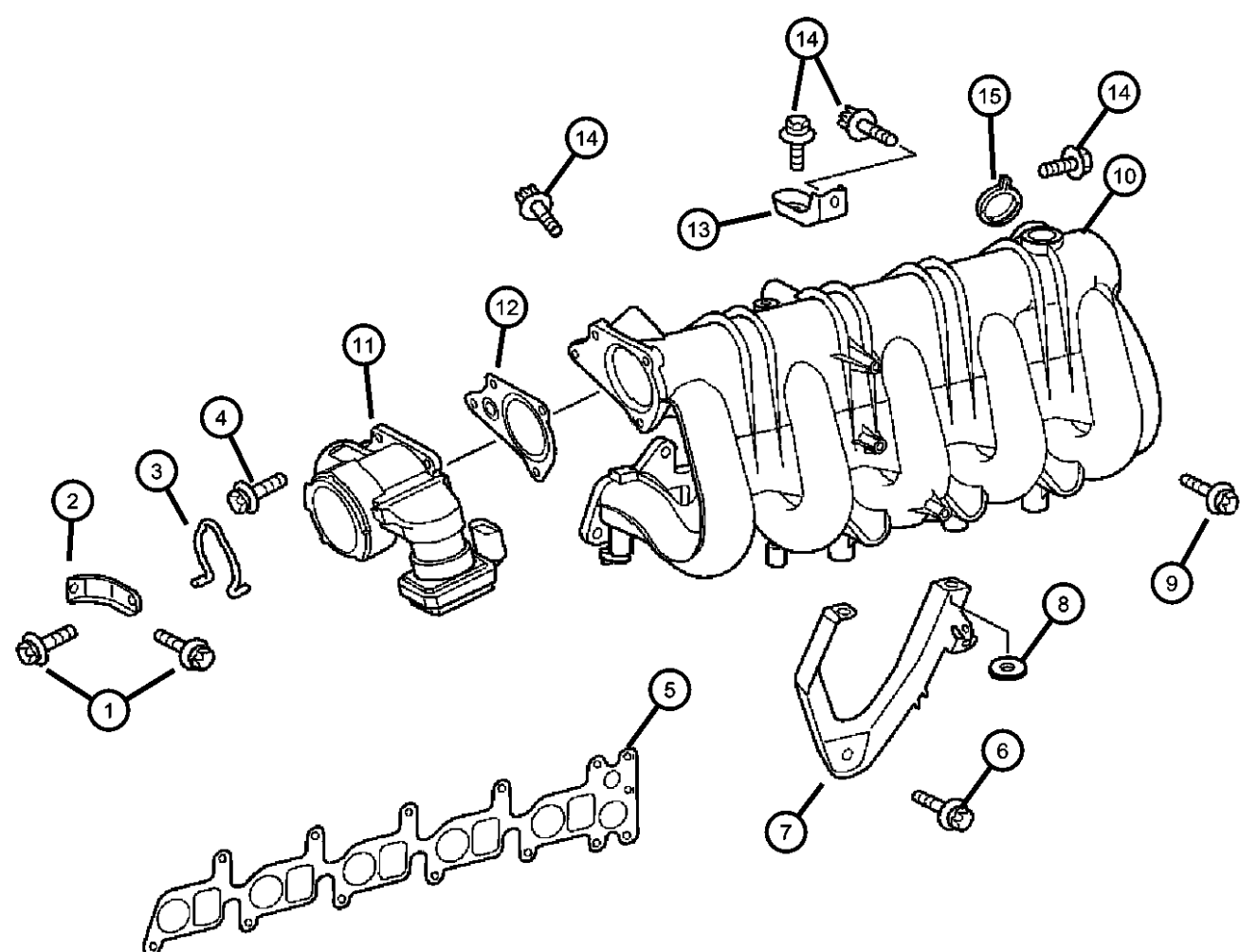
**Intake Manifold  
Figure 2.7LD-810**

ITEM	PART NUMBER	QTY	LINE	SERIES	BODY	ENGINE	TRANS	TRIM	DESCRIPTION
------	-------------	-----	------	--------	------	--------	-------	------	-------------

NOTE:

Sales Codes:

[EX9]=2.7L Turbo Diesel 5 Cyl. Inline Engine - [OM612]



1	06104682AA	2							SCREW, SCREW
2	05117508AA	1							BRACKET, Throttle Body Support
3	05080427AA	1							SPRING
4	06104006AA	6							BOLT
5	05080324AA	1							GASKET, Intake Manifold
6	06104022AA	1							SCREW
7	05117509AA	1							BRACKET, Intake Manifold
8									WASHER, Flat
	05098108AA	1	3, 7						
		1	2, 6						
9	05073903AA	12							SCREW
10	05135874AA	1							MANIFOLD, Intake
11	05104008AA	1							VALVE, Mixing Chamber, Includes EGR Valve
12	05104007AA	1							GASKET, Throttle Body
13	05117508AA	1							BRACKET, Throttle Body Support
14									SCREW
	06104005AA	2	2, 6						
		2	3, 7						
15		2							CLAMP, (NOT SERVICED)

**SPRINTER (VA)**

SERIES

L = LOWLINE

LINE

3 = HD DODGE 2WD  
6 = Lt. Duty DODGE 4WD  
2 = Med. Duty DODGE 2WD  
7 = Med. Duty DODGE 4WD

BODY

51 = WAGON WHEEL BASE 1 EX9 = Engine - 2.7L 5 Cly  
52 = WAGON WHEEL BASE 2 Mercedes Diesel  
14 = VAN WHEEL BASE 4  
15 = VAN WHEEL BASE 5  
16 = VAN WHEEL BASE 6  
54 = WAGON WHEEL BASE 4  
55 = WAGON WHEEL BASE 5  
56 = WAGON WHEEL BASE 6  
11 = VAN WHEEL BASE 1  
12 = VAN WHEEL BASE 2

ENGINE

TRANSMISSION

DGJ = Transmission-5-Spd. Automatic,W5A580

AR = use ase required - = Non illustrated part

2003 VA

**Exhaust Manifold  
Figure 2.7LD-820**

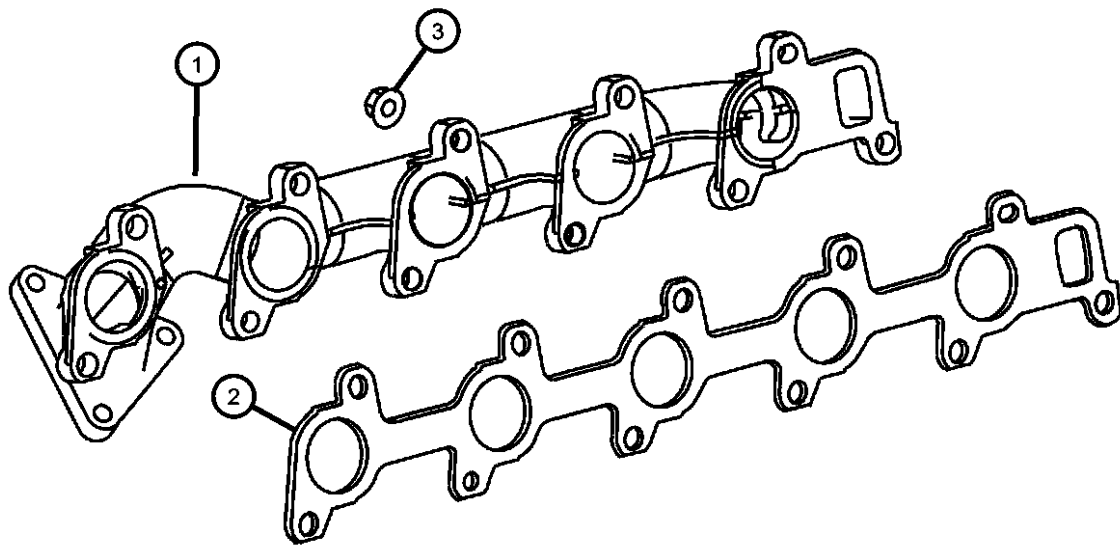
ITEM	PART NUMBER	QTY	LINE	SERIES	BODY	ENGINE	TRANS	TRIM	DESCRIPTION
------	-------------	-----	------	--------	------	--------	-------	------	-------------

NOTE:

Sales Codes:

[EX9]=2.7L Turbo Diesel 5 Cyl. Inline Engine - [OM612]

1	05117523AA	1							MANIFOLD, Exhaust
2	05117528AA	1							GASKET, Exhaust Manifold
3	06104729AA	11							NUT



**SPRINTER (VA)**

SERIES	LINE	BODY	ENGINE	TRANSMISSION
L = LOWLINE	3 = HD DODGE 2WD	51 = WAGON WHEEL BASE 1	EX9 = Engine - 2.7L 5 Cly	DGJ = Transmission-5-Spd.
	6 = Lt. Duty DODGE 4WD	52 = WAGON WHEEL BASE 2	Mercedes Diesel	Automatic,W5A580
	2 = Med. Duty DODGE 2WD	14 = VAN WHEEL BASE 4		
	7 = Med. Duty DODGE 4WD	15 = VAN WHEEL BASE 5		
		16 = VAN WHEEL BASE 6		
		54 = WAGON WHEEL BASE 4		
		55 = WAGON WHEEL BASE 5		
		56 = WAGON WHEEL BASE 6		
		11 = VAN WHEEL BASE 1		
		12 = VAN WHEEL BASE 2		

AR = use ase required - = Non illustrated part

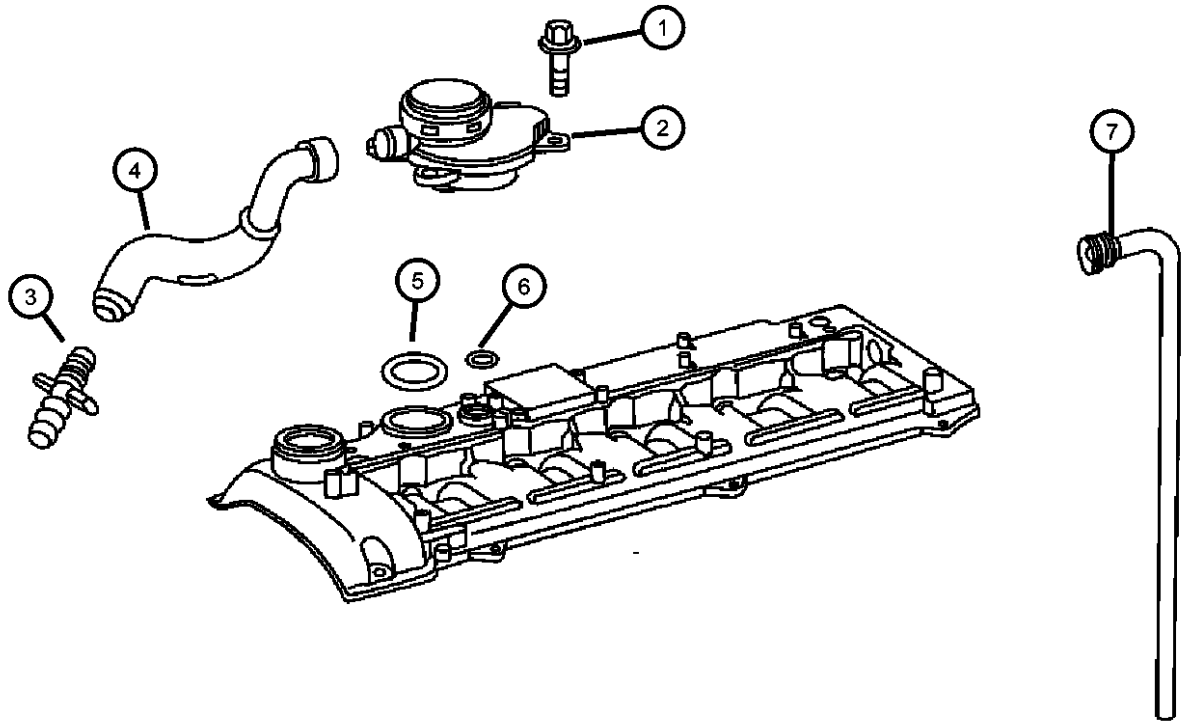
2003 VA

**Crankcase Ventilation  
Figure 2.7LD-910**

ITEM	PART NUMBER	QTY	LINE	SERIES	BODY	ENGINE	TRANS	TRIM	DESCRIPTION
------	-------------	-----	------	--------	------	--------	-------	------	-------------

NOTE:  
Sales Codes:  
[EX9]=2.7L Turbo Diesel 5 Cyl. Inline Engine - [OM612]

1	06104682AA	4							SCREW, SCREW
2	05103970AA	1							SEPERATOR, Oil
3	05080183AA	1							TUBE, Crankcase Vent Valve
4	05117234AA	1							HOSE, Air Induction
5	05080114AA	1							O RING
6	05080112AA	1							O RING
7	05117291AA	1							HOSE



SPRINTER (VA)		BODY	ENGINE	TRANSMISSION
SERIES	LINE			
L = LOWLINE	3 = HD DODGE 2WD 6 = Lt. Duty DODGE 4WD 2 = Med. Duty DODGE 2WD 7 = Med. Duty DODGE 4WD	51 = WAGON WHEEL BASE 1 52 = WAGON WHEEL BASE 2 14 = VAN WHEEL BASE 4 15 = VAN WHEEL BASE 5 16 = VAN WHEEL BASE 6 54 = WAGON WHEEL BASE 4 55 = WAGON WHEEL BASE 5 56 = WAGON WHEEL BASE 6 11 = VAN WHEEL BASE 1 12 = VAN WHEEL BASE 2	EX9 = Engine - 2.7L 5 Cly Mercedes Diesel	DGJ = Transmission-5-Spd. Automatic,W5A580

AR = use ase required - = Non illustrated part

# Group - 11

## Exhaust

### Group - 11 Exhaust

Illustration Title

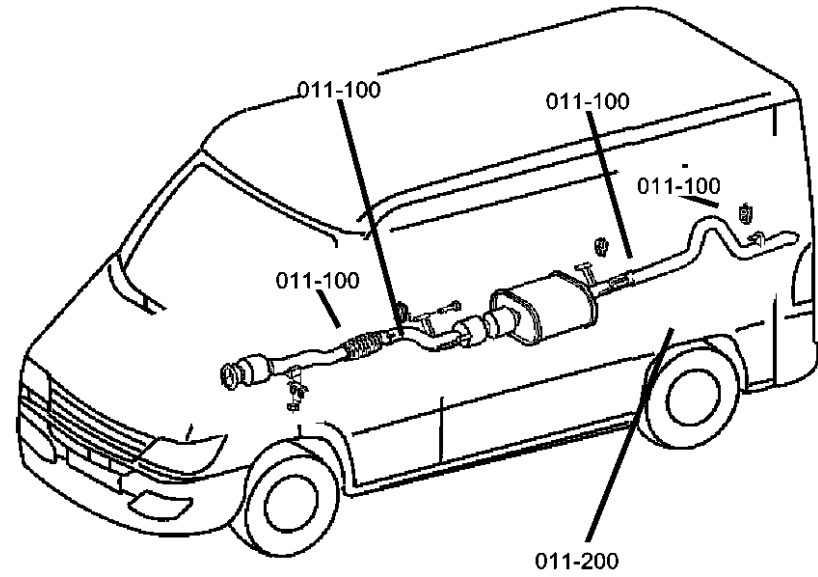
Group-Fig. No.

#### Exhaust System

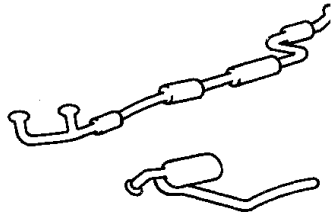
Exhaust System ..... Fig. 11 - 110

#### Heat Shields

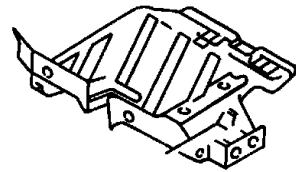
Heat Shields Exhaust ..... Fig. 11 - 210



**011-100**  
Exhaust System

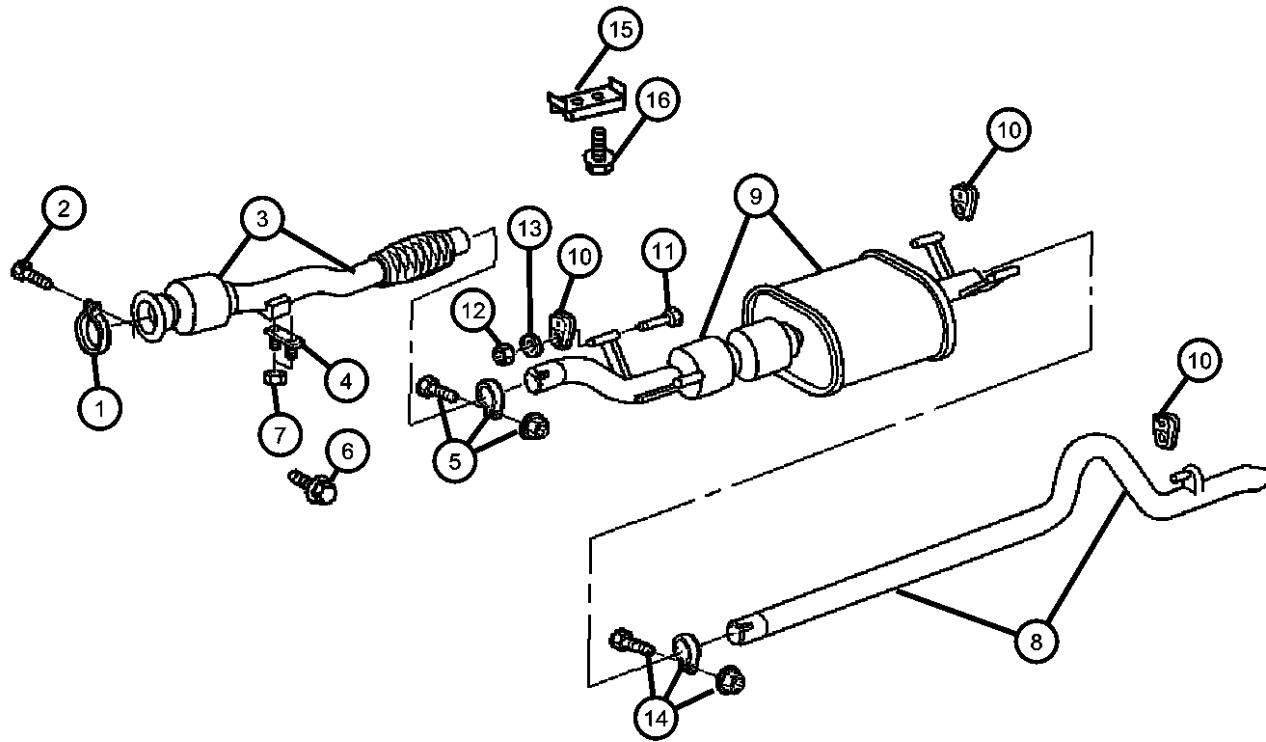


**011-200**  
Heat Shields



**Exhaust System  
Figure 11-110**

ITEM	PART NUMBER	QTY	LINE	SERIES	BODY	ENGINE	TRANS	TRIM	DESCRIPTION
Note; Sales Codes: [EX9] = 2.7L Inline 5 Cylinder Mercedes Turbo Diesel [5AC] = 118 Inch Wheel Base [5AE] = 140 Inch Wheel Base [5AF] = 158 Inch Wheel Base									
1	05119830AA	1	2, 6	L	11, 12, 14, 15, 16				CLAMP, Exhaust
		1	2, 6	L	51, 52, 54, 55, 56				
		1	3, 7	L	12, 15, 16				
2	06104027AA	1	3, 7	L	12, 15, 16				SCREW
		1	2, 6	L	11, 12, 14, 15, 16				
		1	2, 6	L	51, 52, 54, 55, 56				
3	05119758AA	1	2, 6	L	11, 12, 14, 15, 16	EX9			PIPE, Exhaust
		1	2, 6	L	51, 52, 54, 55, 56	EX9			
		1	3, 7	L	12, 15, 16	EX9			
4	05119943AA	1	2, 6	L	11, 12, 14, 15, 16	EX9			BRACKET, Exhaust
		1	2, 6	L	51, 52, 54, 55, 56	EX9			
		1	3, 7	L	12, 15, 16	EX9			
5	05103923AA	1	3, 7	L	12, 15, 16				CLAMP, 60MM, SPRINTER
		1	2, 6	L	11, 12, 14, 15, 16				
		1	2, 6	L	51, 52, 54, 55, 56				
6	05104663AA	2	2, 6	L	11, 12, 14, 15, 16	EX9			SCREW, Bracket Mounting
		2	2, 6	L	51, 52, 54, 55, 56	EX9			

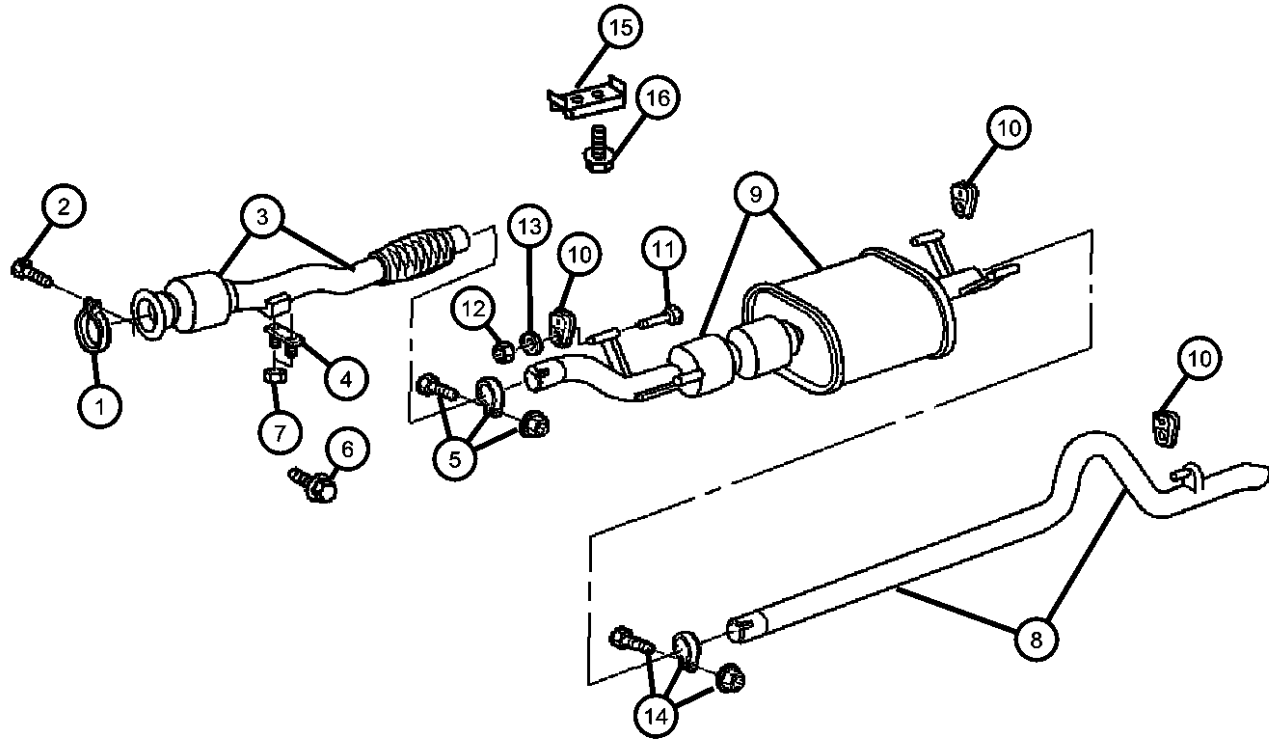


**SPRINTER (VA)**

<b>SERIES</b>	<b>LINE</b>	<b>BODY</b>	<b>ENGINE</b>	<b>TRANSMISSION</b>
L = LOWLINE	3 = HD DODGE 2WD 6 = Lt. Duty DODGE 4WD 2 = Med. Duty DODGE 2WD 7 = Med. Duty DODGE 4WD	51 = WAGON WHEEL BASE 1 52 = WAGON WHEEL BASE 2 14 = VAN WHEEL BASE 4 15 = VAN WHEEL BASE 5 16 = VAN WHEEL BASE 6 54 = WAGON WHEEL BASE 4 55 = WAGON WHEEL BASE 5 56 = WAGON WHEEL BASE 6 11 = VAN WHEEL BASE 1 12 = VAN WHEEL BASE 2	EX9 = Engine - 2.7L 5 Cly Mercedes Diesel	DGJ = Transmission-5-Spd. Automatic, W5A580

AR = use ase required - = Non illustrated part

**Exhaust System  
Figure 11-110**



ITEM	PART NUMBER	QTY	LINE	SERIES	BODY	ENGINE	TRANS	TRIM	DESCRIPTION
7		2	3, 7	L	12, 15, 16	EX9			NUT, Catalytic Converter Mounting
	05101226AA	2	2, 6	L	11, 12, 14, 15, 16				
		2	2, 6	L	51, 52, 54, 55, 56				
8									PIPE, Tail
	05104107AA	1	2, 6	L	12, 15				[5AE]
		1	2, 6	L	52, 55				[5AE]
	05104108AA	1	2, 6	L	16				[5AF]
		1	2, 6	L	56				[5AF]
	05119778AA	1	2, 6	L	11, 14				[5AC]
		1	2, 6	L	51, 54				[5AC]
	05119791AA	1	3, 7	L	12, 15				[5AE]
	05119793AA	1	3, 7	L	16				[5AF]
9	05119762AA	1				EX9			MUFFLER, Exhaust
10									SUSPENSION RING, NONE, SPRINTER
	05104109AA	4	2, 6	L	11, 12, 14, 15, 16				
		4	2, 6	L	51, 52, 54, 55, 56				
		4	3, 7	L	12, 15, 16				
11									SCREW
	05104653AA	1	2, 6	L	11, 12, 14, 15, 16				
		1	2, 6	L	51, 52, 54, 55, 56				
		1	3, 7	L	12, 15, 16				
12									NUT, Hex
	05097683AA	1	2, 6	L	11, 12, 14, 15, 16				
		1	2, 6	L	51, 52, 54, 55, 56				
		1	3, 7	L	12, 15, 16				
13									WASHER

**SPRINTER (VA)**

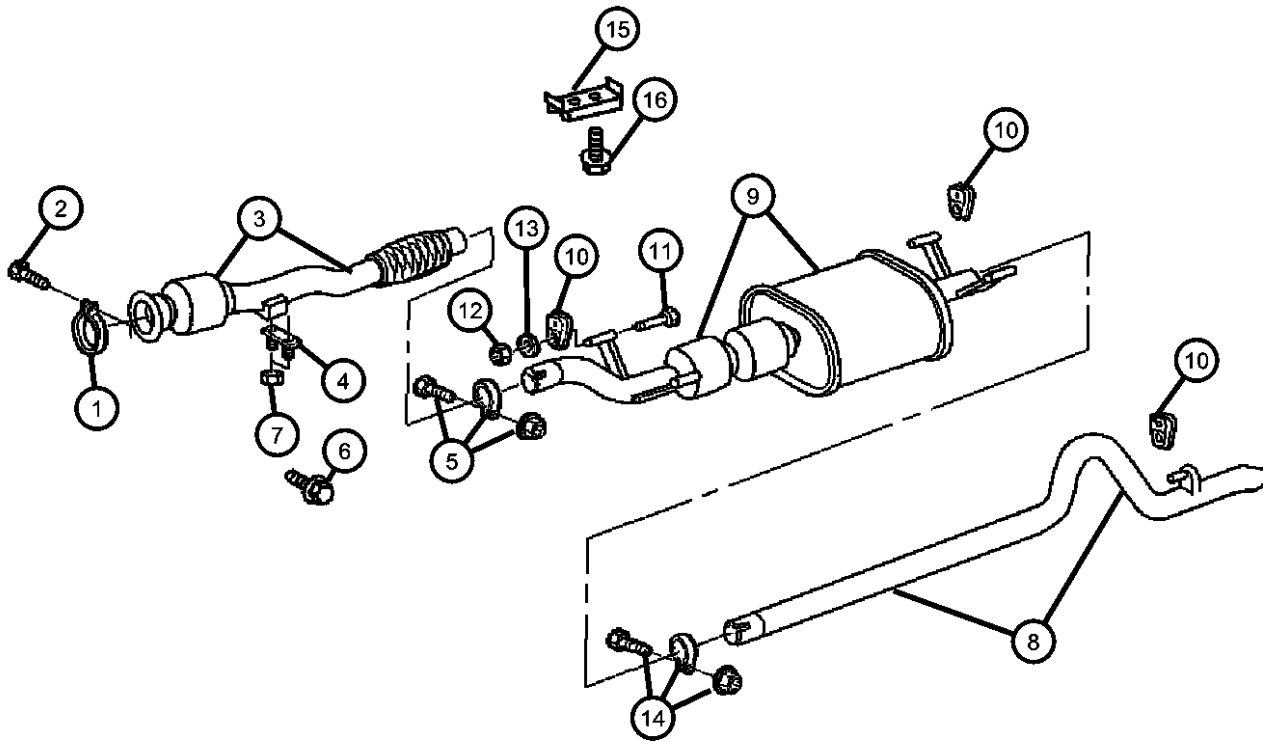
<b>SERIES</b>	<b>LINE</b>	<b>BODY</b>	<b>ENGINE</b>	<b>TRANSMISSION</b>
L = LOWLINE	3 = HD DODGE 2WD 6 = Lt. Duty DODGE 4WD 2 = Med. Duty DODGE 2WD 7 = Med. Duty DODGE 4WD	51 = WAGON WHEEL BASE 1 52 = WAGON WHEEL BASE 2 14 = VAN WHEEL BASE 4 15 = VAN WHEEL BASE 5 16 = VAN WHEEL BASE 6 54 = WAGON WHEEL BASE 4 55 = WAGON WHEEL BASE 5 56 = WAGON WHEEL BASE 6 11 = VAN WHEEL BASE 1 12 = VAN WHEEL BASE 2	EX9 = Engine - 2.7L 5 Cyl Mercedes Diesel	DGJ = Transmission-5-Spd. Automatic, W5A580

AR = use ase required - = Non illustrated part



**Exhaust System  
Figure 11-110**

ITEM	PART NUMBER	QTY	LINE	SERIES	BODY	ENGINE	TRANS	TRIM	DESCRIPTION
	05133908AA	1	2, 6	L	11, 12, 14, 15, 16				
		1	2, 6	L	51, 52, 54, 55, 56				
		1	3, 7	L	12, 15, 16				
14									CLAMP, Exhaust
	05127230AA	1	2, 6	L	11, 12, 14, 15, 16				
		1	2, 6	L	51, 52, 54, 55, 56				
		1	3, 7	L	12, 15, 16				
15									BRACKET, Exhaust
	05119807AA	1	2, 6	L	11, 12, 14, 15, 16				
		1	2, 6	L	51, 52, 54, 55, 56				
	05119931AA	1	3, 7	L	12, 15, 16				Rear Pipe to Frame BOLT
16									
	05104655AA	1	2, 6	L	11, 12, 14, 15, 16				
		1	2, 6	L	51, 52, 54, 55, 56				
		1	3, 7	L	12, 15, 16				



**SPRINTER (VA)**

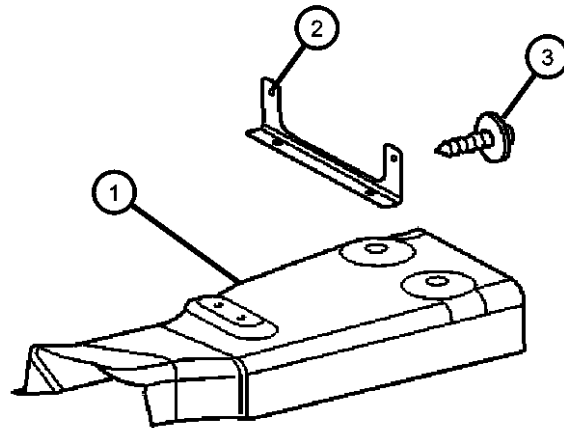
<b>SERIES</b>	<b>LINE</b>	<b>BODY</b>	<b>ENGINE</b>	<b>TRANSMISSION</b>
L = LOWLINE	3 = HD DODGE 2WD 6 = Lt. Duty DODGE 4WD 2 = Med. Duty DODGE 2WD 7 = Med. Duty DODGE 4WD	51 = WAGON WHEEL BASE 1 52 = WAGON WHEEL BASE 2 14 = VAN WHEEL BASE 4 15 = VAN WHEEL BASE 5 16 = VAN WHEEL BASE 6 54 = WAGON WHEEL BASE 4 55 = WAGON WHEEL BASE 5 56 = WAGON WHEEL BASE 6 11 = VAN WHEEL BASE 1 12 = VAN WHEEL BASE 2	EX9 = Engine - 2.7L 5 Cly Mercedes Diesel	DGJ = Transmission-5-Spd. Automatic,W5A580

AR = use ase required - = Non illustrated part

**Heat Shields Exhaust  
Figure 11-210**

ITEM	PART NUMBER	QTY	LINE	SERIES	BODY	ENGINE	TRANS	TRIM	DESCRIPTION
------	-------------	-----	------	--------	------	--------	-------	------	-------------

Sales Codes:EX9=ENGINE-2.7L I5 MERCEDES TURBO  
DGJ=TRANSMISSION - 5-SPD AUTO



1									SHIELD, Heat
	05119859AA	1	2, 6	L	11, 12, 14, 15, 16				
		1	2, 6	L	51, 52, 54, 55, 56				
		1	3, 7	L	12, 15, 16				
2									BRACKET, Exhaust
	05119848AA	1	2, 6	L	11, 12, 14, 15, 16				
		1	2, 6	L	51, 52, 54, 55, 56				
		1	3, 7	L	12, 15, 16				
3									SCREW, Exhaust Bracket Mounting, Shield Mounting
	05125748AA	4	2, 6	L	11, 12, 14, 15, 16				
		4	2, 6	L	51, 52, 54, 55, 56				
		4	3, 7	L	12, 15, 16				

**SPRINTER (VA)**

SERIES	LINE	BODY	ENGINE	TRANSMISSION
L = LOWLINE	3 = HD DODGE 2WD	51 = WAGON WHEEL BASE 1	EX9 = Engine - 2.7L 5 Cly	DGJ = Transmission-5-Spd.
	6 = Lt. Duty DODGE 4WD	52 = WAGON WHEEL BASE 2	Mercedes Diesel	Automatic,W5A580
	2 = Med. Duty DODGE 2WD	14 = VAN WHEEL BASE 4		
	7 = Med. Duty DODGE 4WD	15 = VAN WHEEL BASE 5		
		16 = VAN WHEEL BASE 6		
		54 = WAGON WHEEL BASE 4		
		55 = WAGON WHEEL BASE 5		
		56 = WAGON WHEEL BASE 6		
		11 = VAN WHEEL BASE 1		
		12 = VAN WHEEL BASE 2		

AR = use ase required - = Non illustrated part

# Group - 13

## Frames and Bumpers

### Group - 13 Frames and Bumpers

Illustration Title

Group-Fig. No.

#### Frames

Front Frame Rails .....	Fig. 13 - 105
Side Frame Rails and Crossmembers 2500 .....	Fig. 13 - 110
Side Frame Rails and Crossmembers 3500 .....	Fig. 13 - 120
Brackets, Frame To Body Supports.....	Fig. 13 - 130

#### Front Bumper and Fascia

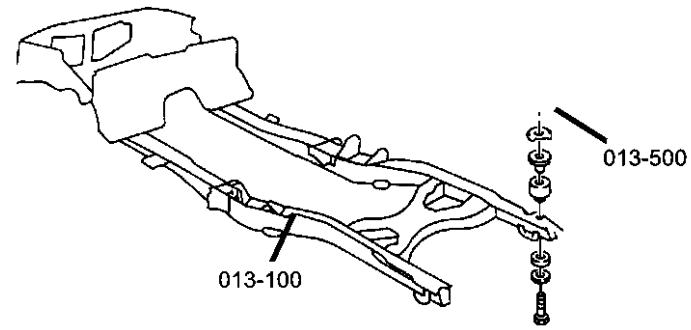
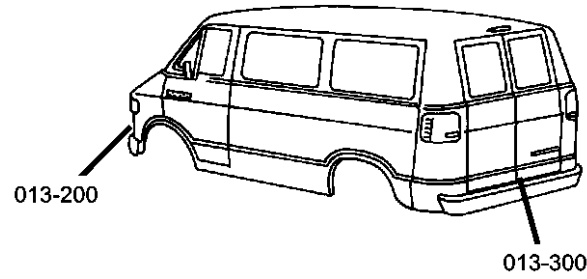
Bumper, Front .....	Fig. 13 - 230
---------------------	---------------

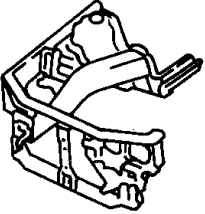
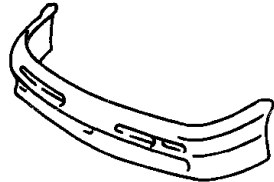

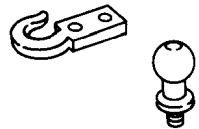
#### Rear Bumper and Fascia

Bumper, Rear.....	Fig. 13 - 320
-------------------	---------------

#### Trailer Tow

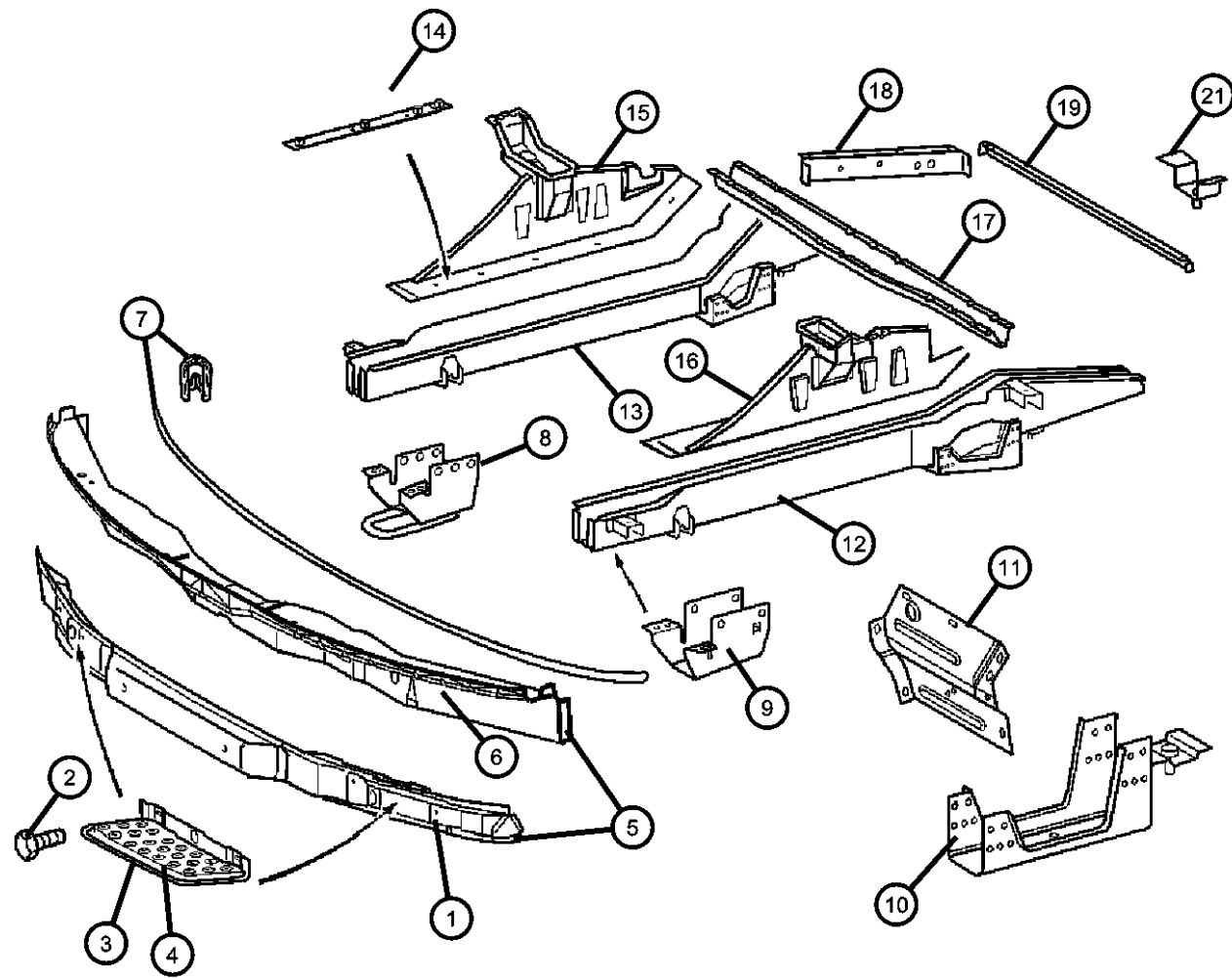
Rear Hitch .....	Fig. 13 - 610
Trailer Tow .....	Fig. 13 - 620



<p><b>013-100</b> Frames</p> 	<p><b>013-200</b> Front Bumper and Fascia</p> 	<p><b>013-300</b> Rear Bumper and Fascia</p> 	<p><b>013-600</b> Trailer Tow</p> 
--	---	---	---

Front Frame Rails  
Figure 13-105

ITEM	PART NUMBER	QTY	LINE	SERIES	BODY	ENGINE	TRANS	TRIM	DESCRIPTION
1	05133848AA	1	2, 6	L	11, 12, 14, 15, 16				COVER, Crossmember
		1	2, 6	L	51, 52, 54, 55, 56				
		1	3, 7	L	12, 15, 16				
2	05073723AB	4	3, 7	L	12, 15, 16				SCREW
		4	2, 6	L	11, 12, 14, 15, 16				
		4	2, 6	L	51, 52, 54, 55, 56				
3	05104137AA	1	3, 7	L	12, 15, 16				STEP, Right Side
		1	2, 6	L	11, 12, 14, 15, 16				
4	05104136AA	1	3, 7	L	12, 15, 16				STEP, Left Side
		1	2, 6	L	11, 12, 14, 15, 16				Right & Left
		1	2, 6	L	51, 52, 54, 55, 56				Right & Left
5	05104054AA	1	3, 7	L	12, 15, 16				REINFORCEMENT, Front Bumper
		1	2, 6	L	11, 12, 14, 15, 16				
		1	2, 6	L	51, 52, 54, 55, 56				
6	05104054AA	1	3, 7	L	12, 15, 16				REINFORCEMENT, Front Bumper
		1	2, 6	L	11, 12, 14, 15, 16				
		1	2, 6	L	51, 52, 54, 55, 56				
7	05123544AA	1	3, 7	L	12, 15, 16				EDGE GUARD SECTION, NONE, SPRINTER
		1	2, 6	L	11, 12, 14, 15, 16				

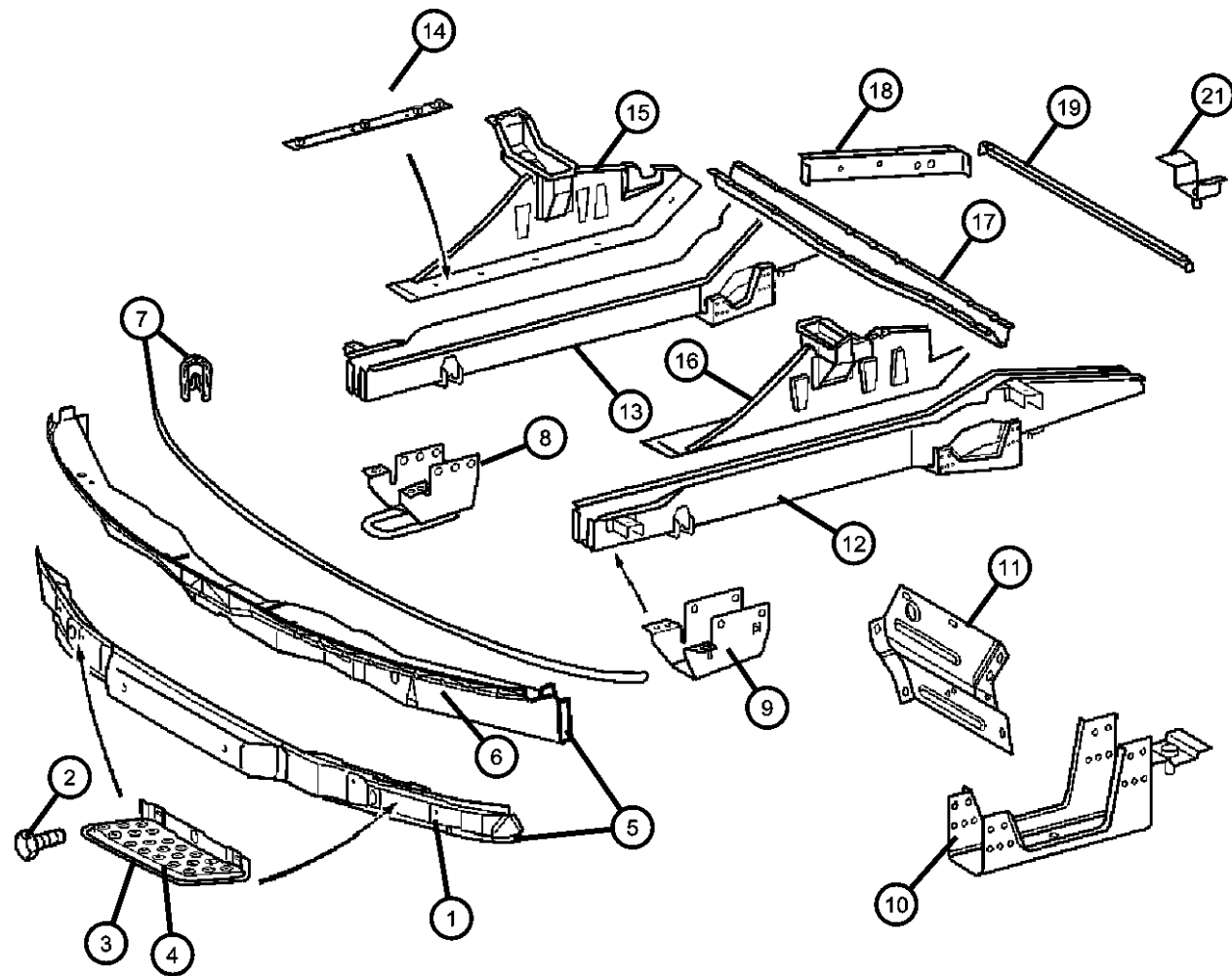


SPRINTER (VA)

SERIES	LINE	BODY	ENGINE	TRANSMISSION
L = LOWLINE	3 = HD DODGE 2WD 6 = Lt. Duty DODGE 4WD 2 = Med. Duty DODGE 2WD 7 = Med. Duty DODGE 4WD	51 = WAGON WHEEL BASE 1 52 = WAGON WHEEL BASE 2 14 = VAN WHEEL BASE 4 15 = VAN WHEEL BASE 5 16 = VAN WHEEL BASE 6 54 = WAGON WHEEL BASE 4 55 = WAGON WHEEL BASE 5 56 = WAGON WHEEL BASE 6 11 = VAN WHEEL BASE 1 12 = VAN WHEEL BASE 2	EX9 = Engine - 2.7L 5 Cyl Mercedes Diesel	DGJ = Transmission-5-Spd. Automatic, W5A580

AR = use ase required - = Non illustrated part

Front Frame Rails  
Figure 13-105



ITEM	PART NUMBER	QTY	LINE	SERIES	BODY	ENGINE	TRANS	TRIM	DESCRIPTION
8		1	2, 6	L	51, 52, 54, 55, 56				TOW HOOK, AT RIGHT SIDE MEMBER, SPRINTER
	05104053AA	1	2, 6	L	51, 52, 54, 55, 56				
		1	3, 7	L	12, 15, 16				
		1	2, 6	L	11, 12, 14, 15, 16				
9									BRACKET, Frame Rail
	05118517AA	1	3, 7	L	12, 15, 16				
		1	2, 6	L	11, 12, 14, 15, 16				
		1	2, 6	L	51, 52, 54, 55, 56				
10									REINFORCEMENT, Front Side Rail
	05104033AA	1	3, 7	L	12, 15, 16				Right
		1	2, 6	L	11, 12, 14, 15, 16				Right
		1	2, 6	L	51, 52, 54, 55, 56				Right
	05117693AA	1	2, 6	L	11, 12, 14, 15, 16				Left
		1	2, 6	L	51, 52, 54, 55, 56				Left
		1	3, 7	L	12, 15, 16				Left
11									REINFORCEMENT, Front Side Rail
	05118588AA	1	2, 6	L	11, 12, 14, 15, 16				
		1	2, 6	L	51, 52, 54, 55, 56				
		1	3, 7	L	12, 15, 16				
12									SIDE MEMBER, LEFT, SPRINTER
	05104055AA	1	3, 7	L	12, 15, 16				
		1	2, 6	L	11, 12, 14, 15, 16				
		1	2, 6	L	51, 52, 54, 55, 56				

SPRINTER (VA)

SERIES

L = LOWLINE  
 3 = HD DODGE 2WD  
 6 = Lt. Duty DODGE 4WD  
 2 = Med. Duty DODGE 2WD  
 7 = Med. Duty DODGE 4WD

LINE

BODY

51 = WAGON WHEEL BASE 1  
 52 = WAGON WHEEL BASE 2  
 14 = VAN WHEEL BASE 4  
 15 = VAN WHEEL BASE 5  
 16 = VAN WHEEL BASE 6  
 54 = WAGON WHEEL BASE 4  
 55 = WAGON WHEEL BASE 5  
 56 = WAGON WHEEL BASE 6  
 11 = VAN WHEEL BASE 1  
 12 = VAN WHEEL BASE 2

ENGINE

EX9 = Engine - 2.7L 5 Cyl Mercedes Diesel

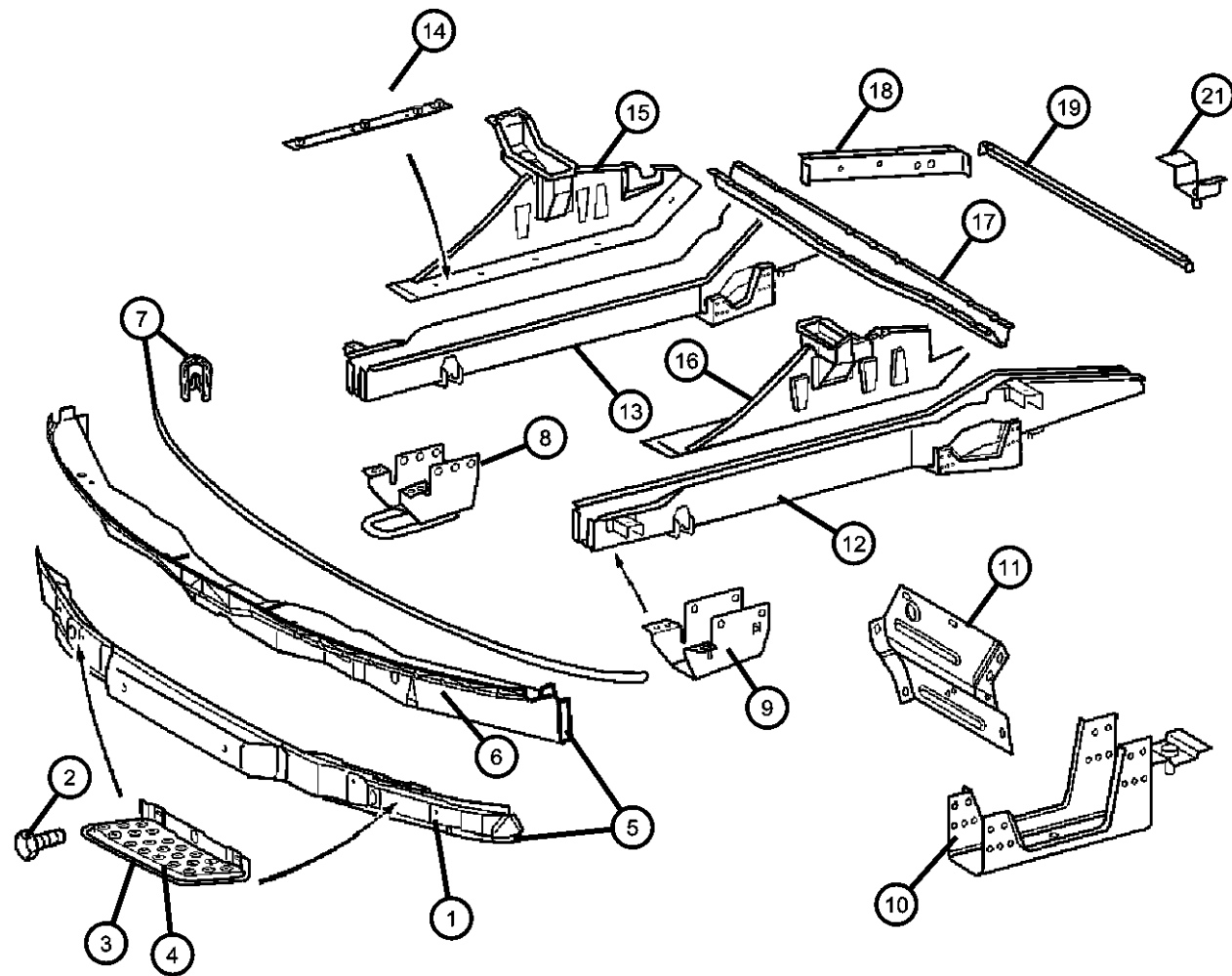
TRANSMISSION

DGJ = Transmission-5-Spd. Automatic, W5A580

AR = use ase required - = Non illustrated part

2003 VA

**Front Frame Rails**  
**Figure 13-105**



ITEM	PART NUMBER	QTY	LINE	SERIES	BODY	ENGINE	TRANS	TRIM	DESCRIPTION
13									SIDE MEMBER, RIGHT, SPRINTER
	05104052AA	1	3, 7	L	12, 15, 16				
		1	2, 6	L	11, 12, 14, 15, 16				
		1	2, 6	L	51, 52, 54, 55, 56				
14									REINFORCEMENT, Rail Front
	05118290AA	2	3, 7	L	12, 15, 16				
		2	2, 6	L	11, 12, 14, 15, 16				
		2	2, 6	L	51, 52, 54, 55, 56				
15									SUPPORT, Under Body Hold Down Right
	05118252AA	1	2, 6	L	11, 12, 14, 15, 16				
		1	2, 6	L	51, 52, 54, 55, 56				Right
		1	3, 7	L	12, 15, 16				Right
16									SUPPORT, Under Body Hold Down Left
	05104049AA	1	3, 7	L	12, 15, 16				
		1	2, 6	L	11, 12, 14, 15, 16				Left
		1	2, 6	L	51, 52, 54, 55, 56				Left
17									CROSSMEMBER, Front Seat Retention
	05118385AA	1	3, 7	L	12, 15, 16				
		1	2, 6	L	11, 12, 14, 15, 16				
		1	2, 6	L	51, 52, 54, 55, 56				
18									REINFORCEMENT, Wheelhouse
	05118015AA	2	3, 7	L	12, 15, 16				
		2	2, 6	L	11, 12, 14, 15, 16				
		2	2, 6	L	51, 52, 54, 55, 56				
19									CROSSMEMBER, Front Floor

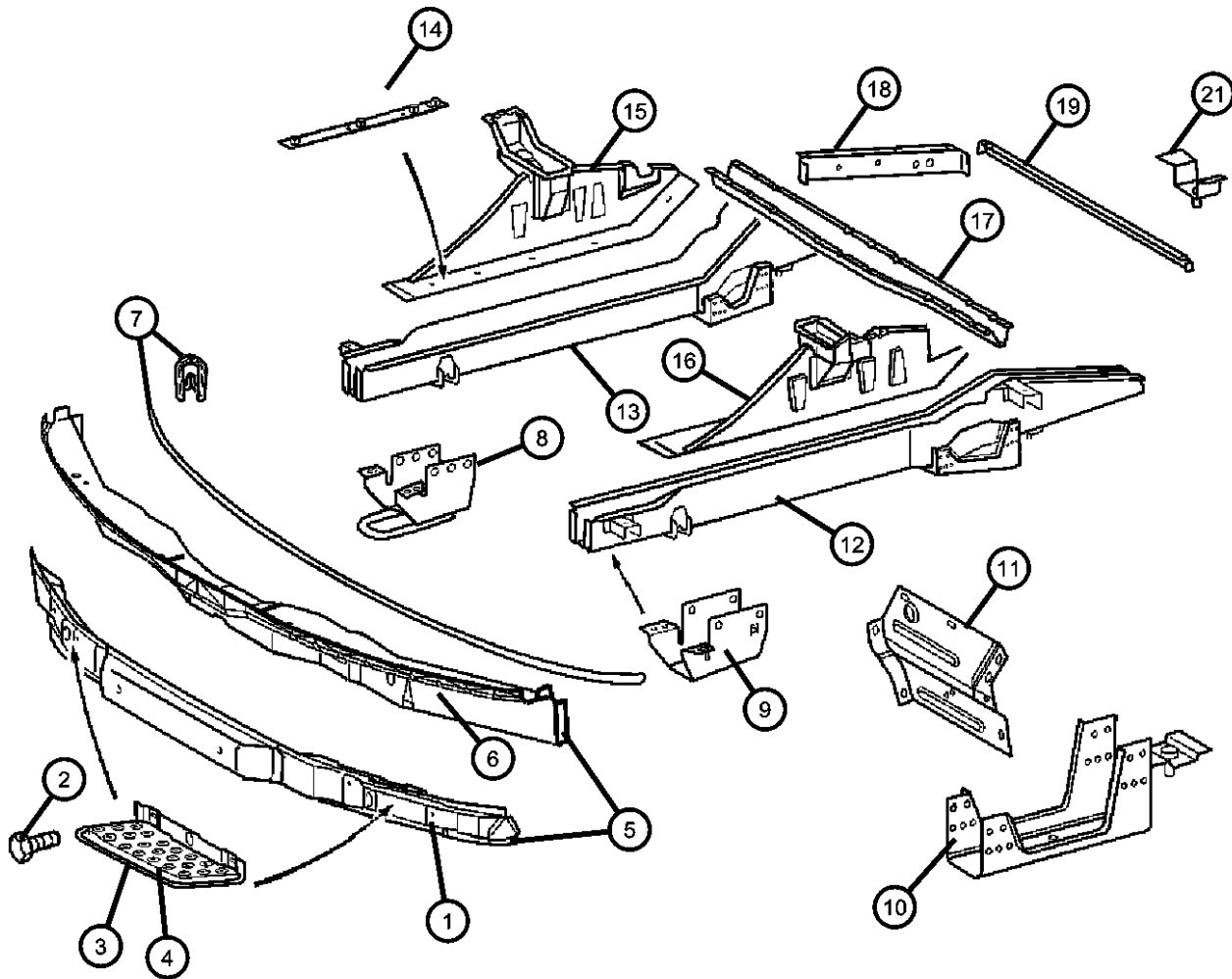
**SPRINTER (VA)**

<b>SERIES</b>	<b>LINE</b>	<b>BODY</b>	<b>ENGINE</b>	<b>TRANSMISSION</b>
L = LOWLINE	3 = HD DODGE 2WD 6 = Lt. Duty DODGE 4WD 2 = Med. Duty DODGE 2WD 7 = Med. Duty DODGE 4WD	51 = WAGON WHEEL BASE 1 52 = WAGON WHEEL BASE 2 14 = VAN WHEEL BASE 4 15 = VAN WHEEL BASE 5 16 = VAN WHEEL BASE 6 54 = WAGON WHEEL BASE 4 55 = WAGON WHEEL BASE 5 56 = WAGON WHEEL BASE 6 11 = VAN WHEEL BASE 1 12 = VAN WHEEL BASE 2	EX9 = Engine - 2.7L 5 Cly Mercedes Diesel	DGJ = Transmission-5-Spd. Automatic, W5A580

AR = use ase required - = Non illustrated part

**Front Frame Rails  
Figure 13-105**

ITEM	PART NUMBER	QTY	LINE	SERIES	BODY	ENGINE	TRANS	TRIM	DESCRIPTION
	05118091AA	1	3, 7	L	12, 15, 16				
		1	2, 6	L	11, 12, 14, 15, 16				
		1	2, 6	L	51, 52, 54, 55, 56				
-20	05127245AA	1		L					BRACKET, Aux A/C And Heater Line
21	05127241AA	1		L					BRACKET

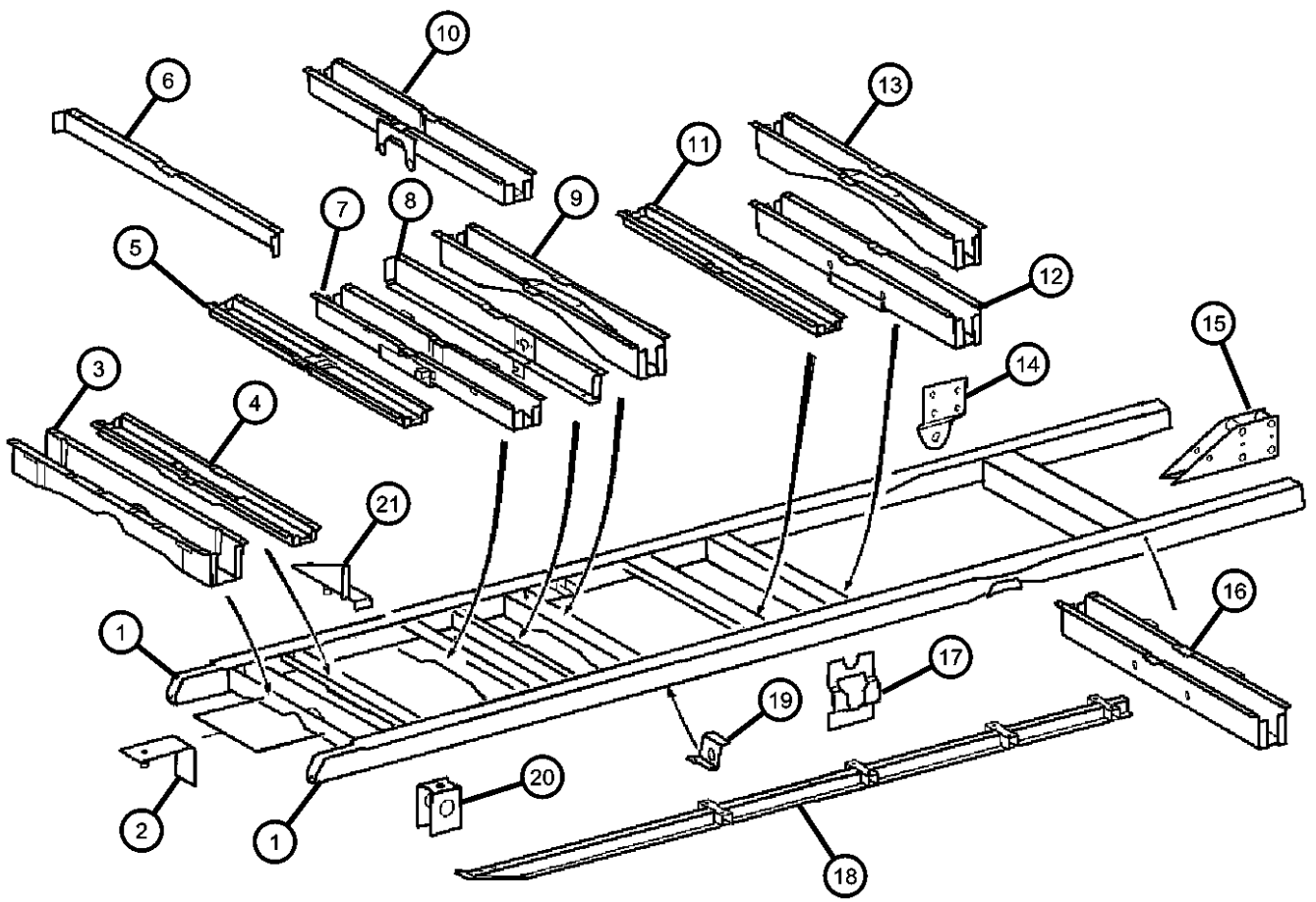


**SPRINTER (VA)**

<b>SERIES</b>	<b>LINE</b>	<b>BODY</b>	<b>ENGINE</b>	<b>TRANSMISSION</b>
L = LOWLINE	3 = HD DODGE 2WD 6 = Lt. Duty DODGE 4WD 2 = Med. Duty DODGE 2WD 7 = Med. Duty DODGE 4WD	51 = WAGON WHEEL BASE 1 52 = WAGON WHEEL BASE 2 14 = VAN WHEEL BASE 4 15 = VAN WHEEL BASE 5 16 = VAN WHEEL BASE 6 54 = WAGON WHEEL BASE 4 55 = WAGON WHEEL BASE 5 56 = WAGON WHEEL BASE 6 11 = VAN WHEEL BASE 1 12 = VAN WHEEL BASE 2	EX9 = Engine - 2.7L 5 Cly Mercedes Diesel	DGJ = Transmission-5-Spd. Automatic,W5A580

AR = use ase required - = Non illustrated part

**Side Frame Rails and Crossmembers 2500**  
**Figure 13-110**



ITEM	PART NUMBER	QTY	LINE	SERIES	BODY	ENGINE	TRANS	TRIM	DESCRIPTION
1	05104554AA	1	2, 6	L	11, 12, 14, 15, 16				RAIL, Frame Side Right
	05104555AA	1	2, 6	L	51, 52, 54, 55, 56				Right
	05104555AA	1	2, 6	L	11, 12, 14, 15, 16				Left
	05104555AA	1	2, 6	L	51, 52, 54, 55, 56				Left
2	05127243AA	1	2, 6	L	11, 12, 14, 15, 16				BRACKET, Frame
	05127243AA	1	2, 6	L	51, 52, 54, 55, 56				
3	05118162AA	1	2, 6	L	11, 12, 14, 15, 16				CROSSMEMBER, Front Frame
	05118162AA	1	2, 6	L	51, 52, 54, 55, 56				
4	05118152AA	1	2, 6	L	11, 12, 14, 15, 16				CROSSMEMBER, Front Frame
	05118152AA	1	2, 6	L	51, 52, 54, 55, 56				
5	05118142AA	1	2, 6	L	51, 52, 54, 55, 56				CROSSMEMBER, Front Frame
6	05118405AA	1	2, 6	L	11, 12, 14, 15, 16				CROSSMEMBER, Front Frame
	05118405AA	1	2, 6	L	51, 52, 54, 55, 56				
7	05118097AA	1	2, 6	L	51, 52, 54, 55, 56				CROSSMEMBER, Front Frame
8	05118136AA	1	2, 6	L	11, 12, 14, 15, 16				CROSSMEMBER, Front Frame
	05118136AA	1	2, 6	L	51, 52, 54, 55, 56				
9	05118149AA	1	2, 6	L	11, 12, 14, 15, 16				CROSSMEMBER, Front Frame

**SPRINTER (VA)**

**SERIES**

L = LOWLINE

**LINE**

3 = HD DODGE 2WD  
 6 = Lt. Duty DODGE 4WD  
 2 = Med. Duty DODGE 2WD  
 7 = Med. Duty DODGE 4WD

**BODY**

51 = WAGON WHEEL BASE 1  
 52 = WAGON WHEEL BASE 2  
 14 = VAN WHEEL BASE 4  
 15 = VAN WHEEL BASE 5  
 16 = VAN WHEEL BASE 6  
 54 = WAGON WHEEL BASE 4  
 55 = WAGON WHEEL BASE 5  
 56 = WAGON WHEEL BASE 6  
 11 = VAN WHEEL BASE 1  
 12 = VAN WHEEL BASE 2

**ENGINE**

EX9 = Engine - 2.7L 5 Cyl  
 Mercedes Diesel

**TRANSMISSION**

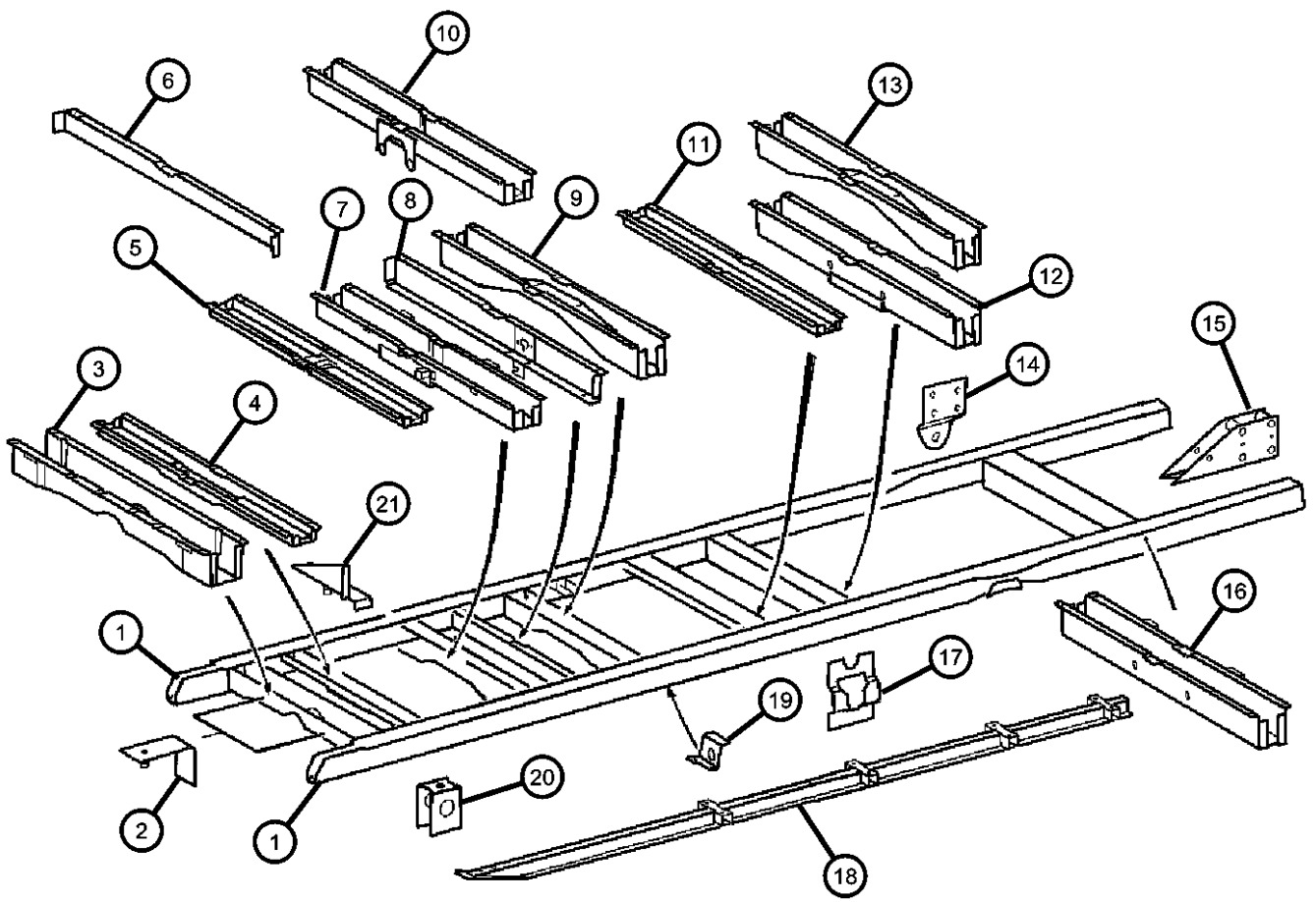
DGJ = Transmission-5-Spd. Automatic, W5A580

AR = use ase required - = Non illustrated part



**Side Frame Rails and Crossmembers 2500**  
**Figure 13-110**

ITEM	PART NUMBER	QTY	LINE	SERIES	BODY	ENGINE	TRANS	TRIM	DESCRIPTION
		1	2, 6	L	51, 52, 54, 55, 56				
10	05118160AA	1	2, 6	L	51, 52, 54, 55, 56				CROSSMEMBER, Front Frame
11	05118144AA	1	2, 6	L	51, 52, 54, 55, 56				CROSSMEMBER, Front Frame
12	05118168AA	1	2, 6	L	51, 52, 54, 55, 56				CROSSMEMBER, Front Frame
13	05118170AA	1	2, 6	L	51, 52, 54, 55, 56				CROSSMEMBER, Front Frame
14									BRACKET, Frame
	05118791AA	2	2, 6	L	51, 52, 54, 55, 56				
		2	2, 6	L	11, 12, 14, 15, 16				BRACKET, Frame
15									
	05118212AA	2	2, 6	L	11, 12, 14, 15, 16				
		2	2, 6	L	51, 52, 54, 55, 56				CROSSMEMBER, Front Frame
16									
	05118154AA	1	2, 6	L	11, 12, 14, 15, 16				
		1	2, 6	L	51, 52, 54, 55, 56				BRACKET, Frame
17	05119638AA	2	3, 7	L	12, 15, 16				BRACKET, Frame
18	05118220AA	1	2, 6	L	51, 52, 54, 55, 56				CONSOLE, Body Support, Sprinter
19									BRACKET, Frame
	05119321AA	1	2, 6	L	11, 12, 14, 15, 16				
		1	2, 6	L	51, 52, 54, 55, 56				SUPPORT, Under Body Hold Down
20	05118266AA	8	2, 6	L	51, 52, 54, 55, 56				
21									BRACKET, Frame
	05127246AA	2	2, 6	L	11, 12, 14, 15, 16				
		2	2, 6	L	51, 52, 54, 55, 56				

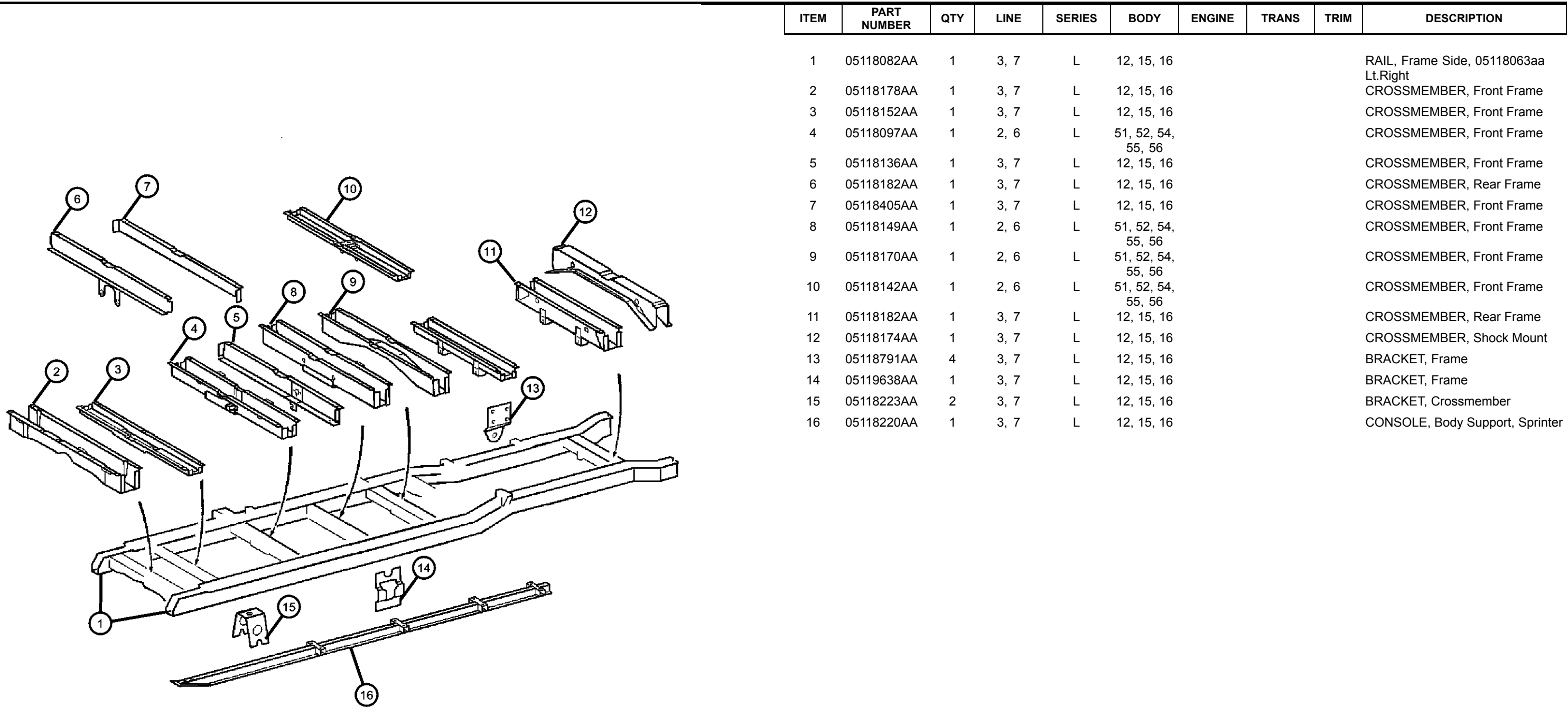


**SPRINTER (VA)**

<b>SERIES</b>	<b>LINE</b>	<b>BODY</b>	<b>ENGINE</b>	<b>TRANSMISSION</b>
L = LOWLINE	3 = HD DODGE 2WD 6 = Lt. Duty DODGE 4WD 2 = Med. Duty DODGE 2WD 7 = Med. Duty DODGE 4WD	51 = WAGON WHEEL BASE 1 52 = WAGON WHEEL BASE 2 14 = VAN WHEEL BASE 4 15 = VAN WHEEL BASE 5 16 = VAN WHEEL BASE 6 54 = WAGON WHEEL BASE 4 55 = WAGON WHEEL BASE 5 56 = WAGON WHEEL BASE 6 11 = VAN WHEEL BASE 1 12 = VAN WHEEL BASE 2	EX9 = Engine - 2.7L 5 Cly Mercedes Diesel	DGJ = Transmission-5-Spd. Automatic, W5A580

AR = use ase required - = Non illustrated part

**Side Frame Rails and Crossmembers 3500**  
**Figure 13-120**



ITEM	PART NUMBER	QTY	LINE	SERIES	BODY	ENGINE	TRANS	TRIM	DESCRIPTION
1	05118082AA	1	3, 7	L	12, 15, 16				RAIL, Frame Side, 05118063aa Lt.Right
2	05118178AA	1	3, 7	L	12, 15, 16				CROSSMEMBER, Front Frame
3	05118152AA	1	3, 7	L	12, 15, 16				CROSSMEMBER, Front Frame
4	05118097AA	1	2, 6	L	51, 52, 54, 55, 56				CROSSMEMBER, Front Frame
5	05118136AA	1	3, 7	L	12, 15, 16				CROSSMEMBER, Front Frame
6	05118182AA	1	3, 7	L	12, 15, 16				CROSSMEMBER, Rear Frame
7	05118405AA	1	3, 7	L	12, 15, 16				CROSSMEMBER, Front Frame
8	05118149AA	1	2, 6	L	51, 52, 54, 55, 56				CROSSMEMBER, Front Frame
9	05118170AA	1	2, 6	L	51, 52, 54, 55, 56				CROSSMEMBER, Front Frame
10	05118142AA	1	2, 6	L	51, 52, 54, 55, 56				CROSSMEMBER, Front Frame
11	05118182AA	1	3, 7	L	12, 15, 16				CROSSMEMBER, Rear Frame
12	05118174AA	1	3, 7	L	12, 15, 16				CROSSMEMBER, Shock Mount
13	05118791AA	4	3, 7	L	12, 15, 16				BRACKET, Frame
14	05119638AA	1	3, 7	L	12, 15, 16				BRACKET, Frame
15	05118223AA	2	3, 7	L	12, 15, 16				BRACKET, Crossmember
16	05118220AA	1	3, 7	L	12, 15, 16				CONSOLE, Body Support, Sprinter

**SPRINTER (VA)**

<b>SERIES</b>	<b>LINE</b>	<b>BODY</b>	<b>ENGINE</b>	<b>TRANSMISSION</b>
L = LOWLINE	3 = HD DODGE 2WD 6 = Lt. Duty DODGE 4WD 2 = Med. Duty DODGE 2WD 7 = Med. Duty DODGE 4WD	51 = WAGON WHEEL BASE 1 52 = WAGON WHEEL BASE 2 14 = VAN WHEEL BASE 4 15 = VAN WHEEL BASE 5 16 = VAN WHEEL BASE 6 54 = WAGON WHEEL BASE 4 55 = WAGON WHEEL BASE 5 56 = WAGON WHEEL BASE 6 11 = VAN WHEEL BASE 1 12 = VAN WHEEL BASE 2	EX9 = Engine - 2.7L 5 Cly Mercedes Diesel	DGJ = Transmission-5-Spd. Automatic,W5A580

AR = use ase required - = Non illustrated part

**Brackets, Frame To Body Supports**  
**Figure 13-130**

ITEM	PART NUMBER	QTY	LINE	SERIES	BODY	ENGINE	TRANS	TRIM	DESCRIPTION
1	05118013AA	1	2, 6	L	11, 12, 14, 15, 16				CONSOLE, Body Support, Sprinter Right
		1	6, 2	L	51, 52, 54, 55, 56				Right
2	05118024AA	1	2, 6	L	11, 12, 14, 15, 16				CONSOLE, Body Support, Sprinter Right
		1	2, 6	L	51, 52, 54, 55, 56				Right
		1	3, 7	L	12, 15, 16				Right
3	05118031AA	1	2, 6	L	51, 52, 54, 55, 56				CONSOLE, Body Support, Sprinter Left
		1	2, 6	L	11, 12, 14, 15, 16				Left
4	05118035AA	1	3, 7	L	12, 15, 16				Left
		1	2, 6	L	51, 52, 54, 55, 56				CONSOLE, Body Support, Sprinter Left
5	05118022AA	1	2, 6	L	11, 12, 14, 15, 16				Left
		1	2, 6	L	51, 52, 54, 55, 56				Left
		1	3, 7	L	12, 15, 16				Left
6	05118025AA	1	3, 7	L	12, 15, 16				CONSOLE, Body Support, Sprinter SprinterLeft
		2	3, 7	L	12, 15, 16				BRACKET, Frame
7	05119822AA	1	2, 6	L	11, 12, 14, 15, 16				
		1	2, 6	L	51, 52, 54, 55, 56				
		1	3, 7	L	12, 15, 16				BRACKET, Frame
8	05119804AA	1	2, 6	L	11, 12, 14, 15, 16				
		1	2, 6	L	51, 52, 54, 55, 56				
		1	3, 7	L	12, 15, 16				BRACKET, Exhaust, Muffler
9	05119811AA	1	2, 6	L	11, 12, 14, 15, 16				
		1	2, 6	L	11, 12, 14, 15, 16				

**SPRINTER (VA)**  
 SERIES      LINE  
 L = LOWLINE    3 = HD DODGE 2WD  
                   6 = Lt. Duty DODGE 4WD  
                   2 = Med. Duty DODGE 2WD  
                   7 = Med. Duty DODGE 4WD

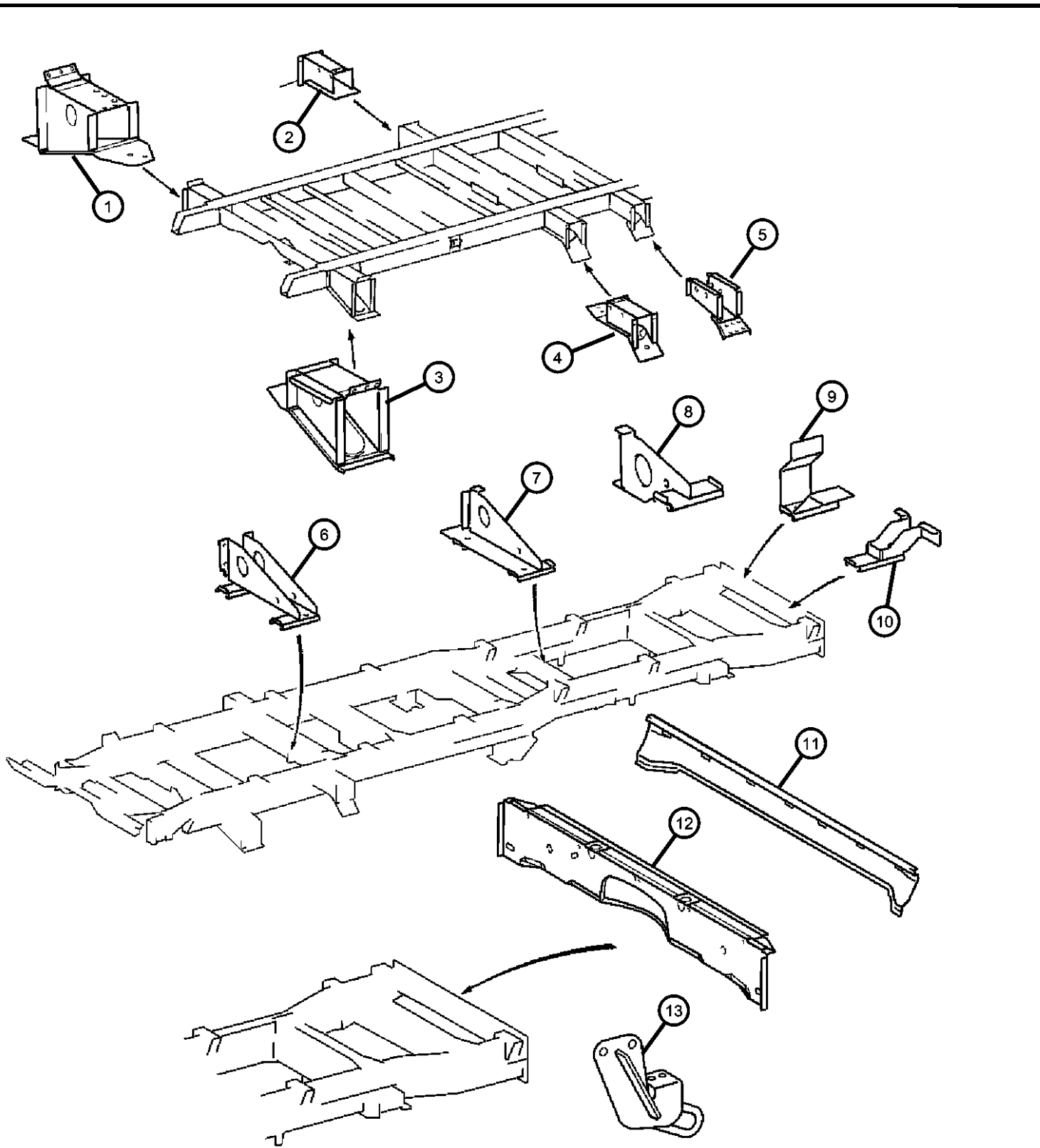
**BODY**  
 51 = WAGON WHEEL BASE 1  
 52 = WAGON WHEEL BASE 2  
 14 = VAN WHEEL BASE 4  
 15 = VAN WHEEL BASE 5  
 16 = VAN WHEEL BASE 6  
 54 = WAGON WHEEL BASE 4  
 55 = WAGON WHEEL BASE 5  
 56 = WAGON WHEEL BASE 6  
 11 = VAN WHEEL BASE 1  
 12 = VAN WHEEL BASE 2

**ENGINE**  
 EX9 = Engine - 2.7L 5 Cly  
 Mercedes Diesel

**TRANSMISSION**  
 DGJ = Transmission-5-Spd.  
 Automatic,W5A580

AR = use ase required - = Non illustrated part

**Brackets, Frame To Body Supports**  
**Figure 13-130**



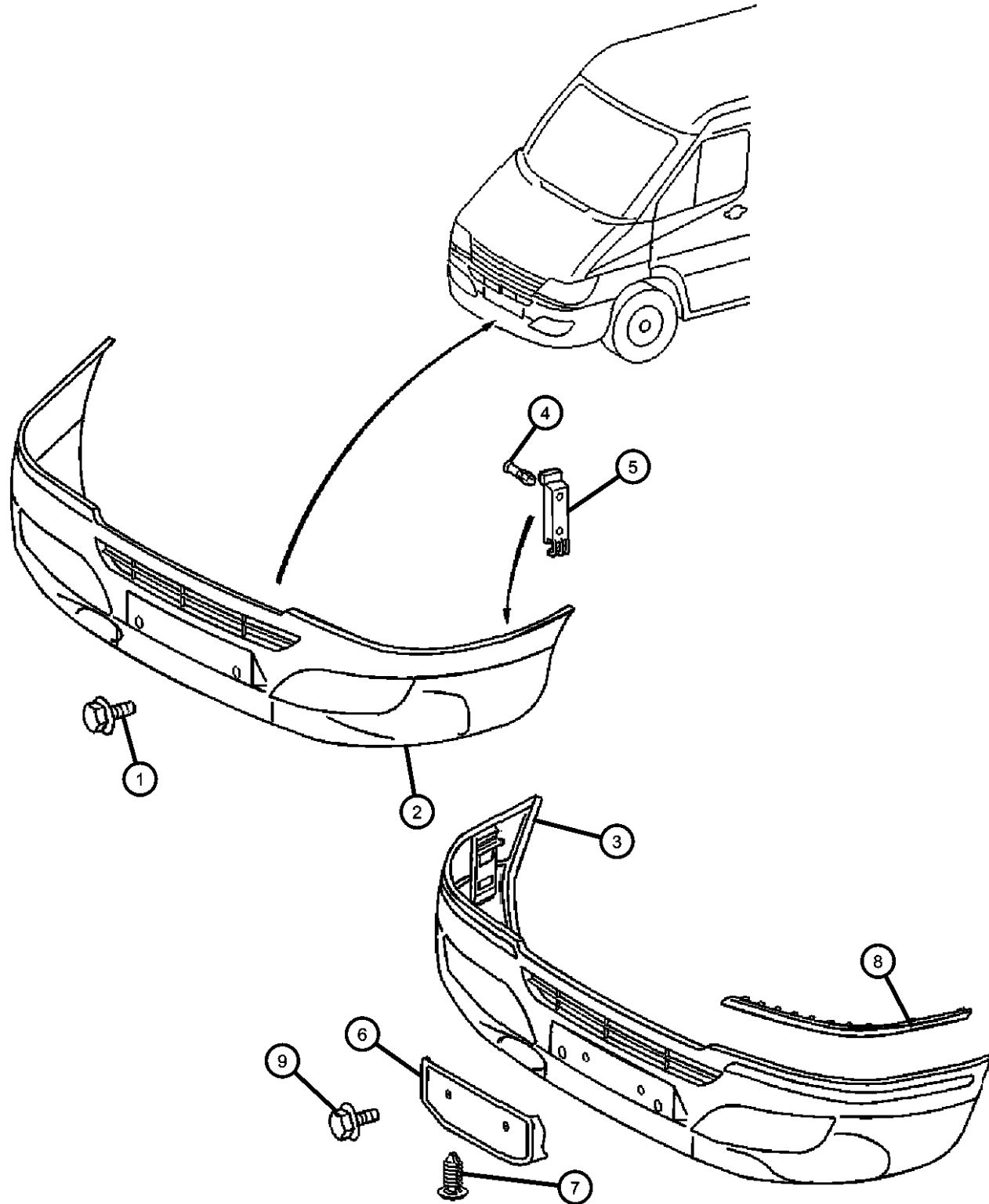
ITEM	PART NUMBER	QTY	LINE	SERIES	BODY	ENGINE	TRANS	TRIM	DESCRIPTION
		1	2, 6	L	51, 52, 54, 55, 56				
9	05119826AA	1	3, 7	L	12, 15, 16				BRACKET, Exhaust, Muffler
10	05119826AA	1	3, 7	L	12, 15, 16				BRACKET, Exhaust, Muffler
11	05104159AA	1	2, 6	L	11, 12, 14, 15, 16				REINFORCEMENT, Rear Bumper Outer
		1	2, 6	L	51, 52, 54, 55, 56				Outer
		1	3, 7	L	12, 15, 16				Outer
12	05104050AA	1	2, 6	L	11, 12, 14, 15, 16				REINFORCEMENT, Rear Bumper Inner
		1	2, 6	L	51, 52, 54, 55, 56				Inner
		1	3, 7	L	12, 15, 16				Inner
13	05118008AA	1	3, 7	L	12, 15, 16				HOOK, Tow
	05118003AA	1	2, 6	L	11, 12, 14, 15, 16				
		1	2, 6	L	51, 52, 54, 55, 56				

**SPRINTER (VA)**

<b>SERIES</b>	<b>LINE</b>	<b>BODY</b>	<b>ENGINE</b>	<b>TRANSMISSION</b>
L = LOWLINE	3 = HD DODGE 2WD 6 = Lt. Duty DODGE 4WD 2 = Med. Duty DODGE 2WD 7 = Med. Duty DODGE 4WD	51 = WAGON WHEEL BASE 1 52 = WAGON WHEEL BASE 2 14 = VAN WHEEL BASE 4 15 = VAN WHEEL BASE 5 16 = VAN WHEEL BASE 6 54 = WAGON WHEEL BASE 4 55 = WAGON WHEEL BASE 5 56 = WAGON WHEEL BASE 6 11 = VAN WHEEL BASE 1 12 = VAN WHEEL BASE 2	EX9 = Engine - 2.7L 5 Cly Mercedes Diesel	DGJ = Transmission-5-Spd. Automatic, W5A580

AR = use ase required - = Non illustrated part

Bumper, Front  
Figure 13-230



ITEM	PART NUMBER	QTY	LINE	SERIES	BODY	ENGINE	TRANS	TRIM	DESCRIPTION
1	05103728AA	2		L					SCREW
2	05104513AA	1	2, 6	L	11, 12, 14, 15, 16				FASCIA, Front
		1	2, 6	L	51, 52, 54, 55, 56				
		1	3, 7	L	12, 15, 16				
3	05104517AA	1	2, 6	L	11, 12, 14, 15, 16				FASCIA, Front [MJD]
		1	2, 6	L	51, 52, 54, 55, 56				[MJD]
		1	3, 7	L	12, 15, 16				[MJD]
	05132494AA	1	2, 6	L	11, 12, 14, 15, 16				[WDG]
		1	2, 6	L	51, 52, 54, 55, 56				[WDG]
	05132496AA	1	2, 6	L	11, 12, 14, 15, 16				[MJD,WDG]
		1	2, 6	L	51, 52, 54, 55, 56				[MJD,WDG]
4	05104543AA	2	2, 6	L	11, 12, 14, 15, 16				RETAINER, Fascia
		2	2, 6	L	51, 52, 54, 55, 56				
		2	3, 7	L	12, 15, 16				
5	05104505AA	2	2, 6	L	11, 12, 14, 15, 16				BRACKET, Front Bumper
		2	2, 6	L	51, 52, 54, 55, 56				
		2	3, 7	L	12, 15, 16				
6	05104524AA	1		L					BRACKET, License Plate, Chrome PLUG
7	05103817AA	2	2, 6	L	11, 12, 14, 15, 16				
		2	2, 6	L	51, 52, 54, 55, 56				
		2	3, 7	L	12, 15, 16				

SPRINTER (VA)

SERIES

L = LOWLINE

LINE

3 = HD DODGE 2WD  
6 = Lt. Duty DODGE 4WD  
2 = Med. Duty DODGE 2WD  
7 = Med. Duty DODGE 4WD

BODY

51 = WAGON WHEEL BASE 1  
52 = WAGON WHEEL BASE 2  
14 = VAN WHEEL BASE 4  
15 = VAN WHEEL BASE 5  
16 = VAN WHEEL BASE 6  
54 = WAGON WHEEL BASE 4  
55 = WAGON WHEEL BASE 5  
56 = WAGON WHEEL BASE 6  
11 = VAN WHEEL BASE 1  
12 = VAN WHEEL BASE 2

ENGINE

EX9 = Engine - 2.7L 5 Cyl  
Mercedes Diesel

TRANSMISSION

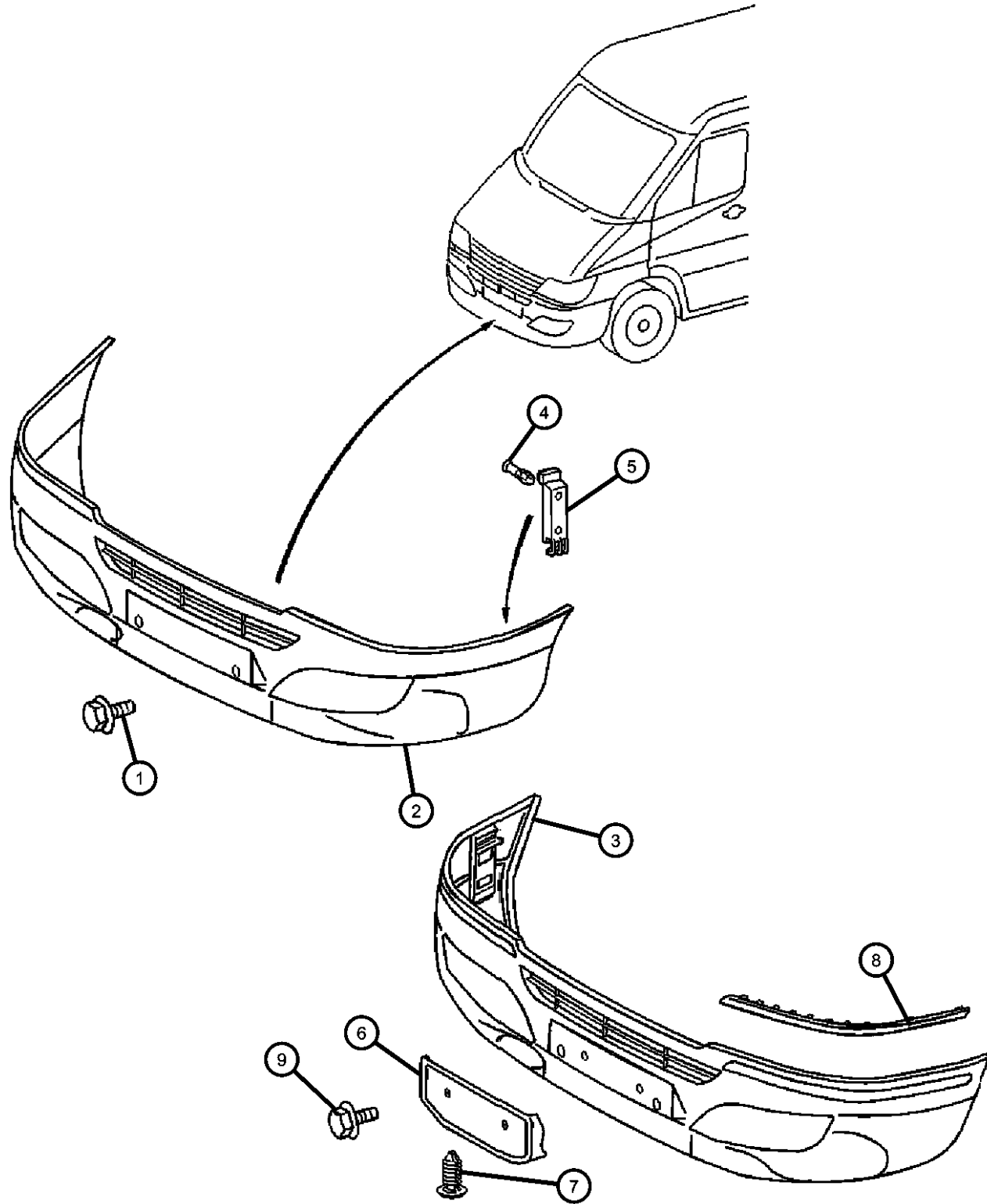
DGJ = Transmission-5-Spd.  
Automatic,W5A580

AR = use ase required - = Non illustrated part

2003 VA

Bumper, Front  
Figure 13-230

ITEM	PART NUMBER	QTY	LINE	SERIES	BODY	ENGINE	TRANS	TRIM	DESCRIPTION
8									NERF, Fascia
	05104523AA	1		L					Left
	05104525AA	1		L					Right
9	05104525AA	1							SCREW, 5 x 16, (NOT SERVICED)



SPRINTER (VA)

SERIES  
L = LOWLINE

LINE

3 = HD DODGE 2WD  
6 = Lt. Duty DODGE 4WD  
2 = Med. Duty DODGE 2WD  
7 = Med. Duty DODGE 4WD

BODY

51 = WAGON WHEEL BASE 1  
52 = WAGON WHEEL BASE 2  
14 = VAN WHEEL BASE 4  
15 = VAN WHEEL BASE 5  
16 = VAN WHEEL BASE 6  
54 = WAGON WHEEL BASE 4  
55 = WAGON WHEEL BASE 5  
56 = WAGON WHEEL BASE 6  
11 = VAN WHEEL BASE 1  
12 = VAN WHEEL BASE 2

ENGINE

EX9 = Engine - 2.7L 5 Cly  
Mercedes Diesel

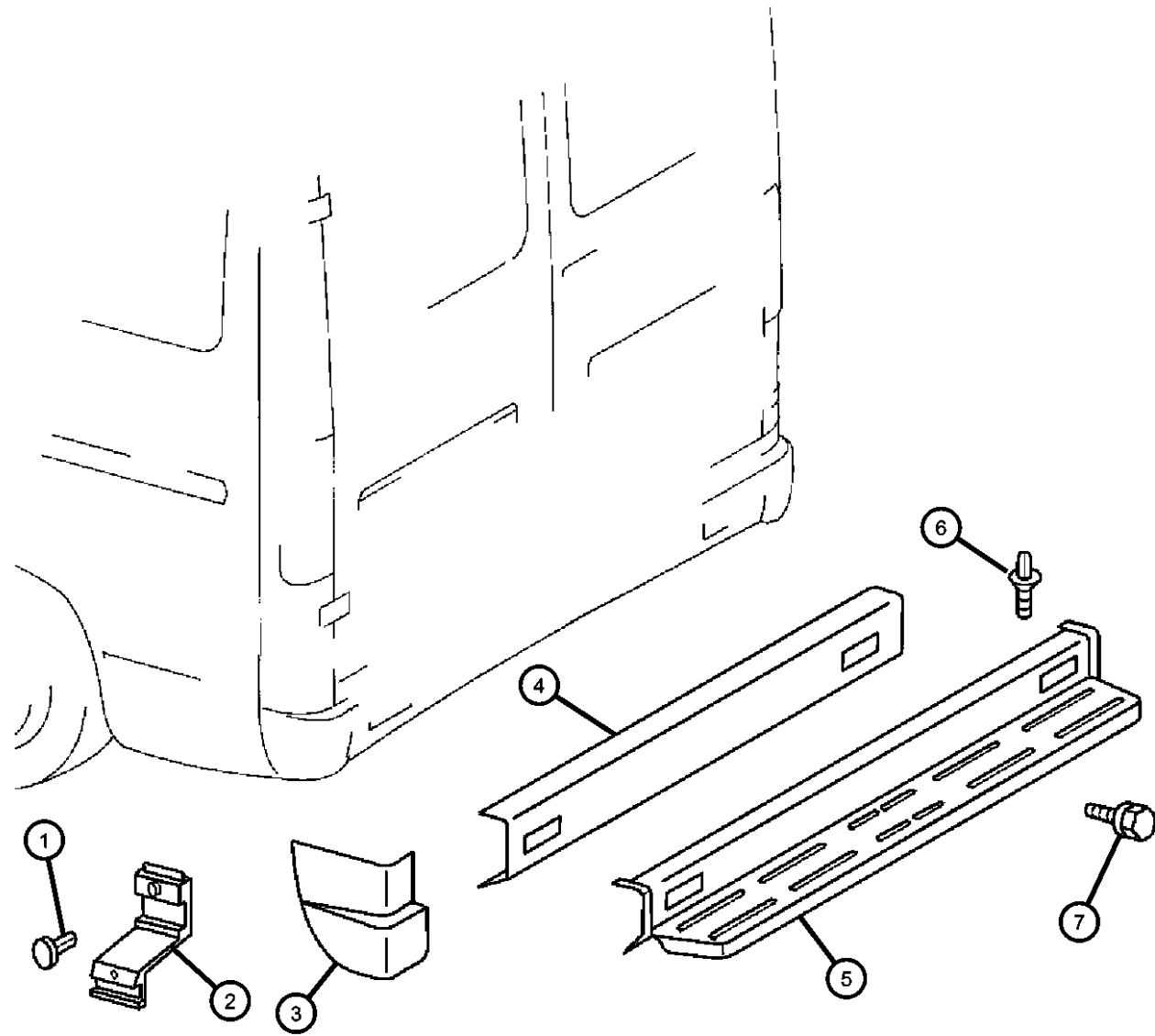
TRANSMISSION

DGJ = Transmission-5-Spd.  
Automatic,W5A580

AR = use ase required - = Non illustrated part

2003 VA

Bumper, Rear  
Figure 13-320



ITEM	PART NUMBER	QTY	LINE	SERIES	BODY	ENGINE	TRANS	TRIM	DESCRIPTION
1	05104543AA	2	2, 6	L	11, 12, 14, 15, 16				RETAINER, Fascia
		2	2, 6	L	51, 52, 54, 55, 56				
		2	3, 7	L	12, 15, 16				
2	05104508AA	1	3, 7	L	12, 15, 16				BRACKET, Rear Bumper Left
	05104510AA	1	2, 6	L	11, 12, 14, 15, 16				Right
		1	2, 6	L	11, 12, 14, 15, 16				Left
		1	2, 6	L	51, 52, 54, 55, 56				Left
		1	2, 6	L	51, 52, 54, 55, 56				Right
		1	3, 7	L	12, 15, 16				Right
3	05104509AA	1	2, 6	L	11, 12, 14, 15, 16				COVER, Fascia Left
		1	2, 6	L	51, 52, 54, 55, 56				Left
		1	3, 7	L	12, 15, 16				Left
	05104511AA	1	2, 6	L	11, 12, 14, 15, 16				Right
		1	2, 6	L	51, 52, 54, 55, 56				Right
		1	3, 7	L	12, 15, 16				Right
4	05104512AA	1	2, 6	L	11, 12, 14, 15, 16				BUMPER, Fascia, Rear
		1	2, 6	L	51, 52, 54, 55, 56				
		1	3, 7	L	12, 15, 16				
5	05104526AA	1	2, 6	L	51, 52, 54, 55, 56				BUMPER, Fascia, Rear [MBZ]
		1	2, 6	L	11, 12, 14, 15, 16				[MBZ]
		1	3, 7	L	12, 15, 16				[MBZ]

SPRINTER (VA)

SERIES

L = LOWLINE

LINE

3 = HD DODGE 2WD  
6 = Lt. Duty DODGE 4WD  
2 = Med. Duty DODGE 2WD  
7 = Med. Duty DODGE 4WD

BODY

51 = WAGON WHEEL BASE 1  
52 = WAGON WHEEL BASE 2  
14 = VAN WHEEL BASE 4  
15 = VAN WHEEL BASE 5  
16 = VAN WHEEL BASE 6  
54 = WAGON WHEEL BASE 4  
55 = WAGON WHEEL BASE 5  
56 = WAGON WHEEL BASE 6  
11 = VAN WHEEL BASE 1  
12 = VAN WHEEL BASE 2

ENGINE

EX9 = Engine - 2.7L 5 Cly  
Mercedes Diesel

TRANSMISSION

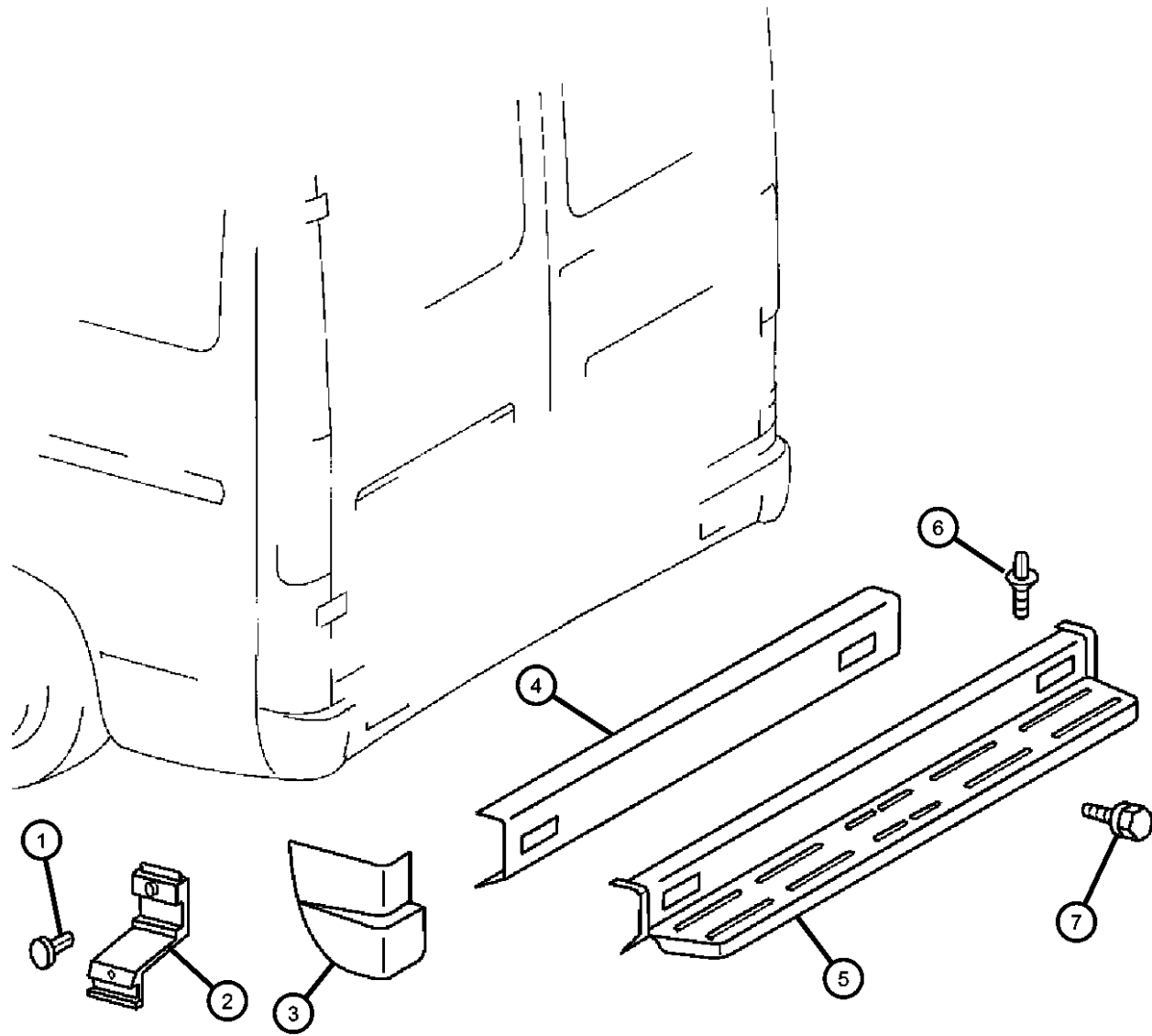
DGJ = Transmission-5-Spd.  
Automatic,W5A580

AR = use ase required - = Non illustrated part

2003 VA

Bumper, Rear  
Figure 13-320

ITEM	PART NUMBER	QTY	LINE	SERIES	BODY	ENGINE	TRANS	TRIM	DESCRIPTION
6									RIVET, REAR BUMPER MOUNTING MATERIAL, SPRINTER
	05103730AA	4	2, 6	L	11, 12, 14, 15, 16				
		4	2, 6	L	51, 52, 54, 55, 56				
		4	3, 7	L	12, 15, 16				
7	05103728AA	2		L					SCREW
-8									BUMPER, Step
	05104132AA	1	2, 6	L	11, 12, 14, 15, 16				[MBZ,5AE,5AF]
		1	2, 6	L	51, 52, 54, 55, 56				[MBZ,5AE,5AF]
	05104133AA	1	2, 6	L	11, 12, 14, 15, 16				[MBZ,5AC]
		1	2, 6	L	51, 52, 54, 55, 56				[MBZ,5AC]
	05104135AA	1	2, 6	L	11, 12, 14, 15, 16				[MKB]
		1	2, 6	L	51, 52, 54, 55, 56				[MKB]
	05120038AA	1	3, 7	L	12, 15, 16				[MBZ,5AE]
	05120040AA	1	3, 7	L	12, 15, 16				[MBZ,5AF]



SPRINTER (VA)

SERIES	LINE	BODY	ENGINE	TRANSMISSION
L = LOWLINE	3 = HD DODGE 2WD 6 = Lt. Duty DODGE 4WD 2 = Med. Duty DODGE 2WD 7 = Med. Duty DODGE 4WD	51 = WAGON WHEEL BASE 1 52 = WAGON WHEEL BASE 2 14 = VAN WHEEL BASE 4 15 = VAN WHEEL BASE 5 16 = VAN WHEEL BASE 6 54 = WAGON WHEEL BASE 4 55 = WAGON WHEEL BASE 5 56 = WAGON WHEEL BASE 6 11 = VAN WHEEL BASE 1 12 = VAN WHEEL BASE 2	EX9 = Engine - 2.7L 5 Cly Mercedes Diesel	DGJ = Transmission-5-Spd. Automatic, W5A580

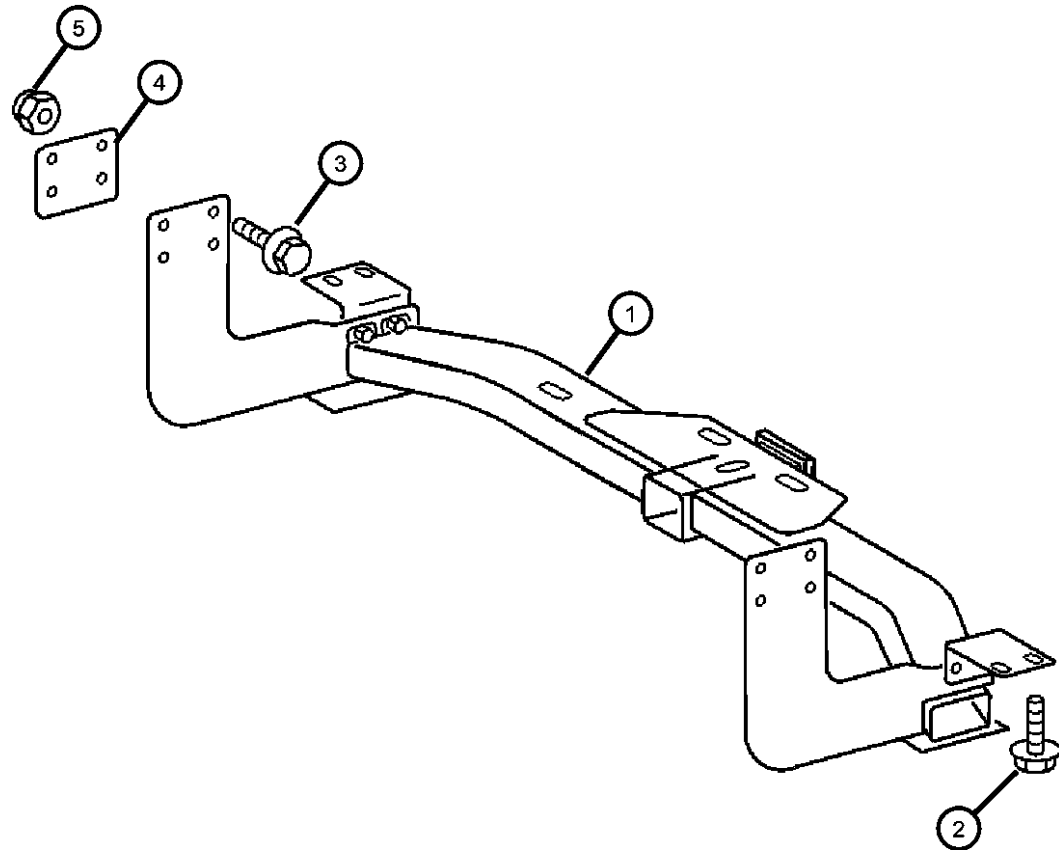
AR = use ase required - = Non illustrated part

2003 VA



Rear Hitch  
Figure 13-610

ITEM	PART NUMBER	QTY	LINE	SERIES	BODY	ENGINE	TRANS	TRIM	DESCRIPTION
1	05104057AA	1	3, 7	L	12, 15, 16				SUPPORT, Hitch
		1	2, 6	L	11, 12, 14, 15, 16				
		1	2, 6	L	51, 52, 54, 55, 56				
2	06104215AA	4	3, 7	L	12, 15, 16				BOLT, Hex Head
		4	2, 6	L	11, 12, 14, 15, 16				
		4	2, 6	L	51, 52, 54, 55, 56				
3	05104664AA	8	2, 6	L	51, 52, 54, 55, 56				SCREW
		2	3, 7	L	12, 15, 16				
		2	2, 6	L	11, 12, 14, 15, 16				
4	05104056AA	2	2, 6	L	11, 12, 14, 15, 16				PLATE, Towing Mounting
		2	2, 6	L	51, 52, 54, 55, 56				
		2	3, 7	L	12, 15, 16				
5	06104718AA	8	2, 6	L	11, 12, 14, 15, 16				NUT
		8	2, 6	L	51, 52, 54, 55, 56				
		8	3, 7	L	12, 15, 16				



**SPRINTER (VA)**

**SERIES**

L = LOWLINE

**LINE**

3 = HD DODGE 2WD  
6 = Lt. Duty DODGE 4WD  
2 = Med. Duty DODGE 2WD  
7 = Med. Duty DODGE 4WD

**BODY**

51 = WAGON WHEEL BASE 1  
52 = WAGON WHEEL BASE 2  
14 = VAN WHEEL BASE 4  
15 = VAN WHEEL BASE 5  
16 = VAN WHEEL BASE 6  
54 = WAGON WHEEL BASE 4  
55 = WAGON WHEEL BASE 5  
56 = WAGON WHEEL BASE 6  
11 = VAN WHEEL BASE 1  
12 = VAN WHEEL BASE 2

**ENGINE**

EX9 = Engine - 2.7L 5 Cly  
Mercedes Diesel

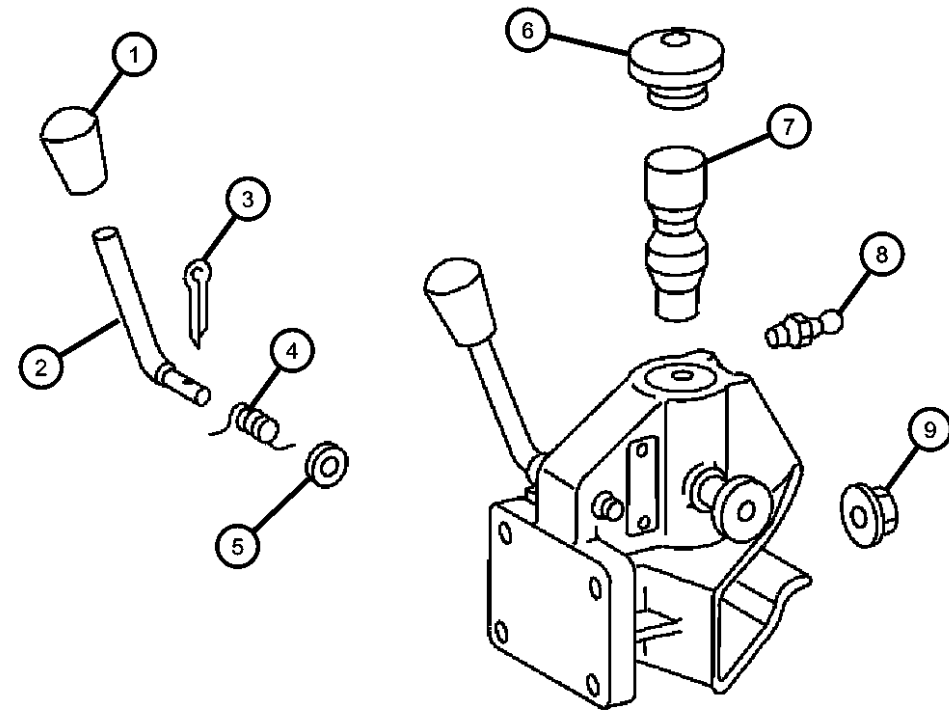
**TRANSMISSION**

DGJ = Transmission-5-Spd. Automatic, W5A580

AR = use ase required - = Non illustrated part

2003 VA

Trailer Tow  
Figure 13-620



ITEM	PART NUMBER	QTY	LINE	SERIES	BODY	ENGINE	TRANS	TRIM	DESCRIPTION
1		8							HANDLE, Latch, (NOT SERVICED)
2									LEVER
	05133855AA	1	3, 7	L	12, 15, 16				
		1	2, 6	L	11, 12, 14, 15, 16				
		1	2, 6	L	51, 52, 54, 55, 56				
3									PIN
	05133860AA	1	2, 6	L	11, 12, 14, 15, 16				
		1	2, 6	L	51, 52, 54, 55, 56				
		1	3, 7	L	12, 15, 16				
4		1							SPRING, Lever, (NOT SERVICED)
5		1							WASHER, (NOT SERVICED)
6		1							COVER, (NOT SERVICED)
7									PIN, Hitch
	05133853AA	1	2, 6	L	11, 12, 14, 15, 16				
		1	2, 6	L	51, 52, 54, 55, 56				
		1	3, 7	L	12, 15, 16				
8									FITTING, Grease
	05133858AA	1	2, 6	L	11, 12, 14, 15, 16				
		1	2, 6	L	51, 52, 54, 55, 56				
		1	3, 7	L	12, 15, 16				
9									NUT
	06104717AA	4	2, 6	L	11, 12, 14, 15, 16				
		4	2, 6	L	51, 52, 54, 55, 56				
		4	3, 7	L	12, 15, 16				

SPRINTER (VA)

SERIES

L = LOWLINE

LINE

3 = HD DODGE 2WD  
6 = Lt. Duty DODGE 4WD  
2 = Med. Duty DODGE 2WD  
7 = Med. Duty DODGE 4WD

BODY

51 = WAGON WHEEL BASE 1  
52 = WAGON WHEEL BASE 2  
14 = VAN WHEEL BASE 4  
15 = VAN WHEEL BASE 5  
16 = VAN WHEEL BASE 6  
54 = WAGON WHEEL BASE 4  
55 = WAGON WHEEL BASE 5  
56 = WAGON WHEEL BASE 6  
11 = VAN WHEEL BASE 1  
12 = VAN WHEEL BASE 2

ENGINE

EX9 = Engine - 2.7L 5 Cyl  
Mercedes Diesel

TRANSMISSION

DGJ = Transmission-5-Spd. Automatic, W5A580

AR = use ase required - = Non illustrated part

2003 VA

# Group - 14

## Fuel

### Group - 14 Fuel

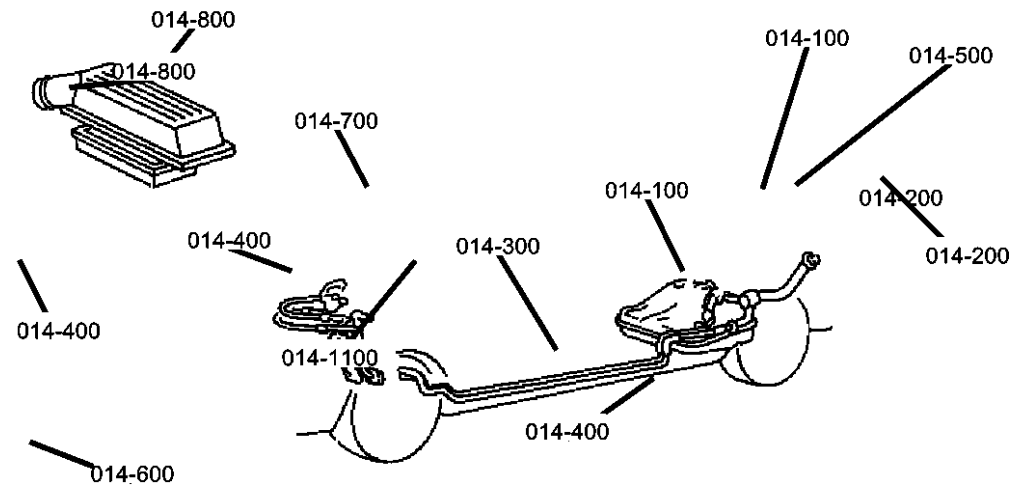


Illustration Title

Group-Fig. No.

#### Tank, Fuel

Fuel Tank ..... Fig. 14 - 110

#### Fuel Tank Filler Tube

Fuel Tank Filler Tube..... Fig. 14 - 210

#### Fuel Lines

Fuel Lines..... Fig. 14 - 310

Fuel Line and Filter..... Fig. 14 - 320

#### Fuel Rail

Injection System [EX9]..... Fig. 14 - 410

#### Fuel Pump and Sending Unit

Fuel Module ..... Fig. 14 - 510

#### Throttle Body

Fuel Injection Pump..... Fig. 14 - 610

Turbo Charger ..... Fig. 14 - 630

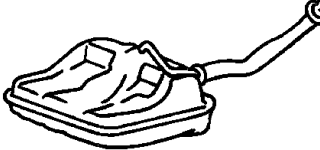

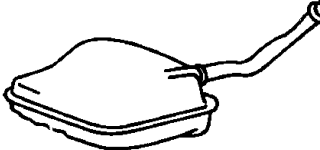


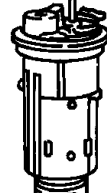
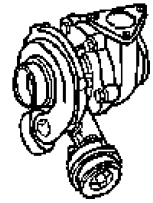
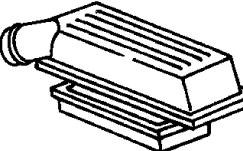
Turbo Charger Heat Shield..... Fig. 14 - 635

#### Air Cleaner

Air Cleaner..... Fig. 14 - 810

#### Accelerator Pedal

Accelerator Pedal ..... Fig. 14 - 1110

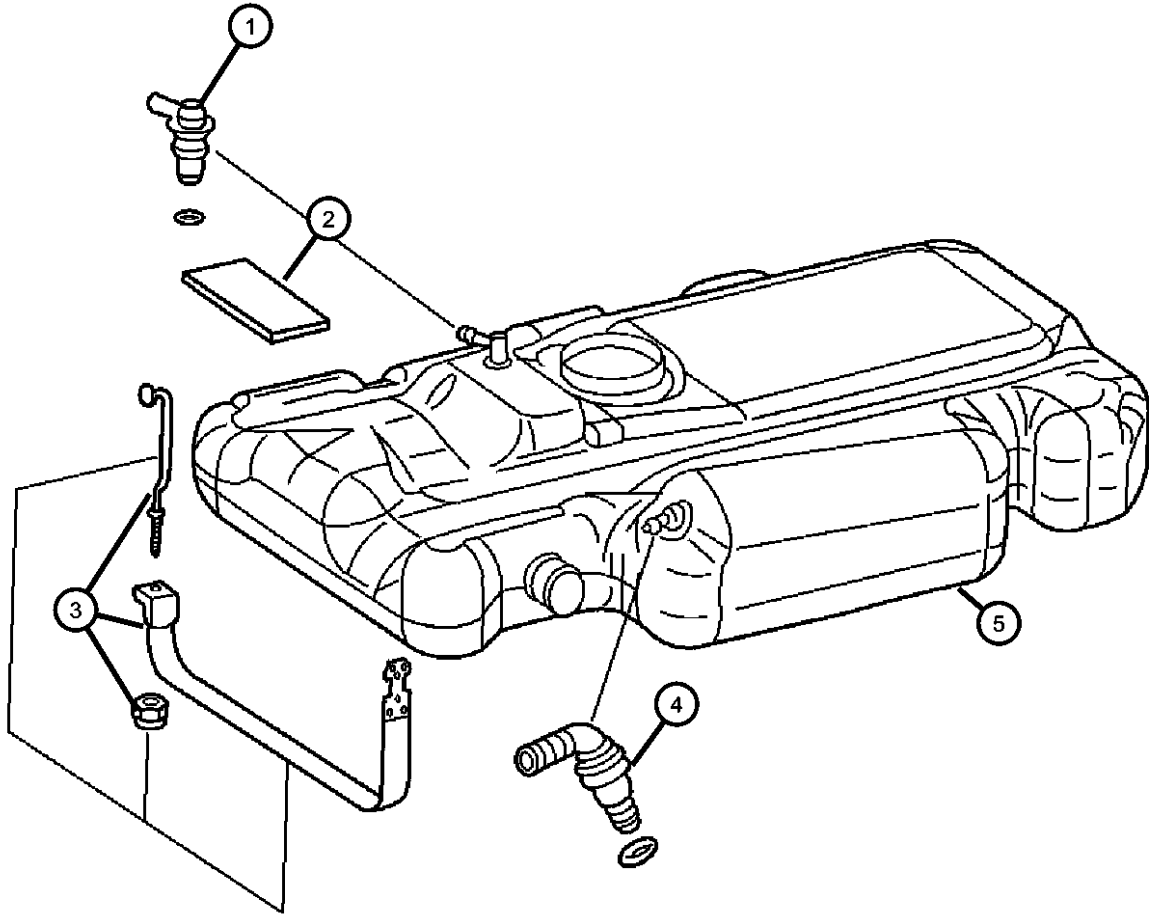
<p><b>014-100</b> Tank, Fuel</p> 	<p><b>014-1100</b> Accelerator Pedal</p> 	<p><b>014-200</b> Fuel Tank Filler Tube</p> 	<p><b>014-300</b> Fuel Lines</p> 
<p><b>014-400</b> Fuel Rail</p> 	<p><b>014-500</b> Fuel Pump and Sending Unit</p> 	<p><b>014-600</b> Throttle Body</p> 	<p><b>014-800</b> Air Cleaner</p> 

**Fuel Tank  
Figure 14-110**

ITEM	PART NUMBER	QTY	LINE	SERIES	BODY	ENGINE	TRANS	TRIM	DESCRIPTION
------	-------------	-----	------	--------	------	--------	-------	------	-------------

Sales Codes:EX9=ENGINE-2.7L I5 MERCEDES TURBO  
DGJ=TRANSMISSION - 5-SPD AUTO

1	05133917AA	1	3, 7	L	12, 15, 16				VALVE, Vent
2									PAD
	05133443AA	5	3, 7	L	12, 15, 16				
		5	2, 6	L	11, 12, 14, 15, 16				
		5	2, 6	L	51, 52, 54, 55, 56				
3									STRAP, Fuel Tank
	05104102AA	2	2, 6	L	11, 12, 14, 15, 16				
		2	2, 6	L	51, 52, 54, 55, 56				
		2	3, 7	L	12, 15, 16				
4	05133918AA	1	3, 7	L	12, 15, 16				VALVE, Vent
5	05119634AB	1		L					TANK, Fuel
-6	05104005AA	1		L					BRACKET, FUEL FILTER, SPRINTER



**SPRINTER (VA)**

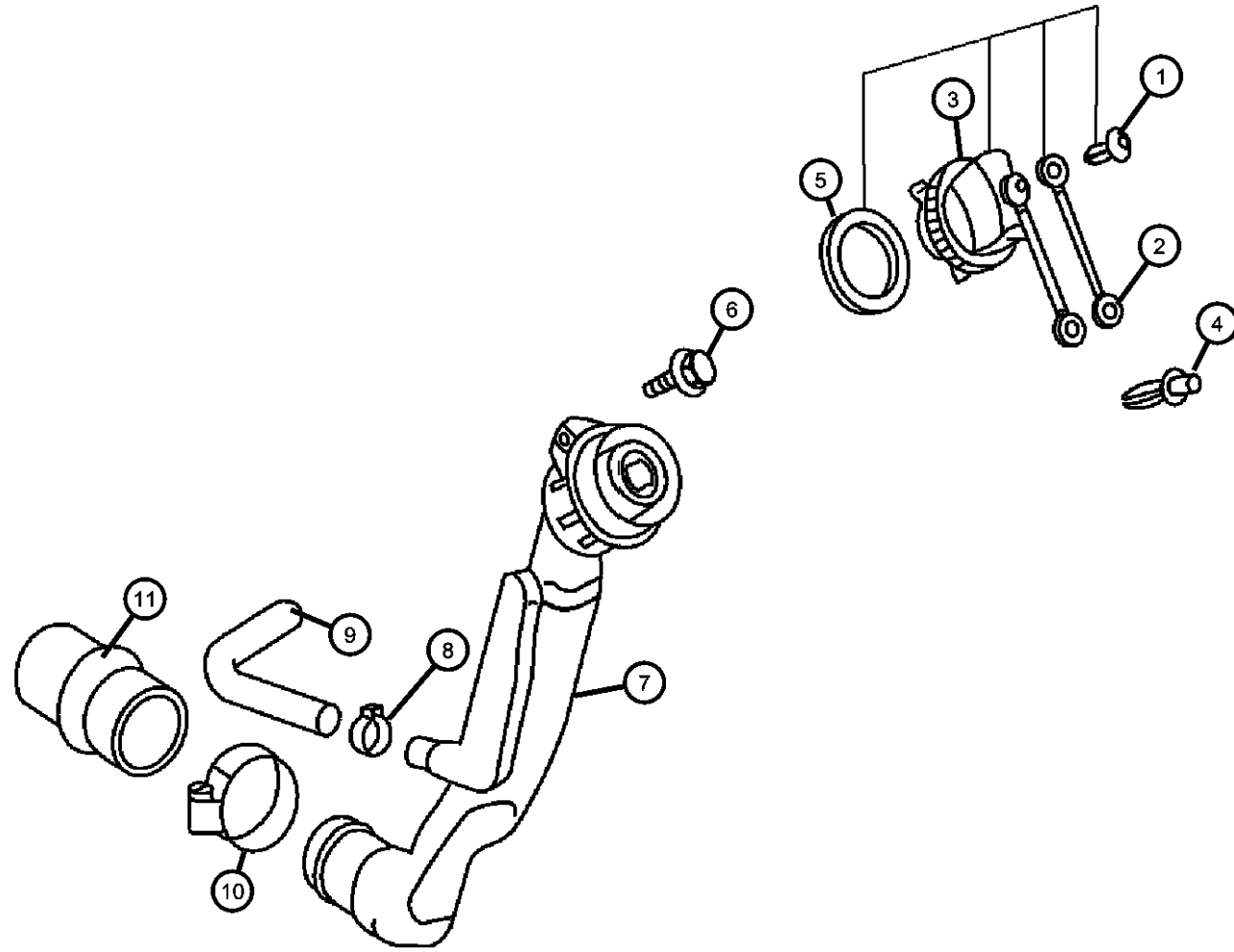
SERIES	LINE	BODY	ENGINE	TRANSMISSION
L = LOWLINE	3 = HD DODGE 2WD 6 = Lt. Duty DODGE 4WD 2 = Med. Duty DODGE 2WD 7 = Med. Duty DODGE 4WD	51 = WAGON WHEEL BASE 1 52 = WAGON WHEEL BASE 2 14 = VAN WHEEL BASE 4 15 = VAN WHEEL BASE 5 16 = VAN WHEEL BASE 6 54 = WAGON WHEEL BASE 4 55 = WAGON WHEEL BASE 5 56 = WAGON WHEEL BASE 6 11 = VAN WHEEL BASE 1 12 = VAN WHEEL BASE 2	EX9 = Engine - 2.7L 5 Cly Mercedes Diesel	DGJ = Transmission-5-Spd. Automatic,W5A580

AR = use ase required - = Non illustrated part

2003 VA

**Fuel Tank Filler Tube  
Figure 14-210**

ITEM	PART NUMBER	QTY	LINE	SERIES	BODY	ENGINE	TRANS	TRIM	DESCRIPTION
Sales Codes:EX9=ENGINE-2.7L I5 MERCEDES TURBO DGJ=TRANSMISSION - 5-SPD AUTO									
1									RIVET
	06104903AA	1	3, 7	L	12, 15, 16				
		1	2, 6	L	51, 52, 54, 55, 56				
		1	2, 6	L	11, 12, 14, 15, 16				
2									TETHER, Fuel Filler Cap
	05133915AA	1	3, 7	L	12, 15, 16				
		1	2, 6	L	11, 12, 14, 15, 16				
		1	2, 6	L	51, 52, 54, 55, 56				
3									CAP, Fuel Filler
	05104101AA	1	2, 6	L	11, 12, 14, 15, 16				
		1	2, 6	L	51, 52, 54, 55, 56				
		1	3, 7	L	12, 15, 16				
4									RIVET
	05103787AA	1	2, 6	L	11, 12, 14, 15, 16				
		1	2, 6	L	51, 52, 54, 55, 56				
		1	3, 7	L	12, 15, 16				
5									SEAL, Fuel Cap
	05133916AA	1	3, 7	L	12, 15, 16				
		1	2, 6	L	11, 12, 14, 15, 16				
		1	2, 6	L	51, 52, 54, 55, 56				
6									SCREW, Fuel Filler Tube Mounting
	06104515AA	1	2, 6	L	11, 12, 14, 15, 16				
		1	2, 6	L	51, 52, 54, 55, 56				
		1	3, 7	L	12, 15, 16				
7									TUBE, Fuel Filler



**SPRINTER (VA)**

**SERIES**

L = LOWLINE

**LINE**

3 = HD DODGE 2WD  
6 = Lt. Duty DODGE 4WD  
2 = Med. Duty DODGE 2WD  
7 = Med. Duty DODGE 4WD

**BODY**

51 = WAGON WHEEL BASE 1  
52 = WAGON WHEEL BASE 2  
14 = VAN WHEEL BASE 4  
15 = VAN WHEEL BASE 5  
16 = VAN WHEEL BASE 6  
54 = WAGON WHEEL BASE 4  
55 = WAGON WHEEL BASE 5  
56 = WAGON WHEEL BASE 6  
11 = VAN WHEEL BASE 1  
12 = VAN WHEEL BASE 2

**ENGINE**

EX9 = Engine - 2.7L 5 Cly Mercedes Diesel

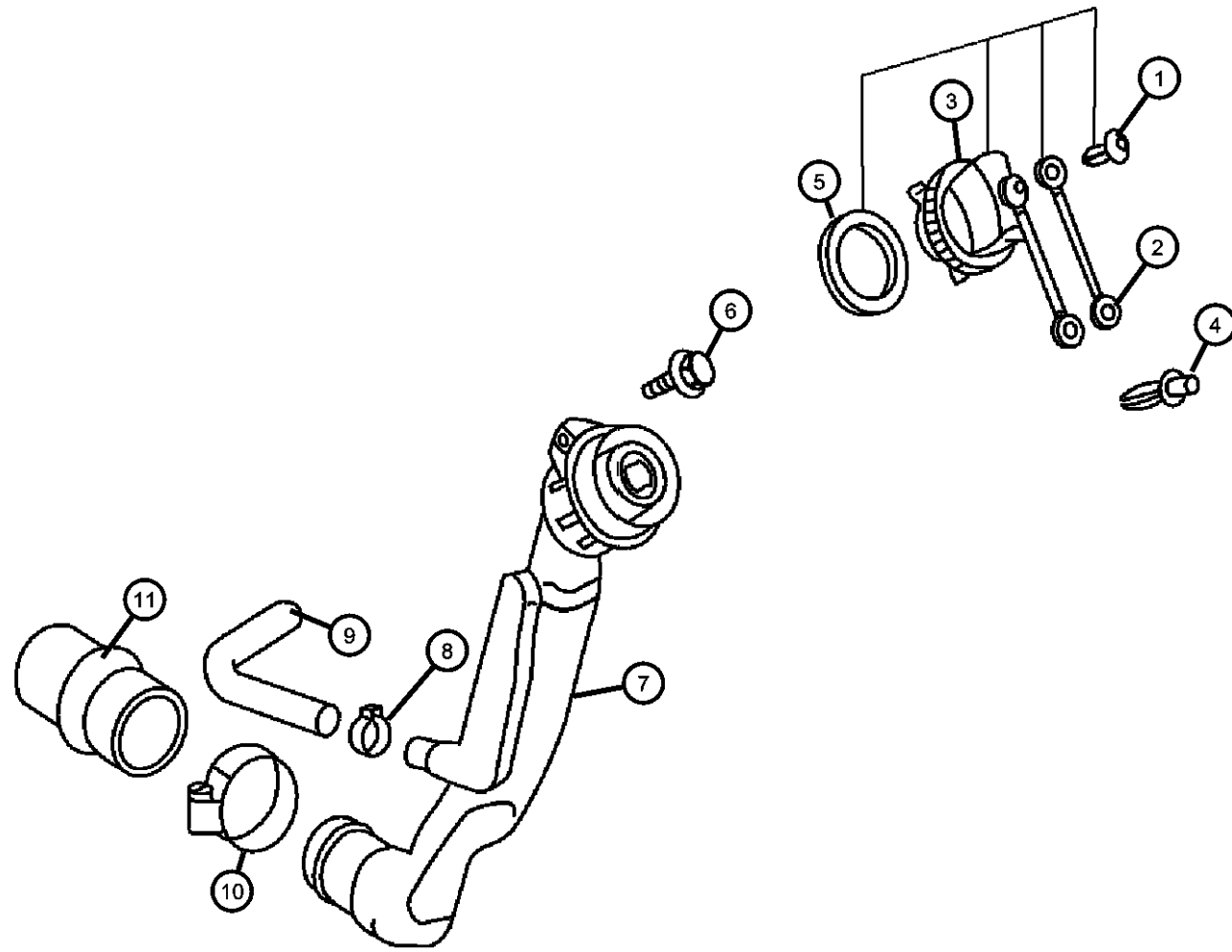
**TRANSMISSION**

DGJ = Transmission-5-Spd. Automatic,W5A580

AR = use ase required - = Non illustrated part

2003 VA

Fuel Tank Filler Tube  
Figure 14-210



ITEM	PART NUMBER	QTY	LINE	SERIES	BODY	ENGINE	TRANS	TRIM	DESCRIPTION
	05104103AA	1	2, 6	L	11, 12, 14, 15, 16	EX9			
		1	2, 6	L	51, 52, 54, 55, 56	EX9			
		1	3, 7	L	12, 15, 16	EX9			
8									CLAMP
	06104780AA	4	2, 6	L	51, 52, 54, 55, 56				
		4	2, 6	L	11, 12, 14, 15, 16				
		4	3, 7	L	12, 15, 16				
9									HOSE
	05103949AA	1	3, 7	L	12, 15, 16				1 Meter Long
		1	2, 6	L	11, 12, 14, 15, 16	EX9			1 Meter Long
		1	2, 6	L	51, 52, 54, 55, 56	EX9			1 Meter Long
10									CLAMP, Hose
	05104601AA	1	2, 6	L	11, 12, 14, 15, 16	EX9			
		2	2, 6	L	51, 52, 54, 55, 56				
		2	3, 7	L	12, 15, 16				
11									HOSE
	05119668AA	1	3, 7	L	12, 15, 16	EX9			
		1	2, 6	L	11, 12, 14, 15, 16	EX9			
		1	2, 6	L	51, 52, 54, 55, 56	EX9			

SPRINTER (VA)

SERIES

L = LOWLINE

LINE

3 = HD DODGE 2WD  
6 = Lt. Duty DODGE 4WD  
2 = Med. Duty DODGE 2WD  
7 = Med. Duty DODGE 4WD

BODY

51 = WAGON WHEEL BASE 1  
52 = WAGON WHEEL BASE 2  
14 = VAN WHEEL BASE 4  
15 = VAN WHEEL BASE 5  
16 = VAN WHEEL BASE 6  
54 = WAGON WHEEL BASE 4  
55 = WAGON WHEEL BASE 5  
56 = WAGON WHEEL BASE 6  
11 = VAN WHEEL BASE 1  
12 = VAN WHEEL BASE 2

ENGINE

EX9 = Engine - 2.7L 5 Cly Mercedes Diesel

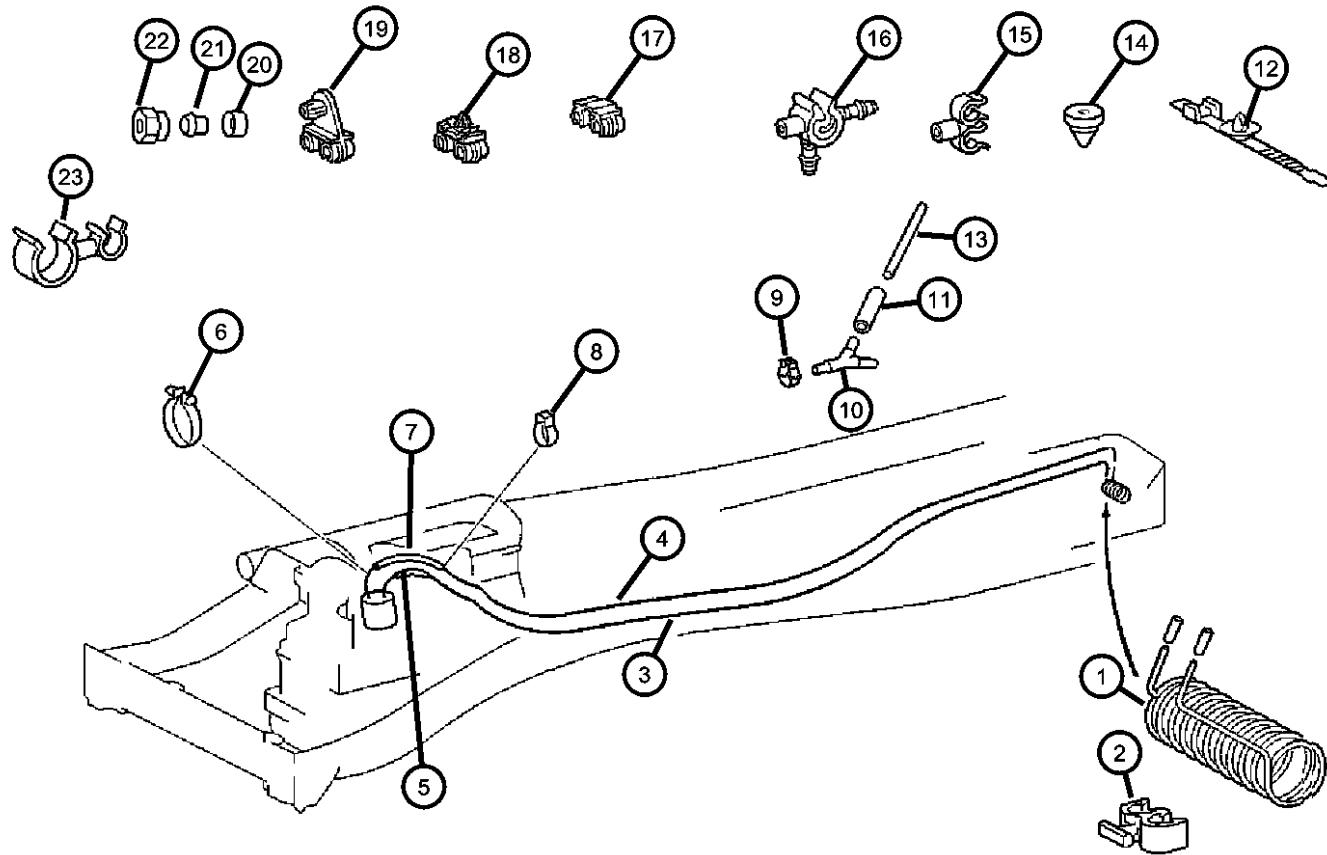
TRANSMISSION

DGJ = Transmission-5-Spd. Automatic, W5A580

AR = use ase required - = Non illustrated part

2003 VA

Fuel Lines  
Figure 14-310



ITEM	PART NUMBER	QTY	LINE	SERIES	BODY	ENGINE	TRANS	TRIM	DESCRIPTION
1	05119652AA	1		L					COOLER, Fuel, Diesel
2	05119694AA	2	2, 6	L	11, 12, 14, 15, 16	EX9			CLIP, Fuel Line
		2	2, 6	L	51, 52, 54, 55, 56	EX9			
		2	3, 7	L	12, 15, 16	EX9			
3	05125494AA	152	2, 6	L	11, 12, 14, 15, 16	EX9			TUBE, Nylon Straight 25 Meters Long
		152	2, 6	L	51, 52, 54, 55, 56	EX9			25 Meters Long
		152	3, 7	L	12, 15, 16	EX9			25 Meters Long
4	05119643AA	1	2, 6	L	11, 12, 14, 15, 16	EX9			TUBE, Fuel Return Line
		1	2, 6	L	51, 52, 54, 55, 56	EX9			
		1	3, 7	L	12, 15, 16	EX9			
5	05119641AA	1	2, 6	L	11, 12, 14, 15, 16	EX9			TUBE, Fuel Supply
		1	2, 6	L	51, 52, 54, 55, 56	EX9			
		1	3, 7	L	12, 15, 16	EX9			
6	05133690AA	1	2, 6	L	11, 12, 14, 15, 16	EX9			STRAP, Tie
		1	2, 6	L	51, 52, 54, 55, 56	EX9			
		8	3, 7	L	12, 15, 16				
7	05119673AA	1	2, 6	L	11, 12, 14, 15, 16	EX9			HOSE
		1	2, 6	L	51, 52, 54, 55, 56	EX9			
		1	3, 7	L	12, 15, 16	EX9			
8									CLAMP, Hose

**SPRINTER (VA)**

**SERIES**

L = LOWLINE

**LINE**

3 = HD DODGE 2WD  
6 = Lt. Duty DODGE 4WD  
2 = Med. Duty DODGE 2WD  
7 = Med. Duty DODGE 4WD

**BODY**

51 = WAGON WHEEL BASE 1  
52 = WAGON WHEEL BASE 2  
14 = VAN WHEEL BASE 4  
15 = VAN WHEEL BASE 5  
16 = VAN WHEEL BASE 6  
54 = WAGON WHEEL BASE 4  
55 = WAGON WHEEL BASE 5  
56 = WAGON WHEEL BASE 6  
11 = VAN WHEEL BASE 1  
12 = VAN WHEEL BASE 2

**ENGINE**

EX9 = Engine - 2.7L 5 Cyl Mercedes Diesel

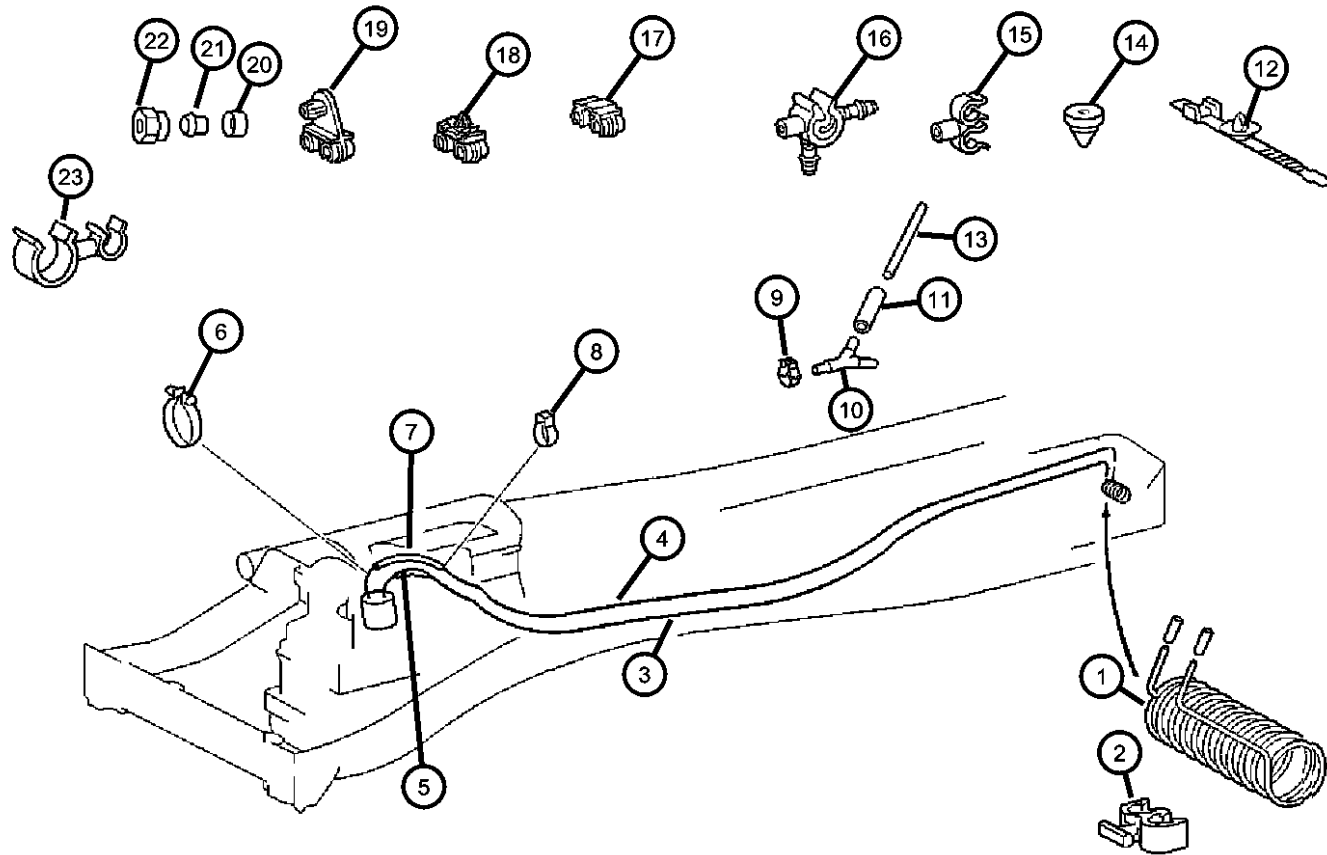
**TRANSMISSION**

DGJ = Transmission-5-Spd. Automatic, W5A580

AR = use ase required - = Non illustrated part

2003 VA

Fuel Lines  
Figure 14-310



ITEM	PART NUMBER	QTY	LINE	SERIES	BODY	ENGINE	TRANS	TRIM	DESCRIPTION
	05126025AA	1	2, 6	L	11, 12, 14, 15, 16				
		2	2, 6	L	51, 52, 54, 55, 56				
		2	3, 7	L	12, 15, 16				
9									CLAMP
	05133923AA	1	2, 6	L	51, 52, 54, 55, 56				
		1	3, 7	L	12, 15, 16	EX9			
		1	2, 6	L	11, 12, 14, 15, 16				CONNECTOR, Fuel Line
10									
	05133920AA	1	3, 7	L	12, 15, 16	EX9			
		1	2, 6	L	11, 12, 14, 15, 16				
		1	2, 6	L	51, 52, 54, 55, 56				HOSE
11									
	05104491AA	1	2, 6	L	11, 12, 14, 15, 16	EX9			
		1	2, 6	L	51, 52, 54, 55, 56	EX9			
		1	3, 7	L	12, 15, 16	EX9			TIE STRAP, Push In
12									
	05126078AA	1	2, 6	L	51, 52, 54, 55, 56	EX9			
		99	2, 6	L	51, 52, 54, 55, 56				
		1	3, 7	L	12, 15, 16	EX9			
13									
	05133633AA	900	3, 7	L	12, 15, 16	EX9			PIPE, Fuel 1 Meter Long
		100	2, 6	L	11, 12, 14, 15, 16	EX9			1 Meter Long
		100	2, 6	L	51, 52, 54, 55, 56	EX9			1 Meter Long
14	05125501AA	1		L					BUMPER, Rubber
15	05132794AA	2		L					CLAMP
16	06104924AA	1		L					CLIP, Retaining

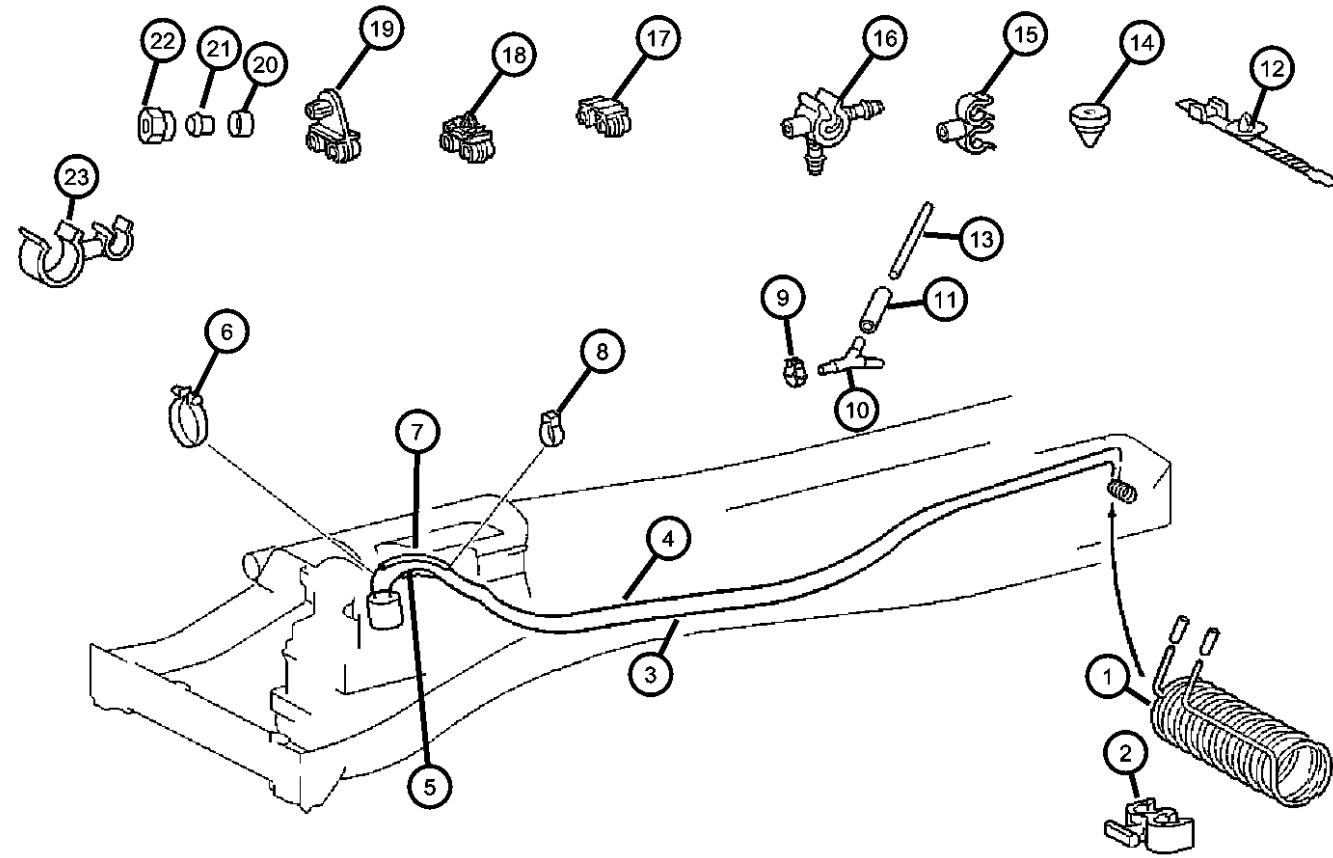
SPRINTER (VA)

SERIES	LINE	BODY	ENGINE	TRANSMISSION
L = LOWLINE	3 = HD DODGE 2WD 6 = Lt. Duty DODGE 4WD 2 = Med. Duty DODGE 2WD 7 = Med. Duty DODGE 4WD	51 = WAGON WHEEL BASE 1 52 = WAGON WHEEL BASE 2 14 = VAN WHEEL BASE 4 15 = VAN WHEEL BASE 5 16 = VAN WHEEL BASE 6 54 = WAGON WHEEL BASE 4 55 = WAGON WHEEL BASE 5 56 = WAGON WHEEL BASE 6 11 = VAN WHEEL BASE 1 12 = VAN WHEEL BASE 2	EX9 = Engine - 2.7L 5 Cly Mercedes Diesel	DGJ = Transmission-5-Spd. Automatic, W5A580

AR = use ase required - = Non illustrated part



Fuel Lines  
Figure 14-310



ITEM	PART NUMBER	QTY	LINE	SERIES	BODY	ENGINE	TRANS	TRIM	DESCRIPTION
17	05104106AA	1	2, 6	L	51, 52, 54, 55, 56	EX9			BRACKET, Fuel Line
		2	2, 6	L	51, 52, 54, 55, 56	EX9			
		1	3, 7	L	12, 15, 16	EX9			
18	05119690AA	1	2, 6	L	11, 12, 14, 15, 16	EX9			CLIP, Fuel Line
		1	2, 6	L	51, 52, 54, 55, 56	EX9			
		1	3, 7	L	12, 15, 16	EX9			
19	05104105AA	1	2, 6	L	11, 12, 14, 15, 16	EX9			BRACKET, Fuel Line
		1	2, 6	L	51, 52, 54, 55, 56	EX9			
		1	3, 7	L	12, 15, 16	EX9			
20	05126280AA	2	3, 7	L	12, 15, 16	EX9			SLEEVE
21	05133688AA	2	3, 7	L	12, 15, 16	EX9			SLEEVE
22	05104680AA	2	3, 7	L	12, 15, 16	EX9			UNION NUT, NONE, SPRINTER
		2	2, 6	L	11, 12, 14, 15, 16	EX9			
		2	2, 6	L	51, 52, 54, 55, 56	EX9			
23	05080437AB	2	3, 7	L	12, 15, 16				CLAMP
		1	2, 6	L	11, 12, 14, 15, 16				
		1	2, 6	L	51, 52, 54, 55, 56				
-24	05103577AA	1	3, 7	L	12, 15, 16	EX9			FILTER, Fuel
		1	2, 6	L	11, 12, 14, 15, 16	EX9			

**SPRINTER (VA)**

**SERIES**

L = LOWLINE

**LINE**

3 = HD DODGE 2WD  
6 = Lt. Duty DODGE 4WD  
2 = Med. Duty DODGE 2WD  
7 = Med. Duty DODGE 4WD

**BODY**

51 = WAGON WHEEL BASE 1  
52 = WAGON WHEEL BASE 2  
14 = VAN WHEEL BASE 4  
15 = VAN WHEEL BASE 5  
16 = VAN WHEEL BASE 6  
54 = WAGON WHEEL BASE 4  
55 = WAGON WHEEL BASE 5  
56 = WAGON WHEEL BASE 6  
11 = VAN WHEEL BASE 1  
12 = VAN WHEEL BASE 2

**ENGINE**

EX9 = Engine - 2.7L 5 Cly Mercedes Diesel

**TRANSMISSION**

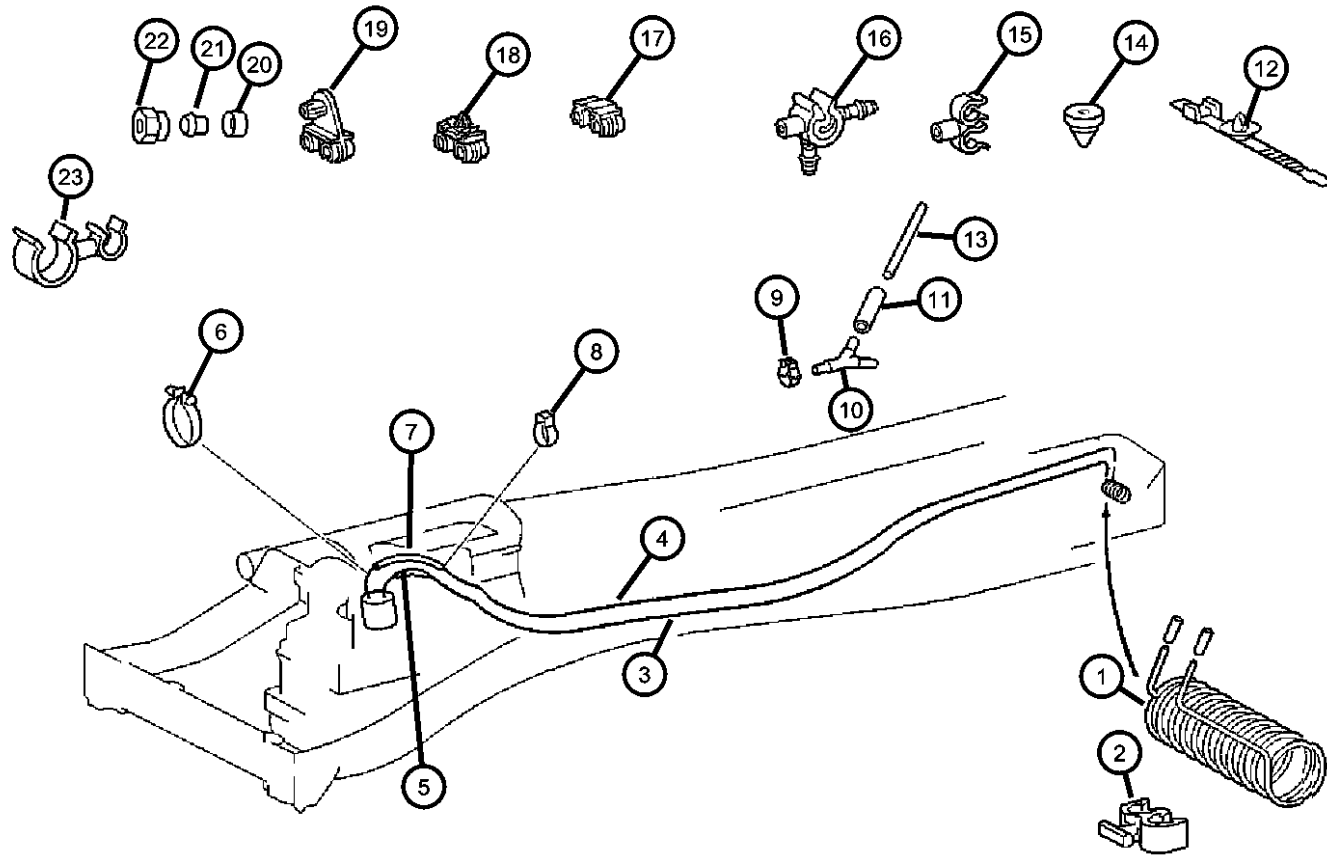
DGJ = Transmission-5-Spd. Automatic, W5A580

AR = use ase required - = Non illustrated part

2003 VA

Fuel Lines  
Figure 14-310

ITEM	PART NUMBER	QTY	LINE	SERIES	BODY	ENGINE	TRANS	TRIM	DESCRIPTION
		1	2, 6	L	51, 52, 54, 55, 56	EX9			
-25	05104000AA	1							HOSE, Fuel Filter



**SPRINTER (VA)**

**SERIES**

L = LOWLINE

**LINE**

3 = HD DODGE 2WD  
6 = Lt. Duty DODGE 4WD  
2 = Med. Duty DODGE 2WD  
7 = Med. Duty DODGE 4WD

**BODY**

51 = WAGON WHEEL BASE 1  
52 = WAGON WHEEL BASE 2  
14 = VAN WHEEL BASE 4  
15 = VAN WHEEL BASE 5  
16 = VAN WHEEL BASE 6  
54 = WAGON WHEEL BASE 4  
55 = WAGON WHEEL BASE 5  
56 = WAGON WHEEL BASE 6  
11 = VAN WHEEL BASE 1  
12 = VAN WHEEL BASE 2

**ENGINE**

EX9 = Engine - 2.7L 5 Cly  
Mercedes Diesel

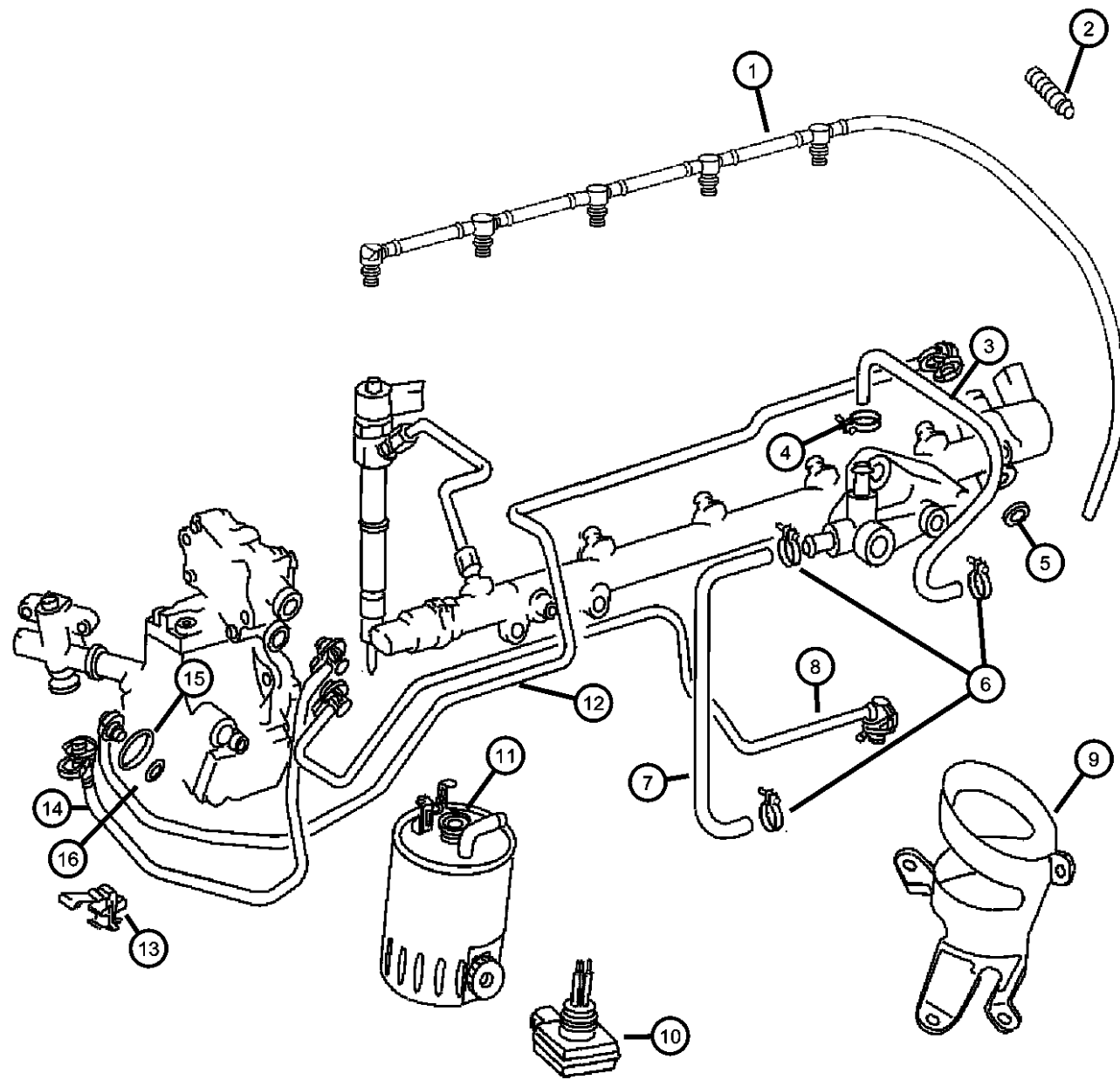
**TRANSMISSION**

DGJ = Transmission-5-Spd.  
Automatic,W5A580

AR = use ase required - = Non illustrated part

2003 VA

Fuel Line and Filter  
Figure 14-320



ITEM	PART NUMBER	QTY	LINE	SERIES	BODY	ENGINE	TRANS	TRIM	DESCRIPTION
1	05080487AA	1		L					TUBE
2	05135867AA	900		L					INSULATOR, 10 Meters Long
3	05117466AA	1		L					HOSE, HOSE
4	05080440AB	2		L					CLAMP
5	05104625AA	2		L					O RING
6	05080440AB	1							CLAMP
7	05104004AA	1		L					HOSE
8	05104002AA	1		L					HOSE, Fuel Filter
9	05104005AA	1		L					BRACKET, FUEL FILTER, SPRINTER
10	05080457AA	1		L					SWITCH
11									FILTER, Fuel
	05103577AA	1	3, 7	L	12, 15, 16	EX9			
		1	2, 6	L	11, 12, 14, 15, 16	EX9			
12	05104001AA	1		L					TUBE
13	05080446AA	2		L					BRACKET
14	05135866AA	1		L					LINE, FEED PUMP FUEL
15	05104683AB	1		L					PRESSURE SENSOR, SPRINTER
16	05139592AA	1							SEAL RING, NONE, SPRINTER
									SEAL

SPRINTER (VA)

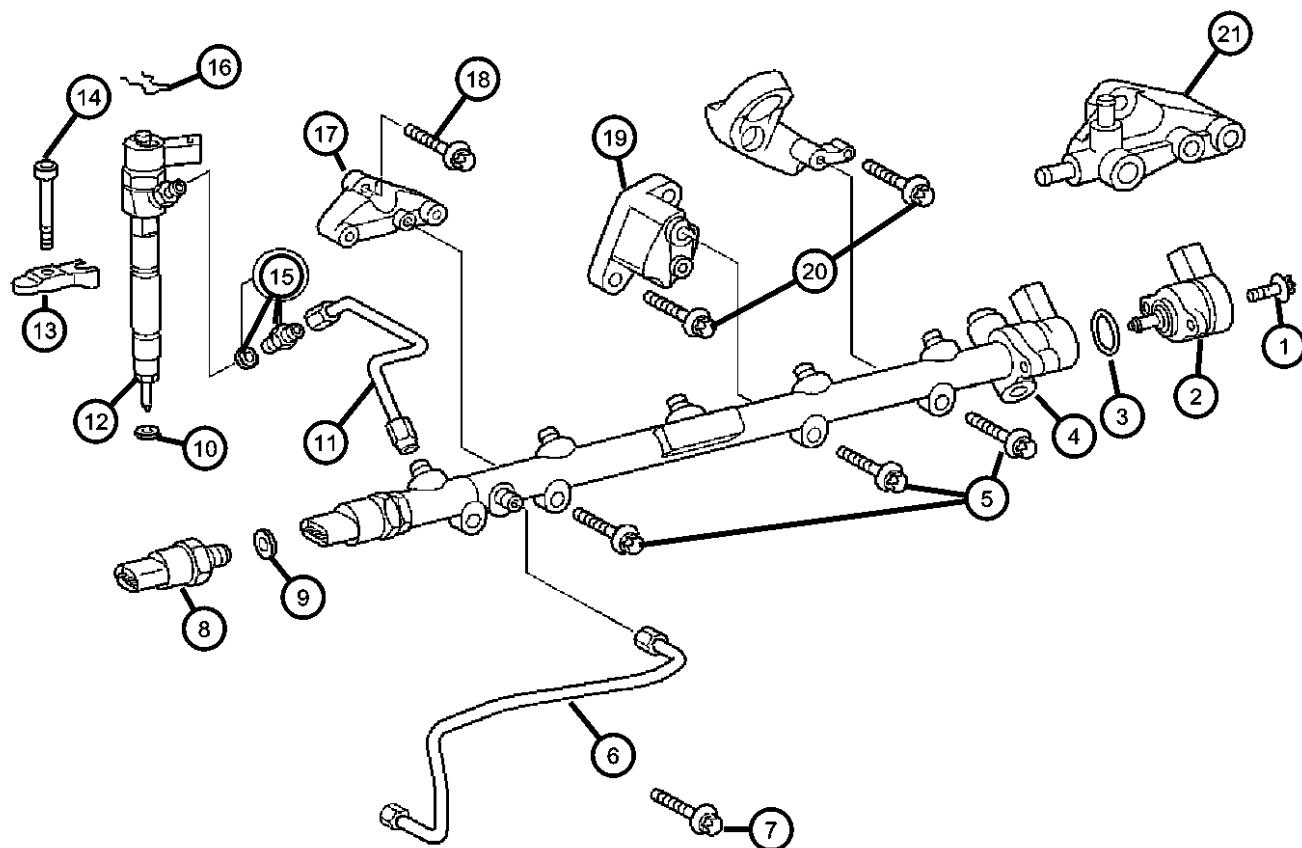
SERIES	LINE	BODY	ENGINE	TRANSMISSION
L = LOWLINE	3 = HD DODGE 2WD 6 = Lt. Duty DODGE 4WD 2 = Med. Duty DODGE 2WD 7 = Med. Duty DODGE 4WD	51 = WAGON WHEEL BASE 1 52 = WAGON WHEEL BASE 2 14 = VAN WHEEL BASE 4 15 = VAN WHEEL BASE 5 16 = VAN WHEEL BASE 6 54 = WAGON WHEEL BASE 4 55 = WAGON WHEEL BASE 5 56 = WAGON WHEEL BASE 6 11 = VAN WHEEL BASE 1 12 = VAN WHEEL BASE 2	EX9 = Engine - 2.7L 5 Cly Mercedes Diesel	DGJ = Transmission-5-Spd. Automatic, W5A580

AR = use ase required - = Non illustrated part

**Injection System [EX9]  
Figure 14-410**

ITEM	PART NUMBER	QTY	LINE	SERIES	BODY	ENGINE	TRANS	TRIM	DESCRIPTION
------	-------------	-----	------	--------	------	--------	-------	------	-------------

Sales Codes:EX9=ENGINE-2.7L I5 MERCEDES TURBO  
DGJ=TRANSMISSION - 5-SPD AUTO



1	06104005AA	4		L					SCREW
2	05080462AA	1		L					VALVE
3	05135890AA	1		L					O RING, Fuel Pressure Regulator
4	05080286AA	1		L					RAIL, Fuel
5	05073701AA	3		L					SCREW
6	05117420AA	1		L					TUBE, Fuel Injector Supply
7	05073701AA	3		L					SCREW
8	05080349AA	1		L					SENDING UNIT, Fuel
9	05080347AA	1		L					O RING, Fuel Pressure Regulator
10	05080301AA	5		L					O RING, Fuel Injector
11	05080292AA	5		L					TUBE, Fuel Injector Supply
12	05135154AA	5	2, 3, 6, 7	L					INJECTOR, Fuel
13	05080302AB	5		L					RETAINER, Fuel Injector
14	05073719AB	5		L					SCREW
15	05103608AA	5		L					ADAPTER
16	05086296AA	5		L					CLIP, Fuel Injector
17	04725619AA	1		L					BRACKET, Fuel Rail
18	05073903AA	2		L					SCREW
19	04725619AA	1		L					BRACKET, Fuel Rail
20	05073903AA	2		L					SCREW
21	05117425AA	1		L					BRACKET

**SPRINTER (VA)**

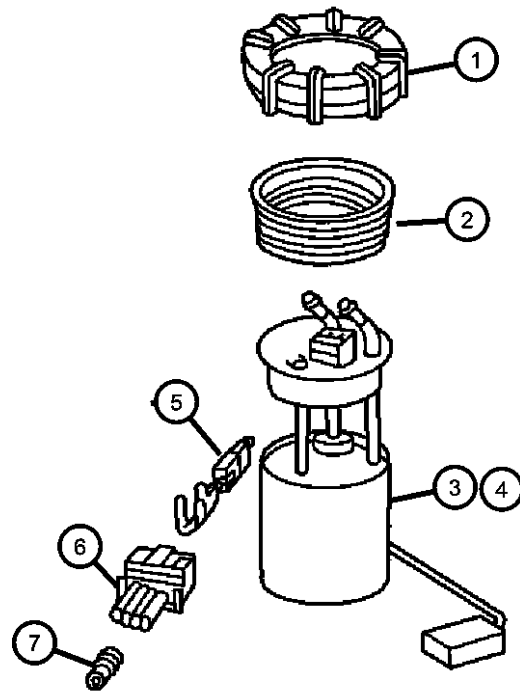
SERIES	LINE	BODY	ENGINE	TRANSMISSION
L = LOWLINE	3 = HD DODGE 2WD 6 = Lt. Duty DODGE 4WD 2 = Med. Duty DODGE 2WD 7 = Med. Duty DODGE 4WD	51 = WAGON WHEEL BASE 1 52 = WAGON WHEEL BASE 2 14 = VAN WHEEL BASE 4 15 = VAN WHEEL BASE 5 16 = VAN WHEEL BASE 6 54 = WAGON WHEEL BASE 4 55 = WAGON WHEEL BASE 5 56 = WAGON WHEEL BASE 6 11 = VAN WHEEL BASE 1 12 = VAN WHEEL BASE 2	EX9 = Engine - 2.7L 5 Cly Mercedes Diesel	DGJ = Transmission-5-Spd. Automatic,W5A580

AR = use ase required - = Non illustrated part

2003 VA

**Fuel Module  
Figure 14-510**

ITEM	PART NUMBER	QTY	LINE	SERIES	BODY	ENGINE	TRANS	TRIM	DESCRIPTION
Sales Codes:EX9=ENGINE-2.7L I5 MERCEDES TURBO DGJ=TRANSMISSION - 5-SPD AUTO XFZ=Sender for Auxiliary Heater									
1									NUT, Fuel Pump Module
	05104539AA	1	2, 6	L	11, 12, 14, 15, 16				
		1	2, 6	L	51, 52, 54, 55, 56				
		1	3, 7	L	12, 15, 16				
2									SEAL, Fuel Pump and Level Unit
	05119613AA	1	2, 6	L	11, 12, 14, 15, 16				
		1	2, 6	L	51, 52, 54, 55, 56				
		1	3, 7	L	12, 15, 16				
3									MODULE, Fuel Tank - Diesel [XFZ]
	05120335AA	1	2, 6	L	11, 12, 14, 15, 16				
		1	2, 6	L	51, 52, 54, 55, 56				[XFZ]
		1	3, 7	L	12, 15, 16				[XFZ]
4									MODULE, Fuel Tank - Diesel Without [XFZ]
	05120339AA	1	2, 6	L	11, 12, 14, 15, 16				
		1	2, 6	L	51, 52, 54, 55, 56				Without [XFZ]
		1	3, 7	L	12, 15, 16				Without [XFZ]
5									TERMINAL
	05102935AA	99	3, 7	L	12, 15, 16				
		1	2, 6	L	11, 12, 14, 15, 16				
		1	2, 6	L	51, 52, 54, 55, 56				
6									CONNECTOR
	05120544AA	1	3, 7	L	12, 15, 16				
		1	2, 6	L	11, 12, 14, 15, 16				
		1	2, 6	L	51, 52, 54, 55, 56				



**SPRINTER (VA)**

**SERIES**

L = LOWLINE

**LINE**

3 = HD DODGE 2WD  
6 = Lt. Duty DODGE 4WD  
2 = Med. Duty DODGE 2WD  
7 = Med. Duty DODGE 4WD

**BODY**

51 = WAGON WHEEL BASE 1 EX9 = Engine - 2.7L 5 Clj  
52 = WAGON WHEEL BASE 2 Mercedes Diesel  
14 = VAN WHEEL BASE 4  
15 = VAN WHEEL BASE 5  
16 = VAN WHEEL BASE 6  
54 = WAGON WHEEL BASE 4  
55 = WAGON WHEEL BASE 5  
56 = WAGON WHEEL BASE 6  
11 = VAN WHEEL BASE 1  
12 = VAN WHEEL BASE 2

**ENGINE**

**TRANSMISSION**

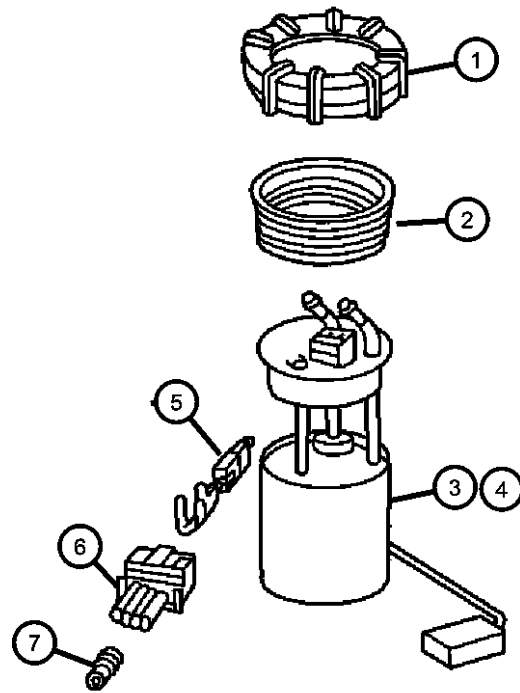
DGJ = Transmission-5-Spd. Automatic,W5A580

AR = use ase required - = Non illustrated part

2003 VA

Fuel Module  
Figure 14-510

ITEM	PART NUMBER	QTY	LINE	SERIES	BODY	ENGINE	TRANS	TRIM	DESCRIPTION
7									GASKET
	05103661AA	1	2, 6	L	11, 12, 14, 15, 16				
		1	2, 6	L	51, 52, 54, 55, 56				
		1	3, 7	L	12, 15, 16				



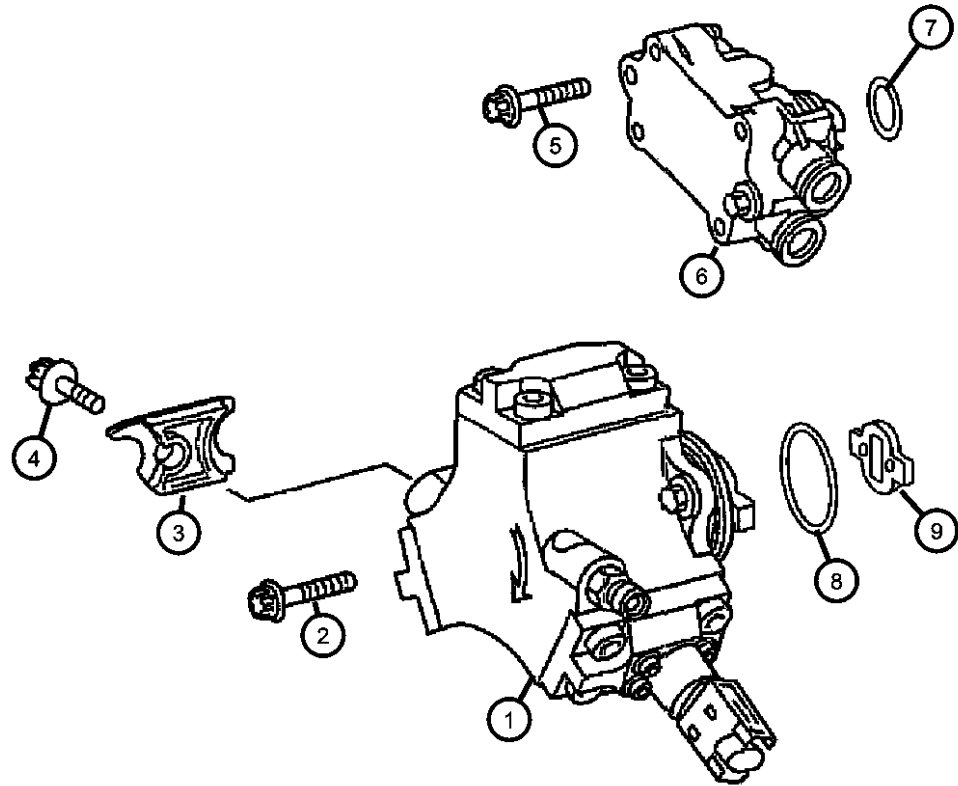
SPRINTER (VA)

SERIES	LINE	BODY	ENGINE	TRANSMISSION
L = LOWLINE	3 = HD DODGE 2WD 6 = Lt. Duty DODGE 4WD 2 = Med. Duty DODGE 2WD 7 = Med. Duty DODGE 4WD	51 = WAGON WHEEL BASE 1 52 = WAGON WHEEL BASE 2 14 = VAN WHEEL BASE 4 15 = VAN WHEEL BASE 5 16 = VAN WHEEL BASE 6 54 = WAGON WHEEL BASE 4 55 = WAGON WHEEL BASE 5 56 = WAGON WHEEL BASE 6 11 = VAN WHEEL BASE 1 12 = VAN WHEEL BASE 2	EX9 = Engine - 2.7L 5 Cly Mercedes Diesel	DGJ = Transmission-5-Spd. Automatic,W5A580

AR = use ase required - = Non illustrated part

Fuel Injection Pump  
Figure 14-610

ITEM	PART NUMBER	QTY	LINE	SERIES	BODY	ENGINE	TRANS	TRIM	DESCRIPTION
Sales Codes:EX9=ENGINE-2.7L I5 MERCEDES TURBO DGJ=TRANSMISSION - 5-SPD AUTO									
1	05136012AA	1		L					PUMP, Injection
2	05073701AA	3		L					SCREW
3	05080284AA	1		L					BRACKET, Pump
4	05073718AA	1		L					SCREW
5	06104011AA	2		L					SCREW
6	05080255AA	1		L					PUMP, Fuel
7	05103614AA	1		L					O RING, Fuel Pump
8	05080115AA	1		L					O RING
9	05103610AA	1		L					DRIVE, Fuel Pump



SPRINTER (VA)

SERIES	LINE	BODY	ENGINE	TRANSMISSION
L = LOWLINE	3 = HD DODGE 2WD 6 = Lt. Duty DODGE 4WD 2 = Med. Duty DODGE 2WD 7 = Med. Duty DODGE 4WD	51 = WAGON WHEEL BASE 1 52 = WAGON WHEEL BASE 2 14 = VAN WHEEL BASE 4 15 = VAN WHEEL BASE 5 16 = VAN WHEEL BASE 6 54 = WAGON WHEEL BASE 4 55 = WAGON WHEEL BASE 5 56 = WAGON WHEEL BASE 6 11 = VAN WHEEL BASE 1 12 = VAN WHEEL BASE 2	EX9 = Engine - 2.7L 5 Cly Mercedes Diesel	DGJ = Transmission-5-Spd. Automatic,W5A580

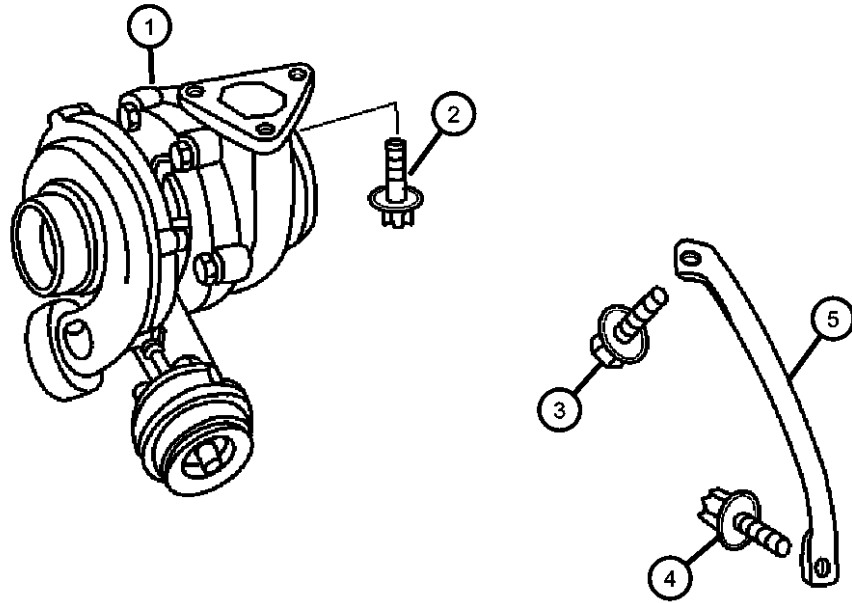
AR = use ase required - = Non illustrated part

**Turbo Charger**  
**Figure 14-630**

ITEM	PART NUMBER	QTY	LINE	SERIES	BODY	ENGINE	TRANS	TRIM	DESCRIPTION
------	-------------	-----	------	--------	------	--------	-------	------	-------------

Sales Codes:EX9=ENGINE-2.7L I5 MERCEDES TURBO  
 DGJ=TRANSMISSION - 5-SPD AUTO

1	05104006AA	1		L					TURBOCHARGER
2	05073720AA	3		L					SCREW
3	05073720AA	1		L					SCREW
4	06104022AA	1		L					SCREW
5	05103982AA	1		L					BRACKET, Turbo Charger
-6	05080371AA	1		L					REGULATOR, Pressure



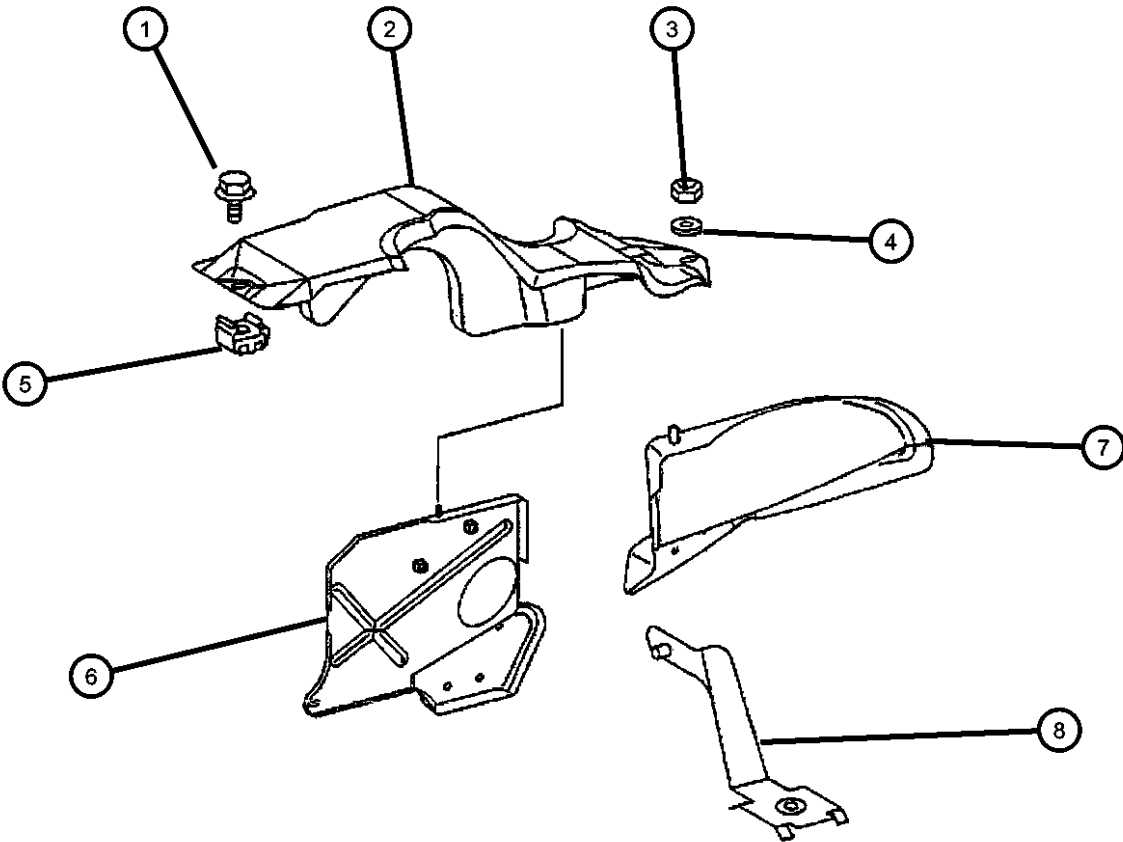
**SPRINTER (VA)**

SERIES	LINE	BODY	ENGINE	TRANSMISSION
L = LOWLINE	3 = HD DODGE 2WD	51 = WAGON WHEEL BASE 1	EX9 = Engine - 2.7L 5 Cly	DGJ = Transmission-5-Spd.
	6 = Lt. Duty DODGE 4WD	52 = WAGON WHEEL BASE 2	Mercedes Diesel	Automatic,W5A580
	2 = Med. Duty DODGE 2WD	14 = VAN WHEEL BASE 4		
	7 = Med. Duty DODGE 4WD	15 = VAN WHEEL BASE 5		
		16 = VAN WHEEL BASE 6		
		54 = WAGON WHEEL BASE 4		
		55 = WAGON WHEEL BASE 5		
		56 = WAGON WHEEL BASE 6		
		11 = VAN WHEEL BASE 1		
		12 = VAN WHEEL BASE 2		

AR = use ase required - = Non illustrated part



**Turbo Charger Heat Shield  
Figure 14-635**



ITEM	PART NUMBER	QTY	LINE	SERIES	BODY	ENGINE	TRANS	TRIM	DESCRIPTION
------	-------------	-----	------	--------	------	--------	-------	------	-------------

Sales Codes:EX9=ENGINE-2.7L I5 MERCEDES TURBO  
DGJ=TRANSMISSION - 5-SPD AUTO

1									BOLT
	06104179AA	1	2, 6	L	11, 12, 14, 15, 16				
		1	2, 6	L	51, 52, 54, 55, 56				
		1	3, 7	L	12, 15, 16				
2									COVER, Turbo Charger Compressor
	05104138AA	1	2, 6	L	11, 12, 14, 15, 16				
		1	2, 6	L	51, 52, 54, 55, 56				
		1	3, 7	L	12, 15, 16				
3									NUT, Hex
	05097674AA	1	2, 6	L	11, 12, 14, 15, 16	EX9			
		1	2, 6	L	51, 52, 54, 55, 56	EX9			
		1	3, 7	L	12, 15, 16	EX9			
4									WASHER
	05133908AA	1	3, 7	L	12, 15, 16				
		1	2, 6	L	11, 12, 14, 15, 16				
		1	2, 6	L	51, 52, 54, 55, 56				
5									NUT
	05126253AA	1	2, 6	L	11, 12, 14, 15, 16				
		1	2, 6	L	51, 52, 54, 55, 56				
		1	3, 7	L	12, 15, 16				
6									COVER, Air Inlet
	05120028AA	1	2, 6	L	11, 12, 14, 15, 16				
		1	2, 6	L	51, 52, 54, 55, 56				
		1	3, 7	L	12, 15, 16				

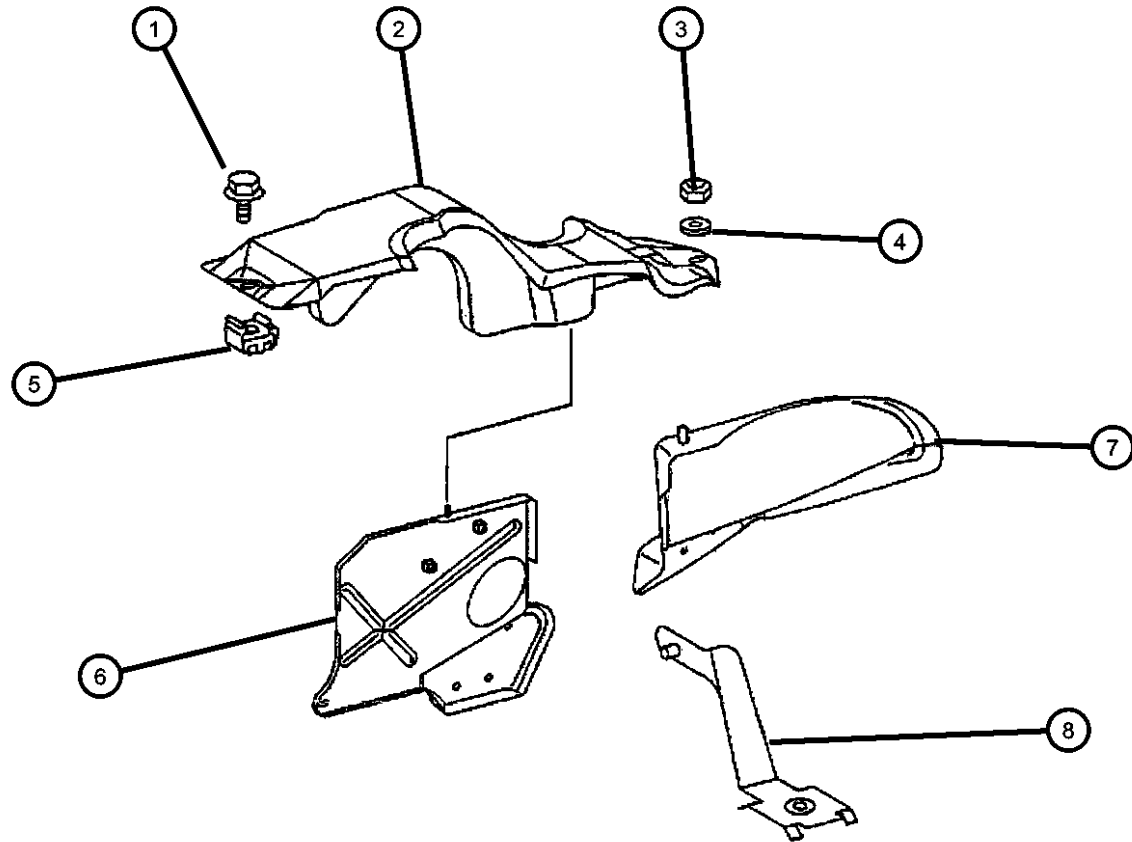
**SPRINTER (VA)**

SERIES	LINE	BODY	ENGINE	TRANSMISSION
L = LOWLINE	3 = HD DODGE 2WD 6 = Lt. Duty DODGE 4WD 2 = Med. Duty DODGE 2WD 7 = Med. Duty DODGE 4WD	51 = WAGON WHEEL BASE 1 52 = WAGON WHEEL BASE 2 14 = VAN WHEEL BASE 4 15 = VAN WHEEL BASE 5 16 = VAN WHEEL BASE 6 54 = WAGON WHEEL BASE 4 55 = WAGON WHEEL BASE 5 56 = WAGON WHEEL BASE 6 11 = VAN WHEEL BASE 1 12 = VAN WHEEL BASE 2	EX9 = Engine - 2.7L 5 Cly Mercedes Diesel	DGJ = Transmission-5-Spd. Automatic,W5A580

AR = use ase required - = Non illustrated part

**Turbo Charger Heat Shield  
Figure 14-635**

ITEM	PART NUMBER	QTY	LINE	SERIES	BODY	ENGINE	TRANS	TRIM	DESCRIPTION
7	05120025AA	1	3, 7	L	12, 15, 16				COVER, Air Inlet
		1	2, 6	L	11, 12, 14, 15, 16				
		1	2, 6	L	51, 52, 54, 55, 56				
8	05120059AA	1	2, 6	L	11, 12, 14, 15, 16				BRACKET, Air Inlet
		1	2, 6	L	51, 52, 54, 55, 56				
		1	3, 7	L	12, 15, 16				

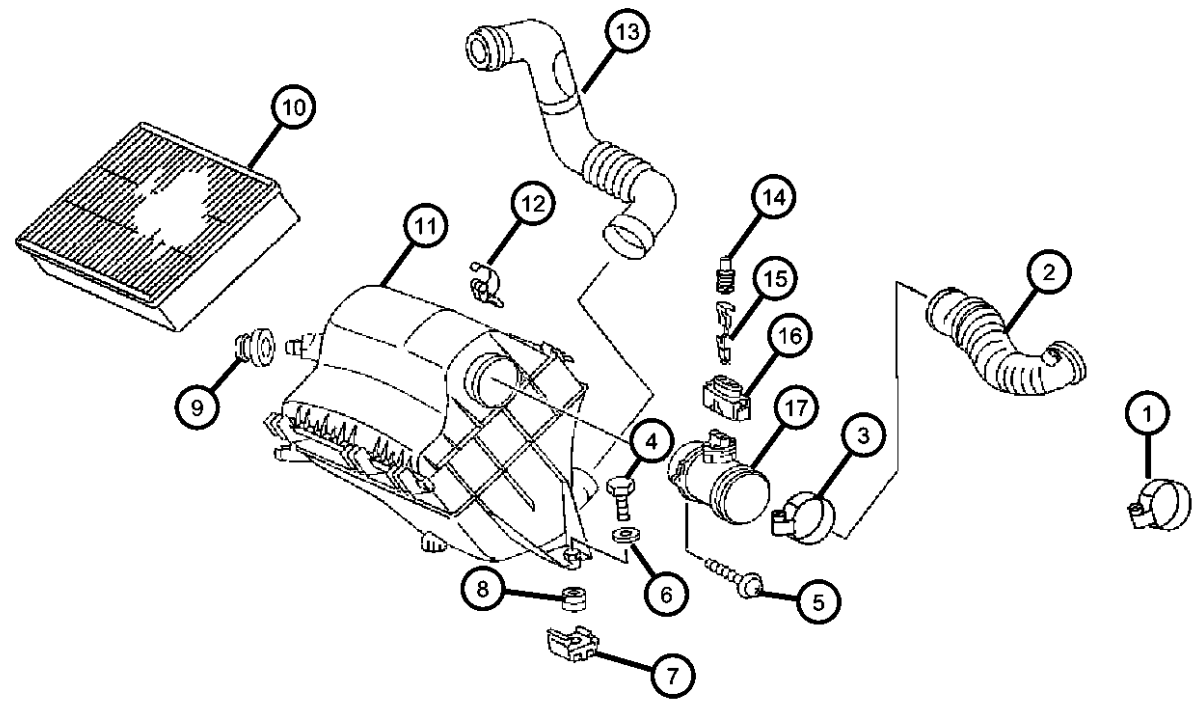


**SPRINTER (VA)**

<b>SERIES</b>	<b>LINE</b>	<b>BODY</b>	<b>ENGINE</b>	<b>TRANSMISSION</b>
L = LOWLINE	3 = HD DODGE 2WD 6 = Lt. Duty DODGE 4WD 2 = Med. Duty DODGE 2WD 7 = Med. Duty DODGE 4WD	51 = WAGON WHEEL BASE 1 52 = WAGON WHEEL BASE 2 14 = VAN WHEEL BASE 4 15 = VAN WHEEL BASE 5 16 = VAN WHEEL BASE 6 54 = WAGON WHEEL BASE 4 55 = WAGON WHEEL BASE 5 56 = WAGON WHEEL BASE 6 11 = VAN WHEEL BASE 1 12 = VAN WHEEL BASE 2	EX9 = Engine - 2.7L 5 Cly Mercedes Diesel	DGJ = Transmission-5-Spd. Automatic,W5A580

AR = use ase required - = Non illustrated part

**Air Cleaner  
Figure 14-810**

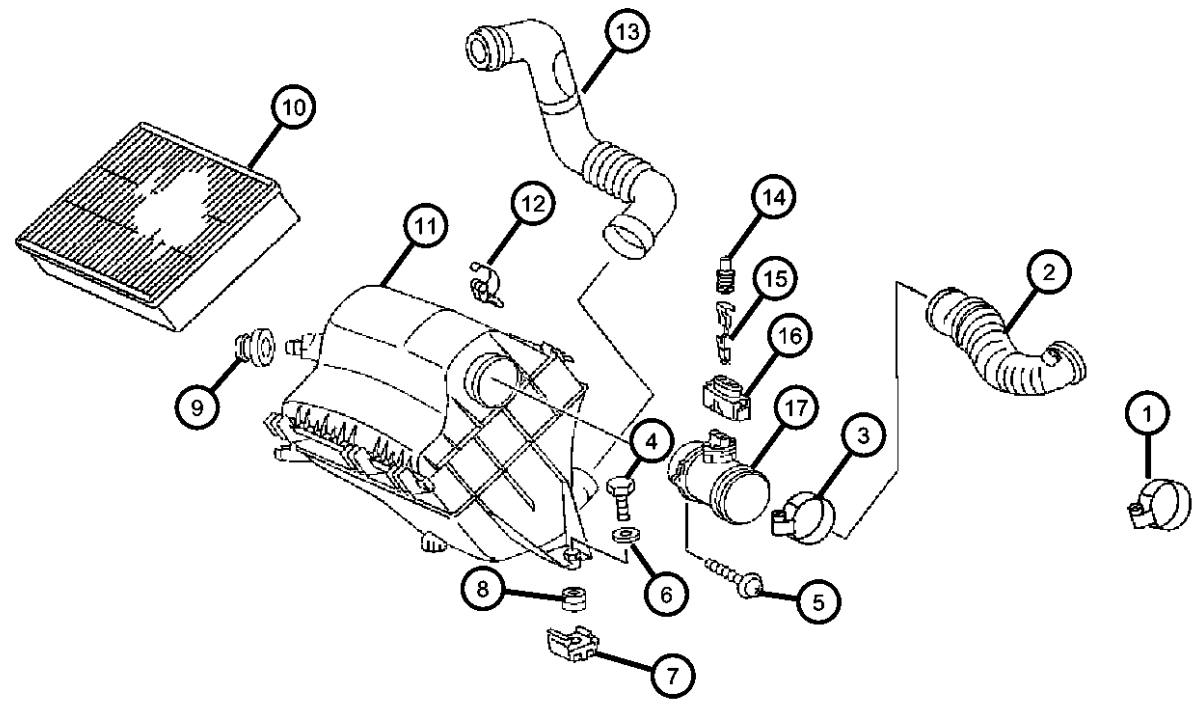


ITEM	PART NUMBER	QTY	LINE	SERIES	BODY	ENGINE	TRANS	TRIM	DESCRIPTION
Sales Codes: [EN0]=All 4/5 Cylinder Turbo Diesel Engines									
1									CLAMP
	06104787AA	1	3, 7	L	12, 15, 16				
		1	2, 6	L	11, 12, 14, 15, 16				
		1	2, 6	L	51, 52, 54, 55, 56				
2									HOSE, Air Cleaner to T/Body
	05104140AA	1	2, 6	L	11, 12, 14, 15, 16				
		1	2, 6	L	51, 52, 54, 55, 56				
		1	3, 7	L	12, 15, 16				
3									CLAMP
	06104793AA	1	2, 6	L	11, 12, 14, 15, 16				
		1	2, 6	L	51, 52, 54, 55, 56				
		1	3, 7	L	12, 15, 16				
4	06104124AA	1		L					BOLT
5	05133748AA	2	3, 7	L	12, 15, 16				BOLT, Hex Head
6									WASHER
	05133908AA	1	2, 6	L	11, 12, 14, 15, 16				
		1	2, 6	L	51, 52, 54, 55, 56				
		1	3, 7	L	16, 12, 15				
7	05126253AA	2		L			DGJ		NUT
8									BUSHING, Isolator Mounting Leg
	05133742AA	1	3, 7	L	12, 15, 16				
		1	2, 6	L	11, 12, 14, 15, 16				
		1	2, 6	L	51, 52, 54, 55, 56				
9									GROMMET, Air Cleaner
	05120012AA	2	2, 6	L	11, 12, 14, 15, 16				

<b>SPRINTER (VA)</b>			
SERIES	LINE	BODY	ENGINE
L = LOWLINE	3 = HD DODGE 2WD 6 = Lt. Duty DODGE 4WD 2 = Med. Duty DODGE 2WD 7 = Med. Duty DODGE 4WD	51 = WAGON WHEEL BASE 1 52 = WAGON WHEEL BASE 2 14 = VAN WHEEL BASE 4 15 = VAN WHEEL BASE 5 16 = VAN WHEEL BASE 6 54 = WAGON WHEEL BASE 4 55 = WAGON WHEEL BASE 5 56 = WAGON WHEEL BASE 6 11 = VAN WHEEL BASE 1 12 = VAN WHEEL BASE 2	EX9 = Engine - 2.7L 5 Cly Mercedes Diesel DGJ = Transmission-5-Spd. Automatic, W5A580

AR = use ase required - = Non illustrated part

**Air Cleaner  
Figure 14-810**



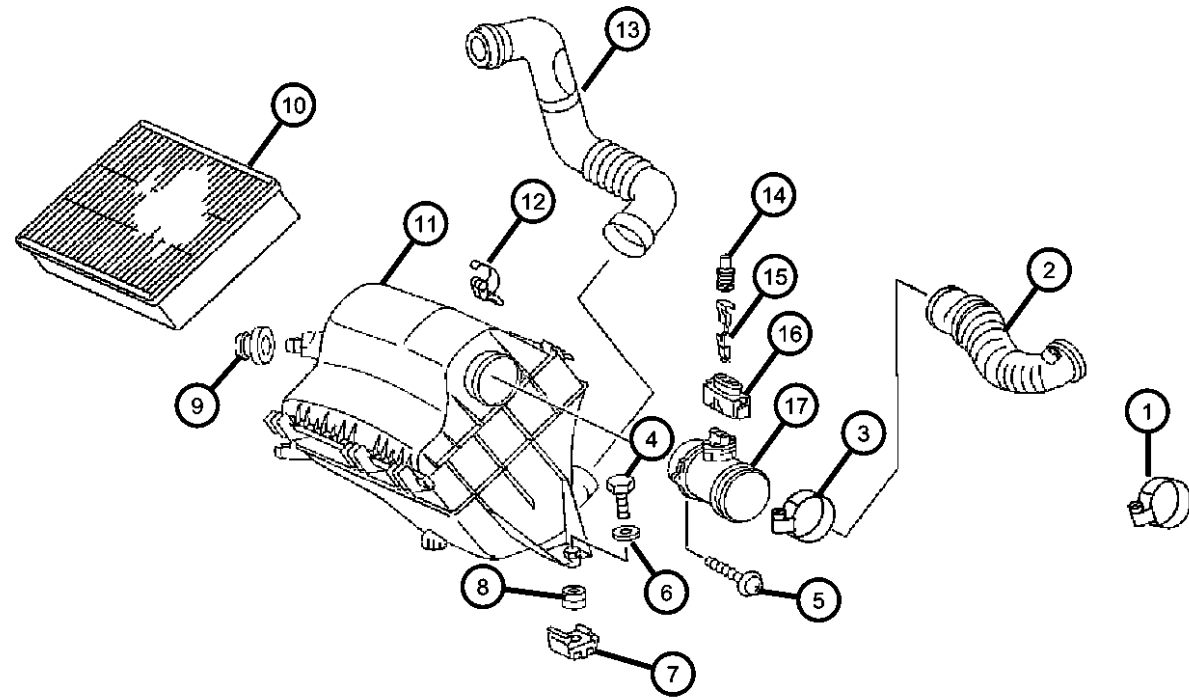
ITEM	PART NUMBER	QTY	LINE	SERIES	BODY	ENGINE	TRANS	TRIM	DESCRIPTION
10	05103554AA	2	2, 6	L	51, 52, 54, 55, 56				FILTER, Air
		2	3, 7	L	12, 15, 16				
11	05103611AA	1	2, 6	L	11, 12, 14, 15, 16	EX9			AIR CLEANER
		1	2, 6	L	51, 52, 54, 55, 56	EX9			
12	05133741AA	1	2, 6	L	11, 12, 14, 15, 16				LATCH, Air Cleaner
		1	3, 7	L	12, 15, 16	EX9			
13	05103616AA	1	2, 6	L	11, 12, 14, 15, 16				HOSE, Air Cleaner
		1	3, 7	L	12, 15, 16	EX9			
14	05103661AA	1	2, 6	L	11, 12, 14, 15, 16				GASKET
		1	3, 7	L	12, 15, 16				
15	05102935AA	1	3, 7	L	12, 15, 16				TERMINAL
		1	2, 6	L	11, 12, 14, 15, 16				

**SPRINTER (VA)**

<b>SERIES</b>	<b>LINE</b>	<b>BODY</b>	<b>ENGINE</b>	<b>TRANSMISSION</b>
L = LOWLINE	3 = HD DODGE 2WD 6 = Lt. Duty DODGE 4WD 2 = Med. Duty DODGE 2WD 7 = Med. Duty DODGE 4WD	51 = WAGON WHEEL BASE 1 52 = WAGON WHEEL BASE 2 14 = VAN WHEEL BASE 4 15 = VAN WHEEL BASE 5 16 = VAN WHEEL BASE 6 54 = WAGON WHEEL BASE 4 55 = WAGON WHEEL BASE 5 56 = WAGON WHEEL BASE 6 11 = VAN WHEEL BASE 1 12 = VAN WHEEL BASE 2	EX9 = Engine - 2.7L 5 Cly Mercedes Diesel	DGJ = Transmission-5-Spd. Automatic, W5A580

AR = use ase required - = Non illustrated part

**Air Cleaner  
Figure 14-810**



ITEM	PART NUMBER	QTY	LINE	SERIES	BODY	ENGINE	TRANS	TRIM	DESCRIPTION
		1	2, 6	L	51, 52, 54, 55, 56				
16	05120763AA	1	2, 6	L	11, 12, 14, 15, 16				PLUG
		1	2, 6	L	51, 52, 54, 55, 56				
		1	3, 7	L	12, 15, 16				
17	05103615AA	1	2, 6	L	11, 12, 14, 15, 16				SENSOR, Mass Airflow
		1	2, 6	L	51, 52, 54, 55, 56				
		1	3, 7	L	12, 15, 16				
-18	05133749AA	1	3, 7	L	12, 15, 16				BRACKET, Air Cleaner
-19	05120059AA	1	2, 6	L	51, 52, 54, 55, 56				BRACKET, Air Inlet
		1	3, 7	L	12, 15, 16				

**SPRINTER (VA)**

**SERIES**

L = LOWLINE

**LINE**

3 = HD DODGE 2WD  
6 = Lt. Duty DODGE 4WD  
2 = Med. Duty DODGE 2WD  
7 = Med. Duty DODGE 4WD

**BODY**

51 = WAGON WHEEL BASE 1  
52 = WAGON WHEEL BASE 2  
14 = VAN WHEEL BASE 4  
15 = VAN WHEEL BASE 5  
16 = VAN WHEEL BASE 6  
54 = WAGON WHEEL BASE 4  
55 = WAGON WHEEL BASE 5  
56 = WAGON WHEEL BASE 6  
11 = VAN WHEEL BASE 1  
12 = VAN WHEEL BASE 2

**ENGINE**

EX9 = Engine - 2.7L 5 Cly  
Mercedes Diesel

**TRANSMISSION**

DGJ = Transmission-5-Spd.  
Automatic,W5A580

AR = use ase required - = Non illustrated part

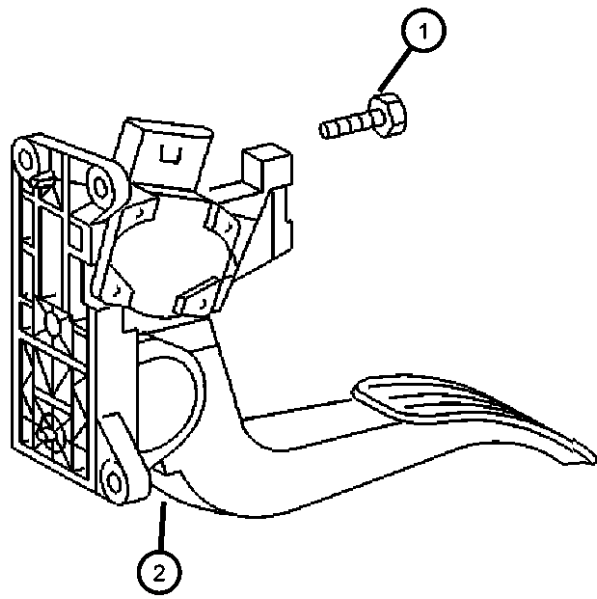
2003 VA

**Accelerator Pedal  
Figure 14-1110**

ITEM	PART NUMBER	QTY	LINE	SERIES	BODY	ENGINE	TRANS	TRIM	DESCRIPTION
------	-------------	-----	------	--------	------	--------	-------	------	-------------

Sales Codes:EX9=ENGINE-2.7L I5 MERCEDES TURBO  
DGJ=TRANSMISSION - 5-SPD AUTO

1									SCREW
	06104005AA	2	2, 6	L	11, 12, 14, 15, 16				
		2	2, 6	L	52, 54, 55, 56, 51				
		3	3, 7	L	12, 15, 16				
2									PEDAL, Accelerator
	05104047AA	1	3, 7	L	12, 15, 16		DGJ		
		1	2, 6	L	11, 12, 14, 15, 16		DGJ		
		1	2, 6	L	51, 52, 54, 55, 56		DGJ		



**SPRINTER (VA)**

<b>SERIES</b>	<b>LINE</b>	<b>BODY</b>	<b>ENGINE</b>	<b>TRANSMISSION</b>
L = LOWLINE	3 = HD DODGE 2WD 6 = Lt. Duty DODGE 4WD 2 = Med. Duty DODGE 2WD 7 = Med. Duty DODGE 4WD	51 = WAGON WHEEL BASE 1 52 = WAGON WHEEL BASE 2 14 = VAN WHEEL BASE 4 15 = VAN WHEEL BASE 5 16 = VAN WHEEL BASE 6 54 = WAGON WHEEL BASE 4 55 = WAGON WHEEL BASE 5 56 = WAGON WHEEL BASE 6 11 = VAN WHEEL BASE 1 12 = VAN WHEEL BASE 2	EX9 = Engine - 2.7L 5 Cly Mercedes Diesel	DGJ = Transmission-5-Spd. Automatic,W5A580

AR = use ase required - = Non illustrated part

2003 VA

# Group - 16

## Propeller Shafts and U-Joints

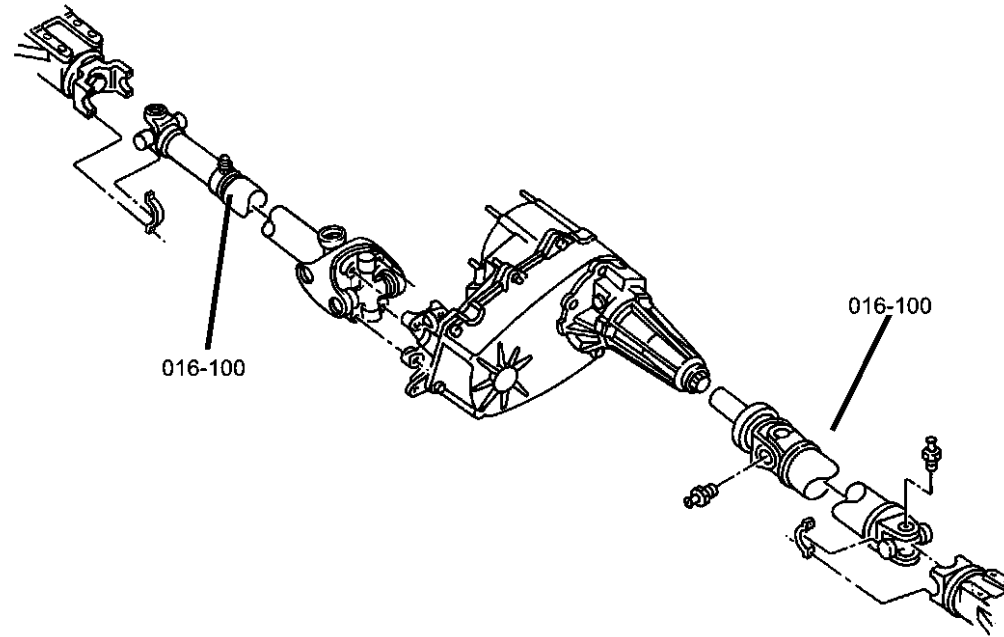
### Group - 16 Propeller Shafts and U-Joints

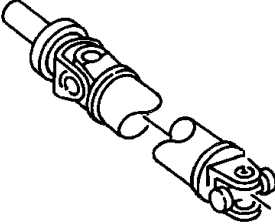
Illustration Title

Group-Fig. No.

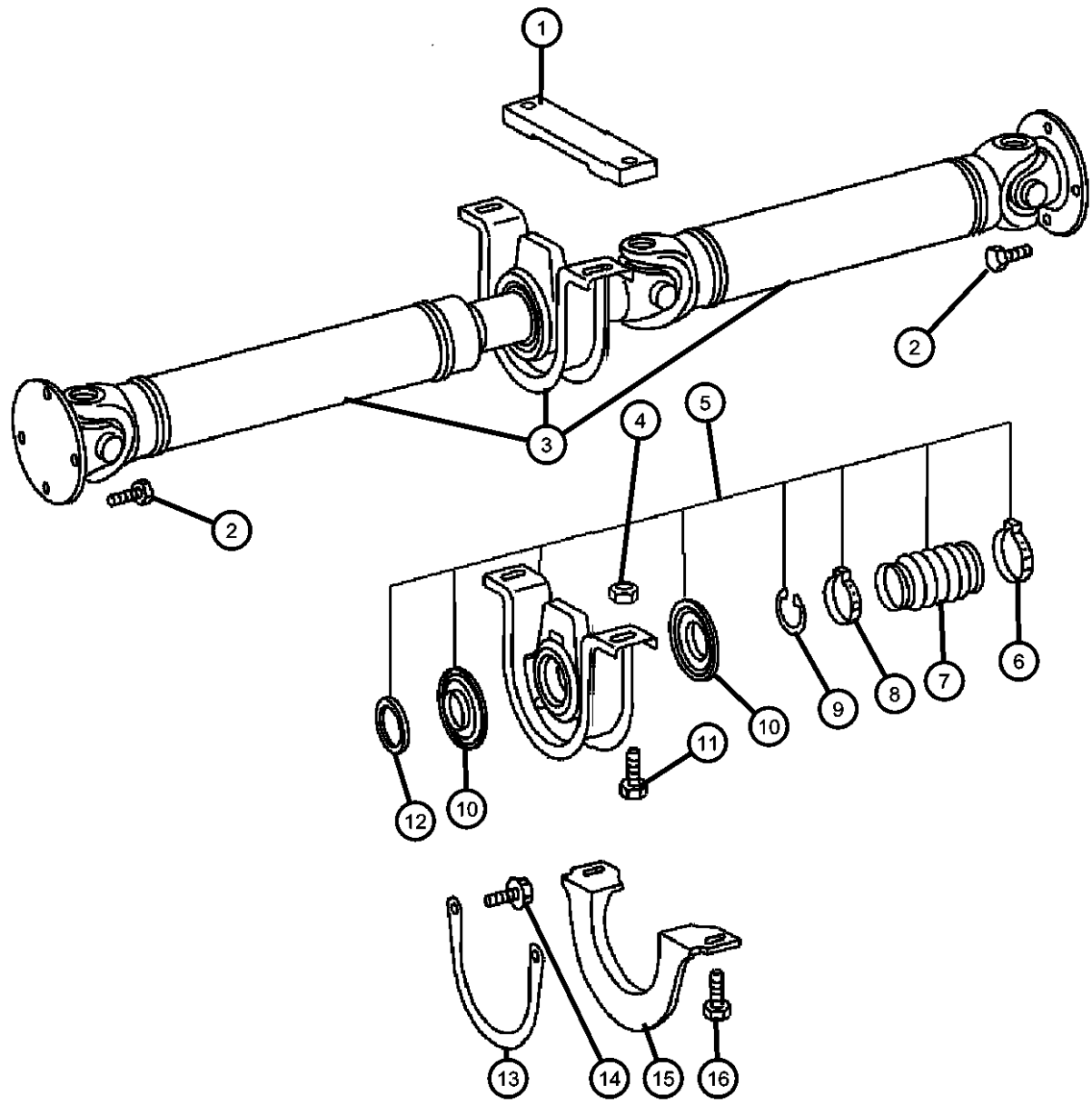
#### Propeller Shaft

Shaft, Propeller, Rear, 2 Piece .....	Fig. 16 - 120
Shaft, Propeller, Rear, 3 Piece .....	Fig. 16 - 130



<p><b>016-100</b> Propeller Shaft</p> 			
--	--	--	--

**Shaft, Propeller, Rear, 2 Piece  
Figure 16-120**



ITEM	PART NUMBER	QTY	LINE	SERIES	BODY	ENGINE	TRANS	TRIM	DESCRIPTION
------	-------------	-----	------	--------	------	--------	-------	------	-------------

Note: Sales Codes;  
[5AC]=118 Inch Wheelbase  
[5AE]=140 Inch Wheelbase

1	05129044AA	1	3, 7	L	12, 15, 16		DGJ		SHIM, Drive Shaft Bearing
		2	3, 7	L	12, 15, 16		DGJ		[5AF]
2	05103939AA	8	2, 6	L	51, 52, 54, 55, 56				BOLT
		8	2, 6	L	11, 12, 14, 15, 16				
		8	3, 7	L	12, 15, 16				
3	05119086AA	1	2, 6	L	51, 52, 54, 55, 56	EX9	DGJ		SHAFT, Drive, 2 Piece [5AE]
		1	3, 7	L	12, 15, 16	EX9	DGJ		[5AE]
		1	2, 6	L	11, 12, 14, 15, 16	EX9	DGJ		[5AE]
	05129034AA	1	2, 6	L	11, 12, 14, 15, 16	EX9	DGJ		[5AC]
		1	2, 6	L	51, 52, 54, 55, 56	EX9	DGJ		[5AC]
4	06104718AA	4	3, 7	L	12, 15, 16		DGJ		NUT
5	05104574AA	1	2, 6	L	51, 52, 54, 55, 56				CENTER BEARING, Drive Shaft
		1	2, 6	L	11, 12, 14, 15, 16				
		1	3, 7	L	12, 15, 16				
6	05133900AA	1	3, 7	L	12, 15, 16				CLAMP, Boot
		1	2, 6	L	11, 12, 14, 15, 16				
		1	2, 6	L	51, 52, 54, 55, 56				
7	05133897AA	1	3, 7	L	12, 15, 16				BOOT, Driveshaft

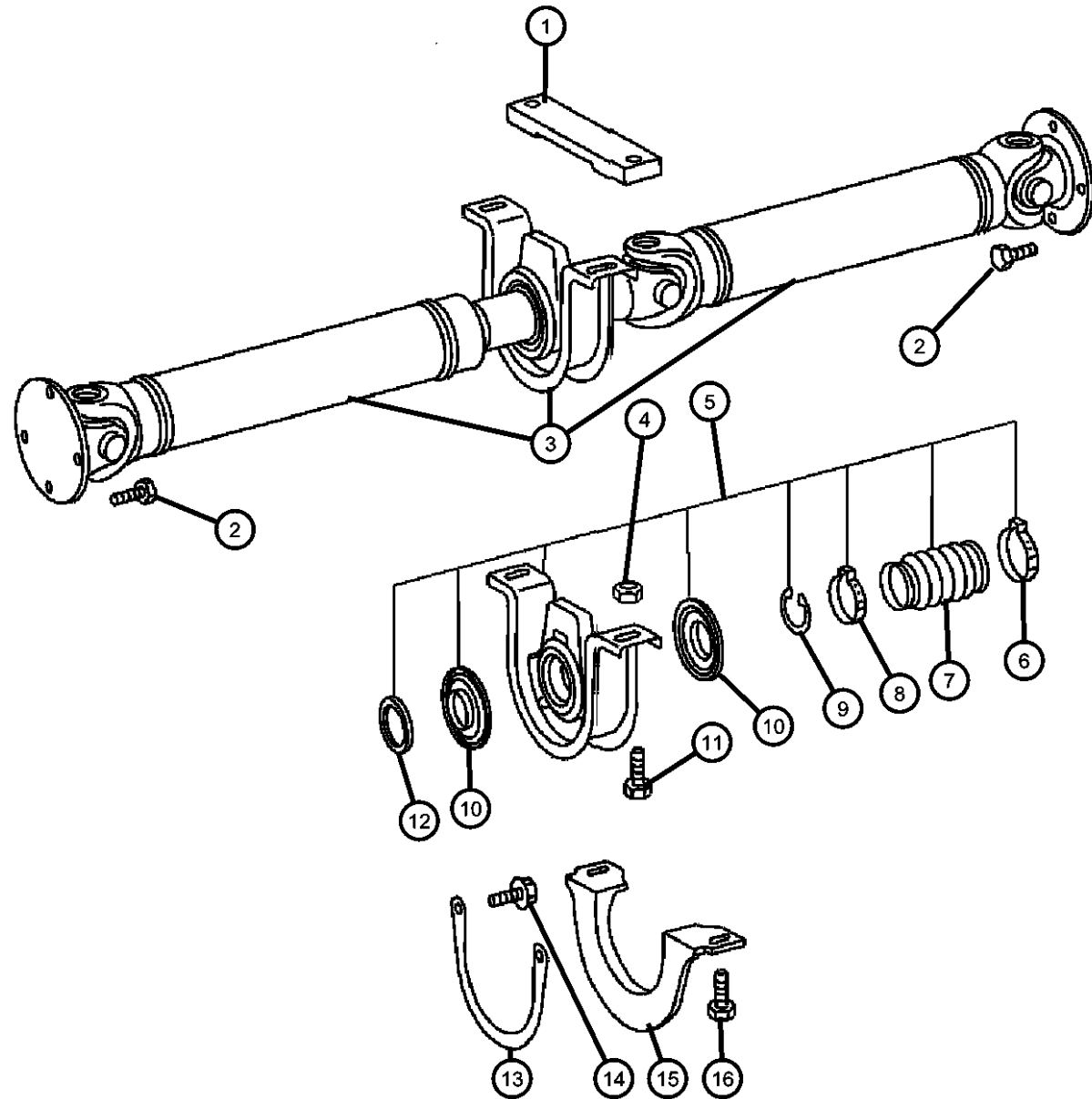
**SPRINTER (VA)**

SERIES	LINE	BODY	ENGINE	TRANSMISSION
L = LOWLINE	3 = HD DODGE 2WD 6 = Lt. Duty DODGE 4WD 2 = Med. Duty DODGE 2WD 7 = Med. Duty DODGE 4WD	51 = WAGON WHEEL BASE 1 52 = WAGON WHEEL BASE 2 14 = VAN WHEEL BASE 4 15 = VAN WHEEL BASE 5 16 = VAN WHEEL BASE 6 54 = WAGON WHEEL BASE 4 55 = WAGON WHEEL BASE 5 56 = WAGON WHEEL BASE 6 11 = VAN WHEEL BASE 1 12 = VAN WHEEL BASE 2	EX9 = Engine - 2.7L 5 Cly Mercedes Diesel	DGJ = Transmission-5-Spd. Automatic, W5A580

AR = use ase required - = Non illustrated part



**Shaft, Propeller, Rear, 2 Piece  
Figure 16-120**



ITEM	PART NUMBER	QTY	LINE	SERIES	BODY	ENGINE	TRANS	TRIM	DESCRIPTION
		1	2, 6	L	11, 12, 14, 15, 16				
		1	2, 6	L	51, 52, 54, 55, 56				
8	05133899AA	1	3, 7	L	12, 15, 16				CLAMP, Boot
		1	2, 6	L	11, 12, 14, 15, 16				
		1	2, 6	L	51, 52, 54, 55, 56				
9		1							SNAP RING, Purchase Item 5, (NOT SERVICED)
10	05133898AA	1	3, 7	L	12, 15, 16				BOOT, Driveshaft
		1	2, 6	L	11, 12, 14, 15, 16				
		1	2, 6	L	51, 52, 54, 55, 56				
11	05132753AA	2	3, 7	L	12, 15, 16		DGJ		BOLT
		4	3, 7	L	12, 15, 16		DGJ		
	06104238AA	4	2, 6	L	11, 12, 14, 15, 16				
		4	2, 6	L	51, 52, 54, 55, 56				
12		4							THRUST WASHER, Purchase Item 5, (NOT SERVICED)
13	05119131AA	1	2, 3, 6, 7	L			DGJ		STRAP, Prop Shaft
14	06104234AA	2	2, 6	L	11, 12, 14, 15, 16		DGJ		SCREW
		2	2, 6	L	51, 52, 54, 55, 56		DGJ		
		2	3, 7	L	12, 15, 16		DGJ		
15	05119133AA	2	2, 6	L	11, 12, 14, 15, 16				BRACKET, Prop Shaft
		2	2, 6	L	51, 52, 54, 55, 56				

**SPRINTER (VA)**

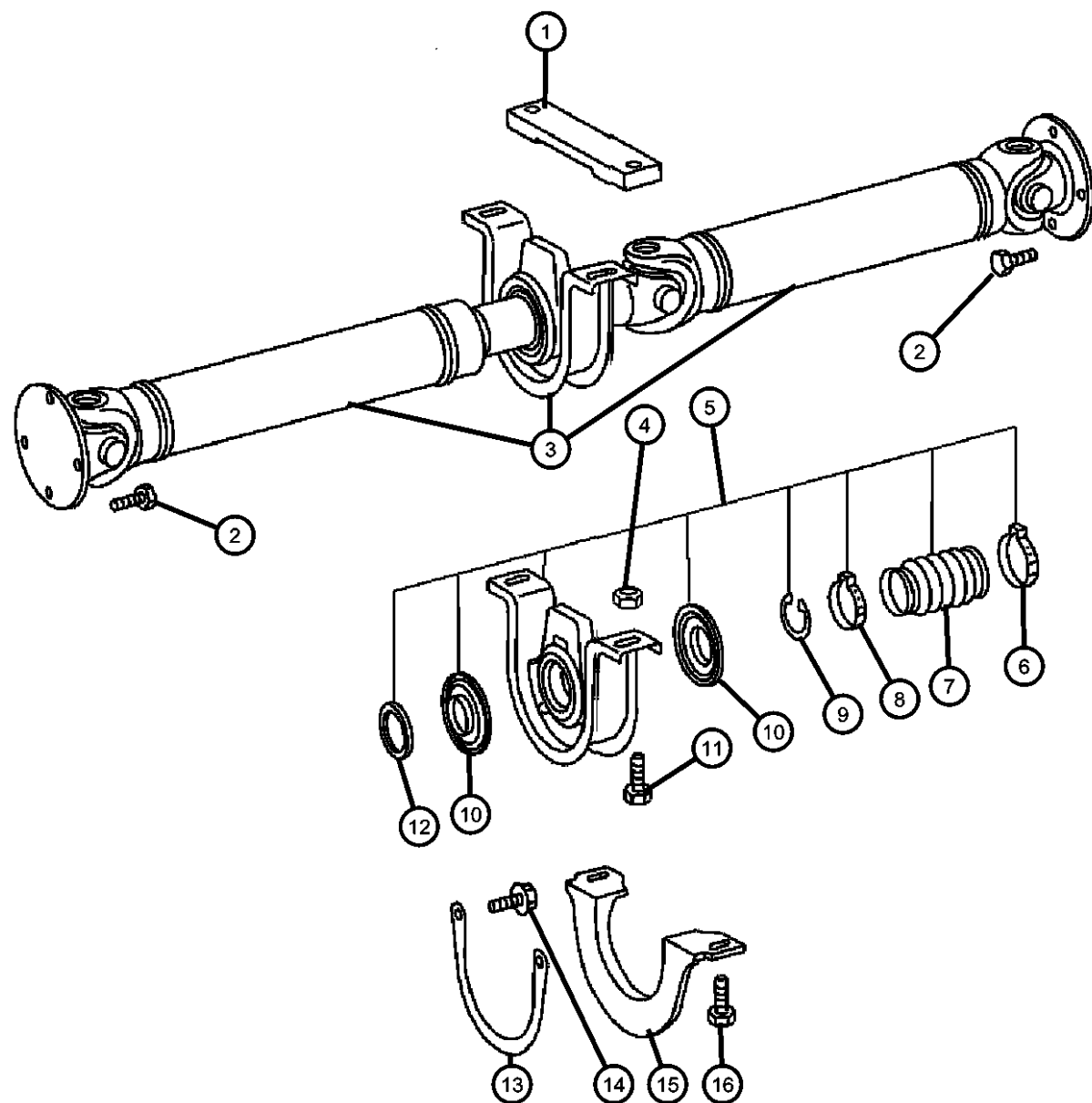
<b>SERIES</b>	<b>LINE</b>	<b>BODY</b>	<b>ENGINE</b>	<b>TRANSMISSION</b>
L = LOWLINE	3 = HD DODGE 2WD 6 = Lt. Duty DODGE 4WD 2 = Med. Duty DODGE 2WD 7 = Med. Duty DODGE 4WD	51 = WAGON WHEEL BASE 1 52 = WAGON WHEEL BASE 2 14 = VAN WHEEL BASE 4 15 = VAN WHEEL BASE 5 16 = VAN WHEEL BASE 6 54 = WAGON WHEEL BASE 4 55 = WAGON WHEEL BASE 5 56 = WAGON WHEEL BASE 6 11 = VAN WHEEL BASE 1 12 = VAN WHEEL BASE 2	EX9 = Engine - 2.7L 5 Cly Mercedes Diesel	DGJ = Transmission-5-Spd. Automatic, W5A580

AR = use ase required - = Non illustrated part

**Shaft, Propeller, Rear, 2 Piece  
Figure 16-120**

ITEM	PART NUMBER	QTY	LINE	SERIES	BODY	ENGINE	TRANS	TRIM	DESCRIPTION
------	-------------	-----	------	--------	------	--------	-------	------	-------------

		2	3, 7	L	12, 15, 16				
16	05133896AA	2	2, 6	L	51, 52, 54, 55, 56				BOLT, Hex
		2	2, 6	L	11, 12, 14, 15, 16				
		2	3, 7	L	12, 15, 16				

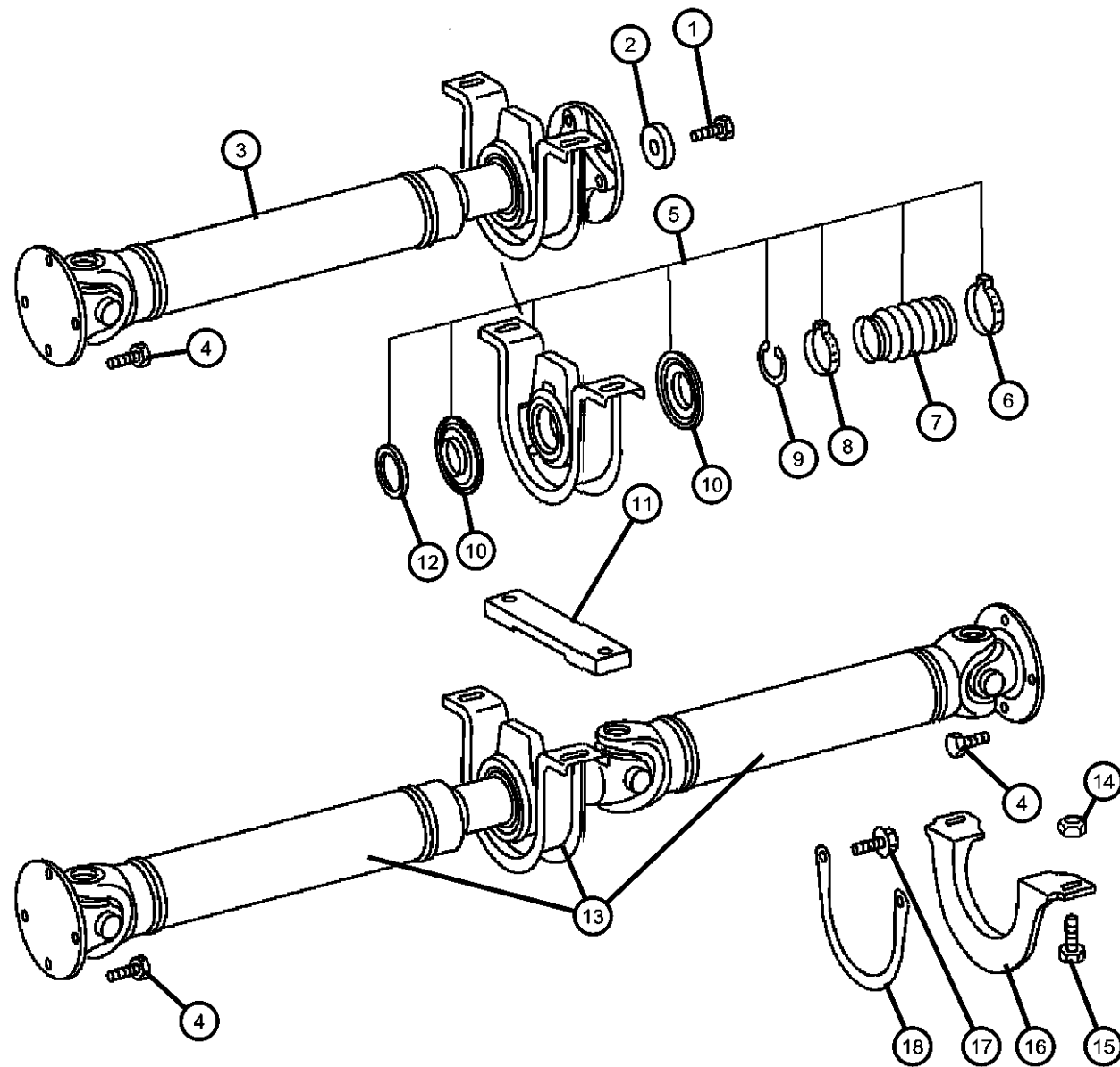


**SPRINTER (VA)**

SERIES	LINE	BODY	ENGINE	TRANSMISSION
L = LOWLINE	3 = HD DODGE 2WD 6 = Lt. Duty DODGE 4WD 2 = Med. Duty DODGE 2WD 7 = Med. Duty DODGE 4WD	51 = WAGON WHEEL BASE 1 52 = WAGON WHEEL BASE 2 14 = VAN WHEEL BASE 4 15 = VAN WHEEL BASE 5 16 = VAN WHEEL BASE 6 54 = WAGON WHEEL BASE 4 55 = WAGON WHEEL BASE 5 56 = WAGON WHEEL BASE 6 11 = VAN WHEEL BASE 1 12 = VAN WHEEL BASE 2	EX9 = Engine - 2.7L 5 Cly Mercedes Diesel	DGJ = Transmission-5-Spd. Automatic, W5A580

AR = use ase required - = Non illustrated part

**Shaft, Propeller, Rear, 3 Piece  
Figure 16-130**



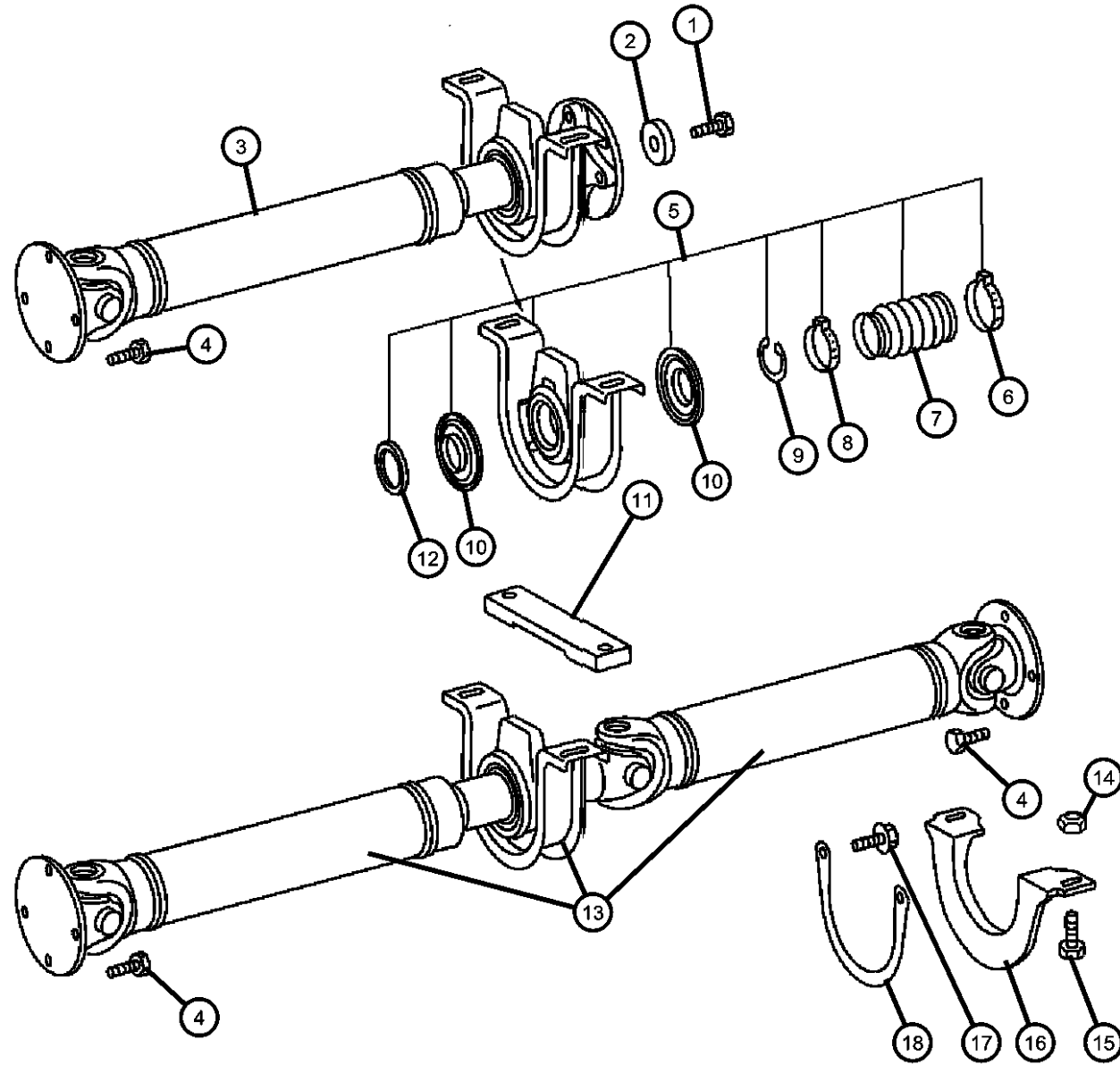
ITEM	PART NUMBER	QTY	LINE	SERIES	BODY	ENGINE	TRANS	TRIM	DESCRIPTION
1	05133893AA	1	3, 7	L	12, 15, 16				BOLT, Drive Shaft
		1	2, 6	L	11, 12, 14, 15, 16				
		1	2, 6	L	51, 52, 54, 55, 56				
2	05133894AA	1	2, 6	L	11, 12, 14, 15, 16				WASHER, Thrust
		1	2, 6	L	51, 52, 54, 55, 56				
		1	3, 7	L	12, 15, 16				
3	05104083AA	1	2, 6	L	11, 12, 14, 15, 16	EX9	DGJ		SHAFT, Drive, Rear, Front section
		1	2, 6	L	51, 52, 54, 55, 56	EX9	DGJ		
		1	3, 7	L	12, 15, 16	EX9	DGJ		
4	05103939AA	12	2, 6	L	11, 12, 14, 15, 16				BOLT
		12	2, 6	L	51, 52, 54, 55, 56				
		12	3, 7	L	12, 15, 16				
5	05104574AA	1	2, 6	L	11, 12, 14, 15, 16				CENTER BEARING, Drive Shaft
		1	3, 7	L	12, 15, 16				
		1	2, 6	L	51, 52, 54, 55, 56				
6	05133900AA	1	2, 6	L	11, 12, 14, 15, 16				CLAMP, Boot
		1	3, 7	L	12, 15, 16				
		1	2, 6	L	51, 52, 54, 55, 56				
7	05133897AA	1	2, 6	L	11, 12, 14, 15, 16				BOOT, Driveshaft

**SPRINTER (VA)**

<b>SERIES</b>	<b>LINE</b>	<b>BODY</b>	<b>ENGINE</b>	<b>TRANSMISSION</b>
L = LOWLINE	3 = HD DODGE 2WD 6 = Lt. Duty DODGE 4WD 2 = Med. Duty DODGE 2WD 7 = Med. Duty DODGE 4WD	51 = WAGON WHEEL BASE 1 52 = WAGON WHEEL BASE 2 14 = VAN WHEEL BASE 4 15 = VAN WHEEL BASE 5 16 = VAN WHEEL BASE 6 54 = WAGON WHEEL BASE 4 55 = WAGON WHEEL BASE 5 56 = WAGON WHEEL BASE 6 11 = VAN WHEEL BASE 1 12 = VAN WHEEL BASE 2	EX9 = Engine - 2.7L 5 Cly Mercedes Diesel	DGJ = Transmission-5-Spd. Automatic, W5A580

AR = use ase required - = Non illustrated part

**Shaft, Propeller, Rear, 3 Piece  
Figure 16-130**



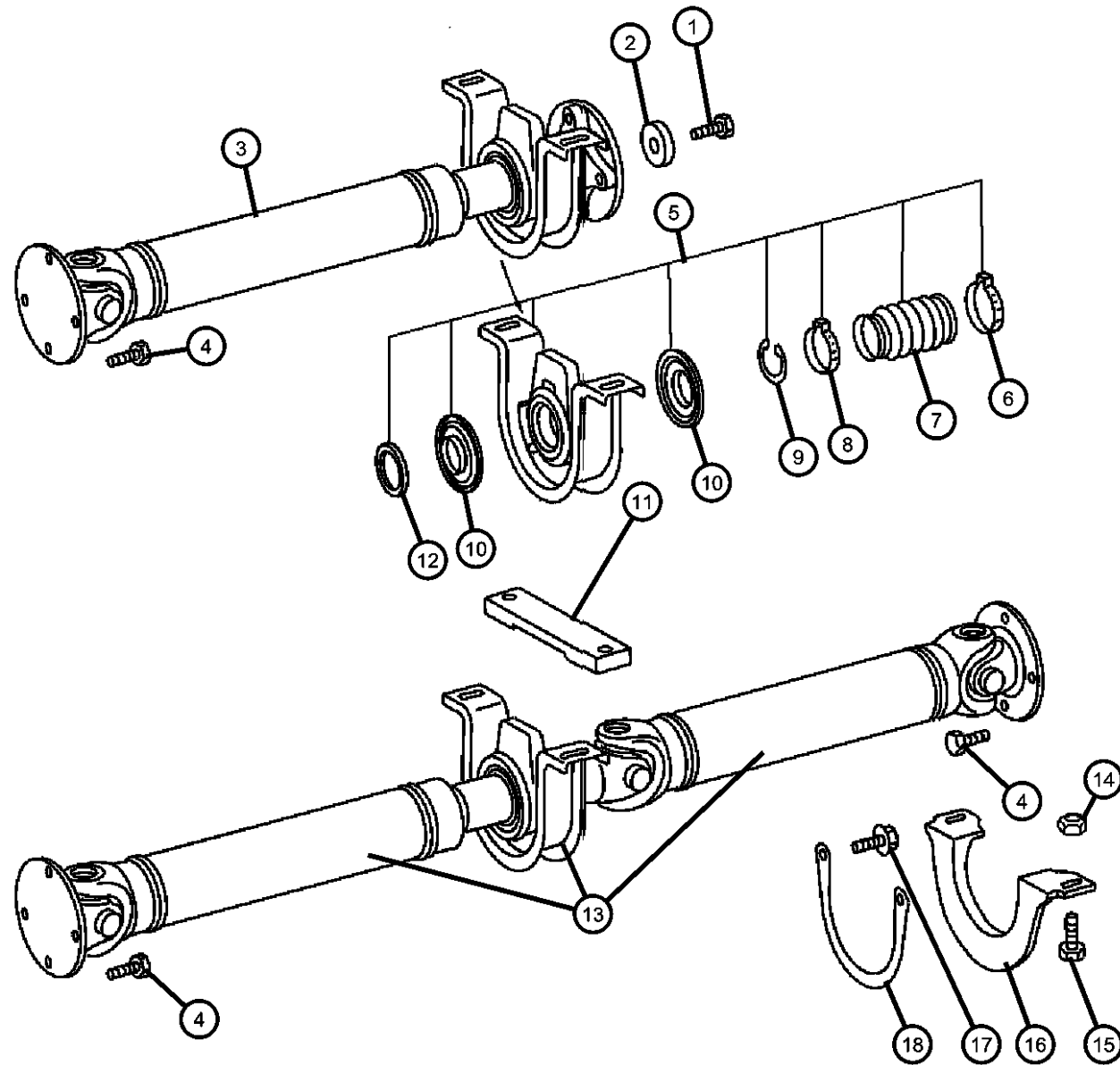
ITEM	PART NUMBER	QTY	LINE	SERIES	BODY	ENGINE	TRANS	TRIM	DESCRIPTION
		1	3, 7	L	12, 15, 16				
		1	2, 6	L	51, 52, 54, 55, 56				
8									CLAMP, Boot
	05133899AA	1	2, 6	L	11, 12, 14, 15, 16				
		1	3, 7	L	12, 15, 16				
		1	2, 6	L	51, 52, 54, 55, 56				
9		1							SNAP RING, Purchase Item 5, (NOT SERVICED)
10									BOOT, Driveshaft
	05133898AA	1	2, 6	L	11, 12, 14, 15, 16				
		1	3, 7	L	12, 15, 16				
		1	2, 6	L	51, 52, 54, 55, 56				
11									SHIM, Drive Shaft Bearing
	05129044AA	1	3, 7	L	12, 15, 16		DGJ		
		2	3, 7	L	12, 15, 16		DGJ		[5AF]
12		2							THRUST WASHER, Purchase Item 5, (NOT SERVICED),
13									SHAFT, Drive, Rear, Rear section
	05104084AA	1	2, 6	L	11, 12, 14, 15, 16				
		1	2, 6	L	51, 52, 54, 55, 56				
		1	3, 7	L	12, 15, 16				
14									NUT
	06104718AA	4	2, 6	L	11, 12, 14, 15, 16				
		4	2, 6	L	51, 52, 54, 55, 56				
		4	3, 7	L	12, 15, 16		DGJ		
15									BOLT, Hex
	05133896AA	2	2, 6	L	11, 12, 14, 15, 16				

**SPRINTER (VA)**

<b>SERIES</b>	<b>LINE</b>	<b>BODY</b>	<b>ENGINE</b>	<b>TRANSMISSION</b>
L = LOWLINE	3 = HD DODGE 2WD 6 = Lt. Duty DODGE 4WD 2 = Med. Duty DODGE 2WD 7 = Med. Duty DODGE 4WD	51 = WAGON WHEEL BASE 1 52 = WAGON WHEEL BASE 2 14 = VAN WHEEL BASE 4 15 = VAN WHEEL BASE 5 16 = VAN WHEEL BASE 6 54 = WAGON WHEEL BASE 4 55 = WAGON WHEEL BASE 5 56 = WAGON WHEEL BASE 6 11 = VAN WHEEL BASE 1 12 = VAN WHEEL BASE 2	EX9 = Engine - 2.7L 5 Cly Mercedes Diesel	DGJ = Transmission-5-Spd. Automatic, W5A580

AR = use ase required - = Non illustrated part

**Shaft, Propeller, Rear, 3 Piece  
Figure 16-130**



ITEM	PART NUMBER	QTY	LINE	SERIES	BODY	ENGINE	TRANS	TRIM	DESCRIPTION
		2	2, 6	L	51, 52, 54, 55, 56				
		2	3, 7	L	12, 15, 16				
16	05119133AA	2	2, 6	L	11, 12, 14, 15, 16				BRACKET, Prop Shaft
		2	2, 6	L	51, 52, 54, 55, 56				
		2	3, 7	L	12, 15, 16				
17	06104234AA	2	2, 6	L	11, 12, 14, 15, 16		DGJ		SCREW
		2	2, 6	L	51, 52, 54, 55, 56		DGJ		
		2	3, 7	L	12, 15, 16		DGJ		
18	05119131AA	1	2, 3, 6, 7	L			DGJ		STRAP, Prop Shaft

**SPRINTER (VA)**

**SERIES**

L = LOWLINE

**LINE**

3 = HD DODGE 2WD  
6 = Lt. Duty DODGE 4WD  
2 = Med. Duty DODGE 2WD  
7 = Med. Duty DODGE 4WD

**BODY**

51 = WAGON WHEEL BASE 1  
52 = WAGON WHEEL BASE 2  
14 = VAN WHEEL BASE 4  
15 = VAN WHEEL BASE 5  
16 = VAN WHEEL BASE 6  
54 = WAGON WHEEL BASE 4  
55 = WAGON WHEEL BASE 5  
56 = WAGON WHEEL BASE 6  
11 = VAN WHEEL BASE 1  
12 = VAN WHEEL BASE 2

**ENGINE**

EX9 = Engine - 2.7L 5 Cly  
Mercedes Diesel

**TRANSMISSION**

DGJ = Transmission-5-Spd.  
Automatic, W5A580

AR = use ase required - = Non illustrated part

# Group - 17

## Rear Suspension

### Group - 17 Rear Suspension

Group-Fig. No.

Illustration Title

#### Rear Suspension

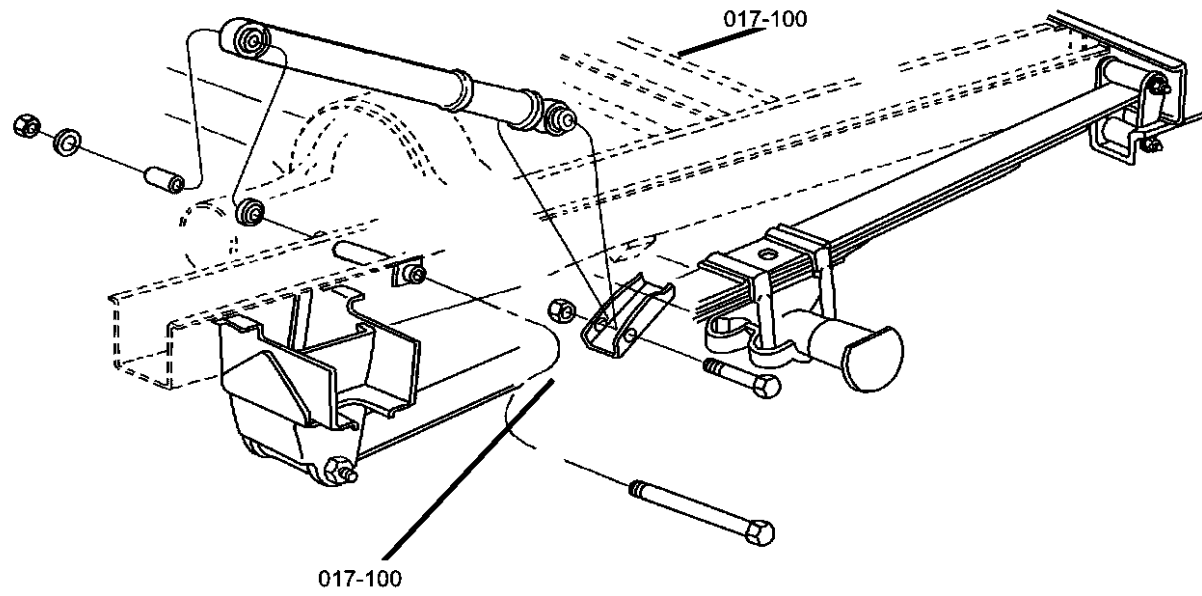
Rear Shocks ..... Fig. 17 - 110

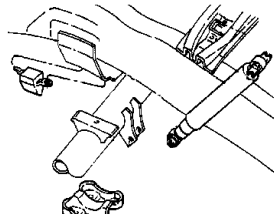
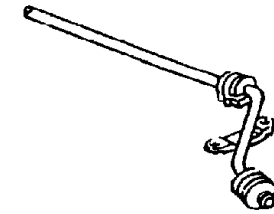
Rear Springs, 2500 Series ..... Fig. 17 - 120

Rear Springs, 3500 Series ..... Fig. 17 - 130

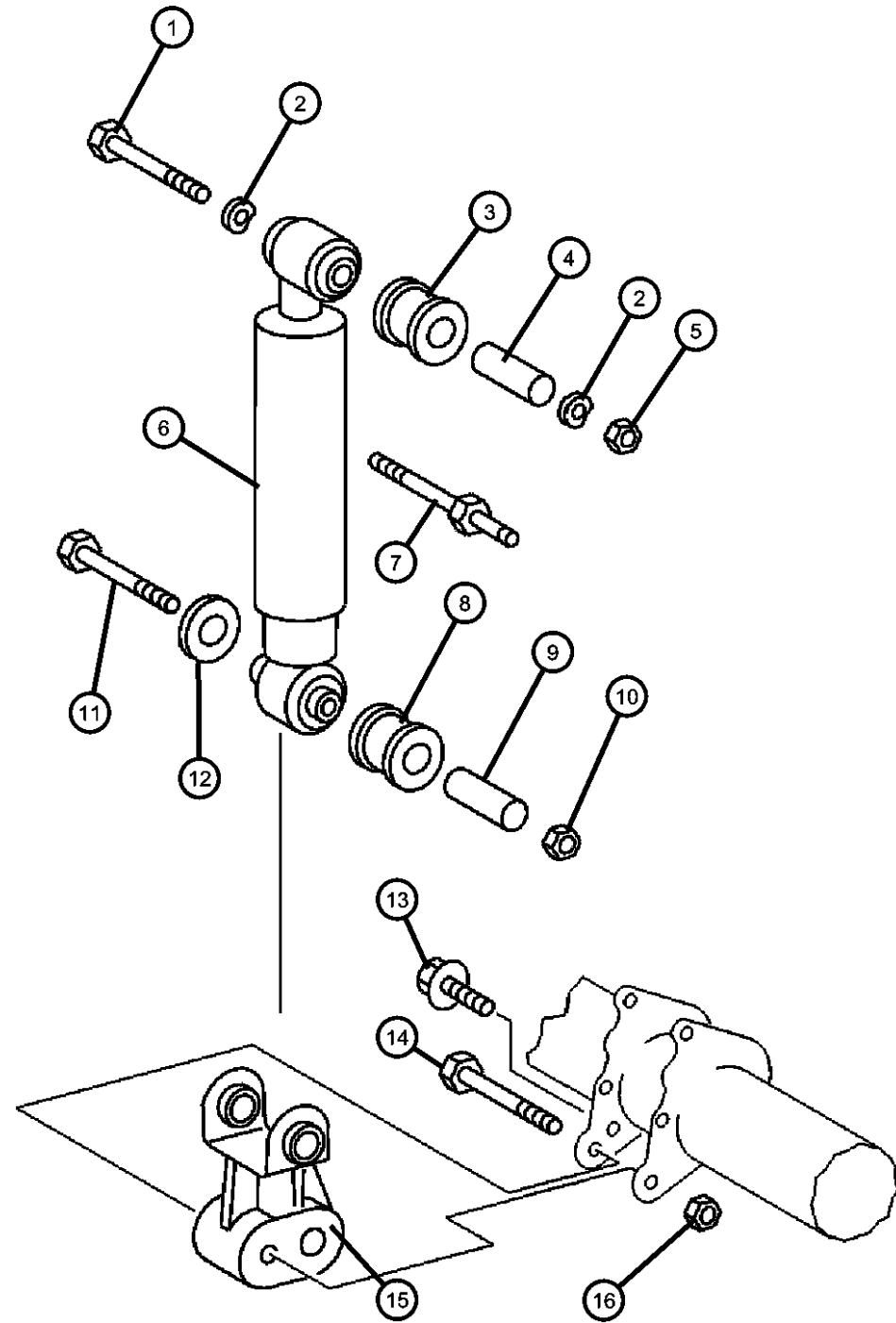
#### Rear Stabilizer

Stabilizer Bar,Rear ..... Fig. 17 - 210



<p><b>017-100</b> Rear Suspension</p> 	<p><b>017-200</b> Rear Stabilizer</p> 		
--	---	--	--

Rear Shocks  
Figure 17-110



ITEM	PART NUMBER	QTY	LINE	SERIES	BODY	ENGINE	TRANS	TRIM	DESCRIPTION
1									SCREW
	06104265AA	2	3, 7	L	12, 15, 16				
	06104271AA	1	2, 6	L	11, 12, 14, 15, 16				
		1	2, 6	L	51, 52, 54, 55, 56				
2									SPACER, Shock Absorber Bushing
	05133876AA	4	3, 7	L	12, 15, 16				
	05133883AA	4	2, 6	L	11, 12, 14, 15, 16				
		4	2, 6	L	51, 52, 54, 55, 56				
3									BUSHING, Shock Absorber
	05133873AA	4	3, 7	L	12, 15, 16				Upper or Lower
	05133879AA	2	2, 6	L	11, 12, 14, 15, 16				Upper
		2	2, 6	L	51, 52, 54, 55, 56				Upper
4									SLEEVE, Shock Absorber
	05133874AA	2	3, 7	L	12, 15, 16				Upper
	05133881AA	2	2, 6	L	11, 12, 14, 15, 16				Upper
		2	2, 6	L	51, 52, 54, 55, 56				Upper
5									NUT
	06104719AA	2	2, 6	L	11, 12, 14, 15, 16				
		2	2, 6	L	51, 52, 54, 55, 56				
		2	3, 7	L	12, 15, 16				
6									SHOCK ABSORBER, Suspension, Rear
	05104061AA	2	2, 6	L	11, 12, 14, 15, 16				[3B5]
		2	2, 6	L	51, 52, 54, 55, 56				[3B5]
	05118646AA	2	2, 6	L	11, 12, 14, 15, 16				
		2	2, 6	L	51, 52, 54, 55, 56				

SPRINTER (VA)

SERIES

L = LOWLINE

LINE

3 = HD DODGE 2WD  
6 = Lt. Duty DODGE 4WD  
2 = Med. Duty DODGE 2WD  
7 = Med. Duty DODGE 4WD

BODY

51 = WAGON WHEEL BASE 1  
52 = WAGON WHEEL BASE 2  
14 = VAN WHEEL BASE 4  
15 = VAN WHEEL BASE 5  
16 = VAN WHEEL BASE 6  
54 = WAGON WHEEL BASE 4  
55 = WAGON WHEEL BASE 5  
56 = WAGON WHEEL BASE 6  
11 = VAN WHEEL BASE 1  
12 = VAN WHEEL BASE 2

ENGINE

EX9 = Engine - 2.7L 5 Cly  
Mercedes Diesel

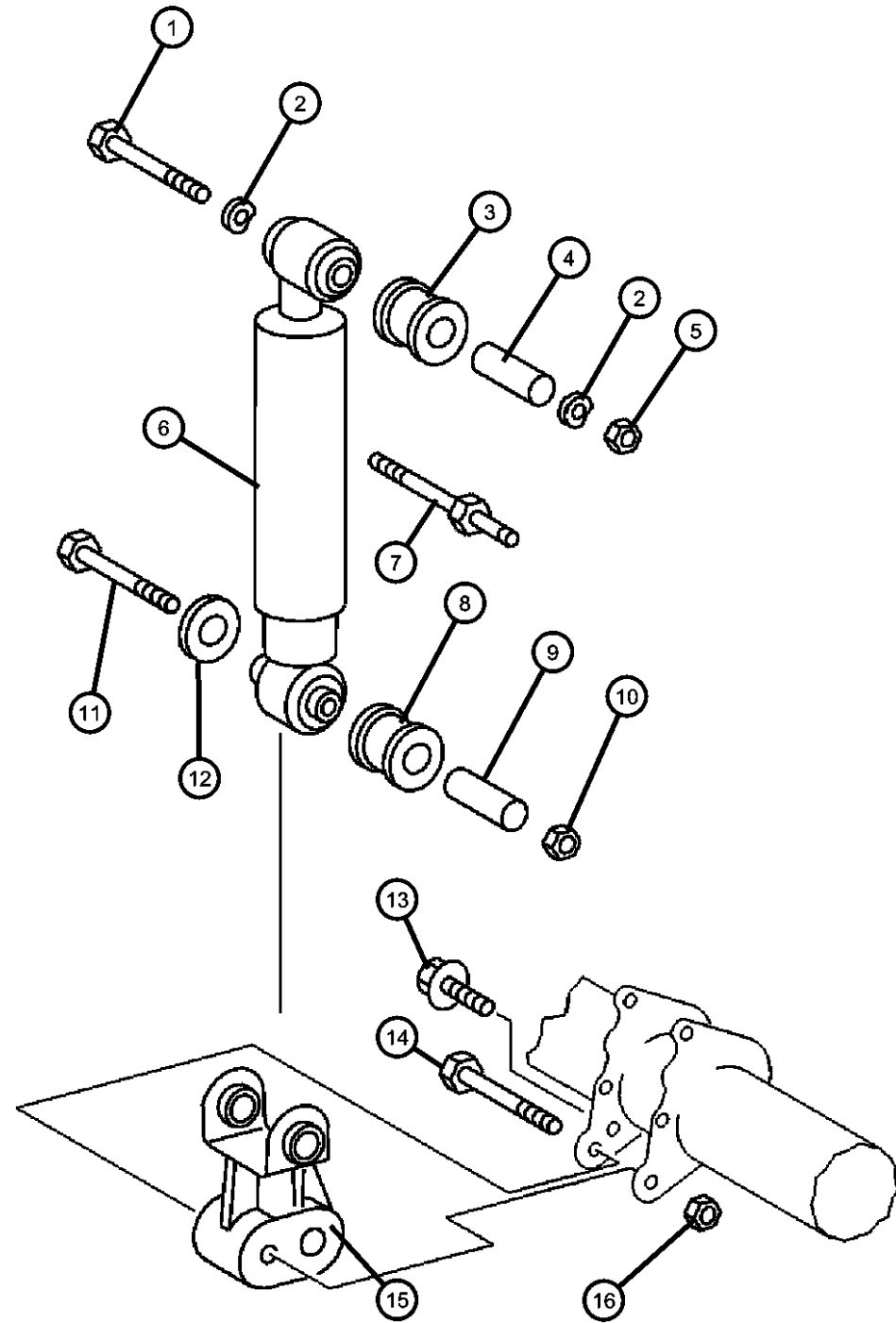
TRANSMISSION

DGJ = Transmission-5-Spd. Automatic, W5A580

AR = use ase required - = Non illustrated part

2003 VA

Rear Shocks  
Figure 17-110



ITEM	PART NUMBER	QTY	LINE	SERIES	BODY	ENGINE	TRANS	TRIM	DESCRIPTION
	05118648AA	2	3, 7	L	12, 15, 16				
	05127644AA	2	2, 6	L	11, 12, 14, 15, 16				[3B5, WDG]
		2	2, 6	L	51, 52, 54, 55, 56				[3B5, WDG]
7									BOLT
	05118796AA	1	2, 6	L	11, 12, 14, 15, 16				
		1	2, 6	L	51, 52, 54, 55, 56				
8									BUSHING, Shock Absorber
	05133873AA	4	3, 7	L	12, 15, 16				Upper or Lower
	05133880AA	2	2, 6	L	11, 12, 14, 15, 16				Lower
		2	2, 6	L	51, 52, 54, 55, 56				Lower
9									SLEEVE, Shock Absorber
	05133875AA	2	3, 7	L	12, 15, 16				Lower
	05133882AA	2	2, 6	L	11, 12, 14, 15, 16				Lower
		2	2, 6	L	51, 52, 54, 55, 56				Lower
10									NUT
	06104718AA	2	2, 6	L	11, 12, 14, 15, 16				
		2	2, 6	L	51, 52, 54, 55, 56				
	06104719AA	2	3, 7	L	12, 15, 16				
11									SCREW
	06104241AA	2	2, 6	L	11, 12, 14, 15, 16				
		2	2, 6	L	51, 52, 54, 55, 56				
	06104270AA	2	3, 7	L	12, 15, 16				
12	05133877AA	4	3, 7	L	12, 15, 16				WASHER, Shock Absorber, To Rear Axle
13	06104223AA	1	2, 3, 6, 7				DGJ		BOLT, As Required
14									SCREW

SPRINTER (VA)

SERIES

L = LOWLINE

LINE

3 = HD DODGE 2WD  
6 = Lt. Duty DODGE 4WD  
2 = Med. Duty DODGE 2WD  
7 = Med. Duty DODGE 4WD

BODY

51 = WAGON WHEEL BASE 1  
52 = WAGON WHEEL BASE 2  
14 = VAN WHEEL BASE 4  
15 = VAN WHEEL BASE 5  
16 = VAN WHEEL BASE 6  
54 = WAGON WHEEL BASE 4  
55 = WAGON WHEEL BASE 5  
56 = WAGON WHEEL BASE 6  
11 = VAN WHEEL BASE 1  
12 = VAN WHEEL BASE 2

ENGINE

EX9 = Engine - 2.7L 5 Cly  
Mercedes Diesel

TRANSMISSION

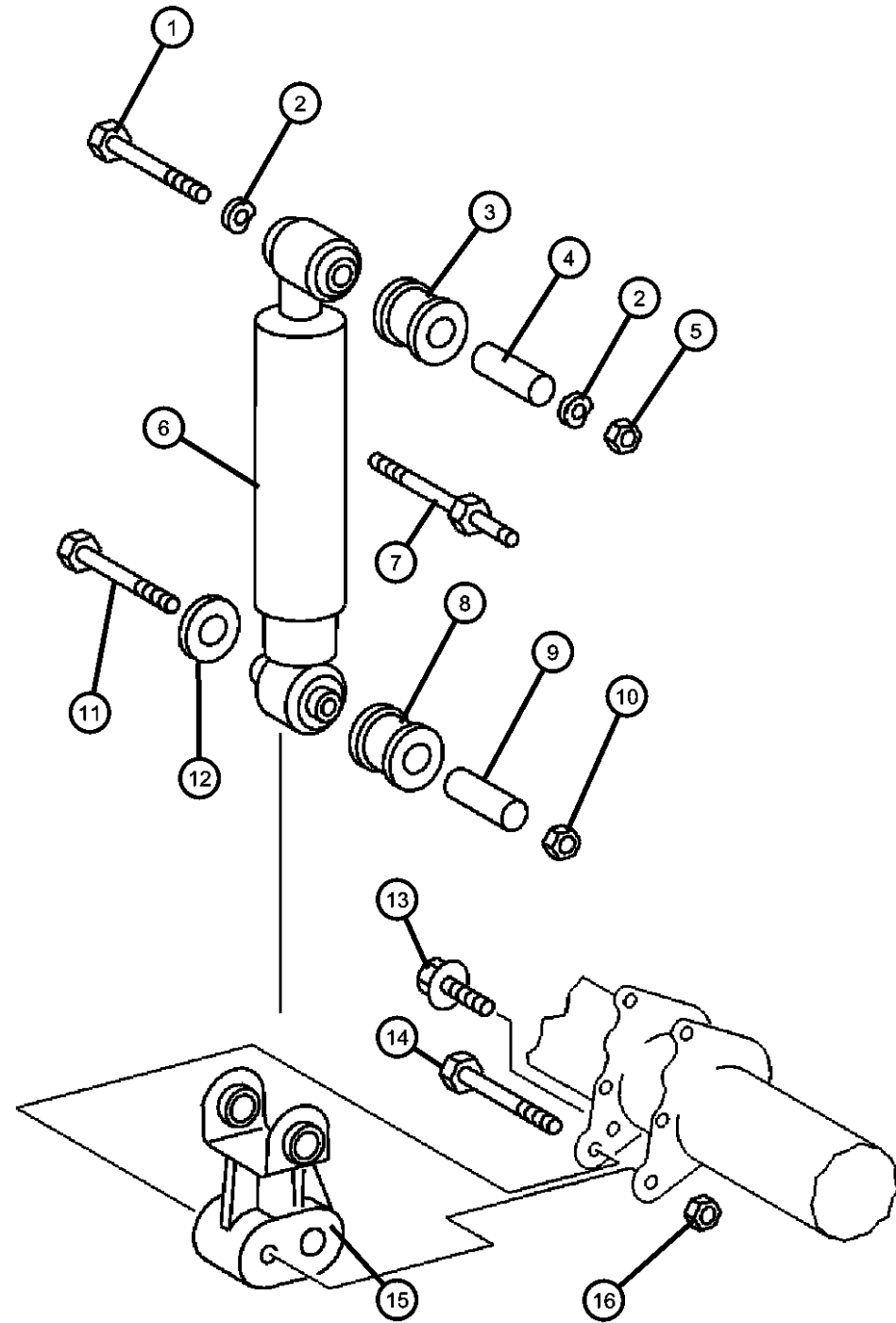
DGJ = Transmission-5-Spd. Automatic, W5A580

AR = use ase required - = Non illustrated part

2003 VA



Rear Shocks  
Figure 17-110



ITEM	PART NUMBER	QTY	LINE	SERIES	BODY	ENGINE	TRANS	TRIM	DESCRIPTION
	06104243AA	2	2, 6	L	11, 12, 14, 15, 16				
		2	2, 6	L	51, 52, 54, 55, 56				
15		2							BRACKET, (NOT SERVICED)
16									NUT
	06104717AA	2	2, 6	L	11, 12, 14, 15, 16				M10x1.5
		2	2, 6	L	51, 52, 54, 55, 56				M10x1.5
	06104718AA	2	2, 6	L	11, 12, 14, 15, 16				M12x1.5
		2	2, 6	L	51, 52, 54, 55, 56				M12x1.5

SPRINTER (VA)

SERIES

L = LOWLINE

LINE

3 = HD DODGE 2WD  
6 = Lt. Duty DODGE 4WD  
2 = Med. Duty DODGE 2WD  
7 = Med. Duty DODGE 4WD

BODY

51 = WAGON WHEEL BASE 1  
52 = WAGON WHEEL BASE 2  
14 = VAN WHEEL BASE 4  
15 = VAN WHEEL BASE 5  
16 = VAN WHEEL BASE 6  
54 = WAGON WHEEL BASE 4  
55 = WAGON WHEEL BASE 5  
56 = WAGON WHEEL BASE 6  
11 = VAN WHEEL BASE 1  
12 = VAN WHEEL BASE 2

ENGINE

EX9 = Engine - 2.7L 5 Cly  
Mercedes Diesel

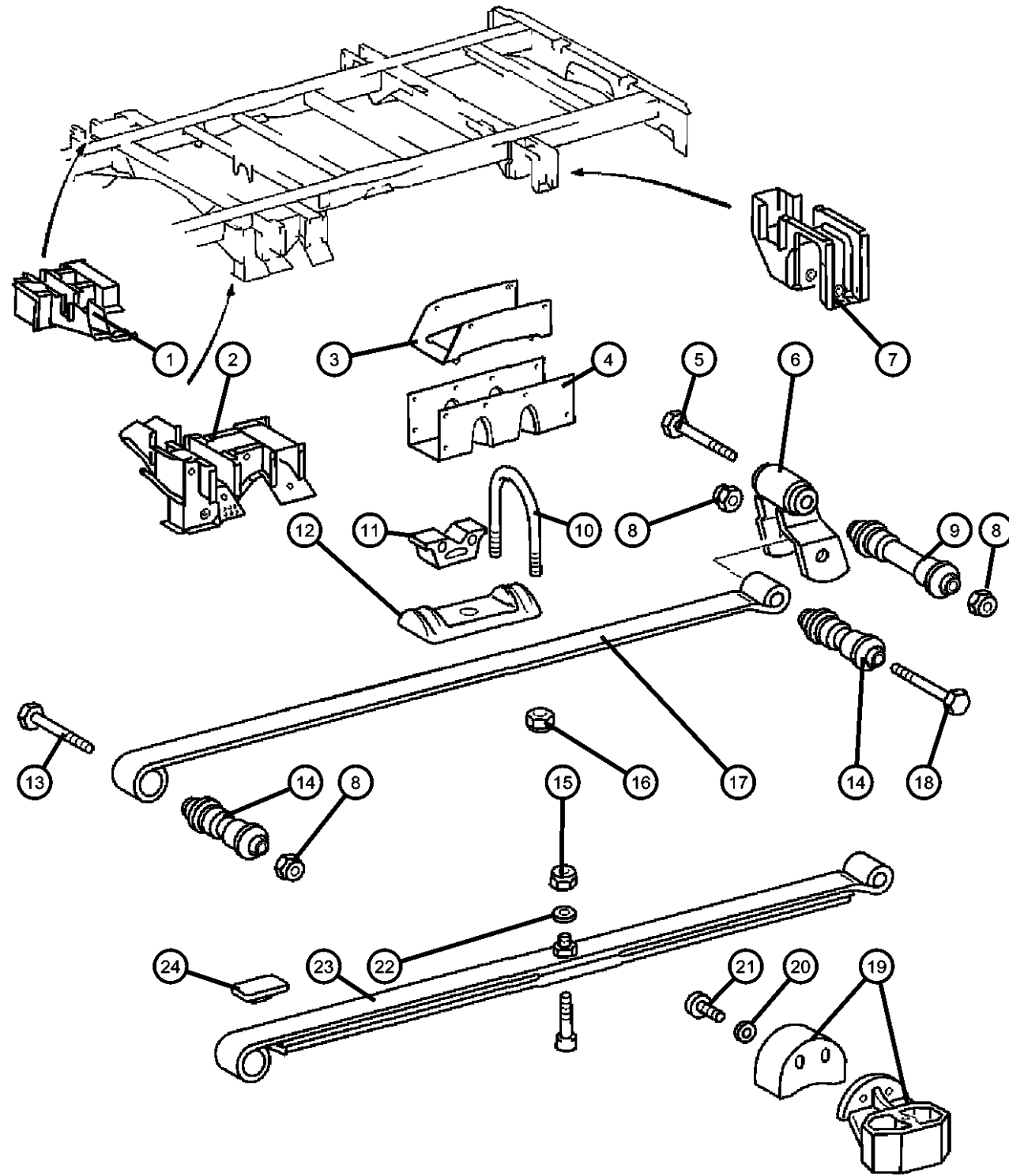
TRANSMISSION

DGJ = Transmission-5-Spd.  
Automatic,W5A580

AR = use ase required - = Non illustrated part

2003 VA

Rear Springs, 2500 Series  
Figure 17-120



ITEM	PART NUMBER	QTY	LINE	SERIES	BODY	ENGINE	TRANS	TRIM	DESCRIPTION
1	05118670AA	1	2, 6	L	11, 12, 14, 15, 16				BRACKET, Spring Shackle Right Front
		1	2, 6	L	51, 52, 54, 55, 56				Right Front
	05118672AA	1	2, 6	L	11, 12, 14, 15, 16				[5AC, GKA], Right Front
		1	2, 6	L	51, 52, 54, 55, 56				[5AC, GKA], Right Front
2	05118668AA	1	2, 6	L	11, 12, 14, 15, 16				BRACKET, Spring Shackle Left Front
		1	2, 6	L	51, 52, 54, 55, 56				Left Front
	05128553AA	1	2, 6	L	11, 12, 14, 15, 16				[5AC, GKE], Left Front
		1	2, 6	L	51, 52, 54, 55, 56				[5AC, GKE], Left Front
	05128555AA	1	2, 6	L	11, 12, 14, 15, 16				[5NZ], Left Front
		1	2, 6	L	51, 52, 54, 55, 56				[5NZ], Left Front
05128556AA	1	2, 6	L	11, 14					[5AC, GKE, 5NZ], Left Front
	1	2, 6	L	51, 54					[5AC, GKE, 5NZ], Left Front
3	05118337AA	2	2, 6	L	11, 12, 14, 15, 16				BRACKET
		2	2, 6	L	51, 52, 54, 55, 56				
4	05118347AA	2	2, 6	L	11, 12, 14, 15, 16				TRUSS, Leaf spring
		2	2, 6	L	51, 52, 54, 55, 56				
	05128390AA	2	2, 6	L	11, 12, 14, 15, 16				[4XZ]
5	05118734AA	2	2, 6	L	11, 12, 14, 15, 16				BOLT Shackle to Frame Rear, Mounting
		2	2, 6	L	51, 52, 54, 55, 56				Shackle to Frame Rear, Mounting

SPRINTER (VA)

SERIES

L = LOWLINE

LINE

3 = HD DODGE 2WD  
6 = Lt. Duty DODGE 4WD  
2 = Med. Duty DODGE 2WD  
7 = Med. Duty DODGE 4WD

BODY

51 = WAGON WHEEL BASE 1  
52 = WAGON WHEEL BASE 2  
14 = VAN WHEEL BASE 4  
15 = VAN WHEEL BASE 5  
16 = VAN WHEEL BASE 6  
54 = WAGON WHEEL BASE 4  
55 = WAGON WHEEL BASE 5  
56 = WAGON WHEEL BASE 6  
11 = VAN WHEEL BASE 1  
12 = VAN WHEEL BASE 2

ENGINE

EX9 = Engine - 2.7L 5 Cyl  
Mercedes Diesel

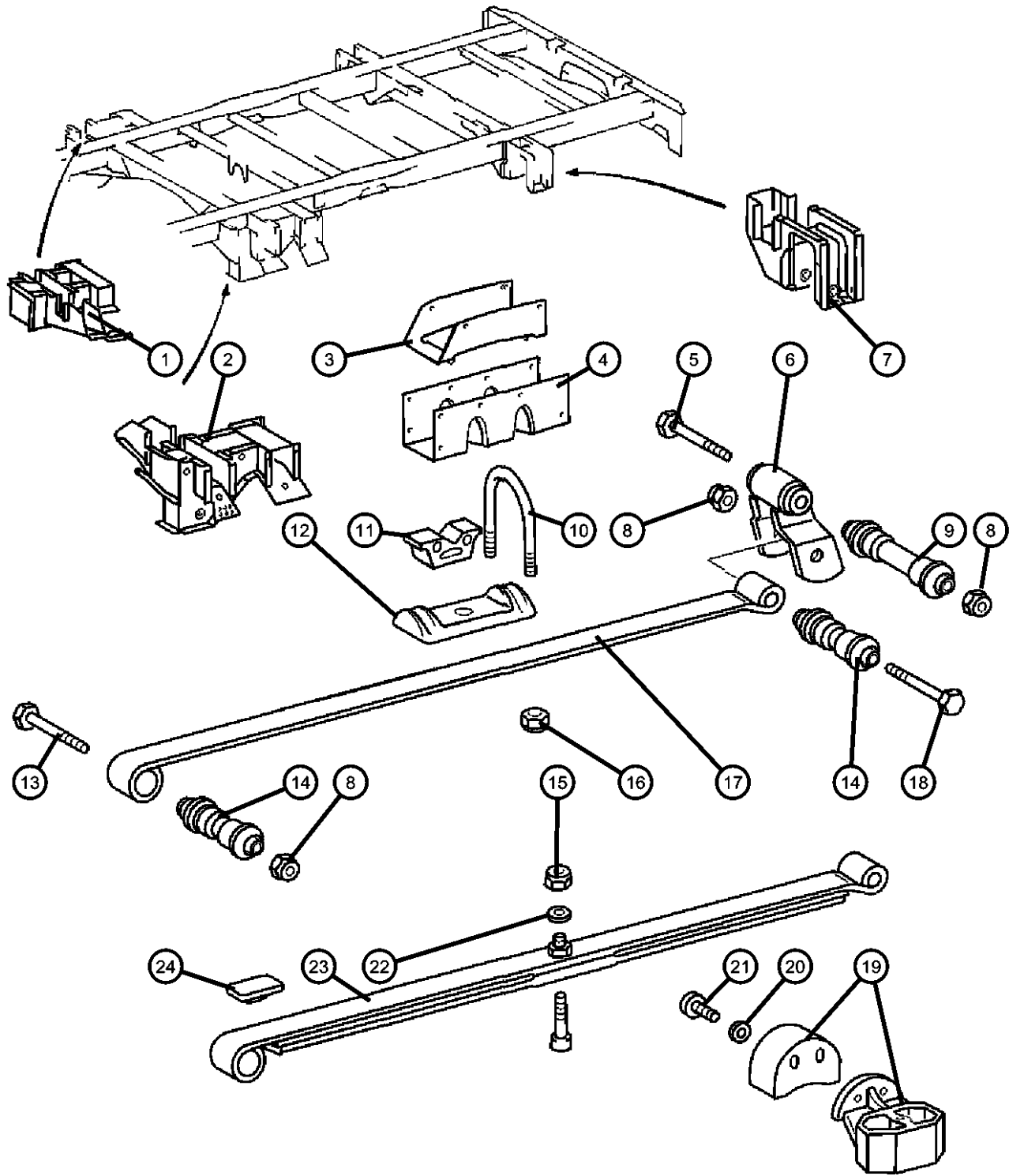
TRANSMISSION

DGJ = Transmission-5-Spd. Automatic, W5A580

AR = use ase required - = Non illustrated part

2003 VA

Rear Springs, 2500 Series  
Figure 17-120



ITEM	PART NUMBER	QTY	LINE	SERIES	BODY	ENGINE	TRANS	TRIM	DESCRIPTION
6	05118653AA	2	2, 6	L	11, 12, 14, 15, 16				SHACKLE, Spring
		2	2, 6	L	51, 52, 54, 55, 56				
7	05118663AA	2	2, 6	L	11, 12, 14, 15, 16				BRACKET, Spring Shackle [5AE], Right or Left, Rear
		2	2, 6	L	51, 52, 54, 55, 56				[5AE], Right or Left, Rear
	05118665AA	2	2, 6	L	11, 12, 14, 15, 16				[5AC,5AF], Right or Left, Rear
	05128557AA	2	2, 6	L	11, 12, 14, 15, 16				[5AC, 4XZ], Right or Left, Rear
		2	2, 6	L	51, 52, 54, 55, 56				[5AC, 4XZ], Right or Left, Rear
	05128559AA	2	2, 6	L	11, 12, 14, 15, 16				[5AE, 4XZ], Right or Left, Rear
		2	2, 6	L	51, 52, 54, 55, 56				[5AE, 4XZ], Right or Left, Rear
	05128561AA	2	2, 6	L	11, 12, 14, 15, 16				[5AF, 4XZ], Right or Left, Rear
		2	2, 6	L	51, 52, 54, 55, 56				[5AF, 4XZ], Right or Left, Rear
		2	2, 6	L	51, 52, 54, 55, 56				[5AC,5AF], Right or Left, Rear
8	06104718AA	2	2, 6	L	11, 12, 14, 15, 16				NUT Shackle to Frame and Spring, Mounting
		2	2, 6	L	51, 52, 54, 55, 56				Shackle to Frame and Spring, Mounting
9	05118731AA	2	2, 6	L	11, 12, 14, 15, 16				BUSHING, Shackle Right or Left
		2	2, 6	L	51, 52, 54, 55, 56				Right or Left
10	05104069AA	4	2, 6	L	11, 12, 14, 15, 16				U-BOLT
	05104070AA	4	2, 6	L	51, 52, 54, 55, 56				

SPRINTER (VA)

SERIES

L = LOWLINE

LINE

3 = HD DODGE 2WD  
6 = Lt. Duty DODGE 4WD  
2 = Med. Duty DODGE 2WD  
7 = Med. Duty DODGE 4WD

BODY

51 = WAGON WHEEL BASE 1  
52 = WAGON WHEEL BASE 2  
14 = VAN WHEEL BASE 4  
15 = VAN WHEEL BASE 5  
16 = VAN WHEEL BASE 6  
54 = WAGON WHEEL BASE 4  
55 = WAGON WHEEL BASE 5  
56 = WAGON WHEEL BASE 6  
11 = VAN WHEEL BASE 1  
12 = VAN WHEEL BASE 2

ENGINE

EX9 = Engine - 2.7L 5 Cly  
Mercedes Diesel

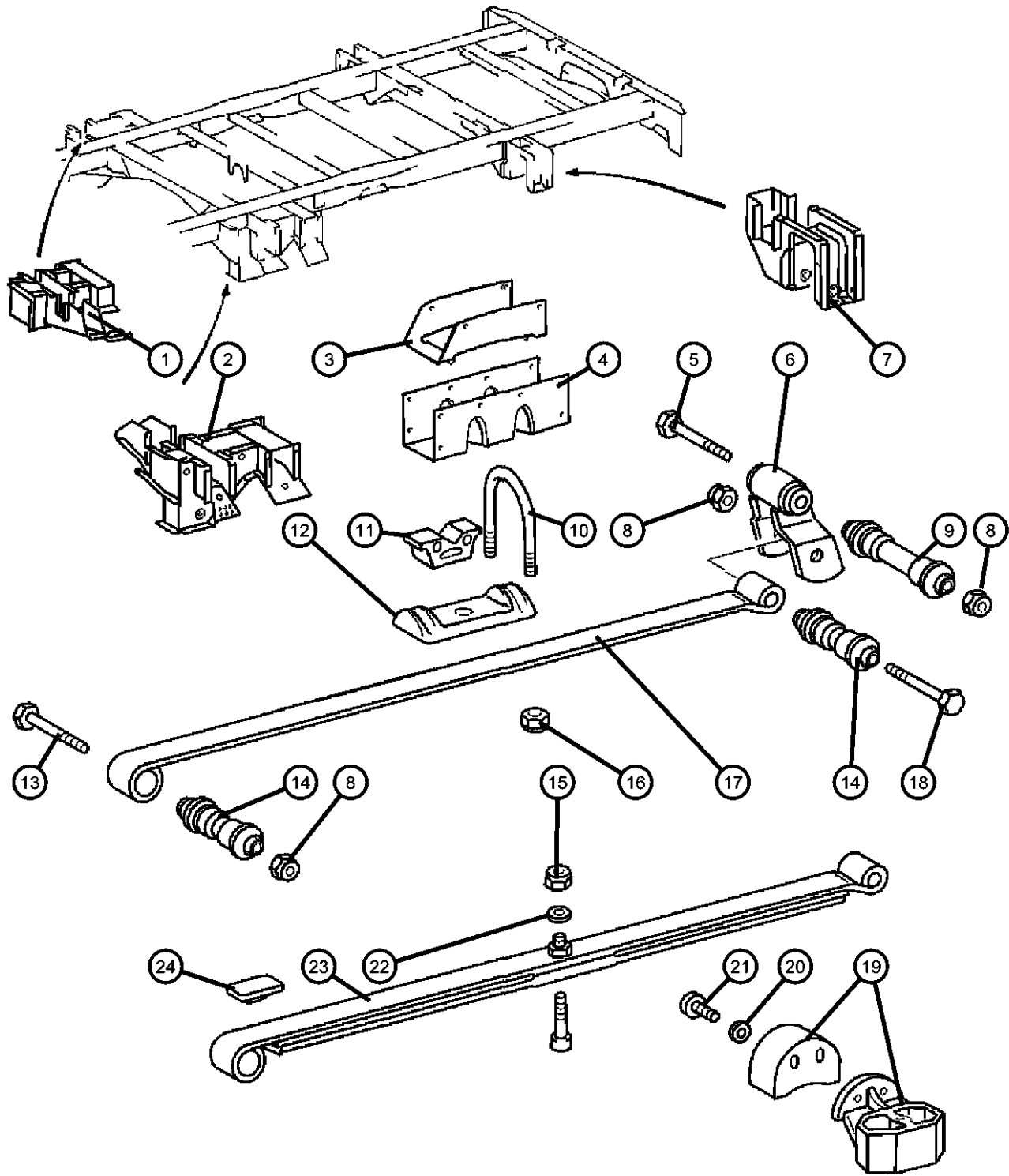
TRANSMISSION

DGJ = Transmission-5-Spd.  
Automatic,W5A580

AR = use ase required - = Non illustrated part

2003 VA

Rear Springs, 2500 Series  
Figure 17-120



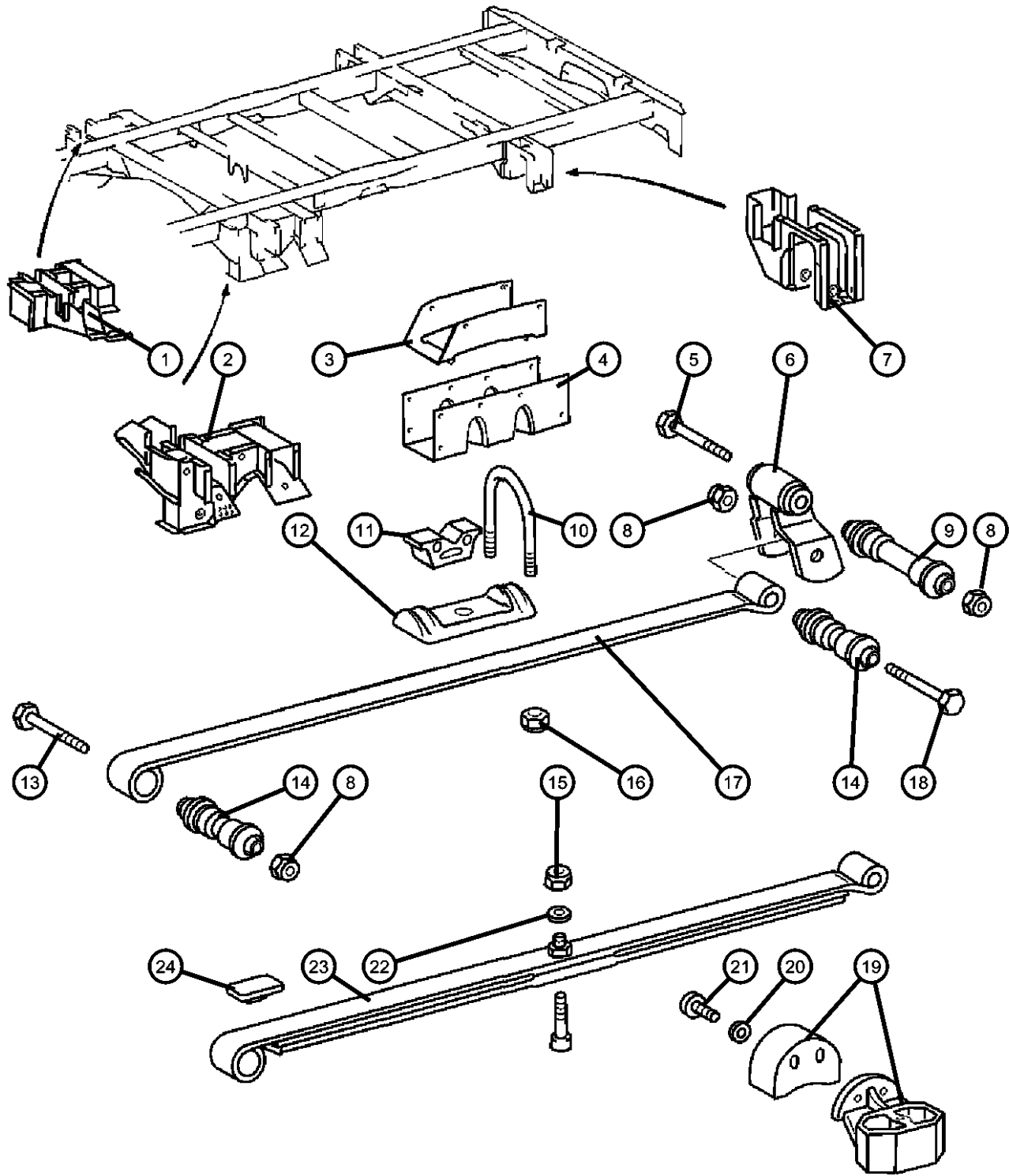
ITEM	PART NUMBER	QTY	LINE	SERIES	BODY	ENGINE	TRANS	TRIM	DESCRIPTION
11	05118762AA	2	2, 6	L	51, 52, 54, 55, 56				BUMPER, Jounce
	05128586AA	2	2, 6	L	11, 12, 14, 15, 16				[WDG]
		2	2, 6	L	51, 52, 54, 55, 56				[WDG]
		2	2, 6	L	11, 12, 14, 15, 16				
12	05118774AA	2	2, 6	L	11, 12, 14, 15, 16				PLATE, Rear Spring U-Bolt
		2	2, 6	L	51, 52, 54, 55, 56				
13	06104247AA	2	2, 6	L	11, 12, 14, 15, 16				BOLT Shackle to Frame Front, Mounting
		2	2, 6	L	51, 52, 54, 55, 56				Shackle to Frame Front, Mounting
14	05118732AA	4	2, 6	L	51, 52, 54, 55, 56				BUSHING, Spring Front or Rear
		4	2, 6	L	11, 12, 14, 15, 16				Front or Rear
15	05097685AA	2	2, 6	L	11, 12, 14, 15, 16				NUT, Hex
		2	2, 6	L	51, 52, 54, 55, 56				
16	05103727AA	8	2, 6	L	11, 12, 14, 15, 16				NUT
		8	2, 6	L	51, 52, 54, 55, 56				
17	05118616AA	2	2, 6	L	11, 12, 14, 15, 16				SPRING, Rear Right or Left
	05128482AA	2	2, 6	L	11, 12, 14, 15, 16				[3AT], Right or Left
	05128488AA	2	2, 6	L	11, 12, 14, 15, 16				[WDG, 3AT]

SPRINTER (VA)

SERIES	LINE	BODY	ENGINE	TRANSMISSION
L = LOWLINE	3 = HD DODGE 2WD 6 = Lt. Duty DODGE 4WD 2 = Med. Duty DODGE 2WD 7 = Med. Duty DODGE 4WD	51 = WAGON WHEEL BASE 1 52 = WAGON WHEEL BASE 2 14 = VAN WHEEL BASE 4 15 = VAN WHEEL BASE 5 16 = VAN WHEEL BASE 6 54 = WAGON WHEEL BASE 4 55 = WAGON WHEEL BASE 5 56 = WAGON WHEEL BASE 6 11 = VAN WHEEL BASE 1 12 = VAN WHEEL BASE 2	EX9 = Engine - 2.7L 5 Cly Mercedes Diesel	DGJ = Transmission-5-Spd. Automatic, W5A580

AR = use ase required - = Non illustrated part

Rear Springs, 2500 Series  
Figure 17-120



ITEM	PART NUMBER	QTY	LINE	SERIES	BODY	ENGINE	TRANS	TRIM	DESCRIPTION
18	05125718AA	2	2, 6	L	51, 52, 54, 55, 56				BOLT Shackle to Spring Rear, Mounting
		2	2, 6	L	11, 12, 14, 15, 16				Shackle to Spring Rear, Mounting
19		2							SHIM, (NOT SERVICED),
20	05126126AA	4	2, 6	L	11, 12, 14, 15, 16				NUT
21	05097678AA	4	2, 6	L	11, 12, 14, 15, 16				BOLT
		4	2, 6	L	51, 52, 54, 55, 56				
22	05133886AA	2	2, 3, 6, 7				DGJ		WASHER
23	05118619AA	2	2, 6	L	51, 52, 54, 55, 56				SPRING, Rear [4E9]
	05128484AA	2	2, 6	L	51, 52, 54, 55, 56				[4E9,3B4]
	05128490AA	2	2, 6	L	51, 52, 54, 55, 56				[4E9,WDG, 3AT]
24	05104068AA	4	2, 6	L	51, 52, 54, 55, 56				CUSHION, [3B4]

SPRINTER (VA)

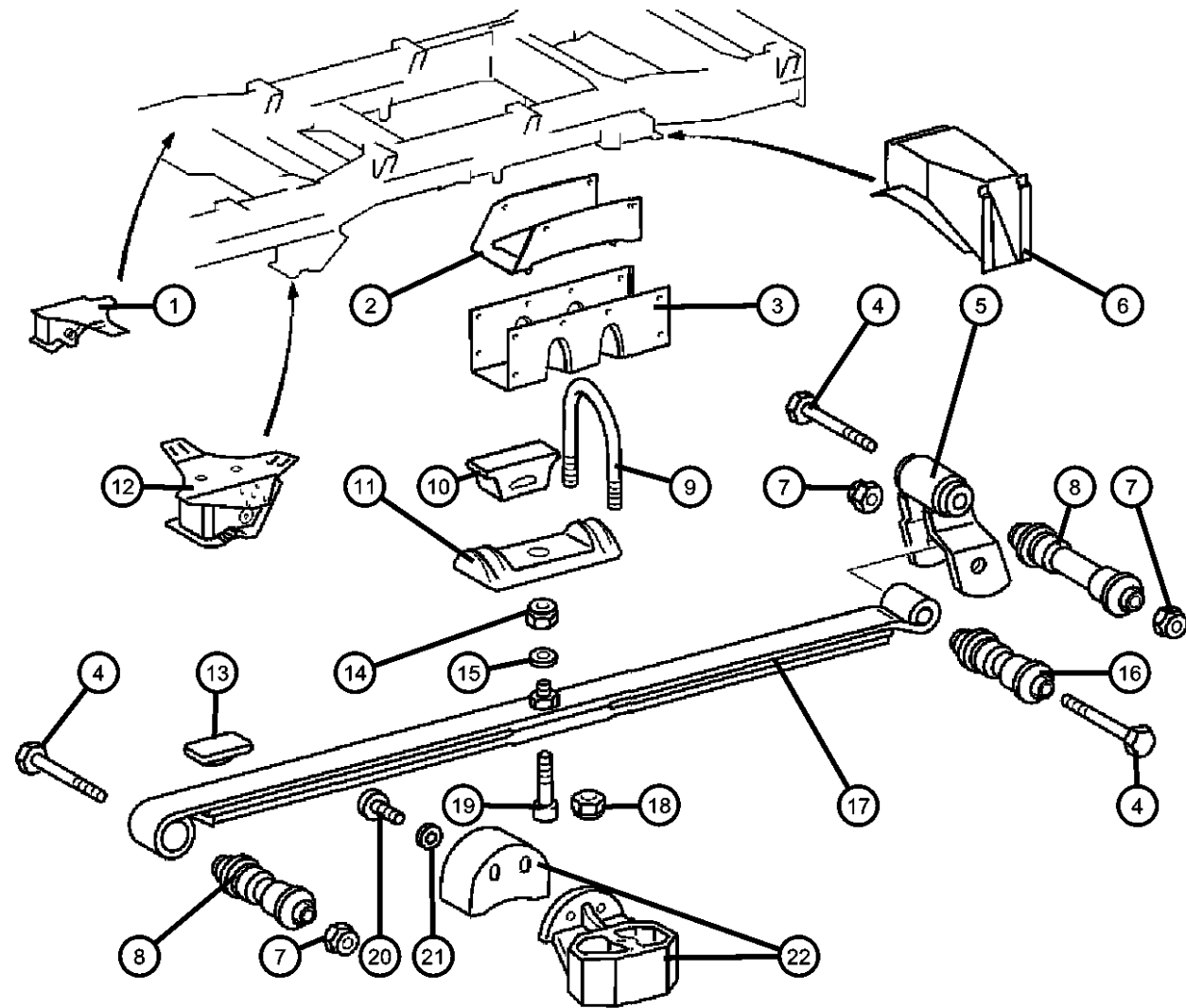
SERIES	LINE
L = LOWLINE	3 = HD DODGE 2WD 6 = Lt. Duty DODGE 4WD 2 = Med. Duty DODGE 2WD 7 = Med. Duty DODGE 4WD

BODY	ENGINE
51 = WAGON WHEEL BASE 1 52 = WAGON WHEEL BASE 2 14 = VAN WHEEL BASE 4 15 = VAN WHEEL BASE 5 16 = VAN WHEEL BASE 6 54 = WAGON WHEEL BASE 4 55 = WAGON WHEEL BASE 5 56 = WAGON WHEEL BASE 6 11 = VAN WHEEL BASE 1 12 = VAN WHEEL BASE 2	EX9 = Engine - 2.7L 5 Cly Mercedes Diesel

TRANSMISSION
DGJ = Transmission-5-Spd. Automatic,W5A580

AR = use ase required - = Non illustrated part

Rear Springs, 3500 Series  
Figure 17-130



ITEM	PART NUMBER	QTY	LINE	SERIES	BODY	ENGINE	TRANS	TRIM	DESCRIPTION
1	05118688AA	1	3, 7	L	12, 15, 16				BRACKET, SpringRight Front
2	05118339AA	2	3, 7	L	12, 15, 16				BRACKET, SpringRight or Left
3	05118355AA	2	3, 7	L	12, 15, 16				TRUSS, Leaf springRight or Left
4	06104285AA	2	3, 7	L	12, 15, 16				SCREW
5	05118655AA	2	3, 7	L	12, 15, 16				SHACKLE, SpringRight or Left
6	05118680AA	2	3, 7	L	12, 15, 16				BRACKET, SpringRight or Left
7	05125760AA	2	3, 7	L	12, 15, 16				NUT, Hex Flange Lock
8	05118729AA	2	3, 7	L	12, 15, 16				BUSHING, SpringFront
9	05118765AA	4	3, 7	L	12, 15, 16				U-BOLT
10	05118759AA	2	3, 7	L	12, 15, 16				BUMPER, Spring, Rear
11	05118759AA	2							PLATE, (NOT SERVICED)
12	05118686AA	1	3, 7	L	12, 15, 16				BRACKET, SpringLeft Front
13	05104068AA	4	3, 7	L	12, 15, 16				CUSHION
14	05133872AA	2	3, 7	L	12, 15, 16				NUT, Hex
15	05126120AB	2	3, 7	L	12, 15, 16				WASHER, Spring
16	05118703AA	2	3, 7	L	12, 15, 16				BUSHING, SpringRear
17	05118621AA	2	3, 7	L	12, 15, 16				SPRING, RearRight or Left
18	05103727AA	8	3, 7	L	12, 15, 16				NUT
19	05133871AA	2	3, 7	L	12, 15, 16				BOLT
20	05097678AA	4	3, 7	L	12, 15, 16				BOLT
21	05126126AA	4	3, 7	L	12, 15, 16				NUT
22	05126126AA	4							SHIM, (NOT SERVICED)

SPRINTER (VA)

SERIES

L = LOWLINE

LINE

3 = HD DODGE 2WD  
6 = Lt. Duty DODGE 4WD  
2 = Med. Duty DODGE 2WD  
7 = Med. Duty DODGE 4WD

BODY

51 = WAGON WHEEL BASE 1  
52 = WAGON WHEEL BASE 2  
14 = VAN WHEEL BASE 4  
15 = VAN WHEEL BASE 5  
16 = VAN WHEEL BASE 6  
54 = WAGON WHEEL BASE 4  
55 = WAGON WHEEL BASE 5  
56 = WAGON WHEEL BASE 6  
11 = VAN WHEEL BASE 1  
12 = VAN WHEEL BASE 2

ENGINE

EX9 = Engine - 2.7L 5 Cly  
Mercedes Diesel

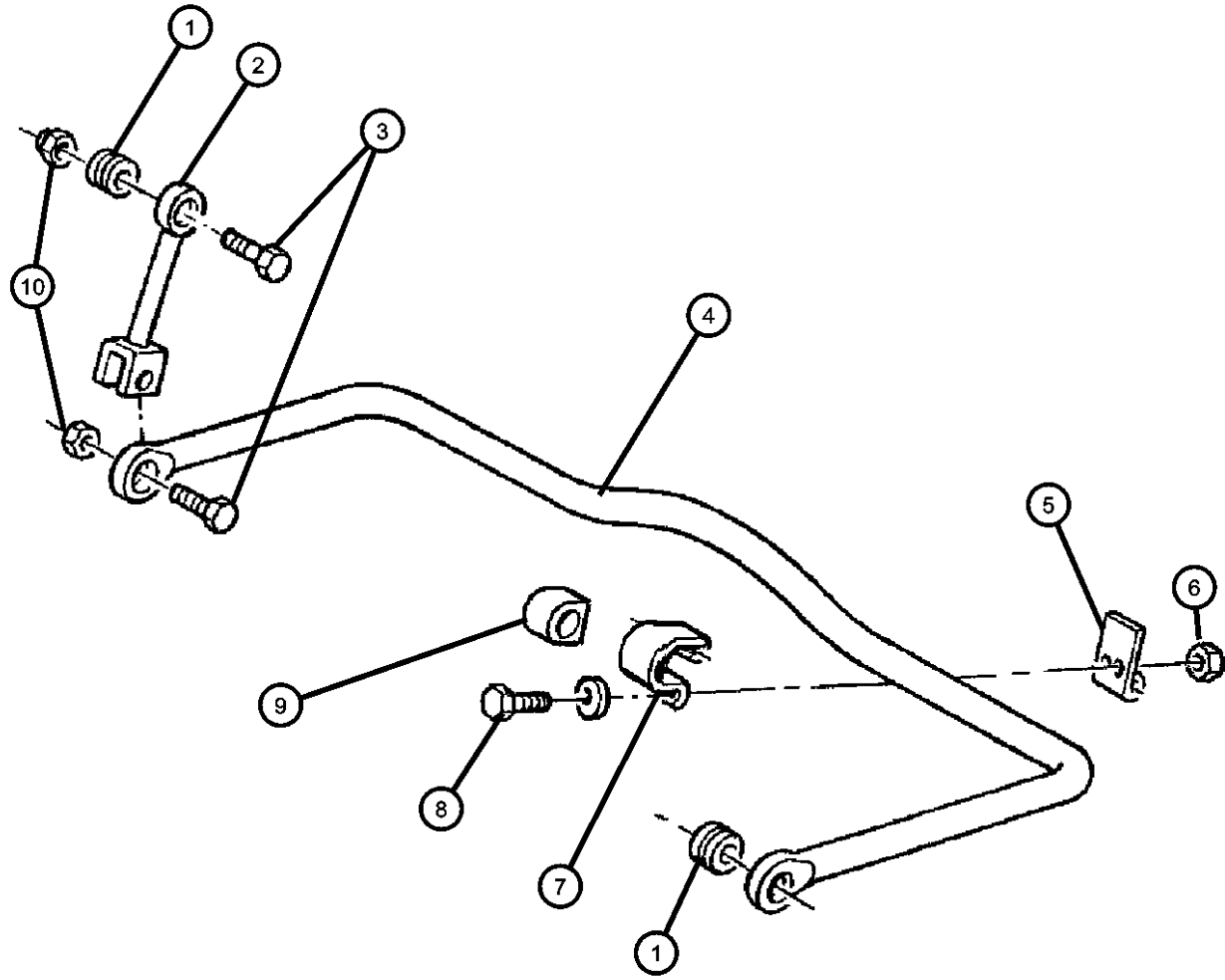
TRANSMISSION

DGJ = Transmission-5-Spd.  
Automatic,W5A580

AR = use ase required - = Non illustrated part

2003 VA

**Stabilizer Bar,Rear  
Figure 17-210**



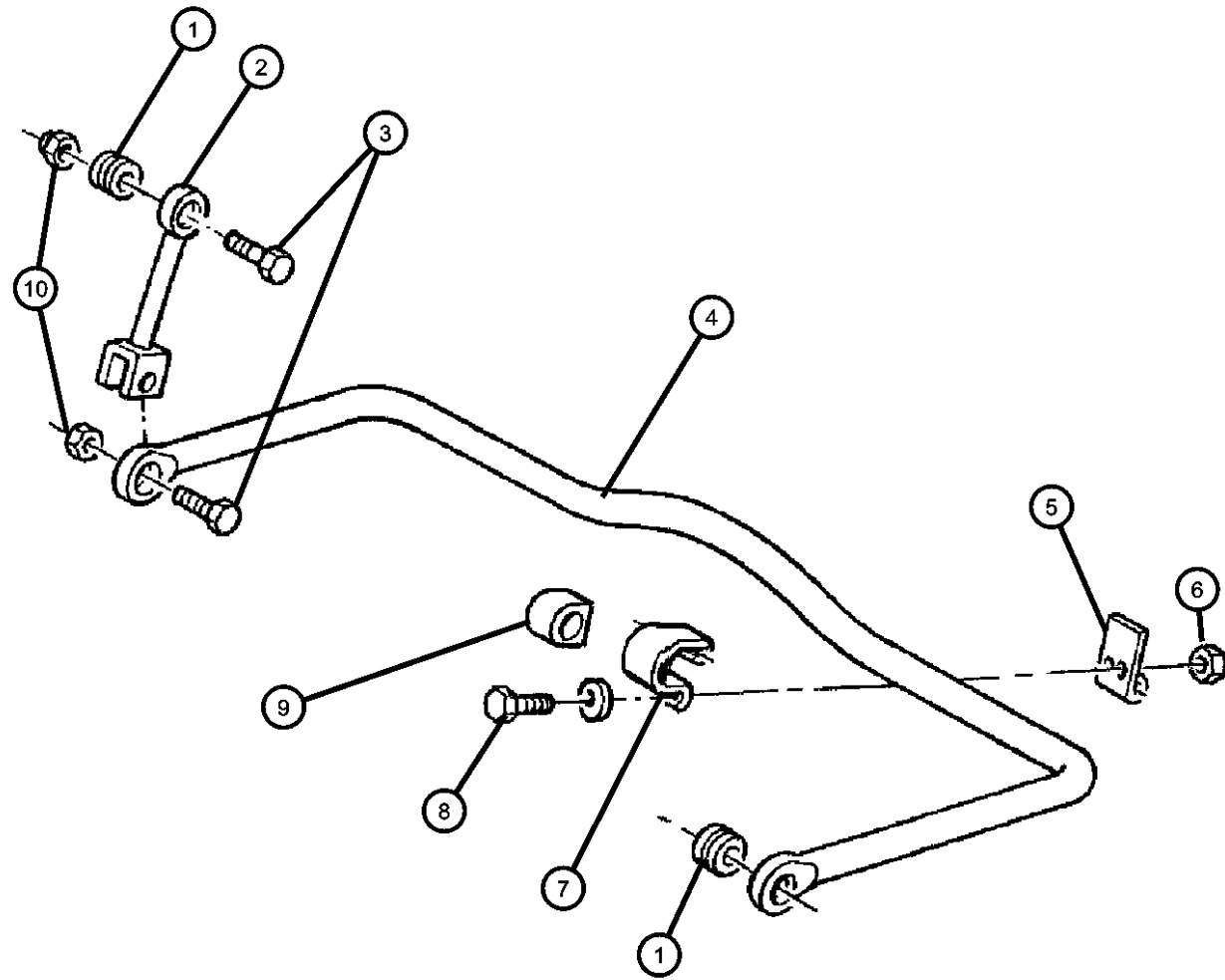
ITEM	PART NUMBER	QTY	LINE	SERIES	BODY	ENGINE	TRANS	TRIM	DESCRIPTION
1	05103955AA	2	2, 6	L	11, 12, 14, 15, 16				BUSHING, Stabilizer Bar
		2	2, 6	L	51, 52, 54, 55, 56				
		2	3, 7	L	12, 15, 16				
2	05104058AA	2	2, 6	L	11, 12, 14, 15, 16				LINK, Stabilizer Bar
		2	2, 6	L	51, 52, 54, 55, 56				
		2	3, 7	L	12, 15, 16				
3	06104238AA	4	2, 6	L	11, 12, 14, 15, 16				BOLT 12x1.5x50
		4	2, 6	L	51, 52, 54, 55, 56				
		2	2, 6	L	11, 12, 14, 15, 16	EX9			
		2	2, 6	L	51, 52, 54, 55, 56	EX9			
		2	3, 7	L	12, 15, 16	EX9			
4	05118632AA	1	3, 7	L	12, 15, 16				SWAY BAR
		1	2, 6	L	11, 12, 14, 15, 16				
		1	2, 6	L	51, 52, 54, 55, 56				
		1	2, 6	L	51, 52, 54, 55, 56				
5	05128598AA	2	2, 6	L	11, 12, 14, 15, 16				BRACKET, Stabilizer Bar
		2	2, 6	L	51, 52, 54, 55, 56				
6	06104716AA	4	2, 6	L	11, 12, 14, 15, 16				NUT
		4	2, 6	L	51, 52, 54, 55, 56				
		4	3, 7	L	12, 15, 16				
7									BRACKET, Torsion Bar

**SPRINTER (VA)**

<b>SERIES</b>	<b>LINE</b>	<b>BODY</b>	<b>ENGINE</b>	<b>TRANSMISSION</b>
L = LOWLINE	3 = HD DODGE 2WD 6 = Lt. Duty DODGE 4WD 2 = Med. Duty DODGE 2WD 7 = Med. Duty DODGE 4WD	51 = WAGON WHEEL BASE 1 52 = WAGON WHEEL BASE 2 14 = VAN WHEEL BASE 4 15 = VAN WHEEL BASE 5 16 = VAN WHEEL BASE 6 54 = WAGON WHEEL BASE 4 55 = WAGON WHEEL BASE 5 56 = WAGON WHEEL BASE 6 11 = VAN WHEEL BASE 1 12 = VAN WHEEL BASE 2	EX9 = Engine - 2.7L 5 Cly Mercedes Diesel	DGJ = Transmission-5-Spd. Automatic,W5A580

AR = use ase required - = Non illustrated part

**Stabilizer Bar,Rear  
Figure 17-210**



ITEM	PART NUMBER	QTY	LINE	SERIES	BODY	ENGINE	TRANS	TRIM	DESCRIPTION
	05118789AA	2	3, 7	L	12, 15, 16				
	05132782AA	2	2, 6	L	11, 12, 14, 15, 16				
		2	2, 6	L	51, 52, 54, 55, 56				
8									SCREW
	06104031AA	2	3, 7	L	12, 15, 16	EX9			
		2	2, 6	L	11, 12, 14, 15, 16	EX9			
		2	2, 6	L	51, 52, 54, 55, 56	EX9			
9									BUSHING, Stabilizer Bar
	05104073AA	2	2, 6	L	11, 12, 14, 15, 16				
		2	2, 6	L	51, 52, 54, 55, 56				
	05118800AA	2	3, 7	L	12, 15, 16				
10									NUT
	06104718AA	4	2, 6	L	11, 12, 14, 15, 16				
		4	2, 6	L	51, 52, 54, 55, 56				
		8	3, 7	L	12, 15, 16				

**SPRINTER (VA)**

<b>SERIES</b>	<b>LINE</b>	<b>BODY</b>	<b>ENGINE</b>	<b>TRANSMISSION</b>
L = LOWLINE	3 = HD DODGE 2WD 6 = Lt. Duty DODGE 4WD 2 = Med. Duty DODGE 2WD 7 = Med. Duty DODGE 4WD	51 = WAGON WHEEL BASE 1 52 = WAGON WHEEL BASE 2 14 = VAN WHEEL BASE 4 15 = VAN WHEEL BASE 5 16 = VAN WHEEL BASE 6 54 = WAGON WHEEL BASE 4 55 = WAGON WHEEL BASE 5 56 = WAGON WHEEL BASE 6 11 = VAN WHEEL BASE 1 12 = VAN WHEEL BASE 2	EX9 = Engine - 2.7L 5 Cly Mercedes Diesel	DGJ = Transmission-5-Spd. Automatic,W5A580

AR = use ase required - = Non illustrated part



# Group - 19

## Steering

### Group - 19 Steering

Illustration Title

Group-Fig. No.

#### Steering Wheel

Steering Wheel and Related ..... Fig. 19 - 110

#### Steering Column

Column Steering and Related ..... Fig. 19 - 210

#### Steering Gear

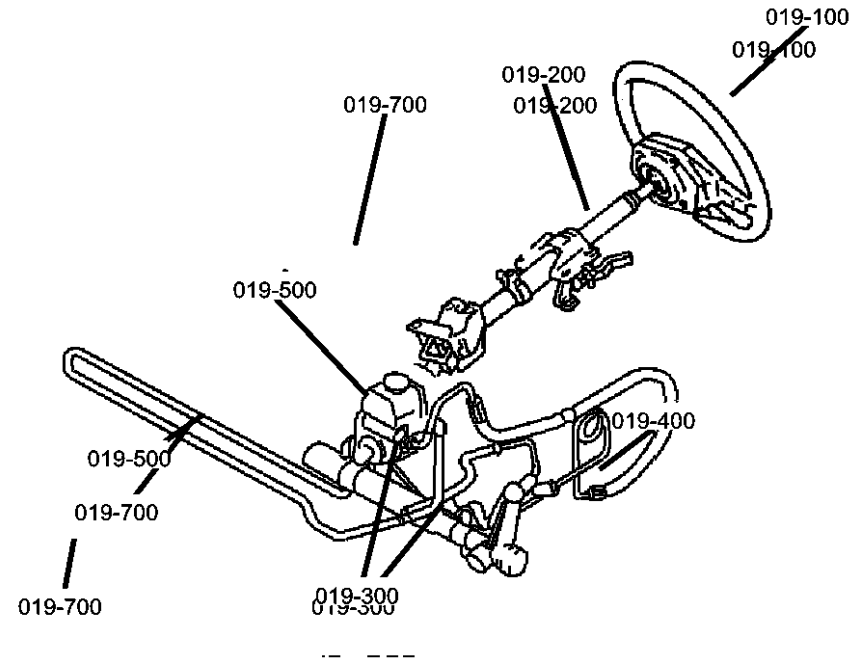
Gear - Steering ..... Fig. 19 - 310

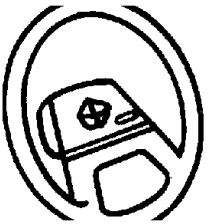
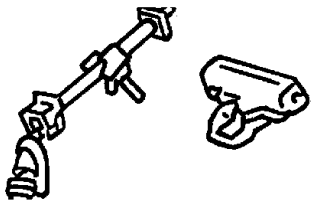
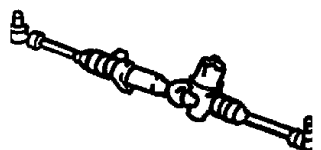
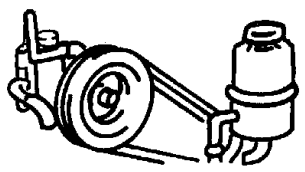
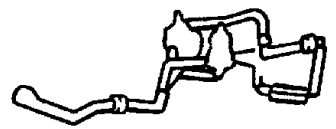
#### Power Steering Pump

Pump and Pulley, Steering ..... Fig. 19 - 510

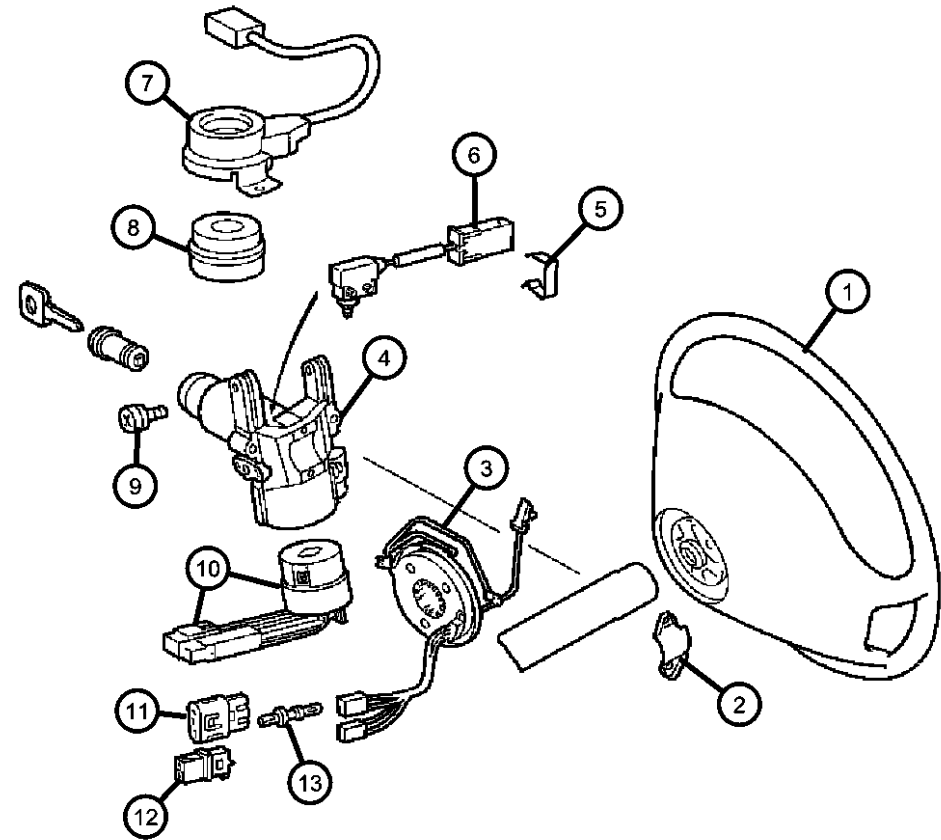
#### Power Steering Hoses

Hoses Steering and Related ..... Fig. 19 - 710



<p><b>019-100</b> Steering Wheel</p> 	<p><b>019-200</b> Steering Column</p> 	<p><b>019-300</b> Steering Gear</p> 	<p><b>019-500</b> Power Steering Pump</p> 
<p><b>019-700</b> Power Steering Hoses</p> 			

**Steering Wheel and Related  
Figure 19-110**



ITEM	PART NUMBER	QTY	LINE	SERIES	BODY	ENGINE	TRANS	TRIM	DESCRIPTION
1	0ZF45BD1AA	1	2, 6	L	11, 12, 14, 15, 16				WHEEL, Steering
		1	2, 6	L	51, 52, 54, 55, 56				
		1	3, 7	L	12, 15, 16				
2	05104096AA	1	2, 6	L	11, 12, 14, 15, 16				BRACKET, STEERING LOCK, SPRINTER
		1	3, 7	L	12, 15, 16				
		1	2, 6	L	51, 52, 54, 55, 56				
3	05104089AA	1	2, 6	L	11, 12, 14, 15, 16				CLOCKSPRING
		1	2, 6	L	51, 52, 54, 55, 56				
		1	3, 7	L	12, 15, 16				
4	05104092AA	1	2, 6	L	11, 12, 14, 15, 16		DGJ		HOUSING, Steering Column Lock
		1	3, 7	L	12, 15, 16		DGJ		
		1	2, 6	L	51, 52, 54, 55, 56		DGJ		
5	05103660AA	1	2, 6	L	11, 12, 14, 15, 16		DGJ		SPRING
		1	3, 7	L	12, 15, 16		DGJ		
		1	2, 6	L	51, 52, 54, 55, 56		DGJ		
6	05103857AA	1	2, 6	L	11, 12, 14, 15, 16		DGJ		SWITCH
		1	3, 7	L	12, 15, 16		DGJ		
		1	2, 6	L	51, 52, 54, 55, 56		DGJ		
7	05120812AA	1	3, 7	L	12, 15, 16				TRANSPONDER, Steering Wheel

**SPRINTER (VA)**

**SERIES**

L = LOWLINE

**LINE**

3 = HD DODGE 2WD  
6 = Lt. Duty DODGE 4WD  
2 = Med. Duty DODGE 2WD  
7 = Med. Duty DODGE 4WD

**BODY**

51 = WAGON WHEEL BASE 1  
52 = WAGON WHEEL BASE 2  
14 = VAN WHEEL BASE 4  
15 = VAN WHEEL BASE 5  
16 = VAN WHEEL BASE 6  
54 = WAGON WHEEL BASE 4  
55 = WAGON WHEEL BASE 5  
56 = WAGON WHEEL BASE 6  
11 = VAN WHEEL BASE 1  
12 = VAN WHEEL BASE 2

**ENGINE**

EX9 = Engine - 2.7L 5 Cly  
Mercedes Diesel

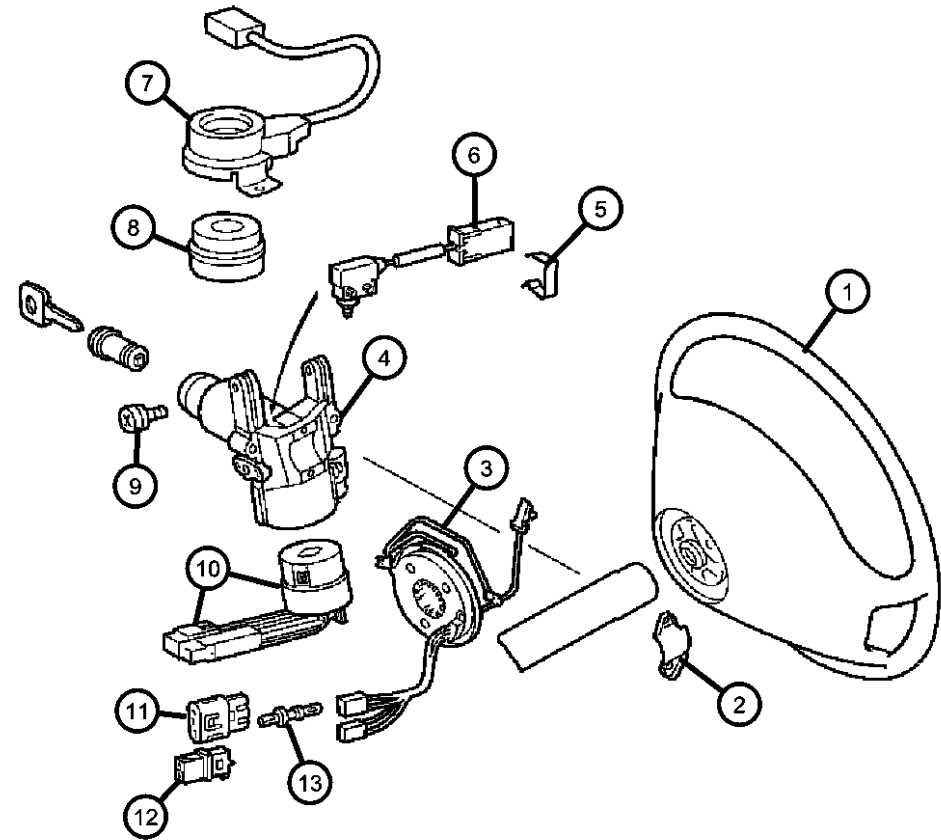
**TRANSMISSION**

DGJ = Transmission-5-Spd.  
Automatic,W5A580

AR = use ase required - = Non illustrated part

2003 VA

Steering Wheel and Related  
Figure 19-110



ITEM	PART NUMBER	QTY	LINE	SERIES	BODY	ENGINE	TRANS	TRIM	DESCRIPTION
8		1	2, 6	L	11, 12, 14, 15, 16				RING
		1	2, 6	L	51, 52, 54, 55, 56				
	05104593AA	1	2, 6	L	11, 12, 14, 15, 16				
		1	3, 7	L	12, 15, 16				
9		1	2, 6	L	51, 52, 54, 55, 56				SCREW, Cap
	05119538AA	2	2, 6	L	11, 12, 14, 15, 16				
		2	3, 7	L	12, 15, 16				
10		2	2, 6	L	51, 52, 54, 55, 56				SWITCH, Ignition
	05103664AA	1	2, 6	L	11, 12, 14, 15, 16		DGJ		
		1	3, 7	L	12, 15, 16		DGJ		
11		1	2, 6	L	51, 52, 54, 55, 56		DGJ		CONNECTOR
	05103904AA	1	2, 6	L	11, 12, 14, 15, 16				
		1	2, 6	L	51, 52, 54, 55, 56				
12		1	2, 6	L	11, 12, 14, 15, 16				CONNECTOR
	05103902AA	1	2, 6	L	51, 52, 54, 55, 56				
		1	3, 7	L	12, 15, 16				
13		1	2, 6	L	11, 12, 14, 15, 16				TERMINAL
	05103828AA	1	2, 6	L	51, 52, 54, 55, 56				
		1	3, 7	L	12, 15, 16				

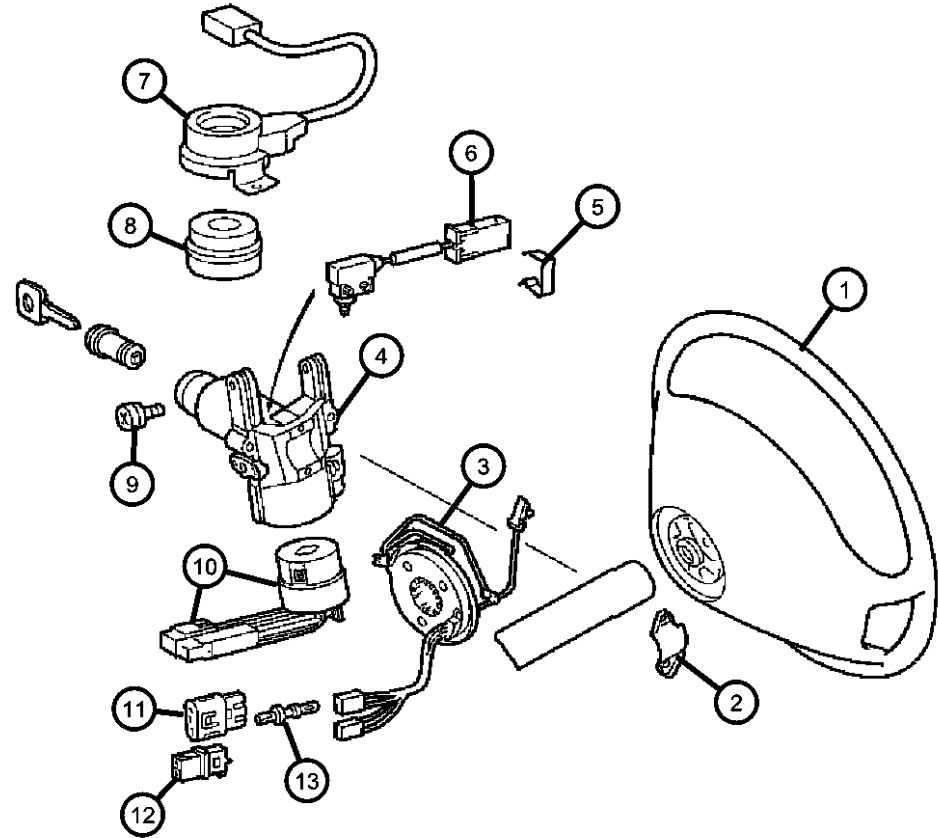
SPRINTER (VA)

SERIES	LINE	BODY	ENGINE	TRANSMISSION
L = LOWLINE	3 = HD DODGE 2WD 6 = Lt. Duty DODGE 4WD 2 = Med. Duty DODGE 2WD 7 = Med. Duty DODGE 4WD	51 = WAGON WHEEL BASE 1 52 = WAGON WHEEL BASE 2 14 = VAN WHEEL BASE 4 15 = VAN WHEEL BASE 5 16 = VAN WHEEL BASE 6 54 = WAGON WHEEL BASE 4 55 = WAGON WHEEL BASE 5 56 = WAGON WHEEL BASE 6 11 = VAN WHEEL BASE 1 12 = VAN WHEEL BASE 2	EX9 = Engine - 2.7L 5 Cly Mercedes Diesel	DGJ = Transmission-5-Spd. Automatic,W5A580

AR = use ase required - = Non illustrated part

**Steering Wheel and Related  
Figure 19-110**

ITEM	PART NUMBER	QTY	LINE	SERIES	BODY	ENGINE	TRANS	TRIM	DESCRIPTION
-14		1	3, 7	L	12, 15, 16				CONTACT, Horn
	05119542AA	1	2, 6	L	11, 12, 14, 15, 16				
		1	3, 7	L	12, 15, 16				
		1	2, 6	L	51, 52, 54, 55, 56				
-15		1	2, 6	L	11, 12, 14, 15, 16				SCREW, Steering Wheel nut
	05103604AA	1	3, 7	L	12, 15, 16				
		1	2, 6	L	51, 52, 54, 55, 56				

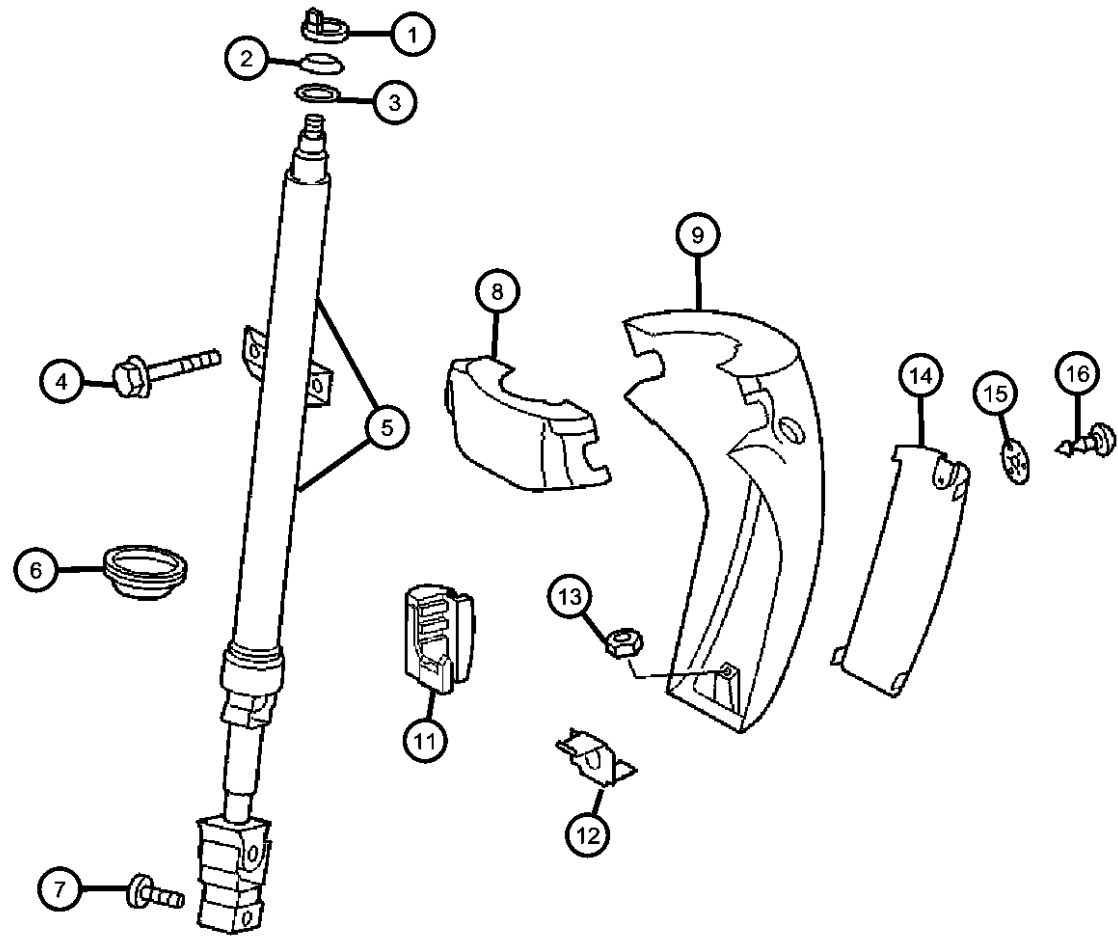


**SPRINTER (VA)**

SERIES	LINE	BODY	ENGINE	TRANSMISSION
L = LOWLINE	3 = HD DODGE 2WD 6 = Lt. Duty DODGE 4WD 2 = Med. Duty DODGE 2WD 7 = Med. Duty DODGE 4WD	51 = WAGON WHEEL BASE 1 52 = WAGON WHEEL BASE 2 14 = VAN WHEEL BASE 4 15 = VAN WHEEL BASE 5 16 = VAN WHEEL BASE 6 54 = WAGON WHEEL BASE 4 55 = WAGON WHEEL BASE 5 56 = WAGON WHEEL BASE 6 11 = VAN WHEEL BASE 1 12 = VAN WHEEL BASE 2	EX9 = Engine - 2.7L 5 Cly Mercedes Diesel	DGJ = Transmission-5-Spd. Automatic,W5A580

AR = use ase required - = Non illustrated part

**Column Steering and Related  
Figure 19-210**



ITEM	PART NUMBER	QTY	LINE	SERIES	BODY	ENGINE	TRANS	TRIM	DESCRIPTION
1									SUPPORTING RING, NONE, SPRINTER
	05103651AA	1	2, 6	L	11, 12, 14, 15, 16				
		1	2, 6	L	51, 52, 54, 55, 56				
		1	3, 7	L	12, 15, 16				
2	05127709AA	1		L					SPACER
3	05127708AA	1		L					WASHER, Thrust
4									BOLT, Hex Head
	05126227AA	2	2, 6	L	11, 12, 14, 15, 16				
		2	2, 6	L	51, 52, 54, 55, 56				
		2	3, 7	L	12, 15, 16				
5									COLUMN, Steering
	05104563AA	1	2, 6	L	11, 12, 14, 15, 16				[WCL] 15 WHEELS
		1	2, 6	L	51, 52, 54, 55, 56				[WCL] 15 WHEELS
	05104564AA	1	2, 6	L	11, 12, 14, 15, 16				[WDG] 16 WHEELS
		1	3, 7	L	12, 15, 16				[WDG] 16 WHEELS
		1	2, 6	L	51, 52, 54, 55, 56				[WDG] 16 WHEELS
6									SEAL, Steering Gear
	05119536AA	1	2, 6	L	11, 12, 14, 15, 16				
		1	3, 7	L	12, 15, 16				
		1	2, 6	L	51, 52, 54, 55, 56				
7									SCREW, Steering Column
	05125707AA	1	2, 6	L	11, 12, 14, 15, 16				
		1	3, 7	L	12, 15, 16				
		1	2, 6	L	51, 52, 54, 55, 56				

**SPRINTER (VA)**

**SERIES**

L = LOWLINE  
 3 = HD DODGE 2WD  
 6 = Lt. Duty DODGE 4WD  
 2 = Med. Duty DODGE 2WD  
 7 = Med. Duty DODGE 4WD

**LINE**

**BODY**

51 = WAGON WHEEL BASE 1 EX9 = Engine - 2.7L 5 Cly  
 52 = WAGON WHEEL BASE 2 Mercedes Diesel  
 14 = VAN WHEEL BASE 4  
 15 = VAN WHEEL BASE 5  
 16 = VAN WHEEL BASE 6  
 54 = WAGON WHEEL BASE 4  
 55 = WAGON WHEEL BASE 5  
 56 = WAGON WHEEL BASE 6  
 11 = VAN WHEEL BASE 1  
 12 = VAN WHEEL BASE 2

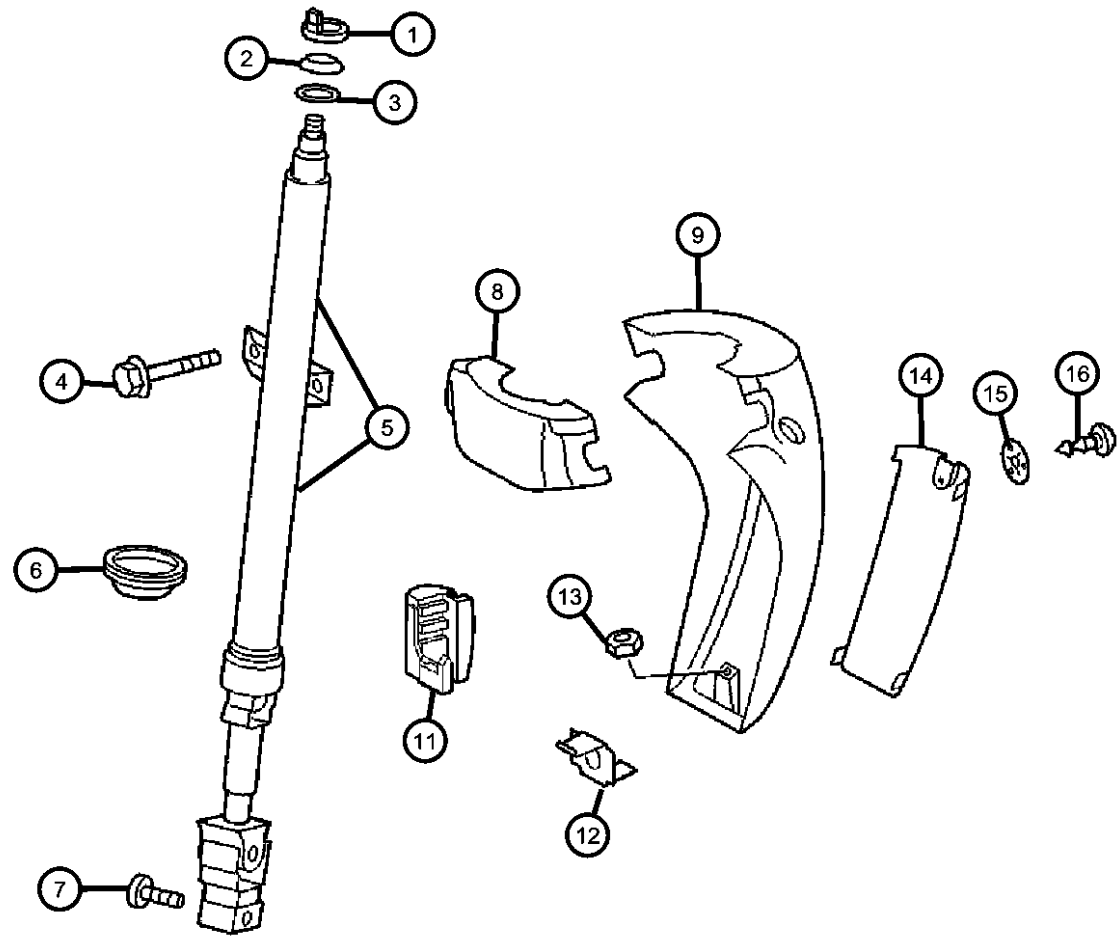
**ENGINE**

**TRANSMISSION**

DGJ = Transmission-5-Spd. Automatic, W5A580

AR = use ase required - = Non illustrated part

Column Steering and Related  
Figure 19-210



ITEM	PART NUMBER	QTY	LINE	SERIES	BODY	ENGINE	TRANS	TRIM	DESCRIPTION
8	05119534AA	1	2, 6	L	11, 12, 14, 15, 16				SHROUD, Steering Column, Upper
		1	3, 7	L	12, 15, 16				
		1	2, 6	L	51, 52, 54, 55, 56				
9	05119524AA	1	2, 6	L	11, 12, 14, 15, 16				SHROUD, Steering Column, Lower
		1	3, 7	L	12, 15, 16				
		1	2, 6	L	51, 52, 54, 55, 56				
-10	05126274AA	2	2, 6	L	11, 12, 14, 15, 16				SCREW, Steering Column Shroud to Column
		2	2, 6	L	51, 52, 54, 55, 56				
		2	3, 7	L	12, 15, 16				
11	05122935AA	1		L					GROMMET, Steering Column Cover
12	05125568AA	1	2, 6	L	11, 12, 14, 15, 16				CLIP, Steering Column
		1	3, 7	L	12, 15, 16				
		1	2, 6	L	51, 52, 54, 55, 56				
13	05097674AA	1	3, 7	L	12, 15, 16				NUT, Hex, M6
		1	2, 6	L	11, 12, 14, 15, 16				
		1	2, 6	L	51, 52, 54, 55, 56				
14	05119525AA	1	2, 6	L	11, 12, 14, 15, 16				COVER, Steering Column Opening
		1	3, 7	L	12, 15, 16				
		1	2, 6	L	51, 52, 54, 55, 56				

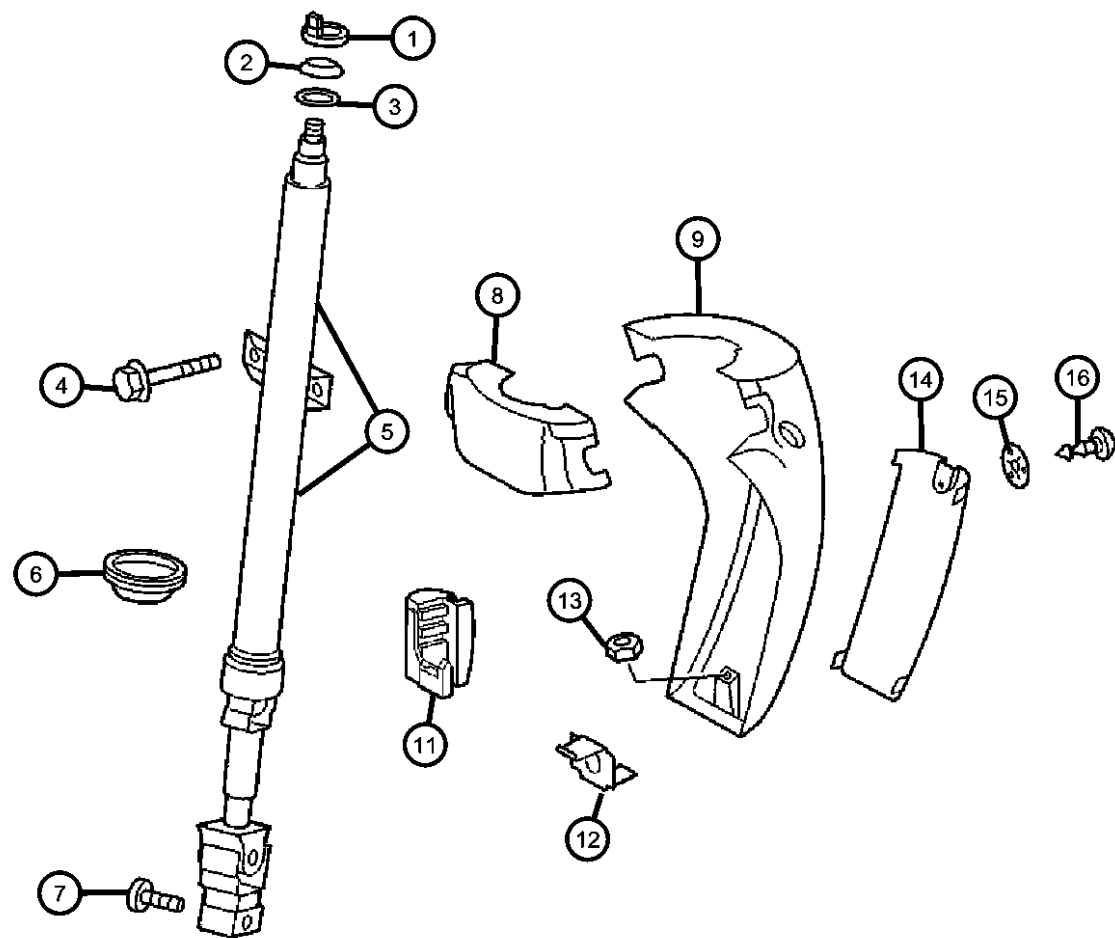
**SPRINTER (VA)**

<b>SERIES</b>	<b>LINE</b>	<b>BODY</b>	<b>ENGINE</b>	<b>TRANSMISSION</b>
L = LOWLINE	3 = HD DODGE 2WD 6 = Lt. Duty DODGE 4WD 2 = Med. Duty DODGE 2WD 7 = Med. Duty DODGE 4WD	51 = WAGON WHEEL BASE 1 52 = WAGON WHEEL BASE 2 14 = VAN WHEEL BASE 4 15 = VAN WHEEL BASE 5 16 = VAN WHEEL BASE 6 54 = WAGON WHEEL BASE 4 55 = WAGON WHEEL BASE 5 56 = WAGON WHEEL BASE 6 11 = VAN WHEEL BASE 1 12 = VAN WHEEL BASE 2	EX9 = Engine - 2.7L 5 Cyl Mercedes Diesel	DGJ = Transmission-5-Spd. Automatic, W5A580

AR = use ase required - = Non illustrated part

**Column Steering and Related  
Figure 19-210**

ITEM	PART NUMBER	QTY	LINE	SERIES	BODY	ENGINE	TRANS	TRIM	DESCRIPTION
15	05125751AA	1	2, 6	L	11, 12, 14, 15, 16				WASHER, Steering Column
		1	3, 7	L	12, 15, 16				
		1	2, 6	L	51, 52, 54, 55, 56				
16	05125557AA	1	2, 6	L	11, 12, 14, 15, 16				SCREW, Steering Column
		1	3, 7	L	12, 15, 16				
		1	2, 6	L	51, 52, 54, 55, 56				



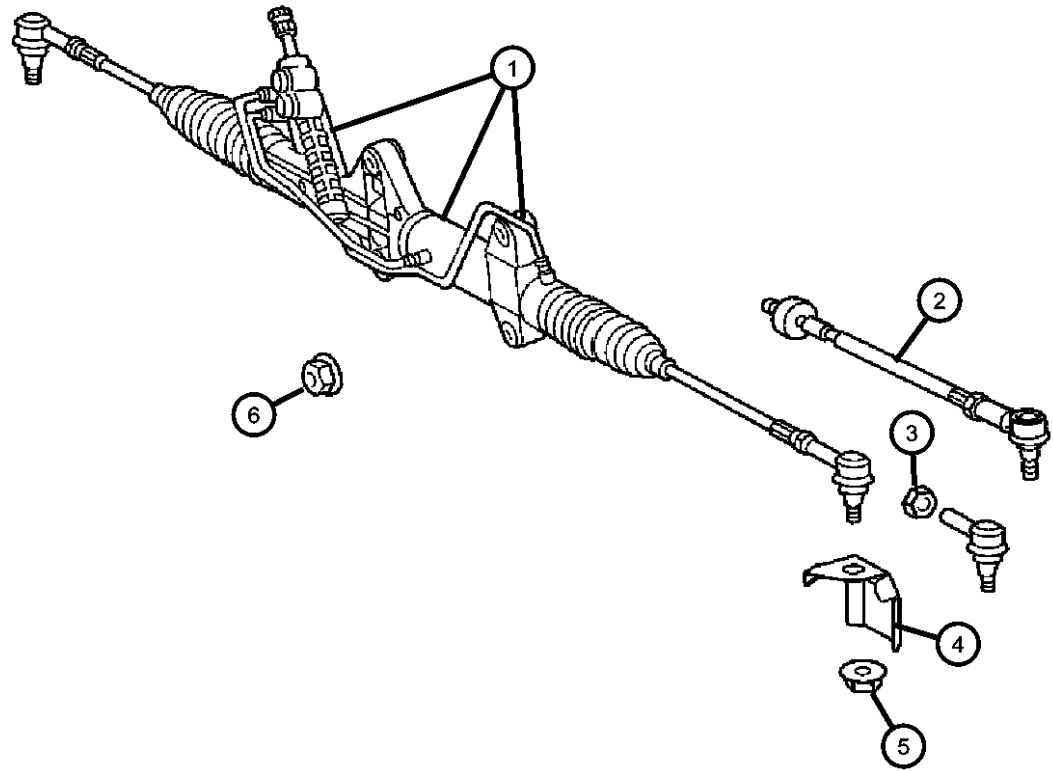
**SPRINTER (VA)**

SERIES	LINE	BODY	ENGINE	TRANSMISSION
L = LOWLINE	3 = HD DODGE 2WD 6 = Lt. Duty DODGE 4WD 2 = Med. Duty DODGE 2WD 7 = Med. Duty DODGE 4WD	51 = WAGON WHEEL BASE 1 52 = WAGON WHEEL BASE 2 14 = VAN WHEEL BASE 4 15 = VAN WHEEL BASE 5 16 = VAN WHEEL BASE 6 54 = WAGON WHEEL BASE 4 55 = WAGON WHEEL BASE 5 56 = WAGON WHEEL BASE 6 11 = VAN WHEEL BASE 1 12 = VAN WHEEL BASE 2	EX9 = Engine - 2.7L 5 Cly Mercedes Diesel	DGJ = Transmission-5-Spd. Automatic,W5A580

AR = use ase required - = Non illustrated part

**Gear - Steering**  
**Figure 19-310**

ITEM	PART NUMBER	QTY	LINE	SERIES	BODY	ENGINE	TRANS	TRIM	DESCRIPTION
Note; Sales Codes; [WCL] = 15 inch Steel Wheels [WDG] = 16 Inch Steel Wheels									
1									GEAR, Power Steering
	05104094AA	1	2, 6	L	11, 12, 14, 15, 16				15 WHEELS
		1	2, 6	L	51, 52, 54, 55, 56				15 WHEELS
	05104585AA	1	2, 6	L	51, 52, 54, 55, 56				16 WHEELS
		1	3, 7	L	12, 15, 16				16 WHEELS
2									END, Tie Rod
	05104091AA	2	2, 6	L	11, 12, 14, 15, 16				
		2	2, 6	L	51, 52, 54, 55, 56				
		2	3, 7	L	11, 12, 14, 15, 16				
3									JAM NUT, Outer Tie Rod
	05133906AA	2	2, 6	L	11, 12, 14, 15, 16				
		2	2, 6	L	51, 52, 54, 55, 56				
		2	3, 7	L	12, 15, 16				
4									PLATE, Backing
	05119249AA	2	2, 6	L	11, 12, 14, 15, 16				
		2	2, 6	L	51, 52, 54, 55, 56				
5									NUT
	05125761AA	2	2, 6	L	11, 12, 14, 15, 16				
		2	2, 6	L	51, 52, 54, 55, 56				
6									NUT
	06104717AA	4	2, 6	L	11, 12, 14, 15, 16				
		4	2, 6	L	51, 52, 54, 55, 56				



**SPRINTER (VA)**

**SERIES**

L = LOWLINE

**LINE**

3 = HD DODGE 2WD  
6 = Lt. Duty DODGE 4WD  
2 = Med. Duty DODGE 2WD  
7 = Med. Duty DODGE 4WD

**BODY**

51 = WAGON WHEEL BASE 1  
52 = WAGON WHEEL BASE 2  
14 = VAN WHEEL BASE 4  
15 = VAN WHEEL BASE 5  
16 = VAN WHEEL BASE 6  
54 = WAGON WHEEL BASE 4  
55 = WAGON WHEEL BASE 5  
56 = WAGON WHEEL BASE 6  
11 = VAN WHEEL BASE 1  
12 = VAN WHEEL BASE 2

**ENGINE**

EX9 = Engine - 2.7L 5 Cyl  
Mercedes Diesel

**TRANSMISSION**

DGJ = Transmission-5-Spd.  
Automatic,W5A580

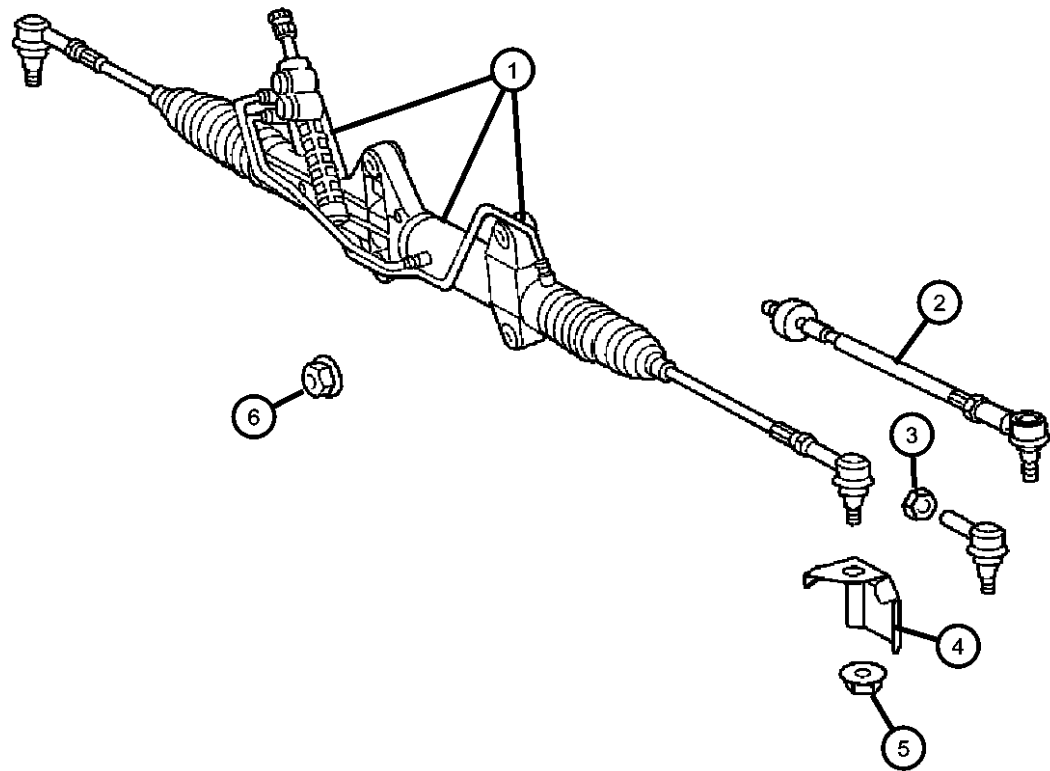
AR = use ase required - = Non illustrated part

2003 VA



**Gear - Steering**  
**Figure 19-310**

ITEM	PART NUMBER	QTY	LINE	SERIES	BODY	ENGINE	TRANS	TRIM	DESCRIPTION
-7	05125714AA	4	3, 7	L	12, 15, 16	EX9			SCREW



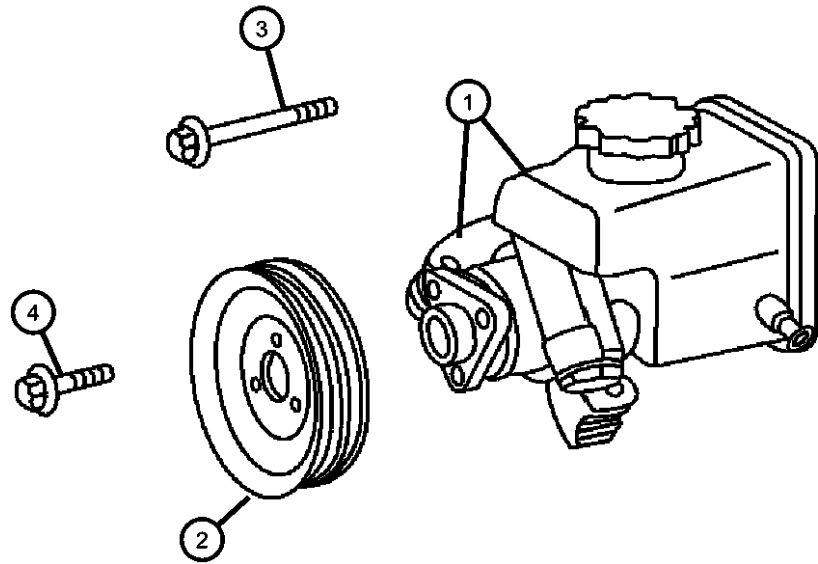
**SPRINTER (VA)**

<b>SERIES</b>	<b>LINE</b>	<b>BODY</b>	<b>ENGINE</b>	<b>TRANSMISSION</b>
L = LOWLINE	3 = HD DODGE 2WD 6 = Lt. Duty DODGE 4WD 2 = Med. Duty DODGE 2WD 7 = Med. Duty DODGE 4WD	51 = WAGON WHEEL BASE 1 52 = WAGON WHEEL BASE 2 14 = VAN WHEEL BASE 4 15 = VAN WHEEL BASE 5 16 = VAN WHEEL BASE 6 54 = WAGON WHEEL BASE 4 55 = WAGON WHEEL BASE 5 56 = WAGON WHEEL BASE 6 11 = VAN WHEEL BASE 1 12 = VAN WHEEL BASE 2	EX9 = Engine - 2.7L 5 Cly Mercedes Diesel	DGJ = Transmission-5-Spd. Automatic,W5A580

AR = use ase required - = Non illustrated part

**Pump and Pulley, Steering**  
**Figure 19-510**

ITEM	PART NUMBER	QTY	LINE	SERIES	BODY	ENGINE	TRANS	TRIM	DESCRIPTION
Note; Sales Codes; [EX9] = 2.7L Inline 5 Cylinder Mercedes Turbo Diesel									
1	05103795AA	1	2, 6	L	11, 12, 14, 15, 16	EX9			PUMP, Power Steering
	05013457AA	1	2, 6	L	51, 52, 54, 55, 56	EX9			Mopar Power Steering Fluid Quart
	05013457AA	1	3, 7	L	12, 15, 16	EX9			Mopar Power Steering Fluid Quart
2	05117692AA	1	2, 6	L	11, 12, 14, 15, 16	EX9			PULLEY, Power Steering Pump
		1	2, 6	L	51, 52, 54, 55, 56	EX9			
		1	3, 7	L	12, 15, 16	EX9			
3	06507218AA	3	2, 6	L	11, 12, 14, 15, 16	EX9			SCREW
		3	2, 6	L	51, 52, 54, 55, 56	EX9			
		3	3, 7	L	12, 15, 16	EX9			
4	05133207AA	3	2, 6	L	11, 12, 14, 15, 16	EX9			BOLT, Hex Head
		3	2, 6	L	51, 52, 54, 55, 56	EX9			
		3	3, 7	L	11, 12, 14, 15, 16	EX9			
5	05139279AA	1							CAP, Power Steering Reservoir



**SPRINTER (VA)**

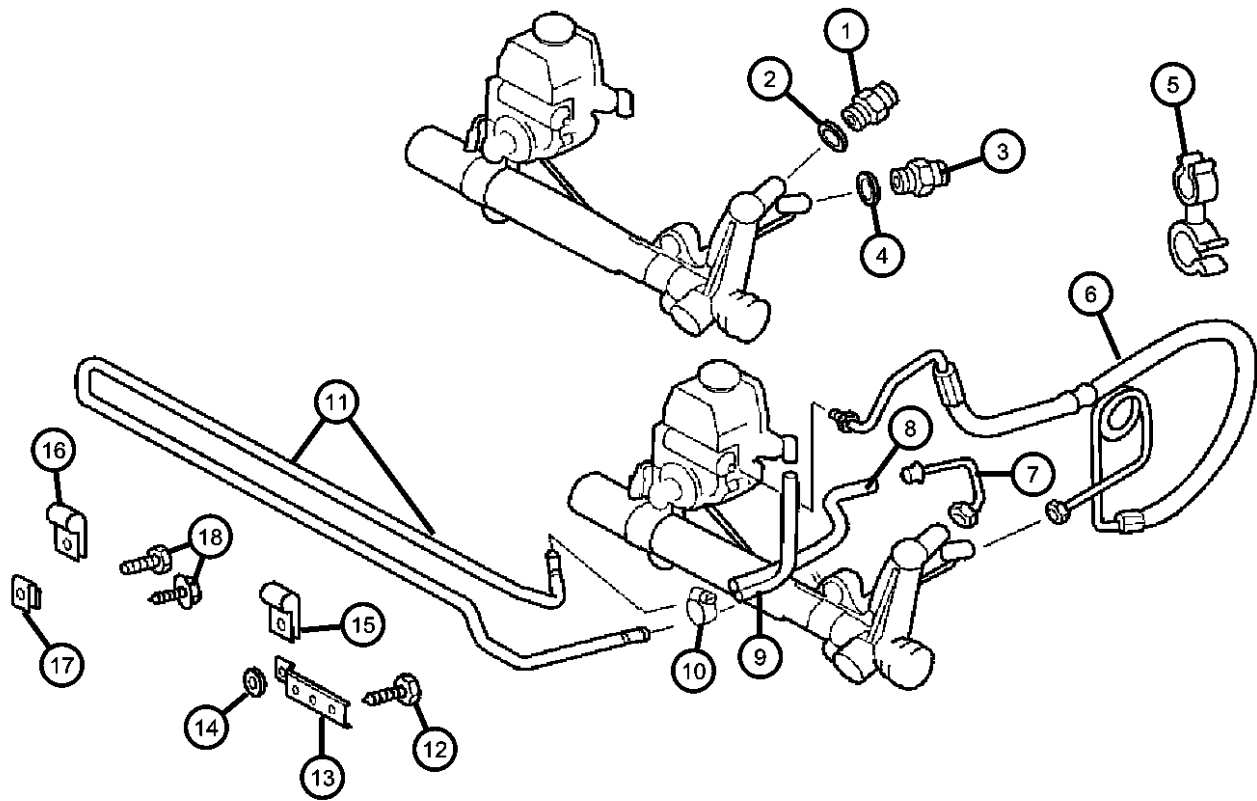
SERIES	LINE	BODY	ENGINE	TRANSMISSION
L = LOWLINE	3 = HD DODGE 2WD 6 = Lt. Duty DODGE 4WD 2 = Med. Duty DODGE 2WD 7 = Med. Duty DODGE 4WD	51 = WAGON WHEEL BASE 1 52 = WAGON WHEEL BASE 2 14 = VAN WHEEL BASE 4 15 = VAN WHEEL BASE 5 16 = VAN WHEEL BASE 6 54 = WAGON WHEEL BASE 4 55 = WAGON WHEEL BASE 5 56 = WAGON WHEEL BASE 6 11 = VAN WHEEL BASE 1 12 = VAN WHEEL BASE 2	EX9 = Engine - 2.7L 5 Cly Mercedes Diesel	DGJ = Transmission-5-Spd. Automatic,W5A580

AR = use ase required - = Non illustrated part

2003 VA

Hoses Steering and Related  
Figure 19-710

ITEM	PART NUMBER	QTY	LINE	SERIES	BODY	ENGINE	TRANS	TRIM	DESCRIPTION
Note; Sales Codes; [EX9] = 2.7L Inline 5 Cylinder Mercedes Turbo Diesel									
1									FITTING, RETURN LINE TO STEERING, SPRINTER
	05104540AA	1	2, 6	L	11, 12, 14, 15, 16				
		1	2, 6	L	51, 52, 54, 55, 56				
		1	3, 7	L	12, 15, 16				
2									SEAL
	05104626AA	1	2, 6	L	11, 12, 14, 15, 16				
		1	2, 6	L	51, 52, 54, 55, 56				
		1	3, 7	L	12, 15, 16				
3									FITTING, HOSE TO STEERING, SPRINTER
	05104025AA	1	2, 6	L	11, 12, 14, 15, 16				
		1	2, 6	L	51, 52, 54, 55, 56				
		1	3, 7	L	12, 15, 16				
4									SEAL
	05102646AA	1	2, 6	L	11, 12, 14, 15, 16				
		1	2, 6	L	51, 52, 54, 55, 56				
		1	3, 7	L	12, 15, 16				
5									CLAMP, Brake Hose
	05125887AA	1	2, 6	L	11, 12, 14, 15, 16				
		1	2, 6	L	51, 52, 54, 55, 56				
		1	3, 7	L	12, 15, 16				
6									HOSE, Power Steering Pressure
	05119564AA	1	2, 6	L	11, 12, 14, 15, 16				
		1	2, 6	L	51, 52, 54, 55, 56				
		1	3, 7	L	12, 15, 16				



SPRINTER (VA)

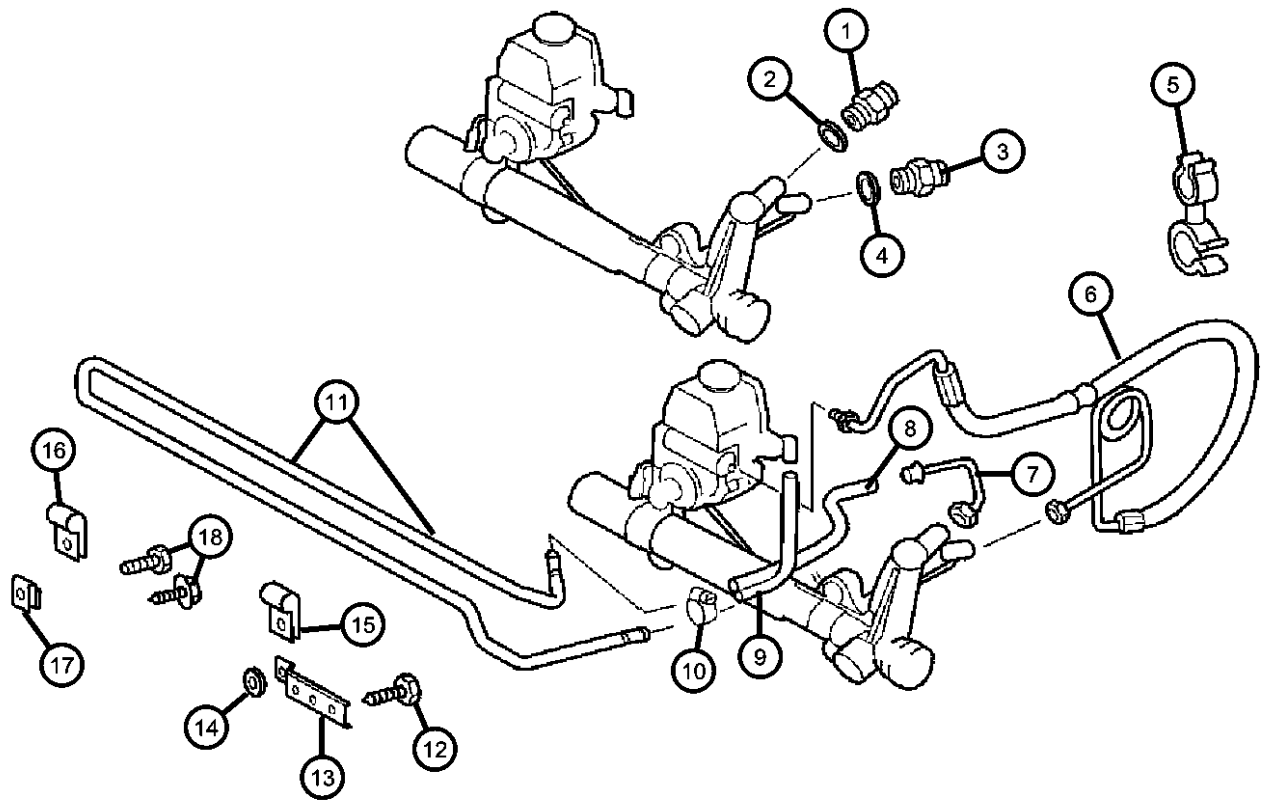
SERIES	LINE	BODY	ENGINE	TRANSMISSION
L = LOWLINE	3 = HD DODGE 2WD 6 = Lt. Duty DODGE 4WD 2 = Med. Duty DODGE 2WD 7 = Med. Duty DODGE 4WD	51 = WAGON WHEEL BASE 1 52 = WAGON WHEEL BASE 2 14 = VAN WHEEL BASE 4 15 = VAN WHEEL BASE 5 16 = VAN WHEEL BASE 6 54 = WAGON WHEEL BASE 4 55 = WAGON WHEEL BASE 5 56 = WAGON WHEEL BASE 6 11 = VAN WHEEL BASE 1 12 = VAN WHEEL BASE 2	EX9 = Engine - 2.7L 5 Cly Mercedes Diesel	DGJ = Transmission-5-Spd. Automatic, W5A580

AR = use ase required - = Non illustrated part

2003 VA

Hoses Steering and Related  
Figure 19-710

ITEM	PART NUMBER	QTY	LINE	SERIES	BODY	ENGINE	TRANS	TRIM	DESCRIPTION
7	05104093AA	1	2, 6	L	51, 52, 54, 55, 56				LINE, Power Steering Return
		1	3, 7	L	12, 15, 16				
		1	2, 6	L	11, 12, 14, 15, 16				
8	05133784AA	100	2, 6	L	11, 12, 14, 15, 16				HOSE 5 Meters Long
		100	2, 6	L	51, 52, 54, 55, 56				5 Meters Long
		100	3, 7	L	12, 15, 16				5 Meters Long
9	05119563AA	1	2, 6	L	11, 12, 14, 15, 16				HOSE, Power Steering Return
		1	2, 6	L	54, 55, 56, 51, 52				
		1	3, 7	L	12, 15, 16				
10	05096431AA	2	3, 7	L	12, 15, 16				CLAMP, Brake Hose
		2	2, 6	L	11, 12, 14, 15, 16				
		2	2, 6	L	51, 52, 54, 55, 56				
11	05104098AA	1	2, 6	L	11, 12, 14, 15, 16				TUBE
		1	2, 6	L	54, 55, 56, 51, 52				
		1	3, 7	L	12, 15, 16				
12	06104574AA	6	2, 6	L	11, 12, 14, 15, 16	EX9			SCREW, Tapping
		6	3, 7	L	12, 15, 16	EX9			
		6	2, 6	L	51, 52, 54, 55, 56	EX9			
13									BRACKET, Mounting



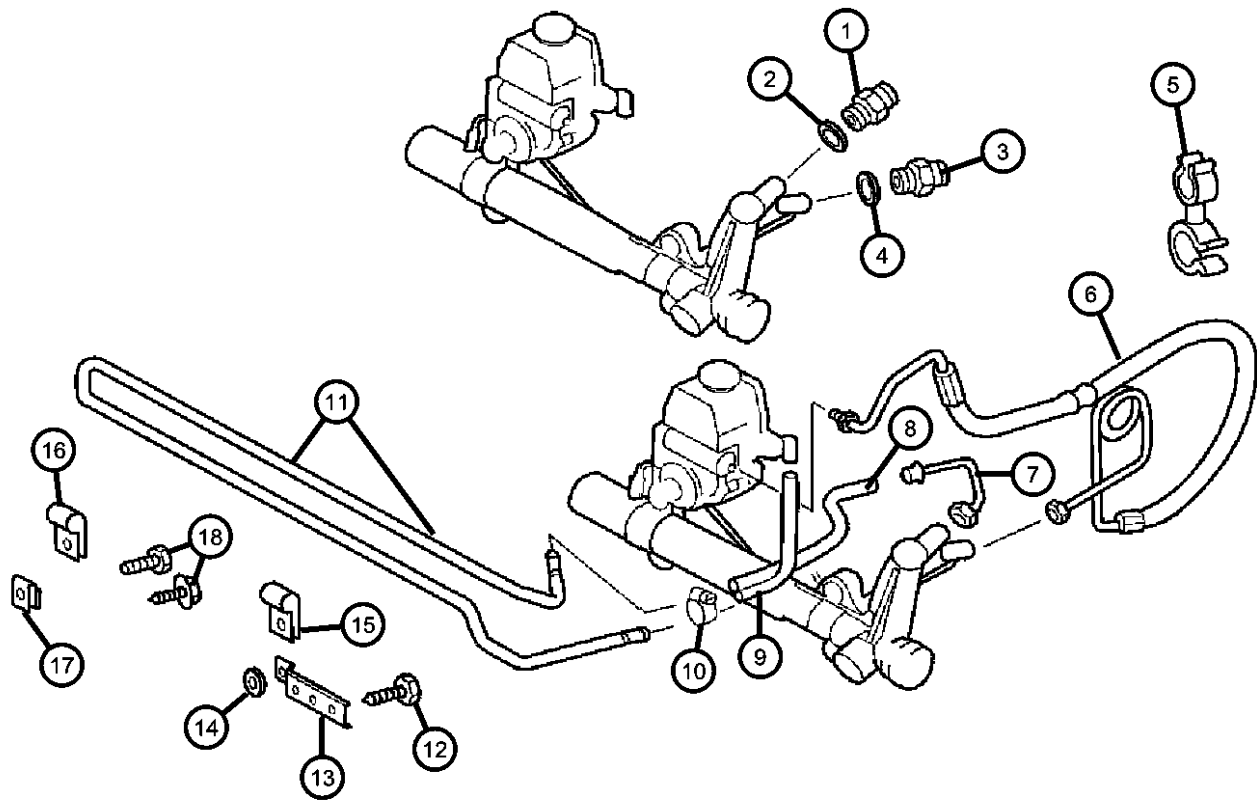
SPRINTER (VA)

SERIES	LINE	BODY	ENGINE	TRANSMISSION
L = LOWLINE	3 = HD DODGE 2WD 6 = Lt. Duty DODGE 4WD 2 = Med. Duty DODGE 2WD 7 = Med. Duty DODGE 4WD	51 = WAGON WHEEL BASE 1 52 = WAGON WHEEL BASE 2 14 = VAN WHEEL BASE 4 15 = VAN WHEEL BASE 5 16 = VAN WHEEL BASE 6 54 = WAGON WHEEL BASE 4 55 = WAGON WHEEL BASE 5 56 = WAGON WHEEL BASE 6 11 = VAN WHEEL BASE 1 12 = VAN WHEEL BASE 2	EX9 = Engine - 2.7L 5 Cly Mercedes Diesel	DGJ = Transmission-5-Spd. Automatic,W5A580

AR = use ase required - = Non illustrated part

Hoses Steering and Related  
Figure 19-710

ITEM	PART NUMBER	QTY	LINE	SERIES	BODY	ENGINE	TRANS	TRIM	DESCRIPTION
	05119556AA	2	2, 6	L	11, 12, 14, 15, 16	EX9			
		2	2, 6	L	51, 52, 54, 55, 56	EX9			
		2	3, 7	L	12, 15, 16	EX9			
14	05104638AA	2	2, 6	L	11, 12, 14, 15, 16				WASHER
		2	2, 6	L	51, 52, 54, 55, 56				
		2	3, 7	L	12, 15, 16	EX9			
15	05126283AA	4	3, 7	L	12, 15, 16	EX9			CLAMP
		4	2, 6	L	11, 12, 14, 15, 16	EX9			
		4	2, 6	L	51, 52, 54, 55, 56	EX9			
16	05132910AA	2	2, 6	L	14, 15, 16, 11, 12				CLAMP
		2	2, 6	L	51, 52, 54, 55, 56				
17	05103733AA	1	3, 7	L	12, 15, 16				NUT RETAINER, NONE, SPRINTER
18	05103733AA	1							SCREW, (NOT SERVICED)



SPRINTER (VA)

SERIES

L = LOWLINE

LINE

3 = HD DODGE 2WD  
6 = Lt. Duty DODGE 4WD  
2 = Med. Duty DODGE 2WD  
7 = Med. Duty DODGE 4WD

BODY

51 = WAGON WHEEL BASE 1  
52 = WAGON WHEEL BASE 2  
14 = VAN WHEEL BASE 4  
15 = VAN WHEEL BASE 5  
16 = VAN WHEEL BASE 6  
54 = WAGON WHEEL BASE 4  
55 = WAGON WHEEL BASE 5  
56 = WAGON WHEEL BASE 6  
11 = VAN WHEEL BASE 1  
12 = VAN WHEEL BASE 2

ENGINE

EX9 = Engine - 2.7L 5 Cly  
Mercedes Diesel

TRANSMISSION

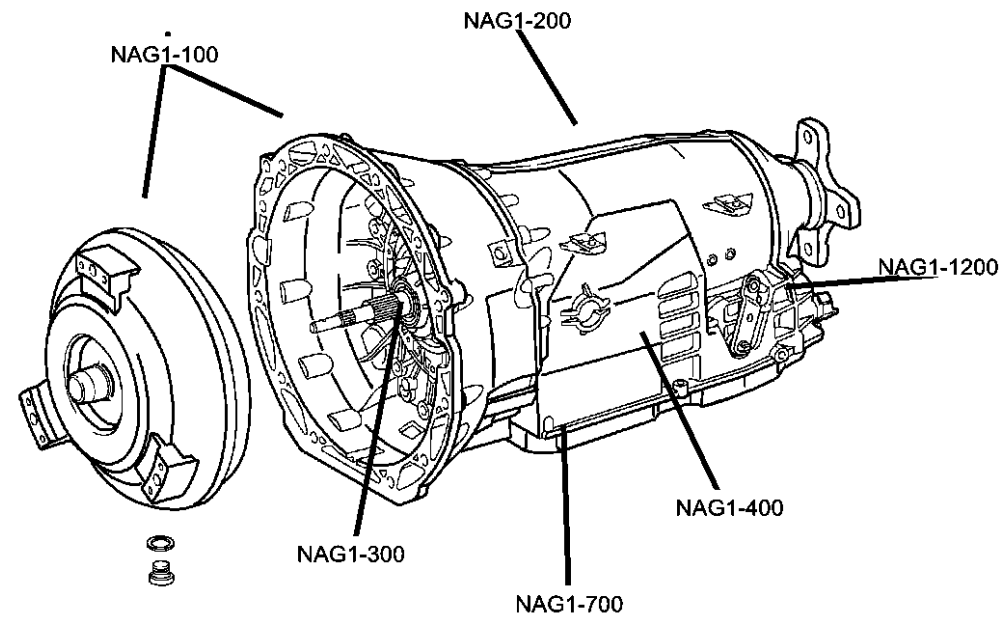
DGJ = Transmission-5-Spd.  
Automatic, W5A580

AR = use ase required - = Non illustrated part

2003 VA

# Group - NAG1

## Automatic Transmission 5 Speed [DGJ]



## Group - NAG1 Automatic Transmission 5 Speed [DGJ]

Illustration Title

Group-Fig. No.

### Transmission Assembly

Automatic Transmission ..... Fig. NAG1 - 110

### Case and Extension

Case and Related Parts ..... Fig. NAG1 - 210

### Oil Pump

Pump, Oil ..... Fig. NAG1 - 310

### Gear Train

Laminated Brake and Front Support - [B1] ..... Fig. NAG1 - 410

Gear Train, Front Planetary Clutch - [K-1] ..... Fig. NAG1 - 420

Carrier, Planetary - [K1] - [VPLS] ..... Fig. NAG1 - 430

Clutch - Output Shaft - [K2] ..... Fig. NAG1 - 440

Center & Rear Planetary Set - Output Shaft - [MPLS/HPLS] ..... Fig. NAG1 - 450

Clutch - [K3] ..... Fig. NAG1 - 460

Multiple Disc Brake - [B2 & B3] ..... Fig. NAG1 - 470

Multiple Disc Brake - [B2 & B3] ..... Fig. NAG1 - 480

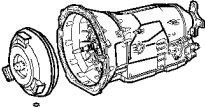
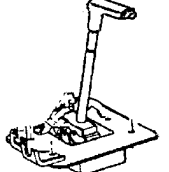
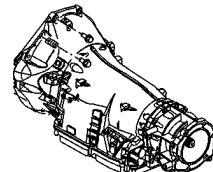
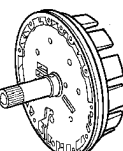
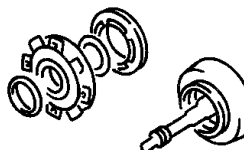
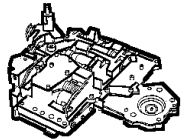
Multiple Disc Brake - [B2 & B3] ..... Fig. NAG1 - 490

### Valve Body

Electronic - Hydraulic Control ..... Fig. NAG1 - 710

### Gearshift Controls

Gear Shift Control ..... Fig. NAG1 - 1210

<p><b>NAG1-100</b> Transmission Assembly</p> 	<p><b>NAG1-1200</b> Gearshift Controls</p> 	<p><b>NAG1-200</b> Case and Extension</p> 	<p><b>NAG1-300</b> Oil Pump</p> 
<p><b>NAG1-400</b> Gear Train</p> 	<p><b>NAG1-700</b> Valve Body</p> 		

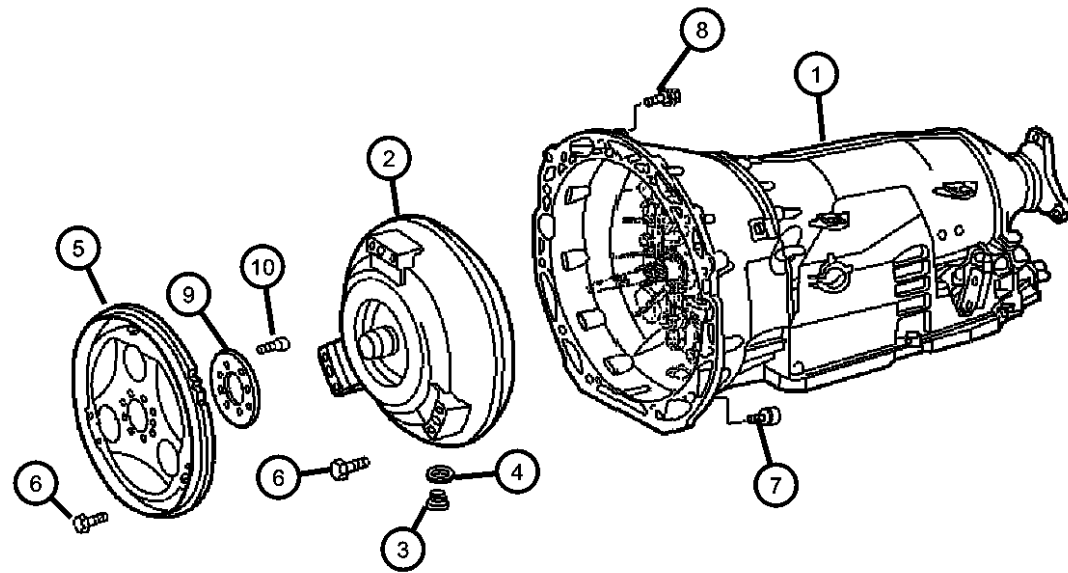
**Automatic Transmission  
Figure NAG1-110**

ITEM	PART NUMBER	QTY	LINE	SERIES	BODY	ENGINE	TRANS	TRIM	DESCRIPTION
------	-------------	-----	------	--------	------	--------	-------	------	-------------

NOTE: Transmission Assembly Does Not Include Torque Converter. Torque Converter Serviced Separately.

Sales Codes:

[DGJ]=5 Speed Automatic Transmission - [NAG1] - [W5A380]



1	05104552AA	1		L					TRANSMISSION, Automatic
	05127382AA								Mopar Automatic Transmission Fluid Quart
	R5104552AA								Mopar Remanufactured Part
2	05104567AA	1		L					CONVERTER, Torque
3	05080398AB	1		L					PLUG
4	05080014AA	1		L					O RING
5	05080065AA	1		L					FLEX PLATE
6									SCREW
	06507095AA	6	2, 6	L			DGJ		
		6	3, 7	L			DGJ		
7									SCREW
	06104047AA	2	2, 6	L			DGJ		
		2	3, 7	L			DGJ		
8									BOLT, Hex Flange Head, M10x40
	06104218AA	6	2, 6	L			DGJ		
		6	3, 7	L			DGJ		
9	05080066AA	1							WASHER
10									BOLT, Hex Flange Head, M10x40
	06104218AA	6	2, 6	L			DGJ		
		6	3, 7	L			DGJ		

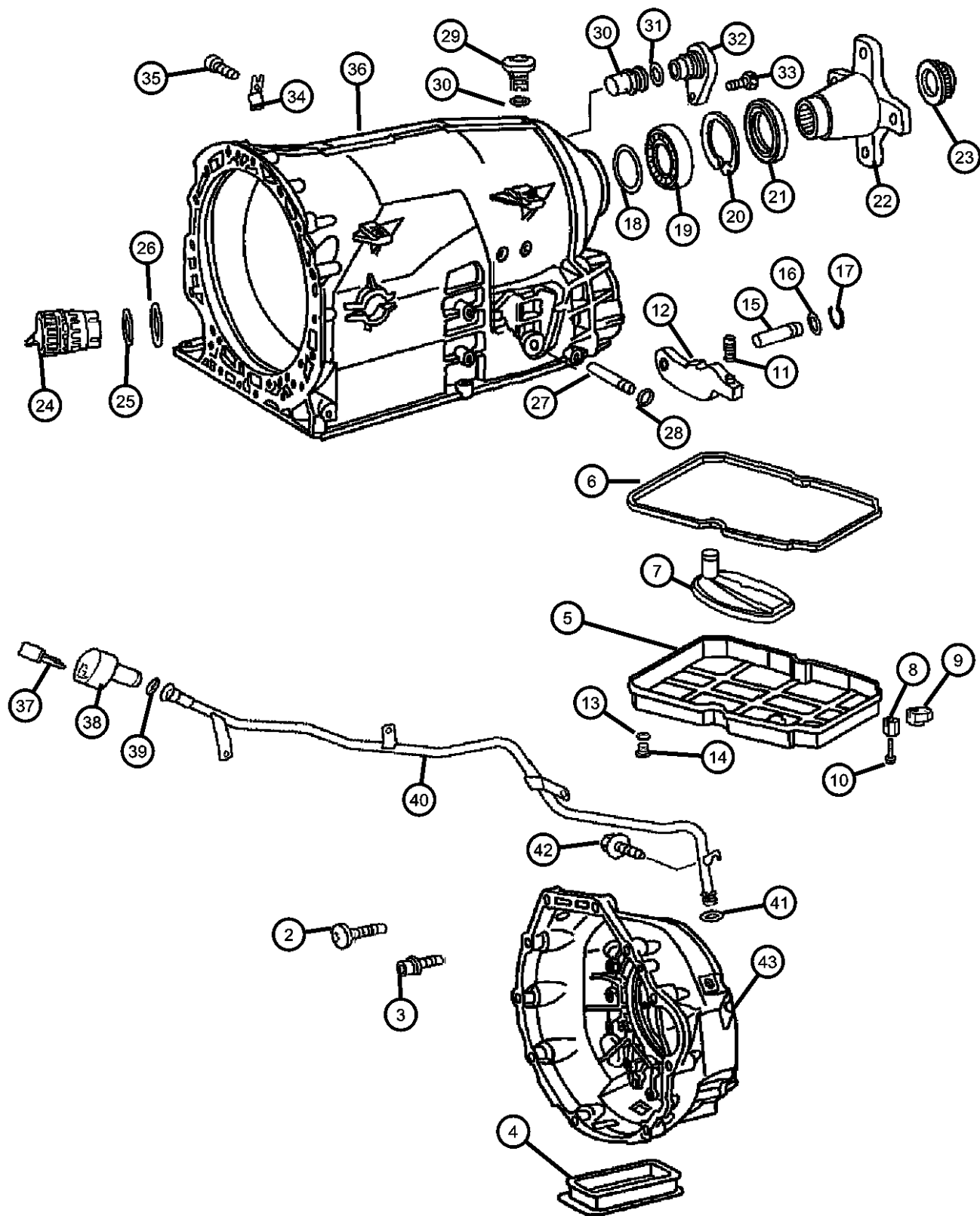
**SPRINTER (VA)**

SERIES	LINE	BODY	ENGINE	TRANSMISSION
L = LOWLINE	3 = HD DODGE 2WD 6 = Lt. Duty DODGE 4WD 2 = Med. Duty DODGE 2WD 7 = Med. Duty DODGE 4WD	51 = WAGON WHEEL BASE 1 52 = WAGON WHEEL BASE 2 14 = VAN WHEEL BASE 4 15 = VAN WHEEL BASE 5 16 = VAN WHEEL BASE 6 54 = WAGON WHEEL BASE 4 55 = WAGON WHEEL BASE 5 56 = WAGON WHEEL BASE 6 11 = VAN WHEEL BASE 1 12 = VAN WHEEL BASE 2	EX9 = Engine - 2.7L 5 Cly Mercedes Diesel	DGJ = Transmission-5-Spd. Automatic, W5A580

AR = use ase required - = Non illustrated part

2003 VA

**Case and Related Parts  
Figure NAG1-210**



ITEM	PART NUMBER	QTY	LINE	SERIES	BODY	ENGINE	TRANS	TRIM	DESCRIPTION
NOTE: Sales Codes: [DGJ]=5 Speed Automatic Transmission - [NAG1] - [W5A380]									
-1	05080067AA	1		L					GASKET PACKAGE, Transmission, Includes All Gaskets & Seals For Repair
2	52108396AA	2		L					SCREW
3	52107934AA	11		L					SCREW
4	05073886AA	2		L					GASKET, Converter Housing Cover
5	52108326AA	1		L					PAN, Transmission Oil
6	52108332AA	1		L					GASKET
7	52108325AA	1		L					FILTER, Transmission Oil
8	52108334AA	5		L					NUT
9	05080289AA	1		L					NUT
10	52108270AA	6		L					SCREW
11	52108154AA	1		L					PAWL, Parking Sprag
12	52108157AA	1		L					SPRING
13	52108330AA	1		L					SEAL, Transmission
14	52108331AA	1		L					MAGNET
15	52108155AA	1		L					PIN
16	52108156AA	1		L					SEAL, Transmission
17	52107975AA	1		L					SNAP RING
18									SPACER
	52108220AA	1		L					[0.3 MM]
	52108230AA	1		L					[0.2 MM]
	52108231AA	1		L					[0.4 MM]
	52108232AA	1		L					[0.5 MM]
19	52108207AA	1		L					BEARING, Ball
20	52108210AA	1		L					LOCK, Mounting
21	52108428AA	1		L					SEAL, Transmission
22	05117859AA	1		L					FLANGE, Drive Shaft
23	52108234AA	1		L					NUT
24	52108322AA	1		L					PLUG, Adapter

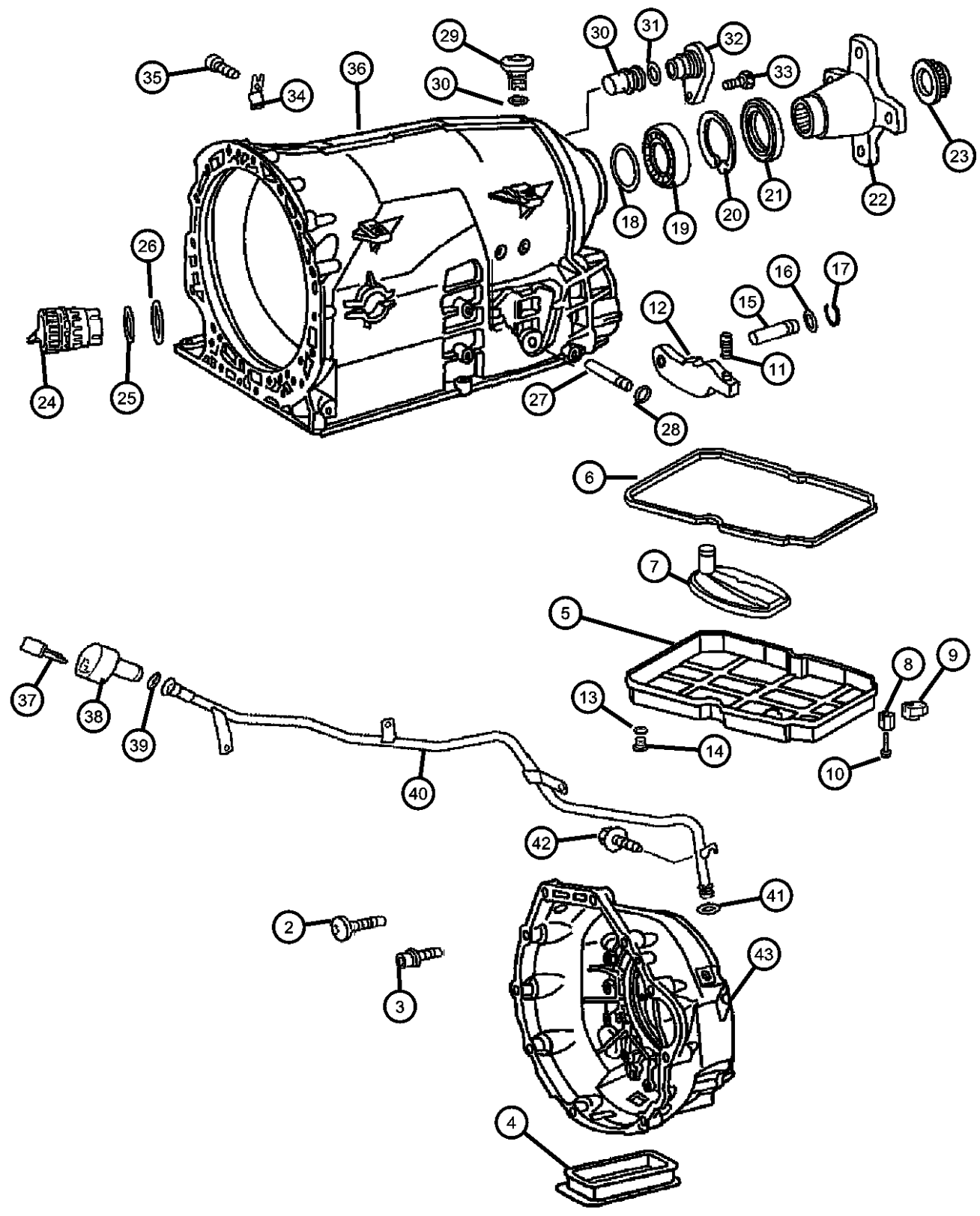
**SPRINTER (VA)**

SERIES	LINE	BODY	ENGINE	TRANSMISSION
L = LOWLINE	3 = HD DODGE 2WD 6 = Lt. Duty DODGE 4WD 2 = Med. Duty DODGE 2WD 7 = Med. Duty DODGE 4WD	51 = WAGON WHEEL BASE 1 52 = WAGON WHEEL BASE 2 14 = VAN WHEEL BASE 4 15 = VAN WHEEL BASE 5 16 = VAN WHEEL BASE 6 54 = WAGON WHEEL BASE 4 55 = WAGON WHEEL BASE 5 56 = WAGON WHEEL BASE 6 11 = VAN WHEEL BASE 1 12 = VAN WHEEL BASE 2	EX9 = Engine - 2.7L 5 Cly Mercedes Diesel	DGJ = Transmission-5-Spd. Automatic, W5A580

AR = use ase required - = Non illustrated part



Case and Related Parts  
Figure NAG1-210



ITEM	PART NUMBER	QTY	LINE	SERIES	BODY	ENGINE	TRANS	TRIM	DESCRIPTION
25	52108324AA	1		L					O RING, Adapter Plug
26	52108323AA	1		L					O RING, Adapter Plug
27	52108159AA	1		L					PIN
28	52108323AA	1		L					O RING, Adapter Plug
29	52108364AA	1		L					BREATHER, Transmission
30	52108367AA	1		L					SEAL, Transmission
31	05125908AA	1		L					O RING, Sensor
32	05117839AA	1		L					CAP, Oil Filler
33	05117839AA	1							BOLT, (NOT SERVICED)
34	52108179AA	1		L					SPRING
35	52108161AA	1		L					SCREW
36	05117849AA	1		L					HOUSING, Transmission
37	05093746AA	1	3, 7	L			DGJ		PIN
38	53013549AA	1	3, 7	L			DGJ		CAP, Oil Filler
39	05101154AA	1	3, 7	L			DGJ		SEAL, Oil Filler Tube
40	05104551AA	1	3, 7	L			DGJ		TUBE, Transmission Oil Filler
41	05101154AA	1	3, 7	L			DGJ		SEAL, Oil Filler Tube
42	05125738AA	1	3, 7	L			DGJ		SCREW
43	05117848AA	1		L					HOUSING, Torque Converter

SPRINTER (VA)

<b>SERIES</b>	<b>LINE</b>	<b>BODY</b>	<b>ENGINE</b>	<b>TRANSMISSION</b>
L = LOWLINE	3 = HD DODGE 2WD 6 = Lt. Duty DODGE 4WD 2 = Med. Duty DODGE 2WD 7 = Med. Duty DODGE 4WD	51 = WAGON WHEEL BASE 1 52 = WAGON WHEEL BASE 2 14 = VAN WHEEL BASE 4 15 = VAN WHEEL BASE 5 16 = VAN WHEEL BASE 6 54 = WAGON WHEEL BASE 4 55 = WAGON WHEEL BASE 5 56 = WAGON WHEEL BASE 6 11 = VAN WHEEL BASE 1 12 = VAN WHEEL BASE 2	EX9 = Engine - 2.7L 5 Cly Mercedes Diesel	DGJ = Transmission-5-Spd. Automatic,W5A580

AR = use ase required - = Non illustrated part

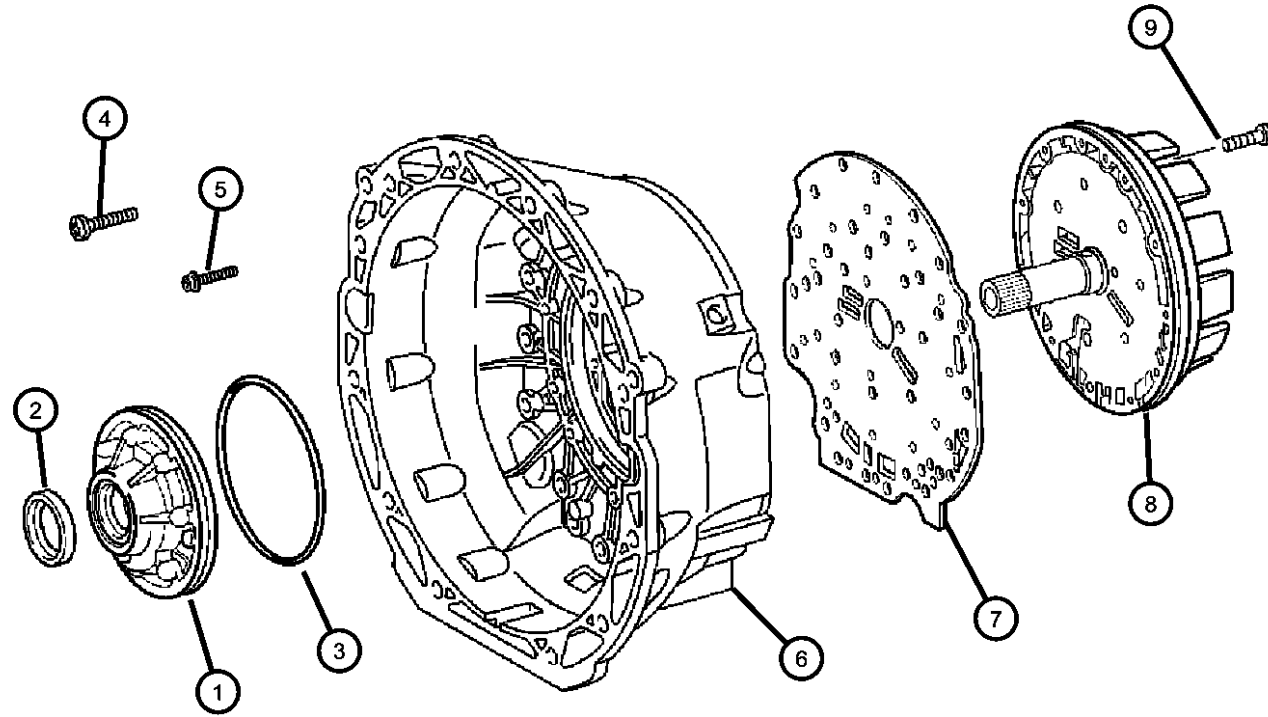
Pump, Oil  
Figure NAG1-310

ITEM	PART NUMBER	QTY	LINE	SERIES	BODY	ENGINE	TRANS	TRIM	DESCRIPTION
------	-------------	-----	------	--------	------	--------	-------	------	-------------

NOTE:

Sales Codes:

[DGJ]=5 Speed Automatic Transmission - [NAG1] - [W5A380]



1	05080070AA	1		L					PUMP, Transmission Oil
2	52107896AA	1		L					SEAL Interchangeablw With [52107897AA & 52107898AA]
	52107897AA	1		L					Interchangeablw With [52107896AA & 52107898AA]
	52107898AA	1		L					Interchangeablw With [52107896AA & 52107896AA]
3	52107900AA	1		L					O RING
4	52108396AA	2		L					SCREW
5	52107934AA	11		L					SCREW
6	05117848AA	1		L					HOUSING, Torque Converter
7	52108147AA	1		L					PLATE, Intermediate
8	05102926AA	1		L					SUPPORT
9	52107933AA	7		L					SCREW

SPRINTER (VA)

SERIES

L = LOWLINE

LINE

3 = HD DODGE 2WD  
6 = Lt. Duty DODGE 4WD  
2 = Med. Duty DODGE 2WD  
7 = Med. Duty DODGE 4WD

BODY

51 = WAGON WHEEL BASE 1  
52 = WAGON WHEEL BASE 2  
14 = VAN WHEEL BASE 4  
15 = VAN WHEEL BASE 5  
16 = VAN WHEEL BASE 6  
54 = WAGON WHEEL BASE 4  
55 = WAGON WHEEL BASE 5  
56 = WAGON WHEEL BASE 6  
11 = VAN WHEEL BASE 1  
12 = VAN WHEEL BASE 2

ENGINE

EX9 = Engine - 2.7L 5 Cly  
Mercedes Diesel

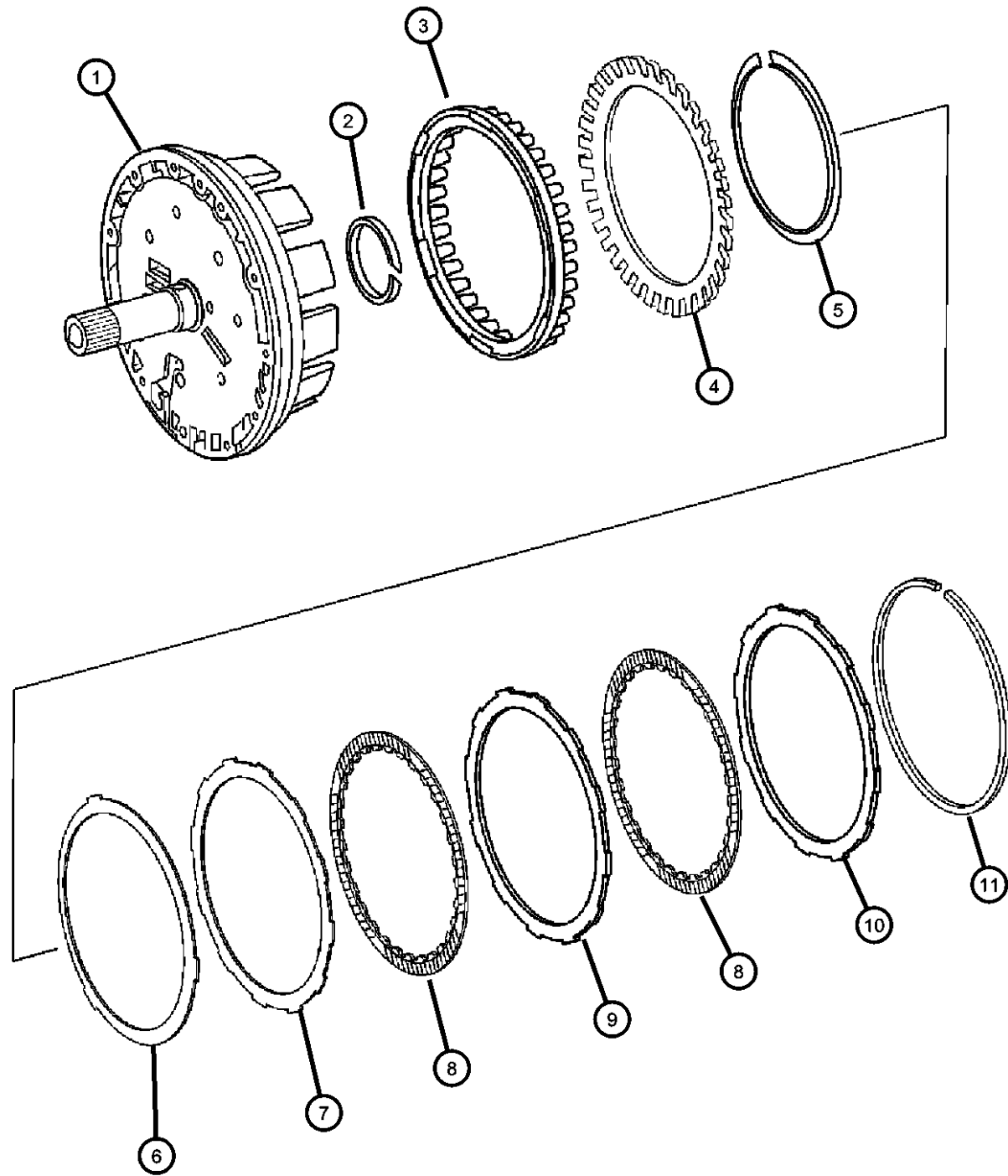
TRANSMISSION

DGJ = Transmission-5-Spd.  
Automatic,W5A580

AR = use ase required - = Non illustrated part

2003 VA

Laminated Brake and Front Support - [B1]  
Figure NAG1-410



ITEM	PART NUMBER	QTY	LINE	SERIES	BODY	ENGINE	TRANS	TRIM	DESCRIPTION
------	-------------	-----	------	--------	------	--------	-------	------	-------------

NOTE:

Sales Codes:

[DGJ]=5 Speed Automatic Transmission - [NAG1] - [W5A380]

1	05102926AA	1		L					SUPPORT
2	52108028AA	2		L					SEAL, Transmission
3	52108506AA	1		L					PISTON
4	52108023AA	1		L					DISC, Spring
5	52107936AA	1		L					SNAP RING
6	52108024AA	1		L					DISC, Spring
7	52107992AA	1		L					DISC, Outer
8	52108507AA	4		L					DISC, Inner
9	52108508AA	4		L					DISC, Outer
10	52107994AA	1		L					DISC, Outer
11									SNAP RING
	52107949AA	1		L					[2.6 MM]
	52107950AA	1		L					[2.9 MM]
	52107951AA	1		L					[3.2 MM]
	52107952AA	1		L					[3.5 MM]

SPRINTER (VA)

SERIES

L = LOWLINE

LINE

3 = HD DODGE 2WD  
6 = Lt. Duty DODGE 4WD  
2 = Med. Duty DODGE 2WD  
7 = Med. Duty DODGE 4WD

BODY

51 = WAGON WHEEL BASE 1  
52 = WAGON WHEEL BASE 2  
14 = VAN WHEEL BASE 4  
15 = VAN WHEEL BASE 5  
16 = VAN WHEEL BASE 6  
54 = WAGON WHEEL BASE 4  
55 = WAGON WHEEL BASE 5  
56 = WAGON WHEEL BASE 6  
11 = VAN WHEEL BASE 1  
12 = VAN WHEEL BASE 2

ENGINE

EX9 = Engine - 2.7L 5 Cly  
Mercedes Diesel

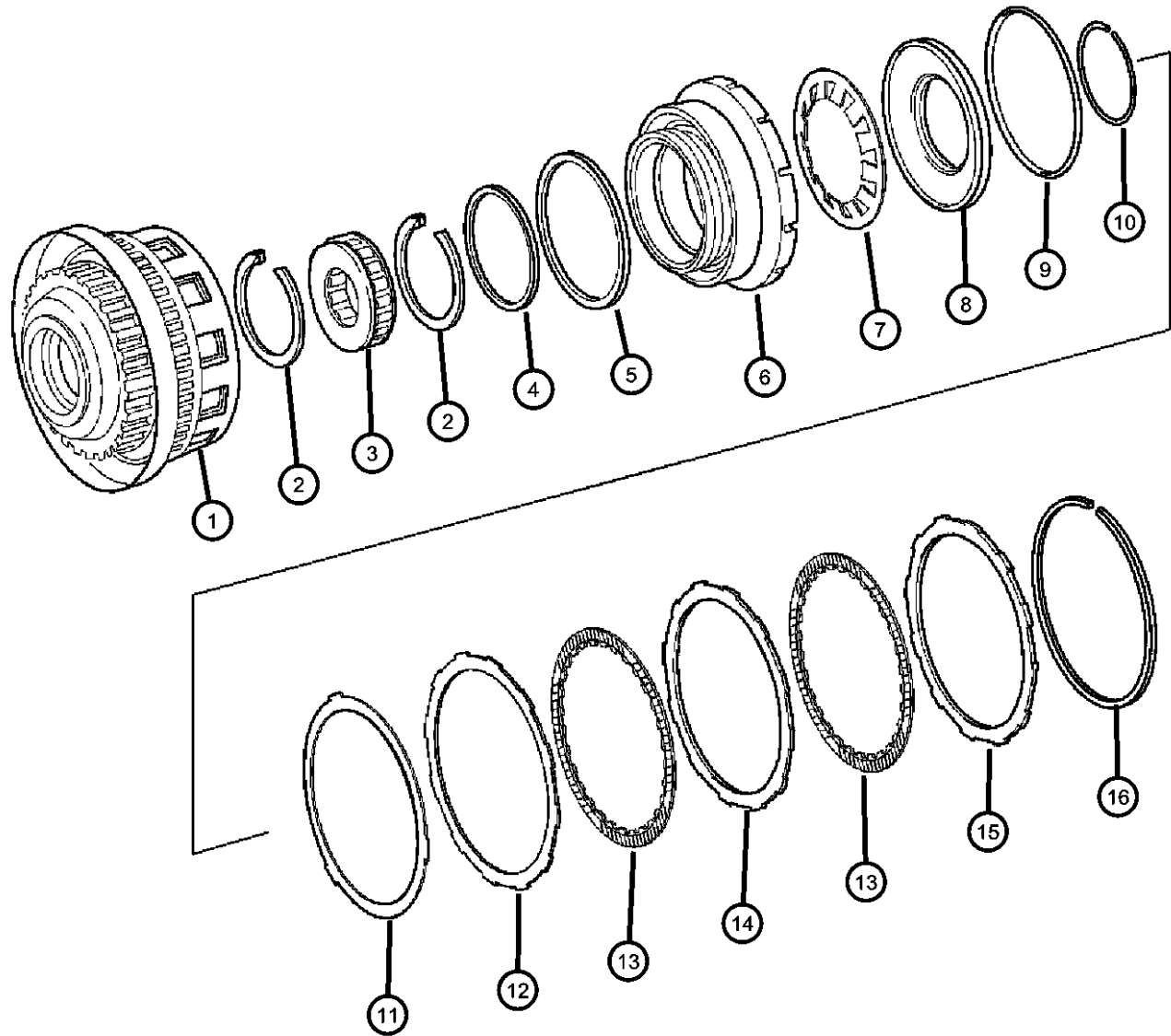
TRANSMISSION

DGJ = Transmission-5-Spd.  
Automatic,W5A580

AR = use ase required - = Non illustrated part

2003 VA

**Gear Train, Front Planetary Clutch - [K-1]  
Figure NAG1-420**



ITEM	PART NUMBER	QTY	LINE	SERIES	BODY	ENGINE	TRANS	TRIM	DESCRIPTION
------	-------------	-----	------	--------	------	--------	-------	------	-------------

NOTE:

Sales Codes:

[DGJ]=5 Speed Automatic Transmission - [NAG1] - [W5A380]

1	52108510AA	1		L					DISC, Support
2	52107955AA	2		L					SNAP RING
3	52108342AA	1		L					WHEEL
4	52107938AA	1		L					SEAL, TransmissionSmall
5	52107939AA	1		L					SEAL, TransmissionLarge
6	52108059AA	1		L					PISTON
7	52108057AA	1		L					DISC, Spring
8	52108058AA	1		L					SPRING, Retainer
9	52107941AA	1		L					SEAL, Transmission
10	52107954AA	1		L					SNAP RING
11	52108024AA	1		L					DISC, Spring
12	52108004AA	4		L					DISC, Outer
13	52108507AA	5		L					DISC, Inner
14	52108508AA	4		L					DISC, Outer
		5		L					
15	52107994AA	1		L					DISC, Outer
16	52107949AA	1		L					SNAP RING
	52107950AA	1		L					[2.6 MM]
	52107951AA	1		L					[2.9 MM]
	52107952AA	1		L					[3.2 MM]
	52108373AA	1		L					[3.5 MM]
									[3.8 MM]

**SPRINTER (VA)**

SERIES

L = LOWLINE

LINE

3 = HD DODGE 2WD  
6 = Lt. Duty DODGE 4WD  
2 = Med. Duty DODGE 2WD  
7 = Med. Duty DODGE 4WD

BODY

51 = WAGON WHEEL BASE 1  
52 = WAGON WHEEL BASE 2  
14 = VAN WHEEL BASE 4  
15 = VAN WHEEL BASE 5  
16 = VAN WHEEL BASE 6  
54 = WAGON WHEEL BASE 4  
55 = WAGON WHEEL BASE 5  
56 = WAGON WHEEL BASE 6  
11 = VAN WHEEL BASE 1  
12 = VAN WHEEL BASE 2

ENGINE

EX9 = Engine - 2.7L 5 Cly  
Mercedes Diesel

TRANSMISSION

DGJ = Transmission-5-Spd. Automatic, W5A580

AR = use ase required - = Non illustrated part

2003 VA

**Carrier, Planetary - [K1] - [VPLS]  
Figure NAG1-430**

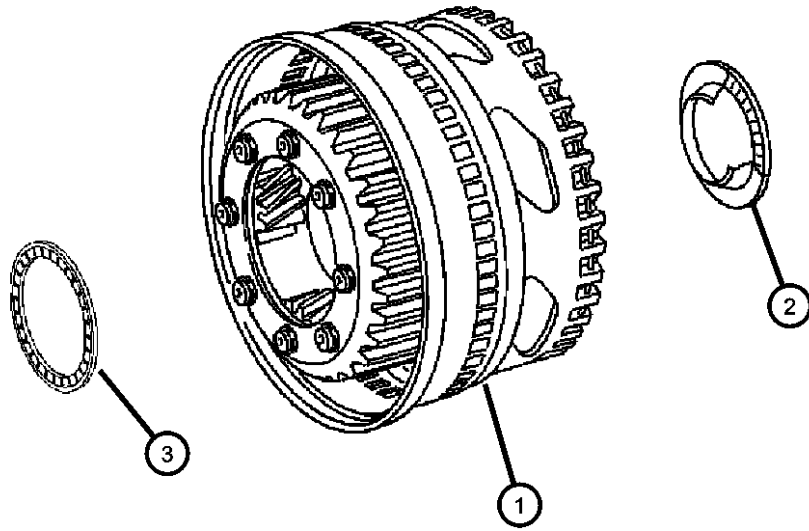
ITEM	PART NUMBER	QTY	LINE	SERIES	BODY	ENGINE	TRANS	TRIM	DESCRIPTION
------	-------------	-----	------	--------	------	--------	-------	------	-------------

NOTE:

Sales Codes:

[DGJ]=5 Speed Automatic Transmission -[NAG1] - [W5A380]

1	52108513AA	1		L					CARRIER, Planetary
2	52108123AA	1		L					NEEDLE BEARING
3	52108122AA	1		L					NEEDLE BEARING



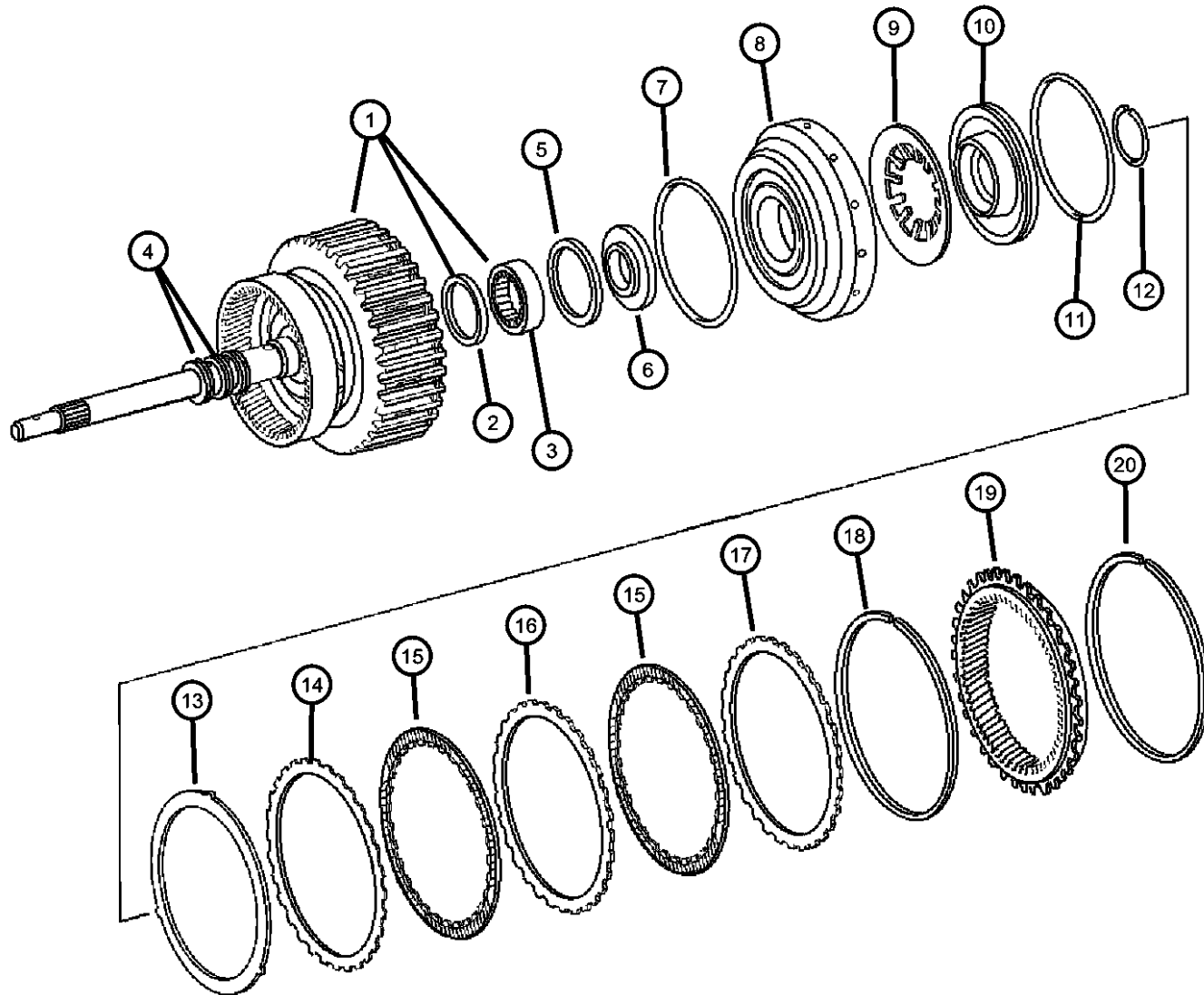
**SPRINTER (VA)**

SERIES	LINE	BODY	ENGINE	TRANSMISSION
L = LOWLINE	3 = HD DODGE 2WD	51 = WAGON WHEEL BASE 1	EX9 = Engine - 2.7L 5 Cly	DGJ = Transmission-5-Spd. Automatic,W5A580
	6 = Lt. Duty DODGE 4WD	52 = WAGON WHEEL BASE 2	Mercedes Diesel	
	2 = Med. Duty DODGE 2WD	14 = VAN WHEEL BASE 4		
	7 = Med. Duty DODGE 4WD	15 = VAN WHEEL BASE 5		
		16 = VAN WHEEL BASE 6		
		54 = WAGON WHEEL BASE 4		
		55 = WAGON WHEEL BASE 5		
		56 = WAGON WHEEL BASE 6		
		11 = VAN WHEEL BASE 1		
		12 = VAN WHEEL BASE 2		

AR = use ase required - = Non illustrated part

2003 VA

**Clutch - Output Shaft - [K2]  
Figure NAG1-440**



ITEM	PART NUMBER	QTY	LINE	SERIES	BODY	ENGINE	TRANS	TRIM	DESCRIPTION
NOTE: Sales Codes: [DGJ]=5 Speed Automatic Transmission - [NAG1] - [W5A380]									
1	52108044AA	1		L					SHAFT, Drive
2	52108127AA	1		L					SEAL, Transmission
3	52108126AA	1		L					NEEDLE BEARING
4	52108534AA	3		L					SEAL, Transmission
5	52108134AA	1		L					SEAL, Transmission
6	52107928AA	1		L					PLATE
7	52108135AA	1		L					SEAL, Input Shaft
8	52108517AA	1		L					PISTON
9	52108137AA	1		L					DISC, Spring
10	52108138AA	1		L					SPRING, Retainer
11	52108140AA	1		L					SEAL, Transmission
12	52107970AA	1		L					SNAP RING
13	52108346AA	1		L					DISC, Spring
14	52107996AA	1		L					DISC, Outer, [1.8 MM]
15	52108141AA	5		L					DISC, Inner
16	52107997AA	4		L					DISC, Outer, [3.5 MM]
17	52107998AA	1		L					DISC, Outer
18									SNAP RING
	52107958AA	1		L					[2.3 MM]
	52107959AA	1		L					[2.6 MM]
	52107960AA	1		L					[2.9 MM]
	52107961AA	1		L					[3.2 MM]
	52107962AA	1		L					[3.5 MM]
19	52107922AA	1		L					GEAR, Rear Annulus, Annulus
20	52107926AA	1		L					SNAP RING

**SPRINTER (VA)**

**SERIES**

L = LOWLINE

**LINE**

3 = HD DODGE 2WD  
6 = Lt. Duty DODGE 4WD  
2 = Med. Duty DODGE 2WD  
7 = Med. Duty DODGE 4WD

**BODY**

51 = WAGON WHEEL BASE 1  
52 = WAGON WHEEL BASE 2  
14 = VAN WHEEL BASE 4  
15 = VAN WHEEL BASE 5  
16 = VAN WHEEL BASE 6  
54 = WAGON WHEEL BASE 4  
55 = WAGON WHEEL BASE 5  
56 = WAGON WHEEL BASE 6  
11 = VAN WHEEL BASE 1  
12 = VAN WHEEL BASE 2

**ENGINE**

EX9 = Engine - 2.7L 5 Cly  
Mercedes Diesel

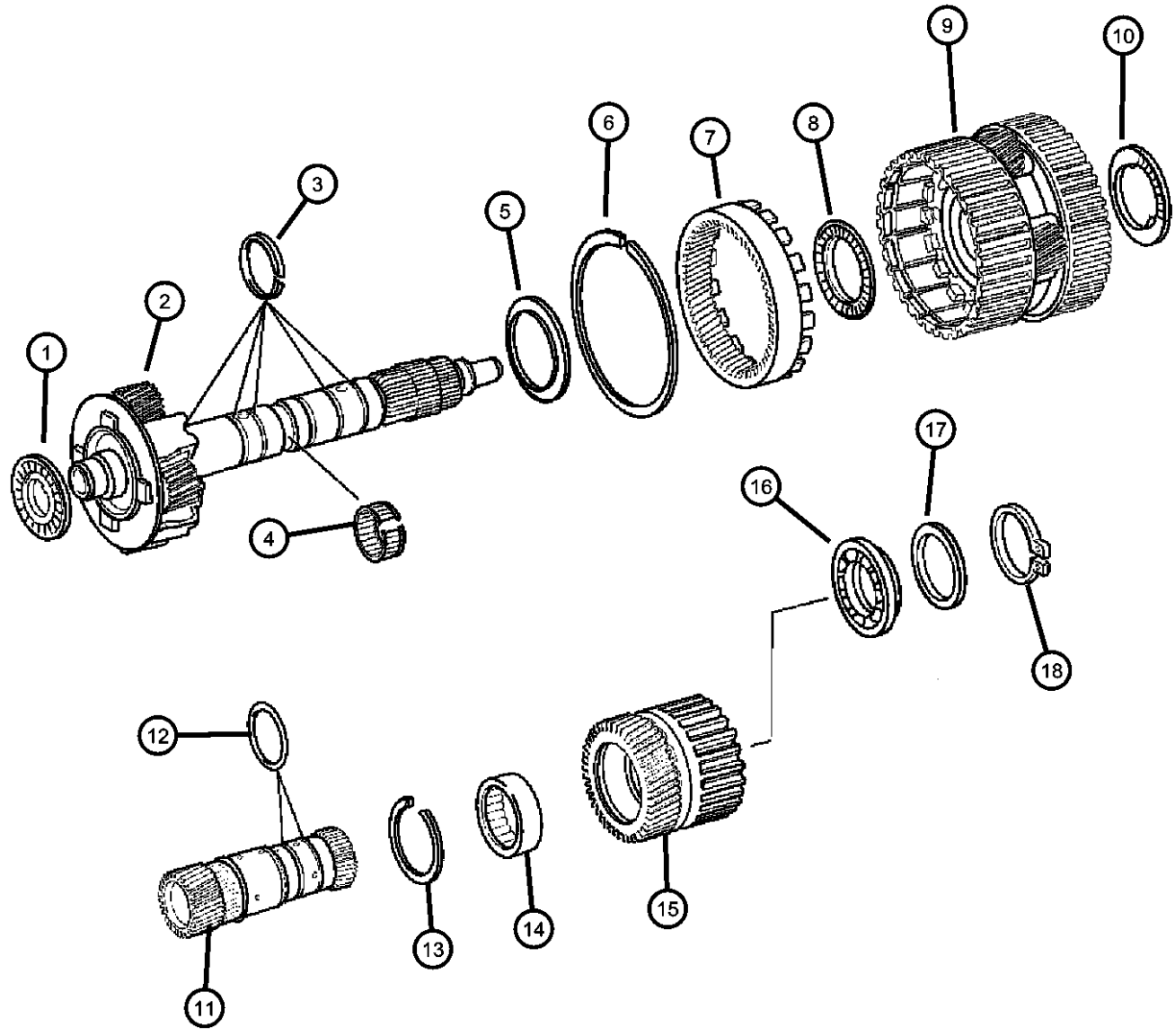
**TRANSMISSION**

DGJ = Transmission-5-Spd. Automatic, W5A580

AR = use ase required - = Non illustrated part

2003 VA

**Center & Rear Planetary Set - Output Shaft - [MPLS/HPLS]  
Figure NAG1-450**



ITEM	PART NUMBER	QTY	LINE	SERIES	BODY	ENGINE	TRANS	TRIM	DESCRIPTION
------	-------------	-----	------	--------	------	--------	-------	------	-------------

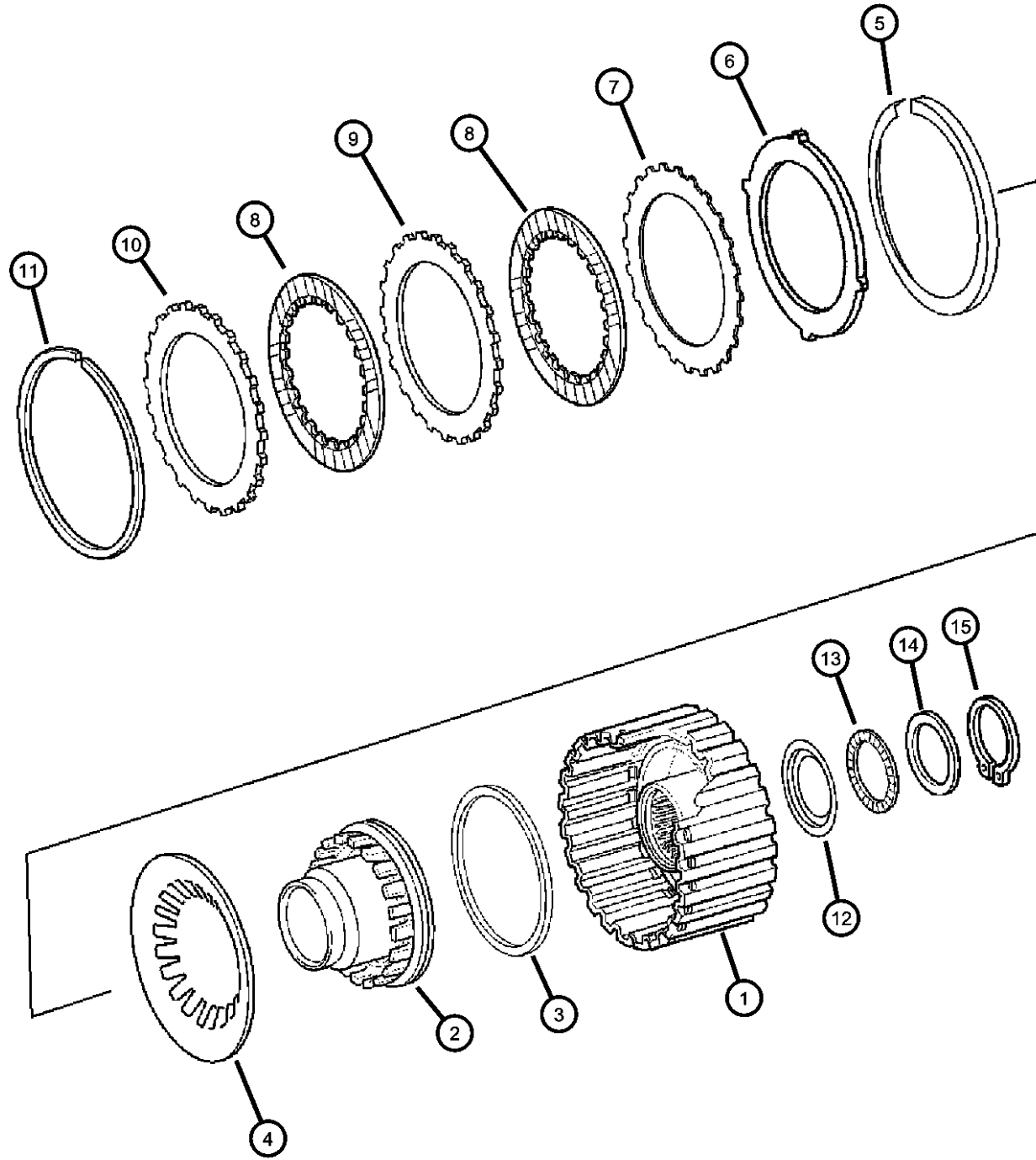
NOTE:  
Sales Codes:  
[DGJ]=5 Speed Automatic Transmission - [NAG1] - [W5A380]

1	52107927AA	1		L					NEEDLE BEARING
2	52107929AA	1		L					SHAFT, Output
3	52108427AA	5		L					SEAL, Transmission
4	52108069AA	1		L					NEEDLE BEARING
5	52108070AA	1		L					PLATE, Guard Plate
6	52108374AA	1		L					SNAP RING
7	52108376AA	1		L					GEAR, Annulus
8	52107931AA	1		L					NEEDLE BEARING
9	52108072AA	1		L					CARRIER, Planetary
10	52107932AA	1		L					NEEDLE BEARING
11	52108078AA	1		L					GEAR, Sun
12	52108085AA	2		L					SEAL, Transmission
13	52107966AA	1		L					SNAP RING
14	52108522AA	1		L					BEARING, Output Shaft
15	52108519AA	1		L					GEAR, Sun
16	52108084AA	1		L					BEARING
17	52108379AA	1		L					SPACER
18	52107967AA	1		L					SNAP RING

SPRINTER (VA)		BODY	ENGINE	TRANSMISSION
SERIES	LINE			
L = LOWLINE	3 = HD DODGE 2WD	51 = WAGON WHEEL BASE 1	EX9 = Engine - 2.7L 5 Cly	DGJ = Transmission-5-Spd.
	6 = Lt. Duty DODGE 4WD	52 = WAGON WHEEL BASE 2	Mercedes Diesel	Automatic, W5A580
	2 = Med. Duty DODGE 2WD	14 = VAN WHEEL BASE 4		
	7 = Med. Duty DODGE 4WD	15 = VAN WHEEL BASE 5		
		16 = VAN WHEEL BASE 6		
		54 = WAGON WHEEL BASE 4		
		55 = WAGON WHEEL BASE 5		
		56 = WAGON WHEEL BASE 6		
		11 = VAN WHEEL BASE 1		
		12 = VAN WHEEL BASE 2		

AR = use ase required - = Non illustrated part

Clutch - [K3]  
Figure NAG1-460



ITEM	PART NUMBER	QTY	LINE	SERIES	BODY	ENGINE	TRANS	TRIM	DESCRIPTION
NOTE: Sales Codes: [DGJ]=5 Speed Automatic Transmission - [NAG1] - [W5A380]									
1	52108415AA	1		L					DISC, Support
2	52108094AA	1		L					PISTON
3	52108093AA	1		L					SEAL, Transmission
4	52108095AA	1		L					DISC, Spring
5	52107968AA	1		L					SNAP RING
6	52108096AA	1		L					DISC, Spring
7	52108004AA	4		L					DISC, Outer
8	52108528AA	4		L					DISC, Inner
9	52108529AA	3		L					DISC, Outer
10	52108011AA	1		L					DISC, Outer
11									SNAP RING
	52107970AA	1		L					[2.3 MM]
	52107971AA	1		L					[2.6 MM]
	52107972AA	1		L					[2.9 MM]
	52107974AA	1		L					[2.0 MM]
12	52108148AA	1		L					SPACER
13	52108152AA	1		L					NEEDLE BEARING
14									PLATE
	52108149AA	1		L					[3.7 MM]
	52108150AA	1		L					[3.1 MM]
	52108151AA	1		L					[3.4 MM]
15	06507358AA	1		L					RING

SPRINTER (VA)

SERIES

L = LOWLINE

LINE

3 = HD DODGE 2WD  
6 = Lt. Duty DODGE 4WD  
2 = Med. Duty DODGE 2WD  
7 = Med. Duty DODGE 4WD

BODY

51 = WAGON WHEEL BASE 1  
52 = WAGON WHEEL BASE 2  
14 = VAN WHEEL BASE 4  
15 = VAN WHEEL BASE 5  
16 = VAN WHEEL BASE 6  
54 = WAGON WHEEL BASE 4  
55 = WAGON WHEEL BASE 5  
56 = WAGON WHEEL BASE 6  
11 = VAN WHEEL BASE 1  
12 = VAN WHEEL BASE 2

ENGINE

EX9 = Engine - 2.7L 5 Cly  
Mercedes Diesel

TRANSMISSION

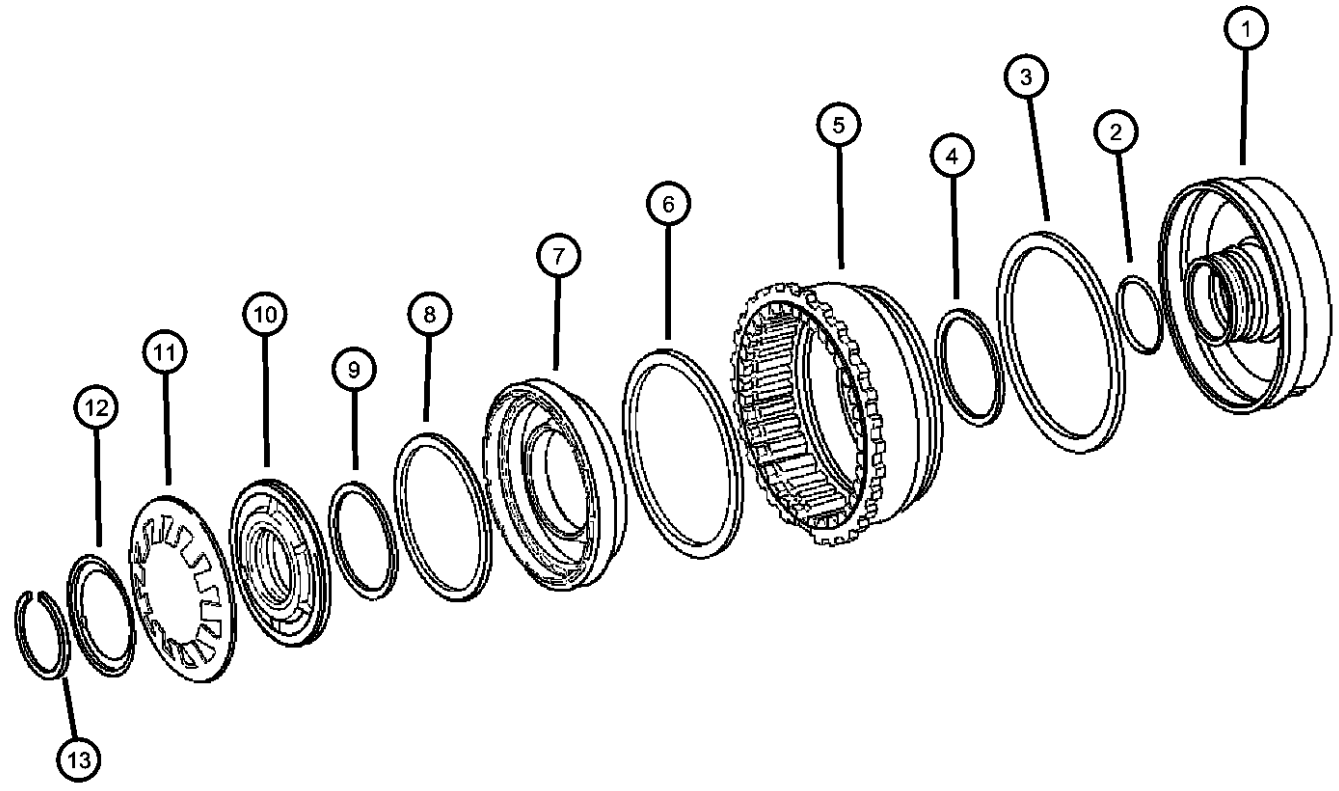
DGJ = Transmission-5-Spd.  
Automatic,W5A580

AR = use ase required - = Non illustrated part

2003 VA



**Multiple Disc Brake - [B2 & B3]  
Figure NAG1-470**



ITEM	PART NUMBER	QTY	LINE	SERIES	BODY	ENGINE	TRANS	TRIM	DESCRIPTION
------	-------------	-----	------	--------	------	--------	-------	------	-------------

NOTE:

Sales Codes:

[DGJ]=5 Speed Automatic Transmission - [NAG1] - [W5A380]

1	52108182AA	1		L					PLUNGER
2	52108185AA	2		L					SEAL, Transmission
3	52108188AA	1		L					SEAL, Transmission
4	52108189AA	1		L					SEAL, Transmission
5	52108395AA	1		L					PISTON
6	52108199AA	1		L					SEAL, Transmission
7	52108191AA	1		L					PISTON
8	52108200AA	1		L					SEAL, Transmission
9	52108201AA	1		L					SEAL, Transmission
10	52108351AA	1		L					RING, Piston
11	52108202AA	1		L					DISC, Spring
12	52108203AA	1		L					SPRING, Retainer
13	52107977AA	1		L					SNAP RING

**SPRINTER (VA)**

SERIES

L = LOWLINE

LINE

3 = HD DODGE 2WD  
6 = Lt. Duty DODGE 4WD  
2 = Med. Duty DODGE 2WD  
7 = Med. Duty DODGE 4WD

BODY

51 = WAGON WHEEL BASE 1  
52 = WAGON WHEEL BASE 2  
14 = VAN WHEEL BASE 4  
15 = VAN WHEEL BASE 5  
16 = VAN WHEEL BASE 6  
54 = WAGON WHEEL BASE 4  
55 = WAGON WHEEL BASE 5  
56 = WAGON WHEEL BASE 6  
11 = VAN WHEEL BASE 1  
12 = VAN WHEEL BASE 2

ENGINE

EX9 = Engine - 2.7L 5 Cly  
Mercedes Diesel

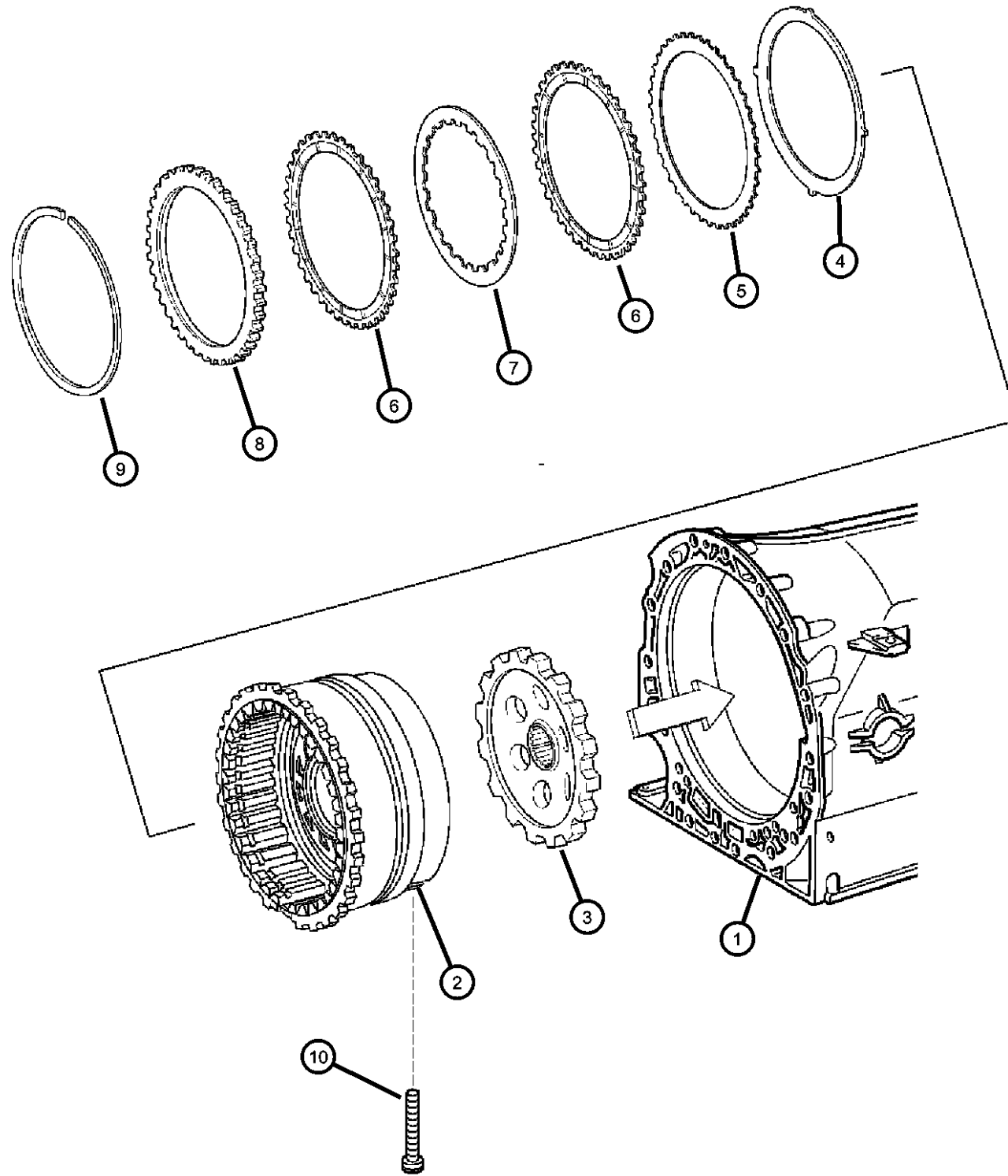
TRANSMISSION

DGJ = Transmission-5-Spd.  
Automatic,W5A580

AR = use ase required - = Non illustrated part

2003 VA

**Multiple Disc Brake - [B2 & B3]  
Figure NAG1-480**



ITEM	PART NUMBER	QTY	LINE	SERIES	BODY	ENGINE	TRANS	TRIM	DESCRIPTION
------	-------------	-----	------	--------	------	--------	-------	------	-------------

NOTE: Drum Package Is Not Serviced In An Assembly. Please See Illustration [#470] Callouts [1,2,3,4 & 5] To Obtain Part Numbers  
Sales Codes:

[DGJ]=5 Speed Automatic Transmission - [NAG1] - [W5A380]

1	52107977AA	1							CASE, Transmission, See Illustration [#210], (NOT SERVICED)
2	52107977AA	1							DRUM PACKAGE, Transmission, See Illustration [#470] Callout [#1,2,3,4 & 5], (NOT SERVICED)
3	52108180AA	1		L					LOCK, Parking Wheel
4	52108354AA	1		L					DISC, Spring
5	52108013AA	1		L					DISC, Outer
6	52108572AA	5		L					DISC, Outer
7	52108015AA	4		L					DISC, Inner
8	52108014AA	1		L					DISC, Outer
9									SNAP RING
	52107979AA	1		L					[4.1 MM]
	52107980AA	1		L					[3.8 MM]
	52107981AA	1		L					[3.5 MM]
	52107982AA	1		L					[3.2 MM]
	52107983AA	1		L					[2.9 MM]
10	52108205AA	2		L					SCREW

**SPRINTER (VA)**

**SERIES**

L = LOWLINE

**LINE**

3 = HD DODGE 2WD  
6 = Lt. Duty DODGE 4WD  
2 = Med. Duty DODGE 2WD  
7 = Med. Duty DODGE 4WD

**BODY**

51 = WAGON WHEEL BASE 1  
52 = WAGON WHEEL BASE 2  
14 = VAN WHEEL BASE 4  
15 = VAN WHEEL BASE 5  
16 = VAN WHEEL BASE 6  
54 = WAGON WHEEL BASE 4  
55 = WAGON WHEEL BASE 5  
56 = WAGON WHEEL BASE 6  
11 = VAN WHEEL BASE 1  
12 = VAN WHEEL BASE 2

**ENGINE**

EX9 = Engine - 2.7L 5 Cly  
Mercedes Diesel

**TRANSMISSION**

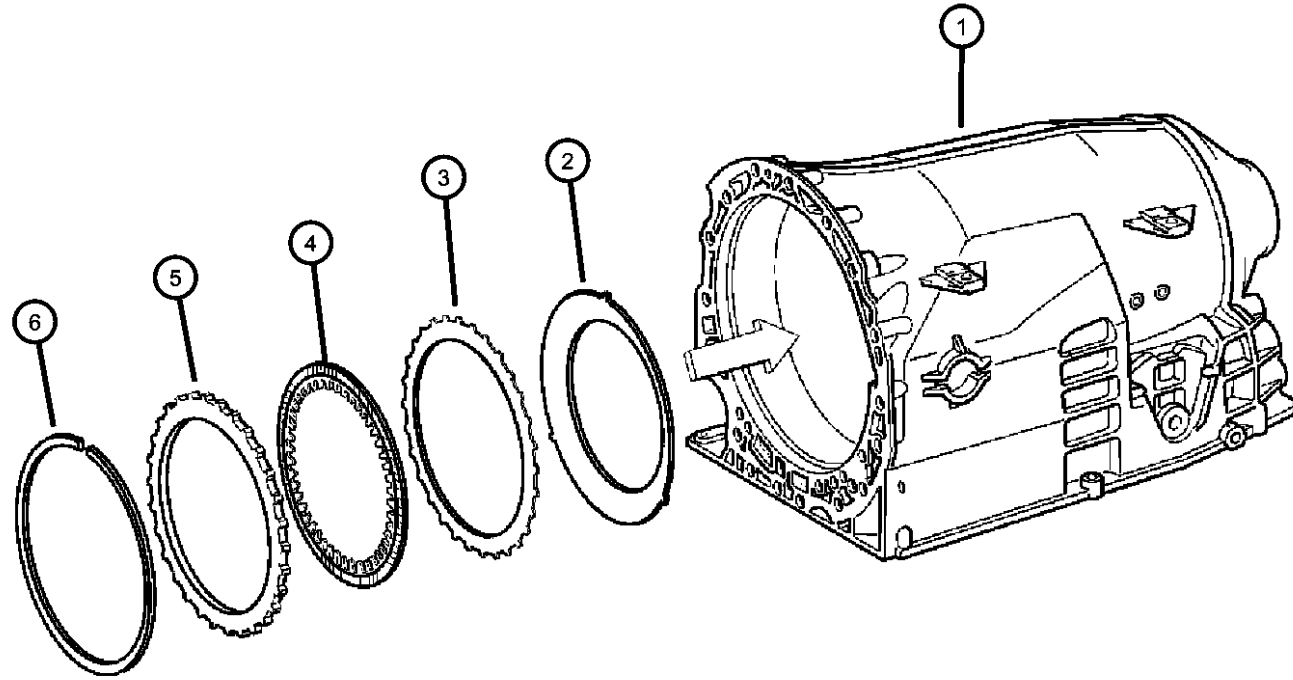
DGJ = Transmission-5-Spd. Automatic, W5A580

AR = use ase required - = Non illustrated part

2003 VA

**Multiple Disc Brake - [B2 & B3]  
Figure NAG1-490**

ITEM	PART NUMBER	QTY	LINE	SERIES	BODY	ENGINE	TRANS	TRIM	DESCRIPTION
------	-------------	-----	------	--------	------	--------	-------	------	-------------



NOTE:

Sales Codes:

[DGJ]=5 Speed Automatic Transmission - [NAG1] - [W5A380]

1	52108205AA	2							HOUSING, Transmission Case, Serviced With Transmission Assembly, (NOT SERVICED)
2	52108356AA	1		L					DISC, Spring
3	52108572AA	5		L					DISC, Outer
4	52108573AA	5		L					DISC, Inner
5	52108018AA	1		L					DISC, Outer
6									SNAP RING
	52107985AA	1		L					[3.2 MM]
	52107986AA	1		L					[3.5 MM]
	52107987AA	1		L					[3.8 MM]
	52107988AA	1		L					[4.1 MM]
	52107989AA	1		L					[4.4 MM]
	52107990AA	1		L					[4.8 MM]

**SPRINTER (VA)**

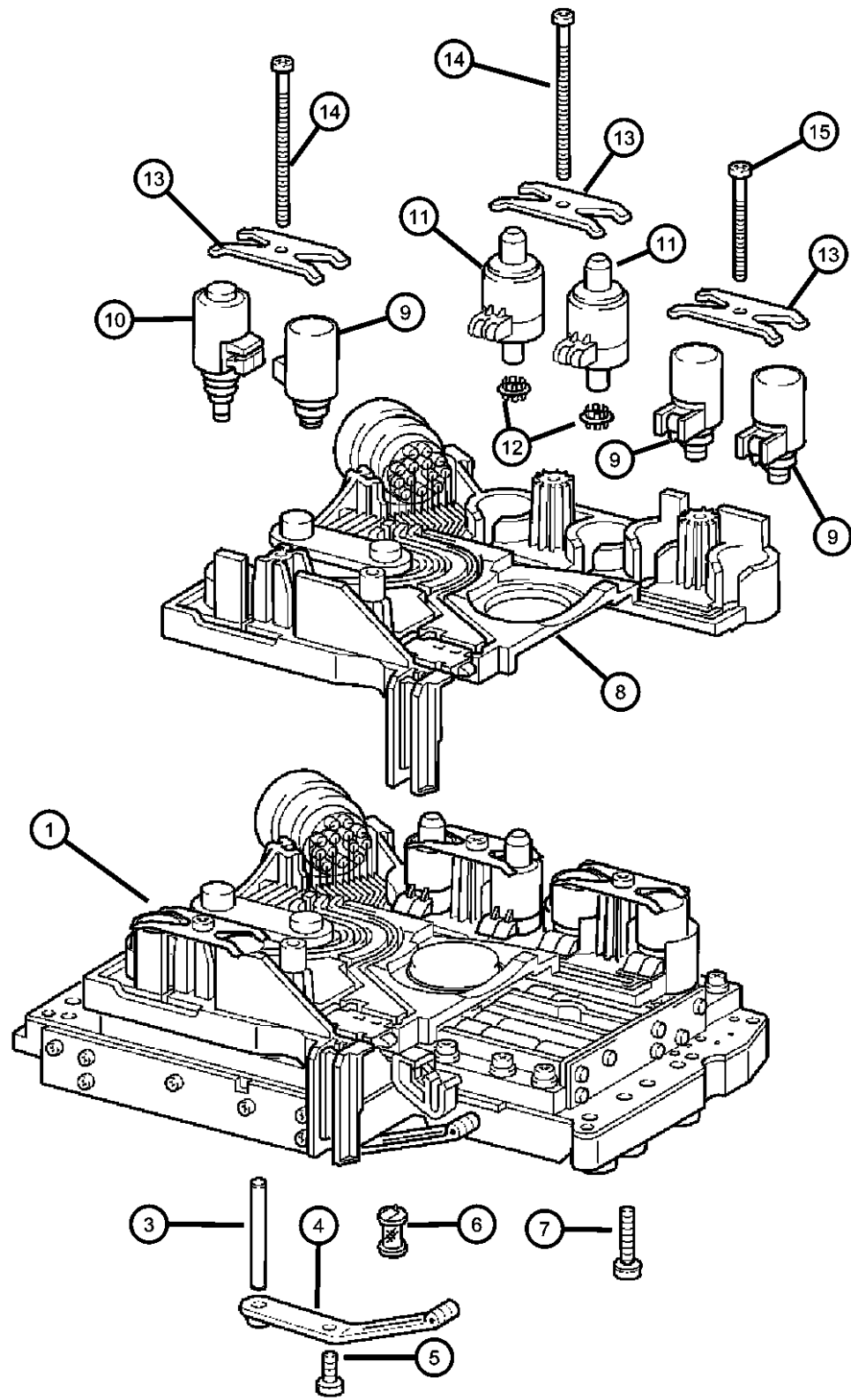
SERIES	LINE	BODY	ENGINE	TRANSMISSION
L = LOWLINE	3 = HD DODGE 2WD 6 = Lt. Duty DODGE 4WD 2 = Med. Duty DODGE 2WD 7 = Med. Duty DODGE 4WD	51 = WAGON WHEEL BASE 1 52 = WAGON WHEEL BASE 2 14 = VAN WHEEL BASE 4 15 = VAN WHEEL BASE 5 16 = VAN WHEEL BASE 6 54 = WAGON WHEEL BASE 4 55 = WAGON WHEEL BASE 5 56 = WAGON WHEEL BASE 6 11 = VAN WHEEL BASE 1 12 = VAN WHEEL BASE 2	EX9 = Engine - 2.7L 5 Cly Mercedes Diesel	DGJ = Transmission-5-Spd. Automatic, W5A580

AR = use ase required - = Non illustrated part

2003 VA

**Electronic - Hydraulic Control  
Figure NAG1-710**

ITEM	PART NUMBER	QTY	LINE	SERIES	BODY	ENGINE	TRANS	TRIM	DESCRIPTION
------	-------------	-----	------	--------	------	--------	-------	------	-------------



NOTE: Valve Body Connector Includes Speed Sensor  
Sales Codes:

[DGJ]=5 Speed Automatic Transmission - [NAG1] - [W5A380]

1	05080262AA	1		L					VALVE BODY, Complete
-2	52108320AA	1		L					SHIELD, Transmission Solenoid
3	52108277AA	1		L					DOWEL
4	52108258AA	1		L					SPRING
5	05073867AA	1		L					SCREW
6	52108304AA	1		L					FILTER, Transmission Oil
7	05073877AA	29		L					SCREW
8	52108308AA	1		L					VALVE BODY, Includes Speed Sensor
9	52108313AA	3		L					SOLENOID, Transmission
10	52108314AA	1		L					SOLENOID, Transmission
11	52108312AA	2		L					SOLENOID, Transmission, Lifting Magnet
12	52108316AA	2		L					FILTER, Transmission Oil
13	52108315AA	3		L					PLATE
14	05073872AA	2		L					SCREW
15	05073873AA	1		L					SCREW

**SPRINTER (VA)**

**SERIES**

L = LOWLINE

**LINE**

3 = HD DODGE 2WD  
6 = Lt. Duty DODGE 4WD  
2 = Med. Duty DODGE 2WD  
7 = Med. Duty DODGE 4WD

**BODY**

51 = WAGON WHEEL BASE 1  
52 = WAGON WHEEL BASE 2  
14 = VAN WHEEL BASE 4  
15 = VAN WHEEL BASE 5  
16 = VAN WHEEL BASE 6  
54 = WAGON WHEEL BASE 4  
55 = WAGON WHEEL BASE 5  
56 = WAGON WHEEL BASE 6  
11 = VAN WHEEL BASE 1  
12 = VAN WHEEL BASE 2

**ENGINE**

EX9 = Engine - 2.7L 5 Cly  
Mercedes Diesel

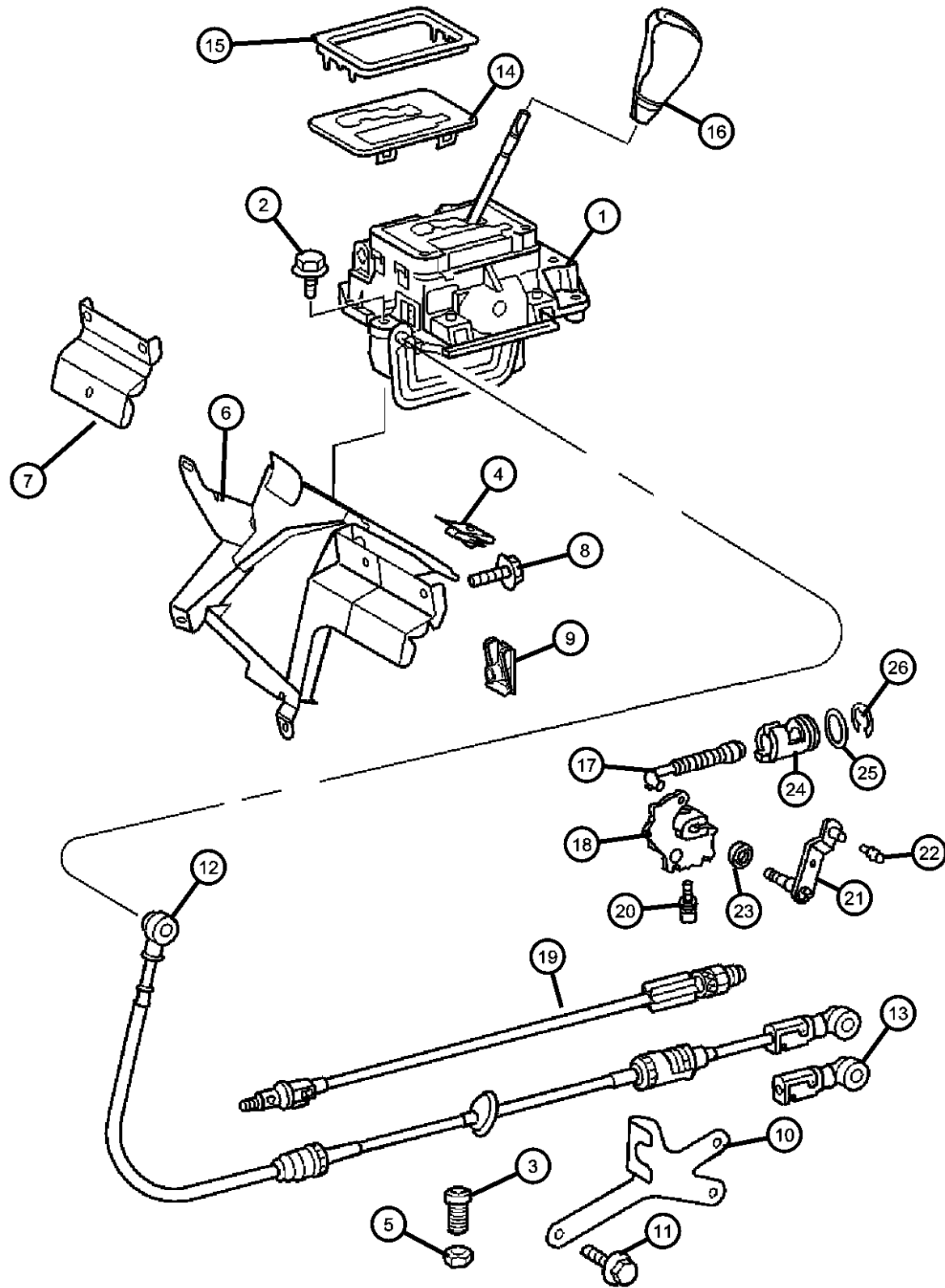
**TRANSMISSION**

DGJ = Transmission-5-Spd. Automatic, W5A580

AR = use ase required - = Non illustrated part

2003 VA

**Gear Shift Control  
Figure NAG1-1210**



ITEM	PART NUMBER	QTY	LINE	SERIES	BODY	ENGINE	TRANS	TRIM	DESCRIPTION
------	-------------	-----	------	--------	------	--------	-------	------	-------------

NOTE:

Sales Codes:

[DGJ]=5 Speed Automatic Transmission - [NAG1] - [W5A380]

1									SHIFTER, Transmission
	05104040AA	1	2, 6	L			DGJ		
		1	3, 7	L			DGJ		
2	05133476AA	1	3, 7	L					SCREW
3									SCREW
	06104142AA	2	2, 6	L			DGJ		
		2	3, 7	L			DGJ		
4									NUT RETAINER, NONE, SPRINTER
	05103733AA	3	2, 6	L			DGJ		
		3	3, 7	L			DGJ		
5									NUT
	05104676AA	2	2, 6	L			DGJ		
		2	3, 7	L			DGJ		
6									SUPPORT
	05117814AA	1	2, 6	L			DGJ		
		1	3, 7	L			DGJ		
7									BRACKET, Transmission Shifter
	05122893AA	1	2, 6	L			DGJ		
		1	3, 7	L			DGJ		
8									BOLT, Hex Head
	05126227AA	6	3, 7	L					
		6	2, 6	L					
9									U-NUT
	05125859AA	1	2, 6	L			DGJ		
		1	3, 7	L			DGJ		
10									BRACKET, Gearshift
	05117826AA	1	2, 6	L			DGJ		
		1	3, 7	L			DGJ		
11									BOLT, Hex Head

**SPRINTER (VA)**

SERIES

L = LOWLINE

LINE

3 = HD DODGE 2WD  
6 = Lt. Duty DODGE 4WD  
2 = Med. Duty DODGE 2WD  
7 = Med. Duty DODGE 4WD

BODY

51 = WAGON WHEEL BASE 1 EX9 = Engine - 2.7L 5 Cyl  
52 = WAGON WHEEL BASE 2 Mercedes Diesel  
14 = VAN WHEEL BASE 4  
15 = VAN WHEEL BASE 5  
16 = VAN WHEEL BASE 6  
54 = WAGON WHEEL BASE 4  
55 = WAGON WHEEL BASE 5  
56 = WAGON WHEEL BASE 6  
11 = VAN WHEEL BASE 1  
12 = VAN WHEEL BASE 2

ENGINE

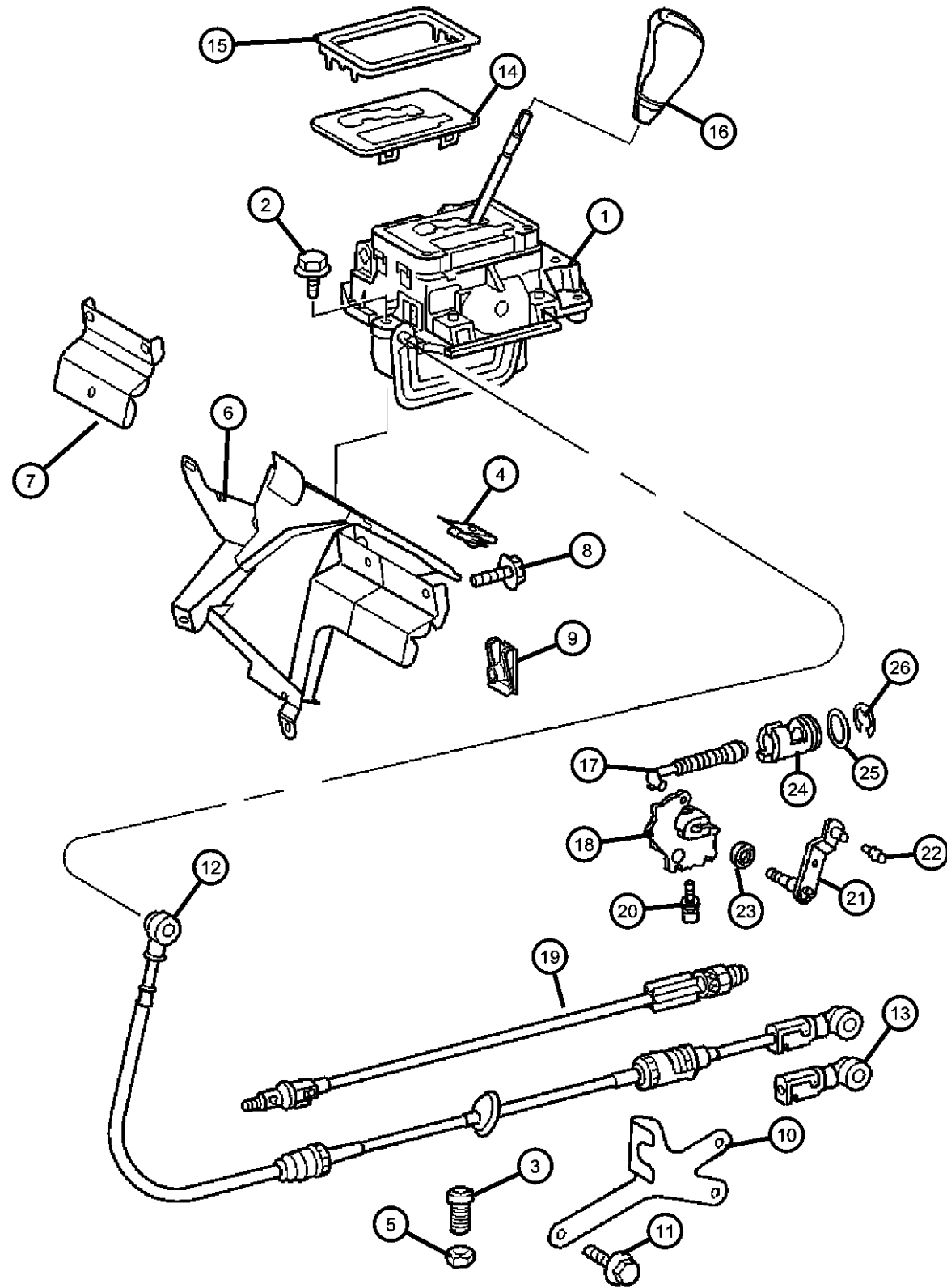
TRANSMISSION

DGJ = Transmission-5-Spd. Automatic, W5A580

AR = use ase required - = Non illustrated part

2003 VA

**Gear Shift Control  
Figure NAG1-1210**



ITEM	PART NUMBER	QTY	LINE	SERIES	BODY	ENGINE	TRANS	TRIM	DESCRIPTION
	05126101AA	3	2, 6	L			DGJ		
	05104039AA	3	3, 7	L			DGJ		
12	05104039AA	1	2, 6	L			DGJ		CABLE, Gear Selector
		1	3, 7	L			DGJ		
13	05104044AA	1	2, 6	L			DGJ		RETAINER, Transmission Control Shift
		1	3, 7	L			DGJ		
14	05104041AA	1	2, 6	L			DGJ		COVER, Gearshift
		1	3, 7	L			DGJ		
15		1							TRIM, See Center Console, (NOT SERVICED)
16	05117825AA	1	2, 6	L			DGJ		KNOB, Gearshift
		1	3, 7	L			DGJ		
17	52108166AA	1		L					LINKAGE, Transmission
18	05099886AA	1		L					DETENT, Gearshift
19	05104043AA	1	2, 6	L			DGJ		CABLE, Park Interlock
		1	3, 7	L			DGJ		
20	52108178AA	1		L					SCREW
21	05117845AA	1		L					LEVER, Gearshift
22	05096975AA	1		L					PIVOT
23	52108170AA	1		L					SEAL, Transmission
24	52108176AA	1		L					GUIDE
25	52108177AA	1		L					SEAL, Transmission
26	52107976AA	1		L					SNAP RING

**SPRINTER (VA)**

SERIES	LINE	BODY	ENGINE	TRANSMISSION
L = LOWLINE	3 = HD DODGE 2WD 6 = Lt. Duty DODGE 4WD 2 = Med. Duty DODGE 2WD 7 = Med. Duty DODGE 4WD	51 = WAGON WHEEL BASE 1 52 = WAGON WHEEL BASE 2	EX9 = Engine - 2.7L 5 Cyl Mercedes Diesel	DGJ = Transmission-5-Spd. Automatic, W5A580
		14 = VAN WHEEL BASE 4 15 = VAN WHEEL BASE 5 16 = VAN WHEEL BASE 6 54 = WAGON WHEEL BASE 4 55 = WAGON WHEEL BASE 5 56 = WAGON WHEEL BASE 6 11 = VAN WHEEL BASE 1 12 = VAN WHEEL BASE 2		

AR = use ase required - = Non illustrated part

# Group - 22

## Wheels, Covers and Jacks

### Group - 22 Wheels, Covers and Jacks

Illustration Title

Group-Fig. No.

#### Wheels and Hardware

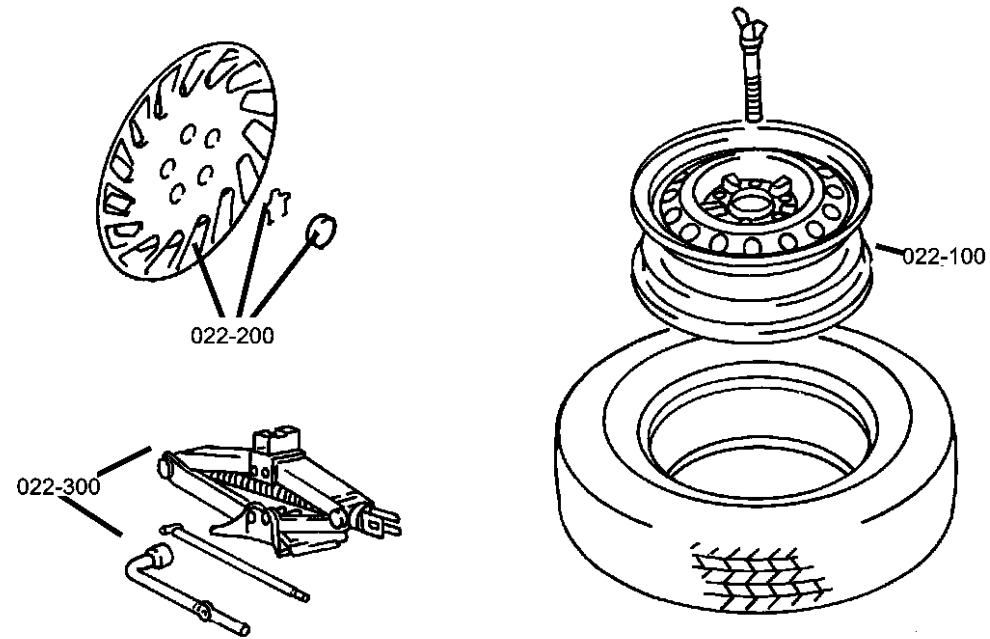
Wheels And Hardware .....Fig. 22 - 120

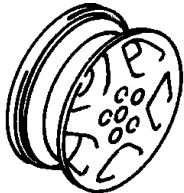
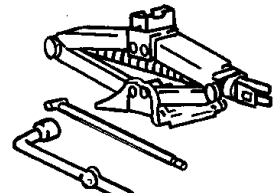
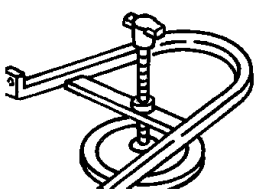
#### Jack Stowage

Jack and Stowage.....Fig. 22 - 340

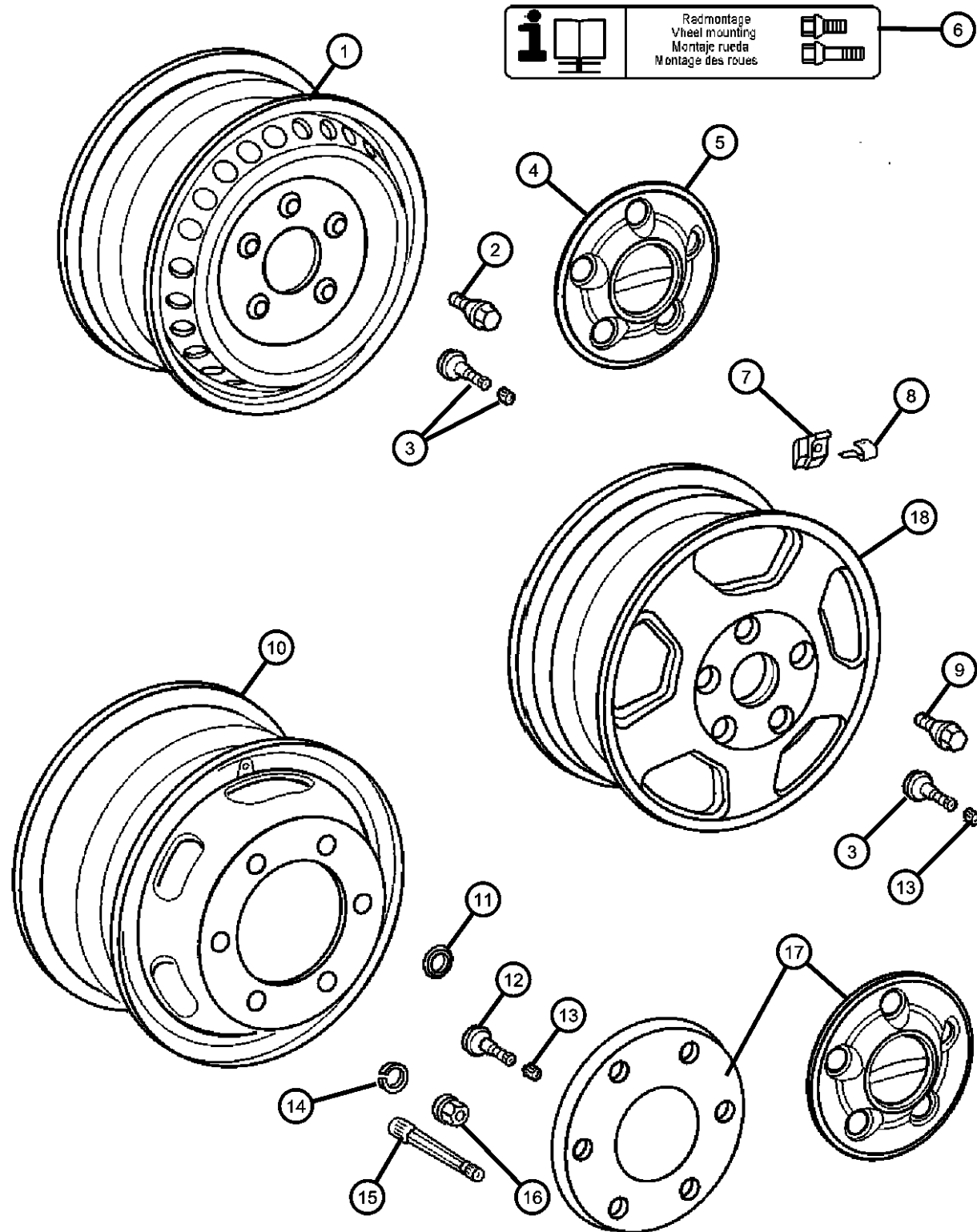
#### Spare Tire Stowage

Wheel, Spare .....Fig. 22 - 430



<p><b>022-100</b> Wheels and Hardware</p> 	<p><b>022-300</b> Jack Stowage</p> 	<p><b>022-400</b> Spare Tire Stowage</p> 	
---	--	---	--

**Wheels And Hardware**  
**Figure 22-120**



<b>i</b>	Redmontage Wheel mounting Montaje rueda Montage des roues			6
----------	--	--	--	---

ITEM	PART NUMBER	QTY	LINE	SERIES	BODY	ENGINE	TRANS	TRIM	DESCRIPTION
1	05104573AA	2	2, 6	L	11, 12, 14, 15, 16				WHEEL, Steel [WCL]
		1	2, 6	L	51, 52, 54, 55, 56				[WCL]
	05128914AA	2	2, 6	L	51, 52, 54, 55, 56				[WDG]
2	05104080AA	20	2, 6	L	11, 12, 14, 15, 16				BOLT
		20	2, 6	L	51, 52, 54, 55, 56				
3	05103629AA	2	2, 6	L	11, 12, 14, 15, 16				STEM, Wheel Valve
		2	2, 6	L	51, 52, 54, 55, 56				
	05118963AA	2	3, 7	L	12, 15, 16				
4	05104571AA	4	6	L	11, 12, 14, 15, 16				CAP, Wheel Center
		4	6	L	51, 52, 54, 55, 56				
	05128954AA	4	2	L	11, 12, 14, 15, 16				
		4	2	L	51, 52, 54, 55, 56				
5	05104582AA	2	3, 7	L	12, 15, 16				HUB CAP, FRONT AXLE, SPRINTER LABEL
6	05129737AA	1	2, 6	L	11, 12, 14, 15, 16				
		1	2, 6	L	51, 52, 54, 55, 56				
7		1							WEIGHT, Balance, Perf Part, (NOT SERVICED)
8		1							BRACKET, (NOT SERVICED)
9	05104018AA	5	6	L	11, 12, 14, 15, 16				BOLT

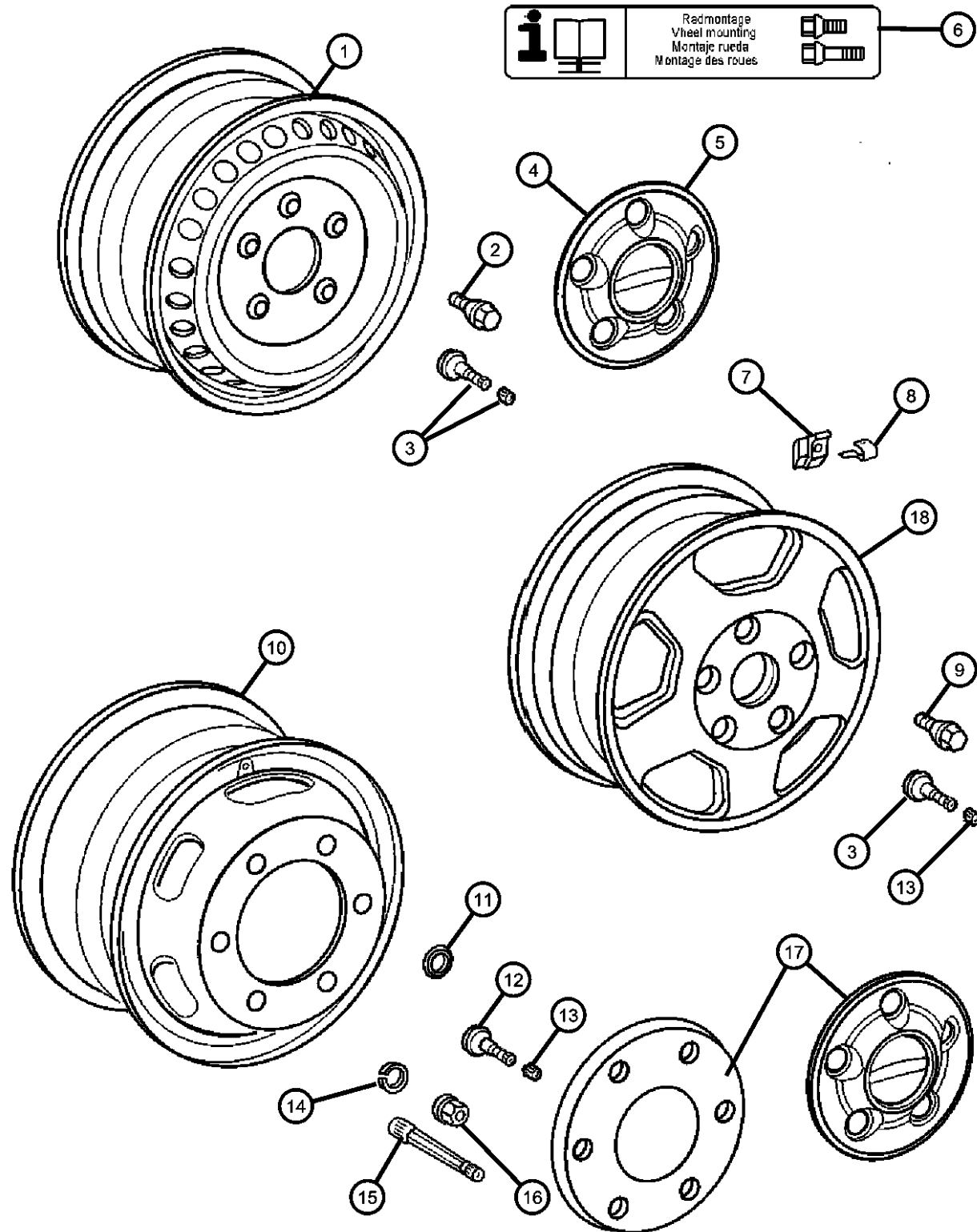
**SPRINTER (VA)**

<b>SERIES</b>	<b>LINE</b>	<b>BODY</b>	<b>ENGINE</b>	<b>TRANSMISSION</b>
L = LOWLINE	3 = HD DODGE 2WD 6 = Lt. Duty DODGE 4WD 2 = Med. Duty DODGE 2WD 7 = Med. Duty DODGE 4WD	51 = WAGON WHEEL BASE 1 52 = WAGON WHEEL BASE 2 14 = VAN WHEEL BASE 4 15 = VAN WHEEL BASE 5 16 = VAN WHEEL BASE 6 54 = WAGON WHEEL BASE 4 55 = WAGON WHEEL BASE 5 56 = WAGON WHEEL BASE 6 11 = VAN WHEEL BASE 1 12 = VAN WHEEL BASE 2	EX9 = Engine - 2.7L 5 Cly Mercedes Diesel	DGJ = Transmission-5-Spd. Automatic, W5A580

AR = use ase required - = Non illustrated part



**Wheels And Hardware**  
**Figure 22-120**



<b>i</b>	Redmontage Wheel mounting Montaje rueda Montage des roues		6
----------	--	--	---

ITEM	PART NUMBER	QTY	LINE	SERIES	BODY	ENGINE	TRANS	TRIM	DESCRIPTION
		5	6	L	51, 52, 54, 55, 56				
10									WHEEL
	05104581AA	2	3, 7	L	12, 15, 16				[WCD]
	05128911AA	1	2, 6	L	11, 12, 14, 15, 16				[WDG]
		2	2, 6	L	51, 52, 54, 55, 56				[WDG]
11	05103941AA	12	3, 7	L	12, 15, 16				SPHERICAL RING, DISC WHEEL TO REAR AXLE, SPRINTER
12									STEM, Wheel Valve
	05103628AA	2	2, 6	L	11, 12, 14, 15, 16				
		2	2, 6	L	51, 52, 54, 55, 56				
		2	3, 7	L	12, 15, 16				
13									CAP, Valve stem
	05104630AA	2	2, 6	L	11, 12, 14, 15, 16				
		2	2, 6	L	51, 52, 54, 55, 56				
		99	3, 7	L	12, 15, 16				
14	05104538AA	12	3, 7	L	12, 15, 16				LOCK WASHER, DISC WHEEL TO FRONT AXLE, SPRINTER
15	05118963AA	2	3, 7	L	12, 15, 16				STEM, Wheel Valve
16	05104651AA	12	3, 7	L	12, 15, 16				NUT
17	05114454AA	1		L					COVER, Wheel
18									WHEEL, Aluminum
	05128903AA	2	2, 6	L	51, 52, 54, 55, 56				
		2	2, 6	L	11, 12, 14, 15, 16				

**SPRINTER (VA)**

**SERIES**

L = LOWLINE

**LINE**

3 = HD DODGE 2WD  
6 = Lt. Duty DODGE 4WD  
2 = Med. Duty DODGE 2WD  
7 = Med. Duty DODGE 4WD

**BODY**

51 = WAGON WHEEL BASE 1  
52 = WAGON WHEEL BASE 2  
14 = VAN WHEEL BASE 4  
15 = VAN WHEEL BASE 5  
16 = VAN WHEEL BASE 6  
54 = WAGON WHEEL BASE 4  
55 = WAGON WHEEL BASE 5  
56 = WAGON WHEEL BASE 6  
11 = VAN WHEEL BASE 1  
12 = VAN WHEEL BASE 2

**ENGINE**

EX9 = Engine - 2.7L 5 Cly  
Mercedes Diesel

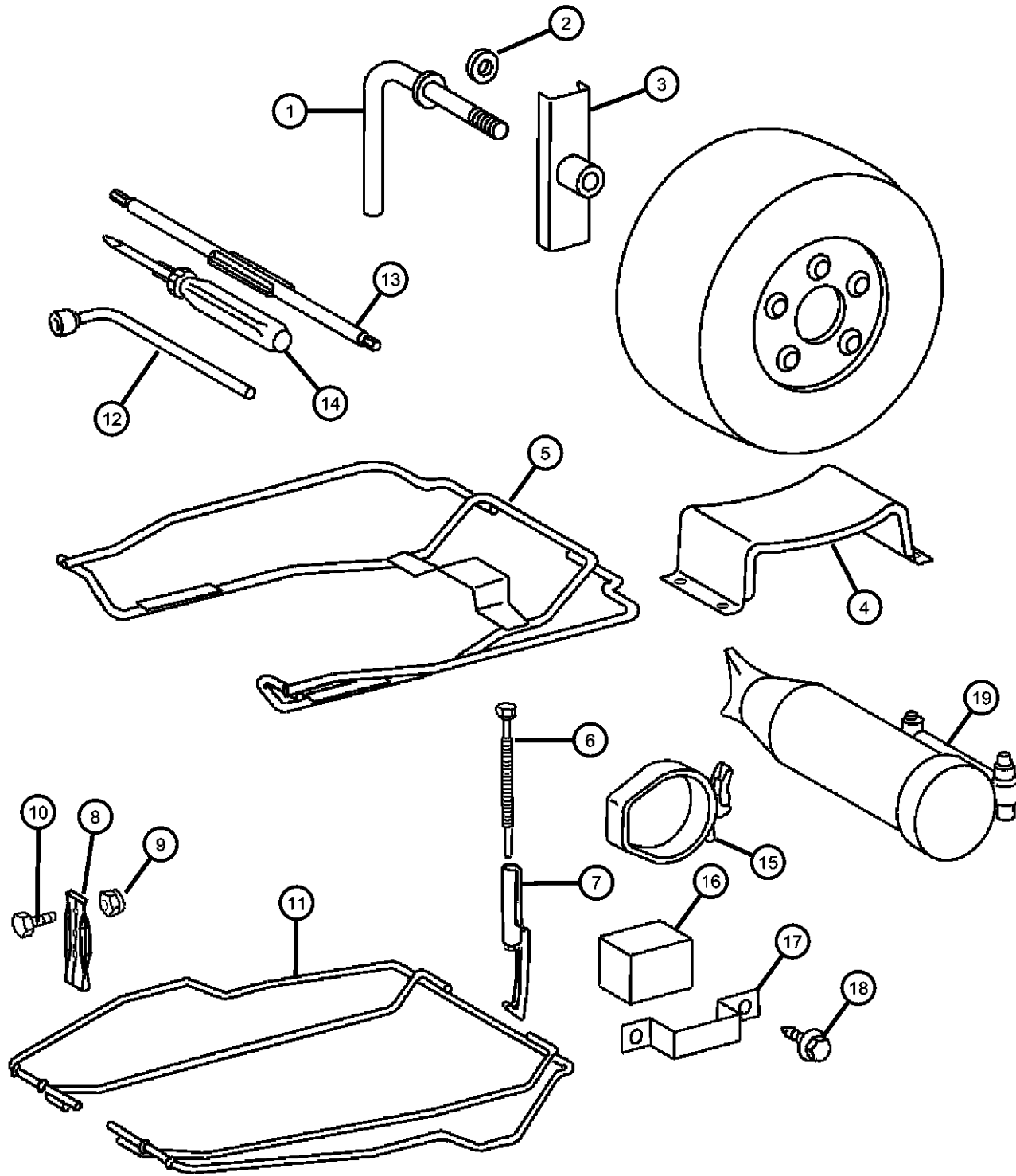
**TRANSMISSION**

DGJ = Transmission-5-Spd.  
Automatic, W5A580

AR = use ase required - = Non illustrated part

2003 VA

Jack and Stowage  
Figure 22-340



ITEM	PART NUMBER	QTY	LINE	SERIES	BODY	ENGINE	TRANS	TRIM	DESCRIPTION
1	05104529AA	1	2, 6	L	11, 12, 14, 15, 16				SCREW, SPARE WHEEL TO BODY, SPRINTER
2	05126189AA	4	2, 6	L	11, 12, 14, 15, 16				WASHER, Flat
	05126189AB	4	2, 6	L	51, 52, 54, 55, 56				
3	05104528AA	1	2, 6	L	11, 12, 14, 15, 16				BRACKET, SPARE WHEEL TO BODY, SPRINTER
4	05121441AA	1	2, 6	L	15, 16, 11, 12, 14				REST, Spare Tire
		1	3, 7	L	12, 15, 16				
5	05104078AA	1	2, 6	L	51, 52, 54, 55, 56				SUPPORT, Spare Tire
		1	2, 6	L	11, 12, 14, 15, 16				
	05118911AA	1	3, 7	L	12, 15, 16				158 Inch Wheelbase
	05118913AA	1	3, 7	L	12, 15, 16				140 Inch Wheelbase
6	05104082AA	2	2, 6	L	51, 52, 54, 55, 56				SCREW, Spare Tire
		2	2, 6	L	11, 12, 14, 15, 16				
7	05118920AA	2	3, 7	L	12, 15, 16				HOOK, Spare Tire Attach 158 inch Wheelbase
		2	2, 6	L	51, 52, 54, 55, 56				
		2	2, 6	L	11, 12, 14, 15, 16				
	05118921AA	2	3, 7	L	12, 15, 16				140 inch Wheelbase
8	05104081AA	2	2, 6	L	51, 52, 54, 55, 56				PLATE, Spare Tire
		2	2, 6	L	11, 12, 14, 15, 16				
	05119009AA	2	3, 7	L	12, 15, 16				

SPRINTER (VA)

SERIES

L = LOWLINE

LINE

3 = HD DODGE 2WD  
6 = Lt. Duty DODGE 4WD  
2 = Med. Duty DODGE 2WD  
7 = Med. Duty DODGE 4WD

BODY

51 = WAGON WHEEL BASE 1  
52 = WAGON WHEEL BASE 2  
14 = VAN WHEEL BASE 4  
15 = VAN WHEEL BASE 5  
16 = VAN WHEEL BASE 6  
54 = WAGON WHEEL BASE 4  
55 = WAGON WHEEL BASE 5  
56 = WAGON WHEEL BASE 6  
11 = VAN WHEEL BASE 1  
12 = VAN WHEEL BASE 2

ENGINE

EX9 = Engine - 2.7L 5 Cyl  
Mercedes Diesel

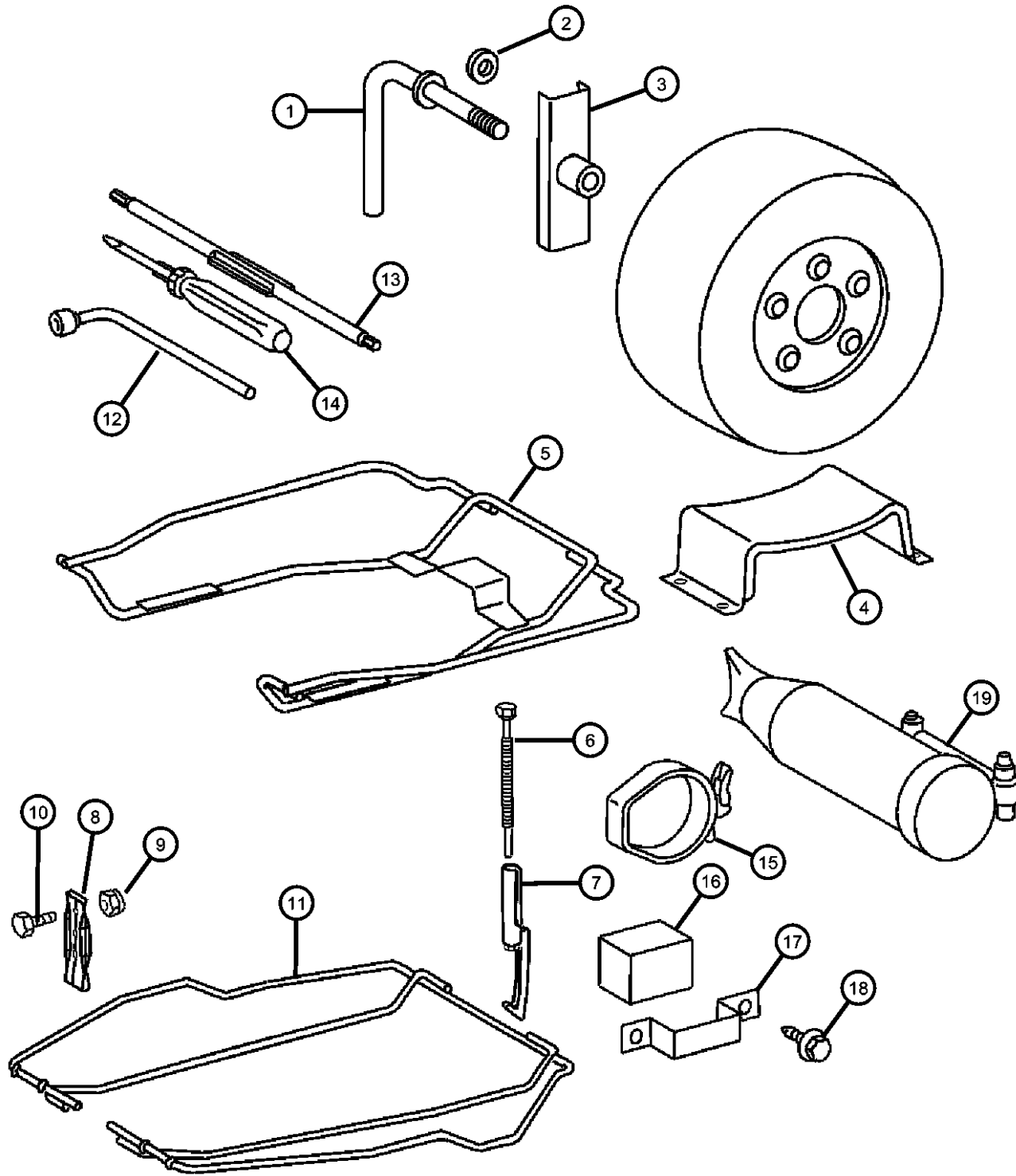
TRANSMISSION

DGJ = Transmission-5-Spd.  
Automatic,W5A580

AR = use ase required - = Non illustrated part

2003 VA

Jack and Stowage  
Figure 22-340



ITEM	PART NUMBER	QTY	LINE	SERIES	BODY	ENGINE	TRANS	TRIM	DESCRIPTION
9	05126237AA	1	2, 6	L	11, 12, 14, 15, 16				NUT, Hex
		1	3, 7	L	12, 15, 16				
10	05104655AA	1	2, 6	L	11, 12, 14, 15, 16				BOLT
		1	2, 6	L	51, 52, 54, 55, 56				
		1	3, 7	L	12, 15, 16				
11	05104077AA	1	2, 6	L	11, 12, 14, 15, 16				SUPPORT, Spare Tire
		1	2, 6	L	51, 52, 54, 55, 56				
12	05120992AA	1	2, 6	L	11, 12, 14, 15, 16				TOOL, Wrench
		1	2, 6	L	51, 52, 54, 55, 56				
	05120993AA	1	3, 7	L	12, 15, 16				
13	05120994AA	1	3, 7	L	12, 15, 16				TUBE, Spare Tire Winch
		1	2, 6	L	11, 12, 14, 15, 16				
		1	2, 6	L	51, 52, 54, 55, 56				
14		1							SCREWDRIVER, (NOT SERVICED)
15	05125275AA	1	2, 6	L	11, 12, 14, 15, 16				BRACKET, Jack
		1	2, 6	L	51, 52, 54, 55, 56				
	05125276AA	1	3, 7	L	12, 15, 16				
16	05133292AA	1	3, 7	L	12, 15, 16				PAD, Jack

SPRINTER (VA)

SERIES

L = LOWLINE

LINE

3 = HD DODGE 2WD  
6 = Lt. Duty DODGE 4WD  
2 = Med. Duty DODGE 2WD  
7 = Med. Duty DODGE 4WD

BODY

51 = WAGON WHEEL BASE 1  
52 = WAGON WHEEL BASE 2  
14 = VAN WHEEL BASE 4  
15 = VAN WHEEL BASE 5  
16 = VAN WHEEL BASE 6  
54 = WAGON WHEEL BASE 4  
55 = WAGON WHEEL BASE 5  
56 = WAGON WHEEL BASE 6  
11 = VAN WHEEL BASE 1  
12 = VAN WHEEL BASE 2

ENGINE

EX9 = Engine - 2.7L 5 Cly  
Mercedes Diesel

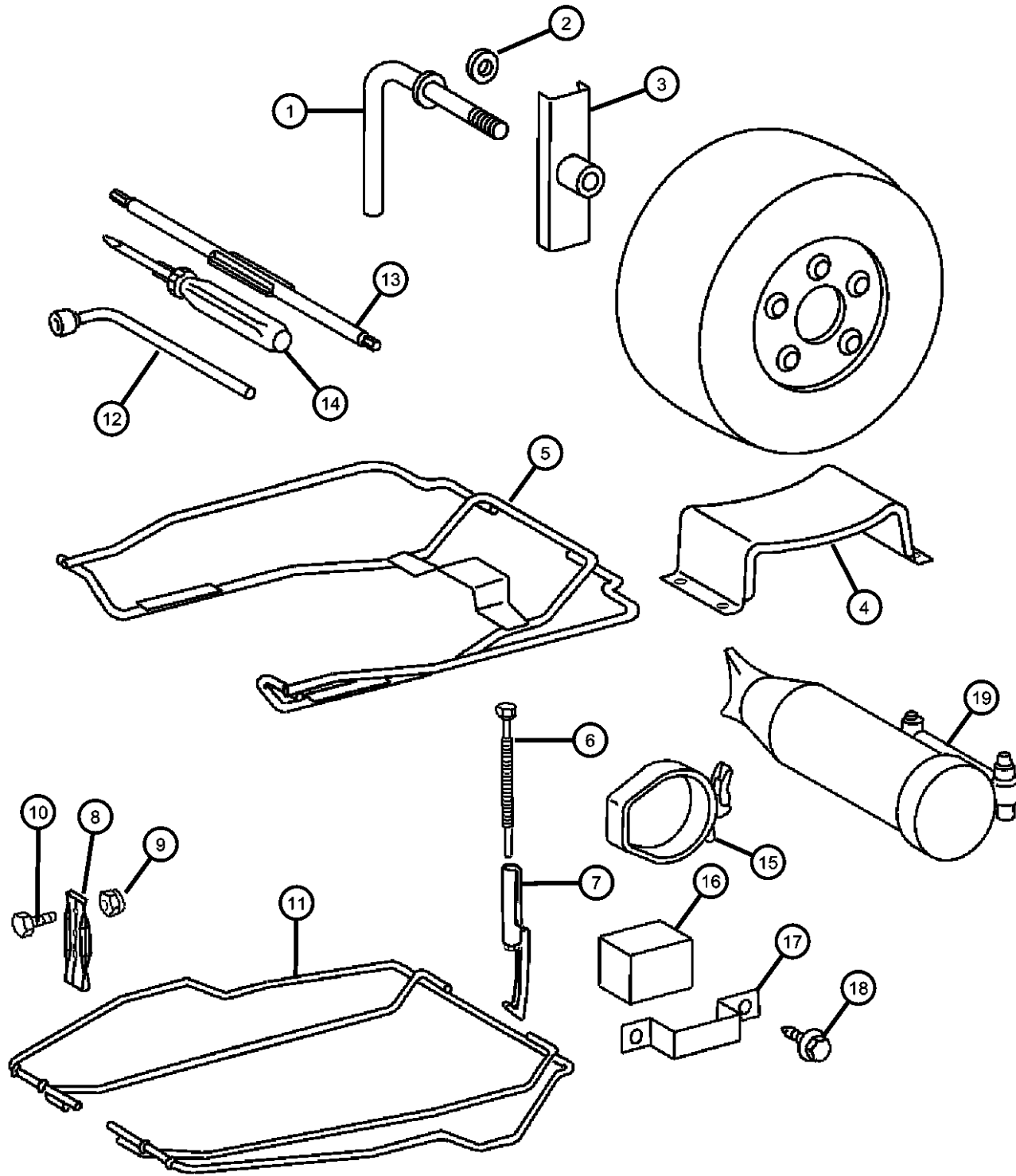
TRANSMISSION

DGJ = Transmission-5-Spd. Automatic, W5A580

AR = use ase required - = Non illustrated part

2003 VA

Jack and Stowage  
Figure 22-340



ITEM	PART NUMBER	QTY	LINE	SERIES	BODY	ENGINE	TRANS	TRIM	DESCRIPTION
17	05133293AA	1	2, 6	L	11, 12, 14, 15, 16				BRACKET, Jack
		1	2, 6	L	51, 52, 54, 55, 56				
18	05133295AA	1	3, 7	L	12, 15, 16				SCREW, Self-Tapping
		1	2, 6	L	11, 12, 14, 15, 16				
		1	2, 6	L	51, 52, 54, 55, 56				
		2	2, 6	L	11, 12, 14, 15, 16				
19	05104587AA 05120987AA 05129666AA	2	2, 6	L	51, 52, 54, 55, 56				JACK Hydraulic
		2	2, 6	L	51, 52, 54, 55, 56				
		2	3, 7	L	12, 15, 16				
		1	2, 6	L	51, 52, 54, 55, 56				
		1	2, 6	L	11, 12, 14, 15, 16				
		1	3, 7	L	12, 15, 16				
		1	2, 6	L	11, 12, 14, 15, 16				Hydraulic

SPRINTER (VA)

SERIES

L = LOWLINE

LINE

3 = HD DODGE 2WD  
6 = Lt. Duty DODGE 4WD  
2 = Med. Duty DODGE 2WD  
7 = Med. Duty DODGE 4WD

BODY

51 = WAGON WHEEL BASE 1  
52 = WAGON WHEEL BASE 2  
14 = VAN WHEEL BASE 4  
15 = VAN WHEEL BASE 5  
16 = VAN WHEEL BASE 6  
54 = WAGON WHEEL BASE 4  
55 = WAGON WHEEL BASE 5  
56 = WAGON WHEEL BASE 6  
11 = VAN WHEEL BASE 1  
12 = VAN WHEEL BASE 2

ENGINE

EX9 = Engine - 2.7L 5 Cly  
Mercedes Diesel

TRANSMISSION

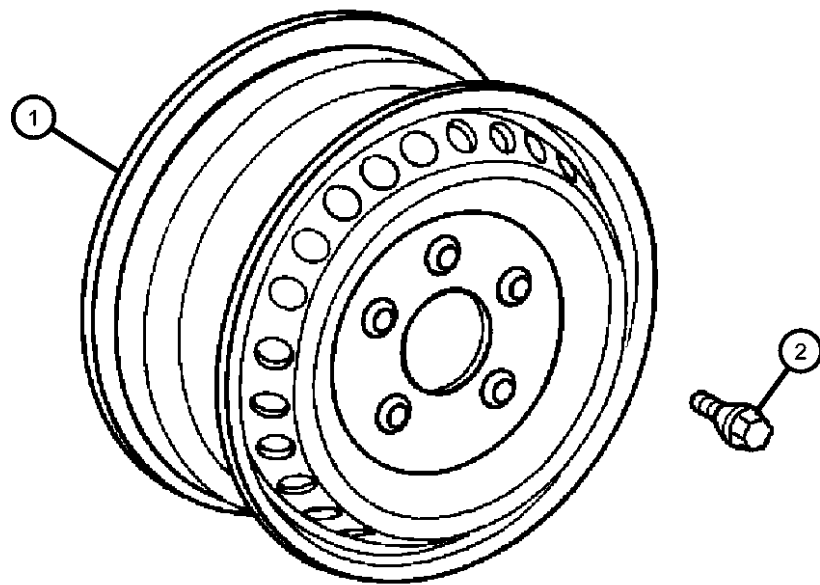
DGJ = Transmission-5-Spd.  
Automatic,W5A580

AR = use ase required - = Non illustrated part

2003 VA

Wheel, Spare  
Figure 22-430

ITEM	PART NUMBER	QTY	LINE	SERIES	BODY	ENGINE	TRANS	TRIM	DESCRIPTION
1	05104573AA	1	2, 6	L	51, 52, 54, 55, 56				WHEEL, Steel
		1	2, 6	L	11, 12, 14, 15, 16				
2	05104080AA	20	2, 6	L	11, 12, 14, 15, 16				BOLT
		20	2, 6	L	51, 52, 54, 55, 56				



SPRINTER (VA)

SERIES

L = LOWLINE

LINE

3 = HD DODGE 2WD  
6 = Lt. Duty DODGE 4WD  
2 = Med. Duty DODGE 2WD  
7 = Med. Duty DODGE 4WD

BODY

51 = WAGON WHEEL BASE 1  
52 = WAGON WHEEL BASE 2  
14 = VAN WHEEL BASE 4  
15 = VAN WHEEL BASE 5  
16 = VAN WHEEL BASE 6  
54 = WAGON WHEEL BASE 4  
55 = WAGON WHEEL BASE 5  
56 = WAGON WHEEL BASE 6  
11 = VAN WHEEL BASE 1  
12 = VAN WHEEL BASE 2

ENGINE

EX9 = Engine - 2.7L 5 Cly  
Mercedes Diesel

TRANSMISSION

DGJ = Transmission-5-Spd.  
Automatic,W5A580

# Group - 23D

## Wiper/Lock Cylinder and Keys

### Group - 23D Wiper/Lock Cylinder and Keys

Illustration Title

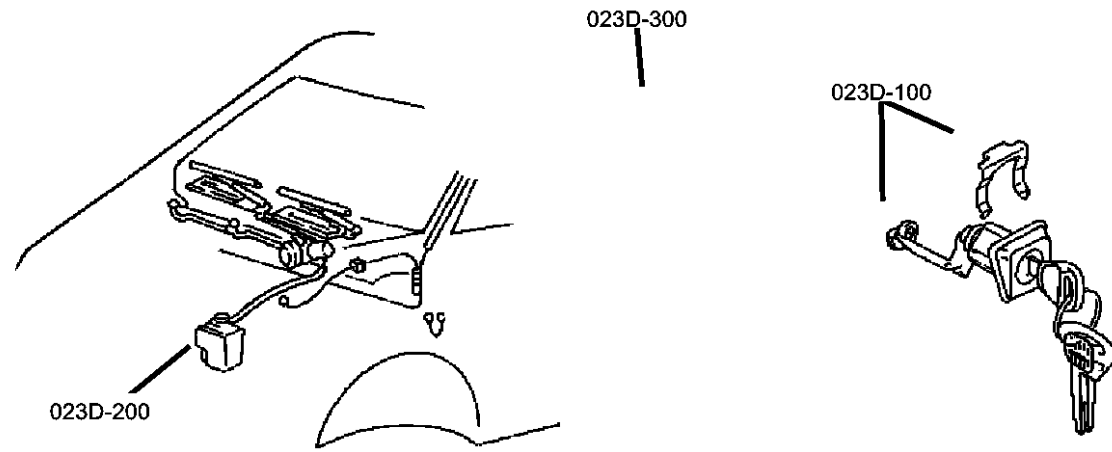
Group-Fig. No.

#### Lock Cylinders and Keys

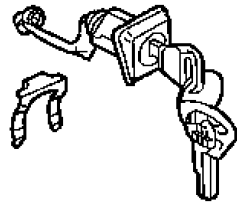
Lock Cylinders & Components .....Fig. 23D - 105

#### Windshield Wiper and Washer Systems

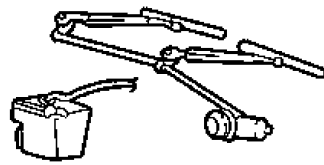
Windshield Wiper & Washer.....Fig. 23D - 205



**23D-100**  
Lock Cylinders and Keys

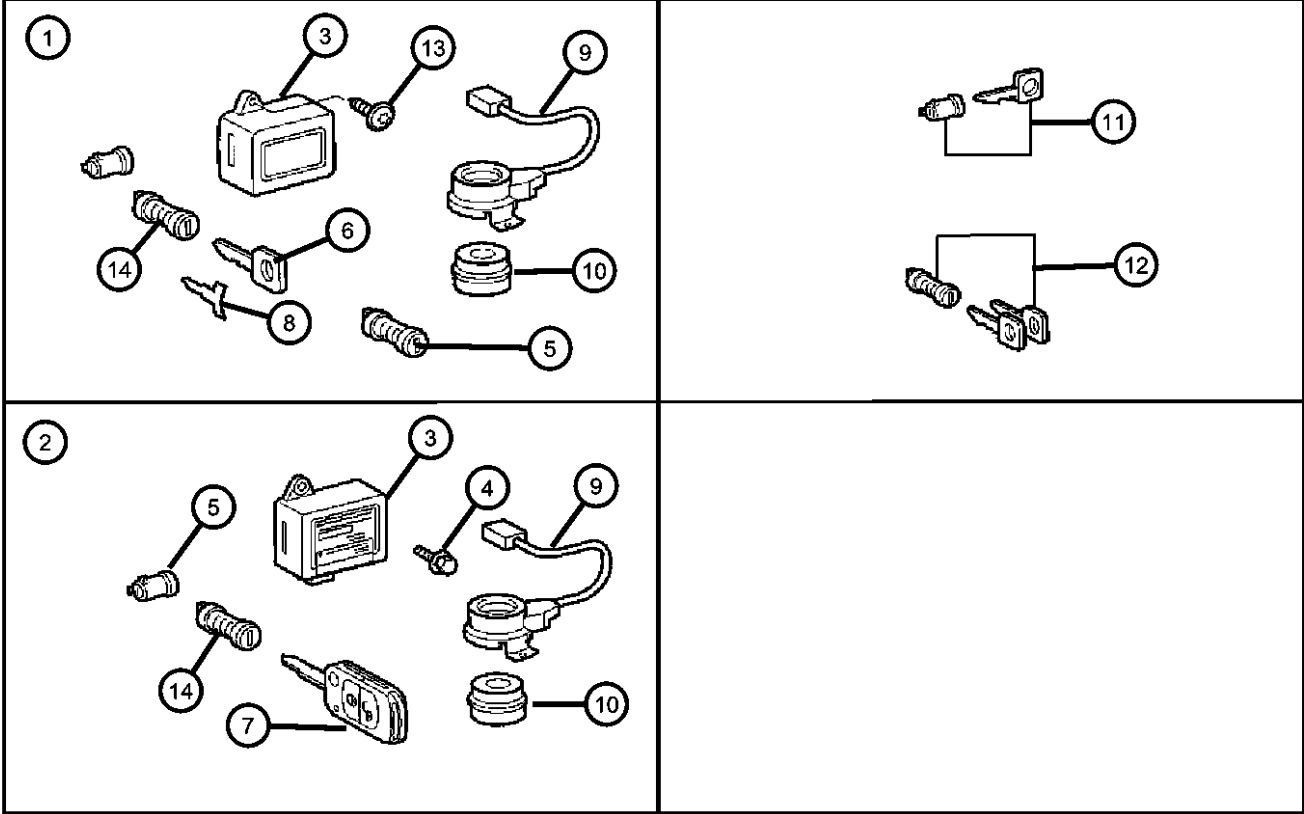


**23D-200**  
Windshield Wiper and Washer Systems



**Lock Cylinders & Components**  
Figure 23D-105

ITEM	PART NUMBER	QTY	LINE	SERIES	BODY	ENGINE	TRANS	TRIM	DESCRIPTION
1		20							LOCK, Door, (NOT SERVICED)
2									LOCK, Door
	05125260AA	1	2, 6		11, 12, 14, 15, 16				With Radio Transmitter Located in the Key
		1	2, 6		51, 52, 54, 55, 56				With Radio Transmitter Located in the Key
		1	3, 7		12, 15, 16				With Radio Transmitter Located in the Key
3									WSP CONTROL UNIT, Remote Control Key
	05135344AA	1	2, 6		11, 12, 14, 15, 16				Without Salescode [JPB] Power Locks
	05135345AA	1	2, 6		11, 12, 14, 15, 16				With Salescode [JPB] Power Locks
		1	2, 6		51, 52, 54, 55, 56				With Salescode [JPB] Power Locks
		1	2, 6		51, 52, 54, 55, 56				Without Salescode [JPB] Power Locks
		1	3, 7		12, 15, 16				Without SalesCode [JPB] Power Locks
		1	3, 7		12, 15, 16				With Salescode [JPB] Power Locks
4									BOLT, Door
	05126268AA	2	2, 6		51, 52, 54, 55, 56				
		2	3, 7		12, 15, 16				
		2	2, 6		11, 12, 14, 15, 16				
5									CYLINDER, Ignition Lock
	05114365AA	1	3, 7		12, 15, 16				
		1	2, 6		11, 12, 14, 15, 16				
6									KEY
	05114362AA	2	3, 7		12, 15, 16				Replacement Blade Only For Remote Key Sales Code [JPB]
		2	2, 6		11, 12, 14, 15, 16				Replacement Blade Only For Remote Key Sales Code [JPB]
	05114363AA	1							Key With No Remote Without Sales Code [GXY] Or Sales Code [JPB] Will Work As A Spare For [JPB]



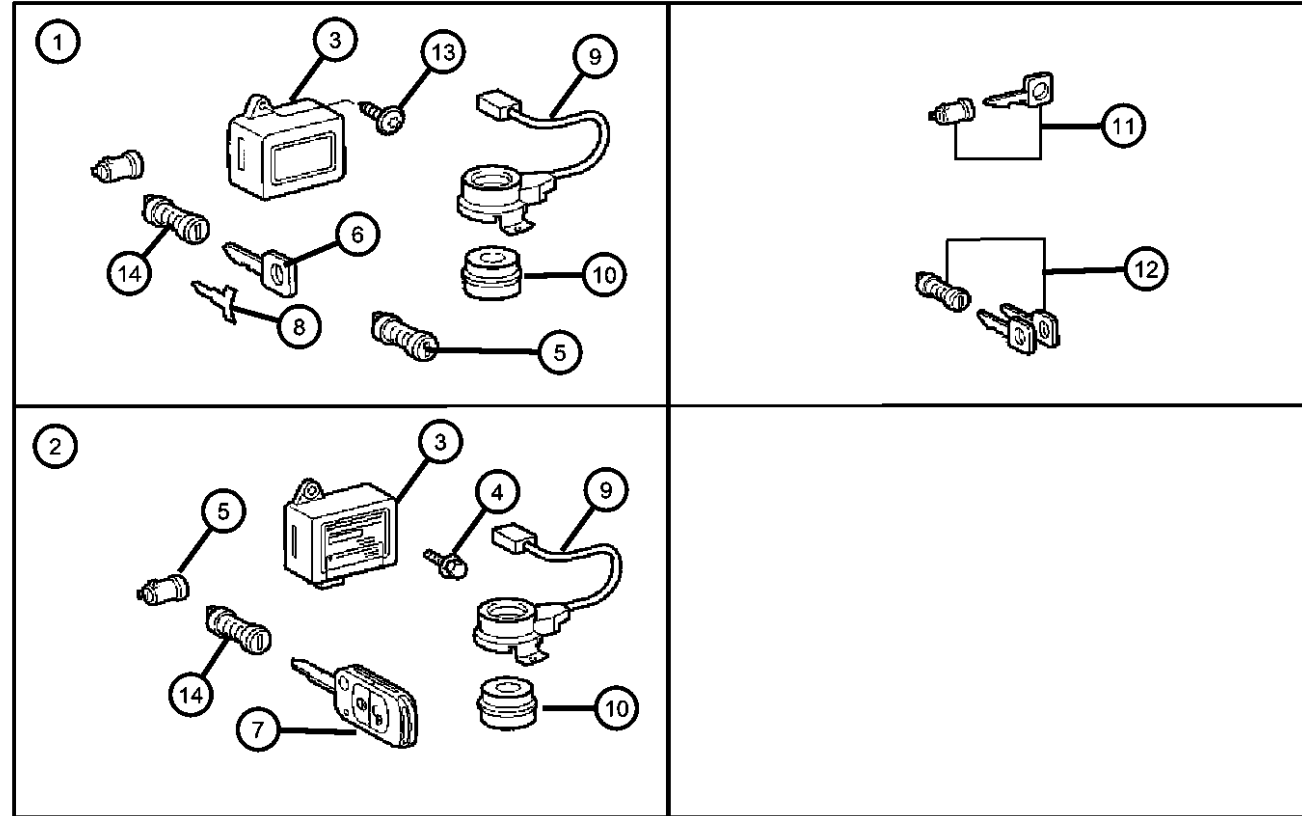
**SPRINTER (VA)**

SERIES	LINE	BODY	ENGINE	TRANSMISSION
L = LOWLINE	3 = HD DODGE 2WD 6 = Lt. Duty DODGE 4WD 2 = Med. Duty DODGE 2WD 7 = Med. Duty DODGE 4WD	51 = WAGON WHEEL BASE 1 52 = WAGON WHEEL BASE 2 14 = VAN WHEEL BASE 4 15 = VAN WHEEL BASE 5 16 = VAN WHEEL BASE 6 54 = WAGON WHEEL BASE 4 55 = WAGON WHEEL BASE 5 56 = WAGON WHEEL BASE 6 11 = VAN WHEEL BASE 1 12 = VAN WHEEL BASE 2	EX9 = Engine - 2.7L 5 Cly Mercedes Diesel	DGJ = Transmission-5-Spd. Automatic, W5A580

AR = use ase required - = Non illustrated part

**Lock Cylinders & Components**  
**Figure 23D-105**

ITEM	PART NUMBER	QTY	LINE	SERIES	BODY	ENGINE	TRANS	TRIM	DESCRIPTION
7	05114361AA	2	3, 7		12, 15, 16				KEY, Remote Control Complete
		2	2, 6		11, 12, 14, 15, 16				Remote Key With Blade For Sales Code [JPB] Only
		2	2, 6		51, 52, 54, 55, 56				Remote Key With Blade For Sales Code [JPB] Only
8	05127746AA	1							KEY, Blank, For Ups Vechiles Only
9	05120812AA	1	2, 6		51, 52, 54, 55, 56				TRANSPONDER, Steering Wheel
		1	3, 7		12, 15, 16				
		1	2, 6		11, 12, 14, 15, 16				
10	05104593AA	1	3, 7		12, 15, 16				RING
		1	2, 6		11, 12, 14, 15, 16				
		1	2, 6		51, 52, 54, 55, 56				
11		1							CYLINDER, Ignition Lock, (NOT SERVICED)
12	05114364AA	1	3, 7		12, 15, 16				CYLINDER, Door Lock
		1	2, 6		51, 52, 54, 55, 56				
		1	2, 6		11, 12, 14, 15, 16				
13	06104574AA	2	2, 6		11, 12, 14, 15, 16				SCREW, Tapping
		2	2, 6		51, 52, 54, 55, 56				
		2	3, 7		12, 15, 16				
14	05114364AA	1							CYLINDER, Door Lock
-15	05127746AA	1							KEY, Blank



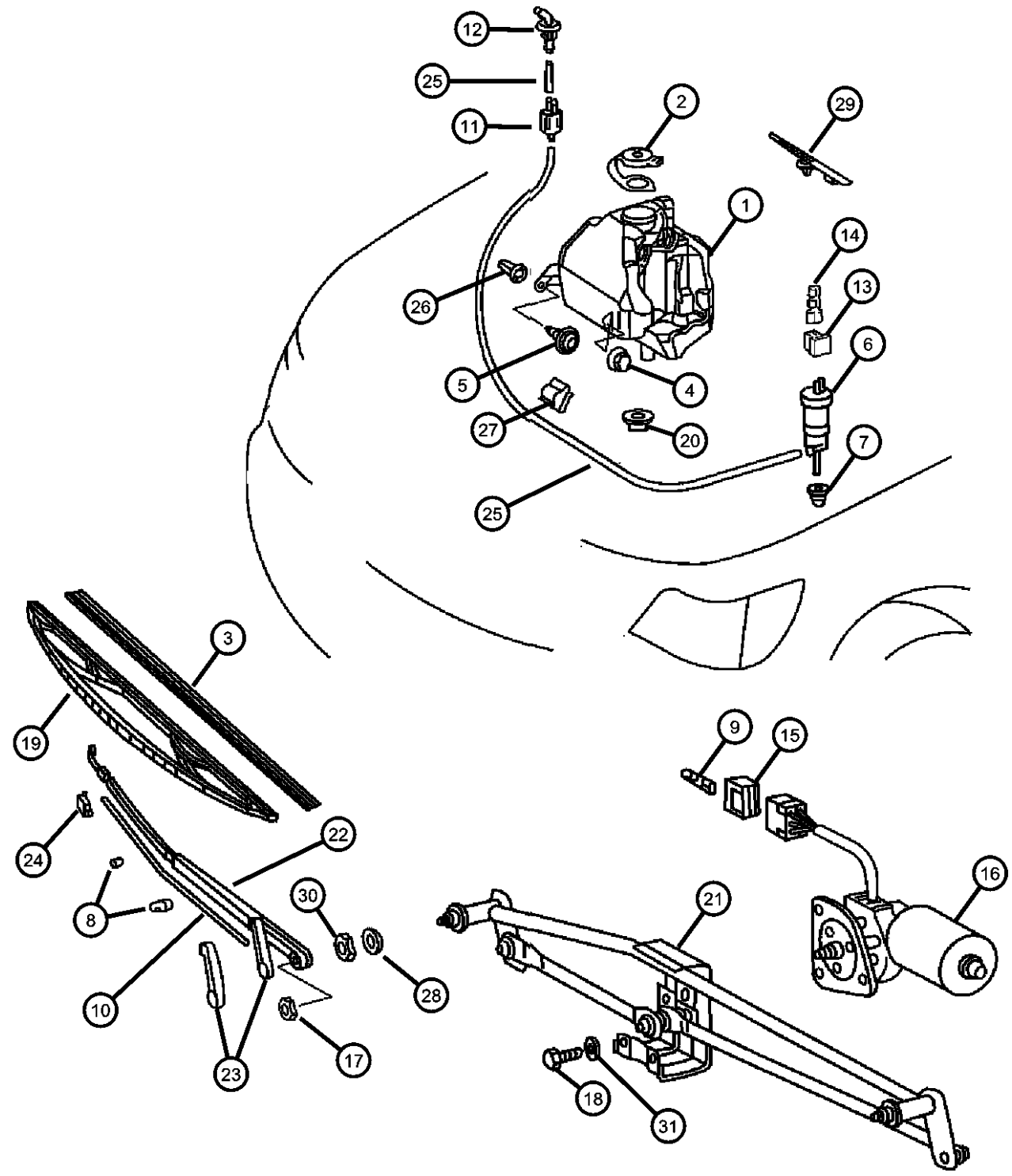
**SPRINTER (VA)**

<b>SERIES</b>	<b>LINE</b>	<b>BODY</b>	<b>ENGINE</b>	<b>TRANSMISSION</b>
L = LOWLINE	3 = HD DODGE 2WD 6 = Lt. Duty DODGE 4WD 2 = Med. Duty DODGE 2WD 7 = Med. Duty DODGE 4WD	51 = WAGON WHEEL BASE 1 52 = WAGON WHEEL BASE 2 14 = VAN WHEEL BASE 4 15 = VAN WHEEL BASE 5 16 = VAN WHEEL BASE 6 54 = WAGON WHEEL BASE 4 55 = WAGON WHEEL BASE 5 56 = WAGON WHEEL BASE 6 11 = VAN WHEEL BASE 1 12 = VAN WHEEL BASE 2	EX9 = Engine - 2.7L 5 Cly Mercedes Diesel	DGJ = Transmission-5-Spd. Automatic, W5A580

AR = use ase required - = Non illustrated part



**Windshield Wiper & Washer  
Figure 23D-205**

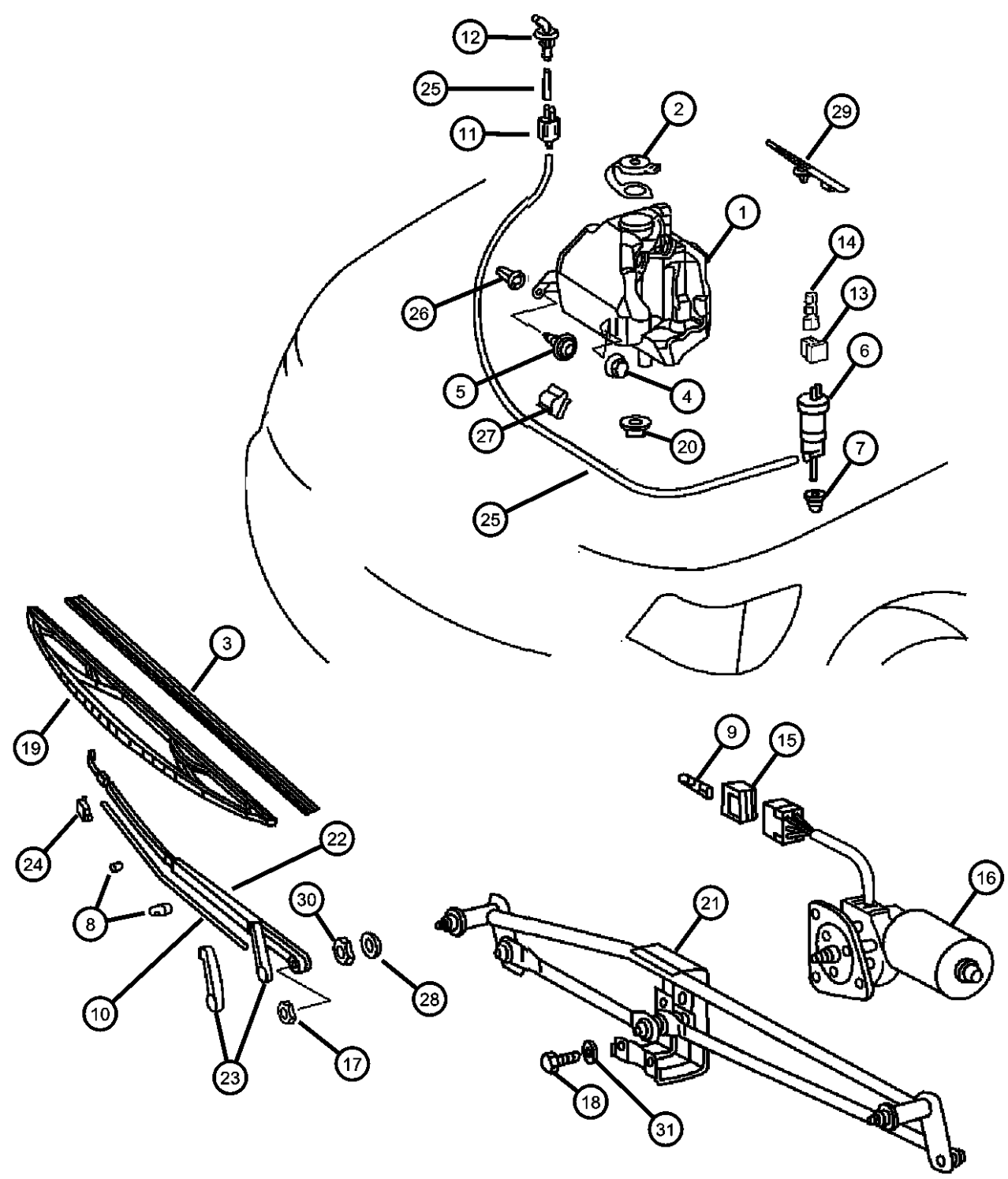


ITEM	PART NUMBER	QTY	LINE	SERIES	BODY	ENGINE	TRANS	TRIM	DESCRIPTION
1	05104503AA	1	2, 6		11, 12, 14, 15, 16				RESERVOIR, Washer
2	05125059AA	1	2, 6		11, 12, 14, 15, 16				CAP, Washer Reservoir
3	05133992AA	2	2, 6		11, 12, 14, 15, 16				REFILL, Wiper Blade
	WBW00024AD								Mopar Alternative Winter Wiper Blades
	WBW00022AD								Mopar Alternative Winter Wiper Blades
	WB000024AE								Mopar V-Line Alternative Part
	WB000022AE								Mopar V-Line Alternative Part
	WB-BLU022AA								Mopar Alternative Color Wiper Blade (Blue)
	WBRED022AA								Mopar Alternative Color Wiper Blade (Red)
	WBYEL022AA								Mopar Alternative Color Wiper Blade (Yellow)
	WB-WHI022AA								Mopar Alternative Color Wiper Blade (White)
	WB-CAR022AA								Mopar Alternative Color Wiper Blade (Carbon Fiber)
	WB-BLU024AA								Mopar Alternative Color Wiper Blade (Blue)
	WBRED024AA								Mopar Alternative Color Wiper Blade (Red)
	WBYEL024AA								Mopar Alternative Color Wiper Blade (Yellow)
	WB-WHI024AA								Mopar Alternative Color Wiper Blade (White)
	WB-CAR024AA								Mopar Alternative Color Wiper Blade (Carbon Fiber)

**SPRINTER (VA)**  
 SERIES      LINE      BODY      ENGINE      TRANSMISSION  
 L = LOWLINE    3 = HD DODGE 2WD    51 = WAGON WHEEL BASE 1    EX9 = Engine - 2.7L 5 Cly    DGJ = Transmission-5-Spd.  
                   6 = Lt. Duty DODGE 4WD    52 = WAGON WHEEL BASE 2    Mercedes Diesel    Automatic,W5A580  
                   2 = Med. Duty DODGE 2WD    14 = VAN WHEEL BASE 4  
                   7 = Med. Duty DODGE 4WD    15 = VAN WHEEL BASE 5  
   16 = VAN WHEEL BASE 6  
   54 = WAGON WHEEL BASE 4  
   55 = WAGON WHEEL BASE 5  
   56 = WAGON WHEEL BASE 6  
   11 = VAN WHEEL BASE 1  
   12 = VAN WHEEL BASE 2

AR = use ase required - = Non illustrated part

**Windshield Wiper & Washer  
Figure 23D-205**



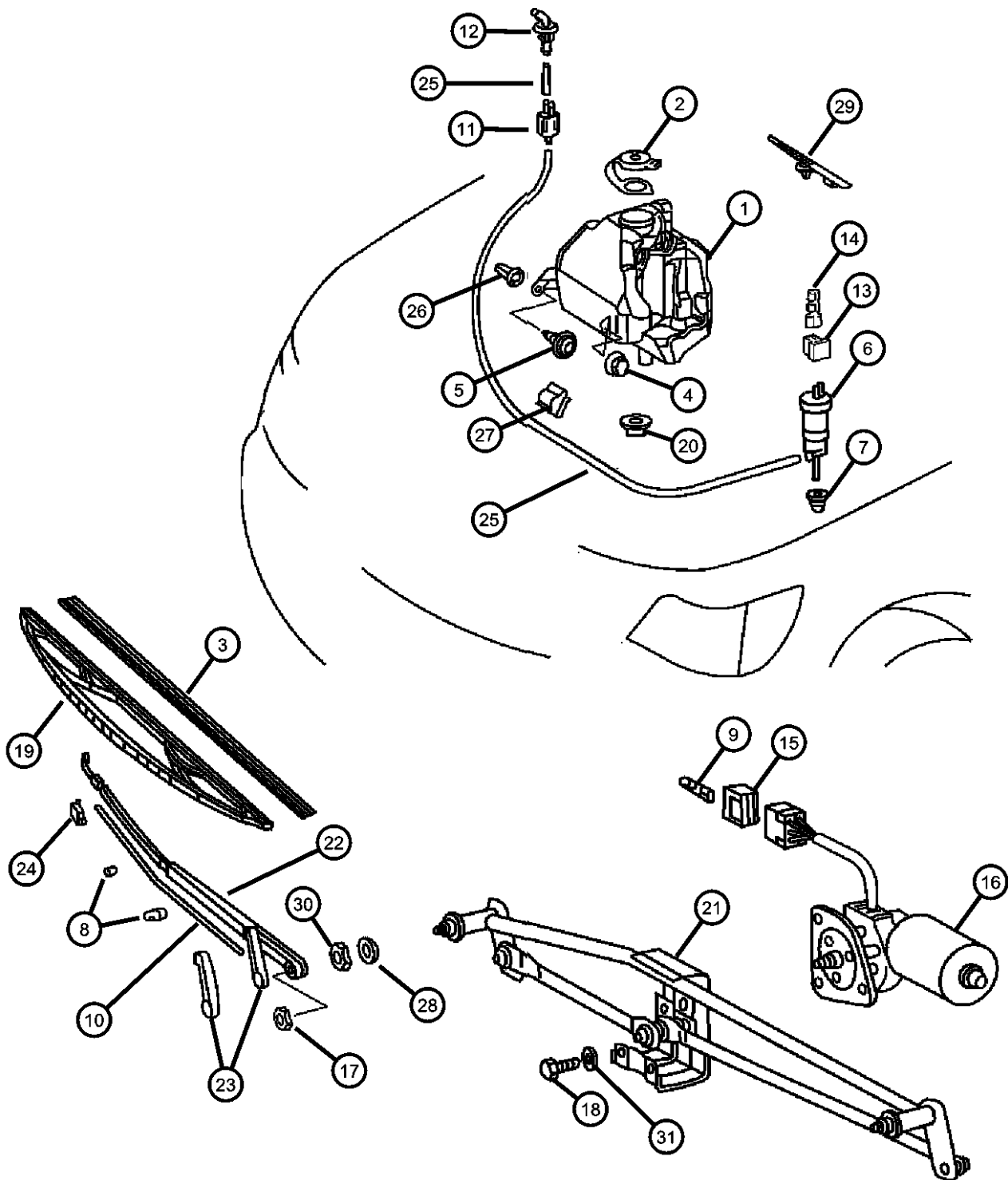
ITEM	PART NUMBER	QTY	LINE	SERIES	BODY	ENGINE	TRANS	TRIM	DESCRIPTION
		2	2, 6		51, 52, 54, 55, 56				
	WBW00024AD								Mopar Alternative Winter Wiper Blades
	WBW00022AD								Mopar Alternative Winter Wiper Blades
	WB000024AE								Mopar V-Line Alternative Part
	WB000022AE								Mopar V-Line Alternative Part
	WB-BLU022AA								Mopar Alternative Color Wiper Blade (Blue)
	WBRED022AA								Mopar Alternative Color Wiper Blade (Red)
	WBYEL022AA								Mopar Alternative Color Wiper Blade (Yellow)
	WB-WHI022AA								Mopar Alternative Color Wiper Blade (White)
	WB-CAR022AA								Mopar Alternative Color Wiper Blade (Carbon Fiber)
	WB-BLU024AA								Mopar Alternative Color Wiper Blade (Blue)
	WBRED024AA								Mopar Alternative Color Wiper Blade (Red)
	WBYEL024AA								Mopar Alternative Color Wiper Blade (Yellow)
	WB-WHI024AA								Mopar Alternative Color Wiper Blade (White)
	WB-CAR024AA								Mopar Alternative Color Wiper Blade (Carbon Fiber)
		2	3, 7		12, 15, 16				
	WBW00024AD								Mopar Alternative Winter Wiper Blades
	WBW00022AD								Mopar Alternative Winter Wiper Blades
	WB000024AE								Mopar V-Line Alternative Part
	WB000022AE								Mopar V-Line Alternative Part
	WB-BLU022AA								Mopar Alternative Color Wiper Blade (Blue)
	WBRED022AA								Mopar Alternative Color Wiper Blade (Red)
	WBYEL022AA								Mopar Alternative Color Wiper Blade (Yellow)

<b>SPRINTER (VA)</b>								
SERIES	LINE	BODY	ENGINE	TRANSMISSION				
L = LOWLINE	3 = HD DODGE 2WD 6 = Lt. Duty DODGE 4WD 2 = Med. Duty DODGE 2WD 7 = Med. Duty DODGE 4WD	51 = WAGON WHEEL BASE 1 52 = WAGON WHEEL BASE 2 14 = VAN WHEEL BASE 4 15 = VAN WHEEL BASE 5 16 = VAN WHEEL BASE 6 54 = WAGON WHEEL BASE 4 55 = WAGON WHEEL BASE 5 56 = WAGON WHEEL BASE 6 11 = VAN WHEEL BASE 1 12 = VAN WHEEL BASE 2	EX9 = Engine - 2.7L 5 Cly Mercedes Diesel	DGJ = Transmission-5-Spd. Automatic, W5A580				

AR = use ase required - = Non illustrated part

**Windshield Wiper & Washer  
Figure 23D-205**



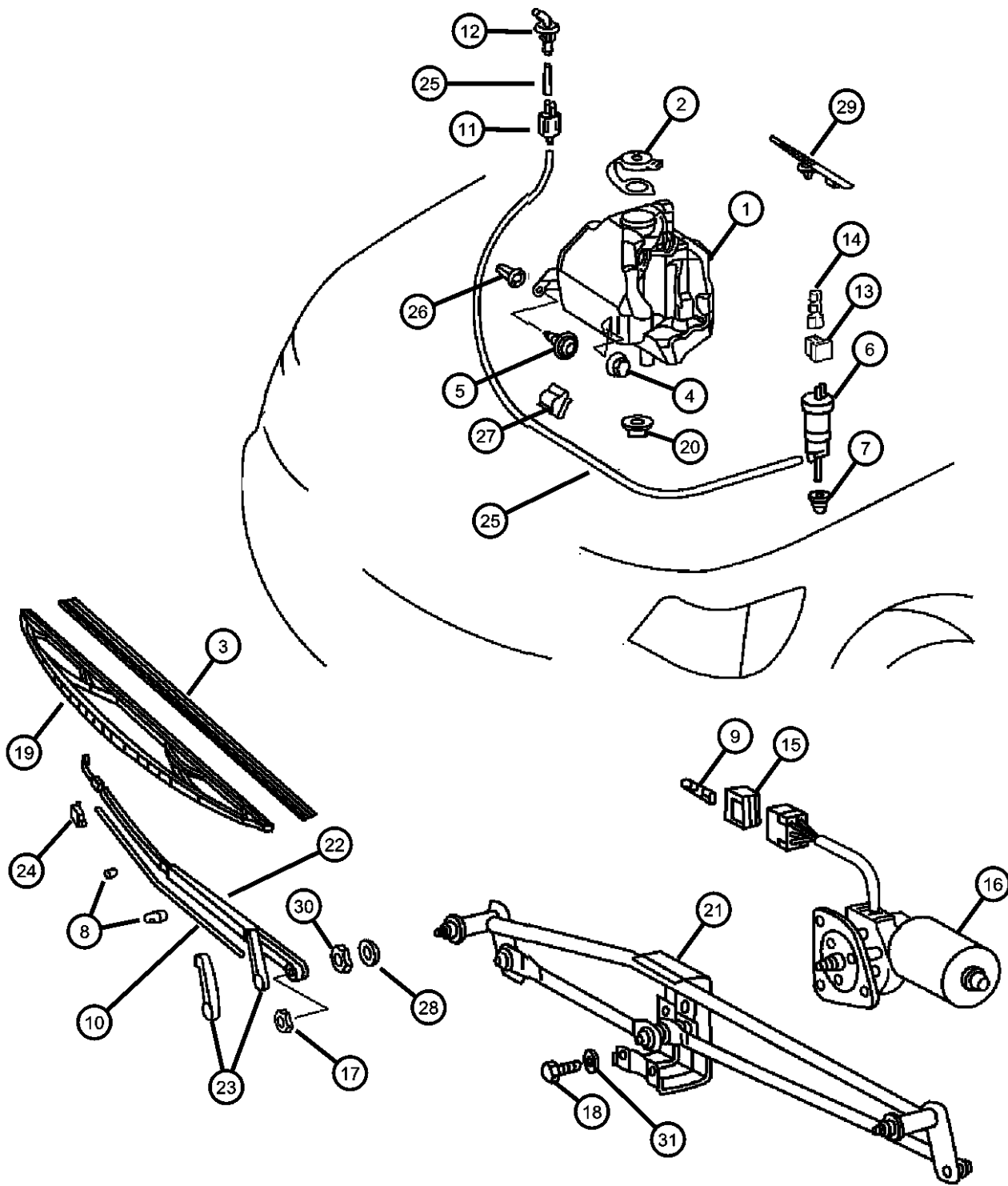
ITEM	PART NUMBER	QTY	LINE	SERIES	BODY	ENGINE	TRANS	TRIM	DESCRIPTION
	WB-WHI022AA								Mopar Alternative Color Wiper Blade (White)
	WB-CAR022AA								Mopar Alternative Color Wiper Blade (Carbon Fiber)
	WB-BLU024AA								Mopar Alternative Color Wiper Blade (Blue)
	WBRED024AA								Mopar Alternative Color Wiper Blade (Red)
	WBYEL024AA								Mopar Alternative Color Wiper Blade (Yellow)
	WB-WHI024AA								Mopar Alternative Color Wiper Blade (White)
	WB-CAR024AA								Mopar Alternative Color Wiper Blade (Carbon Fiber)
4									NUT, Hex, M6
	05096978AA	3	2, 6		11, 12, 14, 15, 16				Reservoir Attach
		3	2, 6		51, 52, 54, 55, 56				Reservoir Attach
		1	3, 7		12, 15, 16				Reservoir Attach
5									SCREW
	06104582AA	2	2, 6		11, 12, 14, 15, 16				Reservoir Attach
		4	3, 7		12, 15, 16				Reservoir Attach
		4	2, 6		51, 52, 54, 55, 56				Reservoir Attach
6									PUMP, Washer, Windshield
	05103700AA	1	2, 6		12, 14, 15, 16, 11				Stamp nbr. A0008603326
		1	2, 6		51, 52, 54, 55, 56				Stamp nbr. A0008603326
		1	3, 7		12, 15, 16				Stamp nbr. A0008603326
	05124954AA	1	2, 6		11, 12, 14, 15, 16				Stamp nbr. A0008604826
		1	2, 6		51, 52, 54, 55, 56				Stamp nbr. A0008604826
		1	3, 7		12, 15, 16				Stamp nbr. A0008604826
7									GROMMET, Windshield Washer Pump
	05125077AA	1	2, 6		11, 12, 14, 15, 16				

**SPRINTER (VA)**

<b>SERIES</b>	<b>LINE</b>	<b>BODY</b>	<b>ENGINE</b>	<b>TRANSMISSION</b>
L = LOWLINE	3 = HD DODGE 2WD 6 = Lt. Duty DODGE 4WD 2 = Med. Duty DODGE 2WD 7 = Med. Duty DODGE 4WD	51 = WAGON WHEEL BASE 1 52 = WAGON WHEEL BASE 2 14 = VAN WHEEL BASE 4 15 = VAN WHEEL BASE 5 16 = VAN WHEEL BASE 6 54 = WAGON WHEEL BASE 4 55 = WAGON WHEEL BASE 5 56 = WAGON WHEEL BASE 6 11 = VAN WHEEL BASE 1 12 = VAN WHEEL BASE 2	EX9 = Engine - 2.7L 5 Cly Mercedes Diesel	DGJ = Transmission-5-Spd. Automatic, W5A580

AR = use ase required - = Non illustrated part

**Windshield Wiper & Washer  
Figure 23D-205**



ITEM	PART NUMBER	QTY	LINE	SERIES	BODY	ENGINE	TRANS	TRIM	DESCRIPTION
8		1	2, 6		51, 52, 54, 55, 56				CLIP, Washer Hose
		1	3, 7		12, 15, 16				Lower Arm
	05133995AA	1	2, 6		51, 52, 54, 55, 56				Lower Arm
		1	3, 7		12, 15, 16				Lower Arm
	05133994AA	1	2, 6		11, 12, 14, 15, 16				Upper Arm
		1	2, 6		51, 52, 54, 55, 56				Upper Arm
		1	3, 7		12, 15, 16				Upper Arm
		1	2, 6		11, 12, 14, 15, 16				Lower Arm
9									HOSE, Windshield Washer
	05127702AA	100	2, 6		11, 12, 14, 15, 16				20 Meters Long
		100	2, 6		51, 52, 54, 55, 56				20 Meters Long
10									HOSE, Windshield Washer
	05133993AA	900	2, 6		11, 12, 14, 15, 16				5 Meters Long
		900	2, 6		51, 52, 54, 55, 56				5 Meters Long
11									CHECK VALVE, Washer
	05124963AA	1	3, 7		12, 15, 16				
		1	2, 6		11, 12, 14, 15, 16				
12									CONNECTOR, Washer Hose,
									Elbow Type
	05125061AA	2	2, 6		11, 12, 14, 15, 16				

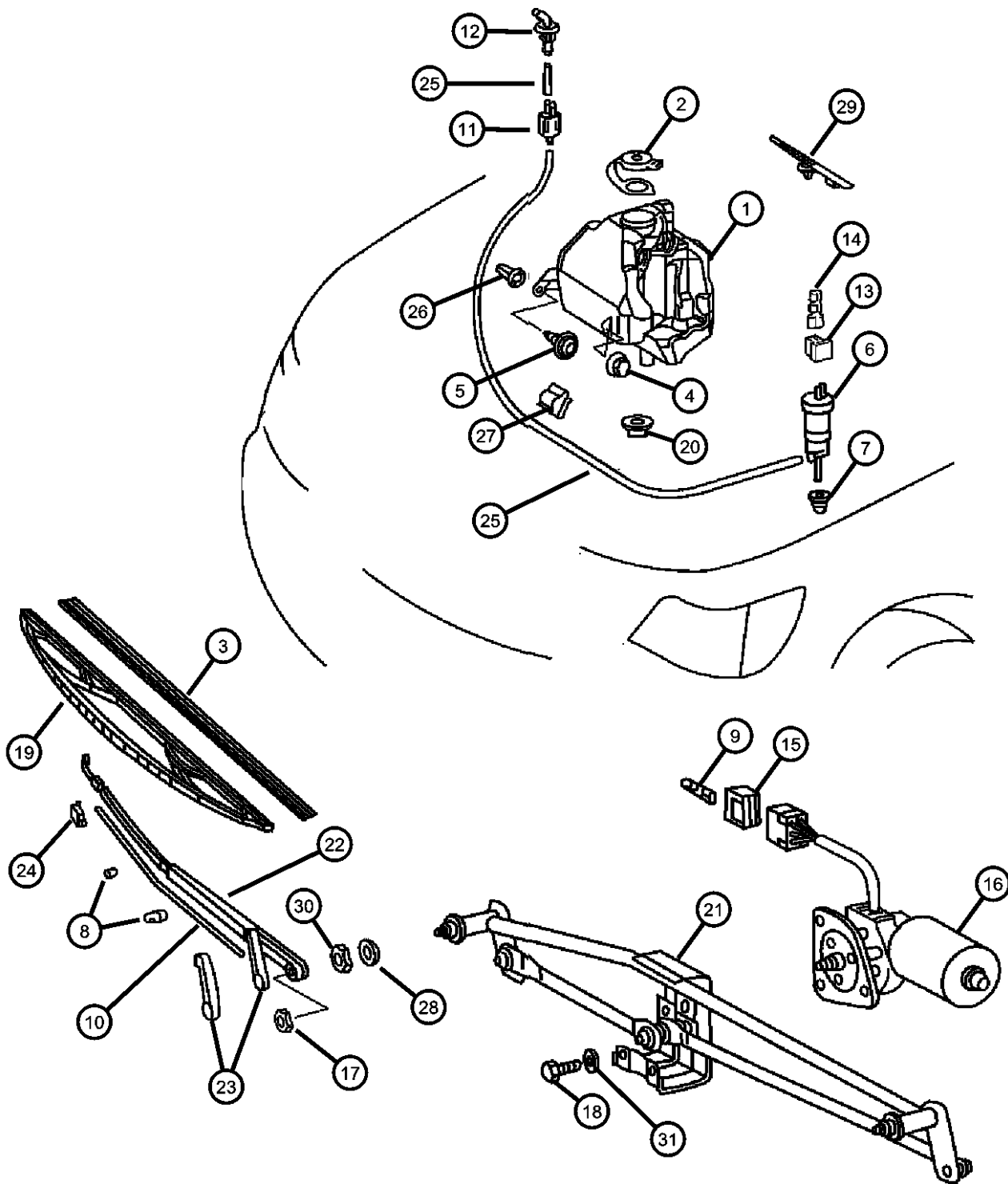
**SPRINTER (VA)**

SERIES	LINE
L = LOWLINE	3 = HD DODGE 2WD 6 = Lt. Duty DODGE 4WD 2 = Med. Duty DODGE 2WD 7 = Med. Duty DODGE 4WD

BODY	ENGINE
51 = WAGON WHEEL BASE 1 52 = WAGON WHEEL BASE 2 14 = VAN WHEEL BASE 4 15 = VAN WHEEL BASE 5 16 = VAN WHEEL BASE 6 54 = WAGON WHEEL BASE 4 55 = WAGON WHEEL BASE 5 56 = WAGON WHEEL BASE 6 11 = VAN WHEEL BASE 1 12 = VAN WHEEL BASE 2	EX9 = Engine - 2.7L 5 Cly Mercedes Diesel

TRANSMISSION
DGJ = Transmission-5-Spd. Automatic,W5A580

### Windshield Wiper & Washer Figure 23D-205



ITEM	PART NUMBER	QTY	LINE	SERIES	BODY	ENGINE	TRANS	TRIM	DESCRIPTION
13	05103754AA	1	2, 6		11, 12, 14, 15, 16				INSULATOR, 2 Way Female
		1	2, 6		51, 52, 54, 55, 56				
		1	3, 7		12, 15, 16				
14	05114451AA	1							TERMINAL, Female
15	05103870AA	1	2, 6		54, 55, 56, 51, 52				CONNECTOR
		1	3, 7		12, 15, 16				
		1	2, 6		11, 12, 14, 15, 16				
16	05103561AA	1	2, 3, 6, 7						MOTOR, Wiper
17	06104709AA	1	2, 6		11, 12, 14, 15, 16				NUT, M8 Wiper Arm to Bearing
		1	2, 6		51, 52, 54, 55, 56				Wiper Arm to Bearing
		1	3, 7		12, 15, 16				Wiper Arm to Bearing
18	06104179AA	1	2, 6		11, 12, 14, 15, 16				SCREW
		1	2, 6		51, 52, 54, 55, 56				
		1	3, 7		12, 15, 16				
19	05103543AA	1	2, 6		11, 12, 14, 15, 16				WIPER BLADE Passenger Side
	WBW00022AD								Mopar Alternative Winter Wiper Blades
	WB000022AE								Mopar V-Line Alternative Part
	WB- BLU022AA								Mopar Alternative Color Wiper Blade (Blue)
	WBRED022AA								Mopar Alternative Color Wiper Blade (Red)
	WBYEL022AA								Mopar Alternative Color Wiper Blade (Yellow)

**SPRINTER (VA)**

**SERIES**

L = LOWLINE

**LINE**

3 = HD DODGE 2WD  
6 = Lt. Duty DODGE 4WD  
2 = Med. Duty DODGE 2WD  
7 = Med. Duty DODGE 4WD

**BODY**

51 = WAGON WHEEL BASE 1 EX9 = Engine - 2.7L 5 Cly  
52 = WAGON WHEEL BASE 2 Mercedes Diesel  
14 = VAN WHEEL BASE 4  
15 = VAN WHEEL BASE 5  
16 = VAN WHEEL BASE 6  
54 = WAGON WHEEL BASE 4  
55 = WAGON WHEEL BASE 5  
56 = WAGON WHEEL BASE 6  
11 = VAN WHEEL BASE 1  
12 = VAN WHEEL BASE 2

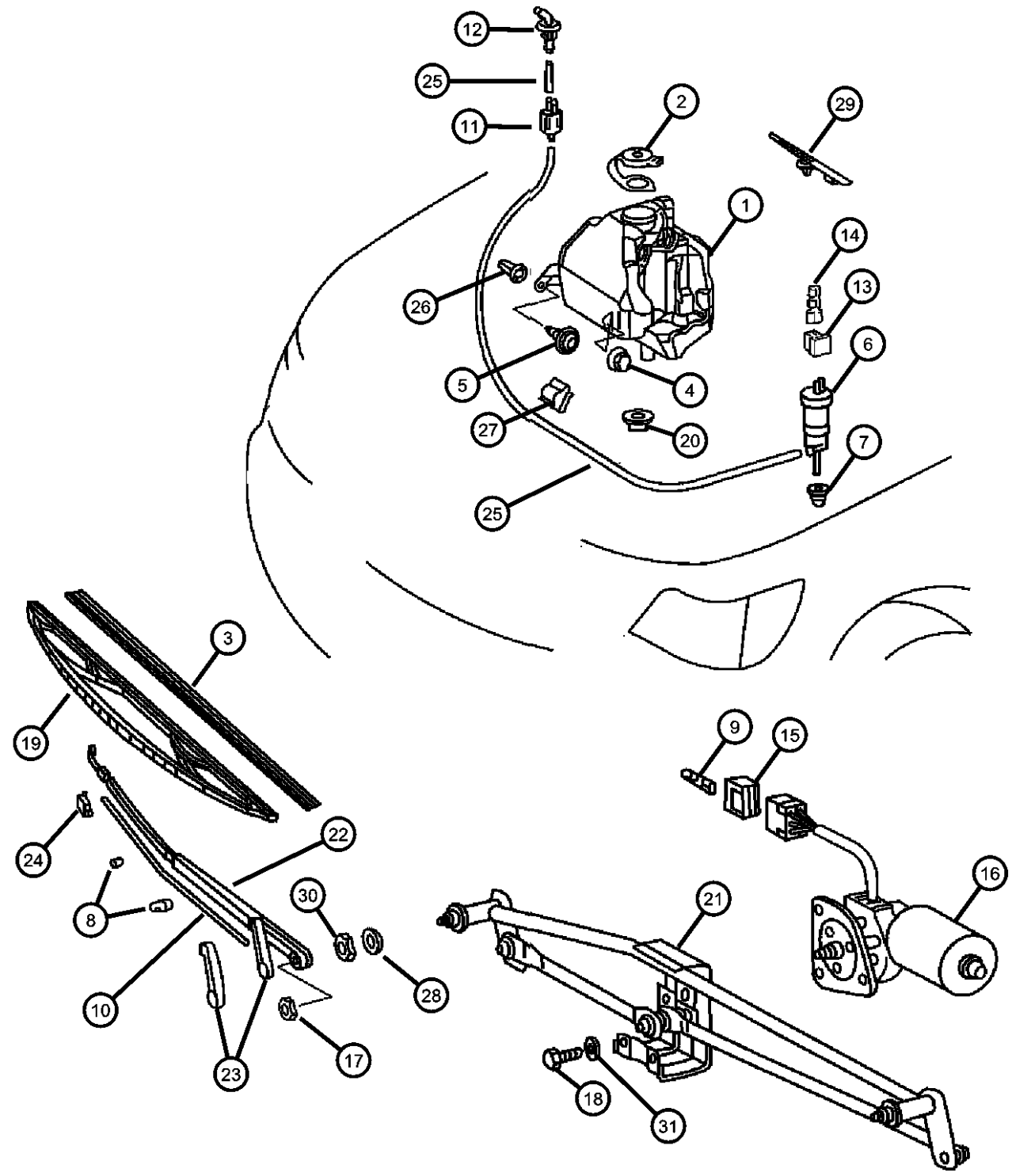
**ENGINE**

**TRANSMISSION**

DGJ = Transmission-5-Spd.  
Automatic, W5A580

AR = use ase required - = Non illustrated part

**Windshield Wiper & Washer  
Figure 23D-205**



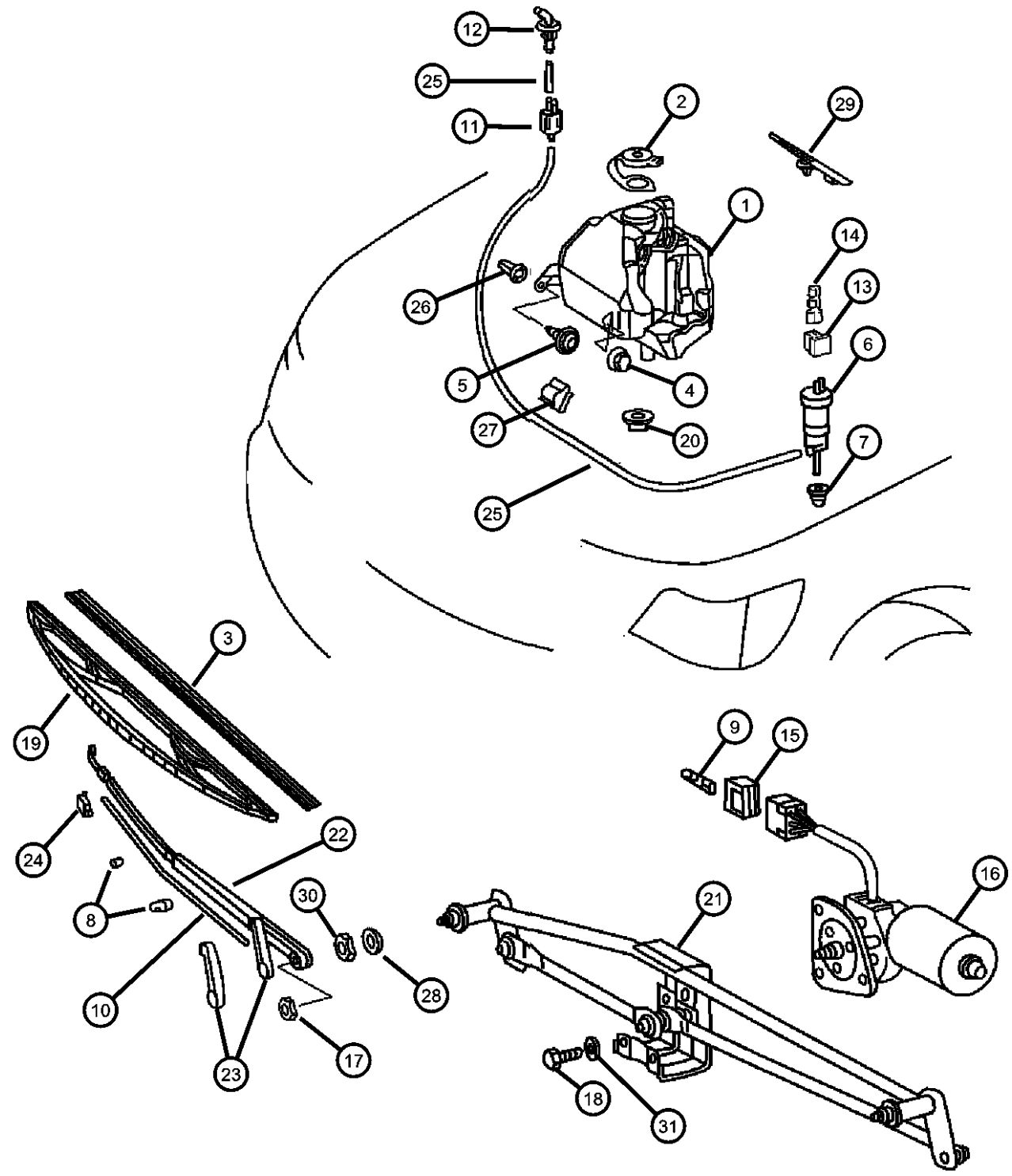
ITEM	PART NUMBER	QTY	LINE	SERIES	BODY	ENGINE	TRANS	TRIM	DESCRIPTION
	WB-WHI022AA WB-CAR022AA	1	2, 6		51, 52, 54, 55, 56				Mopar Alternative Color Wiper Blade (White) Mopar Alternative Color Wiper Blade (Carbon Fiber) Passenger Side
	WBW00022AD WB000022AE								Mopar Alternative Winter Wiper Blades Mopar V-Line Alternative Part
	WB-BLU022AA WBRED022AA WBVEL022AA								Mopar Alternative Color Wiper Blade (Blue) Mopar Alternative Color Wiper Blade (Red) Mopar Alternative Color Wiper Blade (Yellow)
	WB-WHI022AA WB-CAR022AA	1	3, 7		12, 15, 16				Mopar Alternative Color Wiper Blade (White) Mopar Alternative Color Wiper Blade (Carbon Fiber) Passenger Side
	WBW00022AD WB000022AE								Mopar Alternative Winter Wiper Blades Mopar V-Line Alternative Part
	WB-BLU022AA WBRED022AA WBVEL022AA								Mopar Alternative Color Wiper Blade (Blue) Mopar Alternative Color Wiper Blade (Red) Mopar Alternative Color Wiper Blade (Yellow)
	WB-WHI022AA WB-CAR022AA 05103544AA	1	2, 6		11, 12, 14, 15, 16				Mopar Alternative Color Wiper Blade (White) Mopar Alternative Color Wiper Blade (Carbon Fiber) Driver Side
	WBW00027AD WBW00024AD WB000024AE WB-BLU024AA								Mopar Alternative Winter Wiper Blades Mopar Alternative Winter Wiper Blades Mopar V-Line Alternative Part Mopar Alternative Color Wiper Blade (Blue)

**SPRINTER (VA)**

<b>SERIES</b>	<b>LINE</b>	<b>BODY</b>	<b>ENGINE</b>	<b>TRANSMISSION</b>
L = LOWLINE	3 = HD DODGE 2WD 6 = Lt. Duty DODGE 4WD 2 = Med. Duty DODGE 2WD 7 = Med. Duty DODGE 4WD	51 = WAGON WHEEL BASE 1 52 = WAGON WHEEL BASE 2 14 = VAN WHEEL BASE 4 15 = VAN WHEEL BASE 5 16 = VAN WHEEL BASE 6 54 = WAGON WHEEL BASE 4 55 = WAGON WHEEL BASE 5 56 = WAGON WHEEL BASE 6 11 = VAN WHEEL BASE 1 12 = VAN WHEEL BASE 2	EX9 = Engine - 2.7L 5 Cly Mercedes Diesel	DGJ = Transmission-5-Spd. Automatic,W5A580

AR = use ase required - = Non illustrated part

**Windshield Wiper & Washer  
Figure 23D-205**



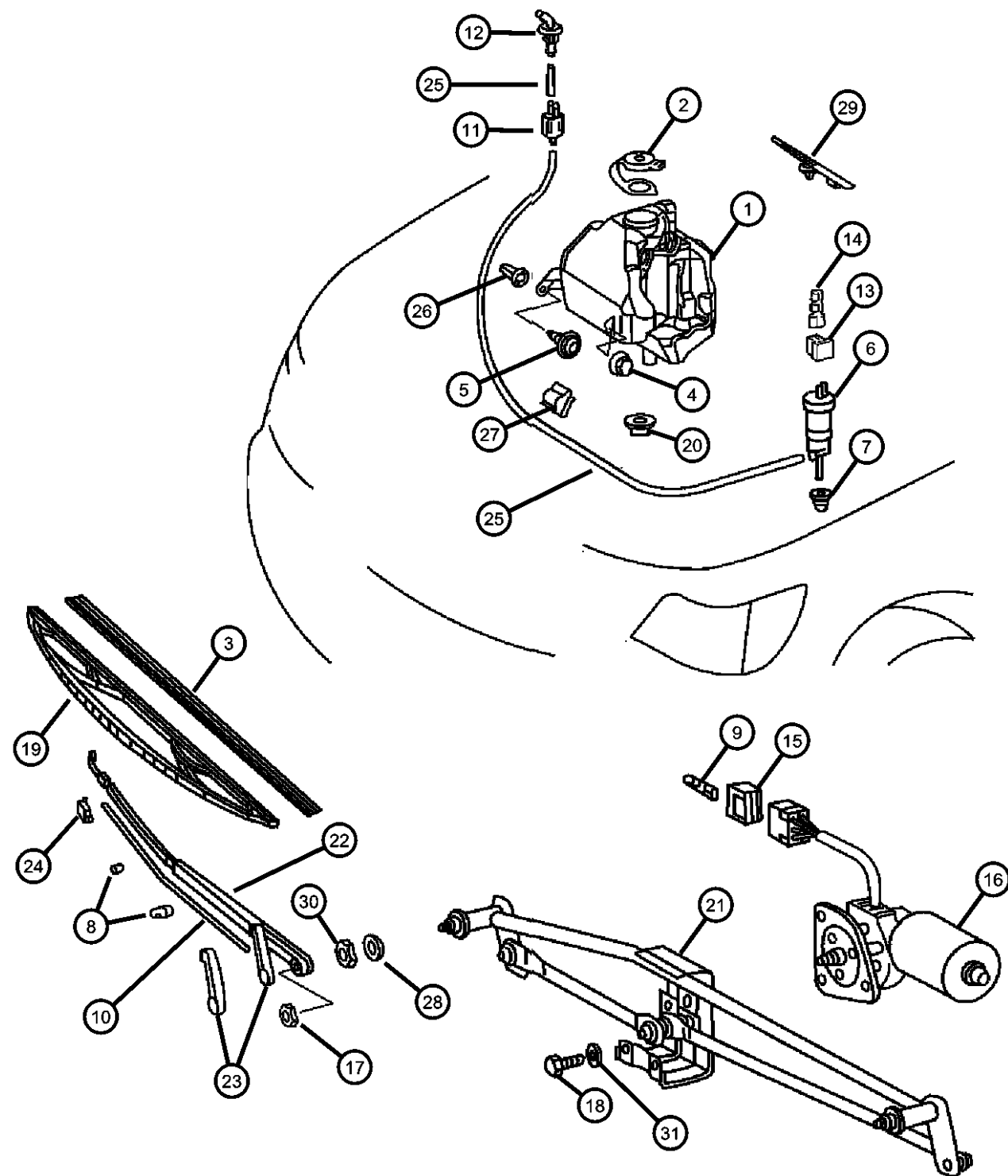
ITEM	PART NUMBER	QTY	LINE	SERIES	BODY	ENGINE	TRANS	TRIM	DESCRIPTION
------	-------------	-----	------	--------	------	--------	-------	------	-------------

	WBRED024AA								Mopar Alternative Color Wiper Blade (Red)
	WBYEL024AA								Mopar Alternative Color Wiper Blade (Yellow)
	WB-WHI024AA								Mopar Alternative Color Wiper Blade (White)
	WB-CAR024AA								Mopar Alternative Color Wiper Blade (Carbon Fiber)
		1	2, 6		51, 52, 54, 55, 56				Driver Side
	WBW00027AD								Mopar Alternative Winter Wiper Blades
	WBW00024AD								Mopar Alternative Winter Wiper Blades
	WB000024AE								Mopar V-Line Alternative Part
	WB-BLU024AA								Mopar Alternative Color Wiper Blade (Blue)
	WBRED024AA								Mopar Alternative Color Wiper Blade (Red)
	WBYEL024AA								Mopar Alternative Color Wiper Blade (Yellow)
	WB-WHI024AA								Mopar Alternative Color Wiper Blade (White)
	WB-CAR024AA								Mopar Alternative Color Wiper Blade (Carbon Fiber)
		1	3, 7		15, 16, 12				Driver Side
	WBW00027AD								Mopar Alternative Winter Wiper Blades
	WBW00024AD								Mopar Alternative Winter Wiper Blades
	WB000024AE								Mopar V-Line Alternative Part
	WB-BLU024AA								Mopar Alternative Color Wiper Blade (Blue)
	WBRED024AA								Mopar Alternative Color Wiper Blade (Red)
	WBYEL024AA								Mopar Alternative Color Wiper Blade (Yellow)
	WB-WHI024AA								Mopar Alternative Color Wiper Blade (White)
	WB-CAR024AA								Mopar Alternative Color Wiper Blade (Carbon Fiber)
20									GROMMET, Washer Reservoir

<b>SPRINTER (VA)</b>		<b>BODY</b>		<b>ENGINE</b>		<b>TRANSMISSION</b>	
SERIES	LINE						
L = LOWLINE	3 = HD DODGE 2WD	51 = WAGON WHEEL BASE 1	EX9 = Engine - 2.7L 5 Cly			DGJ = Transmission-5-Spd. Automatic, W5A580	
	6 = Lt. Duty DODGE 4WD	52 = WAGON WHEEL BASE 2	Mercedes Diesel				
	2 = Med. Duty DODGE 2WD	14 = VAN WHEEL BASE 4					
	7 = Med. Duty DODGE 4WD	15 = VAN WHEEL BASE 5					
		16 = VAN WHEEL BASE 6					
		54 = WAGON WHEEL BASE 4					
		55 = WAGON WHEEL BASE 5					
		56 = WAGON WHEEL BASE 6					
		11 = VAN WHEEL BASE 1					
		12 = VAN WHEEL BASE 2					

AR = use ase required - = Non illustrated part

Windshield Wiper & Washer  
Figure 23D-205



ITEM	PART NUMBER	QTY	LINE	SERIES	BODY	ENGINE	TRANS	TRIM	DESCRIPTION
	05125941AA	2	2, 6		11, 12, 14, 15, 16				
		2	2, 6		51, 52, 54, 55, 56				
		2	3, 7		12, 15, 16				
21	05133991AA	1							LINKAGE, Wiper Arm
22									ARM, Wiper
	05104458AA	1	2, 3, 6, 7						Left
	05104460AA	1	2, 3, 6, 7						Right
23	05103683AA	1	2, 3, 6, 7						COVER, Wiper Arm
24	05103698AA	1	2, 3, 6, 7						NOZZLE, Washer, Windshield
25									HOSE, Windshield Washer
	05125066AA	1	2, 6		11, 12, 14, 15, 16				
		1	2, 6		51, 52, 54, 55, 56				
		1	3, 7		12, 15, 16				
26									PLUG, Push Lock
	05132725AA	1	2, 6		11, 12, 14, 15, 16				
		1	2, 6		51, 52, 54, 55, 56				
		1	3, 7		12, 15, 16				
27									CLIP
	06507148AA	8	2, 6		11, 12, 14, 15, 16				
		8	2, 6		51, 52, 54, 55, 56				
		8	3, 7		12, 15, 16				
28	05125759AA	1	2, 3, 6, 7						WASHER
29									STRAP, Tie
	05133690AA	1	2, 6		11, 12, 14, 15, 16				
		1	2, 6		51, 52, 54, 55, 56				
		8	3, 7		12, 15, 16				
30	05125766AA	1	2, 3, 6, 7						NUT

SPRINTER (VA)

SERIES

L = LOWLINE

LINE

3 = HD DODGE 2WD  
6 = Lt. Duty DODGE 4WD  
2 = Med. Duty DODGE 2WD  
7 = Med. Duty DODGE 4WD

BODY

51 = WAGON WHEEL BASE 1 EX9 = Engine - 2.7L 5 Cly  
52 = WAGON WHEEL BASE 2 Mercedes Diesel  
14 = VAN WHEEL BASE 4  
15 = VAN WHEEL BASE 5  
16 = VAN WHEEL BASE 6  
54 = WAGON WHEEL BASE 4  
55 = WAGON WHEEL BASE 5  
56 = WAGON WHEEL BASE 6  
11 = VAN WHEEL BASE 1  
12 = VAN WHEEL BASE 2

ENGINE

TRANSMISSION

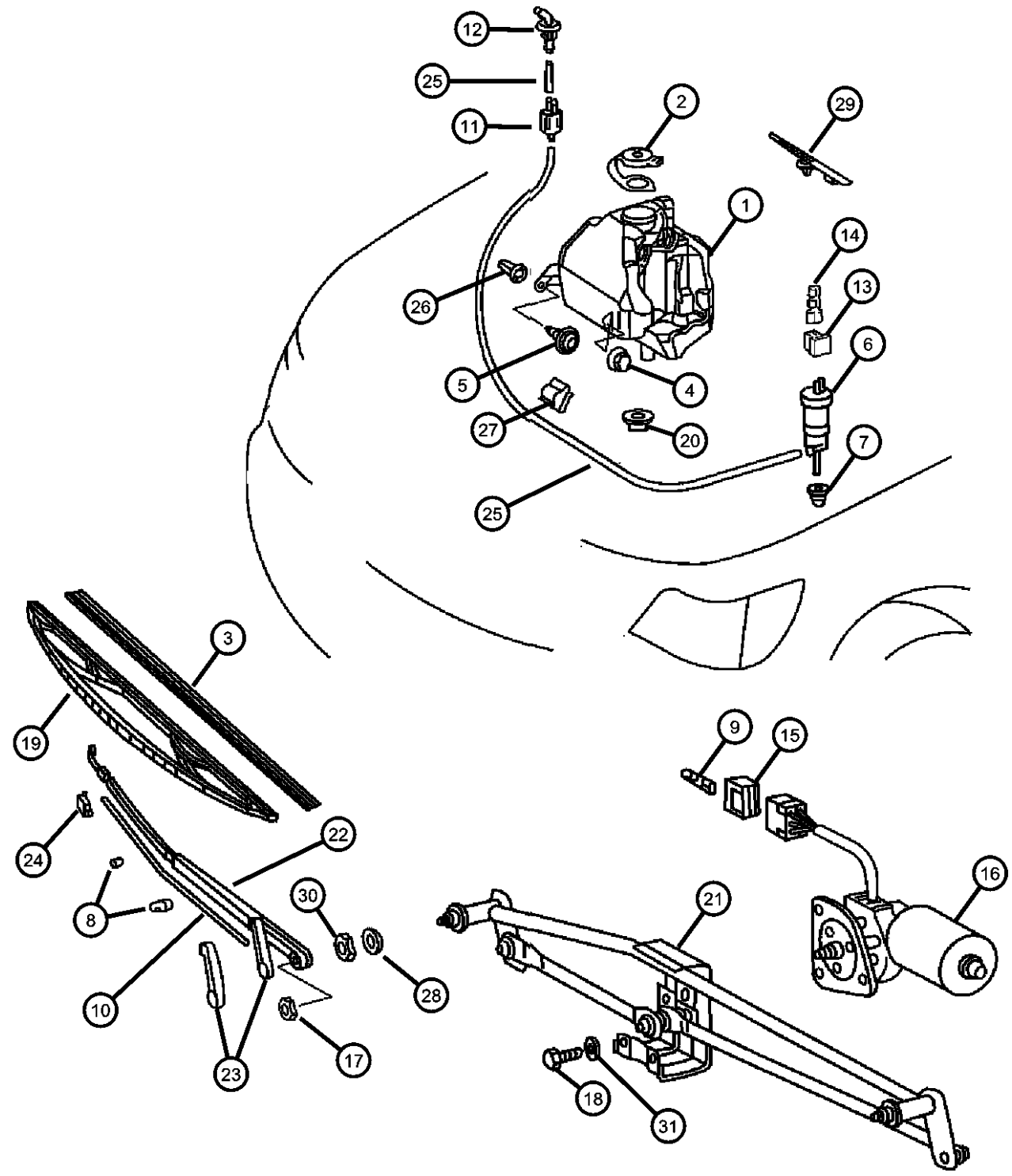
DGJ = Transmission-5-Spd. Automatic, W5A580

AR = use ase required - = Non illustrated part

2003 VA



**Windshield Wiper & Washer  
Figure 23D-205**



ITEM	PART NUMBER	QTY	LINE	SERIES	BODY	ENGINE	TRANS	TRIM	DESCRIPTION
------	-------------	-----	------	--------	------	--------	-------	------	-------------

31									WASHER
	05133908AA	1	2, 6		11, 12, 14,				15, 16
		1	2, 6		51, 52, 54,				55, 56
		1	3, 7		12, 15, 16				

<b>SPRINTER (VA)</b>							
<b>SERIES</b>	<b>LINE</b>	<b>BODY</b>	<b>ENGINE</b>	<b>TRANSMISSION</b>			
L = LOWLINE	3 = HD DODGE 2WD 6 = Lt. Duty DODGE 4WD 2 = Med. Duty DODGE 2WD 7 = Med. Duty DODGE 4WD	51 = WAGON WHEEL BASE 1 14 = VAN WHEEL BASE 4 15 = VAN WHEEL BASE 5 16 = VAN WHEEL BASE 6 54 = WAGON WHEEL BASE 4 55 = WAGON WHEEL BASE 5 56 = WAGON WHEEL BASE 6 11 = VAN WHEEL BASE 1 12 = VAN WHEEL BASE 2	EX9 = Engine - 2.7L 5 Cly Mercedes Diesel	DGJ = Transmission-5-Spd. Automatic,W5A580			

AR = use ase required - = Non illustrated part

# Group - 24

## Air Conditioning & Heater

### Group - 24 Air Conditioning & Heater

Illustration Title

Group-Fig. No.

#### Air Conditioner and Heater Units

Hevac Unit, Front.....Fig. 24 - 130

#### Air Conditioner and Heater Plumbing

Heat Exchanger and Plumbing.....Fig. 24 - 250  
 Plumbing, Heater.....Fig. 24 - 260  
 Plumbing, Heater with Auxiliary warm water Heater.....Fig. 24 - 265  
 Plumbing, Air Conditioning.....Fig. 24 - 270  
 Condenser, Fan Front.....Fig. 24 - 280  
 Condenser, Fan Roof.....Fig. 24 - 285  
 Auxiliary Warm Water Heater.....Fig. 24 - 290

#### Air Conditioner and Heater Controls

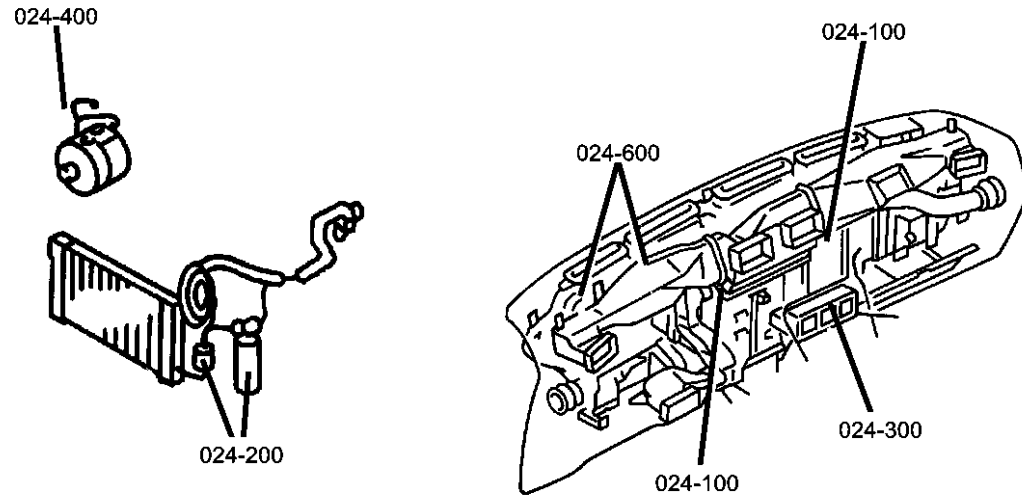
Control.....Fig. 24 - 320

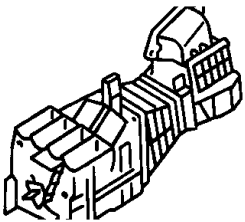
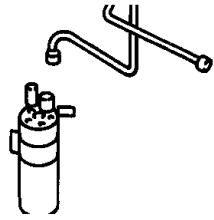
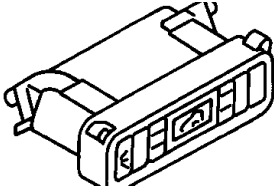
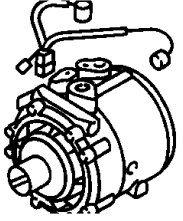
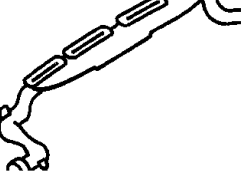
#### Air Conditioning Compressor

Compressor and Mounting.....Fig. 24 - 420

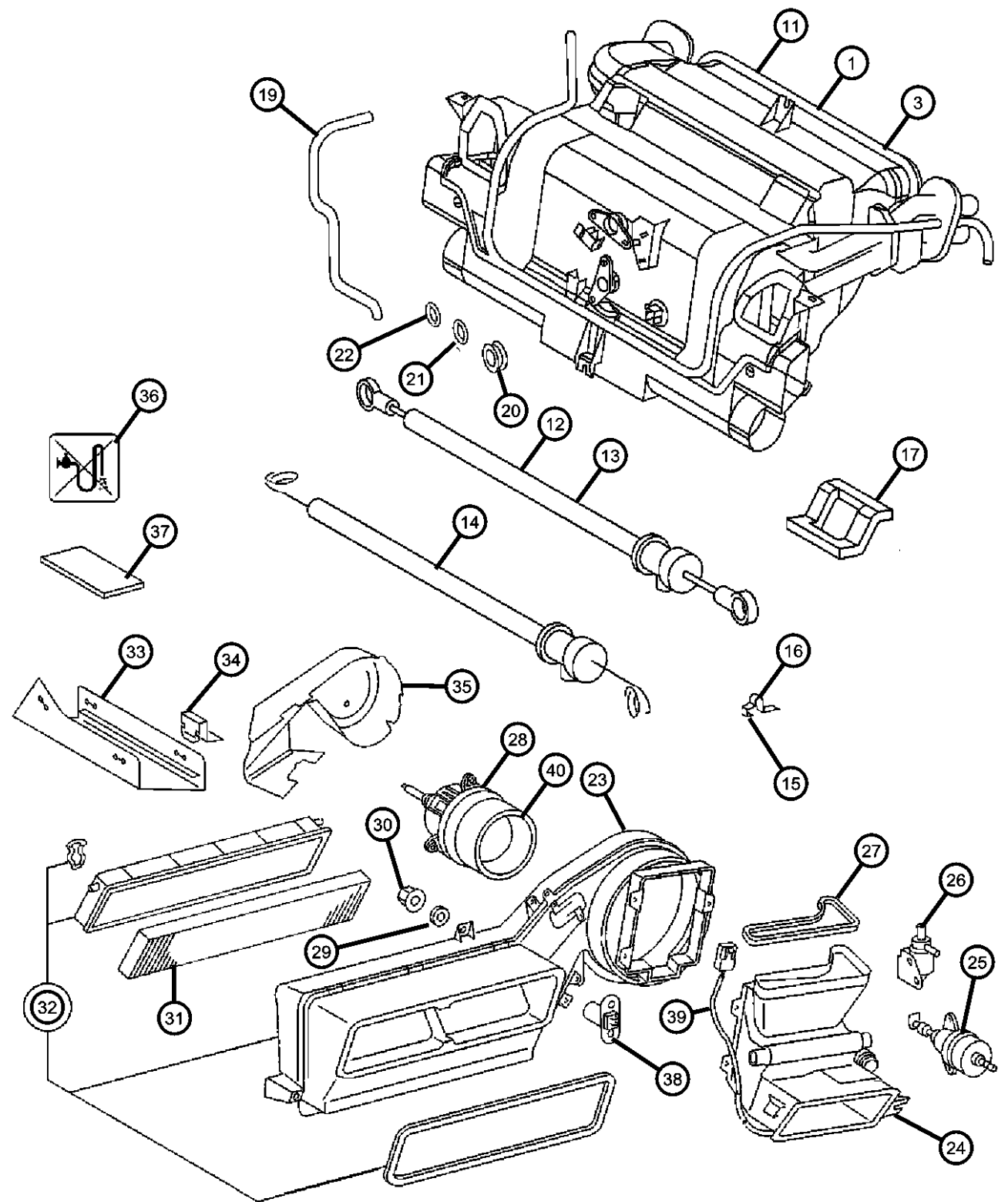
#### Air Ducts and Outlets

Air Ducts And Outlets, Front.....Fig. 24 - 630  
 Air Ducts And Outlets, Rear.....Fig. 24 - 640  
 Ventilator, Roof Mounted.....Fig. 24 - 650



<p><b>024-100</b> Air Conditioner and Heater Units</p> 	<p><b>024-200</b> Air Conditioner and Heater Plumbing</p> 	<p><b>024-300</b> Air Conditioner and Heater Controls</p> 	<p><b>024-400</b> Air Conditioning Compressor</p> 
<p><b>024-600</b> Air Ducts and Outlets</p> 			

Hevac Unit, Front  
Figure 24-130

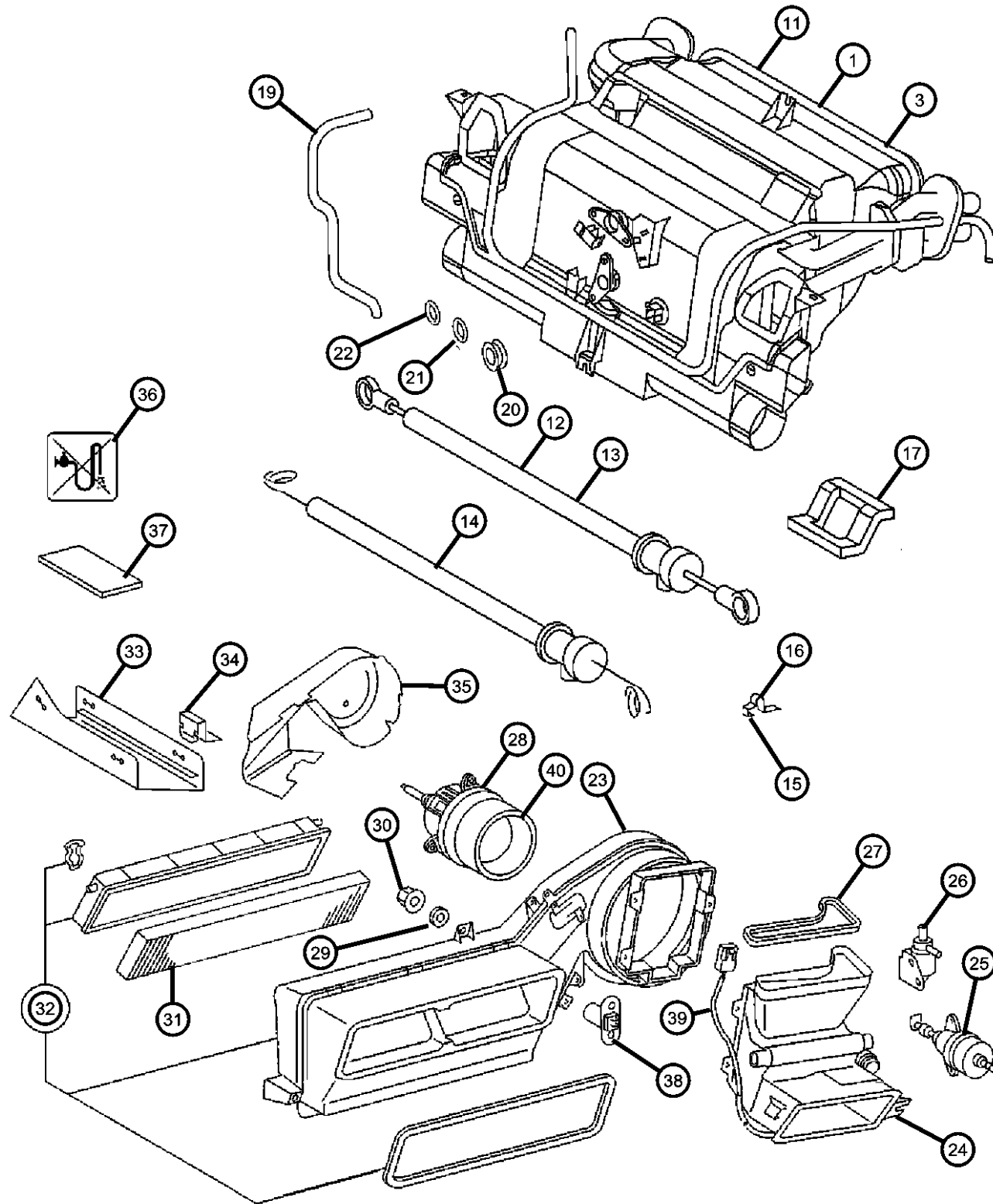


ITEM	PART NUMBER	QTY	LINE	SERIES	BODY	ENGINE	TRANS	TRIM	DESCRIPTION
1	05133422AA	1	2, 6		11, 12, 14, 15, 16				HEATER Heater
		1	2, 6		51, 52, 54, 55, 56				Heater
		1	3, 7		12, 15, 16				Heater
-2	06104610AA	4	2, 6		11, 12, 14, 15, 16				SCREW, Attaching
		4	3, 7		12, 15, 16				
		4	2, 6		51, 52, 54, 55, 56				
3	05134379AA	1	2, 6		11, 12, 14, 15, 16				AIR CONDITIONER, TEMP/MATIK, SPRINTER, Includes items 3 - 9
		1	2, 6		51, 52, 54, 55, 56				
		1	3, 7		12, 15, 16				
-4	05133424AA	1	2, 6		11, 12, 14, 15, 16				OUTLET, Air Conditioning & Heater
		1	2, 6		51, 52, 54, 55, 56				
		1	3, 7		12, 15, 16				
-5	05103773AA	1	2, 6		51, 52, 54, 55, 56				GASKET
		1	3, 7		12, 15, 16				
		1	2, 6		11, 12, 14, 15, 16				
-6	05103809AA	1	2, 6		11, 12, 14, 15, 16				VALVE
		1	2, 6		51, 52, 54, 55, 56				
		1	3, 7		12, 15, 16				
-7	05133425AA	1	2, 6		11, 12, 14, 15, 16				TUBE

SPRINTER (VA)  
 SERIES LINE BODY ENGINE TRANSMISSION  
 L = LOWLINE 3 = HD DODGE 2WD 51 = WAGON WHEEL BASE 1 EX9 = Engine - 2.7L 5 Cly DGJ = Transmission-5-Spd. Automatic, W5A580  
 6 = Lt. Duty DODGE 4WD 52 = WAGON WHEEL BASE 2 Mercedes Diesel  
 2 = Med. Duty DODGE 2WD 14 = VAN WHEEL BASE 4  
 7 = Med. Duty DODGE 4WD 15 = VAN WHEEL BASE 5  
 16 = VAN WHEEL BASE 6  
 54 = WAGON WHEEL BASE 4  
 55 = WAGON WHEEL BASE 5  
 56 = WAGON WHEEL BASE 6  
 11 = VAN WHEEL BASE 1  
 12 = VAN WHEEL BASE 2

AR = use ase required - = Non illustrated part

Hevac Unit, Front  
Figure 24-130



ITEM	PART NUMBER	QTY	LINE	SERIES	BODY	ENGINE	TRANS	TRIM	DESCRIPTION
-8	05133426AA	1	2, 6		51, 52, 54, 55, 56				HEATER, Exchanger
		1	3, 7		12, 15, 16				
-9	05103694AA	1	2, 6		11, 12, 14, 15, 16				EVAPORATOR, Air Conditioning
		1	2, 6		51, 52, 54, 55, 56				
-10	05103937AA	1	2, 6		11, 12, 14, 15, 16				SENSOR, Temperature Flat Plug Version
		1	2, 6		51, 52, 54, 55, 56				
11	05104477AA	1	2, 6		11, 12, 14, 15, 16				CONTROL, Electronic
		1	2, 6		51, 52, 54, 55, 56				
12	05104492AA	1	2, 6		11, 12, 14, 15, 16				CABLE, A/C And Heater Control
		1	2, 6		51, 52, 54, 55, 56				

SPRINTER (VA)

SERIES

L = LOWLINE

LINE

3 = HD DODGE 2WD  
6 = Lt. Duty DODGE 4WD  
2 = Med. Duty DODGE 2WD  
7 = Med. Duty DODGE 4WD

BODY

51 = WAGON WHEEL BASE 1  
52 = WAGON WHEEL BASE 2  
14 = VAN WHEEL BASE 4  
15 = VAN WHEEL BASE 5  
16 = VAN WHEEL BASE 6  
54 = WAGON WHEEL BASE 4  
55 = WAGON WHEEL BASE 5  
56 = WAGON WHEEL BASE 6  
11 = VAN WHEEL BASE 1  
12 = VAN WHEEL BASE 2

ENGINE

EX9 = Engine - 2.7L 5 Cly  
Mercedes Diesel

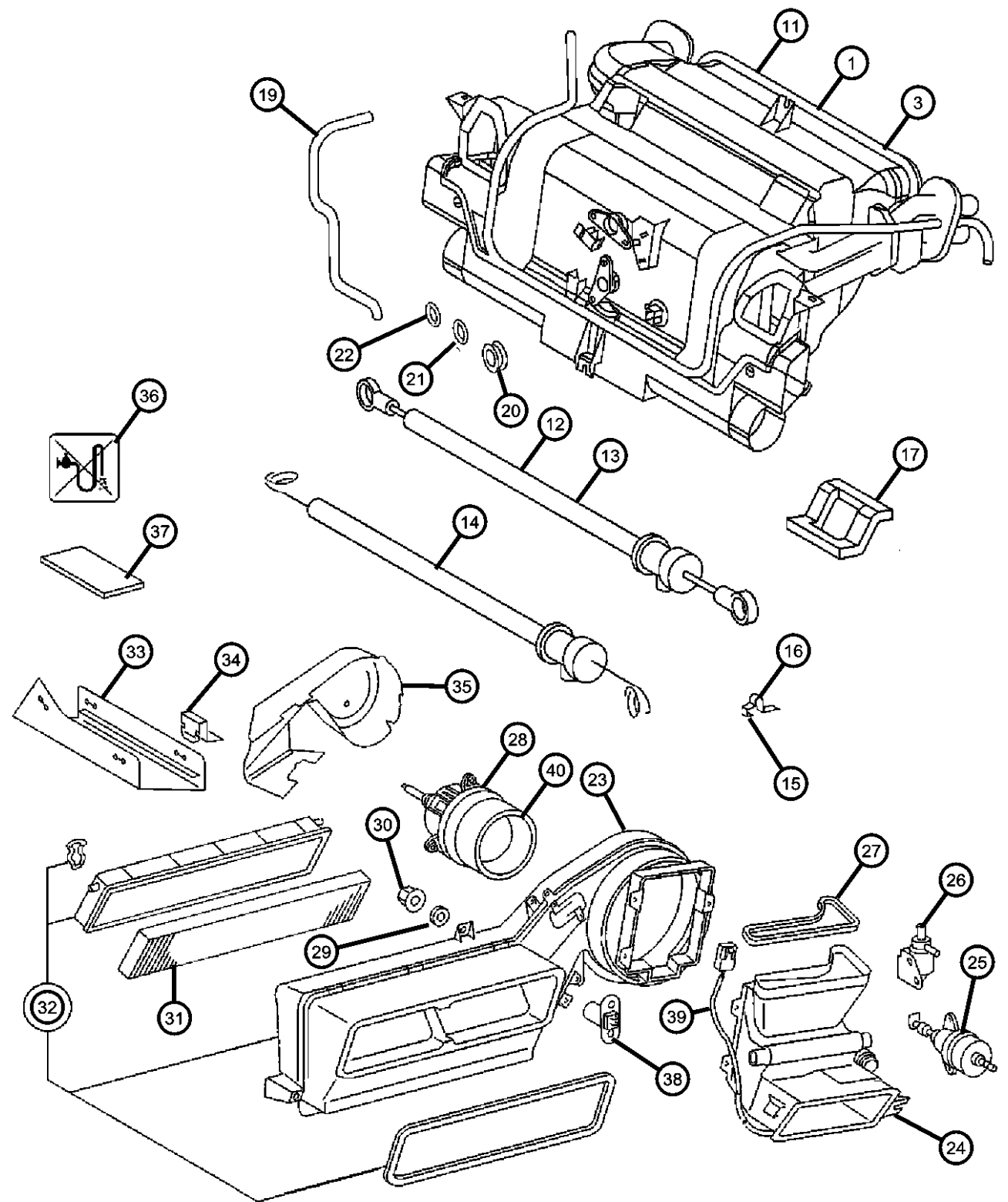
TRANSMISSION

DGJ = Transmission-5-Spd.  
Automatic,W5A580

AR = use ase required - = Non illustrated part

2003 VA

Hevac Unit, Front  
Figure 24-130

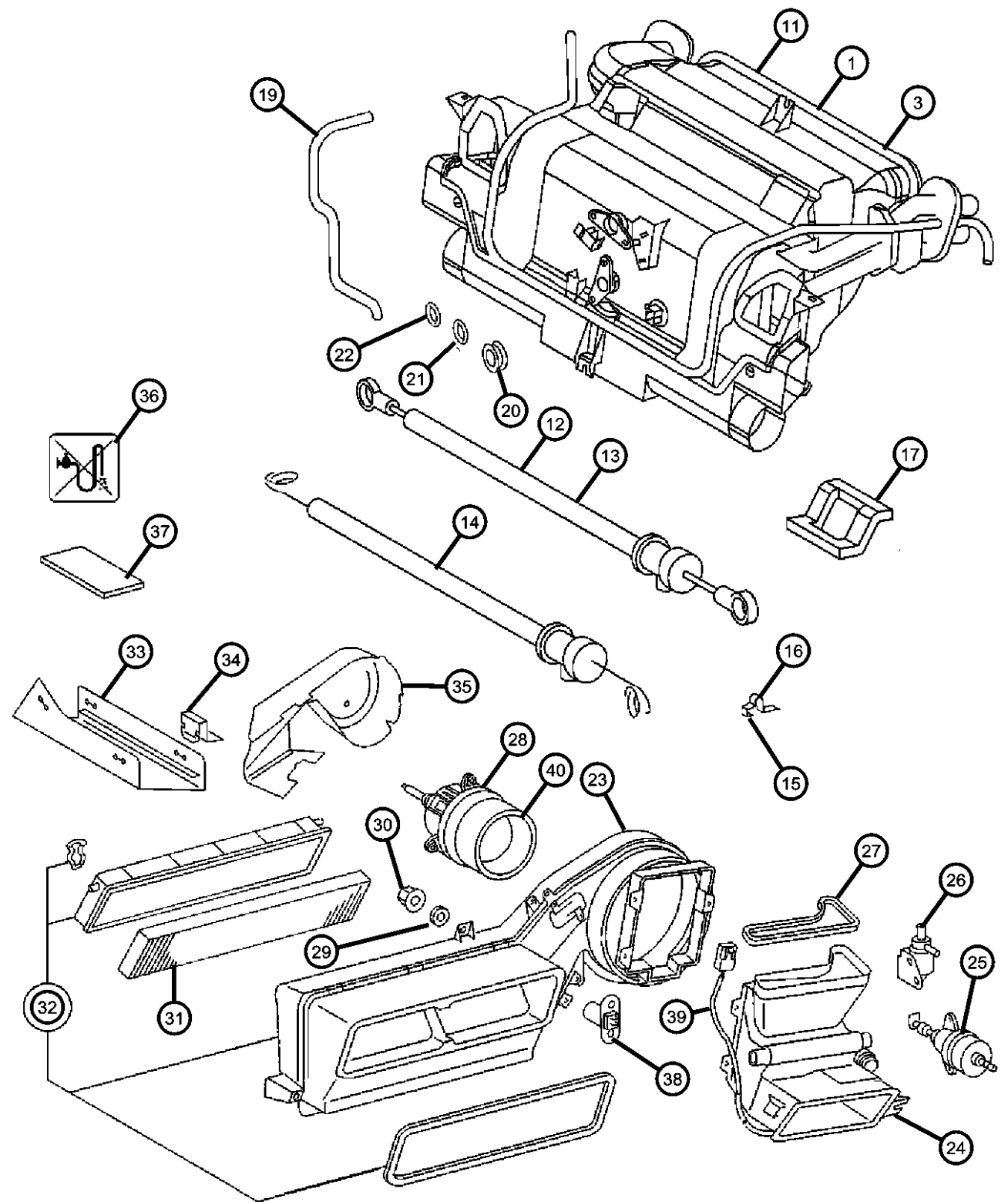


ITEM	PART NUMBER	QTY	LINE	SERIES	BODY	ENGINE	TRANS	TRIM	DESCRIPTION
13	05104493AA	1	2, 6		11, 12, 14, 15, 16				CABLE, A/C And Heater Control, Defrost
		1	2, 6		51, 52, 54, 55, 56				
		1	3, 7		12, 15, 16				
14	05104494AA	1	2, 6		11, 12, 14, 15, 16				CABLE, A/C And Heater Control, Water Valve
		1	2, 6		51, 52, 54, 55, 56				
		1	3, 7		12, 15, 16				
15	05125562AA	1	2, 6		11, 12, 14, 15, 16				CLIP
		1	2, 6		51, 52, 54, 55, 56				
		1	3, 7		12, 15, 16				
16	05103693AA	1	2, 6		11, 12, 14, 15, 16				CLIP, Cable
		1	2, 6		51, 52, 54, 55, 56				
		1	3, 7		12, 15, 16				
17	05124786AA	2	2, 6		11, 12, 14, 15, 16				SEAL
		2	2, 6		51, 52, 54, 55, 56				
		2	3, 7		12, 15, 16				
-18	05119332AA	1	2, 6		11, 12, 14, 15, 16				CLIP, Hose
		1	2, 6		51, 52, 54, 55, 56				
		1	3, 7		12, 15, 16				
19									HOSE

SPRINTER (VA)  
 SERIES LINE BODY ENGINE TRANSMISSION  
 L = LOWLINE 3 = HD DODGE 2WD 51 = WAGON WHEEL BASE 1 EX9 = Engine - 2.7L 5 Cly DGJ = Transmission-5-Spd. Automatic, W5A580  
 6 = Lt. Duty DODGE 4WD 52 = WAGON WHEEL BASE 2 Mercedes Diesel  
 2 = Med. Duty DODGE 2WD 14 = VAN WHEEL BASE 4  
 7 = Med. Duty DODGE 4WD 15 = VAN WHEEL BASE 5  
 16 = VAN WHEEL BASE 6  
 54 = WAGON WHEEL BASE 4  
 55 = WAGON WHEEL BASE 5  
 56 = WAGON WHEEL BASE 6  
 11 = VAN WHEEL BASE 1  
 12 = VAN WHEEL BASE 2

AR = use ase required - = Non illustrated part

Hevac Unit, Front  
Figure 24-130

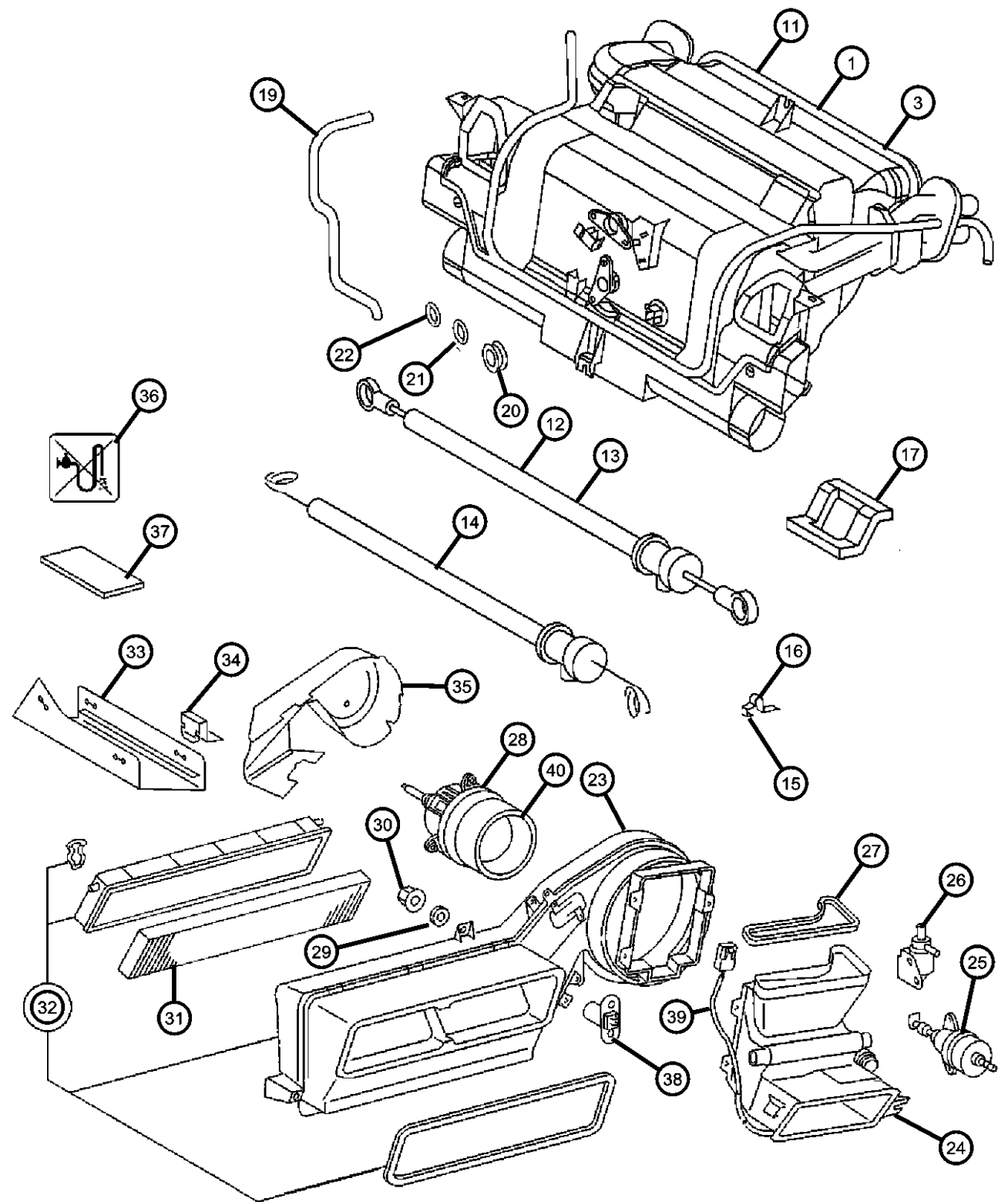


ITEM	PART NUMBER	QTY	LINE	SERIES	BODY	ENGINE	TRANS	TRIM	DESCRIPTION
	05124827AA	1	2, 6		11, 12, 14, 15, 16				
		1	2, 6		51, 52, 54, 55, 56				
		1	3, 7		12, 15, 16				
20	05125938AA	1	2, 6		11, 12, 14, 15, 16				GROMMET
		1	2, 6		51, 52, 54, 55, 56				
		1	3, 7		12, 15, 16				
21	05098971AA	1	2, 6		11, 12, 14, 15, 16				O RING, A/C Line
		1	2, 6		51, 52, 54, 55, 56				
		1	3, 7		12, 15, 16				
22	05098972AA	1	2, 6		11, 12, 14, 15, 16				O RING, A/C Line
		1	2, 6		51, 52, 54, 55, 56				
		1	3, 7		12, 15, 16				
23	05124712AA	1	2, 6		11, 12, 14, 15, 16				HOUSING, Heater
		1	2, 6		51, 52, 54, 55, 56				Heater
		1	3, 7		12, 15, 16				Heater
	05124713AA	1	2, 6		11, 12, 14, 15, 16				A/C
		1	2, 6		51, 52, 54, 55, 56				A/C
		1	3, 7		12, 15, 16				A/C
24	05133430AA	1	2, 6		51, 52, 54, 55, 56				DUCT, Air Outlet
		1	3, 7		12, 15, 16				

**SPRINTER (VA)**  
**SERIES**      **LINE**      **BODY**      **ENGINE**      **TRANSMISSION**  
L = LOWLINE    3 = HD DODGE 2WD    51 = WAGON WHEEL BASE 1    EX9 = Engine - 2.7L 5 Cly    DGJ = Transmission-5-Spd.  
                     6 = Lt. Duty DODGE 4WD    52 = WAGON WHEEL BASE 2    Mercedes Diesel    Automatic, W5A580  
                     2 = Med. Duty DODGE 2WD  
                     7 = Med. Duty DODGE 4WD  
                                 14 = VAN WHEEL BASE 4  
                                 15 = VAN WHEEL BASE 5  
                                 16 = VAN WHEEL BASE 6  
                                 54 = WAGON WHEEL BASE 4  
                                 55 = WAGON WHEEL BASE 5  
                                 56 = WAGON WHEEL BASE 6  
                                 11 = VAN WHEEL BASE 1  
                                 12 = VAN WHEEL BASE 2

AR = use ase required - = Non illustrated part

Hevac Unit, Front  
Figure 24-130



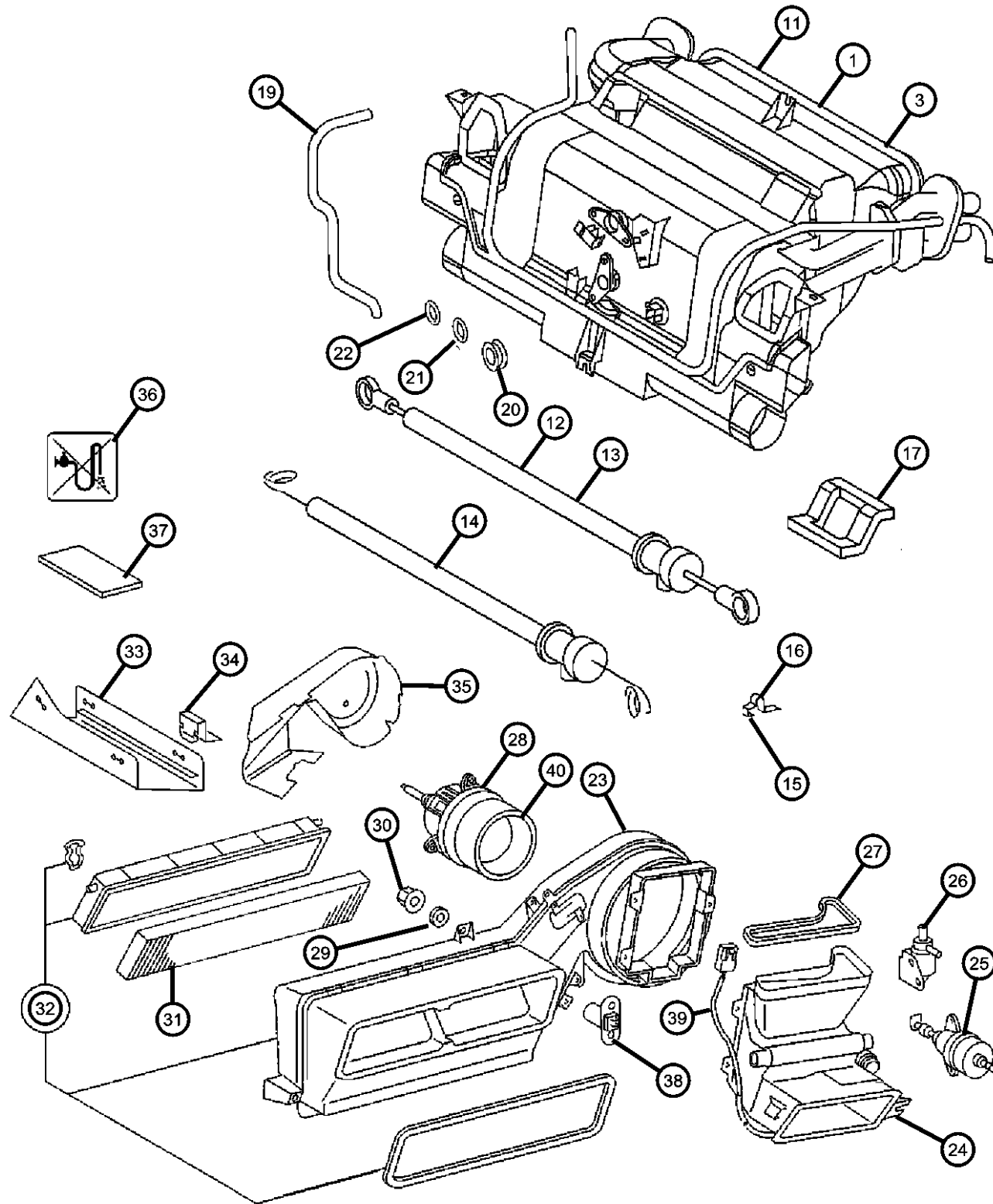
ITEM	PART NUMBER	QTY	LINE	SERIES	BODY	ENGINE	TRANS	TRIM	DESCRIPTION
25		1	2, 6		11, 12, 14, 15, 16				ACTUATOR, A/C and Heater
	05133441AA	1	2, 6		11, 12, 14, 15, 16				
26		1	2, 6		51, 52, 54, 55, 56				VALVE
	05133433AA	1	3, 7		12, 15, 16				
27		1	2, 6		11, 12, 14, 15, 16				SEAL
	05124770AA	1	2, 6		51, 52, 54, 55, 56				
28		1	2, 3, 6, 7		12, 15, 16				BLOWER
	05103772AA	1	2, 3, 6, 7		11, 12, 14, 15, 16				
29		1	3, 7		12, 15, 16				WASHER
	05133908AA	1	2, 6		11, 12, 14, 15, 16				
30		1	2, 6		51, 52, 54, 55, 56				NUT
	05125765AA	5	2, 6		11, 12, 14, 15, 16				
		5	2, 6		51, 52, 54, 55, 56				
		5	3, 7		12, 15, 16				
31		1	2, 6		11, 12, 14, 15, 16				FILTER, A/C and Heater Unit
	05103600AA	1	2, 6		11, 12, 14, 15, 16				
		1	2, 6		51, 52, 54, 55, 56				

**SPRINTER (VA)**

<b>SERIES</b>	<b>LINE</b>	<b>BODY</b>	<b>ENGINE</b>	<b>TRANSMISSION</b>
L = LOWLINE	3 = HD DODGE 2WD 6 = Lt. Duty DODGE 4WD 2 = Med. Duty DODGE 2WD 7 = Med. Duty DODGE 4WD	51 = WAGON WHEEL BASE 1 52 = WAGON WHEEL BASE 2 14 = VAN WHEEL BASE 4 15 = VAN WHEEL BASE 5 16 = VAN WHEEL BASE 6 54 = WAGON WHEEL BASE 4 55 = WAGON WHEEL BASE 5 56 = WAGON WHEEL BASE 6 11 = VAN WHEEL BASE 1 12 = VAN WHEEL BASE 2	EX9 = Engine - 2.7L 5 Cly Mercedes Diesel	DGJ = Transmission-5-Spd. Automatic, W5A580

AR = use ase required - = Non illustrated part

Hevac Unit, Front  
Figure 24-130



ITEM	PART NUMBER	QTY	LINE	SERIES	BODY	ENGINE	TRANS	TRIM	DESCRIPTION
32		1	3, 7		12, 15, 16				COVER, A/C and Heater
	05133439AA	1	2, 6		11, 12, 14, 15, 16				
		1	2, 6		51, 52, 54, 55, 56				
33		1	3, 7		12, 15, 16				ISOLATOR
	05124759AA	1	2, 6		11, 12, 14, 15, 16				
		1	2, 6		51, 52, 54, 55, 56				
		1	3, 7		12, 15, 16				
34		5	2, 6		11, 12, 14, 15, 16				CLIP
	05125571AA	5	2, 6		51, 52, 54, 55, 56				
		5	2, 6		12, 15, 16				
35		5	3, 7		12, 15, 16				INSULATION, Blower Motor
	05124760AA	1	2, 6		11, 12, 14, 15, 16				
		1	2, 6		51, 52, 54, 55, 56				
		1	3, 7		12, 15, 16				
36		1	2, 6		11, 12, 14, 15, 16				LABEL
	05121077AA	1	2, 6		51, 52, 54, 55, 56				
		1	2, 6		12, 15, 16				
37		1	3, 7		12, 15, 16				PAD
	05133443AA	5	3, 7		12, 15, 16				
		5	2, 6		11, 12, 14, 15, 16				
		5	2, 6		51, 52, 54, 55, 56				
38									RESISTOR, Blower Motor

SPRINTER (VA)

SERIES

L = LOWLINE

LINE

3 = HD DODGE 2WD  
6 = Lt. Duty DODGE 4WD  
2 = Med. Duty DODGE 2WD  
7 = Med. Duty DODGE 4WD

BODY

51 = WAGON WHEEL BASE 1 EX9 = Engine - 2.7L 5 Cly  
52 = WAGON WHEEL BASE 2 Mercedes Diesel  
14 = VAN WHEEL BASE 4  
15 = VAN WHEEL BASE 5  
16 = VAN WHEEL BASE 6  
54 = WAGON WHEEL BASE 4  
55 = WAGON WHEEL BASE 5  
56 = WAGON WHEEL BASE 6  
11 = VAN WHEEL BASE 1  
12 = VAN WHEEL BASE 2

ENGINE

TRANSMISSION

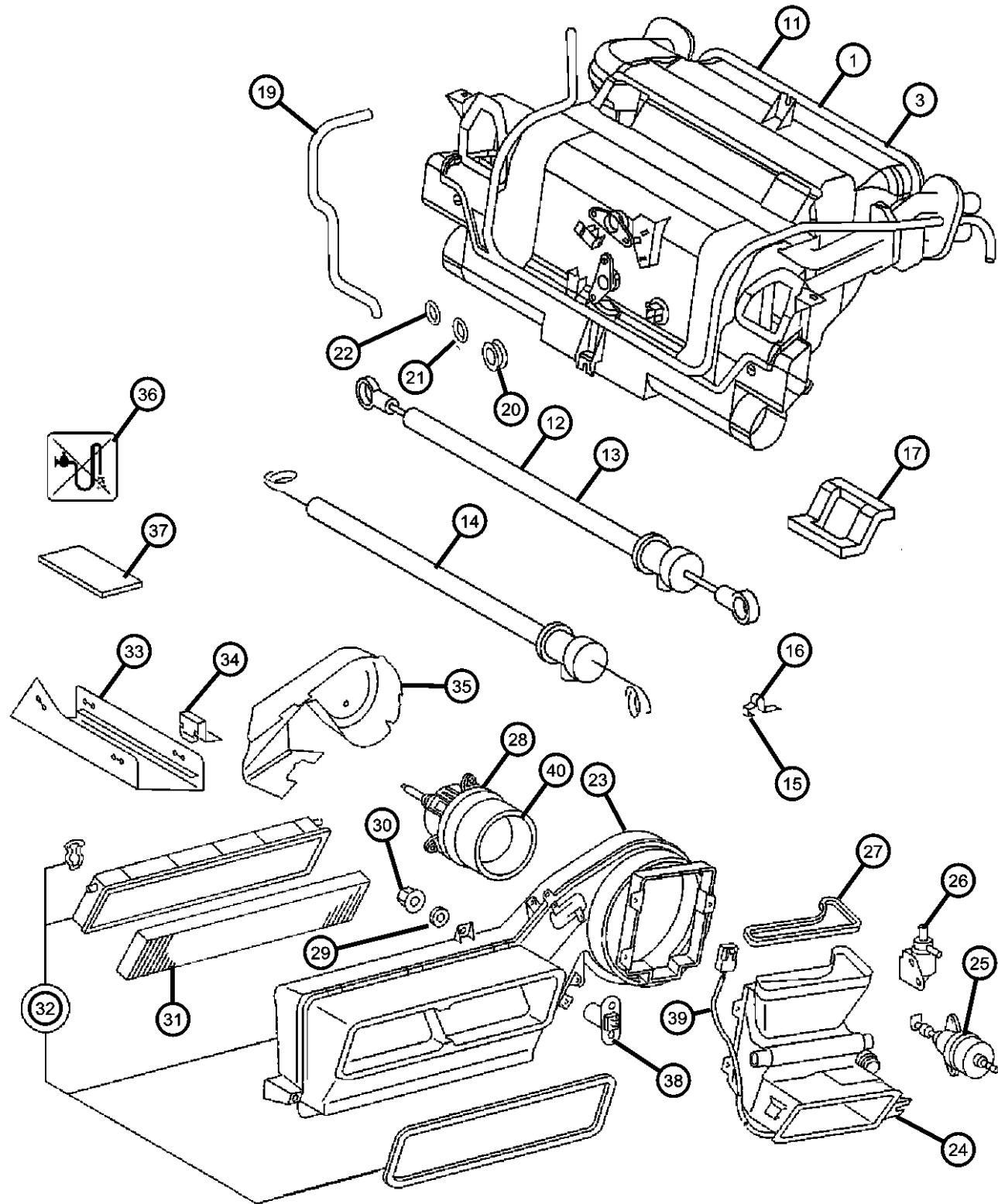
DGJ = Transmission-5-Spd. Automatic, W5A580

AR = use ase required - = Non illustrated part

2003 VA



Hevac Unit, Front  
Figure 24-130



ITEM	PART NUMBER	QTY	LINE	SERIES	BODY	ENGINE	TRANS	TRIM	DESCRIPTION
------	-------------	-----	------	--------	------	--------	-------	------	-------------

	05103766AA	1							Three Connectors
	05133432AA	1	3, 7		12, 15, 16				Single Connector
		1	2, 6		11, 12, 14, 15, 16				Single Connector
		1	2, 6		51, 52, 54, 55, 56				Single Connector
39									CABLE
	05133437AA	1	2, 6		11, 12, 14, 15, 16				
		1	2, 6		51, 52, 54, 55, 56				
	05133471AA	1	3, 7		12, 15, 16				
40									FAN
	05133435AA	1	3, 7		12, 15, 16				
		1	2, 6		11, 12, 14, 15, 16				
		1	2, 6		51, 52, 54, 55, 56				

SPRINTER (VA)

SERIES

L = LOWLINE

LINE

3 = HD DODGE 2WD  
6 = Lt. Duty DODGE 4WD  
2 = Med. Duty DODGE 2WD  
7 = Med. Duty DODGE 4WD

BODY

51 = WAGON WHEEL BASE 1  
52 = WAGON WHEEL BASE 2  
14 = VAN WHEEL BASE 4  
15 = VAN WHEEL BASE 5  
16 = VAN WHEEL BASE 6  
54 = WAGON WHEEL BASE 4  
55 = WAGON WHEEL BASE 5  
56 = WAGON WHEEL BASE 6  
11 = VAN WHEEL BASE 1  
12 = VAN WHEEL BASE 2

ENGINE

EX9 = Engine - 2.7L 5 Cly  
Mercedes Diesel

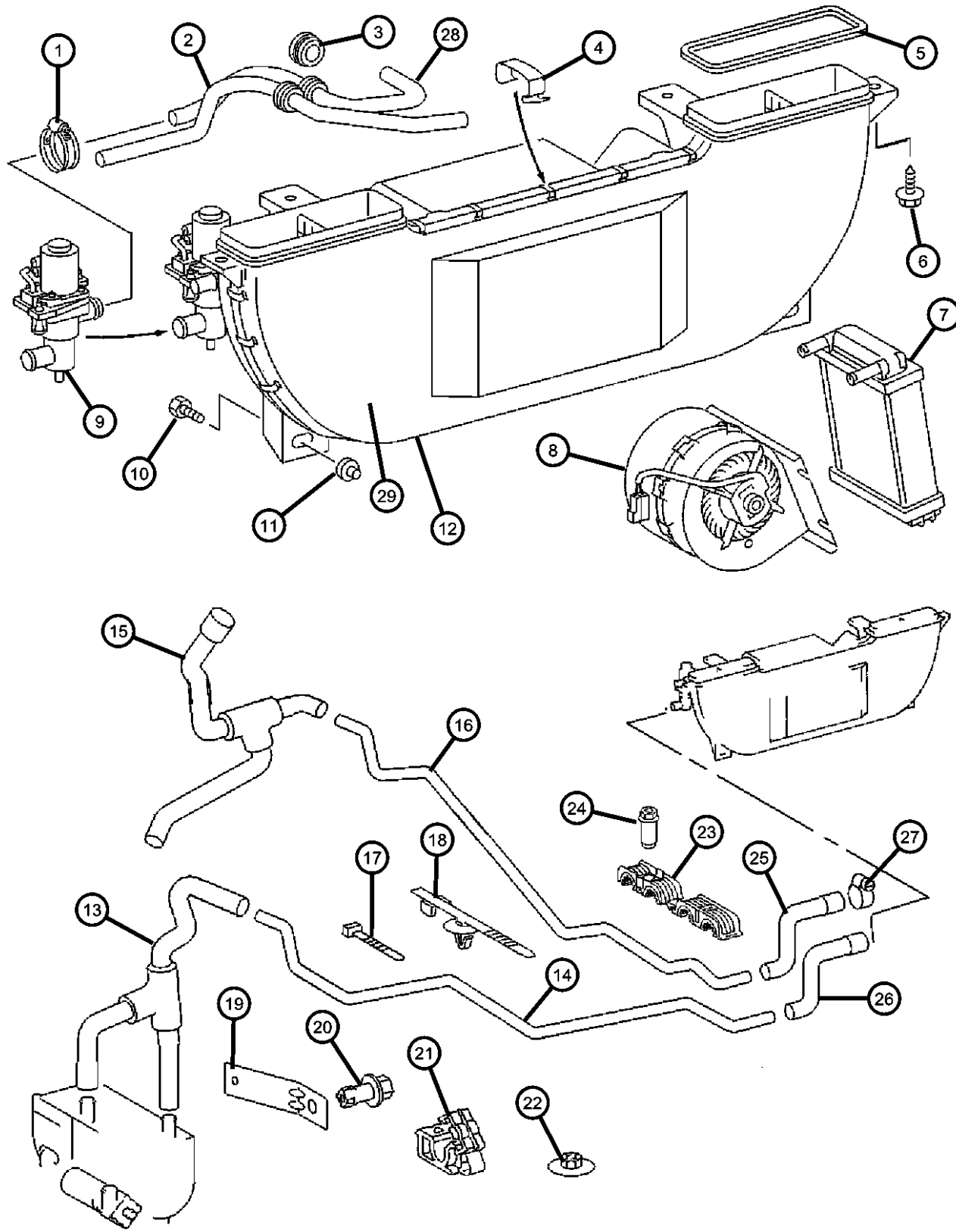
TRANSMISSION

DGJ = Transmission-5-Spd. Automatic, W5A580

AR = use ase required - = Non illustrated part

2003 VA

**Heat Exchanger and Plumbing  
Figure 24-250**



ITEM	PART NUMBER	QTY	LINE	SERIES	BODY	ENGINE	TRANS	TRIM	DESCRIPTION
1	06104781AA	1	2, 6		11, 12, 14, 15, 16				CLAMP, Hose
		1	2, 6		51, 52, 54, 55, 56				
		6	3, 7		12, 15, 16				
2	05133587AA	1	3, 7		12, 15, 16				LINE, Heater
		1	2, 6		11, 12, 14, 15, 16				
		1	2, 6		51, 52, 54, 55, 56				
3	05133588AA	1	2, 6		11, 12, 14, 15, 16				GROMMET
		1	2, 6		51, 52, 54, 55, 56				
		2	3, 7		12, 15, 16				
		22	2, 6		11, 12, 14, 15, 16				
4	05133592AA	22	2, 6		51, 52, 54, 55, 56				CLIP, HEATER
		22	2, 6		11, 12, 14, 15, 16				
		22	3, 7		12, 15, 16				
5	05133593AA	1	3, 7		12, 15, 16				GASKET, Heater duct
		1	2, 6		11, 12, 14, 15, 16				
		1	2, 6		51, 52, 54, 55, 56				
6	06104580AA	2	2, 6		11, 12, 14, 15, 16				SCREW, Tapping
		2	2, 6		51, 52, 54, 55, 56				
		2	3, 7		12, 15, 16				
		2	2, 6		11, 12, 14, 15, 16				
7	05133586AA	1	3, 7		12, 15, 16			CORE, Heater	

**SPRINTER (VA)**

**SERIES**

L = LOWLINE

**LINE**

3 = HD DODGE 2WD  
6 = Lt. Duty DODGE 4WD  
2 = Med. Duty DODGE 2WD  
7 = Med. Duty DODGE 4WD

**BODY**

51 = WAGON WHEEL BASE 1  
52 = WAGON WHEEL BASE 2  
14 = VAN WHEEL BASE 4  
15 = VAN WHEEL BASE 5  
16 = VAN WHEEL BASE 6  
54 = WAGON WHEEL BASE 4  
55 = WAGON WHEEL BASE 5  
56 = WAGON WHEEL BASE 6  
11 = VAN WHEEL BASE 1  
12 = VAN WHEEL BASE 2

**ENGINE**

EX9 = Engine - 2.7L 5 Cyl  
Mercedes Diesel

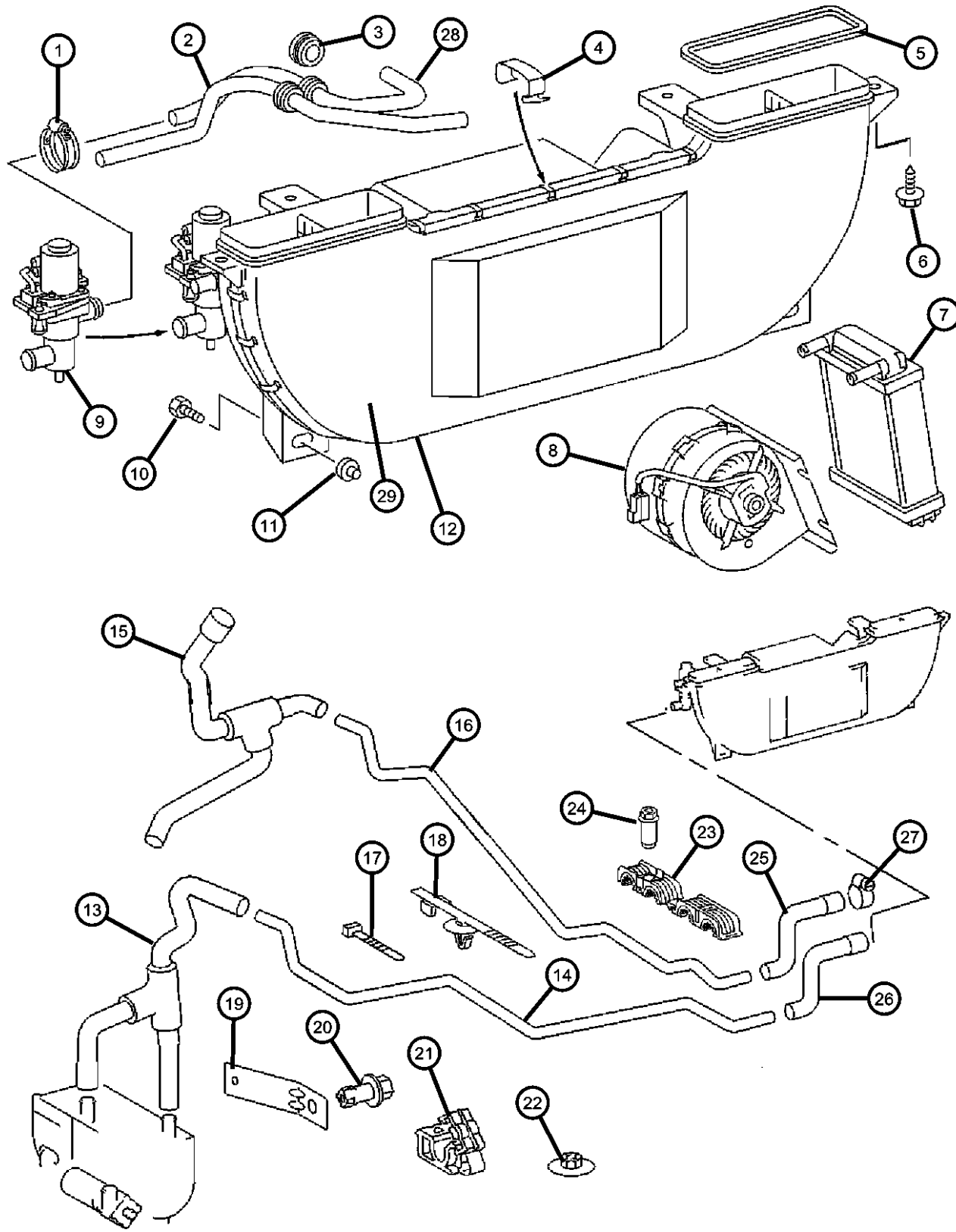
**TRANSMISSION**

DGJ = Transmission-5-Spd.  
Automatic,W5A580

AR = use ase required - = Non illustrated part

2003 VA

**Heat Exchanger and Plumbing  
Figure 24-250**



ITEM	PART NUMBER	QTY	LINE	SERIES	BODY	ENGINE	TRANS	TRIM	DESCRIPTION
		1	2, 6		11, 12, 14, 15, 16				
		1	2, 6		51, 52, 54, 55, 56				
8	05103806AA	1	7, 3		12, 15, 16				BLOWER
		1	2, 6		11, 12, 14, 15, 16				
		1	2, 6		51, 52, 54, 55, 56				
9	05103807AA	1	3, 7		12, 15, 16				VALVE, Water
		1	2, 6		11, 12, 14, 15, 16				
		1	2, 6		51, 52, 54, 55, 56				
10	05126227AA	6	3, 7		12, 15, 16				BOLT, Hex Head
		6	2, 6		11, 12, 14, 15, 16				
		6	2, 6		51, 52, 54, 55, 56				
11	05126258AA	2	2, 6		11, 12, 14, 15, 16				RIVNUT, Installation
		2	2, 6		51, 52, 54, 55, 56				
		2	3, 7		12, 15, 16				
12	05124700AA	1	2, 6		11, 12, 14, 15, 16				HEATER
		1	2, 6		51, 52, 54, 55, 56				
		1	3, 7		12, 15, 16				
13	05124886AA	1	2, 6		11, 12, 14, 15, 16				HOSE, Auxiliary Heater
		1	2, 6		51, 52, 54, 55, 56				

**SPRINTER (VA)**

**SERIES**

L = LOWLINE

**LINE**

3 = HD DODGE 2WD  
 6 = Lt. Duty DODGE 4WD  
 2 = Med. Duty DODGE 2WD  
 7 = Med. Duty DODGE 4WD

**BODY**

51 = WAGON WHEEL BASE 1  
 52 = WAGON WHEEL BASE 2  
 14 = VAN WHEEL BASE 4  
 15 = VAN WHEEL BASE 5  
 16 = VAN WHEEL BASE 6  
 54 = WAGON WHEEL BASE 4  
 55 = WAGON WHEEL BASE 5  
 56 = WAGON WHEEL BASE 6  
 11 = VAN WHEEL BASE 1  
 12 = VAN WHEEL BASE 2

**ENGINE**

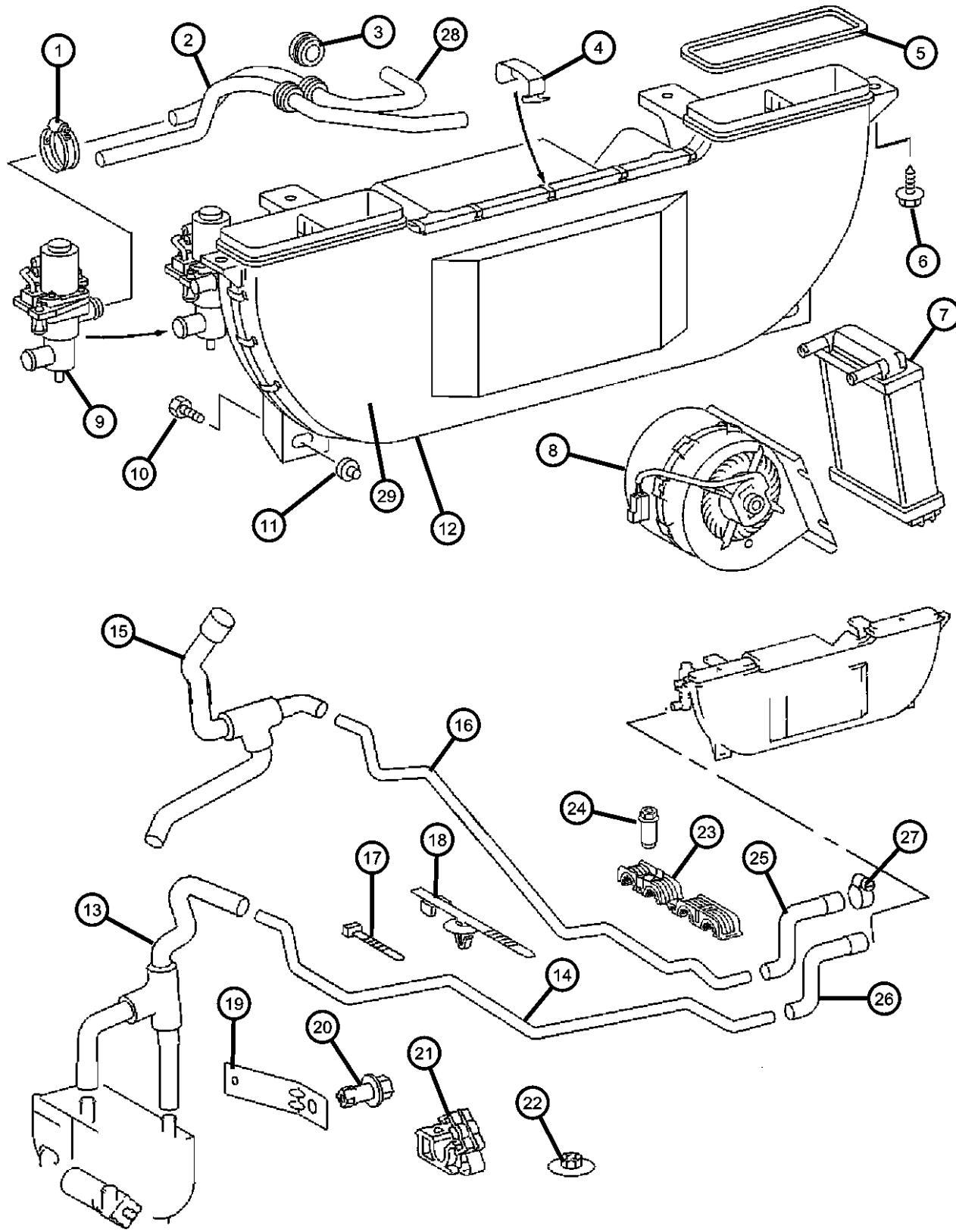
EX9 = Engine - 2.7L 5 Cly  
 Mercedes Diesel

**TRANSMISSION**

DGJ = Transmission-5-Spd. Automatic, W5A580

AR = use ase required - = Non illustrated part

**Heat Exchanger and Plumbing  
Figure 24-250**



ITEM	PART NUMBER	QTY	LINE	SERIES	BODY	ENGINE	TRANS	TRIM	DESCRIPTION
14		1	3, 7		12, 15, 16				TUBE, Heater
	05124826AA	1	2, 6		51, 52, 54, 55, 56				
		1	3, 7		12, 15, 16				
		1	2, 6		11, 12, 14, 15, 16				HOSE
15		1	2, 6		11, 12, 14, 15, 16				
	05124837AA	1	2, 6		51, 52, 54, 55, 56				
		1	3, 7		12, 15, 16				TUBE, Heater
16		1	3, 7		12, 15, 16				
	05124820AA	1	3, 7		12, 15, 16				
		1	2, 6		11, 12, 14, 15, 16				
		1	2, 6		51, 52, 54, 55, 56				
17		1	2, 6		11, 12, 14, 15, 16				STRAP, Tie
	05080475AB	1	2, 6		11, 12, 14, 15, 16				
		1	2, 6		51, 52, 54, 55, 56				
18		1	3, 7		12, 15, 16				
	05126053AA	5							STRAP, Tie
19		1	2, 6		11, 12, 14, 15, 16				BRACKET, Recirculating Pump
	05124814AA	1	2, 6		11, 12, 14, 15, 16				
		1	2, 6		51, 52, 54, 55, 56				
		1	3, 7		12, 15, 16				
20		1	2, 6		11, 12, 14, 15, 16				NUT, Push In
	05125594AA	1	2, 6		11, 12, 14, 15, 16				
		1	2, 6		51, 52, 54, 55, 56				
		1	3, 7		12, 15, 16				

**SPRINTER (VA)**

**SERIES**

L = LOWLINE  
 3 = HD DODGE 2WD  
 6 = Lt. Duty DODGE 4WD  
 2 = Med. Duty DODGE 2WD  
 7 = Med. Duty DODGE 4WD

**LINE**

**BODY**

51 = WAGON WHEEL BASE 1  
 52 = WAGON WHEEL BASE 2  
 14 = VAN WHEEL BASE 4  
 15 = VAN WHEEL BASE 5  
 16 = VAN WHEEL BASE 6  
 54 = WAGON WHEEL BASE 4  
 55 = WAGON WHEEL BASE 5  
 56 = WAGON WHEEL BASE 6  
 11 = VAN WHEEL BASE 1  
 12 = VAN WHEEL BASE 2

**ENGINE**

EX9 = Engine - 2.7L 5 Cyl Mercedes Diesel

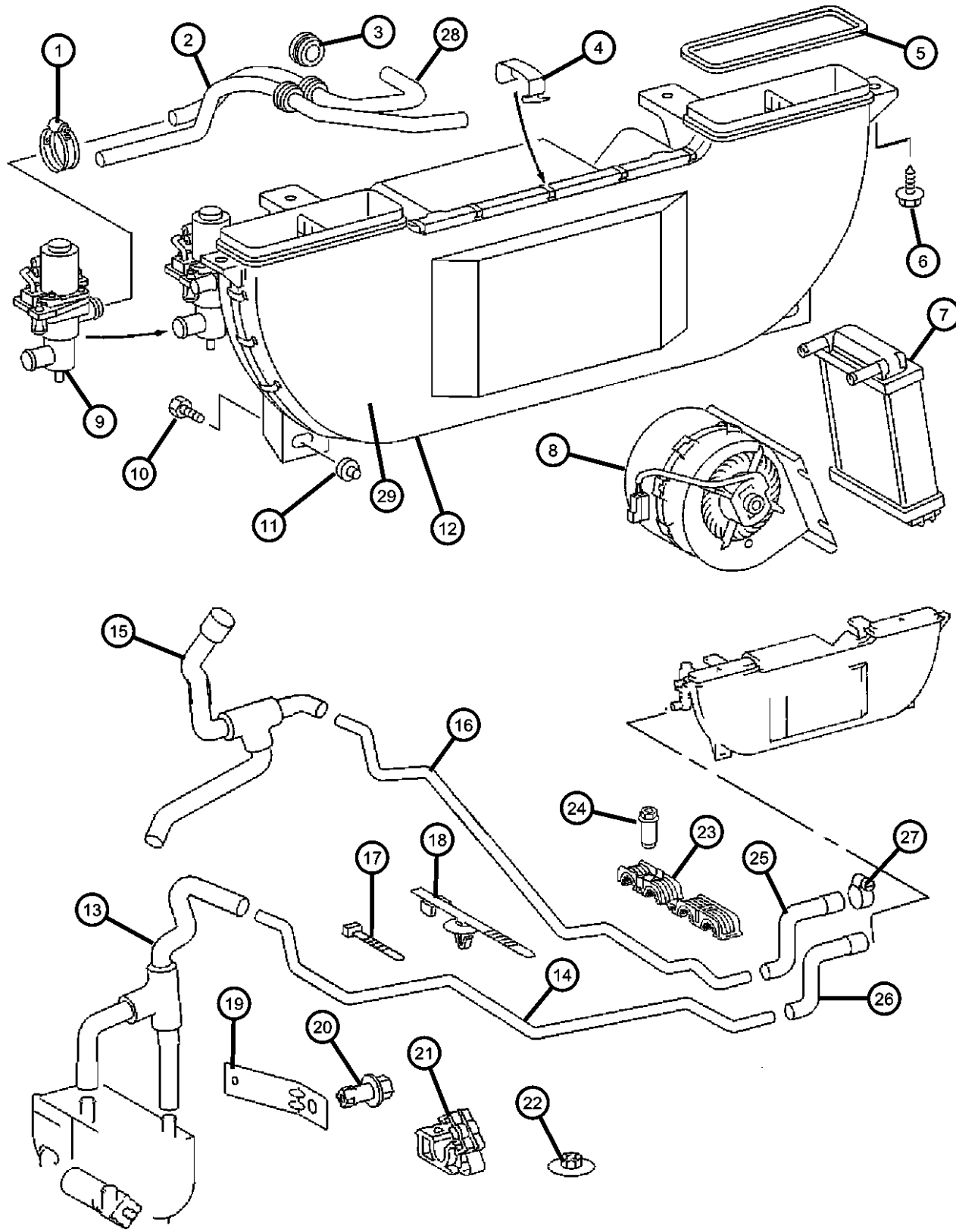
**TRANSMISSION**

DGJ = Transmission-5-Spd. Automatic, W5A580

AR = use ase required - = Non illustrated part

2003 VA

**Heat Exchanger and Plumbing  
Figure 24-250**



ITEM	PART NUMBER	QTY	LINE	SERIES	BODY	ENGINE	TRANS	TRIM	DESCRIPTION
21	05125886AA	3	2, 6		11, 12, 14, 15, 16				CLAMP, Heater Hose
		3	2, 6		51, 52, 54, 55, 56				
		3	3, 7		12, 15, 16				
22	05125592AA	1	3, 7		12, 15, 16				PLUG, Button
		1	2, 6		11, 12, 14, 15, 16	EX9			
		1	2, 6		51, 52, 54, 55, 56	EX9			
23	05125882AA	5	2, 6		11, 12, 14, 15, 16				CLAMP, Heater Hose
		5	2, 6		51, 52, 54, 55, 56				
		5	3, 7		12, 15, 16				
24	06104910AA	5	2, 6		11, 12, 14, 15, 16				NUT, Heater
		5	2, 6		51, 52, 54, 55, 56				
		5	3, 7		12, 15, 16				
25	05124841AA	1	2, 6		11, 12, 14, 15, 16				HOSE, Heater
		1	2, 6		51, 52, 54, 55, 56				
		1	3, 7		12, 15, 16				
26	05124885AA	1	2, 6		11, 12, 14, 15, 16				HOSE, Heater
		1	2, 6		51, 52, 54, 55, 56				
		1	3, 7		12, 15, 16				
27									CLAMP

**SPRINTER (VA)**

**SERIES**

L = LOWLINE

**LINE**

3 = HD DODGE 2WD  
6 = Lt. Duty DODGE 4WD  
2 = Med. Duty DODGE 2WD  
7 = Med. Duty DODGE 4WD

**BODY**

51 = WAGON WHEEL BASE 1  
52 = WAGON WHEEL BASE 2  
14 = VAN WHEEL BASE 4  
15 = VAN WHEEL BASE 5  
16 = VAN WHEEL BASE 6  
54 = WAGON WHEEL BASE 4  
55 = WAGON WHEEL BASE 5  
56 = WAGON WHEEL BASE 6  
11 = VAN WHEEL BASE 1  
12 = VAN WHEEL BASE 2

**ENGINE**

EX9 = Engine - 2.7L 5 Cly Mercedes Diesel

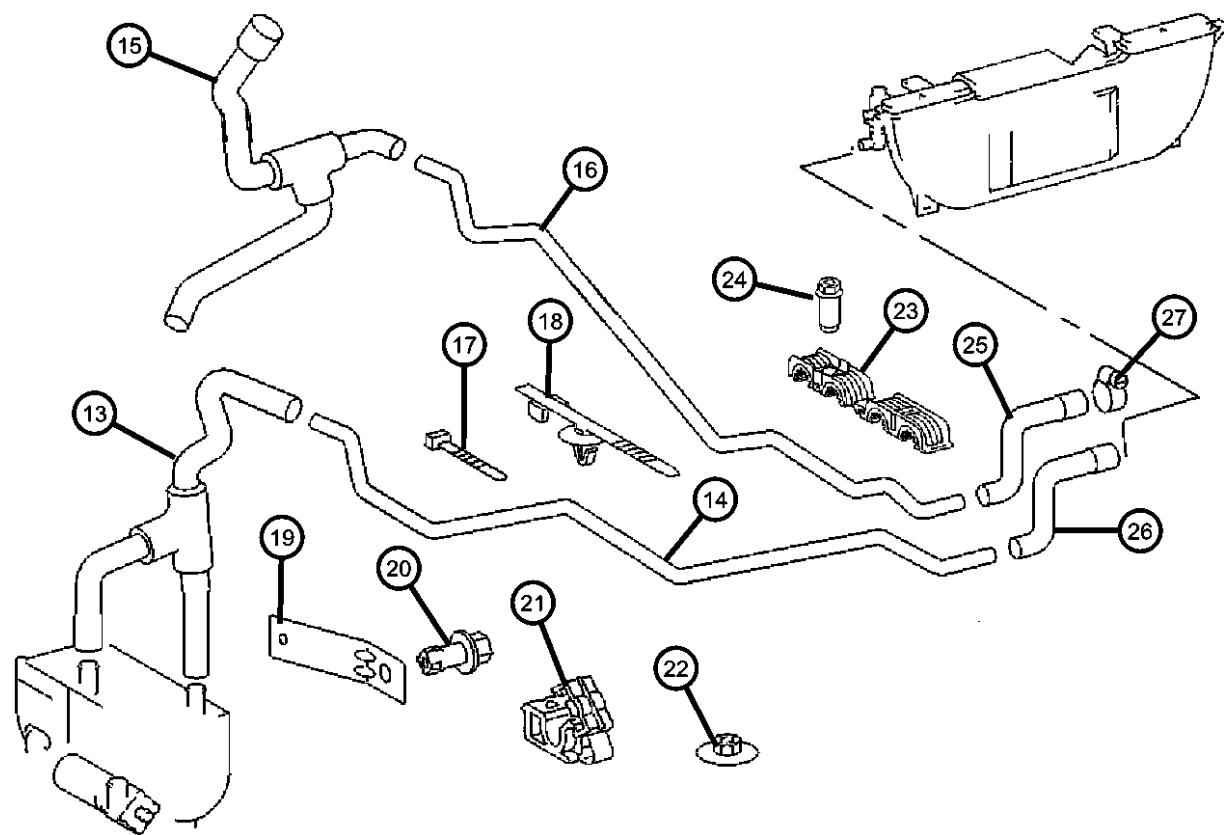
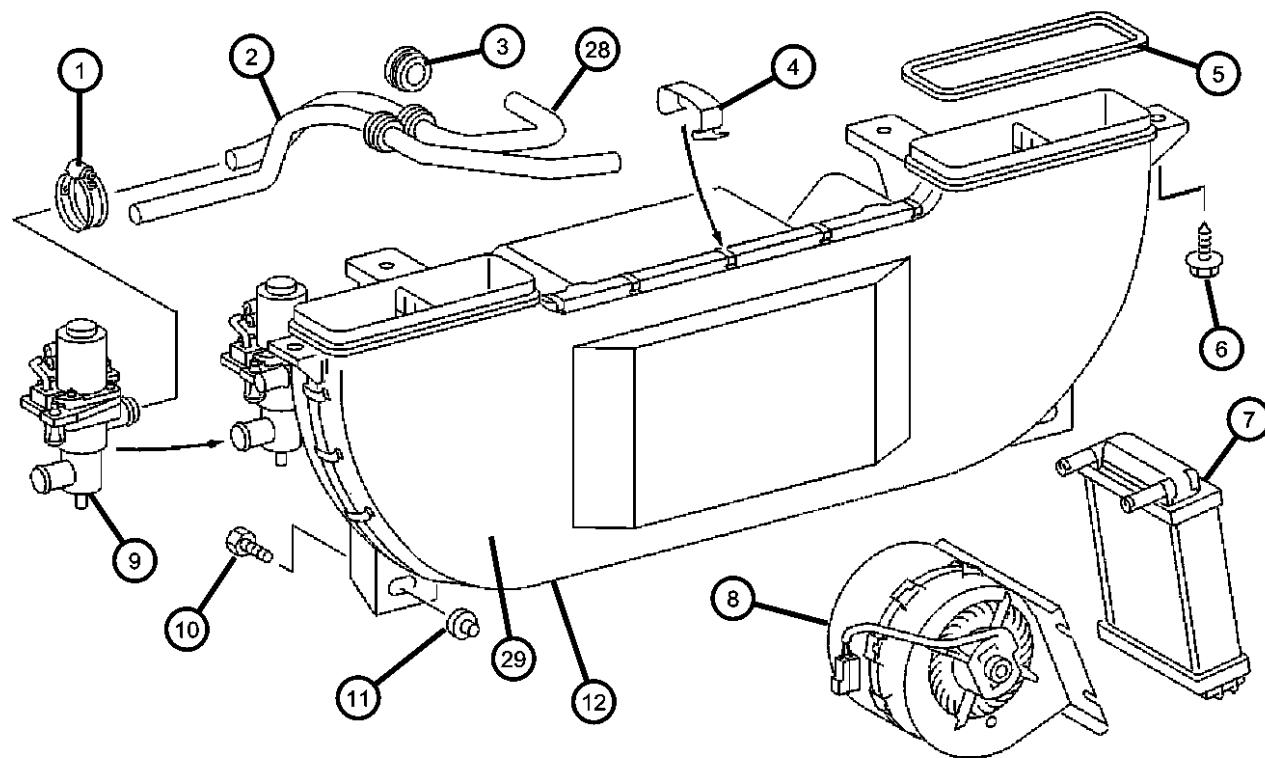
**TRANSMISSION**

DGJ = Transmission-5-Spd. Automatic, W5A580

AR = use ase required - = Non illustrated part

2003 VA

Heat Exchanger and Plumbing  
Figure 24-250



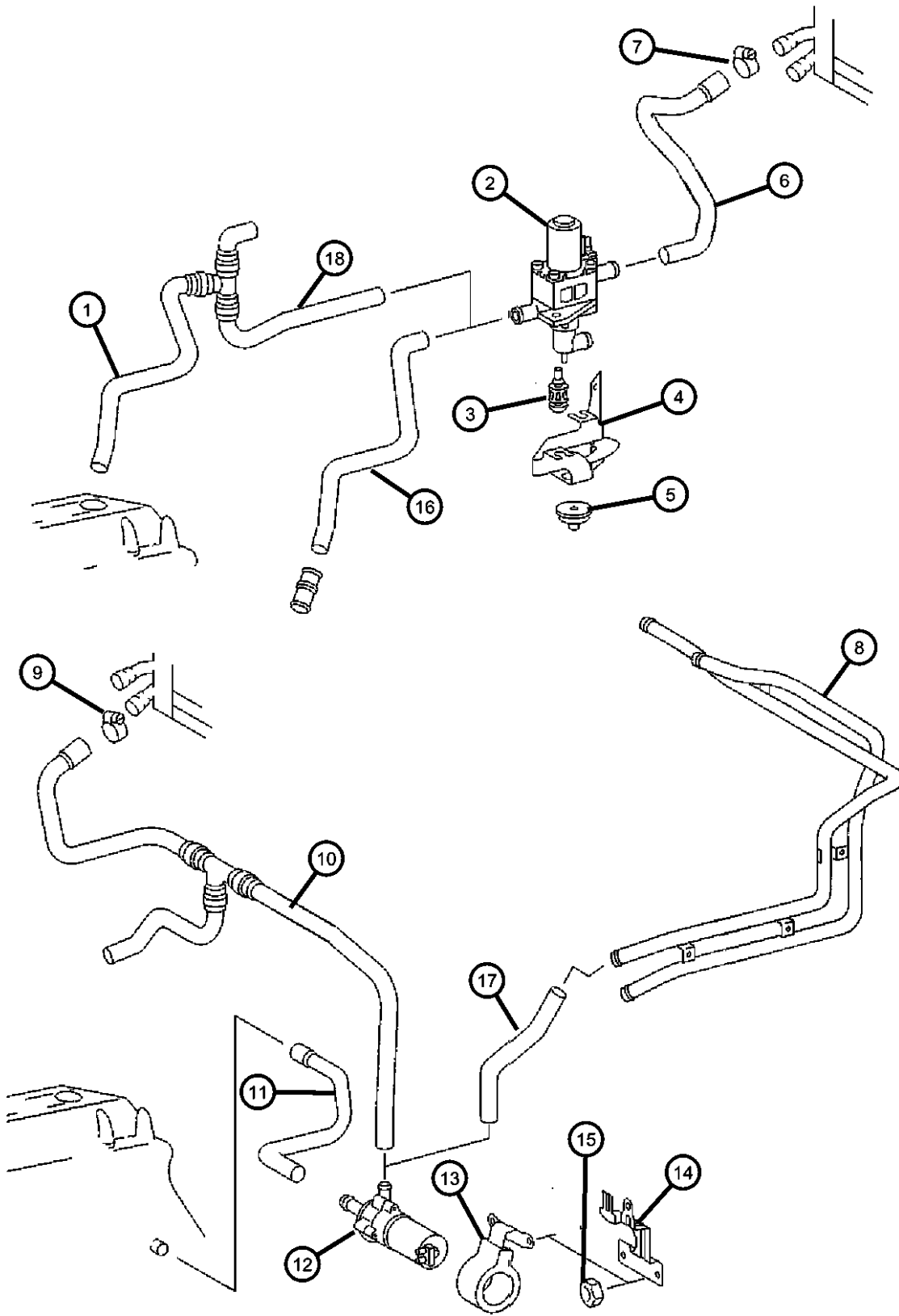
ITEM	PART NUMBER	QTY	LINE	SERIES	BODY	ENGINE	TRANS	TRIM	DESCRIPTION
	06104780AA	1	2, 6		11, 12, 14, 15, 16				
		1	2, 6		51, 52, 54, 55, 56				
28	05133889AA	1	3, 7		12, 15, 16				HOSE, Heater
29	05133591AA	1	2, 6		11, 12, 14, 15, 16				COVER
		1	2, 6		51, 52, 54, 55, 56				
		1	3, 7		12, 15, 16				

**SPRINTER (VA)**

<b>SERIES</b>	<b>LINE</b>	<b>BODY</b>	<b>ENGINE</b>	<b>TRANSMISSION</b>
L = LOWLINE	3 = HD DODGE 2WD 6 = Lt. Duty DODGE 4WD 2 = Med. Duty DODGE 2WD 7 = Med. Duty DODGE 4WD	51 = WAGON WHEEL BASE 1 52 = WAGON WHEEL BASE 2 14 = VAN WHEEL BASE 4 15 = VAN WHEEL BASE 5 16 = VAN WHEEL BASE 6 54 = WAGON WHEEL BASE 4 55 = WAGON WHEEL BASE 5 56 = WAGON WHEEL BASE 6 11 = VAN WHEEL BASE 1 12 = VAN WHEEL BASE 2	EX9 = Engine - 2.7L 5 Cly Mercedes Diesel	DGJ = Transmission-5-Spd. Automatic, W5A580

AR = use ase required - = Non illustrated part

Plumbing, Heater  
Figure 24-260



ITEM	PART NUMBER	QTY	LINE	SERIES	BODY	ENGINE	TRANS	TRIM	DESCRIPTION
1	05124858AA	1	2, 6		11, 12, 14, 15, 16				HOSE
		1	2, 6		51, 52, 54, 55, 56				
		1	3, 7		12, 15, 16				
2	05103770AA	1	2, 6		11, 12, 14, 15, 16				VALVE, Water
		1	2, 6		51, 52, 54, 55, 56				
		1	3, 7		12, 15, 16				
3	05096558AA	2	2, 6		11, 12, 14, 15, 16				GROMMET
		2	2, 6		51, 52, 54, 55, 56				
		2	3, 7		12, 15, 16				
4	05124791AA	1	2, 6		11, 12, 14, 15, 16				BRACKET, Recirculating Pump
		1	2, 6		51, 52, 54, 55, 56				
		1	3, 7		12, 15, 16				
5	05125504AA	1	2, 6		11, 12, 14, 15, 16				BUMPER, Rubber
		1	2, 6		51, 52, 54, 55, 56				
		1	3, 7		12, 15, 16				
6	05124846AA	1	3, 7		12, 15, 16				HOSE
		1	2, 6		11, 12, 14, 15, 16				
		1	2, 6		51, 52, 54, 55, 56				
7	05126287AA	1	2, 6		11, 12, 14, 15, 16	EX9			CLAMP, CLAMP

SPRINTER (VA)

SERIES

L = LOWLINE

LINE

3 = HD DODGE 2WD  
6 = Lt. Duty DODGE 4WD  
2 = Med. Duty DODGE 2WD  
7 = Med. Duty DODGE 4WD

BODY

51 = WAGON WHEEL BASE 1  
52 = WAGON WHEEL BASE 2  
14 = VAN WHEEL BASE 4  
15 = VAN WHEEL BASE 5  
16 = VAN WHEEL BASE 6  
54 = WAGON WHEEL BASE 4  
55 = WAGON WHEEL BASE 5  
56 = WAGON WHEEL BASE 6  
11 = VAN WHEEL BASE 1  
12 = VAN WHEEL BASE 2

ENGINE

EX9 = Engine - 2.7L 5 Cyl Mercedes Diesel

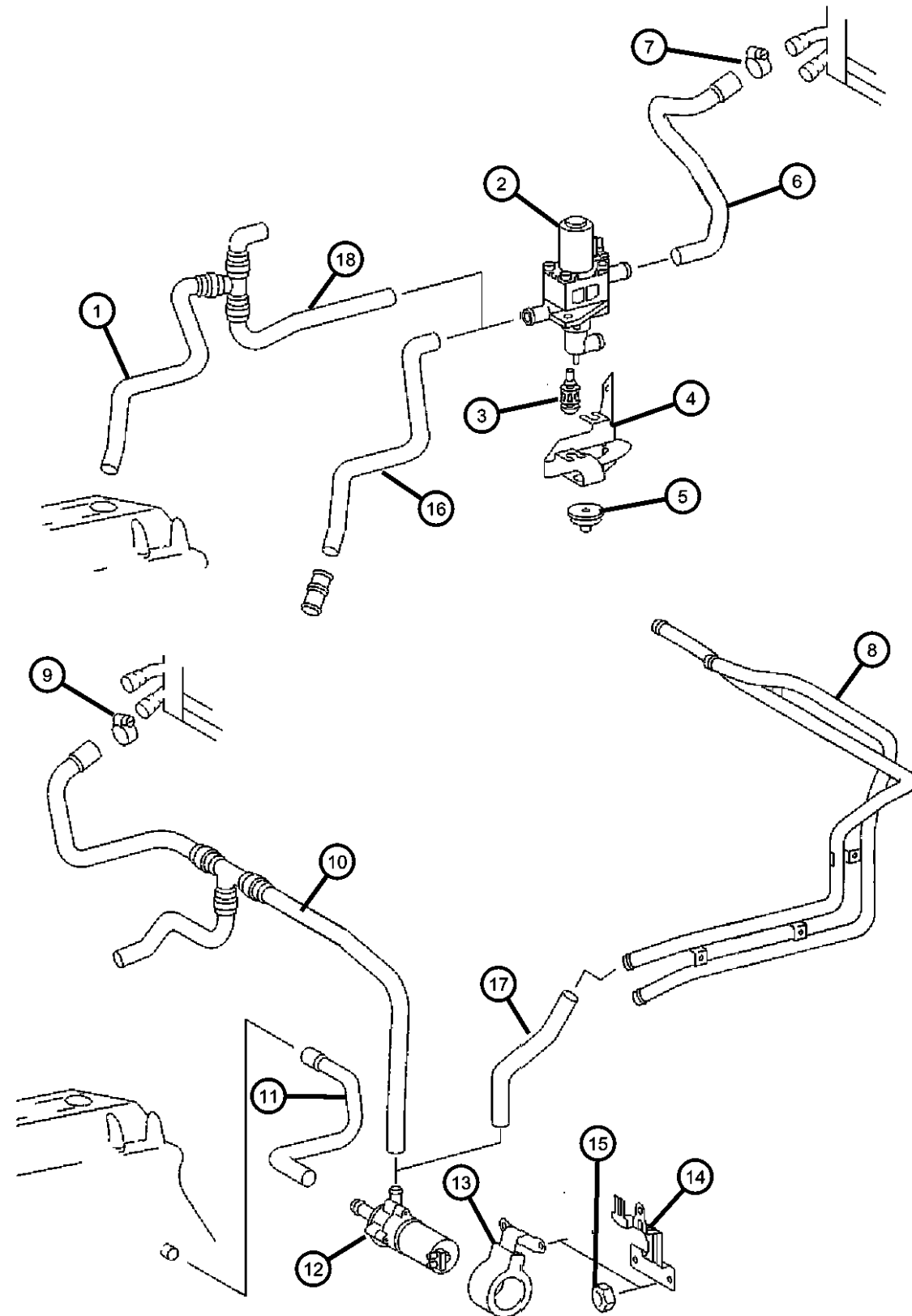
TRANSMISSION

DGJ = Transmission-5-Spd. Automatic, W5A580

AR = use ase required - = Non illustrated part

2003 VA

Plumbing, Heater  
Figure 24-260



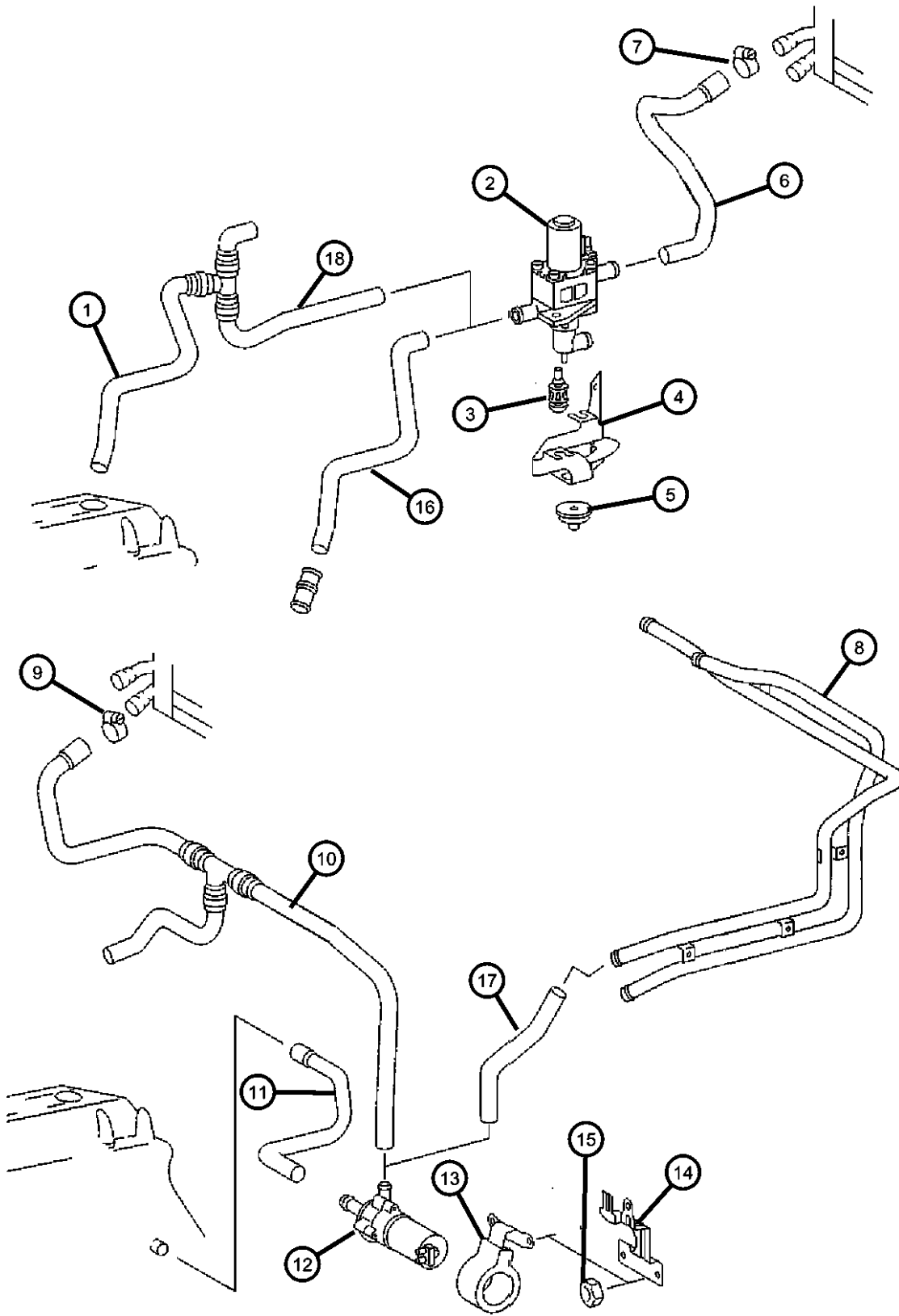
ITEM	PART NUMBER	QTY	LINE	SERIES	BODY	ENGINE	TRANS	TRIM	DESCRIPTION
		1	3, 7		12, 15, 16	EX9			
		1	2, 6		51, 52, 54, 55, 56	EX9			
8	05124644AA	1	2, 6		11, 12, 14, 15, 16				TUBE, Heater
		1	2, 6		51, 52, 54, 55, 56				
9	05104681AA	1	3, 7		12, 15, 16				CLAMP, Heater Hose
		3	2, 6		11, 12, 14, 15, 16	EX9			
		3	2, 6		51, 52, 54, 55, 56	EX9			
		3	3, 7		12, 15, 16	EX9			
10	05124842AA	1	2, 6		11, 12, 14, 15, 16				HOSE
		1	2, 6		51, 52, 54, 55, 56				
		1	3, 7		12, 15, 16				
11	05124867AA	1	2, 6		11, 12, 14, 15, 16				HOSE
		1	2, 6		51, 52, 54, 55, 56				
		1	3, 7		12, 15, 16				
12	05098398AA	1	3, 7		12, 15, 16	EX9			PUMP, Recirculating
		1	2, 6		11, 12, 14, 15, 16				
		1	2, 6		51, 52, 54, 55, 56				
13	05124629AB	1	2, 6		11, 12, 14, 15, 16				BRACKET
		1	2, 6		51, 52, 54, 55, 56				

SPRINTER (VA)  
 SERIES LINE BODY ENGINE TRANSMISSION  
 L = LOWLINE 3 = HD DODGE 2WD 51 = WAGON WHEEL BASE 1 EX9 = Engine - 2.7L 5 Cly DGJ = Transmission-5-Spd.  
 6 = Lt. Duty DODGE 4WD 52 = WAGON WHEEL BASE 2 Mercedes Diesel Automatic, W5A580  
 2 = Med. Duty DODGE 2WD 14 = VAN WHEEL BASE 4  
 7 = Med. Duty DODGE 4WD 15 = VAN WHEEL BASE 5  
 16 = VAN WHEEL BASE 6  
 54 = WAGON WHEEL BASE 4  
 55 = WAGON WHEEL BASE 5  
 56 = WAGON WHEEL BASE 6  
 11 = VAN WHEEL BASE 1  
 12 = VAN WHEEL BASE 2

AR = use ase required - = Non illustrated part



Plumbing, Heater  
Figure 24-260



ITEM	PART NUMBER	QTY	LINE	SERIES	BODY	ENGINE	TRANS	TRIM	DESCRIPTION
14		1	3, 7		12, 15, 16	EX9			BRACKET, Recirculating Pump
	05124808AA	1	3, 7		12, 15, 16	EX9			
		1	2, 6		11, 12, 14, 15, 16	EX9			
		1	2, 6		51, 52, 54, 55, 56	EX9			
15		1	3, 7		12, 15, 16				NUT, Hex
	05097674AA	1	2, 6		11, 12, 14, 15, 16				
		1	2, 6		51, 52, 54, 55, 56				
16		1	2, 6		11, 12, 14, 15, 16				HOSE
	05124844AA	1	2, 6		51, 52, 54, 55, 56				
		1	3, 7		12, 15, 16				
17		1	3, 7		12, 15, 16				HOSE
	05124848AA	1	2, 6		11, 12, 14, 15, 16				
		1	2, 6		51, 52, 54, 55, 56				
18		1	2, 6		11, 12, 14, 15, 16	EX9			HOSE, Flexible Exhaust, Supplemental Heater
	05125981AA	1	2, 6		51, 52, 54, 55, 56	EX9			
		1	3, 7		12, 15, 16	EX9			

SPRINTER (VA)

SERIES

L = LOWLINE

LINE

3 = HD DODGE 2WD  
6 = Lt. Duty DODGE 4WD  
2 = Med. Duty DODGE 2WD  
7 = Med. Duty DODGE 4WD

BODY

51 = WAGON WHEEL BASE 1  
52 = WAGON WHEEL BASE 2  
14 = VAN WHEEL BASE 4  
15 = VAN WHEEL BASE 5  
16 = VAN WHEEL BASE 6  
54 = WAGON WHEEL BASE 4  
55 = WAGON WHEEL BASE 5  
56 = WAGON WHEEL BASE 6  
11 = VAN WHEEL BASE 1  
12 = VAN WHEEL BASE 2

ENGINE

EX9 = Engine - 2.7L 5 Cly Mercedes Diesel

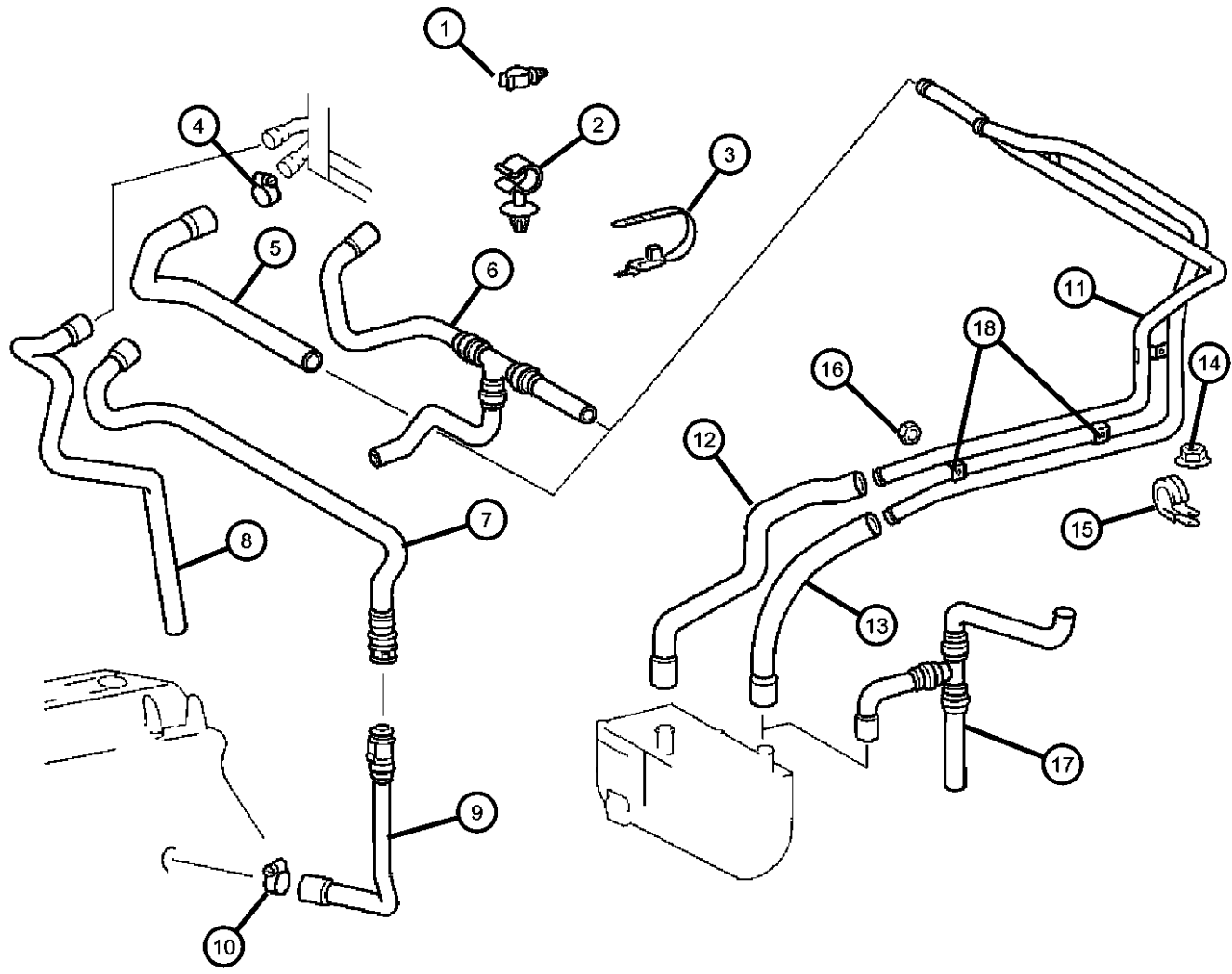
TRANSMISSION

DGJ = Transmission-5-Spd. Automatic, W5A580

AR = use ase required - = Non illustrated part

2003 VA

**Plumbing, Heater with Auxiliary warm water Heater**  
**Figure 24-265**



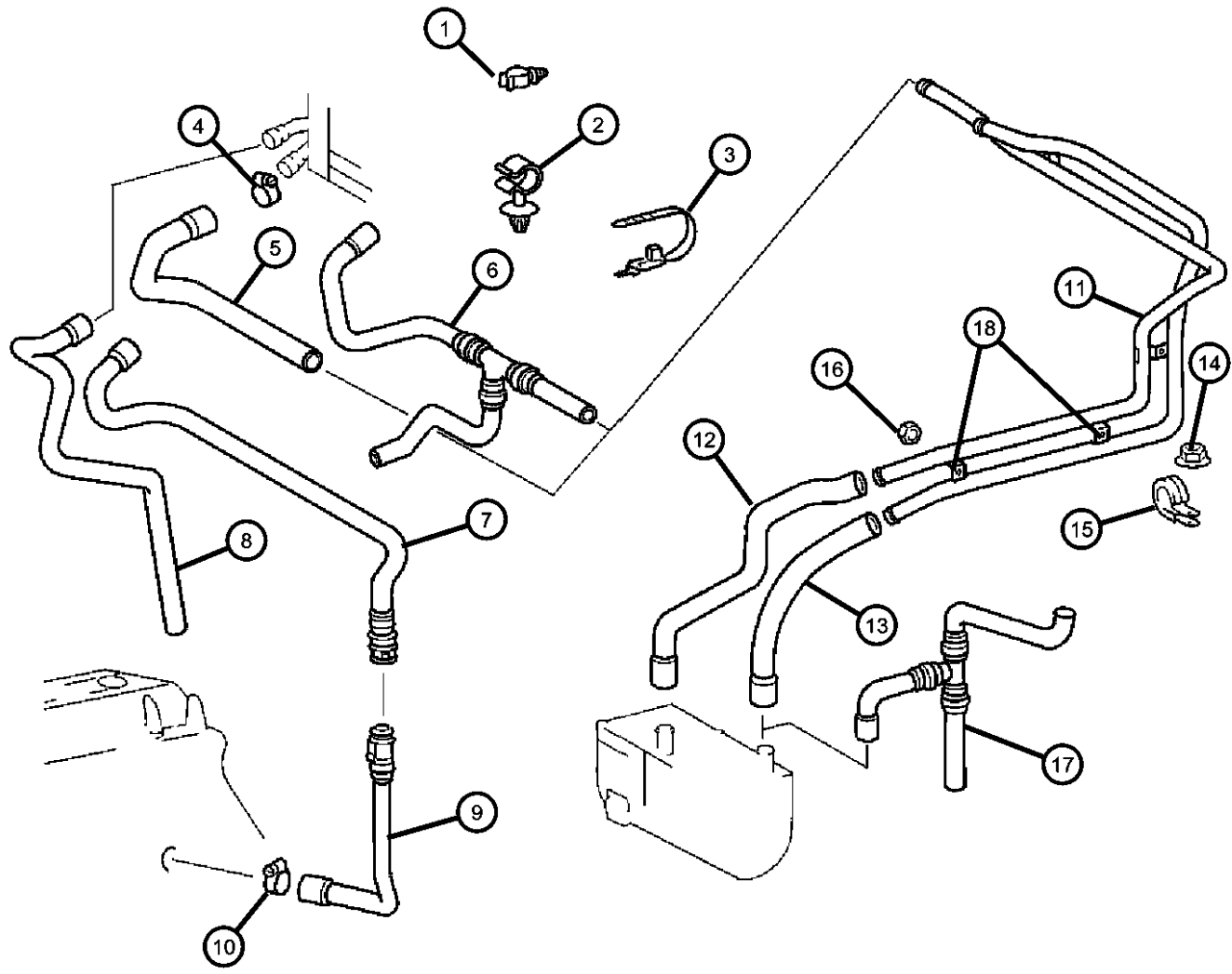
ITEM	PART NUMBER	QTY	LINE	SERIES	BODY	ENGINE	TRANS	TRIM	DESCRIPTION
1	05124806AA	1	2, 6		11, 12, 14, 15, 16				CLIP, Hose
		1	2, 6		51, 52, 54, 55, 56				
		1	3, 7		12, 15, 16				
2	05117649AA	1	3, 7		12, 15, 16				CLIP, Hose
		1	2, 6		11, 12, 14, 15, 16				
		1	2, 6		51, 52, 54, 55, 56				
3	05133297AA	99	2, 6		11, 12, 14, 15, 16				STRAP AND CLIP
		99	2, 6		51, 52, 54, 55, 56				
		99	3, 7		12, 15, 16				
4	05104681AA	3	2, 6		11, 12, 14, 15, 16	EX9			CLAMP, Heater Hose
		3	2, 6		51, 52, 54, 55, 56	EX9			
		3	3, 7		12, 15, 16	EX9			
5	05124854AA	1	2, 6		11, 12, 14, 15, 16				HOSE
		1	2, 6		51, 52, 54, 55, 56				
		1	3, 7		12, 15, 16				
6	05124837AA	1	2, 6		51, 52, 54, 55, 56				HOSE
		1	3, 7		12, 15, 16				
		1	2, 6		11, 12, 14, 15, 16				
7	05104481AA	1	2, 6		11, 12, 14, 15, 16	EX9			HOSE

**SPRINTER (VA)**

<b>SERIES</b>	<b>LINE</b>	<b>BODY</b>	<b>ENGINE</b>	<b>TRANSMISSION</b>
L = LOWLINE	3 = HD DODGE 2WD 6 = Lt. Duty DODGE 4WD 2 = Med. Duty DODGE 2WD 7 = Med. Duty DODGE 4WD	51 = WAGON WHEEL BASE 1 52 = WAGON WHEEL BASE 2 14 = VAN WHEEL BASE 4 15 = VAN WHEEL BASE 5 16 = VAN WHEEL BASE 6 54 = WAGON WHEEL BASE 4 55 = WAGON WHEEL BASE 5 56 = WAGON WHEEL BASE 6 11 = VAN WHEEL BASE 1 12 = VAN WHEEL BASE 2	EX9 = Engine - 2.7L 5 Cly Mercedes Diesel	DGJ = Transmission-5-Spd. Automatic,W5A580

AR = use ase required - = Non illustrated part

**Plumbing, Heater with Auxiliary warm water Heater  
Figure 24-265**



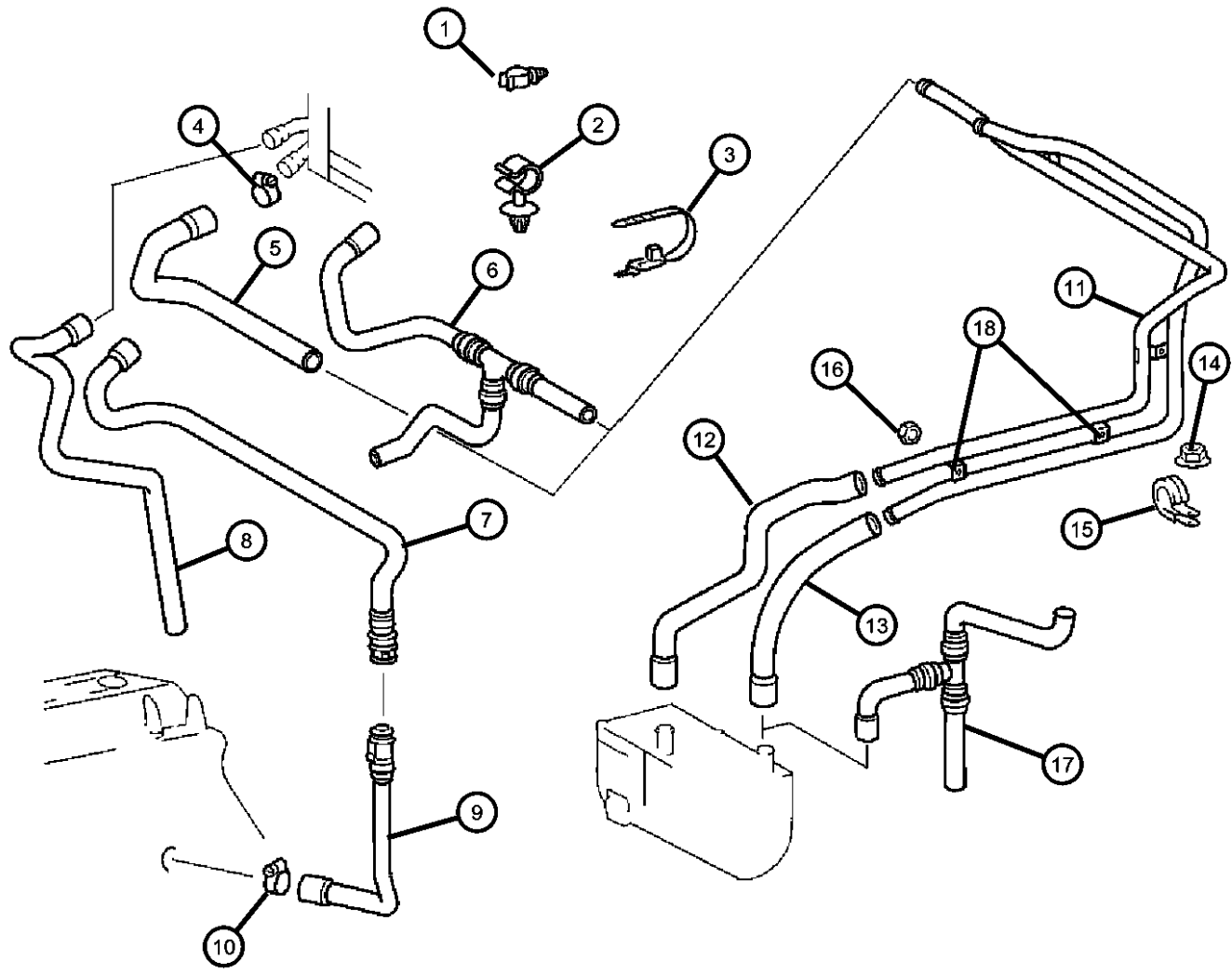
ITEM	PART NUMBER	QTY	LINE	SERIES	BODY	ENGINE	TRANS	TRIM	DESCRIPTION
		1	2, 6		51, 52, 54, 55, 56	EX9			
		1	3, 7		12, 15, 16	EX9			
8	05104489AA	1	2, 6		11, 12, 14, 15, 16	EX9			HOSE
		1	2, 6		51, 52, 54, 55, 56	EX9			
9	05124866AA	1	2, 6		11, 12, 14, 15, 16	EX9			HOSE, HOSE-WATER
		1	2, 6		51, 52, 54, 55, 56	EX9			
		1	3, 7		12, 15, 16	EX9			
10	05126287AA	6	2, 6		11, 12, 14, 15, 16	EX9			CLAMP, CLAMP
		6	2, 6		51, 52, 54, 55, 56	EX9			
		6	3, 7		12, 15, 16	EX9			
11	05124644AA	1	2, 6		11, 12, 14, 15, 16				TUBE, Heater
		1	2, 6		51, 52, 54, 55, 56				
		1	3, 7		12, 15, 16				
12	05124850AA	1	2, 6		51, 52, 54, 55, 56				HOSE
		1	3, 7		12, 15, 16				
		1	2, 6		11, 12, 14, 15, 16				
13	05124852AA	1	2, 6		11, 12, 14, 15, 16				HOSE
		1	2, 6		51, 52, 54, 55, 56				

**SPRINTER (VA)**

<b>SERIES</b>	<b>LINE</b>	<b>BODY</b>	<b>ENGINE</b>	<b>TRANSMISSION</b>
L = LOWLINE	3 = HD DODGE 2WD 6 = Lt. Duty DODGE 4WD 2 = Med. Duty DODGE 2WD 7 = Med. Duty DODGE 4WD	51 = WAGON WHEEL BASE 1 52 = WAGON WHEEL BASE 2 14 = VAN WHEEL BASE 4 15 = VAN WHEEL BASE 5 16 = VAN WHEEL BASE 6 54 = WAGON WHEEL BASE 4 55 = WAGON WHEEL BASE 5 56 = WAGON WHEEL BASE 6 11 = VAN WHEEL BASE 1 12 = VAN WHEEL BASE 2	EX9 = Engine - 2.7L 5 Cly Mercedes Diesel	DGJ = Transmission-5-Spd. Automatic, W5A580

AR = use ase required - = Non illustrated part

**Plumbing, Heater with Auxiliary warm water Heater  
Figure 24-265**



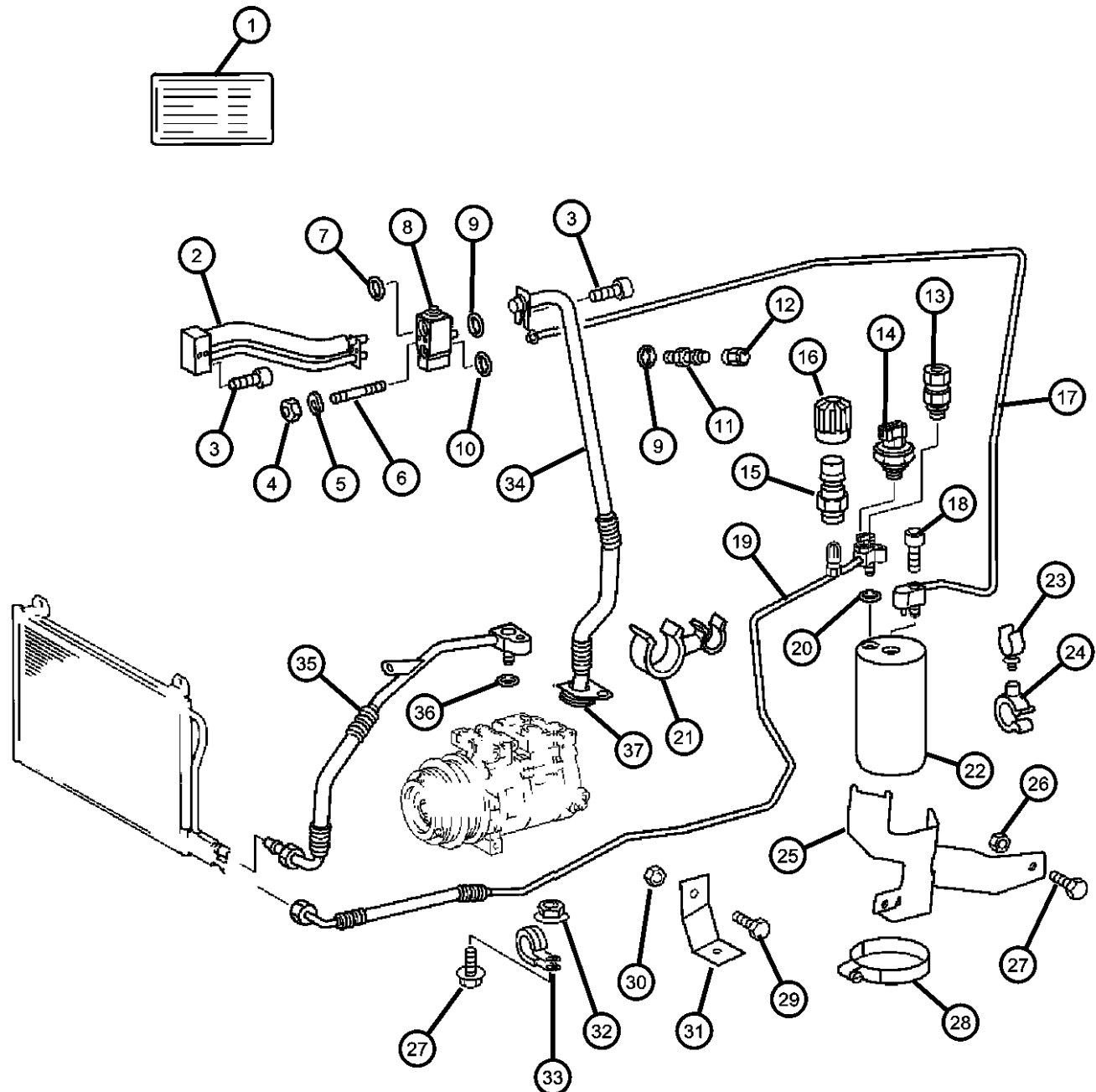
ITEM	PART NUMBER	QTY	LINE	SERIES	BODY	ENGINE	TRANS	TRIM	DESCRIPTION
14		1	3, 7		12, 15, 16				NUT, Hex
	06104911AA	1	3, 7		12, 15, 16				
		1	2, 6		11, 12, 14, 15, 16				
		1	2, 6		51, 52, 54, 55, 56				
15									CLAMP, Air Conditioning Piping
	05126284AA	1	2, 6		11, 12, 14, 15, 16				
		1	2, 6		51, 52, 54, 55, 56				
		1	3, 7		12, 15, 16				
16									NUT, Hex, M6
	05096978AA	2	2, 6		11, 12, 14, 15, 16				
		2	2, 6		51, 52, 54, 55, 56				
		2	3, 7		12, 15, 16				
17									HOSE, Auxiliary Heater
	05124886AA	1	2, 6		11, 12, 14, 15, 16				
		1	2, 6		51, 52, 54, 55, 56				
		1	3, 7		12, 15, 16				
18									BRACKET, Heater Core Tubes
	05133315AA	1	2, 6		51, 52, 54, 55, 56				
		1	2, 6		11, 12, 14, 15, 16				
		1	3, 7		12, 15, 16				

**SPRINTER (VA)**

<b>SERIES</b>	<b>LINE</b>	<b>BODY</b>	<b>ENGINE</b>	<b>TRANSMISSION</b>
L = LOWLINE	3 = HD DODGE 2WD 6 = Lt. Duty DODGE 4WD 2 = Med. Duty DODGE 2WD 7 = Med. Duty DODGE 4WD	51 = WAGON WHEEL BASE 1 52 = WAGON WHEEL BASE 2 14 = VAN WHEEL BASE 4 15 = VAN WHEEL BASE 5 16 = VAN WHEEL BASE 6 54 = WAGON WHEEL BASE 4 55 = WAGON WHEEL BASE 5 56 = WAGON WHEEL BASE 6 11 = VAN WHEEL BASE 1 12 = VAN WHEEL BASE 2	EX9 = Engine - 2.7L 5 Cly Mercedes Diesel	DGJ = Transmission-5-Spd. Automatic, W5A580

AR = use ase required - = Non illustrated part

**Plumbing, Air Conditioning  
Figure 24-270**



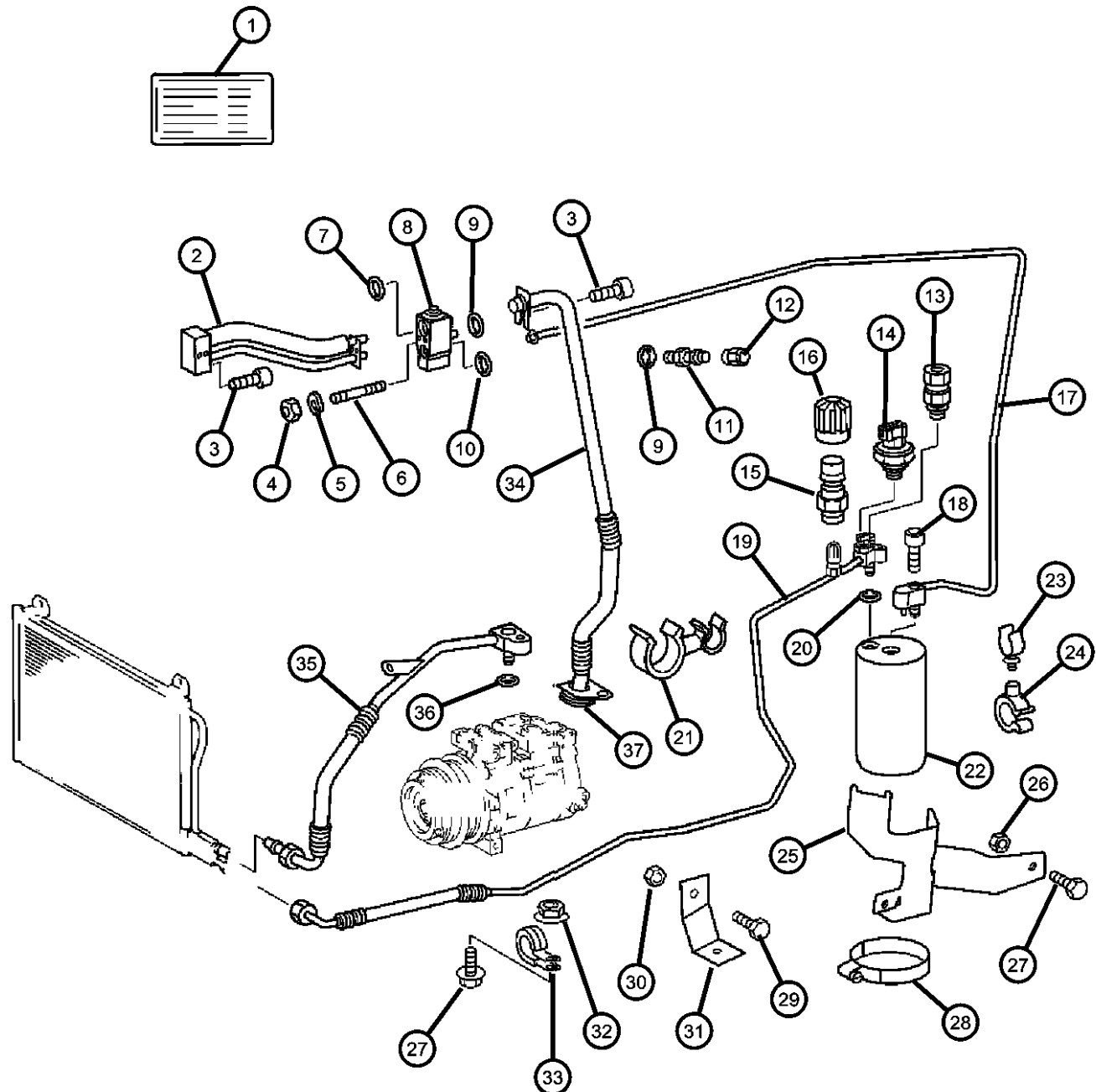
ITEM	PART NUMBER	QTY	LINE	SERIES	BODY	ENGINE	TRANS	TRIM	DESCRIPTION
1	05124359AA	1	2, 6		11, 12, 14, 15, 16				LABEL, A/C Spec.
		1	3, 7		12, 15, 16				
		1	2, 6		51, 52, 54, 55, 56				
2	05104479AA	1	2, 6		11, 12, 14, 15, 16				LINE, A/C Suction And Liquid
		1	2, 6		51, 52, 54, 55, 56				
		1	3, 7		12, 15, 16				
3	05126135AA	2	2, 6		11, 12, 14, 15, 16				SCREW
		2	2, 6		51, 52, 54, 55, 56				
		2	3, 7		12, 15, 16				
4		2							NUT, (NOT SERVICED)
5									LOCK WASHER
	05126240AA	1	2, 6		11, 12, 14, 15, 16				
		1	2, 6		51, 52, 54, 55, 56				
		1	3, 7		12, 15, 16				
6	05134028AA	1	3, 7		12, 15, 16				STUD, Expansion Valve
		1	2, 6		11, 12, 14, 15, 16				
		1	2, 6		51, 52, 54, 55, 56				
7	05098971AA	1	2, 6		11, 12, 14, 15, 16				O RING, A/C Line
		1	2, 6		51, 52, 54, 55, 56				
		1	3, 7		12, 15, 16				
8									VALVE, Expansion

**SPRINTER (VA)**

<b>SERIES</b>	<b>LINE</b>	<b>BODY</b>	<b>ENGINE</b>	<b>TRANSMISSION</b>
L = LOWLINE	3 = HD DODGE 2WD 6 = Lt. Duty DODGE 4WD 2 = Med. Duty DODGE 2WD 7 = Med. Duty DODGE 4WD	51 = WAGON WHEEL BASE 1 52 = WAGON WHEEL BASE 2 14 = VAN WHEEL BASE 4 15 = VAN WHEEL BASE 5 16 = VAN WHEEL BASE 6 54 = WAGON WHEEL BASE 4 55 = WAGON WHEEL BASE 5 56 = WAGON WHEEL BASE 6 11 = VAN WHEEL BASE 1 12 = VAN WHEEL BASE 2	EX9 = Engine - 2.7L 5 Cly Mercedes Diesel	DGJ = Transmission-5-Spd. Automatic,W5A580

AR = use ase required - = Non illustrated part

Plumbing, Air Conditioning  
Figure 24-270



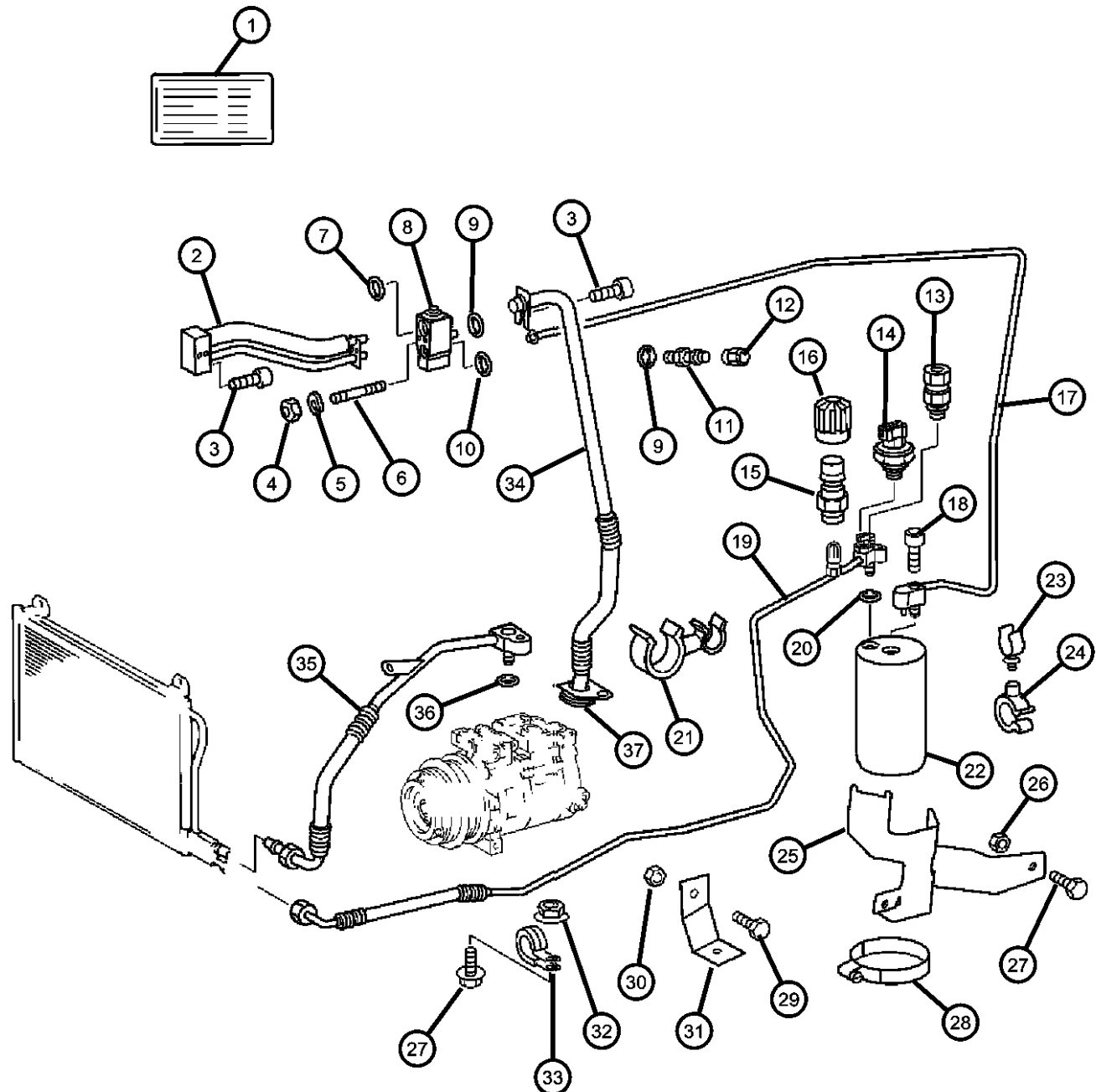
ITEM	PART NUMBER	QTY	LINE	SERIES	BODY	ENGINE	TRANS	TRIM	DESCRIPTION
	05103933AA	1	2, 6		11, 12, 14, 15, 16				
		1	2, 6		51, 52, 54, 55, 56				
		1	3, 7		12, 15, 16				
9									O RING, A/C Line
	05103930AA	2	3, 7		12, 15, 16				
		2	2, 6		11, 12, 14, 15, 16				
		2	2, 6		51, 52, 54, 55, 56				
10									O RING, A/C Line
	05098970AA	2	3, 7		12, 15, 16				
		2	2, 6		11, 12, 14, 15, 16				
		2	2, 6		51, 52, 54, 55, 56				
11									VALVE, Check
	05103771AA	1	3, 7		12, 15, 16				
		1	2, 6		11, 12, 14, 15, 16				
		1	2, 6		51, 52, 54, 55, 56				
12									CAP, Sealing
	05134029AA	1	3, 7		12, 15, 16				
		1	2, 6		11, 12, 14, 15, 16				
		1	2, 6		51, 52, 54, 55, 56				
13									VALVE, A/C Pressure Relief
	05098395AA	1	3, 7		12, 15, 16				
		1	2, 6		11, 12, 14, 15, 16				
		1	2, 6		51, 52, 54, 55, 56				
14									SWITCH, A/C Pressure
	05097873AA	1	3, 7		12, 15, 16				

**SPRINTER (VA)**

<b>SERIES</b>	<b>LINE</b>	<b>BODY</b>	<b>ENGINE</b>	<b>TRANSMISSION</b>
L = LOWLINE	3 = HD DODGE 2WD 6 = Lt. Duty DODGE 4WD 2 = Med. Duty DODGE 2WD 7 = Med. Duty DODGE 4WD	51 = WAGON WHEEL BASE 1 52 = WAGON WHEEL BASE 2 14 = VAN WHEEL BASE 4 15 = VAN WHEEL BASE 5 16 = VAN WHEEL BASE 6 54 = WAGON WHEEL BASE 4 55 = WAGON WHEEL BASE 5 56 = WAGON WHEEL BASE 6 11 = VAN WHEEL BASE 1 12 = VAN WHEEL BASE 2	EX9 = Engine - 2.7L 5 Cly Mercedes Diesel	DGJ = Transmission-5-Spd. Automatic,W5A580

AR = use ase required - = Non illustrated part

**Plumbing, Air Conditioning  
Figure 24-270**



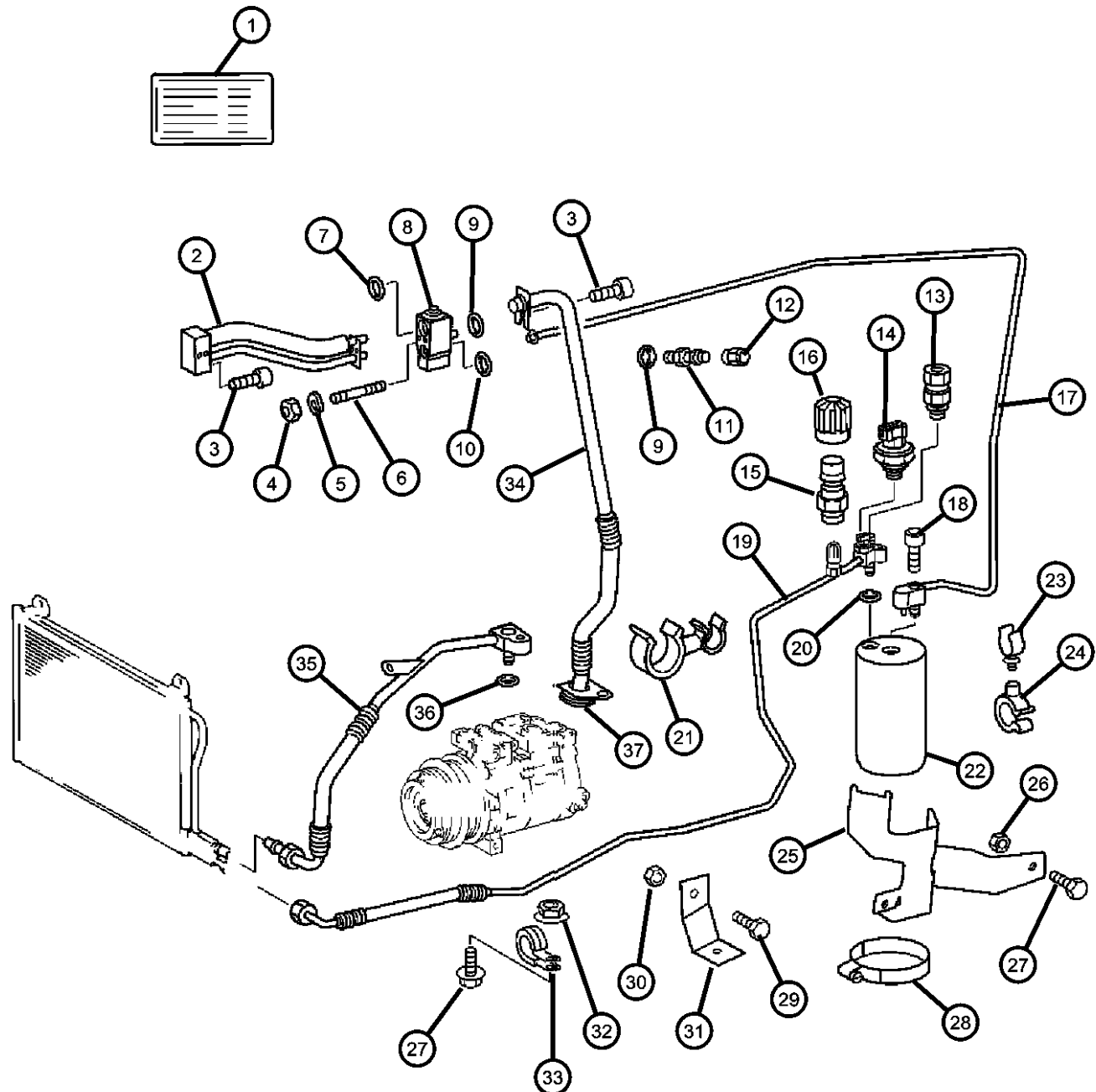
ITEM	PART NUMBER	QTY	LINE	SERIES	BODY	ENGINE	TRANS	TRIM	DESCRIPTION
		1	2, 6		11, 12, 14, 15, 16				
		1	2, 6		51, 52, 54, 55, 56				
15	05098396AB	1	3, 7		12, 15, 16				VALVE, Charging
		1	2, 6		11, 12, 14, 15, 16				
		1	2, 6		51, 52, 54, 55, 56				
16	05098958AA	1	3, 7		12, 15, 16				CAP, A/C Charge Valve
		1	2, 6		11, 12, 14, 15, 16				
		1	2, 6		51, 52, 54, 55, 56				
17	05124646AA	1	2, 6		11, 12, 14, 15, 16				LINE, Receiver/Drier to Expansion Valve
		1	2, 6		51, 52, 54, 55, 56				
		1	3, 7		12, 15, 16				
18	05126136AA	2	2, 6		11, 12, 14, 15, 16				SCREW
		2	2, 6		51, 52, 54, 55, 56				
		2	3, 7		12, 15, 16				
19	05104484AA	1	2, 6		11, 12, 14, 15, 16				LINE, Condenser to Receiver/Drier
		1	2, 6		51, 52, 54, 55, 56				
		1	3, 7		12, 15, 16				
20	05103571AA	1	3, 7		12, 15, 16				O RING, Air Conditioning Line
		1	2, 6		11, 12, 14, 15, 16				

**SPRINTER (VA)**

<b>SERIES</b>	<b>LINE</b>	<b>BODY</b>	<b>ENGINE</b>	<b>TRANSMISSION</b>
L = LOWLINE	3 = HD DODGE 2WD 6 = Lt. Duty DODGE 4WD 2 = Med. Duty DODGE 2WD 7 = Med. Duty DODGE 4WD	51 = WAGON WHEEL BASE 1 52 = WAGON WHEEL BASE 2 14 = VAN WHEEL BASE 4 15 = VAN WHEEL BASE 5 16 = VAN WHEEL BASE 6 54 = WAGON WHEEL BASE 4 55 = WAGON WHEEL BASE 5 56 = WAGON WHEEL BASE 6 11 = VAN WHEEL BASE 1 12 = VAN WHEEL BASE 2	EX9 = Engine - 2.7L 5 Cly Mercedes Diesel	DGJ = Transmission-5-Spd. Automatic, W5A580

AR = use ase required - = Non illustrated part

Plumbing, Air Conditioning  
Figure 24-270



ITEM	PART NUMBER	QTY	LINE	SERIES	BODY	ENGINE	TRANS	TRIM	DESCRIPTION
21		1	2, 6		51, 52, 54, 55, 56				CLIP, Hose
	05125881AA	1	2, 6		11, 12, 14, 15, 16				
		1	2, 6		51, 52, 54, 55, 56				
		1	3, 7		12, 15, 16	EX9			
22		1	2, 6		11, 12, 14, 15, 16				RECEIVER DRIER
	05103570AA	1	2, 6		51, 52, 54, 55, 56				
		1	3, 7		12, 15, 16				
23		1	2, 6		11, 12, 14, 15, 16				CLIP, Retaining
	06104924AA	1	2, 6		51, 52, 54, 55, 56				
		1	3, 7		12, 15, 16				
24		1	2, 6		11, 12, 14, 15, 16				CLAMP, HOSE CLAMP
	05133495AA	1	2, 6		51, 52, 54, 55, 56				
		1	3, 7		12, 15, 16				
25		1	2, 6		11, 12, 14, 15, 16				BRACKET, Recirculating Pump
	05124810AA	1	2, 6		51, 52, 54, 55, 56				
		1	3, 7		12, 15, 16				
26		2	2, 6		11, 12, 14, 15, 16				NUT, Hex, M6
	05096978AA	2	2, 6		51, 52, 54, 55, 56				
		2	3, 7		12, 15, 16				

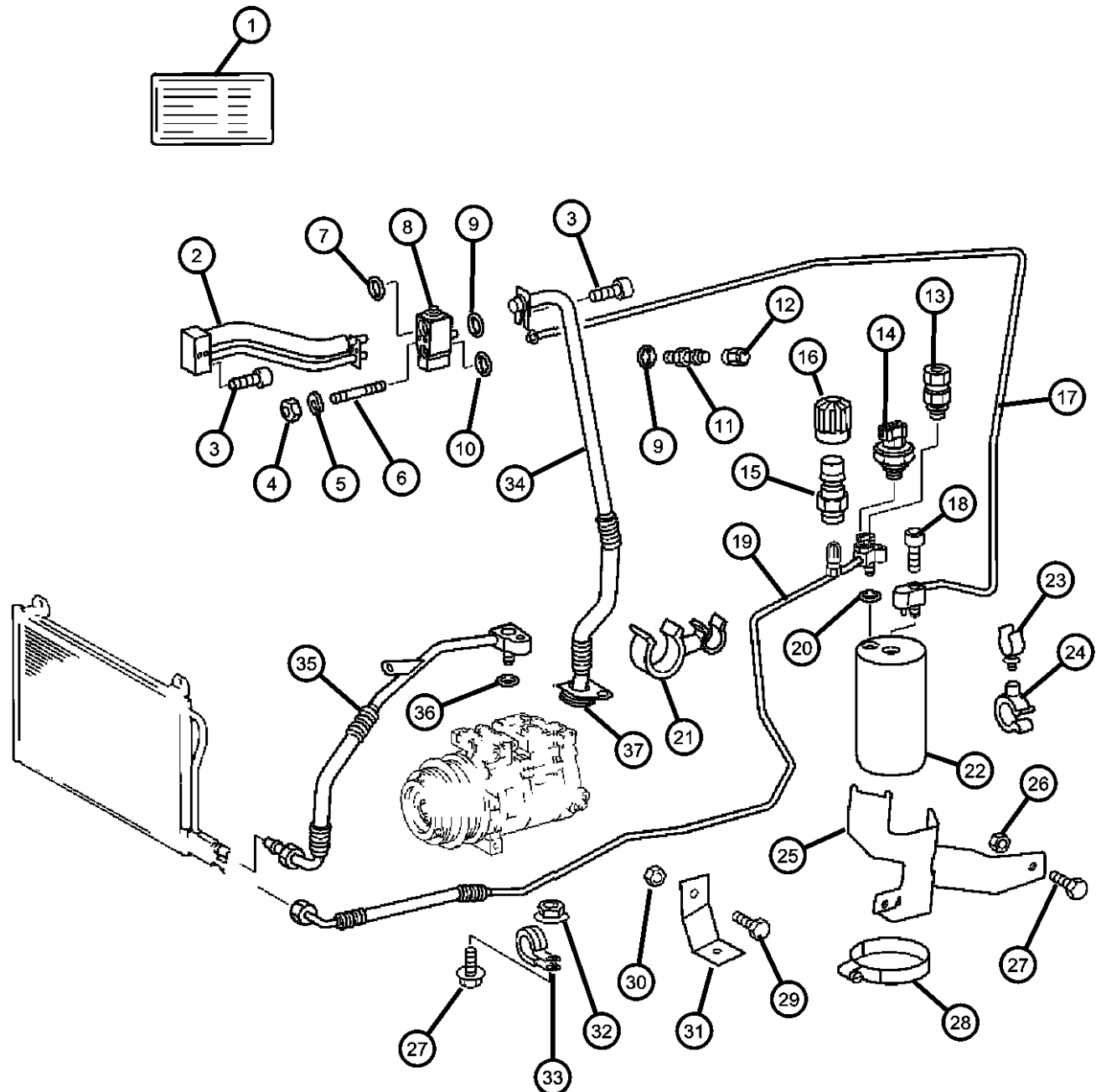
**SPRINTER (VA)**

<b>SERIES</b>	<b>LINE</b>	<b>BODY</b>	<b>ENGINE</b>	<b>TRANSMISSION</b>
L = LOWLINE	3 = HD DODGE 2WD 6 = Lt. Duty DODGE 4WD 2 = Med. Duty DODGE 2WD 7 = Med. Duty DODGE 4WD	51 = WAGON WHEEL BASE 1 52 = WAGON WHEEL BASE 2 14 = VAN WHEEL BASE 4 15 = VAN WHEEL BASE 5 16 = VAN WHEEL BASE 6 54 = WAGON WHEEL BASE 4 55 = WAGON WHEEL BASE 5 56 = WAGON WHEEL BASE 6 11 = VAN WHEEL BASE 1 12 = VAN WHEEL BASE 2	EX9 = Engine - 2.7L 5 Cly Mercedes Diesel	DGJ = Transmission-5-Spd. Automatic, W5A580

AR = use ase required - = Non illustrated part



**Plumbing, Air Conditioning  
Figure 24-270**



ITEM	PART NUMBER	QTY	LINE	SERIES	BODY	ENGINE	TRANS	TRIM	DESCRIPTION
27	06104005AA	2							SCREW
28									CLAMP
	06104787AA	1	2, 6		11, 12, 14, 15, 16				
		1	2, 6		51, 52, 54, 55, 56				
		1	3, 7		12, 15, 16				
29									NUT, Hex
	05097674AA	1	2, 6		51, 52, 54, 55, 56				
		1	3, 7		12, 15, 16				
		1	2, 6		11, 12, 14, 15, 16				
30									NUT
	06104725AA	1	2, 6		11, 12, 14, 15, 16				
		1	2, 6		51, 52, 54, 55, 56				
		1	3, 7		12, 15, 16				
31		1							BRACKET, (NOT SERVICED)
32									NUT, Hex, M6
	05096978AA	1	2, 6		11, 12, 14, 15, 16				
		1	2, 6		51, 52, 54, 55, 56				
		1	3, 7		12, 15, 16				
33									CLAMP, Air Conditioning Piping
	05126284AA	1	2, 6		11, 12, 14, 15, 16				
		1	2, 6		51, 52, 54, 55, 56				
		1	3, 7		12, 15, 16				
34									LINE, Expansion Valve to Compressor
	05124647AA	1	2, 6		11, 12, 14, 15, 16	EX9			
		1	2, 6		51, 52, 54, 55, 56	EX9			

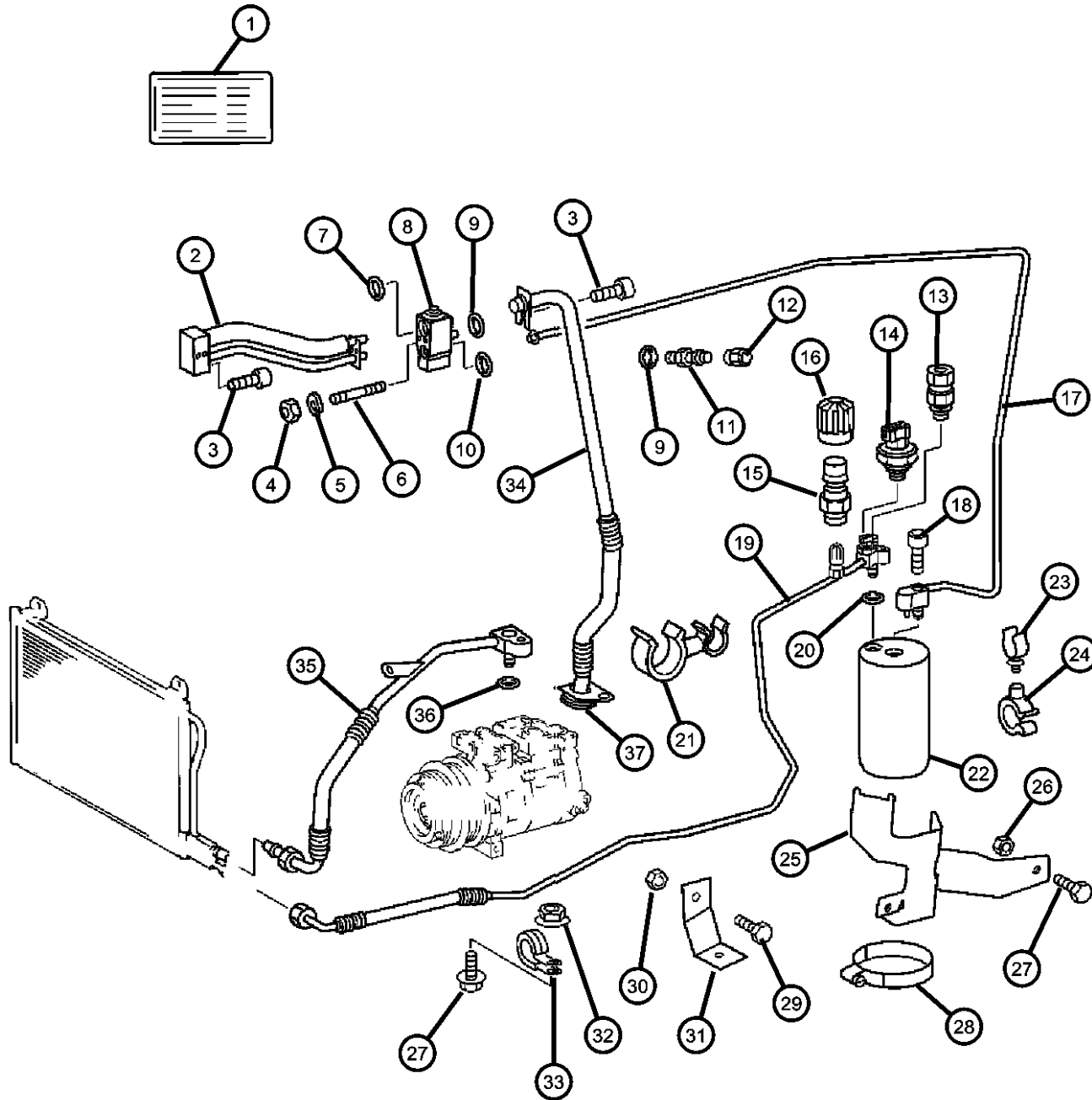
**SPRINTER (VA)**

<b>SERIES</b>	<b>LINE</b>	<b>BODY</b>	<b>ENGINE</b>	<b>TRANSMISSION</b>
L = LOWLINE	3 = HD DODGE 2WD 6 = Lt. Duty DODGE 4WD 2 = Med. Duty DODGE 2WD 7 = Med. Duty DODGE 4WD	51 = WAGON WHEEL BASE 1 52 = WAGON WHEEL BASE 2 14 = VAN WHEEL BASE 4 15 = VAN WHEEL BASE 5 16 = VAN WHEEL BASE 6 54 = WAGON WHEEL BASE 4 55 = WAGON WHEEL BASE 5 56 = WAGON WHEEL BASE 6 11 = VAN WHEEL BASE 1 12 = VAN WHEEL BASE 2	EX9 = Engine - 2.7L 5 Cly Mercedes Diesel	DGJ = Transmission-5-Spd. Automatic, W5A580

AR = use ase required - = Non illustrated part

Plumbing, Air Conditioning  
Figure 24-270

ITEM	PART NUMBER	QTY	LINE	SERIES	BODY	ENGINE	TRANS	TRIM	DESCRIPTION
35		1	3, 7		12, 15, 16	EX9			LINE, A/C Compressor
	05124817AA	1	2, 6		11, 12, 14, 15, 16				
		1	2, 6		51, 52, 54, 55, 56				
36		1	3, 7		12, 15, 16	EX9			O RING, A/C Line
	05098972AA	1	2, 6		11, 12, 14, 15, 16				
		1	2, 6		51, 52, 54, 55, 56				
		1	3, 7		12, 15, 16				
37		1	2, 6		11, 12, 14, 15, 16				SEAL, O-Ring
	05134027AA	1	2, 6		51, 52, 54, 55, 56				
		1	3, 7		12, 15, 16				



SPRINTER (VA)

SERIES

L = LOWLINE

LINE

3 = HD DODGE 2WD  
6 = Lt. Duty DODGE 4WD  
2 = Med. Duty DODGE 2WD  
7 = Med. Duty DODGE 4WD

BODY

51 = WAGON WHEEL BASE 1  
52 = WAGON WHEEL BASE 2  
14 = VAN WHEEL BASE 4  
15 = VAN WHEEL BASE 5  
16 = VAN WHEEL BASE 6  
54 = WAGON WHEEL BASE 4  
55 = WAGON WHEEL BASE 5  
56 = WAGON WHEEL BASE 6  
11 = VAN WHEEL BASE 1  
12 = VAN WHEEL BASE 2

ENGINE

EX9 = Engine - 2.7L 5 Cly Mercedes Diesel

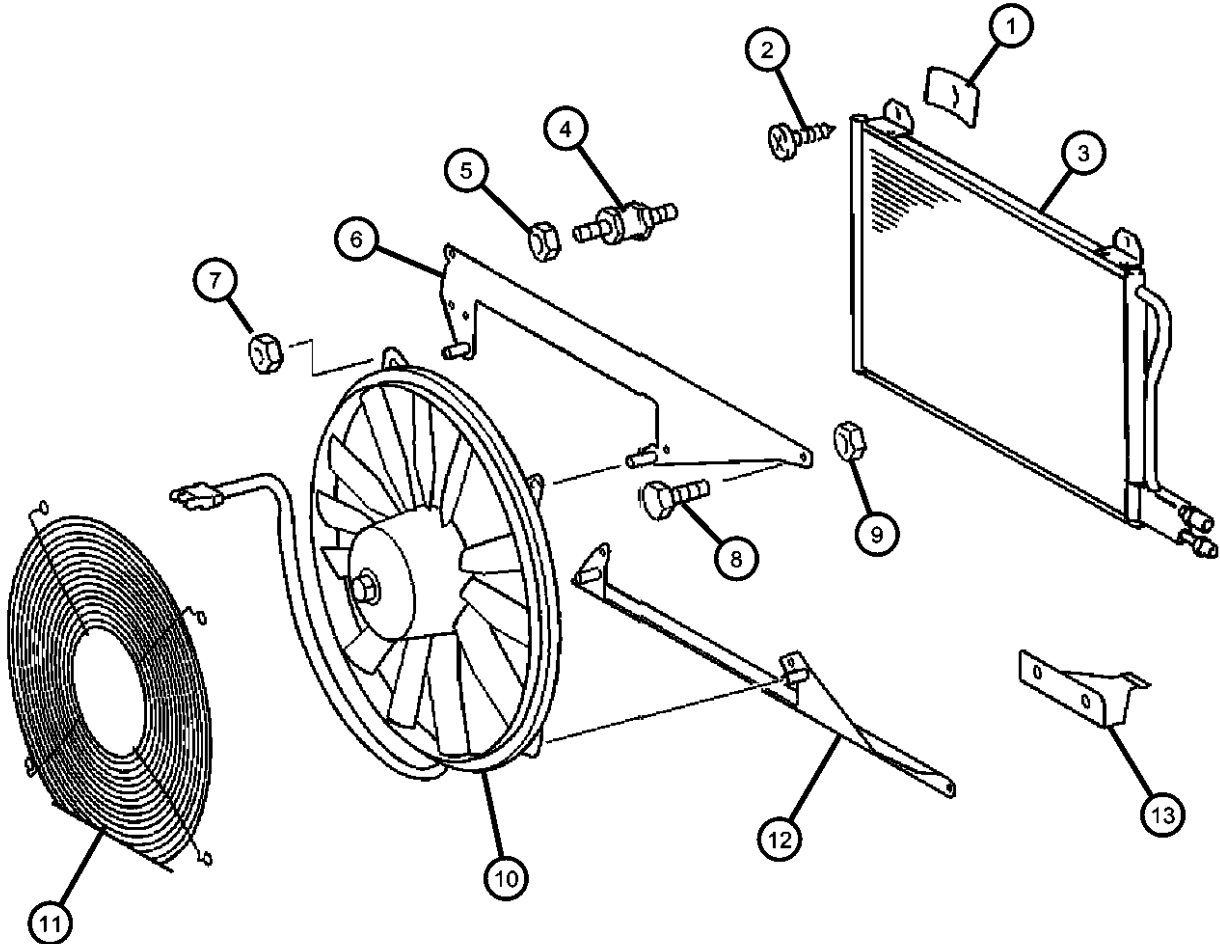
TRANSMISSION

DGJ = Transmission-5-Spd. Automatic,W5A580

AR = use ase required - = Non illustrated part

2003 VA

**Condenser, Fan Front  
Figure 24-280**



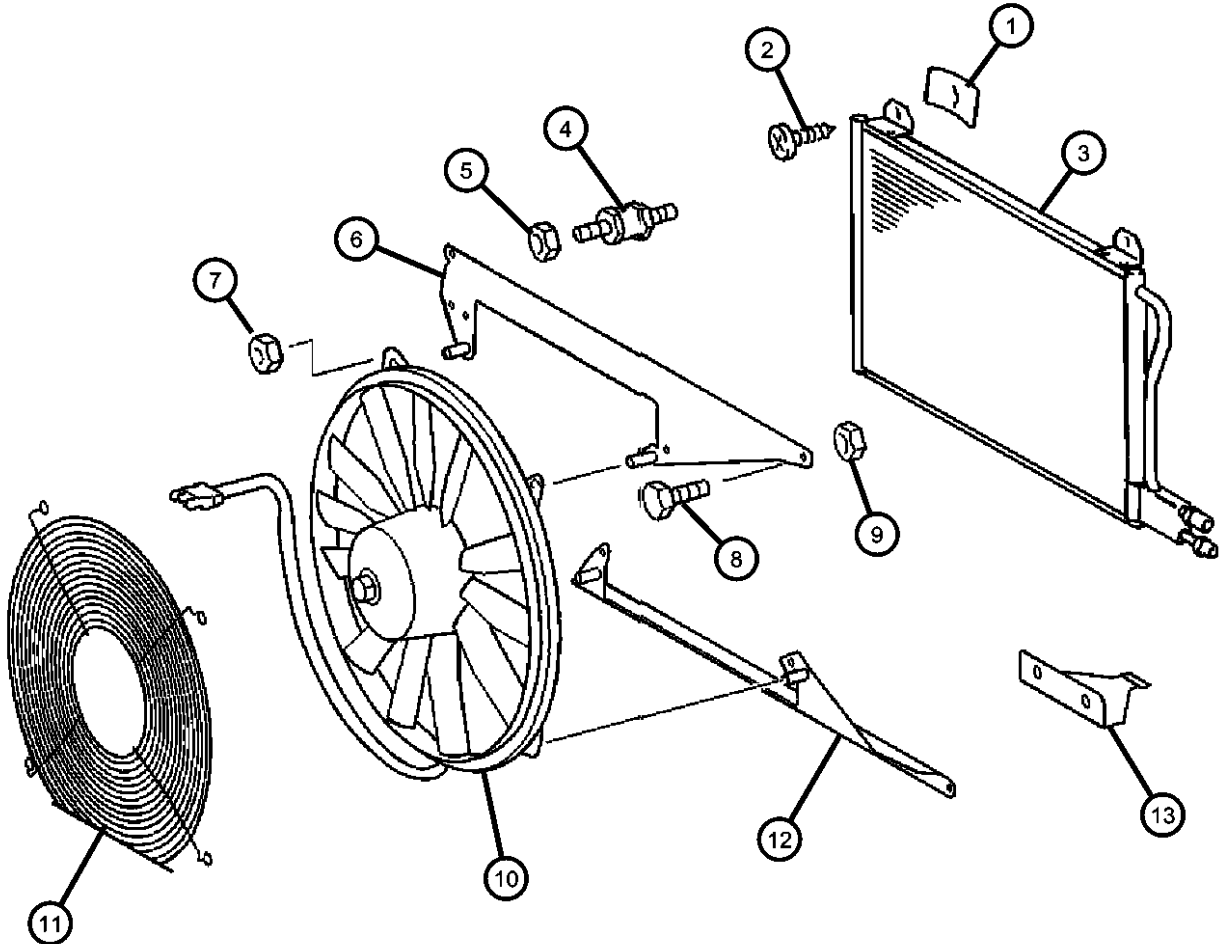
ITEM	PART NUMBER	QTY	LINE	SERIES	BODY	ENGINE	TRANS	TRIM	DESCRIPTION
1	05103735AA	4	2, 6		11, 12, 14, 15, 16				CLIP
		4	2, 6		51, 52, 54, 55, 56				
		4	3, 7		12, 15, 16				
2	06104574AA	4	2, 6		11, 12, 14, 15, 16				SCREW, Tapping
		4	2, 6		51, 52, 54, 55, 56				
		4	3, 7		12, 15, 16				
3	05104114AA	1	2, 6		11, 12, 14, 15, 16				CONDENSER, A/C [HAB]
		1	2, 6		51, 52, 54, 55, 56				[HAB]
	05132357AA	1	3, 7		12, 15, 16				[HAB]
		1	2, 6		51, 52, 54, 55, 56				HIGH PERFORMANCE FOR PASS COMP
4	05104031AA	2	2, 6		11, 12, 14, 15, 16				STUD, Cooling Fan
		2	2, 6		51, 52, 54, 55, 56				
		2	3, 7		12, 15, 16				
5	05104675AA	2	2, 6		11, 12, 14, 15, 16				NUT
		2	2, 6		51, 52, 54, 55, 56				
		2	3, 7		12, 15, 16				
6	05119989AA	1	2, 6		11, 12, 14, 15, 16				BRACKET, Fan
		1	2, 6		51, 52, 54, 55, 56				
		1	3, 7		12, 15, 16				
7									NUT

**SPRINTER (VA)**

<b>SERIES</b>	<b>LINE</b>	<b>BODY</b>	<b>ENGINE</b>	<b>TRANSMISSION</b>
L = LOWLINE	3 = HD DODGE 2WD 6 = Lt. Duty DODGE 4WD 2 = Med. Duty DODGE 2WD 7 = Med. Duty DODGE 4WD	51 = WAGON WHEEL BASE 1 52 = WAGON WHEEL BASE 2 14 = VAN WHEEL BASE 4 15 = VAN WHEEL BASE 5 16 = VAN WHEEL BASE 6 54 = WAGON WHEEL BASE 4 55 = WAGON WHEEL BASE 5 56 = WAGON WHEEL BASE 6 11 = VAN WHEEL BASE 1 12 = VAN WHEEL BASE 2	EX9 = Engine - 2.7L 5 Cly Mercedes Diesel	DGJ = Transmission-5-Spd. Automatic,W5A580

AR = use ase required - = Non illustrated part

**Condenser, Fan Front  
Figure 24-280**



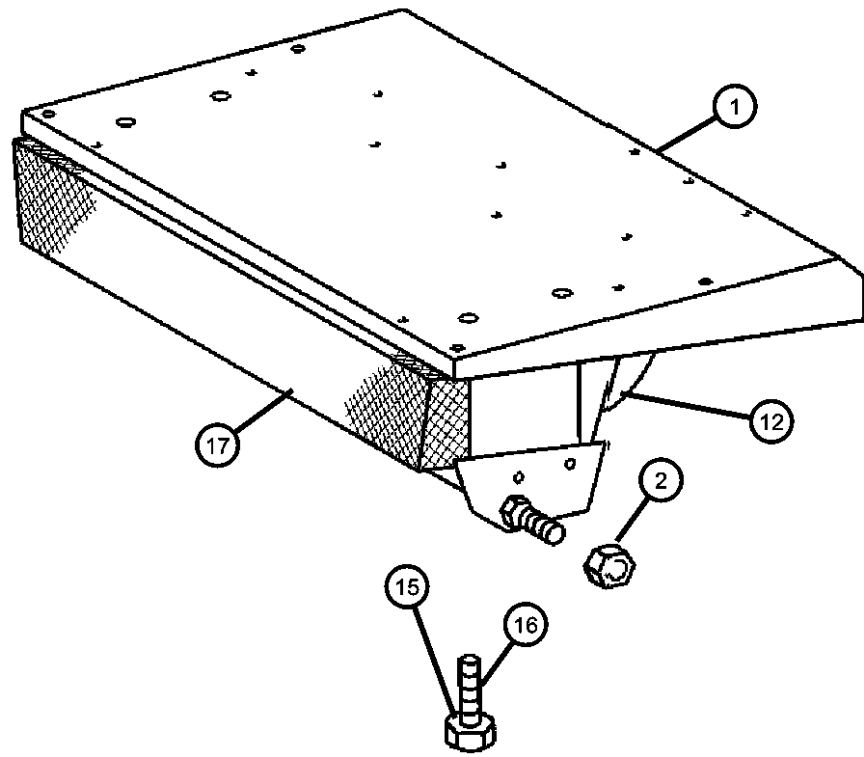
ITEM	PART NUMBER	QTY	LINE	SERIES	BODY	ENGINE	TRANS	TRIM	DESCRIPTION
	06104715AA	4	2, 6		11, 12, 14, 15, 16				
		4	2, 6		51, 52, 54, 55, 56				
		4	3, 7		12, 15, 16				
8	06104005AA	2							SCREW
9									NUT
	06104715AA	2	2, 6		11, 12, 14, 15, 16				
		2	2, 6		51, 52, 54, 55, 56				
		2	3, 7		12, 15, 16				
10									FAN, Condenser
	05103653AA	1	2, 6		11, 12, 14, 15, 16				
		1	2, 6		51, 52, 54, 55, 56				
		1	3, 7		12, 15, 16				
11									PROTECTIVE GRILL, NONE, SPRINTER
	05104121AA	1	2, 6		11, 12, 14, 15, 16				
		1	2, 6		51, 52, 54, 55, 56				
		1	3, 7		12, 15, 16				
12									BRACKET, Fan
	05104113AA	1	2, 6		11, 12, 14, 15, 16				
		1	2, 6		51, 52, 54, 55, 56				
		1	3, 7		12, 15, 16				
13									BRACKET
	05120001AA	1	2, 6		11, 12, 14, 15, 16				
		1	2, 6		51, 52, 54, 55, 56				
		1	3, 7		12, 15, 16				

**SPRINTER (VA)**

<b>SERIES</b>	<b>LINE</b>	<b>BODY</b>	<b>ENGINE</b>	<b>TRANSMISSION</b>
L = LOWLINE	3 = HD DODGE 2WD 6 = Lt. Duty DODGE 4WD 2 = Med. Duty DODGE 2WD 7 = Med. Duty DODGE 4WD	51 = WAGON WHEEL BASE 1 52 = WAGON WHEEL BASE 2 14 = VAN WHEEL BASE 4 15 = VAN WHEEL BASE 5 16 = VAN WHEEL BASE 6 54 = WAGON WHEEL BASE 4 55 = WAGON WHEEL BASE 5 56 = WAGON WHEEL BASE 6 11 = VAN WHEEL BASE 1 12 = VAN WHEEL BASE 2	EX9 = Engine - 2.7L 5 Cly Mercedes Diesel	DGJ = Transmission-5-Spd. Automatic,W5A580

AR = use ase required - = Non illustrated part

**Condenser, Fan Roof**  
**Figure 24-285**



ITEM	PART NUMBER	QTY	LINE	SERIES	BODY	ENGINE	TRANS	TRIM	DESCRIPTION
1	05104473AA	1	2, 6		11, 12, 14, 15, 16				EVAPORATOR, Air Conditioning
		1	2, 6		51, 52, 54, 55, 56				
2	05133459AA	1	2, 6		51, 52, 54, 55, 56				NUT
-3	05132374AA	2	2, 6		11, 12, 14, 15, 16				TUBE, Auxiliary A/C and Heater
		2	2, 6		51, 52, 54, 55, 56				
-4	05132223AA	1	2, 6		11, 12, 14, 15, 16				LINE, Auxiliary A/C Liquid
		1	2, 6		51, 52, 54, 55, 56				
-5	05132225AA	1	2, 6		11, 12, 14, 15, 16				LINE, Auxiliary A/C Liquid
		1	2, 6		51, 52, 54, 55, 56				
-6	05132227AA	1	2, 6		51, 52, 54, 55, 56				LINE, Auxiliary A/C Liquid
		1	2, 6		11, 12, 14, 15, 16				
-7	05132230AA	1	2, 6		51, 52, 54, 55, 56				LINE, Auxiliary A/C Suction
		1	2, 6		11, 12, 14, 15, 16				
-8	05127838AA	1							LINE, Auxiliary A/C Suction
-9	05133464AA	1	2, 6		51, 52, 54, 55, 56				VALVE
-10	05103546AA	1	2, 6		51, 52, 54, 55, 56				FILTER, A/C and Heater Unit
-11	05133452AA	1	2, 6		51, 52, 54, 55, 56				GRILLE, A/C And Heater
12	05133460AA	1	2, 6		51, 52, 54, 55, 56				MOTOR, Blower

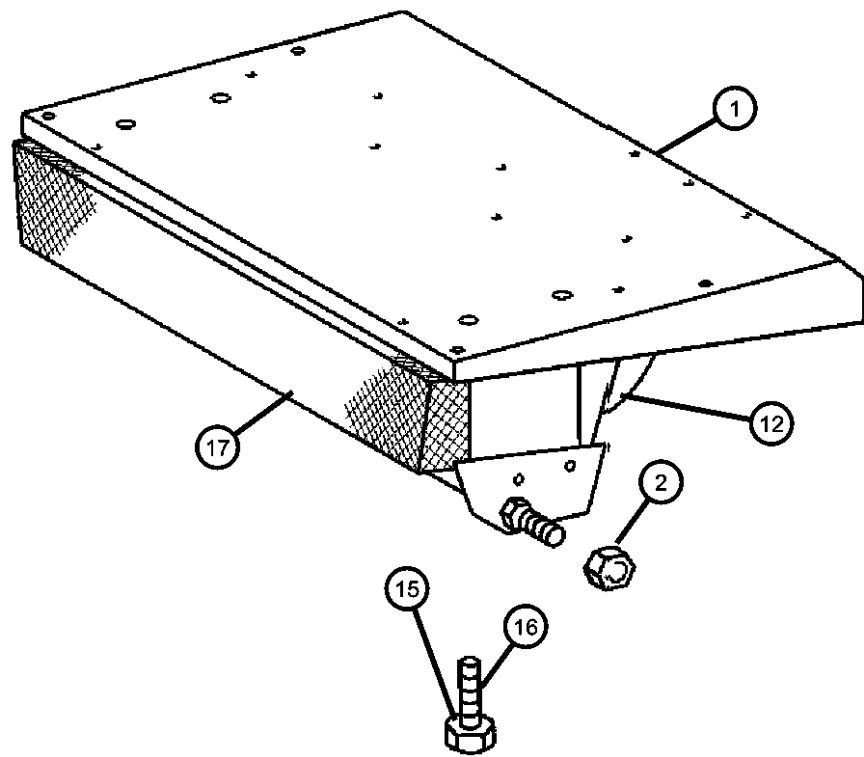
**SPRINTER (VA)**

<b>SERIES</b>	<b>LINE</b>	<b>BODY</b>	<b>ENGINE</b>	<b>TRANSMISSION</b>
L = LOWLINE	3 = HD DODGE 2WD 6 = Lt. Duty DODGE 4WD 2 = Med. Duty DODGE 2WD 7 = Med. Duty DODGE 4WD	51 = WAGON WHEEL BASE 1 52 = WAGON WHEEL BASE 2 14 = VAN WHEEL BASE 4 15 = VAN WHEEL BASE 5 16 = VAN WHEEL BASE 6 54 = WAGON WHEEL BASE 4 55 = WAGON WHEEL BASE 5 56 = WAGON WHEEL BASE 6 11 = VAN WHEEL BASE 1 12 = VAN WHEEL BASE 2	EX9 = Engine - 2.7L 5 Cyl Mercedes Diesel	DGJ = Transmission-5-Spd. Automatic, W5A580

AR = use ase required - = Non illustrated part

**Condenser, Fan Roof**  
**Figure 24-285**

ITEM	PART NUMBER	QTY	LINE	SERIES	BODY	ENGINE	TRANS	TRIM	DESCRIPTION
-13	05133456AA	6	2, 6		51, 52, 54, 55, 56				RING
-14	05133465AA	1	2, 6		51, 52, 54, 55, 56				MAGNET
15	05133455AA	6	2, 6		51, 52, 54, 55, 56				WASHER
16	05133455AA	6							SCREW, (NOT SERVICED)
17	05132358AA	1	2, 6		51, 52, 54, 55, 56				CONDENSER, A/C



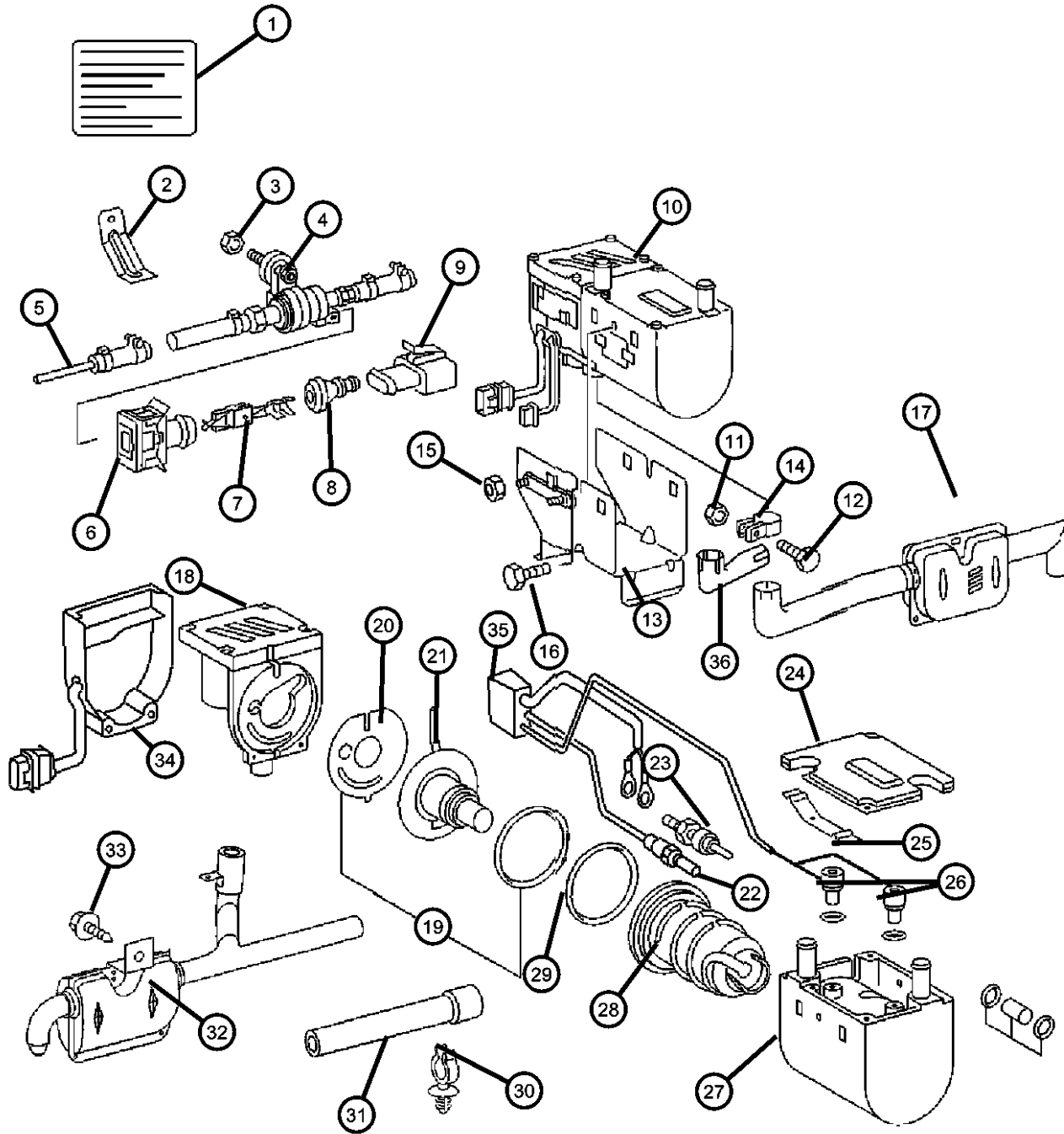
**SPRINTER (VA)**

SERIES	LINE	BODY	ENGINE	TRANSMISSION
L = LOWLINE	3 = HD DODGE 2WD 6 = Lt. Duty DODGE 4WD 2 = Med. Duty DODGE 2WD 7 = Med. Duty DODGE 4WD	51 = WAGON WHEEL BASE 1 52 = WAGON WHEEL BASE 2 14 = VAN WHEEL BASE 4 15 = VAN WHEEL BASE 5 16 = VAN WHEEL BASE 6 54 = WAGON WHEEL BASE 4 55 = WAGON WHEEL BASE 5 56 = WAGON WHEEL BASE 6 11 = VAN WHEEL BASE 1 12 = VAN WHEEL BASE 2	EX9 = Engine - 2.7L 5 Cly Mercedes Diesel	DGJ = Transmission-5-Spd. Automatic,W5A580

AR = use ase required - = Non illustrated part

2003 VA

**Auxiliary Warm Water Heater  
Figure 24-290**



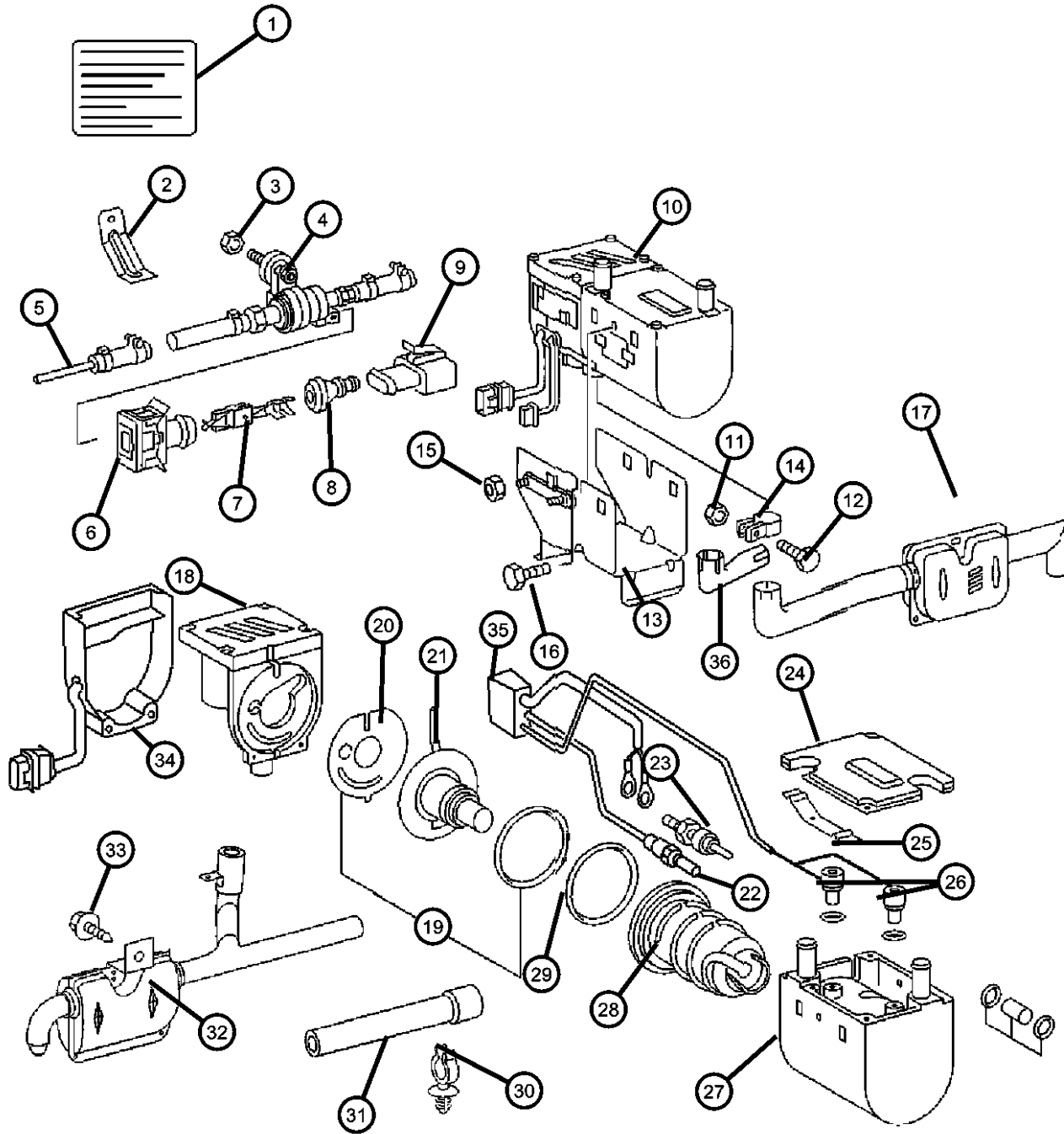
ITEM	PART NUMBER	QTY	LINE	SERIES	BODY	ENGINE	TRANS	TRIM	DESCRIPTION
1	05104152AA	1	2, 6		11, 12, 14, 15, 16				LABEL, Fuel
		1	2, 6		51, 52, 54, 55, 56				
		1	3, 7		12, 15, 16				
2	05119706AA	1	3, 7		12, 15, 16	EX9			BRACKET
		1	2, 6		11, 12, 14, 15, 16	EX9			
		1	2, 6		51, 52, 54, 55, 56	EX9			
3	05096978AA	1	3, 7		12, 15, 16				NUT, Hex, M6
		1	2, 6		11, 12, 14, 15, 16				
		1	2, 6		51, 52, 54, 55, 56				
4	05124900AA	1	2, 6		11, 12, 14, 15, 16				PUMP, Water
		1	2, 6		51, 52, 54, 55, 56				
		1	3, 7		12, 15, 16				
5	05124631AA	1	2, 6		11, 12, 14, 15, 16				LINE, Heater
		1	2, 6		51, 52, 54, 55, 56				
		1	3, 7		12, 15, 16				
6	05120749AA	1	2, 6		11, 12, 14, 15, 16				CONNECTOR
		1	2, 6		51, 52, 54, 55, 56				
		1	3, 7		12, 15, 16				
7	05103880AA	1							TERMINAL
8									BOOT

**SPRINTER (VA)**

<b>SERIES</b>	<b>LINE</b>	<b>BODY</b>	<b>ENGINE</b>	<b>TRANSMISSION</b>
L = LOWLINE	3 = HD DODGE 2WD 6 = Lt. Duty DODGE 4WD 2 = Med. Duty DODGE 2WD 7 = Med. Duty DODGE 4WD	51 = WAGON WHEEL BASE 1 52 = WAGON WHEEL BASE 2 14 = VAN WHEEL BASE 4 15 = VAN WHEEL BASE 5 16 = VAN WHEEL BASE 6 54 = WAGON WHEEL BASE 4 55 = WAGON WHEEL BASE 5 56 = WAGON WHEEL BASE 6 11 = VAN WHEEL BASE 1 12 = VAN WHEEL BASE 2	EX9 = Engine - 2.7L 5 Cly Mercedes Diesel	DGJ = Transmission-5-Spd. Automatic, W5A580

AR = use ase required - = Non illustrated part

**Auxiliary Warm Water Heater  
Figure 24-290**



ITEM	PART NUMBER	QTY	LINE	SERIES	BODY	ENGINE	TRANS	TRIM	DESCRIPTION
	05120881AA	1	2, 6		51, 52, 54, 55, 56				
		1	3, 7		12, 15, 16				
		1	2, 6		11, 12, 14, 15, 16				
9									CONNECTOR
	05133296AA	1	3, 7		12, 15, 16				
		1	2, 6		11, 12, 14, 15, 16				
		1	2, 6		51, 52, 54, 55, 56				
10									HEATER
	05124692AA	1	2, 6		51, 52, 54, 55, 56	EX9			Without [HDB]
		1	3, 7		12, 15, 16	EX9			Without [HDB]
	05124687AA	1	2, 6		11, 12, 14, 15, 16				With [HDB]
		1	2, 6		51, 52, 54, 55, 56				With [HDB]
		1	3, 7		12, 15, 16				With [HDB]
		1	2, 6		11, 12, 14, 15, 16	EX9			Without [HDB]
11									NUT
	05133317AA	1	3, 7		12, 15, 16				
		1	2, 6		11, 12, 14, 15, 16				
		1	2, 6		51, 52, 54, 55, 56				
12									BOLT
	05133316AA	1	3, 7		12, 15, 16				
		1	2, 6		11, 12, 14, 15, 16				
		1	2, 6		51, 52, 54, 55, 56				
13									BRACKET, Heater Core
	05124626AA	1	2, 6		51, 52, 54, 55, 56				
		1	3, 7		12, 15, 16				

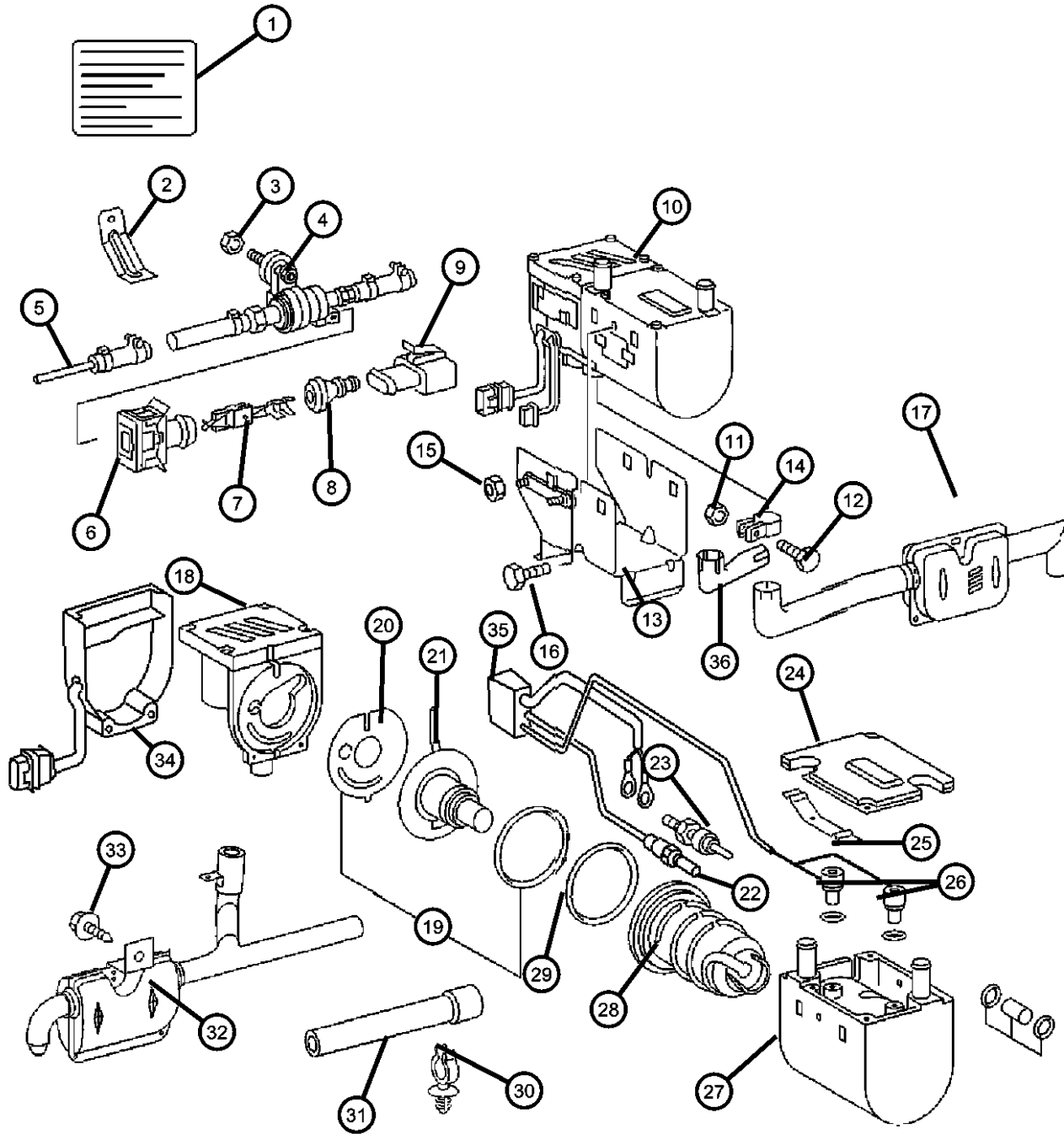
**SPRINTER (VA)**

<b>SERIES</b>	<b>LINE</b>	<b>BODY</b>	<b>ENGINE</b>	<b>TRANSMISSION</b>
L = LOWLINE	3 = HD DODGE 2WD 6 = Lt. Duty DODGE 4WD 2 = Med. Duty DODGE 2WD 7 = Med. Duty DODGE 4WD	51 = WAGON WHEEL BASE 1 52 = WAGON WHEEL BASE 2 14 = VAN WHEEL BASE 4 15 = VAN WHEEL BASE 5 16 = VAN WHEEL BASE 6 54 = WAGON WHEEL BASE 4 55 = WAGON WHEEL BASE 5 56 = WAGON WHEEL BASE 6 11 = VAN WHEEL BASE 1 12 = VAN WHEEL BASE 2	EX9 = Engine - 2.7L 5 Cly Mercedes Diesel	DGJ = Transmission-5-Spd. Automatic,W5A580

AR = use ase required - = Non illustrated part



**Auxiliary Warm Water Heater  
Figure 24-290**



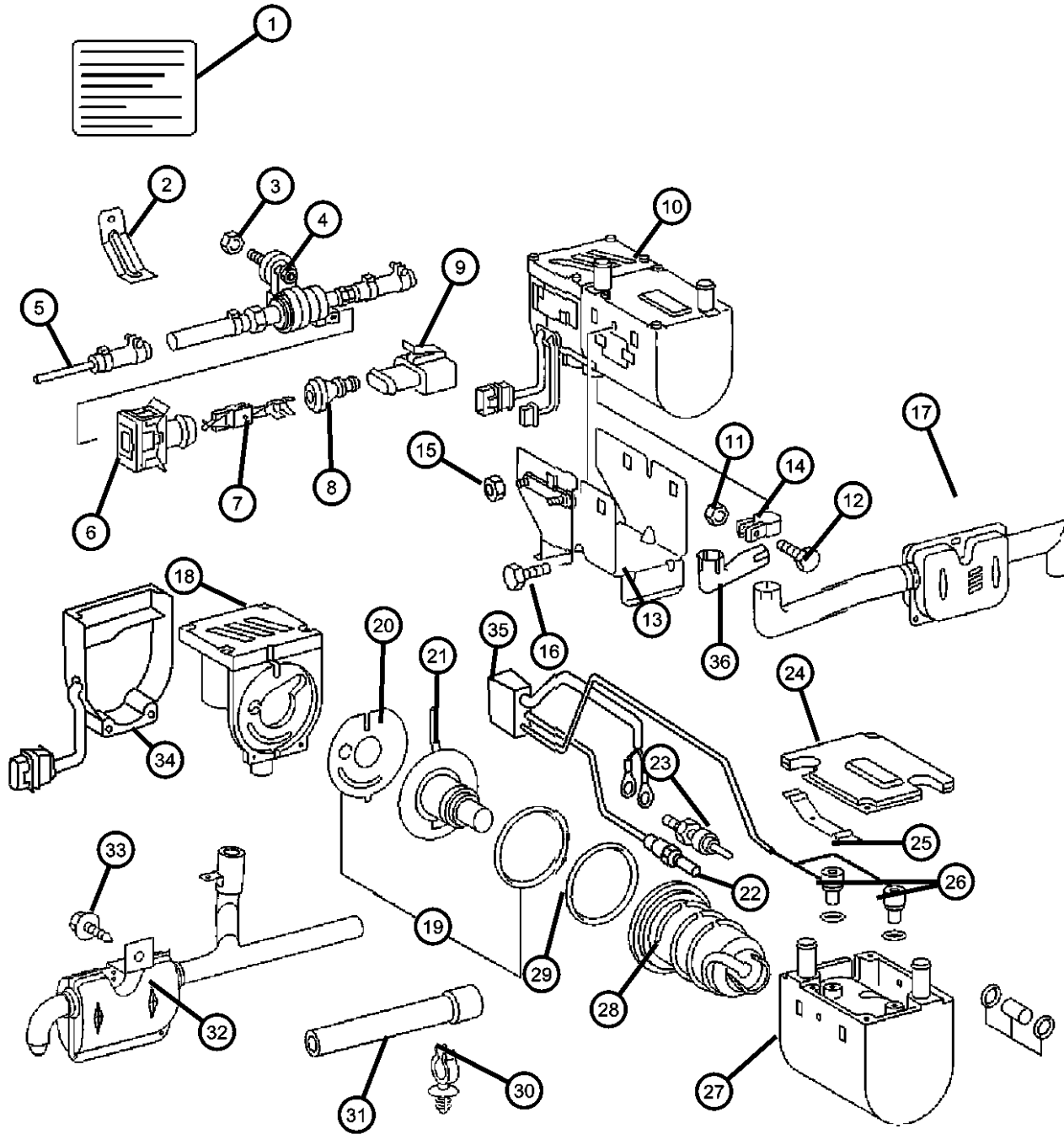
ITEM	PART NUMBER	QTY	LINE	SERIES	BODY	ENGINE	TRANS	TRIM	DESCRIPTION
14		1	2, 6		11, 12, 14, 15, 16				CLAMP, Exhaust
	05103627AA	1	3, 7		12, 15, 16				
		1	2, 6		11, 12, 14, 15, 16				
		1	2, 6		51, 52, 54, 55, 56				
15		1	3, 7		12, 15, 16				NUT, Hex
	05097674AA	1	2, 6		11, 12, 14, 15, 16				
		1	2, 6		51, 52, 54, 55, 56				
16		2	2, 6		11, 12, 14, 15, 16				SCREW
	06104003AA	2	2, 6		51, 52, 54, 55, 56				
		2	3, 7		12, 15, 16				
17		1	3, 7		12, 15, 16				MUFFLER, Exhaust
	05103808AA	1	2, 6		11, 12, 14, 15, 16				
		1	2, 6		51, 52, 54, 55, 56				
18		1	3, 7		12, 15, 16				BLOWER
	05133299AA	1	2, 6		11, 12, 14, 15, 16				
		1	2, 6		51, 52, 54, 55, 56				
19		1	2, 6		11, 12, 14, 15, 16				SEAL
	05133307AA	1	2, 6		51, 52, 54, 55, 56				
		1	3, 7		12, 15, 16				

**SPRINTER (VA)**

<b>SERIES</b>	<b>LINE</b>	<b>BODY</b>	<b>ENGINE</b>	<b>TRANSMISSION</b>
L = LOWLINE	3 = HD DODGE 2WD 6 = Lt. Duty DODGE 4WD 2 = Med. Duty DODGE 2WD 7 = Med. Duty DODGE 4WD	51 = WAGON WHEEL BASE 1 52 = WAGON WHEEL BASE 2 14 = VAN WHEEL BASE 4 15 = VAN WHEEL BASE 5 16 = VAN WHEEL BASE 6 54 = WAGON WHEEL BASE 4 55 = WAGON WHEEL BASE 5 56 = WAGON WHEEL BASE 6 11 = VAN WHEEL BASE 1 12 = VAN WHEEL BASE 2	EX9 = Engine - 2.7L 5 Cly Mercedes Diesel	DGJ = Transmission-5-Spd. Automatic, W5A580

AR = use ase required - = Non illustrated part

**Auxiliary Warm Water Heater  
Figure 24-290**

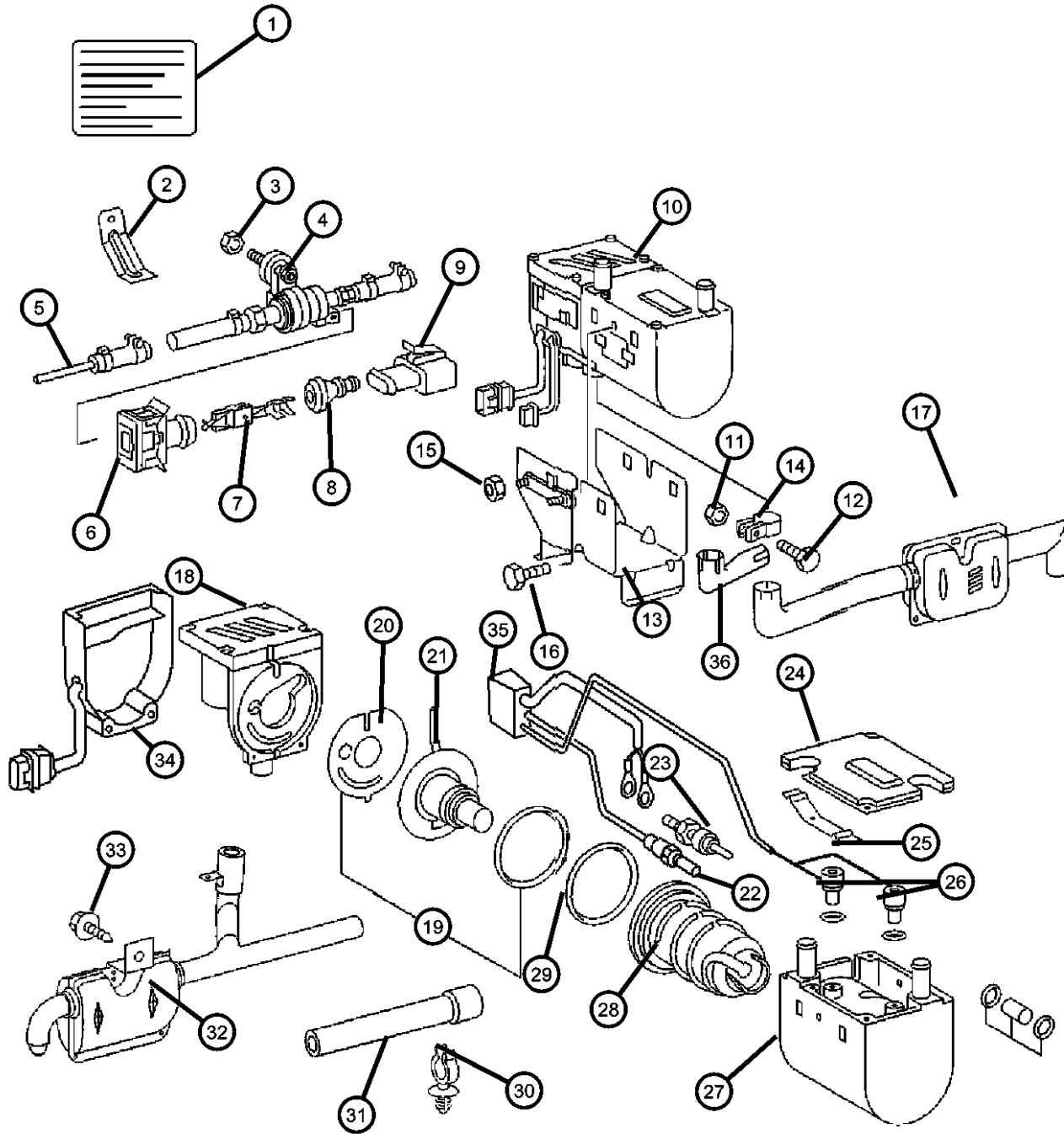


ITEM	PART NUMBER	QTY	LINE	SERIES	BODY	ENGINE	TRANS	TRIM	DESCRIPTION
20	05133301AA	1	2, 6		11, 12, 14, 15, 16				PIPE, Heater Core
		1	2, 6		51, 52, 54, 55, 56				
		1	3, 7		12, 15, 16				
21	05133312AA	1	2, 6		11, 12, 14, 15, 16				SENSOR, Temperature
		1	2, 6		51, 52, 54, 55, 56				
		1	3, 7		12, 15, 16				
22	05103691AA	1	3, 7		12, 15, 16				SENSOR, Temperature
		1	2, 6		11, 12, 14, 15, 16				
		1	2, 6		51, 52, 54, 55, 56				
23	05133310AA	1	2, 6		11, 12, 14, 15, 16				PLUG, Water Heater
		1	2, 6		51, 52, 54, 55, 56				
		1	3, 7		12, 15, 16				
24	05133306AA	1	2, 6		11, 12, 14, 15, 16				COVER, Heater Housing
		1	2, 6		51, 52, 54, 55, 56				
		1	3, 7		12, 15, 16				
25	05133313AA	1	2, 6		51, 52, 54, 55, 56				CLIP, Spring
		1	3, 7		12, 15, 16				
		1	2, 6		11, 12, 14, 15, 16				
26									O RING, Heater Core

**SPRINTER (VA)**  
**SERIES**      **LINE**      **BODY**      **ENGINE**      **TRANSMISSION**  
L = LOWLINE    3 = HD DODGE 2WD    51 = WAGON WHEEL BASE 1    EX9 = Engine - 2.7L 5 Cly    DGJ = Transmission-5-Spd.  
                     6 = Lt. Duty DODGE 4WD    52 = WAGON WHEEL BASE 2    Mercedes Diesel    Automatic,W5A580  
                     2 = Med. Duty DODGE 2WD  
                     7 = Med. Duty DODGE 4WD  
   14 = VAN WHEEL BASE 4  
   15 = VAN WHEEL BASE 5  
   16 = VAN WHEEL BASE 6  
   54 = WAGON WHEEL BASE 4  
   55 = WAGON WHEEL BASE 5  
   56 = WAGON WHEEL BASE 6  
   11 = VAN WHEEL BASE 1  
   12 = VAN WHEEL BASE 2

AR = use ase required    - = Non illustrated part

**Auxiliary Warm Water Heater  
Figure 24-290**



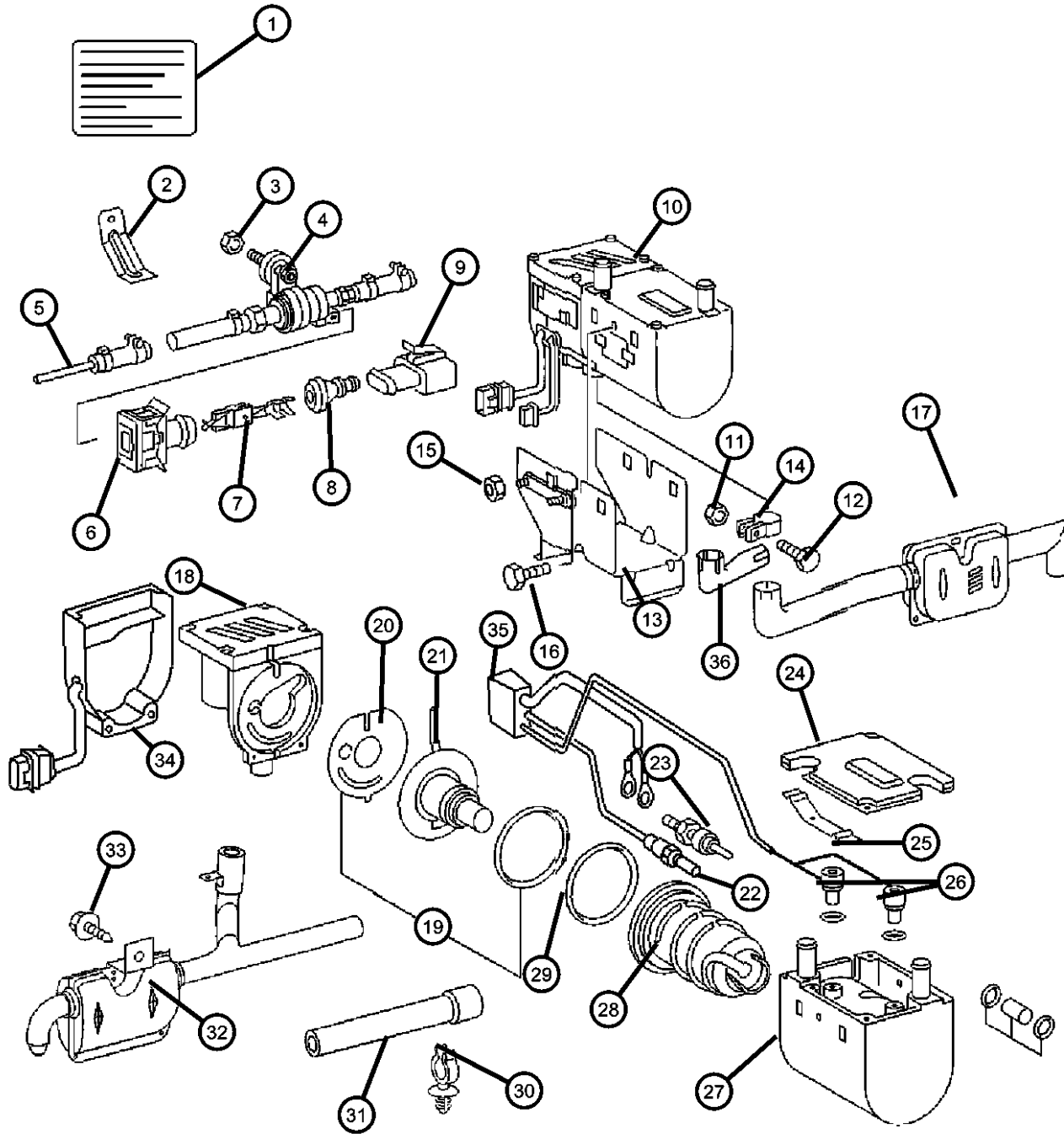
ITEM	PART NUMBER	QTY	LINE	SERIES	BODY	ENGINE	TRANS	TRIM	DESCRIPTION
	05133314AA	1	2, 6		11, 12, 14, 15, 16				
		1	2, 6		51, 52, 54, 55, 56				
		1	3, 7		12, 15, 16				
27	05133298AA	1	2, 6		11, 12, 14, 15, 16				HOUSING, Heater
		1	2, 6		51, 52, 54, 55, 56				
		1	3, 7		12, 15, 16				
28	05133303AA	1	2, 6		11, 12, 14, 15, 16				CORE, Water Heater
		1	2, 6		51, 52, 54, 55, 56				
		1	3, 7		12, 15, 16				
29	05133309AA	1	2, 6		11, 12, 14, 15, 16				O RING, Heater Core
		1	2, 6		51, 52, 54, 55, 56				
		1	3, 7		12, 15, 16				
30	05119332AA	3	2, 6		11, 12, 14, 15, 16				CLIP, Hose
		3	3, 7		12, 15, 16				
		3	2, 6		51, 52, 54, 55, 56				
31	05124674AA	1	2, 6		11, 12, 14, 15, 16				PIPE, Air Intake
		1	2, 6		51, 52, 54, 55, 56				
		1	3, 7		12, 15, 16				
32	05103848AA	1	2, 6		11, 12, 14, 15, 16				LINE, Heater

**SPRINTER (VA)**

<b>SERIES</b>	<b>LINE</b>	<b>BODY</b>	<b>ENGINE</b>	<b>TRANSMISSION</b>
L = LOWLINE	3 = HD DODGE 2WD 6 = Lt. Duty DODGE 4WD 2 = Med. Duty DODGE 2WD 7 = Med. Duty DODGE 4WD	51 = WAGON WHEEL BASE 1 52 = WAGON WHEEL BASE 2 14 = VAN WHEEL BASE 4 15 = VAN WHEEL BASE 5 16 = VAN WHEEL BASE 6 54 = WAGON WHEEL BASE 4 55 = WAGON WHEEL BASE 5 56 = WAGON WHEEL BASE 6 11 = VAN WHEEL BASE 1 12 = VAN WHEEL BASE 2	EX9 = Engine - 2.7L 5 Cly Mercedes Diesel	DGJ = Transmission-5-Spd. Automatic,W5A580

AR = use ase required - = Non illustrated part

**Auxiliary Warm Water Heater  
Figure 24-290**

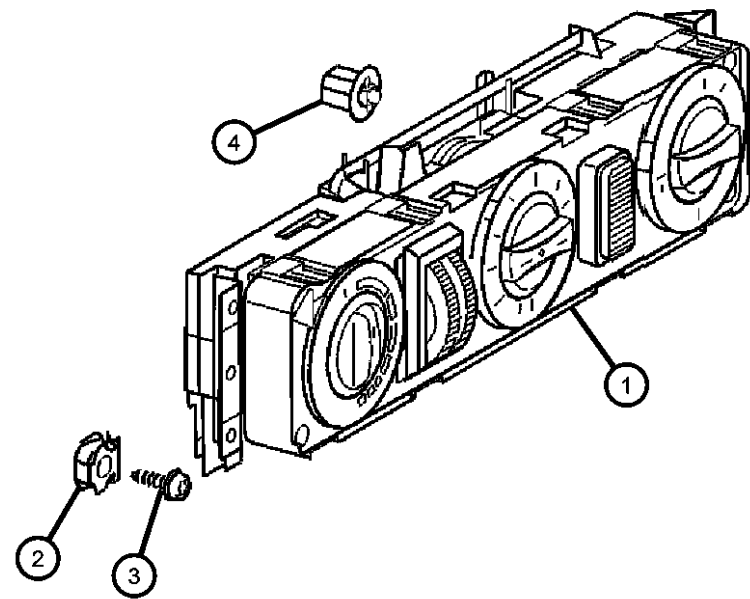


ITEM	PART NUMBER	QTY	LINE	SERIES	BODY	ENGINE	TRANS	TRIM	DESCRIPTION
		1	2, 6		51, 52, 54, 55, 56				
33		1	3, 7		12, 15, 16				SCREW, Tapping
	06104580AA	1	2, 6		11, 12, 14, 15, 16				
		2	2, 6		51, 52, 54, 55, 56				
34		2	3, 7		12, 15, 16				CONTROL UNIT, NONE, SPRINTER
	05103648AA	1	3, 7		12, 15, 16				
		1	2, 6		11, 12, 14, 15, 16				
		1	2, 6		51, 52, 54, 55, 56				
35		1	2, 6		11, 12, 14, 15, 16				MODULE, Heater Control
	05133305AA	1	2, 6		11, 12, 14, 15, 16				
		1	2, 6		51, 52, 54, 55, 56				
		1	3, 7		12, 15, 16				
36		1	3, 7		12, 15, 16				TUBE, Heater Core
	05133318AA	1	3, 7		12, 15, 16				
		1	2, 6		11, 12, 14, 15, 16				
		1	2, 6		51, 52, 54, 55, 56				
-37		1	2, 6		51, 52, 54, 55, 56				SENSOR, Temperature
	05133312AA	1	2, 6		51, 52, 54, 55, 56				
		1	3, 7		12, 15, 16				

<b>SPRINTER (VA)</b>		BODY	ENGINE	TRANSMISSION
SERIES	LINE			
L = LOWLINE	3 = HD DODGE 2WD	51 = WAGON WHEEL BASE 1	EX9 = Engine - 2.7L 5 Cly	DGJ = Transmission-5-Spd.
	6 = Lt. Duty DODGE 4WD	52 = WAGON WHEEL BASE 2	Mercedes Diesel	Automatic, W5A580
	2 = Med. Duty DODGE 2WD	14 = VAN WHEEL BASE 4		
	7 = Med. Duty DODGE 4WD	15 = VAN WHEEL BASE 5		
		16 = VAN WHEEL BASE 6		
		54 = WAGON WHEEL BASE 4		
		55 = WAGON WHEEL BASE 5		
		56 = WAGON WHEEL BASE 6		
		11 = VAN WHEEL BASE 1		
		12 = VAN WHEEL BASE 2		

AR = use ase required - = Non illustrated part

**Control  
Figure 24-320**



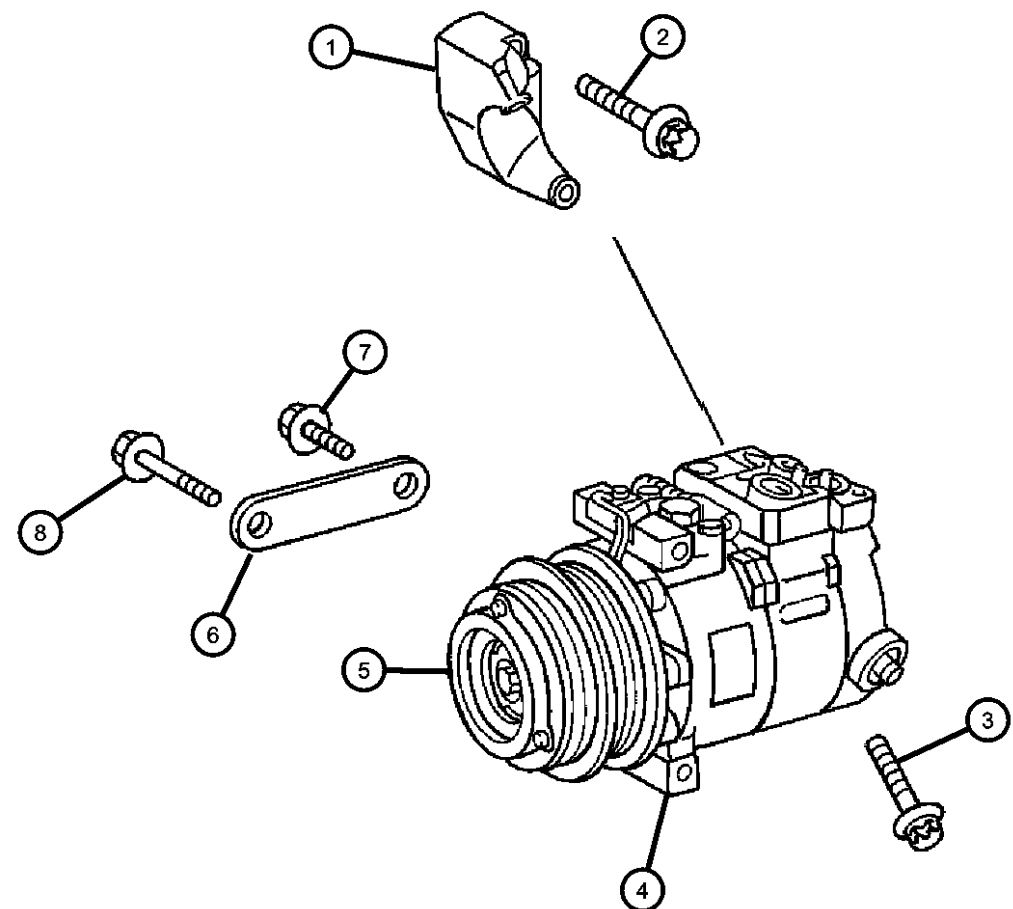
ITEM	PART NUMBER	QTY	LINE	SERIES	BODY	ENGINE	TRANS	TRIM	DESCRIPTION
1									CONTROL, A/C And Heater
	05103643AA	1	2, 6		11, 12, 14, 15, 16				Auto Temp
		1	2, 6		51, 52, 54, 55, 56				Auto Temp
		1	3, 7		12, 15, 16				Auto Temp
	05103644AA	1	2, 6		11, 12, 14, 15, 16				W/AUXILIARY HOT WATERHEATER
		1	2, 6		51, 52, 54, 55, 56				W/AUXILIARY HOT WATERHEATER
		1	3, 7		12, 15, 16				W/AUXILIARY HOT WATERHEATER
	05103690AA	1	3, 7		12, 15, 16				Manual
2									NUT, Spring
	05125861AA	4	2, 6		11, 12, 14, 15, 16				
		4	2, 6		51, 52, 54, 55, 56				
		4	3, 7		12, 15, 16				
3									SCREW
	06104610AA	4	2, 6		11, 12, 14, 15, 16				
		4	2, 6		51, 52, 54, 55, 56				
		4	3, 7		12, 15, 16				
4									BULB
	05133468AA	1	2, 6		11, 12, 14, 15, 16				
		1	2, 6		51, 52, 54, 55, 56				
		1	3, 7		12, 15, 16				

**SPRINTER (VA)**

<b>SERIES</b>	<b>LINE</b>	<b>BODY</b>	<b>ENGINE</b>	<b>TRANSMISSION</b>
L = LOWLINE	3 = HD DODGE 2WD 6 = Lt. Duty DODGE 4WD 2 = Med. Duty DODGE 2WD 7 = Med. Duty DODGE 4WD	51 = WAGON WHEEL BASE 1 52 = WAGON WHEEL BASE 2 14 = VAN WHEEL BASE 4 15 = VAN WHEEL BASE 5 16 = VAN WHEEL BASE 6 54 = WAGON WHEEL BASE 4 55 = WAGON WHEEL BASE 5 56 = WAGON WHEEL BASE 6 11 = VAN WHEEL BASE 1 12 = VAN WHEEL BASE 2	EX9 = Engine - 2.7L 5 Cly Mercedes Diesel	DGJ = Transmission-5-Spd. Automatic,W5A580

AR = use ase required - = Non illustrated part

**Compressor and Mounting  
Figure 24-420**



ITEM	PART NUMBER	QTY	LINE	SERIES	BODY	ENGINE	TRANS	TRIM	DESCRIPTION
1	05117682AA	1	2, 6		11, 12, 14, 15, 16	EX9			SUPPORT
		1	2, 6		51, 52, 54, 55, 56	EX9			
		1	3, 7		12, 15, 16	EX9			
2	06104031AA	2	2, 6		11, 12, 14, 15, 16	EX9			SCREW
		2	2, 6		51, 52, 54, 55, 56	EX9			
		2	3, 7		12, 15, 16	EX9			
3	06104035AA	2							SCREW
4	05117666AA	1	2, 6		11, 12, 14, 15, 16	EX9			COMPRESSOR, Air Conditioning [HAB], With Coupling
		1	2, 6		51, 52, 54, 55, 56	EX9			[HAB], With Coupling
		1	3, 7		12, 15, 16	EX9			[HAB], With Coupling
	05117668AA	1	2, 6		52, 55, 56	EX8			With [HBD]
	05117679AA	1	2, 6		11, 12, 14, 15, 16	EX9			[HAB], Without Coupling, Optional With 05117680AA
		1	2, 6		51, 52, 54, 55, 56	EX9			[HAB], Without Coupling, Optional With 05117680AA
		1	3, 7		12, 15, 16	EX9			[HAB], Without Coupling, Optional With 05117680AA
	05117680AA	1	2, 6		11, 12, 14, 15, 16	EX9			[HAB], Without Coupling, Optional With 05117679AA
		1	2, 6		51, 52, 54, 55, 56	EX9			[HAB], Without Coupling, Optional With 05117679AA
		1	3, 7		12, 15, 16	EX9			[HAB], Without Coupling, Optional With 05117679AA
5	05133208AA	1	3, 7		12, 15, 16	EX9			COUPLING, Compressor
6	05117686AA	1	2, 6		11, 12, 14, 15, 16	EX9			BRACKET, A/C Compressor
		1	2, 6		51, 52, 54, 55, 56	EX9			
		1	3, 7		12, 15, 16	EX9			
7	06104022AA	1							SCREW

**SPRINTER (VA)**

**SERIES**

L = LOWLINE

**LINE**

3 = HD DODGE 2WD  
6 = Lt. Duty DODGE 4WD  
2 = Med. Duty DODGE 2WD  
7 = Med. Duty DODGE 4WD

**BODY**

51 = WAGON WHEEL BASE 1  
52 = WAGON WHEEL BASE 2  
14 = VAN WHEEL BASE 4  
15 = VAN WHEEL BASE 5  
16 = VAN WHEEL BASE 6  
54 = WAGON WHEEL BASE 4  
55 = WAGON WHEEL BASE 5  
56 = WAGON WHEEL BASE 6  
11 = VAN WHEEL BASE 1  
12 = VAN WHEEL BASE 2

**ENGINE**

EX9 = Engine - 2.7L 5 Cyl  
Mercedes Diesel

**TRANSMISSION**

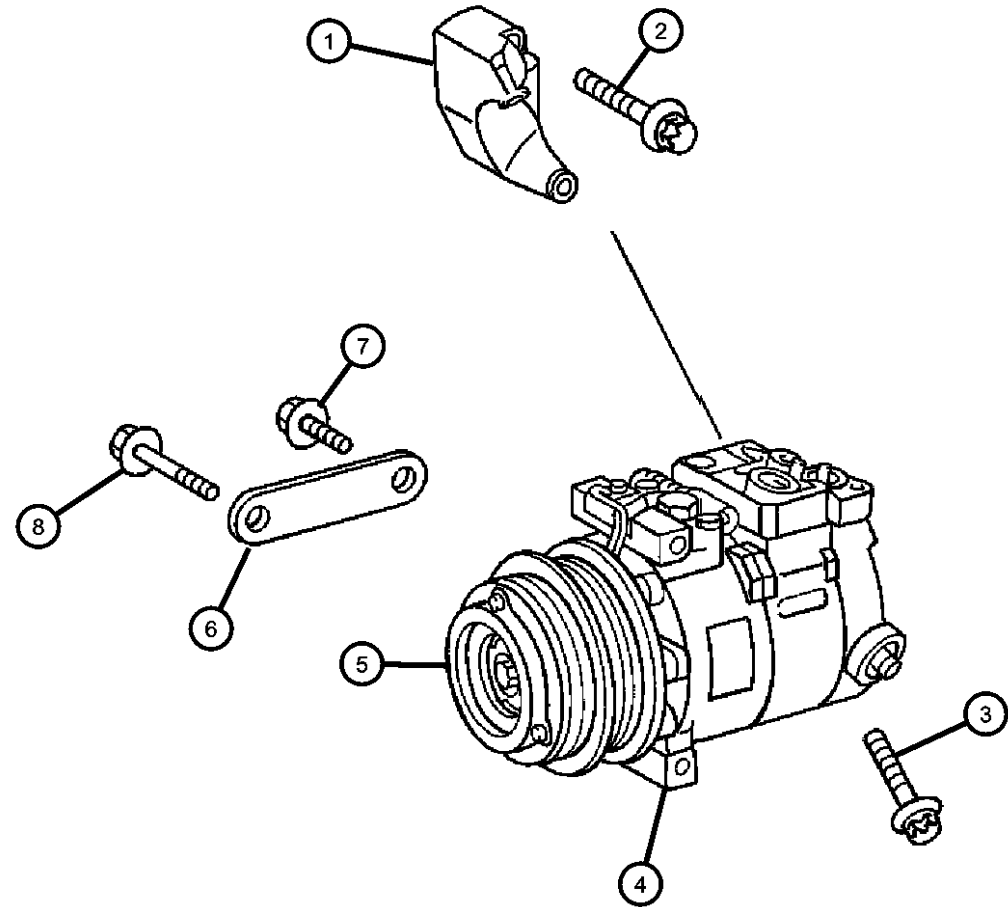
DGJ = Transmission-5-Spd.  
Automatic, W5A580

AR = use ase required - = Non illustrated part

2003 VA

**Compressor and Mounting  
Figure 24-420**

ITEM	PART NUMBER	QTY	LINE	SERIES	BODY	ENGINE	TRANS	TRIM	DESCRIPTION
8	06104036AA	1	2, 6		01, 02, 06	EX9			SCREW
		1	2, 6		11, 12, 14, 15, 16	EX9			
		1	3, 7		12, 15, 16	EX9			

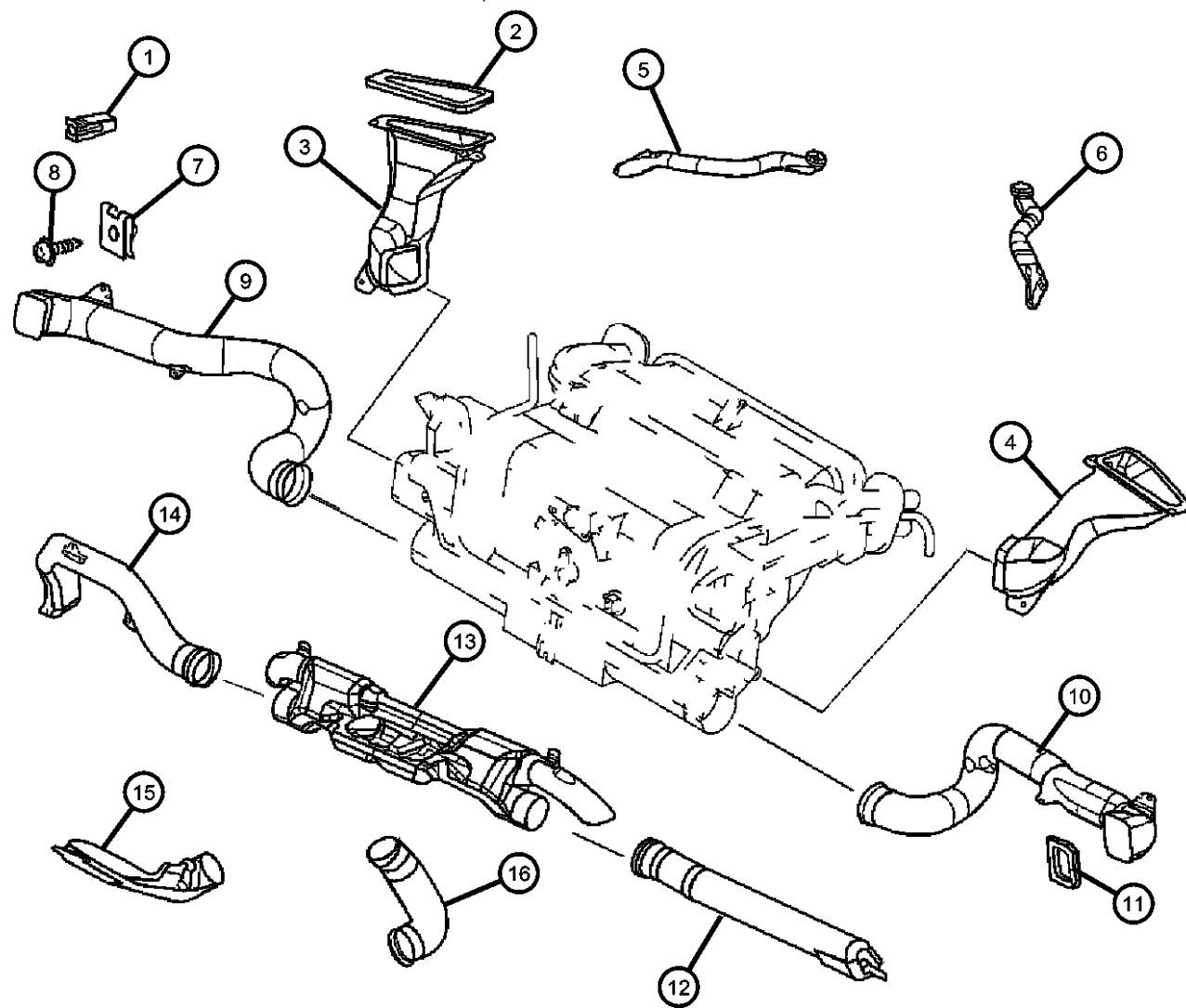


**SPRINTER (VA)**

SERIES	LINE	BODY	ENGINE	TRANSMISSION
L = LOWLINE	3 = HD DODGE 2WD	51 = WAGON WHEEL BASE 1	EX9 = Engine - 2.7L 5 Cly	DGJ = Transmission-5-Spd.
	6 = Lt. Duty DODGE 4WD	52 = WAGON WHEEL BASE 2	Mercedes Diesel	Automatic,W5A580
	2 = Med. Duty DODGE 2WD	14 = VAN WHEEL BASE 4		
	7 = Med. Duty DODGE 4WD	15 = VAN WHEEL BASE 5		
		16 = VAN WHEEL BASE 6		
		54 = WAGON WHEEL BASE 4		
		55 = WAGON WHEEL BASE 5		
		56 = WAGON WHEEL BASE 6		
		11 = VAN WHEEL BASE 1		
		12 = VAN WHEEL BASE 2		

AR = use ase required - = Non illustrated part

**Air Ducts And Outlets, Front**  
**Figure 24-630**



ITEM	PART NUMBER	QTY	LINE	SERIES	BODY	ENGINE	TRANS	TRIM	DESCRIPTION
1	05125576AA	2	2, 6		11, 12, 14, 15, 16				NUT, Plastic Snap-in
		2	2, 6		51, 52, 54, 55, 56				
		2	3, 7		12, 15, 16				
2	05124781AA	1	2, 6		11, 12, 14, 15, 16				SEAL Left
		1	2, 6		51, 52, 54, 55, 56				Left
	05124782AA	1	3, 7		12, 15, 16				Left
		1	2, 6		11, 12, 14, 15, 16				Right
		1	2, 6		51, 52, 54, 55, 56				Right
		1	3, 7		12, 15, 16				Right
3	05124743AA	1	2, 6		11, 12, 14, 15, 16				DUCT
		1	2, 6		51, 52, 54, 55, 56				
		1	3, 7		12, 15, 16				
4	05124744AA	1	2, 6		11, 12, 14, 15, 16				DUCT
		1	2, 6		51, 52, 54, 55, 56				
		1	3, 7		12, 15, 16				
5	05124745AA	1	2, 6		11, 12, 14, 15, 16				DUCT
		1	2, 6		51, 52, 54, 55, 56				
		1	3, 7		12, 15, 16				
6	05124746AA	1	2, 6		11, 12, 14, 15, 16				DUCT
		1	2, 6		51, 52, 54, 55, 56				

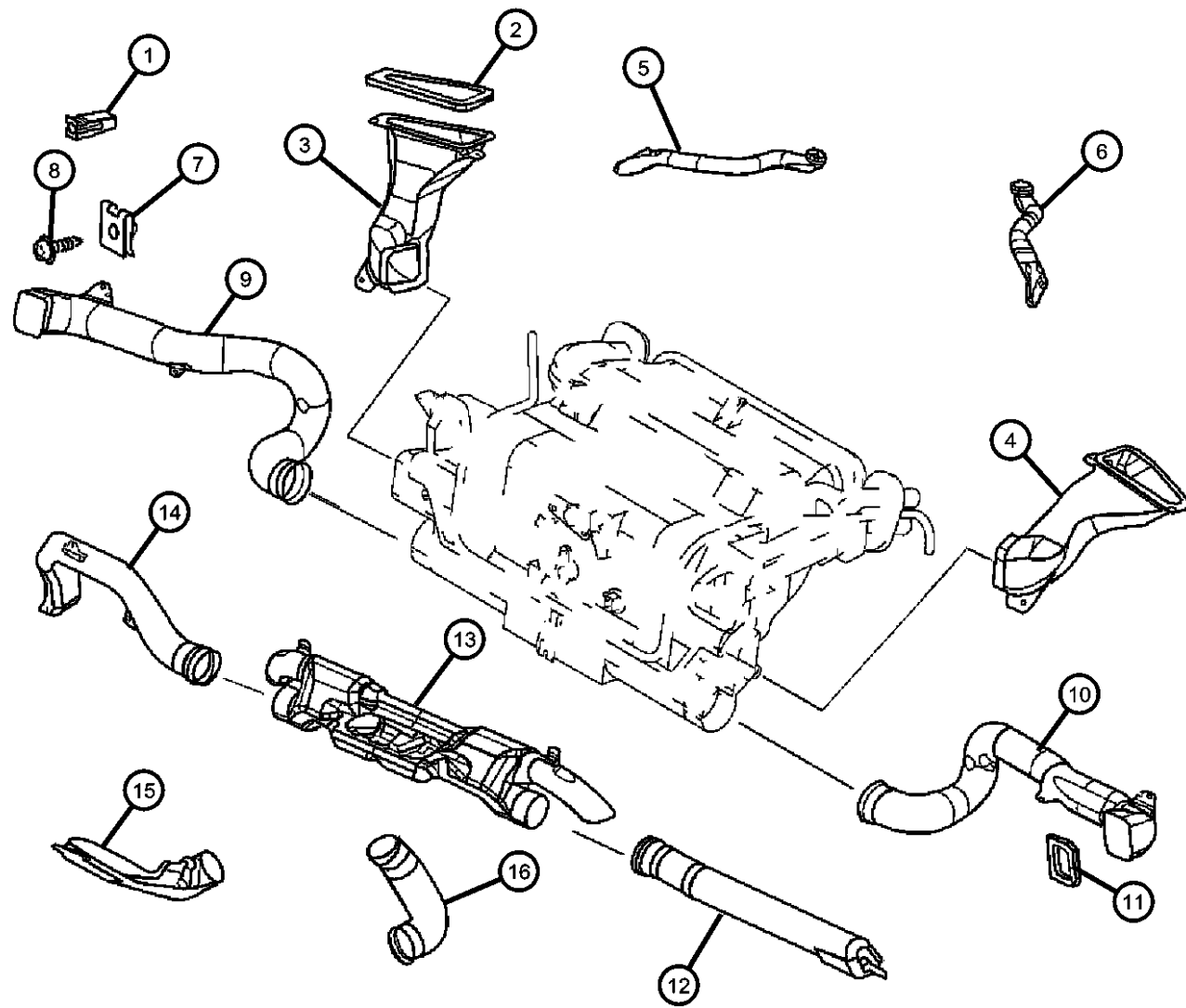
**SPRINTER (VA)**

<b>SERIES</b>	<b>LINE</b>	<b>BODY</b>	<b>ENGINE</b>	<b>TRANSMISSION</b>
L = LOWLINE	3 = HD DODGE 2WD 6 = Lt. Duty DODGE 4WD 2 = Med. Duty DODGE 2WD 7 = Med. Duty DODGE 4WD	51 = WAGON WHEEL BASE 1 52 = WAGON WHEEL BASE 2 14 = VAN WHEEL BASE 4 15 = VAN WHEEL BASE 5 16 = VAN WHEEL BASE 6 54 = WAGON WHEEL BASE 4 55 = WAGON WHEEL BASE 5 56 = WAGON WHEEL BASE 6 11 = VAN WHEEL BASE 1 12 = VAN WHEEL BASE 2	EX9 = Engine - 2.7L 5 Cly Mercedes Diesel	DGJ = Transmission-5-Spd. Automatic,W5A580

AR = use ase required - = Non illustrated part



**Air Ducts And Outlets, Front**  
**Figure 24-630**



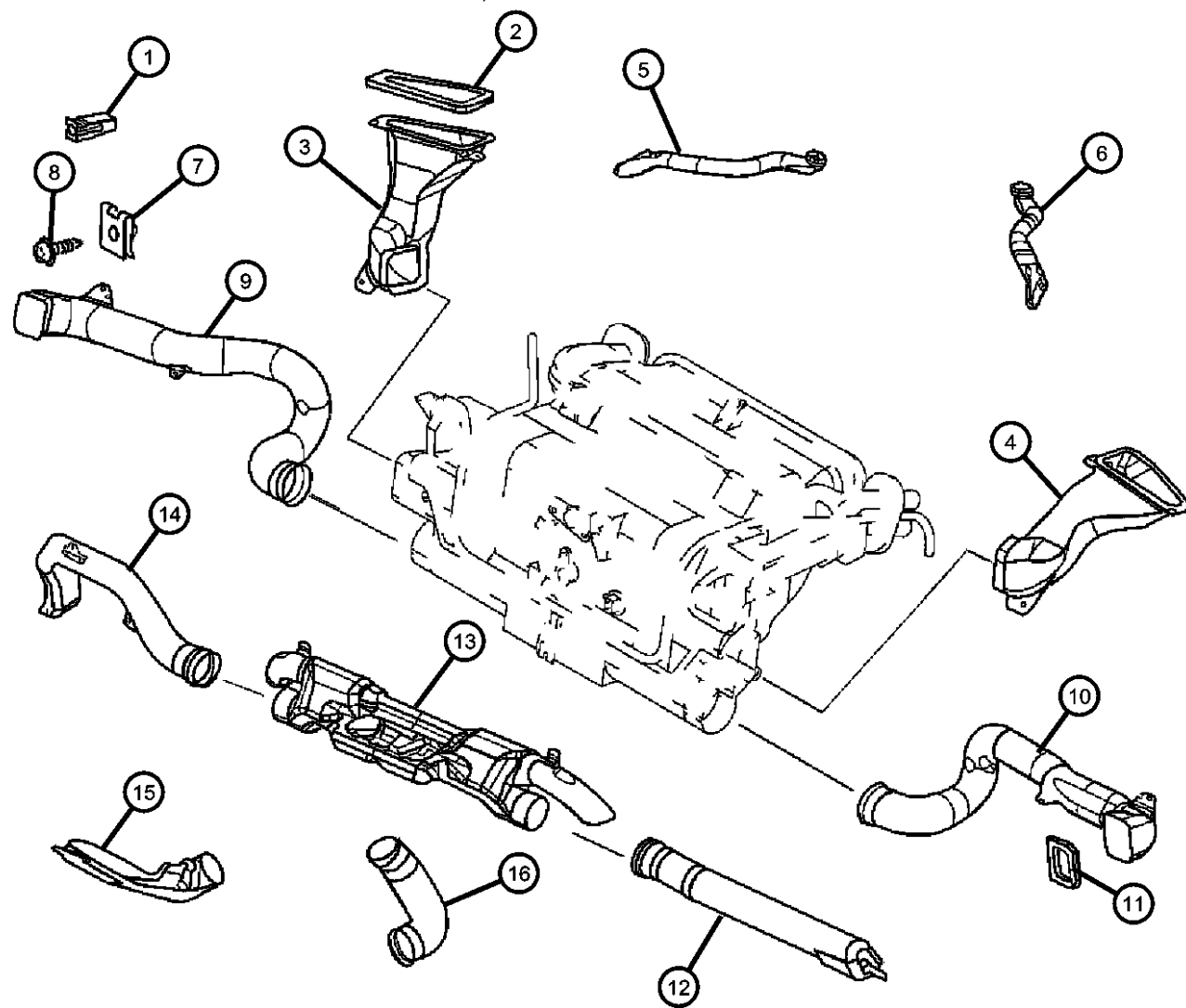
ITEM	PART NUMBER	QTY	LINE	SERIES	BODY	ENGINE	TRANS	TRIM	DESCRIPTION
7		1	3, 7		12, 15, 16				NUT, Clip-On
	05125857AA	2	2, 6		11, 12, 14, 15, 16				
		2	2, 6		51, 52, 54, 55, 56				
8		2	3, 7		12, 15, 16				SCREW
	06104610AA	2	2, 6		11, 12, 14, 15, 16				
		2	2, 6		51, 52, 54, 55, 56				
9		2	3, 7		12, 15, 16				DUCT
	05124741AA	1	2, 6		11, 12, 14, 15, 16				
		1	2, 6		51, 52, 54, 55, 56				
10		1	3, 7		12, 15, 16				DUCT
	05124742AA	1	2, 6		11, 12, 14, 15, 16				
		1	2, 6		51, 52, 54, 55, 56				
11		1	3, 7		12, 15, 16				SEAL
	05124788AA	1	2, 6		11, 12, 14, 15, 16				Left
		1	2, 6		51, 52, 54, 55, 56				Left
		1	3, 7		12, 15, 16				Left
	05124789AA	1	2, 6		11, 12, 14, 15, 16				Right
		1	2, 6		51, 52, 54, 55, 56				
12		1	3, 7		12, 15, 16				DUCT

**SPRINTER (VA)**

SERIES	LINE	BODY	ENGINE	TRANSMISSION
L = LOWLINE	3 = HD DODGE 2WD	51 = WAGON WHEEL BASE 1	EX9 = Engine - 2.7L 5 Cly	DGJ = Transmission-5-Spd. Automatic,W5A580
	6 = Lt. Duty DODGE 4WD	52 = WAGON WHEEL BASE 2	Mercedes Diesel	
	2 = Med. Duty DODGE 2WD	14 = VAN WHEEL BASE 4		
	7 = Med. Duty DODGE 4WD	15 = VAN WHEEL BASE 5		
		16 = VAN WHEEL BASE 6		
		54 = WAGON WHEEL BASE 4		
		55 = WAGON WHEEL BASE 5		
		56 = WAGON WHEEL BASE 6		
		11 = VAN WHEEL BASE 1		
		12 = VAN WHEEL BASE 2		

AR = use ase required - = Non illustrated part

**Air Ducts And Outlets, Front**  
**Figure 24-630**



ITEM	PART NUMBER	QTY	LINE	SERIES	BODY	ENGINE	TRANS	TRIM	DESCRIPTION
	05124740AA	1	2, 6		11, 12, 14, 15, 16				
		1	2, 6		51, 52, 54, 55, 56				
		1	3, 7		12, 15, 16				
13	05124737AA	1	2, 6		11, 12, 14, 15, 16				DUCT
		1	2, 6		51, 52, 54, 55, 56				
		1	3, 7		12, 15, 16				
14	05124739AA	1	2, 6		11, 12, 14, 15, 16				DUCT
		1	2, 6		51, 52, 54, 55, 56				
		1	3, 7		12, 15, 16				
15	05124748AA	1	2, 6		11, 12, 14, 15, 16				DUCT
		1	2, 6		51, 52, 54, 55, 56				
		1	3, 7		12, 15, 16				
16	05124747AA	1	2, 6		11, 12, 14, 15, 16				DUCT
		1	2, 6		51, 52, 54, 55, 56				
		1	3, 7		12, 15, 16				

**SPRINTER (VA)**

**SERIES**  
L = LOWLINE

**LINE**  
3 = HD DODGE 2WD  
6 = Lt. Duty DODGE 4WD  
2 = Med. Duty DODGE 2WD  
7 = Med. Duty DODGE 4WD

**BODY**  
51 = WAGON WHEEL BASE 1  
52 = WAGON WHEEL BASE 2  
14 = VAN WHEEL BASE 4  
15 = VAN WHEEL BASE 5  
16 = VAN WHEEL BASE 6  
54 = WAGON WHEEL BASE 4  
55 = WAGON WHEEL BASE 5  
56 = WAGON WHEEL BASE 6  
11 = VAN WHEEL BASE 1  
12 = VAN WHEEL BASE 2

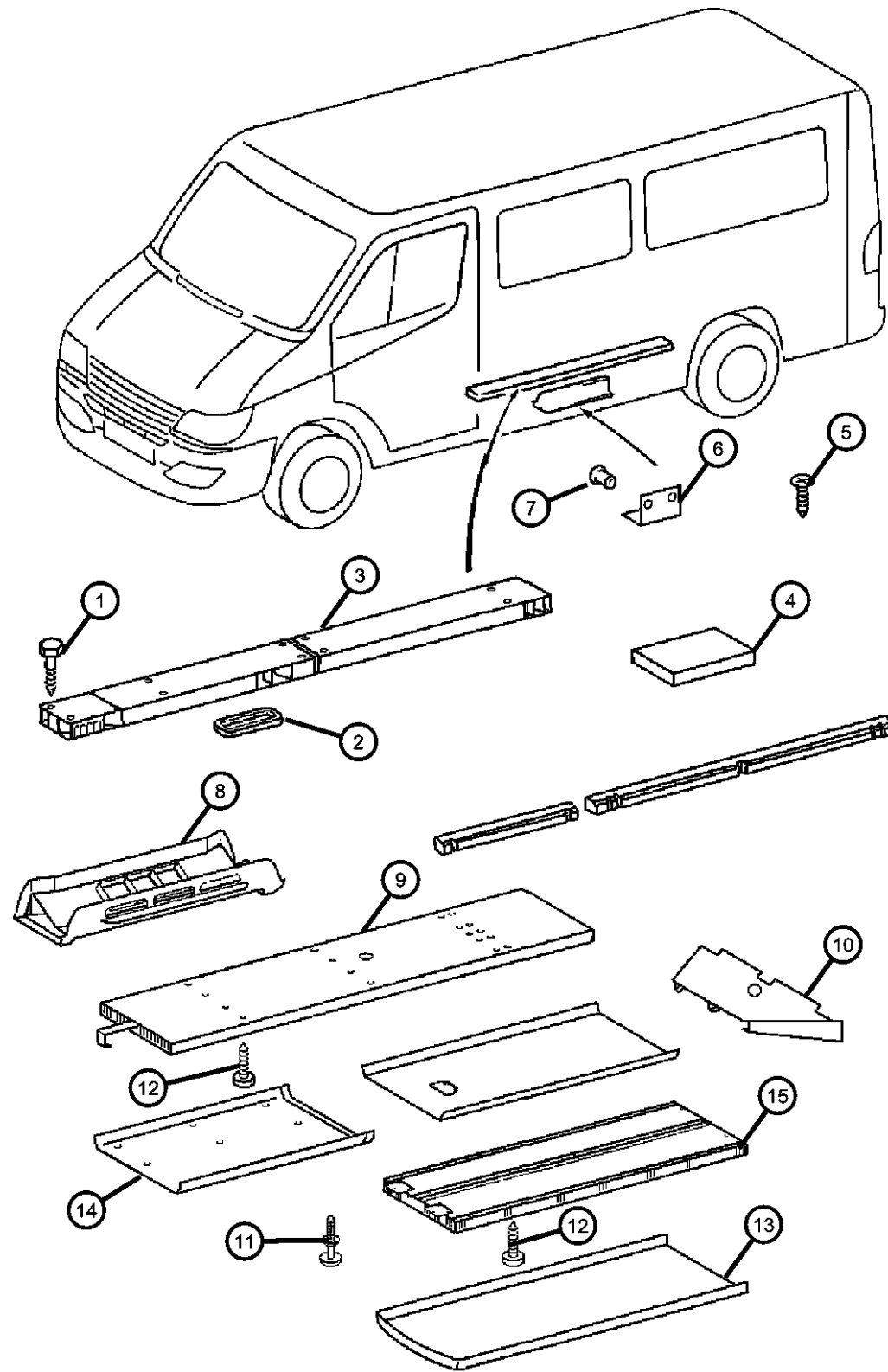
**ENGINE**  
EX9 = Engine - 2.7L 5 Cly Mercedes Diesel

**TRANSMISSION**  
DGJ = Transmission-5-Spd. Automatic,W5A580

AR = use ase required - = Non illustrated part

2003 VA

**Air Ducts And Outlets, Rear**  
**Figure 24-640**



ITEM	PART NUMBER	QTY	LINE	SERIES	BODY	ENGINE	TRANS	TRIM	DESCRIPTION
1	05126093AA	6	2, 6		11, 12, 14, 15, 16				SCREW
		6	2, 6		51, 52, 54, 55, 56				
		10	3, 7		12, 15, 16				
2	05124763AA	1	2, 6		11, 12, 14, 15, 16				SEAL
		1	2, 6		51, 52, 54, 55, 56				
		1	3, 7		12, 15, 16				
3	05124655AA	1	2, 6		11, 12, 14, 15, 16				HOUSING, Air Duct Front
		1	2, 6		51, 52, 54, 55, 56				Front
		1	3, 7		12, 15, 16				Front
	05124656AA	1	2, 6		11, 12, 14, 15, 16				Rear
		1	2, 6		51, 52, 54, 55, 56				Rear
		1	3, 7		12, 15, 16				Rear
4	05124763AA	1	2, 6		11, 12, 14, 15, 16				SEAL
		1	2, 6		51, 52, 54, 55, 56				
		1	3, 7		12, 15, 16				
5		1							SCREW, (NOT SERVICED)
6		1							BRACKET, (NOT SERVICED)
7		1							RIVET, Blind Bulb
	05133417AA	3	3, 7		12, 15, 16				
		3	2, 6		11, 12, 14, 15, 16				
		3	2, 6		51, 52, 54, 55, 56				
8		3							INSULATOR, (NOT SERVICED)

**SPRINTER (VA)**

**SERIES**

L = LOWLINE

**LINE**

3 = HD DODGE 2WD  
6 = Lt. Duty DODGE 4WD  
2 = Med. Duty DODGE 2WD  
7 = Med. Duty DODGE 4WD

**BODY**

51 = WAGON WHEEL BASE 1  
52 = WAGON WHEEL BASE 2  
14 = VAN WHEEL BASE 4  
15 = VAN WHEEL BASE 5  
16 = VAN WHEEL BASE 6  
54 = WAGON WHEEL BASE 4  
55 = WAGON WHEEL BASE 5  
56 = WAGON WHEEL BASE 6  
11 = VAN WHEEL BASE 1  
12 = VAN WHEEL BASE 2

**ENGINE**

EX9 = Engine - 2.7L 5 Cyl  
Mercedes Diesel

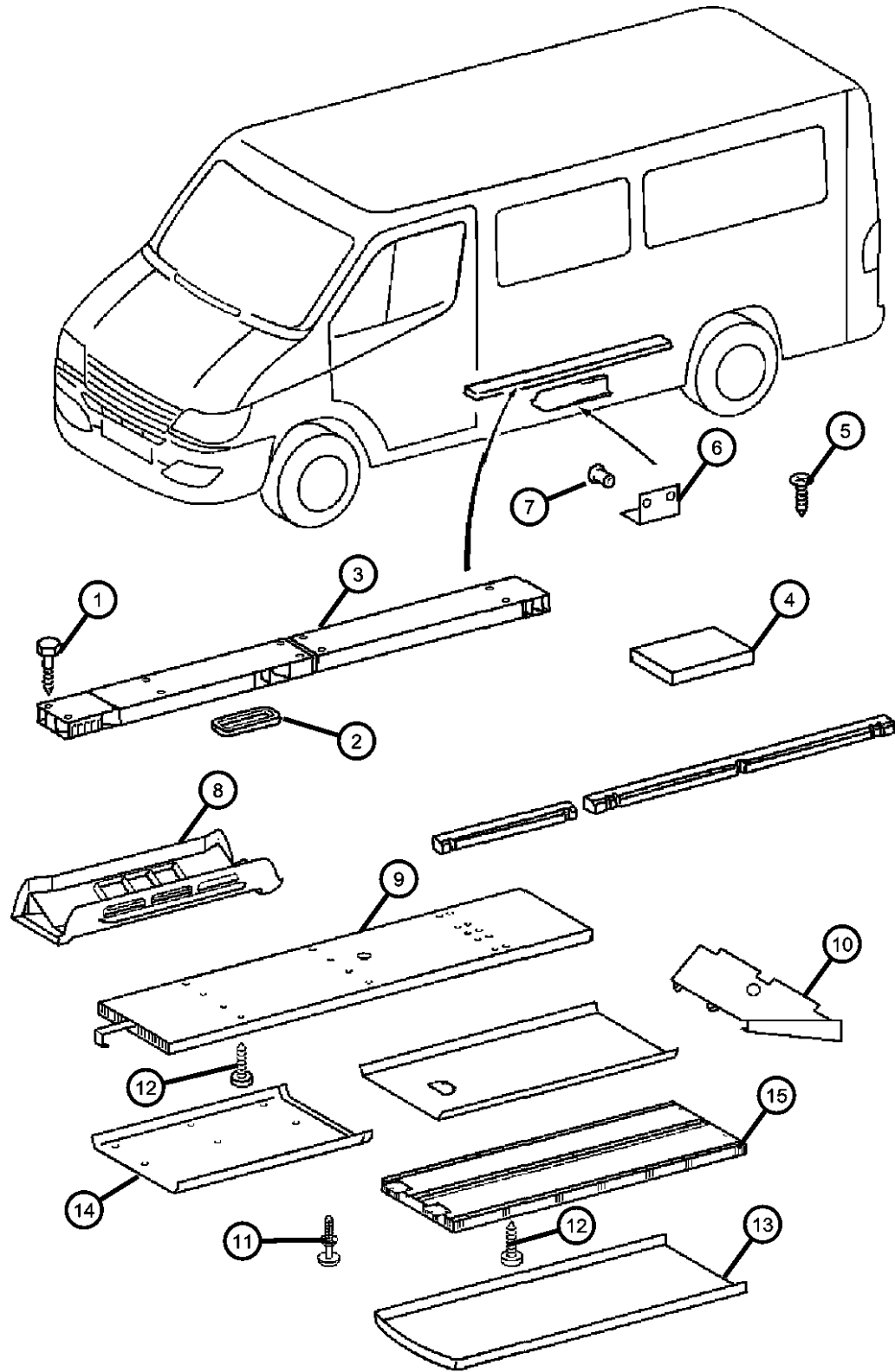
**TRANSMISSION**

DGJ = Transmission-5-Spd.  
Automatic,W5A580

AR = use ase required - = Non illustrated part

2003 VA

**Air Ducts And Outlets, Rear**  
**Figure 24-640**



ITEM	PART NUMBER	QTY	LINE	SERIES	BODY	ENGINE	TRANS	TRIM	DESCRIPTION
9	05132290AA	1	2, 6		51, 52, 54, 55, 56				AIR DUCT
		1	2, 6		11, 12, 14, 15, 16				
10	05132312AA	1	2, 6		51, 52, 54, 55, 56				AIR DUCT
		1	2, 6		11, 12, 14, 15, 16				
11	05104541AA	2	3, 7		12, 15, 16				RIVET
		2	2, 6		51, 52, 54, 55, 56				
		2	2, 6		11, 12, 14, 15, 16				
12	05133449AA	20	2, 6		11, 12, 14, 15, 16				SCREW, Self-Tapping
		20	2, 6		51, 52, 54, 55, 56				
13	05104482AA	1	2, 6		51, 52, 54, 55, 56				HOUSING, Air Duct
		1	2, 6		11, 12, 14, 15, 16				
14	05132291AA	1	2, 6		11, 12, 14, 15, 16				AIR DUCT
		1	2, 6		51, 52, 54, 55, 56				
15	05132292AA	1	2, 6		51, 52, 54, 55, 56				AIR DUCT
		1	2, 6		11, 12, 14, 15, 16				
-16	05133453AA	6	2, 6		51, 52, 54, 55, 56				SPRING, Filter

**SPRINTER (VA)**

**SERIES**

L = LOWLINE

**LINE**

- 3 = HD DODGE 2WD
- 6 = Lt. Duty DODGE 4WD
- 2 = Med. Duty DODGE 2WD
- 7 = Med. Duty DODGE 4WD

**BODY**

- 51 = WAGON WHEEL BASE 1
- 52 = WAGON WHEEL BASE 2
- 14 = VAN WHEEL BASE 4
- 15 = VAN WHEEL BASE 5
- 16 = VAN WHEEL BASE 6
- 54 = WAGON WHEEL BASE 4
- 55 = WAGON WHEEL BASE 5
- 56 = WAGON WHEEL BASE 6
- 11 = VAN WHEEL BASE 1
- 12 = VAN WHEEL BASE 2

**ENGINE**

- EX9 = Engine - 2.7L 5 Cly
- Mercedes Diesel

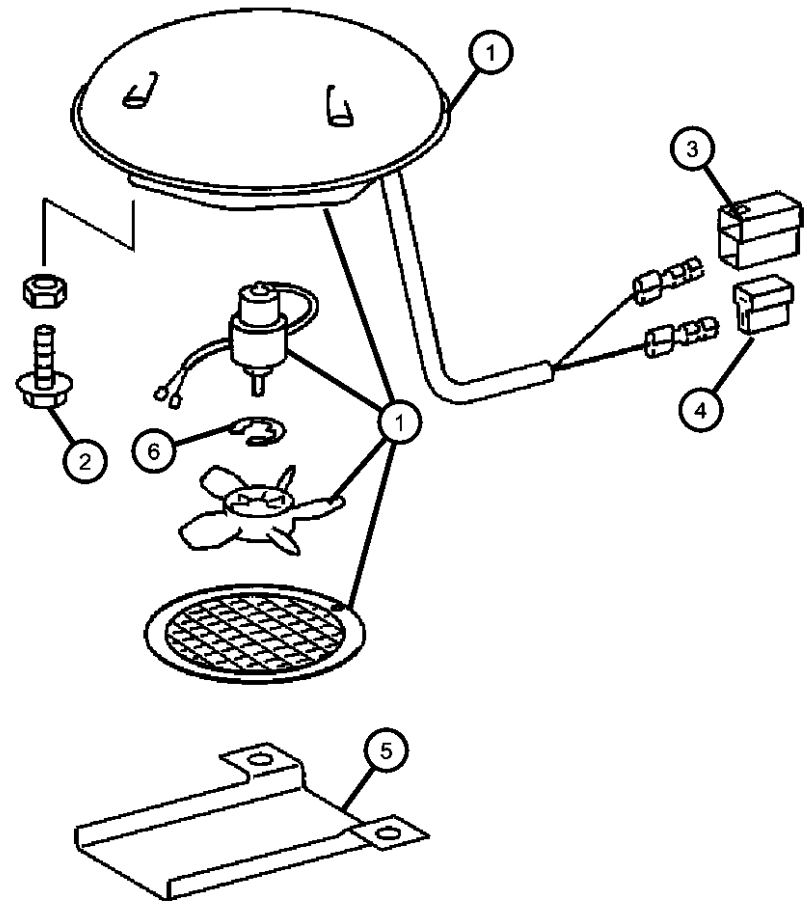
**TRANSMISSION**

- DGJ = Transmission-5-Spd. Automatic, W5A580

AR = use ase required - = Non illustrated part

**Ventilator, Roof Mounted  
Figure 24-650**

ITEM	PART NUMBER	QTY	LINE	SERIES	BODY	ENGINE	TRANS	TRIM	DESCRIPTION
1	05103696AA	1	2, 6		11, 12, 14, 15, 16				HOUSING, Forced Vent Outlet
		1	3, 7		12, 15, 16				
2	06104351AA	9	2, 6		11, 12, 14, 15, 16				BOLT, M6x20
		9	3, 7		12, 15, 16				
3	05103754AA	1	2, 6		11, 12, 14, 15, 16				INSULATOR, 2 Way Female
		1	3, 7		12, 15, 16				
4	05103751AA	1	2, 6		11, 12, 14, 15, 16				CONNECTOR
		1	3, 7		12, 15, 16				
5	05124790AA	1	2, 6		11, 12, 14, 15, 16				COVER, Bracket
		1	3, 7		12, 15, 16				
6	05133639AA	1	2, 6		11, 12, 14, 15, 16				CLIP, Fan Shroud
		1	3, 7		12, 15, 16				
-7	05133638AA	1	2, 6		11, 12, 14, 15, 16				GRILLE, Vent
		1	3, 7		12, 15, 16				



**SPRINTER (VA)**

SERIES	LINE	BODY	ENGINE	TRANSMISSION
L = LOWLINE	3 = HD DODGE 2WD	51 = WAGON WHEEL BASE 1	EX9 = Engine - 2.7L 5 Cly	DGJ = Transmission-5-Spd.
	6 = Lt. Duty DODGE 4WD	52 = WAGON WHEEL BASE 2	Mercedes Diesel	Automatic,W5A580
	2 = Med. Duty DODGE 2WD	14 = VAN WHEEL BASE 4		
	7 = Med. Duty DODGE 4WD	15 = VAN WHEEL BASE 5		
		16 = VAN WHEEL BASE 6		
		54 = WAGON WHEEL BASE 4		
		55 = WAGON WHEEL BASE 5		
		56 = WAGON WHEEL BASE 6		
		11 = VAN WHEEL BASE 1		
		12 = VAN WHEEL BASE 2		

AR = use ase required - = Non illustrated part

# Group - DVA

## Doors and Related Parts

## Group - DVA Doors and Related Parts

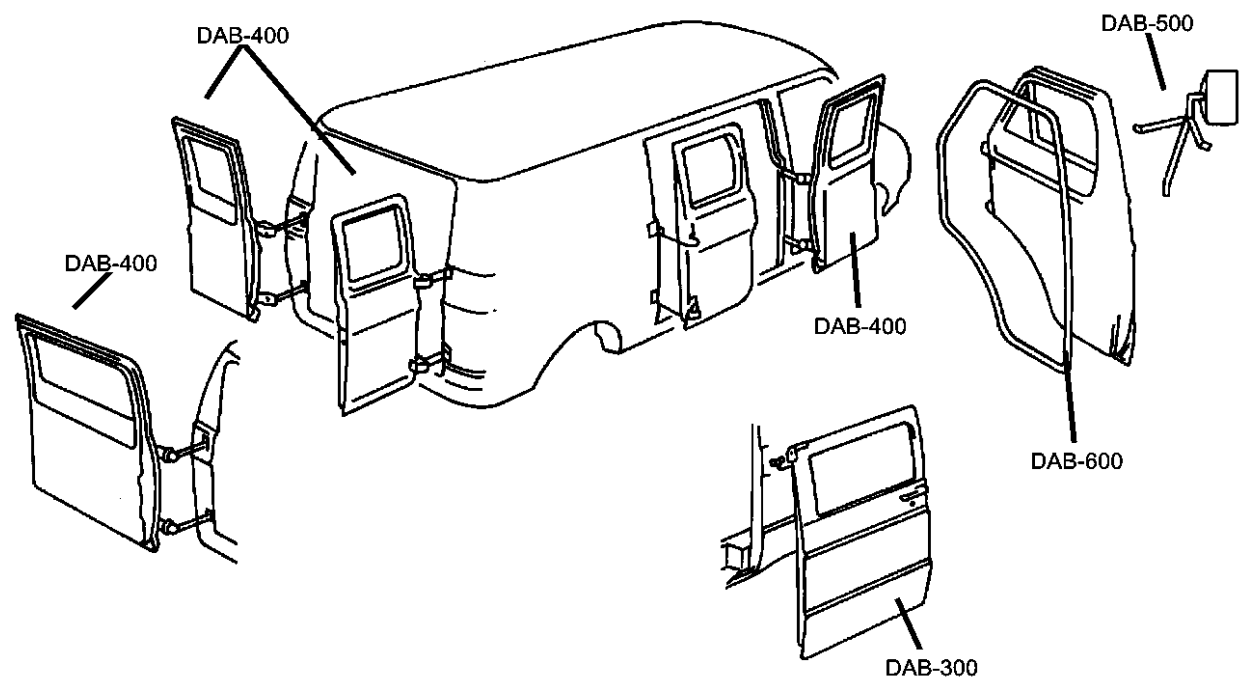


Illustration Title

Group-Fig. No.

### Front Door

Door, Front Shell And Hinges ..... Fig. DVA - 110  
 Door, Front Glass And Regulator Handle ..... Fig. DVA - 120  
 Door, Front Exterior Handle And Links ..... Fig. DVA - 130

### Door, Sliding Cargo

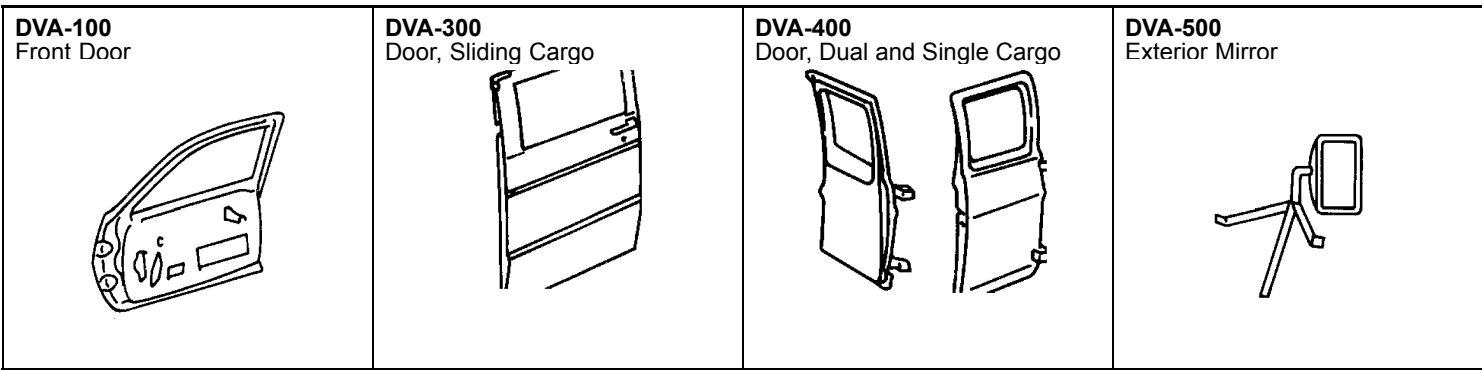
Door, Sliding Cargo Shell And Hinges ..... Fig. DVA - 310  
 Door, Sliding Cargo Glass ..... Fig. DVA - 320  
 Door, Sliding Cargo Lock And Controls ..... Fig. DVA - 330

### Door, Dual and Single Cargo

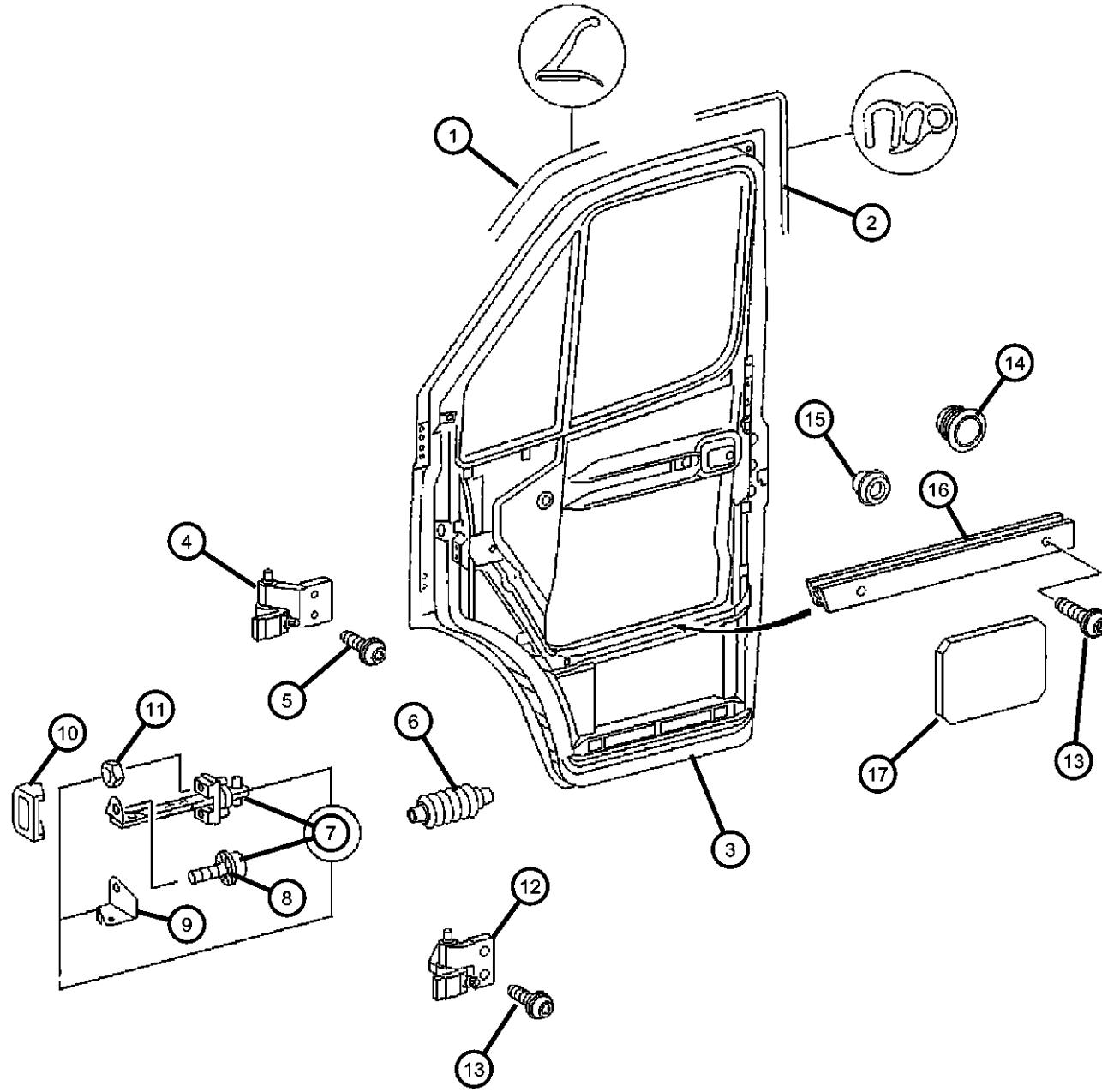
Door, Cargo Shell And Hinges ..... Fig. DVA - 410  
 Door, Cargo Glass And Hardware ..... Fig. DVA - 420  
 Door, Cargo Lock And Control ..... Fig. DVA - 430

### Exterior Mirror

Mirrors, Exterior ..... Fig. DVA - 520



Door, Front Shell And Hinges  
Figure DVA-110



ITEM	PART NUMBER	QTY	LINE	SERIES	BODY	ENGINE	TRANS	TRIM	DESCRIPTION
1	05133518AA	1	2, 6	L	11, 12, 14, 15, 16				SEAL, Door
		1	2, 6	L	51, 52, 54, 55, 56				
2	05104301AA	1	2, 6	L	11, 12, 14, 15, 16				SEAL, Door
		1	2, 6	L	51, 52, 54, 55, 56				
3	05135988AA	1	2, 6	L	11, 12, 14, 15, 16				PANEL, Front Door, Shell
		1	2, 6	L	51, 52, 54, 55, 56				Right
		1	3, 7	L	12, 15, 16				Right
	05135991AA	1	2, 6	L	11, 12, 14, 15, 16				Left
		1	2, 6	L	51, 52, 54, 55, 56				Left
		1	3, 7	L	12, 15, 16				Left
4	05104321AA	1	2, 6	L	51, 52, 54, 55, 56				HINGE, Door, Upper
		1	3, 7	L	12, 15, 16				Left
	05104324AA	1	2, 6	L	11, 12, 14, 15, 16				Right
		1	2, 6	L	51, 52, 54, 55, 56				Right
		1	3, 7	L	12, 15, 16				Right
		1	2, 6	L	11, 12, 14, 15, 16				Left
5	05103780AA	1	3, 7	L	12, 15, 16				SCREW, HINGE MOUNTING, SPRINTER
6	05125915AA	2	3, 7	L	12, 15, 16				GROMMET, Door Wiring
		2	2, 6	L	51, 52, 54, 55, 56				
		2	2, 6	L	11, 12, 14, 15, 16				

SPRINTER (VA)

SERIES      LINE  
L = LOWLINE    3 = HD DODGE 2WD  
                  6 = Lt. Duty DODGE 4WD  
                  2 = Med. Duty DODGE 2WD  
                  7 = Med. Duty DODGE 4WD

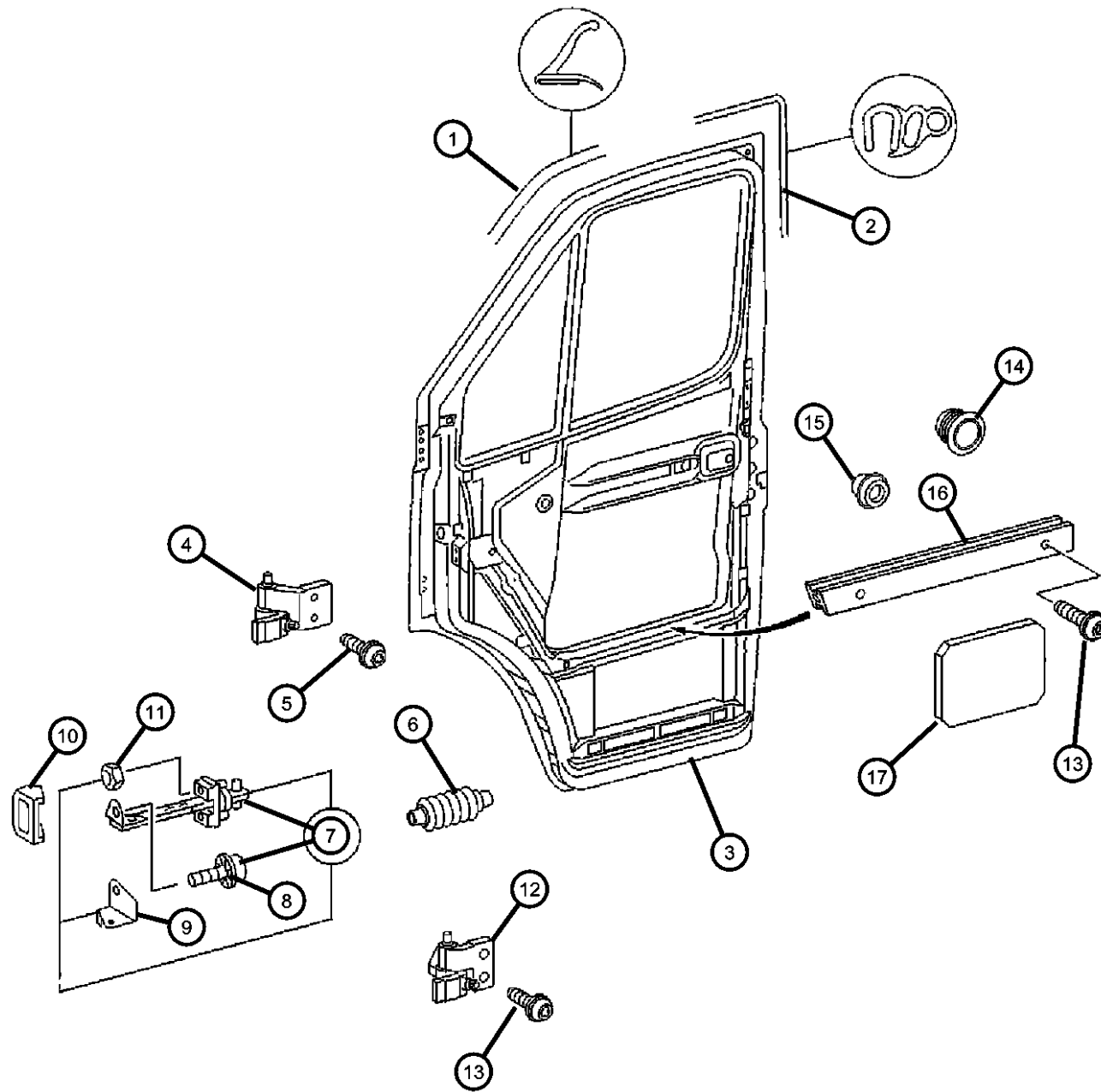
BODY      ENGINE      TRANSMISSION  
51 = WAGON WHEEL BASE 1 EX9 = Engine - 2.7L 5 Cly  
52 = WAGON WHEEL BASE 2 Mercedes Diesel  
14 = VAN WHEEL BASE 4  
15 = VAN WHEEL BASE 5  
16 = VAN WHEEL BASE 6  
54 = WAGON WHEEL BASE 4  
55 = WAGON WHEEL BASE 5  
56 = WAGON WHEEL BASE 6  
11 = VAN WHEEL BASE 1  
12 = VAN WHEEL BASE 2

AR = use ase required - = Non illustrated part

2003 VA

**Door, Front Shell And Hinges  
Figure DVA-110**

ITEM	PART NUMBER	QTY	LINE	SERIES	BODY	ENGINE	TRANS	TRIM	DESCRIPTION
7	05104335AA	1	3, 7	L	12, 15, 16				CHECK, Front Door Left
		1	2, 6	L	11, 12, 14, 15, 16				Left
		1	2, 6	L	51, 52, 54, 55, 56				Left
	05104338AA	1	2, 6	L	11, 12, 14, 15, 16				Right
		1	2, 6	L	51, 52, 54, 55, 56				Right
		1	3, 7	L	12, 15, 16				Right
		8	05103788AA	2	2, 6	L	11, 12, 14, 15, 16		
9	05103667AA	2	2, 6	L	51, 52, 54, 55, 56				BRACKET, Check Arm
		2	3, 7	L	12, 15, 16				
		1	2, 6	L	11, 12, 14, 15, 16				
10	05123750AA	1	2, 6	L	51, 52, 54, 55, 56				SEAL, Front Door
		1	3, 7	L	12, 15, 16				
		1	2, 6	L	11, 12, 14, 15, 16				
11	05127449AA	2	3, 7	L	12, 15, 16				NUT, Hex, M6
		2	2, 6	L	11, 12, 14, 15, 16				
		2	2, 6	L	51, 52, 54, 55, 56				
12	05127220AA	1	2, 6	L	11, 12, 14, 15, 16				HINGE, Door, Lower Right



**SPRINTER (VA)**

**SERIES**

L = LOWLINE  
 3 = HD DODGE 2WD  
 6 = Lt. Duty DODGE 4WD  
 2 = Med. Duty DODGE 2WD  
 7 = Med. Duty DODGE 4WD

**LINE**

3 = HD DODGE 2WD  
 6 = Lt. Duty DODGE 4WD  
 2 = Med. Duty DODGE 2WD  
 7 = Med. Duty DODGE 4WD

**BODY**

51 = WAGON WHEEL BASE 1  
 52 = WAGON WHEEL BASE 2  
 14 = VAN WHEEL BASE 4  
 15 = VAN WHEEL BASE 5  
 16 = VAN WHEEL BASE 6  
 54 = WAGON WHEEL BASE 4  
 55 = WAGON WHEEL BASE 5  
 56 = WAGON WHEEL BASE 6  
 11 = VAN WHEEL BASE 1  
 12 = VAN WHEEL BASE 2

**ENGINE**

EX9 = Engine - 2.7L 5 Cly  
 Mercedes Diesel

**TRANSMISSION**

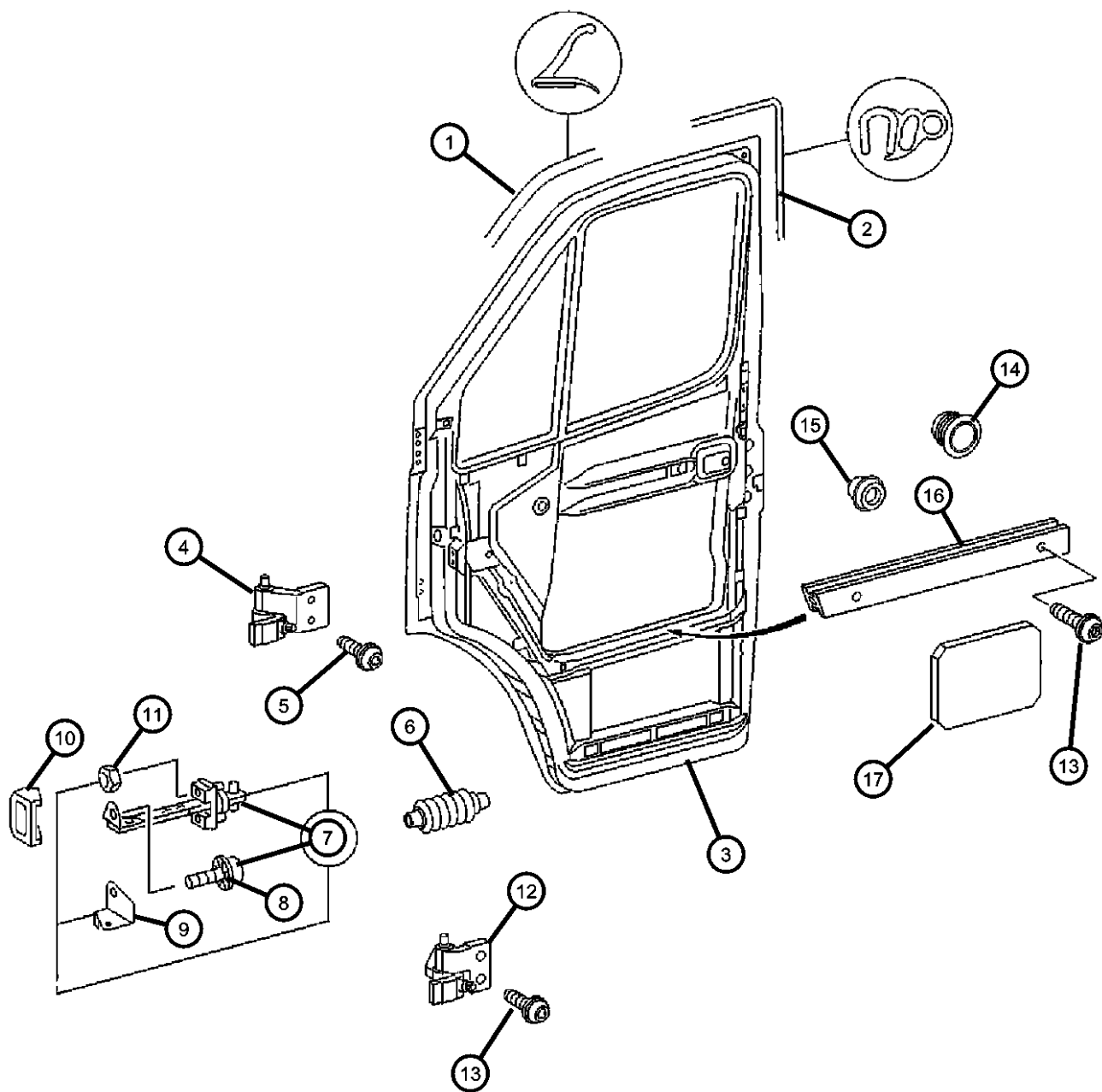
DGJ = Transmission-5-Spd.  
 Automatic, W5A580

AR = use ase required - = Non illustrated part



Door, Front Shell And Hinges  
Figure DVA-110

ITEM	PART NUMBER	QTY	LINE	SERIES	BODY	ENGINE	TRANS	TRIM	DESCRIPTION
		1	2, 6	L	51, 52, 54, 55, 56				Right
		1	3, 7	L	12, 15, 16				Right
	05127221AA	1	2, 6	L	11, 12, 14, 15, 16				Left
		1	2, 6	L	51, 52, 54, 55, 56				Left
		1	3, 7	L	12, 15, 16				Left
13									SCREW
	05103781AA	4	2, 6	L	51, 52, 54, 55, 56				
		4	2, 6	L	11, 12, 14, 15, 16				
		4	3, 7	L	12, 15, 16				
14									PLUG, Door
	05125992AA	4	2, 6	L	11, 12, 14, 15, 16				
		4	2, 6	L	51, 52, 54, 55, 56				
		4	3, 7	L	12, 15, 16				
15									PLUG, Expansion
	05125514AA	4	3, 7	L	12, 15, 16				
		4	2, 6	L	51, 52, 54, 55, 56				
		4	2, 6	L	11, 12, 14, 15, 16				
16									REINFORCEMENT, Door Inner
	05123683AA	1	2, 6	L	11, 12, 14, 15, 16				Left
		1	2, 6	L	51, 52, 54, 55, 56				Left
		1	3, 7	L	12, 15, 16				Left
	05123684AA	1	2, 6	L	11, 12, 14, 15, 16				Right
		1	2, 6	L	51, 52, 54, 55, 56				Right
		1	3, 7	L	12, 15, 16				Right
17									SHIELD, Door

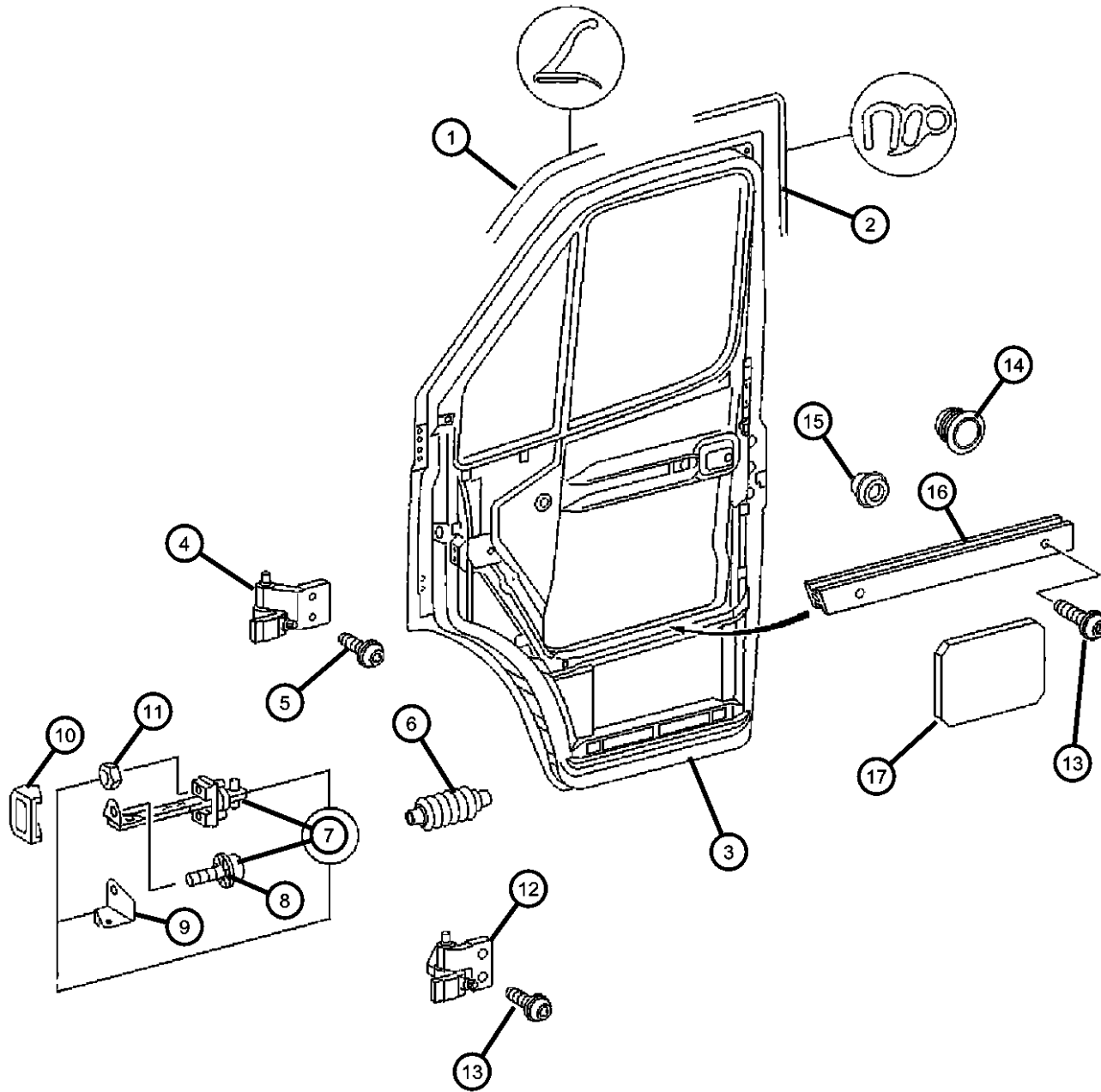


**SPRINTER (VA)**  
 SERIES      LINE      BODY      ENGINE      TRANSMISSION  
 L = LOWLINE    3 = HD DODGE 2WD    51 = WAGON WHEEL BASE 1    EX9 = Engine - 2.7L 5 Cly    DGJ = Transmission-5-Spd.  
                   6 = Lt. Duty DODGE 4WD    52 = WAGON WHEEL BASE 2    Mercedes Diesel                    Automatic,W5A580  
                   2 = Med. Duty DODGE 2WD  
                   7 = Med. Duty DODGE 4WD  
   14 = VAN WHEEL BASE 4  
   15 = VAN WHEEL BASE 5  
   16 = VAN WHEEL BASE 6  
   54 = WAGON WHEEL BASE 4  
   55 = WAGON WHEEL BASE 5  
   56 = WAGON WHEEL BASE 6  
   11 = VAN WHEEL BASE 1  
   12 = VAN WHEEL BASE 2

AR = use ase required - = Non illustrated part

**Door, Front Shell And Hinges**  
**Figure DVA-110**

ITEM	PART NUMBER	QTY	LINE	SERIES	BODY	ENGINE	TRANS	TRIM	DESCRIPTION
	05122515AA	2	3, 7	L	12, 15, 16				
		2	2, 6	L	51, 52, 54, 55, 56				
		2	2, 6	L	11, 12, 14, 15, 16				

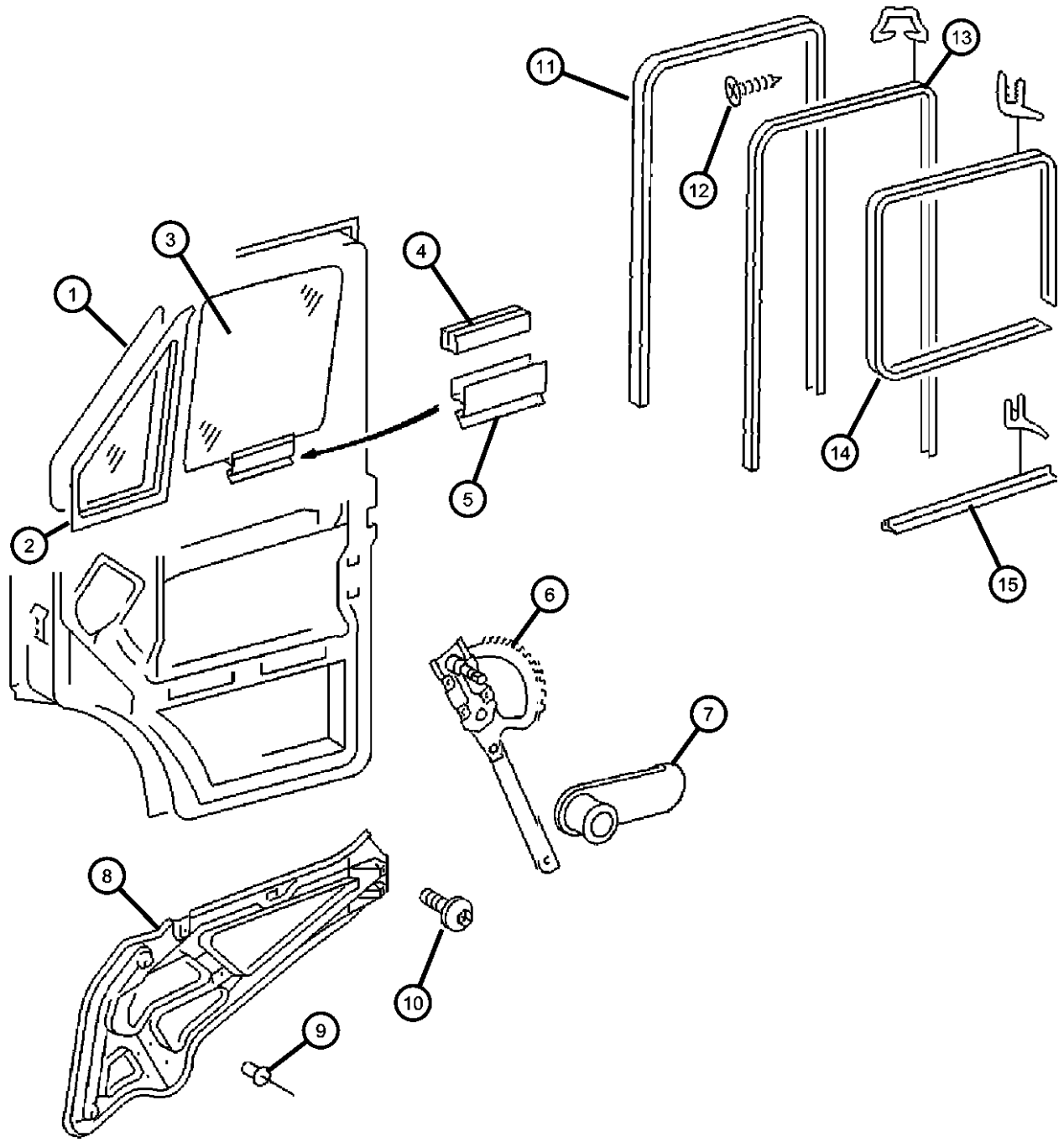


**SPRINTER (VA)**

<b>SERIES</b>	<b>LINE</b>	<b>BODY</b>	<b>ENGINE</b>	<b>TRANSMISSION</b>
L = LOWLINE	3 = HD DODGE 2WD 6 = Lt. Duty DODGE 4WD 2 = Med. Duty DODGE 2WD 7 = Med. Duty DODGE 4WD	51 = WAGON WHEEL BASE 1 52 = WAGON WHEEL BASE 2 14 = VAN WHEEL BASE 4 15 = VAN WHEEL BASE 5 16 = VAN WHEEL BASE 6 54 = WAGON WHEEL BASE 4 55 = WAGON WHEEL BASE 5 56 = WAGON WHEEL BASE 6 11 = VAN WHEEL BASE 1 12 = VAN WHEEL BASE 2	EX9 = Engine - 2.7L 5 Cly Mercedes Diesel	DGJ = Transmission-5-Spd. Automatic,W5A580

AR = use ase required - = Non illustrated part

**Door, Front Glass And Regulator Handle  
Figure DVA-120**



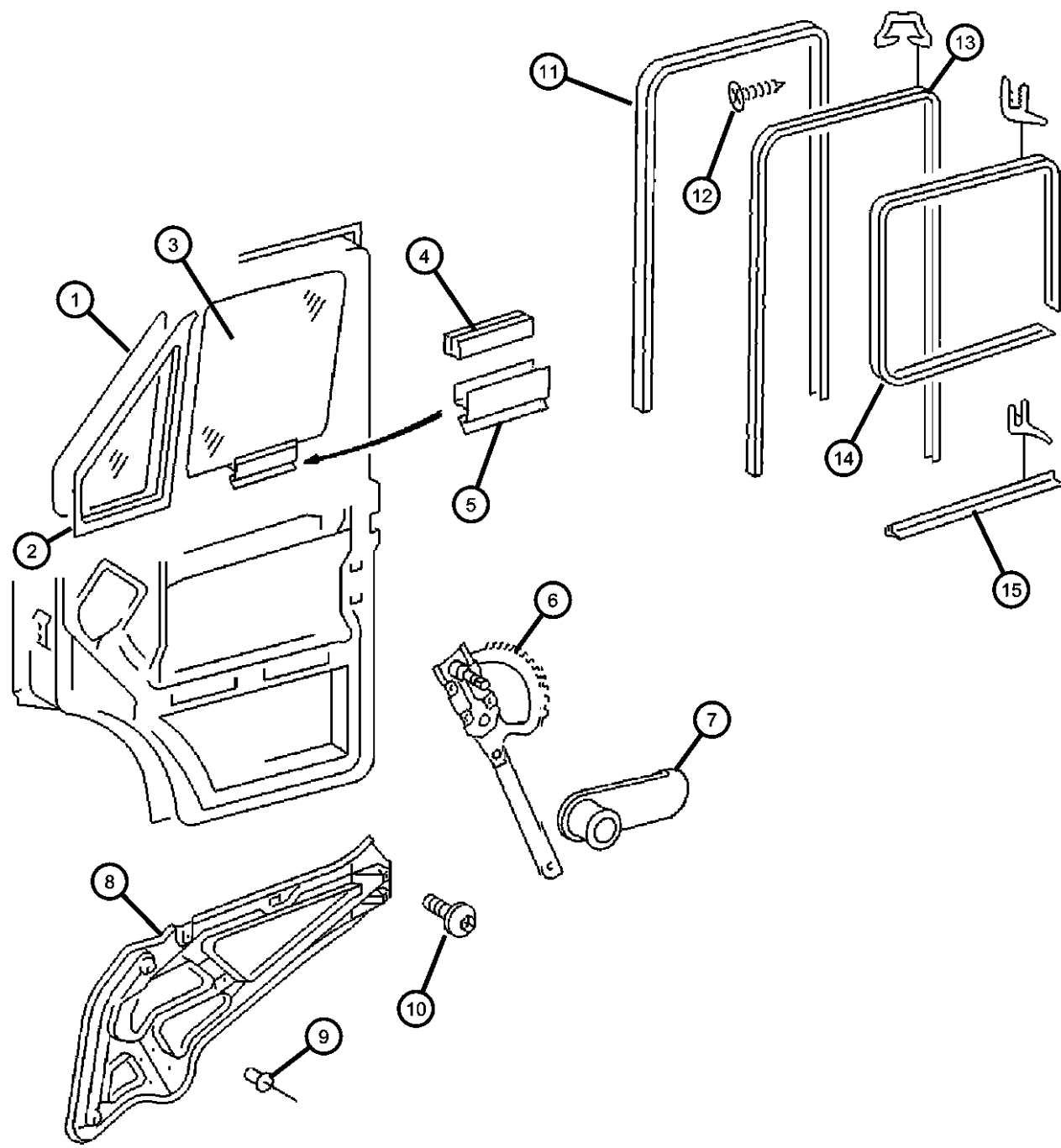
ITEM	PART NUMBER	QTY	LINE	SERIES	BODY	ENGINE	TRANS	TRIM	DESCRIPTION	
1	05104352AA	1	2, 6	L	11, 12, 14, 15, 16				GLASS, Front Door Vent Left	
		1	2, 6	L	51, 52, 54, 55, 56				Left	
	05104353AA	1	3, 7	L	12, 15, 16				Left	
		1	2, 6	L	11, 12, 14, 15, 16				Right	
		1	2, 6	L	51, 52, 54, 55, 56				Right	
	2	05104348AA	1	3, 7	L	12, 15, 16				Right
			1	2, 6	L	11, 12, 14, 15, 16				WEATHERSTRIP Left
3	05104350AA	1	2, 6	L	51, 52, 54, 55, 56				Left	
		1	3, 7	L	12, 15, 16				Left	
	05104334AA	1	2, 6	L	14, 15, 16, 11, 12				Right	
		1	2, 6	L	51, 52, 54, 55, 56				Right	
	05104336AA	1	3, 7	L	12, 15, 16				Right	
		1	2, 6	L	11, 12, 14, 15, 16				GLASS, Front Door Left	
4	05103783AA	1	2, 6	L	51, 52, 54, 55, 56				Left	
		1	3, 7	L	12, 15, 16				Left	
		1	2, 6	L	11, 12, 14, 15, 16				Right	
5	05103783AA	1	2, 6	L	51, 52, 54, 55, 56				Right	
		1	3, 7	L	12, 15, 16				Right	
		1	2, 6	L	11, 12, 14, 15, 16				WEATHERSTRIP, Glass Channel Run	
6	05103783AA	1	2, 6	L	51, 52, 54, 55, 56				25 Meters Long	
		1	3, 7	L	12, 15, 16				25 Meters Long	
		1	2, 6	L	11, 12, 14, 15, 16				25 Meters Long	

**SPRINTER (VA)**

<b>SERIES</b>	<b>LINE</b>	<b>BODY</b>	<b>ENGINE</b>	<b>TRANSMISSION</b>
L = LOWLINE	3 = HD DODGE 2WD 6 = Lt. Duty DODGE 4WD 2 = Med. Duty DODGE 2WD 7 = Med. Duty DODGE 4WD	51 = WAGON WHEEL BASE 1 52 = WAGON WHEEL BASE 2 14 = VAN WHEEL BASE 4 15 = VAN WHEEL BASE 5 16 = VAN WHEEL BASE 6 54 = WAGON WHEEL BASE 4 55 = WAGON WHEEL BASE 5 56 = WAGON WHEEL BASE 6 11 = VAN WHEEL BASE 1 12 = VAN WHEEL BASE 2	EX9 = Engine - 2.7L 5 Cly Mercedes Diesel	DGJ = Transmission-5-Spd. Automatic, W5A580

AR = use ase required - = Non illustrated part

**Door, Front Glass And Regulator Handle  
Figure DVA-120**



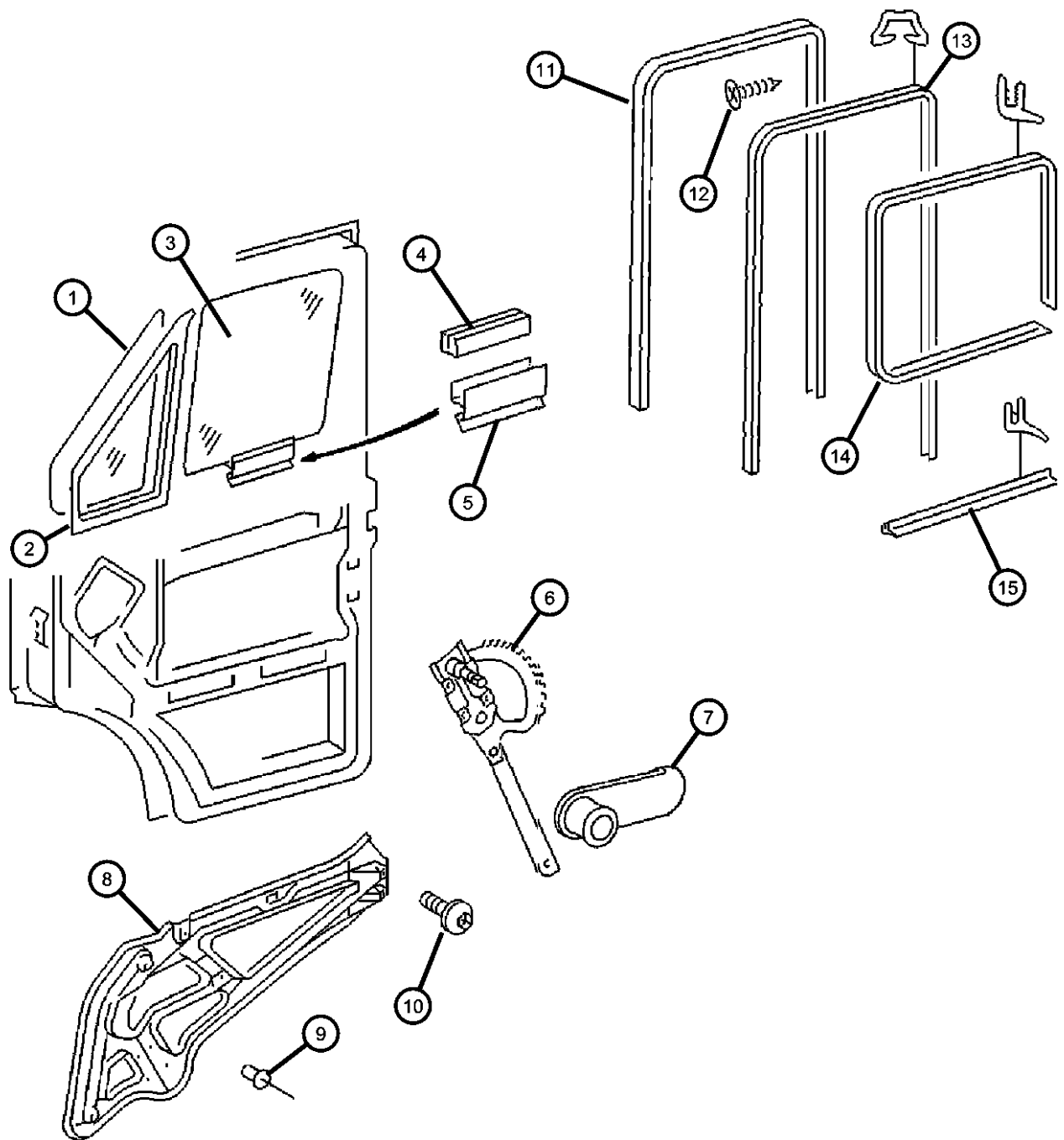
ITEM	PART NUMBER	QTY	LINE	SERIES	BODY	ENGINE	TRANS	TRIM	DESCRIPTION
5	05104029AA	1	3, 7	L	12, 15, 16				CHANNEL, Glass Run Lower
		1	2, 6	L	11, 12, 14, 15, 16				
		1	2, 6	L	51, 52, 54, 55, 56				
6	05104343AA	1	2, 6	L	11, 12, 14, 15, 16				REGULATOR, Front Door Window Left
		1	2, 6	L	51, 52, 54, 55, 56				Left
		1	3, 7	L	12, 15, 16				Left
	05104345AA	1	2, 6	L	11, 12, 14, 15, 16				[JPA], Left
		1	2, 6	L	51, 52, 54, 55, 56				[JPA], Left
		1	3, 7	L	12, 15, 16				[JPA], Left
	05104346AA	1	2, 6	L	11, 12, 14, 15, 16				[JPA], Right
		1	2, 6	L	51, 52, 54, 55, 56				[JPA], Right
		1	3, 7	L	12, 15, 16				[JPA], Right
	05123727AA	1	2, 6	L	11, 12, 14, 15, 16				Right
		1	2, 6	L	51, 52, 54, 55, 56				Right
		1	3, 7	L	12, 15, 16				Right
7	05124064AA	1	2, 6	L	11, 12, 14, 15, 16				HANDLE, Window Regulator
		1	2, 6	L	51, 52, 54, 55, 56				
		1	3, 7	L	12, 15, 16				
8	05123685AA	1	2, 6	L	11, 12, 14, 15, 16				BRACKET, Door Inside Left
		1	3, 7	L	12, 15, 16				Left
		1	2, 6	L	51, 52, 54, 55, 56				Left

**SPRINTER (VA)**

SERIES	LINE	BODY	ENGINE	TRANSMISSION
L = LOWLINE	3 = HD DODGE 2WD 6 = Lt. Duty DODGE 4WD 2 = Med. Duty DODGE 2WD 7 = Med. Duty DODGE 4WD	51 = WAGON WHEEL BASE 1 52 = WAGON WHEEL BASE 2 14 = VAN WHEEL BASE 4 15 = VAN WHEEL BASE 5 16 = VAN WHEEL BASE 6 54 = WAGON WHEEL BASE 4 55 = WAGON WHEEL BASE 5 56 = WAGON WHEEL BASE 6 11 = VAN WHEEL BASE 1 12 = VAN WHEEL BASE 2	EX9 = Engine - 2.7L 5 Cyl Mercedes Diesel	DGJ = Transmission-5-Spd. Automatic,W5A580

AR = use ase required - = Non illustrated part

**Door, Front Glass And Regulator Handle**  
**Figure DVA-120**



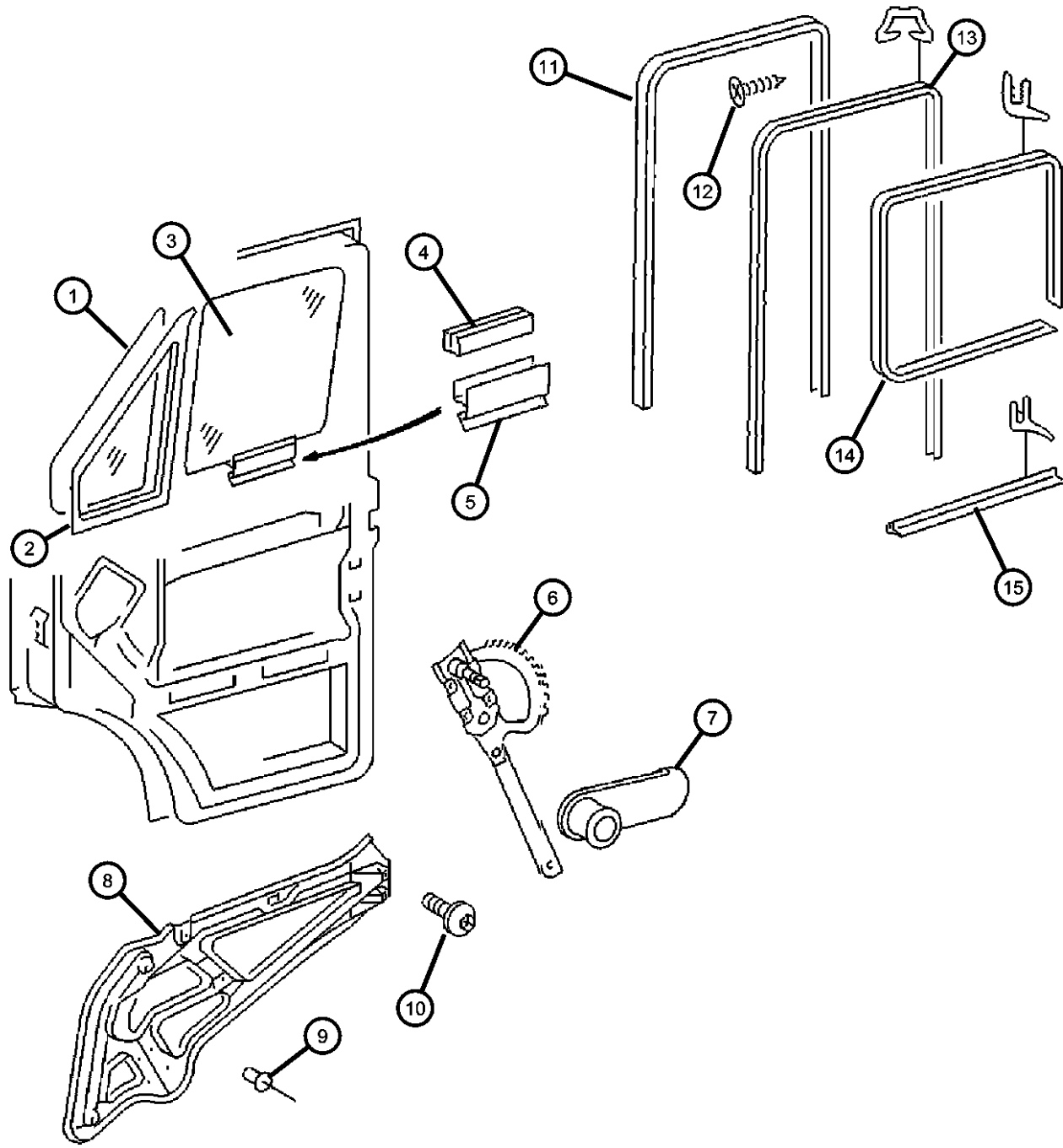
ITEM	PART NUMBER	QTY	LINE	SERIES	BODY	ENGINE	TRANS	TRIM	DESCRIPTION
	05123686AA	1	2, 6	L	11, 12, 14, 15, 16				Right
		1	3, 7	L	12, 15, 16				Right
		1	2, 6	L	51, 52, 54, 55, 56				Right
9									RIVET
	05103838AA	4	2, 6	L	11, 12, 14, 15, 16				
		4	2, 6	L	51, 52, 54, 55, 56				
		4	3, 7	L	12, 15, 16				
10									SCREW
	05125421AA	4	2, 6	L	11, 12, 14, 15, 16				
		4	2, 6	L	51, 52, 54, 55, 56				
		4	3, 7	L	12, 15, 16				
11									FRAME, Door Glass
	05104351AA	1	2, 6	L	11, 12, 14, 15, 16				Right
		1	2, 6	L	51, 52, 54, 55, 56				Right
	05123785AA	1	3, 7	L	12, 15, 16				Right
		1	2, 6	L	11, 12, 14, 15, 16				Left
		1	2, 6	L	51, 52, 54, 55, 56				Left
12		1	3, 7	L	12, 15, 16				Left
	05133513AA	8	3, 7	L	12, 15, 16				SCREW, Tapping
		8	2, 6	L	11, 12, 14, 15, 16				
		8	2, 6	L	51, 52, 54, 55, 56				
	13								WEATHERSTRIP, Glass Channel Run
	05123782AA	1	2, 6	L	11, 12, 14, 15, 16				

**SPRINTER (VA)**

SERIES	LINE	BODY	ENGINE	TRANSMISSION
L = LOWLINE	3 = HD DODGE 2WD 6 = Lt. Duty DODGE 4WD 2 = Med. Duty DODGE 2WD 7 = Med. Duty DODGE 4WD	51 = WAGON WHEEL BASE 1 52 = WAGON WHEEL BASE 2 14 = VAN WHEEL BASE 4 15 = VAN WHEEL BASE 5 16 = VAN WHEEL BASE 6 54 = WAGON WHEEL BASE 4 55 = WAGON WHEEL BASE 5 56 = WAGON WHEEL BASE 6 11 = VAN WHEEL BASE 1 12 = VAN WHEEL BASE 2	EX9 = Engine - 2.7L 5 Cly Mercedes Diesel	DGJ = Transmission-5-Spd. Automatic, W5A580

AR = use ase required - = Non illustrated part

**Door, Front Glass And Regulator Handle  
Figure DVA-120**



ITEM	PART NUMBER	QTY	LINE	SERIES	BODY	ENGINE	TRANS	TRIM	DESCRIPTION
		1	2, 6	L	51, 52, 54, 55, 56				
		1	3, 7	L	12, 15, 16				
14	05123780AA	1	2, 6	L	11, 12, 14, 15, 16				WEATHERSTRIP, Front Door
		1	2, 6	L	51, 52, 54, 55, 56				
		1	3, 7	L	12, 15, 16				
15	05123775AA	1	2, 6	L	11, 12, 14, 15, 16				WEATHERSTRIP, Sill Front Secondary
		1	2, 6	L	51, 52, 54, 55, 56				
		1	3, 7	L	12, 15, 16				

**SPRINTER (VA)**

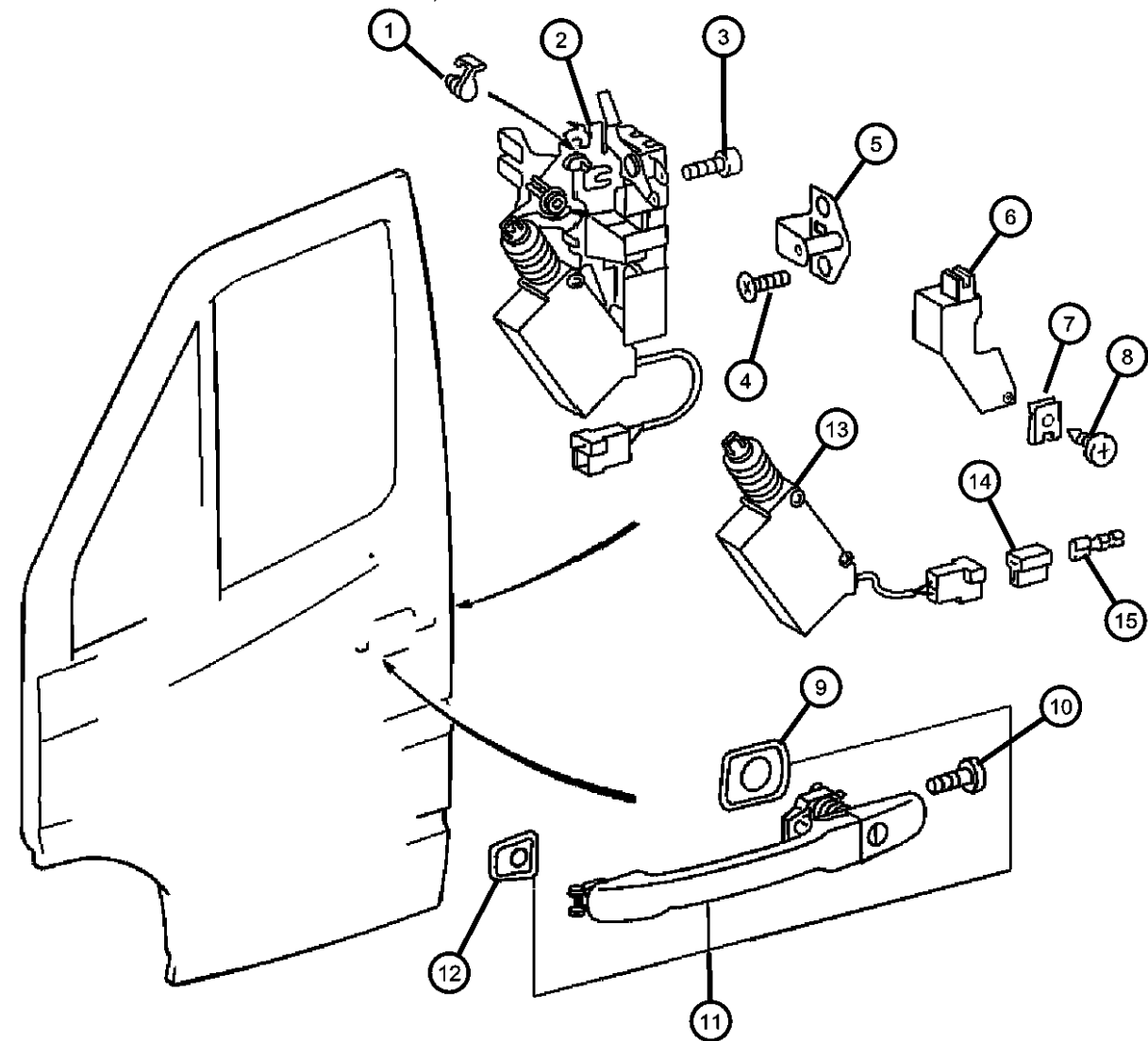
SERIES	LINE
L = LOWLINE	3 = HD DODGE 2WD 6 = Lt. Duty DODGE 4WD 2 = Med. Duty DODGE 2WD 7 = Med. Duty DODGE 4WD

BODY	ENGINE
51 = WAGON WHEEL BASE 1 52 = WAGON WHEEL BASE 2 14 = VAN WHEEL BASE 4 15 = VAN WHEEL BASE 5 16 = VAN WHEEL BASE 6 54 = WAGON WHEEL BASE 4 55 = WAGON WHEEL BASE 5 56 = WAGON WHEEL BASE 6 11 = VAN WHEEL BASE 1 12 = VAN WHEEL BASE 2	EX9 = Engine - 2.7L 5 Cly Mercedes Diesel

TRANSMISSION
DGJ = Transmission-5-Spd. Automatic,W5A580

AR = use ase required - = Non illustrated part

**Door, Front Exterior Handle And Links  
Figure DVA-130**



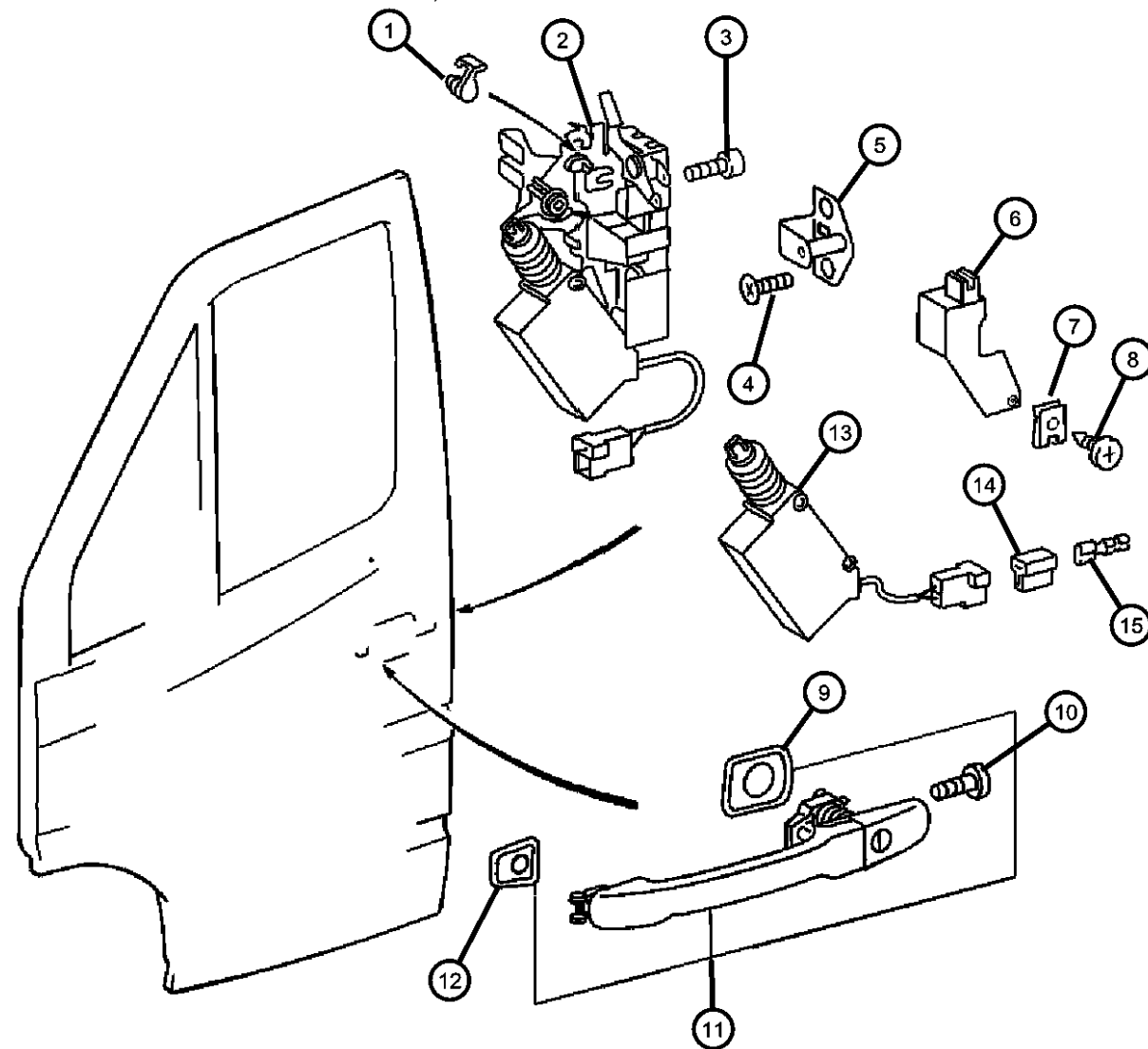
ITEM	PART NUMBER	QTY	LINE	SERIES	BODY	ENGINE	TRANS	TRIM	DESCRIPTION
1	05103674AA	1	3, 7	L	12, 15, 16				CONNECTOR, Solenoid
		1	2, 6	L	11, 12, 14, 15, 16				
		1	2, 6	L	51, 52, 54, 55, 56				
2	05104337AA	1	2, 6	L	11, 12, 14, 15, 16				LATCH, Front Door Left
		1	2, 6	L	51, 52, 54, 55, 56				Left
	05104341AA	1	3, 7	L	12, 15, 16				Left
		1	2, 6	L	11, 12, 14, 15, 16				Right
		1	2, 6	L	51, 52, 54, 55, 56				Right
		1	3, 7	L	12, 15, 16				Right
3	05103723AA	3	2, 6	L	11, 12, 14, 15, 16				SCREW, LOCK TO DOOR, SPRINTER
		3	2, 6	L	51, 52, 54, 55, 56				
		3	3, 7	L	12, 15, 16				
4	05103715AA	2	2, 6	L	11, 12, 14, 15, 16				SCREW, GUIDE, SPRINTER
		2	2, 6	L	51, 52, 54, 55, 56				
		2	3, 7	L	12, 15, 16				
5	05104330AA	1	2, 6	L	11, 12, 14, 15, 16				STRIKER
		1	2, 6	L	51, 52, 54, 55, 56				
		1	3, 7	L	12, 15, 16				
6	05123764AA	1	2, 6	L	11, 12, 14, 15, 16				COVER, Lock Housing Right

**SPRINTER (VA)**

<b>SERIES</b>	<b>LINE</b>	<b>BODY</b>	<b>ENGINE</b>	<b>TRANSMISSION</b>
L = LOWLINE	3 = HD DODGE 2WD 6 = Lt. Duty DODGE 4WD 2 = Med. Duty DODGE 2WD 7 = Med. Duty DODGE 4WD	51 = WAGON WHEEL BASE 1 52 = WAGON WHEEL BASE 2 14 = VAN WHEEL BASE 4 15 = VAN WHEEL BASE 5 16 = VAN WHEEL BASE 6 54 = WAGON WHEEL BASE 4 55 = WAGON WHEEL BASE 5 56 = WAGON WHEEL BASE 6 11 = VAN WHEEL BASE 1 12 = VAN WHEEL BASE 2	EX9 = Engine - 2.7L 5 Cly Mercedes Diesel	DGJ = Transmission-5-Spd. Automatic,W5A580

AR = use ase required - = Non illustrated part

**Door, Front Exterior Handle And Links**  
**Figure DVA-130**



ITEM	PART NUMBER	QTY	LINE	SERIES	BODY	ENGINE	TRANS	TRIM	DESCRIPTION
		1	2, 6	L	51, 52, 54, 55, 56				Right
		1	3, 7	L	12, 15, 16				Right
	05123765AA	1	2, 6	L	11, 12, 14, 15, 16				Left
		1	2, 6	L	51, 52, 54, 55, 56				Left
		1	3, 7	L	12, 15, 16				Left
7									CLIP, U Type
	05125858AA	1	2, 6	L	11, 12, 14, 15, 16				
		1	2, 6	L	51, 52, 54, 55, 56				
		1	3, 7	L	12, 15, 16				
8	05126095AA	6	2, 6	L	11, 12, 14, 15, 16				SCREW, Tapping
9									PAD
	05103673AA	1	2, 6	L	11, 12, 14, 15, 16				
		1	2, 6	L	51, 52, 54, 55, 56				
		1	3, 7	L	12, 15, 16				
10									SCREW, Front Door Handle
	05125414AA	1	2, 6	L	11, 12, 14, 15, 16				
		1	2, 6	L	51, 52, 54, 55, 56				
		1	3, 7	L	12, 15, 16				
11									HANDLE, Front Door
	05124094AA	1	2, 6	L	11, 12, 14, 15, 16				Right & Left
		1	2, 6	L	51, 52, 54, 55, 56				Right & Left
		1	3, 7	L	12, 15, 16				Right & Left
12									PAD
	05103672AA	1	2, 6	L	11, 12, 14, 15, 16				
		1	2, 6	L	51, 52, 54, 55, 56				

**SPRINTER (VA)**

<b>SERIES</b>	<b>LINE</b>	<b>BODY</b>	<b>ENGINE</b>	<b>TRANSMISSION</b>
L = LOWLINE	3 = HD DODGE 2WD 6 = Lt. Duty DODGE 4WD 2 = Med. Duty DODGE 2WD 7 = Med. Duty DODGE 4WD	51 = WAGON WHEEL BASE 1 52 = WAGON WHEEL BASE 2 14 = VAN WHEEL BASE 4 15 = VAN WHEEL BASE 5 16 = VAN WHEEL BASE 6 54 = WAGON WHEEL BASE 4 55 = WAGON WHEEL BASE 5 56 = WAGON WHEEL BASE 6 11 = VAN WHEEL BASE 1 12 = VAN WHEEL BASE 2	EX9 = Engine - 2.7L 5 Cly Mercedes Diesel	DGJ = Transmission-5-Spd. Automatic,W5A580

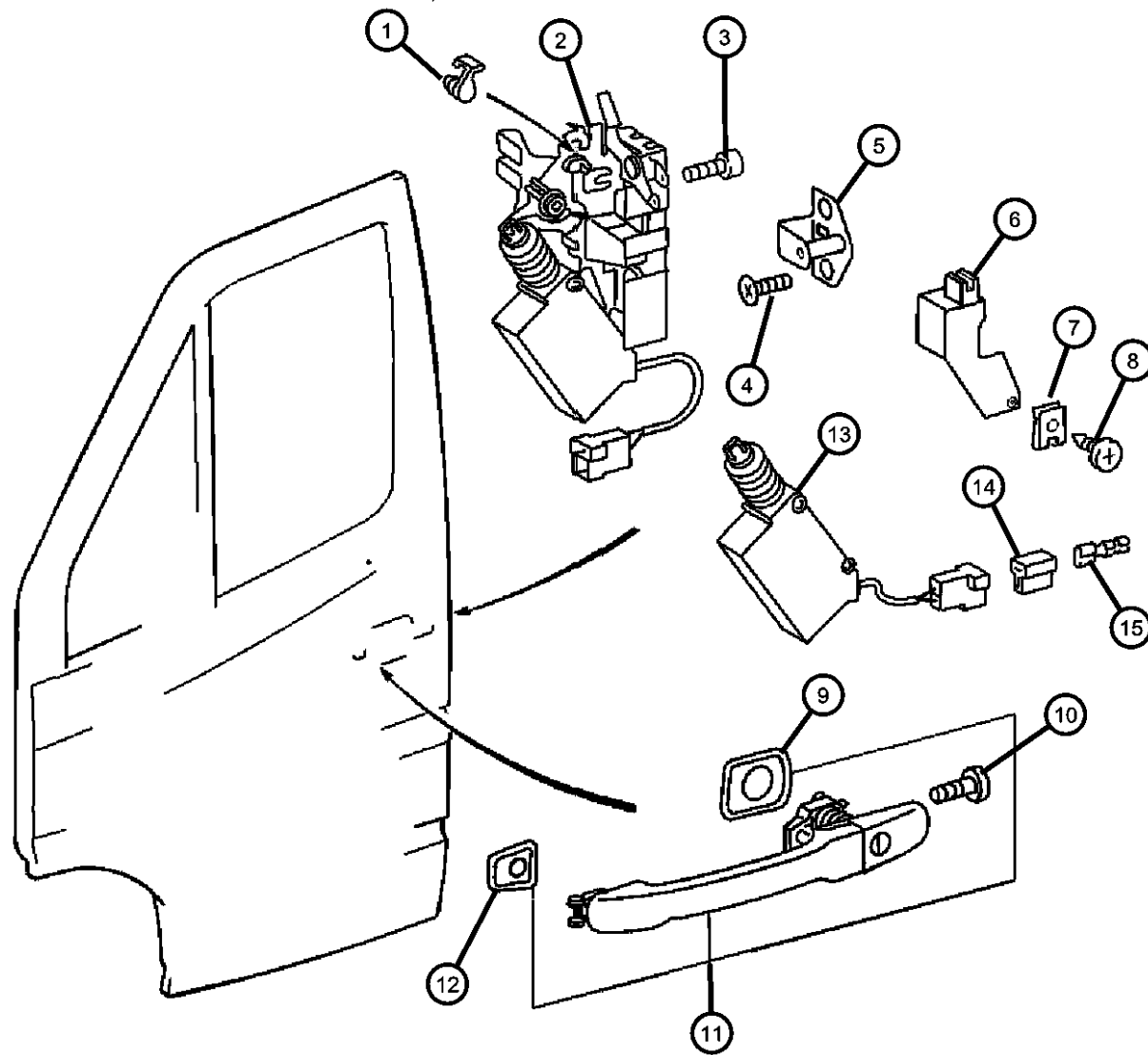
AR = use ase required - = Non illustrated part

2003 VA



**Door, Front Exterior Handle And Links**  
**Figure DVA-130**

ITEM	PART NUMBER	QTY	LINE	SERIES	BODY	ENGINE	TRANS	TRIM	DESCRIPTION
		1	3, 7	L	12, 15, 16				
13	05133510AA	1	3, 7	L	12, 15, 16				ACTUATOR, Power Door Lock
		1	2, 6	L	11, 12, 14, 15, 16				Without Convenience Locking System, Right
	05133511AA	1	2, 6	L	51, 52, 54, 55, 56				Without Convenience Locking System, Right
		1	3, 7	L	12, 15, 16				Without Convenience Locking System, Left
		1	2, 6	L	11, 12, 14, 15, 16				Without Convenience Locking System, Left
	05133512AA	1	2, 6	L	51, 52, 54, 55, 56				Without Convenience Locking System, Left
		1	2, 6	L	11, 12, 14, 15, 16				With Convenience Locking System, Right
		1	2, 6	L	51, 52, 54, 55, 56				With Convenience Locking System, Right
	05133986AA	1	3, 7	L	12, 15, 16				With Convenience Locking System, Right
		1	2, 6	L	11, 12, 14, 15, 16				With Convenience Locking System, Left
		1	2, 6	L	51, 52, 54, 55, 56				With Convenience Locking System, Left
		1	3, 7	L	12, 15, 16				With Convenience Locking System, Left
14	05103754AA	1	2, 6	L	11, 12, 14, 15, 16				INSULATOR, 2 Way Female
		1	2, 6	L	51, 52, 54, 55, 56				
	05114451AA	1	3, 7	L	12, 15, 16				TERMINAL, Female



**SPRINTER (VA)**

**SERIES**

L = LOWLINE

**LINE**

3 = HD DODGE 2WD  
 6 = Lt. Duty DODGE 4WD  
 2 = Med. Duty DODGE 2WD  
 7 = Med. Duty DODGE 4WD

**BODY**

51 = WAGON WHEEL BASE 1  
 52 = WAGON WHEEL BASE 2  
 14 = VAN WHEEL BASE 4  
 15 = VAN WHEEL BASE 5  
 16 = VAN WHEEL BASE 6  
 54 = WAGON WHEEL BASE 4  
 55 = WAGON WHEEL BASE 5  
 56 = WAGON WHEEL BASE 6  
 11 = VAN WHEEL BASE 1  
 12 = VAN WHEEL BASE 2

**ENGINE**

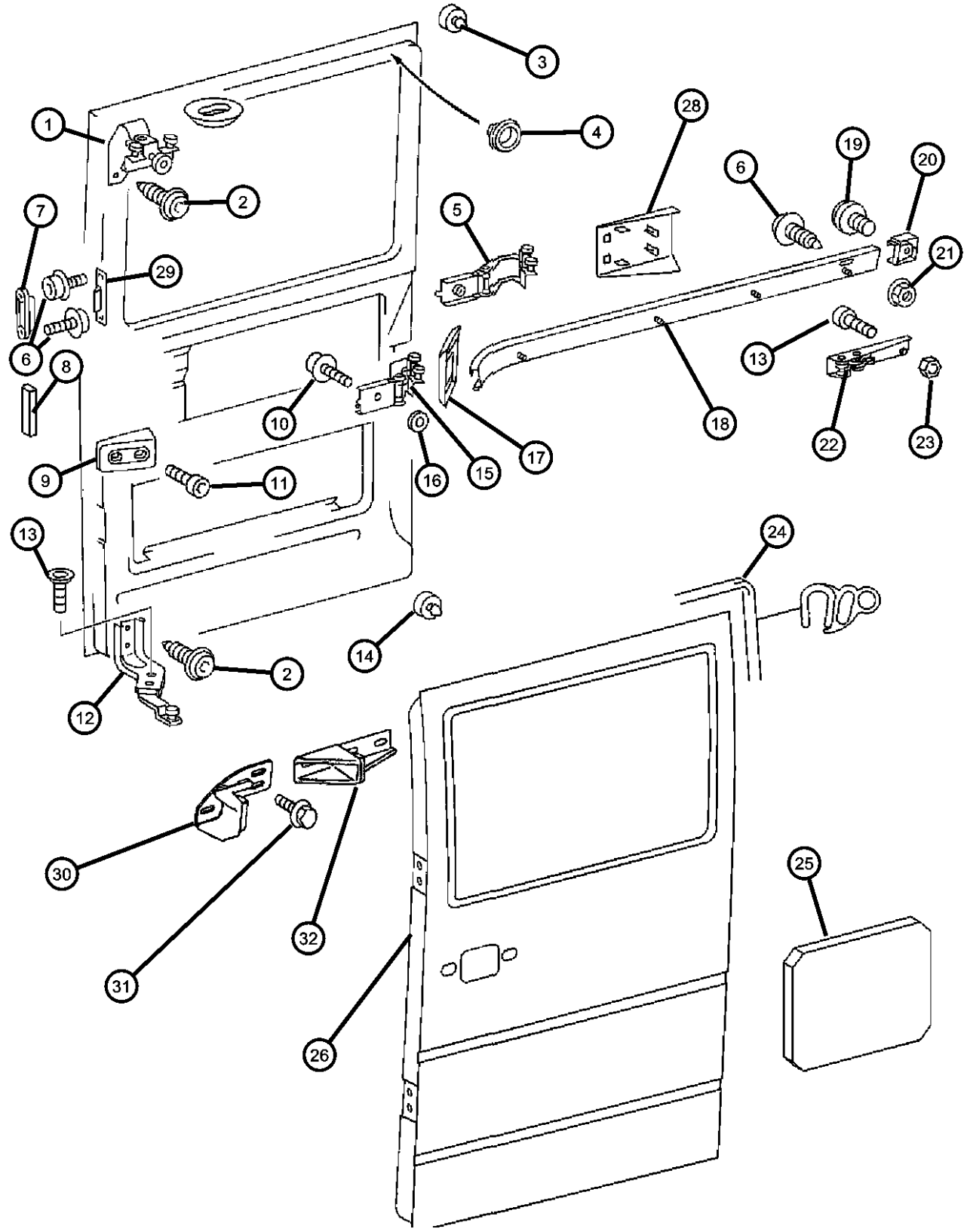
EX9 = Engine - 2.7L 5 Cly Mercedes Diesel

**TRANSMISSION**

DGJ = Transmission-5-Spd. Automatic, W5A580

AR = use ase required - = Non illustrated part

**Door, Sliding Cargo Shell and Hinges  
Figure DVA-310**



ITEM	PART NUMBER	QTY	LINE	SERIES	BODY	ENGINE	TRANS	TRIM	DESCRIPTION
1	05124089AA	1	3, 7	L	12, 15, 16				SLIDER, Body Hardware Left
	05103589AA	1	2, 6	L	11, 12, 14, 15, 16				Right
		1	2, 6	L	51, 52, 54, 55, 56				Right
		1	3, 7	L	12, 15, 16				Right
		1	2, 6	L	11, 12, 14, 15, 16				Left
		1	2, 6	L	51, 52, 54, 55, 56				Left
2	05104610AA	2	3, 7	L	12, 15, 16				SCREW
		2	2, 6	L	11, 12, 14, 15, 16				
		2	2, 6	L	51, 52, 54, 55, 56				
3	05103918AA	1	2, 6	L	12, 14, 15, 16, 11				BUMPER, Sliding Door Center Track
		1	2, 6	L	51, 52, 54, 55, 56				
		1	3, 7	L	12, 15, 16				
4	05125514AA	2	3, 7	L	12, 15, 16				PLUG, Expansion
		2	2, 6	L	51, 52, 54, 55, 56				
		2	6, 2	L	11, 12, 14, 15, 16				
5	05103607AA	1	2, 6	L	11, 12, 14, 15, 16				SLIDER, Body Hardware
6	05103713AA	4	2, 6	L	11, 12, 14, 15, 16				SCREW
		4	3, 7	L	12, 15, 16				
		4	2, 6	L	51, 52, 54, 55, 56				
7									STABILIZER, Sliding Door

**SPRINTER (VA)**

**SERIES**

L = LOWLINE  
 3 = HD DODGE 2WD  
 6 = Lt. Duty DODGE 4WD  
 2 = Med. Duty DODGE 2WD  
 7 = Med. Duty DODGE 4WD

**LINE**

**BODY**

51 = WAGON WHEEL BASE 1  
 52 = WAGON WHEEL BASE 2  
 14 = VAN WHEEL BASE 4  
 15 = VAN WHEEL BASE 5  
 16 = VAN WHEEL BASE 6  
 54 = WAGON WHEEL BASE 4  
 55 = WAGON WHEEL BASE 5  
 56 = WAGON WHEEL BASE 6  
 11 = VAN WHEEL BASE 1  
 12 = VAN WHEEL BASE 2

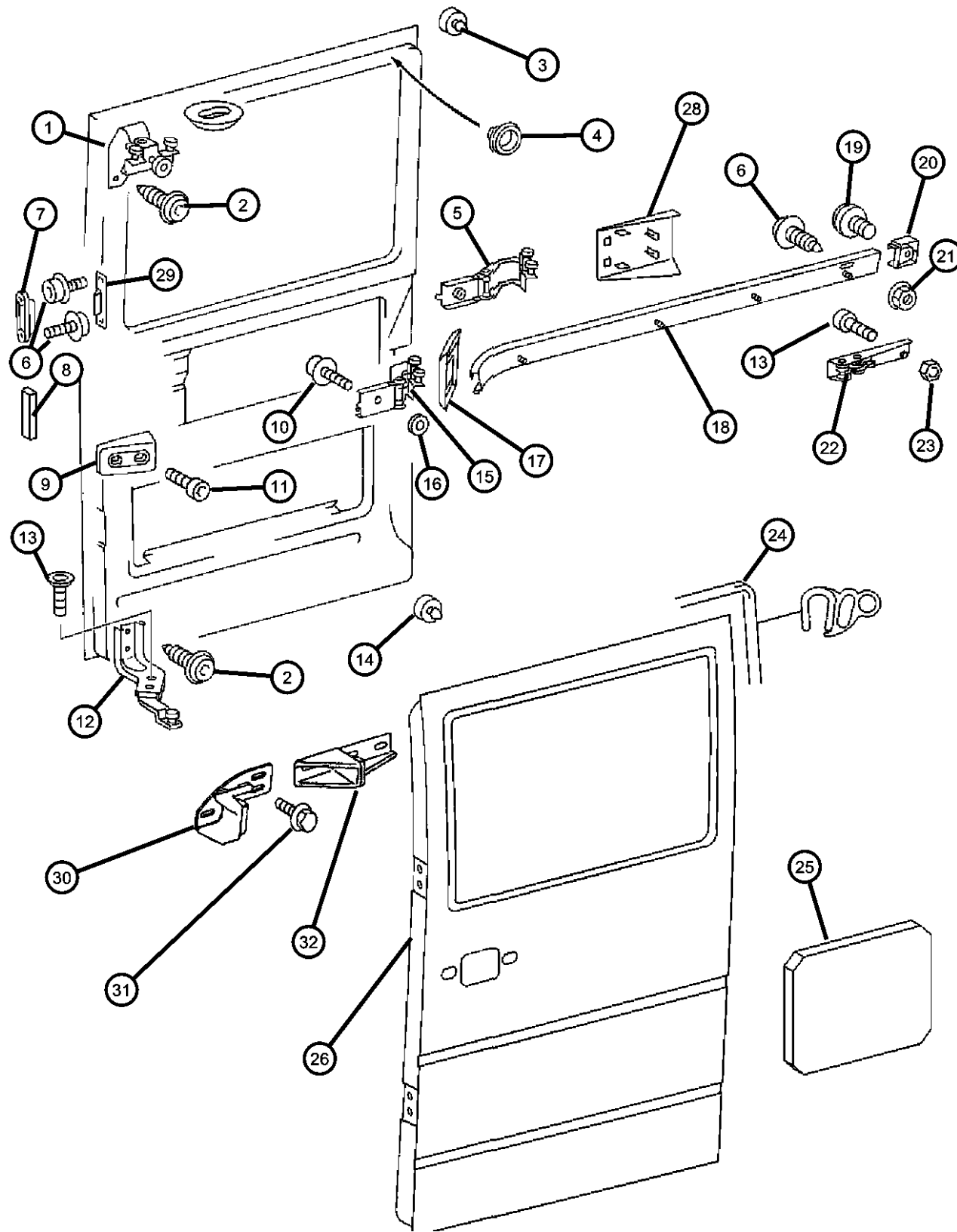
**ENGINE**

EX9 = Engine - 2.7L 5 Cly  
 Mercedes Diesel

**TRANSMISSION**

DGJ = Transmission-5-Spd.  
 Automatic, W5A580

Door, Sliding Cargo Shell and Hinges  
Figure DVA-310



ITEM	PART NUMBER	QTY	LINE	SERIES	BODY	ENGINE	TRANS	TRIM	DESCRIPTION
	05104429AA	2	2, 6	L	11, 12, 14, 15, 16				
		2	2, 6	L	51, 52, 54, 55, 56				
		2	3, 7	L	12, 15, 16				
8									BUMPER, Rubber
	05104427AA	2	2, 6	L	11, 12, 14, 15, 16				
		2	2, 6	L	51, 52, 54, 55, 56				
		2	3, 7	L	12, 15, 16				
9									BUMPER, Rubber
	05104411AA	1	2, 6	L	11, 12, 14, 15, 16				Left
		1	2, 6	L	51, 52, 54, 55, 56				Left
		1	3, 7	L	12, 15, 16				Left
10									SCREW, Torx Head, M6x1.00x16.00
	05126337AA	1	2, 6	L	11, 12, 14, 15, 16				GKE
		1	2, 6	L	11, 12, 14, 15, 16				GKA
		1	6, 2	L	51, 52, 54, 55, 56				GKE
		1	2, 6	L	51, 52, 54, 55, 56				GKA
		1	3, 7	L	12, 15, 16				GKE
		1	3, 7	L	12, 15, 16				GKA
11									SCREW
	05114443AA	2	2, 6	L	16, 11, 12, 14, 15				
		2	2, 6	L	51, 52, 54, 55, 56				
		2	3, 7	L	12, 15, 16				
12									SLIDER, Body Hardware
	05103588AA	1	2, 6	L	11, 12, 14, 15, 16				Right

SPRINTER (VA)

SERIES

L = LOWLINE

LINE

3 = HD DODGE 2WD  
6 = Lt. Duty DODGE 4WD  
2 = Med. Duty DODGE 2WD  
7 = Med. Duty DODGE 4WD

BODY

51 = WAGON WHEEL BASE 1  
52 = WAGON WHEEL BASE 2  
14 = VAN WHEEL BASE 4  
15 = VAN WHEEL BASE 5  
16 = VAN WHEEL BASE 6  
54 = WAGON WHEEL BASE 4  
55 = WAGON WHEEL BASE 5  
56 = WAGON WHEEL BASE 6  
11 = VAN WHEEL BASE 1  
12 = VAN WHEEL BASE 2

ENGINE

EX9 = Engine - 2.7L 5 Cyl  
Mercedes Diesel

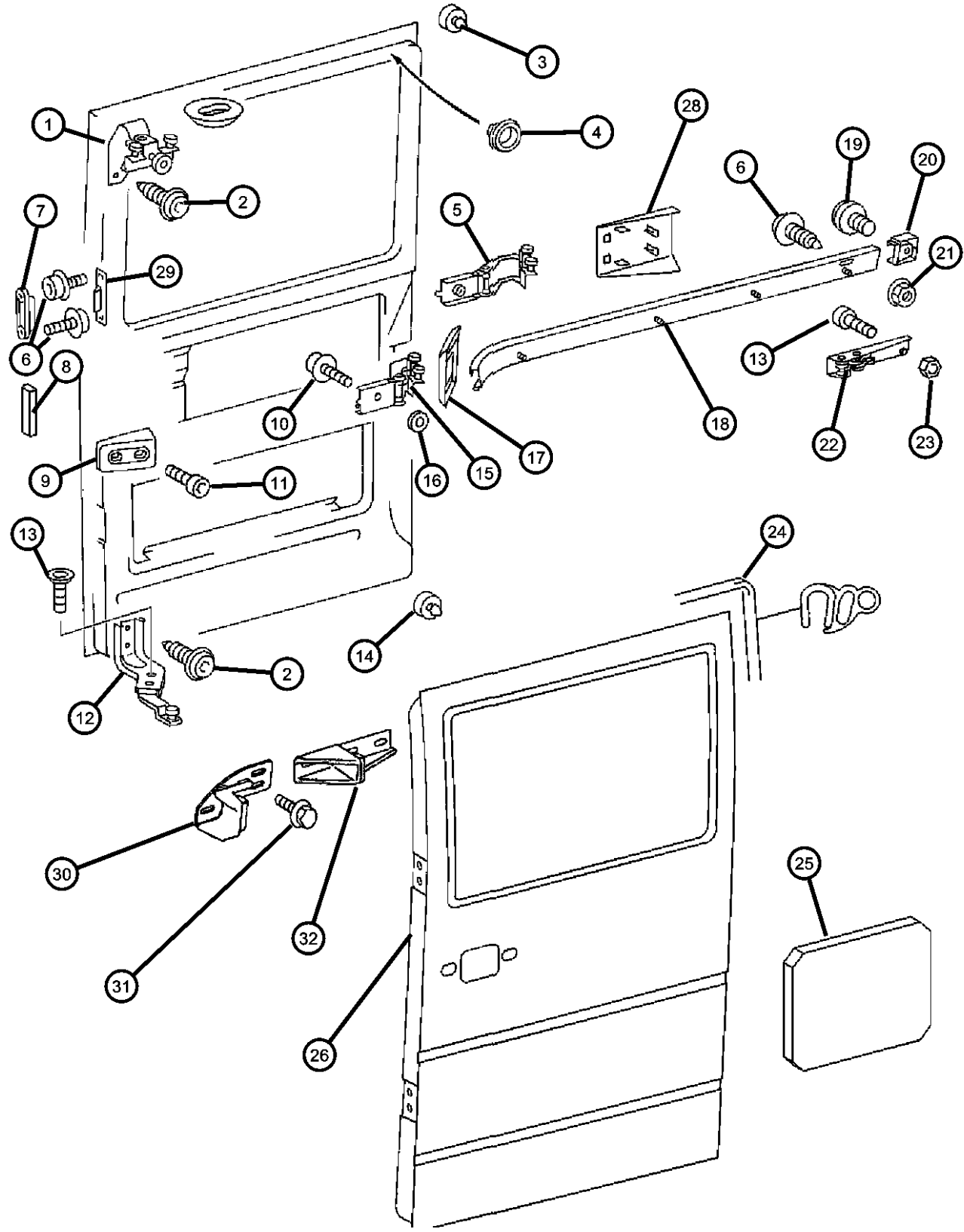
TRANSMISSION

DGJ = Transmission-5-Spd. Automatic, W5A580

AR = use ase required - = Non illustrated part

2003 VA

Door, Sliding Cargo Shell and Hinges  
Figure DVA-310



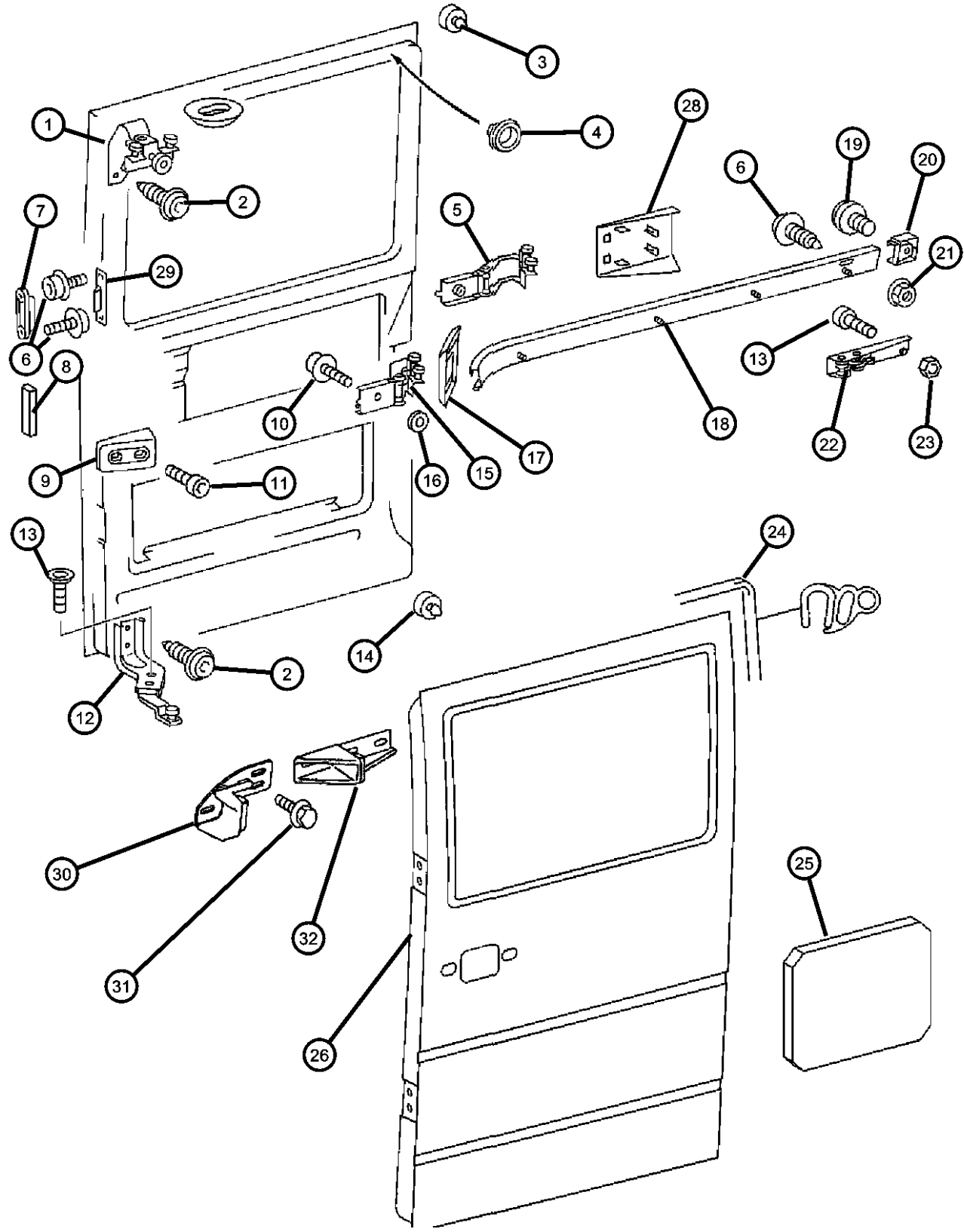
ITEM	PART NUMBER	QTY	LINE	SERIES	BODY	ENGINE	TRANS	TRIM	DESCRIPTION
		1	2, 6	L	51, 52, 54, 55, 56				Right
		1	3, 7	L	12, 15, 16				Right
	05124080AA	1	2, 6	L	11, 12, 14, 15, 16				Left
		1	2, 6	L	51, 52, 54, 55, 56				Left
		1	3, 7	L	12, 15, 16				Left
13									SCREW
	05133540AA	2	3, 7	L	12, 15, 16				
		2	2, 6	L	11, 12, 14, 15, 16				
		2	2, 6	L	51, 52, 54, 55, 56				
14									BUMPER, Sliding Door Center Track
	05103813AA	1	2, 6	L	11, 12, 14, 15, 16				
		1	2, 6	L	55, 56, 51, 52, 54				
		1	3, 7	L	12, 15, 16				
15									SLIDER, Body Hardware
	05103590AA	1	2, 6	L	11, 12, 14, 15, 16				Right
		1	2, 6	L	51, 52, 54, 55, 56				Right
	05124087AA	1	2, 6	L	11, 12, 14, 15, 16				Left
		1	2, 6	L	51, 52, 54, 55, 56				Left
16									WASHER
	05133526AA	1	2, 6	L	11, 12, 14, 15, 16				
		1	2, 6	L	51, 52, 54, 55, 56				
17									SEAL, Door
	05104426AA	1	2, 6	L	11, 12, 14, 15, 16				
		1	2, 6	L	51, 52, 54, 55, 56				

SPRINTER (VA)

SERIES	LINE	BODY	ENGINE	TRANSMISSION
L = LOWLINE	3 = HD DODGE 2WD 6 = Lt. Duty DODGE 4WD 2 = Med. Duty DODGE 2WD 7 = Med. Duty DODGE 4WD	51 = WAGON WHEEL BASE 1 52 = WAGON WHEEL BASE 2 14 = VAN WHEEL BASE 4 15 = VAN WHEEL BASE 5 16 = VAN WHEEL BASE 6 54 = WAGON WHEEL BASE 4 55 = WAGON WHEEL BASE 5 56 = WAGON WHEEL BASE 6 11 = VAN WHEEL BASE 1 12 = VAN WHEEL BASE 2	EX9 = Engine - 2.7L 5 Cyl Mercedes Diesel	DGJ = Transmission-5-Spd. Automatic, W5A580

AR = use ase required - = Non illustrated part

**Door, Sliding Cargo Shell and Hinges**  
**Figure DVA-310**



ITEM	PART NUMBER	QTY	LINE	SERIES	BODY	ENGINE	TRANS	TRIM	DESCRIPTION
18	05104418AA	1	6, 2	L	11, 12, 14, 15, 16				RAIL, Slider Door Right
		1	2, 6	L	51, 52, 54, 55, 56				Right
	05124076AA	1	3, 7	L	15, 16, 12				Right
		1	2, 6	L	11, 12, 14, 15, 16				Left
		1	2, 6	L	51, 52, 54, 55, 56				Left
		1	3, 7	L	12, 15, 16				Left
19	05126103AA	2	2, 6	L	11, 12, 14, 15, 16				SCREW
		2	2, 6	L	51, 52, 54, 55, 56				
		2	3, 7	L	12, 15, 16				
20	05104431AA	1	2, 6	L	11, 12, 14, 15, 16				CAP, Rail Right
		1	2, 6	L	51, 52, 54, 55, 56				Right
	05124105AA	1	3, 7	L	12, 15, 16				Right
		1	2, 6	L	11, 12, 14, 15, 16				Left
		1	2, 6	L	51, 52, 54, 55, 56				Left
		1	3, 7	L	12, 15, 16				Left
21	05127449AA	4	2, 6	L	14, 15, 16, 11, 12				NUT, M6x1.00
		4	2, 6	L	51, 52, 54, 55, 56				
		4	3, 7	L	12, 15, 16				
22	05104412AA	1	2, 6	L	11, 12, 14, 15, 16				ADJUSTER, Cargo Door Right
		1	2, 6	L	51, 52, 54, 55, 56				Right

**SPRINTER (VA)**

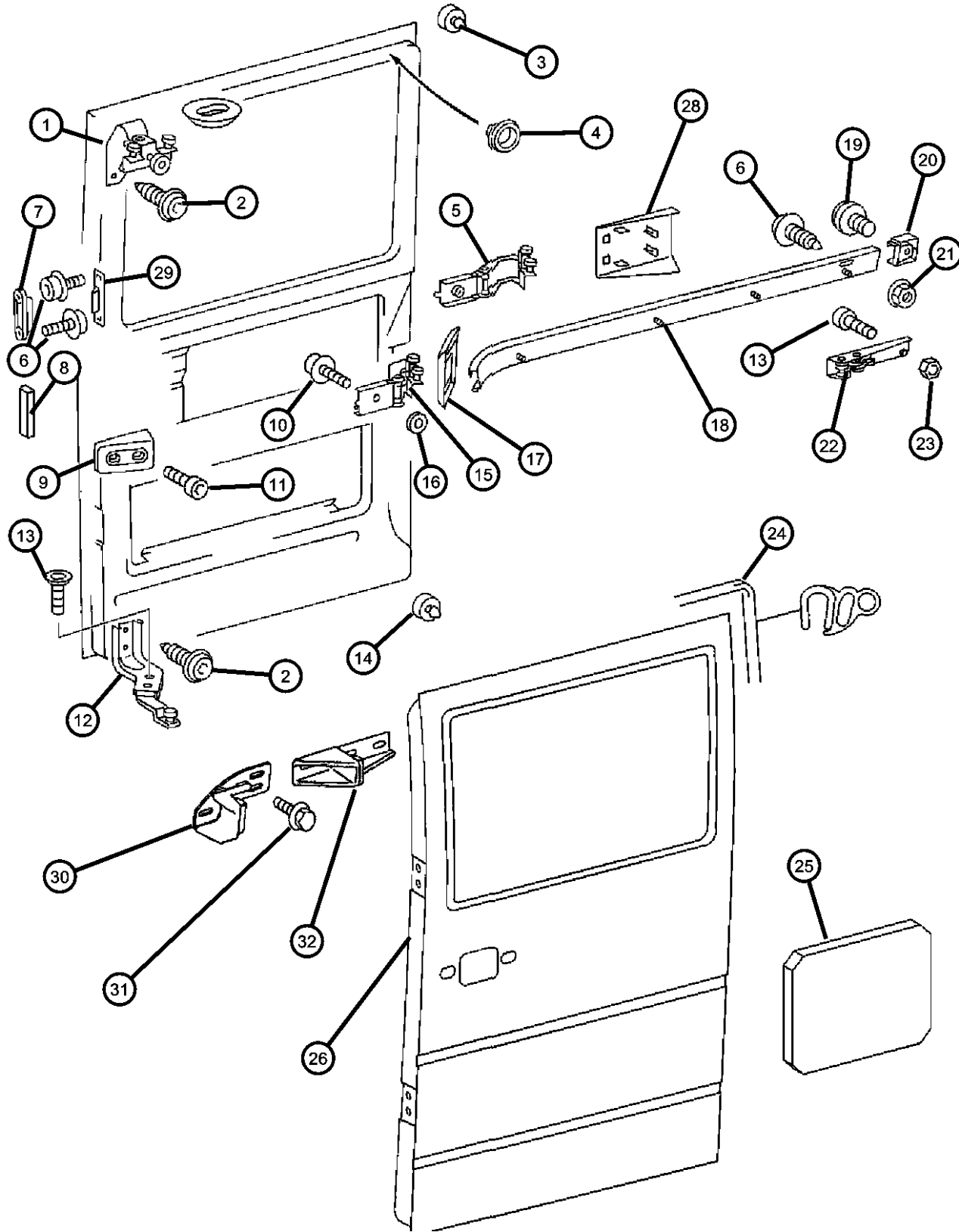
SERIES	LINE
L = LOWLINE	3 = HD DODGE 2WD 6 = Lt. Duty DODGE 4WD 2 = Med. Duty DODGE 2WD 7 = Med. Duty DODGE 4WD

BODY	ENGINE
51 = WAGON WHEEL BASE 1 52 = WAGON WHEEL BASE 2 14 = VAN WHEEL BASE 4 15 = VAN WHEEL BASE 5 16 = VAN WHEEL BASE 6 54 = WAGON WHEEL BASE 4 55 = WAGON WHEEL BASE 5 56 = WAGON WHEEL BASE 6 11 = VAN WHEEL BASE 1 12 = VAN WHEEL BASE 2	EX9 = Engine - 2.7L 5 Cly Mercedes Diesel

TRANSMISSION
DGJ = Transmission-5-Spd. Automatic, W5A580

AR = use ase required - = Non illustrated part

Door, Sliding Cargo Shell and Hinges  
Figure DVA-310



ITEM	PART NUMBER	QTY	LINE	SERIES	BODY	ENGINE	TRANS	TRIM	DESCRIPTION
		1	3, 7	L	12, 15, 16				Right
	05124099AA	1	2, 6	L	51, 52, 54, 55, 56				Left
		1	3, 7	L	12, 15, 16				Left
		1	2, 6	L	11, 12, 14, 15, 16				Left
23									NUT
	05133541AA	2	3, 7	L	12, 15, 16				
		2	2, 6	L	11, 12, 14, 15, 16				
		2	2, 6	L	51, 52, 54, 55, 56				
24									WEATHERSTRIP, Cargo Door
	05104302AA	1	2, 6	L	11, 12, 14, 15, 16				[GKE]
		1	2, 6	L	52, 54, 55, 56, 51				[GKE]
		1	3, 7	L	12, 15, 16				[GKE]
25									SILENCER, Door
	05122517AA	2	3, 7	L	12, 15, 16				
		2	2, 6	L	51, 52, 54, 55, 56				
		2	2, 6	L	11, 12, 14, 15, 16				
26									DOOR, Side Cargo
	05104355AA	1	2, 6	L	11, 12, 14, 15, 16				[GKE], Left
	05104356AA	1	2, 6	L	11, 12, 14, 15, 16				[GKA], Right
	05123795AA	1	2, 6	L	51, 52, 54, 55, 56				[GKE], Left
	05123799AA	1	2, 6	L	11, 12, 14, 15, 16				[GKE+GKG], Left
	05123801AA	1	2, 6	L	11, 12, 14, 15, 16				[GKG+GKA], Right
	05123797AA	1	2, 6	L	51, 52, 54, 55, 56				[GKA], Right
-27									PANEL, Side Cargo Door

**SPRINTER (VA)**

**SERIES**

L = LOWLINE  
 3 = HD DODGE 2WD  
 6 = Lt. Duty DODGE 4WD  
 2 = Med. Duty DODGE 2WD  
 7 = Med. Duty DODGE 4WD

**LINE**

**BODY**

51 = WAGON WHEEL BASE 1 EX9 = Engine - 2.7L 5 Cly  
 52 = WAGON WHEEL BASE 2 Mercedes Diesel  
 14 = VAN WHEEL BASE 4  
 15 = VAN WHEEL BASE 5  
 16 = VAN WHEEL BASE 6  
 54 = WAGON WHEEL BASE 4  
 55 = WAGON WHEEL BASE 5  
 56 = WAGON WHEEL BASE 6  
 11 = VAN WHEEL BASE 1  
 12 = VAN WHEEL BASE 2

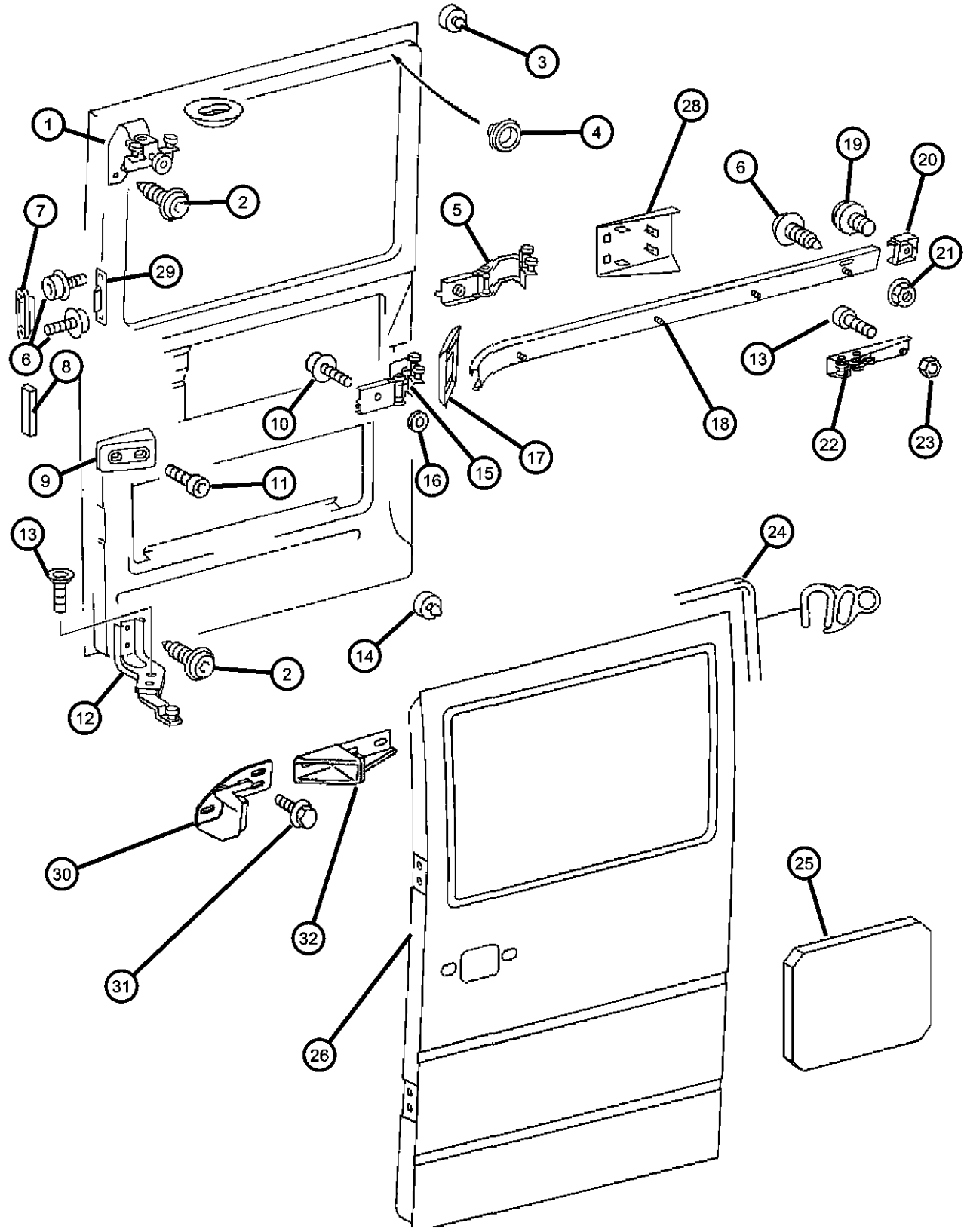
**ENGINE**

**TRANSMISSION**

DGJ = Transmission-5-Spd. Automatic, W5A580

AR = use ase required - = Non illustrated part

### Door, Sliding Cargo Shell and Hinges Figure DVA-310



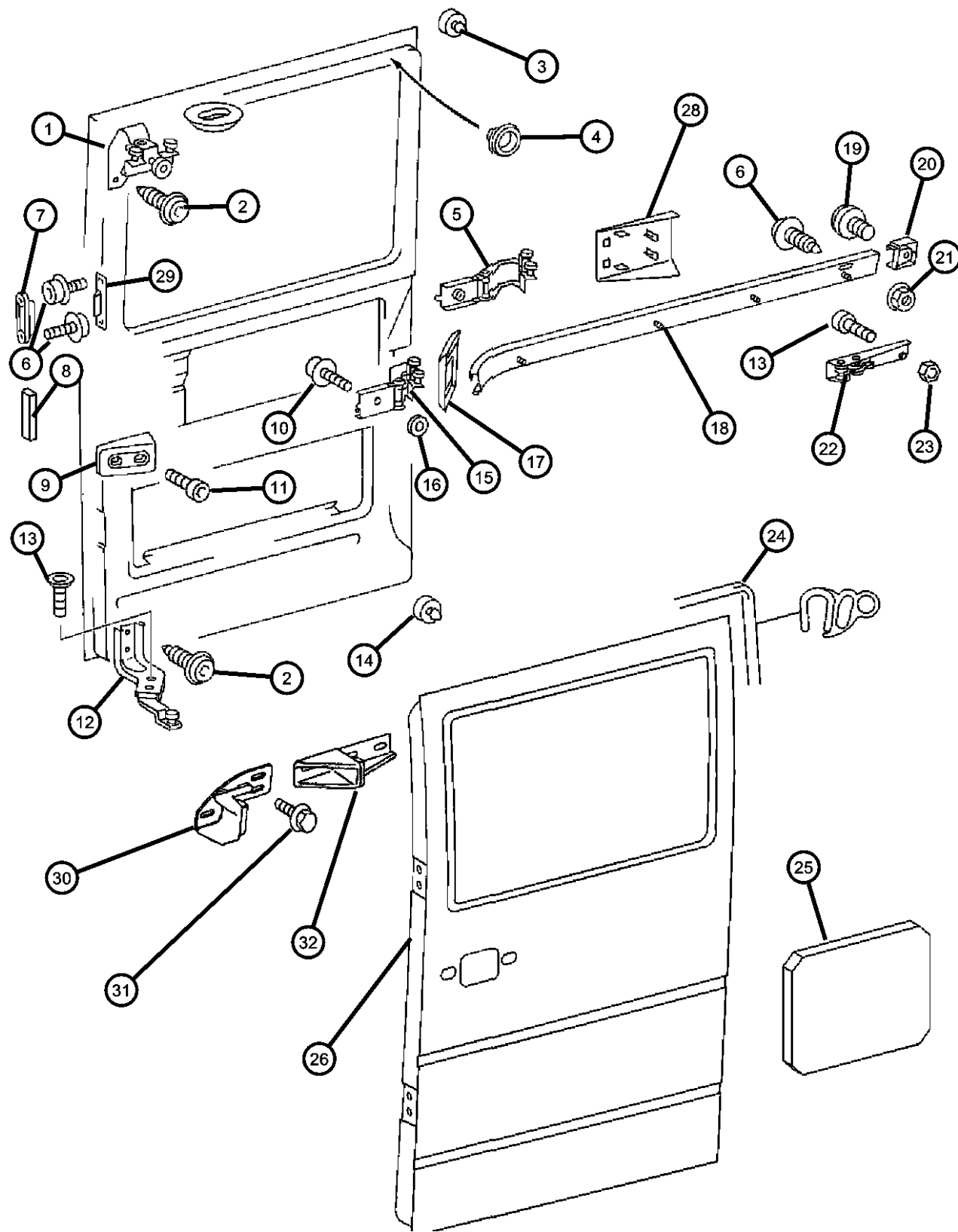
ITEM	PART NUMBER	QTY	LINE	SERIES	BODY	ENGINE	TRANS	TRIM	DESCRIPTION
	05104360AA	2	2, 6	L	11, 12, 14, 15, 16				
		2	2, 6	L	52, 54, 55, 56, 51				
		2	3, 7	L	12, 15, 16				
28	05104589AA	1	2, 6	L	11, 12, 14, 15, 16				COVER, Sliding Door Check
29									TAPPING PLATE, Side Door Lock Striker
	05124110AA	2	2, 6	L	11, 12, 14, 15, 16				
		2	2, 6	L	51, 52, 54, 55, 56				
		2	3, 7	L	12, 15, 16				
30									STOPPER, Cargo Door
	05127211AA	1	2, 6	L	11, 12, 14, 15, 16				[(CWC%XJY)+GKA+(AM4%AMC%)]
		1	2, 6	L	11, 12, 14, 15, 16				[(CWC%XJY)+GKA+(AMB)+(4XS)]
		1	3, 7	L	12, 15, 16				[(CWC%XJY)+GKA+(AMC%AMB)+]
31									SCREW
	05114443AA	2	2, 6	L	51, 52, 54, 55, 56				Need Quantity Of 6
		2	3, 7	L	12, 15, 16				Need Quantity Of 6
		2	2, 6	L	11, 12, 14, 15, 16				Need Quantity Of 6
32									STOPPER, Cargo Door
	05127212AA	1	2, 6	L	11, 12, 14, 15, 16				[(CWC%XJY)+GKA+(AMB)+(4XS)]
		1	3, 7	L	12, 15, 16				[(CWC%XJY)+GKA+(AMB)+(4XS)]
		1	2, 6	L	14, 15, 16, 11, 12				[(CWC%XJY)+GKA+(AM4%AMC%)]
-33									REINFORCEMENT, Door Inner
	05127213AA	1	2, 6	L	11, 12, 14, 15, 16				[(CWC%XJY)+GKA+(AMB)+(4XS)]
		1	3, 7	L	12, 15, 16				[(CWC%XJY)+GKA+(AMB)+(4XS)]
		1	2, 6	L	11, 12, 14, 15, 16				[(CWC%XJY)+GKA+(AM4%AMC%)]
-34									REINFORCEMENT, Door Inner

**SPRINTER (VA)**

SERIES	LINE	BODY	ENGINE	TRANSMISSION
L = LOWLINE	3 = HD DODGE 2WD 6 = Lt. Duty DODGE 4WD 2 = Med. Duty DODGE 2WD 7 = Med. Duty DODGE 4WD	51 = WAGON WHEEL BASE 1 52 = WAGON WHEEL BASE 2 14 = VAN WHEEL BASE 4 15 = VAN WHEEL BASE 5 16 = VAN WHEEL BASE 6 54 = WAGON WHEEL BASE 4 55 = WAGON WHEEL BASE 5 56 = WAGON WHEEL BASE 6 11 = VAN WHEEL BASE 1 12 = VAN WHEEL BASE 2	EX9 = Engine - 2.7L 5 Cly Mercedes Diesel	DGJ = Transmission-5-Spd. Automatic, W5A580

AR = use ase required - = Non illustrated part

Door, Sliding Cargo Shell and Hinges  
Figure DVA-310



ITEM	PART NUMBER	QTY	LINE	SERIES	BODY	ENGINE	TRANS	TRIM	DESCRIPTION
	05127214AA	1	2, 6	L	11, 12, 14, 15, 16				[(CWC%XJY)+GKA+(AMB)+(4XS)]
		1	3, 7	L	12, 15, 16				[(CWC%XJY)+GKA+(AMB)+(4XS)]
		1	2, 6	L	11, 12, 14, 15, 16				[(CWC%XJY)+GKA+(AM4%AMC%)]

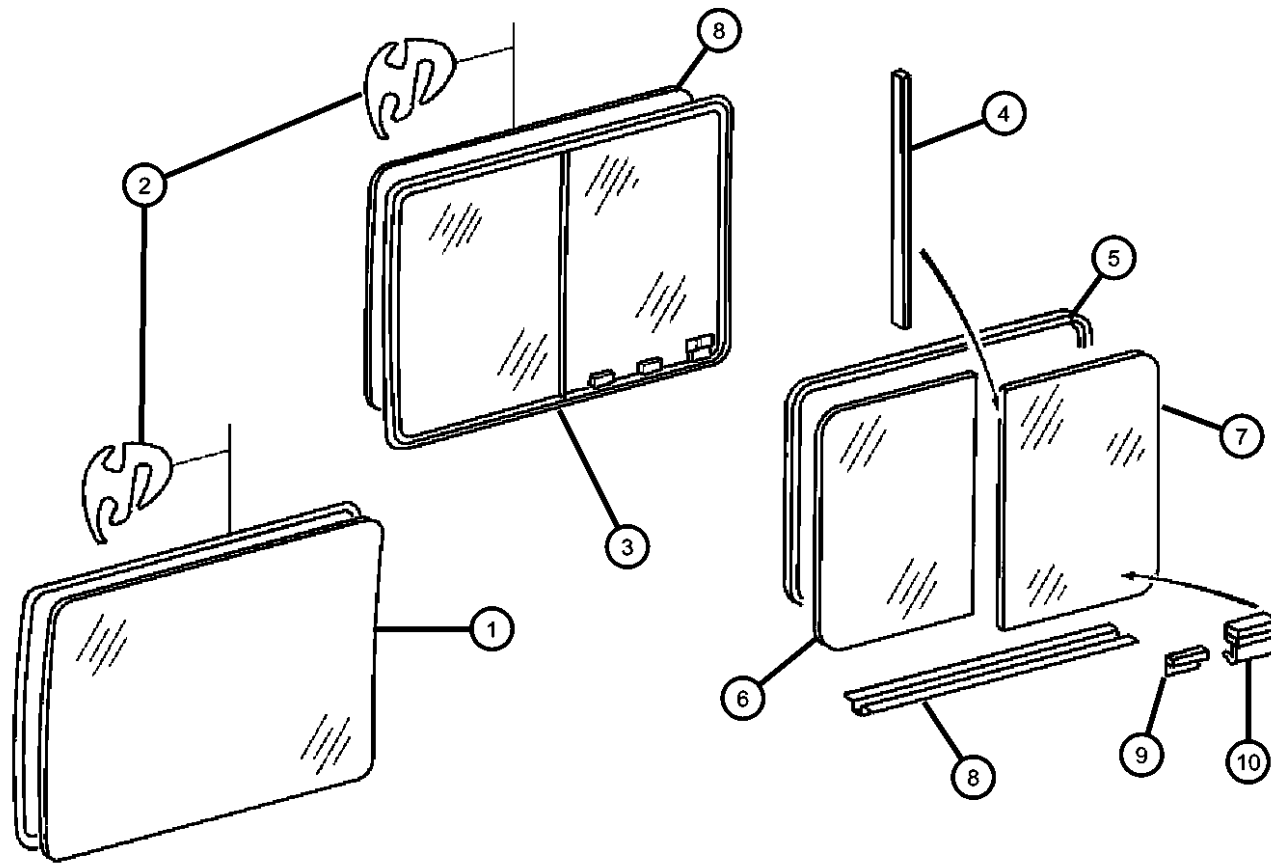
SPRINTER (VA)

SERIES	LINE	BODY	ENGINE	TRANSMISSION
L = LOWLINE	3 = HD DODGE 2WD 6 = Lt. Duty DODGE 4WD 2 = Med. Duty DODGE 2WD 7 = Med. Duty DODGE 4WD	51 = WAGON WHEEL BASE 1 52 = WAGON WHEEL BASE 2 14 = VAN WHEEL BASE 4 15 = VAN WHEEL BASE 5 16 = VAN WHEEL BASE 6 54 = WAGON WHEEL BASE 4 55 = WAGON WHEEL BASE 5 56 = WAGON WHEEL BASE 6 11 = VAN WHEEL BASE 1 12 = VAN WHEEL BASE 2	EX9 = Engine - 2.7L 5 Cly Mercedes Diesel	DGJ = Transmission-5-Spd. Automatic,W5A580

AR = use ase required - = Non illustrated part



**Door, Sliding Cargo Glass  
Figure DVA-320**



ITEM	PART NUMBER	QTY	LINE	SERIES	BODY	ENGINE	TRANS	TRIM	DESCRIPTION
1									GLASS, Side Cargo Door, Fixed
	05104363AA	1	2, 6	L	11, 12, 14, 15, 16				Heat Absorbing
	05104362AA	1	2, 6	L	11, 12, 14, 15, 16				
		1	2, 6	L	51, 52, 54, 55, 56				
		1	3, 7	L	12, 15, 16				
		1	2, 6	L	51, 52, 54, 55, 56				Heat Absorbing
2									Heat Absorbing
									WEATHERSTRIP, Cargo Door Glass
	05104364AA	1	2, 6	L	11, 12, 14, 15, 16				
		1	2, 6	L	51, 52, 54, 55, 56				
		1	3, 7	L	12, 15, 16				
3									GLASS, Sliding Door, Vented
	05123828AA	1	3, 7	L	12, 15, 16				Left
	05123830AA	1	2, 6	L	11, 12, 14, 15, 16				Right
		1	2, 6	L	51, 52, 54, 55, 56				Right
		1	3, 7	L	12, 15, 16				Right
	05123832AA	1	2, 6	L	11, 12, 14, 15, 16				Heat Absorbing, Left
		1	2, 6	L	51, 52, 54, 55, 56				Heat Absorbing, Left
		1	3, 7	L	12, 15, 16				Heat Absorbing, Left
	05123834AA	1	2, 6	L	11, 12, 14, 15, 16				Heat Absorbing, Right
		1	2, 6	L	51, 52, 54, 55, 56				Heat Absorbing, Right
		1	2, 6	L	11, 12, 14, 15, 16				Left
		1	2, 6	L	51, 52, 54, 55, 56				Left
	1	3, 7	L	12, 15, 16				Heat Absorbing, Right	
4									WEATHERSTRIP, Side Panel Vent

**SPRINTER (VA)**

**SERIES**

L = LOWLINE

**LINE**

3 = HD DODGE 2WD  
6 = Lt. Duty DODGE 4WD  
2 = Med. Duty DODGE 2WD  
7 = Med. Duty DODGE 4WD

**BODY**

51 = WAGON WHEEL BASE 1  
52 = WAGON WHEEL BASE 2  
14 = VAN WHEEL BASE 4  
15 = VAN WHEEL BASE 5  
16 = VAN WHEEL BASE 6  
54 = WAGON WHEEL BASE 4  
55 = WAGON WHEEL BASE 5  
56 = WAGON WHEEL BASE 6  
11 = VAN WHEEL BASE 1  
12 = VAN WHEEL BASE 2

**ENGINE**

EX9 = Engine - 2.7L 5 Cyl  
Mercedes Diesel

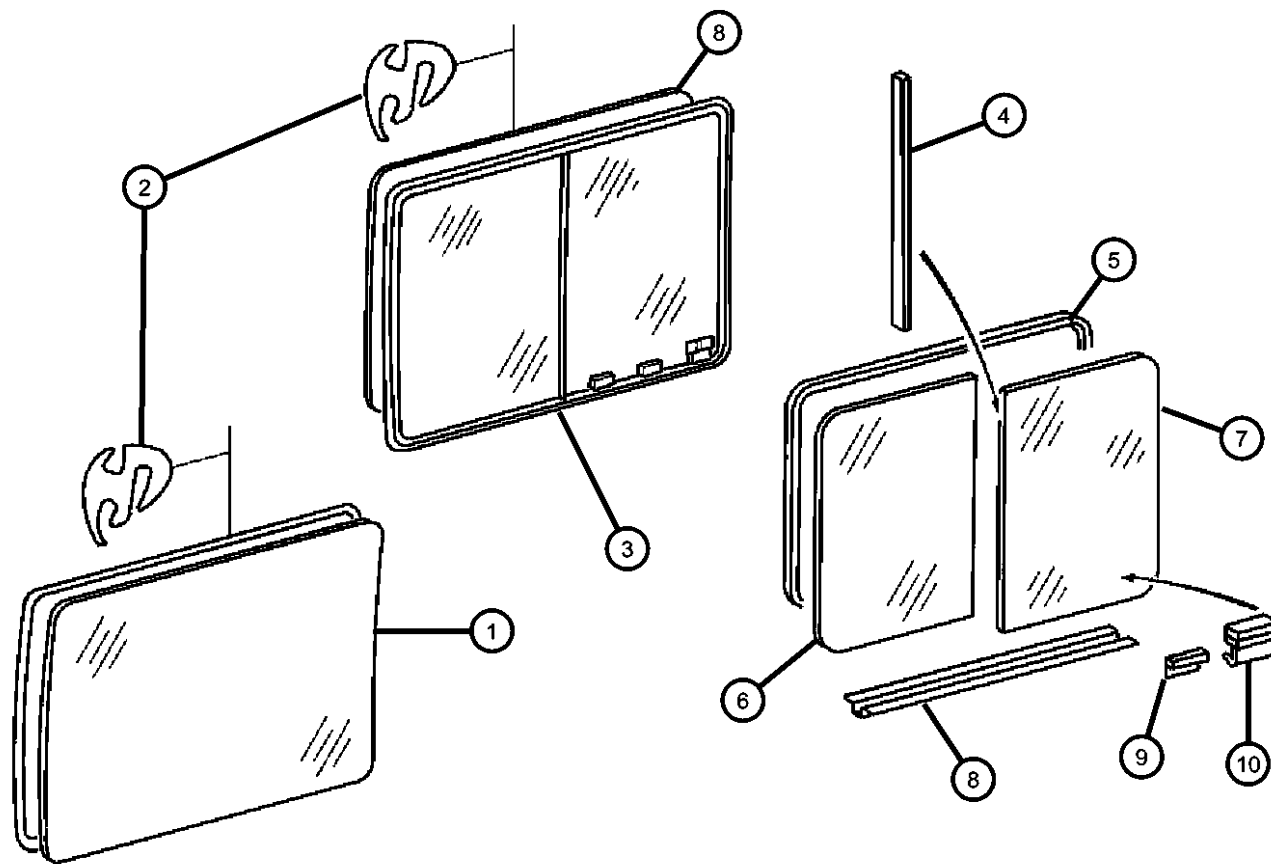
**TRANSMISSION**

DGJ = Transmission-5-Spd.  
Automatic,W5A580

AR = use ase required - = Non illustrated part

2003 VA

**Door, Sliding Cargo Glass  
Figure DVA-320**



ITEM	PART NUMBER	QTY	LINE	SERIES	BODY	ENGINE	TRANS	TRIM	DESCRIPTION
	05133536AA	1	3, 7	L	12, 15, 16				
		1	2, 6	L	11, 12, 14, 15, 16				
		1	2, 6	L	51, 52, 54, 55, 56				
5									WEATHERSTRIP, Side Panel Vent
	05133534AA	1	3, 7	L	12, 15, 16				Left
	05133533AA	1	3, 7	L	12, 15, 16				Right
		1	2, 6	L	11, 12, 14, 15, 16				Right
		1	2, 6	L	51, 52, 54, 55, 56				Right
		1	2, 6	L	11, 12, 14, 15, 16				Left
		1	2, 6	L	51, 52, 54, 55, 56				Left
6									GLASS, Bodyside Window
	05134001AA	1	3, 7	L	12, 15, 16				
		1	2, 6	L	11, 12, 14, 15, 16				
		1	2, 6	L	51, 52, 54, 55, 56				
7									GLASS, Bodyside Window
	05134002AA	1	3, 7	L	12, 15, 16				
		1	2, 6	L	11, 12, 14, 15, 16				
		1	2, 6	L	51, 52, 54, 55, 56				
8									WEATHERSTRIP, Glass Channel Run
	05133537AA	1	2, 6	L	11, 12, 14, 15, 16				
		1	2, 6	L	51, 52, 54, 55, 56				
		1	3, 7	L	12, 15, 16				
9									RETAINER, Side Panel Vent Window
	05133535AA	1	3, 7	L	12, 15, 16				

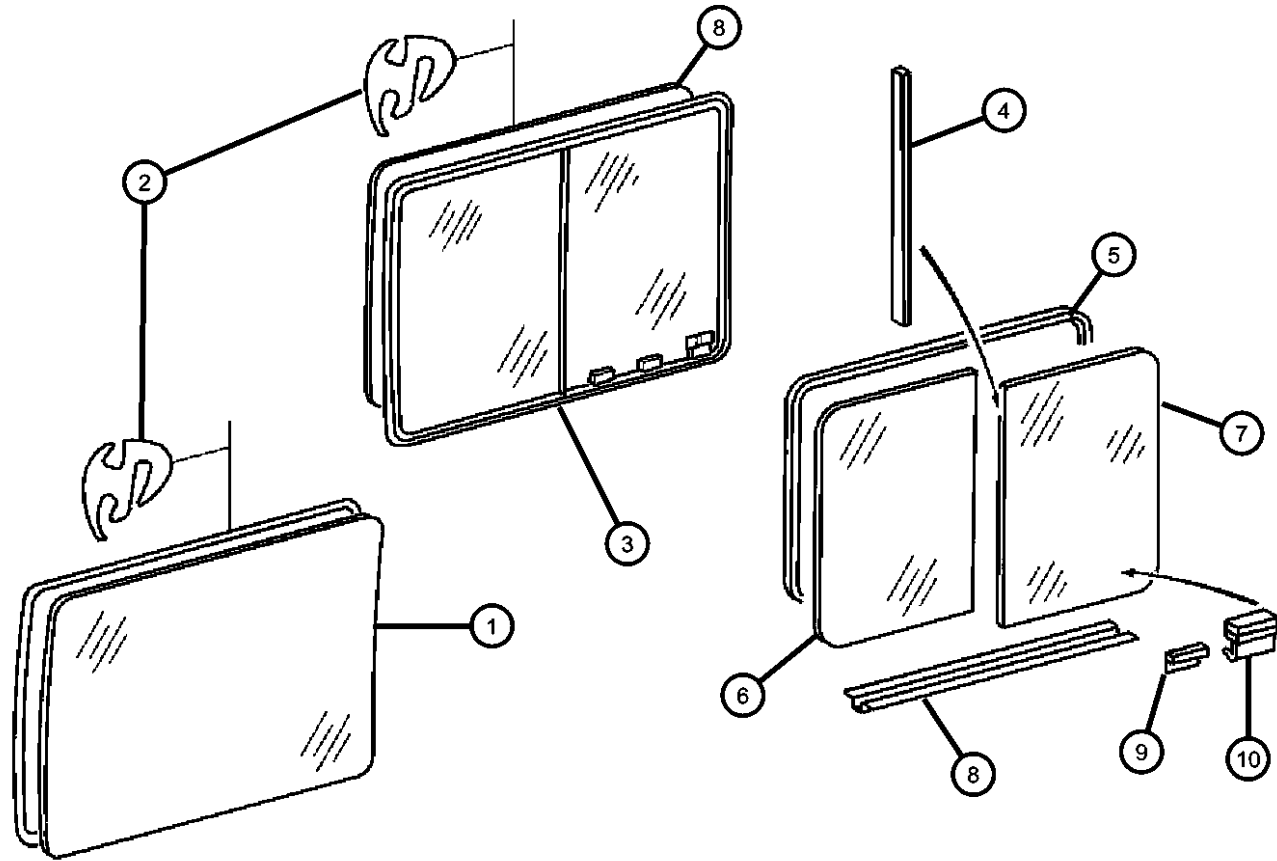
**SPRINTER (VA)**

<b>SERIES</b>	<b>LINE</b>	<b>BODY</b>	<b>ENGINE</b>	<b>TRANSMISSION</b>
L = LOWLINE	3 = HD DODGE 2WD 6 = Lt. Duty DODGE 4WD 2 = Med. Duty DODGE 2WD 7 = Med. Duty DODGE 4WD	51 = WAGON WHEEL BASE 1 52 = WAGON WHEEL BASE 2 14 = VAN WHEEL BASE 4 15 = VAN WHEEL BASE 5 16 = VAN WHEEL BASE 6 54 = WAGON WHEEL BASE 4 55 = WAGON WHEEL BASE 5 56 = WAGON WHEEL BASE 6 11 = VAN WHEEL BASE 1 12 = VAN WHEEL BASE 2	EX9 = Engine - 2.7L 5 Cly Mercedes Diesel	DGJ = Transmission-5-Spd. Automatic, W5A580

AR = use ase required - = Non illustrated part

**Door, Sliding Cargo Glass  
Figure DVA-320**

ITEM	PART NUMBER	QTY	LINE	SERIES	BODY	ENGINE	TRANS	TRIM	DESCRIPTION
		1	2, 6	L	11, 12, 14, 15, 16				
		1	2, 6	L	51, 52, 54, 55, 56				
10									WEATHERSTRIP, Side Panel Vent
	05133536AA	1	3, 7	L	12, 15, 16				
		1	2, 6	L	11, 12, 14, 15, 16				
		1	2, 6	L	51, 52, 54, 55, 56				

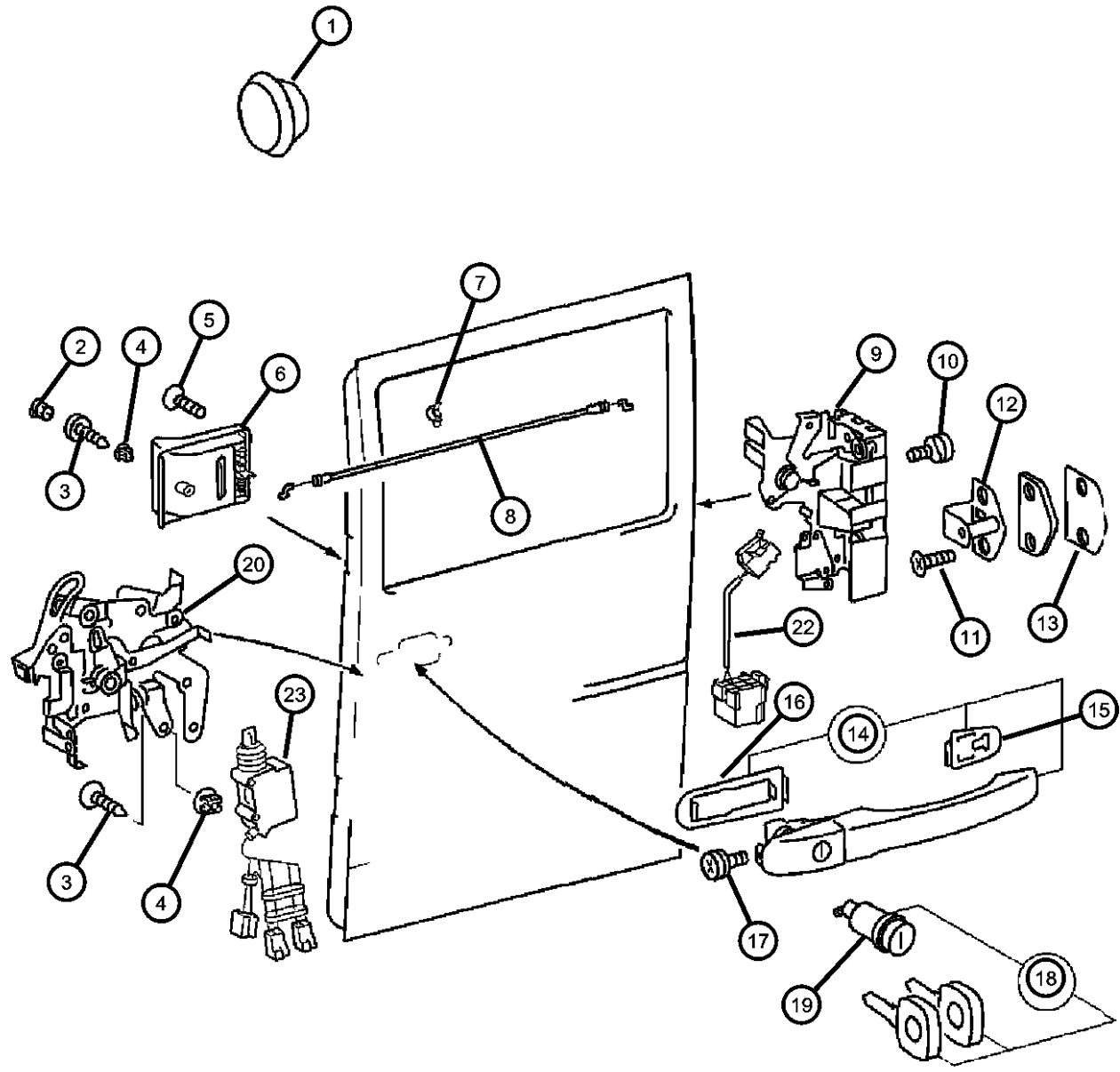


**SPRINTER (VA)**

SERIES	LINE	BODY	ENGINE	TRANSMISSION
L = LOWLINE	3 = HD DODGE 2WD 6 = Lt. Duty DODGE 4WD 2 = Med. Duty DODGE 2WD 7 = Med. Duty DODGE 4WD	51 = WAGON WHEEL BASE 1 52 = WAGON WHEEL BASE 2 14 = VAN WHEEL BASE 4 15 = VAN WHEEL BASE 5 16 = VAN WHEEL BASE 6 54 = WAGON WHEEL BASE 4 55 = WAGON WHEEL BASE 5 56 = WAGON WHEEL BASE 6 11 = VAN WHEEL BASE 1 12 = VAN WHEEL BASE 2	EX9 = Engine - 2.7L 5 Cly Mercedes Diesel	DGJ = Transmission-5-Spd. Automatic,W5A580

AR = use ase required - = Non illustrated part

**Door, Sliding Cargo Lock And Controls**  
**Figure DVA-330**



ITEM	PART NUMBER	QTY	LINE	SERIES	BODY	ENGINE	TRANS	TRIM	DESCRIPTION
1	05125508AA	1	2, 6	L	11, 12, 14, 15, 16				PLUG, Door
		1	2, 6	L	51, 52, 54, 55, 56				
		1	3, 7	L	12, 15, 16				
2	0ZF54DX9AA	1	2, 6	L	11, 12, 14, 15, 16				CAP, Door Handle Screw Cover
		1	2, 6	L	51, 52, 54, 55, 56				
		1	3, 7	L	12, 15, 16				
3	05104632AA	2	2, 6	L	11, 12, 14, 15, 16				SCREW
		2	2, 6	L	51, 52, 54, 55, 56				
		2	3, 7	L	12, 15, 16				
4	05125862AA	2	3, 7	L	12, 15, 16				NUT
		2	2, 6	L	11, 12, 14, 15, 16				
		2	2, 6	L	51, 52, 54, 55, 56				
5	05104679AA	4	3, 7	L	12, 15, 16				SCREW
		1	2, 6	L	11, 12, 14, 15, 16				
		1	2, 6	L	51, 52, 54, 55, 56				
6	05132049AA	1	2, 6	L	51, 52, 54, 55, 56				HANDLE, Sliding Door Interior
		1	2, 6	L	11, 12, 14, 15, 16				
7	05103736AA	1	2, 6	L	11, 12, 14, 15, 16				CLAMP
		1	2, 6	L	51, 52, 54, 55, 56				

**SPRINTER (VA)**

**SERIES**

L = LOWLINE

**LINE**

3 = HD DODGE 2WD  
 6 = Lt. Duty DODGE 4WD  
 2 = Med. Duty DODGE 2WD  
 7 = Med. Duty DODGE 4WD

**BODY**

51 = WAGON WHEEL BASE 1 EX9 = Engine - 2.7L 5 Cly  
 52 = WAGON WHEEL BASE 2 Mercedes Diesel  
 14 = VAN WHEEL BASE 4  
 15 = VAN WHEEL BASE 5  
 16 = VAN WHEEL BASE 6  
 54 = WAGON WHEEL BASE 4  
 55 = WAGON WHEEL BASE 5  
 56 = WAGON WHEEL BASE 6  
 11 = VAN WHEEL BASE 1  
 12 = VAN WHEEL BASE 2

**ENGINE**

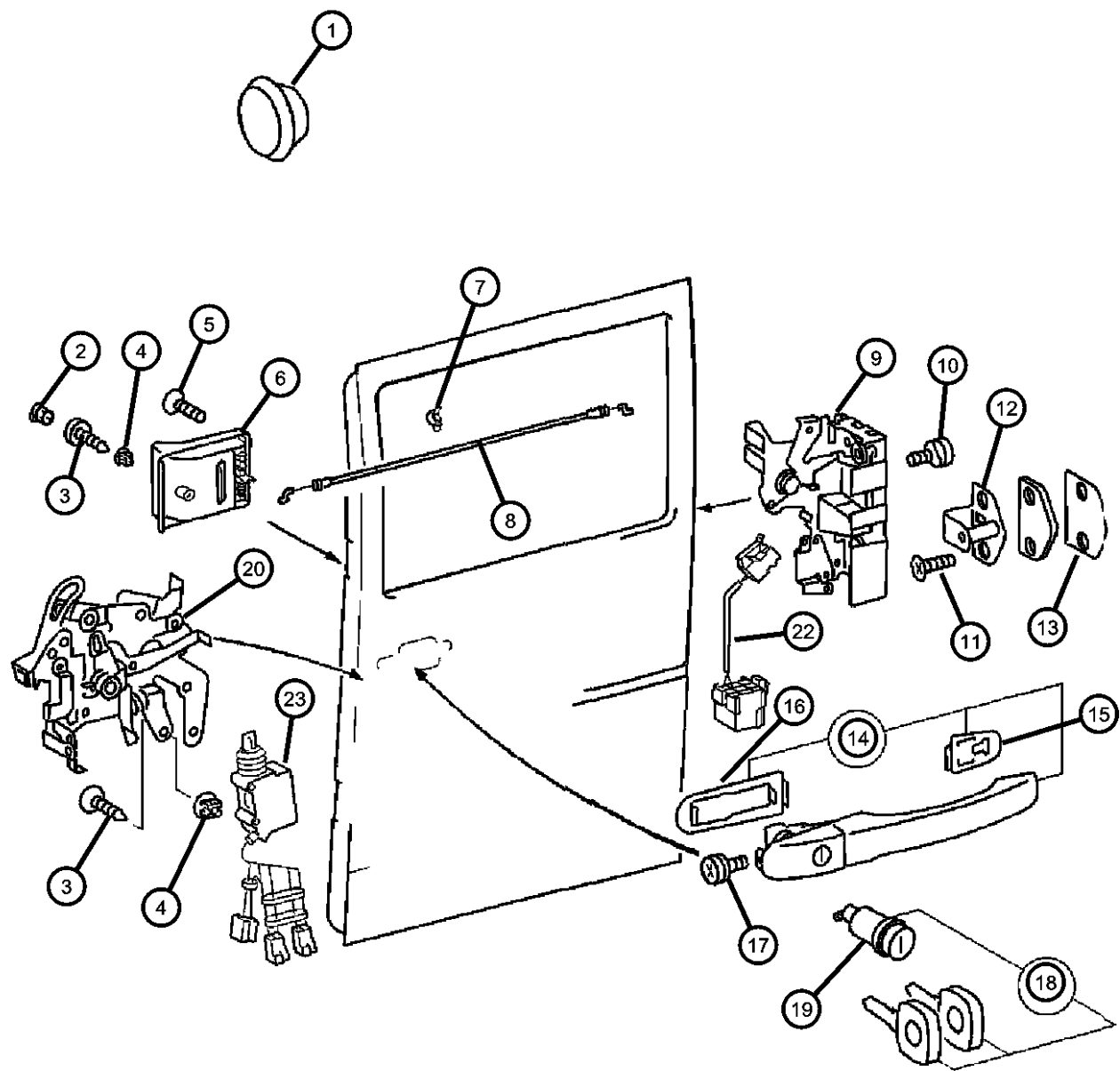
**TRANSMISSION**

DGJ = Transmission-5-Spd. Automatic, W5A580

AR = use ase required - = Non illustrated part

2003 VA

**Door, Sliding Cargo Lock And Controls**  
**Figure DVA-330**



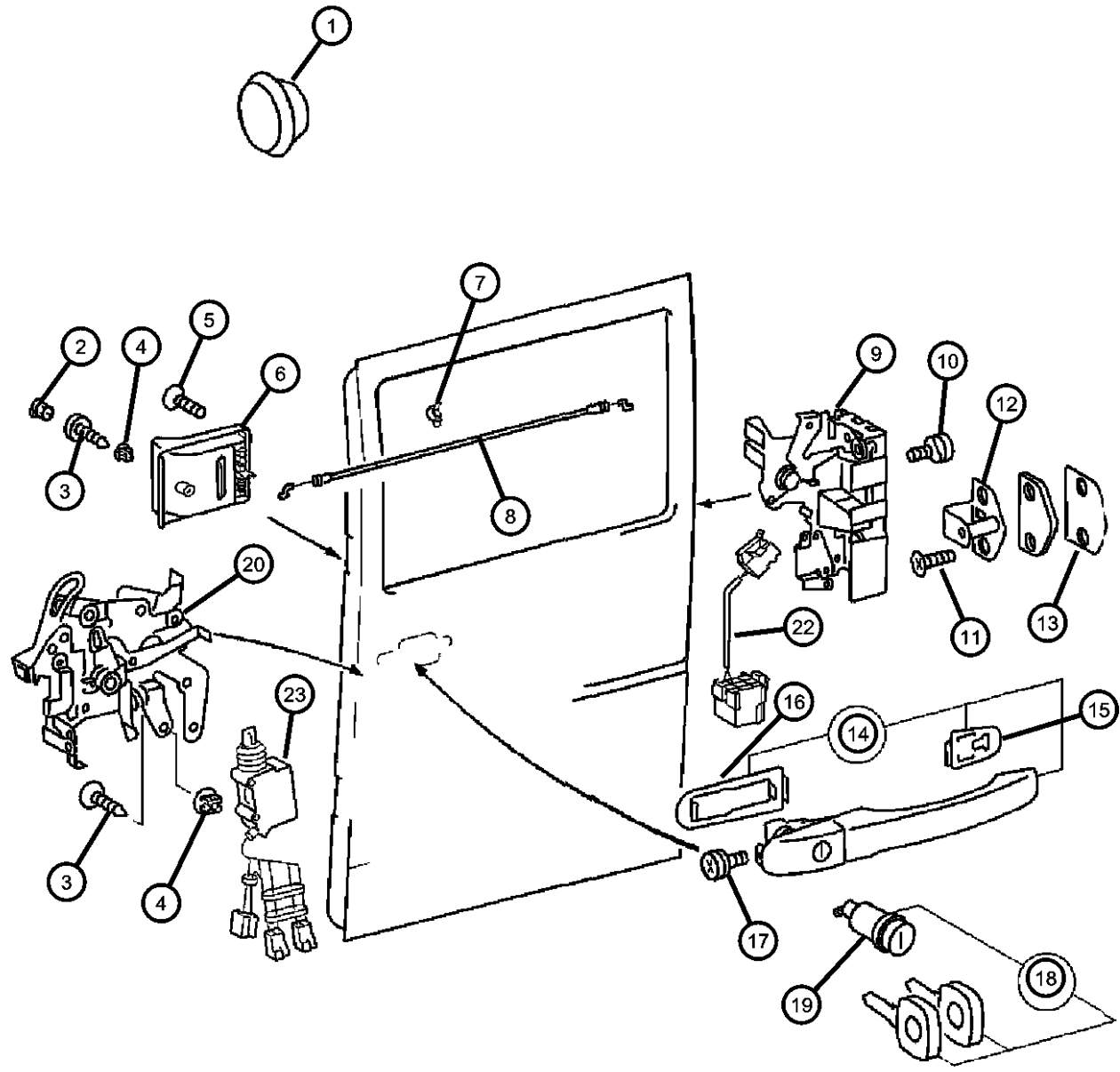
ITEM	PART NUMBER	QTY	LINE	SERIES	BODY	ENGINE	TRANS	TRIM	DESCRIPTION
8		1	3, 7	L	12, 15, 16				ROD, Inside Handle to Latch
	05103587AA	1	2, 6	L	11, 12, 14, 15, 16				
		1	2, 6	L	51, 52, 54, 55, 56				
9		1	3, 7	L	12, 15, 16				LATCH, Cargo Door
	05104357AA	1	2, 6	L	11, 12, 14, 15, 16				Left
		1	2, 6	L	51, 52, 54, 55, 56				Left
	05104358AA	1	3, 7	L	12, 15, 16				Left
		1	2, 6	L	11, 12, 14, 15, 16				Right
		1	2, 6	L	51, 52, 54, 55, 56				Right
10		1	3, 7	L	12, 15, 16				Right
	05103723AA	3	2, 6	L	11, 12, 14, 15, 16				SCREW, LOCK TO DOOR, SPRINTER
		2	2, 6	L	51, 52, 54, 55, 56				
11		2	3, 7	L	12, 15, 16				SCREW, GUIDE, SPRINTER
	05103715AA	2	2, 6	L	11, 12, 14, 15, 16				
		2	2, 6	L	51, 52, 54, 55, 56				
12		2	3, 7	L	12, 15, 16				LATCH, Front Door
	05123700AA	1	2, 6	L	11, 12, 14, 15, 16				
		1	2, 6	L	51, 52, 54, 55, 56				
13		1	3, 7	L	12, 15, 16				PLATE, STRIKER, SPRINTER

**SPRINTER (VA)**

<b>SERIES</b>	<b>LINE</b>	<b>BODY</b>	<b>ENGINE</b>	<b>TRANSMISSION</b>
L = LOWLINE	3 = HD DODGE 2WD 6 = Lt. Duty DODGE 4WD 2 = Med. Duty DODGE 2WD 7 = Med. Duty DODGE 4WD	51 = WAGON WHEEL BASE 1 52 = WAGON WHEEL BASE 2 14 = VAN WHEEL BASE 4 15 = VAN WHEEL BASE 5 16 = VAN WHEEL BASE 6 54 = WAGON WHEEL BASE 4 55 = WAGON WHEEL BASE 5 56 = WAGON WHEEL BASE 6 11 = VAN WHEEL BASE 1 12 = VAN WHEEL BASE 2	EX9 = Engine - 2.7L 5 Cly Mercedes Diesel	DGJ = Transmission-5-Spd. Automatic, W5A580

AR = use ase required - = Non illustrated part

**Door, Sliding Cargo Lock And Controls**  
**Figure DVA-330**



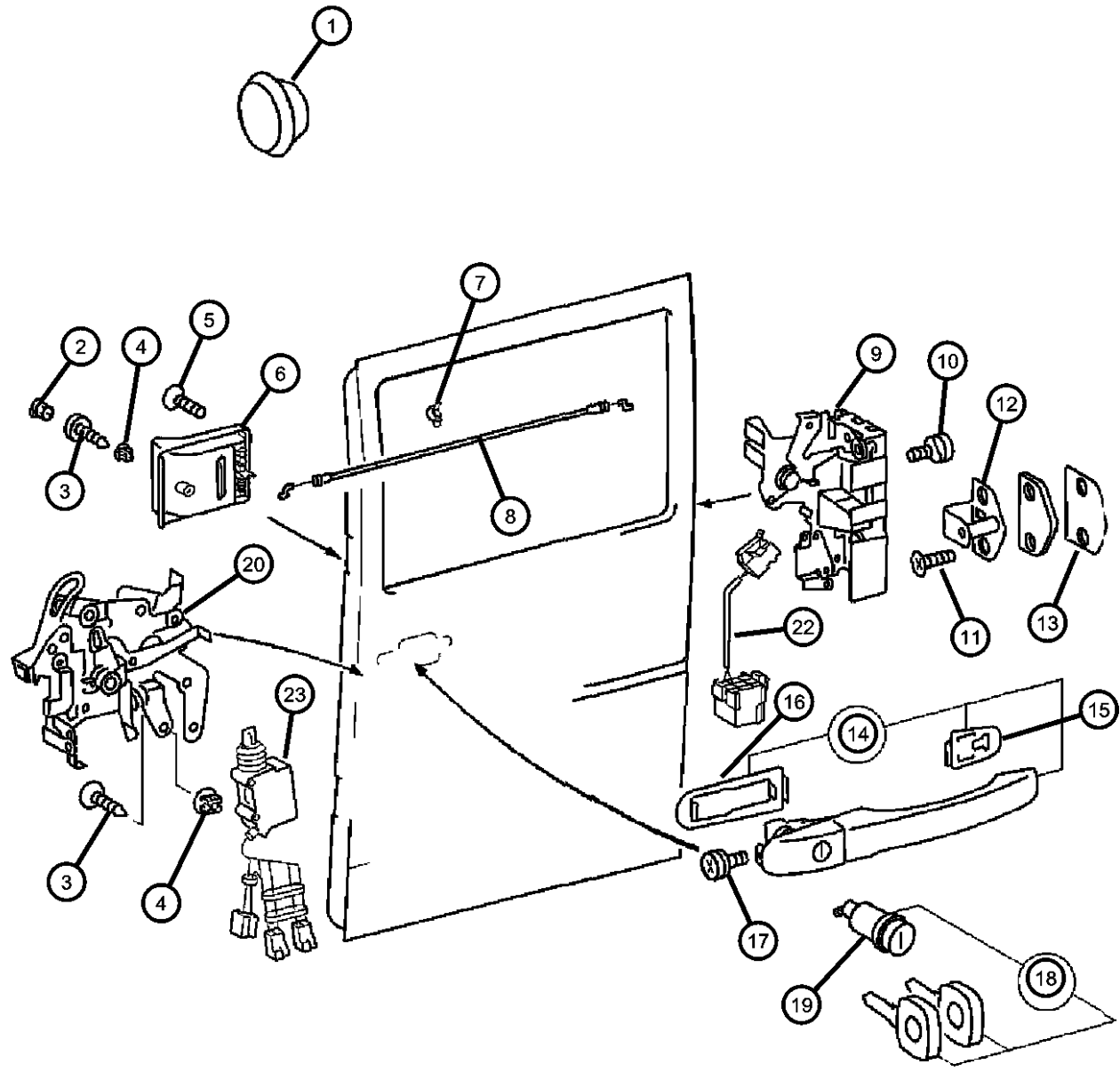
ITEM	PART NUMBER	QTY	LINE	SERIES	BODY	ENGINE	TRANS	TRIM	DESCRIPTION
	05103591AA	1	2, 6	L	11, 12, 14, 15, 16				
		1	2, 6	L	51, 52, 54, 55, 56				
		1	3, 7	L	12, 15, 16				
14									HANDLE, Cargo Door
	05104415AA	1	2, 6	L	11, 12, 14, 15, 16				
		1	2, 6	L	51, 52, 54, 55, 56				
		1	3, 7	L	12, 15, 16				
15									PAD
	05103672AA	1	2, 6	L	11, 12, 14, 15, 16				
		1	2, 6	L	51, 52, 54, 55, 56				
		1	3, 7	L	12, 15, 16				
16									PAD
	05103673AA	1	2, 6	L	11, 12, 14, 15, 16				
		1	2, 6	L	51, 52, 54, 55, 56				
		1	3, 7	L	12, 15, 16				
17									SCREW, Front Door Handle
	05125414AA	1	2, 6	L	51, 52, 54, 55, 56				
		1	3, 7	L	12, 15, 16				
		1	2, 6	L	11, 12, 14, 15, 16				
18									CYLINDER, Door Lock
	05133521AA	1	3, 7	L	12, 15, 16				
		1	2, 6	L	11, 12, 14, 15, 16				
		1	2, 6	L	51, 52, 54, 55, 56				
19	05114364AA	1		L					CYLINDER, Door Lock
20									LOCK, Side Cargo Door

**SPRINTER (VA)**

SERIES	LINE	BODY	ENGINE	TRANSMISSION
L = LOWLINE	3 = HD DODGE 2WD	51 = WAGON WHEEL BASE 1	EX9 = Engine - 2.7L 5 Cly	DGJ = Transmission-5-Spd. Automatic, W5A580
	6 = Lt. Duty DODGE 4WD	52 = WAGON WHEEL BASE 2	Mercedes Diesel	
	2 = Med. Duty DODGE 2WD	14 = VAN WHEEL BASE 4		
	7 = Med. Duty DODGE 4WD	15 = VAN WHEEL BASE 5		
		16 = VAN WHEEL BASE 6		
		54 = WAGON WHEEL BASE 4		
		55 = WAGON WHEEL BASE 5		
		56 = WAGON WHEEL BASE 6		
		11 = VAN WHEEL BASE 1		
		12 = VAN WHEEL BASE 2		

AR = use ase required - = Non illustrated part

**Door, Sliding Cargo Lock And Controls**  
**Figure DVA-330**



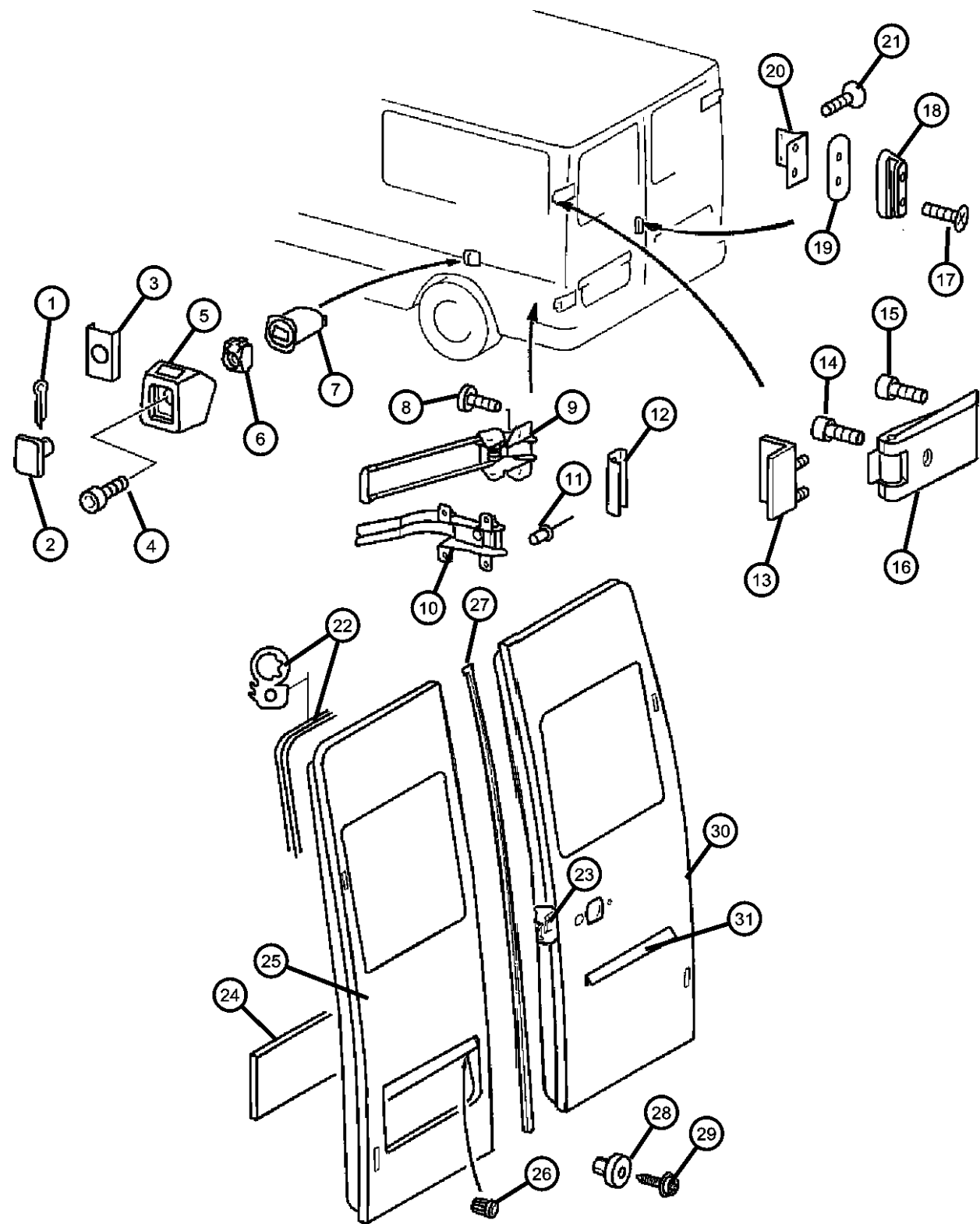
ITEM	PART NUMBER	QTY	LINE	SERIES	BODY	ENGINE	TRANS	TRIM	DESCRIPTION
	05104359AA	1	2, 6	L	11, 12, 14, 15, 16				Must also order 05103756AA, Right
		1	2, 6	L	51, 52, 54, 55, 56				Must also order 05103756AA, Right
		1	3, 7	L	12, 15, 16				Must also order 05103756AA, Right
	05104361AA	1	3, 7	L	12, 15, 16				Anti-Child Device must also order 05103756AA, Right
	05123814AA	1	2, 6	L	11, 12, 14, 15, 16				Must also order 05103756AA, Left
		1	2, 6	L	51, 52, 54, 55, 56				Must also order 05103756AA, Left
-21									KNOB, Door Lock
	05132054AA	1	2, 6	L	51, 52, 54, 55, 56				
		1	2, 6	L	11, 12, 14, 15, 16				
22									SWITCH, Door Lock
	05133527AA	1	2, 6	L	11, 12, 14, 15, 16				Right
		1	2, 6	L	51, 52, 54, 55, 56				Right
		1	3, 7	L	12, 15, 16				Right
	05133999AA	1	2, 6	L	11, 12, 14, 15, 16				Left
		1	3, 7	L	12, 15, 16				Left
		1	2, 6	L	51, 52, 54, 55, 56				Left
23									ACTUATOR, Power Door Lock
	05103756AA	1	2, 6	L	11, 12, 14, 15, 16				
		1	2, 6	L	51, 52, 54, 55, 56				
		1	3, 7	L	12, 15, 16				

**SPRINTER (VA)**

SERIES	LINE	BODY	ENGINE	TRANSMISSION
L = LOWLINE	3 = HD DODGE 2WD 6 = Lt. Duty DODGE 4WD 2 = Med. Duty DODGE 2WD 7 = Med. Duty DODGE 4WD	51 = WAGON WHEEL BASE 1 52 = WAGON WHEEL BASE 2 14 = VAN WHEEL BASE 4 15 = VAN WHEEL BASE 5 16 = VAN WHEEL BASE 6 54 = WAGON WHEEL BASE 4 55 = WAGON WHEEL BASE 5 56 = WAGON WHEEL BASE 6 11 = VAN WHEEL BASE 1 12 = VAN WHEEL BASE 2	EX9 = Engine - 2.7L 5 Cly Mercedes Diesel	DGJ = Transmission-5-Spd. Automatic, W5A580

AR = use ase required - = Non illustrated part

**Door, Cargo Shell And Hinges  
Figure DVA-410**



ITEM	PART NUMBER	QTY	LINE	SERIES	BODY	ENGINE	TRANS	TRIM	DESCRIPTION
1	05104611AA	2	2, 6	L	11, 12, 14, 15, 16				PIN, Cotter
		2	2, 6	L	51, 52, 54, 55, 56				
		2	3, 7	L	12, 15, 16				
2	05104423AA	1	2, 6	L	11, 12, 14, 15, 16				MAGNET
		1	2, 6	L	51, 52, 54, 55, 56				
		1	3, 7	L	12, 15, 16				
3	05104433AA	1	2, 6	L	11, 12, 14, 15, 16				PLATE, Support
		1	2, 6	L	51, 52, 54, 55, 56				
		1	3, 7	L	12, 15, 16				
4	05103719AA	1	2, 6	L	11, 12, 14, 15, 16				SCREW
		1	2, 6	L	51, 52, 54, 55, 56				
		1	3, 7	L	12, 15, 16				
5	05104369AA	1	2, 6	L	51, 52, 54, 55, 56				BUMPER, Door
		1	3, 7	L	12, 15, 16				
		1	2, 6	L	11, 12, 14, 15, 16				
6	05103840AA	1	2, 6	L	11, 12, 14, 15, 16				NUT, Snap In
		1	2, 6	L	51, 52, 54, 55, 56				
		1	3, 7	L	12, 15, 16				
7	05104173AA	1	3, 7	L	12, 15, 16				REINFORCEMENT

**SPRINTER (VA)**

**SERIES**

L = LOWLINE  
 3 = HD DODGE 2WD  
 6 = Lt. Duty DODGE 4WD  
 2 = Med. Duty DODGE 2WD  
 7 = Med. Duty DODGE 4WD

**LINE**

**BODY**

51 = WAGON WHEEL BASE 1  
 52 = WAGON WHEEL BASE 2  
 14 = VAN WHEEL BASE 4  
 15 = VAN WHEEL BASE 5  
 16 = VAN WHEEL BASE 6  
 54 = WAGON WHEEL BASE 4  
 55 = WAGON WHEEL BASE 5  
 56 = WAGON WHEEL BASE 6  
 11 = VAN WHEEL BASE 1  
 12 = VAN WHEEL BASE 2

**ENGINE**

EX9 = Engine - 2.7L 5 Cyl  
 Mercedes Diesel

**TRANSMISSION**

DGJ = Transmission-5-Spd.  
 Automatic,W5A580

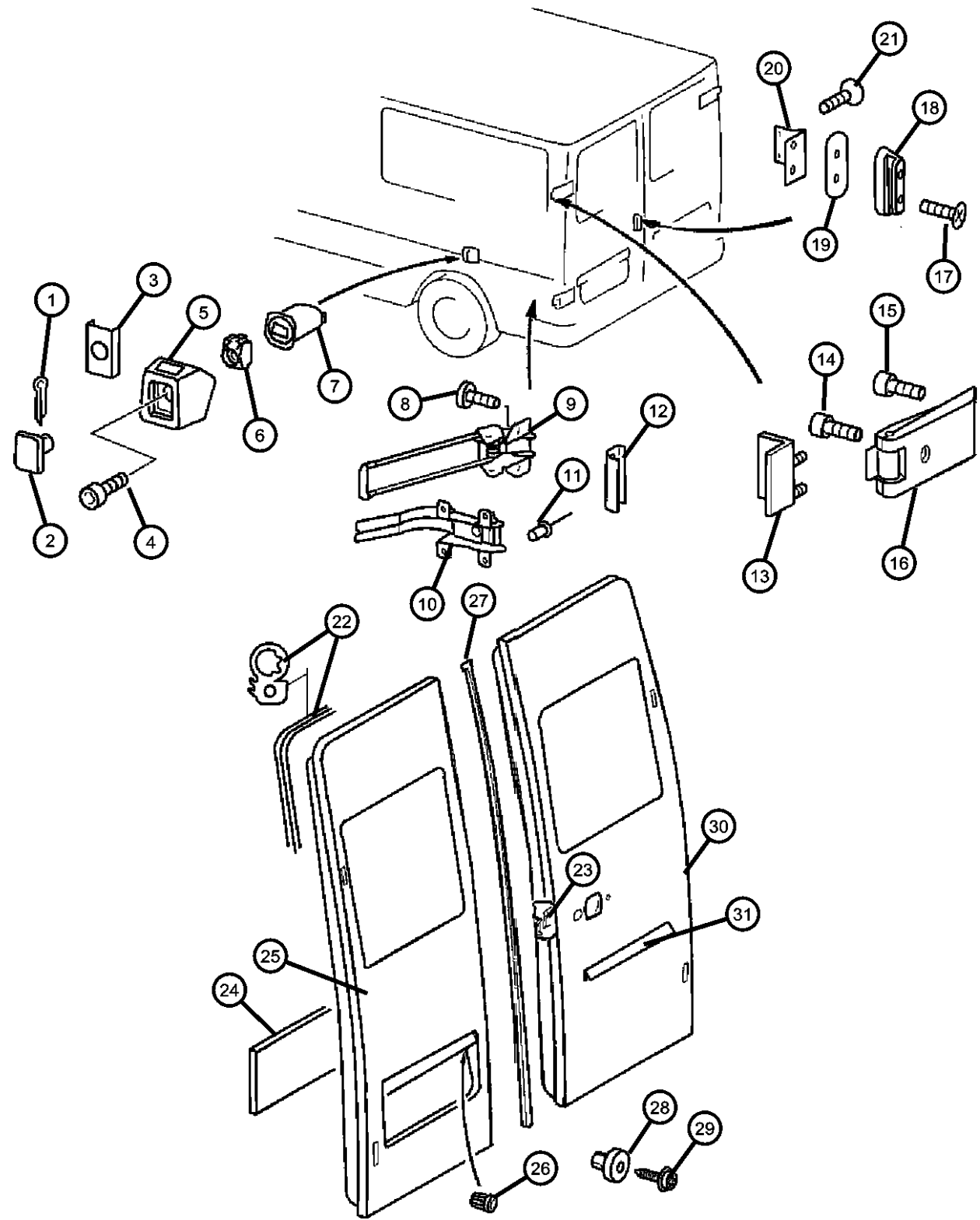
AR = use ase required - = Non illustrated part

2003 VA



**Door, Cargo Shell And Hinges**  
**Figure DVA-410**

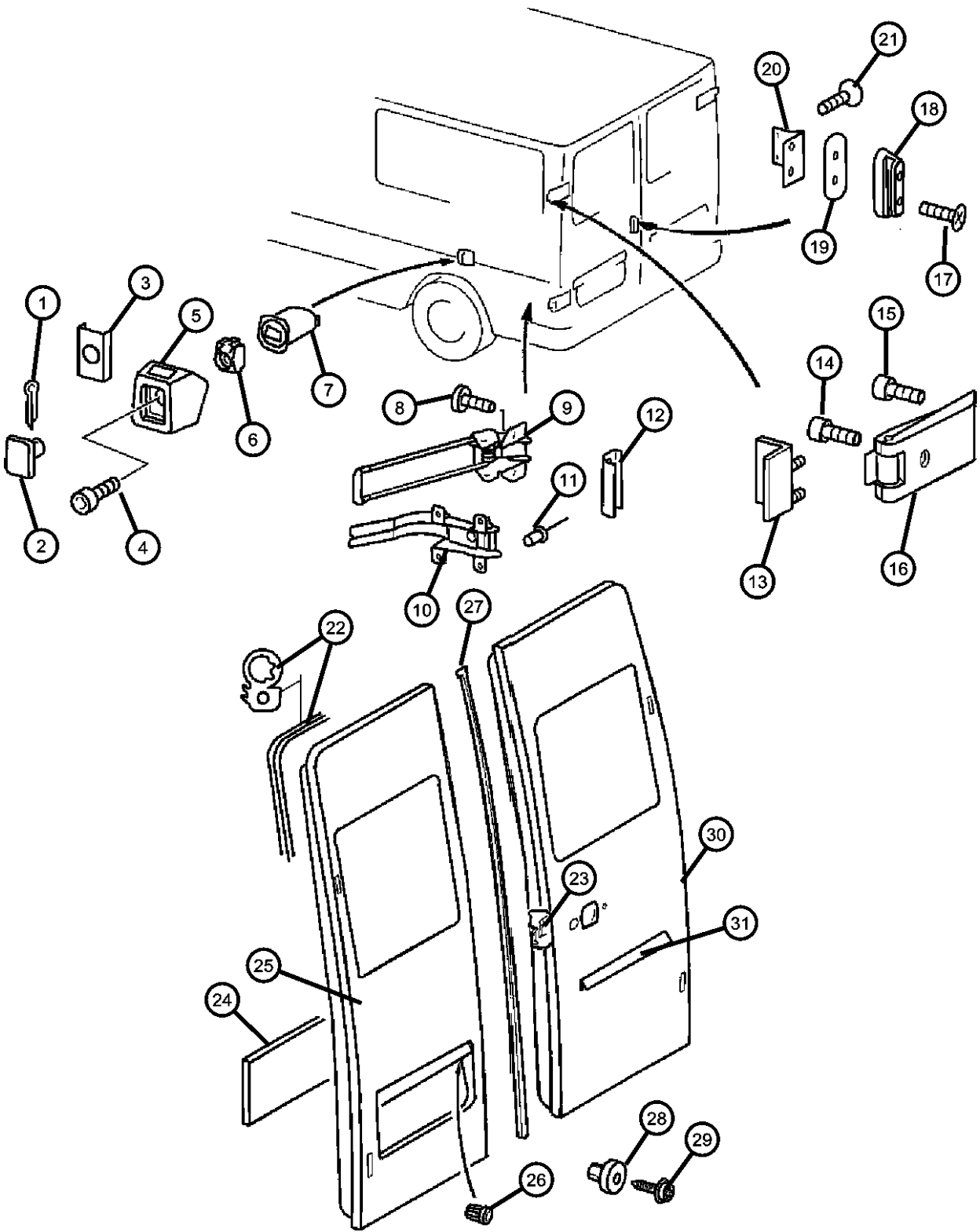
ITEM	PART NUMBER	QTY	LINE	SERIES	BODY	ENGINE	TRANS	TRIM	DESCRIPTION
		1	2, 6	L	11, 12, 14, 15, 16				SCREW, 05103716aa, (NOT SERVICED) CHECK, Rear Door
		1	2, 6	L	51, 52, 54, 55, 56				
8		1							
9	05104414AA	1	2, 6	L	11, 12, 14, 15, 16				
		1	2, 6	L	51, 52, 54, 55, 56				
		1	3, 7	L	12, 15, 16				
10	05104413AA	1	2, 6	L	11, 12, 14, 15, 16				BRACKET, Door Inside
		1	2, 6	L	51, 52, 54, 55, 56				
		1	3, 7	L	12, 15, 16				
11	05103838AA	4	2, 6	L	51, 52, 54, 55, 56				RIVET
		4	3, 7	L	12, 15, 16				
		4	2, 6	L	11, 12, 14, 15, 16				
12	05104430AA	1	2, 6	L	11, 12, 14, 15, 16				BRACKET, Cargo Door Hinge
		1	2, 6	L	51, 52, 54, 55, 56				
		1	3, 7	L	12, 15, 16				
13	05104385AA	2	2, 6	L	51, 52, 54, 55, 56				STOPPER, Cargo Door
		2	3, 7	L	12, 15, 16				
		2	2, 6	L	11, 12, 14, 15, 16				
14	05125420AA	4	2, 6	L	11, 12, 14, 15, 16				BOLT, Torx



**SPRINTER (VA)**  
**SERIES**      **LINE**      **BODY**      **ENGINE**      **TRANSMISSION**  
 L = LOWLINE    3 = HD DODGE 2WD    51 = WAGON WHEEL BASE 1    EX9 = Engine - 2.7L 5 Cly    DGJ = Transmission-5-Spd. Automatic, W5A580  
                   6 = Lt. Duty DODGE 4WD    52 = WAGON WHEEL BASE 2    Mercedes Diesel  
                   2 = Med. Duty DODGE 2WD    14 = VAN WHEEL BASE 4  
                   7 = Med. Duty DODGE 4WD    15 = VAN WHEEL BASE 5  
   16 = VAN WHEEL BASE 6  
   54 = WAGON WHEEL BASE 4  
   55 = WAGON WHEEL BASE 5  
   56 = WAGON WHEEL BASE 6  
   11 = VAN WHEEL BASE 1  
   12 = VAN WHEEL BASE 2

AR = use ase required    - = Non illustrated part

Door, Cargo Shell And Hinges  
Figure DVA-410

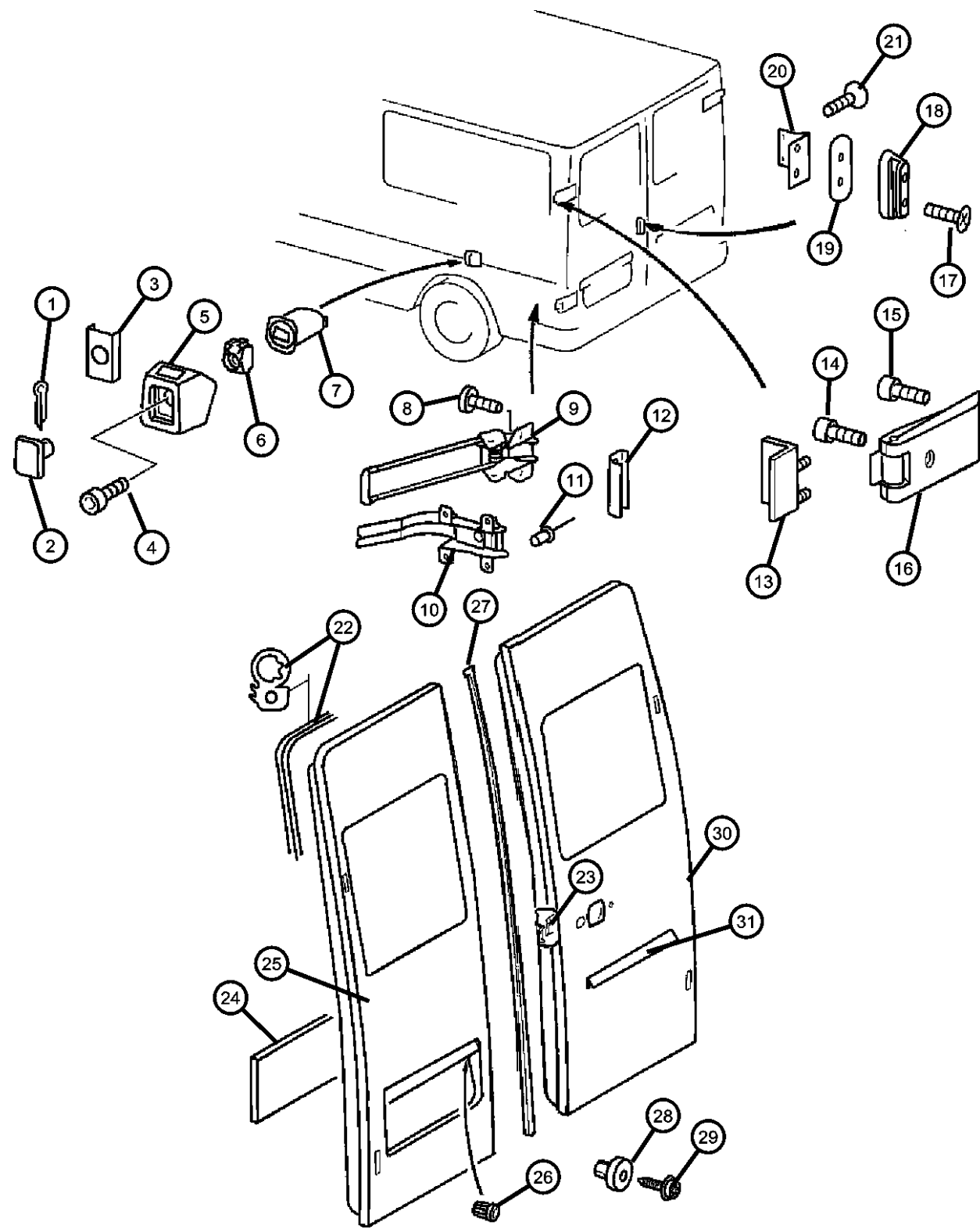


ITEM	PART NUMBER	QTY	LINE	SERIES	BODY	ENGINE	TRANS	TRIM	DESCRIPTION
		4	2, 6	L	51, 52, 54, 55, 56				
		4	3, 7	L	12, 15, 16				
15	05073721AA	1		L					SCREW
16									HINGE, Rear Door
	05104378AA	2	2, 6	L	11, 12, 14, 15, 16				
		2	2, 6	L	51, 52, 54, 55, 56				
17		2	3, 7	L	12, 15, 16				SCREW
	05104635AA	2	2, 6	L	11, 12, 14, 15, 16				
		2	2, 6	L	51, 52, 54, 55, 56				
18		2	3, 7	L	12, 15, 16				BUMPER, Door
	05104370AA	1	2, 6	L	51, 52, 54, 55, 56				
		1	3, 7	L	12, 15, 16				
		1	2, 6	L	11, 12, 14, 15, 16				
19		1	2, 6	L	11, 12, 14, 15, 16				GASKET, Bumper Bracket
	05104432AA	1	2, 6	L	11, 12, 14, 15, 16				
		1	2, 6	L	51, 52, 54, 55, 56				
		1	3, 7	L	12, 15, 16				
20		1	2, 6	L	11, 12, 14, 15, 16				BRACKET, Hinge Reinforcement
	05123934AA	1	2, 6	L	11, 12, 14, 15, 16				
		1	2, 6	L	51, 52, 54, 55, 56				
		1	3, 7	L	12, 15, 16				
21		1	3, 7	L	12, 15, 16				SCREW
	05133932AA	4	2, 6	L	11, 12, 14, 15, 16				

**SPRINTER (VA)**  
**SERIES**      **LINE**      **BODY**      **ENGINE**      **TRANSMISSION**  
L = LOWLINE    3 = HD DODGE 2WD    51 = WAGON WHEEL BASE 1    EX9 = Engine - 2.7L 5 Cly    DGJ = Transmission-5-Spd.  
                        6 = Lt. Duty DODGE 4WD    52 = WAGON WHEEL BASE 2    Mercedes Diesel    Automatic,W5A580  
                        2 = Med. Duty DODGE 2WD    14 = VAN WHEEL BASE 4  
                        7 = Med. Duty DODGE 4WD    15 = VAN WHEEL BASE 5  
  16 = VAN WHEEL BASE 6  
  54 = WAGON WHEEL BASE 4  
  55 = WAGON WHEEL BASE 5  
  56 = WAGON WHEEL BASE 6  
  11 = VAN WHEEL BASE 1  
  12 = VAN WHEEL BASE 2

AR = use ase required - = Non illustrated part

**Door, Cargo Shell And Hinges**  
**Figure DVA-410**



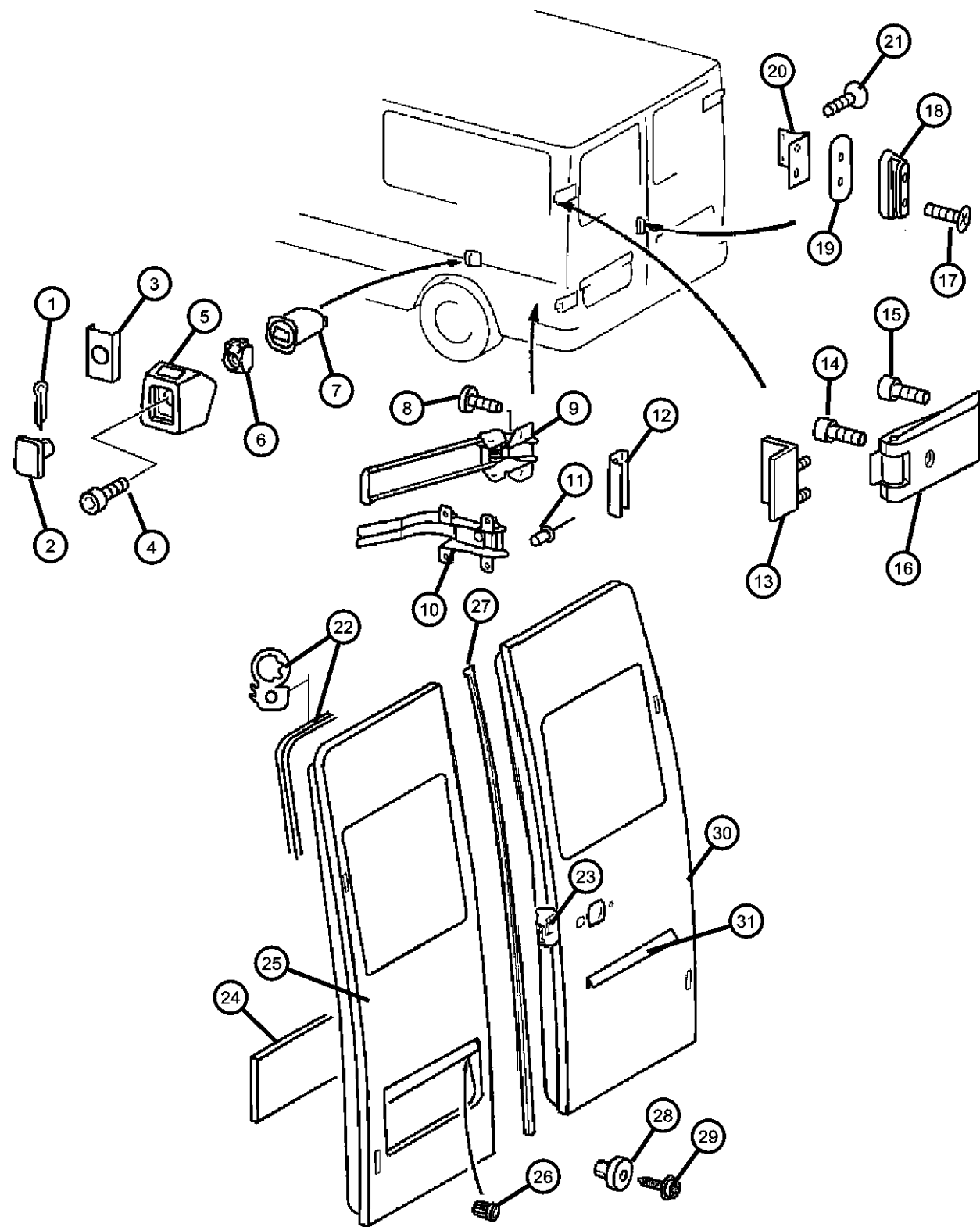
ITEM	PART NUMBER	QTY	LINE	SERIES	BODY	ENGINE	TRANS	TRIM	DESCRIPTION
		4	2, 6	L	51, 52, 54, 55, 56				
		4	3, 7	L	12, 15, 16				
22	05104274AA	1	2, 6	L	11, 12, 14, 15, 16				WEATHERSTRIP, Cargo Door
		1	2, 6	L	51, 52, 54, 55, 56				
		1	3, 7	L	12, 15, 16				
23		1							FILM, (NOT SERVICED)
24									SILENCER, Door
	05122518AA	2	3, 7	L	12, 15, 16				
		2	2, 6	L	51, 52, 54, 55, 56				
		2	2, 6	L	11, 12, 14, 15, 16				
25									DOOR, Rear Cargo
	05123909AA	1	2, 6	L	11, 12, 14, 15, 16				[MWJ] Without Glass, Left
		1	3, 7	L	12, 15, 16				[MWJ] Without Glass, Left
	05123913AA	1	2, 6	L	11, 12, 14, 15, 16				Left
		1	3, 7	L	12, 15, 16				Left
		1	2, 6	L	51, 52, 54, 55, 56				Left
	05123917AA	1	2, 6	L	11, 12, 14, 15, 16				[MWJ], Left
		1	3, 7	L	12, 15, 16				[MWJ], Left
		1	2, 6	L	51, 52, 54, 55, 56				[MWJ], Left
26									NUT, Push In
	05103929AA	4	2, 6	L	11, 12, 14, 15, 16				
		4	3, 7	L	12, 15, 16				
		4	2, 6	L	51, 52, 54, 55, 56				
27									WEATHERSTRIP, Cargo Door
	05104375AA	1	3, 7	L	12, 15, 16				

**SPRINTER (VA)**

<b>SERIES</b>	<b>LINE</b>	<b>BODY</b>	<b>ENGINE</b>	<b>TRANSMISSION</b>
L = LOWLINE	3 = HD DODGE 2WD 6 = Lt. Duty DODGE 4WD 2 = Med. Duty DODGE 2WD 7 = Med. Duty DODGE 4WD	51 = WAGON WHEEL BASE 1 52 = WAGON WHEEL BASE 2 14 = VAN WHEEL BASE 4 15 = VAN WHEEL BASE 5 16 = VAN WHEEL BASE 6 54 = WAGON WHEEL BASE 4 55 = WAGON WHEEL BASE 5 56 = WAGON WHEEL BASE 6 11 = VAN WHEEL BASE 1 12 = VAN WHEEL BASE 2	EX9 = Engine - 2.7L 5 Cly Mercedes Diesel	DGJ = Transmission-5-Spd. Automatic, W5A580

AR = use ase required - = Non illustrated part

Door, Cargo Shell And Hinges  
Figure DVA-410



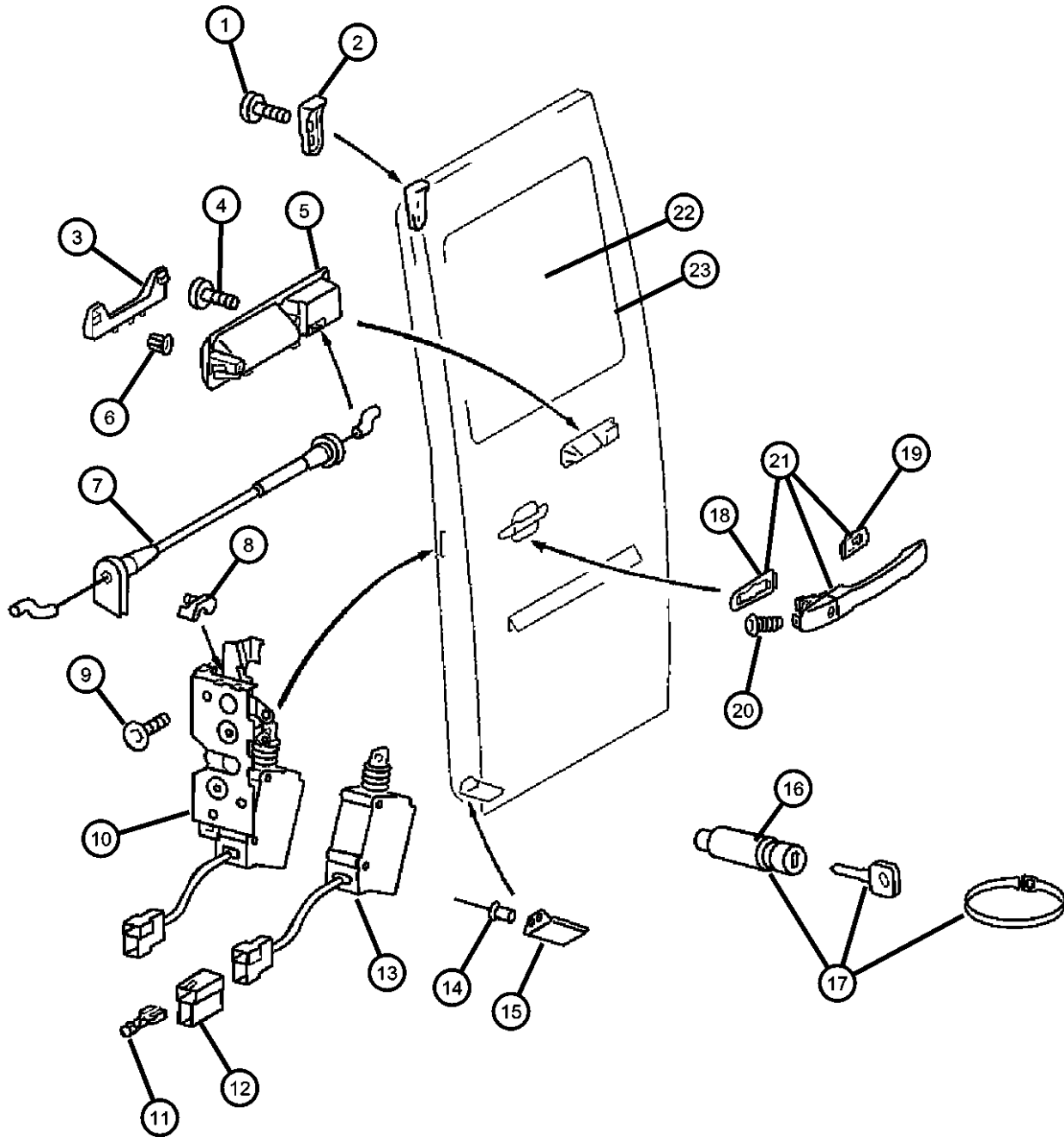
ITEM	PART NUMBER	QTY	LINE	SERIES	BODY	ENGINE	TRANS	TRIM	DESCRIPTION
		1	2, 6	L	51, 52, 54, 55, 56				
		1	2, 6	L	11, 12, 14, 15, 16				
28		1							NUTSERT, Rivet, (NOT SERVICED)
29									SCREW
	05133931AA	4	2, 6	L	11, 12, 14, 15, 16				
		4	2, 6	L	51, 52, 54, 55, 56				
		4	3, 7	L	12, 15, 16				
30									DOOR, Rear Cargo
	05123911AA	1	2, 6	L	11, 12, 14, 15, 16				[MWJ] Without Glass, Right
		1	3, 7	L	12, 15, 16				[MWJ] Without Glass, Right
	05123915AA	1	2, 6	L	11, 12, 14, 15, 16				Right
		1	2, 6	L	51, 52, 54, 55, 56				Right
		1	3, 7	L	12, 15, 16				Right
	05123919AA	1	2, 6	L	11, 12, 14, 15, 16				With High Roof, Right
		1	3, 7	L	12, 15, 16				With High Roof, Right
		1	2, 6	L	51, 52, 54, 55, 56				With High Roof, Right
31									NAMEPLATE, Rear Door
	05104451AA	1	2, 6	L	51, 52, 54, 55, 56				FREIGHTLINER
		1	3, 7	L	12, 15, 16				FREIGHTLINER
	05104454AA	1	2, 6	L	51, 52, 54, 55, 56				SPRINTER
		1	3, 7	L	12, 15, 16				SPRINTER

SPRINTER (VA)

SERIES	LINE	BODY	ENGINE	TRANSMISSION
L = LOWLINE	3 = HD DODGE 2WD	51 = WAGON WHEEL BASE 1	EX9 = Engine - 2.7L 5 Cly	DGJ = Transmission-5-Spd. Automatic, W5A580
	6 = Lt. Duty DODGE 4WD	52 = WAGON WHEEL BASE 2	Mercedes Diesel	
	2 = Med. Duty DODGE 2WD	14 = VAN WHEEL BASE 4		
	7 = Med. Duty DODGE 4WD	15 = VAN WHEEL BASE 5		
		16 = VAN WHEEL BASE 6		
		54 = WAGON WHEEL BASE 4		
		55 = WAGON WHEEL BASE 5		
		56 = WAGON WHEEL BASE 6		
		11 = VAN WHEEL BASE 1		
		12 = VAN WHEEL BASE 2		

AR = use ase required - = Non illustrated part

**Door, Cargo Glass And Hardware  
Figure DVA-420**



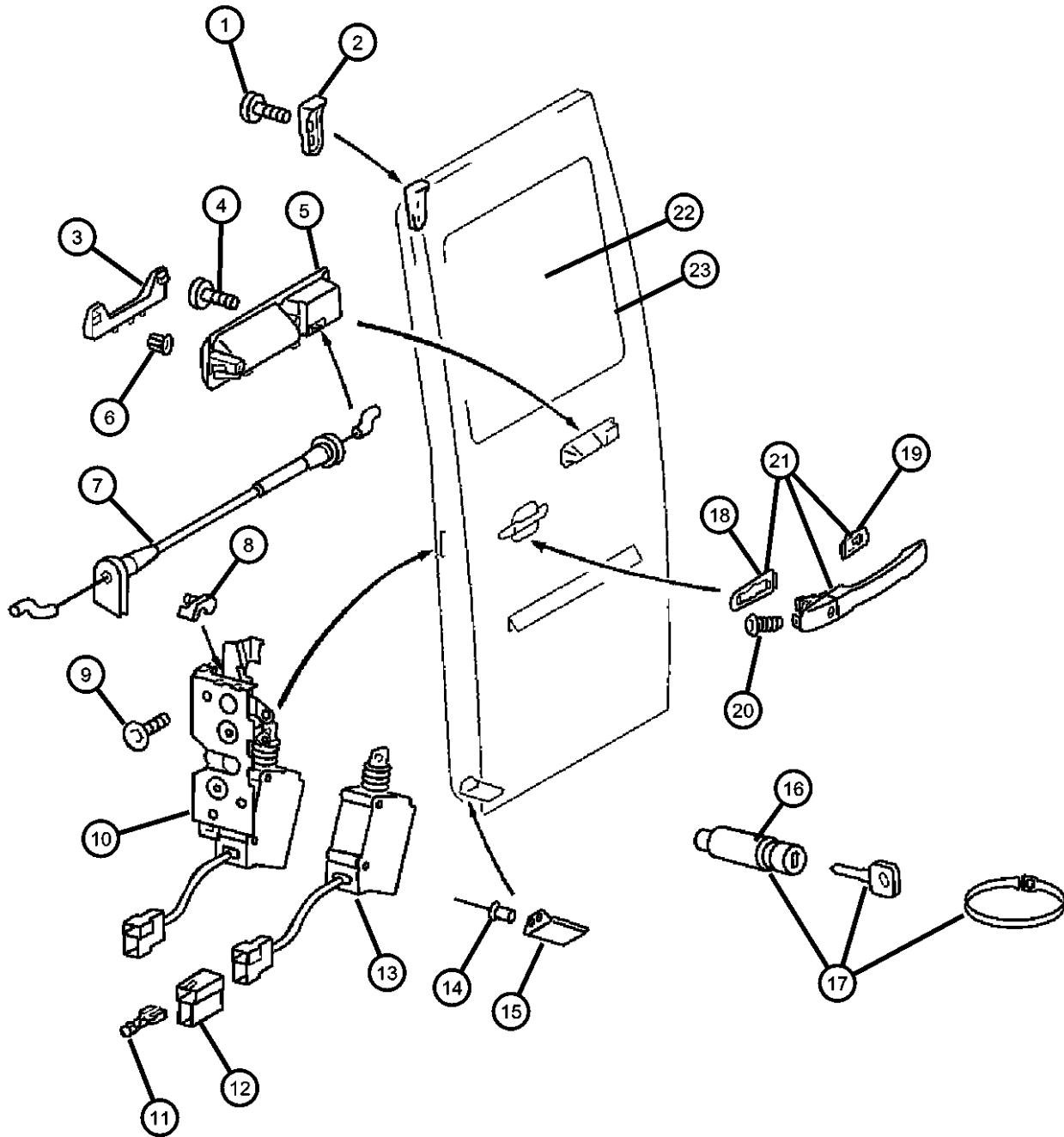
ITEM	PART NUMBER	QTY	LINE	SERIES	BODY	ENGINE	TRANS	TRIM	DESCRIPTION
1	06104142AA	2	2, 6	L	11, 12, 14, 15, 16				SCREW
		2	2, 6	L	51, 52, 54, 55, 56				
		2	3, 7	L	12, 15, 16				
2	05123997AA	1	2, 6	L	11, 12, 14, 15, 16				SPACER, Door Lock Striker
		1	2, 6	L	51, 52, 54, 55, 56				
		1	3, 7	L	12, 15, 16				
3	05104422AA	1		L					COVER, Handle
4	06104142AA	2	2, 6	L	11, 12, 14, 15, 16				SCREW
		2	2, 6	L	51, 52, 54, 55, 56				
		2	3, 7	L	12, 15, 16				
5	05132053AA	1	2, 6	L	51, 52, 54, 55, 56				HANDLE, Rear Door Interior
		1	2, 6	L	11, 12, 14, 15, 16				
6	06104884AA	2	3, 7	L	12, 15, 16				RIVETED NUT, INTERIOR HANDLE ASSEMBLY TO DOOR, SPRINTER
		2	2, 6	L	11, 12, 14, 15, 16				
		2	2, 6	L	51, 52, 54, 55, 56				
7	05104416AA	1	2, 6	L	11, 12, 14, 15, 16				CABLE
		1	2, 6	L	51, 52, 54, 55, 56				
		1	3, 7	L	12, 15, 16				
8									CONNECTOR, Solenoid

**SPRINTER (VA)**

<b>SERIES</b>	<b>LINE</b>	<b>BODY</b>	<b>ENGINE</b>	<b>TRANSMISSION</b>
L = LOWLINE	3 = HD DODGE 2WD 6 = Lt. Duty DODGE 4WD 2 = Med. Duty DODGE 2WD 7 = Med. Duty DODGE 4WD	51 = WAGON WHEEL BASE 1 52 = WAGON WHEEL BASE 2 14 = VAN WHEEL BASE 4 15 = VAN WHEEL BASE 5 16 = VAN WHEEL BASE 6 54 = WAGON WHEEL BASE 4 55 = WAGON WHEEL BASE 5 56 = WAGON WHEEL BASE 6 11 = VAN WHEEL BASE 1 12 = VAN WHEEL BASE 2	EX9 = Engine - 2.7L 5 Cyl Mercedes Diesel	DGJ = Transmission-5-Spd. Automatic, W5A580

AR = use ase required - = Non illustrated part

Door, Cargo Glass And Hardware  
Figure DVA-420



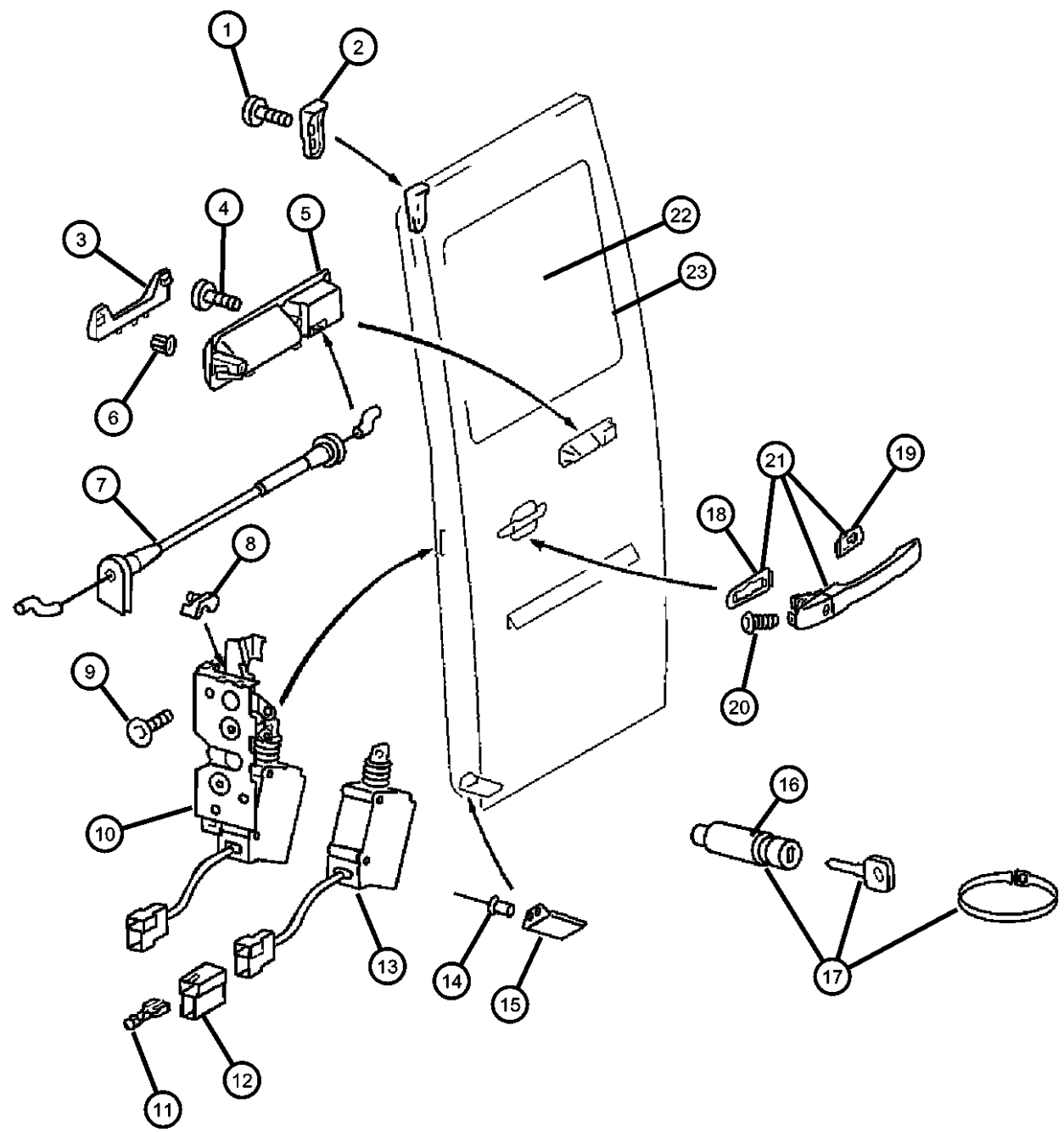
ITEM	PART NUMBER	QTY	LINE	SERIES	BODY	ENGINE	TRANS	TRIM	DESCRIPTION
	05103674AA	1	3, 7	L	12, 15, 16				
		1	2, 6	L	11, 12, 14, 15, 16				
		1	2, 6	L	51, 52, 54, 55, 56				
9									SCREW, LOCK TO DOOR, SPRINTER
	05103723AA	2	2, 6	L	11, 12, 14, 15, 16				
		2	3, 7	L	12, 15, 16				
		2	2, 6	L	51, 52, 54, 55, 56				
10									LATCH, Rear Door
	05131997AA	1	2, 6	L	51, 52, 54, 55, 56				
		1	2, 6	L	11, 12, 14, 15, 16				
11									TERMINAL, Female
	05114451AA	99	3, 7	L	12, 15, 16				
		99	2, 6	L	11, 12, 14, 15, 16				
		99	2, 6	L	51, 52, 54, 55, 56				
12									INSULATOR, 2 Way Female
	05103754AA	1	2, 6	L	11, 12, 14, 15, 16				
		1	3, 7	L	12, 15, 16				
		1	2, 6	L	51, 52, 54, 55, 56				
13									SERVO, Mode Door
	05133998AA	1	2, 6	L	11, 12, 14, 15, 16				
		1	2, 6	L	51, 52, 54, 55, 56				
		1	3, 7	L	12, 15, 16				
14									RIVET
	05125819AA	2	2, 6	L	11, 12, 14, 15, 16				

SPRINTER (VA)

SERIES	LINE	BODY	ENGINE	TRANSMISSION
L = LOWLINE	3 = HD DODGE 2WD 6 = Lt. Duty DODGE 4WD 2 = Med. Duty DODGE 2WD 7 = Med. Duty DODGE 4WD	51 = WAGON WHEEL BASE 1 52 = WAGON WHEEL BASE 2 14 = VAN WHEEL BASE 4 15 = VAN WHEEL BASE 5 16 = VAN WHEEL BASE 6 54 = WAGON WHEEL BASE 4 55 = WAGON WHEEL BASE 5 56 = WAGON WHEEL BASE 6 11 = VAN WHEEL BASE 1 12 = VAN WHEEL BASE 2	EX9 = Engine - 2.7L 5 Cly Mercedes Diesel	DGJ = Transmission-5-Spd. Automatic, W5A580

AR = use ase required - = Non illustrated part

**Door, Cargo Glass And Hardware  
Figure DVA-420**



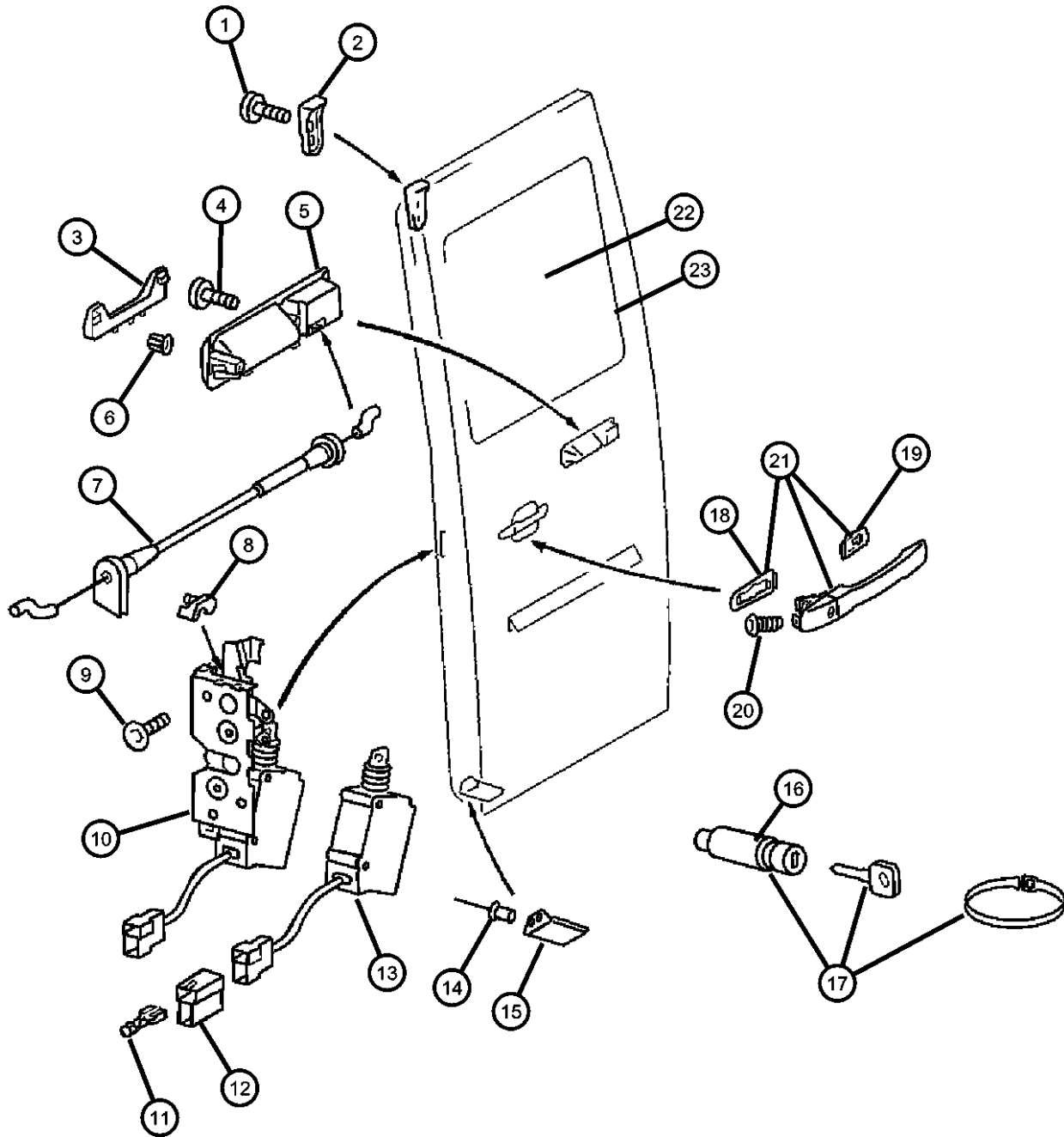
ITEM	PART NUMBER	QTY	LINE	SERIES	BODY	ENGINE	TRANS	TRIM	DESCRIPTION
		2	2, 6	L	51, 52, 54, 55, 56				
		2	3, 7	L	12, 15, 16				
15	05123999AA	1	2, 6	L	11, 12, 14, 15, 16				SPACER, Door Lock Striker
		1	2, 6	L	51, 52, 54, 55, 56				
16	05114364AA	1	3, 7	L	12, 15, 16				CYLINDER, Door Lock
17	05133521AA	1	3, 7	L	12, 15, 16				CYLINDER, Door Lock
		1	2, 6	L	11, 12, 14, 15, 16				
		1	2, 6	L	51, 52, 54, 55, 56				
18	05103673AA	1	2, 6	L	11, 12, 14, 15, 16				PAD
		1	2, 6	L	51, 52, 54, 55, 56				
		1	3, 7	L	12, 15, 16				
19	05103672AA	1	2, 6	L	11, 12, 14, 15, 16				PAD
		1	2, 6	L	51, 52, 54, 55, 56				
		1	3, 7	L	12, 15, 16				
20	05125414AA	1	2, 6	L	11, 12, 14, 15, 16				SCREW, Front Door Handle
		1	2, 6	L	51, 52, 54, 55, 56				
		1	3, 7	L	12, 15, 16				
21	05124094AA	1	2, 6	L	11, 12, 14, 15, 16				HANDLE, Front Door

**SPRINTER (VA)**

SERIES	LINE	BODY	ENGINE	TRANSMISSION
L = LOWLINE	3 = HD DODGE 2WD 6 = Lt. Duty DODGE 4WD 2 = Med. Duty DODGE 2WD 7 = Med. Duty DODGE 4WD	51 = WAGON WHEEL BASE 1 52 = WAGON WHEEL BASE 2 14 = VAN WHEEL BASE 4 15 = VAN WHEEL BASE 5 16 = VAN WHEEL BASE 6 54 = WAGON WHEEL BASE 4 55 = WAGON WHEEL BASE 5 56 = WAGON WHEEL BASE 6 11 = VAN WHEEL BASE 1 12 = VAN WHEEL BASE 2	EX9 = Engine - 2.7L 5 Cly Mercedes Diesel	DGJ = Transmission-5-Spd. Automatic, W5A580

AR = use ase required - = Non illustrated part

**Door, Cargo Glass And Hardware  
Figure DVA-420**



ITEM	PART NUMBER	QTY	LINE	SERIES	BODY	ENGINE	TRANS	TRIM	DESCRIPTION
		1	2, 6	L	51, 52, 54, 55, 56				
		1	3, 7	L	12, 15, 16				GLASS, Cargo Door
22	05124006AA	1	2, 6	L	11, 12, 14, 15, 16				[GEM+3FQ], Left
		1	2, 6	L	51, 52, 54, 55, 56				[3FQ-GL8], Left
	05124010AA	1	3, 7	L	12, 15, 16				[GEM+3FQ], Left
	05124012AA	1	2, 6	L	11, 12, 14, 15, 16				[GEM], Left
		1	2, 6	L	51, 52, 54, 55, 56				[GEM], Right
		1	2, 6	L	51, 52, 54, 55, 56				[-GL8], Right
	05124014AA	1	3, 7	L	12, 15, 16				[GEM], Right
		1	2, 6	L	11, 12, 14, 15, 16				[GEM+3FQ+GFA], Left
		1	2, 6	L	51, 52, 54, 55, 56				[3FQ+GFA], Left
	05124008AA	1	3, 7	L	12, 15, 16				[GEM+3FQ+GFA], Left
		1	2, 6	L	11, 12, 14, 15, 16				[GEM+3FQ], Right
		1	2, 6	L	51, 52, 54, 55, 56				[3FQ-GL8], Right
		1	3, 7	L	12, 15, 16				[GEM+3FQ], Right
		1	2, 6	L	11, 12, 14, 15, 16				[GEM], Left
	05124021AA	1	2, 6	L	51, 52, 54, 55, 56				[-GL8], Left
		1	2, 6	L	11, 12, 14, 15, 16				[GFA+GEM], Right
		1	2, 6	L	51, 52, 54, 55, 56				[GFA], Right
	05134318AA	1	3, 7	L	12, 15, 16				[GFA+GEM], Right
		1	2, 6	L	11, 12, 14, 15, 16				[3GQ+GFA+GEM+GAE], Left
		1	2, 6	L	51, 52, 54, 55, 56				[GFA+GAE], Left
	05124016AA	1	2, 6	L	11, 12, 14, 15, 16				[3FQ+GFA+GEM], Right

**SPRINTER (VA)**

**SERIES**

L = LOWLINE  
 3 = HD DODGE 2WD  
 6 = Lt. Duty DODGE 4WD  
 2 = Med. Duty DODGE 2WD  
 7 = Med. Duty DODGE 4WD

**LINE**

**BODY**

51 = WAGON WHEEL BASE 1 EX9 = Engine - 2.7L 5 Cly  
 52 = WAGON WHEEL BASE 2 Mercedes Diesel  
 14 = VAN WHEEL BASE 4  
 15 = VAN WHEEL BASE 5  
 16 = VAN WHEEL BASE 6  
 54 = WAGON WHEEL BASE 4  
 55 = WAGON WHEEL BASE 5  
 56 = WAGON WHEEL BASE 6  
 11 = VAN WHEEL BASE 1  
 12 = VAN WHEEL BASE 2

**ENGINE**

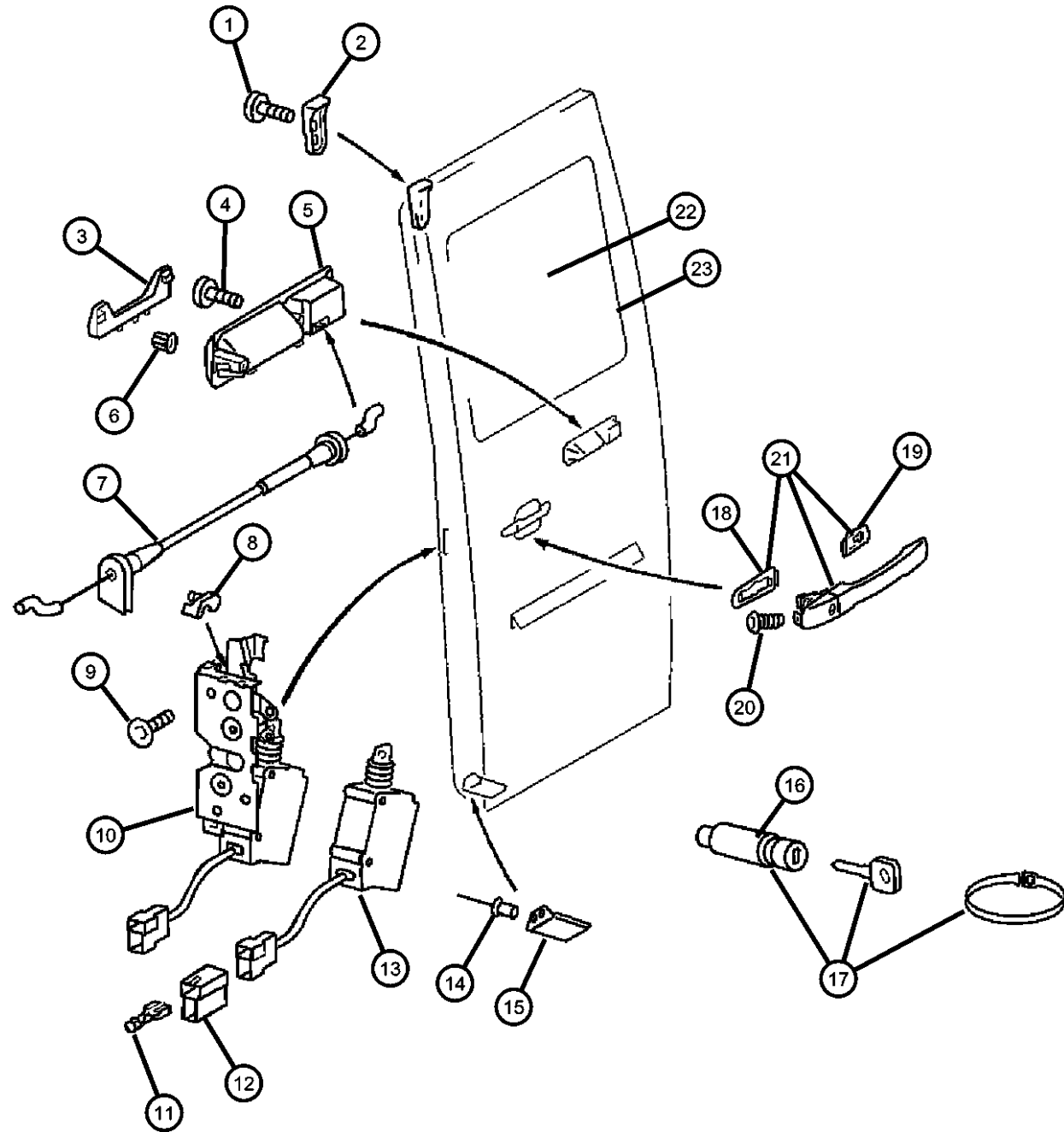
**TRANSMISSION**

DGJ = Transmission-5-Spd. Automatic, W5A580

AR = use ase required - = Non illustrated part



**Door, Cargo Glass And Hardware  
Figure DVA-420**



ITEM	PART NUMBER	QTY	LINE	SERIES	BODY	ENGINE	TRANS	TRIM	DESCRIPTION
		1	2, 6	L	51, 52, 54, 55, 56				[3FQ+GFA], Right
		1	3, 7	L	12, 15, 16				[3FQ+GFA+GEM], Right
	05124018AA	1	2, 6	L	11, 12, 14, 15, 16				[GEM+GFA], Left
		1	2, 6	L	51, 52, 54, 55, 56				[GFA], Left
		1	3, 7	L	12, 15, 16				[GEM+GFA], Left
	05134319AA	1	3, 7	L	12, 15, 16				[3GQ+GEM+GAE], Left
	05134324AA	1	2, 6	L	51, 52, 54, 55, 56				[3GQ+GEM+GAE], Right
		1	2, 6	L	11, 12, 14, 15, 16				[3GQ+GFA+GEM+GAE], Right
		1	3, 7	L	12, 15, 16				[3GQ+GFA+GEM+GAE], Left
		1	2, 6	L	51, 52, 54, 55, 56				[3FQ+GAE-GL8], Left
		1	2, 6	L	11, 12, 14, 15, 16				[3GQ+GEM+GAE], Left
		1	3, 7	L	12, 15, 16				[3GQ+GFA+GEM+GAE], Right
	05134325AA	1	2, 6	L	11, 12, 14, 15, 16				[3GQ+GEM+GAE], Right
		1	2, 6	L	51, 52, 54, 55, 56				[GAE-GL8], Right
		1	3, 7	L	12, 15, 16				[3FQ+GEM+GAE], Right
23	05104364AA	1	2, 6	L	11, 12, 14, 15, 16				WEATHERSTRIP, Sliding Door Glass
		1	2, 6	L	51, 52, 54, 55, 56				
		1	3, 7	L	12, 15, 16				
-24	05104417AA	1	2, 6	L	11, 12, 14, 15, 16				CHECK, Rear Door
		1	2, 6	L	51, 52, 54, 55, 56				
		1	3, 7	L	12, 15, 16				

**SPRINTER (VA)**

**SERIES**

L = LOWLINE

**LINE**

3 = HD DODGE 2WD  
6 = Lt. Duty DODGE 4WD  
2 = Med. Duty DODGE 2WD  
7 = Med. Duty DODGE 4WD

**BODY**

51 = WAGON WHEEL BASE 1  
52 = WAGON WHEEL BASE 2  
14 = VAN WHEEL BASE 4  
15 = VAN WHEEL BASE 5  
16 = VAN WHEEL BASE 6  
54 = WAGON WHEEL BASE 4  
55 = WAGON WHEEL BASE 5  
56 = WAGON WHEEL BASE 6  
11 = VAN WHEEL BASE 1  
12 = VAN WHEEL BASE 2

**ENGINE**

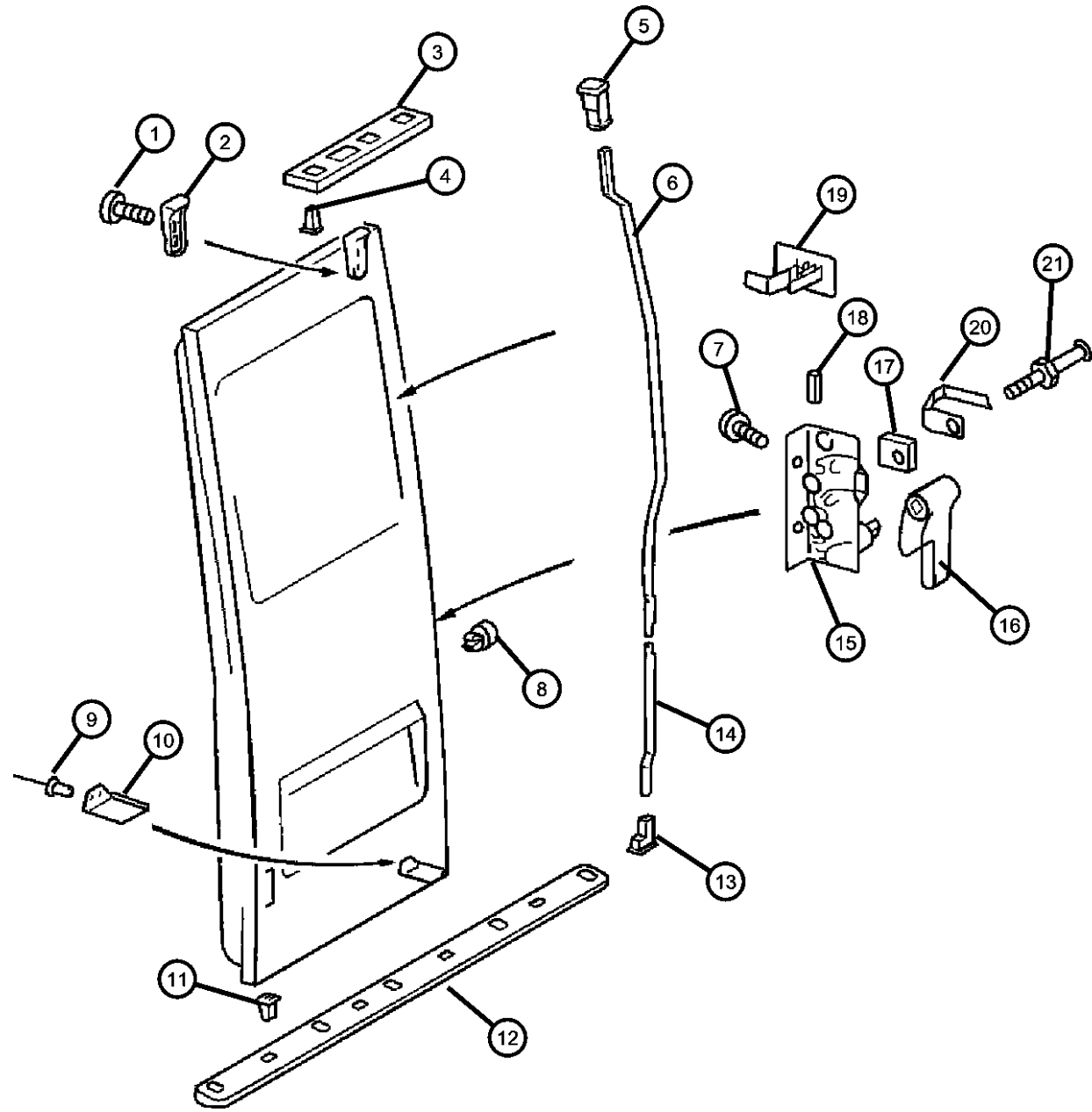
EX9 = Engine - 2.7L 5 Cly  
Mercedes Diesel

**TRANSMISSION**

DGJ = Transmission-5-Spd. Automatic, W5A580

AR = use ase required - = Non illustrated part

**Door, Cargo Lock And Control  
Figure DVA-430**



ITEM	PART NUMBER	QTY	LINE	SERIES	BODY	ENGINE	TRANS	TRIM	DESCRIPTION
1	06104142AA	4	2, 6	L	11, 12, 14, 15, 16				SCREW
		2	2, 6	L	51, 52, 54, 55, 56				
		2	3, 7	L	12, 15, 16				
2	05123997AA	1	2, 6	L	11, 12, 14, 15, 16				SPACER, Door Lock Striker
		1	2, 6	L	51, 52, 54, 55, 56				
		1	3, 7	L	12, 15, 16				
3	05104428AA	1	2, 6	L	51, 52, 54, 55, 56				PLATE, Door Latch Striker
		1	3, 7	L	12, 15, 16				
		1	2, 6	L	11, 12, 14, 15, 16				
4	05104536AA	10	2, 6	L	11, 12, 14, 15, 16				TREENAIL, PLATE TO BODY, SPRINTER
		10	3, 7	L	12, 15, 16				
		10	2, 6	L	51, 52, 54, 55, 56				
5	05104384AA	1	2, 6	L	11, 12, 14, 15, 16				GUIDE, TOP, SPRINTER
		1	3, 7	L	12, 15, 16				
		1	2, 6	L	51, 52, 54, 55, 56				
6	05133928AA	1	2, 6	L	51, 52, 54, 55, 56				ROD, Inside Handle to Latch Standard Roof
		1	3, 7	L	12, 15, 16				Standard Roof
	05133929AA	1	2, 6	L	11, 12, 14, 15, 16				High Roof
		1	2, 6	L	11, 12, 14, 15, 16				Standard Roof

**SPRINTER (VA)**

**SERIES**

L = LOWLINE

**LINE**

3 = HD DODGE 2WD  
6 = Lt. Duty DODGE 4WD  
2 = Med. Duty DODGE 2WD  
7 = Med. Duty DODGE 4WD

**BODY**

51 = WAGON WHEEL BASE 1 EX9 = Engine - 2.7L 5 Cly  
52 = WAGON WHEEL BASE 2 Mercedes Diesel  
14 = VAN WHEEL BASE 4  
15 = VAN WHEEL BASE 5  
16 = VAN WHEEL BASE 6  
54 = WAGON WHEEL BASE 4  
55 = WAGON WHEEL BASE 5  
56 = WAGON WHEEL BASE 6  
11 = VAN WHEEL BASE 1  
12 = VAN WHEEL BASE 2

**ENGINE**

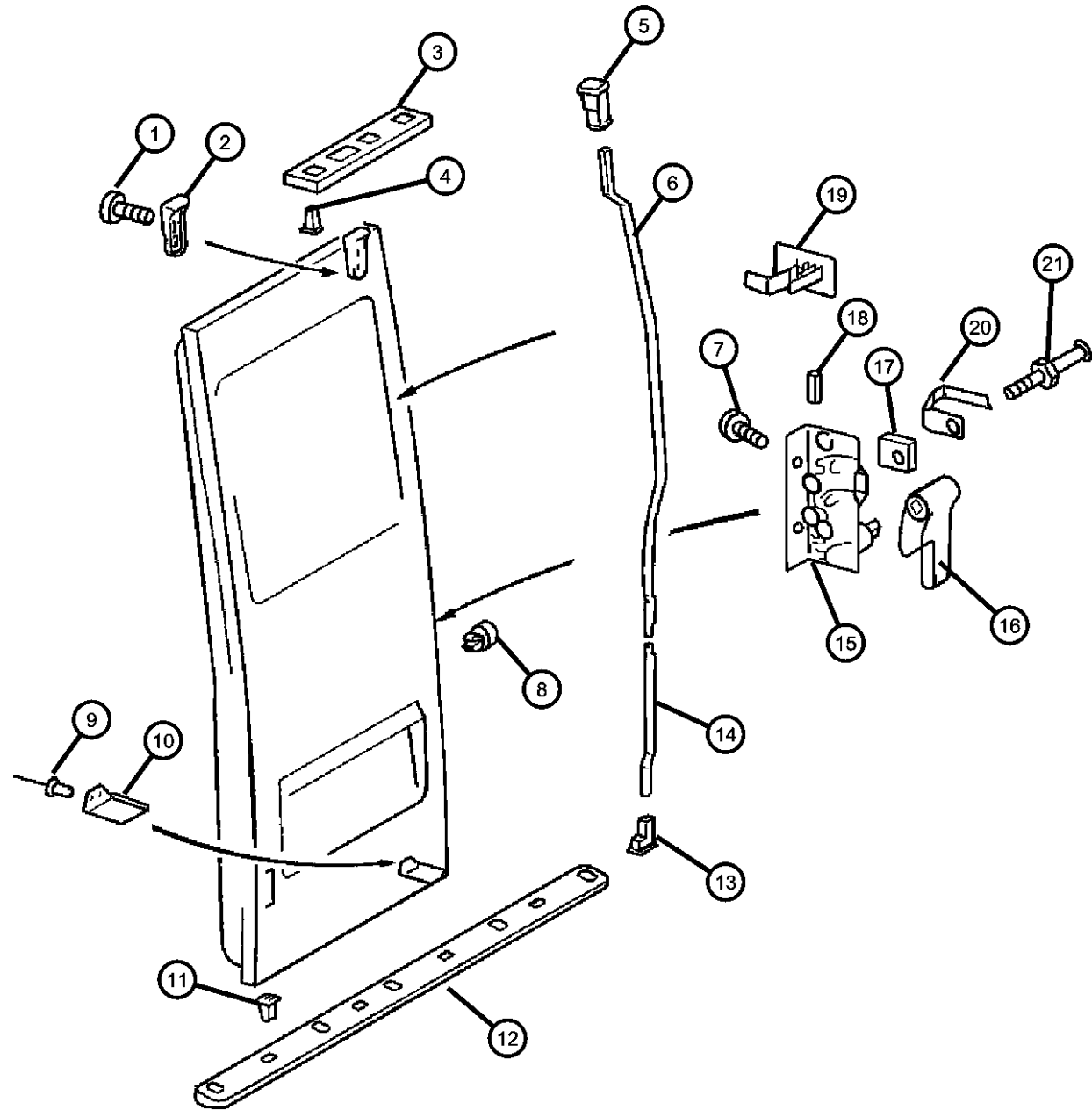
**TRANSMISSION**

DGJ = Transmission-5-Spd.  
Automatic,W5A580

AR = use ase required - = Non illustrated part

2003 VA

**Door, Cargo Lock And Control  
Figure DVA-430**



ITEM	PART NUMBER	QTY	LINE	SERIES	BODY	ENGINE	TRANS	TRIM	DESCRIPTION
		1	2, 6	L	51, 52, 54, 55, 56				High Roof
		1	3, 7	L	12, 15, 16				High Roof
7		1							SCREW, "ELECTRIC CHANGE-OVER VALVE TO BRACKET, M 6X12", SPRINTER, 05103722aa, (NOT SERVICED), CLIP
8	05125577AA	2	2, 6	L	11, 12, 14, 15, 16				
		2	2, 6	L	51, 52, 54, 55, 56				
		2	3, 7	L	12, 15, 16				
9	05125819AA	2	2, 6	L	51, 52, 54, 55, 56				RIVET
		2	3, 7	L	12, 15, 16				
		2	2, 6	L	11, 12, 14, 15, 16				
10	05123997AA	1	2, 6	L	11, 12, 14, 15, 16				SPACER, Door Lock Striker
		1	2, 6	L	51, 52, 54, 55, 56				
		1	3, 7	L	12, 15, 16				
11	05104536AA	10	2, 6	L	11, 12, 14, 15, 16				TREENAIL, PLATE TO BODY, SPRINTER
		10	3, 7	L	12, 15, 16				
		10	2, 6	L	51, 52, 54, 55, 56				
12	05104425AA	1	2, 6	L	51, 52, 54, 55, 56				PLATE, Door Latch Striker
		1	2, 6	L	11, 12, 14, 15, 16				
		1	3, 7	L	12, 15, 16				
13									GUIDE, BOTTOM, SPRINTER

**SPRINTER (VA)**

**SERIES**

L = LOWLINE  
 3 = HD DODGE 2WD  
 6 = Lt. Duty DODGE 4WD  
 2 = Med. Duty DODGE 2WD  
 7 = Med. Duty DODGE 4WD

**LINE**

**BODY**

51 = WAGON WHEEL BASE 1  
 52 = WAGON WHEEL BASE 2  
 14 = VAN WHEEL BASE 4  
 15 = VAN WHEEL BASE 5  
 16 = VAN WHEEL BASE 6  
 54 = WAGON WHEEL BASE 4  
 55 = WAGON WHEEL BASE 5  
 56 = WAGON WHEEL BASE 6  
 11 = VAN WHEEL BASE 1  
 12 = VAN WHEEL BASE 2

**ENGINE**

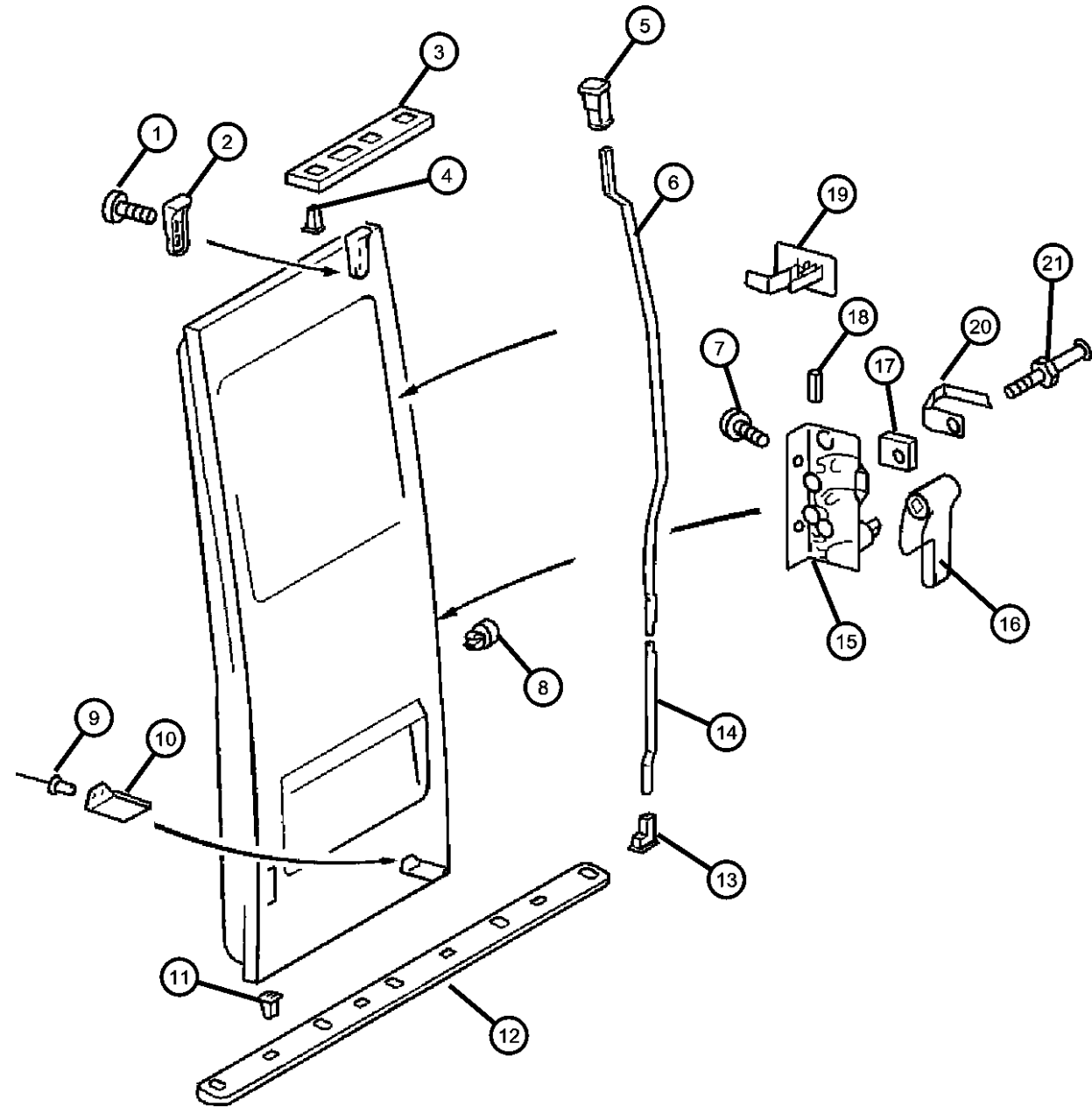
EX9 = Engine - 2.7L 5 Cly  
 Mercedes Diesel

**TRANSMISSION**

DGJ = Transmission-5-Spd.  
 Automatic, W5A580

AR = use ase required - = Non illustrated part

**Door, Cargo Lock And Control  
Figure DVA-430**



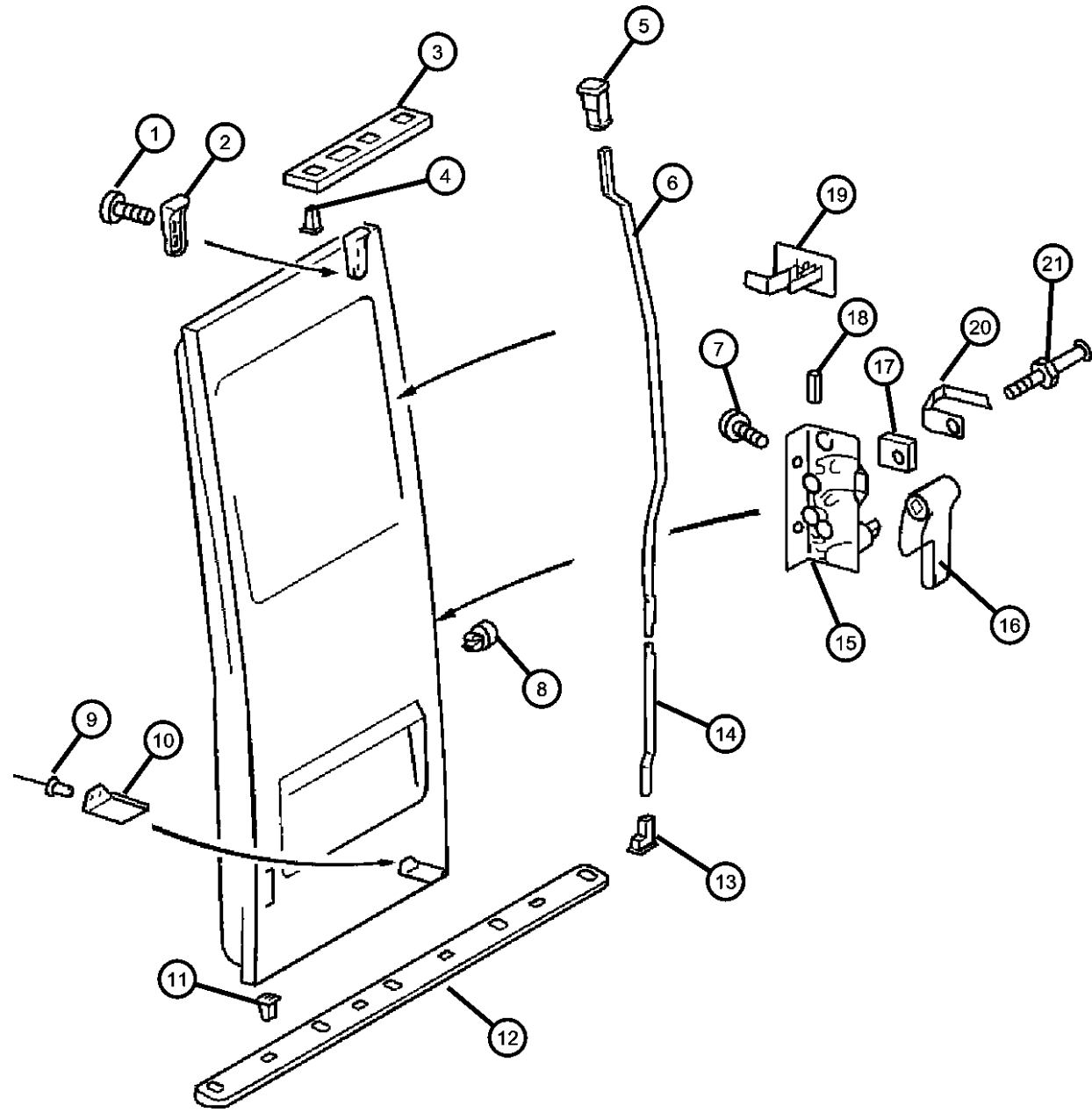
ITEM	PART NUMBER	QTY	LINE	SERIES	BODY	ENGINE	TRANS	TRIM	DESCRIPTION
14	05103959AA	1	2, 6	L	11, 12, 14, 15, 16				ROD, Inside Handle to Latch
		1	3, 7	L	12, 15, 16				
		1	2, 6	L	51, 52, 54, 55, 56				
15	05124000AA	1	2, 6	L	11, 12, 14, 15, 16				LOCK, Rear Cargo Door
		1	3, 7	L	12, 15, 16				
		1	2, 6	L	51, 52, 54, 55, 56				
16	05104368AA	1	2, 6	L	11, 12, 14, 15, 16				HANDLE, Inside Release
		1	3, 7	L	12, 15, 16				
		1	2, 6	L	51, 52, 54, 55, 56				
17	05104383AA	1	6, 2	L	11, 12, 14, 15, 16				NUT, NONE, SPRINTER
		1	3, 7	L	12, 15, 16				
		1	2, 6	L	51, 52, 54, 55, 56				
18	05103668AA	1	3, 7	L	12, 15, 16				BUSHING
		1	2, 6	L	11, 12, 14, 15, 16				
		1	2, 6	L	51, 52, 54, 55, 56				
19	05133930AA	1	3, 7	L	12, 15, 16				GUIDE
		1	2, 6	L	11, 12, 14, 15, 16				
		1	2, 6	L	51, 52, 54, 55, 56				
	05104382AA	1	2, 6	L	11, 12, 14, 15, 16				

**SPRINTER (VA)**

SERIES	LINE	BODY	ENGINE	TRANSMISSION
L = LOWLINE	3 = HD DODGE 2WD 6 = Lt. Duty DODGE 4WD 2 = Med. Duty DODGE 2WD 7 = Med. Duty DODGE 4WD	51 = WAGON WHEEL BASE 1 52 = WAGON WHEEL BASE 2 14 = VAN WHEEL BASE 4 15 = VAN WHEEL BASE 5 16 = VAN WHEEL BASE 6 54 = WAGON WHEEL BASE 4 55 = WAGON WHEEL BASE 5 56 = WAGON WHEEL BASE 6 11 = VAN WHEEL BASE 1 12 = VAN WHEEL BASE 2	EX9 = Engine - 2.7L 5 Cyl Mercedes Diesel	DGJ = Transmission-5-Spd. Automatic, W5A580

AR = use ase required - = Non illustrated part

**Door, Cargo Lock And Control  
Figure DVA-430**



ITEM	PART NUMBER	QTY	LINE	SERIES	BODY	ENGINE	TRANS	TRIM	DESCRIPTION
		1	2, 6	L	51, 52, 54, 55, 56				
		1	3, 7	L	12, 15, 16				
20	05103670AA	1	2, 6	L	11, 12, 14, 15, 16				CLAMP, NONE, SPRINTER
		1	2, 6	L	51, 52, 54, 55, 56				
		1	3, 7	L	12, 15, 16				
21	05103669AA	1	2, 6	L	11, 12, 14, 15, 16				PIN, Latch Striker
		1	2, 6	L	51, 52, 54, 55, 56				
		1	7, 3	L	12, 15, 16				

**SPRINTER (VA)**

**SERIES**

L = LOWLINE

**LINE**

3 = HD DODGE 2WD  
6 = Lt. Duty DODGE 4WD  
2 = Med. Duty DODGE 2WD  
7 = Med. Duty DODGE 4WD

**BODY**

51 = WAGON WHEEL BASE 1  
52 = WAGON WHEEL BASE 2  
14 = VAN WHEEL BASE 4  
15 = VAN WHEEL BASE 5  
16 = VAN WHEEL BASE 6  
54 = WAGON WHEEL BASE 4  
55 = WAGON WHEEL BASE 5  
56 = WAGON WHEEL BASE 6  
11 = VAN WHEEL BASE 1  
12 = VAN WHEEL BASE 2

**ENGINE**

EX9 = Engine - 2.7L 5 Cly  
Mercedes Diesel

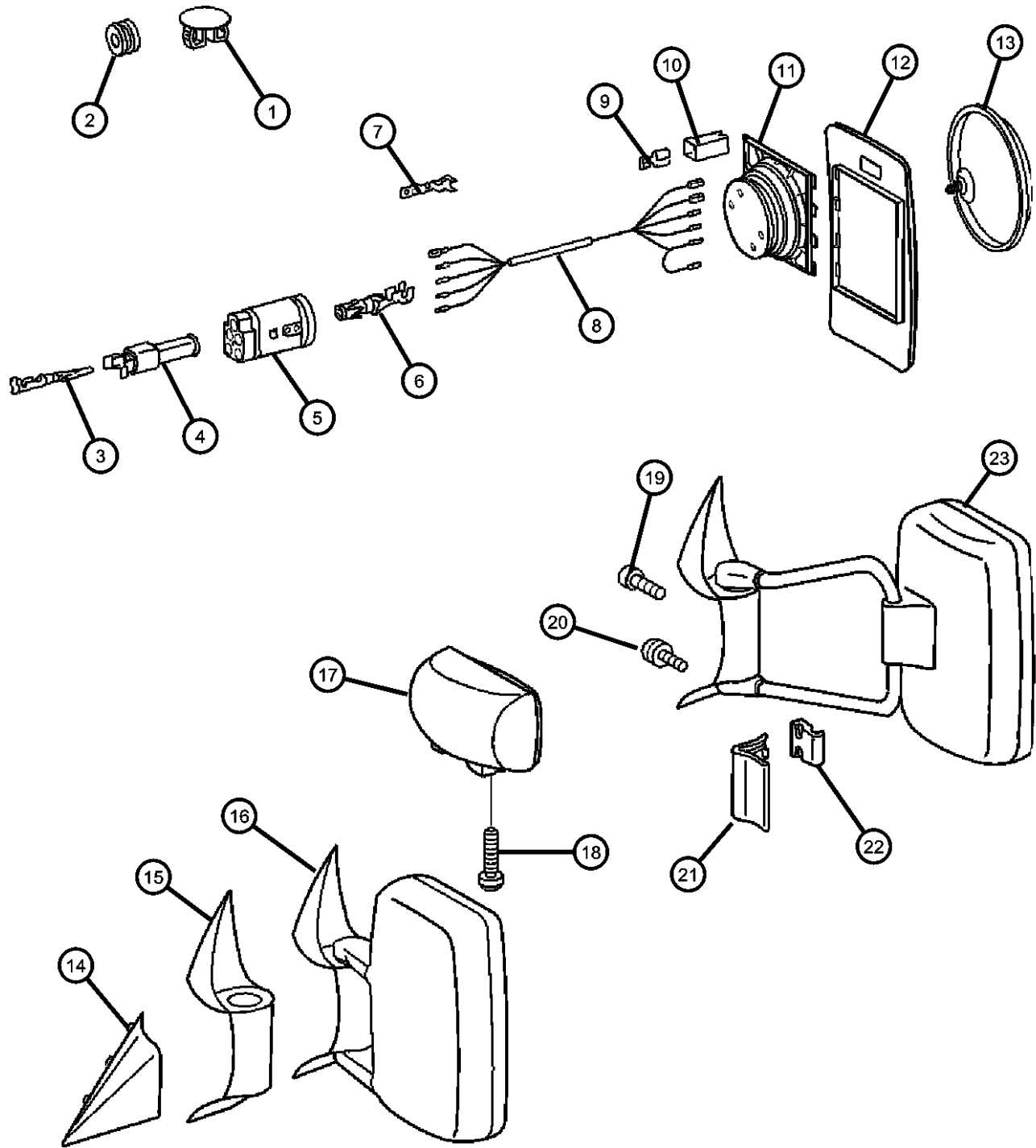
**TRANSMISSION**

DGJ = Transmission-5-Spd.  
Automatic,W5A580

AR = use ase required - = Non illustrated part

2003 VA

Mirrors, Exterior  
Figure DVA-520



ITEM	PART NUMBER	QTY	LINE	SERIES	BODY	ENGINE	TRANS	TRIM	DESCRIPTION
1	05104032AA	1	2, 6	L	11, 12, 14, 15, 16				PLUG
		1	2, 6	L	51, 52, 54, 55, 56				
		1	3, 7	L	12, 15, 16				
2	05125929AA	1	2, 6	L	51, 52, 54, 55, 56				GROMMET
		1	3, 7	L	12, 15, 16				
		1	2, 6	L	11, 12, 14, 15, 16				
3	05133387AA	1	2, 6	L	11, 12, 14, 15, 16				TERMINAL
		1	3, 7	L	12, 15, 16				
4	05120744AA	1	6, 2	L	11, 12, 14, 15, 16				CONNECTOR
		1	2, 6	L	51, 52, 54, 55, 56				
		1	3, 7	L	12, 15, 16				
5	05133508AA	1	2, 6	L	11, 12, 14, 15, 16				PLUG
		1	3, 7	L	12, 15, 16				
		1	2, 6	L	51, 52, 54, 55, 56				
6	05133509AA	5	3, 7	L	12, 15, 16				TERMINAL
		5	2, 6	L	11, 12, 14, 15, 16				
		5	2, 6	L	51, 52, 54, 55, 56				
7	05133377AA	1	2, 6	L	11, 12, 14, 15, 16				TERMINAL, Male
		99	3, 7	L	12, 15, 16				

SPRINTER (VA)

SERIES

L = LOWLINE

LINE

3 = HD DODGE 2WD  
6 = Lt. Duty DODGE 4WD  
2 = Med. Duty DODGE 2WD  
7 = Med. Duty DODGE 4WD

BODY

51 = WAGON WHEEL BASE 1 EX9 = Engine - 2.7L 5 Cyl  
52 = WAGON WHEEL BASE 2 Mercedes Diesel  
14 = VAN WHEEL BASE 4  
15 = VAN WHEEL BASE 5  
16 = VAN WHEEL BASE 6  
54 = WAGON WHEEL BASE 4  
55 = WAGON WHEEL BASE 5  
56 = WAGON WHEEL BASE 6  
11 = VAN WHEEL BASE 1  
12 = VAN WHEEL BASE 2

ENGINE

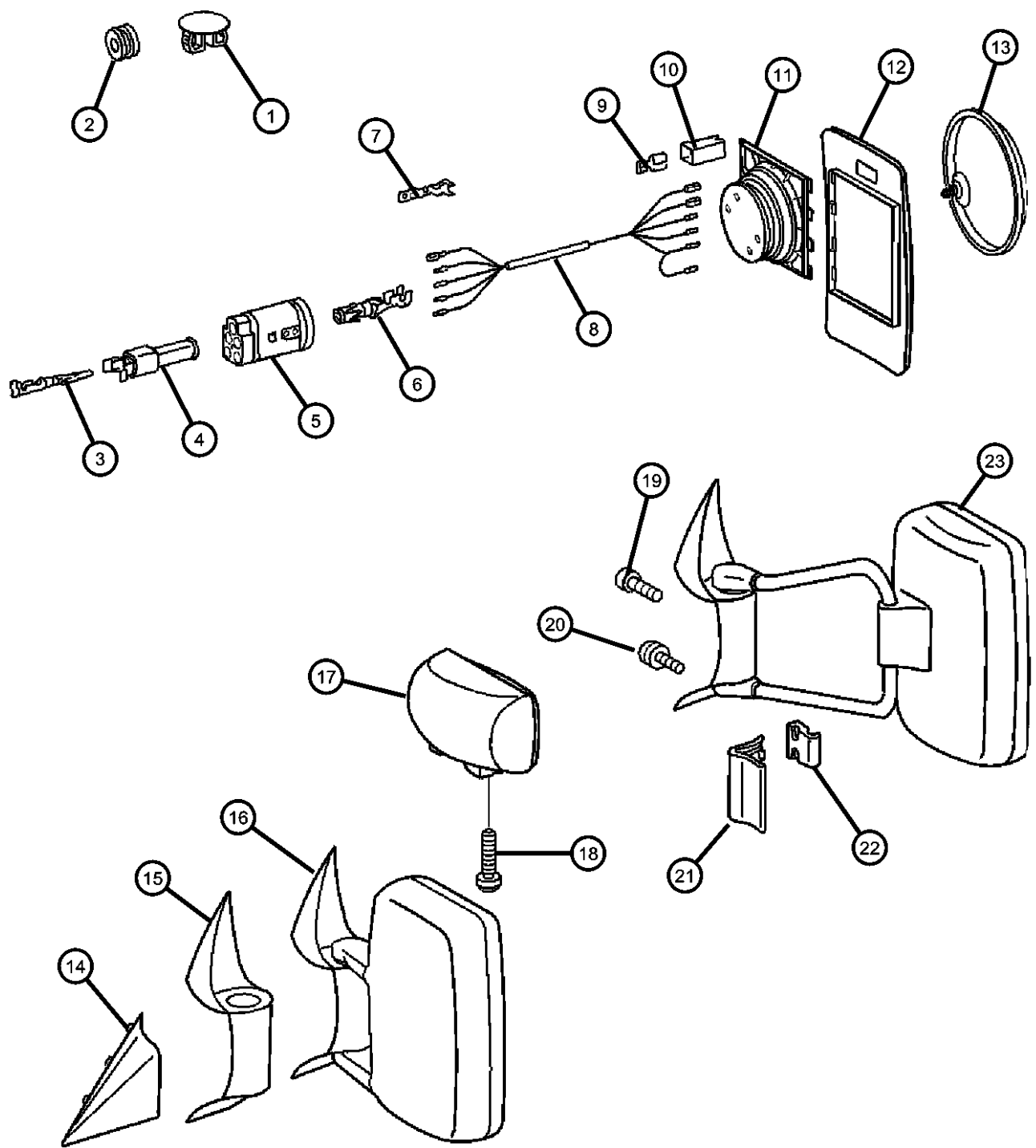
TRANSMISSION

DGJ = Transmission-5-Spd. Automatic, W5A580

AR = use ase required - = Non illustrated part

2003 VA

Mirrors, Exterior  
Figure DVA-520



ITEM	PART NUMBER	QTY	LINE	SERIES	BODY	ENGINE	TRANS	TRIM	DESCRIPTION
8		1	2, 6	L	51, 52, 54, 55, 56				WIRING, Mirror Jumper
	05133502AA	1	3, 7	L	12, 15, 16				
		1	2, 6	L	11, 12, 14, 15, 16				
	05133503AA	1	2, 6	L	51, 52, 54, 55, 56				[4E9,4XL]
		1	2, 6	L	11, 12, 14, 15, 16				[4E9,4XL]
9		1	2, 6	L	51, 52, 54, 55, 56				PLUG
	05133367AA	1	2, 6	L	11, 12, 14, 15, 16				
		1	2, 6	L	51, 52, 54, 55, 56				
		1	3, 7	L	12, 15, 16				TERMINAL
10	05133504AA	1	3, 7	L	12, 15, 16				
		1	2, 6	L	11, 12, 14, 15, 16				
		1	2, 6	L	51, 52, 54, 55, 56				MOTOR, Electric
11	05133505AA	1	2, 6	L	11, 12, 14, 15, 16				
		1	2, 6	L	51, 52, 54, 55, 56				
		1	3, 7	L	12, 15, 16				GLASS, Mirror Replacement
12	05103757AA	1	3, 7	L	12, 15, 16				Flat, Right
		1	2, 6	L	14, 15, 16, 11, 12				Flat, Right
		1	2, 6	L	51, 52, 54, 55, 56				Flat, Right
	05103758AA	1	3, 7	L	16, 12, 15				Flat, Left
		1	2, 6	L	11, 12, 14, 15, 16				Flat, Left

SPRINTER (VA)

SERIES	LINE	BODY	ENGINE	TRANSMISSION
L = LOWLINE	3 = HD DODGE 2WD 6 = Lt. Duty DODGE 4WD 2 = Med. Duty DODGE 2WD 7 = Med. Duty DODGE 4WD	51 = WAGON WHEEL BASE 1 52 = WAGON WHEEL BASE 2 14 = VAN WHEEL BASE 4 15 = VAN WHEEL BASE 5 16 = VAN WHEEL BASE 6 54 = WAGON WHEEL BASE 4 55 = WAGON WHEEL BASE 5 56 = WAGON WHEEL BASE 6 11 = VAN WHEEL BASE 1 12 = VAN WHEEL BASE 2	EX9 = Engine - 2.7L 5 Cly Mercedes Diesel	DGJ = Transmission-5-Spd. Automatic,W5A580

AR = use ase required - = Non illustrated part

## Mirrors, Exterior Figure DVA-520

ITEM	PART NUMBER	QTY	LINE	SERIES	BODY	ENGINE	TRANS	TRIM	DESCRIPTION	
13		1	2, 6	L	51, 52, 54, 55, 56				Flat, Left	
	05103760AA	1	3, 7	L	12, 15, 16				Curved, Right	
		1	2, 6	L	11, 12, 14, 15, 16				Curved, Right	
		1	2, 6	L	51, 52, 54, 55, 56				Curved, Right	
			1	2, 6	L	11, 12, 14, 15, 16				MIRROR, Outside Rearview, To Roof
	05124267AA	1	2, 6	L	11, 12, 14, 15, 16				Optional with 5124265AA	
		1	3, 7	L	12, 15, 16				Optional with 5124265AA	
	05124265AA	1	2, 6	L	11, 12, 14, 15, 16				Optional with 5124267AA	
14		1	3, 7	L	12, 15, 16				Optional with 5124267AA	
		1	2, 6	L	11, 12, 14, 15, 16				COVER, Mirror Flag Left	
	05104444AA	1	2, 6	L	11, 12, 14, 15, 16				Left	
		1	2, 6	L	51, 52, 54, 55, 56				Left	
		1	3, 7	L	12, 15, 16				Left	
15		1	2, 6	L	11, 12, 14, 15, 16				Right	
	05104445AA	1	2, 6	L	11, 12, 14, 15, 16				Right	
		1	2, 6	L	51, 52, 54, 55, 56				Right	
		1	3, 7	L	12, 15, 16				Right	
		1	3, 7	L	12, 15, 16				COVER, Mirror Flag Right	
	05133499AA	1	3, 7	L	12, 15, 16				Right	
16		1	2, 6	L	11, 12, 14, 15, 16				Right	
		1	2, 6	L	51, 52, 54, 55, 56				Right	
	05104446AA	1	3, 7	L	12, 15, 16				Left	
		1	2, 6	L	11, 12, 14, 15, 16				Left	
		1	2, 6	L	51, 52, 54, 55, 56				Left	
	1	2, 6	L	51, 52, 54, 55, 56				MIRROR, Outside Rearview Left		
	05104440AA	1	3, 7	L	12, 15, 16				Left	

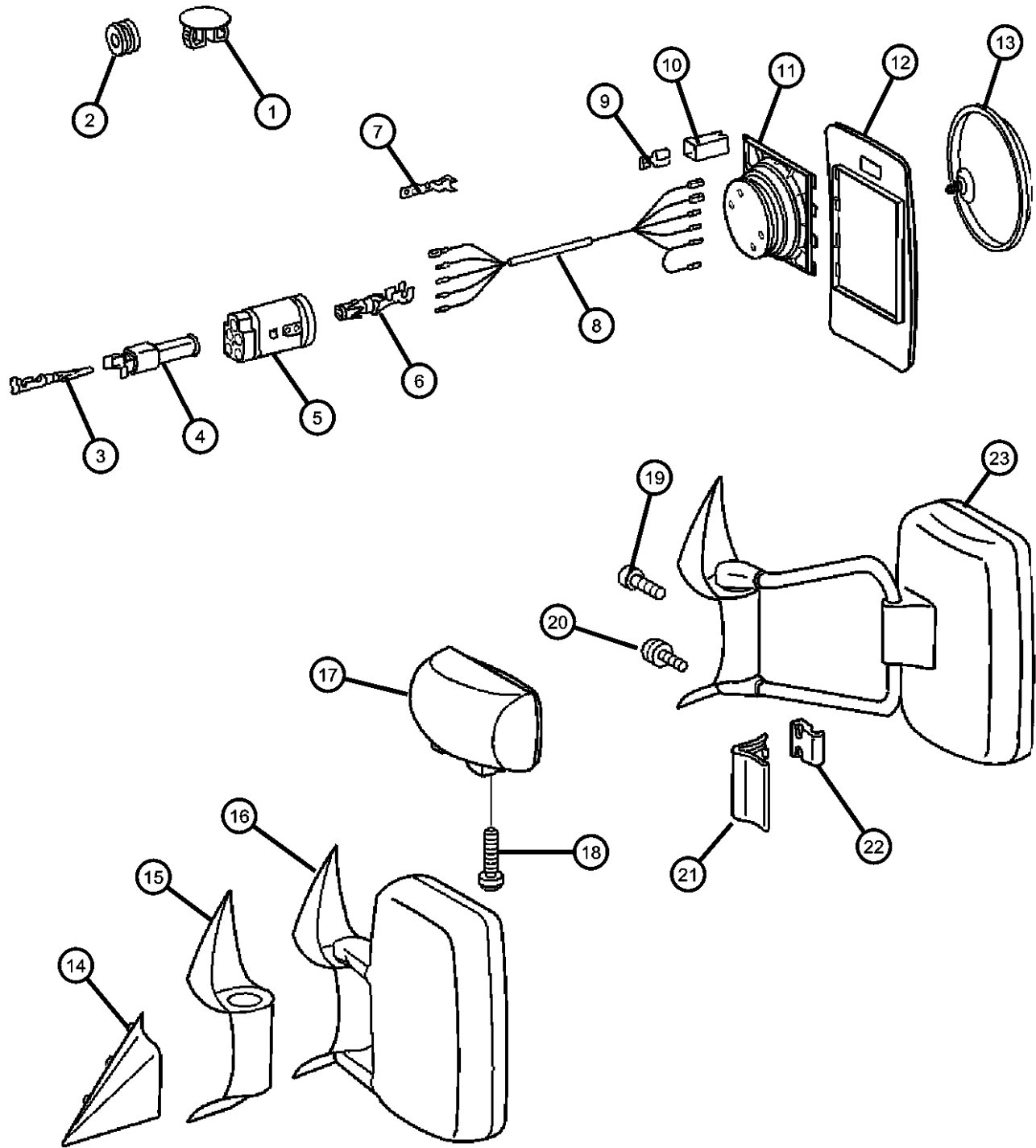
**SPRINTER (VA)**

SERIES	LINE	BODY	ENGINE	TRANSMISSION
L = LOWLINE	3 = HD DODGE 2WD 6 = Lt. Duty DODGE 4WD 2 = Med. Duty DODGE 2WD 7 = Med. Duty DODGE 4WD	51 = WAGON WHEEL BASE 1 52 = WAGON WHEEL BASE 2 14 = VAN WHEEL BASE 4 15 = VAN WHEEL BASE 5 16 = VAN WHEEL BASE 6 54 = WAGON WHEEL BASE 4 55 = WAGON WHEEL BASE 5 56 = WAGON WHEEL BASE 6 11 = VAN WHEEL BASE 1 12 = VAN WHEEL BASE 2	EX9 = Engine - 2.7L 5 Cly Mercedes Diesel	DGJ = Transmission-5-Spd. Automatic, W5A580

AR = use ase required - = Non illustrated part



Mirrors, Exterior  
Figure DVA-520



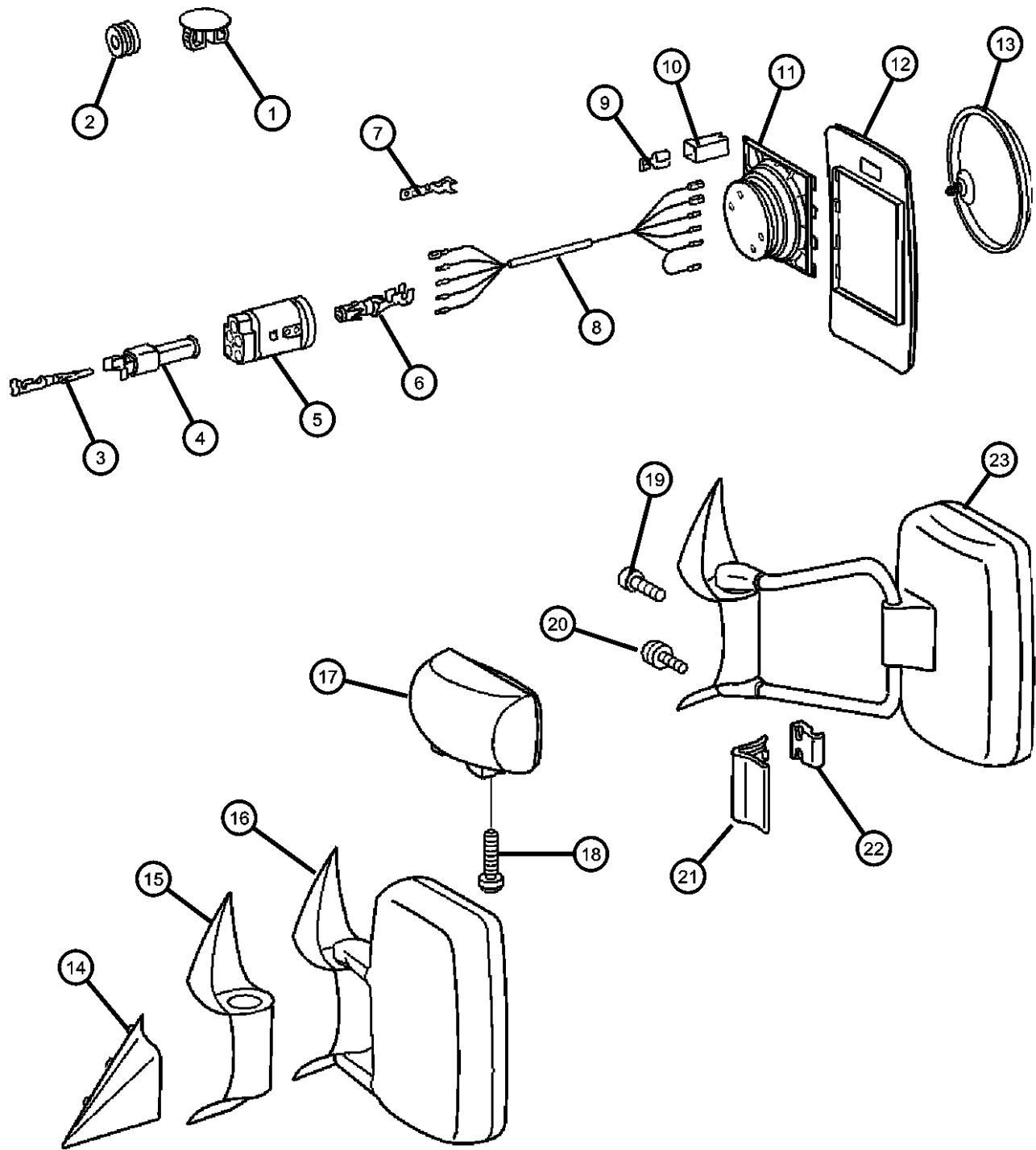
ITEM	PART NUMBER	QTY	LINE	SERIES	BODY	ENGINE	TRANS	TRIM	DESCRIPTION
		1	2, 6	L	11, 12, 14, 15, 16				Left
		1	2, 6	L	51, 52, 54, 55, 56				Left
	05124196AA	1	2, 6	L	11, 12, 14, 15, 16				Electric, Right
		1	2, 6	L	56, 51, 52, 54, 55				Electric, Right
	05104441AA	1	3, 7	L	12, 15, 16				Electric, Right
		1	3, 7	L	12, 15, 16				Right
		1	2, 6	L	11, 12, 14, 15, 16				Right
	05124184AA	1	2, 6	L	51, 52, 54, 55, 56				Right
		1	6, 2	L	11, 12, 14, 15, 16				Electric, Left
		1	2, 6	L	51, 52, 54, 55, 56				Electric, Left
		1	3, 7	L	12, 15, 16				Electric, Left
17	05103592AA	1	2, 6	L	11, 12, 14, 15, 16				MIRROR, Outside Rearview
		1	2, 6	L	51, 52, 54, 55, 56				Left
		1	3, 7	L	12, 15, 16				Left
	05103593AA	1	2, 6	L	11, 12, 14, 15, 16				Right
		1	2, 6	L	51, 52, 54, 55, 56				Right
		1	3, 7	L	12, 15, 16				Right
18	05133507AA	2	2, 6	L	11, 12, 14, 15, 16				SCREW
		2	2, 6	L	51, 52, 54, 55, 56				
		1	3, 7	L	12, 15, 16				
19	05125420AA	1	3, 7	L	12, 15, 16				BOLT, Torx

SPRINTER (VA)

SERIES	LINE	BODY	ENGINE	TRANSMISSION
L = LOWLINE	3 = HD DODGE 2WD 6 = Lt. Duty DODGE 4WD 2 = Med. Duty DODGE 2WD 7 = Med. Duty DODGE 4WD	51 = WAGON WHEEL BASE 1 52 = WAGON WHEEL BASE 2 14 = VAN WHEEL BASE 4 15 = VAN WHEEL BASE 5 16 = VAN WHEEL BASE 6 54 = WAGON WHEEL BASE 4 55 = WAGON WHEEL BASE 5 56 = WAGON WHEEL BASE 6 11 = VAN WHEEL BASE 1 12 = VAN WHEEL BASE 2	EX9 = Engine - 2.7L 5 Cly Mercedes Diesel	DGJ = Transmission-5-Spd. Automatic, W5A580

AR = use ase required - = Non illustrated part

Mirrors, Exterior  
Figure DVA-520



ITEM	PART NUMBER	QTY	LINE	SERIES	BODY	ENGINE	TRANS	TRIM	DESCRIPTION
20		1	2, 6	L	11, 12, 14, 15, 16				SCREW, DOOR SLIDE MECHANISM TO DOOR, SPRINTER
		1	2, 6	L	51, 52, 54, 55, 56				
21	05104610AA	2	3, 7	L	12, 15, 16				COVER, Mirror Flag
		2	2, 6	L	11, 12, 14, 15, 16				
		2	2, 6	L	51, 52, 54, 55, 56				
	05103675AA	1	3, 7	L	12, 15, 16				
22		1	2, 6	L	11, 12, 14, 15, 16				CLAMP
		1	2, 6	L	51, 52, 54, 55, 56				
	05133500AA	2	3, 7	L	12, 15, 16				
23		2	2, 6	L	11, 12, 14, 15, 16				MIRROR, Outside Rearview Right Electric Heater3500, Left Wide Angle Electric Heater2500 Electric Heater2500 Electric Heater2500
		2	2, 6	L	51, 52, 54, 55, 56				
	05124255AA	1		L					
	05124251AA	1		L					
	05124259AA	1		L					
	05124261AA	1	3, 7	L	12, 15, 16				
		1	2, 6	L	11, 12, 14, 15, 16				
	1	2, 6	L	51, 52, 54, 55, 56					

SPRINTER (VA)

SERIES

L = LOWLINE  
3 = HD DODGE 2WD  
6 = Lt. Duty DODGE 4WD  
2 = Med. Duty DODGE 2WD  
7 = Med. Duty DODGE 4WD

LINE

BODY

51 = WAGON WHEEL BASE 1  
52 = WAGON WHEEL BASE 2  
14 = VAN WHEEL BASE 4  
15 = VAN WHEEL BASE 5  
16 = VAN WHEEL BASE 6  
54 = WAGON WHEEL BASE 4  
55 = WAGON WHEEL BASE 5  
56 = WAGON WHEEL BASE 6  
11 = VAN WHEEL BASE 1  
12 = VAN WHEEL BASE 2

ENGINE

EX9 = Engine - 2.7L 5 Cly  
Mercedes Diesel

TRANSMISSION

DGJ = Transmission-5-Spd.  
Automatic,W5A580

AR = use ase required - = Non illustrated part

2003 VA

# Group - EVA

## Exterior Ornamentation

### Group - EVA Exterior Ornamentation

Group-Fig. No.

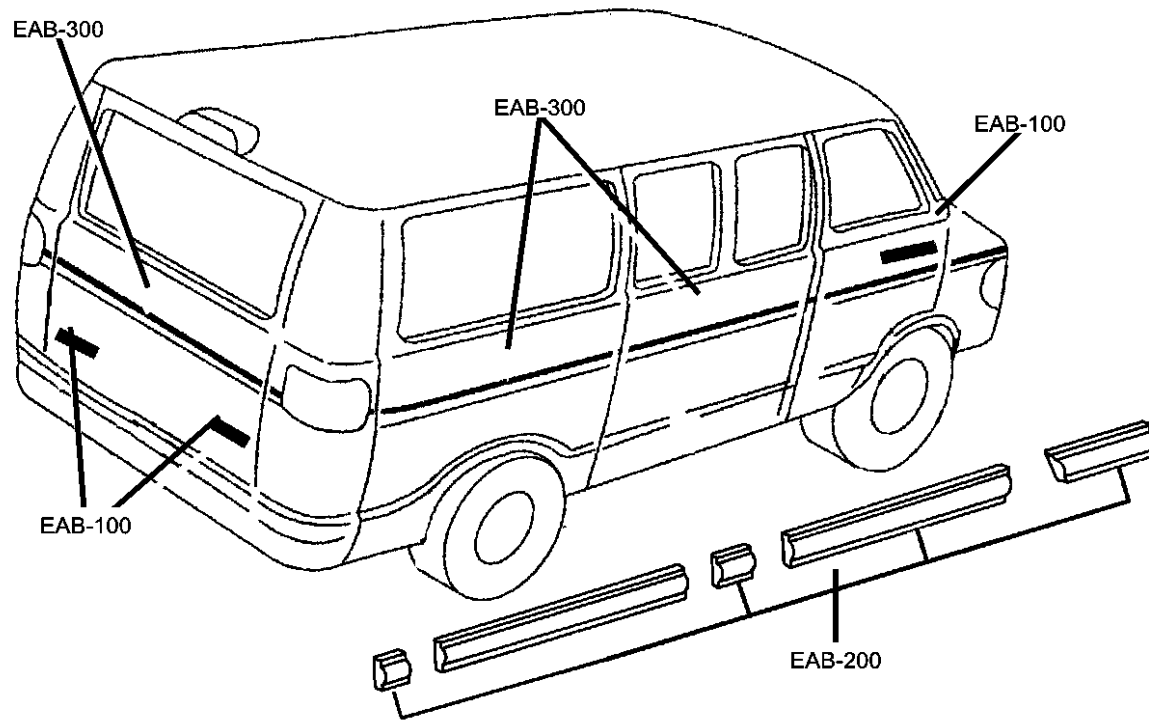
Illustration Title

#### Nameplates

Nameplates And Decals .....Fig. EVA - 120

#### Moldings and Ornamentation

Exterior Moldings.....Fig. EVA - 210

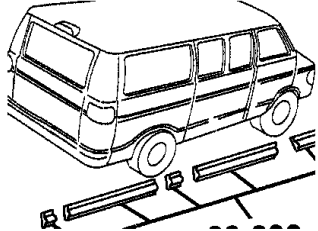


**EVA-100**  
Nameplates

**RAM**



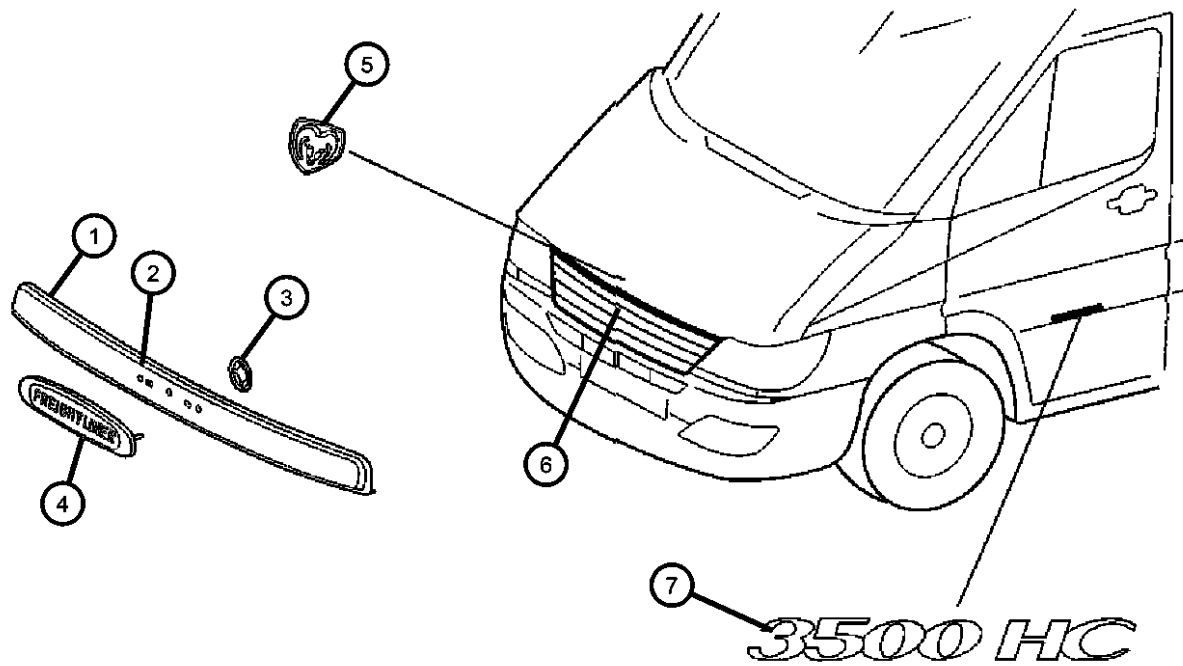
**EVA-200**  
Moldings and Ornamentation



### Nameplates And Decals Figure EVA-120

ITEM	PART NUMBER	QTY	LINE	SERIES	BODY	ENGINE	TRANS	TRIM	DESCRIPTION
------	-------------	-----	------	--------	------	--------	-------	------	-------------

NOTE:For [Dodge Sprinter] Applications Dealer Must Remove The ['Ram'] Portion Of The Name Plate Prior To Instalation On The Vehicle.  
[Sprinter] Is Identified As A [2500, 3500] Not [Ram 2500, Ram 3500].  
Line Code [2 & 3] Are For [Dodge Sprinter] Only  
Line Code [6 & 7] Are For [Freightliner Sprinter] Only  
Sales Codes:



1									MOLDING, Hood, DODGE
	05114372AA	1	2	L	11, 12, 14, 15, 16				
		1	3	L	12, 15, 16				
		1	2	L	51, 52, 54, 55, 56				
2									MOLDING, Hood, FREIGHTLINER
	05104400AA	1	6	L	11, 12, 14, 15, 16				
		1	7	L	12, 15, 16				
		1	6	L	51, 52, 54, 55, 56				
3									RETAINER, Hood Ornament
	05096429AA	2	2, 6	L	11, 12, 14, 15, 16				
		2	3, 7	L	12, 15, 16				
		2	2, 6	L	51, 52, 54, 55, 56				
4									NAMEPLATE, Hood
	05104449AA	1	6, 7	L	51, 52, 54, 55, 56				
		1	6, 7	L	11, 12, 14, 15, 16				
5	52851538AA	1	2, 3						MEDALLION, Ram Head
6	52851538AA	1							GRILLE, Radiator, See Group 7, (NOT SERVICED)
7									NAMEPLATE
	05132137AA	2	6	L	11, 12				[2500 HC] With [MGQ]
	05114369AA	1		L					[2500]
	05114370AA	1		L					[3500]
	05124314AA	2	7	L	12, 15, 16				[3500 SHC] With MWJ + MGQ]
	05124315AA	2	7	L	12, 15, 16				[3500 HC] With [MGQ]

**SPRINTER (VA)**

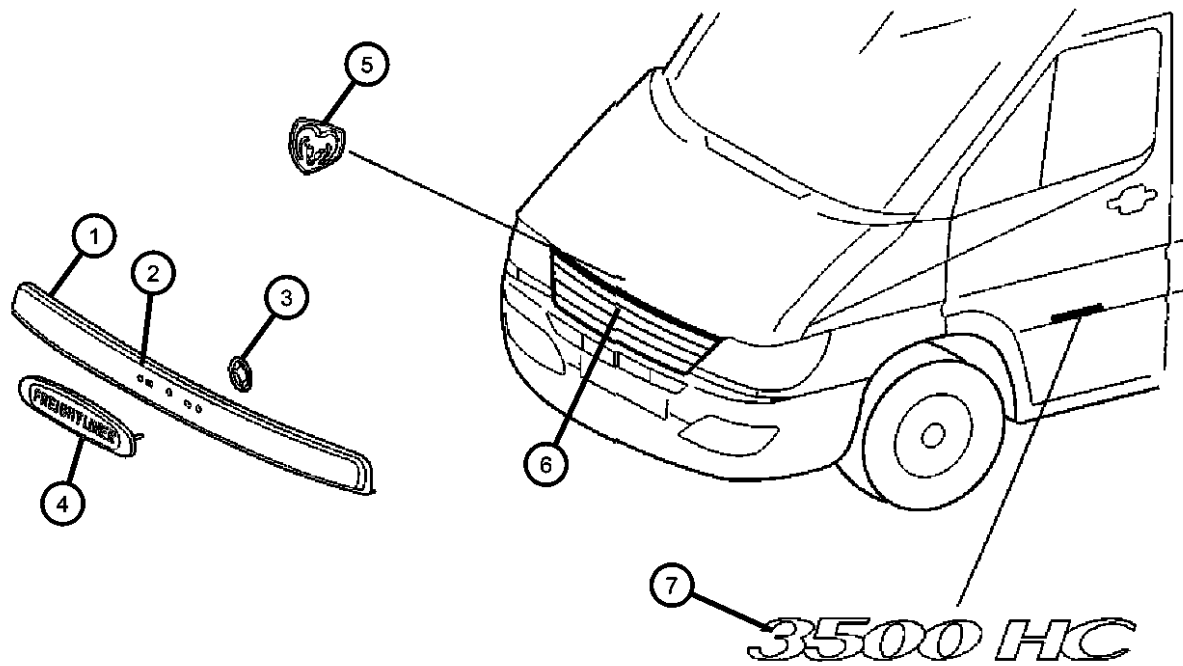
SERIES	LINE	BODY	ENGINE	TRANSMISSION
L = LOWLINE	3 = HD DODGE 2WD	51 = WAGON WHEEL BASE 1	EX9 = Engine - 2.7L 5 Cly	DGJ = Transmission-5-Spd. Automatic,W5A580
	6 = Lt. Duty DODGE 4WD	52 = WAGON WHEEL BASE 2	Mercedes Diesel	
	2 = Med. Duty DODGE 2WD	14 = VAN WHEEL BASE 4		
	7 = Med. Duty DODGE 4WD	15 = VAN WHEEL BASE 5		
		16 = VAN WHEEL BASE 6		
		54 = WAGON WHEEL BASE 4		
		55 = WAGON WHEEL BASE 5		
		56 = WAGON WHEEL BASE 6		
		11 = VAN WHEEL BASE 1		
		12 = VAN WHEEL BASE 2		

AR = use ase required - = Non illustrated part

2003 VA

**Nameplates And Decals  
Figure EVA-120**

ITEM	PART NUMBER	QTY	LINE	SERIES	BODY	ENGINE	TRANS	TRIM	DESCRIPTION
	05132136AA	2	6	L	11, 12, 14, 15, 16				[2500 C] With [MWJ + MGQ]
-8									NAMEPLATE, Rear Door
	05104454AA	1	3, 7	L	12, 15, 16				SPRINTER
	05104451AA	1	6, 7	L	51, 52, 54, 55, 56				FREIGHTLINER
		1	2, 6	L	51, 52, 54, 55, 56				SPRINTER
-9									NAMEPLATE, Powered By Mercedes
	05124317AA	2	6	L	11, 12, 14, 15, 16				[MGQ]
		2	7	L	12, 15, 16				[MGQ]
		2	6	L	51, 52, 54, 55, 56				[MGQ]



**SPRINTER (VA)**

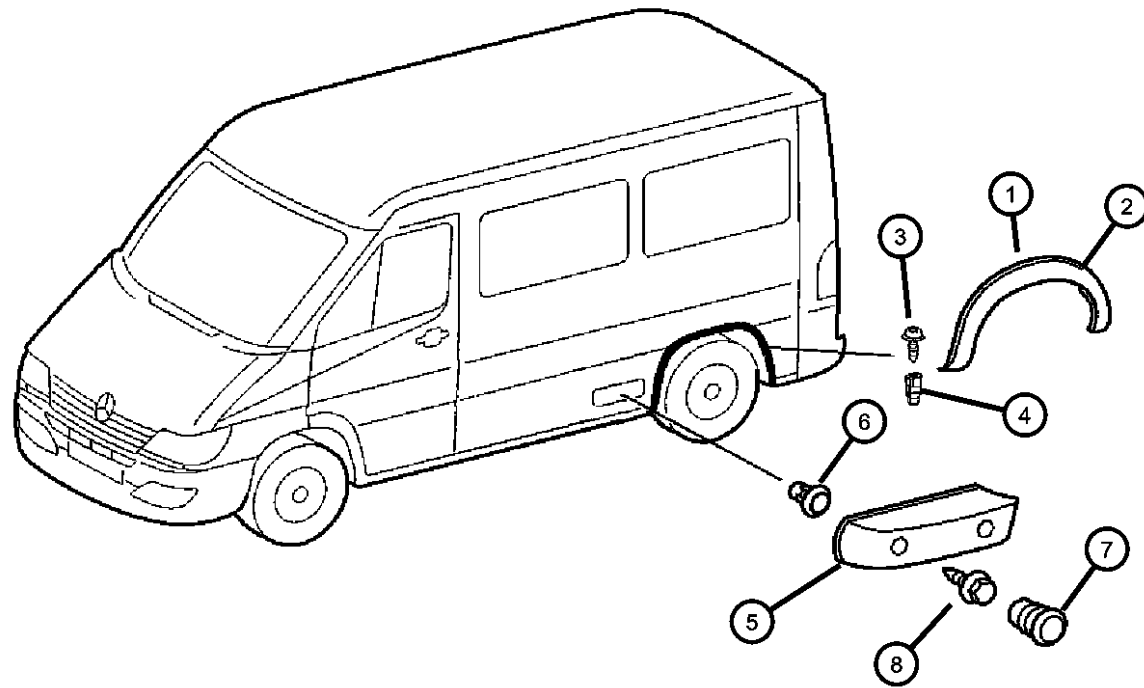
SERIES	LINE	BODY	ENGINE	TRANSMISSION
L = LOWLINE	3 = HD DODGE 2WD 6 = Lt. Duty DODGE 4WD 2 = Med. Duty DODGE 2WD 7 = Med. Duty DODGE 4WD	51 = WAGON WHEEL BASE 1 52 = WAGON WHEEL BASE 2 14 = VAN WHEEL BASE 4 15 = VAN WHEEL BASE 5 16 = VAN WHEEL BASE 6 54 = WAGON WHEEL BASE 4 55 = WAGON WHEEL BASE 5 56 = WAGON WHEEL BASE 6 11 = VAN WHEEL BASE 1 12 = VAN WHEEL BASE 2	EX9 = Engine - 2.7L 5 Cly Mercedes Diesel	DGJ = Transmission-5-Spd. Automatic,W5A580

AR = use ase required - = Non illustrated part

## Exterior Moldings Figure EVA-210

ITEM	PART NUMBER	QTY	LINE	SERIES	BODY	ENGINE	TRANS	TRIM	DESCRIPTION
------	-------------	-----	------	--------	------	--------	-------	------	-------------

NOTE:  
Line Code [2 & 3] Are For [Dodge Sprinter] Only  
Line Code [6 & 7] Are For [Freightliner] Only  
Sales Codes:



1									FENDER, Rear
	05132499AA	2	2, 6	L	11, 12, 14, 15, 16				
		2	2, 6	L	51, 52, 54, 55, 56				
2	05125142AA	2	3, 7	L	12, 15, 16				MOLDING, Wheel Opening Flare
3									SCREW
	06104614AA	16	2, 6	L	11, 12, 14, 15, 16				
		16	2, 6	L	51, 52, 54, 55, 56				
4									NUT, Plastic Snap-in
	05098837AA	16	2, 6	L	11, 12, 14, 15, 16				
		16	2, 6	L	51, 52, 54, 55, 56				
5									MOLDING, Quarter Trim
	05123563AA	1	3, 7	L	12, 15, 16				Left
	05123564AA	1	3, 7	L	12, 15, 16				Right
6	05125550AA	4	3, 7	L	12, 15, 16				RETAINER
7	05126001AA	4	3, 7	L	12, 15, 16				PLUG, Cover
8	06104614AA	16	3, 7	L	12, 15, 16				SCREW
-9	05104639AA	16	3, 7	L	12, 15, 16				WASHER
-10									LENS, Reflector on side Panel
	05124605AA	4	2, 6	L	11, 12, 14, 15, 16				
		4	3, 7	L	12, 15, 16				
		4	2, 6	L	51, 52, 54, 55, 56				

### SPRINTER (VA)

SERIES	LINE	BODY	ENGINE	TRANSMISSION
L = LOWLINE	3 = HD DODGE 2WD 6 = Lt. Duty DODGE 4WD 2 = Med. Duty DODGE 2WD 7 = Med. Duty DODGE 4WD	51 = WAGON WHEEL BASE 1 14 = VAN WHEEL BASE 4 15 = VAN WHEEL BASE 5 16 = VAN WHEEL BASE 6 54 = WAGON WHEEL BASE 4 55 = WAGON WHEEL BASE 5 56 = WAGON WHEEL BASE 6 11 = VAN WHEEL BASE 1 12 = VAN WHEEL BASE 2	EX9 = Engine - 2.7L 5 Cly Mercedes Diesel	DGJ = Transmission-5-Spd. Automatic, W5A580

AR = use ase required - = Non illustrated part

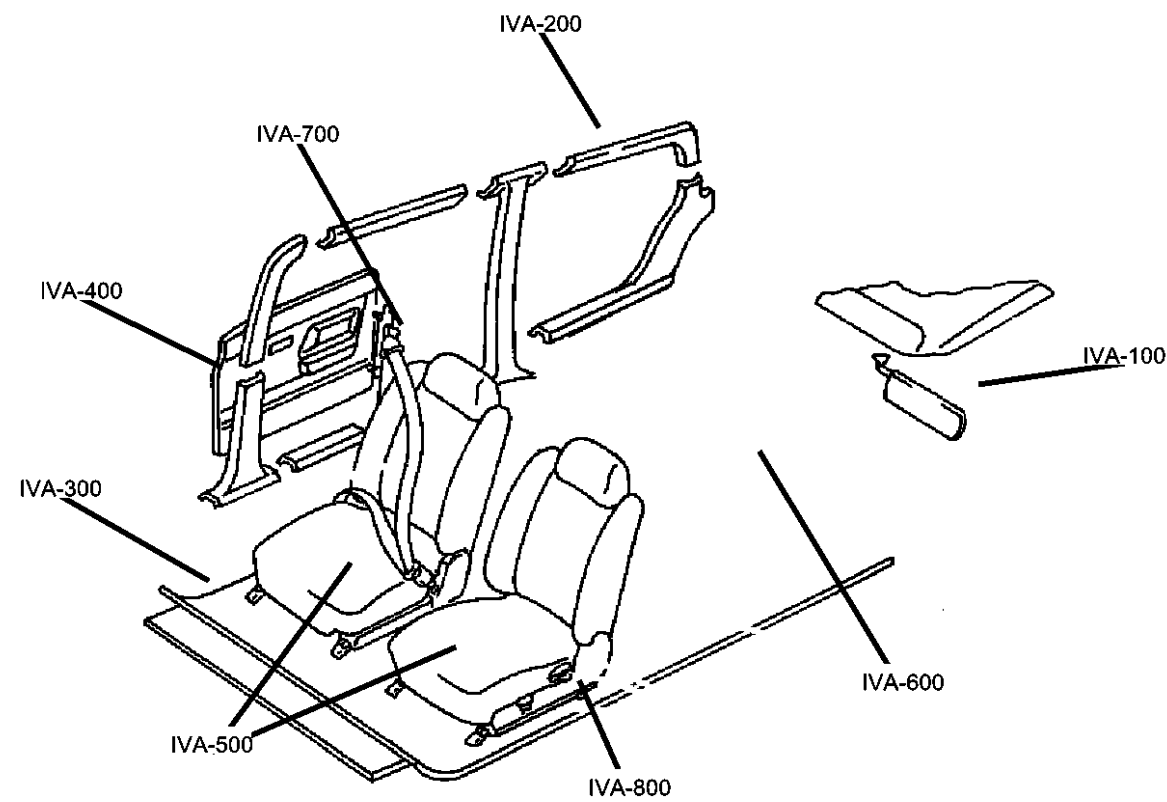
# Group - IVA

## Interior Trim

### Group - IVA Interior Trim

Illustration Title

Group-Fig. No.



#### Headliner and Visor

Headliner, Low Roof .....	Fig. IVA - 110
Headliner, High Roof.....	Fig. IVA - 115
Sunvisors, Grabhandles, Shelf and Attaching Parts.....	Fig. IVA - 120

#### Moldings, Scuff Plates

Inner Panels - Fabric.....	Fig. IVA - 210
Inner Panels - Cab .....	Fig. IVA - 215
Inner Panels - Plywood.....	Fig. IVA - 220
Inner Panel, Hard Fiber.....	Fig. IVA - 221
Inner Panels .....	Fig. IVA - 225
Inner Paneling Window - Pillar In Cab.....	Fig. IVA - 230
Cargo Retainers - Without Windows.....	Fig. IVA - 235
Cargo Retainers - With Windows .....	Fig. IVA - 240
Rear Pillar Inner Panel.....	Fig. IVA - 245
Cowl Panel - Silencer.....	Fig. IVA - 250
Partition Wall and Sliding Door.....	Fig. IVA - 260

#### Carpet

Carpet - Floor.....	Fig. IVA - 310
Floor Lining, Entry Paneling & Footrest .....	Fig. IVA - 315
Floor - Rubber.....	Fig. IVA - 320
Floor - Wooden.....	Fig. IVA - 330
Insulation - Carpet.....	Fig. IVA - 340
Insulation Floor.....	Fig. IVA - 350

#### Door Trim Panels-Front and Sliding

Front Door Trim .....	Fig. IVA - 410
Sliding Door Trim.....	Fig. IVA - 420
Rear Dual Door Trim.....	Fig. IVA - 430

#### Front Seats and Attaching Parts

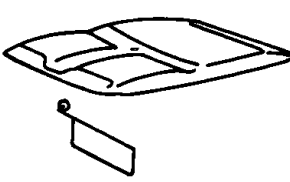
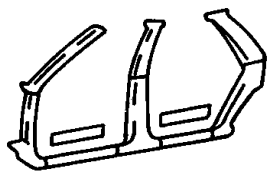
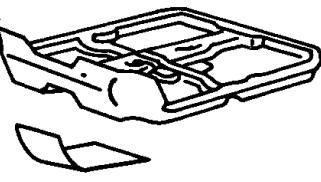
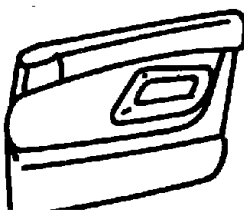

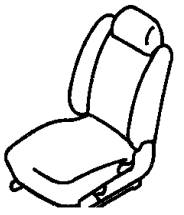
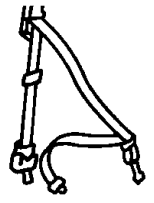
Front Seat - Venice .....	Fig. IVA - 510
Front Seat - Santos .....	Fig. IVA - 515
Front Seat - Catano.....	Fig. IVA - 520
Front Seat - Attaching Parts.....	Fig. IVA - 525
Front Seat - Attaching Parts - Riser.....	Fig. IVA - 530
Front Seat - Attaching Parts.....	Fig. IVA - 535

#### Rear Seats

Rear Seat - 2 Passenger .....	Fig. IVA - 610
Rear Seat - 3 Passenger .....	Fig. IVA - 615
Attaching Parts - 3rd Passenger Seat .....	Fig. IVA - 620

#### Seat Belts-Front and Rear

Seat Belt - Front.....	Fig. IVA - 710
Seat Belt - Second Row .....	Fig. IVA - 720

<b>IVA-100</b> Headliner and Visor 	<b>IVA-200</b> Moldings, Scuff Plates 	<b>IVA-300</b> Carpet 	<b>IVA-400</b> Door Trim Panels-Front and Sliding 
<b>IVA-500</b> Front Seats and Attaching Parts 	<b>IVA-600</b> Rear Seats 	<b>IVA-700</b> Seat Belts-Front and Rear 	

## Headliner, Low Roof Figure IVA-110

	ITEM	PART NUMBER	QTY	LINE	SERIES	BODY	ENGINE	TRANS	TRIM	DESCRIPTION
	1									HEADLINER, Front
		05123080AA	1	3, 7	L	12, 15, 16				Without Sunroof or Cargo Partition
			1	2, 6	L	51, 52, 54, 55, 56				Without Sunroof or Cargo Partition
			1	2, 6	L	11, 12, 14, 15, 16				Without Sunroof or Cargo Partition
		05123083AA	1	3, 7	L	12, 15, 16				With Sunroof, Without Cargo Partition
			1	2, 6	L	51, 52, 54, 55, 56				With Sunroof, Without Cargo Partition
			1	2, 6	L	11, 12, 14, 15, 16				With Sunroof, Without Cargo Partition
		05123465AA	1	3, 7	L	12, 15, 16				Without Sunroof With Cargo Partition
			1	2, 6	L	11, 12, 14, 15, 16				Without Sunroof With Cargo Partition
			1	2, 6	L	51, 52, 54, 55, 56				Without Sunroof With Cargo Partition
		05123470AA	1	3, 7	L	12, 15, 16				With Sunroof and Cargo Partition
			1	2, 6	L	51, 52, 54, 55, 56				With Sunroof and Cargo Partition
			1	2, 6	L	11, 12, 14, 15, 16				With Sunroof and Cargo Partition
	2									MOLDING, Headliner
		05123480AA	1	3, 7	L	12, 15, 16				With Right Sliding Door
			1	2, 6	L	51, 52, 54, 55, 56				With Right Sliding Door
			1	2, 6	L	11, 12, 14, 15, 16				With Right Sliding Door
		05123482AA	1	3, 7	L	12, 15, 16				With Left Sliding Door
			1	2, 6	L	51, 52, 54, 55, 56				With Left Sliding Door
			1	2, 6	L	11, 12, 14, 15, 16				With Left Sliding Door
		05123484AA	1	3, 7	L	12, 15, 16				With Right & Left Sliding Door
			1	2, 6	L	51, 52, 54, 55, 56				With Right & Left Sliding Door
			1	2, 6	L	11, 12, 14, 15, 16				With Right & Left Sliding Door
	3									HEADLINER, Center

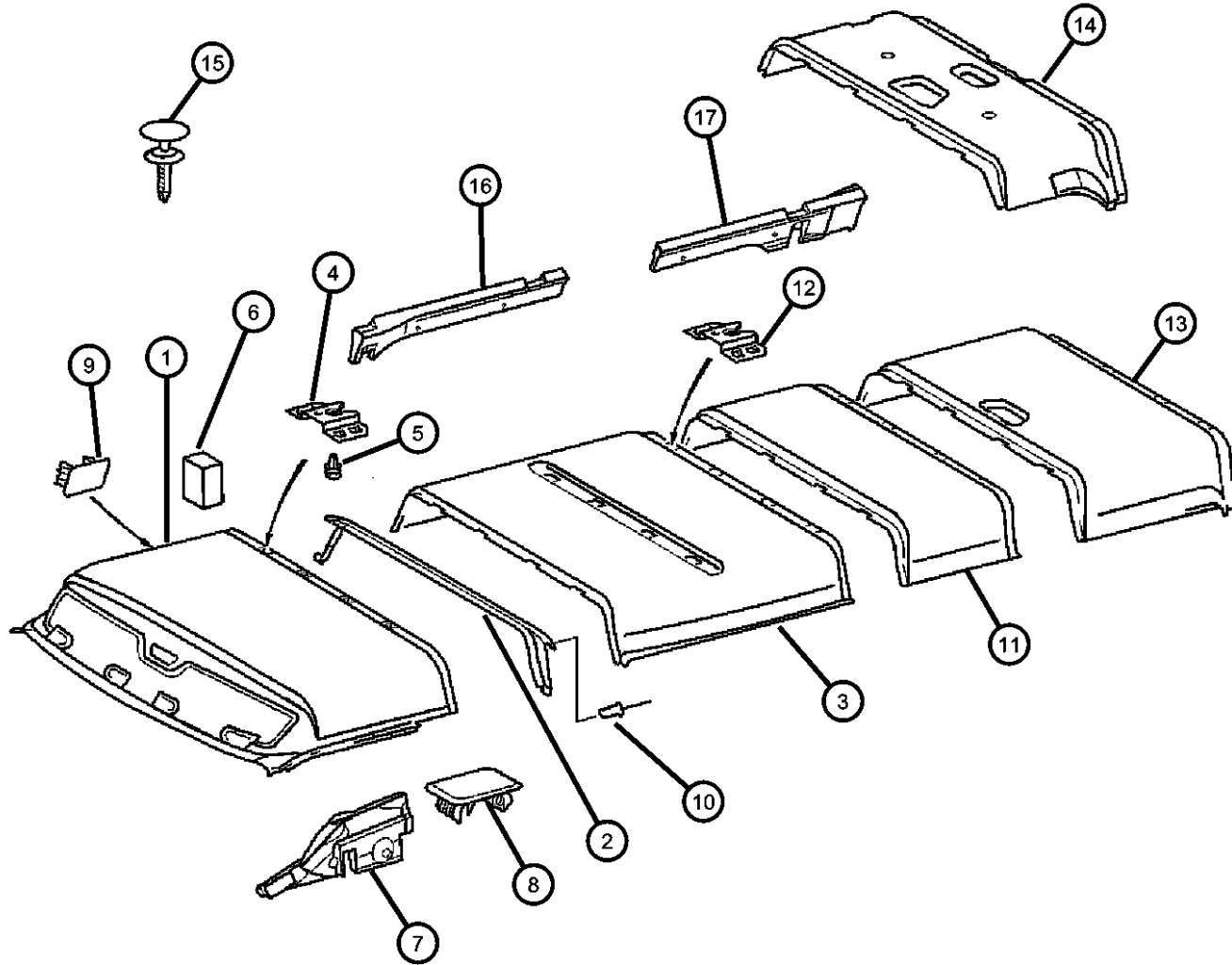
**SPRINTER (VA)**

SERIES	LINE	BODY	ENGINE	TRANSMISSION
L = LOWLINE	3 = HD DODGE 2WD 6 = Lt. Duty DODGE 4WD 2 = Med. Duty DODGE 2WD 7 = Med. Duty DODGE 4WD	51 = WAGON WHEEL BASE 1 52 = WAGON WHEEL BASE 2 14 = VAN WHEEL BASE 4 15 = VAN WHEEL BASE 5 16 = VAN WHEEL BASE 6 54 = WAGON WHEEL BASE 4 55 = WAGON WHEEL BASE 5 56 = WAGON WHEEL BASE 6 11 = VAN WHEEL BASE 1 12 = VAN WHEEL BASE 2	EX9 = Engine - 2.7L 5 Cyl Mercedes Diesel	DGJ = Transmission-5-Spd. Automatic, W5A580

AR = use ase required - = Non illustrated part



Headliner, Low Roof  
Figure IVA-110



ITEM	PART NUMBER	QTY	LINE	SERIES	BODY	ENGINE	TRANS	TRIM	DESCRIPTION
	05123093AA	1	2, 6	L	11, 12, 14, 15, 16				With Right Sliding Door
		1	3, 7	L	12, 15, 16				With Right Sliding Door
		1	2, 6	L	51, 52, 54, 55, 56				With Right Sliding Door
	05123095AA	1	3, 7	L	12, 15, 16				With Left Sliding Door
		1	2, 6	L	51, 52, 54, 55, 56				With Left Sliding Door
		1	2, 6	L	11, 12, 14, 15, 16				With Left Sliding Door
	05123097AA	1	3, 7	L	12, 15, 16				With Right & Left Sliding Door
		1	2, 6	L	51, 52, 54, 55, 56				With Right & Left Sliding Door
		1	2, 6	L	11, 12, 14, 15, 16				With Right & Left Sliding Door
4	05123436AA	4	3, 7	L	12, 15, 16				BRACKET, Headliner to Roof Rail
		4	2, 6	L	51, 52, 54, 55, 56				
		4	2, 6	L	11, 12, 14, 15, 16				
5	05125569AA	8	3, 7	L	12, 15, 16				CLIP, Headlining
		8	2, 6	L	51, 52, 54, 55, 56				
		8	2, 6	L	11, 12, 14, 15, 16				
6	05123547AA	2	2, 6	L	51, 52, 54, 55, 56				PAD, Headlining
		2	2, 6	L	11, 12, 14, 15, 16				
		2	3, 7	L	12, 15, 16				
7	05123496AA	1	3, 7	L	12, 15, 16				FLOCK, Nylon Left
		1	2, 6	L	51, 52, 54, 55, 56				Left
	05123497AA	1	3, 7	L	12, 15, 16				Right

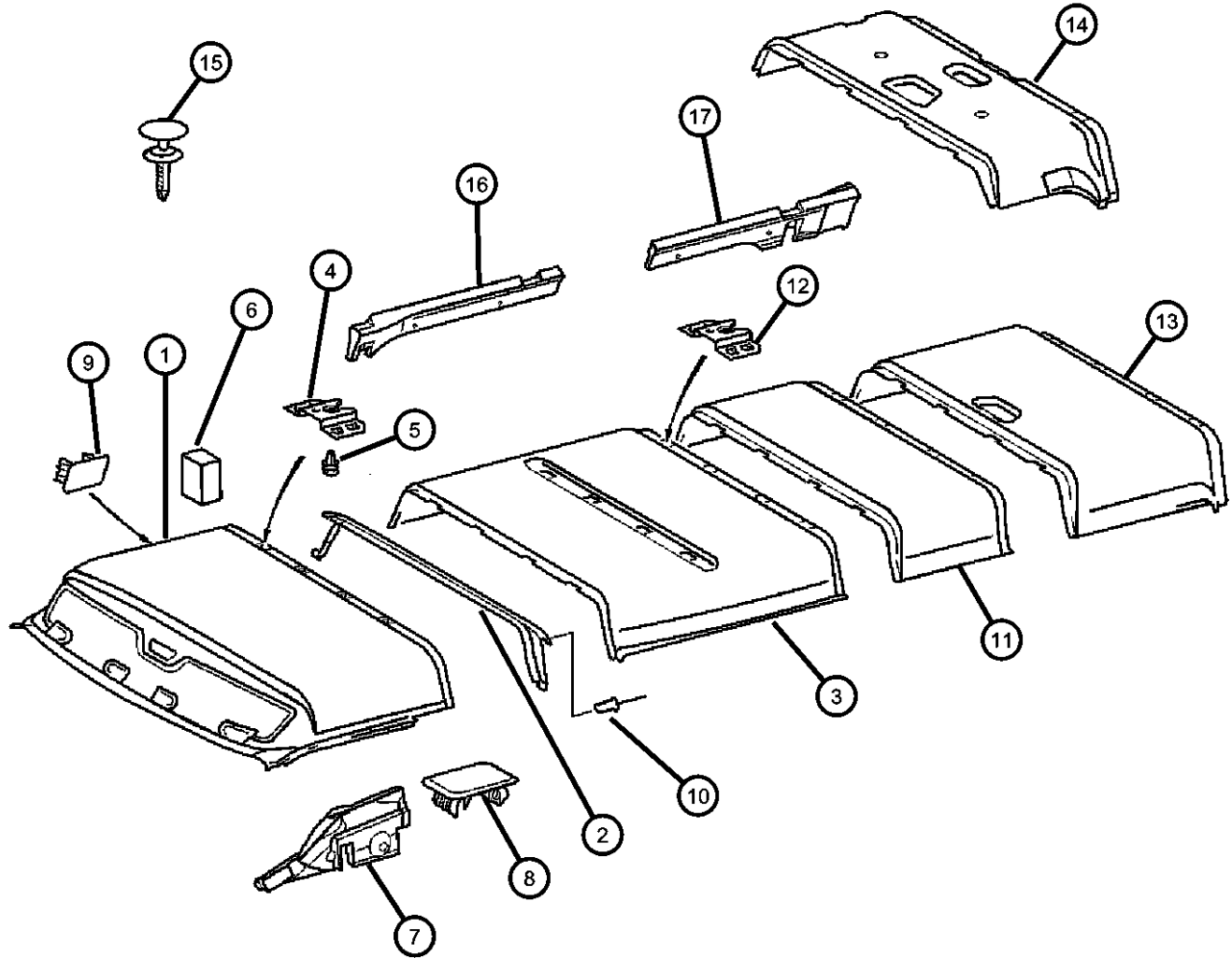
SPRINTER (VA)

SERIES	LINE	BODY	ENGINE	TRANSMISSION
L = LOWLINE	3 = HD DODGE 2WD 6 = Lt. Duty DODGE 4WD 2 = Med. Duty DODGE 2WD 7 = Med. Duty DODGE 4WD	51 = WAGON WHEEL BASE 1 52 = WAGON WHEEL BASE 2 14 = VAN WHEEL BASE 4 15 = VAN WHEEL BASE 5 16 = VAN WHEEL BASE 6 54 = WAGON WHEEL BASE 4 55 = WAGON WHEEL BASE 5 56 = WAGON WHEEL BASE 6 11 = VAN WHEEL BASE 1 12 = VAN WHEEL BASE 2	EX9 = Engine - 2.7L 5 Cly Mercedes Diesel	DGJ = Transmission-5-Spd. Automatic, W5A580

AR = use ase required - = Non illustrated part

**Headliner, Low Roof  
Figure IVA-110**

ITEM	PART NUMBER	QTY	LINE	SERIES	BODY	ENGINE	TRANS	TRIM	DESCRIPTION
		1	2, 6	L	51, 52, 54, 55, 56				Right
		1	2, 6	L	11, 12, 14, 15, 16				Right
		1	2, 6	L	11, 12, 14, 15, 16				Left
8									CLIP, Headlining
	05125569AA	8	2, 6	L	51, 52, 54, 55, 56				
		8	3, 7	L	12, 15, 16				
		8	2, 6	L	11, 12, 14, 15, 16				
9	05123443AA	2		L					PLUG, Headliner
10									RIVET
	05133554AA	8	2, 6	L	11, 12, 14, 15, 16				
		8	2, 6	L	51, 52, 54, 55, 56				
		3	3, 7	L	12, 15, 16				
11									HEADLINER, Center
	05123107AA	1	3, 7	L	12, 15, 16				With Interior Lamp
		1	2, 6	L	51, 52, 54, 55, 56				With Interior Lamp
		1	2, 6	L	11, 12, 14, 15, 16				With Interior Lamp
	05123140AA	1	3, 7	L	12, 15, 16				With Sunroof
		1	2, 6	L	51, 52, 54, 55, 56				With Sunroof
		1	2, 6	L	11, 12, 14, 15, 16				With Sunroof
12									BRACKET
	05123436AA	8	3, 7	L	12, 15, 16				
		8	2, 6	L	51, 52, 54, 55, 56				
		8	2, 6	L	11, 12, 14, 15, 16				
13									HEADLINER, Rear
	05123108AA	1	3, 7	L	12, 15, 16				



**SPRINTER (VA)**

**SERIES**

L = LOWLINE

**LINE**

3 = HD DODGE 2WD  
6 = Lt. Duty DODGE 4WD  
2 = Med. Duty DODGE 2WD  
7 = Med. Duty DODGE 4WD

**BODY**

51 = WAGON WHEEL BASE 1  
52 = WAGON WHEEL BASE 2  
14 = VAN WHEEL BASE 4  
15 = VAN WHEEL BASE 5  
16 = VAN WHEEL BASE 6  
54 = WAGON WHEEL BASE 4  
55 = WAGON WHEEL BASE 5  
56 = WAGON WHEEL BASE 6  
11 = VAN WHEEL BASE 1  
12 = VAN WHEEL BASE 2

**ENGINE**

EX9 = Engine - 2.7L 5 Cyl  
Mercedes Diesel

**TRANSMISSION**

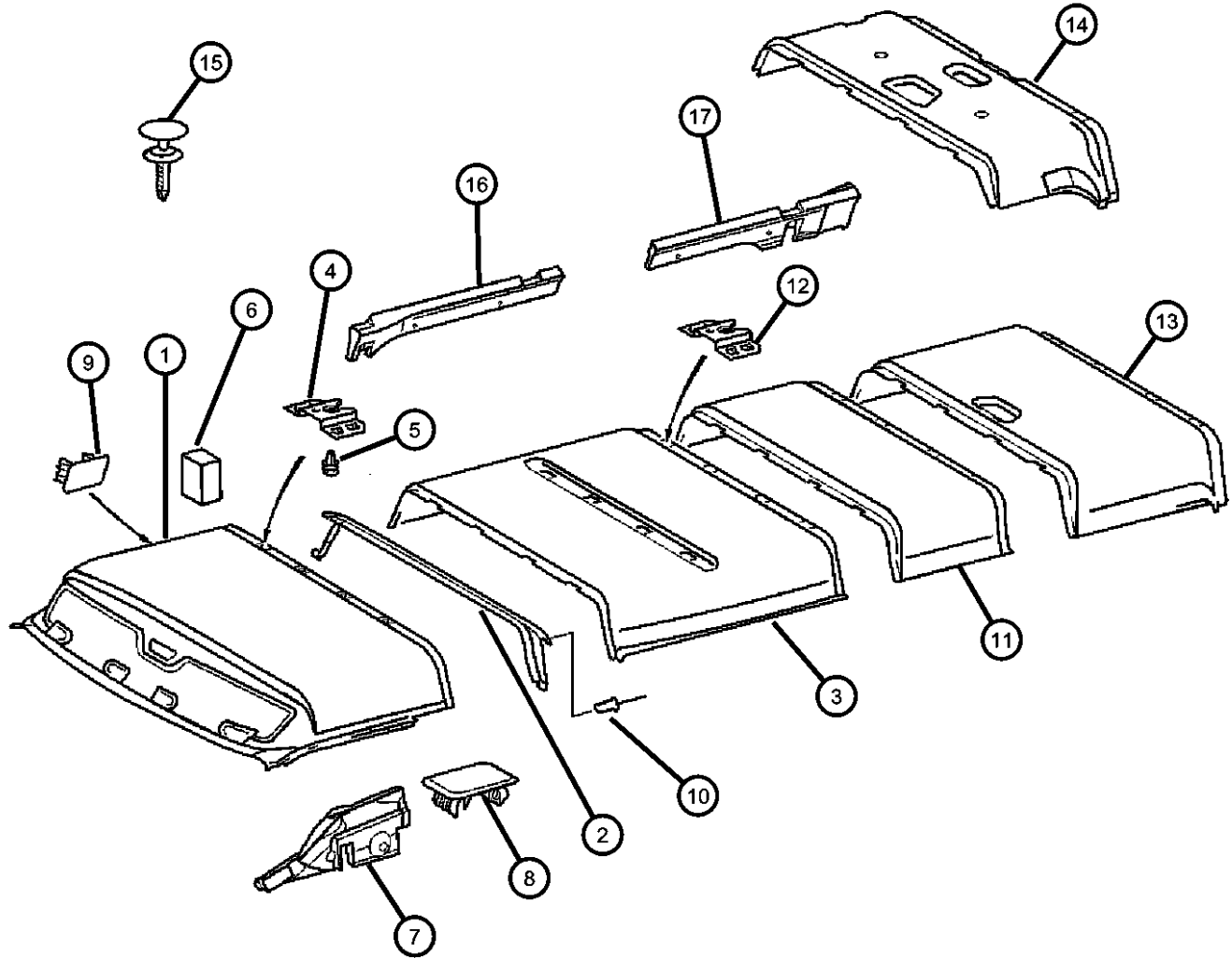
DGJ = Transmission-5-Spd. Automatic, W5A580

AR = use ase required - = Non illustrated part

2003 VA

**Headliner, Low Roof  
Figure IVA-110**

ITEM	PART NUMBER	QTY	LINE	SERIES	BODY	ENGINE	TRANS	TRIM	DESCRIPTION
		1	2, 6	L	51, 52, 54, 55, 56				
		1	2, 6	L	11, 12, 14, 15, 16				
14									PANEL, Quarter
	05123155AA	1	3, 7	L	12, 15, 16				
		1	2, 6	L	51, 52, 54, 55, 56				
		1	2, 6	L	11, 12, 14, 15, 16				
15									RIVET
	05104541AA	2	3, 7	L	12, 15, 16				Headliner to Rear Roof Rail
		2	2, 6	L	51, 52, 54, 55, 56				Headliner to Rear Roof Rail
		2	2, 6	L	11, 12, 14, 15, 16				Headliner to Rear Roof Rail
	05125810AA	2	3, 7	L	12, 15, 16				Paneling to Roof Rear Rail
		2	2, 6	L	51, 52, 54, 55, 56				Paneling to Roof Rear Rail
		2	2, 6	L	11, 12, 14, 15, 16				Paneling to Roof Rear Rail
16	05104297AA	1	2, 6	L	51, 52, 54, 55, 56				FLOCK, Nylon
17									FLOCK, Nylon
	05104298AA	1	3, 7	L	12, 15, 16				
		1	2, 6	L	51, 52, 54, 55, 56				
-18									FLOCK, Nylon, Spacer
	05123510AA	1	2, 6	L	11, 12, 14, 15, 16				
		1	3, 7	L	12, 15, 16				
-19									FLOCK, Nylon, Spacer
	05123512AA	1	3, 7	L	12, 15, 16				
		1	2, 6	L	11, 12, 14, 15, 16				
-20									FLOCK, Nylon, Spacer
	05123514AA	1	3, 7	L	12, 15, 16				



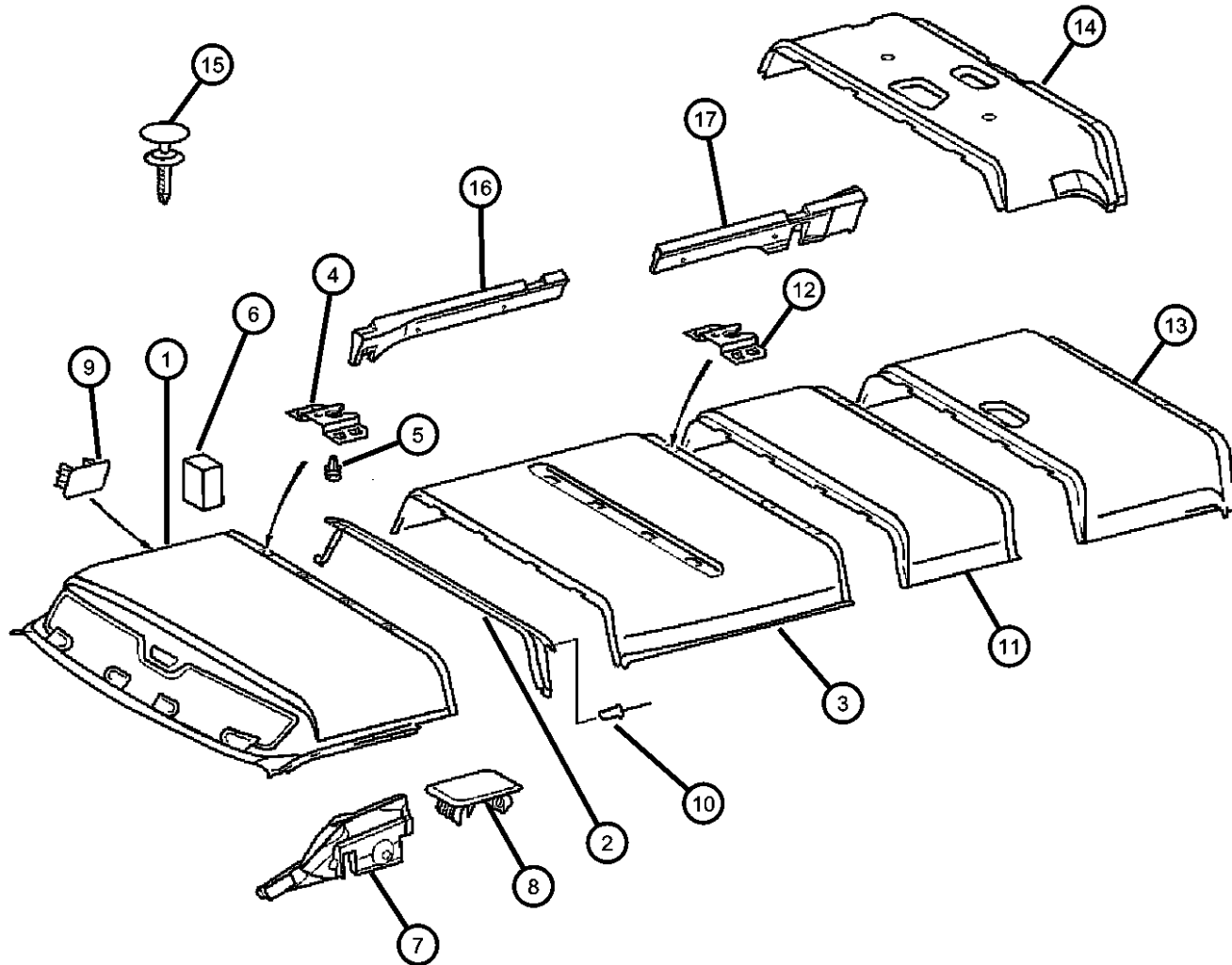
**SPRINTER (VA)**

<b>SERIES</b>	<b>LINE</b>	<b>BODY</b>	<b>ENGINE</b>	<b>TRANSMISSION</b>
L = LOWLINE	3 = HD DODGE 2WD 6 = Lt. Duty DODGE 4WD 2 = Med. Duty DODGE 2WD 7 = Med. Duty DODGE 4WD	51 = WAGON WHEEL BASE 1 52 = WAGON WHEEL BASE 2 14 = VAN WHEEL BASE 4 15 = VAN WHEEL BASE 5 16 = VAN WHEEL BASE 6 54 = WAGON WHEEL BASE 4 55 = WAGON WHEEL BASE 5 56 = WAGON WHEEL BASE 6 11 = VAN WHEEL BASE 1 12 = VAN WHEEL BASE 2	EX9 = Engine - 2.7L 5 Cly Mercedes Diesel	DGJ = Transmission-5-Spd. Automatic,W5A580

AR = use ase required - = Non illustrated part

Headliner, Low Roof  
Figure IVA-110

ITEM	PART NUMBER	QTY	LINE	SERIES	BODY	ENGINE	TRANS	TRIM	DESCRIPTION
-21		1	2, 6	L	11, 12, 14, 15, 16				FLOCK, Nylon, Spacer
	05123516AA	1	2, 6	L	11, 12, 14, 15, 16				
		1	3, 7	L	12, 15, 16				



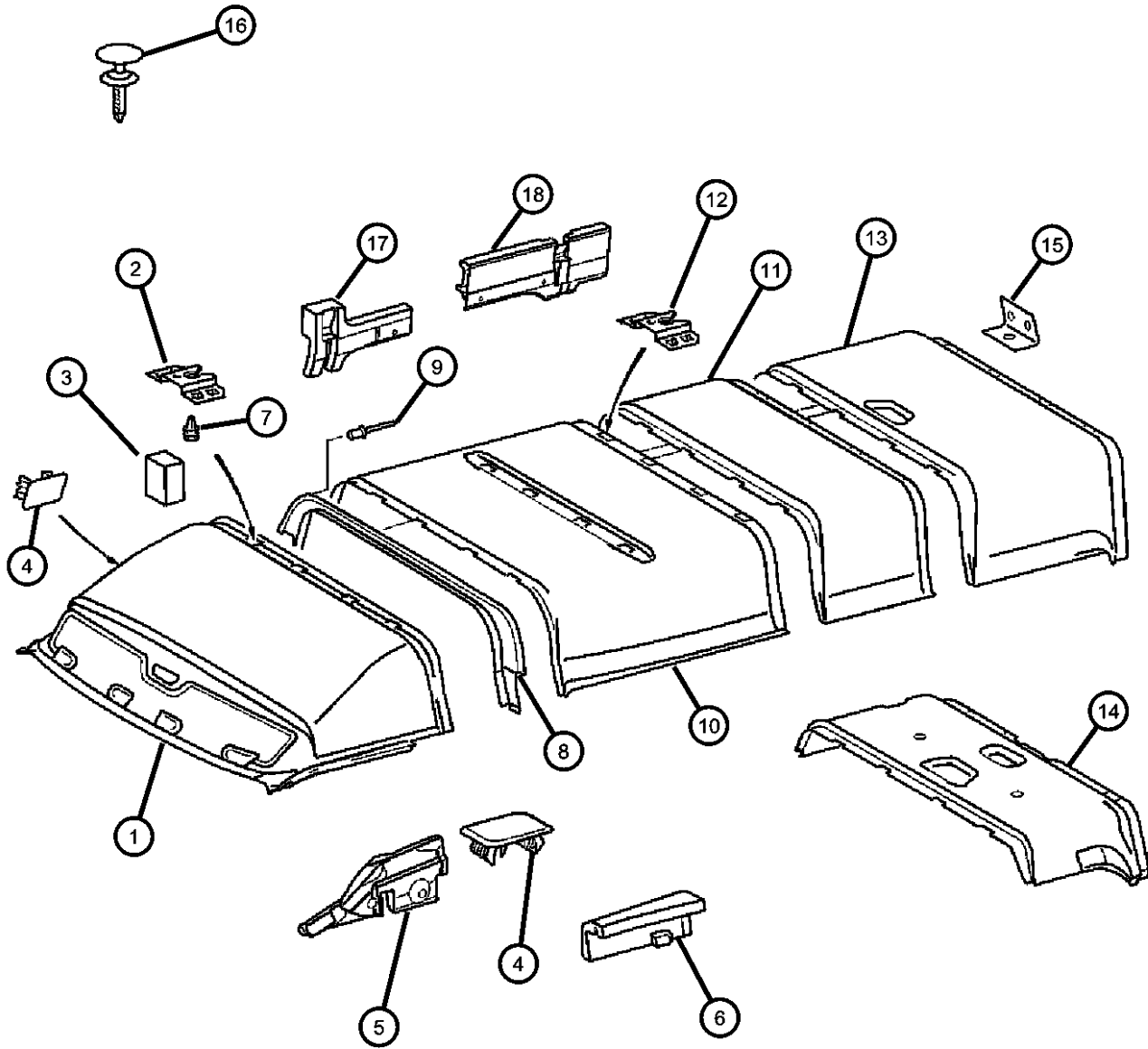
SPRINTER (VA)

SERIES	LINE	BODY	ENGINE	TRANSMISSION
L = LOWLINE	3 = HD DODGE 2WD 6 = Lt. Duty DODGE 4WD 2 = Med. Duty DODGE 2WD 7 = Med. Duty DODGE 4WD	51 = WAGON WHEEL BASE 1 52 = WAGON WHEEL BASE 2 14 = VAN WHEEL BASE 4 15 = VAN WHEEL BASE 5 16 = VAN WHEEL BASE 6 54 = WAGON WHEEL BASE 4 55 = WAGON WHEEL BASE 5 56 = WAGON WHEEL BASE 6 11 = VAN WHEEL BASE 1 12 = VAN WHEEL BASE 2	EX9 = Engine - 2.7L 5 Cly Mercedes Diesel	DGJ = Transmission-5-Spd. Automatic,W5A580

AR = use ase required - = Non illustrated part

2003 VA

**Headliner, High Roof  
Figure IVA-115**



ITEM	PART NUMBER	QTY	LINE	SERIES	BODY	ENGINE	TRANS	TRIM	DESCRIPTION
Sales Code: [XJY] = Cargo Partition with Sliding Door									
1	05104300AA	1	3, 7	L	12, 15, 16				HEADLINER, Front With Sliding Door [XJY]
		1	2, 6	L	51, 52, 54, 55, 56				With Sliding Door [XJY]
		1	2, 6	L	11, 12, 14, 15, 16				With Sliding Door [XJY]
	05123473AA	1	3, 7	L	12, 15, 16				Without Sliding Door [XJY]
		1	2, 6	L	11, 12, 14, 15, 16				Without Sliding Door [XJY]
2	05123436AA	4	2, 6	L	11, 12, 14, 15, 16				BRACKET
		4	3, 7	L	12, 15, 16				
		4	2, 6	L	51, 52, 54, 55, 56				
3	05123547AA	2	3, 7	L	12, 15, 16				PAD, Headlining
		2	2, 6	L	51, 52, 54, 55, 56				
		2	2, 6	L	11, 12, 14, 15, 16				
4	05123443AA	2		L					PLUG, Headliner
5	05123497AA	1	3, 7	L	12, 15, 16				FLOCK, Nylon Right
	05123496AA	1	3, 7	L	12, 15, 16				Left
		1	2, 6	L	51, 52, 54, 55, 56				Left
		1	2, 6	L	11, 12, 14, 15, 16				Left
		1	2, 6	L	51, 52, 54, 55, 56				Right
		1	2, 6	L	11, 12, 14, 15, 16				Right
6	05123498AA	1	3, 7	L	12, 15, 16				FLOCK, Nylon Left
		1	2, 6	L	51, 52, 54, 55, 56				Left

**SPRINTER (VA)**

**SERIES**

L = LOWLINE

**LINE**

3 = HD DODGE 2WD  
6 = Lt. Duty DODGE 4WD  
2 = Med. Duty DODGE 2WD  
7 = Med. Duty DODGE 4WD

**BODY**

51 = WAGON WHEEL BASE 1 EX9 = Engine - 2.7L 5 Cly  
52 = WAGON WHEEL BASE 2 Mercedes Diesel  
14 = VAN WHEEL BASE 4  
15 = VAN WHEEL BASE 5  
16 = VAN WHEEL BASE 6  
54 = WAGON WHEEL BASE 4  
55 = WAGON WHEEL BASE 5  
56 = WAGON WHEEL BASE 6  
11 = VAN WHEEL BASE 1  
12 = VAN WHEEL BASE 2

**ENGINE**

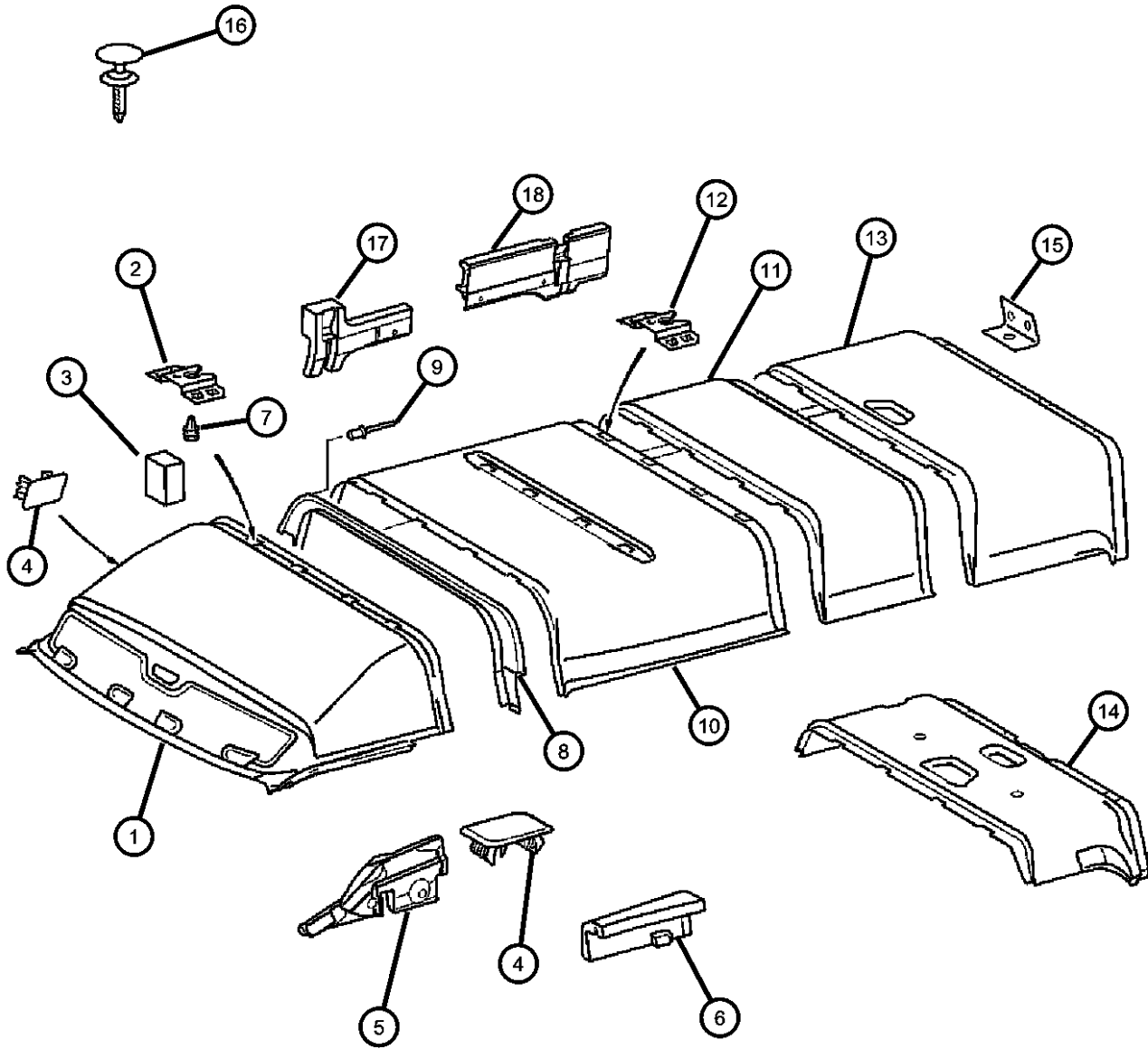
**TRANSMISSION**

DGJ = Transmission-5-Spd.  
Automatic,W5A580

AR = use ase required - = Non illustrated part

2003 VA

**Headliner, High Roof  
Figure IVA-115**



ITEM	PART NUMBER	QTY	LINE	SERIES	BODY	ENGINE	TRANS	TRIM	DESCRIPTION
		1	2, 6	L	11, 12, 14, 15, 16				Left
	05123499AA	1	2, 6	L	51, 52, 54, 55, 56				Right
		1	2, 6	L	11, 12, 14, 15, 16				Right
		1	3, 7	L	12, 15, 16				Right
7									CLIP, Headlining
	05125569AA	4	3, 7	L	12, 15, 16				Paneling to Roof Rail
		8	3, 7	L	12, 15, 16				Headliner to Roof Bow
		12	3, 7	L	12, 15, 16				Headliner to Rear Roof Rail
		4	2, 6	L	51, 52, 54, 55, 56				Paneling to Roof Rail
		8	6, 2	L	51, 52, 54, 55, 56				Headliner to Roof Bow
		12	2, 6	L	11, 12, 14, 15, 16				Headliner to Rear Roof Rail
		12	2, 6	L	51, 52, 54, 55, 56				Headliner to Rear Roof Rail
		4	2, 6	L	11, 12, 14, 15, 16				Paneling to Roof Rail
		8	2, 6	L	11, 12, 14, 15, 16				Headliner to Roof Bow
8									MOLDING, Headliner
	05123488AA	1	3, 7	L	12, 15, 16				With Right Sliding Door
		1	2, 6	L	51, 52, 54, 55, 56				With Right Sliding Door
		1	2, 6	L	11, 12, 14, 15, 16				With Right Sliding Door
	05123490AA	1	3, 7	L	12, 15, 16				With Left Sliding Door
		1	2, 6	L	51, 52, 54, 55, 56				With Left Sliding Door
		1	2, 6	L	11, 12, 14, 15, 16				With Left Sliding Door
	05123492AA	1	3, 7	L	12, 15, 16				With Right & Left Sliding Door
		1	2, 6	L	51, 52, 54, 55, 56				With Right & Left Sliding Door
		1	2, 6	L	11, 12, 14, 15, 16				With Right & Left Sliding Door

**SPRINTER (VA)**

**SERIES**

L = LOWLINE  
 3 = HD DODGE 2WD  
 6 = Lt. Duty DODGE 4WD  
 2 = Med. Duty DODGE 2WD  
 7 = Med. Duty DODGE 4WD

**LINE**

**BODY**

51 = WAGON WHEEL BASE 1  
 52 = WAGON WHEEL BASE 2  
 14 = VAN WHEEL BASE 4  
 15 = VAN WHEEL BASE 5  
 16 = VAN WHEEL BASE 6  
 54 = WAGON WHEEL BASE 4  
 55 = WAGON WHEEL BASE 5  
 56 = WAGON WHEEL BASE 6  
 11 = VAN WHEEL BASE 1  
 12 = VAN WHEEL BASE 2

**ENGINE**

EX9 = Engine - 2.7L 5 Cyl  
 Mercedes Diesel

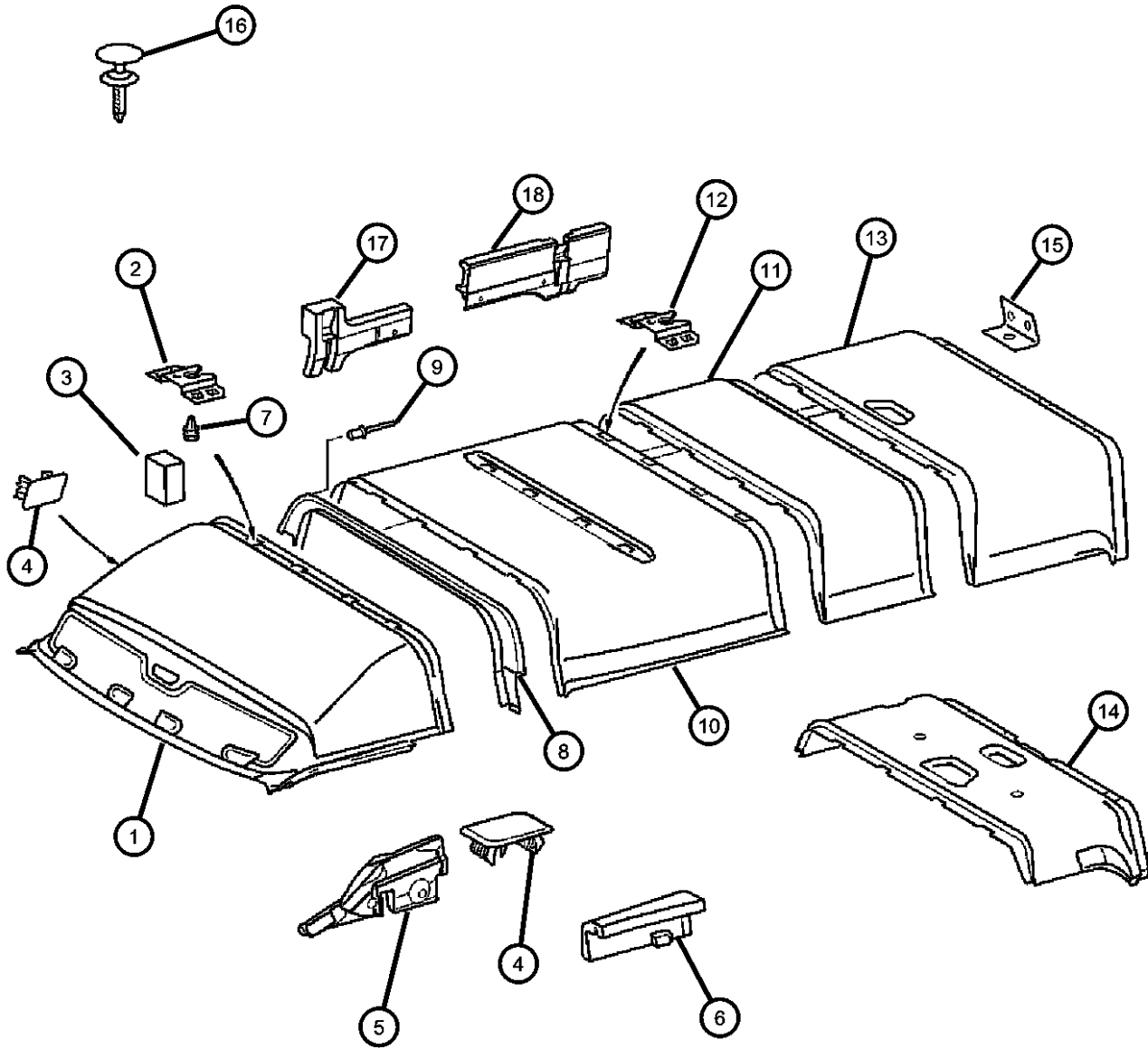
**TRANSMISSION**

DGJ = Transmission-5-Spd.  
 Automatic,W5A580

AR = use ase required - = Non illustrated part

2003 VA

**Headliner, High Roof  
Figure IVA-115**



ITEM	PART NUMBER	QTY	LINE	SERIES	BODY	ENGINE	TRANS	TRIM	DESCRIPTION
9	05133554AA	10	2, 6	L	51, 52, 54, 55, 56				RIVET
		3	3, 7	L	12, 15, 16				
		10	2, 6	L	11, 12, 14, 15, 16				
10	05123112AA	1	2, 6	L	51, 52, 54, 55, 56				HEADLINER, Center With Left Sliding Door
	05104278AA	1	3, 7	L	12, 15, 16				With Right Sliding Door
		1	2, 6	L	51, 52, 54, 55, 56				With Right Sliding Door
		1	2, 6	L	11, 12, 14, 15, 16				With Right Sliding Door
		1	3, 7	L	12, 15, 16				With Left Sliding Door
		1	2, 6	L	11, 12, 14, 15, 16				With Left Sliding Door
	05123114AA	1	3, 7	L	12, 15, 16				With Right & Left Sliding Door
		1	2, 6	L	51, 52, 54, 55, 56				With Right & Left Sliding Door
		1	2, 6	L	11, 12, 14, 15, 16				With Right & Left Sliding Door
11	05104279AA	1	3, 7	L	12, 15, 16				HEADLINER, Center With Sunroof
		1	2, 6	L	11, 12, 14, 15, 16				With Sunroof
	05123141AA	1	3, 7	L	12, 15, 16				With Interior Lamp
		1	2, 6	L	51, 52, 54, 55, 56				With Interior Lamp
		1	2, 6	L	11, 12, 14, 15, 16				With Interior Lamp
		1	2, 6	L	51, 52, 54, 55, 56				With Sunroof
12	05123436AA	12	2, 6	L	51, 52, 54, 55, 56				BRACKET Headliner to Rear Roof Rail
		4	2, 6	L	11, 12, 14, 15, 16				Paneling to Roof Rail
		4	3, 7	L	12, 15, 16				Paneling to Roof Rail

**SPRINTER (VA)**

**SERIES**

L = LOWLINE

**LINE**

3 = HD DODGE 2WD  
6 = Lt. Duty DODGE 4WD  
2 = Med. Duty DODGE 2WD  
7 = Med. Duty DODGE 4WD

**BODY**

51 = WAGON WHEEL BASE 1 EX9 = Engine - 2.7L 5 Cly  
52 = WAGON WHEEL BASE 2 Mercedes Diesel  
14 = VAN WHEEL BASE 4  
15 = VAN WHEEL BASE 5  
16 = VAN WHEEL BASE 6  
54 = WAGON WHEEL BASE 4  
55 = WAGON WHEEL BASE 5  
56 = WAGON WHEEL BASE 6  
11 = VAN WHEEL BASE 1  
12 = VAN WHEEL BASE 2

**ENGINE**

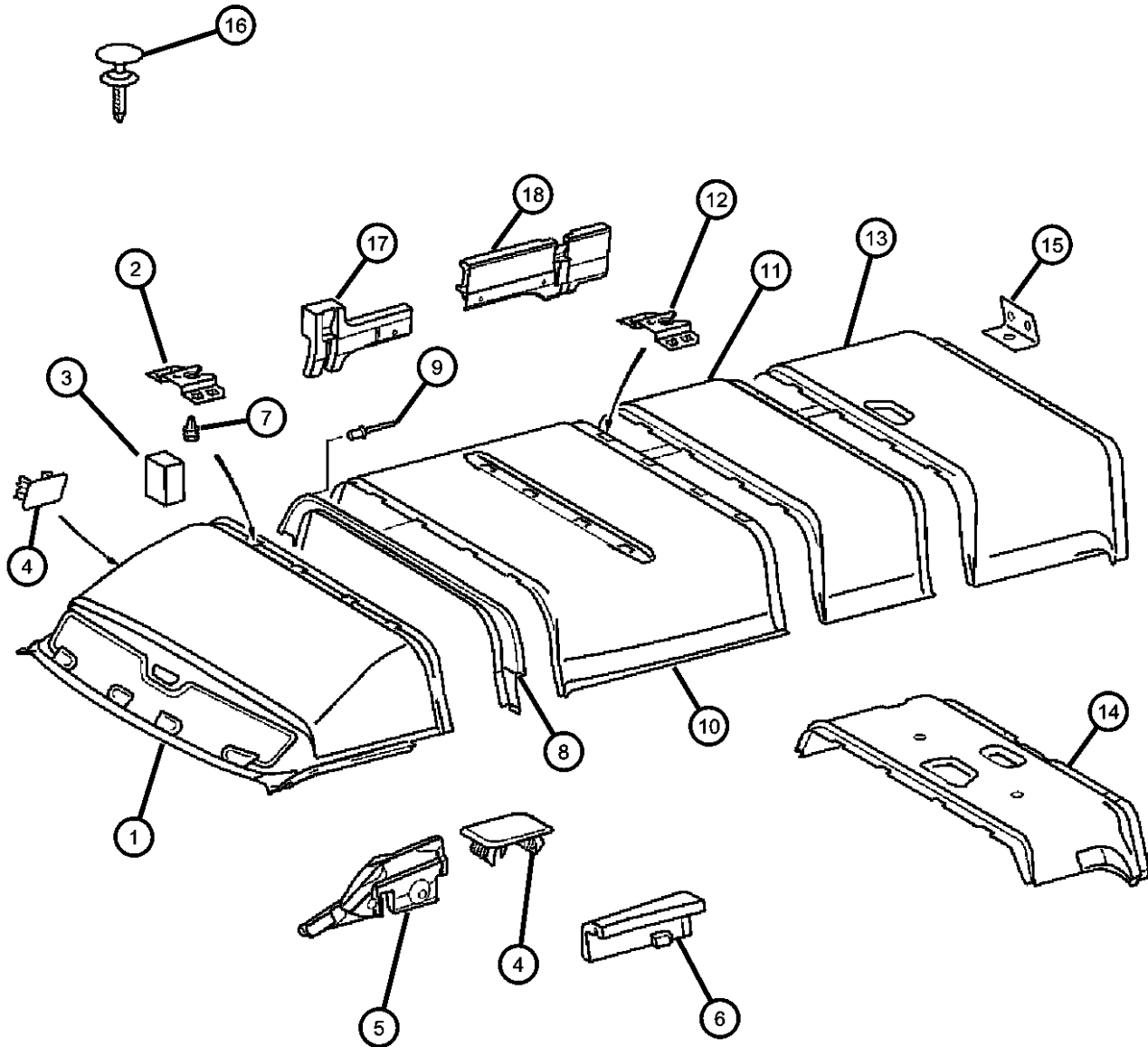
**TRANSMISSION**

DGJ = Transmission-5-Spd.  
Automatic,W5A580

AR = use ase required - = Non illustrated part

2003 VA

**Headliner, High Roof  
Figure IVA-115**



ITEM	PART NUMBER	QTY	LINE	SERIES	BODY	ENGINE	TRANS	TRIM	DESCRIPTION
		4	2, 6	L	51, 52, 54, 55, 56				Paneling to Roof Rail
		12	2, 6	L	11, 12, 14, 15, 16				Headliner to Rear Roof Rail
13									HEADLINER, Rear
	05123144AA	1	3, 7	L	12, 15, 16				
		1	2, 6	L	51, 52, 54, 55, 56				
		1	2, 6	L	11, 12, 14, 15, 16				
14									HEADLINER, Rear
	05104277AA	1	3, 7	L	12, 15, 16				
		1	2, 6	L	51, 52, 54, 55, 56				
		1	2, 6	L	11, 12, 14, 15, 16				
15									BRACKET
	05123437AA	1	3, 7	L	12, 15, 16				
		1	2, 6	L	11, 12, 14, 15, 16				
		1	2, 6	L	51, 52, 54, 55, 56				
16									RIVET
	05125810AA	2	3, 7	L	12, 15, 16				Headliner to Rear Roof Rail
		2	2, 6	L	51, 52, 54, 55, 56				Headliner to Rear Roof Rail
		2	2, 6	L	11, 12, 14, 15, 16				Headliner to Rear Roof Rail
17	05131910AA	1	6, 2	L	51, 52, 54, 55, 56				FLOCK, Nylon
18									SPACER
	05104299AA	1	2, 6	L	51, 52, 54, 55, 56				
		1	3, 7	L	12, 15, 16				
-19									FLOCK, Nylon
	05123502AA	1	3, 7	L	12, 15, 16				
		1	2, 6	L	11, 12, 14, 15, 16				

**SPRINTER (VA)**

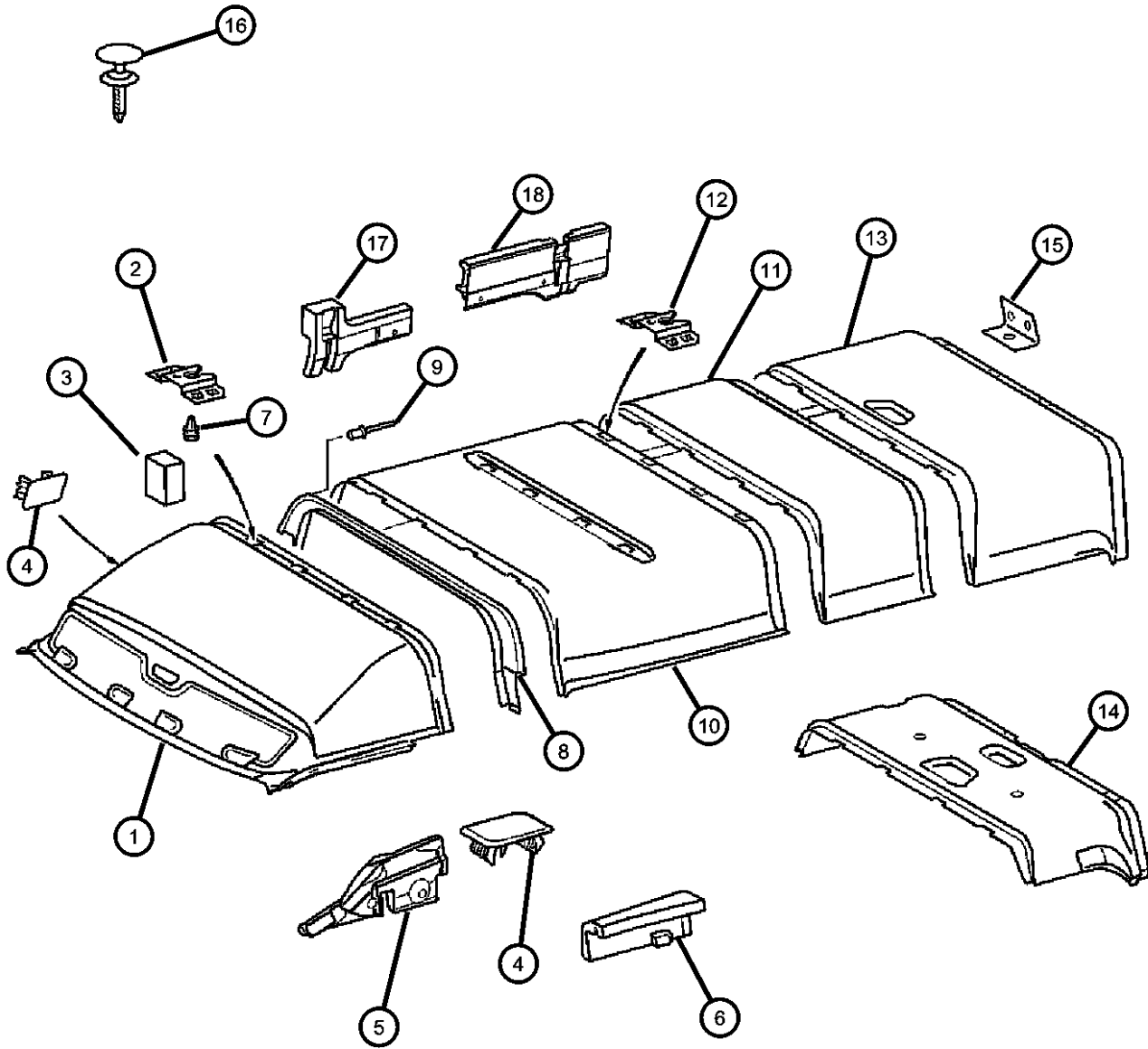
<b>SERIES</b>	<b>LINE</b>	<b>BODY</b>	<b>ENGINE</b>	<b>TRANSMISSION</b>
L = LOWLINE	3 = HD DODGE 2WD 6 = Lt. Duty DODGE 4WD 2 = Med. Duty DODGE 2WD 7 = Med. Duty DODGE 4WD	51 = WAGON WHEEL BASE 1 52 = WAGON WHEEL BASE 2 14 = VAN WHEEL BASE 4 15 = VAN WHEEL BASE 5 16 = VAN WHEEL BASE 6 54 = WAGON WHEEL BASE 4 55 = WAGON WHEEL BASE 5 56 = WAGON WHEEL BASE 6 11 = VAN WHEEL BASE 1 12 = VAN WHEEL BASE 2	EX9 = Engine - 2.7L 5 Cyl Mercedes Diesel	DGJ = Transmission-5-Spd. Automatic, W5A580

AR = use ase required - = Non illustrated part



Headliner, High Roof  
Figure IVA-115

ITEM	PART NUMBER	QTY	LINE	SERIES	BODY	ENGINE	TRANS	TRIM	DESCRIPTION
-20	05123504AA	1	3, 7	L	12, 15, 16				FLOCK, Nylon
		1	2, 6	L	11, 12, 14, 15, 16				
-21	05123506AA	1	3, 7	L	12, 15, 16				FLOCK, Nylon
		1	2, 6	L	11, 12, 14, 15, 16				
-22	05123508AA	1	3, 7	L	12, 15, 16				FLOCK, Nylon
		1	2, 6	L	11, 12, 14, 15, 16				



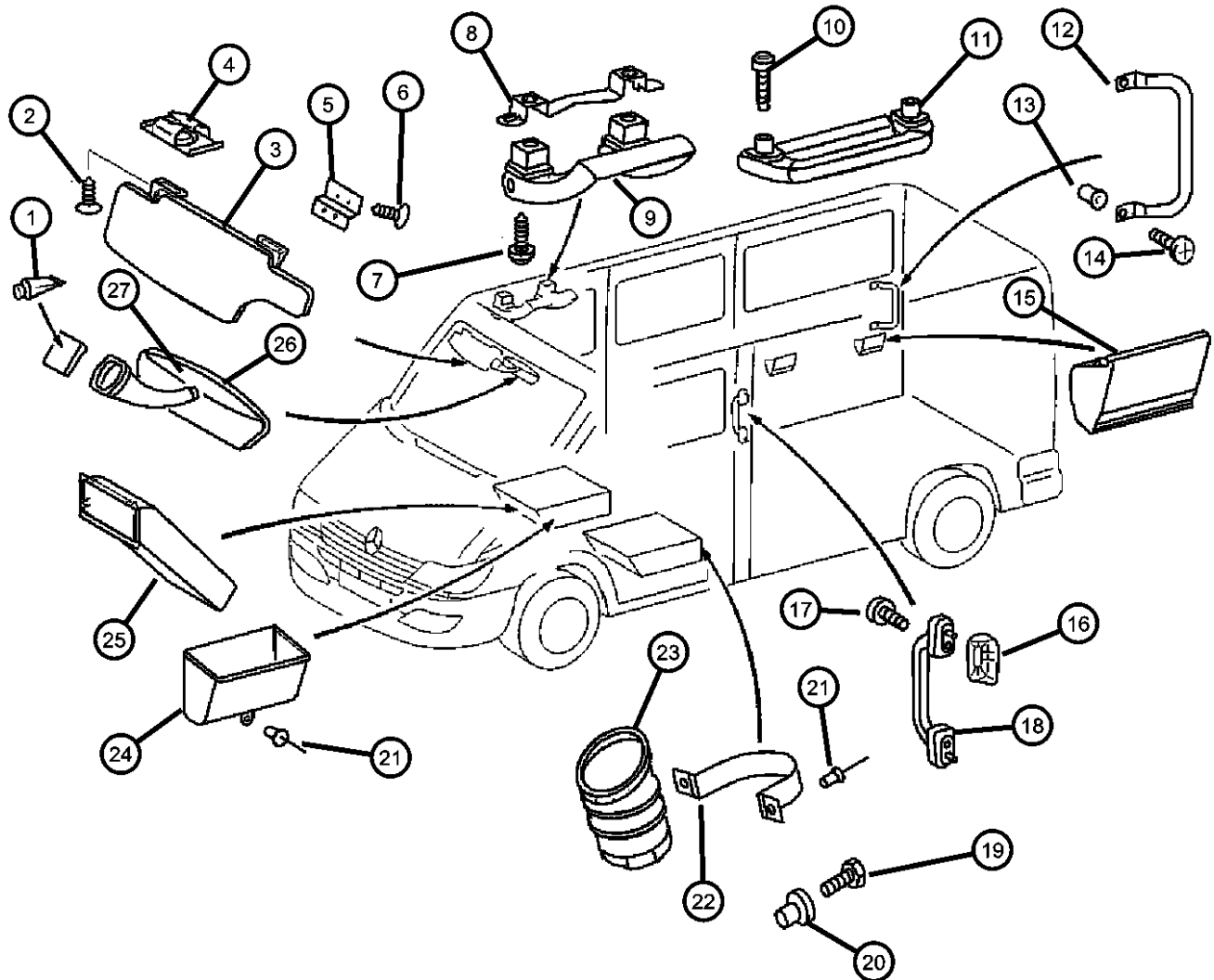
SPRINTER (VA)

SERIES	LINE	BODY	ENGINE	TRANSMISSION
L = LOWLINE	3 = HD DODGE 2WD 6 = Lt. Duty DODGE 4WD 2 = Med. Duty DODGE 2WD 7 = Med. Duty DODGE 4WD	51 = WAGON WHEEL BASE 1 52 = WAGON WHEEL BASE 2 14 = VAN WHEEL BASE 4 15 = VAN WHEEL BASE 5 16 = VAN WHEEL BASE 6 54 = WAGON WHEEL BASE 4 55 = WAGON WHEEL BASE 5 56 = WAGON WHEEL BASE 6 11 = VAN WHEEL BASE 1 12 = VAN WHEEL BASE 2	EX9 = Engine - 2.7L 5 Cly Mercedes Diesel	DGJ = Transmission-5-Spd. Automatic,W5A580

AR = use ase required - = Non illustrated part

2003 VA

**Sunvisors, Grabhandles, Shelf and Attaching Parts  
Figure IVA-120**

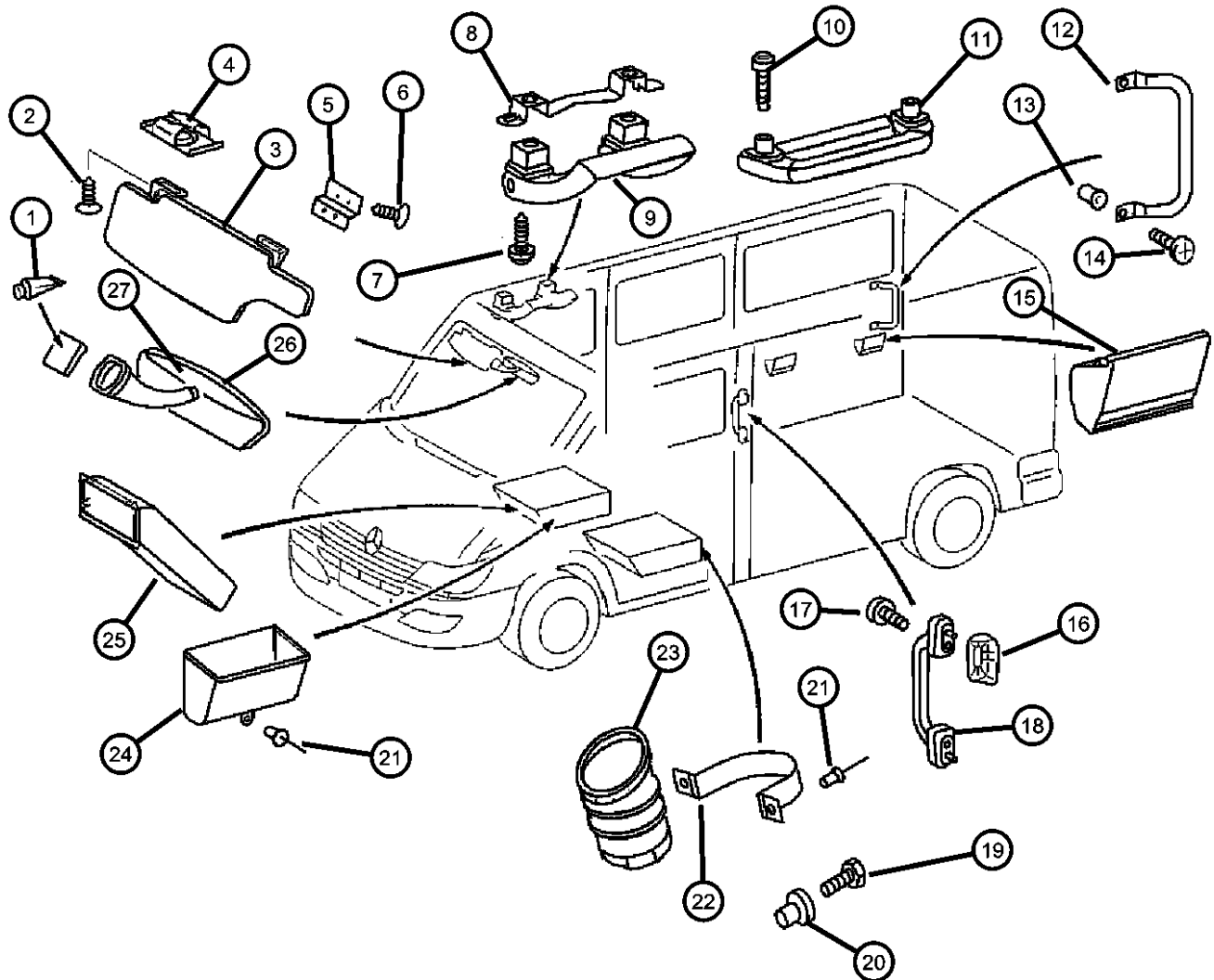


ITEM	PART NUMBER	QTY	LINE	SERIES	BODY	ENGINE	TRANS	TRIM	DESCRIPTION
1		1							ADHESIVE, (NOT SERVICED)
2	06104505AA	8		L					SCREW
3									VISOR
	05104438AA	1	3, 7	L	12, 15, 16				Left
		1	2, 6	L	51, 52, 54, 55, 56				Left
		1	2, 6	L	11, 12, 14, 15, 16				Left
	05104439AA	1	3, 7	L	12, 15, 16				Right
		1	2, 6	L	51, 52, 54, 55, 56				Right
		1	2, 6	L	11, 12, 14, 15, 16				Right
4									CLIP, Visor
	05125854AA	2	3, 7	L	12, 15, 16				
		8	2, 6	L	51, 52, 54, 55, 56				
		8	2, 6	L	11, 12, 14, 15, 16				
5									BRACKET, Trim
	05124268AA	4	3, 7	L	12, 15, 16				
		4	2, 6	L	51, 52, 54, 55, 56				
		4	2, 6	L	11, 12, 14, 15, 16				
6	06104505AA	8		L					SCREW
7									SCREW, Tapping
	06104574AA	2	2, 6	L	11, 12, 14, 15, 16				
		2	2, 6	L	51, 52, 54, 55, 56				
		1	3, 7	L	12, 15, 16				
8									BRACKET, Grab Handle
	05124271AA	1	3, 7	L	12, 15, 16				
		1	2, 6	L	51, 52, 54, 55, 56				
		1	2, 6	L	11, 12, 14, 15, 16				

**SPRINTER (VA)**  
**SERIES**      **LINE**      **BODY**      **ENGINE**      **TRANSMISSION**  
 L = LOWLINE    3 = HD DODGE 2WD    51 = WAGON WHEEL BASE 1    EX9 = Engine - 2.7L 5 Cly    DGJ = Transmission-5-Spd. Automatic, W5A580  
                   6 = Lt. Duty DODGE 4WD    52 = WAGON WHEEL BASE 2    Mercedes Diesel  
                   2 = Med. Duty DODGE 2WD    14 = VAN WHEEL BASE 4  
                   7 = Med. Duty DODGE 4WD    15 = VAN WHEEL BASE 5  
   16 = VAN WHEEL BASE 6  
   54 = WAGON WHEEL BASE 4  
   55 = WAGON WHEEL BASE 5  
   56 = WAGON WHEEL BASE 6  
   11 = VAN WHEEL BASE 1  
   12 = VAN WHEEL BASE 2

AR = use ase required - = Non illustrated part

**Sunvisors, Grabhandles, Shelf and Attaching Parts**  
**Figure IVA-120**



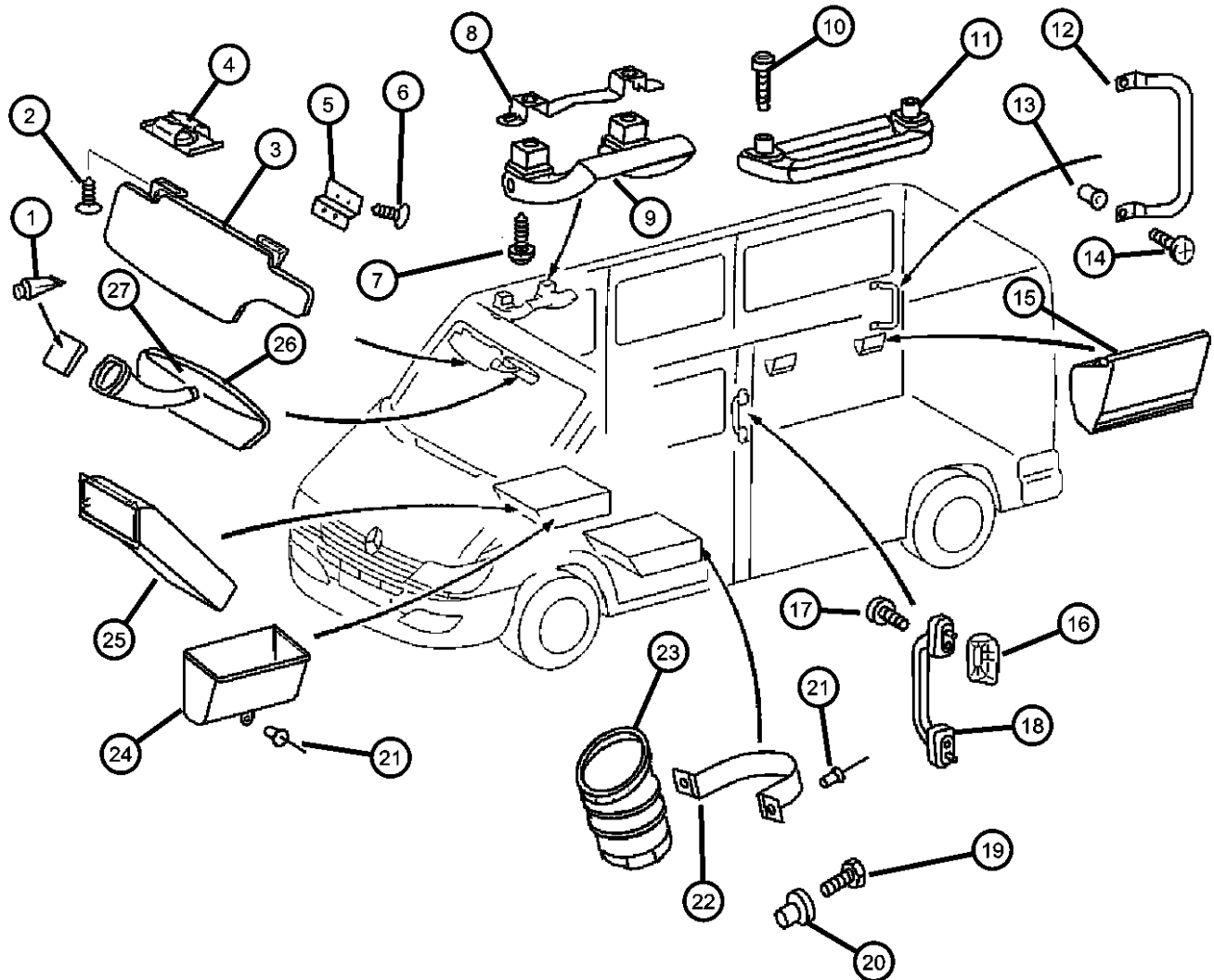
ITEM	PART NUMBER	QTY	LINE	SERIES	BODY	ENGINE	TRANS	TRIM	DESCRIPTION
9									HANDLE, Grab
	05104437AA	1	3, 7	L	12, 15, 16				
		1	2, 6	L	51, 52, 54, 55, 56				
		1	2, 6	L	11, 12, 14, 15, 16				
10		1							SCREW, (NOT SERVICED)
11									HANDLE, Grab
	0ZF48CS8AA	1	2, 6	L	01, 02, 06			-AA	
		1	3, 7	L	02, 06			-AA	
12									HANDLE, Grab
	05104448AA	1	3, 7	L	12, 15, 16				
		1	2, 6	L	51, 52, 54, 55, 56				
		1	2, 6	L	11, 12, 14, 15, 16				
13									NUTSERT, Rivet
	05104678AA	2	2, 6	L	11, 12, 14, 15, 16				
		2	2, 6	L	51, 52, 54, 55, 56				
		2	3, 7	L	12, 15, 16				
14									SCREW
	06104153AA	4	3, 7	L	12, 15, 16				
		2	2, 6	L	51, 52, 54, 55, 56				
		2	2, 6	L	11, 12, 14, 15, 16				
15									ASHTRAY
	05124222AA	2	3, 7	L	12, 15, 16				
		4	2, 6	L	51, 52, 54, 55, 56				
		4	2, 6	L	11, 12, 14, 15, 16				
16									COVER, Assist Handle
	05124285AA	4	3, 7	L	12, 15, 16				

**SPRINTER (VA)**

<b>SERIES</b>	<b>LINE</b>	<b>BODY</b>	<b>ENGINE</b>	<b>TRANSMISSION</b>
L = LOWLINE	3 = HD DODGE 2WD 6 = Lt. Duty DODGE 4WD 2 = Med. Duty DODGE 2WD 7 = Med. Duty DODGE 4WD	51 = WAGON WHEEL BASE 1 52 = WAGON WHEEL BASE 2 14 = VAN WHEEL BASE 4 15 = VAN WHEEL BASE 5 16 = VAN WHEEL BASE 6 54 = WAGON WHEEL BASE 4 55 = WAGON WHEEL BASE 5 56 = WAGON WHEEL BASE 6 11 = VAN WHEEL BASE 1 12 = VAN WHEEL BASE 2	EX9 = Engine - 2.7L 5 Cly Mercedes Diesel	DGJ = Transmission-5-Spd. Automatic, W5A580

AR = use ase required - = Non illustrated part

**Sunvisors, Grabhandles, Shelf and Attaching Parts**  
**Figure IVA-120**



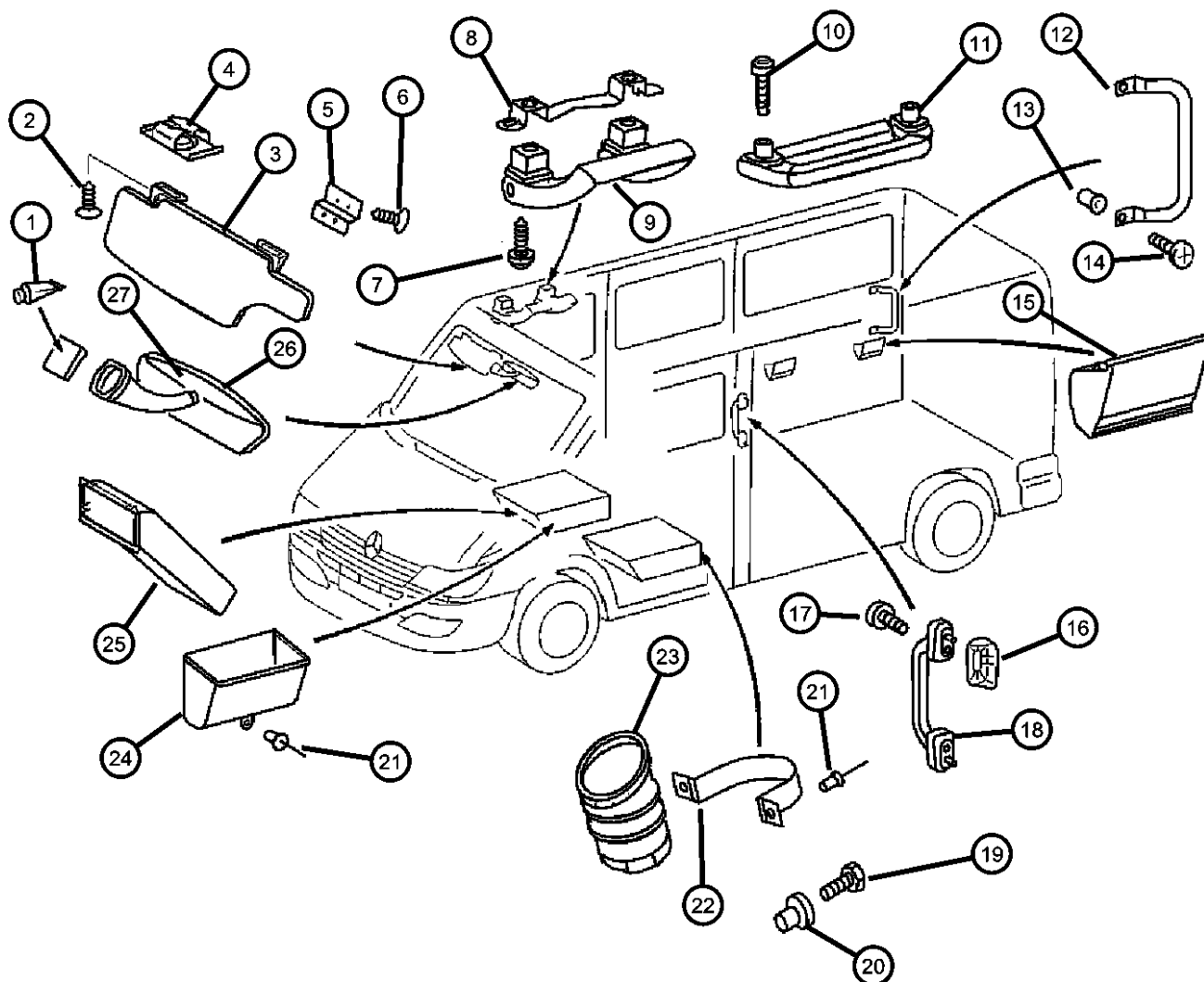
ITEM	PART NUMBER	QTY	LINE	SERIES	BODY	ENGINE	TRANS	TRIM	DESCRIPTION
		2	2, 6	L	51, 52, 54, 55, 56				
		2	2, 6	L	11, 12, 14, 15, 16				
17	06104142AA	2	2, 6	L	11, 12, 14, 15, 16				SCREW
		2	2, 6	L	51, 52, 54, 55, 56				
		2	3, 7	L	12, 15, 16				
18	05103676AA	2	3, 7	L	12, 15, 16				HANDLE, Grab
		1	2, 6	L	51, 52, 54, 55, 56				
		1	2, 6	L	11, 12, 14, 15, 16				
19	05134034AA	2	2, 6	L	11, 12, 14, 15, 16				SCREW
		2	2, 6	L	51, 52, 54, 55, 56				
20	05133943AA	2	2, 6	L	11, 12, 14, 15, 16				NUT
		2	2, 6	L	51, 52, 54, 55, 56				
		99	3, 7	L	12, 15, 16				
21	05133934AA	1	2, 6	L	11, 12, 14, 15, 16				RIVET, M4.8
		1	2, 6	L	51, 52, 54, 55, 56				
		1	3, 7	L	12, 15, 16				
22	05125038AA	1	2, 6	L	11, 12, 14, 15, 16				BRACKET, Cup Holder
		1	2, 6	L	51, 52, 54, 55, 56				
		1	3, 7	L	12, 15, 16				

**SPRINTER (VA)**

<b>SERIES</b>	<b>LINE</b>	<b>BODY</b>	<b>ENGINE</b>	<b>TRANSMISSION</b>
L = LOWLINE	3 = HD DODGE 2WD 6 = Lt. Duty DODGE 4WD 2 = Med. Duty DODGE 2WD 7 = Med. Duty DODGE 4WD	51 = WAGON WHEEL BASE 1 52 = WAGON WHEEL BASE 2 14 = VAN WHEEL BASE 4 15 = VAN WHEEL BASE 5 16 = VAN WHEEL BASE 6 54 = WAGON WHEEL BASE 4 55 = WAGON WHEEL BASE 5 56 = WAGON WHEEL BASE 6 11 = VAN WHEEL BASE 1 12 = VAN WHEEL BASE 2	EX9 = Engine - 2.7L 5 Cly Mercedes Diesel	DGJ = Transmission-5-Spd. Automatic, W5A580

AR = use ase required - = Non illustrated part

**Sunvisors, Grabhandles, Shelf and Attaching Parts  
Figure IVA-120**



ITEM	PART NUMBER	QTY	LINE	SERIES	BODY	ENGINE	TRANS	TRIM	DESCRIPTION
23	05125041AA	1	3, 7	L	12, 15, 16				HOLDER, Cup
		1	2, 6	L	11, 12, 14, 15, 16				
		1	2, 6	L	51, 52, 54, 55, 56				
24	05104496AA	1	3, 7	L	12, 15, 16				BIN, Storage
		1	2, 6	L	11, 12, 14, 15, 16				
		1	2, 6	L	51, 52, 54, 55, 56				
25		1							BIN, Storage, (NOT SERVICED)
26	05104435AA	1	2, 6	L	11, 12, 14, 15, 16				MIRROR, Inside Rear View
		1	2, 6	L	51, 52, 54, 55, 56				
		1	3, 7	L	12, 15, 16				
27	05104241AA	1	2, 6	L	11, 12, 14, 15, 16				BUTTON, Rear View Mirror
		1	2, 6	L	51, 52, 54, 55, 56				
		1	3, 7	L	12, 15, 16				
-28	05124918AA	1	3, 7	L	12, 15, 16				SHELF, Rear Side
		1	2, 6	L	11, 12, 14, 15, 16				1500 MM (Qty-2) 700MM (Qty-2), Left Side
	05124919AA	1	3, 7	L	12, 15, 16				1500 MM (Qty-2) 700MM (Qty-2), Left Side
		1	2, 6	L	11, 12, 14, 15, 16				1500 MM (Qty-2) 700MM (Qty-2), Right Side
	05124914AA	1	3, 7	L	12, 15, 16				1500 MM (Qty-2) 700MM (Qty-2), Right Side
		1	2, 6	L	11, 12, 14, 15, 16				1500 MM (Qty-4), Left Side
		1	2, 6	L	11, 12, 14, 15, 16				1500 MM (Qty-4), Left Side

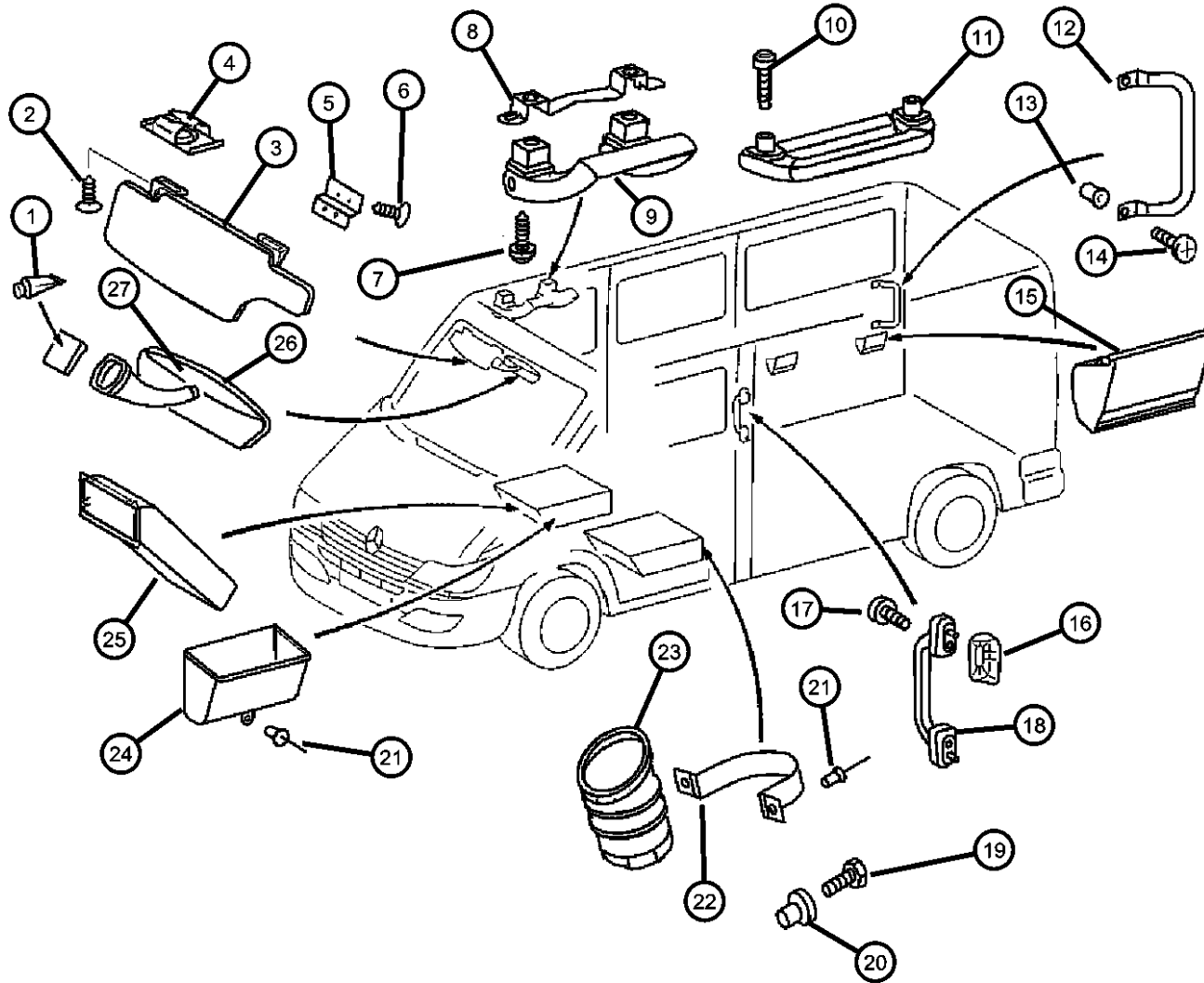
**SPRINTER (VA)**

<b>SERIES</b>	<b>LINE</b>	<b>BODY</b>	<b>ENGINE</b>	<b>TRANSMISSION</b>
L = LOWLINE	3 = HD DODGE 2WD 6 = Lt. Duty DODGE 4WD 2 = Med. Duty DODGE 2WD 7 = Med. Duty DODGE 4WD	51 = WAGON WHEEL BASE 1 52 = WAGON WHEEL BASE 2 14 = VAN WHEEL BASE 4 15 = VAN WHEEL BASE 5 16 = VAN WHEEL BASE 6 54 = WAGON WHEEL BASE 4 55 = WAGON WHEEL BASE 5 56 = WAGON WHEEL BASE 6 11 = VAN WHEEL BASE 1 12 = VAN WHEEL BASE 2	EX9 = Engine - 2.7L 5 Cly Mercedes Diesel	DGJ = Transmission-5-Spd. Automatic, W5A580

AR = use ase required - = Non illustrated part

**Sunvisors, Grabhandles, Shelf and Attaching Parts**  
**Figure IVA-120**

ITEM	PART NUMBER	QTY	LINE	SERIES	BODY	ENGINE	TRANS	TRIM	DESCRIPTION
	05124916AA	1	3, 7	L	12, 15, 16				1500 MM (Qty-4), Right Side
		1	2, 6	L	11, 12, 14, 15, 16				1500 MM (Qty-4), Right Side

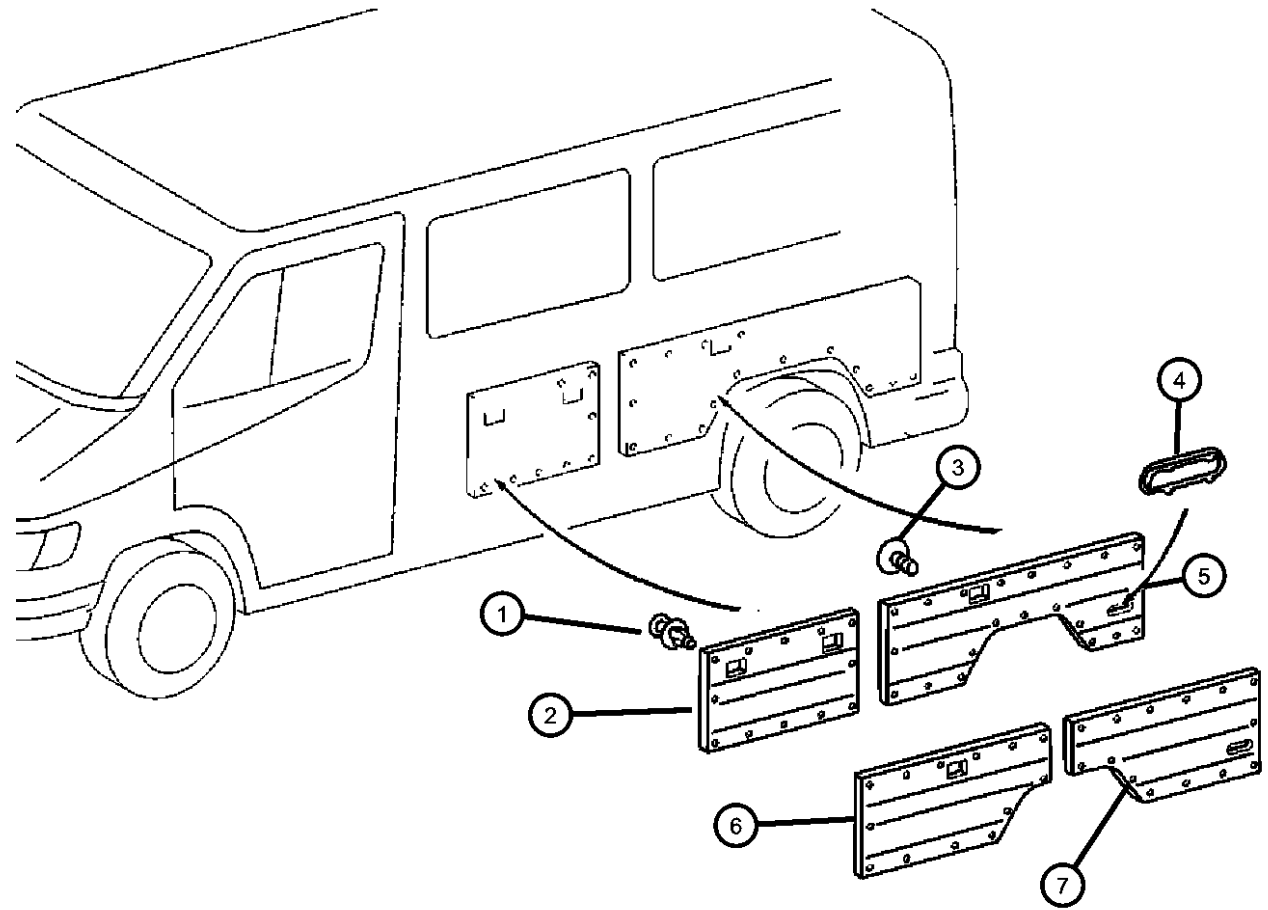


**SPRINTER (VA)**

<b>SERIES</b>	<b>LINE</b>	<b>BODY</b>	<b>ENGINE</b>	<b>TRANSMISSION</b>
L = LOWLINE	3 = HD DODGE 2WD 6 = Lt. Duty DODGE 4WD 2 = Med. Duty DODGE 2WD 7 = Med. Duty DODGE 4WD	51 = WAGON WHEEL BASE 1 52 = WAGON WHEEL BASE 2 14 = VAN WHEEL BASE 4 15 = VAN WHEEL BASE 5 16 = VAN WHEEL BASE 6 54 = WAGON WHEEL BASE 4 55 = WAGON WHEEL BASE 5 56 = WAGON WHEEL BASE 6 11 = VAN WHEEL BASE 1 12 = VAN WHEEL BASE 2	EX9 = Engine - 2.7L 5 Cly Mercedes Diesel	DGJ = Transmission-5-Spd. Automatic,W5A580

AR = use ase required - = Non illustrated part

**Inner Panels - Fabric**  
**Figure IVA-210**



ITEM	PART NUMBER	QTY	LINE	SERIES	BODY	ENGINE	TRANS	TRIM	DESCRIPTION
1	06104895AA	10	2, 6	L	11, 12, 14, 15, 16				PIN, Push
		10	2, 6	L	51, 52, 54, 55, 56				
		10	3, 7	L	12, 15, 16				
2	05123007AA	1	2, 6	L	51, 52, 54, 55, 56				PANEL, Inner Right
		1	2, 6	L	11, 12, 14, 15, 16				Right
	05123006AA	1	3, 7	L	12, 15, 16				Left
		1	2, 6	L	51, 52, 54, 55, 56				Left
		1	2, 6	L	11, 12, 14, 15, 16				Left
		1	3, 7	L	12, 15, 16				Right
3	05125988AA	3	2, 6	L	51, 52, 54, 55, 56				PLUG, Rear Seatbelt Hole
4	05123426AA	2	2, 6	L	51, 52, 54, 55, 56				EXHAUSTER, Quarter Panel
		2	2, 6	L	11, 12, 14, 15, 16				
		2	3, 7	L	12, 15, 16				
5	05123014AA	1	3, 7	L	12, 15, 16				PANEL, Quarter Trim Used With Four Fold Loudspeakers, Left
		1	2, 6	L	51, 52, 54, 55, 56				Used With Four Fold Loudspeakers, Left
		1	2, 6	L	11, 12, 14, 15, 16				Used With Four Fold Loudspeakers, Left
6	05123020AA	1	2, 6	L	11, 12, 14, 15, 16				PANEL, Quarter Trim In Front Of Wheelhouse, Without Loudspeaker, Left
	05123023AA	1	3, 7	L	12, 15, 16				In Front Of Wheelhouse, Without Loudspeaker, Right
		1	2, 6	L	51, 52, 54, 55, 56				In Front Of Wheelhouse, Without Loudspeaker, Right
		1	2, 6	L	11, 12, 14, 15, 16				In Front Of Wheelhouse, Without Loudspeaker, Right

**SPRINTER (VA)**

**SERIES**

L = LOWLINE

**LINE**

3 = HD DODGE 2WD  
6 = Lt. Duty DODGE 4WD  
2 = Med. Duty DODGE 2WD  
7 = Med. Duty DODGE 4WD

**BODY**

51 = WAGON WHEEL BASE 1  
52 = WAGON WHEEL BASE 2  
14 = VAN WHEEL BASE 4  
15 = VAN WHEEL BASE 5  
16 = VAN WHEEL BASE 6  
54 = WAGON WHEEL BASE 4  
55 = WAGON WHEEL BASE 5  
56 = WAGON WHEEL BASE 6  
11 = VAN WHEEL BASE 1  
12 = VAN WHEEL BASE 2

**ENGINE**

EX9 = Engine - 2.7L 5 Cly  
Mercedes Diesel

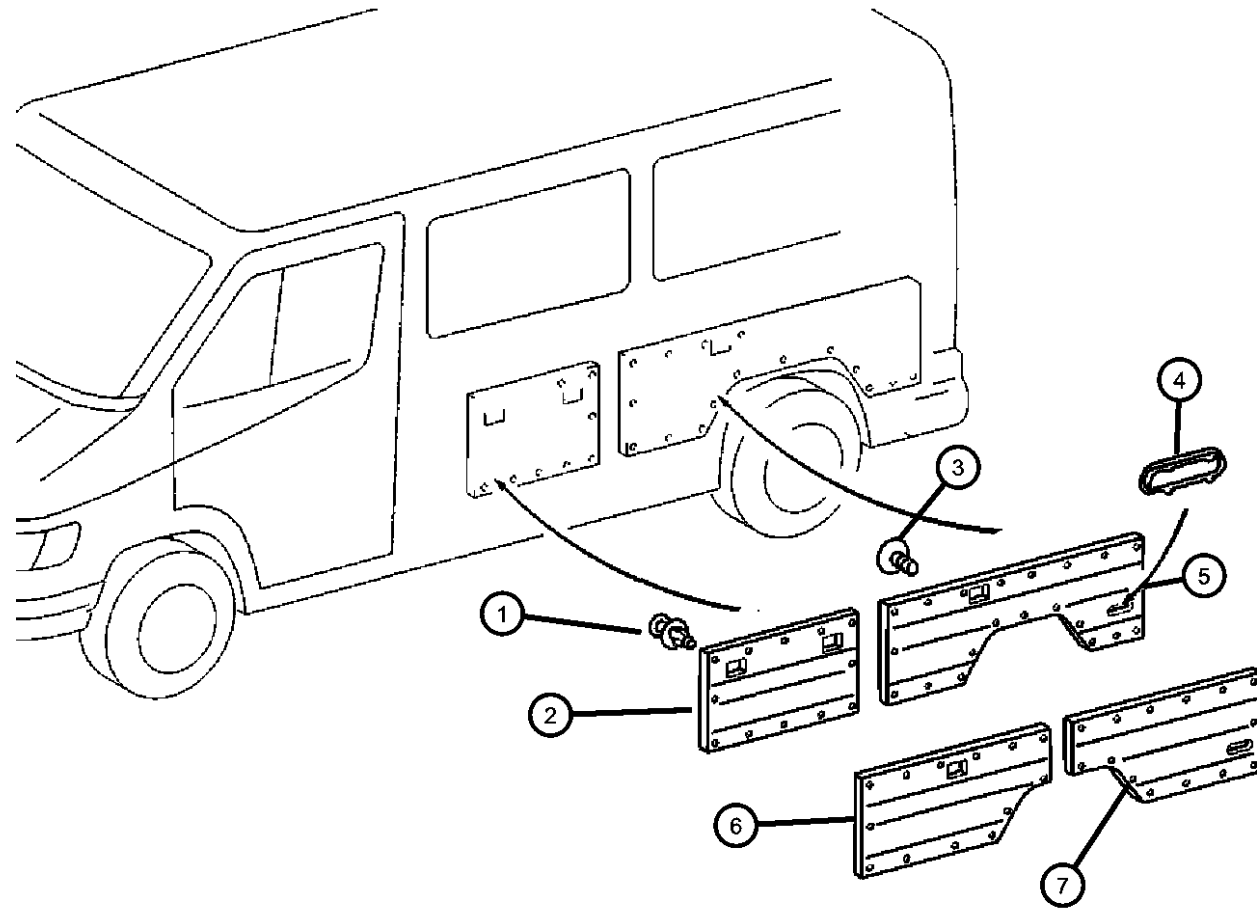
**TRANSMISSION**

DGJ = Transmission-5-Spd.  
Automatic, W5A580

AR = use ase required - = Non illustrated part

2003 VA

Inner Panels - Fabric  
Figure IVA-210



ITEM	PART NUMBER	QTY	LINE	SERIES	BODY	ENGINE	TRANS	TRIM	DESCRIPTION
	05123029AA	1	3, 7	L	12, 15, 16				In Front Of Wheelhouse, With Loudspeaker, Left
		1	3, 7	L	12, 15, 16				In Front Of Wheelhouse, Without Loudspeaker, Left
		1	2, 6	L	51, 52, 54, 55, 56				In Front Of Wheelhouse, Without Loudspeaker, Left
		1	2, 6	L	51, 52, 54, 55, 56				In Front Of Wheelhouse, With Loudspeaker, Left
		1	2, 6	L	11, 12, 14, 15, 16				In Front Of Wheelhouse, With Loudspeaker, Left
	05123032AA	1	3, 7	L	12, 15, 16				In Front Of Wheelhouse, With Loudspeaker, Right
		1	2, 6	L	51, 52, 54, 55, 56				In Front Of Wheelhouse, With Loudspeaker, Right
		1	2, 6	L	11, 12, 14, 15, 16				In Front Of Wheelhouse, With Loudspeaker, Right
7									PANEL, Quarter Trim
	05123027AA	1	3, 7	L	12, 15, 16				Behind the Wheel Arch, Right
		1	2, 6	L	51, 52, 54, 55, 56				Behind the Wheel Arch, Right
		1	2, 6	L	11, 12, 14, 15, 16				Behind the Wheel Arch, Right
	05123025AA	1	3, 7	L	12, 15, 16				Behind the Wheel Arch, Left
		1	2, 6	L	51, 52, 54, 55, 56				Behind the Wheel Arch, Left
		1	2, 6	L	11, 12, 14, 15, 16				Behind the Wheel Arch, Left

SPRINTER (VA)

SERIES

L = LOWLINE

LINE

3 = HD DODGE 2WD  
6 = Lt. Duty DODGE 4WD  
2 = Med. Duty DODGE 2WD  
7 = Med. Duty DODGE 4WD

BODY

51 = WAGON WHEEL BASE 1  
52 = WAGON WHEEL BASE 2  
14 = VAN WHEEL BASE 4  
15 = VAN WHEEL BASE 5  
16 = VAN WHEEL BASE 6  
54 = WAGON WHEEL BASE 4  
55 = WAGON WHEEL BASE 5  
56 = WAGON WHEEL BASE 6  
11 = VAN WHEEL BASE 1  
12 = VAN WHEEL BASE 2

ENGINE

EX9 = Engine - 2.7L 5 Cly  
Mercedes Diesel

TRANSMISSION

DGJ = Transmission-5-Spd. Automatic, W5A580

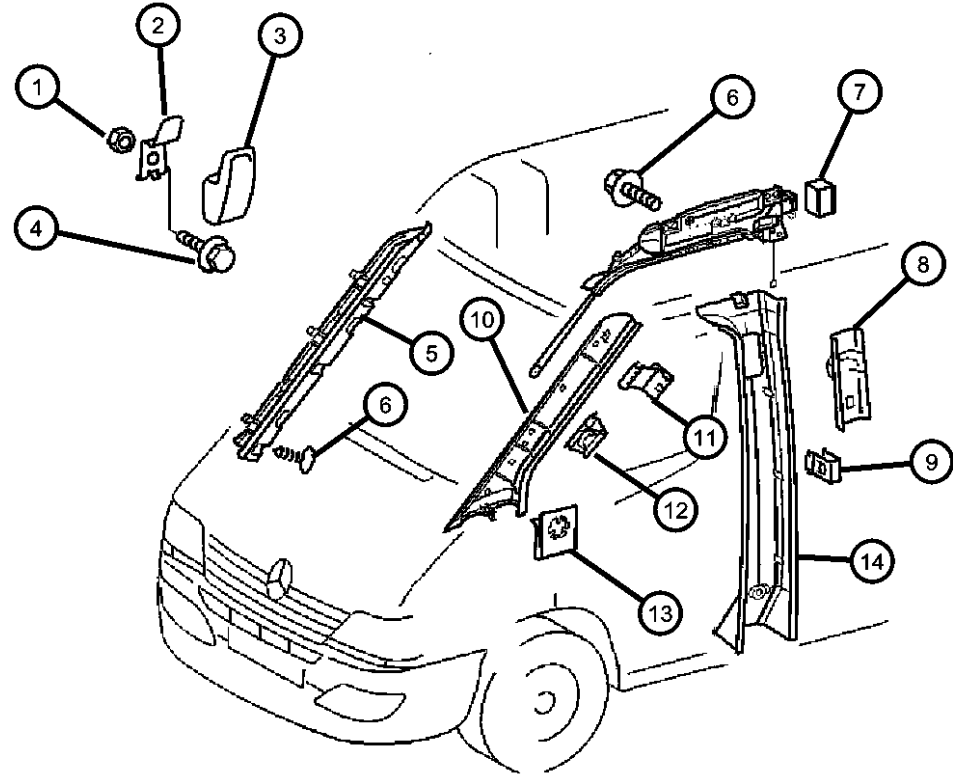
AR = use ase required - = Non illustrated part

2003 VA



Inner Panels - Cab  
Figure IVA-215

ITEM	PART NUMBER	QTY	LINE	SERIES	BODY	ENGINE	TRANS	TRIM	DESCRIPTION
1	06104724AA	1	2, 6	L	01, 02, 06				NUT, Hex
2	06104724AA	1							HOOK, Coat, (NOT SERVICED)
3	06104724AA	1							HANGER, Coat, ZF49TRMAA, (NOT SERVICED)
4									SCREW
	06104172AA	2	2, 6	L	11, 12, 14, 15, 16				
		2	2, 6	L	51, 52, 54, 55, 56				
		2	3, 7	L	12, 15, 16				
5									FILLER
	05123185AA	1	3, 7	L	12, 15, 16				Left
		1	2, 6	L	51, 52, 54, 55, 56				Left
		1	2, 6	L	11, 12, 14, 15, 16				Left
	05104273AA	1	3, 7	L	12, 15, 16				Right
		1	2, 6	L	51, 52, 54, 55, 56				Right
		1	2, 6	L	11, 12, 14, 15, 16				Right
6									SCREW
	06104610AA	5	3, 7	L	12, 15, 16				
		5	2, 6	L	11, 12, 14, 15, 16				
		5	2, 6	L	51, 52, 54, 55, 56				
7		5							SPACER, (NOT SERVICED)
8									COVER, Seat Belt Guide
	05104275AA	1	2, 6	L	51, 52, 54, 55, 56				
		1	2, 6	L	11, 12, 14, 15, 16				
9									CLIP, Trim
	05125575AA	5	2, 6	L	51, 52, 54, 55, 56				
		5	3, 7	L	12, 15, 16				
		5	2, 6	L	11, 12, 14, 15, 16				



SPRINTER (VA)

SERIES

L = LOWLINE

LINE

3 = HD DODGE 2WD  
6 = Lt. Duty DODGE 4WD  
2 = Med. Duty DODGE 2WD  
7 = Med. Duty DODGE 4WD

BODY

51 = WAGON WHEEL BASE 1  
52 = WAGON WHEEL BASE 2  
14 = VAN WHEEL BASE 4  
15 = VAN WHEEL BASE 5  
16 = VAN WHEEL BASE 6  
54 = WAGON WHEEL BASE 4  
55 = WAGON WHEEL BASE 5  
56 = WAGON WHEEL BASE 6  
11 = VAN WHEEL BASE 1  
12 = VAN WHEEL BASE 2

ENGINE

EX9 = Engine - 2.7L 5 Cyl  
Mercedes Diesel

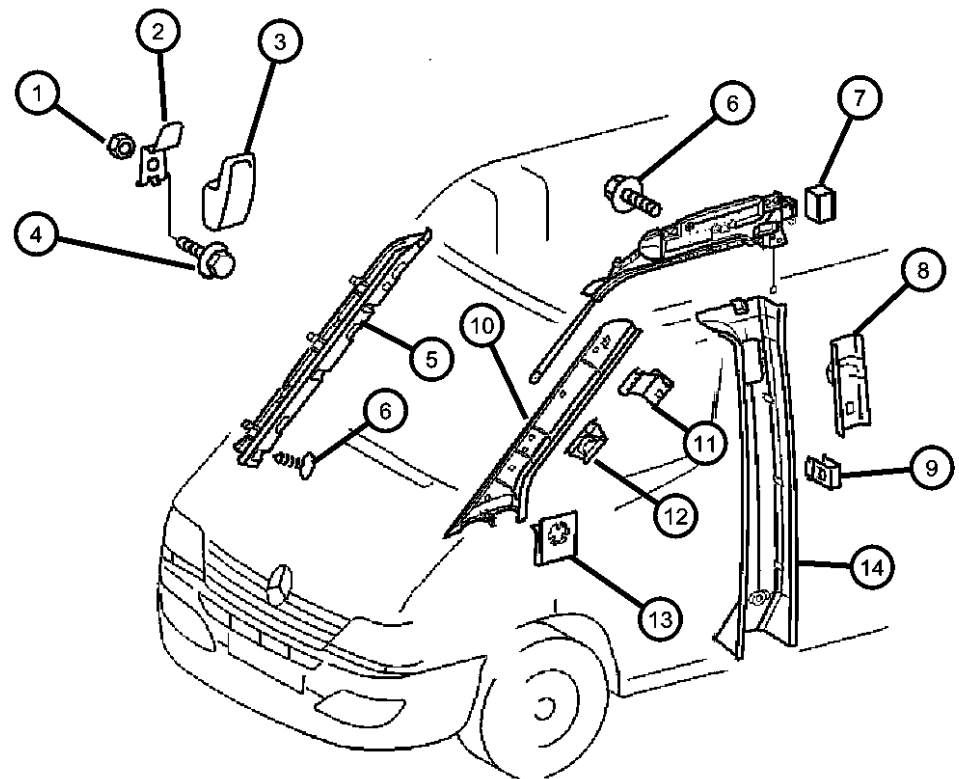
TRANSMISSION

DGJ = Transmission-5-Spd. Automatic, W5A580

AR = use ase required - = Non illustrated part

2003 VA

Inner Panels - Cab  
Figure IVA-215



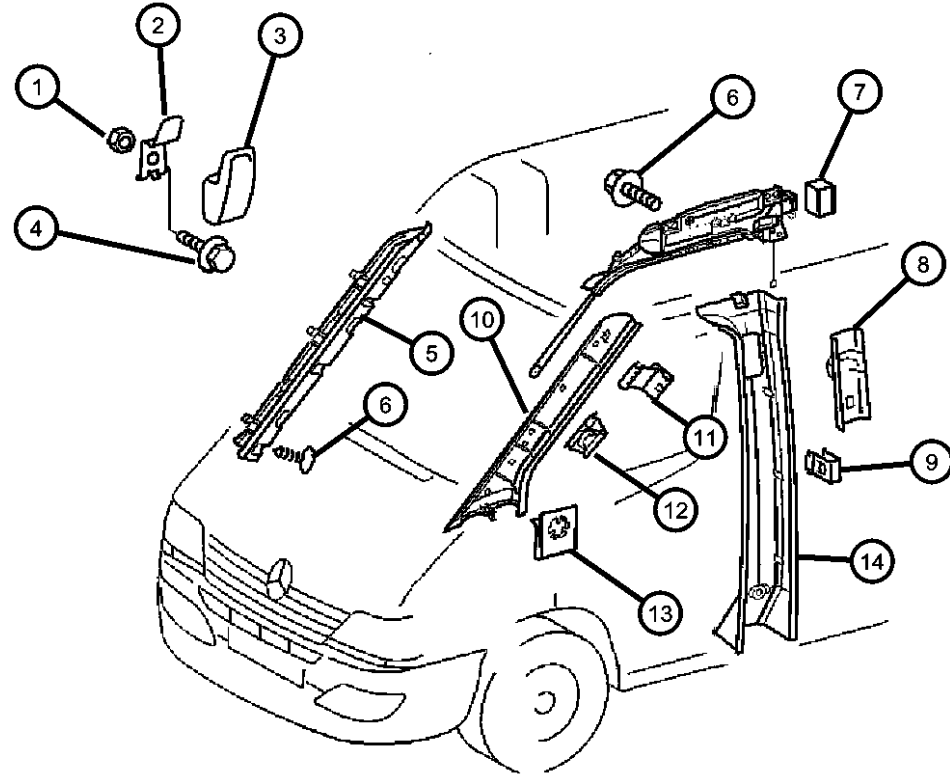
ITEM	PART NUMBER	QTY	LINE	SERIES	BODY	ENGINE	TRANS	TRIM	DESCRIPTION
10	05104276AA	1	2, 6	L	11, 12, 14, 15, 16				PANEL, A Pillar Trim Left
		1	2, 6	L	51, 52, 54, 55, 56				Left
	05123043AA	1	3, 7	L	12, 15, 16				Left With Cell Phone Prep Package, Left
		1	2, 6	L	51, 52, 54, 55, 56				With Cell Phone Prep Package, Left
		1	2, 6	L	11, 12, 14, 15, 16				With Cell Phone Prep Package, Left
	05123046AA	1	3, 7	L	12, 15, 16				Right With Cell Phone Prep Package, Right
		1	2, 6	L	11, 12, 14, 15, 16				Right
		1	2, 6	L	51, 52, 54, 55, 56				Right
11		1							CLIP, (NOT SERVICED)
12									CLIP, Trim
	05125575AA	5	2, 6	L	11, 12, 14, 15, 16				
		5	2, 6	L	51, 52, 54, 55, 56				
		5	3, 7	L	12, 15, 16				
13		5							CLIP, (NOT SERVICED)
14									PANEL, B Pillar Trim
	05104288AA	1	3, 7	L	12, 15, 16				With Partition, Left
		1	2, 6	L	11, 12, 14, 15, 16				With Partition, Left
	05104289AA	1	3, 7	L	12, 15, 16				With Partition, With Non Passable Partition, Right
		1	2, 6	L	11, 12, 14, 15, 16				With Partition, With Non Passable Partition, Right
	05104290AA	1	2, 6	L	11, 12, 14, 15, 16				With Partition, With Passable Partition, Right
		1	3, 7	L	12, 15, 16				With Partition, With Passable Partition, Right
	05123267AA	1	3, 7	L	12, 15, 16				Without Left Sliding Door, Left

- SPRINTER (VA)**
- |               |  |  |  |  |
|---------------|--|--|--|--|
| <b>SERIES</b> | <b>LINE</b>  | <b>BODY</b>  | <b>ENGINE</b>                                | <b>TRANSMISSION</b>                            |
| L = LOWLINE   | 3 = HD DODGE 2WD<br>6 = Lt. Duty DODGE 4WD<br>2 = Med. Duty DODGE 2WD<br>7 = Med. Duty DODGE 4WD | 51 = WAGON WHEEL BASE 1<br>52 = WAGON WHEEL BASE 2<br>14 = VAN WHEEL BASE 4<br>15 = VAN WHEEL BASE 5<br>16 = VAN WHEEL BASE 6<br>54 = WAGON WHEEL BASE 4<br>55 = WAGON WHEEL BASE 5<br>56 = WAGON WHEEL BASE 6<br>11 = VAN WHEEL BASE 1<br>12 = VAN WHEEL BASE 2 | EX9 = Engine - 2.7L 5 Cly<br>Mercedes Diesel | DGJ = Transmission-5-Spd.<br>Automatic, W5A580 |

AR = use ase required - = Non illustrated part

**Inner Panels - Cab  
Figure IVA-215**

ITEM	PART NUMBER	QTY	LINE	SERIES	BODY	ENGINE	TRANS	TRIM	DESCRIPTION
		1	2, 6	L	51, 52, 54, 55, 56				Without Left Sliding Door, Left
	05123275AA	1	3, 7	L	12, 15, 16				With Left Sliding Door, Without Grab Handle, Load Ring, Left
		1	2, 6	L	51, 52, 54, 55, 56				With Left Sliding Door, Without Grab Handle, Load Ring, Left
		1	2, 6	L	11, 12, 14, 15, 16				With Left Sliding Door, Without Grab Handle, Load Ring, Left
	05123285AA	1	3, 7	L	12, 15, 16				With Left Sliding Door and Load Ring, Without Grab Handle, Left
		1	2, 6	L	51, 52, 54, 55, 56				With Left Sliding Door and Load Ring, Without Grab Handle, Left
		1	2, 6	L	11, 12, 14, 15, 16				With Left Sliding Door and Load Ring, Without Grab Handle, Left
	05123287AA	1	2, 6	L	51, 52, 54, 55, 56				With Right Sliding Door and Load Ring, Without Grab Handle, Right
		1	2, 6	L	11, 12, 14, 15, 16				With Right Sliding Door and Load Ring, Without Grab Handle, Right
		1	3, 7	L	12, 15, 16				With Right Sliding Door and Load Ring, Without Grab Handle, Right
	05123304AA	1	3, 7	L	12, 15, 16				With Left Sliding Door and Grab Handle Without Load Ring, Left
		1	2, 6	L	11, 12, 14, 15, 16				Without Left Sliding Door, Left
	05123306AA	1	2, 6	L	51, 52, 54, 55, 56				With Right Sliding Door and Grab Handle Without Load Ring, Right
		1	2, 6	L	11, 12, 14, 15, 16				With Right Sliding Door and Grab Handle Without Load Ring, Right
	05123308AA	1	3, 7	L	12, 15, 16				With Left Sliding Door, Grab Handle and Load Ring, Left
		1	2, 6	L	51, 52, 54, 55, 56				With Left Sliding Door, Grab Handle and Load Ring, Left
		1	2, 6	L	11, 12, 14, 15, 16				With Left Sliding Door, Grab Handle and Load Ring, Left
	05123310AA	1	3, 7	L	12, 15, 16				With Right Sliding Door, Grab Handle and Load Ring, Right
		1	2, 6	L	51, 52, 54, 55, 56				With Right Sliding Door, Grab Handle and Load Ring, Right
		1	2, 6	L	11, 12, 14, 15, 16				With Right Sliding Door, Grab Handle and Load Ring, Right



**SPRINTER (VA)**

SERIES

L = LOWLINE

LINE

3 = HD DODGE 2WD

6 = Lt. Duty DODGE 4WD

2 = Med. Duty DODGE 2WD

7 = Med. Duty DODGE 4WD

BODY

51 = WAGON WHEEL BASE 1 EX9 = Engine - 2.7L 5 Cly

52 = WAGON WHEEL BASE 2 Mercedes Diesel

14 = VAN WHEEL BASE 4

15 = VAN WHEEL BASE 5

16 = VAN WHEEL BASE 6

54 = WAGON WHEEL BASE 4

55 = WAGON WHEEL BASE 5

56 = WAGON WHEEL BASE 6

11 = VAN WHEEL BASE 1

12 = VAN WHEEL BASE 2

ENGINE

EX9 = Engine - 2.7L 5 Cly

Mercedes Diesel

TRANSMISSION

DGJ = Transmission-5-Spd.

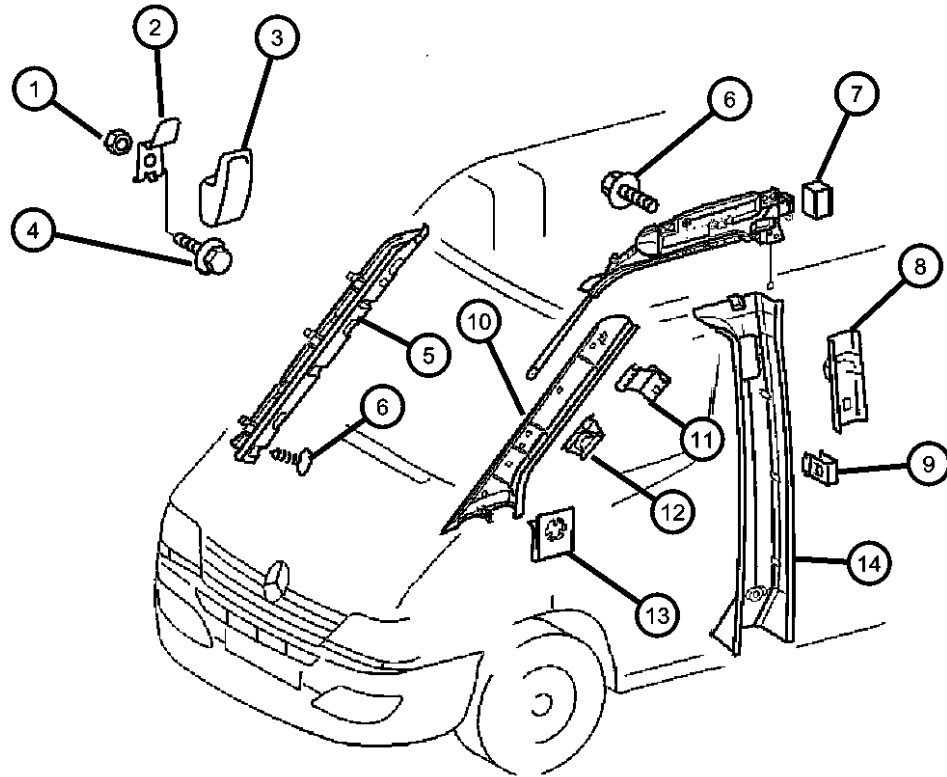
Automatic,W5A580

AR = use ase required - = Non illustrated part

2003 VA

Inner Panels - Cab  
Figure IVA-215

ITEM	PART NUMBER	QTY	LINE	SERIES	BODY	ENGINE	TRANS	TRIM	DESCRIPTION
		1	2, 6	L	51, 52, 54, 55, 56				With Left Sliding Door and Grab Handle Without Load Ring, Left
		1	2, 6	L	11, 12, 14, 15, 16				With Left Sliding Door and Grab Handle Without Load Ring, Left
		1	3, 7	L	12, 15, 16				With Right Sliding Door and Grab Handle Without Load Ring, Right
-15	05125582AA	5		L					CLIP, U Type, Paneling to Right B-Pillar

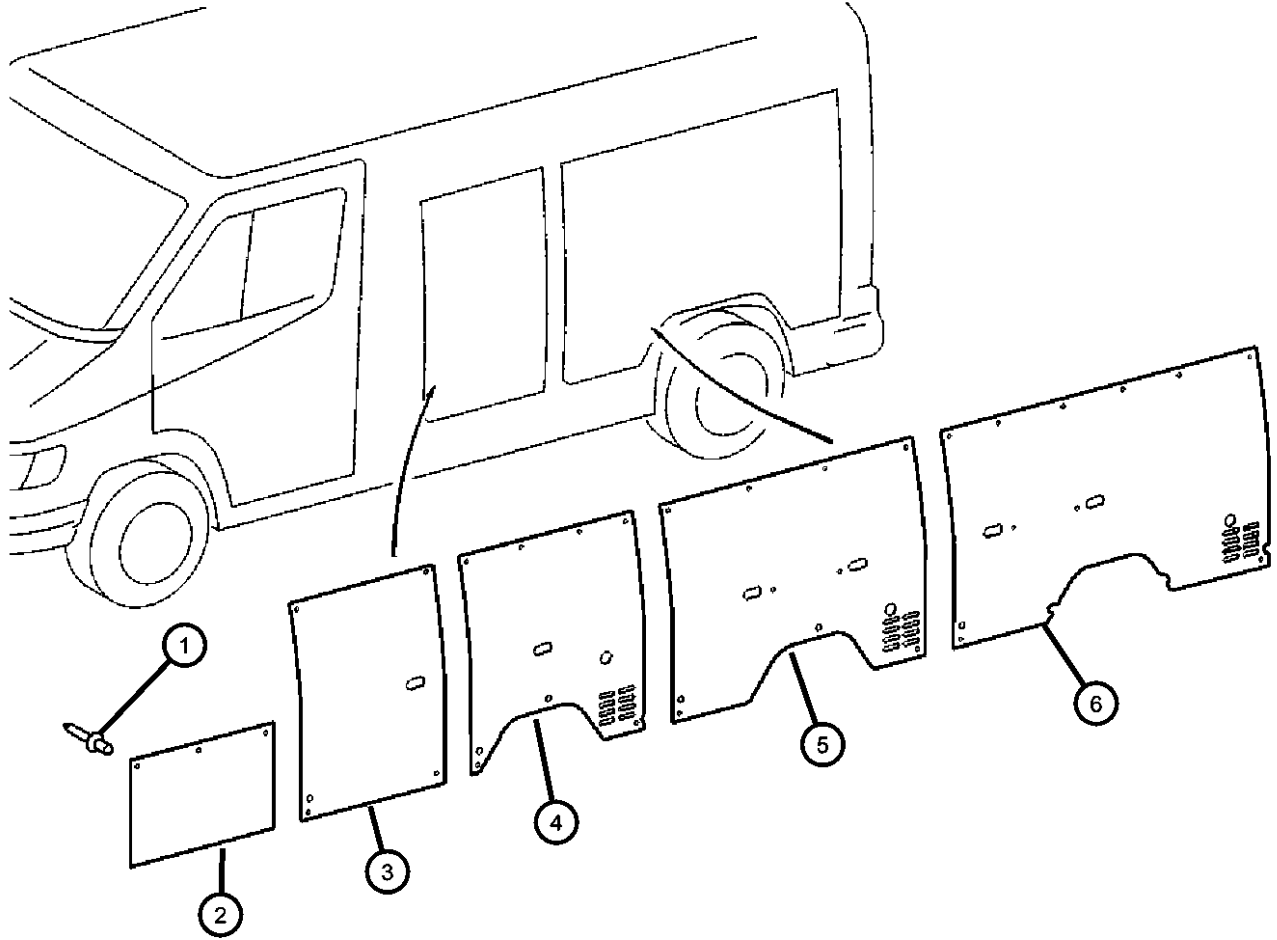


SPRINTER (VA)

SERIES	LINE	BODY	ENGINE	TRANSMISSION
L = LOWLINE	3 = HD DODGE 2WD 6 = Lt. Duty DODGE 4WD 2 = Med. Duty DODGE 2WD 7 = Med. Duty DODGE 4WD	51 = WAGON WHEEL BASE 1 52 = WAGON WHEEL BASE 2 14 = VAN WHEEL BASE 4 15 = VAN WHEEL BASE 5 16 = VAN WHEEL BASE 6 54 = WAGON WHEEL BASE 4 55 = WAGON WHEEL BASE 5 56 = WAGON WHEEL BASE 6 11 = VAN WHEEL BASE 1 12 = VAN WHEEL BASE 2	EX9 = Engine - 2.7L 5 Cly Mercedes Diesel	DGJ = Transmission-5-Spd. Automatic,W5A580

AR = use ase required - = Non illustrated part

**Inner Panels - Plywood  
Figure IVA-220**



ITEM	PART NUMBER	QTY	LINE	SERIES	BODY	ENGINE	TRANS	TRIM	DESCRIPTION
1	06104865AA	AR	2, 6	L	11, 12, 14, 15, 16				RIVET
		AR	3, 7	L	12, 15, 16				
		AR	2, 6	L	51, 52, 54, 55, 56				
2	05104295AA	1	2, 6	L	11, 12, 14, 15, 16				PANEL, Inner
		1	3, 7	L	12, 15, 16				
3	05104296AA	2	2, 6	L	11, 12, 14, 15, 16				PANEL, Inner
		1	3, 7	L	12, 15, 16				
4	05131868AA	2	2, 6	L	11, 12, 14, 15, 16				PANEL, Side Trim
5	05123247AA	2	2, 6	L	11, 12, 14, 15, 16				PANEL, Side Trim
		2	3, 7	L	12, 15, 16				
6	05104294AA	2	2, 6	L	11, 12, 14, 15, 16				PANEL, Quarter Trim
		2	3, 7	L	12, 15, 16				

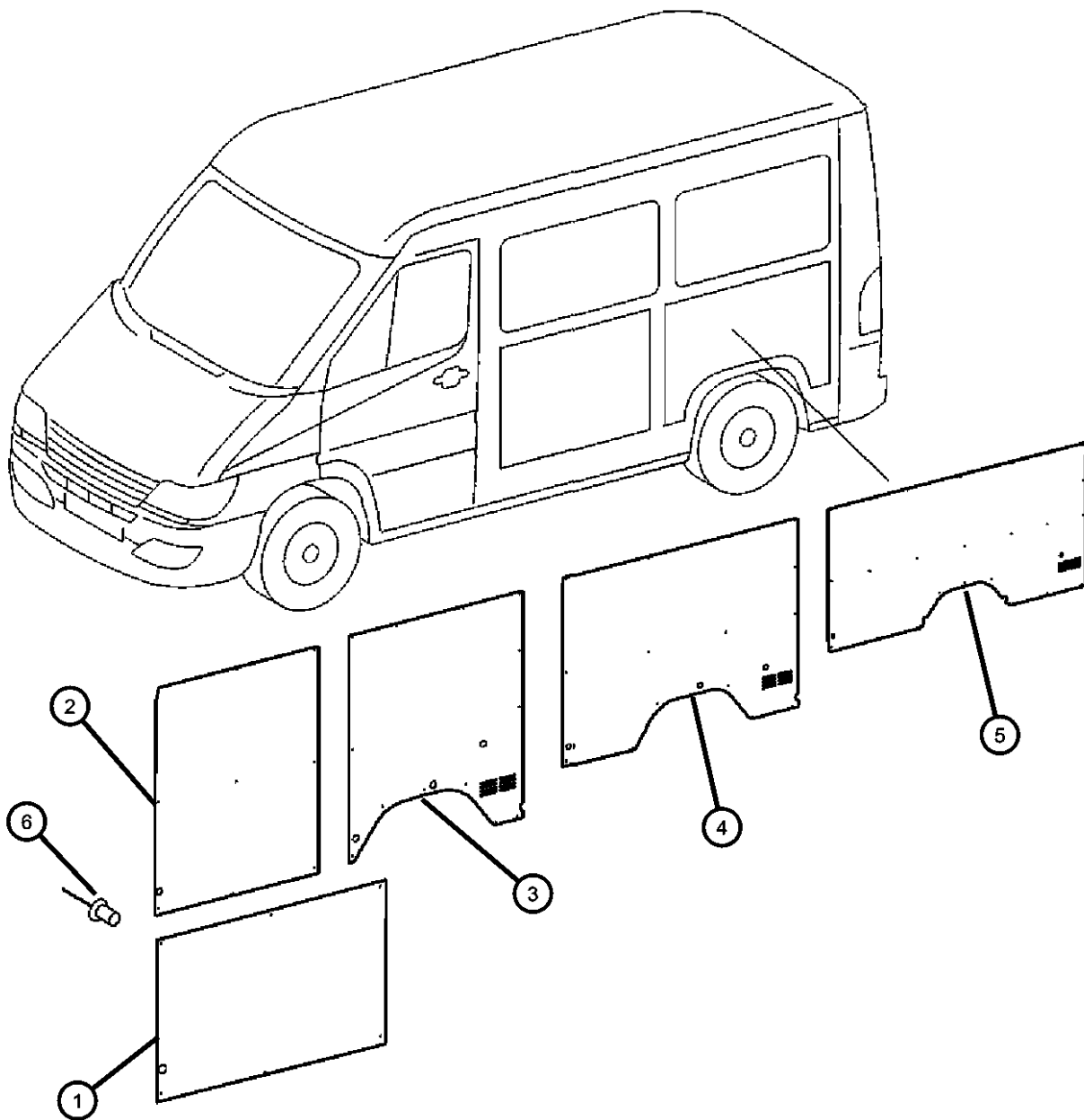
**SPRINTER (VA)**

SERIES	LINE	BODY	ENGINE	TRANSMISSION
L = LOWLINE	3 = HD DODGE 2WD 6 = Lt. Duty DODGE 4WD 2 = Med. Duty DODGE 2WD 7 = Med. Duty DODGE 4WD	51 = WAGON WHEEL BASE 1 52 = WAGON WHEEL BASE 2 14 = VAN WHEEL BASE 4 15 = VAN WHEEL BASE 5 16 = VAN WHEEL BASE 6 54 = WAGON WHEEL BASE 4 55 = WAGON WHEEL BASE 5 56 = WAGON WHEEL BASE 6 11 = VAN WHEEL BASE 1 12 = VAN WHEEL BASE 2	EX9 = Engine - 2.7L 5 Cly Mercedes Diesel	DGJ = Transmission-5-Spd. Automatic,W5A580

AR = use ase required - = Non illustrated part

### Inner Panel, Hard Fiber

Figure IVA-221



ITEM	PART NUMBER	QTY	LINE	SERIES	BODY	ENGINE	TRANS	TRIM	DESCRIPTION
1									PANEL, Cargo Compartment, Without Windows
	05123222AA	1	3, 7	L	12, 15, 16				
		1	2, 6	L	11, 12, 14, 15, 16				
2									PANEL, Cargo Compartment, Without Windows
	05123223AA	1	3, 7	L	12, 15, 16				
		1	2, 6	L	11, 12, 14, 15, 16				
3									PANEL, Quarter Trim
	05131854AA	1	2, 6	L	11, 12, 14, 15, 16				Up to [R519575], Left
	05131856AA	1	2, 6	L	11, 12, 14, 15, 16				Up to [R519575], Right
	05131857AA	2	2, 6	L	11, 12, 14, 15, 16				From [R519575], Right & Left
4									PANEL, Quarter Trim
	05104284AA	1	2, 6	L	11, 12, 14, 15, 16				Up to [R519575], Left
		1	3, 7	L	12, 15, 16				Up to [R519575], Left
	05104285AA	1	2, 6	L	11, 12, 14, 15, 16				Up to [R519575], Right
		1	3, 7	L	12, 15, 16				Up to [R519575], Right
	05123224AA	2	3, 7	L	12, 15, 16				From [R519575], Right & Left
		2	2, 6	L	11, 12, 14, 15, 16				From [R519575], Right & Left
5									PANEL, Quarter Trim
	05123225AA	2	2, 6	L	11, 12, 14, 15, 16				From [R519575], Right & Left
	05104286AA	1	2, 6	L	11, 12, 14, 15, 16				Up to [R519575], Left
		1	3, 7	L	12, 15, 16				Up to [R519575], Left
	05104287AA	1	2, 6	L	11, 12, 14, 15, 16				Up to [R519575], Right
		1	3, 7	L	12, 15, 16				Up to [R519575], Right
		2	3, 7	L	12, 15, 16				From [R519575], Right & Left
6									RIVET

**SPRINTER (VA)**

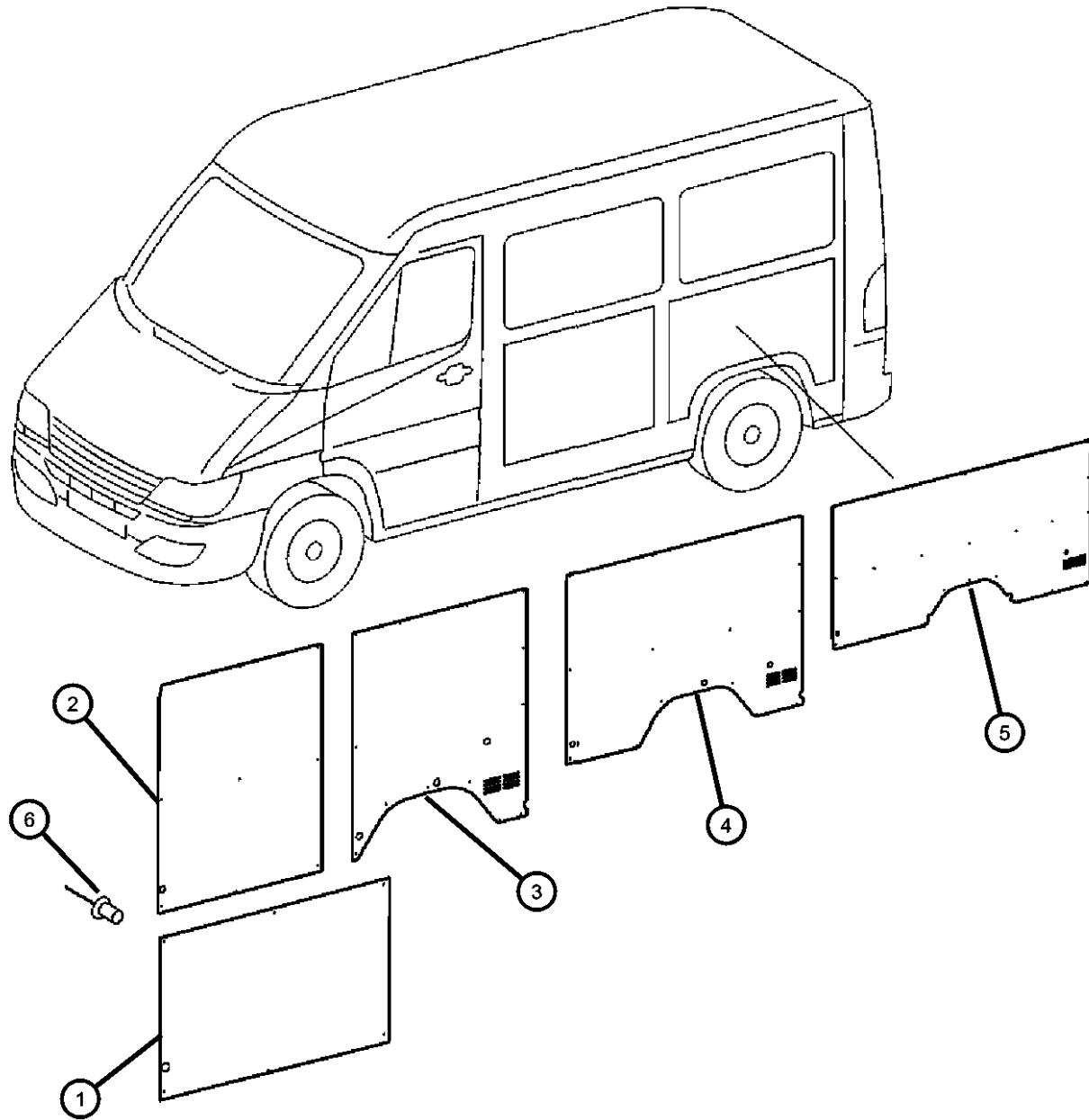
SERIES	LINE	BODY	ENGINE	TRANSMISSION
L = LOWLINE	3 = HD DODGE 2WD 6 = Lt. Duty DODGE 4WD 2 = Med. Duty DODGE 2WD 7 = Med. Duty DODGE 4WD	51 = WAGON WHEEL BASE 1 52 = WAGON WHEEL BASE 2 14 = VAN WHEEL BASE 4 15 = VAN WHEEL BASE 5 16 = VAN WHEEL BASE 6 54 = WAGON WHEEL BASE 4 55 = WAGON WHEEL BASE 5 56 = WAGON WHEEL BASE 6 11 = VAN WHEEL BASE 1 12 = VAN WHEEL BASE 2	EX9 = Engine - 2.7L 5 Clj Mercedes Diesel	DGJ = Transmission-5-Spd. Automatic, W5A580

AR = use ase required - = Non illustrated part

2003 VA

Inner Panel, Hard Fiber  
Figure IVA-221

ITEM	PART NUMBER	QTY	LINE	SERIES	BODY	ENGINE	TRANS	TRIM	DESCRIPTION
	06104865AA	AR	3, 7	L	12, 15, 16				
		AR	2, 6	L	11, 12, 14, 15, 16				



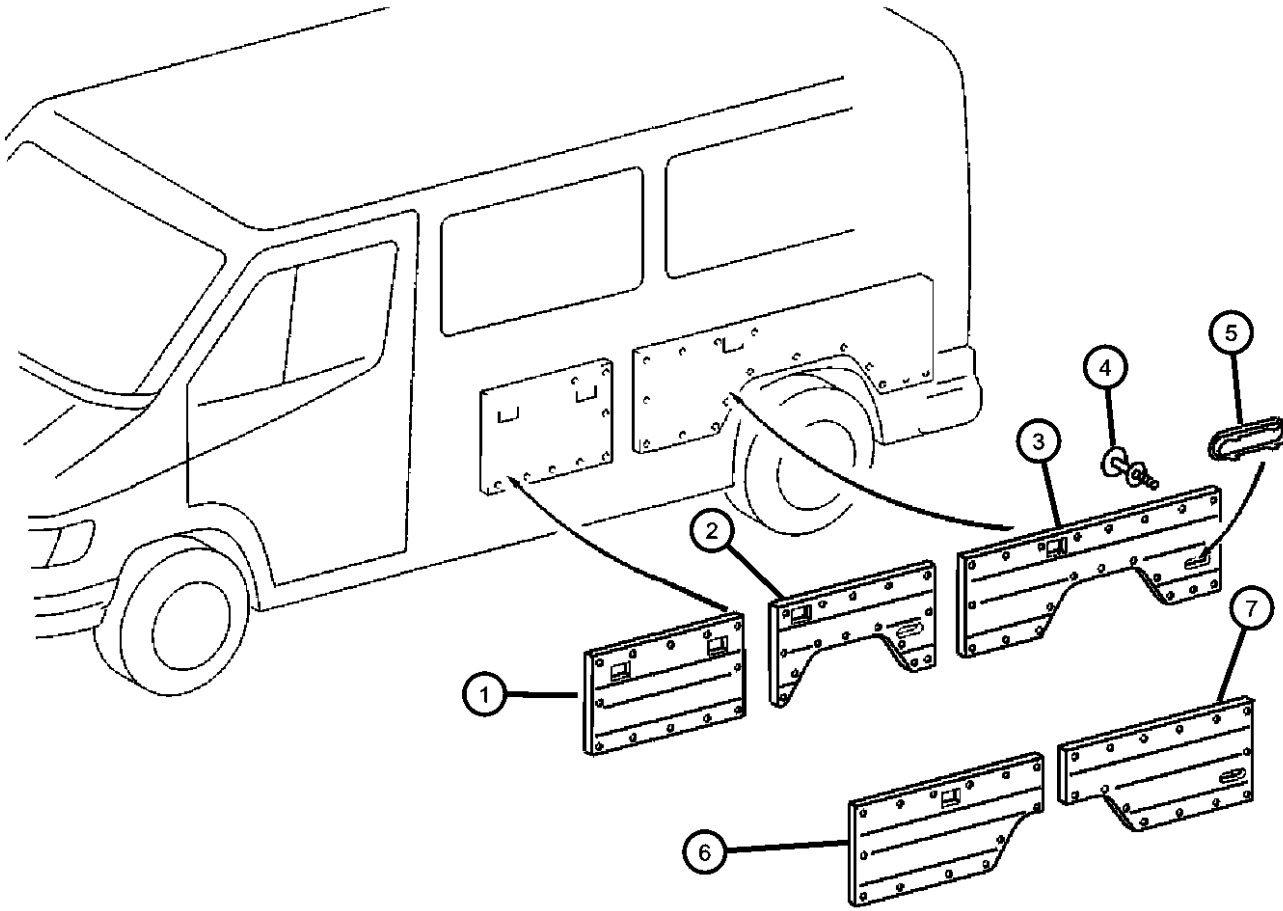
SPRINTER (VA)

SERIES	LINE	BODY	ENGINE	TRANSMISSION
L = LOWLINE	3 = HD DODGE 2WD	51 = WAGON WHEEL BASE 1	EX9 = Engine - 2.7L 5 Cly	DGJ = Transmission-5-Spd. Automatic,W5A580
	6 = Lt. Duty DODGE 4WD	52 = WAGON WHEEL BASE 2	Mercedes Diesel	
	2 = Med. Duty DODGE 2WD	14 = VAN WHEEL BASE 4		
	7 = Med. Duty DODGE 4WD	15 = VAN WHEEL BASE 5		
		16 = VAN WHEEL BASE 6		
		54 = WAGON WHEEL BASE 4		
		55 = WAGON WHEEL BASE 5		
		56 = WAGON WHEEL BASE 6		
		11 = VAN WHEEL BASE 1		
		12 = VAN WHEEL BASE 2		

AR = use ase required - = Non illustrated part

**Inner Panels  
Figure IVA-225**

ITEM	PART NUMBER	QTY	LINE	SERIES	BODY	ENGINE	TRANS	TRIM	DESCRIPTION
1	05123228AA	1	2, 6	L	11, 12, 14, 15, 16				PANEL, Cargo compartment Up To Beltline
		1	2, 6	L	51, 52, 54, 55, 56				Up To Beltline
		1	3, 7	L	12, 15, 16				Up To Beltline
2	05123231AA	1	2, 6	L	11, 12, 14, 15, 16				PANEL, Cargo compartment 118 Inch Wheelbase, Left
		1	2, 6	L	51, 52, 54, 55, 56				118 Inch Wheelbase, Left
	05123233AA	1	2, 6	L	11, 12, 14, 15, 16				118 Inch Wheelbase, Right
		1	2, 6	L	51, 52, 54, 55, 56				118 Inch Wheelbase, Right
3	05123234AA	1	3, 7	L	12, 15, 16				PANEL, Cargo compartment 140 Inch Wheelbase, Left
		1	2, 6	L	11, 12, 14, 15, 16				140 Inch Wheelbase, Left
		1	2, 6	L	51, 52, 54, 55, 56				140 Inch Wheelbase, Left
	05123236AA	1	3, 7	L	12, 15, 16				140 Inch Wheelbase, Right
		1	2, 6	L	11, 12, 14, 15, 16				140 Inch Wheelbase, Right
		1	2, 6	L	51, 52, 54, 55, 56				140 Inch Wheelbase, Right
4	05103553AA	9	2, 6	L	11, 12, 14, 15, 16				PIN, Push
		9	2, 6	L	51, 52, 54, 55, 56				
		9	3, 7	L	12, 15, 16				
5	05123427AA	2	3, 7	L	12, 15, 16				EXHAUSTER, Quarter Panel
		2	2, 6	L	11, 12, 14, 15, 16				
		2	2, 6	L	51, 52, 54, 55, 56				
6	05123238AA	1	3, 7	L	12, 15, 16				PANEL, Cargo compartment 158 Inch Wheelbase, Left, Front



**SPRINTER (VA)**

**SERIES**

L = LOWLINE

**LINE**

3 = HD DODGE 2WD  
6 = Lt. Duty DODGE 4WD  
2 = Med. Duty DODGE 2WD  
7 = Med. Duty DODGE 4WD

**BODY**

51 = WAGON WHEEL BASE 1  
52 = WAGON WHEEL BASE 2  
14 = VAN WHEEL BASE 4  
15 = VAN WHEEL BASE 5  
16 = VAN WHEEL BASE 6  
54 = WAGON WHEEL BASE 4  
55 = WAGON WHEEL BASE 5  
56 = WAGON WHEEL BASE 6  
11 = VAN WHEEL BASE 1  
12 = VAN WHEEL BASE 2

**ENGINE**

EX9 = Engine - 2.7L 5 Cyl  
Mercedes Diesel

**TRANSMISSION**

DGJ = Transmission-5-Spd.  
Automatic,W5A580

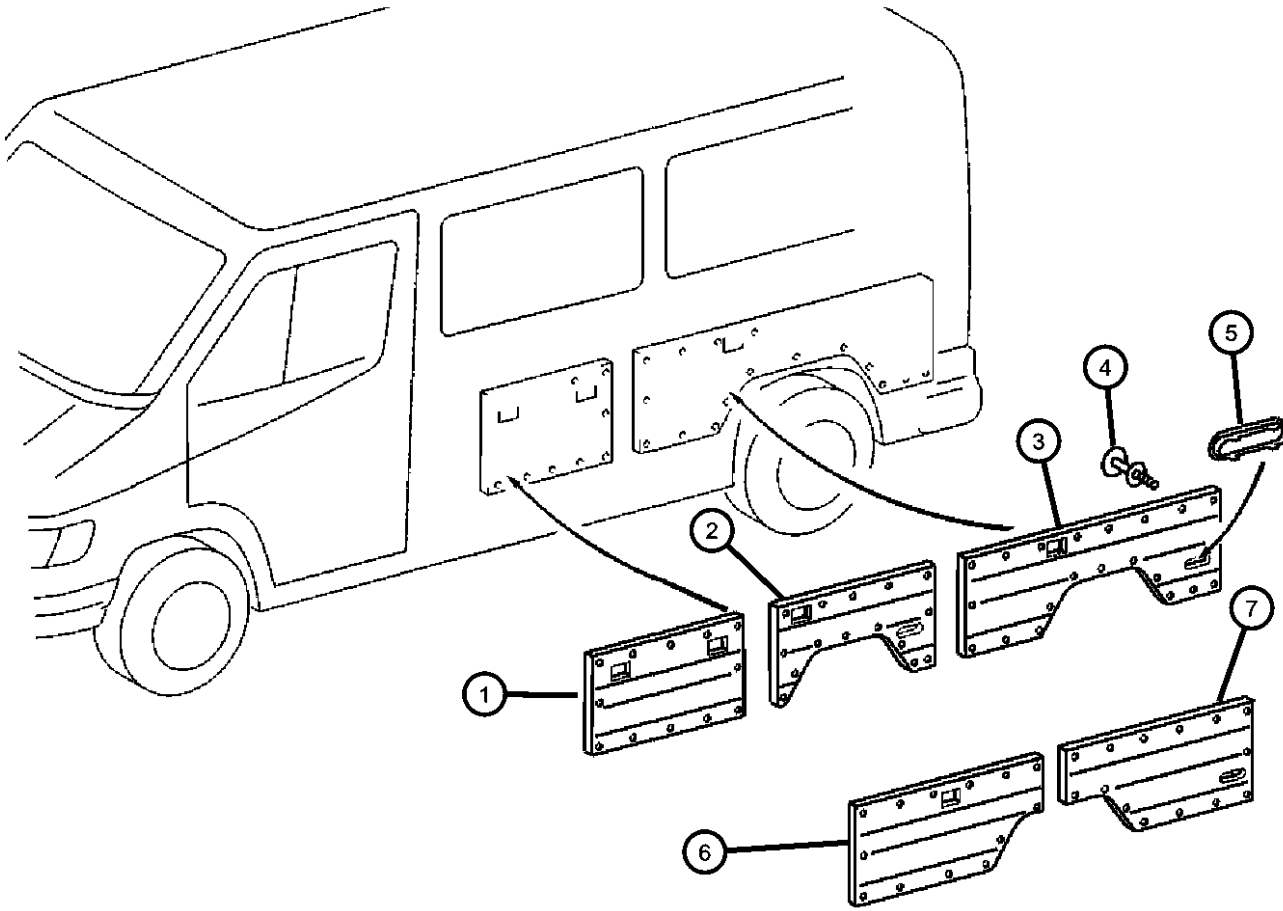
AR = use ase required - = Non illustrated part

2003 VA



Inner Panels  
Figure IVA-225

ITEM	PART NUMBER	QTY	LINE	SERIES	BODY	ENGINE	TRANS	TRIM	DESCRIPTION
	05123240AA	1	2, 6	L	11, 12, 14, 15, 16				158 Inch Wheelbase, Right, Front
		1	2, 6	L	51, 52, 54, 55, 56				158 Inch Wheelbase, Right, Front
		1	2, 6	L	11, 12, 14, 15, 16				158 Inch Wheelbase, Left, Front
		1	2, 6	L	51, 52, 54, 55, 56				158 Inch Wheelbase, Left, Front
		1	3, 7	L	12, 15, 16				158 Inch Wheelbase, Right, Front
7									PANEL, Cargo compartment
	05123242AA	1	3, 7	L	12, 15, 16				158 Inch Wheelbase, Left, Rear
		1	2, 6	L	11, 12, 14, 15, 16				158 Inch Wheelbase, Left, Rear
		1	2, 6	L	51, 52, 54, 55, 56				158 Inch Wheelbase, Left, Rear
	05123243AA	1	3, 7	L	12, 15, 16				158 Inch Wheelbase, Right, Rear
		1	2, 6	L	11, 12, 14, 15, 16				158 Inch Wheelbase, Right, Rear
		1	2, 6	L	51, 52, 54, 55, 56				158 Inch Wheelbase, Right, Rear



SPRINTER (VA)

SERIES

L = LOWLINE

LINE

3 = HD DODGE 2WD  
6 = Lt. Duty DODGE 4WD  
2 = Med. Duty DODGE 2WD  
7 = Med. Duty DODGE 4WD

BODY

51 = WAGON WHEEL BASE 1  
52 = WAGON WHEEL BASE 2  
14 = VAN WHEEL BASE 4  
15 = VAN WHEEL BASE 5  
16 = VAN WHEEL BASE 6  
54 = WAGON WHEEL BASE 4  
55 = WAGON WHEEL BASE 5  
56 = WAGON WHEEL BASE 6  
11 = VAN WHEEL BASE 1  
12 = VAN WHEEL BASE 2

ENGINE

EX9 = Engine - 2.7L 5 Cly  
Mercedes Diesel

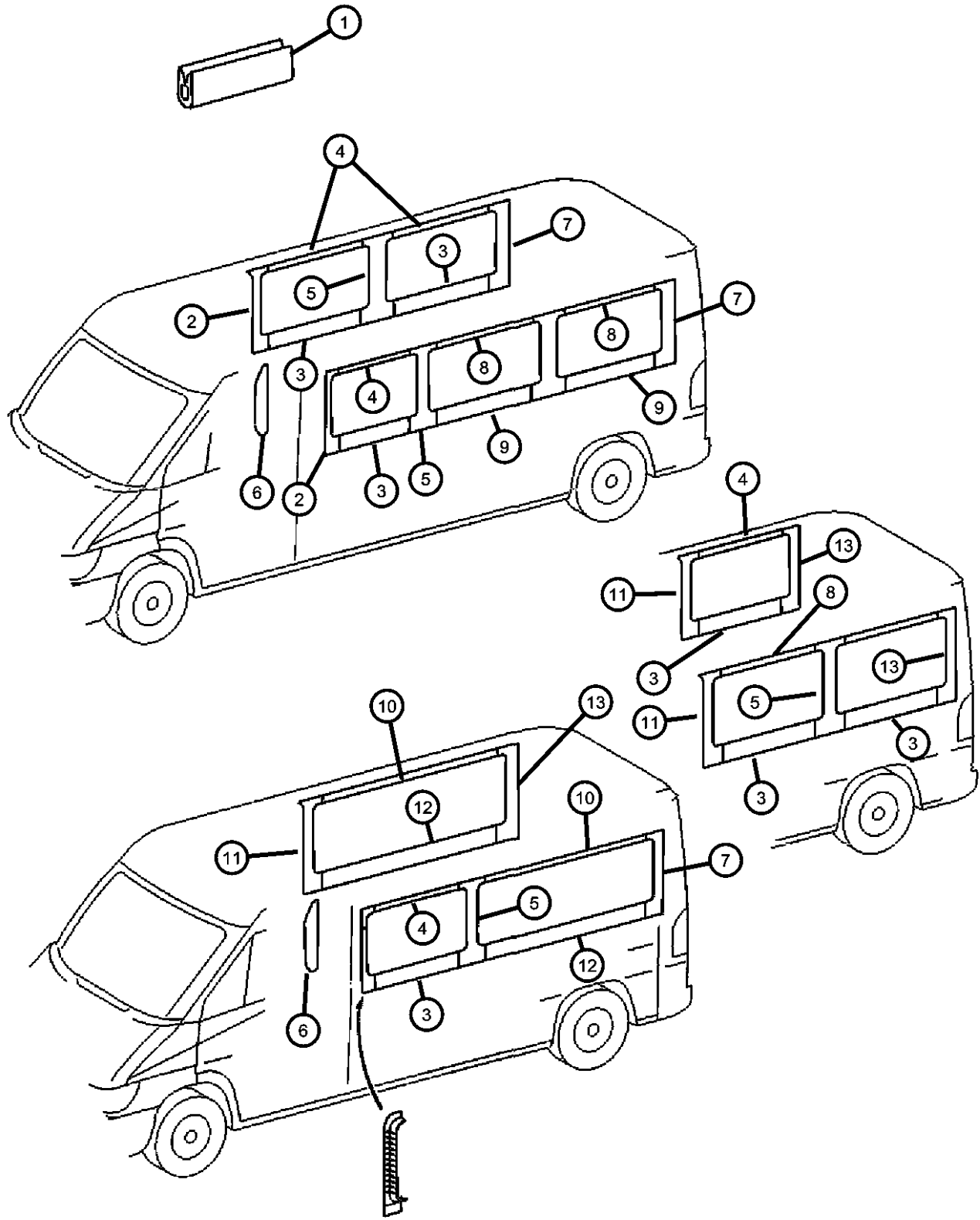
TRANSMISSION

DGJ = Transmission-5-Spd. Automatic, W5A580

AR = use ase required - = Non illustrated part

2003 VA

### Inner Paneling Window - Pillar In Cab Figure IVA-230



ITEM	PART NUMBER	QTY	LINE	SERIES	BODY	ENGINE	TRANS	TRIM	DESCRIPTION
1	05134108AA	1	2, 6	L	11, 12, 14, 15, 16				WEATHERSTRIP, Glass, 2 Meters Long
2	05123334AA	1	3, 7	L	12, 15, 16				COVER, Rear Window Moulding
		1	2, 6	L	51, 52, 54, 55, 56				Side Window, Left
		1	2, 6	L	11, 12, 14, 15, 16				Side Window, Left
	05123365AA	1	3, 7	L	12, 15, 16				Side Window, Right
		1	2, 6	L	51, 52, 54, 55, 56				Side Window, Right
		1	2, 6	L	11, 12, 14, 15, 16				Side Window, Right
3	05123366AA	1	3, 7	L	12, 15, 16				PANEL, Lower Rear
		1	2, 6	L	51, 52, 54, 55, 56				Lower Side Windows, Left, Right
		1	2, 6	L	11, 12, 14, 15, 16				Lower Side Windows, Left, Right
4	05104293AA	1	2, 6	L	51, 52, 54, 55, 56				PANEL, Header
		1	2, 6	L	11, 12, 14, 15, 16				Garnish, Upper, Window
		1	3, 7	L	12, 15, 16				Garnish, Upper, Window
5	05123335AA	1	3, 7	L	12, 15, 16				COVER, Rear Window Moulding
		1	2, 6	L	51, 52, 54, 55, 56				Center
		1	2, 6	L	11, 12, 14, 15, 16				Center
6	05123367AA	1	3, 7	L	12, 15, 16				PANEL, B Pillar Upper Trim
		1	2, 6	L	51, 52, 54, 55, 56				Right
		1	2, 6	L	11, 12, 14, 15, 16				Right
	05123368AA	1	3, 7	L	12, 15, 16				Left
		1	2, 6	L	51, 52, 54, 55, 56				Left

**SPRINTER (VA)**

**SERIES**

L = LOWLINE

**LINE**

3 = HD DODGE 2WD  
 6 = Lt. Duty DODGE 4WD  
 2 = Med. Duty DODGE 2WD  
 7 = Med. Duty DODGE 4WD

**BODY**

51 = WAGON WHEEL BASE 1 EX9 = Engine - 2.7L 5 Cly  
 52 = WAGON WHEEL BASE 2 Mercedes Diesel  
 14 = VAN WHEEL BASE 4  
 15 = VAN WHEEL BASE 5  
 16 = VAN WHEEL BASE 6  
 54 = WAGON WHEEL BASE 4  
 55 = WAGON WHEEL BASE 5  
 56 = WAGON WHEEL BASE 6  
 11 = VAN WHEEL BASE 1  
 12 = VAN WHEEL BASE 2

**ENGINE**

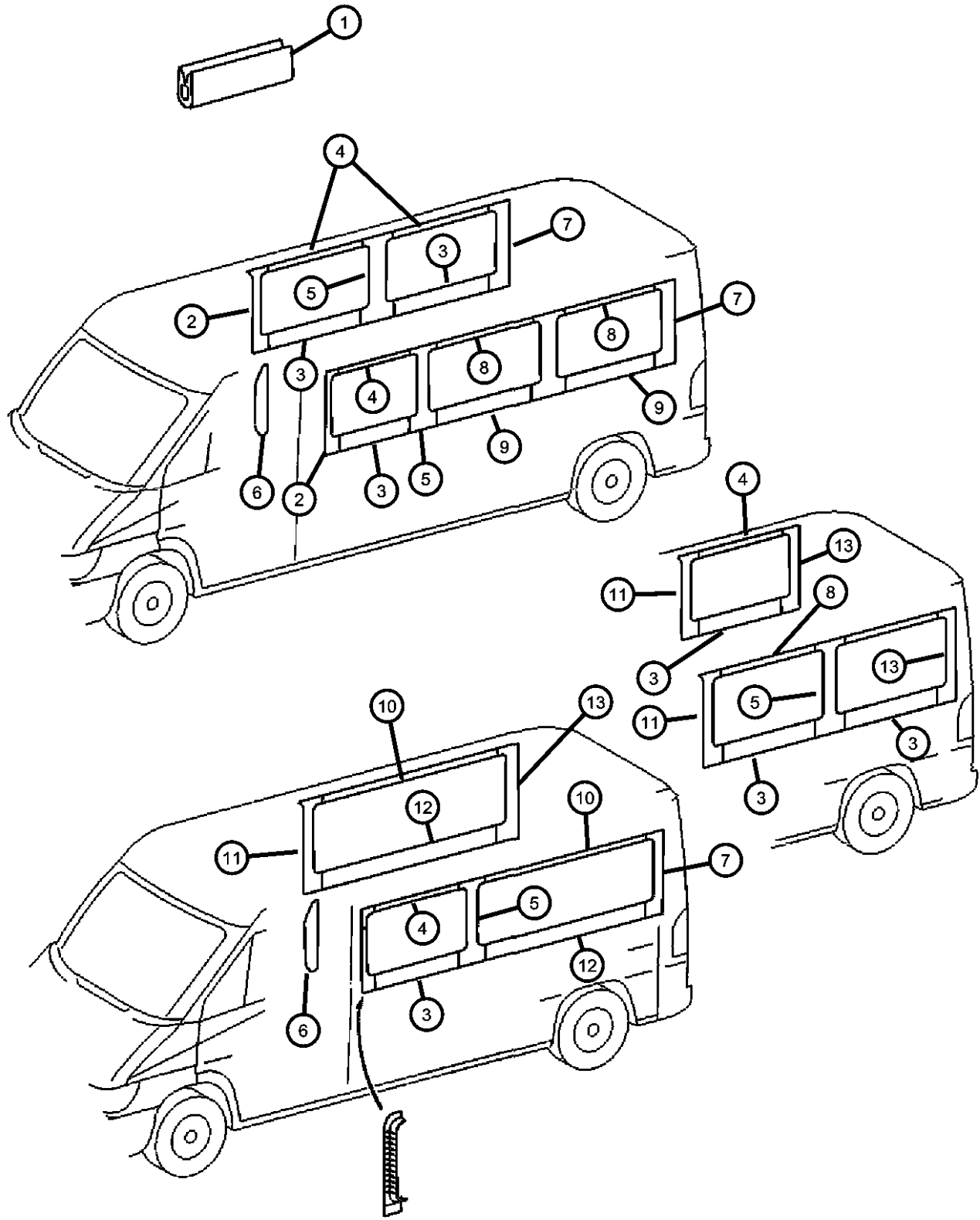
**TRANSMISSION**

DGJ = Transmission-5-Spd. Automatic, W5A580

AR = use ase required - = Non illustrated part

2003 VA

**Inner Paneling Window - Pillar In Cab  
Figure IVA-230**



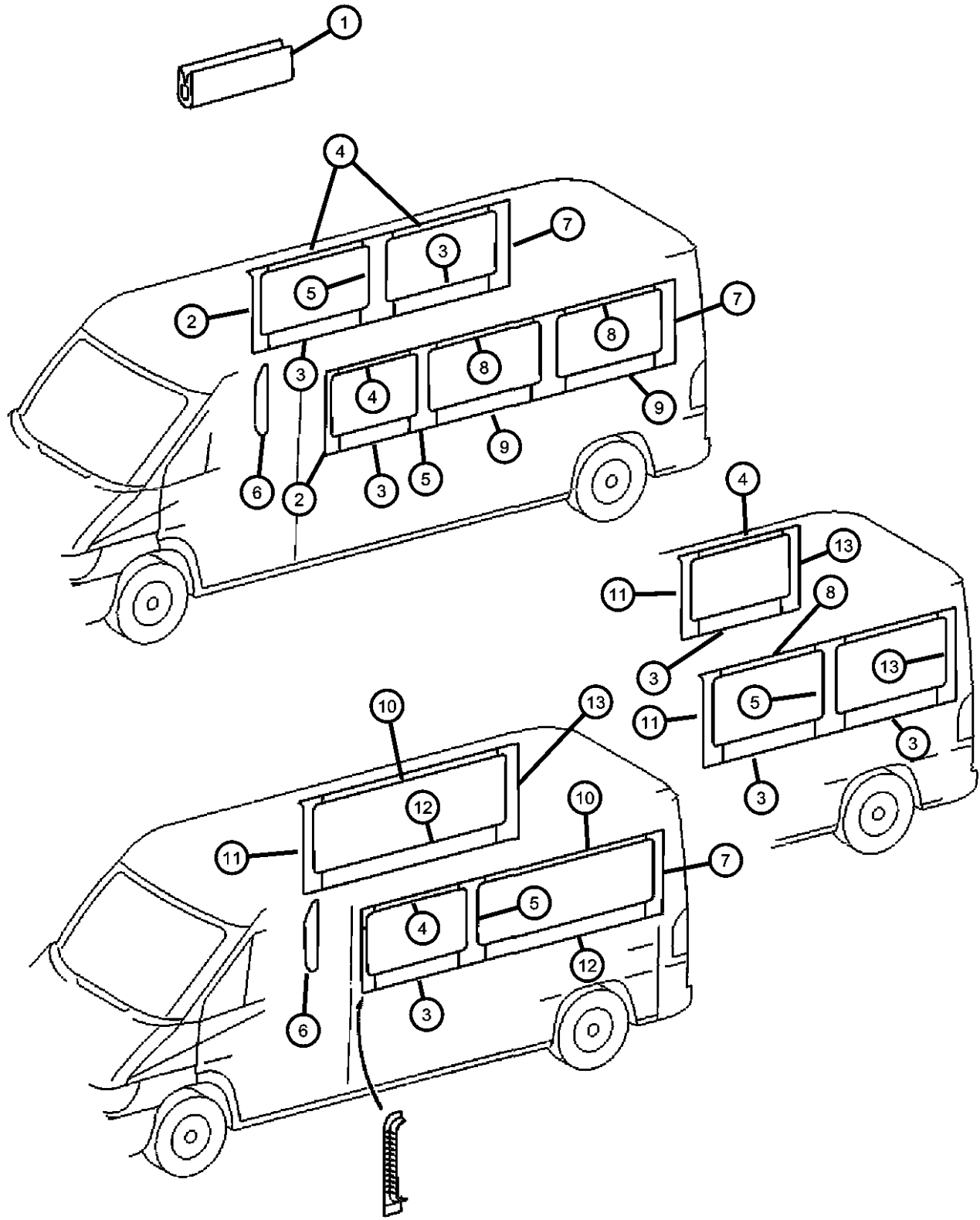
ITEM	PART NUMBER	QTY	LINE	SERIES	BODY	ENGINE	TRANS	TRIM	DESCRIPTION
		1	2, 6	L	11, 12, 14, 15, 16				Left
7	05123337AA	1	2, 6	L	11, 12, 14, 15, 16				COVER, Rear Window Moulding
		1	3, 7	L	12, 15, 16				
		1	2, 6	L	51, 52, 54, 55, 56				
8	05123332AA	4	3, 7	L	12, 15, 16				PANEL, Header Garnish (Medium), Upper, Window
		4	2, 6	L	51, 52, 54, 55, 56				Garnish (Medium), Upper, Window
		4	2, 6	L	11, 12, 14, 15, 16				Garnish (Medium), Upper, Window
9	05123363AA	4	3, 7	L	12, 15, 16				PANEL, Lower Rear Garnish (Medium), Lower, Window
		4	2, 6	L	51, 52, 54, 55, 56				Garnish (Medium), Lower, Window
		4	2, 6	L	11, 12, 14, 15, 16				Garnish (Medium), Lower, Window
10	05123333AA	2	3, 7	L	12, 15, 16				PANEL, Header Garnish (Long), Upper, Window
		2	2, 6	L	51, 52, 54, 55, 56				Garnish (Long), Upper, Window
		2	2, 6	L	11, 12, 14, 15, 16				Garnish (Long), Upper, Window
11	05123362AA	1	3, 7	L	12, 15, 16				COVER, Rear Window Moulding Verdical Molding, Right
		1	2, 6	L	51, 52, 54, 55, 56				Verdical Molding, Right
		1	2, 6	L	11, 12, 14, 15, 16				Verdical Molding, Right
	05123364AA	1	3, 7	L	12, 15, 16				Verdical Molding, Left
		1	2, 6	L	51, 52, 54, 55, 56				Verdical Molding, Left
		1	2, 6	L	11, 12, 14, 15, 16				Verdical Molding, Left

**SPRINTER (VA)**

<b>SERIES</b>	<b>LINE</b>	<b>BODY</b>	<b>ENGINE</b>	<b>TRANSMISSION</b>
L = LOWLINE	3 = HD DODGE 2WD 6 = Lt. Duty DODGE 4WD 2 = Med. Duty DODGE 2WD 7 = Med. Duty DODGE 4WD	51 = WAGON WHEEL BASE 1 52 = WAGON WHEEL BASE 2 14 = VAN WHEEL BASE 4 15 = VAN WHEEL BASE 5 16 = VAN WHEEL BASE 6 54 = WAGON WHEEL BASE 4 55 = WAGON WHEEL BASE 5 56 = WAGON WHEEL BASE 6 11 = VAN WHEEL BASE 1 12 = VAN WHEEL BASE 2	EX9 = Engine - 2.7L 5 Cyl Mercedes Diesel	DGJ = Transmission-5-Spd. Automatic, W5A580

AR = use ase required - = Non illustrated part

**Inner Paneling Window - Pillar In Cab**  
**Figure IVA-230**



ITEM	PART NUMBER	QTY	LINE	SERIES	BODY	ENGINE	TRANS	TRIM	DESCRIPTION
12	05123369AA	2	3, 7	L	12, 15, 16				PANEL, Lower Rear Garnish (Long), Lower, Window
		2	2, 6	L	51, 52, 54, 55, 56				Garnish (Long), Lower, Window
		2	2, 6	L	11, 12, 14, 15, 16				Garnish (Long), Lower, Window
13	05123361AA	1	3, 7	L	12, 15, 16				COVER, Rear Window Moulding Right
		1	2, 6	L	51, 52, 54, 55, 56				Right
		1	2, 6	L	11, 12, 14, 15, 16				Right

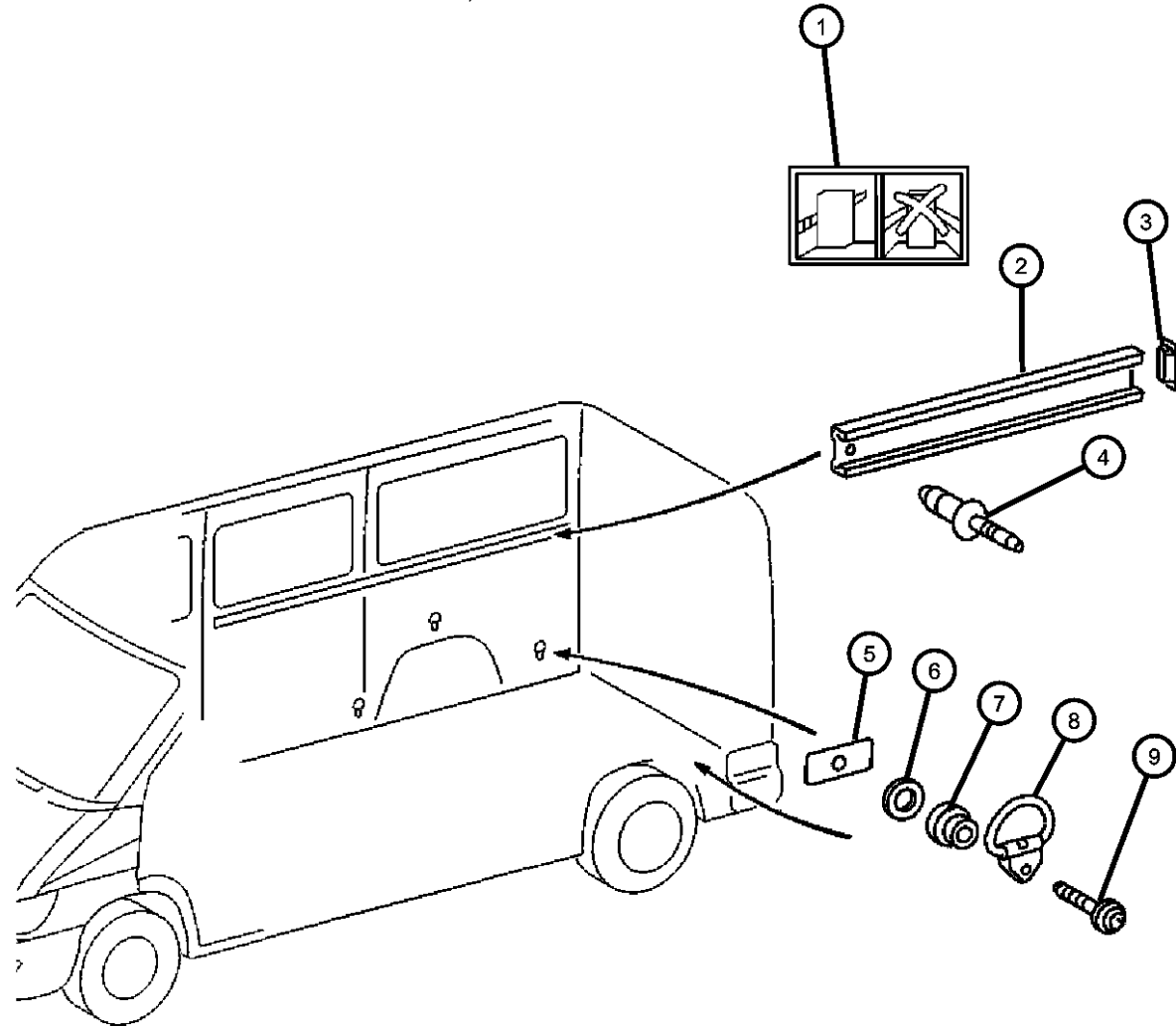
**SPRINTER (VA)**

<b>SERIES</b>	<b>LINE</b>	<b>BODY</b>	<b>ENGINE</b>	<b>TRANSMISSION</b>
L = LOWLINE	3 = HD DODGE 2WD 6 = Lt. Duty DODGE 4WD 2 = Med. Duty DODGE 2WD 7 = Med. Duty DODGE 4WD	51 = WAGON WHEEL BASE 1 52 = WAGON WHEEL BASE 2 14 = VAN WHEEL BASE 4 15 = VAN WHEEL BASE 5 16 = VAN WHEEL BASE 6 54 = WAGON WHEEL BASE 4 55 = WAGON WHEEL BASE 5 56 = WAGON WHEEL BASE 6 11 = VAN WHEEL BASE 1 12 = VAN WHEEL BASE 2	EX9 = Engine - 2.7L 5 Cly Mercedes Diesel	DGJ = Transmission-5-Spd. Automatic,W5A580

AR = use ase required - = Non illustrated part

**Cargo Retainers - Without Windows**  
**Figure IVA-235**

ITEM	PART NUMBER	QTY	LINE	SERIES	BODY	ENGINE	TRANS	TRIM	DESCRIPTION
1	05124356AA	1	3, 7	L	12, 15, 16				LABEL Cargo Tie Down
		1	2, 6	L	11, 12, 14, 15, 16				Cargo Tie Down
2	05121437AA	1	3, 7	L	12, 15, 16				RAIL Cargo Retaning, Right & Left
		1	2, 6	L	11, 12, 14, 15, 16				Cargo Retaning, Right & Left
3	05121423AA	4	3, 7	L	12, 15, 16				END CAP, Side Rail Right & Left
		4	2, 6	L	11, 12, 14, 15, 16				Right & Left
4	05125821AA	16	3, 7	L	12, 15, 16				RIVET
		16	2, 6	L	11, 12, 14, 15, 16				
5	05103926AA	4	3, 7	L	12, 15, 16				SHEET METAL NUT, IN CASE OF SUBSEQUENT INSTALLATION, SPRINTER
		4	2, 6	L	11, 12, 14, 15, 16				
		4	2, 6	L	51, 52, 54, 55, 56				
6	05103726AA	7	3, 7	L	12, 15, 16				WASHER, NONE, SPRINTER
		7	2, 6	L	11, 12, 14, 15, 16				
		8	2, 6	L	51, 52, 54, 55, 56				
7	05104544AA	8	2, 6	L	51, 52, 54, 55, 56				BUSHING, NONE, SPRINTER
		10	3, 7	L	12, 15, 16				
		7	2, 6	L	11, 12, 14, 15, 16				
8	05104500AA	8	2, 6	L	51, 52, 54, 55, 56				RING, RING-RETAINER



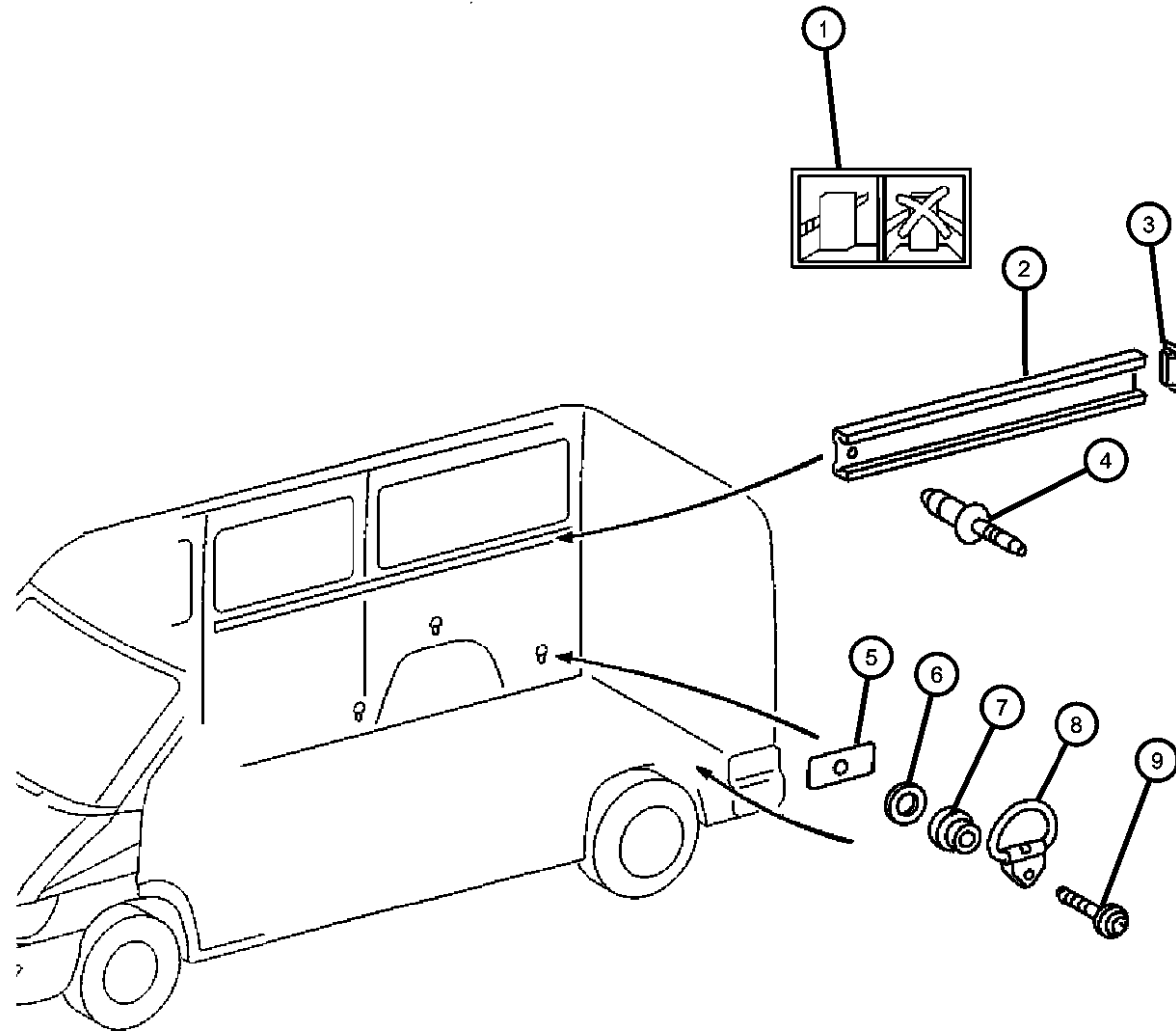
**SPRINTER (VA)**

<b>SERIES</b>	<b>LINE</b>	<b>BODY</b>	<b>ENGINE</b>	<b>TRANSMISSION</b>
L = LOWLINE	3 = HD DODGE 2WD 6 = Lt. Duty DODGE 4WD 2 = Med. Duty DODGE 2WD 7 = Med. Duty DODGE 4WD	51 = WAGON WHEEL BASE 1 52 = WAGON WHEEL BASE 2 14 = VAN WHEEL BASE 4 15 = VAN WHEEL BASE 5 16 = VAN WHEEL BASE 6 54 = WAGON WHEEL BASE 4 55 = WAGON WHEEL BASE 5 56 = WAGON WHEEL BASE 6 11 = VAN WHEEL BASE 1 12 = VAN WHEEL BASE 2	EX9 = Engine - 2.7L 5 Cly Mercedes Diesel	DGJ = Transmission-5-Spd. Automatic, W5A580

AR = use ase required - = Non illustrated part

**Cargo Retainers - Without Windows**  
**Figure IVA-235**

ITEM	PART NUMBER	QTY	LINE	SERIES	BODY	ENGINE	TRANS	TRIM	DESCRIPTION
		7	3, 7	L	12, 15, 16				
		7	2, 6	L	11, 12, 14, 15, 16				
9									BOLT, Hex Head
	05103816AA	7	3, 7	L	12, 15, 16				
		7	2, 6	L	11, 12, 14, 15, 16				
		8	2, 6	L	51, 52, 54, 55, 56				



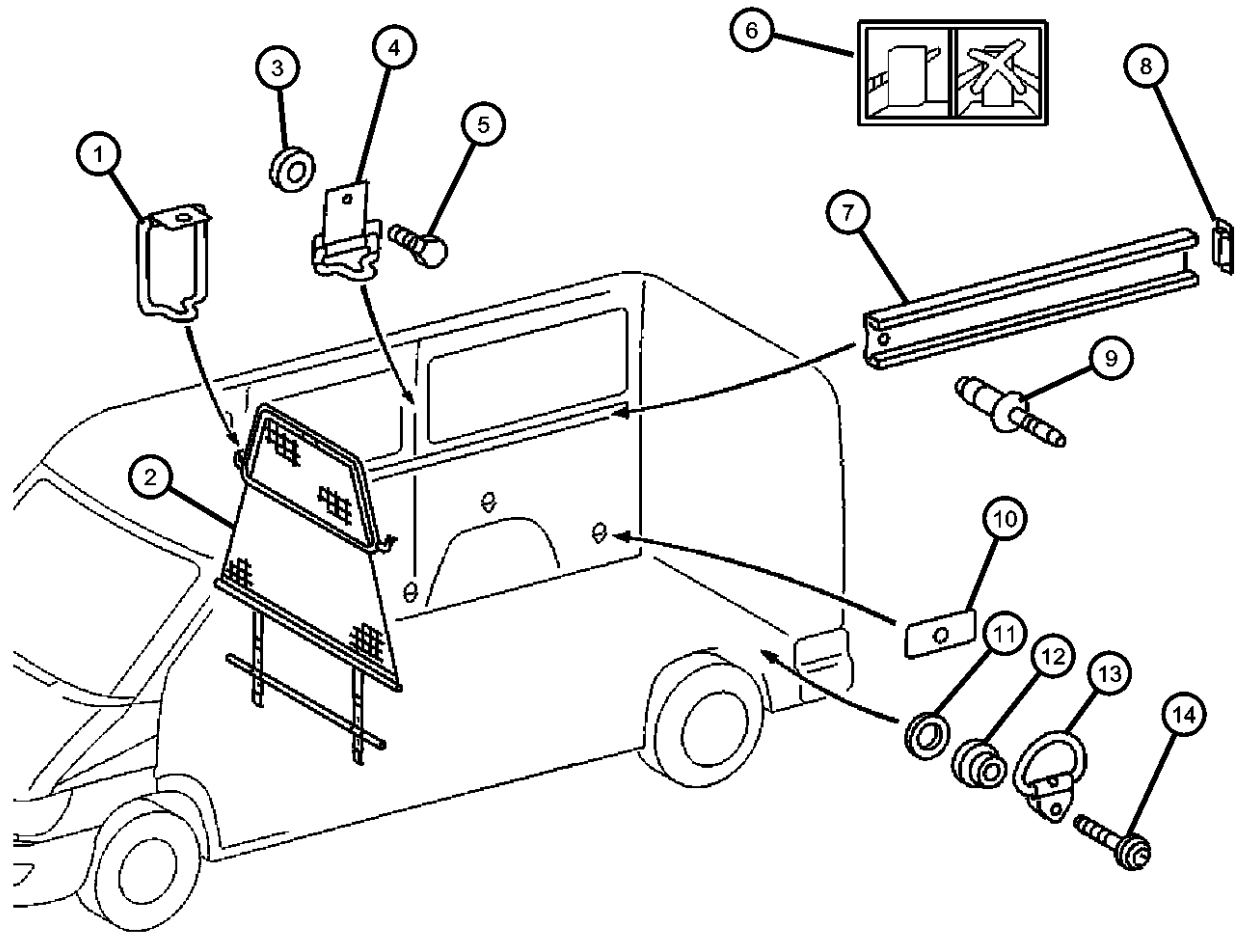
**SPRINTER (VA)**

<b>SERIES</b>	<b>LINE</b>	<b>BODY</b>	<b>ENGINE</b>	<b>TRANSMISSION</b>
L = LOWLINE	3 = HD DODGE 2WD 6 = Lt. Duty DODGE 4WD 2 = Med. Duty DODGE 2WD 7 = Med. Duty DODGE 4WD	51 = WAGON WHEEL BASE 1 52 = WAGON WHEEL BASE 2 14 = VAN WHEEL BASE 4 15 = VAN WHEEL BASE 5 16 = VAN WHEEL BASE 6 54 = WAGON WHEEL BASE 4 55 = WAGON WHEEL BASE 5 56 = WAGON WHEEL BASE 6 11 = VAN WHEEL BASE 1 12 = VAN WHEEL BASE 2	EX9 = Engine - 2.7L 5 Cly Mercedes Diesel	DGJ = Transmission-5-Spd. Automatic,W5A580

AR = use ase required - = Non illustrated part

**Cargo Retainers - With Windows**  
**Figure IVA-240**

ITEM	PART NUMBER	QTY	LINE	SERIES	BODY	ENGINE	TRANS	TRIM	DESCRIPTION
1		8							BRACKET, (NOT SERVICED)
2		8							GRILLE, Texture, (NOT SERVICED)
3									WASHER, Flat, M8
	05133977AA	1	2, 6	L	11, 12, 14, 15, 16				
		1	2, 6	L	51, 52, 54, 55, 56				
4		1							BRACKET, (NOT SERVICED)
5									BOLT, Hex Head
	05126227AA	6	2, 6	L	11, 12, 14, 15, 16				
		6	2, 6	L	51, 52, 54, 55, 56				
		6	3, 7	L	12, 15, 16				
6									LABEL
	05124356AA	1	3, 7	L	12, 15, 16				Cargo Tie Down
		1	2, 6	L	11, 12, 14, 15, 16				Cargo Tie Down
7									RAIL
	05121437AA	1	3, 7	L	12, 15, 16				Cargo Retaning
		1	2, 6	L	11, 12, 14, 15, 16				Cargo Retaning
8									END CAP, Side Rail
	05121423AA	4	3, 7	L	12, 15, 16				Right & Left
		4	2, 6	L	11, 12, 14, 15, 16				Right & Left
9									RIVET
	05125821AA	17	3, 7	L	12, 15, 16				
		13	2, 6	L	11, 12, 14, 15, 16				
10									SHEET METAL NUT, IN CASE OF SUBSEQUENT INSTALLATION, SPRINTER
	05103926AA	2	3, 7	L	12, 15, 16				
		4	2, 6	L	11, 12, 14, 15, 16				
		4	2, 6	L	51, 52, 54, 55, 56				

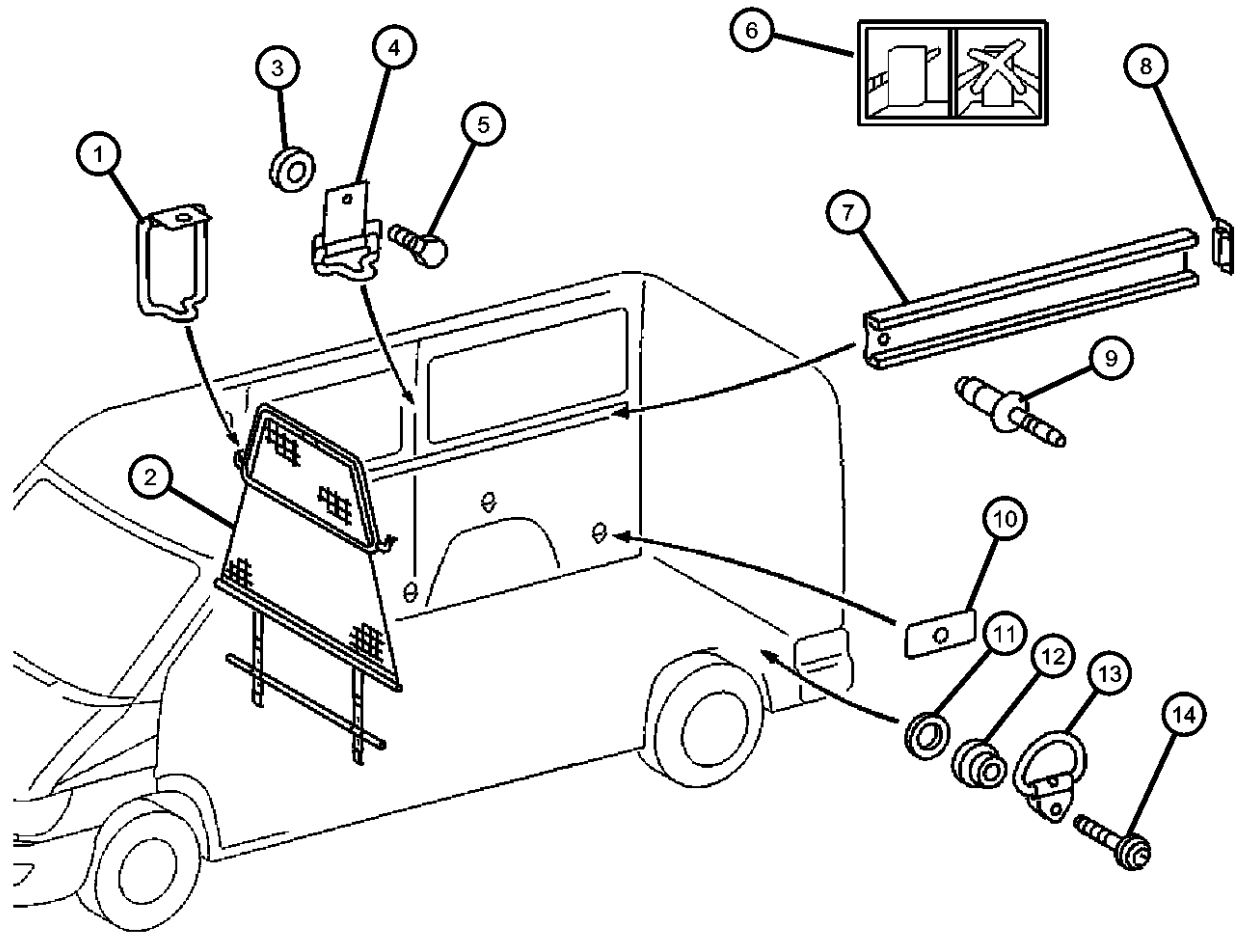


**SPRINTER (VA)**

<b>SERIES</b>	<b>LINE</b>	<b>BODY</b>	<b>ENGINE</b>	<b>TRANSMISSION</b>
L = LOWLINE	3 = HD DODGE 2WD 6 = Lt. Duty DODGE 4WD 2 = Med. Duty DODGE 2WD 7 = Med. Duty DODGE 4WD	51 = WAGON WHEEL BASE 1 52 = WAGON WHEEL BASE 2 14 = VAN WHEEL BASE 4 15 = VAN WHEEL BASE 5 16 = VAN WHEEL BASE 6 54 = WAGON WHEEL BASE 4 55 = WAGON WHEEL BASE 5 56 = WAGON WHEEL BASE 6 11 = VAN WHEEL BASE 1 12 = VAN WHEEL BASE 2	EX9 = Engine - 2.7L 5 Cly Mercedes Diesel	DGJ = Transmission-5-Spd. Automatic,W5A580

AR = use ase required - = Non illustrated part

**Cargo Retainers - With Windows**  
**Figure IVA-240**



ITEM	PART NUMBER	QTY	LINE	SERIES	BODY	ENGINE	TRANS	TRIM	DESCRIPTION
11									WASHER, NONE, SPRINTER
	05103726AA	10	3, 7	L	12, 15, 16				
		7	2, 6	L	11, 12, 14, 15, 16				
12									BUSHING, NONE, SPRINTER
	05104544AA	10	3, 7	L	12, 15, 16				
		7	2, 6	L	11, 12, 14, 15, 16				
13									RING, RING-RETAINER
	05104500AA	10	3, 7	L	12, 15, 16				
		7	2, 6	L	11, 12, 14, 15, 16				
14									BOLT, Hex Head
	05103816AA	7	3, 7	L	12, 15, 16				
		8	2, 6	L	51, 52, 54, 55, 56				
		7	2, 6	L	11, 12, 14, 15, 16				
-15									PARTITION, Cargo
	05104317AA	1	2, 6	L	11, 12, 14, 15, 16				Left
		1	3, 7	L	12, 15, 16				Left
	05104318AA	1	2, 6	L	11, 12, 14, 15, 16				Right
		1	3, 7	L	12, 15, 16				Right
	05131927AA	1	2, 6	L	11, 12, 14, 15, 16				For [UPS]

**SPRINTER (VA)**

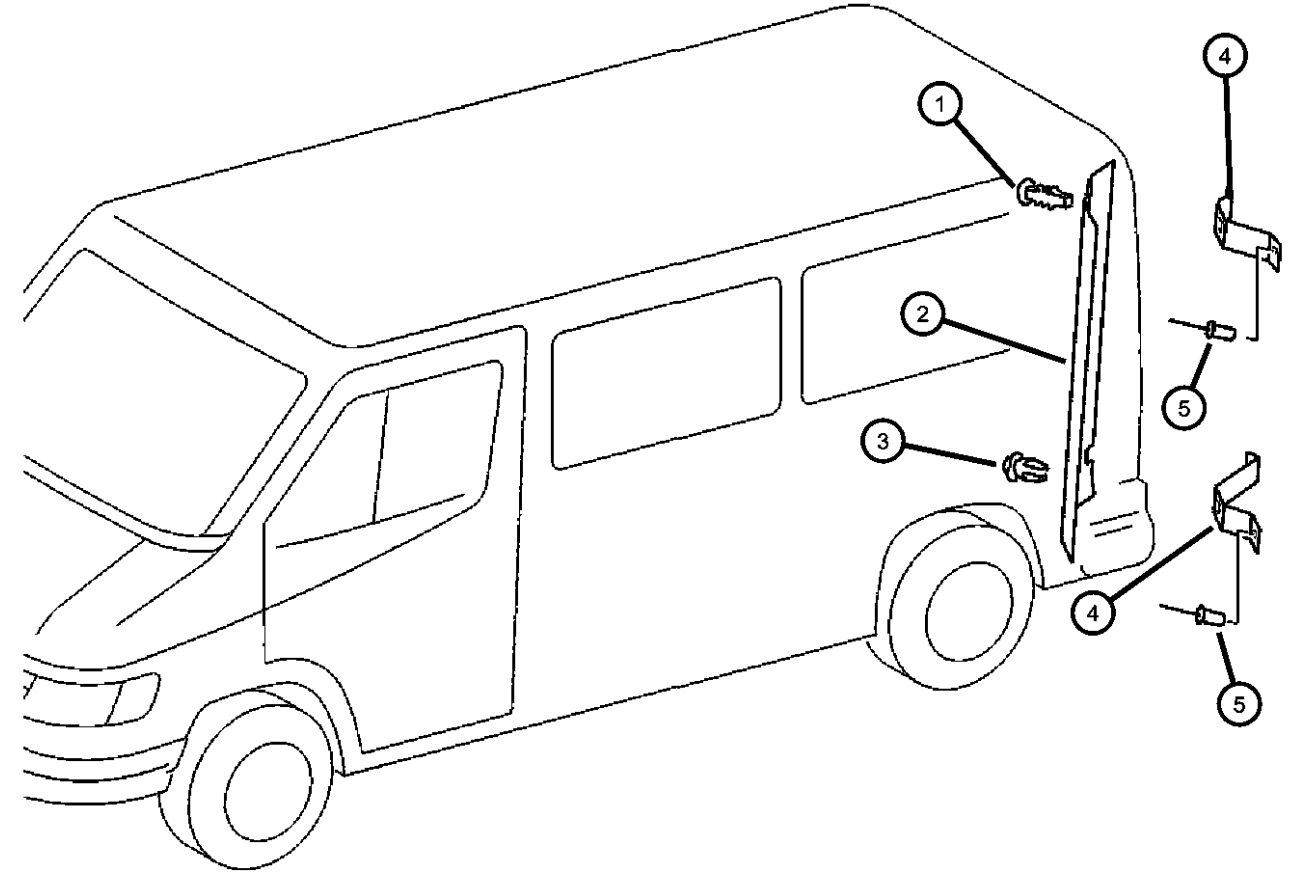
<b>SERIES</b>	<b>LINE</b>	<b>BODY</b>	<b>ENGINE</b>	<b>TRANSMISSION</b>
L = LOWLINE	3 = HD DODGE 2WD 6 = Lt. Duty DODGE 4WD 2 = Med. Duty DODGE 2WD 7 = Med. Duty DODGE 4WD	51 = WAGON WHEEL BASE 1 52 = WAGON WHEEL BASE 2 14 = VAN WHEEL BASE 4 15 = VAN WHEEL BASE 5 16 = VAN WHEEL BASE 6 54 = WAGON WHEEL BASE 4 55 = WAGON WHEEL BASE 5 56 = WAGON WHEEL BASE 6 11 = VAN WHEEL BASE 1 12 = VAN WHEEL BASE 2	EX9 = Engine - 2.7L 5 Cly Mercedes Diesel	DGJ = Transmission-5-Spd. Automatic, W5A580

AR = use ase required - = Non illustrated part



Rear Pillar Inner Panel  
Figure IVA-245

ITEM	PART NUMBER	QTY	LINE	SERIES	BODY	ENGINE	TRANS	TRIM	DESCRIPTION
1									PIN, Push
	05103814AA	3	3, 7	L	12, 15, 16				
		3	2, 6	L	51, 52, 54, 55, 56				
		3	2, 6	L	11, 12, 14, 15, 16				
2									PANEL, D Pillar Trim
	05104291AA	1	3, 7	L	12, 15, 16				With Grab Handles and Without Load Rings, Left
		1	2, 6	L	51, 52, 54, 55, 56				With Grab Handles and Without Load Rings, Left
		1	2, 6	L	11, 12, 14, 15, 16				With Grab Handles and Without Load Rings, Left
	05104292AA	1	3, 7	L	12, 15, 16				With Grab Handles and Without Load Rings, Right
		1	2, 6	L	51, 52, 54, 55, 56				With Grab Handles and Without Load Rings, Right
		1	2, 6	L	11, 12, 14, 15, 16				With Grab Handles and Without Load Rings, Right
	05123318AA	1	3, 7	L	12, 15, 16				Without Grab Handles and Load Rings, Left, Rear
		1	2, 6	L	51, 52, 54, 55, 56				Without Grab Handles and Load Rings, Left, Rear
		1	2, 6	L	11, 12, 14, 15, 16				Without Grab Handles and Load Rings, Left, Rear
	05123320AA	1	3, 7	L	12, 15, 16				Without Grab Handles and Load Rings, Right, Rear
		1	2, 6	L	51, 52, 54, 55, 56				Without Grab Handles and Load Rings, Right, Rear
		1	2, 6	L	11, 12, 14, 15, 16				Without Grab Handles and Load Rings, Right, Rear
	05123324AA	1	3, 7	L	12, 15, 16				With Load Rings Without Grab Handles, Left
		1	2, 6	L	51, 52, 54, 55, 56				With Load Rings Without Grab Handles, Left
		1	2, 6	L	11, 12, 14, 15, 16				With Load Rings Without Grab Handles, Left
	05123326AA	1	3, 7	L	12, 15, 16				With Load Rings Without Grab Handles, Right
		1	2, 6	L	51, 52, 54, 55, 56				With Load Rings Without Grab Handles, Right
		1	2, 6	L	11, 12, 14, 15, 16				With Load Rings Without Grab Handles, Right

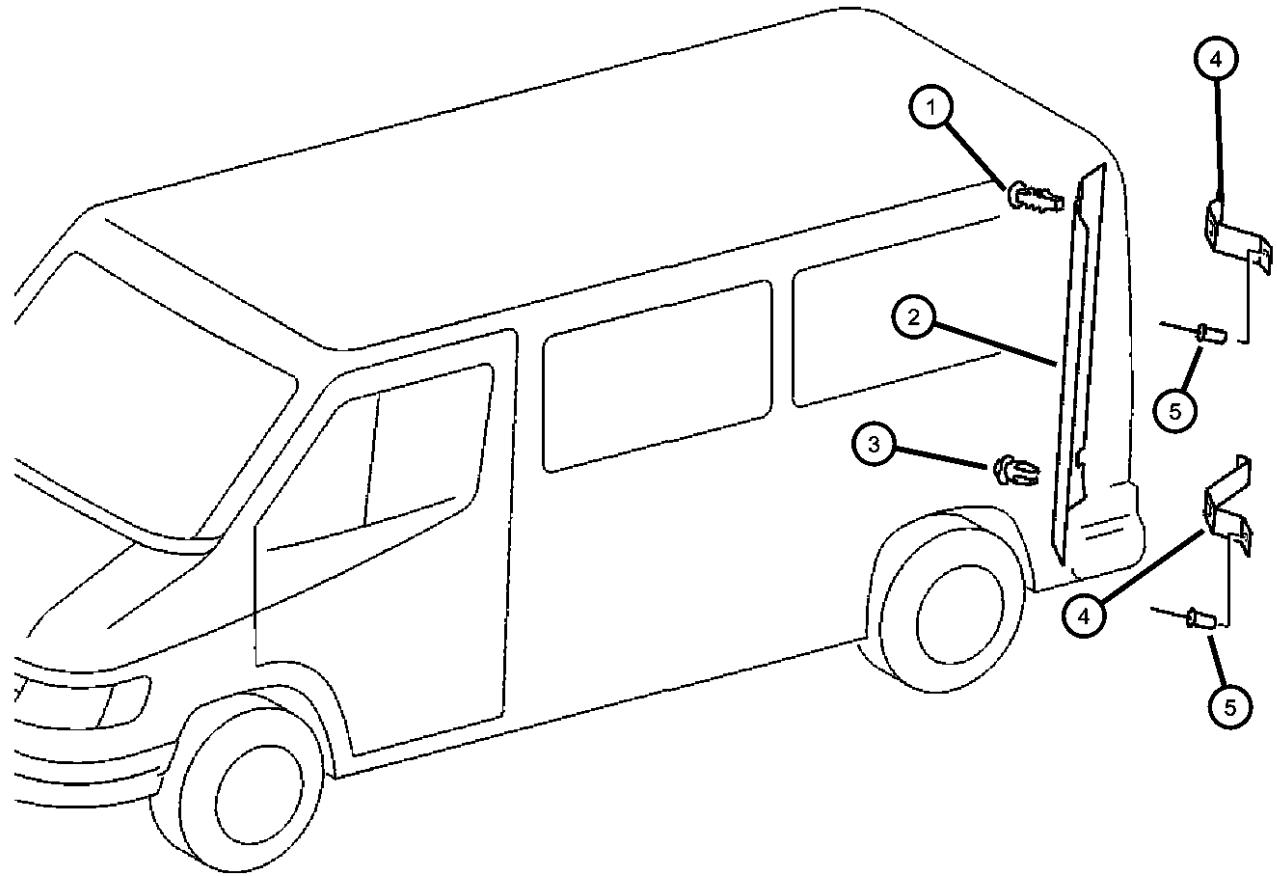


SPRINTER (VA)

SERIES	LINE	BODY	ENGINE	TRANSMISSION
L = LOWLINE	3 = HD DODGE 2WD 6 = Lt. Duty DODGE 4WD 2 = Med. Duty DODGE 2WD 7 = Med. Duty DODGE 4WD	51 = WAGON WHEEL BASE 1 52 = WAGON WHEEL BASE 2 14 = VAN WHEEL BASE 4 15 = VAN WHEEL BASE 5 16 = VAN WHEEL BASE 6 54 = WAGON WHEEL BASE 4 55 = WAGON WHEEL BASE 5 56 = WAGON WHEEL BASE 6 11 = VAN WHEEL BASE 1 12 = VAN WHEEL BASE 2	EX9 = Engine - 2.7L 5 Cyl Mercedes Diesel	DGJ = Transmission-5-Spd. Automatic, W5A580

AR = use ase required - = Non illustrated part

**Rear Pillar Inner Panel  
Figure IVA-245**



ITEM	PART NUMBER	QTY	LINE	SERIES	BODY	ENGINE	TRANS	TRIM	DESCRIPTION
	05123328AA	1	3, 7	L	12, 15, 16				With Grab Handles and Load Rings, Left
		1	2, 6	L	51, 52, 54, 55, 56				With Grab Handles and Load Rings, Left
		1	2, 6	L	11, 12, 14, 15, 16				With Grab Handles and Load Rings, Left
	05123330AA	1	3, 7	L	12, 15, 16				With Grab Handles and Load Rings, Right
		1	2, 6	L	51, 52, 54, 55, 56				With Grab Handles and Load Rings, Right
		1	2, 6	L	11, 12, 14, 15, 16				With Grab Handles and Load Rings, Right
3									PIN, Push
	05103785AA	3	3, 7	L	12, 15, 16				
		3	2, 6	L	51, 52, 54, 55, 56				
		3	2, 6	L	11, 12, 14, 15, 16				
4									BRACKET, Trim Panel
	05104280AA	2	3, 7	L	12, 15, 16				Left, D Pillar, Upper
		2	2, 6	L	51, 52, 54, 55, 56				Left, D Pillar, Upper
		2	2, 6	L	11, 12, 14, 15, 16				Left, D Pillar, Upper
	05104281AA	1	3, 7	L	12, 15, 16				Right, D Pillar, Upper
		1	2, 6	L	51, 52, 54, 55, 56				Right, D Pillar, Upper
		1	2, 6	L	11, 12, 14, 15, 16				Right, D Pillar, Upper
5									RIVET
	05104624AA	6	3, 7	L	12, 15, 16				
		6	2, 6	L	51, 52, 54, 55, 56				
		6	2, 6	L	11, 12, 14, 15, 16				

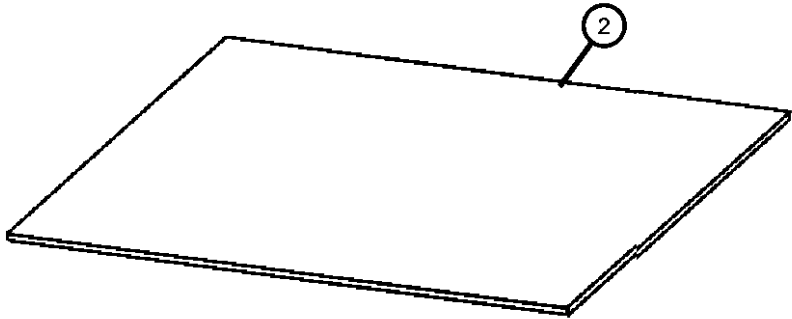
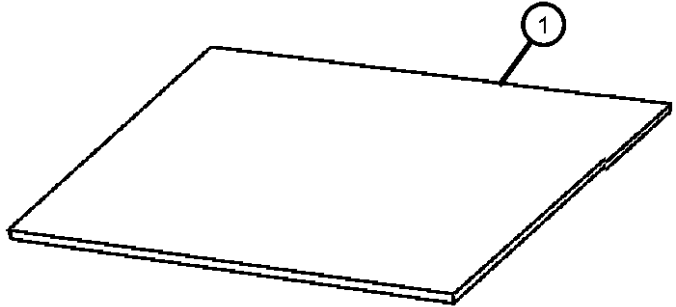
**SPRINTER (VA)**

SERIES	LINE	BODY	ENGINE	TRANSMISSION
L = LOWLINE	3 = HD DODGE 2WD 6 = Lt. Duty DODGE 4WD 2 = Med. Duty DODGE 2WD 7 = Med. Duty DODGE 4WD	51 = WAGON WHEEL BASE 1 52 = WAGON WHEEL BASE 2 14 = VAN WHEEL BASE 4 15 = VAN WHEEL BASE 5 16 = VAN WHEEL BASE 6 54 = WAGON WHEEL BASE 4 55 = WAGON WHEEL BASE 5 56 = WAGON WHEEL BASE 6 11 = VAN WHEEL BASE 1 12 = VAN WHEEL BASE 2	EX9 = Engine - 2.7L 5 Cly Mercedes Diesel	DGJ = Transmission-5-Spd. Automatic, W5A580

AR = use ase required - = Non illustrated part

**Cowl Panel - Silencer  
Figure IVA-250**

ITEM	PART NUMBER	QTY	LINE	SERIES	BODY	ENGINE	TRANS	TRIM	DESCRIPTION
1									SILENCER, Cowl Side
	05133640AA	1	3, 7	L	12, 15, 16				Window Sill, Left, Front
	05133641AA	1	3, 7	L	12, 15, 16				Window Sill, Right, Front
2									SILENCER, Cowl Side
	05133642AA	1	3, 7	L	12, 15, 16				Window Sill, Left, Rear
	05133643AA	1	3, 7	L	12, 15, 16				Window Sill, Right, Rear

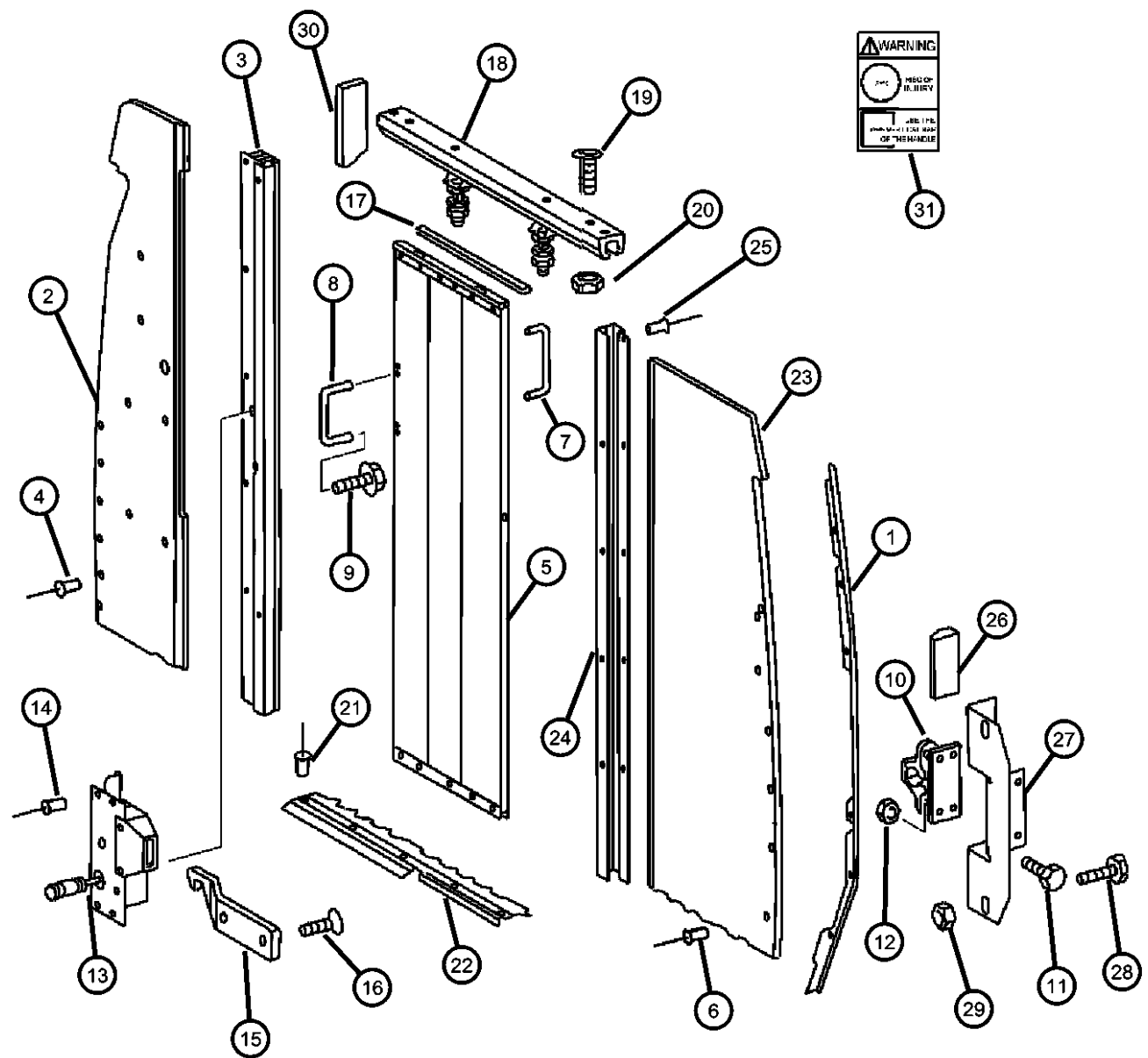


**SPRINTER (VA)**

SERIES	LINE	BODY	ENGINE	TRANSMISSION
L = LOWLINE	3 = HD DODGE 2WD 6 = Lt. Duty DODGE 4WD 2 = Med. Duty DODGE 2WD 7 = Med. Duty DODGE 4WD	51 = WAGON WHEEL BASE 1 52 = WAGON WHEEL BASE 2 14 = VAN WHEEL BASE 4 15 = VAN WHEEL BASE 5 16 = VAN WHEEL BASE 6 54 = WAGON WHEEL BASE 4 55 = WAGON WHEEL BASE 5 56 = WAGON WHEEL BASE 6 11 = VAN WHEEL BASE 1 12 = VAN WHEEL BASE 2	EX9 = Engine - 2.7L 5 Cly Mercedes Diesel	DGJ = Transmission-5-Spd. Automatic,W5A580

AR = use ase required - = Non illustrated part

**Partition Wall and Sliding Door  
Figure IVA-260**

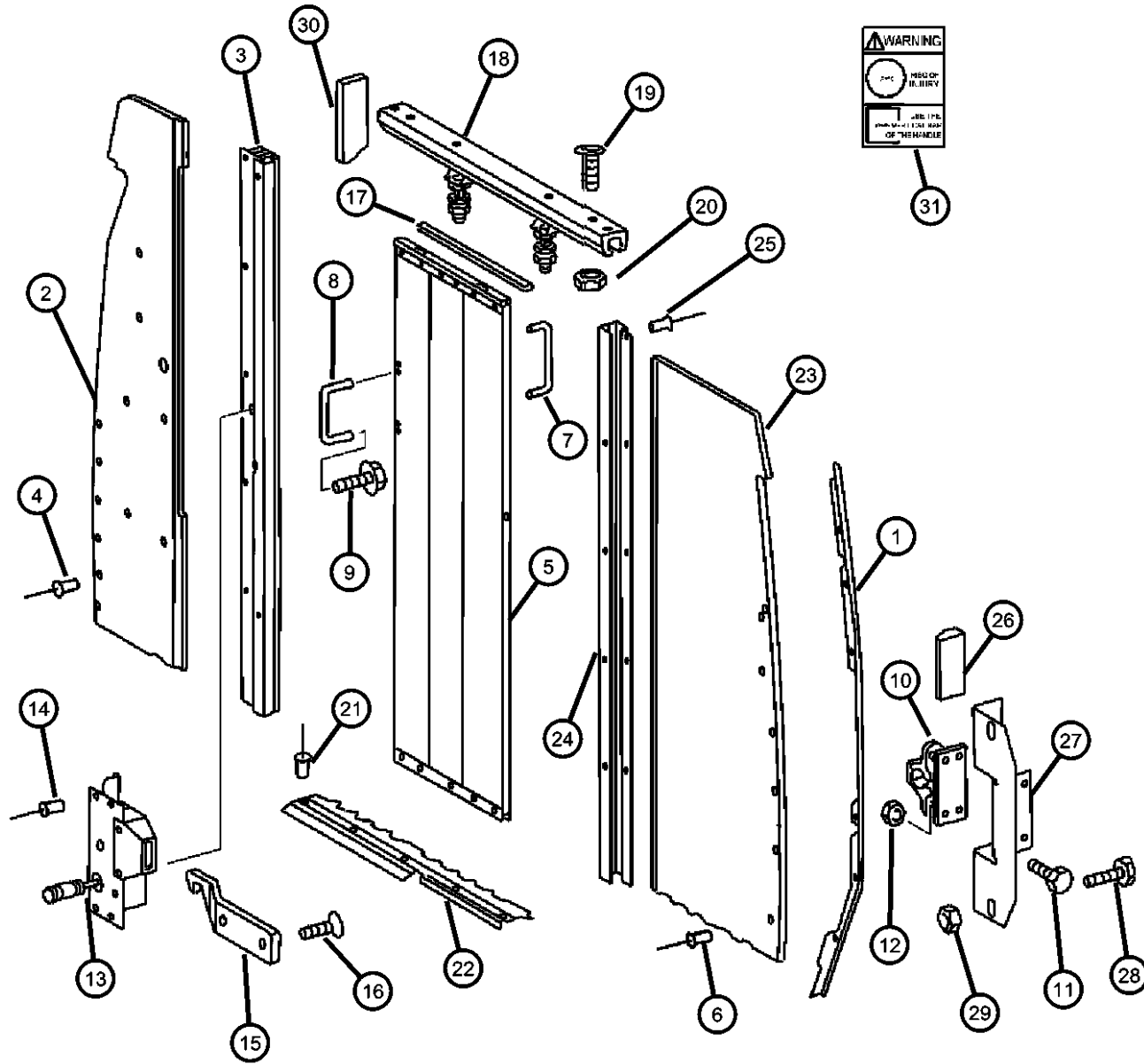


ITEM	PART NUMBER	QTY	LINE	SERIES	BODY	ENGINE	TRANS	TRIM	DESCRIPTION
1									PANEL EXTENSION, Extension, W/O Slide
	05104315AA	1	2, 6	L	11, 12, 14, 15, 16				
		1	3, 7	L	12, 15, 16				
2									PARTITION, Cargo
	05104318AA	1	2, 6	L	11, 12, 14, 15, 16				
		1	3, 7	L	12, 15, 16				
3									RAIL, Cargo Partition, Sliding Door
	05104306AA	1	2, 6	L	11, 12, 14, 15, 16				
		1	3, 7	L	12, 15, 16				
4									RIVET, Blind Bulb
	05125811AA	7	2, 6	L	11, 12, 14, 15, 16				
		7	3, 7	L	15, 16, 12				
5									PANEL, Cargo Compartment, Without Windows
	05123575AA	1	2, 6	L	11, 12, 14, 15, 16				
		1	3, 7	L	12, 15, 16				
6									RIVET, Blind
	05126108AA	5	2, 6	L	11, 12, 14, 15, 16				
		5	3, 7	L	12, 15, 16				
	05126109AA	25	2, 6	L	11, 12, 14, 15, 16				
		25	3, 7	L	12, 15, 16				
7									HANDLE, Cargo Door Interior
	05123662AA	1	2, 6	L	11, 12, 14, 15, 16				
		1	3, 7	L	12, 15, 16				
8									HANDLE, Cargo Door Interior
	05123663AA	1	2, 6	L	11, 12, 14, 15, 16				
		1	3, 7	L	12, 15, 16				
9									SCREW

**SPRINTER (VA)**  
 SERIES      LINE      BODY      ENGINE      TRANSMISSION  
 L = LOWLINE    3 = HD DODGE 2WD    51 = WAGON WHEEL BASE 1    EX9 = Engine - 2.7L 5 Cly    DGJ = Transmission-5-Spd. Automatic, W5A580  
                   6 = Lt. Duty DODGE 4WD    52 = WAGON WHEEL BASE 2    Mercedes Diesel  
                   2 = Med. Duty DODGE 2WD    14 = VAN WHEEL BASE 4  
                   7 = Med. Duty DODGE 4WD    15 = VAN WHEEL BASE 5  
   16 = VAN WHEEL BASE 6  
   54 = WAGON WHEEL BASE 4  
   55 = WAGON WHEEL BASE 5  
   56 = WAGON WHEEL BASE 6  
   11 = VAN WHEEL BASE 1  
   12 = VAN WHEEL BASE 2

AR = use ase required - = Non illustrated part

Partition Wall and Sliding Door  
Figure IVA-260



ITEM	PART NUMBER	QTY	LINE	SERIES	BODY	ENGINE	TRANS	TRIM	DESCRIPTION
	06104119AA	4	2, 6	L	16, 11, 12, 14, 15				
		4	3, 7	L	12, 15, 16				
10	05104419AA	1	2, 6	L	11, 12, 14, 15, 16				ADJUSTER, Cargo Door
		1	3, 7	L	12, 15, 16				
11	05104652AA	4	2, 6	L	11, 12, 14, 15, 16				SCREW
		4	3, 7	L	12, 15, 16				
12	05104660AA	4	2, 6	L	11, 12, 14, 15, 16				NUT
		4	3, 7	L	12, 15, 16				
13	05104303AA	1	2, 6	L	11, 12, 14, 15, 16				LATCH
		1	3, 7	L	12, 15, 16				
14	05104623AA	4	2, 6	L	11, 12, 14, 15, 16				RIVET
		4	3, 7	L	12, 15, 16				
15	05104424AA	1	2, 6	L	11, 12, 14, 15, 16				CATCH, Sliding Partition Door
		1	3, 7	L	12, 15, 16				
16	06104121AA	4	3, 7	L	12, 15, 16				SCREW, Hex Flange Head
		4	2, 6	L	16, 11, 12, 14, 15				
17	05103782AA	1	3, 7	L	12, 15, 16				GUARD, Door Edge 3 Meters Long
		1	2, 6	L	11, 12, 14, 15, 16				3 Meters Long
18									RAIL, Cargo Partition, Sliding Door

SPRINTER (VA)

SERIES

L = LOWLINE  
 3 = HD DODGE 2WD  
 6 = Lt. Duty DODGE 4WD  
 2 = Med. Duty DODGE 2WD  
 7 = Med. Duty DODGE 4WD

LINE

BODY

51 = WAGON WHEEL BASE 1 EX9 = Engine - 2.7L 5 Cly  
 52 = WAGON WHEEL BASE 2 Mercedes Diesel  
 14 = VAN WHEEL BASE 4  
 15 = VAN WHEEL BASE 5  
 16 = VAN WHEEL BASE 6  
 54 = WAGON WHEEL BASE 4  
 55 = WAGON WHEEL BASE 5  
 56 = WAGON WHEEL BASE 6  
 11 = VAN WHEEL BASE 1  
 12 = VAN WHEEL BASE 2

ENGINE

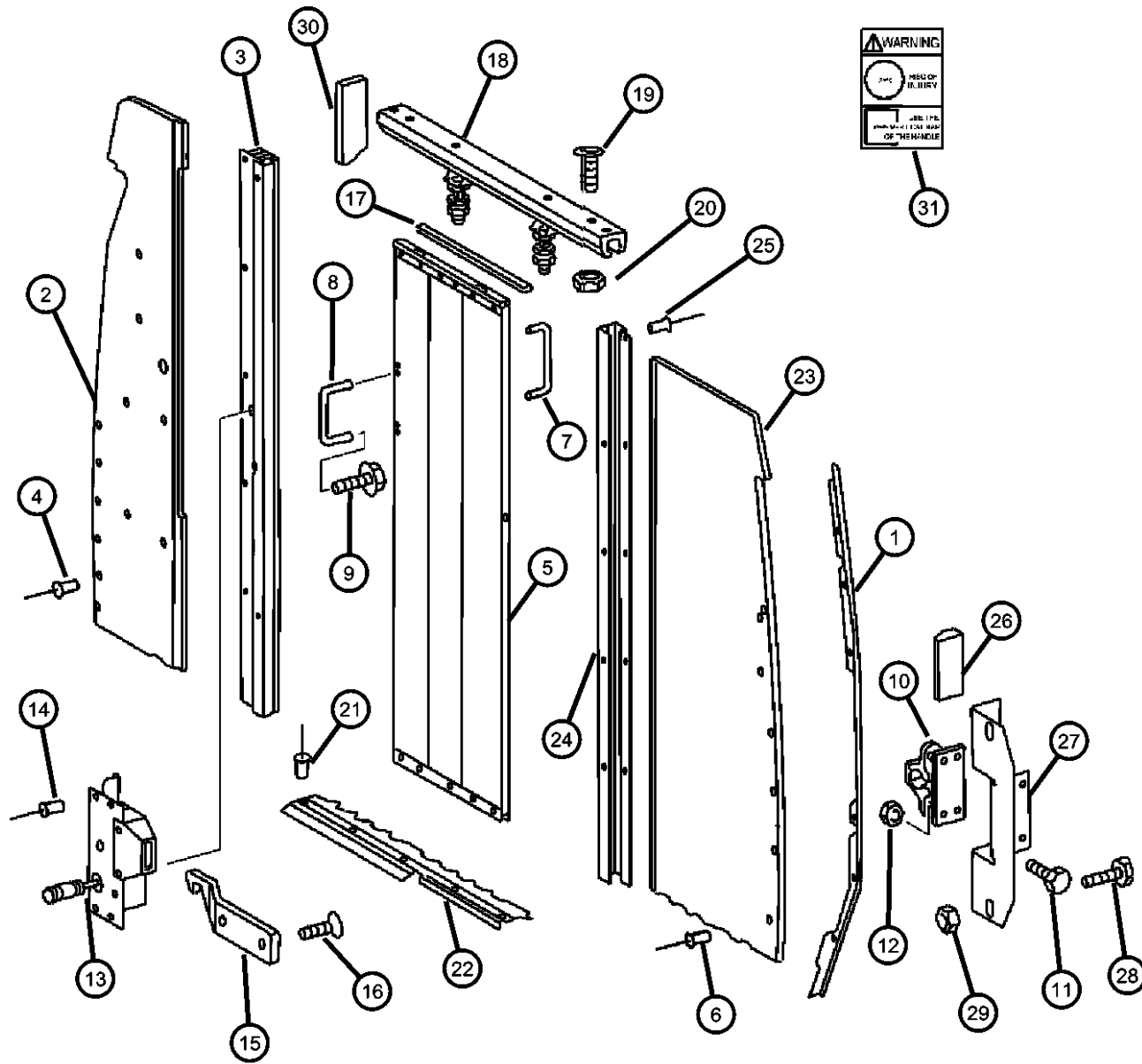
TRANSMISSION

DGJ = Transmission-5-Spd. Automatic, W5A580

AR = use ase required - = Non illustrated part

2003 VA

**Partition Wall and Sliding Door  
Figure IVA-260**



ITEM	PART NUMBER	QTY	LINE	SERIES	BODY	ENGINE	TRANS	TRIM	DESCRIPTION
	05123585AA	1	3, 7	L	12, 15, 16				
		1	2, 6	L	11, 12, 14, 15, 16				
19	05126110AA	1	2, 6	L	11, 12, 14, 15, 16				SCREW, Hex Head
		1	3, 7	L	12, 15, 16				
20	06104714AA	5	3, 7	L	12, 15, 16				NUT
		5	2, 6	L	11, 12, 14, 15, 16				
21	05104623AA	5	3, 7	L	12, 15, 16				RIVET
		5	2, 6	L	11, 12, 14, 15, 16				
22	05104156AA	1	2, 6	L	11, 12, 14, 15, 16				MOLDING, Cargo Area Carpet
		1	3, 7	L	12, 15, 16				
23	05104317AA	1	2, 6	L	11, 12, 14, 15, 16				PARTITION, Cargo Left
		1	3, 7	L	12, 15, 16				Left
24	05104309AA	1	2, 6	L	11, 12, 14, 15, 16				RAIL, Cargo Partition, Sliding Door
		1	3, 7	L	12, 15, 16				
25	05125812AA	9	2, 6	L	11, 12, 14, 15, 16				RIVET
		9	3, 7	L	12, 15, 16				
26	05104427AA	2	3, 7	L	12, 15, 16				BUMPER, Rubber
		2	2, 6	L	11, 12, 14, 15, 16				
27									HOUSING

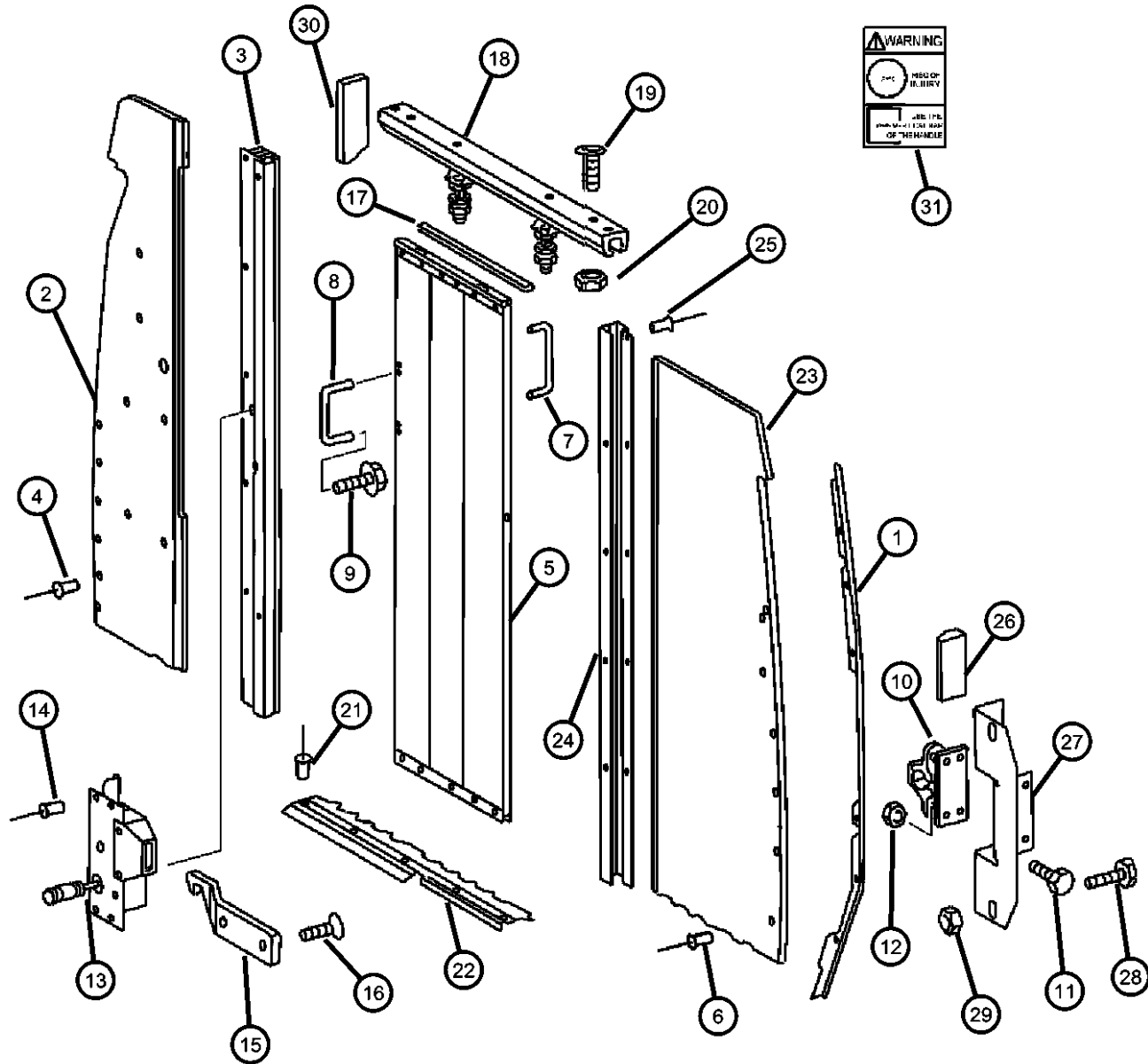
**SPRINTER (VA)**

<b>SERIES</b>	<b>LINE</b>	<b>BODY</b>	<b>ENGINE</b>	<b>TRANSMISSION</b>
L = LOWLINE	3 = HD DODGE 2WD 6 = Lt. Duty DODGE 4WD 2 = Med. Duty DODGE 2WD 7 = Med. Duty DODGE 4WD	51 = WAGON WHEEL BASE 1 EX9 = Engine - 2.7L 5 Cly 52 = WAGON WHEEL BASE 2 Mercedes Diesel 14 = VAN WHEEL BASE 4 15 = VAN WHEEL BASE 5 16 = VAN WHEEL BASE 6 54 = WAGON WHEEL BASE 4 55 = WAGON WHEEL BASE 5 56 = WAGON WHEEL BASE 6 11 = VAN WHEEL BASE 1 12 = VAN WHEEL BASE 2		DGJ = Transmission-5-Spd. Automatic, W5A580

AR = use ase required - = Non illustrated part

**Partition Wall and Sliding Door  
Figure IVA-260**

ITEM	PART NUMBER	QTY	LINE	SERIES	BODY	ENGINE	TRANS	TRIM	DESCRIPTION
	05104305AA	1	3, 7	L	12, 15, 16				
		1	2, 6	L	11, 12, 14, 15, 16				
28									BOLT, Hex Head
	05126132AA	2	2, 6	L	11, 12, 14, 15, 16				
		2	3, 7	L	12, 15, 16				
29									NUT
	06104716AA	2	2, 6	L	11, 12, 14, 15, 16				
		2	3, 7	L	12, 15, 16				
30									SEAL
	05123661AA	1	2, 6	L	11, 12, 14, 15, 16				
		1	3, 7	L	12, 15, 16				
31									LABEL, Warning
	05121162AA	1	2, 6	L	12, 11, 14, 15, 16				
		1	3, 7	L	12, 15, 16				
-32									LABEL, Gummed Label on Door
	05121146AA	1	2, 6	L	16, 11, 12, 14, 15				
		1	3, 7	L	12, 15, 16				
-33									BOLT, Door to Guide
	05125721AA	2	3, 7	L	12, 15, 16				
		2	2, 6	L	11, 12, 14, 15, 16				
-34									NUT, Door to Guide
	05126126AA	4	2, 6	L	11, 12, 14, 15, 16				
		4	3, 7	L	12, 15, 16				
-35									NUT, Hex, Door to Guide
	05126208AA	4	2, 6	L	11, 12, 14, 15, 16				
		4	3, 7	L	12, 15, 16				

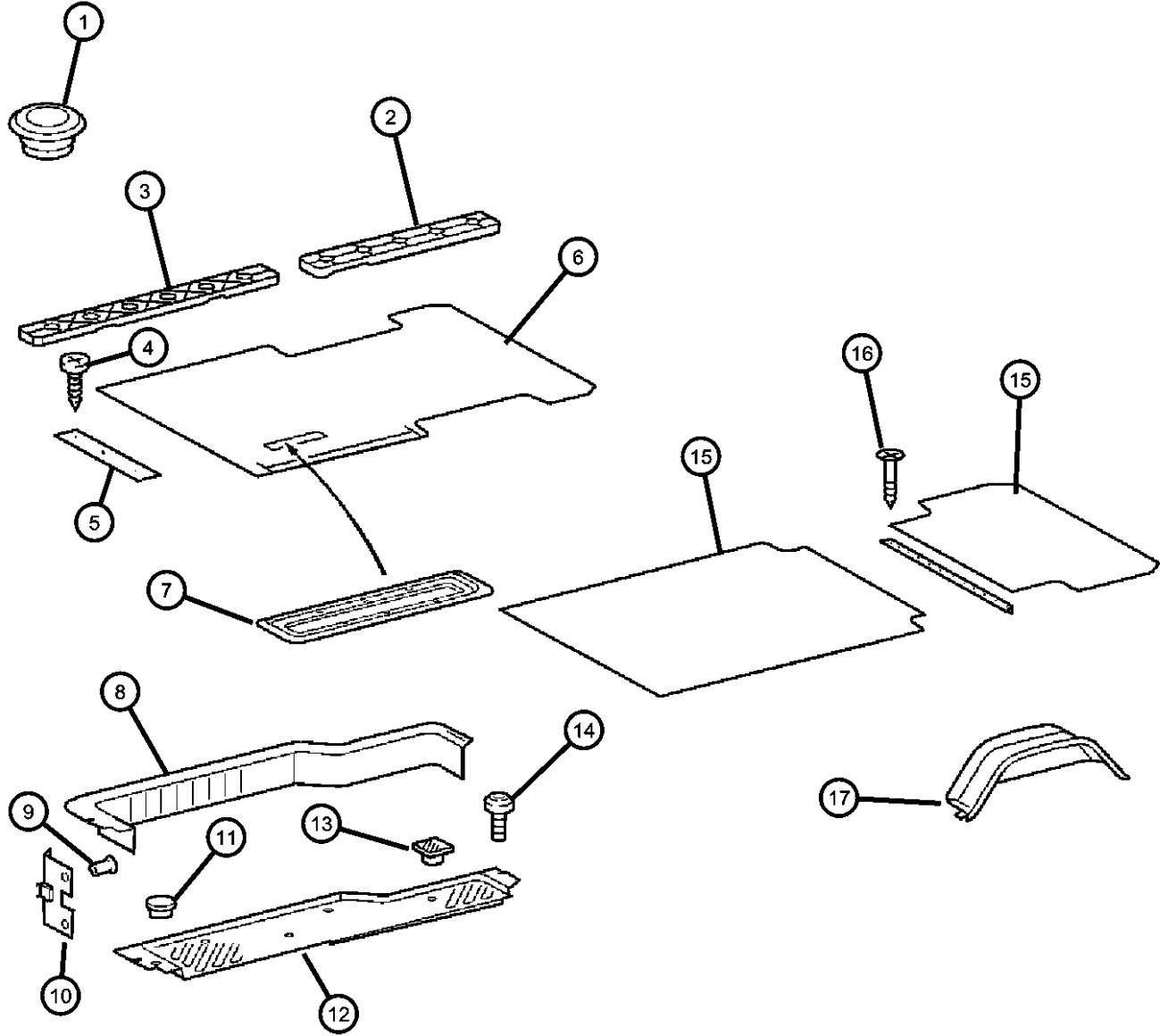


**SPRINTER (VA)**

<b>SERIES</b>	<b>LINE</b>	<b>BODY</b>	<b>ENGINE</b>	<b>TRANSMISSION</b>
L = LOWLINE	3 = HD DODGE 2WD 6 = Lt. Duty DODGE 4WD 2 = Med. Duty DODGE 2WD 7 = Med. Duty DODGE 4WD	51 = WAGON WHEEL BASE 1 52 = WAGON WHEEL BASE 2 14 = VAN WHEEL BASE 4 15 = VAN WHEEL BASE 5 16 = VAN WHEEL BASE 6 54 = WAGON WHEEL BASE 4 55 = WAGON WHEEL BASE 5 56 = WAGON WHEEL BASE 6 11 = VAN WHEEL BASE 1 12 = VAN WHEEL BASE 2	EX9 = Engine - 2.7L 5 Cly Mercedes Diesel	DGJ = Transmission-5-Spd. Automatic,W5A580

AR = use ase required - = Non illustrated part

Carpet - Floor  
Figure IVA-310



ITEM	PART NUMBER	QTY	LINE	SERIES	BODY	ENGINE	TRANS	TRIM	DESCRIPTION
1	05125991AA	99	2, 6	L	11, 12, 14, 15, 16				PLUG
		2	2, 6	L	51, 52, 54, 55, 56				
		2	3, 7	L	12, 15, 16				
2	05122642AA	1	2, 6	L	11, 12, 14, 15, 16				COVER, Seat Track Rear
		1	3, 7	L	12, 15, 16				Rear
		1	2, 6	L	51, 52, 54, 55, 56				Rear
3	05122650AA	2	2, 6	L	51, 52, 54, 55, 56				COVER, Seat Track Front
		2	2, 6	L	11, 12, 14, 15, 16				Front
		1	3, 7	L	12, 15, 16				Front
4		1							SCREW, (NOT SERVICED)
5	05122835AA	1	3, 7	L	12, 15, 16				PLATE, NONE, SPRINTER Carpet Ledge, Sliding Door, Right
		1	2, 6	L	51, 52, 54, 55, 56				Carpet Ledge, Sliding Door, Right
		1	2, 6	L	11, 12, 14, 15, 16				Carpet Ledge, Sliding Door, Right
6		1							LINING, NONE, SPRINTER, (NOT SERVICED),
7		1							COVERING, NONE, SPRINTER, (NOT SERVICED)
8	05122827AA	1	3, 7	L	12, 15, 16				PANEL, Sliding Door Trim
		1	2, 6	L	11, 12, 14, 15, 16				
		1	2, 6	L	51, 52, 54, 55, 56				
9	05134061AA	8	2, 6	L	11, 12, 14, 15, 16				RIVET
		8	3, 7	L	12, 15, 16				

**SPRINTER (VA)**

**SERIES**

L = LOWLINE

**LINE**

3 = HD DODGE 2WD  
6 = Lt. Duty DODGE 4WD  
2 = Med. Duty DODGE 2WD  
7 = Med. Duty DODGE 4WD

**BODY**

51 = WAGON WHEEL BASE 1  
52 = WAGON WHEEL BASE 2  
14 = VAN WHEEL BASE 4  
15 = VAN WHEEL BASE 5  
16 = VAN WHEEL BASE 6  
54 = WAGON WHEEL BASE 4  
55 = WAGON WHEEL BASE 5  
56 = WAGON WHEEL BASE 6  
11 = VAN WHEEL BASE 1  
12 = VAN WHEEL BASE 2

**ENGINE**

EX9 = Engine - 2.7L 5 Cyl  
Mercedes Diesel

**TRANSMISSION**

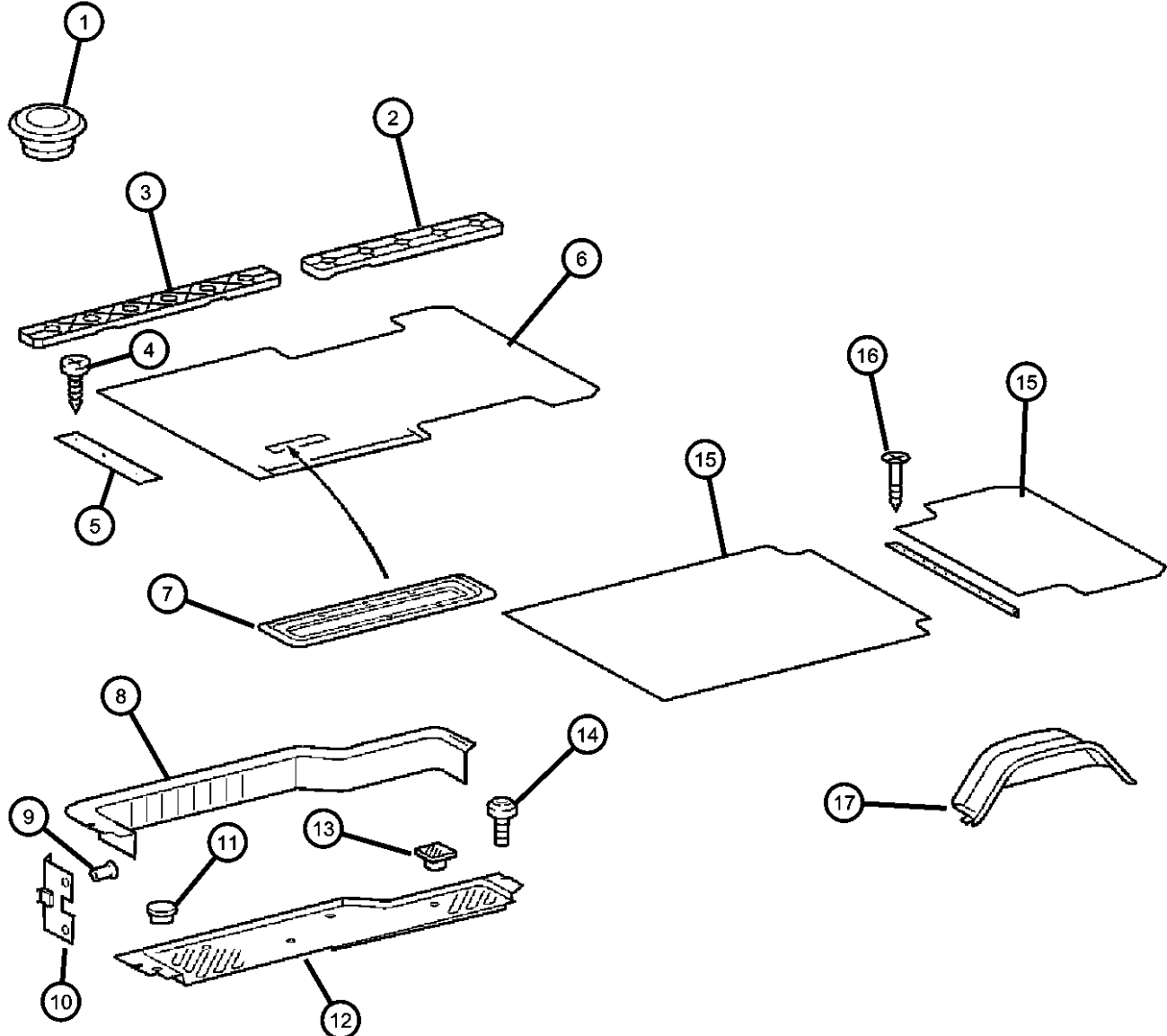
DGJ = Transmission-5-Spd.  
Automatic,W5A580

AR = use ase required - = Non illustrated part

2003 VA



Carpet - Floor  
Figure IVA-310



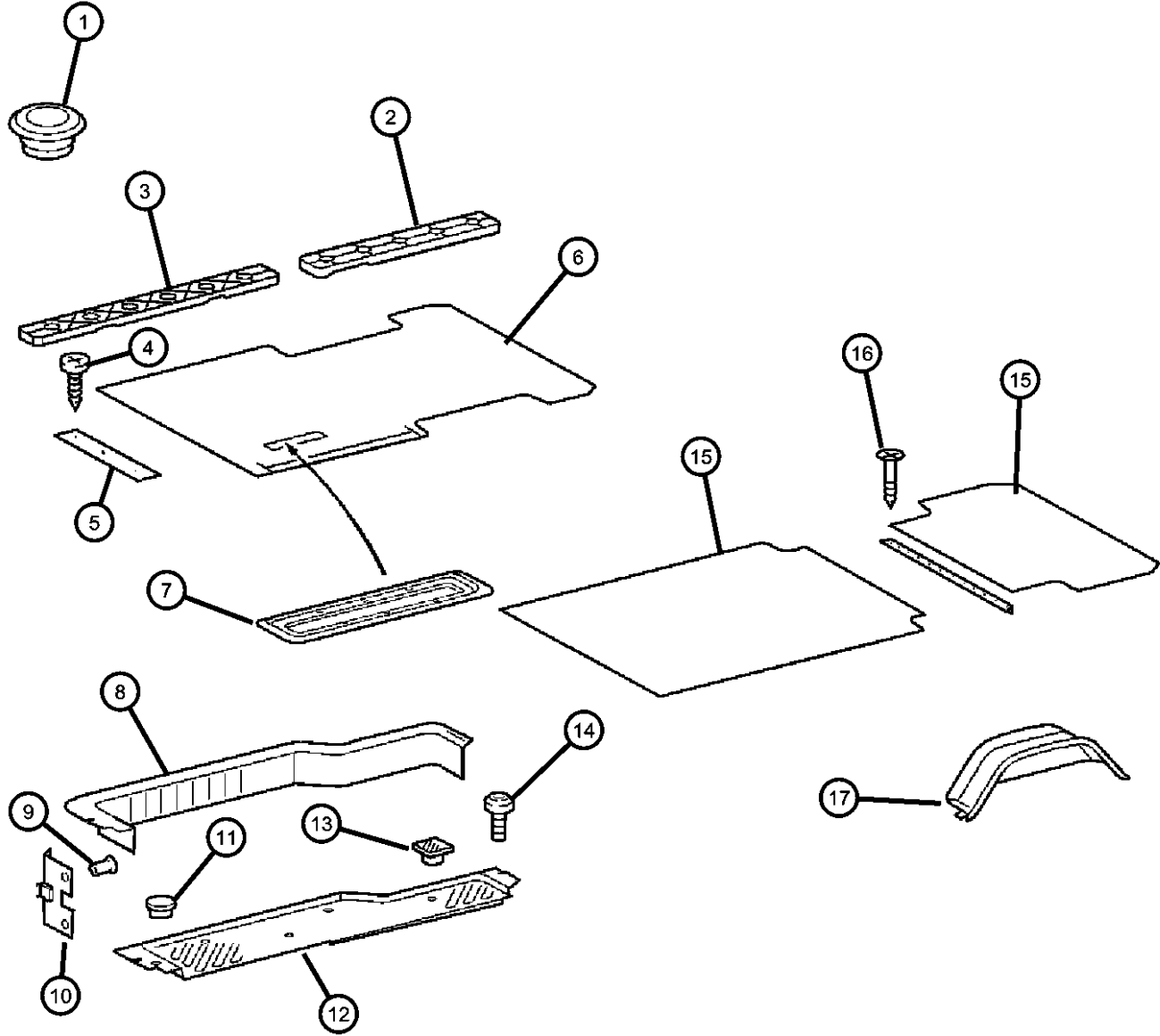
ITEM	PART NUMBER	QTY	LINE	SERIES	BODY	ENGINE	TRANS	TRIM	DESCRIPTION
		8	2, 6	L	51, 52, 54, 55, 56				
10	05125584AA	8	3, 7	L	12, 15, 16				CLIP, Floor Trim
		8	2, 6	L	11, 12, 14, 15, 16				
		8	2, 6	L	51, 52, 54, 55, 56				
11	05122808AA	1	3, 7	L	12, 15, 16				PLUG
		1	2, 6	L	11, 12, 14, 15, 16				
		1	2, 6	L	51, 52, 54, 55, 56				
12	05122814AA	1	3, 7	L	12, 15, 16				PAD, Side Cargo Door Sill
		1	2, 6	L	11, 12, 14, 15, 16				Entrance, Sliding Door, Right
		1	2, 6	L	51, 52, 54, 55, 56				Entrance, Sliding Door, Right
	05122815AA	1	3, 7	L	12, 15, 16				Entrance, Sliding Door, Left
		1	2, 6	L	11, 12, 14, 15, 16				Entrance, Sliding Door, Left
		1	2, 6	L	51, 52, 54, 55, 56				Entrance, Sliding Door, Left
13	05122811AA	4	3, 7	L	12, 15, 16				PLUG
		4	2, 6	L	11, 12, 14, 15, 16				
		4	2, 6	L	51, 52, 54, 55, 56				
14	06104142AA	2	2, 6	L	11, 12, 14, 15, 16				SCREW
		2	2, 6	L	51, 52, 54, 55, 56				
		2	3, 7	L	12, 15, 16				
15		2							LINING, NONE, SPRINTER, (NOT SERVICED)

**SPRINTER (VA)**

<b>SERIES</b>	<b>LINE</b>	<b>BODY</b>	<b>ENGINE</b>	<b>TRANSMISSION</b>
L = LOWLINE	3 = HD DODGE 2WD 6 = Lt. Duty DODGE 4WD 2 = Med. Duty DODGE 2WD 7 = Med. Duty DODGE 4WD	51 = WAGON WHEEL BASE 1 52 = WAGON WHEEL BASE 2 14 = VAN WHEEL BASE 4 15 = VAN WHEEL BASE 5 16 = VAN WHEEL BASE 6 54 = WAGON WHEEL BASE 4 55 = WAGON WHEEL BASE 5 56 = WAGON WHEEL BASE 6 11 = VAN WHEEL BASE 1 12 = VAN WHEEL BASE 2	EX9 = Engine - 2.7L 5 Cly Mercedes Diesel	DGJ = Transmission-5-Spd. Automatic, W5A580

AR = use ase required - = Non illustrated part

Carpet - Floor  
Figure IVA-310



ITEM	PART NUMBER	QTY	LINE	SERIES	BODY	ENGINE	TRANS	TRIM	DESCRIPTION
16	05132861AA	9	2, 6	L	11, 12, 14, 15, 16				SCREW
		9	2, 6	L	51, 52, 54, 55, 56				
		9	3, 7	L	12, 15, 16				
17	05122563AA	2	3, 7	L	12, 15, 16				MAT, Wheelhouse
	05131453AA	2	2, 6	L	11, 12, 14, 15, 16				
		2	2, 6	L	51, 52, 54, 55, 56				
-18	05104156AA	1	2, 6	L	11, 12, 14, 15, 16				MOLDING, Cargo Area Carpet Threshold for Partition Door
		1	3, 7	L	12, 15, 16				Threshold for Partition Door

SPRINTER (VA)

SERIES

L = LOWLINE

LINE

3 = HD DODGE 2WD  
6 = Lt. Duty DODGE 4WD  
2 = Med. Duty DODGE 2WD  
7 = Med. Duty DODGE 4WD

BODY

51 = WAGON WHEEL BASE 1  
52 = WAGON WHEEL BASE 2  
14 = VAN WHEEL BASE 4  
15 = VAN WHEEL BASE 5  
16 = VAN WHEEL BASE 6  
54 = WAGON WHEEL BASE 4  
55 = WAGON WHEEL BASE 5  
56 = WAGON WHEEL BASE 6  
11 = VAN WHEEL BASE 1  
12 = VAN WHEEL BASE 2

ENGINE

EX9 = Engine - 2.7L 5 Cly  
Mercedes Diesel

TRANSMISSION

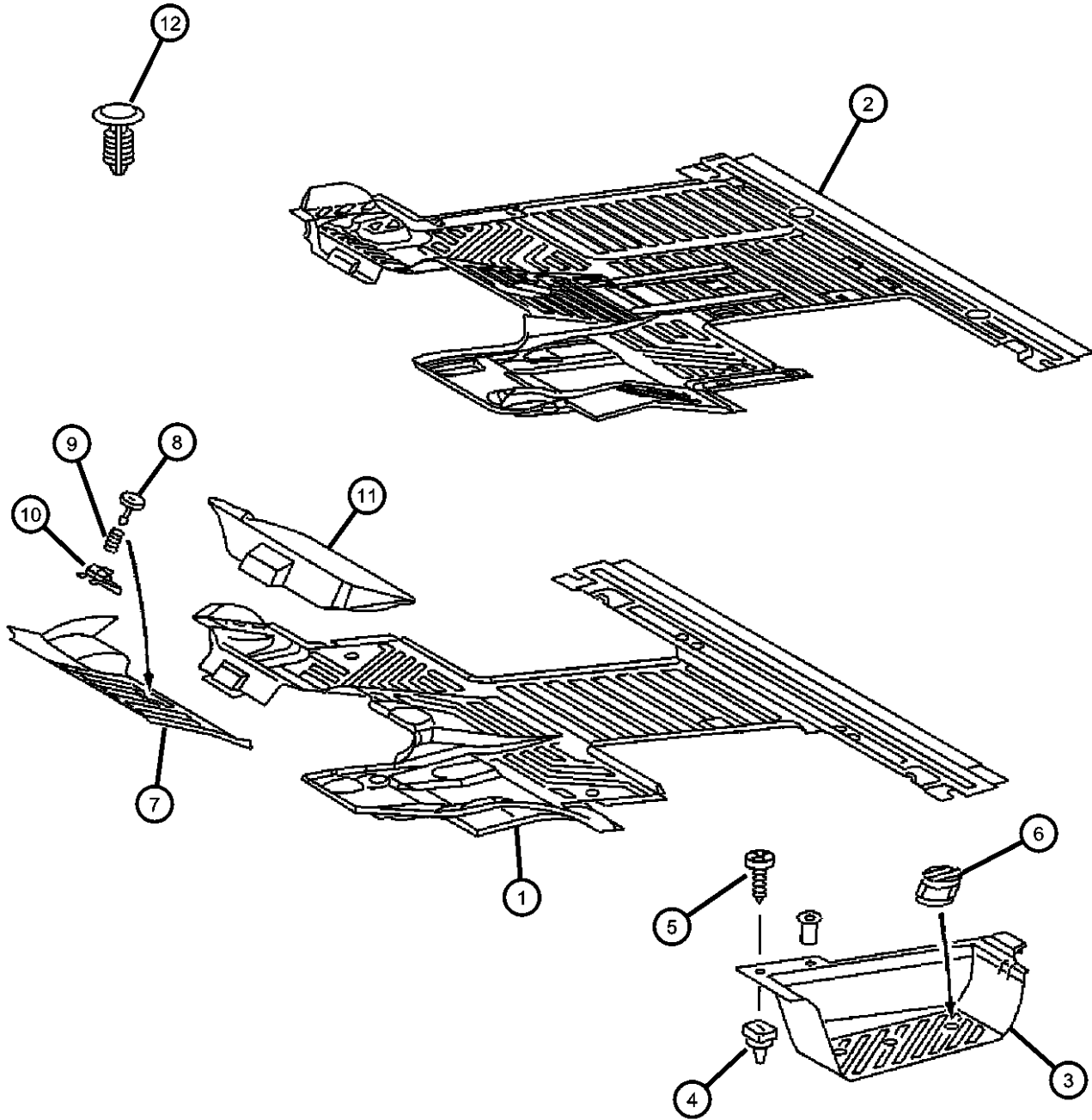
DGJ = Transmission-5-Spd.  
Automatic,W5A580

AR = use ase required - = Non illustrated part

2003 VA

**Floor Lining, Entry Paneling & Footrest  
Figure IVA-315**

ITEM	PART NUMBER	QTY	LINE	SERIES	BODY	ENGINE	TRANS	TRIM	DESCRIPTION
1									MAT, Front Floor, Rubber
	05122633AA	1	2, 6	L	11, 12, 14, 15, 16				Rubber
	05122614AA	1	3, 7	L	12, 15, 16				Lining
		1	2, 6	L	11, 12, 14, 15, 16				Lining
		1	2, 6	L	51, 52, 54, 55, 56				Lining
		1	3, 7	L	12, 15, 16				Rubber
		1	2, 6	L	51, 52, 54, 55, 56				Rubber
	05122640AA	1	3, 7	L	12, 15, 16				Rubber, With Floor Console
		1	2, 6	L	11, 12, 14, 15, 16				Rubber, With Floor Console
		1	2, 6	L	51, 52, 54, 55, 56				Rubber, With Floor Console
2									MAT, Front Floor, Rubber
	05104264AA	1	3, 7	L	12, 15, 16				With Partition Wall
		1	2, 6	L	11, 12, 14, 15, 16				With Partition Wall
	05122635AA	1	3, 7	L	12, 15, 16				With Center Console
		1	2, 6	L	11, 12, 14, 15, 16				With Center Console
		1	2, 6	L	51, 52, 54, 55, 56				With Center Console
3									PLATE, Scuff
	05122824AA	1	3, 7	L	12, 15, 16				Illuminated Exit, Right
	05104265AA	1	3, 7	L	12, 15, 16				, Left
		1	2, 6	L	11, 12, 14, 15, 16				Left
		1	2, 6	L	51, 52, 54, 55, 56				Left
	05122821AA	1	3, 7	L	12, 15, 16				Right
		1	2, 6	L	11, 12, 14, 15, 16				Right
		1	2, 6	L	51, 52, 54, 55, 56				Right
	05122822AA	1	3, 7	L	12, 15, 16				Illuminated Exit, Left
		1	2, 6	L	11, 12, 14, 15, 16				Illuminated Exit, Left



**SPRINTER (VA)**

**SERIES**

L = LOWLINE

**LINE**

3 = HD DODGE 2WD  
6 = Lt. Duty DODGE 4WD  
2 = Med. Duty DODGE 2WD  
7 = Med. Duty DODGE 4WD

**BODY**

51 = WAGON WHEEL BASE 1  
52 = WAGON WHEEL BASE 2  
14 = VAN WHEEL BASE 4  
15 = VAN WHEEL BASE 5  
16 = VAN WHEEL BASE 6  
54 = WAGON WHEEL BASE 4  
55 = WAGON WHEEL BASE 5  
56 = WAGON WHEEL BASE 6  
11 = VAN WHEEL BASE 1  
12 = VAN WHEEL BASE 2

**ENGINE**

EX9 = Engine - 2.7L 5 Cly  
Mercedes Diesel

**TRANSMISSION**

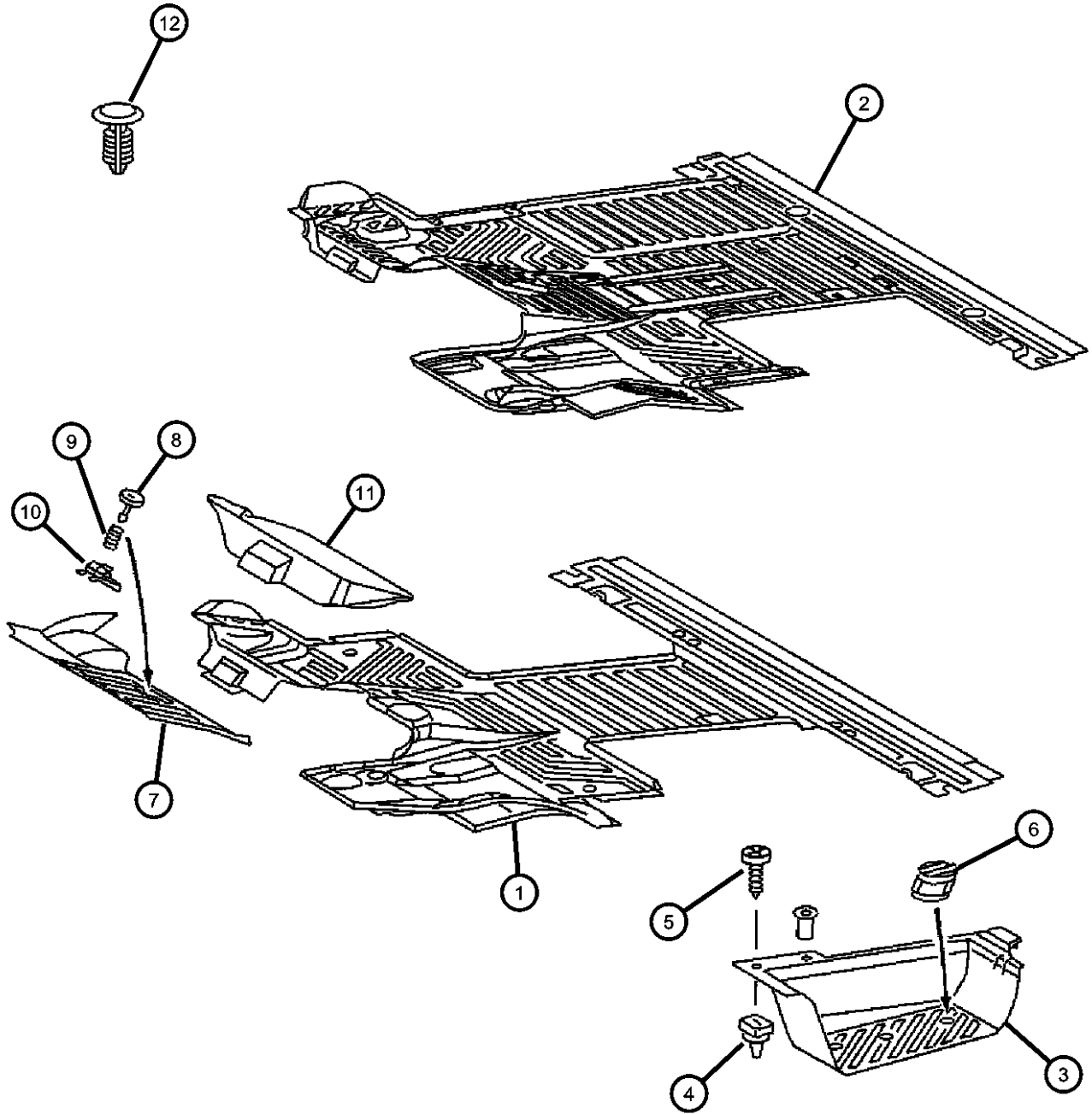
DGJ = Transmission-5-Spd.  
Automatic,W5A580

AR = use ase required - = Non illustrated part

2003 VA

**Floor Lining, Entry Paneling & Footrest  
Figure IVA-315**

ITEM	PART NUMBER	QTY	LINE	SERIES	BODY	ENGINE	TRANS	TRIM	DESCRIPTION
		1	2, 6	L	51, 52, 54, 55, 56				Illuminated Exit, Left
		1	2, 6	L	11, 12, 14, 15, 16				Illuminated Exit, Right
		1	2, 6	L	51, 52, 54, 55, 56				Illuminated Exit, Right
4									NUT, Plastic Snap-in
	05098837AA	6	2, 6	L	11, 12, 14, 15, 16				
		6	2, 6	L	51, 52, 54, 55, 56				
		6	3, 7	L	12, 15, 16				
5									SCREW
	06104575AA	6	3, 7	L	12, 15, 16				
		6	2, 6	L	11, 12, 14, 15, 16				
		6	2, 6	L	51, 52, 54, 55, 56				
6									PLUG, NONE, SPRINTER
	05104549AA	3	3, 7	L	12, 15, 16				
		3	2, 6	L	11, 12, 14, 15, 16				
		3	2, 6	L	51, 52, 54, 55, 56				
7									COVER, Jack
	05122408AA	1	3, 7	L	12, 15, 16				
		1	2, 6	L	11, 12, 14, 15, 16				
		1	2, 6	L	51, 52, 54, 55, 56				
8									FASTENER, NONE, SPRINTER, Footrest
	05122665AA	1	3, 7	L	12, 15, 16				
		1	2, 6	L	11, 12, 14, 15, 16				
		1	2, 6	L	51, 52, 54, 55, 56				
9									SPRING
	05125845AA	1	3, 7	L	12, 15, 16				

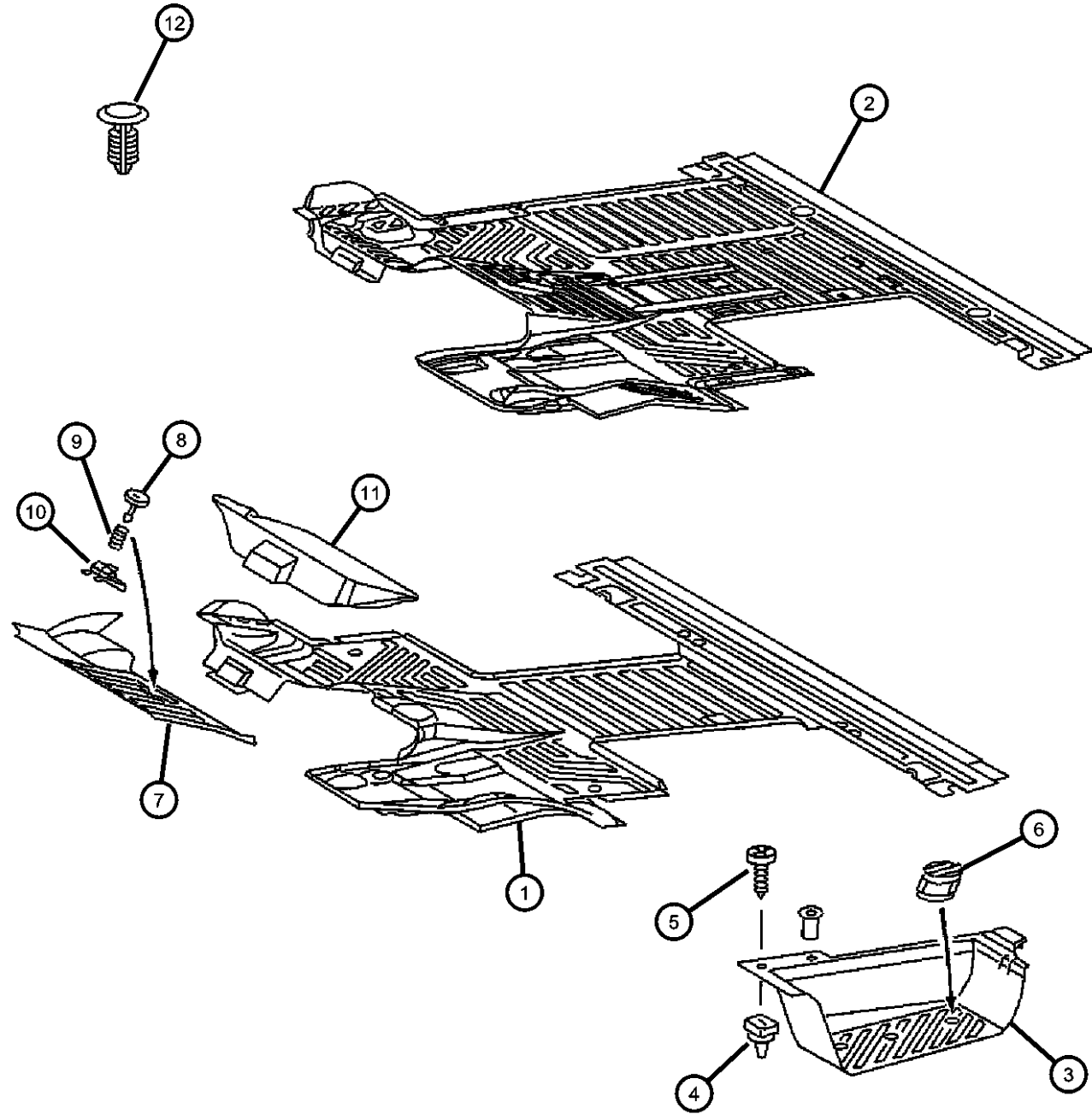


**SPRINTER (VA)**

<b>SERIES</b>	<b>LINE</b>	<b>BODY</b>	<b>ENGINE</b>	<b>TRANSMISSION</b>
L = LOWLINE	3 = HD DODGE 2WD 6 = Lt. Duty DODGE 4WD 2 = Med. Duty DODGE 2WD 7 = Med. Duty DODGE 4WD	51 = WAGON WHEEL BASE 1 52 = WAGON WHEEL BASE 2 14 = VAN WHEEL BASE 4 15 = VAN WHEEL BASE 5 16 = VAN WHEEL BASE 6 54 = WAGON WHEEL BASE 4 55 = WAGON WHEEL BASE 5 56 = WAGON WHEEL BASE 6 11 = VAN WHEEL BASE 1 12 = VAN WHEEL BASE 2	EX9 = Engine - 2.7L 5 Cly Mercedes Diesel	DGJ = Transmission-5-Spd. Automatic, W5A580

AR = use ase required - = Non illustrated part

Floor Lining, Entry Paneling & Footrest  
Figure IVA-315



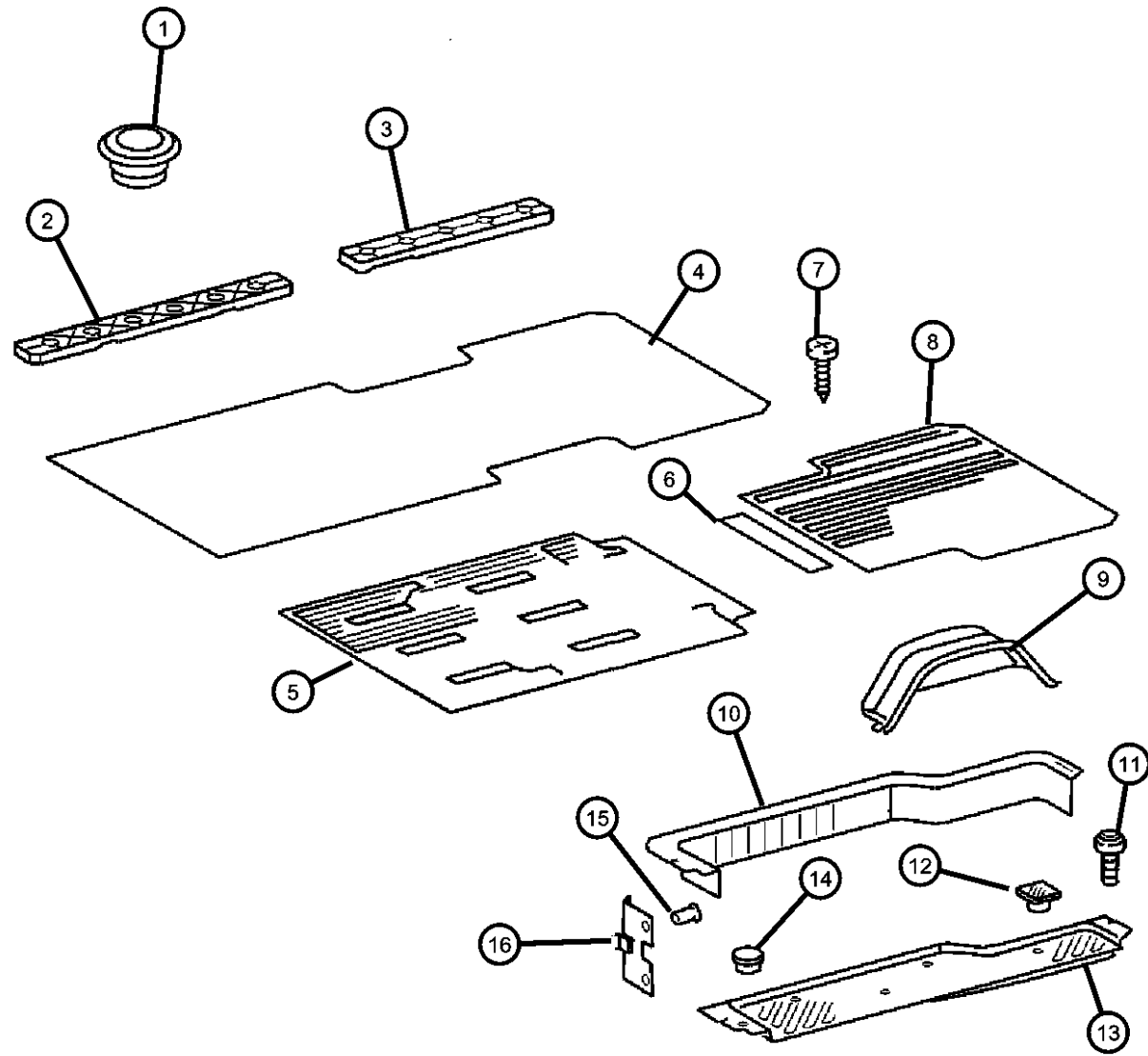
ITEM	PART NUMBER	QTY	LINE	SERIES	BODY	ENGINE	TRANS	TRIM	DESCRIPTION
		1	2, 6	L	11, 12, 14, 15, 16				
		1	2, 6	L	51, 52, 54, 55, 56				
10	05125587AA	1	3, 7	L	12, 15, 16				CLIP, Footrest
		1	2, 6	L	11, 12, 14, 15, 16				
		1	2, 6	L	51, 52, 54, 55, 56				
11	05122662AA	1	3, 7	L	12, 15, 16				SUPPORT, Jack
		1	2, 6	L	51, 52, 54, 55, 56				
		1	2, 6	L	11, 12, 14, 15, 16				
12	05103817AA	1	3, 7	L	12, 15, 16				PLUG, Seat Mounting
		1	2, 6	L	51, 52, 54, 55, 56				
		1	2, 6	L	11, 12, 14, 15, 16				
-13	05125906AA	4	3, 7	L	12, 15, 16				SEAL, Paneling to Entry Front
		4	2, 6	L	11, 12, 14, 15, 16				
		4	2, 6	L	51, 52, 54, 55, 56				

SPRINTER (VA)

SERIES	LINE	BODY	ENGINE	TRANSMISSION
L = LOWLINE	3 = HD DODGE 2WD 6 = Lt. Duty DODGE 4WD 2 = Med. Duty DODGE 2WD 7 = Med. Duty DODGE 4WD	51 = WAGON WHEEL BASE 1 52 = WAGON WHEEL BASE 2 14 = VAN WHEEL BASE 4 15 = VAN WHEEL BASE 5 16 = VAN WHEEL BASE 6 54 = WAGON WHEEL BASE 4 55 = WAGON WHEEL BASE 5 56 = WAGON WHEEL BASE 6 11 = VAN WHEEL BASE 1 12 = VAN WHEEL BASE 2	EX9 = Engine - 2.7L 5 Cly Mercedes Diesel	DGJ = Transmission-5-Spd. Automatic,W5A580

AR = use ase required - = Non illustrated part

Floor - Rubber  
Figure IVA-320



ITEM	PART NUMBER	QTY	LINE	SERIES	BODY	ENGINE	TRANS	TRIM	DESCRIPTION
1	05125991AA	6	2, 6	L	51, 52, 54, 55, 56				PLUG
		99	2, 6	L	11, 12, 14, 15, 16				
		2	3, 7	L	12, 15, 16				
2	05122650AA	2	2, 6	L	51, 52, 54, 55, 56				COVER, Seat Track Front
		2	2, 6	L	11, 12, 14, 15, 16				Front
		1	3, 7	L	12, 15, 16				Front
3	05122642AA	1	2, 6	L	11, 12, 14, 15, 16				COVER, Seat Track Rear
		1	2, 6	L	51, 52, 54, 55, 56				Rear
		1	3, 7	L	12, 15, 16				Rear
4	05131455AA	1	2, 6	L	11, 12, 14, 15, 16				MAT, Floor
		1	2, 6	L	51, 52, 54, 55, 56				
	05131677AA	1	2, 6	L	11, 12, 14, 15, 16				With Partition
5	05122564AA	1	3, 7	L	12, 15, 16				MAT, Front Floor, Rubber 140 Inch Wheelbase
	05122572AA	1	3, 7	L	12, 15, 16				158 Inch Wheelbase
	05131462AA	1	2, 6	L	11, 12, 14, 15, 16				140 Inch Wheelbase
		1	2, 6	L	51, 52, 54, 55, 56				140 Inch Wheelbase
	05131469AA	1	2, 6	L	11, 12, 14, 15, 16				158 Inch Wheelbase
		1	2, 6	L	51, 52, 54, 55, 56				158 Inch Wheelbase
6	05122835AA	1	3, 7	L	12, 15, 16				PLATE, NONE, SPRINTER With Load Compartment Sliding Door, Right

SPRINTER (VA)

SERIES

L = LOWLINE

LINE

3 = HD DODGE 2WD  
6 = Lt. Duty DODGE 4WD  
2 = Med. Duty DODGE 2WD  
7 = Med. Duty DODGE 4WD

BODY

51 = WAGON WHEEL BASE 1 EX9 = Engine - 2.7L 5 Cly  
52 = WAGON WHEEL BASE 2 Mercedes Diesel  
14 = VAN WHEEL BASE 4  
15 = VAN WHEEL BASE 5  
16 = VAN WHEEL BASE 6  
54 = WAGON WHEEL BASE 4  
55 = WAGON WHEEL BASE 5  
56 = WAGON WHEEL BASE 6  
11 = VAN WHEEL BASE 1  
12 = VAN WHEEL BASE 2

ENGINE

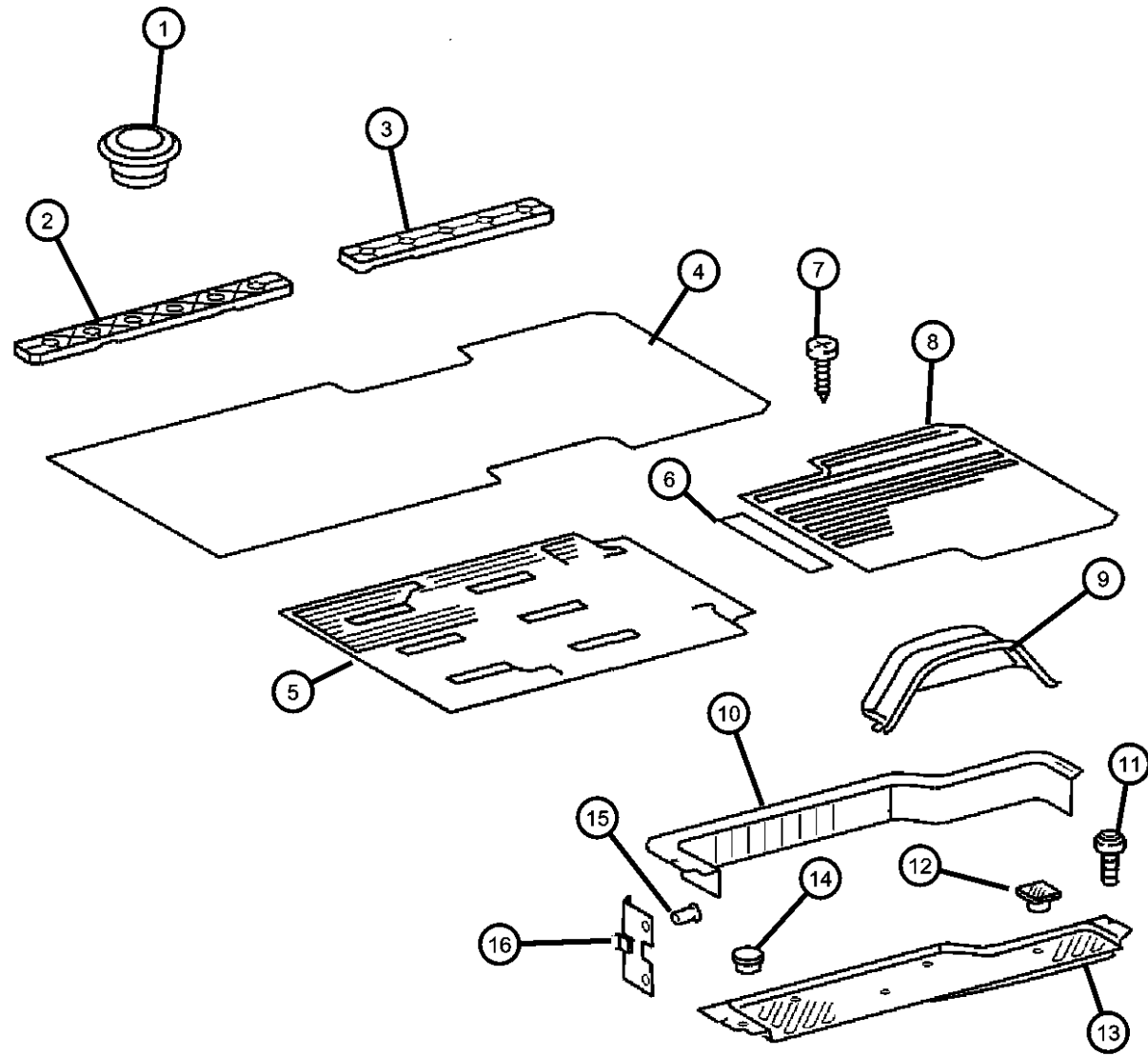
TRANSMISSION

DGJ = Transmission-5-Spd.  
Automatic,W5A580

AR = use ase required - = Non illustrated part

2003 VA

Floor - Rubber  
Figure IVA-320



ITEM	PART NUMBER	QTY	LINE	SERIES	BODY	ENGINE	TRANS	TRIM	DESCRIPTION
		1	2, 6	L	51, 52, 54, 55, 56				With Load Compartment Sliding Door, Right
		1	2, 6	L	11, 12, 14, 15, 16				With Load Compartment Sliding Door, Right
	05122837AA	1	3, 7	L	12, 15, 16				With Load Compartment Sliding Door, Left
		1	2, 6	L	51, 52, 54, 55, 56				With Load Compartment Sliding Door, Left
		1	2, 6	L	11, 12, 14, 15, 16				With Load Compartment Sliding Door, Left
	05122840AA	1	2, 6	L	51, 52, 54, 55, 56				With Load Compartment Sliding Door, Left & Right
		1	2, 6	L	11, 12, 14, 15, 16				With Load Compartment Sliding Door, Left & Right
	05122842AA	1	3, 7	L	12, 15, 16				Without Load Compartment Sliding Door
		1	2, 6	L	51, 52, 54, 55, 56				Without Load Compartment Sliding Door
		1	2, 6	L	11, 12, 14, 15, 16				Without Load Compartment Sliding Door
		1	3, 7	L	12, 15, 16				With Load Compartment Sliding Door, Left & Right
7									RIVET, RIVET
	05133555AA	5	3, 7	L	12, 15, 16				
		7	2, 6	L	11, 12, 14, 15, 16				
		7	2, 6	L	51, 52, 54, 55, 56				
8									MAT, Floor
	05122580AA	1	3, 7	L	12, 15, 16				140 Inch Wheelbase, Rear
	05131478AA	1	2, 6	L	51, 52, 54, 55, 56				140 Inch Wheelbase, Rear
	05122581AA	1	3, 7	L	12, 15, 16				158 Inch Wheelbase, Rear
	05131477AA	1	2, 6	L	11, 12, 14, 15, 16				158 Inch Wheelbase, Rear
		1	2, 6	L	51, 52, 54, 55, 56				158 Inch Wheelbase, Rear
		1	2, 6	L	11, 12, 14, 15, 16				140 Inch Wheelbase, Rear
9									MAT, Wheelhouse
	05122563AA	2	3, 7	L	12, 15, 16				3500 GVW

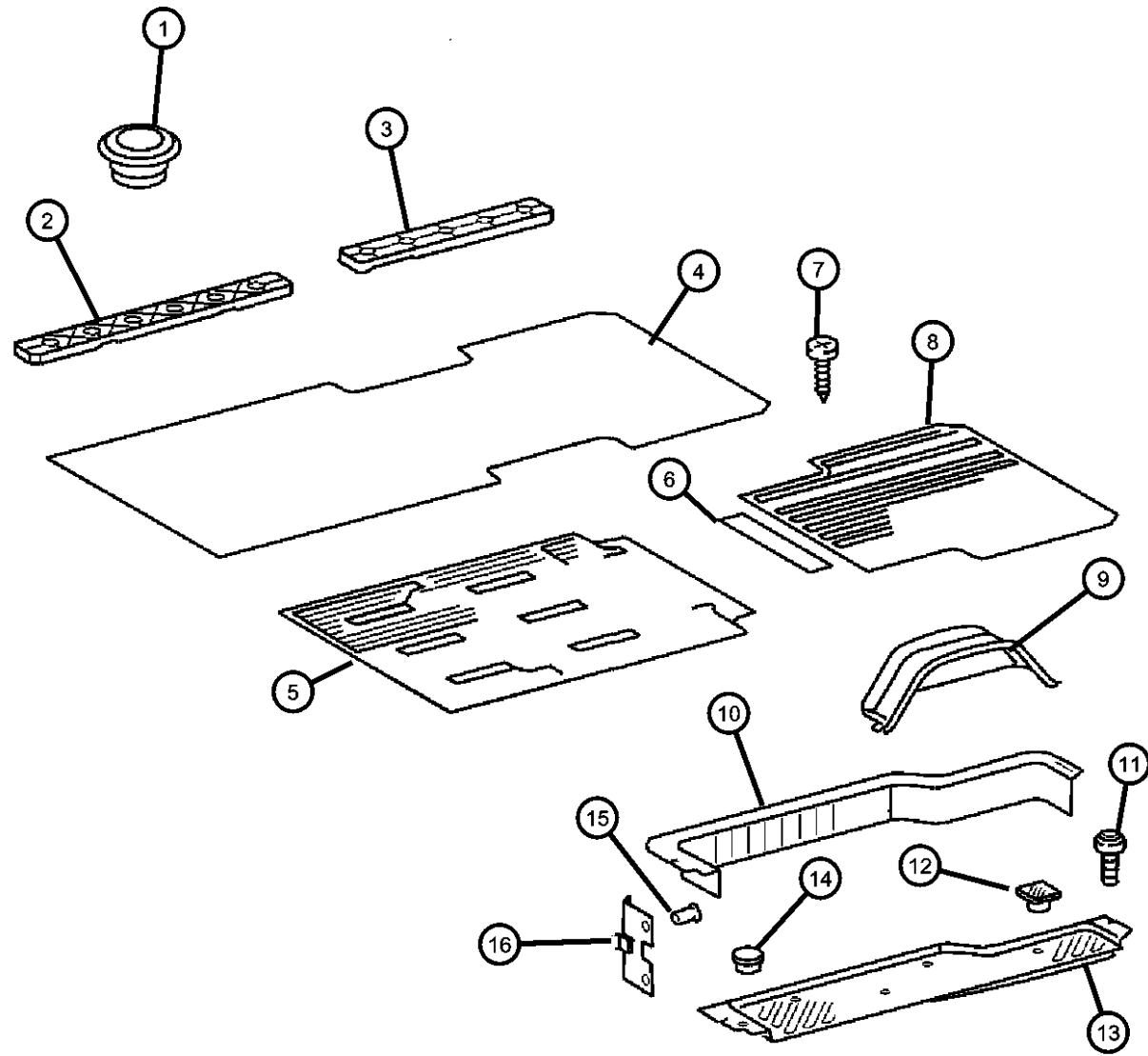
SPRINTER (VA)

SERIES	LINE	BODY	ENGINE	TRANSMISSION
L = LOWLINE	3 = HD DODGE 2WD 6 = Lt. Duty DODGE 4WD 2 = Med. Duty DODGE 2WD 7 = Med. Duty DODGE 4WD	51 = WAGON WHEEL BASE 1 52 = WAGON WHEEL BASE 2 14 = VAN WHEEL BASE 4 15 = VAN WHEEL BASE 5 16 = VAN WHEEL BASE 6 54 = WAGON WHEEL BASE 4 55 = WAGON WHEEL BASE 5 56 = WAGON WHEEL BASE 6 11 = VAN WHEEL BASE 1 12 = VAN WHEEL BASE 2	EX9 = Engine - 2.7L 5 Cyl Mercedes Diesel	DGJ = Transmission-5-Spd. Automatic, W5A580

AR = use ase required - = Non illustrated part

2003 VA

Floor - Rubber  
Figure IVA-320



ITEM	PART NUMBER	QTY	LINE	SERIES	BODY	ENGINE	TRANS	TRIM	DESCRIPTION
	05131453AA	2	3, 7	L	12, 15, 16				2500 GVW
		2	2, 6	L	11, 12, 14, 15, 16				2500 GVW
		2	2, 6	L	51, 52, 54, 55, 56				2500 GVW
10									PANEL, Sliding Door Trim
	05122827AA	1	2, 6	L	51, 52, 54, 55, 56				Sliding Door Right
	05122830AA	1	3, 7	L	12, 15, 16				Sliding Door Left With Entrance Light
		1	2, 6	L	11, 12, 14, 15, 16				Sliding Door Left With Entrance Light
		1	2, 6	L	51, 52, 54, 55, 56				Sliding Door Left With Entrance Light
	05122832AA	1	3, 7	L	12, 15, 16				Sliding Door Right With Entrance Light
		1	2, 6	L	11, 12, 14, 15, 16				Sliding Door Right With Entrance Light
	05122825AA	1	3, 7	L	12, 15, 16				Sliding Door Left
		1	2, 6	L	11, 12, 14, 15, 16				Sliding Door Left
		1	2, 6	L	51, 52, 54, 55, 56				Sliding Door Left
		1	3, 7	L	12, 15, 16				Sliding Door Right
		1	2, 6	L	11, 12, 14, 15, 16				Sliding Door Right
		1	2, 6	L	51, 52, 54, 55, 56				Sliding Door Right With Entrance Light
11									SCREW
	06104142AA	2	2, 6	L	11, 12, 14, 15, 16				
		2	2, 6	L	51, 52, 54, 55, 56				
		2	3, 7	L	12, 15, 16				
12									PLUG
	05122811AA	4	3, 7	L	12, 15, 16				
		4	2, 6	L	11, 12, 14, 15, 16				
		4	2, 6	L	51, 52, 54, 55, 56				

SPRINTER (VA)

SERIES

L = LOWLINE

LINE

3 = HD DODGE 2WD  
6 = Lt. Duty DODGE 4WD  
2 = Med. Duty DODGE 2WD  
7 = Med. Duty DODGE 4WD

BODY

51 = WAGON WHEEL BASE 1  
52 = WAGON WHEEL BASE 2  
14 = VAN WHEEL BASE 4  
15 = VAN WHEEL BASE 5  
16 = VAN WHEEL BASE 6  
54 = WAGON WHEEL BASE 4  
55 = WAGON WHEEL BASE 5  
56 = WAGON WHEEL BASE 6  
11 = VAN WHEEL BASE 1  
12 = VAN WHEEL BASE 2

ENGINE

EX9 = Engine - 2.7L 5 Cly  
Mercedes Diesel

TRANSMISSION

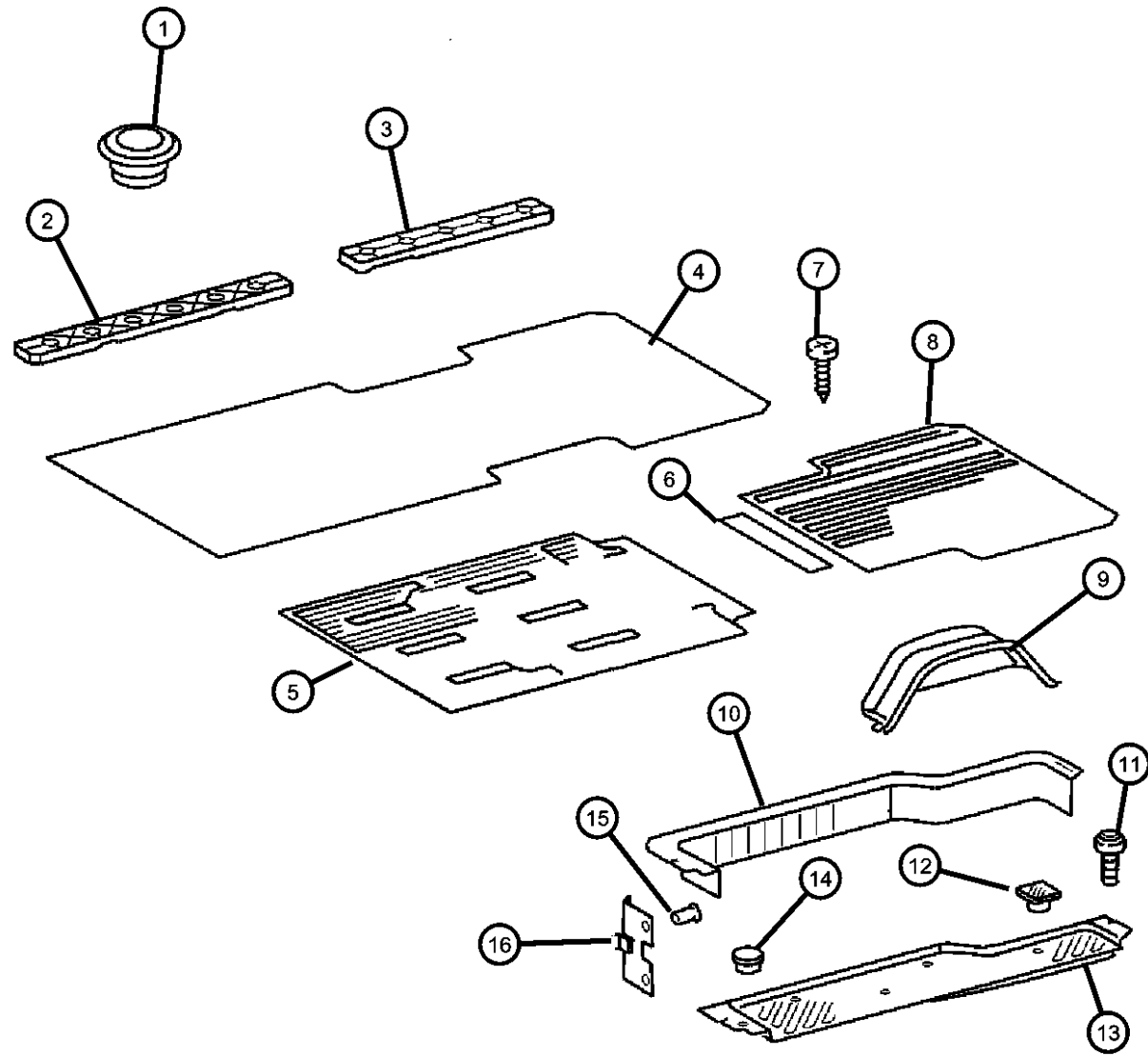
DGJ = Transmission-5-Spd. Automatic, W5A580

AR = use ase required - = Non illustrated part

2003 VA



Floor - Rubber  
Figure IVA-320



ITEM	PART NUMBER	QTY	LINE	SERIES	BODY	ENGINE	TRANS	TRIM	DESCRIPTION
13	05122815AA	1	3, 7	L	12, 15, 16				PAD, Side Cargo Door Sill
		1	2, 6	L	11, 12, 14, 15, 16				Entrance Sliding Door, Left
		1	2, 6	L	51, 52, 54, 55, 56				Entrance Sliding Door, Left
	05122816AA	1	3, 7	L	12, 15, 16				Entrance Sliding Door, Right
		1	2, 6	L	11, 12, 14, 15, 16				Entrance Sliding Door, Right
		1	2, 6	L	51, 52, 54, 55, 56				Entrance Sliding Door, Right
14	05122808AA	1	2, 6	L	51, 52, 54, 55, 56				PLUG
		1	3, 7	L	12, 15, 16				
		1	2, 6	L	11, 12, 14, 15, 16				
15	05134061AA	16	3, 7	L	12, 15, 16				RIVET
		8	2, 6	L	11, 12, 14, 15, 16				
		8	2, 6	L	51, 52, 54, 55, 56				
16	05125584AA	8	3, 7	L	12, 15, 16				CLIP, Floor Trim
		4	2, 6	L	11, 12, 14, 15, 16				
		4	2, 6	L	51, 52, 54, 55, 56				

SPRINTER (VA)

SERIES

L = LOWLINE

LINE

3 = HD DODGE 2WD  
6 = Lt. Duty DODGE 4WD  
2 = Med. Duty DODGE 2WD  
7 = Med. Duty DODGE 4WD

BODY

51 = WAGON WHEEL BASE 1  
52 = WAGON WHEEL BASE 2  
14 = VAN WHEEL BASE 4  
15 = VAN WHEEL BASE 5  
16 = VAN WHEEL BASE 6  
54 = WAGON WHEEL BASE 4  
55 = WAGON WHEEL BASE 5  
56 = WAGON WHEEL BASE 6  
11 = VAN WHEEL BASE 1  
12 = VAN WHEEL BASE 2

ENGINE

EX9 = Engine - 2.7L 5 Cly  
Mercedes Diesel

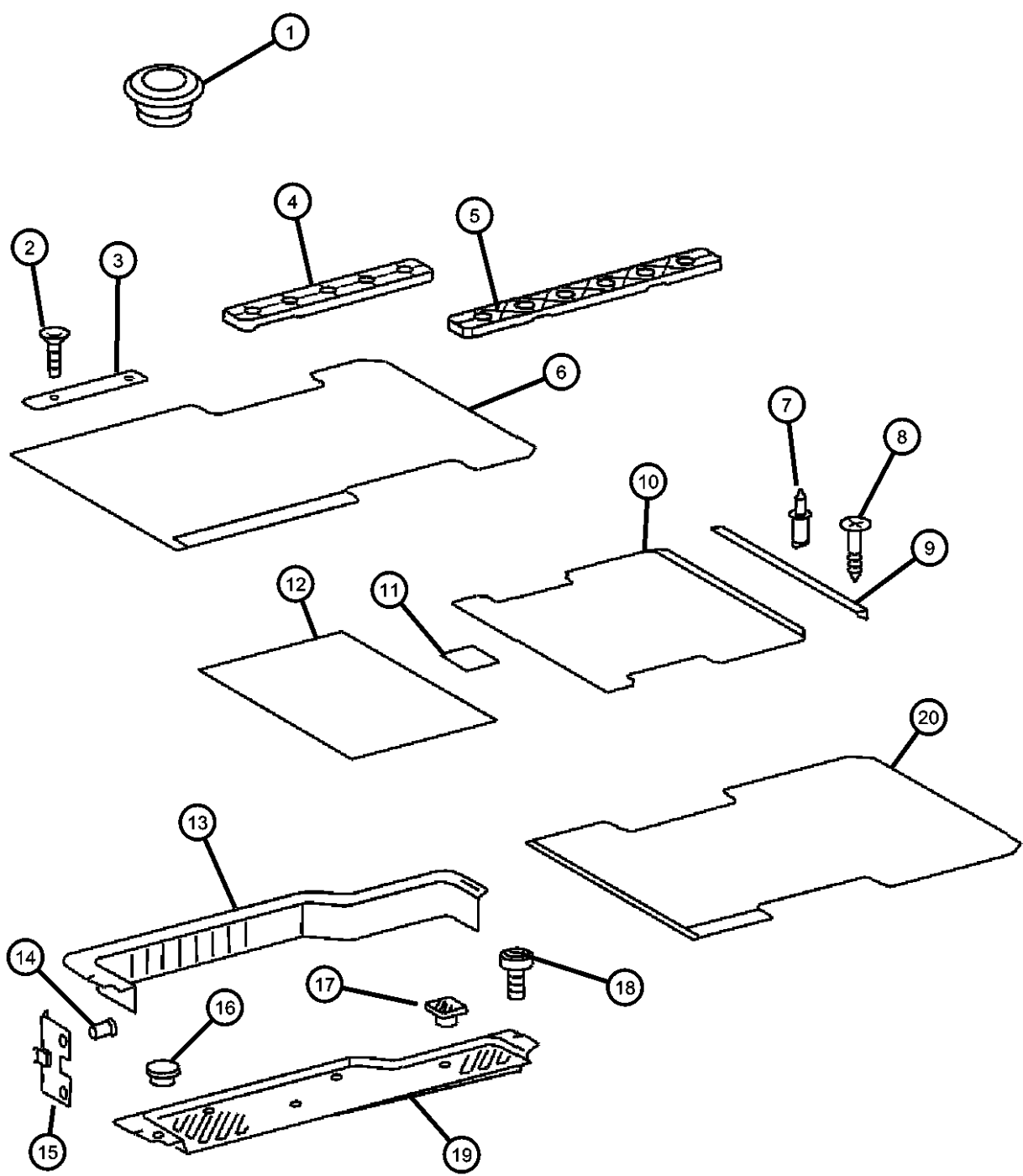
TRANSMISSION

DGJ = Transmission-5-Spd. Automatic, W5A580

AR = use ase required - = Non illustrated part

2003 VA

**Floor - Wooden  
Figure IVA-330**



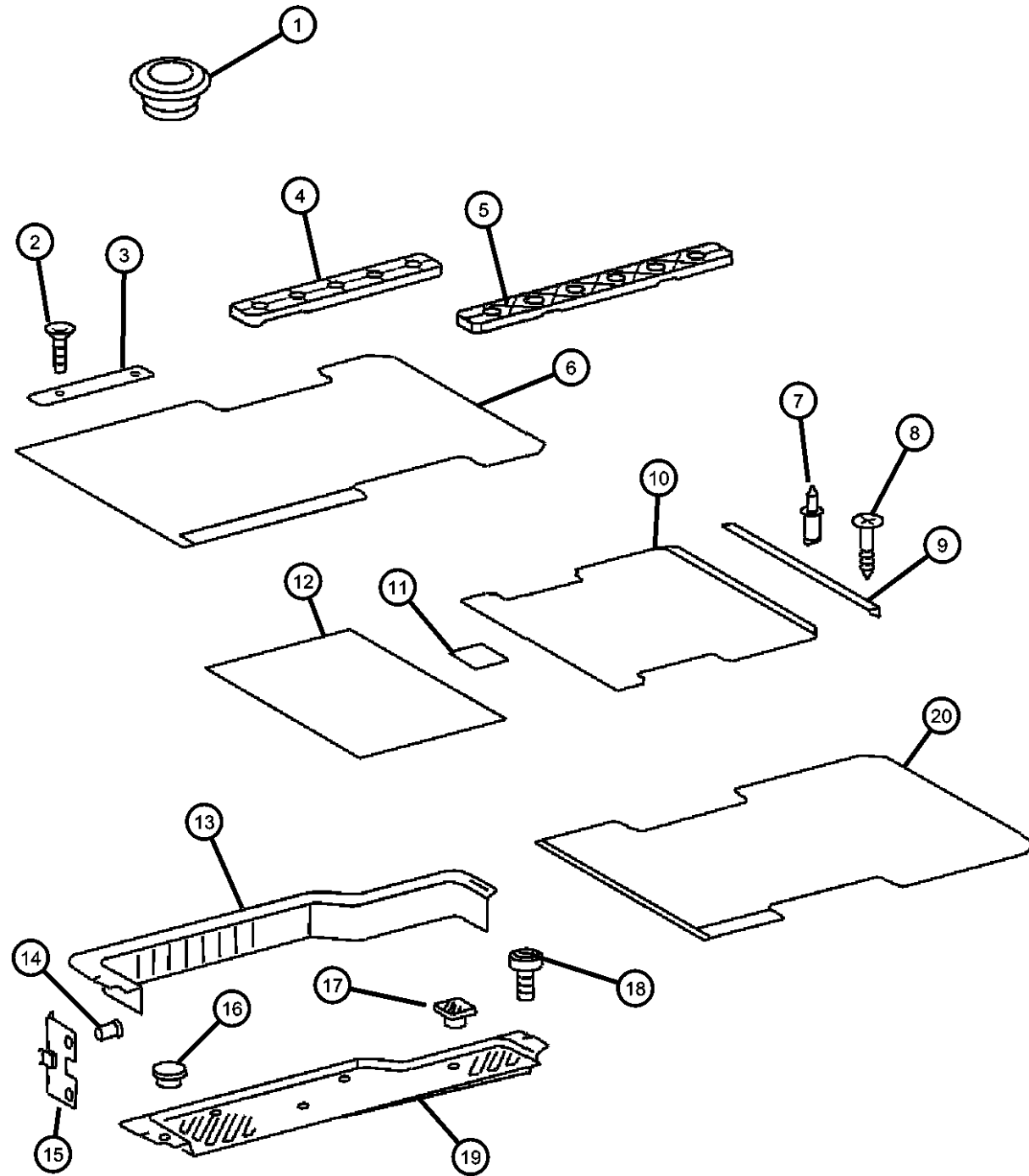
ITEM	PART NUMBER	QTY	LINE	SERIES	BODY	ENGINE	TRANS	TRIM	DESCRIPTION
1	05125991AA	6	2, 6	L	51, 52, 54, 55, 56				PLUG
		2	2, 6	L	11, 12, 14, 15, 16				
		2	3, 7	L	12, 15, 16				
2		2							SCREW, (NOT SERVICED)
3		2							PLATE, (NOT SERVICED)
4	05122642AA								COVER, Seat Track Rear
		1	2, 6	L	51, 52, 54, 55, 56				
		1	2, 6	L	11, 12, 14, 15, 16				
5	05122650AA	1	3, 7	L	12, 15, 16				COVER, Seat Track Rear
		2	2, 6	L	11, 12, 14, 15, 16				
		1	3, 7	L	12, 15, 16				
6	05122760AA	2	2, 6	L	11, 12, 14, 15, 16				COVER, Seat Track Front
		1	3, 7	L	12, 15, 16				
		2	2, 6	L	51, 52, 54, 55, 56				
6	05122778AA	1	3, 7	L	12, 15, 16				FLOOR, Wooden With 140 & 158 Inch Wheelbase, 12 Inch Thick
		1		L					
		1	2, 6	L	11, 12, 14, 15, 16				
		1	2, 6	L	11, 12, 14, 15, 16				
		1	2, 6	L	51, 52, 54, 55, 56				
7	06104871AA	16	3, 7	L	12, 15, 16				RIVET
		14	2, 6	L	11, 12, 14, 15, 16				
		14	2, 6	L	51, 52, 54, 55, 56				
8	05132861AA	9	2, 6	L	11, 12, 14, 15, 16				SCREW

**SPRINTER (VA)**

SERIES	LINE	BODY	ENGINE	TRANSMISSION
L = LOWLINE	3 = HD DODGE 2WD 6 = Lt. Duty DODGE 4WD 2 = Med. Duty DODGE 2WD 7 = Med. Duty DODGE 4WD	51 = WAGON WHEEL BASE 1 52 = WAGON WHEEL BASE 2 14 = VAN WHEEL BASE 4 15 = VAN WHEEL BASE 5 16 = VAN WHEEL BASE 6 54 = WAGON WHEEL BASE 4 55 = WAGON WHEEL BASE 5 56 = WAGON WHEEL BASE 6 11 = VAN WHEEL BASE 1 12 = VAN WHEEL BASE 2	EX9 = Engine - 2.7L 5 Cyl Mercedes Diesel	DGJ = Transmission-5-Spd. Automatic, W5A580

AR = use ase required - = Non illustrated part

Floor - Wooden  
Figure IVA-330



ITEM	PART NUMBER	QTY	LINE	SERIES	BODY	ENGINE	TRANS	TRIM	DESCRIPTION
9	05122669AA	9	2, 6	L	51, 52, 54, 55, 56				MOLDING, Cargo Area Carpet
		9	3, 7	L	12, 15, 16				
10	05122802AA	1	3, 7	L	12, 15, 16				FLOOR, Wooden
		1	2, 6	L	11, 12, 14, 15, 16				
		1	2, 6	L	51, 52, 54, 55, 56				
		1	2, 6	L	51, 52, 54, 55, 56				
		1		L					
11	05122671AA	1	2, 6	L	51, 52, 54, 55, 56				MOLDING, Cargo Area Carpet
		1	2, 6	L	51, 52, 54, 55, 56				
		1		L					
		1		L					
		5	2, 6	L	51, 52, 54, 55, 56				
12	05122730AA	5	3, 7	L	12, 15, 16				FLOOR, Wooden
		5	2, 6	L	11, 12, 14, 15, 16				
		1		L					
		1		L					
		1	2, 6	L	11, 12, 14, 15, 16				
13	05131631AA	1	2, 6	L	11, 12, 14, 15, 16				PANEL, Sliding Door Trim
		1	3, 7	L	12, 15, 16				
		1	2, 6	L	11, 12, 14, 15, 16				
14	05134061AA	1	2, 6	L	51, 52, 54, 55, 56				RIVET
		8	3, 7	L	12, 15, 16				

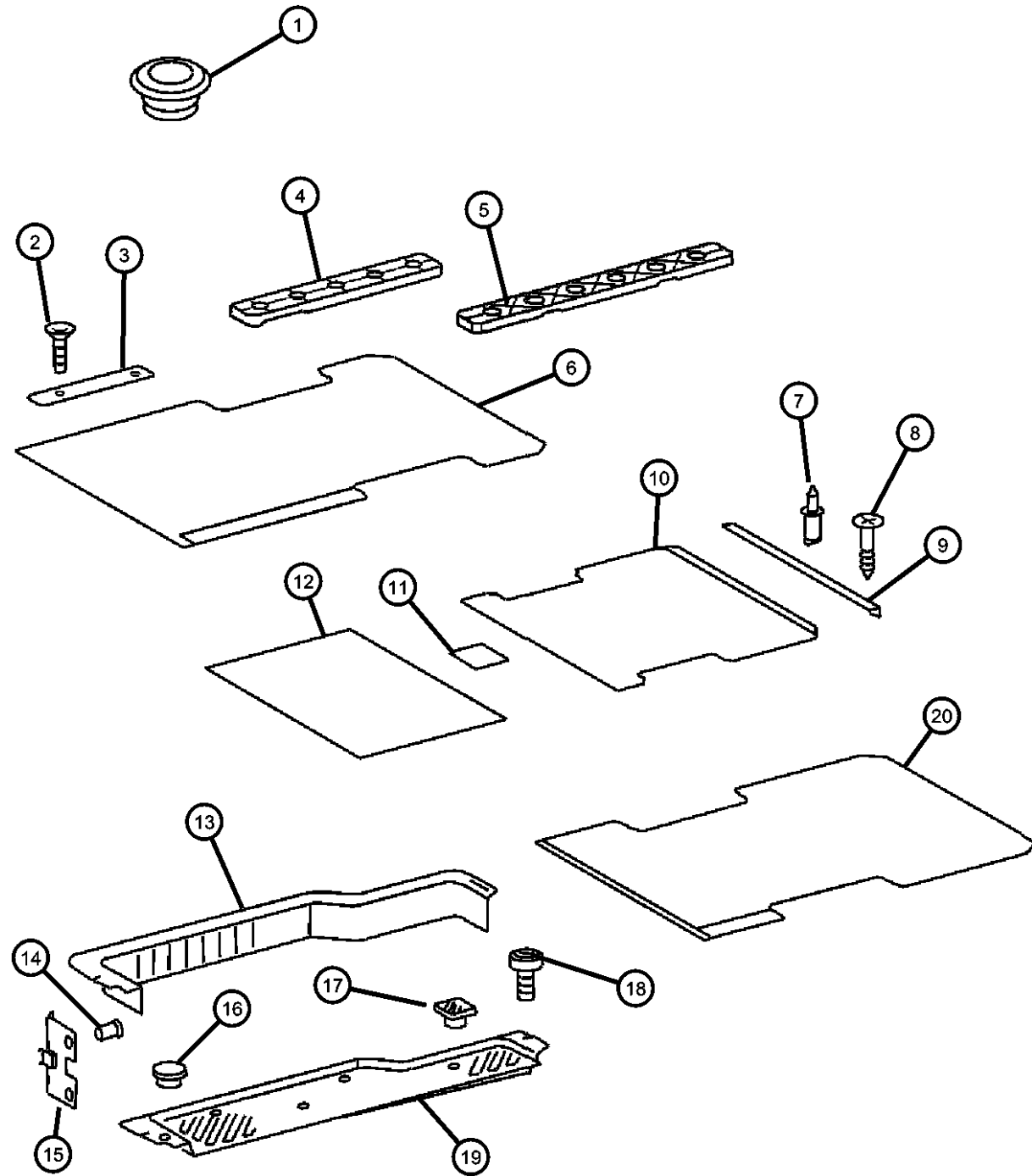
SPRINTER (VA)

SERIES	LINE	BODY	ENGINE	TRANSMISSION
L = LOWLINE	3 = HD DODGE 2WD 6 = Lt. Duty DODGE 4WD 2 = Med. Duty DODGE 2WD 7 = Med. Duty DODGE 4WD	51 = WAGON WHEEL BASE 1 52 = WAGON WHEEL BASE 2 14 = VAN WHEEL BASE 4 15 = VAN WHEEL BASE 5 16 = VAN WHEEL BASE 6 54 = WAGON WHEEL BASE 4 55 = WAGON WHEEL BASE 5 56 = WAGON WHEEL BASE 6 11 = VAN WHEEL BASE 1 12 = VAN WHEEL BASE 2	EX9 = Engine - 2.7L 5 Cyl Mercedes Diesel	DGJ = Transmission-5-Spd. Automatic, W5A580

AR = use ase required - = Non illustrated part

2003 VA

Floor - Wooden  
Figure IVA-330



ITEM	PART NUMBER	QTY	LINE	SERIES	BODY	ENGINE	TRANS	TRIM	DESCRIPTION
		8	2, 6	L	11, 12, 14, 15, 16				
		8	2, 6	L	51, 52, 54, 55, 56				
15	05125584AA	4	2, 6	L	11, 12, 14, 15, 16				CLIP, Floor Trim
		4	3, 7	L	12, 15, 16				
		4	2, 6	L	51, 52, 54, 55, 56				
16	05122808AA	1	3, 7	L	12, 15, 16				PLUG
		1	2, 6	L	11, 12, 14, 15, 16				
		1	2, 6	L	51, 52, 54, 55, 56				
17	05122811AA	4	3, 7	L	12, 15, 16				PLUG
		4	2, 6	L	11, 12, 14, 15, 16				
		4	2, 6	L	51, 52, 54, 55, 56				
18	06104142AA	2	2, 6	L	11, 12, 14, 15, 16				SCREW
		2	2, 6	L	51, 52, 54, 55, 56				
		2	3, 7	L	12, 15, 16				
19	05122815AA	1	3, 7	L	12, 15, 16				PAD, Side Cargo Door Sill
		1	2, 6	L	11, 12, 14, 15, 16				Entrance Sliding Door, Left
		1	2, 6	L	51, 52, 54, 55, 56				Entrance Sliding Door, Left
	05122816AA	1	3, 7	L	12, 15, 16				Entrance Sliding Door, Right
		1	2, 6	L	11, 12, 14, 15, 16				Entrance Sliding Door, Right
		1	2, 6	L	51, 52, 54, 55, 56				Entrance Sliding Door, Right

SPRINTER (VA)

SERIES LINE  
 L = LOWLINE 3 = HD DODGE 2WD  
 6 = Lt. Duty DODGE 4WD  
 2 = Med. Duty DODGE 2WD  
 7 = Med. Duty DODGE 4WD

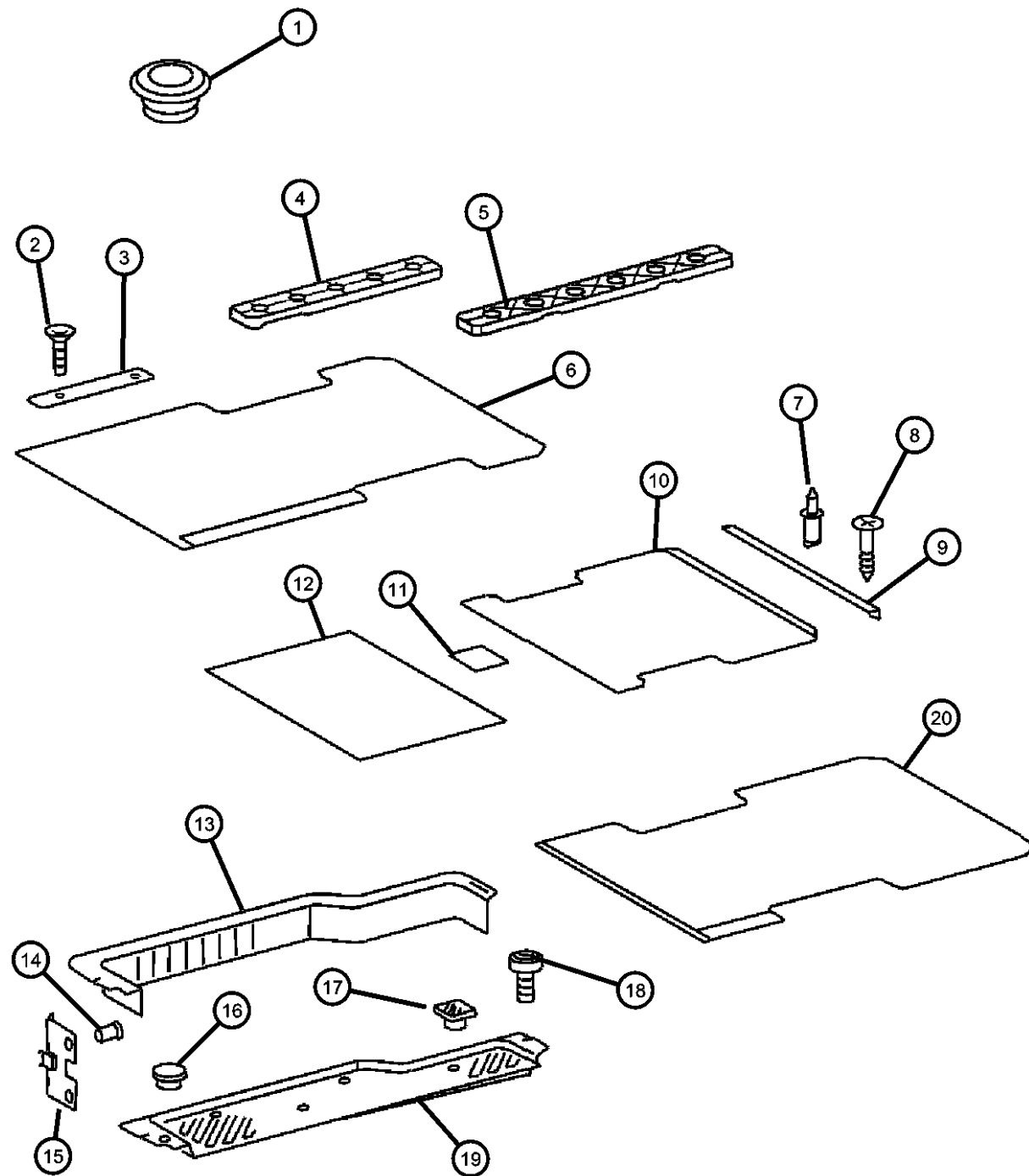
BODY ENGINE  
 51 = WAGON WHEEL BASE 1 EX9 = Engine - 2.7L 5 Cly  
 52 = WAGON WHEEL BASE 2 Mercedes Diesel  
 14 = VAN WHEEL BASE 4  
 15 = VAN WHEEL BASE 5  
 16 = VAN WHEEL BASE 6  
 54 = WAGON WHEEL BASE 4  
 55 = WAGON WHEEL BASE 5  
 56 = WAGON WHEEL BASE 6  
 11 = VAN WHEEL BASE 1  
 12 = VAN WHEEL BASE 2

TRANSMISSION  
 DGJ = Transmission-5-Spd.  
 Automatic,W5A580

AR = use ase required - = Non illustrated part

2003 VA

Floor - Wooden  
Figure IVA-330



ITEM	PART NUMBER	QTY	LINE	SERIES	BODY	ENGINE	TRANS	TRIM	DESCRIPTION
20	05122804AA	1	2, 6	L	51, 52, 54, 55, 56				FLOOR, Wooden With Seats - 158 Inch Wheelbase
	05127784AA	1		L					Without Seats - 158 Inch Wheelbase
-21	05121438AA	1	2, 6	L	11, 12, 14, 15, 16				MOLDING, Cargo Area Carpet Threshold For Partition Door
		1	3, 7	L	12, 15, 16				Threshold For Partition Door
-22	05122670AA	1	3, 7	L	12, 15, 16				MOLDING, Cargo Area Carpet With Sliding Doors, Right & Left
		1	2, 6	L	11, 12, 14, 15, 16				With Sliding Doors, Right & Left
		1	2, 6	L	51, 52, 54, 55, 56				With Sliding Doors, Right & Left
	05131522AA	1	2, 6	L	11, 12, 14, 15, 16				For (UPS)

SPRINTER (VA)

SERIES

L = LOWLINE  
 3 = HD DODGE 2WD  
 6 = Lt. Duty DODGE 4WD  
 2 = Med. Duty DODGE 2WD  
 7 = Med. Duty DODGE 4WD

LINE

BODY

51 = WAGON WHEEL BASE 1  
 52 = WAGON WHEEL BASE 2  
 14 = VAN WHEEL BASE 4  
 15 = VAN WHEEL BASE 5  
 16 = VAN WHEEL BASE 6  
 54 = WAGON WHEEL BASE 4  
 55 = WAGON WHEEL BASE 5  
 56 = WAGON WHEEL BASE 6  
 11 = VAN WHEEL BASE 1  
 12 = VAN WHEEL BASE 2

ENGINE

EX9 = Engine - 2.7L 5 Cly  
 Mercedes Diesel

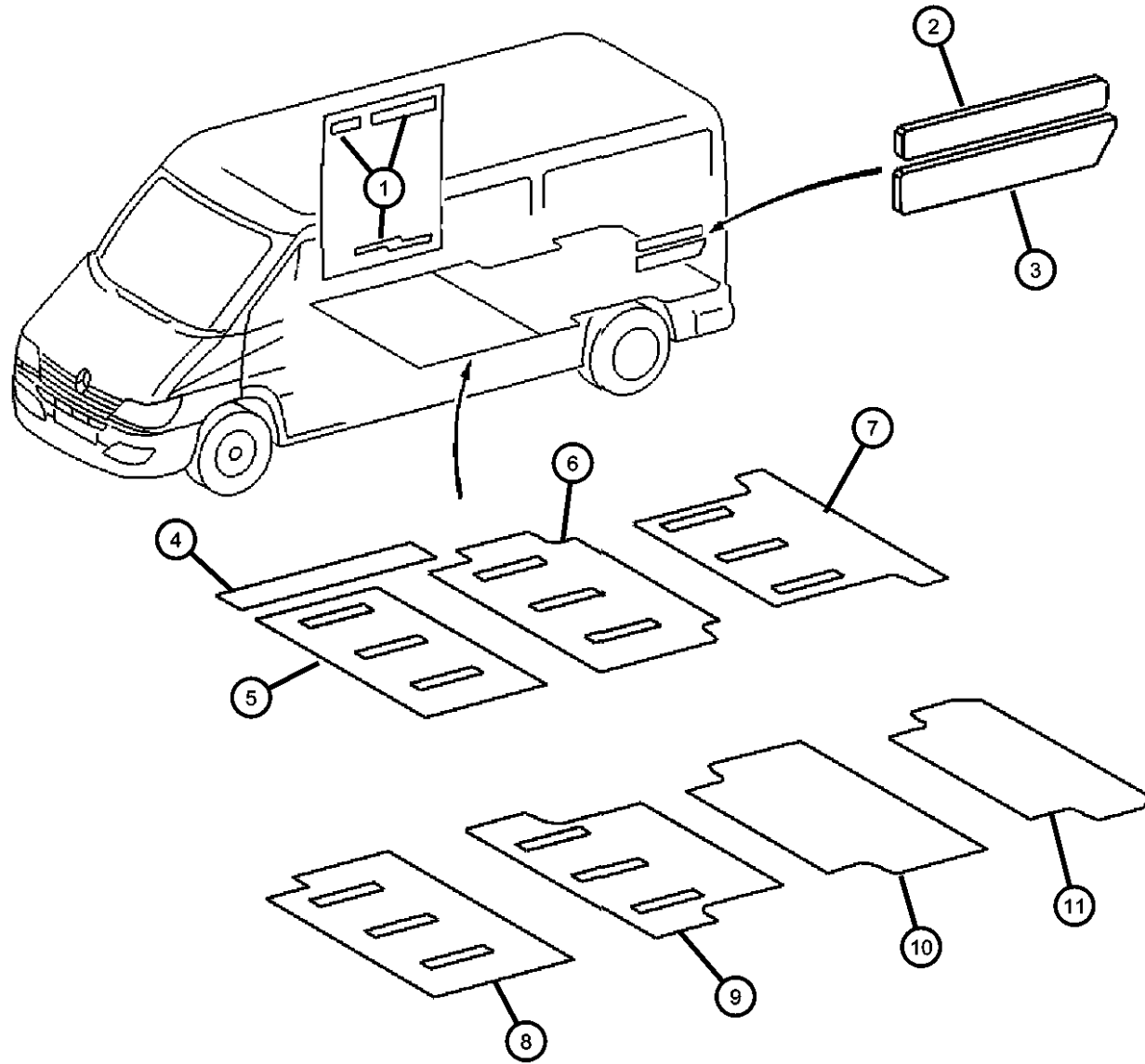
TRANSMISSION

DGJ = Transmission-5-Spd.  
 Automatic,W5A580

AR = use ase required - = Non illustrated part

2003 VA

Insulation - Carpet  
Figure IVA-340



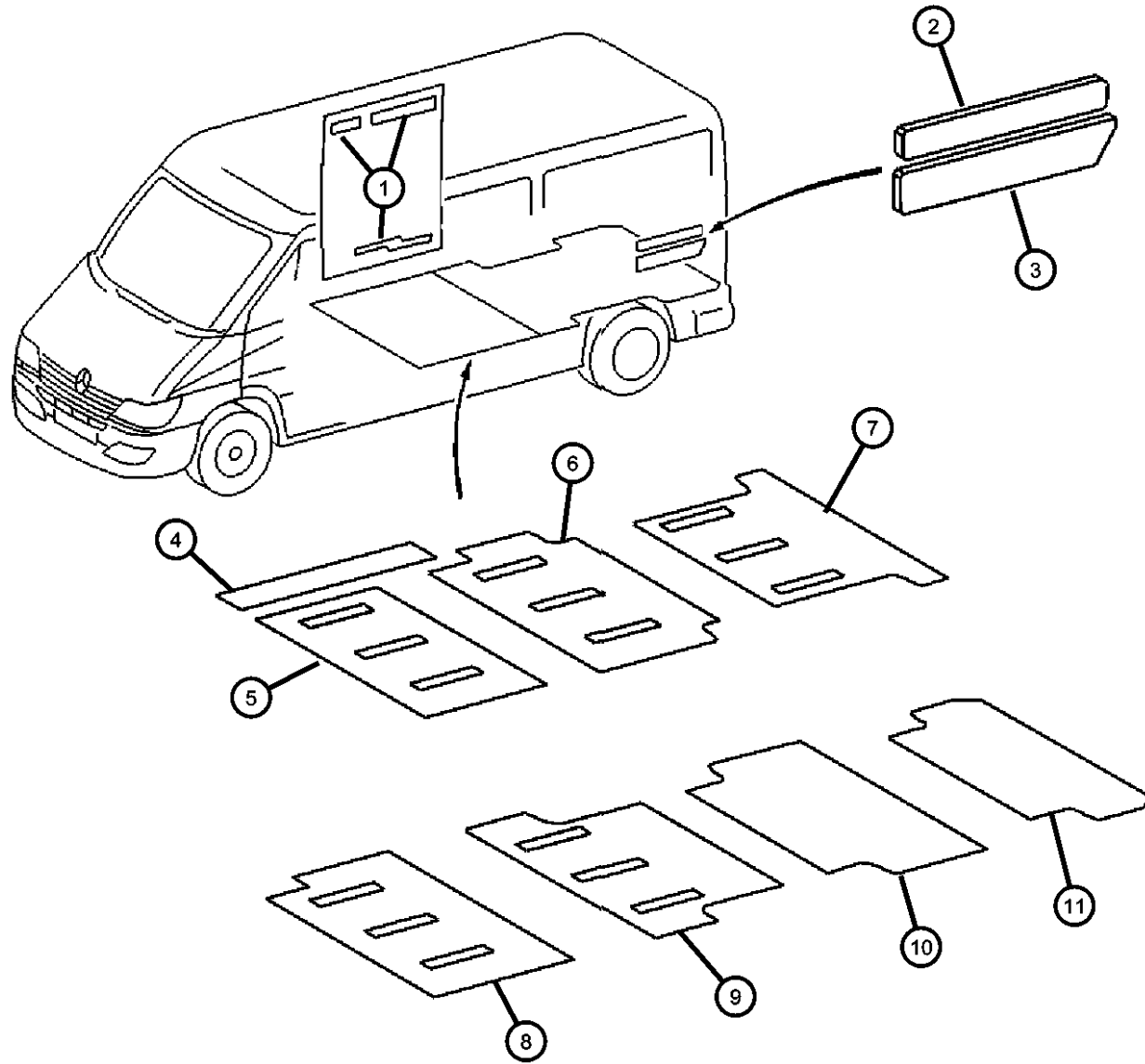
ITEM	PART NUMBER	QTY	LINE	SERIES	BODY	ENGINE	TRANS	TRIM	DESCRIPTION
1	05131522AA	1							INSULATION, NONE, SPRINTER, (NOT SERVICED),
2									INSULATION, Side Panel
	05131360AA	2	2, 6	L	51, 52, 54, 55, 56				
		2	2, 6	L	11, 12, 14, 15, 16				
		2	3, 7	L	12, 15, 16				
3									INSULATION, Side Panel
	05122504AA	1	3, 7	L	12, 15, 16				[910x265x20mm], Left
	05122497AA	2	3, 7	L	12, 15, 16				[910x265x20mm]
		1	2, 6	L	51, 52, 54, 55, 56				[910x265x20mm]
		1	2, 6	L	11, 12, 14, 15, 16				[910x265x20mm]
		1	2, 6	L	51, 52, 54, 55, 56				[910x265x20mm], Left
		1	2, 6	L	11, 12, 14, 15, 16				[910x265x20mm], Left
	05122507AA	1	3, 7	L	12, 15, 16				[910x265x20mm], Right
		1	2, 6	L	51, 52, 54, 55, 56				[910x265x20mm], Right
		1	2, 6	L	11, 12, 14, 15, 16				[910x265x20mm], Right
4									INSULATION, Floor
	05133560AA	1	3, 7	L	12, 15, 16				
		1	2, 6	L	11, 12, 14, 15, 16				
		1	2, 6	L	51, 52, 54, 55, 56				
5									INSULATION, Floor
	05122432AA	1	3, 7	L	12, 15, 16				
		1	2, 6	L	51, 52, 54, 55, 56				
		1	2, 6	L	11, 12, 14, 15, 16				
6									INSULATION, Floor
	05122435AA	1	3, 7	L	12, 15, 16				
		1	2, 6	L	51, 52, 54, 55, 56				

SPRINTER (VA)

SERIES	LINE	BODY	ENGINE	TRANSMISSION
L = LOWLINE	3 = HD DODGE 2WD 6 = Lt. Duty DODGE 4WD 2 = Med. Duty DODGE 2WD 7 = Med. Duty DODGE 4WD	51 = WAGON WHEEL BASE 1 52 = WAGON WHEEL BASE 2 14 = VAN WHEEL BASE 4 15 = VAN WHEEL BASE 5 16 = VAN WHEEL BASE 6 54 = WAGON WHEEL BASE 4 55 = WAGON WHEEL BASE 5 56 = WAGON WHEEL BASE 6 11 = VAN WHEEL BASE 1 12 = VAN WHEEL BASE 2	EX9 = Engine - 2.7L 5 Cly Mercedes Diesel	DGJ = Transmission-5-Spd. Automatic, W5A580

AR = use ase required - = Non illustrated part

Insulation - Carpet  
Figure IVA-340



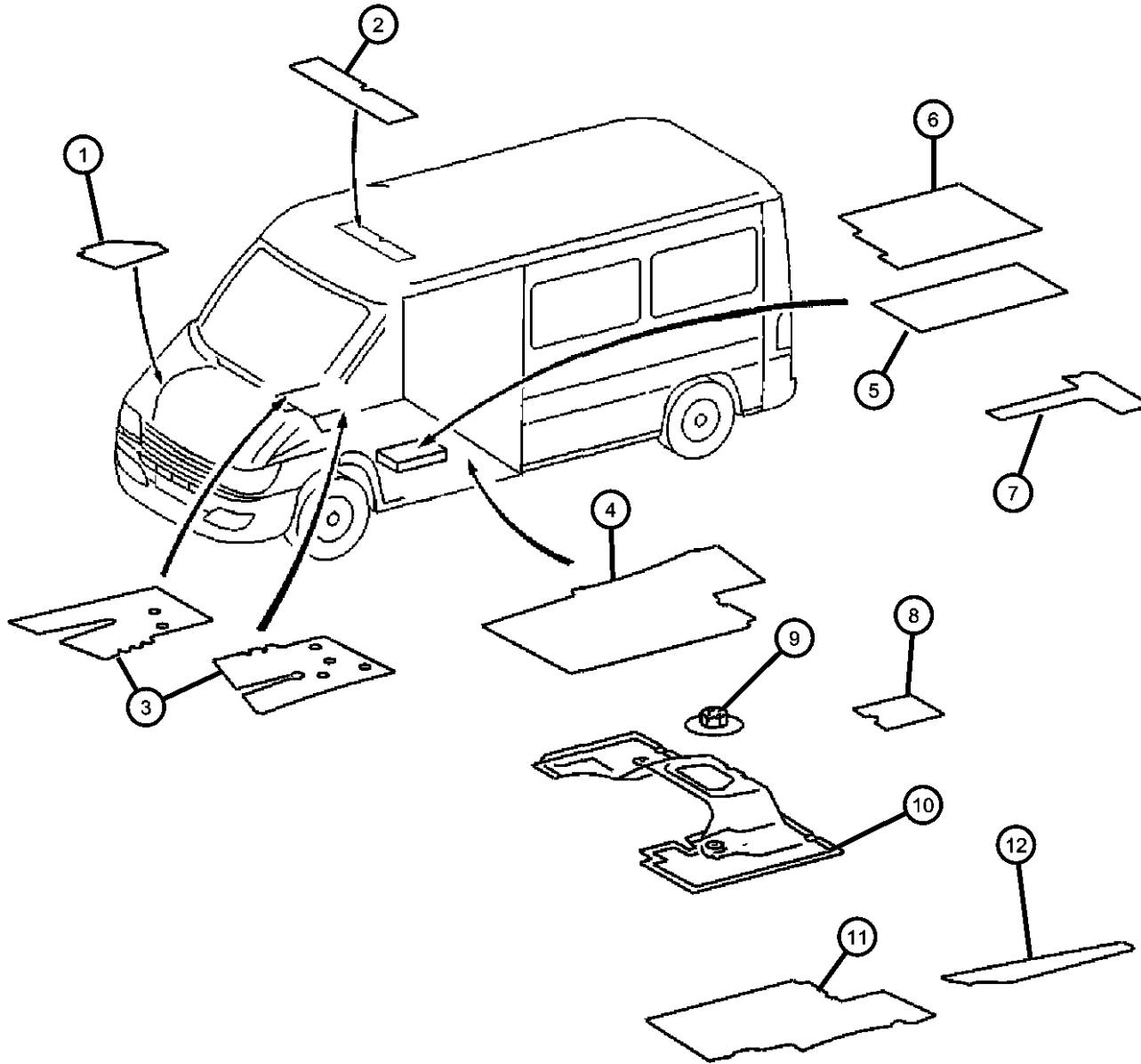
ITEM	PART NUMBER	QTY	LINE	SERIES	BODY	ENGINE	TRANS	TRIM	DESCRIPTION
7		1	2, 6	L	11, 12, 14, 15, 16				INSULATION, Floor
	05122454AA	1	3, 7	L	12, 15, 16				
		1	2, 6	L	51, 52, 54, 55, 56				
8		1	2, 6	L	11, 12, 14, 15, 16				INSULATION, Floor
	05122436AA	1	3, 7	L	12, 15, 16				
		1	2, 6	L	51, 52, 54, 55, 56				
		1	2, 6	L	11, 12, 14, 15, 16				
9		1	3, 7	L	12, 15, 16				INSULATION, Floor
	05122455AA	1	2, 6	L	51, 52, 54, 55, 56				
		1	2, 6	L	11, 12, 14, 15, 16				
10		1	3, 7	L	12, 15, 16				INSULATION, Floor
	05122456AA	1	2, 6	L	51, 52, 54, 55, 56				
		1	2, 6	L	11, 12, 14, 15, 16				
11		1	2, 6	L	51, 52, 54, 55, 56				INSULATION, Floor
	05122453AA	1	2, 6	L	11, 12, 14, 15, 16				

SPRINTER (VA)

SERIES	LINE	BODY	ENGINE	TRANSMISSION
L = LOWLINE	3 = HD DODGE 2WD	51 = WAGON WHEEL BASE 1	EX9 = Engine - 2.7L 5 Cly	DGJ = Transmission-5-Spd. Automatic,W5A580
	6 = Lt. Duty DODGE 4WD	52 = WAGON WHEEL BASE 2	Mercedes Diesel	
	2 = Med. Duty DODGE 2WD	14 = VAN WHEEL BASE 4		
	7 = Med. Duty DODGE 4WD	15 = VAN WHEEL BASE 5		
		16 = VAN WHEEL BASE 6		
		54 = WAGON WHEEL BASE 4		
		55 = WAGON WHEEL BASE 5		
		56 = WAGON WHEEL BASE 6		
		11 = VAN WHEEL BASE 1		
		12 = VAN WHEEL BASE 2		

AR = use ase required - = Non illustrated part

**Insulation Floor  
Figure IVA-350**



ITEM	PART NUMBER	QTY	LINE	SERIES	BODY	ENGINE	TRANS	TRIM	DESCRIPTION	
1	05122468AA	1	2, 6	L	11, 12, 14, 15, 16				SILENCER, Wheelhouse Inside, Left	
		1	2, 6	L	51, 52, 54, 55, 56				Inside, Left	
	05122469AA	1	3, 7	L	12, 15, 16				Inside, Left	
		1	2, 6	L	11, 12, 14, 15, 16				Inside, Right	
			1	2, 6	L	51, 52, 54, 55, 56				Inside, Right
			1	3, 7	L	12, 15, 16				Inside, Right
2	05122541AA	1	2, 6	L	11, 12, 14, 15, 16				INSULATION, Roof Headliner	
		1	2, 6	L	51, 52, 54, 55, 56					
		1	3, 7	L	12, 15, 16					
3		1							INSULATION, NONE, SPRINTER, Engine Room, (NOT SERVICED)	
4	05122482AA	1	2, 6	L	11, 12, 14, 15, 16				INSULATION, Floor	
		1	2, 6	L	51, 52, 54, 55, 56					
		1	3, 7	L	12, 15, 16					
5		1							INSULATION, NONE, SPRINTER, (NOT SERVICED)	
6	05122535AA	1	3, 7	L	12, 15, 16				INSULATION, Floor	
		1	2, 6	L	51, 52, 54, 55, 56					
		1	2, 6	L	11, 12, 14, 15, 16					
7	05122471AA	1	2, 6	L	51, 52, 54, 55, 56				INSULATION, Floor	
		1	3, 7	L	12, 15, 16					
		1	2, 6	L	11, 12, 14, 15, 16					
8									INSULATION, Floor	

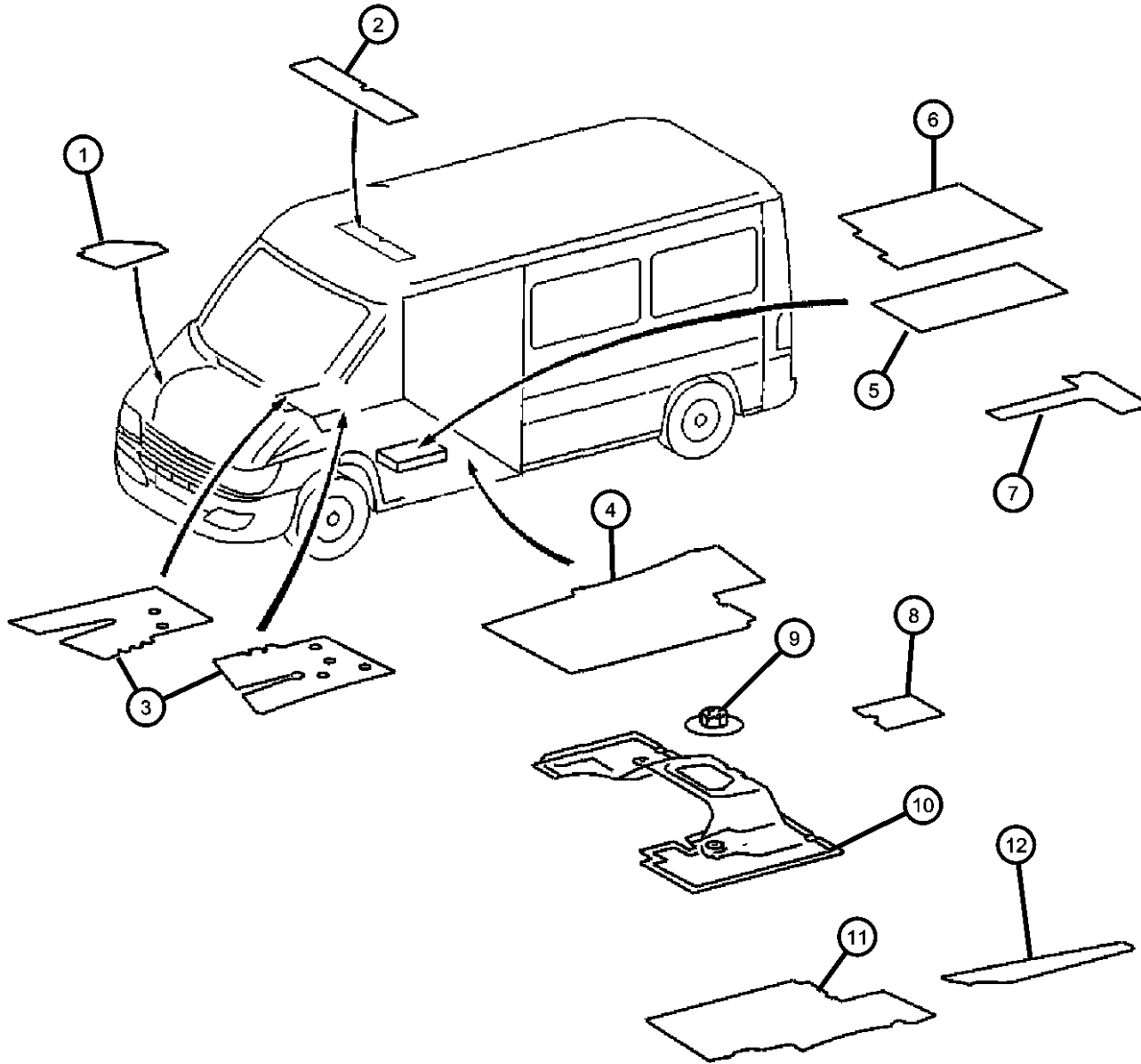
**SPRINTER (VA)**

<b>SERIES</b>	<b>LINE</b>	<b>BODY</b>	<b>ENGINE</b>	<b>TRANSMISSION</b>
L = LOWLINE	3 = HD DODGE 2WD 6 = Lt. Duty DODGE 4WD 2 = Med. Duty DODGE 2WD 7 = Med. Duty DODGE 4WD	51 = WAGON WHEEL BASE 1 52 = WAGON WHEEL BASE 2 14 = VAN WHEEL BASE 4 15 = VAN WHEEL BASE 5 16 = VAN WHEEL BASE 6 54 = WAGON WHEEL BASE 4 55 = WAGON WHEEL BASE 5 56 = WAGON WHEEL BASE 6 11 = VAN WHEEL BASE 1 12 = VAN WHEEL BASE 2	EX9 = Engine - 2.7L 5 Cyl Mercedes Diesel	DGJ = Transmission-5-Spd. Automatic, W5A580

AR = use ase required - = Non illustrated part



Insulation Floor  
Figure IVA-350



ITEM	PART NUMBER	QTY	LINE	SERIES	BODY	ENGINE	TRANS	TRIM	DESCRIPTION
	05122473AA	2	2, 6	L	11, 12, 14, 15, 16				
		2	2, 6	L	51, 52, 54, 55, 56				
		2	3, 7	L	12, 15, 16				
9	05125593AA	1	2, 6	L	11, 12, 14, 15, 16				FASTENER, Buttonhead
		1	2, 6	L	51, 52, 54, 55, 56				
		1	3, 7	L	12, 15, 16				
10	05122476AA	1	2, 6	L	11, 12, 14, 15, 16				INSULATION, Floor
		1	2, 6	L	51, 52, 54, 55, 56				
		1	3, 7	L	12, 15, 16				
11	05122478AA	1	2, 6	L	11, 12, 14, 15, 16				INSULATION, Floor
		1	2, 6	L	51, 52, 54, 55, 56				
		1	3, 7	L	12, 15, 16				
12	05122466AA	1	2, 6	L	51, 52, 54, 55, 56				INSULATION, Floor
		1	3, 7	L	12, 15, 16				
		1	2, 6	L	11, 12, 14, 15, 16				
-13	05122438AA	1	3, 7	L	12, 15, 16				INSULATION, Floor With Wooden Floor, 140 & 158 Inch Wheelbase
		1	2, 6	L	51, 52, 54, 55, 56				With Wooden Floor, 140 & 158 Inch Wheelbase
		1	2, 6	L	11, 12, 14, 15, 16				With Wooden Floor, 140 & 158 Inch Wheelbase
-14	05122467AA	1	2, 6	L	11, 12, 14, 15, 16				INSULATION, Floor Entrance, Inside, Right

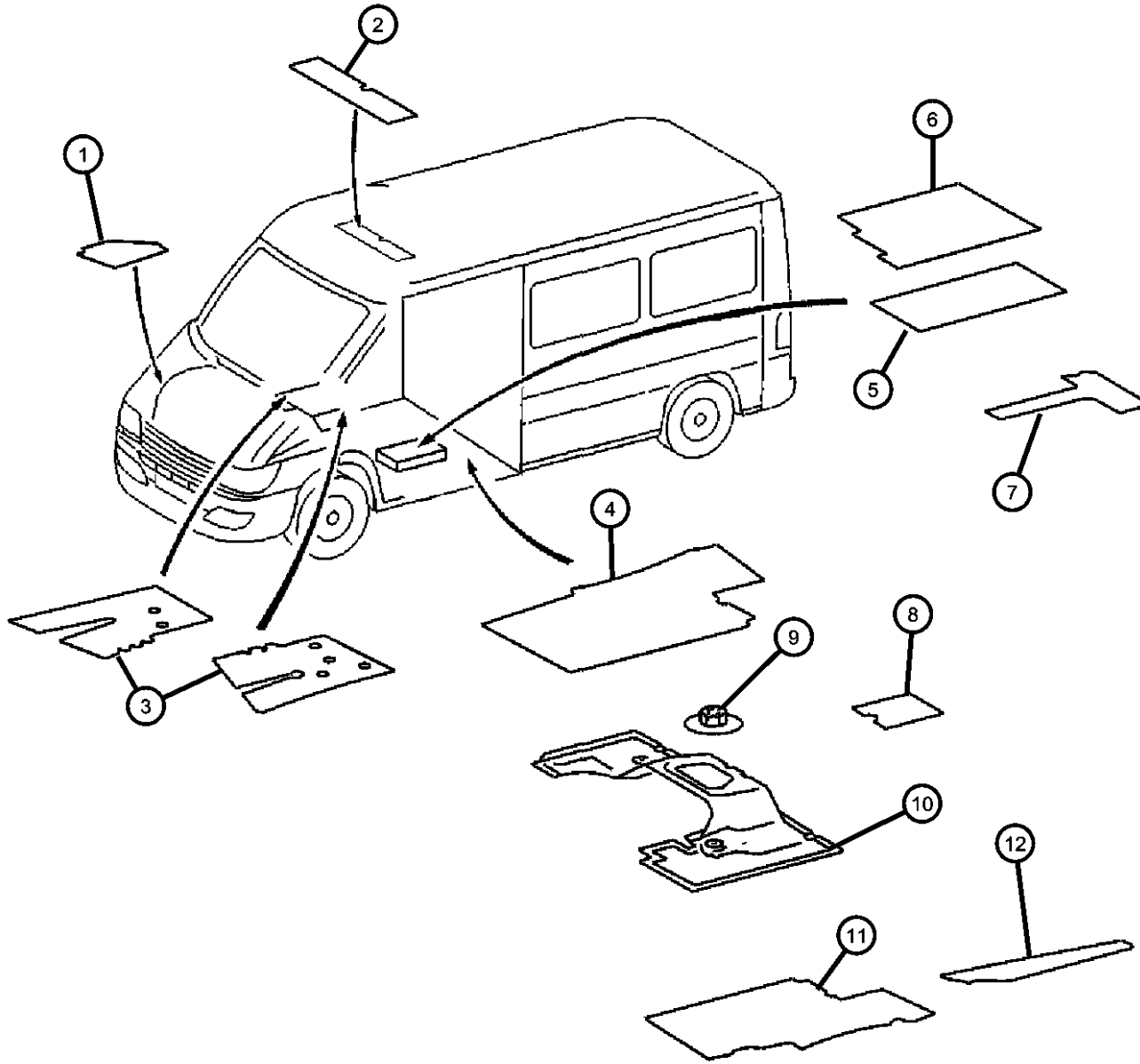
SPRINTER (VA)

SERIES	LINE	BODY	ENGINE	TRANSMISSION
L = LOWLINE	3 = HD DODGE 2WD 6 = Lt. Duty DODGE 4WD 2 = Med. Duty DODGE 2WD 7 = Med. Duty DODGE 4WD	51 = WAGON WHEEL BASE 1 52 = WAGON WHEEL BASE 2 14 = VAN WHEEL BASE 4 15 = VAN WHEEL BASE 5 16 = VAN WHEEL BASE 6 54 = WAGON WHEEL BASE 4 55 = WAGON WHEEL BASE 5 56 = WAGON WHEEL BASE 6 11 = VAN WHEEL BASE 1 12 = VAN WHEEL BASE 2	EX9 = Engine - 2.7L 5 Cly Mercedes Diesel	DGJ = Transmission-5-Spd. Automatic,W5A580

AR = use ase required - = Non illustrated part

Insulation Floor  
Figure IVA-350

ITEM	PART NUMBER	QTY	LINE	SERIES	BODY	ENGINE	TRANS	TRIM	DESCRIPTION
		1	2, 6	L	51, 52, 54, 55, 56				Entrance, Inside, Right
		1	3, 7	L	12, 15, 16				Entrance, Inside, Right
-15	05122470AA	1	3, 7	L	12, 15, 16				INSULATION, Floor
		1	2, 6	L	11, 12, 14, 15, 16				Seat Box, Right
		1	2, 6	L	51, 52, 54, 55, 56				Seat Box, Right



SPRINTER (VA)

SERIES

L = LOWLINE

LINE

3 = HD DODGE 2WD  
6 = Lt. Duty DODGE 4WD  
2 = Med. Duty DODGE 2WD  
7 = Med. Duty DODGE 4WD

BODY

51 = WAGON WHEEL BASE 1  
52 = WAGON WHEEL BASE 2  
14 = VAN WHEEL BASE 4  
15 = VAN WHEEL BASE 5  
16 = VAN WHEEL BASE 6  
54 = WAGON WHEEL BASE 4  
55 = WAGON WHEEL BASE 5  
56 = WAGON WHEEL BASE 6  
11 = VAN WHEEL BASE 1  
12 = VAN WHEEL BASE 2

ENGINE

EX9 = Engine - 2.7L 5 Cly  
Mercedes Diesel

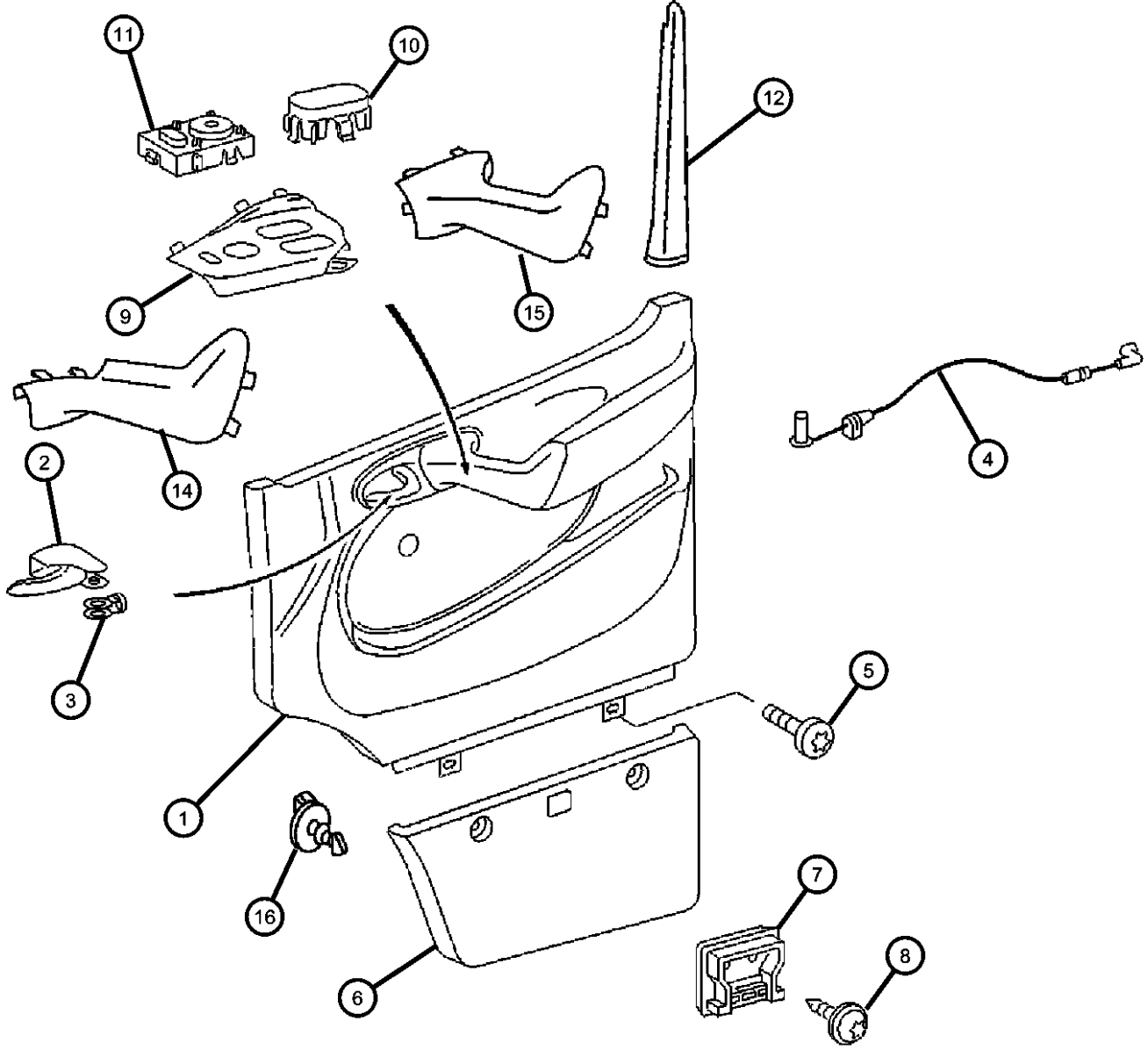
TRANSMISSION

DGJ = Transmission-5-Spd.  
Automatic,W5A580

AR = use ase required - = Non illustrated part

2003 VA

Front Door Trim  
Figure IVA-410



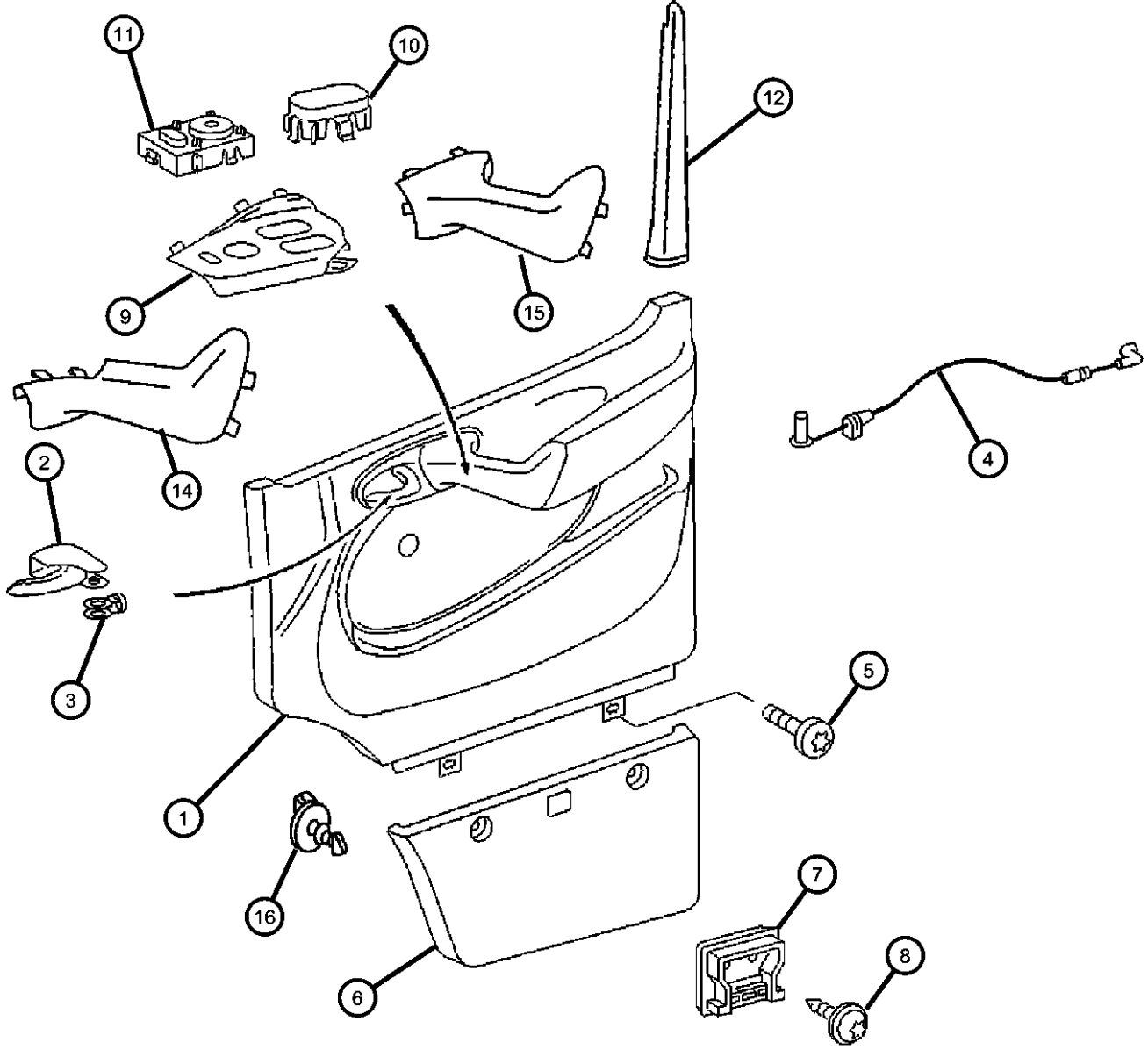
ITEM	PART NUMBER	QTY	LINE	SERIES	BODY	ENGINE	TRANS	TRIM	DESCRIPTION
1									PANEL, Front Door Trim
	05104340AA	1	2, 6	L	01, 02, 06				Without [JPA] Electric Windows, Left
		1	2, 6	L	11, 12, 14, 15, 16				Without [JPA] Electric Windows, Left
		1	2, 6	L	51, 52, 54, 55, 56				Without [JPA] Electric Windows, Left
		1	3, 7	L	02, 06				Without [JPA] Electric Windows, Left
		1	3, 7	L	12, 15, 16				Without [JPA] Electric Windows, Left
	05104344AA	1	2, 6	L	01, 02, 06				Without [JPA] Electric Windows, Right
		1	2, 6	L	11, 12, 14, 15, 16				Without [JPA] Electric Windows, Right
		1	2, 6	L	51, 52, 54, 55, 56				Without [JPA] Electric Windows, Right
		1	3, 7	L	02, 06				Without [JPA] Electric Windows, Right
		1	3, 7	L	12, 15, 16				Without [JPA] Electric Windows, Right
	05123742AA	1	2, 6	L	51, 52, 54, 55, 56				With [JPA] Electric Windows, Left
		1	3, 7	L	12, 15, 16				With [JPA] Electric Windows, Left
	05123747AA	1	2, 6	L	11, 12, 14, 15, 16				With [JPA] Electric Windows, Right
		1	2, 6	L	51, 52, 54, 55, 56				With [JPA] Electric Windows, Right
		1	3, 7	L	12, 15, 16				With [JPA] Electric Windows, Right
		1	2, 6	L	11, 12, 14, 15, 16				With [JPA] Electric Windows, Left
2									HANDLE, Door Interior
	05133515AA	1	3, 7	L	12, 15, 16				Right
		1	2, 6	L	11, 12, 14, 15, 16				Right
		1	2, 6	L	51, 52, 54, 55, 56				Right
	05133988AA	1	3, 7	L	12, 15, 16				Left
		1	2, 6	L	11, 12, 14, 15, 16				Left

**SPRINTER (VA)**

SERIES	LINE	BODY	ENGINE	TRANSMISSION
L = LOWLINE	3 = HD DODGE 2WD 6 = Lt. Duty DODGE 4WD 2 = Med. Duty DODGE 2WD 7 = Med. Duty DODGE 4WD	51 = WAGON WHEEL BASE 1 52 = WAGON WHEEL BASE 2 14 = VAN WHEEL BASE 4 15 = VAN WHEEL BASE 5 16 = VAN WHEEL BASE 6 54 = WAGON WHEEL BASE 4 55 = WAGON WHEEL BASE 5 56 = WAGON WHEEL BASE 6 11 = VAN WHEEL BASE 1 12 = VAN WHEEL BASE 2	EX9 = Engine - 2.7L 5 Cly Mercedes Diesel	DGJ = Transmission-5-Spd. Automatic, W5A580

AR = use ase required - = Non illustrated part

**Front Door Trim  
Figure IVA-410**



ITEM	PART NUMBER	QTY	LINE	SERIES	BODY	ENGINE	TRANS	TRIM	DESCRIPTION
		1	2, 6	L	51, 52, 54, 55, 56				Left
3									CLIP, Door Trim
	05133989AA	1	2, 6	L	11, 12, 14, 15, 16				Left
		1	2, 6	L	51, 52, 54, 55, 56				Left
	05133516AA	1	3, 7	L	12, 15, 16				Right
		1	2, 6	L	11, 12, 14, 15, 16				Right
		1	2, 6	L	51, 52, 54, 55, 56				Right
		1	3, 7	L	12, 15, 16				Left
4									LINK, Door Latch
	05124068AA	1	3, 7	L	12, 15, 16				Left
		1	2, 6	L	11, 12, 14, 15, 16				Left
		1	2, 6	L	51, 52, 54, 55, 56				Left
	05124069AA	1	3, 7	L	12, 15, 16				Right
		1	2, 6	L	11, 12, 14, 15, 16				Right
		1	2, 6	L	51, 52, 54, 55, 56				Right
5									SCREW
	06104142AA	2	2, 6	L	11, 12, 14, 15, 16				
		2	2, 6	L	51, 52, 54, 55, 56				
		2	3, 7	L	12, 15, 16				
6									COVER, Door Panel
	05104325AA	1	2, 6	L	11, 12, 14, 15, 16				Left
		1	2, 6	L	51, 52, 54, 55, 56				Left
		1	3, 7	L	12, 15, 16				Left
	05114499AA	1		L					Right
7									BEZEL, Door Trim Panel

**SPRINTER (VA)**

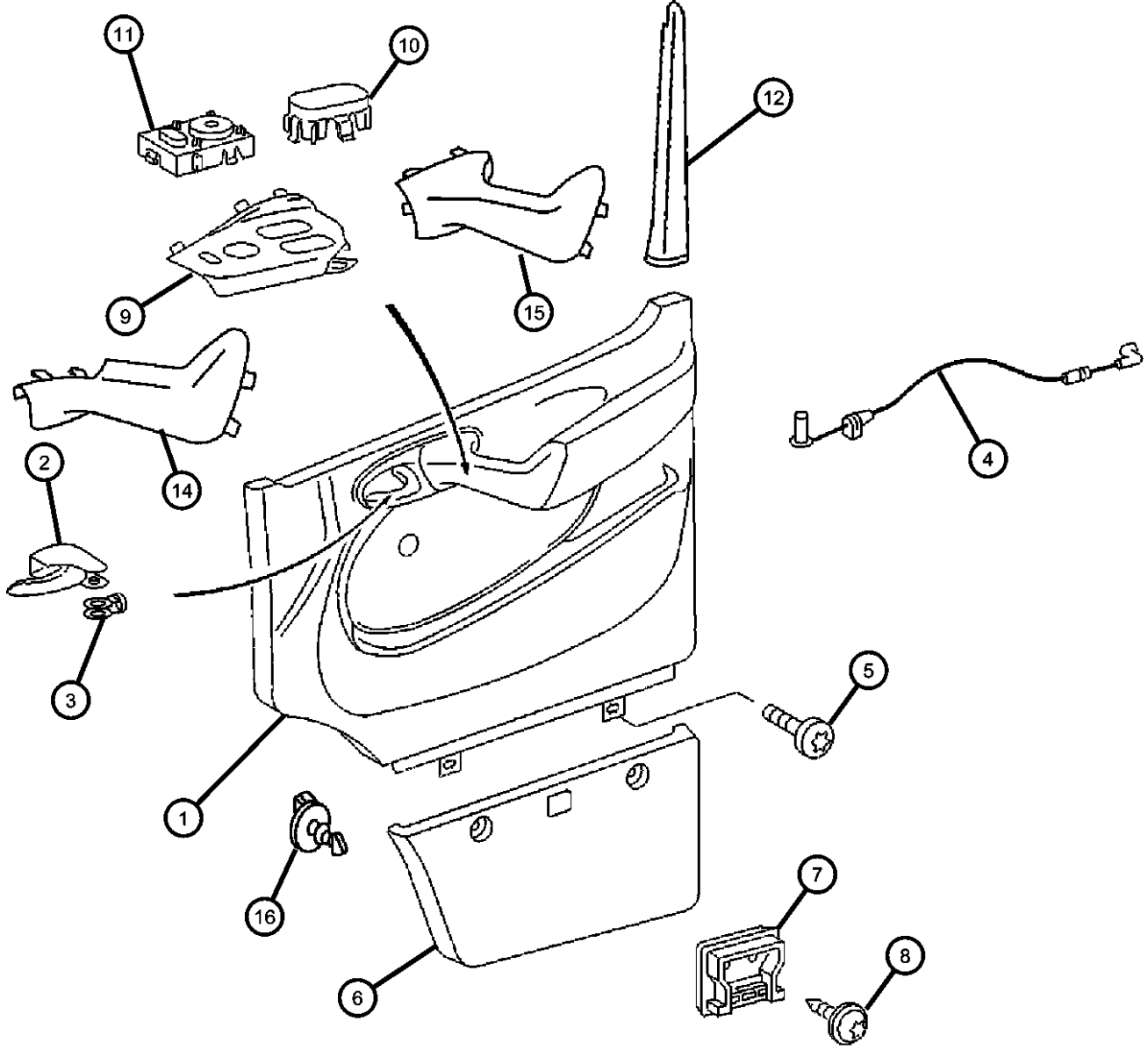
<b>SERIES</b>	<b>LINE</b>	<b>BODY</b>	<b>ENGINE</b>	<b>TRANSMISSION</b>
L = LOWLINE	3 = HD DODGE 2WD 6 = Lt. Duty DODGE 4WD 2 = Med. Duty DODGE 2WD 7 = Med. Duty DODGE 4WD	51 = WAGON WHEEL BASE 1 52 = WAGON WHEEL BASE 2 14 = VAN WHEEL BASE 4 15 = VAN WHEEL BASE 5 16 = VAN WHEEL BASE 6 54 = WAGON WHEEL BASE 4 55 = WAGON WHEEL BASE 5 56 = WAGON WHEEL BASE 6 11 = VAN WHEEL BASE 1 12 = VAN WHEEL BASE 2	EX9 = Engine - 2.7L 5 Cyl Mercedes Diesel	DGJ = Transmission-5-Spd. Automatic,W5A580

AR = use ase required - = Non illustrated part

2003 VA

<< RETURN TO GROUP INDEX

Front Door Trim  
Figure IVA-410



ITEM	PART NUMBER	QTY	LINE	SERIES	BODY	ENGINE	TRANS	TRIM	DESCRIPTION
	05123763AA	2	2, 6	L	11, 12, 14, 15, 16				
		2	2, 6	L	51, 52, 54, 55, 56				
		2	3, 7	L	12, 15, 16				
8									SCREW
	06104567AA	4	2, 6	L	11, 12, 14, 15, 16				
		4	2, 6	L	51, 52, 54, 55, 56				
		4	3, 7	L	12, 15, 16				
9									BEZEL, Power Window/Door Lock Switch
	05123790AA	1	2, 6	L	51, 52, 54, 55, 56				Left
		1	3, 7	L	12, 15, 16				Left
		1	2, 6	L	11, 12, 14, 15, 16				Left
	05123791AA	1	2, 6	L	11, 12, 14, 15, 16				Right
		1	2, 6	L	51, 52, 54, 55, 56				Right
		1	3, 7	L	12, 15, 16				Right
10									COVER, Switch
	05104354AA	2	2, 6	L	11, 12, 14, 15, 16				
		2	2, 6	L	51, 52, 54, 55, 56				
		2	3, 7	L	12, 15, 16				
11									SWITCH, Mirror
	05103845AA	1	3, 7	L	12, 15, 16				
		1	2, 6	L	11, 12, 14, 15, 16				
		1	2, 6	L	51, 52, 54, 55, 56				
12									MOLDING, Front Door Closeout
	05104322AA	1	2, 6	L	11, 12, 14, 15, 16				Left

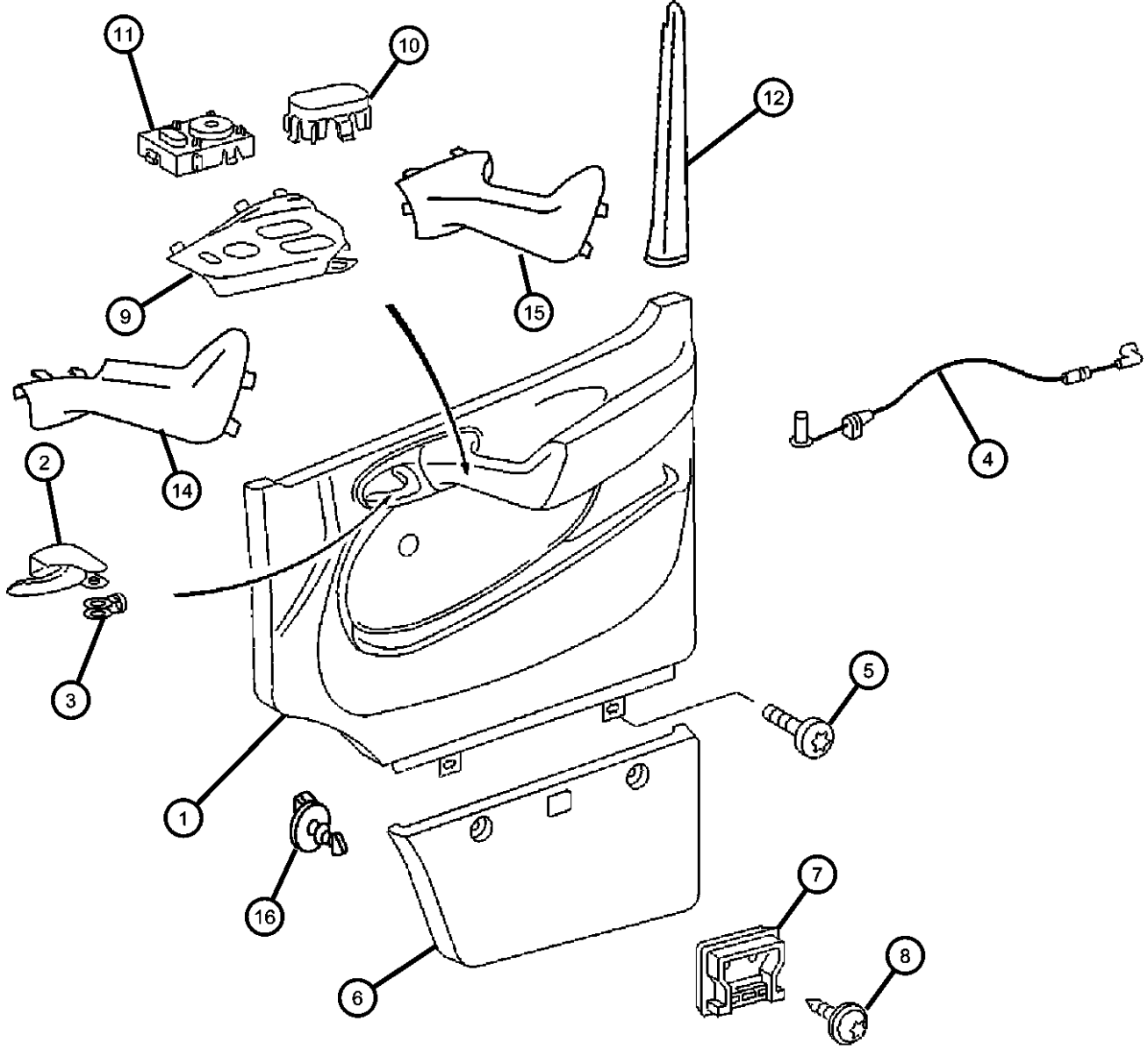
SPRINTER (VA)

SERIES	LINE	BODY	ENGINE	TRANSMISSION
L = LOWLINE	3 = HD DODGE 2WD 6 = Lt. Duty DODGE 4WD 2 = Med. Duty DODGE 2WD 7 = Med. Duty DODGE 4WD	51 = WAGON WHEEL BASE 1 52 = WAGON WHEEL BASE 2 14 = VAN WHEEL BASE 4 15 = VAN WHEEL BASE 5 16 = VAN WHEEL BASE 6 54 = WAGON WHEEL BASE 4 55 = WAGON WHEEL BASE 5 56 = WAGON WHEEL BASE 6 11 = VAN WHEEL BASE 1 12 = VAN WHEEL BASE 2	EX9 = Engine - 2.7L 5 Cly Mercedes Diesel	DGJ = Transmission-5-Spd. Automatic,W5A580

AR = use ase required - = Non illustrated part

2003 VA

Front Door Trim  
Figure IVA-410



ITEM	PART NUMBER	QTY	LINE	SERIES	BODY	ENGINE	TRANS	TRIM	DESCRIPTION
		1	2, 6	L	51, 52, 54, 55, 56				Left
		1	3, 7	L	12, 15, 16				Left
	05123738AA	1	2, 6	L	11, 12, 14, 15, 16				Right
		1	2, 6	L	51, 52, 54, 55, 56				Right
		1	3, 7	L	12, 15, 16				Right
-13									CLIP, Trim
	06104897AA	6	2, 6	L	11, 12, 14, 15, 16				
		6	2, 6	L	51, 52, 54, 55, 56				
		6	3, 7	L	12, 15, 16				
14									HANDLE, Door Interior
	05123788AA	1	2, 6	L	51, 52, 54, 55, 56				With [JPA] Power Heated Mirrors, Left
		1	2, 6	L	11, 12, 14, 15, 16				With [JPA] Power Heated Mirrors, Left
		1	3, 7	L	12, 15, 16				With [JPA] Power Heated Mirrors, Left
	05123789AA	1	2, 6	L	11, 12, 14, 15, 16				With [JPA] Power Heated Mirrors, Right
		1	2, 6	L	51, 52, 54, 55, 56				With [JPA] Power Heated Mirrors, Right
		1	3, 7	L	12, 15, 16				With [JPA] Power Heated Mirrors, Right
15									HANDLE, Door Interior
	05123786AA	1	2, 6	L	11, 12, 14, 15, 16				Without [JPA] Power Heated Mirrors, Left
		1	2, 6	L	51, 52, 54, 55, 56				Without [JPA] Power Heated Mirrors, Left
	05123787AA	1	2, 6	L	11, 12, 14, 15, 16				Without [JPA] Power Heated Mirrors, Right
		1	2, 6	L	51, 52, 54, 55, 56				Without [JPA] Power Heated Mirrors, Right
		1	3, 7	L	12, 15, 16				Without [JPA] Power Heated Mirrors, Right
		1	3, 7	L	12, 15, 16				Without [JPA] Power Heated Mirrors, Left
16									RETAINER, Trim Panel

SPRINTER (VA)

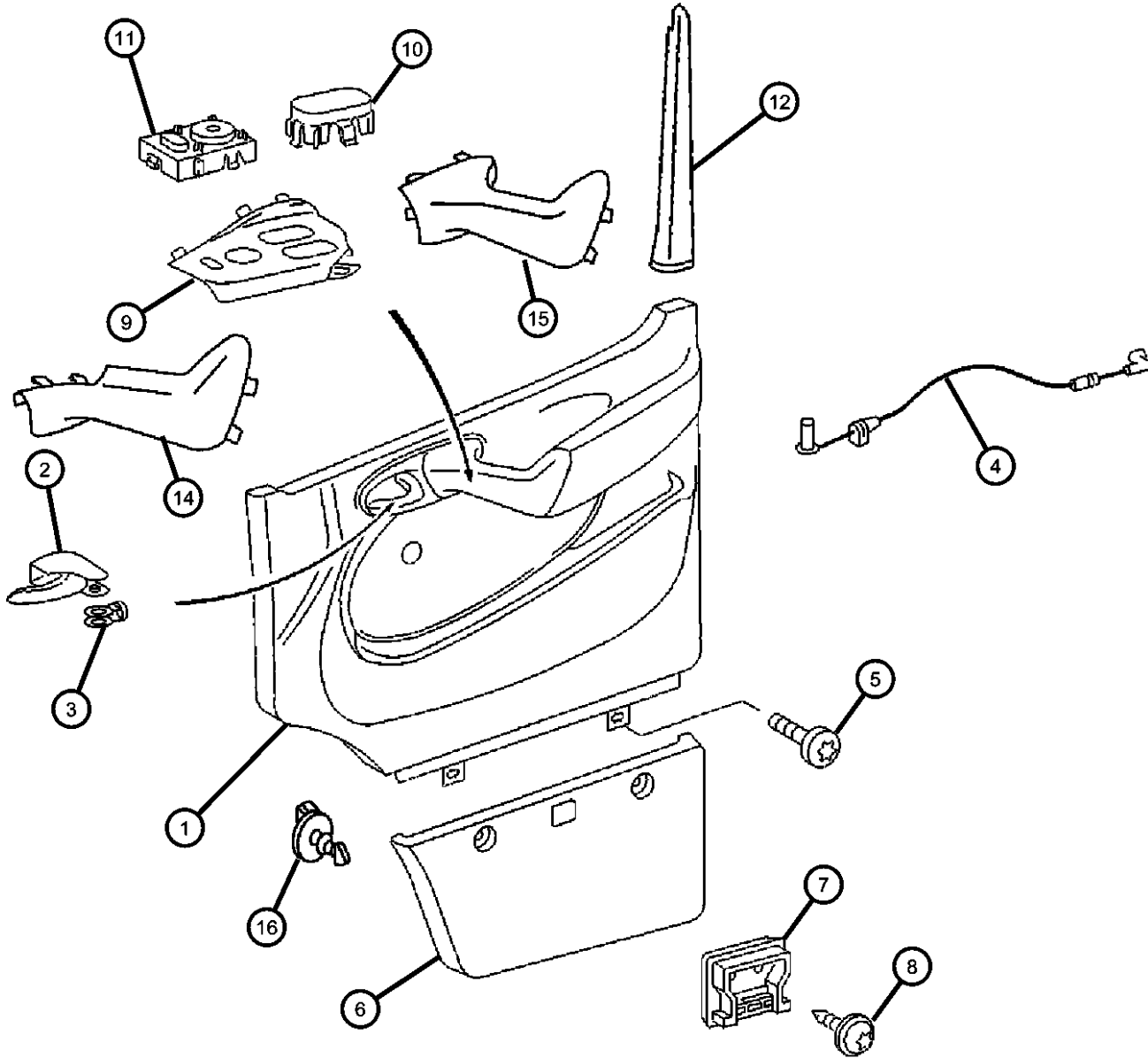
SERIES	LINE	BODY	ENGINE	TRANSMISSION
L = LOWLINE	3 = HD DODGE 2WD 6 = Lt. Duty DODGE 4WD 2 = Med. Duty DODGE 2WD 7 = Med. Duty DODGE 4WD	51 = WAGON WHEEL BASE 1 52 = WAGON WHEEL BASE 2 14 = VAN WHEEL BASE 4 15 = VAN WHEEL BASE 5 16 = VAN WHEEL BASE 6 54 = WAGON WHEEL BASE 4 55 = WAGON WHEEL BASE 5 56 = WAGON WHEEL BASE 6 11 = VAN WHEEL BASE 1 12 = VAN WHEEL BASE 2	EX9 = Engine - 2.7L 5 Cyl Mercedes Diesel	DGJ = Transmission-5-Spd. Automatic, W5A580

AR = use ase required - = Non illustrated part

Front Door Trim  
Figure IVA-410

ITEM	PART NUMBER	QTY	LINE	SERIES	BODY	ENGINE	TRANS	TRIM	DESCRIPTION
------	-------------	-----	------	--------	------	--------	-------	------	-------------

	05133517AA	1	2, 6	L	11, 12, 14, 15, 16				
		1	2, 6	L	51, 52, 54, 55, 56				
		1	3, 7	L	12, 15, 16				



SPRINTER (VA)

SERIES

L = LOWLINE

LINE

3 = HD DODGE 2WD  
6 = Lt. Duty DODGE 4WD  
2 = Med. Duty DODGE 2WD  
7 = Med. Duty DODGE 4WD

BODY

51 = WAGON WHEEL BASE 1  
52 = WAGON WHEEL BASE 2  
14 = VAN WHEEL BASE 4  
15 = VAN WHEEL BASE 5  
16 = VAN WHEEL BASE 6  
54 = WAGON WHEEL BASE 4  
55 = WAGON WHEEL BASE 5  
56 = WAGON WHEEL BASE 6  
11 = VAN WHEEL BASE 1  
12 = VAN WHEEL BASE 2

ENGINE

EX9 = Engine - 2.7L 5 Cly  
Mercedes Diesel

TRANSMISSION

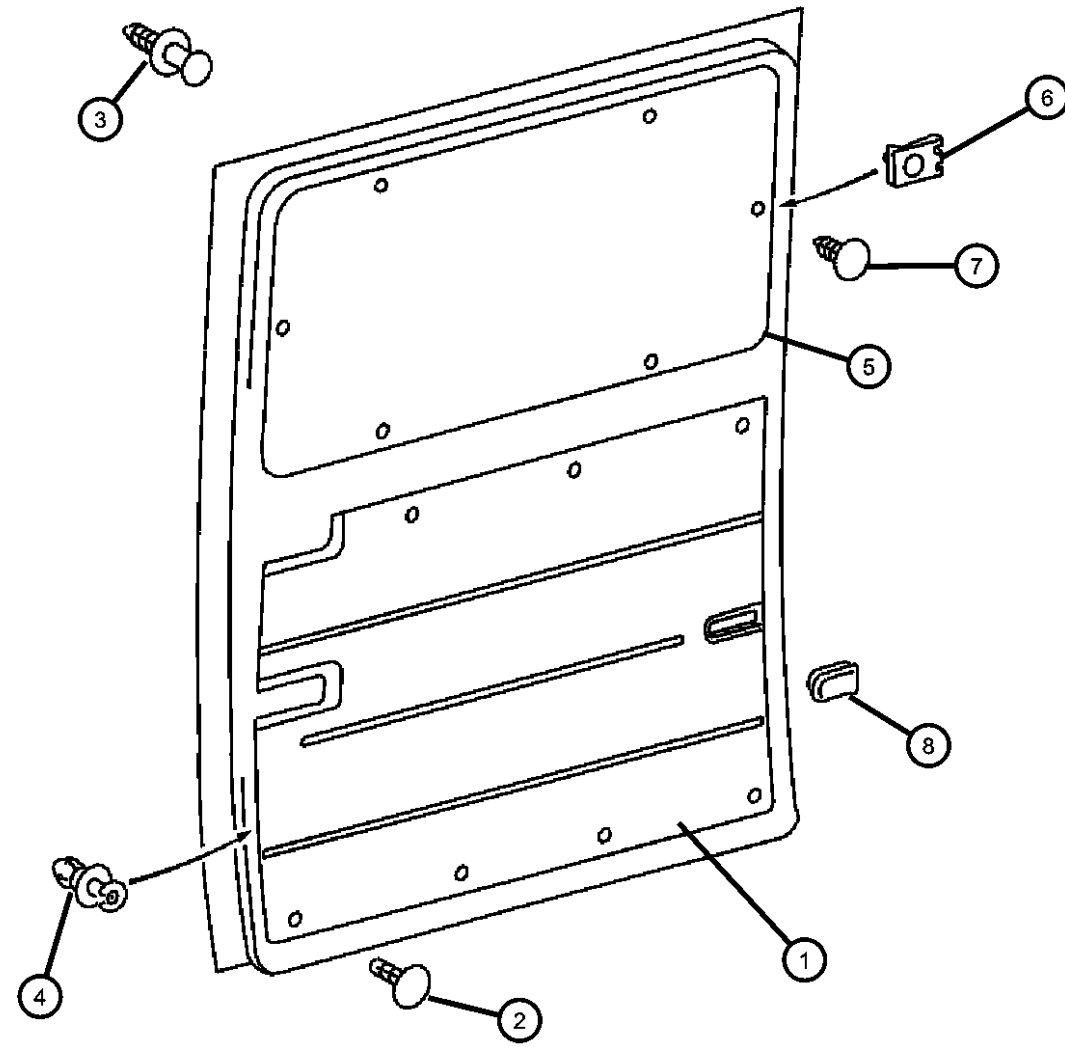
DGJ = Transmission-5-Spd.  
Automatic,W5A580

AR = use ase required - = Non illustrated part

2003 VA

**Sliding Door Trim  
Figure IVA-420**

ITEM	PART NUMBER	QTY	LINE	SERIES	BODY	ENGINE	TRANS	TRIM	DESCRIPTION
Sales Codes: [4UW] = Interior Paneling Luxury [CMF] = Cargo Panels [GKA] = Right Sliding Door [GKE] = Left Sliding Door [GKG] = High Clearance									
1									PANEL, Sliding Door Trim
	05104366AA	1	2, 6	L	11, 12, 14, 15, 16				With [GKA] Sliding Right Door
		1	2, 6	L	51, 52, 54, 55, 56				With [GKA] Sliding Right Door
		1	3, 7	L	12, 15, 16				With [GKA] Sliding Right Door
	05104367AA	1	2, 6	L	11, 12, 14, 15, 16				With [GKA] Sliding Right Door and [CMF] Cargo Panels
		1	3, 7	L	12, 15, 16				With [GKA] Sliding Right Door and [CMF] Cargo Panels
	05123841AA	1	2, 6	L	11, 12, 14, 15, 16				With [GKE] Sliding Left Door and [4UW] Interior Paneling Luxury
		1	2, 6	L	51, 52, 54, 55, 56				With [GKE] Sliding Left Door and [4UW] Interior Paneling Luxury
		1	3, 7	L	12, 15, 16				With [GKE] Sliding Left Door and [4UW] Interior Paneling Luxury
	05123845AA	1	2, 6	L	11, 12, 14, 15, 16				With [GKA] Sliding Right Door and [4UW] Interior Paneling Luxury
	05123875AA	1	2, 6	L	11, 12, 14, 15, 16				With [GKE] Sliding Left Door and [CMF] Full Laminated Wood
		1	3, 7	L	12, 15, 16				With [GKE] Sliding Left Door and [CMF] Full Laminated Wood
	05123877AA	1	2, 6	L	11, 12, 14, 15, 16				With [GKE] Sliding Left Door
		1	2, 6	L	51, 52, 54, 55, 56				With [GKE] Sliding Left Door
		1	3, 7	L	12, 15, 16				With [GKE] Sliding Left Door
	05123881AA	1	2, 6	L	11, 12, 14, 15, 16				With [GKE] Sliding Left Door and [CTE] Washable Wall
		1	3, 7	L	12, 15, 16				With [GKE] Sliding Left Door and [CTE] Washable Wall
	05123882AA	1	2, 6	L	11, 12, 14, 15, 16				With [GKA] Sliding Right Door and [CTE] Washable Wall
		1	2, 6	L	51, 52, 54, 55, 56				With [GKA] Sliding Right Door and [4UW] Interior Paneling Luxury



**SPRINTER (VA)**

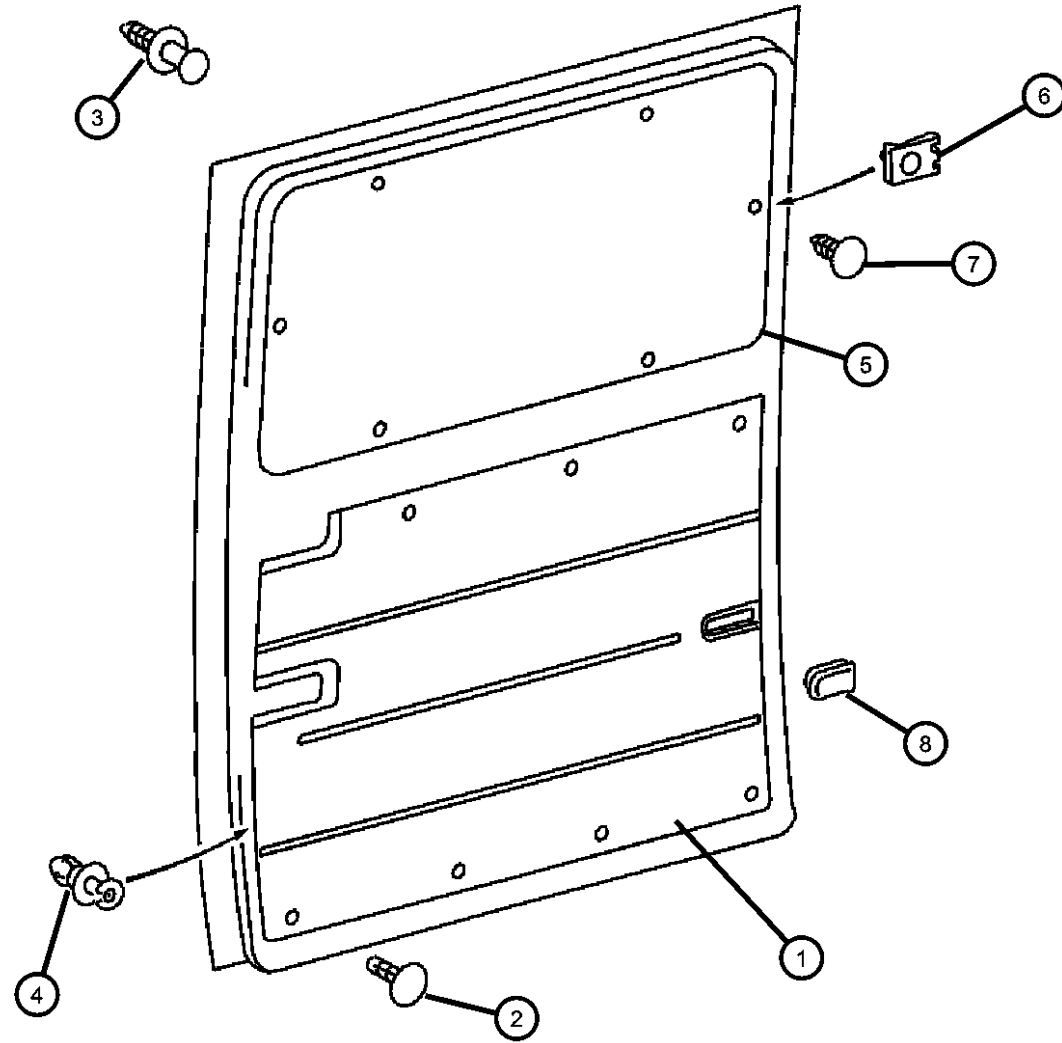
<b>SERIES</b>	<b>LINE</b>	<b>BODY</b>	<b>ENGINE</b>	<b>TRANSMISSION</b>
L = LOWLINE	3 = HD DODGE 2WD 6 = Lt. Duty DODGE 4WD 2 = Med. Duty DODGE 2WD 7 = Med. Duty DODGE 4WD	51 = WAGON WHEEL BASE 1 52 = WAGON WHEEL BASE 2 14 = VAN WHEEL BASE 4 15 = VAN WHEEL BASE 5 16 = VAN WHEEL BASE 6 54 = WAGON WHEEL BASE 4 55 = WAGON WHEEL BASE 5 56 = WAGON WHEEL BASE 6 11 = VAN WHEEL BASE 1 12 = VAN WHEEL BASE 2	EX9 = Engine - 2.7L 5 Cyl Mercedes Diesel	DGJ = Transmission-5-Spd. Automatic, W5A580

AR = use ase required - = Non illustrated part

2003 VA



**Sliding Door Trim  
Figure IVA-420**



ITEM	PART NUMBER	QTY	LINE	SERIES	BODY	ENGINE	TRANS	TRIM	DESCRIPTION
		1	3, 7	L	12, 15, 16				With [GKA] Sliding Right Door and [4UW] Interior Paneling Luxury
		1	3, 7	L	12, 15, 16				With [GKA] Sliding Right Door and [CTE] Washable Wall
2	05103553AA	9	2, 6	L	51, 52, 54, 55, 56				PIN, Push
		9	3, 7	L	12, 15, 16				
		9	2, 6	L	11, 12, 14, 15, 16				
3	05103925AA	1	2, 6	L	11, 12, 14, 15, 16				PIN, Push
		1	2, 6	L	51, 52, 54, 55, 56				
		1	3, 7	L	12, 15, 16				
4	06104895AA	10	2, 6	L	11, 12, 14, 15, 16				PIN, Push
		10	2, 6	L	51, 52, 54, 55, 56				
		10	3, 7	L	12, 15, 16				
5	05123888AA	1	2, 6	L	11, 12, 14, 15, 16				PANEL, Cargo Door, Upper Right & Left
		1	3, 7	L	12, 15, 16				
6	05125859AA	10	2, 6	L	11, 12, 14, 15, 16				U-NUT
		10	3, 7	L	12, 15, 16				
7	05103818AA	10	3, 7	L	12, 15, 16				PIN, Push
		10	2, 6	L	11, 12, 14, 15, 16				
8	05104365AA	1	2, 6	L	11, 12, 14, 15, 16				PLUG, Access Hole Without [GKG], High Clearance

**SPRINTER (VA)**

**SERIES**

L = LOWLINE

**LINE**

3 = HD DODGE 2WD  
6 = Lt. Duty DODGE 4WD  
2 = Med. Duty DODGE 2WD  
7 = Med. Duty DODGE 4WD

**BODY**

51 = WAGON WHEEL BASE 1  
52 = WAGON WHEEL BASE 2  
14 = VAN WHEEL BASE 4  
15 = VAN WHEEL BASE 5  
16 = VAN WHEEL BASE 6  
54 = WAGON WHEEL BASE 4  
55 = WAGON WHEEL BASE 5  
56 = WAGON WHEEL BASE 6  
11 = VAN WHEEL BASE 1  
12 = VAN WHEEL BASE 2

**ENGINE**

EX9 = Engine - 2.7L 5 Cly  
Mercedes Diesel

**TRANSMISSION**

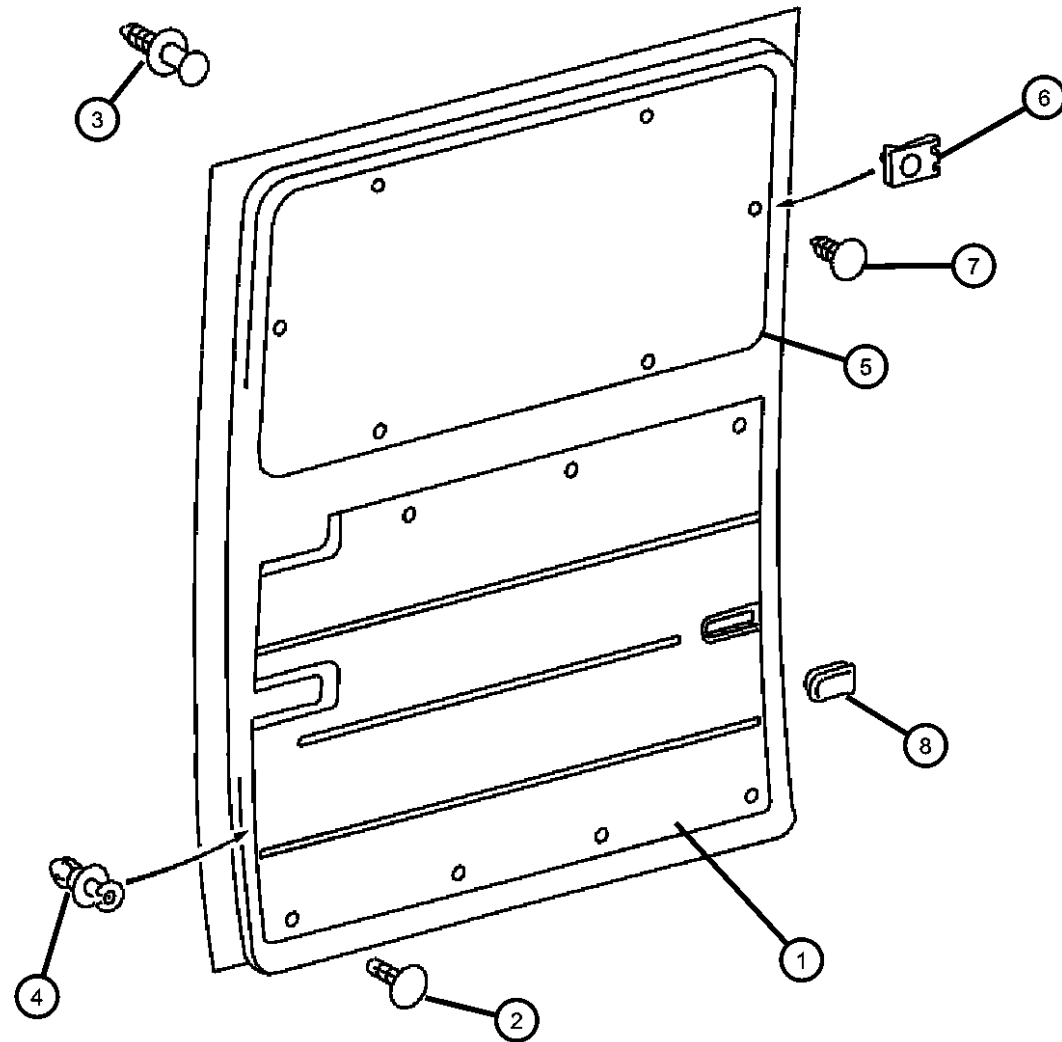
DGJ = Transmission-5-Spd. Automatic, W5A580

AR = use ase required - = Non illustrated part

2003 VA

Sliding Door Trim  
Figure IVA-420

ITEM	PART NUMBER	QTY	LINE	SERIES	BODY	ENGINE	TRANS	TRIM	DESCRIPTION
		1	2, 6	L	51, 52, 54, 55, 56				Without [GKG], High Clearance
		1	3, 7	L	12, 15, 16				Without [GKG], High Clearance
	05104588AA	1	2, 6	L	11, 12, 14, 15, 16				With [GKG], High Clearance
		1	3, 7	L	12, 15, 16				With [GKG], High Clearance
-9									CATCH, Sliding Partition Door
	05104424AA	1	3, 7	L	12, 15, 16				Cargo Partition
		1	2, 6	L	11, 12, 14, 15, 16				Cargo Partition
-10	05124110AA	2		L					TAPPING PLATE, Side Door Lock Striker

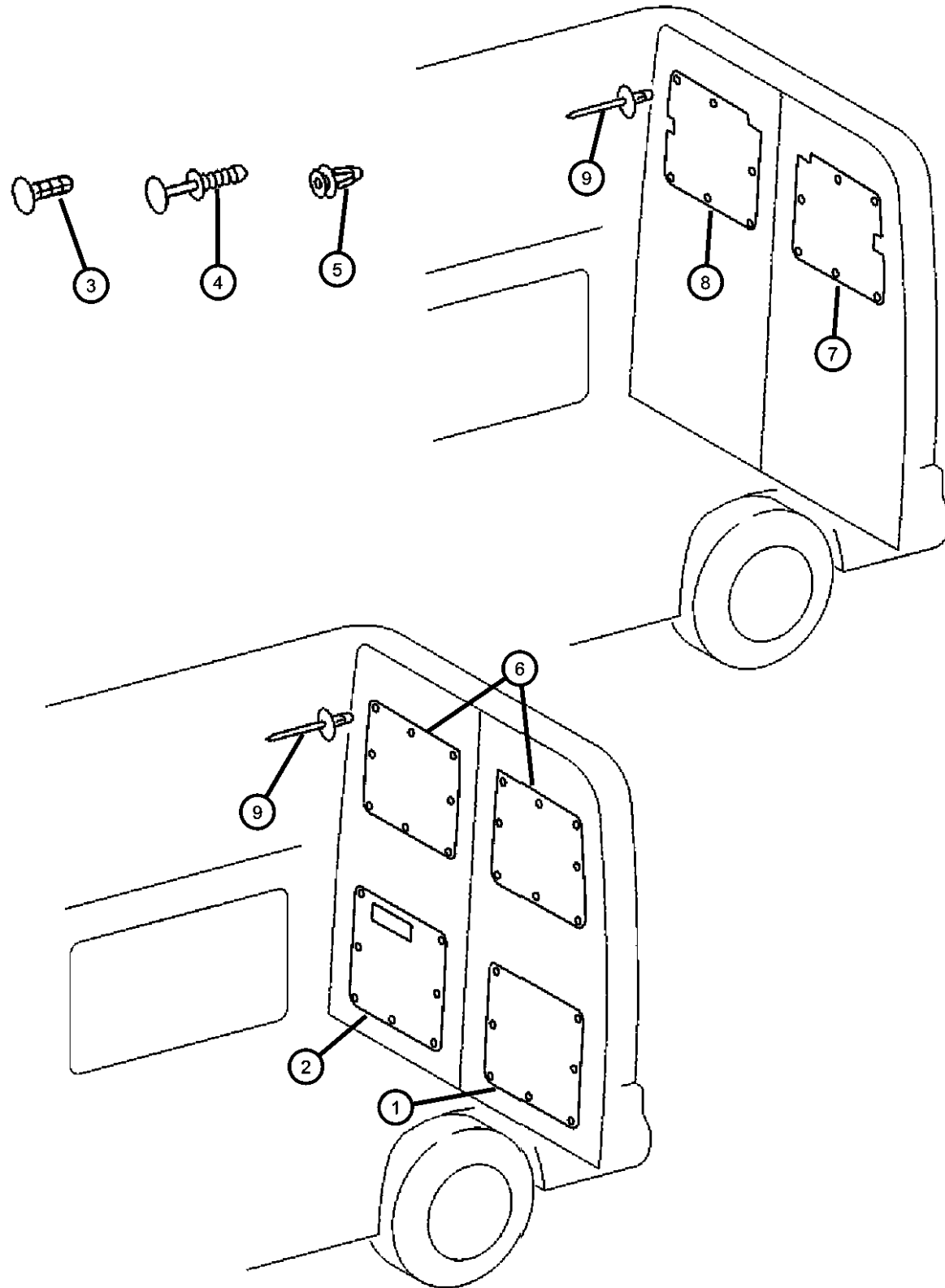


SPRINTER (VA)

SERIES	LINE	BODY	ENGINE	TRANSMISSION
L = LOWLINE	3 = HD DODGE 2WD	51 = WAGON WHEEL BASE 1	EX9 = Engine - 2.7L 5 Cly	DGJ = Transmission-5-Spd.
	6 = Lt. Duty DODGE 4WD	52 = WAGON WHEEL BASE 2	Mercedes Diesel	Automatic,W5A580
	2 = Med. Duty DODGE 2WD	14 = VAN WHEEL BASE 4		
	7 = Med. Duty DODGE 4WD	15 = VAN WHEEL BASE 5		
		16 = VAN WHEEL BASE 6		
		54 = WAGON WHEEL BASE 4		
		55 = WAGON WHEEL BASE 5		
		56 = WAGON WHEEL BASE 6		
		11 = VAN WHEEL BASE 1		
		12 = VAN WHEEL BASE 2		

AR = use ase required - = Non illustrated part

Rear Dual Door Trim  
Figure IVA-430



ITEM	PART NUMBER	QTY	LINE	SERIES	BODY	ENGINE	TRANS	TRIM	DESCRIPTION
1	05104395AA	1	2, 6	L	11, 12, 14, 15, 16				PANEL, Cargo Door, Left Hard Fiber
		1	3, 7	L	12, 15, 16				Hard Fiber
		1	2, 6	L	51, 52, 54, 55, 56				Hard Fiber
	05123950AA	1	3, 7	L	12, 15, 16				Fabric
		1	2, 6	L	51, 52, 54, 55, 56				Fabric
		1	2, 6	L	11, 12, 14, 15, 16				Fabric
	05124024AA	1	2, 6	L	11, 12, 14, 15, 16				Plywood
		1	3, 7	L	12, 15, 16				Plywood
2	05104396AA	1	2, 6	L	11, 12, 14, 15, 16				PANEL, Cargo Door, Right Hard Fiber
		1	2, 6	L	51, 52, 54, 55, 56				Hard Fiber
		1	3, 7	L	12, 15, 16				Hard Fiber
	05123953AA	1	3, 7	L	12, 15, 16				Fabric
		1	2, 6	L	51, 52, 54, 55, 56				Fabric
		1	2, 6	L	11, 12, 14, 15, 16				Fabric
	05124026AA	1	2, 6	L	11, 12, 14, 15, 16				Plywood
		1	3, 7	L	12, 15, 16				Plywood
3	05103553AA	7	2, 6	L	11, 12, 14, 15, 16				PIN, Push, White
		7	2, 6	L	51, 52, 54, 55, 56				
		7	3, 7	L	12, 15, 16				
4	05103925AA	1	2, 6	L	11, 12, 14, 15, 16				PIN, Push
		1	2, 6	L	51, 52, 54, 55, 56				
		1	3, 7	L	12, 15, 16				

SPRINTER (VA)

SERIES

L = LOWLINE

LINE

3 = HD DODGE 2WD  
6 = Lt. Duty DODGE 4WD  
2 = Med. Duty DODGE 2WD  
7 = Med. Duty DODGE 4WD

BODY

51 = WAGON WHEEL BASE 1  
52 = WAGON WHEEL BASE 2  
14 = VAN WHEEL BASE 4  
15 = VAN WHEEL BASE 5  
16 = VAN WHEEL BASE 6  
54 = WAGON WHEEL BASE 4  
55 = WAGON WHEEL BASE 5  
56 = WAGON WHEEL BASE 6  
11 = VAN WHEEL BASE 1  
12 = VAN WHEEL BASE 2

ENGINE

EX9 = Engine - 2.7L 5 Cyl  
Mercedes Diesel

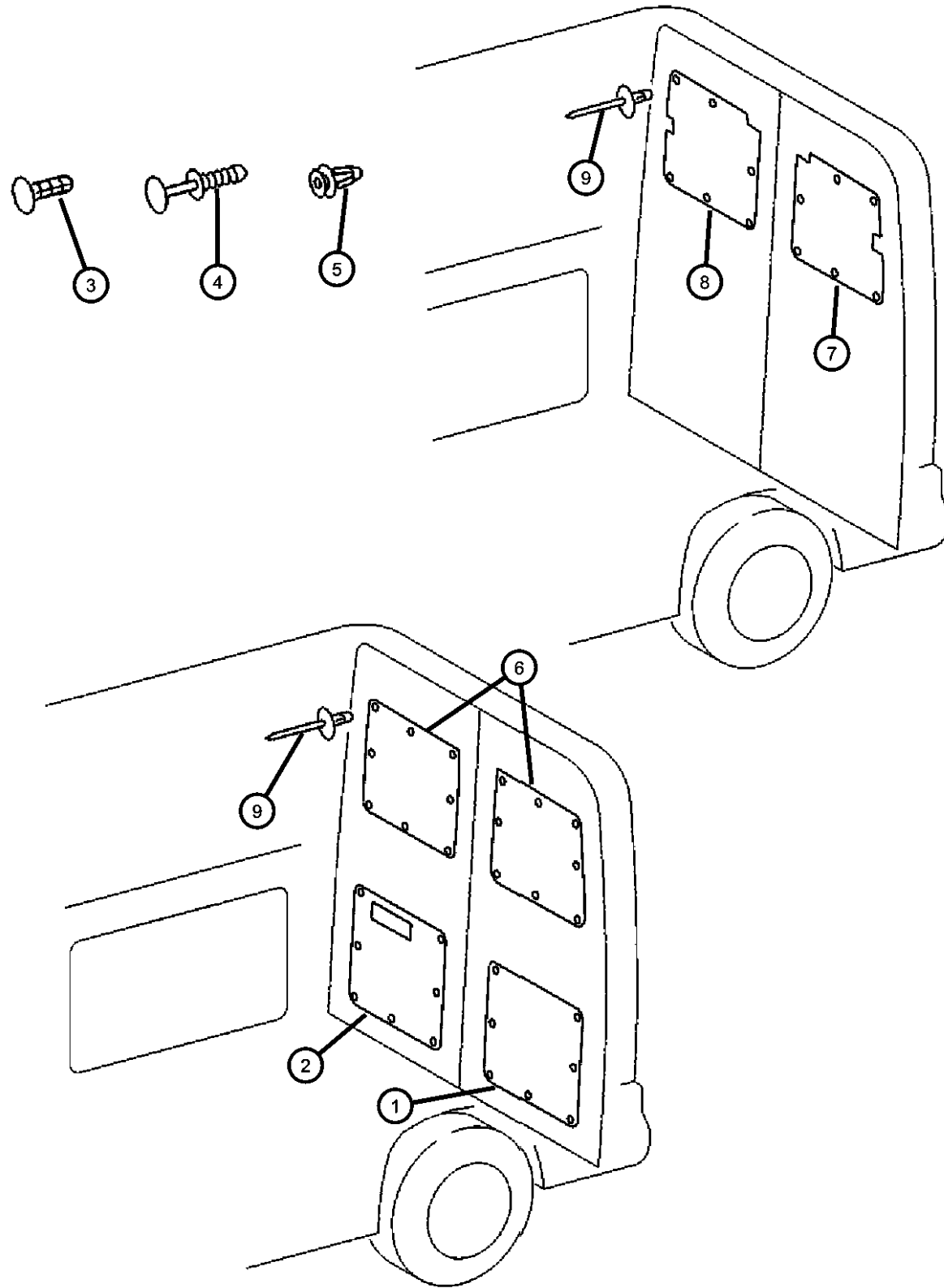
TRANSMISSION

DGJ = Transmission-5-Spd. Automatic, W5A580

AR = use ase required - = Non illustrated part

2003 VA

Rear Dual Door Trim  
Figure IVA-430



ITEM	PART NUMBER	QTY	LINE	SERIES	BODY	ENGINE	TRANS	TRIM	DESCRIPTION
5	06104895AA	15	3, 7	L	12, 15, 16				PIN, Push
		15	2, 6	L	51, 52, 54, 55, 56				
		15	2, 6	L	11, 12, 14, 15, 16				
6	05124035AA	1	3, 7	L	12, 15, 16				PANEL, Cargo Door, Right & Left
		1	2, 6	L	11, 12, 14, 15, 16				
7	05104397AA	1	2, 6	L	11, 12, 14, 15, 16				PANEL, Cargo Door, Left
		1	3, 7	L	12, 15, 16				
8	05104398AA	1	2, 6	L	11, 12, 14, 15, 16				PANEL, Cargo Door, Right
		1	3, 7	L	12, 15, 16				
9	06104865AA	AR	3, 7	L	12, 15, 16				RIVET
		AR	2, 6	L	11, 12, 14, 15, 16				
		AR	2, 6	L	51, 52, 54, 55, 56				

SPRINTER (VA)

SERIES

L = LOWLINE

LINE

3 = HD DODGE 2WD  
6 = Lt. Duty DODGE 4WD  
2 = Med. Duty DODGE 2WD  
7 = Med. Duty DODGE 4WD

BODY

51 = WAGON WHEEL BASE 1  
52 = WAGON WHEEL BASE 2  
14 = VAN WHEEL BASE 4  
15 = VAN WHEEL BASE 5  
16 = VAN WHEEL BASE 6  
54 = WAGON WHEEL BASE 4  
55 = WAGON WHEEL BASE 5  
56 = WAGON WHEEL BASE 6  
11 = VAN WHEEL BASE 1  
12 = VAN WHEEL BASE 2

ENGINE

EX9 = Engine - 2.7L 5 Cly  
Mercedes Diesel

TRANSMISSION

DGJ = Transmission-5-Spd. Automatic,W5A580

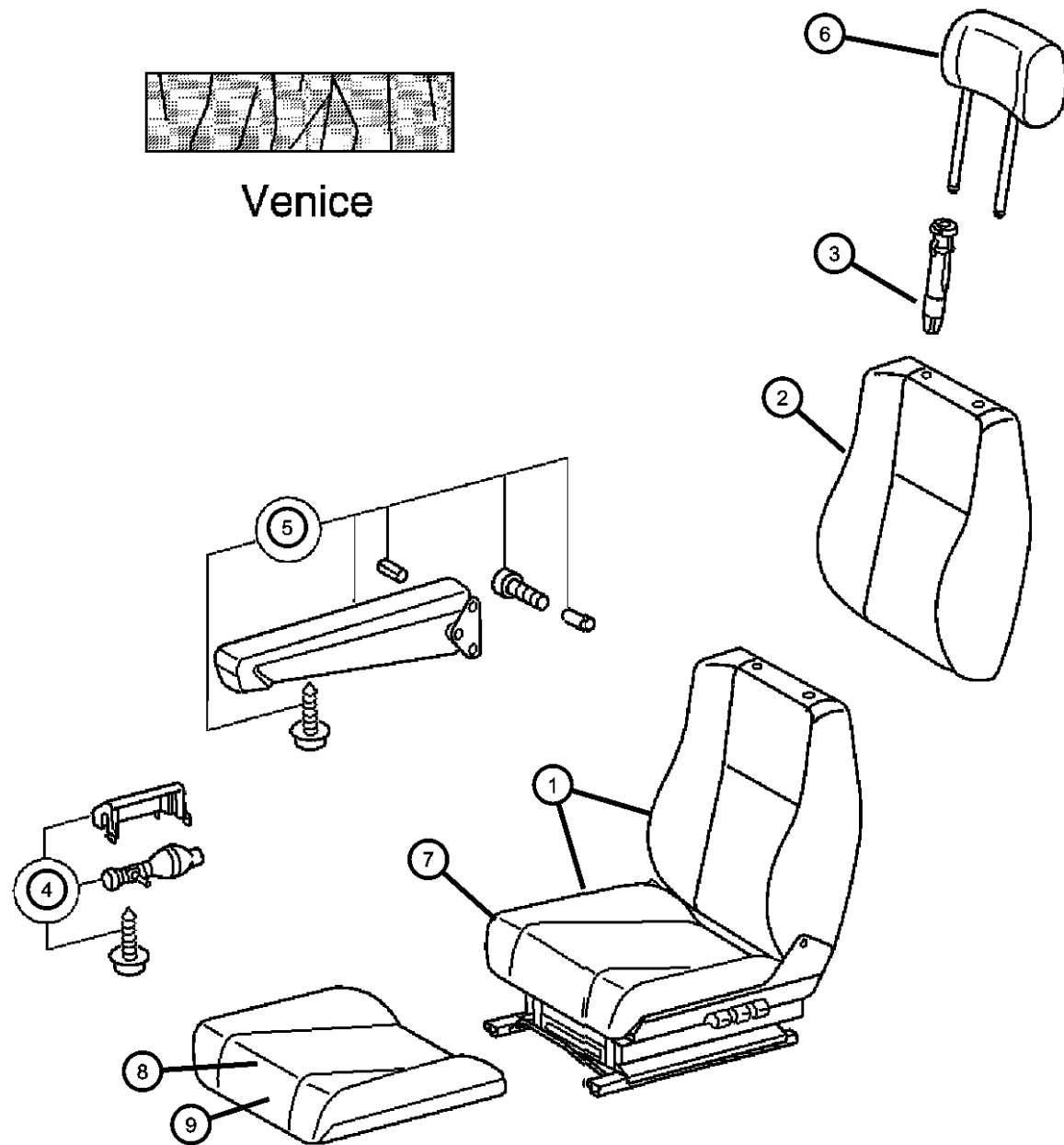
AR = use ase required - = Non illustrated part

2003 VA

Front Seat - Venice  
Figure IVA-510



Venice



ITEM	PART NUMBER	QTY	LINE	SERIES	BODY	ENGINE	TRANS	TRIM	DESCRIPTION
1									SEAT COMPLETE, Front
	05126970AA	1	2, 6	L	11, 12, 14, 15, 16				Auxiliary Seat, Right
		1	2, 6	L	51, 52, 54, 55, 56				Auxiliary Seat, Right
	05126982AA	1	3, 7	L	12, 15, 16				Auxiliary Seat, Right
		1	2, 6	L	11, 12, 14, 15, 16				Comfort Seat, Left
		1	2, 6	L	51, 52, 54, 55, 56				Comfort Seat, Left
	05126975AA	1	3, 7	L	12, 15, 16				Comfort Seat, Left
		1	2, 6	L	11, 12, 14, 15, 16				Heated, Left
		1	2, 6	L	51, 52, 54, 55, 56				Heated, Left
		1	3, 7	L	12, 15, 16				Heated, Left
	05126986AA	1	2, 6	L	11, 12, 14, 15, 16				Comfort Seat, Right
		1	2, 6	L	51, 52, 54, 55, 56				Comfort Seat, Right
		1	3, 7	L	12, 15, 16				Comfort Seat, Right
	05126989AA	1	2, 6	L	11, 12, 14, 15, 16				Heated, Right
		1	2, 6	L	51, 52, 54, 55, 56				Heated, Right
		1	3, 7	L	12, 15, 16				Heated, Right
	05126985AA	1	2, 6	L	11, 12, 14, 15, 16				Heated Comfort Seat, Left
		1	2, 6	L	51, 52, 54, 55, 56				Heated Comfort Seat, Left
		1	3, 7	L	12, 15, 16				Heated Comfort Seat, Left
2									BACK, Front Seat
	05103777AA	1						*O0	Right
	05134643AA	1	2, 3, 6, 7					*A7	With [CDD], Left
	05139353AA	1							Without [CDD], Left
3									SLEEVE, Headrest
	05125318AA	2	3, 7	L	12, 15, 16				
		2	2, 6	L	11, 12, 14, 15, 16				

SPRINTER (VA)

SERIES	LINE	BODY	ENGINE	TRANSMISSION
L = LOWLINE	3 = HD DODGE 2WD 6 = Lt. Duty DODGE 4WD 2 = Med. Duty DODGE 2WD 7 = Med. Duty DODGE 4WD	51 = WAGON WHEEL BASE 1 52 = WAGON WHEEL BASE 2 14 = VAN WHEEL BASE 4 15 = VAN WHEEL BASE 5 16 = VAN WHEEL BASE 6 54 = WAGON WHEEL BASE 4 55 = WAGON WHEEL BASE 5 56 = WAGON WHEEL BASE 6 11 = VAN WHEEL BASE 1 12 = VAN WHEEL BASE 2	EX9 = Engine - 2.7L 5 Cly Mercedes Diesel	DGJ = Transmission-5-Spd. Automatic, W5A580

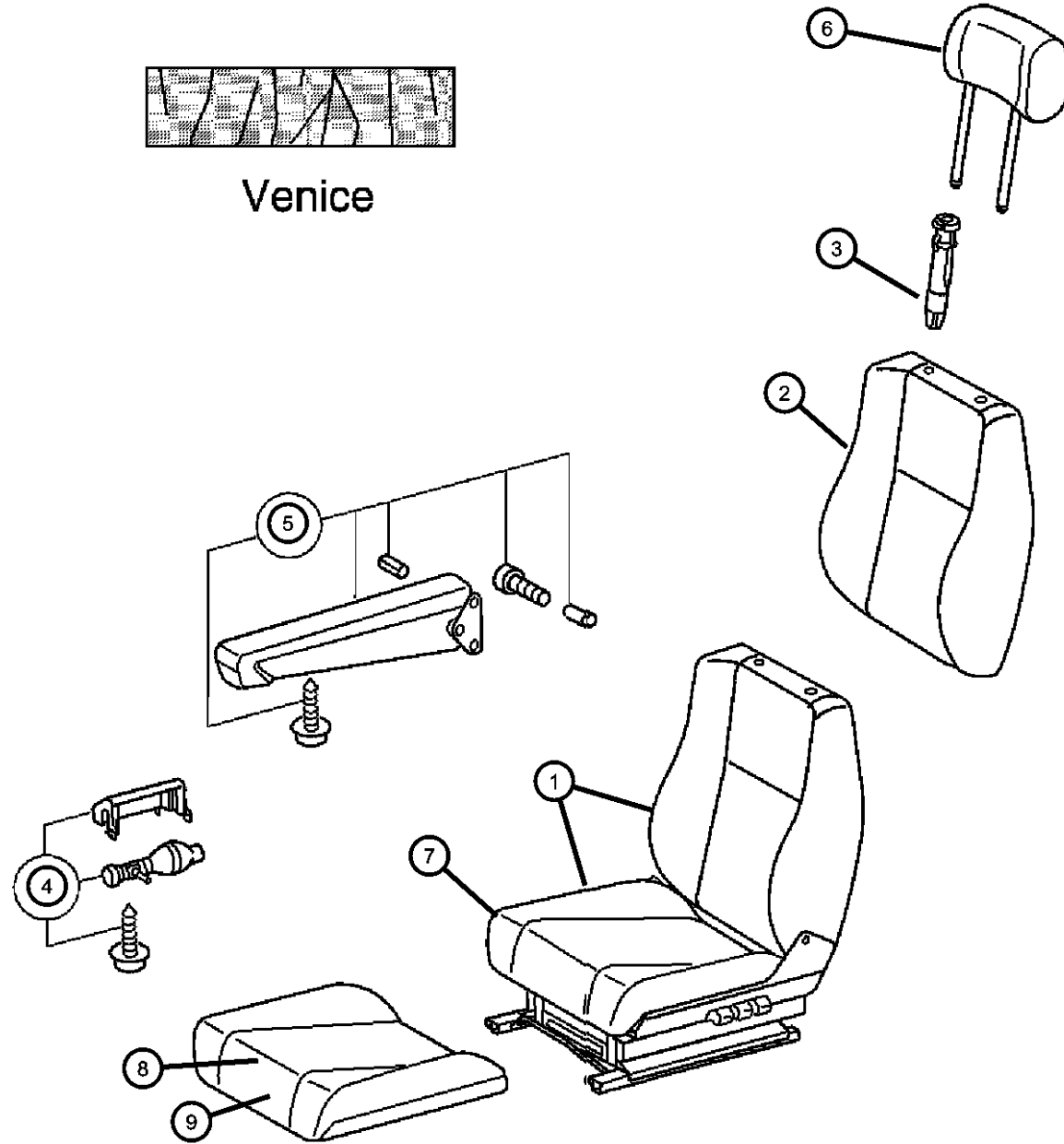
AR = use ase required - = Non illustrated part

2003 VA

**Front Seat - Venice  
Figure IVA-510**



**Venice**



ITEM	PART NUMBER	QTY	LINE	SERIES	BODY	ENGINE	TRANS	TRIM	DESCRIPTION
		2	2, 6	L	51, 52, 54, 55, 56				
4	05127631AA	1		L					PUMP, Lumbar Support
5									ARMREST, Seat
	05103710AA	1	2, 6	L	11, 12, 14, 15, 16				With Mounting Hardware, Left
		1	2, 6	L	51, 52, 54, 55, 56				With Mounting Hardware, Left
	05103711AA	1	2, 6	L	11, 12, 14, 15, 16				With Mounting Hardware, Right
		1	2, 6	L	51, 52, 54, 55, 56				With Mounting Hardware, Right
6									HEADREST
	05125368AA	3	2, 6	L	11, 12, 14, 15, 16				Venice
		1	2, 6	L	51, 52, 54, 55, 56				Venice
7									SEAT
	05133015AA	1	2, 6	L	11, 12, 14, 15, 16				Single Seat, Drivers Side
		1	2, 6	L	51, 52, 54, 55, 56				Single Seat, Drivers Side
		1	3, 7	L	12, 15, 16				Single Seat, Drivers Side
	05133017AA	1	2, 6	L	11, 12, 14, 15, 16				Standard Seat, Left
		1	2, 6	L	51, 52, 54, 55, 56				Standard Seat, Left
		1	3, 7	L	12, 15, 16				Standard Seat, Left
	05133020AA	1	2, 6	L	11, 12, 14, 15, 16				Standard Seat - Heated, Left
		1	2, 6	L	51, 52, 54, 55, 56				Standard Seat - Heated, Left
		1	3, 7	L	12, 15, 16				Standard Seat - Heated, Left
	05133025AA	1	2, 6	L	11, 12, 14, 15, 16				Comfort Seat, Left
		1	2, 6	L	51, 52, 54, 55, 56				Comfort Seat, Left
		1	3, 7	L	12, 15, 16				Comfort Seat, Left
	05133028AA	1	2, 6	L	11, 12, 14, 15, 16				Comfort Seat - Heated, Left

**SPRINTER (VA)**

**SERIES**

L = LOWLINE

**LINE**

3 = HD DODGE 2WD  
6 = Lt. Duty DODGE 4WD  
2 = Med. Duty DODGE 2WD  
7 = Med. Duty DODGE 4WD

**BODY**

51 = WAGON WHEEL BASE 1  
52 = WAGON WHEEL BASE 2  
14 = VAN WHEEL BASE 4  
15 = VAN WHEEL BASE 5  
16 = VAN WHEEL BASE 6  
54 = WAGON WHEEL BASE 4  
55 = WAGON WHEEL BASE 5  
56 = WAGON WHEEL BASE 6  
11 = VAN WHEEL BASE 1  
12 = VAN WHEEL BASE 2

**ENGINE**

EX9 = Engine - 2.7L 5 Cly  
Mercedes Diesel

**TRANSMISSION**

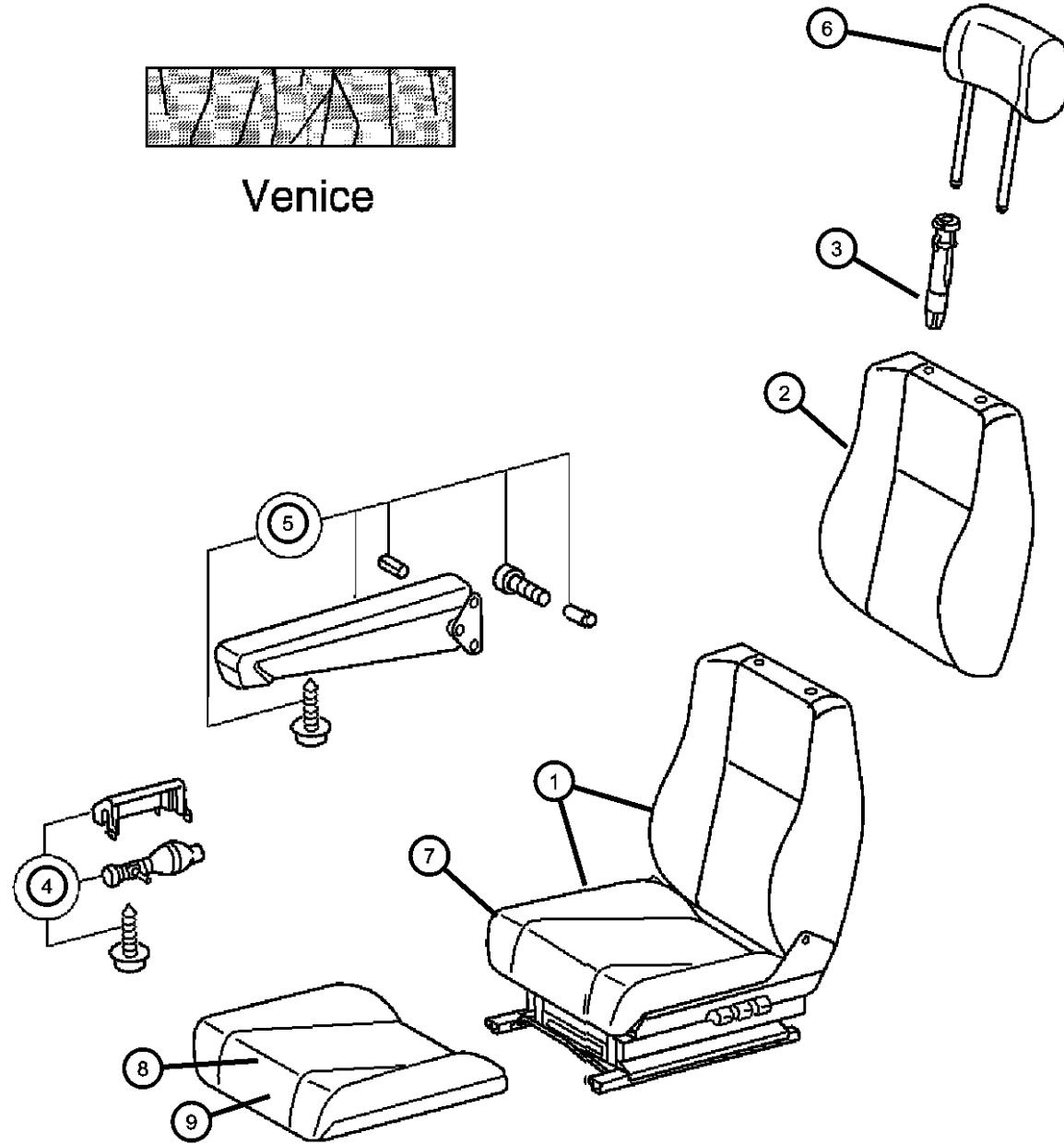
DGJ = Transmission-5-Spd.  
Automatic, W5A580

AR = use ase required - = Non illustrated part

Front Seat - Venice  
Figure IVA-510



Venice



ITEM	PART NUMBER	QTY	LINE	SERIES	BODY	ENGINE	TRANS	TRIM	DESCRIPTION
	05133029AA	1	2, 6	L	11, 12, 14, 15, 16				Comfort Seat, Right
		1	2, 6	L	51, 52, 54, 55, 56				Comfort Seat, Right
		1	3, 7	L	12, 15, 16				Comfort Seat, Right
	05133032AA	1	2, 6	L	11, 12, 14, 15, 16				Comfort Seat - Heated, Right
		1	2, 6	L	51, 52, 54, 55, 56				Comfort Seat - Heated, Right
		1	3, 7	L	12, 15, 16				Comfort Seat - Heated, Right
		1	2, 6	L	51, 52, 54, 55, 56				Comfort Seat - Heated, Left
		1	3, 7	L	12, 15, 16				Comfort Seat - Heated, Left
8	05139920AA	1	2, 3, 6, 7	L					CUSHION, Front Seat, Driver
9	68001471AA	1	3, 7	L	12, 15, 16				CUSHION, Front Seat, Passenger
		1	2, 6	L	01, 02, 06				
		1	2, 6	L	11, 12, 14, 15, 16				
		1	2, 6	L	51, 52, 54, 55, 56				
		1	3, 7	L	02, 06				

SPRINTER (VA)

SERIES

L = LOWLINE

LINE

3 = HD DODGE 2WD  
6 = Lt. Duty DODGE 4WD  
2 = Med. Duty DODGE 2WD  
7 = Med. Duty DODGE 4WD

BODY

51 = WAGON WHEEL BASE 1  
52 = WAGON WHEEL BASE 2  
14 = VAN WHEEL BASE 4  
15 = VAN WHEEL BASE 5  
16 = VAN WHEEL BASE 6  
54 = WAGON WHEEL BASE 4  
55 = WAGON WHEEL BASE 5  
56 = WAGON WHEEL BASE 6  
11 = VAN WHEEL BASE 1  
12 = VAN WHEEL BASE 2

ENGINE

EX9 = Engine - 2.7L 5 Cly  
Mercedes Diesel

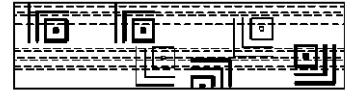
TRANSMISSION

DGJ = Transmission-5-Spd.  
Automatic,W5A580

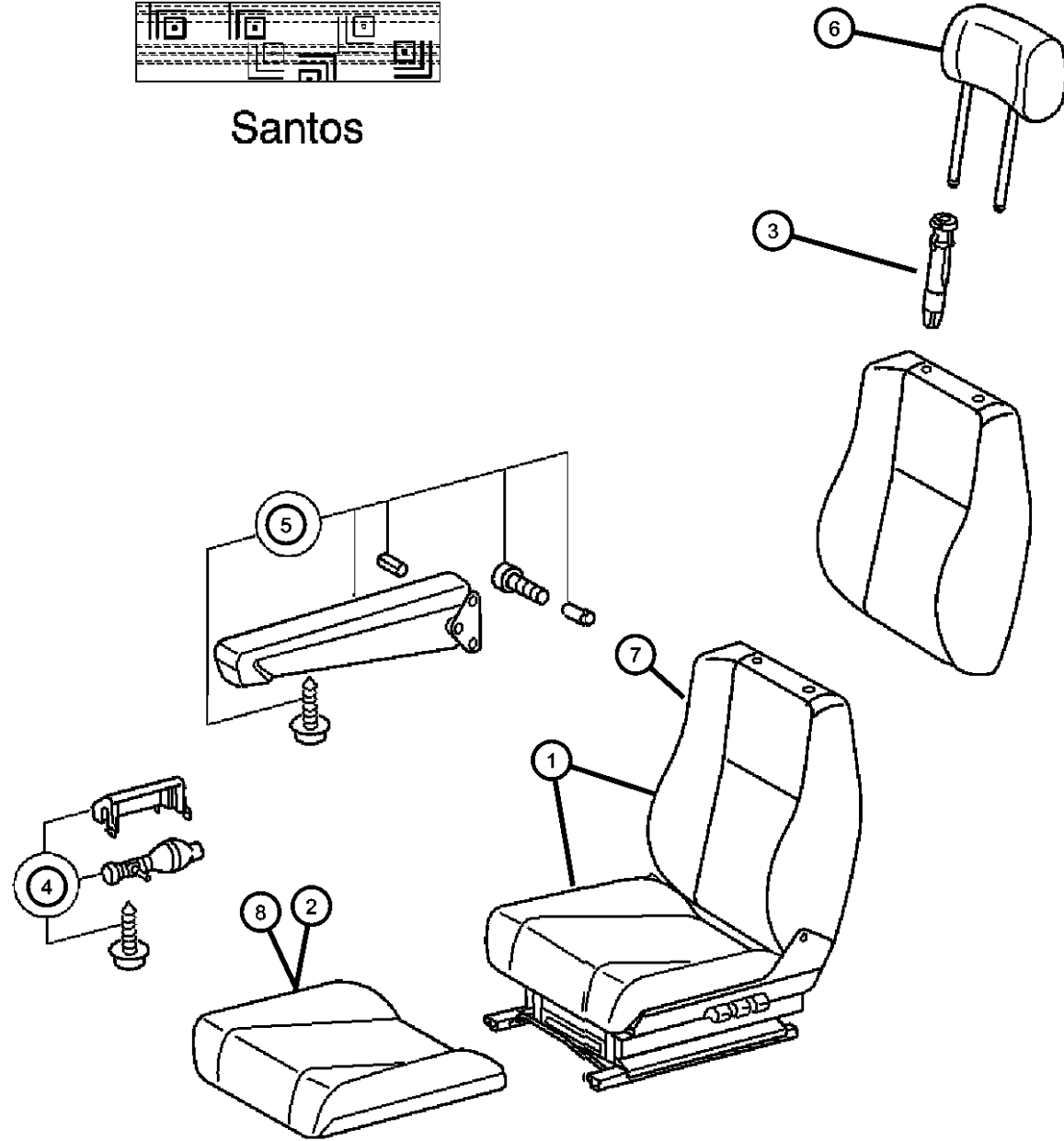
AR = use ase required - = Non illustrated part

2003 VA

Front Seat - Santos  
Figure IVA-515



Santos



ITEM	PART NUMBER	QTY	LINE	SERIES	BODY	ENGINE	TRANS	TRIM	DESCRIPTION
1									SEAT COMPLETE, Front
	05127105AA	1	2, 6	L	11, 12, 14, 15, 16				Heated, Left
	05127100AA	1	2, 6	L	11, 12, 14, 15, 16				, Right
		1	2, 6	L	51, 52, 54, 55, 56				Right
	05127102AA	1	3, 7	L	12, 15, 16				Right
		1	2, 6	L	11, 12, 14, 15, 16				Left
		1	2, 6	L	51, 52, 54, 55, 56				Left
		1	3, 7	L	12, 15, 16				Left
		1	2, 6	L	51, 52, 54, 55, 56				Heated, Left
		1	3, 7	L	12, 15, 16				Heated, Left
	05127110AA	1	2, 6	L	11, 12, 14, 15, 16				Comfort Seat, Left
		1	2, 6	L	51, 52, 54, 55, 56				Comfort Seat, Left
		1	3, 7	L	12, 15, 16				Comfort Seat, Left
	05127114AA	1	2, 6	L	11, 12, 14, 15, 16				Comfort Seat, Right
		1	2, 6	L	51, 52, 54, 55, 56				Comfort Seat, Right
		1	3, 7	L	12, 15, 16				Comfort Seat, Right
2									CUSHION, Front Seat, Driver
	05133234AA	1	2, 6	L	11, 12, 14, 15, 16				
		1	2, 6	L	51, 52, 54, 55, 56				
3									SLEEVE, Headrest
	05125318AA	2	3, 7	L	12, 15, 16				
		2	2, 6	L	11, 12, 14, 15, 16				
		2	2, 6	L	51, 52, 54, 55, 56				
4	05127631AA	1		L					PUMP, Lumbar Support
5									ARMREST, Seat

SPRINTER (VA)

SERIES

L = LOWLINE

LINE

3 = HD DODGE 2WD  
6 = Lt. Duty DODGE 4WD  
2 = Med. Duty DODGE 2WD  
7 = Med. Duty DODGE 4WD

BODY

51 = WAGON WHEEL BASE 1  
52 = WAGON WHEEL BASE 2  
14 = VAN WHEEL BASE 4  
15 = VAN WHEEL BASE 5  
16 = VAN WHEEL BASE 6  
54 = WAGON WHEEL BASE 4  
55 = WAGON WHEEL BASE 5  
56 = WAGON WHEEL BASE 6  
11 = VAN WHEEL BASE 1  
12 = VAN WHEEL BASE 2

ENGINE

EX9 = Engine - 2.7L 5 Cly  
Mercedes Diesel

TRANSMISSION

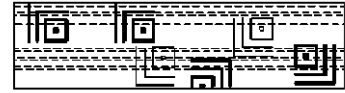
DGJ = Transmission-5-Spd. Automatic, W5A580

AR = use ase required - = Non illustrated part

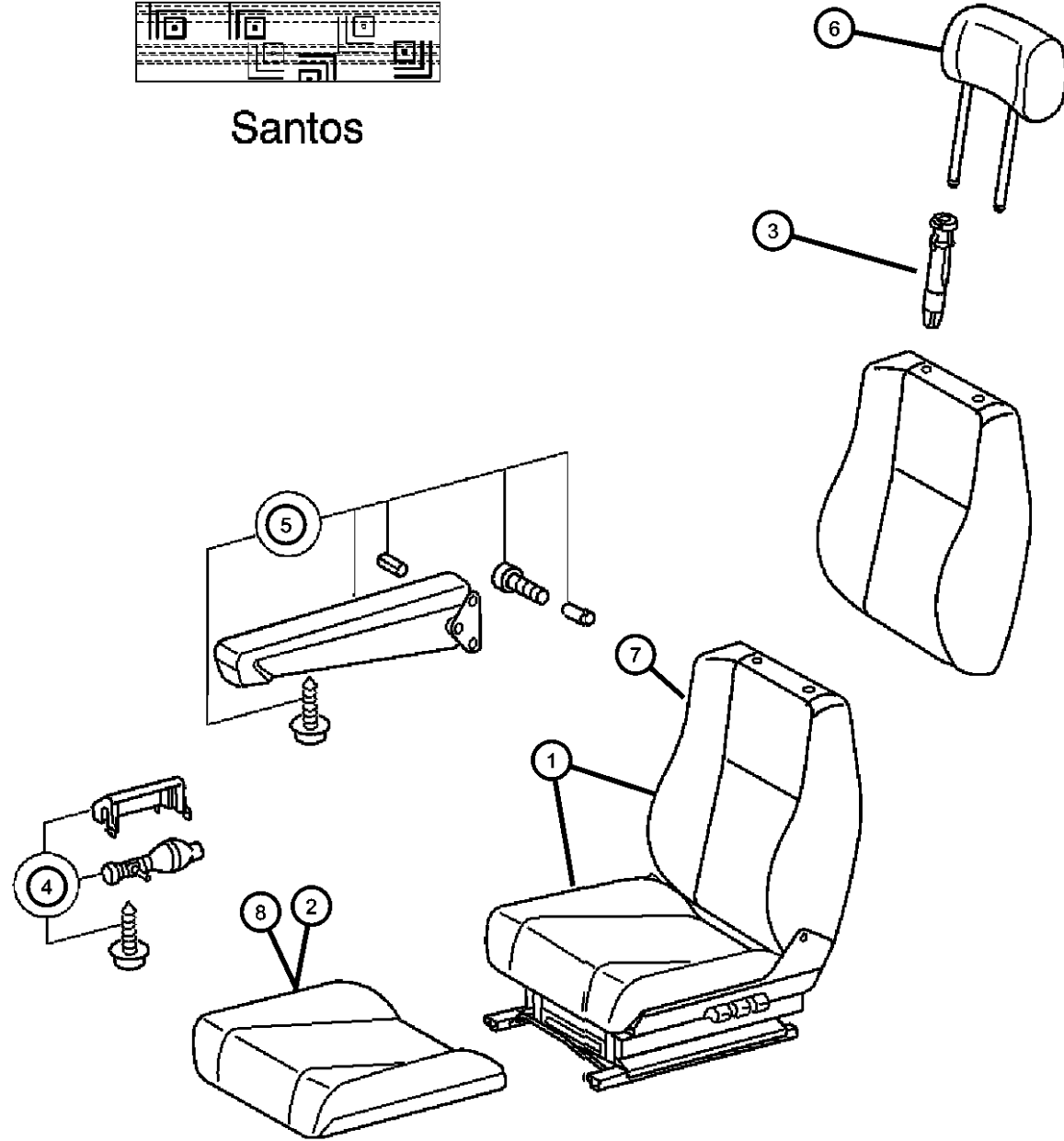
2003 VA



Front Seat - Santos  
Figure IVA-515



Santos



ITEM	PART NUMBER	QTY	LINE	SERIES	BODY	ENGINE	TRANS	TRIM	DESCRIPTION
	05103710AA	1	2, 6	L	11, 12, 14, 15, 16				With Mounting Hardware, Left
		1	2, 6	L	51, 52, 54, 55, 56				With Mounting Hardware, Left
	05103711AA	1	2, 6	L	11, 12, 14, 15, 16				With Mounting Hardware, Right
		1	2, 6	L	51, 52, 54, 55, 56				With Mounting Hardware, Right
6	05125377AA	1	2, 6	L	11, 12, 14, 15, 16				HEADREST Santos
		1	2, 6	L	51, 52, 54, 55, 56				Santos
7	05125385AA	1	3, 7	L	12, 15, 16				Santos BACK, Front Seat
	05133276AA	1	2, 6	L	11, 12, 14, 15, 16				Right
		1	2, 6	L	51, 52, 54, 55, 56				Right
8	05133244AA	1	2, 6	L	11, 12, 14, 15, 16				CUSHION, Front Seat, Passenger
		1	2, 6	L	51, 52, 54, 55, 56				
		1	3, 7	L					

SPRINTER (VA)

SERIES

L = LOWLINE

LINE

3 = HD DODGE 2WD  
6 = Lt. Duty DODGE 4WD  
2 = Med. Duty DODGE 2WD  
7 = Med. Duty DODGE 4WD

BODY

51 = WAGON WHEEL BASE 1  
52 = WAGON WHEEL BASE 2  
14 = VAN WHEEL BASE 4  
15 = VAN WHEEL BASE 5  
16 = VAN WHEEL BASE 6  
54 = WAGON WHEEL BASE 4  
55 = WAGON WHEEL BASE 5  
56 = WAGON WHEEL BASE 6  
11 = VAN WHEEL BASE 1  
12 = VAN WHEEL BASE 2

ENGINE

EX9 = Engine - 2.7L 5 Cly  
Mercedes Diesel

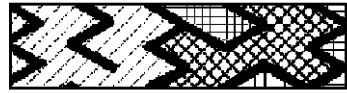
TRANSMISSION

DGJ = Transmission-5-Spd. Automatic, W5A580

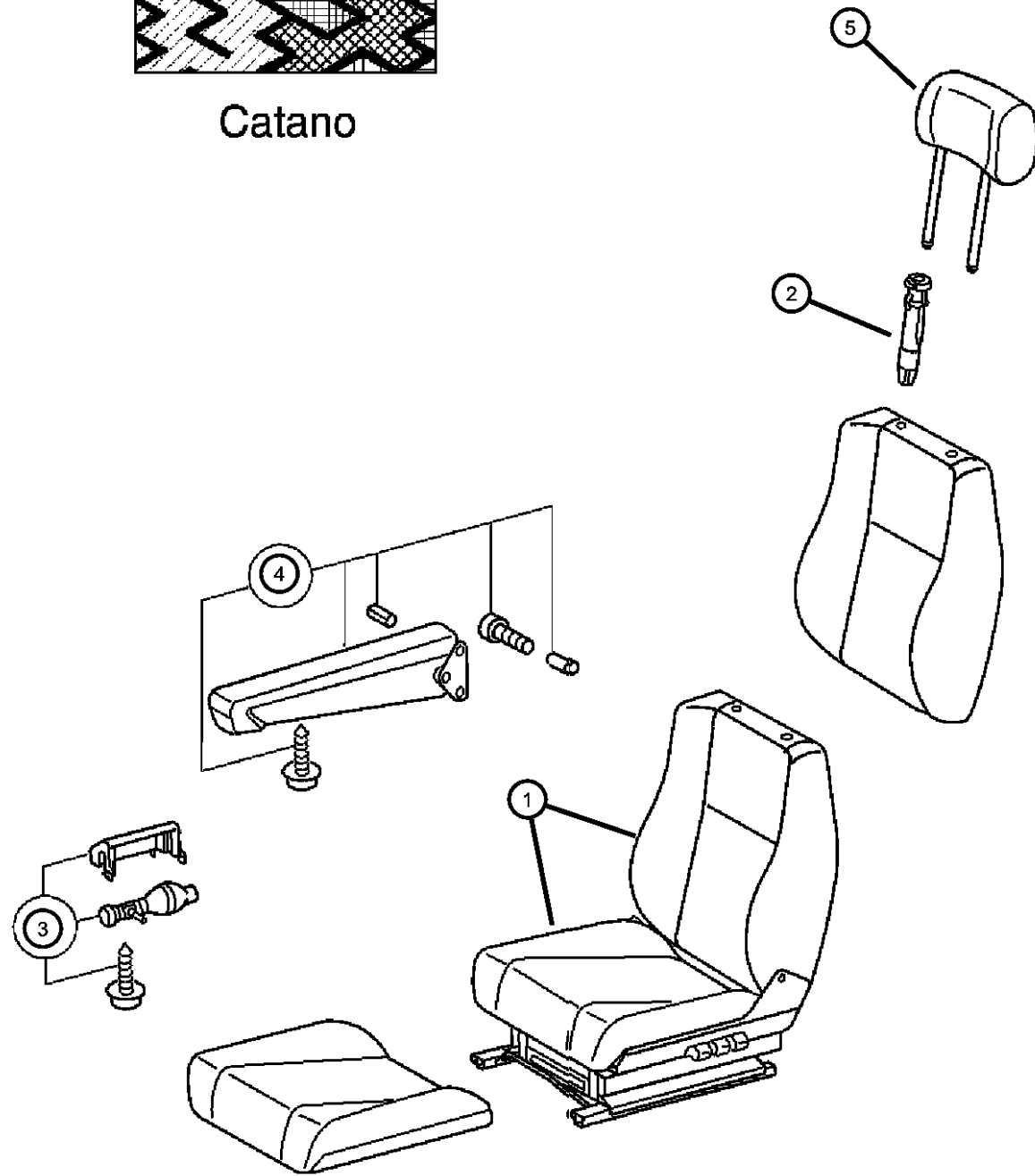
AR = use ase required - = Non illustrated part

2003 VA

Front Seat - Catano  
Figure IVA-520



Catano



ITEM	PART NUMBER	QTY	LINE	SERIES	BODY	ENGINE	TRANS	TRIM	DESCRIPTION
1	05126994AA	1	2, 6	L	01, 02, 06				SEAT COMPLETE, Front
		1	2, 6	L	11, 12, 14, 15, 16				Left
		1	2, 6	L	51, 52, 54, 55, 56				Left
2	05125318AA	2	3, 7	L	12, 15, 16				SLEEVE, Headrest
		2	2, 6	L	11, 12, 14, 15, 16				
		2	2, 6	L	51, 52, 54, 55, 56				
3	05127631AA	1		L					PUMP, Lumbar Support
4	05103710AA	1	2, 6	L	51, 52, 54, 55, 56				ARMREST, Seat
	05103711AA	1	2, 6	L	11, 12, 14, 15, 16				With Mounting Hardware, Left
		1	2, 6	L	51, 52, 54, 55, 56				With Mounting Hardware, Right
		1	2, 6	L	11, 12, 14, 15, 16				With Mounting Hardware, Right
5	05104534AA	3	2, 6	L	11, 12, 14, 15, 16				HEADREST
		1	2, 6	L	51, 52, 54, 55, 56				Catano

SPRINTER (VA)

SERIES

L = LOWLINE

LINE

3 = HD DODGE 2WD  
6 = Lt. Duty DODGE 4WD  
2 = Med. Duty DODGE 2WD  
7 = Med. Duty DODGE 4WD

BODY

51 = WAGON WHEEL BASE 1  
52 = WAGON WHEEL BASE 2  
14 = VAN WHEEL BASE 4  
15 = VAN WHEEL BASE 5  
16 = VAN WHEEL BASE 6  
54 = WAGON WHEEL BASE 4  
55 = WAGON WHEEL BASE 5  
56 = WAGON WHEEL BASE 6  
11 = VAN WHEEL BASE 1  
12 = VAN WHEEL BASE 2

ENGINE

EX9 = Engine - 2.7L 5 Cly  
Mercedes Diesel

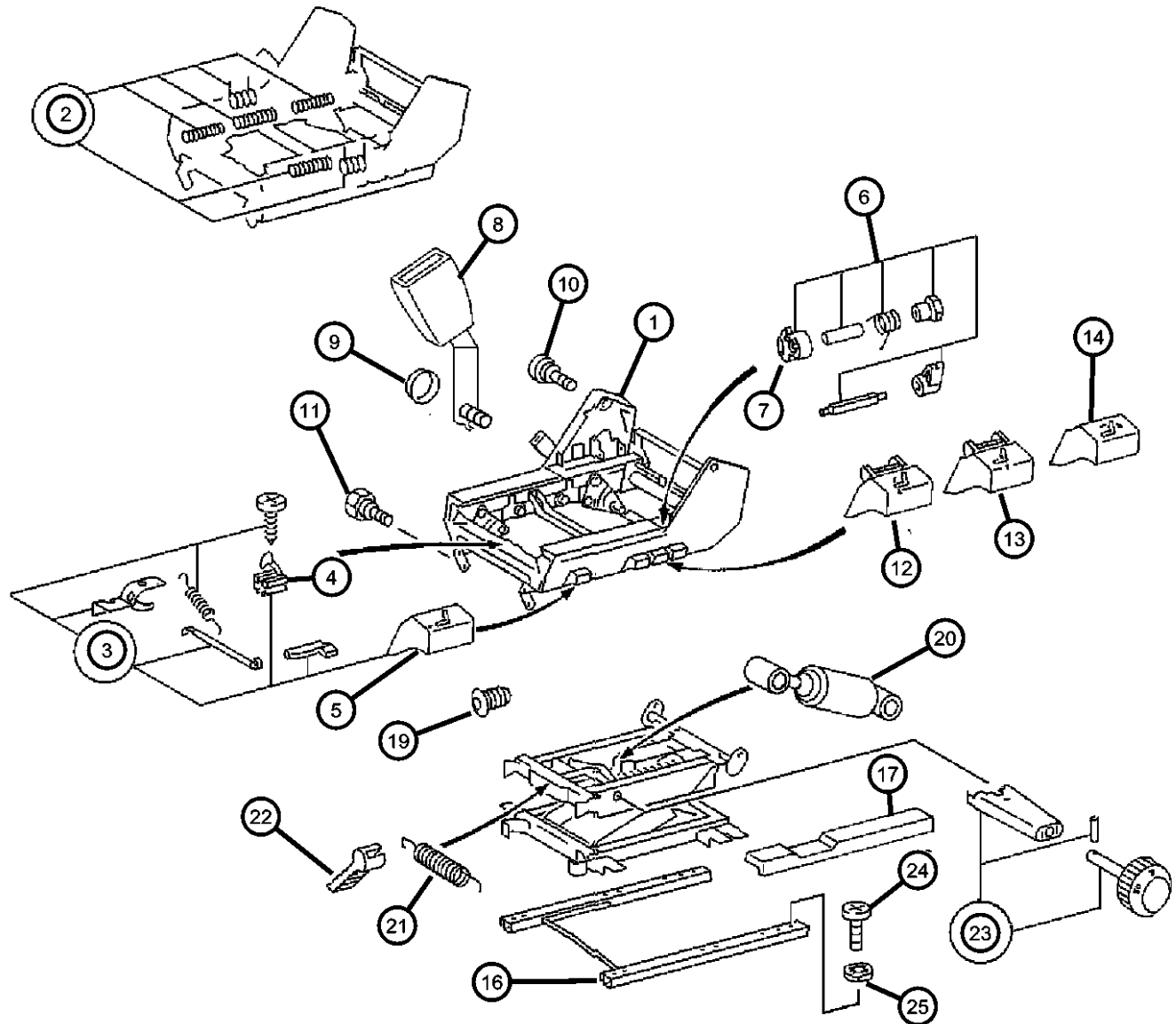
TRANSMISSION

DGJ = Transmission-5-Spd. Automatic, W5A580

AR = use ase required - = Non illustrated part

2003 VA

Front Seat - Attaching Parts  
Figure IVA-525

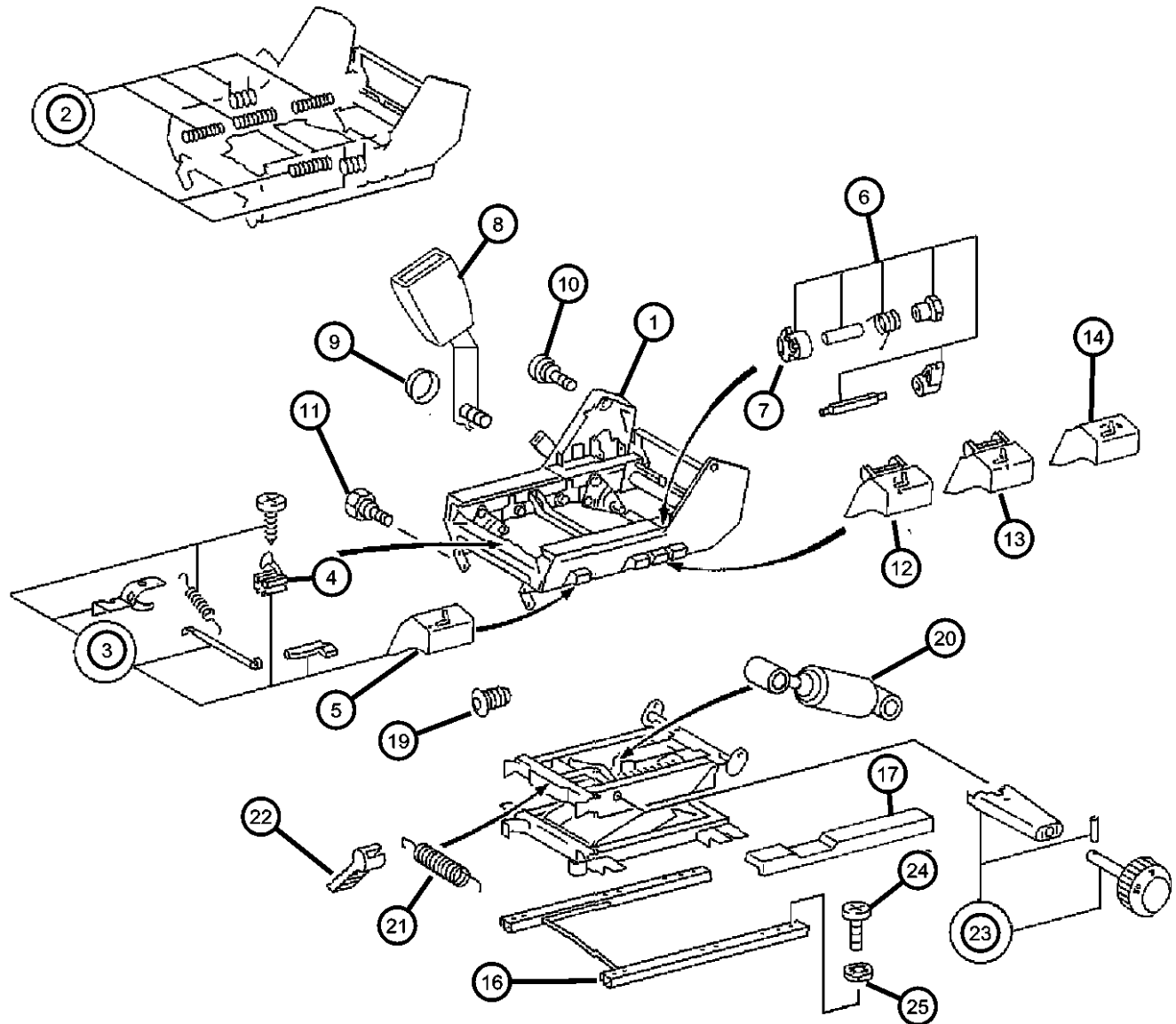


ITEM	PART NUMBER	QTY	LINE	SERIES	BODY	ENGINE	TRANS	TRIM	DESCRIPTION	
1	05103703AA	1	3, 7	L	12, 15, 16				ADJUSTER, Seat Driver	
		1	2, 6	L	11, 12, 14, 15, 16				Driver	
	05133264AA	1	3, 7	L	12, 15, 16				[CDY], Luxury Bucket, Passenger	
		1	2, 6	L	11, 12, 14, 15, 16				[CDY], Luxury Bucket, Passenger	
		1	2, 6	L	51, 52, 54, 55, 56				[CDY], Luxury Bucket, Passenger	
	05133266AA	1	3, 7	L	12, 15, 16				Passenger	
		1	2, 6	L	11, 12, 14, 15, 16				Passenger	
		1	2, 6	L	51, 52, 54, 55, 56				Passenger	
	05133211AA	1	3, 7	L	12, 15, 16				Driver	
		1	2, 6	L	51, 52, 54, 55, 56				Driver	
		1	2, 6	L	11, 12, 14, 15, 16				[CDD], Luxury Bucket, Driver	
	2	05133214AA	1	2, 6	L	11, 12, 14, 15, 16				[CDD], Luxury Bucket, Driver
1			2, 6	L	51, 52, 54, 55, 56				[CDD], Luxury Bucket, Driver	
1			2, 6	L	12, 15, 16				SPRING, Seat Track Adjuster	
3	0ZM48TE4AA	1	2, 6	L	11, 12, 14, 15, 16				HANDLE, Seat Adjuster Seat Cushion Depth, Passenger Side	
		1	2, 6	L	51, 52, 54, 55, 56				Seat Cushion Depth, Passenger Side	
	05133216AA	1	3, 7	L	12, 15, 16				Seat Cushion Depth, Driver Side	
		1	2, 6	L	11, 12, 14, 15, 16				Seat Cushion Depth, Driver Side	
	4	05133216AA	1	2, 6	L	51, 52, 54, 55, 56				Seat Cushion Depth, Driver Side
			1	3, 7	L	12, 15, 16				Seat Cushion Depth, Passenger Side
4								LOCK, Adjuster		

**SPRINTER (VA)**  
**SERIES**      **LINE**      **BODY**      **ENGINE**      **TRANSMISSION**  
L = LOWLINE    3 = HD DODGE 2WD    51 = WAGON WHEEL BASE 1    EX9 = Engine - 2.7L 5 Cly    DGJ = Transmission-5-Spd.  
                         6 = Lt. Duty DODGE 4WD    52 = WAGON WHEEL BASE 2    Mercedes Diesel    Automatic,W5A580  
                         2 = Med. Duty DODGE 2WD  
                         7 = Med. Duty DODGE 4WD  
   14 = VAN WHEEL BASE 4  
   15 = VAN WHEEL BASE 5  
   16 = VAN WHEEL BASE 6  
   54 = WAGON WHEEL BASE 4  
   55 = WAGON WHEEL BASE 5  
   56 = WAGON WHEEL BASE 6  
   11 = VAN WHEEL BASE 1  
   12 = VAN WHEEL BASE 2

AR = use ase required - = Non illustrated part

Front Seat - Attaching Parts  
Figure IVA-525



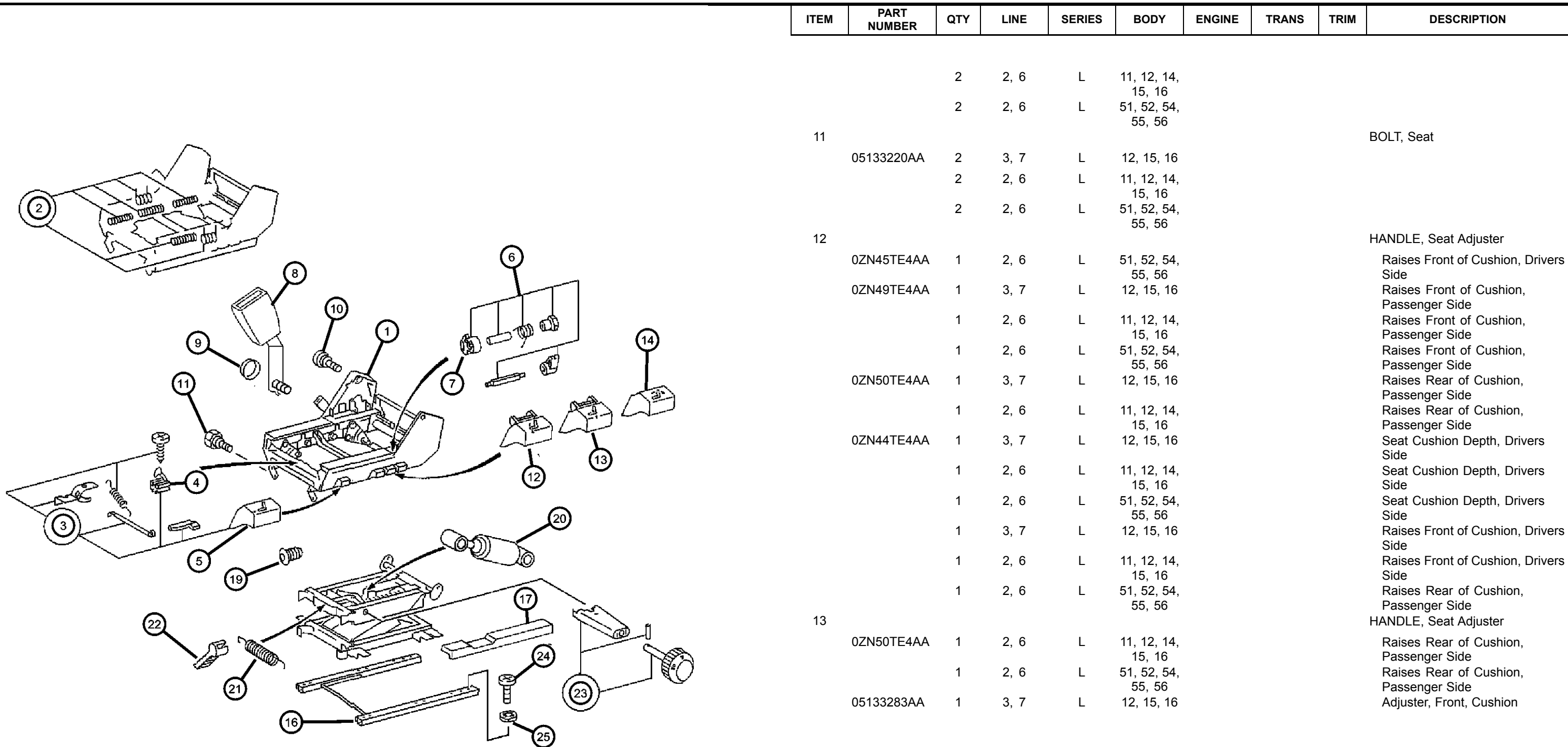
ITEM	PART NUMBER	QTY	LINE	SERIES	BODY	ENGINE	TRANS	TRIM	DESCRIPTION
	05133215AA	1	3, 7	L	12, 15, 16				
		1	2, 6	L	11, 12, 14, 15, 16				
		1	2, 6	L	51, 52, 54, 55, 56				
5									HANDLE, Seat Adjuster
	05133216AA	1	3, 7	L	12, 15, 16				Seat Cushion Depth, Driver Side
		1	2, 6	L	11, 12, 14, 15, 16				Seat Cushion Depth, Driver Side
		1	2, 6	L	51, 52, 54, 55, 56				Seat Cushion Depth, Driver Side
	05133267AA	1	2, 6	L	11, 12, 14, 15, 16				Seat Cushion Depth, Passenger Side
		1	2, 6	L	51, 52, 54, 55, 56				Seat Cushion Depth, Passenger Side
6									HARDWARE KIT
	05133217AA	1	3, 7	L	12, 15, 16				
		1	2, 6	L	11, 12, 14, 15, 16				
		1	2, 6	L	51, 52, 54, 55, 56				
7									LOCK, Adjuster
	05133269AA	1	2, 6	L	51, 52, 54, 55, 56				
		1	2, 6	L	11, 12, 14, 15, 16				
		1	3, 7	L	12, 15, 16				
8		1							SEAT BELT, Front, For Part Numbers See Ill 710, (NOT SERVICED)
9									CAP, Screw Cover
	05125999AA	1	2, 6	L	11, 12, 14, 15, 16				
		1	2, 6	L	51, 52, 54, 55, 56				
		1	3, 7	L	12, 15, 16				
10									BOLT, Pivot
	05133219AA	2	3, 7	L	12, 15, 16				

**SPRINTER (VA)**

<b>SERIES</b>	<b>LINE</b>	<b>BODY</b>	<b>ENGINE</b>	<b>TRANSMISSION</b>
L = LOWLINE	3 = HD DODGE 2WD 6 = Lt. Duty DODGE 4WD 2 = Med. Duty DODGE 2WD 7 = Med. Duty DODGE 4WD	51 = WAGON WHEEL BASE 1 52 = WAGON WHEEL BASE 2 14 = VAN WHEEL BASE 4 15 = VAN WHEEL BASE 5 16 = VAN WHEEL BASE 6 54 = WAGON WHEEL BASE 4 55 = WAGON WHEEL BASE 5 56 = WAGON WHEEL BASE 6 11 = VAN WHEEL BASE 1 12 = VAN WHEEL BASE 2	EX9 = Engine - 2.7L 5 Cly Mercedes Diesel	DGJ = Transmission-5-Spd. Automatic, W5A580

AR = use ase required - = Non illustrated part

**Front Seat - Attaching Parts**  
**Figure IVA-525**



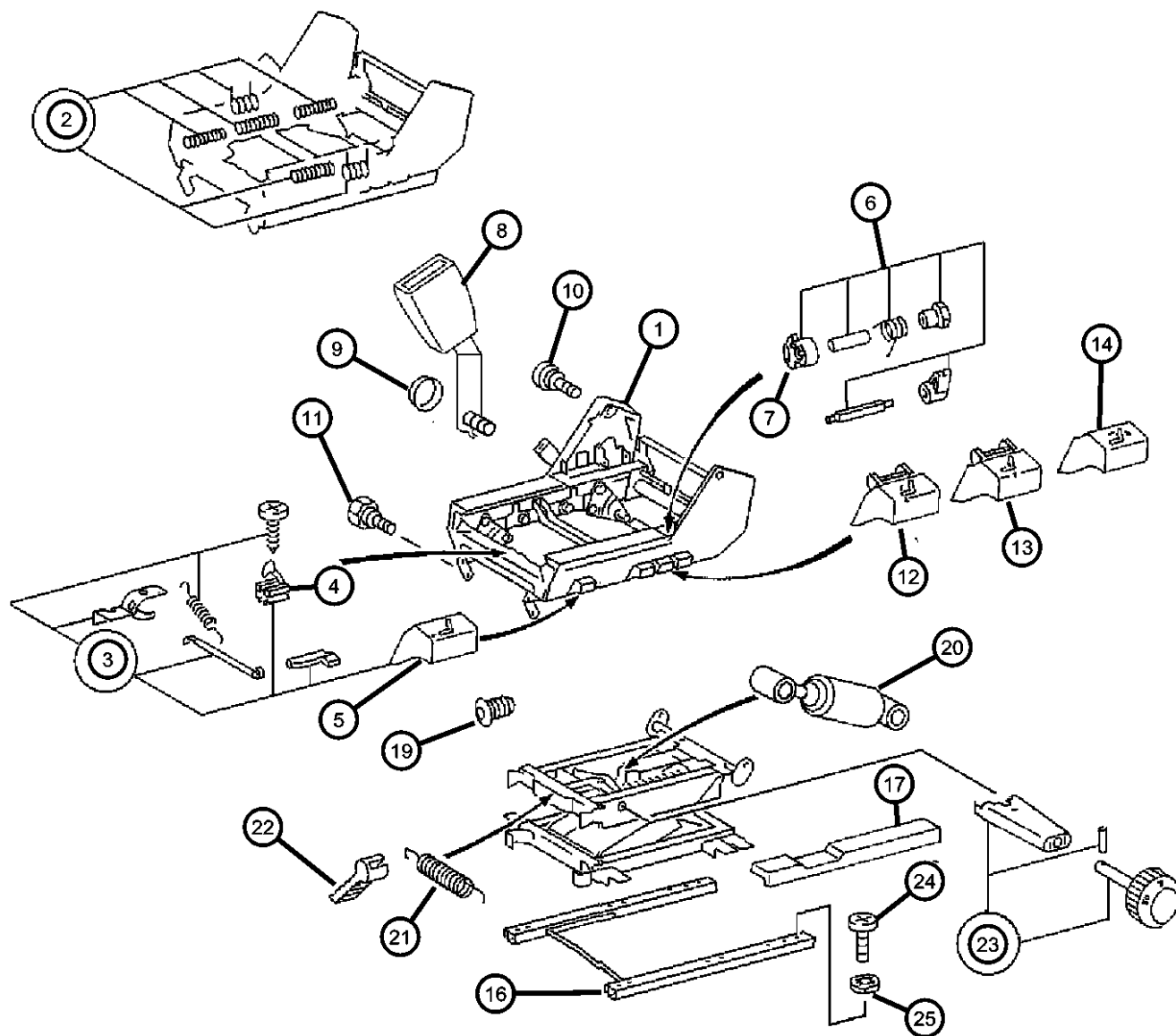
ITEM	PART NUMBER	QTY	LINE	SERIES	BODY	ENGINE	TRANS	TRIM	DESCRIPTION
11		2	2, 6	L	11, 12, 14, 15, 16				BOLT, Seat
		2	2, 6	L	51, 52, 54, 55, 56				
12	05133220AA	2	3, 7	L	12, 15, 16				HANDLE, Seat Adjuster
		2	2, 6	L	11, 12, 14, 15, 16				
13	02N45TE4AA	1	2, 6	L	51, 52, 54, 55, 56				Raises Front of Cushion, Drivers Side
	02N49TE4AA	1	3, 7	L	12, 15, 16				Raises Front of Cushion, Passenger Side
		1	2, 6	L	11, 12, 14, 15, 16				Raises Front of Cushion, Passenger Side
		1	2, 6	L	51, 52, 54, 55, 56				Raises Front of Cushion, Passenger Side
	02N50TE4AA	1	3, 7	L	12, 15, 16				Raises Rear of Cushion, Passenger Side
		1	2, 6	L	11, 12, 14, 15, 16				Raises Rear of Cushion, Passenger Side
	02N44TE4AA	1	3, 7	L	12, 15, 16				Seat Cushion Depth, Drivers Side
		1	2, 6	L	11, 12, 14, 15, 16				Seat Cushion Depth, Drivers Side
		1	2, 6	L	51, 52, 54, 55, 56				Seat Cushion Depth, Drivers Side
		1	3, 7	L	12, 15, 16				Raises Front of Cushion, Drivers Side
		1	2, 6	L	11, 12, 14, 15, 16				Raises Front of Cushion, Drivers Side
		1	2, 6	L	51, 52, 54, 55, 56				Raises Rear of Cushion, Passenger Side
		02N50TE4AA	1	2, 6	L	11, 12, 14, 15, 16			
	05133283AA	1	3, 7	L	12, 15, 16				Adjuster, Front, Cushion

**SPRINTER (VA)**

<b>SERIES</b>	<b>LINE</b>	<b>BODY</b>	<b>ENGINE</b>	<b>TRANSMISSION</b>
L = LOWLINE	3 = HD DODGE 2WD 6 = Lt. Duty DODGE 4WD 2 = Med. Duty DODGE 2WD 7 = Med. Duty DODGE 4WD	51 = WAGON WHEEL BASE 1 52 = WAGON WHEEL BASE 2 14 = VAN WHEEL BASE 4 15 = VAN WHEEL BASE 5 16 = VAN WHEEL BASE 6 54 = WAGON WHEEL BASE 4 55 = WAGON WHEEL BASE 5 56 = WAGON WHEEL BASE 6 11 = VAN WHEEL BASE 1 12 = VAN WHEEL BASE 2	EX9 = Engine - 2.7L 5 Cly Mercedes Diesel	DGJ = Transmission-5-Spd. Automatic, W5A580

AR = use ase required - = Non illustrated part

**Front Seat - Attaching Parts**  
**Figure IVA-525**



ITEM	PART NUMBER	QTY	LINE	SERIES	BODY	ENGINE	TRANS	TRIM	DESCRIPTION
	0ZM46TE4AA	1	3, 7	L	12, 15, 16				Raises Rear of Cushion, Drivers Side
		1	2, 6	L	11, 12, 14, 15, 16				Raises Rear of Cushion, Drivers Side
		1	2, 6	L	51, 52, 54, 55, 56				Raises Rear of Cushion, Drivers Side
		1	3, 7	L	12, 15, 16				Raises Rear of Cushion, Passenger Side
14	0ZM47TE4AA	1	2, 6	L	11, 12, 14, 15, 16				HANDLE, Seat Recliner Driver Side
		1	2, 6	L	51, 52, 54, 55, 56				Driver Side
		1	3, 7	L	12, 15, 16				Driver Side
	0ZM51TE4AA	1	3, 7	L	12, 15, 16				Passenger Side
		1	2, 6	L	11, 12, 14, 15, 16				Passenger Side
		1	2, 6	L	51, 52, 54, 55, 56				Passenger Side
-15	05103778AA	1	3, 7	L	12, 15, 16				HANDLE, Recliner TRACK, Seat Adjuster
16	05103702AA	1	3, 7	L	12, 15, 16				
		1	2, 6	L	11, 12, 14, 15, 16				
		1	2, 6	L	51, 52, 54, 55, 56				
17	05133224AA	1	2, 6	L	51, 52, 54, 55, 56				COVER, Seat Adjuster
		1	3, 7	L	12, 15, 16				
		1	2, 6	L	11, 12, 14, 15, 16				
-18	05133222AA	1	3, 7	L	12, 15, 16				SHIELD, Seat Adjuster
		1	2, 6	L	11, 12, 14, 15, 16				
		1	2, 6	L	51, 52, 54, 55, 56				
19		1							PLUG, (NOT SERVICED)

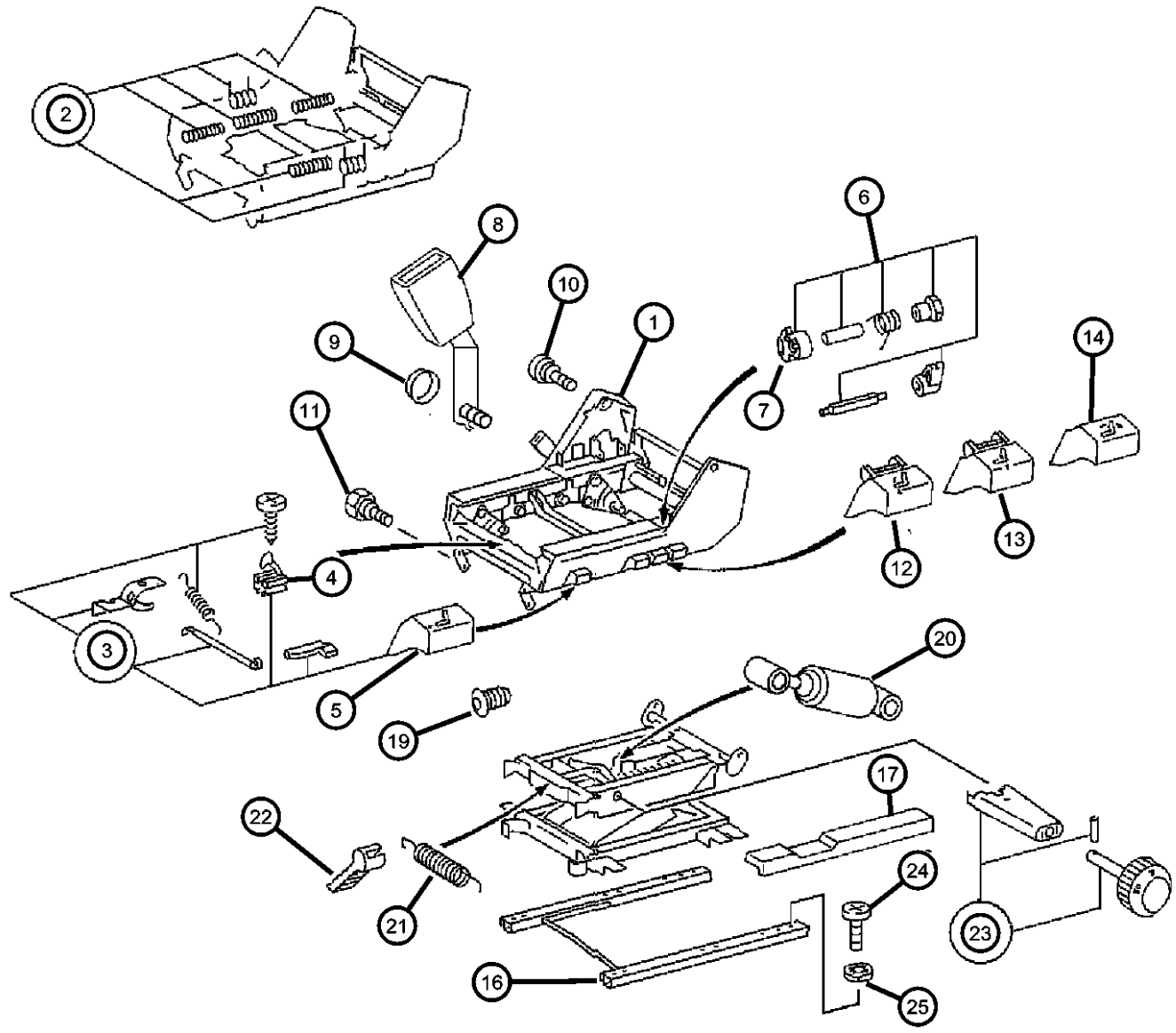
**SPRINTER (VA)**

<b>SERIES</b>	<b>LINE</b>	<b>BODY</b>	<b>ENGINE</b>	<b>TRANSMISSION</b>
L = LOWLINE	3 = HD DODGE 2WD 6 = Lt. Duty DODGE 4WD 2 = Med. Duty DODGE 2WD 7 = Med. Duty DODGE 4WD	51 = WAGON WHEEL BASE 1 52 = WAGON WHEEL BASE 2 14 = VAN WHEEL BASE 4 15 = VAN WHEEL BASE 5 16 = VAN WHEEL BASE 6 54 = WAGON WHEEL BASE 4 55 = WAGON WHEEL BASE 5 56 = WAGON WHEEL BASE 6 11 = VAN WHEEL BASE 1 12 = VAN WHEEL BASE 2	EX9 = Engine - 2.7L 5 Cly Mercedes Diesel	DGJ = Transmission-5-Spd. Automatic, W5A580

AR = use ase required - = Non illustrated part

2003 VA

**Front Seat - Attaching Parts**  
**Figure IVA-525**



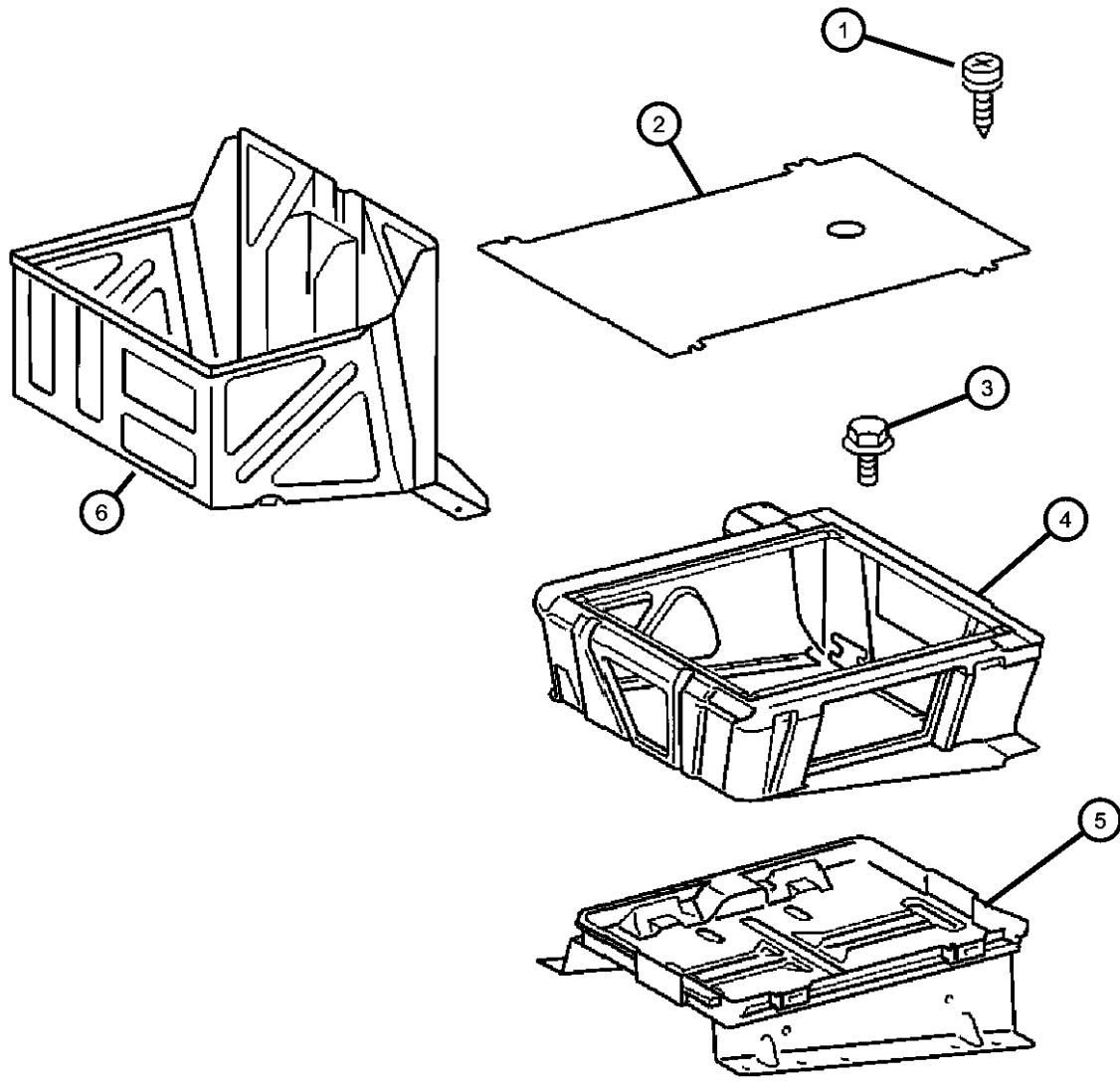
ITEM	PART NUMBER	QTY	LINE	SERIES	BODY	ENGINE	TRANS	TRIM	DESCRIPTION
20	05133483AA	1	2, 6	L	11, 12, 14, 15, 16				ABSORBER Seat Suspension
		1	2, 6	L	51, 52, 54, 55, 56				Seat Suspension
		1	3, 7	L	12, 15, 16				Seat Suspension
21		1							SPRING, (NOT SERVICED),
22		1							LEVER, (NOT SERVICED)
23		1							WHEEL, Hand, (NOT SERVICED)
24	05126139AA	6	2, 6	L	11, 12, 14, 15, 16				SCREW, Seat Seat Mounting
		6	2, 6	L	51, 52, 54, 55, 56				Seat Mounting
	05133210AA	6	3, 7	L	12, 15, 16				Seat Mounting
25	05125426AA	4	2, 6	L	11, 12, 14, 15, 16				WASHER, Locking
		4	2, 6	L	51, 52, 54, 55, 56				
		4	3, 7	L	12, 15, 16				

<b>SPRINTER (VA)</b>				
<b>SERIES</b>	<b>LINE</b>	<b>BODY</b>	<b>ENGINE</b>	<b>TRANSMISSION</b>
L = LOWLINE	3 = HD DODGE 2WD 6 = Lt. Duty DODGE 4WD 2 = Med. Duty DODGE 2WD 7 = Med. Duty DODGE 4WD	51 = WAGON WHEEL BASE 1 52 = WAGON WHEEL BASE 2 14 = VAN WHEEL BASE 4 15 = VAN WHEEL BASE 5 16 = VAN WHEEL BASE 6 54 = WAGON WHEEL BASE 4 55 = WAGON WHEEL BASE 5 56 = WAGON WHEEL BASE 6 11 = VAN WHEEL BASE 1 12 = VAN WHEEL BASE 2	EX9 = Engine - 2.7L 5 Cly Mercedes Diesel	DGJ = Transmission-5-Spd. Automatic,W5A580

AR = use ase required - = Non illustrated part

Front Seat - Attaching Parts - Riser  
Figure IVA-530

ITEM	PART NUMBER	QTY	LINE	SERIES	BODY	ENGINE	TRANS	TRIM	DESCRIPTION
1	06104574AA	2	2, 6	L	11, 12, 14, 15, 16				SCREW, Tapping
		2	2, 6	L	51, 52, 54, 55, 56				
		2	3, 7	L	12, 15, 16				
2	05104234AA	1	2, 6	L	11, 12, 14, 15, 16				COVER Seat Box
		1	2, 6	L	51, 52, 54, 55, 56				Seat Box
		1	3, 7	L	12, 15, 16				Seat Box
3	05126227AA	6	2, 6	L	51, 52, 54, 55, 56				BOLT, Hex Head
		6	3, 7	L	12, 15, 16				
		2	2, 6	L	11, 12, 14, 15, 16				
4	05122168AA	1	3, 7	L	12, 15, 16				RISER, Seat With Aux. Battery (3500GVW)
	05122187AA	1	2, 6	L	11, 12, 14, 15, 16				Driver
		1	2, 6	L	51, 52, 54, 55, 56				Driver
		1	3, 7	L	12, 15, 16				Driver
	05122192AA	1	2, 6	L	11, 12, 14, 15, 16				Passenger
		1	2, 6	L	51, 52, 54, 55, 56				Passenger
		1	3, 7	L	12, 15, 16				Passenger
5	05122170AA	1	2, 6	L	11, 12, 14, 15, 16				RISER, Seat With Aux. Battery (2500GVW)
	0VU01205								Repair Battery Terminal End Top Post ( Ten Per Box)
	0VU01207								Repair Battery Terminal End Side Post ( Ten Per Box)
		1	3, 7	L	12, 15, 16				With Aux. Battery (2500GVW)
	0VU01205								Repair Battery Terminal End Top Post ( Ten Per Box)



SPRINTER (VA)

SERIES

L = LOWLINE

LINE

3 = HD DODGE 2WD  
6 = Lt. Duty DODGE 4WD  
2 = Med. Duty DODGE 2WD  
7 = Med. Duty DODGE 4WD

BODY

51 = WAGON WHEEL BASE 1 EX9 = Engine - 2.7L 5 Cly  
52 = WAGON WHEEL BASE 2 Mercedes Diesel  
14 = VAN WHEEL BASE 4  
15 = VAN WHEEL BASE 5  
16 = VAN WHEEL BASE 6  
54 = WAGON WHEEL BASE 4  
55 = WAGON WHEEL BASE 5  
56 = WAGON WHEEL BASE 6  
11 = VAN WHEEL BASE 1  
12 = VAN WHEEL BASE 2

ENGINE

TRANSMISSION

DGJ = Transmission-5-Spd. Automatic, W5A580

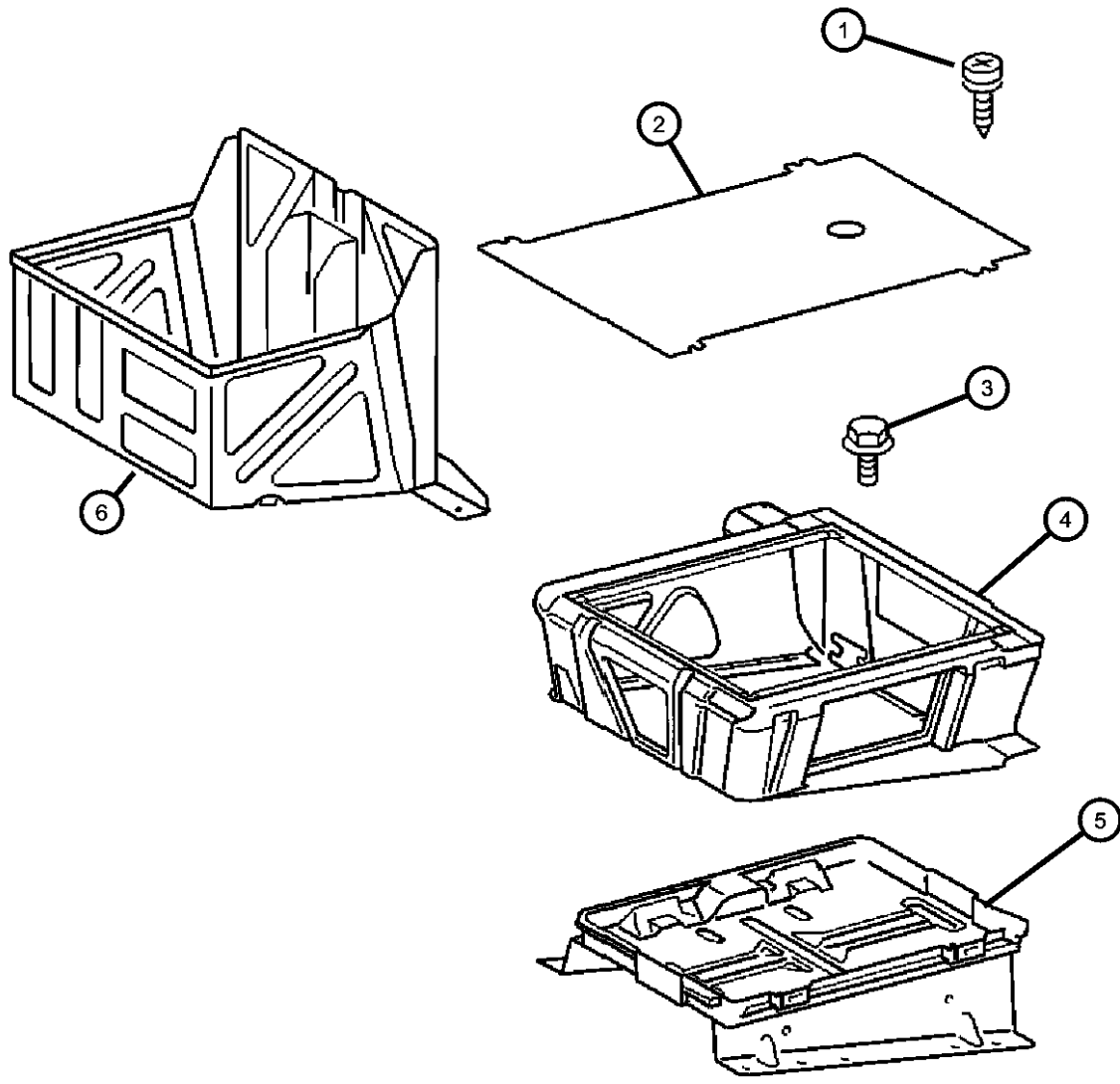
AR = use ase required - = Non illustrated part

2003 VA



**Front Seat - Attaching Parts - Riser**  
**Figure IVA-530**

ITEM	PART NUMBER	QTY	LINE	SERIES	BODY	ENGINE	TRANS	TRIM	DESCRIPTION
	0VU01207								Repair Battery Terminal End Side Post ( Ten Per Box) With Aux. Battery (2500GVW)
		1	2, 6	L	51, 52, 54, 55, 56				
	0VU01205								Repair Battery Terminal End Top Post ( Ten Per Box)
	0VU01207								Repair Battery Terminal End Side Post ( Ten Per Box)
6		1							BOX, Riser, (NOT SERVICED),

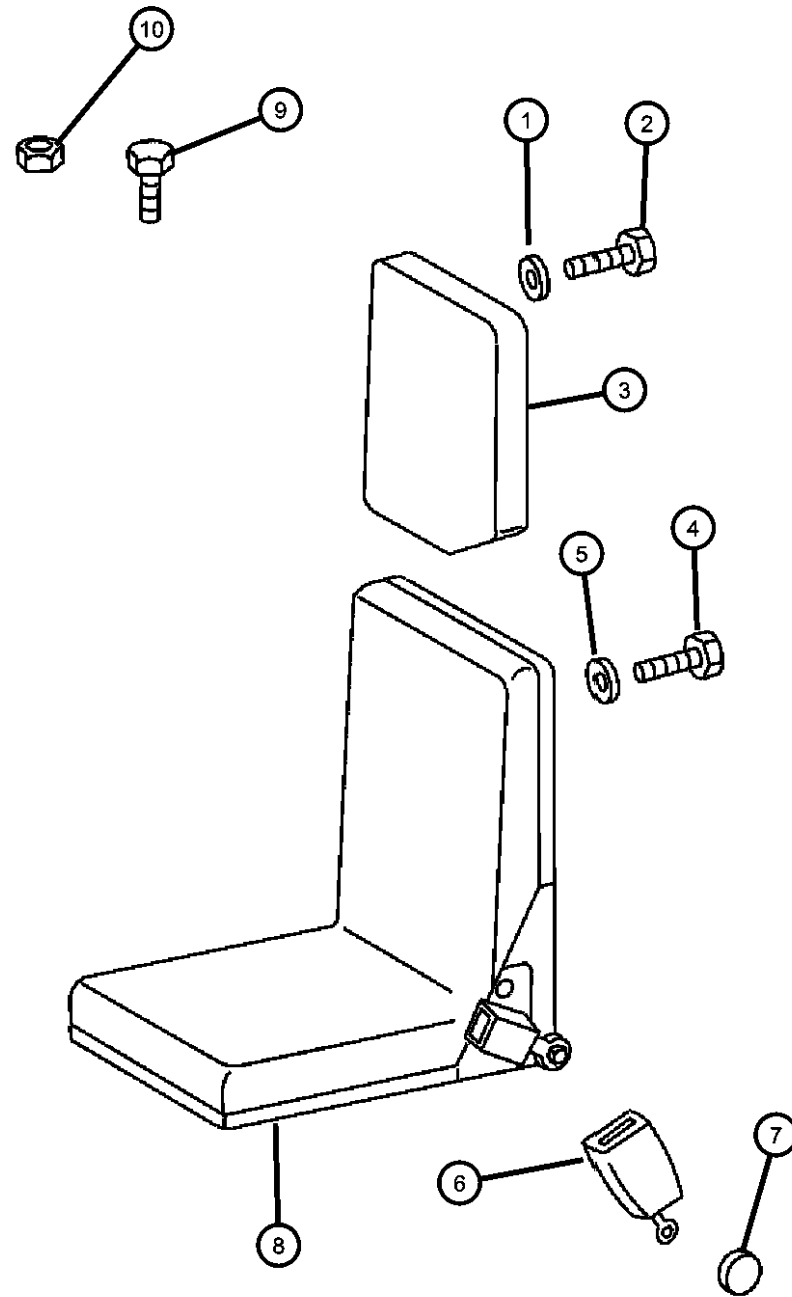


**SPRINTER (VA)**

<b>SERIES</b>	<b>LINE</b>	<b>BODY</b>	<b>ENGINE</b>	<b>TRANSMISSION</b>
L = LOWLINE	3 = HD DODGE 2WD 6 = Lt. Duty DODGE 4WD 2 = Med. Duty DODGE 2WD 7 = Med. Duty DODGE 4WD	51 = WAGON WHEEL BASE 1 52 = WAGON WHEEL BASE 2 14 = VAN WHEEL BASE 4 15 = VAN WHEEL BASE 5 16 = VAN WHEEL BASE 6 54 = WAGON WHEEL BASE 4 55 = WAGON WHEEL BASE 5 56 = WAGON WHEEL BASE 6 11 = VAN WHEEL BASE 1 12 = VAN WHEEL BASE 2	EX9 = Engine - 2.7L 5 Cly Mercedes Diesel	DGJ = Transmission-5-Spd. Automatic,W5A580

AR = use ase required - = Non illustrated part

Front Seat - Attaching Parts  
Figure IVA-535



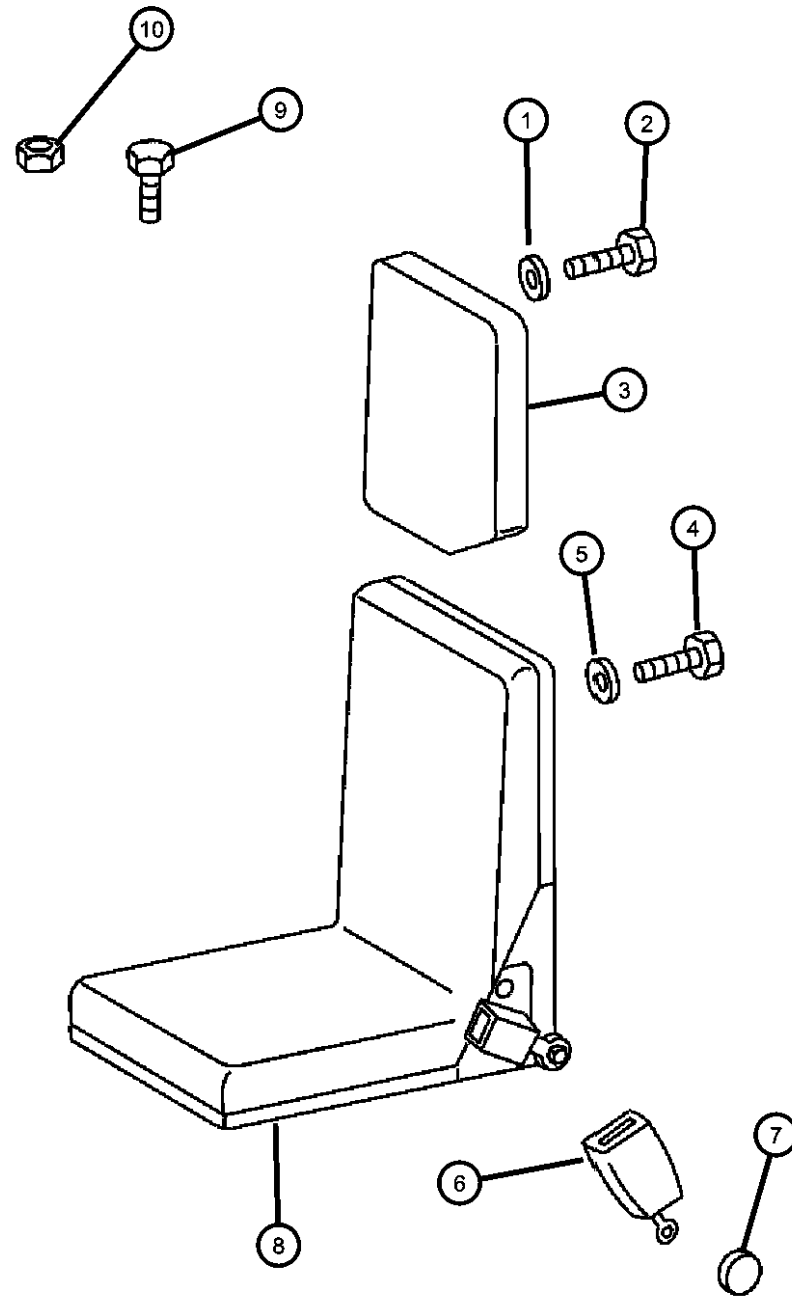
ITEM	PART NUMBER	QTY	LINE	SERIES	BODY	ENGINE	TRANS	TRIM	DESCRIPTION
1	05098108AA	1	3, 7	L	12, 15, 16				WASHER, Flat
		1	2, 6	L	11, 12, 14, 15, 16				
		1	2, 6	L	51, 52, 54, 55, 56				
2	06104025AA	1	3, 7	L	12, 15, 16				SCREW
		4	2, 6	L	11, 12, 14, 15, 16				
		4	2, 6	L	51, 52, 54, 55, 56				
3	05104535AA	1	3, 7	L	12, 15, 16				HEADREST, Front
4	06104049AA	2	3, 7	L	12, 15, 16				SCREW
		6	2, 6	L	11, 12, 14, 15, 16				
		6	2, 6	L	51, 52, 54, 55, 56				
5	05104641AA	2	2, 6	L	11, 12, 14, 15, 16				WASHER, Flat
		2	2, 6	L	51, 52, 54, 55, 56				
		2	3, 7	L	12, 15, 16				
6		2							SEAT BELT, See III 710 For Part Numbers, (NOT SERVICED)
7	05125999AA	1	2, 6	L	11, 12, 14, 15, 16				CAP, Screw Cover
		1	2, 6	L	51, 52, 54, 55, 56				
		1	3, 7	L	12, 15, 16				
8	05125327AA	1	3, 7	L	12, 15, 16				SEAT COMPLETE, Front
		1	2, 6	L	11, 12, 14, 15, 16				
9									BOLT, Hex Head

SPRINTER (VA)

SERIES	LINE	BODY	ENGINE	TRANSMISSION
L = LOWLINE	3 = HD DODGE 2WD 6 = Lt. Duty DODGE 4WD 2 = Med. Duty DODGE 2WD 7 = Med. Duty DODGE 4WD	51 = WAGON WHEEL BASE 1 52 = WAGON WHEEL BASE 2 14 = VAN WHEEL BASE 4 15 = VAN WHEEL BASE 5 16 = VAN WHEEL BASE 6 54 = WAGON WHEEL BASE 4 55 = WAGON WHEEL BASE 5 56 = WAGON WHEEL BASE 6 11 = VAN WHEEL BASE 1 12 = VAN WHEEL BASE 2	EX9 = Engine - 2.7L 5 Cly Mercedes Diesel	DGJ = Transmission-5-Spd. Automatic, W5A580

AR = use ase required - = Non illustrated part

**Front Seat - Attaching Parts  
Figure IVA-535**



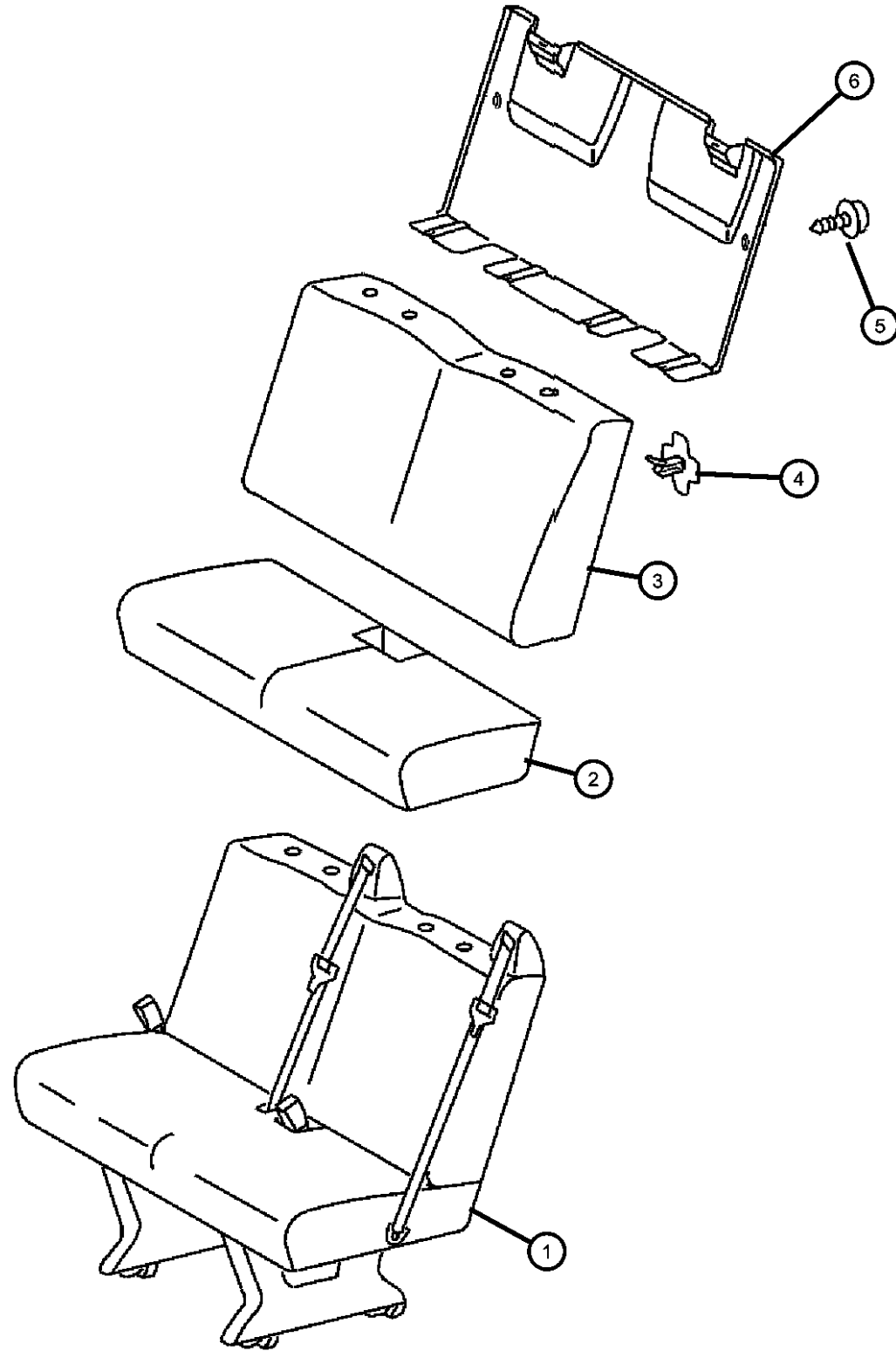
ITEM	PART NUMBER	QTY	LINE	SERIES	BODY	ENGINE	TRANS	TRIM	DESCRIPTION
	05103816AA	7	3, 7	L	12, 15, 16				
		8	2, 6	L	11, 12, 14, 15, 16				
		10	2, 6	L	51, 52, 54, 55, 56				
10	06104716AA	2	3, 7	L	12, 15, 16				NUT
		2	2, 6	L	11, 12, 14, 15, 16				
		8	2, 6	L	51, 52, 54, 55, 56				

**SPRINTER (VA)**

<b>SERIES</b>	<b>LINE</b>	<b>BODY</b>	<b>ENGINE</b>	<b>TRANSMISSION</b>
L = LOWLINE	3 = HD DODGE 2WD 6 = Lt. Duty DODGE 4WD 2 = Med. Duty DODGE 2WD 7 = Med. Duty DODGE 4WD	51 = WAGON WHEEL BASE 1 52 = WAGON WHEEL BASE 2 14 = VAN WHEEL BASE 4 15 = VAN WHEEL BASE 5 16 = VAN WHEEL BASE 6 54 = WAGON WHEEL BASE 4 55 = WAGON WHEEL BASE 5 56 = WAGON WHEEL BASE 6 11 = VAN WHEEL BASE 1 12 = VAN WHEEL BASE 2	EX9 = Engine - 2.7L 5 Cly Mercedes Diesel	DGJ = Transmission-5-Spd. Automatic,W5A580

AR = use ase required - = Non illustrated part

Rear Seat - 2 Passenger  
Figure IVA-610



ITEM	PART NUMBER	QTY	LINE	SERIES	BODY	ENGINE	TRANS	TRIM	DESCRIPTION
1	05133094AA	1	2, 6	L	51, 52, 54, 55, 56			*A7	SEAT COMPLETE, Rear, Two Passenger
	05133134AA	1	2, 6	L	51, 52, 54, 55, 56			*B7	
2	05134085AA	1	2, 3, 6, 7	L				*B7	CUSHION, Rear Seat, Two Passenger
	05166087AA	1	2, 3, 6, 7	L				*A7	
3	05166089AA	1	2, 3, 6, 7	L				*A7	SEAT BACK, Rear, 2 Passenger
	05134088AA	1	2, 3, 6, 7	L				*B7	
4	05103706AA	1	3, 7	L	12, 15, 16				BRACKET, Rear Seatback Right
		1	2, 6	L	11, 12, 14, 15, 16				Right
	05103707AA	1	2, 6	L	51, 52, 54, 55, 56				Right
		1	3, 7	L	12, 15, 16				Left
	05103707AA	1	2, 6	L	11, 12, 14, 15, 16				Left
		1	2, 6	L	51, 52, 54, 55, 56				Left
5	05134089AA	1	3, 7	L	12, 15, 16				PANEL, Rear Seat Back Two Passenger
		1	2, 6	L	11, 12, 14, 15, 16				Two Passenger
		1	2, 6	L	51, 52, 54, 55, 56				Two Passenger
6	05133295AA	2	2, 6	L	51, 52, 54, 55, 56				SCREW, Self-Tapping
		2	2, 6	L	01, 02, 06				
		2	2, 6	L	11, 12, 14, 15, 16				

SPRINTER (VA)

SERIES

L = LOWLINE

LINE

3 = HD DODGE 2WD  
6 = Lt. Duty DODGE 4WD  
2 = Med. Duty DODGE 2WD  
7 = Med. Duty DODGE 4WD

BODY

51 = WAGON WHEEL BASE 1  
52 = WAGON WHEEL BASE 2  
14 = VAN WHEEL BASE 4  
15 = VAN WHEEL BASE 5  
16 = VAN WHEEL BASE 6  
54 = WAGON WHEEL BASE 4  
55 = WAGON WHEEL BASE 5  
56 = WAGON WHEEL BASE 6  
11 = VAN WHEEL BASE 1  
12 = VAN WHEEL BASE 2

ENGINE

EX9 = Engine - 2.7L 5 Cly  
Mercedes Diesel

TRANSMISSION

DGJ = Transmission-5-Spd.  
Automatic,W5A580

AR = use ase required - = Non illustrated part

2003 VA

Rear Seat - 3 Passenger  
Figure IVA-615

ITEM	PART NUMBER	QTY	LINE	SERIES	BODY	ENGINE	TRANS	TRIM	DESCRIPTION	
1	05133126AA	1	2, 6	L	51, 52, 54, 55, 56			*B7	SEAT COMPLETE, Rear, Three Passenger Second Rear Bench	
		1	2, 6	L	51, 52, 54, 55, 56			*B7	Third Rear Bench	
	05133102AA	1	2, 6	L	51, 52, 54, 55, 56			*A7	First Rear Bench	
	05133110AA	1	2, 6	L	51, 52, 54, 55, 56			*A7	Second Rear Bench	
		1	2, 6	L	51, 52, 54, 55, 56			*A7	Third Rear Bench	
	05133118AA	1	2, 6	L	11, 12, 14, 15, 16			*B7	First Rear Bench	
		1	2, 6	L	51, 52, 54, 55, 56			*B7	First Rear Bench	
	2	05134090AA	1	2, 3, 6, 7	L				*B7	CUSHION, Rear Seat, Three Passenger First Rear Bench
		05134103AA	1	2, 3, 6, 7	L				*B7	Second & Third Row Rear Bench
		05166077AA	1	2, 3, 6, 7	L				*A7	Second & Third Row Rear Bench
05166085AA		1	2, 3, 6, 7	L				*A7	First Rear Bench	
3		05103707AA	1	3, 7	L	12, 15, 16				BRACKET, Rear Seatback Left
		1	2, 6	L	11, 12, 14, 15, 16				Left	
		1	2, 6	L	51, 52, 54, 55, 56				Left	
	05103706AA	1	3, 7	L	12, 15, 16				Right	
		1	2, 6	L	11, 12, 14, 15, 16				Right	
		1	2, 6	L	51, 52, 54, 55, 56				Right	
4	05134093AA	1	2, 3, 6, 7	L				*B7	SEAT BACK, Rear, 3 Passenger First Rear Bench	
	05134106AA	1	2, 3, 6, 7	L				*B7	Second & Third Row Rear Bench	
	05166084AA	1	2, 3, 6, 7	L				*A7	First Rear Bench	
	05166086AA	1	2, 3, 6, 7	L				*A7	Second & Third Row Rear Bench	
5								SCREW, Self-Tapping		

SPRINTER (VA)

SERIES

L = LOWLINE

LINE

3 = HD DODGE 2WD  
6 = Lt. Duty DODGE 4WD  
2 = Med. Duty DODGE 2WD  
7 = Med. Duty DODGE 4WD

BODY

51 = WAGON WHEEL BASE 1 EX9 = Engine - 2.7L 5 Cly  
52 = WAGON WHEEL BASE 2 Mercedes Diesel  
14 = VAN WHEEL BASE 4  
15 = VAN WHEEL BASE 5  
16 = VAN WHEEL BASE 6  
54 = WAGON WHEEL BASE 4  
55 = WAGON WHEEL BASE 5  
56 = WAGON WHEEL BASE 6  
11 = VAN WHEEL BASE 1  
12 = VAN WHEEL BASE 2

ENGINE

TRANSMISSION

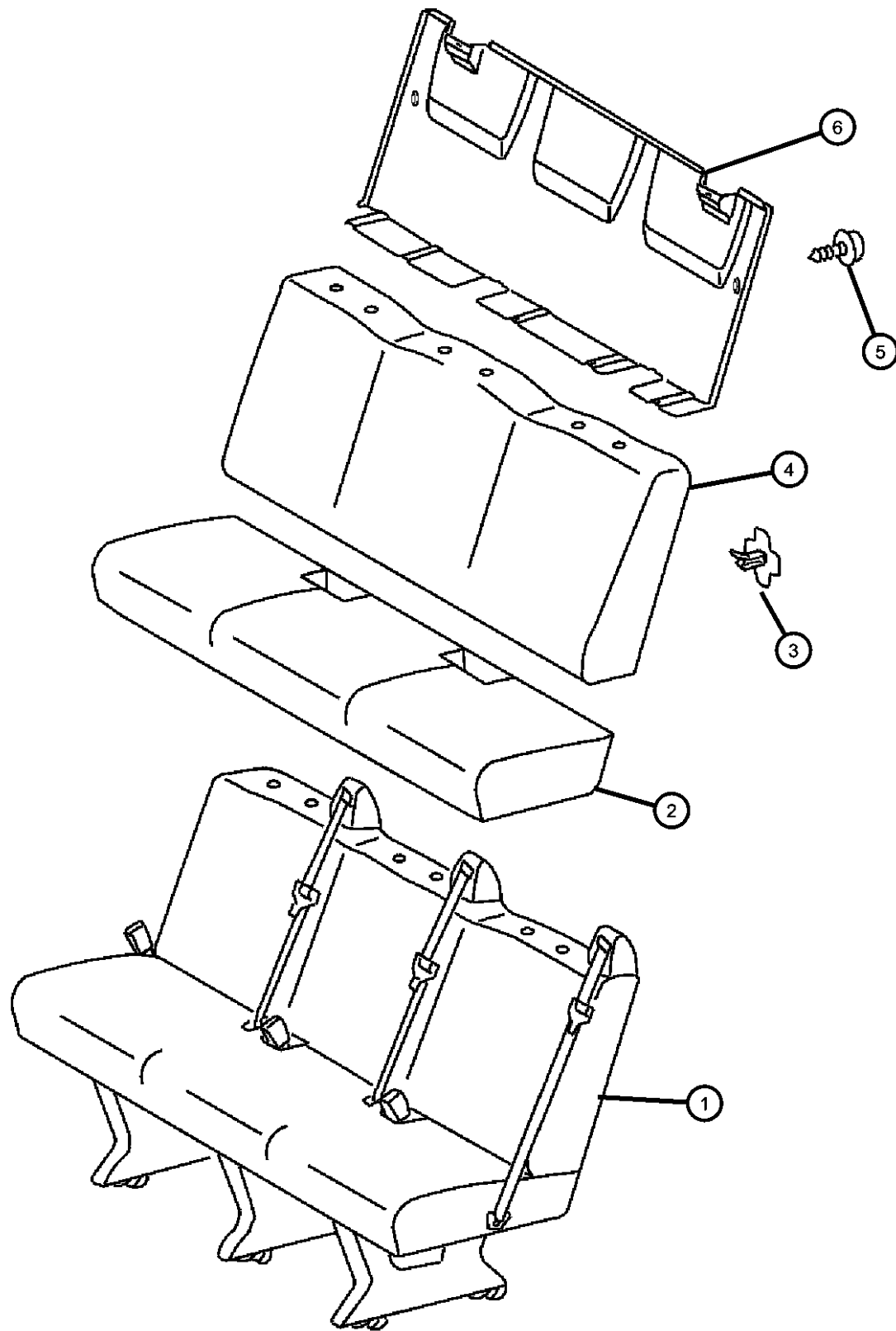
DGJ = Transmission-5-Spd. Automatic, W5A580

AR = use ase required - = Non illustrated part

2003 VA

Rear Seat - 3 Passenger  
Figure IVA-615

ITEM	PART NUMBER	QTY	LINE	SERIES	BODY	ENGINE	TRANS	TRIM	DESCRIPTION
	05133295AA	2	2, 6	L	01, 02, 06				
		2	2, 6	L	11, 12, 14, 15, 16				
		2	2, 6	L	51, 52, 54, 55, 56				
6	05134096AA	1	2, 6	L	11, 12, 14, 15, 16				PANEL, Seat Back, Two Passenger
		1	3, 7	L	12, 15, 16				
		1	2, 6	L	51, 52, 54, 55, 56				



SPRINTER (VA)

SERIES

L = LOWLINE

LINE

3 = HD DODGE 2WD  
6 = Lt. Duty DODGE 4WD  
2 = Med. Duty DODGE 2WD  
7 = Med. Duty DODGE 4WD

BODY

51 = WAGON WHEEL BASE 1  
52 = WAGON WHEEL BASE 2  
14 = VAN WHEEL BASE 4  
15 = VAN WHEEL BASE 5  
16 = VAN WHEEL BASE 6  
54 = WAGON WHEEL BASE 4  
55 = WAGON WHEEL BASE 5  
56 = WAGON WHEEL BASE 6  
11 = VAN WHEEL BASE 1  
12 = VAN WHEEL BASE 2

ENGINE

EX9 = Engine - 2.7L 5 Cly  
Mercedes Diesel

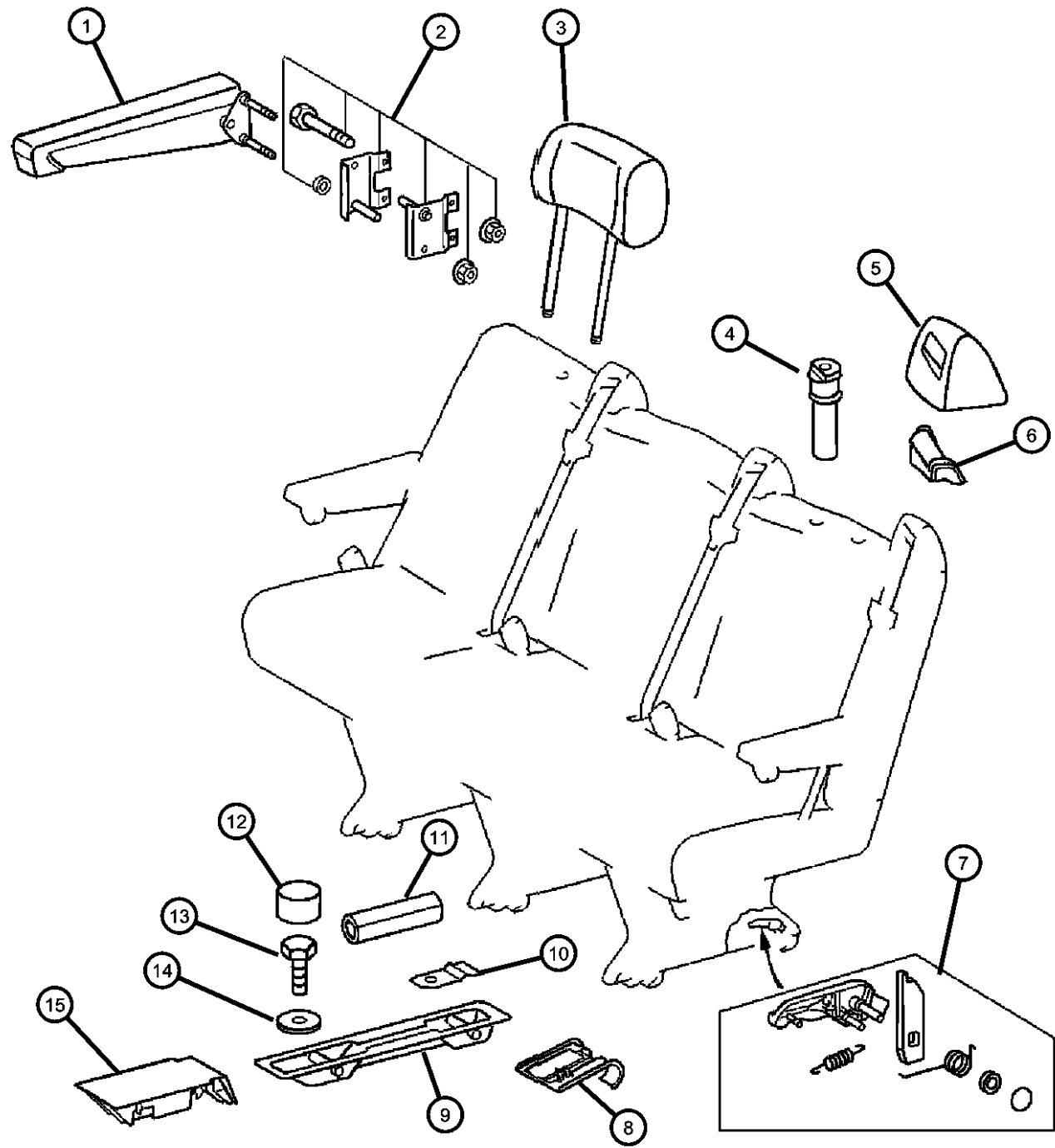
TRANSMISSION

DGJ = Transmission-5-Spd.  
Automatic,W5A580

AR = use ase required - = Non illustrated part

2003 VA

**Attaching Parts - 3rd Passenger Seat  
Figure IVA-620**



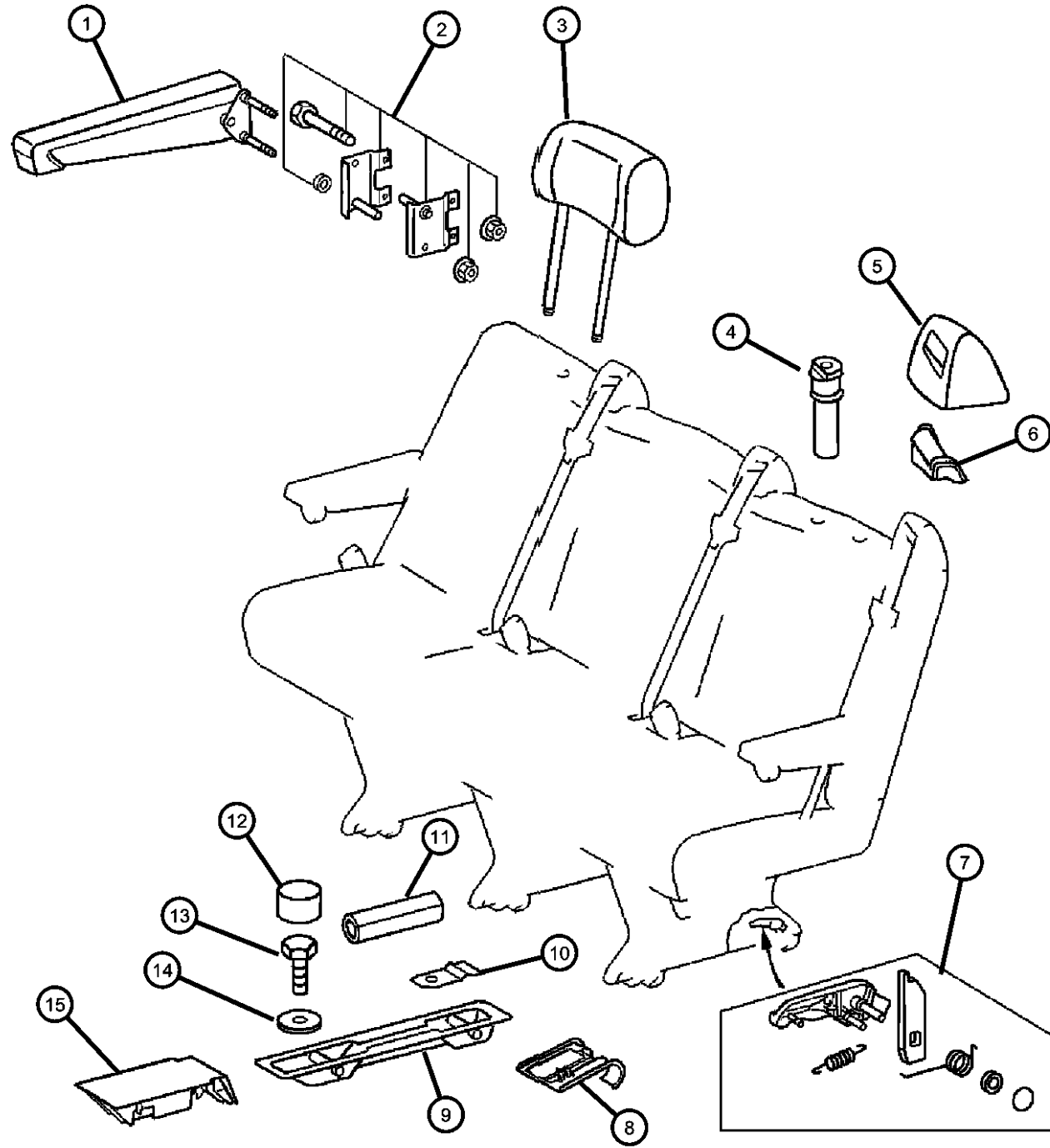
ITEM	PART NUMBER	QTY	LINE	SERIES	BODY	ENGINE	TRANS	TRIM	DESCRIPTION			
1	0ZN58CSSAA	1	3, 7	L	12, 15, 16				ARMREST, REAR SEAT			
		1	2, 6	L	11, 12, 14, 15, 16							
		1	2, 6	L	51, 52, 54, 55, 56							
2	05134098AA	1	3, 7	L	12, 15, 16				BRACKET, Arm Rest			
		1	2, 6	L	11, 12, 14, 15, 16							
		1	2, 6	L	51, 52, 54, 55, 56							
3	05104534AA	1	3, 7	L	12, 15, 16				HEADREST Catano			
		3	2, 6	L	11, 12, 14, 15, 16					Catano		
		1	2, 6	L	51, 52, 54, 55, 56					Catano		
	05125368AA	1	3, 7	L	12, 15, 16				Venice			
		3	2, 6	L	11, 12, 14, 15, 16					Venice		
		1	2, 6	L	51, 52, 54, 55, 56					Venice		
	05125377AA	1	2, 6	L	11, 12, 14, 15, 16				Santos			
		1	2, 6	L	51, 52, 54, 55, 56					Santos		
		1	3, 7	L	12, 15, 16					Santos		
4	05125318AA	2	2, 6	L	51, 52, 54, 55, 56				SLEEVE, Headrest			
		2	3, 7	L	12, 15, 16							
		2	2, 6	L	11, 12, 14, 15, 16							
		5	05103708AA	1	3, 7	L	12, 15, 16					COVER, Seat Belt Opening
				1	2, 6	L	11, 12, 14, 15, 16					
				1	2, 6	L	51, 52, 54, 55, 56					

**SPRINTER (VA)**

<b>SERIES</b>	<b>LINE</b>	<b>BODY</b>	<b>ENGINE</b>	<b>TRANSMISSION</b>
L = LOWLINE	3 = HD DODGE 2WD 6 = Lt. Duty DODGE 4WD 2 = Med. Duty DODGE 2WD 7 = Med. Duty DODGE 4WD	51 = WAGON WHEEL BASE 1 52 = WAGON WHEEL BASE 2 14 = VAN WHEEL BASE 4 15 = VAN WHEEL BASE 5 16 = VAN WHEEL BASE 6 54 = WAGON WHEEL BASE 4 55 = WAGON WHEEL BASE 5 56 = WAGON WHEEL BASE 6 11 = VAN WHEEL BASE 1 12 = VAN WHEEL BASE 2	EX9 = Engine - 2.7L 5 Cly Mercedes Diesel	DGJ = Transmission-5-Spd. Automatic, W5A580

AR = use ase required - = Non illustrated part

**Attaching Parts - 3rd Passenger Seat  
Figure IVA-620**



ITEM	PART NUMBER	QTY	LINE	SERIES	BODY	ENGINE	TRANS	TRIM	DESCRIPTION
6	05103709AA	1	3, 7	L	12, 15, 16				GUIDE, Seat Belt
		1	2, 6	L	11, 12, 14, 15, 16				
		1	2, 6	L	51, 52, 54, 55, 56				
7	05103704AA	2	3, 7	L	12, 15, 16				LATCH, Seat
		2	2, 6	L	11, 12, 14, 15, 16				
		2	2, 6	L	51, 52, 54, 55, 56				
8	05134099AA	4	3, 7	L	12, 15, 16				ESCUTCHEON, Seat Anchor
		4	2, 6	L	11, 12, 14, 15, 16				
		4	2, 6	L	51, 52, 54, 55, 56				
9	05104531AA	1	2, 6	L	11, 12, 14, 15, 16				ESCUTCHEON, Seat Anchor Second Rear Bench, 2 Passenger
		1	2, 6	L	51, 52, 54, 55, 56				
	05104532AA	1	2, 6	L	51, 52, 54, 55, 56				ESCUTCHEON, Seat Anchor Second Rear Bench, 2 Passenger First Rear Bench, 3 Passenger
		1	3, 7	L	12, 15, 16				
			2	2, 6	L	11, 12, 14, 15, 16			
		1	3, 7	L	12, 15, 16				First Rear Bench, 3 Passenger
10	05134097AA	2	3, 7	L	12, 15, 16				SPRING, Seat Latch Return
		2	2, 6	L	11, 12, 14, 15, 16				
		2	2, 6	L	51, 52, 54, 55, 56				
11	05104550AA	2	2, 6	L	11, 12, 14, 15, 16				PIN, Roll

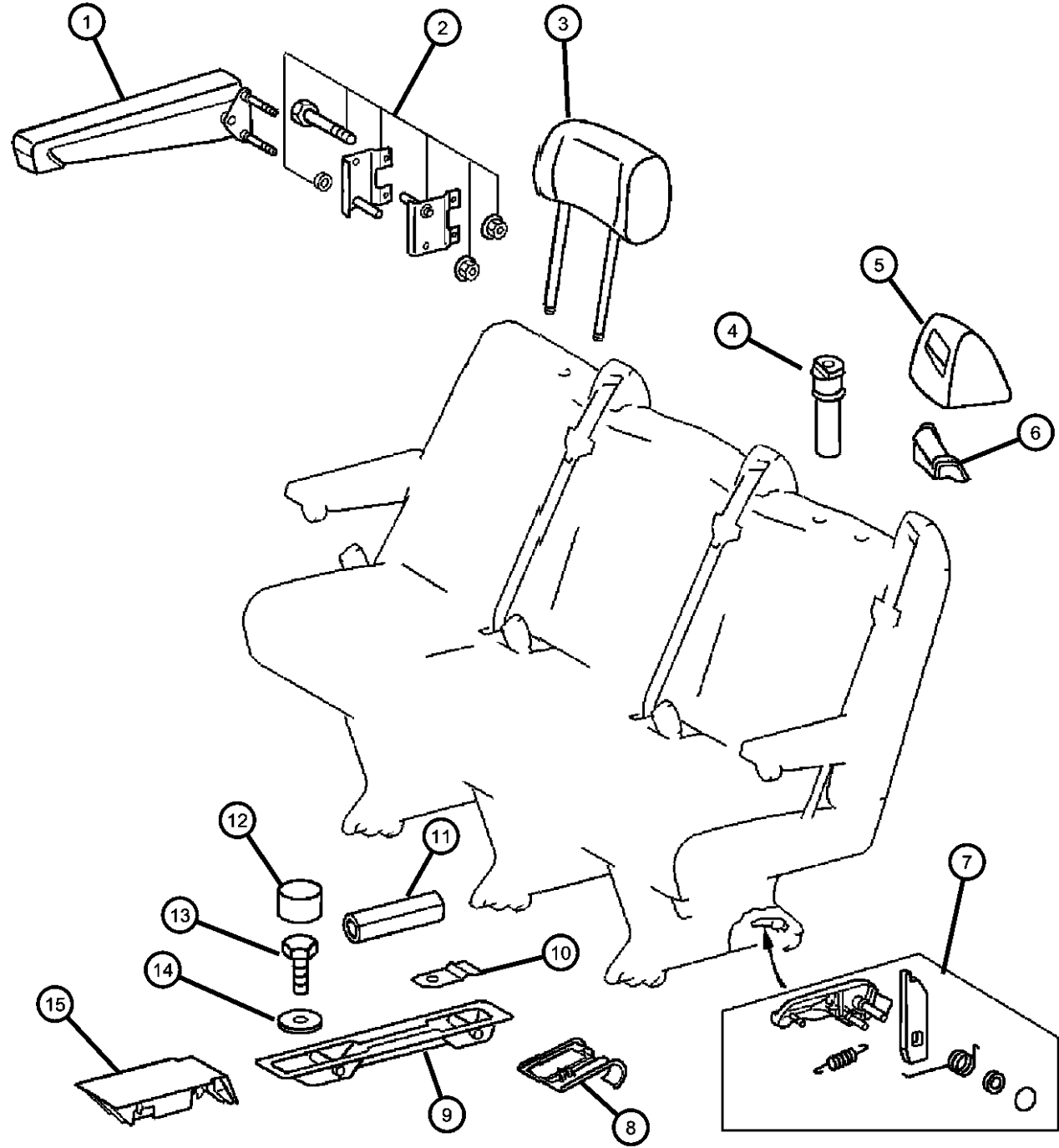
**SPRINTER (VA)**

<b>SERIES</b>	<b>LINE</b>	<b>BODY</b>	<b>ENGINE</b>	<b>TRANSMISSION</b>
L = LOWLINE	3 = HD DODGE 2WD 6 = Lt. Duty DODGE 4WD 2 = Med. Duty DODGE 2WD 7 = Med. Duty DODGE 4WD	51 = WAGON WHEEL BASE 1 52 = WAGON WHEEL BASE 2 14 = VAN WHEEL BASE 4 15 = VAN WHEEL BASE 5 16 = VAN WHEEL BASE 6 54 = WAGON WHEEL BASE 4 55 = WAGON WHEEL BASE 5 56 = WAGON WHEEL BASE 6 11 = VAN WHEEL BASE 1 12 = VAN WHEEL BASE 2	EX9 = Engine - 2.7L 5 Cly Mercedes Diesel	DGJ = Transmission-5-Spd. Automatic, W5A580

AR = use ase required - = Non illustrated part



**Attaching Parts - 3rd Passenger Seat  
Figure IVA-620**



ITEM	PART NUMBER	QTY	LINE	SERIES	BODY	ENGINE	TRANS	TRIM	DESCRIPTION
12		6	2, 6	L	51, 52, 54, 55, 56				COVER, Seat Belt
	05133484AA	6	3, 7	L	12, 15, 16				
		6	2, 6	L	11, 12, 14, 15, 16				
		6	2, 6	L	51, 52, 54, 55, 56				
13		4	2, 6	L	11, 12, 14, 15, 16				BOLT, Hex Head
	06104216AA	4	2, 6	L	51, 52, 54, 55, 56				
		4	2, 6	L	12, 15, 16				
		4	3, 7	L	12, 15, 16				
14		4	2, 6	L	11, 12, 14, 15, 16				WASHER, Flat
	05126189AA	4	2, 6	L	51, 52, 54, 55, 56				
		18	2, 6	L	51, 52, 54, 55, 56				
15		1	2, 6	L	11, 12, 14, 15, 16				COVER, Seat Anchor
	05104533AA	1	2, 6	L	51, 52, 54, 55, 56				
		1	3, 7	L	12, 15, 16				
-16	05133285AA	1	3, 7	L	12, 15, 16				HANDLE, Seat Adjuster, Adjuster, Rear, Cushion

**SPRINTER (VA)**

**SERIES**

L = LOWLINE

**LINE**

3 = HD DODGE 2WD  
6 = Lt. Duty DODGE 4WD  
2 = Med. Duty DODGE 2WD  
7 = Med. Duty DODGE 4WD

**BODY**

51 = WAGON WHEEL BASE 1  
52 = WAGON WHEEL BASE 2  
14 = VAN WHEEL BASE 4  
15 = VAN WHEEL BASE 5  
16 = VAN WHEEL BASE 6  
54 = WAGON WHEEL BASE 4  
55 = WAGON WHEEL BASE 5  
56 = WAGON WHEEL BASE 6  
11 = VAN WHEEL BASE 1  
12 = VAN WHEEL BASE 2

**ENGINE**

EX9 = Engine - 2.7L 5 Cly  
Mercedes Diesel

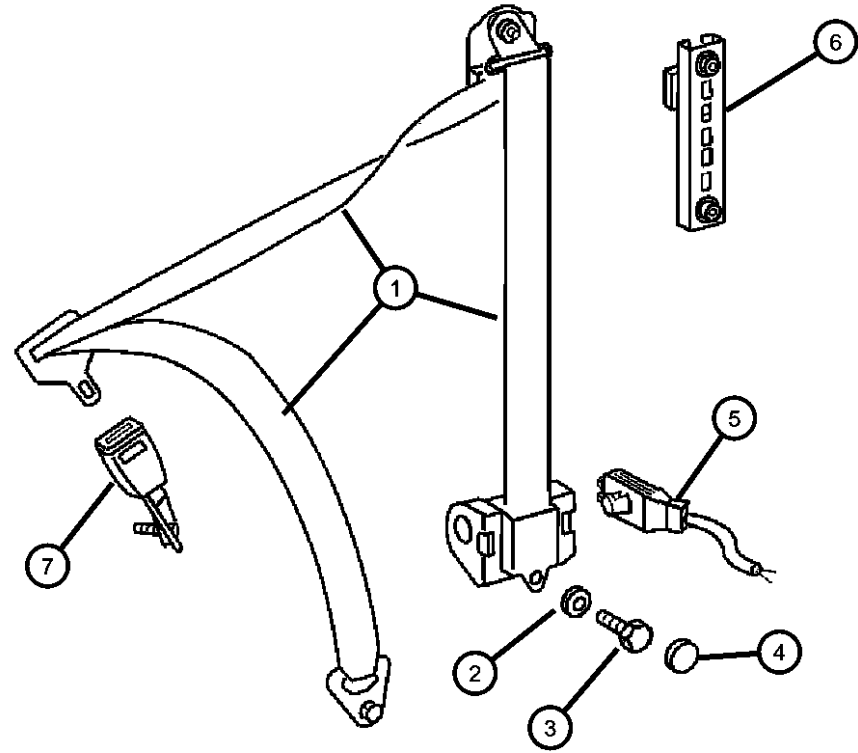
**TRANSMISSION**

DGJ = Transmission-5-Spd. Automatic, W5A580

AR = use ase required - = Non illustrated part

2003 VA

Seat Belt - Front  
Figure IVA-710



ITEM	PART NUMBER	QTY	LINE	SERIES	BODY	ENGINE	TRANS	TRIM	DESCRIPTION
1									SEAT BELT, Front Outer
	05103812AA	1		L					Left
	05103836AA	1		L					Orange, Right & Left
	05103835AA	1		L					Used without Jump Seat, Right
	05125023AA	1		L					Right
	05125026AA	1		L					Used with Jump Seat, Right
2									WASHER, Seat Belt Attaching
	05125755AA	2	2, 6	L	11, 12, 14, 15, 16				
		2	2, 6	L	51, 52, 54, 55, 56				
		2	3, 7	L	12, 15, 16				
3									BOLT, Seat Belt
	05125705AA	2	2, 6	L	11, 12, 14, 15, 16				
		2	2, 6	L	51, 52, 54, 55, 56				
		2	3, 7	L	12, 15, 16				
4									CAP, Screw Cover
	05125999AA	1	2, 6	L	11, 12, 14, 15, 16				
		1	2, 6	L	51, 52, 54, 55, 56				
		1	3, 7	L	12, 15, 16				
5									HARNESS, Wiring
	05133485AA	2	3, 7	L	12, 15, 16				
		2	2, 6	L	11, 12, 14, 15, 16				
		2	2, 6	L	51, 52, 54, 55, 56				
6									ADJUSTER, Seat Belt Turning Loop
	05104498AA	2	2, 6	L	51, 52, 54, 55, 56				
		2	3, 7	L	12, 15, 16				
		2	2, 6	L	11, 12, 14, 15, 16				
7									SEAT BELT, Buckle Half

SPRINTER (VA)

SERIES

L = LOWLINE

LINE

3 = HD DODGE 2WD  
6 = Lt. Duty DODGE 4WD  
2 = Med. Duty DODGE 2WD  
7 = Med. Duty DODGE 4WD

BODY

51 = WAGON WHEEL BASE 1 EX9 = Engine - 2.7L 5 Cly  
52 = WAGON WHEEL BASE 2 Mercedes Diesel  
14 = VAN WHEEL BASE 4  
15 = VAN WHEEL BASE 5  
16 = VAN WHEEL BASE 6  
54 = WAGON WHEEL BASE 4  
55 = WAGON WHEEL BASE 5  
56 = WAGON WHEEL BASE 6  
11 = VAN WHEEL BASE 1  
12 = VAN WHEEL BASE 2

ENGINE

TRANSMISSION

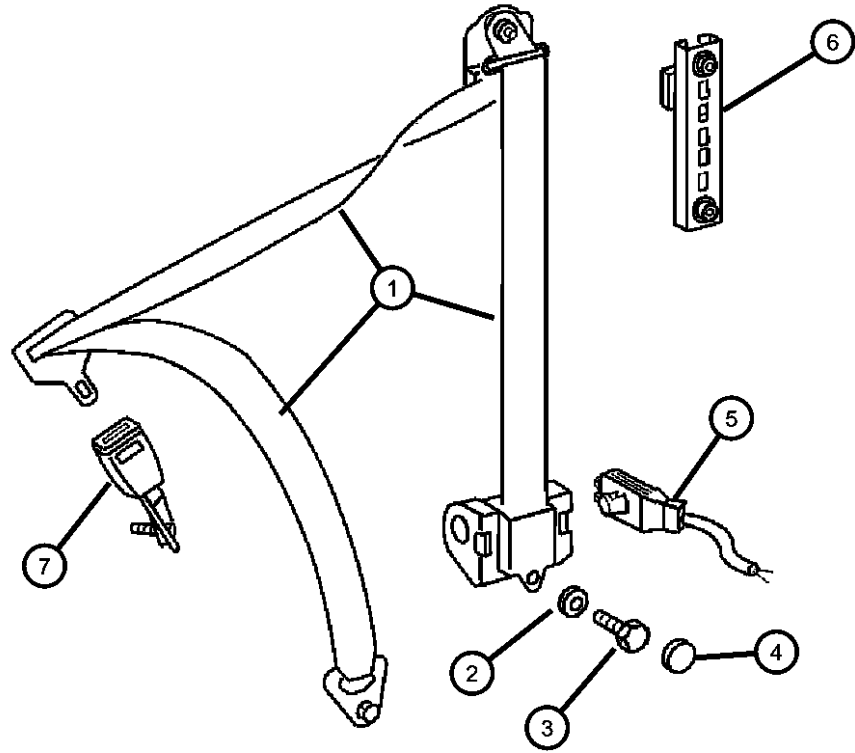
DGJ = Transmission-5-Spd. Automatic, W5A580

AR = use ase required - = Non illustrated part

2003 VA

Seat Belt - Front  
Figure IVA-710

ITEM	PART NUMBER	QTY	LINE	SERIES	BODY	ENGINE	TRANS	TRIM	DESCRIPTION
	05103810AA	1	3, 7	L	12, 15, 16				Passenger Side
		1	2, 6	L	11, 12, 14, 15, 16				Passenger Side
		1	2, 6	L	51, 52, 54, 55, 56				Passenger Side
	05103811AA	1	2, 6	L	11, 12, 14, 15, 16				Drivers Side
		1	2, 6	L	51, 52, 54, 55, 56				Drivers Side
	05124982AA	1	3, 7	L	12, 15, 16				With Luxury Bucket, Passenger Side
		1	3, 7	L	12, 15, 16				Drivers Side
		1	2, 6	L	11, 12, 14, 15, 16				With Luxury Bucket, Passenger Side
		1	2, 6	L	51, 52, 54, 55, 56				With Luxury Bucket, Passenger Side
-8									SEAT BELT, Retractor
	05103834AA	2	2, 6	L	51, 52, 54, 55, 56				
	05125014AA	2	2, 6	L	11, 12, 14, 15, 16				

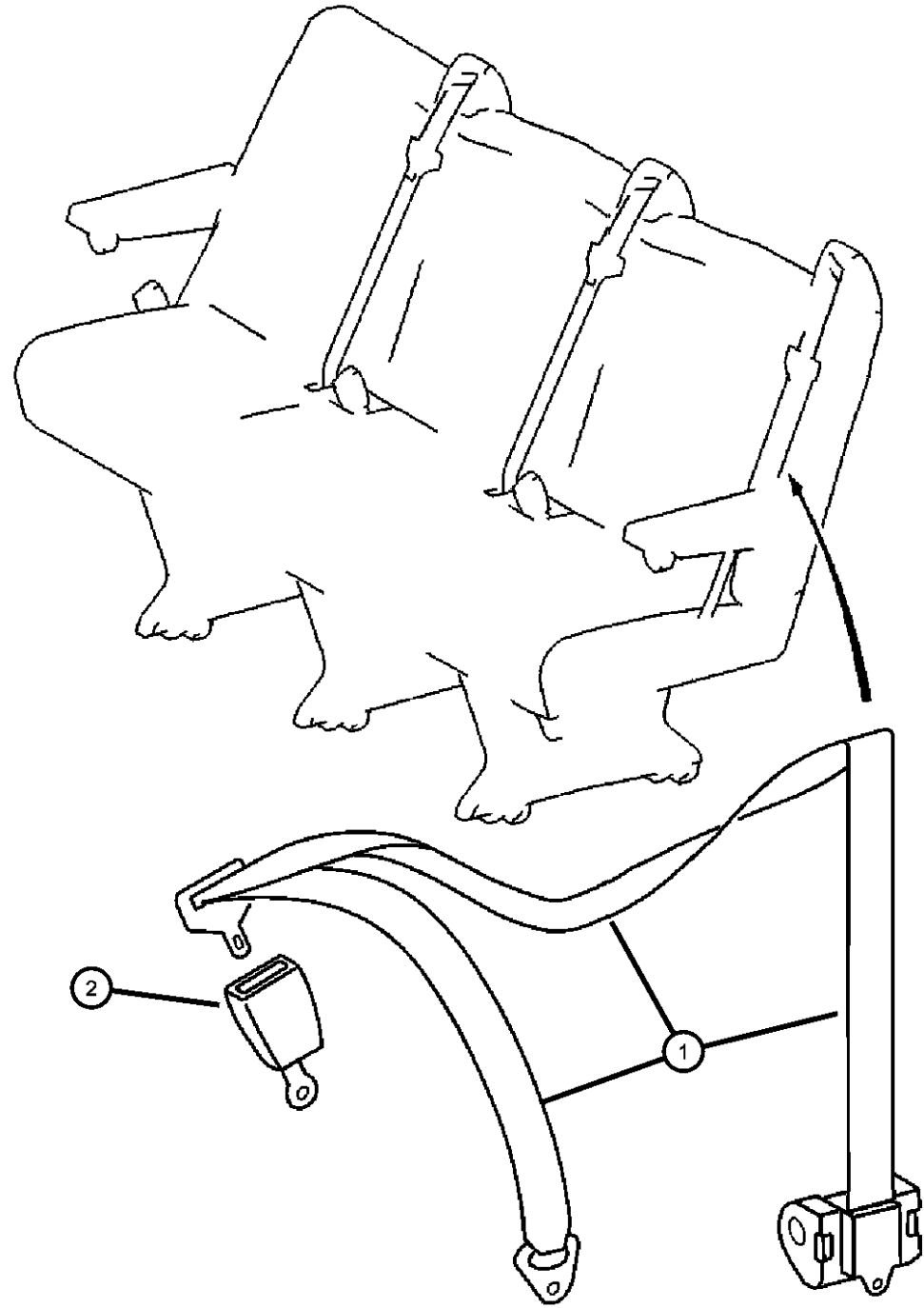


SPRINTER (VA)

SERIES	LINE	BODY	ENGINE	TRANSMISSION
L = LOWLINE	3 = HD DODGE 2WD 6 = Lt. Duty DODGE 4WD 2 = Med. Duty DODGE 2WD 7 = Med. Duty DODGE 4WD	51 = WAGON WHEEL BASE 1 52 = WAGON WHEEL BASE 2 14 = VAN WHEEL BASE 4 15 = VAN WHEEL BASE 5 16 = VAN WHEEL BASE 6 54 = WAGON WHEEL BASE 4 55 = WAGON WHEEL BASE 5 56 = WAGON WHEEL BASE 6 11 = VAN WHEEL BASE 1 12 = VAN WHEEL BASE 2	EX9 = Engine - 2.7L 5 Cly Mercedes Diesel	DGJ = Transmission-5-Spd. Automatic,W5A580

AR = use ase required - = Non illustrated part

**Seat Belt - Second Row  
Figure IVA-720**



ITEM	PART NUMBER	QTY	LINE	SERIES	BODY	ENGINE	TRANS	TRIM	DESCRIPTION
1	05125014AA	2	2, 6	L	11, 12, 14, 15, 16				SEAT BELT, Retractor
		6	2, 6	L	51, 52, 54, 55, 56				
		2	3, 7	L	12, 15, 16				
2	05104502AA	2	2, 6	L	11, 12, 14, 15, 16				SEAT BELT, Buckle Half
		2	2, 6	L	51, 52, 54, 55, 56				
		2	3, 7	L	12, 15, 16				

**SPRINTER (VA)**

**SERIES**

L = LOWLINE

**LINE**

3 = HD DODGE 2WD  
6 = Lt. Duty DODGE 4WD  
2 = Med. Duty DODGE 2WD  
7 = Med. Duty DODGE 4WD

**BODY**

51 = WAGON WHEEL BASE 1  
52 = WAGON WHEEL BASE 2  
14 = VAN WHEEL BASE 4  
15 = VAN WHEEL BASE 5  
16 = VAN WHEEL BASE 6  
54 = WAGON WHEEL BASE 4  
55 = WAGON WHEEL BASE 5  
56 = WAGON WHEEL BASE 6  
11 = VAN WHEEL BASE 1  
12 = VAN WHEEL BASE 2

**ENGINE**

EX9 = Engine - 2.7L 5 Cly  
Mercedes Diesel

**TRANSMISSION**

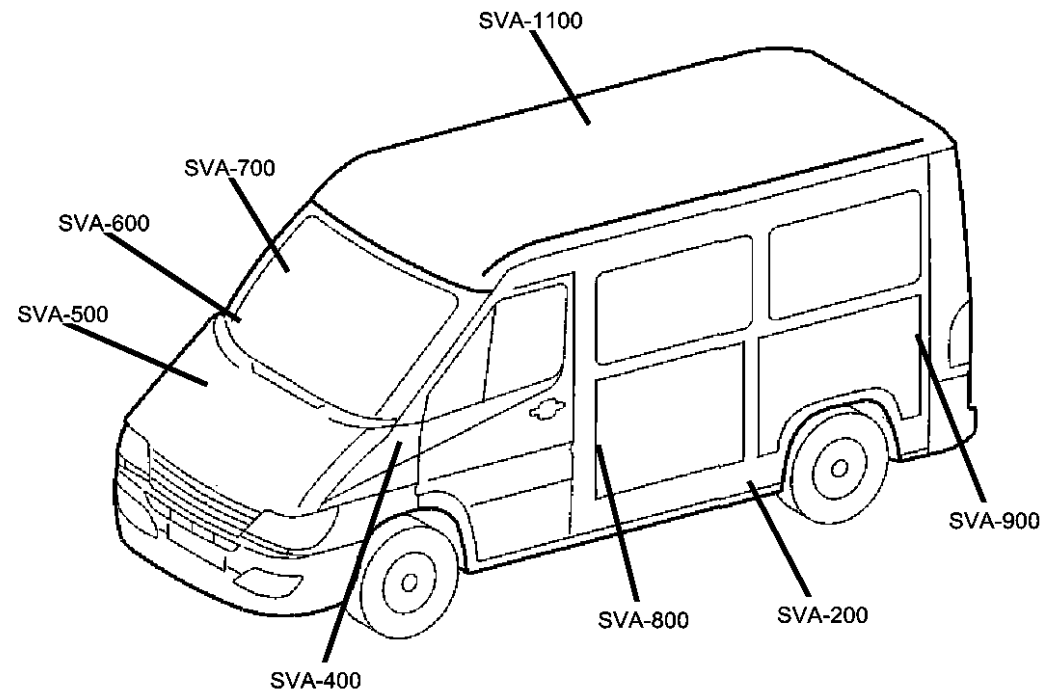
DGJ = Transmission-5-Spd.  
Automatic,W5A580

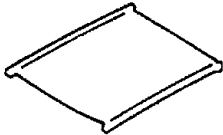

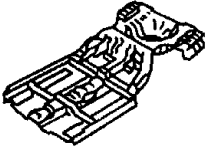

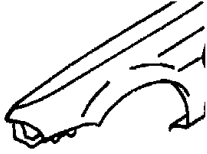
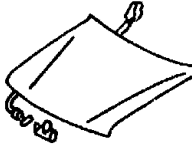
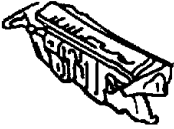

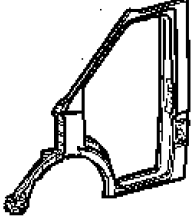
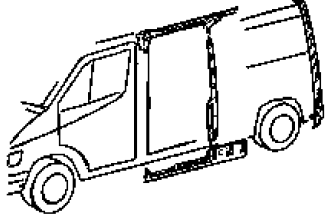
AR = use ase required - = Non illustrated part

2003 VA

# Group - SVA

## Body Sheet Metal Except Doors



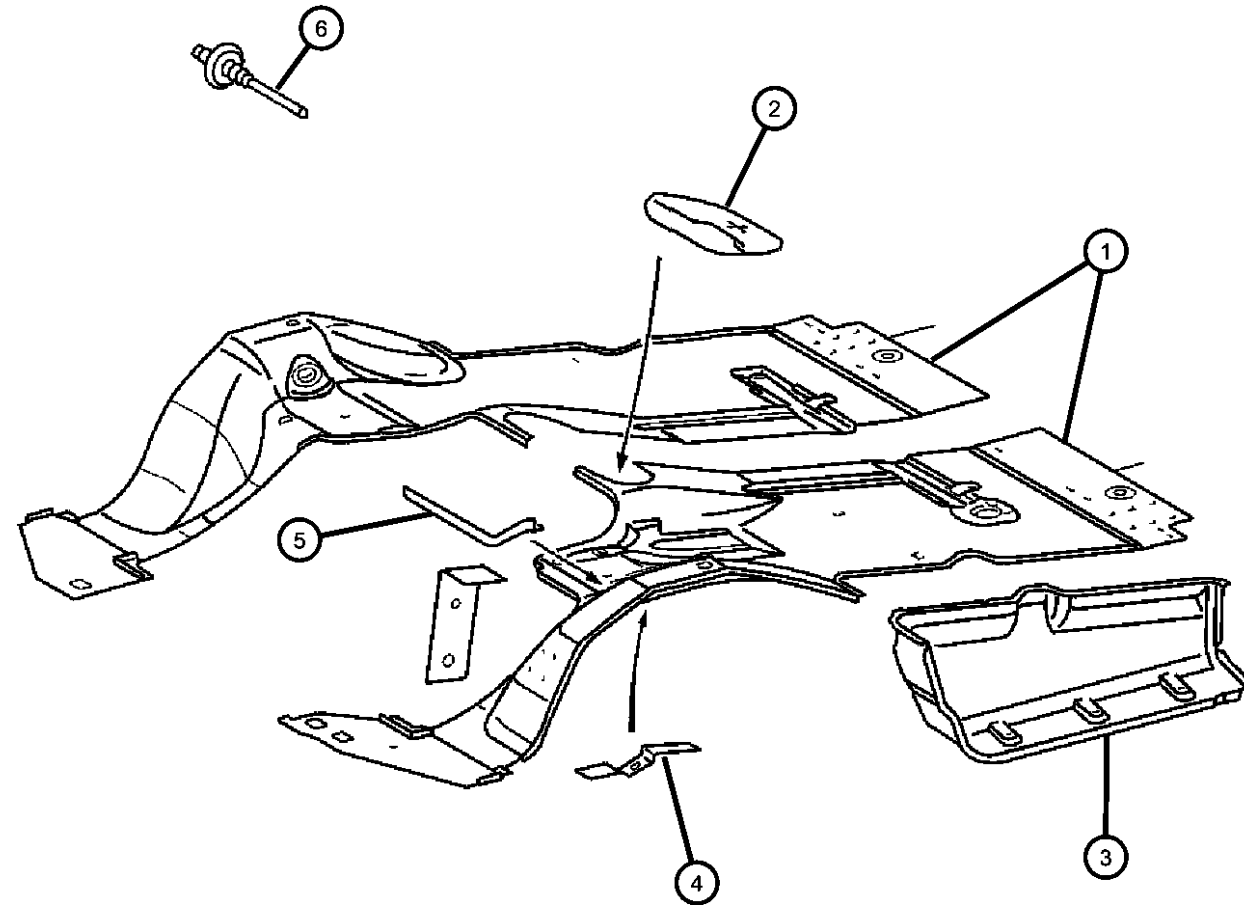
<p><b>SVA-1100</b> Roof Panels</p> 	<p><b>SVA-1200</b> Sunroof</p> 	<p><b>SVA-200</b> Floor Pans</p> 	<p><b>SVA-300</b> Plugs</p> 
<p><b>SVA-400</b> Front Fenders</p> 	<p><b>SVA-500</b> Hood and Hood Release</p> 	<p><b>SVA-600</b> Cowl and Dash Panel</p> 	<p><b>SVA-700</b> Glass and Rear View Mirror</p> 
<p><b>SVA-800</b> Aperture Panel</p> 	<p><b>SVA-900</b> Quarter Panel and Pillars</p> 		

---

## Group - SVA Body Sheet Metal Except Doors

Illustration Title	Group-Fig. No.
<b>Floor Pans</b>	
Front Floor Pan.....	Fig. SVA - 210
Rear Floor Pan.....	Fig. SVA - 220
<b>Plugs</b>	
Plugs.....	Fig. SVA - 310
<b>Front Fenders</b>	
Front Fender.....	Fig. SVA - 410
Fender Splash Guards.....	Fig. SVA - 420
<b>Hood and Hood Release</b>	
Hood and Hood Release.....	Fig. SVA - 510
<b>Cowl and Dash Panel</b>	
Cowl and Dash.....	Fig. SVA - 610
Inner Paneling in Cab, Cowl.....	Fig. SVA - 620
<b>Glass and Rear View Mirror</b>	
Windshield, Backlite and Rear View Mirror.....	Fig. SVA - 710
Front Right Side Sliding Glass.....	Fig. SVA - 720
Side Glass, Fixed.....	Fig. SVA - 730
<b>Aperture Panel</b>	
Front Aperture, Inner, Left.....	Fig. SVA - 810
Front Aperture, Outer, Left.....	Fig. SVA - 820
Front Aperture, Inner, Right.....	Fig. SVA - 830
Front Aperture, Outer, Right.....	Fig. SVA - 840
<b>Quarter Panel and Pillars</b>	
Right Side Cargo Door Pillars & Wheelhouse.....	Fig. SVA - 910
Right Side Panels, Cargo.....	Fig. SVA - 920
Right Side Panels, Wagon.....	Fig. SVA - 930
Left Side Cargo Door Pillars & Wheelhouse.....	Fig. SVA - 940
Left Side Panels, Cargo.....	Fig. SVA - 950
Left Side Panels, Wagon.....	Fig. SVA - 960
Rear Splash Shield.....	Fig. SVA - 970
Rear Step Panel.....	Fig. SVA - 980
Partition Wall & Load Protection Grill.....	Fig. SVA - 990
<b>Roof Panels</b>	
Low Roof Panel.....	Fig. SVA - 1110
High Roof Panel.....	Fig. SVA - 1120
<b>Sunroof</b>	
Manual Sunroof.....	Fig. SVA - 1210
Fixed Sunroof.....	Fig. SVA - 1220

Front Floor Pan  
Figure SVA-210



ITEM	PART NUMBER	QTY	LINE	SERIES	BODY	ENGINE	TRANS	TRIM	DESCRIPTION
1	05121511AA	1	2, 6		11, 12, 14, 15, 16				PAD, Floor Pan
		1	3, 7		12, 15, 16				
		1	2, 6		51, 52, 54, 55, 56				
2	05121510AA	1	2, 6		11, 12, 14, 15, 16				ESCUTCHEON, Floor
		1	3, 7		12, 15, 16				
		1	2, 6		51, 52, 54, 55, 56				
3	05104161AA	1	2, 6		11, 12, 14, 15, 16				STEP PAD, Side Step
		1	3, 7		12, 15, 16				Left
		1	2, 6		51, 52, 54, 55, 56				Left
	05121571AA	1	2, 6		11, 12, 14, 15, 16				Right
		1	3, 7		12, 15, 16				Right
		1	2, 6		51, 52, 54, 55, 56				Right
4	05119269AA	1	2, 6		11, 12, 14, 15, 16				BRACKET, Floor Pan, Brake Cable
		1	3, 7		12, 15, 16				
		1	2, 6		51, 52, 54, 55, 56				
5	05121494AA	1	2, 6		11, 12, 14, 15, 16				PAD, Floor Pan
		1	3, 7		12, 15, 16				Left
		1	2, 6		51, 52, 54, 55, 56				Left
	05121495AA	1	2, 6		11, 12, 14, 15, 16				Right
		1	3, 7		12, 15, 16				Right
		1	2, 6		51, 52, 54, 55, 56				Right

SPRINTER (VA)

SERIES

L = LOWLINE

LINE

3 = HD DODGE 2WD  
6 = Lt. Duty DODGE 4WD  
2 = Med. Duty DODGE 2WD  
7 = Med. Duty DODGE 4WD

BODY

51 = WAGON WHEEL BASE 1  
52 = WAGON WHEEL BASE 2  
14 = VAN WHEEL BASE 4  
15 = VAN WHEEL BASE 5  
16 = VAN WHEEL BASE 6  
54 = WAGON WHEEL BASE 4  
55 = WAGON WHEEL BASE 5  
56 = WAGON WHEEL BASE 6  
11 = VAN WHEEL BASE 1  
12 = VAN WHEEL BASE 2

ENGINE

EX9 = Engine - 2.7L 5 Cyl  
Mercedes Diesel

TRANSMISSION

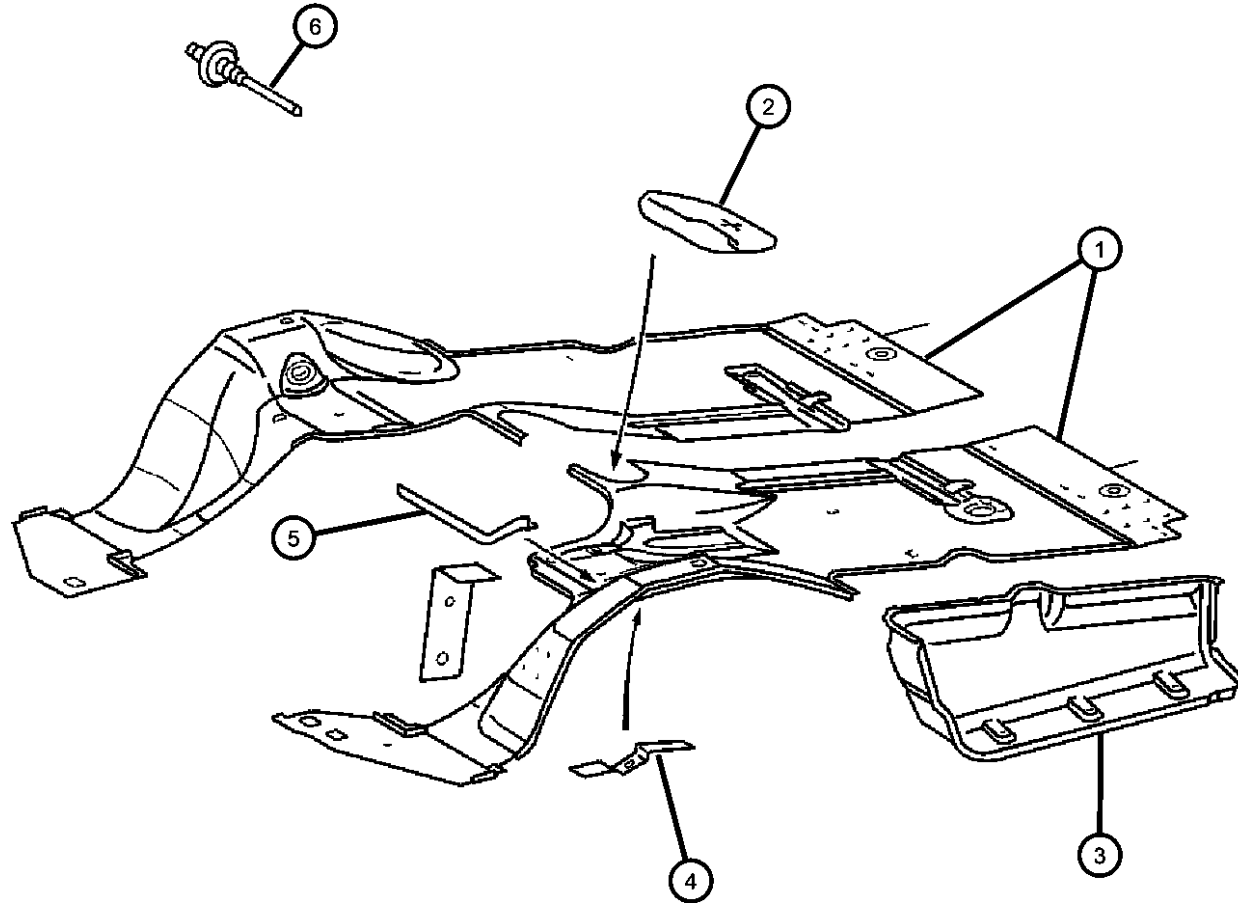
DGJ = Transmission-5-Spd.  
Automatic,W5A580

AR = use ase required - = Non illustrated part

2003 VA

Front Floor Pan  
Figure SVA-210

ITEM	PART NUMBER	QTY	LINE	SERIES	BODY	ENGINE	TRANS	TRIM	DESCRIPTION
6	05133847AA	99	3, 7		12, 15, 16				RIVET
		99	2, 6		11, 12, 14, 15, 16				
		99	2, 6		51, 52, 54, 55, 56				



SPRINTER (VA)

SERIES	LINE	BODY	ENGINE	TRANSMISSION
L = LOWLINE	3 = HD DODGE 2WD	51 = WAGON WHEEL BASE 1	EX9 = Engine - 2.7L 5 Cly	DGJ = Transmission-5-Spd.
	6 = Lt. Duty DODGE 4WD	52 = WAGON WHEEL BASE 2	Mercedes Diesel	Automatic,W5A580
	2 = Med. Duty DODGE 2WD	14 = VAN WHEEL BASE 4		
	7 = Med. Duty DODGE 4WD	15 = VAN WHEEL BASE 5		
		16 = VAN WHEEL BASE 6		
		54 = WAGON WHEEL BASE 4		
		55 = WAGON WHEEL BASE 5		
		56 = WAGON WHEEL BASE 6		
		11 = VAN WHEEL BASE 1		
		12 = VAN WHEEL BASE 2		

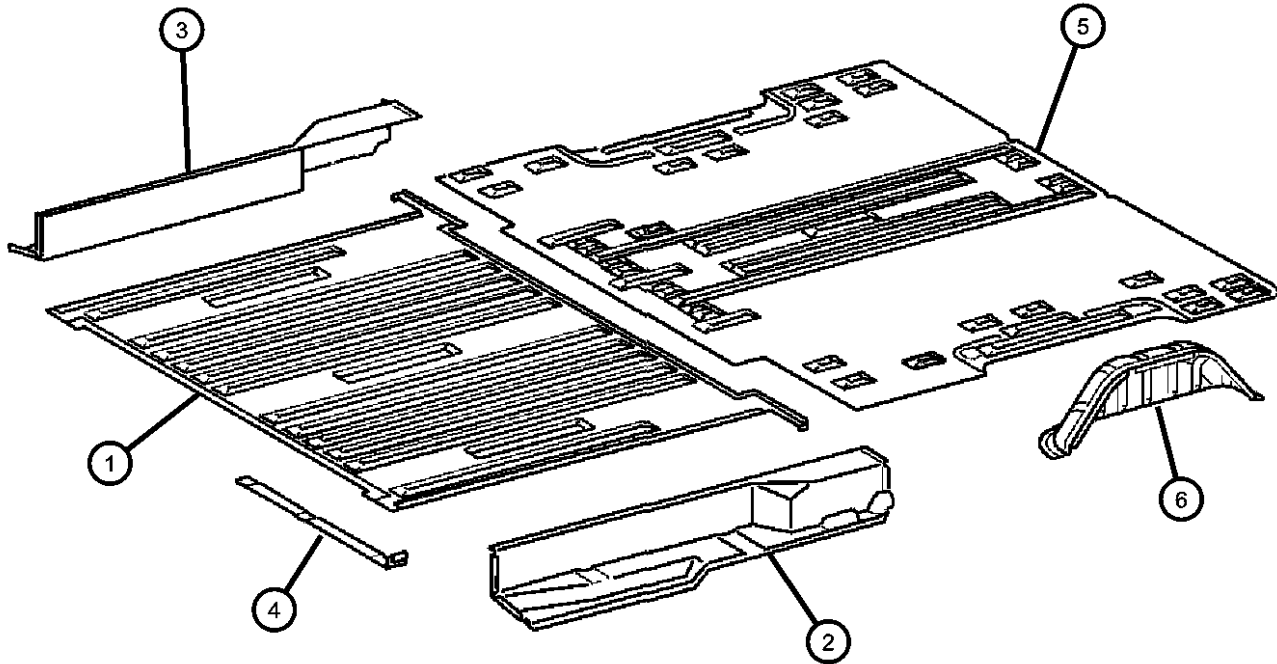
AR = use ase required - = Non illustrated part



**Rear Floor Pan  
Figure SVA-220**

ITEM	PART NUMBER	QTY	LINE	SERIES	BODY	ENGINE	TRANS	TRIM	DESCRIPTION
------	-------------	-----	------	--------	------	--------	-------	------	-------------

Sales Codes:  
 [CKZ] = Floor Covering, Rubber  
 [CWC] = Cargo Partition  
 [GKA] = Right Sliding Door  
 [GKE] = Left Sliding Door



1									PAN, Center Floor
	05121536AA	1	2, 6		11, 12, 14, 15, 16				[GKE], Left Door Sliding
		1	3, 7		12, 15, 16				[GKE], Left Door Sliding
		1	2, 6		51, 52, 54, 55, 56				[GKE], Left Door Sliding
	05121540AA	1	2, 6		11, 12, 14, 15, 16				[GKE], Left Door Sliding & [GKA], Right Door Sliding
		1	3, 7		12, 15, 16				[GKE], Left Door Sliding & [GKA], Right Door Sliding
		1	2, 6		51, 52, 54, 55, 56				[GKE], Left Door Sliding & [GKA], Right Door Sliding
	05121544AA	1	2, 6		51, 52, 54, 55, 56				[GKA], Right Door Sliding
	05121546AA	1	2, 6		51, 52, 54, 55, 56				[CWC], With Cargo Partition
2									PANEL, Side Step Well, Left
	05121457AA	1	2, 6		11, 12, 14, 15, 16				[GKE], Left Door Sliding
		1	3, 7		12, 15, 16				[GKE], Left Door Sliding
		1	2, 6		51, 52, 54, 55, 56				[GKE], Left Door Sliding
	05121461AA	1	2, 6		11, 12, 14, 15, 16				[GKE], Left Door Sliding & [CKZ], Floor Covering, Rubber
		1	3, 7		12, 15, 16				[GKE], Left Door Sliding & [CKZ], Floor Covering, Rubber
		1	2, 6		51, 52, 54, 55, 56				[GKE], Left Door Sliding & [CKZ], Floor Covering, Rubber
3									PANEL, Side Step Well, Right
	05104158AA	1	2, 6		11, 12, 14, 15, 16				[GKA], Right Door Sliding
		1	3, 7		12, 15, 16				[GKA], Right Door Sliding
	05121464AA	1	3, 7		12, 15, 16				[GKA], Right Door Sliding & [CKZ], Floor Covering, Rubber
		1	2, 6		51, 52, 54, 55, 56				[GKA], Right Door Sliding & [CKZ], Floor Covering, Rubber

**SPRINTER (VA)**

SERIES      LINE  
 L = LOWLINE      3 = HD DODGE 2WD  
                          6 = Lt. Duty DODGE 4WD  
                          2 = Med. Duty DODGE 2WD  
                          7 = Med. Duty DODGE 4WD

BODY      ENGINE  
 51 = WAGON WHEEL BASE 1 EX9 = Engine - 2.7L 5 Cly  
 52 = WAGON WHEEL BASE 2 Mercedes Diesel  
 14 = VAN WHEEL BASE 4  
 15 = VAN WHEEL BASE 5  
 16 = VAN WHEEL BASE 6  
 54 = WAGON WHEEL BASE 4  
 55 = WAGON WHEEL BASE 5  
 56 = WAGON WHEEL BASE 6  
 11 = VAN WHEEL BASE 1  
 12 = VAN WHEEL BASE 2

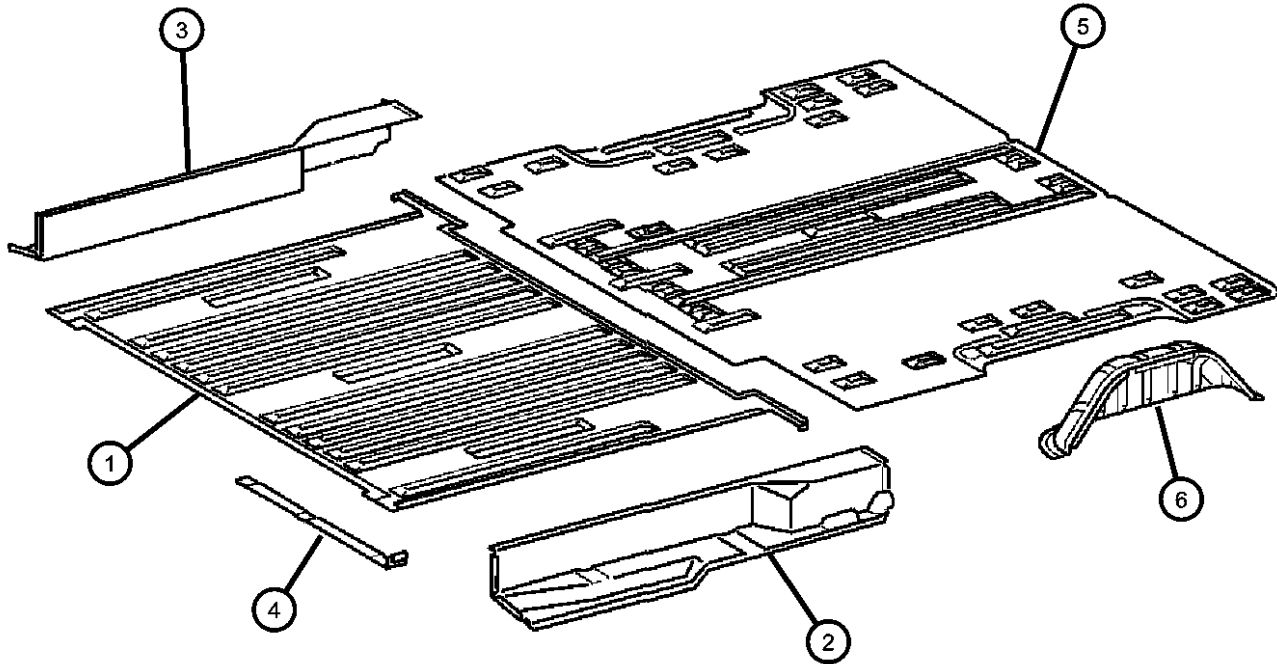
TRANSMISSION  
 DGJ = Transmission-5-Spd. Automatic, W5A580

AR = use ase required - = Non illustrated part

2003 VA

Rear Floor Pan  
Figure SVA-220

ITEM	PART NUMBER	QTY	LINE	SERIES	BODY	ENGINE	TRANS	TRIM	DESCRIPTION
		1	2, 6		51, 52, 54, 55, 56				[GKA], Right Door Sliding
		1	2, 6		11, 12, 14, 15, 16				[GKA], Right Door Sliding & [CKZ], Floor Covering, Rubber BRACKET, Floor Pan, In Front of Central Entrance
4	05121501AA	2	2, 6		11, 12, 14, 15, 16				
		2	3, 7		12, 15, 16				
		2	2, 6		51, 52, 54, 55, 56				
5									PAN, Rear Floor
	05121476AA	1	3, 7		12, 15, 16				158 Inch Wheelbase
	05121561AA	1	2, 6		51, 52, 54, 55, 56				140 Inch Wheelbase
	05121563AA	1	2, 6		51, 52, 54, 55, 56				118 Inch Wheelbase
	05104565AA	1	2, 6		51, 52, 54, 55, 56				158 Inch Wheelbase
	05121474AA	1	3, 7		12, 15, 16				140 Inch Wheelbase
6									PANEL, Wheelhouse
	05104162AA	2	2, 6		11, 12, 14, 15, 16				
		2	3, 7		12, 15, 16				
		2	2, 6		51, 52, 54, 55, 56				



SPRINTER (VA)

SERIES

L = LOWLINE

LINE

3 = HD DODGE 2WD  
6 = Lt. Duty DODGE 4WD  
2 = Med. Duty DODGE 2WD  
7 = Med. Duty DODGE 4WD

BODY

51 = WAGON WHEEL BASE 1  
52 = WAGON WHEEL BASE 2  
14 = VAN WHEEL BASE 4  
15 = VAN WHEEL BASE 5  
16 = VAN WHEEL BASE 6  
54 = WAGON WHEEL BASE 4  
55 = WAGON WHEEL BASE 5  
56 = WAGON WHEEL BASE 6  
11 = VAN WHEEL BASE 1  
12 = VAN WHEEL BASE 2

ENGINE

EX9 = Engine - 2.7L 5 Cly  
Mercedes Diesel

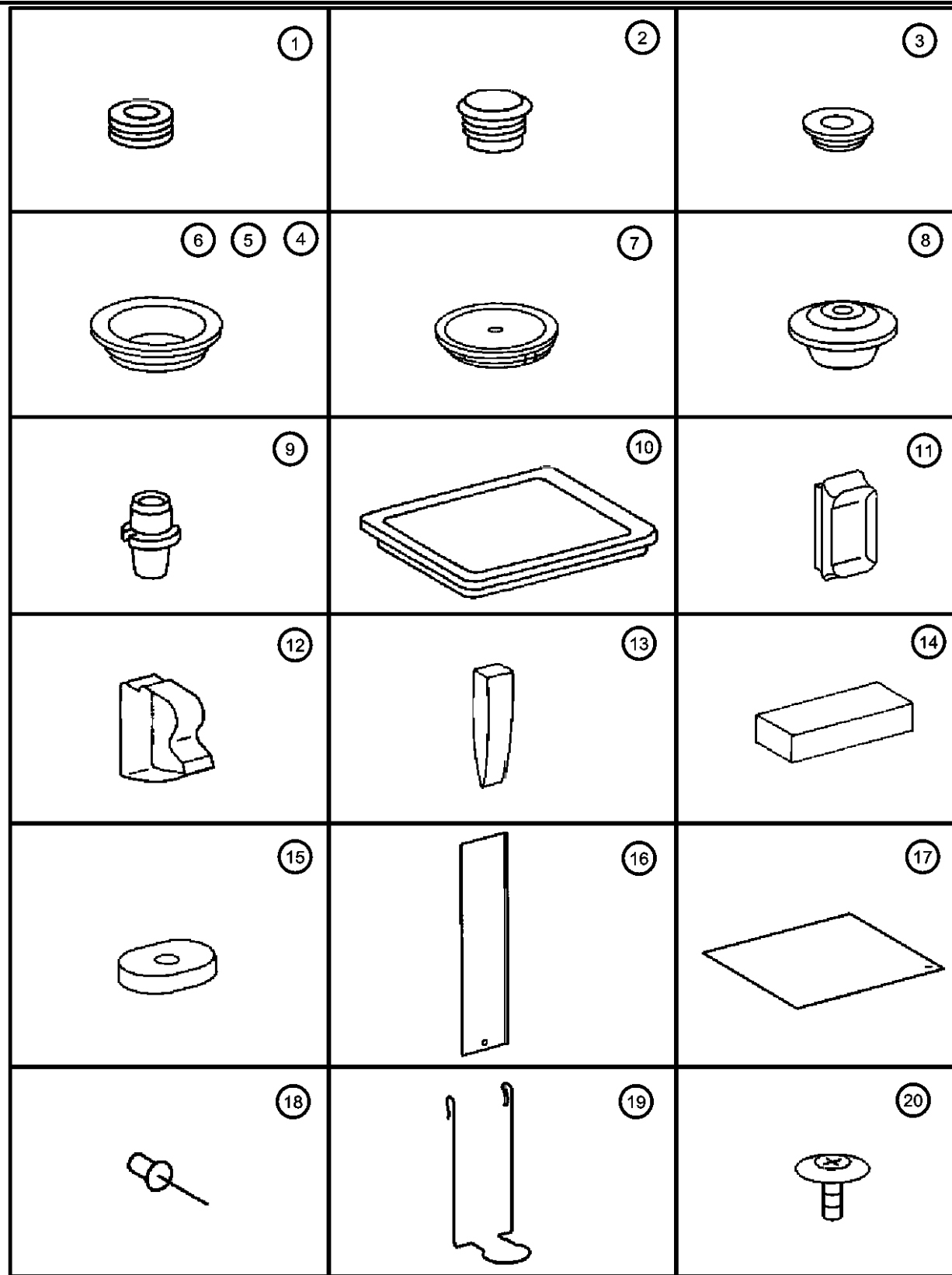
TRANSMISSION

DGJ = Transmission-5-Spd.  
Automatic,W5A580

AR = use ase required - = Non illustrated part

2003 VA

Plugs  
Figure SVA-310



ITEM	PART NUMBER	QTY	LINE	SERIES	BODY	ENGINE	TRANS	TRIM	DESCRIPTION
1	05133557AA	1	2, 6		11, 12, 14, 15, 16				PLUG, Expansion, Dash Panel, Engine Compartment
		1	2, 6		51, 52, 54, 55, 56				
	05133657AA	1	3, 7		12, 15, 16				
2	05125994AA	2	3, 7		12, 15, 16				PLUG, Body, Water Drain, 22mm
		2	2, 6		51, 52, 54, 55, 56				
		2	2, 6		11, 12, 14, 15, 16				
3	05098417AA	1	2, 6		11, 12, 14, 15, 16				PLUG, Door Contact Switch
		1	3, 7		12, 15, 16				
		1	2, 6		51, 52, 54, 55, 56				
4	05098441AA	2	3, 7		12, 15, 16				PLUG, W/S Washer Reservoir Hole
		2	2, 6		11, 12, 14, 15, 16				
5	05125511AA	2	3, 7		12, 15, 16				GROMMET, Body
		2	2, 6		11, 12, 14, 15, 16				
6	05098415AA	8	3, 7		12, 15, 16				PLUG, Body
		8	2, 6		51, 52, 54, 55, 56				
		8	2, 6		11, 12, 14, 15, 16				
7	05125518AA	14	3, 7		12, 15, 16				PLUG, Body, [89mm]
		10	2, 6		51, 52, 54, 55, 56				
		10	2, 6		11, 12, 14, 15, 16				

SPRINTER (VA)

SERIES

L = LOWLINE

LINE

3 = HD DODGE 2WD  
6 = Lt. Duty DODGE 4WD  
2 = Med. Duty DODGE 2WD  
7 = Med. Duty DODGE 4WD

BODY

51 = WAGON WHEEL BASE 1  
52 = WAGON WHEEL BASE 2  
14 = VAN WHEEL BASE 4  
15 = VAN WHEEL BASE 5  
16 = VAN WHEEL BASE 6  
54 = WAGON WHEEL BASE 4  
55 = WAGON WHEEL BASE 5  
56 = WAGON WHEEL BASE 6  
11 = VAN WHEEL BASE 1  
12 = VAN WHEEL BASE 2

ENGINE

EX9 = Engine - 2.7L 5 Cyl  
Mercedes Diesel

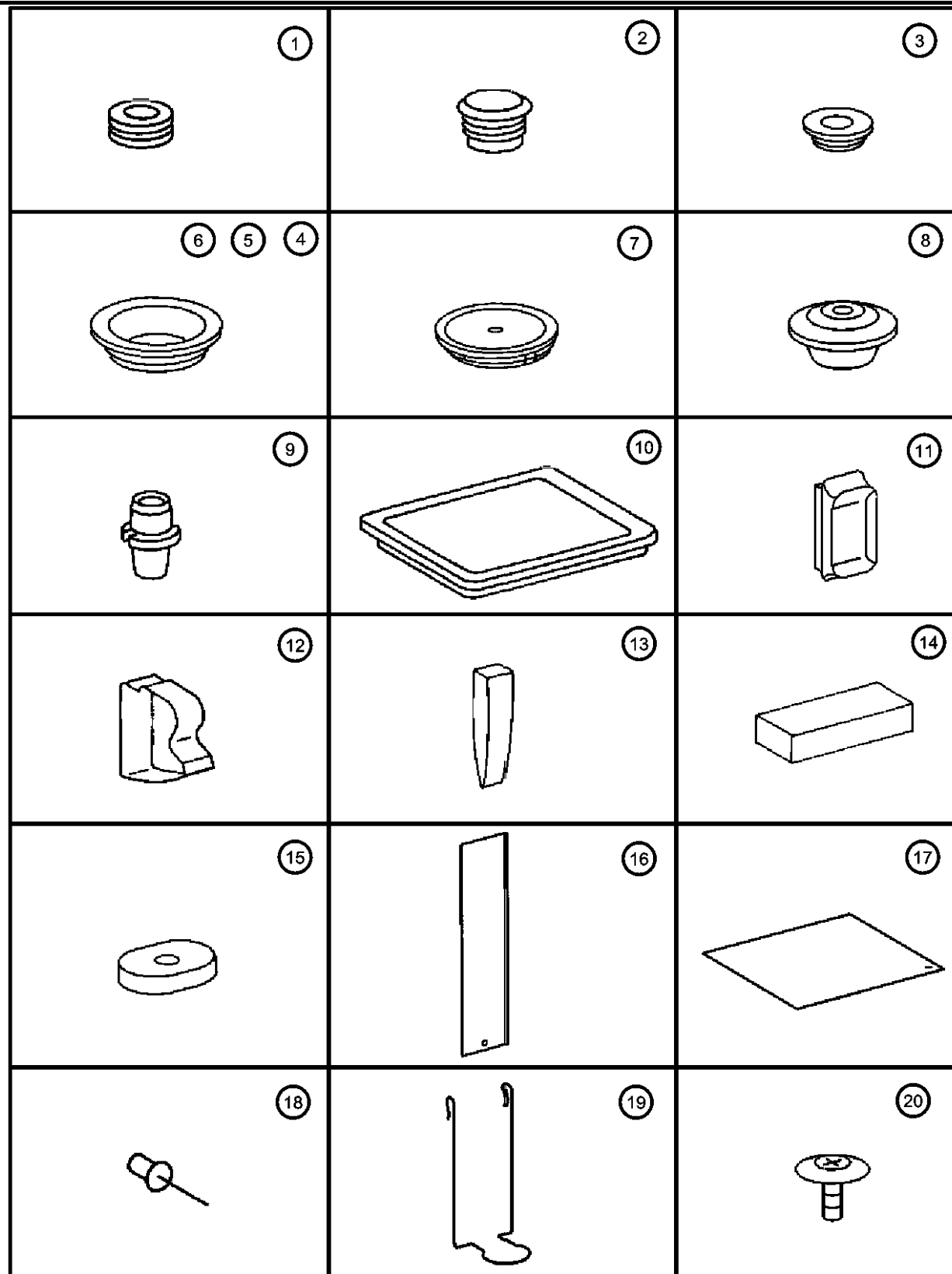
TRANSMISSION

DGJ = Transmission-5-Spd. Automatic, W5A580

AR = use ase required - = Non illustrated part

2003 VA

Plugs  
Figure SVA-310



ITEM	PART NUMBER	QTY	LINE	SERIES	BODY	ENGINE	TRANS	TRIM	DESCRIPTION
8	05103947AA	2	2, 6		51, 52, 54, 55, 56				PLUG, NONE, SPRINTER
		2	2, 6		11, 12, 14, 15, 16				
		2	3, 7		12, 15, 16				
9	05133556AA	2	3, 7		12, 15, 16				DRAIN SPOUT, Drain Tube, [13mm]
		2	2, 6		11, 12, 14, 15, 16				
		2	2, 6		51, 52, 54, 55, 56				
10	05126003AA	2	3, 7		12, 15, 16				PLUG, Body, Water Drain
		2	2, 6		51, 52, 54, 55, 56				
		2	2, 6		11, 12, 14, 15, 16				
11	05125514AA	4	3, 7		12, 15, 16				PLUG, Expansion
		4	2, 6		11, 12, 14, 15, 16				
	05133514AA	2	2, 6		51, 52, 54, 55, 56				
12	05124765AA	4	3, 7		12, 15, 16				SEAL
		4	2, 6		51, 52, 54, 55, 56				
		4	2, 6		11, 12, 14, 15, 16				
13	05124768AA	2	2, 6		51, 52, 54, 55, 56				SEAL
		2	2, 6		11, 12, 14, 15, 16				
		2	3, 7		12, 15, 16				
14									SEAL, B-Pillar, Right

SPRINTER (VA)

SERIES

L = LOWLINE

LINE

3 = HD DODGE 2WD  
6 = Lt. Duty DODGE 4WD  
2 = Med. Duty DODGE 2WD  
7 = Med. Duty DODGE 4WD

BODY

51 = WAGON WHEEL BASE 1  
52 = WAGON WHEEL BASE 2  
14 = VAN WHEEL BASE 4  
15 = VAN WHEEL BASE 5  
16 = VAN WHEEL BASE 6  
54 = WAGON WHEEL BASE 4  
55 = WAGON WHEEL BASE 5  
56 = WAGON WHEEL BASE 6  
11 = VAN WHEEL BASE 1  
12 = VAN WHEEL BASE 2

ENGINE

EX9 = Engine - 2.7L 5 Cly  
Mercedes Diesel

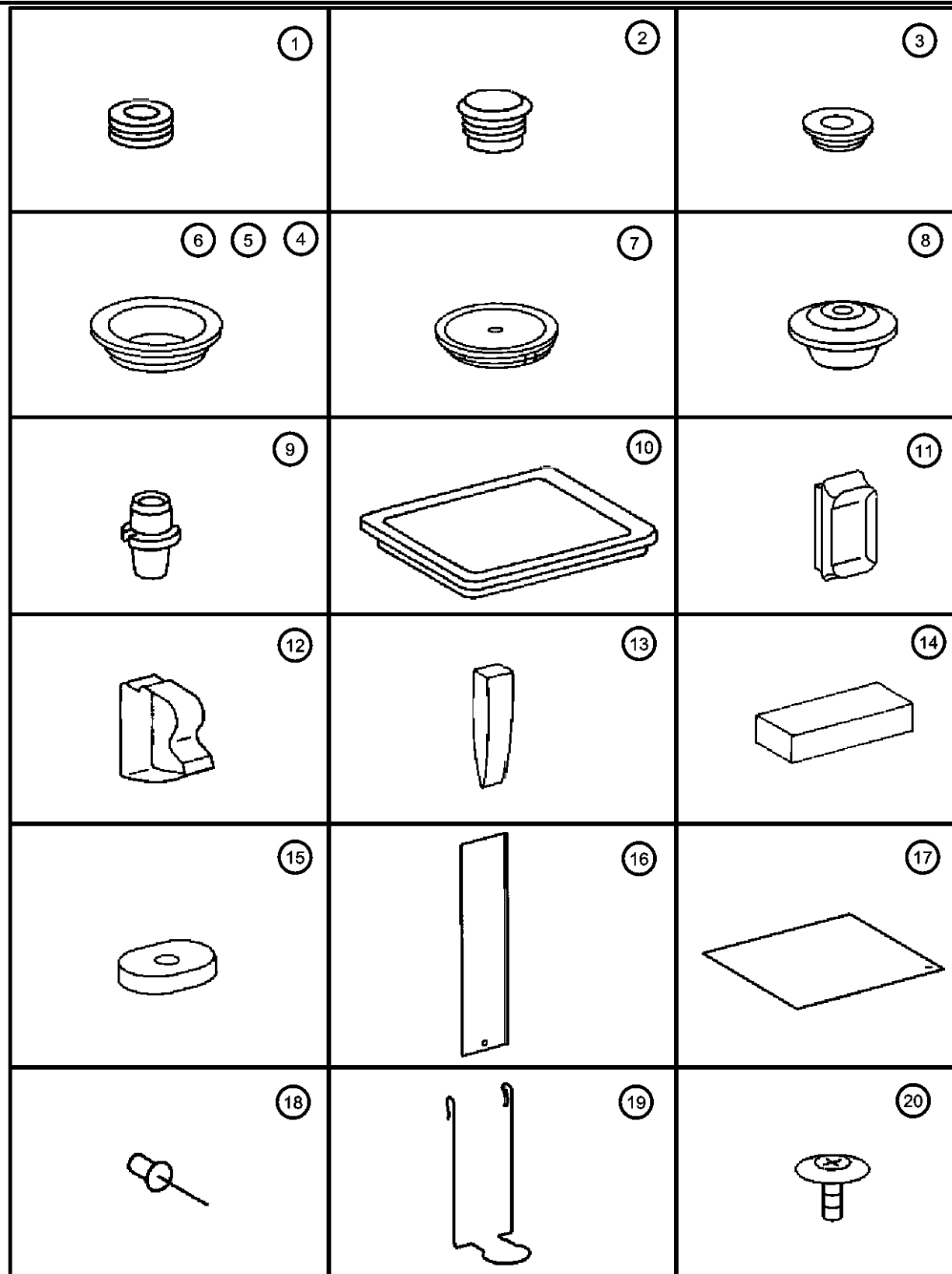
TRANSMISSION

DGJ = Transmission-5-Spd.  
Automatic,W5A580

AR = use ase required - = Non illustrated part

2003 VA

Plugs  
Figure SVA-310



ITEM	PART NUMBER	QTY	LINE	SERIES	BODY	ENGINE	TRANS	TRIM	DESCRIPTION
	05124771AA	1	3, 7		12, 15, 16				
		1	2, 6		51, 52, 54, 55, 56				
		1	2, 6		11, 12, 14, 15, 16				
15	05124775AA	1	2, 6		11, 12, 14, 15, 16				GROMMET Circular Solid
	05124777AA	1	3, 7		12, 15, 16				Circular With Hole
		1	2, 6		51, 52, 54, 55, 56				Circular With Hole
		1	2, 6		11, 12, 14, 15, 16				Circular With Hole
	05124774AA	1	3, 7		12, 15, 16				Oval Shape
		1	2, 6		51, 52, 54, 55, 56				Oval Shape
		1	2, 6		11, 12, 14, 15, 16				Oval Shape
		1	3, 7		12, 15, 16				Circular Solid
		1	2, 6		51, 52, 54, 55, 56				Circular Solid
16	05122651AA	1	3, 7		12, 15, 16				COVER, Cable Guide Duct
		1	2, 6		51, 52, 54, 55, 56				
		1	2, 6		11, 12, 14, 15, 16				
17	05122648AA	1	3, 7		12, 15, 16				COVER, Cable Guide Duct
		1	2, 6		51, 52, 54, 55, 56				
		1	2, 6		11, 12, 14, 15, 16				
18	05133417AA	3	2, 6		11, 12, 14, 15, 16				RIVET, Blind Bulb, Cable Guide Duct [4.0x8]
		3	2, 6		51, 52, 54, 55, 56				

SPRINTER (VA)

SERIES

L = LOWLINE

LINE

3 = HD DODGE 2WD  
6 = Lt. Duty DODGE 4WD  
2 = Med. Duty DODGE 2WD  
7 = Med. Duty DODGE 4WD

BODY

51 = WAGON WHEEL BASE 1  
52 = WAGON WHEEL BASE 2  
14 = VAN WHEEL BASE 4  
15 = VAN WHEEL BASE 5  
16 = VAN WHEEL BASE 6  
54 = WAGON WHEEL BASE 4  
55 = WAGON WHEEL BASE 5  
56 = WAGON WHEEL BASE 6  
11 = VAN WHEEL BASE 1  
12 = VAN WHEEL BASE 2

ENGINE

EX9 = Engine - 2.7L 5 Cyl  
Mercedes Diesel

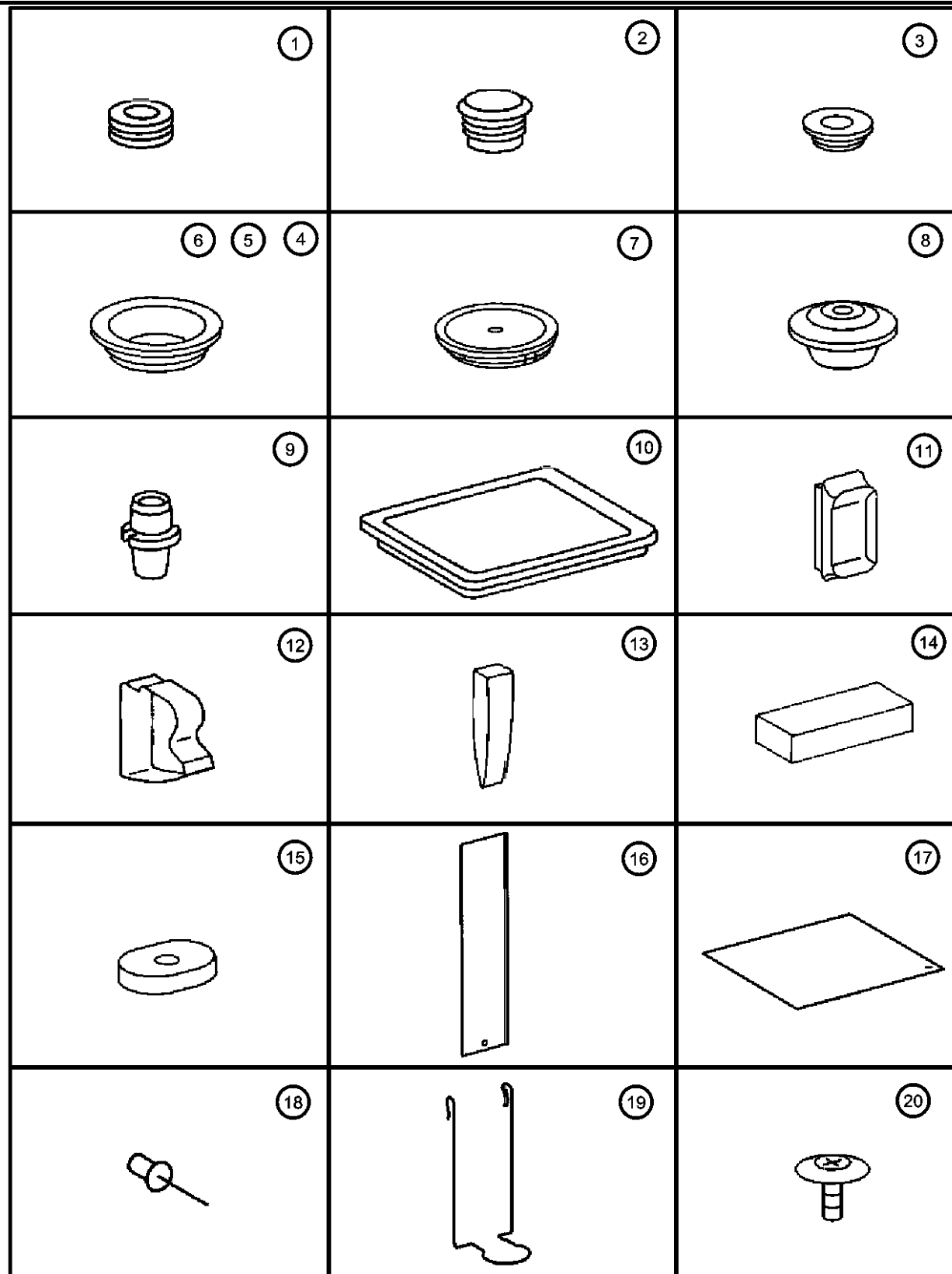
TRANSMISSION

DGJ = Transmission-5-Spd. Automatic, W5A580

AR = use ase required - = Non illustrated part

2003 VA

Plugs  
Figure SVA-310



ITEM	PART NUMBER	QTY	LINE	SERIES	BODY	ENGINE	TRANS	TRIM	DESCRIPTION
19	05133558AA	3	3, 7		12, 15, 16				CLIP, Instrument Panel
		1	3, 7		12, 15, 16				
		2	2, 6		11, 12, 14, 15, 16				
20	05125982AA	2	2, 6		51, 52, 54, 55, 56				PLUG, Body
		1	3, 7		12, 15, 16				
		1	2, 6		11, 12, 14, 15, 16				
		1	2, 6		51, 52, 54, 55, 56				
-21	05123523AA	2	2, 6		11, 12, 14, 15, 16				STRIP, Edge Protector, To Roof Brace [580mm]

SPRINTER (VA)

SERIES

L = LOWLINE

LINE

3 = HD DODGE 2WD  
6 = Lt. Duty DODGE 4WD  
2 = Med. Duty DODGE 2WD  
7 = Med. Duty DODGE 4WD

BODY

51 = WAGON WHEEL BASE 1  
52 = WAGON WHEEL BASE 2  
14 = VAN WHEEL BASE 4  
15 = VAN WHEEL BASE 5  
16 = VAN WHEEL BASE 6  
54 = WAGON WHEEL BASE 4  
55 = WAGON WHEEL BASE 5  
56 = WAGON WHEEL BASE 6  
11 = VAN WHEEL BASE 1  
12 = VAN WHEEL BASE 2

ENGINE

EX9 = Engine - 2.7L 5 Cly  
Mercedes Diesel

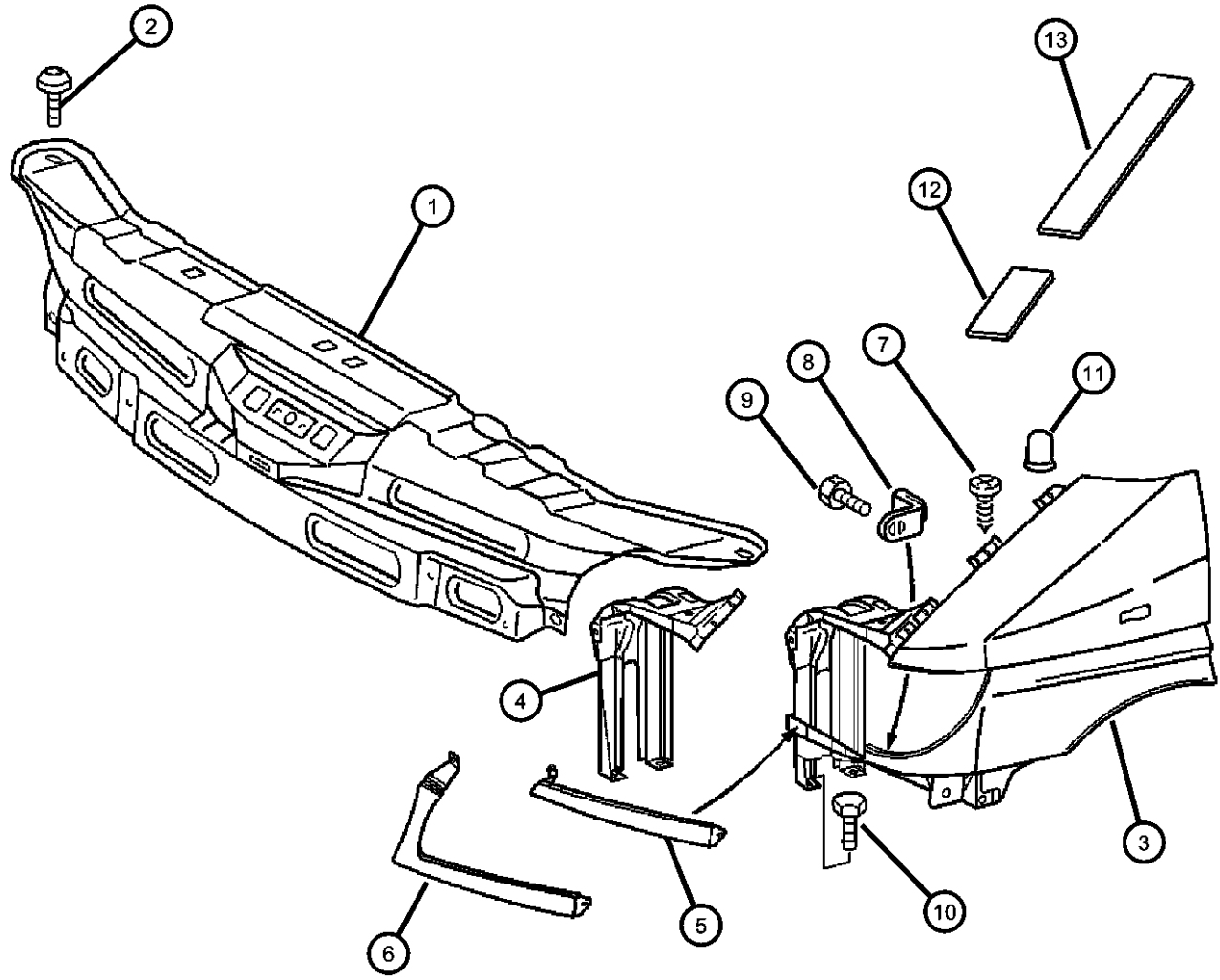
TRANSMISSION

DGJ = Transmission-5-Spd. Automatic, W5A580

AR = use ase required - = Non illustrated part

2003 VA

**Front Fender  
Figure SVA-410**



ITEM	PART NUMBER	QTY	LINE	SERIES	BODY	ENGINE	TRANS	TRIM	DESCRIPTION
1	05104504AA	1	2, 6		11, 12, 14, 15, 16				CROSSMEMBER, Radiator
		1	3, 7		12, 15, 16				
		1	2, 6		51, 52, 54, 55, 56				
2	05103713AA	4	2, 6		11, 12, 14, 15, 16				SCREW
		4	3, 7		12, 15, 16				
		4	2, 6		51, 52, 54, 55, 56				
3	05104180AA	1	3, 7		12, 15, 16				FENDER, Front
		1	2, 6		11, 12, 14, 15, 16				Left
		1	2, 6		51, 52, 54, 55, 56				Left
	05104181AA	1	3, 7		12, 15, 16				Right
		1	2, 6		11, 12, 14, 15, 16				Right
		1	2, 6		51, 52, 54, 55, 56				Right
4	05104165AA	1	3, 7		12, 15, 16				SUPPORT, Radiator Closure Panel
		1	2, 6		11, 12, 14, 15, 16				Left
		1	2, 6		51, 52, 54, 55, 56				Left
	05104169AA	1	3, 7		12, 15, 16				Right
		1	2, 6		11, 12, 14, 15, 16				Right
		1	2, 6		51, 52, 54, 55, 56				Right
5	05104210AA	1	2, 3						BEZEL, Headlamp, Dodge Only
		1	2, 3						Left
	05104213AA	1	2, 3						Right
6									BEZEL, Headlamp, Freightliner

**SPRINTER (VA)**

**SERIES**

L = LOWLINE

**LINE**

3 = HD DODGE 2WD  
6 = Lt. Duty DODGE 4WD  
2 = Med. Duty DODGE 2WD  
7 = Med. Duty DODGE 4WD

**BODY**

51 = WAGON WHEEL BASE 1 EX9 = Engine - 2.7L 5 Cly  
52 = WAGON WHEEL BASE 2 Mercedes Diesel  
14 = VAN WHEEL BASE 4  
15 = VAN WHEEL BASE 5  
16 = VAN WHEEL BASE 6  
54 = WAGON WHEEL BASE 4  
55 = WAGON WHEEL BASE 5  
56 = WAGON WHEEL BASE 6  
11 = VAN WHEEL BASE 1  
12 = VAN WHEEL BASE 2

**ENGINE**

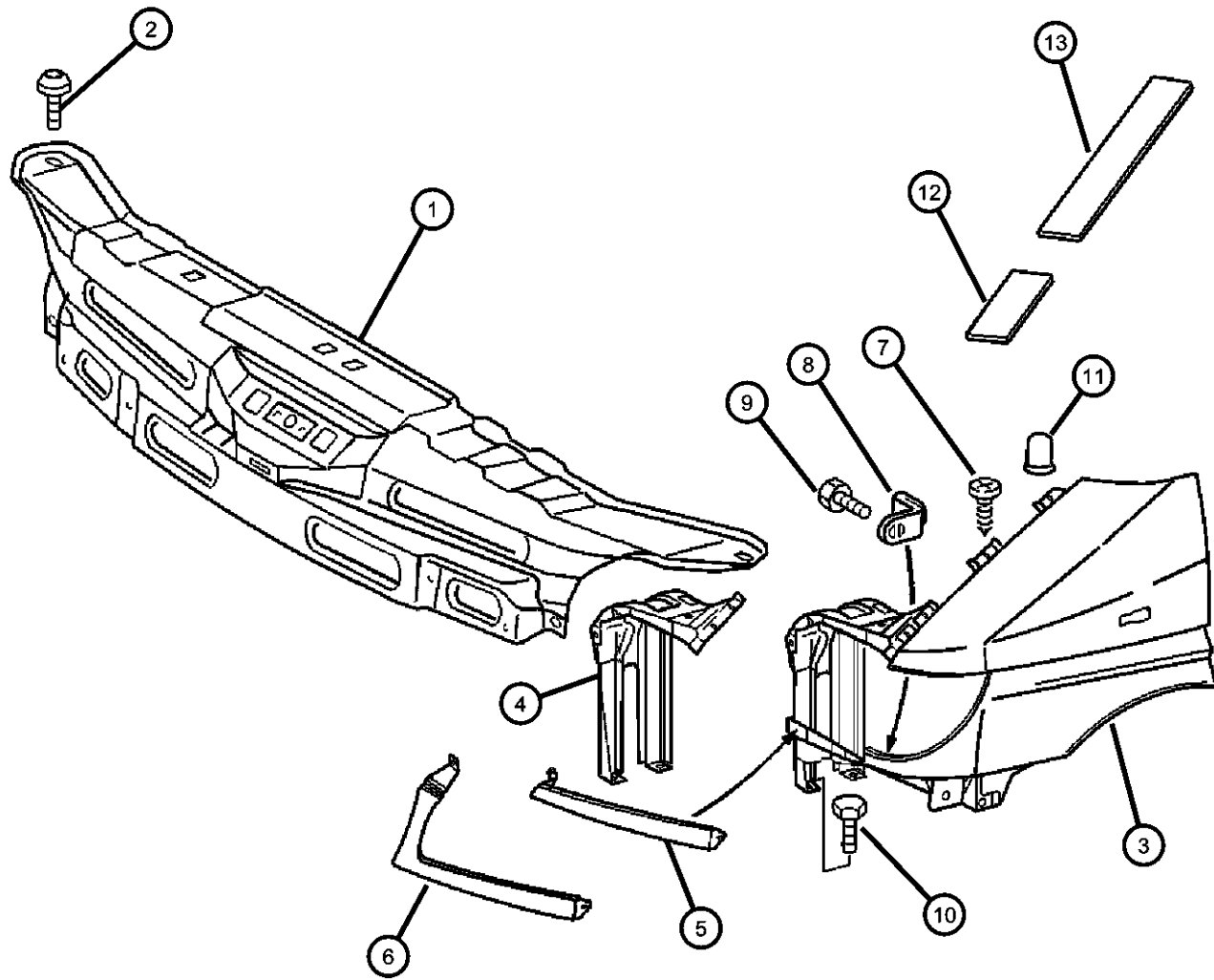
**TRANSMISSION**

DGJ = Transmission-5-Spd. Automatic, W5A580

AR = use ase required - = Non illustrated part

2003 VA

**Front Fender  
Figure SVA-410**



ITEM	PART NUMBER	QTY	LINE	SERIES	BODY	ENGINE	TRANS	TRIM	DESCRIPTION
	05104216AA	1	7		12, 15, 16				Left
		1	6		11, 12, 14, 15, 16				Left
		1	6		51, 52, 54, 55, 56				Left
	05104217AA	1	7		12, 15, 16				Right
		1	6		11, 12, 14, 15, 16				Right
		1	6		51, 52, 54, 55, 56				Right
7									SCREW, NONE, SPRINTER
	06104581AA	7	3, 7		12, 15, 16				
		7	2, 6		11, 12, 14, 15, 16				
		7	2, 6		51, 52, 54, 55, 56				
8									RETAINER
	05104527AA	1	3, 7		12, 15, 16				
		1	2, 6		11, 12, 14, 15, 16				
		1	2, 6		51, 52, 54, 55, 56				
9									SCREW, Tapping
	06104574AA	1	3, 7		12, 15, 16				
		1	2, 6		11, 12, 14, 15, 16				
		1	2, 6		51, 52, 54, 55, 56				
10									SCREW
	06104195AA	2	2, 6		11, 12, 14, 15, 16				
		2	2, 6		51, 52, 54, 55, 56				
		2	3, 7		12, 15, 16				
11									CAP, Protective
	05104537AA	1	3, 7		12, 15, 16				
		1	2, 6		11, 12, 14, 15, 16				

**SPRINTER (VA)**

**SERIES**

L = LOWLINE

**LINE**

3 = HD DODGE 2WD  
 6 = Lt. Duty DODGE 4WD  
 2 = Med. Duty DODGE 2WD  
 7 = Med. Duty DODGE 4WD

**BODY**

51 = WAGON WHEEL BASE 1  
 52 = WAGON WHEEL BASE 2  
 14 = VAN WHEEL BASE 4  
 15 = VAN WHEEL BASE 5  
 16 = VAN WHEEL BASE 6  
 54 = WAGON WHEEL BASE 4  
 55 = WAGON WHEEL BASE 5  
 56 = WAGON WHEEL BASE 6  
 11 = VAN WHEEL BASE 1  
 12 = VAN WHEEL BASE 2

**ENGINE**

EX9 = Engine - 2.7L 5 Cly  
 Mercedes Diesel

**TRANSMISSION**

DGJ = Transmission-5-Spd. Automatic, W5A580

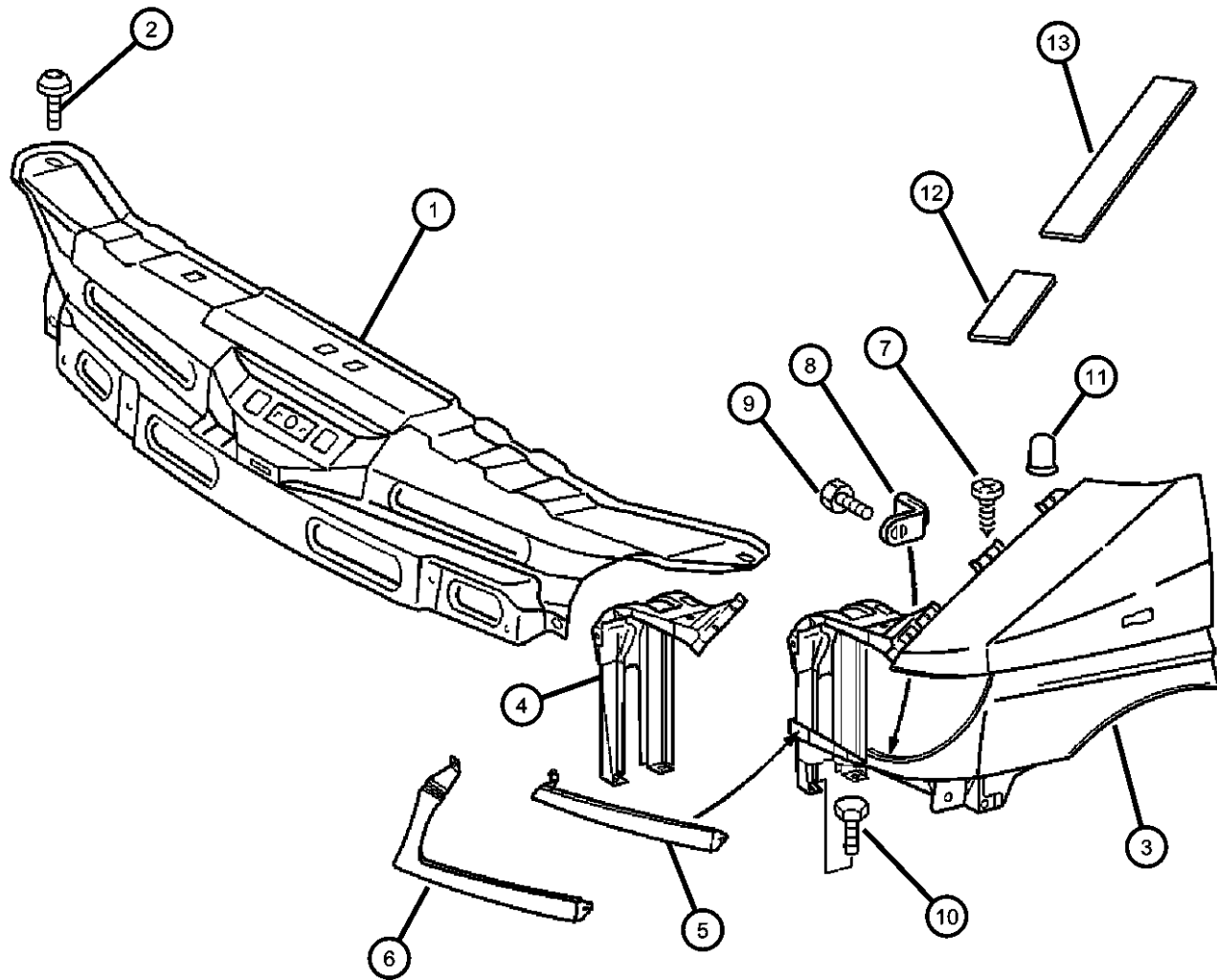
AR = use ase required - = Non illustrated part

2003 VA



Front Fender  
Figure SVA-410

ITEM	PART NUMBER	QTY	LINE	SERIES	BODY	ENGINE	TRANS	TRIM	DESCRIPTION
		1	2, 6		51, 52, 54, 55, 56				
12	05121445AA	2	3, 7		12, 15, 16				SEAL, Fender To Cowl
		2	2, 6		11, 12, 14, 15, 16				
		2	2, 6		51, 52, 54, 55, 56				
13	05121446AA	1	3, 7		12, 15, 16				SEAL, Fender To Cowl
		1	2, 6		11, 12, 14, 15, 16				
		1	2, 6		51, 52, 54, 55, 56				



SPRINTER (VA)

SERIES

L = LOWLINE

LINE

3 = HD DODGE 2WD  
6 = Lt. Duty DODGE 4WD  
2 = Med. Duty DODGE 2WD  
7 = Med. Duty DODGE 4WD

BODY

51 = WAGON WHEEL BASE 1  
52 = WAGON WHEEL BASE 2  
14 = VAN WHEEL BASE 4  
15 = VAN WHEEL BASE 5  
16 = VAN WHEEL BASE 6  
54 = WAGON WHEEL BASE 4  
55 = WAGON WHEEL BASE 5  
56 = WAGON WHEEL BASE 6  
11 = VAN WHEEL BASE 1  
12 = VAN WHEEL BASE 2

ENGINE

EX9 = Engine - 2.7L 5 Cly  
Mercedes Diesel

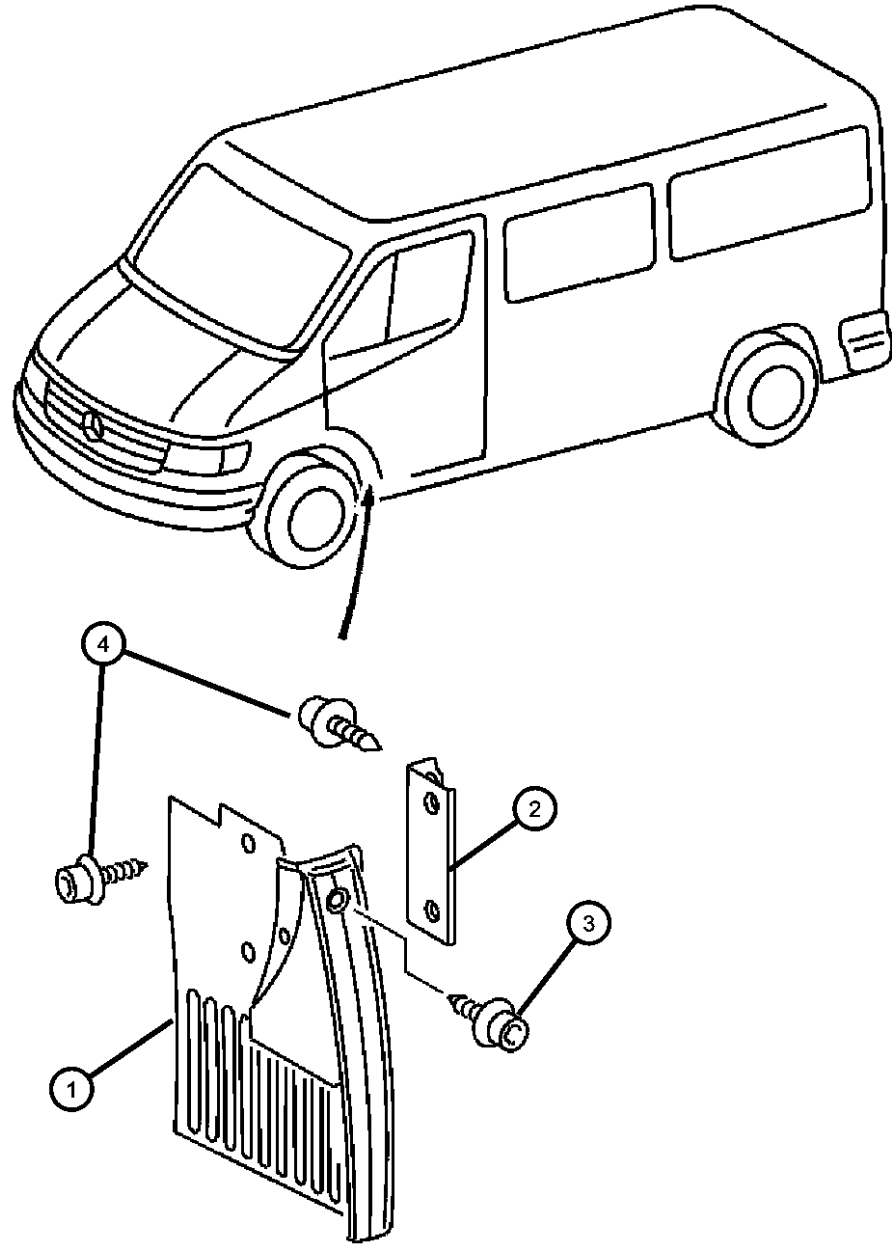
TRANSMISSION

DGJ = Transmission-5-Spd.  
Automatic,W5A580

AR = use ase required - = Non illustrated part

2003 VA

**Fender Splash Guards  
Figure SVA-420**



ITEM	PART NUMBER	QTY	LINE	SERIES	BODY	ENGINE	TRANS	TRIM	DESCRIPTION
1									GUARD, Splash
	05104518AA	1	2, 6		11, 12, 14, 15, 16				Left
		1	3, 7		12, 15, 16				Left
		1	2, 6		51, 52, 54, 55, 56				Left
	05104521AA	1	2, 6		11, 12, 14, 15, 16				Right
		1	3, 7		12, 15, 16				Right
		1	2, 6		51, 52, 54, 55, 56				Right
	05132502AA	1	2, 6		11, 12, 14, 15, 16				With 16 Inch Wheels, Left
		1	2, 6		51, 52, 54, 55, 56				With 16 Inch Wheels, Left
	05132504AA	1	2, 6		11, 12, 14, 15, 16				With 16 Inch Wheels, Right
		1	2, 6		51, 52, 54, 55, 56				With 16 Inch Wheels, Right
2									BRACKET, SPLASH GUARD, SPRINTER
	05104519AA	2	2, 6		11, 12, 14, 15, 16				
		2	3, 7		12, 15, 16				
		2	2, 6		51, 52, 54, 55, 56				
3									SCREW
	06104582AA	4	2, 6		11, 12, 14, 15, 16				
		4	3, 7		12, 15, 16				
		4	2, 6		51, 52, 54, 55, 56				
4									SCREW, NONE, SPRINTER
	06104581AA	6	2, 6		11, 12, 14, 15, 16				
		6	3, 7		12, 15, 16				
		6	2, 6		51, 52, 54, 55, 56				

**SPRINTER (VA)**

**SERIES**

L = LOWLINE

**LINE**

3 = HD DODGE 2WD  
6 = Lt. Duty DODGE 4WD  
2 = Med. Duty DODGE 2WD  
7 = Med. Duty DODGE 4WD

**BODY**

51 = WAGON WHEEL BASE 1  
52 = WAGON WHEEL BASE 2  
14 = VAN WHEEL BASE 4  
15 = VAN WHEEL BASE 5  
16 = VAN WHEEL BASE 6  
54 = WAGON WHEEL BASE 4  
55 = WAGON WHEEL BASE 5  
56 = WAGON WHEEL BASE 6  
11 = VAN WHEEL BASE 1  
12 = VAN WHEEL BASE 2

**ENGINE**

EX9 = Engine - 2.7L 5 Cyl  
Mercedes Diesel

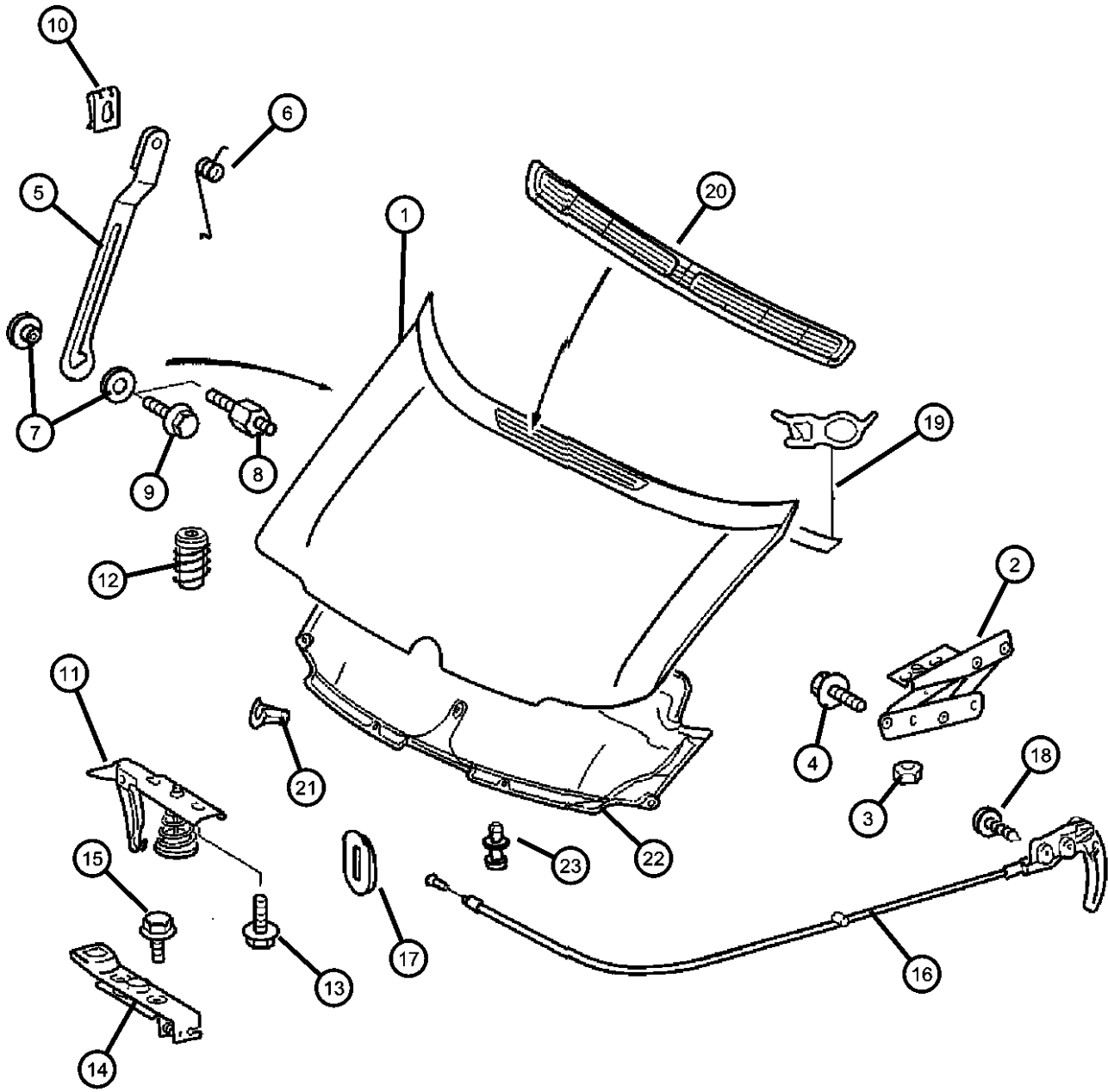
**TRANSMISSION**

DGJ = Transmission-5-Spd.  
Automatic,W5A580

AR = use ase required - = Non illustrated part

2003 VA

### Hood and Hood Release Figure SVA-510



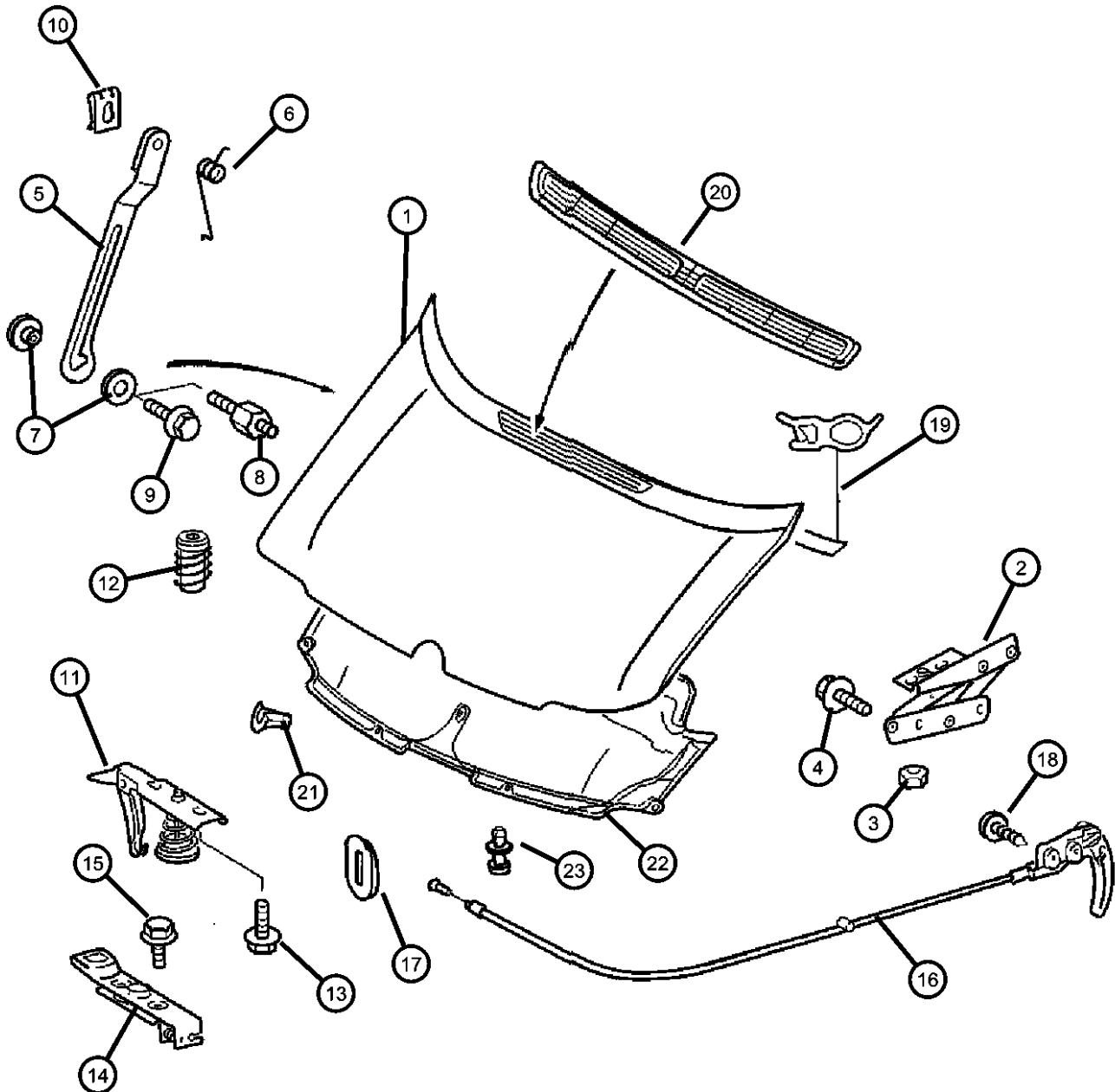
ITEM	PART NUMBER	QTY	LINE	SERIES	BODY	ENGINE	TRANS	TRIM	DESCRIPTION
1	05104402AA	1	2, 6		11, 12, 14, 15, 16				HOOD
		1	3, 7		12, 15, 16				
		1	2, 6		51, 52, 54, 55, 56				
2	05104404AA	1	2, 6		11, 12, 14, 15, 16				HINGE, Hood Left
		1	3, 7		12, 15, 16				Left
		1	2, 6		51, 52, 54, 55, 56				Left
	05104406AA	1	2, 6		11, 12, 14, 15, 16				Right
		1	3, 7		12, 15, 16				Right
		1	2, 6		51, 52, 54, 55, 56				Right
3	05103731AA	4	3, 7		12, 15, 16				NUT
		4	2, 6		11, 12, 14, 15, 16				
		4	2, 6		51, 52, 54, 55, 56				
4	06104195AA	4	2, 6		11, 12, 14, 15, 16				SCREW
		4	2, 6		51, 52, 54, 55, 56				
		4	3, 7		12, 15, 16				
5	05104407AA	1	2, 6		11, 12, 14, 15, 16				PROP, Hood
		1	3, 7		12, 15, 16				
		1	2, 6		51, 52, 54, 55, 56				
6	05104546AA	1	2, 6		11, 12, 14, 15, 16				SPRING
		1	3, 7		12, 15, 16				

**SPRINTER (VA)**

<b>SERIES</b>	<b>LINE</b>	<b>BODY</b>	<b>ENGINE</b>	<b>TRANSMISSION</b>
L = LOWLINE	3 = HD DODGE 2WD 6 = Lt. Duty DODGE 4WD 2 = Med. Duty DODGE 2WD 7 = Med. Duty DODGE 4WD	51 = WAGON WHEEL BASE 1 14 = VAN WHEEL BASE 4 15 = VAN WHEEL BASE 5 16 = VAN WHEEL BASE 6 54 = WAGON WHEEL BASE 4 55 = WAGON WHEEL BASE 5 56 = WAGON WHEEL BASE 6 11 = VAN WHEEL BASE 1 12 = VAN WHEEL BASE 2	EX9 = Engine - 2.7L 5 Cly Mercedes Diesel	DGJ = Transmission-5-Spd. Automatic,W5A580

AR = use ase required - = Non illustrated part

**Hood and Hood Release  
Figure SVA-510**



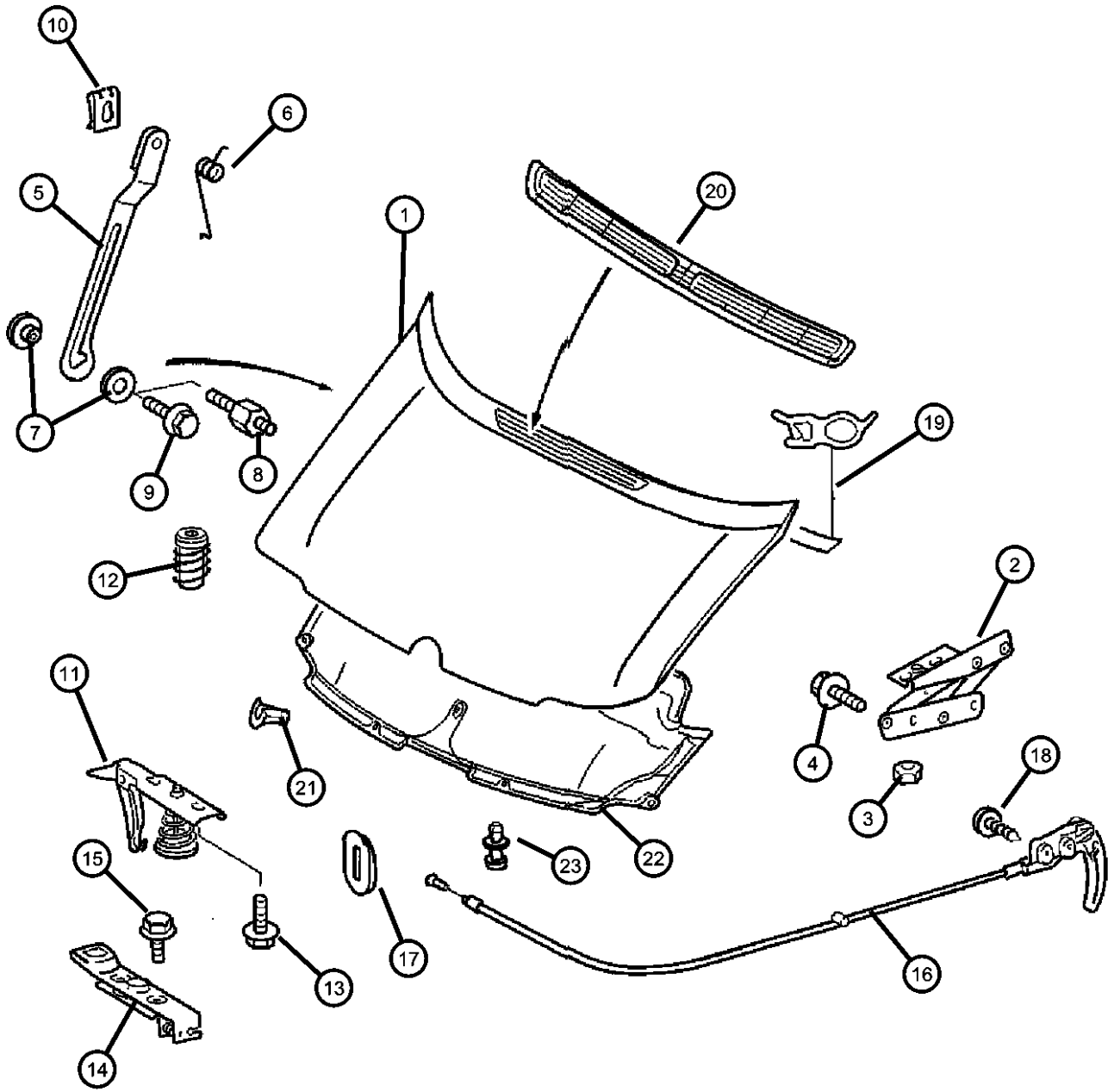
ITEM	PART NUMBER	QTY	LINE	SERIES	BODY	ENGINE	TRANS	TRIM	DESCRIPTION
		1	2, 6		51, 52, 54, 55, 56				
7									BUSHING, Hood Prop Rod Pivot
	05104545AA	2	2, 6		11, 12, 14, 15, 16				
		2	3, 7		12, 15, 16				
		2	2, 6		51, 52, 54, 55, 56				
8									SCREW
	05104542AA	1	2, 6		11, 12, 14, 15, 16				
		1	3, 7		12, 15, 16				
		1	2, 6		51, 52, 54, 55, 56				
9									SCREW
	06104024AA	1	2, 6		11, 12, 14, 15, 16				
		1	2, 6		51, 52, 54, 55, 56				
		1	3, 7		12, 15, 16				
10									CLIP, Hood
	05126111AA	1	2, 6		11, 12, 14, 15, 16				
		1	3, 7		12, 15, 16				
		1	2, 6		51, 52, 54, 55, 56				
11									STRIKER, Hood Latch
	05104401AA	1	2, 6		11, 12, 14, 15, 16				
		1	2, 6		51, 52, 54, 55, 56				
		1	3, 7		12, 15, 16				
12									BUMPER, Hood
	05134041AA	2	2, 6		11, 12, 14, 15, 16				
		2	2, 6		51, 52, 54, 55, 56				
		2	3, 7		12, 15, 16				

**SPRINTER (VA)**

<b>SERIES</b>	<b>LINE</b>	<b>BODY</b>	<b>ENGINE</b>	<b>TRANSMISSION</b>
L = LOWLINE	3 = HD DODGE 2WD 6 = Lt. Duty DODGE 4WD 2 = Med. Duty DODGE 2WD 7 = Med. Duty DODGE 4WD	51 = WAGON WHEEL BASE 1 52 = WAGON WHEEL BASE 2 14 = VAN WHEEL BASE 4 15 = VAN WHEEL BASE 5 16 = VAN WHEEL BASE 6 54 = WAGON WHEEL BASE 4 55 = WAGON WHEEL BASE 5 56 = WAGON WHEEL BASE 6 11 = VAN WHEEL BASE 1 12 = VAN WHEEL BASE 2	EX9 = Engine - 2.7L 5 Cly Mercedes Diesel	DGJ = Transmission-5-Spd. Automatic,W5A580

AR = use ase required - = Non illustrated part

**Hood and Hood Release  
Figure SVA-510**



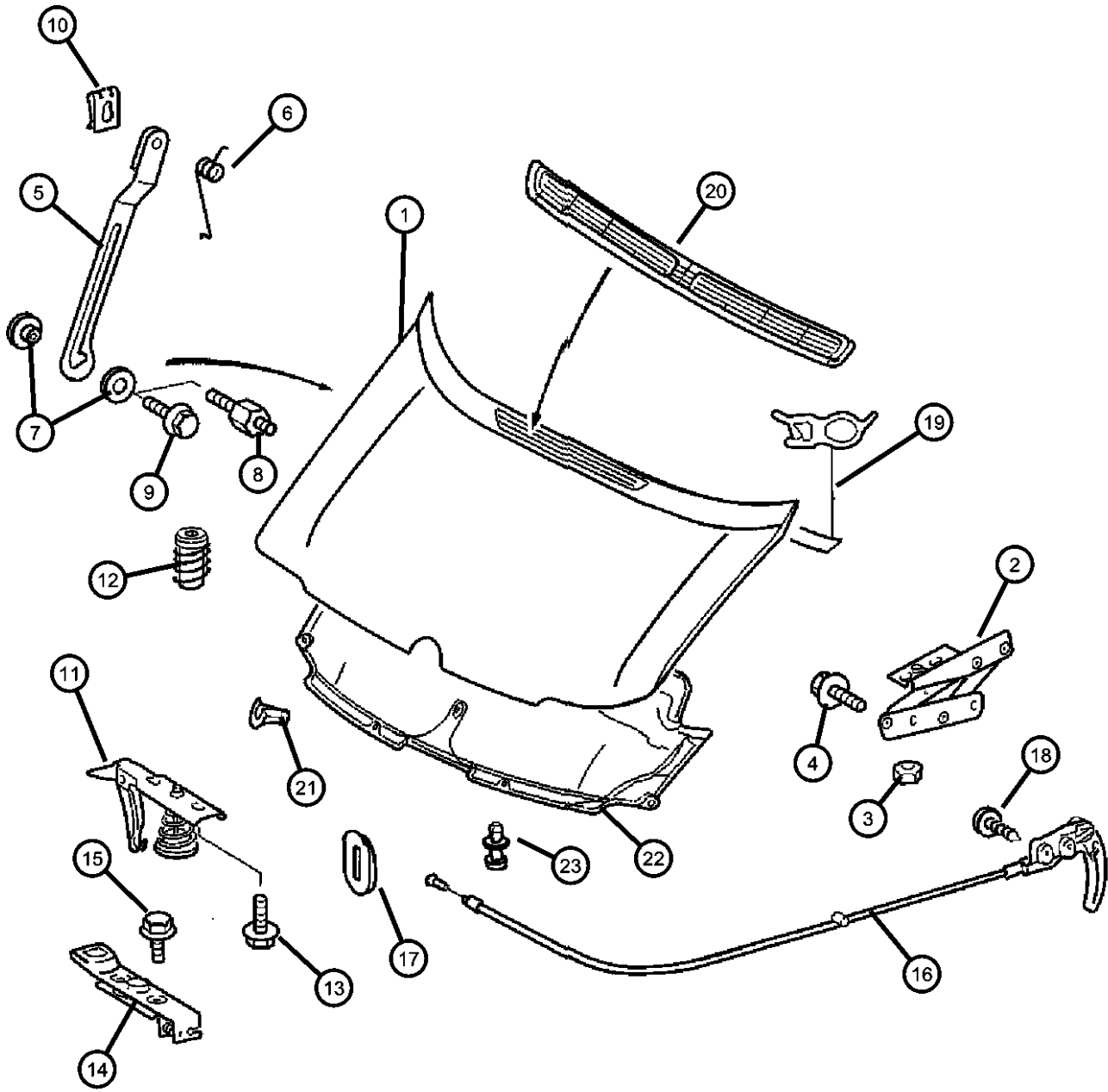
ITEM	PART NUMBER	QTY	LINE	SERIES	BODY	ENGINE	TRANS	TRIM	DESCRIPTION
13	06104179AA	2	2, 6		11, 12, 14, 15, 16				SCREW
		2	2, 6		51, 52, 54, 55, 56				
		2	3, 7		12, 15, 16				
14	05104028AA	1	2, 6		11, 12, 14, 15, 16				LATCH, Hood
		1	3, 7		12, 15, 16				
		1	2, 6		51, 52, 54, 55, 56				
15	05133476AA	3	3, 7		12, 15, 16				SCREW
		2	2, 6		11, 12, 14, 15, 16				
		2	2, 6		51, 52, 54, 55, 56				
16	05104405AA	1	2, 6		11, 12, 14, 15, 16				CABLE, Hood Release
		1	2, 6		51, 52, 54, 55, 56				
		1	3, 7		12, 15, 16				
17	05133935AA	1	2, 6		11, 12, 14, 15, 16				GROMMET, Door Wiring
		1	2, 6		51, 52, 54, 55, 56				
		1	3, 7		12, 15, 16				
18	06104507AA	2	2, 6		11, 12, 14, 15, 16				SCREW
		2	2, 6		51, 52, 54, 55, 56				
		1	3, 7		12, 15, 16				
19	05134040AA	1	3, 7		12, 15, 16				SEAL, Hood

**SPRINTER (VA)**

<b>SERIES</b>	<b>LINE</b>	<b>BODY</b>	<b>ENGINE</b>	<b>TRANSMISSION</b>
L = LOWLINE	3 = HD DODGE 2WD 6 = Lt. Duty DODGE 4WD 2 = Med. Duty DODGE 2WD 7 = Med. Duty DODGE 4WD	51 = WAGON WHEEL BASE 1 52 = WAGON WHEEL BASE 2 14 = VAN WHEEL BASE 4 15 = VAN WHEEL BASE 5 16 = VAN WHEEL BASE 6 54 = WAGON WHEEL BASE 4 55 = WAGON WHEEL BASE 5 56 = WAGON WHEEL BASE 6 11 = VAN WHEEL BASE 1 12 = VAN WHEEL BASE 2	EX9 = Engine - 2.7L 5 Cly Mercedes Diesel	DGJ = Transmission-5-Spd. Automatic,W5A580

AR = use ase required - = Non illustrated part

Hood and Hood Release  
Figure SVA-510



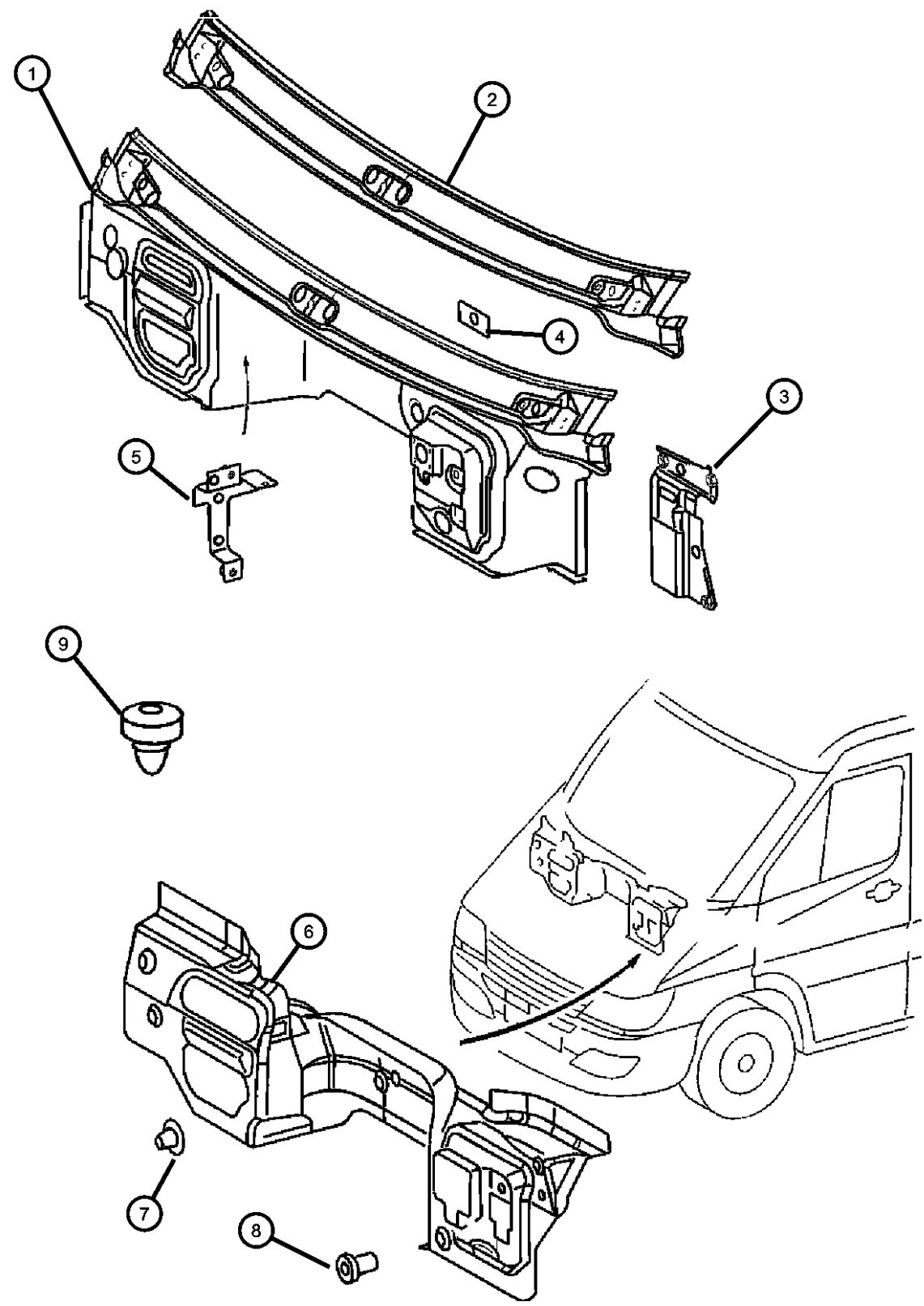
ITEM	PART NUMBER	QTY	LINE	SERIES	BODY	ENGINE	TRANS	TRIM	DESCRIPTION
		1	2, 6		11, 12, 14, 15, 16				
		1	2, 6		51, 52, 54, 55, 56				
20									GRILLE, AT ENGINE HOOD, SPRINTER
	05124653AA	1	2, 6		11, 12, 14, 15, 16				
		1	2, 6		51, 52, 54, 55, 56				
21									GROMMET
	05103932AA	1	2, 6		11, 12, 14, 15, 16				
		1	3, 7		12, 15, 16				
		1	2, 6		51, 52, 54, 55, 56				
22									INSULATION, Hood
	05104486AA	1	2, 6		11, 12, 14, 15, 16				
		1	3, 7		12, 15, 16				
		1	2, 6		51, 52, 54, 55, 56				
23									RIVET
	05103921AA	12	3, 7		12, 15, 16				
		12	2, 6		51, 52, 54, 55, 56				
		12	2, 6		11, 12, 14, 15, 16				

SPRINTER (VA)

SERIES	LINE	BODY	ENGINE	TRANSMISSION
L = LOWLINE	3 = HD DODGE 2WD 6 = Lt. Duty DODGE 4WD 2 = Med. Duty DODGE 2WD 7 = Med. Duty DODGE 4WD	51 = WAGON WHEEL BASE 1 52 = WAGON WHEEL BASE 2 14 = VAN WHEEL BASE 4 15 = VAN WHEEL BASE 5 16 = VAN WHEEL BASE 6 54 = WAGON WHEEL BASE 4 55 = WAGON WHEEL BASE 5 56 = WAGON WHEEL BASE 6 11 = VAN WHEEL BASE 1 12 = VAN WHEEL BASE 2	EX9 = Engine - 2.7L 5 Cly Mercedes Diesel	DGJ = Transmission-5-Spd. Automatic, W5A580

AR = use ase required - = Non illustrated part

**Cowl and Dash  
Figure SVA-610**



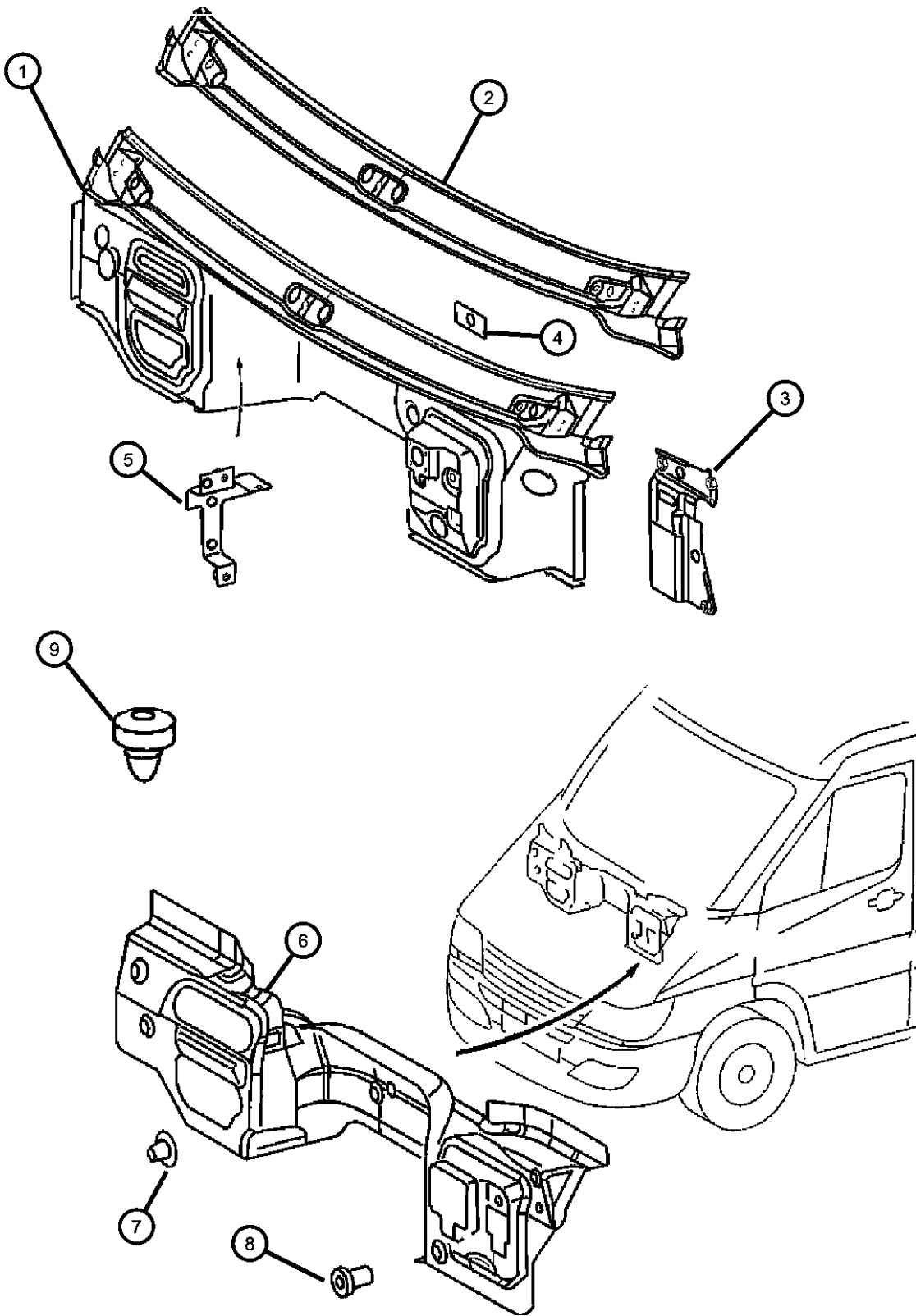
ITEM	PART NUMBER	QTY	LINE	SERIES	BODY	ENGINE	TRANS	TRIM	DESCRIPTION
1	05121578AA	1	3, 7		12, 15, 16				PANEL, Dash Upper
		1	2, 6		11, 12, 14, 15, 16				
		1	2, 6		51, 52, 54, 55, 56				
2	05104164AA	1	3, 7		12, 15, 16				PANEL, Cowl Top
		1	2, 6		11, 12, 14, 15, 16				
		1	2, 6		51, 52, 54, 55, 56				
3	05121583AA	1	3, 7		12, 15, 16				BRACKET, Dash
		1	2, 6		11, 12, 14, 15, 16				
		1	2, 6		51, 52, 54, 55, 56				
4	05121447AA	1	3, 7		12, 15, 16				PLATE
		1	2, 6		11, 12, 14, 15, 16				
		1	2, 6		51, 52, 54, 55, 56				
5	05124627AA	1	3, 7		12, 15, 16				BRACKET
		1	2, 6		11, 12, 14, 15, 16				
		1	2, 6		51, 52, 54, 55, 56				
6	05122526AA	1	3, 7		12, 15, 16				SILENCER, Dash Panel-Engine Compartment
		1	2, 6		51, 52, 54, 55, 56				
		1	2, 6		11, 12, 14, 15, 16				
7	05097041AA	4	3, 7		12, 15, 16				PLUG, Button

**SPRINTER (VA)**

<b>SERIES</b>	<b>LINE</b>	<b>BODY</b>	<b>ENGINE</b>	<b>TRANSMISSION</b>
L = LOWLINE	3 = HD DODGE 2WD 6 = Lt. Duty DODGE 4WD 2 = Med. Duty DODGE 2WD 7 = Med. Duty DODGE 4WD	51 = WAGON WHEEL BASE 1 52 = WAGON WHEEL BASE 2 14 = VAN WHEEL BASE 4 15 = VAN WHEEL BASE 5 16 = VAN WHEEL BASE 6 54 = WAGON WHEEL BASE 4 55 = WAGON WHEEL BASE 5 56 = WAGON WHEEL BASE 6 11 = VAN WHEEL BASE 1 12 = VAN WHEEL BASE 2	EX9 = Engine - 2.7L 5 Cly Mercedes Diesel	DGJ = Transmission-5-Spd. Automatic, W5A580

AR = use ase required - = Non illustrated part

Cowl and Dash  
Figure SVA-610



ITEM	PART NUMBER	QTY	LINE	SERIES	BODY	ENGINE	TRANS	TRIM	DESCRIPTION
		4	2, 6		51, 52, 54, 55, 56				
		4	2, 6		11, 12, 14, 15, 16				
8	05125592AA	2	3, 7		12, 15, 16				PLUG, Button
		2	2, 6		51, 52, 54, 55, 56				
		2	2, 6		11, 12, 14, 15, 16				
9	05103724AA	2	3, 7		12, 15, 16				BUMPER, Rubber
		2	2, 6		11, 12, 14, 15, 16				
		2	2, 6		51, 52, 54, 55, 56				

SPRINTER (VA)

SERIES

L = LOWLINE

LINE

3 = HD DODGE 2WD  
6 = Lt. Duty DODGE 4WD  
2 = Med. Duty DODGE 2WD  
7 = Med. Duty DODGE 4WD

BODY

51 = WAGON WHEEL BASE 1  
52 = WAGON WHEEL BASE 2  
14 = VAN WHEEL BASE 4  
15 = VAN WHEEL BASE 5  
16 = VAN WHEEL BASE 6  
54 = WAGON WHEEL BASE 4  
55 = WAGON WHEEL BASE 5  
56 = WAGON WHEEL BASE 6  
11 = VAN WHEEL BASE 1  
12 = VAN WHEEL BASE 2

ENGINE

EX9 = Engine - 2.7L 5 Cly  
Mercedes Diesel

TRANSMISSION

DGJ = Transmission-5-Spd.  
Automatic,W5A580

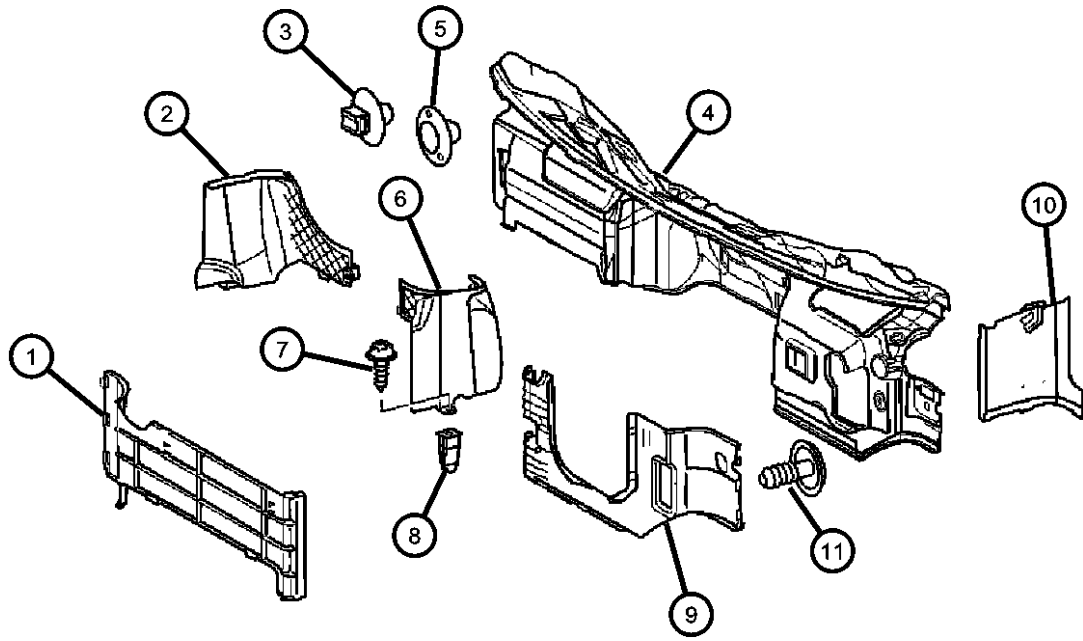
AR = use ase required - = Non illustrated part

2003 VA



**Inner Paneling in Cab, Cowl  
Figure SVA-620**

ITEM	PART NUMBER	QTY	LINE	SERIES	BODY	ENGINE	TRANS	TRIM	DESCRIPTION
1	05131688AA	1	2, 6		11, 12, 14, 15, 16				SILENCER, Dash And Cowl Sides
		1	2, 6		51, 52, 54, 55, 56				
		1	3, 7		12, 15, 16				
2	05122864AA	1	3, 7		12, 15, 16				PANEL, Bulkhead Support
		1	2, 6		51, 52, 54, 55, 56				
		1	2, 6		11, 12, 14, 15, 16				
3	05125592AA	1	2, 6		11, 12, 14, 15, 16				PLUG, Button
		1	2, 6		51, 52, 54, 55, 56				
		1	3, 7		12, 15, 16				
4	05122857AA	1	3, 7		12, 15, 16				PANEL, Cowl
		1	2, 6		11, 12, 14, 15, 16				
		1	2, 6		51, 52, 54, 55, 56				
5	05097041AA	3	3, 7		12, 15, 16				PLUG, Button
		1	2, 6		11, 12, 14, 15, 16				
		1	2, 6		51, 52, 54, 55, 56				
6	05122862AA	1	3, 7		12, 15, 16				PANEL, Bulkhead Support
		1	2, 6		51, 52, 54, 55, 56				
		1	2, 6		11, 12, 14, 15, 16				
7	06104574AA	2	2, 6		11, 12, 14, 15, 16				SCREW, Tapping



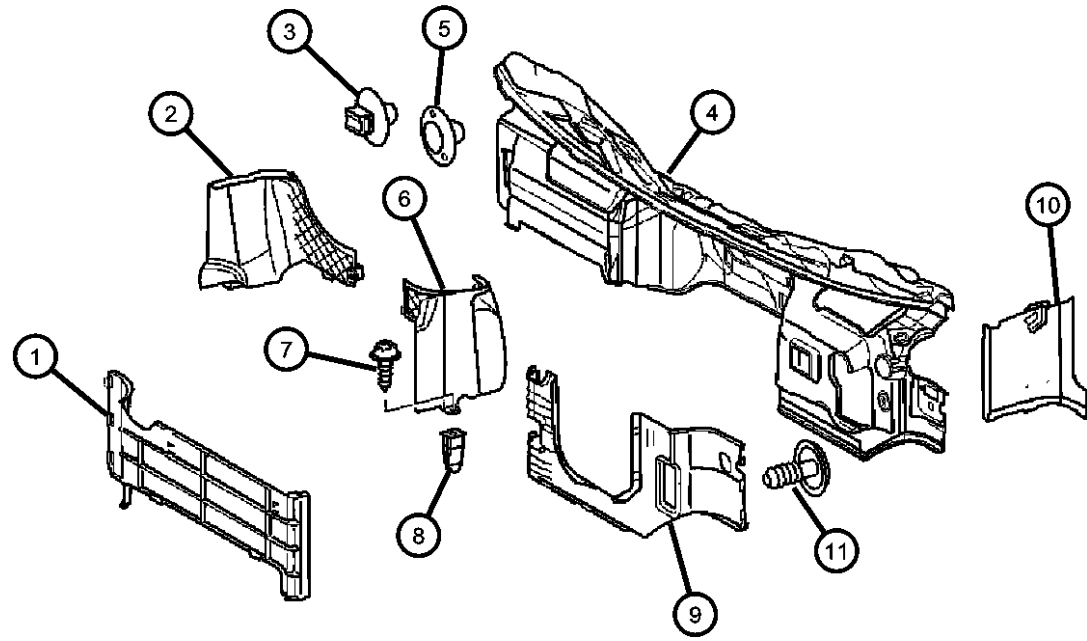
**SPRINTER (VA)**

SERIES	LINE	BODY	ENGINE	TRANSMISSION
L = LOWLINE	3 = HD DODGE 2WD 6 = Lt. Duty DODGE 4WD 2 = Med. Duty DODGE 2WD 7 = Med. Duty DODGE 4WD	51 = WAGON WHEEL BASE 1 14 = VAN WHEEL BASE 4 15 = VAN WHEEL BASE 5 16 = VAN WHEEL BASE 6 54 = WAGON WHEEL BASE 4 55 = WAGON WHEEL BASE 5 56 = WAGON WHEEL BASE 6 11 = VAN WHEEL BASE 1 12 = VAN WHEEL BASE 2	EX9 = Engine - 2.7L 5 Cly Mercedes Diesel	DGJ = Transmission-5-Spd. Automatic,W5A580

AR = use ase required - = Non illustrated part

**Inner Paneling in Cab, Cowl  
Figure SVA-620**

ITEM	PART NUMBER	QTY	LINE	SERIES	BODY	ENGINE	TRANS	TRIM	DESCRIPTION
		2	2, 6		51, 52, 54, 55, 56				
		2	3, 7		12, 15, 16				
8	05098837AA	8	2, 6		11, 12, 14, 15, 16				NUT, Plastic Snap-in
		8	2, 6		51, 52, 54, 55, 56				
		8	3, 7		12, 15, 16				
9	05131685AA	1	2, 6		11, 12, 14, 15, 16				PANEL, Dash
		1	2, 6		51, 52, 54, 55, 56				
		1	3, 7		12, 15, 16				
10	05104266AA	1	3, 7		12, 15, 16				PANEL, Cowl Side Right
		1	2, 6		51, 52, 54, 55, 56				Right
		1	2, 6		11, 12, 14, 15, 16				Right
	05122865AA	1	3, 7		12, 15, 16				Left
		1	2, 6		51, 52, 54, 55, 56				Left
		1	2, 6		11, 12, 14, 15, 16				Left
11	05125985AA	2	3, 7		12, 15, 16				PLUG, Body
		2	2, 6		11, 12, 14, 15, 16				
		2	2, 6		51, 52, 54, 55, 56				



**SPRINTER (VA)**

**SERIES**

L = LOWLINE

**LINE**

3 = HD DODGE 2WD  
6 = Lt. Duty DODGE 4WD  
2 = Med. Duty DODGE 2WD  
7 = Med. Duty DODGE 4WD

**BODY**

51 = WAGON WHEEL BASE 1  
52 = WAGON WHEEL BASE 2  
14 = VAN WHEEL BASE 4  
15 = VAN WHEEL BASE 5  
16 = VAN WHEEL BASE 6  
54 = WAGON WHEEL BASE 4  
55 = WAGON WHEEL BASE 5  
56 = WAGON WHEEL BASE 6  
11 = VAN WHEEL BASE 1  
12 = VAN WHEEL BASE 2

**ENGINE**

EX9 = Engine - 2.7L 5 Cly  
Mercedes Diesel

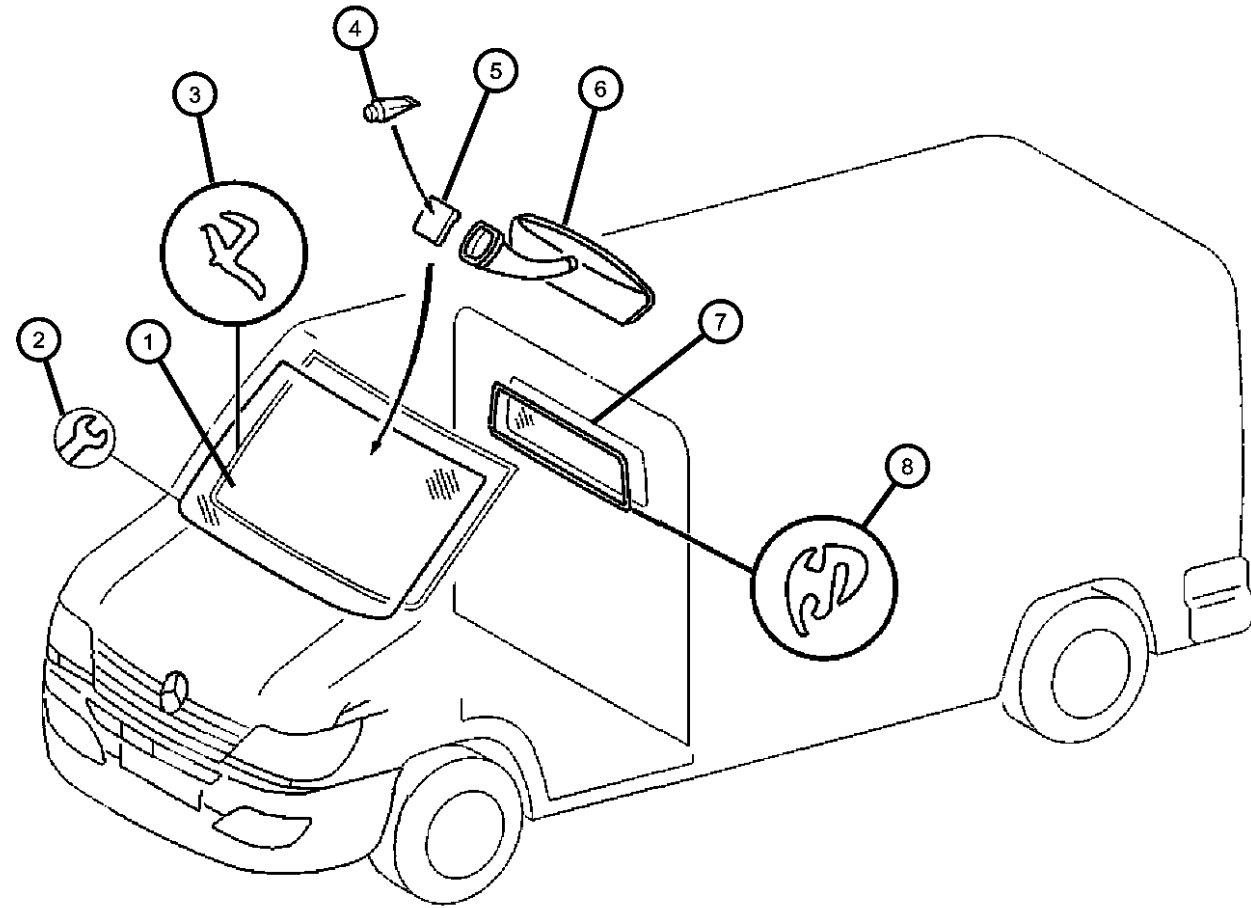
**TRANSMISSION**

DGJ = Transmission-5-Spd.  
Automatic,W5A580

AR = use ase required - = Non illustrated part

2003 VA

**Windshield, Backlite and Rear View Mirror  
Figure SVA-710**



ITEM	PART NUMBER	QTY	LINE	SERIES	BODY	ENGINE	TRANS	TRIM	DESCRIPTION
1	05103586AA	1	2, 6		11, 12, 14, 15, 16				WINDSHIELD Solar, With Shade Band
		1	3, 7		12, 15, 16				Solar, With Shade Band
		1	2, 6		51, 52, 54, 55, 56				Solar, With Shade Band
2	05104594AA	1	2, 6		11, 12, 14, 15, 16				REPAIR KIT, Windshield
		1	2, 6		51, 52, 54, 55, 56				
		1	3, 7		12, 15, 16				
3	05103584AA	1	2, 6		11, 12, 14, 15, 16				WEATHERSTRIP
		1	2, 6		51, 52, 54, 55, 56				
		1	3, 7		12, 15, 16				
4	05073862AA	2							ADHESIVE, Mirror Button
5	05104241AA	1	2, 6		51, 52, 54, 55, 56				BUTTON, Rear View Mirror
		1	3, 7		12, 15, 16				
		1	2, 6		11, 12, 14, 15, 16				
6	05104435AA	1	2, 6		11, 12, 14, 15, 16				MIRROR, Inside Rear View
		1	2, 6		51, 52, 54, 55, 56				
		1	3, 7		12, 15, 16				
7	05104249AA	1	2, 6		11, 12, 14, 15, 16				GLASS, Backlite, Fixed
		1	3, 7		12, 15, 16				
8									WEATHERSTRIP, Fixed

**SPRINTER (VA)**

**SERIES**

L = LOWLINE

**LINE**

3 = HD DODGE 2WD  
6 = Lt. Duty DODGE 4WD  
2 = Med. Duty DODGE 2WD  
7 = Med. Duty DODGE 4WD

**BODY**

51 = WAGON WHEEL BASE 1  
52 = WAGON WHEEL BASE 2  
14 = VAN WHEEL BASE 4  
15 = VAN WHEEL BASE 5  
16 = VAN WHEEL BASE 6  
54 = WAGON WHEEL BASE 4  
55 = WAGON WHEEL BASE 5  
56 = WAGON WHEEL BASE 6  
11 = VAN WHEEL BASE 1  
12 = VAN WHEEL BASE 2

**ENGINE**

EX9 = Engine - 2.7L 5 Cyl  
Mercedes Diesel

**TRANSMISSION**

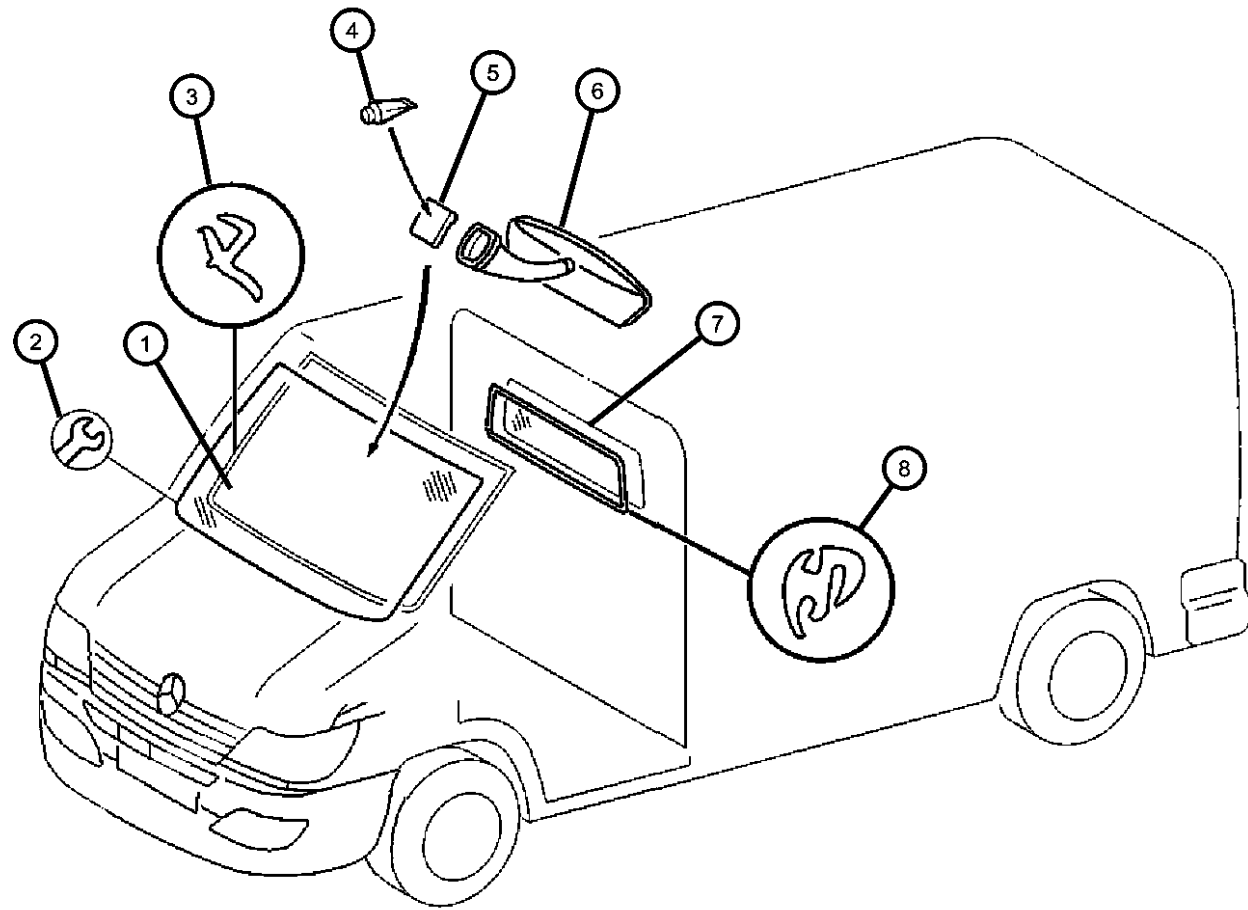
DGJ = Transmission-5-Spd. Automatic, W5A580

AR = use ase required - = Non illustrated part

2003 VA

**Windshield, Backlite and Rear View Mirror  
Figure SVA-710**

ITEM	PART NUMBER	QTY	LINE	SERIES	BODY	ENGINE	TRANS	TRIM	DESCRIPTION
	05104250AA	1	2, 6		11, 12, 14, 15, 16				
		1	3, 7		12, 15, 16				

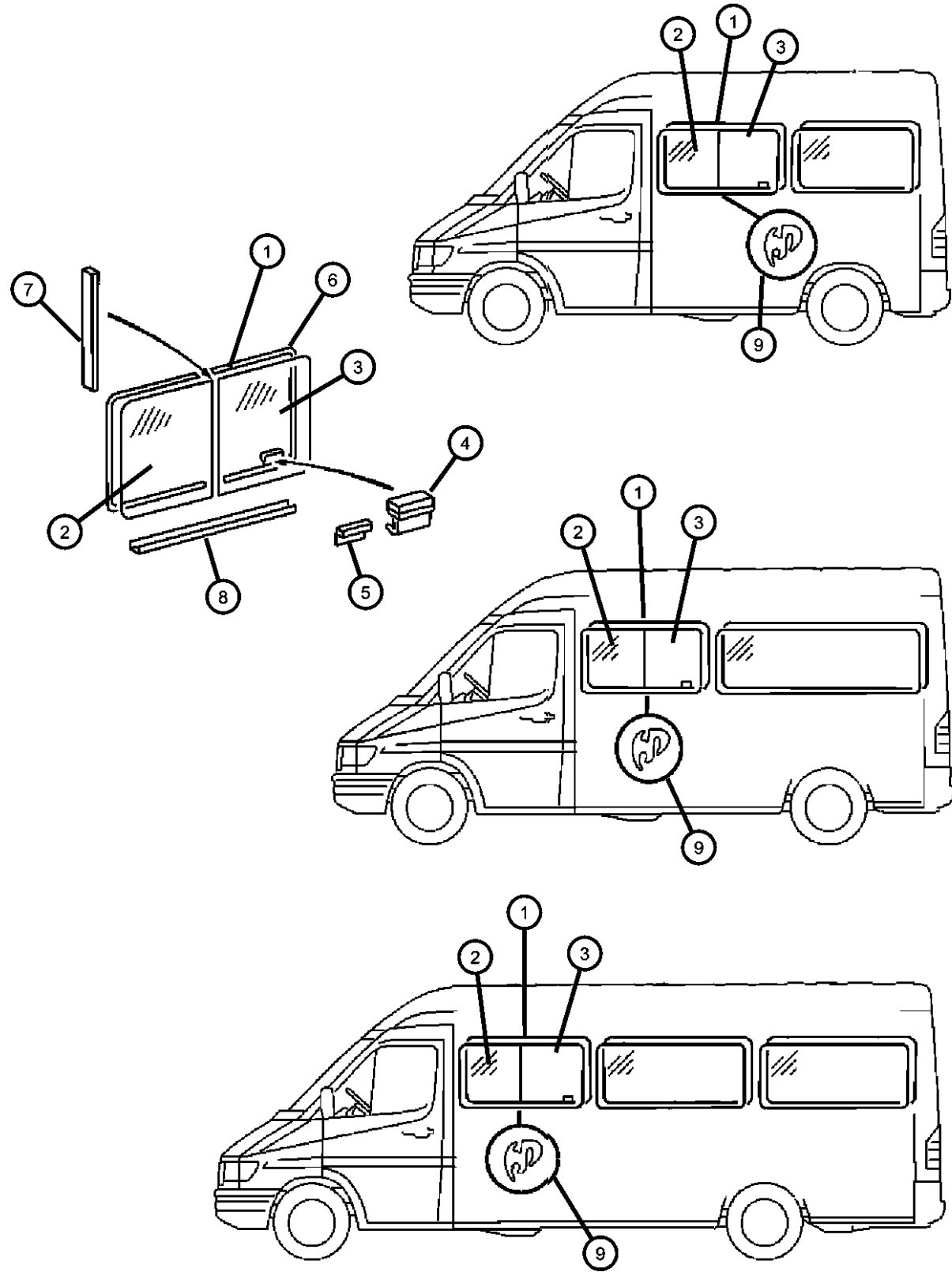


**SPRINTER (VA)**

SERIES	LINE	BODY	ENGINE	TRANSMISSION
L = LOWLINE	3 = HD DODGE 2WD	51 = WAGON WHEEL BASE 1	EX9 = Engine - 2.7L 5 Cly	DGJ = Transmission-5-Spd.
	6 = Lt. Duty DODGE 4WD	52 = WAGON WHEEL BASE 2	Mercedes Diesel	Automatic,W5A580
	2 = Med. Duty DODGE 2WD	14 = VAN WHEEL BASE 4		
	7 = Med. Duty DODGE 4WD	15 = VAN WHEEL BASE 5		
		16 = VAN WHEEL BASE 6		
		54 = WAGON WHEEL BASE 4		
		55 = WAGON WHEEL BASE 5		
		56 = WAGON WHEEL BASE 6		
		11 = VAN WHEEL BASE 1		
		12 = VAN WHEEL BASE 2		

AR = use ase required - = Non illustrated part

**Front Right Side Sliding Glass  
Figure SVA-720**



ITEM	PART NUMBER	QTY	LINE	SERIES	BODY	ENGINE	TRANS	TRIM	DESCRIPTION
1	05122302AA	1	3, 7		12, 15, 16				GLASS, Bodyside Window Privacy
		1	2, 6		11, 12, 14, 15, 16				Privacy
		1	2, 6		51, 52, 54, 55, 56				Privacy
2	05134043AA	1	3, 7		12, 15, 16				GLASS, Bodyside Window, Fixed Privacy
		1	2, 6		11, 12, 14, 15, 16				Privacy
		1	2, 6		51, 52, 54, 55, 56				Privacy
3	05134003AA	1	3, 7		12, 15, 16				GLASS, Bodyside Window, Sliding Privacy
		1	2, 6		11, 12, 14, 15, 16				Privacy
		1	2, 6		51, 52, 54, 55, 56				Privacy
4	05134004AA	1	3, 7		12, 15, 16				HANDLE, Vent Window
		1	2, 6		11, 12, 14, 15, 16				
		1	2, 6		51, 52, 54, 55, 56				
5	05133535AA	1	2, 6		51, 52, 54, 55, 56				RETAINER, Side Panel Vent Window
		1	3, 7		12, 15, 16				
		1	2, 6		11, 12, 14, 15, 16				
6	05134055AA	2	3, 7		12, 15, 16				WEATHERSTRIP, Side Panel Vent
		2	2, 6		11, 12, 14, 15, 16				
		2	2, 6		51, 52, 54, 55, 56				
7	05133536AA	1	2, 6		51, 52, 54, 55, 56				WEATHERSTRIP, Side Panel Vent

**SPRINTER (VA)**

**SERIES**

L = LOWLINE

**LINE**

3 = HD DODGE 2WD  
6 = Lt. Duty DODGE 4WD  
2 = Med. Duty DODGE 2WD  
7 = Med. Duty DODGE 4WD

**BODY**

51 = WAGON WHEEL BASE 1 EX9 = Engine - 2.7L 5 Cly  
52 = WAGON WHEEL BASE 2 Mercedes Diesel  
14 = VAN WHEEL BASE 4  
15 = VAN WHEEL BASE 5  
16 = VAN WHEEL BASE 6  
54 = WAGON WHEEL BASE 4  
55 = WAGON WHEEL BASE 5  
56 = WAGON WHEEL BASE 6  
11 = VAN WHEEL BASE 1  
12 = VAN WHEEL BASE 2

**ENGINE**

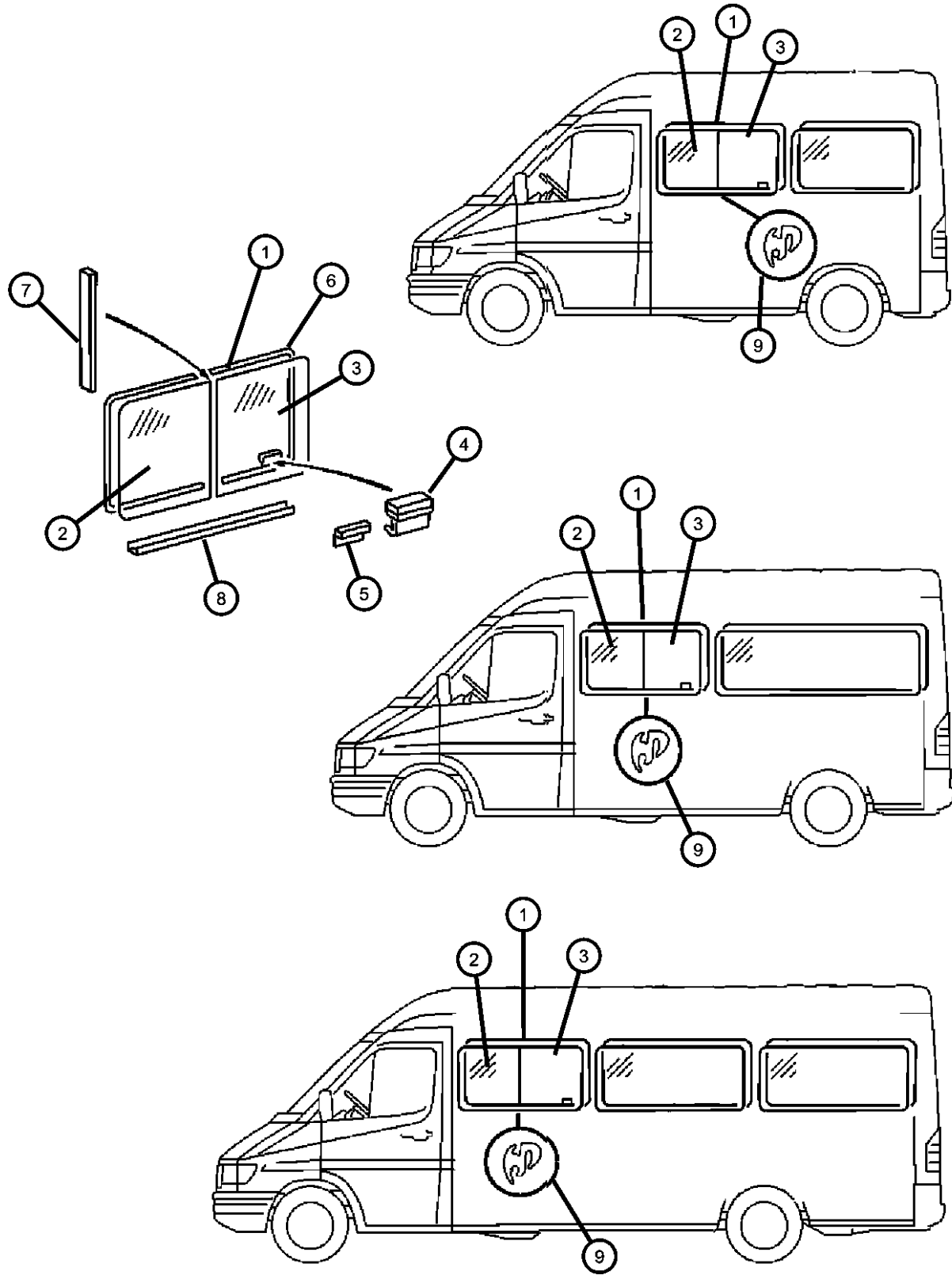
**TRANSMISSION**

DGJ = Transmission-5-Spd.  
Automatic, W5A580

AR = use ase required - = Non illustrated part

2003 VA

**Front Right Side Sliding Glass  
Figure SVA-720**



ITEM	PART NUMBER	QTY	LINE	SERIES	BODY	ENGINE	TRANS	TRIM	DESCRIPTION
8	05134059AA	1	3, 7		12, 15, 16				WEATHERSTRIP, Glass
		1	2, 6		11, 12, 14, 15, 16				
9	05104246AA	2	3, 7		12, 15, 16				SEAL, Window Opening
		2	2, 6		11, 12, 14, 15, 16				
		2	2, 6		51, 52, 54, 55, 56				
		1	2, 6		11, 12, 14, 15, 16				
		1	2, 6		51, 52, 54, 55, 56				
		1	3, 7		12, 15, 16				

**SPRINTER (VA)**

**SERIES**

L = LOWLINE  
 3 = HD DODGE 2WD  
 6 = Lt. Duty DODGE 4WD  
 2 = Med. Duty DODGE 2WD  
 7 = Med. Duty DODGE 4WD

**BODY**

51 = WAGON WHEEL BASE 1  
 52 = WAGON WHEEL BASE 2  
 14 = VAN WHEEL BASE 4  
 15 = VAN WHEEL BASE 5  
 16 = VAN WHEEL BASE 6  
 54 = WAGON WHEEL BASE 4  
 55 = WAGON WHEEL BASE 5  
 56 = WAGON WHEEL BASE 6  
 11 = VAN WHEEL BASE 1  
 12 = VAN WHEEL BASE 2

**ENGINE**

EX9 = Engine - 2.7L 5 Cly  
 Mercedes Diesel

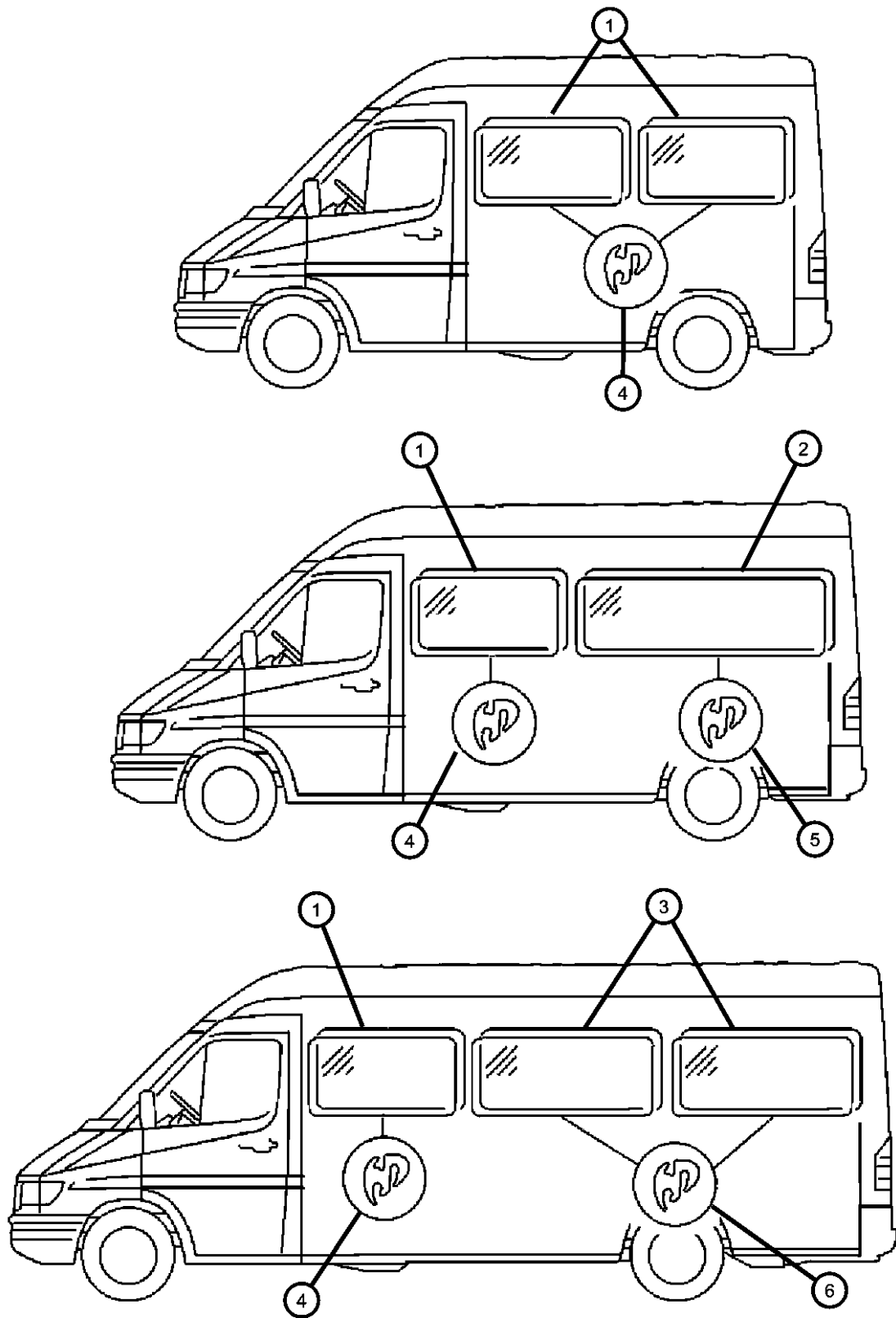
**TRANSMISSION**

DGJ = Transmission-5-Spd. Automatic, W5A580

AR = use ase required - = Non illustrated part

2003 VA

Side Glass, Fixed  
Figure SVA-730



ITEM	PART NUMBER	QTY	LINE	SERIES	BODY	ENGINE	TRANS	TRIM	DESCRIPTION
1	05104245AA	1	2, 6		11, 12, 14, 15, 16				GLASS, Bodyside Window Privacy
		1	2, 6		51, 52, 54, 55, 56				Privacy
		1	3, 7		12, 15, 16				Privacy
2	05122350AA	1	2, 6		51, 52, 54, 55, 56				GLASS, Bodyside Window Tint
	05134334AA	1	2, 6		51, 52, 54, 55, 56				Privacy
3	05104247AA	1	2, 6		51, 52, 54, 55, 56				GLASS, Bodyside Window Tint
	05134335AA	1	2, 6		51, 52, 54, 55, 56				Privacy
4	05104246AA	1	2, 6		11, 12, 14, 15, 16				SEAL, Window Opening
		1	2, 6		51, 52, 54, 55, 56				
		1	3, 7		12, 15, 16				
5	05104248AA	1	2, 6		51, 52, 54, 55, 56				SEAL, Window Opening
6	05122354AA	1	2, 6		51, 52, 54, 55, 56				SEAL, Window Opening

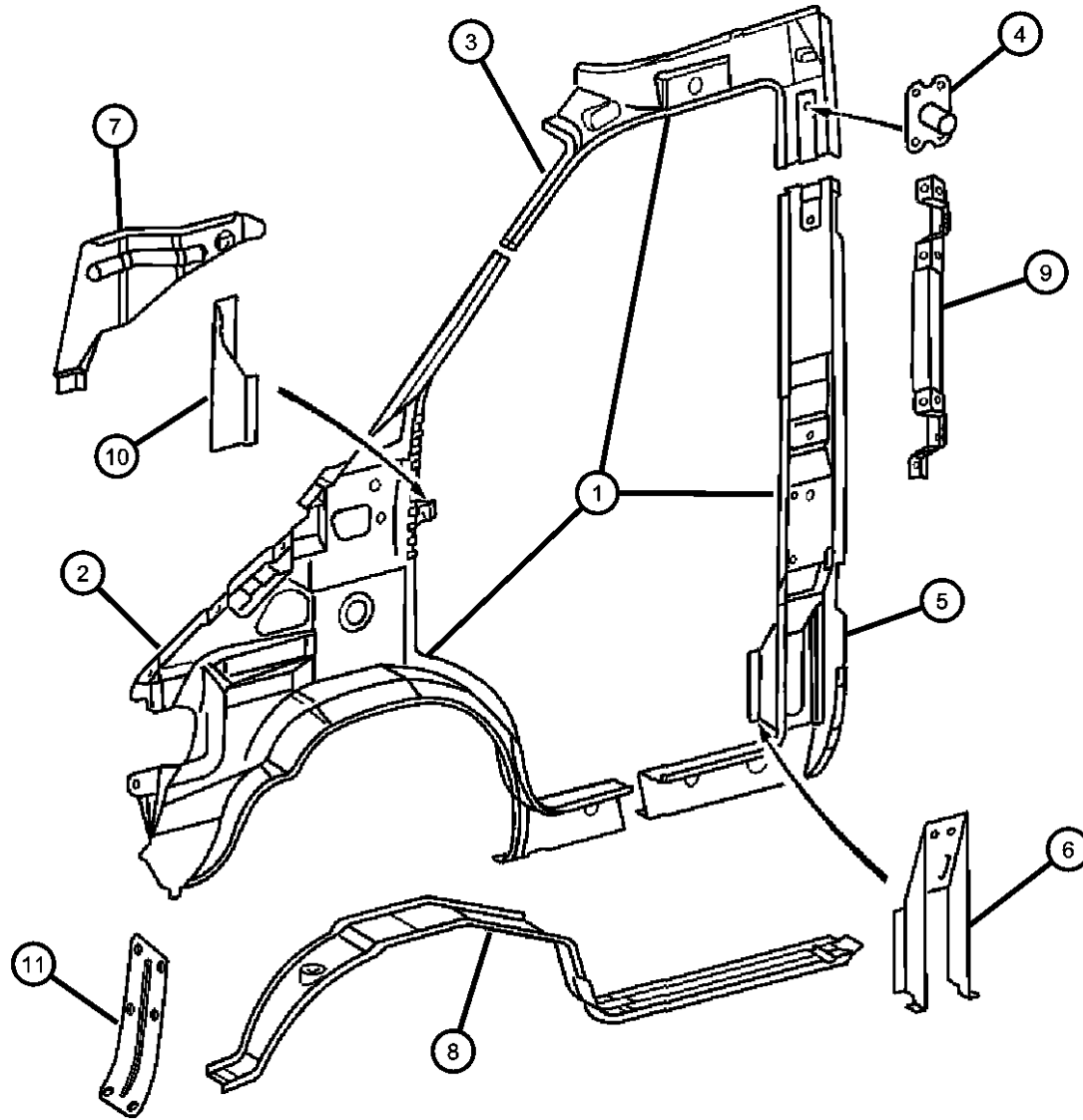
SPRINTER (VA)

SERIES	LINE	BODY	ENGINE	TRANSMISSION
L = LOWLINE	3 = HD DODGE 2WD 6 = Lt. Duty DODGE 4WD 2 = Med. Duty DODGE 2WD 7 = Med. Duty DODGE 4WD	51 = WAGON WHEEL BASE 1 52 = WAGON WHEEL BASE 2 14 = VAN WHEEL BASE 4 15 = VAN WHEEL BASE 5 16 = VAN WHEEL BASE 6 54 = WAGON WHEEL BASE 4 55 = WAGON WHEEL BASE 5 56 = WAGON WHEEL BASE 6 11 = VAN WHEEL BASE 1 12 = VAN WHEEL BASE 2	EX9 = Engine - 2.7L 5 Cly Mercedes Diesel	DGJ = Transmission-5-Spd. Automatic, W5A580

AR = use ase required - = Non illustrated part

**Front Aperture, Inner, Left  
Figure SVA-810**

ITEM	PART NUMBER	QTY	LINE	SERIES	BODY	ENGINE	TRANS	TRIM	DESCRIPTION
1	05121784AA	1	3, 7		12, 15, 16				APERTURE, Body Side Door Without Left Sliding Door
		1	2, 6		11, 12, 14, 15, 16				Without Left Sliding Door
		1	2, 6		51, 52, 54, 55, 56				Without Left Sliding Door
	05121786AA	1	2, 6		51, 52, 54, 55, 56				With Left Sliding Door
		1	3, 7		12, 15, 16				With Left Sliding Door
		1	2, 6		11, 12, 14, 15, 16				With Left Sliding Door
2	05104184AA	1	3, 7		12, 15, 16				PANEL, Body Side Aperture
		1	2, 6		11, 12, 14, 15, 16				
		1	2, 6		51, 52, 54, 55, 56				
3	05121647AA	1	3, 7		12, 15, 16				PANEL, Body Side Aperture Without Left Sliding Door
		1	2, 6		11, 12, 14, 15, 16				Without Left Sliding Door
		1	2, 6		51, 52, 54, 55, 56				Without Left Sliding Door
	05121649AA	1	2, 6		11, 12, 14, 15, 16				With Left Sliding Door
		1	2, 6		51, 52, 54, 55, 56				With Left Sliding Door
		1	3, 7		12, 15, 16				With Left Sliding Door
4	05125412AA	1	3, 7		12, 15, 16				TAPPING PLATE, Side Panel
		1	2, 6		11, 12, 14, 15, 16				
		1	2, 6		51, 52, 54, 55, 56				
5	05104186AA	1	3, 7		12, 15, 16				PILLAR, Front Door Lock Without Left Sliding Door
	05121668AA	1	3, 7		12, 15, 16				With Left Sliding Door
6								REINFORCEMENT, Center Pillar	



**SPRINTER (VA)**

**SERIES**

L = LOWLINE

**LINE**

3 = HD DODGE 2WD  
6 = Lt. Duty DODGE 4WD  
2 = Med. Duty DODGE 2WD  
7 = Med. Duty DODGE 4WD

**BODY**

51 = WAGON WHEEL BASE 1 EX9 = Engine - 2.7L 5 Cly  
52 = WAGON WHEEL BASE 2 Mercedes Diesel  
14 = VAN WHEEL BASE 4  
15 = VAN WHEEL BASE 5  
16 = VAN WHEEL BASE 6  
54 = WAGON WHEEL BASE 4  
55 = WAGON WHEEL BASE 5  
56 = WAGON WHEEL BASE 6  
11 = VAN WHEEL BASE 1  
12 = VAN WHEEL BASE 2

**ENGINE**

**TRANSMISSION**

DGJ = Transmission-5-Spd. Automatic, W5A580

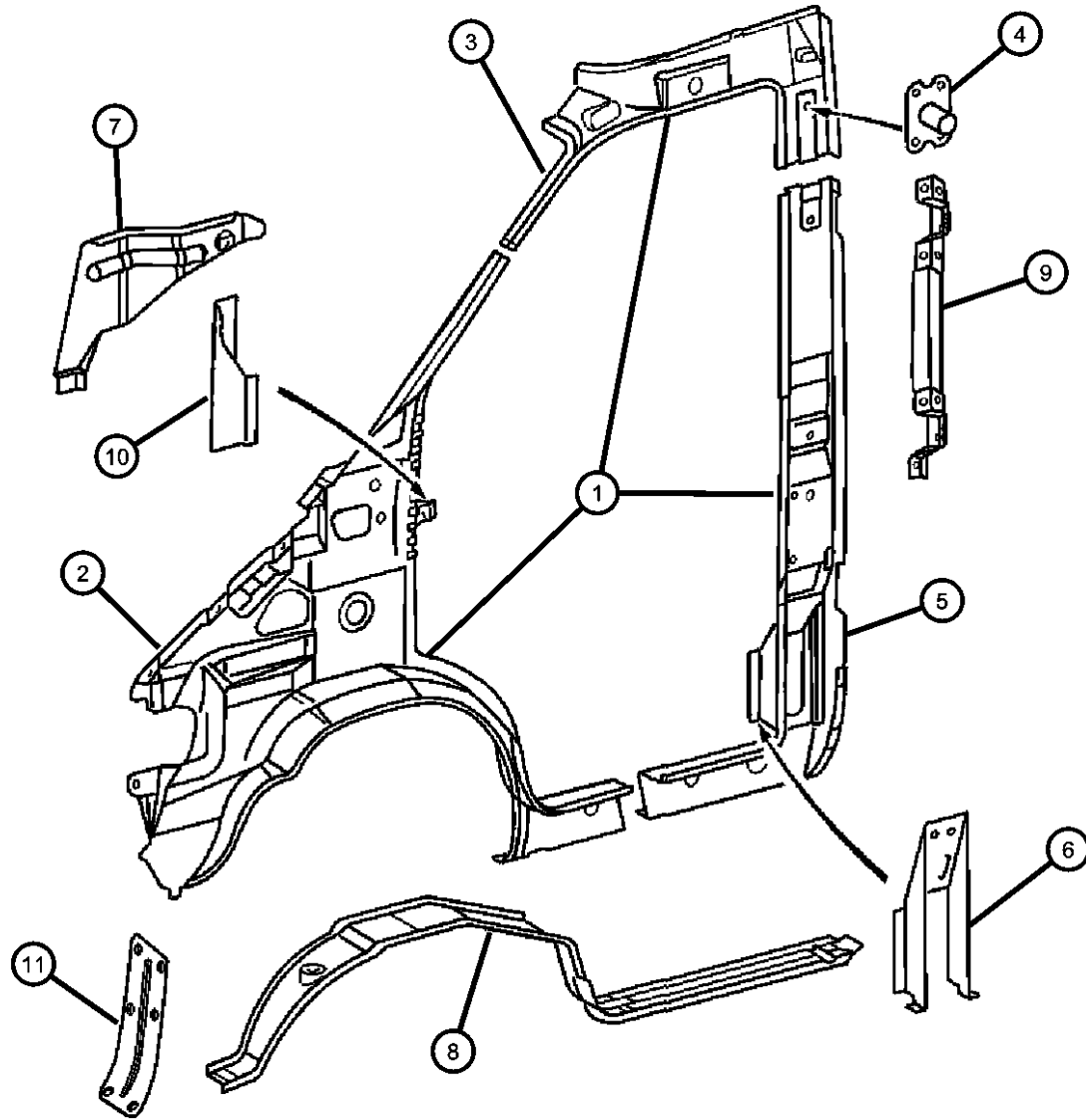
AR = use ase required - = Non illustrated part

2003 VA



Front Aperture, Inner, Left  
Figure SVA-810

ITEM	PART NUMBER	QTY	LINE	SERIES	BODY	ENGINE	TRANS	TRIM	DESCRIPTION
	05104189AA	1	2, 6		11, 12, 14, 15, 16				
		1	2, 6		51, 52, 54, 55, 56				
		1	3, 7		12, 15, 16				
7	05104193AA	1	3, 7		12, 15, 16				BRACKET, Body Side Aperture
		1	2, 6		11, 12, 14, 15, 16				
		1	2, 6		51, 52, 54, 55, 56				
8	05104199AA	1	3, 7		12, 15, 16				WHEELHOUSE, Front Inner
		1	2, 6		11, 12, 14, 15, 16				
		1	2, 6		51, 52, 54, 55, 56				
9	05121721AA	1	3, 7		12, 15, 16				BRACKET, Grab Handle
		1	2, 6		11, 12, 14, 15, 16				
		1	2, 6		51, 52, 54, 55, 56				
10	05133552AA	1	3, 7		12, 15, 16				REINFORCEMENT, Pillar And Cowl
		1	2, 6		11, 12, 14, 15, 16				
		1	2, 6		51, 52, 54, 55, 56				
11	05129943AA	1	2, 6		11, 12, 14, 15, 16				PANEL, Access
		1	2, 6		51, 52, 54, 55, 56				



SPRINTER (VA)

SERIES

L = LOWLINE

LINE

3 = HD DODGE 2WD  
6 = Lt. Duty DODGE 4WD  
2 = Med. Duty DODGE 2WD  
7 = Med. Duty DODGE 4WD

BODY

51 = WAGON WHEEL BASE 1 EX9 = Engine - 2.7L 5 Cly  
52 = WAGON WHEEL BASE 2 Mercedes Diesel  
14 = VAN WHEEL BASE 4  
15 = VAN WHEEL BASE 5  
16 = VAN WHEEL BASE 6  
54 = WAGON WHEEL BASE 4  
55 = WAGON WHEEL BASE 5  
56 = WAGON WHEEL BASE 6  
11 = VAN WHEEL BASE 1  
12 = VAN WHEEL BASE 2

ENGINE

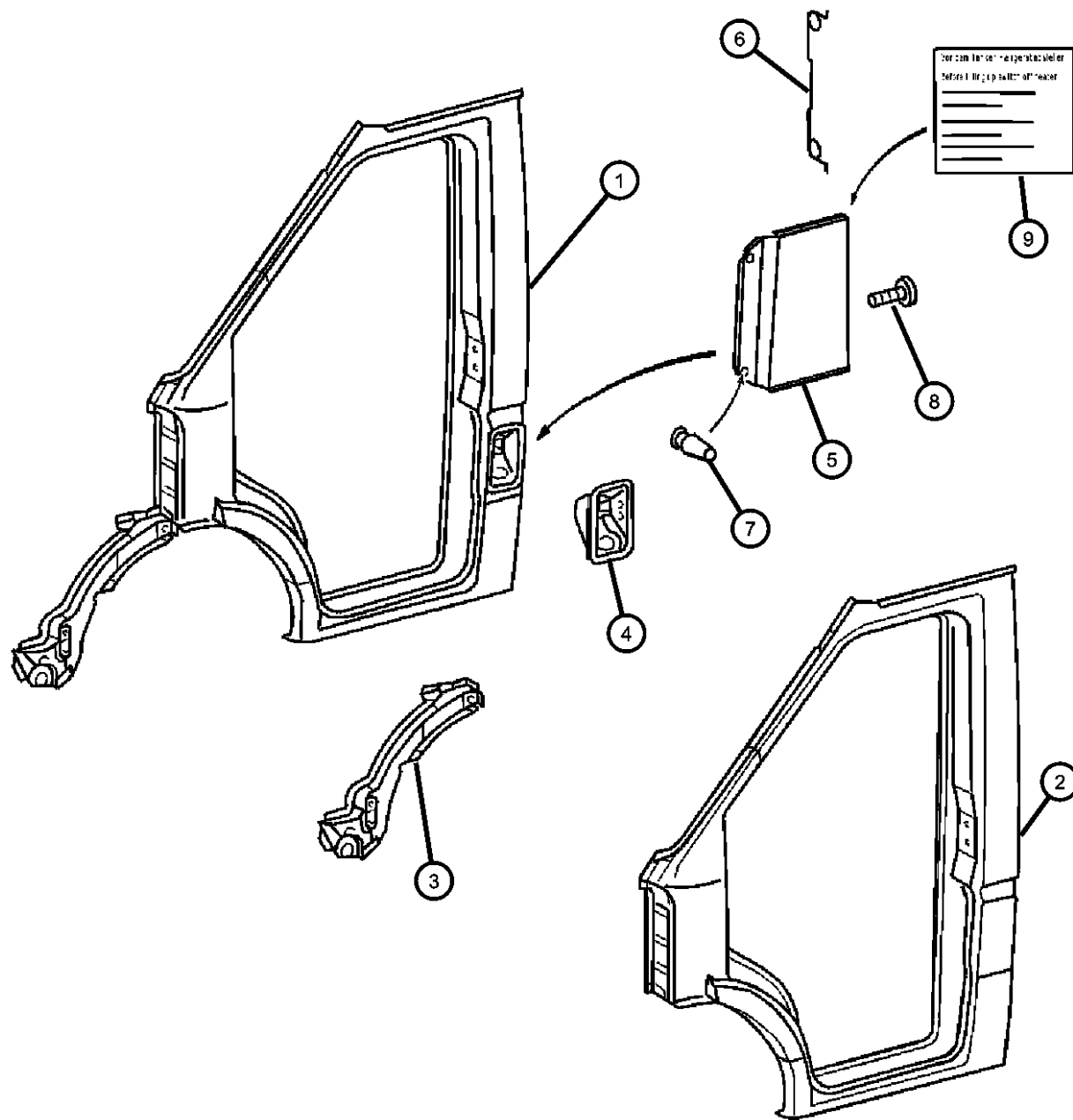
TRANSMISSION

DGJ = Transmission-5-Spd. Automatic, W5A580

AR = use ase required - = Non illustrated part

2003 VA

**Front Aperture, Outer, Left  
Figure SVA-820**



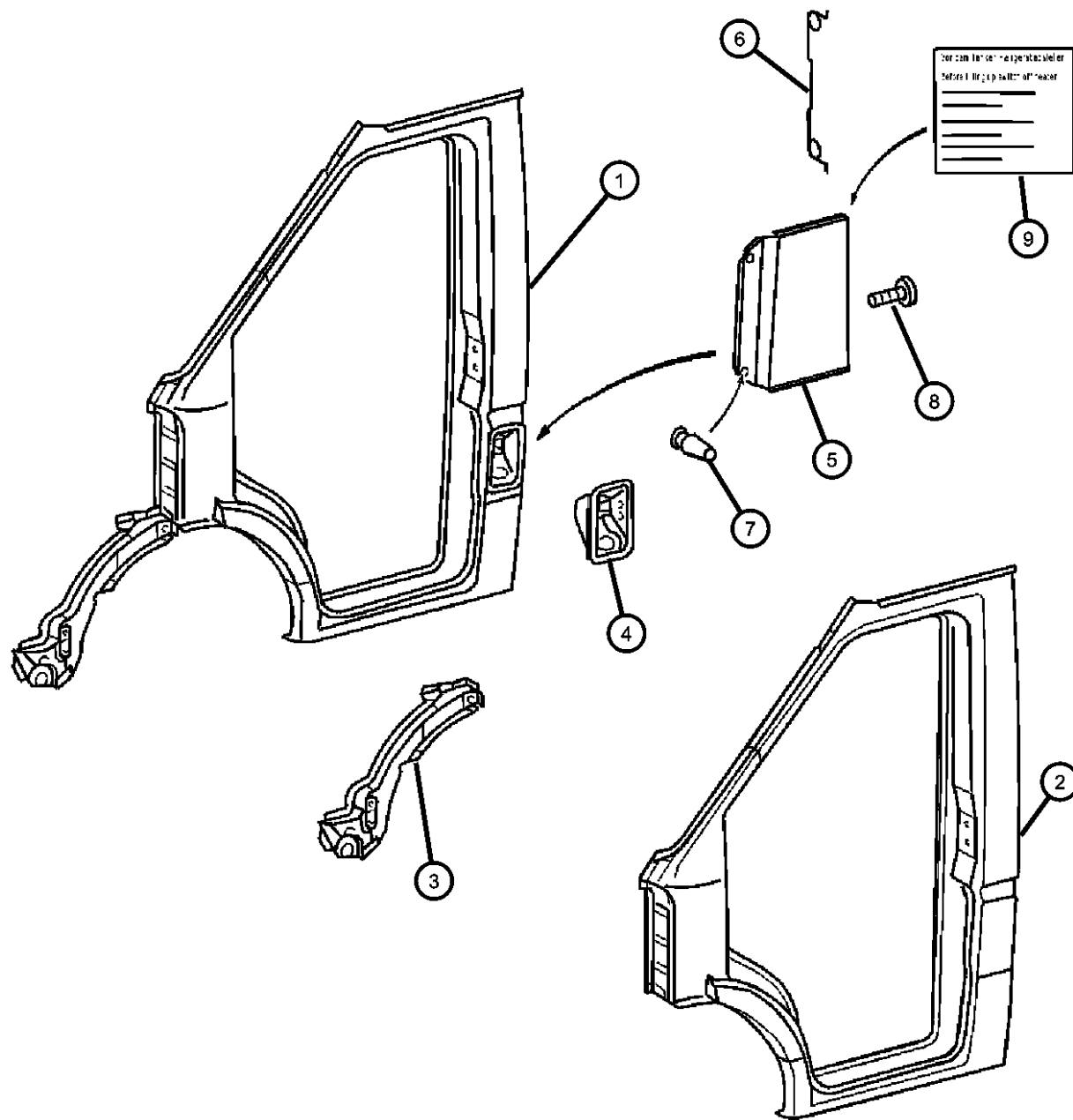
ITEM	PART NUMBER	QTY	LINE	SERIES	BODY	ENGINE	TRANS	TRIM	DESCRIPTION
1									APERTURE, Body Side Door, Complete
	05104182AA	1	3, 7		12, 15, 16				
		1	2, 6		11, 12, 14, 15, 16				
		1	2, 6		51, 52, 54, 55, 56				
2									APERTURE, Body Side Door, Skin Only, With No Full Door Cutout
	05104220AA	1	3, 7		12, 15, 16				
		1	2, 6		11, 12, 14, 15, 16				
		1	2, 6		51, 52, 54, 55, 56				
3	05104192AA	1	3, 7		12, 15, 16				PANEL, Fender Extension
4									HOUSING, Fuel Filler
	05104167AA	1	3, 7		12, 15, 16				
		1	2, 6		11, 12, 14, 15, 16				
		1	2, 6		51, 52, 54, 55, 56				
5									FLAP, TANK FLAP, SPRINTER
	05104399AA	1	2, 6		11, 12, 14, 15, 16				
		1	2, 6		51, 52, 54, 55, 56				
		1	3, 7		12, 15, 16				
6									SPRING, Fuel Filler Door
	05104408AA	1	2, 6		11, 12, 14, 15, 16				
		1	2, 6		51, 52, 54, 55, 56				
		1	3, 7		12, 15, 16				
7									BUMPER, Fuel Door
	05103917AA	2	2, 6		11, 12, 14, 15, 16				
		2	2, 6		51, 52, 54, 55, 56				
		1	3, 7		12, 15, 16				
8									SCREW

**SPRINTER (VA)**

<b>SERIES</b>	<b>LINE</b>	<b>BODY</b>	<b>ENGINE</b>	<b>TRANSMISSION</b>
L = LOWLINE	3 = HD DODGE 2WD 6 = Lt. Duty DODGE 4WD 2 = Med. Duty DODGE 2WD 7 = Med. Duty DODGE 4WD	51 = WAGON WHEEL BASE 1 52 = WAGON WHEEL BASE 2 14 = VAN WHEEL BASE 4 15 = VAN WHEEL BASE 5 16 = VAN WHEEL BASE 6 54 = WAGON WHEEL BASE 4 55 = WAGON WHEEL BASE 5 56 = WAGON WHEEL BASE 6 11 = VAN WHEEL BASE 1 12 = VAN WHEEL BASE 2	EX9 = Engine - 2.7L 5 Cyl Mercedes Diesel	DGJ = Transmission-5-Spd. Automatic, W5A580

AR = use ase required - = Non illustrated part

Front Aperture, Outer, Left  
Figure SVA-820

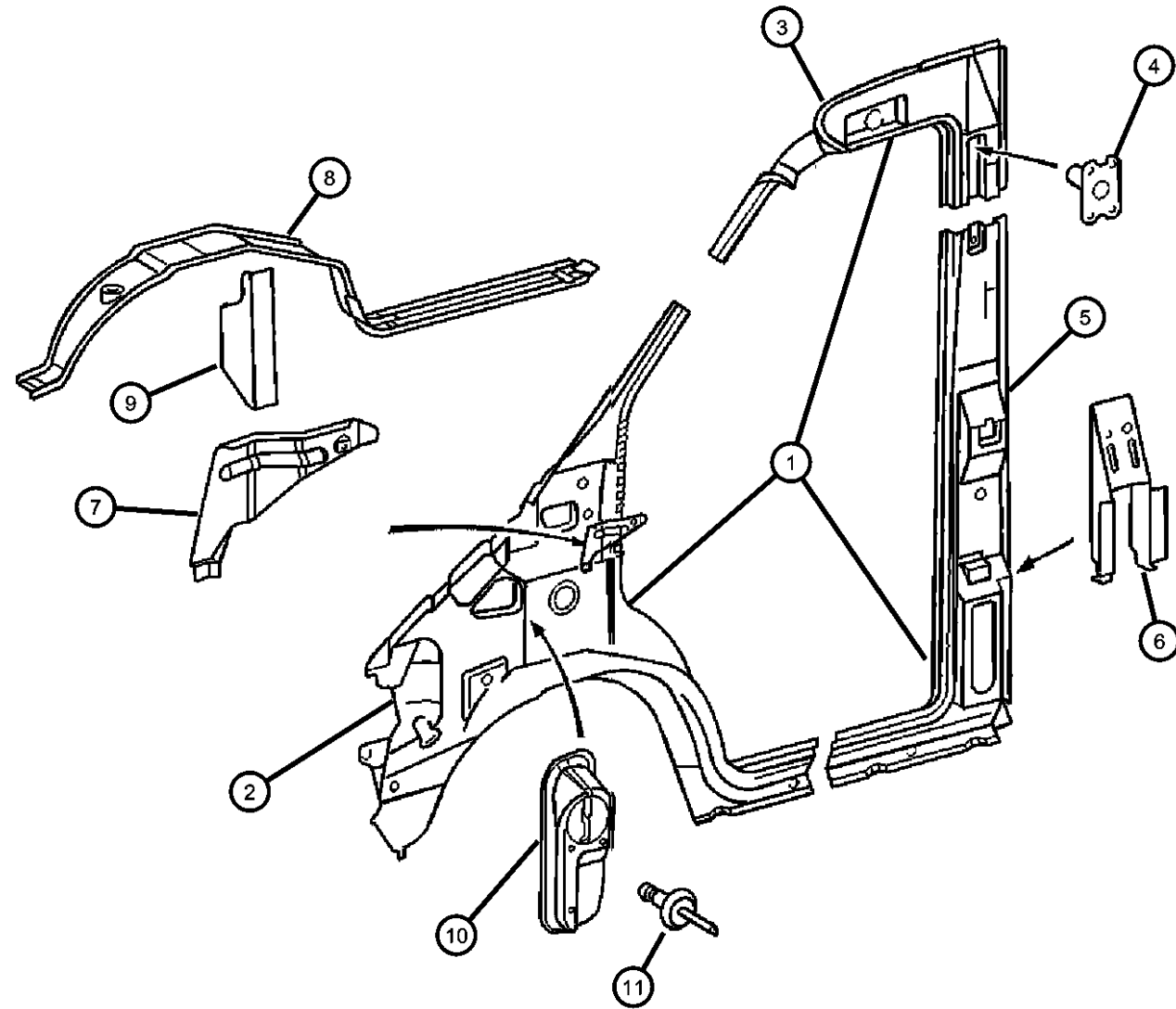


ITEM	PART NUMBER	QTY	LINE	SERIES	BODY	ENGINE	TRANS	TRIM	DESCRIPTION
	05103714AA	2	2, 6		11, 12, 14, 15, 16				
		2	2, 6		51, 52, 54, 55, 56				
		1	3, 7		12, 15, 16				
9									LABEL, Fuel
	05104152AA	1	2, 6		11, 12, 14, 15, 16				
		1	2, 6		51, 52, 54, 55, 56				
		1	3, 7		12, 15, 16				

<b>SPRINTER (VA)</b>				
<b>SERIES</b>	<b>LINE</b>	<b>BODY</b>	<b>ENGINE</b>	<b>TRANSMISSION</b>
L = LOWLINE	3 = HD DODGE 2WD 6 = Lt. Duty DODGE 4WD 2 = Med. Duty DODGE 2WD 7 = Med. Duty DODGE 4WD	51 = WAGON WHEEL BASE 1 52 = WAGON WHEEL BASE 2 14 = VAN WHEEL BASE 4 15 = VAN WHEEL BASE 5 16 = VAN WHEEL BASE 6 54 = WAGON WHEEL BASE 4 55 = WAGON WHEEL BASE 5 56 = WAGON WHEEL BASE 6 11 = VAN WHEEL BASE 1 12 = VAN WHEEL BASE 2	EX9 = Engine - 2.7L 5 Cly Mercedes Diesel	DGJ = Transmission-5-Spd. Automatic,W5A580

AR = use ase required - = Non illustrated part

**Front Aperture, Inner, Right  
Figure SVA-830**



ITEM	PART NUMBER	QTY	LINE	SERIES	BODY	ENGINE	TRANS	TRIM	DESCRIPTION
1	05104183AA	1	3, 7		12, 15, 16				APERTURE, Body Side Door With Sliding Door
		1	2, 6		11, 12, 14, 15, 16				With Sliding Door
		1	2, 6		51, 52, 54, 55, 56				With Sliding Door
	05121659AA	1	3, 7		12, 15, 16				Without Sliding Door
		1	2, 6		11, 12, 14, 15, 16				Without Sliding Door
		1	2, 6		51, 52, 54, 55, 56				Without Sliding Door
2	05104185AA	1	3, 7		12, 15, 16				PANEL, Body Side Aperture
		1	2, 6		11, 12, 14, 15, 16				
		1	2, 6		51, 52, 54, 55, 56				
3	05121648AA	1	2, 6		11, 12, 14, 15, 16				PANEL, Body Side Aperture Without Sliding Door
		1	2, 6		51, 52, 54, 55, 56				Without Sliding Door
	05121650AA	1	3, 7		12, 15, 16				Without Sliding Door
		1	3, 7		12, 15, 16				With Sliding Door
		1	2, 6		11, 12, 14, 15, 16				With Sliding Door
	4	05125412AA	1	2, 6		51, 52, 54, 55, 56			
1			3, 7		12, 15, 16				TAPPING PLATE, Side Panel
1			2, 6		11, 12, 14, 15, 16				
5	05121644AA	1	2, 6		51, 52, 54, 55, 56				With Sliding Door
		1	3, 7		12, 15, 16				PANEL, Body Side Aperture Without Sliding Door
		1	2, 6		11, 12, 14, 15, 16				Without Sliding Door
		1	2, 6		51, 52, 54, 55, 56				Without Sliding Door

**SPRINTER (VA)**

**SERIES**

L = LOWLINE

**LINE**

3 = HD DODGE 2WD  
6 = Lt. Duty DODGE 4WD  
2 = Med. Duty DODGE 2WD  
7 = Med. Duty DODGE 4WD

**BODY**

51 = WAGON WHEEL BASE 1 EX9 = Engine - 2.7L 5 Cly  
52 = WAGON WHEEL BASE 2 Mercedes Diesel  
14 = VAN WHEEL BASE 4  
15 = VAN WHEEL BASE 5  
16 = VAN WHEEL BASE 6  
54 = WAGON WHEEL BASE 4  
55 = WAGON WHEEL BASE 5  
56 = WAGON WHEEL BASE 6  
11 = VAN WHEEL BASE 1  
12 = VAN WHEEL BASE 2

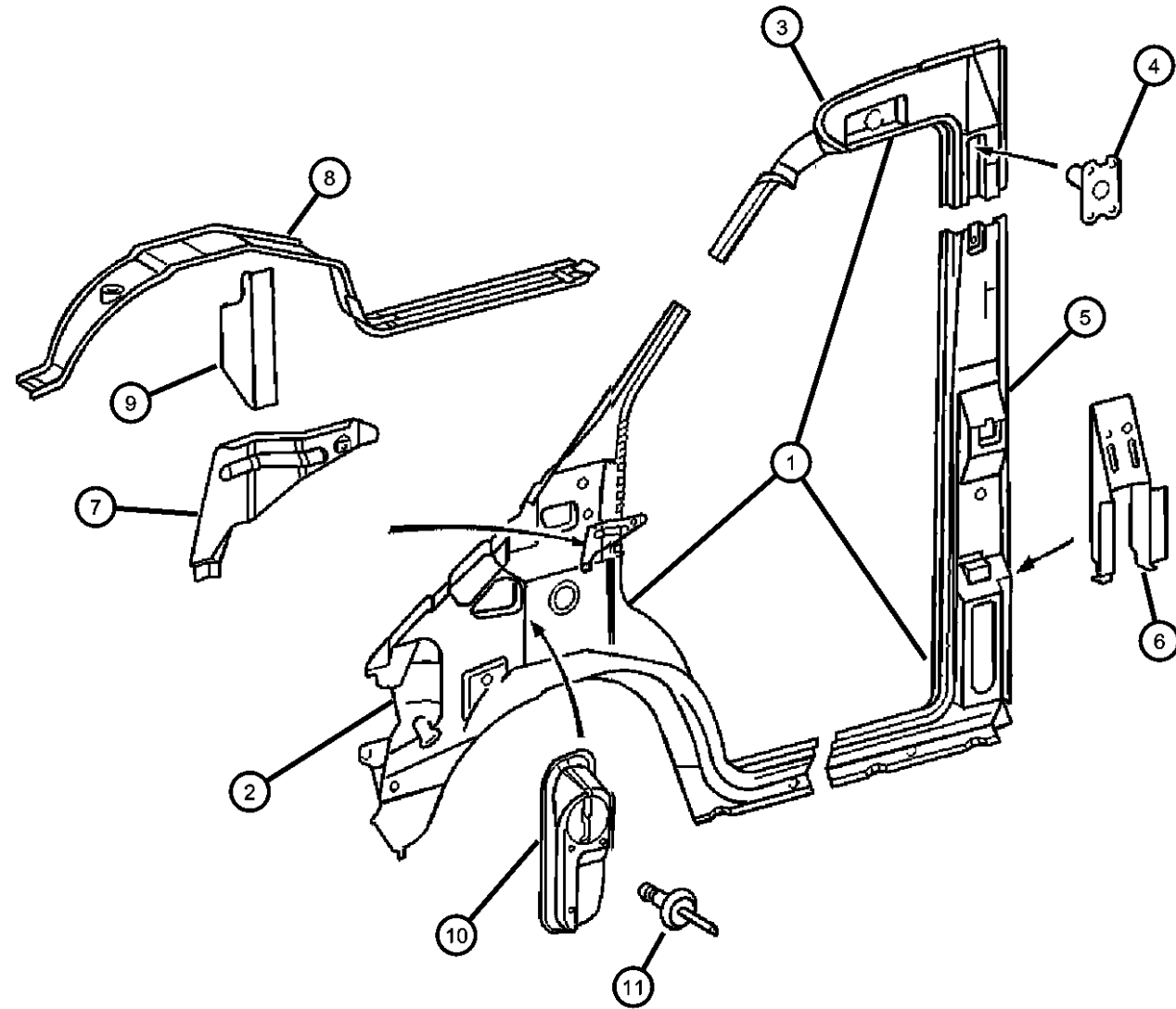
**ENGINE**

**TRANSMISSION**

DGJ = Transmission-5-Spd. Automatic, W5A580

AR = use ase required - = Non illustrated part

**Front Aperture, Inner, Right  
Figure SVA-830**



ITEM	PART NUMBER	QTY	LINE	SERIES	BODY	ENGINE	TRANS	TRIM	DESCRIPTION
	05121645AA	1	3, 7		12, 15, 16				With Sliding Door
		1	2, 6		11, 12, 14, 15, 16				With Sliding Door
		1	2, 6		51, 52, 54, 55, 56				With Sliding Door
6	05104189AA	1	2, 6		11, 12, 14, 15, 16				REINFORCEMENT, Center Pillar
		1	2, 6		51, 52, 54, 55, 56				
		1	3, 7		12, 15, 16				
7	05104195AA	1	3, 7		12, 15, 16				BRACKET, Instrument Panel
		1	2, 6		11, 12, 14, 15, 16				
		1	2, 6		51, 52, 54, 55, 56				
8	05104200AA	1	3, 7		12, 15, 16				WHEELHOUSE, Front Inner
		1	2, 6		11, 12, 14, 15, 16				
		1	2, 6		51, 52, 54, 55, 56				
9	05133552AA	1	3, 7		12, 15, 16				REINFORCEMENT, Pillar And Cowl
		1	2, 6		11, 12, 14, 15, 16				
		1	2, 6		51, 52, 54, 55, 56				
10	05104187AA	1	3, 7		12, 15, 16				BUSHING, Door Aperture
		1	2, 6		11, 12, 14, 15, 16				
		1	2, 6		51, 52, 54, 55, 56				
11	05133554AA	3	3, 7		12, 15, 16				RIVET

**SPRINTER (VA)**

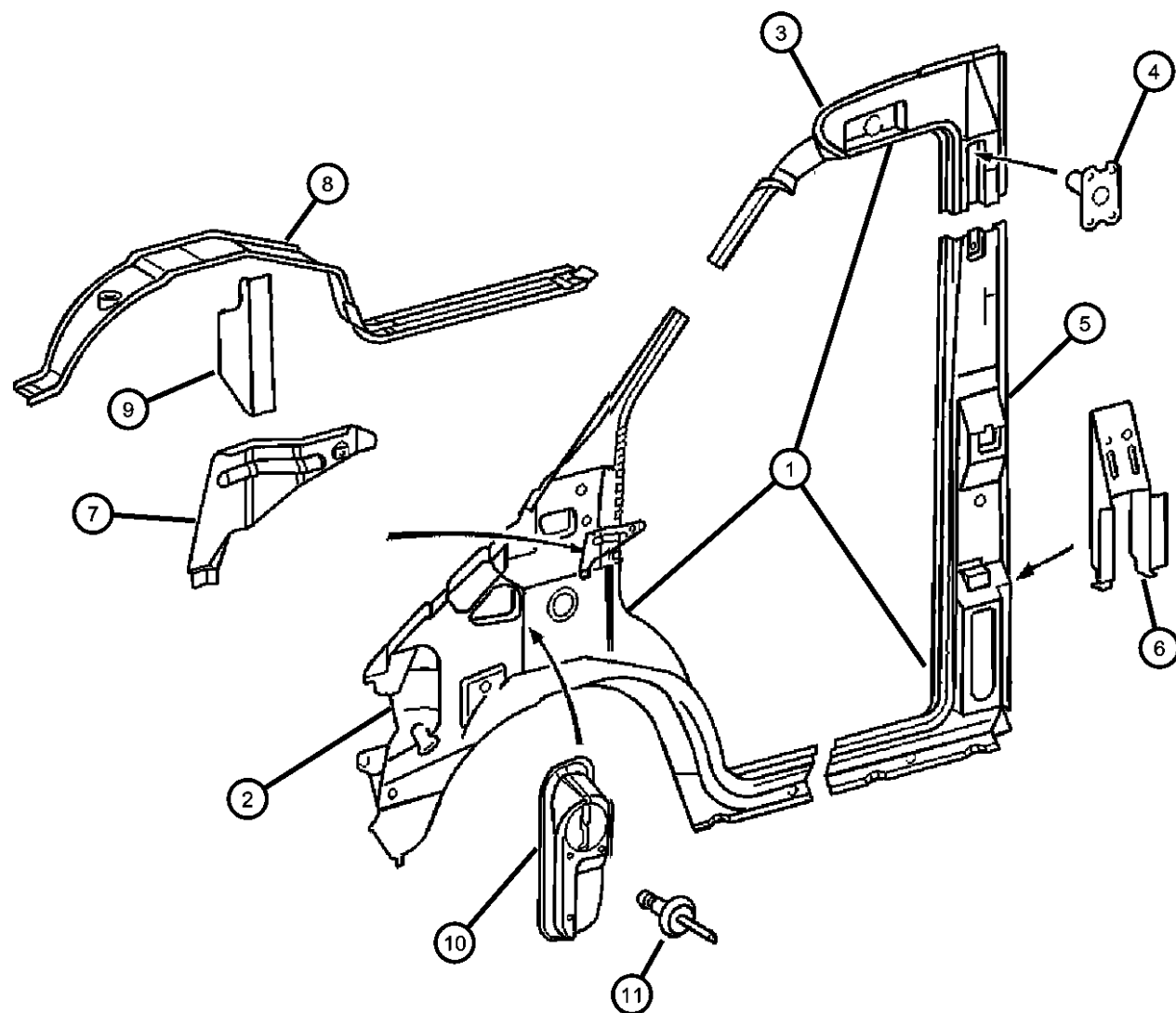
<b>SERIES</b>	<b>LINE</b>	<b>BODY</b>	<b>ENGINE</b>	<b>TRANSMISSION</b>
L = LOWLINE	3 = HD DODGE 2WD 6 = Lt. Duty DODGE 4WD 2 = Med. Duty DODGE 2WD 7 = Med. Duty DODGE 4WD	51 = WAGON WHEEL BASE 1 52 = WAGON WHEEL BASE 2 14 = VAN WHEEL BASE 4 15 = VAN WHEEL BASE 5 16 = VAN WHEEL BASE 6 54 = WAGON WHEEL BASE 4 55 = WAGON WHEEL BASE 5 56 = WAGON WHEEL BASE 6 11 = VAN WHEEL BASE 1 12 = VAN WHEEL BASE 2	EX9 = Engine - 2.7L 5 Cly Mercedes Diesel	DGJ = Transmission-5-Spd. Automatic, W5A580

AR = use ase required - = Non illustrated part

Front Aperture, Inner, Right  
Figure SVA-830

ITEM	PART NUMBER	QTY	LINE	SERIES	BODY	ENGINE	TRANS	TRIM	DESCRIPTION
------	-------------	-----	------	--------	------	--------	-------	------	-------------

3	2, 6	11, 12, 14, 15, 16
3	2, 6	51, 52, 54, 55, 56



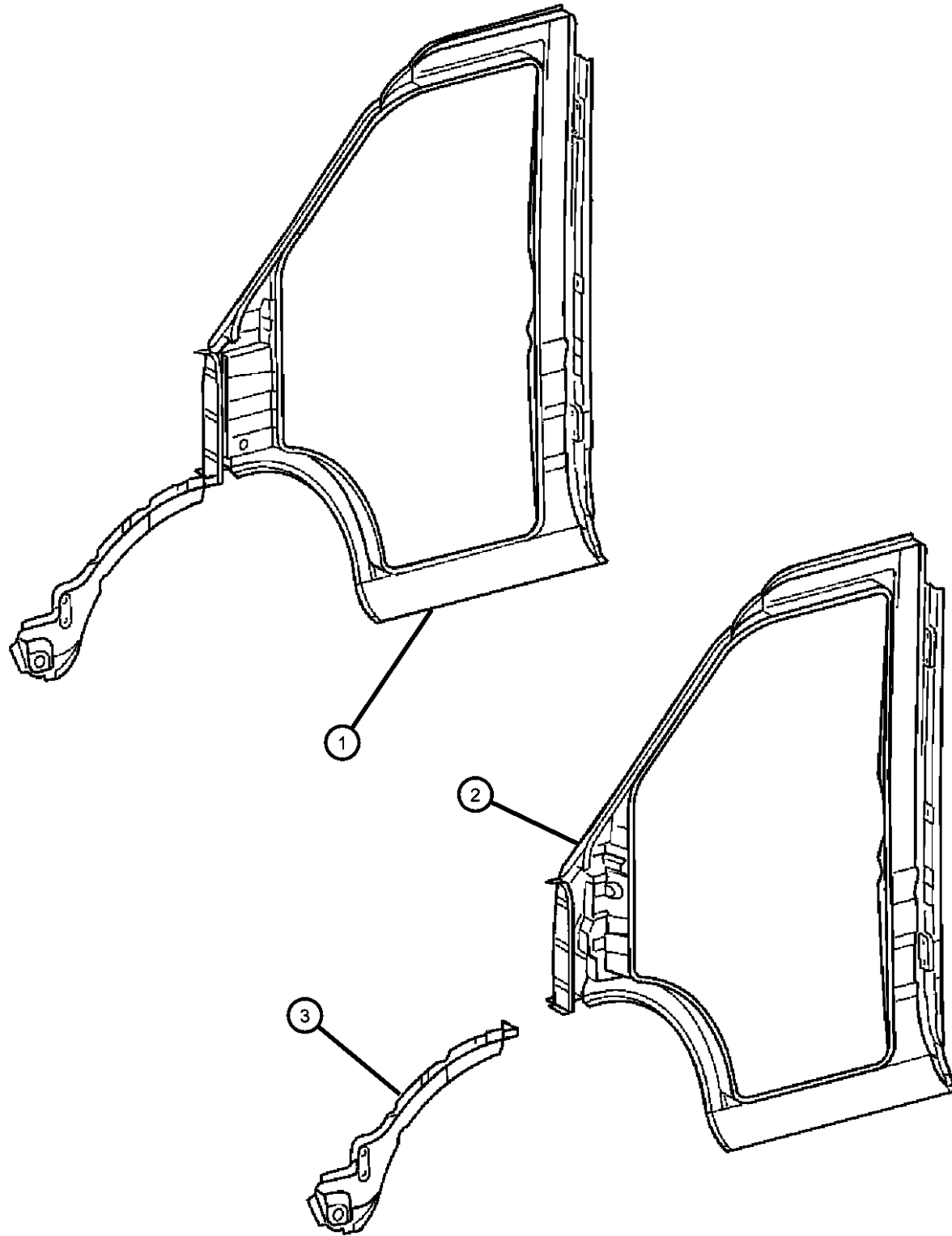
**SPRINTER (VA)**

SERIES	LINE	BODY	ENGINE	TRANSMISSION
L = LOWLINE	3 = HD DODGE 2WD	51 = WAGON WHEEL BASE 1	EX9 = Engine - 2.7L 5 Cly	DGJ = Transmission-5-Spd.
	6 = Lt. Duty DODGE 4WD	52 = WAGON WHEEL BASE 2	Mercedes Diesel	Automatic,W5A580
	2 = Med. Duty DODGE 2WD	14 = VAN WHEEL BASE 4		
	7 = Med. Duty DODGE 4WD	15 = VAN WHEEL BASE 5		
		16 = VAN WHEEL BASE 6		
		54 = WAGON WHEEL BASE 4		
		55 = WAGON WHEEL BASE 5		
		56 = WAGON WHEEL BASE 6		
		11 = VAN WHEEL BASE 1		
		12 = VAN WHEEL BASE 2		

AR = use ase required - = Non illustrated part

2003 VA

Front Aperture, Outer, Right  
Figure SVA-840



ITEM	PART NUMBER	QTY	LINE	SERIES	BODY	ENGINE	TRANS	TRIM	DESCRIPTION
1	05121683AA	1	3, 7		12, 15, 16				APERTURE, Body Side Door
		1	2, 6		11, 12, 14, 15, 16				
		1	2, 6		51, 52, 54, 55, 56				
2	05104221AA	1	3, 7		12, 15, 16				APERTURE, Body Side Door
		1	2, 6		11, 12, 14, 15, 16				
		1	2, 6		51, 52, 54, 55, 56				
3	05104190AA	1	3, 7		12, 15, 16				PANEL, Fender Extentsion
		1	2, 6		11, 12, 14, 15, 16				
		1	2, 6		51, 52, 54, 55, 56				

SPRINTER (VA)

SERIES

L = LOWLINE

LINE

3 = HD DODGE 2WD  
6 = Lt. Duty DODGE 4WD  
2 = Med. Duty DODGE 2WD  
7 = Med. Duty DODGE 4WD

BODY

51 = WAGON WHEEL BASE 1  
52 = WAGON WHEEL BASE 2  
14 = VAN WHEEL BASE 4  
15 = VAN WHEEL BASE 5  
16 = VAN WHEEL BASE 6  
54 = WAGON WHEEL BASE 4  
55 = WAGON WHEEL BASE 5  
56 = WAGON WHEEL BASE 6  
11 = VAN WHEEL BASE 1  
12 = VAN WHEEL BASE 2

ENGINE

EX9 = Engine - 2.7L 5 Cly  
Mercedes Diesel

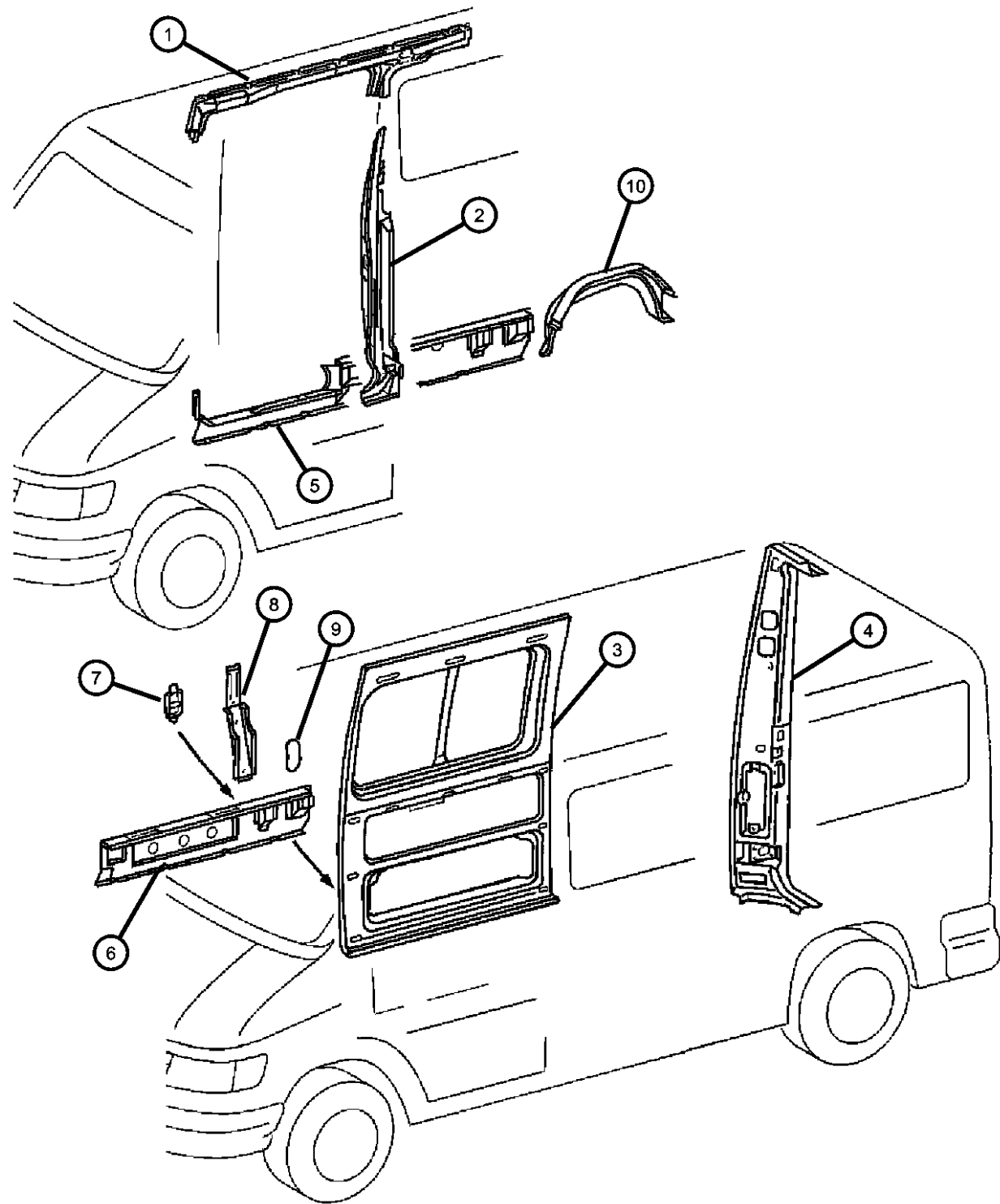
TRANSMISSION

DGJ = Transmission-5-Spd. Automatic,W5A580

AR = use ase required - = Non illustrated part

2003 VA

**Right Side Cargo Door Pillars & Wheelhouse  
Figure SVA-910**



ITEM	PART NUMBER	QTY	LINE	SERIES	BODY	ENGINE	TRANS	TRIM	DESCRIPTION
1									REINFORCEMENT, Body Side Aperture
	05104204AA	1	3, 7		12, 15, 16				
		1	2, 6		11, 12, 14, 15, 16				
		1	2, 6		51, 52, 54, 55, 56				
2									PILLAR, Side Cargo Door
	05104166AA	1	3, 7		12, 15, 16				[140 & 158] Inch Wheelbase
		1	2, 6		11, 12, 14, 15, 16				[140 & 158] Inch Wheelbase
		1	2, 6		51, 52, 54, 55, 56				[140 & 158] Inch Wheelbase
	05121699AA	1	2, 6		11, 12, 14, 15, 16				[118] Inch Wheelbase
		1	2, 6		51, 52, 54, 55, 56				[118] Inch Wheelbase
		1	3, 7		12, 15, 16				[118] Inch Wheelbase
3									PANEL, Body Side Front
	05104197AA	1	3, 7		12, 15, 16				
		1	2, 6		11, 12, 14, 15, 16				
		1	2, 6		51, 52, 54, 55, 56				
4									PILLAR, Rear Cargo Door Hinge
	05104178AA	1	2, 6		11, 12, 14, 15, 16				High Roof
		1	2, 6		51, 52, 54, 55, 56				High Roof
	05121908AA	1	3, 7		12, 15, 16				Low Roof
		1	2, 6		11, 12, 14, 15, 16				Low Roof
		1	2, 6		51, 52, 54, 55, 56				Low Roof
		1	3, 7		12, 15, 16				High Roof
5									SUPPORT, Sill Reinforcement
	05104171AA	1	2, 6		51, 52, 54, 55, 56				[118] Inch Wheelbase
		1	2, 6		11, 12, 14, 15, 16				[118] Inch Wheelbase

**SPRINTER (VA)**

**SERIES**

L = LOWLINE

**LINE**

3 = HD DODGE 2WD  
6 = Lt. Duty DODGE 4WD  
2 = Med. Duty DODGE 2WD  
7 = Med. Duty DODGE 4WD

**BODY**

51 = WAGON WHEEL BASE 1 EX9 = Engine - 2.7L 5 Cly  
52 = WAGON WHEEL BASE 2 Mercedes Diesel  
14 = VAN WHEEL BASE 4  
15 = VAN WHEEL BASE 5  
16 = VAN WHEEL BASE 6  
54 = WAGON WHEEL BASE 4  
55 = WAGON WHEEL BASE 5  
56 = WAGON WHEEL BASE 6  
11 = VAN WHEEL BASE 1  
12 = VAN WHEEL BASE 2

**ENGINE**

**TRANSMISSION**

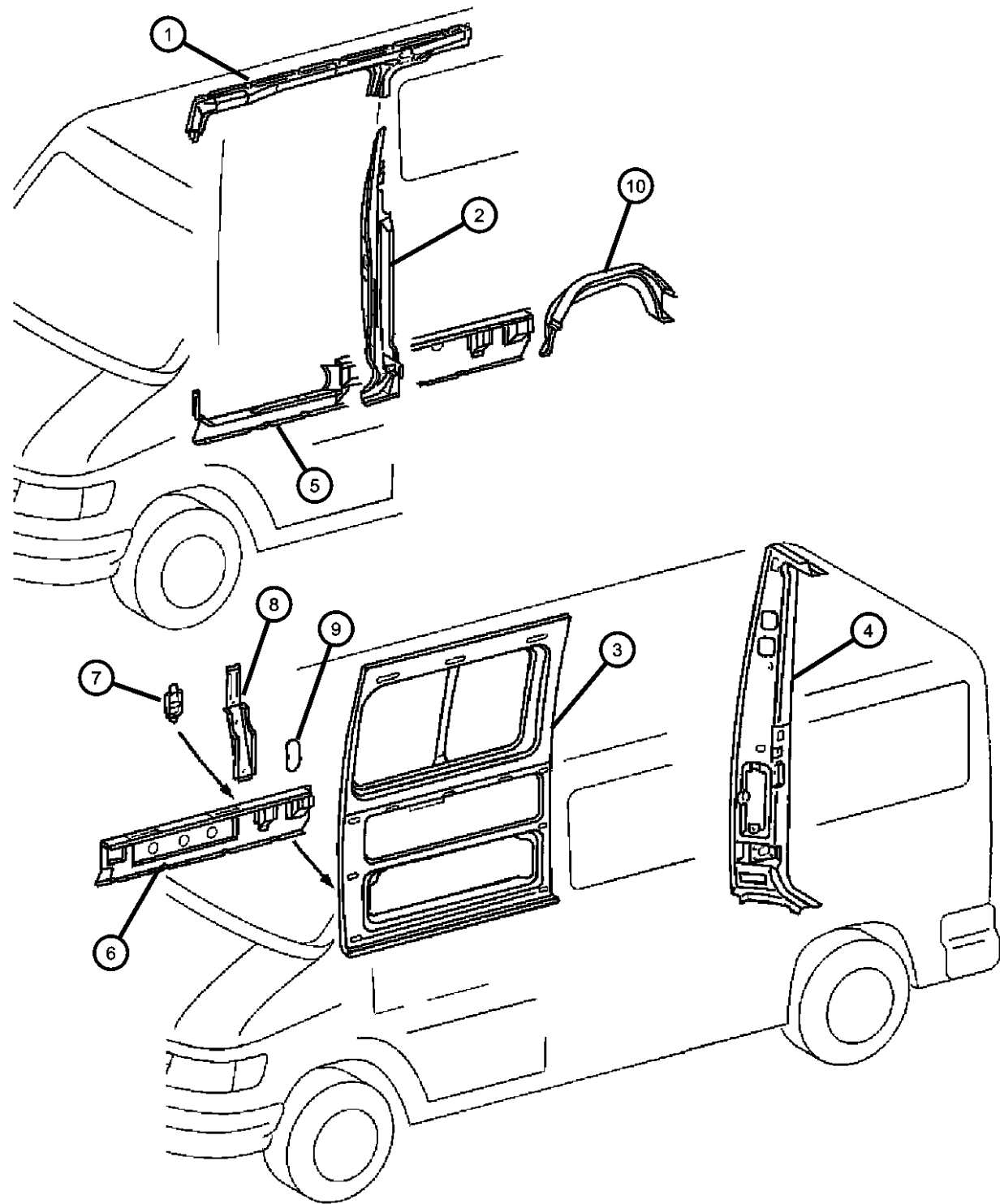
DGJ = Transmission-5-Spd. Automatic, W5A580

AR = use ase required - = Non illustrated part

2003 VA



**Right Side Cargo Door Pillars & Wheelhouse  
Figure SVA-910**



ITEM	PART NUMBER	QTY	LINE	SERIES	BODY	ENGINE	TRANS	TRIM	DESCRIPTION
	05121747AA	1	3, 7		12, 15, 16				[158] Inch Wheelbase, Without Right Sliding Door
		1	2, 6		11, 12, 14, 15, 16				[158] Inch Wheelbase, Without Right Sliding Door
		1	2, 6		51, 52, 54, 55, 56				[158] Inch Wheelbase, Without Right Sliding Door
	05121752AA	1	2, 6		51, 52, 54, 55, 56				[140] Inch Wheelbase
	05121776AA	1	3, 7		12, 15, 16				[140] Inch Wheelbase
	05121780AA	1	3, 7		12, 15, 16				[158] Inch Wheelbase, With Right Sliding Door
		1	2, 6		11, 12, 14, 15, 16				[140] Inch Wheelbase
	05121755AA	1	2, 6		51, 52, 54, 55, 56				[158] Inch Wheelbase, With Right Sliding Door
		1	2, 6		11, 12, 14, 15, 16				[158] Inch Wheelbase, With Right Sliding Door
6									SUPPORT, Sill Reinforcement
	05121743AA	1	3, 7		12, 15, 16				[140] Inch Wheelbase, With Right Sliding Door
		1	2, 6		11, 12, 14, 15, 16				[140] Inch Wheelbase, With Right Sliding Door
		1	2, 6		51, 52, 54, 55, 56				[140] Inch Wheelbase, With Right Sliding Door
	05121766AA	1	3, 7		12, 15, 16				[140] Inch Wheelbase, Without Right Sliding Door
	05121771AA	1	3, 7		12, 15, 16				[158] Inch Wheelbase, Without Right Sliding Door
	05131075AA	1	2, 6		11, 12, 14, 15, 16				[118] Inch Wheelbase, Without Right Sliding Door
		1	2, 6		51, 52, 54, 55, 56				[118] Inch Wheelbase, Without Right Sliding Door
	05131079AA	1	2, 6		11, 12, 14, 15, 16				[140] Inch Wheelbase, Without Right Sliding Door
		1	2, 6		51, 52, 54, 55, 56				[140] Inch Wheelbase, Without Right Sliding Door
	05131083AA	1	2, 6		11, 12, 14, 15, 16				[158] Inch Wheelbase, Without Right Sliding Door
		1	2, 6		51, 52, 54, 55, 56				[158] Inch Wheelbase, Without Right Sliding Door
7									PLUG, Body
	05125519AA	1	3, 7		12, 15, 16				

**SPRINTER (VA)**

**SERIES**

L = LOWLINE

**LINE**

3 = HD DODGE 2WD  
6 = Lt. Duty DODGE 4WD  
2 = Med. Duty DODGE 2WD  
7 = Med. Duty DODGE 4WD

**BODY**

51 = WAGON WHEEL BASE 1  
52 = WAGON WHEEL BASE 2  
14 = VAN WHEEL BASE 4  
15 = VAN WHEEL BASE 5  
16 = VAN WHEEL BASE 6  
54 = WAGON WHEEL BASE 4  
55 = WAGON WHEEL BASE 5  
56 = WAGON WHEEL BASE 6  
11 = VAN WHEEL BASE 1  
12 = VAN WHEEL BASE 2

**ENGINE**

EX9 = Engine - 2.7L 5 Cyl  
Mercedes Diesel

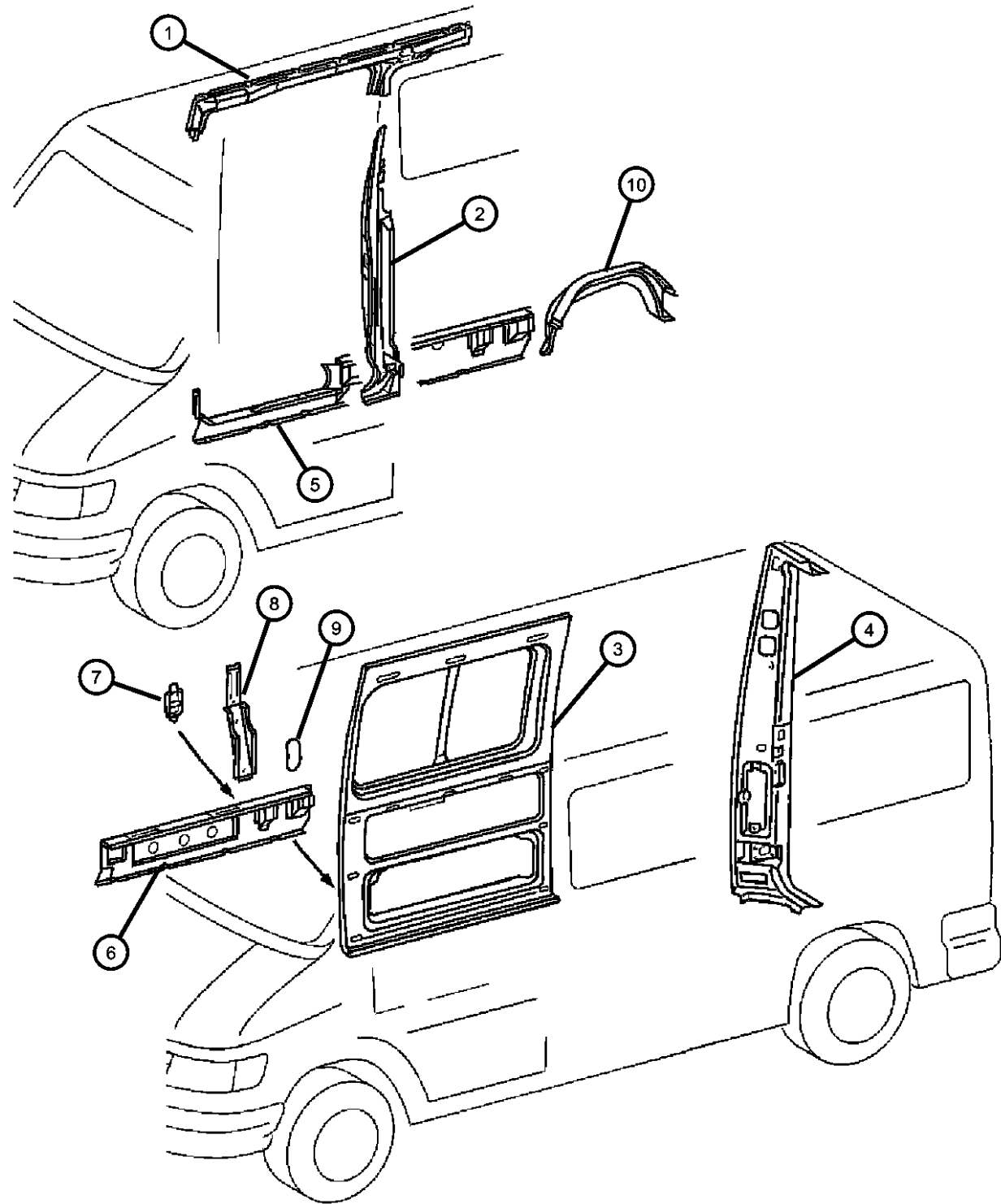
**TRANSMISSION**

DGJ = Transmission-5-Spd. Automatic, W5A580

AR = use ase required - = Non illustrated part

2003 VA

**Right Side Cargo Door Pillars & Wheelhouse  
Figure SVA-910**



ITEM	PART NUMBER	QTY	LINE	SERIES	BODY	ENGINE	TRANS	TRIM	DESCRIPTION
		2	2, 6		11, 12, 14, 15, 16				
		2	2, 6		51, 52, 54, 55, 56				
8	05104198AA	1	2, 6		11, 12, 14, 15, 16				REINFORCEMENT, Side Panel
		1	2, 6		51, 52, 54, 55, 56				
		1	3, 7		12, 15, 16				
9	05121838AA	1	3, 7		12, 15, 16				COVER, Sill
		1	2, 6		11, 12, 14, 15, 16				
		1	2, 6		51, 52, 54, 55, 56				
10	05121865AA	1	3, 7		12, 15, 16				WHEELHOUSE With [WDG], 16x6 Steel Wheels
		1	2, 6		11, 12, 14, 15, 16				With [WDG], 16x6 Steel Wheels
		1	2, 6		51, 52, 54, 55, 56				With [WDG], 16x6 Steel Wheels
	05121862AA	1	2, 6		11, 12, 14, 15, 16				
		1	2, 6		51, 52, 54, 55, 56				

**SPRINTER (VA)**

SERIES	LINE
L = LOWLINE	3 = HD DODGE 2WD
	6 = Lt. Duty DODGE 4WD
	2 = Med. Duty DODGE 2WD
	7 = Med. Duty DODGE 4WD

BODY	ENGINE
51 = WAGON WHEEL BASE 1	EX9 = Engine - 2.7L 5 Cly
52 = WAGON WHEEL BASE 2	Mercedes Diesel
14 = VAN WHEEL BASE 4	
15 = VAN WHEEL BASE 5	
16 = VAN WHEEL BASE 6	
54 = WAGON WHEEL BASE 4	
55 = WAGON WHEEL BASE 5	
56 = WAGON WHEEL BASE 6	
11 = VAN WHEEL BASE 1	
12 = VAN WHEEL BASE 2	

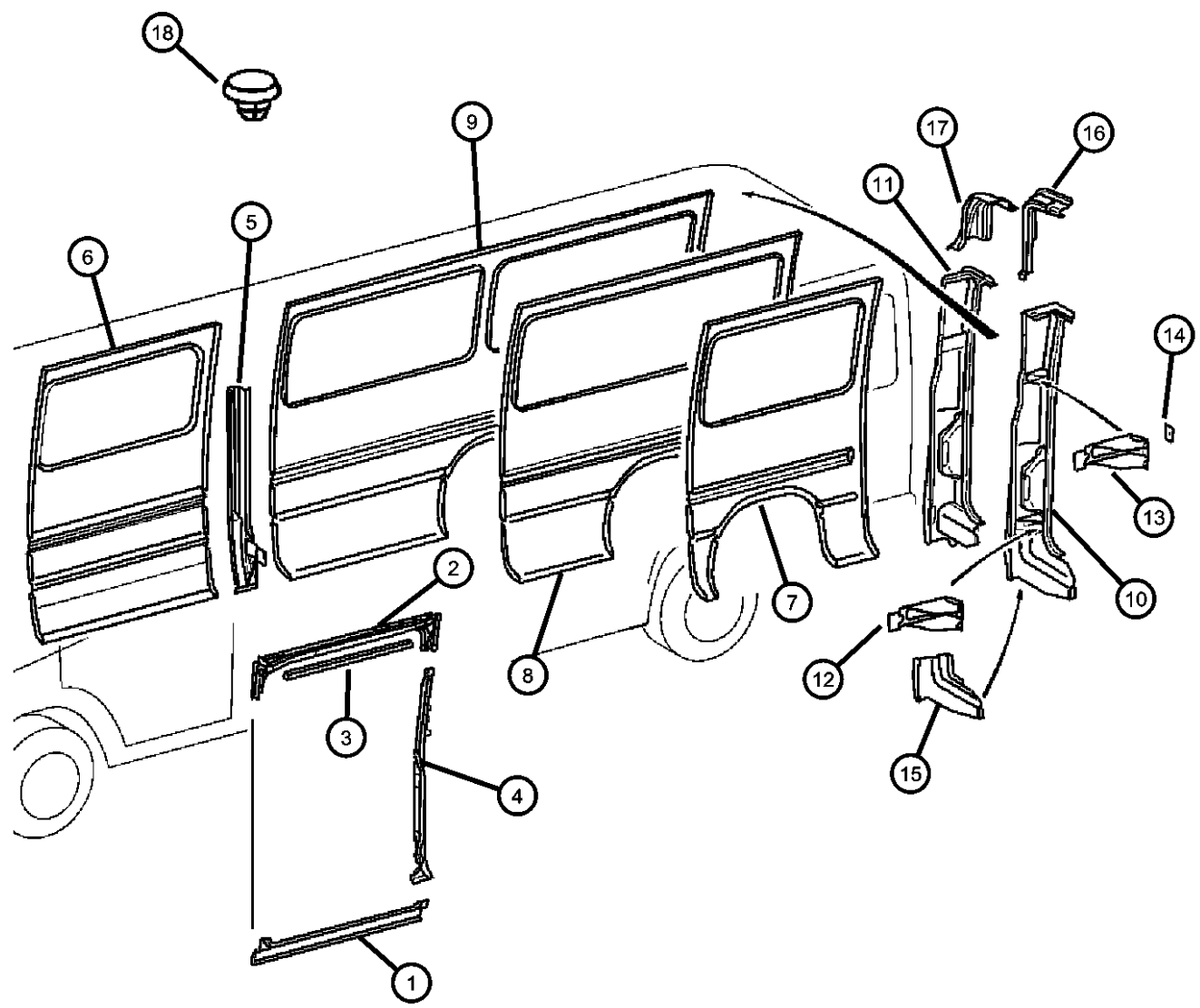
TRANSMISSION
DGJ = Transmission-5-Spd. Automatic, W5A580

AR = use ase required - = Non illustrated part

2003 VA

**Right Side Panels, Cargo  
Figure SVA-920**

ITEM	PART NUMBER	QTY	LINE	SERIES	BODY	ENGINE	TRANS	TRIM	DESCRIPTION
1	05104214AA	1	3, 7		12, 15, 16				PANEL, Sill
		1	2, 6		11, 12, 14, 15, 16				
		1	2, 6		51, 52, 54, 55, 56				
2	05104179AA	1	3, 7		12, 15, 16				PANEL, Cargo Compartment, Upper
		1	2, 6		11, 12, 14, 15, 16				
		1	2, 6		51, 52, 54, 55, 56				
3	05122036AA	1	3, 7		12, 15, 16				TRACK, Sliding Door
		1	2, 6		11, 12, 14, 15, 16				
		1	2, 6		51, 52, 54, 55, 56				
4	05104166AA	1	3, 7		12, 15, 16				PILLAR, Side Cargo Door [140 & 158] Inch Wheelbase
		1	2, 6		11, 12, 14, 15, 16				
		1	2, 6		51, 52, 54, 55, 56				
		1	2, 6		11, 12, 14, 15, 16				
		1	2, 6		51, 52, 54, 55, 56				
5	05121699AA	1	2, 6		11, 12, 14, 15, 16				[140 & 158] Inch Wheelbase [118] Inch Wheelbase
		1	2, 6		51, 52, 54, 55, 56				
		1	2, 6		11, 12, 14, 15, 16				
		1	2, 6		51, 52, 54, 55, 56				
5	05121704AA	1	3, 7		12, 15, 16				PILLAR, Side Cargo Door [140 & 158] Inch Wheelbase
		1	2, 6		11, 12, 14, 15, 16				
		1	2, 6		11, 12, 14, 15, 16				
		1	2, 6		51, 52, 54, 55, 56				
5	05131053AA	1	2, 6		11, 12, 14, 15, 16				[118] Inch Wheelbase
		1	2, 6		51, 52, 54, 55, 56				
5	05131053AA	1	2, 6		51, 52, 54, 55, 56				[118] Inch Wheelbase
		1	2, 6		51, 52, 54, 55, 56				

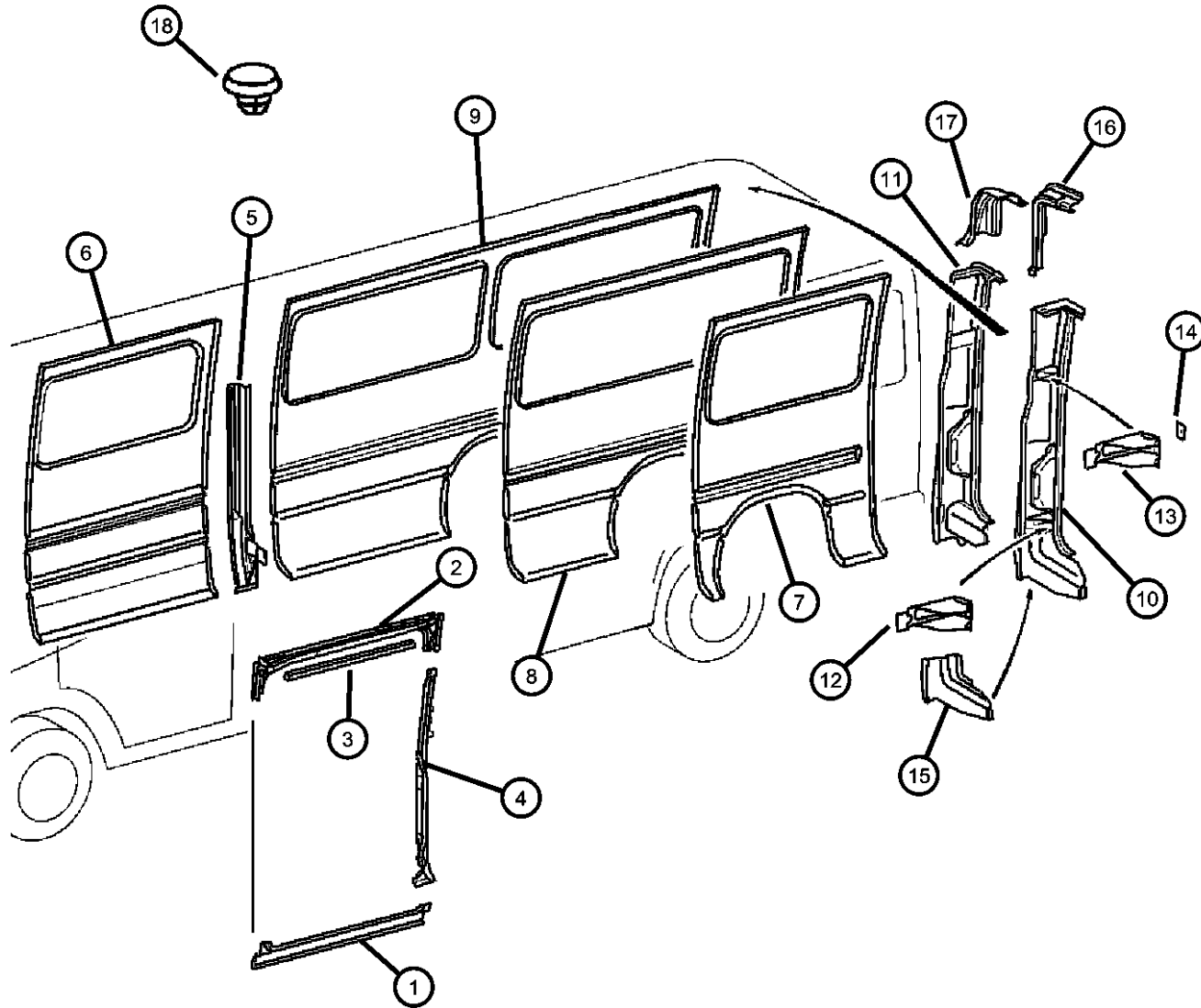


**SPRINTER (VA)**

<b>SERIES</b>	<b>LINE</b>	<b>BODY</b>	<b>ENGINE</b>	<b>TRANSMISSION</b>
L = LOWLINE	3 = HD DODGE 2WD 6 = Lt. Duty DODGE 4WD 2 = Med. Duty DODGE 2WD 7 = Med. Duty DODGE 4WD	51 = WAGON WHEEL BASE 1 52 = WAGON WHEEL BASE 2 14 = VAN WHEEL BASE 4 15 = VAN WHEEL BASE 5 16 = VAN WHEEL BASE 6 54 = WAGON WHEEL BASE 4 55 = WAGON WHEEL BASE 5 56 = WAGON WHEEL BASE 6 11 = VAN WHEEL BASE 1 12 = VAN WHEEL BASE 2	EX9 = Engine - 2.7L 5 Cyl Mercedes Diesel	DGJ = Transmission-5-Spd. Automatic, W5A580

AR = use ase required - = Non illustrated part

**Right Side Panels, Cargo  
Figure SVA-920**



ITEM	PART NUMBER	QTY	LINE	SERIES	BODY	ENGINE	TRANS	TRIM	DESCRIPTION
6									PANEL, Body Side Front
	05104205AA	1	3, 7		12, 15, 16				
		1	2, 6		11, 12, 14, 15, 16				
7									PANEL, Body Side Rear
	05131138AA	1	2, 6		11, 12, 14, 15, 16				
	05131146AA	1	2, 6		51, 52, 54, 55, 56				
8									PANEL, Body Side Rear With Windows, Outer
	05121967AA	1	2, 6		51, 52, 54, 55, 56				
	05121993AA	1	3, 7		12, 15, 16				Outer
	05131161AA	1	2, 6		12, 15				With 16" Wheels
9									PANEL, Body Side Rear No Windows, Without [R16] Wheels
	05104225AA	1	2, 6		11, 12, 14, 15, 16				
	05121970AA	1	2, 6		51, 52, 54, 55, 56				With Windows, Without [R16] Wheels
	05121998AA	1	3, 7		12, 15, 16				
	05131173AA	1	2, 6		11, 12, 14, 15, 16				No Windows, With [R16] Wheels
	05131178AA	1	2, 6		51, 52, 54, 55, 56				With Windows & [R16] Wheels
10									PANEL, D Pillar Trim With High Roof
	05104176AA	1	3, 7		12, 15, 16				
		1	2, 6		11, 12, 14, 15, 16				With High Roof
		1	2, 6		51, 52, 54, 55, 56				With High Roof
	05121679AA	1	3, 7		12, 15, 16				With Low Roof
		1	2, 6		11, 12, 14, 15, 16				With Low Roof
		1	2, 6		51, 52, 54, 55, 56				With Low Roof
11									PANEL, D Pillar Trim
	05104208AA	1	3, 7		12, 15, 16				

**SPRINTER (VA)**

**SERIES**

L = LOWLINE

**LINE**

3 = HD DODGE 2WD  
6 = Lt. Duty DODGE 4WD  
2 = Med. Duty DODGE 2WD  
7 = Med. Duty DODGE 4WD

**BODY**

51 = WAGON WHEEL BASE 1  
52 = WAGON WHEEL BASE 2  
14 = VAN WHEEL BASE 4  
15 = VAN WHEEL BASE 5  
16 = VAN WHEEL BASE 6  
54 = WAGON WHEEL BASE 4  
55 = WAGON WHEEL BASE 5  
56 = WAGON WHEEL BASE 6  
11 = VAN WHEEL BASE 1  
12 = VAN WHEEL BASE 2

**ENGINE**

EX9 = Engine - 2.7L 5 Cyl  
Mercedes Diesel

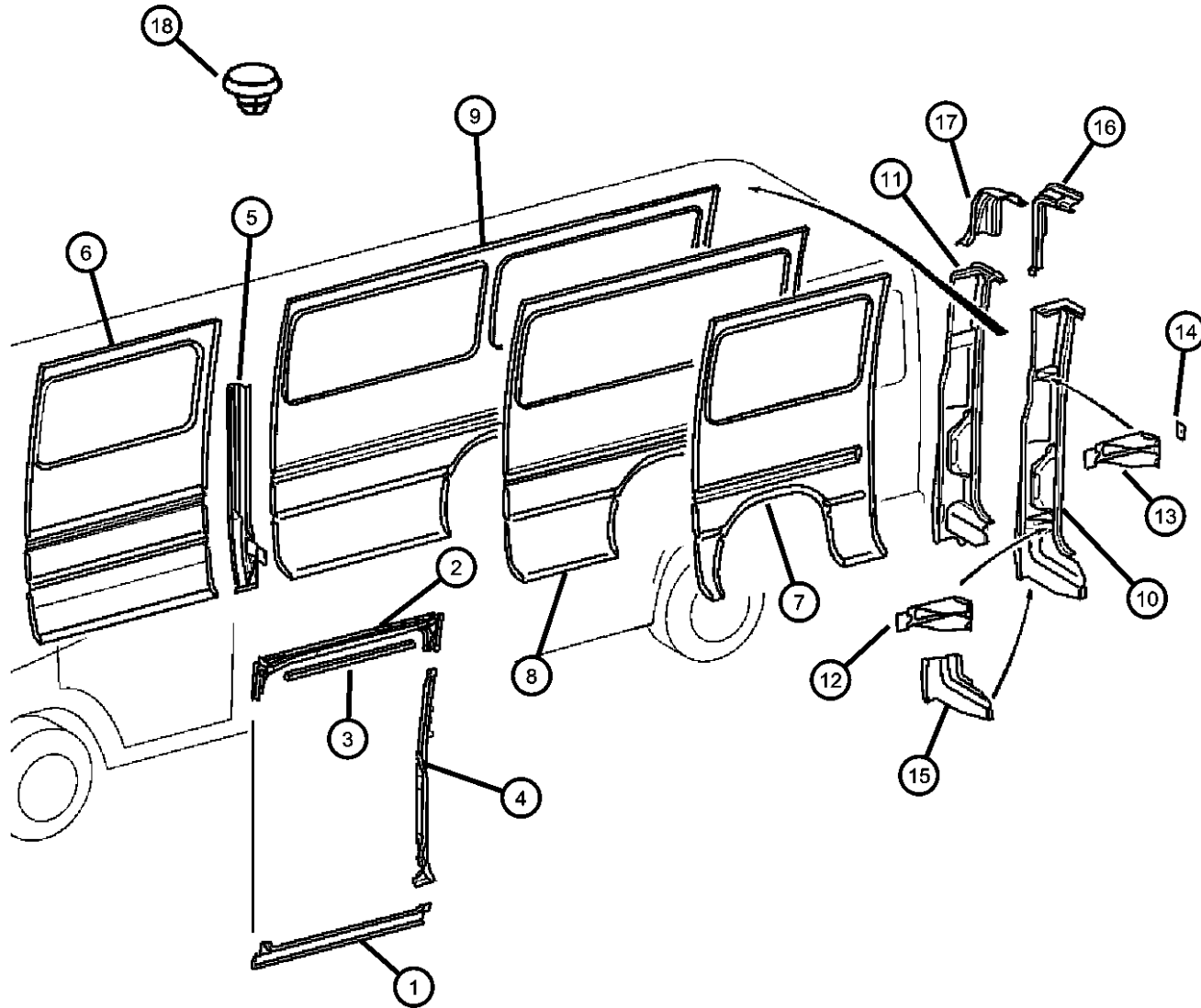
**TRANSMISSION**

DGJ = Transmission-5-Spd. Automatic, W5A580

AR = use ase required - = Non illustrated part

2003 VA

**Right Side Panels, Cargo  
Figure SVA-920**



ITEM	PART NUMBER	QTY	LINE	SERIES	BODY	ENGINE	TRANS	TRIM	DESCRIPTION
		1	2, 6		11, 12, 14, 15, 16				
		1	2, 6		51, 52, 54, 55, 56				REINFORCEMENT, Rear door hinge
12	05104209AA	1	2, 6		51, 52, 54, 55, 56				
		1	3, 7		12, 15, 16				
		1	2, 6		11, 12, 14, 15, 16				REINFORCEMENT, Rear door hinge
13	05104215AA	1	3, 7		12, 15, 16				
		1	2, 6		11, 12, 14, 15, 16				
		1	2, 6		51, 52, 54, 55, 56				PLATE, Rear Door Hinge
14	05104188AA	2	3, 7		12, 15, 16				
		2	2, 6		11, 12, 14, 15, 16				
		2	2, 6		51, 52, 54, 55, 56				EXTENSION, D Pillar Lower
15	05104211AA	1	3, 7		12, 15, 16				
		1	2, 6		11, 12, 14, 15, 16				
		1	2, 6		51, 52, 54, 55, 56				EXTENSION, D Pillar Upper
16	05104224AA	1	3, 7		12, 15, 16				
		1	2, 6		11, 12, 14, 15, 16				
		1	2, 6		51, 52, 54, 55, 56				PANEL, D Pillar Trim
17	05104218AA	1	3, 7		12, 15, 16				

**SPRINTER (VA)**

**SERIES**

L = LOWLINE

**LINE**

3 = HD DODGE 2WD  
6 = Lt. Duty DODGE 4WD  
2 = Med. Duty DODGE 2WD  
7 = Med. Duty DODGE 4WD

**BODY**

51 = WAGON WHEEL BASE 1  
52 = WAGON WHEEL BASE 2  
14 = VAN WHEEL BASE 4  
15 = VAN WHEEL BASE 5  
16 = VAN WHEEL BASE 6  
54 = WAGON WHEEL BASE 4  
55 = WAGON WHEEL BASE 5  
56 = WAGON WHEEL BASE 6  
11 = VAN WHEEL BASE 1  
12 = VAN WHEEL BASE 2

**ENGINE**

EX9 = Engine - 2.7L 5 Cly  
Mercedes Diesel

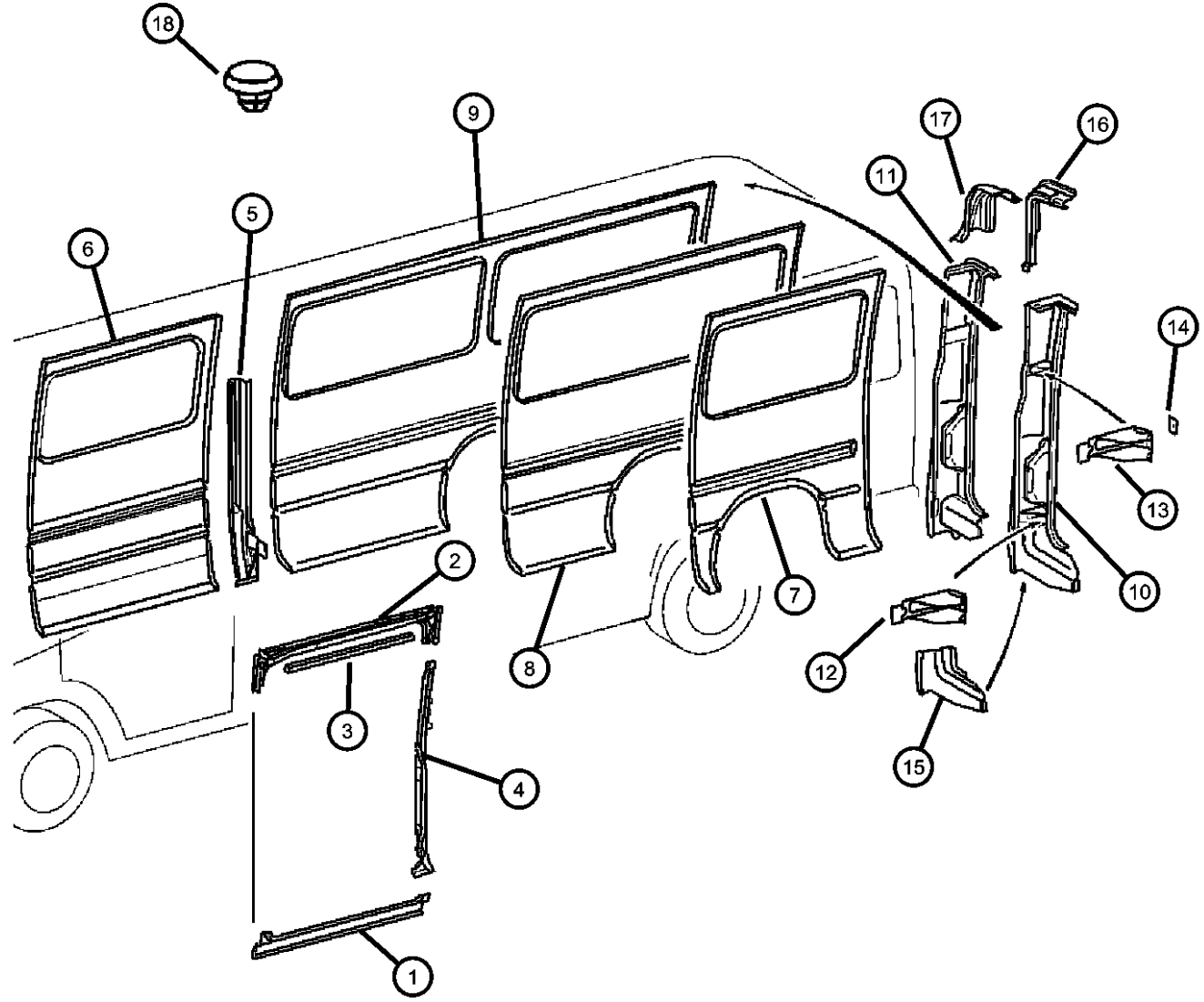
**TRANSMISSION**

DGJ = Transmission-5-Spd. Automatic, W5A580

AR = use ase required - = Non illustrated part

2003 VA

Right Side Panels, Cargo  
Figure SVA-920



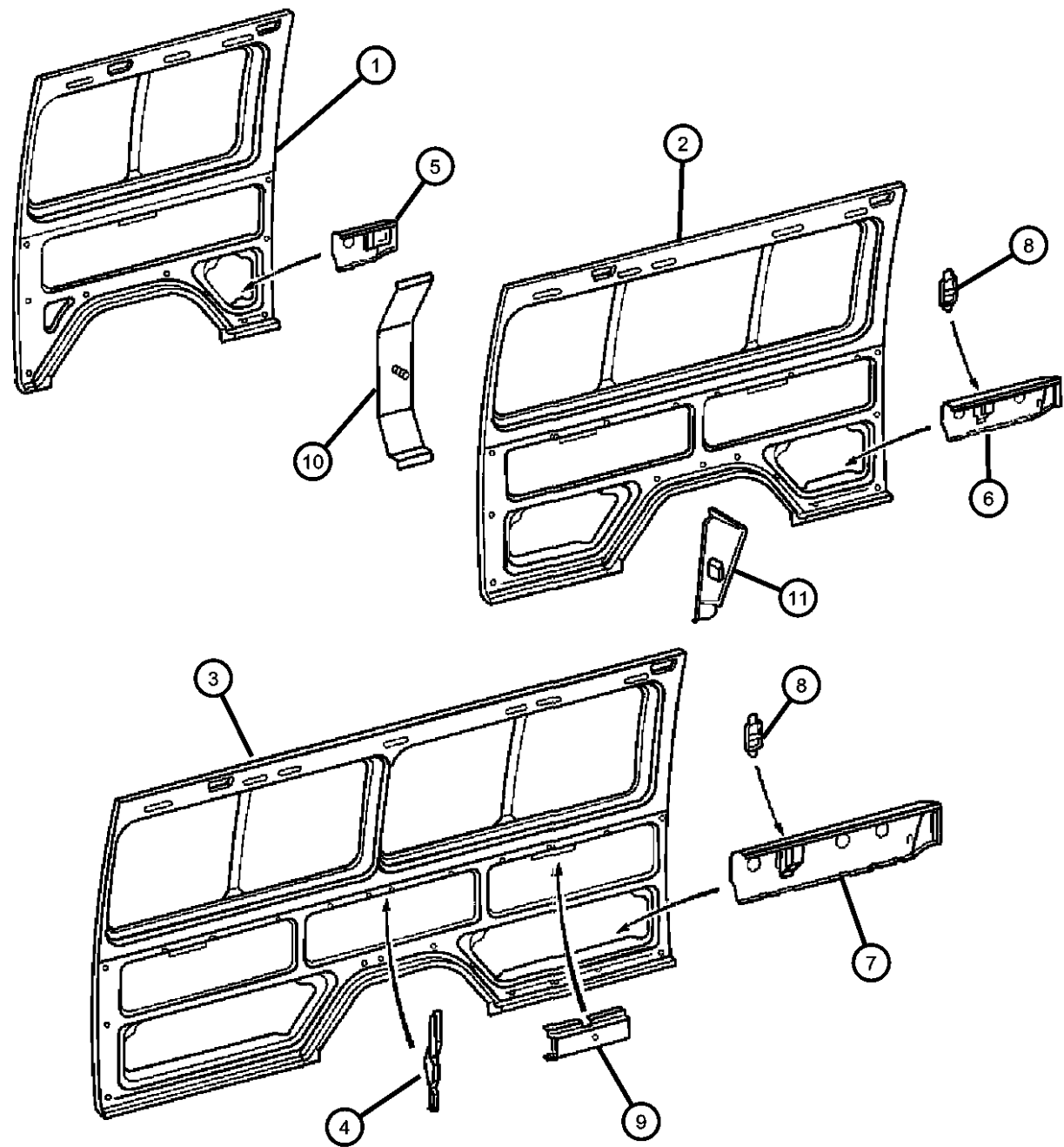
ITEM	PART NUMBER	QTY	LINE	SERIES	BODY	ENGINE	TRANS	TRIM	DESCRIPTION
		1	2, 6		11, 12, 14, 15, 16				
		1	2, 6		51, 52, 54, 55, 56				
18	05133657AA	1	3, 7		12, 15, 16				PLUG, Expansion
		1	2, 6		11, 12, 14, 15, 16				
		1	2, 6		51, 52, 54, 55, 56				

SPRINTER (VA)

SERIES	LINE	BODY	ENGINE	TRANSMISSION
L = LOWLINE	3 = HD DODGE 2WD	51 = WAGON WHEEL BASE 1	EX9 = Engine - 2.7L 5 Cly	DGJ = Transmission-5-Spd.
	6 = Lt. Duty DODGE 4WD	52 = WAGON WHEEL BASE 2	Mercedes Diesel	Automatic,W5A580
	2 = Med. Duty DODGE 2WD	14 = VAN WHEEL BASE 4		
	7 = Med. Duty DODGE 4WD	15 = VAN WHEEL BASE 5		
		16 = VAN WHEEL BASE 6		
		54 = WAGON WHEEL BASE 4		
		55 = WAGON WHEEL BASE 5		
		56 = WAGON WHEEL BASE 6		
		11 = VAN WHEEL BASE 1		
		12 = VAN WHEEL BASE 2		

AR = use ase required - = Non illustrated part

**Right Side Panels, Wagon  
Figure SVA-930**



ITEM	PART NUMBER	QTY	LINE	SERIES	BODY	ENGINE	TRANS	TRIM	DESCRIPTION
1									PANEL, Body Side Rear, [118] Inch Wheelbase
	05121897AA	1	2, 6		11, 12, 14, 15, 16				With Sliding Door
		1	2, 6		51, 52, 54, 55, 56				With Sliding Door
	05131122AA	1	2, 6		11, 12, 14, 15, 16				Without Sliding Door
		1	2, 6		51, 52, 54, 55, 56				Without Sliding Door
2									PANEL, Body Side Rear, [140] Inch Wheelbase
	05121892AA	1	2, 6		51, 52, 54, 55, 56				Without Sliding Door,Inner
	05121899AA	1	3, 7		12, 15, 16				With Sliding Door,Inner
		1	2, 6		11, 12, 14, 15, 16				With Sliding Door,Inner
		1	3, 7		12, 15, 16				Without Sliding Door,Inner
		1	2, 6		11, 12, 14, 15, 16				Without Sliding Door,Inner
		1	2, 6		51, 52, 54, 55, 56				With Sliding Door,Inner
3									PANEL, Body Side Rear, [158] Inch Wheelbase
	05121895AA	1	2, 6		11, 12, 14, 15, 16				Without Sliding Door
		1	2, 6		51, 52, 54, 55, 56				Without Sliding Door
	05104203AA	1	3, 7		12, 15, 16				With Sliding Door
		1	2, 6		11, 12, 14, 15, 16				With Sliding Door
		1	2, 6		51, 52, 54, 55, 56				With Sliding Door
		1	3, 7		12, 15, 16				Without Sliding Door
4									REINFORCEMENT, Quarter Inner
	05121707AA	1	3, 7		12, 15, 16				With 16x6 Steel Wheels
		1	2, 6		11, 12, 14, 15, 16				With 16x6 Steel Wheels
		1	2, 6		51, 52, 54, 55, 56				With 16x6 Steel Wheels
	05131056AA	1	2, 6		11, 12, 14, 15, 16				

**SPRINTER (VA)**

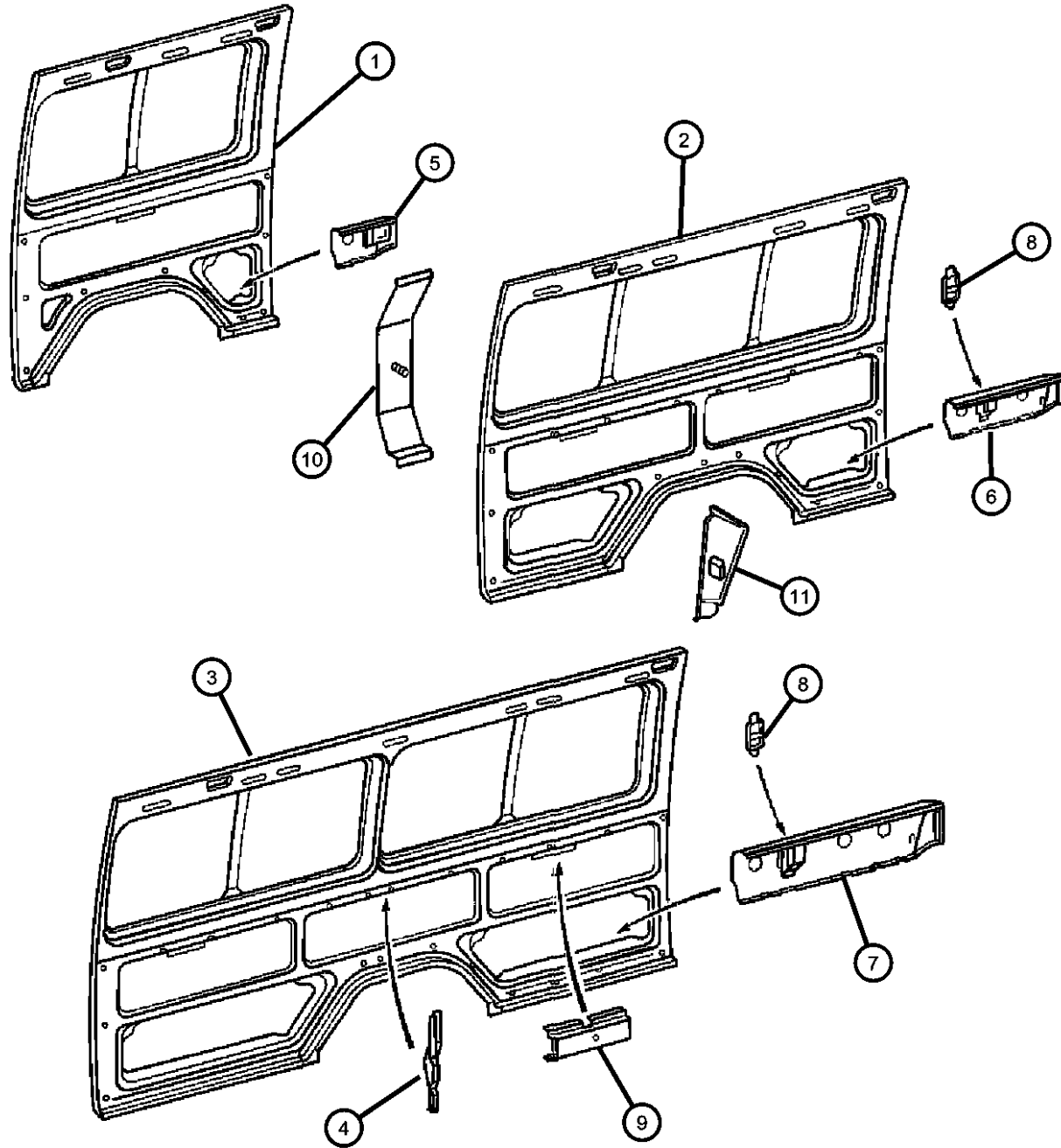
<b>SERIES</b>	<b>LINE</b>
L = LOWLINE	3 = HD DODGE 2WD 6 = Lt. Duty DODGE 4WD 2 = Med. Duty DODGE 2WD 7 = Med. Duty DODGE 4WD

<b>BODY</b>	<b>ENGINE</b>
51 = WAGON WHEEL BASE 1 52 = WAGON WHEEL BASE 2 14 = VAN WHEEL BASE 4 15 = VAN WHEEL BASE 5 16 = VAN WHEEL BASE 6 54 = WAGON WHEEL BASE 4 55 = WAGON WHEEL BASE 5 56 = WAGON WHEEL BASE 6 11 = VAN WHEEL BASE 1 12 = VAN WHEEL BASE 2	EX9 = Engine - 2.7L 5 Cly Mercedes Diesel

<b>TRANSMISSION</b>
DGJ = Transmission-5-Spd. Automatic,W5A580

AR = use ase required - = Non illustrated part

Right Side Panels, Wagon  
Figure SVA-930



ITEM	PART NUMBER	QTY	LINE	SERIES	BODY	ENGINE	TRANS	TRIM	DESCRIPTION
5	05121739AA	1	2, 6		51, 52, 54, 55, 56				SUPPORT
6	05121743AA	1	2, 6		11, 12, 14, 15, 16				SUPPORT, Sill Reinforcement
7	05121747AA	1	3, 7		12, 15, 16				SUPPORT, Sill Reinforcement
8	05125519AA	1	2, 6		11, 12, 14, 15, 16				PLUG, Body
9	05131057AA	2	2, 6		51, 52, 54, 55, 56				REINFORCEMENT, Side Panel
10	05127239AA	3	2, 6		11, 12, 14, 15, 16				BRACKET
11		5	3, 7		51, 52, 54, 55, 56				PANEL, Rear Side
		3	2, 6		12, 15, 16				
		3	2, 6		11, 12, 14, 15, 16				

SPRINTER (VA)

SERIES

L = LOWLINE

LINE

3 = HD DODGE 2WD  
6 = Lt. Duty DODGE 4WD  
2 = Med. Duty DODGE 2WD  
7 = Med. Duty DODGE 4WD

BODY

51 = WAGON WHEEL BASE 1  
52 = WAGON WHEEL BASE 2  
14 = VAN WHEEL BASE 4  
15 = VAN WHEEL BASE 5  
16 = VAN WHEEL BASE 6  
54 = WAGON WHEEL BASE 4  
55 = WAGON WHEEL BASE 5  
56 = WAGON WHEEL BASE 6  
11 = VAN WHEEL BASE 1  
12 = VAN WHEEL BASE 2

ENGINE

EX9 = Engine - 2.7L 5 Cly  
Mercedes Diesel

TRANSMISSION

DGJ = Transmission-5-Spd. Automatic, W5A580

AR = use ase required - = Non illustrated part

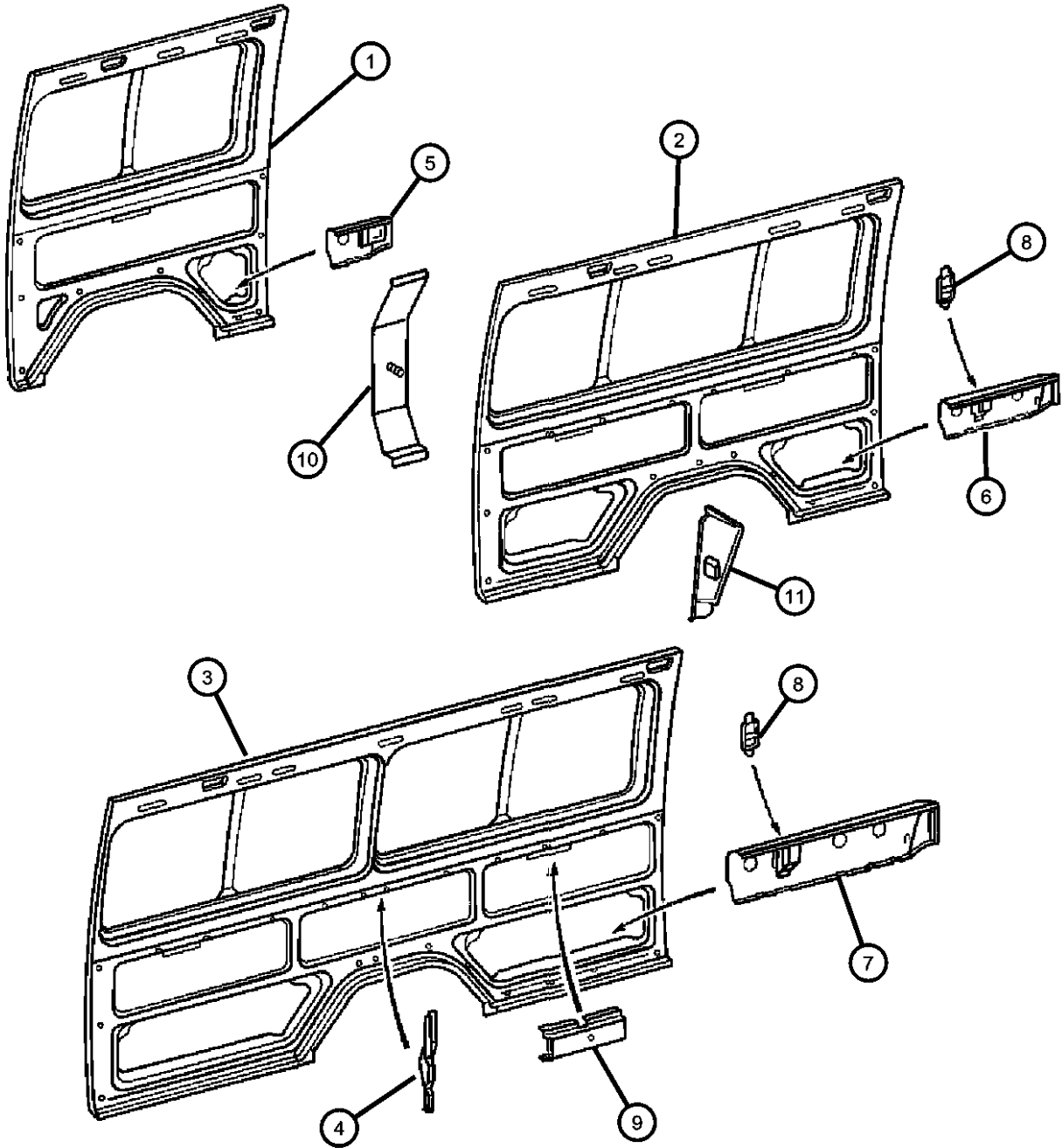
2003 VA



**Right Side Panels, Wagon  
Figure SVA-930**

ITEM	PART NUMBER	QTY	LINE	SERIES	BODY	ENGINE	TRANS	TRIM	DESCRIPTION
------	-------------	-----	------	--------	------	--------	-------	------	-------------

	05129938AA	2	2, 6		11, 12, 14, 15, 16				
		2	2, 6		51, 52, 54, 55, 56				

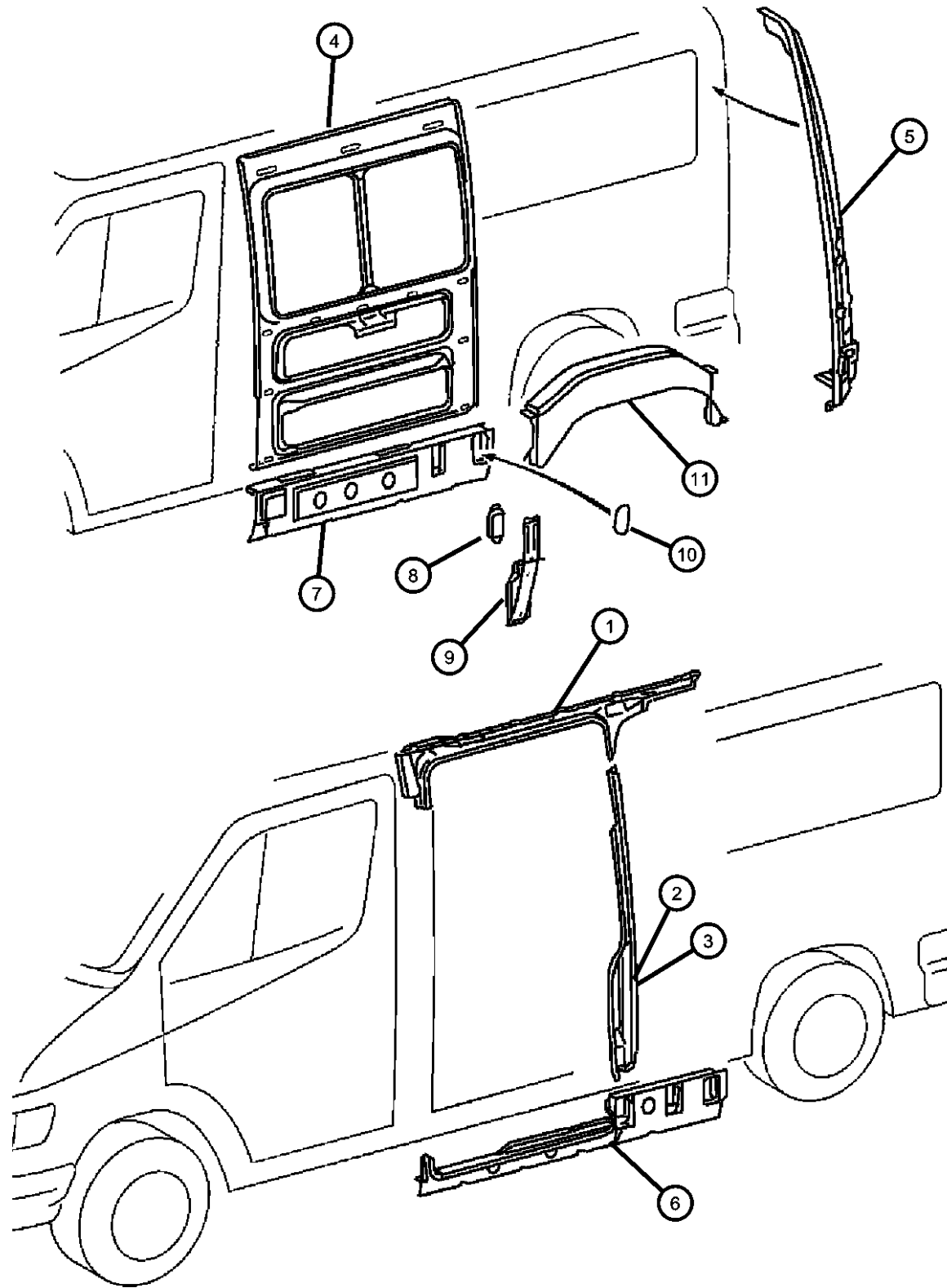


**SPRINTER (VA)**

SERIES	LINE	BODY	ENGINE	TRANSMISSION
L = LOWLINE	3 = HD DODGE 2WD	51 = WAGON WHEEL BASE 1	EX9 = Engine - 2.7L 5 Cly	DGJ = Transmission-5-Spd.
	6 = Lt. Duty DODGE 4WD	52 = WAGON WHEEL BASE 2	Mercedes Diesel	Automatic,W5A580
	2 = Med. Duty DODGE 2WD	14 = VAN WHEEL BASE 4		
	7 = Med. Duty DODGE 4WD	15 = VAN WHEEL BASE 5		
		16 = VAN WHEEL BASE 6		
		54 = WAGON WHEEL BASE 4		
		55 = WAGON WHEEL BASE 5		
		56 = WAGON WHEEL BASE 6		
		11 = VAN WHEEL BASE 1		
		12 = VAN WHEEL BASE 2		

AR = use ase required - = Non illustrated part

**Left Side Cargo Door Pillars & Wheelhouse  
Figure SVA-940**



ITEM	PART NUMBER	QTY	LINE	SERIES	BODY	ENGINE	TRANS	TRIM	DESCRIPTION
1									REINFORCEMENT, Body Side Aperture
	05121903AA	1	3, 7		12, 15, 16				
		1	2, 6		11, 12, 14, 15, 16				
		1	2, 6		51, 52, 54, 55, 56				
2									PILLAR, Side Cargo Door
	05121914AA	1	3, 7		12, 15, 16				
		1	2, 6		11, 12, 14, 15, 16				
		1	2, 6		51, 52, 54, 55, 56				
3									REINFORCEMENT, Quarter Inner
	05121706AA	1	2, 6		51, 52, 54, 55, 56				
		1	3, 7		12, 15, 16				
		1	2, 6		11, 12, 14, 15, 16				
4									PANEL, Body Side Front
	05104197AA	1	3, 7		12, 15, 16				
		1	2, 6		11, 12, 14, 15, 16				
		1	2, 6		51, 52, 54, 55, 56				
5									PILLAR, Rear Cargo Door Hinge
	05104177AA	1	3, 7		12, 15, 16				With High Roof
		1	2, 6		11, 12, 14, 15, 16				With High Roof
		1	2, 6		51, 52, 54, 55, 56				With High Roof
	05121906AA	1	3, 7		12, 15, 16				With Low Roof
		1	2, 6		11, 12, 14, 15, 16				With Low Roof
		1	2, 6		51, 52, 54, 55, 56				With Low Roof
6									SUPPORT, Sill Reinforcement
	05121749AA	1	2, 6		11, 12, 14, 15, 16				With 118 Inch Wheelbase

**SPRINTER (VA)**

**SERIES**

L = LOWLINE  
 3 = HD DODGE 2WD  
 6 = Lt. Duty DODGE 4WD  
 2 = Med. Duty DODGE 2WD  
 7 = Med. Duty DODGE 4WD

**LINE**

**BODY**

51 = WAGON WHEEL BASE 1  
 52 = WAGON WHEEL BASE 2  
 14 = VAN WHEEL BASE 4  
 15 = VAN WHEEL BASE 5  
 16 = VAN WHEEL BASE 6  
 54 = WAGON WHEEL BASE 4  
 55 = WAGON WHEEL BASE 5  
 56 = WAGON WHEEL BASE 6  
 11 = VAN WHEEL BASE 1  
 12 = VAN WHEEL BASE 2

**ENGINE**

EX9 = Engine - 2.7L 5 Cly  
 Mercedes Diesel

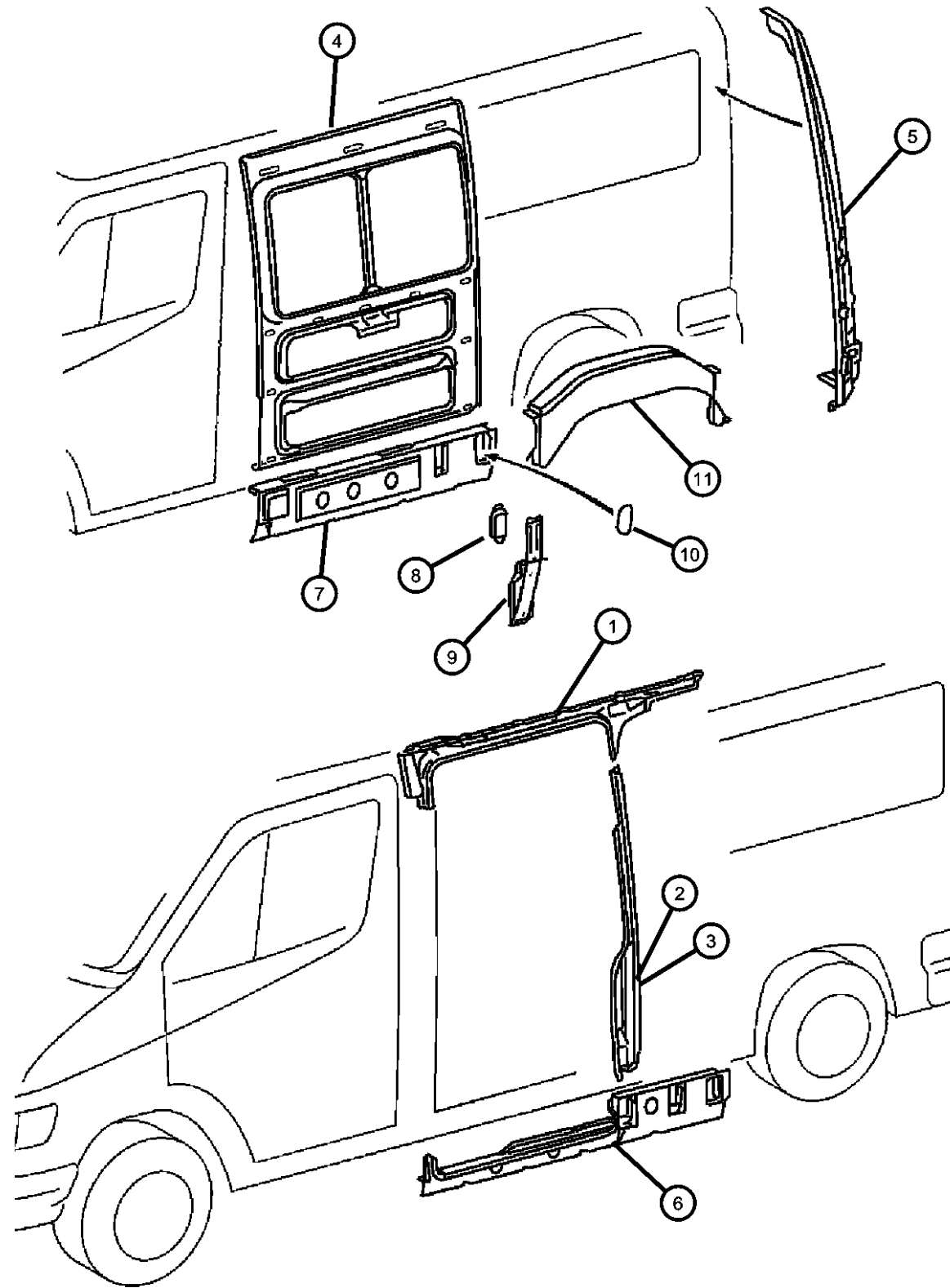
**TRANSMISSION**

DGJ = Transmission-5-Spd. Automatic, W5A580

AR = use ase required - = Non illustrated part

2003 VA

**Left Side Cargo Door Pillars & Wheelhouse  
Figure SVA-940**



ITEM	PART NUMBER	QTY	LINE	SERIES	BODY	ENGINE	TRANS	TRIM	DESCRIPTION
		1	2, 6		51, 52, 54, 55, 56				With 118 Inch Wheelbase
	05121751AA	1	2, 6		11, 12, 14, 15, 16				With 140 Inch Wheelbase
		1	2, 6		51, 52, 54, 55, 56				With 140 Inch Wheelbase
	05121774AA	1	3, 7		12, 15, 16				With 140 Inch Wheelbase
	05121778AA	1	3, 7		12, 15, 16				With 158 Inch Wheelbase
	05121754AA	1	2, 6		11, 12, 14, 15, 16				With 158 Inch Wheelbase
		1	2, 6		51, 52, 54, 55, 56				With 158 Inch Wheelbase
7									SUPPORT, Sill Reinforcement
	05104175AA	1	2, 6		11, 12, 14, 15, 16				With 158 Inch Wheelbase
		1	2, 6		51, 52, 54, 55, 56				With 158 Inch Wheelbase
	05121759AA	1	2, 6		11, 12, 14, 15, 16				With 118 Inch Wheelbase
		1	2, 6		51, 52, 54, 55, 56				With 118 Inch Wheelbase
	05121761AA	1	2, 6		11, 12, 14, 15, 16				With 140 Inch Wheelbase
		1	2, 6		51, 52, 54, 55, 56				With 140 Inch Wheelbase
	05121764AA	1	3, 7		12, 15, 16				With 140 Inch Wheelbase
	05121769AA	1	3, 7		12, 15, 16				With 158 Inch Wheelbase
8									PLUG, Body
	05125519AA	3	2, 6		51, 52, 54, 55, 56				
		2	3, 7		12, 15, 16				
		3	2, 6		11, 12, 14, 15, 16				
9									REINFORCEMENT, Side Panel
	05104198AA	1	3, 7		12, 15, 16				
		1	2, 6		11, 12, 14, 15, 16				
		1	2, 6		51, 52, 54, 55, 56				

**SPRINTER (VA)**

**SERIES**

L = LOWLINE

**LINE**

3 = HD DODGE 2WD  
6 = Lt. Duty DODGE 4WD  
2 = Med. Duty DODGE 2WD  
7 = Med. Duty DODGE 4WD

**BODY**

51 = WAGON WHEEL BASE 1  
52 = WAGON WHEEL BASE 2  
14 = VAN WHEEL BASE 4  
15 = VAN WHEEL BASE 5  
16 = VAN WHEEL BASE 6  
54 = WAGON WHEEL BASE 4  
55 = WAGON WHEEL BASE 5  
56 = WAGON WHEEL BASE 6  
11 = VAN WHEEL BASE 1  
12 = VAN WHEEL BASE 2

**ENGINE**

EX9 = Engine - 2.7L 5 Cly  
Mercedes Diesel

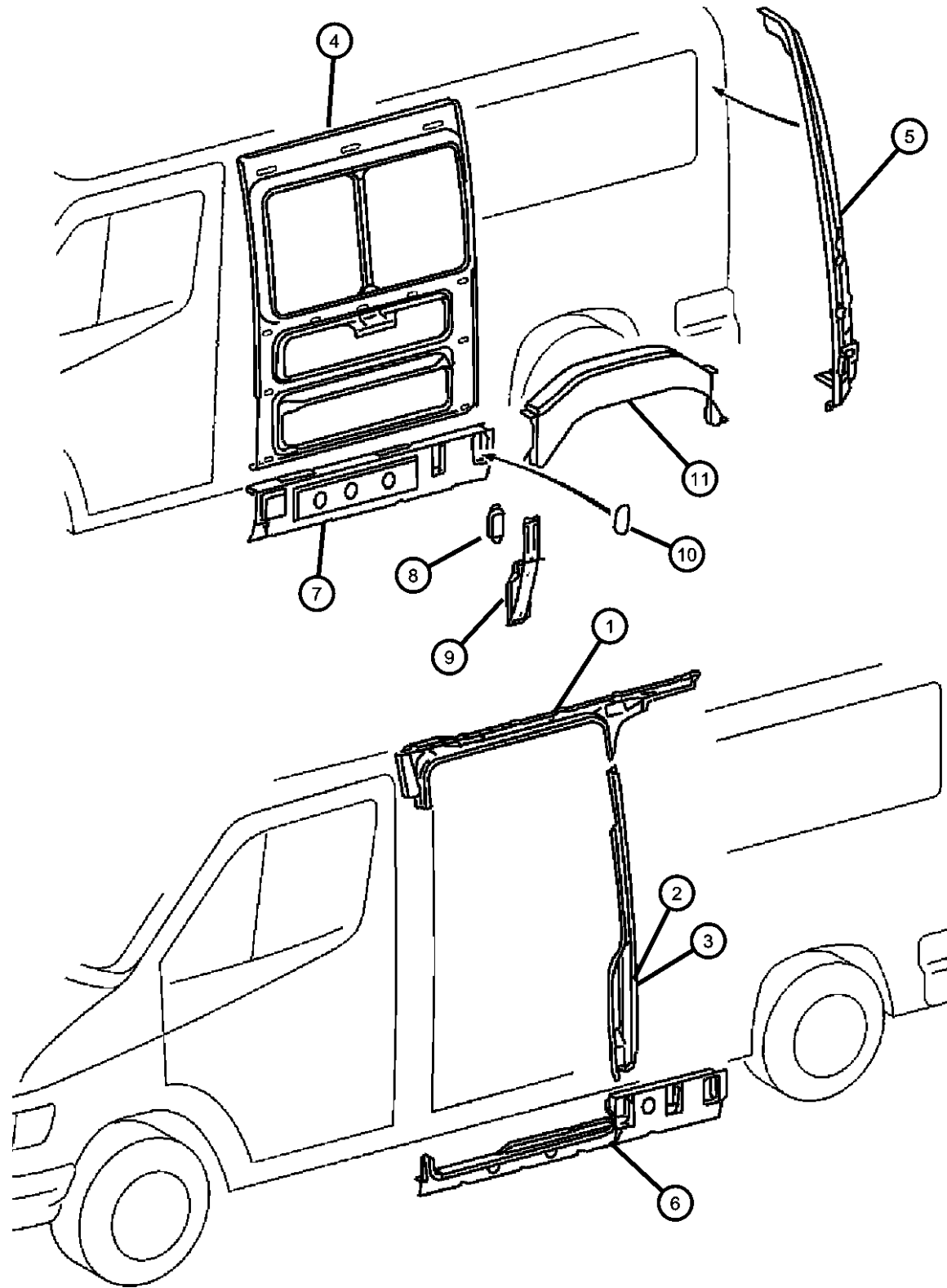
**TRANSMISSION**

DGJ = Transmission-5-Spd. Automatic, W5A580

AR = use ase required - = Non illustrated part

2003 VA

**Left Side Cargo Door Pillars & Wheelhouse  
Figure SVA-940**



ITEM	PART NUMBER	QTY	LINE	SERIES	BODY	ENGINE	TRANS	TRIM	DESCRIPTION
10	05121838AA	1	2, 6		11, 12, 14, 15, 16				COVER, Sill
		1	2, 6		51, 52, 54, 55, 56				
11	05121862AA	1	3, 7		12, 15, 16				WHEELHOUSE
		1	2, 6		11, 12, 14, 15, 16				

**SPRINTER (VA)**

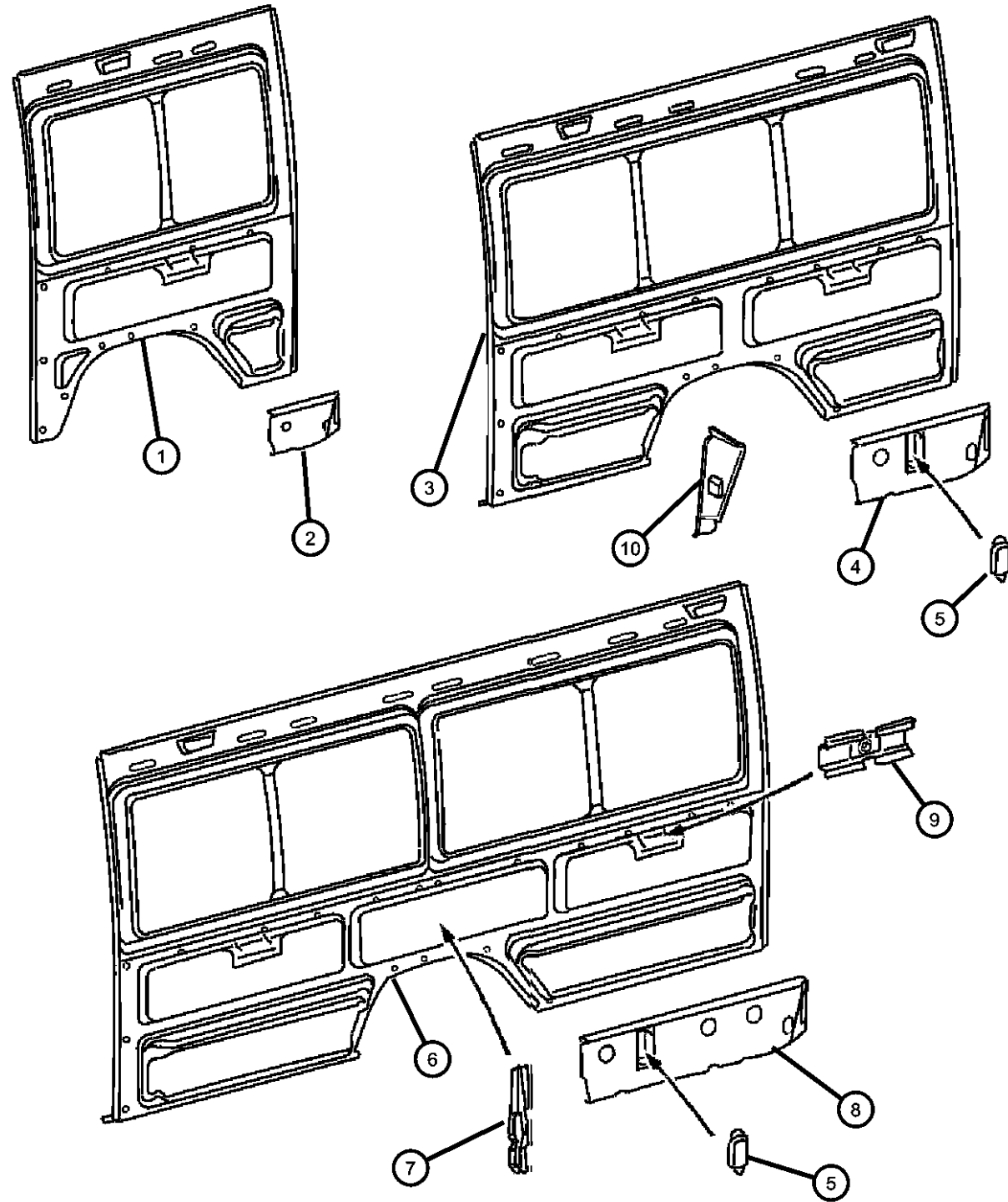
SERIES	LINE
L = LOWLINE	3 = HD DODGE 2WD
	6 = Lt. Duty DODGE 4WD
	2 = Med. Duty DODGE 2WD
	7 = Med. Duty DODGE 4WD

BODY	ENGINE
51 = WAGON WHEEL BASE 1	EX9 = Engine - 2.7L 5 Cly
52 = WAGON WHEEL BASE 2	Mercedes Diesel
14 = VAN WHEEL BASE 4	
15 = VAN WHEEL BASE 5	
16 = VAN WHEEL BASE 6	
54 = WAGON WHEEL BASE 4	
55 = WAGON WHEEL BASE 5	
56 = WAGON WHEEL BASE 6	
11 = VAN WHEEL BASE 1	
12 = VAN WHEEL BASE 2	

TRANSMISSION
DGJ = Transmission-5-Spd. Automatic,W5A580

AR = use ase required - = Non illustrated part

Left Side Panels, Cargo  
Figure SVA-950



ITEM	PART NUMBER	QTY	LINE	SERIES	BODY	ENGINE	TRANS	TRIM	DESCRIPTION
1	05121888AA	1	2, 6		11, 12, 14, 15, 16				PANEL, Body Side Rear, With 118 Inch Wheelbase
		1	2, 6		51, 52, 54, 55, 56				
2	05121737AA	1	2, 6		11, 12, 14, 15, 16				SUPPORT, With 118 Inch Wheelbase
		1	2, 6		51, 52, 54, 55, 56				
3	05121890AA	1	3, 7		12, 15, 16				PANEL, Body Side Rear, With 140 Inch Wheelbase
		1	2, 6		11, 12, 14, 15, 16				
		1	2, 6		51, 52, 54, 55, 56				
4	05121741AA	1	2, 6		11, 12, 14, 15, 16				SUPPORT, With 140 & 158 Inch Wheelbase
		1	3, 7		12, 15, 16				
		1	2, 6		51, 52, 54, 55, 56				
5	05125519AA	1	3, 7		12, 15, 16				PLUG, Body, With 140 Inch Wheelbase
		2	2, 6		11, 12, 14, 15, 16				
		2	2, 6		51, 52, 54, 55, 56				
6	05104202AA	1	3, 7		12, 15, 16				PANEL, Body Side Rear, With 158 Inch Wheelbase
		1	2, 6		11, 12, 14, 15, 16				
		1	2, 6		51, 52, 54, 55, 56				
7									REINFORCEMENT, Quarter Inner, With 158 Inch Wheelbase

SPRINTER (VA)

SERIES

L = LOWLINE

LINE

3 = HD DODGE 2WD  
6 = Lt. Duty DODGE 4WD  
2 = Med. Duty DODGE 2WD  
7 = Med. Duty DODGE 4WD

BODY

51 = WAGON WHEEL BASE 1  
52 = WAGON WHEEL BASE 2  
14 = VAN WHEEL BASE 4  
15 = VAN WHEEL BASE 5  
16 = VAN WHEEL BASE 6  
54 = WAGON WHEEL BASE 4  
55 = WAGON WHEEL BASE 5  
56 = WAGON WHEEL BASE 6  
11 = VAN WHEEL BASE 1  
12 = VAN WHEEL BASE 2

ENGINE

EX9 = Engine - 2.7L 5 Cly  
Mercedes Diesel

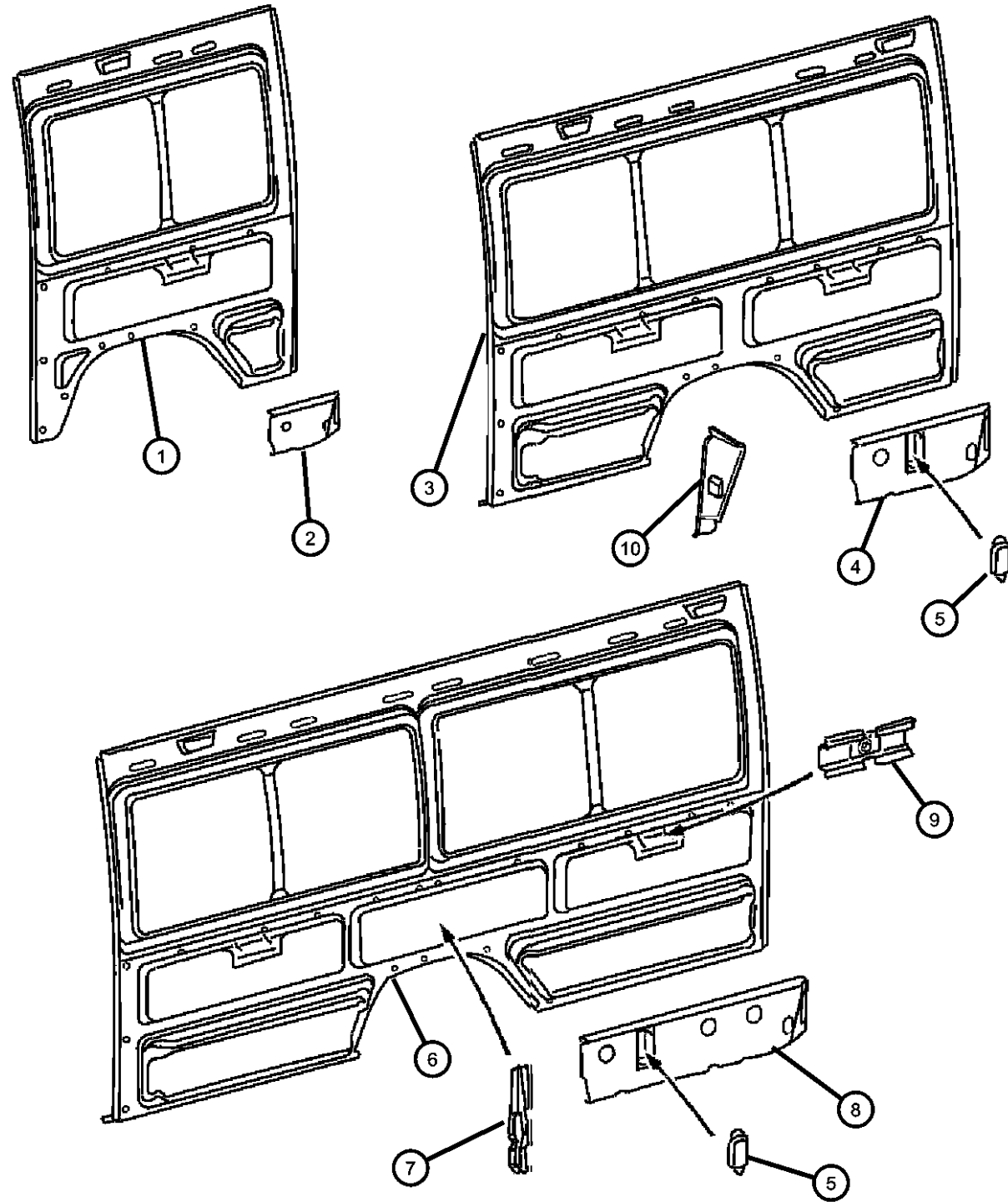
TRANSMISSION

DGJ = Transmission-5-Spd. Automatic, W5A580

AR = use ase required - = Non illustrated part

2003 VA

Left Side Panels, Cargo  
Figure SVA-950



ITEM	PART NUMBER	QTY	LINE	SERIES	BODY	ENGINE	TRANS	TRIM	DESCRIPTION
	05121799AA	1	3, 7		12, 15, 16				With 16x6 Steel Wheels
		1	2, 6		11, 12, 14, 15, 16				With 16x6 Steel Wheels
		1	2, 6		51, 52, 54, 55, 56				With 16x6 Steel Wheels
	05131055AA	1	2, 6		11, 12, 14, 15, 16				
8		1	2, 6		51, 52, 54, 55, 56				SUPPORT, With 158 Inch Wheelbase
	05121745AA	1	3, 7		12, 15, 16				
		1	2, 6		11, 12, 14, 15, 16				
		1	2, 6		51, 52, 54, 55, 56				
9									REINFORCEMENT, Side Panel, With 158 Inch Wheelbase
	05131057AA	2	2, 6		11, 12, 14, 15, 16				
		1	2, 6		51, 52, 54, 55, 56				
10									PANEL, Rear Side
	05129937AA	2	2, 6		11, 12, 14, 15, 16				
		2	2, 6		51, 52, 54, 55, 56				

SPRINTER (VA)

SERIES

L = LOWLINE

LINE

3 = HD DODGE 2WD  
6 = Lt. Duty DODGE 4WD  
2 = Med. Duty DODGE 2WD  
7 = Med. Duty DODGE 4WD

BODY

51 = WAGON WHEEL BASE 1  
52 = WAGON WHEEL BASE 2  
14 = VAN WHEEL BASE 4  
15 = VAN WHEEL BASE 5  
16 = VAN WHEEL BASE 6  
54 = WAGON WHEEL BASE 4  
55 = WAGON WHEEL BASE 5  
56 = WAGON WHEEL BASE 6  
11 = VAN WHEEL BASE 1  
12 = VAN WHEEL BASE 2

ENGINE

EX9 = Engine - 2.7L 5 Cly  
Mercedes Diesel

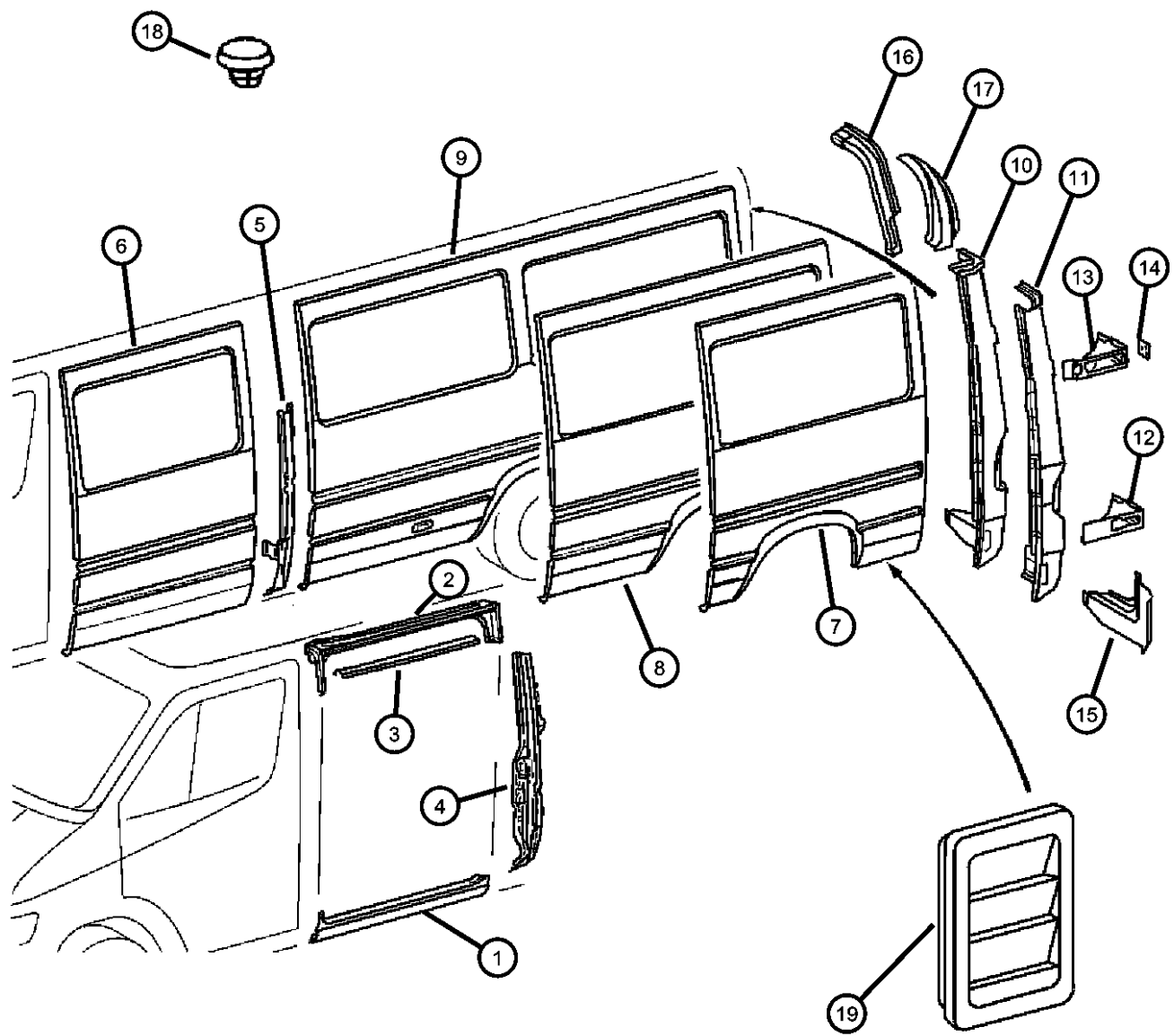
TRANSMISSION

DGJ = Transmission-5-Spd. Automatic, W5A580

AR = use ase required - = Non illustrated part

2003 VA

**Left Side Panels, Wagon  
Figure SVA-960**



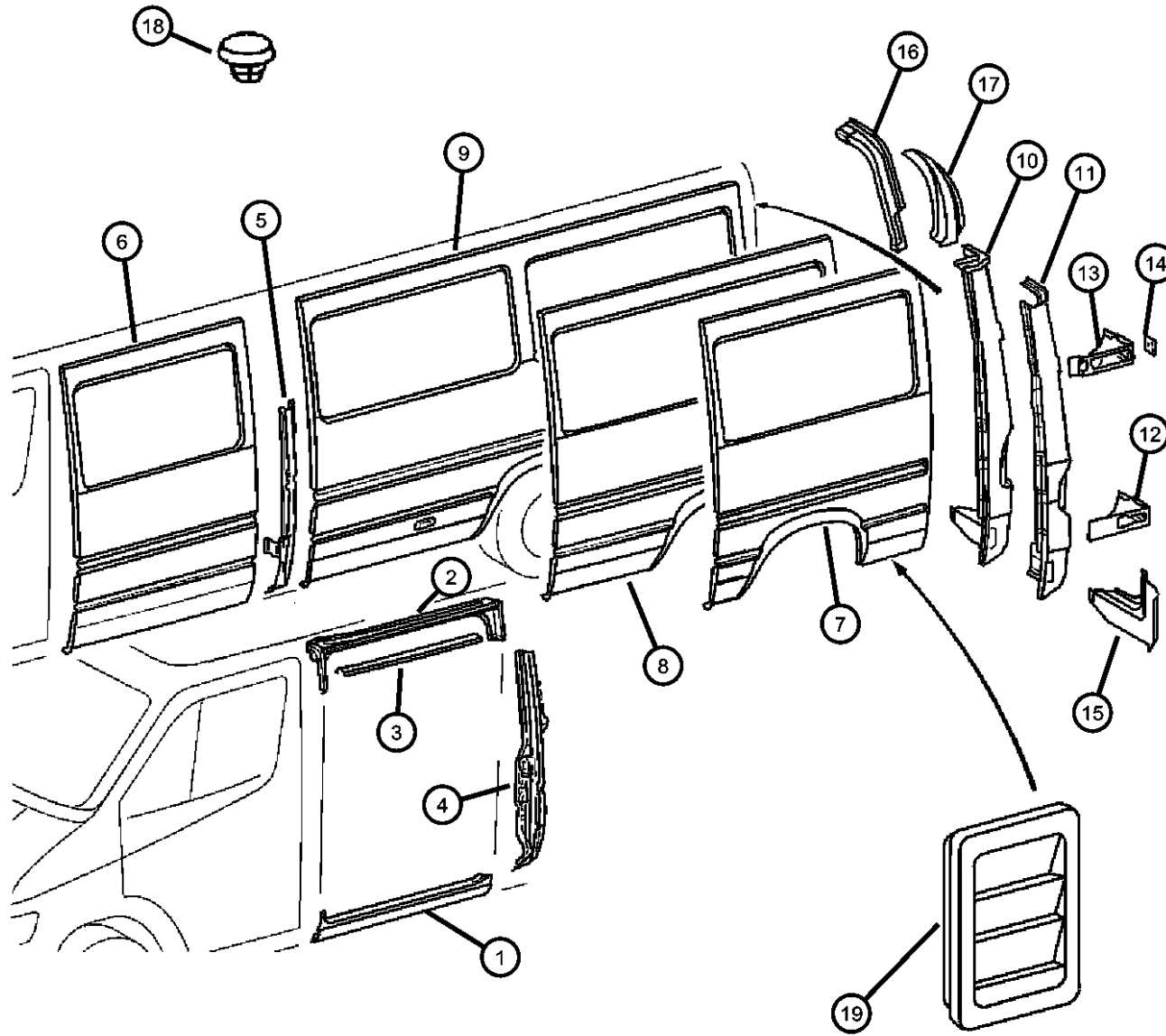
ITEM	PART NUMBER	QTY	LINE	SERIES	BODY	ENGINE	TRANS	TRIM	DESCRIPTION	
1	05121937AA	1	2, 6		51, 52, 54, 55, 56				PANEL, Sill	
		1	3, 7		12, 15, 16					
		1	2, 6		11, 12, 14, 15, 16					
2	05121682AA	1	3, 7		12, 15, 16				PANEL, Cargo Compartment, Upper	
		1	2, 6		11, 12, 14, 15, 16					
		1	2, 6		51, 52, 54, 55, 56					
3	05122035AA	1	3, 7		12, 15, 16				TRACK, Sliding Door	
		1	2, 6		11, 12, 14, 15, 16					
		1	2, 6		51, 52, 54, 55, 56					
4	05121696AA	1	3, 7		12, 15, 16				PILLAR, Side Cargo Door With 140 & 158 Inch Wheelbase	
		1	2, 6		51, 52, 54, 55, 56					With 118 Inch Wheelbase
		1	2, 6		11, 12, 14, 15, 16					With 118 Inch Wheelbase
		1	2, 6		11, 12, 14, 15, 16					With 140 & 158 Inch Wheelbase
		1	2, 6		51, 52, 54, 55, 56					With 140 & 158 Inch Wheelbase
5	05104168AA	1	2, 6		11, 12, 14, 15, 16				PILLAR, Side Cargo Door With 118 Inch Wheelbase	
		1	2, 6		51, 52, 54, 55, 56					With 118 Inch Wheelbase
		1	3, 7		12, 15, 16					With 140 & 158 Inch Wheelbase
		1	2, 6		11, 12, 14, 15, 16					With 140 & 158 Inch Wheelbase
		1	2, 6		51, 52, 54, 55, 56					With 140 & 158 Inch Wheelbase
6									PANEL, Body Side Front	

**SPRINTER (VA)**

<b>SERIES</b>	<b>LINE</b>	<b>BODY</b>	<b>ENGINE</b>	<b>TRANSMISSION</b>
L = LOWLINE	3 = HD DODGE 2WD 6 = Lt. Duty DODGE 4WD 2 = Med. Duty DODGE 2WD 7 = Med. Duty DODGE 4WD	51 = WAGON WHEEL BASE 1 52 = WAGON WHEEL BASE 2 14 = VAN WHEEL BASE 4 15 = VAN WHEEL BASE 5 16 = VAN WHEEL BASE 6 54 = WAGON WHEEL BASE 4 55 = WAGON WHEEL BASE 5 56 = WAGON WHEEL BASE 6 11 = VAN WHEEL BASE 1 12 = VAN WHEEL BASE 2	EX9 = Engine - 2.7L 5 Cly Mercedes Diesel	DGJ = Transmission-5-Spd. Automatic,W5A580

AR = use ase required - = Non illustrated part

**Left Side Panels, Wagon  
Figure SVA-960**



ITEM	PART NUMBER	QTY	LINE	SERIES	BODY	ENGINE	TRANS	TRIM	DESCRIPTION
	05104205AA	1	3, 7		12, 15, 16				
		1	2, 6		11, 12, 14, 15, 16				
7	05104212AA	1	2, 6		11, 12, 14, 15, 16				PANEL, Body Side Rear, With 118 Inch Wheelbase
8									PANEL, Body Side Rear, With 140 Inch Wheelbase
	05121941AA	1	2, 6		11, 12, 14, 15, 16				
	05121948AA	1	2, 6		51, 52, 54, 55, 56				
	05121990AA	1	3, 7		12, 15, 16				
	05131158AA	1	2, 6		11, 12, 14, 15, 16				With 16x6 Steel Wheels
	05131164AA	1	2, 6		51, 52, 54, 55, 56				With 16x6 Steel Wheels
9									PANEL, Body Side Rear, With 158 Inch Wheelbase
	05104219AA	1	2, 6		11, 12, 14, 15, 16				
		1	2, 6		51, 52, 54, 55, 56				
	05121995AA	1	3, 7		12, 15, 16				
	05131170AA	1	2, 6		11, 12, 14, 15, 16				With 16x6 Steel Wheels
	05131176AA	1	2, 6		51, 52, 54, 55, 56				With 16x6 Steel Wheels
10									PANEL, D Pillar Trim
	05104174AA	1	2, 6		11, 12, 14, 15, 16				High Roof
		1	2, 6		51, 52, 54, 55, 56				High Roof
	05104172AA	1	3, 7		12, 15, 16				Low Roof
		1	2, 6		11, 12, 14, 15, 16				Low Roof
		1	2, 6		51, 52, 54, 55, 56				Low Roof
		1	3, 7		12, 15, 16				High Roof
11									PANEL, D Pillar Trim
	05104206AA	1	3, 7		12, 15, 16				

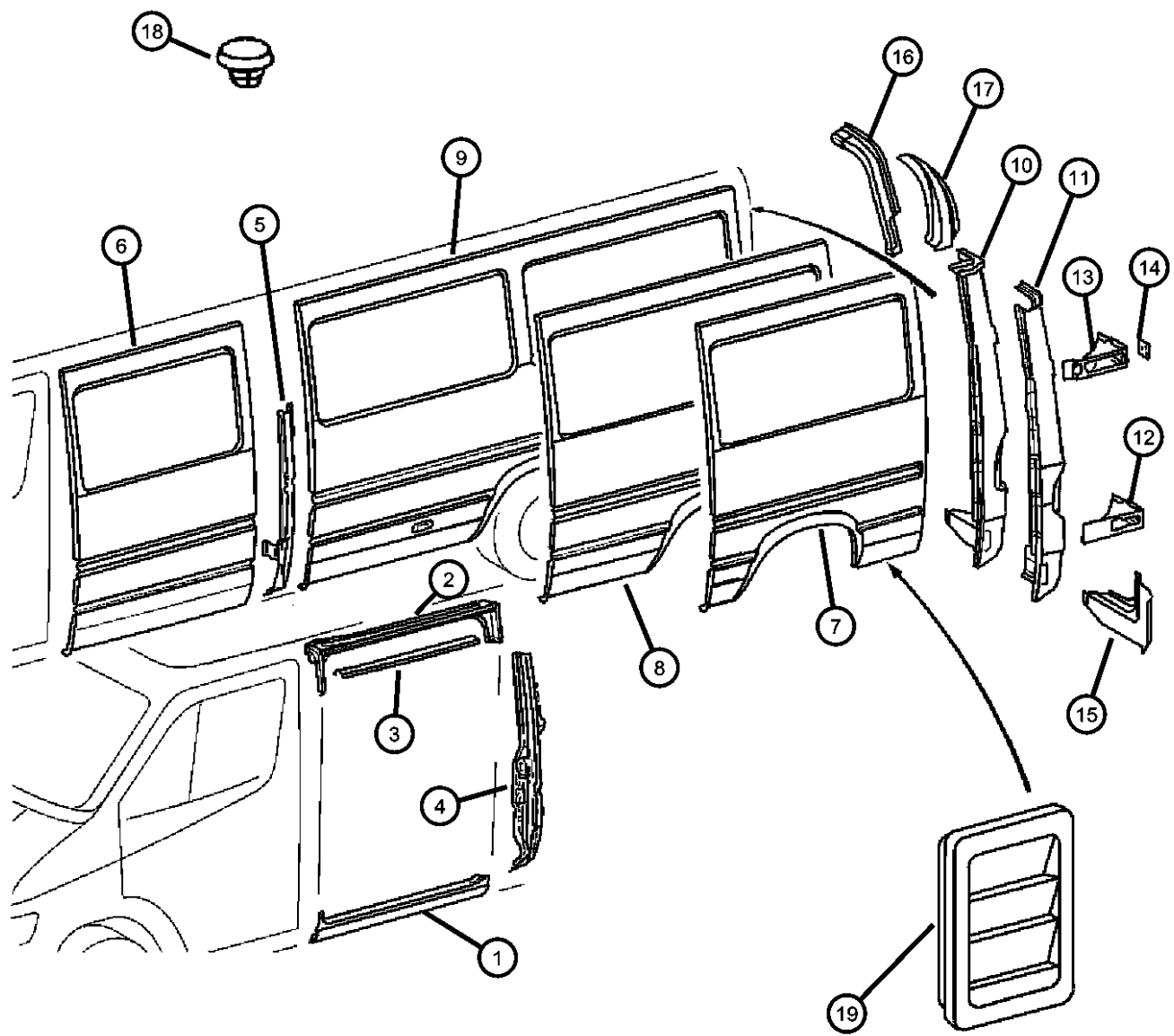
**SPRINTER (VA)**

SERIES	LINE	BODY	ENGINE	TRANSMISSION
L = LOWLINE	3 = HD DODGE 2WD	51 = WAGON WHEEL BASE 1	EX9 = Engine - 2.7L 5 Cly	DGJ = Transmission-5-Spd. Automatic, W5A580
	6 = Lt. Duty DODGE 4WD	52 = WAGON WHEEL BASE 2	Mercedes Diesel	
	2 = Med. Duty DODGE 2WD	14 = VAN WHEEL BASE 4		
	7 = Med. Duty DODGE 4WD	15 = VAN WHEEL BASE 5		
		16 = VAN WHEEL BASE 6		
		54 = WAGON WHEEL BASE 4		
		55 = WAGON WHEEL BASE 5		
		56 = WAGON WHEEL BASE 6		
		11 = VAN WHEEL BASE 1		
		12 = VAN WHEEL BASE 2		

AR = use ase required - = Non illustrated part



**Left Side Panels, Wagon  
Figure SVA-960**



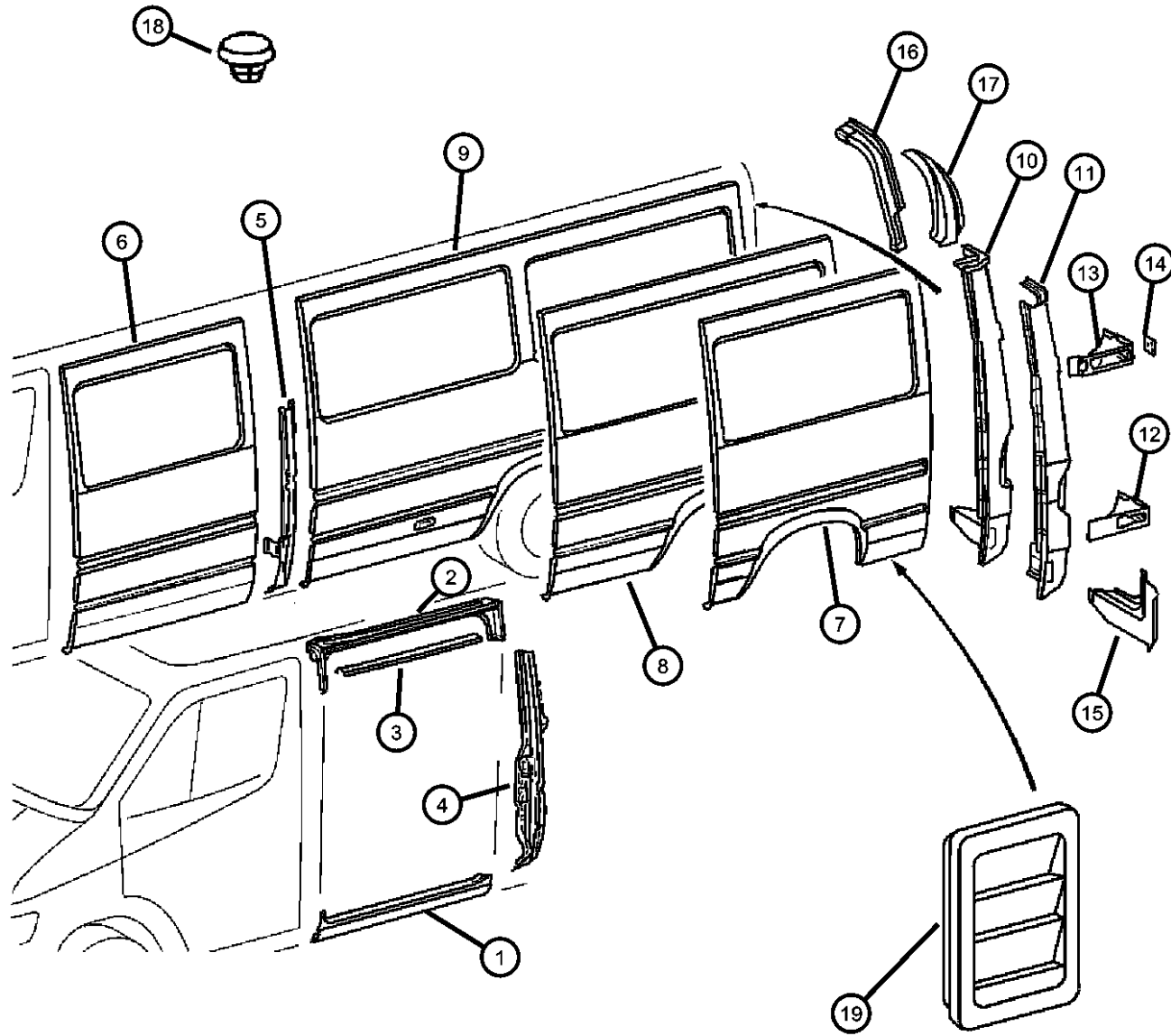
ITEM	PART NUMBER	QTY	LINE	SERIES	BODY	ENGINE	TRANS	TRIM	DESCRIPTION
		1	2, 6		11, 12, 14, 15, 16				
		1	2, 6		51, 52, 54, 55, 56				
12									REINFORCEMENT, Rear door hinge
	05122031AA	1	3, 7		12, 15, 16				
		1	2, 6		11, 12, 14, 15, 16				
		1	2, 6		51, 52, 54, 55, 56				
13									REINFORCEMENT, Rear door hinge
	05122032AA	1	3, 7		12, 15, 16				
		1	2, 6		11, 12, 14, 15, 16				
		1	2, 6		51, 52, 54, 55, 56				
14									PLATE, Rear Door Hinge
	05104188AA	2	2, 6		11, 12, 14, 15, 16				
		2	2, 6		51, 52, 54, 55, 56				
		2	3, 7		12, 15, 16				
15									EXTENSION, D Pillar Lower
	05104207AA	1	3, 7		12, 15, 16				
		1	2, 6		11, 12, 14, 15, 16				
		1	2, 6		51, 52, 54, 55, 56				
16									EXTENSION, D Pillar Upper
	05121988AA	1	3, 7		12, 15, 16				
		1	2, 6		11, 12, 14, 15, 16				
		1	2, 6		51, 52, 54, 55, 56				
17									PANEL, D Pillar Trim
	05122050AA	1	3, 7		12, 15, 16				

**SPRINTER (VA)**

<b>SERIES</b>	<b>LINE</b>	<b>BODY</b>	<b>ENGINE</b>	<b>TRANSMISSION</b>
L = LOWLINE	3 = HD DODGE 2WD 6 = Lt. Duty DODGE 4WD 2 = Med. Duty DODGE 2WD 7 = Med. Duty DODGE 4WD	51 = WAGON WHEEL BASE 1 52 = WAGON WHEEL BASE 2 14 = VAN WHEEL BASE 4 15 = VAN WHEEL BASE 5 16 = VAN WHEEL BASE 6 54 = WAGON WHEEL BASE 4 55 = WAGON WHEEL BASE 5 56 = WAGON WHEEL BASE 6 11 = VAN WHEEL BASE 1 12 = VAN WHEEL BASE 2	EX9 = Engine - 2.7L 5 Cly Mercedes Diesel	DGJ = Transmission-5-Spd. Automatic, W5A580

AR = use ase required - = Non illustrated part

Left Side Panels, Wagon  
Figure SVA-960



ITEM	PART NUMBER	QTY	LINE	SERIES	BODY	ENGINE	TRANS	TRIM	DESCRIPTION
		1	2, 6		11, 12, 14, 15, 16				
		1	2, 6		51, 52, 54, 55, 56				
18	05133657AA	1	2, 6		51, 52, 54, 55, 56				PLUG, Expansion
		1	3, 7		12, 15, 16				
		1	2, 6		11, 12, 14, 15, 16				
19	05104472AA	2	2, 6		11, 12, 14, 15, 16				EXHAUSTER, Quarter Panel
		2	2, 6		51, 52, 54, 55, 56				
		2	3, 7		12, 15, 16				

SPRINTER (VA)

SERIES

L = LOWLINE

LINE

3 = HD DODGE 2WD  
6 = Lt. Duty DODGE 4WD  
2 = Med. Duty DODGE 2WD  
7 = Med. Duty DODGE 4WD

BODY

51 = WAGON WHEEL BASE 1  
52 = WAGON WHEEL BASE 2  
14 = VAN WHEEL BASE 4  
15 = VAN WHEEL BASE 5  
16 = VAN WHEEL BASE 6  
54 = WAGON WHEEL BASE 4  
55 = WAGON WHEEL BASE 5  
56 = WAGON WHEEL BASE 6  
11 = VAN WHEEL BASE 1  
12 = VAN WHEEL BASE 2

ENGINE

EX9 = Engine - 2.7L 5 Cly  
Mercedes Diesel

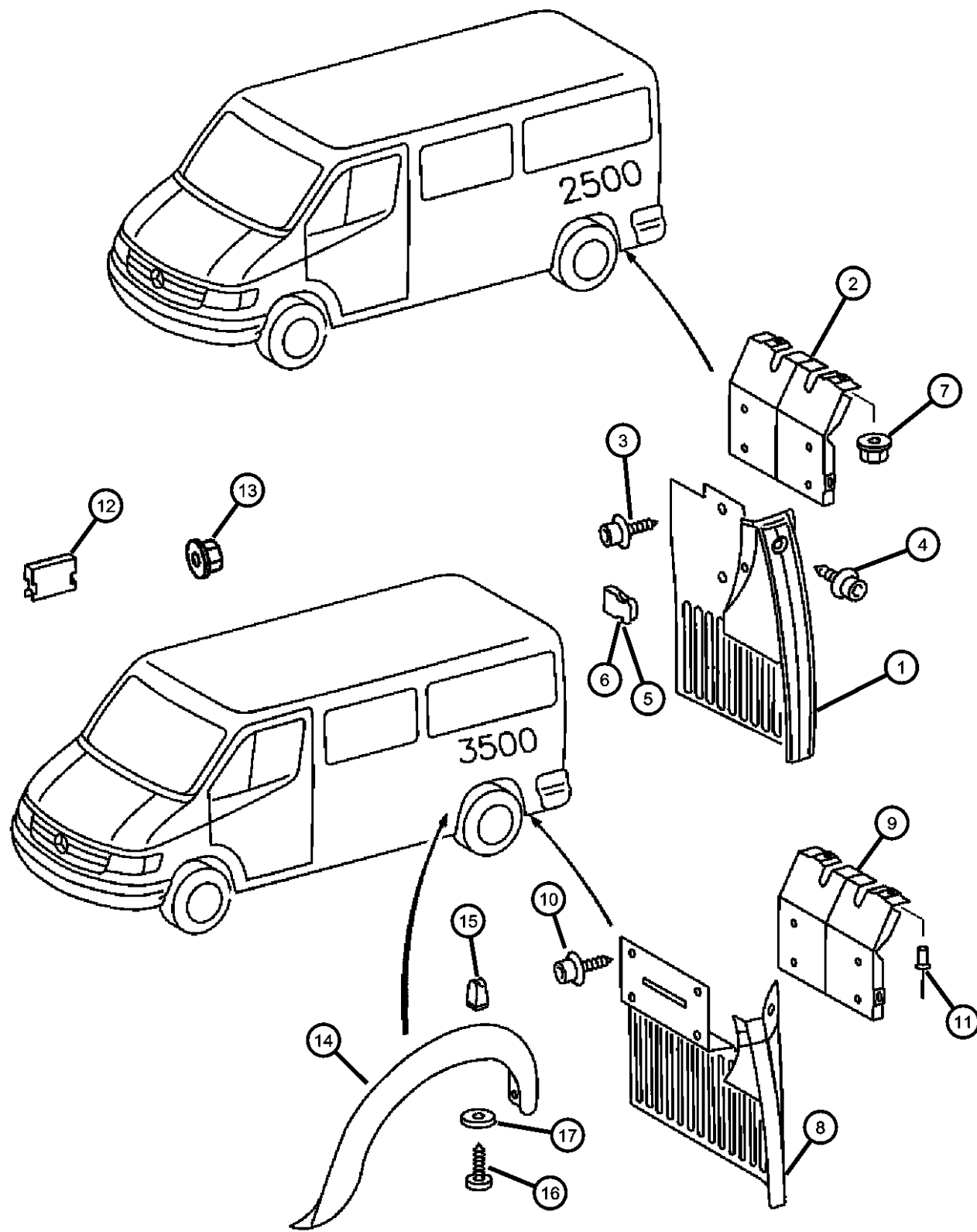
TRANSMISSION

DGJ = Transmission-5-Spd. Automatic, W5A580

AR = use ase required - = Non illustrated part

2003 VA

Rear Splash Shield  
Figure SVA-970

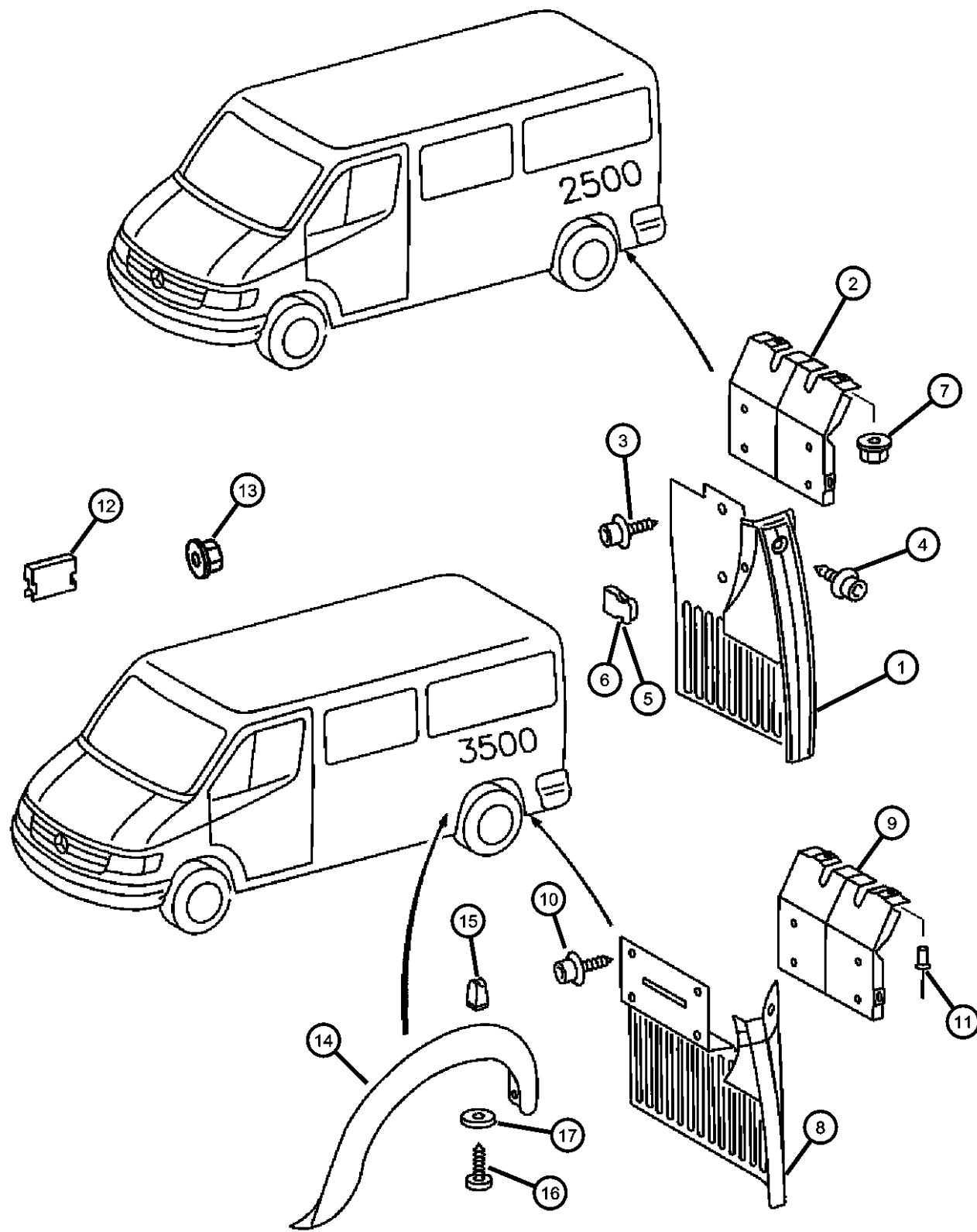


ITEM	PART NUMBER	QTY	LINE	SERIES	BODY	ENGINE	TRANS	TRIM	DESCRIPTION
1									GUARD, Splash
	05104518AA	1	2, 6		11, 12, 14, 15, 16				With 15 Inch Wheels, Left
		1	2, 6		51, 52, 54, 55, 56				With 15 Inch Wheels, Left
	05104521AA	1	2, 6		11, 12, 14, 15, 16				With 15 Inch Wheels, Right
		1	2, 6		51, 52, 54, 55, 56				With 15 Inch Wheels, Right
	05125152AA	1	3, 7		12, 15, 16				Left
	05125153AA	1	3, 7		12, 15, 16				Right
	05132505AA	1	2, 6		11, 12, 14, 15, 16				With 16x6 Steel Wheels, Left
		1	2, 6		51, 52, 54, 55, 56				With 16x6 Steel Wheels, Left
	05132507AA	1	2, 6		11, 12, 14, 15, 16				With 16x6 Steel Wheels, Right
		1	2, 6		51, 52, 54, 55, 56				With 16x6 Steel Wheels, Right
2									BRACKET, SPLASH GUARD, SPRINTER
	05104520AA	1	2, 6		11, 12, 14, 15, 16				Left
		1	2, 6		51, 52, 54, 55, 56				Left
	05104522AA	1	2, 6		11, 12, 14, 15, 16				Right
		1	2, 6		51, 52, 54, 55, 56				Right
3									SCREW, NONE, SPRINTER
	06104581AA	6	2, 6		11, 12, 14, 15, 16				
		6	3, 7		12, 15, 16				
		6	2, 6		51, 52, 54, 55, 56				
4									SCREW
	06104582AA	2	2, 6		11, 12, 14, 15, 16				
		4	3, 7		12, 15, 16				
		2	2, 6		51, 52, 54, 55, 56				

**SPRINTER (VA)**  
 SERIES      LINE      BODY      ENGINE      TRANSMISSION  
 L = LOWLINE    3 = HD DODGE 2WD    51 = WAGON WHEEL BASE 1    EX9 = Engine - 2.7L 5 Cly    DGJ = Transmission-5-Spd.  
                   6 = Lt. Duty DODGE 4WD    52 = WAGON WHEEL BASE 2    Mercedes Diesel    Automatic,W5A580  
                   2 = Med. Duty DODGE 2WD    14 = VAN WHEEL BASE 4  
                   7 = Med. Duty DODGE 4WD    15 = VAN WHEEL BASE 5  
   16 = VAN WHEEL BASE 6  
   54 = WAGON WHEEL BASE 4  
   55 = WAGON WHEEL BASE 5  
   56 = WAGON WHEEL BASE 6  
   11 = VAN WHEEL BASE 1  
   12 = VAN WHEEL BASE 2

AR = use ase required - = Non illustrated part

Rear Splash Shield  
Figure SVA-970



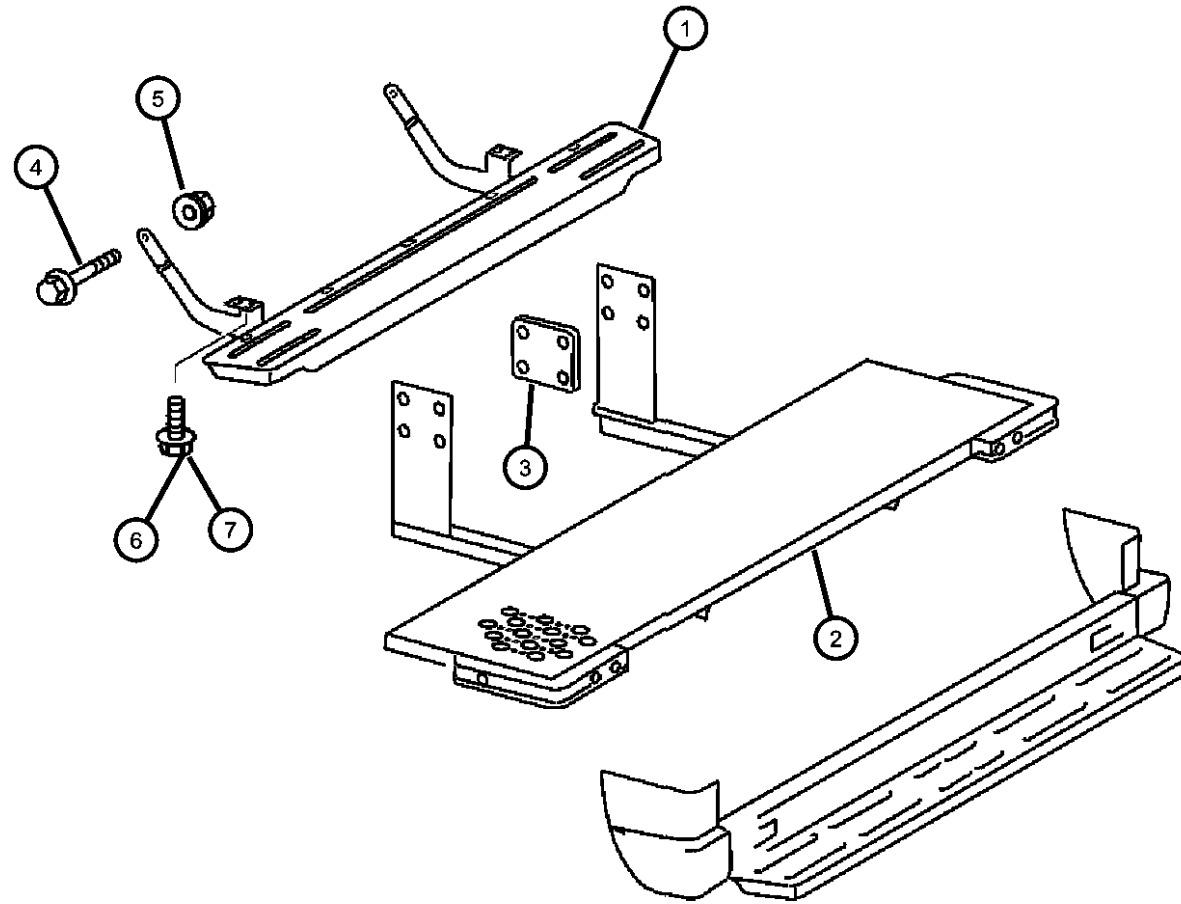
ITEM	PART NUMBER	QTY	LINE	SERIES	BODY	ENGINE	TRANS	TRIM	DESCRIPTION
5	05103875AA	2	2, 6		11, 12, 14, 15, 16				CLIP, SPLASH GUARD TO BODY, SPRINTER
		2	2, 6		51, 52, 54, 55, 56				
6	05132726AA	2	2, 6		11, 12, 14, 15, 16				CLIP
		2	2, 6		51, 52, 54, 55, 56				
7	06104911AA	2	2, 6		11, 12, 14, 15, 16				NUT, Hex
		2	2, 6		51, 52, 54, 55, 56				
		2	3, 7		12, 15, 16				
8	05125152AA	1	3, 7		12, 15, 16				GUARD, Splash Left
	05125153AA	1	3, 7		12, 15, 16				Right
9	05125158AA	2	3, 7		12, 15, 16				BRACKET, SPLASH GUARD, SPRINTER Right & Left
10	06104581AA	8	3, 7		12, 15, 16				SCREW, NONE, SPRINTER
11	06104871AA	4	3, 7		12, 15, 16				RIVET
12	05125567AA	4	3, 7		12, 15, 16				CLIP, SPLASH GUARD TO BODY, SPRINTER
13	06104911AA	2	3, 7		12, 15, 16				NUT, Hex
14	05125142AA	2	3, 7		12, 15, 16				MOLDING, Wheel Opening Flare
15	05098837AA	16	3, 7		12, 15, 16				NUT, Plastic Snap-in
16	06104614AA	16	3, 7		12, 15, 16				SCREW
17	05104639AA	16	3, 7		12, 15, 16				WASHER

SPRINTER (VA)

SERIES	LINE	BODY	ENGINE	TRANSMISSION
L = LOWLINE	3 = HD DODGE 2WD 6 = Lt. Duty DODGE 4WD 2 = Med. Duty DODGE 2WD 7 = Med. Duty DODGE 4WD	51 = WAGON WHEEL BASE 1 52 = WAGON WHEEL BASE 2 14 = VAN WHEEL BASE 4 15 = VAN WHEEL BASE 5 16 = VAN WHEEL BASE 6 54 = WAGON WHEEL BASE 4 55 = WAGON WHEEL BASE 5 56 = WAGON WHEEL BASE 6 11 = VAN WHEEL BASE 1 12 = VAN WHEEL BASE 2	EX9 = Engine - 2.7L 5 Cly Mercedes Diesel	DGJ = Transmission-5-Spd. Automatic, W5A580

AR = use ase required - = Non illustrated part

Rear Step Panel  
Figure SVA-980



ITEM	PART NUMBER	QTY	LINE	SERIES	BODY	ENGINE	TRANS	TRIM	DESCRIPTION
1									BUMPER, Step
	05104132AA	1	2, 6		11, 12, 14, 15, 16				With 140 & 158 Inch Wheelbase
		1	2, 6		51, 52, 54, 55, 56				With 140 & 158 Inch Wheelbase
	05120040AA	1	3, 7		12, 15, 16				With 158 Inch Wheelbase
	05104133AA	1	2, 6		11, 12, 14, 15, 16				With 118 Inch Wheelbase
		1	2, 6		51, 52, 54, 55, 56				With 118 Inch Wheelbase
	05120038AA	1	3, 7		12, 15, 16				With 140 Inch Wheelbase
2									BUMPER, Step
	05104135AA	1	2, 6		11, 12, 14, 15, 16				
		1	2, 6		51, 52, 54, 55, 56				
	05120038AA	1	3, 7		12, 15, 16				
3									PLATE, Towing Mounting
	05104056AA	2	2, 6		11, 12, 14, 15, 16				
		2	2, 6		51, 52, 54, 55, 56				
		2	3, 7		12, 15, 16				
4									SCREW
	05104664AA	8	2, 6		11, 12, 14, 15, 16				
		8	2, 6		51, 52, 54, 55, 56				
		8	3, 7		12, 15, 16				
5									NUT
	06104718AA	8	2, 6		11, 12, 14, 15, 16				
		8	2, 6		51, 52, 54, 55, 56				
		8	3, 7		12, 15, 16				
6									BOLT, Hex Head
	06104215AA	4	3, 7		12, 15, 16				Rocker Panel to Frame
		4	2, 6		11, 12, 14, 15, 16				Rocker Panel to Frame

SPRINTER (VA)

SERIES

L = LOWLINE

LINE

3 = HD DODGE 2WD  
6 = Lt. Duty DODGE 4WD  
2 = Med. Duty DODGE 2WD  
7 = Med. Duty DODGE 4WD

BODY

51 = WAGON WHEEL BASE 1  
52 = WAGON WHEEL BASE 2  
14 = VAN WHEEL BASE 4  
15 = VAN WHEEL BASE 5  
16 = VAN WHEEL BASE 6  
54 = WAGON WHEEL BASE 4  
55 = WAGON WHEEL BASE 5  
56 = WAGON WHEEL BASE 6  
11 = VAN WHEEL BASE 1  
12 = VAN WHEEL BASE 2

ENGINE

EX9 = Engine - 2.7L 5 Cyl  
Mercedes Diesel

TRANSMISSION

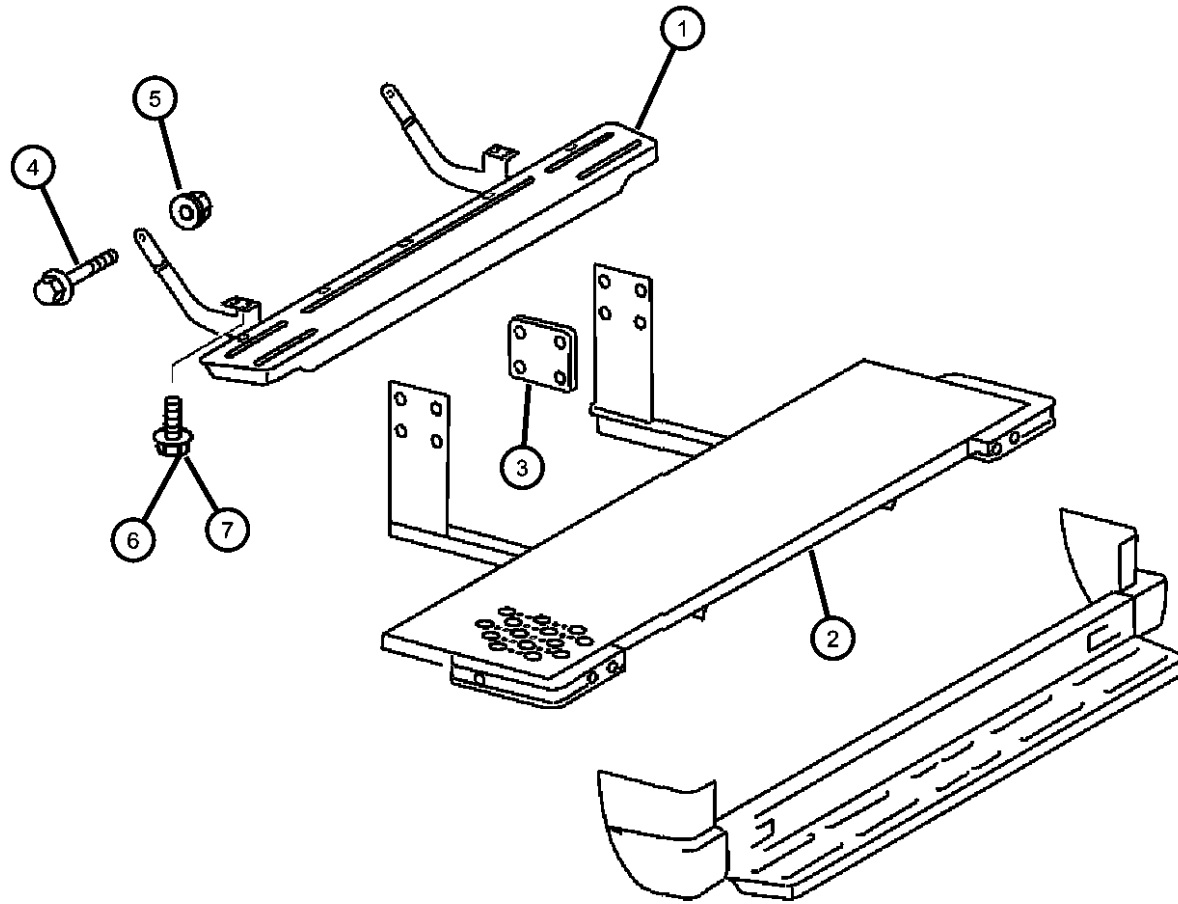
DGJ = Transmission-5-Spd. Automatic, W5A580

AR = use ase required - = Non illustrated part

2003 VA

Rear Step Panel  
Figure SVA-980

ITEM	PART NUMBER	QTY	LINE	SERIES	BODY	ENGINE	TRANS	TRIM	DESCRIPTION
		4	2, 6		51, 52, 54, 55, 56				Rocker Panel to Frame
7	05104666AA	4							SCREW, NONE, SPRINTER, Step to Crossmember

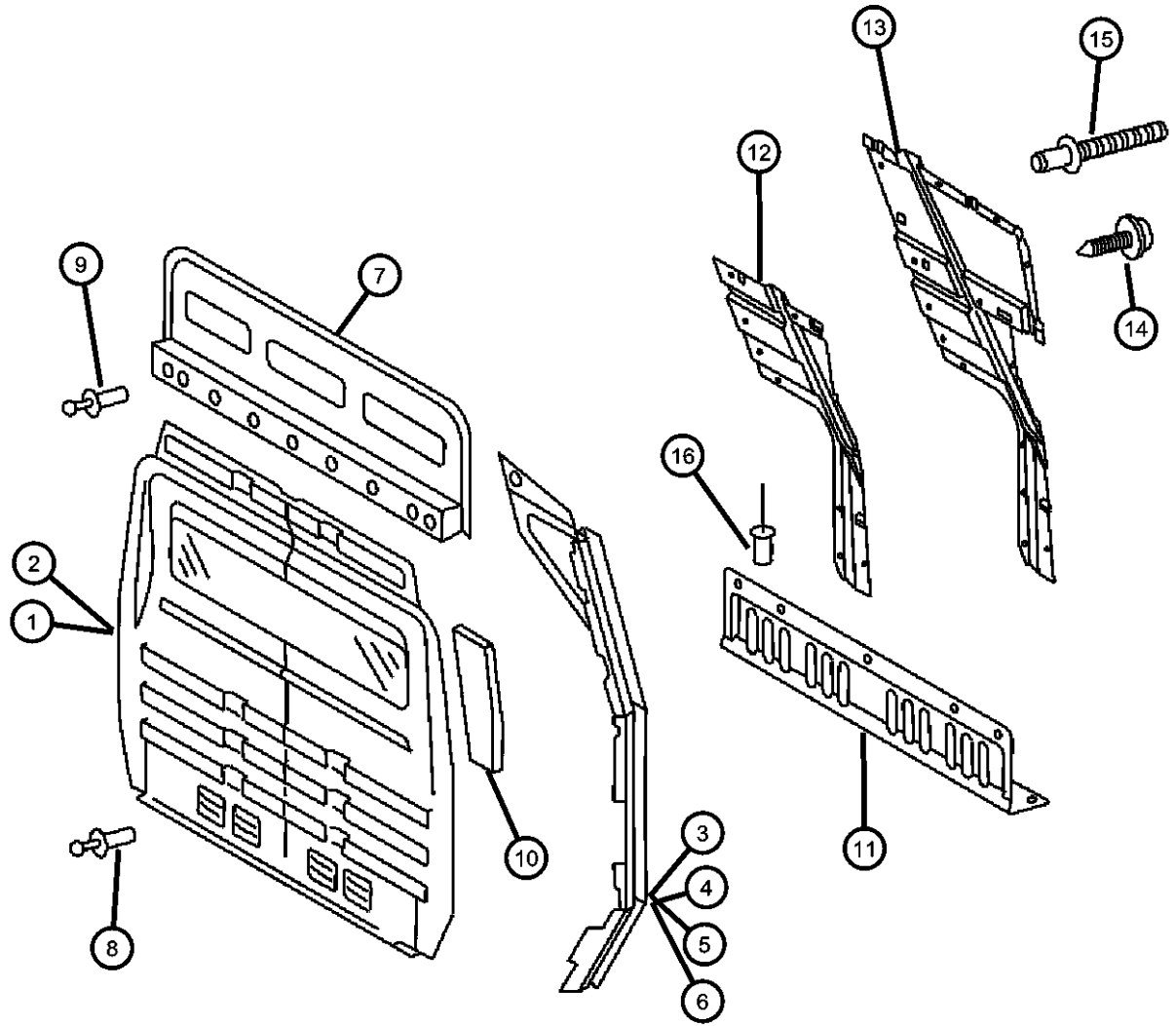


**SPRINTER (VA)**

SERIES	LINE	BODY	ENGINE	TRANSMISSION
L = LOWLINE	3 = HD DODGE 2WD	51 = WAGON WHEEL BASE 1	EX9 = Engine - 2.7L 5 Cly	DGJ = Transmission-5-Spd.
	6 = Lt. Duty DODGE 4WD	52 = WAGON WHEEL BASE 2	Mercedes Diesel	Automatic,W5A580
	2 = Med. Duty DODGE 2WD	14 = VAN WHEEL BASE 4		
	7 = Med. Duty DODGE 4WD	15 = VAN WHEEL BASE 5		
		16 = VAN WHEEL BASE 6		
		54 = WAGON WHEEL BASE 4		
		55 = WAGON WHEEL BASE 5		
		56 = WAGON WHEEL BASE 6		
		11 = VAN WHEEL BASE 1		
		12 = VAN WHEEL BASE 2		

AR = use ase required - = Non illustrated part

**Partition Wall & Load Protection Grill**  
**Figure SVA-990**



ITEM	PART NUMBER	QTY	LINE	SERIES	BODY	ENGINE	TRANS	TRIM	DESCRIPTION
1	05104304AA	1	2, 6		11, 12, 14, 15, 16				PANEL, Cargo Compartment, Without Windows
		1	3, 7		12, 15, 16				
2	05104307AA	1	2, 6		11, 12, 14, 15, 16				PANEL, Cargo Compartment, With Windows
		1	3, 7		12, 15, 16				
3	05104310AA	1	2, 6		11, 12, 14, 15, 16				PANEL EXTENSION, Extension, W/O Slide Left
		1	3, 7		12, 15, 16				Left
4	05104311AA	1	2, 6		11, 12, 14, 15, 16				PANEL EXTENSION, Extension, W/ Slide Left
		1	3, 7		12, 15, 16				Left
5	05123641AA	1	2, 6		11, 12, 14, 15, 16				PANEL EXTENSION, Extension, W/O Slide Right
		1	3, 7		12, 15, 16				Right
6	05104312AA	1	2, 6		11, 12, 14, 15, 16				PANEL EXTENSION, Extension, W/ Slide Right
		1	3, 7		12, 15, 16				Right
7	05104308AA	1	2, 6		11, 12, 14, 15, 16				PANEL, Cargo Compartment, Upper
		1	3, 7		12, 15, 16				
8	05103839AA	16	2, 6		11, 12, 14, 15, 16				RIVET
		16	3, 7		12, 15, 16				
9									RIVET

**SPRINTER (VA)**

**SERIES**

L = LOWLINE

**LINE**

3 = HD DODGE 2WD  
 6 = Lt. Duty DODGE 4WD  
 2 = Med. Duty DODGE 2WD  
 7 = Med. Duty DODGE 4WD

**BODY**

51 = WAGON WHEEL BASE 1  
 52 = WAGON WHEEL BASE 2  
 14 = VAN WHEEL BASE 4  
 15 = VAN WHEEL BASE 5  
 16 = VAN WHEEL BASE 6  
 54 = WAGON WHEEL BASE 4  
 55 = WAGON WHEEL BASE 5  
 56 = WAGON WHEEL BASE 6  
 11 = VAN WHEEL BASE 1  
 12 = VAN WHEEL BASE 2

**ENGINE**

EX9 = Engine - 2.7L 5 Cyl  
 Mercedes Diesel

**TRANSMISSION**

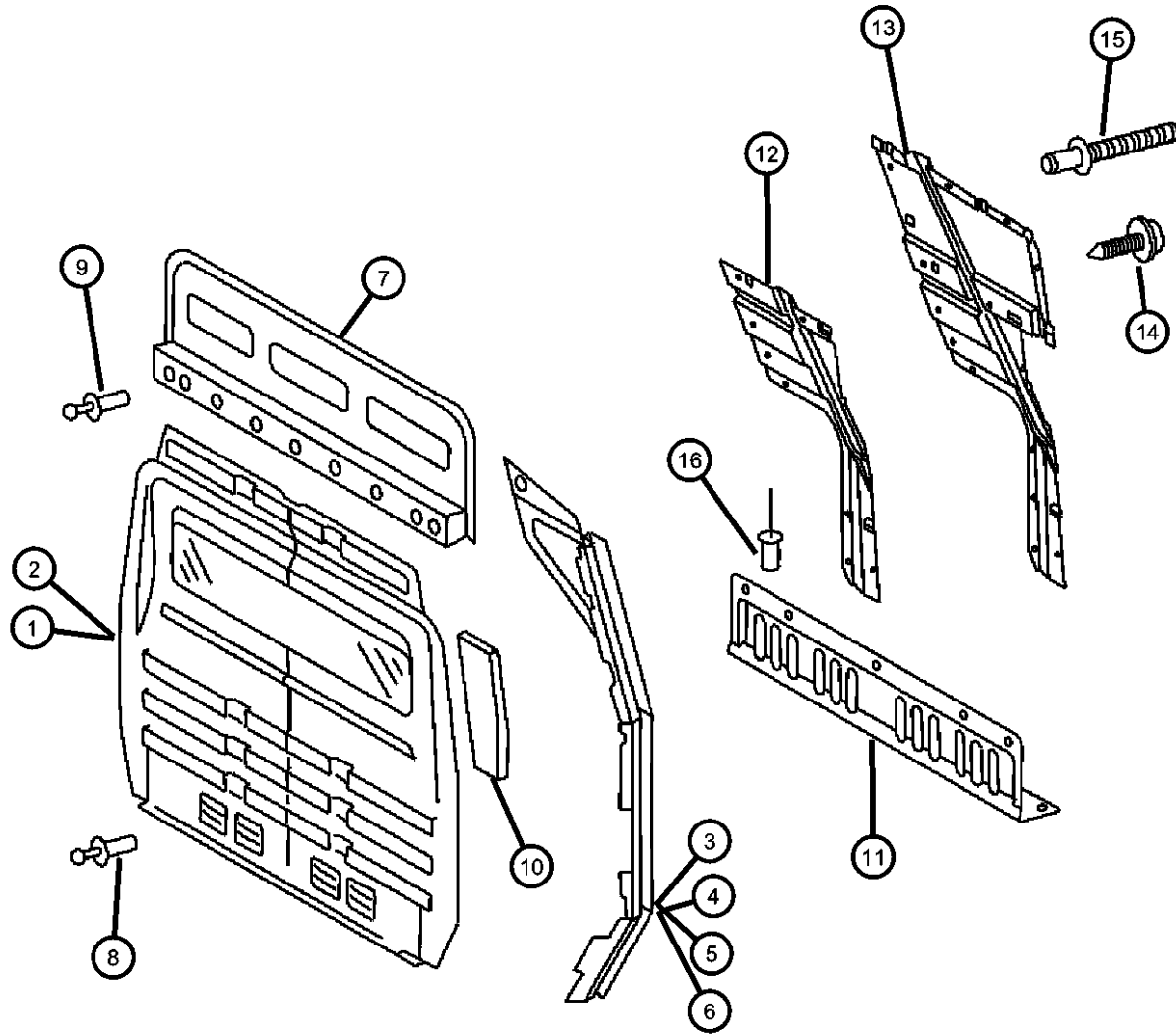
DGJ = Transmission-5-Spd.  
 Automatic,W5A580

AR = use ase required - = Non illustrated part

2003 VA

**Partition Wall & Load Protection Grill**  
**Figure SVA-990**

ITEM	PART NUMBER	QTY	LINE	SERIES	BODY	ENGINE	TRANS	TRIM	DESCRIPTION
	05103838AA	12	2, 6		11, 12, 14, 15, 16				
		12	3, 7		12, 15, 16				
10									PAD, Isolator
	05103712AA	2	3, 7		12, 15, 16				10 Meters Long
		2	2, 6		11, 12, 14, 15, 16				10 Meters Long
11	05123631AA	1	3, 7		12, 15, 16				REINFORCEMENT, Cab Back
12	05104313AA	1							REINFORCEMENT, Side PanelLeft
13	05104314AA	1							REINFORCEMENT, Side PanelRight
14	06104580AA	2	3, 7		12, 15, 16				SCREW, Tapping
15	05103838AA	16	3, 7		12, 15, 16				RIVET
16	05125822AA	10	3, 7		12, 15, 16				RIVET, Blind Bulb



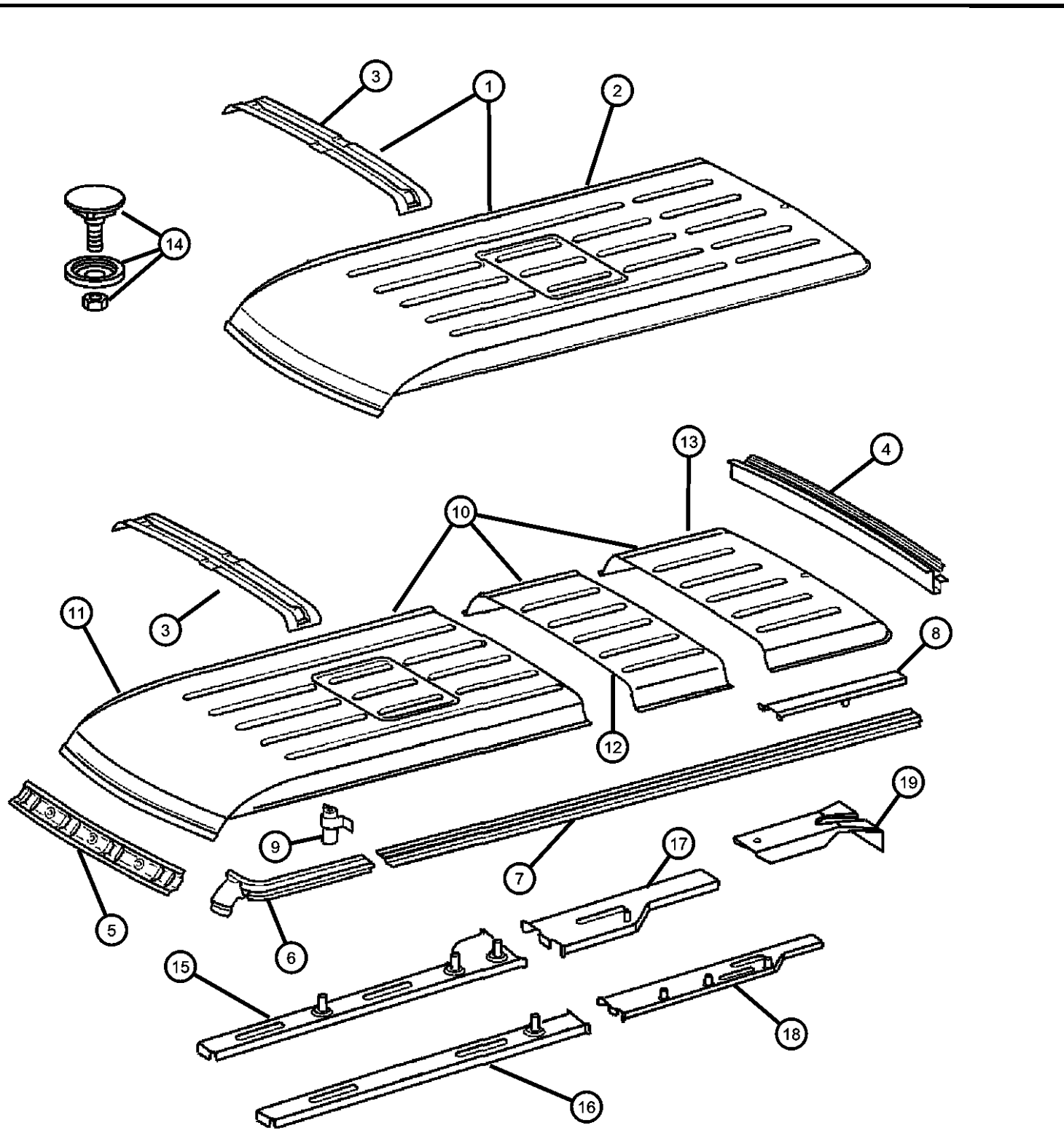
**SPRINTER (VA)**

SERIES	LINE	BODY	ENGINE	TRANSMISSION
L = LOWLINE	3 = HD DODGE 2WD 6 = Lt. Duty DODGE 4WD 2 = Med. Duty DODGE 2WD 7 = Med. Duty DODGE 4WD	51 = WAGON WHEEL BASE 1 52 = WAGON WHEEL BASE 2 14 = VAN WHEEL BASE 4 15 = VAN WHEEL BASE 5 16 = VAN WHEEL BASE 6 54 = WAGON WHEEL BASE 4 55 = WAGON WHEEL BASE 5 56 = WAGON WHEEL BASE 6 11 = VAN WHEEL BASE 1 12 = VAN WHEEL BASE 2	EX9 = Engine - 2.7L 5 Cly Mercedes Diesel	DGJ = Transmission-5-Spd. Automatic,W5A580

AR = use ase required - = Non illustrated part



Low Roof Panel  
Figure SVA-1110



ITEM	PART NUMBER	QTY	LINE	SERIES	BODY	ENGINE	TRANS	TRIM	DESCRIPTION
1	05134039AA	1	6, 2		11, 12, 14, 15, 16				ROOF, "REPAIR SOLUTION WITH ROOF BOW, WHEEL BASE", SPRINTER [118] Inch Wheel Base
		1	2, 6		51, 52, 54, 55, 56				[118] Inch Wheel Base
2	05122155AA	1	2, 6		11, 12, 14, 15, 16				PANEL, Roof [118] Inch Wheel Base
		1	2, 6		51, 52, 54, 55, 56				[118] Inch Wheel Base
3	05122107AA	3	2, 6		11, 12, 14, 15, 16				BOW, Roof
		3	2, 6		51, 52, 54, 55, 56				
4	05122058AA	1	2, 6		11, 12, 14, 15, 16				RAIL, Roof
		1	2, 6		51, 52, 54, 55, 56				
5	05104163AA	1	2, 6		11, 12, 14, 15, 16				SUPPORT, Roof
		1	2, 6		51, 52, 54, 55, 56				
		1	3, 7		12, 15, 16				
6	05104194AA	1	2, 6		11, 12, 14, 15, 16				RAIL, Roof Side Left
		1	2, 6		51, 52, 54, 55, 56				Left
	05104196AA	1	2, 6		11, 12, 14, 15, 16				Right
		1	2, 6		51, 52, 54, 55, 56				Right
7	05104191AA	1	2, 6		11, 12, 14, 15, 16				RAIL, Roof Side [158] Inch Wheel Base, Right & Left
		1	2, 6		51, 52, 54, 55, 56				[158] Inch Wheel Base, Right & Left

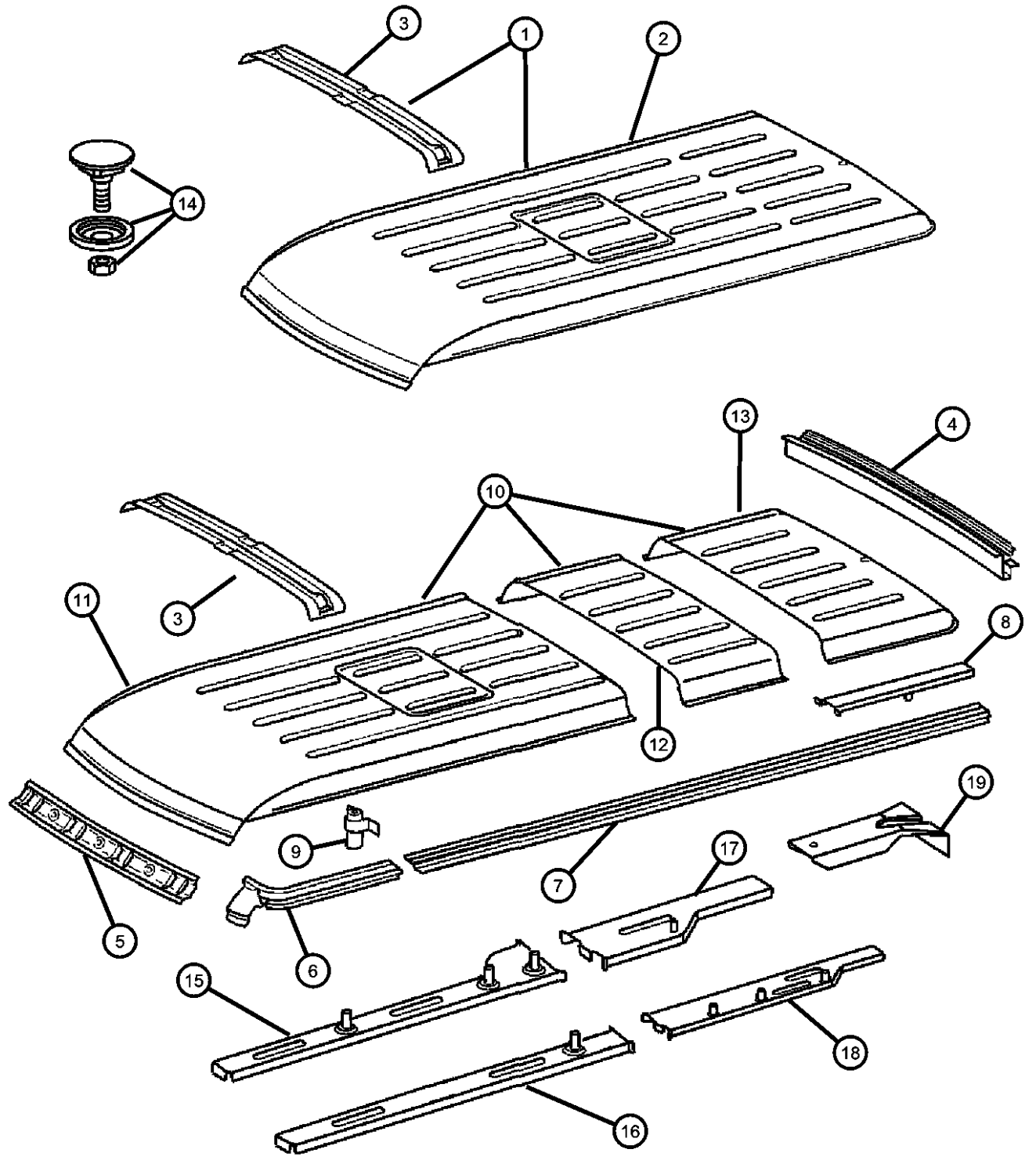
**SPRINTER (VA)**

<b>SERIES</b>	<b>LINE</b>	<b>BODY</b>	<b>ENGINE</b>	<b>TRANSMISSION</b>
L = LOWLINE	3 = HD DODGE 2WD 6 = Lt. Duty DODGE 4WD 2 = Med. Duty DODGE 2WD 7 = Med. Duty DODGE 4WD	51 = WAGON WHEEL BASE 1 52 = WAGON WHEEL BASE 2 14 = VAN WHEEL BASE 4 15 = VAN WHEEL BASE 5 16 = VAN WHEEL BASE 6 54 = WAGON WHEEL BASE 4 55 = WAGON WHEEL BASE 5 56 = WAGON WHEEL BASE 6 11 = VAN WHEEL BASE 1 12 = VAN WHEEL BASE 2	EX9 = Engine - 2.7L 5 Cly Mercedes Diesel	DGJ = Transmission-5-Spd. Automatic, W5A580

AR = use ase required - = Non illustrated part

Low Roof Panel  
Figure SVA-1110

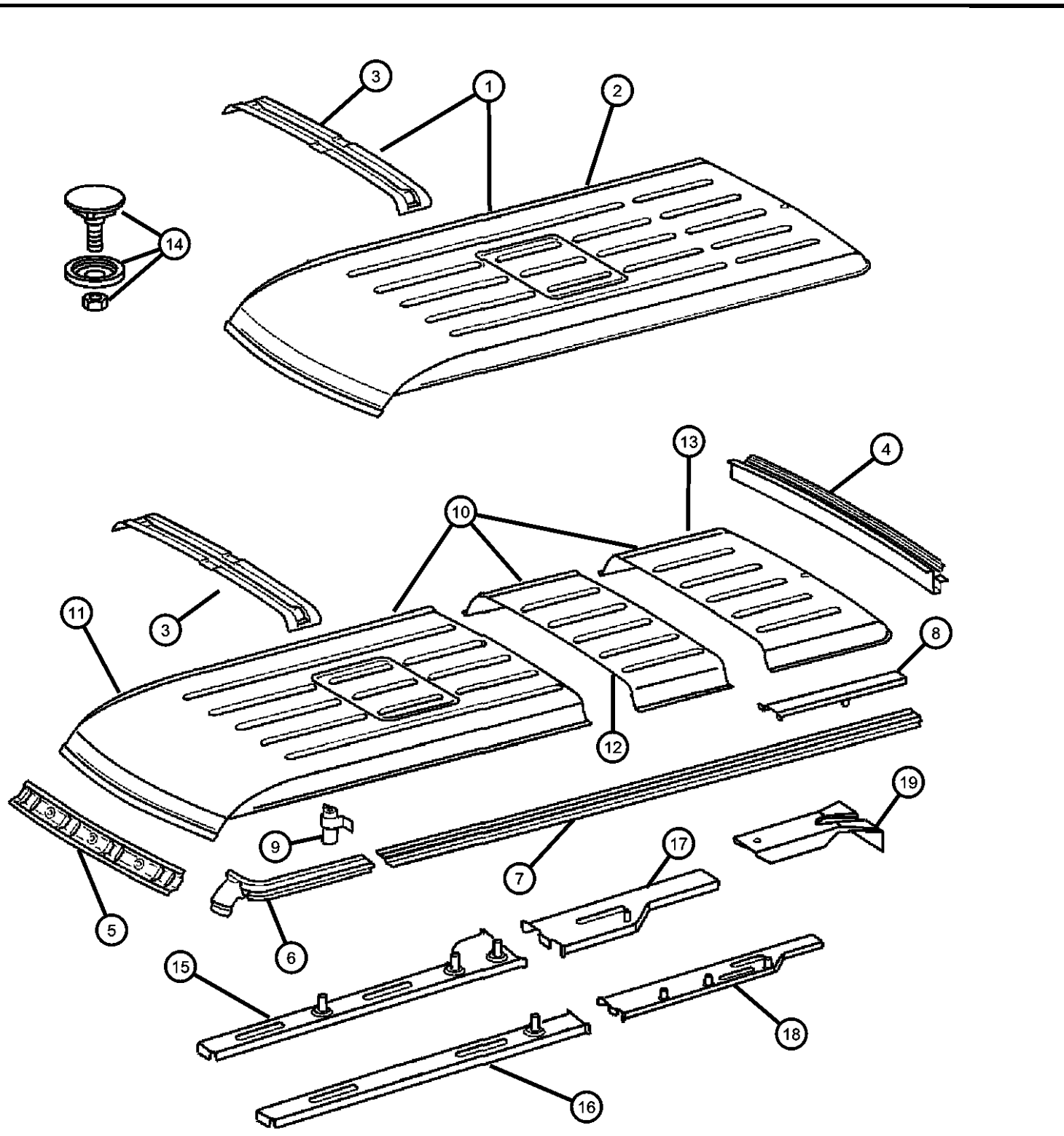
ITEM	PART NUMBER	QTY	LINE	SERIES	BODY	ENGINE	TRANS	TRIM	DESCRIPTION
		1	3, 7		12, 15, 16				[158] Inch Wheel Base, Right & Left
	05121826AA	1	2, 6		11, 12, 14, 15, 16				[118] Inch Wheel Base, Right & Left
	05121827AA	1	3, 7		12, 15, 16				[140] Inch Wheel Base, Right & Left
		1	2, 6		51, 52, 54, 55, 56				[118] Inch Wheel Base, Right & Left
		1	2, 6		11, 12, 14, 15, 16				[140] Inch Wheel Base, Right & Left
		1	2, 6		51, 52, 54, 55, 56				[140] Inch Wheel Base, Right & Left
8	05131214AA	2	2, 6		51, 52, 54, 55, 56				REINFORCEMENT, Roof Panel [140] Inch Wheel Base
		2	2, 6		11, 12, 14, 15, 16				[140] Inch Wheel Base
9	05131213AA	2	2, 6		51, 52, 54, 55, 56				REINFORCEMENT, Roof Panel [140] Inch Wheel Base
		2	2, 6		11, 12, 14, 15, 16				[140] Inch Wheel Base
10	05134036AA	1	2, 6		51, 52, 54, 55, 56				ROOF, "REPAIR SOLUTION WITH ROOF BOW, WHEEL BASE", SPRINTER [140] Inch Wheel Base
		1	3, 7		12, 15, 16				[140] Inch Wheel Base
11	05122156AA	1	2, 6		11, 12, 14, 15, 16				PANEL, Roof [140] Inch Wheel Base
		1	2, 6		51, 52, 54, 55, 56				[140] Inch Wheel Base
12	05122133AA	1	2, 6		11, 12, 14, 15, 16				PANEL, Roof [140] Inch Wheel Base
		1	2, 6		51, 52, 54, 55, 56				[140] Inch Wheel Base
13	05122134AA	1	2, 6		11, 12, 14, 15, 16				PANEL, Roof [140] Inch Wheel Base



**SPRINTER (VA)**  
**SERIES**      **LINE**      **BODY**      **ENGINE**      **TRANSMISSION**  
 L = LOWLINE    3 = HD DODGE 2WD    51 = WAGON WHEEL BASE 1    EX9 = Engine - 2.7L 5 Cly    DGJ = Transmission-5-Spd.  
                      6 = Lt. Duty DODGE 4WD    52 = WAGON WHEEL BASE 2    Mercedes Diesel    Automatic,W5A580  
                      2 = Med. Duty DODGE 2WD  
                      7 = Med. Duty DODGE 4WD  
    14 = VAN WHEEL BASE 4  
    15 = VAN WHEEL BASE 5  
    16 = VAN WHEEL BASE 6  
    54 = WAGON WHEEL BASE 4  
    55 = WAGON WHEEL BASE 5  
    56 = WAGON WHEEL BASE 6  
    11 = VAN WHEEL BASE 1  
    12 = VAN WHEEL BASE 2

AR = use ase required    - = Non illustrated part

Low Roof Panel  
Figure SVA-1110



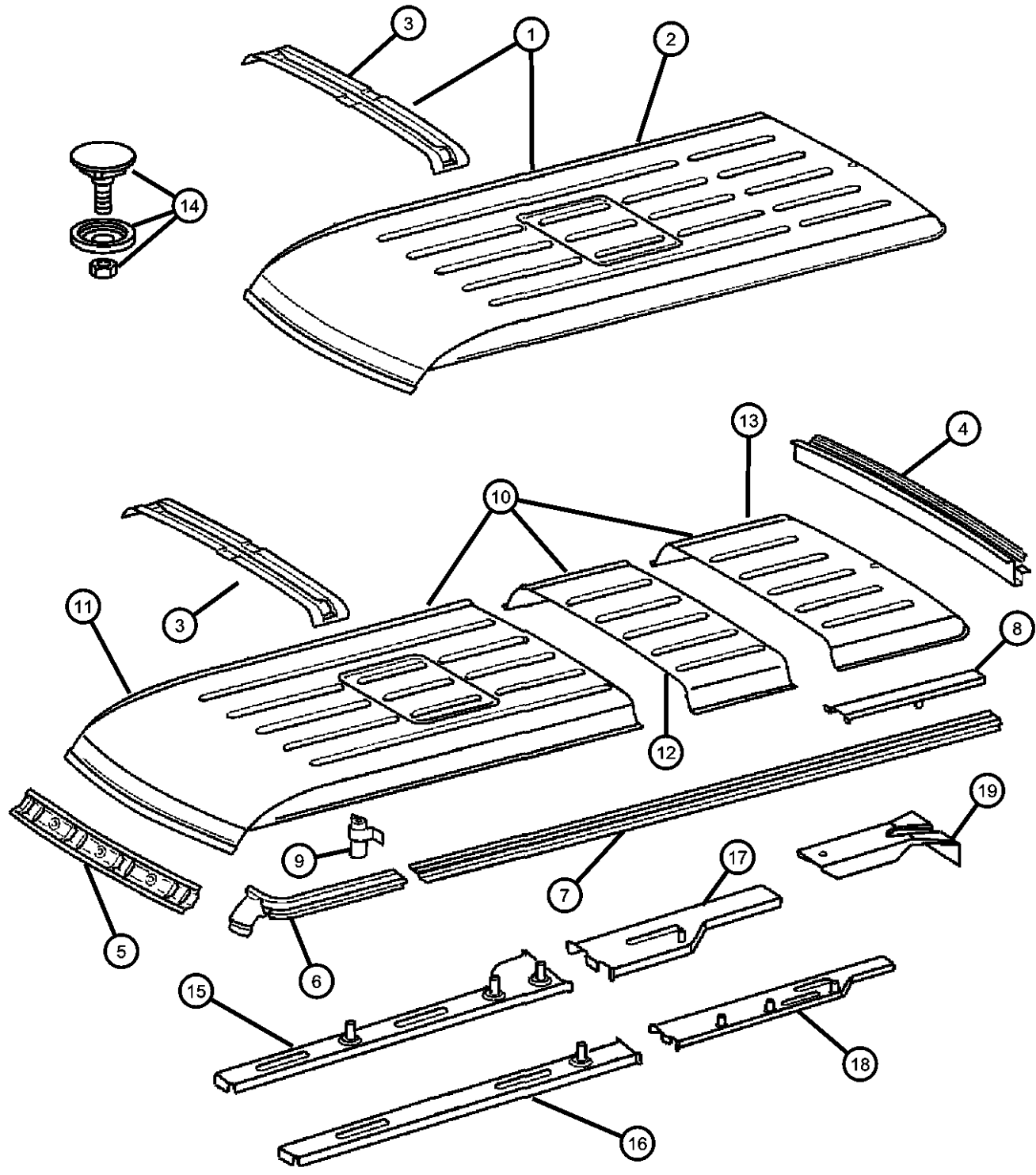
ITEM	PART NUMBER	QTY	LINE	SERIES	BODY	ENGINE	TRANS	TRIM	DESCRIPTION
14		1	2, 6		51, 52, 54, 55, 56				[140] Inch Wheel Base PANEL, For Sealing Antenna
	05124422AA	1	2, 6		11, 12, 14, 15, 16				
		1	2, 6		51, 52, 54, 55, 56				
		1	3, 7		12, 15, 16				
15		1	3, 7		12, 15, 16				BRACKET, Roof
	05122081AA	1	2, 6		11, 12, 14, 15, 16				Left
		1	2, 6		51, 52, 54, 55, 56				Left
		1	3, 7		12, 15, 16				Left
	05122083AA	1	2, 6		11, 12, 14, 15, 16				Right
		1	2, 6		51, 52, 54, 55, 56				Right
		1	3, 7		12, 15, 16				Right
16		1	3, 7		12, 15, 16				BRACKET, Roof, Front Right
	05122090AA	1	2, 6		51, 52, 54, 55, 56				
		1	3, 7		12, 15, 16				
		1	2, 6		11, 12, 14, 15, 16				
17		1	2, 6		11, 12, 14, 15, 16				BRACKET, Roof
	05122084AA	1	2, 6		11, 12, 14, 15, 16				Left
		1	2, 6		51, 52, 54, 55, 56				Left
		1	3, 7		12, 15, 16				Left
	05122085AA	1	2, 6		11, 12, 14, 15, 16				Right
		1	2, 6		51, 52, 54, 55, 56				Right
		1	3, 7		12, 15, 16				Right
18		1	3, 7		12, 15, 16				BRACKET, Roof
	05122093AA	1	3, 7		12, 15, 16				Right

SPRINTER (VA)

SERIES	LINE	BODY	ENGINE	TRANSMISSION
L = LOWLINE	3 = HD DODGE 2WD 6 = Lt. Duty DODGE 4WD 2 = Med. Duty DODGE 2WD 7 = Med. Duty DODGE 4WD	51 = WAGON WHEEL BASE 1 52 = WAGON WHEEL BASE 2 14 = VAN WHEEL BASE 4 15 = VAN WHEEL BASE 5 16 = VAN WHEEL BASE 6 54 = WAGON WHEEL BASE 4 55 = WAGON WHEEL BASE 5 56 = WAGON WHEEL BASE 6 11 = VAN WHEEL BASE 1 12 = VAN WHEEL BASE 2	EX9 = Engine - 2.7L 5 Cly Mercedes Diesel	DGJ = Transmission-5-Spd. Automatic,W5A580

AR = use ase required - = Non illustrated part

Low Roof Panel  
Figure SVA-1110



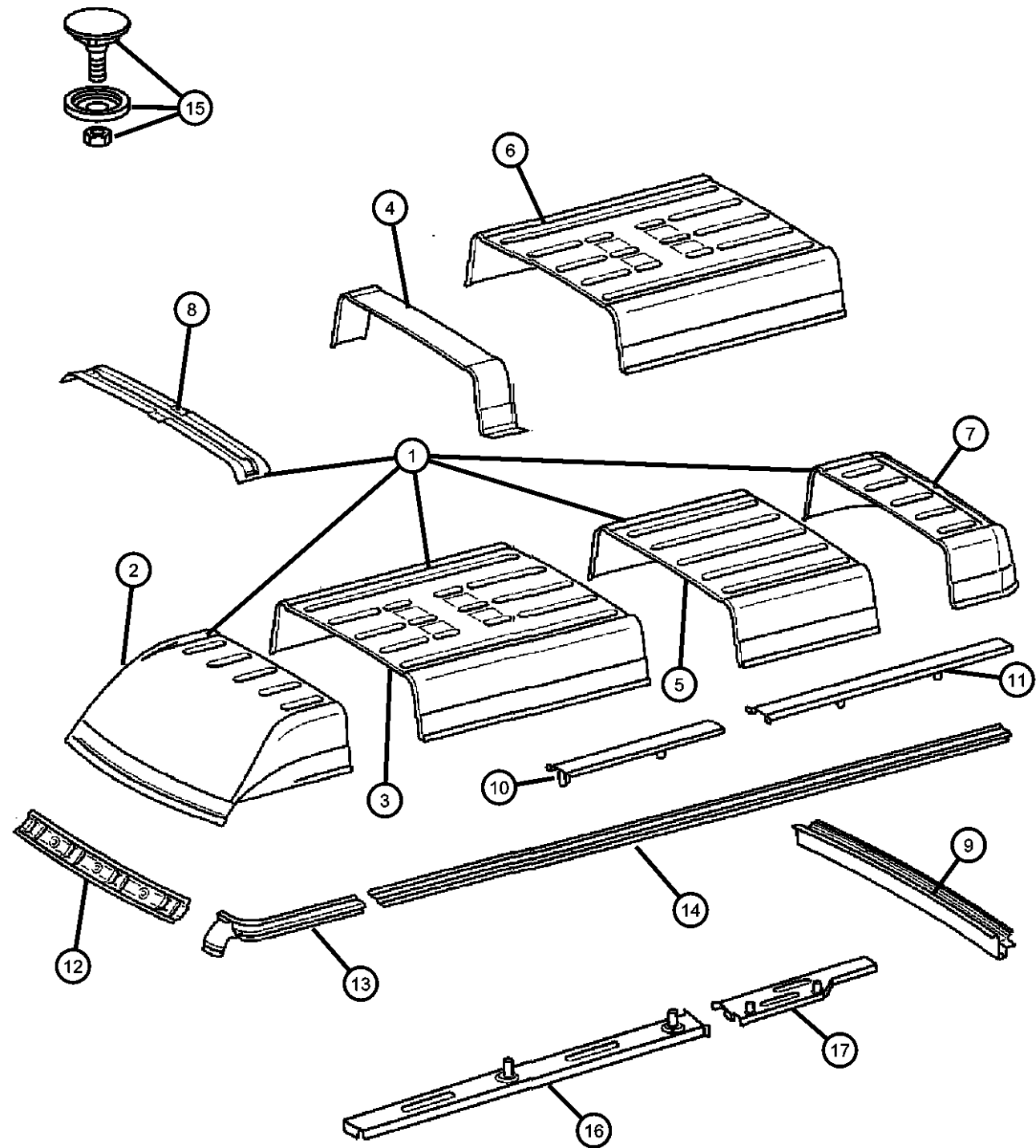
ITEM	PART NUMBER	QTY	LINE	SERIES	BODY	ENGINE	TRANS	TRIM	DESCRIPTION
	05122092AA	1	2, 6		11, 12, 14, 15, 16				Left
		1	2, 6		51, 52, 54, 55, 56				Left
		1	3, 7		12, 15, 16				Left
		1	2, 6		11, 12, 14, 15, 16				Right
		1	2, 6		51, 52, 54, 55, 56				Right
19									REINFORCEMENT, Roof Panel
	05122125AA	2	6, 2		11, 12, 14, 15, 16				
		2	2, 6		51, 52, 54, 55, 56				
		2	3, 7		12, 15, 16				

SPRINTER (VA)

SERIES	LINE	BODY	ENGINE	TRANSMISSION
L = LOWLINE	3 = HD DODGE 2WD 6 = Lt. Duty DODGE 4WD 2 = Med. Duty DODGE 2WD 7 = Med. Duty DODGE 4WD	51 = WAGON WHEEL BASE 1 52 = WAGON WHEEL BASE 2 14 = VAN WHEEL BASE 4 15 = VAN WHEEL BASE 5 16 = VAN WHEEL BASE 6 54 = WAGON WHEEL BASE 4 55 = WAGON WHEEL BASE 5 56 = WAGON WHEEL BASE 6 11 = VAN WHEEL BASE 1 12 = VAN WHEEL BASE 2	EX9 = Engine - 2.7L 5 Cly Mercedes Diesel	DGJ = Transmission-5-Spd. Automatic, W5A580

AR = use ase required - = Non illustrated part

High Roof Panel  
Figure SVA-1120



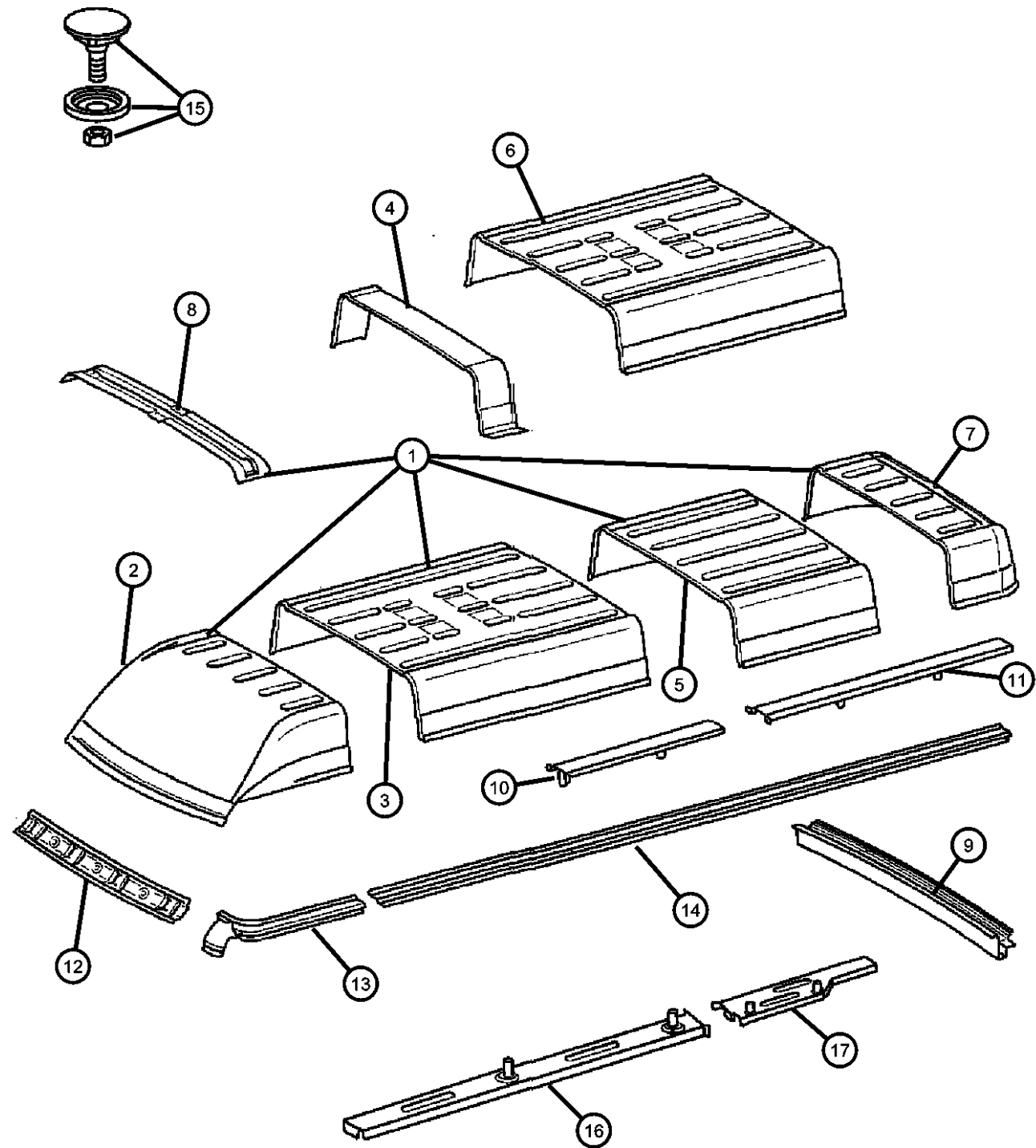
ITEM	PART NUMBER	QTY	LINE	SERIES	BODY	ENGINE	TRANS	TRIM	DESCRIPTION
1									ROOF, "REPAIR SOLUTION WITH ROOF BOW, WHEEL BASE", SPRINTER
	05104228AA	1	2, 6		11, 12, 14, 15, 16				140 Inch Wheel Base
		1	2, 6		51, 52, 54, 55, 56				140 Inch Wheel Base
		1	3, 7		12, 15, 16				140 Inch Wheel Base
	05134037AA	1	2, 6		11, 12, 14, 15, 16				158 Inch Wheel Base
		1	2, 6		51, 52, 54, 55, 56				158 Inch Wheel Base
		1	3, 7		12, 15, 16				158 Inch Wheel Base
	05134038AA	1	2, 6		11, 12, 14, 15, 16				118 Inch Wheel Base
		1	2, 6		51, 52, 54, 55, 56				118 Inch Wheel Base
2									PANEL, Roof
	05104233AA	1	3, 7		12, 15, 16				
		1	2, 6		51, 52, 54, 55, 56				
		1	2, 6		11, 12, 14, 15, 16				
3									PANEL, Roof
	05104231AA	1	2, 6		11, 12, 14, 15, 16				
		1	2, 6		51, 52, 54, 55, 56				
4									EXTENSION, Roof Bow
	05131242AA	1	2, 6		11, 12, 14, 15, 16				
		1	2, 6		51, 52, 54, 55, 56				
5									PANEL, Roof
	05122144AA	1	3, 7		12, 15, 16				140 Inch Wheel Base
		1	2, 6		11, 12, 14, 15, 16				140 Inch Wheel Base
		1	2, 6		51, 52, 54, 55, 56				140 Inch Wheel Base
6									PANEL, Roof

SPRINTER (VA)

SERIES	LINE	BODY	ENGINE	TRANSMISSION
L = LOWLINE	3 = HD DODGE 2WD 6 = Lt. Duty DODGE 4WD 2 = Med. Duty DODGE 2WD 7 = Med. Duty DODGE 4WD	51 = WAGON WHEEL BASE 1 52 = WAGON WHEEL BASE 2 14 = VAN WHEEL BASE 4 15 = VAN WHEEL BASE 5 16 = VAN WHEEL BASE 6 54 = WAGON WHEEL BASE 4 55 = WAGON WHEEL BASE 5 56 = WAGON WHEEL BASE 6 11 = VAN WHEEL BASE 1 12 = VAN WHEEL BASE 2	EX9 = Engine - 2.7L 5 Cly Mercedes Diesel	DGJ = Transmission-5-Spd. Automatic, W5A580

AR = use ase required - = Non illustrated part

High Roof Panel  
Figure SVA-1120



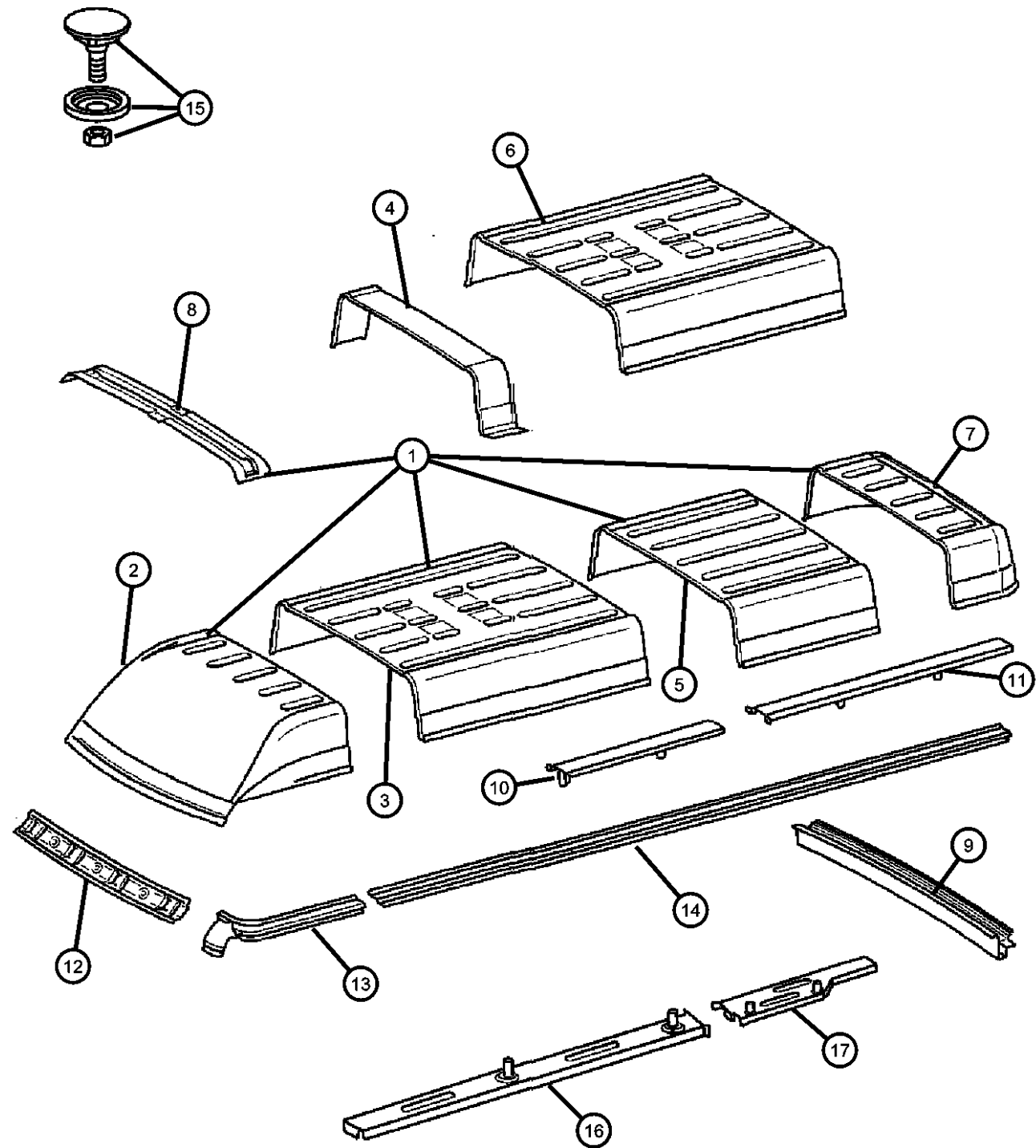
ITEM	PART NUMBER	QTY	LINE	SERIES	BODY	ENGINE	TRANS	TRIM	DESCRIPTION
	05104232AA	1	2, 6		11, 12, 14, 15, 16				158 Inch Wheel Base, With Electric Fan
		1	3, 7		12, 15, 16				158 Inch Wheel Base, With Electric Fan
	05122143AA	1	2, 6		11, 12, 14, 15, 16				140 & 158 Inch Wheel Base
		1	2, 6		51, 52, 54, 55, 56				140 & 158 Inch Wheel Base
7		1	3, 7		12, 15, 16				140 & 158 Inch Wheel Base
	05104231AA	1	2, 6		11, 12, 14, 15, 16				PANEL, Roof
		1	2, 6		51, 52, 54, 55, 56				
		1	3, 7		12, 15, 16				
8									BOW, Roof
	05104229AA	2	2, 6		11, 12, 14, 15, 16				With Electric Fan
		2	2, 6		51, 52, 54, 55, 56				With Electric Fan
	05104227AA	1	2, 6		11, 12, 14, 15, 16				With 140 & 158 Inch Wheelbase
		1	2, 6		51, 52, 54, 55, 56				With 140 & 158 Inch Wheelbase
	05122107AA	3	2, 6		11, 12, 14, 15, 16				With 140 & 158 Inch Wheelbase
		3	2, 6		51, 52, 54, 55, 56				With 118 Inch Wheelbase
		3	3, 7		12, 15, 16				With Electric Fan
		4	3, 7		12, 15, 16				With 118 Inch Wheelbase
9									BOW, Roof
	05104226AA	1	2, 6		11, 12, 14, 15, 16				
		1	3, 7		12, 15, 16				
10									REINFORCEMENT, Roof Panel
	05131215AA	2	2, 6		51, 52, 54, 55, 56				

SPRINTER (VA)

SERIES	LINE	BODY	ENGINE	TRANSMISSION
L = LOWLINE	3 = HD DODGE 2WD 6 = Lt. Duty DODGE 4WD 2 = Med. Duty DODGE 2WD 7 = Med. Duty DODGE 4WD	51 = WAGON WHEEL BASE 1 52 = WAGON WHEEL BASE 2 14 = VAN WHEEL BASE 4 15 = VAN WHEEL BASE 5 16 = VAN WHEEL BASE 6 54 = WAGON WHEEL BASE 4 55 = WAGON WHEEL BASE 5 56 = WAGON WHEEL BASE 6 11 = VAN WHEEL BASE 1 12 = VAN WHEEL BASE 2	EX9 = Engine - 2.7L 5 Cly Mercedes Diesel	DGJ = Transmission-5-Spd. Automatic, W5A580

AR = use ase required - = Non illustrated part

High Roof Panel  
Figure SVA-1120



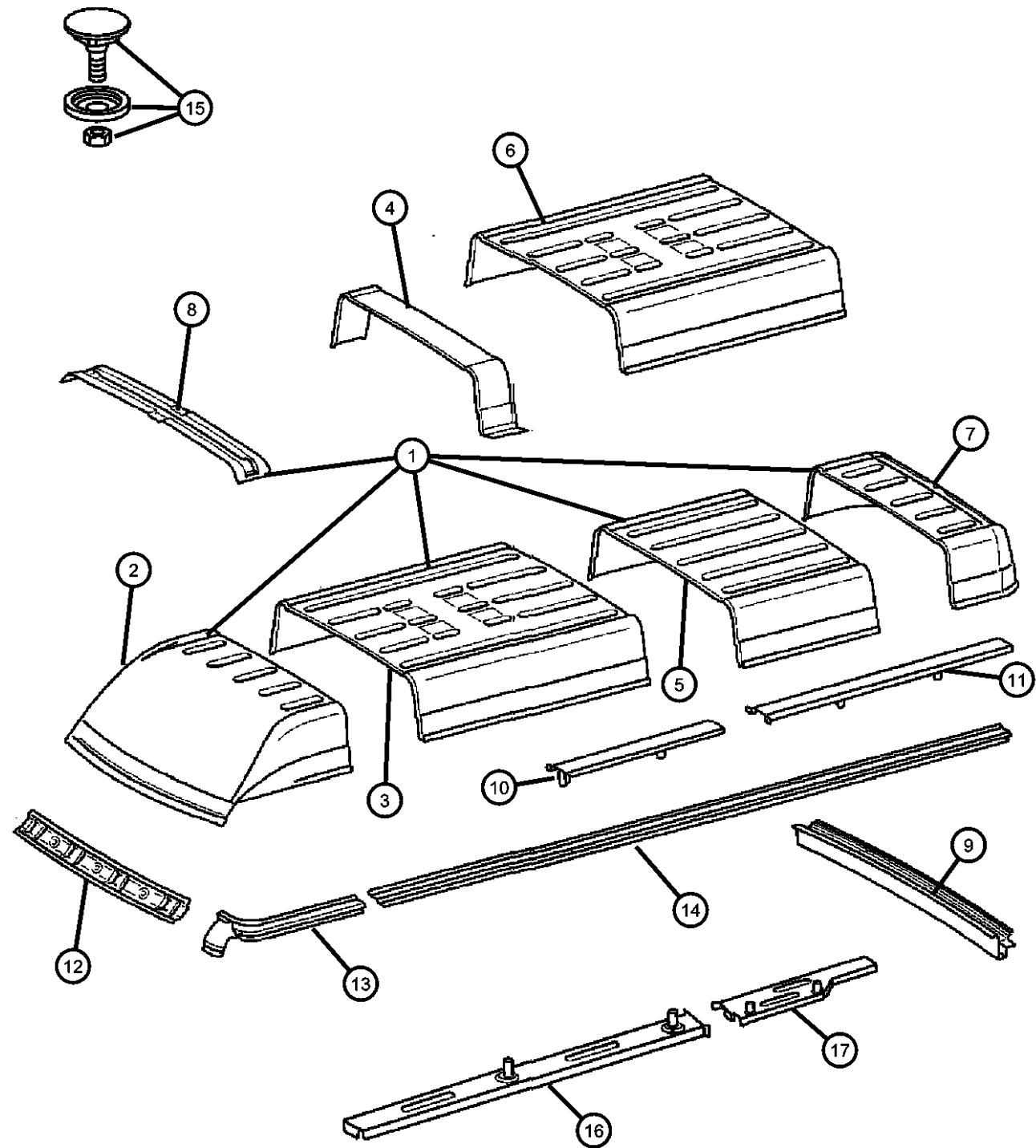
ITEM	PART NUMBER	QTY	LINE	SERIES	BODY	ENGINE	TRANS	TRIM	DESCRIPTION
11		2	2, 6		11, 12, 14, 15, 16				REINFORCEMENT, Roof Panel
	05131216AA	2	2, 6		11, 12, 14, 15, 16				
12		2	2, 6		51, 52, 54, 55, 56				SUPPORT, Roof
	05104163AA	1	2, 6		11, 12, 14, 15, 16				
		1	2, 6		51, 52, 54, 55, 56				
13		1	3, 7		12, 15, 16				RAIL, Roof Side
	05104194AA	1	2, 6		11, 12, 14, 15, 16				Left
		1	2, 6		51, 52, 54, 55, 56				Left
		1	3, 7		12, 15, 16				Left
	05104196AA	1	2, 6		11, 12, 14, 15, 16				Right
		1	2, 6		51, 52, 54, 55, 56				Right
		1	3, 7		12, 15, 16				Right
14		1	2, 6		11, 12, 14, 15, 16				RAIL, Roof Side
	05104191AA	1	2, 6		11, 12, 14, 15, 16				158 Inch Wheel Base
		1	2, 6		51, 52, 54, 55, 56				158 Inch Wheel Base
		1	3, 7		12, 15, 16				158 Inch Wheel Base
	05121827AA	1	2, 6		11, 12, 14, 15, 16				140 Inch Wheel Base
		1	2, 6		51, 52, 54, 55, 56				140 Inch Wheel Base
		1	3, 7		12, 15, 16				140 Inch Wheel Base
15		1	2, 6		11, 12, 14, 15, 16				PANEL, For Sealing Antenna
	05124422AA	1	2, 6		11, 12, 14, 15, 16				

SPRINTER (VA)

SERIES	LINE	BODY	ENGINE	TRANSMISSION
L = LOWLINE	3 = HD DODGE 2WD 6 = Lt. Duty DODGE 4WD 2 = Med. Duty DODGE 2WD 7 = Med. Duty DODGE 4WD	51 = WAGON WHEEL BASE 1 52 = WAGON WHEEL BASE 2 14 = VAN WHEEL BASE 4 15 = VAN WHEEL BASE 5 16 = VAN WHEEL BASE 6 54 = WAGON WHEEL BASE 4 55 = WAGON WHEEL BASE 5 56 = WAGON WHEEL BASE 6 11 = VAN WHEEL BASE 1 12 = VAN WHEEL BASE 2	EX9 = Engine - 2.7L 5 Cly Mercedes Diesel	DGJ = Transmission-5-Spd. Automatic, W5A580

AR = use ase required - = Non illustrated part

High Roof Panel  
Figure SVA-1120



ITEM	PART NUMBER	QTY	LINE	SERIES	BODY	ENGINE	TRANS	TRIM	DESCRIPTION
		1	2, 6		51, 52, 54, 55, 56				
16		1	3, 7		12, 15, 16				BRACKET, Roof
	05122086AA	1	2, 6		11, 12, 14, 15, 16				
		1	2, 6		51, 52, 54, 55, 56				
17		1	3, 7		12, 15, 16				BRACKET, Roof
	05122088AA	1	2, 6		11, 12, 14, 15, 16				Rear Left
		1	2, 6		51, 52, 54, 55, 56				Rear Left
		1	3, 7		12, 15, 16				Rear Left
	05122089AA	1	2, 6		51, 52, 54, 55, 56				Rear Right
		1	3, 7		12, 15, 16				Rear Right
		1	2, 6		11, 12, 14, 15, 16				Rear Right

SPRINTER (VA)

SERIES

L = LOWLINE

LINE

3 = HD DODGE 2WD  
6 = Lt. Duty DODGE 4WD  
2 = Med. Duty DODGE 2WD  
7 = Med. Duty DODGE 4WD

BODY

51 = WAGON WHEEL BASE 1  
52 = WAGON WHEEL BASE 2  
14 = VAN WHEEL BASE 4  
15 = VAN WHEEL BASE 5  
16 = VAN WHEEL BASE 6  
54 = WAGON WHEEL BASE 4  
55 = WAGON WHEEL BASE 5  
56 = WAGON WHEEL BASE 6  
11 = VAN WHEEL BASE 1  
12 = VAN WHEEL BASE 2

ENGINE

EX9 = Engine - 2.7L 5 Cly  
Mercedes Diesel

TRANSMISSION

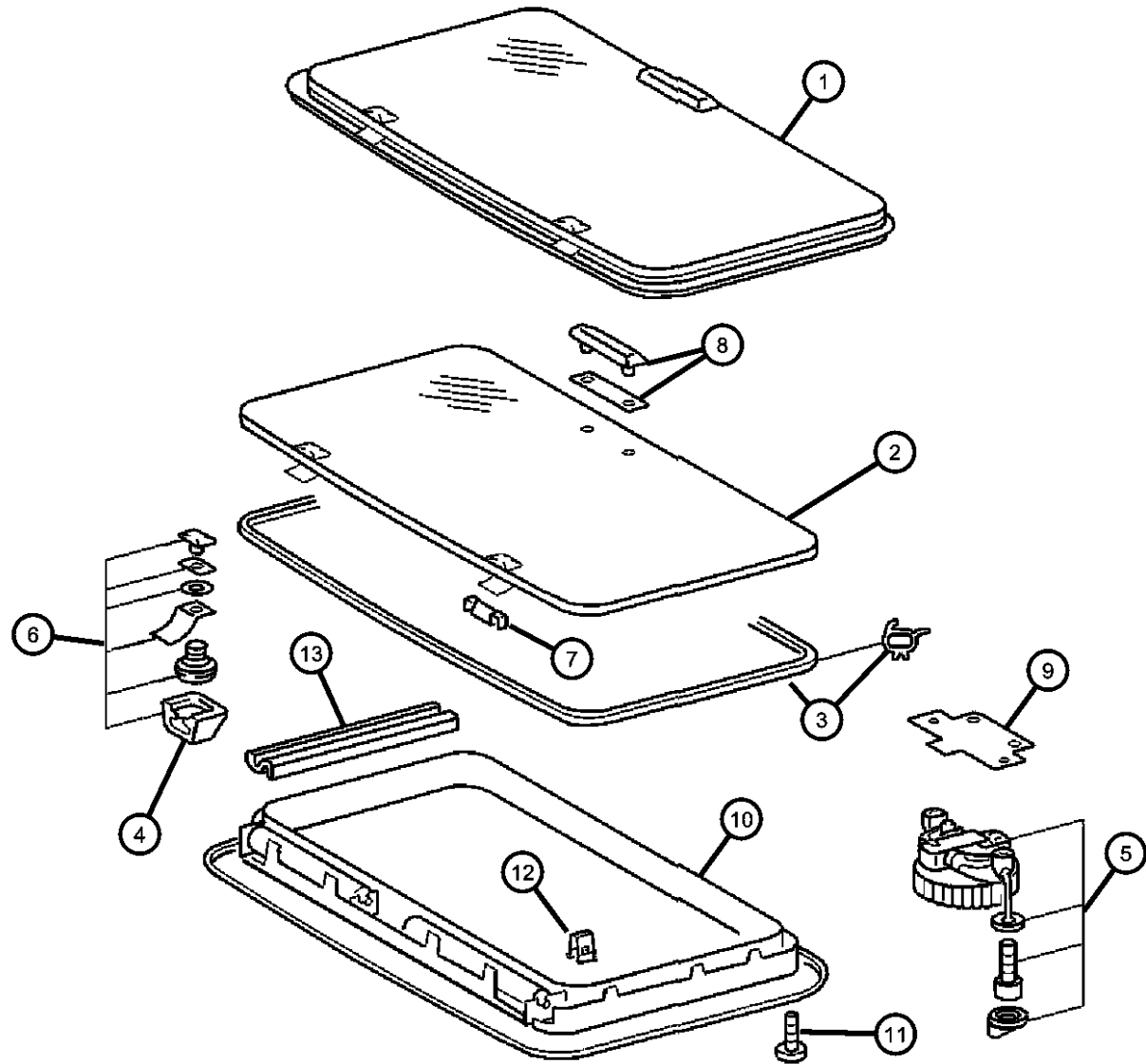
DGJ = Transmission-5-Spd.  
Automatic,W5A580

AR = use ase required - = Non illustrated part

2003 VA



Manual Sunroof  
Figure SVA-1210



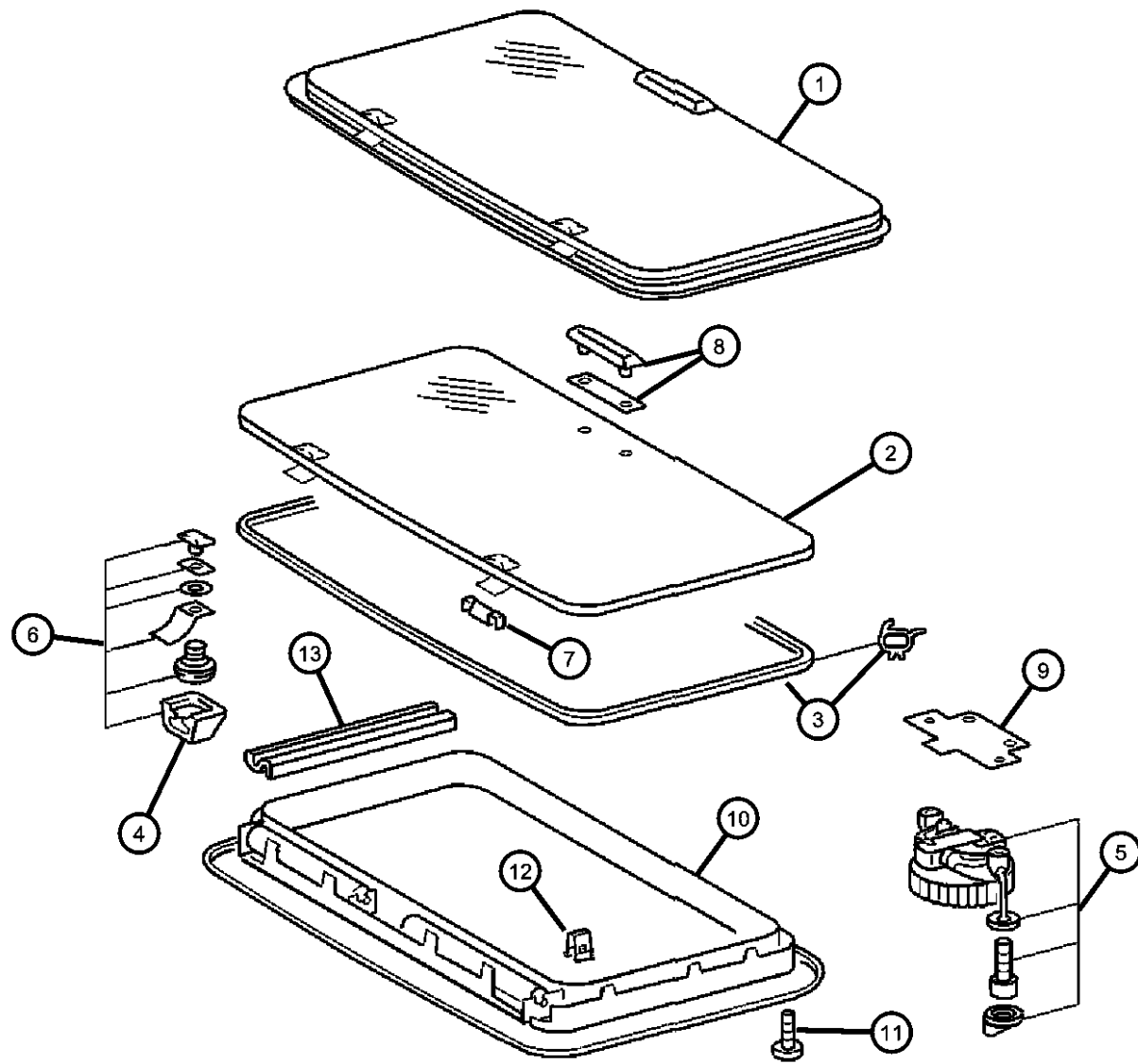
ITEM	PART NUMBER	QTY	LINE	SERIES	BODY	ENGINE	TRANS	TRIM	DESCRIPTION
1	05104476AA	1	2, 6		11, 12, 14, 15, 16				SUNROOF, Complete
		1	2, 6		51, 52, 54, 55, 56				
		1	3, 7		12, 15, 16				
2	05134005AA	1	3, 7		12, 15, 16				GLASS, Sunroof
		1	2, 6		11, 12, 14, 15, 16				
		1	2, 6		51, 52, 54, 55, 56				
3	05134006AA	1	3, 7		12, 15, 16				SEAL, Sunroof
		1	2, 6		11, 12, 14, 15, 16				
		1	2, 6		51, 52, 54, 55, 56				
4	05134007AA	1	3, 7		12, 15, 16				COVER, Hinge
		1	2, 6		11, 12, 14, 15, 16				
		1	2, 6		51, 52, 54, 55, 56				
5	05134008AA	1	3, 7		12, 15, 16				HANDLE, Sunroof
		1	2, 6		11, 12, 14, 15, 16				
		1	2, 6		51, 52, 54, 55, 56				
6	05134009AA	1	3, 7		12, 15, 16				HINGE, Sunroof
		1	2, 6		11, 12, 14, 15, 16				
		1	2, 6		51, 52, 54, 55, 56				
7	05134010AA	1	3, 7		12, 15, 16				HINGE, Sunroof

SPRINTER (VA)

SERIES	LINE	BODY	ENGINE	TRANSMISSION
L = LOWLINE	3 = HD DODGE 2WD	51 = WAGON WHEEL BASE 1	EX9 = Engine - 2.7L 5 Cly	DGJ = Transmission-5-Spd. Automatic, W5A580
	6 = Lt. Duty DODGE 4WD	52 = WAGON WHEEL BASE 2	Mercedes Diesel	
	2 = Med. Duty DODGE 2WD	14 = VAN WHEEL BASE 4		
	7 = Med. Duty DODGE 4WD	15 = VAN WHEEL BASE 5		
		16 = VAN WHEEL BASE 6		
		54 = WAGON WHEEL BASE 4		
		55 = WAGON WHEEL BASE 5		
		56 = WAGON WHEEL BASE 6		
		11 = VAN WHEEL BASE 1		
		12 = VAN WHEEL BASE 2		

AR = use ase required - = Non illustrated part

Manual Sunroof  
Figure SVA-1210



ITEM	PART NUMBER	QTY	LINE	SERIES	BODY	ENGINE	TRANS	TRIM	DESCRIPTION
8	05134011AA	1	2, 6		11, 12, 14, 15, 16				PLATE, Sunroof
		1	2, 6		51, 52, 54, 55, 56				
9	05134012AA	1	2, 6		11, 12, 14, 15, 16				PLATE, Sunroof
		1	2, 6		51, 52, 54, 55, 56				
10	05124714AA	1	2, 6		11, 12, 14, 15, 16				FRAME, Sunroof
		1	2, 6		51, 52, 54, 55, 56				
11	05124715AA	1	3, 7		12, 15, 16				Without Double Shade
		1	2, 6		11, 12, 14, 15, 16				
12	05125572AA	1	2, 6		51, 52, 54, 55, 56				Without Double Shade
		1	3, 7		12, 15, 16				
11	05126276AA	24	3, 7		12, 15, 16				Without Double Shade SCREW
		24	2, 6		11, 12, 14, 15, 16				
		24	2, 6		51, 52, 54, 55, 56				
12	05125572AA	14	2, 6		11, 12, 14, 15, 16				CLIP, Sunroof
		14	2, 6		51, 52, 54, 55, 56				
		14	3, 7		12, 15, 16				

SPRINTER (VA)

SERIES

L = LOWLINE

LINE

3 = HD DODGE 2WD  
6 = Lt. Duty DODGE 4WD  
2 = Med. Duty DODGE 2WD  
7 = Med. Duty DODGE 4WD

BODY

51 = WAGON WHEEL BASE 1  
52 = WAGON WHEEL BASE 2  
14 = VAN WHEEL BASE 4  
15 = VAN WHEEL BASE 5  
16 = VAN WHEEL BASE 6  
54 = WAGON WHEEL BASE 4  
55 = WAGON WHEEL BASE 5  
56 = WAGON WHEEL BASE 6  
11 = VAN WHEEL BASE 1  
12 = VAN WHEEL BASE 2

ENGINE

EX9 = Engine - 2.7L 5 Cly  
Mercedes Diesel

TRANSMISSION

DGJ = Transmission-5-Spd. Automatic, W5A580

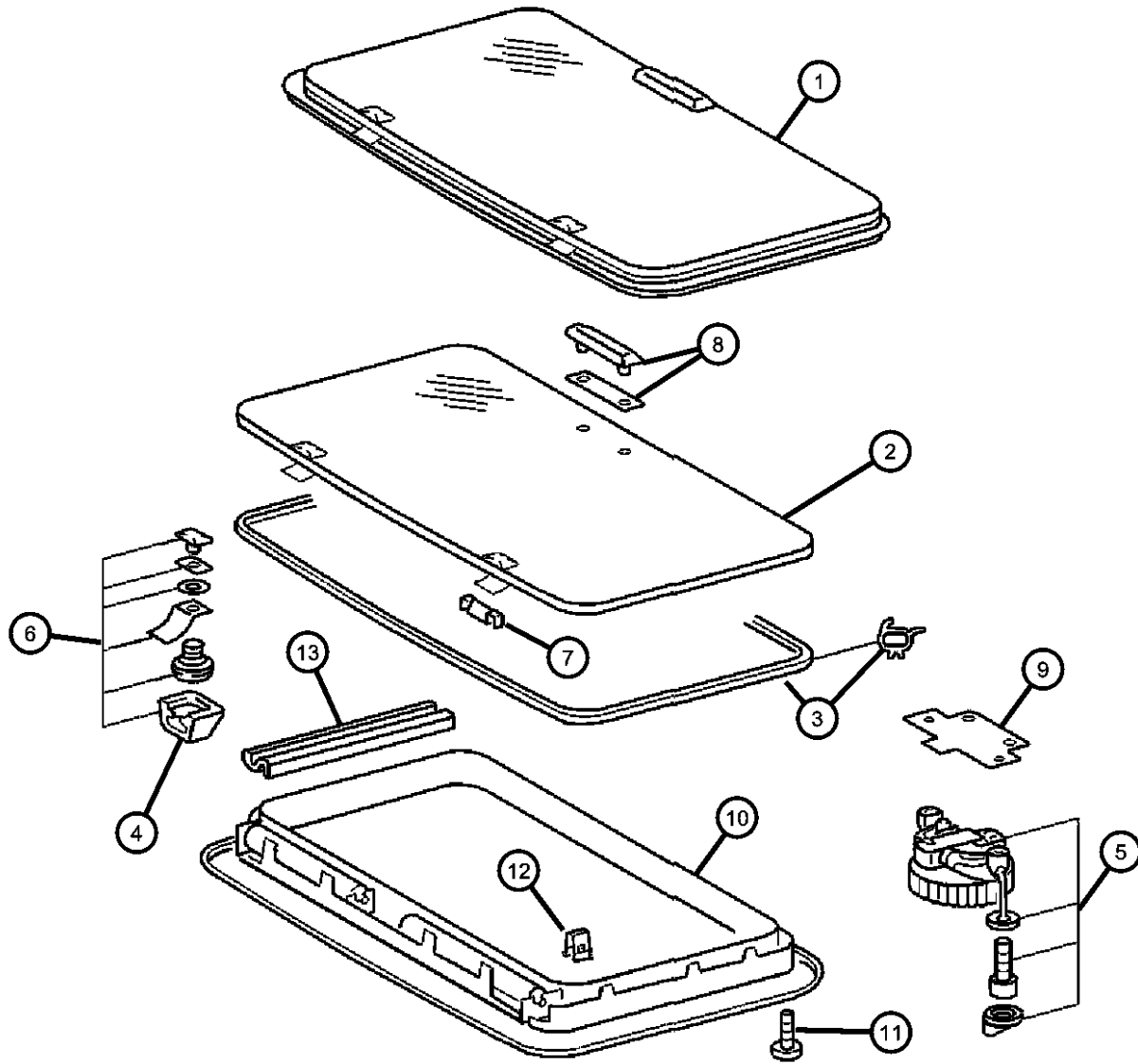
AR = use ase required - = Non illustrated part

2003 VA

Manual Sunroof  
Figure SVA-1210

ITEM	PART NUMBER	QTY	LINE	SERIES	BODY	ENGINE	TRANS	TRIM	DESCRIPTION
------	-------------	-----	------	--------	------	--------	-------	------	-------------

13									REST, NONE, SPRINTER
	05104495AA	2	2, 6		11, 12, 14,				15, 16
		2	2, 6		51, 52, 54,				55, 56
		2	3, 7		12, 15, 16				



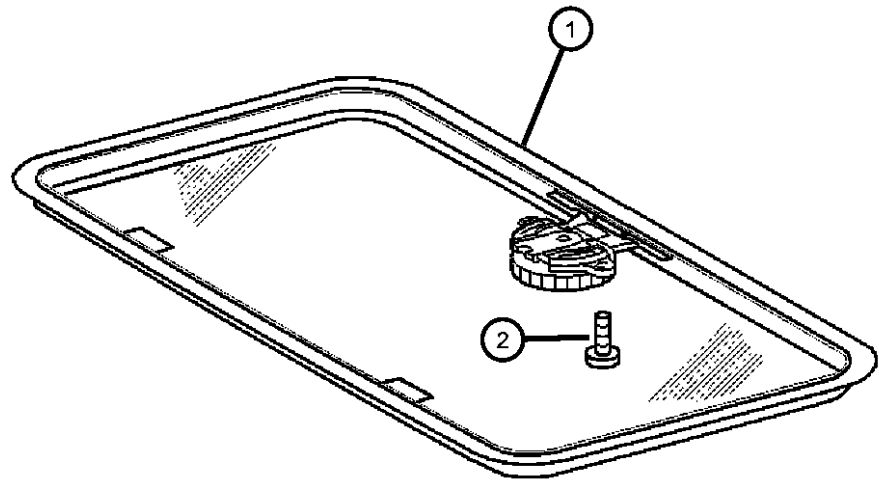
SPRINTER (VA)

SERIES	LINE	BODY	ENGINE	TRANSMISSION
L = LOWLINE	3 = HD DODGE 2WD	51 = WAGON WHEEL BASE 1	EX9 = Engine - 2.7L 5 Cly	DGJ = Transmission-5-Spd. Automatic,W5A580
	6 = Lt. Duty DODGE 4WD	52 = WAGON WHEEL BASE 2	Mercedes Diesel	
	2 = Med. Duty DODGE 2WD	14 = VAN WHEEL BASE 4		
	7 = Med. Duty DODGE 4WD	15 = VAN WHEEL BASE 5		
		16 = VAN WHEEL BASE 6		
		54 = WAGON WHEEL BASE 4		
		55 = WAGON WHEEL BASE 5		
		56 = WAGON WHEEL BASE 6		
		11 = VAN WHEEL BASE 1		
		12 = VAN WHEEL BASE 2		

AR = use ase required - = Non illustrated part

Fixed Sunroof  
Figure SVA-1220

ITEM	PART NUMBER	QTY	LINE	SERIES	BODY	ENGINE	TRANS	TRIM	DESCRIPTION
1	05104480AA	1	2, 6		11, 12, 14, 15, 16				GLASS, Sunroof
		1	2, 6		51, 52, 54, 55, 56				
		1	3, 7		12, 15, 16				
2	05126276AA	24	2, 6		11, 12, 14, 15, 16				SCREW
		24	2, 6		51, 52, 54, 55, 56				
		24	3, 7		12, 15, 16				



SPRINTER (VA)

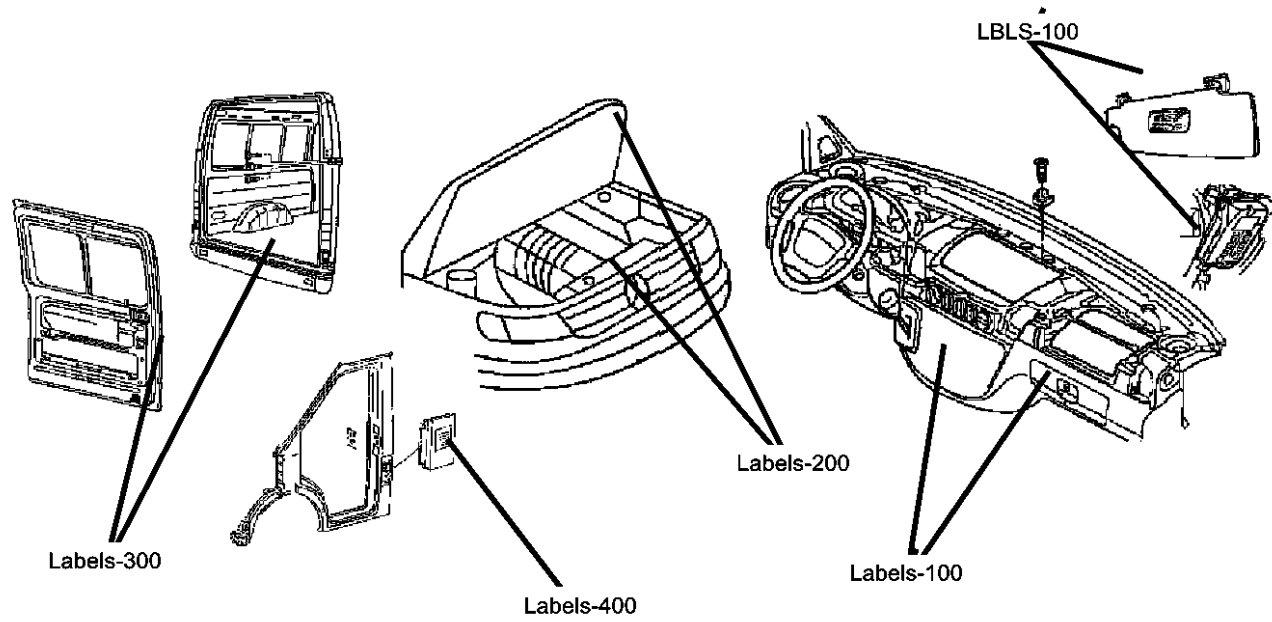
SERIES	LINE	BODY	ENGINE	TRANSMISSION
L = LOWLINE	3 = HD DODGE 2WD	51 = WAGON WHEEL BASE 1	EX9 = Engine - 2.7L 5 Cly	DGJ = Transmission-5-Spd.
	6 = Lt. Duty DODGE 4WD	52 = WAGON WHEEL BASE 2	Mercedes Diesel	Automatic,W5A580
	2 = Med. Duty DODGE 2WD	14 = VAN WHEEL BASE 4		
	7 = Med. Duty DODGE 4WD	15 = VAN WHEEL BASE 5		
		16 = VAN WHEEL BASE 6		
		54 = WAGON WHEEL BASE 4		
		55 = WAGON WHEEL BASE 5		
		56 = WAGON WHEEL BASE 6		
		11 = VAN WHEEL BASE 1		
		12 = VAN WHEEL BASE 2		

AR = use ase required - = Non illustrated part

2003 VA

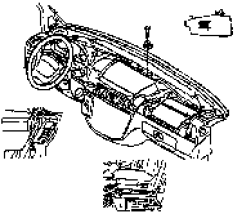
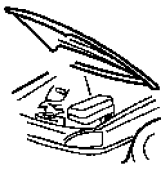
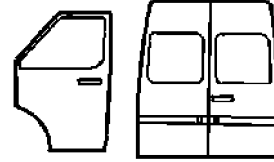
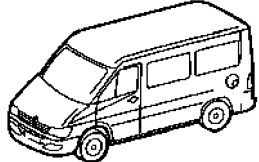
# Group - LBLS

## Labels All Vehicle Locations

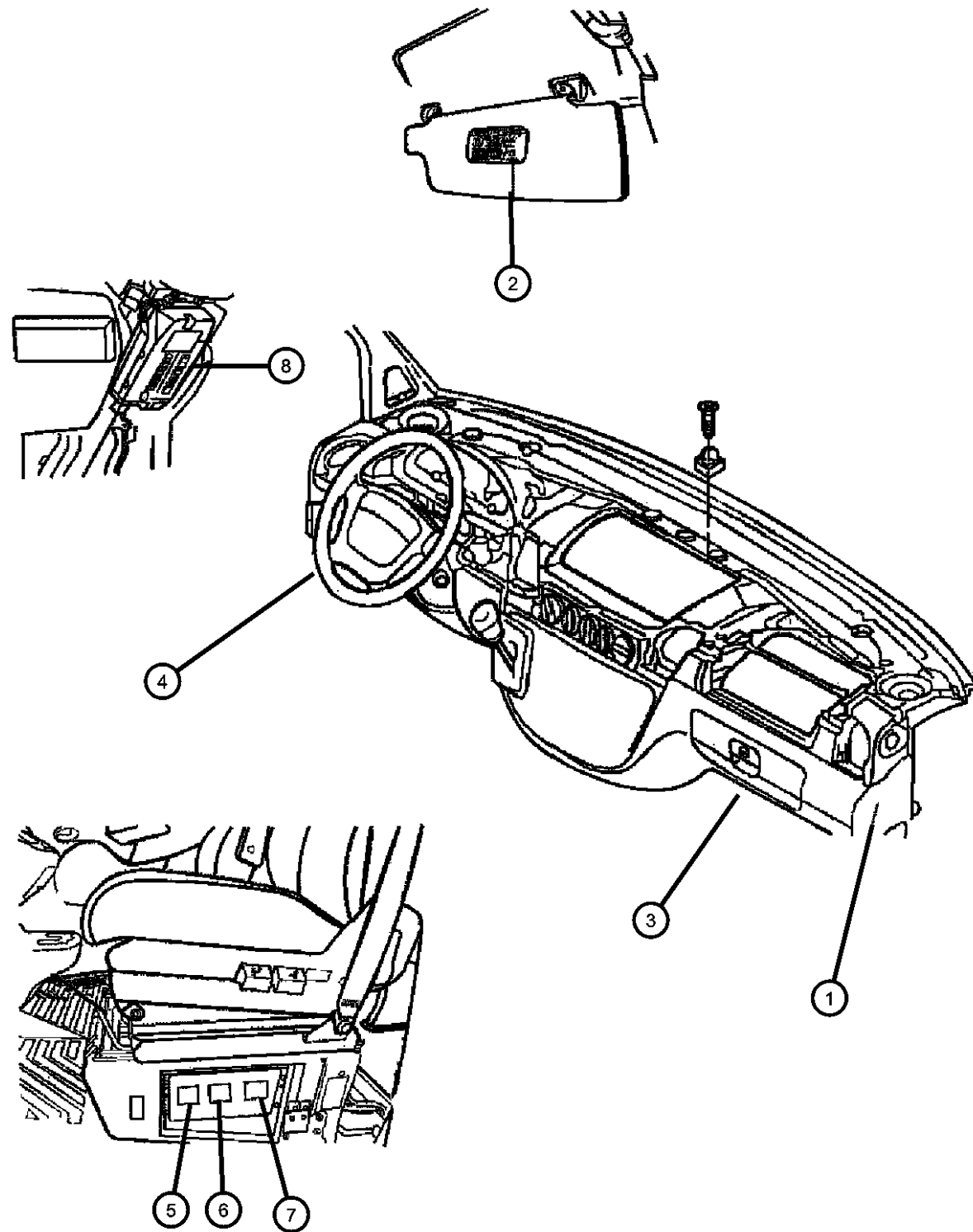


## Group - LBLS Labels All Vehicle Locations

Illustration Title	Group-Fig. No.
<b>Interior</b>	
Instrument Panel / Visors & Interior.....	Fig. LBLS - 105
<b>Under Hood</b>	
Engine Compartment.....	Fig. LBLS - 205
<b>Doors</b>	
Front / Side & Cargo.....	Fig. LBLS - 305
<b>Exterior</b>	
Fuel Door & Filler.....	Fig. LBLS - 410

<p><b>LBLS-100</b> Interior</p> 	<p><b>LBLS-200</b> Under Hood</p> 	<p><b>LBLS-300</b> Doors</p> 	<p><b>LBLS-400</b> Exterior</p> 
--	---	---	---

**Instrument Panel / Visors & Interior**  
**Figure LBL5-105**



ITEM	PART NUMBER	QTY	LINE	SERIES	BODY	ENGINE	TRANS	TRIM	DESCRIPTION
1	05096894AA	1		L	12, 15, 16				LABEL, Airbag Round Sticker on I/P
		1		L	51, 52, 54, 55, 56				Round Sticker on I/P
		1		L	11, 12, 14, 15, 16				Round Sticker on I/P
2	05121033AA	2		L	12, 15, 16				LABEL, Airbag Sun Visor
		2		L	51, 52, 54, 55, 56				Sun Visor
		2		L	11, 12, 14, 15, 16				Sun Visor
3	05124329AA	1		L	12, 15, 16				LABEL, Airbag Glove Box
		1		L	51, 52, 54, 55, 56				Glove Box
		1		L	11, 12, 14, 15, 16				Glove Box
4	05121112AA	1		L	11, 12, 14, 15, 16				LABEL, Warning Electrical Shock
		1		L	12, 15, 16				Electrical Shock
		1		L	51, 52, 54, 55, 56				Electrical Shock
5	05121129AA	1		L	11, 12, 14, 15, 16				LABEL, Fuse Block Fuse Box
		1		L	12, 15, 16				Fuse Box
		1		L	51, 52, 54, 55, 56				Fuse Box
6	05121077AA	1		L	11, 12, 14, 15, 16				LABEL No Water
		1		L	51, 52, 54, 55, 56				No Water
		1		L	12, 15, 16				No Water
7	05121147AA	2		L	11, 12, 14, 15, 16			LABEL, Tire Under Driver Seat	

**SPRINTER (VA)**

**SERIES**

L = LOWLINE

**LINE**

3 = HD DODGE 2WD  
6 = Lt. Duty DODGE 4WD  
2 = Med. Duty DODGE 2WD  
7 = Med. Duty DODGE 4WD

**BODY**

51 = WAGON WHEEL BASE 1  
52 = WAGON WHEEL BASE 2  
14 = VAN WHEEL BASE 4  
15 = VAN WHEEL BASE 5  
16 = VAN WHEEL BASE 6  
54 = WAGON WHEEL BASE 4  
55 = WAGON WHEEL BASE 5  
56 = WAGON WHEEL BASE 6  
11 = VAN WHEEL BASE 1  
12 = VAN WHEEL BASE 2

**ENGINE**

EX9 = Engine - 2.7L 5 Cyl  
Mercedes Diesel

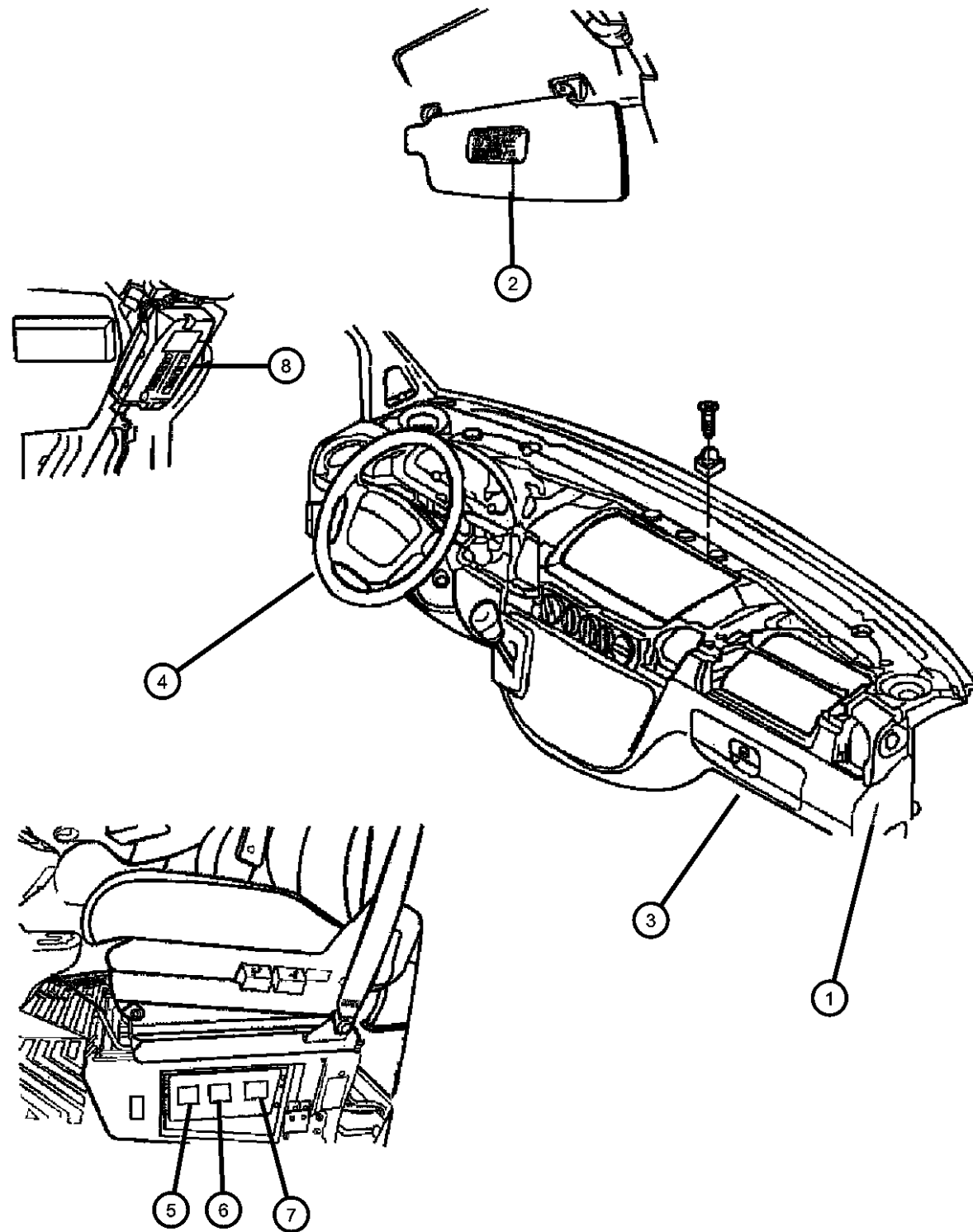
**TRANSMISSION**

DGJ = Transmission-5-Spd.  
Automatic,W5A580

AR = use ase required - = Non illustrated part

2003 VA

**Instrument Panel / Visors & Interior**  
**Figure LBLS-105**



ITEM	PART NUMBER	QTY	LINE	SERIES	BODY	ENGINE	TRANS	TRIM	DESCRIPTION
		2		L	12, 15, 16				Under Driver Seat
		2		L	51, 52, 54, 55, 56				Under Driver Seat
8	05121032AA	1		L	12, 15, 16				LABEL
		1		L	51, 52, 54, 55, 56				Air bag
		1		L	11, 12, 14, 15, 16				Air bag

**SPRINTER (VA)**

**SERIES**

L = LOWLINE

**LINE**

3 = HD DODGE 2WD  
 6 = Lt. Duty DODGE 4WD  
 2 = Med. Duty DODGE 2WD  
 7 = Med. Duty DODGE 4WD

**BODY**

51 = WAGON WHEEL BASE 1  
 52 = WAGON WHEEL BASE 2  
 14 = VAN WHEEL BASE 4  
 15 = VAN WHEEL BASE 5  
 16 = VAN WHEEL BASE 6  
 54 = WAGON WHEEL BASE 4  
 55 = WAGON WHEEL BASE 5  
 56 = WAGON WHEEL BASE 6  
 11 = VAN WHEEL BASE 1  
 12 = VAN WHEEL BASE 2

**ENGINE**

EX9 = Engine - 2.7L 5 Cly  
 Mercedes Diesel

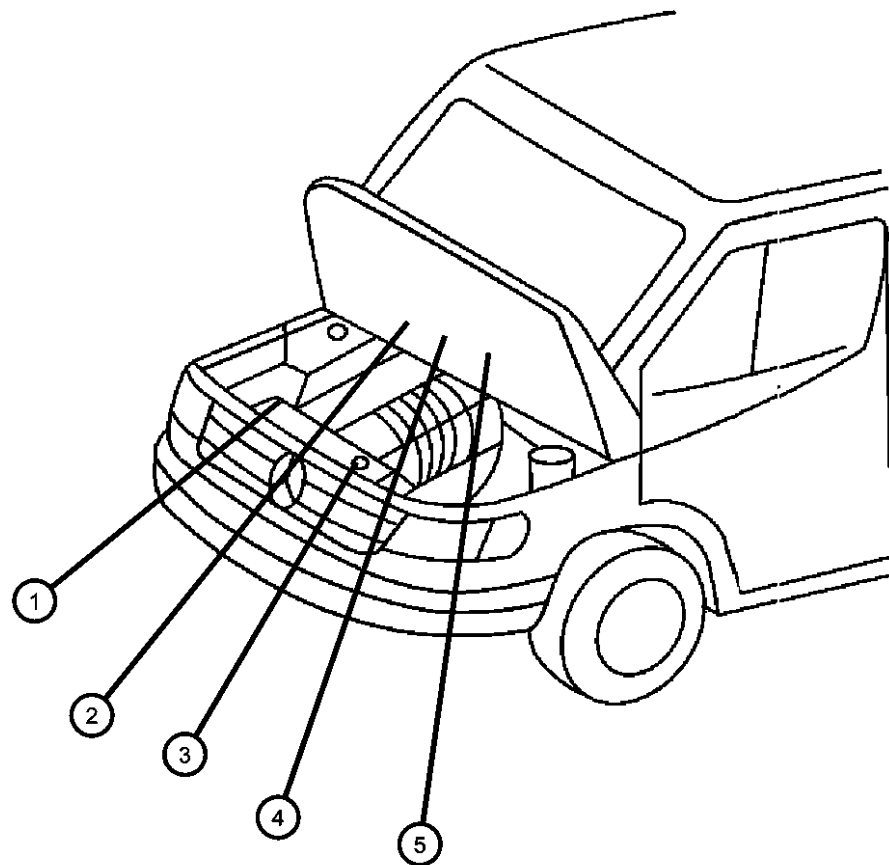
**TRANSMISSION**

DGJ = Transmission-5-Spd. Automatic,W5A580

AR = use ase required - = Non illustrated part

2003 VA

**Engine Compartment  
Figure LBL5-205**



ITEM	PART NUMBER	QTY	LINE	SERIES	BODY	ENGINE	TRANS	TRIM	DESCRIPTION
1	05104155AA	1		L	11, 12, 14, 15, 16				LABEL, Fan Caution
		1		L	51, 52, 54, 55, 56				
		1		L	12, 15, 16				
2	05124359AA	1		L	11, 12, 14, 15, 16				LABEL, A/C Spec.
		1		L	12, 15, 16				
		1		L	51, 52, 54, 55, 56				
3	05104154AA	1		L	11, 12, 14, 15, 16				LABEL, Coolant Warning
		1		L	51, 52, 54, 55, 56				
		1		L	12, 15, 16				
4	05121165AA	1		L	12, 15, 16				LABEL, Adhesive Foil
		1		L	11, 12, 14, 15, 16				
		1		L	51, 52, 54, 55, 56				
5	05121159AA	1		L	51, 52, 54, 55, 56				LABEL, Tire Pressure
		1		L	11, 12, 14, 15, 16				
		1		L	12, 15, 16				

**SPRINTER (VA)**

**SERIES**

L = LOWLINE

**LINE**

3 = HD DODGE 2WD  
6 = Lt. Duty DODGE 4WD  
2 = Med. Duty DODGE 2WD  
7 = Med. Duty DODGE 4WD

**BODY**

51 = WAGON WHEEL BASE 1  
52 = WAGON WHEEL BASE 2  
14 = VAN WHEEL BASE 4  
15 = VAN WHEEL BASE 5  
16 = VAN WHEEL BASE 6  
54 = WAGON WHEEL BASE 4  
55 = WAGON WHEEL BASE 5  
56 = WAGON WHEEL BASE 6  
11 = VAN WHEEL BASE 1  
12 = VAN WHEEL BASE 2

**ENGINE**

EX9 = Engine - 2.7L 5 Cly Mercedes Diesel

**TRANSMISSION**

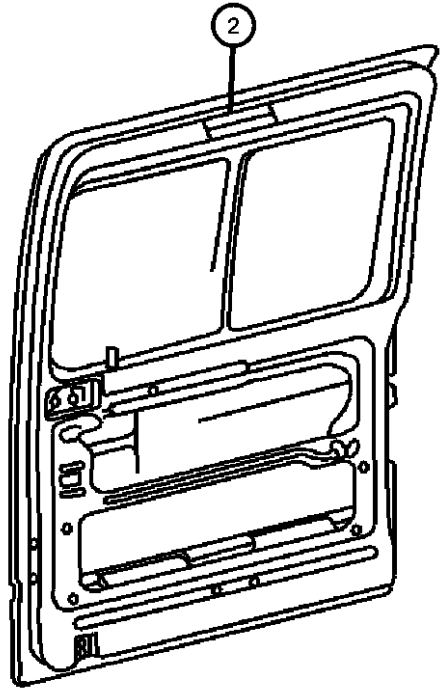
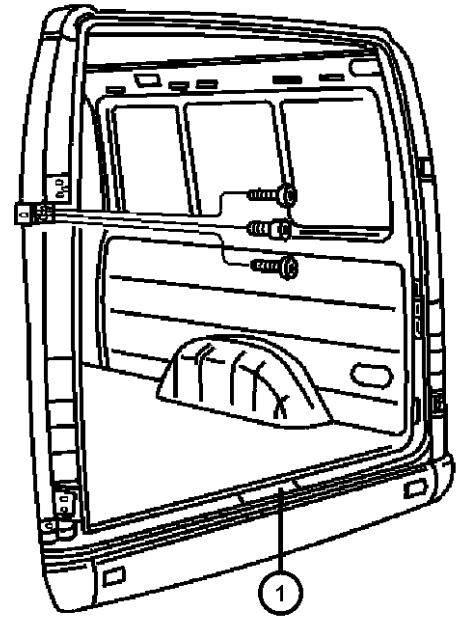
DGJ = Transmission-5-Spd. Automatic,W5A580

AR = use ase required - = Non illustrated part

2003 VA



Front / Side & Cargo  
Figure LBL5-305



ITEM	PART NUMBER	QTY	LINE	SERIES	BODY	ENGINE	TRANS	TRIM	DESCRIPTION
1									LABEL
	05124356AA	1		L	12, 15, 16				Cargo Hold Down
		1		L	11, 12, 14, 15, 16				Cargo Hold Down
	05129737AA	1		L	51, 52, 54, 55, 56				Cargo Hold Down
2									LABEL, Warning
	05121112AA	1		L	51, 52, 54, 55, 56				Sliding Door
	05121162AA	1		L	11, 12, 14, 15, 16				Sliding Door
		1		L	12, 15, 16				Sliding Door

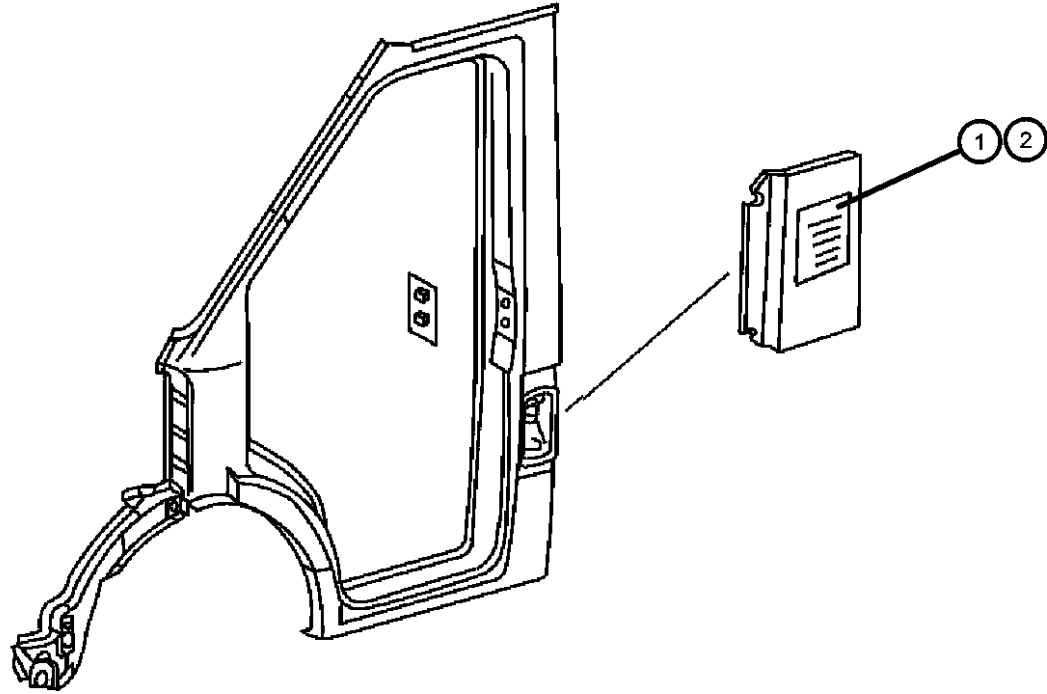
SPRINTER (VA)

SERIES	LINE	BODY	ENGINE	TRANSMISSION
L = LOWLINE	3 = HD DODGE 2WD	51 = WAGON WHEEL BASE 1	EX9 = Engine - 2.7L 5 Cly	DGJ = Transmission-5-Spd. Automatic,W5A580
	6 = Lt. Duty DODGE 4WD	52 = WAGON WHEEL BASE 2	Mercedes Diesel	
	2 = Med. Duty DODGE 2WD	14 = VAN WHEEL BASE 4		
	7 = Med. Duty DODGE 4WD	15 = VAN WHEEL BASE 5		
		16 = VAN WHEEL BASE 6		
		54 = WAGON WHEEL BASE 4		
		55 = WAGON WHEEL BASE 5		
		56 = WAGON WHEEL BASE 6		
		11 = VAN WHEEL BASE 1		
		12 = VAN WHEEL BASE 2		

AR = use ase required - = Non illustrated part

Fuel Door & Filler  
Figure LBL5-410

ITEM	PART NUMBER	QTY	LINE	SERIES	BODY	ENGINE	TRANS	TRIM	DESCRIPTION
1	05104152AA	1		L	11, 12, 14, 15, 16				LABEL, Fuel
		1		L	51, 52, 54, 55, 56				
		1		L	12, 15, 16				
2	05104153AA	1		L	11, 12, 14, 15, 16	EX9			LABEL, Diesel Fuel
		1		L	51, 52, 54, 55, 56	EX9			
		1		L	12, 15, 16	EX9			



SPRINTER (VA)

SERIES	LINE	BODY	ENGINE	TRANSMISSION
L = LOWLINE	3 = HD DODGE 2WD	51 = WAGON WHEEL BASE 1	EX9 = Engine - 2.7L 5 Cly	DGJ = Transmission-5-Spd.
	6 = Lt. Duty DODGE 4WD	52 = WAGON WHEEL BASE 2	Mercedes Diesel	Automatic,W5A580
	2 = Med. Duty DODGE 2WD	14 = VAN WHEEL BASE 4		
	7 = Med. Duty DODGE 4WD	15 = VAN WHEEL BASE 5		
		16 = VAN WHEEL BASE 6		
		54 = WAGON WHEEL BASE 4		
		55 = WAGON WHEEL BASE 5		
		56 = WAGON WHEEL BASE 6		
		11 = VAN WHEEL BASE 1		
		12 = VAN WHEEL BASE 2		

AR = use ase required - = Non illustrated part

2003 VA