

VIN PLATE DECODING INFORMATION

1	2	3	4	5	6	7	8	9	10	11	12 thru 17
WMI	WMI	WMI	Other	Model	Model	Engine, Brake	Engine, Brake	Check Digit	Model Year	Assy. Plant	Sequence No.

The following table interprets the VIN Plate position shown above.

Position	Interpretation	Codes = Description
1	World Manufacturer Identification	W = DaimlerChrysler AG
2	World Manufacturer Identification	D = Sprinter
3	World Manufacturer Identification	1 = Sprinter Chassis-Cab 5 = Sprinter Multipurpose Passenger Vehicle
4	GVWR & Pass. Safety	X = 4 X 2 Cab-Chassis W = 4 X 2 Multipurpose Passenger Vehicle Y = 4 X 2 Truck
5	Model, Wheelbase, GVWR	D = Combine with position 6
6	Model, Wheelbase, GVWR	1 = 2500C/C2500/P2500 3000 mm 15 in. wheel 8,001 - 9,000 lbs. Class G 2 = 2500C/C2500/P2500 3550 mm 15 in. wheel 8,001 - 9,000 lbs. Class G 6 = 2500C/C2500/P2500 3567 mm 16in. wheel 8,001 - 9,000 lbs. Class G 3 = 2500C/C2500/P2500 4025 mm 15 in. wheel 8,001 - 9,000 lbs. Class G 5 = 3500C/C3500 4025 mm 15 in. wheel 9,001 - 10,000 lbs. Class H 7 = 2500C/C2500/P2500 4042 mm 16in. wheel 8,001 - 9,000 lbs. Class G 4 = 3500C/C3500 3550 mm 15 in. wheel 9,001 - 10,000 lbs. Class H
7	Engine, Brake	4 = Combine with position 8
8	Engine, Brake	3 = 2.7L 45 State Diesel, Hydraulic Brakes 1 = 2.7L I-5 Diesel, Hydraulic Brakes 2 = 2.7L 50 State Diesel, Hydraulic Brakes
9	Check Digit	0 = Check Digit 0 = Check Digit
10	Model Year	2 = 2002
11	Assembly Plant	5 = Dusseldorf R = Dusseldorf
12 thru 17	Vehicle Build Sequence	Model Year Assembly Sequence

Group - 2

Front Suspension & Drive

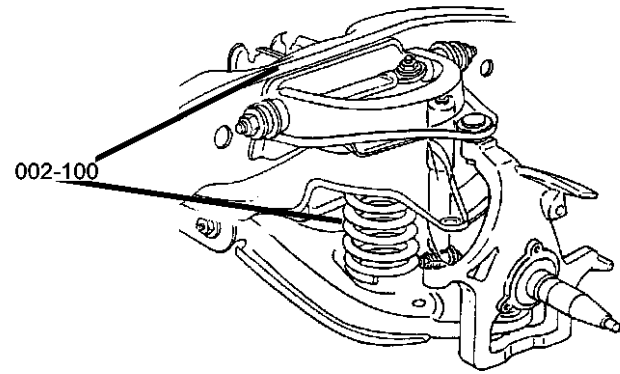
Group - 2 Front Suspension & Drive

Illustration Title

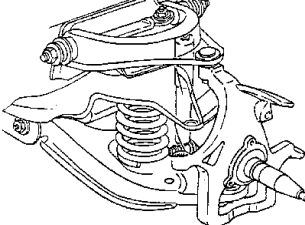
Group-Fig. No.

Front Suspension

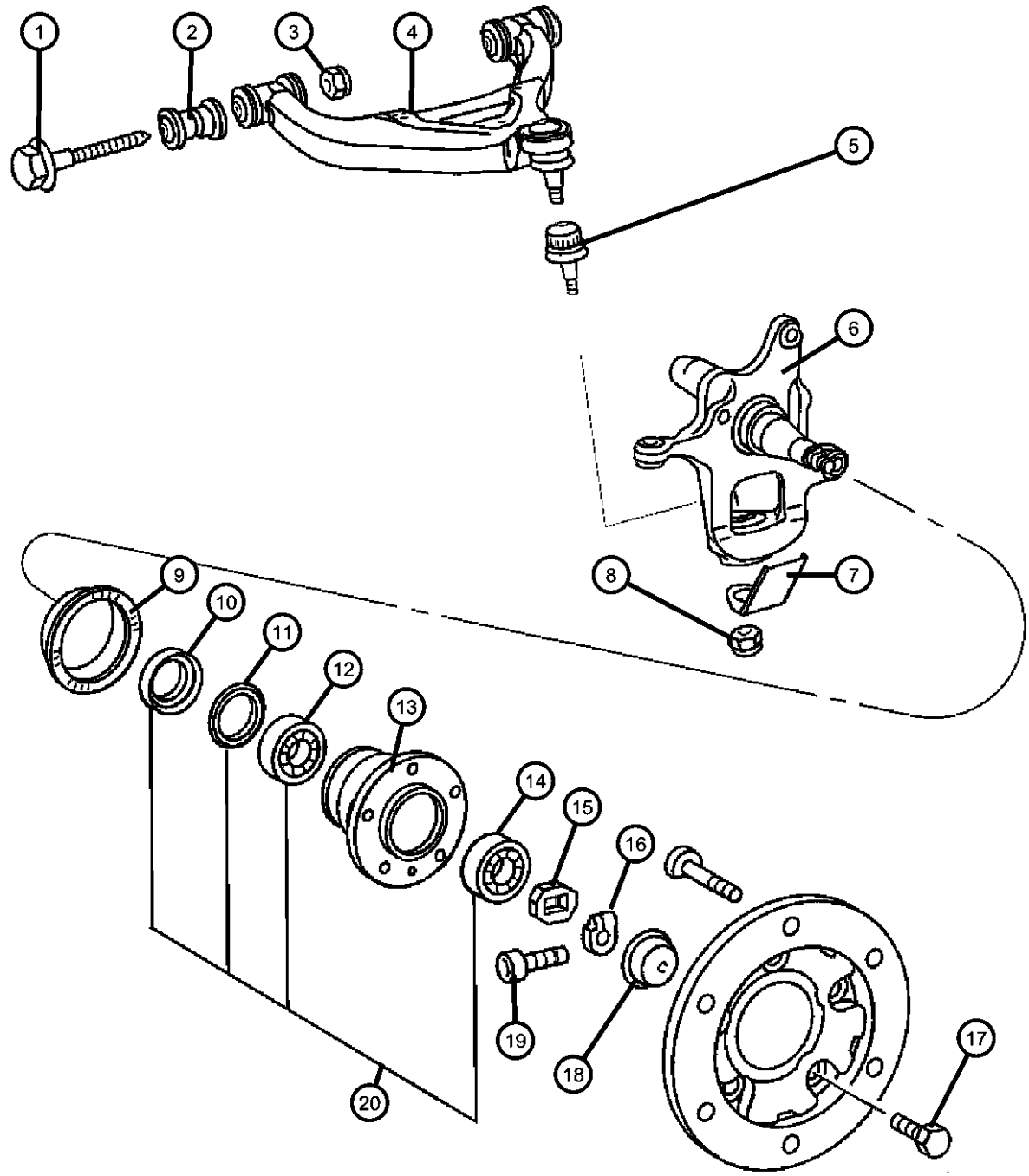
Front Control Arms, Knuckles, Bearings and Hubs.....	Fig. 2 - 110
Front Shocks	Fig. 2 - 120
Front Stabilizer Bar	Fig. 2 - 130
Front, Spring.....	Fig. 2 - 140



002-100

<p>002-100 Front Suspension</p> 			
---	--	--	--

Front Control Arms, Knuckles, Bearings and Hubs
Figure 2-110



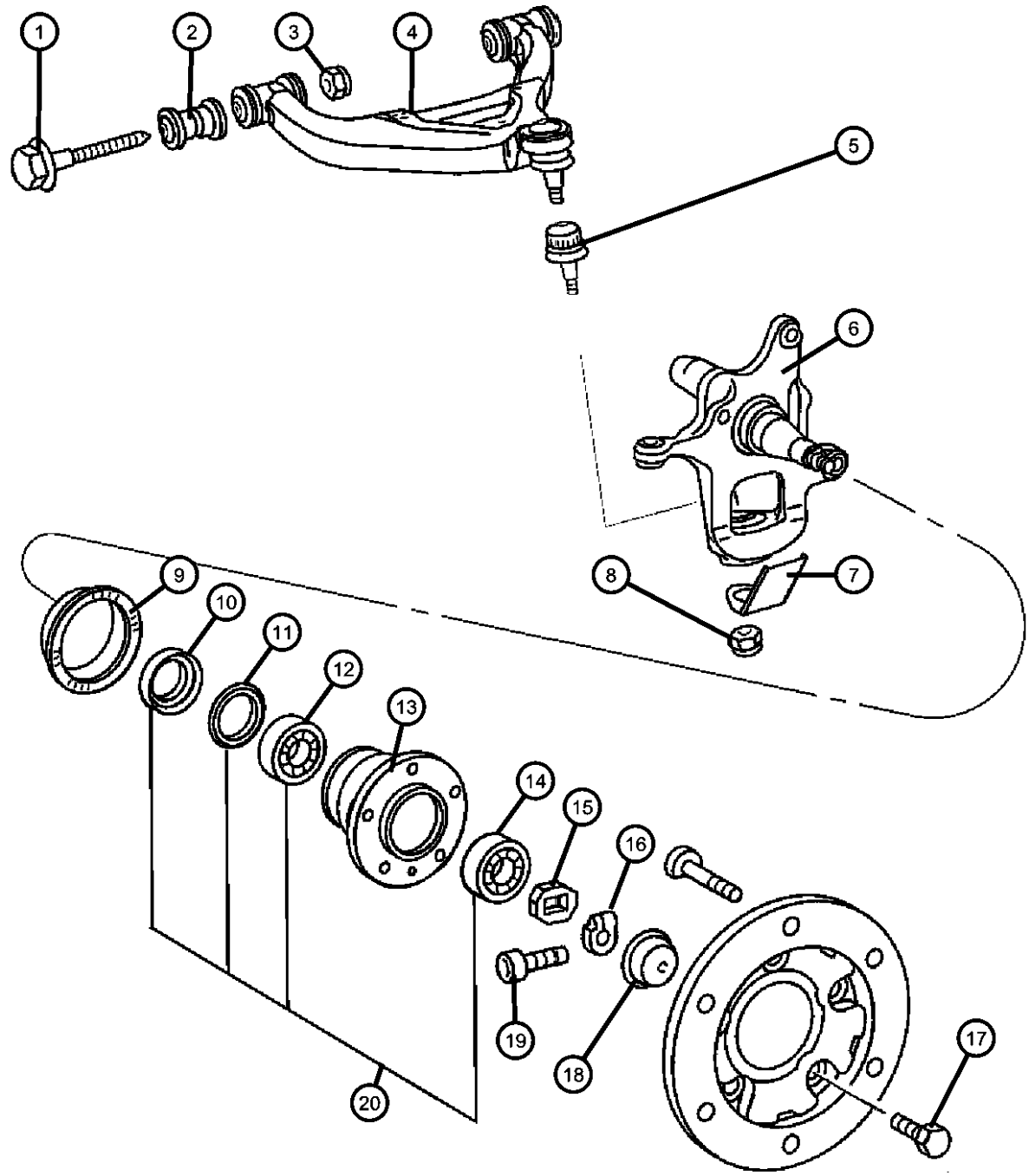
ITEM	PART NUMBER	QTY	LINE	SERIES	BODY	ENGINE	TRANS	TRIM	DESCRIPTION
Note: Sales Codes [DGJ]=TRANSMISSION - 5-SPD AUTO, W5A3 [BGK]= 4-WHEEL ANTI-LOCK									
1	05133819AA	4							BOLT, Hex Head
2	05133818AA	2	2, 3, 6, 7						BUSHING, Control Arm
3									NUT
	06104719AA	2	2, 6	L	11, 12, 14, 15, 16				
		2	2, 6	L	51, 52, 54, 55, 56				
		2	3, 7	L	12, 15, 16				
4									ARM, Lower Control, Front
	05104578AA	1	2, 3, 6, 7						Left
	05136057AA	1	2, 3, 6, 7						Right
5	05104075AA	1	2, 3, 6, 7						BALL JOINT, Lower Control Arm
6									Right or Left
	05104579AA	1	3, 7						Left
	05135232AA	1	2, 6	L	11, 12, 14, 15, 16				Right
		1	2, 6	L	51, 52, 54, 55, 56				Right
	05135233AA	1	2, 6	L	11, 12, 14, 15, 16				Left
		1	2, 6	L	51, 52, 54, 55, 56				Left
	05139492AA	1	3, 7						Right
7	05136122AA	2							PLATE, Control Arm
8	05136123AA	1	2, 3, 6, 7						NUT, Ball Joint
9	05139358AA	2							RING, Tone
10	05103901AA	1							SEAL, Hub
11	05139359AA	2							SEAL, Wheel Hub

SPRINTER (VA)

SERIES	LINE	BODY	ENGINE	TRANSMISSION
L = LOWLINE	3 = HD DODGE 2WD 6 = Lt. Duty DODGE 4WD 2 = Med. Duty DODGE 2WD 7 = Med. Duty DODGE 4WD	01 = CHASSIS FORWARD CONTROL W.B.1 02 = CAB CHASSIS WHEEL BASE 2 06 = CAB CHASSIS WHEEL BASE 6 11 = VAN WHEEL BASE 1 12 = VAN WHEEL BASE 2 51 = WAGON WHEEL BASE 1 52 = WAGON WHEEL BASE 2 14 = VAN WHEEL BASE 4 15 = VAN WHEEL BASE 5 56 = WAGON WHEEL BASE 6 16 = VAN WHEEL BASE 6 54 = WAGON WHEEL BASE 4 55 = WAGON WHEEL BASE 5	EX9 = Engine-2.7L I5 Mercedes Turbo Diesel	DGJ = Transmission-5-Spd. Automatic, W5A580

AR = use ase required - = Non illustrated part

Front Control Arms, Knuckles, Bearings and Hubs
Figure 2-110

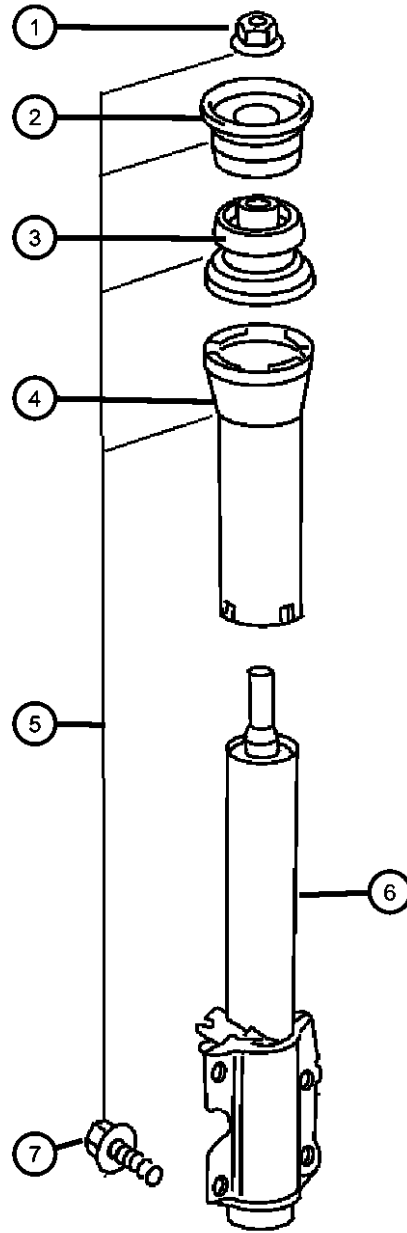


ITEM	PART NUMBER	QTY	LINE	SERIES	BODY	ENGINE	TRANS	TRIM	DESCRIPTION
12	05103779AA	2							BEARING, AxleInner
13									HUB, Front Wheel
	05104556AA	2							Up To Front Axle S482213/Y422059
	05139360AA	2							From Front Axle S482214/Y422060
14	05103869AA	2							BEARING, AxleOuter
15	05103956AA	2							WASHER, Thrust, Front
16	05097843AA	2							NUT
17	06104258AA	12	3, 7	L	12, 15, 16				BOLT, Hub
18	05103914AA	2							CAP, Wheel Hub Grease
19	05104617AA	2							SCREW
20									HUB AND BEARING PACKAGE, Kit
	05103579AA	1							From Front Axle S231916/Y245977
	05139357AA	1							Up To Front Axle S231915/Y245976

SPRINTER (VA)				
SERIES	LINE	BODY	ENGINE	TRANSMISSION
L = LOWLINE	3 = HD DODGE 2WD 6 = Lt. Duty DODGE 4WD 2 = Med. Duty DODGE 2WD 7 = Med. Duty DODGE 4WD	01 = CHASSIS FORWARD CONTROL W.B.1 02 = CAB CHASSIS WHEEL BASE 2 06 = CAB CHASSIS WHEEL BASE 6 11 = VAN WHEEL BASE 1 12 = VAN WHEEL BASE 2 51 = WAGON WHEEL BASE 1 52 = WAGON WHEEL BASE 2 14 = VAN WHEEL BASE 4 15 = VAN WHEEL BASE 5 56 = WAGON WHEEL BASE 6 16 = VAN WHEEL BASE 6 54 = WAGON WHEEL BASE 4 55 = WAGON WHEEL BASE 5	EX9 = Engine-2.7L I5 Mercedes Turbo Diesel	DGJ = Transmission-5-Spd. Automatic, W5A580

AR = use ase required - = Non illustrated part

Front Shocks
Figure 2-120



ITEM	PART NUMBER	QTY	LINE	SERIES	BODY	ENGINE	TRANS	TRIM	DESCRIPTION
------	-------------	-----	------	--------	------	--------	-------	------	-------------

Note: Sales Codes:
[SHA]=Stabilizer Bar - Front
[3AT]=Rear Springs Weight 3.88T

1	05125762AA	2	2, 6	L	11, 12, 14, 15, 16				NUT
		2	2, 6	L	51, 52, 54, 55, 56				
		2	3, 7	L	12, 15, 16				
2	05118718AA	2	2, 6	L	11, 12, 14, 15, 16				BUSHING, Shock Absorber
		2	2, 6	L	51, 52, 54, 55, 56				
		2	3, 7	L	12, 15, 16				
3	05118722AA	2	2, 6	L	11, 12, 14, 15, 16				BUSHING, Shock Absorber
		2	2, 6	L	51, 52, 54, 55, 56				
		2	3, 7	L	12, 15, 16				
4	05118728AA	2	3, 7	L	12, 15, 16				SHIELD, Shock Absorber Dust
		2	2, 6	L	11, 12, 14, 15, 16				
		2	2, 6	L	51, 52, 54, 55, 56				
5	05133869AA	2	2, 6	L	11, 12, 14, 15, 16				PARTS KIT, Shock
		2	2, 6	L	51, 52, 54, 55, 56				Includes Items 1,2,3,4,7
		2	2, 6	L	51, 52, 54, 55, 56				Includes Items 1,2,3,4,7
		2	3, 7	L	12, 15, 16				Includes Items 1,2,3,4,7
6									ABSORBER, Shock

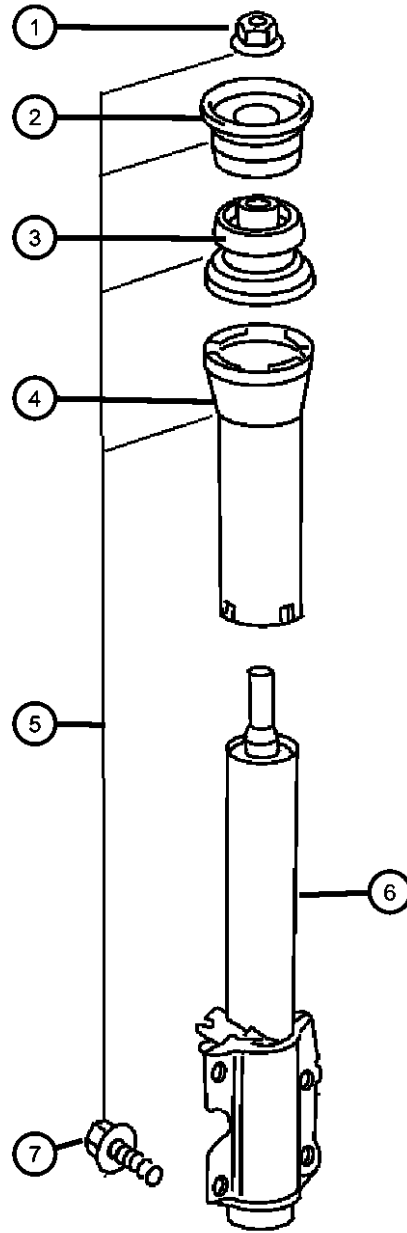
SPRINTER (VA)

SERIES	LINE	BODY	ENGINE	TRANSMISSION
L = LOWLINE	3 = HD DODGE 2WD 6 = Lt. Duty DODGE 4WD 2 = Med. Duty DODGE 2WD 7 = Med. Duty DODGE 4WD	01 = CHASSIS FORWARD CONTROL W.B.1 02 = CAB CHASSIS WHEEL BASE 2 06 = CAB CHASSIS WHEEL BASE 6 11 = VAN WHEEL BASE 1 12 = VAN WHEEL BASE 2 51 = WAGON WHEEL BASE 1 52 = WAGON WHEEL BASE 2 14 = VAN WHEEL BASE 4 15 = VAN WHEEL BASE 5 56 = WAGON WHEEL BASE 6 16 = VAN WHEEL BASE 6 54 = WAGON WHEEL BASE 4 55 = WAGON WHEEL BASE 5	EX9 = Engine-2.7L I5 Mercedes Turbo Diesel	DGJ = Transmission-5-Spd. Automatic, W5A580

AR = use ase required - = Non illustrated part

2002 VA

Front Shocks
Figure 2-120



ITEM	PART NUMBER	QTY	LINE	SERIES	BODY	ENGINE	TRANS	TRIM	DESCRIPTION
	05104063AA	2	2, 6	L					Shock Only
	05104575AA	2	3, 7	L	12, 15, 16				Shock Only
	05128502AA	1	3, 7	L	12, 15, 16				Shock Only
	05139548AA	2	2, 6						Shock Only [3AT,SHA]
7	05125699AA	8							SCREW, Strut to Knuckle, Mounting

SPRINTER (VA)

SERIES

L = LOWLINE
 3 = HD DODGE 2WD
 6 = Lt. Duty DODGE 4WD
 2 = Med. Duty DODGE 2WD
 7 = Med. Duty DODGE 4WD

LINE

BODY

01 = CHASSIS FORWARD CONTROL W.B.1
 02 = CAB CHASSIS WHEEL BASE 2
 06 = CAB CHASSIS WHEEL BASE 6
 11 = VAN WHEEL BASE 1
 12 = VAN WHEEL BASE 2
 51 = WAGON WHEEL BASE 1
 52 = WAGON WHEEL BASE 2
 14 = VAN WHEEL BASE 4
 15 = VAN WHEEL BASE 5
 56 = WAGON WHEEL BASE 6
 16 = VAN WHEEL BASE 6
 54 = WAGON WHEEL BASE 4
 55 = WAGON WHEEL BASE 5

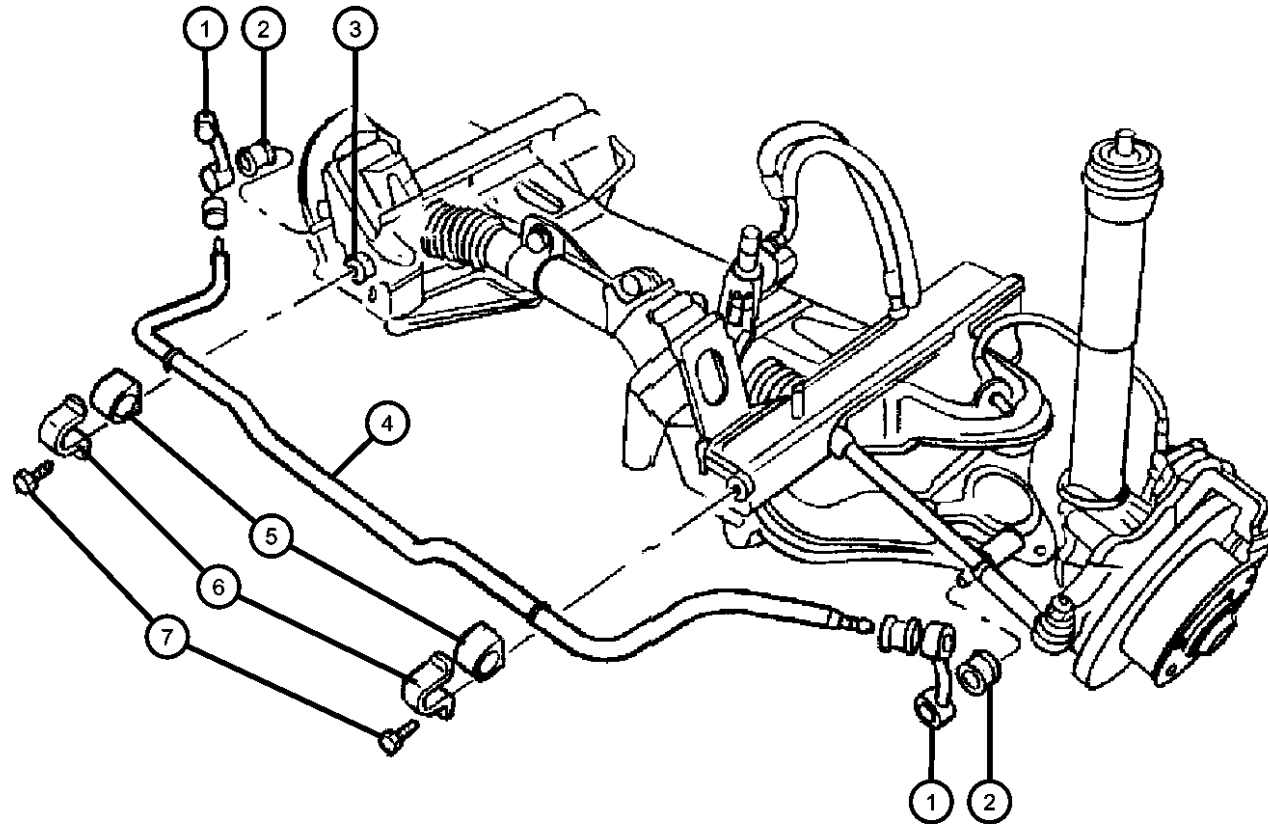
ENGINE

EX9 = Engine-2.7L I5
 Mercedes Turbo Diesel

TRANSMISSION

DGJ = Transmission-5-Spd. Automatic, W5A580

Front Stabilizer Bar
Figure 2-130



ITEM	PART NUMBER	QTY	LINE	SERIES	BODY	ENGINE	TRANS	TRIM	DESCRIPTION
1	05104059AA	1	2, 6	L	11, 12, 14, 15, 16				LINK, Stabilizer Bar Left
		1	2, 6	L	51, 52, 54, 55, 56				Left
	05104060AA	1	2, 6	L	11, 12, 14, 15, 16				Right
		1	2, 6	L	51, 52, 54, 55, 56				Right
2	05104066AA	4	2, 6	L	11, 12, 14, 15, 16				BUSHING
		4	2, 6	L	51, 52, 54, 55, 56				
3	05104677AA	2	2, 6	L	11, 12, 14, 15, 16				NUT
		2	2, 6	L	51, 52, 54, 55, 56				
4	05104576AA	1	2, 6	L	11, 12, 14, 15, 16				BAR, Front Sway
		1	2, 6	L	51, 52, 54, 55, 56				
5	05104577AA	2	2, 6	L	11, 12, 14, 15, 16				BUSHING, Stabilizer Bar
		2	2, 6	L	51, 52, 54, 55, 56				
6	05104067AA	2	2, 6	L	11, 12, 14, 15, 16				RETAINER, Stabilizer Bar Grommet
		2	2, 6	L	51, 52, 54, 55, 56				
7									BOLT

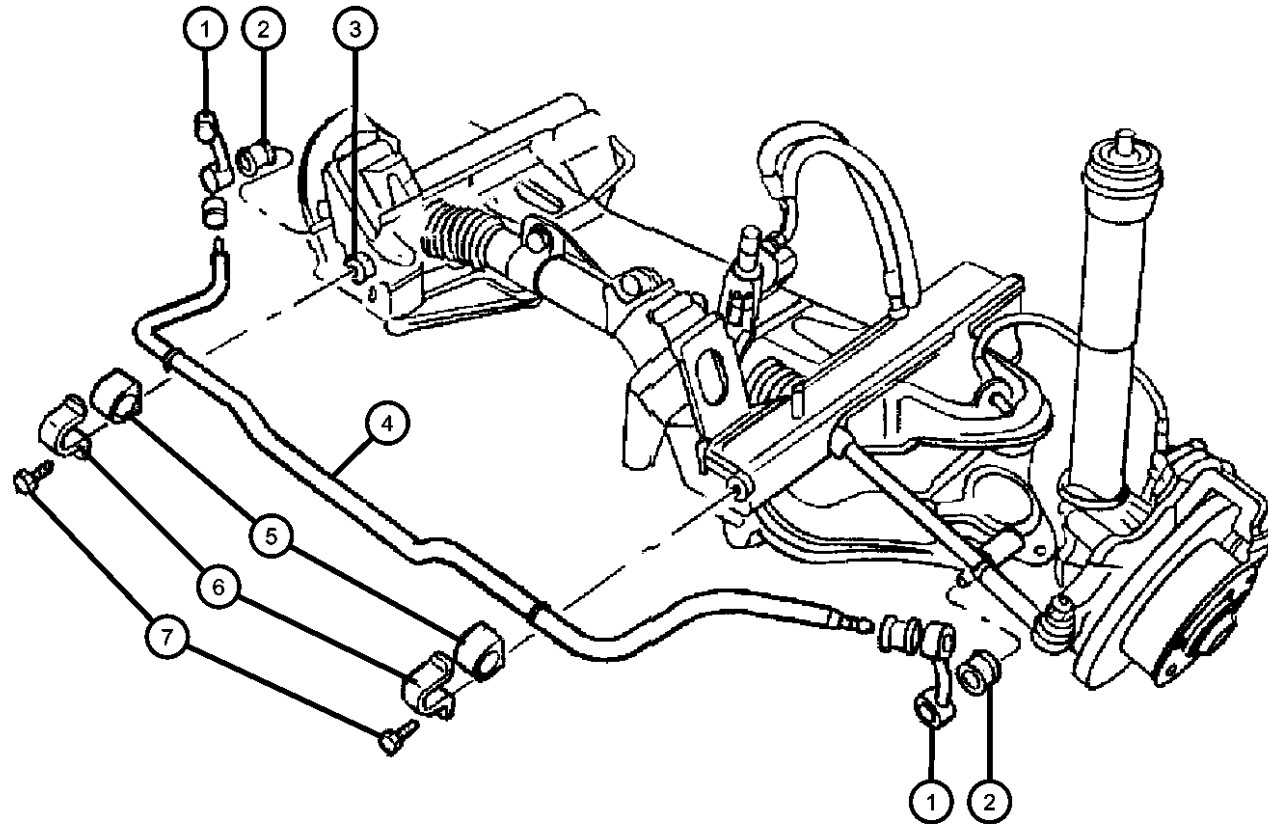
SPRINTER (VA)

SERIES	LINE	BODY	ENGINE	TRANSMISSION
L = LOWLINE	3 = HD DODGE 2WD 6 = Lt. Duty DODGE 4WD 2 = Med. Duty DODGE 2WD 7 = Med. Duty DODGE 4WD	01 = CHASSIS FORWARD CONTROL W.B.1 02 = CAB CHASSIS WHEEL BASE 2 06 = CAB CHASSIS WHEEL BASE 6 11 = VAN WHEEL BASE 1 12 = VAN WHEEL BASE 2 51 = WAGON WHEEL BASE 1 52 = WAGON WHEEL BASE 2 14 = VAN WHEEL BASE 4 15 = VAN WHEEL BASE 5 56 = WAGON WHEEL BASE 6 16 = VAN WHEEL BASE 6 54 = WAGON WHEEL BASE 4 55 = WAGON WHEEL BASE 5	EX9 = Engine-2.7L I5 Mercedes Turbo Diesel	DGJ = Transmission-5-Spd. Automatic, W5A580

AR = use ase required - = Non illustrated part

Front Stabilizer Bar
Figure 2-130

ITEM	PART NUMBER	QTY	LINE	SERIES	BODY	ENGINE	TRANS	TRIM	DESCRIPTION
	05104656AA	2	2, 6	L	11, 12, 14, 15, 16				
		2	2, 6	L	51, 52, 54, 55, 56				



SPRINTER (VA)

SERIES

L = LOWLINE

LINE

3 = HD DODGE 2WD
6 = Lt. Duty DODGE 4WD
2 = Med. Duty DODGE 2WD
7 = Med. Duty DODGE 4WD

BODY

01 = CHASSIS FORWARD CONTROL W.B.1
02 = CAB CHASSIS WHEEL BASE 2
06 = CAB CHASSIS WHEEL BASE 6
11 = VAN WHEEL BASE 1
12 = VAN WHEEL BASE 2
51 = WAGON WHEEL BASE 1
52 = WAGON WHEEL BASE 2
14 = VAN WHEEL BASE 4
15 = VAN WHEEL BASE 5
56 = WAGON WHEEL BASE 6
16 = VAN WHEEL BASE 6
54 = WAGON WHEEL BASE 4
55 = WAGON WHEEL BASE 5

ENGINE

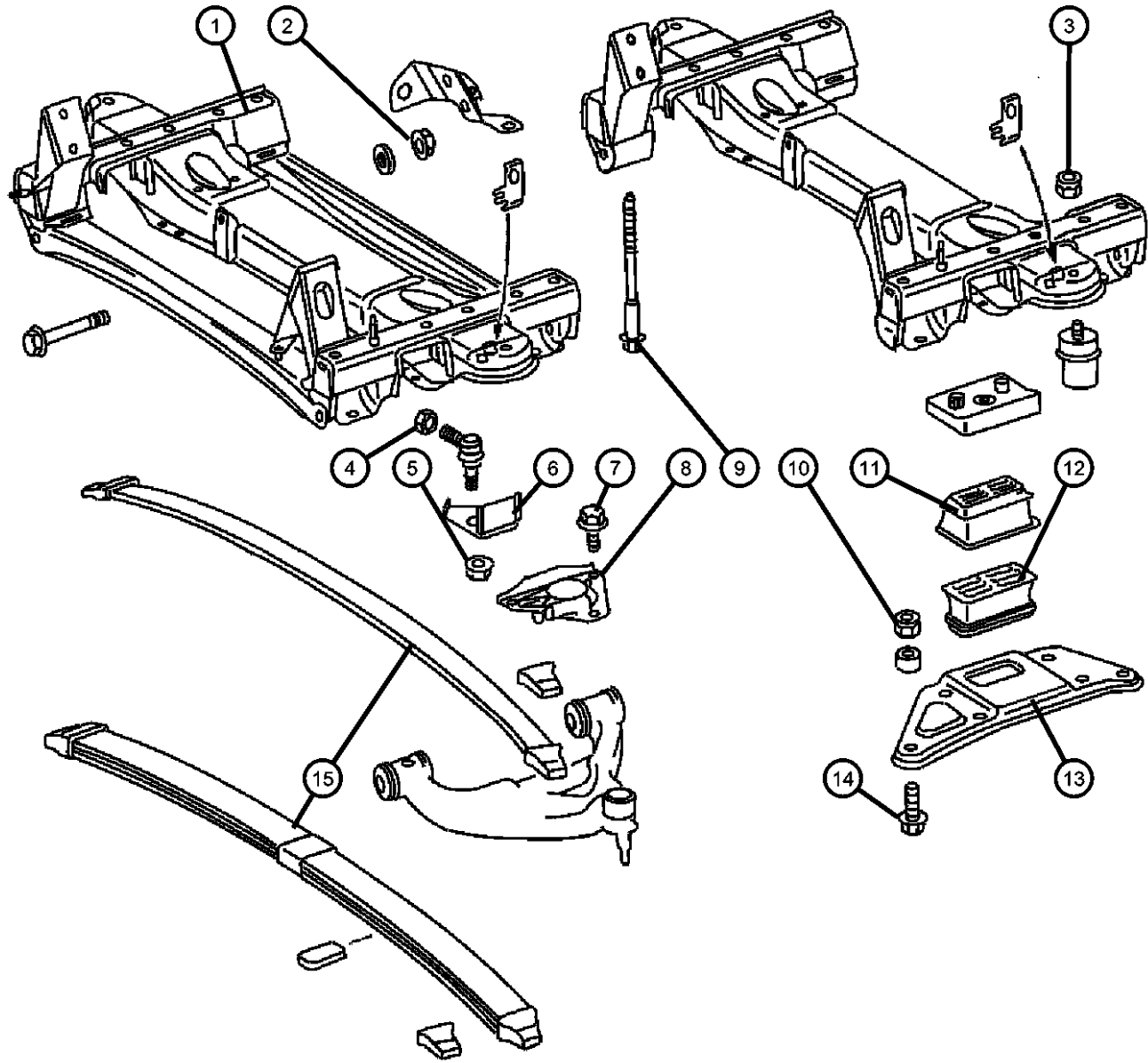
EX9 = Engine-2.7L I5
Mercedes Turbo Diesel

TRANSMISSION

DGJ = Transmission-5-Spd. Automatic, W5A580

AR = use ase required - = Non illustrated part

Front, Spring
Figure 2-140



ITEM	PART NUMBER	QTY	LINE	SERIES	BODY	ENGINE	TRANS	TRIM	DESCRIPTION
1	05104074AA	1	2, 6						CROSSMEMBER, Front Axle
2	05132896AA	6	2, 6	L	11, 12, 14, 15, 16				NUT
	06104718AA	4	2, 6	L	11, 12, 14, 15, 16				M12x1.5
		6	2, 6	L	51, 52, 54, 55, 56				
		4	3, 7	L	12, 15, 16				M12x1.5
		4	2, 6	L	51, 52, 54, 55, 56				M12x1.5
3	05132896AA	6	2, 6	L	11, 12, 14, 15, 16				NUT
		6	2, 6	L	51, 52, 54, 55, 56				
4	05125765AA	5	2, 6	L	11, 12, 14, 15, 16				NUT
		5	2, 6	L	51, 52, 54, 55, 56				
		5	3, 7	L	12, 15, 16				
5	05125761AA	2	2, 6	L	11, 12, 14, 15, 16				NUT
		2	2, 6	L	51, 52, 54, 55, 56				
6	05119249AA	2	2, 6	L	11, 12, 14, 15, 16				PLATE, Backing
		2	2, 6	L	51, 52, 54, 55, 56				
7	05126233AA	6	2, 6	L	11, 12, 14, 15, 16				BOLT M12x1.5x25.00

SPRINTER (VA)

SERIES

L = LOWLINE
 3 = HD DODGE 2WD
 6 = Lt. Duty DODGE 4WD
 2 = Med. Duty DODGE 2WD
 7 = Med. Duty DODGE 4WD

LINE

BODY

01 = CHASSIS FORWARD CONTROL W.B.1
 02 = CAB CHASSIS WHEEL BASE 2
 06 = CAB CHASSIS WHEEL BASE 6
 11 = VAN WHEEL BASE 1
 12 = VAN WHEEL BASE 2
 51 = WAGON WHEEL BASE 1
 52 = WAGON WHEEL BASE 2
 14 = VAN WHEEL BASE 4
 15 = VAN WHEEL BASE 5
 56 = WAGON WHEEL BASE 6
 16 = VAN WHEEL BASE 6
 54 = WAGON WHEEL BASE 4
 55 = WAGON WHEEL BASE 5

ENGINE

EX9 = Engine-2.7L I5
 Mercedes Turbo Diesel

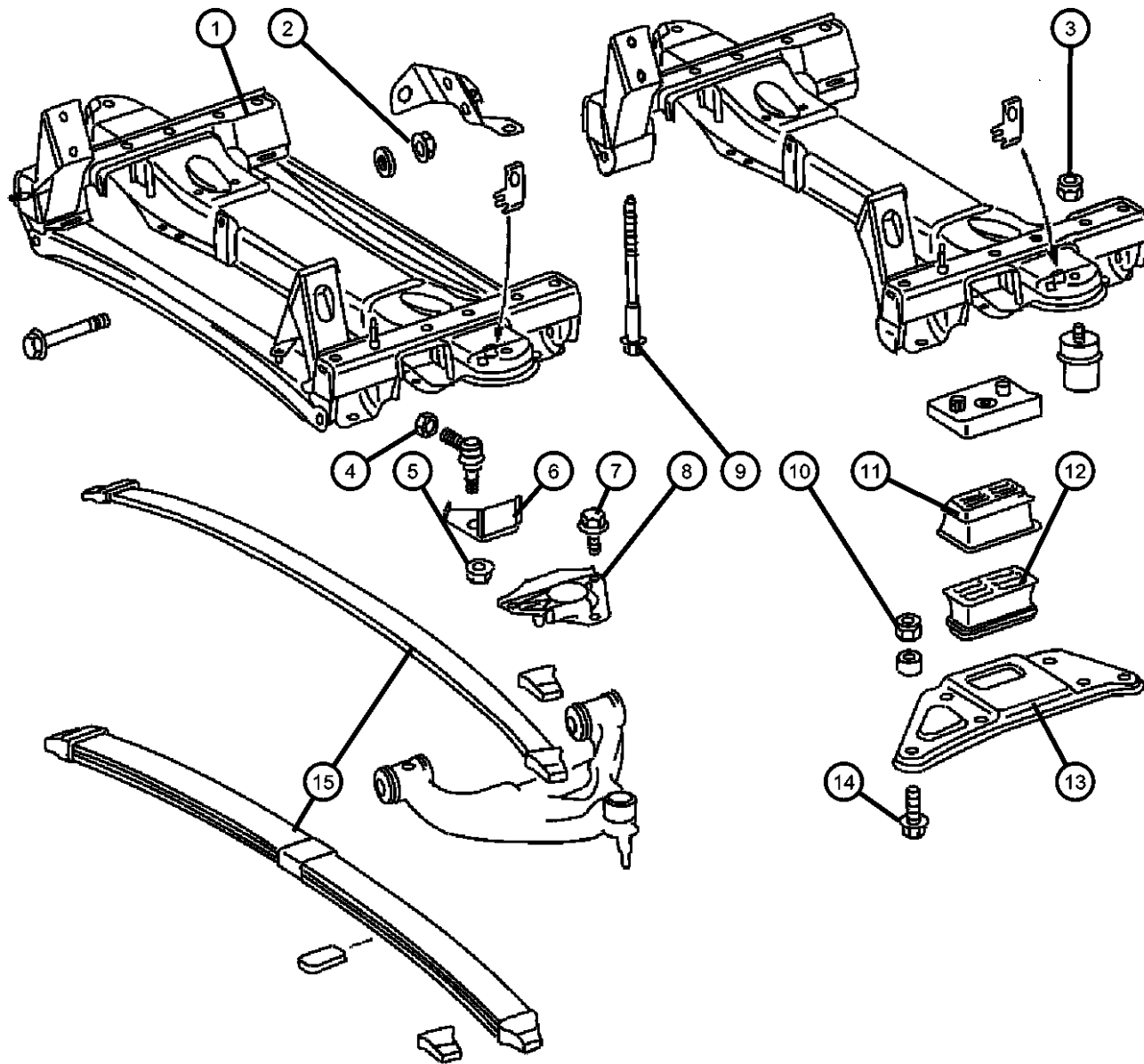
TRANSMISSION

DGJ = Transmission-5-Spd. Automatic, W5A580

AR = use ase required - = Non illustrated part

2002 VA

Front, Spring
Figure 2-140



ITEM	PART NUMBER	QTY	LINE	SERIES	BODY	ENGINE	TRANS	TRIM	DESCRIPTION
		6	2, 6	L	51, 52, 54, 55, 56				M12x1.5x25.00
8									PLATE, Stabilizer Bar
	05104064AA	1	2, 6	L	11, 12, 14, 15, 16				Right
		1	2, 6	L	51, 52, 54, 55, 56				Right
	05118707AA	1	2, 6	L	11, 12, 14, 15, 16				Left
		1	2, 6	L	51, 52, 54, 55, 56				Left
9									SCREW AND WASHER, Hex
	05125726AA	8	2, 6	L	51, 52, 54, 55, 56				
		8	3, 7	L	12, 15, 16				
		8	2, 6	L	11, 12, 14, 15, 16				
10									NUT
	06104717AA	8	2, 6	L	51, 52, 54, 55, 56				M10x1.5
		8	2, 6	L	11, 12, 14, 15, 16				M10x1.5
		8	3, 7	L	12, 15, 16				M10x1.5
	06104718AA	4	2, 6	L	11, 12, 14, 15, 16				M12x1.5
		4	3, 7	L	12, 15, 16				M12x1.5
		4	2, 6	L	51, 52, 54, 55, 56				M12x1.5
11	05139190AA	2							SEAT, Spring
12									SEAT, Spring
	05139188AA	1							Left
	05139189AA	1							Right
13									PLATE, Suspension

SPRINTER (VA)

SERIES

L = LOWLINE
 3 = HD DODGE 2WD
 6 = Lt. Duty DODGE 4WD
 2 = Med. Duty DODGE 2WD
 7 = Med. Duty DODGE 4WD

BODY

01 = CHASSIS FORWARD CONTROL W.B.1
 02 = CAB CHASSIS WHEEL BASE 2
 06 = CAB CHASSIS WHEEL BASE 6
 11 = VAN WHEEL BASE 1
 12 = VAN WHEEL BASE 2
 51 = WAGON WHEEL BASE 1
 52 = WAGON WHEEL BASE 2
 14 = VAN WHEEL BASE 4
 15 = VAN WHEEL BASE 5
 56 = WAGON WHEEL BASE 6
 16 = VAN WHEEL BASE 6
 54 = WAGON WHEEL BASE 4
 55 = WAGON WHEEL BASE 5

ENGINE

EX9 = Engine-2.7L I5
 Mercedes Turbo Diesel

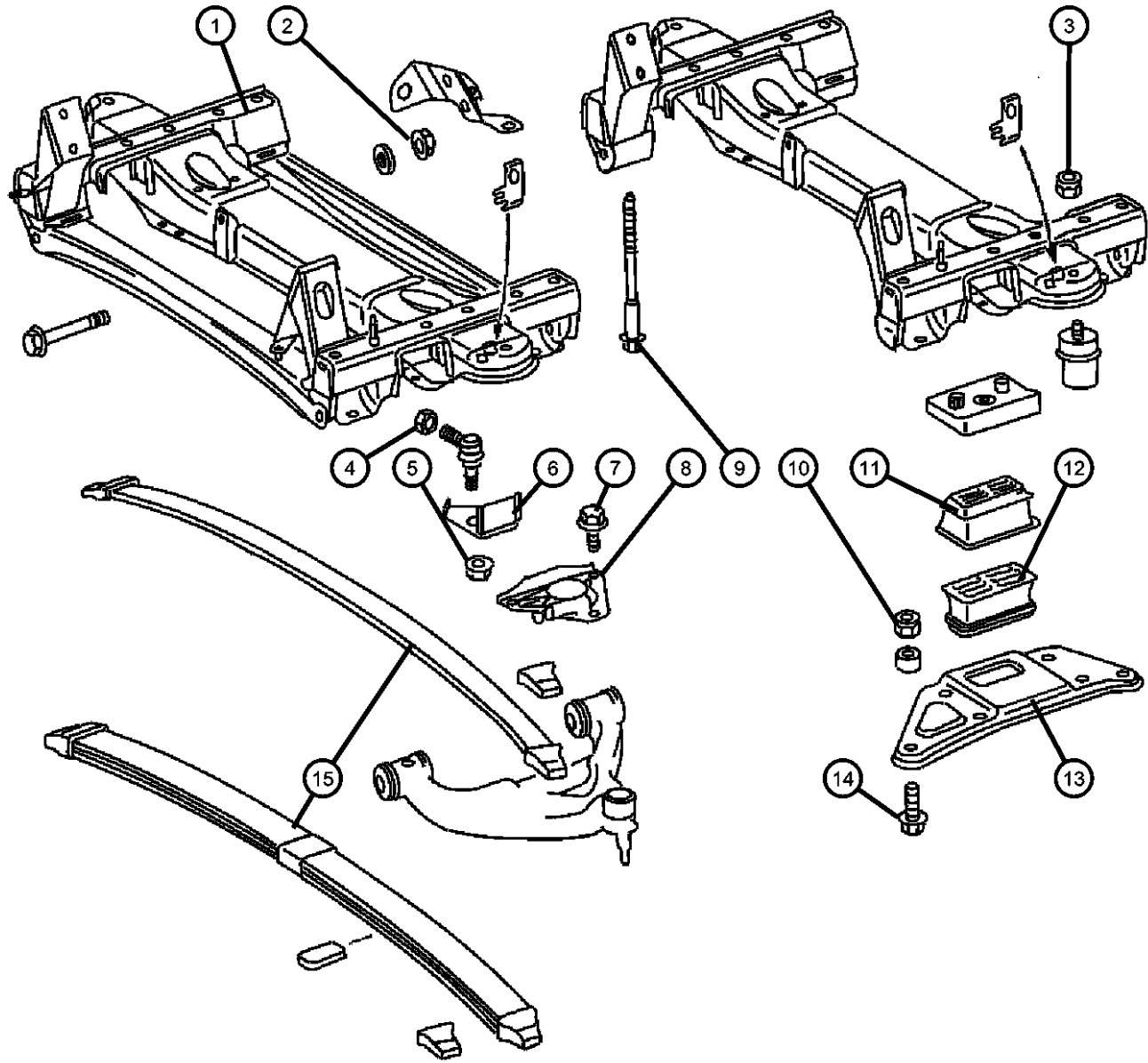
TRANSMISSION

DGJ = Transmission-5-Spd. Automatic, W5A580

AR = use ase required - = Non illustrated part

2002 VA

Front, Spring
Figure 2-140



ITEM	PART NUMBER	QTY	LINE	SERIES	BODY	ENGINE	TRANS	TRIM	DESCRIPTION
	05139186AA	1							Left
	05139187AA	1							Right
14	06104215AA	4	2, 6	L	51, 52, 54, 55, 56				BOLT, Hex Head M10x1.5x25.00
	06104233AA	4							M12x1.5x25.00
		4	2, 6	L	11, 12, 14, 15, 16				M10x1.5x25.00
15	05139112AA	1							SPRING, Front Leaf

SPRINTER (VA)

SERIES

L = LOWLINE
 3 = HD DODGE 2WD
 6 = Lt. Duty DODGE 4WD
 2 = Med. Duty DODGE 2WD
 7 = Med. Duty DODGE 4WD

LINE

BODY

01 = CHASSIS FORWARD CONTROL W.B.1
 02 = CAB CHASSIS WHEEL BASE 2
 06 = CAB CHASSIS WHEEL BASE 6
 11 = VAN WHEEL BASE 1
 12 = VAN WHEEL BASE 2
 51 = WAGON WHEEL BASE 1
 52 = WAGON WHEEL BASE 2
 14 = VAN WHEEL BASE 4
 15 = VAN WHEEL BASE 5
 56 = WAGON WHEEL BASE 6
 16 = VAN WHEEL BASE 6
 54 = WAGON WHEEL BASE 4
 55 = WAGON WHEEL BASE 5

ENGINE

EX9 = Engine-2.7L I5
 Mercedes Turbo Diesel

TRANSMISSION

DGJ = Transmission-5-Spd. Automatic, W5A580

AR = use ase required - = Non illustrated part

Group - 3

Rear Axle

Group - 3 Rear Axle

Group-Fig. No.

Illustration Title

Rear Axle

Differential Assembly,Rear Fig. 3 - 110

Differential and Housing

Internal Differential Parts,Rear Fig. 3 - 210

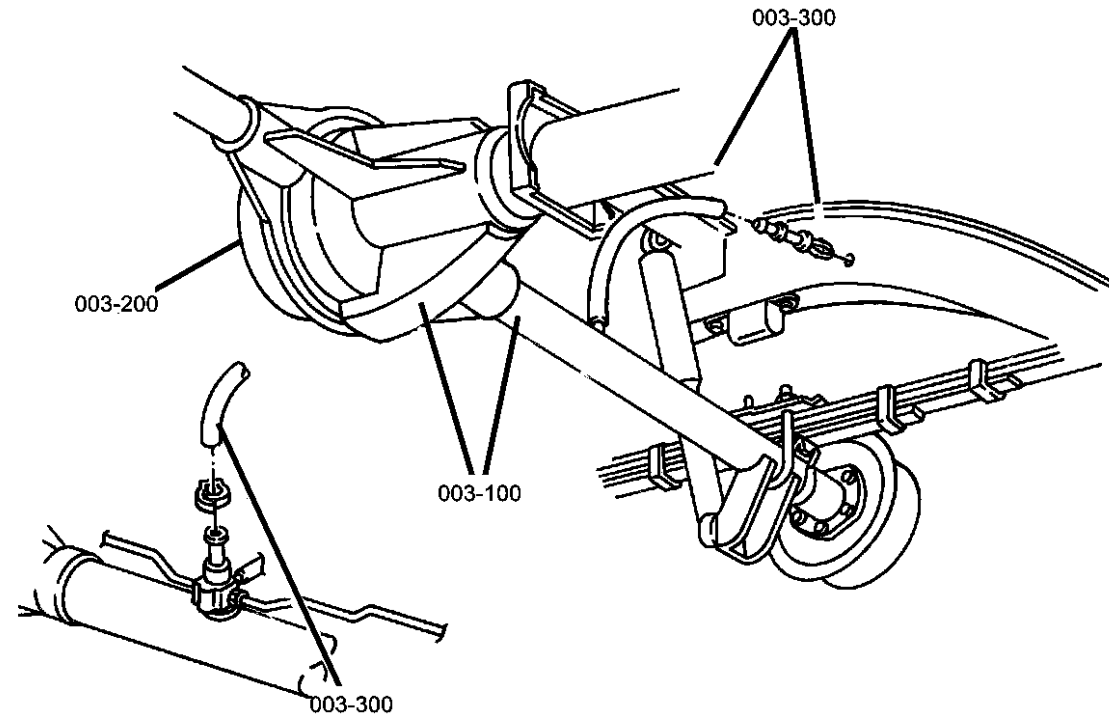
Differential Housing,Rear Fig. 3 - 220

Axle Shaft and Wheel Bearings,Single Rear Wheels..... Fig. 3 - 230

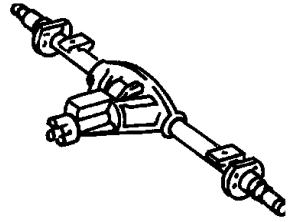
Axle Shaft and Wheel Bearings,Dual Rear Wheels Fig. 3 - 240

Rear Axle Vent

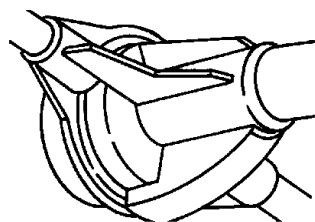
Vent,Rear Axle Fig. 3 - 310



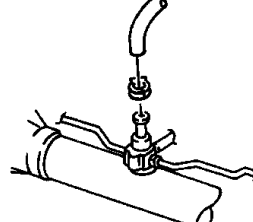
003-100
Rear Axle



003-200
Differential and Housing



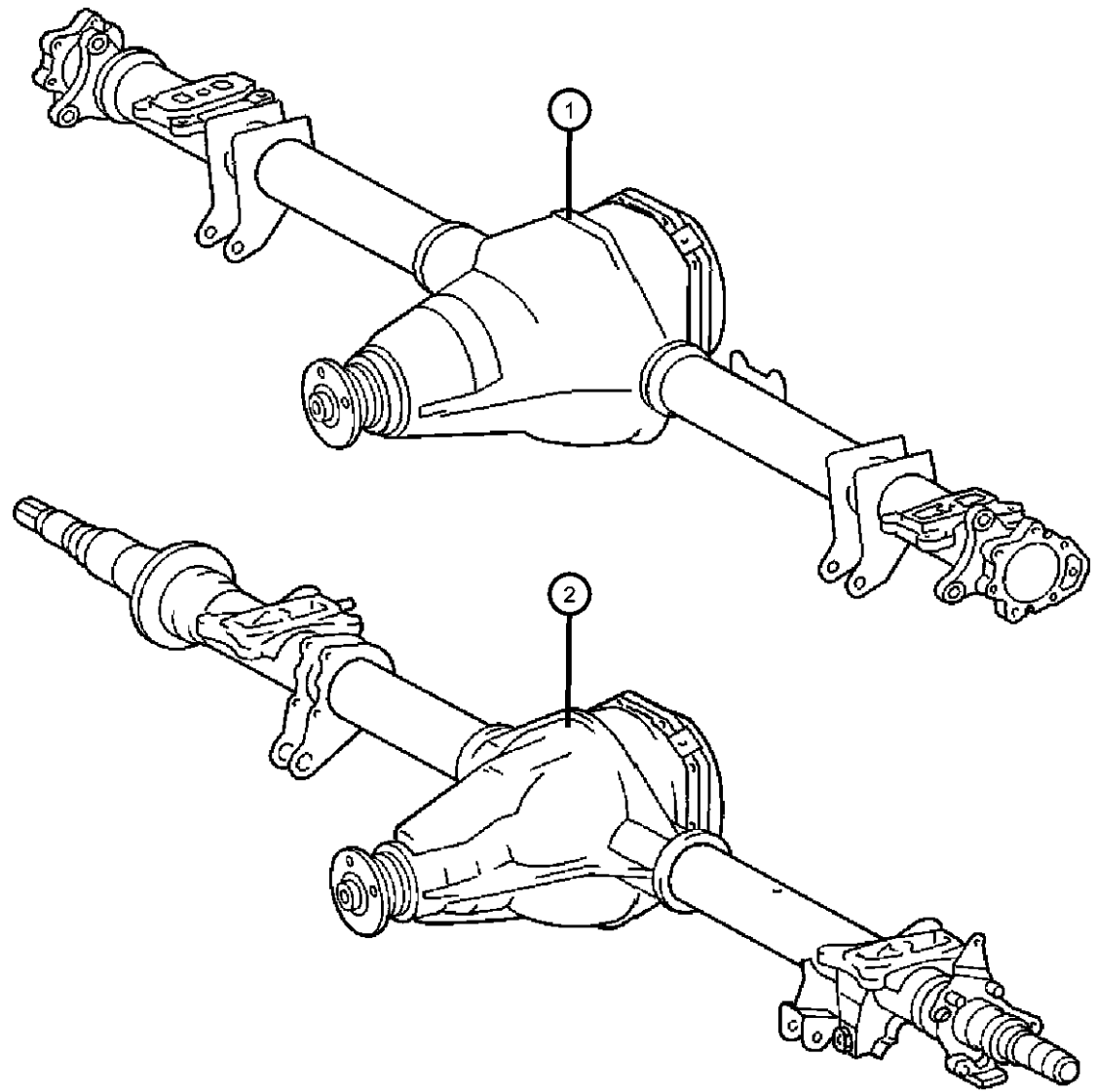
003-300
Rear Axle Vent



Differential Assembly,Rear
Figure 3-110

ITEM	PART NUMBER	QTY	LINE	SERIES	BODY	ENGINE	TRANS	TRIM	DESCRIPTION
------	-------------	-----	------	--------	------	--------	-------	------	-------------

Note: Sales Codes:
[DME]=Axle Ratio - 3.72
[DMF]=Axle Ratio - 4.11



1	05137591AA	1	2, 6						AXLE, Service Rear
	05136033AA								[DMF] Single Rear Axle
	05137755AA	1	2, 6	L					Mopar SAE 90 Gear Lube Quart for Sprinter Axles
	05136033AA								[DME] Single Rear Axle
2	05135823AA	1	3, 7	L	12, 15, 16				AXLE, Service Rear
	05136033AA								[DME] Dual Rear Axle
	05135928AA	1	3, 7	L					Mopar SAE 90 Gear Lube Quart for Sprinter Axles
	05136033AA								[DMF] Dual Rear Axle
									Mopar SAE 90 Gear Lube Quart for Sprinter Axles

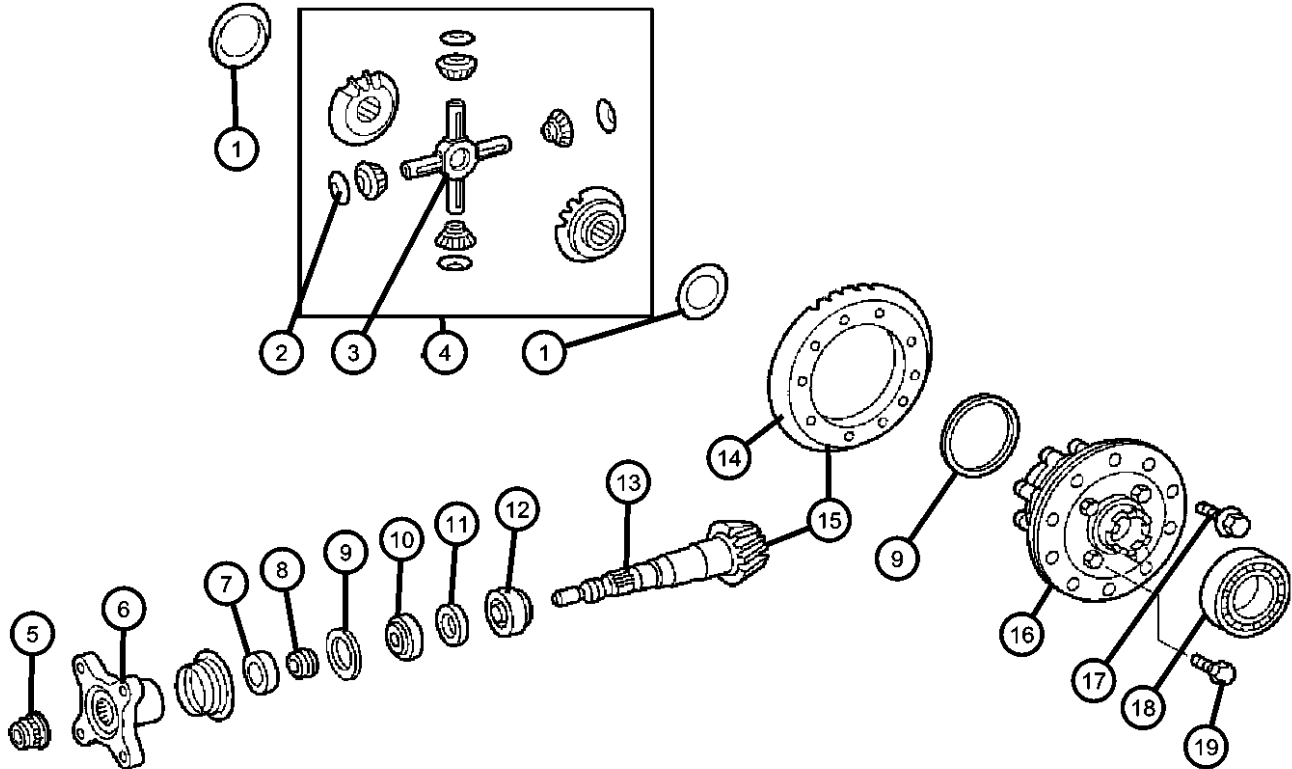
SPRINTER (VA)

SERIES	LINE	BODY	ENGINE	TRANSMISSION
L = LOWLINE	3 = HD DODGE 2WD 6 = Lt. Duty DODGE 4WD 2 = Med. Duty DODGE 2WD 7 = Med. Duty DODGE 4WD	01 = CHASSIS FORWARD CONTROL W.B.1 02 = CAB CHASSIS WHEEL BASE 2 06 = CAB CHASSIS WHEEL BASE 6 11 = VAN WHEEL BASE 1 12 = VAN WHEEL BASE 2 51 = WAGON WHEEL BASE 1 52 = WAGON WHEEL BASE 2 14 = VAN WHEEL BASE 4 15 = VAN WHEEL BASE 5 56 = WAGON WHEEL BASE 6 16 = VAN WHEEL BASE 6 54 = WAGON WHEEL BASE 4 55 = WAGON WHEEL BASE 5	EX9 = Engine-2.7L I5 Mercedes Turbo Diesel	DGJ = Transmission-5-Spd. Automatic,W5A580

AR = use ase required - = Non illustrated part

2002 VA

Internal Differential Parts,Rear
Figure 3-210



ITEM	PART NUMBER	QTY	LINE	SERIES	BODY	ENGINE	TRANS	TRIM	DESCRIPTION
1									WASHER, Side Gear Thrust
	05136792AA	AR	3, 7	L					1.30 MM Steel
	05136810AA	AR	3, 7	L					1.30 MM Brass
	05136819AA	AR	2, 3, 6, 7	L					1.40 MM Brass
	05136820AA	AR	3, 7	L					1.40 MM Steel
	05136822AA	AR	3, 7	L					1.50 MM Steel
	05136823AA	AR	3, 7	L					1.50 MM Brass
	05136826AA	AR	3, 7	L					1.60 MM Steel
	05136827AA	AR	3, 7	L					1.60 MM Brass
	05136829AA	AR	3, 7	L					1.70 MM Steel
	05136830AA	AR	3, 7	L					1.70 MM Brass
	05136834AA	AR	3, 7	L					1.80 MM Steel
	05136835AA	AR	3, 7	L					1.80 MM Brass
	05136841AA	AR	3, 7	L					1.90 MM Steel
2									WASHER, Pinion Gear
	05136148AA	4	3, 7						
		4	2, 6						
3	05136150AA	1	3, 7						SHAFT, Differential Pinion
4									GEAR PACKAGE, Differential
	05104558AA	1	2, 6	L	11, 12, 14, 15, 16				[DME,BGK]
		1	2, 6	L	51, 52, 54, 55, 56				[DME,BGK]
	05137602AA	1	2, 3, 6, 7						
5									NUT, Pinion Yoke
	05103957AA	1							Up To Axle L538154 or X004694
	05103958AA	1							From Axle L538155 or X004695
6	05134541AA	1		L					FLANGE, Driveshaft Yoke
7	05103966AA	1		L					RING, Pinion flange

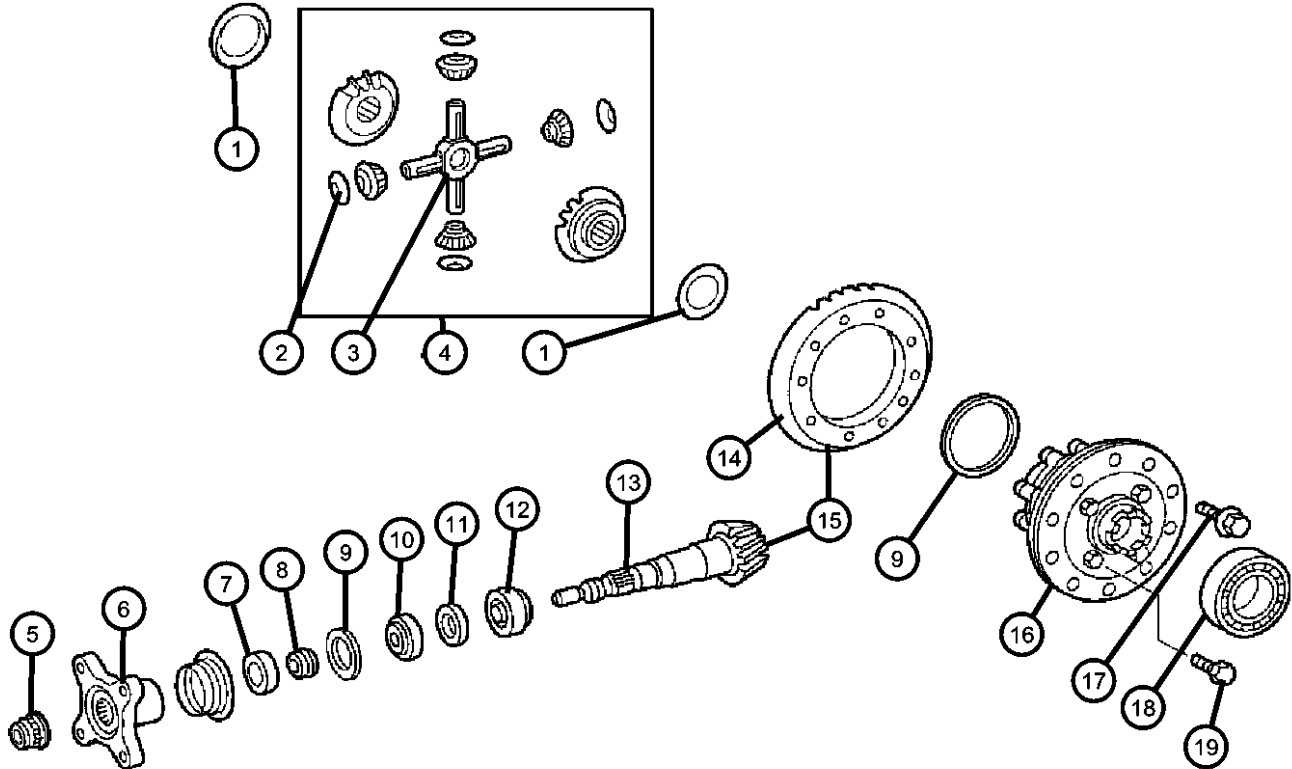
SPRINTER (VA)

SERIES	LINE	BODY	ENGINE	TRANSMISSION
L = LOWLINE	3 = HD DODGE 2WD 6 = Lt. Duty DODGE 4WD 2 = Med. Duty DODGE 2WD 7 = Med. Duty DODGE 4WD	01 = CHASSIS FORWARD CONTROL W.B.1 02 = CAB CHASSIS WHEEL BASE 2 06 = CAB CHASSIS WHEEL BASE 6 11 = VAN WHEEL BASE 1 12 = VAN WHEEL BASE 2 51 = WAGON WHEEL BASE 1 52 = WAGON WHEEL BASE 2 14 = VAN WHEEL BASE 4 15 = VAN WHEEL BASE 5 56 = WAGON WHEEL BASE 6 16 = VAN WHEEL BASE 6 54 = WAGON WHEEL BASE 4 55 = WAGON WHEEL BASE 5	EX9 = Engine-2.7L I5 Mercedes Turbo Diesel	DGJ = Transmission-5-Spd. Automatic,W5A580

AR = use ase required - = Non illustrated part

Internal Differential Parts,Rear
Figure 3-210

ITEM	PART NUMBER	QTY	LINE	SERIES	BODY	ENGINE	TRANS	TRIM	DESCRIPTION
8	05134540AA	1			L				SPACER, Drive Pinion Bearing
9									SHIM, Axle
	05134415AA	1	2, 3, 6, 7						[4.90 MM]
	05134416AA	1	2, 3, 6, 7						[4.92 MM]
	05134417AA	1	2, 3, 6, 7						[4.94 MM]
	05134418AB	1	2, 3, 6, 7						[4.96 MM]
	05134419AA	1	2, 3, 6, 7						[5.00 MM]
	05134420AA	1	2, 3, 6, 7						[5.02 MM]
	05134421AA	1	2, 3, 6, 7						[5.04 MM]
	05134422AB	1	2, 3, 6, 7						[5.06 MM]
	05134423AA	1	2, 3, 6, 7						[5.12 MM]
	05134424AA	1	2, 3, 6, 7		L				[5.16 MM]
	05134425AA	1	2, 3, 6, 7		L				[5.20 MM]
	05134427AA	1	2, 3, 6, 7		L				[5.24 MM]
	05134428AA	1	2, 3, 6, 7		L				[5.28 MM]
	05134429AA	1	2, 3, 6, 7		L				[5.32 MM]
	05134430AA	1	2, 3, 6, 7		L				[5.36 MM]
	05134431AA	1	2, 3, 6, 7		L				[5.40 MM]
	05134432AA	1	2, 3, 6, 7		L				[5.50 MM]
	05134433AA	1	2, 3, 6, 7		L				[5.60 MM]
	05134434AA	1	2, 3, 6, 7		L				[5.72 MM]
	05134435AA	1	2, 3, 6, 7		L				[5.76 MM]
	05134436AA	1	2, 3, 6, 7		L				[5.80 MM]
	05134437AA	1	2, 3, 6, 7		L				[5.84 MM]
	05134438AA	1	2, 3, 6, 7		L				[5.88 MM]
	05134439AA	1	2, 3, 6, 7		L				[5.92 MM]
	05134440AA	1	2, 3, 6, 7		L				[5.96 MM]

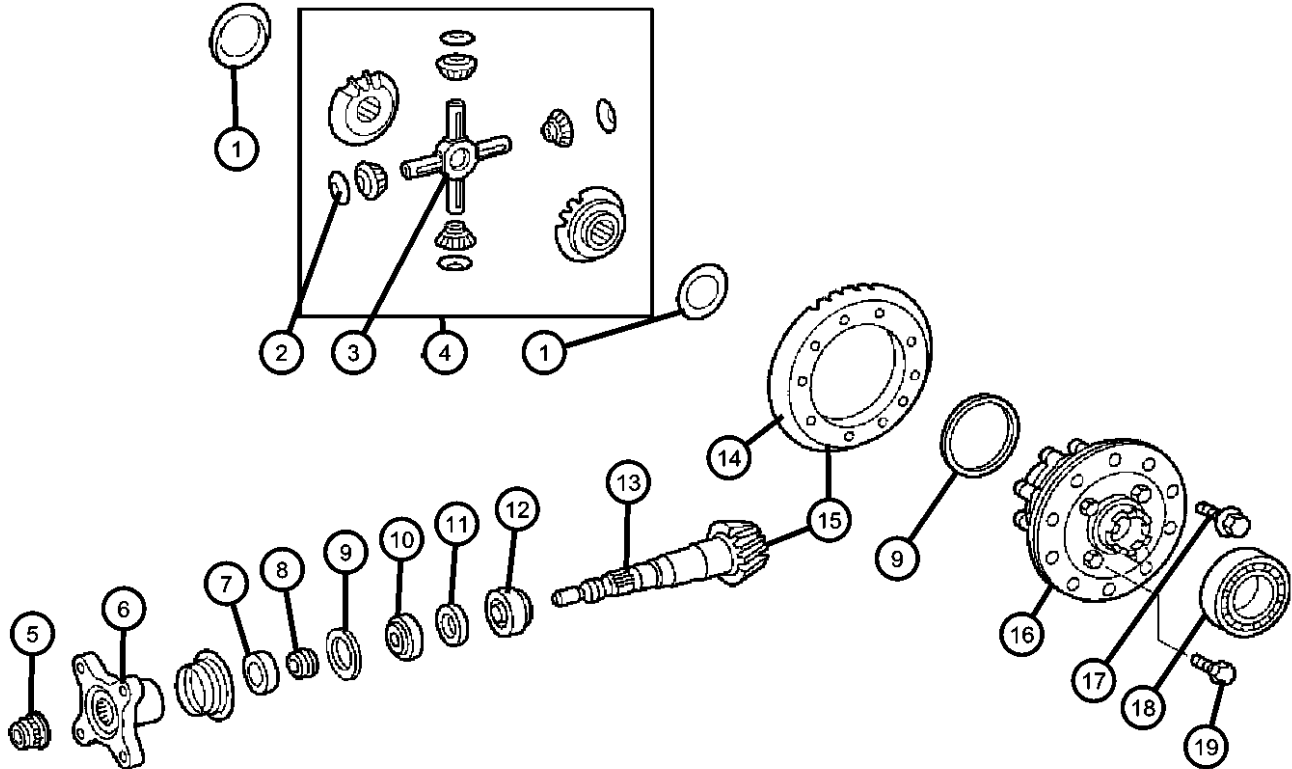


SPRINTER (VA)

SERIES	LINE	BODY	ENGINE	TRANSMISSION
L = LOWLINE	3 = HD DODGE 2WD 6 = Lt. Duty DODGE 4WD 2 = Med. Duty DODGE 2WD 7 = Med. Duty DODGE 4WD	01 = CHASSIS FORWARD CONTROL W.B.1 02 = CAB CHASSIS WHEEL BASE 2 06 = CAB CHASSIS WHEEL BASE 6 11 = VAN WHEEL BASE 1 12 = VAN WHEEL BASE 2 51 = WAGON WHEEL BASE 1 52 = WAGON WHEEL BASE 2 14 = VAN WHEEL BASE 4 15 = VAN WHEEL BASE 5 56 = WAGON WHEEL BASE 6 16 = VAN WHEEL BASE 6 54 = WAGON WHEEL BASE 4 55 = WAGON WHEEL BASE 5	EX9 = Engine-2.7L I5 Mercedes Turbo Diesel	DGJ = Transmission-5-Spd. Automatic,W5A580

AR = use ase required - = Non illustrated part

Internal Differential Parts,Rear
Figure 3-210



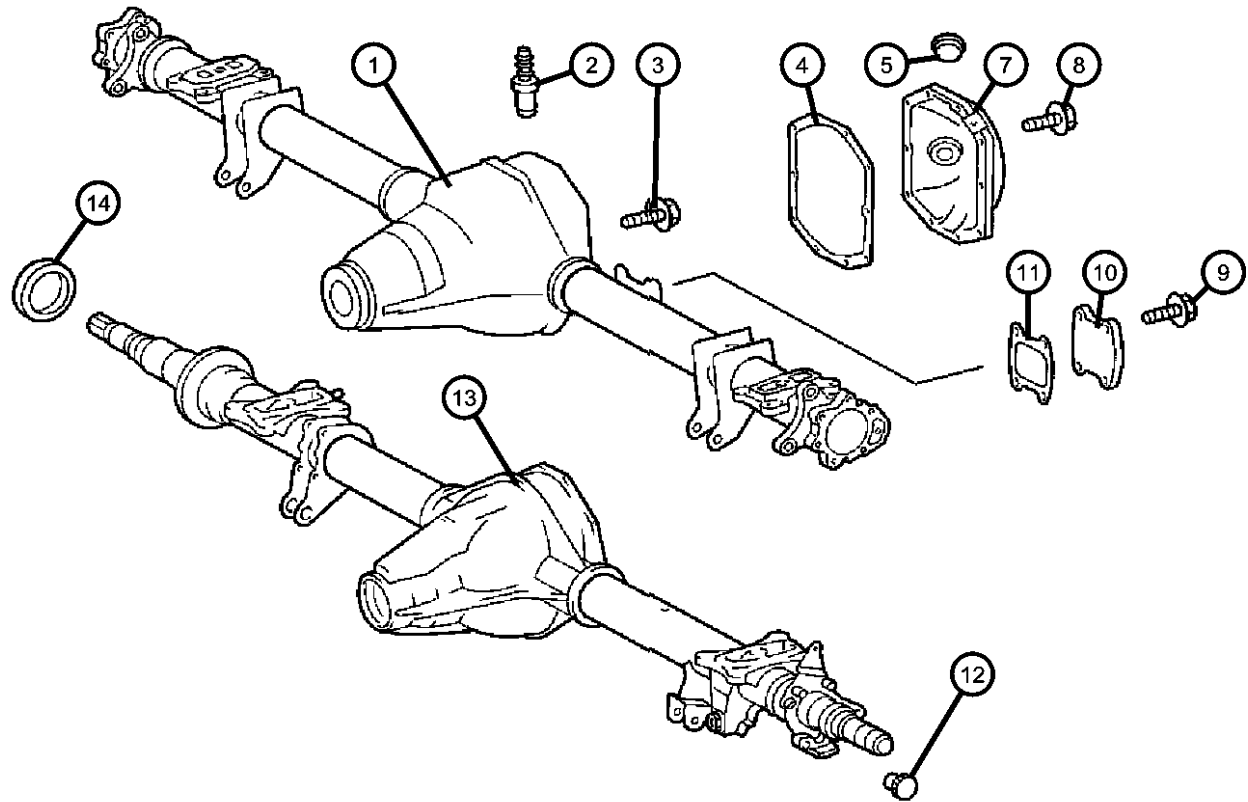
ITEM	PART NUMBER	QTY	LINE	SERIES	BODY	ENGINE	TRANS	TRIM	DESCRIPTION
	05134441AA	1	2, 3, 6, 7	L					[6.00 MM]
	05134466AA	1	2, 3, 6, 7	L					[6.10 MM]
	05134467AA	1	2, 3, 6, 7	L					[6.20 MM]
	05134469AA	1	2, 3, 6, 7	L					[6.38 MM]
10	05136772AA	1		L					BEARINGFront
11	05103900AA	1		L					SEAL, Drive Pinion
12	05134442AA	1		L					BEARING, Drive PinionRear
13	05136773AA	1	2, 3, 6, 7	L					PINION, Differential, [DME,BGK]
14	05136774AA	1		L					GEAR, Differential Ring, [DME,BGK]
15	05136156AA	1	2, 3, 6, 7	L	11, 12, 14, 15, 16				GEAR KIT, Ring And Pinion [DMF,BGK]
		1	2, 3, 6, 7	L	51, 52, 54, 55, 56				[DMF,BGK]
16	05104557AA	1	2, 6	L	11, 12, 14, 15, 16				CASE, Differential [DME,BGK]
		1	2, 6	L	51, 52, 54, 55, 56				[DME,BGK]
	05136171AA	1	3, 7		11, 12, 14, 15, 16				[DME]
	05136172AA	1	3, 7		11, 12, 14, 15, 16				[DMF]
	05137618AA	1	2, 3, 6, 7						[DME]
17	05103849AA	10	2, 3, 6, 7	L					BOLT, Ring Gear, Mounting
18	05097700AA	1	2, 3, 6, 7						BEARING, Differential
19	05136178AA	8							SCREW, Differential, Differential Case Half, Mounting

SPRINTER (VA)

SERIES	LINE	BODY	ENGINE	TRANSMISSION
L = LOWLINE	3 = HD DODGE 2WD 6 = Lt. Duty DODGE 4WD 2 = Med. Duty DODGE 2WD 7 = Med. Duty DODGE 4WD	01 = CHASSIS FORWARD CONTROL W.B.1 02 = CAB CHASSIS WHEEL BASE 2 06 = CAB CHASSIS WHEEL BASE 6 11 = VAN WHEEL BASE 1 12 = VAN WHEEL BASE 2 51 = WAGON WHEEL BASE 1 52 = WAGON WHEEL BASE 2 14 = VAN WHEEL BASE 4 15 = VAN WHEEL BASE 5 56 = WAGON WHEEL BASE 6 16 = VAN WHEEL BASE 6 54 = WAGON WHEEL BASE 4 55 = WAGON WHEEL BASE 5	EX9 = Engine-2.7L I5 Mercedes Turbo Diesel	DGJ = Transmission-5-Spd. Automatic,W5A580

AR = use ase required - = Non illustrated part

Differential Housing,Rear
Figure 3-220



ITEM	PART NUMBER	QTY	LINE	SERIES	BODY	ENGINE	TRANS	TRIM	DESCRIPTION
1	05136178AA	8							HOUSING, Rear Axle, (NOT SERVICED)
2	05134368AA	1	3, 7	L	12, 15, 16				VENT, Axle
		1	2, 6	L	11, 12, 14, 15, 16				
		1	2, 6	L	51, 52, 54, 55, 56				
3	06104225AA	4	3, 7	L	12, 15, 16				BOLT, Hex Head
		4	2, 6	L	11, 12, 14, 15, 16				Carrier Bearing Cap, Mounting
		4	2, 6	L	51, 52, 54, 55, 56				Carrier Bearing Cap, Mounting
4	05103574AA	1	2, 3, 6, 7						GASKET, Differential CoverMounting
5	05097712AA	1	2, 3, 6, 7						PLUG, Oil Drain, Oil Filling and Oil Drain
-6	05134372AA	1	2, 3, 6, 7						GASKET, Oil Filling and Oil Drain Plug, Mounting
7	05103953AA	1	3, 7	L	12, 15, 16				COVER, Differential
		1	2, 6	L	11, 12, 14, 15, 16				
		1	2, 6	L	51, 52, 54, 55, 56				
8	05134371AA	10	2, 3, 6, 7						SCREW AND WASHER, Differential Cover, Mounting
9	06104195AA	4	2, 6	L	11, 12, 14, 15, 16				AXLE HOUSING COVER, MOUNTING
		4	2, 6	L	51, 52, 54, 55, 56				AXLE HOUSING COVER, MOUNTING
10	05134668AA	1	2, 6	L	11, 12, 14, 15, 16				COVER Axle Housing

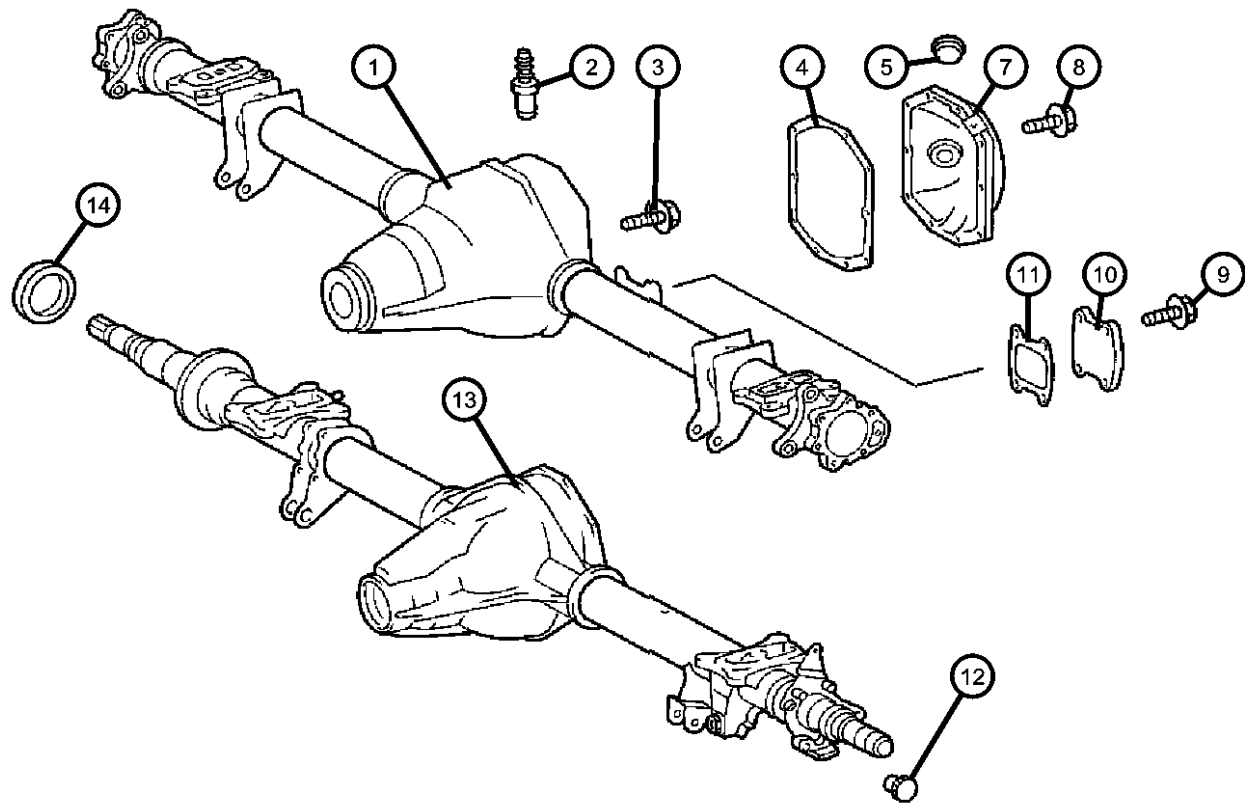
SPRINTER (VA)

SERIES	LINE	BODY	ENGINE	TRANSMISSION
L = LOWLINE	3 = HD DODGE 2WD 6 = Lt. Duty DODGE 4WD 2 = Med. Duty DODGE 2WD 7 = Med. Duty DODGE 4WD	01 = CHASSIS FORWARD CONTROL W.B.1 02 = CAB CHASSIS WHEEL BASE 2 06 = CAB CHASSIS WHEEL BASE 6 11 = VAN WHEEL BASE 1 12 = VAN WHEEL BASE 2 51 = WAGON WHEEL BASE 1 52 = WAGON WHEEL BASE 2 14 = VAN WHEEL BASE 4 15 = VAN WHEEL BASE 5 56 = WAGON WHEEL BASE 6 16 = VAN WHEEL BASE 6 54 = WAGON WHEEL BASE 4 55 = WAGON WHEEL BASE 5	EX9 = Engine-2.7L I5 Mercedes Turbo Diesel	DGJ = Transmission-5-Spd. Automatic,W5A580

AR = use ase required - = Non illustrated part

Differential Housing,Rear
Figure 3-220

ITEM	PART NUMBER	QTY	LINE	SERIES	BODY	ENGINE	TRANS	TRIM	DESCRIPTION
		1	2, 6	L	51, 52, 54, 55, 56				Axle Housing
11	05134669AA	1	2, 6	L	11, 12, 14, 15, 16				GASKET Axle Housing Cover, Mounting
		1	2, 6	L	51, 52, 54, 55, 56				Axle Housing Cover, Mounting
12	05134667AA	2	3, 7	L	12, 15, 16				PLUG, To Lock Holes for ABS
13	05139133AA	1	3, 7	L	12, 15, 16				HOUSING, Rear Axle, For Dual Rear Wheels
14									THRUST RING
	05104027AA	1	3, 7	L	12, 15, 16				Right
	05134665AA	1	3, 7	L	12, 15, 16				Left



SPRINTER (VA)

SERIES

L = LOWLINE
 3 = HD DODGE 2WD
 6 = Lt. Duty DODGE 4WD
 2 = Med. Duty DODGE 2WD
 7 = Med. Duty DODGE 4WD

LINE

BODY

01 = CHASSIS FORWARD CONTROL W.B.1
 02 = CAB CHASSIS WHEEL BASE 2
 06 = CAB CHASSIS WHEEL BASE 6
 11 = VAN WHEEL BASE 1
 12 = VAN WHEEL BASE 2
 51 = WAGON WHEEL BASE 1
 52 = WAGON WHEEL BASE 2
 14 = VAN WHEEL BASE 4
 15 = VAN WHEEL BASE 5
 56 = WAGON WHEEL BASE 6
 16 = VAN WHEEL BASE 6
 54 = WAGON WHEEL BASE 4
 55 = WAGON WHEEL BASE 5

ENGINE

EX9 = Engine-2.7L I5
 Mercedes Turbo Diesel

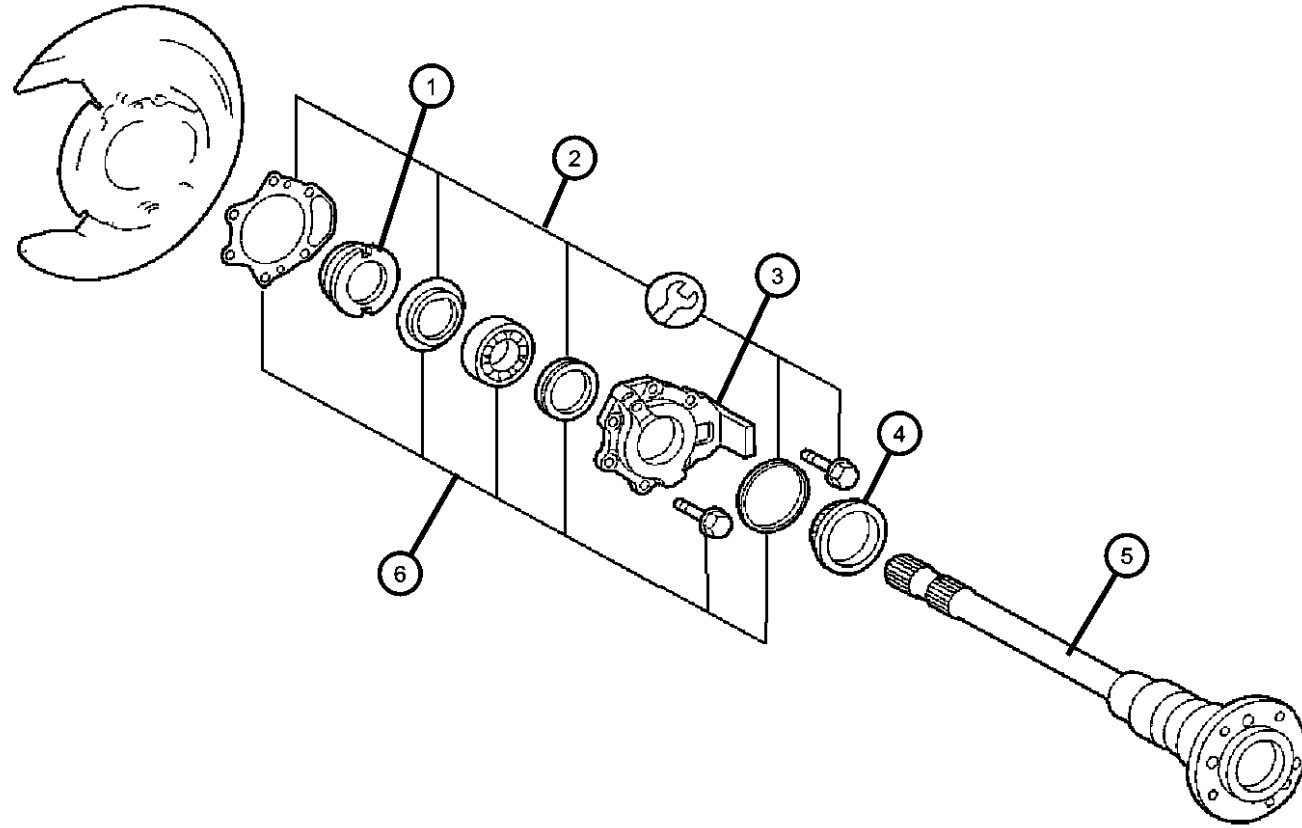
TRANSMISSION

DGJ = Transmission-5-Spd. Automatic,W5A580

AR = use ase required - = Non illustrated part

2002 VA

Axle Shaft and Wheel Bearings, Single Rear Wheels
Figure 3-230



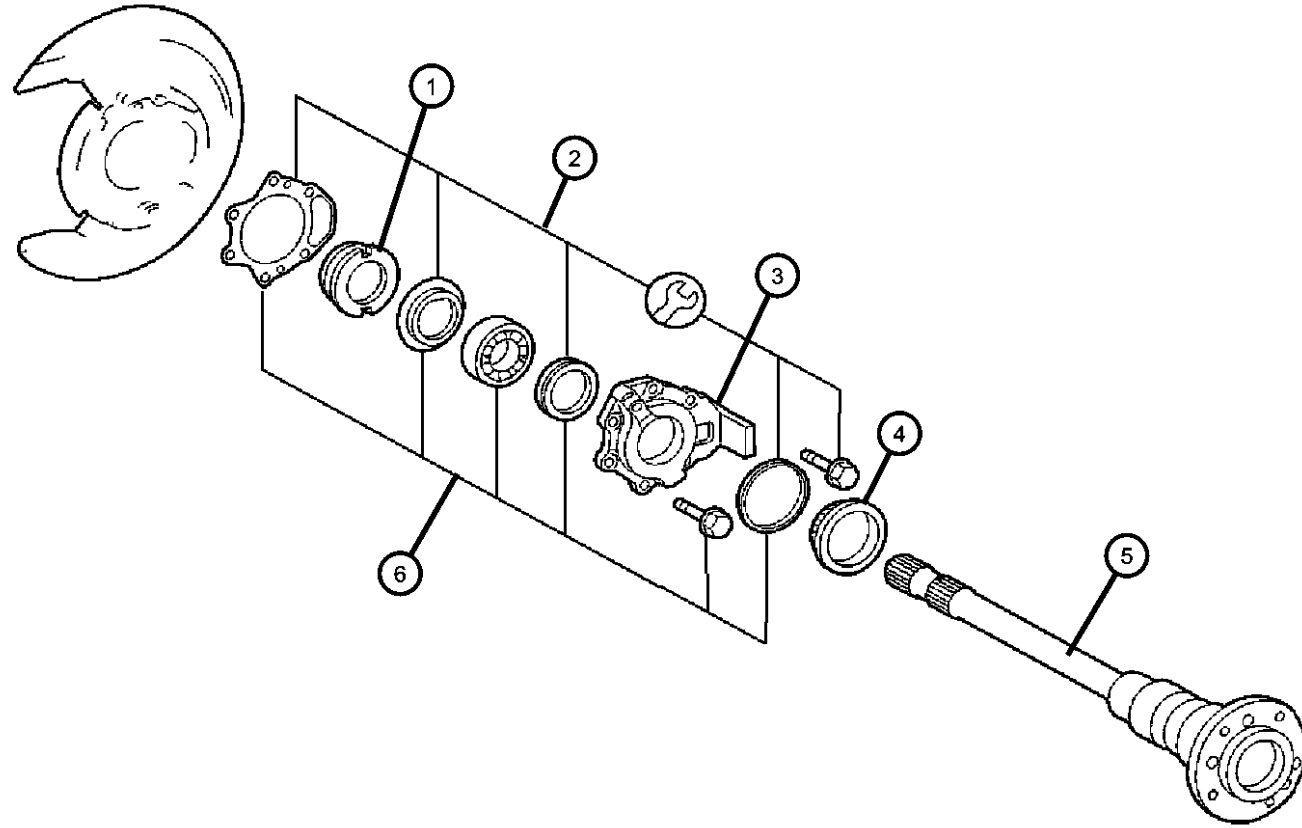
ITEM	PART NUMBER	QTY	LINE	SERIES	BODY	ENGINE	TRANS	TRIM	DESCRIPTION	
1	05134634AA	1	2, 6	L	11, 12, 14, 15, 16				NUT, Axle shaft Right	
		1	2, 6	L	51, 52, 54, 55, 56				Right	
	05134635AA	1	2, 6	L	11, 12, 14, 15, 16				Left	
		1	2, 6	L	51, 52, 54, 55, 56				Left	
2	05104559AA	2	2, 6	L	11, 12, 14, 15, 16				SEAL KIT, Axle shaft	
		2	2, 6	L	51, 52, 54, 55, 56					
3	05134636AA	1	2, 6	L	11, 12, 14, 15, 16				COVER, Axle bearing Up To Rear Axle L833737 or X246061 or Z122707, Right	
		1	2, 6	L	51, 52, 54, 55, 56					Up To Rear Axle L833737 or X246061 or Z122707, Right
	05134637AA	1	2, 6	L	11, 12, 14, 15, 16				Up To Rear Axle L833737 or X246061 or Z122707, Left	
		1	2, 6	L	51, 52, 54, 55, 56					Up To Rear Axle L833737 or X246061 or Z122707, Left
	05134638AA	05134639AA	1	2, 6	L	11, 12, 14, 15, 16				From Rear Axle L833738 or X246062 or Z122708, Right
			1	2, 6	L	51, 52, 54, 55, 56				From Rear Axle L833738 or X246062 or Z122708, Right
05134639AA	05134640AA	1	2, 6	L	11, 12, 14, 15, 16				From Rear Axle L833738 or X246062 or Z122708, Left	
		1	2, 6	L	51, 52, 54, 55, 56				From Rear Axle L833738 or X246062 or Z122708, Left	
4	05134641AA	2	2, 6	L	11, 12, 14, 15, 16				TONE RING, Sensor Up To Axle L653742 or X094896 or Z020253	
		2	2, 6	L	51, 52, 54, 55, 56					Up To Axle L653742 or X094896 or Z020253
		2	2, 6	L	11, 12, 14, 15, 16					From Axle L653743 or X0904897 or Z020254

SPRINTER (VA)

SERIES	LINE	BODY	ENGINE	TRANSMISSION
L = LOWLINE	3 = HD DODGE 2WD 6 = Lt. Duty DODGE 4WD 2 = Med. Duty DODGE 2WD 7 = Med. Duty DODGE 4WD	01 = CHASSIS FORWARD CONTROL W.B.1 02 = CAB CHASSIS WHEEL BASE 2 06 = CAB CHASSIS WHEEL BASE 6 11 = VAN WHEEL BASE 1 12 = VAN WHEEL BASE 2 51 = WAGON WHEEL BASE 1 52 = WAGON WHEEL BASE 2 14 = VAN WHEEL BASE 4 15 = VAN WHEEL BASE 5 56 = WAGON WHEEL BASE 6 16 = VAN WHEEL BASE 6 54 = WAGON WHEEL BASE 4 55 = WAGON WHEEL BASE 5	EX9 = Engine-2.7L I5 Mercedes Turbo Diesel	DGJ = Transmission-5-Spd. Automatic, W5A580

AR = use ase required - = Non illustrated part

Axle Shaft and Wheel Bearings, Single Rear Wheels
Figure 3-230



ITEM	PART NUMBER	QTY	LINE	SERIES	BODY	ENGINE	TRANS	TRIM	DESCRIPTION
5		2	2, 6	L	51, 52, 54, 55, 56				From Axle L653743 or X0904897 or Z020254 SHAFT, Axle
	05134658AA	1	2, 6	L	11, 12, 14, 15, 16				Up To Rear Axle L874988 or X304860 or Z161213, Right
		1	2, 6	L	51, 52, 54, 55, 56				Up To Rear Axle L874988 or X304860 or Z161213, Right
	05134659AA	1	2, 6	L	11, 12, 14, 15, 16				Up To Rear Axle L874988 or X304860 or Z161213, Left
		1	2, 6	L	51, 52, 54, 55, 56				Up To Rear Axle L874988 or X304860 or Z161213, Left
	05134660AA	1	2, 6	L	11, 12, 14, 15, 16				From Rear Axle L874989 or X304861 or Z161214, Right
6		1	2, 6	L	51, 52, 54, 55, 56				From Rear Axle L874989 or X304861 or Z161214, Right
	05134661AA	1	2, 6	L	11, 12, 14, 15, 16				From Rear Axle L874989 or X304861 or Z161214, Left
		1	2, 6	L	51, 52, 54, 55, 56				From Rear Axle L874989 or X304861 or Z161214, Left
	05103601AA	2	2, 6	L	11, 12, 14, 15, 16				BEARING KIT, Axle shaft
		2	2, 6	L	51, 52, 54, 55, 56				

SPRINTER (VA)

SERIES LINE
L = LOWLINE 3 = HD DODGE 2WD
 6 = Lt. Duty DODGE 4WD
 2 = Med. Duty DODGE 2WD
 7 = Med. Duty DODGE 4WD

BODY
01 = CHASSIS FORWARD CONTROL W.B.1
02 = CAB CHASSIS WHEEL BASE 2
06 = CAB CHASSIS WHEEL BASE 6
11 = VAN WHEEL BASE 1
12 = VAN WHEEL BASE 2
51 = WAGON WHEEL BASE 1
52 = WAGON WHEEL BASE 2
14 = VAN WHEEL BASE 4
15 = VAN WHEEL BASE 5
56 = WAGON WHEEL BASE 6
16 = VAN WHEEL BASE 6
54 = WAGON WHEEL BASE 4
55 = WAGON WHEEL BASE 5

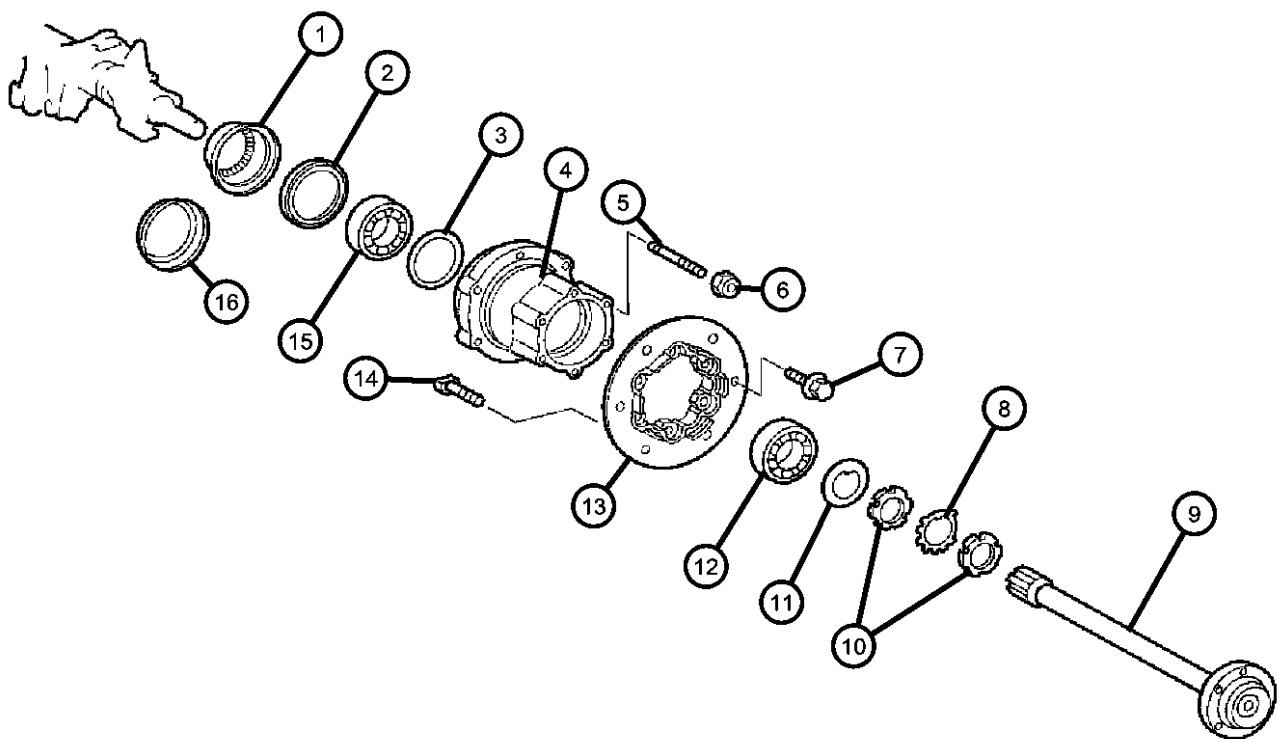
ENGINE
EX9 = Engine-2.7L I5
Mercedes Turbo Diesel

TRANSMISSION
DGJ = Transmission-5-Spd. Automatic, W5A580

AR = use ase required - = Non illustrated part

Axle Shaft and Wheel Bearings,Dual Rear Wheels
Figure 3-240

ITEM	PART NUMBER	QTY	LINE	SERIES	BODY	ENGINE	TRANS	TRIM	DESCRIPTION
1	05161914AA	2	3, 7	L	12, 15, 16				TONE RING, Sensor, ABS
2	05103566AB	2	3, 7	L	12, 15, 16				SEAL, Wheel Bearing
3	05134706AA	2	3, 7	L	12, 15, 16				SPACER
4	05104580AA	1	3, 7	L	12, 15, 16				HUB, WheelRight or Left
5	05134714AA	12	3, 7	L	12, 15, 16				STUD, Hub, Axle, Mounting
6	05134715AA	12	3, 7	L	12, 15, 16				NUT, Hex Lock, Axle, Mounting
7	06104258AA	12	3, 7	L	12, 15, 16				BOLT, Hub
8	05103578AA	2	3, 7	L	12, 15, 16				LOCK, Bearing Adjusting Nut
9	05134721AA	2	3, 7	L	12, 15, 16				SHAFT, Axle
10	05134720AA	4	3, 7	L	12, 15, 16				NUT, Bearing Adjusting
11	05134719AA	1	3, 7		12, 15, 16				SPACER
12	05103547AA	2	3, 7	L	12, 15, 16				BEARING, WheelOuter
13	05134718AA	2	3, 7	L	12, 15, 16				FLANGE, Axle OutputRight or Left
14	05103938AA	12	3, 7	L	12, 15, 16				STUD, Wheel
15	05103562AA	2	3, 7	L	12, 15, 16				BEARING, WheelInner
16	05134709AA	2	3, 7	L	12, 15, 16				SLINGER, Oil



SPRINTER (VA)

SERIES
L = LOWLINE

LINE

3 = HD DODGE 2WD
6 = Lt. Duty DODGE 4WD
2 = Med. Duty DODGE 2WD
7 = Med. Duty DODGE 4WD

BODY

01 = CHASSIS FORWARD CONTROL W.B.1
02 = CAB CHASSIS WHEEL BASE 2
06 = CAB CHASSIS WHEEL BASE 6
11 = VAN WHEEL BASE 1
12 = VAN WHEEL BASE 2
51 = WAGON WHEEL BASE 1
52 = WAGON WHEEL BASE 2
14 = VAN WHEEL BASE 4
15 = VAN WHEEL BASE 5
56 = WAGON WHEEL BASE 6
16 = VAN WHEEL BASE 6
54 = WAGON WHEEL BASE 4
55 = WAGON WHEEL BASE 5

ENGINE

EX9 = Engine-2.7L I5
Mercedes Turbo Diesel

TRANSMISSION

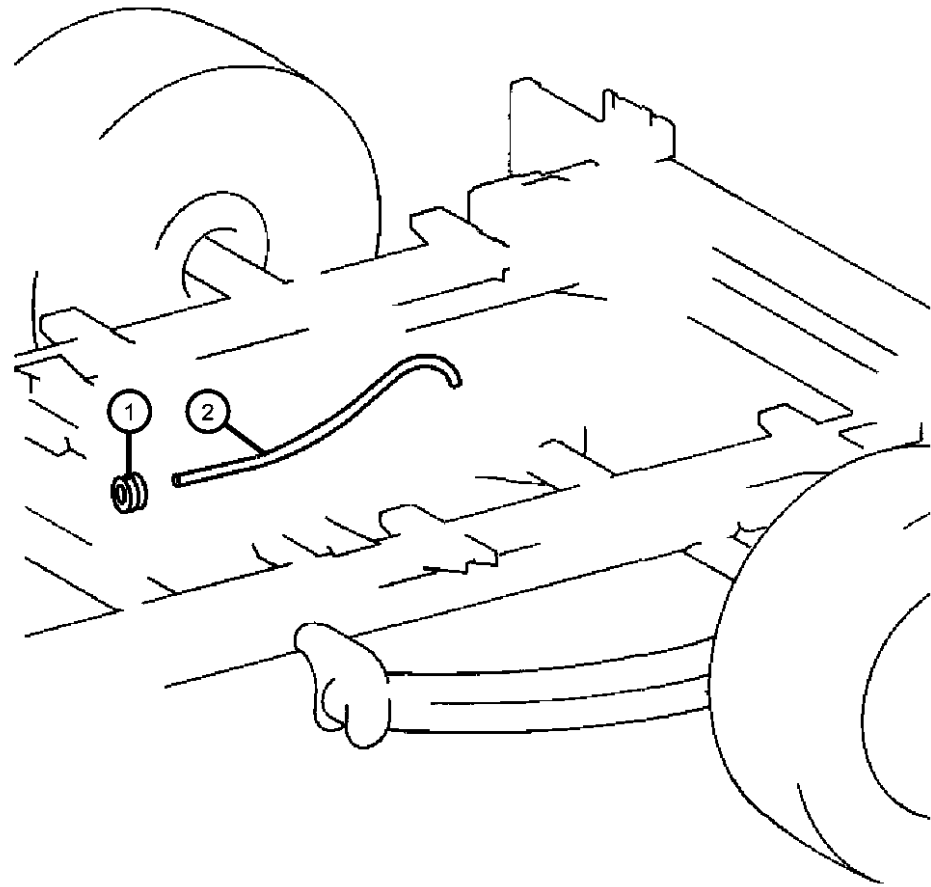
DGJ = Transmission-5-Spd. Automatic,W5A580

AR = use ase required - = Non illustrated part

2002 VA

Vent,Rear Axle
Figure 3-310

ITEM	PART NUMBER	QTY	LINE	SERIES	BODY	ENGINE	TRANS	TRIM	DESCRIPTION
1									GROMMET
	05125930AA	1	2, 6	L	11, 12, 14, 15, 16				
		1	2, 6	L	51, 52, 54, 55, 56				
		1	3, 7	L	12, 15, 16				
2									HOSE, Axle Vent
	05104076AA	1	2, 6	L	11, 12, 14, 15, 16				
		1	2, 6	L	51, 52, 54, 55, 56				
		1	3, 7	L	12, 15, 16				



SPRINTER (VA)

SERIES

L = LOWLINE

LINE

3 = HD DODGE 2WD
6 = Lt. Duty DODGE 4WD
2 = Med. Duty DODGE 2WD
7 = Med. Duty DODGE 4WD

BODY

01 = CHASSIS FORWARD CONTROL W.B.1
02 = CAB CHASSIS WHEEL BASE 2
06 = CAB CHASSIS WHEEL BASE 6
11 = VAN WHEEL BASE 1
12 = VAN WHEEL BASE 2
51 = WAGON WHEEL BASE 1
52 = WAGON WHEEL BASE 2
14 = VAN WHEEL BASE 4
15 = VAN WHEEL BASE 5
56 = WAGON WHEEL BASE 6
16 = VAN WHEEL BASE 6
54 = WAGON WHEEL BASE 4
55 = WAGON WHEEL BASE 5

ENGINE

EX9 = Engine-2.7L I5
Mercedes Turbo Diesel

TRANSMISSION

DGJ = Transmission-5-Spd. Automatic,W5A580

Group - 4

Parking Brake

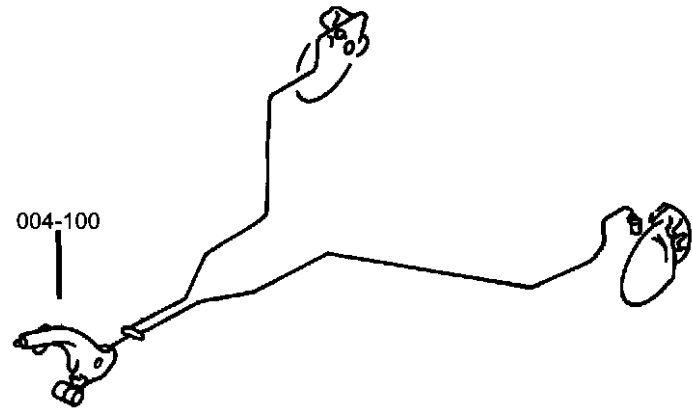
Group - 4 Parking Brake

Illustration Title

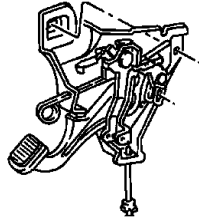
Group-Fig. No.

Parking Brake Lever and Cables

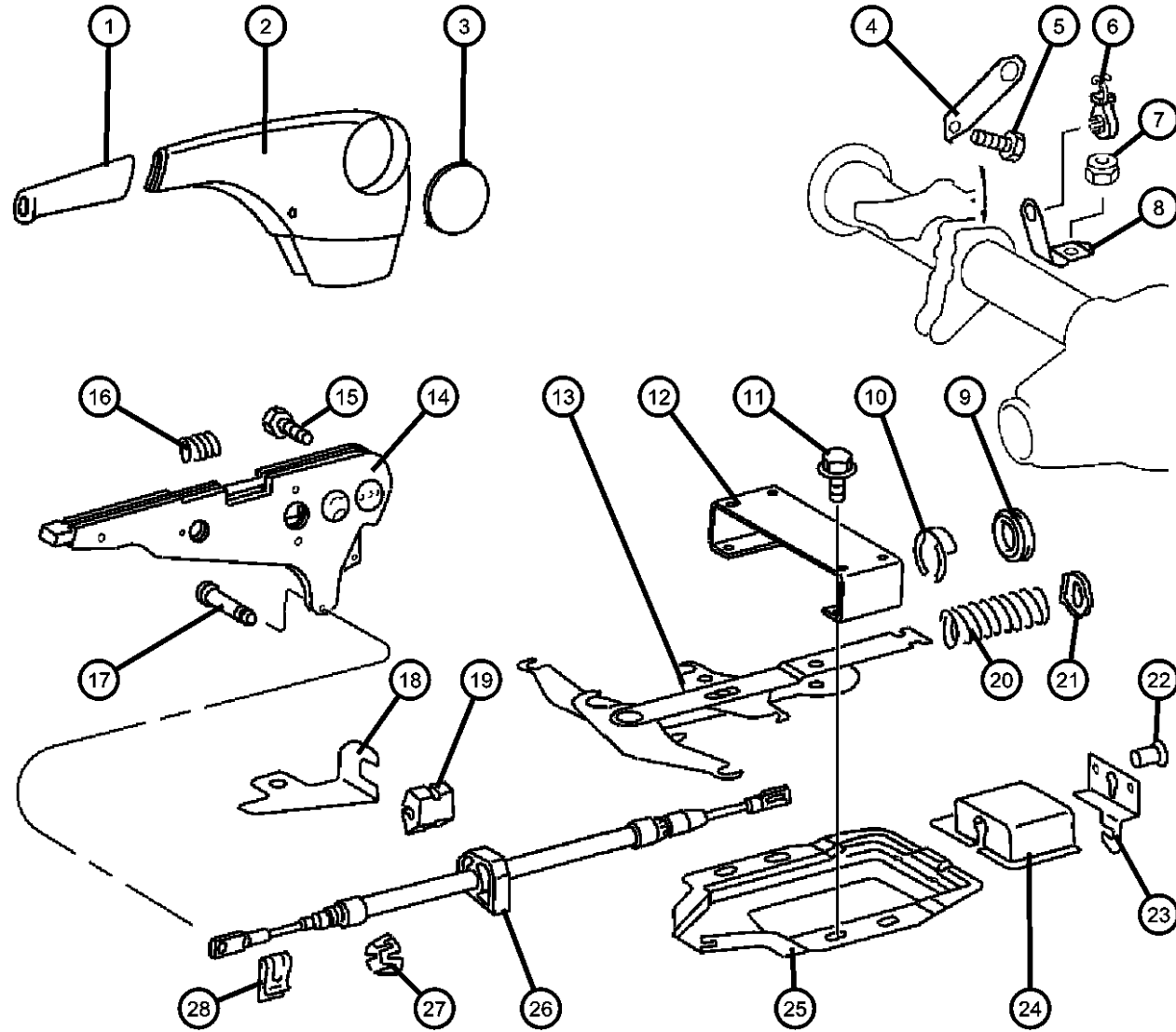
Parking Brake Lever Assembly Fig. 4 - 110
 Parking Brake Assembly..... Fig. 4 - 120



004-100
 Parking Brake Lever and Cables



**Parking Brake Lever Assembly
Figure 4-110**



ITEM	PART NUMBER	QTY	LINE	SERIES	BODY	ENGINE	TRANS	TRIM	DESCRIPTION
1	05119259AA	1	2, 6		51, 52, 54, 55, 56				HANDLE, Parking Brake
		1	2, 6		11, 12, 14, 15, 16				
		1	3, 7		12, 15, 16				
2	05119264AA	1	2, 6		11, 12, 14, 15, 16				COVER, Parking Brake Housing
		1	2, 6		51, 52, 54, 55, 56				
		1	3, 7		12, 15, 16				
3	05104086AA	1	2, 6		11, 12, 14, 15, 16				COVER, Parking Brake
		1	2, 6		51, 52, 54, 55, 56				
		1	3, 7		12, 15, 16				
4	05119277AA	1	2, 6		11, 12, 14, 15, 16				BRACKET Right
		1	2, 6		51, 52, 54, 55, 56				Right
	05136069AA	1	3, 7		12, 15, 16				Right
	05136070AA	1	3, 7		12, 15, 16				Left
	05119274AA	1	2, 6		11, 12, 14, 15, 16				Left
		1	2, 6		51, 52, 54, 55, 56				Left
5	05104655AA	2	2, 6		11, 12, 14, 15, 16				BOLT
		2	3, 7		12, 15, 16				
		2	2, 6		51, 52, 54, 55, 56				

SPRINTER (VA)

SERIES

L = LOWLINE
 3 = HD DODGE 2WD
 6 = Lt. Duty DODGE 4WD
 2 = Med. Duty DODGE 2WD
 7 = Med. Duty DODGE 4WD

LINE

BODY

01 = CHASSIS FORWARD CONTROL W.B.1
 02 = CAB CHASSIS WHEEL BASE 2
 06 = CAB CHASSIS WHEEL BASE 6
 11 = VAN WHEEL BASE 1
 12 = VAN WHEEL BASE 2
 51 = WAGON WHEEL BASE 1
 52 = WAGON WHEEL BASE 2
 14 = VAN WHEEL BASE 4
 15 = VAN WHEEL BASE 5
 56 = WAGON WHEEL BASE 6
 16 = VAN WHEEL BASE 6
 54 = WAGON WHEEL BASE 4
 55 = WAGON WHEEL BASE 5

ENGINE

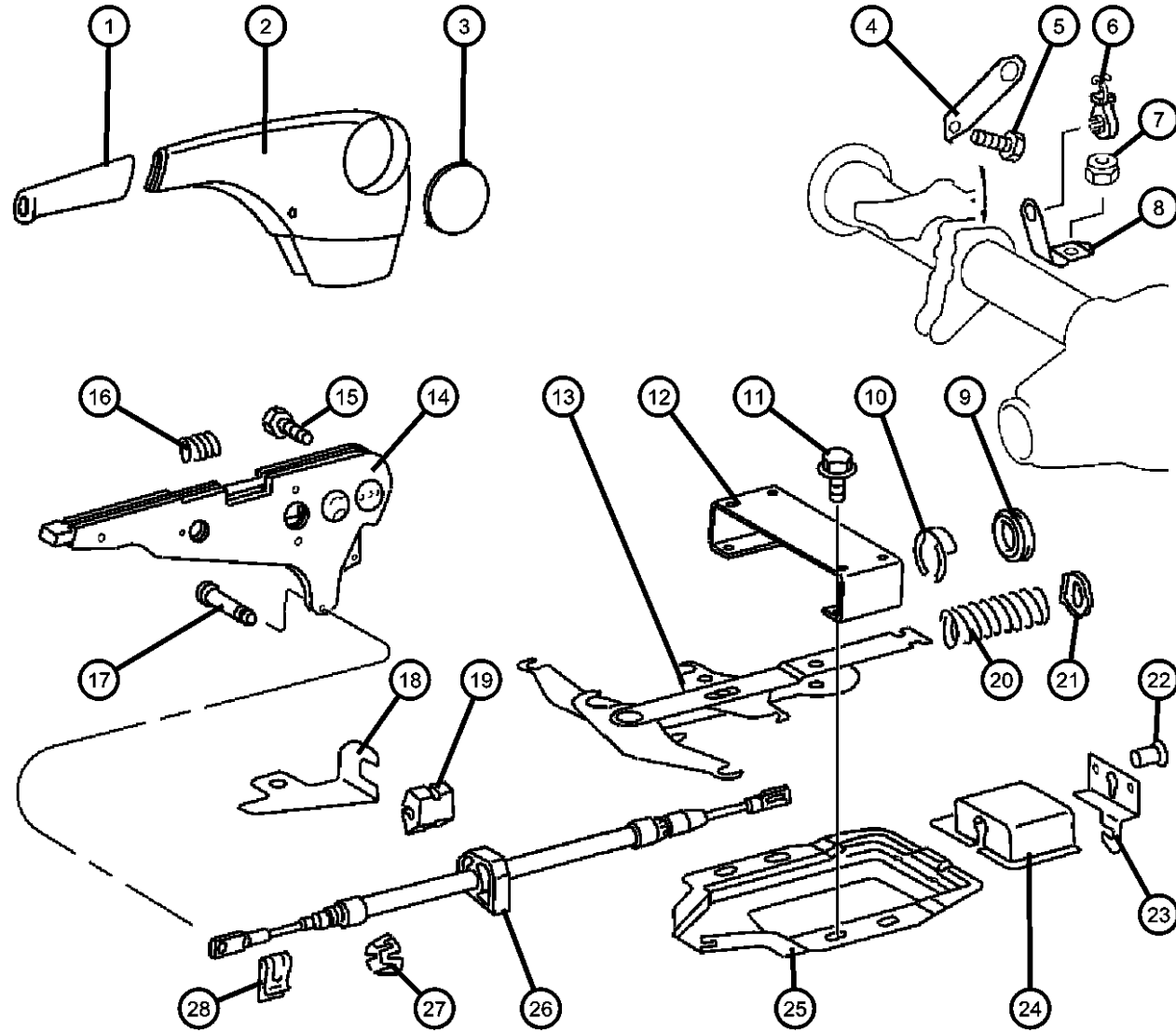
EX9 = Engine-2.7L I5
 Mercedes Turbo Diesel

TRANSMISSION

DGJ = Transmission-5-Spd. Automatic, W5A580

AR = use ase required - = Non illustrated part

**Parking Brake Lever Assembly
Figure 4-110**



ITEM	PART NUMBER	QTY	LINE	SERIES	BODY	ENGINE	TRANS	TRIM	DESCRIPTION
6	05119283AA	6	2, 6		11, 12, 14, 15, 16				CLIP, Parking Brake Cable
		6	2, 6		51, 52, 54, 55, 56				
		6	3, 7		12, 15, 16				
7	05127449AA	2	2, 6		51, 52, 54, 55, 56				NUT, Hex, M6
		2	3, 7		12, 15, 16				
		2	2, 6		11, 12, 14, 15, 16				
8	05119270AA	1	2, 6		11, 12, 14, 15, 16				BRACKET, Parking Brake Cable Guide Left
		1	2, 6		51, 52, 54, 55, 56				Left
	05119273AA	1	2, 6		11, 12, 14, 15, 16				Right
		1	2, 6		51, 52, 54, 55, 56				Right
9	05125927AA	1	2, 6		11, 12, 14, 15, 16				GROMMET, Parking Brake Cable
		1	2, 6		51, 52, 54, 55, 56				
		1	3, 7		12, 15, 16				
10	05125586AA	1	6, 2		11, 12, 14, 15, 16				CLIP, Spring
		1	2, 6		51, 52, 54, 55, 56				
		1	3, 7		12, 15, 16				
11									SCREW

SPRINTER (VA)

SERIES

L = LOWLINE
 3 = HD DODGE 2WD
 6 = Lt. Duty DODGE 4WD
 2 = Med. Duty DODGE 2WD
 7 = Med. Duty DODGE 4WD

LINE

BODY

01 = CHASSIS FORWARD CONTROL W.B.1
 02 = CAB CHASSIS WHEEL BASE 2
 06 = CAB CHASSIS WHEEL BASE 6
 11 = VAN WHEEL BASE 1
 12 = VAN WHEEL BASE 2
 51 = WAGON WHEEL BASE 1
 52 = WAGON WHEEL BASE 2
 14 = VAN WHEEL BASE 4
 15 = VAN WHEEL BASE 5
 56 = WAGON WHEEL BASE 6
 16 = VAN WHEEL BASE 6
 54 = WAGON WHEEL BASE 4
 55 = WAGON WHEEL BASE 5

ENGINE

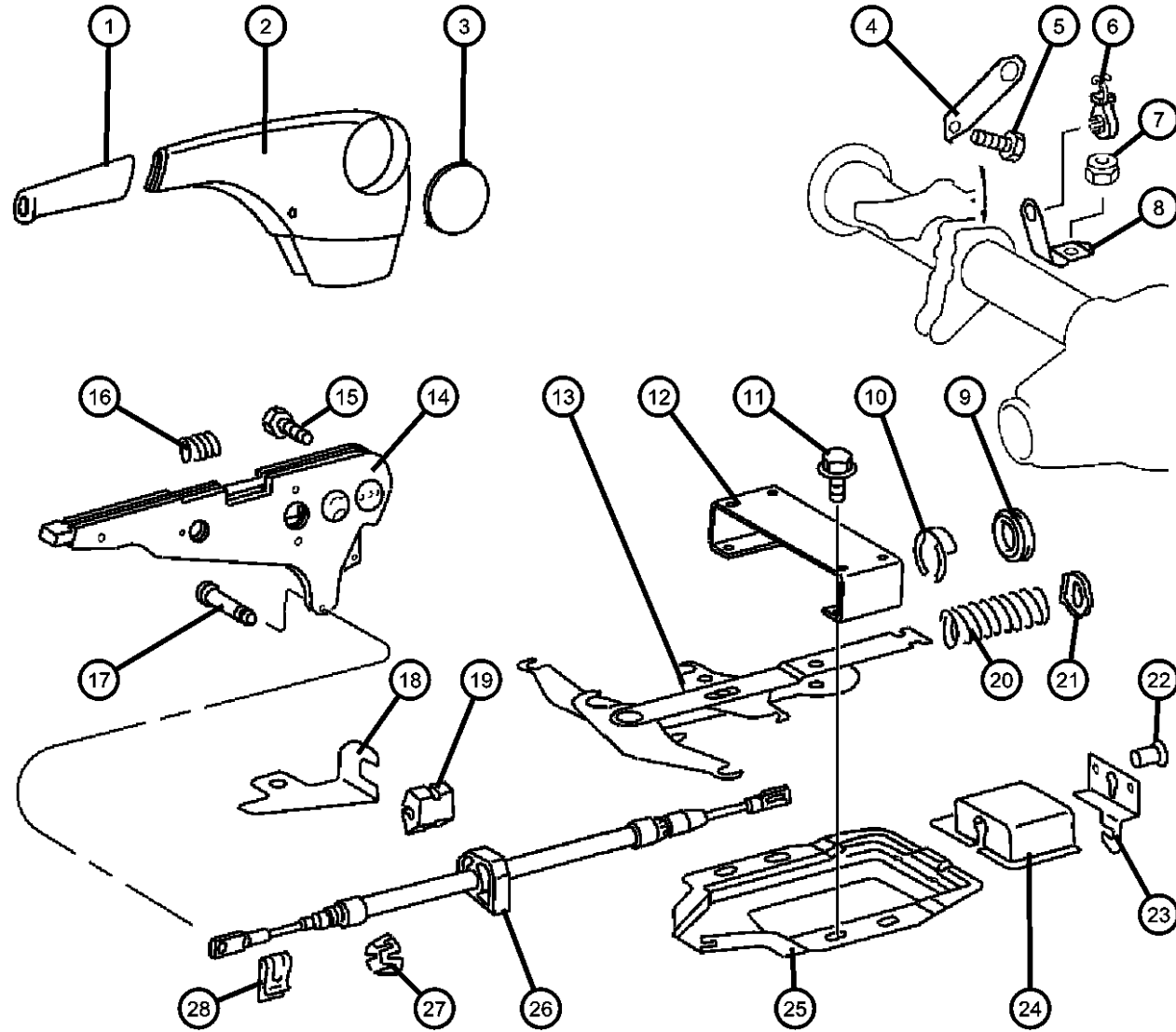
EX9 = Engine-2.7L I5
 Mercedes Turbo Diesel

TRANSMISSION

DGJ = Transmission-5-Spd. Automatic, W5A580

AR = use ase required - = Non illustrated part

**Parking Brake Lever Assembly
Figure 4-110**



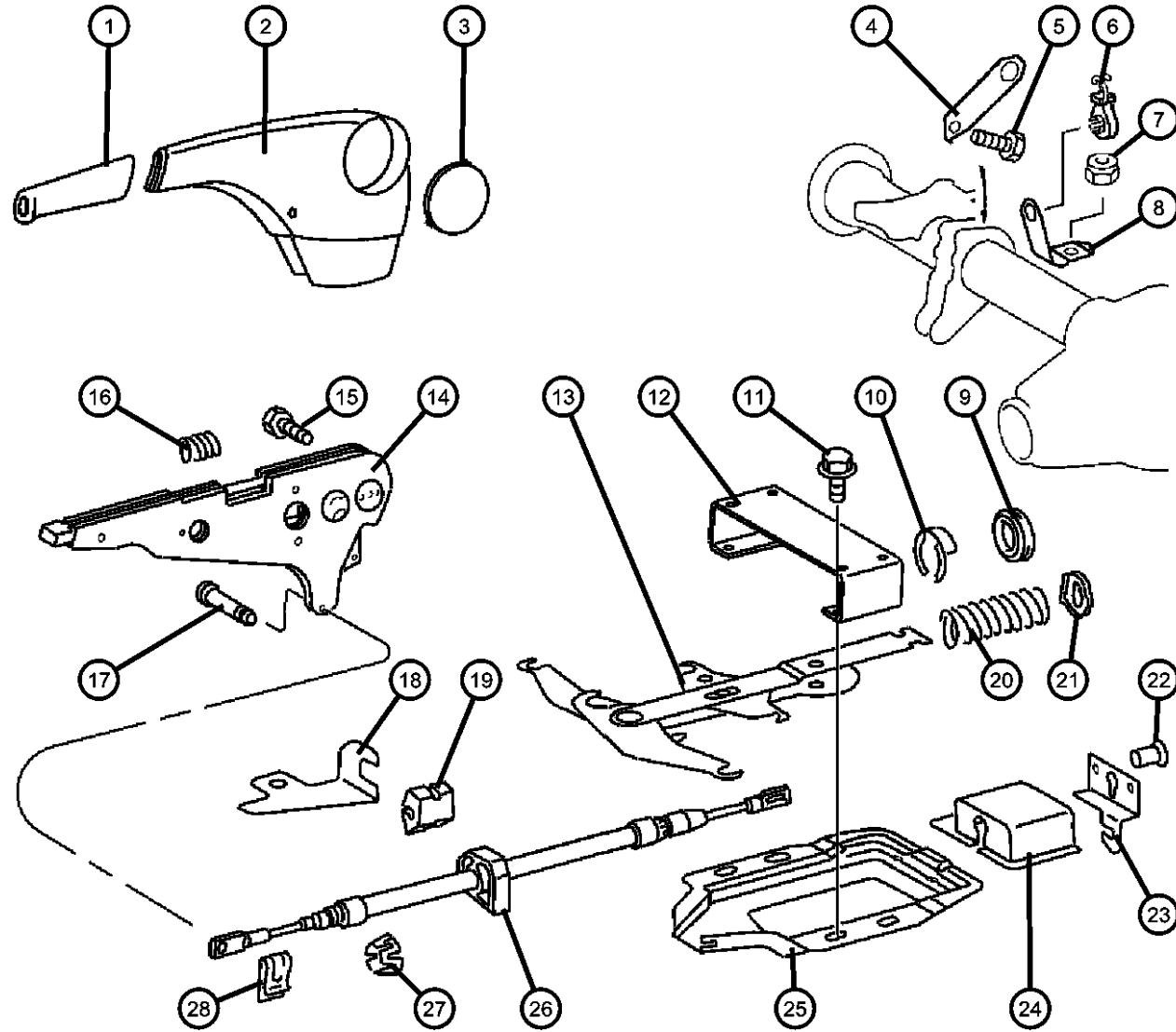
ITEM	PART NUMBER	QTY	LINE	SERIES	BODY	ENGINE	TRANS	TRIM	DESCRIPTION
	05126264AA	4	2, 6		11, 12, 14, 15, 16				
		4	2, 6		51, 52, 54, 55, 56				
		4	3, 7		12, 15, 16				
12		4							BRACKET, (NOT SERVICED)
13									EQUALIZER, Parking Brake Cable
	05119232AA	1	3, 7		12, 15, 16				
	05119231AA	1	2, 6		11, 12, 14, 15, 16				
		1	2, 6		51, 52, 54, 55, 56				
14									LEVER, Park Brake
	05119146AA	1	2, 6		11, 12, 14, 15, 16				[4XS]
		1	2, 6		54, 55, 56, 51, 52				[4XS]
		1	3, 7		12, 15, 16				
	05119145AA	1	2, 6		11, 12, 14, 15, 16				
		1	2, 6		51, 52, 54, 55, 56				
15	05097692AA	2	2, 3, 6, 7						SCREW, M8x20
16									SPRING
	05125844AA	1	2, 6		11, 12, 14, 15, 16				
		1	2, 6		51, 52, 54, 55, 56				
		1	3, 7		12, 15, 16				
17									PIN, Parking Brake Handle
	05119284AA	1	2, 6		11, 12, 14, 15, 16				
		1	2, 6		51, 52, 54, 55, 56				

SPRINTER (VA)

SERIES	LINE	BODY	ENGINE	TRANSMISSION
L = LOWLINE	3 = HD DODGE 2WD 6 = Lt. Duty DODGE 4WD 2 = Med. Duty DODGE 2WD 7 = Med. Duty DODGE 4WD	01 = CHASSIS FORWARD CONTROL W.B.1 02 = CAB CHASSIS WHEEL BASE 2 06 = CAB CHASSIS WHEEL BASE 6 11 = VAN WHEEL BASE 1 12 = VAN WHEEL BASE 2 51 = WAGON WHEEL BASE 1 52 = WAGON WHEEL BASE 2 14 = VAN WHEEL BASE 4 15 = VAN WHEEL BASE 5 56 = WAGON WHEEL BASE 6 16 = VAN WHEEL BASE 6 54 = WAGON WHEEL BASE 4 55 = WAGON WHEEL BASE 5	EX9 = Engine-2.7L I5 Mercedes Turbo Diesel	DGJ = Transmission-5-Spd. Automatic, W5A580

AR = use ase required - = Non illustrated part

**Parking Brake Lever Assembly
Figure 4-110**



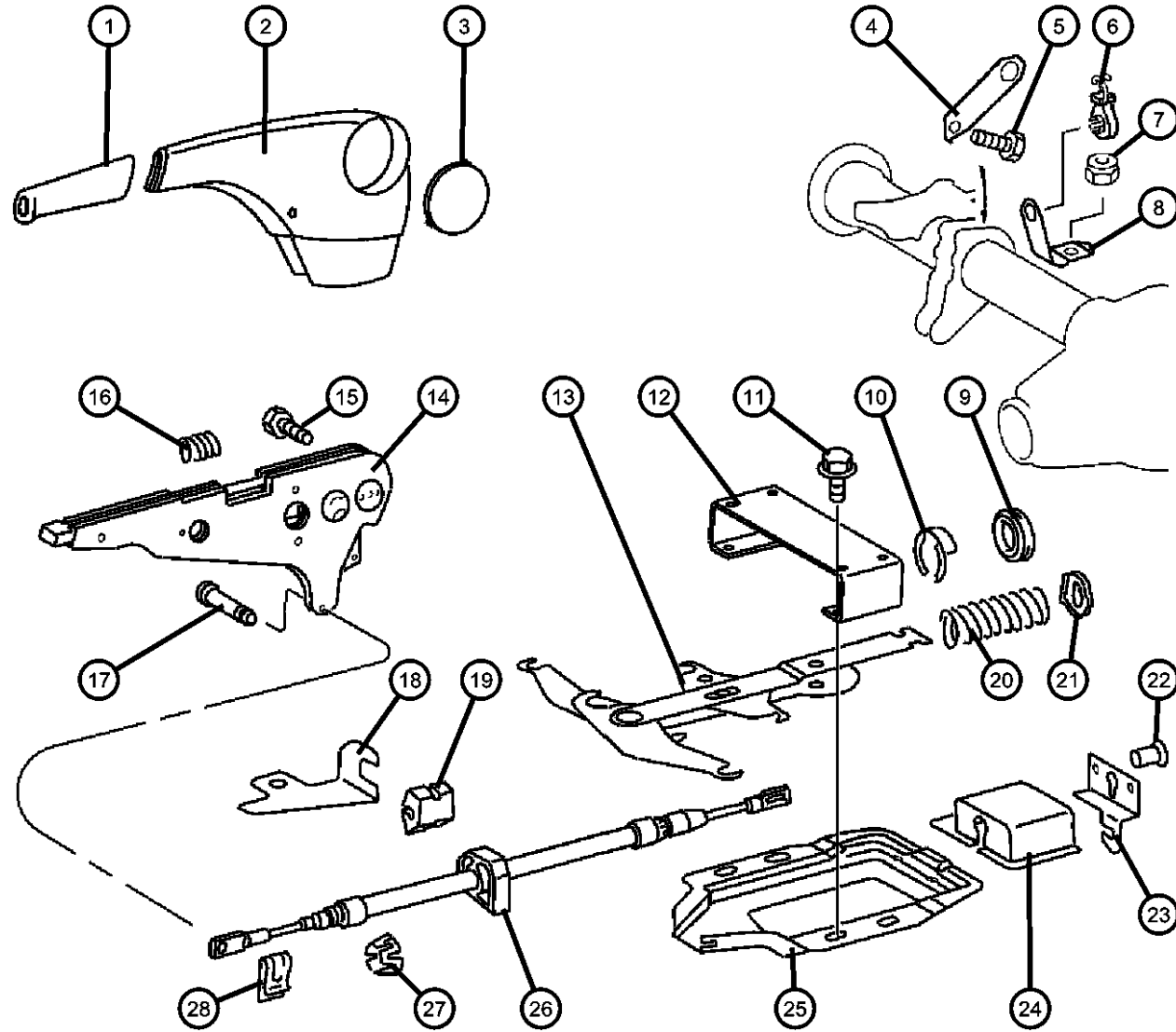
ITEM	PART NUMBER	QTY	LINE	SERIES	BODY	ENGINE	TRANS	TRIM	DESCRIPTION
		1	3, 7		12, 15, 16				
18									BRACKET, Hand Brake
	05119275AA	1	2, 6		11, 12, 14, 15, 16				
		1	2, 6		51, 52, 54, 55, 56				
	05129199AA	1	3, 7		12, 15, 16				[DGJ]
19									GROMMET, Parking Brake Cable
	05119295AA	1	2, 6		11, 12, 14, 15, 16				
		2	3, 7		12, 15, 16				
		1	2, 6		51, 52, 54, 55, 56				
20									SPRING, Parking Brake Release
	05119260AA	1	2, 6		11, 12, 14, 15, 16				
		1	2, 6		51, 52, 54, 55, 56				
		1	3, 7		12, 15, 16				
21									WASHER
	05119287AA	1	2, 6		16, 11, 12, 14, 15				
		1	2, 6		51, 52, 54, 55, 56				
		1	3, 7		12, 15, 16				
22									RIVET, Blind Bulb
	05133417AA	3	2, 6		11, 12, 14, 15, 16				
		3	2, 6		51, 52, 54, 55, 56				
		3	3, 7		12, 15, 16				

SPRINTER (VA)

SERIES	LINE	BODY	ENGINE	TRANSMISSION
L = LOWLINE	3 = HD DODGE 2WD 6 = Lt. Duty DODGE 4WD 2 = Med. Duty DODGE 2WD 7 = Med. Duty DODGE 4WD	01 = CHASSIS FORWARD CONTROL W.B.1 02 = CAB CHASSIS WHEEL BASE 2 06 = CAB CHASSIS WHEEL BASE 6 11 = VAN WHEEL BASE 1 12 = VAN WHEEL BASE 2 51 = WAGON WHEEL BASE 1 52 = WAGON WHEEL BASE 2 14 = VAN WHEEL BASE 4 15 = VAN WHEEL BASE 5 56 = WAGON WHEEL BASE 6 16 = VAN WHEEL BASE 6 54 = WAGON WHEEL BASE 4 55 = WAGON WHEEL BASE 5	EX9 = Engine-2.7L I5 Mercedes Turbo Diesel	DGJ = Transmission-5-Spd. Automatic, W5A580

AR = use ase required - = Non illustrated part

**Parking Brake Lever Assembly
Figure 4-110**



ITEM	PART NUMBER	QTY	LINE	SERIES	BODY	ENGINE	TRANS	TRIM	DESCRIPTION
23									REINFORCEMENT, Park Brake Mounting
	05118455AA	1	2, 6		11, 12, 14, 15, 16				
		1	3, 7		12, 15, 16				
24									COVER, Parking Brake Cable
	05118469AA	1	2, 6		11, 12, 14, 15, 16				
		1	2, 6		55, 56, 51, 52, 54				
		1	3, 7		12, 15, 16				
25									COVER, Equalizer
	05119224AA	1	2, 6		51, 52, 54, 55, 56				
		1	3, 7		12, 15, 16				
		1	2, 6		11, 12, 14, 15, 16				
26									CABLE, Parking Brake
	05119245AA	1	2, 6		11, 12, 14, 15, 16				[5AE, 4XS]
		1	2, 6		51, 52, 54, 55, 56				
		1	2, 6		52, 54, 55, 56, 51				[5AE, 4XS]
		1	3, 7						
		1	2, 6						
		1	3, 7						
	05119247AA	1	3, 7		12, 15, 16				[5AF]
	05129192AA	1	2, 6		11, 12, 14, 15, 16				[5AC, 4XS]
		1	2, 6		51, 52, 54, 55, 56				[5AC, 4XS]
		1	2, 6		11, 12, 14, 15, 16				[5AF, 4XS]

SPRINTER (VA)

SERIES

L = LOWLINE
 3 = HD DODGE 2WD
 6 = Lt. Duty DODGE 4WD
 2 = Med. Duty DODGE 2WD
 7 = Med. Duty DODGE 4WD

LINE

BODY

01 = CHASSIS FORWARD CONTROL W.B.1
 02 = CAB CHASSIS WHEEL BASE 2
 06 = CAB CHASSIS WHEEL BASE 6
 11 = VAN WHEEL BASE 1
 12 = VAN WHEEL BASE 2
 51 = WAGON WHEEL BASE 1
 52 = WAGON WHEEL BASE 2
 14 = VAN WHEEL BASE 4
 15 = VAN WHEEL BASE 5
 56 = WAGON WHEEL BASE 6
 16 = VAN WHEEL BASE 6
 54 = WAGON WHEEL BASE 4
 55 = WAGON WHEEL BASE 5

ENGINE

EX9 = Engine-2.7L I5
 Mercedes Turbo Diesel

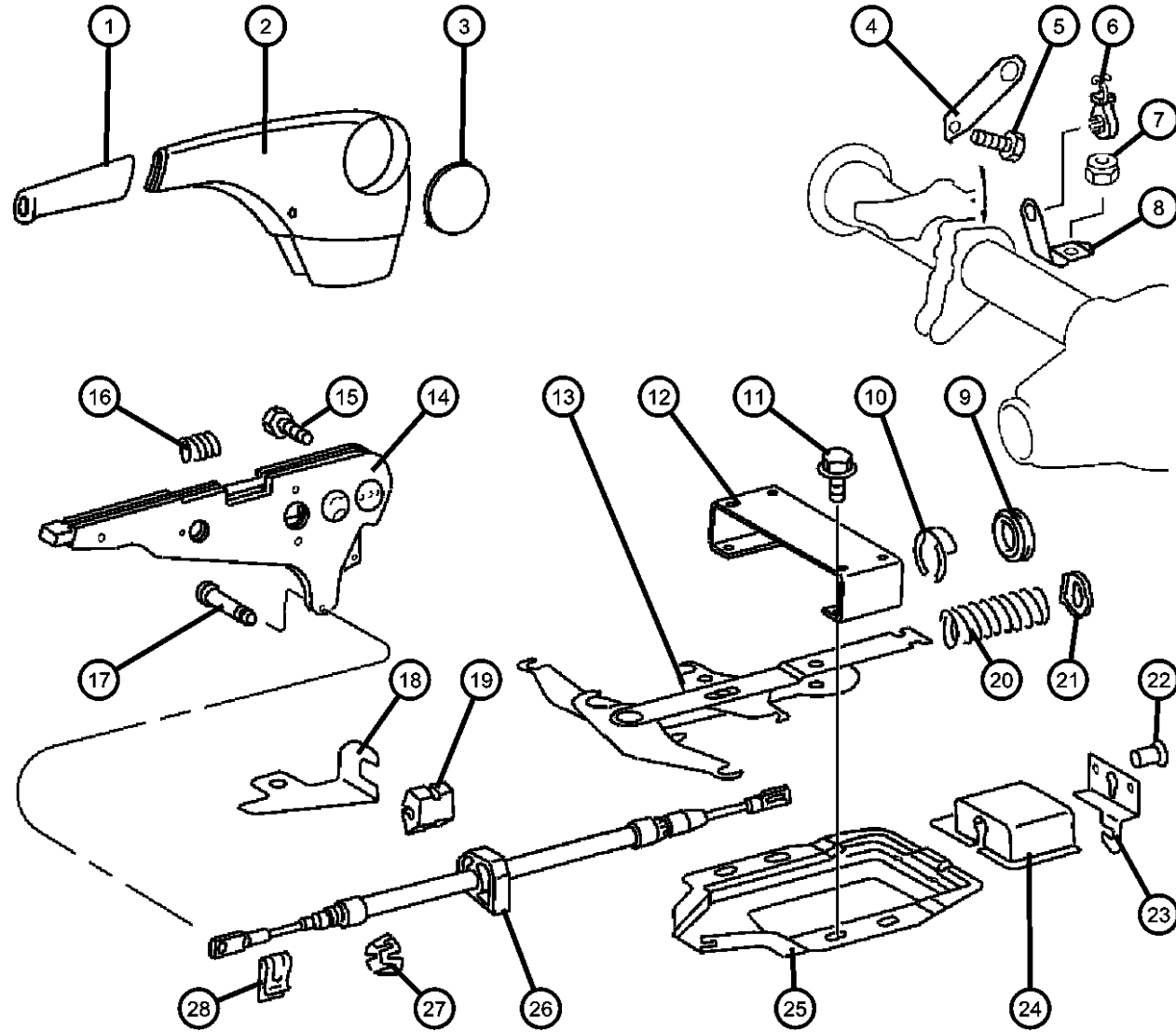
TRANSMISSION

DGJ = Transmission-5-Spd. Automatic, W5A580

AR = use ase required - = Non illustrated part

2002 VA

**Parking Brake Lever Assembly
Figure 4-110**



ITEM	PART NUMBER	QTY	LINE	SERIES	BODY	ENGINE	TRANS	TRIM	DESCRIPTION
		1	2, 6		51, 52, 54, 55, 56				[5AF, 4XS]
27	05119298AA	1	3, 7		12, 15, 16				CLIP, Cable
		1	2, 6		11, 12, 14, 15, 16				
		1	2, 6		51, 52, 54, 55, 56				
28	05126243AA	1	2, 6		11, 12, 14, 15, 16				CLIP, Retaining
		1	2, 6		51, 52, 54, 55, 56				
		1	3, 7		12, 15, 16				

SPRINTER (VA)

SERIES

L = LOWLINE
 3 = HD DODGE 2WD
 6 = Lt. Duty DODGE 4WD
 2 = Med. Duty DODGE 2WD
 7 = Med. Duty DODGE 4WD

LINE

BODY

01 = CHASSIS FORWARD CONTROL W.B.1
 02 = CAB CHASSIS WHEEL BASE 2
 06 = CAB CHASSIS WHEEL BASE 6
 11 = VAN WHEEL BASE 1
 12 = VAN WHEEL BASE 2
 51 = WAGON WHEEL BASE 1
 52 = WAGON WHEEL BASE 2
 14 = VAN WHEEL BASE 4
 15 = VAN WHEEL BASE 5
 56 = WAGON WHEEL BASE 6
 16 = VAN WHEEL BASE 6
 54 = WAGON WHEEL BASE 4
 55 = WAGON WHEEL BASE 5

ENGINE

EX9 = Engine-2.7L I5
 Mercedes Turbo Diesel

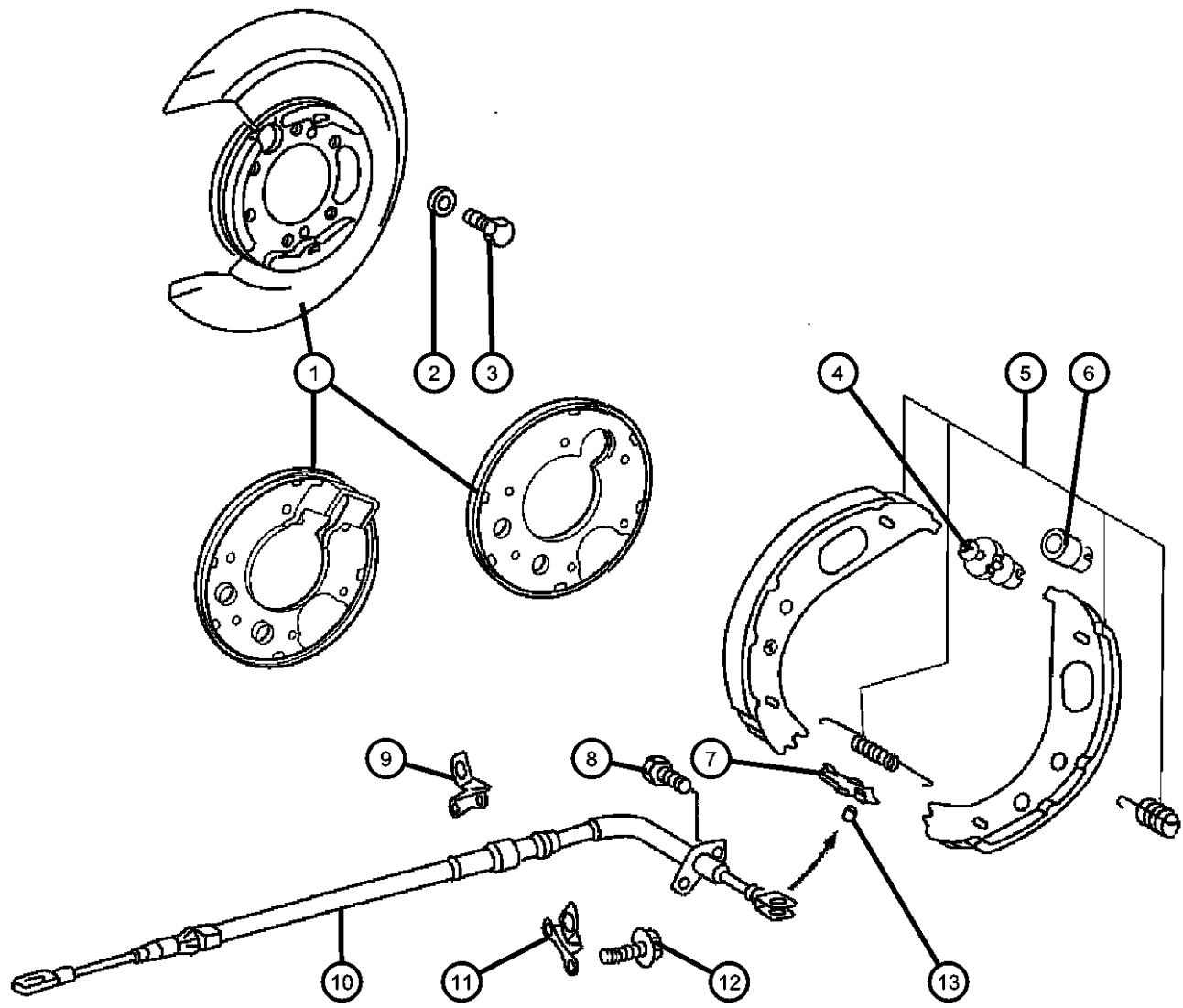
TRANSMISSION

DGJ = Transmission-5-Spd. Automatic, W5A580

AR = use ase required - = Non illustrated part

2002 VA

**Parking Brake Assembly
Figure 4-120**



ITEM	PART NUMBER	QTY	LINE	SERIES	BODY	ENGINE	TRANS	TRIM	DESCRIPTION
1									PLATE, Brake Backing
	05103952AA	1	2, 6						Left
	05139222AA	1	2, 6						Right
	05139223AA	1	3, 7						Left
	05139224AA	1	3, 7						Right
2	05139232AA	4	3, 7						WASHER
3	05139231AA	4							SCREW
4	05139234AA	2	2, 3, 6, 7						ADJUSTER, Parking Brake
5									SHOE AND LINING, Parking Brake
	05103792AA	1	2, 6						
	05103793AA	1	3, 7						
6	05139233AA	2	2, 3, 6, 7						BUSHING
7	05101691AA	2							PLATE, Brake Shoe Guide
8	05098124AA	2							SCREW
9									BRACKET, Parking Brake
	05139228AA	1	3, 7						Left Rear
	05139229AA	1	3, 7						Right Rear
10									CABLE, Parking Brake
	05139225AA	2	2, 6						Right or Left
	05139226AA	1	3, 7						Left
	05139227AA	1	3, 7						Right
11	05139228AA	1	3, 7						BRACKET, Parking BrakeLeft Rear
12	05134371AA	10	2, 3, 6, 7						SCREW AND WASHER
13	05098414AA	2							PIN

SPRINTER (VA)
SERIES

L = LOWLINE
3 = HD DODGE 2WD
6 = Lt. Duty DODGE 4WD
2 = Med. Duty DODGE 2WD
7 = Med. Duty DODGE 4WD

BODY

01 = CHASSIS FORWARD CONTROL W.B.1
02 = CAB CHASSIS WHEEL BASE 2
06 = CAB CHASSIS WHEEL BASE 6
11 = VAN WHEEL BASE 1
12 = VAN WHEEL BASE 2
51 = WAGON WHEEL BASE 1
52 = WAGON WHEEL BASE 2
14 = VAN WHEEL BASE 4
15 = VAN WHEEL BASE 5
56 = WAGON WHEEL BASE 6
16 = VAN WHEEL BASE 6
54 = WAGON WHEEL BASE 4
55 = WAGON WHEEL BASE 5

ENGINE

EX9 = Engine-2.7L I5
Mercedes Turbo Diesel

TRANSMISSION

DGJ = Transmission-5-Spd. Automatic, W5A580

AR = use ase required - = Non illustrated part

Group - 5

Service Brakes

Group - 5 Service Brakes

Illustration Title

Group-Fig. No.

Front Brakes

Brakes, Front Fig. 5 - 110

Rear Brakes

Brakes,Rear,272MM Fig. 5 - 210

Brakes,Rear,285MM Fig. 5 - 220

Power Brake Booster

Booster Fig. 5 - 310

Vacuun Lines Fig. 5 - 320

Vacuum Reservoir Fig. 5 - 330

Brake Master Cylinder

Master Cylinder Fig. 5 - 410

Hydraulic Control Unit and ABS Module Fig. 5 - 420

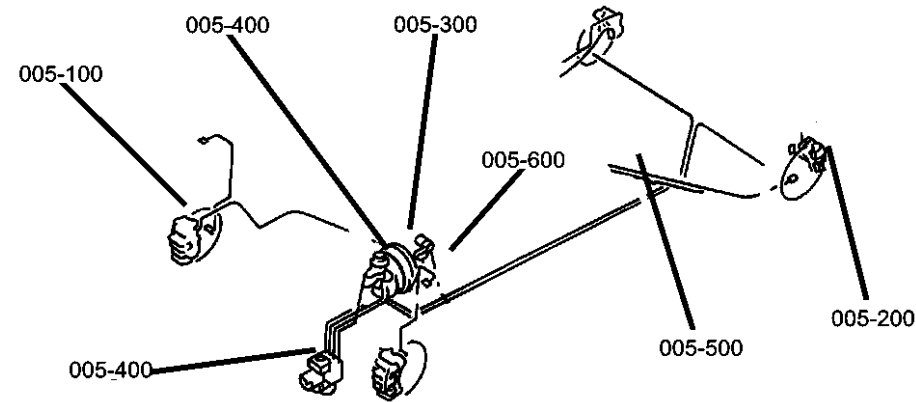
Brake Lines and Hoses

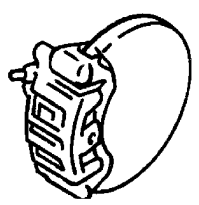
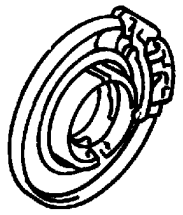
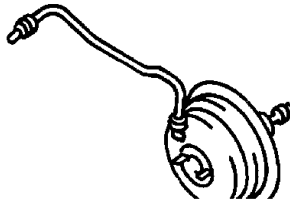
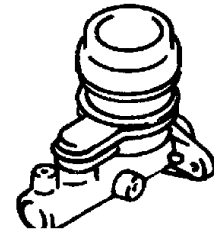
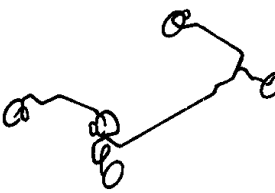

Lines,Brake,With ABS,2500/3500 Series Fig. 5 - 510

Brake, Power Regulator Fig. 5 - 520

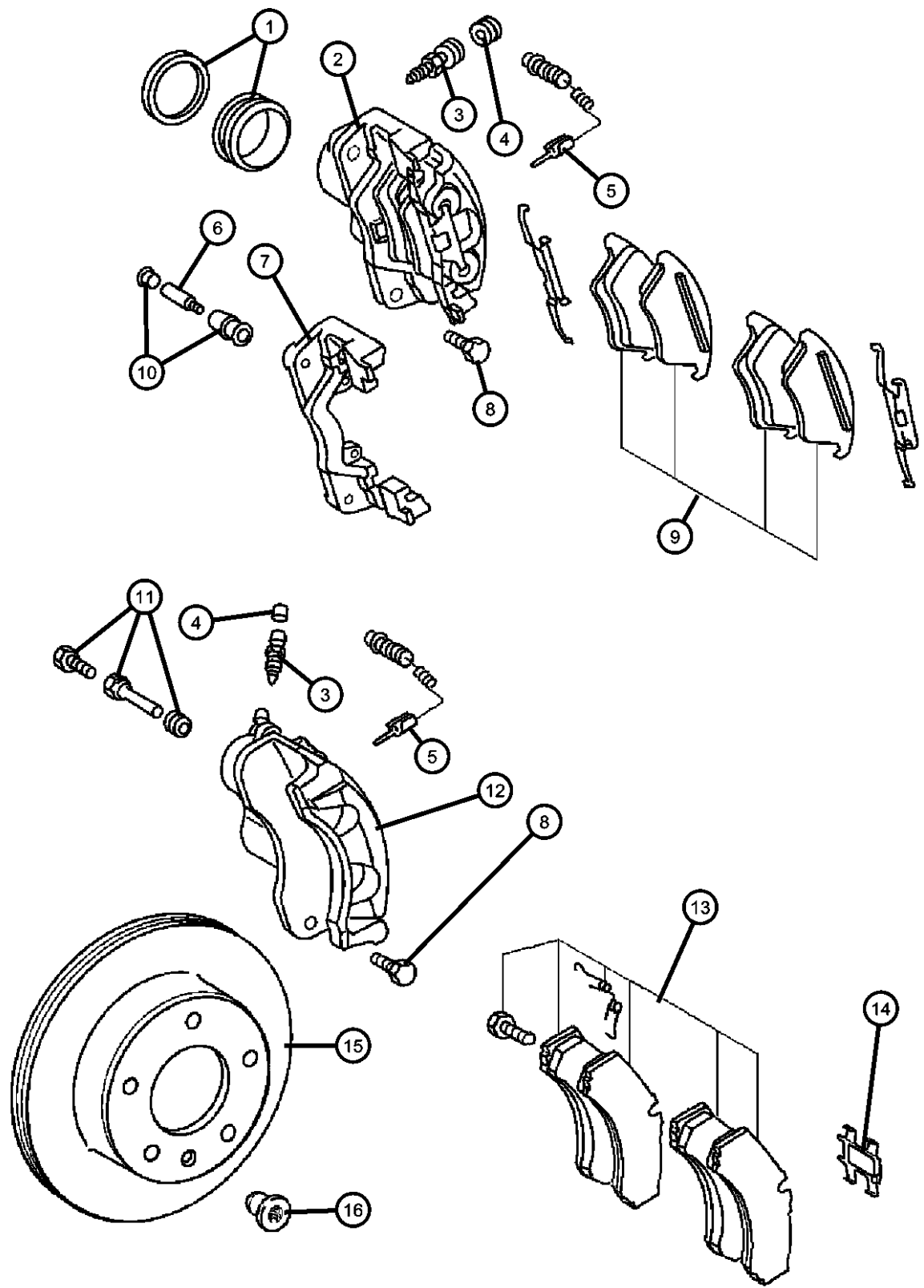
Brake Pedals

Pedal Brake Fig. 5 - 610



<p>005-100 Front Brakes</p> 	<p>005-200 Rear Brakes</p> 	<p>005-300 Power Brake Booster</p> 	<p>005-400 Brake Master Cylinder</p> 
<p>005-500 Brake Lines and Hoses</p> 	<p>005-600 Brake Pedals</p> 		

Brakes, Front
Figure 5-110



ITEM	PART NUMBER	QTY	LINE	SERIES	BODY	ENGINE	TRANS	TRIM	DESCRIPTION
------	-------------	-----	------	--------	------	--------	-------	------	-------------

Note: You must check the brand name on the old caliper to determine which one to order.

1	05139261AA	1							SEAL, Caliper Piston
2	05127482AA	1							CALIPER, Disc Brake With Bosch Lining-without Pads, Right
	05127483AA	1							With Bosch Lining-without Pads, Left
	05127486AA	1							With Wabco/Perrot Lining-without Pads, Right
	05135215AA	1							With Wabco/Perrot Lining-without Pads, Left
	05135642AA	1							With Teves/Jurid Lining-Without Pads, Right
	05135643AA	1							With Teves/Jurid Lining-Without Pads, Left
3	05139258AA	1	2, 6						BLEEDER SCREW, Brake
4	05126309AA	1	2, 3, 6, 7						CAP, Bleeder
5	05103583AA	2	2, 3, 6, 7						SENSOR, Brake wearRight or Left
6	05103632AA	1	2, 6						PIN KIT, Disc Brake, Teves, Right or Left
7	05103631AA	1							ADAPTER, Disc Brake Caliper Teves/Jurid, Right or Left
	05135915AA	1							Bosch, Right or Left
	05135916AA	1							Wabco, Right or Left
8	05139464AA	4							SCREW
9	05103556AA	1	2, 3, 6, 7						PAD KIT, Disc Brake Bosch
	VP101790								Mopar V-Line Alternative Part
	05103790AA	1							Perrot
	VP101790								Mopar V-Line Alternative Part
	05103794AA	1	3, 7						Galfer
	05135895AA	1	3, 7						Teves/Jurid

SPRINTER (VA)

SERIES	LINE
L = LOWLINE	3 = HD DODGE 2WD 6 = Lt. Duty DODGE 4WD 2 = Med. Duty DODGE 2WD 7 = Med. Duty DODGE 4WD

BODY
01 = CHASSIS FORWARD CONTROL W.B.1
02 = CAB CHASSIS WHEEL BASE 2
06 = CAB CHASSIS WHEEL BASE 6
11 = VAN WHEEL BASE 1
12 = VAN WHEEL BASE 2
51 = WAGON WHEEL BASE 1
52 = WAGON WHEEL BASE 2
14 = VAN WHEEL BASE 4
15 = VAN WHEEL BASE 5
56 = WAGON WHEEL BASE 6
16 = VAN WHEEL BASE 6
54 = WAGON WHEEL BASE 4
55 = WAGON WHEEL BASE 5

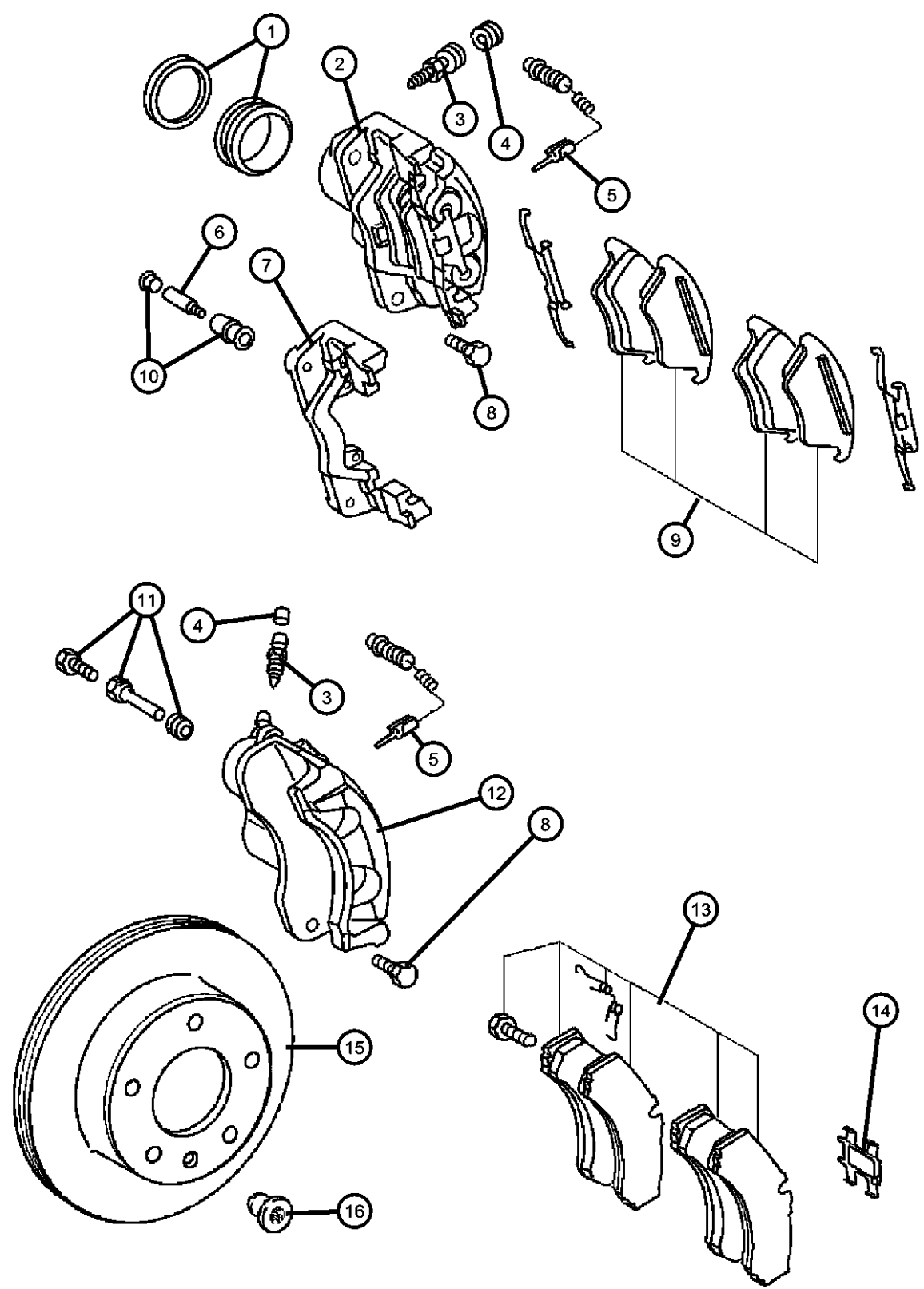
ENGINE
EX9 = Engine-2.7L I5 Mercedes Turbo Diesel

TRANSMISSION
DGJ = Transmission-5-Spd. Automatic, W5A580

AR = use ase required - = Non illustrated part

2002 VA

**Brakes, Front
Figure 5-110**



ITEM	PART NUMBER	QTY	LINE	SERIES	BODY	ENGINE	TRANS	TRIM	DESCRIPTION
10	05114556AA	1	2, 6						BUSHING, Caliper
11	05103630AA	1							PIN KIT, Disc Brake
	05103729AA	1							Perrot
12	05135214AA	1							CALIPER, Disc Brake
	05135215AA	1							Wabco/Perrot-Without Items 7,13, Right
13	05103556AA	1	2, 3, 6, 7						PAD KIT, Disc Brake
	VP101790								Bosch/Textar
	05103790AA	1							Mopar V-Line Alternative Part
	VP101790								Perrot/Textar
	VP101790								Mopar V-Line Alternative Part
14	05103635AA	2							RETAINER, Brake Hold Down SpringRight or Left
15	05103602AA	1							ROTOR, Brake
	05104561AA	1							With 15 Inch Wheels-From Front Axle S 482214, Y422060, Right or Left
	05114479AA	1							With 15 Inch Wheels-Up to Front Axle S 482213, Y422059, Right or Left
16	05104621AA	2							With 16 Inch Wheels, Right or Left
	05139361AA	2							SCREW
									Up to Front Axle S 482213
									From Front Axle S 482214

SPRINTER (VA)
SERIES
L = LOWLINE

LINE
3 = HD DODGE 2WD
6 = Lt. Duty DODGE 4WD
2 = Med. Duty DODGE 2WD
7 = Med. Duty DODGE 4WD

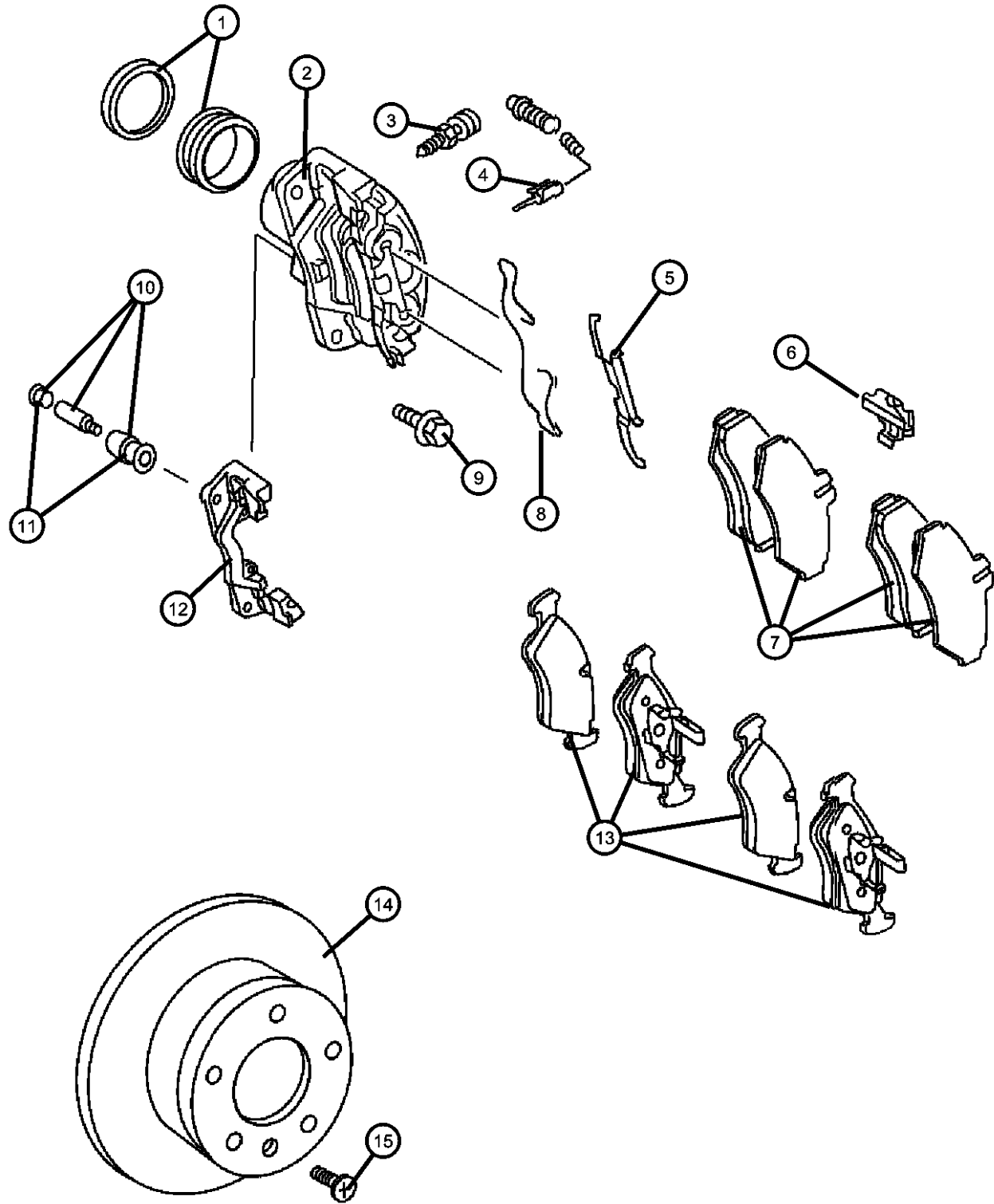
BODY
01 = CHASSIS FORWARD CONTROL W.B.1
02 = CAB CHASSIS WHEEL BASE 2
06 = CAB CHASSIS WHEEL BASE 6
11 = VAN WHEEL BASE 1
12 = VAN WHEEL BASE 2
51 = WAGON WHEEL BASE 1
52 = WAGON WHEEL BASE 2
14 = VAN WHEEL BASE 4
15 = VAN WHEEL BASE 5
56 = WAGON WHEEL BASE 6
16 = VAN WHEEL BASE 6
54 = WAGON WHEEL BASE 4
55 = WAGON WHEEL BASE 5

ENGINE
EX9 = Engine-2.7L I5
Mercedes Turbo Diesel

TRANSMISSION
DGJ = Transmission-5-Spd. Automatic,W5A580

AR = use ase required - = Non illustrated part

**Brakes,Rear,272MM
Figure 5-210**



ITEM	PART NUMBER	QTY	LINE	SERIES	BODY	ENGINE	TRANS	TRIM	DESCRIPTION
Note: You must check the brand name on the old caliper to determine which one to order.									
1	05139263AA	1	2, 6						SEAL, Caliper Piston Teves
	05139264AA	1	2, 6						Bosch
2	05103741AA	1	2, 6						CALIPER, Disc Brake Bosch-Without Item 7, Left
	05103742AA	1	2, 6						Bosch-Without Item 7, Right
	05135897AA	1	2, 6						Teves-Without Item 13, Right
	05135898AA	1	2, 6						Teves-Without Item 13, Left
3	05139245AA	1	2, 6						BLEEDER SCREW, Brake Teves
	05139258AA	1	2, 6						Bosch
4	05103583AA	2	2, 3, 6, 7						SENSOR, Brake wear
5	05139265AA	1	2, 3, 6, 7						SPRING, Retainer
6	05103634AA	1	2, 6						CLIP, Brake Anti-Rattle
7	05103557AA	1	2, 6						PAD KIT, Disc Brake, Bosch
8	05139266AA	1	2, 6						SPRING, Retainer
9	06104234AA	2	2, 6						SCREW
		2	2, 6		11, 12, 14, 15, 16				
		2	2, 6		51, 52, 54, 55, 56				
		2	3, 7		12, 15, 16				
10	05103632AA	1	2, 6						PIN KIT, Disc Brake Teves
	05103729AA	1							Bosch
11	05114556AA	1	2, 6						BUSHING, Caliper
12	05103633AA	1	2, 6						ADAPTER, Disc Brake Caliper Bosch, Right or Left

SPRINTER (VA)

SERIES LINE
L = LOWLINE 3 = HD DODGE 2WD
 6 = Lt. Duty DODGE 4WD
 2 = Med. Duty DODGE 2WD
 7 = Med. Duty DODGE 4WD

BODY
01 = CHASSIS FORWARD CONTROL W.B.1
02 = CAB CHASSIS WHEEL BASE 2
06 = CAB CHASSIS WHEEL BASE 6
11 = VAN WHEEL BASE 1
12 = VAN WHEEL BASE 2
51 = WAGON WHEEL BASE 1
52 = WAGON WHEEL BASE 2
14 = VAN WHEEL BASE 4
15 = VAN WHEEL BASE 5
56 = WAGON WHEEL BASE 6
16 = VAN WHEEL BASE 6
54 = WAGON WHEEL BASE 4
55 = WAGON WHEEL BASE 5

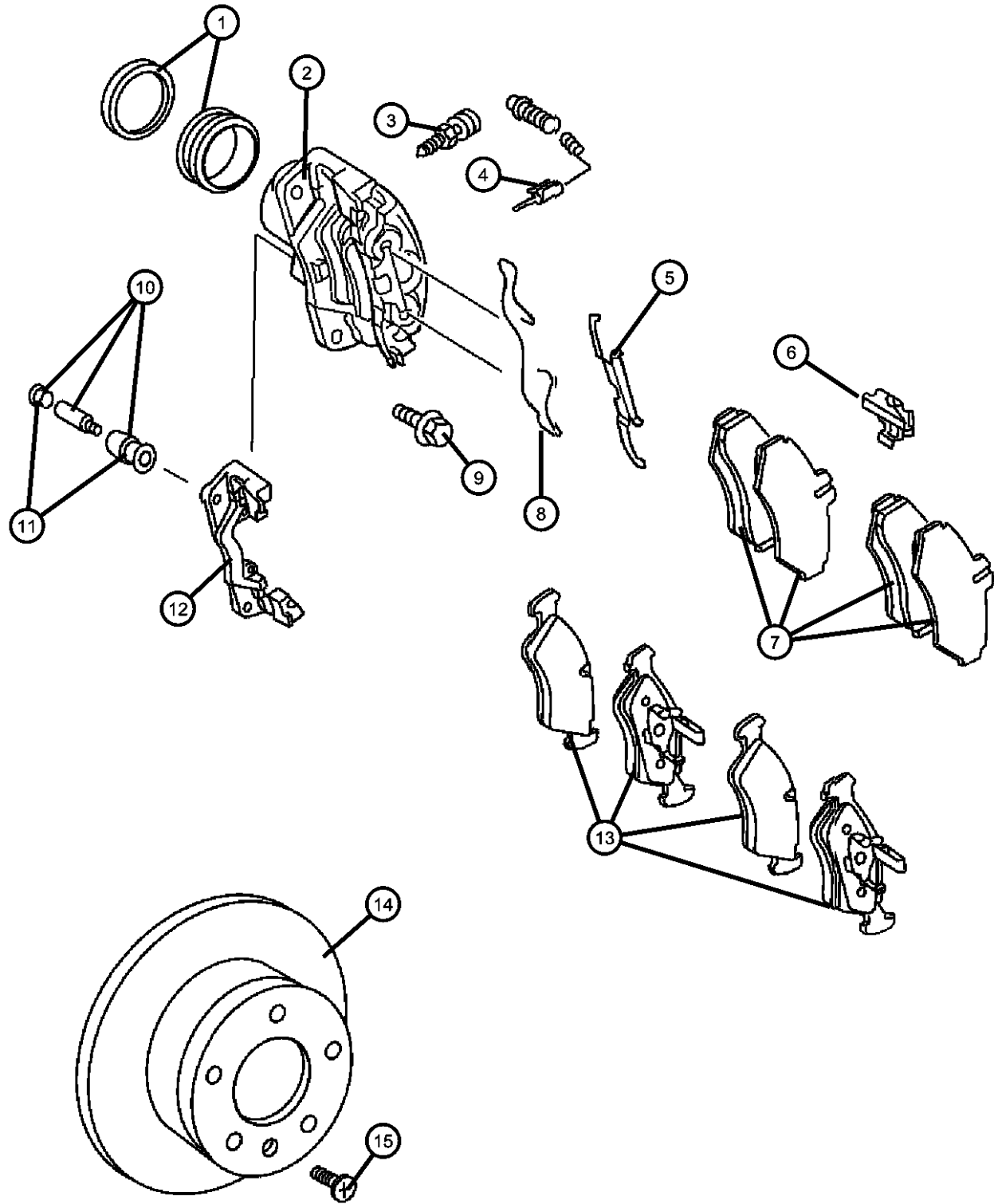
ENGINE
EX9 = Engine-2.7L I5
Mercedes Turbo Diesel

TRANSMISSION
DGJ = Transmission-5-Spd. Automatic,W5A580

AR = use ase required - = Non illustrated part

2002 VA

Brakes,Rear,272MM
Figure 5-210



ITEM	PART NUMBER	QTY	LINE	SERIES	BODY	ENGINE	TRANS	TRIM	DESCRIPTION
	05135747AA	1	2, 6						Teves, Right or Left
13	05103550AA	1	2, 3, 6, 7						PAD KIT, Disc Brake, Teves
14	05103603AA	2	2, 6		11, 12, 14, 15, 16				ROTOR, Brake
		2	2, 6		51, 52, 54, 55, 56				From Rear Axle L 874989,X304861,Z161213
	05104562AA	2	2, 6		11, 12, 14, 15, 16				Up To Rear Axle L 874988,X304860,Z161213
		2	2, 6		51, 52, 54, 55, 56				Up To Rear Axle L 874988,X304860,Z161213
15	05104621AA	2							SCREW
	05139361AA	2							Up To Rear Axle L 874988,X304860,Z161213
									From Rear Axle L 874989,X304861,Z161213

SPRINTER (VA)

SERIES

L = LOWLINE

LINE

3 = HD DODGE 2WD
6 = Lt. Duty DODGE 4WD
2 = Med. Duty DODGE 2WD
7 = Med. Duty DODGE 4WD

BODY

01 = CHASSIS FORWARD CONTROL W.B.1
02 = CAB CHASSIS WHEEL BASE 2
06 = CAB CHASSIS WHEEL BASE 6
11 = VAN WHEEL BASE 1
12 = VAN WHEEL BASE 2
51 = WAGON WHEEL BASE 1
52 = WAGON WHEEL BASE 2
14 = VAN WHEEL BASE 4
15 = VAN WHEEL BASE 5
56 = WAGON WHEEL BASE 6
16 = VAN WHEEL BASE 6
54 = WAGON WHEEL BASE 4
55 = WAGON WHEEL BASE 5

ENGINE

EX9 = Engine-2.7L I5
Mercedes Turbo Diesel

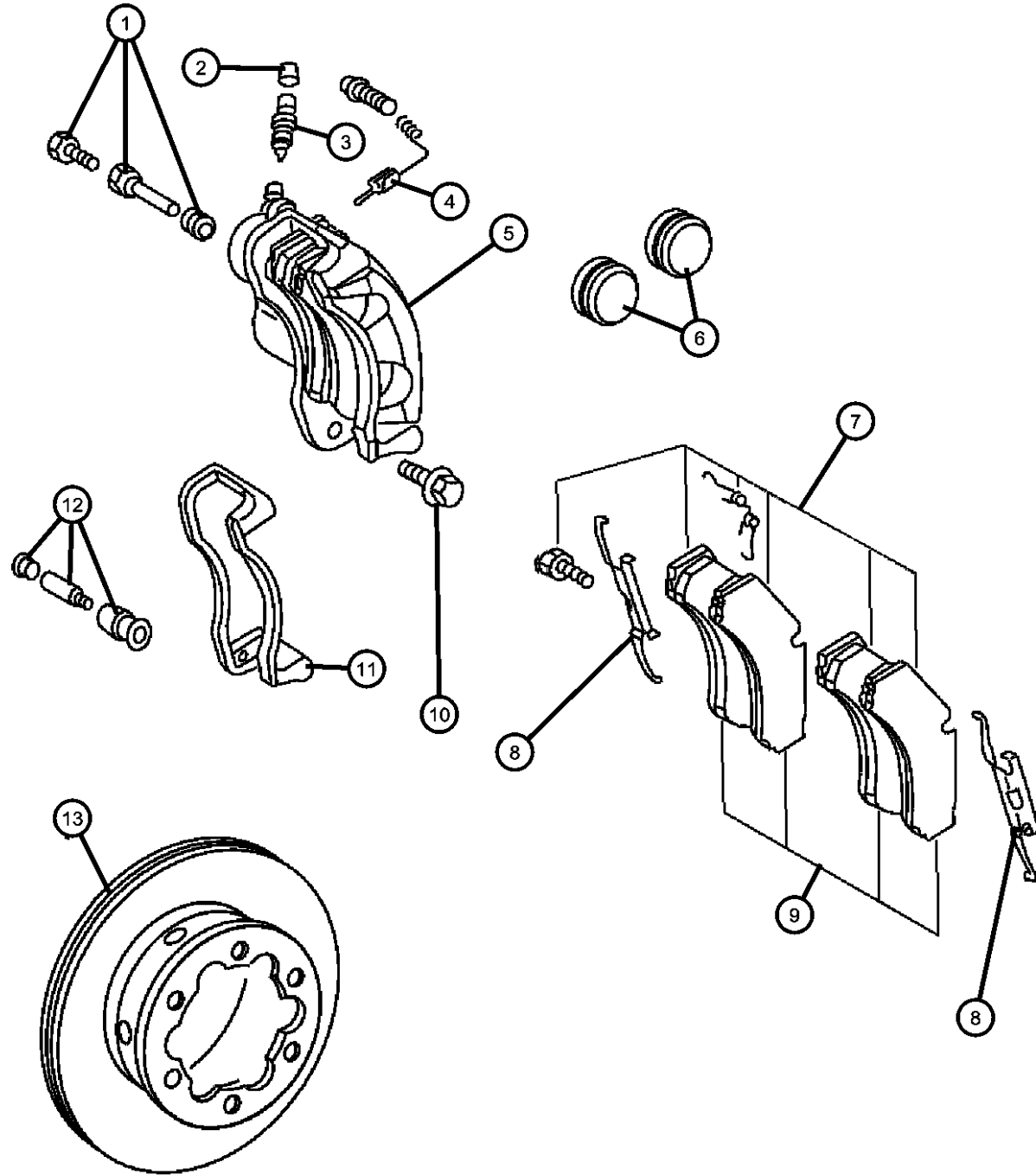
TRANSMISSION

DGJ = Transmission-5-Spd. Automatic,W5A580

AR = use ase required - = Non illustrated part

2002 VA

**Brakes,Rear,285MM
Figure 5-220**



ITEM	PART NUMBER	QTY	LINE	SERIES	BODY	ENGINE	TRANS	TRIM	DESCRIPTION
Note: You must check the brand name on the old caliper to determine which one to order.									
1	05103630AA	1							PIN KIT, Disc Brake, Perrot/Wabco,Textar
2	05126309AA	1	2, 3, 6, 7						CAP, Bleeder
3									BLEEDER SCREW, Brake
	05139258AA	1	2, 6						Bosch
	05139259AA	1							Perrot/Wabco,Textar
4	05103583AA	2	2, 3, 6, 7						SENSOR, Brake wear
5									CALIPER, Disc Brake
	05127820AA	1							Bosch-Without Items 9,11, Right
	05135212AA	1							Wabco-Without Items 7,11, Left
	05135213AA	1							Wabco-Without Items 7,11, Right
	05135589AA	1							Bosch-Without Items 9,11, Left
	05135917AA	1	3, 7						Bosch, Left
	05135918AA	1	3, 7						Bosch, Right
6	05139261AA	1							SEAL, Caliper Piston, Bosch,Textar
7	05103790AA	1							PAD KIT, Disc Brake, Perrot/Wabco,Textar
	VP101790								Mopar V-Line Alternative Part
8	05103635AA	2							RETAINER, Brake Hold Down Spring, Bosch,Textar, Right or Left
9	05103556AA	1	2, 3, 6, 7						PAD KIT, Disc Brake, Bosch,Textar
	VP101790								Mopar V-Line Alternative Part
10	05139464AA	4							SCREW
11									ADAPTER, Disc Brake Caliper
	05135916AA	1							Wabco, Right or Left
	05135915AA	1							Bosch, Right or Left
12	05103729AA	1							PIN KIT, Disc Brake, Bosch, Right or Left
13	05103606AA	2	3, 7		12, 15, 16				ROTOR, Brake

SPRINTER (VA)

SERIES LINE
L = LOWLINE 3 = HD DODGE 2WD
 6 = Lt. Duty DODGE 4WD
 2 = Med. Duty DODGE 2WD
 7 = Med. Duty DODGE 4WD

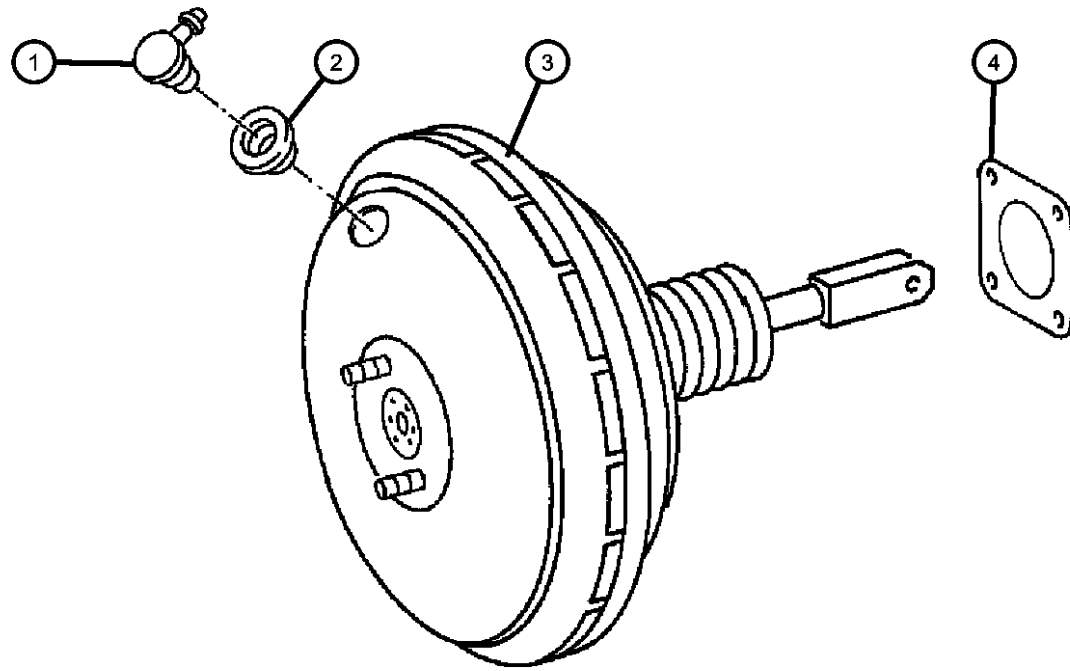
BODY
01 = CHASSIS FORWARD CONTROL W.B.1
02 = CAB CHASSIS WHEEL BASE 2
06 = CAB CHASSIS WHEEL BASE 6
11 = VAN WHEEL BASE 1
12 = VAN WHEEL BASE 2
51 = WAGON WHEEL BASE 1
52 = WAGON WHEEL BASE 2
14 = VAN WHEEL BASE 4
15 = VAN WHEEL BASE 5
56 = WAGON WHEEL BASE 6
16 = VAN WHEEL BASE 6
54 = WAGON WHEEL BASE 4
55 = WAGON WHEEL BASE 5

ENGINE
EX9 = Engine-2.7L I5
Mercedes Turbo Diesel

TRANSMISSION
DGJ = Transmission-5-Spd. Automatic,W5A580

AR = use ase required - = Non illustrated part

Booster
Figure 5-310



ITEM	PART NUMBER	QTY	LINE	SERIES	BODY	ENGINE	TRANS	TRIM	DESCRIPTION
1									VALVE, Brake Booster Check
	05119362AA	1	3, 7		12, 15, 16				
		1	2, 6		11, 12, 14, 15, 16				
		1	2, 6		51, 52, 54, 55, 56				
2									GASKET, Vacuum Line to Booster
	05133696AA	1	2, 6		11, 12, 14, 15, 16				
		1	2, 6		51, 52, 54, 55, 56				
		1	3, 7		12, 15, 16				
3									BOOSTER, Power Brake
	05119372AA	1	3, 7		12, 15, 16				Up To Ident #R400726
		1	2, 6		11, 12, 14, 15, 16				Up To Ident #R400726
		1	2, 6		51, 52, 54, 55, 56				Up To Ident #R400726
	05129285AA	1	2, 6		11, 12, 14, 15, 16				From Ident #R400727
		1	2, 6		51, 52, 54, 55, 56				From Ident #R400727
		1	3, 7		12, 15, 16				From Ident #R400727
4									GASKET, Booster To Dash
	05119386AA	1	2, 6		11, 12, 14, 15, 16				
		1	2, 6		51, 52, 54, 55, 56				
		1	3, 7		12, 15, 16				

SPRINTER (VA)

SERIES

L = LOWLINE

LINE

3 = HD DODGE 2WD
6 = Lt. Duty DODGE 4WD
2 = Med. Duty DODGE 2WD
7 = Med. Duty DODGE 4WD

BODY

01 = CHASSIS FORWARD CONTROL W.B.1
02 = CAB CHASSIS WHEEL BASE 2
06 = CAB CHASSIS WHEEL BASE 6
11 = VAN WHEEL BASE 1
12 = VAN WHEEL BASE 2
51 = WAGON WHEEL BASE 1
52 = WAGON WHEEL BASE 2
14 = VAN WHEEL BASE 4
15 = VAN WHEEL BASE 5
56 = WAGON WHEEL BASE 6
16 = VAN WHEEL BASE 6
54 = WAGON WHEEL BASE 4
55 = WAGON WHEEL BASE 5

ENGINE

EX9 = Engine-2.7L I5
Mercedes Turbo Diesel

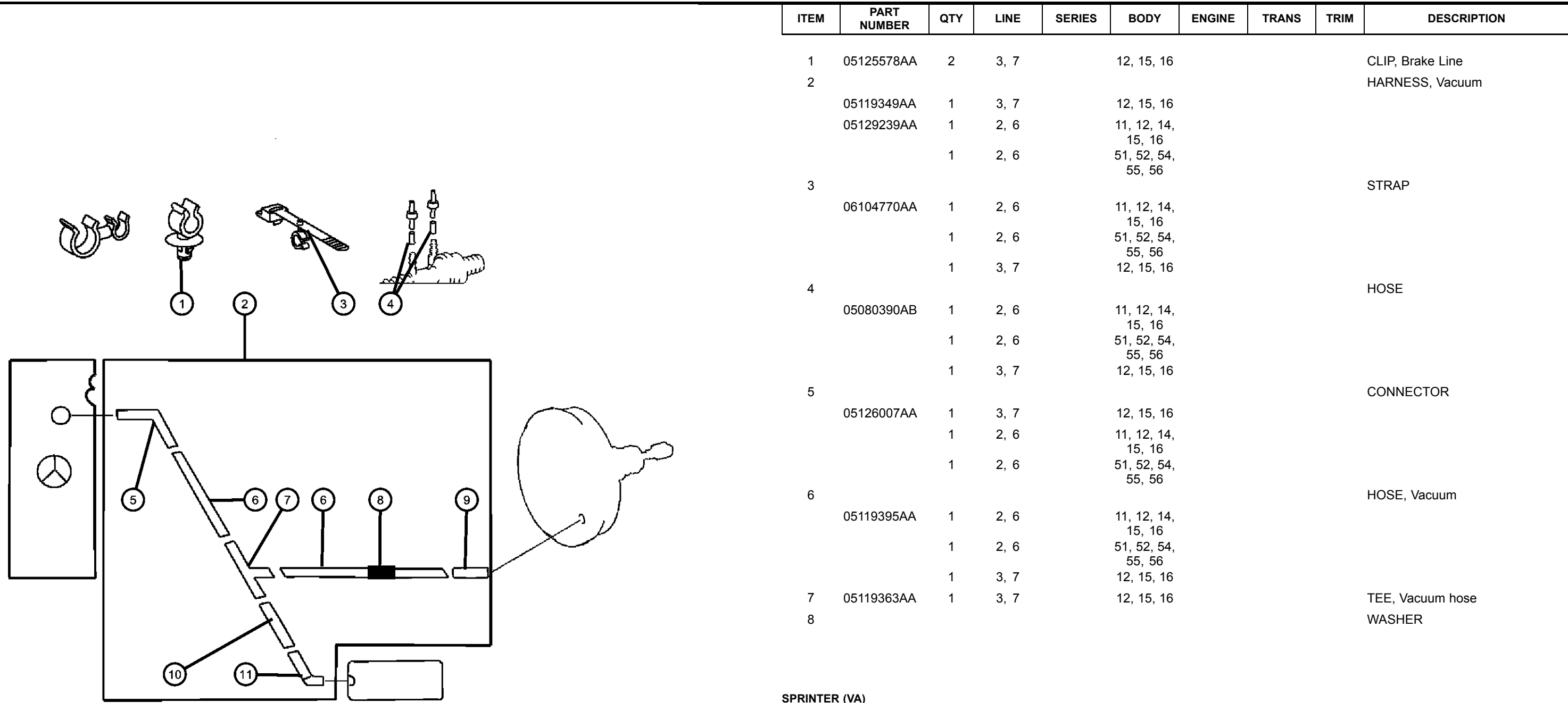
TRANSMISSION

DGJ = Transmission-5-Spd. Automatic, W5A580

AR = use ase required - = Non illustrated part

2002 VA

Vacuun Lines
Figure 5-320



ITEM	PART NUMBER	QTY	LINE	SERIES	BODY	ENGINE	TRANS	TRIM	DESCRIPTION
1	05125578AA	2	3, 7		12, 15, 16				CLIP, Brake Line
2	05119349AA	1	3, 7		12, 15, 16				HARNESS, Vacuum
	05129239AA	1	2, 6		11, 12, 14, 15, 16				
		1	2, 6		51, 52, 54, 55, 56				
3	06104770AA	1	2, 6		11, 12, 14, 15, 16				STRAP
		1	2, 6		51, 52, 54, 55, 56				
		1	3, 7		12, 15, 16				
4	05080390AB	1	2, 6		11, 12, 14, 15, 16				HOSE
		1	2, 6		51, 52, 54, 55, 56				
		1	3, 7		12, 15, 16				
5	05126007AA	1	3, 7		12, 15, 16				CONNECTOR
		1	2, 6		11, 12, 14, 15, 16				
		1	2, 6		51, 52, 54, 55, 56				
6	05119395AA	1	2, 6		11, 12, 14, 15, 16				HOSE, Vacuum
		1	2, 6		51, 52, 54, 55, 56				
		1	3, 7		12, 15, 16				
7	05119363AA	1	3, 7		12, 15, 16				TEE, Vacuum hose
8									WASHER

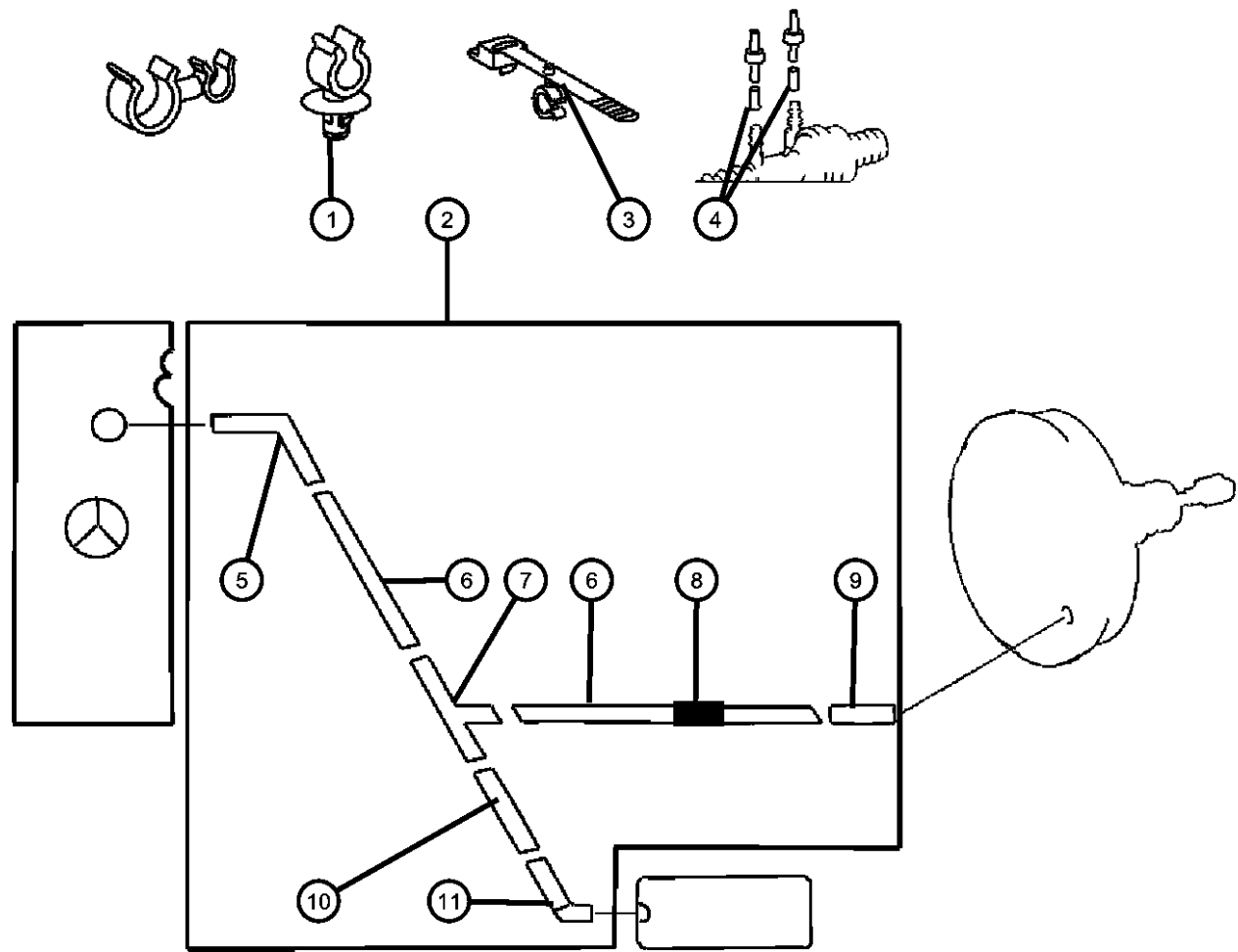
SPRINTER (VA)

SERIES	LINE	BODY	ENGINE	TRANSMISSION
L = LOWLINE	3 = HD DODGE 2WD 6 = Lt. Duty DODGE 4WD 2 = Med. Duty DODGE 2WD 7 = Med. Duty DODGE 4WD	01 = CHASSIS FORWARD CONTROL W.B.1 02 = CAB CHASSIS WHEEL BASE 2 06 = CAB CHASSIS WHEEL BASE 6 11 = VAN WHEEL BASE 1 12 = VAN WHEEL BASE 2 51 = WAGON WHEEL BASE 1 52 = WAGON WHEEL BASE 2 14 = VAN WHEEL BASE 4 15 = VAN WHEEL BASE 5 56 = WAGON WHEEL BASE 6 16 = VAN WHEEL BASE 6 54 = WAGON WHEEL BASE 4 55 = WAGON WHEEL BASE 5	EX9 = Engine-2.7L I5 Mercedes Turbo Diesel	DGJ = Transmission-5-Spd. Automatic, W5A580

AR = use ase required - = Non illustrated part

Vacuun Lines
Figure 5-320

ITEM	PART NUMBER	QTY	LINE	SERIES	BODY	ENGINE	TRANS	TRIM	DESCRIPTION
	05125507AA	2	2, 6		11, 12, 14, 15, 16				
		2	2, 6		51, 52, 54, 55, 56				
		2	3, 7		12, 15, 16				
9	05119362AA	1	3, 7		12, 15, 16				VALVE, Brake Booster Check
		1	2, 6		11, 12, 14, 15, 16				
		1	2, 6		51, 52, 54, 55, 56				
10	05119392AA	1	2, 3, 6, 7						HOSE, Vacuum
	05119397AA	1	3, 7		12, 15, 16				
11	05125804AA	1	3, 7		12, 15, 16				COUPLING, Male
-12	05098383AA	1	2, 3, 6, 7						CAP, Nut



SPRINTER (VA)

SERIES

L = LOWLINE
 3 = HD DODGE 2WD
 6 = Lt. Duty DODGE 4WD
 2 = Med. Duty DODGE 2WD
 7 = Med. Duty DODGE 4WD

BODY

01 = CHASSIS FORWARD CONTROL W.B.1
 02 = CAB CHASSIS WHEEL BASE 2
 06 = CAB CHASSIS WHEEL BASE 6
 11 = VAN WHEEL BASE 1
 12 = VAN WHEEL BASE 2
 51 = WAGON WHEEL BASE 1
 52 = WAGON WHEEL BASE 2
 14 = VAN WHEEL BASE 4
 15 = VAN WHEEL BASE 5
 56 = WAGON WHEEL BASE 6
 16 = VAN WHEEL BASE 6
 54 = WAGON WHEEL BASE 4
 55 = WAGON WHEEL BASE 5

ENGINE

EX9 = Engine-2.7L I5
 Mercedes Turbo Diesel

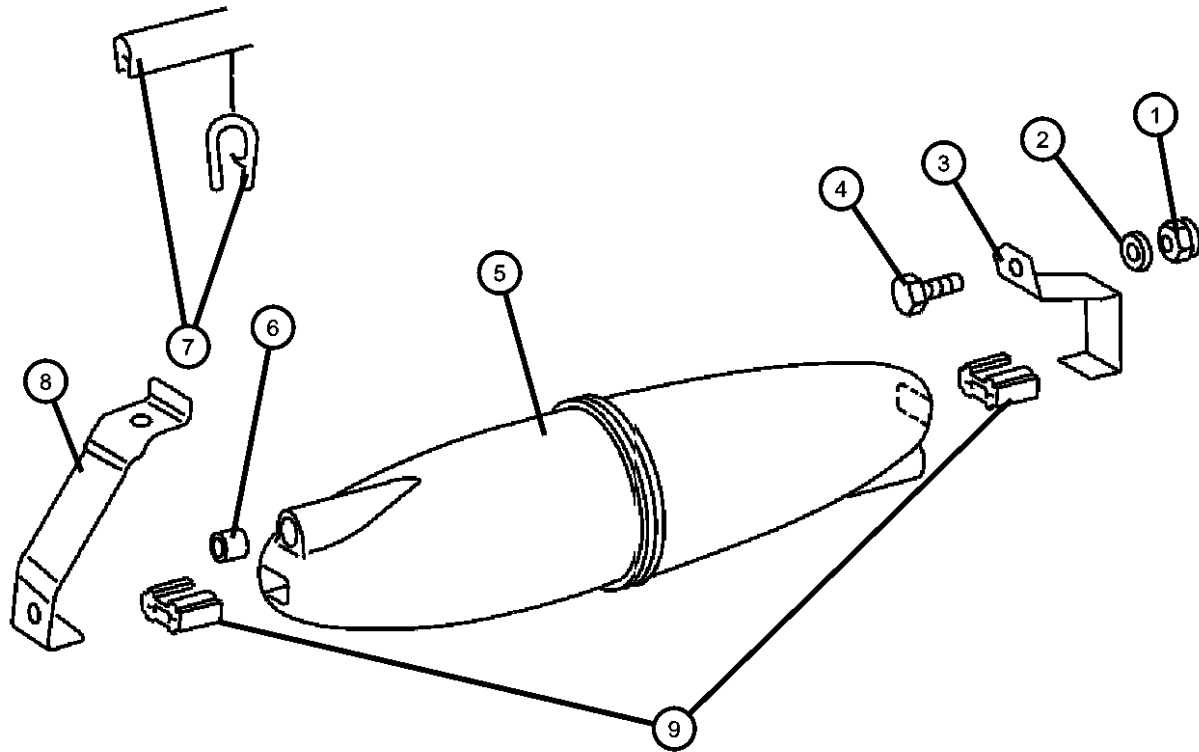
TRANSMISSION

DGJ = Transmission-5-Spd. Automatic, W5A580

AR = use ase required - = Non illustrated part

Vacuum Reservoir
Figure 5-330

ITEM	PART NUMBER	QTY	LINE	SERIES	BODY	ENGINE	TRANS	TRIM	DESCRIPTION
1	05126237AA	1	3, 7		12, 15, 16				NUT, Hex
2	05126237AA	1							WASHER, Flat, M8, (NOT SERVICED)
3	05119388AA	1	3, 7		12, 15, 16				BRACKET, Vacuum Reservoir
4	05104655AA	1	3, 7		12, 15, 16				BOLT
5	05119357AA	1	3, 7		12, 15, 16				RESERVOIR, Vacuum
6	05119400AA	1	3, 7		12, 15, 16				SEAL, Vacuum Line
7	05132721AA	2	3, 7		12, 15, 16				GUARD, Edge, 10 Meters Long
8	05119389AA	1	3, 7		12, 15, 16				BRACKET, Vacuum Reservoir
9	05125498AA	2	3, 7		12, 15, 16				ISOLATOR



SPRINTER (VA)

SERIES

L = LOWLINE

LINE

3 = HD DODGE 2WD
6 = Lt. Duty DODGE 4WD
2 = Med. Duty DODGE 2WD
7 = Med. Duty DODGE 4WD

BODY

01 = CHASSIS FORWARD CONTROL W.B.1
02 = CAB CHASSIS WHEEL BASE 2
06 = CAB CHASSIS WHEEL BASE 6
11 = VAN WHEEL BASE 1
12 = VAN WHEEL BASE 2
51 = WAGON WHEEL BASE 1
52 = WAGON WHEEL BASE 2
14 = VAN WHEEL BASE 4
15 = VAN WHEEL BASE 5
56 = WAGON WHEEL BASE 6
16 = VAN WHEEL BASE 6
54 = WAGON WHEEL BASE 4
55 = WAGON WHEEL BASE 5

ENGINE

EX9 = Engine-2.7L I5 Mercedes Turbo Diesel

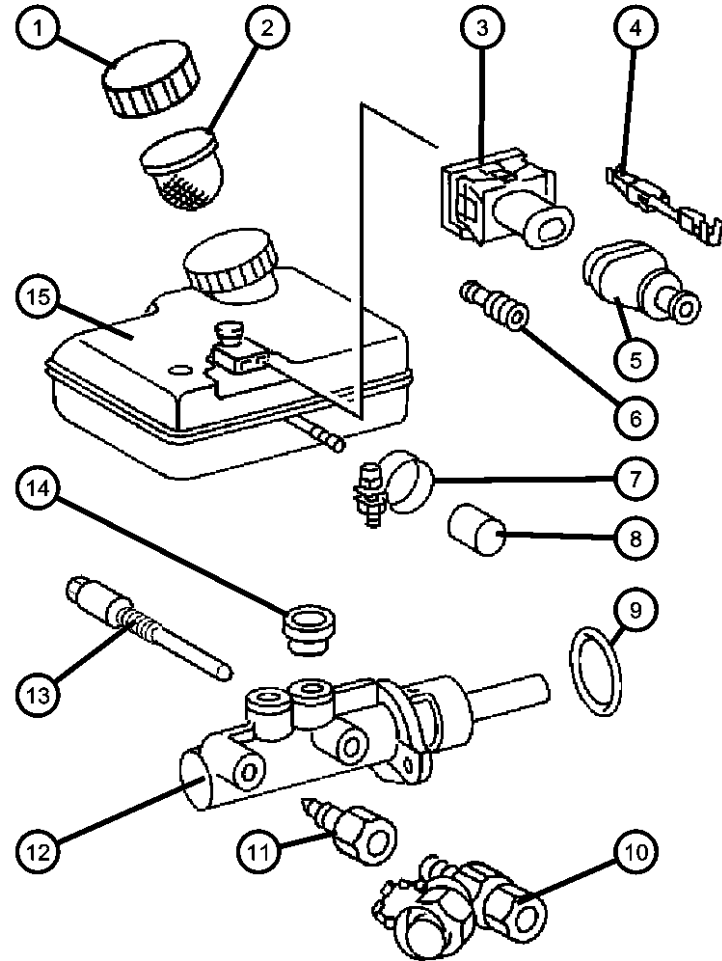
TRANSMISSION

DGJ = Transmission-5-Spd. Automatic, W5A580

AR = use ase required - = Non illustrated part

2002 VA

Master Cylinder
Figure 5-410



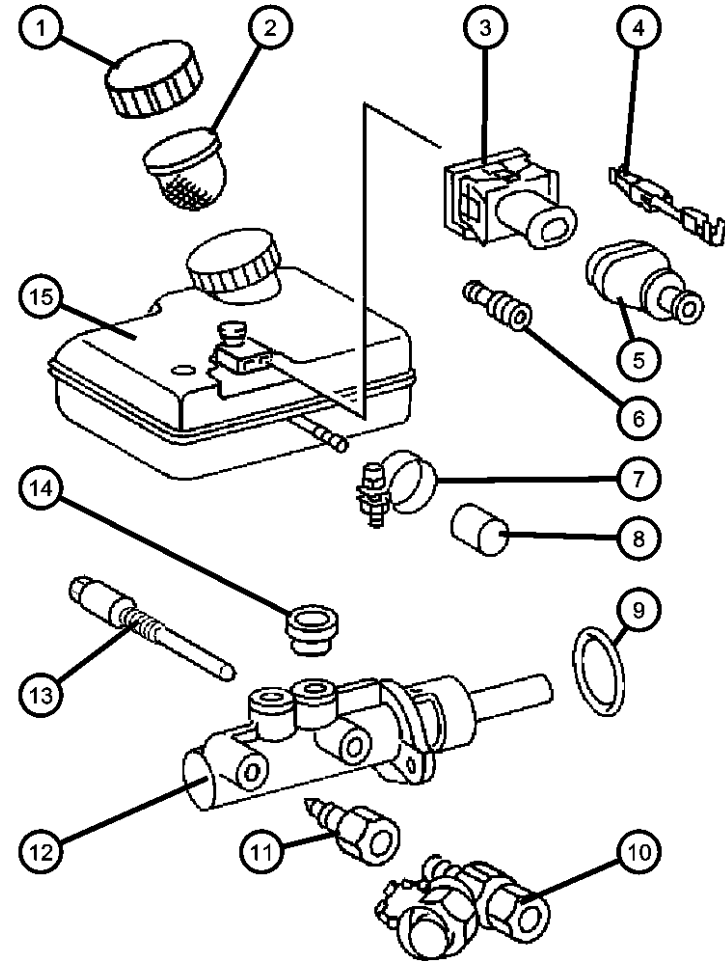
ITEM	PART NUMBER	QTY	LINE	SERIES	BODY	ENGINE	TRANS	TRIM	DESCRIPTION
1	05103743AA	1	2, 6		11, 12, 14, 15, 16				CAP, Master Cylinder Reservoir
		1	2, 6		51, 52, 54, 55, 56				
		1	3, 7		12, 15, 16				
2	05119374AA	1	2, 6		11, 12, 14, 15, 16				FILTER, Brake Master Cylinder
		1	2, 6		51, 52, 54, 55, 56				
		1	3, 7		12, 15, 16				
3	05120749AA	1	2, 6		11, 12, 14, 15, 16				CONNECTOR
		1	2, 6		51, 52, 54, 55, 56				
		1	3, 7		12, 15, 16				
4	05103880AA	99	2, 6		11, 12, 14, 15, 16				TERMINAL
		99	2, 6		51, 52, 54, 55, 56				
		99	3, 7		12, 15, 16				
5	05120881AA	1	2, 6		11, 12, 14, 15, 16				BOOT
		1	2, 6		51, 52, 54, 55, 56				
		1	3, 7		12, 15, 16				
6	05103661AA	1	2, 6		11, 12, 14, 15, 16				GASKET
		1	2, 6		51, 52, 54, 55, 56				

SPRINTER (VA)

SERIES	LINE	BODY	ENGINE	TRANSMISSION
L = LOWLINE	3 = HD DODGE 2WD 6 = Lt. Duty DODGE 4WD 2 = Med. Duty DODGE 2WD 7 = Med. Duty DODGE 4WD	01 = CHASSIS FORWARD CONTROL W.B.1 02 = CAB CHASSIS WHEEL BASE 2 06 = CAB CHASSIS WHEEL BASE 6 11 = VAN WHEEL BASE 1 12 = VAN WHEEL BASE 2 51 = WAGON WHEEL BASE 1 52 = WAGON WHEEL BASE 2 14 = VAN WHEEL BASE 4 15 = VAN WHEEL BASE 5 56 = WAGON WHEEL BASE 6 16 = VAN WHEEL BASE 6 54 = WAGON WHEEL BASE 4 55 = WAGON WHEEL BASE 5	EX9 = Engine-2.7L I5 Mercedes Turbo Diesel	DGJ = Transmission-5-Spd. Automatic, W5A580

AR = use ase required - = Non illustrated part

**Master Cylinder
Figure 5-410**



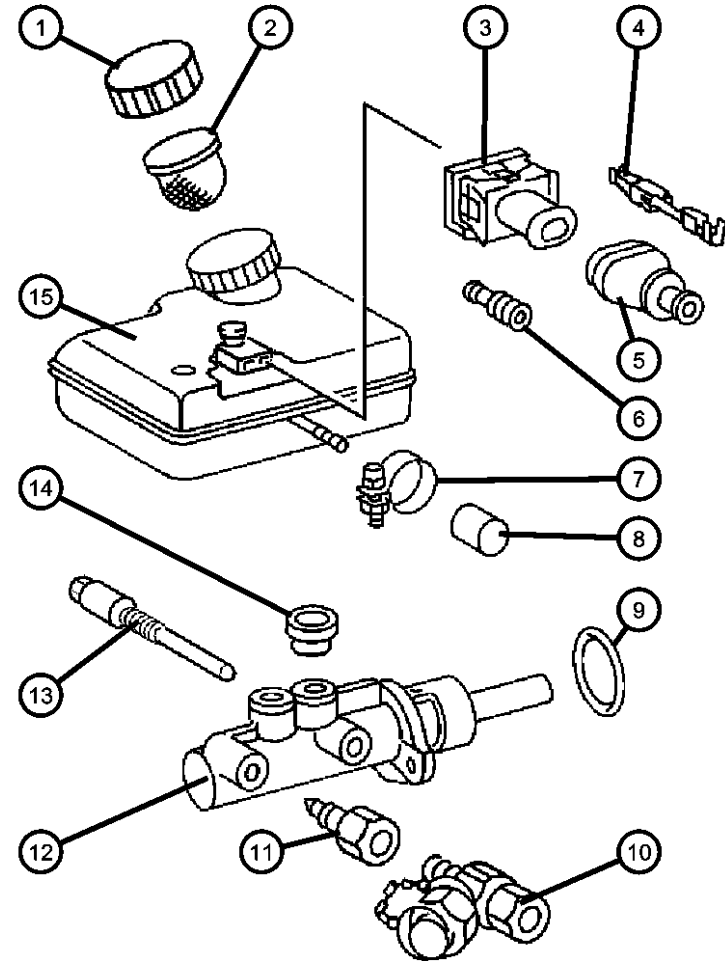
ITEM	PART NUMBER	QTY	LINE	SERIES	BODY	ENGINE	TRANS	TRIM	DESCRIPTION
7		1	3, 7		12, 15, 16				CLAMP
	05080440AB	1	2, 6		11, 12, 14, 15, 16				
		1	2, 6		51, 52, 54, 55, 56				
8		1	3, 7		12, 15, 16				CAP
	05119387AA	1	2, 6		11, 12, 14, 15, 16				
		1	2, 6		51, 52, 54, 55, 56				
9		1	3, 7		12, 15, 16				GASKET
	05133695AA	1	2, 6		11, 12, 14, 15, 16				
		1	3, 7		12, 15, 16				
10		1	2, 6		51, 52, 54, 55, 56				TEST CONNECTION, Master Cylinder
	05103640AA	2	2, 6		11, 12, 14, 15, 16				
		2	2, 6		51, 52, 54, 55, 56				
11		2	3, 7		12, 15, 16				FITTING, Orifice
	05103636AA	2	2, 6		11, 12, 14, 15, 16				
		2	2, 6		51, 52, 54, 55, 56				
12		2	3, 7		12, 15, 16				CYLINDER, Brake Master

SPRINTER (VA)

SERIES	LINE	BODY	ENGINE	TRANSMISSION
L = LOWLINE	3 = HD DODGE 2WD 6 = Lt. Duty DODGE 4WD 2 = Med. Duty DODGE 2WD 7 = Med. Duty DODGE 4WD	01 = CHASSIS FORWARD CONTROL W.B.1 02 = CAB CHASSIS WHEEL BASE 2 06 = CAB CHASSIS WHEEL BASE 6 11 = VAN WHEEL BASE 1 12 = VAN WHEEL BASE 2 51 = WAGON WHEEL BASE 1 52 = WAGON WHEEL BASE 2 14 = VAN WHEEL BASE 4 15 = VAN WHEEL BASE 5 56 = WAGON WHEEL BASE 6 16 = VAN WHEEL BASE 6 54 = WAGON WHEEL BASE 4 55 = WAGON WHEEL BASE 5	EX9 = Engine-2.7L I5 Mercedes Turbo Diesel	DGJ = Transmission-5-Spd. Automatic, W5A580

AR = use ase required - = Non illustrated part

**Master Cylinder
Figure 5-410**



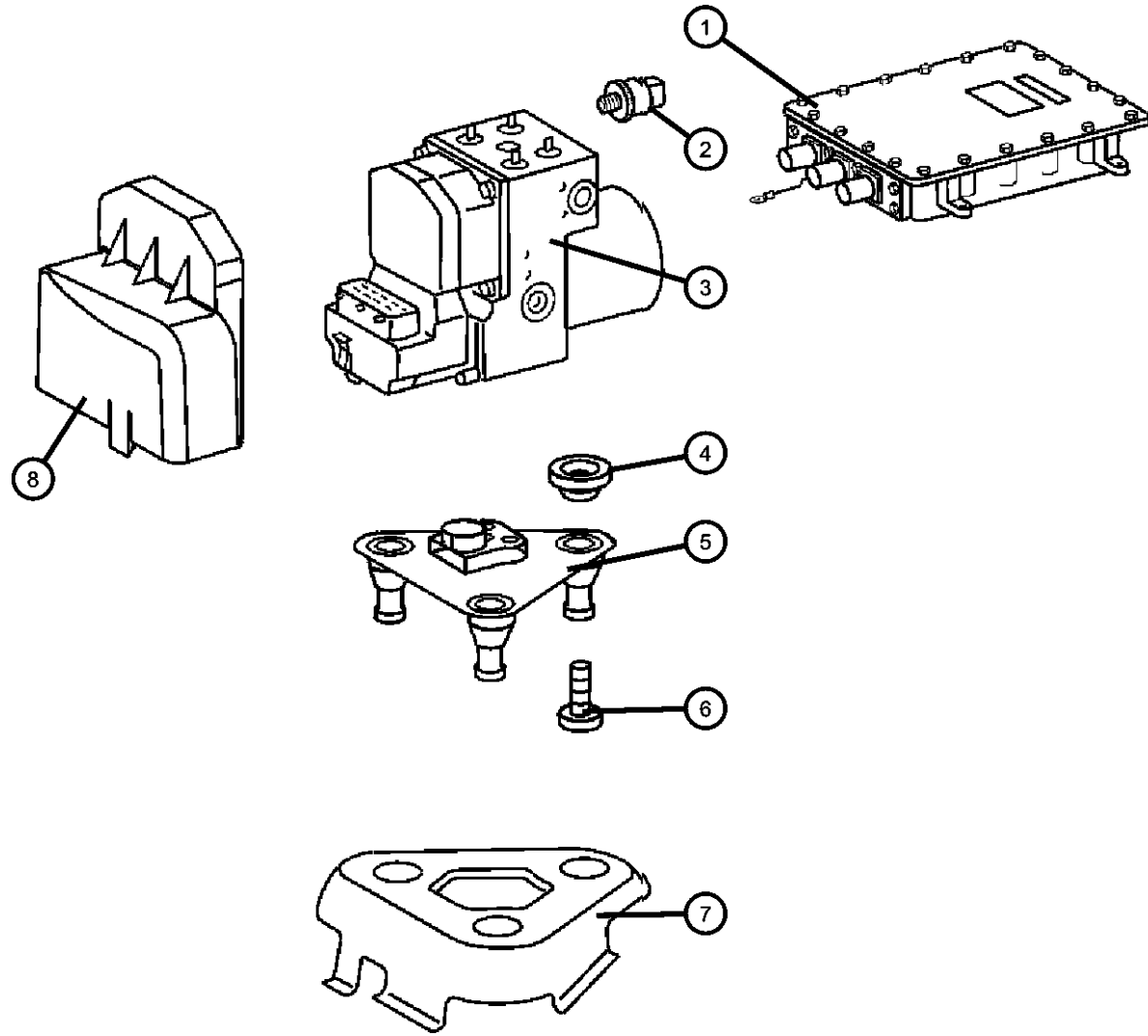
ITEM	PART NUMBER	QTY	LINE	SERIES	BODY	ENGINE	TRANS	TRIM	DESCRIPTION
	05103638AA	1	3, 7		12, 15, 16				Up To Ident. No. R 400726
	05103639AA	1	2, 6		11, 12, 14, 15, 16				Up To Ident. No. A 906425/R 400726
		1	2, 6		51, 52, 54, 55, 56				Up To Ident. No. A 906425/R 400726
	05119354AA	1	2, 6		11, 12, 14, 15, 16				
		1	2, 6		51, 52, 54, 55, 56				
		1	3, 7		12, 15, 16				From Ident. No. R 400727
	05119355AA	1	2, 6		11, 12, 14, 15, 16				From Ident. No. A 906426R/R 400727
		1	2, 6		51, 52, 54, 55, 56				From Ident. No. A 906426R/R 400727
13		1							SCREW, (NOT SERVICED),
14									SEAL, Brake Cylinder To Reservoir
	05103637AA	1	2, 6		11, 12, 14, 15, 16				
		1	2, 6		51, 52, 54, 55, 56				
15									RESERVOIR, Brake Master Cylinder
	05119356AA	1	3, 7		12, 15, 16				
		1	2, 6		11, 12, 14, 15, 16				
		1	2, 6		51, 52, 54, 55, 56				

SPRINTER (VA)

SERIES	LINE	BODY	ENGINE	TRANSMISSION
L = LOWLINE	3 = HD DODGE 2WD 6 = Lt. Duty DODGE 4WD 2 = Med. Duty DODGE 2WD 7 = Med. Duty DODGE 4WD	01 = CHASSIS FORWARD CONTROL W.B.1 02 = CAB CHASSIS WHEEL BASE 2 06 = CAB CHASSIS WHEEL BASE 6 11 = VAN WHEEL BASE 1 12 = VAN WHEEL BASE 2 51 = WAGON WHEEL BASE 1 52 = WAGON WHEEL BASE 2 14 = VAN WHEEL BASE 4 15 = VAN WHEEL BASE 5 56 = WAGON WHEEL BASE 6 16 = VAN WHEEL BASE 6 54 = WAGON WHEEL BASE 4 55 = WAGON WHEEL BASE 5	EX9 = Engine-2.7L I5 Mercedes Turbo Diesel	DGJ = Transmission-5-Spd. Automatic,W5A580

AR = use ase required - = Non illustrated part

**Hydraulic Control Unit and ABS Module
Figure 5-420**



ITEM	PART NUMBER	QTY	LINE	SERIES	BODY	ENGINE	TRANS	TRIM	DESCRIPTION
1	05133700AA	1	2, 3, 6, 7						MODULE, Anti-lock Brakes
2	05133702AA	1	3, 7		12, 15, 16				SENDING UNIT
3	05127536AA	1	3, 7		12, 15, 16				CONTROL UNIT, Anti-Lock Brake [BGK]
	05127538AA	1	2, 6		11, 12, 14, 15, 16				With Tag A 000 446 65 89 [BGK,4DR]
		1	2, 6		51, 52, 54, 55, 56				With Tag A 000 446 65 89 [BGK,4DR]
	05129374AA	1	2, 6		11, 12, 14, 15, 16				With Tag A 000 446 64 89 [BGK,4DR]
		1	2, 6		51, 52, 54, 55, 56				With Tag A 000 446 64 89 [BGK,4DR]
4	05099283AA	3	2, 6		11, 12, 14, 15, 16				GROMMET, Hydraulic Control Unit
		3	2, 6		51, 52, 54, 55, 56				
		3	3, 7		12, 15, 16				
5	05119383AA	1	2, 6		11, 12, 14, 15, 16				BRACKET, Hydraulic control unit, Upper
		1	2, 6		51, 52, 54, 55, 56				
		1	3, 7		12, 15, 16				
6	05126138AA	2	2, 6		11, 12, 14, 15, 16				SCREW
		2	2, 6		51, 52, 54, 55, 56				
		2	3, 7		12, 15, 16				
7	05104088AA	1	2, 6		11, 12, 14, 15, 16				BRACKET, Hydraulic control unit, Lower

SPRINTER (VA)

SERIES

L = LOWLINE
 3 = HD DODGE 2WD
 6 = Lt. Duty DODGE 4WD
 2 = Med. Duty DODGE 2WD
 7 = Med. Duty DODGE 4WD

LINE

BODY

01 = CHASSIS FORWARD CONTROL W.B.1
 02 = CAB CHASSIS WHEEL BASE 2
 06 = CAB CHASSIS WHEEL BASE 6
 11 = VAN WHEEL BASE 1
 12 = VAN WHEEL BASE 2
 51 = WAGON WHEEL BASE 1
 52 = WAGON WHEEL BASE 2
 14 = VAN WHEEL BASE 4
 15 = VAN WHEEL BASE 5
 56 = WAGON WHEEL BASE 6
 16 = VAN WHEEL BASE 6
 54 = WAGON WHEEL BASE 4
 55 = WAGON WHEEL BASE 5

ENGINE

EX9 = Engine-2.7L I5
 Mercedes Turbo Diesel

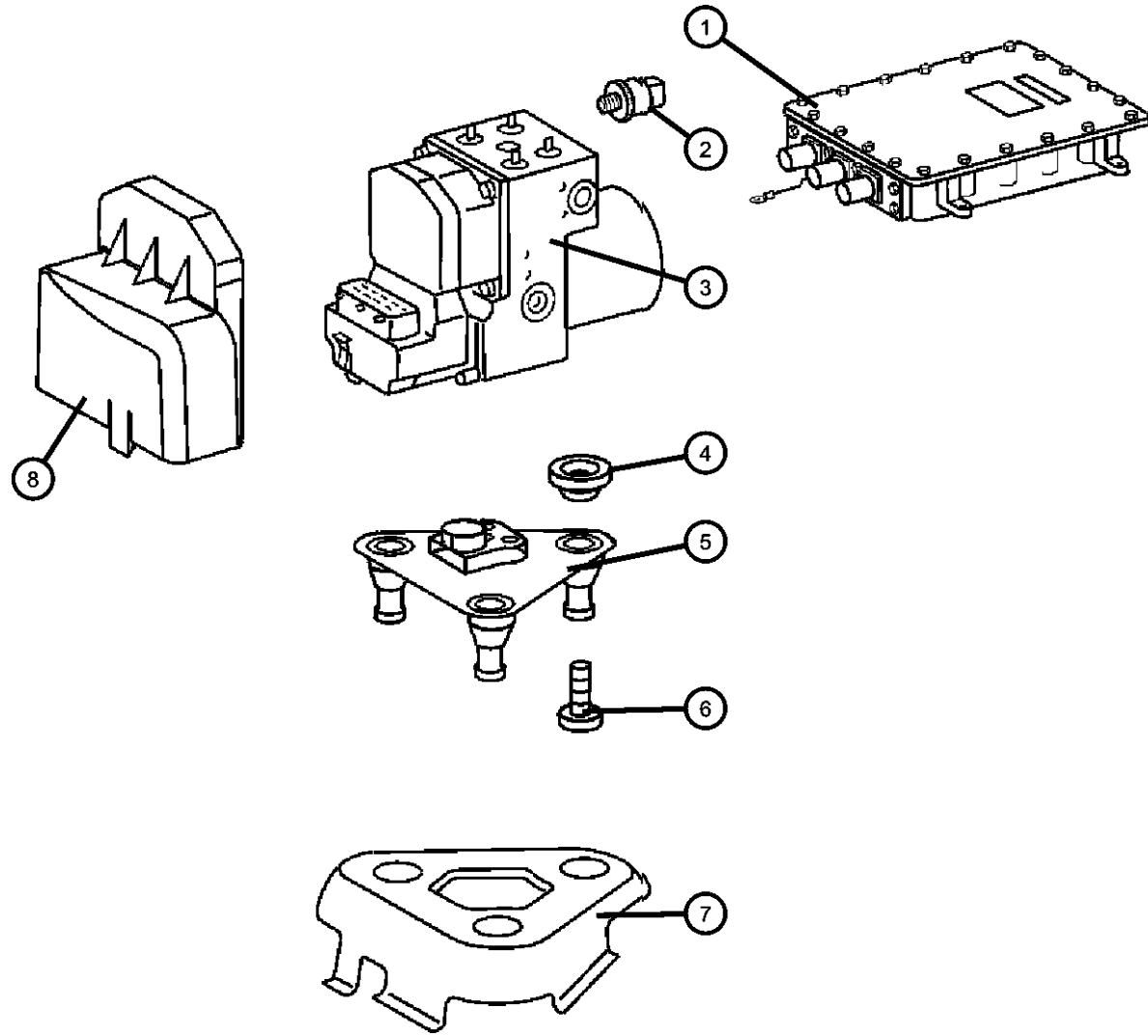
TRANSMISSION

DGJ = Transmission-5-Spd. Automatic, W5A580

AR = use ase required - = Non illustrated part

2002 VA

Hydraulic Control Unit and ABS Module
Figure 5-420



ITEM	PART NUMBER	QTY	LINE	SERIES	BODY	ENGINE	TRANS	TRIM	DESCRIPTION
		1	2, 6		51, 52, 54, 55, 56				
		1	3, 7		12, 15, 16				
8	05120888AA	1	2, 6		11, 12, 14, 15, 16				COVER, Hydraulic Control Unit
		1	2, 6		51, 52, 54, 55, 56				
		1	3, 7		12, 15, 16				

SPRINTER (VA)

SERIES

L = LOWLINE
 3 = HD DODGE 2WD
 6 = Lt. Duty DODGE 4WD
 2 = Med. Duty DODGE 2WD
 7 = Med. Duty DODGE 4WD

LINE

BODY

01 = CHASSIS FORWARD CONTROL W.B.1
 02 = CAB CHASSIS WHEEL BASE 2
 06 = CAB CHASSIS WHEEL BASE 6
 11 = VAN WHEEL BASE 1
 12 = VAN WHEEL BASE 2
 51 = WAGON WHEEL BASE 1
 52 = WAGON WHEEL BASE 2
 14 = VAN WHEEL BASE 4
 15 = VAN WHEEL BASE 5
 56 = WAGON WHEEL BASE 6
 16 = VAN WHEEL BASE 6
 54 = WAGON WHEEL BASE 4
 55 = WAGON WHEEL BASE 5

ENGINE

EX9 = Engine-2.7L I5
 Mercedes Turbo Diesel

TRANSMISSION

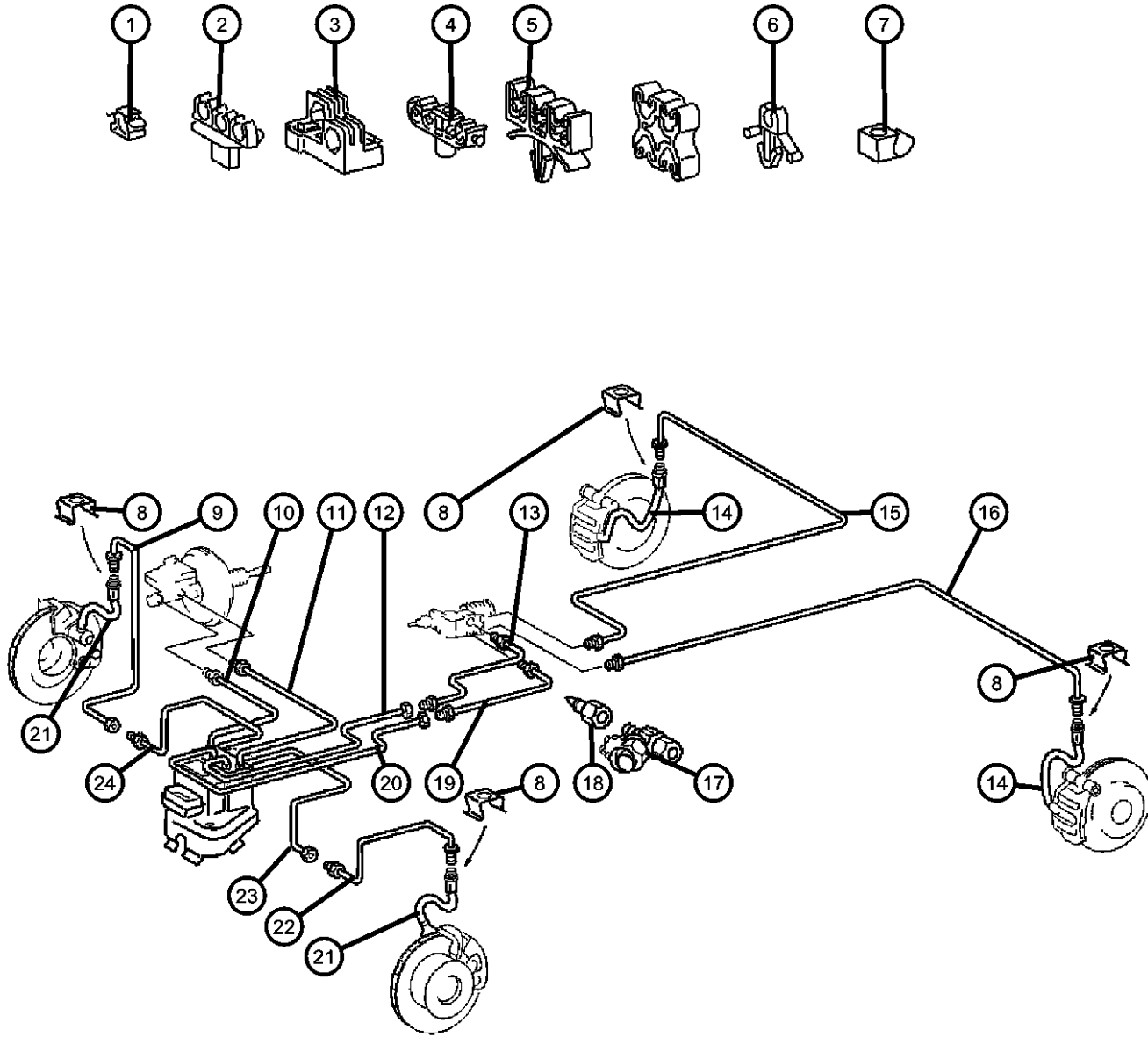
DGJ = Transmission-5-Spd. Automatic, W5A580

AR = use ase required - = Non illustrated part

Lines,Brake,With ABS,2500/3500 Series
Figure 5-510

ITEM	PART NUMBER	QTY	LINE	SERIES	BODY	ENGINE	TRANS	TRIM	DESCRIPTION
------	-------------	-----	------	--------	------	--------	-------	------	-------------

Note;Sales Codes;
 [WDG]=Wheels - 16 X 6 STEEL
 [3S6]=Test Connections Hydraulic Brake
 [5AC]=118" Wheelbase
 [5AE]=140" Wheelbase
 [5AF]=158" Wheelbase



1	05119689AA	4	2, 6		11, 12, 14, 15, 16				CLIP, Brake Line As Required
		4	3, 7		12, 15, 16				As Required
		4	2, 6		51, 52, 54, 55, 56				As Required
2	05132788AA	4	2, 6		11, 12, 14, 15, 16				CLIP, Brake Line As Required
		4	2, 6		51, 52, 54, 55, 56				As Required
		4	3, 7		12, 15, 16				As Required
3	05119331AA	1	2, 6		11, 12, 14, 15, 16				BRACKET, Brake Tube As Required
		1	2, 6		51, 52, 54, 55, 56				As Required
		1	3, 7		12, 15, 16				As Required
4	05119330AA	2	2, 6		11, 12, 14, 15, 16				CLIP, Brake Line As Required
		2	2, 6		51, 52, 54, 55, 56				As Required
		2	3, 7		12, 15, 16				As Required
5	05119328AA	1	2, 6		11, 12, 14, 15, 16				CLIP, Brake Line As Required
		1	2, 6		51, 52, 54, 55, 56				As Required

SPRINTER (VA)

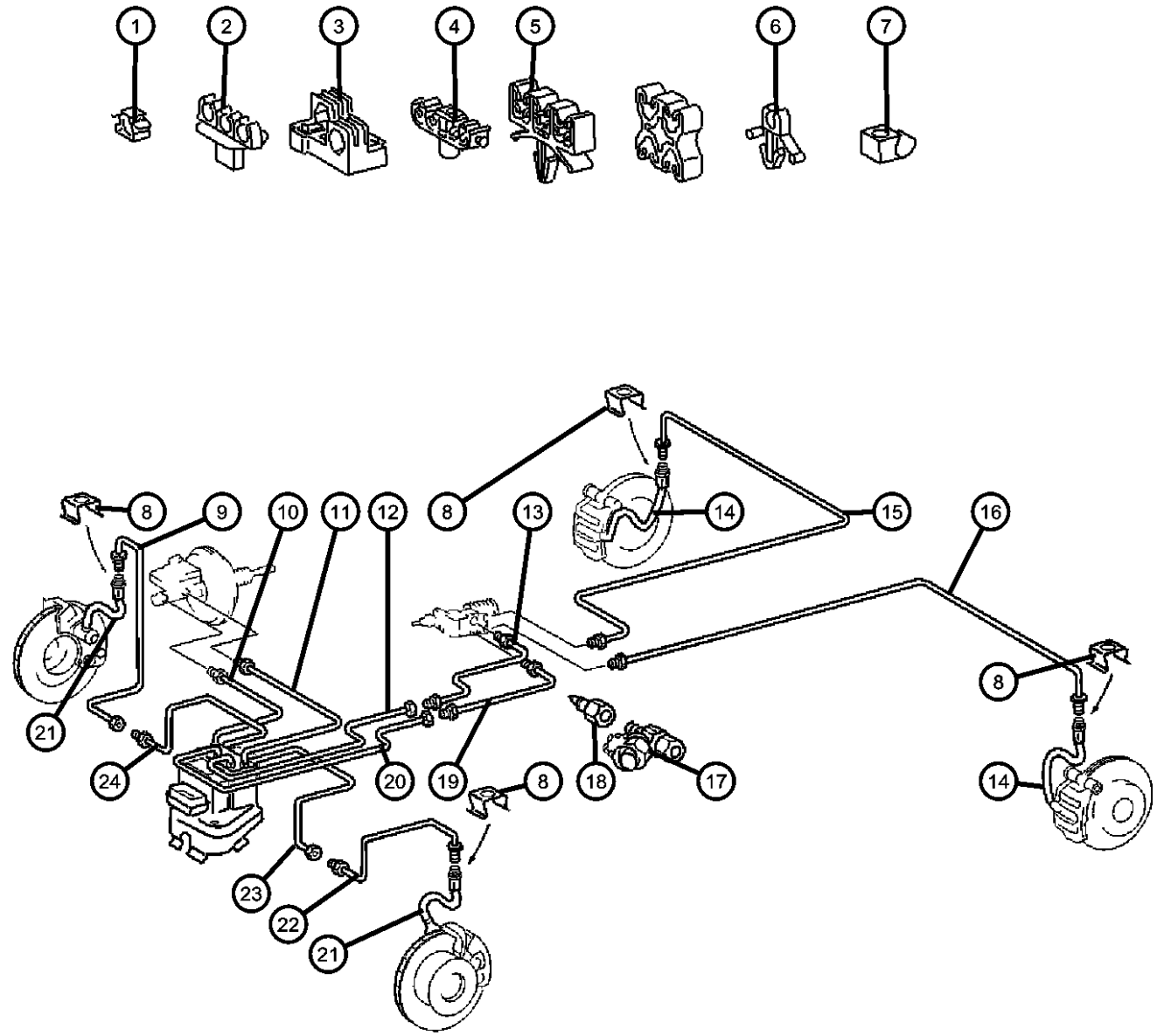
SERIES	LINE	BODY	ENGINE	TRANSMISSION
L = LOWLINE	3 = HD DODGE 2WD 6 = Lt. Duty DODGE 4WD 2 = Med. Duty DODGE 2WD 7 = Med. Duty DODGE 4WD	01 = CHASSIS FORWARD CONTROL W.B.1 02 = CAB CHASSIS WHEEL BASE 2 06 = CAB CHASSIS WHEEL BASE 6 11 = VAN WHEEL BASE 1 12 = VAN WHEEL BASE 2 51 = WAGON WHEEL BASE 1 52 = WAGON WHEEL BASE 2 14 = VAN WHEEL BASE 4 15 = VAN WHEEL BASE 5 56 = WAGON WHEEL BASE 6 16 = VAN WHEEL BASE 6 54 = WAGON WHEEL BASE 4 55 = WAGON WHEEL BASE 5	EX9 = Engine-2.7L I5 Mercedes Turbo Diesel	DGJ = Transmission-5-Spd. Automatic,W5A580

AR = use ase required - = Non illustrated part

2002 VA

Lines,Brake,With ABS,2500/3500 Series
Figure 5-510

ITEM	PART NUMBER	QTY	LINE	SERIES	BODY	ENGINE	TRANS	TRIM	DESCRIPTION
		1	3, 7		12, 15, 16				As Required
6	05119329AA	2	2, 6		11, 12, 14, 15, 16				CLIP, Brake Line As Required
		2	2, 6		55, 56, 51, 52, 54				As Required
7	05125566AA	3	2, 6		11, 12, 14, 15, 16				As Required CLIP, Brake Line
		1	2, 6		51, 52, 54, 55, 56				
8	05098140AA	2	3, 7		12, 15, 16				CLIP, Spring Front or Rear, Right or Left
		2	2, 6		11, 12, 14, 15, 16				Front or Rear, Right or Left
		2	2, 6		51, 52, 54, 55, 56				Front or Rear, Right or Left
9	05119163AA	1	2, 6		11, 12, 14, 15, 16				TUBE, Brake [WDG], Right
		1	2, 6		51, 52, 54, 55, 56				[WDG], Right
	05119198AA	1	3, 7		12, 15, 16				Right
		1	2, 6		11, 12, 14, 15, 16				Right
		1	2, 6		51, 52, 54, 55, 56				Right
10	05119220AA	1	3, 7		12, 15, 16				TUBE, Brake [3S6], Secondary
	05119218AA	1	2, 6		11, 12, 14, 15, 16				, Secondary

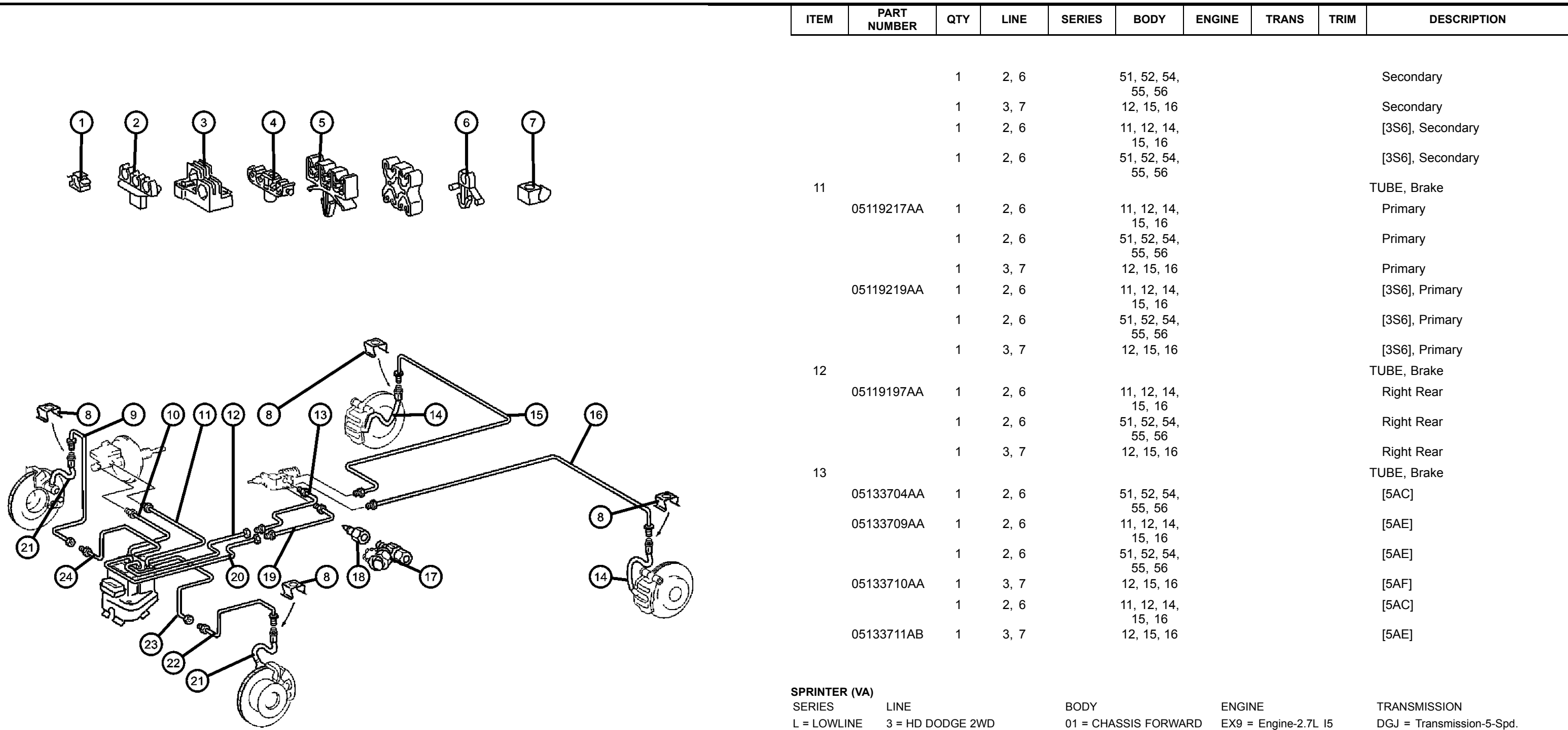


SPRINTER (VA)

SERIES	LINE	BODY	ENGINE	TRANSMISSION
L = LOWLINE	3 = HD DODGE 2WD 6 = Lt. Duty DODGE 4WD 2 = Med. Duty DODGE 2WD 7 = Med. Duty DODGE 4WD	01 = CHASSIS FORWARD CONTROL W.B.1 02 = CAB CHASSIS WHEEL BASE 2 06 = CAB CHASSIS WHEEL BASE 6 11 = VAN WHEEL BASE 1 12 = VAN WHEEL BASE 2 51 = WAGON WHEEL BASE 1 52 = WAGON WHEEL BASE 2 14 = VAN WHEEL BASE 4 15 = VAN WHEEL BASE 5 56 = WAGON WHEEL BASE 6 16 = VAN WHEEL BASE 6 54 = WAGON WHEEL BASE 4 55 = WAGON WHEEL BASE 5	EX9 = Engine-2.7L I5 Mercedes Turbo Diesel	DGJ = Transmission-5-Spd. Automatic,W5A580

AR = use ase required - = Non illustrated part

Lines,Brake,With ABS,2500/3500 Series
Figure 5-510



ITEM	PART NUMBER	QTY	LINE	SERIES	BODY	ENGINE	TRANS	TRIM	DESCRIPTION
		1	2, 6		51, 52, 54, 55, 56				Secondary
		1	3, 7		12, 15, 16				Secondary
		1	2, 6		11, 12, 14, 15, 16				[3S6], Secondary
		1	2, 6		51, 52, 54, 55, 56				[3S6], Secondary
11	05119217AA	1	2, 6		11, 12, 14, 15, 16				TUBE, Brake Primary
		1	2, 6		51, 52, 54, 55, 56				Primary
		1	3, 7		12, 15, 16				Primary
	05119219AA	1	2, 6		11, 12, 14, 15, 16				[3S6], Primary
		1	2, 6		51, 52, 54, 55, 56				[3S6], Primary
		1	3, 7		12, 15, 16				[3S6], Primary
12	05119197AA	1	2, 6		11, 12, 14, 15, 16				TUBE, Brake Right Rear
		1	2, 6		51, 52, 54, 55, 56				Right Rear
		1	3, 7		12, 15, 16				Right Rear
13	05133704AA	1	2, 6		51, 52, 54, 55, 56				TUBE, Brake [5AC]
	05133709AA	1	2, 6		11, 12, 14, 15, 16				[5AE]
		1	2, 6		51, 52, 54, 55, 56				[5AE]
	05133710AA	1	3, 7		12, 15, 16				[5AF]
		1	2, 6		11, 12, 14, 15, 16				[5AC]
	05133711AB	1	3, 7		12, 15, 16				[5AE]

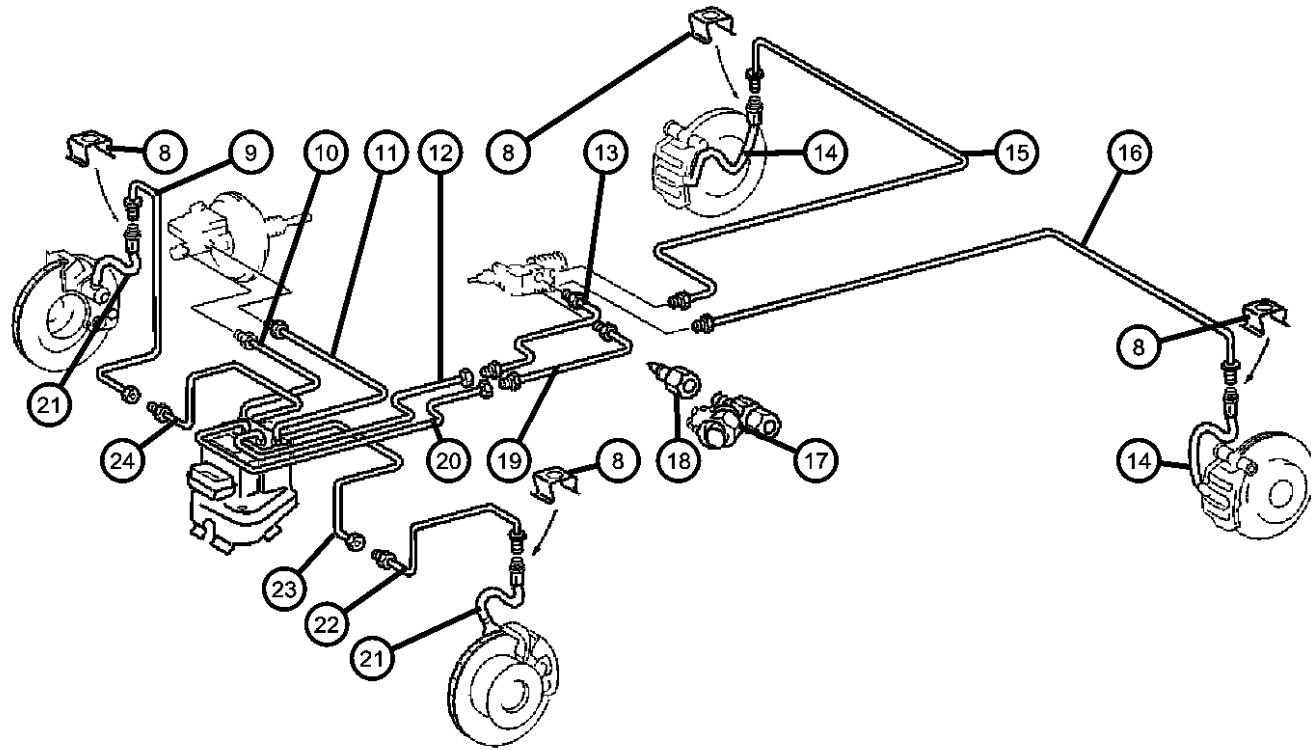
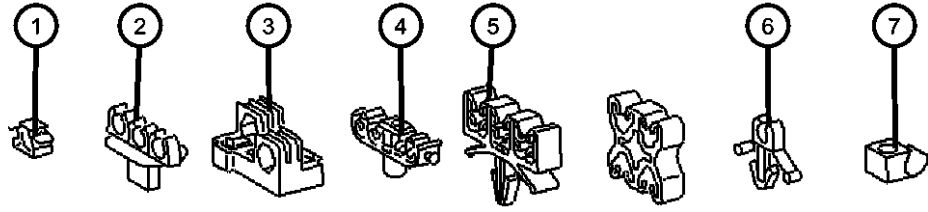
SPRINTER (VA)

SERIES	LINE	BODY	ENGINE	TRANSMISSION
L = LOWLINE	3 = HD DODGE 2WD 6 = Lt. Duty DODGE 4WD 2 = Med. Duty DODGE 2WD 7 = Med. Duty DODGE 4WD	01 = CHASSIS FORWARD CONTROL W.B.1 02 = CAB CHASSIS WHEEL BASE 2 06 = CAB CHASSIS WHEEL BASE 6 11 = VAN WHEEL BASE 1 12 = VAN WHEEL BASE 2 51 = WAGON WHEEL BASE 1 52 = WAGON WHEEL BASE 2 14 = VAN WHEEL BASE 4 15 = VAN WHEEL BASE 5 56 = WAGON WHEEL BASE 6 16 = VAN WHEEL BASE 6 54 = WAGON WHEEL BASE 4 55 = WAGON WHEEL BASE 5	EX9 = Engine-2.7L I5 Mercedes Turbo Diesel	DGJ = Transmission-5-Spd. Automatic,W5A580

AR = use ase required - = Non illustrated part

Lines,Brake,With ABS,2500/3500 Series
Figure 5-510

ITEM	PART NUMBER	QTY	LINE	SERIES	BODY	ENGINE	TRANS	TRIM	DESCRIPTION
		1	2, 6		51, 52, 54, 55, 56				Left
		1	2, 6		11, 12, 14, 15, 16				[WDG], Left
		1	2, 6		51, 52, 54, 55, 56				[WDG], Left
23	05133706AA	1	3, 7		12, 15, 16				TUBE, Brake Left
		1	2, 6		11, 12, 14, 15, 16				Left
		1	2, 6		51, 52, 54, 55, 56				Left
24	05133708AA	1	3, 7		12, 15, 16				TUBE, Brake Right
		1	2, 6		11, 12, 14, 15, 16				Right
		1	2, 6		51, 52, 54, 55, 56				Right



SPRINTER (VA)

SERIES

L = LOWLINE
3 = HD DODGE 2WD
6 = Lt. Duty DODGE 4WD
2 = Med. Duty DODGE 2WD
7 = Med. Duty DODGE 4WD

LINE

BODY

01 = CHASSIS FORWARD CONTROL W.B.1
02 = CAB CHASSIS WHEEL BASE 2
06 = CAB CHASSIS WHEEL BASE 6
11 = VAN WHEEL BASE 1
12 = VAN WHEEL BASE 2
51 = WAGON WHEEL BASE 1
52 = WAGON WHEEL BASE 2
14 = VAN WHEEL BASE 4
15 = VAN WHEEL BASE 5
56 = WAGON WHEEL BASE 6
16 = VAN WHEEL BASE 6
54 = WAGON WHEEL BASE 4
55 = WAGON WHEEL BASE 5

ENGINE

EX9 = Engine-2.7L I5
Mercedes Turbo Diesel

TRANSMISSION

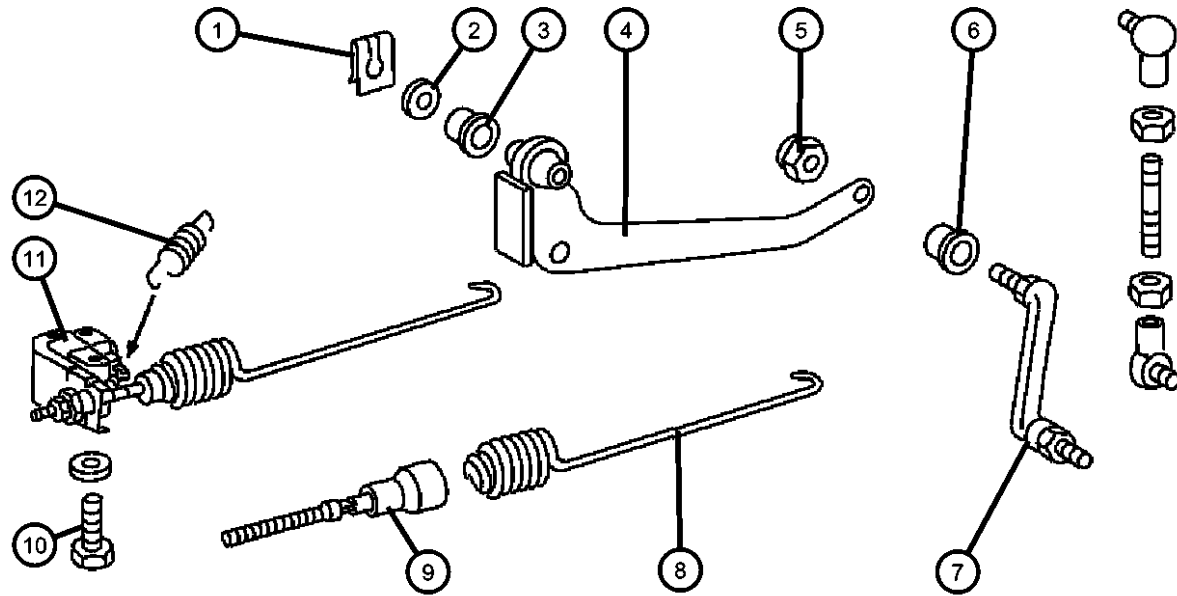
DGJ = Transmission-5-Spd. Automatic,W5A580

AR = use ase required - = Non illustrated part

2002 VA

**Brake, Power Regulator
Figure 5-520**

ITEM	PART NUMBER	QTY	LINE	SERIES	BODY	ENGINE	TRANS	TRIM	DESCRIPTION
Note: Sales Codes [BGK]= 4-WHEEL ANTI-LOCK [5AF]=158" WHEELBASE									
1									CLIP, Retaining
	05126244AA	1	2, 6		11, 12, 14, 15, 16				
		1	2, 6		51, 52, 54, 55, 56				
		1	3, 7		12, 15, 16				
2	05133725AA	1	3, 7		12, 15, 16				WASHER
3									BUSHING, Pedal Shaft
	05096550AA	2	3, 7		12, 15, 16				
		2	2, 6		11, 12, 14, 15, 16				
		2	2, 6		51, 52, 54, 55, 56				
4									LEVER, Load Sensing
	05119337AA	1	2, 6		11, 12, 14, 15, 16				
		1	2, 6		51, 52, 54, 55, 56				
5									NUT, Hex
	05097685AA	2	2, 6		11, 12, 14, 15, 16				
		2	2, 6		51, 52, 54, 55, 56				
		2	3, 7		12, 15, 16				
6									BUSHING
	05118723AA	2	2, 6		11, 12, 14, 15, 16				
		2	2, 6		51, 52, 54, 55, 56				
		2	3, 7		12, 15, 16				
7									LINK, Load Sensing

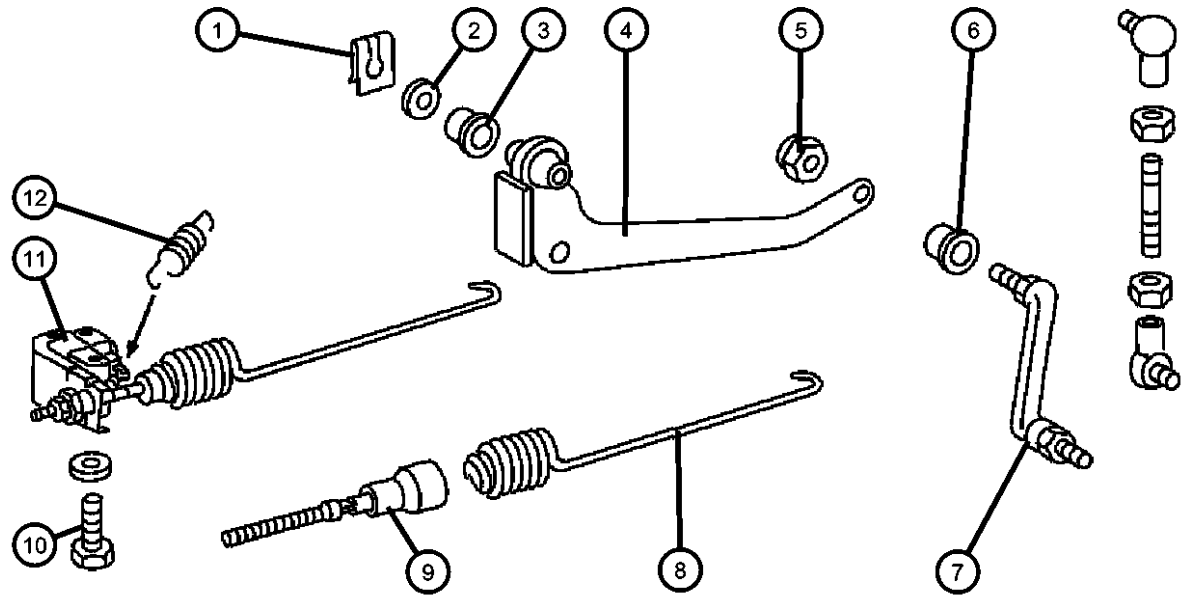


SPRINTER (VA)

SERIES	LINE	BODY	ENGINE	TRANSMISSION
L = LOWLINE	3 = HD DODGE 2WD 6 = Lt. Duty DODGE 4WD 2 = Med. Duty DODGE 2WD 7 = Med. Duty DODGE 4WD	01 = CHASSIS FORWARD CONTROL W.B.1 02 = CAB CHASSIS WHEEL BASE 2 06 = CAB CHASSIS WHEEL BASE 6 11 = VAN WHEEL BASE 1 12 = VAN WHEEL BASE 2 51 = WAGON WHEEL BASE 1 52 = WAGON WHEEL BASE 2 14 = VAN WHEEL BASE 4 15 = VAN WHEEL BASE 5 56 = WAGON WHEEL BASE 6 16 = VAN WHEEL BASE 6 54 = WAGON WHEEL BASE 4 55 = WAGON WHEEL BASE 5	EX9 = Engine-2.7L I5 Mercedes Turbo Diesel	DGJ = Transmission-5-Spd. Automatic, W5A580

AR = use ase required - = Non illustrated part

**Brake, Power Regulator
Figure 5-520**



ITEM	PART NUMBER	QTY	LINE	SERIES	BODY	ENGINE	TRANS	TRIM	DESCRIPTION
	05103920AA	1	2, 6		11, 12, 14, 15, 16				
		1	2, 6		51, 52, 54, 55, 56				
		1	3, 7		12, 15, 16				
8									SPRING, Load Sensing Lever
	05133721AA	1	3, 7		12, 15, 16				
	05133722AA	1	2, 6		11, 12, 14, 15, 16				
		1	2, 6		51, 52, 54, 55, 56				
		1	3, 7		12, 15, 16				[BGK]
9									SCREW, Load Sensing Adjustment
	05133723AA	1	2, 6		11, 12, 14, 15, 16				
		1	2, 6		51, 52, 54, 55, 56				
		1	3, 7		12, 15, 16				
10									BOLT, M8
	05133724AA	2	2, 6		11, 12, 14, 15, 16				
		2	2, 6		51, 52, 54, 55, 56				
		2	3, 7		12, 15, 16				
11									VALVE, Load sensing
	05103824AA	1	2, 6		11, 12, 14, 15, 16				
		1	2, 6		51, 52, 54, 55, 56				
		1	3, 7		12, 15, 16				
12									SPRING, Load Sensing Valve
	05133720AA	1	2, 6		11, 12, 14, 15, 16				

SPRINTER (VA)

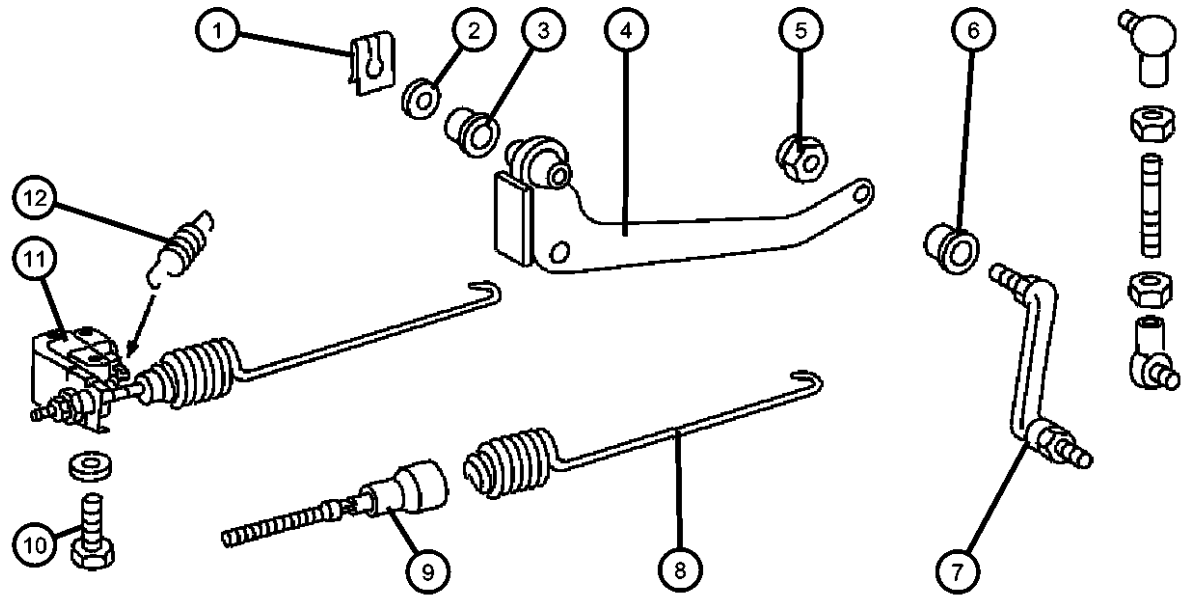
SERIES	LINE	BODY	ENGINE	TRANSMISSION
L = LOWLINE	3 = HD DODGE 2WD 6 = Lt. Duty DODGE 4WD 2 = Med. Duty DODGE 2WD 7 = Med. Duty DODGE 4WD	01 = CHASSIS FORWARD CONTROL W.B.1 02 = CAB CHASSIS WHEEL BASE 2 06 = CAB CHASSIS WHEEL BASE 6 11 = VAN WHEEL BASE 1 12 = VAN WHEEL BASE 2 51 = WAGON WHEEL BASE 1 52 = WAGON WHEEL BASE 2 14 = VAN WHEEL BASE 4 15 = VAN WHEEL BASE 5 56 = WAGON WHEEL BASE 6 16 = VAN WHEEL BASE 6 54 = WAGON WHEEL BASE 4 55 = WAGON WHEEL BASE 5	EX9 = Engine-2.7L I5 Mercedes Turbo Diesel	DGJ = Transmission-5-Spd. Automatic, W5A580

AR = use ase required - = Non illustrated part

**Brake, Power Regulator
Figure 5-520**

ITEM	PART NUMBER	QTY	LINE	SERIES	BODY	ENGINE	TRANS	TRIM	DESCRIPTION
------	-------------	-----	------	--------	------	--------	-------	------	-------------

		1	2, 6		51, 52, 54, 55, 56				
		1	3, 7		12, 15, 16				

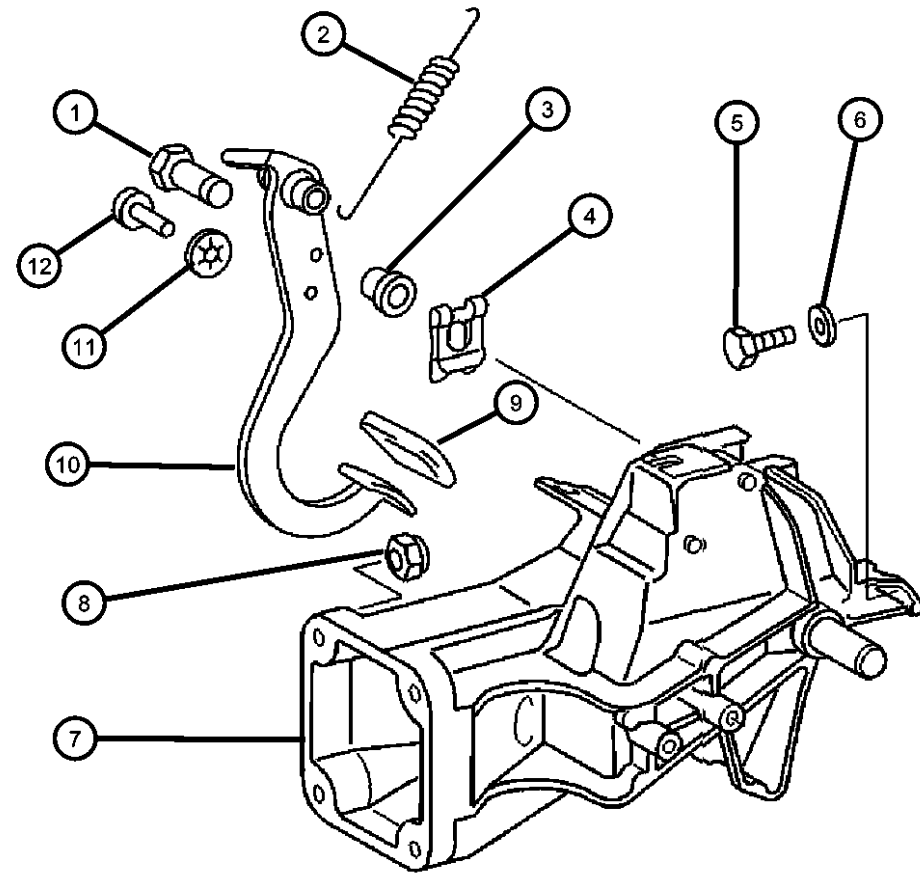


SPRINTER (VA)

SERIES	LINE	BODY	ENGINE	TRANSMISSION
L = LOWLINE	3 = HD DODGE 2WD 6 = Lt. Duty DODGE 4WD 2 = Med. Duty DODGE 2WD 7 = Med. Duty DODGE 4WD	01 = CHASSIS FORWARD CONTROL W.B.1 02 = CAB CHASSIS WHEEL BASE 2 06 = CAB CHASSIS WHEEL BASE 6 11 = VAN WHEEL BASE 1 12 = VAN WHEEL BASE 2 51 = WAGON WHEEL BASE 1 52 = WAGON WHEEL BASE 2 14 = VAN WHEEL BASE 4 15 = VAN WHEEL BASE 5 56 = WAGON WHEEL BASE 6 16 = VAN WHEEL BASE 6 54 = WAGON WHEEL BASE 4 55 = WAGON WHEEL BASE 5	EX9 = Engine-2.7L I5 Mercedes Turbo Diesel	DGJ = Transmission-5-Spd. Automatic, W5A580

AR = use ase required - = Non illustrated part

**Pedal Brake
Figure 5-610**



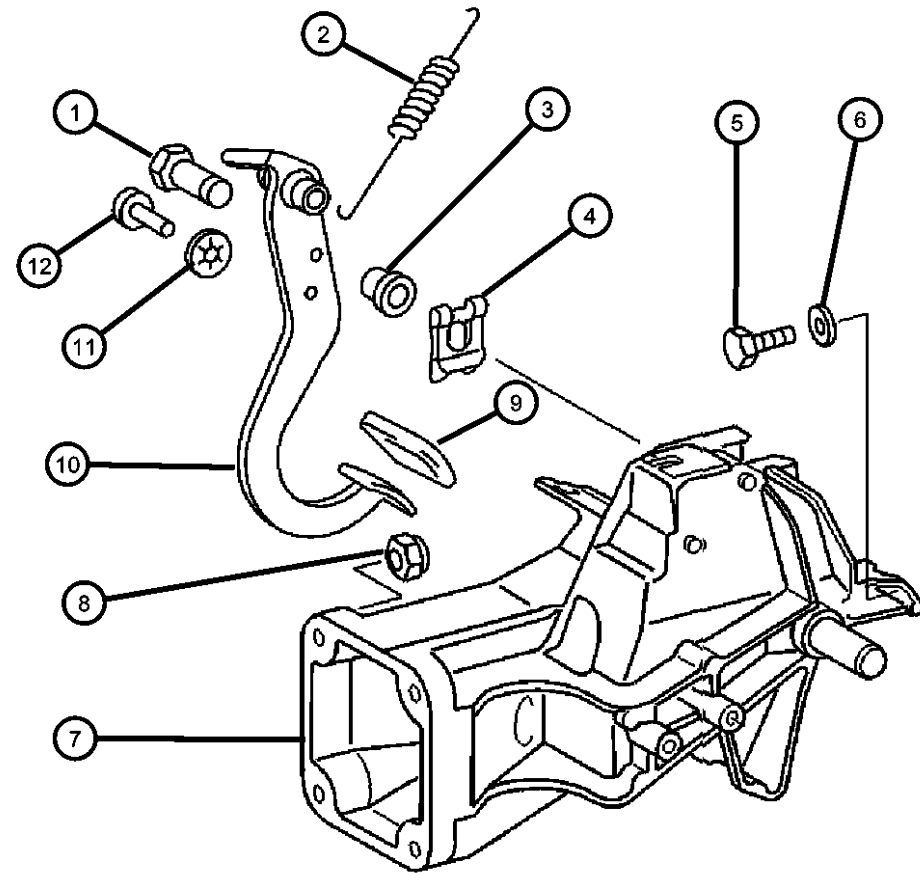
ITEM	PART NUMBER	QTY	LINE	SERIES	BODY	ENGINE	TRANS	TRIM	DESCRIPTION
1	05117911AA	1	2, 6		11, 12, 14, 15, 16				PIN, Brake Pedal Pivot Shaft
		1	2, 6		51, 52, 54, 55, 56				
		1	3, 7		12, 15, 16				
2	05125847AA	1	2, 6		11, 12, 14, 15, 16				SPRING, Brake Pedal Return
		1	2, 6		51, 52, 54, 55, 56				
		1	3, 7		12, 15, 16				
3	05096550AA	2	2, 6		11, 12, 14, 15, 16				BUSHING, Pedal Shaft
		2	2, 6		51, 52, 54, 55, 56				
		2	3, 7		12, 15, 16				
4	05125872AA	1	2, 6		11, 12, 14, 15, 16				RETAINER
		1	2, 6		51, 52, 54, 55, 56				
		1	3, 7		12, 15, 16				
5	05126231AA	1	2, 6		11, 12, 14, 15, 16				BOLT Bracket to Fire Wall, Mounting
		1	2, 6		51, 52, 54, 55, 56				Bracket to Fire Wall, Mounting
		1	3, 7		12, 15, 16				Bracket to Fire Wall, Mounting
6	05098108AA	1	2, 6		11, 12, 14, 15, 16				WASHER, Flat Bracket to Fire Wall, Mounting
		1	2, 6		51, 52, 54, 55, 56				Bracket to Fire Wall, Mounting

SPRINTER (VA)

SERIES	LINE	BODY	ENGINE	TRANSMISSION
L = LOWLINE	3 = HD DODGE 2WD 6 = Lt. Duty DODGE 4WD 2 = Med. Duty DODGE 2WD 7 = Med. Duty DODGE 4WD	01 = CHASSIS FORWARD CONTROL W.B.1 02 = CAB CHASSIS WHEEL BASE 2 06 = CAB CHASSIS WHEEL BASE 6 11 = VAN WHEEL BASE 1 12 = VAN WHEEL BASE 2 51 = WAGON WHEEL BASE 1 52 = WAGON WHEEL BASE 2 14 = VAN WHEEL BASE 4 15 = VAN WHEEL BASE 5 56 = WAGON WHEEL BASE 6 16 = VAN WHEEL BASE 6 54 = WAGON WHEEL BASE 4 55 = WAGON WHEEL BASE 5	EX9 = Engine-2.7L I5 Mercedes Turbo Diesel	DGJ = Transmission-5-Spd. Automatic, W5A580

AR = use ase required - = Non illustrated part

**Pedal Brake
Figure 5-610**



ITEM	PART NUMBER	QTY	LINE	SERIES	BODY	ENGINE	TRANS	TRIM	DESCRIPTION
7		1	3, 7		12, 15, 16				Bracket to Fire Wall, Mounting BRACKET, Brake Pedal
	05128211AA	1	2, 6		11, 12, 14, 15, 16				
		1	2, 6		51, 52, 54, 55, 56				
		1	3, 7		12, 15, 16				
8									NUT
	06104716AA	4	2, 6		11, 12, 14, 15, 16				
		4	3, 7		12, 15, 16				
9									PAD, Pedal Brake
	05104017AA	1	2, 6		11, 12, 14, 15, 16				
		1	2, 6		51, 52, 54, 55, 56				Brake
		1	3, 7		12, 15, 16				Brake
10									PEDAL, Brake
	05104045AA	1	2, 6		11, 12, 14, 15, 16				
		1	2, 6		51, 52, 54, 55, 56				
		1	3, 7		12, 15, 16				
11									CLIP, Spring
	05097670AA	1	2, 6		11, 12, 14, 15, 16				
		1	2, 6		51, 52, 54, 55, 56				
		1	3, 7		12, 15, 16				
12									PIN, Brake Pedal Pivot Shaft
	05117903AA	1	2, 6		11, 12, 14, 15, 16				

SPRINTER (VA)

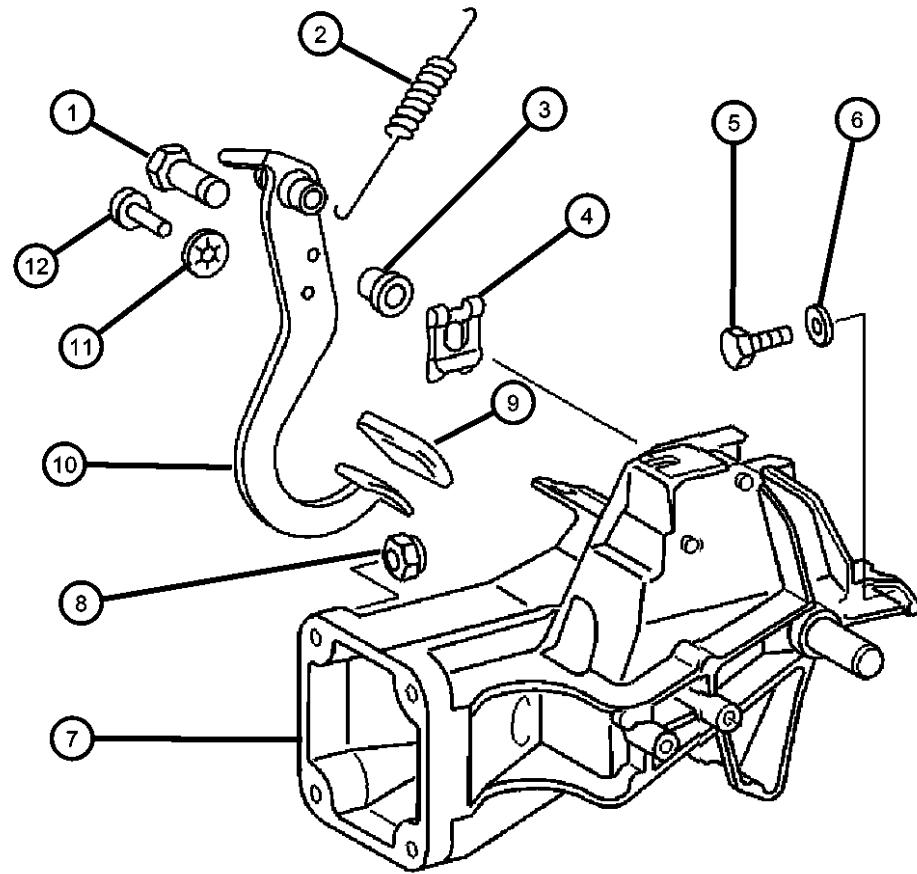
SERIES	LINE	BODY	ENGINE	TRANSMISSION
L = LOWLINE	3 = HD DODGE 2WD 6 = Lt. Duty DODGE 4WD 2 = Med. Duty DODGE 2WD 7 = Med. Duty DODGE 4WD	01 = CHASSIS FORWARD CONTROL W.B.1 02 = CAB CHASSIS WHEEL BASE 2 06 = CAB CHASSIS WHEEL BASE 6 11 = VAN WHEEL BASE 1 12 = VAN WHEEL BASE 2 51 = WAGON WHEEL BASE 1 52 = WAGON WHEEL BASE 2 14 = VAN WHEEL BASE 4 15 = VAN WHEEL BASE 5 56 = WAGON WHEEL BASE 6 16 = VAN WHEEL BASE 6 54 = WAGON WHEEL BASE 4 55 = WAGON WHEEL BASE 5	EX9 = Engine-2.7L I5 Mercedes Turbo Diesel	DGJ = Transmission-5-Spd. Automatic, W5A580

AR = use ase required - = Non illustrated part

Pedal Brake
Figure 5-610

ITEM	PART NUMBER	QTY	LINE	SERIES	BODY	ENGINE	TRANS	TRIM	DESCRIPTION
------	-------------	-----	------	--------	------	--------	-------	------	-------------

		1	2, 6		51, 52, 54, 55, 56				
		1	3, 7		12, 15, 16				



SPRINTER (VA)

SERIES	LINE	BODY	ENGINE	TRANSMISSION
L = LOWLINE	3 = HD DODGE 2WD 6 = Lt. Duty DODGE 4WD 2 = Med. Duty DODGE 2WD 7 = Med. Duty DODGE 4WD	01 = CHASSIS FORWARD CONTROL W.B.1 02 = CAB CHASSIS WHEEL BASE 2 06 = CAB CHASSIS WHEEL BASE 6 11 = VAN WHEEL BASE 1 12 = VAN WHEEL BASE 2 51 = WAGON WHEEL BASE 1 52 = WAGON WHEEL BASE 2 14 = VAN WHEEL BASE 4 15 = VAN WHEEL BASE 5 56 = WAGON WHEEL BASE 6 16 = VAN WHEEL BASE 6 54 = WAGON WHEEL BASE 4 55 = WAGON WHEEL BASE 5	EX9 = Engine-2.7L I5 Mercedes Turbo Diesel	DGJ = Transmission-5-Spd. Automatic, W5A580

AR = use ase required - = Non illustrated part

Group - 7

Cooling

Group - 7 Cooling

Group-Fig. No.

Illustration Title

Radiator and Related Parts

Radiator And Related parts..... Fig. 7 - 120
 Charge Air Intercooler Fig. 7 - 130

Water Pump and Related Parts

Water Pump And Related Parts..... Fig. 7 - 210

Pulleys and Related Parts

Drive pulleys..... Fig. 7 - 410

Drive Belts

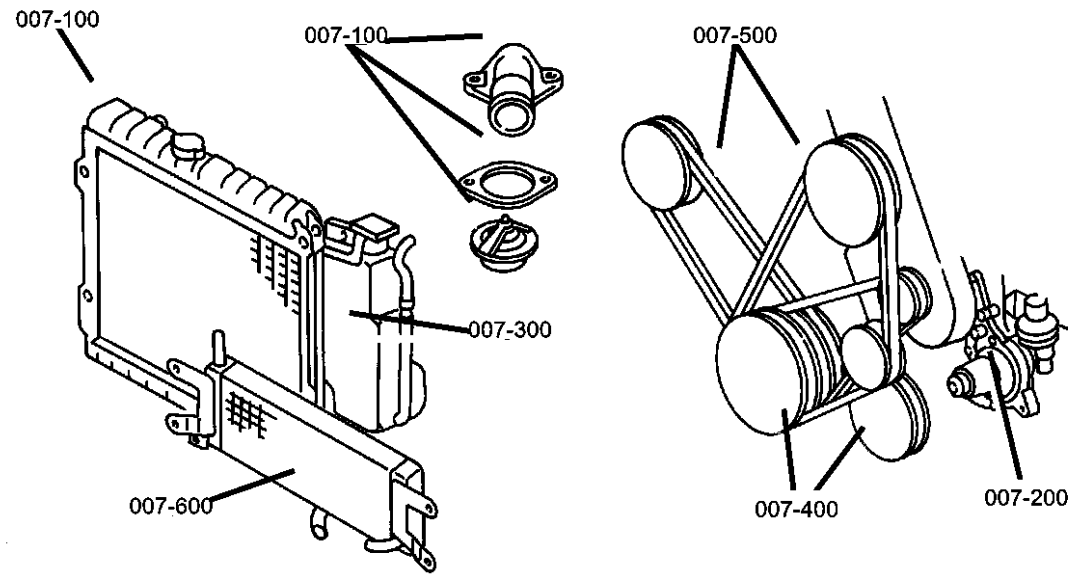
Drive Belts..... Fig. 7 - 520

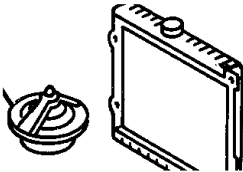
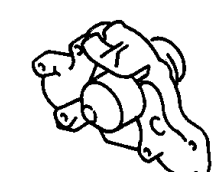
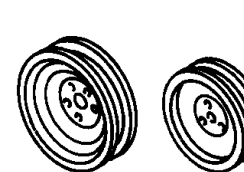
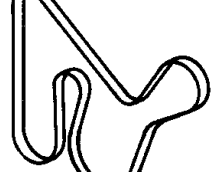
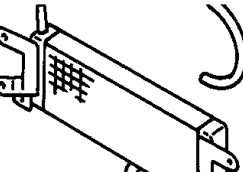
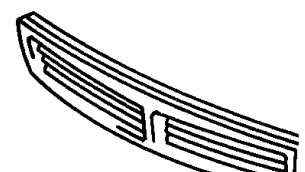
Lines, Transmission Oil Cooler

Oil Cooler Lines Fig. 7 - 610

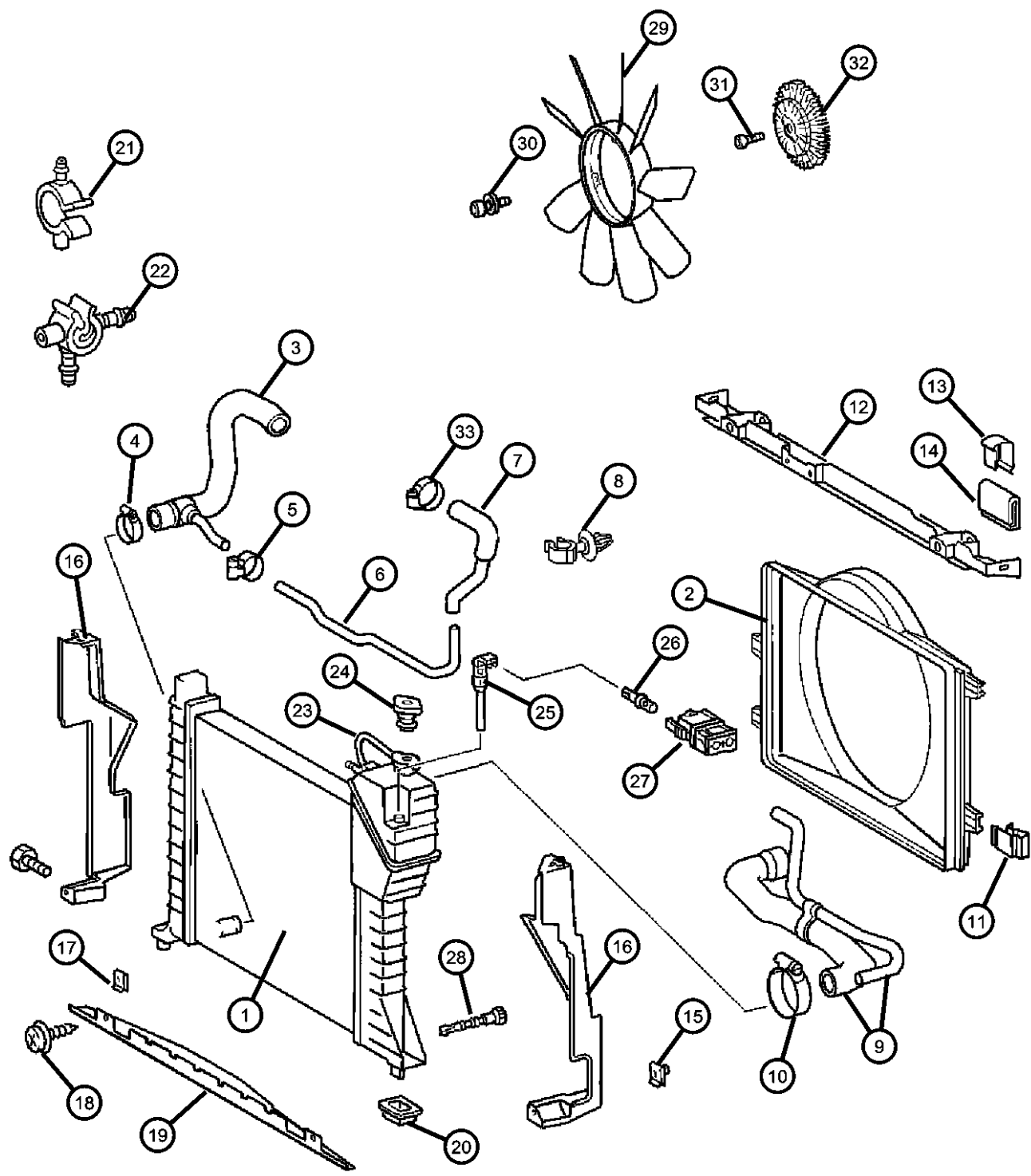
Grilles

Grille And Related Parts..... Fig. 7 - 710



<p>007-100 Radiator and Related Parts</p> 	<p>007-200 Water Pump and Related Parts</p> 	<p>007-400 Pulleys and Related Parts</p> 	<p>007-500 Drive Belts</p> 
<p>007-600 Lines, Transmission Oil Cooler</p> 	<p>007-700 Grilles</p> 		

Radiator And Related parts
Figure 7-120



ITEM	PART NUMBER	QTY	LINE	SERIES	BODY	ENGINE	TRANS	TRIM	DESCRIPTION
1	05104117AA	1	2, 6			EX9	DGJ		RADIATOR
	05066386AA	1	3, 7			EX9	DGJ		Mopar Coolant 5 Year/100,000 Mile Formula 1 Gallon
	05066386AA	1	3, 7			EX9	DGJ		Mopar Coolant 5 Year/100,000 Mile Formula 1 Gallon
2	05104130AA	1	2, 6						SHROUD, Fan
		1	7, 3						
3	05103581AA	1	2, 6						HOSE, Radiator Outlet
		1	3, 7						
4	06104785AA	2	2, 6						CLAMP, Hose
		2	3, 7						
5	05133496AA	1	2, 6						CLAMP
		1	3, 7						
6	05104118AA	1	2, 6						COOLING WATER PIPE, BOTTOM, SPRINTER
		1	3, 7						
7	05103580AA	1	2, 6						HOSE, Radiator
		1	3, 7						
8	05125879AA	4	2, 6						CLIP, Cable
		4	3, 7						
9									HOSE, Radiator Inlet

SPRINTER (VA)

SERIES LINE
 L = LOWLINE 3 = HD DODGE 2WD
 6 = Lt. Duty DODGE 4WD
 2 = Med. Duty DODGE 2WD
 7 = Med. Duty DODGE 4WD

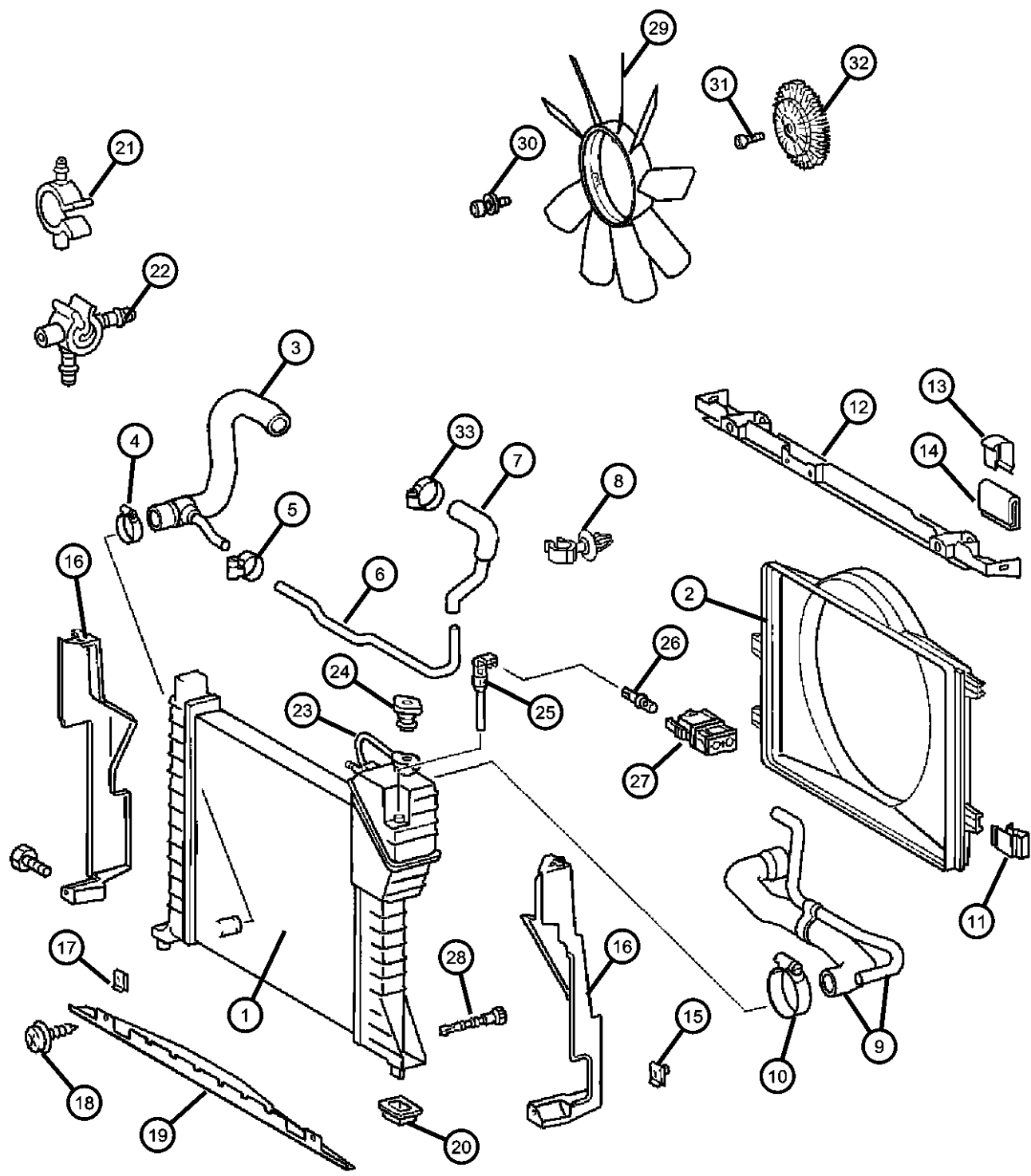
BODY
 01 = CHASSIS FORWARD CONTROL W.B.1
 02 = CAB CHASSIS WHEEL BASE 2
 06 = CAB CHASSIS WHEEL BASE 6
 11 = VAN WHEEL BASE 1
 12 = VAN WHEEL BASE 2
 51 = WAGON WHEEL BASE 1
 52 = WAGON WHEEL BASE 2
 14 = VAN WHEEL BASE 4
 15 = VAN WHEEL BASE 5
 56 = WAGON WHEEL BASE 6
 16 = VAN WHEEL BASE 6
 54 = WAGON WHEEL BASE 4
 55 = WAGON WHEEL BASE 5

ENGINE
 EX9 = Engine-2.7L I5
 Mercedes Turbo Diesel

TRANSMISSION
 DGJ = Transmission-5-Spd. Automatic, W5A580

AR = use ase required - = Non illustrated part

Radiator And Related parts
Figure 7-120



ITEM	PART NUMBER	QTY	LINE	SERIES	BODY	ENGINE	TRANS	TRIM	DESCRIPTION
	05103582AA	1	2, 6						
		1	3, 7						
10	06104784AA	2	2, 6						CLAMP, Hose
		2	3, 7						
11	05099355AA	4	2, 6						CLIP, Fan Shroud
		4	3, 7						
12	05104125AA	1	2, 6						COVER, Radiator
		1	3, 7						
13	05104122AA	2	2, 6						CLAMP, "RADIATOR MOUNTING, TOP ", SPRINTER
		2	3, 7						
14	05104123AA	2	2, 6						ISOLATOR, Radiator
		2	3, 7						
15	05103733AA	3	2, 6				DGJ		NUT RETAINER, NONE, SPRINTER
		3	3, 7				DGJ		
16	05104127AA	1	2, 6						SHIELD, Side, Radiator Cooling
		1	3, 7						Left
	05104128AA	1	2, 6						Left
		1	3, 7						Right
17		1	2, 6						Right
		1	3, 7						CLIP

SPRINTER (VA)

SERIES

- L = LOWLINE
- 3 = HD DODGE 2WD
- 6 = Lt. Duty DODGE 4WD
- 2 = Med. Duty DODGE 2WD
- 7 = Med. Duty DODGE 4WD

BODY

- 01 = CHASSIS FORWARD CONTROL W.B.1
- 02 = CAB CHASSIS WHEEL BASE 2
- 06 = CAB CHASSIS WHEEL BASE 6
- 11 = VAN WHEEL BASE 1
- 12 = VAN WHEEL BASE 2
- 51 = WAGON WHEEL BASE 1
- 52 = WAGON WHEEL BASE 2
- 14 = VAN WHEEL BASE 4
- 15 = VAN WHEEL BASE 5
- 56 = WAGON WHEEL BASE 6
- 16 = VAN WHEEL BASE 6
- 54 = WAGON WHEEL BASE 4
- 55 = WAGON WHEEL BASE 5

ENGINE

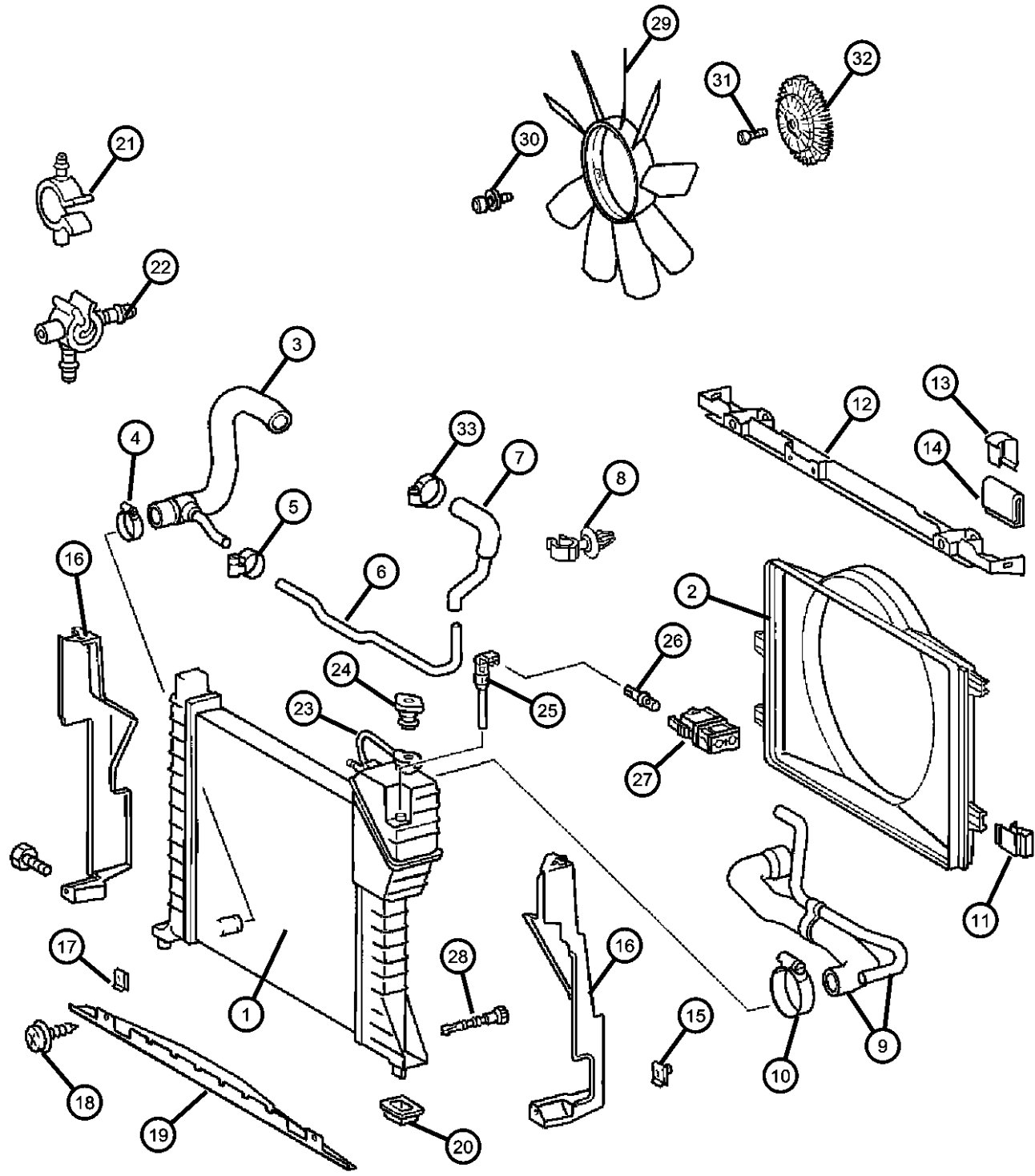
- EX9 = Engine-2.7L I5 Mercedes Turbo Diesel

TRANSMISSION

- DGJ = Transmission-5-Spd. Automatic, W5A580

AR = use ase required - = Non illustrated part

Radiator And Related parts
Figure 7-120



ITEM	PART NUMBER	QTY	LINE	SERIES	BODY	ENGINE	TRANS	TRIM	DESCRIPTION
	05133497AA	2	7						
		2	6						
18	06104574AA	2	2, 6						SCREW, Tapping
		2	3, 7						
19	05104129AA	1	2, 6						SHIELD, Radiator
		1	3, 7						
20	05104021AA	2	2, 6						ISOLATOR, Radiator
		2	3, 7						
21		2							CLIP, (NOT SERVICED)
22									CLIP, Retaining
	06104924AA	1	2, 6						
		1	3, 7						
23									HOSE
	05133493AA	900	6						5 Meters Long
		900	7						5 Meters Long
24									RADIATOR CAP, NONE, SPRINTER
	05103533AA	1	2, 6						
		1	3, 7						
25									SENSOR, Coolant Level
	05120509AA	1	2, 6						
		1	3, 7						
26									TERMINAL
	05120519AA	1	2, 6						
		2	3, 7						

SPRINTER (VA)

SERIES
L = LOWLINE

LINE
3 = HD DODGE 2WD
6 = Lt. Duty DODGE 4WD
2 = Med. Duty DODGE 2WD
7 = Med. Duty DODGE 4WD

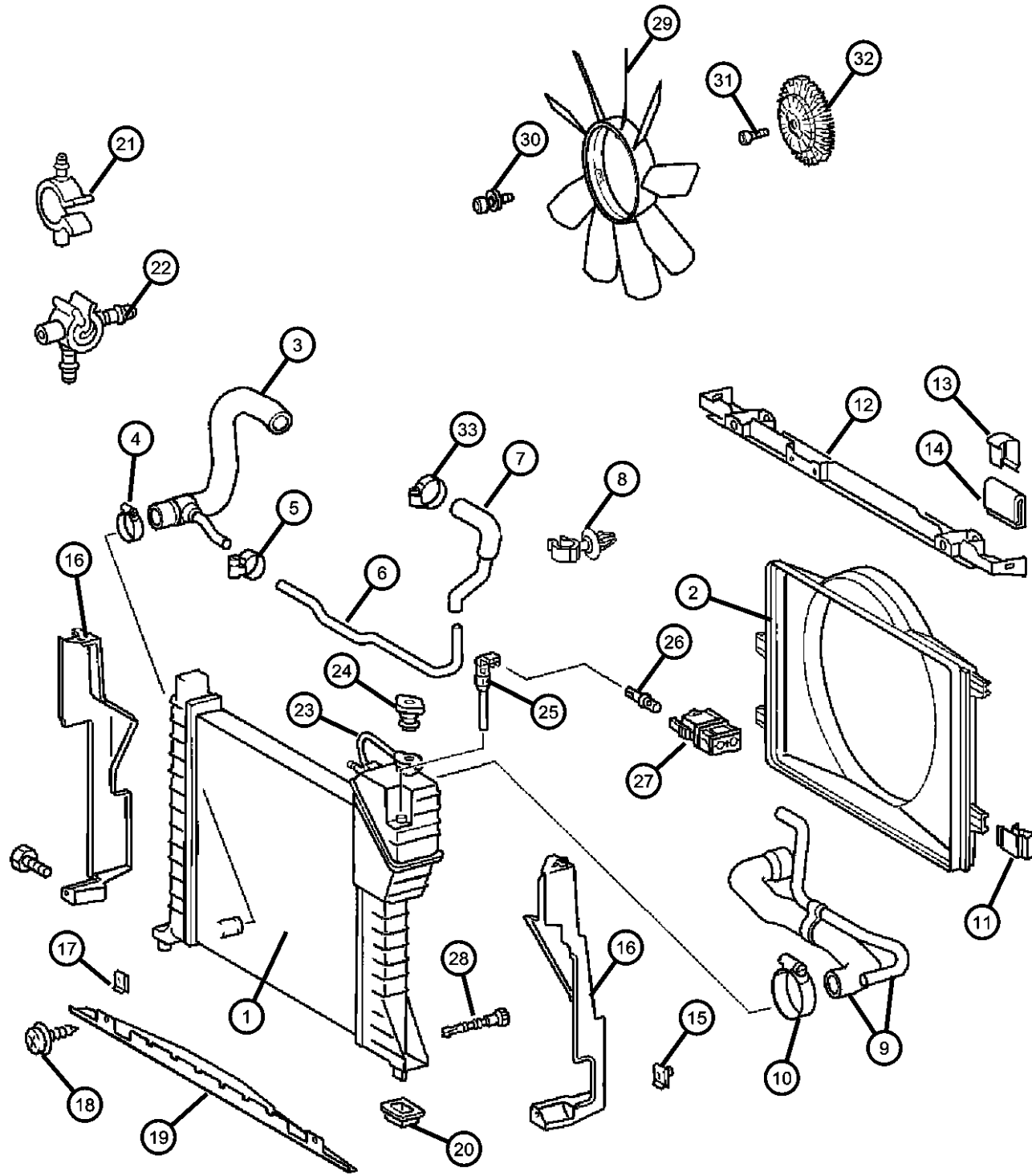
BODY
01 = CHASSIS FORWARD CONTROL W.B.1
02 = CAB CHASSIS WHEEL BASE 2
06 = CAB CHASSIS WHEEL BASE 6
11 = VAN WHEEL BASE 1
12 = VAN WHEEL BASE 2
51 = WAGON WHEEL BASE 1
52 = WAGON WHEEL BASE 2
14 = VAN WHEEL BASE 4
15 = VAN WHEEL BASE 5
56 = WAGON WHEEL BASE 6
16 = VAN WHEEL BASE 6
54 = WAGON WHEEL BASE 4
55 = WAGON WHEEL BASE 5

ENGINE
EX9 = Engine-2.7L I5
Mercedes Turbo Diesel

TRANSMISSION
DGJ = Transmission-5-Spd. Automatic, W5A580

AR = use ase required - = Non illustrated part

Radiator And Related parts
Figure 7-120



ITEM	PART NUMBER	QTY	LINE	SERIES	BODY	ENGINE	TRANS	TRIM	DESCRIPTION
27	05120691AA	1	2, 6						CONNECTOR
		1	3, 7						
28	05098834AA	1	2, 6						DRAINCOCK, Radiator
		1	3, 7						
29	05103912AA	1	2, 6			EX9			FAN, Cooling
		1	3, 7			EX9			
30		1							SCREW, (NOT SERVICED)
31	05104618AA	1	2, 6			EX9			SCREW, Hitch Ball
32	05103623AA	1	6			EX9			DRIVE, Fan
		1	7			EX9			
33	05133494AA	1	2, 6						CLAMP
		1	3, 7						

SPRINTER (VA)

SERIES LINE
 L = LOWLINE 3 = HD DODGE 2WD
 6 = Lt. Duty DODGE 4WD
 2 = Med. Duty DODGE 2WD
 7 = Med. Duty DODGE 4WD

BODY
 01 = CHASSIS FORWARD CONTROL W.B.1
 02 = CAB CHASSIS WHEEL BASE 2
 06 = CAB CHASSIS WHEEL BASE 6
 11 = VAN WHEEL BASE 1
 12 = VAN WHEEL BASE 2
 51 = WAGON WHEEL BASE 1
 52 = WAGON WHEEL BASE 2
 14 = VAN WHEEL BASE 4
 15 = VAN WHEEL BASE 5
 56 = WAGON WHEEL BASE 6
 16 = VAN WHEEL BASE 6
 54 = WAGON WHEEL BASE 4
 55 = WAGON WHEEL BASE 5

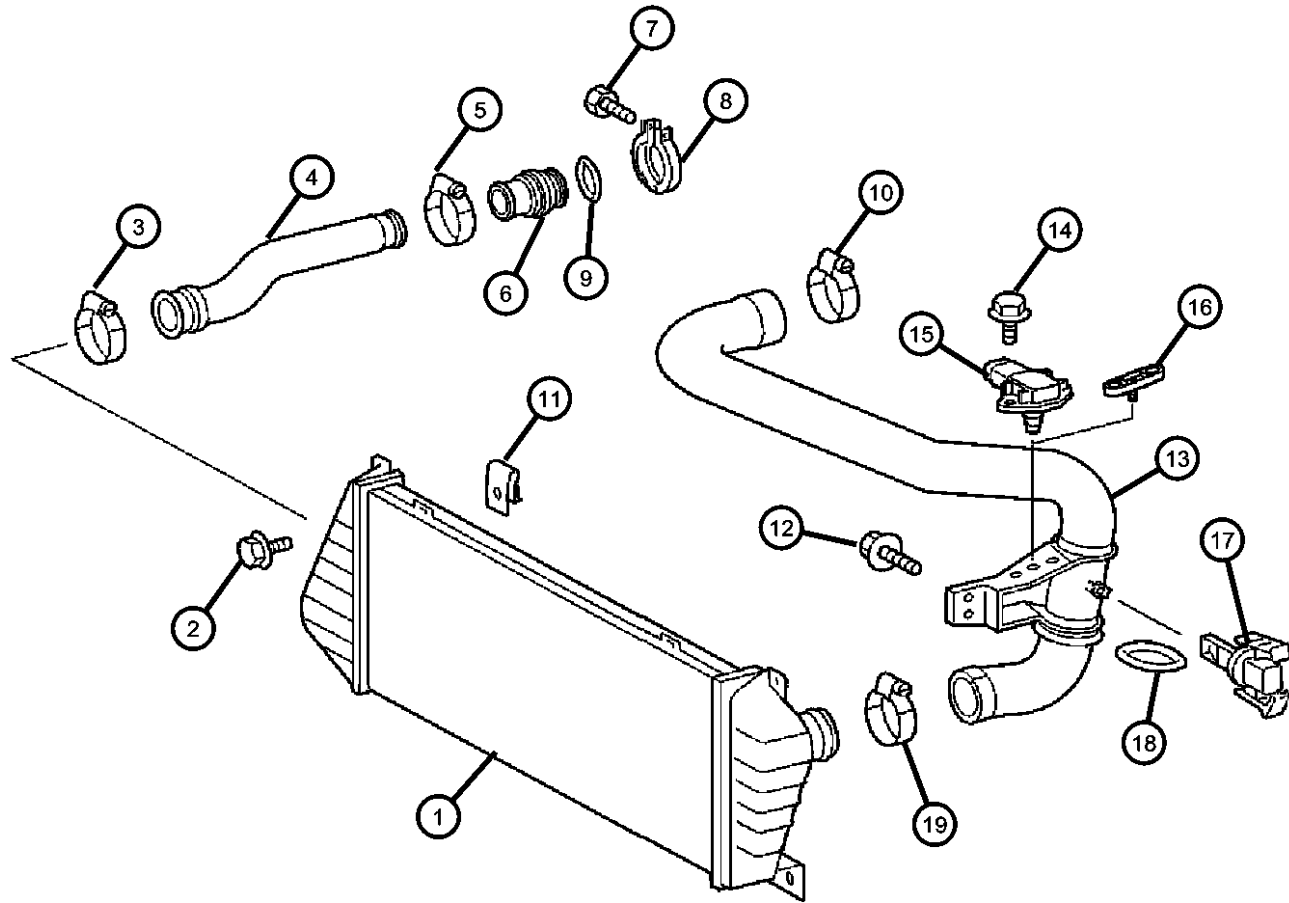
ENGINE
 EX9 = Engine-2.7L I5
 Mercedes Turbo Diesel

TRANSMISSION
 DGJ = Transmission-5-Spd. Automatic, W5A580

AR = use ase required - = Non illustrated part

2002 VA

**Charge Air Intercooler
Figure 7-130**



ITEM	PART NUMBER	QTY	LINE	SERIES	BODY	ENGINE	TRANS	TRIM	DESCRIPTION
------	-------------	-----	------	--------	------	--------	-------	------	-------------

NOTE:
Sales Codes:
[EX9]=2.7L I-5 Mercedes-Benz Turbo Diesel Engine
[4XL]=NAFTA Version
[4XS]=National Version for U.S.A.

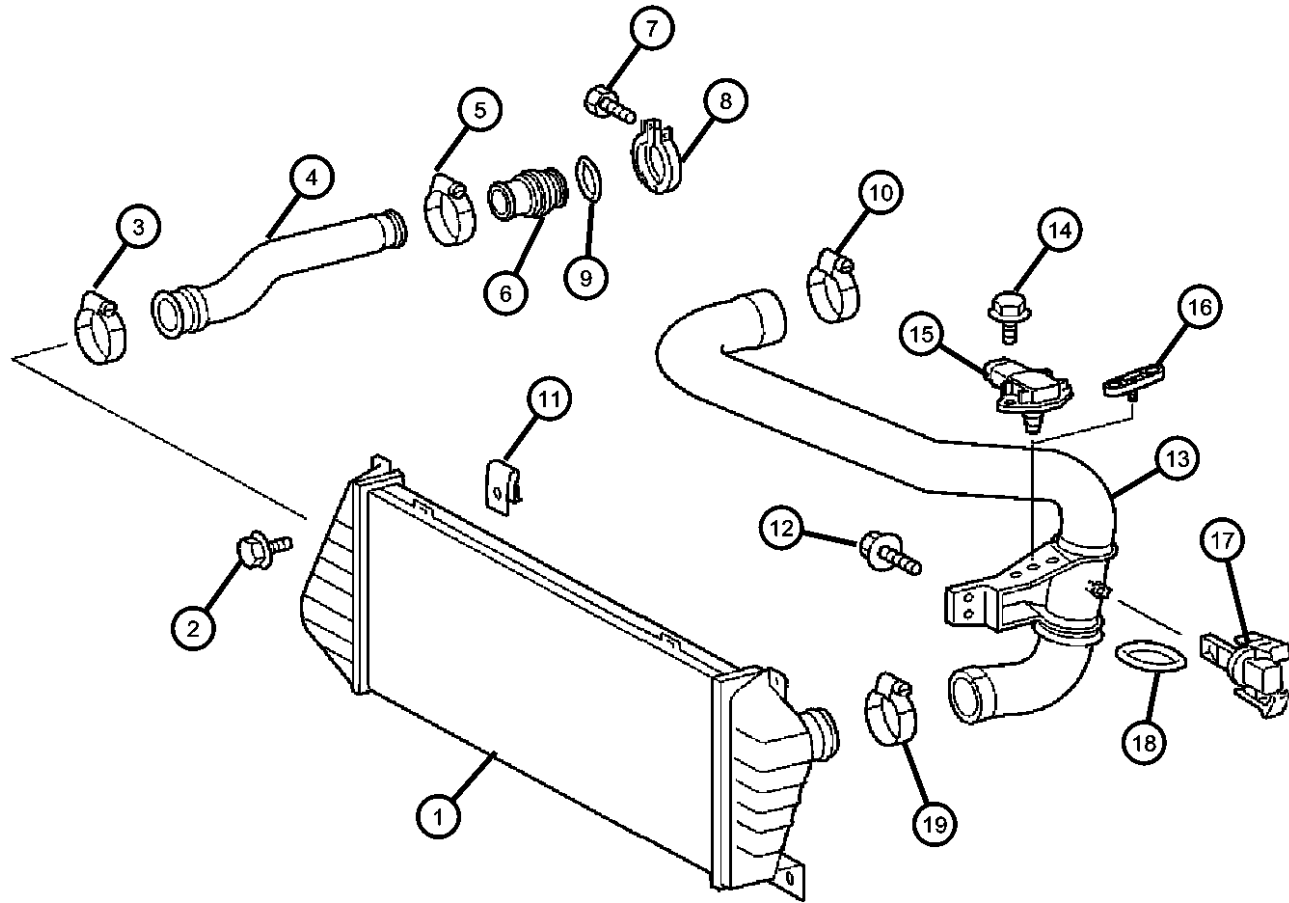
1									COOLER, Charge Air
	05104119AA	1	2, 6						
		1	3, 7						
2									SCREW
	05133476AA	4	3, 7						
		4	2, 6						
3									CLAMP
	05104602AA	1	2, 6			EX9			
		1	3, 7			EX9			
4									HOSE, Turbo to Charge Air Cooler
	05104142AA	1	2, 6			EX9			
		1	3, 7			EX9			
5									CLAMP, Hose
	05104601AA	2	2, 6						
		2	3, 7						
6									PIPE
	05104139AA	1	2, 6			EX9			
		1	3, 7			EX9			
7									SCREW
	05096986AA	1	2, 6			EX9			
8									CLAMP, Mounting
	05126043AA	1	2, 6			EX9			
		1	3, 7			EX9			
9									O RING
	05080311AA	1	2, 6			EX9			

SPRINTER (VA)

SERIES	LINE	BODY	ENGINE	TRANSMISSION
L = LOWLINE	3 = HD DODGE 2WD 6 = Lt. Duty DODGE 4WD 2 = Med. Duty DODGE 2WD 7 = Med. Duty DODGE 4WD	01 = CHASSIS FORWARD CONTROL W.B.1 02 = CAB CHASSIS WHEEL BASE 2 06 = CAB CHASSIS WHEEL BASE 6 11 = VAN WHEEL BASE 1 12 = VAN WHEEL BASE 2 51 = WAGON WHEEL BASE 1 52 = WAGON WHEEL BASE 2 14 = VAN WHEEL BASE 4 15 = VAN WHEEL BASE 5 56 = WAGON WHEEL BASE 6 16 = VAN WHEEL BASE 6 54 = WAGON WHEEL BASE 4 55 = WAGON WHEEL BASE 5	EX9 = Engine-2.7L I5 Mercedes Turbo Diesel	DGJ = Transmission-5-Spd. Automatic, W5A580

AR = use ase required - = Non illustrated part

Charge Air Intercooler
Figure 7-130



ITEM	PART NUMBER	QTY	LINE	SERIES	BODY	ENGINE	TRANS	TRIM	DESCRIPTION
		1	3, 7			EX9			
10	05104602AA	1	2, 6			EX9			CLAMP
		1	3, 7			EX9			
11	05125863AA	4	2, 6						U-NUT
		4	3, 7						
12	05104610AA	2	2, 6						SCREW, DOOR SLIDE MECHANISM TO DOOR, SPRINTER
		2	3, 7						
13	05104141AA	1	2, 6			EX9			HOSE, Radiator
		1	3, 7			EX9			
	05120147AA	1	2, 6			EX9			[4XL]
		1	2, 6			EX9			[4XS]
		1	3, 7			EX9			[4XL]
		1	3, 7			EX9			[4XS]
14	06104172AA	2	2, 6			EX9			SCREW
		2	3, 7			EX9			
15	05080345AA	1	2, 6			EX9			SENSOR, Coolant Level
		1	3, 7			EX9			
16		1							SPACER, (NOT SERVICED)
17	05174042AA	1	2, 6			EX9			SENSOR, Temperature AIR INTAKE TEMP. SENSOR

SPRINTER (VA)

SERIES LINE
L = LOWLINE 3 = HD DODGE 2WD
6 = Lt. Duty DODGE 4WD
2 = Med. Duty DODGE 2WD
7 = Med. Duty DODGE 4WD

BODY
01 = CHASSIS FORWARD CONTROL W.B.1
02 = CAB CHASSIS WHEEL BASE 2
06 = CAB CHASSIS WHEEL BASE 6
11 = VAN WHEEL BASE 1
12 = VAN WHEEL BASE 2
51 = WAGON WHEEL BASE 1
52 = WAGON WHEEL BASE 2
14 = VAN WHEEL BASE 4
15 = VAN WHEEL BASE 5
56 = WAGON WHEEL BASE 6
16 = VAN WHEEL BASE 6
54 = WAGON WHEEL BASE 4
55 = WAGON WHEEL BASE 5

ENGINE
EX9 = Engine-2.7L I5
Mercedes Turbo Diesel

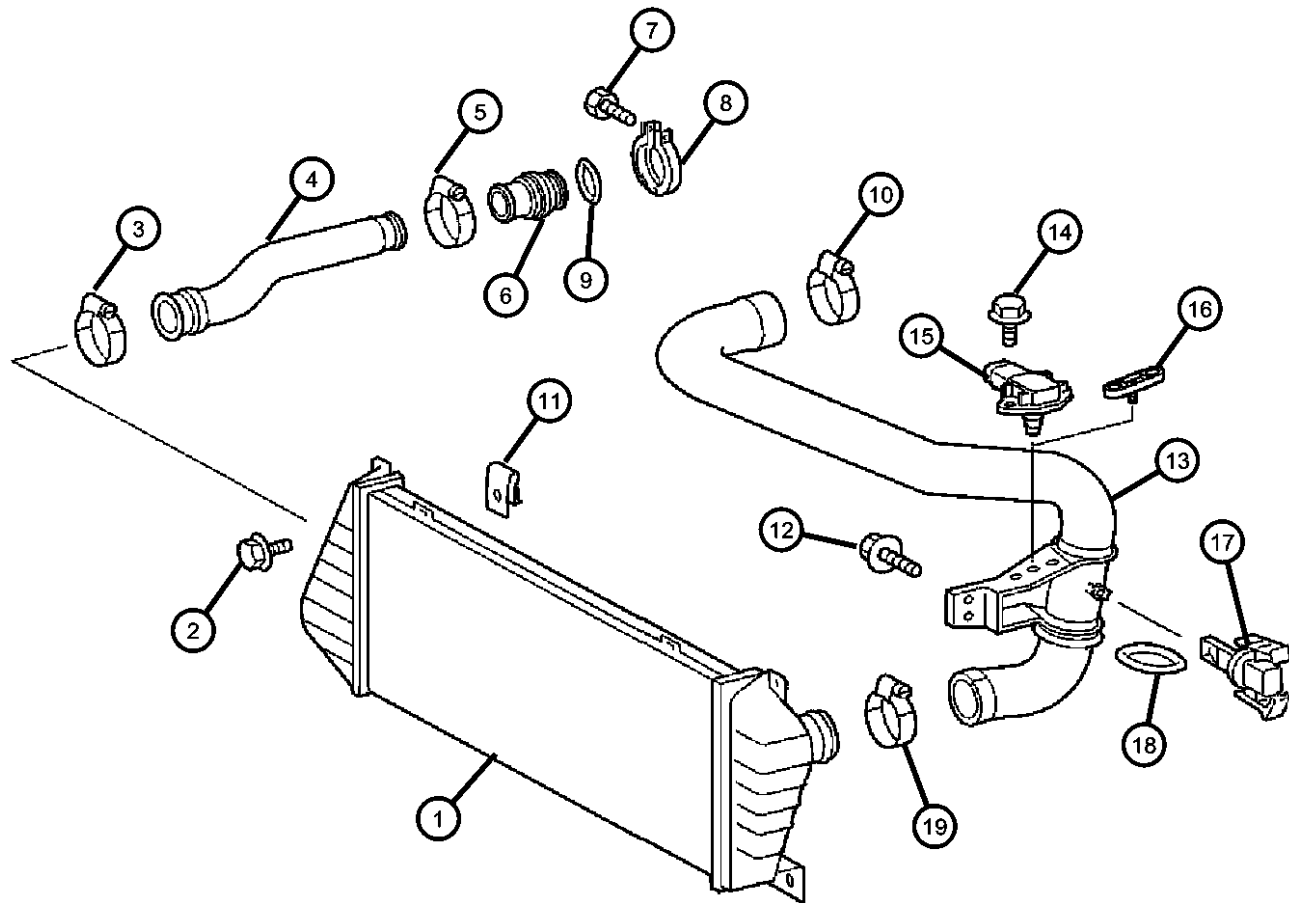
TRANSMISSION
DGJ = Transmission-5-Spd. Automatic, W5A580

AR = use ase required - = Non illustrated part

2002 VA

**Charge Air Intercooler
Figure 7-130**

ITEM	PART NUMBER	QTY	LINE	SERIES	BODY	ENGINE	TRANS	TRIM	DESCRIPTION
		1	3, 7			EX9			AIR INTAKE TEMP. SENSOR
18	05103906AA	1	3, 7						O RING
19	05104602AA	1	2, 6			EX9			CLAMP
		1	3, 7			EX9			

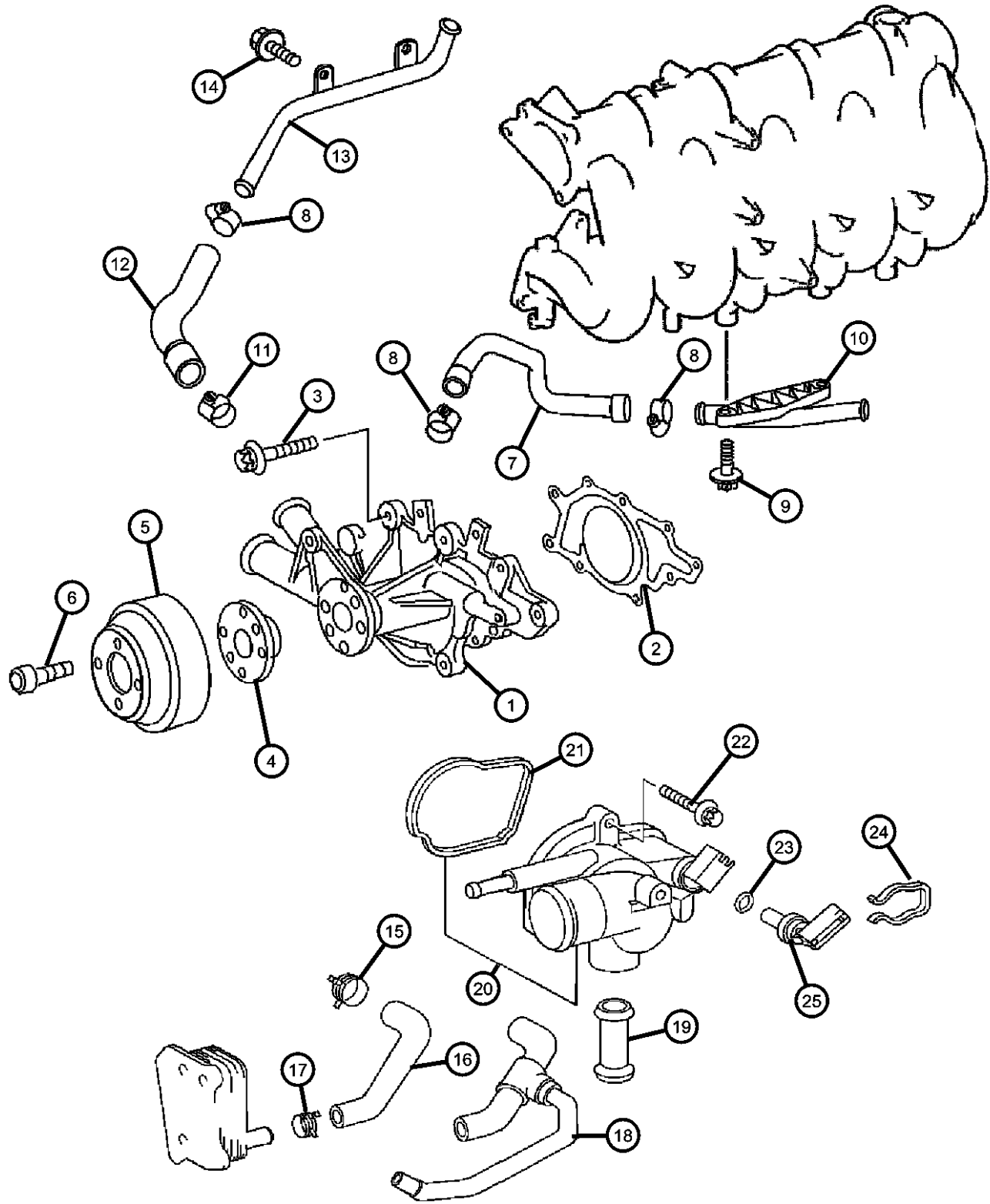


SPRINTER (VA)

SERIES	LINE	BODY	ENGINE	TRANSMISSION
L = LOWLINE	3 = HD DODGE 2WD 6 = Lt. Duty DODGE 4WD 2 = Med. Duty DODGE 2WD 7 = Med. Duty DODGE 4WD	01 = CHASSIS FORWARD CONTROL W.B.1 02 = CAB CHASSIS WHEEL BASE 2 06 = CAB CHASSIS WHEEL BASE 6 11 = VAN WHEEL BASE 1 12 = VAN WHEEL BASE 2 51 = WAGON WHEEL BASE 1 52 = WAGON WHEEL BASE 2 14 = VAN WHEEL BASE 4 15 = VAN WHEEL BASE 5 56 = WAGON WHEEL BASE 6 16 = VAN WHEEL BASE 6 54 = WAGON WHEEL BASE 4 55 = WAGON WHEEL BASE 5	EX9 = Engine-2.7L I5 Mercedes Turbo Diesel	DGJ = Transmission-5-Spd. Automatic, W5A580

AR = use ase required - = Non illustrated part

**Water Pump And Related Parts
Figure 7-210**



ITEM	PART NUMBER	QTY	LINE	SERIES	BODY	ENGINE	TRANS	TRIM	DESCRIPTION
1	05103576AA	1							PUMP, Water
2	05080144AA	1							GASKET, Water Pump
3	06104684AA	5							SCREW
4	05117648AA	1							FLANGE, Water Pump Drive
5	05103987AA	1							PULLEY, Water Pump
6	06104140AA	4							SCREW
7	05104013AA	1							TUBE, Heater Feed
8	06104781AA	2							CLAMP, Hose
9	06104026AA	3							SCREW
10	05104012AA	1							HOSE, Heater Feed
11									CLAMP
	05133494AA	1	2, 6						
		1	3, 7						
12	05103985AA	1							TUBE, Heater Return
13	05117644AA	1							TUBE, Heater Return
14	06104005AA	2							SCREW
15	05080153AA	1							CLAMP, Hose
16	05103986AA	1							HOSE
17									CLAMP
	05133496AA	1	2, 6						
		1	3, 7						
18	05080151AA	1							HOSE, Oil Cooler
19	05080151AA	1							INSULATOR, 05137454aa, (NOT SERVICED)
20	05080146AB	1							THERMOSTAT
21	05080150AA	1							GASKET, Thermostat
22	06104144AA	3							SCREW
23	05080148AA	1							O RING

SPRINTER (VA)

SERIES LINE
 L = LOWLINE 3 = HD DODGE 2WD
 6 = Lt. Duty DODGE 4WD
 2 = Med. Duty DODGE 2WD
 7 = Med. Duty DODGE 4WD

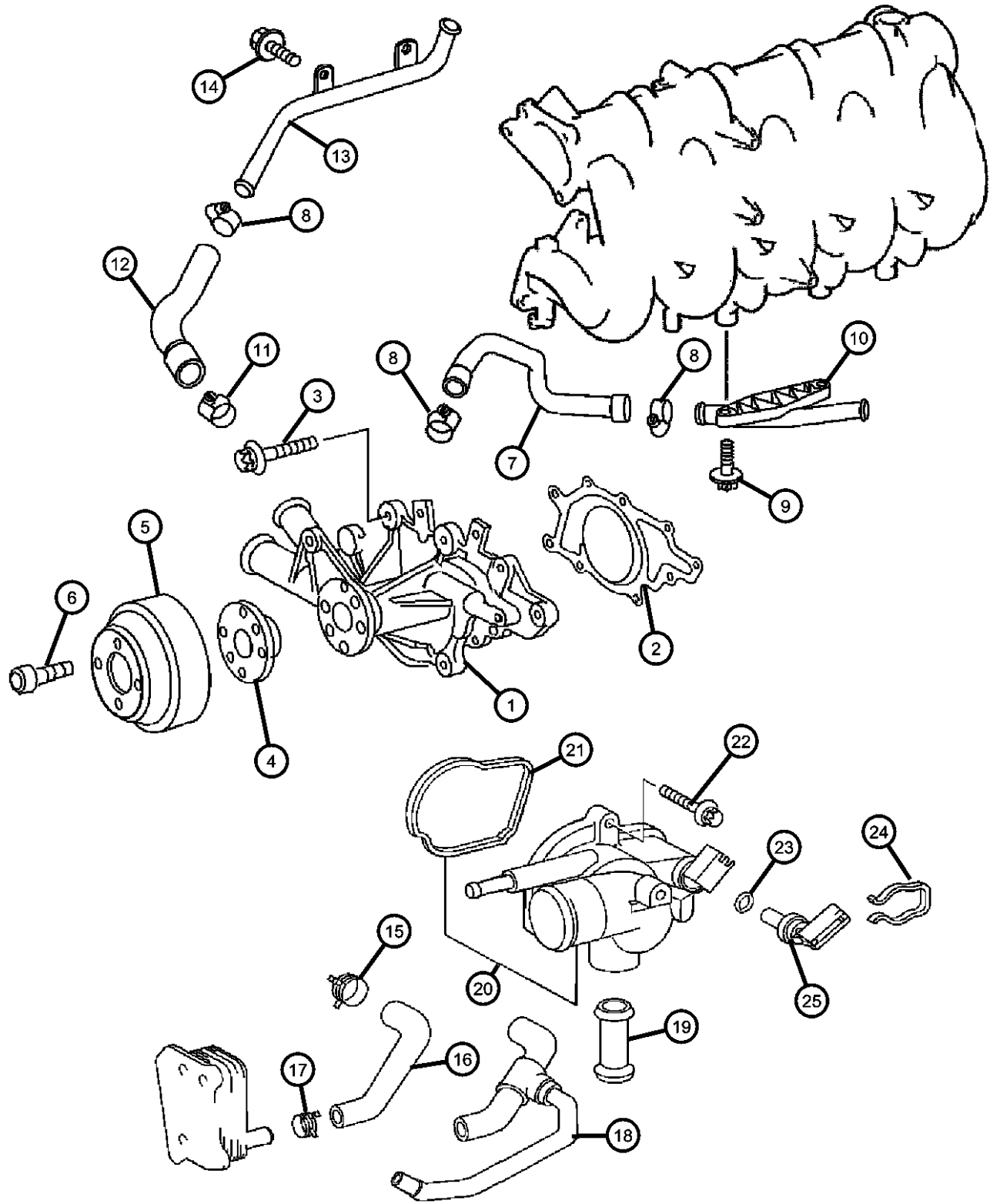
BODY
 01 = CHASSIS FORWARD CONTROL W.B.1
 02 = CAB CHASSIS WHEEL BASE 2
 06 = CAB CHASSIS WHEEL BASE 6
 11 = VAN WHEEL BASE 1
 12 = VAN WHEEL BASE 2
 51 = WAGON WHEEL BASE 1
 52 = WAGON WHEEL BASE 2
 14 = VAN WHEEL BASE 4
 15 = VAN WHEEL BASE 5
 56 = WAGON WHEEL BASE 6
 16 = VAN WHEEL BASE 6
 54 = WAGON WHEEL BASE 4
 55 = WAGON WHEEL BASE 5

ENGINE
 EX9 = Engine-2.7L I5
 Mercedes Turbo Diesel

TRANSMISSION
 DGJ = Transmission-5-Spd. Automatic, W5A580

AR = use ase required - = Non illustrated part

**Water Pump And Related Parts
Figure 7-210**



ITEM	PART NUMBER	QTY	LINE	SERIES	BODY	ENGINE	TRANS	TRIM	DESCRIPTION
------	-------------	-----	------	--------	------	--------	-------	------	-------------

24	05080149AA	1							CLIP
25	05080147AA	1							SENDING UNIT, Temperature Gauge

SPRINTER (VA)

SERIES
L = LOWLINE

LINE

3 = HD DODGE 2WD
6 = Lt. Duty DODGE 4WD
2 = Med. Duty DODGE 2WD
7 = Med. Duty DODGE 4WD

BODY

01 = CHASSIS FORWARD CONTROL W.B.1
02 = CAB CHASSIS WHEEL BASE 2
06 = CAB CHASSIS WHEEL BASE 6
11 = VAN WHEEL BASE 1
12 = VAN WHEEL BASE 2
51 = WAGON WHEEL BASE 1
52 = WAGON WHEEL BASE 2
14 = VAN WHEEL BASE 4
15 = VAN WHEEL BASE 5
56 = WAGON WHEEL BASE 6
16 = VAN WHEEL BASE 6
54 = WAGON WHEEL BASE 4
55 = WAGON WHEEL BASE 5

ENGINE

EX9 = Engine-2.7L I5
Mercedes Turbo Diesel

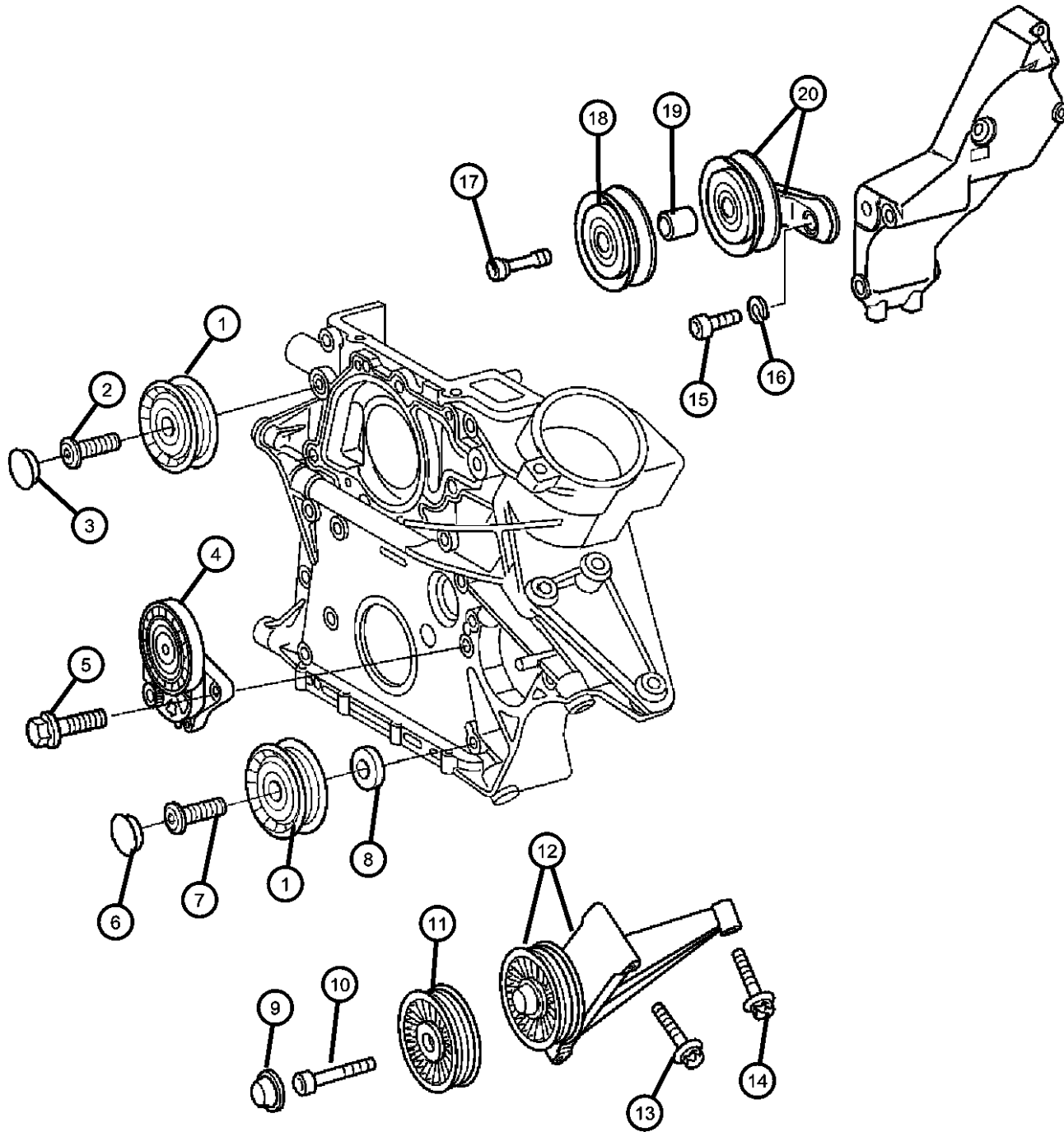
TRANSMISSION

DGJ = Transmission-5-Spd. Automatic, W5A580

AR = use ase required - = Non illustrated part

2002 VA

Drive pulleys
Figure 7-410



ITEM	PART NUMBER	QTY	LINE	SERIES	BODY	ENGINE	TRANS	TRIM	DESCRIPTION
1	05080246AA	2							PULLEY, Tensioner
2	05073902AA	1							SCREW
3	05080250AA	1							CAP, CAP
4	05080243AA	1							TENSIONER, Belt
5	05073898AA	2							SCREW
6	05080250AA	1							CAP, CAP
7	05073902AA	1							SCREW
8	05080248AA	1							WASHER
9									CAP, Screw Cover
	05125553AA	1	6			EX9			
		1	7			EX9			
10									SCREW
	05126143AA	1	2, 6			EX9			
		1	3, 7			EX9			
11									PULLEY, Tensioner
	05117690AA	1	2, 6			EX9			
		1	3, 7			EX9			
12									PULLEY, Tensioner
	05117691AA	1	2, 6			EX9			
		1	3, 7			EX9			
13									SCREW
	06104035AA	1	2, 6						
		1	3, 7						
14									BOLT, Hex Head
	05133207AA	3	2, 6			EX9			
		1	3, 7			EX9			
15		1							SCREW, (NOT SERVICED)
16		1							WASHER, (NOT SERVICED)

SPRINTER (VA)

SERIES
L = LOWLINE
3 = HD DODGE 2WD
6 = Lt. Duty DODGE 4WD
2 = Med. Duty DODGE 2WD
7 = Med. Duty DODGE 4WD

BODY
01 = CHASSIS FORWARD CONTROL W.B.1
02 = CAB CHASSIS WHEEL BASE 2
06 = CAB CHASSIS WHEEL BASE 6
11 = VAN WHEEL BASE 1
12 = VAN WHEEL BASE 2
51 = WAGON WHEEL BASE 1
52 = WAGON WHEEL BASE 2
14 = VAN WHEEL BASE 4
15 = VAN WHEEL BASE 5
56 = WAGON WHEEL BASE 6
16 = VAN WHEEL BASE 6
54 = WAGON WHEEL BASE 4
55 = WAGON WHEEL BASE 5

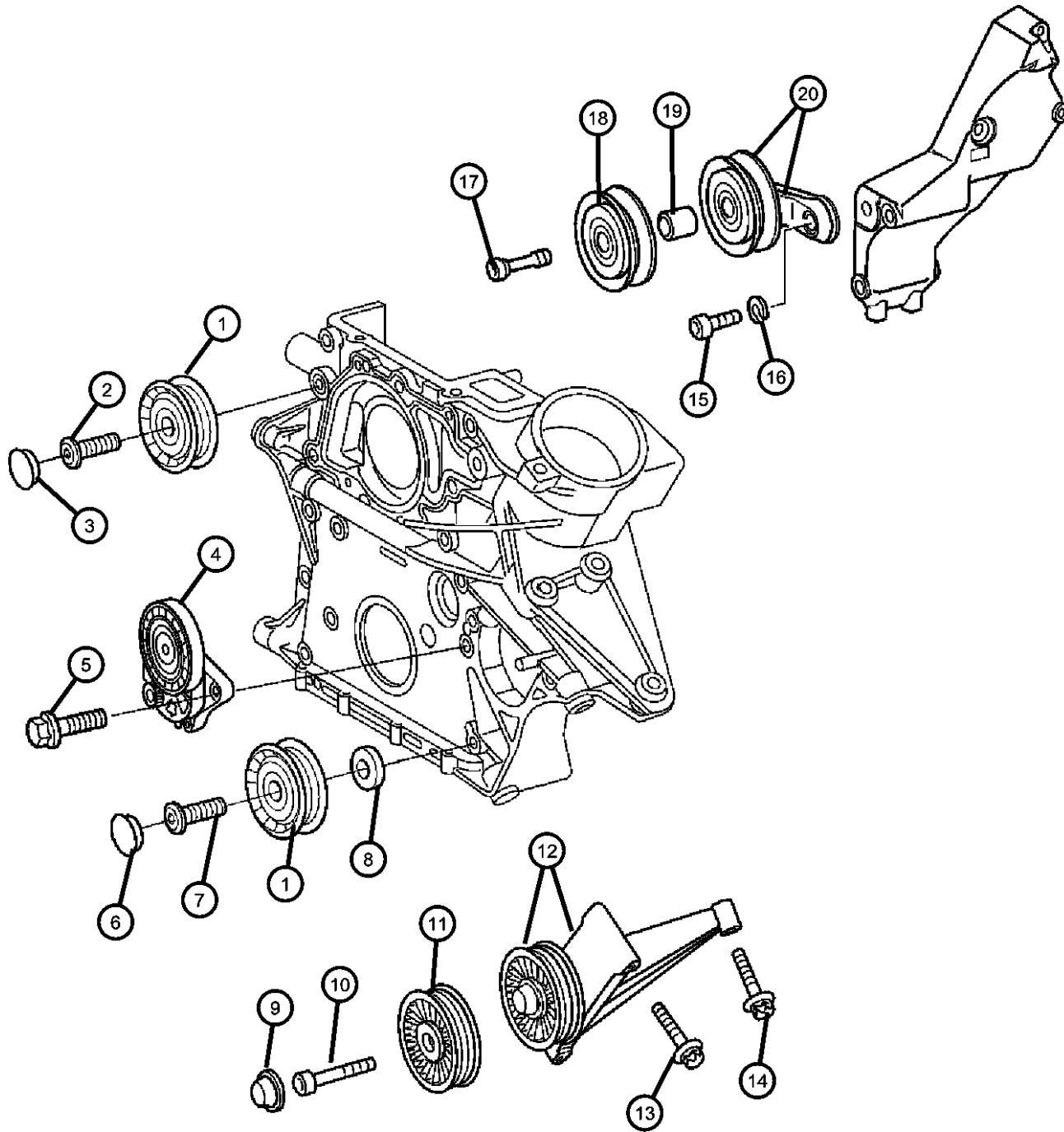
ENGINE
EX9 = Engine-2.7L I5 Mercedes Turbo Diesel

TRANSMISSION
DGJ = Transmission-5-Spd. Automatic, W5A580

AR = use ase required - = Non illustrated part

2002 VA

Drive pulleys
Figure 7-410



ITEM	PART NUMBER	QTY	LINE	SERIES	BODY	ENGINE	TRANS	TRIM	DESCRIPTION
17	05132752AA	4	2, 6			EX9			SCREW
		4	3, 7			EX9			
18	05117510AA	1	2, 6			EX9			TENSIONER, Belt
		1	3, 7			EX9			
19	05117516AA	1	6			EX9			BUSHING, Idler Pulley
		1	7			EX9			
20	05117512AA	1	6			EX9			TENSIONER, Belt
		1	7			EX9			

SPRINTER (VA)

SERIES LINE
L = LOWLINE 3 = HD DODGE 2WD
6 = Lt. Duty DODGE 4WD
2 = Med. Duty DODGE 2WD
7 = Med. Duty DODGE 4WD

BODY
01 = CHASSIS FORWARD CONTROL W.B.1
02 = CAB CHASSIS WHEEL BASE 2
06 = CAB CHASSIS WHEEL BASE 6
11 = VAN WHEEL BASE 1
12 = VAN WHEEL BASE 2
51 = WAGON WHEEL BASE 1
52 = WAGON WHEEL BASE 2
14 = VAN WHEEL BASE 4
15 = VAN WHEEL BASE 5
56 = WAGON WHEEL BASE 6
16 = VAN WHEEL BASE 6
54 = WAGON WHEEL BASE 4
55 = WAGON WHEEL BASE 5

ENGINE
EX9 = Engine-2.7L I5 Mercedes Turbo Diesel

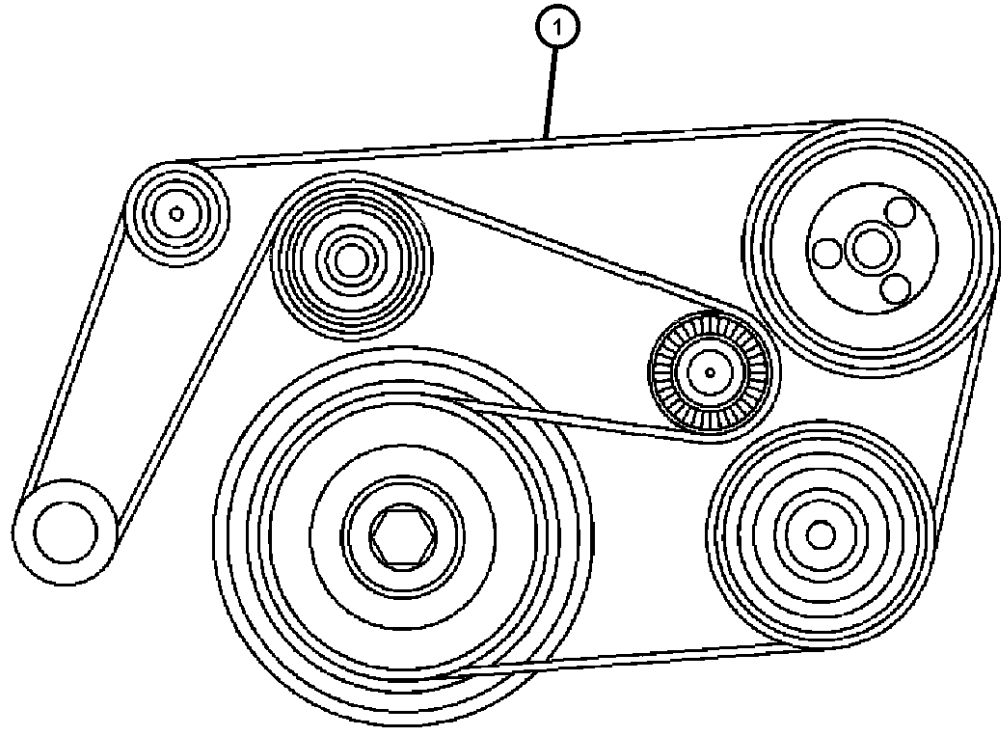
TRANSMISSION
DGJ = Transmission-5-Spd. Automatic, W5A580

AR = use ase required - = Non illustrated part

2002 VA

Drive Belts
Figure 7-520

ITEM	PART NUMBER	QTY	LINE	SERIES	BODY	ENGINE	TRANS	TRIM	DESCRIPTION
1									BELT, Accessory Drive
	05103564AA	1	2, 6						With Air Conditioning
		1	3, 7						With Air Conditioning
	05103565AA	1	2, 6						Without Air Conditioning
		1	3, 7						Without Air Conditioning



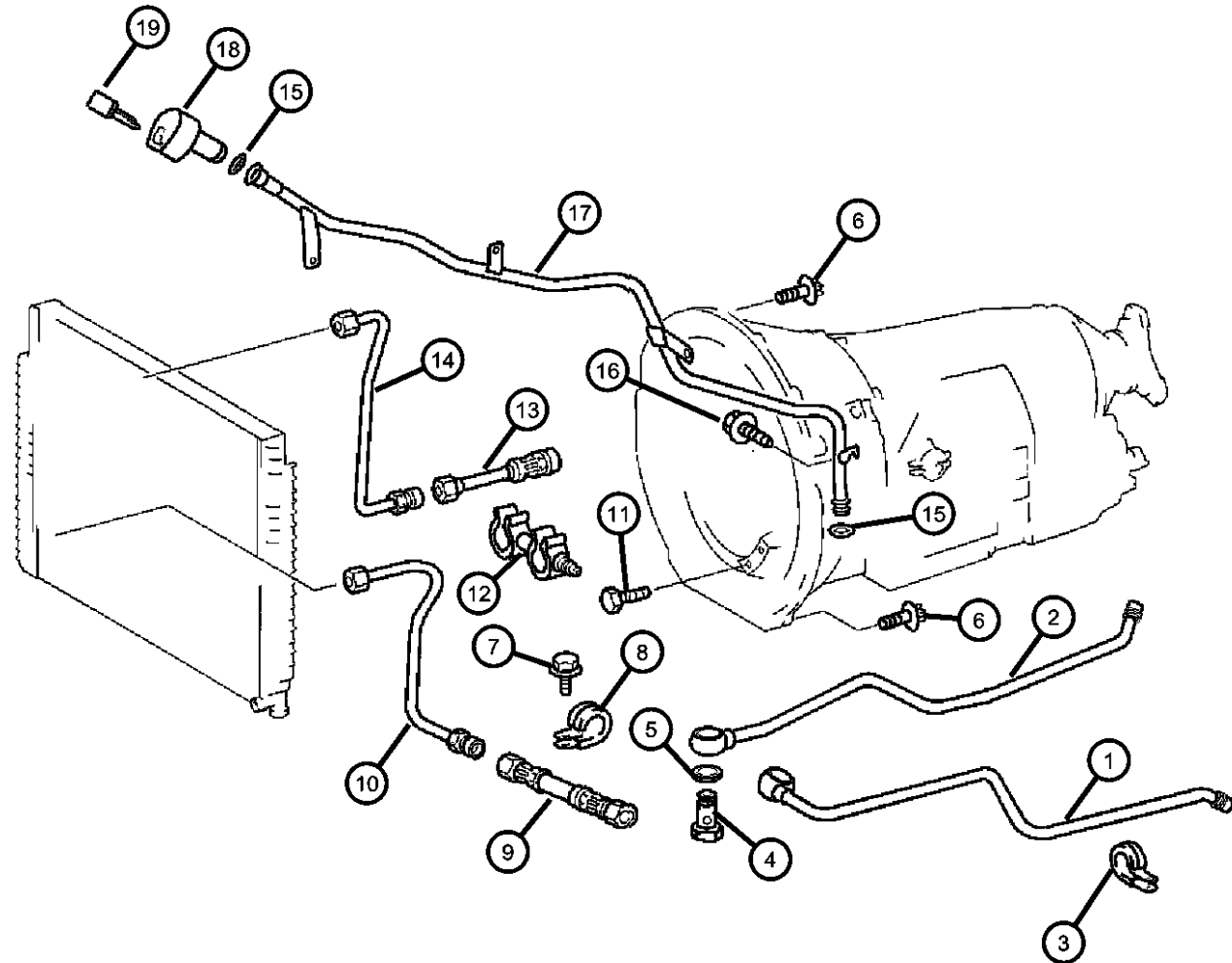
SPRINTER (VA)

SERIES	LINE	BODY	ENGINE	TRANSMISSION
L = LOWLINE	3 = HD DODGE 2WD 6 = Lt. Duty DODGE 4WD 2 = Med. Duty DODGE 2WD 7 = Med. Duty DODGE 4WD	01 = CHASSIS FORWARD CONTROL W.B.1 02 = CAB CHASSIS WHEEL BASE 2 06 = CAB CHASSIS WHEEL BASE 6 11 = VAN WHEEL BASE 1 12 = VAN WHEEL BASE 2 51 = WAGON WHEEL BASE 1 52 = WAGON WHEEL BASE 2 14 = VAN WHEEL BASE 4 15 = VAN WHEEL BASE 5 56 = WAGON WHEEL BASE 6 16 = VAN WHEEL BASE 6 54 = WAGON WHEEL BASE 4 55 = WAGON WHEEL BASE 5	EX9 = Engine-2.7L I5 Mercedes Turbo Diesel	DGJ = Transmission-5-Spd. Automatic, W5A580

AR = use ase required - = Non illustrated part

2002 VA

**Oil Cooler Lines
Figure 7-610**



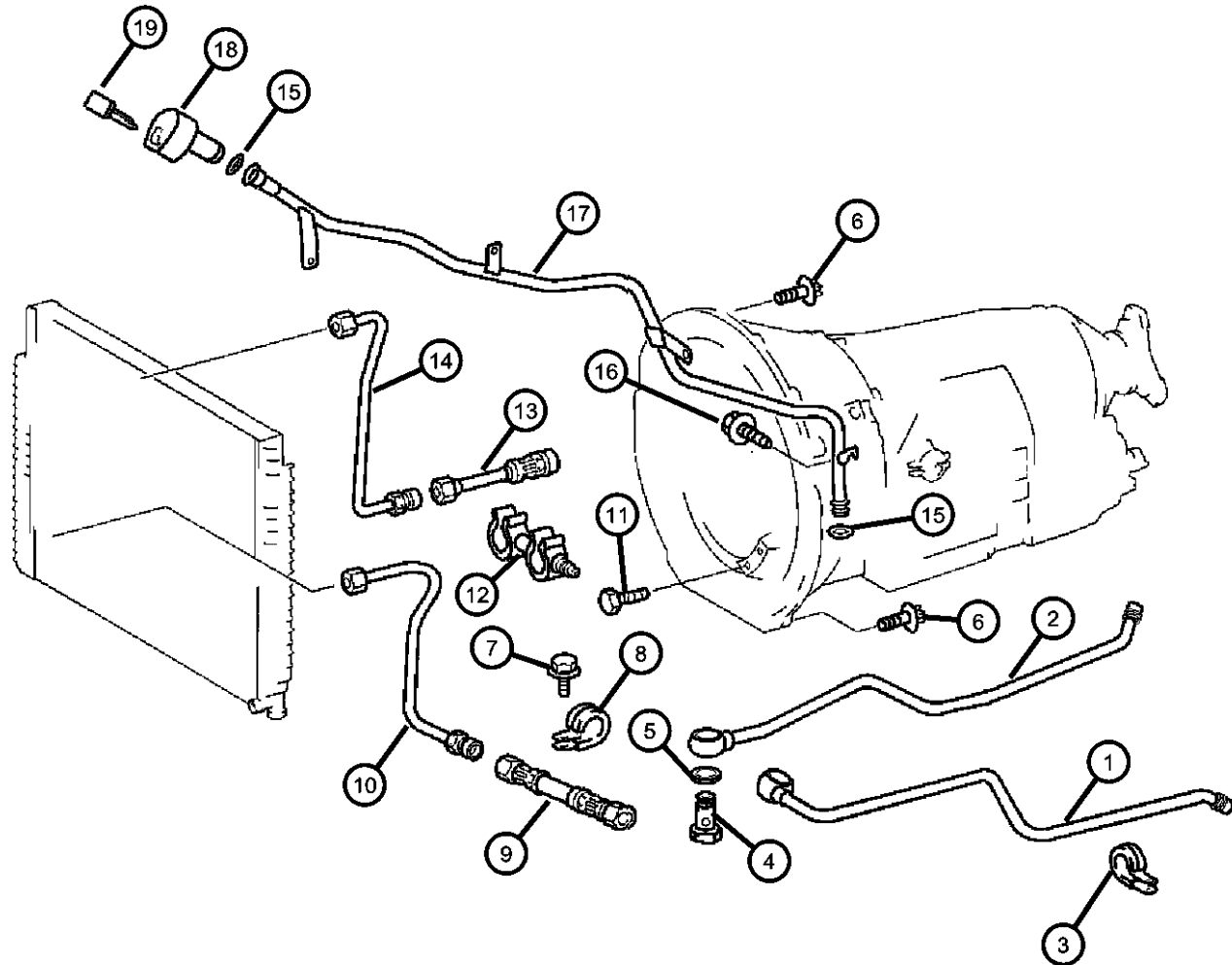
ITEM	PART NUMBER	QTY	LINE	SERIES	BODY	ENGINE	TRANS	TRIM	DESCRIPTION
1	05117855AA	1	6				DGJ		TUBE, Oil Feed
		1	7				DGJ		
2	05117857AA	1	2, 6				DGJ		LINE, TRANSMISSION OIL COOLING, SPRINTER
		1	3, 7				DGJ		
3	05097689AA	2	2, 6				DGJ		CLAMP, CLAMP
		2	3, 7				DGJ		
4	06507437AA	2	2, 6				DGJ		BOLT, Banjo
		2	3, 7				DGJ		
5	06507454AA	1							WASHER, Banjo
6	06104047AA	2	2, 6				DGJ		SCREW
		2	3, 7				DGJ		
7	05073824AA	1	2, 6				DGJ		SCREW
		1	3, 7				DGJ		
8	05096952AA	1	2, 6				DGJ		CLAMP, Oil Cooler Line
		1	3, 7				DGJ		
9	05103903AA	1	2, 6				DGJ		HOSE
		1	3, 7				DGJ		
10	05119991AA	1	2, 6				DGJ		LINE, Oil Cooler Supply

SPRINTER (VA)

SERIES	LINE	BODY	ENGINE	TRANSMISSION
L = LOWLINE	3 = HD DODGE 2WD 6 = Lt. Duty DODGE 4WD 2 = Med. Duty DODGE 2WD 7 = Med. Duty DODGE 4WD	01 = CHASSIS FORWARD CONTROL W.B.1 02 = CAB CHASSIS WHEEL BASE 2 06 = CAB CHASSIS WHEEL BASE 6 11 = VAN WHEEL BASE 1 12 = VAN WHEEL BASE 2 51 = WAGON WHEEL BASE 1 52 = WAGON WHEEL BASE 2 14 = VAN WHEEL BASE 4 15 = VAN WHEEL BASE 5 56 = WAGON WHEEL BASE 6 16 = VAN WHEEL BASE 6 54 = WAGON WHEEL BASE 4 55 = WAGON WHEEL BASE 5	EX9 = Engine-2.7L I5 Mercedes Turbo Diesel	DGJ = Transmission-5-Spd. Automatic, W5A580

AR = use ase required - = Non illustrated part

**Oil Cooler Lines
Figure 7-610**



ITEM	PART NUMBER	QTY	LINE	SERIES	BODY	ENGINE	TRANS	TRIM	DESCRIPTION
11		1	3, 7				DGJ		SCREW
	06507095AA	6	2, 6				DGJ		
		6	3, 7				DGJ		
12		2	2, 6				DGJ		BRACKET, Transmission Oil Cooler
	05125878AA	2	3, 7				DGJ		
13		1	2, 6				DGJ		TUBE AND HOSE, Oil Cooler
	05127830AA	1	3, 7				DGJ		
14		1	2, 6				DGJ		LINE, Oil Cooler Return
	05119993AA	1	3, 7				DGJ		
15		1	3, 7				DGJ		SEAL, Oil Filler Tube
	05101154AA	1	2, 6				DGJ		
16		1	2, 6				DGJ		SCREW
	05125738AA	1	3, 7				DGJ		
17		1	2, 6				DGJ		TUBE, Transmission Oil Filler
	05104551AA	1	3, 7				DGJ		
18		1	2, 6				DGJ		CAP, Oil Filler
	53013549AA	1	3, 7				DGJ		
19		1							PIN

SPRINTER (VA)

SERIES
L = LOWLINE

LINE
3 = HD DODGE 2WD
6 = Lt. Duty DODGE 4WD
2 = Med. Duty DODGE 2WD
7 = Med. Duty DODGE 4WD

BODY
01 = CHASSIS FORWARD CONTROL W.B.1
02 = CAB CHASSIS WHEEL BASE 2
06 = CAB CHASSIS WHEEL BASE 6
11 = VAN WHEEL BASE 1
12 = VAN WHEEL BASE 2
51 = WAGON WHEEL BASE 1
52 = WAGON WHEEL BASE 2
14 = VAN WHEEL BASE 4
15 = VAN WHEEL BASE 5
56 = WAGON WHEEL BASE 6
16 = VAN WHEEL BASE 6
54 = WAGON WHEEL BASE 4
55 = WAGON WHEEL BASE 5

ENGINE
EX9 = Engine-2.7L I5
Mercedes Turbo Diesel

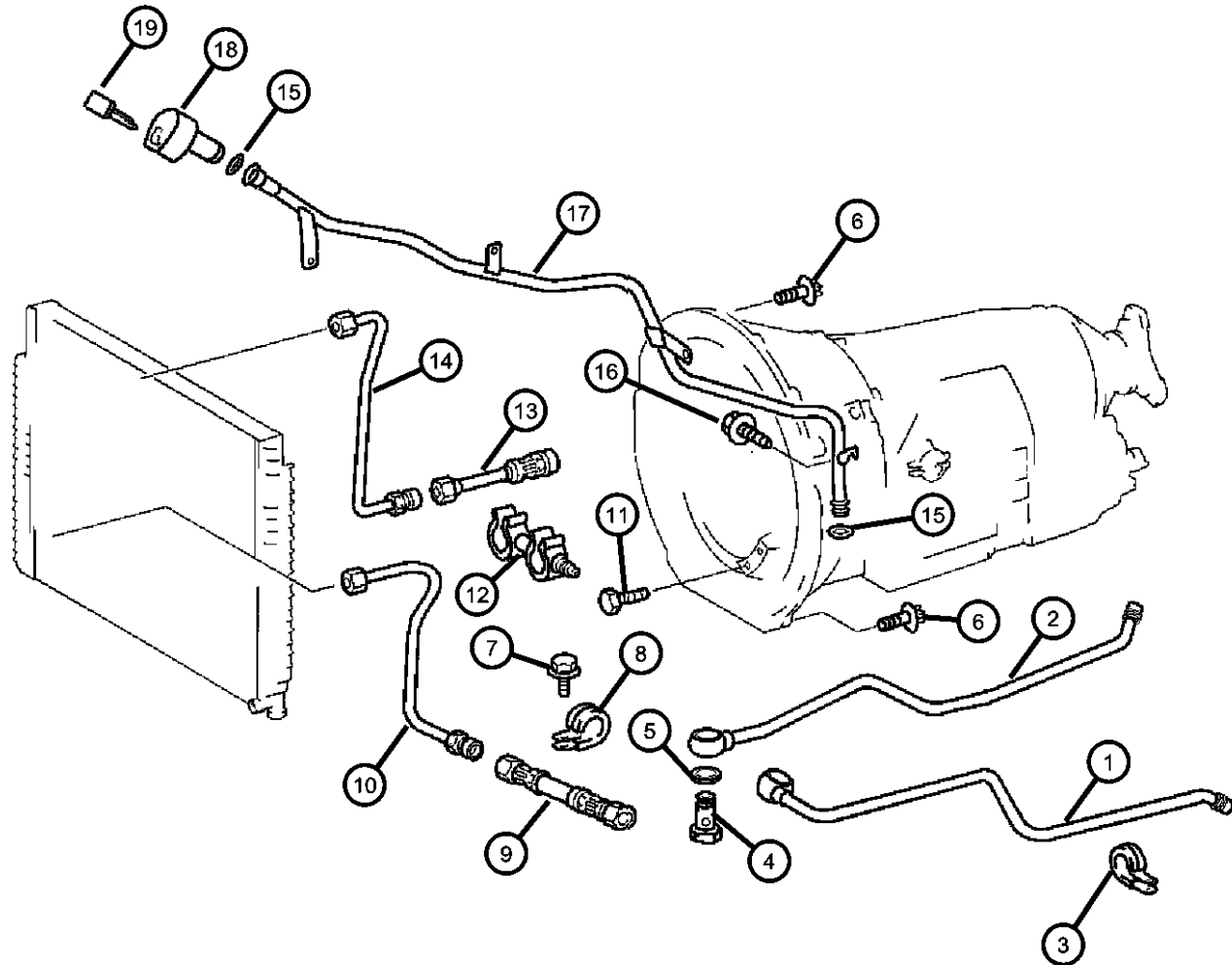
TRANSMISSION
DGJ = Transmission-5-Spd. Automatic, W5A580

AR = use ase required - = Non illustrated part

2002 VA

Oil Cooler Lines
Figure 7-610

ITEM	PART NUMBER	QTY	LINE	SERIES	BODY	ENGINE	TRANS	TRIM	DESCRIPTION
	05093746AA	1	2, 6				DGJ		
		1	3, 7				DGJ		



SPRINTER (VA)

SERIES
L = LOWLINE

LINE

3 = HD DODGE 2WD
6 = Lt. Duty DODGE 4WD
2 = Med. Duty DODGE 2WD
7 = Med. Duty DODGE 4WD

BODY

01 = CHASSIS FORWARD CONTROL W.B.1
02 = CAB CHASSIS WHEEL BASE 2
06 = CAB CHASSIS WHEEL BASE 6
11 = VAN WHEEL BASE 1
12 = VAN WHEEL BASE 2
51 = WAGON WHEEL BASE 1
52 = WAGON WHEEL BASE 2
14 = VAN WHEEL BASE 4
15 = VAN WHEEL BASE 5
56 = WAGON WHEEL BASE 6
16 = VAN WHEEL BASE 6
54 = WAGON WHEEL BASE 4
55 = WAGON WHEEL BASE 5

ENGINE

EX9 = Engine-2.7L I5
Mercedes Turbo Diesel

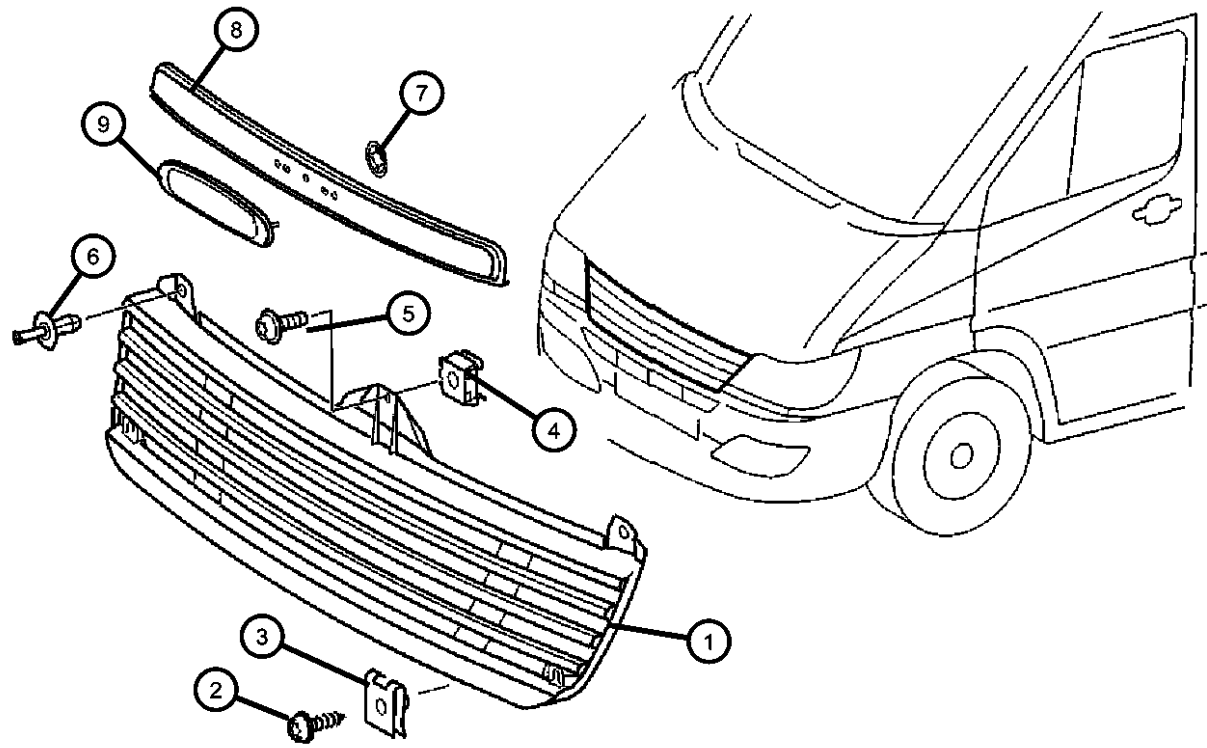
TRANSMISSION

DGJ = Transmission-5-Spd. Automatic, W5A580

AR = use ase required - = Non illustrated part

2002 VA

**Grille And Related Parts
Figure 7-710**



ITEM	PART NUMBER	QTY	LINE	SERIES	BODY	ENGINE	TRANS	TRIM	DESCRIPTION
1	05104507AA	1	2, 6						GRILLE, Radiator Freightliner
		1	3, 7						Freightliner
2	06104576AA	2	2, 6						SCREW
		2	3, 7						
3	06104736AA	4	2, 6						NUT, Clip-On
		4	3, 7						
4	05126253AA	1	2, 6						NUT
		1	3, 7						
5	06104121AA	1	2, 6						SCREW, Hex Flange Head
		1	3, 7						
6	06104905AA	2	2, 6						PIN, Push
		2	3, 7						
7	05096429AA	2	2, 6						RETAINER, Hood Ornament
		2	3, 7						
8	05104400AA	1	2, 6						COVERING, ENGINE HOOD, SPRINTER
		1	3, 7						
9	05104449AA	1	2, 6						NAMEPLATE, Hood
		1	3, 7						

SPRINTER (VA)

SERIES

L = LOWLINE

LINE

3 = HD DODGE 2WD
6 = Lt. Duty DODGE 4WD
2 = Med. Duty DODGE 2WD
7 = Med. Duty DODGE 4WD

BODY

01 = CHASSIS FORWARD CONTROL W.B.1
02 = CAB CHASSIS WHEEL BASE 2
06 = CAB CHASSIS WHEEL BASE 6
11 = VAN WHEEL BASE 1
12 = VAN WHEEL BASE 2
51 = WAGON WHEEL BASE 1
52 = WAGON WHEEL BASE 2
14 = VAN WHEEL BASE 4
15 = VAN WHEEL BASE 5
56 = WAGON WHEEL BASE 6
16 = VAN WHEEL BASE 6
54 = WAGON WHEEL BASE 4
55 = WAGON WHEEL BASE 5

ENGINE

EX9 = Engine-2.7L I5
Mercedes Turbo Diesel

TRANSMISSION

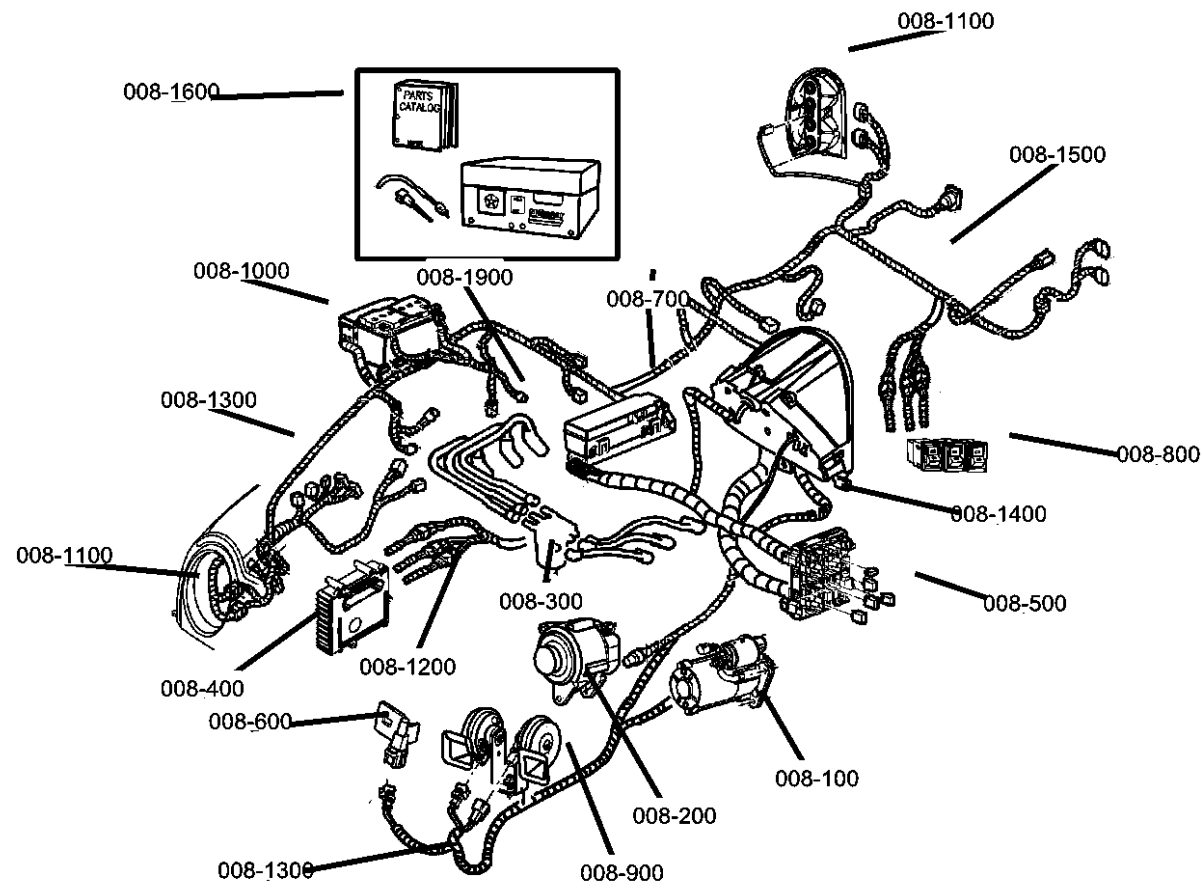
DGJ = Transmission-5-Spd. Automatic, W5A580

AR = use ase required - = Non illustrated part

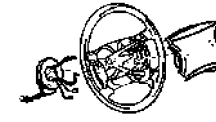
2002 VA

Group - 8

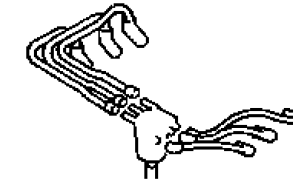
Electrical



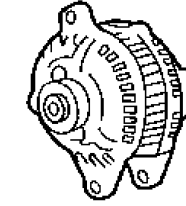
008-1700
Air Bag Systems



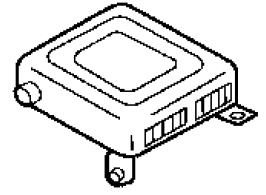
008-1900
Spark Plugs-Cables-Coils



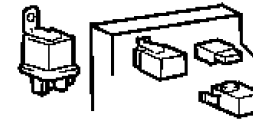
008-200
Alternators



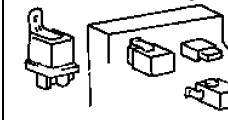
008-400
Modules



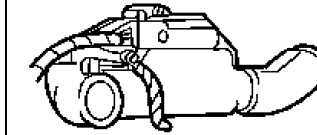
008-500
Relays



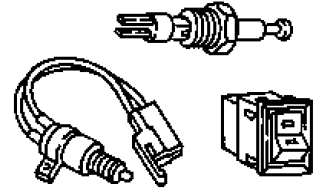
008-600
Sensors



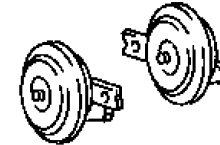
008-700
Single Board Engine Controllers



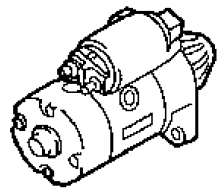
008-800
Switches



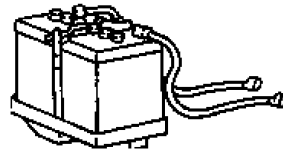
008-900
Horns



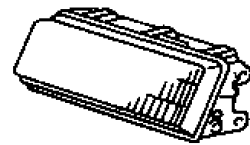
008-100
Starters



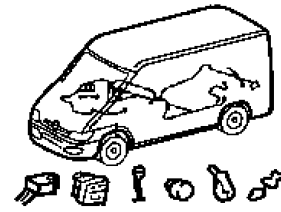
008-1000
Battery Tray and Cables



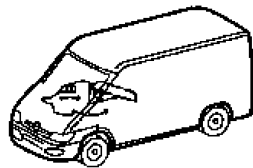
008-1100
Lamps - Front, Rear and Courtesy



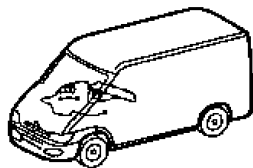
008-1200
Wiring-Engine & Related Parts



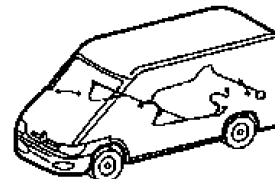
008-1300
Wiring-Headlamp to Dash



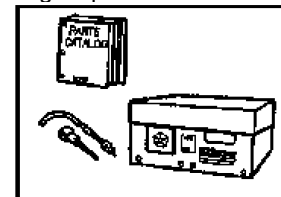
008-1400
Wiring-Instrument Panel



008-1500
Wiring-Body & Accessories



008-1600
Wiring Repair



Group - 8 Electrical

Air Bag System Drivers SideFig. 8 - 1705
Air Bag System Passenger SideFig. 8 - 1710

Illustration Title Group-Fig. No. **Spark Plugs-Cables-Coils**

Glow Plugs.....Fig. 8 - 1910

Starters
Starters & Mounting Fig. 8 - 105

Alternators
Alternators (Generator) Fig. 8 - 205

Modules
Modules Seating Area Fig. 8 - 405
Modules and Related Parts Fig. 8 - 410

Relays
Under Seat - Relays & Fuses Fig. 8 - 505
Instrument Panel - Relays & Fuses Fig. 8 - 510

Sensors
Sensors - Engine Fig. 8 - 605
Sensors - Drivetrain Fig. 8 - 610
Sensors - Brakes Fig. 8 - 615
Sensor Ambient Temperature Fig. 8 - 620

Single Board Engine Controllers
Single Board Engine Controller (S.B.E.C.) Fig. 8 - 715

Switches
Switches - Instrument Panel Fig. 8 - 805
Switches -Steering Column Fig. 8 - 810
Switches - Door Fig. 8 - 815
Switch Brake Fig. 8 - 820

Horns
Horns & Alarm Fig. 8 - 905

Battery Tray and Cables
Battery Tray & Cables Fig. 8 - 1005

Lamps - Front, Rear and Courtesy
Lamps - Front End Fig. 8 - 1105
Lamps - Rear End Fig. 8 - 1110
Lamps Interior Passenger Van Fig. 8 - 1115
Lamps Interior Cargo Van Fig. 8 - 1120
Lamp - Bulbs Fig. 8 - 1125

Wiring-Engine & Related Parts
Wiring - Engine Fig. 8 - 1205

Wiring-Headlamp to Dash
Wiring - Headlamp & Dash Fig. 8 - 1305

Wiring-Instrument Panel
Wiring - Instrument Panel Fig. 8 - 1405

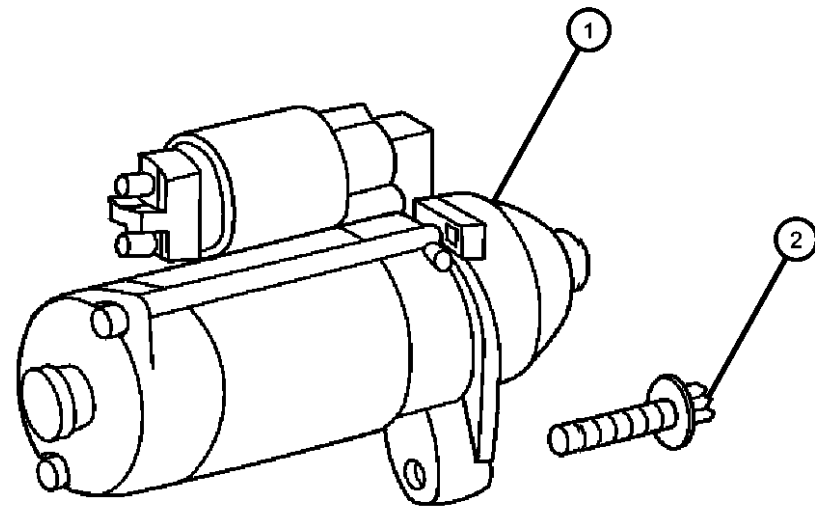
Wiring-Body & Accessories
Wiring - Body & Accessories Fig. 8 - 1505

Wiring Repair
Connectors Engine Compartment Fig. 8 - 1605
Connectors Body Fig. 8 - 1610
Connectors Roof Fig. 8 - 1615
Connectors Front Doors Fig. 8 - 1620
Connectors Rear Doors Fig. 8 - 1625
Connectors Seating Area Fig. 8 - 1630

Air Bag Systems

**Starters & Mounting
Figure 8-105**

ITEM	PART NUMBER	QTY	LINE	SERIES	BODY	ENGINE	TRANS	TRIM	DESCRIPTION
1									STARTER, Engine
	05134510AA	1	2, 6	L	51, 52, 54, 55, 56	EX9			Bosch
		1	2, 6	L	11, 12, 14, 15, 16	EX9			Bosch
		1	3, 7	L	12, 15, 16	EX9			Bosch
		1		L					Bosch
2	06104053AA	2		L					SCREW, Starter Motor



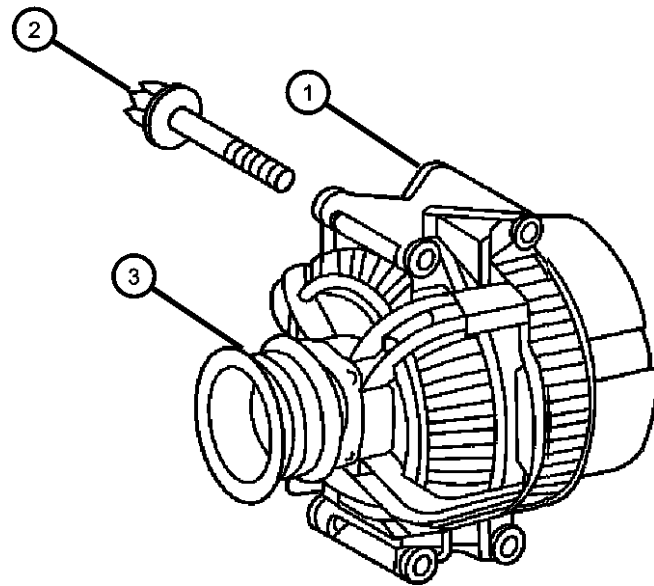
SPRINTER (VA)

SERIES	LINE	BODY	ENGINE	TRANSMISSION
L = LOWLINE	3 = HD DODGE 2WD 6 = Lt. Duty DODGE 4WD 2 = Med. Duty DODGE 2WD 7 = Med. Duty DODGE 4WD	01 = CHASSIS FORWARD CONTROL W.B.1 02 = CAB CHASSIS WHEEL BASE 2 06 = CAB CHASSIS WHEEL BASE 6 11 = VAN WHEEL BASE 1 12 = VAN WHEEL BASE 2 51 = WAGON WHEEL BASE 1 52 = WAGON WHEEL BASE 2 14 = VAN WHEEL BASE 4 15 = VAN WHEEL BASE 5 56 = WAGON WHEEL BASE 6 16 = VAN WHEEL BASE 6 54 = WAGON WHEEL BASE 4 55 = WAGON WHEEL BASE 5	EX9 = Engine-2.7L I5 Mercedes Turbo Diesel	DGJ = Transmission-5-Spd. Automatic, W5A580

AR = use ase required - = Non illustrated part

2002 VA

**Alternators (Generator)
Figure 8-205**



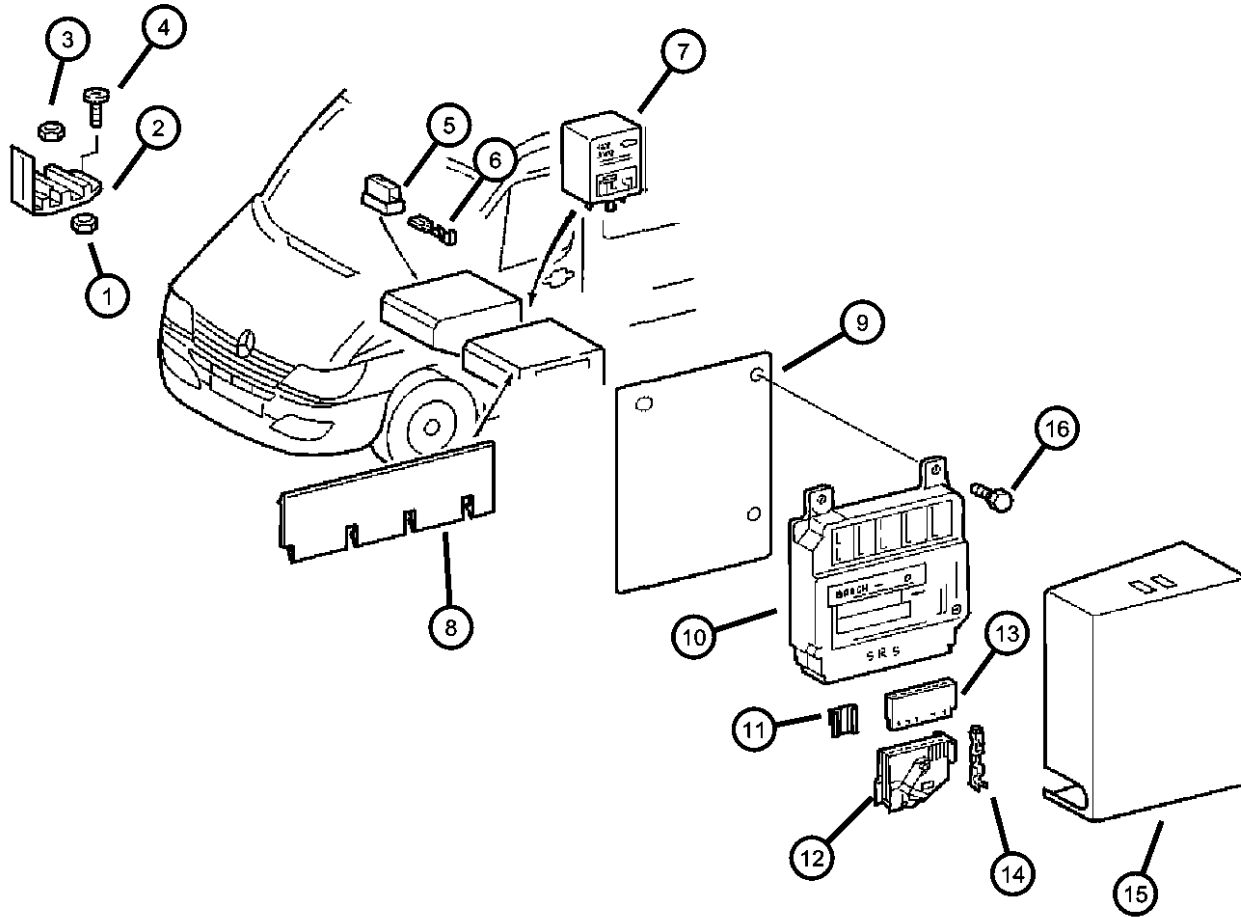
ITEM	PART NUMBER	QTY	LINE	SERIES	BODY	ENGINE	TRANS	TRIM	DESCRIPTION
1									ALTERNATOR
	05103885AA	1	2, 6	L	11, 12, 14, 15, 16				90 AMP
		1	2, 6	L	52, 54, 55, 56, 51				90 AMP
		1	3, 7	L	12, 15, 16				90 AMP
	05103886AA	1	2, 6	L	11, 12, 14, 15, 16				115 AMP
	05103887AA	1	3, 7	L	12, 15, 16				150 AMP
		1	2, 6	L	51, 52, 54, 55, 56				115 AMP
		1	3, 7	L	12, 15, 16				115 AMP
		1	2, 6	L	11, 12, 14, 15, 16				150 AMP
		1	2, 6	L	51, 52, 54, 55, 56				150 AMP
2									SCREW
	06104035AA	1	2, 6	L	11, 12, 14, 15, 16	EX9			
		1	2, 6	L	51, 52, 54, 55, 56				
		1	3, 7	L	12, 15, 16	EX9			
3									PULLEY, Alternator
	05117591AA	1	2, 6	L	11, 12, 14, 15, 16				Except 150 AMP Alternator
		1	2, 6	L	51, 52, 54, 55, 56				Except 150 AMP Alternator
		1	3, 7	L	12, 15, 16				Except 150 AMP Alternator
	05128144AA	1	2, 6	L	11, 12, 14, 15, 16				With 150 AMP Alternator
		1	2, 6	L	51, 52, 54, 55, 56				With 150 AMP Alternator
		1	3, 7	L	12, 15, 16				With 150 AMP Alternator

SPRINTER (VA)

SERIES	LINE	BODY	ENGINE	TRANSMISSION
L = LOWLINE	3 = HD DODGE 2WD 6 = Lt. Duty DODGE 4WD 2 = Med. Duty DODGE 2WD 7 = Med. Duty DODGE 4WD	01 = CHASSIS FORWARD CONTROL W.B.1 02 = CAB CHASSIS WHEEL BASE 2 06 = CAB CHASSIS WHEEL BASE 6 11 = VAN WHEEL BASE 1 12 = VAN WHEEL BASE 2 51 = WAGON WHEEL BASE 1 52 = WAGON WHEEL BASE 2 14 = VAN WHEEL BASE 4 15 = VAN WHEEL BASE 5 56 = WAGON WHEEL BASE 6 16 = VAN WHEEL BASE 6 54 = WAGON WHEEL BASE 4 55 = WAGON WHEEL BASE 5	EX9 = Engine-2.7L I5 Mercedes Turbo Diesel	DGJ = Transmission-5-Spd. Automatic, W5A580

AR = use ase required - = Non illustrated part

Modules Seating Area
Figure 8-405



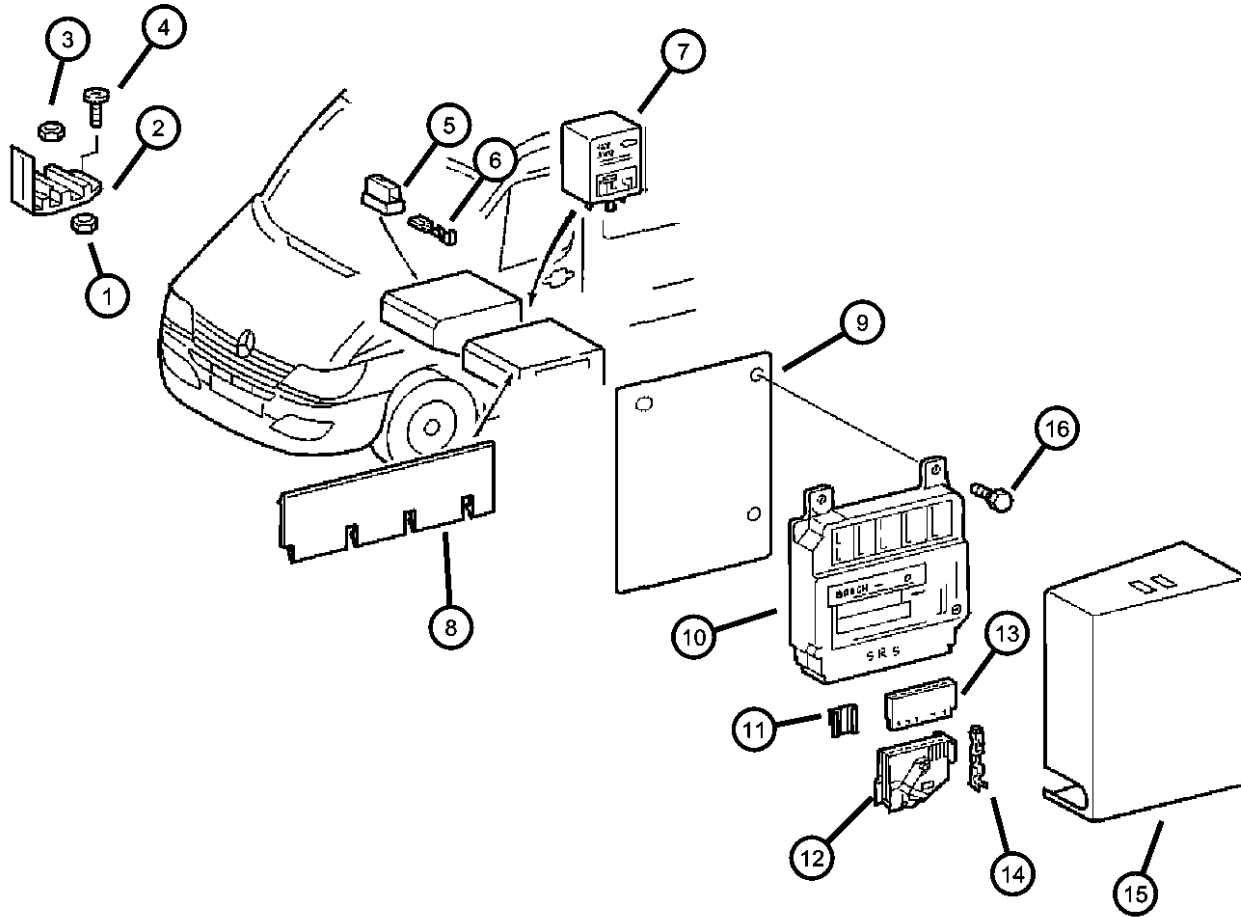
ITEM	PART NUMBER	QTY	LINE	SERIES	BODY	ENGINE	TRANS	TRIM	DESCRIPTION
1	05120249AA	1	2, 6	L	11, 12, 14, 15, 16				RETAINER, Wiring Harness
		1	2, 6	L	51, 52, 54, 55, 56				
		1	3, 7	L	12, 15, 16				
2	06104723AA	2	2, 6	L	11, 12, 14, 15, 16				NUT
		2	2, 6	L	51, 52, 54, 55, 56				
		2	3, 7	L	12, 15, 16				
3	05126203AA	1	2, 6	L	11, 12, 14, 15, 16				NUT
		1	2, 6	L	51, 52, 54, 55, 56				
		1	3, 7	L	12, 15, 16				
4	05132854AA	2	2, 6	L	11, 12, 14, 15, 16				SCREW
		2	2, 6	L	51, 52, 54, 55, 56				
		2	3, 7	L	12, 15, 16				
5	05103754AA	1	2, 6	L	11, 12, 14, 15, 16				INSULATOR, 2 Way Female
		1	2, 6	L	51, 52, 54, 55, 56				
		1	3, 7	L	12, 15, 16				
6	05133395AA	99	2, 6	L	11, 12, 14, 15, 16				TERMINAL, Female
		99	2, 6	L	51, 52, 54, 55, 56				

SPRINTER (VA)

SERIES	LINE	BODY	ENGINE	TRANSMISSION
L = LOWLINE	3 = HD DODGE 2WD 6 = Lt. Duty DODGE 4WD 2 = Med. Duty DODGE 2WD 7 = Med. Duty DODGE 4WD	01 = CHASSIS FORWARD CONTROL W.B.1 02 = CAB CHASSIS WHEEL BASE 2 06 = CAB CHASSIS WHEEL BASE 6 11 = VAN WHEEL BASE 1 12 = VAN WHEEL BASE 2 51 = WAGON WHEEL BASE 1 52 = WAGON WHEEL BASE 2 14 = VAN WHEEL BASE 4 15 = VAN WHEEL BASE 5 56 = WAGON WHEEL BASE 6 16 = VAN WHEEL BASE 6 54 = WAGON WHEEL BASE 4 55 = WAGON WHEEL BASE 5	EX9 = Engine-2.7L I5 Mercedes Turbo Diesel	DGJ = Transmission-5-Spd. Automatic, W5A580

AR = use ase required - = Non illustrated part

Modules Seating Area
Figure 8-405



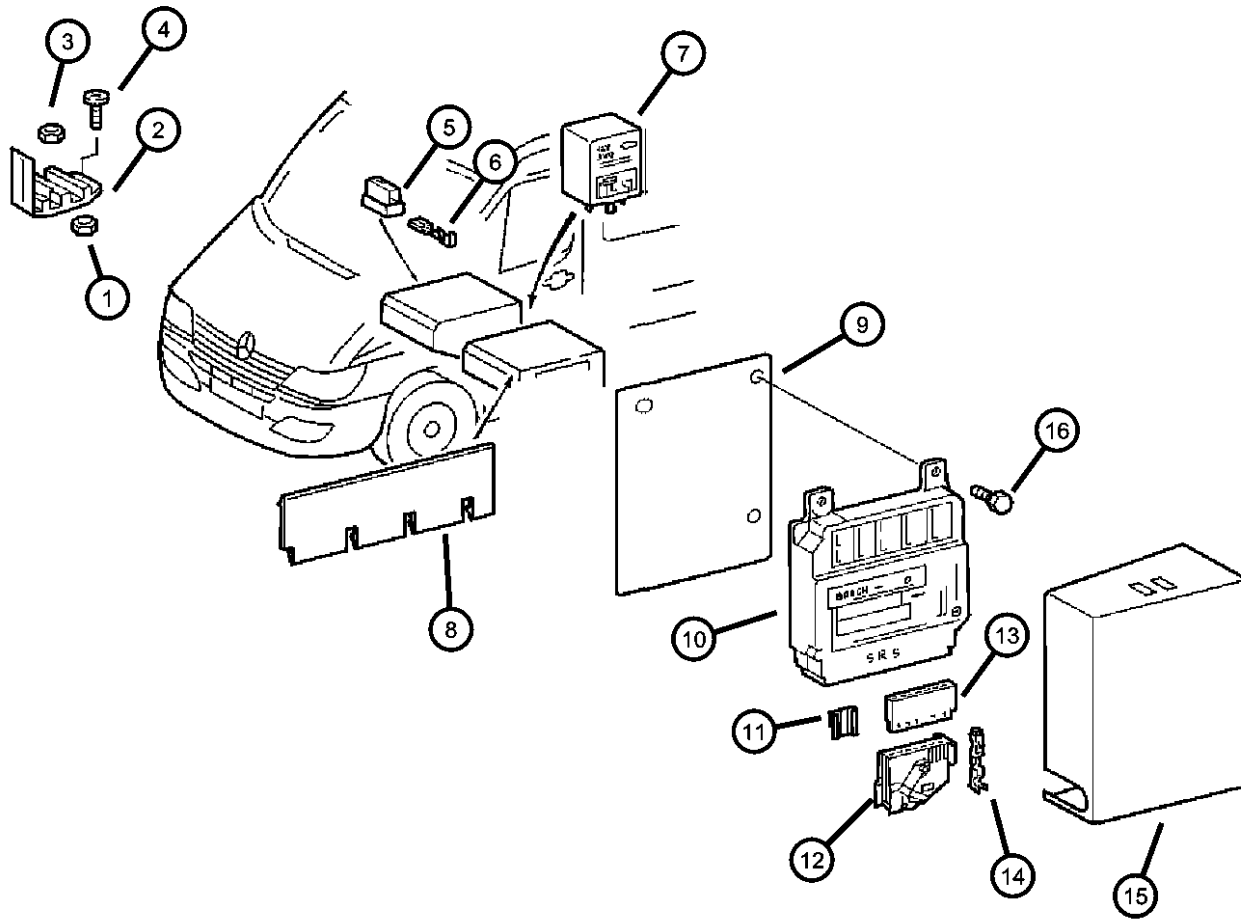
ITEM	PART NUMBER	QTY	LINE	SERIES	BODY	ENGINE	TRANS	TRIM	DESCRIPTION
7		99	3, 7	L	12, 15, 16				CONTROL UNIT, NONE, SPRINTER, (NOT REQUIRED)
8	05123542AA	1	2, 6	L	51, 52, 54, 55, 56				PANEL, Seat Base
9									PLATE, Air Bag Module
	05120891AA	1	2, 6	L	11, 12, 14, 15, 16				
		1	2, 6	L	51, 52, 54, 55, 56				
		1	3, 7	L	12, 15, 16				
10									MODULE, Air Bag Control
	05103641AA	1	2, 6	L	11, 12, 14, 15, 16				Up to R 438339
		1	2, 6	L	51, 52, 54, 55, 56				Up to R 438339
		1	3, 7	L	12, 15, 16				Up to R 438339
	05119435AA	1	2, 6	L	11, 12, 14, 15, 16				After R 438339
		1	2, 6	L	51, 52, 54, 55, 56				After R 438339
		1	3, 7	L	12, 15, 16				After R 438339
11									COVER, Insulator, Wiring Protection
	05120412AA	1	2, 6	L	11, 12, 14, 15, 16				
		1	2, 6	L	51, 52, 54, 55, 56				
		1	3, 7	L	12, 15, 16				
12									CONNECTOR, Wiring
	05120799AA	1	2, 6	L	11, 12, 14, 15, 16				
		1	2, 6	L	51, 52, 54, 55, 56				
		1	3, 7	L	12, 15, 16				

SPRINTER (VA)

SERIES	LINE	BODY	ENGINE	TRANSMISSION
L = LOWLINE	3 = HD DODGE 2WD 6 = Lt. Duty DODGE 4WD 2 = Med. Duty DODGE 2WD 7 = Med. Duty DODGE 4WD	01 = CHASSIS FORWARD CONTROL W.B.1 02 = CAB CHASSIS WHEEL BASE 2 06 = CAB CHASSIS WHEEL BASE 6 11 = VAN WHEEL BASE 1 12 = VAN WHEEL BASE 2 51 = WAGON WHEEL BASE 1 52 = WAGON WHEEL BASE 2 14 = VAN WHEEL BASE 4 15 = VAN WHEEL BASE 5 56 = WAGON WHEEL BASE 6 16 = VAN WHEEL BASE 6 54 = WAGON WHEEL BASE 4 55 = WAGON WHEEL BASE 5	EX9 = Engine-2.7L I5 Mercedes Turbo Diesel	DGJ = Transmission-5-Spd. Automatic, W5A580

AR = use ase required - = Non illustrated part

**Modules Seating Area
Figure 8-405**



ITEM	PART NUMBER	QTY	LINE	SERIES	BODY	ENGINE	TRANS	TRIM	DESCRIPTION
13	05120834AA	1	2, 6	L	11, 12, 14, 15, 16				CONNECTOR
		1	2, 6	L	51, 52, 54, 55, 56				
		1	3, 7	L	12, 15, 16				
14	05120549AA	1	2, 6	L	11, 12, 14, 15, 16				TERMINAL
		1	2, 6	L	51, 52, 54, 55, 56				
		1	3, 7	L	12, 15, 16				
15	05104148AA	1	2, 6	L	11, 12, 14, 15, 16				COVER, Air Bag Module
		1	2, 6	L	51, 52, 54, 55, 56				
		1	3, 7	L	12, 15, 16				
16	06104005AA	2	2, 6	L	11, 12, 14, 15, 16				SCREW
		2	2, 6	L	51, 52, 54, 55, 56				
		2	3, 7	L	12, 15, 16				

SPRINTER (VA)

SERIES

L = LOWLINE
 3 = HD DODGE 2WD
 6 = Lt. Duty DODGE 4WD
 2 = Med. Duty DODGE 2WD
 7 = Med. Duty DODGE 4WD

BODY

01 = CHASSIS FORWARD CONTROL W.B.1
 02 = CAB CHASSIS WHEEL BASE 2
 06 = CAB CHASSIS WHEEL BASE 6
 11 = VAN WHEEL BASE 1
 12 = VAN WHEEL BASE 2
 51 = WAGON WHEEL BASE 1
 52 = WAGON WHEEL BASE 2
 14 = VAN WHEEL BASE 4
 15 = VAN WHEEL BASE 5
 56 = WAGON WHEEL BASE 6
 16 = VAN WHEEL BASE 6
 54 = WAGON WHEEL BASE 4
 55 = WAGON WHEEL BASE 5

ENGINE

EX9 = Engine-2.7L I5
 Mercedes Turbo Diesel

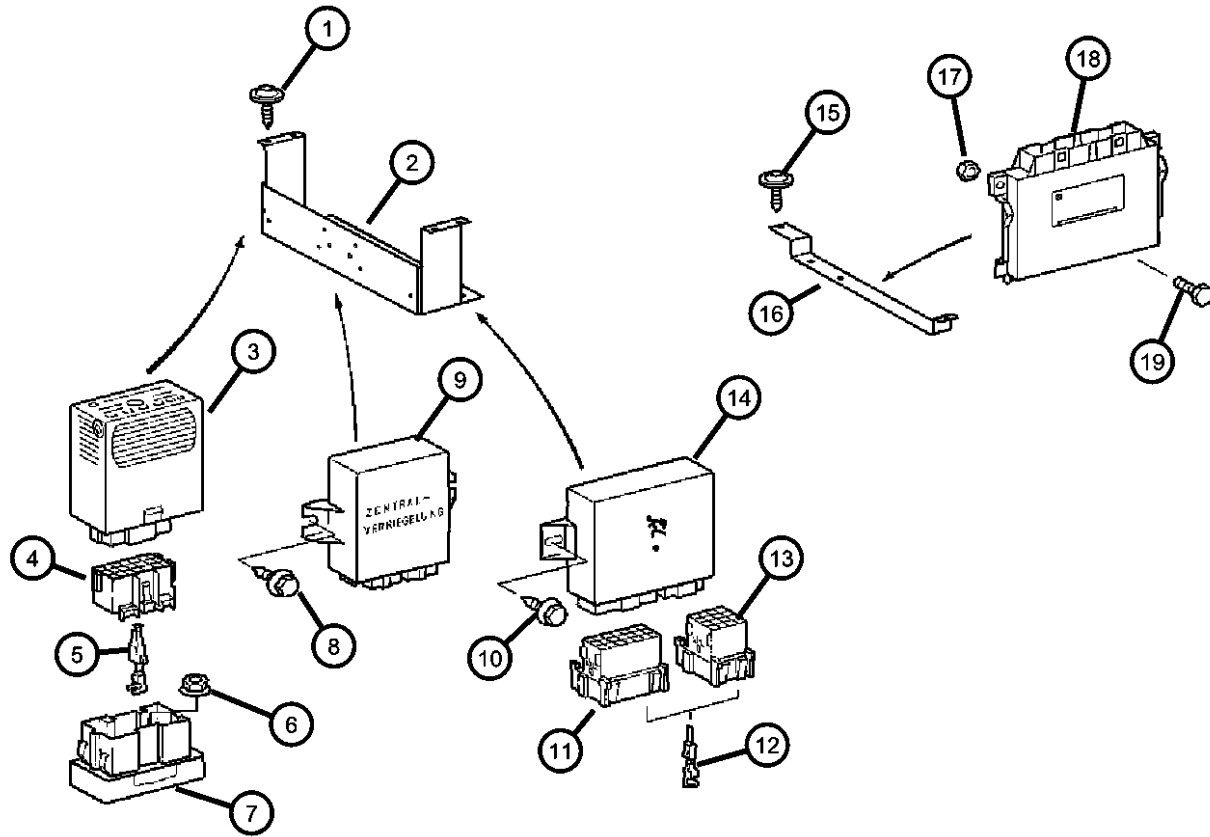
TRANSMISSION

DGJ = Transmission-5-Spd. Automatic, W5A580

AR = use ase required - = Non illustrated part

2002 VA

Modules and Related Parts
Figure 8-410



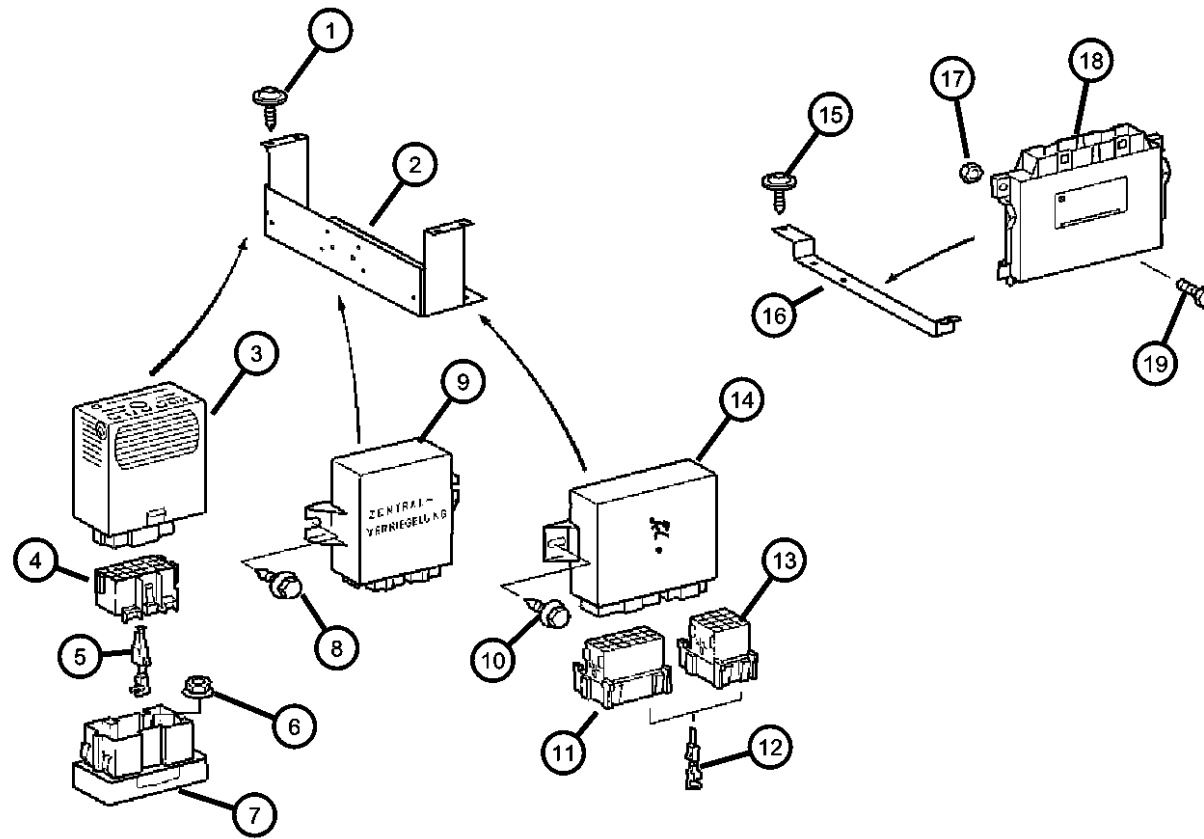
ITEM	PART NUMBER	QTY	LINE	SERIES	BODY	ENGINE	TRANS	TRIM	DESCRIPTION
1	06104573AA	4	2, 6	L	11, 12, 14, 15, 16				SCREW, Tapping
		4	2, 6	L	51, 52, 54, 55, 56				
		4	3, 7	L	12, 15, 16				
2	05120844AA	1	2, 6	L	11, 12, 14, 15, 16				BRACKET, Fuse Block
		1	2, 6	L	51, 52, 54, 55, 56				
		1	3, 7	L	12, 15, 16				
3	05103899AA	1	2, 6	L	11, 12, 14, 15, 16				MODULE Heated rear window
		1	2, 6	L	51, 52, 54, 55, 56				Heated rear window
		1	3, 7	L	12, 15, 16				Heated rear window
4		1							CONNECTOR, (NOT SERVICED), TERMINAL
5	05103881AA	1	2, 6	L	11, 12, 14, 15, 16				
		1	2, 6	L	51, 52, 54, 55, 56				
		1	3, 7	L	12, 15, 16				
6	06104714AA	2	2, 6	L	11, 12, 14, 15, 16		DGJ		NUT
		2	2, 6	L	51, 52, 54, 55, 56		DGJ		
		2	3, 7	L	12, 15, 16		DGJ		
7	05120506AA	1	2, 6	L	11, 12, 14, 15, 16				CONNECTOR

SPRINTER (VA)

SERIES	LINE	BODY	ENGINE	TRANSMISSION
L = LOWLINE	3 = HD DODGE 2WD 6 = Lt. Duty DODGE 4WD 2 = Med. Duty DODGE 2WD 7 = Med. Duty DODGE 4WD	01 = CHASSIS FORWARD CONTROL W.B.1 02 = CAB CHASSIS WHEEL BASE 2 06 = CAB CHASSIS WHEEL BASE 6 11 = VAN WHEEL BASE 1 12 = VAN WHEEL BASE 2 51 = WAGON WHEEL BASE 1 52 = WAGON WHEEL BASE 2 14 = VAN WHEEL BASE 4 15 = VAN WHEEL BASE 5 56 = WAGON WHEEL BASE 6 16 = VAN WHEEL BASE 6 54 = WAGON WHEEL BASE 4 55 = WAGON WHEEL BASE 5	EX9 = Engine-2.7L I5 Mercedes Turbo Diesel	DGJ = Transmission-5-Spd. Automatic, W5A580

AR = use ase required - = Non illustrated part

Modules and Related Parts
Figure 8-410



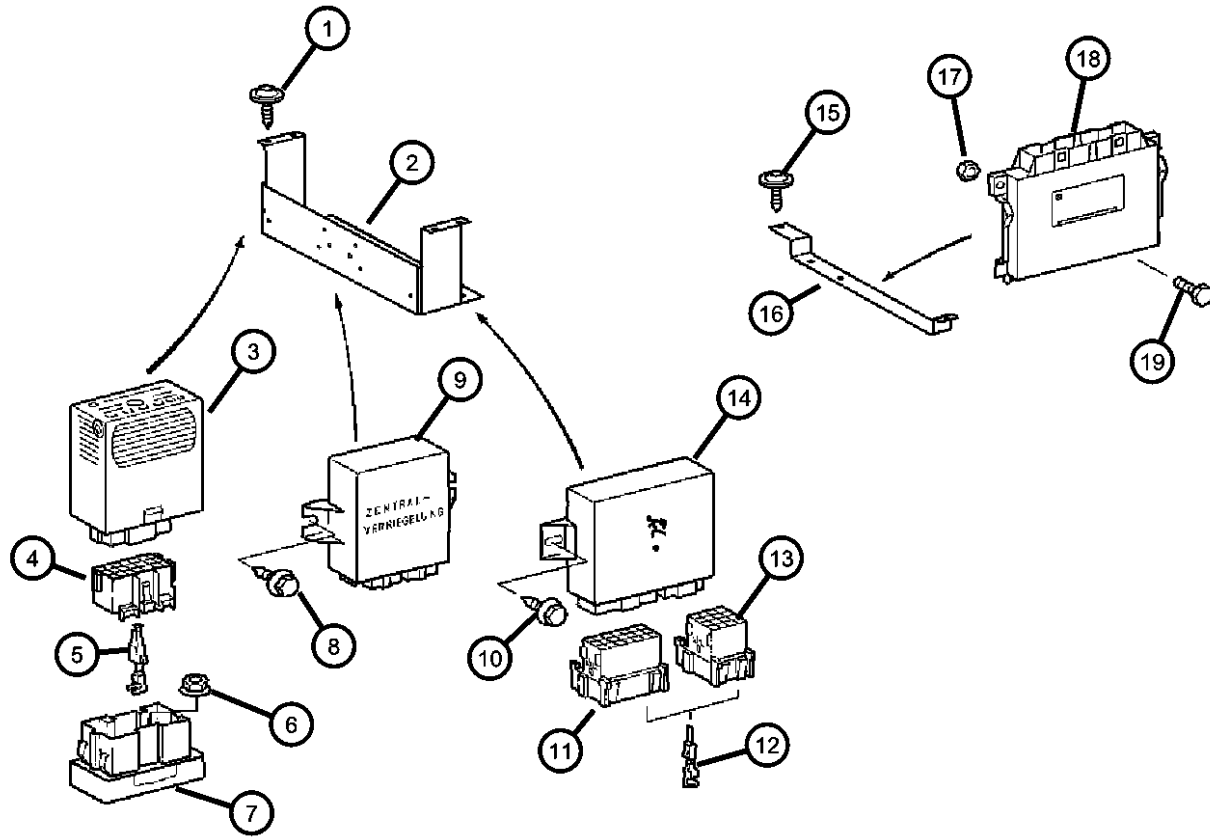
ITEM	PART NUMBER	QTY	LINE	SERIES	BODY	ENGINE	TRANS	TRIM	DESCRIPTION
		1	2, 6	L	51, 52, 54, 55, 56				
		1	3, 7	L	12, 15, 16				
8	05104609AA	2	2, 6	L	16, 11, 12, 14, 15				SCREW
		2	2, 6	L	51, 52, 54, 55, 56				
		2	3, 7	L	12, 15, 16				
9	05103642AA	1	3, 7	L	12, 15, 16				MODULE, Central Locking
		1	2, 6	L	11, 12, 14, 15, 16				
10	06104574AA	2	2, 6	L	11, 12, 14, 15, 16				SCREW, Tapping
		2	2, 6	L	51, 52, 54, 55, 56				
11		2							CONNECTOR, (NOT SERVICED)
12	05120526AA	1	2, 6	L	11, 12, 14, 15, 16				TERMINAL
		1	2, 6	L	51, 52, 54, 55, 56				
		1	3, 7	L	12, 15, 16				
13	05120552AA	1	2, 6	L	11, 12, 14, 15, 16				CONNECTOR
		1	2, 6	L	51, 52, 54, 55, 56				
		1	3, 7	L	12, 15, 16				
14									CONTROL, Theftproof

SPRINTER (VA)

SERIES	LINE	BODY	ENGINE	TRANSMISSION
L = LOWLINE	3 = HD DODGE 2WD 6 = Lt. Duty DODGE 4WD 2 = Med. Duty DODGE 2WD 7 = Med. Duty DODGE 4WD	01 = CHASSIS FORWARD CONTROL W.B.1 02 = CAB CHASSIS WHEEL BASE 2 06 = CAB CHASSIS WHEEL BASE 6 11 = VAN WHEEL BASE 1 12 = VAN WHEEL BASE 2 51 = WAGON WHEEL BASE 1 52 = WAGON WHEEL BASE 2 14 = VAN WHEEL BASE 4 15 = VAN WHEEL BASE 5 56 = WAGON WHEEL BASE 6 16 = VAN WHEEL BASE 6 54 = WAGON WHEEL BASE 4 55 = WAGON WHEEL BASE 5	EX9 = Engine-2.7L I5 Mercedes Turbo Diesel	DGJ = Transmission-5-Spd. Automatic, W5A580

AR = use ase required - = Non illustrated part

Modules and Related Parts
Figure 8-410



ITEM	PART NUMBER	QTY	LINE	SERIES	BODY	ENGINE	TRANS	TRIM	DESCRIPTION
	05119439AA	1	2, 6	L	15, 16, 11, 12, 14				
		1	2, 6	L	51, 52, 54, 55, 56				
		1	3, 7	L	12, 15, 16				
15									SCREW, Tapping
	06104573AA	2	2, 6	L	11, 12, 14, 15, 16				
		2	2, 6	L	51, 52, 54, 55, 56				
		2	3, 7	L	12, 15, 16				
16									BRACKET, Control Unit
	05120842AA	2	2, 6	L	11, 12, 14, 15, 16		DGJ		
		2	2, 6	L	51, 52, 54, 55, 56		DGJ		
		2	3, 7	L	12, 15, 16		DGJ		
17									NUT
	06104714AA	2	2, 6	L	11, 12, 14, 15, 16		DGJ		
		2	2, 6	L	51, 52, 54, 55, 56		DGJ		
		2	3, 7	L	12, 15, 16		DGJ		
18									MODULE, Transmission Control
	05103908AA	1	2, 6	L	11, 12, 14, 15, 16		DGJ		
		1	2, 6	L	54, 55, 56, 51, 52		DGJ		
		1	3, 7	L	12, 15, 16		DGJ		
19									SCREW, Hex Head
	06104173AA	2	3, 7	L	12, 15, 16		DGJ		

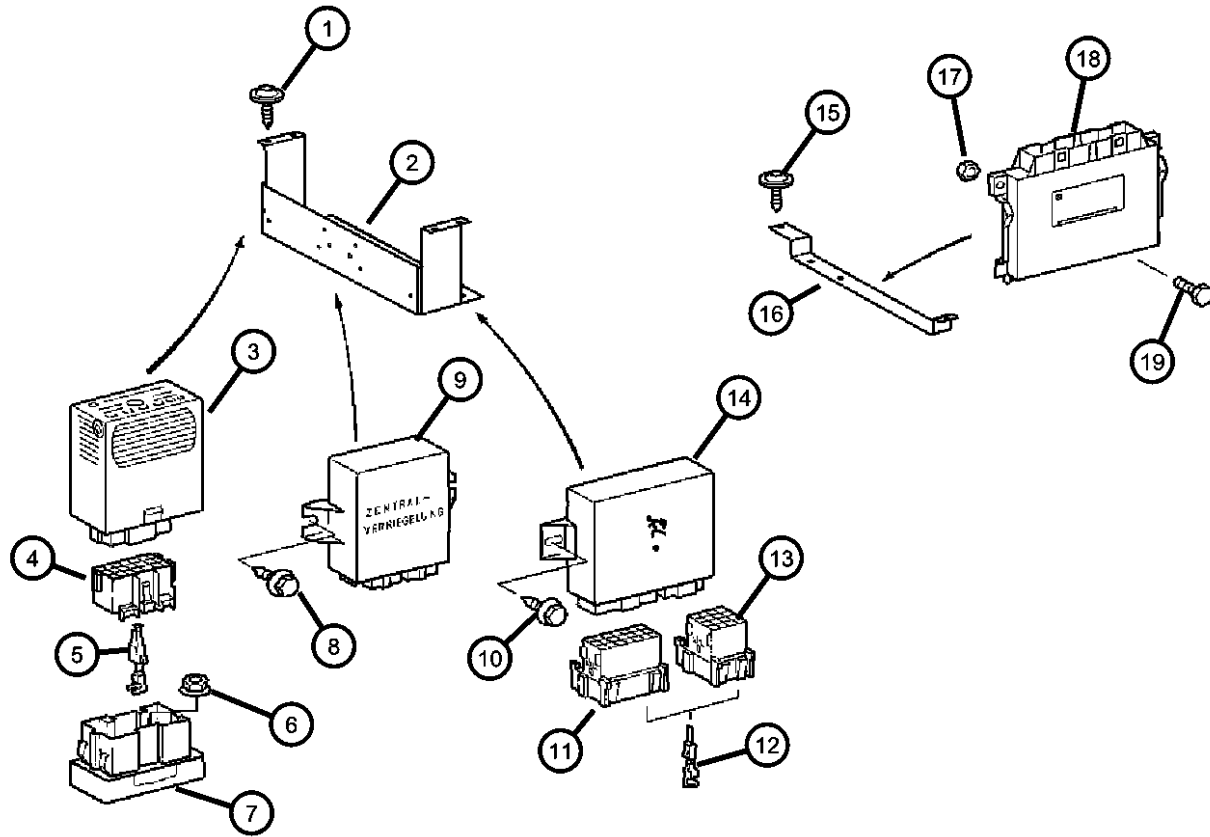
SPRINTER (VA)

SERIES	LINE	BODY	ENGINE	TRANSMISSION
L = LOWLINE	3 = HD DODGE 2WD 6 = Lt. Duty DODGE 4WD 2 = Med. Duty DODGE 2WD 7 = Med. Duty DODGE 4WD	01 = CHASSIS FORWARD CONTROL W.B.1 02 = CAB CHASSIS WHEEL BASE 2 06 = CAB CHASSIS WHEEL BASE 6 11 = VAN WHEEL BASE 1 12 = VAN WHEEL BASE 2 51 = WAGON WHEEL BASE 1 52 = WAGON WHEEL BASE 2 14 = VAN WHEEL BASE 4 15 = VAN WHEEL BASE 5 56 = WAGON WHEEL BASE 6 16 = VAN WHEEL BASE 6 54 = WAGON WHEEL BASE 4 55 = WAGON WHEEL BASE 5	EX9 = Engine-2.7L I5 Mercedes Turbo Diesel	DGJ = Transmission-5-Spd. Automatic, W5A580

AR = use ase required - = Non illustrated part

Modules and Related Parts
Figure 8-410

ITEM	PART NUMBER	QTY	LINE	SERIES	BODY	ENGINE	TRANS	TRIM	DESCRIPTION
		2	2, 6	L	11, 12, 14, 15, 16		DGJ		
		2	2, 6	L	51, 52, 54, 55, 56		DGJ		



SPRINTER (VA)

SERIES

L = LOWLINE
 3 = HD DODGE 2WD
 6 = Lt. Duty DODGE 4WD
 2 = Med. Duty DODGE 2WD
 7 = Med. Duty DODGE 4WD

LINE

BODY

01 = CHASSIS FORWARD CONTROL W.B.1
 02 = CAB CHASSIS WHEEL BASE 2
 06 = CAB CHASSIS WHEEL BASE 6
 11 = VAN WHEEL BASE 1
 12 = VAN WHEEL BASE 2
 51 = WAGON WHEEL BASE 1
 52 = WAGON WHEEL BASE 2
 14 = VAN WHEEL BASE 4
 15 = VAN WHEEL BASE 5
 56 = WAGON WHEEL BASE 6
 16 = VAN WHEEL BASE 6
 54 = WAGON WHEEL BASE 4
 55 = WAGON WHEEL BASE 5

ENGINE

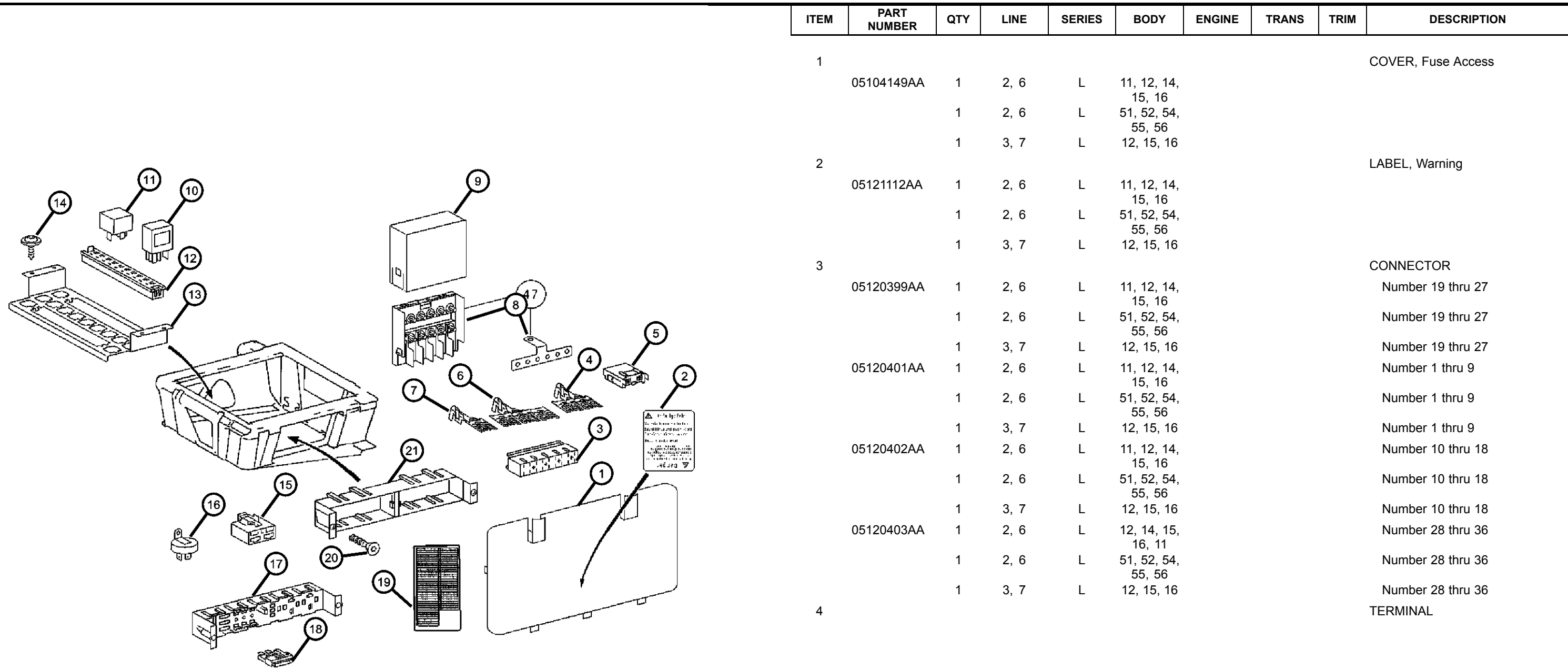
EX9 = Engine-2.7L I5
 Mercedes Turbo Diesel

TRANSMISSION

DGJ = Transmission-5-Spd. Automatic, W5A580

AR = use ase required - = Non illustrated part

Under Seat - Relays & Fuses
Figure 8-505



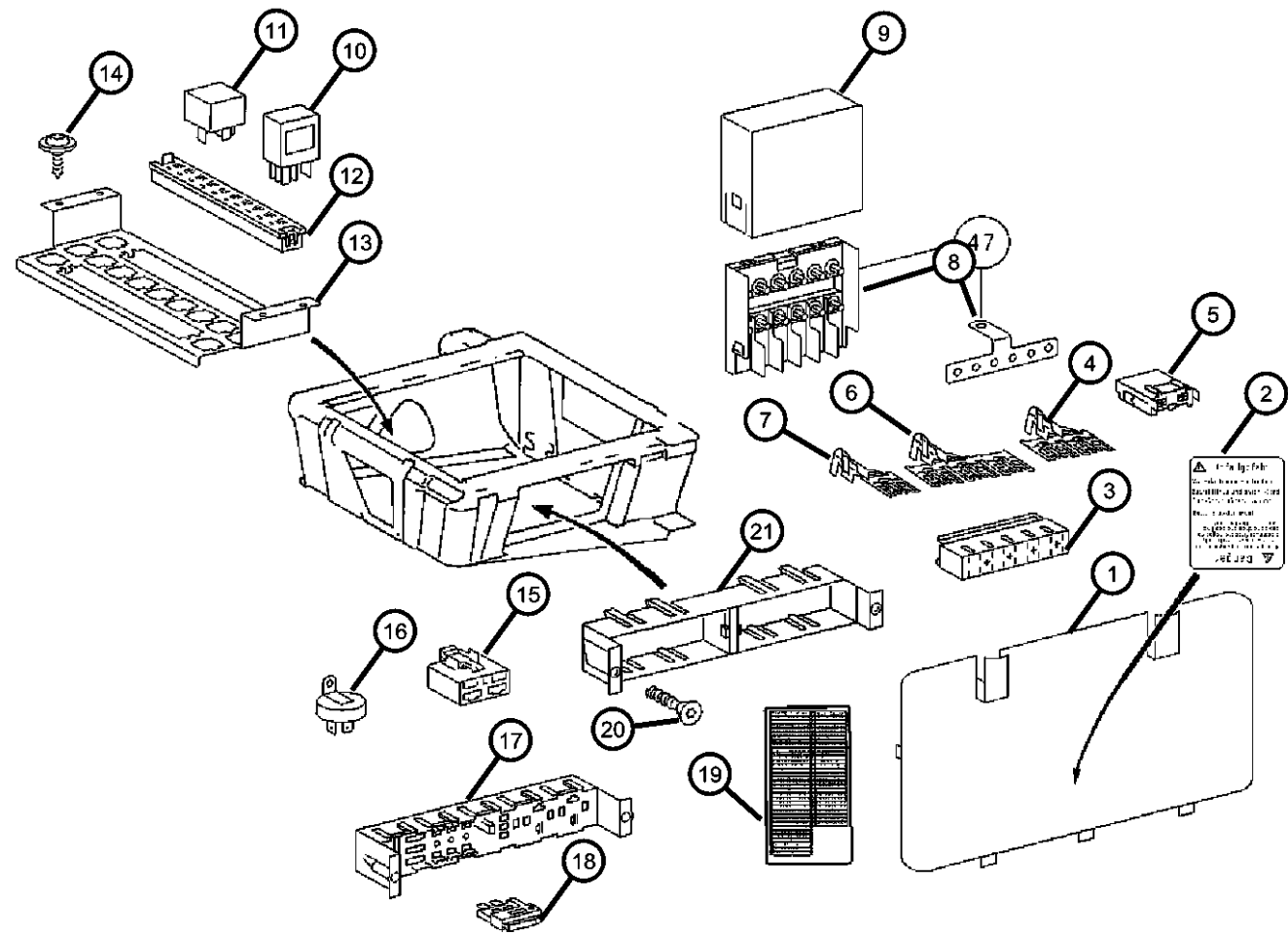
ITEM	PART NUMBER	QTY	LINE	SERIES	BODY	ENGINE	TRANS	TRIM	DESCRIPTION	
1	05104149AA	1	2, 6	L	11, 12, 14, 15, 16				COVER, Fuse Access	
		1	2, 6	L	51, 52, 54, 55, 56					
		1	3, 7	L	12, 15, 16					
2	05121112AA	1	2, 6	L	11, 12, 14, 15, 16				LABEL, Warning	
		1	2, 6	L	51, 52, 54, 55, 56					
		1	3, 7	L	12, 15, 16					
3	05120399AA	1	2, 6	L	11, 12, 14, 15, 16				CONNECTOR Number 19 thru 27	
		1	2, 6	L	51, 52, 54, 55, 56					
		1	3, 7	L	12, 15, 16					
		1	2, 6	L	11, 12, 14, 15, 16					Number 1 thru 9
		1	2, 6	L	51, 52, 54, 55, 56					Number 1 thru 9
		1	3, 7	L	12, 15, 16					Number 1 thru 9
		1	2, 6	L	11, 12, 14, 15, 16					Number 10 thru 18
		1	2, 6	L	51, 52, 54, 55, 56					Number 10 thru 18
		1	3, 7	L	12, 15, 16					Number 10 thru 18
		1	2, 6	L	12, 14, 15, 16, 11					Number 28 thru 36
4	05120403AA	1	2, 6	L	51, 52, 54, 55, 56				TERMINAL Number 28 thru 36	
		1	3, 7	L	12, 15, 16					
		1	3, 7	L	12, 15, 16					

SPRINTER (VA)

SERIES	LINE	BODY	ENGINE	TRANSMISSION
L = LOWLINE	3 = HD DODGE 2WD 6 = Lt. Duty DODGE 4WD 2 = Med. Duty DODGE 2WD 7 = Med. Duty DODGE 4WD	01 = CHASSIS FORWARD CONTROL W.B.1 02 = CAB CHASSIS WHEEL BASE 2 06 = CAB CHASSIS WHEEL BASE 6 11 = VAN WHEEL BASE 1 12 = VAN WHEEL BASE 2 51 = WAGON WHEEL BASE 1 52 = WAGON WHEEL BASE 2 14 = VAN WHEEL BASE 4 15 = VAN WHEEL BASE 5 56 = WAGON WHEEL BASE 6 16 = VAN WHEEL BASE 6 54 = WAGON WHEEL BASE 4 55 = WAGON WHEEL BASE 5	EX9 = Engine-2.7L I5 Mercedes Turbo Diesel	DGJ = Transmission-5-Spd. Automatic, W5A580

AR = use ase required - = Non illustrated part

**Under Seat - Relays & Fuses
Figure 8-505**



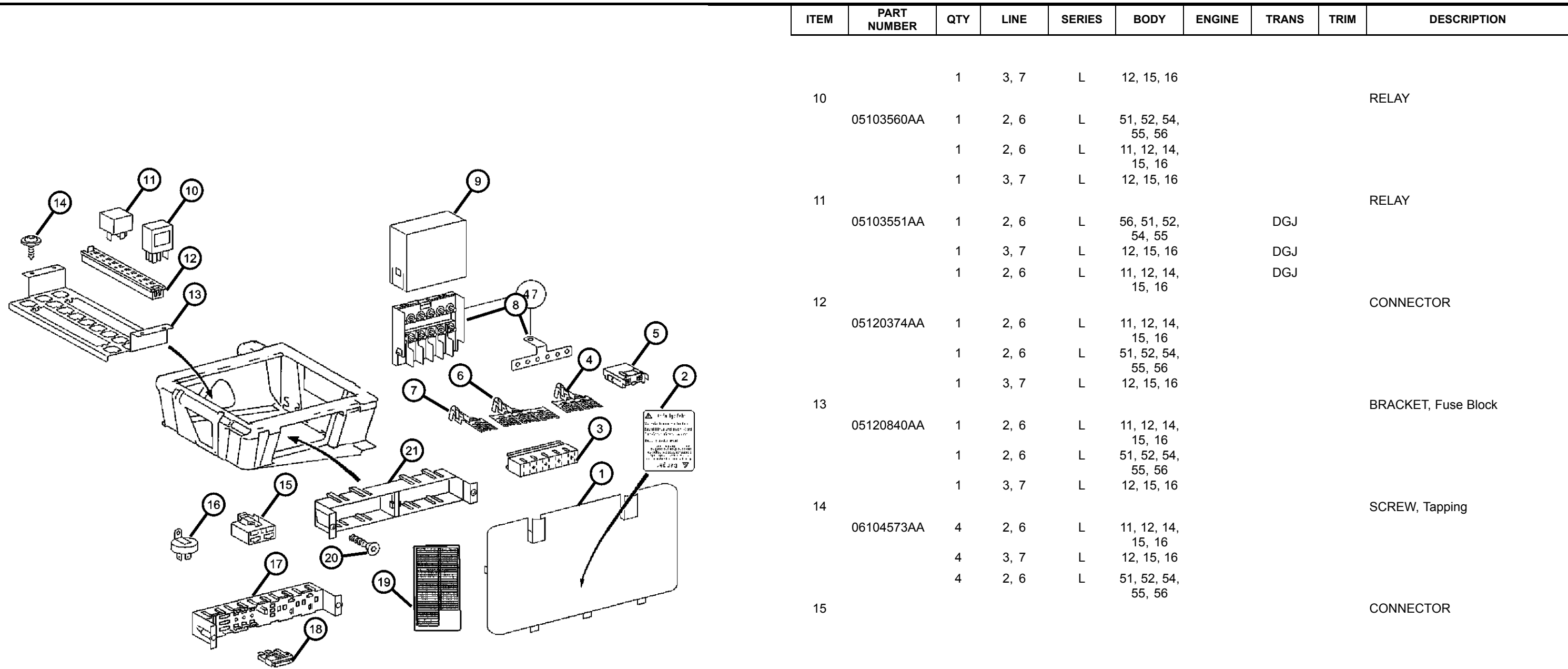
ITEM	PART NUMBER	QTY	LINE	SERIES	BODY	ENGINE	TRANS	TRIM	DESCRIPTION
	05133404AA	99	2, 6	L	51, 52, 54, 55, 56				
		99	3, 7	L	12, 15, 16				
		99	2, 6	L	11, 12, 14, 15, 16				
5									FUSE
	05133407AA	1	2, 6	L	11, 12, 14, 15, 16				
		1	2, 6	L	51, 52, 54, 55, 56				
		1	3, 7	L	12, 15, 16				
6									TERMINAL
	05133405AA	99	2, 6	L	11, 12, 14, 15, 16				
		99	2, 6	L	51, 52, 54, 55, 56				
		99	3, 7	L	12, 15, 16				
7									TERMINAL
	05133403AA	99	2, 6	L	11, 12, 14, 15, 16				
		99	2, 6	L	51, 52, 54, 55, 56				
		99	3, 7	L	12, 15, 16				
8									HOLDER, Fuse
	05103829AA	1	3, 7	L	12, 15, 16				
		1	2, 6	L	11, 12, 14, 15, 16				
		1	2, 6	L	51, 52, 54, 55, 56				
9									COVER, Fuse Access
	05103749AA	1	2, 6	L	11, 12, 14, 15, 16				
		1	2, 6	L	51, 52, 54, 55, 56				

SPRINTER (VA)

SERIES	LINE	BODY	ENGINE	TRANSMISSION
L = LOWLINE	3 = HD DODGE 2WD 6 = Lt. Duty DODGE 4WD 2 = Med. Duty DODGE 2WD 7 = Med. Duty DODGE 4WD	01 = CHASSIS FORWARD CONTROL W.B.1 02 = CAB CHASSIS WHEEL BASE 2 06 = CAB CHASSIS WHEEL BASE 6 11 = VAN WHEEL BASE 1 12 = VAN WHEEL BASE 2 51 = WAGON WHEEL BASE 1 52 = WAGON WHEEL BASE 2 14 = VAN WHEEL BASE 4 15 = VAN WHEEL BASE 5 56 = WAGON WHEEL BASE 6 16 = VAN WHEEL BASE 6 54 = WAGON WHEEL BASE 4 55 = WAGON WHEEL BASE 5	EX9 = Engine-2.7L I5 Mercedes Turbo Diesel	DGJ = Transmission-5-Spd. Automatic, W5A580

AR = use ase required - = Non illustrated part

Under Seat - Relays & Fuses
Figure 8-505



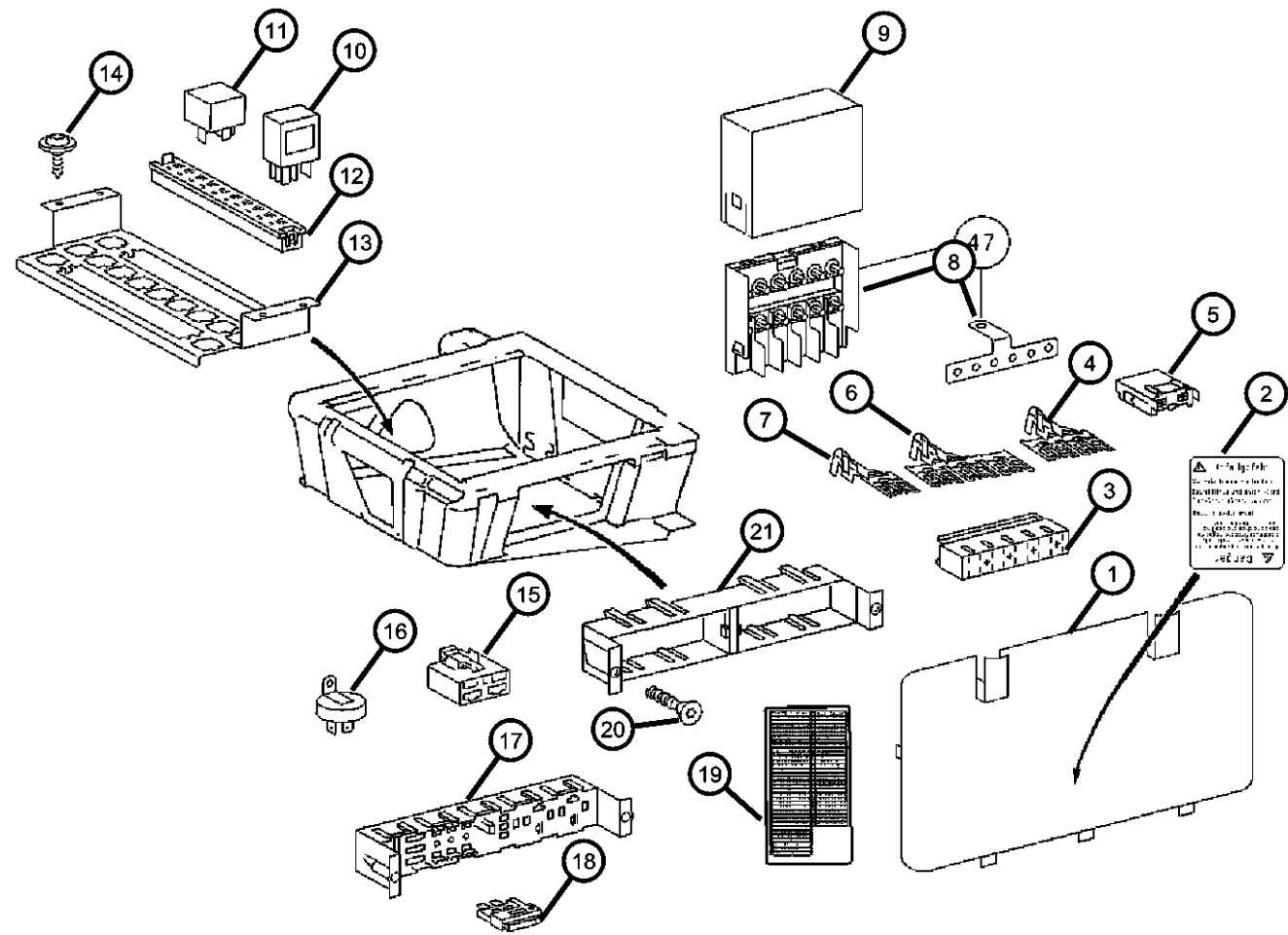
ITEM	PART NUMBER	QTY	LINE	SERIES	BODY	ENGINE	TRANS	TRIM	DESCRIPTION
10		1	3, 7	L	12, 15, 16				RELAY
	05103560AA	1	2, 6	L	51, 52, 54, 55, 56				
		1	2, 6	L	11, 12, 14, 15, 16				
11		1	3, 7	L	12, 15, 16				RELAY
	05103551AA	1	2, 6	L	56, 51, 52, 54, 55		DGJ		
		1	3, 7	L	12, 15, 16		DGJ		
		1	2, 6	L	11, 12, 14, 15, 16		DGJ		
12		1	2, 6	L	11, 12, 14, 15, 16				CONNECTOR
	05120374AA	1	2, 6	L	51, 52, 54, 55, 56				
13		1	3, 7	L	12, 15, 16				BRACKET, Fuse Block
	05120840AA	1	2, 6	L	11, 12, 14, 15, 16				
		1	2, 6	L	51, 52, 54, 55, 56				
14		1	3, 7	L	12, 15, 16				SCREW, Tapping
	06104573AA	4	2, 6	L	11, 12, 14, 15, 16				
		4	3, 7	L	12, 15, 16				
		4	2, 6	L	51, 52, 54, 55, 56				
15									CONNECTOR

SPRINTER (VA)

SERIES	LINE	BODY	ENGINE	TRANSMISSION
L = LOWLINE	3 = HD DODGE 2WD 6 = Lt. Duty DODGE 4WD 2 = Med. Duty DODGE 2WD 7 = Med. Duty DODGE 4WD	01 = CHASSIS FORWARD CONTROL W.B.1 02 = CAB CHASSIS WHEEL BASE 2 06 = CAB CHASSIS WHEEL BASE 6 11 = VAN WHEEL BASE 1 12 = VAN WHEEL BASE 2 51 = WAGON WHEEL BASE 1 52 = WAGON WHEEL BASE 2 14 = VAN WHEEL BASE 4 15 = VAN WHEEL BASE 5 56 = WAGON WHEEL BASE 6 16 = VAN WHEEL BASE 6 54 = WAGON WHEEL BASE 4 55 = WAGON WHEEL BASE 5	EX9 = Engine-2.7L I5 Mercedes Turbo Diesel	DGJ = Transmission-5-Spd. Automatic, W5A580

AR = use ase required - = Non illustrated part

Under Seat - Relays & Fuses
Figure 8-505



ITEM	PART NUMBER	QTY	LINE	SERIES	BODY	ENGINE	TRANS	TRIM	DESCRIPTION
	05120553AA	1	2, 6	L	11, 12, 14, 15, 16				
		1	2, 6	L	51, 52, 54, 55, 56				
		1	3, 7	L	12, 15, 16				
16	05120186AA	1	2, 6	L	11, 12, 14, 15, 16				DIODE
		1	2, 6	L	51, 52, 54, 55, 56				
		1	3, 7	L	12, 15, 16				
17	05120849AA	1	3, 7	L	12, 15, 16				BLOCK, Fuse
		1	2, 6	L	11, 12, 14, 15, 16				
		1	2, 6	L	51, 52, 54, 55, 56				
18	05120963AA	1	2, 6	L	11, 12, 14, 15, 16				DIODE
		1	6, 2	L	51, 52, 54, 55, 56				
		1	3, 7	L	12, 15, 16				
19	05121117AA	1	2, 6	L	11, 12, 14, 15, 16				LABEL
		1	2, 6	L	51, 52, 54, 55, 56				
		1	3, 7	L	12, 15, 16				
20	06104654AA	2	2, 6	L	16, 11, 12, 14, 15				SCREW, Counter Sunk
		2	2, 6	L	51, 52, 54, 55, 56				

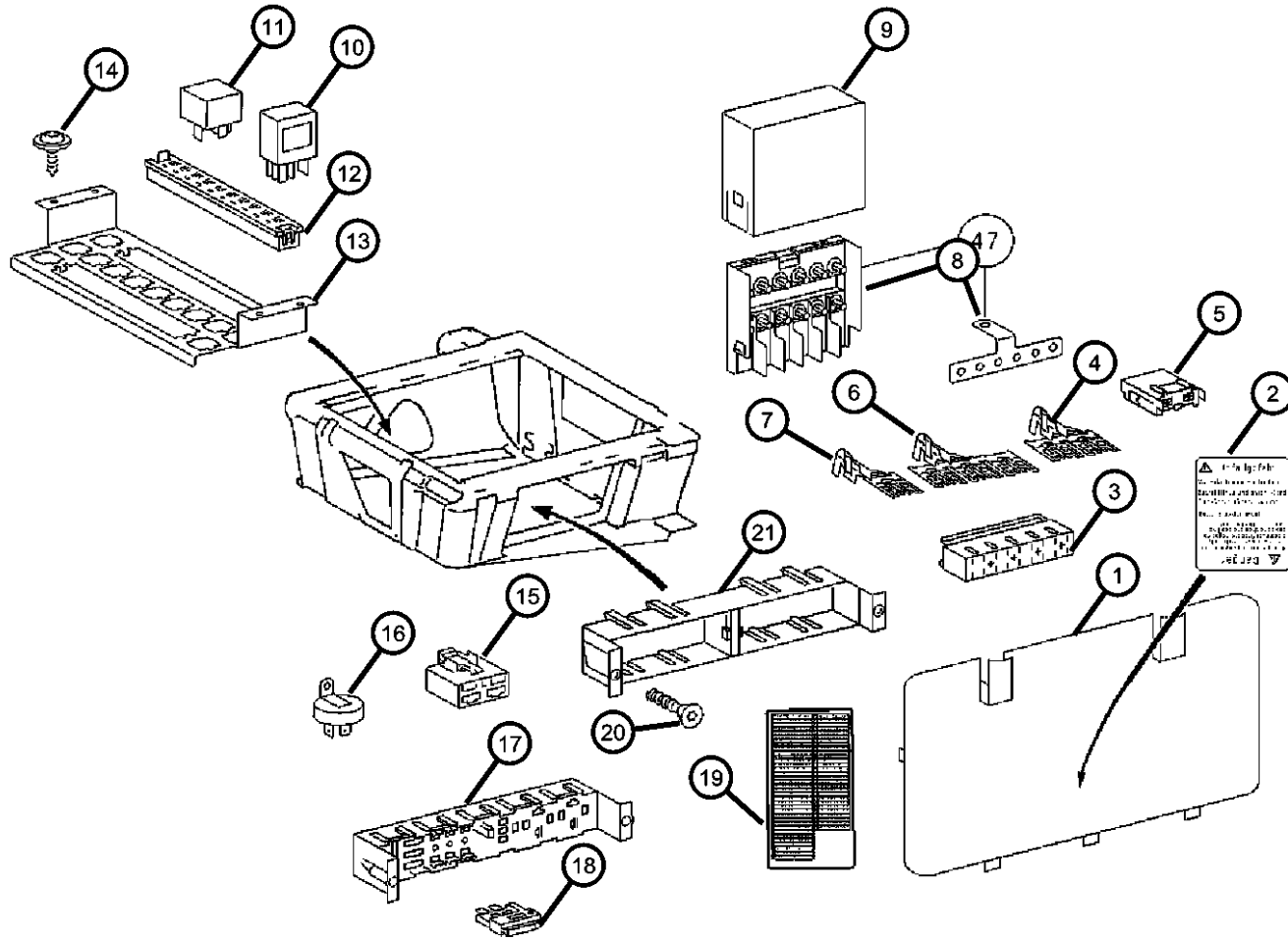
SPRINTER (VA)

SERIES	LINE	BODY	ENGINE	TRANSMISSION
L = LOWLINE	3 = HD DODGE 2WD 6 = Lt. Duty DODGE 4WD 2 = Med. Duty DODGE 2WD 7 = Med. Duty DODGE 4WD	01 = CHASSIS FORWARD CONTROL W.B.1 02 = CAB CHASSIS WHEEL BASE 2 06 = CAB CHASSIS WHEEL BASE 6 11 = VAN WHEEL BASE 1 12 = VAN WHEEL BASE 2 51 = WAGON WHEEL BASE 1 52 = WAGON WHEEL BASE 2 14 = VAN WHEEL BASE 4 15 = VAN WHEEL BASE 5 56 = WAGON WHEEL BASE 6 16 = VAN WHEEL BASE 6 54 = WAGON WHEEL BASE 4 55 = WAGON WHEEL BASE 5	EX9 = Engine-2.7L I5 Mercedes Turbo Diesel	DGJ = Transmission-5-Spd. Automatic, W5A580

AR = use ase required - = Non illustrated part

**Under Seat - Relays & Fuses
Figure 8-505**

ITEM	PART NUMBER	QTY	LINE	SERIES	BODY	ENGINE	TRANS	TRIM	DESCRIPTION
21		2	3, 7	L	12, 15, 16				CONNECTOR
	05120507AA	1	2, 6	L	11, 12, 14, 15, 16				
		1	2, 6	L	51, 52, 54, 55, 56				
		1	3, 7	L	12, 15, 16				
-22	05104596AA	1							FUSE, 200 AMP
-23	05104599AA	1							FUSE, 100 AMP

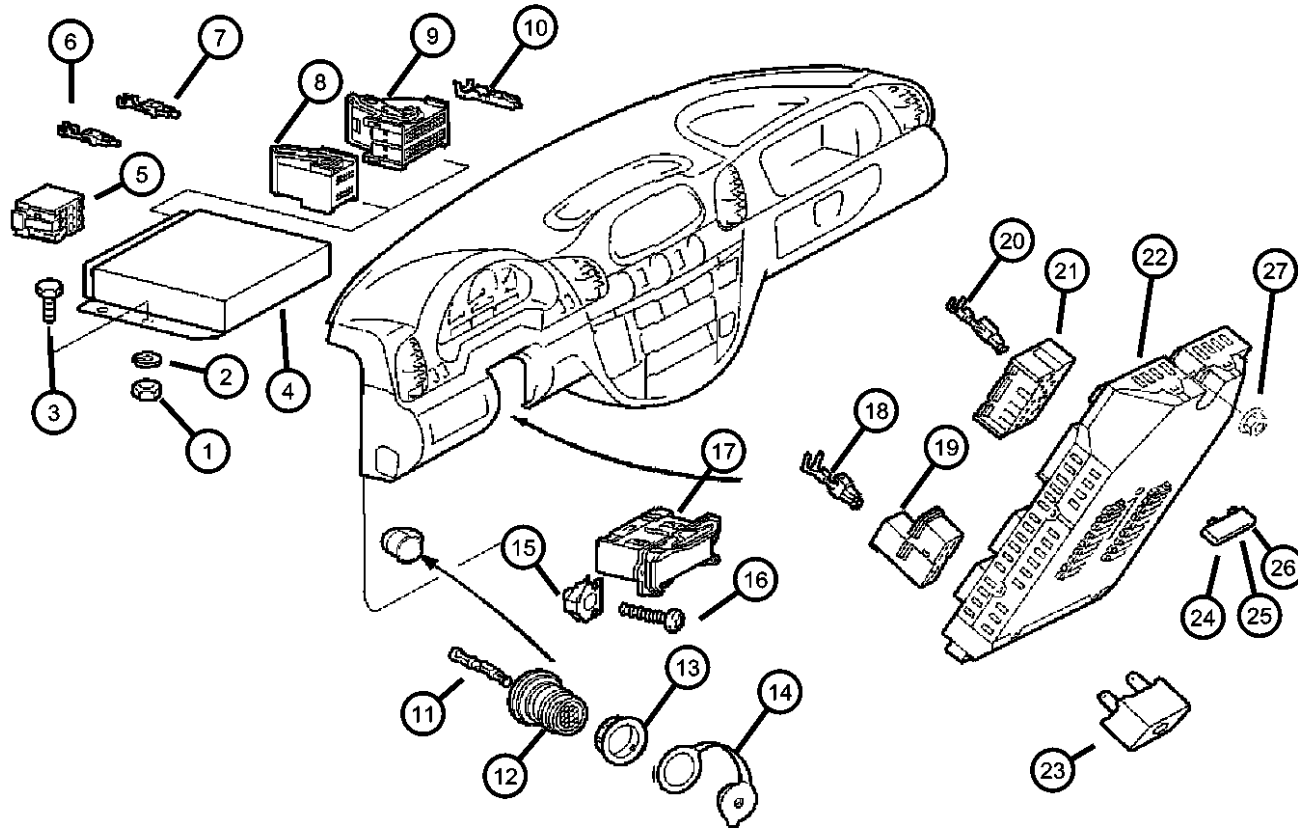


SPRINTER (VA)

SERIES	LINE	BODY	ENGINE	TRANSMISSION
L = LOWLINE	3 = HD DODGE 2WD 6 = Lt. Duty DODGE 4WD 2 = Med. Duty DODGE 2WD 7 = Med. Duty DODGE 4WD	01 = CHASSIS FORWARD CONTROL W.B.1 02 = CAB CHASSIS WHEEL BASE 2 06 = CAB CHASSIS WHEEL BASE 6 11 = VAN WHEEL BASE 1 12 = VAN WHEEL BASE 2 51 = WAGON WHEEL BASE 1 52 = WAGON WHEEL BASE 2 14 = VAN WHEEL BASE 4 15 = VAN WHEEL BASE 5 56 = WAGON WHEEL BASE 6 16 = VAN WHEEL BASE 6 54 = WAGON WHEEL BASE 4 55 = WAGON WHEEL BASE 5	EX9 = Engine-2.7L I5 Mercedes Turbo Diesel	DGJ = Transmission-5-Spd. Automatic, W5A580

AR = use ase required - = Non illustrated part

Instrument Panel - Relays & Fuses
Figure 8-510



ITEM	PART NUMBER	QTY	LINE	SERIES	BODY	ENGINE	TRANS	TRIM	DESCRIPTION
1	05126198AA	4	2, 6	L	11, 12, 14, 15, 16				BOLT, M6x20
		4	2, 6	L	51, 52, 54, 55, 56				
		4	3, 7	L	12, 15, 16				
2		4							NUT, Hex, (NOT SERVICED)
3									LOCK WASHER
	05126240AA	4	2, 6	L	11, 12, 14, 15, 16				
		4	2, 6	L	51, 52, 54, 55, 56				
		4	3, 7	L	12, 15, 16				
4	05117562AA	1	2, 6	L	11, 12, 14, 15, 16	EX9			MODULE, Powertrain Control
		1	2, 6	L	51, 52, 54, 55, 56	EX9			
		1	3, 7	L	12, 15, 16	EX9			
5	05120752AA	1	2, 6	L	11, 12, 14, 15, 16				CONNECTOR
		1	2, 6	L	51, 52, 54, 55, 56				
		1	3, 7	L	12, 15, 16				
6	05133372AA	1	2, 6	L	11, 12, 14, 15, 16				TERMINAL
		1	2, 6	L	51, 52, 54, 55, 56				
		1	3, 7	L	12, 15, 16				
7	05103882AA	1	2, 6	L	11, 12, 14, 15, 16				TERMINAL

SPRINTER (VA)

SERIES

L = LOWLINE
 3 = HD DODGE 2WD
 6 = Lt. Duty DODGE 4WD
 2 = Med. Duty DODGE 2WD
 7 = Med. Duty DODGE 4WD

LINE

BODY

01 = CHASSIS FORWARD CONTROL W.B.1
 02 = CAB CHASSIS WHEEL BASE 2
 06 = CAB CHASSIS WHEEL BASE 6
 11 = VAN WHEEL BASE 1
 12 = VAN WHEEL BASE 2
 51 = WAGON WHEEL BASE 1
 52 = WAGON WHEEL BASE 2
 14 = VAN WHEEL BASE 4
 15 = VAN WHEEL BASE 5
 56 = WAGON WHEEL BASE 6
 16 = VAN WHEEL BASE 6
 54 = WAGON WHEEL BASE 4
 55 = WAGON WHEEL BASE 5

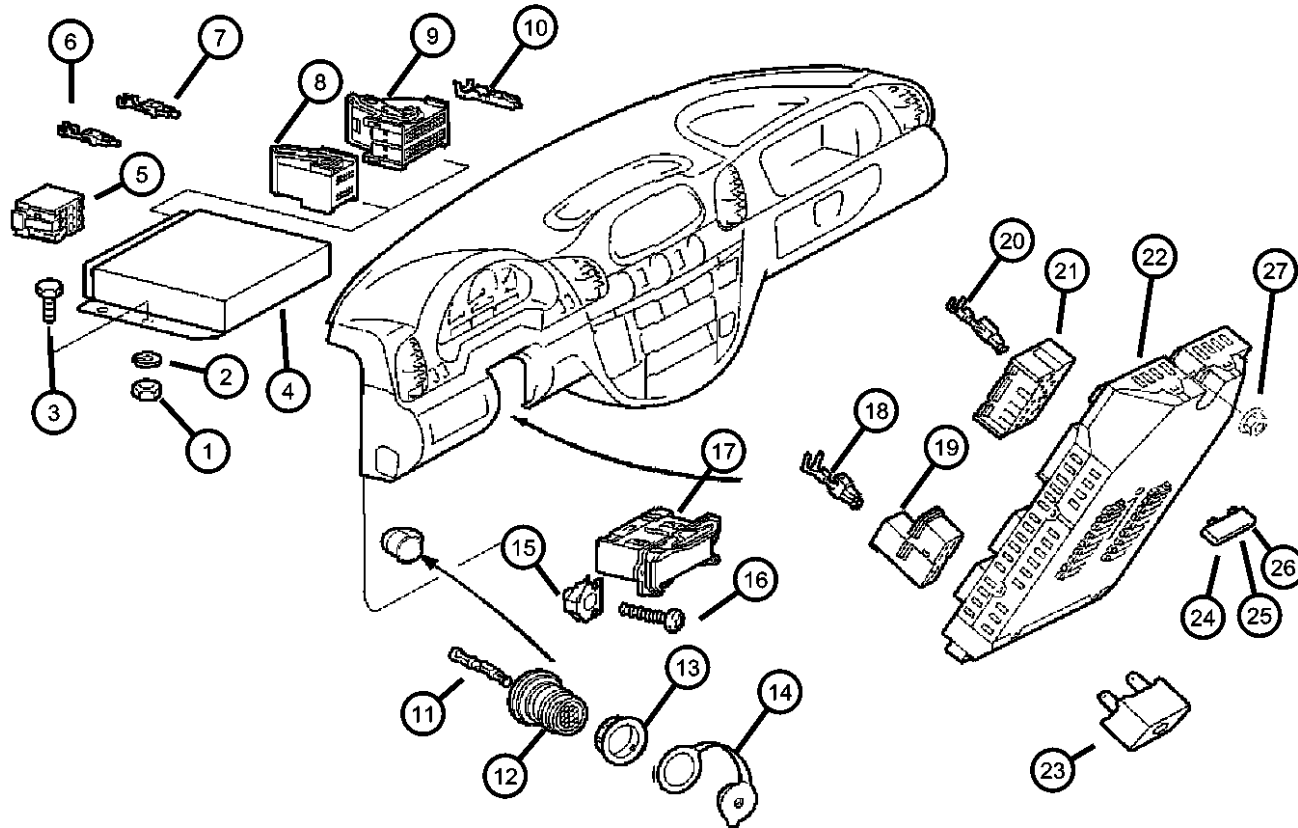
ENGINE

EX9 = Engine-2.7L I5 Mercedes Turbo Diesel

TRANSMISSION

DGJ = Transmission-5-Spd. Automatic, W5A580

Instrument Panel - Relays & Fuses
Figure 8-510



ITEM	PART NUMBER	QTY	LINE	SERIES	BODY	ENGINE	TRANS	TRIM	DESCRIPTION
8	05120753AA	1	2, 6	L	51, 52, 54, 55, 56				CONNECTOR
		1	3, 7	L	12, 15, 16				
9	05120754AA	1	2, 6	L	11, 12, 14, 15, 16				CONNECTOR
		1	2, 6	L	51, 52, 54, 55, 56				
10	05103874AA	1	3, 7	L	12, 15, 16				TERMINAL
		99	2, 6	L	11, 12, 14, 15, 16				
11	05133383AA	1	2, 6	L	51, 52, 54, 55, 56				TERMINAL
		99	3, 7	L	12, 15, 16				
12	05120544AA	1	2, 6	L	11, 12, 14, 15, 16				CONNECTOR
		1	2, 6	L	51, 52, 54, 55, 56				
		1	3, 7	L	12, 15, 16				

SPRINTER (VA)

SERIES

L = LOWLINE
 3 = HD DODGE 2WD
 6 = Lt. Duty DODGE 4WD
 2 = Med. Duty DODGE 2WD
 7 = Med. Duty DODGE 4WD

LINE

BODY

01 = CHASSIS FORWARD CONTROL W.B.1
 02 = CAB CHASSIS WHEEL BASE 2
 06 = CAB CHASSIS WHEEL BASE 6
 11 = VAN WHEEL BASE 1
 12 = VAN WHEEL BASE 2
 51 = WAGON WHEEL BASE 1
 52 = WAGON WHEEL BASE 2
 14 = VAN WHEEL BASE 4
 15 = VAN WHEEL BASE 5
 56 = WAGON WHEEL BASE 6
 16 = VAN WHEEL BASE 6
 54 = WAGON WHEEL BASE 4
 55 = WAGON WHEEL BASE 5

ENGINE

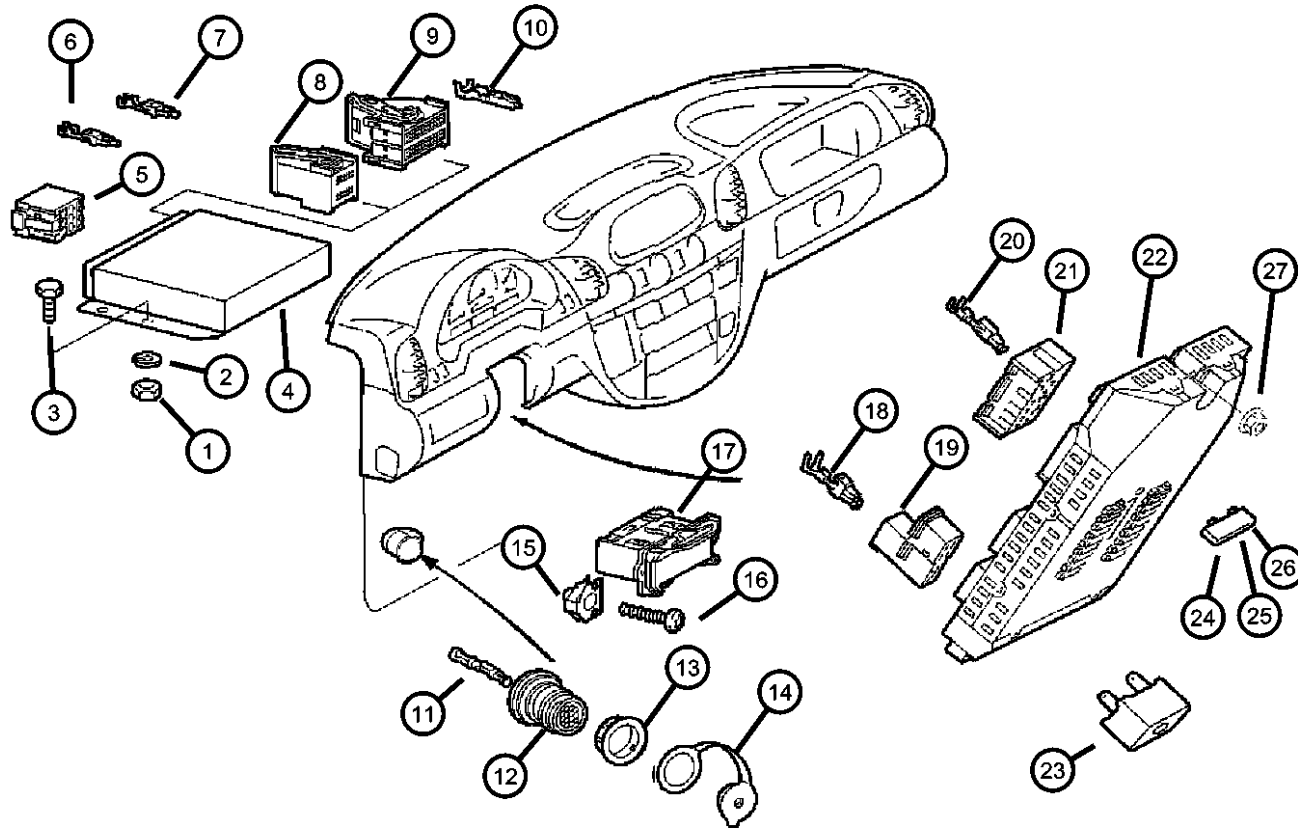
EX9 = Engine-2.7L I5 Mercedes Turbo Diesel

TRANSMISSION

DGJ = Transmission-5-Spd. Automatic, W5A580

AR = use ase required - = Non illustrated part

Instrument Panel - Relays & Fuses
Figure 8-510



ITEM	PART NUMBER	QTY	LINE	SERIES	BODY	ENGINE	TRANS	TRIM	DESCRIPTION
13	05120912AA	1	2, 6	L	11, 12, 14, 15, 16				STRAP, Ground
		1	2, 6	L	51, 52, 54, 55, 56				
		1	3, 7	L	12, 15, 16				
14	05103747AA	1	2, 6	L	11, 12, 14, 15, 16				PLUG, Wiring
		1	2, 6	L	51, 52, 54, 55, 56				
		1	3, 7	L	12, 15, 16				
15	05125861AA	2	2, 6	L	11, 12, 14, 15, 16				NUT, Spring
		2	2, 6	L	51, 52, 54, 55, 56				
		2	3, 7	L	12, 15, 16				
16	06104496AA	2	2, 6	L	11, 12, 14, 15, 16				SHEET METAL SCREW, NONE, SPRINTER
		2	2, 6	L	51, 52, 54, 55, 56				
		2	3, 7	L	12, 15, 16				
17	05098297AA	1	2, 6	L	11, 12, 14, 15, 16				BRACKET, Diagnostic Module
		1	2, 6	L	51, 52, 54, 55, 56				
		1	3, 7	L	12, 15, 16				
18	05133372AA	1	2, 6	L	11, 12, 14, 15, 16				TERMINAL

SPRINTER (VA)

SERIES

L = LOWLINE
 3 = HD DODGE 2WD
 6 = Lt. Duty DODGE 4WD
 2 = Med. Duty DODGE 2WD
 7 = Med. Duty DODGE 4WD

LINE

BODY

01 = CHASSIS FORWARD CONTROL W.B.1
 02 = CAB CHASSIS WHEEL BASE 2
 06 = CAB CHASSIS WHEEL BASE 6
 11 = VAN WHEEL BASE 1
 12 = VAN WHEEL BASE 2
 51 = WAGON WHEEL BASE 1
 52 = WAGON WHEEL BASE 2
 14 = VAN WHEEL BASE 4
 15 = VAN WHEEL BASE 5
 56 = WAGON WHEEL BASE 6
 16 = VAN WHEEL BASE 6
 54 = WAGON WHEEL BASE 4
 55 = WAGON WHEEL BASE 5

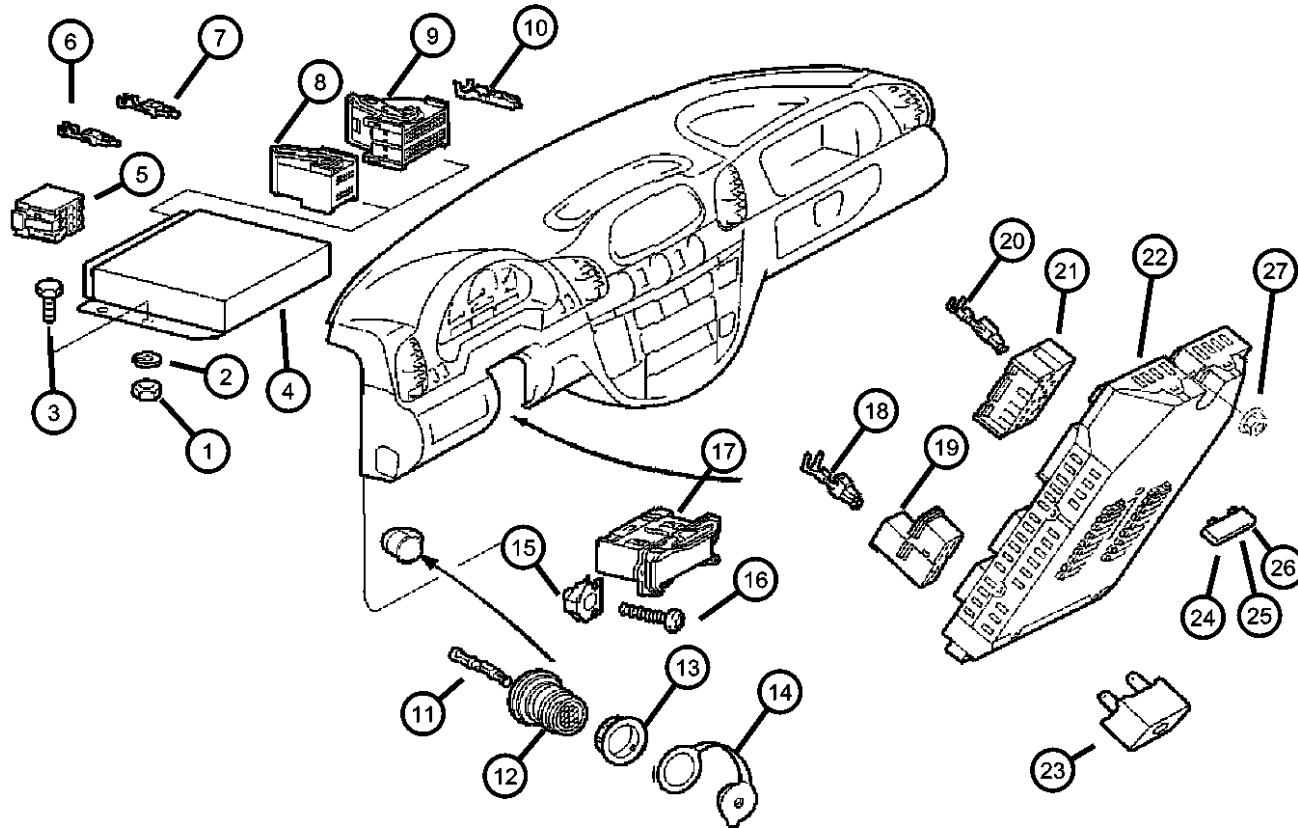
ENGINE

EX9 = Engine-2.7L I5 Mercedes Turbo Diesel

TRANSMISSION

DGJ = Transmission-5-Spd. Automatic, W5A580

Instrument Panel - Relays & Fuses
Figure 8-510



ITEM	PART NUMBER	QTY	LINE	SERIES	BODY	ENGINE	TRANS	TRIM	DESCRIPTION
19	05120555AA	1	2, 6	L	51, 52, 54, 55, 56				CONNECTOR
		1	3, 7	L	12, 15, 16				
20	05103893AA	1	2, 6	L	11, 12, 14, 15, 16				TERMINAL
		1	2, 6	L	51, 52, 54, 55, 56				
21	05120646AA	1	2, 6	L	11, 12, 14, 15, 16				CONNECTOR
		1	2, 6	L	51, 52, 54, 55, 56				
22	05120244AA	1	2, 6	L	11, 12, 14, 15, 16	EX9			BLOCK, Fuse
		1	2, 6	L	51, 52, 54, 55, 56	EX9			
23	05103746AA	1	3, 7	L	12, 15, 16	EX9			BUZZER, REAR FOGLAMP, SPRINTER
		1	2, 6	L	11, 12, 14, 15, 16				
		1	2, 6	L	51, 52, 54, 55, 56				

SPRINTER (VA)

SERIES

L = LOWLINE
 3 = HD DODGE 2WD
 6 = Lt. Duty DODGE 4WD
 2 = Med. Duty DODGE 2WD
 7 = Med. Duty DODGE 4WD

BODY

01 = CHASSIS FORWARD CONTROL W.B.1
 02 = CAB CHASSIS WHEEL BASE 2
 06 = CAB CHASSIS WHEEL BASE 6
 11 = VAN WHEEL BASE 1
 12 = VAN WHEEL BASE 2
 51 = WAGON WHEEL BASE 1
 52 = WAGON WHEEL BASE 2
 14 = VAN WHEEL BASE 4
 15 = VAN WHEEL BASE 5
 56 = WAGON WHEEL BASE 6
 16 = VAN WHEEL BASE 6
 54 = WAGON WHEEL BASE 4
 55 = WAGON WHEEL BASE 5

ENGINE

EX9 = Engine-2.7L I5 Mercedes Turbo Diesel

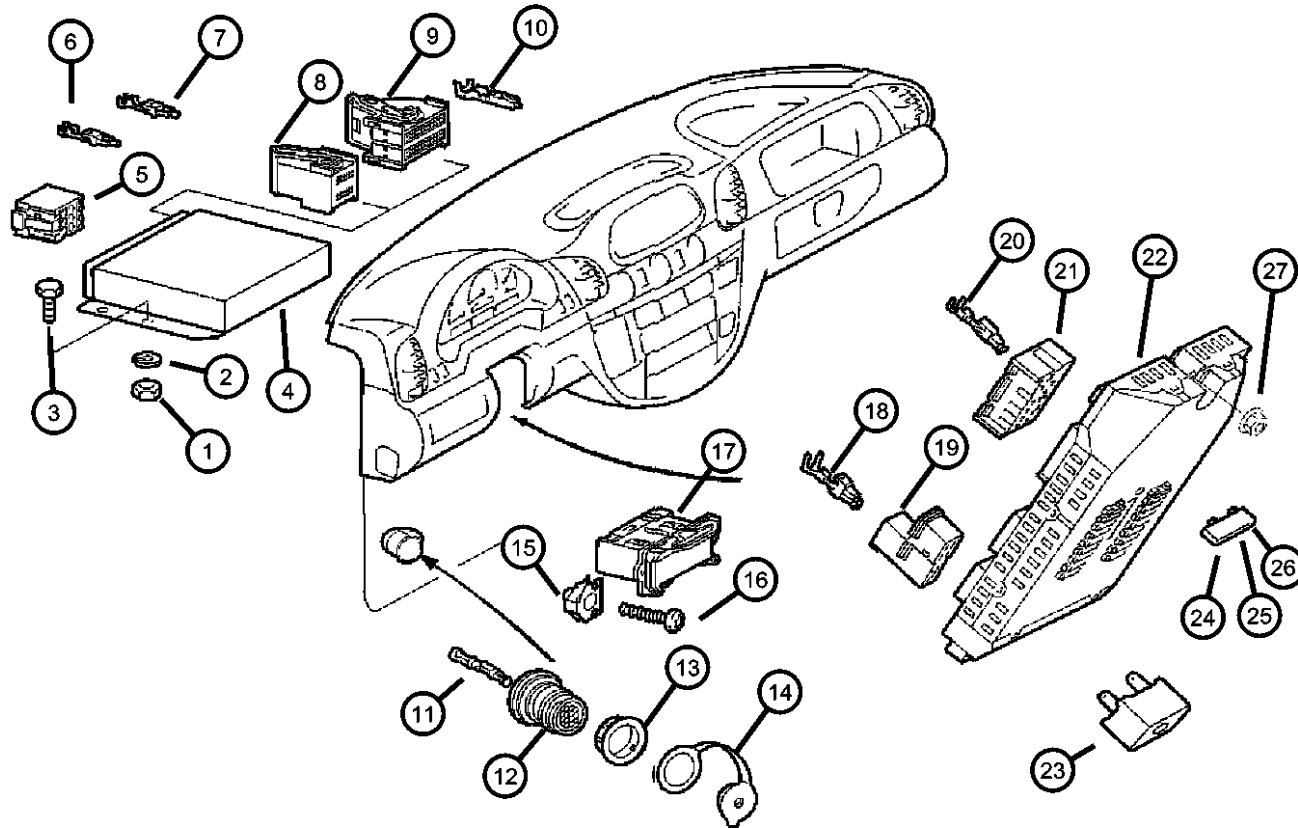
TRANSMISSION

DGJ = Transmission-5-Spd. Automatic, W5A580

AR = use ase required - = Non illustrated part

2002 VA

Instrument Panel - Relays & Fuses
Figure 8-510



ITEM	PART NUMBER	QTY	LINE	SERIES	BODY	ENGINE	TRANS	TRIM	DESCRIPTION
24	05104643AA	99	2, 6	L	11, 12, 14, 15, 16				FUSE, Standard, 10 AMP, Red
		99	2, 6	L	51, 52, 54, 55, 56				
		99	3, 7	L	12, 15, 16				
25	05104604AA	1	2, 6	L	11, 12, 14, 15, 16				FUSE, 20 A, SPRINTER
		1	2, 6	L	51, 52, 54, 55, 56				
		1	3, 7	L	12, 15, 16				
26	05104644AA	99	2, 6	L	11, 12, 14, 15, 16				FUSE, 25 A, SPRINTER
		99	2, 6	L	51, 52, 54, 55, 56				
		99	3, 7	L	12, 15, 16				
27	05097674AA	2	2, 6	L	11, 12, 14, 15, 16				NUT, Hex
		2	2, 6	L	51, 52, 54, 55, 56				
		1	3, 7	L	12, 15, 16				
-28	05129616AA	1	3, 7	L	12, 15, 16				RELAY

SPRINTER (VA)

SERIES

L = LOWLINE
 3 = HD DODGE 2WD
 6 = Lt. Duty DODGE 4WD
 2 = Med. Duty DODGE 2WD
 7 = Med. Duty DODGE 4WD

BODY

01 = CHASSIS FORWARD CONTROL W.B.1
 02 = CAB CHASSIS WHEEL BASE 2
 06 = CAB CHASSIS WHEEL BASE 6
 11 = VAN WHEEL BASE 1
 12 = VAN WHEEL BASE 2
 51 = WAGON WHEEL BASE 1
 52 = WAGON WHEEL BASE 2
 14 = VAN WHEEL BASE 4
 15 = VAN WHEEL BASE 5
 56 = WAGON WHEEL BASE 6
 16 = VAN WHEEL BASE 6
 54 = WAGON WHEEL BASE 4
 55 = WAGON WHEEL BASE 5

ENGINE

EX9 = Engine-2.7L I5
 Mercedes Turbo Diesel

TRANSMISSION

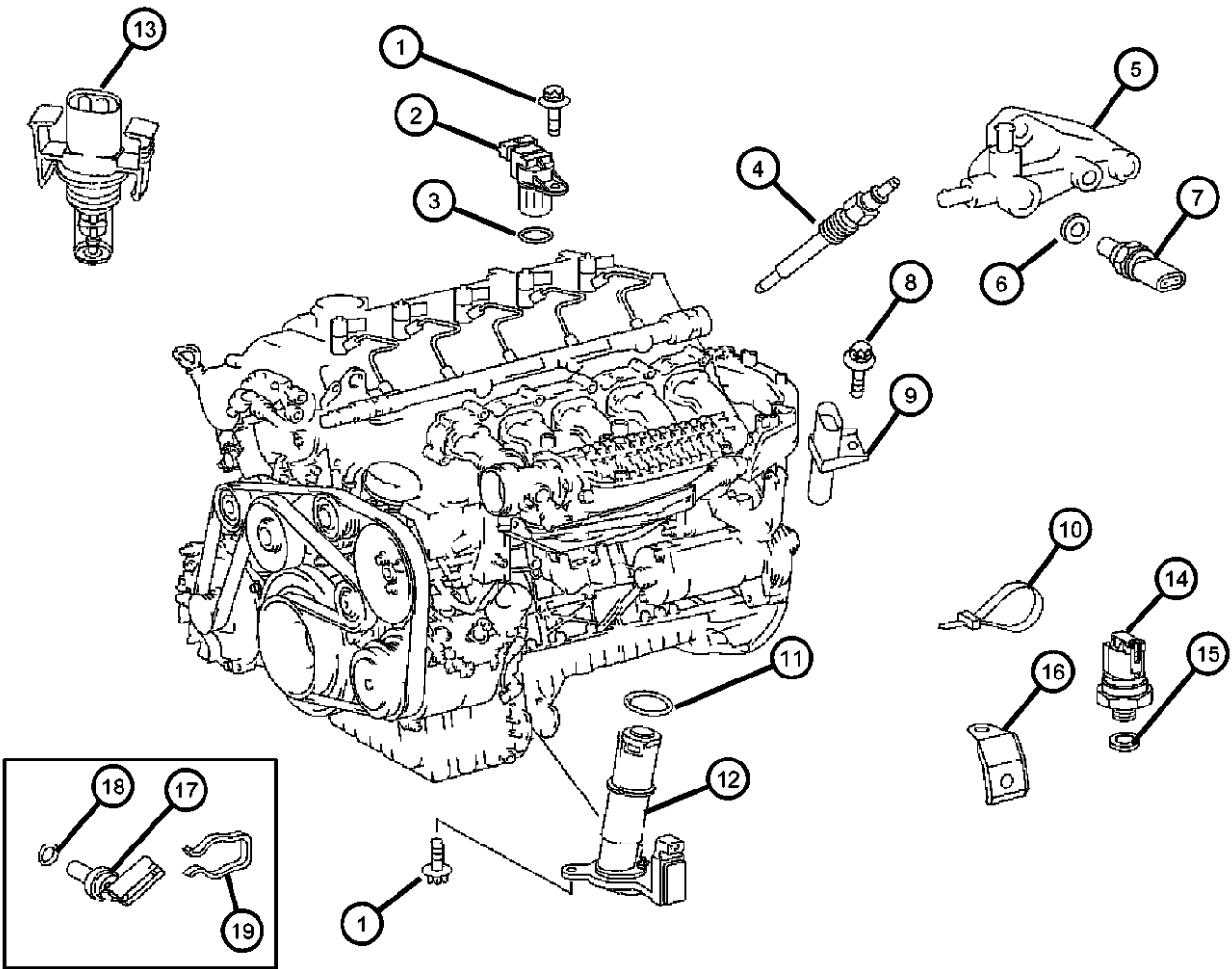
DGJ = Transmission-5-Spd. Automatic, W5A580

AR = use ase required - = Non illustrated part

2002 VA

Sensors - Engine
Figure 8-605

ITEM	PART NUMBER	QTY	LINE	SERIES	BODY	ENGINE	TRANS	TRIM	DESCRIPTION
1	06104682AA	2		L					SCREW
2	05080346AA	1		L					SENSOR, Camshaft
3	05080348AA	1		L					O RING
4	05117592AA	5		L					PLUG, Glow
5	05117425AA	1		L					BRACKET
6	06507454AA	4	6	L	51, 52, 54, 55, 56		DGJ		WASHER, Banjo
		4	7	L	12, 15, 16		DGJ		
		4	6	L	11, 12, 14, 15, 16		DGJ		
7	05103534AB	1		L					SENDING UNIT, Temperature Gauge
8	06104076AA	2		L					SCREW
9	05080352AA	1		L					SENSOR, Crankshaft
10	05080475AB	1	2, 6	L	11, 12, 14, 15, 16				STRAP, Tie
		1	2, 6	L	51, 52, 54, 55, 56				
		1	3, 7	L	12, 15, 16				
11	05103567AA	1		L					SEAL RING, OIL LEVEL CONTACTOR TO OIL PAN, SPRINTER
12	05117544AA	1		L					SENDING UNIT, Oil Pressure
13	05174042AA	1	2, 6	L	11, 12, 14, 15, 16	EX9			SENSOR, Temperature Air Intake Temperature
		1	2, 6	L	51, 52, 54, 55, 56	EX9			Air Intake Temperature
		1	3, 7	L	12, 15, 16	EX9			Air Intake Temperature
14									SENSOR, Fuel Pressure



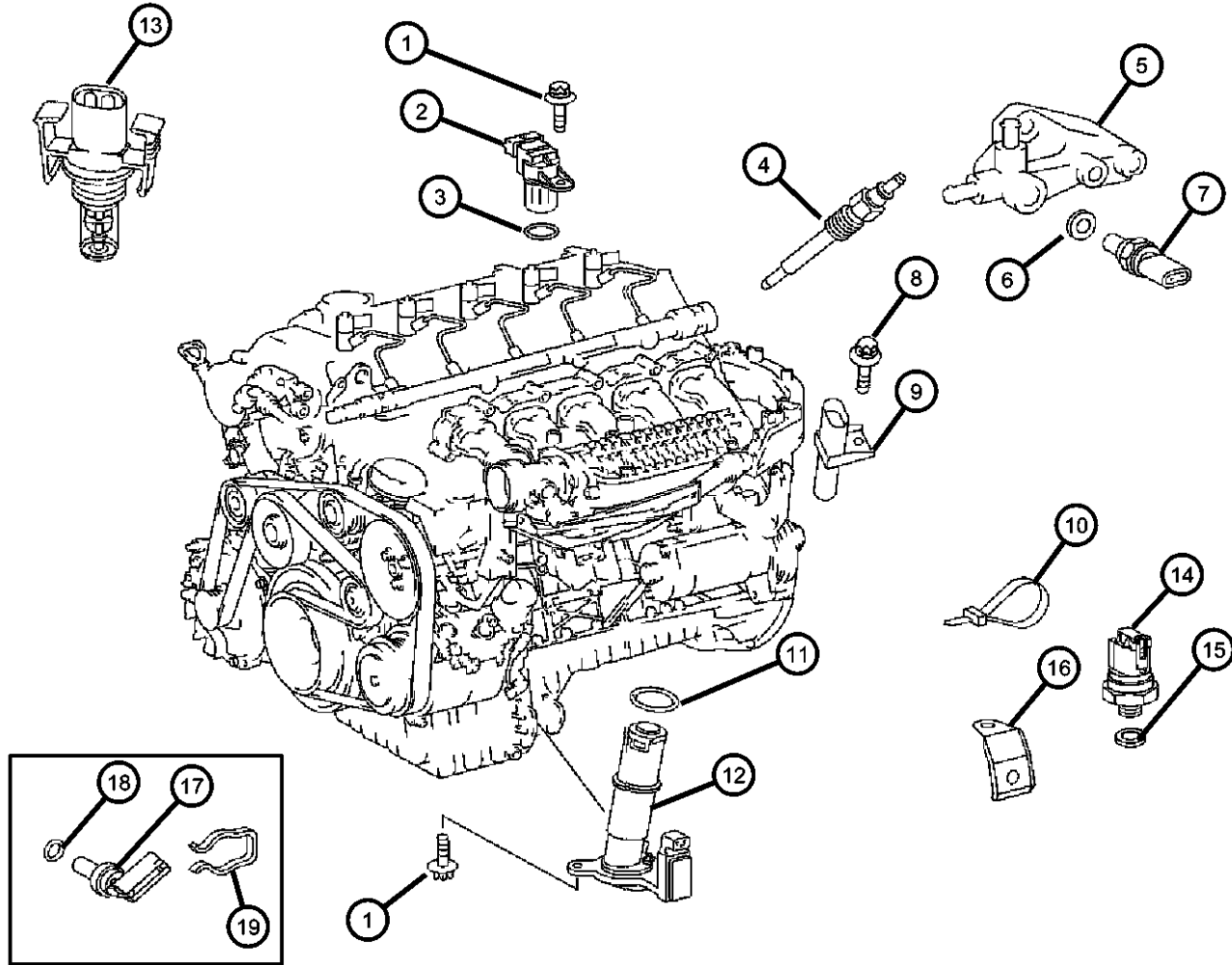
SPRINTER (VA)

SERIES	LINE	BODY	ENGINE	TRANSMISSION
L = LOWLINE	3 = HD DODGE 2WD 6 = Lt. Duty DODGE 4WD 2 = Med. Duty DODGE 2WD 7 = Med. Duty DODGE 4WD	01 = CHASSIS FORWARD CONTROL W.B.1 02 = CAB CHASSIS WHEEL BASE 2 06 = CAB CHASSIS WHEEL BASE 6 11 = VAN WHEEL BASE 1 12 = VAN WHEEL BASE 2 51 = WAGON WHEEL BASE 1 52 = WAGON WHEEL BASE 2 14 = VAN WHEEL BASE 4 15 = VAN WHEEL BASE 5 56 = WAGON WHEEL BASE 6 16 = VAN WHEEL BASE 6 54 = WAGON WHEEL BASE 4 55 = WAGON WHEEL BASE 5	EX9 = Engine-2.7L I5 Mercedes Turbo Diesel	DGJ = Transmission-5-Spd. Automatic, W5A580

AR = use ase required - = Non illustrated part

Sensors - Engine
Figure 8-605

ITEM	PART NUMBER	QTY	LINE	SERIES	BODY	ENGINE	TRANS	TRIM	DESCRIPTION
	05103558AA	1	2, 6	L	11, 12, 14, 15, 16	EX9			Low pressure
		1	2, 6	L	51, 52, 54, 55, 56	EX9			Low pressure
		1	3, 7	L	12, 15, 16	EX9			Low pressure
15	05104683AB	1	2, 6	L	11, 12, 14, 15, 16	EX9			SEAL RING, NONE, SPRINTER
16	05096466AA	1		L					BRACKET, Wiring
17	05080147AA	1		L					SENDING UNIT, Temperature Gauge
18	05080148AA	1		L					O RING
19	05080149AA	1		L					CLIP



SPRINTER (VA)

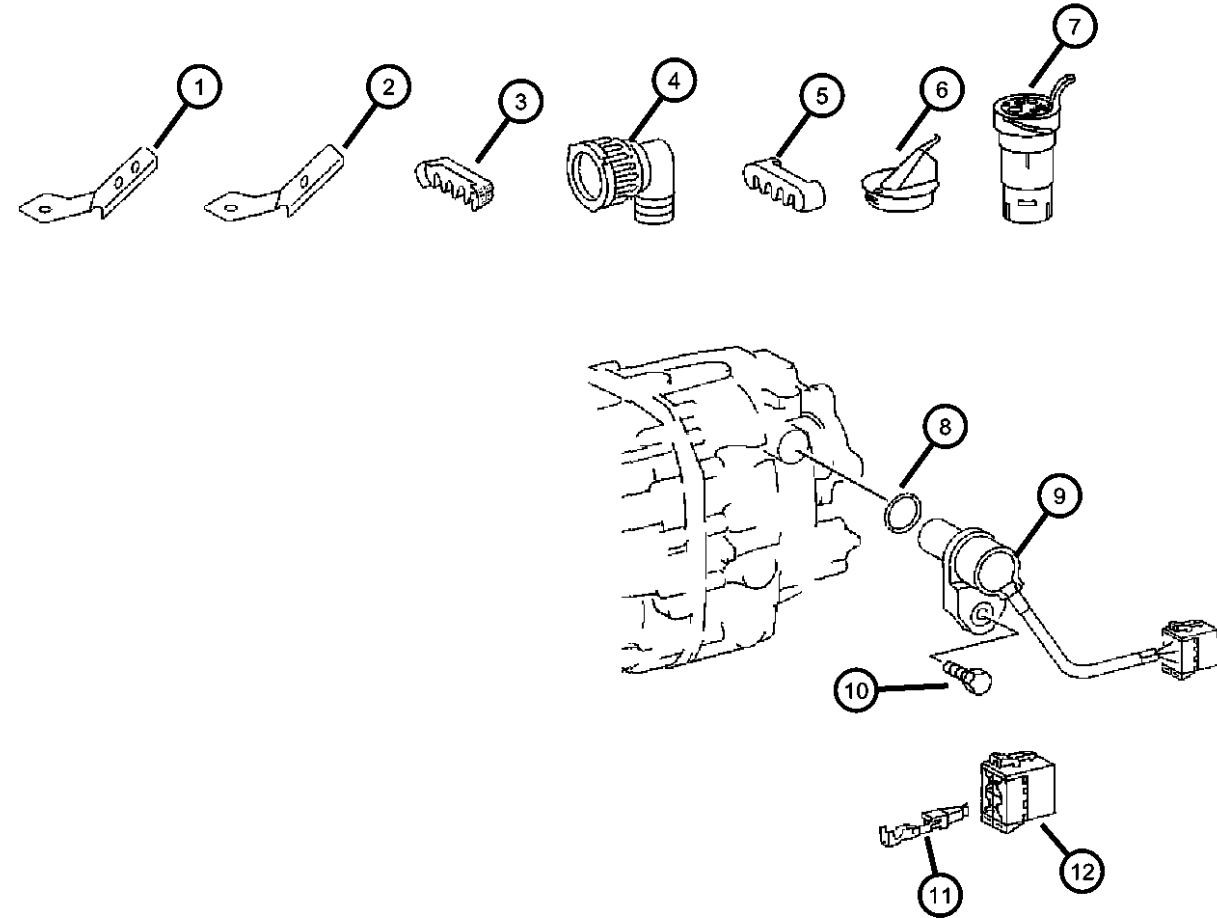
SERIES	LINE	BODY	ENGINE	TRANSMISSION
L = LOWLINE	3 = HD DODGE 2WD 6 = Lt. Duty DODGE 4WD 2 = Med. Duty DODGE 2WD 7 = Med. Duty DODGE 4WD	01 = CHASSIS FORWARD CONTROL W.B.1 02 = CAB CHASSIS WHEEL BASE 2 06 = CAB CHASSIS WHEEL BASE 6 11 = VAN WHEEL BASE 1 12 = VAN WHEEL BASE 2 51 = WAGON WHEEL BASE 1 52 = WAGON WHEEL BASE 2 14 = VAN WHEEL BASE 4 15 = VAN WHEEL BASE 5 56 = WAGON WHEEL BASE 6 16 = VAN WHEEL BASE 6 54 = WAGON WHEEL BASE 4 55 = WAGON WHEEL BASE 5	EX9 = Engine-2.7L I5 Mercedes Turbo Diesel	DGJ = Transmission-5-Spd. Automatic, W5A580

AR = use ase required - = Non illustrated part

2002 VA

Sensors - Drivetrain
Figure 8-610

ITEM	PART NUMBER	QTY	LINE	SERIES	BODY	ENGINE	TRANS	TRIM	DESCRIPTION
1	05120944AA	1	2, 6	L	11, 12, 14, 15, 16	EX9			BRACKET
		1	2, 6	L	51, 52, 54, 55, 56	EX9			
		1	3, 7	L	12, 15, 16	EX9			
2	05120947AA	1	2, 6	L	11, 12, 14, 15, 16	EX9			BRACKET
		1	2, 6	L	51, 52, 54, 55, 56	EX9			
		1	3, 7	L	12, 15, 16	EX9			
3	05120852AA	1	2, 6	L	11, 12, 14, 15, 16				RETAINER, Wiring Harness
		1	2, 6	L	51, 52, 54, 55, 56				
		1	3, 7	L	12, 15, 16				
4	05120915AA	1	2, 6	L	11, 12, 14, 15, 16				BOOT, BOOT
		1	2, 6	L	51, 52, 54, 55, 56				
		1	3, 7	L	12, 15, 16				
5	05120883AA	1	2, 6	L	11, 12, 14, 15, 16				RETAINER, Wiring Harness
		1	2, 6	L	51, 52, 54, 55, 56				
		1	3, 7	L	12, 15, 16				
6	05120884AA	1	2, 6	L	11, 12, 14, 15, 16				CAP
		1	2, 6	L	51, 52, 54, 55, 56				



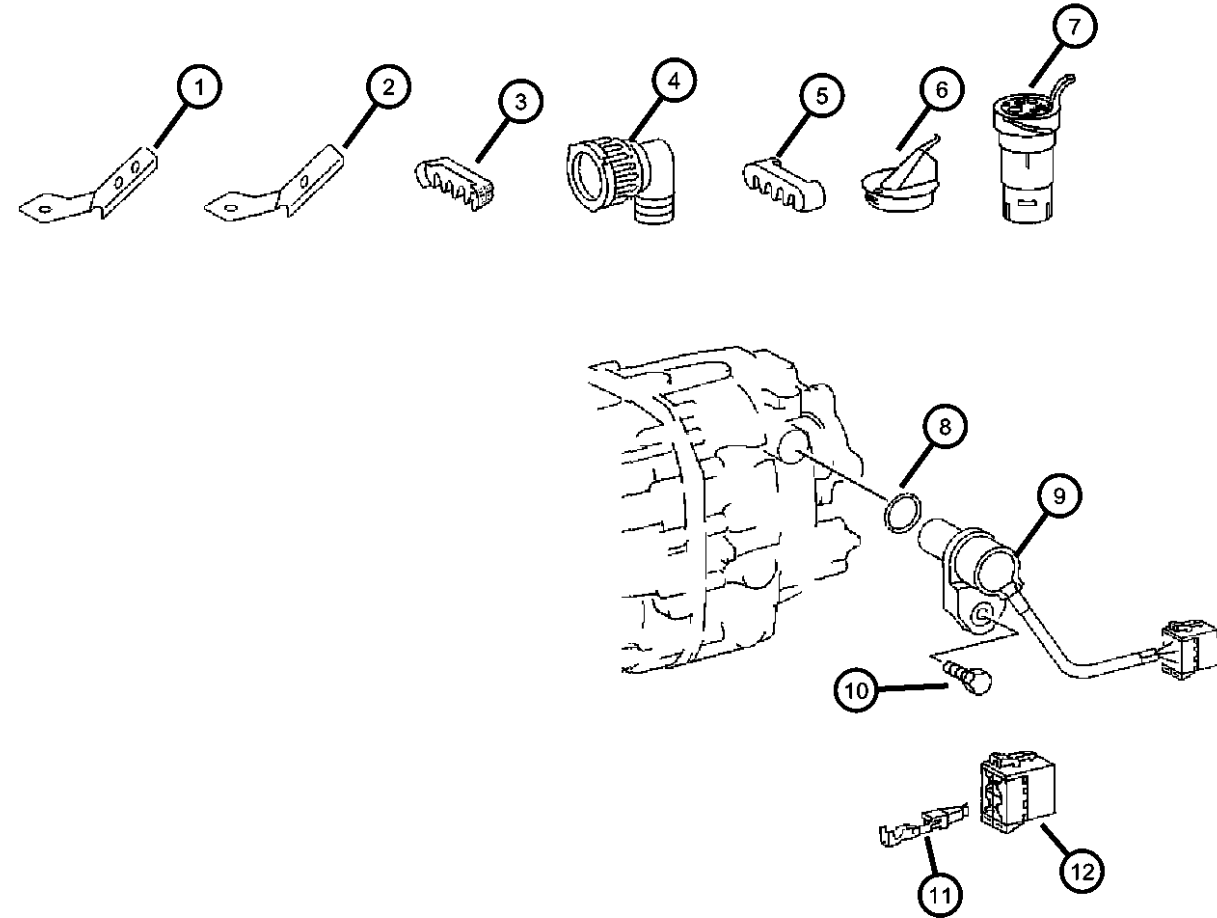
SPRINTER (VA)

SERIES	LINE	BODY	ENGINE	TRANSMISSION
L = LOWLINE	3 = HD DODGE 2WD 6 = Lt. Duty DODGE 4WD 2 = Med. Duty DODGE 2WD 7 = Med. Duty DODGE 4WD	01 = CHASSIS FORWARD CONTROL W.B.1 02 = CAB CHASSIS WHEEL BASE 2 06 = CAB CHASSIS WHEEL BASE 6 11 = VAN WHEEL BASE 1 12 = VAN WHEEL BASE 2 51 = WAGON WHEEL BASE 1 52 = WAGON WHEEL BASE 2 14 = VAN WHEEL BASE 4 15 = VAN WHEEL BASE 5 56 = WAGON WHEEL BASE 6 16 = VAN WHEEL BASE 6 54 = WAGON WHEEL BASE 4 55 = WAGON WHEEL BASE 5	EX9 = Engine-2.7L I5 Mercedes Turbo Diesel	DGJ = Transmission-5-Spd. Automatic, W5A580

AR = use ase required - = Non illustrated part

Sensors - Drivetrain
Figure 8-610

ITEM	PART NUMBER	QTY	LINE	SERIES	BODY	ENGINE	TRANS	TRIM	DESCRIPTION
7		1	3, 7	L	12, 15, 16				CONNECTOR
	05120265AA	1	2, 6	L	11, 12, 14, 15, 16				
		1	2, 6	L	51, 52, 54, 55, 56				
8	05125908AA	1	3, 7	L	12, 15, 16				O RING, Sensor
9	05120309AA	1	2, 6	L	11, 12, 14, 15, 16				SENSOR, Vehicle Speed
		1	2, 6	L	51, 52, 54, 55, 56				Tach Pulse Sender
		1	3, 7	L	12, 15, 16				Tach Pulse Sender
	05120316AA	1	2, 6	L	11, 12, 14, 15, 16				All Wheel Drive
		1	2, 6	L	51, 52, 54, 55, 56				All Wheel Drive
	05120317AA	1	3, 7	L	12, 15, 16				All Wheel Drive
		1	2, 6	L	11, 12, 14, 15, 16				Auto Trans
		1	2, 6	L	51, 52, 54, 55, 56				Auto Trans
10		1	3, 7	L	12, 15, 16				Auto Trans
	05126234AA	1	2, 6	L	11, 12, 14, 15, 16				SCREW
		1	2, 6	L	51, 52, 54, 55, 56				
		1	3, 7	L	12, 15, 16				
11	05103877AA	99	2, 6	L	11, 12, 14, 15, 16				TERMINAL



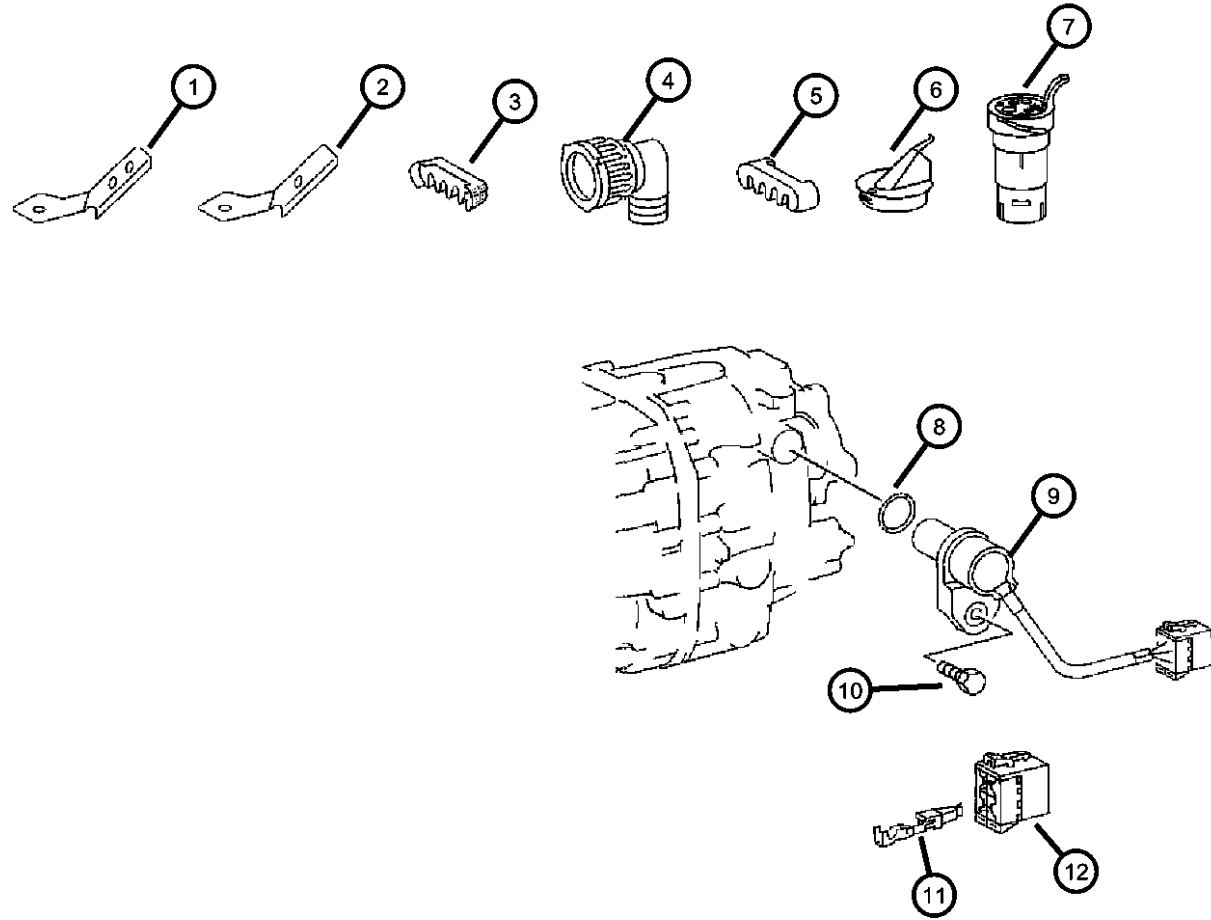
SPRINTER (VA)

SERIES	LINE	BODY	ENGINE	TRANSMISSION
L = LOWLINE	3 = HD DODGE 2WD 6 = Lt. Duty DODGE 4WD 2 = Med. Duty DODGE 2WD 7 = Med. Duty DODGE 4WD	01 = CHASSIS FORWARD CONTROL W.B.1 02 = CAB CHASSIS WHEEL BASE 2 06 = CAB CHASSIS WHEEL BASE 6 11 = VAN WHEEL BASE 1 12 = VAN WHEEL BASE 2 51 = WAGON WHEEL BASE 1 52 = WAGON WHEEL BASE 2 14 = VAN WHEEL BASE 4 15 = VAN WHEEL BASE 5 56 = WAGON WHEEL BASE 6 16 = VAN WHEEL BASE 6 54 = WAGON WHEEL BASE 4 55 = WAGON WHEEL BASE 5	EX9 = Engine-2.7L I5 Mercedes Turbo Diesel	DGJ = Transmission-5-Spd. Automatic, W5A580

AR = use ase required - = Non illustrated part

Sensors - Drivetrain
Figure 8-610

ITEM	PART NUMBER	QTY	LINE	SERIES	BODY	ENGINE	TRANS	TRIM	DESCRIPTION
		99	2, 6	L	51, 52, 54, 55, 56				
		99	3, 7	L	12, 15, 16				
12	05103931AA	1	2, 6	L	11, 12, 14, 15, 16				CONNECTOR
		1	2, 6	L	51, 52, 54, 55, 56				
		1	3, 7	L	12, 15, 16				



SPRINTER (VA)

SERIES

L = LOWLINE

LINE

3 = HD DODGE 2WD
6 = Lt. Duty DODGE 4WD
2 = Med. Duty DODGE 2WD
7 = Med. Duty DODGE 4WD

BODY

01 = CHASSIS FORWARD CONTROL W.B.1
02 = CAB CHASSIS WHEEL BASE 2
06 = CAB CHASSIS WHEEL BASE 6
11 = VAN WHEEL BASE 1
12 = VAN WHEEL BASE 2
51 = WAGON WHEEL BASE 1
52 = WAGON WHEEL BASE 2
14 = VAN WHEEL BASE 4
15 = VAN WHEEL BASE 5
56 = WAGON WHEEL BASE 6
16 = VAN WHEEL BASE 6
54 = WAGON WHEEL BASE 4
55 = WAGON WHEEL BASE 5

ENGINE

EX9 = Engine-2.7L I5
Mercedes Turbo Diesel

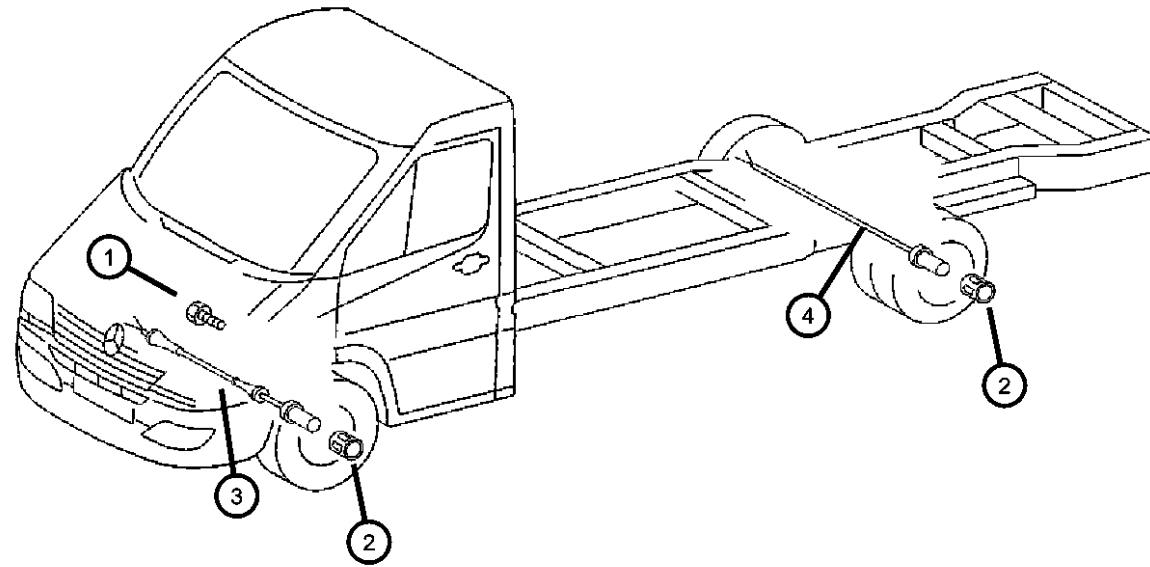
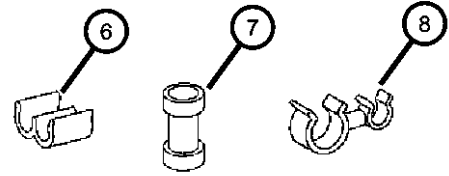
TRANSMISSION

DGJ = Transmission-5-Spd. Automatic, W5A580

AR = use ase required - = Non illustrated part

2002 VA

**Sensors - Brakes
Figure 8-615**



ITEM	PART NUMBER	QTY	LINE	SERIES	BODY	ENGINE	TRANS	TRIM	DESCRIPTION
1									SCREW
	05126269AA	2	2, 6	L	11, 12, 14, 15, 16				
		2	2, 6	L	51, 52, 54, 55, 56				
		2	3, 7	L	12, 15, 16				
2									RETAINER
	05120376AA	2	2, 6	L	11, 12, 14, 15, 16				
		2	2, 6	L	51, 52, 54, 55, 56				
		2	3, 7	L	12, 15, 16				
3									SENSOR, Wheel Speed
	05104145AA	2	2, 6	L	11, 12, 14, 15, 16				When ordering must also order 2 of 05120376AA, 1 of 5103755AA
		2	2, 6	L	51, 52, 54, 55, 56				When ordering must also order 2 of 05120376AA, 1 of 5103755AA
		2	3, 7	L	12, 15, 16				When ordering must also order 2 of 05120376AA, 1 of 5103755AA
4									SENSOR, Wheel Speed
	05104144AA	2	2, 6	L	11, 12, 14, 15, 16				When ordering must also order 2 of 05120376AA, 1 of 5103755AA
		2	2, 6	L	51, 52, 54, 55, 56				When ordering must also order 2 of 05120376AA, 1 of 5103755AA
		2	3, 7	L	12, 15, 16				When ordering must also order 2 of 05120376AA, 1 of 5103755AA
-5									WIRING, Brake Indicator
	05103654AA	1	2, 6	L	11, 12, 14, 15, 16				When ordering must also order 2 of 05103755AA and 1 of 05103801AA
		1	2, 6	L	51, 52, 54, 55, 56				When ordering must also order 2 of 05103755AA and 1 of 05103801AA
		1	3, 7	L	12, 15, 16				When ordering must also order 2 of 05103755AA and 1 of 05103801AA

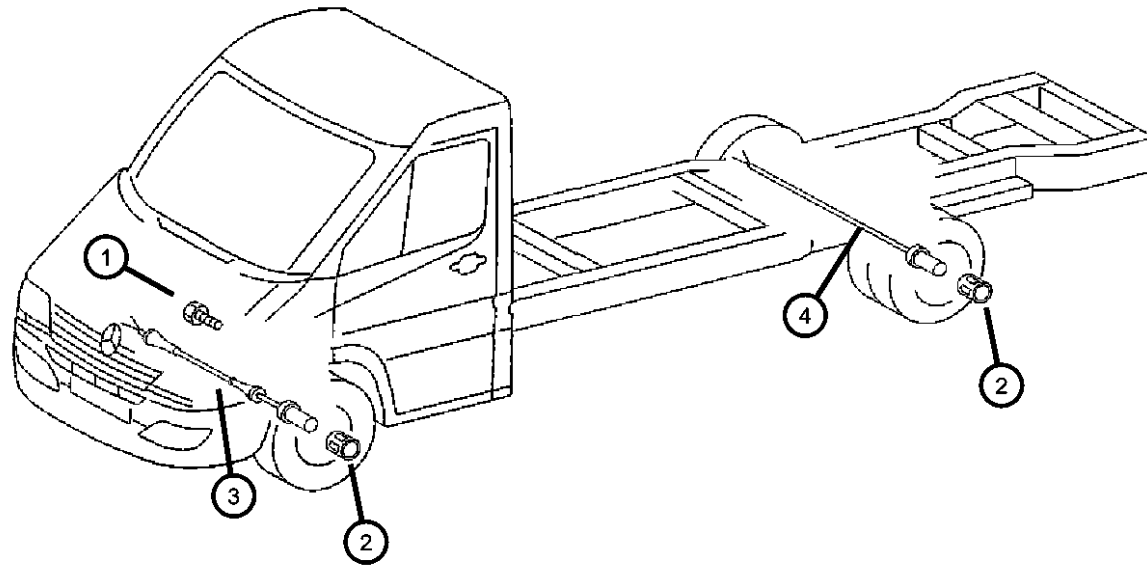
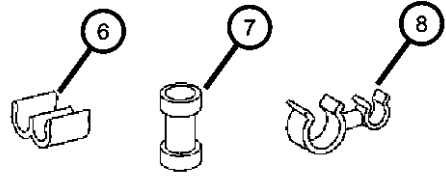
SPRINTER (VA)

SERIES	LINE	BODY	ENGINE	TRANSMISSION
L = LOWLINE	3 = HD DODGE 2WD 6 = Lt. Duty DODGE 4WD 2 = Med. Duty DODGE 2WD 7 = Med. Duty DODGE 4WD	01 = CHASSIS FORWARD CONTROL W.B.1 02 = CAB CHASSIS WHEEL BASE 2 06 = CAB CHASSIS WHEEL BASE 6 11 = VAN WHEEL BASE 1 12 = VAN WHEEL BASE 2 51 = WAGON WHEEL BASE 1 52 = WAGON WHEEL BASE 2 14 = VAN WHEEL BASE 4 15 = VAN WHEEL BASE 5 56 = WAGON WHEEL BASE 6 16 = VAN WHEEL BASE 6 54 = WAGON WHEEL BASE 4 55 = WAGON WHEEL BASE 5	EX9 = Engine-2.7L I5 Mercedes Turbo Diesel	DGJ = Transmission-5-Spd. Automatic, W5A580

AR = use ase required - = Non illustrated part

Sensors - Brakes
Figure 8-615

ITEM	PART NUMBER	QTY	LINE	SERIES	BODY	ENGINE	TRANS	TRIM	DESCRIPTION
6	05126024AA	2	2, 6	L	11, 12, 14, 15, 16				CLIP, Wiring
		2	2, 6	L	51, 52, 54, 55, 56				
		2	3, 7	L	12, 15, 16				
7	05103755AA	99	2, 6	L	11, 12, 14, 15, 16				CONNECTOR
		99	2, 6	L	51, 52, 54, 55, 56				
		99	3, 7	L	12, 15, 16				
8	05120943AA	6	2, 6	L	11, 12, 14, 15, 16				BRACKET
		6	2, 6	L	51, 52, 54, 55, 56				
		6	3, 7	L	12, 15, 16				



SPRINTER (VA)

SERIES

L = LOWLINE
 3 = HD DODGE 2WD
 6 = Lt. Duty DODGE 4WD
 2 = Med. Duty DODGE 2WD
 7 = Med. Duty DODGE 4WD

LINE

BODY

01 = CHASSIS FORWARD CONTROL W.B.1
 02 = CAB CHASSIS WHEEL BASE 2
 06 = CAB CHASSIS WHEEL BASE 6
 11 = VAN WHEEL BASE 1
 12 = VAN WHEEL BASE 2
 51 = WAGON WHEEL BASE 1
 52 = WAGON WHEEL BASE 2
 14 = VAN WHEEL BASE 4
 15 = VAN WHEEL BASE 5
 56 = WAGON WHEEL BASE 6
 16 = VAN WHEEL BASE 6
 54 = WAGON WHEEL BASE 4
 55 = WAGON WHEEL BASE 5

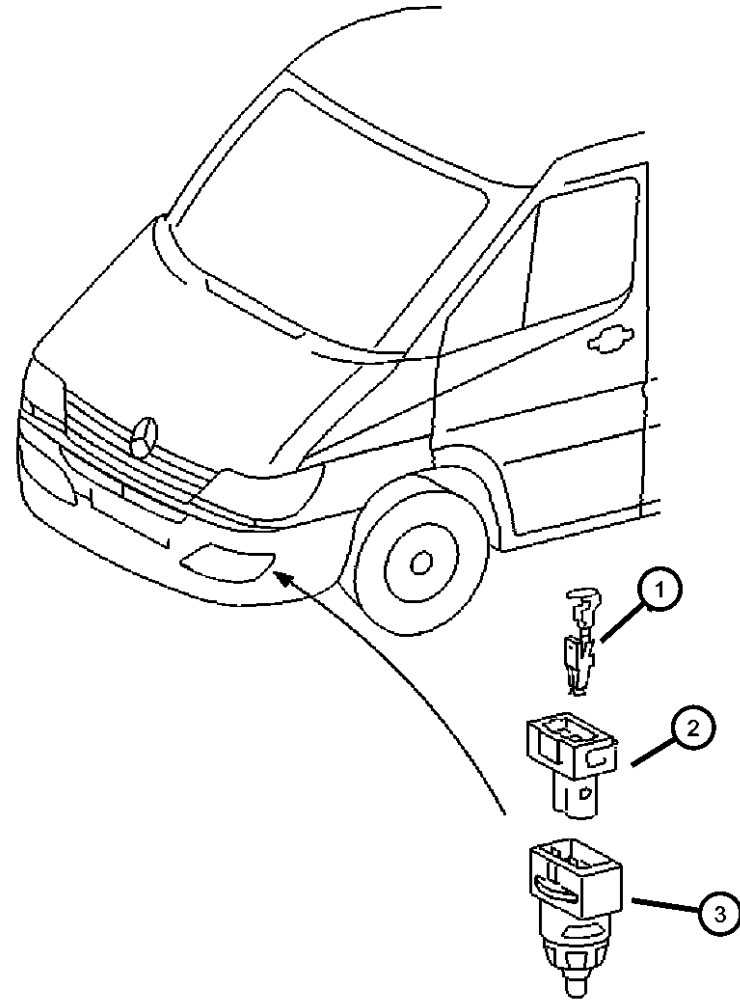
ENGINE

EX9 = Engine-2.7L I5 Mercedes Turbo Diesel

TRANSMISSION

DGJ = Transmission-5-Spd. Automatic, W5A580

**Sensor Ambient Temperature
Figure 8-620**



ITEM	PART NUMBER	QTY	LINE	SERIES	BODY	ENGINE	TRANS	TRIM	DESCRIPTION
1	05103880AA	99	2, 6	L	11, 12, 14, 15, 16				TERMINAL
		99	2, 6	L	51, 52, 54, 55, 56				
		99	3, 7	L	12, 15, 16				
2	05120749AA	1	2, 6	L	11, 12, 14, 15, 16				CONNECTOR
		1	2, 6	L	51, 52, 54, 55, 56				
		1	3, 7	L	12, 15, 16				
3	05103563AA	1	2, 6	L	11, 12, 14, 15, 16				SENSOR, Ambient Temperature
		1	2, 6	L	51, 52, 54, 55, 56				
		1	3, 7	L	12, 15, 16				

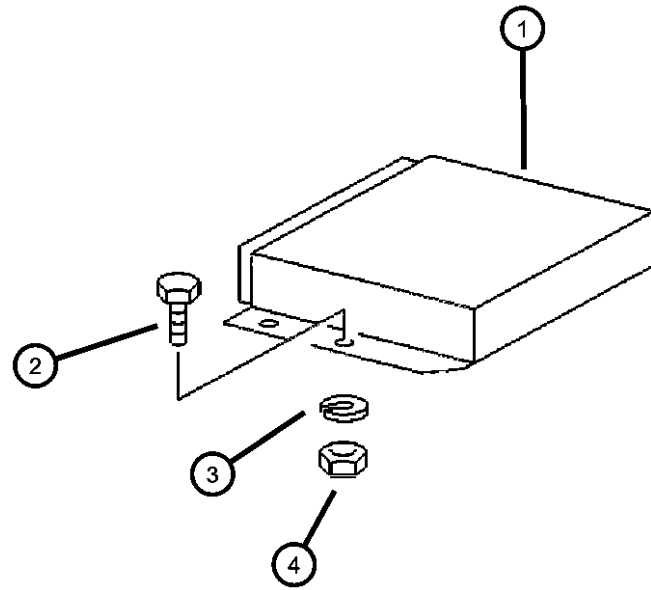
SPRINTER (VA)

SERIES	LINE	BODY	ENGINE	TRANSMISSION
L = LOWLINE	3 = HD DODGE 2WD 6 = Lt. Duty DODGE 4WD 2 = Med. Duty DODGE 2WD 7 = Med. Duty DODGE 4WD	01 = CHASSIS FORWARD CONTROL W.B.1 02 = CAB CHASSIS WHEEL BASE 2 06 = CAB CHASSIS WHEEL BASE 6 11 = VAN WHEEL BASE 1 12 = VAN WHEEL BASE 2 51 = WAGON WHEEL BASE 1 52 = WAGON WHEEL BASE 2 14 = VAN WHEEL BASE 4 15 = VAN WHEEL BASE 5 56 = WAGON WHEEL BASE 6 16 = VAN WHEEL BASE 6 54 = WAGON WHEEL BASE 4 55 = WAGON WHEEL BASE 5	EX9 = Engine-2.7L I5 Mercedes Turbo Diesel	DGJ = Transmission-5-Spd. Automatic, W5A580

AR = use ase required - = Non illustrated part

2002 VA

**Single Board Engine Controller (S.B.E.C.)
Figure 8-715**



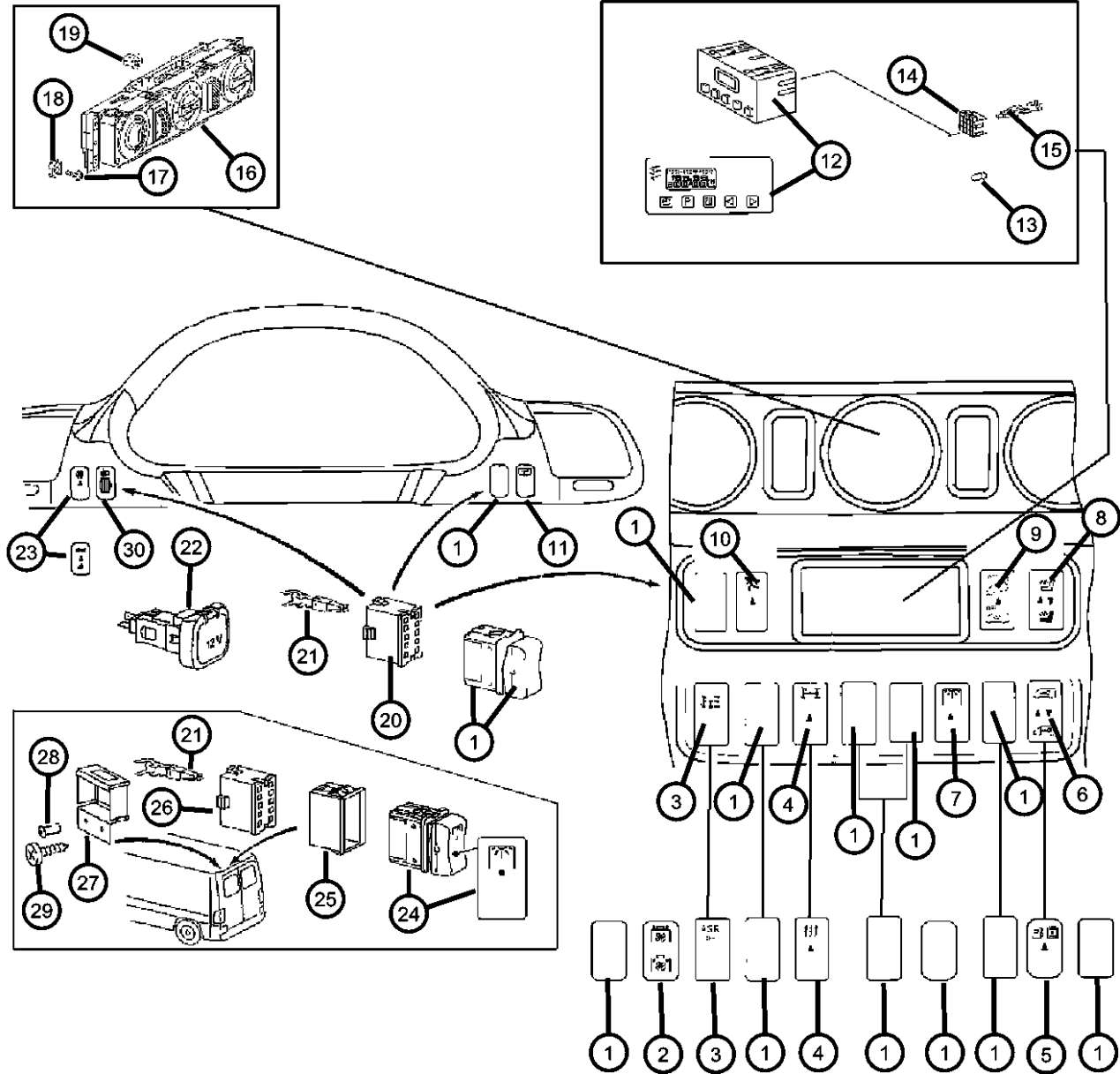
ITEM	PART NUMBER	QTY	LINE	SERIES	BODY	ENGINE	TRANS	TRIM	DESCRIPTION
DG0=All Speed Automatic Transmission DGG=3 Speed Automatic Transmission DGT=4 Speed Automatic Transmission EH0=3.9L Engine ELF=5.2L SMPI 'MAGNUM' Engine ELN=5.2L MPI CNG Engine EM0=5.9L Engine									
1	05117562AA	1	2, 6	L	11, 12, 14, 15, 16	EX9			MODULE, Powertrain Control [EX9,4XS]
		1	2, 6	L	51, 52, 54, 55, 56	EX9			[EX9,4XS]
		1	3, 7	L	12, 15, 16	EX9			[EX9,4XS]
	05117567AA	1	2, 6	L	11, 12, 14, 15, 16	EX9			[EX9,4XS,NAA]
		1	2, 6	L	51, 52, 54, 55, 56	EX9			[EX9,4XS,NAA]
		1	3, 7	L	12, 15, 16	EX9			[EX9,4XS,NAA]
2	05126198AA	4	2, 6	L	11, 12, 14, 15, 16				BOLT, M6x20
		4	2, 6	L	51, 52, 54, 55, 56				
		4	3, 7	L	12, 15, 16				
3	05126240AA	4	2, 6	L	11, 12, 14, 15, 16				LOCK WASHER
		4	2, 6	L	51, 52, 54, 55, 56				
		4	3, 7	L	12, 15, 16				
4		4							NUT, Hex, (NOT SERVICED)

SPRINTER (VA)

SERIES	LINE	BODY	ENGINE	TRANSMISSION
L = LOWLINE	3 = HD DODGE 2WD 6 = Lt. Duty DODGE 4WD 2 = Med. Duty DODGE 2WD 7 = Med. Duty DODGE 4WD	01 = CHASSIS FORWARD CONTROL W.B.1 02 = CAB CHASSIS WHEEL BASE 2 06 = CAB CHASSIS WHEEL BASE 6 11 = VAN WHEEL BASE 1 12 = VAN WHEEL BASE 2 51 = WAGON WHEEL BASE 1 52 = WAGON WHEEL BASE 2 14 = VAN WHEEL BASE 4 15 = VAN WHEEL BASE 5 56 = WAGON WHEEL BASE 6 16 = VAN WHEEL BASE 6 54 = WAGON WHEEL BASE 4 55 = WAGON WHEEL BASE 5	EX9 = Engine-2.7L I5 Mercedes Turbo Diesel	DGJ = Transmission-5-Spd. Automatic, W5A580

AR = use ase required - = Non illustrated part

Switches - Instrument Panel
Figure 8-805



ITEM	PART NUMBER	QTY	LINE	SERIES	BODY	ENGINE	TRANS	TRIM	DESCRIPTION
1	05122925AA	3	2, 6	L	11, 12, 14, 15, 16				COVER, Switch Opening
		3	2, 6	L	51, 52, 54, 55, 56				
		3	3, 7	L	16, 12, 15				
2	05120490AA	1	2, 6	L	11, 12, 14, 15, 16				SWITCH, Ventilator
		1	2, 6	L	51, 52, 54, 55, 56				
		1	3, 7	L	12, 15, 16				
3	05120472AA	1	2, 6	L	11, 12, 14, 15, 16				SWITCH, Traction Control
		1	2, 6	L	51, 52, 54, 55, 56				
		1	3, 7	L	12, 15, 16				
4	05103853AA	1	2, 6	L	11, 12, 14, 15, 16				SWITCH, Rear Blower
		1	2, 6	L	51, 52, 54, 55, 56				
		1	3, 7	L	12, 15, 16				
5	05124392AA	1	2, 6	L	11, 12, 14, 15, 16				SWITCH, Wiper and Washer
		1	6, 2	L	51, 52, 54, 55, 56				
		1	3, 7	L	12, 15, 16				
6	05103855AA	1	2, 6	L	15, 16, 11, 12, 14				SWITCH, Central Locking
		1	2, 6	L	51, 52, 54, 55, 56				

SPRINTER (VA)

SERIES

L = LOWLINE

LINE

3 = HD DODGE 2WD
6 = Lt. Duty DODGE 4WD
2 = Med. Duty DODGE 2WD
7 = Med. Duty DODGE 4WD

BODY

01 = CHASSIS FORWARD CONTROL W.B.1
02 = CAB CHASSIS WHEEL BASE 2
06 = CAB CHASSIS WHEEL BASE 6
11 = VAN WHEEL BASE 1
12 = VAN WHEEL BASE 2
51 = WAGON WHEEL BASE 1
52 = WAGON WHEEL BASE 2
14 = VAN WHEEL BASE 4
15 = VAN WHEEL BASE 5
56 = WAGON WHEEL BASE 6
16 = VAN WHEEL BASE 6
54 = WAGON WHEEL BASE 4
55 = WAGON WHEEL BASE 5

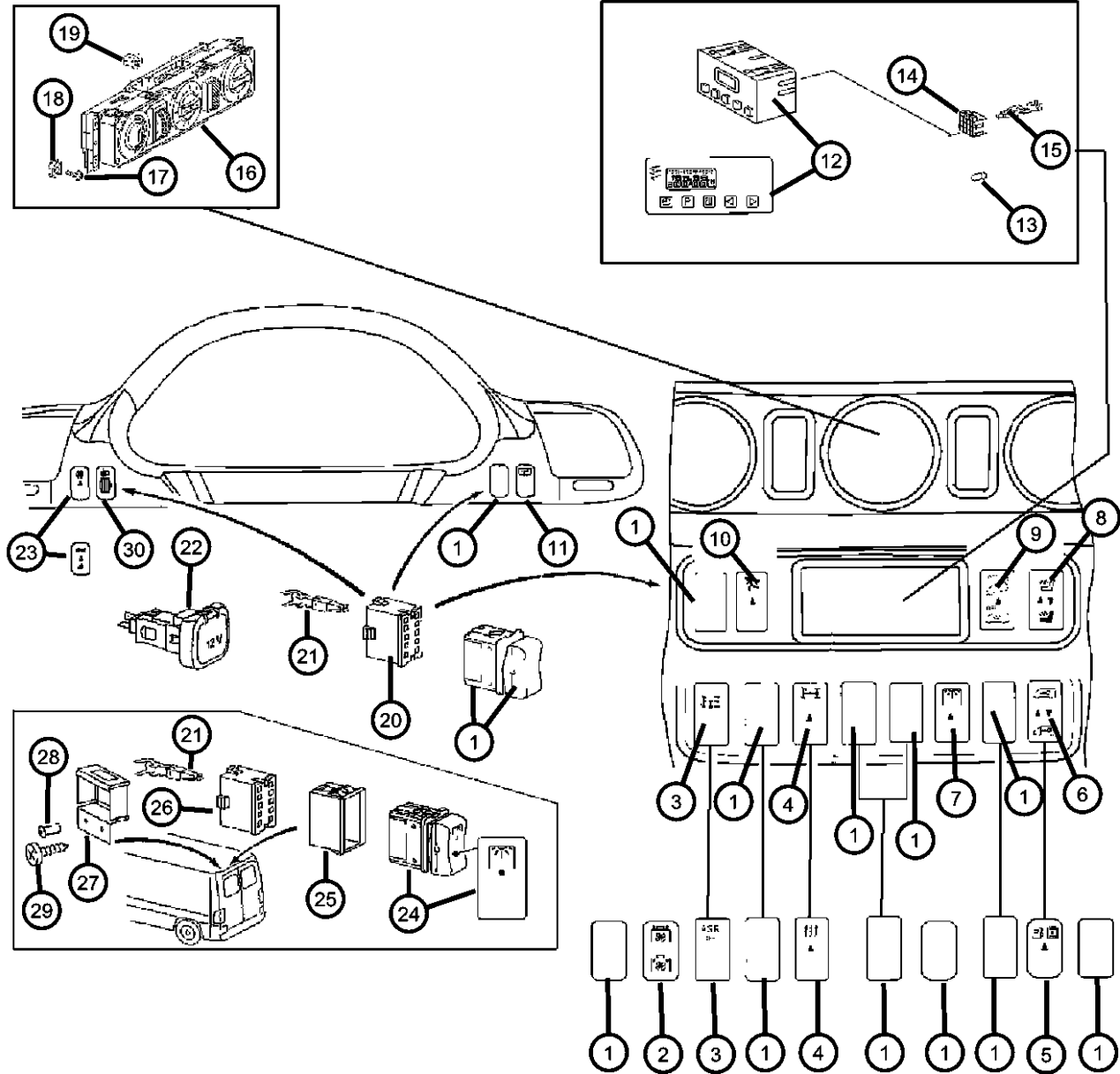
ENGINE

EX9 = Engine-2.7L I5
Mercedes Turbo Diesel

TRANSMISSION

DGJ = Transmission-5-Spd. Automatic, W5A580

Switches - Instrument Panel
Figure 8-805



ITEM	PART NUMBER	QTY	LINE	SERIES	BODY	ENGINE	TRANS	TRIM	DESCRIPTION
7		1	3, 7	L	12, 15, 16				SWITCH, Cargo Lamp
	05103854AA	1	2, 6	L	11, 12, 14, 15, 16				
8		1	3, 7	L	12, 15, 16				SWITCH, Heated Seat
	05120444AA	2	2, 6	L	11, 12, 14, 15, 16				
		2	3, 7	L	12, 15, 16				
9		1	2, 6	L	51, 52, 54, 55, 56				SWITCH, Security Alarm
	05120465AA	1	2, 6	L	11, 12, 14, 15, 16				
		1	2, 6	L	51, 52, 54, 55, 56				
		1	3, 7	L	12, 15, 16				
10		1	2, 6	L	11, 12, 14, 15, 16				SWITCH, Security Alarm
	05120466AA	1	2, 6	L	11, 12, 14, 15, 16				
		1	2, 6	L	51, 52, 54, 55, 56				
		1	3, 7	L	16, 12, 15				
11		1	2, 6	L	11, 12, 14, 15, 16				SWITCH, Defogger
	05120438AA	1	2, 6	L	11, 12, 14, 15, 16				
		1	2, 6	L	51, 52, 54, 55, 56				
		1	3, 7	L	12, 15, 16				
12		1	2, 6	L	51, 52, 54, 55, 56				CLOCK
	05120301AA	1	2, 6	L	51, 52, 54, 55, 56				
		1	3, 7	L	12, 15, 16				

SPRINTER (VA)

SERIES

L = LOWLINE
 3 = HD DODGE 2WD
 6 = Lt. Duty DODGE 4WD
 2 = Med. Duty DODGE 2WD
 7 = Med. Duty DODGE 4WD

BODY

01 = CHASSIS FORWARD CONTROL W.B.1
 02 = CAB CHASSIS WHEEL BASE 2
 06 = CAB CHASSIS WHEEL BASE 6
 11 = VAN WHEEL BASE 1
 12 = VAN WHEEL BASE 2
 51 = WAGON WHEEL BASE 1
 52 = WAGON WHEEL BASE 2
 14 = VAN WHEEL BASE 4
 15 = VAN WHEEL BASE 5
 56 = WAGON WHEEL BASE 6
 16 = VAN WHEEL BASE 6
 54 = WAGON WHEEL BASE 4
 55 = WAGON WHEEL BASE 5

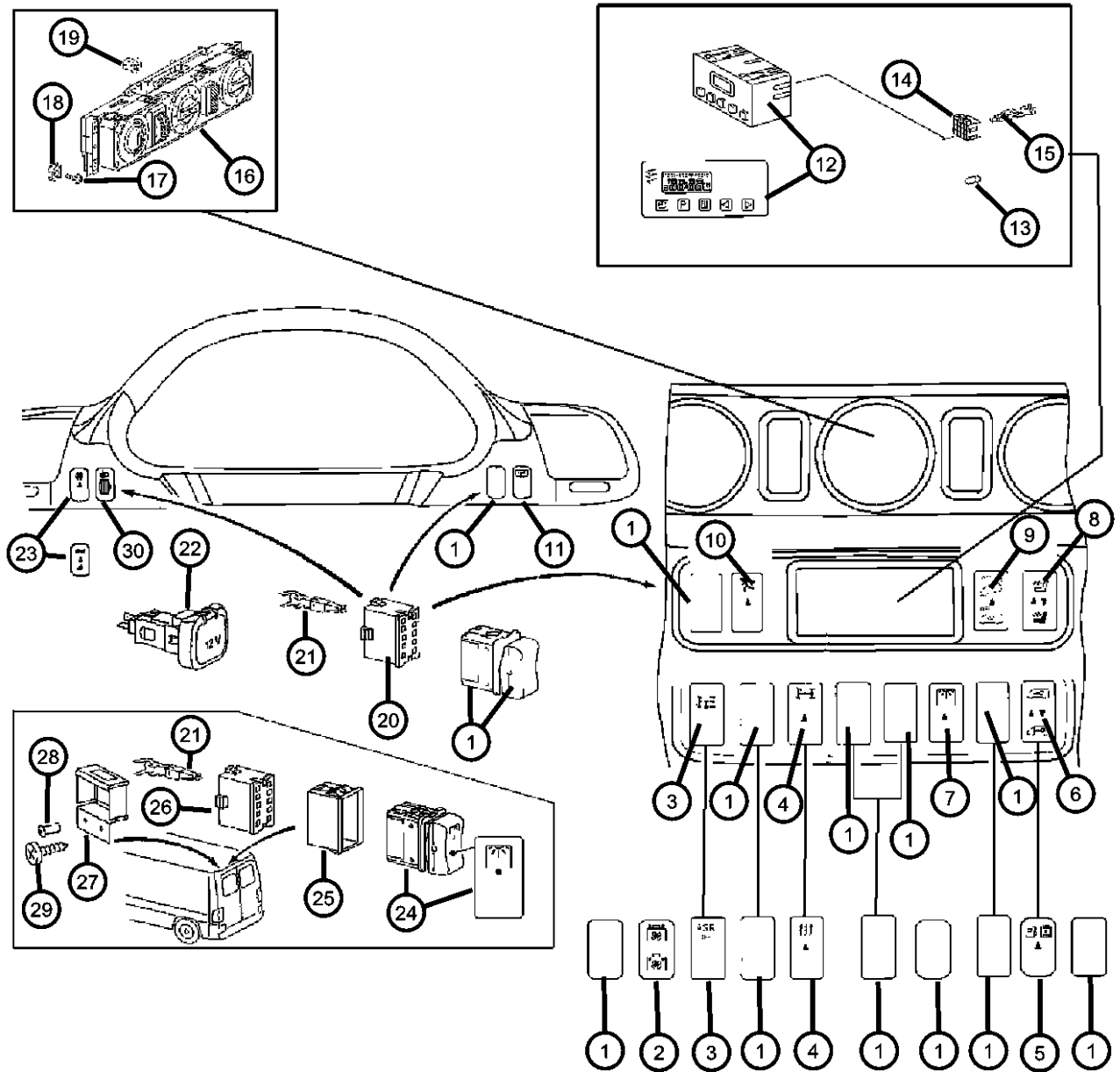
ENGINE

EX9 = Engine-2.7L I5
 Mercedes Turbo Diesel

TRANSMISSION

DGJ = Transmission-5-Spd. Automatic, W5A580

Switches - Instrument Panel
Figure 8-805



ITEM	PART NUMBER	QTY	LINE	SERIES	BODY	ENGINE	TRANS	TRIM	DESCRIPTION
13		1	2, 6	L	11, 12, 14, 15, 16				BULB, 12V 1.5W
	05133469AA	1	2, 6	L	11, 12, 14, 15, 16				
		1	2, 6	L	51, 52, 54, 55, 56				
14		1	3, 7	L	12, 15, 16				CONNECTOR
	05120552AA	1	2, 6	L	11, 12, 14, 15, 16				
		1	2, 6	L	51, 52, 54, 55, 56				
		1	3, 7	L	12, 15, 16				
15									TERMINAL
	05103881AA	1	2, 6	L	15, 16, 11, 12, 14				
		1	2, 6	L	51, 52, 54, 55, 56				
		1	3, 7	L	12, 15, 16				
16									CONTROL, A/C And Heater
	05103643AA	1	2, 6	L	11, 12, 14, 15, 16				Air Conditionig with Auto Temperature Control
		1	2, 6	L	51, 52, 54, 55, 56				Air Conditionig with Auto Temperature Control
		1	3, 7	L	12, 15, 16				Air Conditionig with Auto Temperature Control[HAB]
	05103644AA	1	2, 6	L	11, 12, 14, 15, 16				Air Conditionig with Auto Temperature Control & with Auxiliary Hot Water Heater
		1	2, 6	L	51, 52, 54, 55, 56				Air Conditionig with Auto Temperature Control & with Auxiliary Hot Water Heater

SPRINTER (VA)

SERIES
L = LOWLINE

LINE

3 = HD DODGE 2WD
6 = Lt. Duty DODGE 4WD
2 = Med. Duty DODGE 2WD
7 = Med. Duty DODGE 4WD

BODY

01 = CHASSIS FORWARD CONTROL W.B.1
02 = CAB CHASSIS WHEEL BASE 2
06 = CAB CHASSIS WHEEL BASE 6
11 = VAN WHEEL BASE 1
12 = VAN WHEEL BASE 2
51 = WAGON WHEEL BASE 1
52 = WAGON WHEEL BASE 2
14 = VAN WHEEL BASE 4
15 = VAN WHEEL BASE 5
56 = WAGON WHEEL BASE 6
16 = VAN WHEEL BASE 6
54 = WAGON WHEEL BASE 4
55 = WAGON WHEEL BASE 5

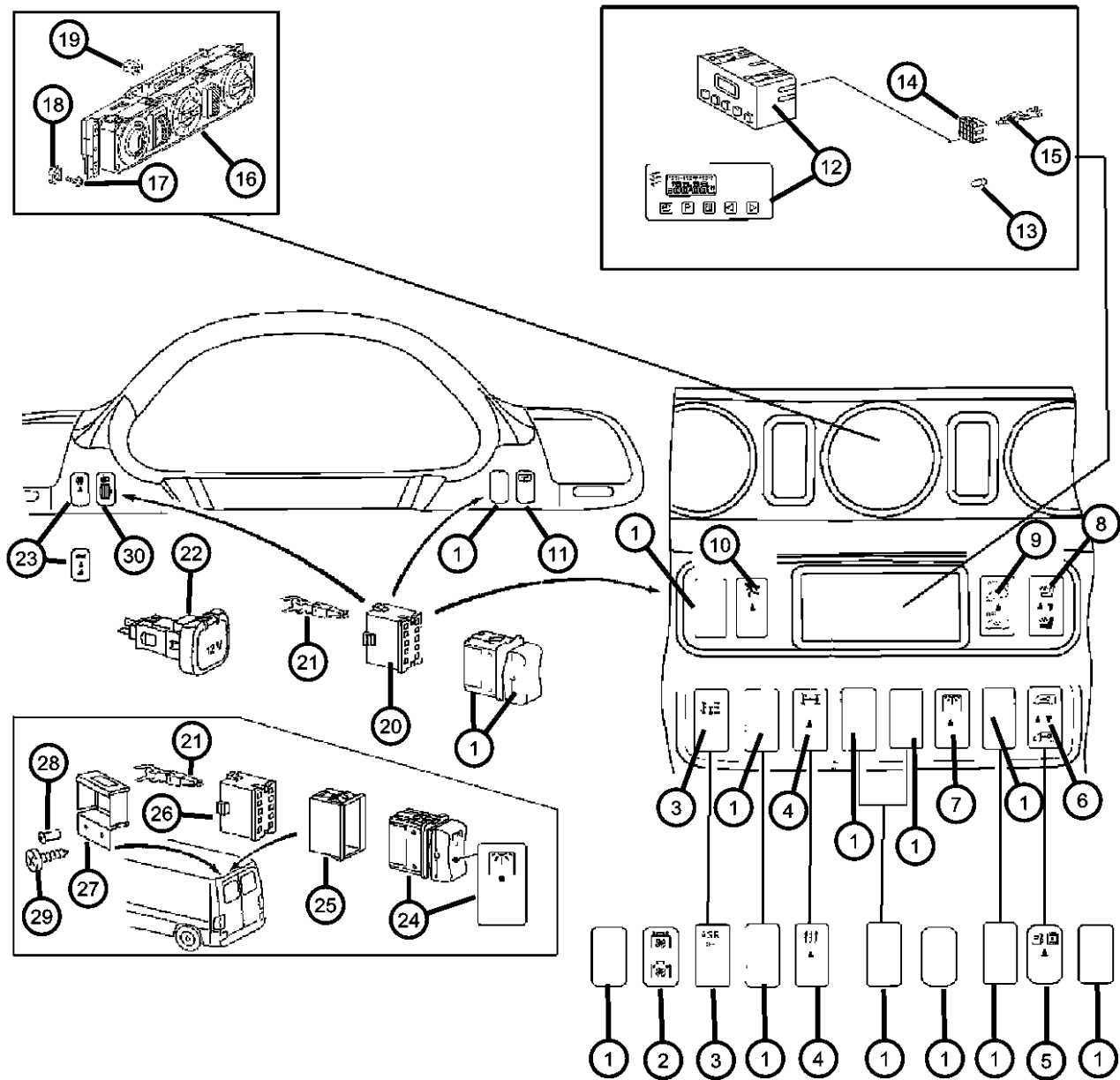
ENGINE

EX9 = Engine-2.7L I5
Mercedes Turbo Diesel

TRANSMISSION

DGJ = Transmission-5-Spd. Automatic, W5A580

Switches - Instrument Panel
Figure 8-805

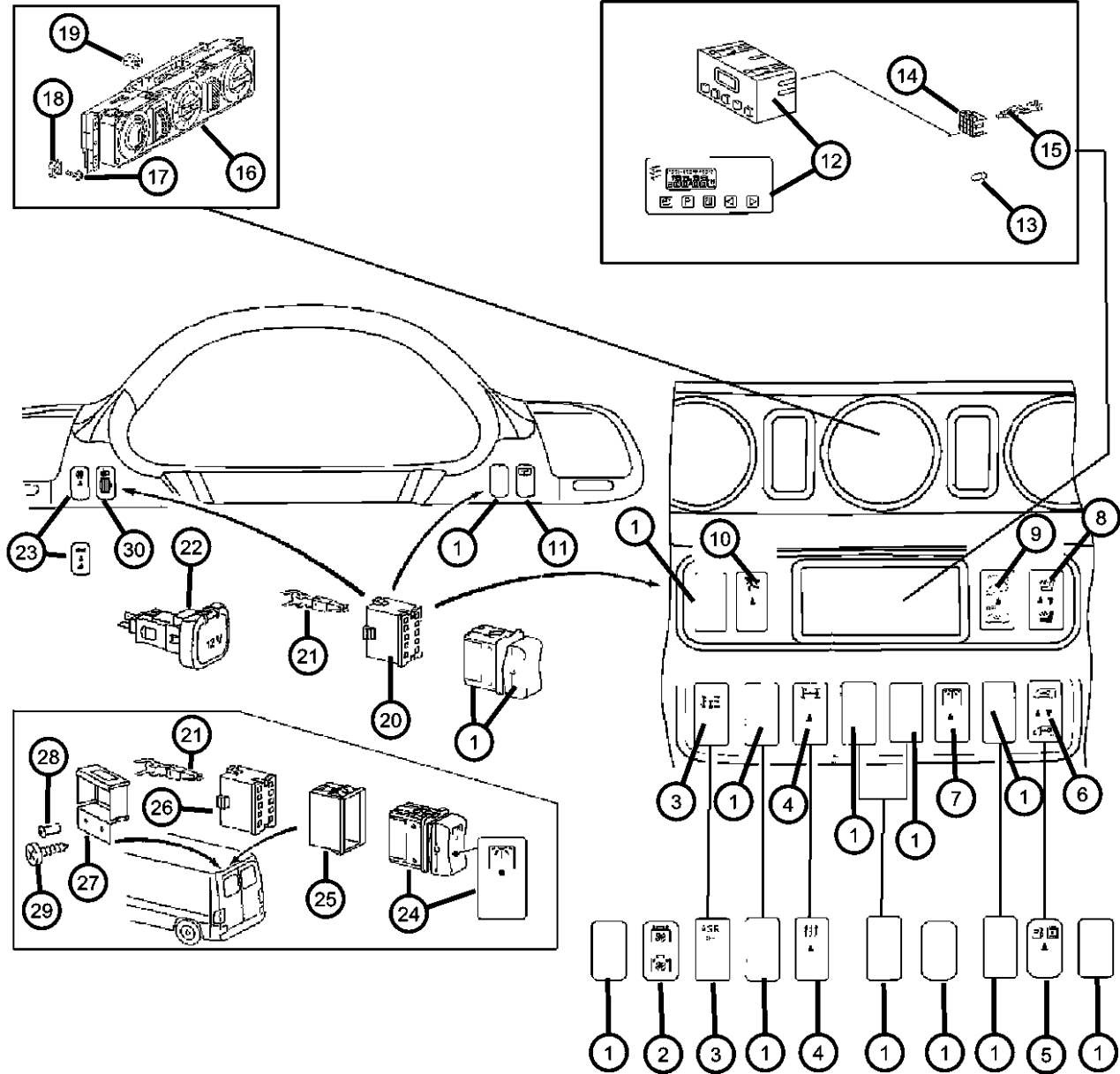


ITEM	PART NUMBER	QTY	LINE	SERIES	BODY	ENGINE	TRANS	TRIM	DESCRIPTION
		1	3, 7	L	12, 15, 16				Air Conditionig with Auto Temperature Control & with Auxiliary Hot Water Heater
	05103690AA	1	3, 7	L	12, 15, 16				Air Conditionig without Auto Temperature Control & without Auxiliary Hot Water Heater
17	06104610AA	2	2, 6	L	11, 12, 14, 15, 16				SCREW
		4	2, 6	L	51, 52, 54, 55, 56				
		4	3, 7	L	12, 15, 16				
18	05125861AA	2	2, 6	L	51, 52, 54, 55, 56				NUT, Spring
		2	2, 6	L	16, 11, 12, 14, 15				
		2	3, 7	L	12, 15, 16				
19	05133468AA	1	2, 6	L	11, 12, 14, 15, 16				BULB
		1	2, 6	L	51, 52, 54, 55, 56				
		1	3, 7	L	12, 15, 16				
20	05120633AA	1	2, 6	L	11, 12, 14, 15, 16				CONNECTOR
		1	2, 6	L	51, 52, 54, 55, 56				
		1	3, 7	L	12, 15, 16				
21	05103882AA	1	2, 6	L	11, 12, 14, 15, 16				TERMINAL
		1	3, 7	L	12, 15, 16				

- SPRINTER (VA)**
- SERIES**
L = LOWLINE
- LINE**
3 = HD DODGE 2WD
6 = Lt. Duty DODGE 4WD
2 = Med. Duty DODGE 2WD
7 = Med. Duty DODGE 4WD
- BODY**
01 = CHASSIS FORWARD CONTROL W.B.1
02 = CAB CHASSIS WHEEL BASE 2
06 = CAB CHASSIS WHEEL BASE 6
11 = VAN WHEEL BASE 1
12 = VAN WHEEL BASE 2
51 = WAGON WHEEL BASE 1
52 = WAGON WHEEL BASE 2
14 = VAN WHEEL BASE 4
15 = VAN WHEEL BASE 5
56 = WAGON WHEEL BASE 6
16 = VAN WHEEL BASE 6
54 = WAGON WHEEL BASE 4
55 = WAGON WHEEL BASE 5
- ENGINE**
EX9 = Engine-2.7L I5
Mercedes Turbo Diesel
- TRANSMISSION**
DGJ = Transmission-5-Spd. Automatic, W5A580

AR = use ase required - = Non illustrated part

Switches - Instrument Panel
Figure 8-805



ITEM	PART NUMBER	QTY	LINE	SERIES	BODY	ENGINE	TRANS	TRIM	DESCRIPTION
		1	2, 6	L	51, 52, 54, 55, 56				
22	05103907AA	1	2, 6	L	51, 52, 54, 55, 56				CONTROL, Air Conditioning
23	05120484AA	1	2, 6	L	15, 16, 11, 12, 14				SWITCH, Fog Lamp
		1	2, 6	L	51, 52, 54, 55, 56				
		1	3, 7	L	12, 15, 16				
24	05103844AA	1	2, 6	L	11, 12, 14, 15, 16				SWITCH, Cargo Lamp
		1	3, 7	L	12, 15, 16				
25	05120247AA	1	2, 6	L	11, 12, 14, 15, 16				HOUSING, Switch
		2	3, 7	L	12, 15, 16				
26	05120596AA	2	2, 6	L	11, 12, 14, 15, 16				CONNECTOR
		2	3, 7	L	12, 15, 16				
27	05120411AA	1	2, 6	L	11, 12, 14, 15, 16				COVER, Switch
		1	3, 7	L	12, 15, 16				
28	05103838AA	4	2, 6	L	11, 12, 14, 15, 16				RIVET
		4	2, 6	L	51, 52, 54, 55, 56				
		4	3, 7	L	12, 15, 16				
29									SCREW

SPRINTER (VA)

SERIES

L = LOWLINE

LINE

3 = HD DODGE 2WD
6 = Lt. Duty DODGE 4WD
2 = Med. Duty DODGE 2WD
7 = Med. Duty DODGE 4WD

BODY

01 = CHASSIS FORWARD CONTROL W.B.1
02 = CAB CHASSIS WHEEL BASE 2
06 = CAB CHASSIS WHEEL BASE 6
11 = VAN WHEEL BASE 1
12 = VAN WHEEL BASE 2
51 = WAGON WHEEL BASE 1
52 = WAGON WHEEL BASE 2
14 = VAN WHEEL BASE 4
15 = VAN WHEEL BASE 5
56 = WAGON WHEEL BASE 6
16 = VAN WHEEL BASE 6
54 = WAGON WHEEL BASE 4
55 = WAGON WHEEL BASE 5

ENGINE

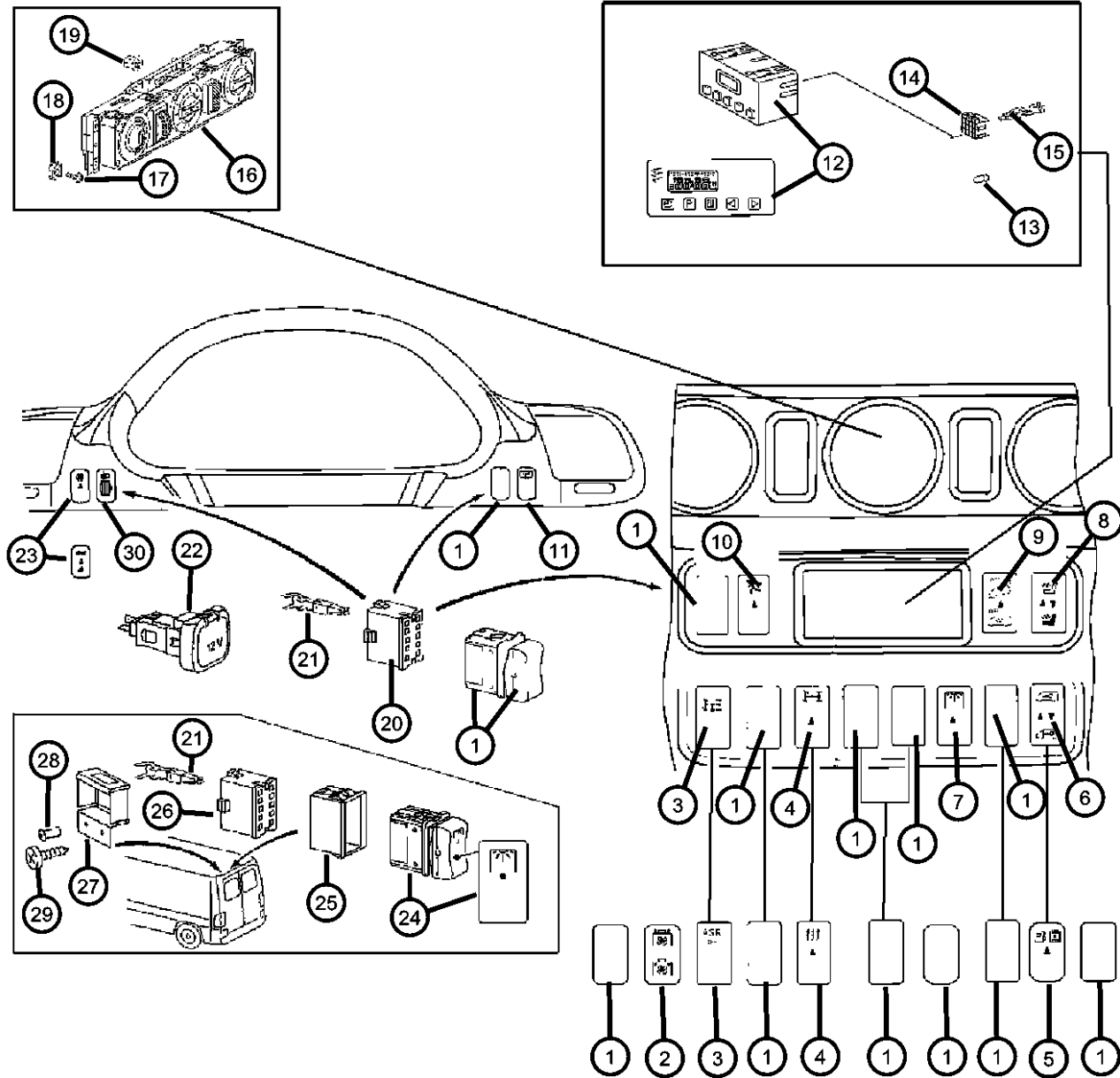
EX9 = Engine-2.7L I5
Mercedes Turbo Diesel

TRANSMISSION

DGJ = Transmission-5-Spd. Automatic, W5A580

Switches - Instrument Panel
Figure 8-805

ITEM	PART NUMBER	QTY	LINE	SERIES	BODY	ENGINE	TRANS	TRIM	DESCRIPTION
	05126271AA	2	2, 6	L	12, 14, 15, 16, 11				
		2	3, 7	L	12, 15, 16				
30	05103658AA	1	3, 7	L	12, 15, 16				SWITCH, Headlamp Leveling
		1	2, 6	L	11, 12, 14, 15, 16				
		1	2, 6	L	51, 52, 54, 55, 56				



SPRINTER (VA)

SERIES

L = LOWLINE

LINE

3 = HD DODGE 2WD
6 = Lt. Duty DODGE 4WD
2 = Med. Duty DODGE 2WD
7 = Med. Duty DODGE 4WD

BODY

01 = CHASSIS FORWARD CONTROL W.B.1
02 = CAB CHASSIS WHEEL BASE 2
06 = CAB CHASSIS WHEEL BASE 6
11 = VAN WHEEL BASE 1
12 = VAN WHEEL BASE 2
51 = WAGON WHEEL BASE 1
52 = WAGON WHEEL BASE 2
14 = VAN WHEEL BASE 4
15 = VAN WHEEL BASE 5
56 = WAGON WHEEL BASE 6
16 = VAN WHEEL BASE 6
54 = WAGON WHEEL BASE 4
55 = WAGON WHEEL BASE 5

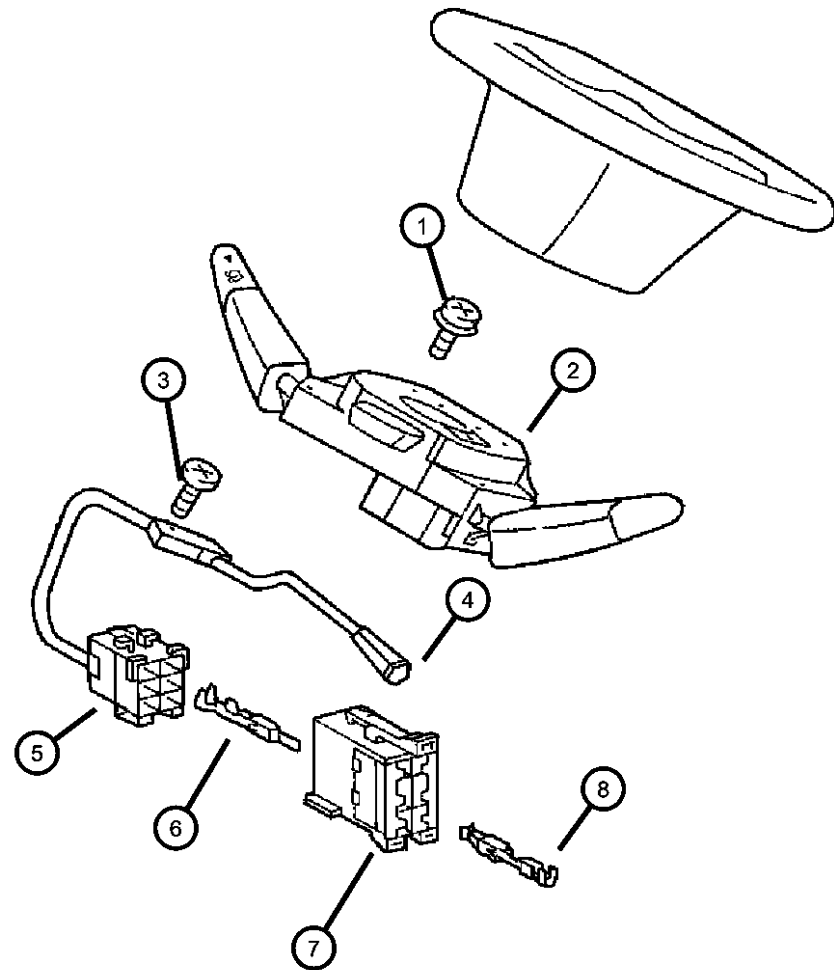
ENGINE

EX9 = Engine-2.7L I5
Mercedes Turbo Diesel

TRANSMISSION

DGJ = Transmission-5-Spd. Automatic, W5A580

**Switches -Steering Column
Figure 8-810**



ITEM	PART NUMBER	QTY	LINE	SERIES	BODY	ENGINE	TRANS	TRIM	DESCRIPTION
1	05104636AA	2	2, 6	L	11, 12, 14, 15, 16				SCREW
		2	2, 6	L	51, 52, 54, 55, 56				
		2	3, 7	L	12, 15, 16				
2	05103539AA	1	2, 6	L	11, 12, 14, 15, 16				SWITCH, Steering column [5AF]
		1	2, 6	L	51, 52, 54, 55, 56				[5AF]
	05103745AA	1	3, 7	L	12, 15, 16				[5AF]
		1	3, 7	L	12, 15, 16				[5AE]
		1		L					[5AE]
3	05126175AA	1	2, 6	L	11, 12, 14, 15, 16				SCREW
		1	2, 6	L	51, 52, 54, 55, 56				
		1	3, 7	L	12, 15, 16				
4	05103744AA	1	2, 6	L	11, 12, 14, 15, 16				SWITCH, Speed Control
		1	2, 6	L	51, 52, 54, 55, 56				
		1	3, 7	L	12, 15, 16				
5	05120792AA	1	2, 6	L	11, 12, 14, 15, 16				INSULATOR, 6 Way
		1	2, 6	L	51, 52, 54, 55, 56				
		1	3, 7	L	12, 15, 16				
6									TERMINAL, Male

SPRINTER (VA)

SERIES

L = LOWLINE
 3 = HD DODGE 2WD
 6 = Lt. Duty DODGE 4WD
 2 = Med. Duty DODGE 2WD
 7 = Med. Duty DODGE 4WD

LINE

BODY

01 = CHASSIS FORWARD CONTROL W.B.1
 02 = CAB CHASSIS WHEEL BASE 2
 06 = CAB CHASSIS WHEEL BASE 6
 11 = VAN WHEEL BASE 1
 12 = VAN WHEEL BASE 2
 51 = WAGON WHEEL BASE 1
 52 = WAGON WHEEL BASE 2
 14 = VAN WHEEL BASE 4
 15 = VAN WHEEL BASE 5
 56 = WAGON WHEEL BASE 6
 16 = VAN WHEEL BASE 6
 54 = WAGON WHEEL BASE 4
 55 = WAGON WHEEL BASE 5

ENGINE

EX9 = Engine-2.7L I5
 Mercedes Turbo Diesel

TRANSMISSION

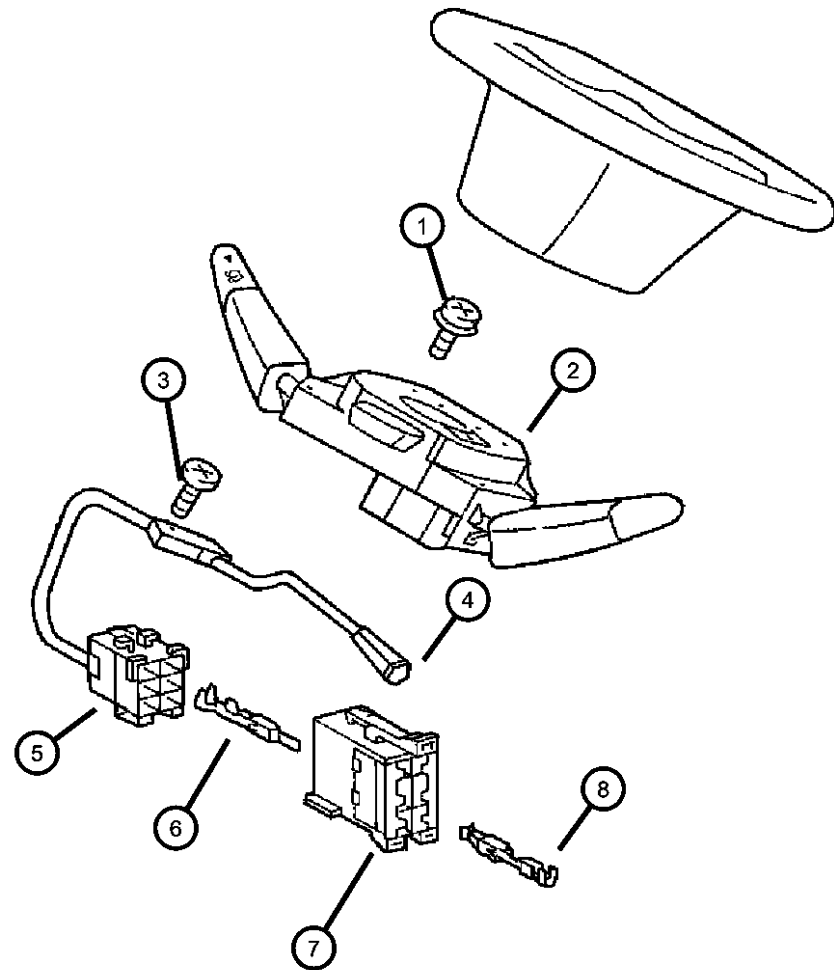
DGJ = Transmission-5-Spd. Automatic, W5A580

AR = use ase required - = Non illustrated part

2002 VA

**Switches -Steering Column
Figure 8-810**

ITEM	PART NUMBER	QTY	LINE	SERIES	BODY	ENGINE	TRANS	TRIM	DESCRIPTION
7	05133909AA	99	2, 6	L	11, 12, 14, 15, 16				CONNECTOR
		99	2, 6	L	51, 52, 54, 55, 56				
		99	3, 7	L	12, 15, 16				
8	05120786AA	1	2, 6	L	11, 12, 14, 15, 16				TERMINAL
		1	2, 6	L	51, 52, 54, 55, 56				
		1	3, 7	L	12, 15, 16				
	05133478AA	99	2, 6	L	11, 12, 14, 15, 16				TERMINAL
		99	2, 6	L	51, 52, 54, 55, 56				
		99	3, 7	L	12, 15, 16				



SPRINTER (VA)

SERIES

L = LOWLINE
 3 = HD DODGE 2WD
 6 = Lt. Duty DODGE 4WD
 2 = Med. Duty DODGE 2WD
 7 = Med. Duty DODGE 4WD

LINE

BODY

01 = CHASSIS FORWARD CONTROL W.B.1
 02 = CAB CHASSIS WHEEL BASE 2
 06 = CAB CHASSIS WHEEL BASE 6
 11 = VAN WHEEL BASE 1
 12 = VAN WHEEL BASE 2
 51 = WAGON WHEEL BASE 1
 52 = WAGON WHEEL BASE 2
 14 = VAN WHEEL BASE 4
 15 = VAN WHEEL BASE 5
 56 = WAGON WHEEL BASE 6
 16 = VAN WHEEL BASE 6
 54 = WAGON WHEEL BASE 4
 55 = WAGON WHEEL BASE 5

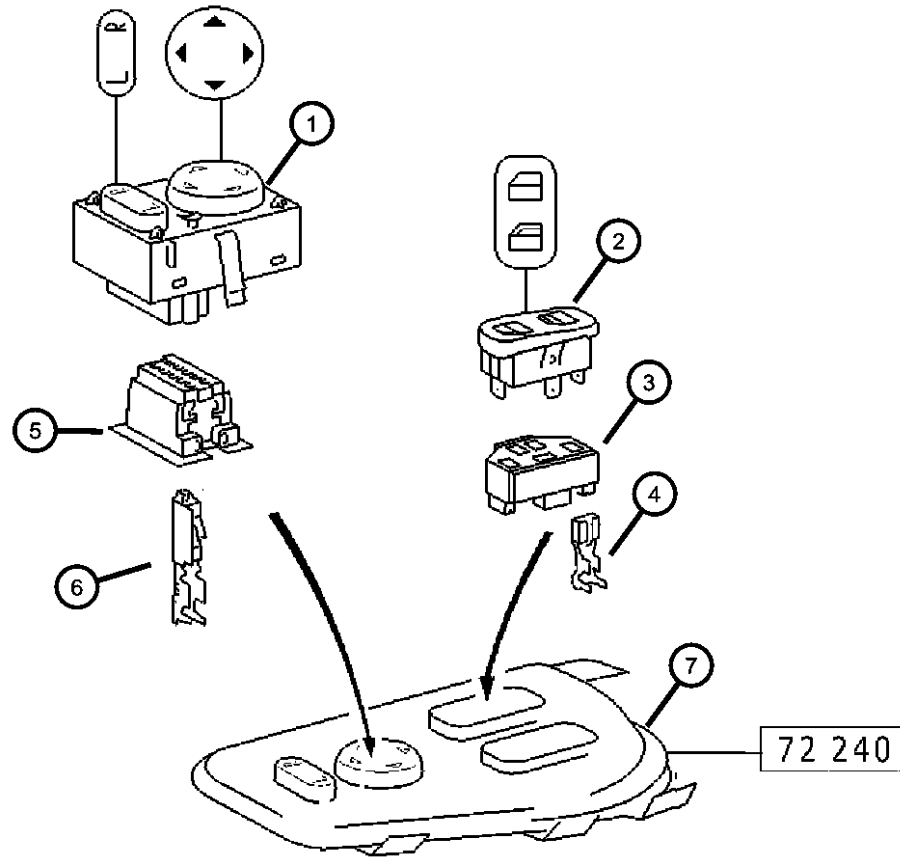
ENGINE

EX9 = Engine-2.7L I5
 Mercedes Turbo Diesel

TRANSMISSION

DGJ = Transmission-5-Spd. Automatic, W5A580

Switches - Door
Figure 8-815



ITEM	PART NUMBER	QTY	LINE	SERIES	BODY	ENGINE	TRANS	TRIM	DESCRIPTION
1	05103845AA	1	2, 6	L	11, 16, 12, 14, 15				SWITCH, Mirror
		1	2, 6	L	51, 52, 54, 55, 56				
		1	3, 7	L	12, 15, 16				
2	05103856AA	2	2, 6	L	11, 12, 14, 15, 16				SWITCH, Power Window
		2	2, 6	L	51, 52, 54, 55, 56				
		2	3, 7	L	12, 15, 16				
3	05120604AA	1	2, 6	L	11, 12, 14, 15, 16				CONNECTOR
		1	2, 6	L	51, 52, 54, 55, 56				
		1	3, 7	L	12, 15, 16				
4	05133519AA	99	2, 6	L	11, 12, 14, 15, 16				TERMINAL, Female
		99	2, 6	L	51, 52, 54, 55, 56				
		99	3, 7	L	12, 15, 16				
5	05120782AA	1	2, 6	L	11, 12, 14, 15, 16				CONNECTOR
		1	2, 6	L	51, 52, 54, 55, 56				
		1	3, 7	L	12, 15, 16				
6	05103873AA	99	2, 6	L	11, 12, 14, 15, 16				TERMINAL
		99	2, 6	L	51, 52, 54, 55, 56				

SPRINTER (VA)

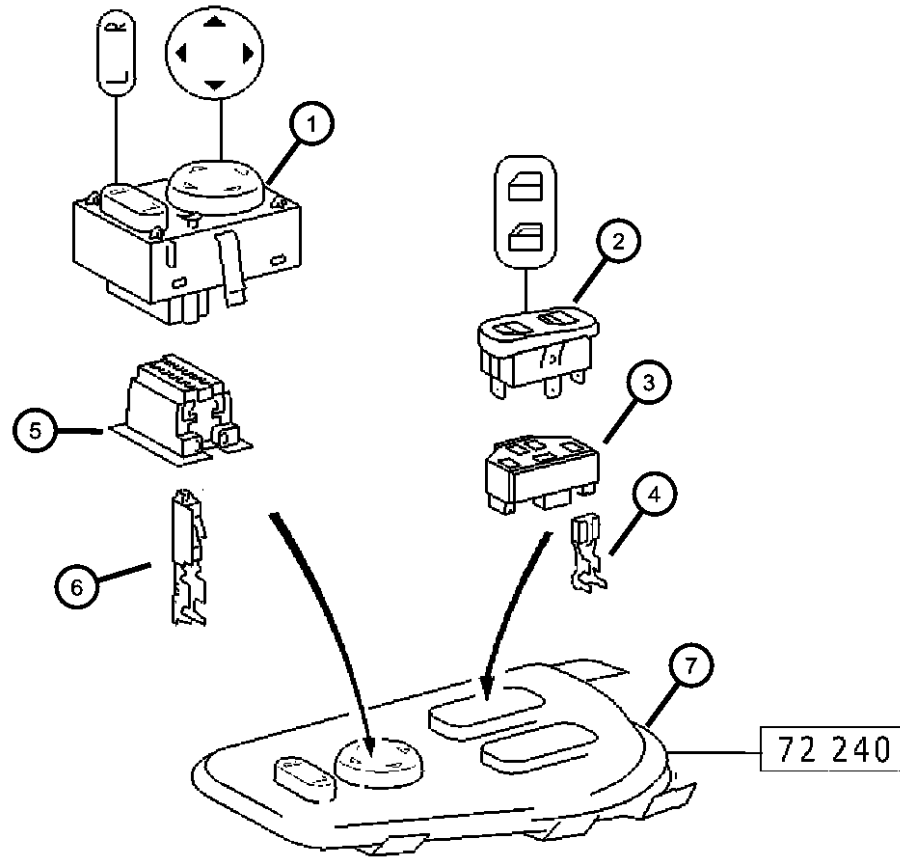
SERIES	LINE	BODY	ENGINE	TRANSMISSION
L = LOWLINE	3 = HD DODGE 2WD 6 = Lt. Duty DODGE 4WD 2 = Med. Duty DODGE 2WD 7 = Med. Duty DODGE 4WD	01 = CHASSIS FORWARD CONTROL W.B.1 02 = CAB CHASSIS WHEEL BASE 2 06 = CAB CHASSIS WHEEL BASE 6 11 = VAN WHEEL BASE 1 12 = VAN WHEEL BASE 2 51 = WAGON WHEEL BASE 1 52 = WAGON WHEEL BASE 2 14 = VAN WHEEL BASE 4 15 = VAN WHEEL BASE 5 56 = WAGON WHEEL BASE 6 16 = VAN WHEEL BASE 6 54 = WAGON WHEEL BASE 4 55 = WAGON WHEEL BASE 5	EX9 = Engine-2.7L I5 Mercedes Turbo Diesel	DGJ = Transmission-5-Spd. Automatic, W5A580

AR = use ase required - = Non illustrated part

2002 VA

Switches - Door
Figure 8-815

ITEM	PART NUMBER	QTY	LINE	SERIES	BODY	ENGINE	TRANS	TRIM	DESCRIPTION
		99	3, 7	L	12, 15, 16				
7									BEZEL, Power Window/Door Lock Switch
	05123790AA	1	2, 6	L	11, 12, 14, 15, 16				Left
		1	2, 6	L	51, 52, 54, 55, 56				Left
		1	3, 7	L	12, 15, 16				Left
	05123791AA	1	2, 6	L	11, 12, 14, 15, 16				Right
		1	2, 6	L	51, 52, 54, 55, 56				Right
		1	3, 7	L	12, 15, 16				Right



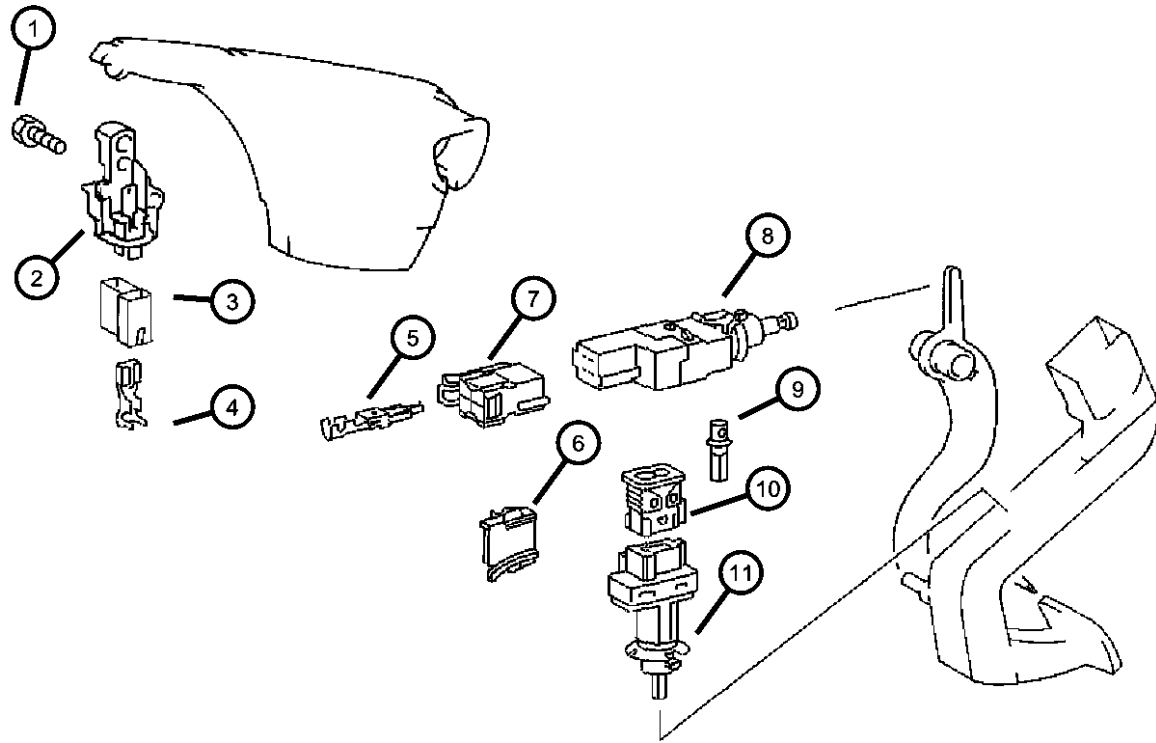
SPRINTER (VA)

SERIES	LINE	BODY	ENGINE	TRANSMISSION
L = LOWLINE	3 = HD DODGE 2WD 6 = Lt. Duty DODGE 4WD 2 = Med. Duty DODGE 2WD 7 = Med. Duty DODGE 4WD	01 = CHASSIS FORWARD CONTROL W.B.1 02 = CAB CHASSIS WHEEL BASE 2 06 = CAB CHASSIS WHEEL BASE 6 11 = VAN WHEEL BASE 1 12 = VAN WHEEL BASE 2 51 = WAGON WHEEL BASE 1 52 = WAGON WHEEL BASE 2 14 = VAN WHEEL BASE 4 15 = VAN WHEEL BASE 5 56 = WAGON WHEEL BASE 6 16 = VAN WHEEL BASE 6 54 = WAGON WHEEL BASE 4 55 = WAGON WHEEL BASE 5	EX9 = Engine-2.7L I5 Mercedes Turbo Diesel	DGJ = Transmission-5-Spd. Automatic, W5A580

AR = use ase required - = Non illustrated part

2002 VA

Switch Brake
Figure 8-820



ITEM	PART NUMBER	QTY	LINE	SERIES	BODY	ENGINE	TRANS	TRIM	DESCRIPTION
1	05126147AA	1	2, 6	L	11, 12, 14, 15, 16				SCREW
		1	2, 6	L	51, 52, 54, 55, 56				
		1	3, 7	L	12, 15, 16				
2	05103540AA	1	2, 6	L	11, 12, 14, 15, 16				SWITCH, Parking Brake
		1	2, 6	L	51, 52, 54, 55, 56				
		1	3, 7	L	12, 15, 16				
3	05103754AA	2	2, 6	L	11, 12, 14, 15, 16				INSULATOR, 2 Way Female
		2	2, 6	L	51, 52, 54, 55, 56				
		2	3, 7	L	12, 15, 16				
4	05114451AA	99	2, 6	L	11, 12, 14, 15, 16				TERMINAL, Female
		99	2, 6	L	51, 52, 54, 55, 56				
		99	3, 7	L	12, 15, 16				
5	05133979AA	99	2, 6	L	11, 12, 14, 15, 16				TERMINAL
		99	2, 6	L	51, 52, 54, 55, 56				
		99	3, 7	L	12, 15, 16				
6	05120772AA	1	2, 6	L	11, 12, 14, 15, 16				CONNECTOR
		1	2, 6	L	51, 52, 54, 55, 56				

SPRINTER (VA)

SERIES

L = LOWLINE

LINE

3 = HD DODGE 2WD
6 = Lt. Duty DODGE 4WD
2 = Med. Duty DODGE 2WD
7 = Med. Duty DODGE 4WD

BODY

01 = CHASSIS FORWARD CONTROL W.B.1
02 = CAB CHASSIS WHEEL BASE 2
06 = CAB CHASSIS WHEEL BASE 6
11 = VAN WHEEL BASE 1
12 = VAN WHEEL BASE 2
51 = WAGON WHEEL BASE 1
52 = WAGON WHEEL BASE 2
14 = VAN WHEEL BASE 4
15 = VAN WHEEL BASE 5
56 = WAGON WHEEL BASE 6
16 = VAN WHEEL BASE 6
54 = WAGON WHEEL BASE 4
55 = WAGON WHEEL BASE 5

ENGINE

EX9 = Engine-2.7L I5
Mercedes Turbo Diesel

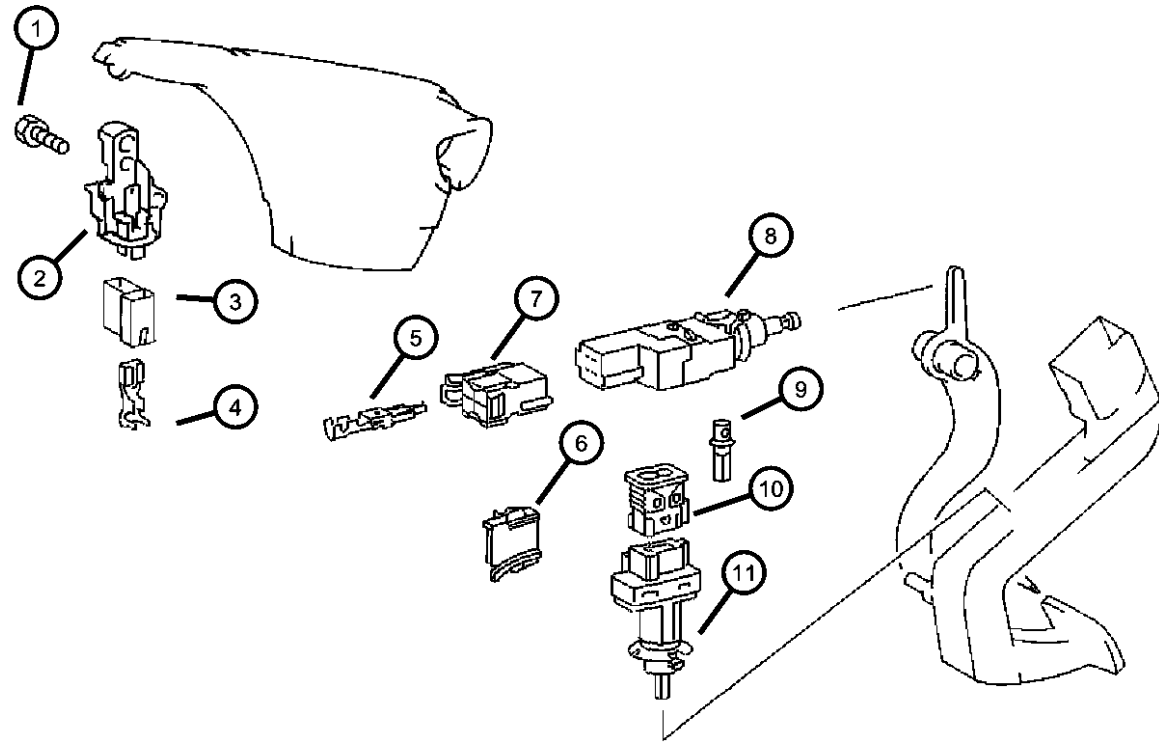
TRANSMISSION

DGJ = Transmission-5-Spd. Automatic, W5A580

AR = use ase required - = Non illustrated part

2002 VA

Switch Brake
Figure 8-820



ITEM	PART NUMBER	QTY	LINE	SERIES	BODY	ENGINE	TRANS	TRIM	DESCRIPTION
7		1	3, 7	L	12, 15, 16				INSULATOR, 4 Way
	05120776AA	1	2, 6	L	11, 12, 14, 15, 16				
		1	2, 6	L	51, 52, 54, 55, 56				
8	05101496AA	1	2, 3, 6, 7	L			DGJ		SWITCH, Stop Lamp
9		1	3, 7	L	12, 15, 16				TERMINAL
	05133478AA	99	2, 6	L	11, 12, 14, 15, 16				
		99	2, 6	L	51, 52, 54, 55, 56				
		99	3, 7	L	12, 15, 16				
10		1	2, 6	L	11, 12, 14, 15, 16				INSULATOR, 2 Way Female
	05120725AA	1	2, 6	L	11, 12, 14, 15, 16				
		1	2, 6	L	51, 52, 54, 55, 56				
		1	3, 7	L	12, 15, 16				
11		1	2, 6	L	11, 12, 14, 15, 16		DGJ		SWITCH, Clutch
	05098407AA	1	2, 6	L	11, 12, 14, 15, 16		DGJ		
		1	2, 6	L	51, 52, 54, 55, 56		DGJ		
		1	3, 7	L	12, 15, 16		DGJ		

SPRINTER (VA)

SERIES

L = LOWLINE

LINE

3 = HD DODGE 2WD
6 = Lt. Duty DODGE 4WD
2 = Med. Duty DODGE 2WD
7 = Med. Duty DODGE 4WD

BODY

01 = CHASSIS FORWARD CONTROL W.B.1
02 = CAB CHASSIS WHEEL BASE 2
06 = CAB CHASSIS WHEEL BASE 6
11 = VAN WHEEL BASE 1
12 = VAN WHEEL BASE 2
51 = WAGON WHEEL BASE 1
52 = WAGON WHEEL BASE 2
14 = VAN WHEEL BASE 4
15 = VAN WHEEL BASE 5
56 = WAGON WHEEL BASE 6
16 = VAN WHEEL BASE 6
54 = WAGON WHEEL BASE 4
55 = WAGON WHEEL BASE 5

ENGINE

EX9 = Engine-2.7L I5
Mercedes Turbo Diesel

TRANSMISSION

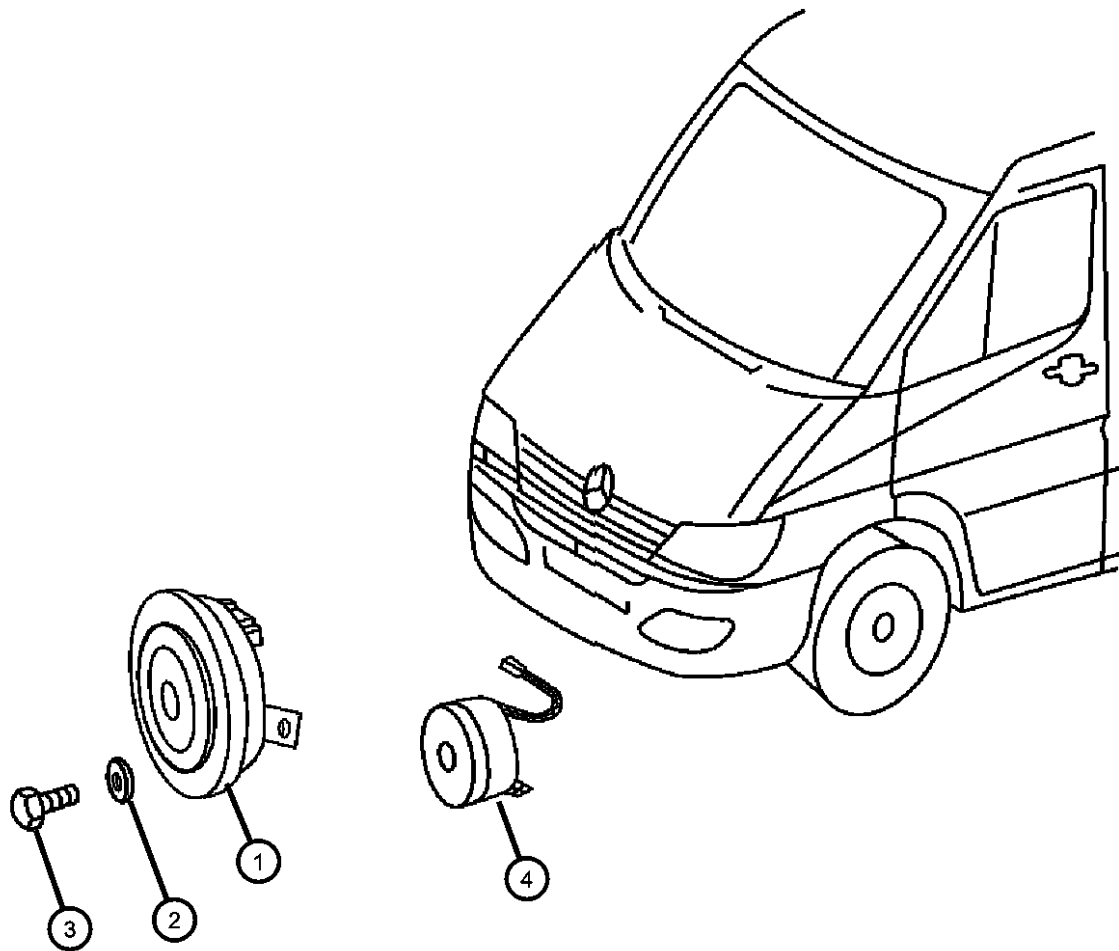
DGJ = Transmission-5-Spd. Automatic, W5A580

AR = use ase required - = Non illustrated part

2002 VA

Horns & Alarm
Figure 8-905

ITEM	PART NUMBER	QTY	LINE	SERIES	BODY	ENGINE	TRANS	TRIM	DESCRIPTION
1									HORN
	05120370AA	1	2, 6	L	11, 12, 14, 15, 16				After 06/24/02
		1	2, 6	L	51, 52, 54, 55, 56				After 06/24/02
		1	3, 7	L	12, 15, 16				After 06/24/02
	05129609AA	1	2, 6	L	11, 12, 14, 15, 16				Up to 06/24/02
		1	2, 6	L	51, 52, 54, 55, 56				Up to 06/24/02
		1	3, 7	L	12, 15, 16				Up to 06/24/02
2									LOCK WASHER
	05104669AA	1	2, 6	L	11, 12, 14, 15, 16				
		1	2, 6	L	51, 52, 54, 55, 56				
		1	3, 7	L	12, 15, 16				
3									SCREW
	06104195AA	1	2, 6	L	11, 12, 14, 15, 16				
		1	2, 6	L	51, 52, 54, 55, 56				
		1	3, 7	L	12, 15, 16				
4									ALARM
	05103852AA	1	2, 6	L	11, 12, 14, 15, 16				
		1	2, 6	L	51, 52, 54, 55, 56				
		1	3, 7	L	12, 15, 16				



SPRINTER (VA)

SERIES

L = LOWLINE
 3 = HD DODGE 2WD
 6 = Lt. Duty DODGE 4WD
 2 = Med. Duty DODGE 2WD
 7 = Med. Duty DODGE 4WD

BODY

01 = CHASSIS FORWARD CONTROL W.B.1
 02 = CAB CHASSIS WHEEL BASE 2
 06 = CAB CHASSIS WHEEL BASE 6
 11 = VAN WHEEL BASE 1
 12 = VAN WHEEL BASE 2
 51 = WAGON WHEEL BASE 1
 52 = WAGON WHEEL BASE 2
 14 = VAN WHEEL BASE 4
 15 = VAN WHEEL BASE 5
 56 = WAGON WHEEL BASE 6
 16 = VAN WHEEL BASE 6
 54 = WAGON WHEEL BASE 4
 55 = WAGON WHEEL BASE 5

ENGINE

EX9 = Engine-2.7L I5
 Mercedes Turbo Diesel

TRANSMISSION

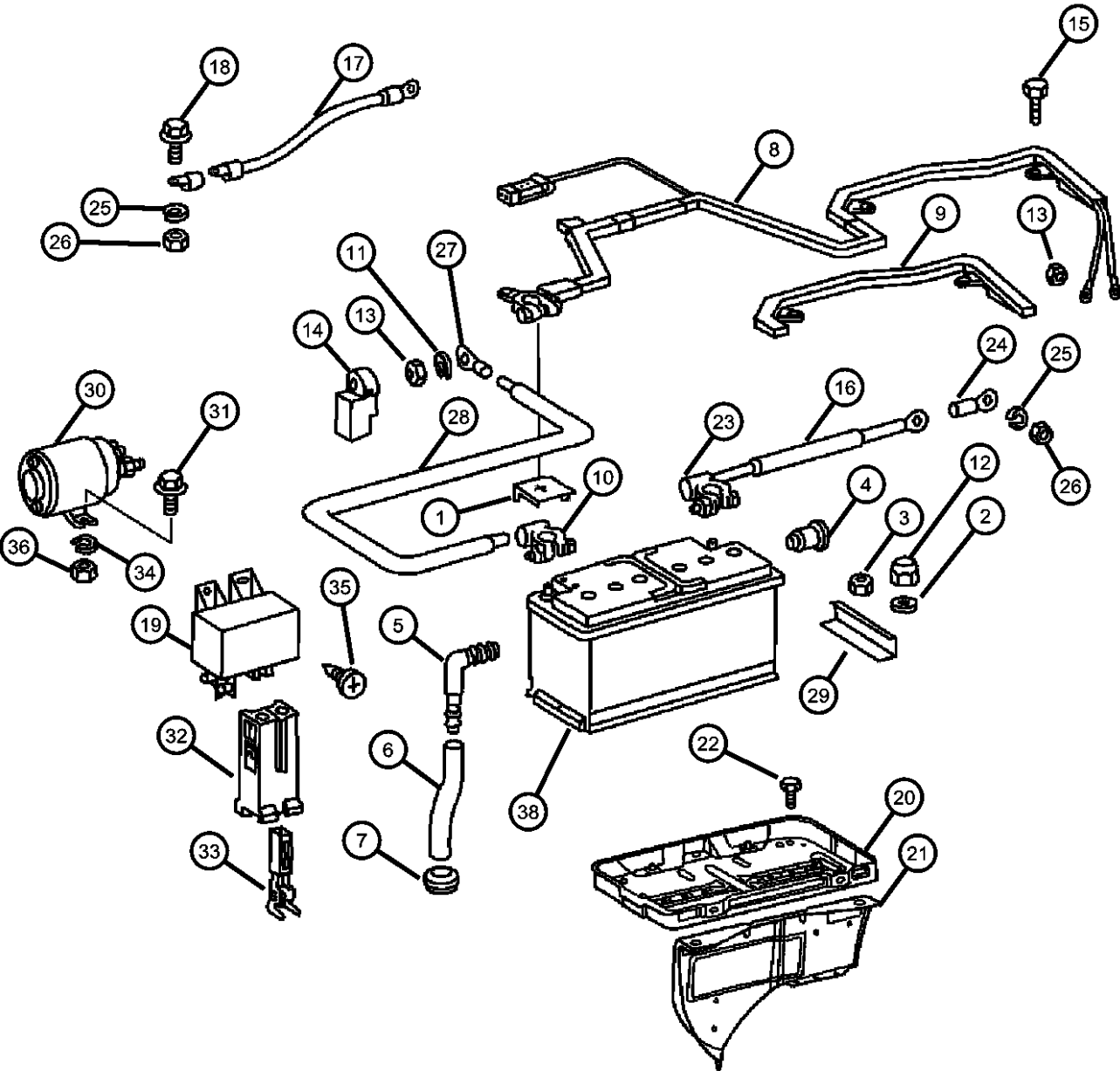
DGJ = Transmission-5-Spd. Automatic, W5A580

AR = use ase required - = Non illustrated part

2002 VA

Battery Tray & Cables

Figure 8-1005



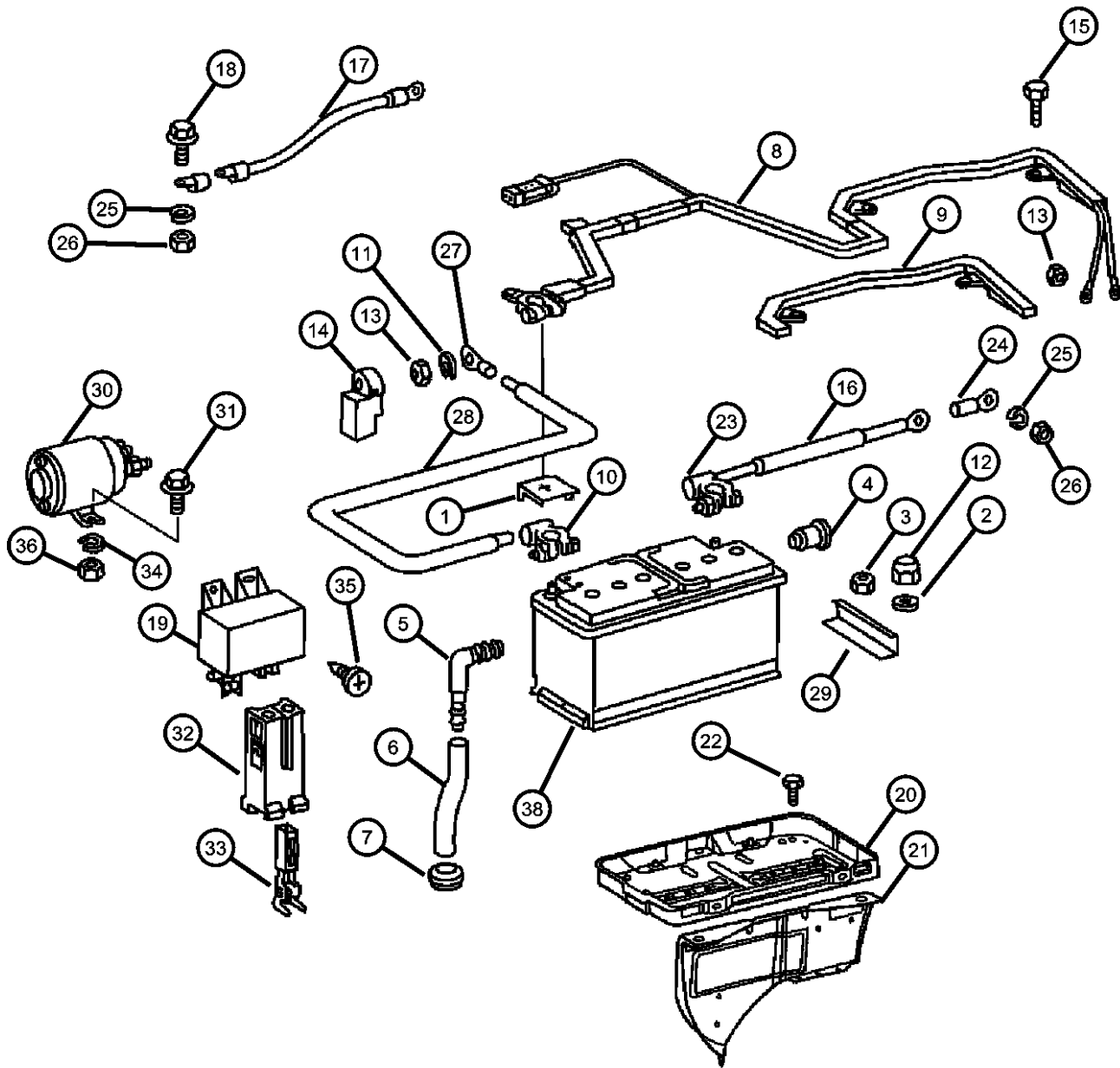
ITEM	PART NUMBER	QTY	LINE	SERIES	BODY	ENGINE	TRANS	TRIM	DESCRIPTION
1	05098850AA	1	2, 6	L	11, 12, 14, 15, 16				COVER, Battery Terminal
		1	2, 6	L	51, 52, 54, 55, 56				
		1	3, 7	L	12, 15, 16				
2	05104612AA	2	2, 6	L	56, 51, 52, 54, 55				WASHER, Flat
		2	3, 7	L	12, 15, 16				
3	05126254AA	2	2, 6	L	11, 12, 14, 15, 16				NUT
		2	2, 6	L	51, 52, 54, 55, 56				
		2	3, 7	L	12, 15, 16				
4	05099303AA	1	2, 6	L	11, 12, 14, 15, 16				PLUG
		1	2, 6	L	51, 52, 54, 55, 56				
		1	3, 7	L	12, 15, 16				
5	05125802AA	1	2, 6	L	11, 12, 14, 15, 16				ELBOW, Male Adapter
		1	2, 6	L	51, 52, 54, 55, 56				
		1	3, 7	L	12, 15, 16				
6	05125962AA	75	2, 6	L	11, 12, 14, 15, 16				HOSE, Battery Vent 10 Meters Long
		75	2, 6	L	51, 52, 54, 55, 56				10 Meters Long
		75	3, 7	L	12, 15, 16				10 Meters Long

SPRINTER (VA)

SERIES	LINE	BODY	ENGINE	TRANSMISSION
L = LOWLINE	3 = HD DODGE 2WD 6 = Lt. Duty DODGE 4WD 2 = Med. Duty DODGE 2WD 7 = Med. Duty DODGE 4WD	01 = CHASSIS FORWARD CONTROL W.B.1 02 = CAB CHASSIS WHEEL BASE 2 06 = CAB CHASSIS WHEEL BASE 6 11 = VAN WHEEL BASE 1 12 = VAN WHEEL BASE 2 51 = WAGON WHEEL BASE 1 52 = WAGON WHEEL BASE 2 14 = VAN WHEEL BASE 4 15 = VAN WHEEL BASE 5 56 = WAGON WHEEL BASE 6 16 = VAN WHEEL BASE 6 54 = WAGON WHEEL BASE 4 55 = WAGON WHEEL BASE 5	EX9 = Engine-2.7L I5 Mercedes Turbo Diesel	DGJ = Transmission-5-Spd. Automatic, W5A580

AR = use ase required - = Non illustrated part

Battery Tray & Cables
Figure 8-1005



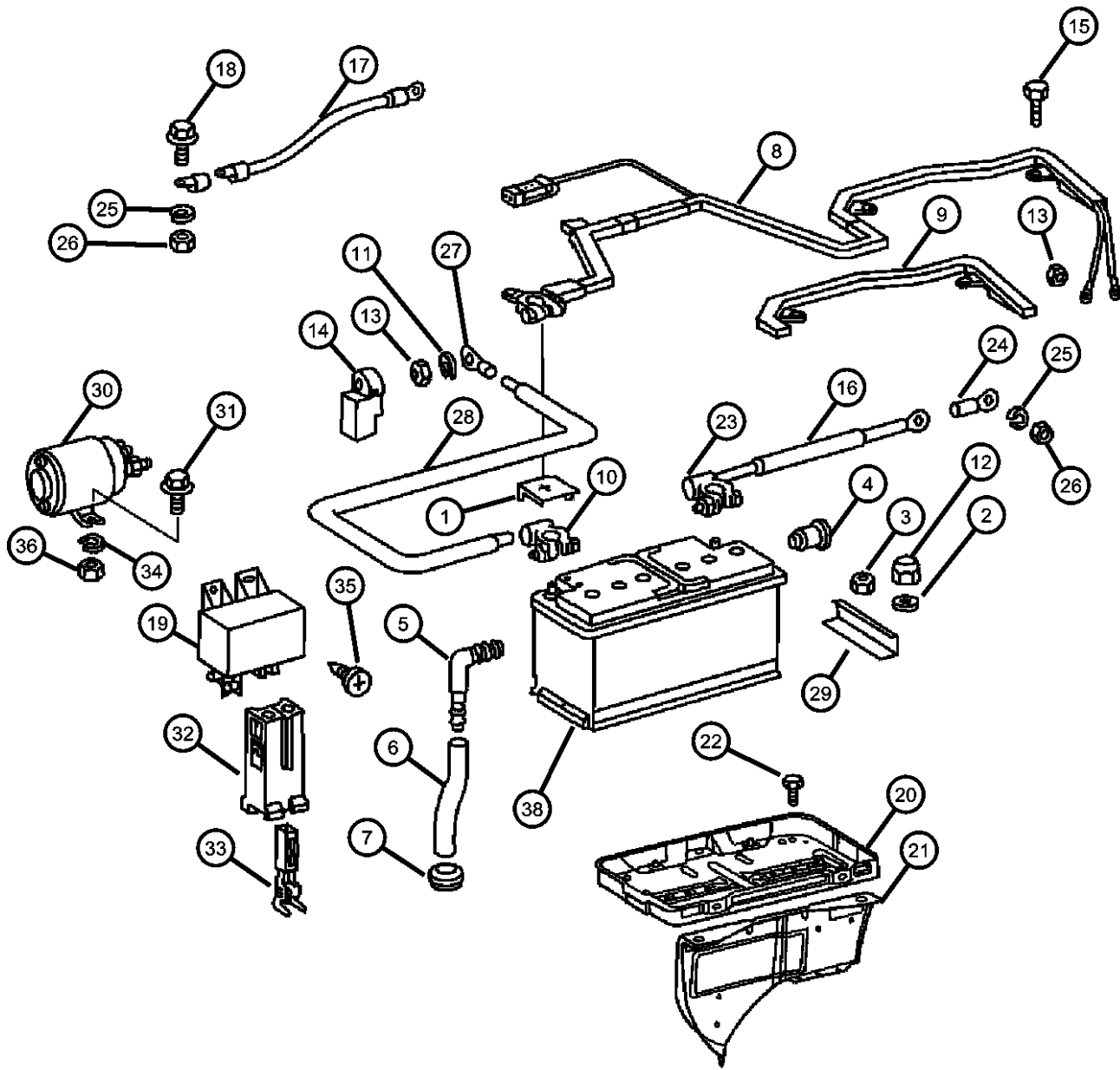
ITEM	PART NUMBER	QTY	LINE	SERIES	BODY	ENGINE	TRANS	TRIM	DESCRIPTION
7	05125940AA	1	2, 6	L	11, 12, 14, 15, 16				GROMMET, Floor
		1	2, 6	L	51, 52, 54, 55, 56				
		1	3, 7	L	12, 15, 16				
8	05120180AA	1	2, 6	L	11, 12, 14, 15, 16	EX9			CABLE, Battery Positive Without Pre-Fuse Box Connection Wiring
		1	2, 6	L	51, 52, 54, 55, 56	EX9			Without Pre-Fuse Box Connection Wiring
		1	3, 7	L	12, 15, 16	EX9			Without Pre-Fuse Box Connection Wiring
9	05120950AA	1	2, 6	L	11, 12, 14, 15, 16	EX9			COVER, Wiring Protector
		1	2, 6	L	51, 52, 54, 55, 56	EX9			
10	05120949AA	1	2, 6	L	11, 12, 14, 15, 16				TERMINAL, Battery
		1	2, 6	L	51, 52, 54, 55, 56				
		1	3, 7	L	12, 15, 16				
11	05104669AA	1	2, 6	L	11, 12, 14, 15, 16				LOCK WASHER
		1	2, 6	L	51, 52, 54, 55, 56				
		1	7, 3	L	12, 15, 16				
12	05133943AA	2	2, 6	L	11, 12, 14, 15, 16				NUT
		2	2, 6	L	51, 52, 54, 55, 56				

SPRINTER (VA)

SERIES	LINE	BODY	ENGINE	TRANSMISSION
L = LOWLINE	3 = HD DODGE 2WD 6 = Lt. Duty DODGE 4WD 2 = Med. Duty DODGE 2WD 7 = Med. Duty DODGE 4WD	01 = CHASSIS FORWARD CONTROL W.B.1 02 = CAB CHASSIS WHEEL BASE 2 06 = CAB CHASSIS WHEEL BASE 6 11 = VAN WHEEL BASE 1 12 = VAN WHEEL BASE 2 51 = WAGON WHEEL BASE 1 52 = WAGON WHEEL BASE 2 14 = VAN WHEEL BASE 4 15 = VAN WHEEL BASE 5 56 = WAGON WHEEL BASE 6 16 = VAN WHEEL BASE 6 54 = WAGON WHEEL BASE 4 55 = WAGON WHEEL BASE 5	EX9 = Engine-2.7L I5 Mercedes Turbo Diesel	DGJ = Transmission-5-Spd. Automatic, W5A580

AR = use ase required - = Non illustrated part

Battery Tray & Cables
Figure 8-1005



ITEM	PART NUMBER	QTY	LINE	SERIES	BODY	ENGINE	TRANS	TRIM	DESCRIPTION
		99	3, 7	L	12, 15, 16				
13									NUT, M8
	06104709AA	1	2, 6	L	11, 12, 14, 15, 16				
		1	2, 6	L	51, 52, 54, 55, 56				
		1	3, 7	L	12, 15, 16				
14									COVER, Battery Terminal
	05120925AA	1	2, 6	L	11, 12, 14, 15, 16				
		1	2, 6	L	51, 52, 54, 55, 56				
		1	3, 7	L	12, 15, 16				
15									SCREW
	05073824AA	2	2, 6	L	11, 12, 14, 15, 16				
		2	2, 6	L	51, 52, 54, 55, 56				
		2	3, 7	L	12, 15, 16				
16									CABLE, Battery Negative
	05120219AA	1	2, 6	L	11, 12, 14, 15, 16				
		1	2, 6	L	51, 52, 54, 55, 56				
		1	3, 7	L	12, 15, 16				
17									STRAP, Ground
	05120226AA	1	2, 6	L	11, 12, 14, 15, 16				
		1	2, 6	L	51, 52, 54, 55, 56				
		1	3, 7	L	12, 15, 16				
18									BOLT

SPRINTER (VA)

SERIES

L = LOWLINE
 3 = HD DODGE 2WD
 6 = Lt. Duty DODGE 4WD
 2 = Med. Duty DODGE 2WD
 7 = Med. Duty DODGE 4WD

BODY

01 = CHASSIS FORWARD CONTROL W.B.1
 02 = CAB CHASSIS WHEEL BASE 2
 06 = CAB CHASSIS WHEEL BASE 6
 11 = VAN WHEEL BASE 1
 12 = VAN WHEEL BASE 2
 51 = WAGON WHEEL BASE 1
 52 = WAGON WHEEL BASE 2
 14 = VAN WHEEL BASE 4
 15 = VAN WHEEL BASE 5
 56 = WAGON WHEEL BASE 6
 16 = VAN WHEEL BASE 6
 54 = WAGON WHEEL BASE 4
 55 = WAGON WHEEL BASE 5

ENGINE

EX9 = Engine-2.7L I5
 Mercedes Turbo Diesel

TRANSMISSION

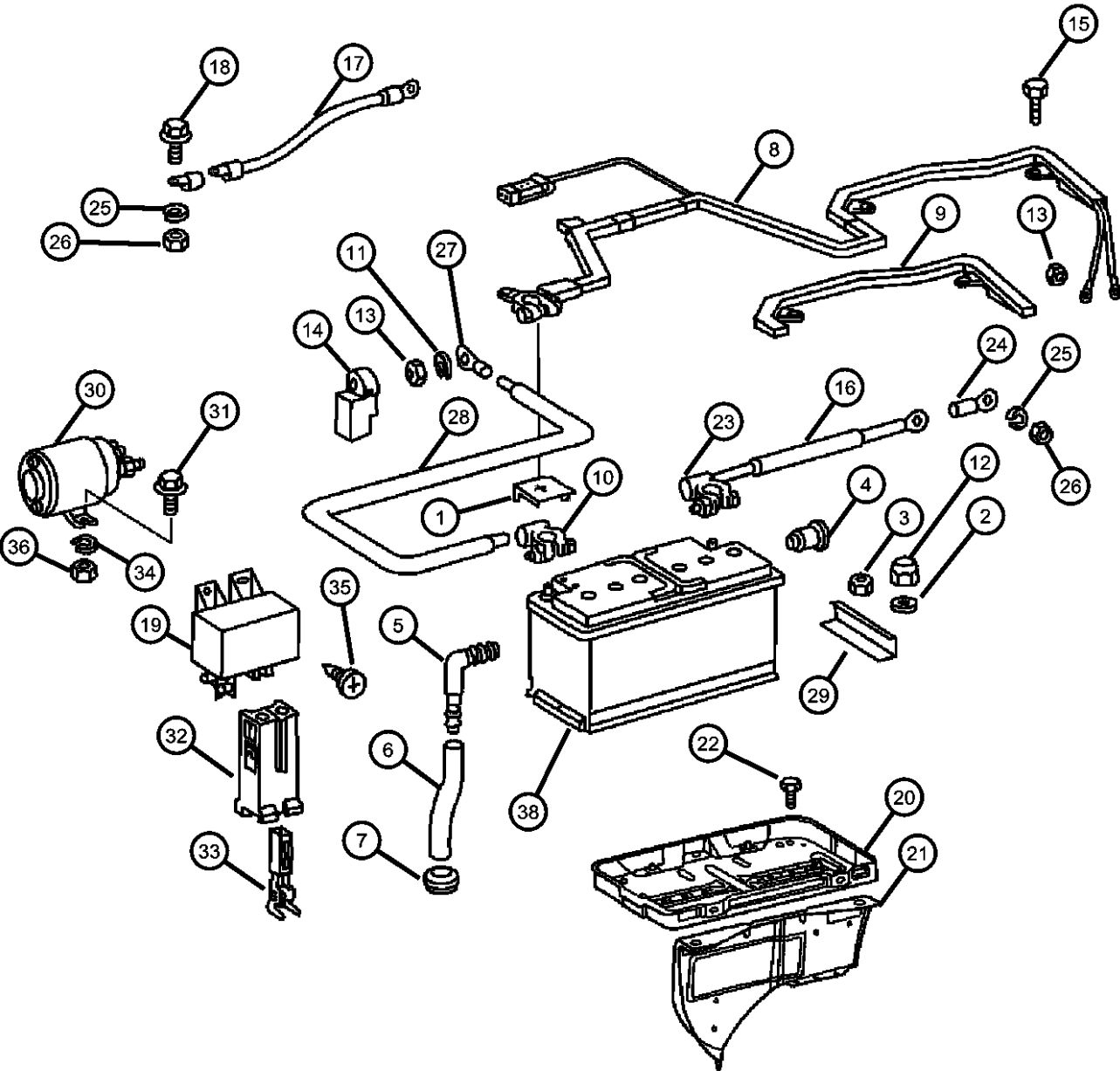
DGJ = Transmission-5-Spd. Automatic, W5A580

AR = use ase required - = Non illustrated part

2002 VA

Battery Tray & Cables

Figure 8-1005



ITEM	PART NUMBER	QTY	LINE	SERIES	BODY	ENGINE	TRANS	TRIM	DESCRIPTION
	05126259AA	1	2, 6	L	11, 12, 14, 15, 16				Ground Cable to Fire Wall
		1	2, 6	L	51, 52, 54, 55, 56				Ground Cable to Fire Wall
		1	3, 7	L	12, 15, 16				Ground Cable to Fire Wall
	05126260AA	1	2, 6	L	11, 12, 14, 15, 16				Ground Cable to Body
		1	2, 6	L	51, 52, 54, 55, 56				Ground Cable to Body
		1	3, 7	L	12, 15, 16				Ground Cable to Body
19									RELAY
	05120361AA	1	2, 6	L	11, 12, 14, 15, 16				
		1	2, 6	L	51, 52, 54, 55, 56				
		1	3, 7	L	12, 15, 16				
20									TRAY, Battery
	05125223AA	1	2, 6	L	11, 12, 14, 15, 16				
	0VU01205								Repair Battery Terminal End Top Post (Ten Per Box)
	0VU01207								Repair Battery Terminal End Side Post (Ten Per Box)
	BA049850EX								Mopar Power Pro 6
		1	2, 6	L	51, 52, 54, 55, 56				
	0VU01205								Repair Battery Terminal End Top Post (Ten Per Box)
	0VU01207								Repair Battery Terminal End Side Post (Ten Per Box)
	BA049850EX								Mopar Power Pro 6
		1	3, 7	L	12, 15, 16				
	0VU01205								Repair Battery Terminal End Top Post (Ten Per Box)

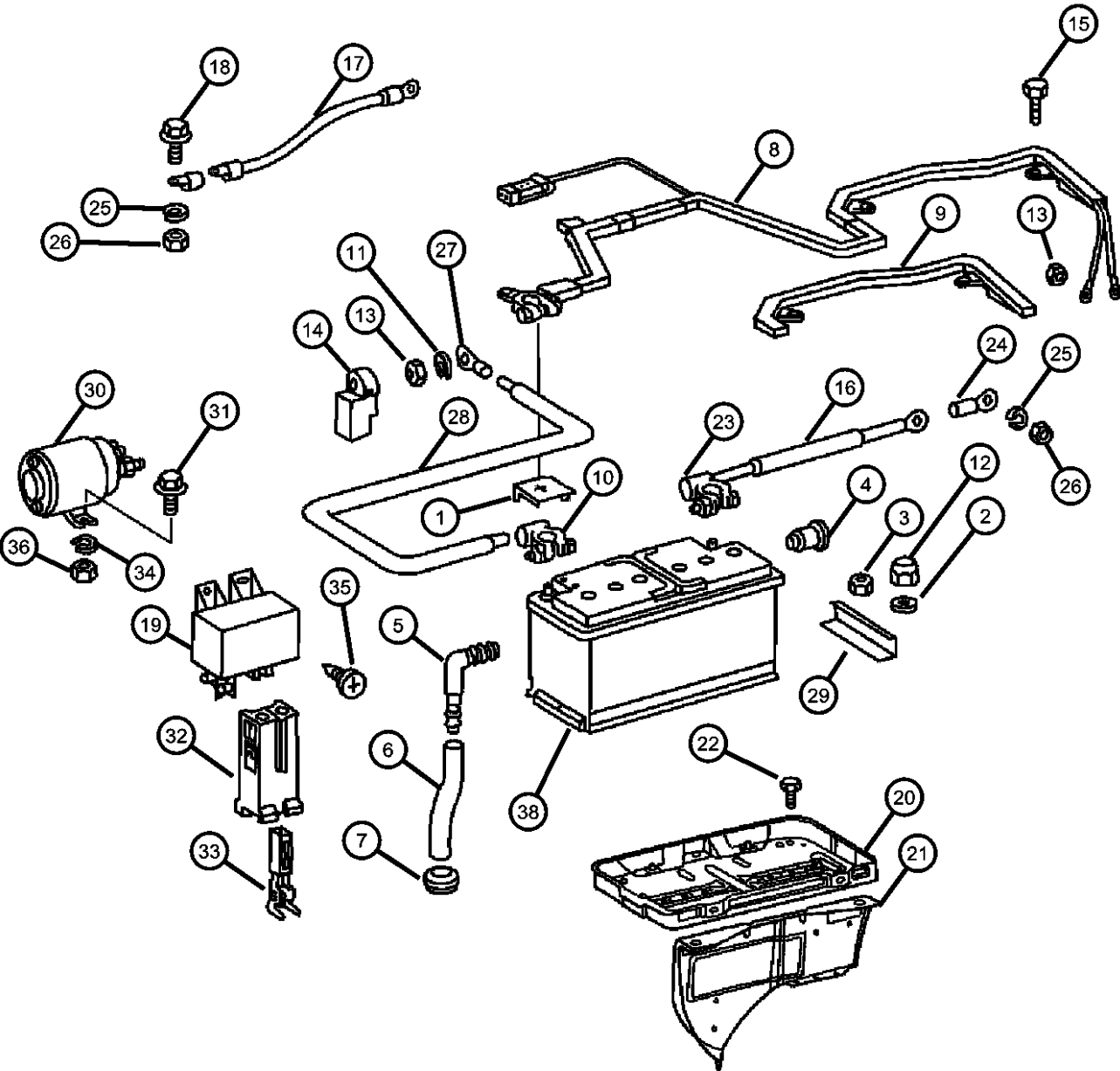
SPRINTER (VA)

SERIES	LINE	BODY	ENGINE	TRANSMISSION
L = LOWLINE	3 = HD DODGE 2WD 6 = Lt. Duty DODGE 4WD 2 = Med. Duty DODGE 2WD 7 = Med. Duty DODGE 4WD	01 = CHASSIS FORWARD CONTROL W.B.1 02 = CAB CHASSIS WHEEL BASE 2 06 = CAB CHASSIS WHEEL BASE 6 11 = VAN WHEEL BASE 1 12 = VAN WHEEL BASE 2 51 = WAGON WHEEL BASE 1 52 = WAGON WHEEL BASE 2 14 = VAN WHEEL BASE 4 15 = VAN WHEEL BASE 5 56 = WAGON WHEEL BASE 6 16 = VAN WHEEL BASE 6 54 = WAGON WHEEL BASE 4 55 = WAGON WHEEL BASE 5	EX9 = Engine-2.7L I5 Mercedes Turbo Diesel	DGJ = Transmission-5-Spd. Automatic, W5A580

AR = use ase required - = Non illustrated part

Battery Tray & Cables

Figure 8-1005



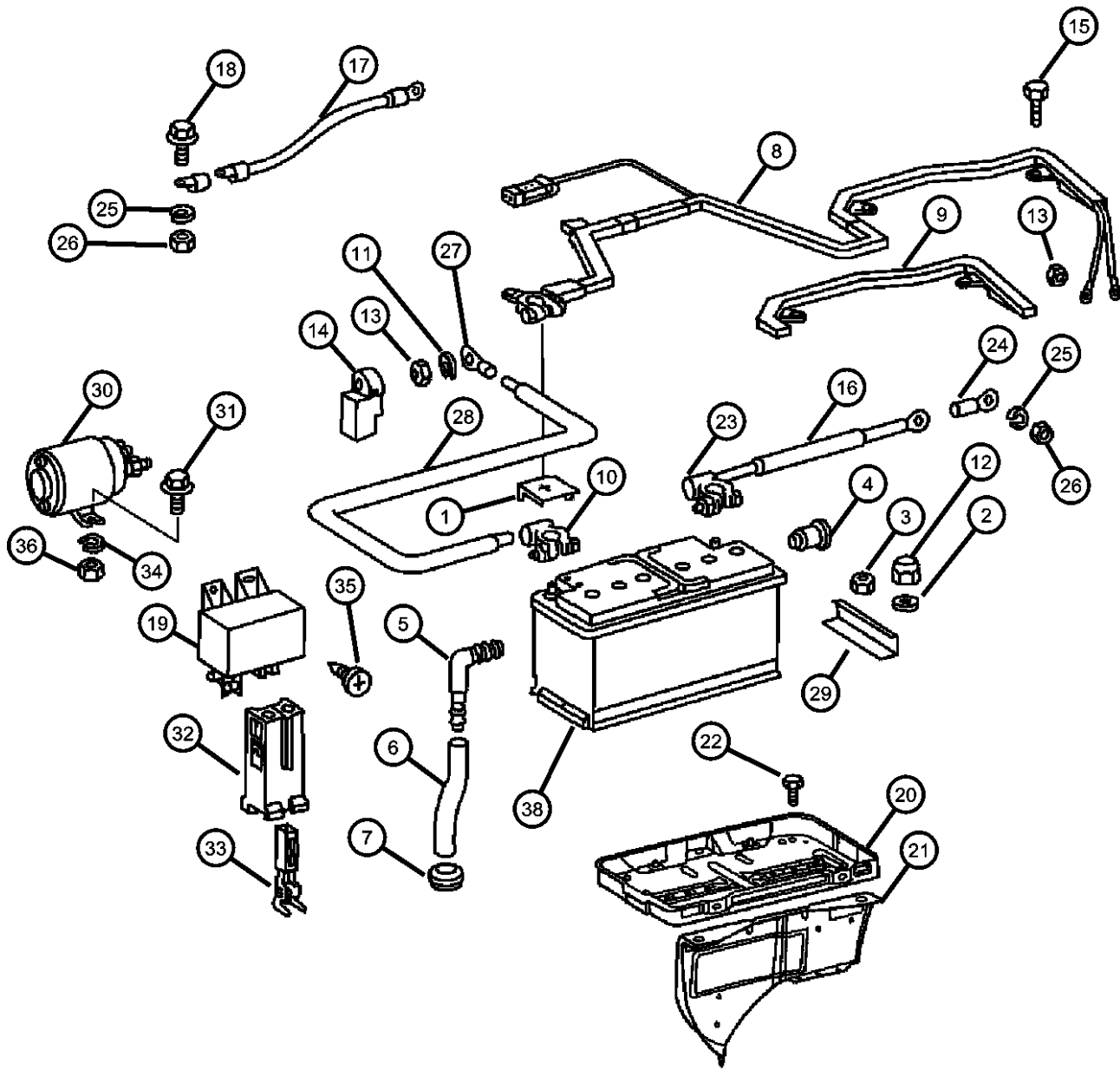
ITEM	PART NUMBER	QTY	LINE	SERIES	BODY	ENGINE	TRANS	TRIM	DESCRIPTION
	0VU01207								Repair Battery Terminal End Side Post (Ten Per Box)
	BA049850EX								Mopar Power Pro 6
21									BRACKET, Battery Tray
	05104157AA	1	2, 6	L	11, 12, 14, 15, 16				
		1	2, 6	L	51, 52, 54, 55, 56				
		1	3, 7	L	12, 15, 16				
22									BOLT, Hex Head
	05126227AA	2	2, 6	L	11, 12, 14, 15, 16				
		2	2, 6	L	51, 52, 54, 55, 56				
		2	3, 7	L	12, 15, 16				
23									TERMINAL, Battery
	05129657AA	1	2, 6	L	51, 52, 54, 55, 56				[BC1]
		1	3, 7	L	12, 15, 16				[BC1]
	05133952AA	1	2, 6	L	11, 12, 14, 15, 16				
		1	2, 6	L	51, 52, 54, 55, 56				
		1	3, 7	L	12, 15, 16				
		1	2, 6	L	11, 12, 14, 15, 16				[BC1]
24									TERMINAL, Eyelet
	05133953AA	1	2, 6	L	11, 12, 14, 15, 16				
		1	2, 6	L	51, 52, 54, 55, 56				
		1	3, 7	L	12, 15, 16				
25									LOCK WASHER

SPRINTER (VA)

SERIES	LINE	BODY	ENGINE	TRANSMISSION
L = LOWLINE	3 = HD DODGE 2WD 6 = Lt. Duty DODGE 4WD 2 = Med. Duty DODGE 2WD 7 = Med. Duty DODGE 4WD	01 = CHASSIS FORWARD CONTROL W.B.1 02 = CAB CHASSIS WHEEL BASE 2 06 = CAB CHASSIS WHEEL BASE 6 11 = VAN WHEEL BASE 1 12 = VAN WHEEL BASE 2 51 = WAGON WHEEL BASE 1 52 = WAGON WHEEL BASE 2 14 = VAN WHEEL BASE 4 15 = VAN WHEEL BASE 5 56 = WAGON WHEEL BASE 6 16 = VAN WHEEL BASE 6 54 = WAGON WHEEL BASE 4 55 = WAGON WHEEL BASE 5	EX9 = Engine-2.7L I5 Mercedes Turbo Diesel	DGJ = Transmission-5-Spd. Automatic, W5A580

AR = use ase required - = Non illustrated part

Battery Tray & Cables
Figure 8-1005



ITEM	PART NUMBER	QTY	LINE	SERIES	BODY	ENGINE	TRANS	TRIM	DESCRIPTION
	05104669AA	1	2, 6	L	11, 12, 14, 15, 16				
		1	2, 6	L	51, 52, 54, 55, 56				
		1	3, 7	L	12, 15, 16				
26	05126206AA	1	2, 6	L	11, 12, 14, 15, 16				NUT
		1	2, 6	L	51, 52, 54, 55, 56				
		1	3, 7	L	12, 15, 16				
27	05133950AA	1	2, 6	L	11, 12, 14, 15, 16				TERMINAL
		1	3, 7	L	12, 15, 16				
28	05133949AA	900	2, 6	L	11, 12, 14, 15, 16				CABLE, Battery Positive 10 Meters Long
		900	2, 6	L	51, 52, 54, 55, 56				10 Meters Long
		900	3, 7	L	12, 15, 16				10 Meters Long
29	05121607AA	2	6, 2	L	11, 12, 14, 15, 16				RAIL
		2	2, 6	L	51, 52, 54, 55, 56				
		2	3, 7	L	12, 15, 16				
30	05133946AA	1	3, 7	L	12, 15, 16				RELAY
		1	2, 6	L	11, 12, 14, 15, 16				
		1	2, 6	L	51, 52, 54, 55, 56				

SPRINTER (VA)

SERIES

L = LOWLINE

LINE

3 = HD DODGE 2WD
6 = Lt. Duty DODGE 4WD
2 = Med. Duty DODGE 2WD
7 = Med. Duty DODGE 4WD

BODY

01 = CHASSIS FORWARD CONTROL W.B.1
02 = CAB CHASSIS WHEEL BASE 2
06 = CAB CHASSIS WHEEL BASE 6
11 = VAN WHEEL BASE 1
12 = VAN WHEEL BASE 2
51 = WAGON WHEEL BASE 1
52 = WAGON WHEEL BASE 2
14 = VAN WHEEL BASE 4
15 = VAN WHEEL BASE 5
56 = WAGON WHEEL BASE 6
16 = VAN WHEEL BASE 6
54 = WAGON WHEEL BASE 4
55 = WAGON WHEEL BASE 5

ENGINE

EX9 = Engine-2.7L I5
Mercedes Turbo Diesel

TRANSMISSION

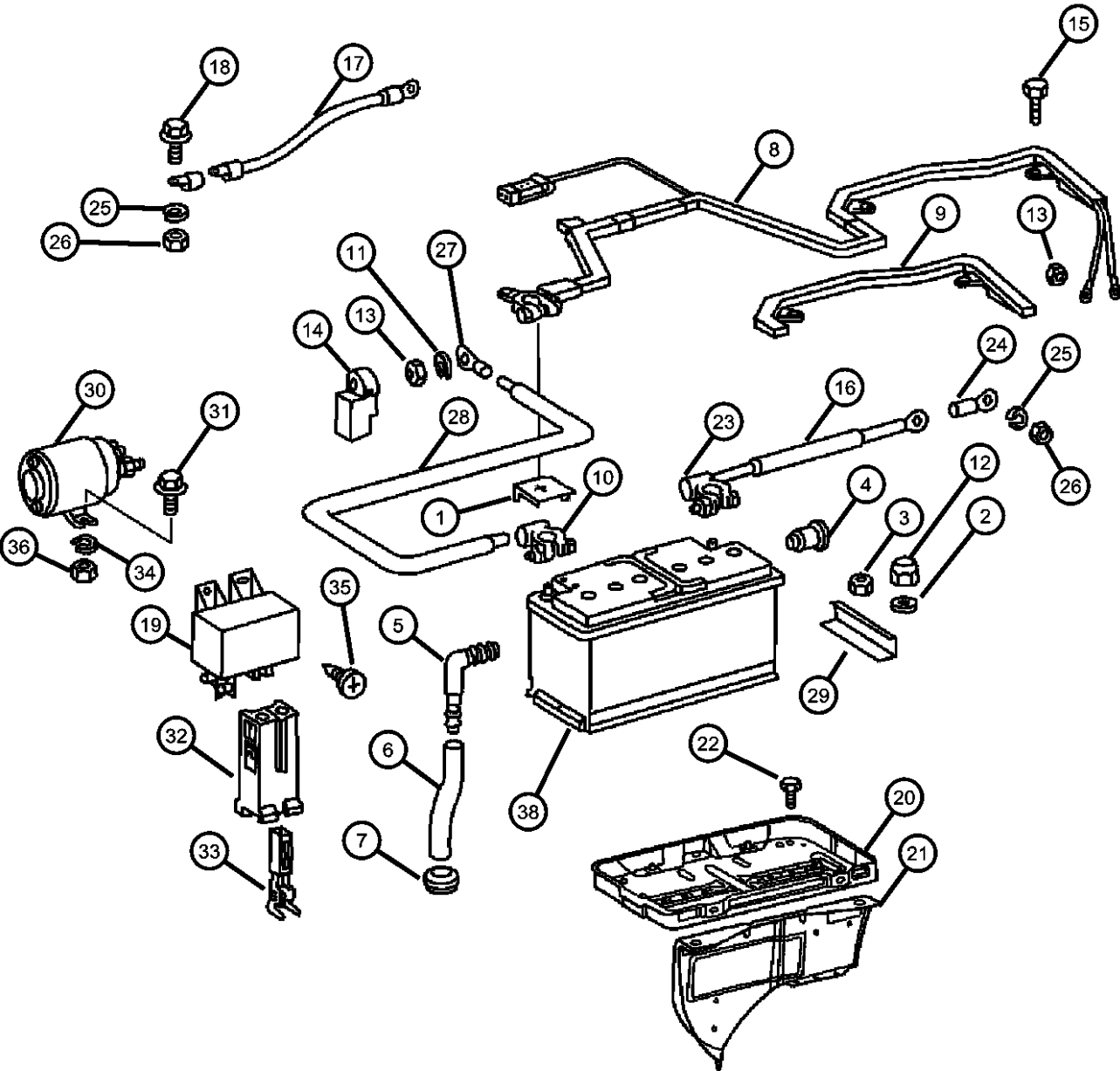
DGJ = Transmission-5-Spd. Automatic, W5A580

AR = use ase required - = Non illustrated part

2002 VA

Battery Tray & Cables

Figure 8-1005



ITEM	PART NUMBER	QTY	LINE	SERIES	BODY	ENGINE	TRANS	TRIM	DESCRIPTION
31	05133947AA	2	2, 6	L	11, 12, 14, 15, 16				BOLT
		2	2, 6	L	51, 52, 54, 55, 56				
		2	3, 7	L	12, 15, 16				
32	05133944AA	1	2, 6	L	11, 12, 14, 15, 16				CONNECTOR
		1	2, 6	L	51, 52, 54, 55, 56				
		1	3, 7	L	12, 15, 16				
33	05133945AA	1	2, 6	L	11, 12, 14, 15, 16				TERMINAL
		1	2, 6	L	51, 52, 54, 55, 56				
		2	3, 7	L	12, 15, 16				
34	05104668AA	2	3, 7	L	12, 15, 16				WASHER, Lock
		2	2, 6	L	11, 12, 14, 15, 16				
		2	2, 6	L	51, 52, 54, 55, 56				
35	05104609AA	2	2, 6	L	11, 12, 14, 15, 16				SCREW
		2	2, 6	L	51, 52, 54, 55, 56				
		2	3, 7	L	12, 15, 16				
36	05133948AA	2	2, 6	L	11, 12, 14, 15, 16				NUT, Hex

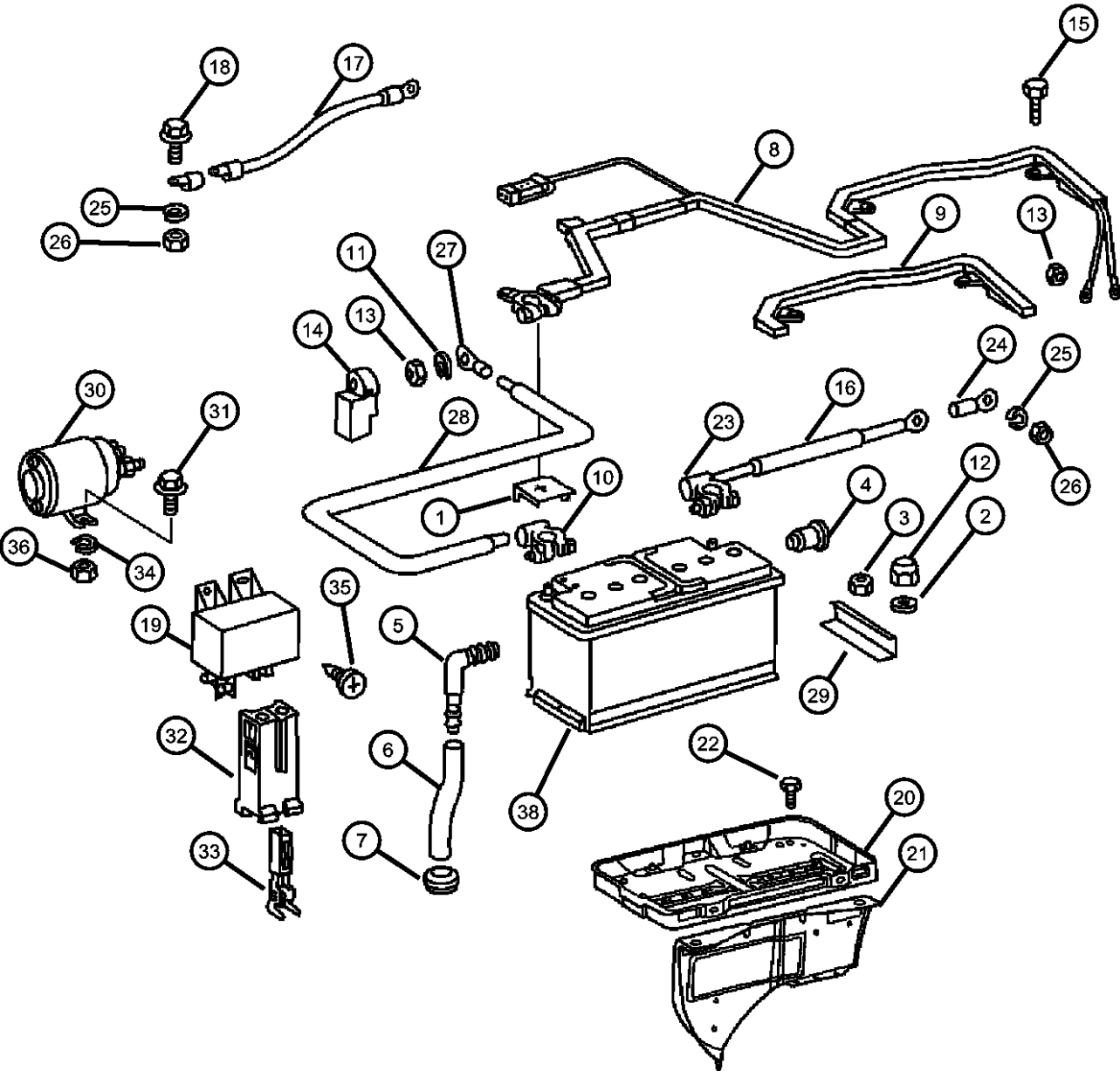
SPRINTER (VA)

SERIES	LINE	BODY	ENGINE	TRANSMISSION
L = LOWLINE	3 = HD DODGE 2WD 6 = Lt. Duty DODGE 4WD 2 = Med. Duty DODGE 2WD 7 = Med. Duty DODGE 4WD	01 = CHASSIS FORWARD CONTROL W.B.1 02 = CAB CHASSIS WHEEL BASE 2 06 = CAB CHASSIS WHEEL BASE 6 11 = VAN WHEEL BASE 1 12 = VAN WHEEL BASE 2 51 = WAGON WHEEL BASE 1 52 = WAGON WHEEL BASE 2 14 = VAN WHEEL BASE 4 15 = VAN WHEEL BASE 5 56 = WAGON WHEEL BASE 6 16 = VAN WHEEL BASE 6 54 = WAGON WHEEL BASE 4 55 = WAGON WHEEL BASE 5	EX9 = Engine-2.7L I5 Mercedes Turbo Diesel	DGJ = Transmission-5-Spd. Automatic, W5A580

AR = use ase required - = Non illustrated part

Battery Tray & Cables

Figure 8-1005



ITEM	PART NUMBER	QTY	LINE	SERIES	BODY	ENGINE	TRANS	TRIM	DESCRIPTION
		2	2, 6	L	51, 52, 54, 55, 56				
		2	3, 7	L	12, 15, 16				
-37	05135855AA	1		L					HEATER, Engine Block
38	05133941AA	1	2, 6	L	11, 12, 14, 15, 16				BATTERY [BC1] Under seat
	BB049850AA	1	2, 6	L	51, 52, 54, 55, 56				Mopar Replacement Battery (72 Series) [BC1] Under seat
	BB049850AA	1	2, 6	L	51, 52, 54, 55, 56				Mopar Replacement Battery (72 Series)
	BA049850EX	1	3, 7	L	12, 15, 16	EX9			[BC1] Under seat
	BB049850AA	1	3, 7	L	12, 15, 16				Mopar Replacement Battery (72 Series)
		1	2, 6	L	11, 12, 14, 15, 16	EX9			
		1	2, 6	L	51, 52, 54, 55, 56	EX9			

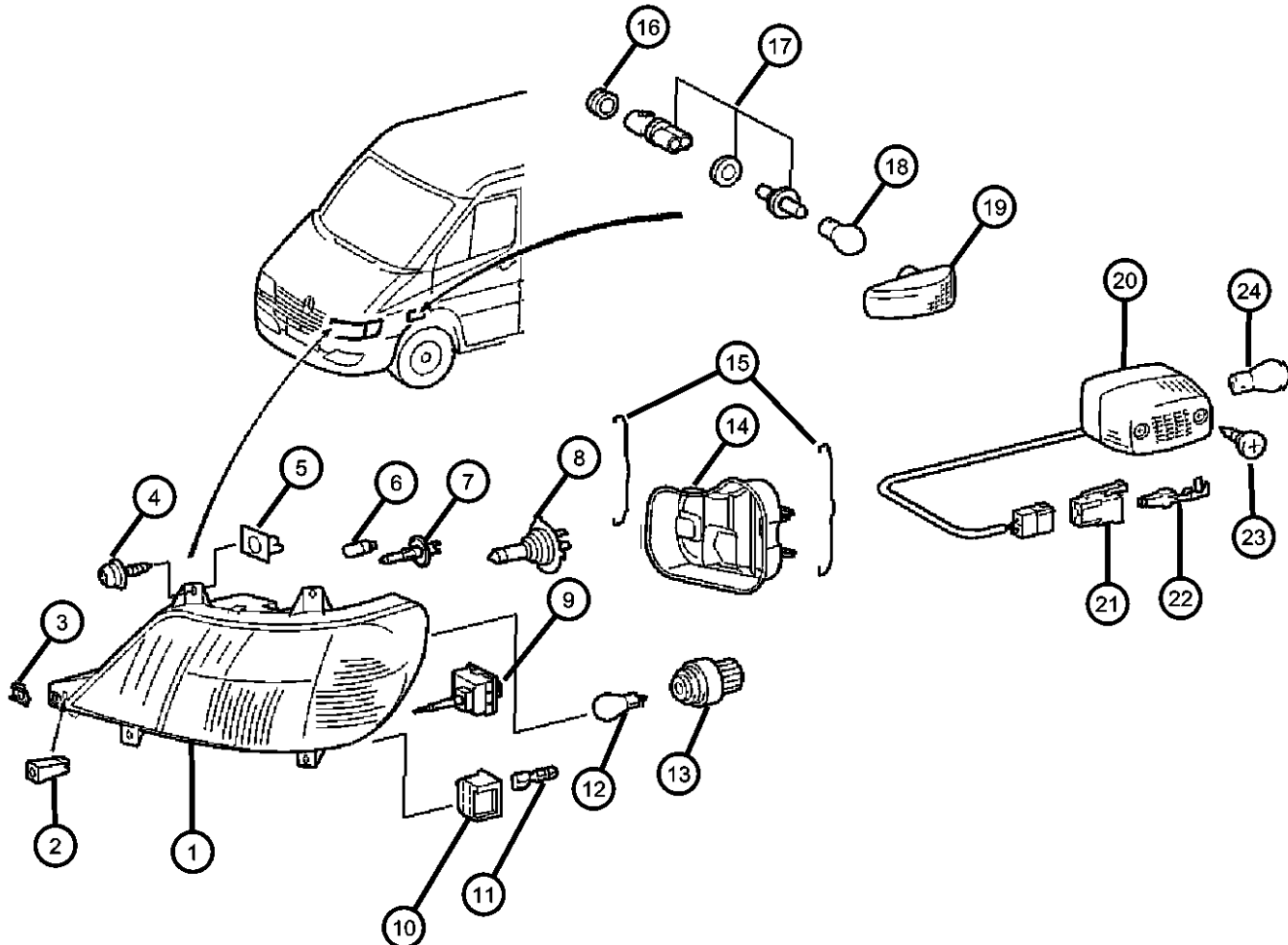
SPRINTER (VA)

SERIES	LINE	BODY	ENGINE	TRANSMISSION
L = LOWLINE	3 = HD DODGE 2WD 6 = Lt. Duty DODGE 4WD 2 = Med. Duty DODGE 2WD 7 = Med. Duty DODGE 4WD	01 = CHASSIS FORWARD CONTROL W.B.1 02 = CAB CHASSIS WHEEL BASE 2 06 = CAB CHASSIS WHEEL BASE 6 11 = VAN WHEEL BASE 1 12 = VAN WHEEL BASE 2 51 = WAGON WHEEL BASE 1 52 = WAGON WHEEL BASE 2 14 = VAN WHEEL BASE 4 15 = VAN WHEEL BASE 5 56 = WAGON WHEEL BASE 6 16 = VAN WHEEL BASE 6 54 = WAGON WHEEL BASE 4 55 = WAGON WHEEL BASE 5	EX9 = Engine-2.7L I5 Mercedes Turbo Diesel	DGJ = Transmission-5-Spd. Automatic, W5A580

AR = use ase required - = Non illustrated part

Lamps - Front End
Figure 8-1105

ITEM	PART NUMBER	QTY	LINE	SERIES	BODY	ENGINE	TRANS	TRIM	DESCRIPTION
1									LAMP, Headlamp Park And Turn
	05103598AA	1	2, 6	L	11, 12, 14, 15, 16				[4XS], Left
		1	2, 6	L	51, 52, 54, 55, 56				[4XS], Left
		1	3, 7	L	12, 15, 16				[4XS], Left
	05103599AA	1	2, 6	L	11, 12, 14, 15, 16				[4XS], Right
		1	2, 6	L	51, 52, 54, 55, 56				[4XS], Right
		1	3, 7	L	12, 15, 16				[4XS], Right
	05104469AA	1	2, 6	L	11, 12, 14, 15, 16				[LNJ] [4XS], Right
		1	2, 6	L	51, 52, 54, 55, 56				[LNJ] [4XS], Right
		1	3, 7	L	12, 15, 16				[LNJ] [4XS], Right
	05124503AA	1	2, 6	L	11, 12, 14, 15, 16				[LNJ], Left
		1	2, 6	L	51, 52, 54, 55, 56				[LNJ], Left
		1	3, 7	L	12, 15, 16				[LNJ], Left
	05124505AA	1	2, 6	L	11, 12, 14, 15, 16				[LNJ], Right
		1	2, 6	L	51, 52, 54, 55, 56				[LNJ], Right
		1	3, 7	L	12, 15, 16				[LNJ], Right
	05124510AA	1	2, 6	L	11, 12, 14, 15, 16				[LNJ] [4XS], Left
		1	2, 6	L	51, 52, 54, 55, 56				[LNJ] [4XS], Left
		1	3, 7	L	12, 15, 16				[LNJ] [4XS], Left
	05124513AA	1	2, 6	L	11, 12, 14, 15, 16				Standard, Left
		1	2, 6	L	51, 52, 54, 55, 56				Standard, Left
		1	3, 7	L	12, 15, 16				Standard, Left



SPRINTER (VA)

SERIES

L = LOWLINE
 3 = HD DODGE 2WD
 6 = Lt. Duty DODGE 4WD
 2 = Med. Duty DODGE 2WD
 7 = Med. Duty DODGE 4WD

BODY

01 = CHASSIS FORWARD CONTROL W.B.1
 02 = CAB CHASSIS WHEEL BASE 2
 06 = CAB CHASSIS WHEEL BASE 6
 11 = VAN WHEEL BASE 1
 12 = VAN WHEEL BASE 2
 51 = WAGON WHEEL BASE 1
 52 = WAGON WHEEL BASE 2
 14 = VAN WHEEL BASE 4
 15 = VAN WHEEL BASE 5
 56 = WAGON WHEEL BASE 6
 16 = VAN WHEEL BASE 6
 54 = WAGON WHEEL BASE 4
 55 = WAGON WHEEL BASE 5

ENGINE

EX9 = Engine-2.7L I5
 Mercedes Turbo Diesel

TRANSMISSION

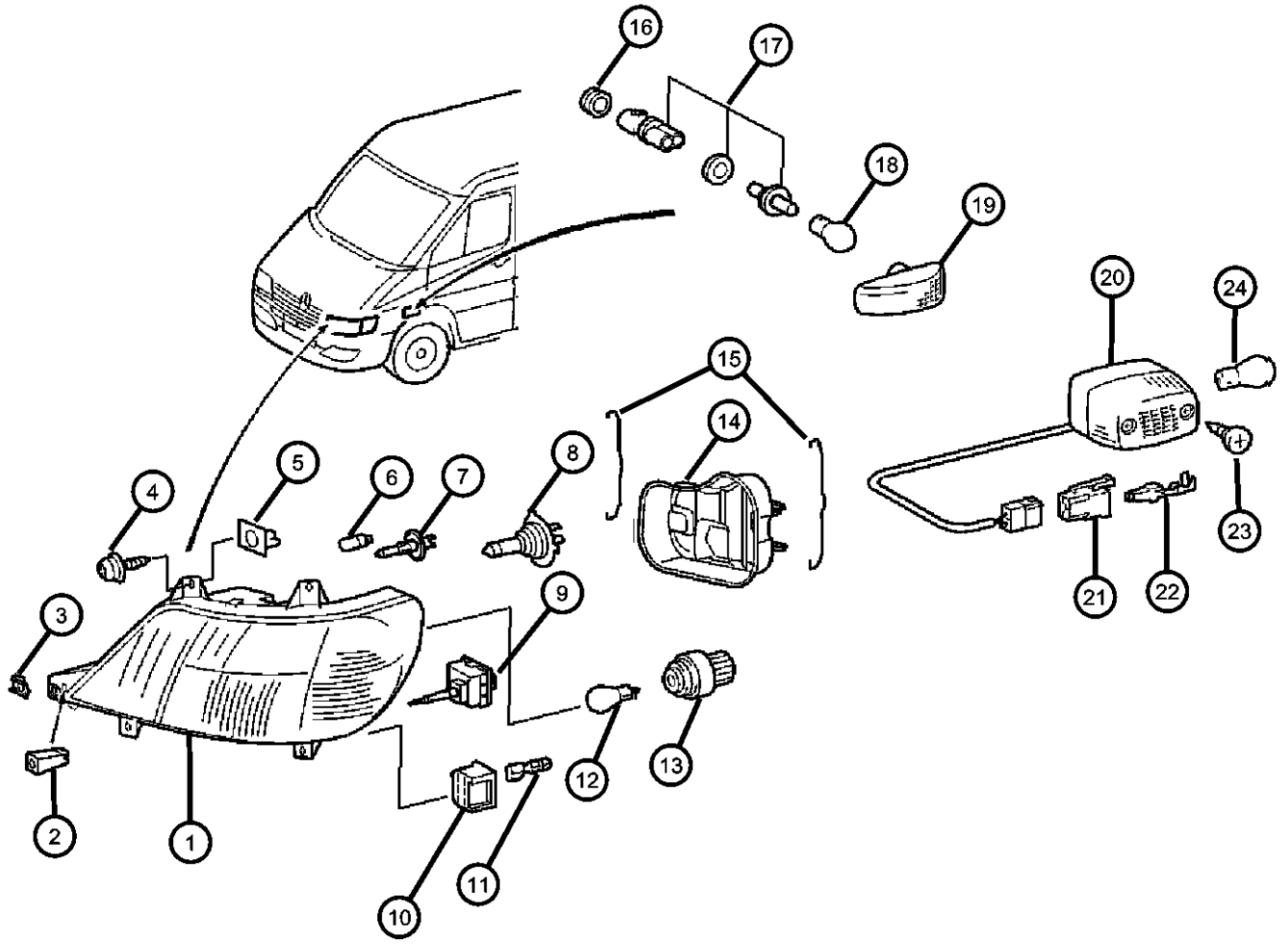
DGJ = Transmission-5-Spd. Automatic, W5A580

AR = use ase required - = Non illustrated part

2002 VA

Lamps - Front End
Figure 8-1105

ITEM	PART NUMBER	QTY	LINE	SERIES	BODY	ENGINE	TRANS	TRIM	DESCRIPTION
	05124515AA	1	2, 6	L	11, 12, 14, 15, 16				Standard, Right
		1	2, 6	L	51, 52, 54, 55, 56				Standard, Right
		1	3, 7	L	12, 15, 16				Standard, Right
2									NUT, Push In
	05103784AA	2	2, 6	L	11, 12, 14, 15, 16				
		2	2, 6	L	51, 52, 54, 55, 56				
		2	3, 7	L	12, 15, 16				
3									NUT, Spring U Type
	05103850AA	2	2, 6	L	11, 12, 14, 15, 16				
		2	2, 6	L	51, 52, 54, 55, 56				
		2	3, 7	L	12, 15, 16				
4									SCREW
	06104614AA	8	2, 6	L	11, 12, 14, 15, 16				
		8	2, 6	L	51, 52, 54, 55, 56				
		8	3, 7	L	12, 15, 16				
5									NUT, Plastic Snap-in
	05098837AA	8	2, 6	L	11, 12, 14, 15, 16				
		8	2, 6	L	51, 52, 54, 55, 56				
		8	3, 7	L	12, 15, 16				
6									BULB, 12V 5W
	05104608AA	2	2, 6	L	11, 12, 14, 15, 16				
		2	2, 6	L	51, 52, 54, 55, 56				



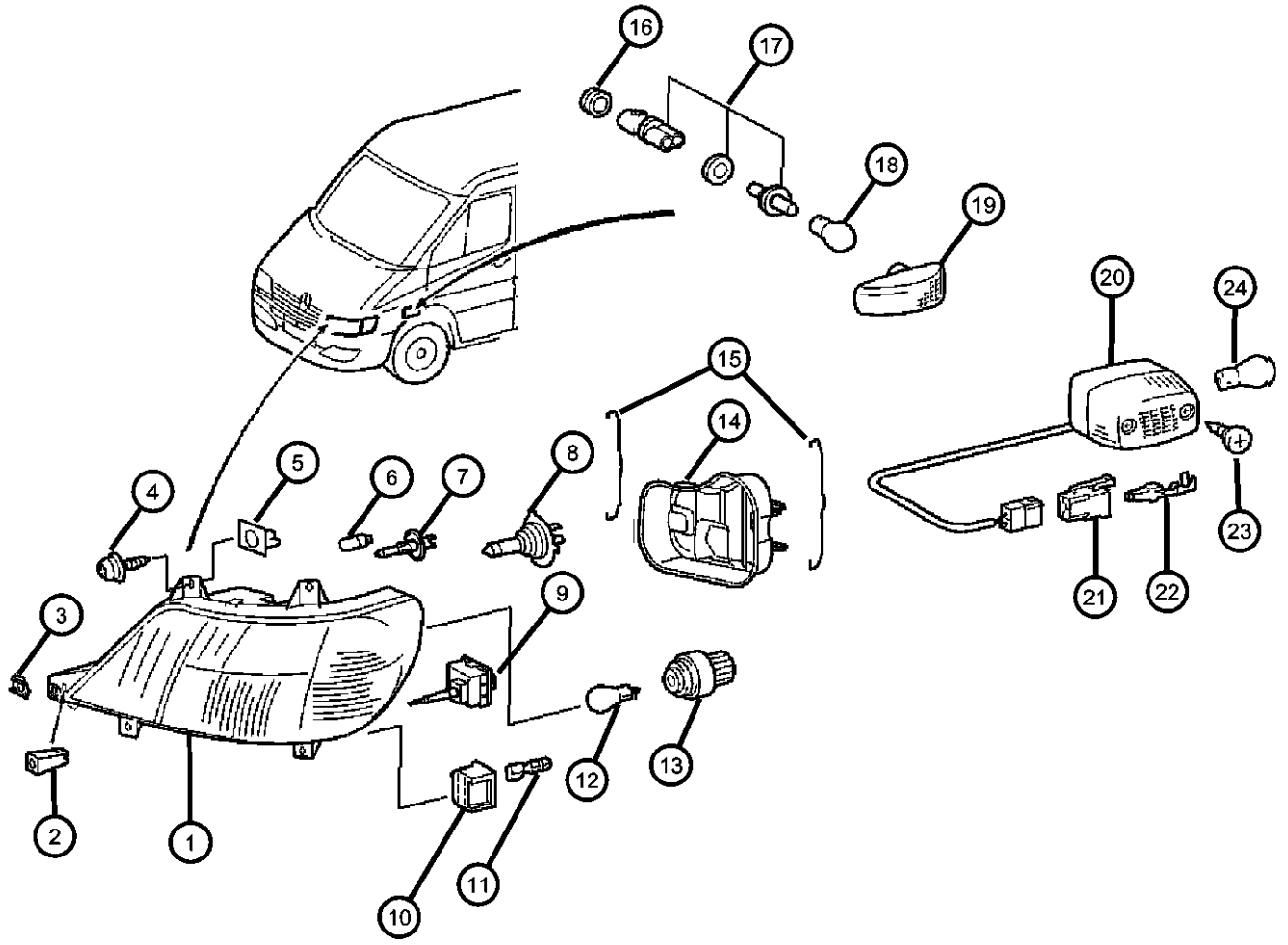
SPRINTER (VA)

SERIES	LINE	BODY	ENGINE	TRANSMISSION
L = LOWLINE	3 = HD DODGE 2WD 6 = Lt. Duty DODGE 4WD 2 = Med. Duty DODGE 2WD 7 = Med. Duty DODGE 4WD	01 = CHASSIS FORWARD CONTROL W.B.1 02 = CAB CHASSIS WHEEL BASE 2 06 = CAB CHASSIS WHEEL BASE 6 11 = VAN WHEEL BASE 1 12 = VAN WHEEL BASE 2 51 = WAGON WHEEL BASE 1 52 = WAGON WHEEL BASE 2 14 = VAN WHEEL BASE 4 15 = VAN WHEEL BASE 5 56 = WAGON WHEEL BASE 6 16 = VAN WHEEL BASE 6 54 = WAGON WHEEL BASE 4 55 = WAGON WHEEL BASE 5	EX9 = Engine-2.7L I5 Mercedes Turbo Diesel	DGJ = Transmission-5-Spd. Automatic, W5A580

AR = use ase required - = Non illustrated part

Lamps - Front End
Figure 8-1105

ITEM	PART NUMBER	QTY	LINE	SERIES	BODY	ENGINE	TRANS	TRIM	DESCRIPTION
7		2	3, 7	L	12, 15, 16				BULB, Fog Lamp, 12V 55W
	05104682AA	99	2, 6	L	11, 12, 14, 15, 16				
		99	2, 6	L	51, 52, 54, 55, 56				
		99	3, 7	L	12, 15, 16				
8		2	2, 6	L	11, 12, 14, 15, 16				BULB, Headlamp, H-7
	05104684AA	2	2, 6	L	11, 12, 14, 15, 16				
		2	2, 6	L	51, 52, 54, 55, 56				
		2	3, 7	L	12, 15, 16				
9		2	2, 6	L	11, 12, 14, 15, 16				MOTOR, Headlamp Leveling
	05103688AA	2	2, 6	L	11, 12, 14, 15, 16				
		2	2, 6	L	51, 52, 54, 55, 56				
		2	3, 7	L	12, 15, 16				
10		1	2, 6	L	11, 12, 14, 15, 16				CONNECTOR
	05103896AA	1	2, 6	L	11, 12, 14, 15, 16				
		1	2, 6	L	51, 52, 54, 55, 56				
		1	3, 7	L	12, 15, 16				
11		1	2, 6	L	11, 12, 14, 15, 16				CONTACT SPRING, "0, 5-1, 0 MM2 0,5-1,0 MM2", SPRINTER
	05103898AA	1	2, 6	L	11, 12, 14, 15, 16				
		1	2, 6	L	51, 52, 54, 55, 56				
12		2	2, 6	L	11, 12, 14, 15, 16				BULB, TAIL LAMP
	05104647AA	2	2, 6	L	11, 12, 14, 15, 16				



SPRINTER (VA)

SERIES

L = LOWLINE
 3 = HD DODGE 2WD
 6 = Lt. Duty DODGE 4WD
 2 = Med. Duty DODGE 2WD
 7 = Med. Duty DODGE 4WD

LINE

BODY

01 = CHASSIS FORWARD CONTROL W.B.1
 02 = CAB CHASSIS WHEEL BASE 2
 06 = CAB CHASSIS WHEEL BASE 6
 11 = VAN WHEEL BASE 1
 12 = VAN WHEEL BASE 2
 51 = WAGON WHEEL BASE 1
 52 = WAGON WHEEL BASE 2
 14 = VAN WHEEL BASE 4
 15 = VAN WHEEL BASE 5
 56 = WAGON WHEEL BASE 6
 16 = VAN WHEEL BASE 6
 54 = WAGON WHEEL BASE 4
 55 = WAGON WHEEL BASE 5

ENGINE

EX9 = Engine-2.7L I5
 Mercedes Turbo Diesel

TRANSMISSION

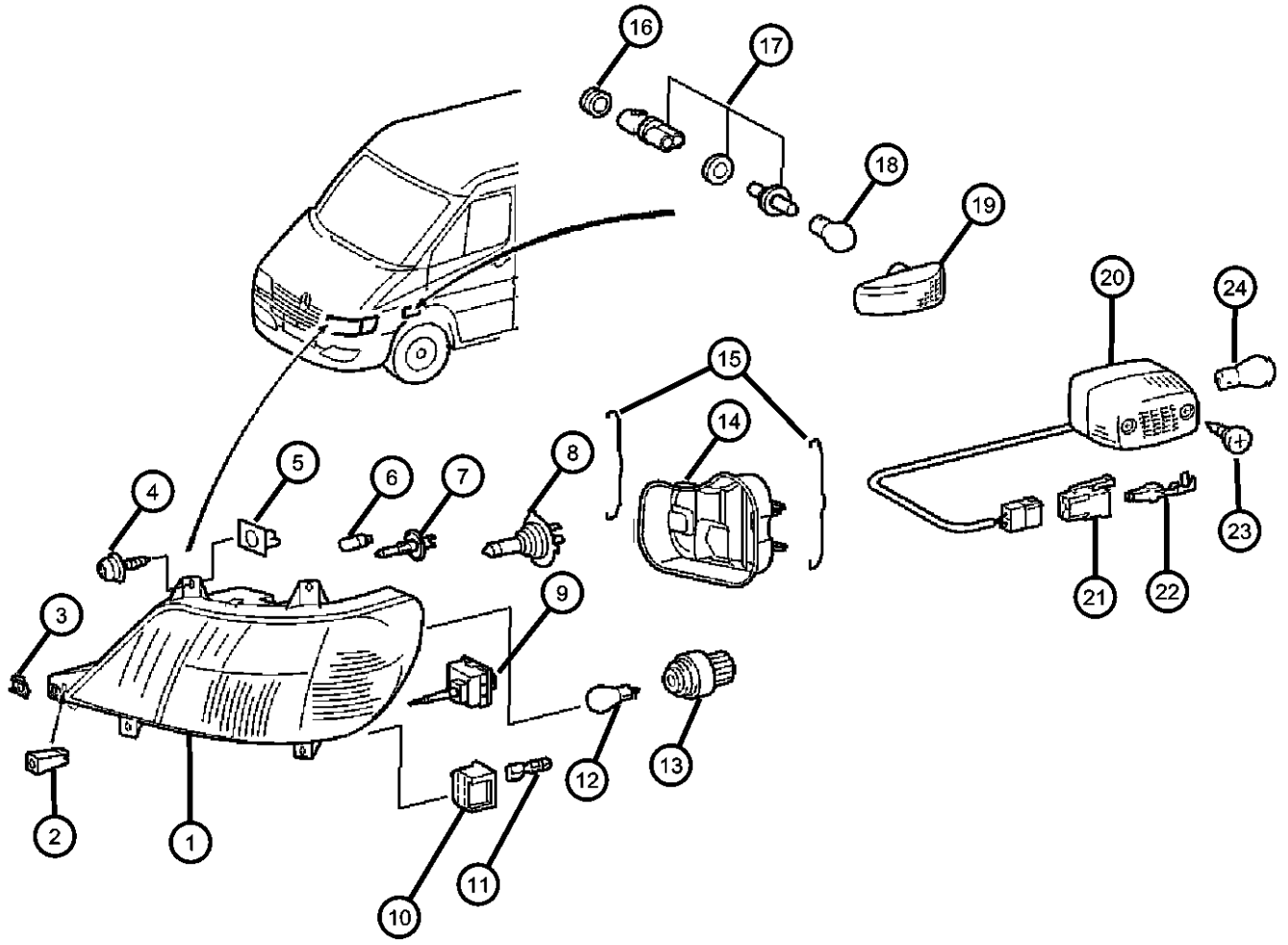
DGJ = Transmission-5-Spd. Automatic, W5A580

AR = use ase required - = Non illustrated part

2002 VA

Lamps - Front End
Figure 8-1105

ITEM	PART NUMBER	QTY	LINE	SERIES	BODY	ENGINE	TRANS	TRIM	DESCRIPTION
		2	2, 6	L	51, 52, 54, 55, 56				
		2	3, 7	L	12, 15, 16				
13	05103769AA	2	2, 6	L	11, 12, 14, 15, 16				SOCKET, Lamp
		2	2, 6	L	51, 52, 54, 55, 56				
		2	3, 7	L	12, 15, 16				
14	05103685AA	1	2, 6	L	11, 12, 14, 15, 16				COVER, Lamp
		1	2, 6	L	51, 52, 54, 55, 56				
		1	3, 7	L	12, 15, 16				
15	05103681AA	2	2, 6	L	11, 12, 14, 15, 16				SPRING, Retainer Inside of Lamp
		2	2, 6	L	51, 52, 54, 55, 56				Inside of Lamp
		2	3, 7	L	12, 15, 16				Inside of Lamp
16	05133964AA	2	3, 7	L	12, 15, 16				GROMMET, Lamp
17	05103655AA	1	2, 6	L	11, 12, 14, 15, 16				SOCKET
		1	2, 6	L	51, 52, 54, 55, 56				
		1	3, 7	L	12, 15, 16				
18	05104648AA	1	3, 7	L	12, 15, 16				BULB, 12V 5W
19	05103935AA	2	2, 6	L	11, 12, 14, 15, 16				LAMP, Turn Signal



SPRINTER (VA)

SERIES

L = LOWLINE
 3 = HD DODGE 2WD
 6 = Lt. Duty DODGE 4WD
 2 = Med. Duty DODGE 2WD
 7 = Med. Duty DODGE 4WD

BODY

01 = CHASSIS FORWARD CONTROL W.B.1
 02 = CAB CHASSIS WHEEL BASE 2
 06 = CAB CHASSIS WHEEL BASE 6
 11 = VAN WHEEL BASE 1
 12 = VAN WHEEL BASE 2
 51 = WAGON WHEEL BASE 1
 52 = WAGON WHEEL BASE 2
 14 = VAN WHEEL BASE 4
 15 = VAN WHEEL BASE 5
 56 = WAGON WHEEL BASE 6
 16 = VAN WHEEL BASE 6
 54 = WAGON WHEEL BASE 4
 55 = WAGON WHEEL BASE 5

ENGINE

EX9 = Engine-2.7L I5
 Mercedes Turbo Diesel

TRANSMISSION

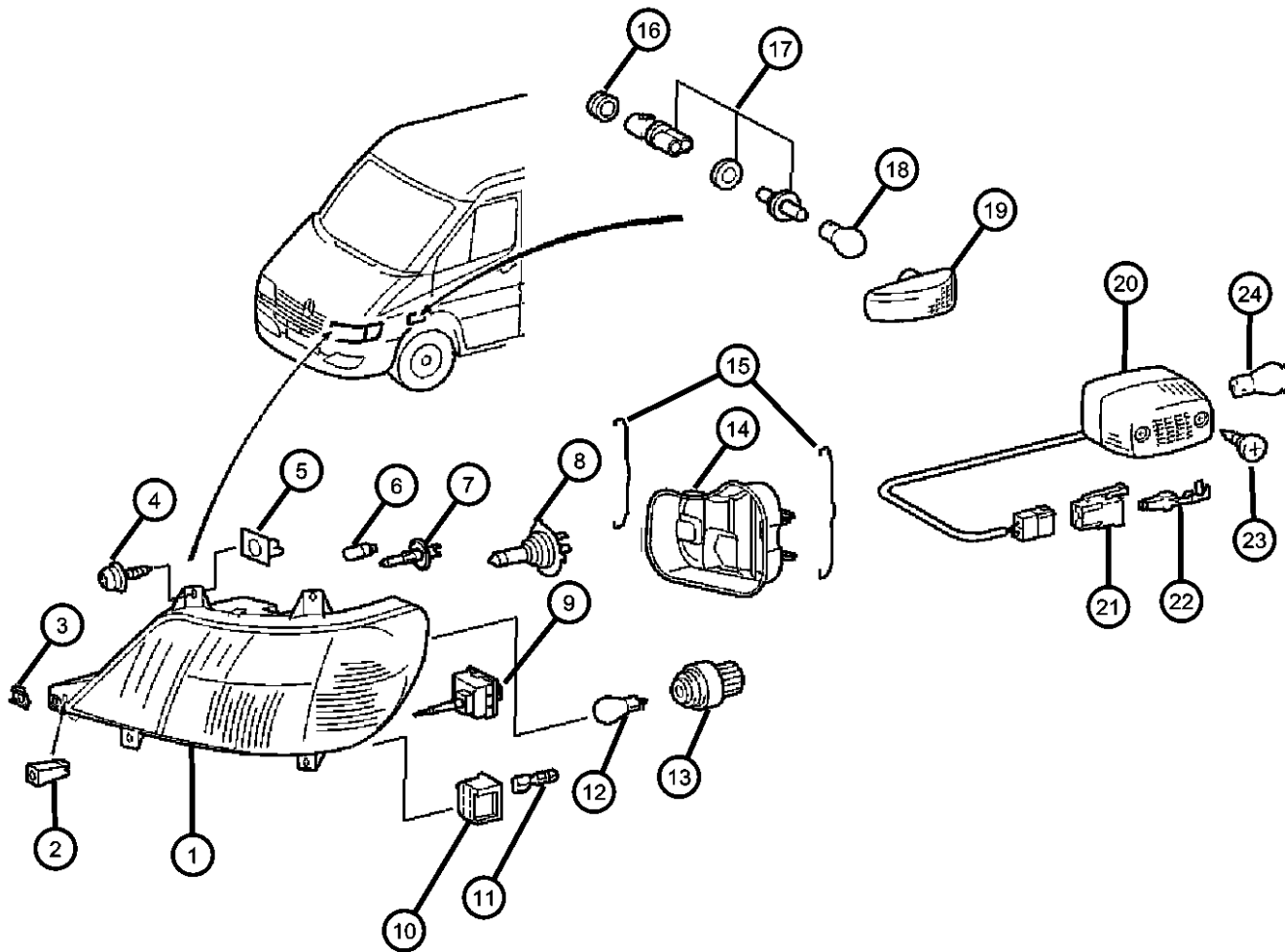
DGJ = Transmission-5-Spd. Automatic, W5A580

AR = use ase required - = Non illustrated part

2002 VA

Lamps - Front End
Figure 8-1105

ITEM	PART NUMBER	QTY	LINE	SERIES	BODY	ENGINE	TRANS	TRIM	DESCRIPTION
		2	2, 6	L	51, 52, 54, 55, 56				
		2	3, 7	L	12, 15, 16				
20	05124426AA	1	2, 6	L	11, 12, 14, 15, 16				LAMP, Turn Signal Left
		1	2, 6	L	51, 52, 54, 55, 56				Left
	05124428AA	1	3, 7	L	12, 15, 16				Left
		1	2, 6	L	11, 12, 14, 15, 16				Right
		1	2, 6	L	51, 52, 54, 55, 56				Right
		1	3, 7	L	12, 15, 16				Right
21	05120679AA	1	2, 6	L	11, 12, 14, 15, 16				CONNECTOR
		1	2, 6	L	51, 52, 54, 55, 56				
		1	3, 7	L	12, 15, 16				
22	05103881AA	1	2, 6	L	11, 12, 14, 15, 16				TERMINAL
		1	2, 6	L	51, 52, 54, 55, 56				
		1	3, 7	L	12, 15, 16				
23	06104498AA	4	2, 6	L	11, 12, 14, 15, 16				SCREW
		4	2, 6	L	51, 52, 54, 55, 56				
		4	3, 7	L	12, 15, 16				
24									BULB



SPRINTER (VA)

SERIES

L = LOWLINE
3 = HD DODGE 2WD
6 = Lt. Duty DODGE 4WD
2 = Med. Duty DODGE 2WD
7 = Med. Duty DODGE 4WD

BODY

01 = CHASSIS FORWARD CONTROL W.B.1
02 = CAB CHASSIS WHEEL BASE 2
06 = CAB CHASSIS WHEEL BASE 6
11 = VAN WHEEL BASE 1
12 = VAN WHEEL BASE 2
51 = WAGON WHEEL BASE 1
52 = WAGON WHEEL BASE 2
14 = VAN WHEEL BASE 4
15 = VAN WHEEL BASE 5
56 = WAGON WHEEL BASE 6
16 = VAN WHEEL BASE 6
54 = WAGON WHEEL BASE 4
55 = WAGON WHEEL BASE 5

ENGINE

EX9 = Engine-2.7L I5
Mercedes Turbo Diesel

TRANSMISSION

DGJ = Transmission-5-Spd. Automatic, W5A580

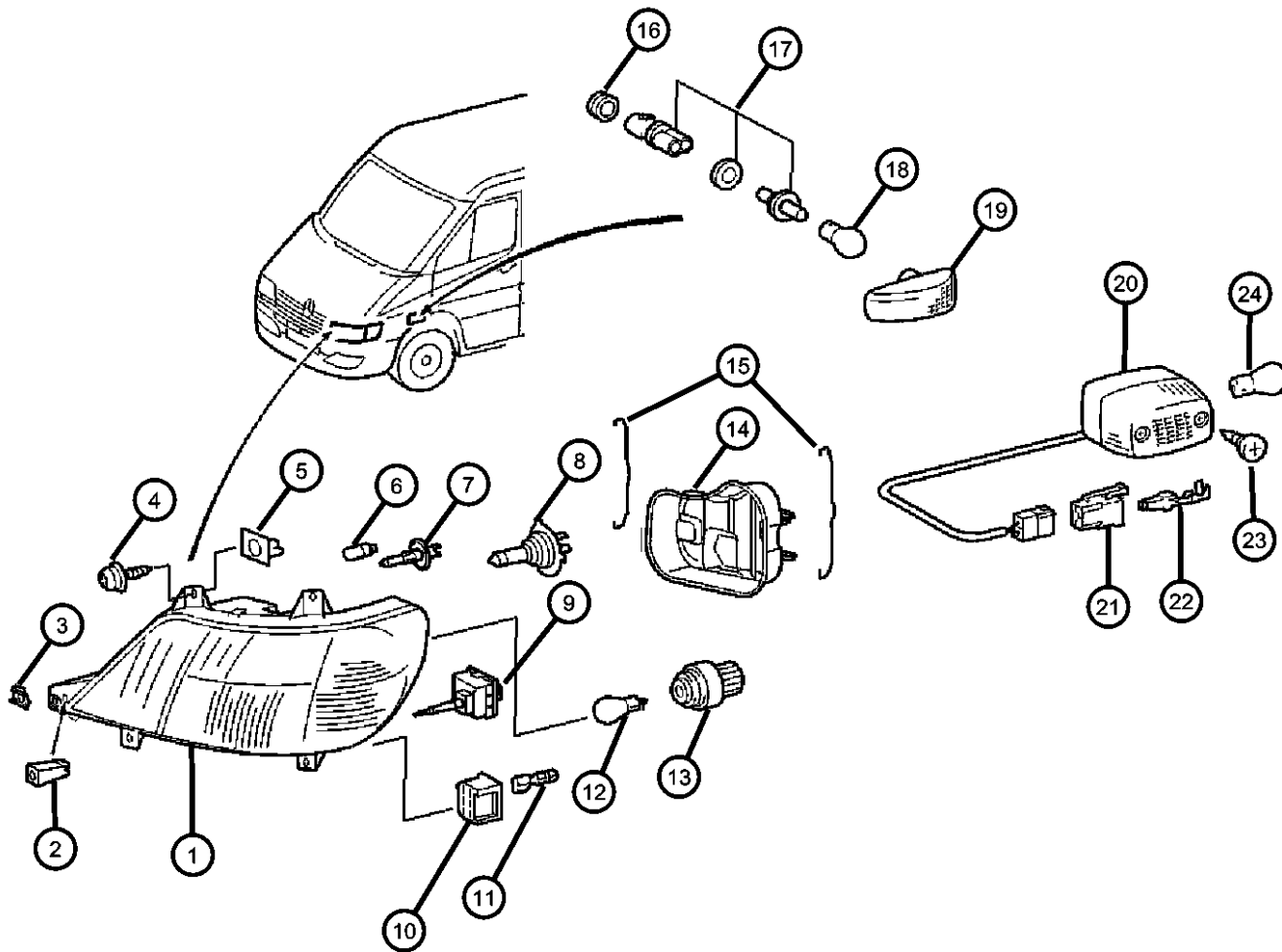
AR = use ase required - = Non illustrated part

2002 VA

Lamps - Front End
Figure 8-1105

ITEM	PART NUMBER	QTY	LINE	SERIES	BODY	ENGINE	TRANS	TRIM	DESCRIPTION
------	-------------	-----	------	--------	------	--------	-------	------	-------------

	05104646AA	4	2, 6	L	11, 12, 14, 15, 16				
		4	2, 6	L	51, 52, 54, 55, 56				
		4	3, 7	L	12, 15, 16				



SPRINTER (VA)

SERIES

L = LOWLINE
 3 = HD DODGE 2WD
 6 = Lt. Duty DODGE 4WD
 2 = Med. Duty DODGE 2WD
 7 = Med. Duty DODGE 4WD

LINE

BODY

01 = CHASSIS FORWARD CONTROL W.B.1
 02 = CAB CHASSIS WHEEL BASE 2
 06 = CAB CHASSIS WHEEL BASE 6
 11 = VAN WHEEL BASE 1
 12 = VAN WHEEL BASE 2
 51 = WAGON WHEEL BASE 1
 52 = WAGON WHEEL BASE 2
 14 = VAN WHEEL BASE 4
 15 = VAN WHEEL BASE 5
 56 = WAGON WHEEL BASE 6
 16 = VAN WHEEL BASE 6
 54 = WAGON WHEEL BASE 4
 55 = WAGON WHEEL BASE 5

ENGINE

EX9 = Engine-2.7L I5
 Mercedes Turbo Diesel

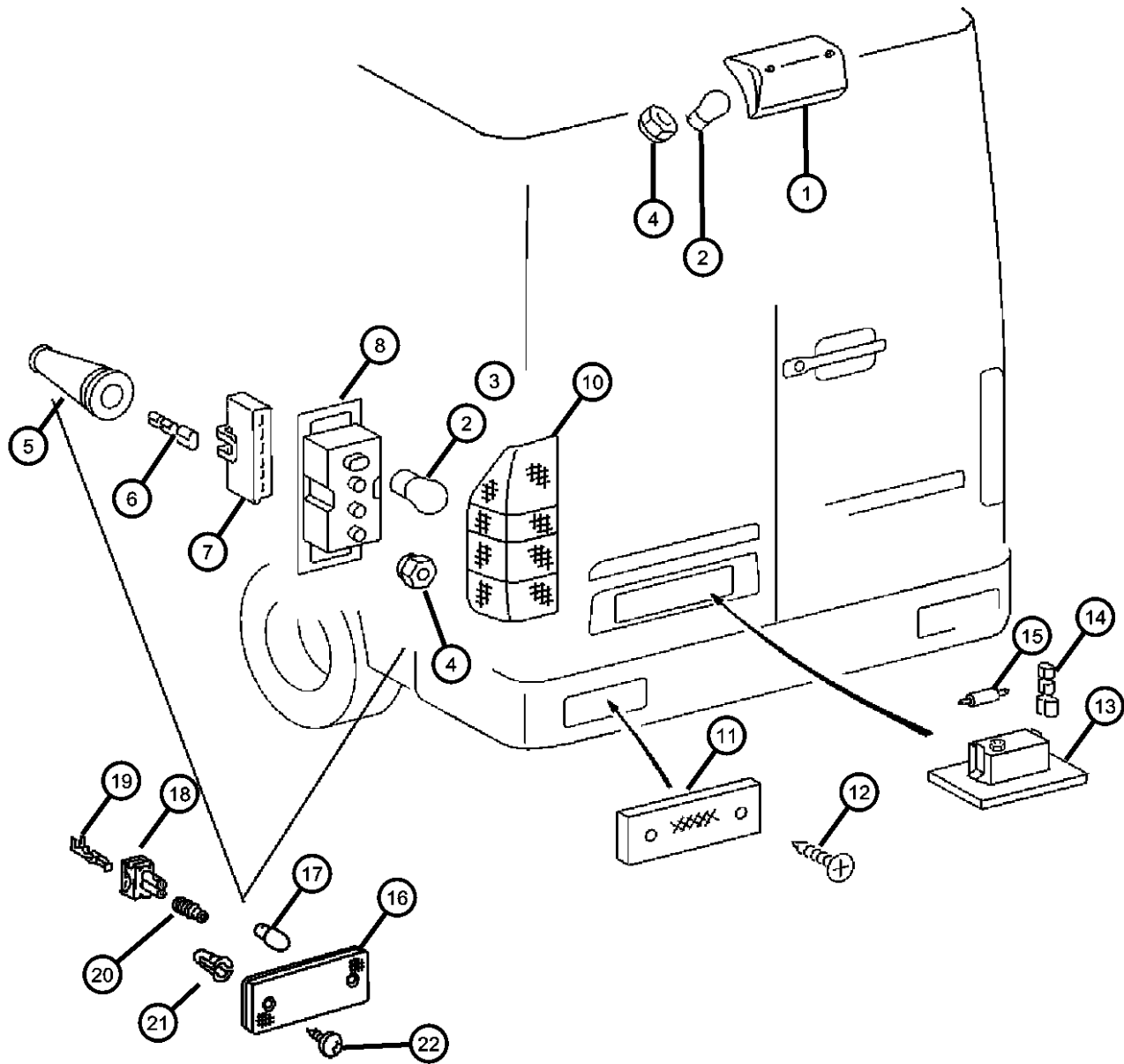
TRANSMISSION

DGJ = Transmission-5-Spd. Automatic, W5A580

AR = use ase required - = Non illustrated part

2002 VA

Lamps - Rear End
Figure 8-1110



ITEM	PART NUMBER	QTY	LINE	SERIES	BODY	ENGINE	TRANS	TRIM	DESCRIPTION
1	05103804AA	1	2, 6	L	11, 12, 14, 15, 16				LAMP, Center High Mounted Stop [MWJ]
		1	2, 6	L	51, 52, 54, 55, 56				[MWJ]
		1	3, 7	L	12, 15, 16				[MWJ]
	05124473AA	1	2, 6	L	11, 12, 14, 15, 16				
		1	2, 6	L	51, 52, 54, 55, 56				
		1	3, 7	L	12, 15, 16				
2	05104646AA	4	2, 6	L	11, 12, 14, 15, 16				BULB Single filament
		4	2, 6	L	51, 52, 54, 55, 56				Single filament
		4	3, 7	L	12, 15, 16				Single filament
3	05104647AA	2	2, 6	L	11, 12, 14, 15, 16				BULB, TAIL LAMP Double filament
		2	2, 6	L	54, 55, 56, 51, 52				Double filament
		2	3, 7	L	12, 15, 16				Double filament
4	06104707AA	2	2, 6	L	11, 12, 14, 15, 16				NUT, M5
		2	2, 6	L	51, 52, 54, 55, 56				
		2	3, 7	L	12, 15, 16				
5	05133963AA	1	2, 6	L	51, 52, 54, 55, 56				GROMMET, GROMMET
		1	3, 7	L	12, 15, 16				
		1	6, 2	L	11, 12, 14, 15, 16				

SPRINTER (VA)

SERIES
L = LOWLINE

LINE

3 = HD DODGE 2WD
6 = Lt. Duty DODGE 4WD
2 = Med. Duty DODGE 2WD
7 = Med. Duty DODGE 4WD

BODY

01 = CHASSIS FORWARD CONTROL W.B.1
02 = CAB CHASSIS WHEEL BASE 2
06 = CAB CHASSIS WHEEL BASE 6
11 = VAN WHEEL BASE 1
12 = VAN WHEEL BASE 2
51 = WAGON WHEEL BASE 1
52 = WAGON WHEEL BASE 2
14 = VAN WHEEL BASE 4
15 = VAN WHEEL BASE 5
56 = WAGON WHEEL BASE 6
16 = VAN WHEEL BASE 6
54 = WAGON WHEEL BASE 4
55 = WAGON WHEEL BASE 5

ENGINE

EX9 = Engine-2.7L I5
Mercedes Turbo Diesel

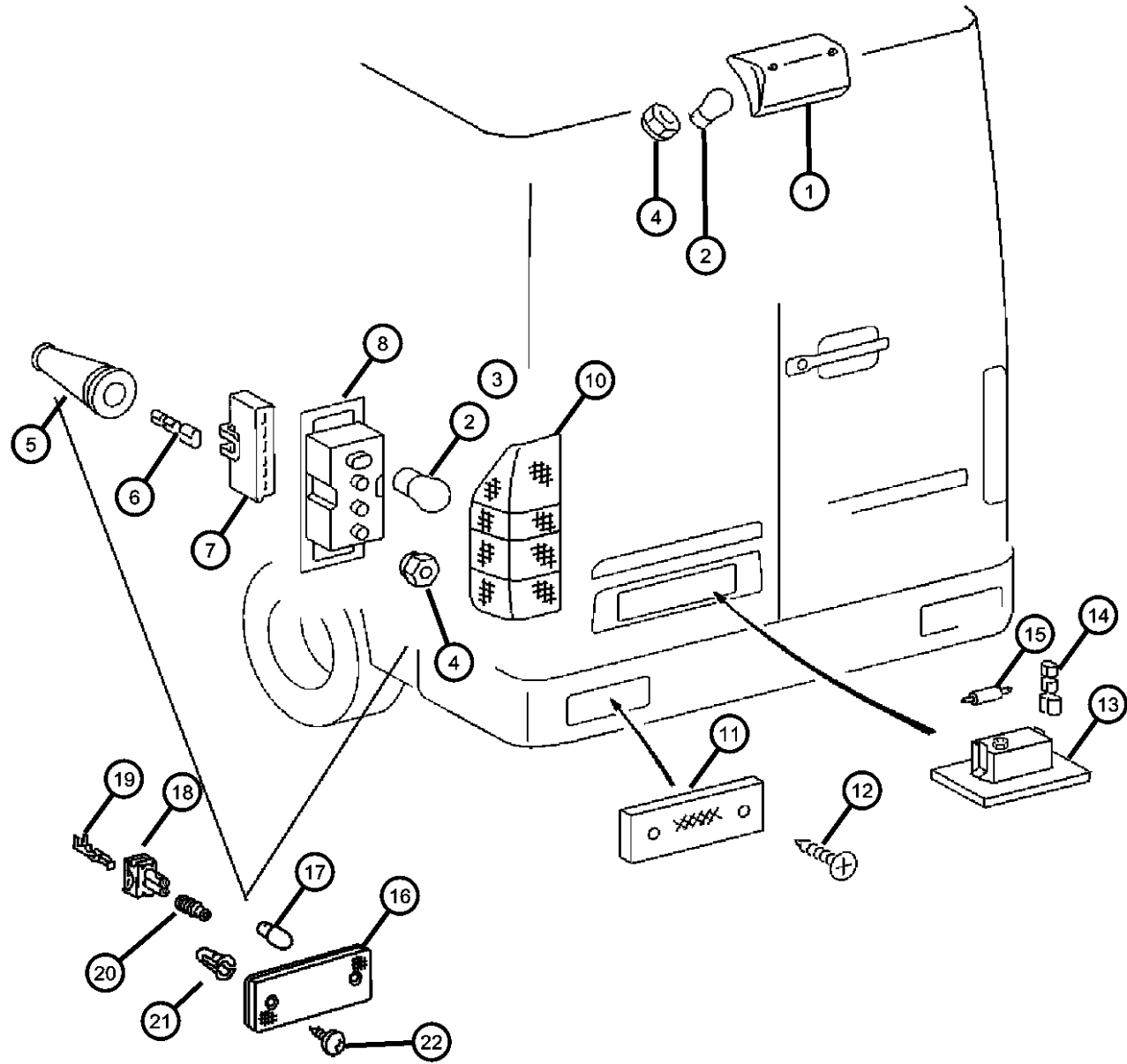
TRANSMISSION

DGJ = Transmission-5-Spd. Automatic, W5A580

AR = use ase required - = Non illustrated part

2002 VA

Lamps - Rear End
Figure 8-1110



ITEM	PART NUMBER	QTY	LINE	SERIES	BODY	ENGINE	TRANS	TRIM	DESCRIPTION
6	05120596AA	2	2, 6	L	11, 12, 14, 15, 16				CONNECTOR
		2	3, 7	L	12, 15, 16				
7	05120543AA	1	2, 6	L	11, 12, 14, 15, 16				CONNECTOR
		1	2, 6	L	51, 52, 54, 55, 56				
		1	3, 7	L	12, 15, 16				
8	05103596AA	1	2, 6	L	11, 12, 14, 15, 16				LAMP, Tail Stop Turn Left
	05103597AA	1	2, 6	L	51, 52, 54, 55, 56				Right
		1	3, 7	L	12, 15, 16				Right
		1	2, 6	L	51, 52, 54, 55, 56				Left
		1	3, 7	L	12, 15, 16				Left
		1	2, 6	L	11, 12, 14, 15, 16				Right
-9	05104647AA	2	2, 6	L	11, 12, 14, 15, 16				BULB, TAIL LAMP
		2	2, 6	L	51, 52, 54, 55, 56				
		2	3, 7	L	12, 15, 16				
10	05103537AA	1	2, 6	L	11, 12, 14, 15, 16				LENS, Taillamp Left
		1	2, 6	L	51, 52, 54, 55, 56				Left
		1	3, 7	L	12, 15, 16				Left

SPRINTER (VA)

SERIES
L = LOWLINE

LINE

3 = HD DODGE 2WD
6 = Lt. Duty DODGE 4WD
2 = Med. Duty DODGE 2WD
7 = Med. Duty DODGE 4WD

BODY

01 = CHASSIS FORWARD CONTROL W.B.1
02 = CAB CHASSIS WHEEL BASE 2
06 = CAB CHASSIS WHEEL BASE 6
11 = VAN WHEEL BASE 1
12 = VAN WHEEL BASE 2
51 = WAGON WHEEL BASE 1
52 = WAGON WHEEL BASE 2
14 = VAN WHEEL BASE 4
15 = VAN WHEEL BASE 5
56 = WAGON WHEEL BASE 6
16 = VAN WHEEL BASE 6
54 = WAGON WHEEL BASE 4
55 = WAGON WHEEL BASE 5

ENGINE

EX9 = Engine-2.7L I5
Mercedes Turbo Diesel

TRANSMISSION

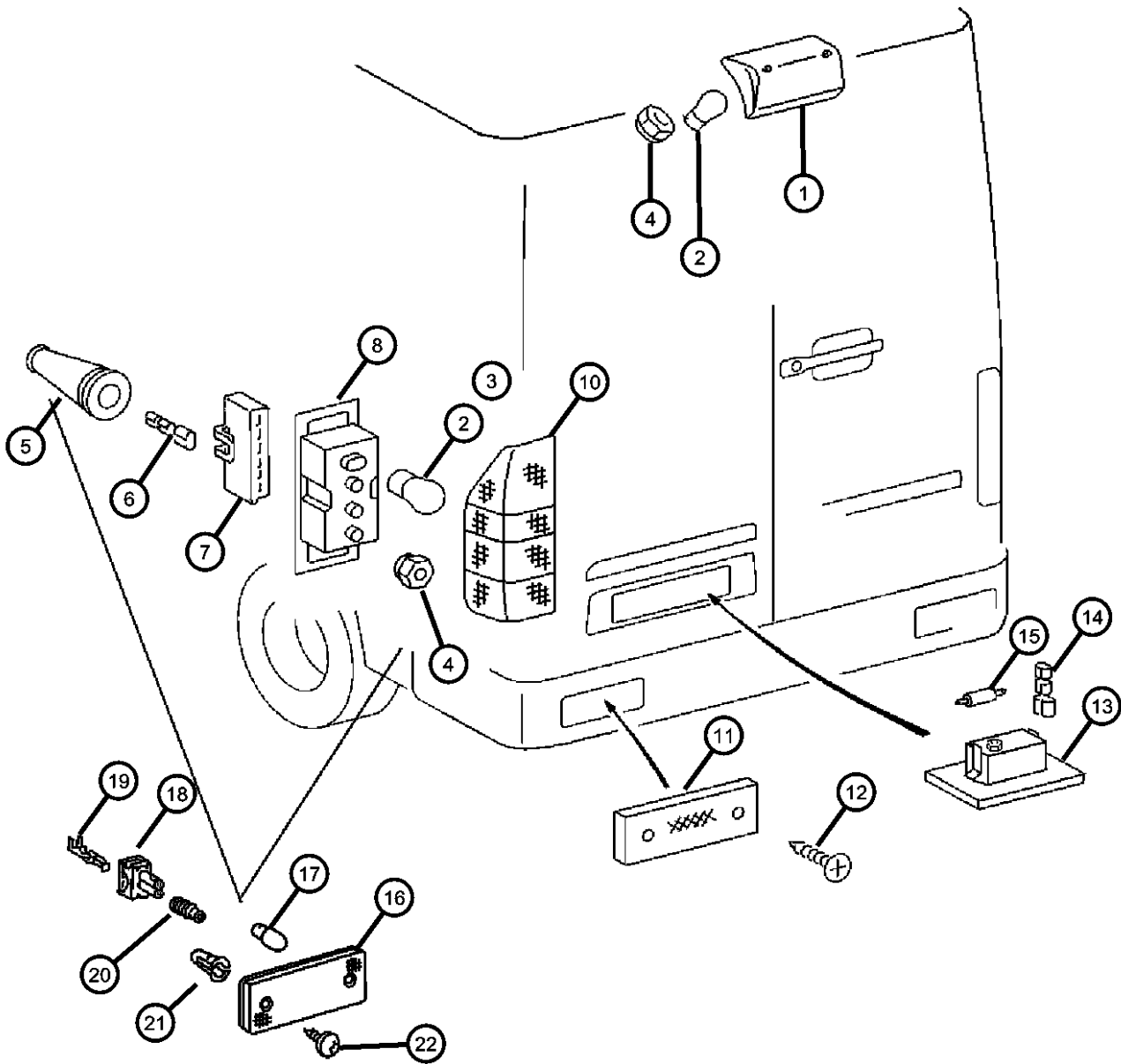
DGJ = Transmission-5-Spd. Automatic, W5A580

AR = use ase required - = Non illustrated part

2002 VA

Lamps - Rear End
Figure 8-1110

ITEM	PART NUMBER	QTY	LINE	SERIES	BODY	ENGINE	TRANS	TRIM	DESCRIPTION
11	05103538AB	1							Right REFLECTOR, NONE, SPRINTER
	05103684AA	2	2, 6	L	11, 12, 14, 15, 16				
		2	2, 6	L	51, 52, 54, 55, 56				
		2	3, 7	L	12, 15, 16				
12	06104498AA	4	2, 6	L	11, 12, 14, 15, 16				SCREW
		4	2, 6	L	51, 52, 54, 55, 56				
		4	3, 7	L	12, 15, 16				
13	05104462AA	2	2, 6	L	11, 12, 14, 15, 16				LAMP, License Plate
	05124477AA	4	2, 6	L	12, 14, 15, 16, 11				[5A2]
		4	2, 6	L	51, 52, 54, 55, 56				[5A2]
		4	3, 7	L	12, 15, 16				[5A2]
		2	2, 6	L	51, 52, 54, 55, 56				
		2	3, 7	L	12, 15, 16				
14	05096968AA	2	2, 6	L	11, 12, 14, 15, 16				BULB, 12V 5W License Lamp
		2	2, 6	L	51, 52, 54, 55, 56				License Lamp
		2	3, 7	L	12, 15, 16				License Lamp
15	05133927AA	99	2, 6	L	11, 12, 14, 15, 16				TERMINAL, Female



SPRINTER (VA)

SERIES
L = LOWLINE

LINE

3 = HD DODGE 2WD
6 = Lt. Duty DODGE 4WD
2 = Med. Duty DODGE 2WD
7 = Med. Duty DODGE 4WD

BODY

01 = CHASSIS FORWARD CONTROL W.B.1
02 = CAB CHASSIS WHEEL BASE 2
06 = CAB CHASSIS WHEEL BASE 6
11 = VAN WHEEL BASE 1
12 = VAN WHEEL BASE 2
51 = WAGON WHEEL BASE 1
52 = WAGON WHEEL BASE 2
14 = VAN WHEEL BASE 4
15 = VAN WHEEL BASE 5
56 = WAGON WHEEL BASE 6
16 = VAN WHEEL BASE 6
54 = WAGON WHEEL BASE 4
55 = WAGON WHEEL BASE 5

ENGINE

EX9 = Engine-2.7L I5
Mercedes Turbo Diesel

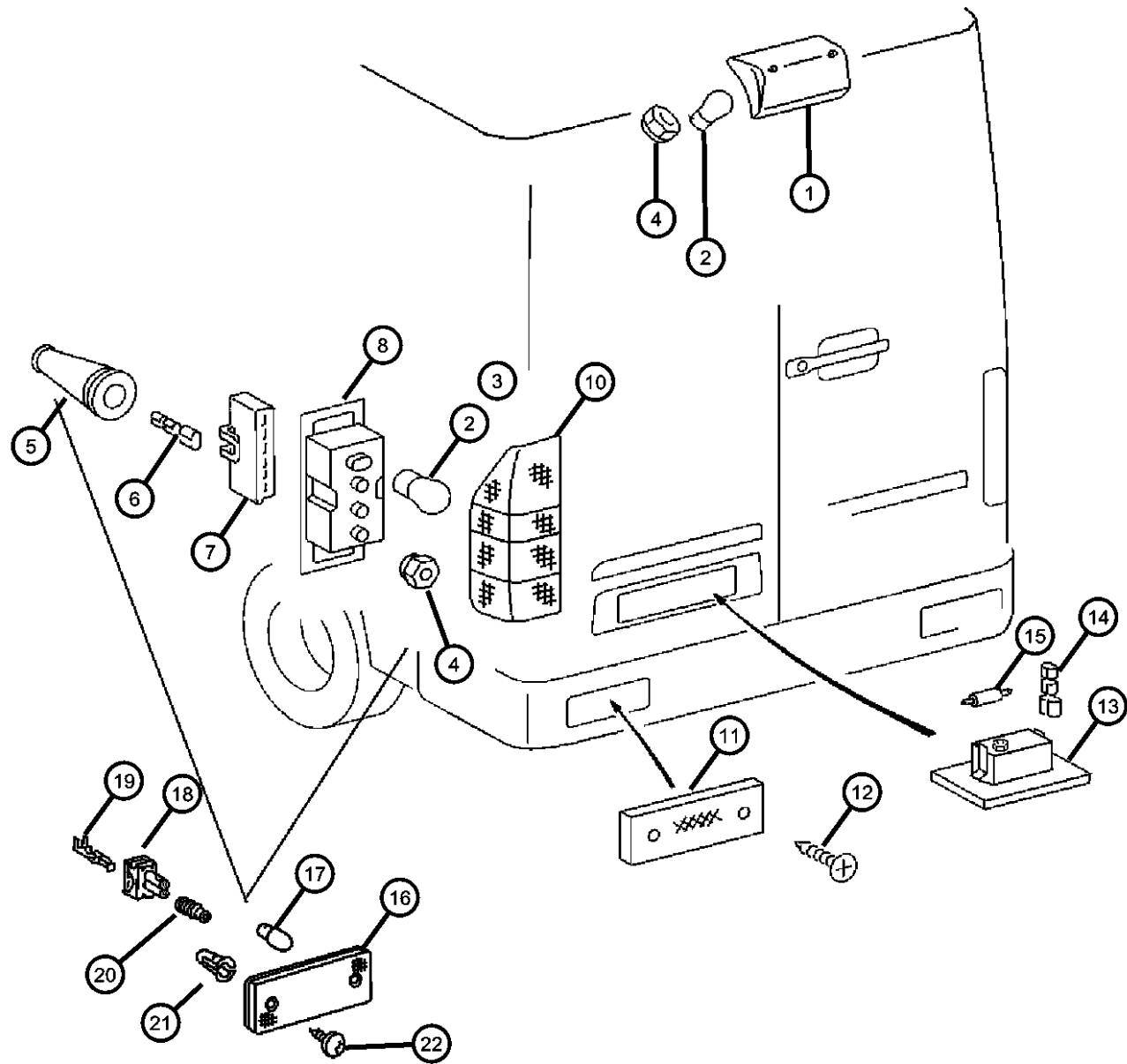
TRANSMISSION

DGJ = Transmission-5-Spd. Automatic, W5A580

AR = use ase required - = Non illustrated part

2002 VA

Lamps - Rear End
Figure 8-1110



ITEM	PART NUMBER	QTY	LINE	SERIES	BODY	ENGINE	TRANS	TRIM	DESCRIPTION
		99	2, 6	L	51, 52, 54, 55, 56				
		99	3, 7	L	12, 15, 16				
16									LAMP, Side Marker
	05124477AA	4	2, 6	L	11, 12, 14, 15, 16				
		4	2, 6	L	51, 52, 54, 55, 56				
		4	3, 7	L	12, 15, 16				
17									BULB
	05104649AA	2	2, 6	L	16, 11, 12, 14, 15				
		2	2, 6	L	51, 52, 54, 55, 56				
		2	3, 7	L	12, 15, 16				
18									CONNECTOR
	05103879AA	1	2, 6	L	11, 12, 14, 15, 16				
		1	2, 6	L	51, 52, 54, 55, 56				
		1	3, 7	L	12, 15, 16				
19									TERMINAL
	05102935AA	1	2, 6	L	11, 12, 14, 15, 16				
		1	2, 6	L	51, 52, 54, 55, 56				
		1	3, 7	L	12, 15, 16				
20									GASKET
	05103661AA	1	2, 6	L	15, 16, 11, 12, 14				
		1	2, 6	L	51, 52, 54, 55, 56				
		1	3, 7	L	12, 15, 16				

SPRINTER (VA)

SERIES
L = LOWLINE

LINE

3 = HD DODGE 2WD
6 = Lt. Duty DODGE 4WD
2 = Med. Duty DODGE 2WD
7 = Med. Duty DODGE 4WD

BODY

01 = CHASSIS FORWARD CONTROL W.B.1
02 = CAB CHASSIS WHEEL BASE 2
06 = CAB CHASSIS WHEEL BASE 6
11 = VAN WHEEL BASE 1
12 = VAN WHEEL BASE 2
51 = WAGON WHEEL BASE 1
52 = WAGON WHEEL BASE 2
14 = VAN WHEEL BASE 4
15 = VAN WHEEL BASE 5
56 = WAGON WHEEL BASE 6
16 = VAN WHEEL BASE 6
54 = WAGON WHEEL BASE 4
55 = WAGON WHEEL BASE 5

ENGINE

EX9 = Engine-2.7L I5
Mercedes Turbo Diesel

TRANSMISSION

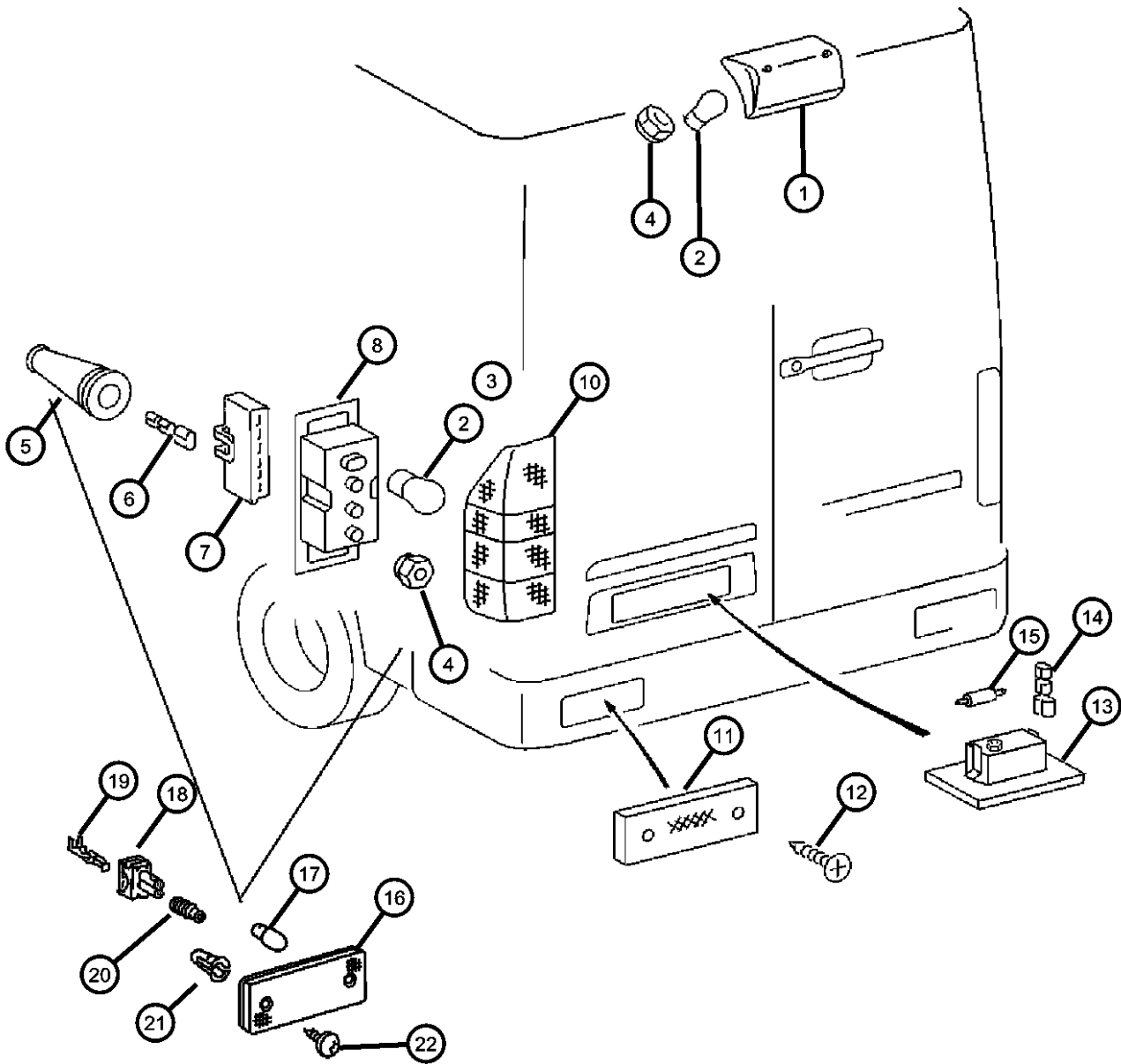
DGJ = Transmission-5-Spd. Automatic, W5A580

AR = use ase required - = Non illustrated part

2002 VA

Lamps - Rear End
Figure 8-1110

ITEM	PART NUMBER	QTY	LINE	SERIES	BODY	ENGINE	TRANS	TRIM	DESCRIPTION
21	05103841AA	8	2, 6	L	11, 12, 14, 15, 16				NUT, Push In
		8	2, 6	L	51, 52, 54, 55, 56				
		8	3, 7	L	12, 15, 16				
22	06104498AA	4	2, 6	L	11, 12, 14, 15, 16				SCREW
		4	2, 6	L	51, 52, 54, 55, 56				
		4	3, 7	L	12, 15, 16				



SPRINTER (VA)

SERIES
L = LOWLINE

LINE

3 = HD DODGE 2WD
6 = Lt. Duty DODGE 4WD
2 = Med. Duty DODGE 2WD
7 = Med. Duty DODGE 4WD

BODY

01 = CHASSIS FORWARD CONTROL W.B.1
02 = CAB CHASSIS WHEEL BASE 2
06 = CAB CHASSIS WHEEL BASE 6
11 = VAN WHEEL BASE 1
12 = VAN WHEEL BASE 2
51 = WAGON WHEEL BASE 1
52 = WAGON WHEEL BASE 2
14 = VAN WHEEL BASE 4
15 = VAN WHEEL BASE 5
56 = WAGON WHEEL BASE 6
16 = VAN WHEEL BASE 6
54 = WAGON WHEEL BASE 4
55 = WAGON WHEEL BASE 5

ENGINE

EX9 = Engine-2.7L I5
Mercedes Turbo Diesel

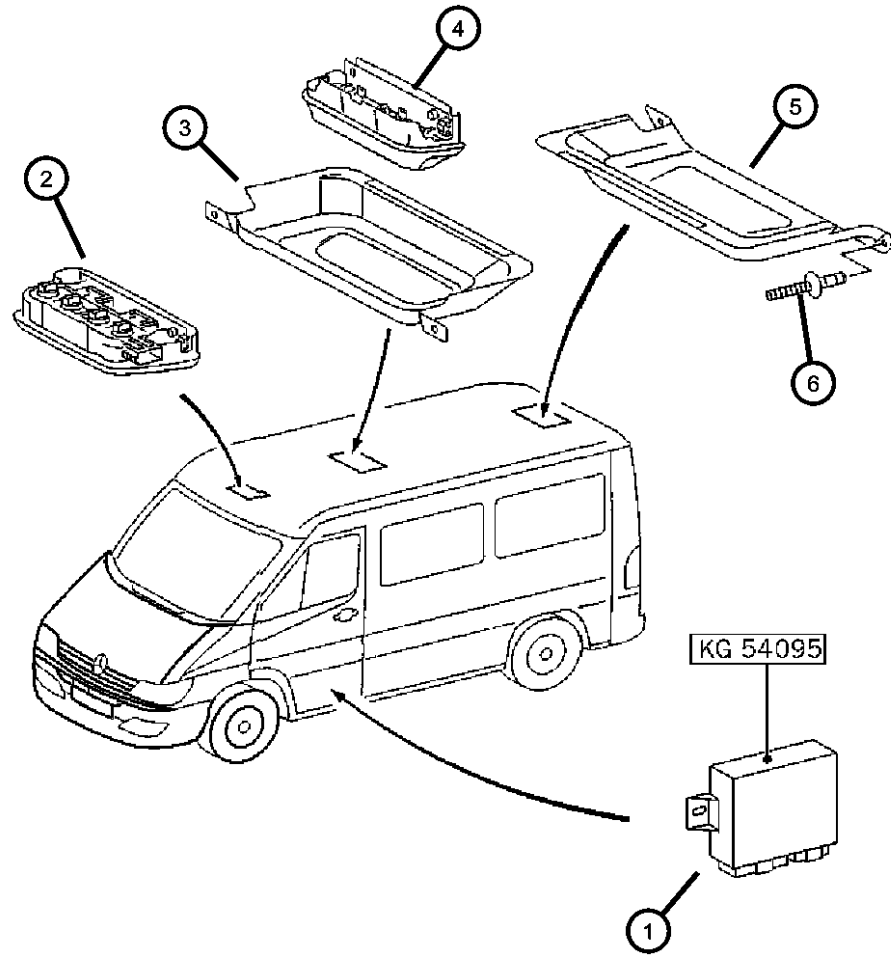
TRANSMISSION

DGJ = Transmission-5-Spd. Automatic, W5A580

AR = use ase required - = Non illustrated part

2002 VA

Lamps Interior Passenger Van
Figure 8-1115



ITEM	PART NUMBER	QTY	LINE	SERIES	BODY	ENGINE	TRANS	TRIM	DESCRIPTION
1									CONTROL UNIT, NONE, SPRINTER
	05103899AA	1	2, 6	L	11, 12, 14, 15, 16				
		1	2, 6	L	51, 52, 54, 55, 56				
		1	3, 7	L	12, 15, 16				
2									LAMP, Reading
	05124399AA	1	2, 6	L	11, 12, 14, 15, 16				
		1	2, 6	L	51, 52, 54, 55, 56				
		1	3, 7	L	12, 15, 16				
3									BRACKET
	05124591AA	1	2, 6	L	11, 12, 14, 15, 16				
		1	2, 6	L	51, 52, 54, 55, 56				
		1	3, 7	L	12, 15, 16				
4									SWITCH Dome Lamp
	0ZF50RC3AA	2	2, 6	L	11, 12, 14, 15, 16				
		2	2, 6	L	51, 52, 54, 55, 56				Dome Lamp
		2	3, 7	L	12, 15, 16				Dome Lamp
5									BRACKET
	05124594AA	1	2, 6	L	11, 12, 14, 15, 16				
		1	2, 6	L	51, 52, 54, 55, 56				
		1	3, 7	L	12, 15, 16				
6									RIVET, M4.8
	05133934AA	4	2, 6	L	11, 12, 14, 15, 16				

SPRINTER (VA)

SERIES	LINE	BODY	ENGINE	TRANSMISSION
L = LOWLINE	3 = HD DODGE 2WD 6 = Lt. Duty DODGE 4WD 2 = Med. Duty DODGE 2WD 7 = Med. Duty DODGE 4WD	01 = CHASSIS FORWARD CONTROL W.B.1 02 = CAB CHASSIS WHEEL BASE 2 06 = CAB CHASSIS WHEEL BASE 6 11 = VAN WHEEL BASE 1 12 = VAN WHEEL BASE 2 51 = WAGON WHEEL BASE 1 52 = WAGON WHEEL BASE 2 14 = VAN WHEEL BASE 4 15 = VAN WHEEL BASE 5 56 = WAGON WHEEL BASE 6 16 = VAN WHEEL BASE 6 54 = WAGON WHEEL BASE 4 55 = WAGON WHEEL BASE 5	EX9 = Engine-2.7L I5 Mercedes Turbo Diesel	DGJ = Transmission-5-Spd. Automatic, W5A580

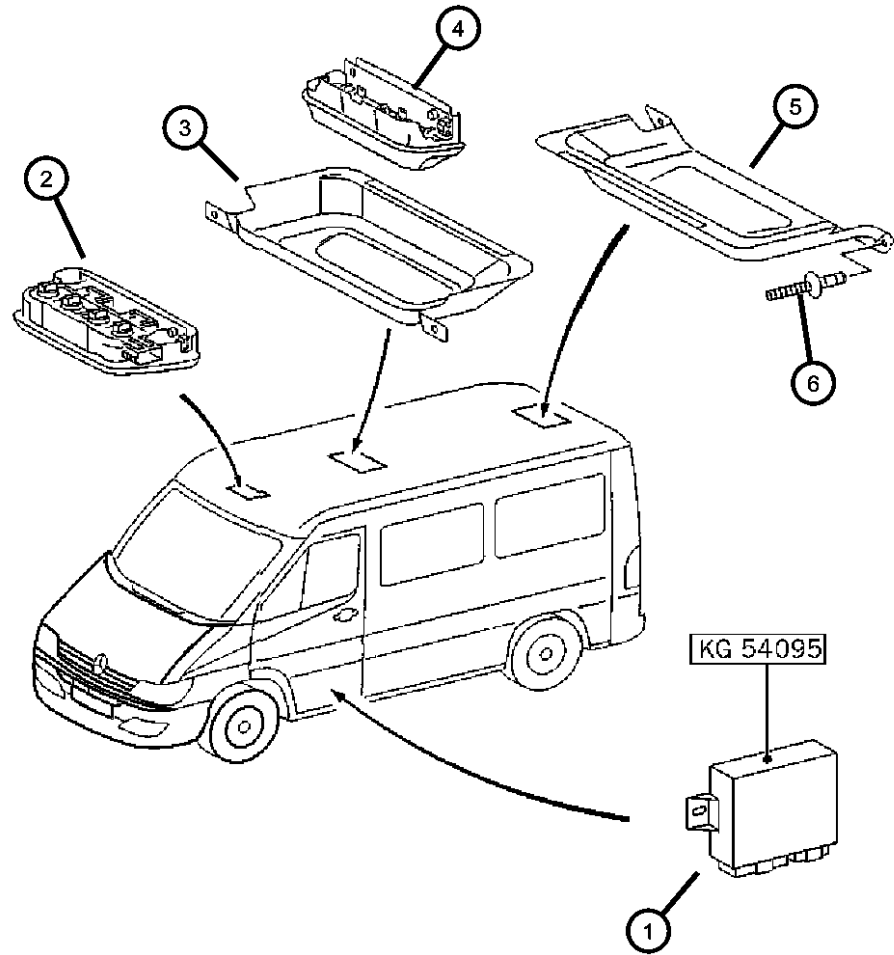
AR = use ase required - = Non illustrated part

2002 VA

Lamps Interior Passenger Van
Figure 8-1115

ITEM	PART NUMBER	QTY	LINE	SERIES	BODY	ENGINE	TRANS	TRIM	DESCRIPTION
------	-------------	-----	------	--------	------	--------	-------	------	-------------

4	2, 6	L	51, 52, 54, 55, 56
4	3, 7	L	12, 15, 16



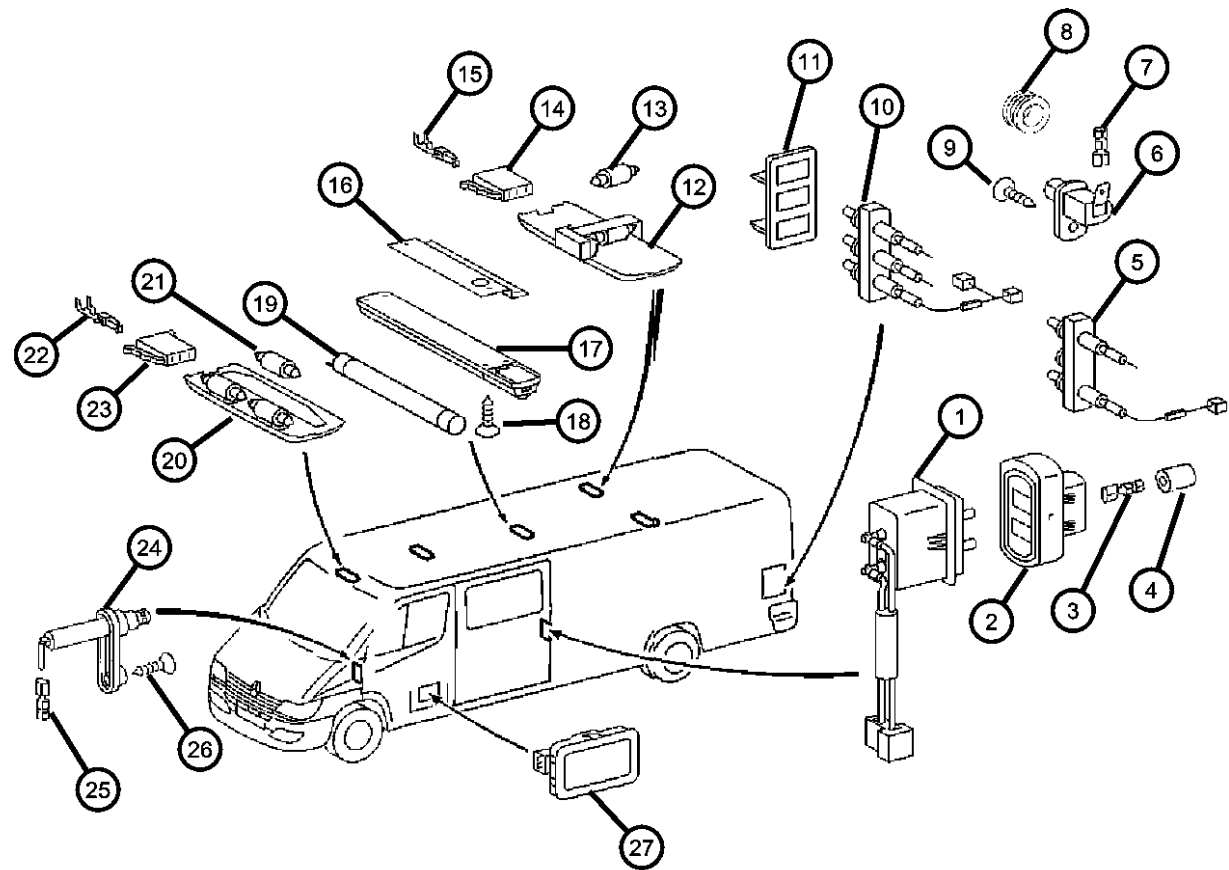
SPRINTER (VA)

SERIES	LINE	BODY	ENGINE	TRANSMISSION
L = LOWLINE	3 = HD DODGE 2WD 6 = Lt. Duty DODGE 4WD 2 = Med. Duty DODGE 2WD 7 = Med. Duty DODGE 4WD	01 = CHASSIS FORWARD CONTROL W.B.1 02 = CAB CHASSIS WHEEL BASE 2 06 = CAB CHASSIS WHEEL BASE 6 11 = VAN WHEEL BASE 1 12 = VAN WHEEL BASE 2 51 = WAGON WHEEL BASE 1 52 = WAGON WHEEL BASE 2 14 = VAN WHEEL BASE 4 15 = VAN WHEEL BASE 5 56 = WAGON WHEEL BASE 6 16 = VAN WHEEL BASE 6 54 = WAGON WHEEL BASE 4 55 = WAGON WHEEL BASE 5	EX9 = Engine-2.7L I5 Mercedes Turbo Diesel	DGJ = Transmission-5-Spd. Automatic, W5A580

AR = use ase required - = Non illustrated part

2002 VA

Lamps Interior Cargo Van
Figure 8-1120



ITEM	PART NUMBER	QTY	LINE	SERIES	BODY	ENGINE	TRANS	TRIM	DESCRIPTION
1	05104463AA	2	2, 6	L	51, 52, 54, 55, 56				CONTACT, Power Door Lock
		2	3, 7	L	12, 15, 16				
		2	2, 6	L	11, 12, 14, 15, 16				
2	05104461AA	2	3, 7	L	12, 15, 16				CONTACT, Power Door Lock
		4	2, 6	L	11, 12, 14, 15, 16				
		2	2, 6	L	51, 52, 54, 55, 56				
3	05114451AA	99	2, 6	L	12, 14, 15, 16, 11				TERMINAL, Female
		99	2, 6	L	51, 52, 54, 55, 56				
		99	3, 7	L	12, 15, 16				
4	05133968AA	99	2, 6	L	11, 12, 14, 15, 16				GROMMET
		99	2, 6	L	51, 52, 54, 55, 56				
		99	3, 7	L	12, 15, 16				
5	05104016AA	1	2, 6	L	11, 12, 14, 15, 16				CONTACT, Power Door Lock
		1	3, 7	L	12, 15, 16				
		1	2, 6	L	51, 52, 54, 55, 56				
6	05103678AA	1	2, 6	L	11, 12, 14, 15, 16				CONTACTOR, REAR PANEL DOOR, SPRINTER

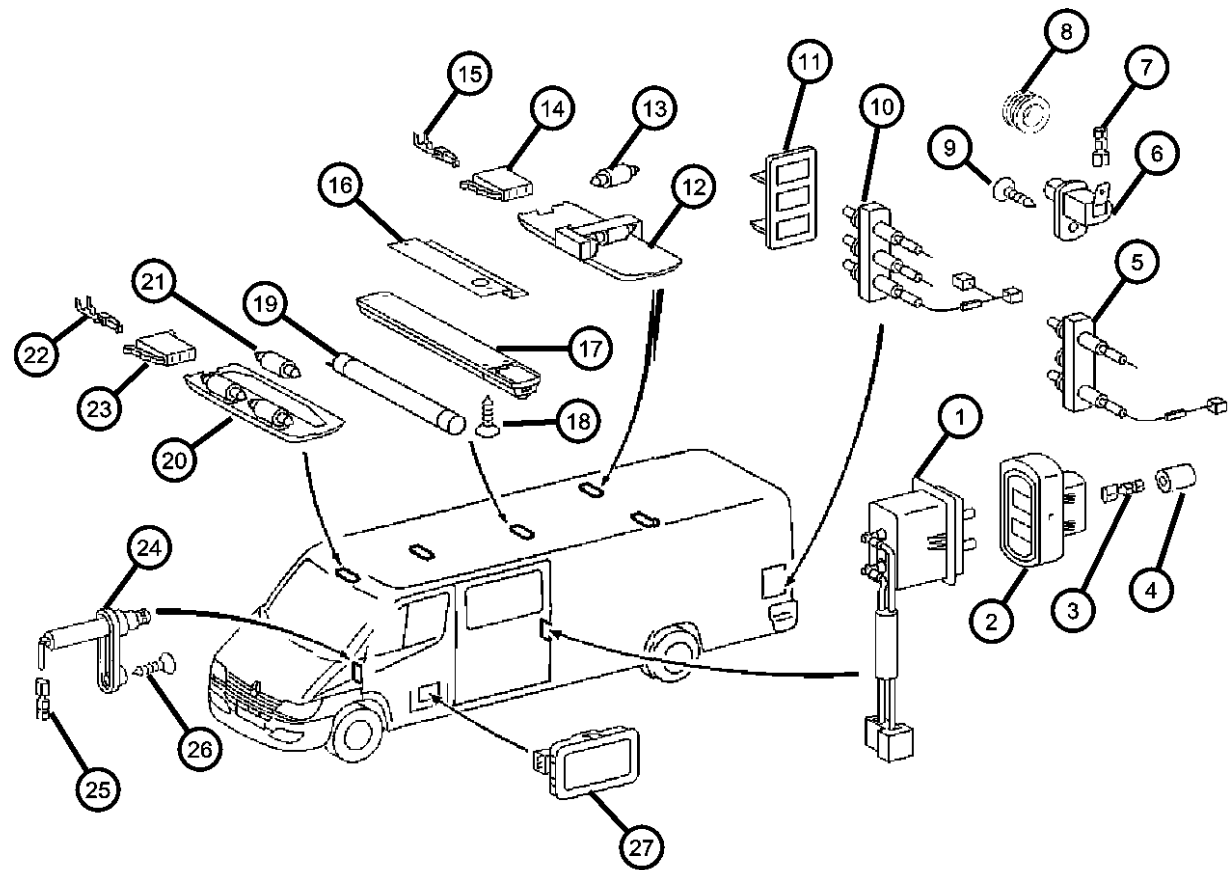
SPRINTER (VA)

SERIES	LINE	BODY	ENGINE	TRANSMISSION
L = LOWLINE	3 = HD DODGE 2WD 6 = Lt. Duty DODGE 4WD 2 = Med. Duty DODGE 2WD 7 = Med. Duty DODGE 4WD	01 = CHASSIS FORWARD CONTROL W.B.1 02 = CAB CHASSIS WHEEL BASE 2 06 = CAB CHASSIS WHEEL BASE 6 11 = VAN WHEEL BASE 1 12 = VAN WHEEL BASE 2 51 = WAGON WHEEL BASE 1 52 = WAGON WHEEL BASE 2 14 = VAN WHEEL BASE 4 15 = VAN WHEEL BASE 5 56 = WAGON WHEEL BASE 6 16 = VAN WHEEL BASE 6 54 = WAGON WHEEL BASE 4 55 = WAGON WHEEL BASE 5	EX9 = Engine-2.7L I5 Mercedes Turbo Diesel	DGJ = Transmission-5-Spd. Automatic, W5A580

AR = use ase required - = Non illustrated part

2002 VA

Lamps Interior Cargo Van
Figure 8-1120



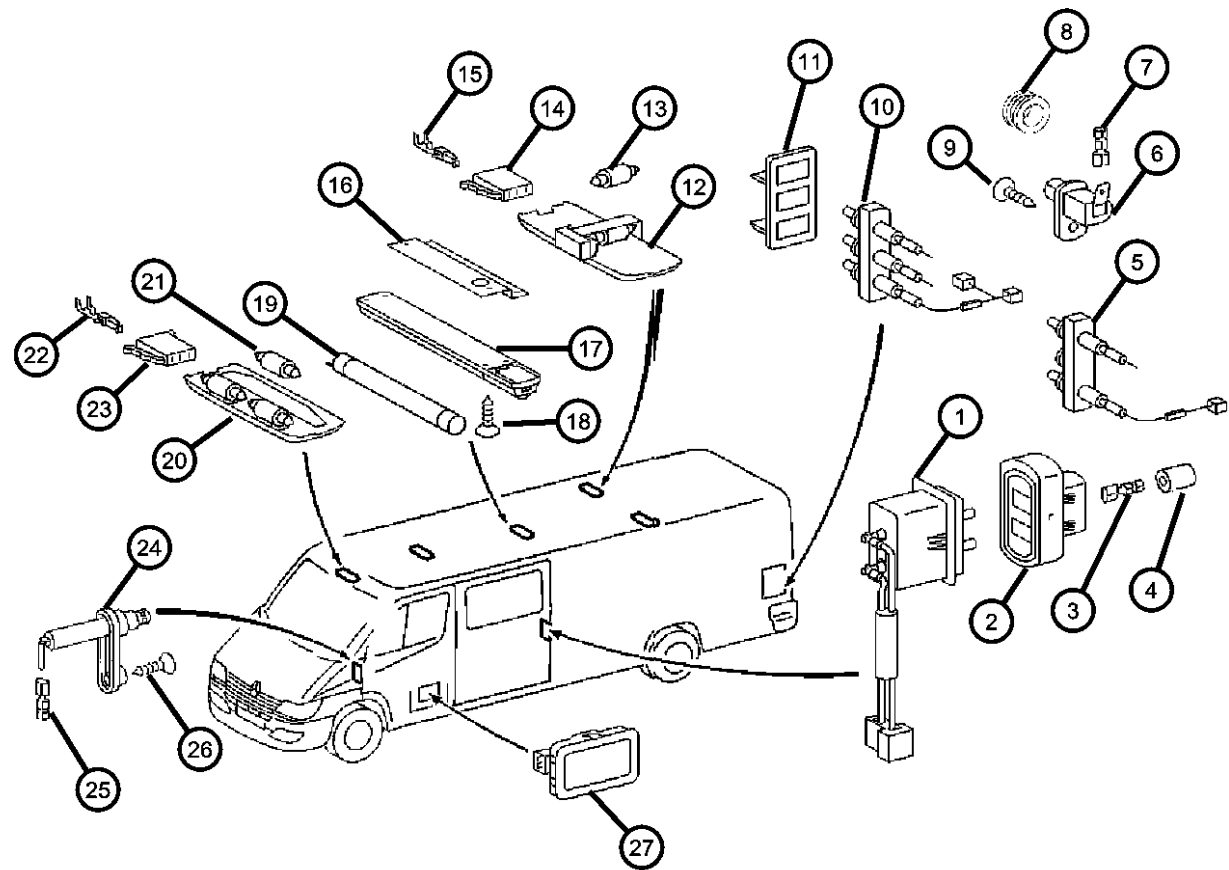
ITEM	PART NUMBER	QTY	LINE	SERIES	BODY	ENGINE	TRANS	TRIM	DESCRIPTION
		1	2, 6	L	51, 52, 54, 55, 56				
		1	3, 7	L	12, 15, 16				
7									TERMINAL, Female
	05133395AA	99	2, 6	L	51, 52, 54, 55, 56				
		99	2, 6	L	11, 12, 14, 15, 16				
		99	3, 7	L	12, 15, 16				
8									GROMMET
	05125931AA	1	2, 6	L	11, 12, 14, 15, 16				
		1	2, 6	L	51, 52, 54, 55, 56				
		2	3, 7	L	12, 15, 16				
9									SCREW
	05126106AA	1	2, 6	L	11, 12, 14, 15, 16				
		1	2, 6	L	51, 52, 54, 55, 56				
		1	3, 7	L	12, 15, 16				
10									CONTACTOR, HEATED REAR WINDOW PANE, SPRINTER
	05104015AA	3	2, 6	L	11, 12, 14, 15, 16				
		3	2, 6	L	51, 52, 54, 55, 56				
		3	3, 7	L	12, 15, 16				
11									CONTACT, Power Door Lock
	05104465AA	1	2, 6	L	11, 12, 14, 15, 16				2 contact
		1	2, 6	L	51, 52, 54, 55, 56				2 contact
		1	3, 7	L	12, 15, 16				2 contact

SPRINTER (VA)

SERIES	LINE	BODY	ENGINE	TRANSMISSION
L = LOWLINE	3 = HD DODGE 2WD 6 = Lt. Duty DODGE 4WD 2 = Med. Duty DODGE 2WD 7 = Med. Duty DODGE 4WD	01 = CHASSIS FORWARD CONTROL W.B.1 02 = CAB CHASSIS WHEEL BASE 2 06 = CAB CHASSIS WHEEL BASE 6 11 = VAN WHEEL BASE 1 12 = VAN WHEEL BASE 2 51 = WAGON WHEEL BASE 1 52 = WAGON WHEEL BASE 2 14 = VAN WHEEL BASE 4 15 = VAN WHEEL BASE 5 56 = WAGON WHEEL BASE 6 16 = VAN WHEEL BASE 6 54 = WAGON WHEEL BASE 4 55 = WAGON WHEEL BASE 5	EX9 = Engine-2.7L I5 Mercedes Turbo Diesel	DGJ = Transmission-5-Spd. Automatic, W5A580

AR = use ase required - = Non illustrated part

Lamps Interior Cargo Van
Figure 8-1120



ITEM	PART NUMBER	QTY	LINE	SERIES	BODY	ENGINE	TRANS	TRIM	DESCRIPTION
	05124466AA	1	2, 6	L	11, 12, 14, 15, 16				3 contact
		1	2, 6	L	51, 52, 54, 55, 56				3 contact
		1	3, 7	L	12, 15, 16				3 contact
12	05104459AA	1	2, 6	L	11, 12, 14, 15, 16				LAMP, Cargo
		1	2, 6	L	51, 52, 54, 55, 56				
		3	3, 7	L	12, 15, 16				
13	05104645AA	1	2, 6	L	51, 52, 54, 55, 56				BULB
		1	2, 6	L	11, 12, 14, 15, 16				
		3	3, 7	L	12, 15, 16				
14	05120545AA	1	2, 6	L	11, 12, 14, 15, 16				CONNECTOR
		1	2, 6	L	51, 52, 54, 55, 56				
		1	3, 7	L	12, 15, 16				
15	05103881AA	1	2, 6	L	11, 12, 14, 15, 16				TERMINAL
		1	2, 6	L	51, 52, 54, 55, 56				
		1	3, 7	L	12, 15, 16				
16	05121426AA	1	2, 6	L	11, 12, 14, 15, 16				BRACKET
		1	3, 7	L	12, 15, 16				

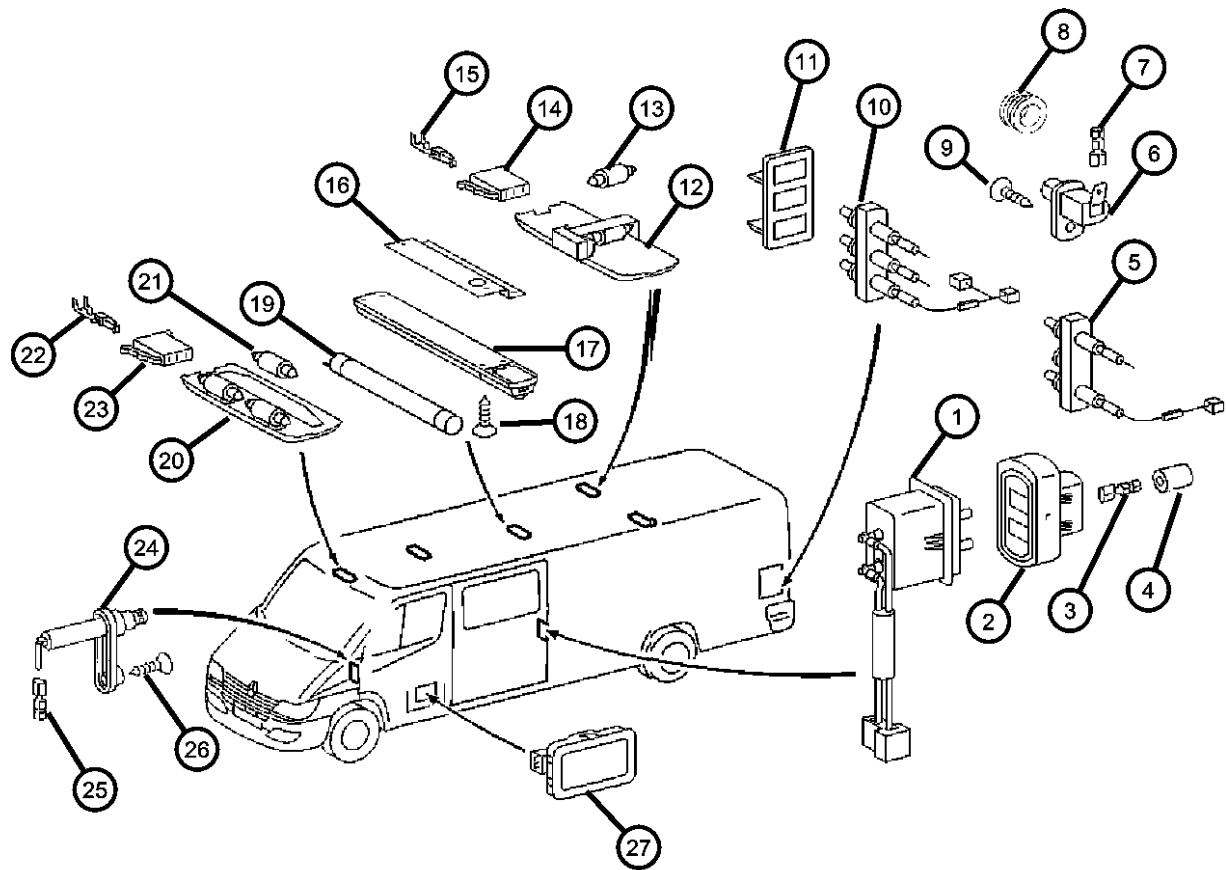
SPRINTER (VA)

SERIES	LINE	BODY	ENGINE	TRANSMISSION
L = LOWLINE	3 = HD DODGE 2WD 6 = Lt. Duty DODGE 4WD 2 = Med. Duty DODGE 2WD 7 = Med. Duty DODGE 4WD	01 = CHASSIS FORWARD CONTROL W.B.1 02 = CAB CHASSIS WHEEL BASE 2 06 = CAB CHASSIS WHEEL BASE 6 11 = VAN WHEEL BASE 1 12 = VAN WHEEL BASE 2 51 = WAGON WHEEL BASE 1 52 = WAGON WHEEL BASE 2 14 = VAN WHEEL BASE 4 15 = VAN WHEEL BASE 5 56 = WAGON WHEEL BASE 6 16 = VAN WHEEL BASE 6 54 = WAGON WHEEL BASE 4 55 = WAGON WHEEL BASE 5	EX9 = Engine-2.7L I5 Mercedes Turbo Diesel	DGJ = Transmission-5-Spd. Automatic, W5A580

AR = use ase required - = Non illustrated part

Lamps Interior Cargo Van
Figure 8-1120

ITEM	PART NUMBER	QTY	LINE	SERIES	BODY	ENGINE	TRANS	TRIM	DESCRIPTION
17	05103764AA	1	2, 6	L	11, 12, 14, 15, 16				INTERIOR LAMP, NONE, SPRINTER
		1	3, 7	L	12, 15, 16				
18	06104527AA	4	2, 6	L	11, 12, 14, 15, 16				SCREW
19	05133563AA	1	2, 6	L	11, 12, 14, 15, 16				LAMP, Glove Box
		99	3, 7	L	12, 15, 16				
20	05133561AA	1	2, 6	L	11, 12, 14, 15, 16				LAMP, Dome
		1	2, 6	L	51, 52, 54, 55, 56				
		1	3, 7	L	12, 15, 16				
21	05096967AA	2	2, 6	L	11, 12, 14, 15, 16				BULB, 12V 10W
		2	2, 6	L	51, 52, 54, 55, 56				
		2	3, 7	L	12, 15, 16				
22	05103882AA	1	2, 6	L	51, 52, 54, 55, 56				TERMINAL
		1	3, 7	L	12, 15, 16				
		1	2, 6	L	11, 12, 14, 15, 16				
23	05120545AA	1	2, 6	L	11, 12, 14, 15, 16				CONNECTOR
		1	2, 6	L	51, 52, 54, 55, 56				



SPRINTER (VA)

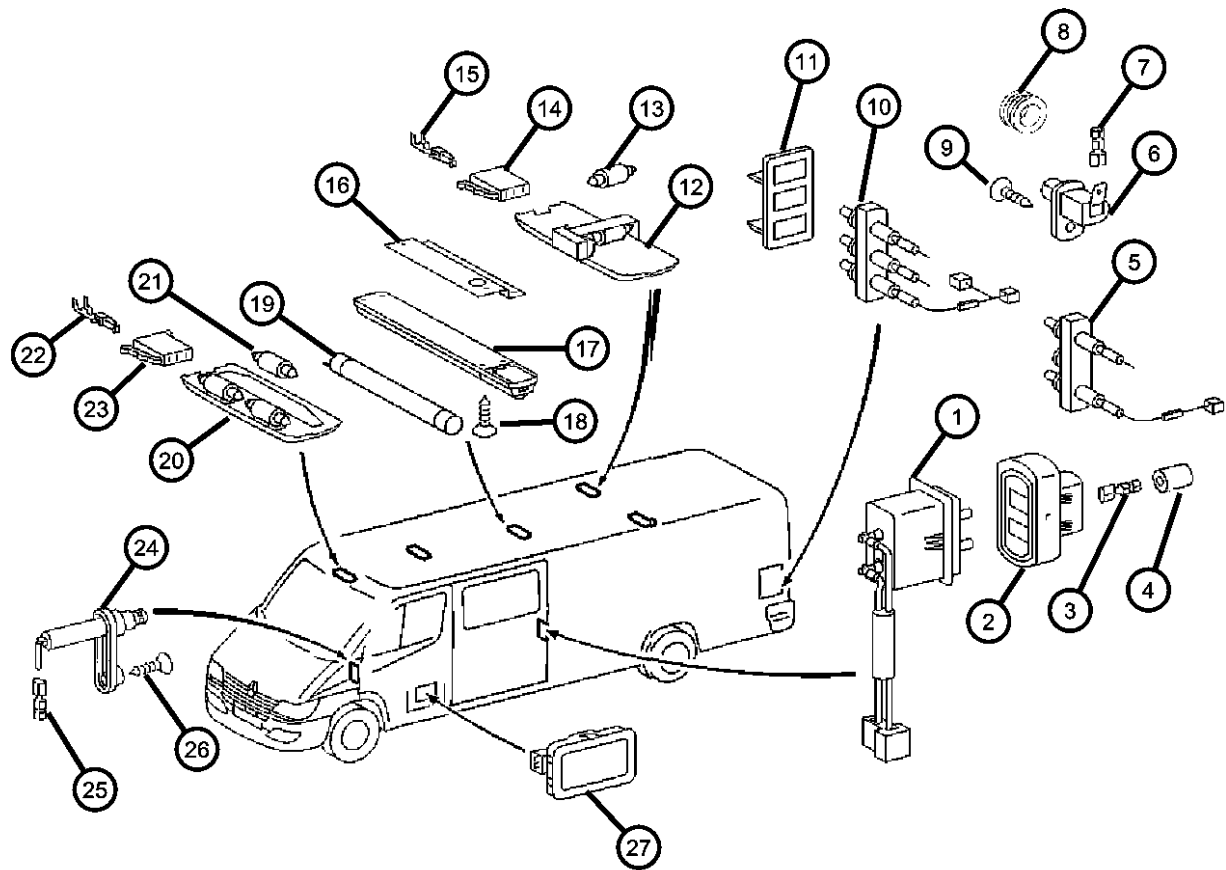
SERIES	LINE	BODY	ENGINE	TRANSMISSION
L = LOWLINE	3 = HD DODGE 2WD 6 = Lt. Duty DODGE 4WD 2 = Med. Duty DODGE 2WD 7 = Med. Duty DODGE 4WD	01 = CHASSIS FORWARD CONTROL W.B.1 02 = CAB CHASSIS WHEEL BASE 2 06 = CAB CHASSIS WHEEL BASE 6 11 = VAN WHEEL BASE 1 12 = VAN WHEEL BASE 2 51 = WAGON WHEEL BASE 1 52 = WAGON WHEEL BASE 2 14 = VAN WHEEL BASE 4 15 = VAN WHEEL BASE 5 56 = WAGON WHEEL BASE 6 16 = VAN WHEEL BASE 6 54 = WAGON WHEEL BASE 4 55 = WAGON WHEEL BASE 5	EX9 = Engine-2.7L I5 Mercedes Turbo Diesel	DGJ = Transmission-5-Spd. Automatic, W5A580

AR = use ase required - = Non illustrated part

2002 VA

Lamps Interior Cargo Van
Figure 8-1120

ITEM	PART NUMBER	QTY	LINE	SERIES	BODY	ENGINE	TRANS	TRIM	DESCRIPTION
24		1	3, 7	L	12, 15, 16				SWITCH, Door Ajar
	05103861AA	2	2, 6	L	51, 52, 54, 55, 56				
		2	2, 6	L	11, 12, 14, 15, 16				
		2	3, 7	L	12, 15, 16				
25									TERMINAL, Female
	05133395AA	99	2, 6	L	11, 12, 14, 15, 16				
		99	2, 6	L	51, 52, 54, 55, 56				
		99	3, 7	L	12, 15, 16				
26									SCREW
	05126106AA	2	2, 6	L	11, 12, 14, 15, 16				
		2	2, 6	L	51, 52, 54, 55, 56				
		1	3, 7	L	12, 15, 16				
27									LAMP, Courtesy
	05103765AA	1	2, 6	L	11, 12, 14, 15, 16				
		1	2, 6	L	51, 52, 54, 55, 56				
		1	3, 7	L	12, 15, 16				



SPRINTER (VA)

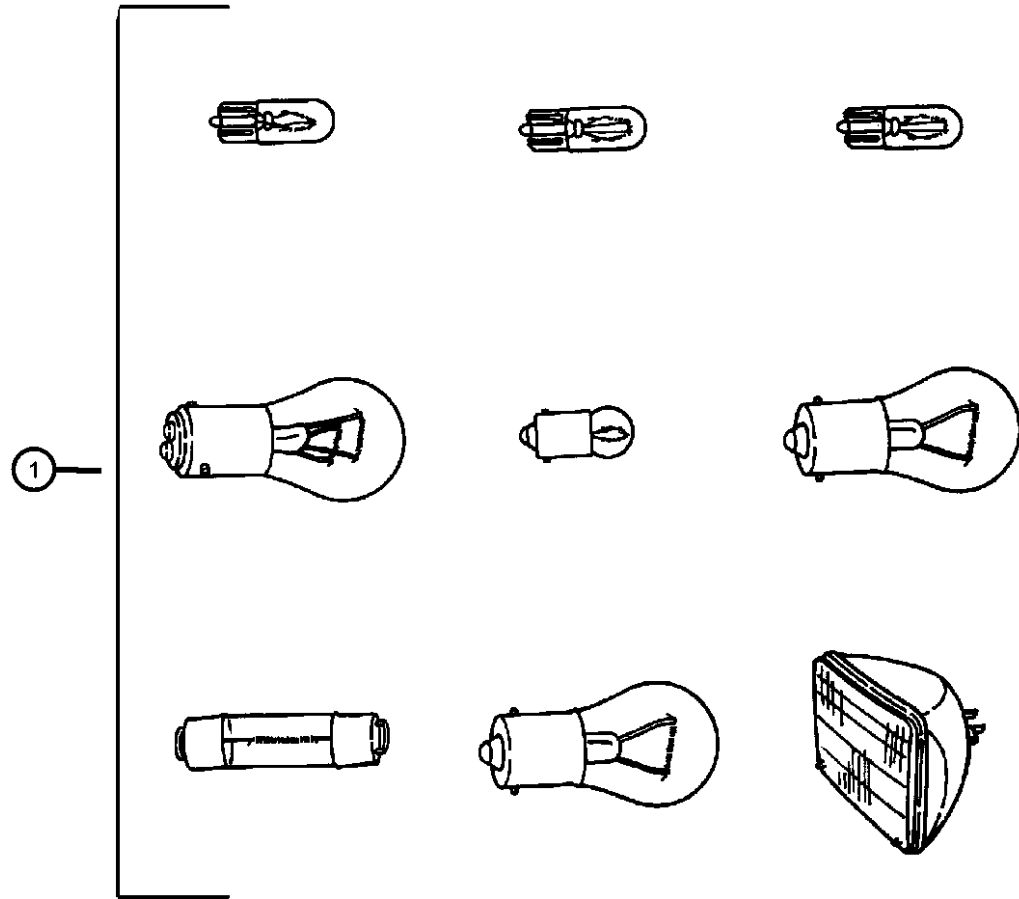
SERIES	LINE	BODY	ENGINE	TRANSMISSION
L = LOWLINE	3 = HD DODGE 2WD 6 = Lt. Duty DODGE 4WD 2 = Med. Duty DODGE 2WD 7 = Med. Duty DODGE 4WD	01 = CHASSIS FORWARD CONTROL W.B.1 02 = CAB CHASSIS WHEEL BASE 2 06 = CAB CHASSIS WHEEL BASE 6 11 = VAN WHEEL BASE 1 12 = VAN WHEEL BASE 2 51 = WAGON WHEEL BASE 1 52 = WAGON WHEEL BASE 2 14 = VAN WHEEL BASE 4 15 = VAN WHEEL BASE 5 56 = WAGON WHEEL BASE 6 16 = VAN WHEEL BASE 6 54 = WAGON WHEEL BASE 4 55 = WAGON WHEEL BASE 5	EX9 = Engine-2.7L I5 Mercedes Turbo Diesel	DGJ = Transmission-5-Spd. Automatic, W5A580

AR = use ase required - = Non illustrated part

2002 VA

Lamp - Bulbs
Figure 8-1125

ITEM	PART NUMBER	QTY	LINE	SERIES	BODY	ENGINE	TRANS	TRIM	DESCRIPTION
1	05126194AA	2	2, 6	L	11, 12, 14, 15, 16				BULB Side Marker
		2	2, 6	L	51, 52, 54, 55, 56				Side Marker
		2	3, 7	L	12, 15, 16				Side Marker
-2	05104646AA	4	2, 6	L	11, 12, 14, 15, 16				BULB
		4	2, 6	L	51, 52, 54, 55, 56				
		4	3, 7	L	12, 15, 16				
-3	05104684AA	2	2, 6	L	11, 12, 14, 15, 16				BULB, Headlamp, H-7
		2	2, 6	L	51, 52, 54, 55, 56				
		2	3, 7	L	12, 15, 16				
-4	05104682AA	99	2, 6	L	11, 12, 14, 15, 16				BULB, Fog Lamp, 12V 55W
		99	2, 6	L	51, 52, 54, 55, 56				
		99	3, 7	L	12, 15, 16				
-5	05104648AA	1	3, 7	L	12, 15, 16				BULB, 12V 5W
-6	05104649AA	2	2, 6	L	11, 12, 14, 15, 16				BULB Tail Lamp Parking Light
		2	2, 6	L	51, 52, 54, 55, 56				Tail Lamp Parking Light
		2	3, 7	L	12, 15, 16				Tail Lamp Parking Light
-7	05096968AA	2	2, 6	L	11, 12, 14, 15, 16				BULB, 12V 5W License Lamp



SPRINTER (VA)

SERIES	LINE	BODY	ENGINE	TRANSMISSION
L = LOWLINE	3 = HD DODGE 2WD 6 = Lt. Duty DODGE 4WD 2 = Med. Duty DODGE 2WD 7 = Med. Duty DODGE 4WD	01 = CHASSIS FORWARD CONTROL W.B.1 02 = CAB CHASSIS WHEEL BASE 2 06 = CAB CHASSIS WHEEL BASE 6 11 = VAN WHEEL BASE 1 12 = VAN WHEEL BASE 2 51 = WAGON WHEEL BASE 1 52 = WAGON WHEEL BASE 2 14 = VAN WHEEL BASE 4 15 = VAN WHEEL BASE 5 56 = WAGON WHEEL BASE 6 16 = VAN WHEEL BASE 6 54 = WAGON WHEEL BASE 4 55 = WAGON WHEEL BASE 5	EX9 = Engine-2.7L I5 Mercedes Turbo Diesel	DGJ = Transmission-5-Spd. Automatic, W5A580

AR = use ase required - = Non illustrated part

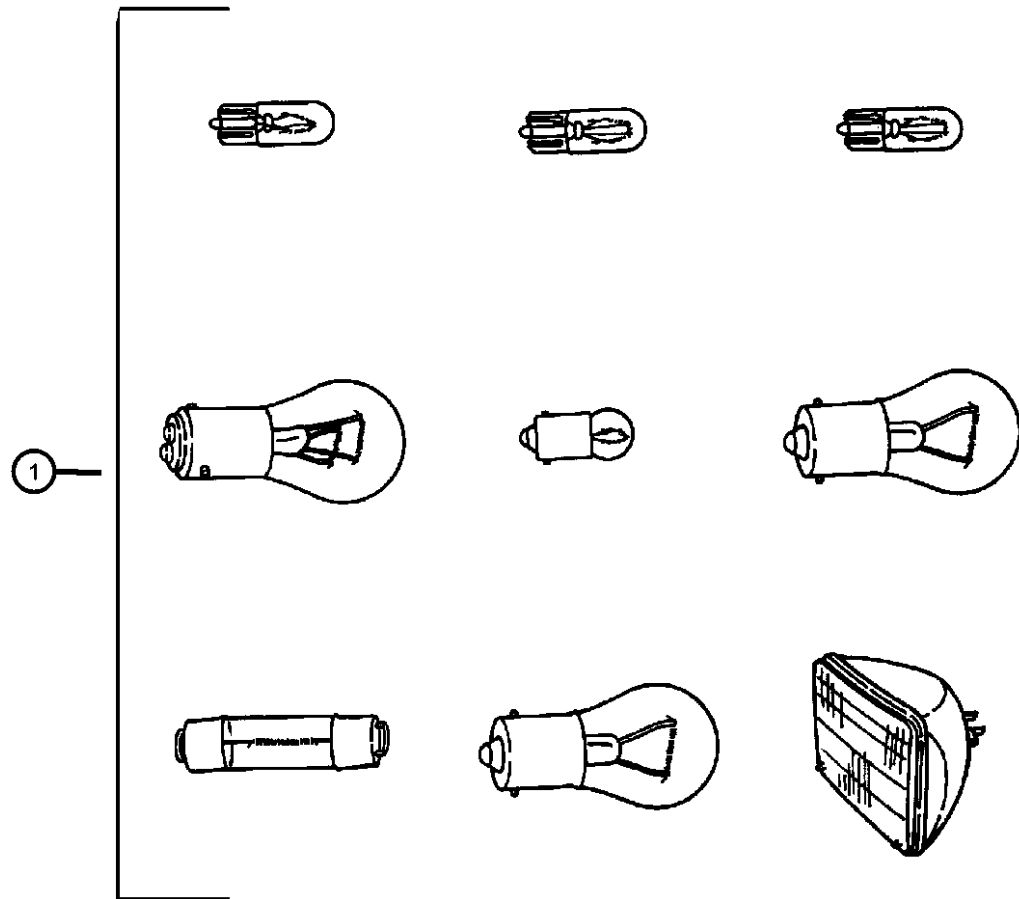
Lamp - Bulbs
Figure 8-1125

ITEM	PART NUMBER	QTY	LINE	SERIES	BODY	ENGINE	TRANS	TRIM	DESCRIPTION
------	-------------	-----	------	--------	------	--------	-------	------	-------------

		2	2, 6	L	51, 52, 54, 55, 56				License Lamp
		2	3, 7	L	12, 15, 16				License Lamp
-8									BULB, TAIL LAMP

	05104647AA	2	2, 6	L	11, 12, 14, 15, 16				
		2	2, 6	L	51, 52, 54, 55, 56				
		2	3, 7	L	12, 15, 16				

-9	05175563AB	1		L					BULB KIT, CONTENTS 1 PC EACH 64210 LONGLIFE H7 L0000000H7 64150 LONGLIFE H1 05104682AA 7507 PY21W 05104662AA 2825 W5W 05104608AA
----	------------	---	--	---	--	--	--	--	--



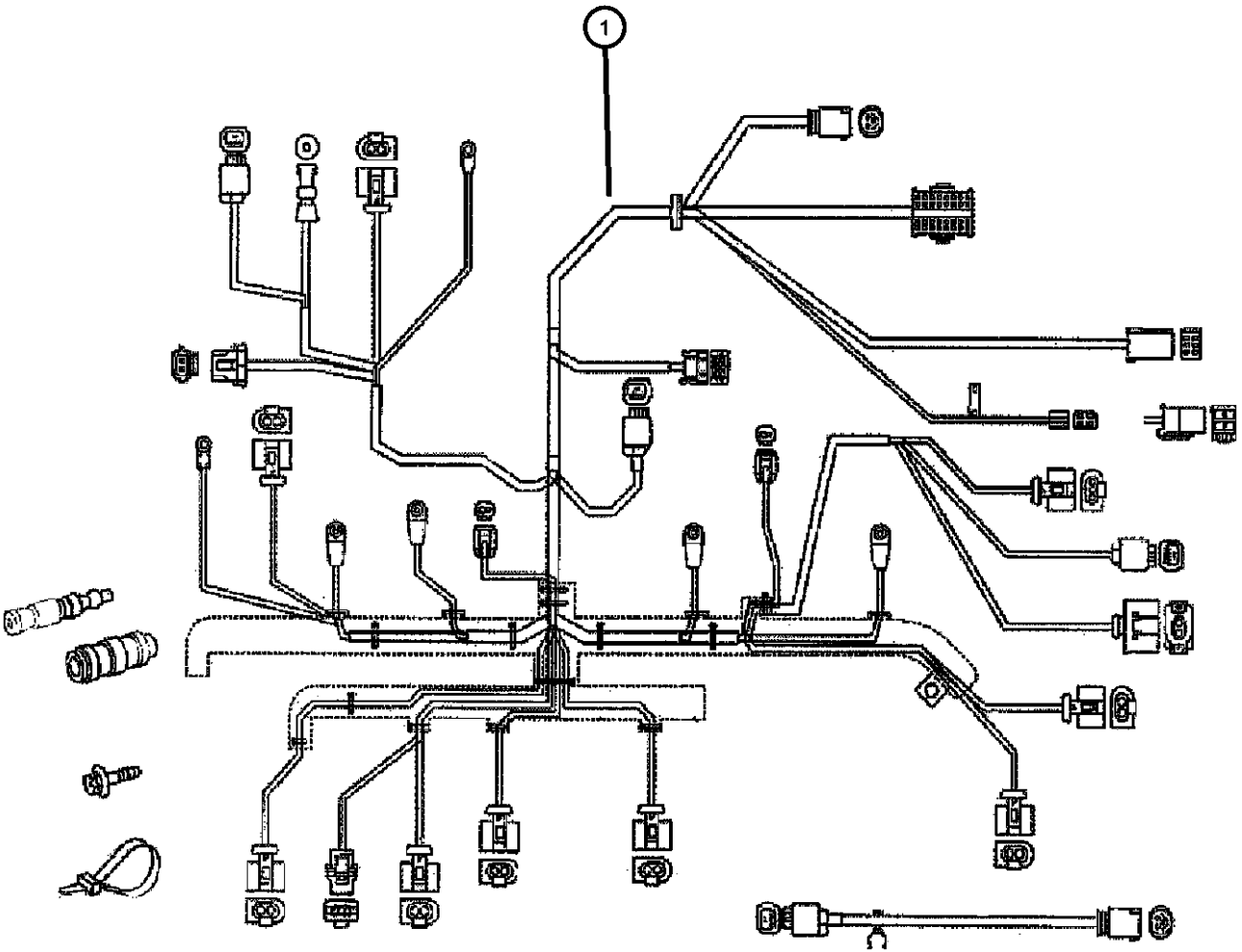
SPRINTER (VA)

SERIES	LINE	BODY	ENGINE	TRANSMISSION
L = LOWLINE	3 = HD DODGE 2WD 6 = Lt. Duty DODGE 4WD 2 = Med. Duty DODGE 2WD 7 = Med. Duty DODGE 4WD	01 = CHASSIS FORWARD CONTROL W.B.1 02 = CAB CHASSIS WHEEL BASE 2 06 = CAB CHASSIS WHEEL BASE 6 11 = VAN WHEEL BASE 1 12 = VAN WHEEL BASE 2 51 = WAGON WHEEL BASE 1 52 = WAGON WHEEL BASE 2 14 = VAN WHEEL BASE 4 15 = VAN WHEEL BASE 5 56 = WAGON WHEEL BASE 6 16 = VAN WHEEL BASE 6 54 = WAGON WHEEL BASE 4 55 = WAGON WHEEL BASE 5	EX9 = Engine-2.7L I5 Mercedes Turbo Diesel	DGJ = Transmission-5-Spd. Automatic, W5A580

AR = use ase required - = Non illustrated part

Wiring - Engine
Figure 8-1205

ITEM	PART NUMBER	QTY	LINE	SERIES	BODY	ENGINE	TRANS	TRIM	DESCRIPTION
1	05120160AA	1		L					WIRING, Engine
	05120166AA	1		L					With tag (A 9015401907)
	05135872AA	1		L		EX9			With tag (A 90115401107 or A 9015402107)
	05139503AA	1							With tag (A 9015400207)
-2	05135839AA	1		L					CONNECTOR
-3									TERMINAL
	05103881AA	1	2, 6	L	11, 12, 14, 15, 16				Contact Spring [1.5-2.5 MM]
		1	2, 6	L	51, 52, 54, 55, 56				Contact Spring [1.5-2.5 MM]
		1	3, 7	L	12, 15, 16				Contact Spring [1.5-2.5 MM]
-4									CONNECTOR, Wiring
	05133396AA	1	2, 6	L	11, 12, 14, 15, 16				
		1	2, 6	L	51, 52, 54, 55, 56				
		1	3, 7	L	12, 15, 16				
-5									CONNECTOR
	05103753AA	1	2, 6	L	11, 12, 14, 15, 16				Engine Harness To Chasis Harness
		1	2, 6	L	51, 52, 54, 55, 56				Engine Harness To Chasis Harness
		1	3, 7	L	12, 15, 16				Engine Harness To Chasis Harness
-6									TERMINAL, Female
	05114451AA	99	2, 6	L	11, 12, 14, 15, 16				
		99	2, 6	L	51, 52, 54, 55, 56				
		99	3, 7	L	12, 15, 16				
-7	05135838AA	1		L					INSULATOR

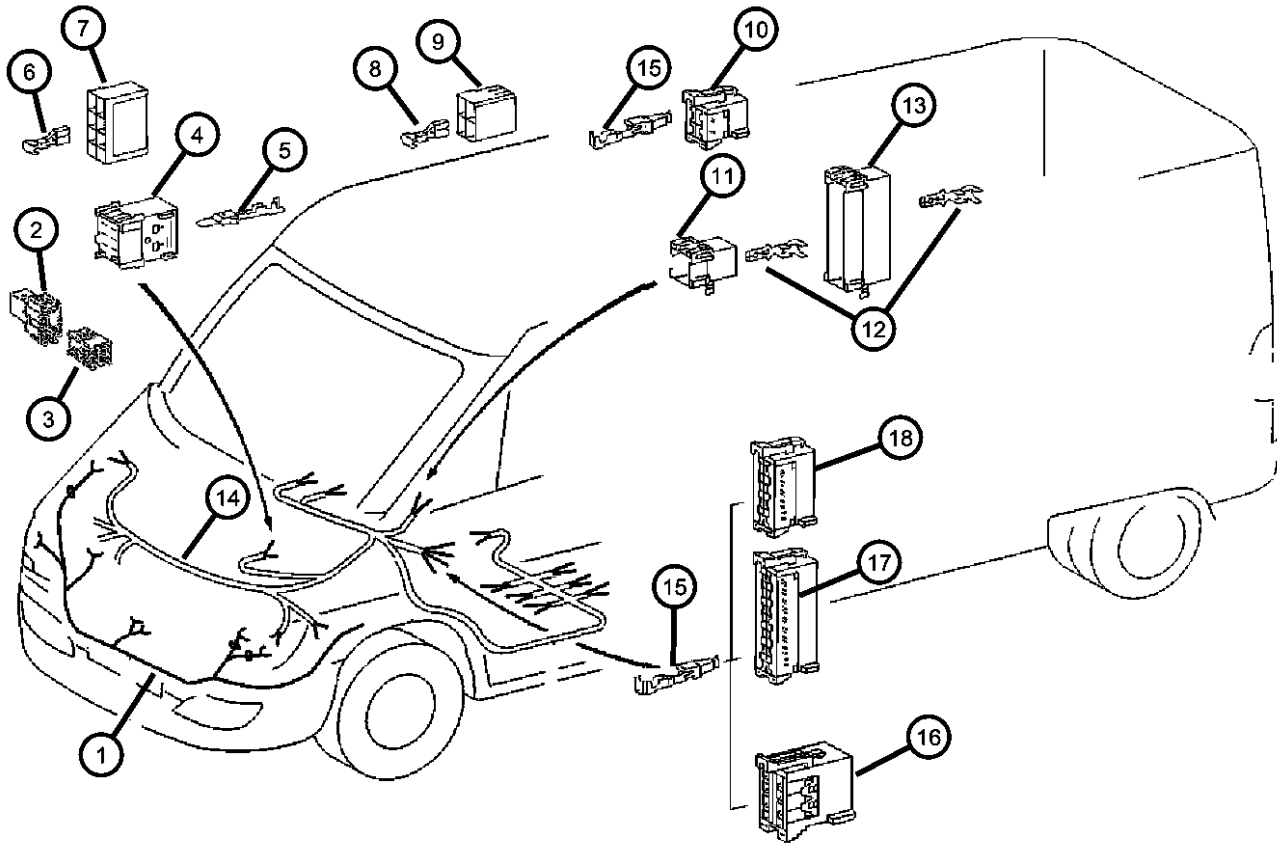


SPRINTER (VA)

SERIES	LINE	BODY	ENGINE	TRANSMISSION
L = LOWLINE	3 = HD DODGE 2WD 6 = Lt. Duty DODGE 4WD 2 = Med. Duty DODGE 2WD 7 = Med. Duty DODGE 4WD	01 = CHASSIS FORWARD CONTROL W.B.1 02 = CAB CHASSIS WHEEL BASE 2 06 = CAB CHASSIS WHEEL BASE 6 11 = VAN WHEEL BASE 1 12 = VAN WHEEL BASE 2 51 = WAGON WHEEL BASE 1 52 = WAGON WHEEL BASE 2 14 = VAN WHEEL BASE 4 15 = VAN WHEEL BASE 5 56 = WAGON WHEEL BASE 6 16 = VAN WHEEL BASE 6 54 = WAGON WHEEL BASE 4 55 = WAGON WHEEL BASE 5	EX9 = Engine-2.7L I5 Mercedes Turbo Diesel	DGJ = Transmission-5-Spd. Automatic, W5A580

AR = use ase required - = Non illustrated part

Wiring - Headlamp & Dash
Figure 8-1305



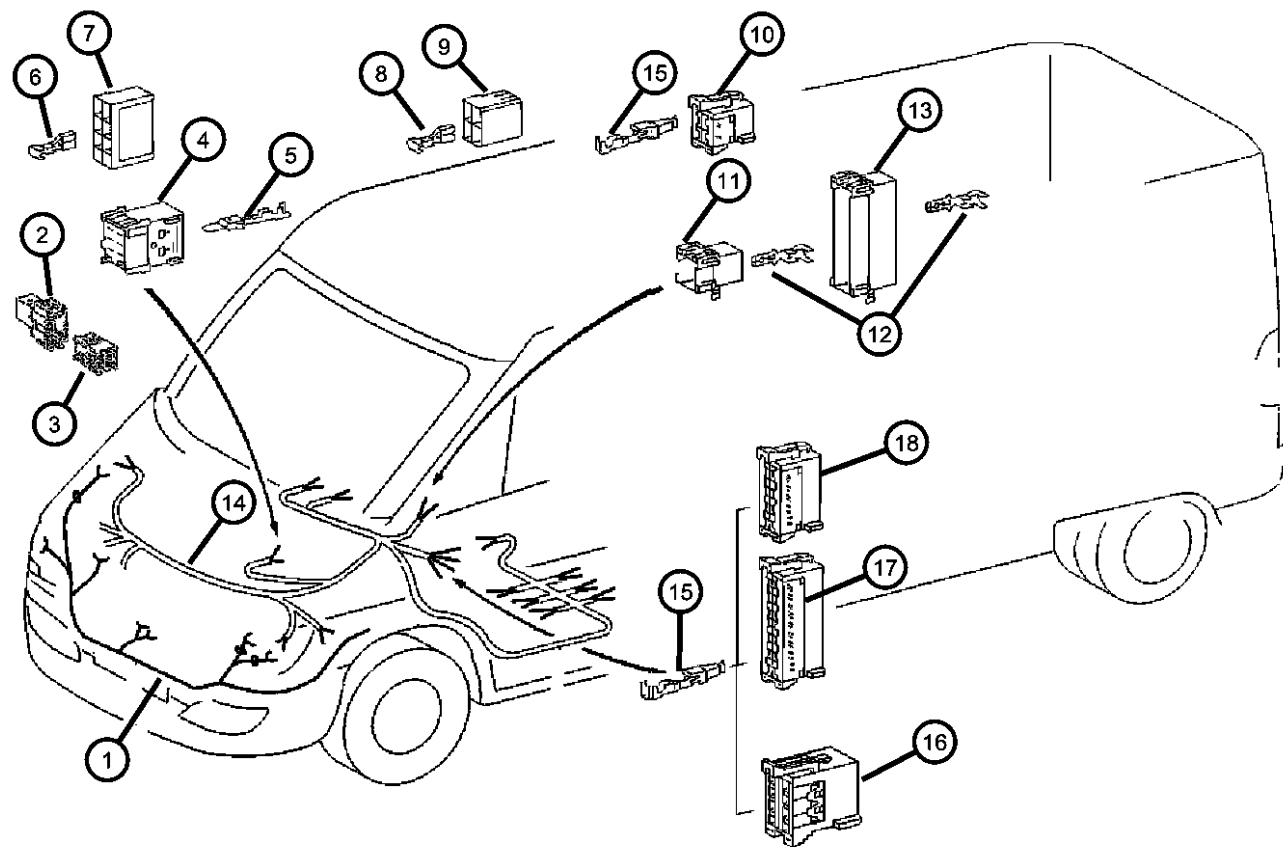
ITEM	PART NUMBER	QTY	LINE	SERIES	BODY	ENGINE	TRANS	TRIM	DESCRIPTION
1									WIRING, Headlamp
	05133398AA	1	2, 6	L	11, 12, 14, 15, 16				
		1	2, 6	L	51, 52, 54, 55, 56				
		1	3, 7	L	12, 15, 16				
2									INSULATOR, 4 Way Male
	05133397AA	1	2, 6	L	11, 12, 14, 15, 16				
		1	2, 6	L	51, 52, 54, 55, 56				
		1	3, 7	L	12, 15, 16				
3									CONNECTOR, Wiring
	05133396AA	1	2, 6	L	01, 02, 06				
		1	2, 6	L	11, 12, 14, 15, 16				
		1	2, 6	L	51, 52, 54, 55, 56				
		1	3, 7	L	12, 15, 16				
4									INSULATOR, 6 Way Male
	05133327AA	1	2, 6	L	11, 12, 14, 15, 16				
		1	2, 6	L	51, 52, 54, 55, 56				
		1	3, 7	L	12, 15, 16				
5									TERMINAL, Male
	05103909AA	1	2, 6	L	11, 12, 14, 15, 16				
		1	2, 6	L	51, 52, 54, 55, 56				
		1	3, 7	L	12, 15, 16				
6									TERMINAL, Female
	05133395AA	99	2, 6	L	11, 12, 14, 15, 16				

SPRINTER (VA)

SERIES	LINE	BODY	ENGINE	TRANSMISSION
L = LOWLINE	3 = HD DODGE 2WD 6 = Lt. Duty DODGE 4WD 2 = Med. Duty DODGE 2WD 7 = Med. Duty DODGE 4WD	01 = CHASSIS FORWARD CONTROL W.B.1 02 = CAB CHASSIS WHEEL BASE 2 06 = CAB CHASSIS WHEEL BASE 6 11 = VAN WHEEL BASE 1 12 = VAN WHEEL BASE 2 51 = WAGON WHEEL BASE 1 52 = WAGON WHEEL BASE 2 14 = VAN WHEEL BASE 4 15 = VAN WHEEL BASE 5 56 = WAGON WHEEL BASE 6 16 = VAN WHEEL BASE 6 54 = WAGON WHEEL BASE 4 55 = WAGON WHEEL BASE 5	EX9 = Engine-2.7L I5 Mercedes Turbo Diesel	DGJ = Transmission-5-Spd. Automatic, W5A580

AR = use ase required - = Non illustrated part

**Wiring - Headlamp & Dash
Figure 8-1305**



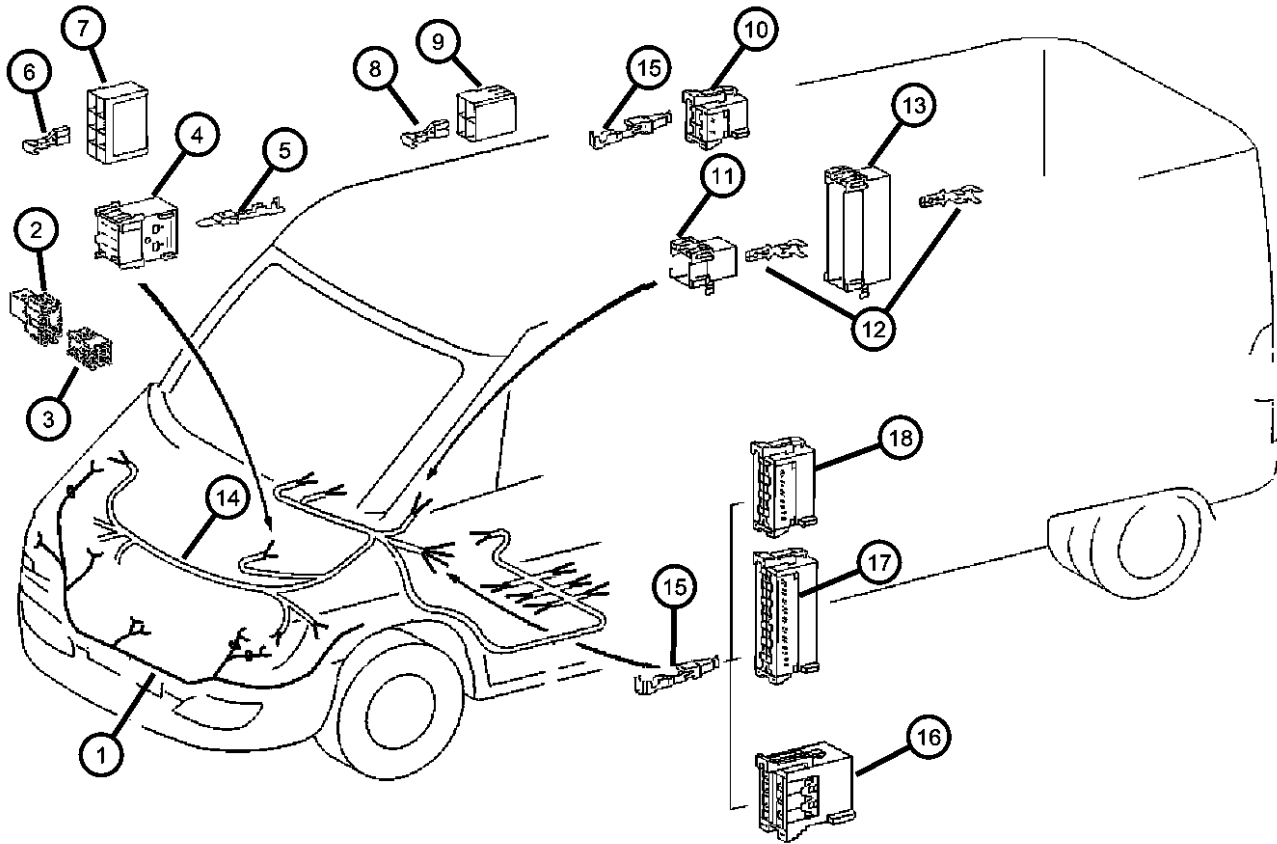
ITEM	PART NUMBER	QTY	LINE	SERIES	BODY	ENGINE	TRANS	TRIM	DESCRIPTION
		99	2, 6	L	51, 52, 54, 55, 56				
		99	3, 7	L	12, 15, 16				
7									CONNECTOR
	05103752AA	1	2, 6	L	11, 12, 14, 15, 16				
		1	2, 6	L	51, 52, 54, 55, 56				
		1	3, 7	L	12, 15, 16				
8									TERMINAL, Female
	05133360AA	99	3, 7	L	12, 15, 16				
		99	2, 6	L	11, 12, 14, 15, 16				
		99	2, 6	L	51, 52, 54, 55, 56				
9									CONNECTOR
	05103753AA	1	2, 6	L	11, 12, 14, 15, 16				
		1	2, 6	L	51, 52, 54, 55, 56				
		1	3, 7	L	12, 15, 16				
10									CONNECTOR
	05120785AA	1	2, 6	L	11, 12, 14, 15, 16				
		1	2, 6	L	51, 52, 54, 55, 56				
		1	3, 7	L	12, 15, 16				
11									CONNECTOR
	05120791AA	1	2, 6	L	11, 12, 14, 15, 16				
		1	2, 6	L	51, 52, 54, 55, 56				
		1	3, 7	L	12, 15, 16				

SPRINTER (VA)

SERIES	LINE	BODY	ENGINE	TRANSMISSION
L = LOWLINE	3 = HD DODGE 2WD 6 = Lt. Duty DODGE 4WD 2 = Med. Duty DODGE 2WD 7 = Med. Duty DODGE 4WD	01 = CHASSIS FORWARD CONTROL W.B.1 02 = CAB CHASSIS WHEEL BASE 2 06 = CAB CHASSIS WHEEL BASE 6 11 = VAN WHEEL BASE 1 12 = VAN WHEEL BASE 2 51 = WAGON WHEEL BASE 1 52 = WAGON WHEEL BASE 2 14 = VAN WHEEL BASE 4 15 = VAN WHEEL BASE 5 56 = WAGON WHEEL BASE 6 16 = VAN WHEEL BASE 6 54 = WAGON WHEEL BASE 4 55 = WAGON WHEEL BASE 5	EX9 = Engine-2.7L I5 Mercedes Turbo Diesel	DGJ = Transmission-5-Spd. Automatic, W5A580

AR = use ase required - = Non illustrated part

Wiring - Headlamp & Dash
Figure 8-1305



ITEM	PART NUMBER	QTY	LINE	SERIES	BODY	ENGINE	TRANS	TRIM	DESCRIPTION
12	05133377AA	1	2, 6	L	11, 12, 14, 15, 16				TERMINAL, Male
		1	2, 6	L	51, 52, 54, 55, 56				
		1	3, 7	L	12, 15, 16				
13	05120794AA	1	2, 6	L	11, 12, 14, 15, 16				CONNECTOR
		1	2, 6	L	51, 52, 54, 55, 56				
		1	3, 7	L	12, 15, 16				
14	05114935AA	1	2, 6	L	11, 12, 14, 15, 16				WIRING, Headlamp to Dash
		1	2, 6	L	51, 52, 54, 55, 56				
		1	3, 7	L	12, 15, 16				
15	05103881AA	1	2, 6	L	11, 12, 14, 15, 16				TERMINAL
		1	2, 6	L	51, 52, 54, 55, 56				
		1	3, 7	L	12, 15, 16				
16	05120796AA	1	2, 6	L	11, 12, 14, 15, 16				CONNECTOR
		1	2, 6	L	51, 52, 54, 55, 56				
		1	3, 7	L	12, 15, 16				
17	05120789AA	1	2, 6	L	11, 12, 14, 15, 16				CONNECTOR

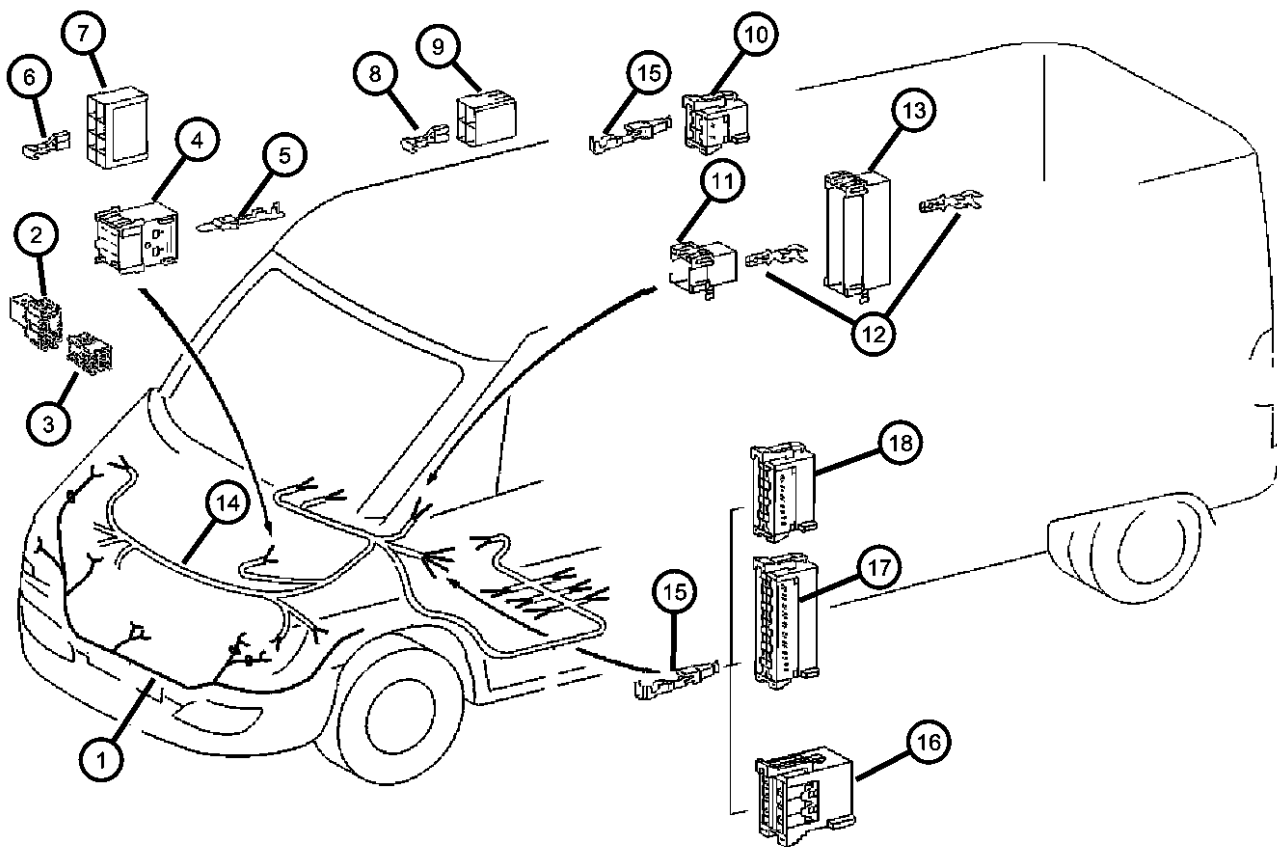
SPRINTER (VA)

SERIES	LINE	BODY	ENGINE	TRANSMISSION
L = LOWLINE	3 = HD DODGE 2WD 6 = Lt. Duty DODGE 4WD 2 = Med. Duty DODGE 2WD 7 = Med. Duty DODGE 4WD	01 = CHASSIS FORWARD CONTROL W.B.1 02 = CAB CHASSIS WHEEL BASE 2 06 = CAB CHASSIS WHEEL BASE 6 11 = VAN WHEEL BASE 1 12 = VAN WHEEL BASE 2 51 = WAGON WHEEL BASE 1 52 = WAGON WHEEL BASE 2 14 = VAN WHEEL BASE 4 15 = VAN WHEEL BASE 5 56 = WAGON WHEEL BASE 6 16 = VAN WHEEL BASE 6 54 = WAGON WHEEL BASE 4 55 = WAGON WHEEL BASE 5	EX9 = Engine-2.7L I5 Mercedes Turbo Diesel	DGJ = Transmission-5-Spd. Automatic, W5A580

AR = use ase required - = Non illustrated part

**Wiring - Headlamp & Dash
Figure 8-1305**

ITEM	PART NUMBER	QTY	LINE	SERIES	BODY	ENGINE	TRANS	TRIM	DESCRIPTION
		1	2, 6	L	51, 52, 54, 55, 56				
		1	3, 7	L	12, 15, 16				
18	05120788AA	1	2, 6	L	11, 12, 14, 15, 16				CONNECTOR
		1	2, 6	L	51, 52, 54, 55, 56				
		1	3, 7	L	12, 15, 16				

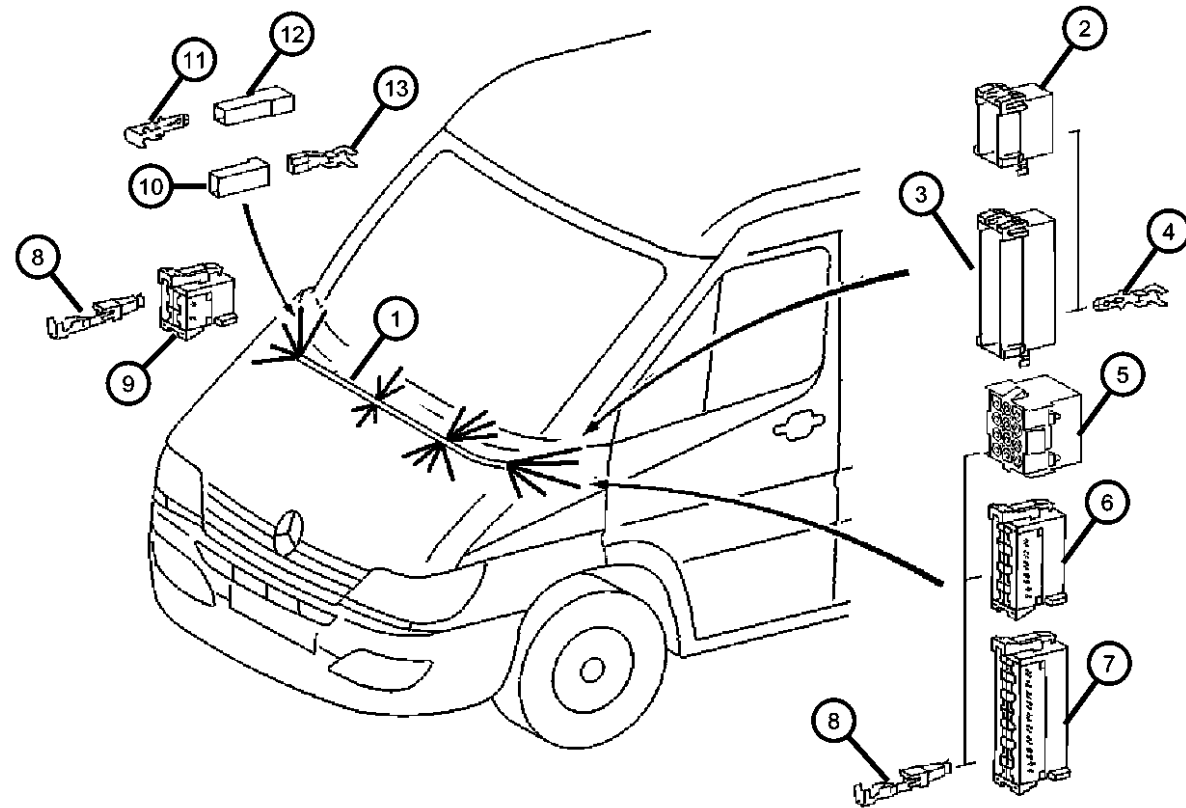


SPRINTER (VA)

SERIES	LINE	BODY	ENGINE	TRANSMISSION
L = LOWLINE	3 = HD DODGE 2WD 6 = Lt. Duty DODGE 4WD 2 = Med. Duty DODGE 2WD 7 = Med. Duty DODGE 4WD	01 = CHASSIS FORWARD CONTROL W.B.1 02 = CAB CHASSIS WHEEL BASE 2 06 = CAB CHASSIS WHEEL BASE 6 11 = VAN WHEEL BASE 1 12 = VAN WHEEL BASE 2 51 = WAGON WHEEL BASE 1 52 = WAGON WHEEL BASE 2 14 = VAN WHEEL BASE 4 15 = VAN WHEEL BASE 5 56 = WAGON WHEEL BASE 6 16 = VAN WHEEL BASE 6 54 = WAGON WHEEL BASE 4 55 = WAGON WHEEL BASE 5	EX9 = Engine-2.7L I5 Mercedes Turbo Diesel	DGJ = Transmission-5-Spd. Automatic, W5A580

AR = use ase required - = Non illustrated part

Wiring - Instrument Panel
Figure 8-1405



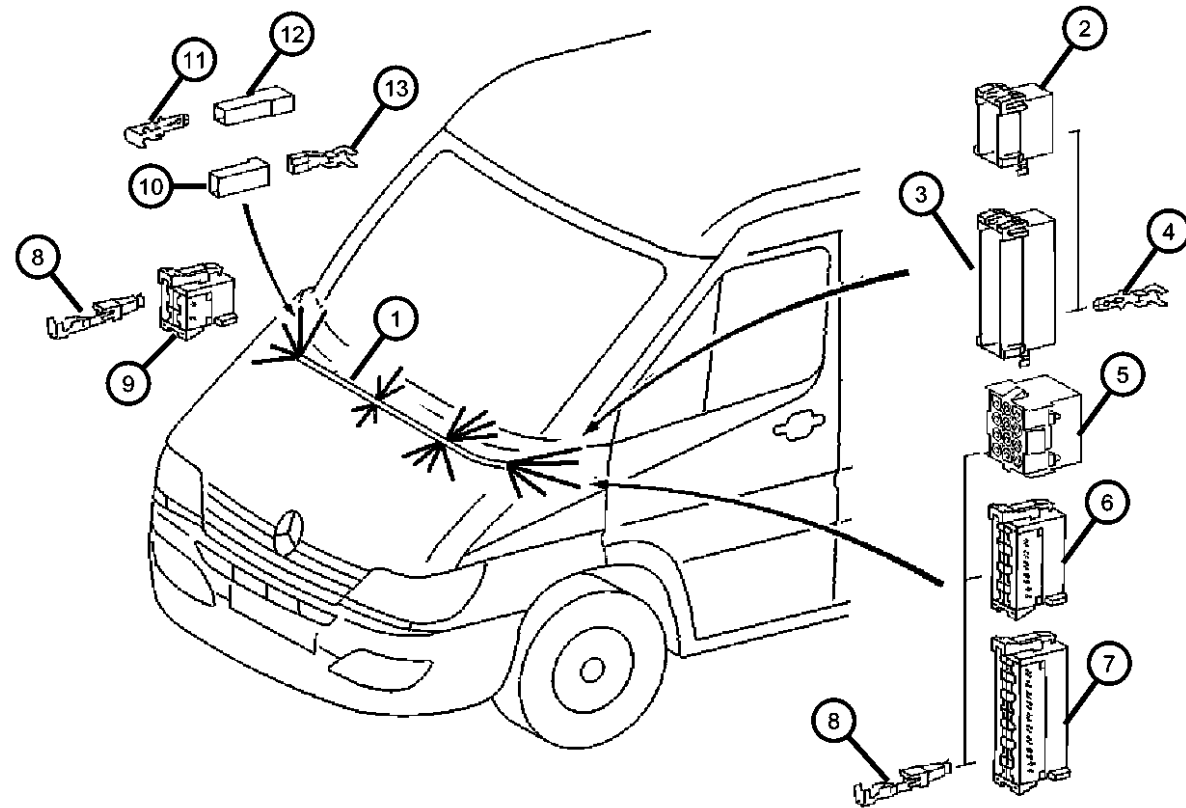
ITEM	PART NUMBER	QTY	LINE	SERIES	BODY	ENGINE	TRANS	TRIM	DESCRIPTION
1	05114933AA	1	2, 6	L	11, 12, 14, 15, 16				WIRING, Instrument Panel Built to order by VIN
		1	2, 6	L	51, 52, 54, 55, 56				Built to order by VIN
		1	3, 7	L	12, 15, 16				Built to order by VIN
2	05133393AA	1	2, 6	L	11, 12, 14, 15, 16				INSULATOR
		1	2, 6	L	51, 52, 54, 55, 56				
		1	3, 7	L	12, 15, 16				
3	05120793AA	1	2, 6	L	11, 12, 14, 15, 16				CONNECTOR
		1	2, 6	L	51, 52, 54, 55, 56				
		1	3, 7	L	12, 15, 16				
4	05133377AA	1	2, 6	L	11, 12, 14, 15, 16				TERMINAL, Male
		99	3, 7	L	12, 15, 16				
		1	2, 6	L	51, 52, 54, 55, 56				
5	05120675AA	1	2, 6	L	11, 12, 14, 15, 16				CONNECTOR
		1	2, 6	L	51, 52, 54, 55, 56				
		1	3, 7	L	12, 15, 16				
6	05120787AA	1	2, 6	L	11, 12, 14, 15, 16				CONNECTOR
		1	2, 6	L	51, 52, 54, 55, 56				

SPRINTER (VA)

SERIES	LINE	BODY	ENGINE	TRANSMISSION
L = LOWLINE	3 = HD DODGE 2WD 6 = Lt. Duty DODGE 4WD 2 = Med. Duty DODGE 2WD 7 = Med. Duty DODGE 4WD	01 = CHASSIS FORWARD CONTROL W.B.1 02 = CAB CHASSIS WHEEL BASE 2 06 = CAB CHASSIS WHEEL BASE 6 11 = VAN WHEEL BASE 1 12 = VAN WHEEL BASE 2 51 = WAGON WHEEL BASE 1 52 = WAGON WHEEL BASE 2 14 = VAN WHEEL BASE 4 15 = VAN WHEEL BASE 5 56 = WAGON WHEEL BASE 6 16 = VAN WHEEL BASE 6 54 = WAGON WHEEL BASE 4 55 = WAGON WHEEL BASE 5	EX9 = Engine-2.7L I5 Mercedes Turbo Diesel	DGJ = Transmission-5-Spd. Automatic, W5A580

AR = use ase required - = Non illustrated part

Wiring - Instrument Panel
Figure 8-1405



ITEM	PART NUMBER	QTY	LINE	SERIES	BODY	ENGINE	TRANS	TRIM	DESCRIPTION
7		1	3, 7	L	12, 15, 16				CONNECTOR
	05120789AA	1	2, 6	L	11, 12, 14, 15, 16				
		1	2, 6	L	51, 52, 54, 55, 56				
8		1	3, 7	L	12, 15, 16				TERMINAL
	05103881AA	1	2, 6	L	11, 12, 14, 15, 16				
		1	2, 6	L	51, 52, 54, 55, 56				
9		1	3, 7	L	12, 15, 16				CONNECTOR
	05120785AA	1	2, 6	L	11, 12, 14, 15, 16				
		1	2, 6	L	51, 52, 54, 55, 56				
10		1	3, 7	L	12, 15, 16				CONNECTOR
	05120684AA	1	2, 6	L	11, 12, 14, 15, 16				
		1	2, 6	L	51, 52, 54, 55, 56				
11		1	3, 7	L	12, 15, 16				TERMINAL, Male
	05133391AA	99	2, 6	L	11, 12, 14, 15, 16				
		99	2, 6	L	51, 52, 54, 55, 56				
12		99	3, 7	L	12, 15, 16				INSULATOR

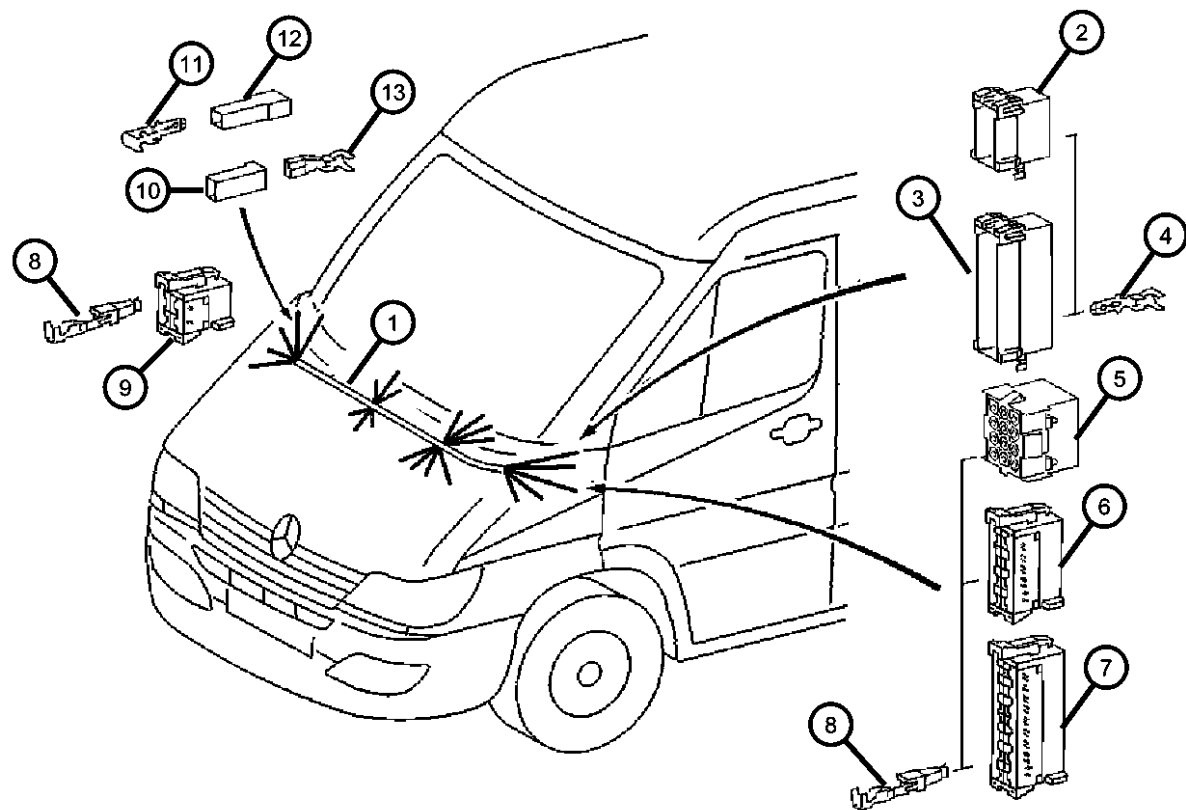
SPRINTER (VA)

SERIES	LINE	BODY	ENGINE	TRANSMISSION
L = LOWLINE	3 = HD DODGE 2WD 6 = Lt. Duty DODGE 4WD 2 = Med. Duty DODGE 2WD 7 = Med. Duty DODGE 4WD	01 = CHASSIS FORWARD CONTROL W.B.1 02 = CAB CHASSIS WHEEL BASE 2 06 = CAB CHASSIS WHEEL BASE 6 11 = VAN WHEEL BASE 1 12 = VAN WHEEL BASE 2 51 = WAGON WHEEL BASE 1 52 = WAGON WHEEL BASE 2 14 = VAN WHEEL BASE 4 15 = VAN WHEEL BASE 5 56 = WAGON WHEEL BASE 6 16 = VAN WHEEL BASE 6 54 = WAGON WHEEL BASE 4 55 = WAGON WHEEL BASE 5	EX9 = Engine-2.7L I5 Mercedes Turbo Diesel	DGJ = Transmission-5-Spd. Automatic, W5A580

AR = use ase required - = Non illustrated part

Wiring - Instrument Panel
Figure 8-1405

ITEM	PART NUMBER	QTY	LINE	SERIES	BODY	ENGINE	TRANS	TRIM	DESCRIPTION
	05120685AA	1	2, 6	L	11, 12, 14, 15, 16				
		1	2, 6	L	51, 52, 54, 55, 56				
		1	3, 7	L	12, 15, 16				
13									TERMINAL, Female
	05103871AA	1	2, 6	L	11, 12, 14, 15, 16				
		1	2, 6	L	51, 52, 54, 55, 56				
		1	3, 7	L	12, 15, 16				



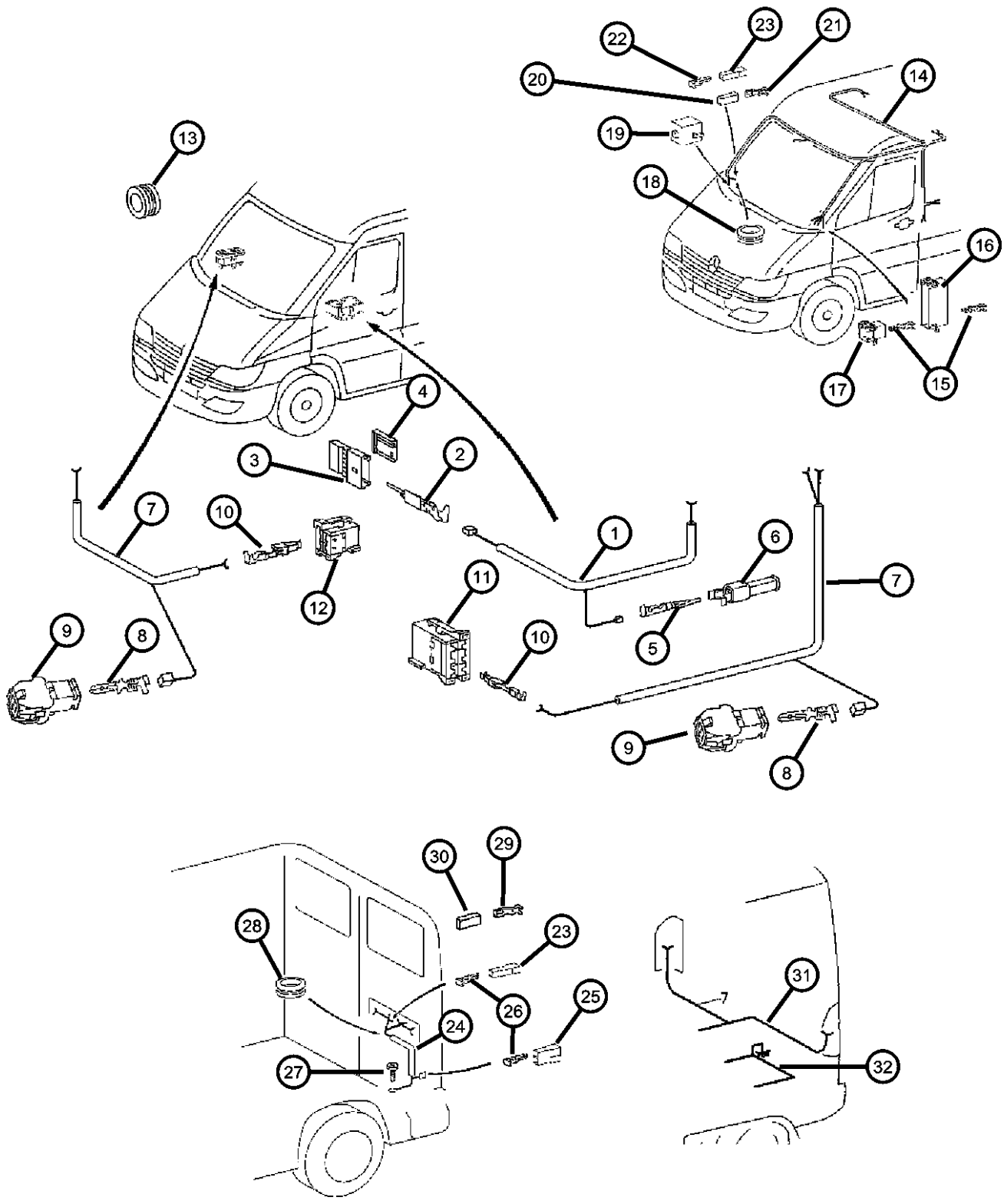
SPRINTER (VA)

SERIES	LINE	BODY	ENGINE	TRANSMISSION
L = LOWLINE	3 = HD DODGE 2WD 6 = Lt. Duty DODGE 4WD 2 = Med. Duty DODGE 2WD 7 = Med. Duty DODGE 4WD	01 = CHASSIS FORWARD CONTROL W.B.1 02 = CAB CHASSIS WHEEL BASE 2 06 = CAB CHASSIS WHEEL BASE 6 11 = VAN WHEEL BASE 1 12 = VAN WHEEL BASE 2 51 = WAGON WHEEL BASE 1 52 = WAGON WHEEL BASE 2 14 = VAN WHEEL BASE 4 15 = VAN WHEEL BASE 5 56 = WAGON WHEEL BASE 6 16 = VAN WHEEL BASE 6 54 = WAGON WHEEL BASE 4 55 = WAGON WHEEL BASE 5	EX9 = Engine-2.7L I5 Mercedes Turbo Diesel	DGJ = Transmission-5-Spd. Automatic, W5A580

AR = use ase required - = Non illustrated part

2002 VA

Wiring - Body & Accessories
Figure 8-1505



ITEM	PART NUMBER	QTY	LINE	SERIES	BODY	ENGINE	TRANS	TRIM	DESCRIPTION
1	05120224AA	1	2, 6	L	11, 12, 14, 15, 16				WIRING, Mirror Jumper
		1	2, 6	L	51, 52, 54, 55, 56				
		1	3, 7	L	12, 15, 16				
2	05133990AA	99	2, 6	L	11, 12, 14, 15, 16				TERMINAL, Male
		99	2, 6	L	51, 52, 54, 55, 56				
		99	3, 7	L	12, 15, 16				
3	05133330AA	1	2, 6	L	11, 12, 14, 15, 16				INSULATOR, 6 Way
		1	2, 6	L	51, 52, 54, 55, 56				
		1	3, 7	L	12, 15, 16				
4	05133331AA	1	2, 6	L	11, 12, 14, 15, 16				CONNECTOR, Instrument cluster
		1	2, 6	L	51, 52, 54, 55, 56				
		1	3, 7	L	12, 15, 16				
5	05133387AA	1	2, 6	L	11, 12, 14, 15, 16				TERMINAL
		1	2, 6	L	51, 52, 54, 55, 56				
		1	3, 7	L	12, 15, 16				
6	05120744AA	1	2, 6	L	11, 12, 14, 15, 16				CONNECTOR
		1	2, 6	L	51, 52, 54, 55, 56				

SPRINTER (VA)
SERIES

L = LOWLINE
3 = HD DODGE 2WD
6 = Lt. Duty DODGE 4WD
2 = Med. Duty DODGE 2WD
7 = Med. Duty DODGE 4WD

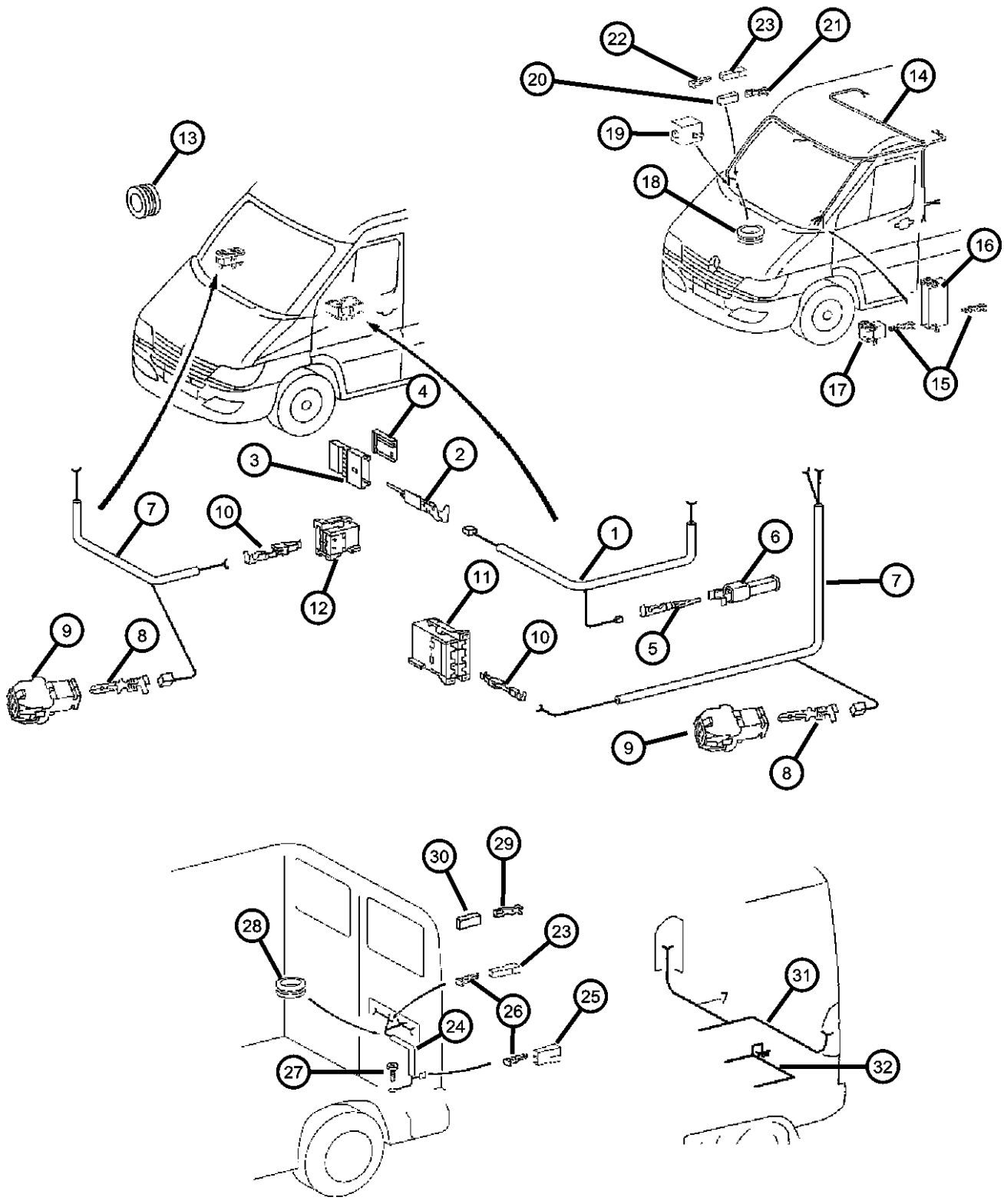
BODY
01 = CHASSIS FORWARD CONTROL W.B.1
02 = CAB CHASSIS WHEEL BASE 2
06 = CAB CHASSIS WHEEL BASE 6
11 = VAN WHEEL BASE 1
12 = VAN WHEEL BASE 2
51 = WAGON WHEEL BASE 1
52 = WAGON WHEEL BASE 2
14 = VAN WHEEL BASE 4
15 = VAN WHEEL BASE 5
56 = WAGON WHEEL BASE 6
16 = VAN WHEEL BASE 6
54 = WAGON WHEEL BASE 4
55 = WAGON WHEEL BASE 5

ENGINE
EX9 = Engine-2.7L I5
Mercedes Turbo Diesel

TRANSMISSION
DGJ = Transmission-5-Spd. Automatic, W5A580

AR = use ase required - = Non illustrated part

Wiring - Body & Accessories
Figure 8-1505



ITEM	PART NUMBER	QTY	LINE	SERIES	BODY	ENGINE	TRANS	TRIM	DESCRIPTION
7		1	3, 7	L	12, 15, 16				WIRING, Power Window
	05120222AA	1	2, 6	L	51, 52, 54, 55, 56				Passenger Side
		1	3, 7	L	12, 15, 16				Passenger Side
	05120220AA	1	2, 6	L	11, 12, 14, 15, 16				Driver Side
		1	2, 6	L	51, 52, 54, 55, 56				Driver Side
		1	3, 7	L	12, 15, 16				Driver Side
		1	2, 6	L	11, 12, 14, 15, 16				Passenger Side
8									TERMINAL, Male
	05133378AA	1	2, 6	L	11, 12, 14, 15, 16				
		1	6, 2	L	51, 52, 54, 55, 56				
9		1	3, 7	L	12, 15, 16				CONNECTOR
	05103895AA	1	2, 6	L	11, 12, 14, 15, 16				
		1	2, 6	L	51, 52, 54, 55, 56				
		1	3, 7	L	12, 15, 16				
10									TERMINAL
	05103881AA	1	2, 6	L	11, 12, 14, 15, 16				
		1	2, 6	L	51, 52, 54, 55, 56				
		1	3, 7	L	12, 15, 16				
11									CONNECTOR
	05120786AA	1	2, 6	L	11, 12, 14, 15, 16				

SPRINTER (VA)
SERIES
 L = LOWLINE

LINE
 3 = HD DODGE 2WD
 6 = Lt. Duty DODGE 4WD
 2 = Med. Duty DODGE 2WD
 7 = Med. Duty DODGE 4WD

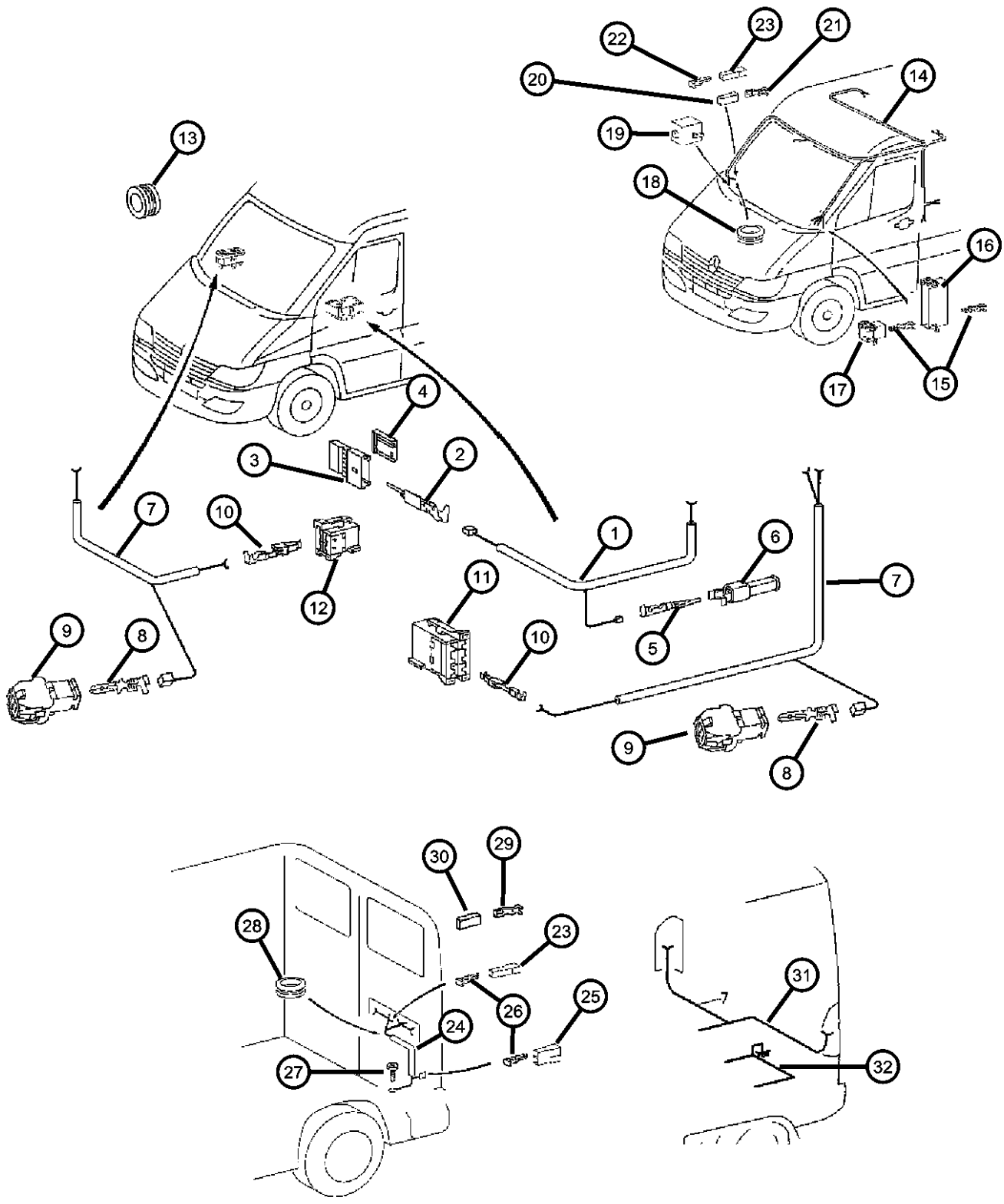
BODY
 01 = CHASSIS FORWARD CONTROL W.B.1
 02 = CAB CHASSIS WHEEL BASE 2
 06 = CAB CHASSIS WHEEL BASE 6
 11 = VAN WHEEL BASE 1
 12 = VAN WHEEL BASE 2
 51 = WAGON WHEEL BASE 1
 52 = WAGON WHEEL BASE 2
 14 = VAN WHEEL BASE 4
 15 = VAN WHEEL BASE 5
 56 = WAGON WHEEL BASE 6
 16 = VAN WHEEL BASE 6
 54 = WAGON WHEEL BASE 4
 55 = WAGON WHEEL BASE 5

ENGINE
 EX9 = Engine-2.7L I5
 Mercedes Turbo Diesel

TRANSMISSION
 DGJ = Transmission-5-Spd. Automatic, W5A580

AR = use ase required - = Non illustrated part

Wiring - Body & Accessories
Figure 8-1505



ITEM	PART NUMBER	QTY	LINE	SERIES	BODY	ENGINE	TRANS	TRIM	DESCRIPTION
12	05120785AA	1	2, 6	L	51, 52, 54, 55, 56				CONNECTOR
		1	3, 7	L	12, 15, 16				
13	05125942AA	1	2, 6	L	11, 12, 14, 15, 16				GROMMET
		1	3, 7	L	51, 52, 54, 55, 56				
14	05114931AA	1	2, 6	L	11, 12, 14, 15, 16				WIRING, Body
		1	3, 7	L	51, 52, 54, 55, 56				
15	05133377AA	1	2, 6	L	11, 12, 14, 15, 16				TERMINAL, Male
		1	3, 7	L	51, 52, 54, 55, 56				
16	05120794AA	1	2, 6	L	11, 12, 14, 15, 16				CONNECTOR
		1	3, 7	L	51, 52, 54, 55, 56				

SPRINTER (VA)
SERIES

L = LOWLINE
3 = HD DODGE 2WD
6 = Lt. Duty DODGE 4WD
2 = Med. Duty DODGE 2WD
7 = Med. Duty DODGE 4WD

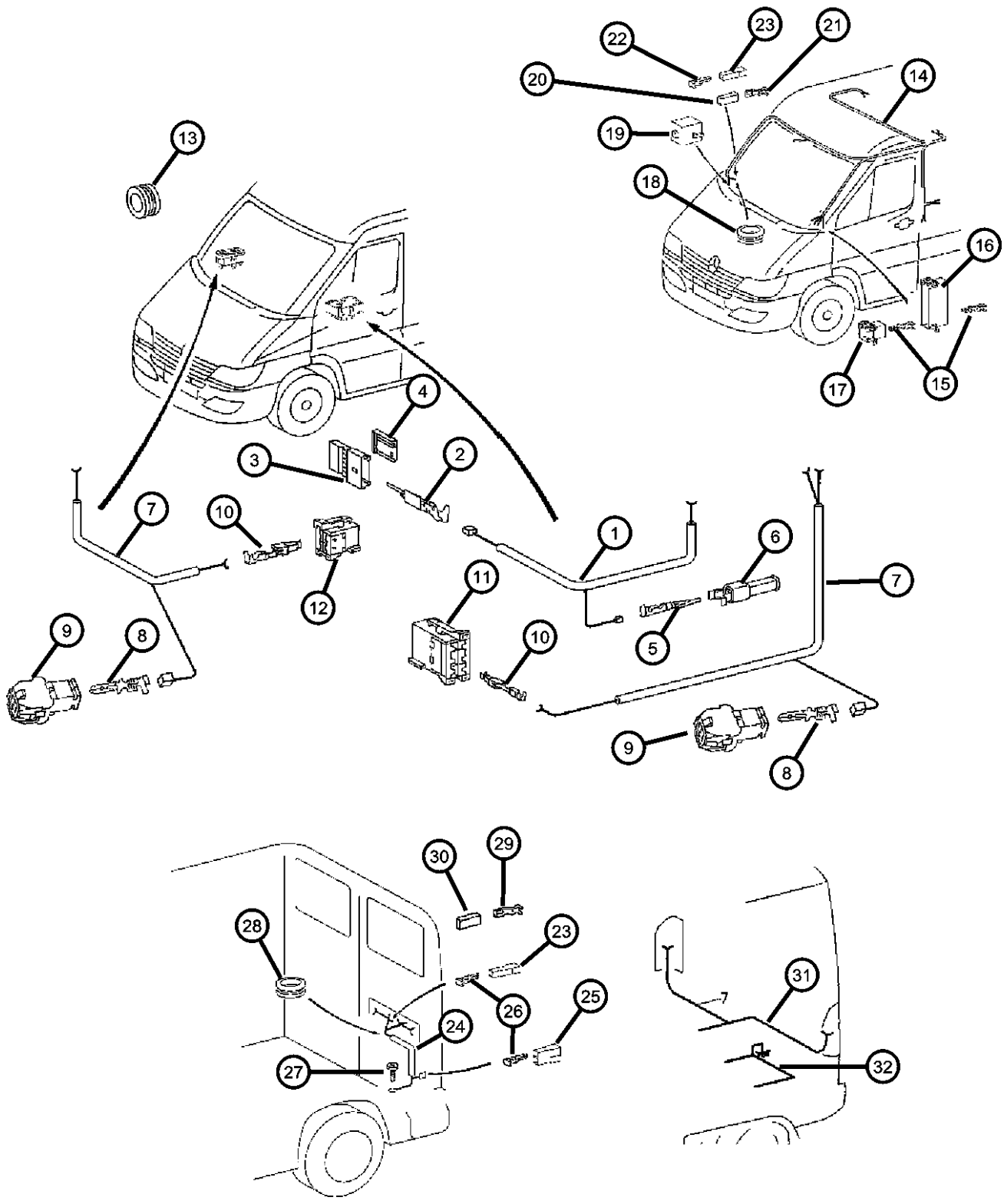
BODY
01 = CHASSIS FORWARD CONTROL W.B.1
02 = CAB CHASSIS WHEEL BASE 2
06 = CAB CHASSIS WHEEL BASE 6
11 = VAN WHEEL BASE 1
12 = VAN WHEEL BASE 2
51 = WAGON WHEEL BASE 1
52 = WAGON WHEEL BASE 2
14 = VAN WHEEL BASE 4
15 = VAN WHEEL BASE 5
56 = WAGON WHEEL BASE 6
16 = VAN WHEEL BASE 6
54 = WAGON WHEEL BASE 4
55 = WAGON WHEEL BASE 5

ENGINE
EX9 = Engine-2.7L I5
Mercedes Turbo Diesel

TRANSMISSION
DGJ = Transmission-5-Spd. Automatic, W5A580

AR = use ase required - = Non illustrated part

Wiring - Body & Accessories
Figure 8-1505



ITEM	PART NUMBER	QTY	LINE	SERIES	BODY	ENGINE	TRANS	TRIM	DESCRIPTION
17	05120791AA	1	2, 6	L	11, 12, 14, 15, 16				CONNECTOR
		1	3, 7	L	12, 15, 16				
		1	2, 6	L	51, 52, 54, 55, 56				
18	05133408AA	1	2, 6	L	11, 12, 14, 15, 16				GROMMET, Chassis Wiring
		1	2, 6	L	51, 52, 54, 55, 56				
		1	3, 7	L	12, 15, 16				
19	05133401AA	1	2, 6	L	11, 12, 14, 15, 16				INSULATOR, 2 Way
		1	2, 6	L	51, 52, 54, 55, 56				
		1	3, 7	L	12, 15, 16				
20	05120684AA	1	2, 6	L	11, 12, 14, 15, 16				CONNECTOR
		1	6, 2	L	51, 52, 54, 55, 56				
		1	3, 7	L	12, 15, 16				
21	05103871AA	1	2, 6	L	11, 12, 14, 15, 16				TERMINAL, Female
		1	2, 6	L	51, 52, 54, 55, 56				
		1	3, 7	L	12, 15, 16				
22	05133358AA	1	2, 6	L	11, 12, 14, 15, 16				TERMINAL, Male

SPRINTER (VA)
SERIES
 L = LOWLINE

LINE
 3 = HD DODGE 2WD
 6 = Lt. Duty DODGE 4WD
 2 = Med. Duty DODGE 2WD
 7 = Med. Duty DODGE 4WD

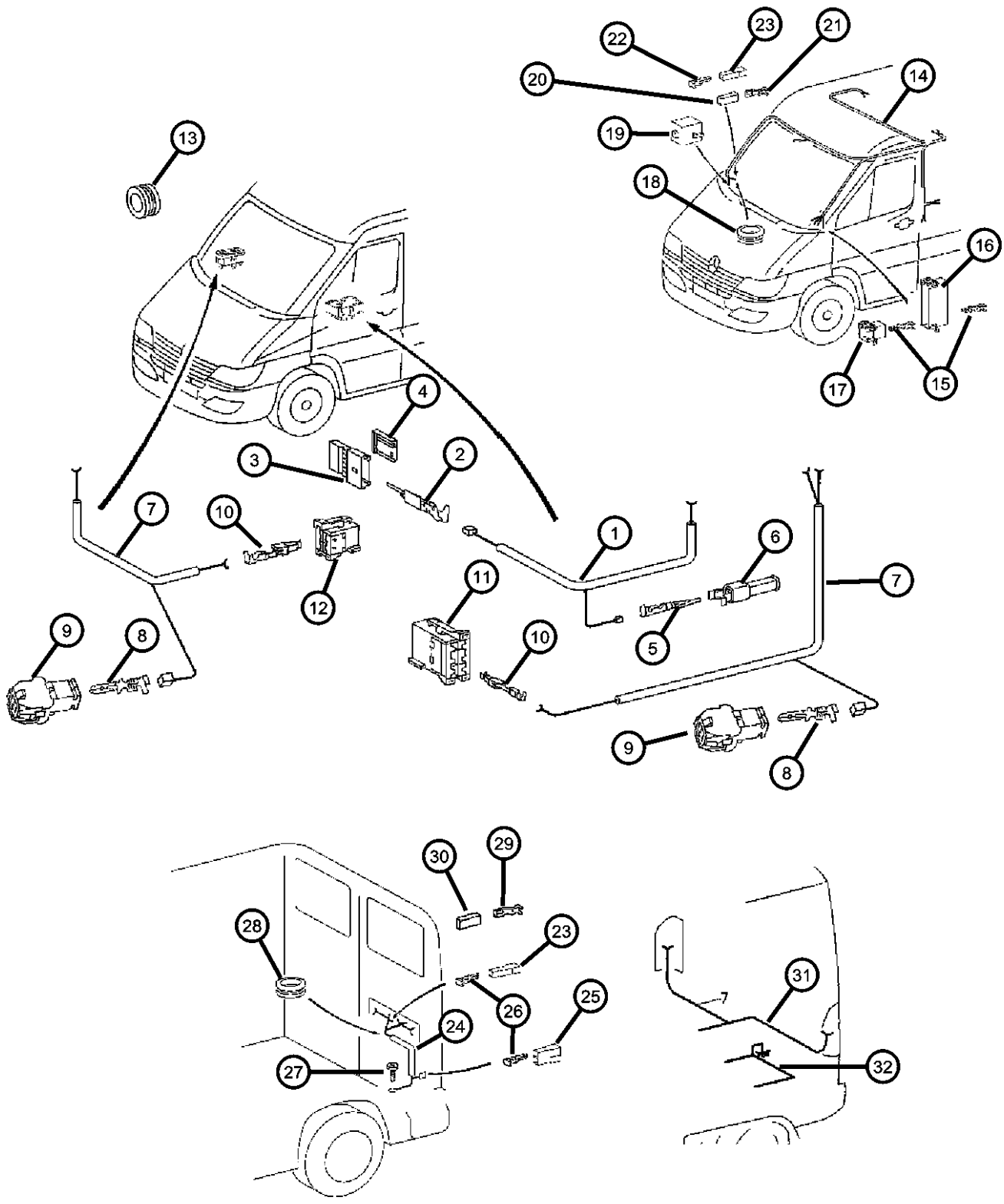
BODY
 01 = CHASSIS FORWARD CONTROL W.B.1
 02 = CAB CHASSIS WHEEL BASE 2
 06 = CAB CHASSIS WHEEL BASE 6
 11 = VAN WHEEL BASE 1
 12 = VAN WHEEL BASE 2
 51 = WAGON WHEEL BASE 1
 52 = WAGON WHEEL BASE 2
 14 = VAN WHEEL BASE 4
 15 = VAN WHEEL BASE 5
 56 = WAGON WHEEL BASE 6
 16 = VAN WHEEL BASE 6
 54 = WAGON WHEEL BASE 4
 55 = WAGON WHEEL BASE 5

ENGINE
 EX9 = Engine-2.7L I5
 Mercedes Turbo Diesel

TRANSMISSION
 DGJ = Transmission-5-Spd. Automatic, W5A580

AR = use ase required - = Non illustrated part

Wiring - Body & Accessories
Figure 8-1505



ITEM	PART NUMBER	QTY	LINE	SERIES	BODY	ENGINE	TRANS	TRIM	DESCRIPTION
23	05120685AA	1	2, 6	L	51, 52, 54, 55, 56				INSULATOR
		1	3, 7	L	12, 15, 16				
24	05129584AA	1	3, 7	L	12, 15, 16				WIRING, Rear Door
		1	2, 6	L	11, 12, 14, 15, 16				
25	05103751AA	1	2, 6	L	51, 52, 54, 55, 56				CONNECTOR
		1	3, 7	L	12, 15, 16				
26	05103798AA	1	2, 6	L	11, 12, 14, 15, 16				TERMINAL, Male
		1	3, 7	L	51, 52, 54, 55, 56				
27	05132835AA	1	2, 6	L	11, 12, 14, 15, 16				SCREW, Tapping
		1	3, 7	L	51, 52, 54, 55, 56				
		1	2, 6	L	12, 15, 16				

SPRINTER (VA)

SERIES
L = LOWLINE

LINE
3 = HD DODGE 2WD
6 = Lt. Duty DODGE 4WD
2 = Med. Duty DODGE 2WD
7 = Med. Duty DODGE 4WD

BODY

01 = CHASSIS FORWARD CONTROL W.B.1
02 = CAB CHASSIS WHEEL BASE 2
06 = CAB CHASSIS WHEEL BASE 6
11 = VAN WHEEL BASE 1
12 = VAN WHEEL BASE 2
51 = WAGON WHEEL BASE 1
52 = WAGON WHEEL BASE 2
14 = VAN WHEEL BASE 4
15 = VAN WHEEL BASE 5
56 = WAGON WHEEL BASE 6
16 = VAN WHEEL BASE 6
54 = WAGON WHEEL BASE 4
55 = WAGON WHEEL BASE 5

ENGINE

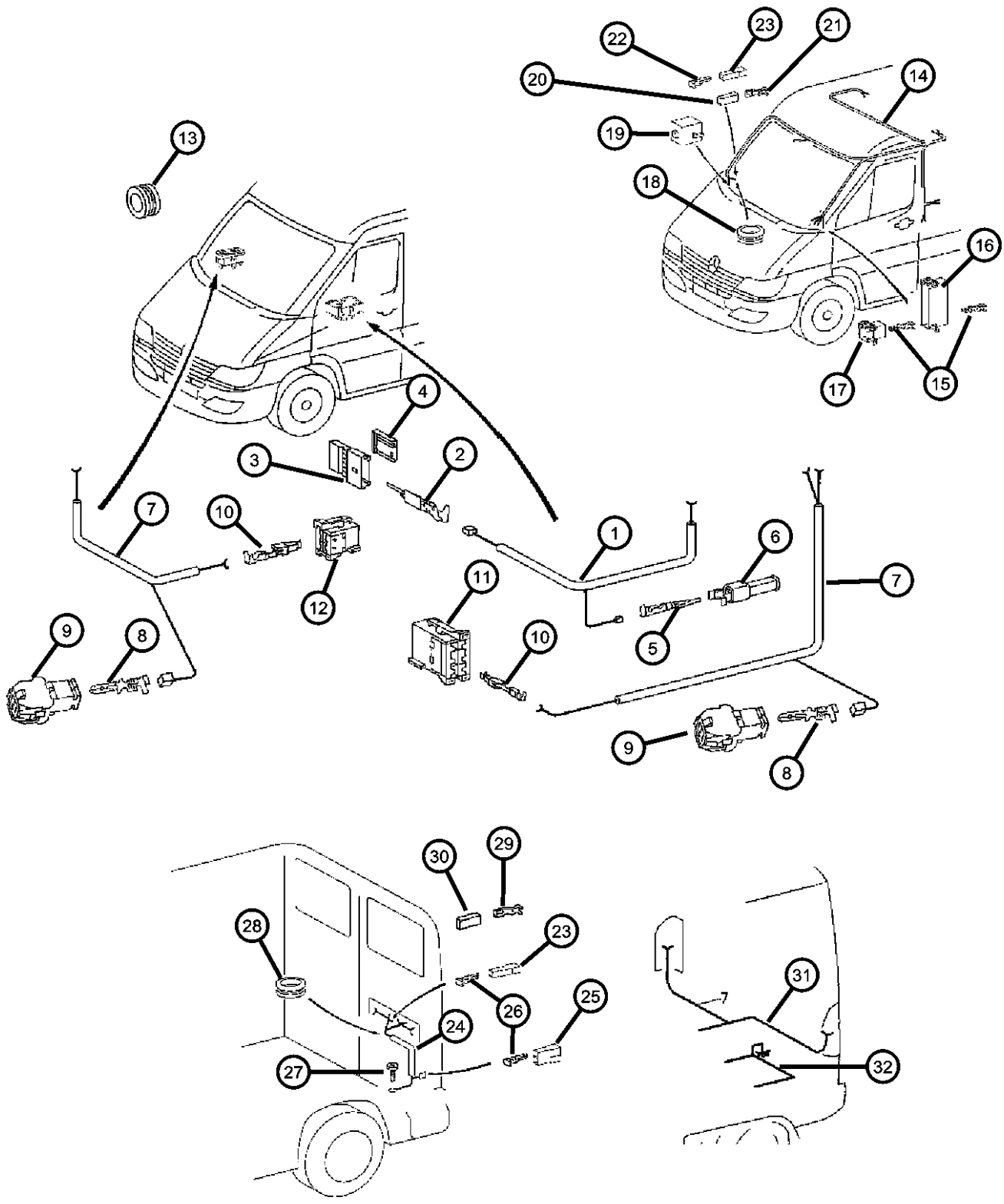
EX9 = Engine-2.7L I5
Mercedes Turbo Diesel

TRANSMISSION

DGJ = Transmission-5-Spd. Automatic, W5A580

AR = use ase required - = Non illustrated part

Wiring - Body & Accessories
Figure 8-1505



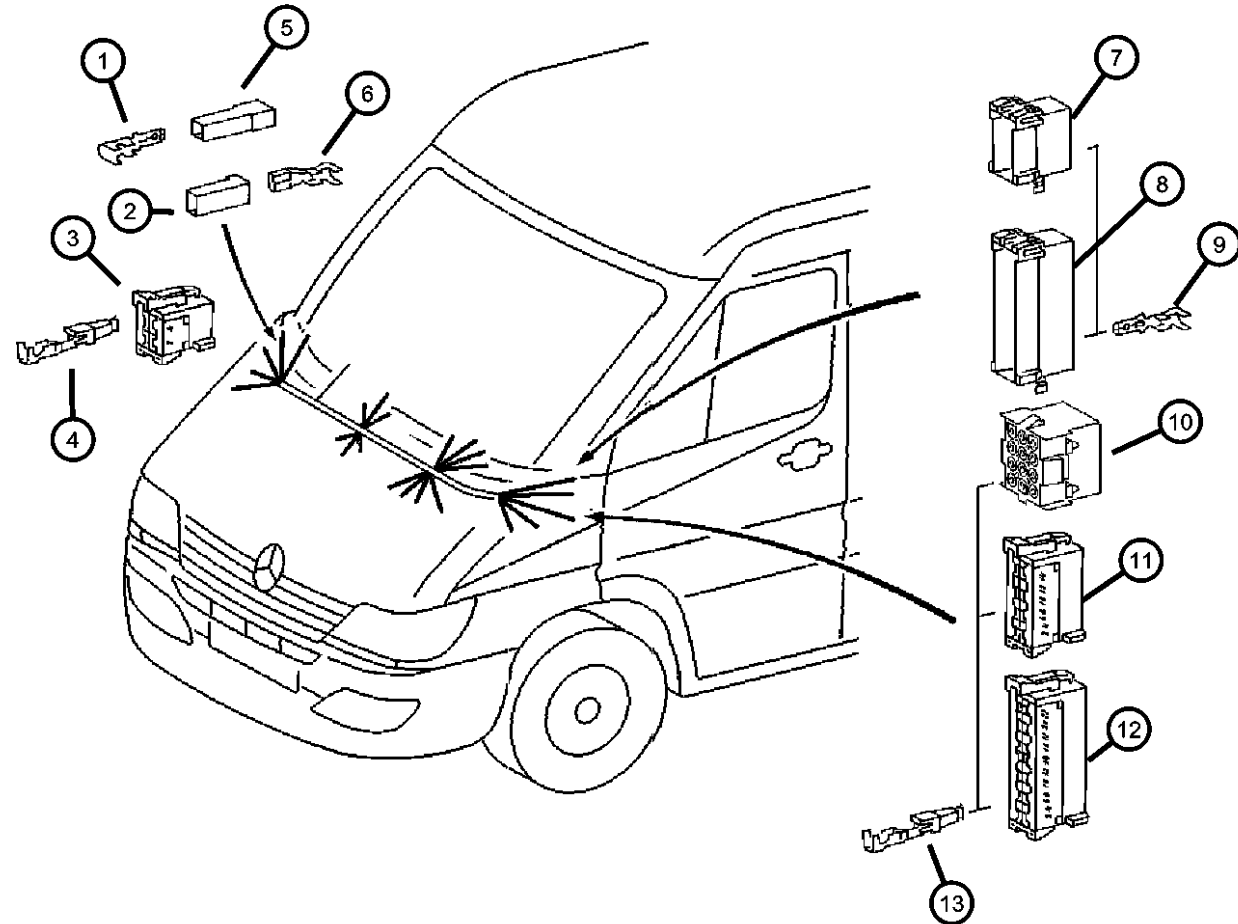
ITEM	PART NUMBER	QTY	LINE	SERIES	BODY	ENGINE	TRANS	TRIM	DESCRIPTION
28	05125931AA	1	2, 6	L	11, 12, 14, 15, 16				GROMMET
29	05120684AA	1	2, 6	L	51, 52, 54, 55, 56				CONNECTOR
30	05114451AA	99	2, 6	L	11, 12, 14, 15, 16				TERMINAL, Female
31	05133399AA	1	2, 6	L	11, 12, 14, 15, 16				WIRING, Rear Body
32	05133400AA	1	2, 6	L	11, 12, 14, 15, 16				WIRING, Trailer Tow

SPRINTER (VA)

SERIES	LINE	BODY	ENGINE	TRANSMISSION
L = LOWLINE	3 = HD DODGE 2WD 6 = Lt. Duty DODGE 4WD 2 = Med. Duty DODGE 2WD 7 = Med. Duty DODGE 4WD	01 = CHASSIS FORWARD CONTROL W.B.1 02 = CAB CHASSIS WHEEL BASE 2 06 = CAB CHASSIS WHEEL BASE 6 11 = VAN WHEEL BASE 1 12 = VAN WHEEL BASE 2 51 = WAGON WHEEL BASE 1 52 = WAGON WHEEL BASE 2 14 = VAN WHEEL BASE 4 15 = VAN WHEEL BASE 5 56 = WAGON WHEEL BASE 6 16 = VAN WHEEL BASE 6 54 = WAGON WHEEL BASE 4 55 = WAGON WHEEL BASE 5	EX9 = Engine-2.7L I5 Mercedes Turbo Diesel	DGJ = Transmission-5-Spd. Automatic, W5A580

AR = use ase required - = Non illustrated part

**Connectors Engine Compartment
Figure 8-1605**



ITEM	PART NUMBER	QTY	LINE	SERIES	BODY	ENGINE	TRANS	TRIM	DESCRIPTION
1	05133391AA	99	2, 6	L	11, 12, 14, 15, 16				TERMINAL, Male
		99	2, 6	L	51, 52, 54, 55, 56				
		99	3, 7	L	12, 15, 16				
2	05120684AA	1	2, 6	L	11, 12, 14, 15, 16				CONNECTOR
		1	2, 6	L	51, 52, 54, 55, 56				
		1	3, 7	L	12, 15, 16				
3	05103882AA	1	2, 6	L	11, 12, 14, 15, 16				TERMINAL
		1	2, 6	L	51, 52, 54, 55, 56				
		1	3, 7	L	12, 15, 16				
4	05120785AA	1	2, 6	L	11, 12, 14, 15, 16				CONNECTOR
		1	2, 6	L	51, 52, 54, 55, 56				
		1	3, 7	L	12, 15, 16				
5	05120685AA	2	2, 6	L	11, 12, 14, 15, 16				INSULATOR
		2	2, 6	L	51, 52, 54, 55, 56				
		2	3, 7	L	12, 15, 16				
6	05103871AA	99	3, 7	L	12, 15, 16				TERMINAL, Female
		99	2, 6	L	11, 12, 14, 15, 16				

SPRINTER (VA)

SERIES

L = LOWLINE
 3 = HD DODGE 2WD
 6 = Lt. Duty DODGE 4WD
 2 = Med. Duty DODGE 2WD
 7 = Med. Duty DODGE 4WD

BODY

01 = CHASSIS FORWARD CONTROL W.B.1
 02 = CAB CHASSIS WHEEL BASE 2
 06 = CAB CHASSIS WHEEL BASE 6
 11 = VAN WHEEL BASE 1
 12 = VAN WHEEL BASE 2
 51 = WAGON WHEEL BASE 1
 52 = WAGON WHEEL BASE 2
 14 = VAN WHEEL BASE 4
 15 = VAN WHEEL BASE 5
 56 = WAGON WHEEL BASE 6
 16 = VAN WHEEL BASE 6
 54 = WAGON WHEEL BASE 4
 55 = WAGON WHEEL BASE 5

ENGINE

EX9 = Engine-2.7L I5
 Mercedes Turbo Diesel

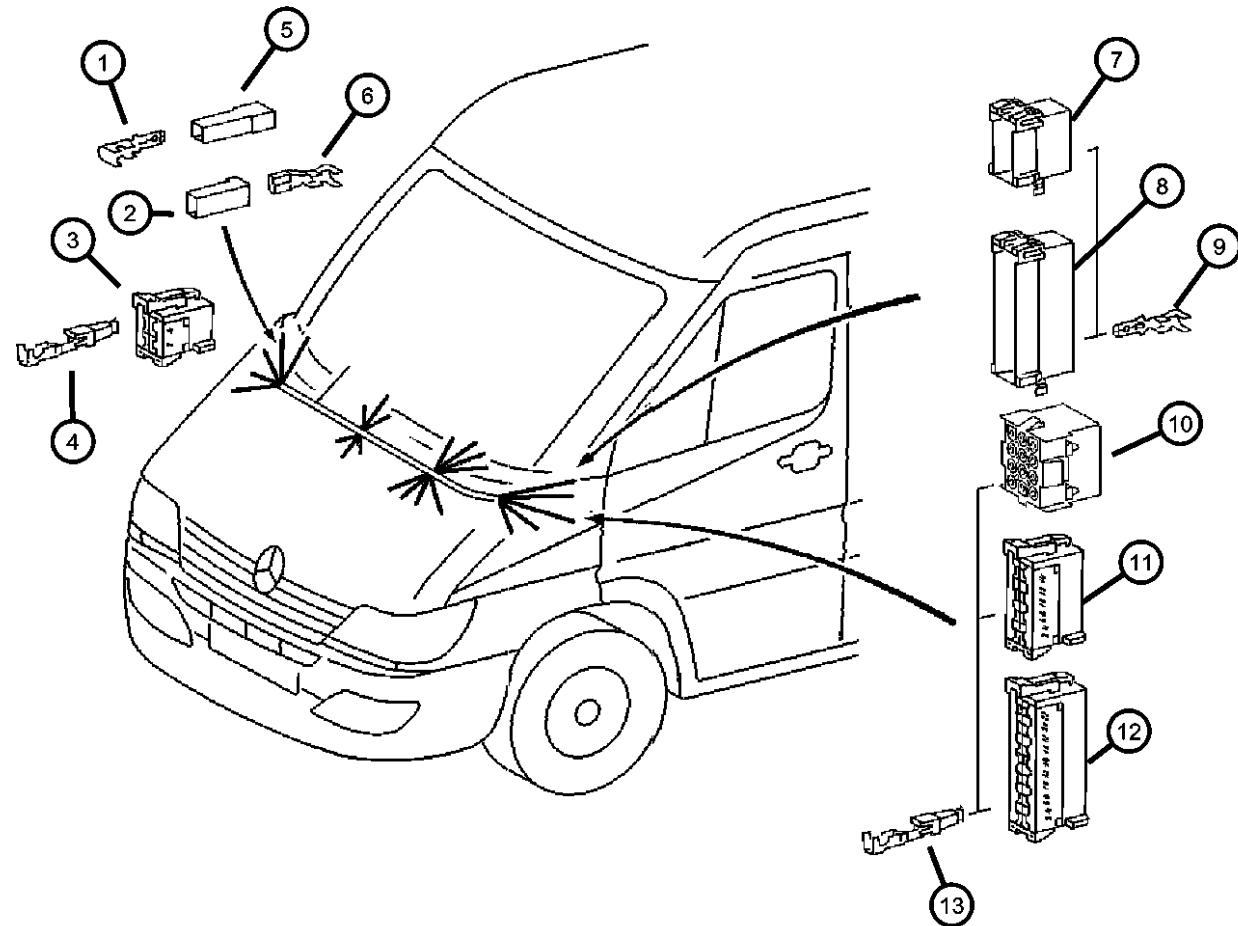
TRANSMISSION

DGJ = Transmission-5-Spd. Automatic, W5A580

AR = use ase required - = Non illustrated part

2002 VA

**Connectors Engine Compartment
Figure 8-1605**



ITEM	PART NUMBER	QTY	LINE	SERIES	BODY	ENGINE	TRANS	TRIM	DESCRIPTION
7		99	2, 6	L	51, 52, 54, 55, 56				INSULATOR
	05133393AA	1	2, 6	L	11, 12, 14, 15, 16				
		1	2, 6	L	51, 52, 54, 55, 56				
		1	3, 7	L	12, 15, 16				
8									CONNECTOR
	05120793AA	1	2, 6	L	11, 12, 14, 15, 16				
		1	2, 6	L	51, 52, 54, 55, 56				
		1	3, 7	L	12, 15, 16				
9									TERMINAL, Male
	05133371AA	99	2, 6	L	11, 12, 14, 15, 16				
		99	2, 6	L	51, 52, 54, 55, 56				
		99	3, 7	L	12, 15, 16				
10									CONNECTOR
	05120675AA	1	2, 6	L	11, 12, 14, 15, 16				
		1	2, 6	L	51, 52, 54, 55, 56				
		1	3, 7	L	12, 15, 16				
11									CONNECTOR
	05120787AA	1	2, 6	L	11, 12, 14, 15, 16				
		1	2, 6	L	51, 52, 54, 55, 56				
		1	3, 7	L	12, 15, 16				
12									CONNECTOR

SPRINTER (VA)

SERIES

L = LOWLINE
 3 = HD DODGE 2WD
 6 = Lt. Duty DODGE 4WD
 2 = Med. Duty DODGE 2WD
 7 = Med. Duty DODGE 4WD

BODY

01 = CHASSIS FORWARD CONTROL W.B.1
 02 = CAB CHASSIS WHEEL BASE 2
 06 = CAB CHASSIS WHEEL BASE 6
 11 = VAN WHEEL BASE 1
 12 = VAN WHEEL BASE 2
 51 = WAGON WHEEL BASE 1
 52 = WAGON WHEEL BASE 2
 14 = VAN WHEEL BASE 4
 15 = VAN WHEEL BASE 5
 56 = WAGON WHEEL BASE 6
 16 = VAN WHEEL BASE 6
 54 = WAGON WHEEL BASE 4
 55 = WAGON WHEEL BASE 5

ENGINE

EX9 = Engine-2.7L I5
 Mercedes Turbo Diesel

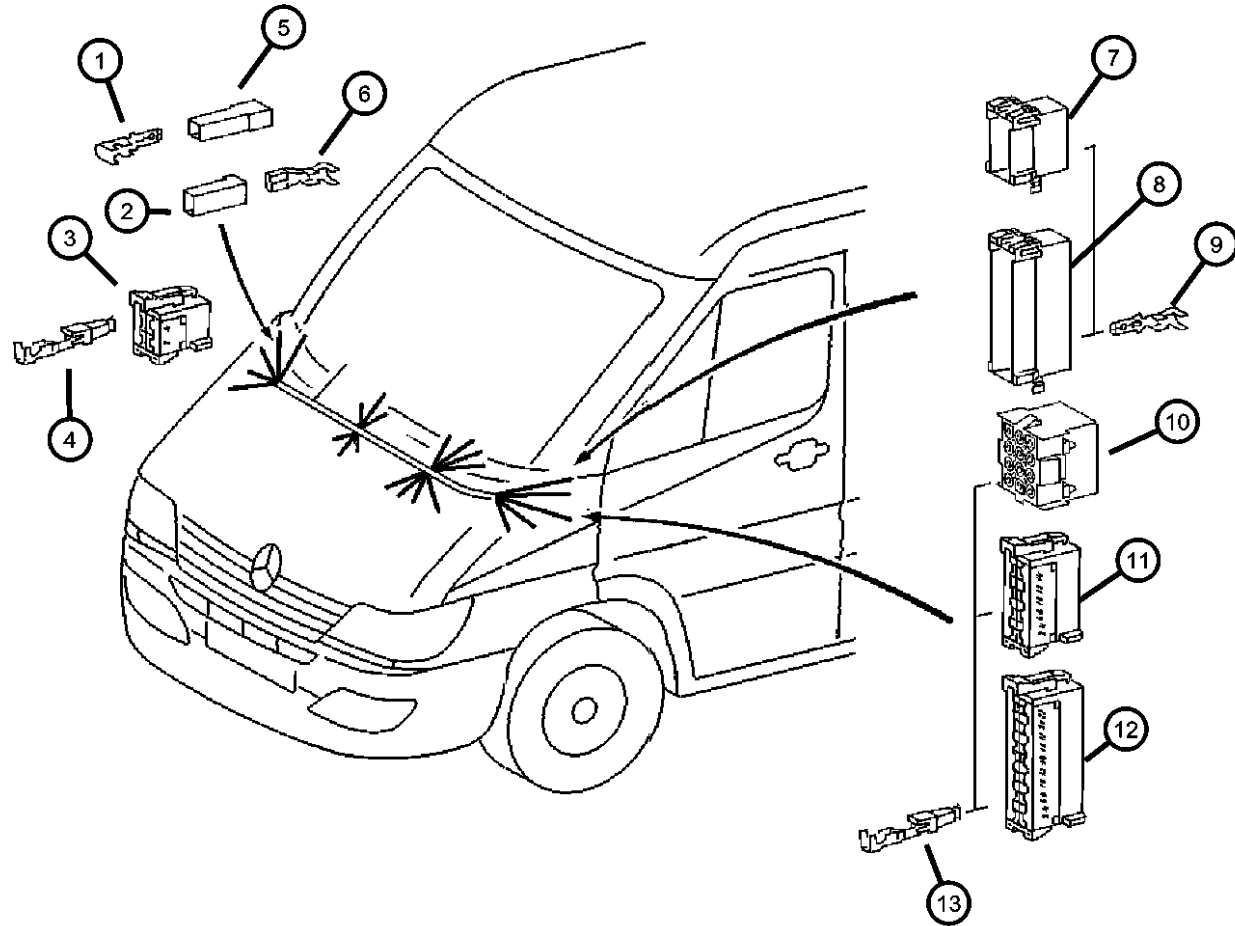
TRANSMISSION

DGJ = Transmission-5-Spd. Automatic, W5A580

AR = use ase required - = Non illustrated part

**Connectors Engine Compartment
Figure 8-1605**

ITEM	PART NUMBER	QTY	LINE	SERIES	BODY	ENGINE	TRANS	TRIM	DESCRIPTION
	05120789AA	1	2, 6	L	11, 12, 14, 15, 16				
		1	2, 6	L	51, 52, 54, 55, 56				
		1	3, 7	L	12, 15, 16				
13									TERMINAL
	05103881AA	1	2, 6	L	11, 12, 14, 15, 16				
		1	2, 6	L	51, 52, 54, 55, 56				
		1	3, 7	L	12, 15, 16				

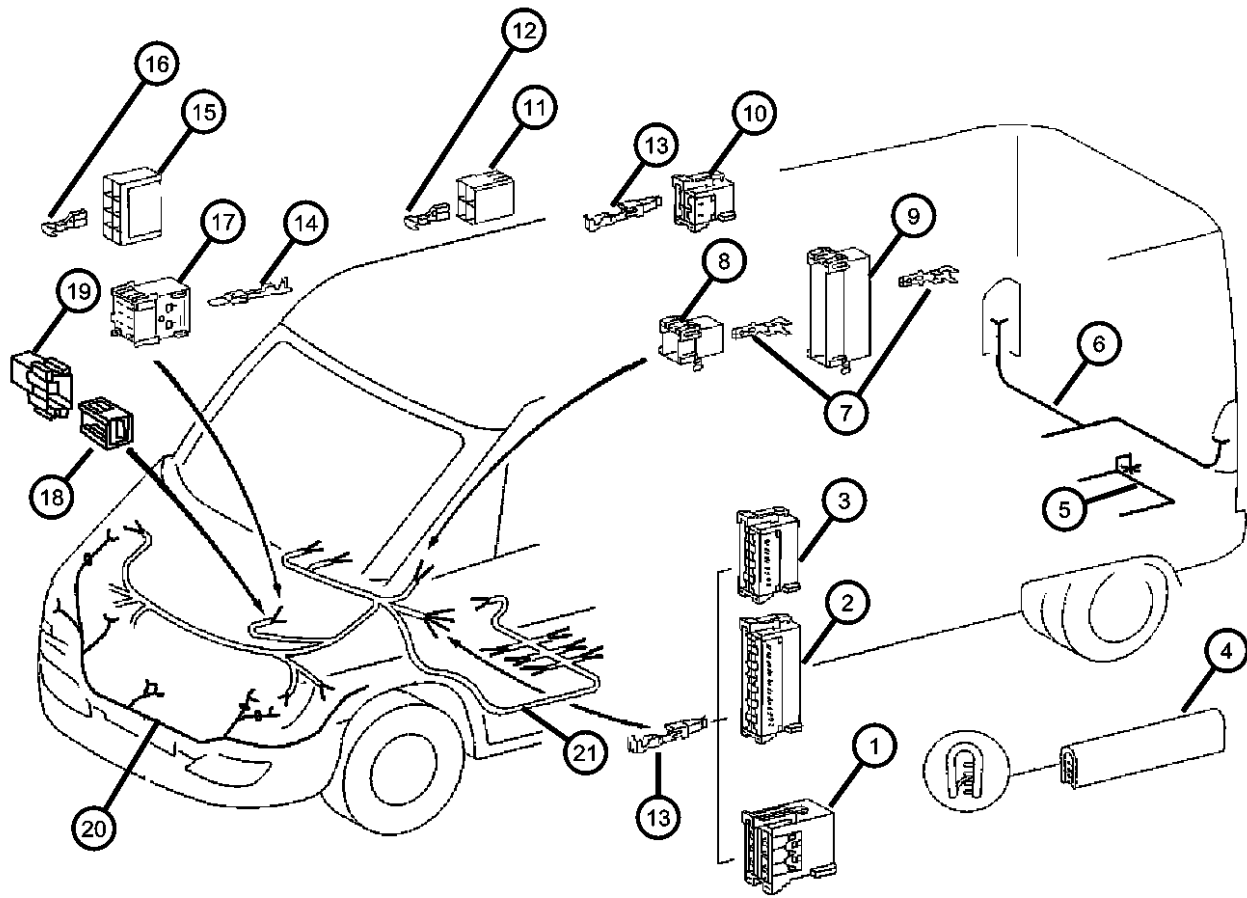


SPRINTER (VA)

SERIES	LINE	BODY	ENGINE	TRANSMISSION
L = LOWLINE	3 = HD DODGE 2WD 6 = Lt. Duty DODGE 4WD 2 = Med. Duty DODGE 2WD 7 = Med. Duty DODGE 4WD	01 = CHASSIS FORWARD CONTROL W.B.1 02 = CAB CHASSIS WHEEL BASE 2 06 = CAB CHASSIS WHEEL BASE 6 11 = VAN WHEEL BASE 1 12 = VAN WHEEL BASE 2 51 = WAGON WHEEL BASE 1 52 = WAGON WHEEL BASE 2 14 = VAN WHEEL BASE 4 15 = VAN WHEEL BASE 5 56 = WAGON WHEEL BASE 6 16 = VAN WHEEL BASE 6 54 = WAGON WHEEL BASE 4 55 = WAGON WHEEL BASE 5	EX9 = Engine-2.7L I5 Mercedes Turbo Diesel	DGJ = Transmission-5-Spd. Automatic, W5A580

AR = use ase required - = Non illustrated part

**Connectors Body
Figure 8-1610**



ITEM	PART NUMBER	QTY	LINE	SERIES	BODY	ENGINE	TRANS	TRIM	DESCRIPTION
1	05120796AA	1	2, 6	L	11, 12, 14, 15, 16				CONNECTOR
		1	2, 6	L	51, 52, 54, 55, 56				
		1	3, 7	L	12, 15, 16				
2	05120789AA	1	2, 6	L	11, 12, 14, 15, 16				CONNECTOR
		1	2, 6	L	51, 52, 54, 55, 56				
		1	3, 7	L	12, 15, 16				
3	05120788AA	1	2, 6	L	11, 12, 14, 15, 16				CONNECTOR
		1	2, 6	L	51, 52, 54, 55, 56				
		1	3, 7	L	12, 15, 16				
4	05132391AA	1	2, 6	L	51, 52, 54, 55, 56				PROTECTOR
5	05133400AA	1	2, 6	L	11, 12, 14, 15, 16				WIRING, Trailer Tow
		1	2, 6	L	51, 52, 54, 55, 56				
		1	3, 7	L	12, 15, 16				
6	05133399AA	1	2, 6	L	11, 12, 14, 15, 16				WIRING, Rear Body
		1	2, 6	L	51, 52, 54, 55, 56				
		1	3, 7	L	12, 15, 16				
7	05133377AA	1	2, 6	L	11, 12, 14, 15, 16				TERMINAL, Male

SPRINTER (VA)

SERIES

L = LOWLINE
 3 = HD DODGE 2WD
 6 = Lt. Duty DODGE 4WD
 2 = Med. Duty DODGE 2WD
 7 = Med. Duty DODGE 4WD

BODY

01 = CHASSIS FORWARD CONTROL W.B.1
 02 = CAB CHASSIS WHEEL BASE 2
 06 = CAB CHASSIS WHEEL BASE 6
 11 = VAN WHEEL BASE 1
 12 = VAN WHEEL BASE 2
 51 = WAGON WHEEL BASE 1
 52 = WAGON WHEEL BASE 2
 14 = VAN WHEEL BASE 4
 15 = VAN WHEEL BASE 5
 56 = WAGON WHEEL BASE 6
 16 = VAN WHEEL BASE 6
 54 = WAGON WHEEL BASE 4
 55 = WAGON WHEEL BASE 5

ENGINE

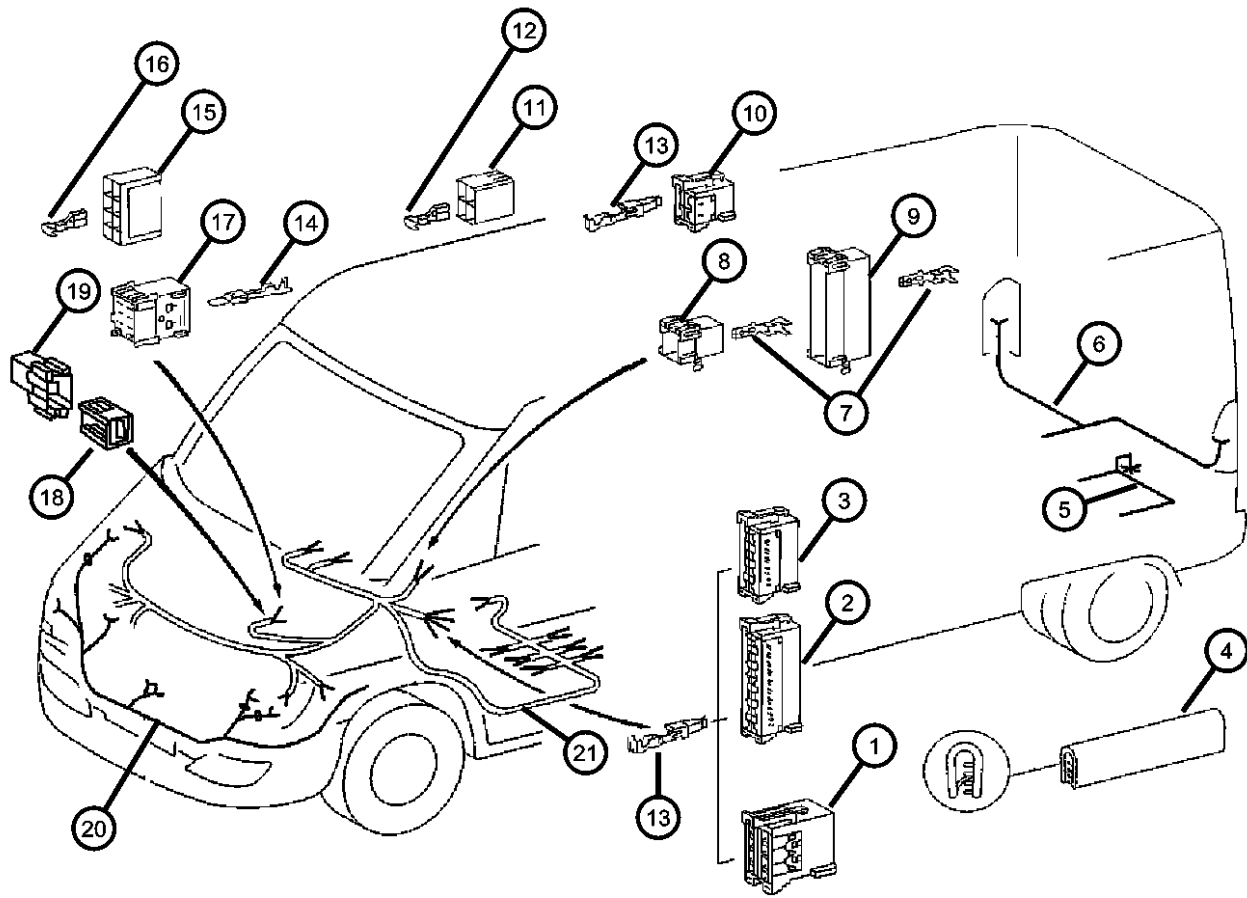
EX9 = Engine-2.7L I5
 Mercedes Turbo Diesel

TRANSMISSION

DGJ = Transmission-5-Spd. Automatic, W5A580

AR = use ase required - = Non illustrated part

**Connectors Body
Figure 8-1610**



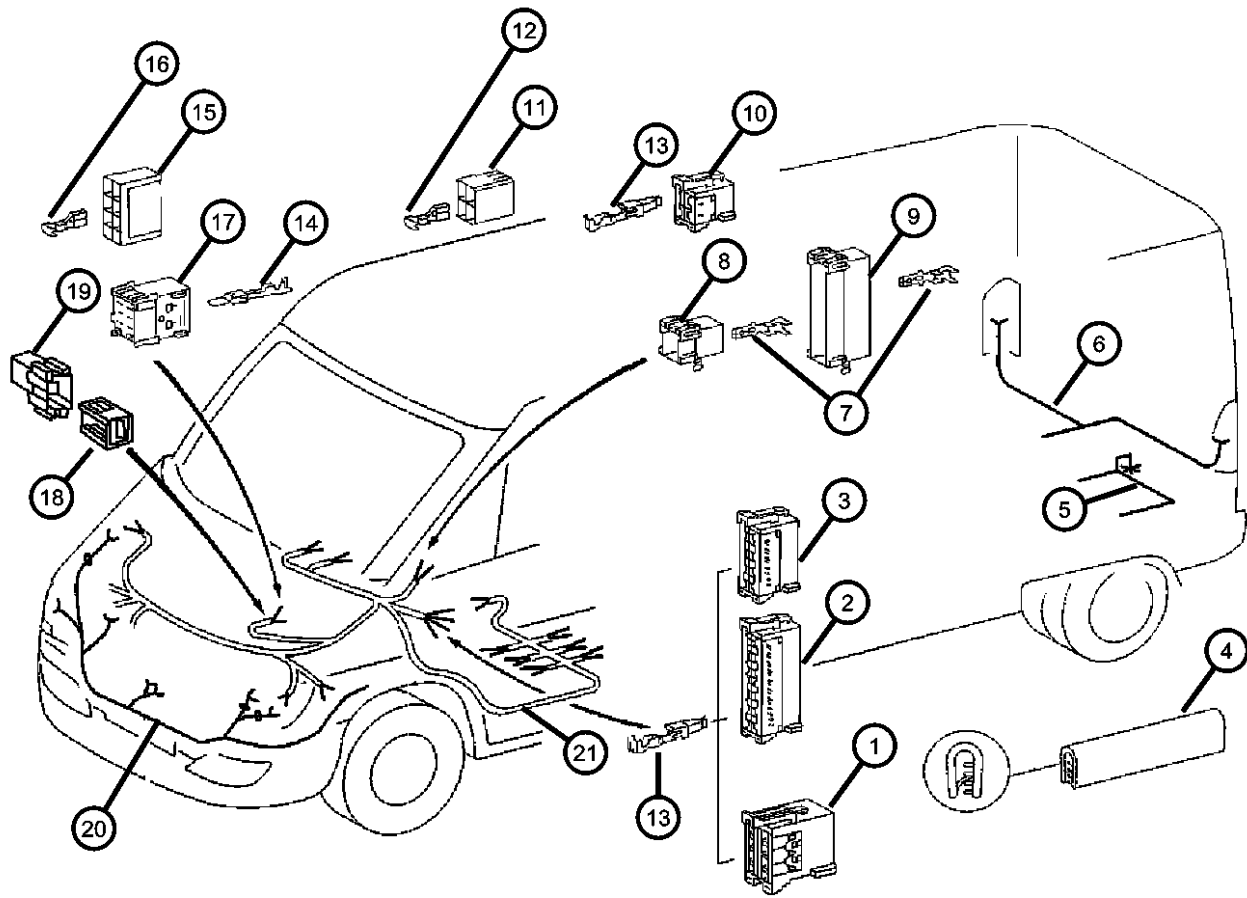
ITEM	PART NUMBER	QTY	LINE	SERIES	BODY	ENGINE	TRANS	TRIM	DESCRIPTION
8	05120791AA	1	2, 6	L	51, 52, 54, 55, 56				CONNECTOR
		1	3, 7	L	12, 15, 16				
9	05120794AA	1	2, 6	L	11, 12, 14, 15, 16				CONNECTOR
		1	3, 7	L	51, 52, 54, 55, 56				
10	05120785AA	1	2, 6	L	11, 12, 14, 15, 16				CONNECTOR
		1	3, 7	L	51, 52, 54, 55, 56				
11	05103753AA	1	2, 6	L	11, 12, 14, 15, 16				CONNECTOR
		1	3, 7	L	51, 52, 54, 55, 56				
12	05133360AA	1	2, 6	L	11, 12, 14, 15, 16				TERMINAL, Female
		1	3, 7	L	51, 52, 54, 55, 56				

SPRINTER (VA)

SERIES	LINE	BODY	ENGINE	TRANSMISSION
L = LOWLINE	3 = HD DODGE 2WD 6 = Lt. Duty DODGE 4WD 2 = Med. Duty DODGE 2WD 7 = Med. Duty DODGE 4WD	01 = CHASSIS FORWARD CONTROL W.B.1 02 = CAB CHASSIS WHEEL BASE 2 06 = CAB CHASSIS WHEEL BASE 6 11 = VAN WHEEL BASE 1 12 = VAN WHEEL BASE 2 51 = WAGON WHEEL BASE 1 52 = WAGON WHEEL BASE 2 14 = VAN WHEEL BASE 4 15 = VAN WHEEL BASE 5 56 = WAGON WHEEL BASE 6 16 = VAN WHEEL BASE 6 54 = WAGON WHEEL BASE 4 55 = WAGON WHEEL BASE 5	EX9 = Engine-2.7L I5 Mercedes Turbo Diesel	DGJ = Transmission-5-Spd. Automatic, W5A580

AR = use ase required - = Non illustrated part

**Connectors Body
Figure 8-1610**



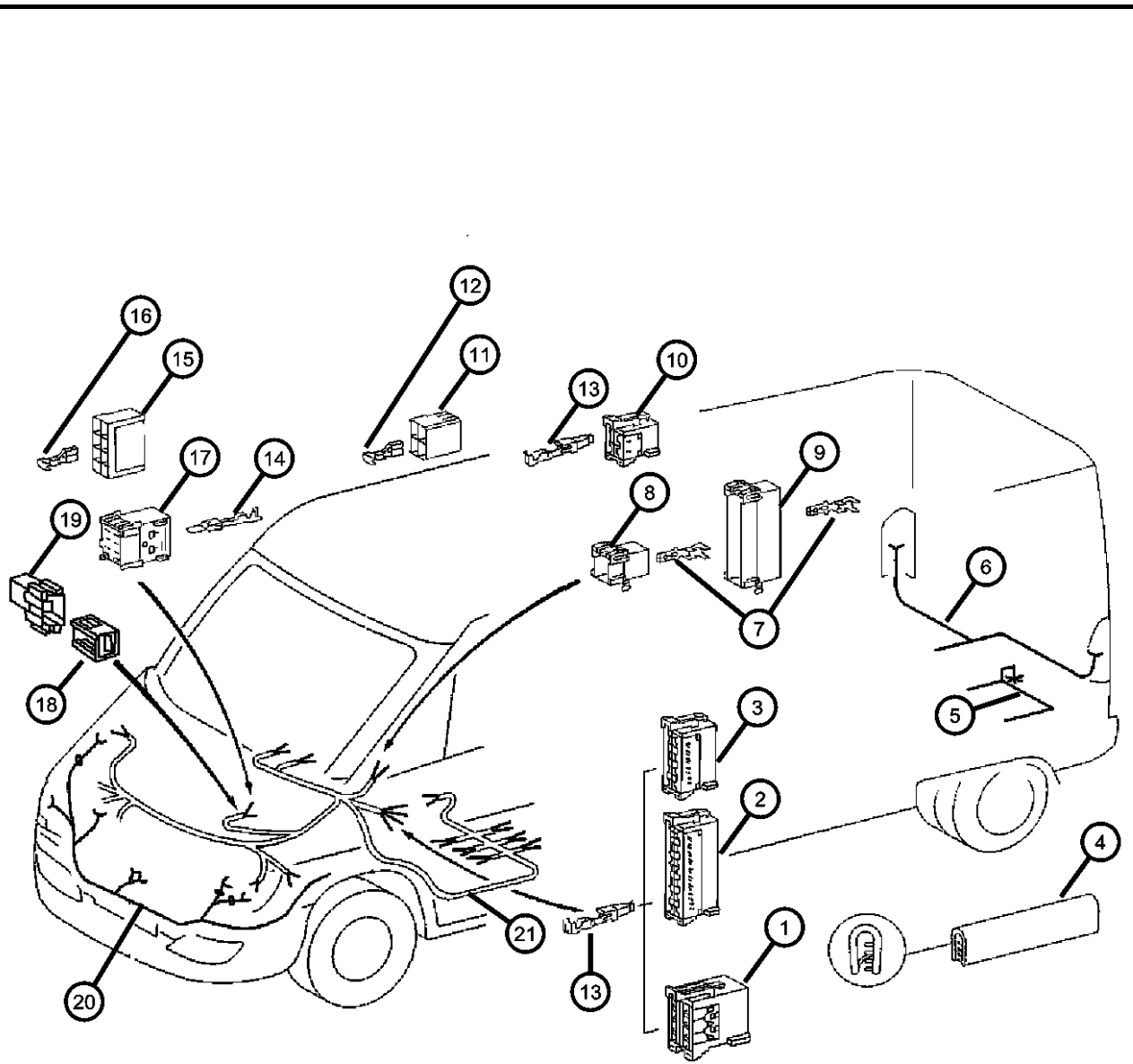
ITEM	PART NUMBER	QTY	LINE	SERIES	BODY	ENGINE	TRANS	TRIM	DESCRIPTION
13	05103881AA	1	2, 6	L	11, 12, 14, 15, 16				TERMINAL
		1	2, 6	L	51, 52, 54, 55, 56				
		1	3, 7	L	12, 15, 16				
14	05103909AA	1	2, 6	L	11, 12, 14, 15, 16				TERMINAL, Male
		1	2, 6	L	51, 52, 54, 55, 56				
		1	3, 7	L	12, 15, 16				
15	05103752AA	1	2, 6	L	11, 12, 14, 15, 16				CONNECTOR
		1	2, 6	L	51, 52, 54, 55, 56				
		1	3, 7	L	12, 15, 16				
16	05133395AA	99	2, 6	L	11, 12, 14, 15, 16				TERMINAL, Female
		99	2, 6	L	51, 52, 54, 55, 56				
		99	3, 7	L	12, 15, 16				
17	05133327AA	1	2, 6	L	11, 12, 14, 15, 16				INSULATOR, 6 Way Male
		1	2, 6	L	51, 52, 54, 55, 56				
		1	3, 7	L	12, 15, 16				
18	05133396AA	1	2, 6	L	01, 02, 06				CONNECTOR, Wiring

SPRINTER (VA)

SERIES	LINE	BODY	ENGINE	TRANSMISSION
L = LOWLINE	3 = HD DODGE 2WD 6 = Lt. Duty DODGE 4WD 2 = Med. Duty DODGE 2WD 7 = Med. Duty DODGE 4WD	01 = CHASSIS FORWARD CONTROL W.B.1 02 = CAB CHASSIS WHEEL BASE 2 06 = CAB CHASSIS WHEEL BASE 6 11 = VAN WHEEL BASE 1 12 = VAN WHEEL BASE 2 51 = WAGON WHEEL BASE 1 52 = WAGON WHEEL BASE 2 14 = VAN WHEEL BASE 4 15 = VAN WHEEL BASE 5 56 = WAGON WHEEL BASE 6 16 = VAN WHEEL BASE 6 54 = WAGON WHEEL BASE 4 55 = WAGON WHEEL BASE 5	EX9 = Engine-2.7L I5 Mercedes Turbo Diesel	DGJ = Transmission-5-Spd. Automatic, W5A580

AR = use ase required - = Non illustrated part

**Connectors Body
Figure 8-1610**



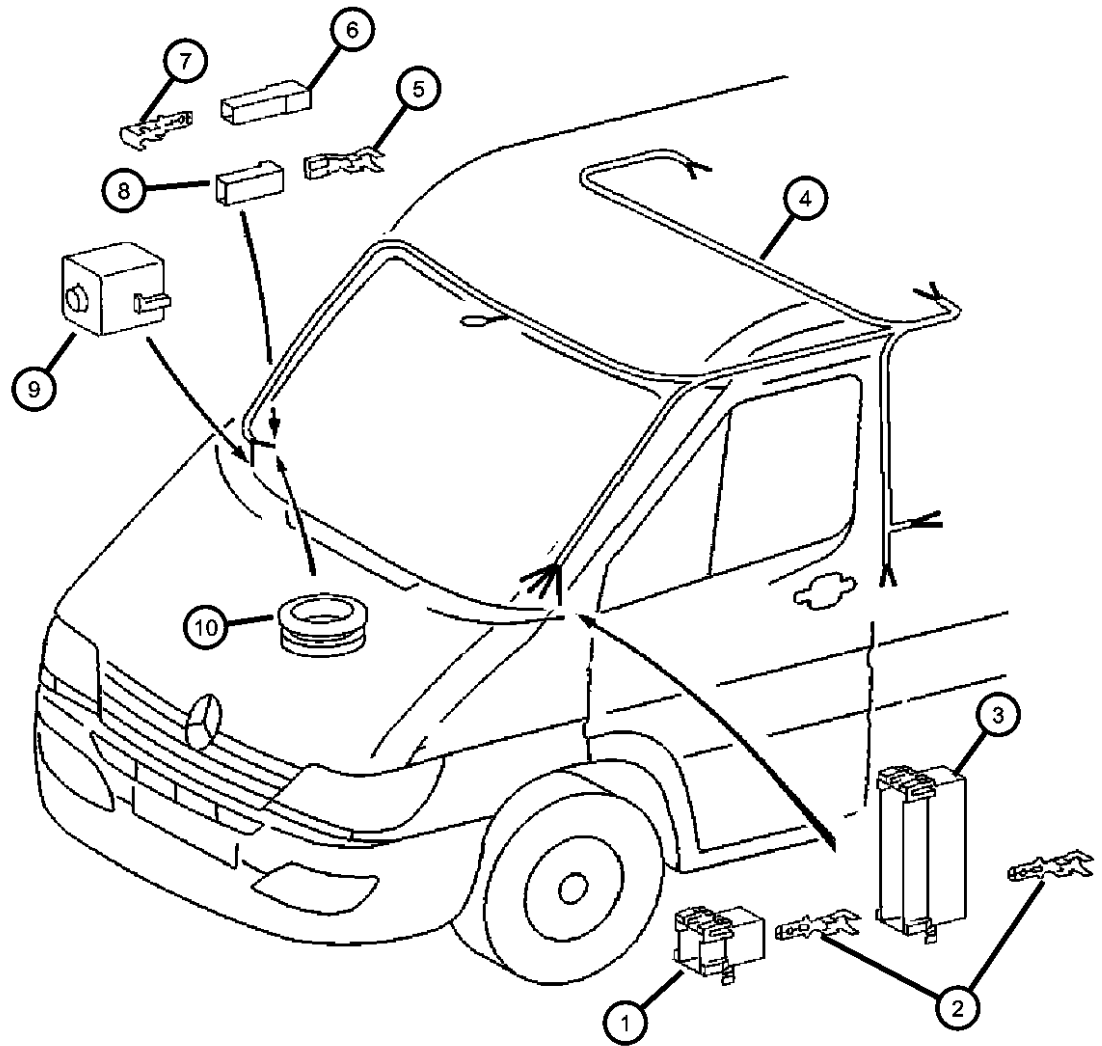
ITEM	PART NUMBER	QTY	LINE	SERIES	BODY	ENGINE	TRANS	TRIM	DESCRIPTION
		1	2, 6	L	11, 12, 14, 15, 16				
		1	2, 6	L	51, 52, 54, 55, 56				
		1	3, 7	L	12, 15, 16				
19	05133397AA	1	2, 6	L	11, 12, 14, 15, 16				INSULATOR, 4 Way Male
		1	2, 6	L	51, 52, 54, 55, 56				
		1	3, 7	L	12, 15, 16				
20	05133398AA	1	2, 6	L	11, 12, 14, 15, 16				WIRING, Headlamp
		1	2, 6	L	51, 52, 54, 55, 56				
		1	3, 7	L	12, 15, 16				
21	05114935AA	1	2, 6	L	11, 12, 14, 15, 16				WIRING, Headlamp to Dash
		1	2, 6	L	51, 52, 54, 55, 56				
		1	3, 7	L	12, 15, 16				

SPRINTER (VA)

SERIES	LINE	BODY	ENGINE	TRANSMISSION
L = LOWLINE	3 = HD DODGE 2WD 6 = Lt. Duty DODGE 4WD 2 = Med. Duty DODGE 2WD 7 = Med. Duty DODGE 4WD	01 = CHASSIS FORWARD CONTROL W.B.1 02 = CAB CHASSIS WHEEL BASE 2 06 = CAB CHASSIS WHEEL BASE 6 11 = VAN WHEEL BASE 1 12 = VAN WHEEL BASE 2 51 = WAGON WHEEL BASE 1 52 = WAGON WHEEL BASE 2 14 = VAN WHEEL BASE 4 15 = VAN WHEEL BASE 5 56 = WAGON WHEEL BASE 6 16 = VAN WHEEL BASE 6 54 = WAGON WHEEL BASE 4 55 = WAGON WHEEL BASE 5	EX9 = Engine-2.7L I5 Mercedes Turbo Diesel	DGJ = Transmission-5-Spd. Automatic, W5A580

AR = use ase required - = Non illustrated part

**Connectors Roof
Figure 8-1615**



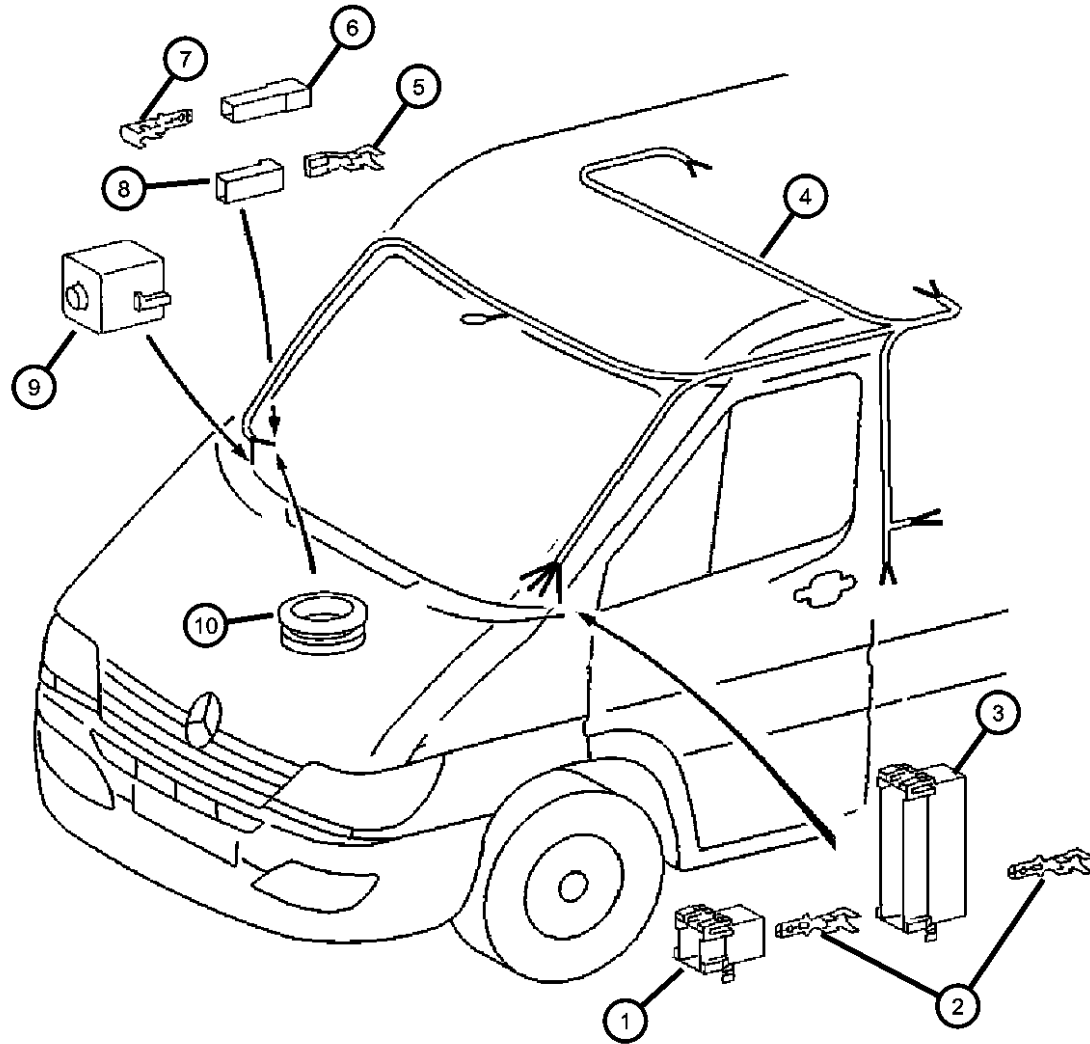
ITEM	PART NUMBER	QTY	LINE	SERIES	BODY	ENGINE	TRANS	TRIM	DESCRIPTION
1	05120791AA	1	2, 6	L	11, 12, 14, 15, 16				CONNECTOR
		1	2, 6	L	51, 52, 54, 55, 56				
		1	3, 7	L	12, 15, 16				
2	05133377AA	1	2, 6	L	11, 12, 14, 15, 16				TERMINAL, Male Small
		1	2, 6	L	51, 52, 54, 55, 56				Small
		1	3, 7	L	12, 15, 16				Small
	05133378AA	1	2, 6	L	11, 12, 14, 15, 16				Large
		1	2, 6	L	51, 52, 54, 55, 56				Large
		1	3, 7	L	12, 15, 16				Large
3	05120794AA	1	2, 6	L	11, 12, 14, 15, 16				CONNECTOR
		1	2, 6	L	51, 52, 54, 55, 56				
		1	3, 7	L	12, 15, 16				
4	05114931AA	1	2, 6	L	11, 12, 14, 15, 16				WIRING, Body
		1	2, 6	L	51, 52, 54, 55, 56				
		1	3, 7	L	12, 15, 16				
5	05103871AA	1	2, 6	L	11, 12, 14, 15, 16				TERMINAL, Female
		1	2, 6	L	51, 52, 54, 55, 56				
		1	3, 7	L	12, 15, 16				

SPRINTER (VA)

SERIES	LINE	BODY	ENGINE	TRANSMISSION
L = LOWLINE	3 = HD DODGE 2WD 6 = Lt. Duty DODGE 4WD 2 = Med. Duty DODGE 2WD 7 = Med. Duty DODGE 4WD	01 = CHASSIS FORWARD CONTROL W.B.1 02 = CAB CHASSIS WHEEL BASE 2 06 = CAB CHASSIS WHEEL BASE 6 11 = VAN WHEEL BASE 1 12 = VAN WHEEL BASE 2 51 = WAGON WHEEL BASE 1 52 = WAGON WHEEL BASE 2 14 = VAN WHEEL BASE 4 15 = VAN WHEEL BASE 5 56 = WAGON WHEEL BASE 6 16 = VAN WHEEL BASE 6 54 = WAGON WHEEL BASE 4 55 = WAGON WHEEL BASE 5	EX9 = Engine-2.7L I5 Mercedes Turbo Diesel	DGJ = Transmission-5-Spd. Automatic, W5A580

AR = use ase required - = Non illustrated part

**Connectors Roof
Figure 8-1615**



ITEM	PART NUMBER	QTY	LINE	SERIES	BODY	ENGINE	TRANS	TRIM	DESCRIPTION
6	05120685AA	1	2, 6	L	11, 12, 14, 15, 16				INSULATOR
		1	2, 6	L	51, 52, 54, 55, 56				
		1	3, 7	L	12, 15, 16				
7	05133358AA	1	2, 6	L	11, 12, 14, 15, 16				TERMINAL, Male
		1	2, 6	L	51, 52, 54, 55, 56				
		1	3, 7	L	12, 15, 16				
8	05120684AA	1	2, 6	L	11, 12, 14, 15, 16				CONNECTOR
		1	2, 6	L	51, 52, 54, 55, 56				
		1	3, 7	L	12, 15, 16				
9	05133401AA	1	2, 6	L	11, 12, 14, 15, 16				INSULATOR, 2 Way
		1	2, 6	L	51, 52, 54, 55, 56				
		1	3, 7	L	12, 15, 16				
10	05133408AA	1	2, 6	L	11, 12, 14, 15, 16				GROMMET, Chassis Wiring
		1	2, 6	L	51, 52, 54, 55, 56				
		1	3, 7	L	12, 15, 16				

SPRINTER (VA)

SERIES

L = LOWLINE
 3 = HD DODGE 2WD
 6 = Lt. Duty DODGE 4WD
 2 = Med. Duty DODGE 2WD
 7 = Med. Duty DODGE 4WD

BODY

01 = CHASSIS FORWARD CONTROL W.B.1
 02 = CAB CHASSIS WHEEL BASE 2
 06 = CAB CHASSIS WHEEL BASE 6
 11 = VAN WHEEL BASE 1
 12 = VAN WHEEL BASE 2
 51 = WAGON WHEEL BASE 1
 52 = WAGON WHEEL BASE 2
 14 = VAN WHEEL BASE 4
 15 = VAN WHEEL BASE 5
 56 = WAGON WHEEL BASE 6
 16 = VAN WHEEL BASE 6
 54 = WAGON WHEEL BASE 4
 55 = WAGON WHEEL BASE 5

ENGINE

EX9 = Engine-2.7L I5
 Mercedes Turbo Diesel

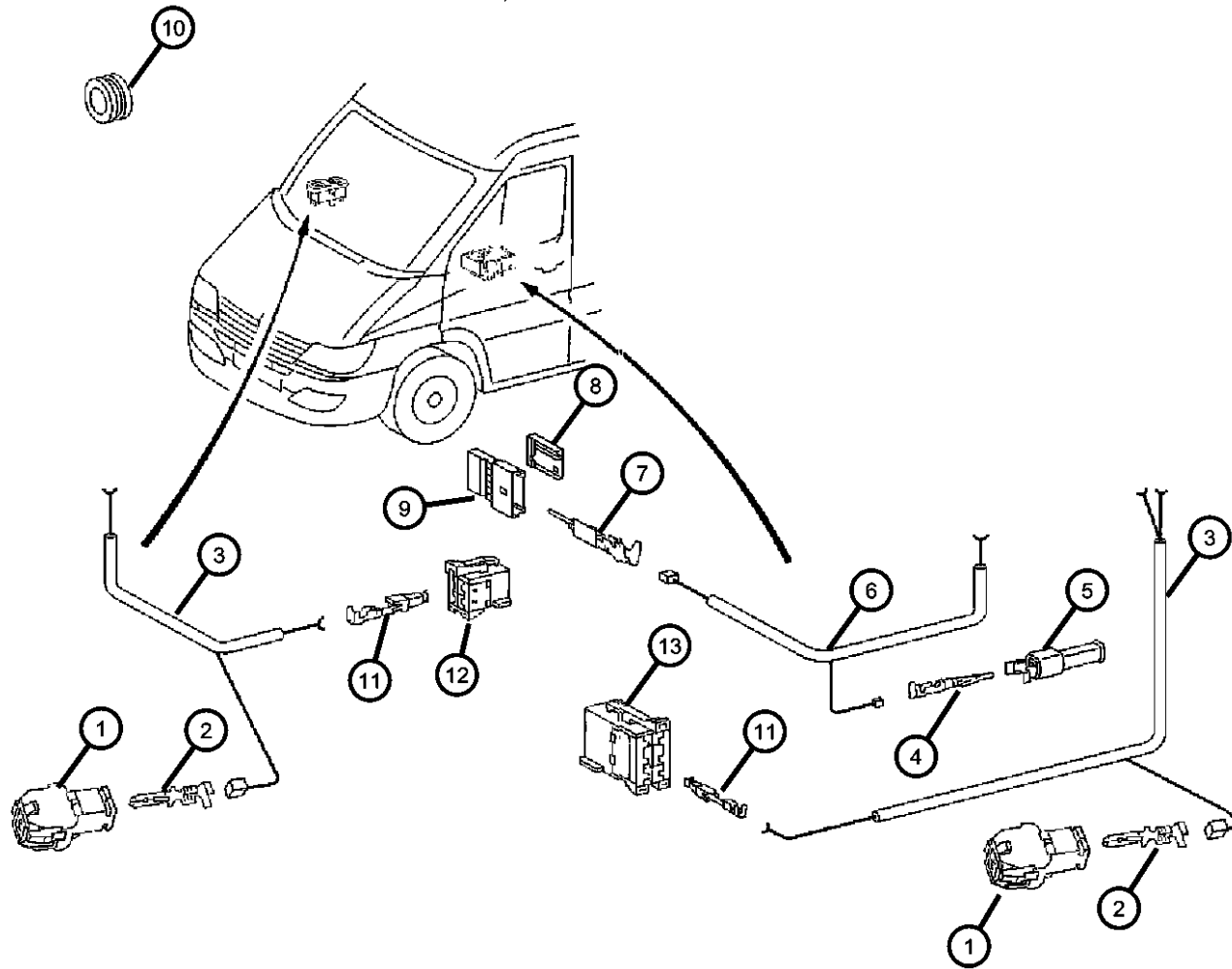
TRANSMISSION

DGJ = Transmission-5-Spd. Automatic, W5A580

AR = use ase required - = Non illustrated part

2002 VA

**Connectors Front Doors
Figure 8-1620**



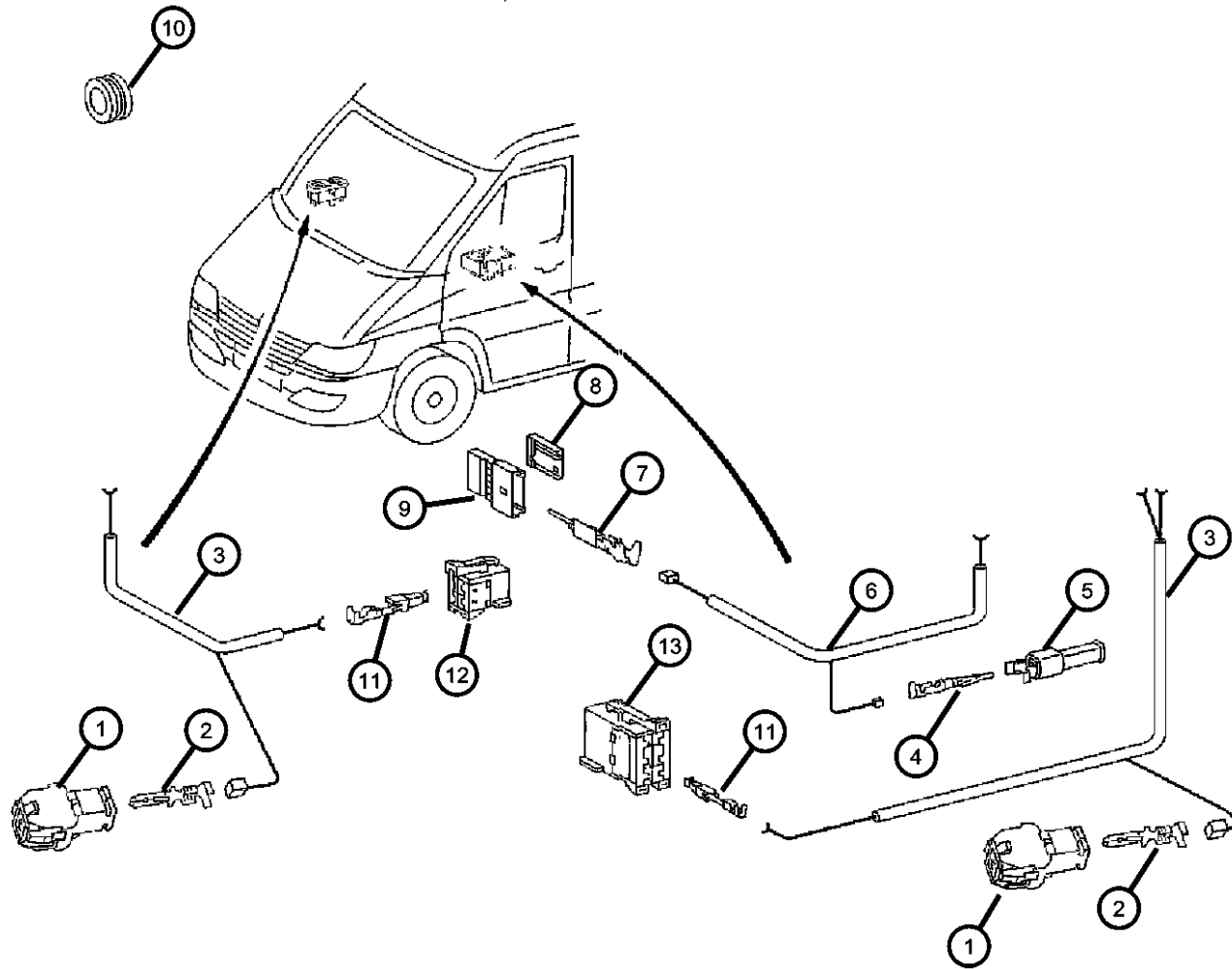
ITEM	PART NUMBER	QTY	LINE	SERIES	BODY	ENGINE	TRANS	TRIM	DESCRIPTION	
1	05120795AA	1	3, 7	L	12, 15, 16				CONNECTOR	
		1	2, 6	L	11, 12, 14, 15, 16					
		1	2, 6	L	51, 52, 54, 55, 56					
2	05133378AA	1	2, 6	L	11, 12, 14, 15, 16				TERMINAL, Male	
		1	2, 6	L	51, 52, 54, 55, 56					
		1	3, 7	L	12, 15, 16					
3	05120220AA	1	2, 6	L	11, 12, 14, 15, 16				WIRING, Power Window Driver Side	
		1	2, 6	L	51, 52, 54, 55, 56					
	05120222AA	1	3, 7	L	12, 15, 16				Driver Side	
		1	2, 6	L	11, 12, 14, 15, 16					Passenger Side
		1	2, 6	L	51, 52, 54, 55, 56					
4	05133387AA	1	2, 6	L	11, 12, 14, 15, 16				TERMINAL	
		1	2, 6	L	51, 52, 54, 55, 56					
		1	3, 7	L	12, 15, 16					
5	05120744AA	1	2, 6	L	51, 52, 54, 55, 56				CONNECTOR	
		1	2, 6	L	11, 12, 14, 15, 16					
		1	3, 7	L	12, 15, 16					

SPRINTER (VA)

SERIES	LINE	BODY	ENGINE	TRANSMISSION
L = LOWLINE	3 = HD DODGE 2WD 6 = Lt. Duty DODGE 4WD 2 = Med. Duty DODGE 2WD 7 = Med. Duty DODGE 4WD	01 = CHASSIS FORWARD CONTROL W.B.1 02 = CAB CHASSIS WHEEL BASE 2 06 = CAB CHASSIS WHEEL BASE 6 11 = VAN WHEEL BASE 1 12 = VAN WHEEL BASE 2 51 = WAGON WHEEL BASE 1 52 = WAGON WHEEL BASE 2 14 = VAN WHEEL BASE 4 15 = VAN WHEEL BASE 5 56 = WAGON WHEEL BASE 6 16 = VAN WHEEL BASE 6 54 = WAGON WHEEL BASE 4 55 = WAGON WHEEL BASE 5	EX9 = Engine-2.7L I5 Mercedes Turbo Diesel	DGJ = Transmission-5-Spd. Automatic, W5A580

AR = use ase required - = Non illustrated part

Connectors Front Doors
Figure 8-1620



ITEM	PART NUMBER	QTY	LINE	SERIES	BODY	ENGINE	TRANS	TRIM	DESCRIPTION
6	05120224AA	1	2, 6	L	11, 12, 14, 15, 16				WIRING, Mirror Jumper
		1	2, 6	L	51, 52, 54, 55, 56				
		1	3, 7	L	12, 15, 16				
7	05133990AA	99	2, 6	L	11, 12, 14, 15, 16				TERMINAL, Male
		99	2, 6	L	51, 52, 54, 55, 56				
		99	3, 7	L	12, 15, 16				
8	05133331AA	1	2, 6	L	51, 52, 54, 55, 56				CONNECTOR, Instrument cluster
		1	2, 6	L	11, 12, 14, 15, 16				
		1	3, 7	L	12, 15, 16				
9	05133330AA	1	2, 6	L	11, 12, 14, 15, 16				INSULATOR, 6 Way
		1	2, 6	L	51, 52, 54, 55, 56				
		1	7, 3	L	12, 15, 16				
10	05125942AA	1	2, 6	L	51, 52, 54, 55, 56				GROMMET
		1	3, 7	L	12, 15, 16				
		1	2, 6	L	11, 12, 14, 15, 16				
11	05103881AA	1	2, 6	L	11, 12, 14, 15, 16				TERMINAL

SPRINTER (VA)

SERIES

L = LOWLINE
 3 = HD DODGE 2WD
 6 = Lt. Duty DODGE 4WD
 2 = Med. Duty DODGE 2WD
 7 = Med. Duty DODGE 4WD

BODY

01 = CHASSIS FORWARD CONTROL W.B.1
 02 = CAB CHASSIS WHEEL BASE 2
 06 = CAB CHASSIS WHEEL BASE 6
 11 = VAN WHEEL BASE 1
 12 = VAN WHEEL BASE 2
 51 = WAGON WHEEL BASE 1
 52 = WAGON WHEEL BASE 2
 14 = VAN WHEEL BASE 4
 15 = VAN WHEEL BASE 5
 56 = WAGON WHEEL BASE 6
 16 = VAN WHEEL BASE 6
 54 = WAGON WHEEL BASE 4
 55 = WAGON WHEEL BASE 5

ENGINE

EX9 = Engine-2.7L I5
 Mercedes Turbo Diesel

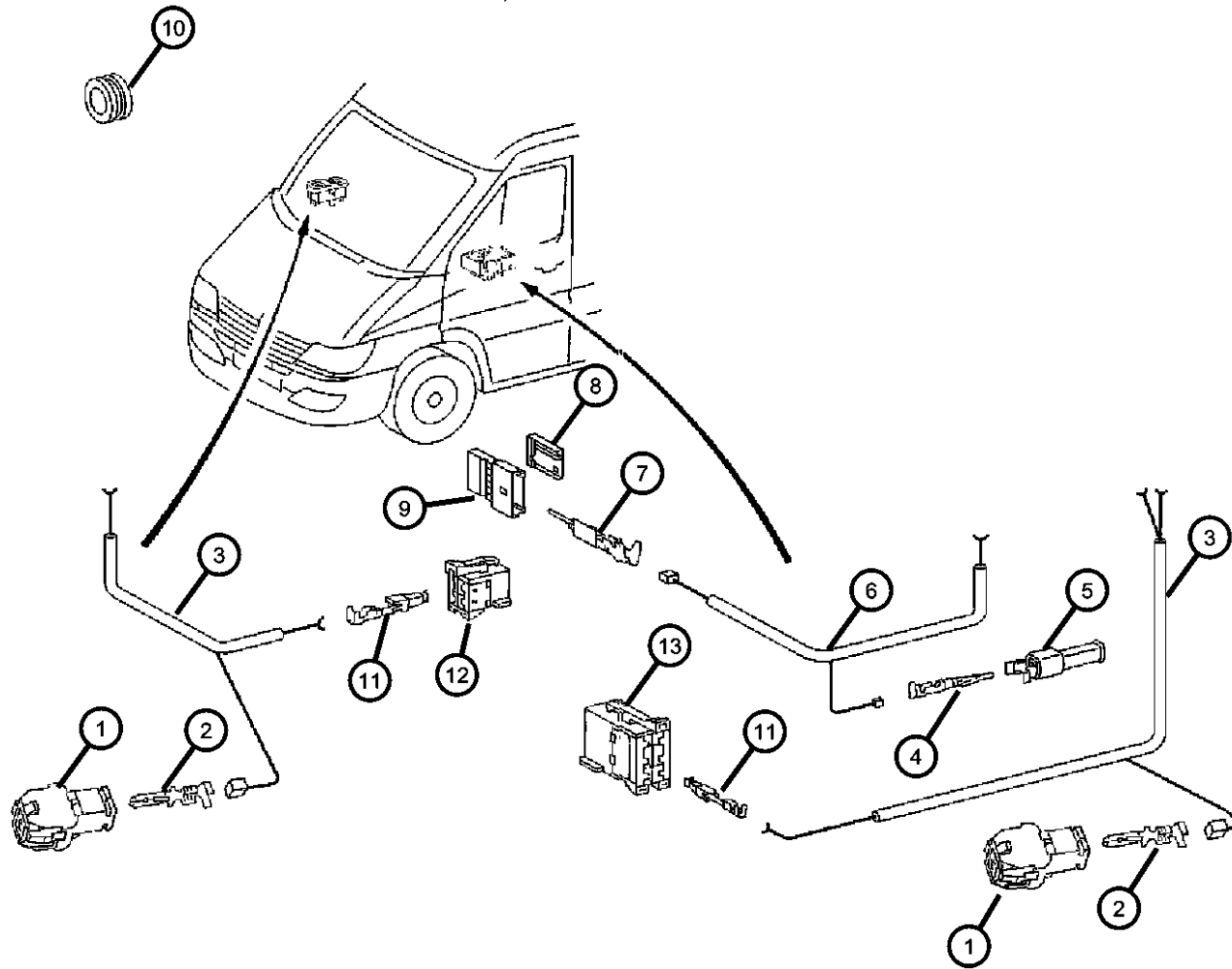
TRANSMISSION

DGJ = Transmission-5-Spd. Automatic, W5A580

AR = use ase required - = Non illustrated part

**Connectors Front Doors
Figure 8-1620**

ITEM	PART NUMBER	QTY	LINE	SERIES	BODY	ENGINE	TRANS	TRIM	DESCRIPTION
		1	2, 6	L	51, 52, 54, 55, 56				
		1	3, 7	L	12, 15, 16				
12	05120785AA	1	2, 6	L	11, 12, 14, 15, 16				CONNECTOR
		1	2, 6	L	51, 52, 54, 55, 56				
		1	3, 7	L	12, 15, 16				
13	05120786AA	1	2, 6	L	11, 12, 14, 15, 16				CONNECTOR
		1	2, 6	L	51, 52, 54, 55, 56				
		1	3, 7	L	12, 15, 16				

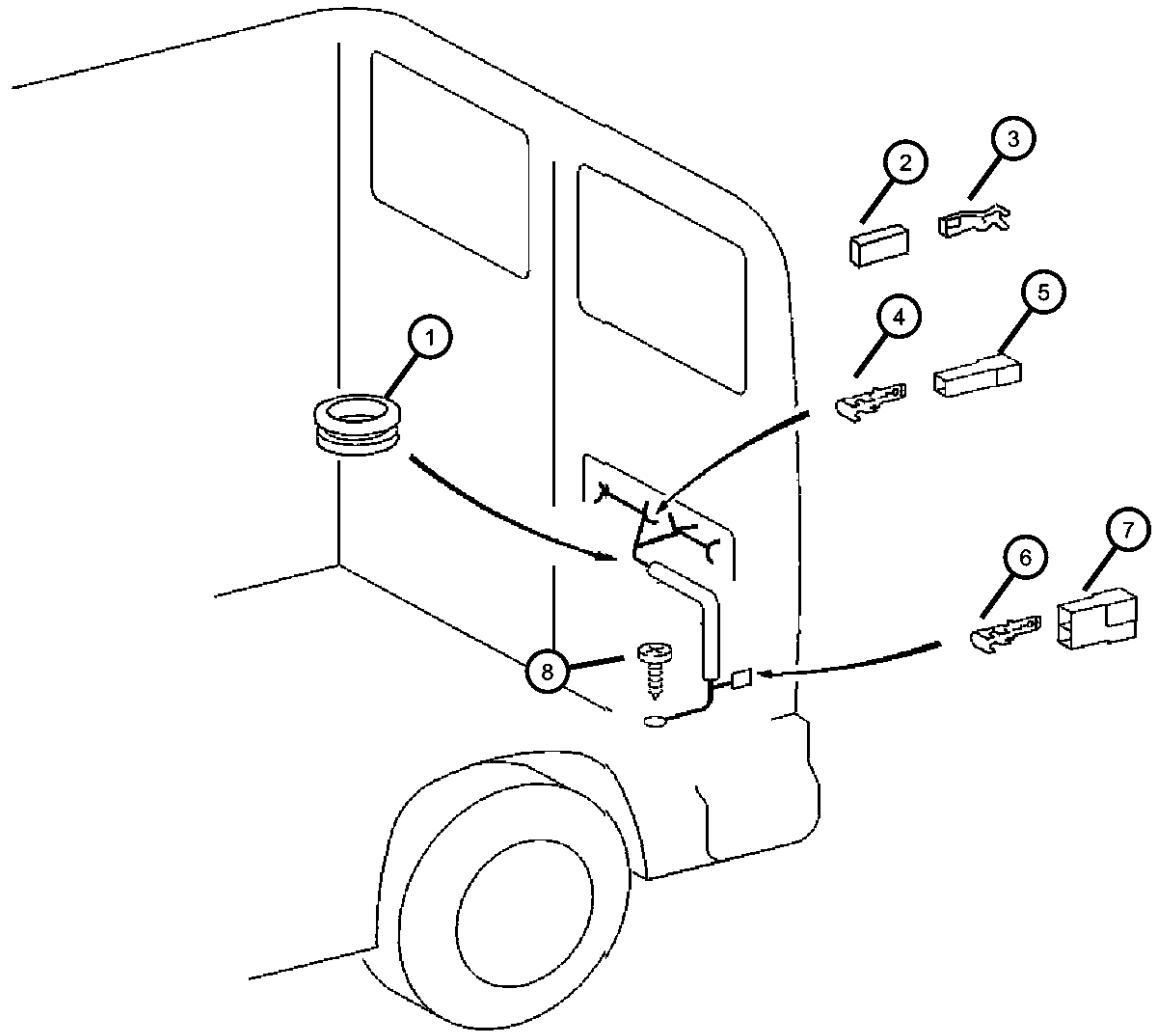


SPRINTER (VA)

SERIES	LINE	BODY	ENGINE	TRANSMISSION
L = LOWLINE	3 = HD DODGE 2WD 6 = Lt. Duty DODGE 4WD 2 = Med. Duty DODGE 2WD 7 = Med. Duty DODGE 4WD	01 = CHASSIS FORWARD CONTROL W.B.1 02 = CAB CHASSIS WHEEL BASE 2 06 = CAB CHASSIS WHEEL BASE 6 11 = VAN WHEEL BASE 1 12 = VAN WHEEL BASE 2 51 = WAGON WHEEL BASE 1 52 = WAGON WHEEL BASE 2 14 = VAN WHEEL BASE 4 15 = VAN WHEEL BASE 5 56 = WAGON WHEEL BASE 6 16 = VAN WHEEL BASE 6 54 = WAGON WHEEL BASE 4 55 = WAGON WHEEL BASE 5	EX9 = Engine-2.7L I5 Mercedes Turbo Diesel	DGJ = Transmission-5-Spd. Automatic, W5A580

AR = use ase required - = Non illustrated part

Connectors Rear Doors
Figure 8-1625



ITEM	PART NUMBER	QTY	LINE	SERIES	BODY	ENGINE	TRANS	TRIM	DESCRIPTION
1	05125931AA	1	2, 6	L	11, 12, 14, 15, 16				GROMMET
		1	2, 6	L	51, 52, 54, 55, 56				
		2	3, 7	L	12, 15, 16				
2	05120684AA	1	2, 6	L	11, 12, 14, 15, 16				CONNECTOR
		1	2, 6	L	51, 52, 54, 55, 56				
		1	3, 7	L	12, 15, 16				
3	05114451AA	99	2, 6	L	11, 12, 14, 15, 16				TERMINAL, Female
		99	2, 6	L	51, 52, 54, 55, 56				
		99	3, 7	L	12, 15, 16				
4	05103798AA	1	2, 6	L	11, 12, 14, 15, 16				TERMINAL, Male
		1	2, 6	L	51, 52, 54, 55, 56				
		1	3, 7	L	12, 15, 16				
5	05120685AA	2	2, 6	L	11, 12, 14, 15, 16				INSULATOR
		2	2, 6	L	51, 52, 54, 55, 56				
		2	3, 7	L	12, 15, 16				
6	05103751AA	1	2, 6	L	11, 12, 14, 15, 16				CONNECTOR
		1	2, 6	L	51, 52, 54, 55, 56				

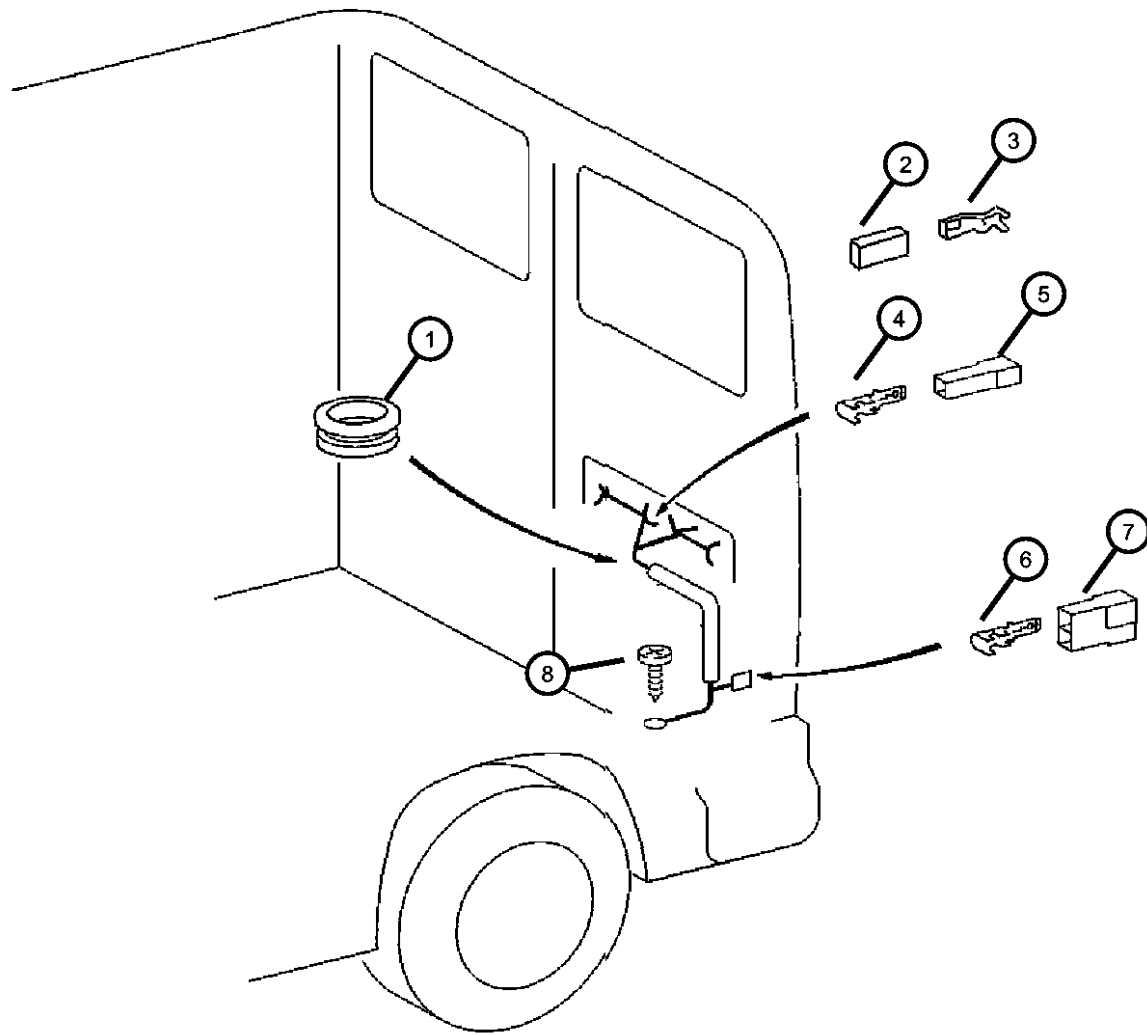
SPRINTER (VA)

SERIES	LINE	BODY	ENGINE	TRANSMISSION
L = LOWLINE	3 = HD DODGE 2WD 6 = Lt. Duty DODGE 4WD 2 = Med. Duty DODGE 2WD 7 = Med. Duty DODGE 4WD	01 = CHASSIS FORWARD CONTROL W.B.1 02 = CAB CHASSIS WHEEL BASE 2 06 = CAB CHASSIS WHEEL BASE 6 11 = VAN WHEEL BASE 1 12 = VAN WHEEL BASE 2 51 = WAGON WHEEL BASE 1 52 = WAGON WHEEL BASE 2 14 = VAN WHEEL BASE 4 15 = VAN WHEEL BASE 5 56 = WAGON WHEEL BASE 6 16 = VAN WHEEL BASE 6 54 = WAGON WHEEL BASE 4 55 = WAGON WHEEL BASE 5	EX9 = Engine-2.7L I5 Mercedes Turbo Diesel	DGJ = Transmission-5-Spd. Automatic, W5A580

AR = use ase required - = Non illustrated part

**Connectors Rear Doors
Figure 8-1625**

ITEM	PART NUMBER	QTY	LINE	SERIES	BODY	ENGINE	TRANS	TRIM	DESCRIPTION
7		1	3, 7	L	12, 15, 16				TERMINAL, Male
	05103798AA	1	2, 6	L	11, 12, 14, 15, 16				
		1	2, 6	L	51, 52, 54, 55, 56				
8		1	3, 7	L	12, 15, 16				SCREW, Tapping
	05132835AA	1	2, 6	L	11, 12, 14, 15, 16				
		1	2, 6	L	51, 52, 54, 55, 56				
		1	3, 7	L	12, 15, 16				



SPRINTER (VA)

SERIES

L = LOWLINE
 3 = HD DODGE 2WD
 6 = Lt. Duty DODGE 4WD
 2 = Med. Duty DODGE 2WD
 7 = Med. Duty DODGE 4WD

LINE

BODY

01 = CHASSIS FORWARD CONTROL W.B.1
 02 = CAB CHASSIS WHEEL BASE 2
 06 = CAB CHASSIS WHEEL BASE 6
 11 = VAN WHEEL BASE 1
 12 = VAN WHEEL BASE 2
 51 = WAGON WHEEL BASE 1
 52 = WAGON WHEEL BASE 2
 14 = VAN WHEEL BASE 4
 15 = VAN WHEEL BASE 5
 56 = WAGON WHEEL BASE 6
 16 = VAN WHEEL BASE 6
 54 = WAGON WHEEL BASE 4
 55 = WAGON WHEEL BASE 5

ENGINE

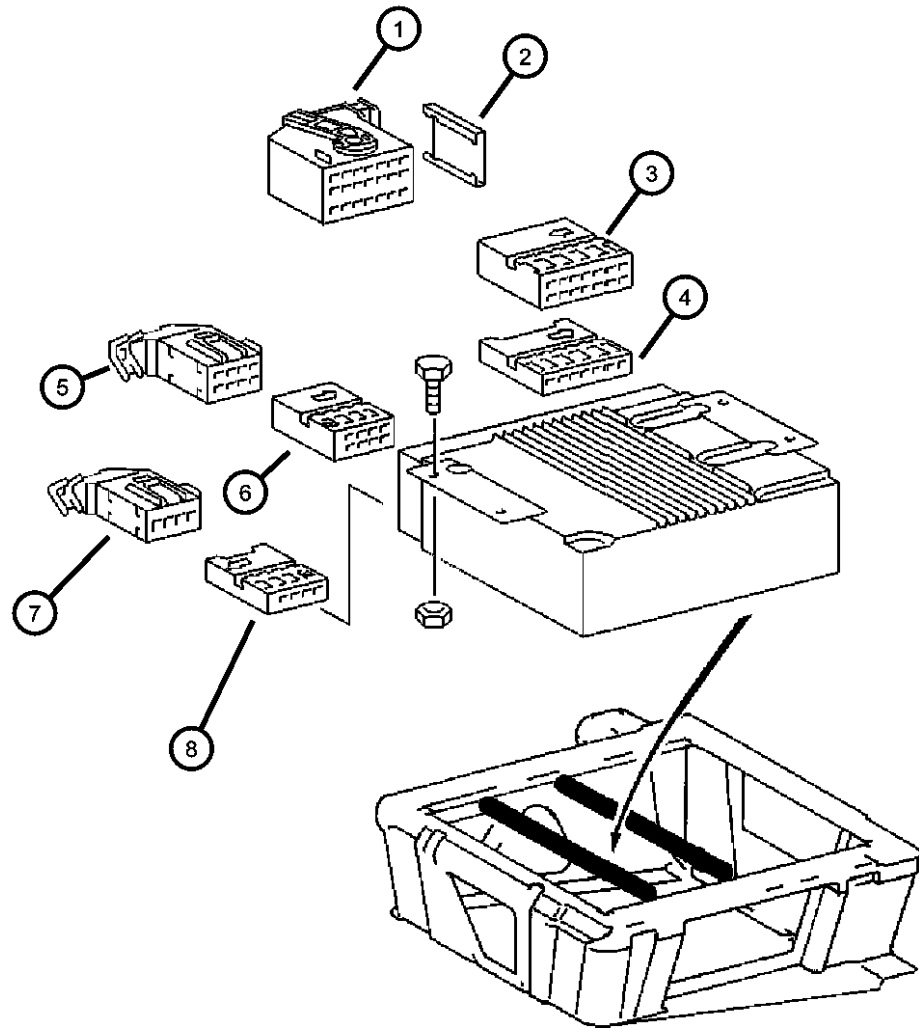
EX9 = Engine-2.7L I5 Mercedes Turbo Diesel

TRANSMISSION

DGJ = Transmission-5-Spd. Automatic, W5A580

AR = use ase required - = Non illustrated part

Connectors Seating Area
Figure 8-1630



ITEM	PART NUMBER	QTY	LINE	SERIES	BODY	ENGINE	TRANS	TRIM	DESCRIPTION
1	05102941AA	1	2, 6	L	11, 12, 14, 15, 16				INSULATOR
		1	2, 6	L	51, 52, 54, 55, 56				
		1	3, 7	L	12, 15, 16				
2	05120417AA	1	2, 6	L	11, 12, 14, 15, 16				COVER, Wiring Protector
		1	2, 6	L	51, 52, 54, 55, 56				
		1	3, 7	L	12, 15, 16				
3	05102943AA	1	2, 6	L	11, 12, 14, 15, 16				CONNECTOR
		1	2, 6	L	51, 52, 54, 55, 56				
		1	3, 7	L	12, 15, 16				
4	05102944AA	1	2, 6	L	11, 12, 14, 15, 16				CONNECTOR, 7 Way
		1	2, 6	L	51, 52, 54, 55, 56				
		1	3, 7	L	12, 15, 16				
5	05133339AA	1	2, 6	L	11, 12, 14, 15, 16				INSULATOR, 8 Way
		1	2, 6	L	51, 52, 54, 55, 56				
		1	3, 7	L	12, 15, 16				
6	05133340AA	1	2, 6	L	11, 12, 14, 15, 16				INSULATOR, 8 Way
		1	2, 6	L	51, 52, 54, 55, 56				

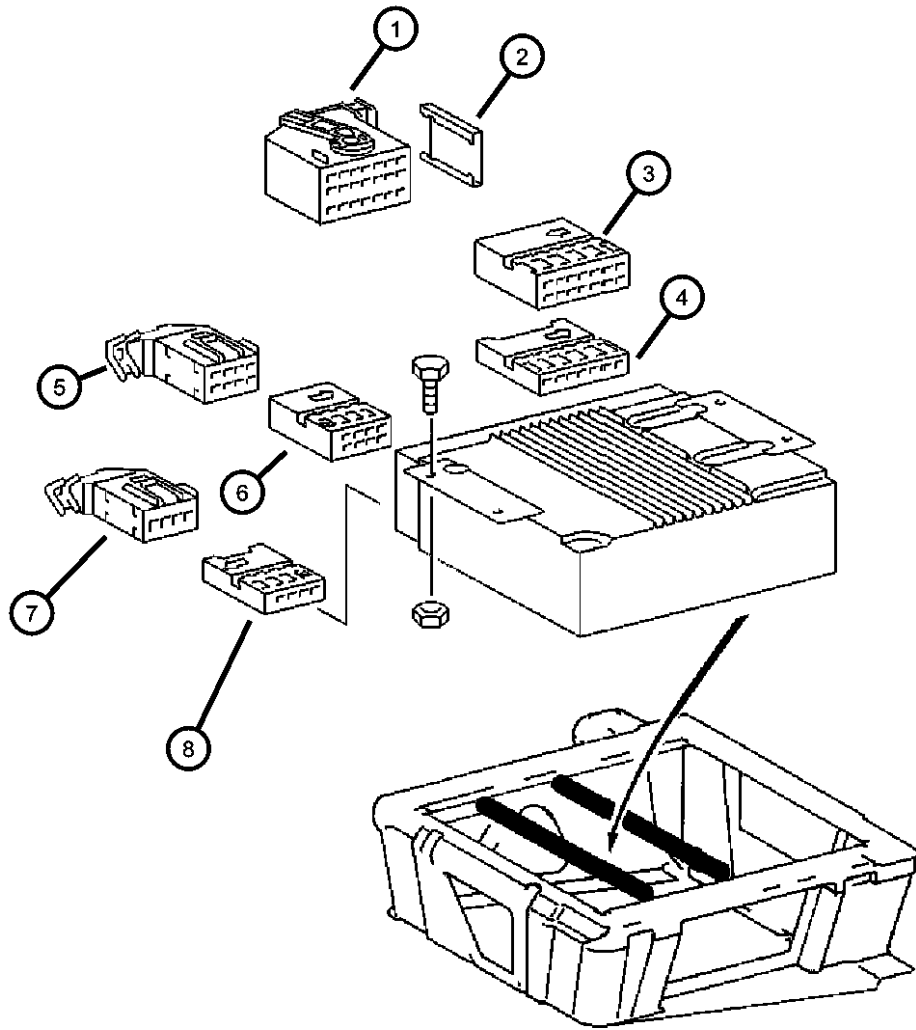
SPRINTER (VA)

SERIES	LINE	BODY	ENGINE	TRANSMISSION
L = LOWLINE	3 = HD DODGE 2WD 6 = Lt. Duty DODGE 4WD 2 = Med. Duty DODGE 2WD 7 = Med. Duty DODGE 4WD	01 = CHASSIS FORWARD CONTROL W.B.1 02 = CAB CHASSIS WHEEL BASE 2 06 = CAB CHASSIS WHEEL BASE 6 11 = VAN WHEEL BASE 1 12 = VAN WHEEL BASE 2 51 = WAGON WHEEL BASE 1 52 = WAGON WHEEL BASE 2 14 = VAN WHEEL BASE 4 15 = VAN WHEEL BASE 5 56 = WAGON WHEEL BASE 6 16 = VAN WHEEL BASE 6 54 = WAGON WHEEL BASE 4 55 = WAGON WHEEL BASE 5	EX9 = Engine-2.7L I5 Mercedes Turbo Diesel	DGJ = Transmission-5-Spd. Automatic, W5A580

AR = use ase required - = Non illustrated part

Connectors Seating Area
Figure 8-1630

ITEM	PART NUMBER	QTY	LINE	SERIES	BODY	ENGINE	TRANS	TRIM	DESCRIPTION
7	05133342AA	1	3, 7	L	12, 15, 16				INSULATOR, 8 Way
		1	2, 6	L	11, 12, 14, 15, 16				
		1	2, 6	L	51, 52, 54, 55, 56				
8	05133341AA	1	3, 7	L	12, 15, 16				INSULATOR, 8 Way
		1	2, 6	L	11, 12, 14, 15, 16				
		1	2, 6	L	51, 52, 54, 55, 56				
		1	3, 7	L	12, 15, 16				



SPRINTER (VA)

SERIES

L = LOWLINE
 3 = HD DODGE 2WD
 6 = Lt. Duty DODGE 4WD
 2 = Med. Duty DODGE 2WD
 7 = Med. Duty DODGE 4WD

BODY

01 = CHASSIS FORWARD CONTROL W.B.1
 02 = CAB CHASSIS WHEEL BASE 2
 06 = CAB CHASSIS WHEEL BASE 6
 11 = VAN WHEEL BASE 1
 12 = VAN WHEEL BASE 2
 51 = WAGON WHEEL BASE 1
 52 = WAGON WHEEL BASE 2
 14 = VAN WHEEL BASE 4
 15 = VAN WHEEL BASE 5
 56 = WAGON WHEEL BASE 6
 16 = VAN WHEEL BASE 6
 54 = WAGON WHEEL BASE 4
 55 = WAGON WHEEL BASE 5

ENGINE

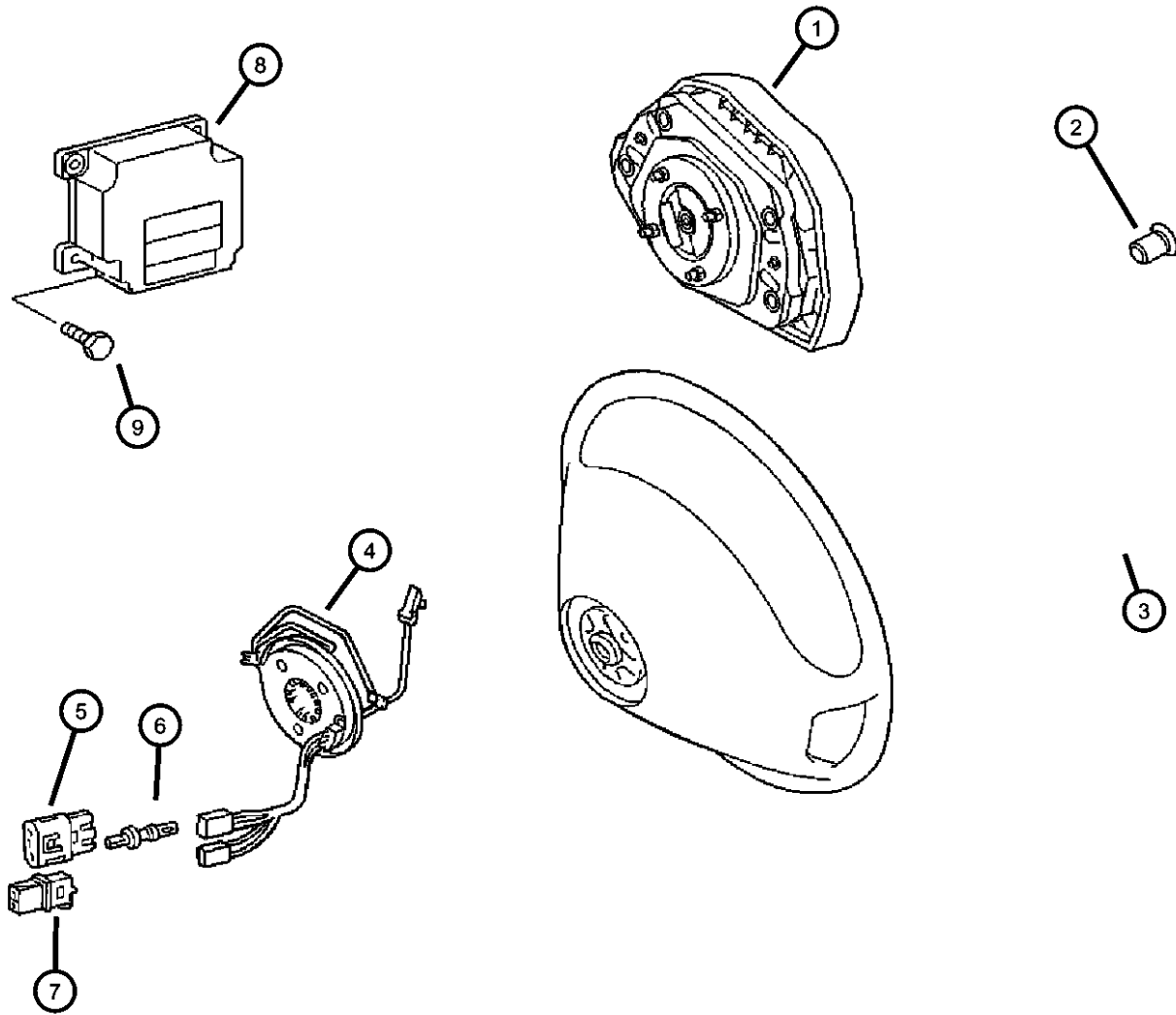
EX9 = Engine-2.7L I5
 Mercedes Turbo Diesel

TRANSMISSION

DGJ = Transmission-5-Spd. Automatic, W5A580

AR = use ase required - = Non illustrated part

**Air Bag System Drivers Side
Figure 8-1705**



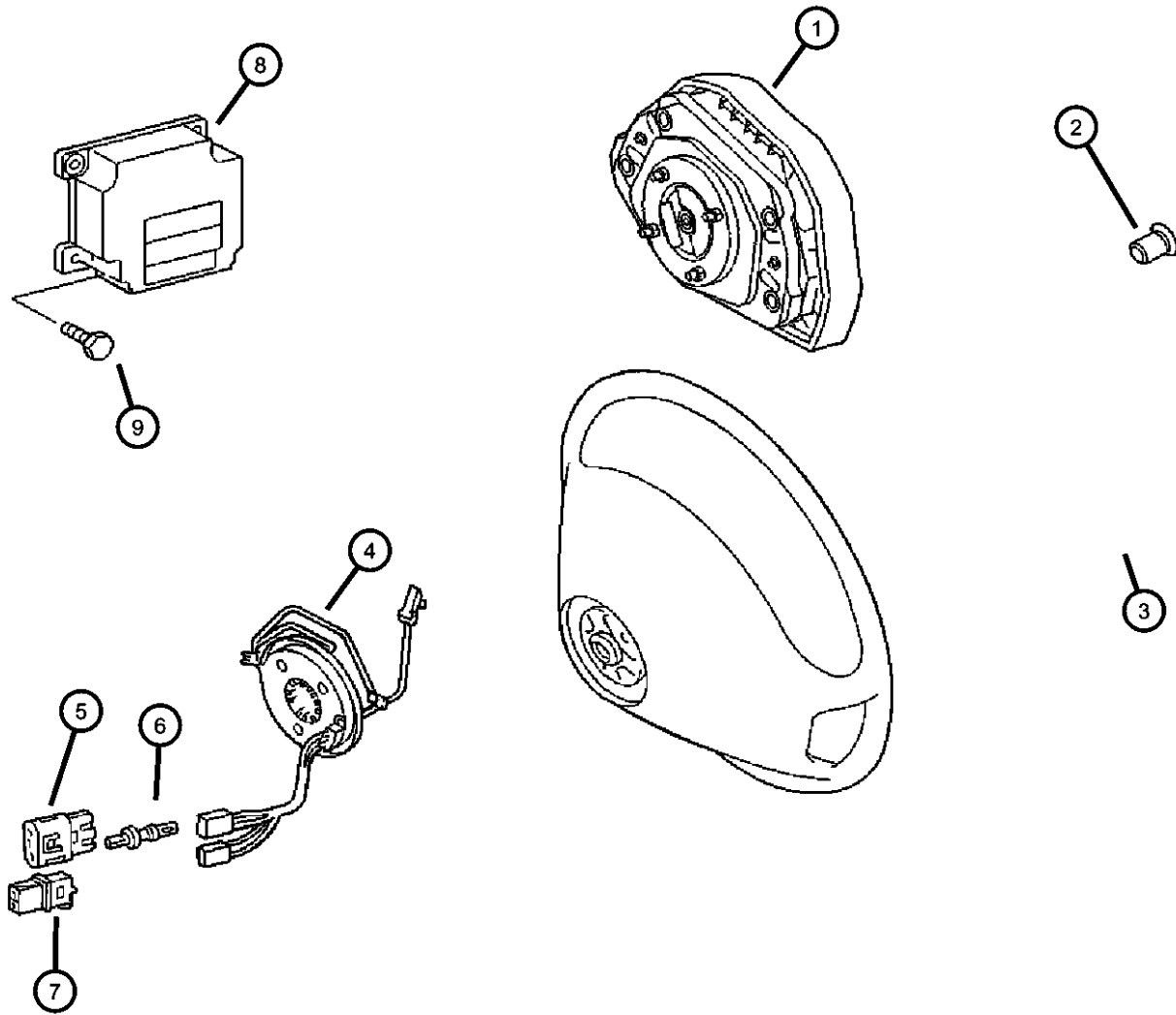
ITEM	PART NUMBER	QTY	LINE	SERIES	BODY	ENGINE	TRANS	TRIM	DESCRIPTION
1	1AR08CSSAA	1	7	L	12, 15, 16				AIR BAG, Driver
		1	6	L	11, 12, 14, 15, 16				
		1	6	L	51, 52, 54, 55, 56				
2	05103604AA	1	2, 6	L	11, 12, 14, 15, 16				SCREW
		1	2, 6	L	51, 52, 54, 55, 56				
		1	3, 7	L	12, 15, 16				
3	0ZF47CSSAA	1	2, 6	L	11, 12, 14, 15, 16				COVER, Steering Wheel
		1	2, 6	L	51, 52, 54, 55, 56				
		1	3, 7	L	12, 15, 16				
4	05104089AA	1	2, 6	L	11, 12, 14, 15, 16				CLOCKSPRING
		1	2, 6	L	51, 52, 54, 55, 56				
		1	3, 7	L	12, 15, 16				
5	05103904AA	1	2, 6	L	11, 12, 14, 15, 16				CONNECTOR
		1	2, 6	L	51, 52, 54, 55, 56				
		1	3, 7	L	12, 15, 16				
6	05103828AA	1	2, 6	L	51, 52, 54, 55, 56				TERMINAL
		1	3, 7	L	12, 15, 16				

SPRINTER (VA)

SERIES	LINE	BODY	ENGINE	TRANSMISSION
L = LOWLINE	3 = HD DODGE 2WD 6 = Lt. Duty DODGE 4WD 2 = Med. Duty DODGE 2WD 7 = Med. Duty DODGE 4WD	01 = CHASSIS FORWARD CONTROL W.B.1 02 = CAB CHASSIS WHEEL BASE 2 06 = CAB CHASSIS WHEEL BASE 6 11 = VAN WHEEL BASE 1 12 = VAN WHEEL BASE 2 51 = WAGON WHEEL BASE 1 52 = WAGON WHEEL BASE 2 14 = VAN WHEEL BASE 4 15 = VAN WHEEL BASE 5 56 = WAGON WHEEL BASE 6 16 = VAN WHEEL BASE 6 54 = WAGON WHEEL BASE 4 55 = WAGON WHEEL BASE 5	EX9 = Engine-2.7L I5 Mercedes Turbo Diesel	DGJ = Transmission-5-Spd. Automatic, W5A580

AR = use ase required - = Non illustrated part

**Air Bag System Drivers Side
Figure 8-1705**



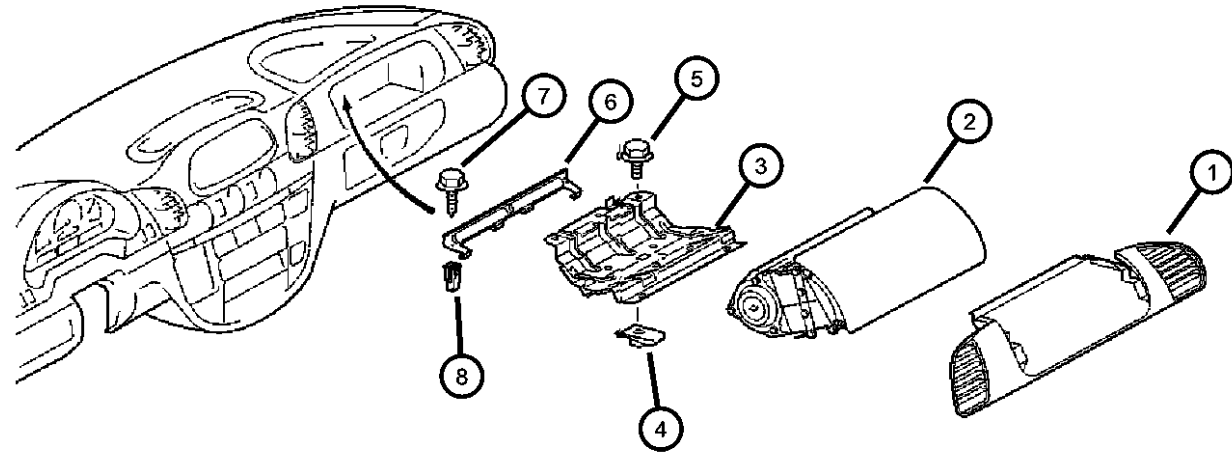
ITEM	PART NUMBER	QTY	LINE	SERIES	BODY	ENGINE	TRANS	TRIM	DESCRIPTION
7	05103902AA	1	2, 6	L	51, 52, 54, 55, 56				CONNECTOR
		1	2, 6	L	11, 12, 14, 15, 16				
		1	3, 7	L	12, 15, 16				
8	05119435AA	1	2, 6	L	11, 12, 14, 15, 16				MODULE, Air Bag Control
		1	2, 6	L	51, 52, 54, 55, 56				
		1	3, 7	L	12, 15, 16				
9	06104005AA	2	2, 6	L	11, 12, 14, 15, 16				SCREW
		2	2, 6	L	51, 52, 54, 55, 56				
		2	3, 7	L	12, 15, 16				

SPRINTER (VA)

SERIES	LINE	BODY	ENGINE	TRANSMISSION
L = LOWLINE	3 = HD DODGE 2WD 6 = Lt. Duty DODGE 4WD 2 = Med. Duty DODGE 2WD 7 = Med. Duty DODGE 4WD	01 = CHASSIS FORWARD CONTROL W.B.1 02 = CAB CHASSIS WHEEL BASE 2 06 = CAB CHASSIS WHEEL BASE 6 11 = VAN WHEEL BASE 1 12 = VAN WHEEL BASE 2 51 = WAGON WHEEL BASE 1 52 = WAGON WHEEL BASE 2 14 = VAN WHEEL BASE 4 15 = VAN WHEEL BASE 5 56 = WAGON WHEEL BASE 6 16 = VAN WHEEL BASE 6 54 = WAGON WHEEL BASE 4 55 = WAGON WHEEL BASE 5	EX9 = Engine-2.7L I5 Mercedes Turbo Diesel	DGJ = Transmission-5-Spd. Automatic, W5A580

AR = use ase required - = Non illustrated part

**Air Bag System Passenger Side
Figure 8-1710**



ITEM	PART NUMBER	QTY	LINE	SERIES	BODY	ENGINE	TRANS	TRIM	DESCRIPTION
1									DOOR, Passenger Air Bag
	05104261AA	1	2, 6	L	11, 12, 14, 15, 16				
		1	2, 6	L	51, 52, 54, 55, 56				
		1	3, 7	L	12, 15, 16				
2									AIR BAG, Passenger
	05124931AA	1	2, 6	L	11, 12, 14, 15, 16				
		1	2, 6	L	51, 52, 54, 55, 56				
		1	3, 7	L	12, 15, 16				
3									BRACKET, Air Bag
	05122389AA	1	2, 6	L	11, 12, 14, 15, 16				
		1	2, 6	L	51, 52, 54, 55, 56				
		1	3, 7	L	12, 15, 16				
4									NUT, Clip-On
	05133420AA	2	2, 6	L	11, 12, 14, 15, 16				
		2	2, 6	L	51, 52, 54, 55, 56				
		1	3, 7	L	12, 15, 16				
5									SCREW
	05104665AA	2	2, 6	L	11, 12, 14, 15, 16				
		2	2, 6	L	51, 52, 54, 55, 56				
		2	3, 7	L	12, 15, 16				
6									BRACKET, Air Bag
	05122937AA	1	2, 6	L	11, 12, 14, 15, 16				
		1	2, 6	L	51, 52, 54, 55, 56				

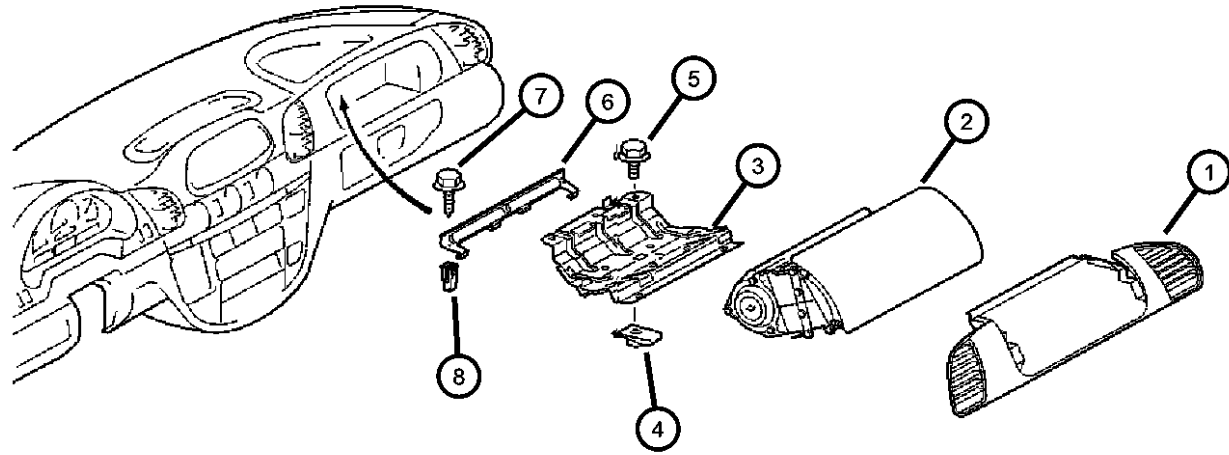
SPRINTER (VA)

SERIES	LINE	BODY	ENGINE	TRANSMISSION
L = LOWLINE	3 = HD DODGE 2WD 6 = Lt. Duty DODGE 4WD 2 = Med. Duty DODGE 2WD 7 = Med. Duty DODGE 4WD	01 = CHASSIS FORWARD CONTROL W.B.1 02 = CAB CHASSIS WHEEL BASE 2 06 = CAB CHASSIS WHEEL BASE 6 11 = VAN WHEEL BASE 1 12 = VAN WHEEL BASE 2 51 = WAGON WHEEL BASE 1 52 = WAGON WHEEL BASE 2 14 = VAN WHEEL BASE 4 15 = VAN WHEEL BASE 5 56 = WAGON WHEEL BASE 6 16 = VAN WHEEL BASE 6 54 = WAGON WHEEL BASE 4 55 = WAGON WHEEL BASE 5	EX9 = Engine-2.7L I5 Mercedes Turbo Diesel	DGJ = Transmission-5-Spd. Automatic, W5A580

AR = use ase required - = Non illustrated part

**Air Bag System Passenger Side
Figure 8-1710**

ITEM	PART NUMBER	QTY	LINE	SERIES	BODY	ENGINE	TRANS	TRIM	DESCRIPTION
7		1	3, 7	L	12, 15, 16				SCREW, (NOT SERVICED)
8		1							NUT, Plastic Snap-in
	05125576AA	3	2, 6	L	11, 12, 14, 15, 16				
		2	2, 6	L	11, 12, 14, 15, 16		DGJ		
		2	3, 7	L	12, 15, 16		DGJ		



SPRINTER (VA)

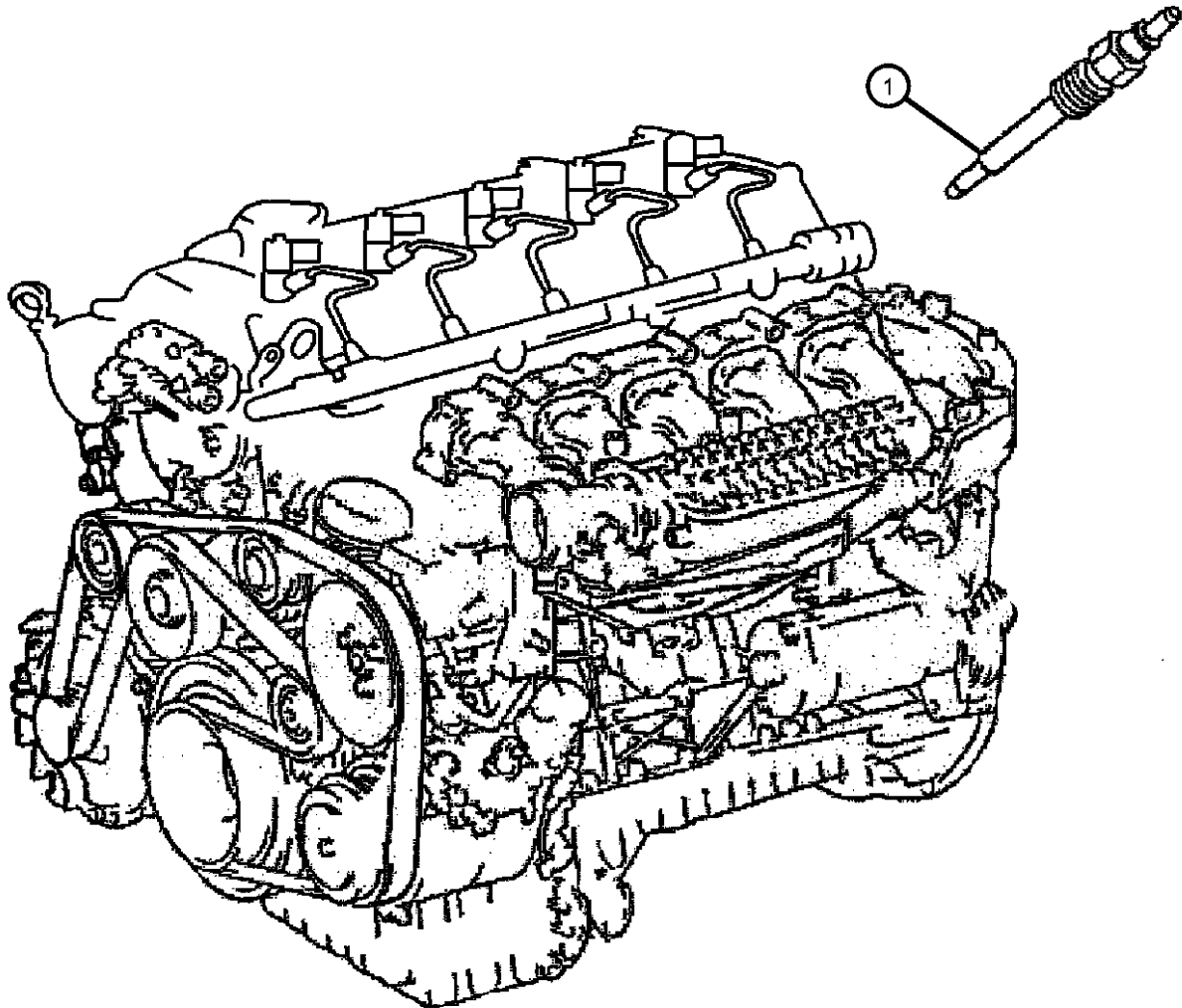
SERIES	LINE	BODY	ENGINE	TRANSMISSION
L = LOWLINE	3 = HD DODGE 2WD 6 = Lt. Duty DODGE 4WD 2 = Med. Duty DODGE 2WD 7 = Med. Duty DODGE 4WD	01 = CHASSIS FORWARD CONTROL W.B.1 02 = CAB CHASSIS WHEEL BASE 2 06 = CAB CHASSIS WHEEL BASE 6 11 = VAN WHEEL BASE 1 12 = VAN WHEEL BASE 2 51 = WAGON WHEEL BASE 1 52 = WAGON WHEEL BASE 2 14 = VAN WHEEL BASE 4 15 = VAN WHEEL BASE 5 56 = WAGON WHEEL BASE 6 16 = VAN WHEEL BASE 6 54 = WAGON WHEEL BASE 4 55 = WAGON WHEEL BASE 5	EX9 = Engine-2.7L I5 Mercedes Turbo Diesel	DGJ = Transmission-5-Spd. Automatic, W5A580

AR = use ase required - = Non illustrated part

2002 VA

**Glow Plugs
Figure 8-1910**

ITEM	PART NUMBER	QTY	LINE	SERIES	BODY	ENGINE	TRANS	TRIM	DESCRIPTION
1	05080047AB	5		L					PLUG, Glow Optional With [05117592AA]
	05117592AA	5		L					Optional With [05080047AA]
-2	05103568AA	1	2, 6	L	11, 12, 14,	EX9			RELAY, Electrical Glow plug
		1	2, 6	L	51, 52, 54,	EX9			Glow plug
		1	3, 7	L	55, 56 12, 15, 16	EX9			Glow plug



SPRINTER (VA)

SERIES	LINE	BODY	ENGINE	TRANSMISSION
L = LOWLINE	3 = HD DODGE 2WD 6 = Lt. Duty DODGE 4WD 2 = Med. Duty DODGE 2WD 7 = Med. Duty DODGE 4WD	01 = CHASSIS FORWARD CONTROL W.B.1 02 = CAB CHASSIS WHEEL BASE 2 06 = CAB CHASSIS WHEEL BASE 6 11 = VAN WHEEL BASE 1 12 = VAN WHEEL BASE 2 51 = WAGON WHEEL BASE 1 52 = WAGON WHEEL BASE 2 14 = VAN WHEEL BASE 4 15 = VAN WHEEL BASE 5 56 = WAGON WHEEL BASE 6 16 = VAN WHEEL BASE 6 54 = WAGON WHEEL BASE 4 55 = WAGON WHEEL BASE 5	EX9 = Engine-2.7L I5 Mercedes Turbo Diesel	DGJ = Transmission-5-Spd. Automatic, W5A580

AR = use ase required - = Non illustrated part

2002 VA

Group - 08A

Instrument Panel and Radios and Consoles

Group - 08A Instrument Panel and Radios and Consoles

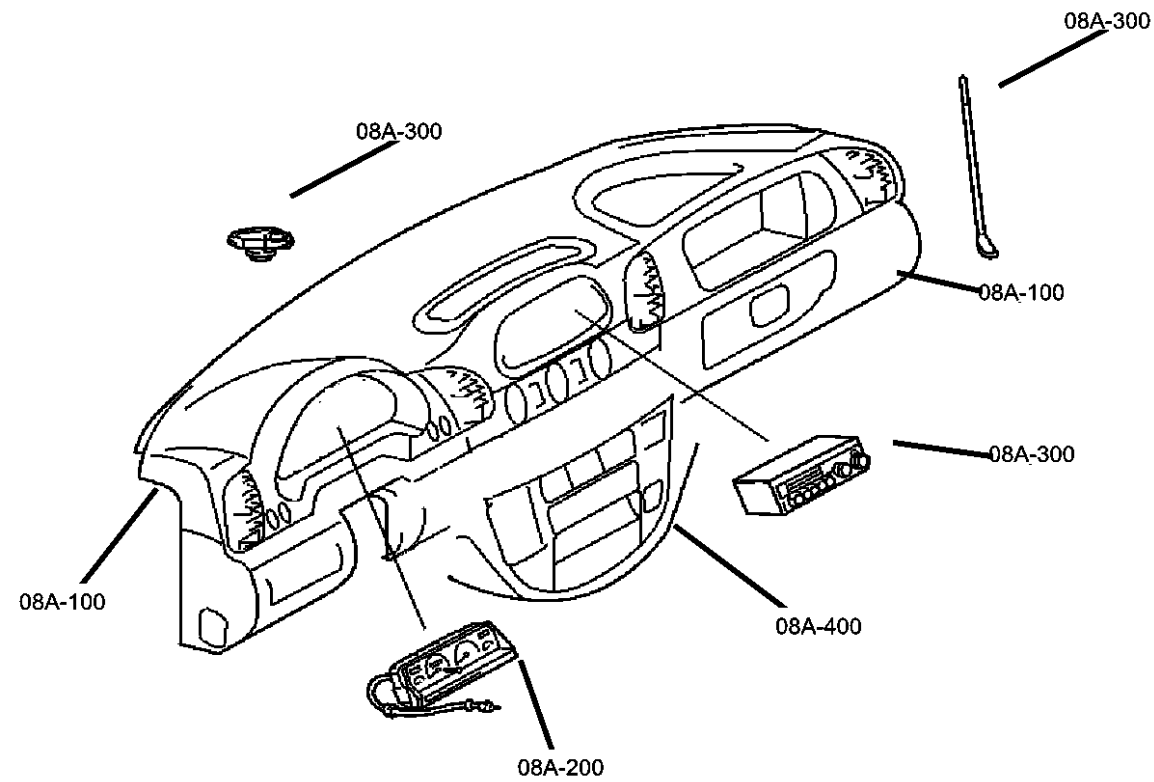


Illustration Title

Group-Fig. No.

Instrument Panel

Instrument Panel	Fig. 08A - 105
Instrument Panel Bezel and Related Parts	Fig. 08A - 110
Ash Receiver and Glove Box	Fig. 08A - 115
Instrument Panel Cover and Related Parts	Fig. 08A - 120
Instrument Panel Reinforcement	Fig. 08A - 125

Instrument Panel Cluster

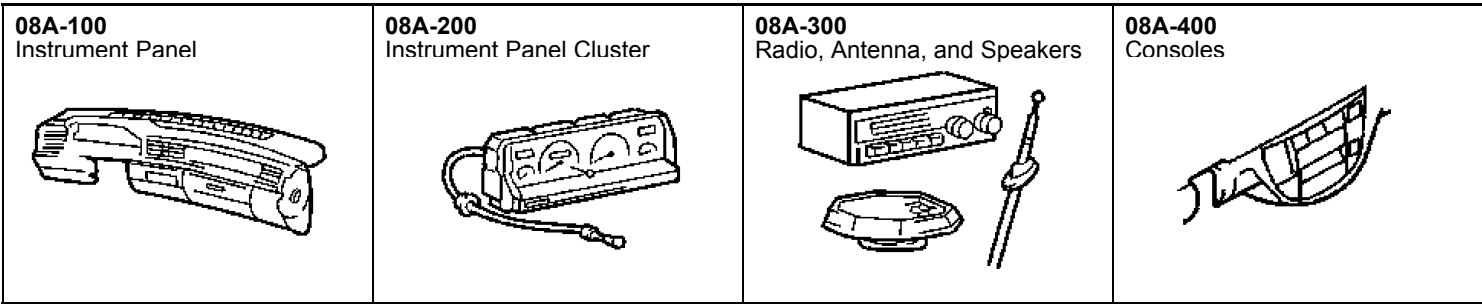
Instrument Panel Cluster	Fig. 08A - 205
--------------------------------	----------------

Radio, Antenna, and Speakers

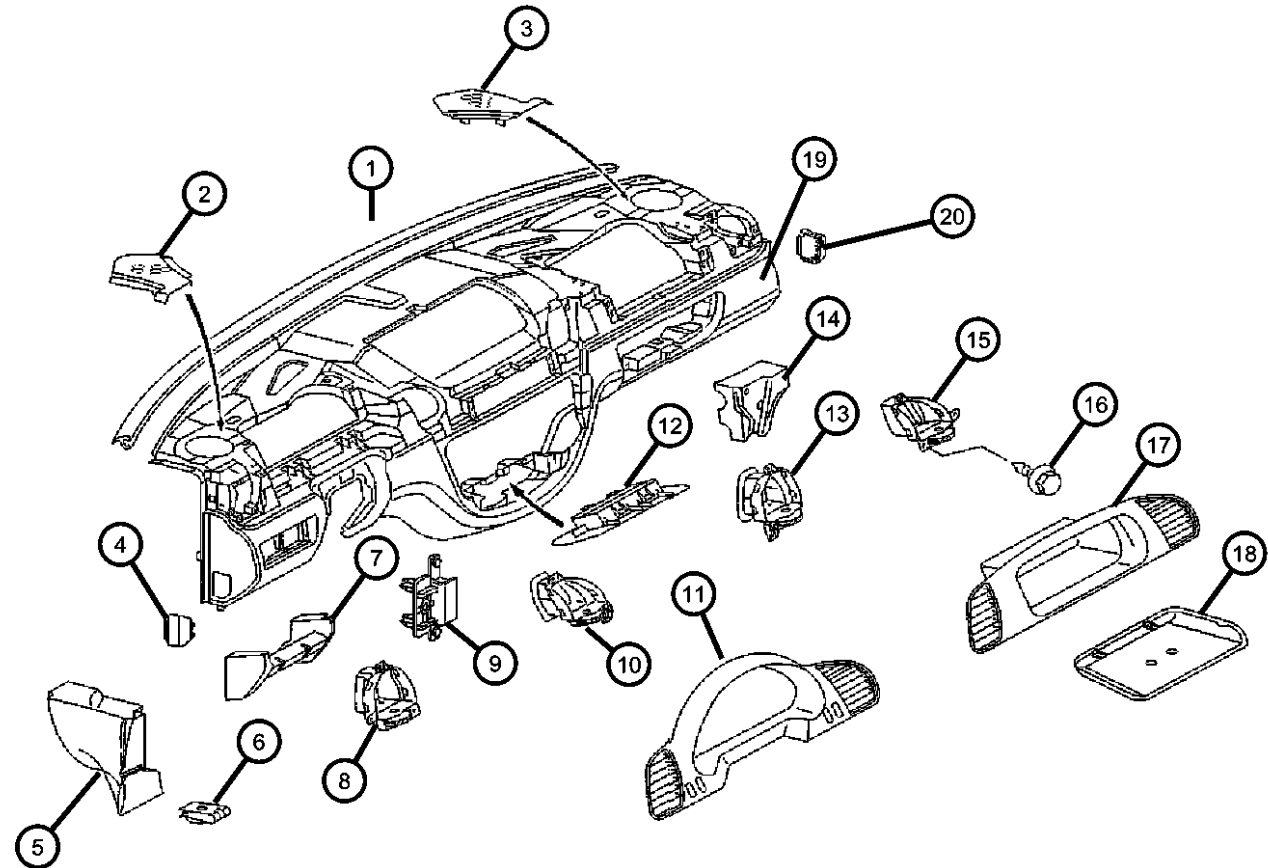
Radio	Fig. 08A - 305
Antenna	Fig. 08A - 310
Speakers	Fig. 08A - 315

Consoles

Console Cup Holder	Fig. 08A - 405
--------------------------	----------------



**Instrument Panel
Figure 08A-105**



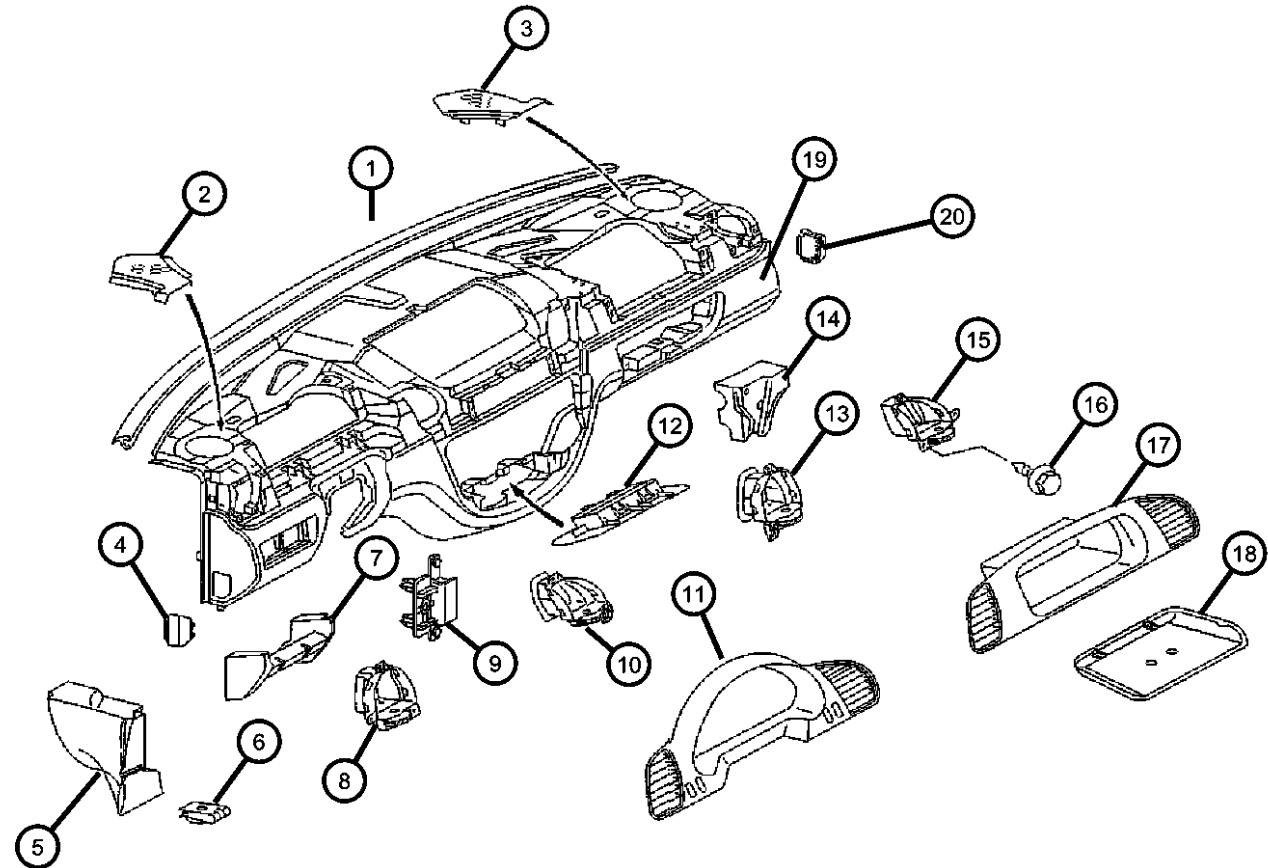
ITEM	PART NUMBER	QTY	LINE	SERIES	BODY	ENGINE	TRANS	TRIM	DESCRIPTION
1	05122955AA	1	2, 6	L	11, 12, 14, 15, 16				SEAL, Windshield
		1	2, 6	L	51, 52, 54, 55, 56				
		1	3, 7	L	12, 15, 16				
2	05104269AA	1	2, 6	L	11, 12, 14, 15, 16				COVER, Speaker Opening Left
		1	2, 6	L	51, 52, 54, 55, 56				Left
		1	3, 7	L	12, 15, 16				Left
3	05104270AA	1	2, 6	L	11, 12, 14, 15, 16				COVER, Speaker Opening
		1	2, 6	L	51, 52, 54, 55, 56				
		1	3, 7	L	12, 15, 16				
4	05122919AA	1	2, 6	L	11, 12, 14, 15, 16				PLUG, Instrument Panel
		1	2, 6	L	51, 52, 54, 55, 56				
		1	3, 7	L	12, 15, 16				
5	05122934AA	1	2, 6	L	11, 12, 14, 15, 16				END CAP, Instrument Panel
		1	2, 6	L	51, 52, 54, 55, 56				
		1	3, 7	L	12, 15, 16				
6	05133416AA	99	2, 6	L	11, 12, 14, 15, 16				NUT, Spring U Type
		99	2, 6	L	51, 52, 54, 55, 56				

SPRINTER (VA)

SERIES	LINE	BODY	ENGINE	TRANSMISSION
L = LOWLINE	3 = HD DODGE 2WD 6 = Lt. Duty DODGE 4WD 2 = Med. Duty DODGE 2WD 7 = Med. Duty DODGE 4WD	01 = CHASSIS FORWARD CONTROL W.B.1 02 = CAB CHASSIS WHEEL BASE 2 06 = CAB CHASSIS WHEEL BASE 6 11 = VAN WHEEL BASE 1 12 = VAN WHEEL BASE 2 51 = WAGON WHEEL BASE 1 52 = WAGON WHEEL BASE 2 14 = VAN WHEEL BASE 4 15 = VAN WHEEL BASE 5 56 = WAGON WHEEL BASE 6 16 = VAN WHEEL BASE 6 54 = WAGON WHEEL BASE 4 55 = WAGON WHEEL BASE 5	EX9 = Engine-2.7L I5 Mercedes Turbo Diesel	DGJ = Transmission-5-Spd. Automatic, W5A580

AR = use ase required - = Non illustrated part

**Instrument Panel
Figure 08A-105**



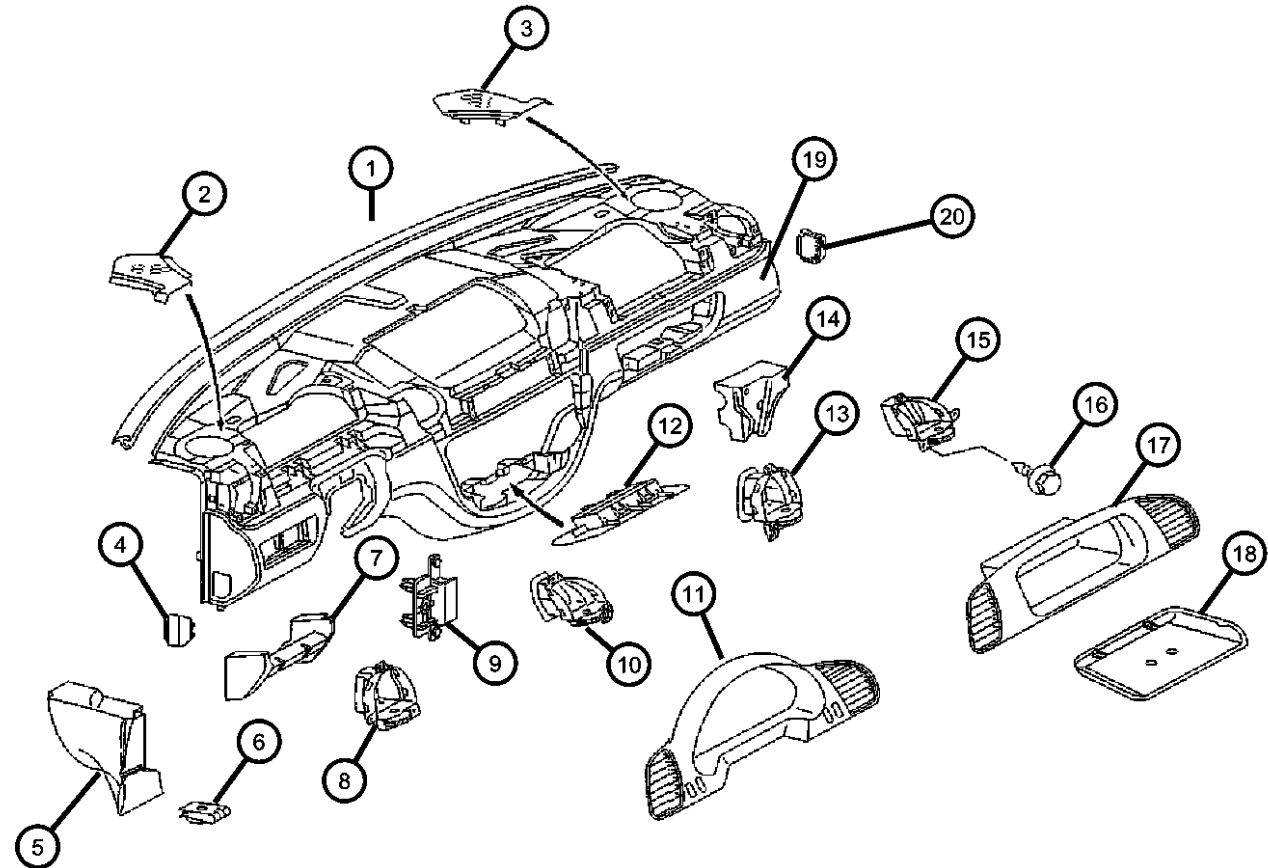
ITEM	PART NUMBER	QTY	LINE	SERIES	BODY	ENGINE	TRANS	TRIM	DESCRIPTION
7		4	3, 7	L	12, 15, 16				PAD, Instrument Panel
	05122933AA	1	2, 6	L	11, 12, 14, 15, 16				
		1	2, 6	L	51, 52, 54, 55, 56				
8		1	3, 7	L	12, 15, 16				OUTLET, Air
	05104252AA	1	2, 6	L	11, 12, 14, 15, 16				
		1	2, 6	L	51, 52, 54, 55, 56				
9		1	3, 7	L	12, 15, 16				BRACKET, Mounting
	05122891AA	2	2, 6	L	11, 12, 14, 15, 16				
		2	2, 6	L	51, 52, 54, 55, 56				
10		2	3, 7	L	12, 15, 16				OUTLET, Air
	05104253AA	1	2, 6	L	11, 12, 14, 15, 16				
		1	2, 6	L	51, 52, 54, 55, 56				
11		1	3, 7	L	12, 15, 16				BEZEL, Cluster
	05104262AA	1	2, 6	L	11, 12, 14, 15, 16				
		1	2, 6	L	51, 52, 54, 55, 56				
12		1	3, 7	L	12, 15, 16				COVER, Instrument Panel

SPRINTER (VA)

SERIES	LINE	BODY	ENGINE	TRANSMISSION
L = LOWLINE	3 = HD DODGE 2WD 6 = Lt. Duty DODGE 4WD 2 = Med. Duty DODGE 2WD 7 = Med. Duty DODGE 4WD	01 = CHASSIS FORWARD CONTROL W.B.1 02 = CAB CHASSIS WHEEL BASE 2 06 = CAB CHASSIS WHEEL BASE 6 11 = VAN WHEEL BASE 1 12 = VAN WHEEL BASE 2 51 = WAGON WHEEL BASE 1 52 = WAGON WHEEL BASE 2 14 = VAN WHEEL BASE 4 15 = VAN WHEEL BASE 5 56 = WAGON WHEEL BASE 6 16 = VAN WHEEL BASE 6 54 = WAGON WHEEL BASE 4 55 = WAGON WHEEL BASE 5	EX9 = Engine-2.7L I5 Mercedes Turbo Diesel	DGJ = Transmission-5-Spd. Automatic, W5A580

AR = use ase required - = Non illustrated part

**Instrument Panel
Figure 08A-105**



ITEM	PART NUMBER	QTY	LINE	SERIES	BODY	ENGINE	TRANS	TRIM	DESCRIPTION
	05122927AA	1	2, 6	L	11, 12, 14, 15, 16				
		1	2, 6	L	51, 52, 54, 55, 56				
		1	3, 7	L	12, 15, 16				
13	05104256AA	1	2, 6	L	11, 12, 14, 15, 16				OUTLET, Air
		1	2, 6	L	51, 52, 54, 55, 56				
		1	3, 7	L	12, 15, 16				
14	05122932AA	1	2, 6	L	11, 12, 14, 15, 16				PAD, Instrument Panel
		1	2, 6	L	51, 52, 54, 55, 56				
		1	3, 7	L	12, 15, 16				
15	05104258AA	1	2, 6	L	11, 12, 14, 15, 16				OUTLET, Air
		1	2, 6	L	51, 52, 54, 55, 56				
		1	3, 7	L	12, 15, 16				
16	06104610AA	1	2, 6	L	11, 12, 14, 15, 16				SCREW
		1	2, 6	L	51, 52, 54, 55, 56				
		1	3, 7	L	12, 15, 16				
17	05104263AA	1	2, 6	L	11, 12, 14, 15, 16				BIN, Instrument Panel
		1	2, 6	L	51, 52, 54, 55, 56				

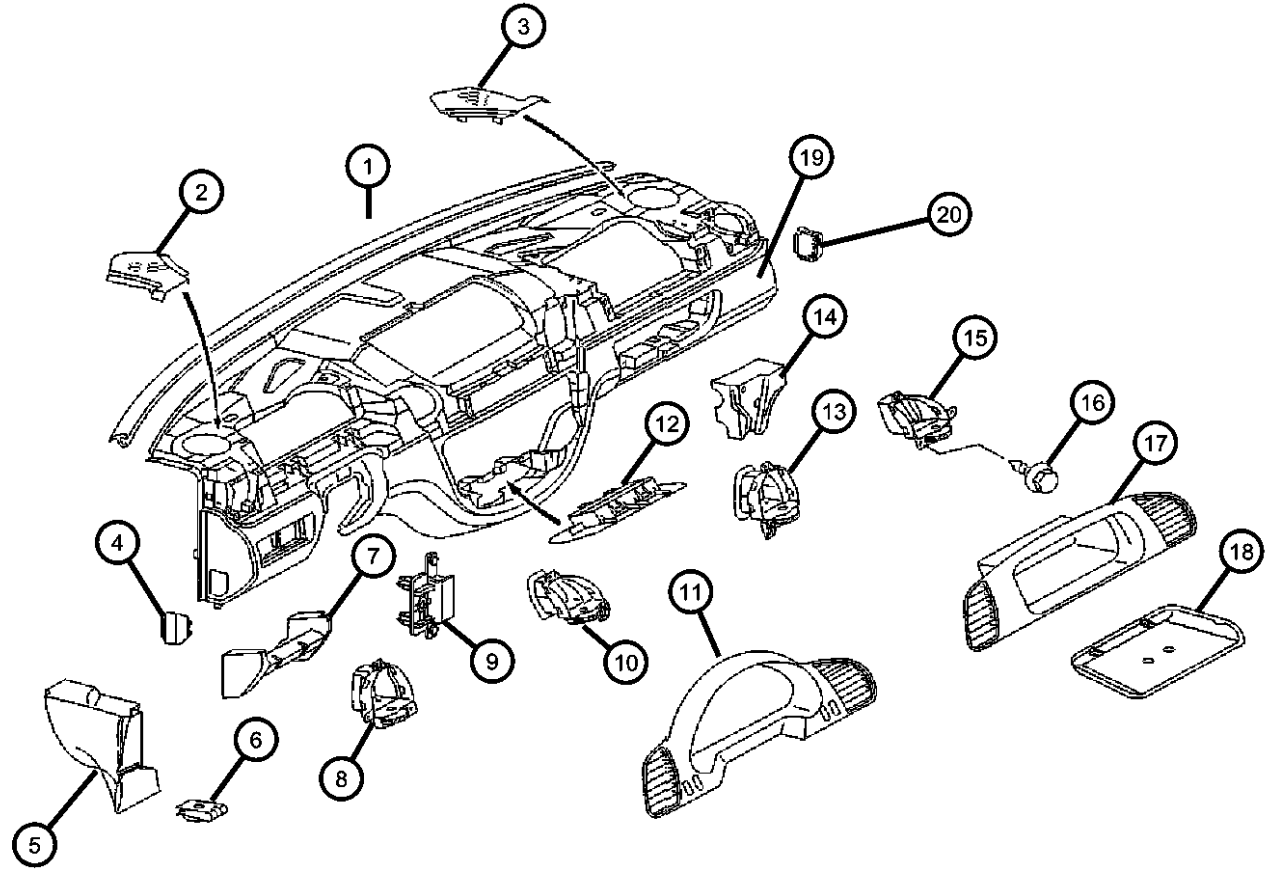
SPRINTER (VA)

SERIES	LINE	BODY	ENGINE	TRANSMISSION
L = LOWLINE	3 = HD DODGE 2WD 6 = Lt. Duty DODGE 4WD 2 = Med. Duty DODGE 2WD 7 = Med. Duty DODGE 4WD	01 = CHASSIS FORWARD CONTROL W.B.1 02 = CAB CHASSIS WHEEL BASE 2 06 = CAB CHASSIS WHEEL BASE 6 11 = VAN WHEEL BASE 1 12 = VAN WHEEL BASE 2 51 = WAGON WHEEL BASE 1 52 = WAGON WHEEL BASE 2 14 = VAN WHEEL BASE 4 15 = VAN WHEEL BASE 5 56 = WAGON WHEEL BASE 6 16 = VAN WHEEL BASE 6 54 = WAGON WHEEL BASE 4 55 = WAGON WHEEL BASE 5	EX9 = Engine-2.7L I5 Mercedes Turbo Diesel	DGJ = Transmission-5-Spd. Automatic, W5A580

AR = use ase required - = Non illustrated part

**Instrument Panel
Figure 08A-105**

ITEM	PART NUMBER	QTY	LINE	SERIES	BODY	ENGINE	TRANS	TRIM	DESCRIPTION
18		1	3, 7	L	12, 15, 16				TRAY, Instrument Panel
	05122952AA	1	2, 6	L	11, 12, 14, 15, 16				
		1	2, 6	L	51, 52, 54, 55, 56				
19		1	3, 7	L	12, 15, 16				PANEL, Instrument
	05122362AA	1	2, 6	L	11, 12, 14, 15, 16				
		1	2, 6	L	51, 52, 54, 55, 56				
20		1	3, 7	L	12, 15, 16				PLUG, Instrument Panel
	05122921AA	1	2, 6	L	11, 12, 14, 15, 16				
		1	2, 6	L	51, 52, 54, 55, 56				
		1	3, 7	L	12, 15, 16				



SPRINTER (VA)

SERIES

L = LOWLINE
 3 = HD DODGE 2WD
 6 = Lt. Duty DODGE 4WD
 2 = Med. Duty DODGE 2WD
 7 = Med. Duty DODGE 4WD

BODY

01 = CHASSIS FORWARD CONTROL W.B.1
 02 = CAB CHASSIS WHEEL BASE 2
 06 = CAB CHASSIS WHEEL BASE 6
 11 = VAN WHEEL BASE 1
 12 = VAN WHEEL BASE 2
 51 = WAGON WHEEL BASE 1
 52 = WAGON WHEEL BASE 2
 14 = VAN WHEEL BASE 4
 15 = VAN WHEEL BASE 5
 56 = WAGON WHEEL BASE 6
 16 = VAN WHEEL BASE 6
 54 = WAGON WHEEL BASE 4
 55 = WAGON WHEEL BASE 5

ENGINE

EX9 = Engine-2.7L I5
 Mercedes Turbo Diesel

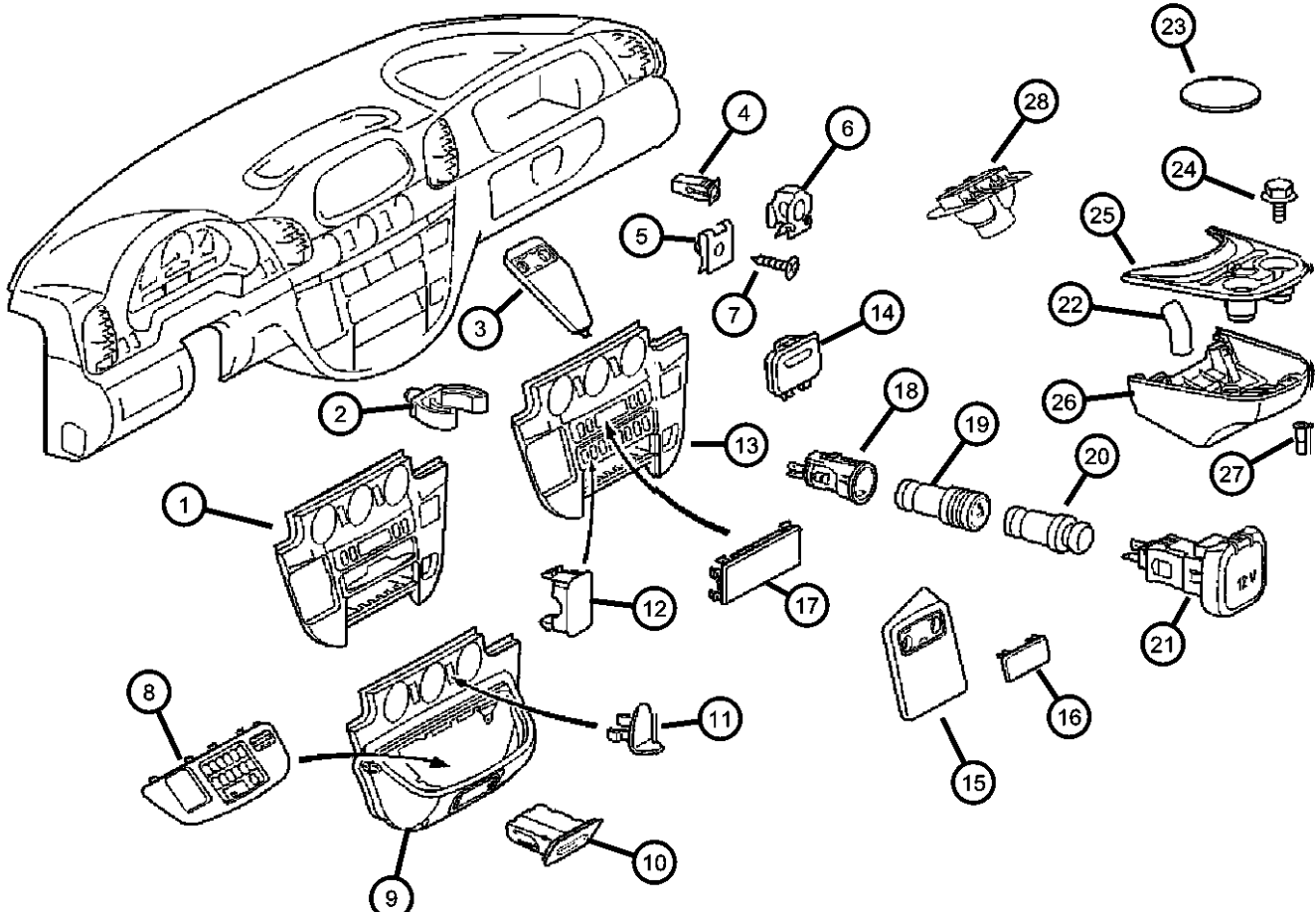
TRANSMISSION

DGJ = Transmission-5-Spd. Automatic, W5A580

AR = use ase required - = Non illustrated part

2002 VA

**Instrument Panel Bezel and Related Parts
Figure 08A-110**



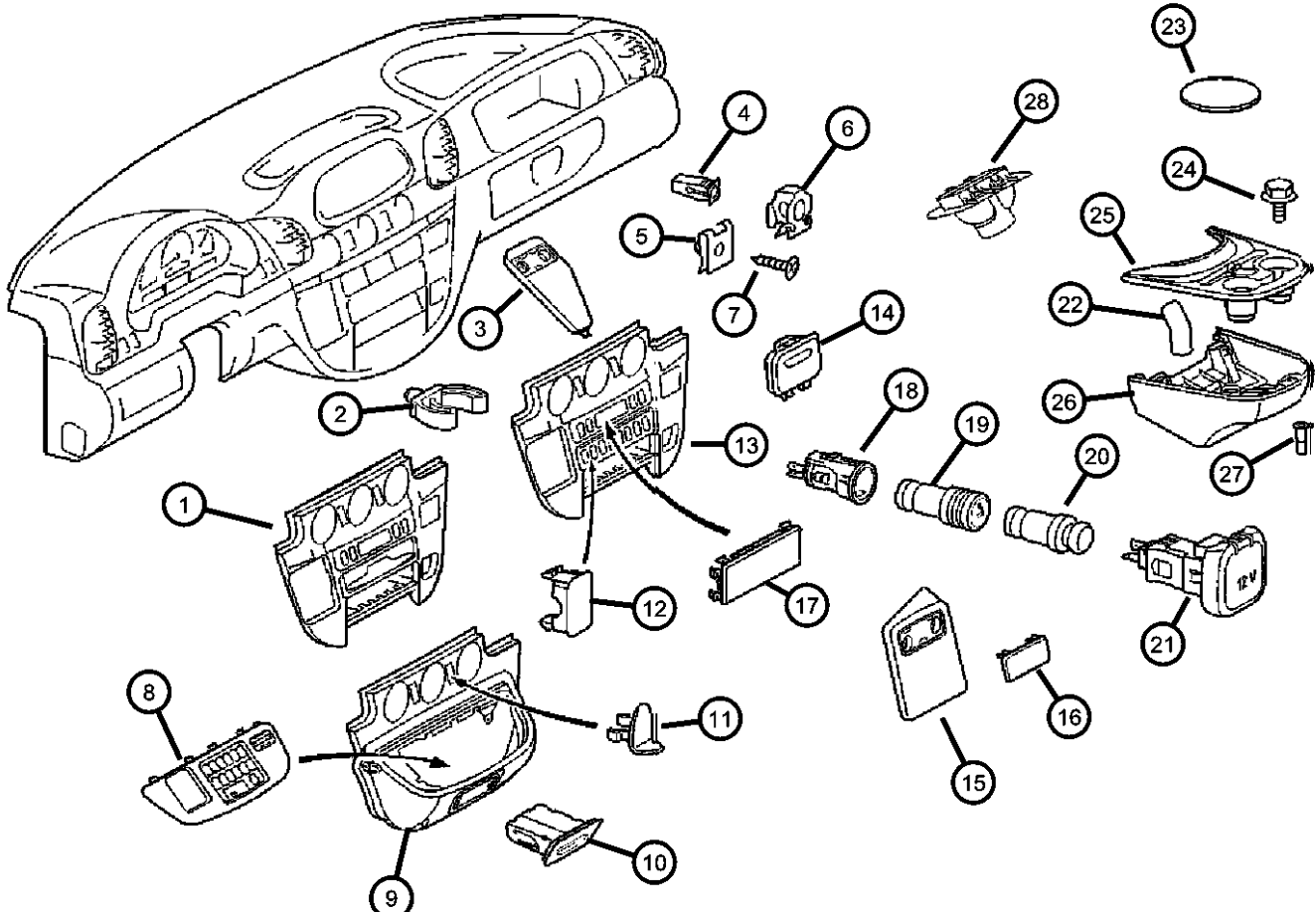
ITEM	PART NUMBER	QTY	LINE	SERIES	BODY	ENGINE	TRANS	TRIM	DESCRIPTION
1	05122372AA	1	2, 6	L	11, 12, 14, 15, 16				BEZEL, Instrument Panel, Center
		1	2, 6	L	51, 52, 54, 55, 56				
		1	3, 7	L	12, 15, 16				
2	05125871AA	2	2, 6	L	11, 12, 14, 15, 16				CLIP, U Type
		2	2, 6	L	51, 52, 54, 55, 56				
		2	3, 7	L	12, 15, 16				
3		2							BRACKET, Instrument Panel, (NOT SERVICED)
4	05125576AA	3	2, 6	L	11, 12, 14, 15, 16				NUT, Plastic Snap-in
		3	2, 6	L	51, 52, 54, 55, 56				
		3	3, 7	L	12, 15, 16				
5	05125857AA	2	2, 6	L	11, 12, 14, 15, 16				NUT, Clip-On
		2	2, 6	L	51, 52, 54, 55, 56				
		2	3, 7	L	12, 15, 16				
6	05125861AA	2	2, 6	L	11, 12, 14, 15, 16				NUT, Spring
		2	2, 6	L	51, 52, 54, 55, 56				
		2	3, 7	L	12, 15, 16				
7	06104610AA	2	2, 6	L	11, 12, 14, 15, 16				SCREW

SPRINTER (VA)

SERIES	LINE	BODY	ENGINE	TRANSMISSION
L = LOWLINE	3 = HD DODGE 2WD 6 = Lt. Duty DODGE 4WD 2 = Med. Duty DODGE 2WD 7 = Med. Duty DODGE 4WD	01 = CHASSIS FORWARD CONTROL W.B.1 02 = CAB CHASSIS WHEEL BASE 2 06 = CAB CHASSIS WHEEL BASE 6 11 = VAN WHEEL BASE 1 12 = VAN WHEEL BASE 2 51 = WAGON WHEEL BASE 1 52 = WAGON WHEEL BASE 2 14 = VAN WHEEL BASE 4 15 = VAN WHEEL BASE 5 56 = WAGON WHEEL BASE 6 16 = VAN WHEEL BASE 6 54 = WAGON WHEEL BASE 4 55 = WAGON WHEEL BASE 5	EX9 = Engine-2.7L I5 Mercedes Turbo Diesel	DGJ = Transmission-5-Spd. Automatic, W5A580

AR = use ase required - = Non illustrated part

**Instrument Panel Bezel and Related Parts
Figure 08A-110**



ITEM	PART NUMBER	QTY	LINE	SERIES	BODY	ENGINE	TRANS	TRIM	DESCRIPTION
		2	2, 6	L	51, 52, 54, 55, 56				
		2	3, 7	L	12, 15, 16				
8	05122928AA	1	2, 6	L	11, 12, 14, 15, 16				BEZEL, Center Console
		1	2, 6	L	51, 52, 54, 55, 56				
		1	3, 7	L	12, 15, 16				
9	05122880AA	1	2, 6	L	11, 12, 14, 15, 16				CONSOLE, Instrument Panel
		1	2, 6	L	51, 52, 54, 55, 56				
		1	3, 7	L	12, 15, 16				
10	05124226AA	1	2, 6	L	11, 12, 14, 15, 16				ASH RECEIVER, Instrument Panel
		1	2, 6	L	51, 52, 54, 55, 56				
		1	3, 7	L	12, 15, 16				
11	05122885AA	1	2, 6	L	11, 12, 14, 15, 16				COVER, Center Console
		1	2, 6	L	51, 52, 54, 55, 56				
		1	3, 7	L	12, 15, 16				
12	05122925AA	3	2, 6	L	11, 12, 14, 15, 16				COVER, Switch Opening
		3	2, 6	L	51, 52, 54, 55, 56				
		3	3, 7	L	12, 15, 16				

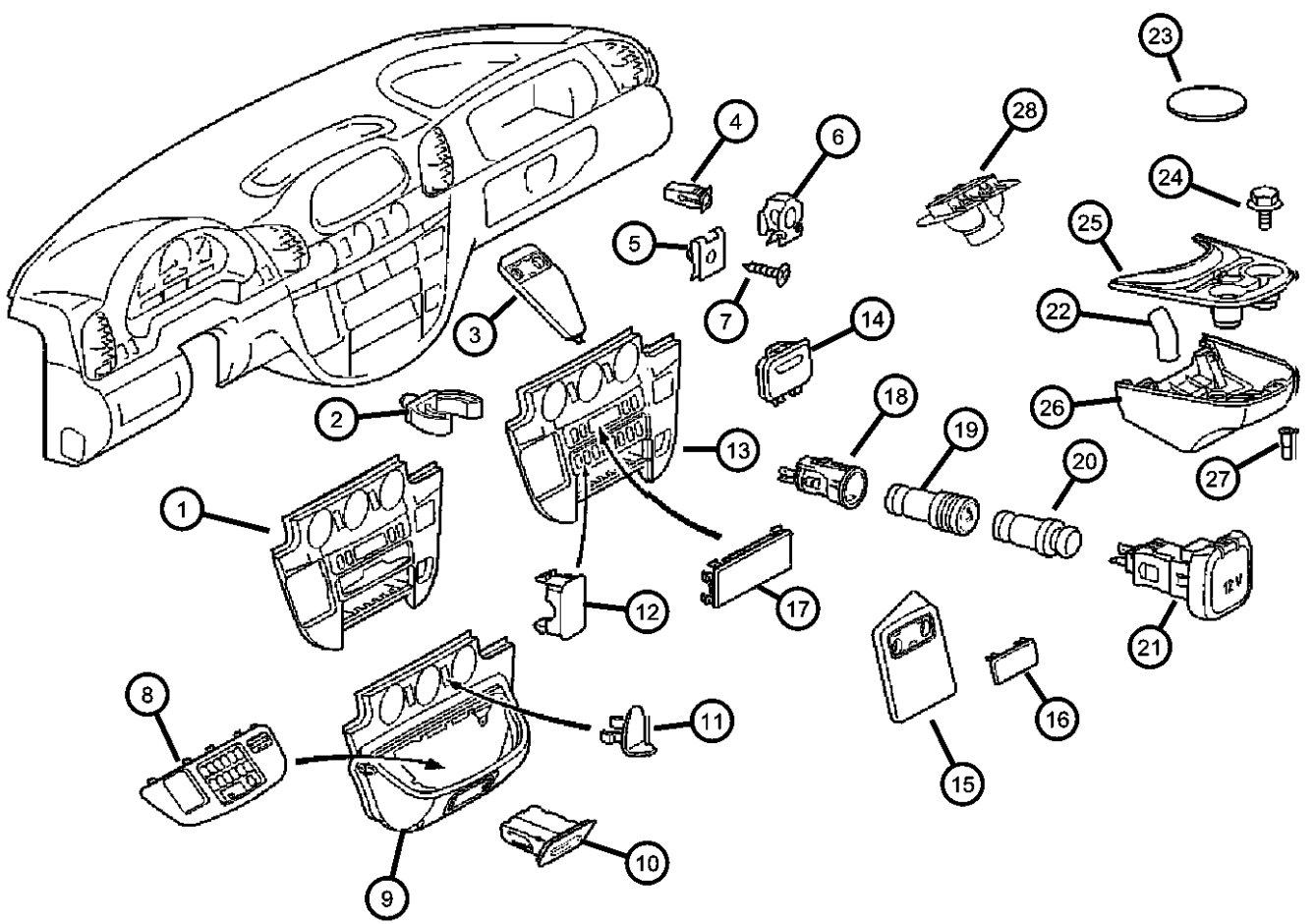
SPRINTER (VA)

SERIES	LINE	BODY	ENGINE	TRANSMISSION
L = LOWLINE	3 = HD DODGE 2WD 6 = Lt. Duty DODGE 4WD 2 = Med. Duty DODGE 2WD 7 = Med. Duty DODGE 4WD	01 = CHASSIS FORWARD CONTROL W.B.1 02 = CAB CHASSIS WHEEL BASE 2 06 = CAB CHASSIS WHEEL BASE 6 11 = VAN WHEEL BASE 1 12 = VAN WHEEL BASE 2 51 = WAGON WHEEL BASE 1 52 = WAGON WHEEL BASE 2 14 = VAN WHEEL BASE 4 15 = VAN WHEEL BASE 5 56 = WAGON WHEEL BASE 6 16 = VAN WHEEL BASE 6 54 = WAGON WHEEL BASE 4 55 = WAGON WHEEL BASE 5	EX9 = Engine-2.7L I5 Mercedes Turbo Diesel	DGJ = Transmission-5-Spd. Automatic, W5A580

AR = use ase required - = Non illustrated part

Instrument Panel Bezel and Related Parts
Figure 08A-110

ITEM	PART NUMBER	QTY	LINE	SERIES	BODY	ENGINE	TRANS	TRIM	DESCRIPTION
13	05122873AA	1	2, 6	L	11, 12, 14, 15, 16				BEZEL, Instrument Panel, Center
		1	2, 6	L	51, 52, 54, 55, 56				
		1	3, 7	L	12, 15, 16				
14	05122391AA	1	2, 6	L	11, 12, 14, 15, 16				COVER, Instrument Panel Paper clip
		1	2, 6	L	51, 52, 54, 55, 56				Paper clip
		1	3, 7	L	12, 15, 16				Paper clip
15		1							BEZEL, Instrument Panel, (NOT SERVICED),
16		1							COVER, Instrument Panel, (NOT SERVICED)
17	05103928AA	1	2, 6	L	51, 52, 54, 55, 56				COVER, Radio Opening
		1	2, 6	L	11, 12, 14, 15, 16				
		1	3, 7	L	12, 15, 16				
18	05124456AA	1	2, 6	L	11, 12, 14, 15, 16				BASE, Cigar Lighter
		1	2, 6	L	51, 52, 54, 55, 56				
		1	3, 7	L	12, 15, 16				
19	05103679AA	1	2, 6	L	11, 12, 14, 15, 16				ELEMENT, Cigar Lighter
		1	2, 6	L	51, 52, 54, 55, 56				
		1	3, 7	L	12, 15, 16				



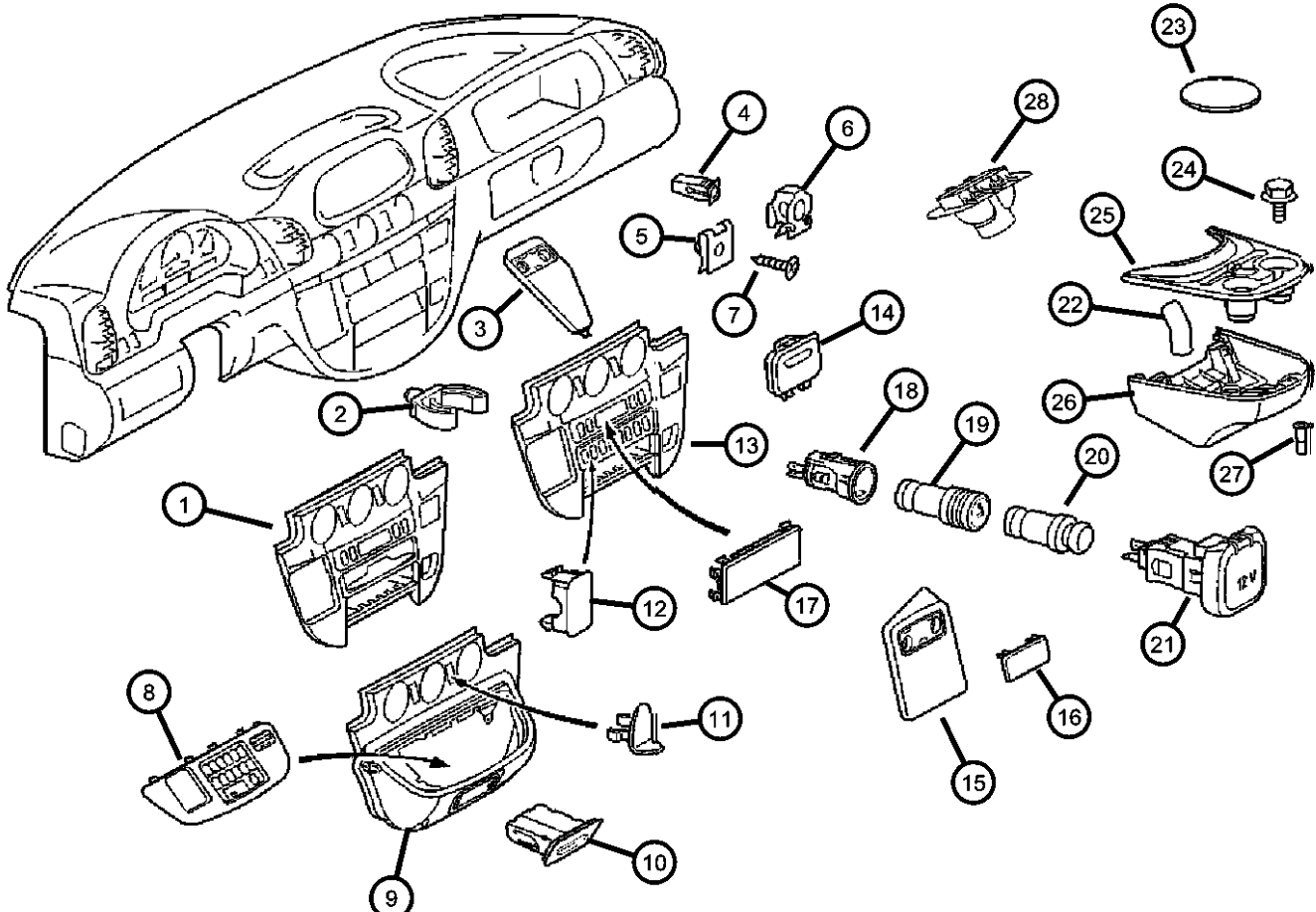
SPRINTER (VA)

SERIES	LINE	BODY	ENGINE	TRANSMISSION
L = LOWLINE	3 = HD DODGE 2WD 6 = Lt. Duty DODGE 4WD 2 = Med. Duty DODGE 2WD 7 = Med. Duty DODGE 4WD	01 = CHASSIS FORWARD CONTROL W.B.1 02 = CAB CHASSIS WHEEL BASE 2 06 = CAB CHASSIS WHEEL BASE 6 11 = VAN WHEEL BASE 1 12 = VAN WHEEL BASE 2 51 = WAGON WHEEL BASE 1 52 = WAGON WHEEL BASE 2 14 = VAN WHEEL BASE 4 15 = VAN WHEEL BASE 5 56 = WAGON WHEEL BASE 6 16 = VAN WHEEL BASE 6 54 = WAGON WHEEL BASE 4 55 = WAGON WHEEL BASE 5	EX9 = Engine-2.7L I5 Mercedes Turbo Diesel	DGJ = Transmission-5-Spd. Automatic, W5A580

AR = use ase required - = Non illustrated part

Instrument Panel Bezel and Related Parts
Figure 08A-110

ITEM	PART NUMBER	QTY	LINE	SERIES	BODY	ENGINE	TRANS	TRIM	DESCRIPTION
20	05124598AA	1	2, 6	L	11, 12, 14, 15, 16				SOCKET, Accessory
		1	2, 6	L	51, 52, 54, 55, 56				
		1	3, 7	L	12, 15, 16				
21	05124458AA	1	2, 6	L	11, 12, 14, 15, 16				POWER OUTLET
		1	2, 6	L	51, 52, 54, 55, 56				
		1	3, 7	L	12, 15, 16				
22	05104488AA	1	2, 6	L	11, 12, 14, 15, 16				HOSE Air Duct Adapter
		1	2, 6	L	51, 52, 54, 55, 56				Air Duct Adapter
		1	3, 7	L	12, 15, 16				Air Duct Adapter
23	05122953AA	2	2, 6	L	11, 12, 14, 15, 16				MAT, Single Cup
		2	2, 6	L	51, 52, 54, 55, 56				
		2	3, 7	L	12, 15, 16				
24	06104121AA	4	2, 6	L	11, 12, 14, 15, 16				SCREW, Hex Flange Head
		4	2, 6	L	51, 52, 54, 55, 56				
		4	3, 7	L	12, 15, 16				
25	05104254AA	1	2, 6	L	11, 12, 14, 15, 16				CUP HOLDER, Lid



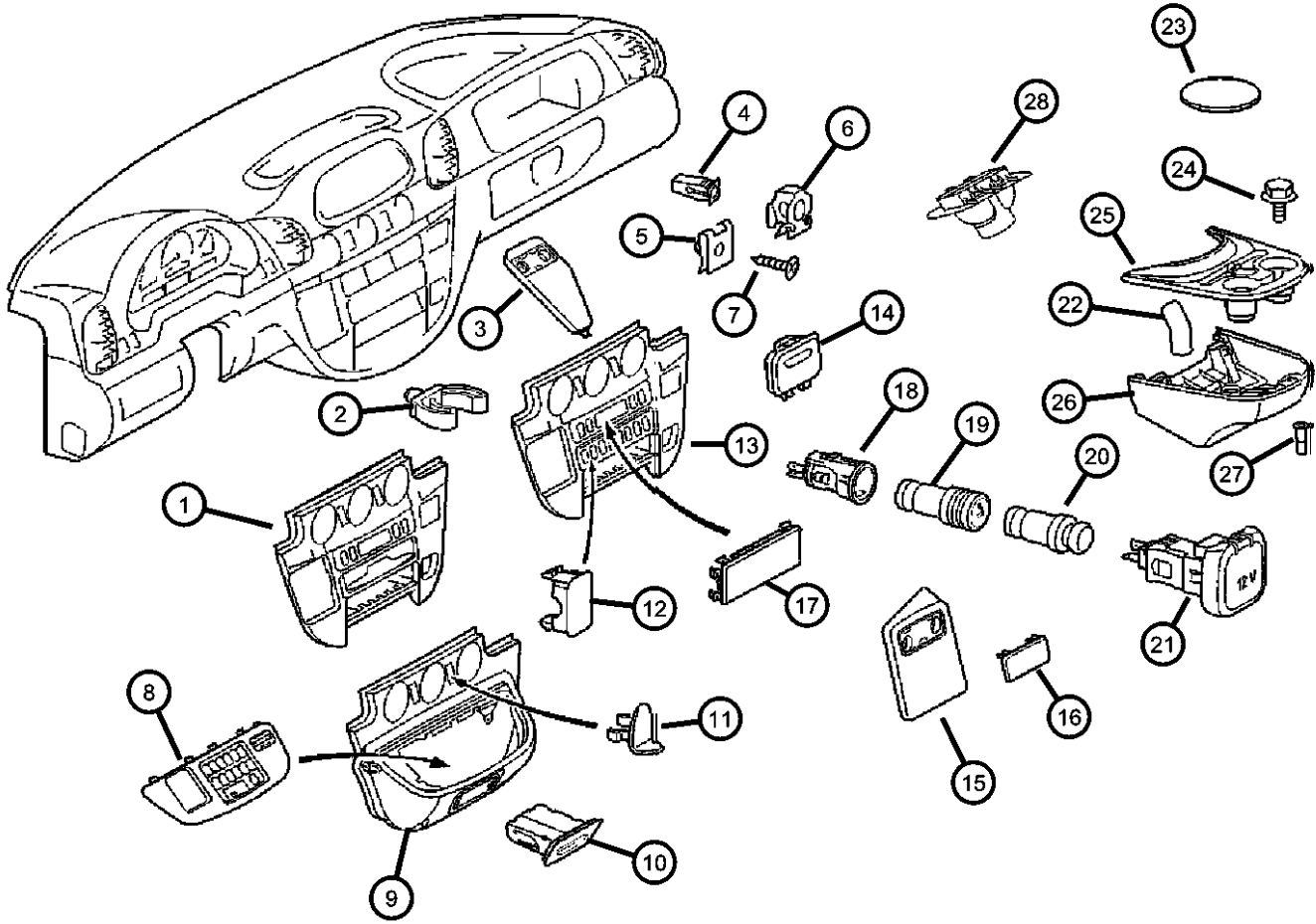
SPRINTER (VA)

SERIES	LINE	BODY	ENGINE	TRANSMISSION
L = LOWLINE	3 = HD DODGE 2WD 6 = Lt. Duty DODGE 4WD 2 = Med. Duty DODGE 2WD 7 = Med. Duty DODGE 4WD	01 = CHASSIS FORWARD CONTROL W.B.1 02 = CAB CHASSIS WHEEL BASE 2 06 = CAB CHASSIS WHEEL BASE 6 11 = VAN WHEEL BASE 1 12 = VAN WHEEL BASE 2 51 = WAGON WHEEL BASE 1 52 = WAGON WHEEL BASE 2 14 = VAN WHEEL BASE 4 15 = VAN WHEEL BASE 5 56 = WAGON WHEEL BASE 6 16 = VAN WHEEL BASE 6 54 = WAGON WHEEL BASE 4 55 = WAGON WHEEL BASE 5	EX9 = Engine-2.7L I5 Mercedes Turbo Diesel	DGJ = Transmission-5-Spd. Automatic, W5A580

AR = use ase required - = Non illustrated part

**Instrument Panel Bezel and Related Parts
Figure 08A-110**

ITEM	PART NUMBER	QTY	LINE	SERIES	BODY	ENGINE	TRANS	TRIM	DESCRIPTION
		1	2, 6	L	51, 52, 54, 55, 56				
		1	3, 7	L	12, 15, 16				
26	05104255AA	1	2, 6	L	11, 12, 14, 15, 16				HOUSING, Cup Holder
		1	2, 6	L	51, 52, 54, 55, 56				
		1	3, 7	L	12, 15, 16				
27	05133975AA	4	2, 6	L	11, 12, 14, 15, 16				NUT, Rivet
		4	2, 6	L	51, 52, 54, 55, 56				
28	05104267AA	1	2, 6	L	11, 12, 14, 15, 16				ADAPTER, Air Duct
		1	2, 6	L	51, 52, 54, 55, 56				
		1	3, 7	L	12, 15, 16				

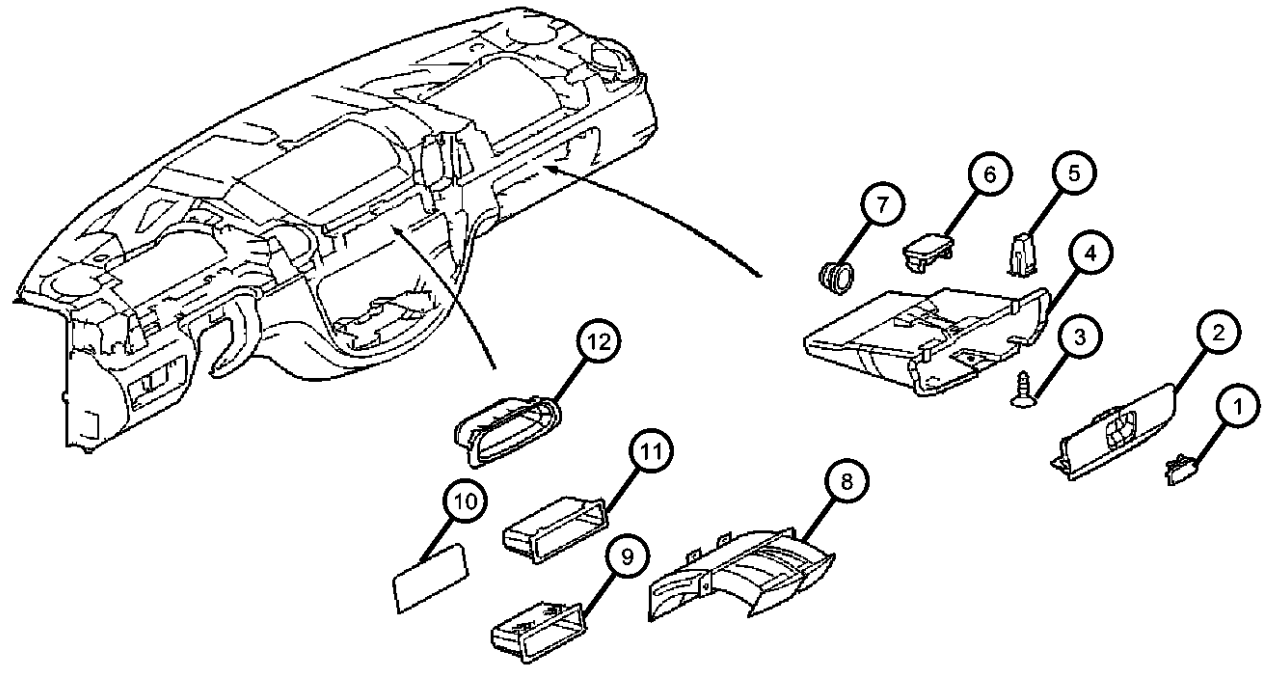


SPRINTER (VA)

SERIES	LINE	BODY	ENGINE	TRANSMISSION
L = LOWLINE	3 = HD DODGE 2WD 6 = Lt. Duty DODGE 4WD 2 = Med. Duty DODGE 2WD 7 = Med. Duty DODGE 4WD	01 = CHASSIS FORWARD CONTROL W.B.1 02 = CAB CHASSIS WHEEL BASE 2 06 = CAB CHASSIS WHEEL BASE 6 11 = VAN WHEEL BASE 1 12 = VAN WHEEL BASE 2 51 = WAGON WHEEL BASE 1 52 = WAGON WHEEL BASE 2 14 = VAN WHEEL BASE 4 15 = VAN WHEEL BASE 5 56 = WAGON WHEEL BASE 6 16 = VAN WHEEL BASE 6 54 = WAGON WHEEL BASE 4 55 = WAGON WHEEL BASE 5	EX9 = Engine-2.7L I5 Mercedes Turbo Diesel	DGJ = Transmission-5-Spd. Automatic, W5A580

AR = use ase required - = Non illustrated part

**Ash Reciever and Glove Box
Figure 08A-115**



ITEM	PART NUMBER	QTY	LINE	SERIES	BODY	ENGINE	TRANS	TRIM	DESCRIPTION
1	05104257AA	1	2, 6	L	11, 12, 14, 15, 16				LATCH, Glovebox
		1	2, 6	L	51, 52, 54, 55, 56				
		1	3, 7	L	12, 15, 16				
2	05104260AA	1	2, 6	L	11, 12, 14, 15, 16				DOOR, Glove Box
		1	2, 6	L	51, 52, 54, 55, 56				
		1	3, 7	L	12, 15, 16				
3	06104610AA	1	2, 6	L	11, 12, 14, 15, 16				SCREW
		1	2, 6	L	51, 52, 54, 55, 56				
		1	3, 7	L	12, 15, 16				
4	05122413AA	1	2, 6	L	11, 12, 14, 15, 16				GLOVE BOX, Instrument Panel
		1	2, 6	L	51, 52, 54, 55, 56				
		1	3, 7	L	12, 15, 16				
5	05125576AA	2	2, 6	L	11, 12, 14, 15, 16				NUT, Plastic Snap-in
		2	2, 6	L	51, 52, 54, 55, 56				
		2	3, 7	L	12, 15, 16				
6	05125551AA	1	2, 6	L	11, 12, 14, 15, 16				PLUG
		1	2, 6	L	51, 52, 54, 55, 56				

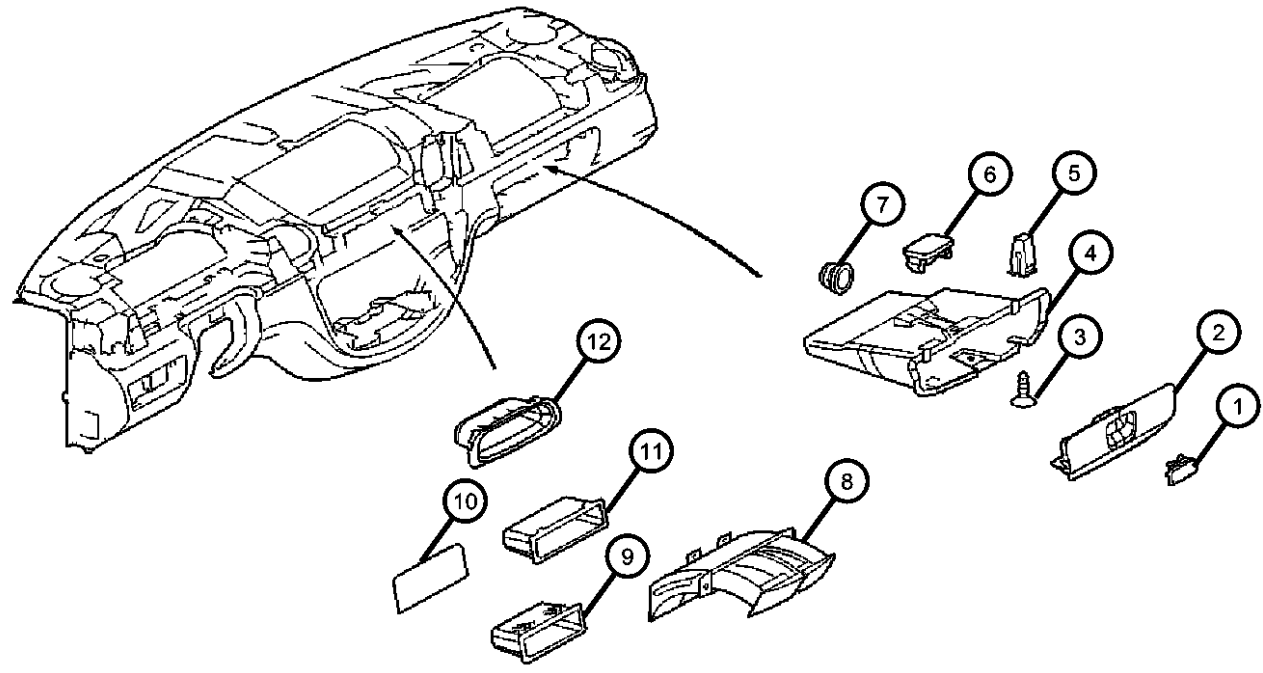
SPRINTER (VA)

SERIES	LINE	BODY	ENGINE	TRANSMISSION
L = LOWLINE	3 = HD DODGE 2WD 6 = Lt. Duty DODGE 4WD 2 = Med. Duty DODGE 2WD 7 = Med. Duty DODGE 4WD	01 = CHASSIS FORWARD CONTROL W.B.1 02 = CAB CHASSIS WHEEL BASE 2 06 = CAB CHASSIS WHEEL BASE 6 11 = VAN WHEEL BASE 1 12 = VAN WHEEL BASE 2 51 = WAGON WHEEL BASE 1 52 = WAGON WHEEL BASE 2 14 = VAN WHEEL BASE 4 15 = VAN WHEEL BASE 5 56 = WAGON WHEEL BASE 6 16 = VAN WHEEL BASE 6 54 = WAGON WHEEL BASE 4 55 = WAGON WHEEL BASE 5	EX9 = Engine-2.7L I5 Mercedes Turbo Diesel	DGJ = Transmission-5-Spd. Automatic, W5A580

AR = use ase required - = Non illustrated part

**Ash Reciever and Glove Box
Figure 08A-115**

ITEM	PART NUMBER	QTY	LINE	SERIES	BODY	ENGINE	TRANS	TRIM	DESCRIPTION
7		1	3, 7	L	12, 15, 16				PLUG, Instrument Panel
	05122919AA	1	3, 7	L	12, 15, 16				
		1	2, 6	L	11, 12, 14, 15, 16				
		1	2, 6	L	51, 52, 54, 55, 56				
8		1	2, 6	L	11, 12, 14, 15, 16				ASH RECEIVER, Instrument Panel
	05124226AA	1	2, 6	L	11, 12, 14, 15, 16				
		1	2, 6	L	51, 52, 54, 55, 56				
		1	3, 7	L	12, 15, 16				
9		1	2, 6	L	11, 12, 14, 15, 16				CUBBY BOX, Instrument Panel
	05122948AA	1	2, 6	L	11, 12, 14, 15, 16				
		1	2, 6	L	51, 52, 54, 55, 56				
		1	3, 7	L	12, 15, 16				
10		1	2, 6	L	51, 52, 54, 55, 56				PAD, Backing
	05122951AA	1	2, 6	L	51, 52, 54, 55, 56				
		1	3, 7	L	12, 15, 16				
		1	2, 6	L	11, 12, 14, 15, 16				
11		1	2, 6	L	11, 12, 14, 15, 16				CUBBY BOX, Instrument Panel
	05122948AA	1	2, 6	L	11, 12, 14, 15, 16				
		1	2, 6	L	51, 52, 54, 55, 56				
		1	3, 7	L	12, 15, 16				
12	05122943AA	1	3, 7	L	12, 15, 16				CUBBY BOX, Instrument Panel

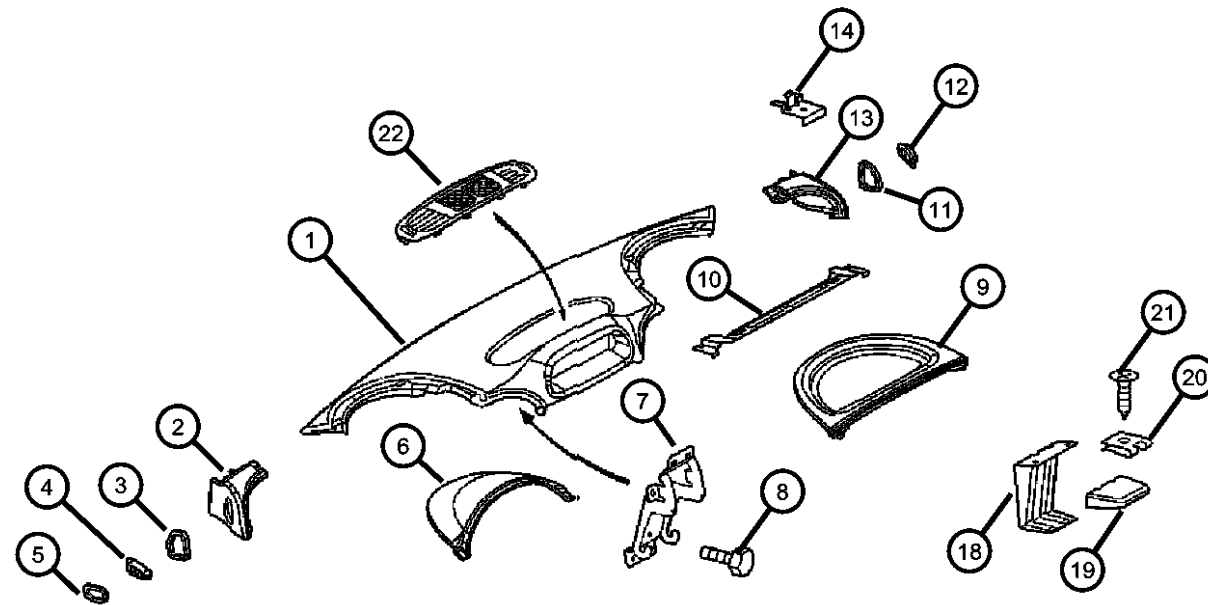
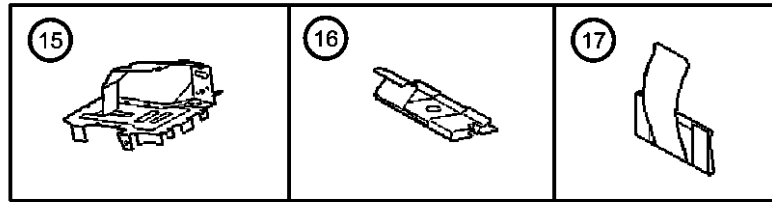


SPRINTER (VA)

SERIES	LINE	BODY	ENGINE	TRANSMISSION
L = LOWLINE	3 = HD DODGE 2WD 6 = Lt. Duty DODGE 4WD 2 = Med. Duty DODGE 2WD 7 = Med. Duty DODGE 4WD	01 = CHASSIS FORWARD CONTROL W.B.1 02 = CAB CHASSIS WHEEL BASE 2 06 = CAB CHASSIS WHEEL BASE 6 11 = VAN WHEEL BASE 1 12 = VAN WHEEL BASE 2 51 = WAGON WHEEL BASE 1 52 = WAGON WHEEL BASE 2 14 = VAN WHEEL BASE 4 15 = VAN WHEEL BASE 5 56 = WAGON WHEEL BASE 6 16 = VAN WHEEL BASE 6 54 = WAGON WHEEL BASE 4 55 = WAGON WHEEL BASE 5	EX9 = Engine-2.7L I5 Mercedes Turbo Diesel	DGJ = Transmission-5-Spd. Automatic, W5A580

AR = use ase required - = Non illustrated part

**Instrument Panel Cover and Related Parts
Figure 08A-120**



ITEM	PART NUMBER	QTY	LINE	SERIES	BODY	ENGINE	TRANS	TRIM	DESCRIPTION
1	05122364AA	1	2, 6	L	11, 12, 14, 15, 16				COVER, Instrument Panel With Comfort / Soft Look Dash
		1	2, 6	L	51, 52, 54, 55, 56				With Comfort / Soft Look Dash
		1	3, 7	L	12, 15, 16				With Comfort / Soft Look Dash
	05122366AA	1	2, 6	L	11, 12, 14, 15, 16				Without Comfort / Soft Look Dash
		1	2, 6	L	51, 52, 54, 55, 56				Without Comfort / Soft Look Dash
		1	3, 7	L	12, 15, 16				Without Comfort / Soft Look Dash
2	05122876AA	1	2, 6	L	11, 12, 14, 15, 16				HOUSING, Air Outlet
		1	3, 7	L	12, 15, 16				
3	05124784AA	1	2, 6	L	11, 12, 14, 15, 16				SEAL
		1	2, 6	L	51, 52, 54, 55, 56				
		1	3, 7	L	12, 15, 16				
4	05124910AA	1	2, 6	L	11, 12, 14, 15, 16				GRILLE, Demister
		1	2, 6	L	51, 52, 54, 55, 56				
		1	3, 7	L	12, 15, 16				
5	05124787AA	2	2, 6	L	11, 12, 14, 15, 16				SEAL
		2	2, 6	L	51, 52, 54, 55, 56				
		2	3, 7	L	12, 15, 16				
6									COVER

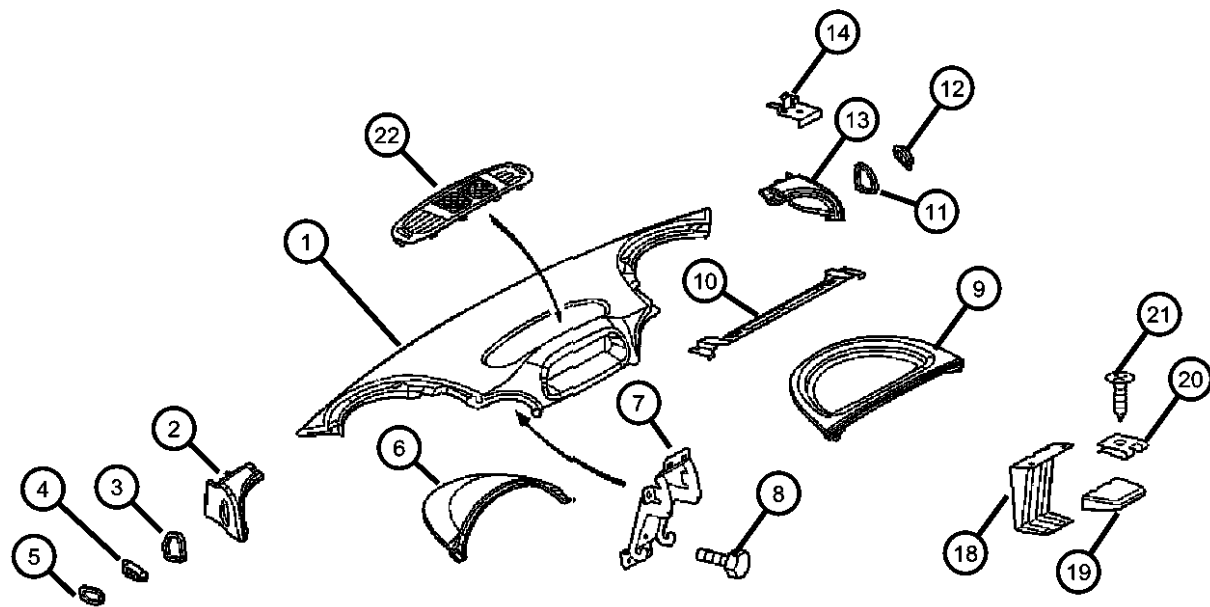
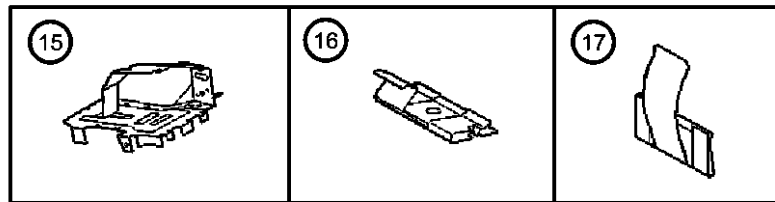
SPRINTER (VA)

SERIES	LINE	BODY	ENGINE	TRANSMISSION
L = LOWLINE	3 = HD DODGE 2WD 6 = Lt. Duty DODGE 4WD 2 = Med. Duty DODGE 2WD 7 = Med. Duty DODGE 4WD	01 = CHASSIS FORWARD CONTROL W.B.1 02 = CAB CHASSIS WHEEL BASE 2 06 = CAB CHASSIS WHEEL BASE 6 11 = VAN WHEEL BASE 1 12 = VAN WHEEL BASE 2 51 = WAGON WHEEL BASE 1 52 = WAGON WHEEL BASE 2 14 = VAN WHEEL BASE 4 15 = VAN WHEEL BASE 5 56 = WAGON WHEEL BASE 6 16 = VAN WHEEL BASE 6 54 = WAGON WHEEL BASE 4 55 = WAGON WHEEL BASE 5	EX9 = Engine-2.7L I5 Mercedes Turbo Diesel	DGJ = Transmission-5-Spd. Automatic, W5A580

AR = use ase required - = Non illustrated part

**Instrument Panel Cover and Related Parts
Figure 08A-120**

ITEM	PART NUMBER	QTY	LINE	SERIES	BODY	ENGINE	TRANS	TRIM	DESCRIPTION
7	05122369AA	1	2, 6	L	11, 12, 14, 15, 16				BRACKET, Instrument Panel
		1	2, 6	L	51, 52, 54, 55, 56				
		1	3, 7	L	12, 15, 16				
8	05122390AA	1	2, 6	L	11, 12, 14, 15, 16		DGJ		SCREW
		1	2, 6	L	51, 52, 54, 55, 56		DGJ		
		1	3, 7	L	12, 15, 16		DGJ		
9	05104663AA	2	2, 6	L	11, 12, 14, 15, 16	EX9			BEZEL, Instrument Panel
		2	2, 6	L	51, 52, 54, 55, 56	EX9			
		2	3, 7	L	12, 15, 16	EX9			
10	05104268AA	1	2, 6	L	11, 12, 14, 15, 16				BRACKET, Instrument Panel
		1	2, 6	L	51, 52, 54, 55, 56				
		1	3, 7	L	12, 15, 16				
11	05122905AA	1	2, 6	L	11, 12, 14, 15, 16				SEAL
		1	2, 6	L	51, 52, 54, 55, 56				
		1	3, 7	L	12, 15, 16				
	05124785AA	1	2, 6	L	11, 12, 14, 15, 16				
		1	2, 6	L	51, 52, 54, 55, 56				



SPRINTER (VA)

SERIES

L = LOWLINE
 3 = HD DODGE 2WD
 6 = Lt. Duty DODGE 4WD
 2 = Med. Duty DODGE 2WD
 7 = Med. Duty DODGE 4WD

BODY

01 = CHASSIS FORWARD CONTROL W.B.1
 02 = CAB CHASSIS WHEEL BASE 2
 06 = CAB CHASSIS WHEEL BASE 6
 11 = VAN WHEEL BASE 1
 12 = VAN WHEEL BASE 2
 51 = WAGON WHEEL BASE 1
 52 = WAGON WHEEL BASE 2
 14 = VAN WHEEL BASE 4
 15 = VAN WHEEL BASE 5
 56 = WAGON WHEEL BASE 6
 16 = VAN WHEEL BASE 6
 54 = WAGON WHEEL BASE 4
 55 = WAGON WHEEL BASE 5

ENGINE

EX9 = Engine-2.7L I5 Mercedes Turbo Diesel

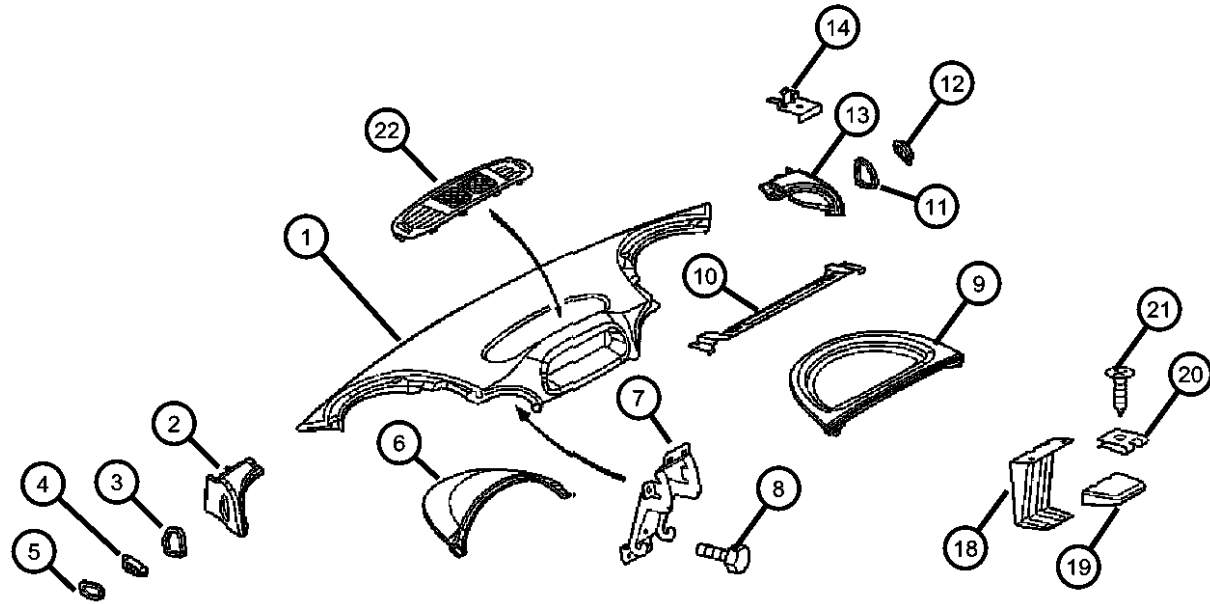
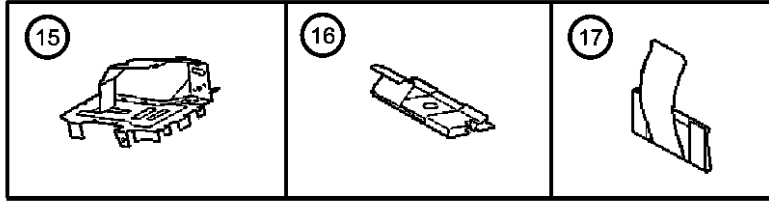
TRANSMISSION

DGJ = Transmission-5-Spd. Automatic, W5A580

AR = use ase required - = Non illustrated part

**Instrument Panel Cover and Related Parts
Figure 08A-120**

ITEM	PART NUMBER	QTY	LINE	SERIES	BODY	ENGINE	TRANS	TRIM	DESCRIPTION
12		1	3, 7	L	12, 15, 16				GRILLE, Demister
	05124911AA	1	2, 6	L	11, 12, 14, 15, 16				
		1	2, 6	L	51, 52, 54, 55, 56				
		1	3, 7	L	12, 15, 16				
13		1	2, 6	L	11, 12, 14, 15, 16				HOUSING, Air Outlet
	05122877AA	1	3, 7	L	12, 15, 16				
14		2	2, 6	L	11, 12, 14, 15, 16				BRACKET, Instrument Panel
	05122889AA	2	2, 6	L	51, 52, 54, 55, 56				
		2	3, 7	L	12, 15, 16				
15		1	2, 6	L	11, 12, 14, 15, 16				BRACKET, Instrument Panel
	05122388AA	1	2, 6	L	51, 52, 54, 55, 56				
		1	3, 7	L	12, 15, 16				
16		2	2, 6	L	11, 12, 14, 15, 16				CLIP, Bracket
	05125589AA	2	2, 6	L	51, 52, 54, 55, 56				
		2	3, 7	L	12, 15, 16				
17		1	2, 6	L	11, 12, 14, 15, 16				CLIP, Spring
	05125590AA	1	2, 6	L	11, 12, 14, 15, 16				



SPRINTER (VA)

SERIES

L = LOWLINE
 3 = HD DODGE 2WD
 6 = Lt. Duty DODGE 4WD
 2 = Med. Duty DODGE 2WD
 7 = Med. Duty DODGE 4WD

BODY

01 = CHASSIS FORWARD CONTROL W.B.1
 02 = CAB CHASSIS WHEEL BASE 2
 06 = CAB CHASSIS WHEEL BASE 6
 11 = VAN WHEEL BASE 1
 12 = VAN WHEEL BASE 2
 51 = WAGON WHEEL BASE 1
 52 = WAGON WHEEL BASE 2
 14 = VAN WHEEL BASE 4
 15 = VAN WHEEL BASE 5
 56 = WAGON WHEEL BASE 6
 16 = VAN WHEEL BASE 6
 54 = WAGON WHEEL BASE 4
 55 = WAGON WHEEL BASE 5

ENGINE

EX9 = Engine-2.7L I5
 Mercedes Turbo Diesel

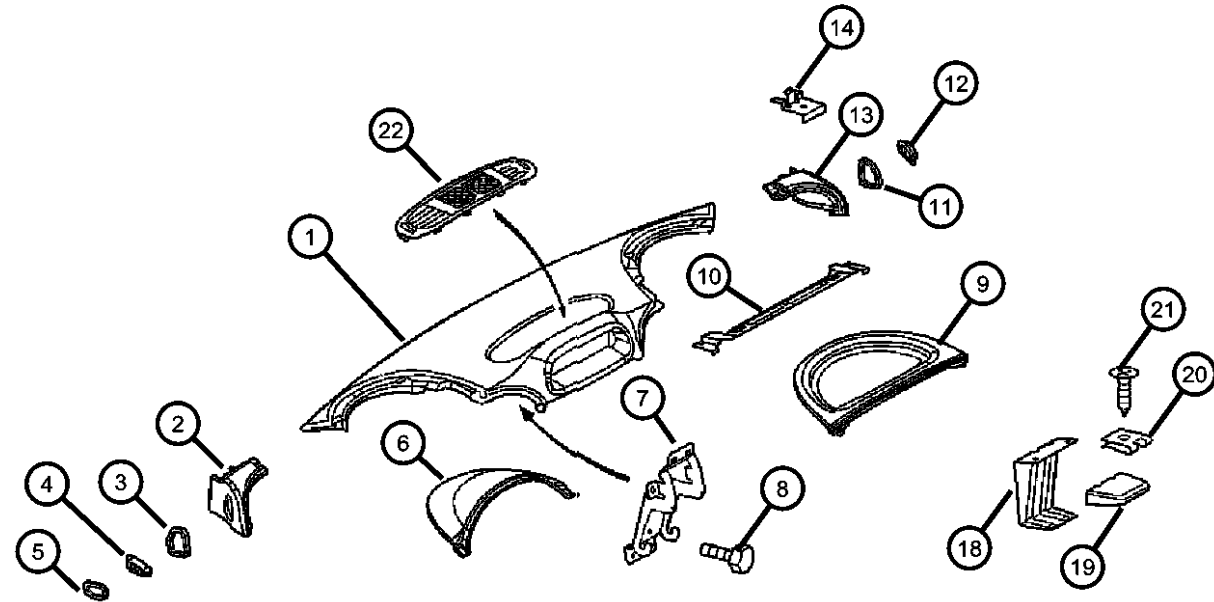
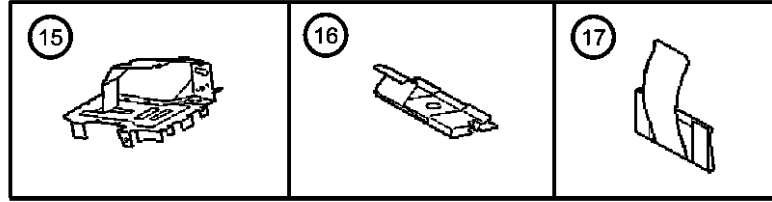
TRANSMISSION

DGJ = Transmission-5-Spd. Automatic, W5A580

AR = use ase required - = Non illustrated part

2002 VA

**Instrument Panel Cover and Related Parts
Figure 08A-120**



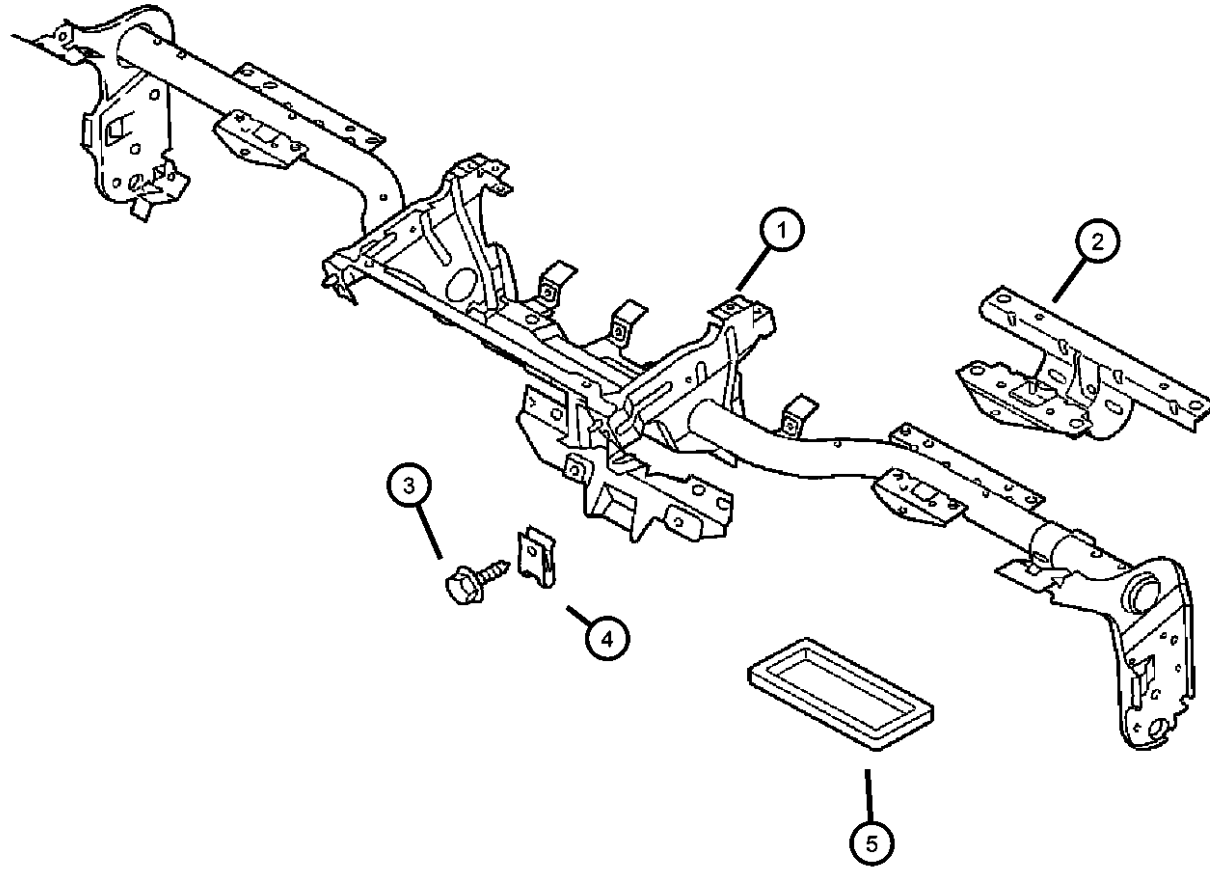
ITEM	PART NUMBER	QTY	LINE	SERIES	BODY	ENGINE	TRANS	TRIM	DESCRIPTION
18	05122890AA	1	2, 6	L	51, 52, 54, 55, 56				BRACKET, Instrument Panel
		1	3, 7	L	12, 15, 16				
		1	2, 6	L	11, 12, 14, 15, 16				
		1	2, 6	L	51, 52, 54, 55, 56				
19	05122942AA	1	2, 6	L	11, 12, 14, 15, 16				PAD, Console
		1	2, 6	L	51, 52, 54, 55, 56				
		1	3, 7	L	12, 15, 16				
		1	2, 6	L	11, 12, 14, 15, 16				
20	05125867AA	2	2, 6	L	11, 12, 14, 15, 16				NUT, Clip-On
		2	2, 6	L	51, 52, 54, 55, 56				
		2	3, 7	L	12, 15, 16				
		1	2, 6	L	11, 12, 14, 15, 16				
21	06104610AA	1	2, 6	L	11, 12, 14, 15, 16				SCREW
		1	2, 6	L	51, 52, 54, 55, 56				
		1	3, 7	L	12, 15, 16				
		1	2, 6	L	11, 12, 14, 15, 16				
22	05104271AA	1	2, 6	L	11, 12, 14, 15, 16				GRILLE, Defroster
		1	2, 6	L	51, 52, 54, 55, 56				
		1	3, 7	L	12, 15, 16				
		1	2, 6	L	11, 12, 14, 15, 16				

SPRINTER (VA)

SERIES	LINE	BODY	ENGINE	TRANSMISSION
L = LOWLINE	3 = HD DODGE 2WD 6 = Lt. Duty DODGE 4WD 2 = Med. Duty DODGE 2WD 7 = Med. Duty DODGE 4WD	01 = CHASSIS FORWARD CONTROL W.B.1 02 = CAB CHASSIS WHEEL BASE 2 06 = CAB CHASSIS WHEEL BASE 6 11 = VAN WHEEL BASE 1 12 = VAN WHEEL BASE 2 51 = WAGON WHEEL BASE 1 52 = WAGON WHEEL BASE 2 14 = VAN WHEEL BASE 4 15 = VAN WHEEL BASE 5 56 = WAGON WHEEL BASE 6 16 = VAN WHEEL BASE 6 54 = WAGON WHEEL BASE 4 55 = WAGON WHEEL BASE 5	EX9 = Engine-2.7L I5 Mercedes Turbo Diesel	DGJ = Transmission-5-Spd. Automatic, W5A580

AR = use ase required - = Non illustrated part

**Instrument Panel Reinforcement
Figure 08A-125**



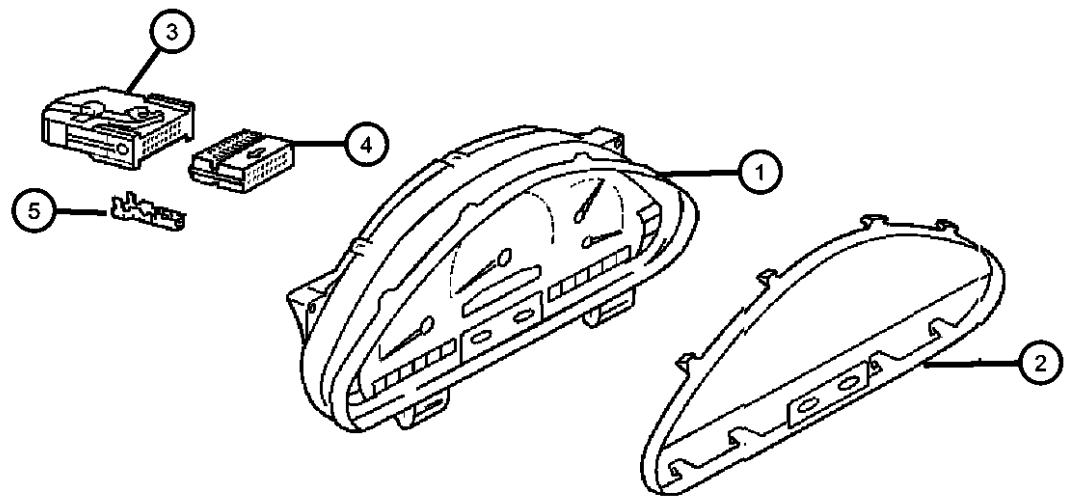
ITEM	PART NUMBER	QTY	LINE	SERIES	BODY	ENGINE	TRANS	TRIM	DESCRIPTION
1	05122403AA	1	2, 6	L	11, 12, 14, 15, 16				FRAME, Instrument Panel
		1	2, 6	L	51, 52, 54, 55, 56				
		1	3, 7	L	12, 15, 16				
2	05122398AA	2	2, 6	L	11, 12, 14, 15, 16				SUPPORT, Instrument Panel
		2	2, 6	L	51, 52, 54, 55, 56				
		2	3, 7	L	12, 15, 16				
3	05126267AA	6	2, 6	L	11, 12, 14, 15, 16				SCREW
		6	2, 6	L	51, 52, 54, 55, 56				
		6	3, 7	L	12, 15, 16				
4	05125855AA	6	2, 6	L	11, 12, 14, 15, 16				NUT, Clip-On
		6	2, 6	L	51, 52, 54, 55, 56				
		6	3, 7	L	12, 15, 16				
5	05124783AA	2	2, 6	L	11, 12, 14, 15, 16				SEAL
		2	2, 6	L	51, 52, 54, 55, 56				
		2	3, 7	L	12, 15, 16				

SPRINTER (VA)

SERIES	LINE	BODY	ENGINE	TRANSMISSION
L = LOWLINE	3 = HD DODGE 2WD 6 = Lt. Duty DODGE 4WD 2 = Med. Duty DODGE 2WD 7 = Med. Duty DODGE 4WD	01 = CHASSIS FORWARD CONTROL W.B.1 02 = CAB CHASSIS WHEEL BASE 2 06 = CAB CHASSIS WHEEL BASE 6 11 = VAN WHEEL BASE 1 12 = VAN WHEEL BASE 2 51 = WAGON WHEEL BASE 1 52 = WAGON WHEEL BASE 2 14 = VAN WHEEL BASE 4 15 = VAN WHEEL BASE 5 56 = WAGON WHEEL BASE 6 16 = VAN WHEEL BASE 6 54 = WAGON WHEEL BASE 4 55 = WAGON WHEEL BASE 5	EX9 = Engine-2.7L I5 Mercedes Turbo Diesel	DGJ = Transmission-5-Spd. Automatic, W5A580

AR = use ase required - = Non illustrated part

**Instrument Panel Cluster
Figure 08A-205**



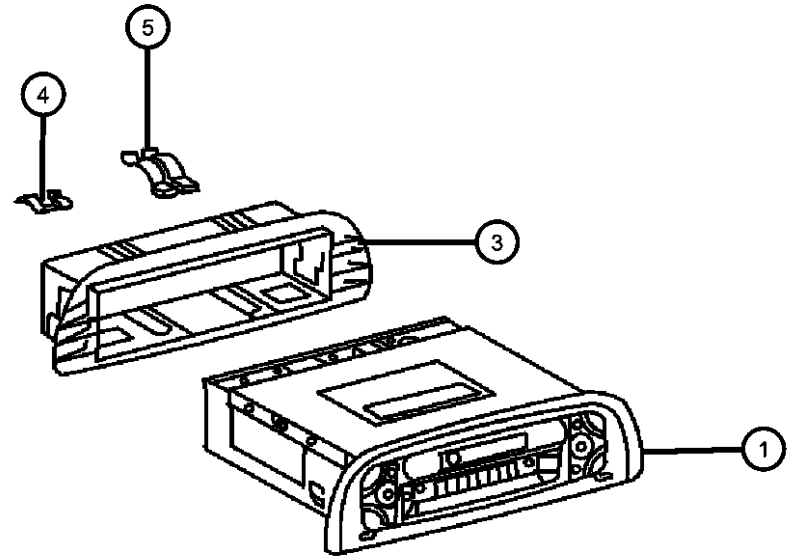
ITEM	PART NUMBER	QTY	LINE	SERIES	BODY	ENGINE	TRANS	TRIM	DESCRIPTION
1									CLUSTER
	05103649AA	1	2, 6	L	11, 12, 14, 15, 16				[3SL,4XS]
		1	2, 6	L	51, 52, 54, 55, 56				[3SL,4XS]
		1	3, 7	L	12, 15, 16				[3SL,4XS]
	05129330AA	1	2, 6	L	11, 12, 14, 15, 16				[3SL]
		1	2, 6	L	51, 52, 54, 55, 56				[3SL]
		1	3, 7	L	12, 15, 16				[3SL]
2									LENS, Cluster
	05103657AA	1	2, 6	L	11, 12, 14, 15, 16				
		1	2, 6	L	51, 52, 54, 55, 56				
		1	3, 7	L	12, 15, 16				
3									CONNECTOR, Wiring
	05103662AA	1	2, 6	L	11, 12, 14, 15, 16				
		1	2, 6	L	51, 52, 54, 55, 56				
		1	3, 7	L	12, 15, 16				
4									CONNECTOR
	05103750AA	1	2, 6	L	11, 12, 14, 15, 16				
		1	2, 6	L	51, 52, 54, 55, 56				
		1	3, 7	L	12, 15, 16				
5									TERMINAL
	05103873AA	99	2, 6	L	11, 12, 14, 15, 16				
		99	2, 6	L	51, 52, 54, 55, 56				
		99	3, 7	L	12, 15, 16				

SPRINTER (VA)

SERIES	LINE	BODY	ENGINE	TRANSMISSION
L = LOWLINE	3 = HD DODGE 2WD 6 = Lt. Duty DODGE 4WD 2 = Med. Duty DODGE 2WD 7 = Med. Duty DODGE 4WD	01 = CHASSIS FORWARD CONTROL W.B.1 02 = CAB CHASSIS WHEEL BASE 2 06 = CAB CHASSIS WHEEL BASE 6 11 = VAN WHEEL BASE 1 12 = VAN WHEEL BASE 2 51 = WAGON WHEEL BASE 1 52 = WAGON WHEEL BASE 2 14 = VAN WHEEL BASE 4 15 = VAN WHEEL BASE 5 56 = WAGON WHEEL BASE 6 16 = VAN WHEEL BASE 6 54 = WAGON WHEEL BASE 4 55 = WAGON WHEEL BASE 5	EX9 = Engine-2.7L I5 Mercedes Turbo Diesel	DGJ = Transmission-5-Spd. Automatic,W5A580

AR = use ase required - = Non illustrated part

**Radio
Figure 08A-305**



ITEM	PART NUMBER	QTY	LINE	SERIES	BODY	ENGINE	TRANS	TRIM	DESCRIPTION
1	05103832AA	1	2, 6	L	11, 12, 14, 15, 16				RADIO [RBE]
		1	2, 6	L	51, 52, 54, 55, 56				[RBE]
		1	3, 7	L	12, 15, 16				[RBE]
-2	05103831AA	1	2, 6	L	11, 12, 14, 15, 16				RADIO [RAF]
		1	2, 6	L	51, 52, 54, 55, 56				[RAF]
		1	3, 7	L	12, 15, 16				[RAF]
	05139880AA	1	2, 6	L	11, 12, 14, 15, 16				[RAF,4XS]
		1	2, 6	L	51, 52, 54, 55, 56				[RAF,4XS]
		1	3, 7	L	12, 15, 16				[RAF,4XS]
3	05122939AA	1	3, 7	L	12, 15, 16				BEZEL, Instrument Panel, Radio Housing
		1	2, 6	L	11, 12, 14, 15, 16				
		1	2, 6	L	51, 52, 54, 55, 56				
4	05124612AA	2	2, 6	L	11, 12, 14, 15, 16				CLIP, Spring
		2	2, 6	L	51, 52, 54, 55, 56				
		2	7, 3	L	12, 15, 16				
5	05124613AA	2	2, 6	L	51, 52, 54, 55, 56				CLIP, Spring

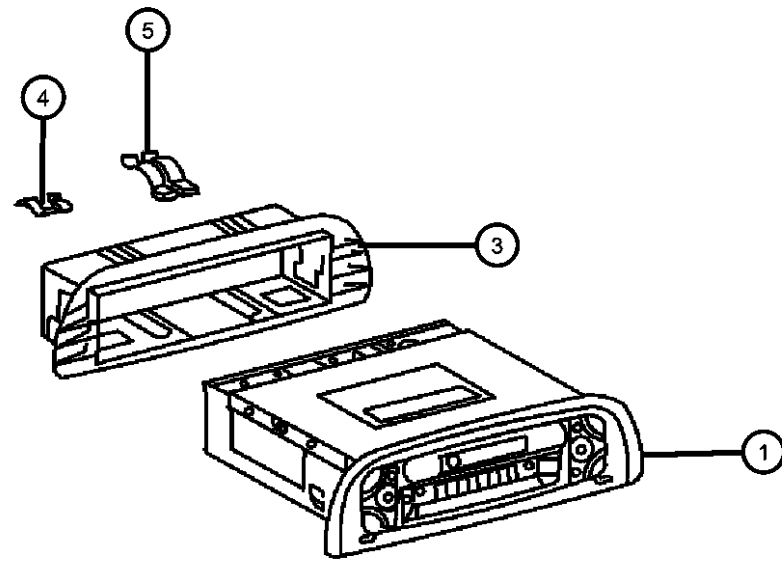
SPRINTER (VA)

SERIES	LINE	BODY	ENGINE	TRANSMISSION
L = LOWLINE	3 = HD DODGE 2WD 6 = Lt. Duty DODGE 4WD 2 = Med. Duty DODGE 2WD 7 = Med. Duty DODGE 4WD	01 = CHASSIS FORWARD CONTROL W.B.1 02 = CAB CHASSIS WHEEL BASE 2 06 = CAB CHASSIS WHEEL BASE 6 11 = VAN WHEEL BASE 1 12 = VAN WHEEL BASE 2 51 = WAGON WHEEL BASE 1 52 = WAGON WHEEL BASE 2 14 = VAN WHEEL BASE 4 15 = VAN WHEEL BASE 5 56 = WAGON WHEEL BASE 6 16 = VAN WHEEL BASE 6 54 = WAGON WHEEL BASE 4 55 = WAGON WHEEL BASE 5	EX9 = Engine-2.7L I5 Mercedes Turbo Diesel	DGJ = Transmission-5-Spd. Automatic,W5A580

AR = use ase required - = Non illustrated part

**Radio
Figure 08A-305**

ITEM	PART NUMBER	QTY	LINE	SERIES	BODY	ENGINE	TRANS	TRIM	DESCRIPTION
		2	3, 7	L	12, 15, 16				
		2	2, 6	L	16, 11, 12, 14, 15				

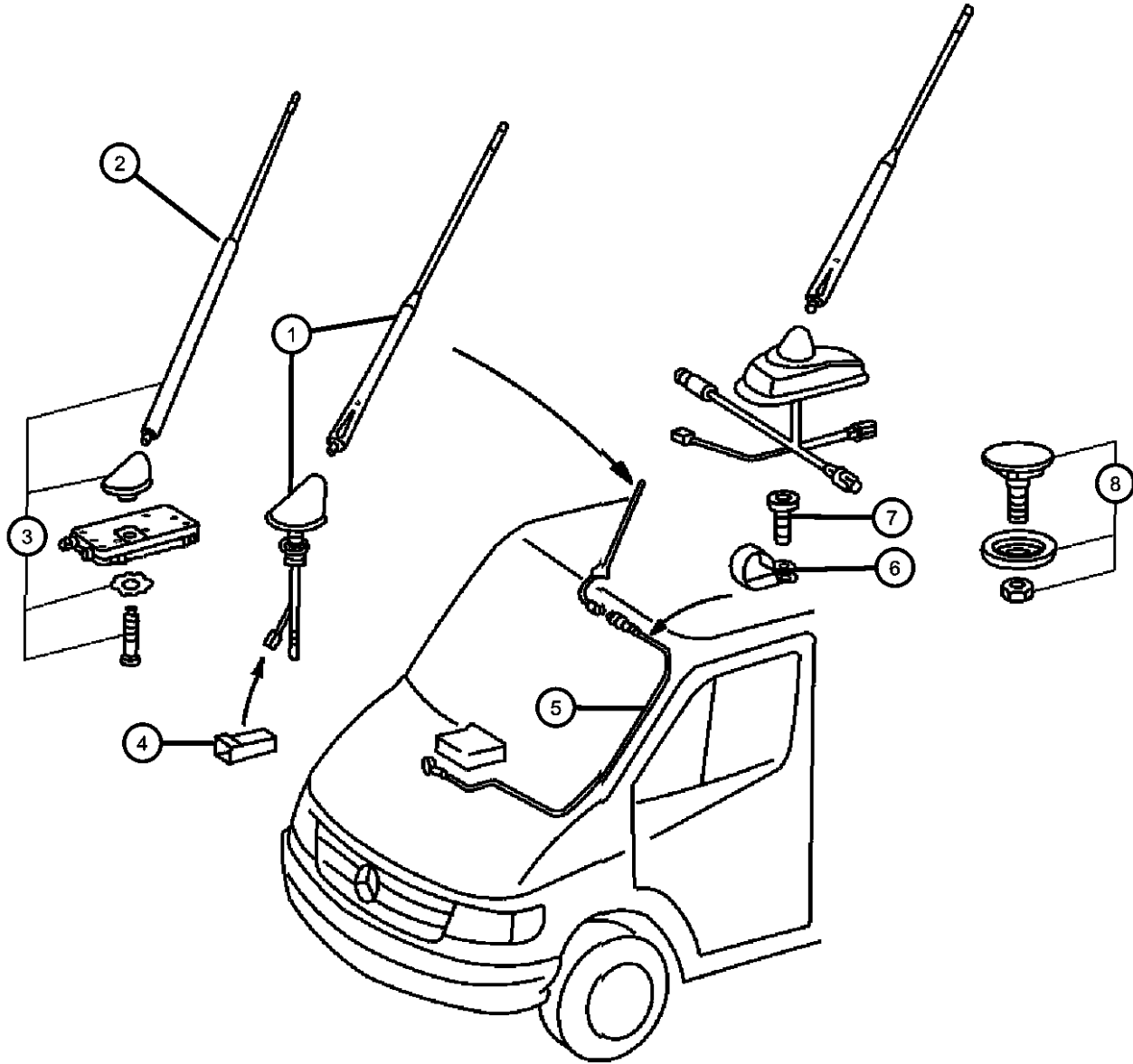


SPRINTER (VA)

SERIES	LINE	BODY	ENGINE	TRANSMISSION
L = LOWLINE	3 = HD DODGE 2WD 6 = Lt. Duty DODGE 4WD 2 = Med. Duty DODGE 2WD 7 = Med. Duty DODGE 4WD	01 = CHASSIS FORWARD CONTROL W.B.1 02 = CAB CHASSIS WHEEL BASE 2 06 = CAB CHASSIS WHEEL BASE 6 11 = VAN WHEEL BASE 1 12 = VAN WHEEL BASE 2 51 = WAGON WHEEL BASE 1 52 = WAGON WHEEL BASE 2 14 = VAN WHEEL BASE 4 15 = VAN WHEEL BASE 5 56 = WAGON WHEEL BASE 6 16 = VAN WHEEL BASE 6 54 = WAGON WHEEL BASE 4 55 = WAGON WHEEL BASE 5	EX9 = Engine-2.7L I5 Mercedes Turbo Diesel	DGJ = Transmission-5-Spd. Automatic, W5A580

AR = use ase required - = Non illustrated part

Antenna
Figure 08A-310



ITEM	PART NUMBER	QTY	LINE	SERIES	BODY	ENGINE	TRANS	TRIM	DESCRIPTION
1	05103680AA	1	2, 6	L	11, 12, 14, 15, 16				ANTENNA
		1	2, 6	L	51, 52, 54, 55, 56				
		1	3, 7	L	12, 15, 16				
2	05133981AA	1	2, 6	L	11, 12, 14, 15, 16				ANTENNA Telescopic
		1	2, 6	L	51, 52, 54, 55, 56				Telescopic
		1	3, 7	L	12, 15, 16				Telescopic
3	05124555AA	1	2, 6	L	11, 12, 14, 15, 16				ANTENNA
		1	2, 6	L	51, 52, 54, 55, 56				
		1	3, 7	L	12, 15, 16				
4	05120604AA	1	2, 6	L	51, 52, 54, 55, 56				CONNECTOR
5	05124611AA	1	2, 6	L	11, 12, 14, 15, 16				CABLE, Antenna
		1	2, 6	L	51, 52, 54, 55, 56				
		1	3, 7	L	12, 15, 16				
6	05125874AA	1	2, 6	L	11, 12, 14, 15, 16				CLAMP, Mounting
		1	2, 6	L	51, 52, 54, 55, 56				
		1	3, 7	L	12, 15, 16				
7	06104504AA	1	2, 6	L	11, 12, 14, 15, 16				SCREW

SPRINTER (VA)

SERIES

L = LOWLINE

LINE

3 = HD DODGE 2WD
6 = Lt. Duty DODGE 4WD
2 = Med. Duty DODGE 2WD
7 = Med. Duty DODGE 4WD

BODY

01 = CHASSIS FORWARD CONTROL W.B.1
02 = CAB CHASSIS WHEEL BASE 2
06 = CAB CHASSIS WHEEL BASE 6
11 = VAN WHEEL BASE 1
12 = VAN WHEEL BASE 2
51 = WAGON WHEEL BASE 1
52 = WAGON WHEEL BASE 2
14 = VAN WHEEL BASE 4
15 = VAN WHEEL BASE 5
56 = WAGON WHEEL BASE 6
16 = VAN WHEEL BASE 6
54 = WAGON WHEEL BASE 4
55 = WAGON WHEEL BASE 5

ENGINE

EX9 = Engine-2.7L I5
Mercedes Turbo Diesel

TRANSMISSION

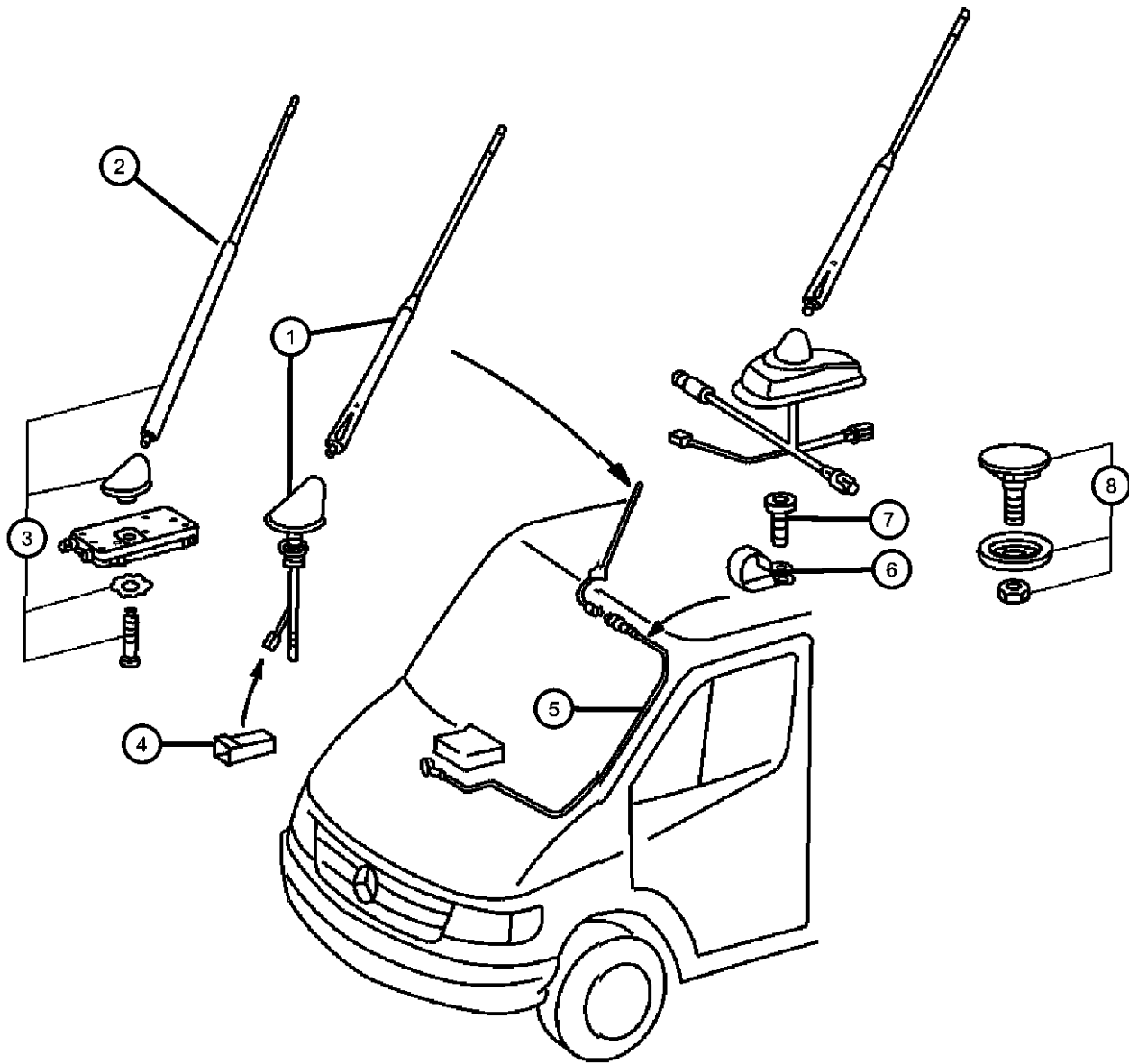
DGJ = Transmission-5-Spd. Automatic, W5A580

AR = use ase required - = Non illustrated part

2002 VA

**Antenna
Figure 08A-310**

ITEM	PART NUMBER	QTY	LINE	SERIES	BODY	ENGINE	TRANS	TRIM	DESCRIPTION
------	-------------	-----	------	--------	------	--------	-------	------	-------------



		1	2, 6	L	51, 52, 54, 55, 56				
		1	3, 7	L	12, 15, 16				
8									PANEL
	05124422AA	1	2, 6	L	11, 12, 14, 15, 16				
		1	2, 6	L	51, 52, 54, 55, 56				
		1	3, 7	L	12, 15, 16				

SPRINTER (VA)

SERIES

L = LOWLINE
 3 = HD DODGE 2WD
 6 = Lt. Duty DODGE 4WD
 2 = Med. Duty DODGE 2WD
 7 = Med. Duty DODGE 4WD

BODY

01 = CHASSIS FORWARD CONTROL W.B.1
 02 = CAB CHASSIS WHEEL BASE 2
 06 = CAB CHASSIS WHEEL BASE 6
 11 = VAN WHEEL BASE 1
 12 = VAN WHEEL BASE 2
 51 = WAGON WHEEL BASE 1
 52 = WAGON WHEEL BASE 2
 14 = VAN WHEEL BASE 4
 15 = VAN WHEEL BASE 5
 56 = WAGON WHEEL BASE 6
 16 = VAN WHEEL BASE 6
 54 = WAGON WHEEL BASE 4
 55 = WAGON WHEEL BASE 5

ENGINE

EX9 = Engine-2.7L I5
 Mercedes Turbo Diesel

TRANSMISSION

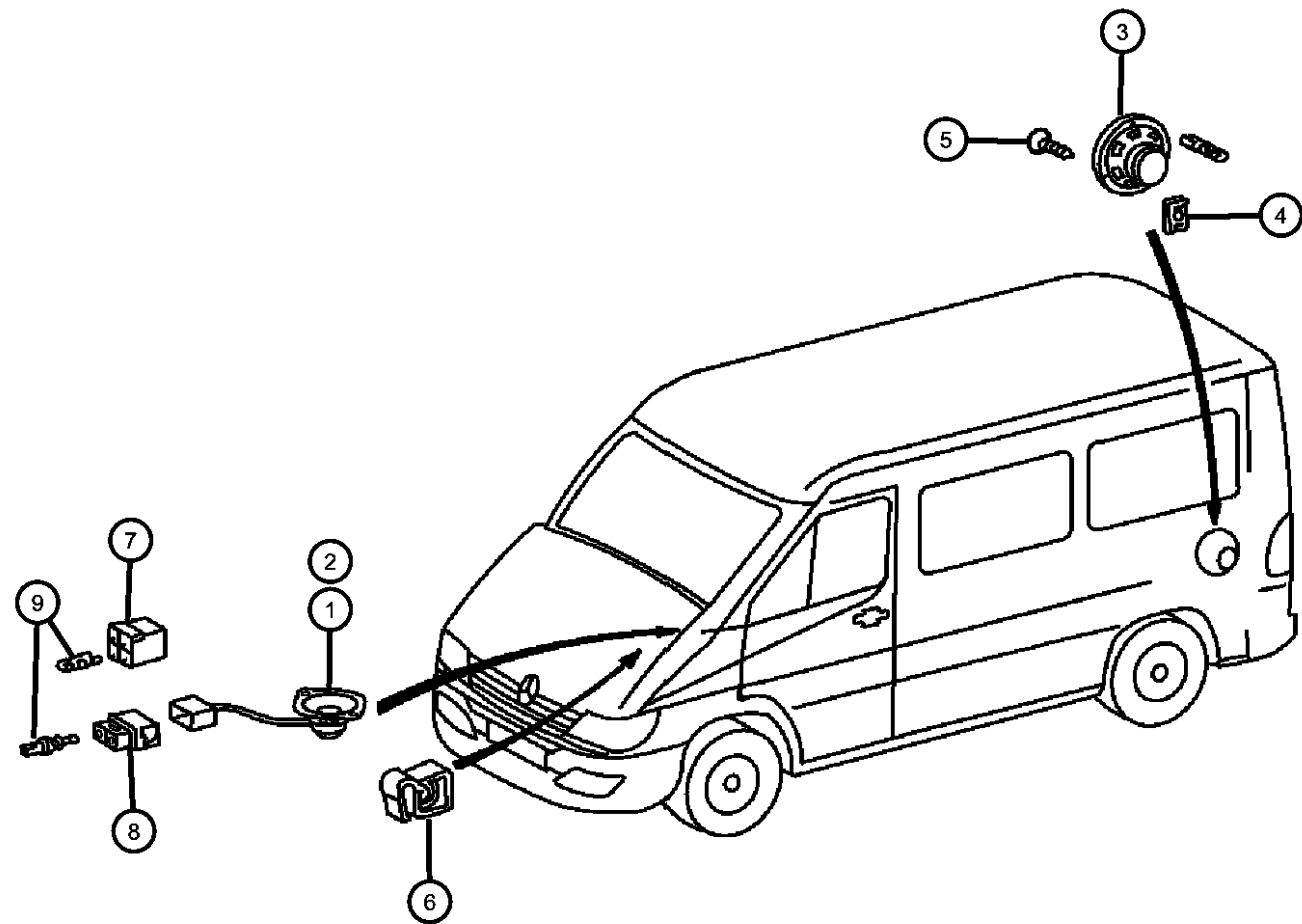
DGJ = Transmission-5-Spd. Automatic, W5A580

AR = use ase required - = Non illustrated part

2002 VA

Speakers
Figure 08A-315

ITEM	PART NUMBER	QTY	LINE	SERIES	BODY	ENGINE	TRANS	TRIM	DESCRIPTION
1	05103762AA	2	2, 6	L	11, 12, 14, 15, 16				SPEAKER, Front
2	05124409AA	1	2, 6	L	14, 15, 16, 11, 12				SPEAKER
		1	2, 6	L	51, 52, 54, 55, 56				
		1	3, 7	L	12, 15, 16				
3	05124619AA	2	3, 7	L	12, 15, 16				SPEAKER, Rear
4	05125853AA	8	3, 7	L	12, 15, 16				NUT, Clip-On
5	06104498AA	4	2, 6	L	11, 12, 14, 15, 16				SCREW
		4	2, 6	L	51, 52, 54, 55, 56				
		4	3, 7	L	12, 15, 16				
6	05126041AA	4	2, 6	L	11, 12, 14, 15, 16				RETAINER, Wiring Harness
		4	2, 6	L	51, 52, 54, 55, 56				
		4	3, 7	L	12, 15, 16				
7	05103753AA	1	2, 6	L	11, 12, 14, 15, 16				CONNECTOR
		1	2, 6	L	51, 52, 54, 55, 56				
		1	3, 7	L	12, 15, 16				
8	05120694AA	1	2, 6	L	11, 12, 14, 15, 16				CONNECTOR
		1	2, 6	L	51, 52, 54, 55, 56				
		1	3, 7	L	12, 15, 16				



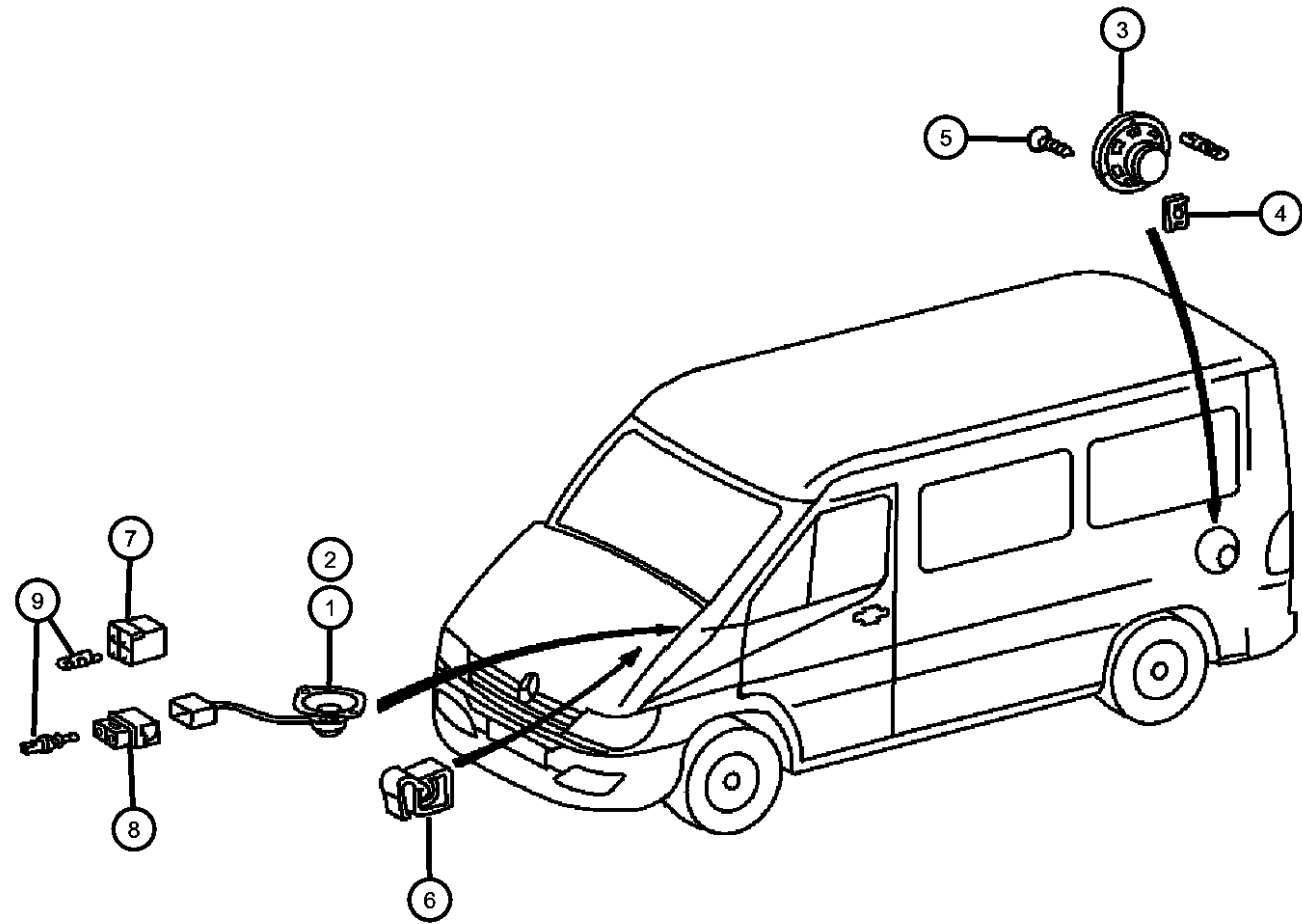
SPRINTER (VA)

SERIES	LINE	BODY	ENGINE	TRANSMISSION
L = LOWLINE	3 = HD DODGE 2WD 6 = Lt. Duty DODGE 4WD 2 = Med. Duty DODGE 2WD 7 = Med. Duty DODGE 4WD	01 = CHASSIS FORWARD CONTROL W.B.1 02 = CAB CHASSIS WHEEL BASE 2 06 = CAB CHASSIS WHEEL BASE 6 11 = VAN WHEEL BASE 1 12 = VAN WHEEL BASE 2 51 = WAGON WHEEL BASE 1 52 = WAGON WHEEL BASE 2 14 = VAN WHEEL BASE 4 15 = VAN WHEEL BASE 5 56 = WAGON WHEEL BASE 6 16 = VAN WHEEL BASE 6 54 = WAGON WHEEL BASE 4 55 = WAGON WHEEL BASE 5	EX9 = Engine-2.7L I5 Mercedes Turbo Diesel	DGJ = Transmission-5-Spd. Automatic, W5A580

AR = use ase required - = Non illustrated part

**Speakers
Figure 08A-315**

ITEM	PART NUMBER	QTY	LINE	SERIES	BODY	ENGINE	TRANS	TRIM	DESCRIPTION
9									TERMINAL
	05120523AA	1	2, 6	L	11, 12, 14, 15, 16				
		1	2, 6	L	51, 52, 54, 55, 56				
		1	3, 7	L	12, 15, 16				

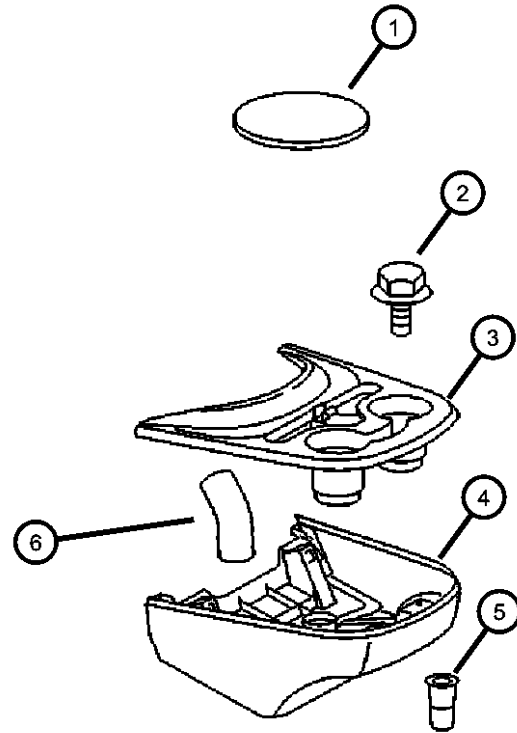


SPRINTER (VA)

SERIES	LINE	BODY	ENGINE	TRANSMISSION
L = LOWLINE	3 = HD DODGE 2WD 6 = Lt. Duty DODGE 4WD 2 = Med. Duty DODGE 2WD 7 = Med. Duty DODGE 4WD	01 = CHASSIS FORWARD CONTROL W.B.1 02 = CAB CHASSIS WHEEL BASE 2 06 = CAB CHASSIS WHEEL BASE 6 11 = VAN WHEEL BASE 1 12 = VAN WHEEL BASE 2 51 = WAGON WHEEL BASE 1 52 = WAGON WHEEL BASE 2 14 = VAN WHEEL BASE 4 15 = VAN WHEEL BASE 5 56 = WAGON WHEEL BASE 6 16 = VAN WHEEL BASE 6 54 = WAGON WHEEL BASE 4 55 = WAGON WHEEL BASE 5	EX9 = Engine-2.7L I5 Mercedes Turbo Diesel	DGJ = Transmission-5-Spd. Automatic, W5A580

AR = use ase required - = Non illustrated part

**Console Cup Holder
Figure 08A-405**



ITEM	PART NUMBER	QTY	LINE	SERIES	BODY	ENGINE	TRANS	TRIM	DESCRIPTION
1	05122953AA	2	2, 6	L	11, 12, 14, 15, 16				MAT, Single Cup
		2	2, 6	L	51, 52, 54, 55, 56				
		2	3, 7	L	12, 15, 16				
2	06104121AA	4	2, 6	L	11, 12, 14, 15, 16				SCREW, Hex Flange Head
		4	2, 6	L	51, 52, 54, 55, 56				
		4	3, 7	L	12, 15, 16				
3	05104254AA	1	2, 6	L	11, 12, 14, 15, 16				CUP HOLDER, Lid
		1	2, 6	L	51, 52, 54, 55, 56				
		1	3, 7	L	12, 15, 16				
4	05104255AA	1	2, 6	L	11, 12, 14, 15, 16				HOUSING, Cup Holder
		1	2, 6	L	51, 52, 54, 55, 56				
		1	3, 7	L	12, 15, 16				
5	05133975AA	4	2, 6	L	11, 12, 14, 15, 16				NUT, Rivet
		4	2, 6	L	51, 52, 54, 55, 56				
6	05104488AA	1	2, 6	L	16, 11, 12, 14, 15				HOSE
		1	2, 6	L	51, 52, 54, 55, 56				
		1	3, 7	L	12, 15, 16				

SPRINTER (VA)

SERIES	LINE	BODY	ENGINE	TRANSMISSION
L = LOWLINE	3 = HD DODGE 2WD 6 = Lt. Duty DODGE 4WD 2 = Med. Duty DODGE 2WD 7 = Med. Duty DODGE 4WD	01 = CHASSIS FORWARD CONTROL W.B.1 02 = CAB CHASSIS WHEEL BASE 2 06 = CAB CHASSIS WHEEL BASE 6 11 = VAN WHEEL BASE 1 12 = VAN WHEEL BASE 2 51 = WAGON WHEEL BASE 1 52 = WAGON WHEEL BASE 2 14 = VAN WHEEL BASE 4 15 = VAN WHEEL BASE 5 56 = WAGON WHEEL BASE 6 16 = VAN WHEEL BASE 6 54 = WAGON WHEEL BASE 4 55 = WAGON WHEEL BASE 5	EX9 = Engine-2.7L I5 Mercedes Turbo Diesel	DGJ = Transmission-5-Spd. Automatic, W5A580

AR = use ase required - = Non illustrated part

Group - 9 Engine Mounting

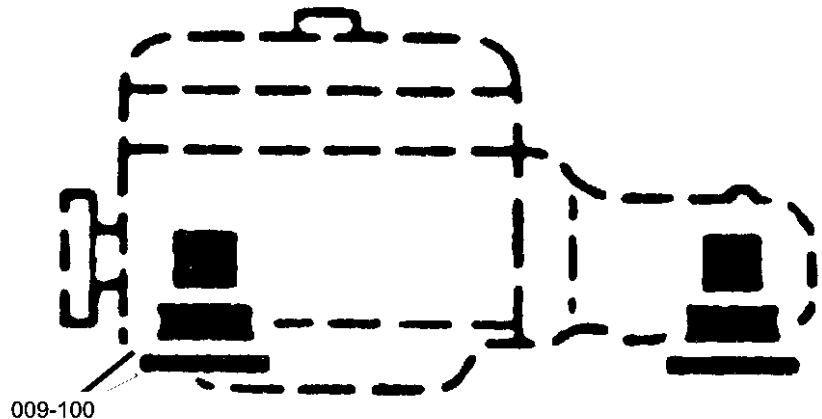
Group - 9 Engine Mounting

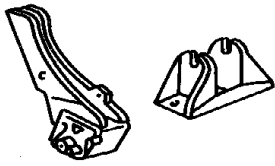
Illustration Title

Group-Fig. No.

Engine Mounting

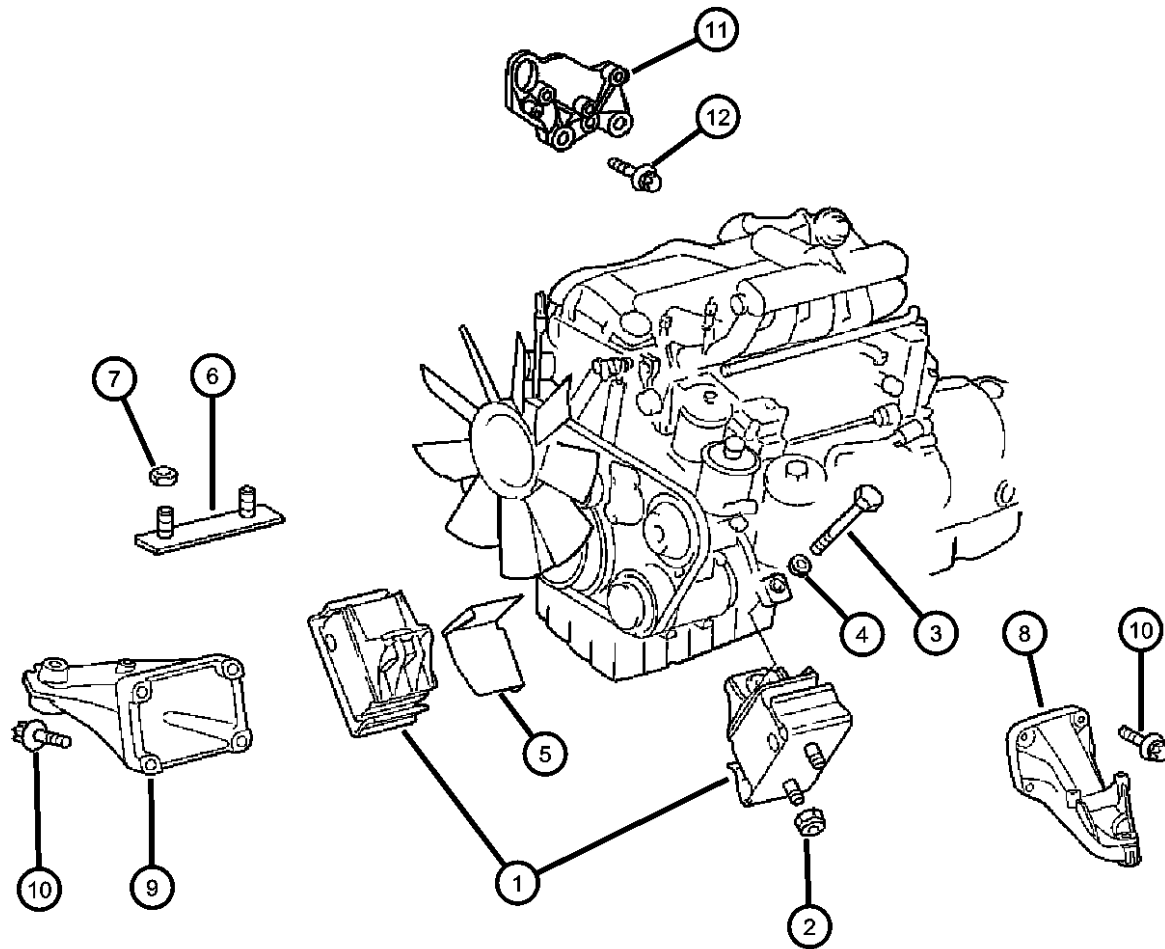
Engine Mounting Fig. 9 - 110
 Transmission Mounting Fig. 9 - 120



<p>009-100 Engine Mounting</p> 			
--	--	--	--

**Engine Mounting
Figure 9-110**

ITEM	PART NUMBER	QTY	LINE	SERIES	BODY	ENGINE	TRANS	TRIM	DESCRIPTION
	Note: Sales Codes: [EX9] = 2.7L I5 Turbo Diesel Engine								
1									RUBBER MOUNTING, NONE, SPRINTER
	05104035AA	2	2, 6			EX9			
		2	3, 7			EX9			
2									NUT
	06104717AA	4	2, 6			EX9			
		4	3, 7			EX9			
3									BOLT
	06104239AA	2	2, 6			EX9			
		2	3, 7			EX9			
4									WASHER, NONE, SPRINTER
	05104614AA	2	2, 6			EX9			
		2	3, 7			EX9			
5	05117714AA	1	2, 6			EX9			SHIELD, Engine Mount
6									PLATE, Engine Mount
	05117695AA	1	2, 6			EX9			
		1	3, 7			EX9			
7									NUT, Hex, M6
	05127449AA	2	2, 6						
		2	3, 7						
8	05117659AA	1							BRACKET, Engine MountLeft
9	05103988AA	1							SUPPORT, Engine, Right
10	05098813AA	4							BOLT, Engine Mounting Bracket
11	05117660AA	1							BRACKET, Engine Lift
12	06104026AA	3							SCREW, Engine Lift Bracket

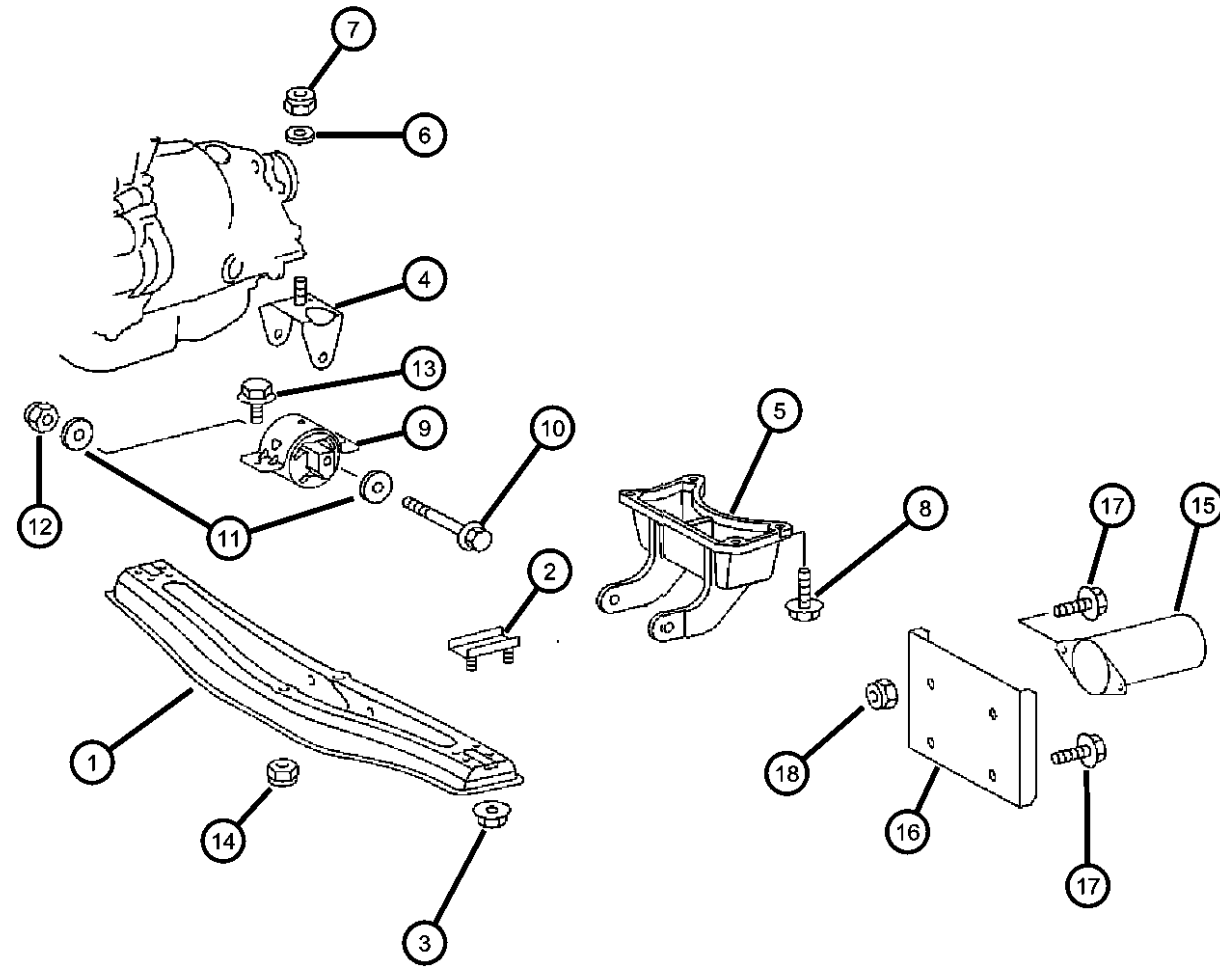


SPRINTER (VA)

SERIES	LINE	BODY	ENGINE	TRANSMISSION
L = LOWLINE	3 = HD DODGE 2WD 6 = Lt. Duty DODGE 4WD 2 = Med. Duty DODGE 2WD 7 = Med. Duty DODGE 4WD	01 = CHASSIS FORWARD CONTROL W.B.1 02 = CAB CHASSIS WHEEL BASE 2 06 = CAB CHASSIS WHEEL BASE 6 11 = VAN WHEEL BASE 1 12 = VAN WHEEL BASE 2 51 = WAGON WHEEL BASE 1 52 = WAGON WHEEL BASE 2 14 = VAN WHEEL BASE 4 15 = VAN WHEEL BASE 5 56 = WAGON WHEEL BASE 6 16 = VAN WHEEL BASE 6 54 = WAGON WHEEL BASE 4 55 = WAGON WHEEL BASE 5	EX9 = Engine-2.7L I5 Mercedes Turbo Diesel	DGJ = Transmission-5-Spd. Automatic, W5A580

AR = use ase required - = Non illustrated part

**Transmission Mounting
Figure 9-120**



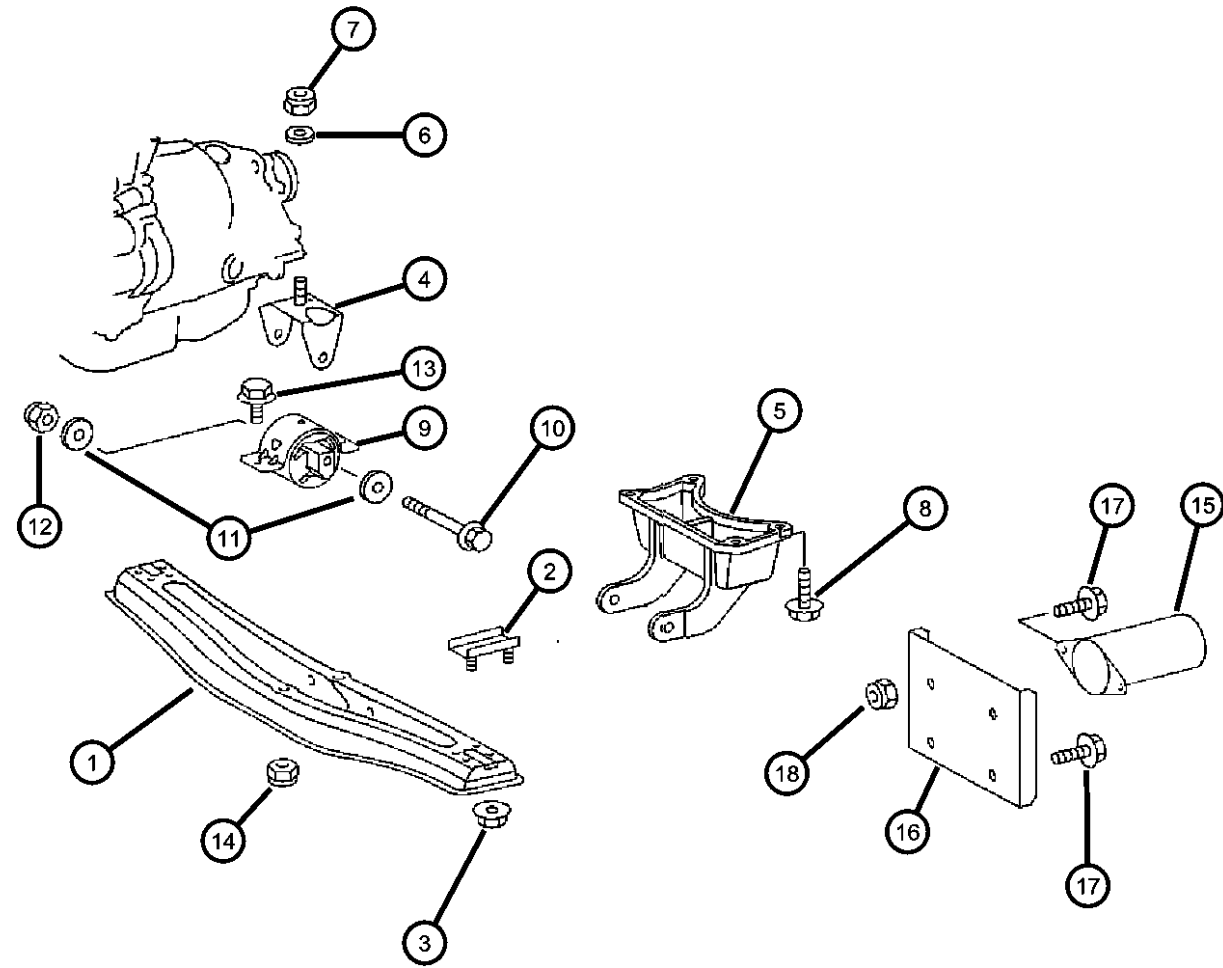
ITEM	PART NUMBER	QTY	LINE	SERIES	BODY	ENGINE	TRANS	TRIM	DESCRIPTION
1	05104036AA	1	2, 6				DGJ		SUPPORT, Engine
		1	3, 7				DGJ		
2	05117696AA	1	2, 6			EX9	DGJ		BRACKET, Engine Mount
		1	3, 7			EX9	DGJ		
3	06104717AA	4	2, 6				DGJ		NUT
4	05117712AA	1	2, 6				DGJ		BRACKET, Engine Mount
		1	3, 7				DGJ		
5	05104037AA	1	2, 6				DGJ		BRACKET, NONE, SPRINTER
		1	3, 7				DGJ		
6	05132839AA	1	3, 7						WASHER
7	06104718AA	1	2, 6						NUT
		1	3, 7						
8	06104198AA	4	2, 6				DGJ		BOLT, Hex Head
		4	3, 7				DGJ		
9	05104038AA	1	2, 6				DGJ		RUBBER MOUNTING, NONE, SPRINTER
		1	3, 7				DGJ		
10	06104229AA	1	2, 6						BOLT

SPRINTER (VA)

SERIES	LINE	BODY	ENGINE	TRANSMISSION
L = LOWLINE	3 = HD DODGE 2WD 6 = Lt. Duty DODGE 4WD 2 = Med. Duty DODGE 2WD 7 = Med. Duty DODGE 4WD	01 = CHASSIS FORWARD CONTROL W.B.1 02 = CAB CHASSIS WHEEL BASE 2 06 = CAB CHASSIS WHEEL BASE 6 11 = VAN WHEEL BASE 1 12 = VAN WHEEL BASE 2 51 = WAGON WHEEL BASE 1 52 = WAGON WHEEL BASE 2 14 = VAN WHEEL BASE 4 15 = VAN WHEEL BASE 5 56 = WAGON WHEEL BASE 6 16 = VAN WHEEL BASE 6 54 = WAGON WHEEL BASE 4 55 = WAGON WHEEL BASE 5	EX9 = Engine-2.7L I5 Mercedes Turbo Diesel	DGJ = Transmission-5-Spd. Automatic, W5A580

AR = use ase required - = Non illustrated part

**Transmission Mounting
Figure 9-120**



ITEM	PART NUMBER	QTY	LINE	SERIES	BODY	ENGINE	TRANS	TRIM	DESCRIPTION
		1	3, 7						
11	06104717AA	1	2, 6						NUT
		1	3, 7						
12	06104717AA	1	2, 6						NUT
		1	3, 7						
13	06104215AA	2	2, 6						BOLT, Hex Head
		2	3, 7						
14	06104717AA	2	2, 6						NUT
		2	3, 7				DGJ		
15	05117716AA	1	2, 6						ISOLATOR, Engine Mount
		1	3, 7						
16	05133781AA	1	2, 6						BRACKET, Engine Roll Dampener
		1	3, 7						
17	06104195AA	2	3, 7						SCREW
		2	2, 6						
18	06104716AA	2	3, 7						NUT
		2	2, 6						

SPRINTER (VA)

SERIES LINE
 L = LOWLINE 3 = HD DODGE 2WD
 6 = Lt. Duty DODGE 4WD
 2 = Med. Duty DODGE 2WD
 7 = Med. Duty DODGE 4WD

BODY
 01 = CHASSIS FORWARD CONTROL W.B.1
 02 = CAB CHASSIS WHEEL BASE 2
 06 = CAB CHASSIS WHEEL BASE 6
 11 = VAN WHEEL BASE 1
 12 = VAN WHEEL BASE 2
 51 = WAGON WHEEL BASE 1
 52 = WAGON WHEEL BASE 2
 14 = VAN WHEEL BASE 4
 15 = VAN WHEEL BASE 5
 56 = WAGON WHEEL BASE 6
 16 = VAN WHEEL BASE 6
 54 = WAGON WHEEL BASE 4
 55 = WAGON WHEEL BASE 5

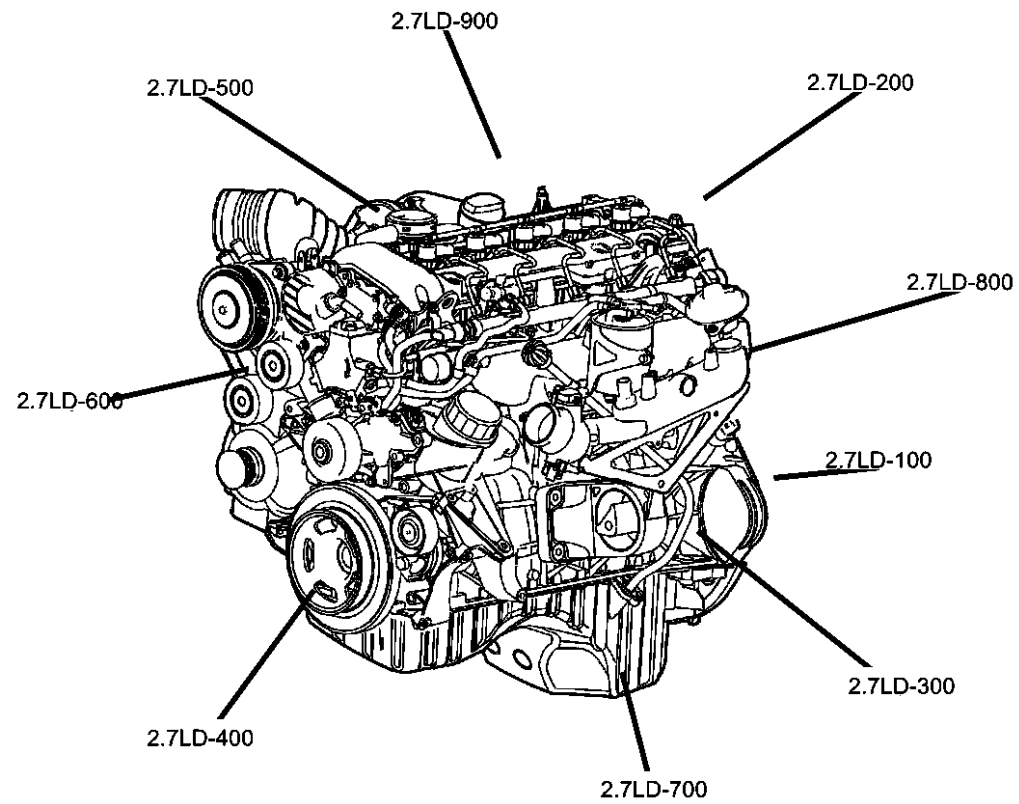
ENGINE
 EX9 = Engine-2.7L I5
 Mercedes Turbo Diesel

TRANSMISSION
 DGJ = Transmission-5-Spd. Automatic, W5A580

AR = use ase required - = Non illustrated part

Group - 2.7LD

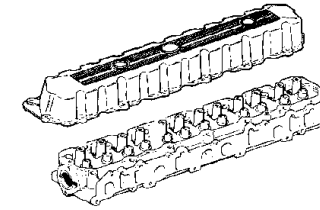
2.7L Diesel - Mercedes Benz [EX9]



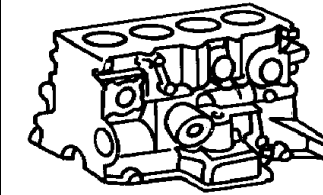
2.7LD-100 Engine Identification

X Model Year	X Manufacturing Plant	XXXXX Component Code/Usage	XXXX Month/Day	XXXXXXXXXX Serial Code
Last digit of model year	Schilo S Trenton T Tokoo K	Engine 3.3L - 3.8L Usage Pass Car PC Truck T		Last 8 Digits of VIN

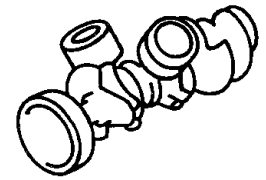
2.7LD-200 Cylinder Head



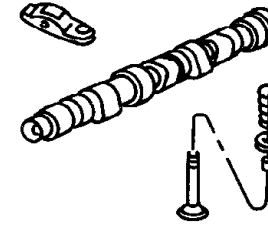
2.7LD-300 Cylinder Block



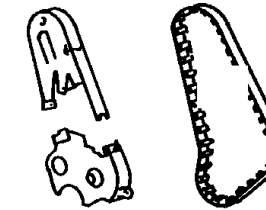
2.7LD-400 Crankshaft, Piston and Drive Plate



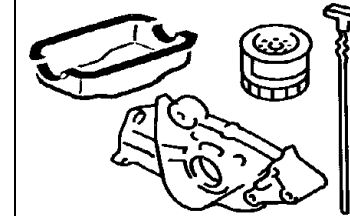
2.7LD-500 Camshafts and Valves



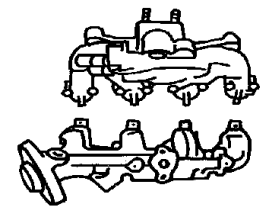
2.7LD-600 Timing Belt and Cover



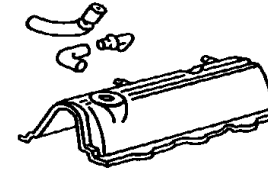
2.7LD-700 Engine Oiling



2.7LD-800 Manifolds



2.7LD-900 Crankcase Ventilation



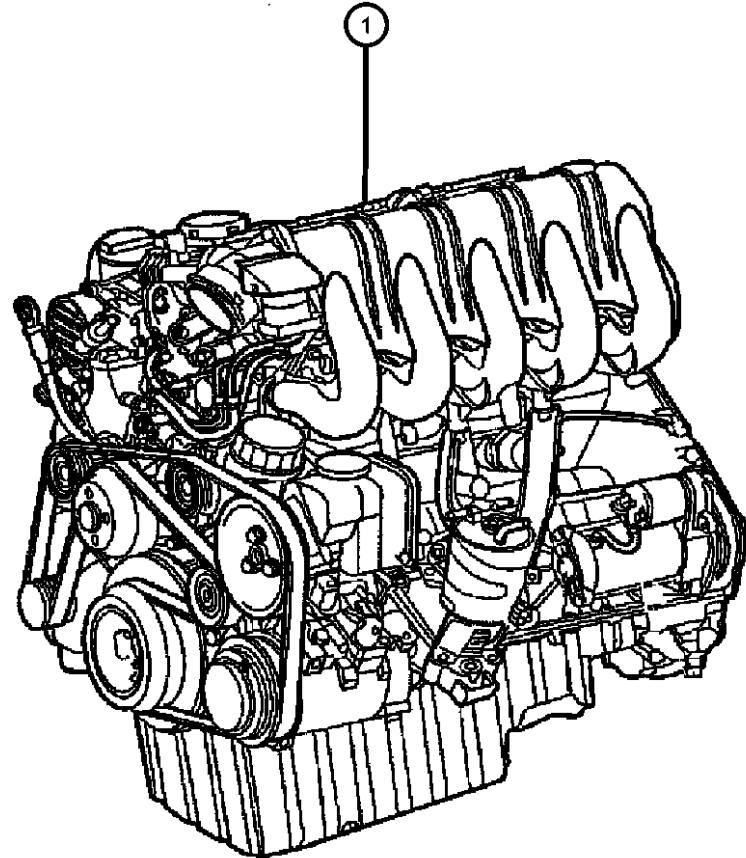
Group - 2.7LD 2.7L Diesel - Mercedes Benz [EX9]

Illustration Title	Group-Fig. No.
Engine Identification	
Engine Assemblies.....	Fig. 2.7LD - 110
Cylinder Head	
Head, Cylinder.....	Fig. 2.7LD - 210
Cover, Cylinder Head.....	Fig. 2.7LD - 220
Cylinder Block	
Cylinder Block and Related Parts.....	Fig. 2.7LD - 310
Crankshaft, Piston and Drive Plate	
Crankshaft and Pistons.....	Fig. 2.7LD - 410
Camshafts and Valves	
Camshaft and Valves.....	Fig. 2.7LD - 510
Timing Belt and Cover	
Timing Cover and Chain.....	Fig. 2.7LD - 610
Vaccum Pump.....	Fig. 2.7LD - 620
Engine Oiling	
Oil Pump.....	Fig. 2.7LD - 710
Oil Cooler and Filter.....	Fig. 2.7LD - 720
Oil Pan.....	Fig. 2.7LD - 730
Turbo, Oil Feed and Return Lines.....	Fig. 2.7LD - 740
Manifolds	
Intake Manifold.....	Fig. 2.7LD - 810
Exhaust Manifold.....	Fig. 2.7LD - 820
Crankcase Ventilation	
Crankcase Ventilation.....	Fig. 2.7LD - 910

Engine Assemblies
Figure 2.7LD-110

ITEM	PART NUMBER	QTY	LINE	SERIES	BODY	ENGINE	TRANS	TRIM	DESCRIPTION
------	-------------	-----	------	--------	------	--------	-------	------	-------------

Notes:
[EX9] = 2.7L I5 Mercedes-Benz Turbo Diesel
[3XC] = Fuel Filter with Water Separator



1									ENGINE, Complete, See Notes
	05117176AA	1	2, 6			EX9			[EX9+3XC]
	04798231AD								Mopar 15W-40 Engine Oil Quart
	04798232AD								Mopar 15W-40 Engine Oil Gallon
		1	3, 7			EX9			[EX9+3XC]
	04798231AD								Mopar 15W-40 Engine Oil Quart
	04798232AD								Mopar 15W-40 Engine Oil Gallon

SPRINTER (VA)

SERIES	LINE	BODY	ENGINE	TRANSMISSION
L = LOWLINE	3 = HD DODGE 2WD 6 = Lt. Duty DODGE 4WD 2 = Med. Duty DODGE 2WD 7 = Med. Duty DODGE 4WD	01 = CHASSIS FORWARD CONTROL W.B.1 02 = CAB CHASSIS WHEEL BASE 2 06 = CAB CHASSIS WHEEL BASE 6 11 = VAN WHEEL BASE 1 12 = VAN WHEEL BASE 2 51 = WAGON WHEEL BASE 1 52 = WAGON WHEEL BASE 2 14 = VAN WHEEL BASE 4 15 = VAN WHEEL BASE 5 56 = WAGON WHEEL BASE 6 16 = VAN WHEEL BASE 6 54 = WAGON WHEEL BASE 4 55 = WAGON WHEEL BASE 5	EX9 = Engine-2.7L I5 Mercedes Turbo Diesel	DGJ = Transmission-5-Spd. Automatic, W5A580

AR = use ase required - = Non illustrated part

2002 VA

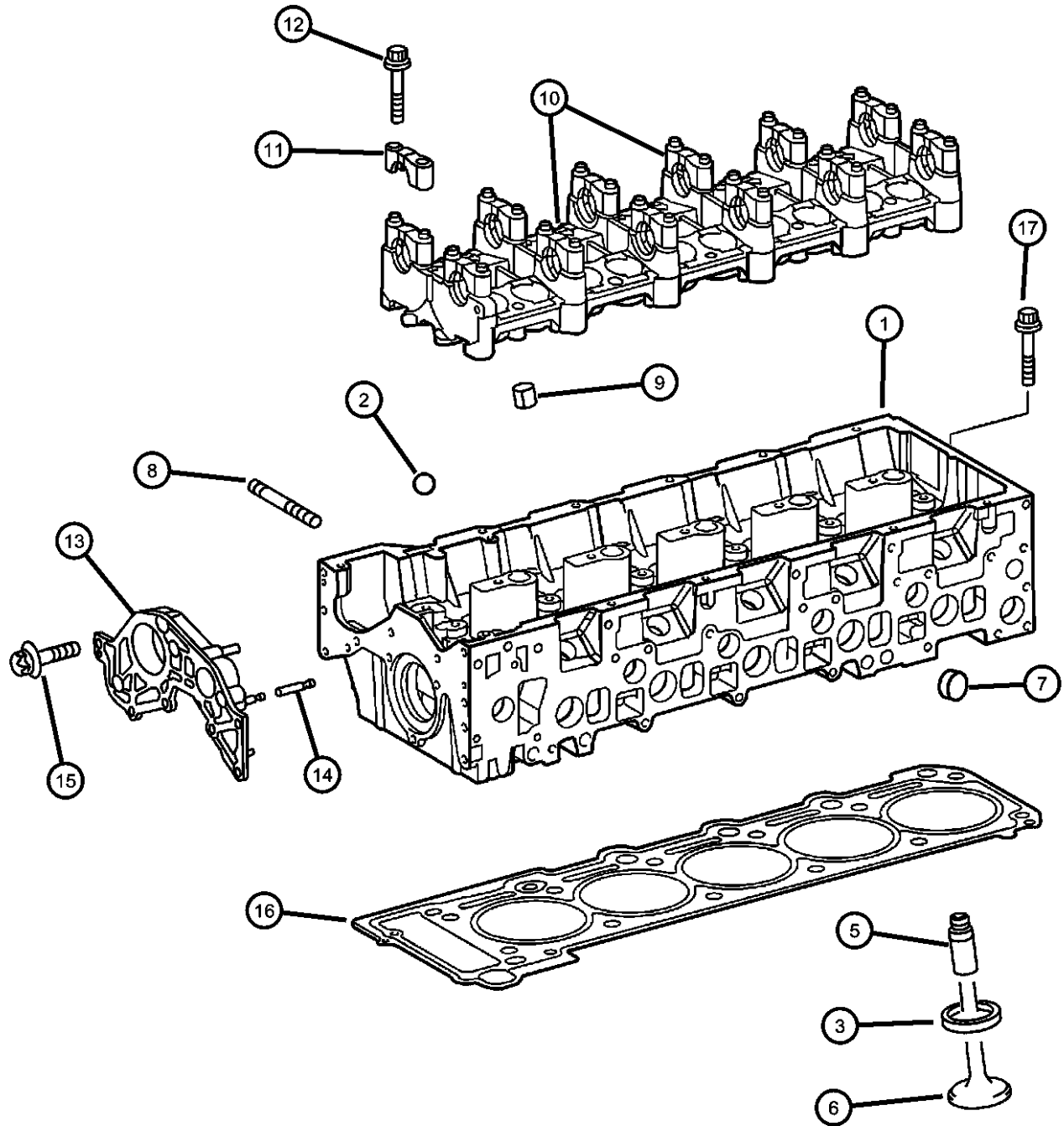
Head, Cylinder
Figure 2.7LD-210

ITEM	PART NUMBER	QTY	LINE	SERIES	BODY	ENGINE	TRANS	TRIM	DESCRIPTION
------	-------------	-----	------	--------	------	--------	-------	------	-------------

NOTE:

Sales Codes:

[EX9]=2.7L Turbo Diesel 5 Cyl. Inline Engine - [OM612]



1	05117156AA	1							HEAD, Cylinder
2	05080045AA	5							BALL
3	05080042AA	10							SEAT, Intake Valve
4	05080043AA	10							SEAT, Exhaust Valve
5	05080044AB	20							GUIDE, Intake/Exhaust Valve, Standard Size, Valve
6	05080044AB	20							VALVE, See Camshaft Illustration, (NOT SERVICED)
7	05080071AA	1							PLUG, Expansion
8	05080027AA	11							STUD
9	05073868AA	2							SLEEVE
10	05080072AA	1							HOUSING, Camshaft Bearing, With Caps
11	05117389AA	12							COVERCamshaft Bearing Cap
12	05073921AA	24							SCREW
13	05080076AA	1							CAP
14	05080080AA	1							PIN
15									SCREW
	05073723AB	4	2, 6						
		4	3, 7						
16	05134783AA	1							GASKET, Cylinder Head
17	05073703AA	12							BOLT, Cylinder Head

SPRINTER (VA)

SERIES

L = LOWLINE

LINE

3 = HD DODGE 2WD
6 = Lt. Duty DODGE 4WD
2 = Med. Duty DODGE 2WD
7 = Med. Duty DODGE 4WD

BODY

01 = CHASSIS FORWARD CONTROL W.B.1
02 = CAB CHASSIS WHEEL BASE 2
06 = CAB CHASSIS WHEEL BASE 6
11 = VAN WHEEL BASE 1
12 = VAN WHEEL BASE 2
51 = WAGON WHEEL BASE 1
52 = WAGON WHEEL BASE 2
14 = VAN WHEEL BASE 4
15 = VAN WHEEL BASE 5
56 = WAGON WHEEL BASE 6
16 = VAN WHEEL BASE 6
54 = WAGON WHEEL BASE 4
55 = WAGON WHEEL BASE 5

ENGINE

EX9 = Engine-2.7L I5 Mercedes Turbo Diesel

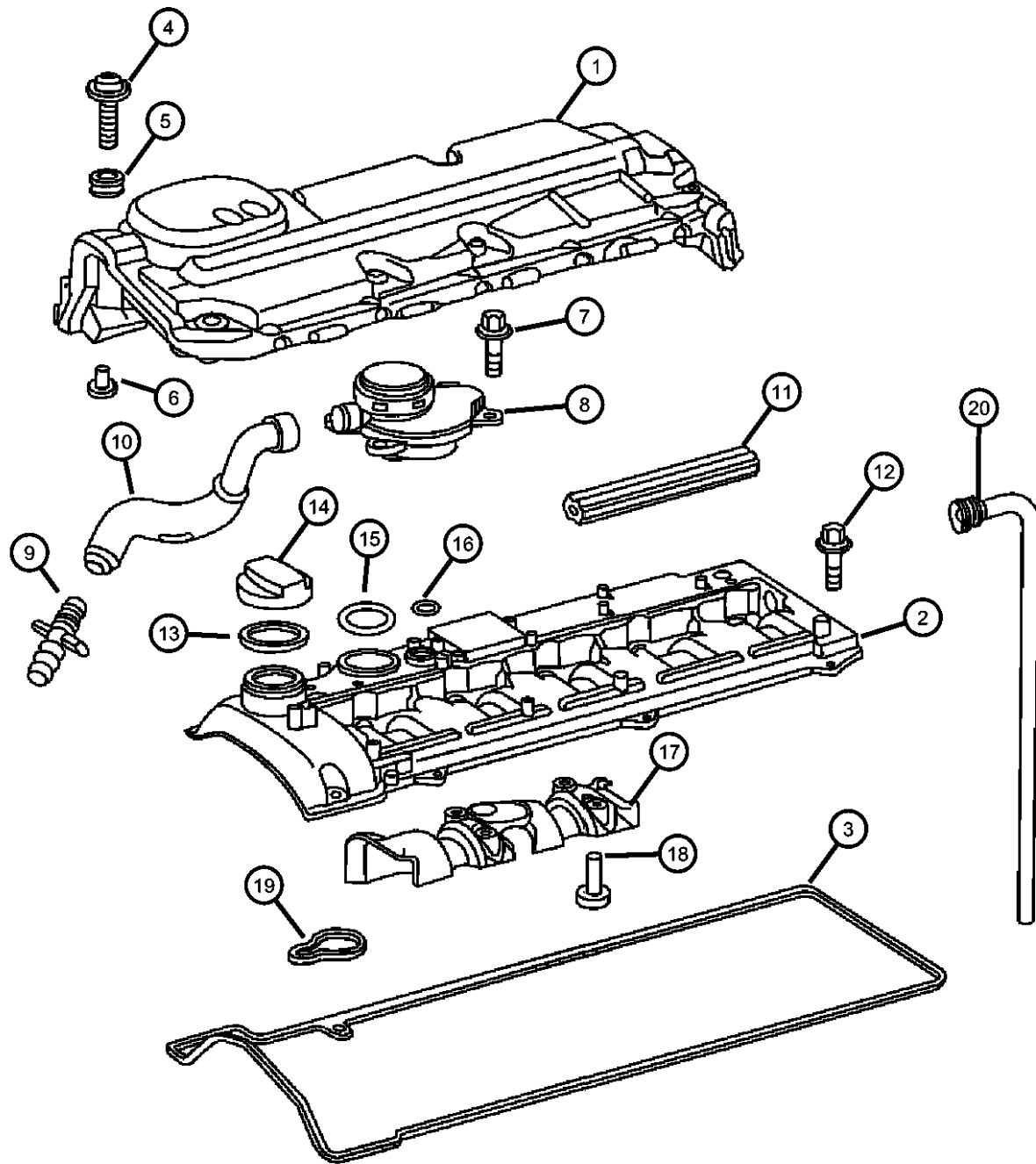
TRANSMISSION

DGJ = Transmission-5-Spd. Automatic, W5A580

AR = use ase required - = Non illustrated part

2002 VA

Cover, Cylinder Head
Figure 2.7LD-220



ITEM	PART NUMBER	QTY	LINE	SERIES	BODY	ENGINE	TRANS	TRIM	DESCRIPTION
NOTE:									
Sales Codes:									
[EX9]=2.7L Turbo Diesel 5 Cyl. Inline Engine - [OM612]									
1	05103996AA	1							COVER, Engine, Esthetic Cover
2	05117164AA	1							COVER, Cylinder Head
3	05117284AA	1							GASKET
4	05103968AA	8							SCREW
5	05125943AA	8							GROMMET
6	05125840AA	8							SLEEVE
7	06104682AA	4							SCREW, SCREW
8	05103970AA	1							SEPERATOR, Oil
9									TUBE, Crankcase Vent Valve
	05080183AA	1	2, 6			EX9			
		1	3, 7			EX9			
10									HOSE, Air Induction
	05117234AA	1	2, 6			EX9			
		1	3, 7			EX9			
11	05080222AA	1							GASKET
12	06104008AA	8							SCREW
13	05080088AA	1							GASKET, Oil Filler Cap
14	05080172AB	1							CAP, Oil Filler
15	05080114AA	1							O RING
16	05080112AA	1							O RING
17	05080168AA	1							PLATE
18	05073704AA	4							SCREW
19	05080083AA	5							GASKET
20	05117291AA	1							HOSE

SPRINTER (VA)

SERIES	LINE
L = LOWLINE	3 = HD DODGE 2WD 6 = Lt. Duty DODGE 4WD 2 = Med. Duty DODGE 2WD 7 = Med. Duty DODGE 4WD

BODY
01 = CHASSIS FORWARD CONTROL W.B.1
02 = CAB CHASSIS WHEEL BASE 2
06 = CAB CHASSIS WHEEL BASE 6
11 = VAN WHEEL BASE 1
12 = VAN WHEEL BASE 2
51 = WAGON WHEEL BASE 1
52 = WAGON WHEEL BASE 2
14 = VAN WHEEL BASE 4
15 = VAN WHEEL BASE 5
56 = WAGON WHEEL BASE 6
16 = VAN WHEEL BASE 6
54 = WAGON WHEEL BASE 4
55 = WAGON WHEEL BASE 5

ENGINE
EX9 = Engine-2.7L I5 Mercedes Turbo Diesel

TRANSMISSION
DGJ = Transmission-5-Spd. Automatic, W5A580

AR = use ase required - = Non illustrated part

2002 VA

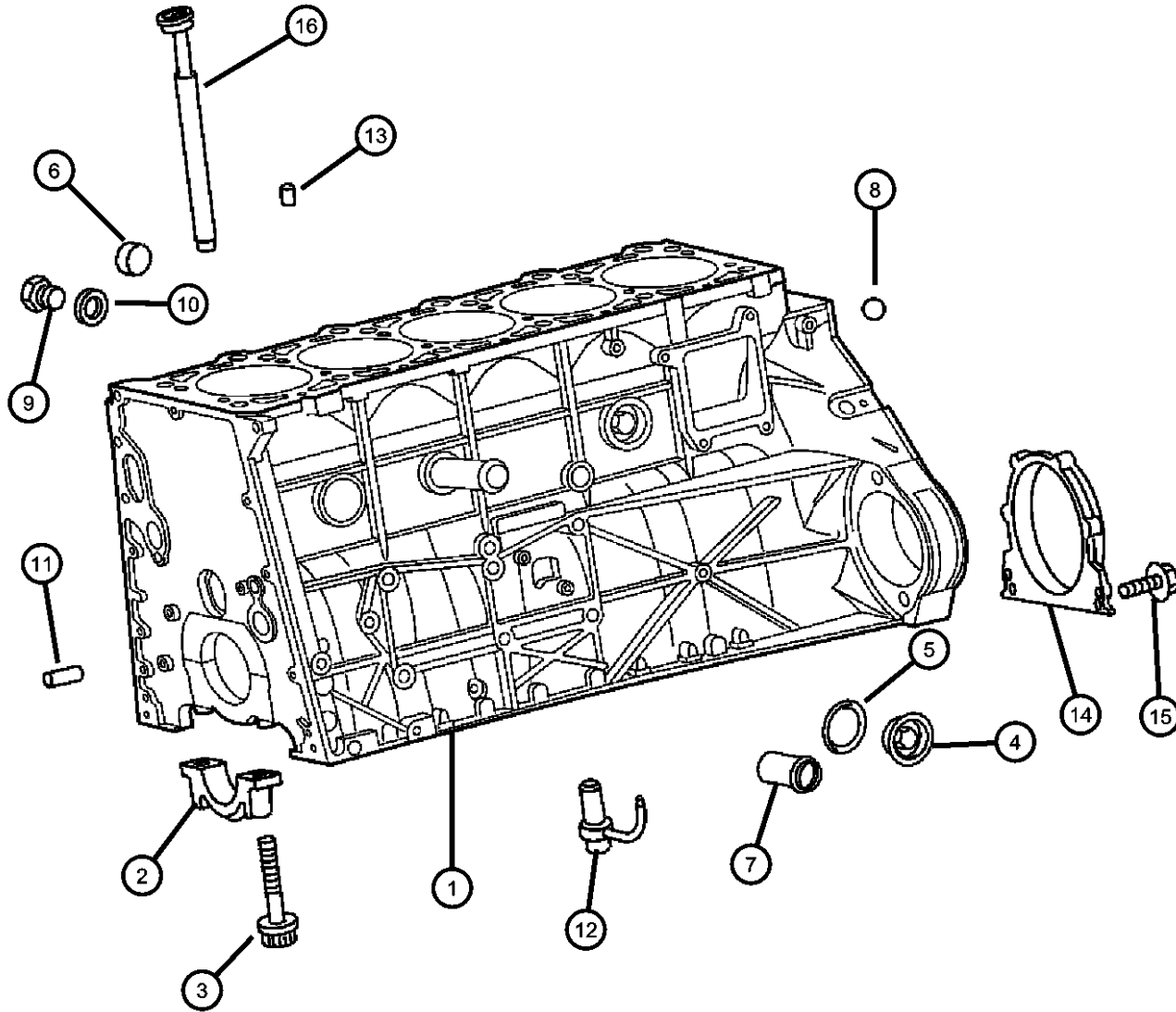
**Cylinder Block and Related Parts
Figure 2.7LD-310**

ITEM	PART NUMBER	QTY	LINE	SERIES	BODY	ENGINE	TRANS	TRIM	DESCRIPTION
------	-------------	-----	------	--------	------	--------	-------	------	-------------

NOTE:

Sales Codes:

[EX9]=2.7L Turbo Diesel 5 Cyl. Inline Engine - [OM612]



1	05073918AB	1							BLOCK, Cylinder
	R2527513AA								Mopar Reman Complete Engine 2002-2003 Sprinter
	04798231AD								Mopar 15W-40 Engine Oil Quart
	04798232AD								Mopar 15W-40 Engine Oil Gallon
2	05073918AB	1							CAP, Main, Serviced With # 1, (NOT SERVICED)
3	05073918AB	1							BOLT, Main Bearing Cap, Serviced With # 1, (NOT SERVICED)
4	05073837AA	2							PLUG, Screw, Cylinder Block
5	05073850AA	2							O RING
6	05073860AA	3							PLUG, Expansion
7	05073861AA	1							CONNECTOR
8	05073864AA	1							BALL
9	05073890AA	1							PLUG
10	05073866AA	1							O RING
11	05073869AA	2							DOWEL
12	05073895AA	5							JET, Piston Oil Cooler
13	05073868AA	2							SLEEVE
14	05073887AB	1							COVER
15	06104006AA	6							BOLT
16	05073894AA	1							PIPE, Oil Return
-17	05135855AA	1							HEATER, Engine Block

SPRINTER (VA)

SERIES

L = LOWLINE

LINE

3 = HD DODGE 2WD
6 = Lt. Duty DODGE 4WD
2 = Med. Duty DODGE 2WD
7 = Med. Duty DODGE 4WD

BODY

01 = CHASSIS FORWARD
CONTROL W.B.1
02 = CAB CHASSIS WHEEL
BASE 2
06 = CAB CHASSIS WHEEL
BASE 6
11 = VAN WHEEL BASE 1
12 = VAN WHEEL BASE 2
51 = WAGON WHEEL BASE 1
52 = WAGON WHEEL BASE 2
14 = VAN WHEEL BASE 4
15 = VAN WHEEL BASE 5
56 = WAGON WHEEL BASE 6
16 = VAN WHEEL BASE 6
54 = WAGON WHEEL BASE 4
55 = WAGON WHEEL BASE 5

ENGINE

EX9 = Engine-2.7L I5
Mercedes Turbo Diesel

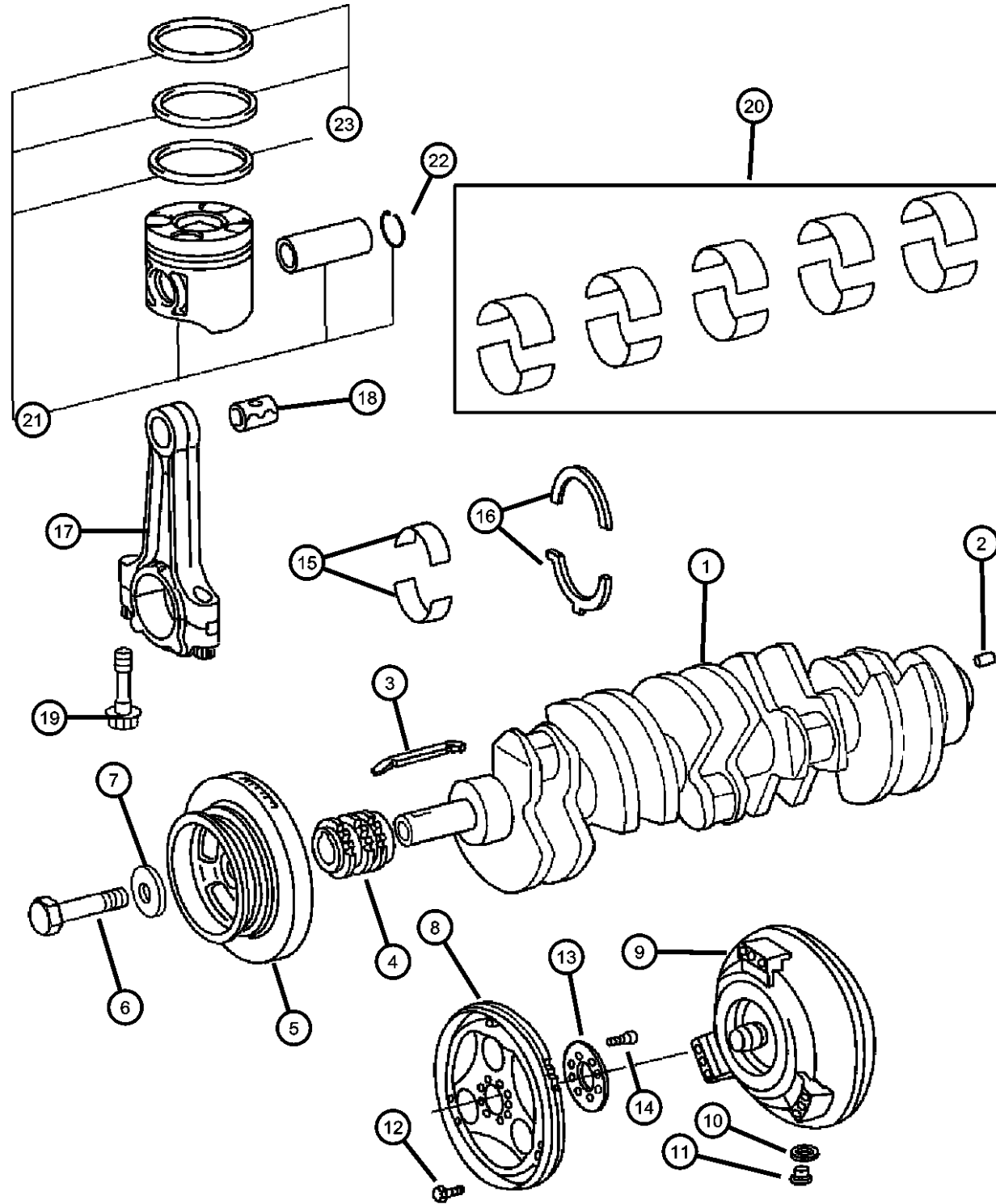
TRANSMISSION

DGJ = Transmission-5-Spd.
Automatic, W5A580

AR = use ase required - = Non illustrated part

2002 VA

**Crankshaft and Pistons
Figure 2.7LD-410**



ITEM	PART NUMBER	QTY	LINE	SERIES	BODY	ENGINE	TRANS	TRIM	DESCRIPTION
------	-------------	-----	------	--------	------	--------	-------	------	-------------

NOTE:

Sales Codes:

[EX9]=2.7L Turbo Diesel 5 Cyl. Inline Engine - [OM612]

1									CRANKSHAFT, Engine
	05080012AA	1	2, 6			EX9			See [TSB 09-003-06]
		1	3, 7			EX9			See [TSB 09-003-06]
2	05080024AA	1							DOWEL
3	05073998AA	1							KEY, Woodruff
4	05117378AA	1							GEAR, Crankshaft
5	05103972AA	1							DAMPER, Crankshaft
6	05073696AA	1							SCREW
7	05080005AA	1							WASHER
8	05137274AA	1							FLEX PLATE
9	05104567AA	1							CONVERTER, Torque
10	05080014AA	1							O RING
11	05080398AB	1							PLUG
12									SCREW
	06507095AA	6	2, 6				DGJ		
		6	3, 7				DGJ		
13	05080066AA	1							WASHER
14	05073700AB	8							SCREW
15									BEARING, Crankshaft
	05073953AB	AR							Color [White] - See [TSB 09-003-06] Main Bearing Cap Only
	05102127AA	AR							Color [Blue] - See [TSB 09-003-06]
	05102129AA	AR							Color [Red] - See [TSB 09-003-06]

SPRINTER (VA)

SERIES

L = LOWLINE

LINE

3 = HD DODGE 2WD
6 = Lt. Duty DODGE 4WD
2 = Med. Duty DODGE 2WD
7 = Med. Duty DODGE 4WD

BODY

01 = CHASSIS FORWARD CONTROL W.B.1
02 = CAB CHASSIS WHEEL BASE 2
06 = CAB CHASSIS WHEEL BASE 6
11 = VAN WHEEL BASE 1
12 = VAN WHEEL BASE 2
51 = WAGON WHEEL BASE 1
52 = WAGON WHEEL BASE 2
14 = VAN WHEEL BASE 4
15 = VAN WHEEL BASE 5
56 = WAGON WHEEL BASE 6
16 = VAN WHEEL BASE 6
54 = WAGON WHEEL BASE 4
55 = WAGON WHEEL BASE 5

ENGINE

EX9 = Engine-2.7L I5 Mercedes Turbo Diesel

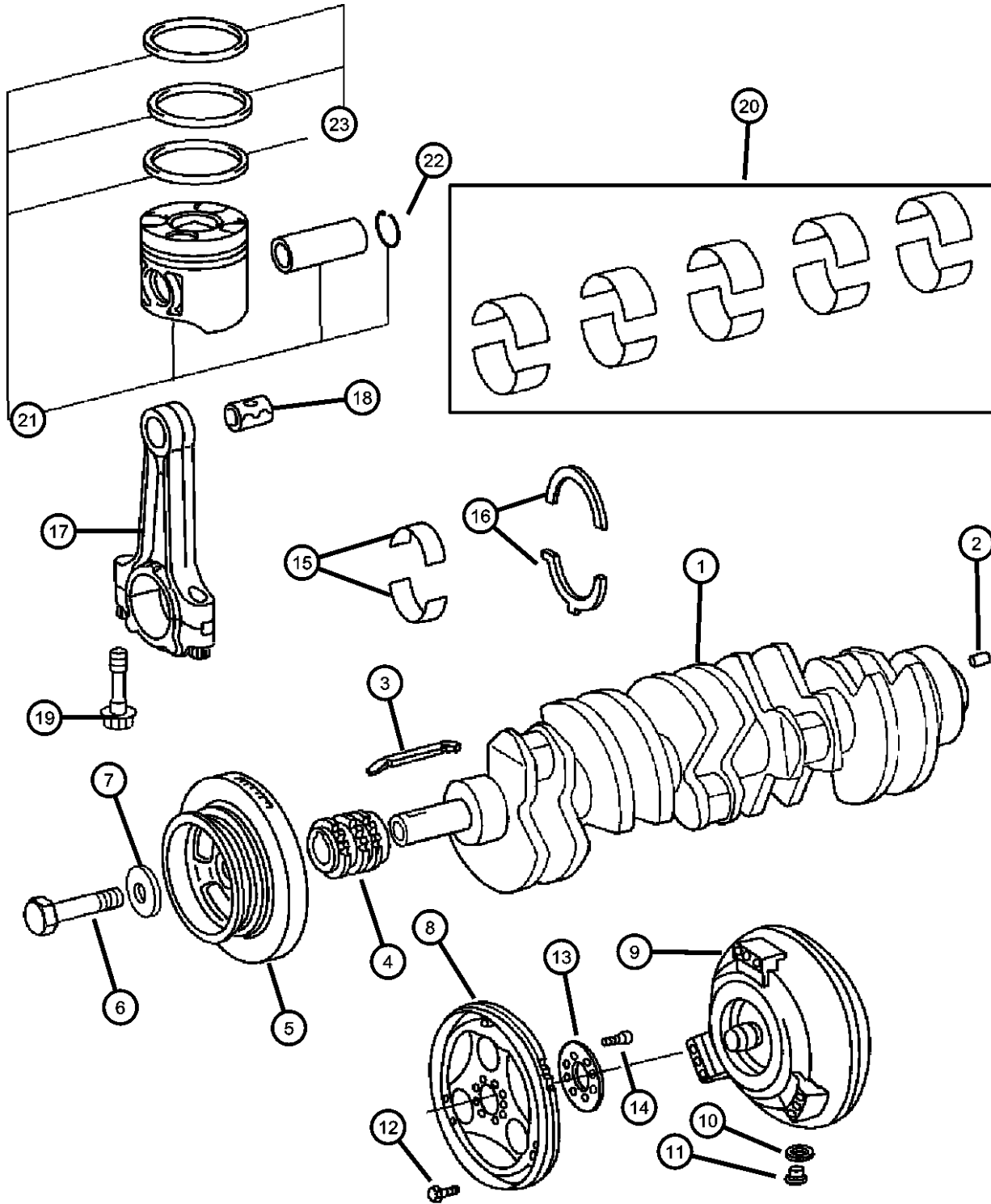
TRANSMISSION

DGJ = Transmission-5-Spd. Automatic, W5A580

AR = use ase required - = Non illustrated part

2002 VA

**Crankshaft and Pistons
Figure 2.7LD-410**



ITEM	PART NUMBER	QTY	LINE	SERIES	BODY	ENGINE	TRANS	TRIM	DESCRIPTION
	05179498AA	AR							Color [Violet] - See [TSB 09-003-06] Main Bearing Cap Only
	05102128AA	AR							Color [Yellow] - See [TSB 09-003-06]
16	05086295AA	2							BEARING, Crankshaft
17									ROD, Connecting
	05117318AA	1	2, 6			EX9			
		1	3, 7			EX9			
18	05117367AA	5							BUSHING, Connecting Rod
19									BOLT, Connecting Rod
	05073698AA	1	2, 6			EX9			
		1	3, 7			EX9			
20	05086153AA	5							BEARING, Connecting Rod, STD.
21	05137280AA	5							PISTON
22	05080034AA	10							RING, Piston Pin
23	05086254AA	5							RING KIT, Piston

SPRINTER (VA)

SERIES LINE
 L = LOWLINE 3 = HD DODGE 2WD
 6 = Lt. Duty DODGE 4WD
 2 = Med. Duty DODGE 2WD
 7 = Med. Duty DODGE 4WD

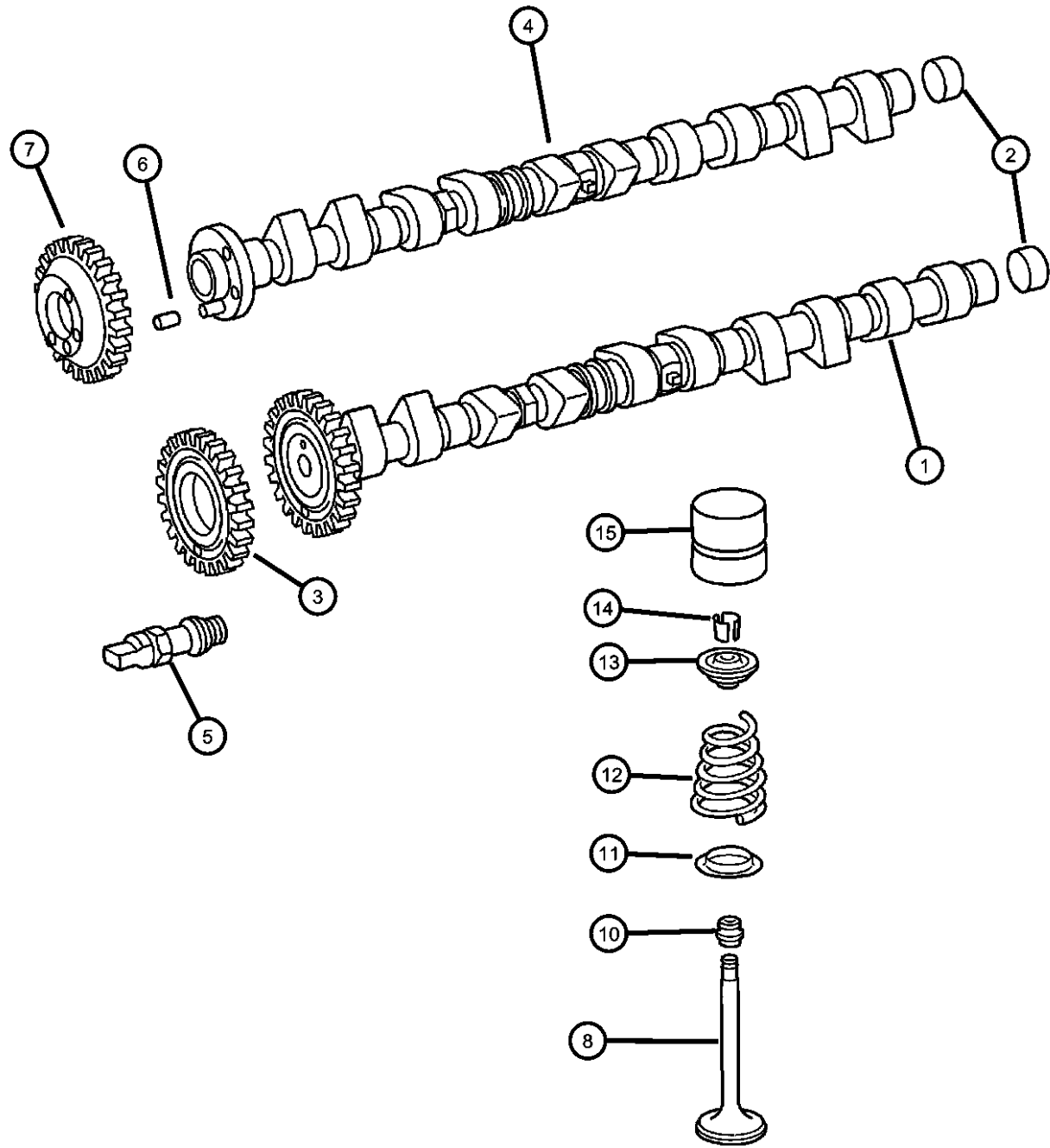
BODY
 01 = CHASSIS FORWARD CONTROL W.B.1
 02 = CAB CHASSIS WHEEL BASE 2
 06 = CAB CHASSIS WHEEL BASE 6
 11 = VAN WHEEL BASE 1
 12 = VAN WHEEL BASE 2
 51 = WAGON WHEEL BASE 1
 52 = WAGON WHEEL BASE 2
 14 = VAN WHEEL BASE 4
 15 = VAN WHEEL BASE 5
 56 = WAGON WHEEL BASE 6
 16 = VAN WHEEL BASE 6
 54 = WAGON WHEEL BASE 4
 55 = WAGON WHEEL BASE 5

ENGINE
 EX9 = Engine-2.7L I5 Mercedes Turbo Diesel

TRANSMISSION
 DGJ = Transmission-5-Spd. Automatic, W5A580

AR = use ase required - = Non illustrated part

Camshaft and Valves
Figure 2.7LD-510



ITEM	PART NUMBER	QTY	LINE	SERIES	BODY	ENGINE	TRANS	TRIM	DESCRIPTION
------	-------------	-----	------	--------	------	--------	-------	------	-------------

NOTE:

Sales Codes:

[EX9]=2.7L Turbo Diesel 5 Cyl. Inline Engine - [OM612]

1	05080093AA	1							CAMSHAFT, Intake
2	05080071AA	1							PLUG, Expansion
3	05073810AA	1							GEAR, Camshaft
4	05080095AA	1							CAMSHAFT, Exhaust
5	05086157AB	1							FOLLOWER, Camshaft, Fuel Pump Drive
6	05080096AA	1							PIN, Dowel
7	05073814AA	1							GEAR, Camshaft
8	05073735AA	10							VALVE, Intake, Standard
-9	05073738AA	10							VALVE, Engine Exhaust
10	05080057AA	20							SEAL, Valve Guide
11	05080055AA	20							RETAINER, Valve Spring
12									SPRING, Valve
	05080054AA	10							Intake
	05117403AA	10							Exhaust
13	05080052AA	20							RETAINER, Valve Spring
14	05080051AA	40							LOCK, Valve Spring Retainer
15	05080060AB	20							TAPPET, Valve

SPRINTER (VA)

SERIES	LINE
L = LOWLINE	3 = HD DODGE 2WD
	6 = Lt. Duty DODGE 4WD
	2 = Med. Duty DODGE 2WD
	7 = Med. Duty DODGE 4WD

BODY
01 = CHASSIS FORWARD CONTROL W.B.1
02 = CAB CHASSIS WHEEL BASE 2
06 = CAB CHASSIS WHEEL BASE 6
11 = VAN WHEEL BASE 1
12 = VAN WHEEL BASE 2
51 = WAGON WHEEL BASE 1
52 = WAGON WHEEL BASE 2
14 = VAN WHEEL BASE 4
15 = VAN WHEEL BASE 5
56 = WAGON WHEEL BASE 6
16 = VAN WHEEL BASE 6
54 = WAGON WHEEL BASE 4
55 = WAGON WHEEL BASE 5

ENGINE
EX9 = Engine-2.7L I5 Mercedes Turbo Diesel

TRANSMISSION
DGJ = Transmission-5-Spd. Automatic, W5A580

AR = use ase required - = Non illustrated part

2002 VA

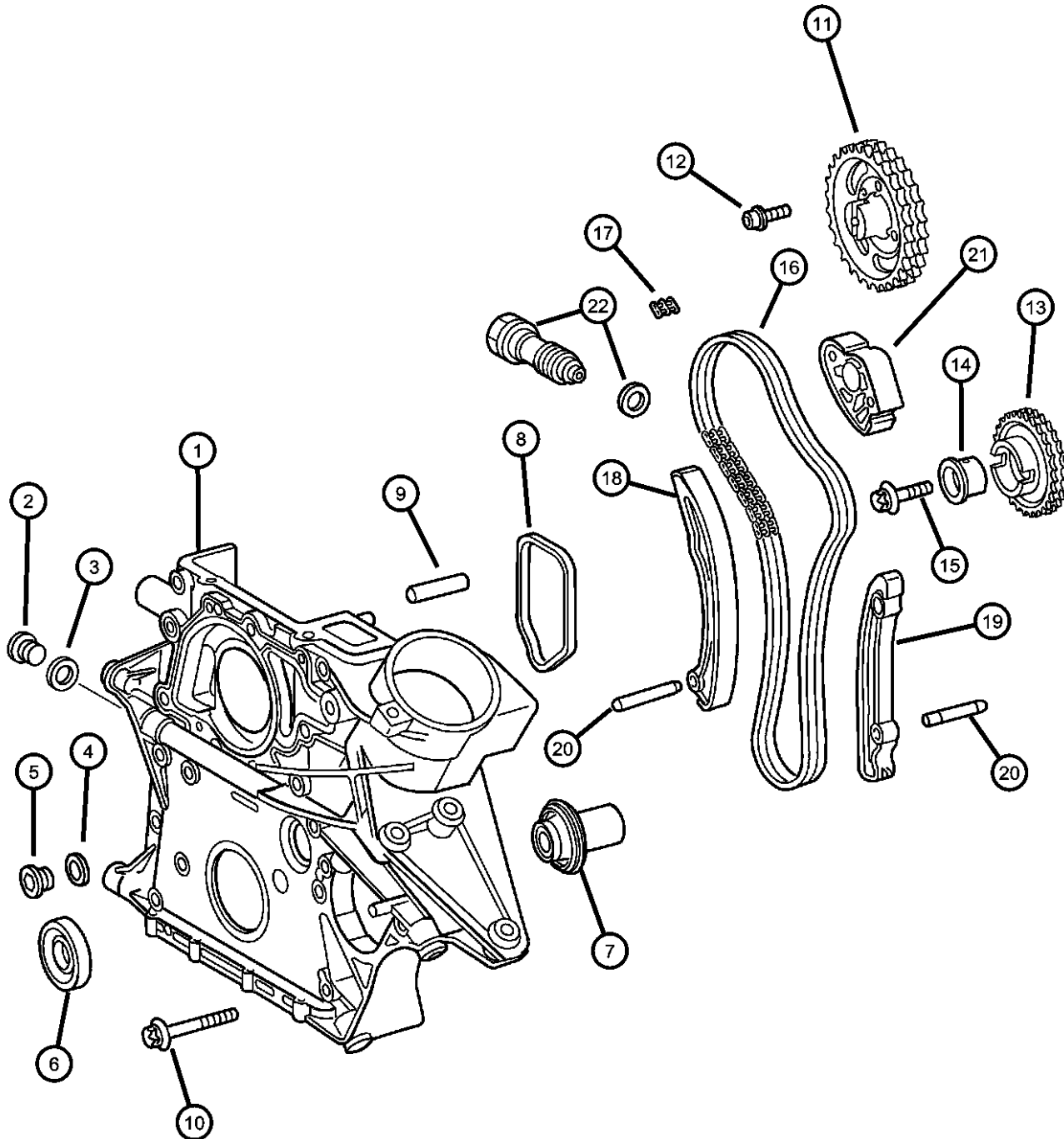
**Timing Cover and Chain
Figure 2.7LD-610**

ITEM	PART NUMBER	QTY	LINE	SERIES	BODY	ENGINE	TRANS	TRIM	DESCRIPTION
------	-------------	-----	------	--------	------	--------	-------	------	-------------

NOTE:

Sales Codes:

[EX9]=2.7L Turbo Diesel 5 Cyl. Inline Engine - [OM612]



1	05103969AA	1							COVER, Timing Case
2	06104473AA	1							PLUG
3	05080015AA	1							O RING
4	05080014AA	1							O RING
5	05080398AA	1							PLUG
6	05073675AB	1							OIL SEAL
7	05080179AA	1							VALVE, Pressure Relief
8	05073677AA	1							GASKET, Timing Cover
9	05073936AA	1							DOWEL
10									SCREW
	05137660AA	3	3, 7						[M8x80]
		3	2, 6						[M8x80]
	06104031AA	4	2, 6						[M8x60]
		4	3, 7						[M8x60]
	06104035AA	1	2, 6						[M8x90]
		1	3, 7						[M8x90]
11									GEAR, Camshaft
	05080110AA	1							Optional Uses 05073901AA Bolts
	05080110AB	1				EX9			Uses 05086285AA Bolts
12									SCREW
	05073901AA	3							Used With 05080110AA Gear
	05086285AA	3							Used With 05080110AB Gear
13	05117380AA	1							GEAR, Intermediate
14	05080098AA	1							BEARING
15	05073707AA	1							SCREW

SPRINTER (VA)

SERIES	LINE
L = LOWLINE	3 = HD DODGE 2WD 6 = Lt. Duty DODGE 4WD 2 = Med. Duty DODGE 2WD 7 = Med. Duty DODGE 4WD

BODY
01 = CHASSIS FORWARD CONTROL W.B.1
02 = CAB CHASSIS WHEEL BASE 2
06 = CAB CHASSIS WHEEL BASE 6
11 = VAN WHEEL BASE 1
12 = VAN WHEEL BASE 2
51 = WAGON WHEEL BASE 1
52 = WAGON WHEEL BASE 2
14 = VAN WHEEL BASE 4
15 = VAN WHEEL BASE 5
56 = WAGON WHEEL BASE 6
16 = VAN WHEEL BASE 6
54 = WAGON WHEEL BASE 4
55 = WAGON WHEEL BASE 5

ENGINE
EX9 = Engine-2.7L I5 Mercedes Turbo Diesel

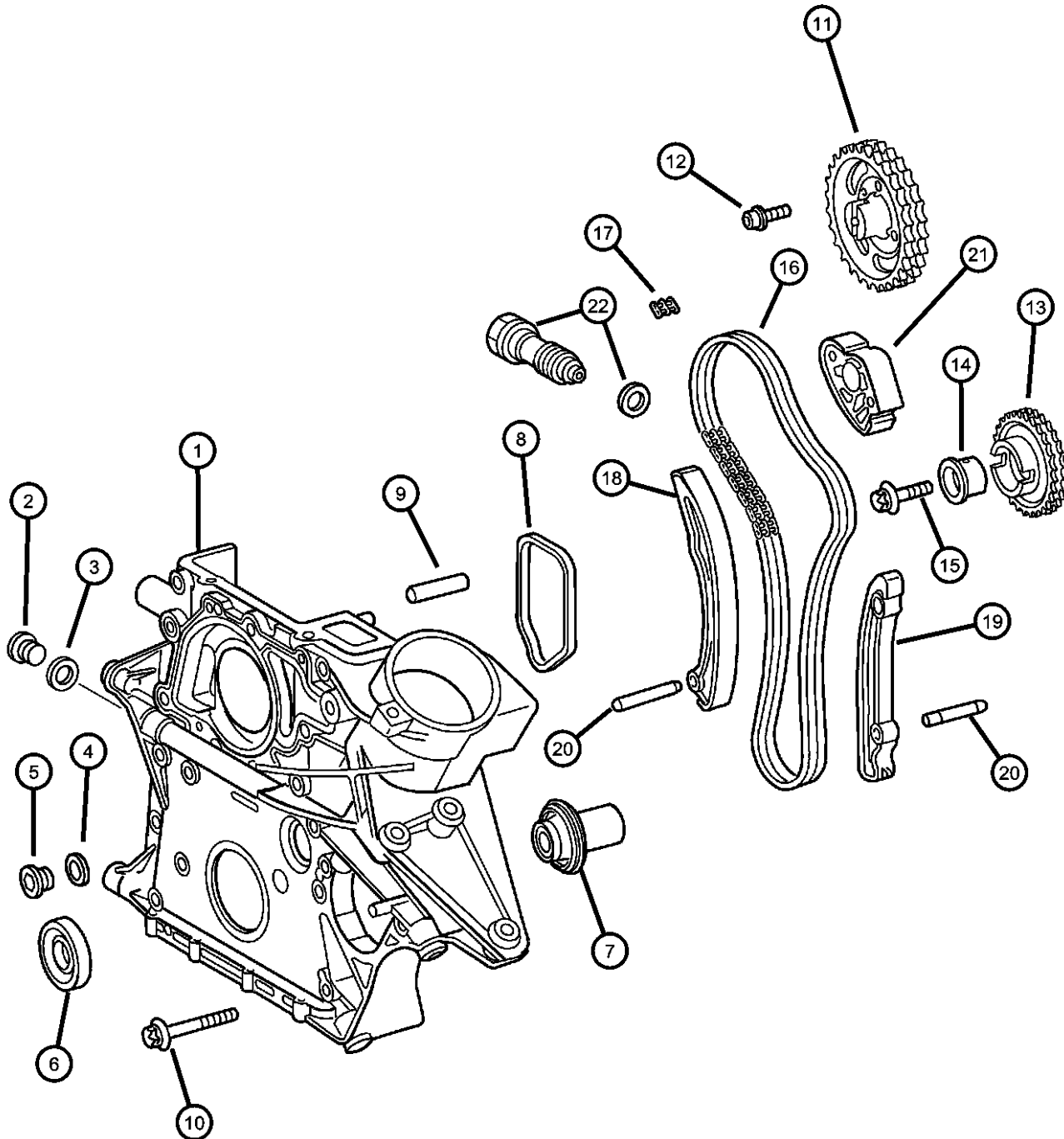
TRANSMISSION
DGJ = Transmission-5-Spd. Automatic, W5A580

AR = use ase required - = Non illustrated part

2002 VA

Timing Cover and Chain
Figure 2.7LD-610

ITEM	PART NUMBER	QTY	LINE	SERIES	BODY	ENGINE	TRANS	TRIM	DESCRIPTION
16	05080209AB	1							CHAIN, Timing
17	05086196AA	1							LINK, Chain
18	05080099AA	1							GUIDE, Timing Chain
19	05080100AA	1							GUIDE, Timing Chain
20	05073870AA	2							DOWEL
21	05080101AA	1							GUIDE, Timing Chain
22	05080102AB	1							TENSIONER, Chain



SPRINTER (VA)

SERIES

L = LOWLINE
 3 = HD DODGE 2WD
 6 = Lt. Duty DODGE 4WD
 2 = Med. Duty DODGE 2WD
 7 = Med. Duty DODGE 4WD

LINE

BODY

01 = CHASSIS FORWARD CONTROL W.B.1
 02 = CAB CHASSIS WHEEL BASE 2
 06 = CAB CHASSIS WHEEL BASE 6
 11 = VAN WHEEL BASE 1
 12 = VAN WHEEL BASE 2
 51 = WAGON WHEEL BASE 1
 52 = WAGON WHEEL BASE 2
 14 = VAN WHEEL BASE 4
 15 = VAN WHEEL BASE 5
 56 = WAGON WHEEL BASE 6
 16 = VAN WHEEL BASE 6
 54 = WAGON WHEEL BASE 4
 55 = WAGON WHEEL BASE 5

ENGINE

EX9 = Engine-2.7L I5
 Mercedes Turbo Diesel

TRANSMISSION

DGJ = Transmission-5-Spd. Automatic, W5A580

AR = use ase required - = Non illustrated part

2002 VA

Vaccum Pump
Figure 2.7LD-620

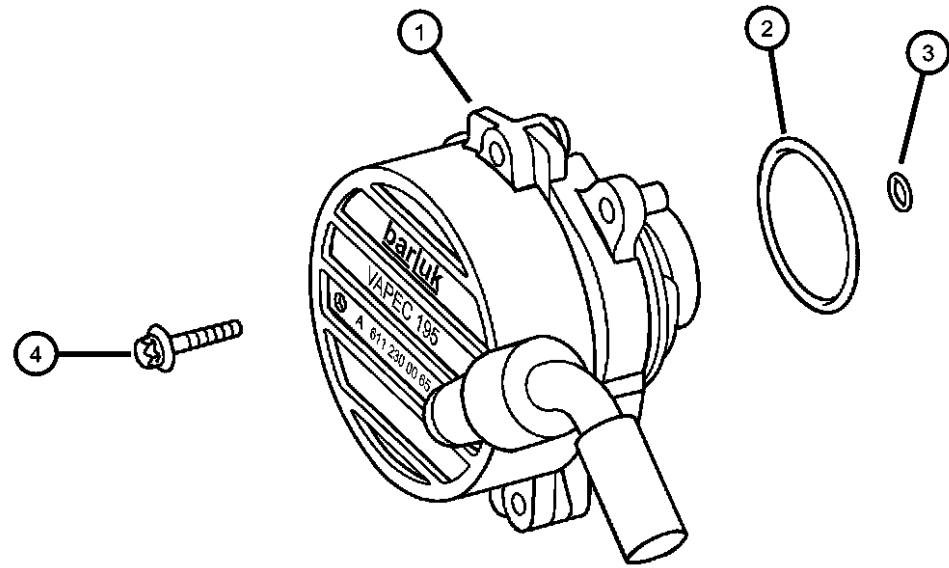
ITEM	PART NUMBER	QTY	LINE	SERIES	BODY	ENGINE	TRANS	TRIM	DESCRIPTION
------	-------------	-----	------	--------	------	--------	-------	------	-------------

NOTE:

Sales Codes:

[EX9]=2.7L Turbo Diesel 5 Cyl. Inline Engine - [OM612]

1	05117674AA	1							PUMP, Vacuum
2	05080334AA	1							O RING
3	05080335AA	1							O RING
4	05073702AA	2							SCREW



SPRINTER (VA)

SERIES	LINE	BODY	ENGINE	TRANSMISSION
L = LOWLINE	3 = HD DODGE 2WD 6 = Lt. Duty DODGE 4WD 2 = Med. Duty DODGE 2WD 7 = Med. Duty DODGE 4WD	01 = CHASSIS FORWARD CONTROL W.B.1 02 = CAB CHASSIS WHEEL BASE 2 06 = CAB CHASSIS WHEEL BASE 6 11 = VAN WHEEL BASE 1 12 = VAN WHEEL BASE 2 51 = WAGON WHEEL BASE 1 52 = WAGON WHEEL BASE 2 14 = VAN WHEEL BASE 4 15 = VAN WHEEL BASE 5 56 = WAGON WHEEL BASE 6 16 = VAN WHEEL BASE 6 54 = WAGON WHEEL BASE 4 55 = WAGON WHEEL BASE 5	EX9 = Engine-2.7L I5 Mercedes Turbo Diesel	DGJ = Transmission-5-Spd. Automatic, W5A580

AR = use ase required - = Non illustrated part

2002 VA

**Oil Pump
Figure 2.7LD-710**

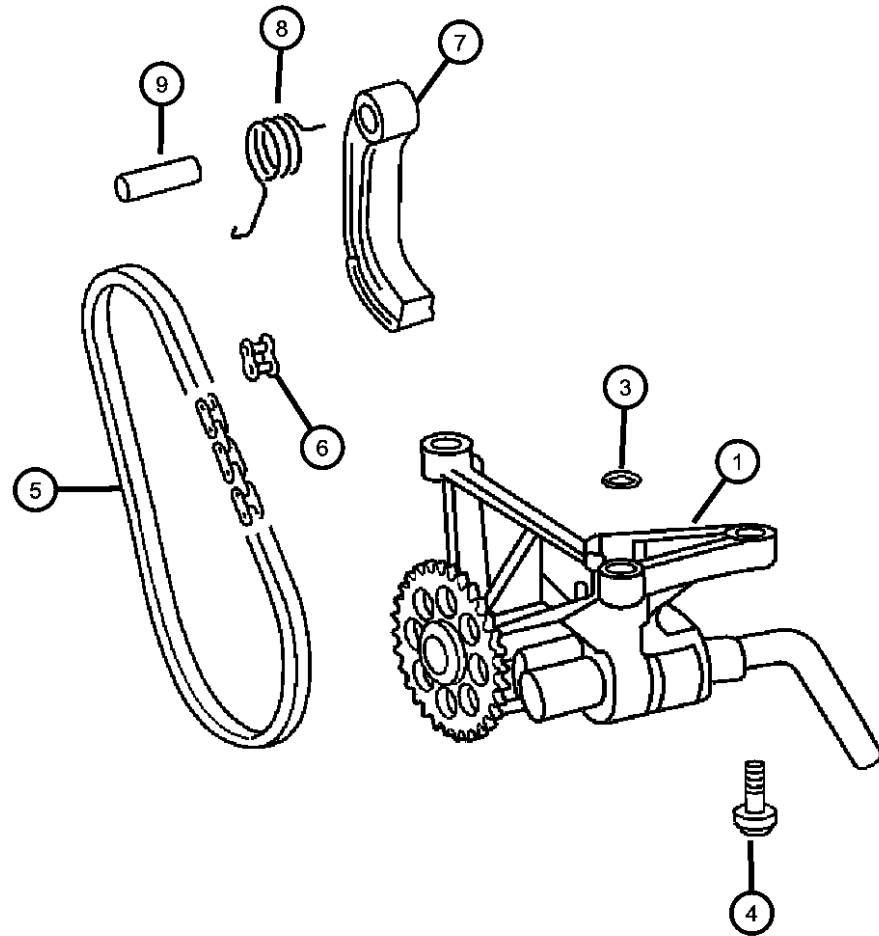
ITEM	PART NUMBER	QTY	LINE	SERIES	BODY	ENGINE	TRANS	TRIM	DESCRIPTION
------	-------------	-----	------	--------	------	--------	-------	------	-------------

NOTE:

Sales Codes:

[EX9]=2.7L Turbo Diesel 5 Cyl. Inline Engine - [OM612]

1	05117594AA	1							PUMP, Engine Oil
-2	05080119AA	1							SNAP RING
3	05080123AB	1							O RING
4	05073710AA	3							SCREW
5	05080128AA	1							CHAIN, Pump Drive
6	05086196AA	1							LINK, Chain
7	05080121AB	1							ARM, Tensioner
8	05080120AA	1							SPRING
9	05073871AA	1							DOWEL



SPRINTER (VA)

SERIES	LINE	BODY	ENGINE	TRANSMISSION
L = LOWLINE	3 = HD DODGE 2WD 6 = Lt. Duty DODGE 4WD 2 = Med. Duty DODGE 2WD 7 = Med. Duty DODGE 4WD	01 = CHASSIS FORWARD CONTROL W.B.1 02 = CAB CHASSIS WHEEL BASE 2 06 = CAB CHASSIS WHEEL BASE 6 11 = VAN WHEEL BASE 1 12 = VAN WHEEL BASE 2 51 = WAGON WHEEL BASE 1 52 = WAGON WHEEL BASE 2 14 = VAN WHEEL BASE 4 15 = VAN WHEEL BASE 5 56 = WAGON WHEEL BASE 6 16 = VAN WHEEL BASE 6 54 = WAGON WHEEL BASE 4 55 = WAGON WHEEL BASE 5	EX9 = Engine-2.7L I5 Mercedes Turbo Diesel	DGJ = Transmission-5-Spd. Automatic, W5A580

AR = use ase required - = Non illustrated part

2002 VA

**Oil Cooler and Filter
Figure 2.7LD-720**

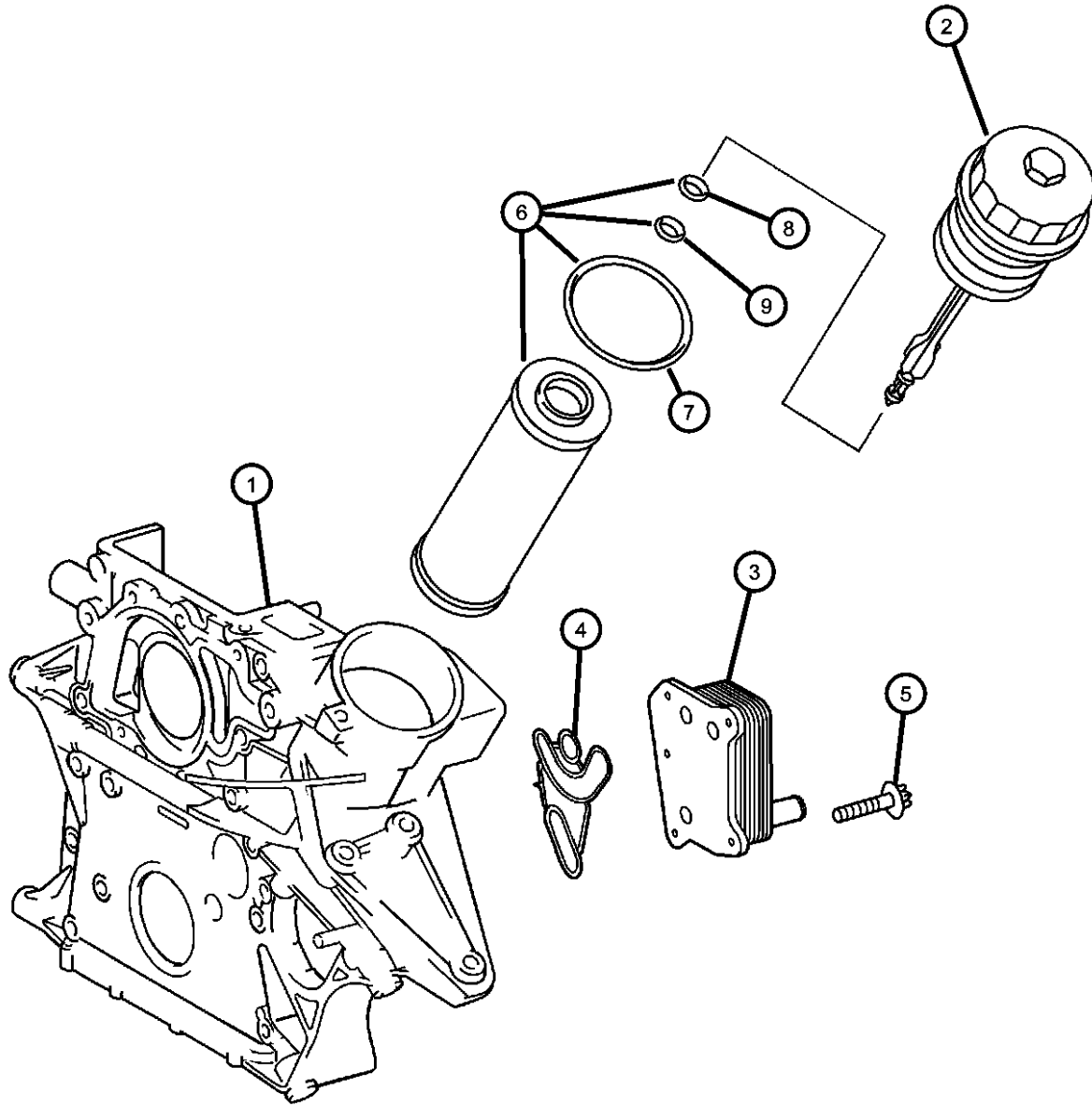
ITEM	PART NUMBER	QTY	LINE	SERIES	BODY	ENGINE	TRANS	TRIM	DESCRIPTION
------	-------------	-----	------	--------	------	--------	-------	------	-------------

NOTE:

Sales Codes:

[EX9]=2.7L Turbo Diesel 5 Cyl. Inline Engine - [OM612]

1	05103969AA	1							COVER, Timing Case
2	05080029AA	1							HEAD, Oil Filter
3	05080402AA	1							COOLER, Oil
4	05080141AA	1							GASKET, Oil Cooler
5	06104681AA	1							SCREW
6	05086301AA	1							FILTER, Engine Oil
7	05080242AA	1							O RING, Filter cover to Housing
8	05080245AA	1							O RING
9	05086297AA	1							O RING



SPRINTER (VA)

SERIES

L = LOWLINE

LINE

3 = HD DODGE 2WD
6 = Lt. Duty DODGE 4WD
2 = Med. Duty DODGE 2WD
7 = Med. Duty DODGE 4WD

BODY

01 = CHASSIS FORWARD CONTROL W.B.1
02 = CAB CHASSIS WHEEL BASE 2
06 = CAB CHASSIS WHEEL BASE 6
11 = VAN WHEEL BASE 1
12 = VAN WHEEL BASE 2
51 = WAGON WHEEL BASE 1
52 = WAGON WHEEL BASE 2
14 = VAN WHEEL BASE 4
15 = VAN WHEEL BASE 5
56 = WAGON WHEEL BASE 6
16 = VAN WHEEL BASE 6
54 = WAGON WHEEL BASE 4
55 = WAGON WHEEL BASE 5

ENGINE

EX9 = Engine-2.7L I5 Mercedes Turbo Diesel

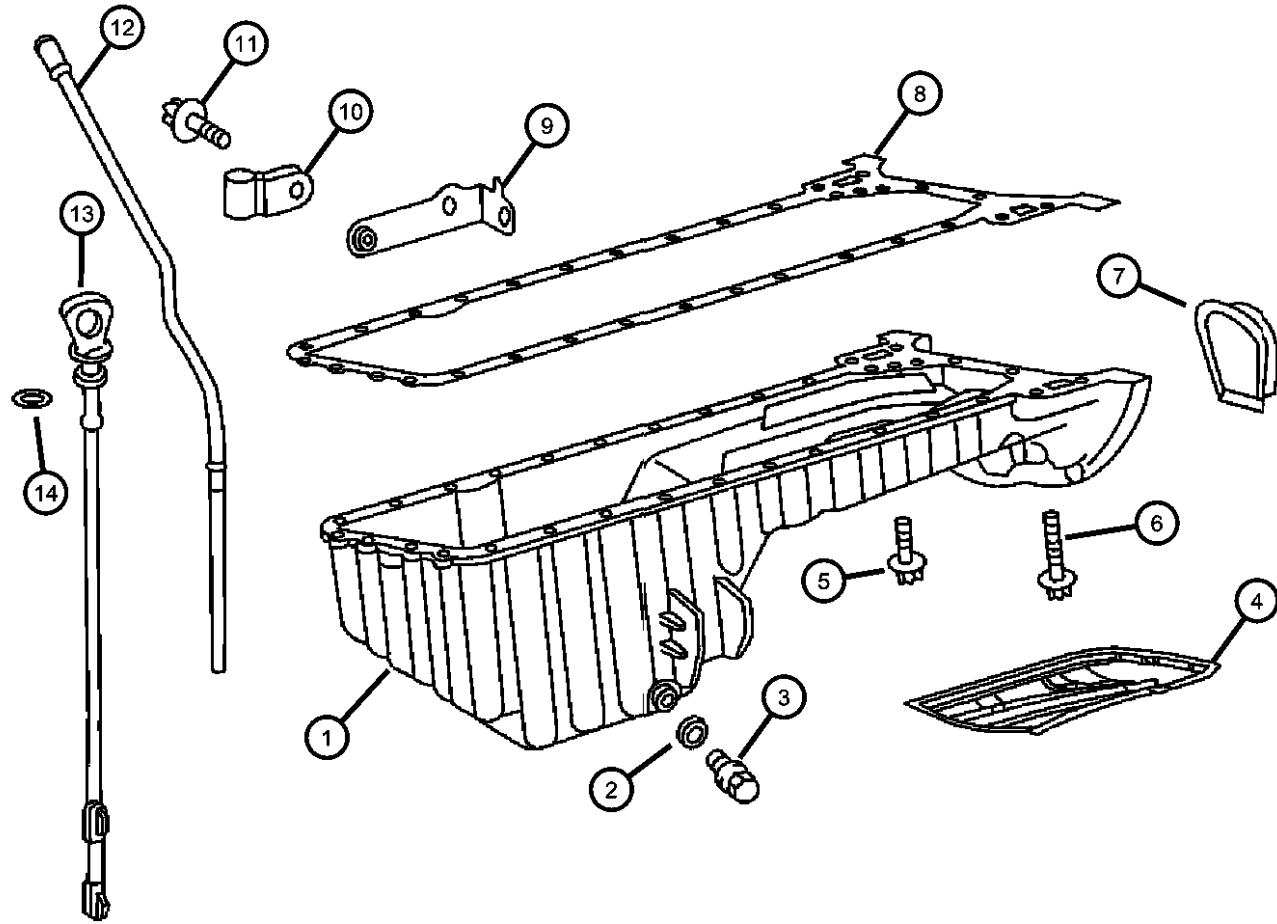
TRANSMISSION

DGJ = Transmission-5-Spd. Automatic, W5A580

AR = use ase required - = Non illustrated part

2002 VA

Oil Pan
Figure 2.7LD-730



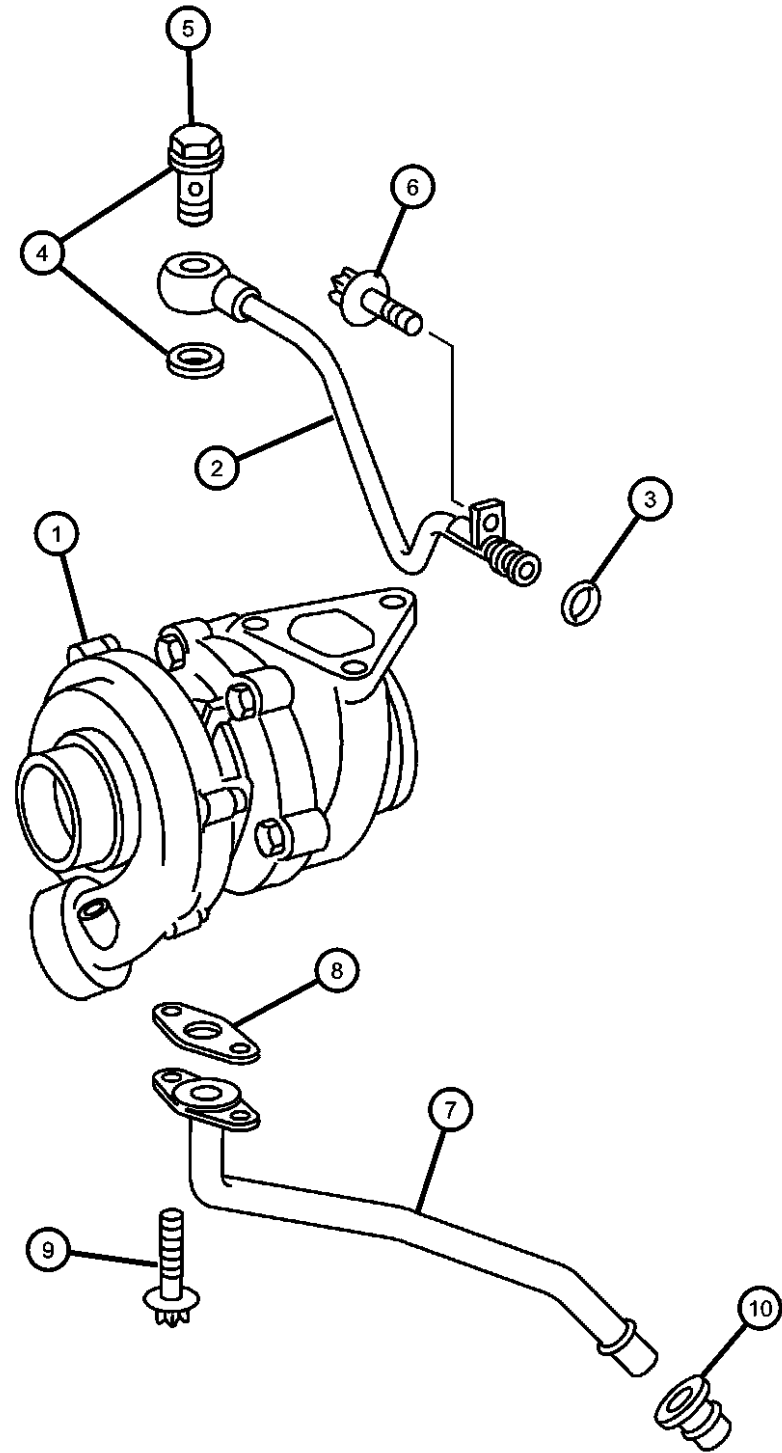
ITEM	PART NUMBER	QTY	LINE	SERIES	BODY	ENGINE	TRANS	TRIM	DESCRIPTION
NOTE: Sales Codes: [EX9]=2.7L Turbo Diesel 5 Cyl. Inline Engine - [OM612]									
1	05117152AA	1							PAN, Oil
2	05073946AA	1							GASKET, Drain Plug
3	05073945AA	1							PLUG, Oil Drain
4	05117250AA	1							PAN, Oil
5									BOLT, M6x20
	05073692AA	1							[M6x85]
	05126198AA	4	2, 6						[M6x20]
		4	3, 7						[M6x20]
	06104009AA	3							[M6x35]
6									BOLT
	06104006AA	18							[M6x20]
	06104029AA	2							
7	05103911AA	1							COVER
8	05080064AA	1							GASKET, Oil Pan
9	05117307AA	1							BRACKET
10	05125875AA	1							CLIP
11	05135828AA	1							SCREW
12	05117300AA	1							TUBE, Engine Oil Indicator
13	05103962AA	1							INDICATOR, Engine Oil Level
14	05073943AA	1							O RING, Engine Oil Level Tube
-15	05073692AA	1							SCREW

SPRINTER (VA)

SERIES	LINE	BODY	ENGINE	TRANSMISSION
L = LOWLINE	3 = HD DODGE 2WD 6 = Lt. Duty DODGE 4WD 2 = Med. Duty DODGE 2WD 7 = Med. Duty DODGE 4WD	01 = CHASSIS FORWARD CONTROL W.B.1 02 = CAB CHASSIS WHEEL BASE 2 06 = CAB CHASSIS WHEEL BASE 6 11 = VAN WHEEL BASE 1 12 = VAN WHEEL BASE 2 51 = WAGON WHEEL BASE 1 52 = WAGON WHEEL BASE 2 14 = VAN WHEEL BASE 4 15 = VAN WHEEL BASE 5 56 = WAGON WHEEL BASE 6 16 = VAN WHEEL BASE 6 54 = WAGON WHEEL BASE 4 55 = WAGON WHEEL BASE 5	EX9 = Engine-2.7L I5 Mercedes Turbo Diesel	DGJ = Transmission-5-Spd. Automatic, W5A580

AR = use ase required - = Non illustrated part

Turbo, Oil Feed and Return Lines
Figure 2.7LD-740



ITEM	PART NUMBER	QTY	LINE	SERIES	BODY	ENGINE	TRANS	TRIM	DESCRIPTION
------	-------------	-----	------	--------	------	--------	-------	------	-------------

NOTE:

Sales Codes:

[EX9]=2.7L Turbo Diesel 5 Cyl. Inline Engine - [OM612]

1	05104006AA	1							TURBOCHARGER
2	05103984AA	1							TUBE, Turbo Oil Feed
3	05080135AA	1							O RING
4	05080136AB	2							O RING
5	05080137AA	1							SCREW
6	05080137AA	1							SCREW
7	05103983AA	1							TUBE, Turbo Oil Return
8	05117624AA	1							GASKET, Turbo Oil Return Pipe
9	06104005AA	2							SCREW
10	05080140AB	1							GASKET, Turbo Oil Return Pipe

SPRINTER (VA)

SERIES

L = LOWLINE

LINE

3 = HD DODGE 2WD
 6 = Lt. Duty DODGE 4WD
 2 = Med. Duty DODGE 2WD
 7 = Med. Duty DODGE 4WD

BODY

01 = CHASSIS FORWARD CONTROL W.B.1
 02 = CAB CHASSIS WHEEL BASE 2
 06 = CAB CHASSIS WHEEL BASE 6
 11 = VAN WHEEL BASE 1
 12 = VAN WHEEL BASE 2
 51 = WAGON WHEEL BASE 1
 52 = WAGON WHEEL BASE 2
 14 = VAN WHEEL BASE 4
 15 = VAN WHEEL BASE 5
 56 = WAGON WHEEL BASE 6
 16 = VAN WHEEL BASE 6
 54 = WAGON WHEEL BASE 4
 55 = WAGON WHEEL BASE 5

ENGINE

EX9 = Engine-2.7L I5 Mercedes Turbo Diesel

TRANSMISSION

DGJ = Transmission-5-Spd. Automatic, W5A580

AR = use ase required - = Non illustrated part

2002 VA

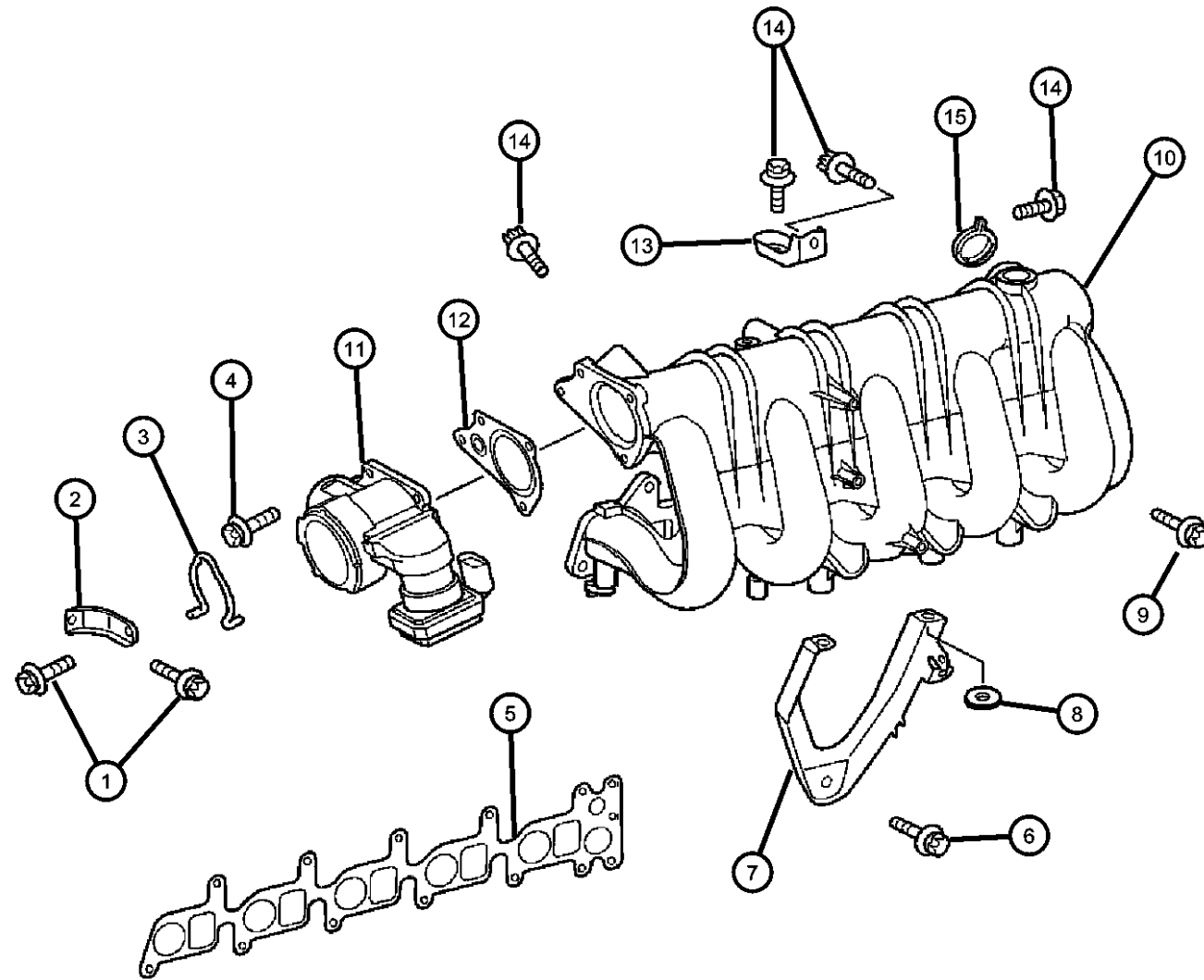
Intake Manifold
Figure 2.7LD-810

ITEM	PART NUMBER	QTY	LINE	SERIES	BODY	ENGINE	TRANS	TRIM	DESCRIPTION
------	-------------	-----	------	--------	------	--------	-------	------	-------------

NOTE:

Sales Codes:

[EX9]=2.7L Turbo Diesel 5 Cyl. Inline Engine - [OM612]



1	06104682AA	2							SCREW, SCREW
2	05117508AA	1							BRACKET, Throttle Body Support
3	05080427AA	1							SPRING
4	06104006AA	6							BOLT
5	05080324AA	1							GASKET, Intake Manifold
6	06104022AA	1							SCREW
7	05117509AA	1							BRACKET, Intake Manifold
8									WASHER, Flat
	05098108AA	1	2, 6						
		1	3, 7						
9	05073903AA	12							SCREW
10	05135874AA	1							MANIFOLD, Intake
11	05104008AA	1							VALVE, Mixing Chamber, Includes EGR Valve
12	05104007AA	1							GASKET, Throttle Body
13	05117508AA	1							BRACKET, Throttle Body Support
14									SCREW
	06104005AA	2	2, 6						
		2	3, 7						
15		2							CLAMP, (NOT SERVICED)

SPRINTER (VA)

SERIES

L = LOWLINE

LINE

3 = HD DODGE 2WD
 6 = Lt. Duty DODGE 4WD
 2 = Med. Duty DODGE 2WD
 7 = Med. Duty DODGE 4WD

BODY

01 = CHASSIS FORWARD CONTROL W.B.1
 02 = CAB CHASSIS WHEEL BASE 2
 06 = CAB CHASSIS WHEEL BASE 6
 11 = VAN WHEEL BASE 1
 12 = VAN WHEEL BASE 2
 51 = WAGON WHEEL BASE 1
 52 = WAGON WHEEL BASE 2
 14 = VAN WHEEL BASE 4
 15 = VAN WHEEL BASE 5
 56 = WAGON WHEEL BASE 6
 16 = VAN WHEEL BASE 6
 54 = WAGON WHEEL BASE 4
 55 = WAGON WHEEL BASE 5

ENGINE

EX9 = Engine-2.7L I5 Mercedes Turbo Diesel

TRANSMISSION

DGJ = Transmission-5-Spd. Automatic, W5A580

AR = use ase required - = Non illustrated part

2002 VA

Exhaust Manifold
Figure 2.7LD-820

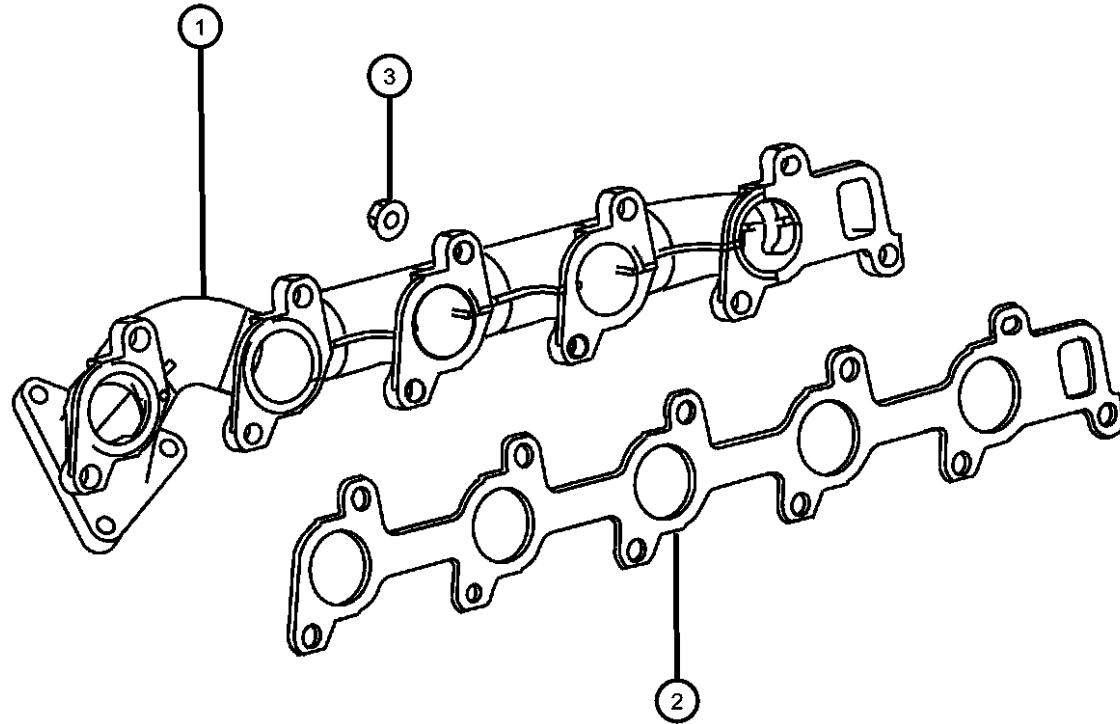
ITEM	PART NUMBER	QTY	LINE	SERIES	BODY	ENGINE	TRANS	TRIM	DESCRIPTION
------	-------------	-----	------	--------	------	--------	-------	------	-------------

NOTE:

Sales Codes:

[EX9]=2.7L Turbo Diesel 5 Cyl. Inline Engine - [OM612]

1	05117523AA	1							MANIFOLD, Exhaust
2	05135985AA	1							GASKET, Exhaust Manifold
3	06104729AA	11							NUT



SPRINTER (VA)

SERIES	LINE	BODY	ENGINE	TRANSMISSION
L = LOWLINE	3 = HD DODGE 2WD 6 = Lt. Duty DODGE 4WD 2 = Med. Duty DODGE 2WD 7 = Med. Duty DODGE 4WD	01 = CHASSIS FORWARD CONTROL W.B.1 02 = CAB CHASSIS WHEEL BASE 2 06 = CAB CHASSIS WHEEL BASE 6 11 = VAN WHEEL BASE 1 12 = VAN WHEEL BASE 2 51 = WAGON WHEEL BASE 1 52 = WAGON WHEEL BASE 2 14 = VAN WHEEL BASE 4 15 = VAN WHEEL BASE 5 56 = WAGON WHEEL BASE 6 16 = VAN WHEEL BASE 6 54 = WAGON WHEEL BASE 4 55 = WAGON WHEEL BASE 5	EX9 = Engine-2.7L I5 Mercedes Turbo Diesel	DGJ = Transmission-5-Spd. Automatic, W5A580

AR = use ase required - = Non illustrated part

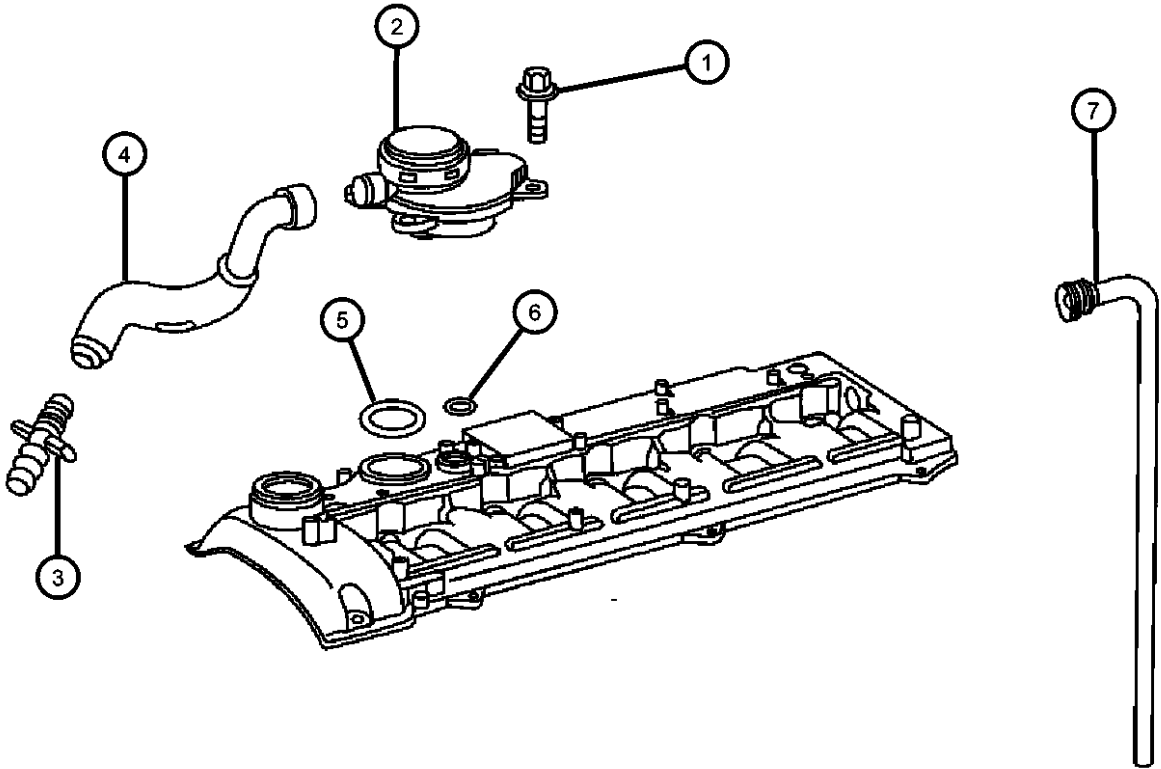
2002 VA

**Crankcase Ventilation
Figure 2.7LD-910**

ITEM	PART NUMBER	QTY	LINE	SERIES	BODY	ENGINE	TRANS	TRIM	DESCRIPTION
------	-------------	-----	------	--------	------	--------	-------	------	-------------

NOTE:
Sales Codes:
[EX9]=2.7L Turbo Diesel 5 Cyl. Inline Engine - [OM612]

1	06104682AA	4							SCREW, SCREW
2	05103970AA	1							SEPERATOR, Oil
3									TUBE, Crankcase Vent Valve
	05080183AA	1	2, 6			EX9			
		1	3, 7			EX9			
4									HOSE, Air Induction
	05117234AA	1	2, 6			EX9			
		1	3, 7			EX9			
5	05080114AA	1							O RING
6	05080112AA	1							O RING
7	05117291AA	1							HOSE



SPRINTER (VA)

SERIES	LINE	BODY	ENGINE	TRANSMISSION
L = LOWLINE	3 = HD DODGE 2WD 6 = Lt. Duty DODGE 4WD 2 = Med. Duty DODGE 2WD 7 = Med. Duty DODGE 4WD	01 = CHASSIS FORWARD CONTROL W.B.1 02 = CAB CHASSIS WHEEL BASE 2 06 = CAB CHASSIS WHEEL BASE 6 11 = VAN WHEEL BASE 1 12 = VAN WHEEL BASE 2 51 = WAGON WHEEL BASE 1 52 = WAGON WHEEL BASE 2 14 = VAN WHEEL BASE 4 15 = VAN WHEEL BASE 5 56 = WAGON WHEEL BASE 6 16 = VAN WHEEL BASE 6 54 = WAGON WHEEL BASE 4 55 = WAGON WHEEL BASE 5	EX9 = Engine-2.7L I5 Mercedes Turbo Diesel	DGJ = Transmission-5-Spd. Automatic, W5A580

AR = use ase required - = Non illustrated part

Group - 11

Exhaust

Group - 11 Exhaust

Illustration Title

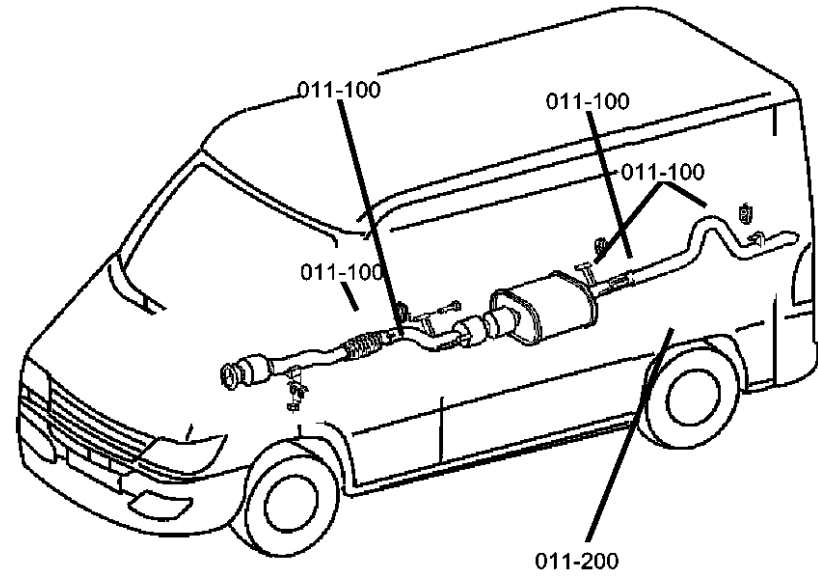
Group-Fig. No.

Exhaust System

Exhaust System Fig. 11 - 110

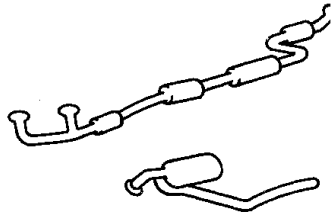
Heat Shields

Heat Shields Exhaust Fig. 11 - 210



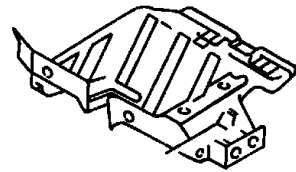
011-100

Exhaust System



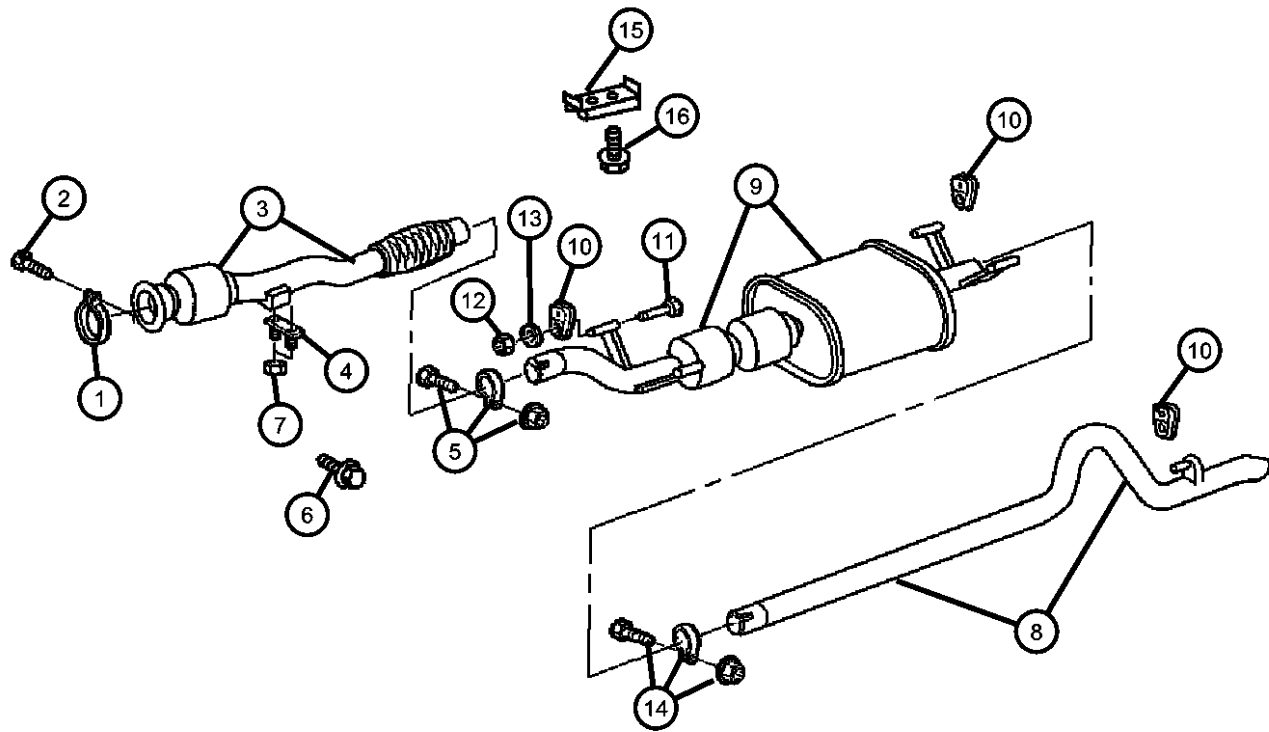
011-200

Heat Shields



**Exhaust System
Figure 11-110**

ITEM	PART NUMBER	QTY	LINE	SERIES	BODY	ENGINE	TRANS	TRIM	DESCRIPTION
Note; Sales Codes: [EX9] = 2.7L Inline 5 Cylinder Mercedes Turbo Diesel [5AC] = 118 Inch Wheel Base [5AE] = 140 Inch Wheel Base [5AF] = 158 Inch Wheel Base									
1	05119830AA	1	2, 6	L	11, 12, 14, 15, 16				CLAMP, Exhaust
		1	2, 6	L	51, 52, 54, 55, 56				
		1	3, 7	L	12, 15, 16				
2	06104027AA	1	2, 6	L	11, 12, 14, 15, 16				SCREW
		1	2, 6	L	51, 52, 54, 55, 56				
		1	3, 7	L	12, 15, 16				
3	05119758AA	1	2, 6	L	11, 12, 14, 15, 16	EX9			PIPE, Exhaust
		1	2, 6	L	51, 52, 54, 55, 56	EX9			
		1	3, 7	L	12, 15, 16	EX9			
4	05119943AA	1	2, 6	L	11, 12, 14, 15, 16	EX9			BRACKET, Exhaust
		1	2, 6	L	51, 52, 54, 55, 56	EX9			
		1	3, 7	L	12, 15, 16	EX9			
5	05103923AA	1	2, 6	L	11, 12, 14, 15, 16	EX9			CLAMP, 60MM, SPRINTER
		1	3, 7	L	12, 15, 16	EX9			
6									SCREW, Bracket Mounting

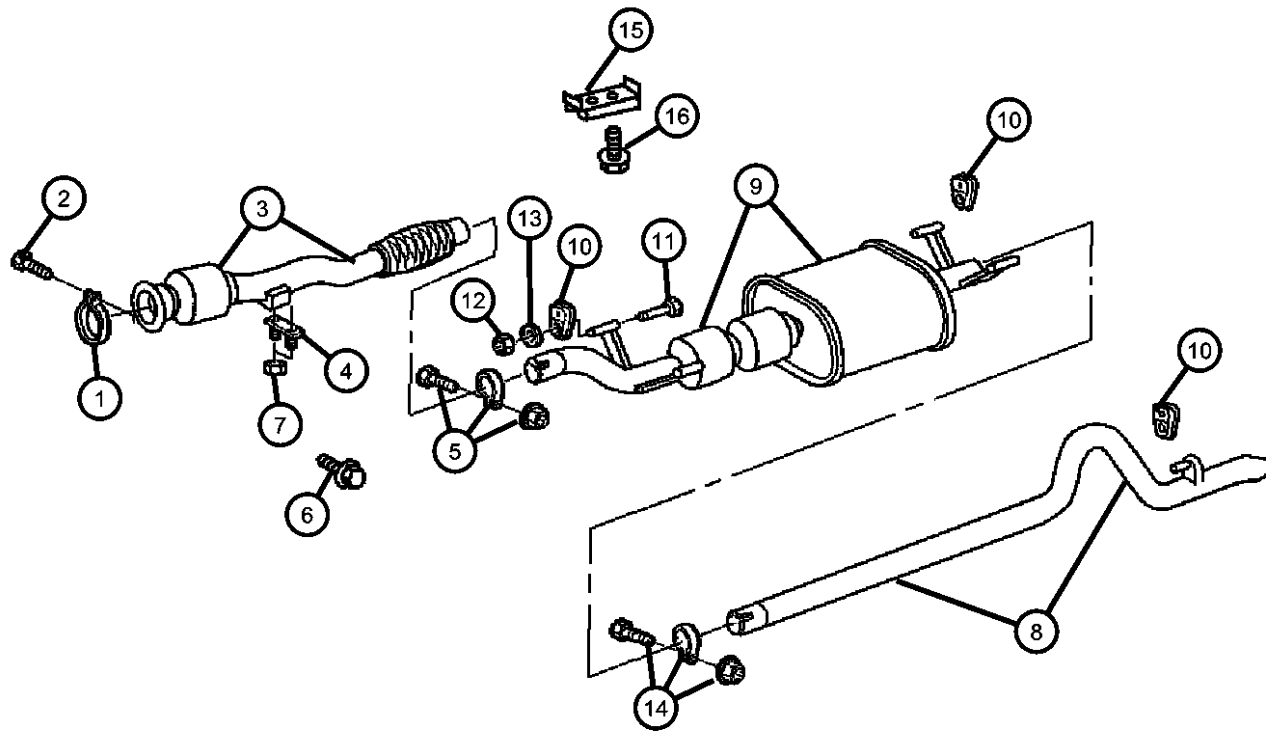


SPRINTER (VA)

SERIES	LINE	BODY	ENGINE	TRANSMISSION
L = LOWLINE	3 = HD DODGE 2WD 6 = Lt. Duty DODGE 4WD 2 = Med. Duty DODGE 2WD 7 = Med. Duty DODGE 4WD	01 = CHASSIS FORWARD CONTROL W.B.1 02 = CAB CHASSIS WHEEL BASE 2 06 = CAB CHASSIS WHEEL BASE 6 11 = VAN WHEEL BASE 1 12 = VAN WHEEL BASE 2 51 = WAGON WHEEL BASE 1 52 = WAGON WHEEL BASE 2 14 = VAN WHEEL BASE 4 15 = VAN WHEEL BASE 5 56 = WAGON WHEEL BASE 6 16 = VAN WHEEL BASE 6 54 = WAGON WHEEL BASE 4 55 = WAGON WHEEL BASE 5	EX9 = Engine-2.7L I5 Mercedes Turbo Diesel	DGJ = Transmission-5-Spd. Automatic, W5A580

AR = use ase required - = Non illustrated part

Exhaust System
Figure 11-110



ITEM	PART NUMBER	QTY	LINE	SERIES	BODY	ENGINE	TRANS	TRIM	DESCRIPTION
	05104663AA	2	2, 6	L	11, 12, 14, 15, 16	EX9			
		2	2, 6	L	51, 52, 54, 55, 56	EX9			
		2	3, 7	L	12, 15, 16	EX9			
7									NUT, Catalytic Converter Mounting
	05101226AA	2	2, 6	L	11, 12, 14, 15, 16				
		2	2, 6	L	51, 52, 54, 55, 56				
		2	3, 7	L	12, 15, 16				
8									PIPE, Tail
	05104107AA	1	2, 6	L	12, 15				[5AE]
		1	2, 6	L	52, 55				[5AE]
	05104108AA	1	2, 6	L	16				[5AF]
		1	2, 6	L	56				[5AF]
9	05119762AA	1				EX9			MUFFLER, Exhaust
10									SUSPENSION RING, NONE, SPRINTER
	05104109AA	4	2, 6	L	11, 12, 14, 15, 16				
		4	2, 6	L	51, 52, 54, 55, 56				
		4	3, 7	L	12, 15, 16				
11									SCREW
	05104653AA	1	2, 6	L	11, 12, 14, 15, 16				
		1	2, 6	L	51, 52, 54, 55, 56				
		1	3, 7	L	12, 15, 16				
12									NUT, Hex
	05097683AA	1	2, 6	L	11, 12, 14, 15, 16				

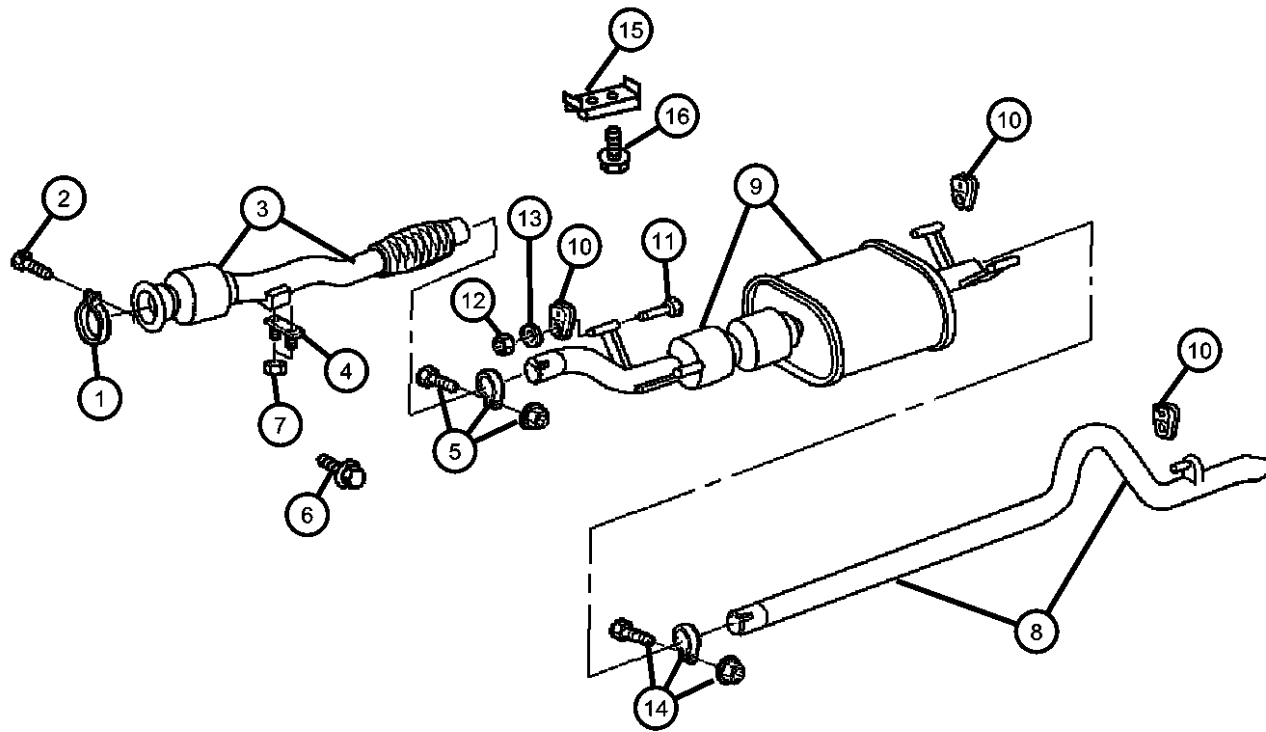
SPRINTER (VA)

SERIES	LINE	BODY	ENGINE	TRANSMISSION
L = LOWLINE	3 = HD DODGE 2WD 6 = Lt. Duty DODGE 4WD 2 = Med. Duty DODGE 2WD 7 = Med. Duty DODGE 4WD	01 = CHASSIS FORWARD CONTROL W.B.1 02 = CAB CHASSIS WHEEL BASE 2 06 = CAB CHASSIS WHEEL BASE 6 11 = VAN WHEEL BASE 1 12 = VAN WHEEL BASE 2 51 = WAGON WHEEL BASE 1 52 = WAGON WHEEL BASE 2 14 = VAN WHEEL BASE 4 15 = VAN WHEEL BASE 5 56 = WAGON WHEEL BASE 6 16 = VAN WHEEL BASE 6 54 = WAGON WHEEL BASE 4 55 = WAGON WHEEL BASE 5	EX9 = Engine-2.7L I5 Mercedes Turbo Diesel	DGJ = Transmission-5-Spd. Automatic, W5A580

AR = use ase required - = Non illustrated part

**Exhaust System
Figure 11-110**

ITEM	PART NUMBER	QTY	LINE	SERIES	BODY	ENGINE	TRANS	TRIM	DESCRIPTION
		1	2, 6	L	51, 52, 54, 55, 56				
		1	3, 7	L	12, 15, 16				
13	05133908AA	1	2, 6	L	11, 12, 14, 15, 16				WASHER
		1	2, 6	L	51, 52, 54, 55, 56				
		1	3, 7	L	12, 15, 16				
14	05127230AA	1		L					CLAMP, Exhaust
15	05119931AA	1	3, 7	L	12, 15, 16				BRACKET, Exhaust
16	05104655AA	1	2, 6	L	11, 12, 14, 15, 16				BOLT
		1	2, 6	L	51, 52, 54, 55, 56				
		1	3, 7	L	12, 15, 16				



SPRINTER (VA)

SERIES

L = LOWLINE
 3 = HD DODGE 2WD
 6 = Lt. Duty DODGE 4WD
 2 = Med. Duty DODGE 2WD
 7 = Med. Duty DODGE 4WD

BODY

01 = CHASSIS FORWARD CONTROL W.B.1
 02 = CAB CHASSIS WHEEL BASE 2
 06 = CAB CHASSIS WHEEL BASE 6
 11 = VAN WHEEL BASE 1
 12 = VAN WHEEL BASE 2
 51 = WAGON WHEEL BASE 1
 52 = WAGON WHEEL BASE 2
 14 = VAN WHEEL BASE 4
 15 = VAN WHEEL BASE 5
 56 = WAGON WHEEL BASE 6
 16 = VAN WHEEL BASE 6
 54 = WAGON WHEEL BASE 4
 55 = WAGON WHEEL BASE 5

ENGINE

EX9 = Engine-2.7L I5 Mercedes Turbo Diesel

TRANSMISSION

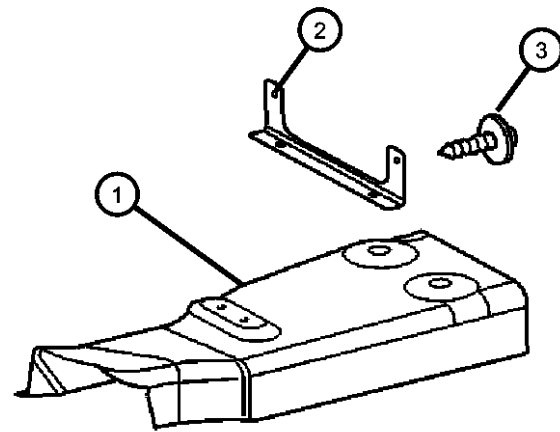
DGJ = Transmission-5-Spd. Automatic, W5A580

AR = use ase required - = Non illustrated part

**Heat Shields Exhaust
Figure 11-210**

ITEM	PART NUMBER	QTY	LINE	SERIES	BODY	ENGINE	TRANS	TRIM	DESCRIPTION
------	-------------	-----	------	--------	------	--------	-------	------	-------------

Sales Codes:EX9=ENGINE-2.7L I5 MERCEDES TURBO
DGJ=TRANSMISSION - 5-SPD AUTO



1									SHIELD, Heat
	05119859AA	1	2, 6	L	11, 12, 14, 15, 16				
		1	2, 6	L	51, 52, 54, 55, 56				
		1	3, 7	L	12, 15, 16				
2									BRACKET, Exhaust
	05119848AA	1	2, 6	L	11, 12, 14, 15, 16				
		1	2, 6	L	51, 52, 54, 55, 56				
		1	3, 7	L	12, 15, 16				
3									SCREW, Exhaust Bracket Mounting, Shield Mounting
	05125748AA	4	2, 6	L	11, 12, 14, 15, 16				
		4	2, 6	L	51, 52, 54, 55, 56				
		4	3, 7	L	12, 15, 16				

SPRINTER (VA)

SERIES	LINE	BODY	ENGINE	TRANSMISSION
L = LOWLINE	3 = HD DODGE 2WD 6 = Lt. Duty DODGE 4WD 2 = Med. Duty DODGE 2WD 7 = Med. Duty DODGE 4WD	01 = CHASSIS FORWARD CONTROL W.B.1 02 = CAB CHASSIS WHEEL BASE 2 06 = CAB CHASSIS WHEEL BASE 6 11 = VAN WHEEL BASE 1 12 = VAN WHEEL BASE 2 51 = WAGON WHEEL BASE 1 52 = WAGON WHEEL BASE 2 14 = VAN WHEEL BASE 4 15 = VAN WHEEL BASE 5 56 = WAGON WHEEL BASE 6 16 = VAN WHEEL BASE 6 54 = WAGON WHEEL BASE 4 55 = WAGON WHEEL BASE 5	EX9 = Engine-2.7L I5 Mercedes Turbo Diesel	DGJ = Transmission-5-Spd. Automatic,W5A580

AR = use ase required - = Non illustrated part

2002 VA

Group - 13

Frames and Bumpers

Group - 13 Frames and Bumpers

Illustration Title

Group-Fig. No.

Frames

Front Frame Rails	Fig. 13 - 105
Side Frame Rails and Crossmembers 2500	Fig. 13 - 110
Side Frame Rails and Crossmembers 3500	Fig. 13 - 120
Brackets, Frame To Body Supports.....	Fig. 13 - 130

Front Bumper and Fascia

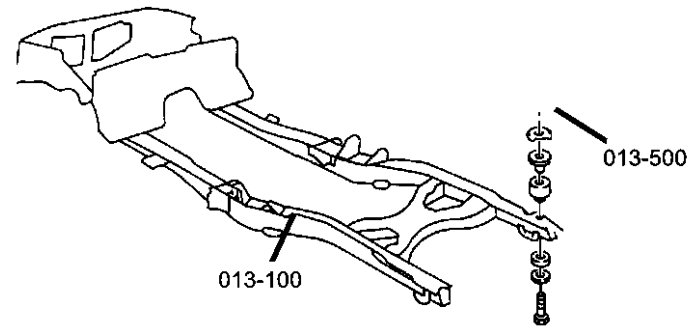
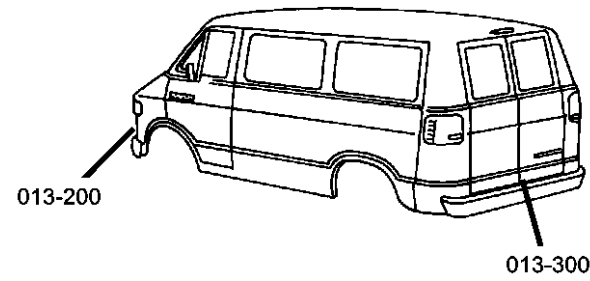
Bumper, Front	Fig. 13 - 230
---------------------	---------------

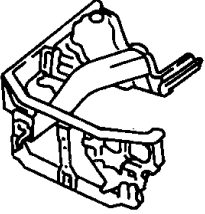
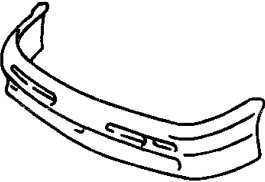

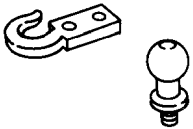
Rear Bumper and Fascia

Bumper, Rear.....	Fig. 13 - 320
-------------------	---------------

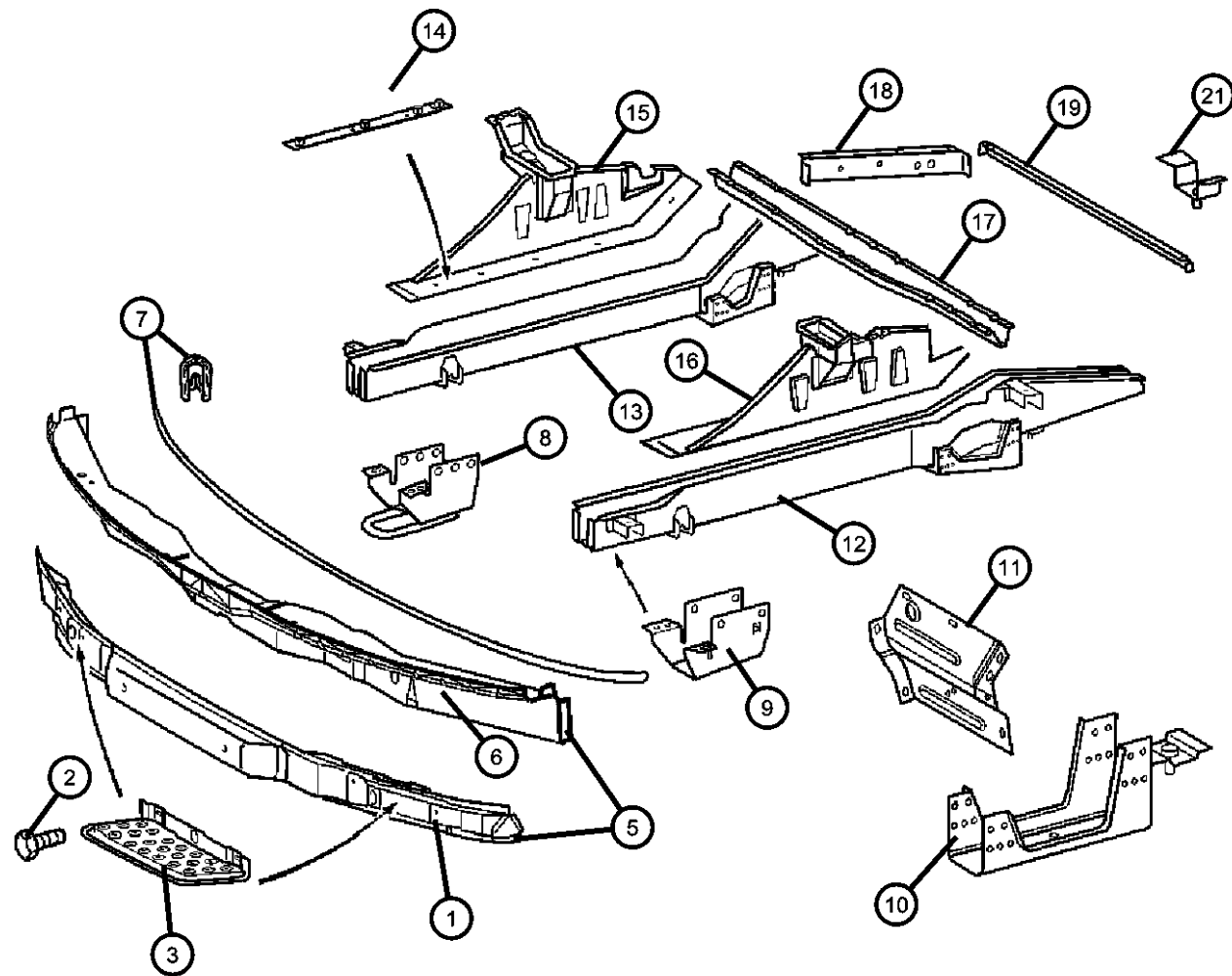
Trailer Tow

Rear Hitch	Fig. 13 - 610
Trailer Tow	Fig. 13 - 620



<p>013-100 Frames</p> 	<p>013-200 Front Bumper and Fascia</p> 	<p>013-300 Rear Bumper and Fascia</p> 	<p>013-600 Trailer Tow</p> 
--	---	---	---

Front Frame Rails
Figure 13-105



ITEM	PART NUMBER	QTY	LINE	SERIES	BODY	ENGINE	TRANS	TRIM	DESCRIPTION
1	05133848AA	1	2, 6	L	11, 12, 14, 15, 16				COVER, Crossmember
		1	2, 6	L	51, 52, 54, 55, 56				
		1	3, 7	L	12, 15, 16				
2	05073723AB	4	2, 6	L	11, 12, 14, 15, 16				SCREW
		4	2, 6	L	51, 52, 54, 55, 56				
		4	3, 7	L	12, 15, 16				
3	05104136AA	1	2, 6	L	11, 12, 14, 15, 16				STEP, Left Side
		1	2, 6	L	51, 52, 54, 55, 56				
		1	3, 7	L	12, 15, 16				
-4	05104137AA	1	2, 6	L	11, 12, 14, 15, 16				STEP, Right Side
		1	2, 6	L	51, 52, 54, 55, 56				
		1	3, 7	L	12, 15, 16				
5	05104054AA	1	2, 6	L	11, 12, 14, 15, 16				REINFORCEMENT, Front Bumper
		1	2, 6	L	51, 52, 54, 55, 56				
		1	3, 7	L	12, 15, 16				
6	05104054AA	1	2, 6	L	11, 12, 14, 15, 16				REINFORCEMENT, Front Bumper
		1	2, 6	L	51, 52, 54, 55, 56				

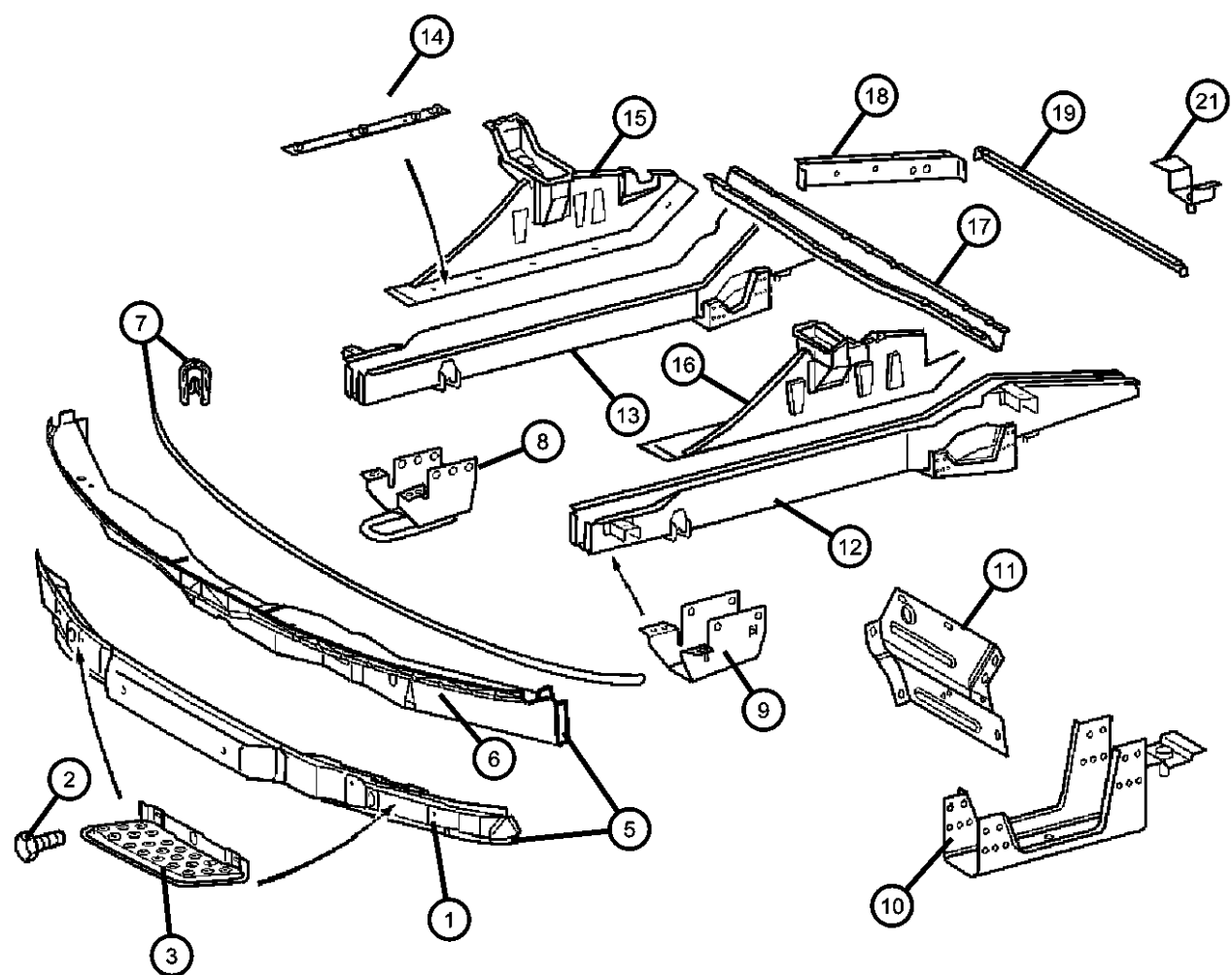
SPRINTER (VA)

SERIES	LINE	BODY	ENGINE	TRANSMISSION
L = LOWLINE	3 = HD DODGE 2WD 6 = Lt. Duty DODGE 4WD 2 = Med. Duty DODGE 2WD 7 = Med. Duty DODGE 4WD	01 = CHASSIS FORWARD CONTROL W.B.1 02 = CAB CHASSIS WHEEL BASE 2 06 = CAB CHASSIS WHEEL BASE 6 11 = VAN WHEEL BASE 1 12 = VAN WHEEL BASE 2 51 = WAGON WHEEL BASE 1 52 = WAGON WHEEL BASE 2 14 = VAN WHEEL BASE 4 15 = VAN WHEEL BASE 5 56 = WAGON WHEEL BASE 6 16 = VAN WHEEL BASE 6 54 = WAGON WHEEL BASE 4 55 = WAGON WHEEL BASE 5	EX9 = Engine-2.7L I5 Mercedes Turbo Diesel	DGJ = Transmission-5-Spd. Automatic, W5A580

AR = use ase required - = Non illustrated part

Front Frame Rails
Figure 13-105

ITEM	PART NUMBER	QTY	LINE	SERIES	BODY	ENGINE	TRANS	TRIM	DESCRIPTION
7		1	3, 7	L	12, 15, 16				EDGE GUARD SECTION, NONE, SPRINTER
	05123544AA	1	2, 6	L	11, 12, 14, 15, 16				
		1	2, 6	L	51, 52, 54, 55, 56				
		1	3, 7	L	12, 15, 16				
8									TOW HOOK, AT RIGHT SIDE MEMBER, SPRINTER
	05104053AA	1	2, 6	L	11, 12, 14, 15, 16				
		1	2, 6	L	51, 52, 54, 55, 56				
		1	3, 7	L	12, 15, 16				
9									BRACKET, Frame Rail
	05118517AA	1	2, 6	L	11, 12, 14, 15, 16				
		1	2, 6	L	51, 52, 54, 55, 56				
		1	3, 7	L	12, 15, 16				
10									REINFORCEMENT, Front Side Rail
	05104033AA	1	2, 6	L	11, 12, 14, 15, 16				Right
		1	2, 6	L	51, 52, 54, 55, 56				Right
		1	3, 7	L	12, 15, 16				Right
	05117693AA	1	2, 6	L	11, 12, 14, 15, 16				Left
		1	2, 6	L	51, 52, 54, 55, 56				Left
		1	3, 7	L	12, 15, 16				Left
11									REINFORCEMENT, Front Side Rail



SPRINTER (VA)

SERIES

L = LOWLINE
 3 = HD DODGE 2WD
 6 = Lt. Duty DODGE 4WD
 2 = Med. Duty DODGE 2WD
 7 = Med. Duty DODGE 4WD

BODY

01 = CHASSIS FORWARD CONTROL W.B.1
 02 = CAB CHASSIS WHEEL BASE 2
 06 = CAB CHASSIS WHEEL BASE 6
 11 = VAN WHEEL BASE 1
 12 = VAN WHEEL BASE 2
 51 = WAGON WHEEL BASE 1
 52 = WAGON WHEEL BASE 2
 14 = VAN WHEEL BASE 4
 15 = VAN WHEEL BASE 5
 56 = WAGON WHEEL BASE 6
 16 = VAN WHEEL BASE 6
 54 = WAGON WHEEL BASE 4
 55 = WAGON WHEEL BASE 5

ENGINE

EX9 = Engine-2.7L I5
 Mercedes Turbo Diesel

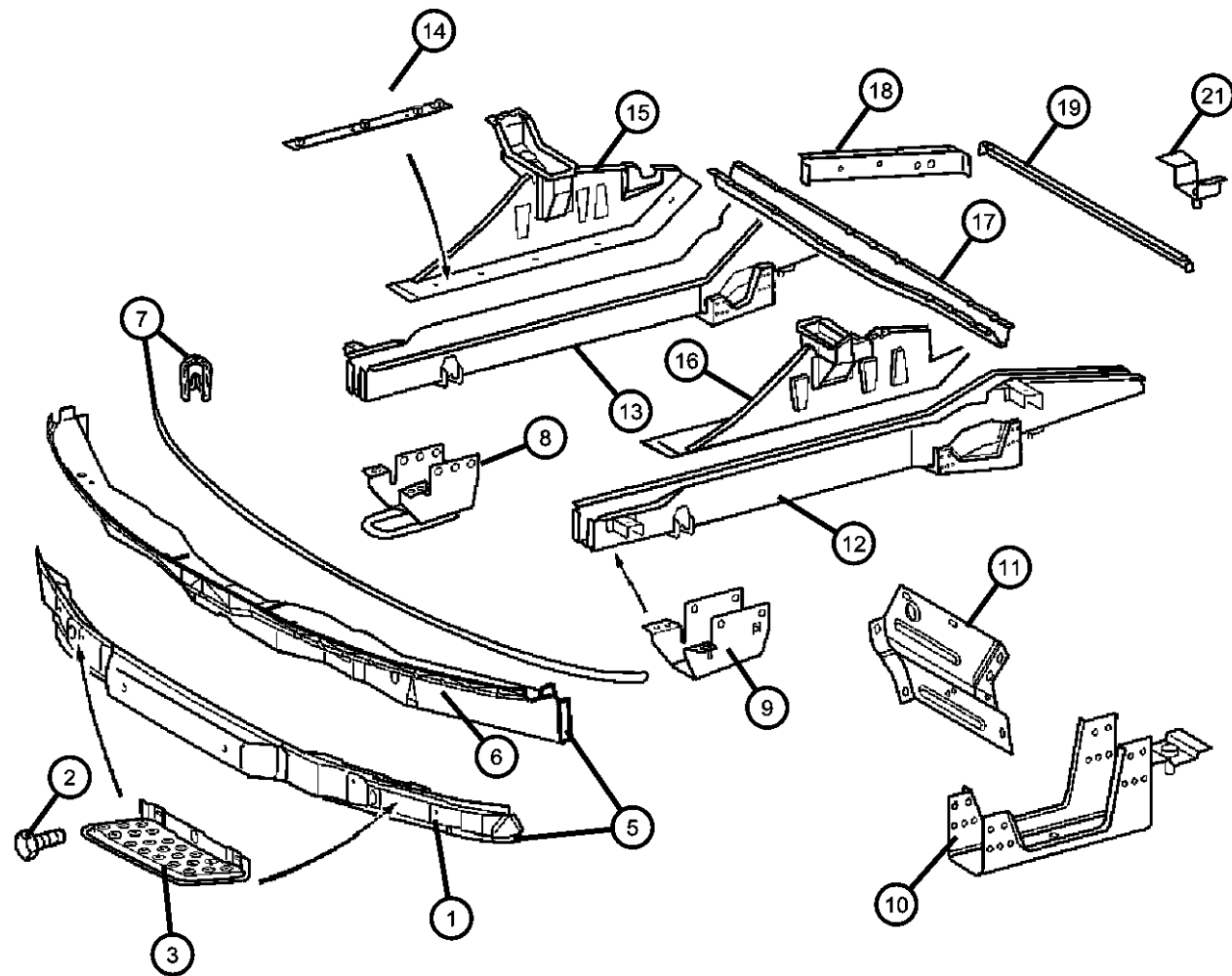
TRANSMISSION

DGJ = Transmission-5-Spd. Automatic, W5A580

AR = use ase required - = Non illustrated part

2002 VA

Front Frame Rails
Figure 13-105



ITEM	PART NUMBER	QTY	LINE	SERIES	BODY	ENGINE	TRANS	TRIM	DESCRIPTION
	05118588AA	1	2, 6	L	11, 12, 14, 15, 16				
		1	2, 6	L	51, 52, 54, 55, 56				
		1	3, 7	L	12, 15, 16				
12	05104055AA	1	2, 6	L	11, 12, 14, 15, 16				SIDE MEMBER, LEFT, SPRINTER
		1	2, 6	L	51, 52, 54, 55, 56				
		1	3, 7	L	12, 15, 16				
13	05104052AA	1	2, 6	L	11, 12, 14, 15, 16				SIDE MEMBER, RIGHT, SPRINTER
		1	2, 6	L	51, 52, 54, 55, 56				
		1	3, 7	L	12, 15, 16				
14	05118290AA	2	2, 6	L	11, 12, 14, 15, 16				REINFORCEMENT, Rail Front
		2	2, 6	L	51, 52, 54, 55, 56				
		2	3, 7	L	12, 15, 16				
15	05118252AA	1	2, 6	L	11, 12, 14, 15, 16				SUPPORT, Under Body Hold Down Right
		1	2, 6	L	51, 52, 54, 55, 56				Right
		1	3, 7	L	12, 15, 16				Right
16	05104049AA	1	2, 6	L	11, 12, 14, 15, 16				SUPPORT, Under Body Hold Down Left
		1	2, 6	L	51, 52, 54, 55, 56				Left

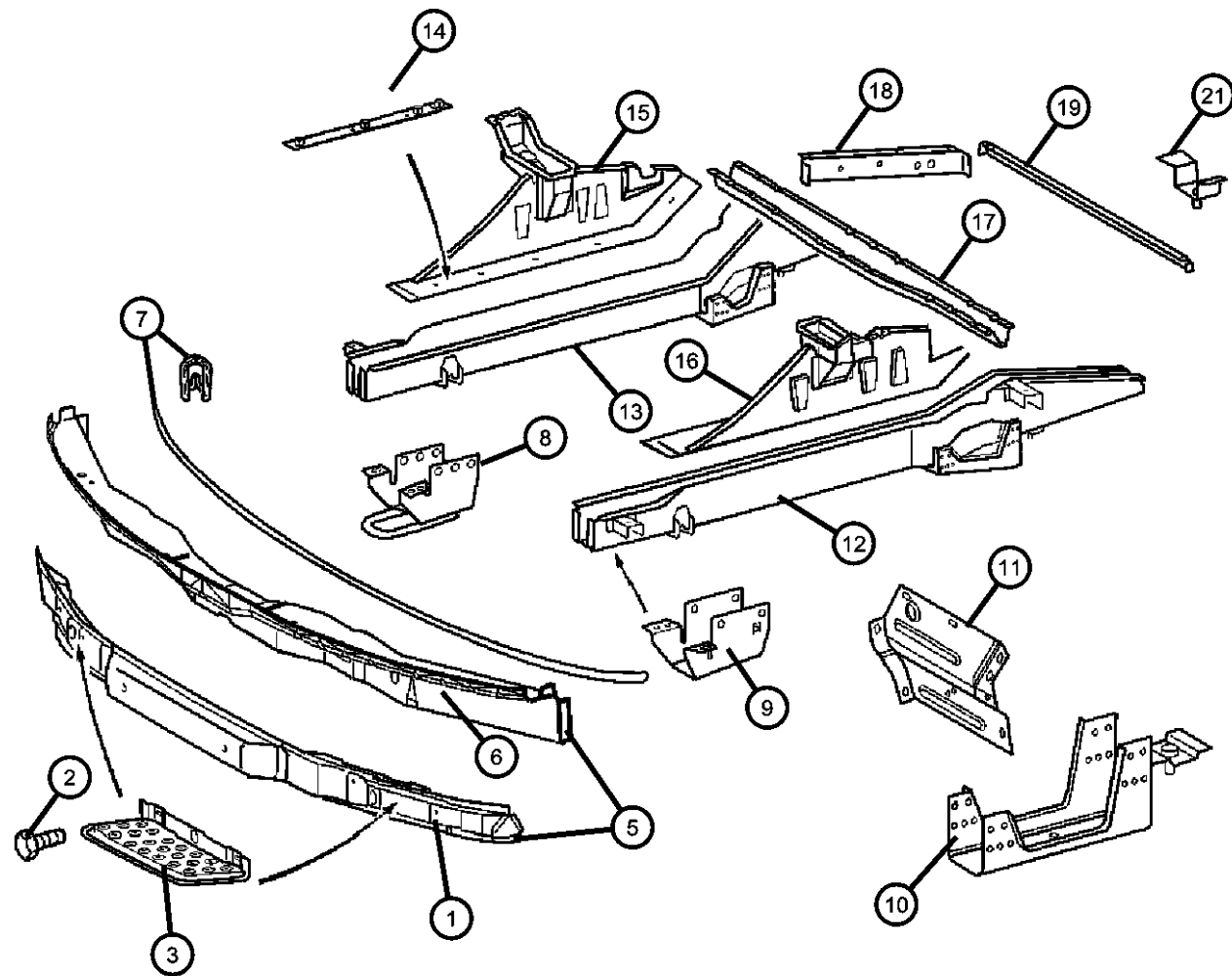
SPRINTER (VA)

SERIES	LINE	BODY	ENGINE	TRANSMISSION
L = LOWLINE	3 = HD DODGE 2WD 6 = Lt. Duty DODGE 4WD 2 = Med. Duty DODGE 2WD 7 = Med. Duty DODGE 4WD	01 = CHASSIS FORWARD CONTROL W.B.1 02 = CAB CHASSIS WHEEL BASE 2 06 = CAB CHASSIS WHEEL BASE 6 11 = VAN WHEEL BASE 1 12 = VAN WHEEL BASE 2 51 = WAGON WHEEL BASE 1 52 = WAGON WHEEL BASE 2 14 = VAN WHEEL BASE 4 15 = VAN WHEEL BASE 5 56 = WAGON WHEEL BASE 6 16 = VAN WHEEL BASE 6 54 = WAGON WHEEL BASE 4 55 = WAGON WHEEL BASE 5	EX9 = Engine-2.7L I5 Mercedes Turbo Diesel	DGJ = Transmission-5-Spd. Automatic, W5A580

AR = use ase required - = Non illustrated part

2002 VA

Front Frame Rails
Figure 13-105



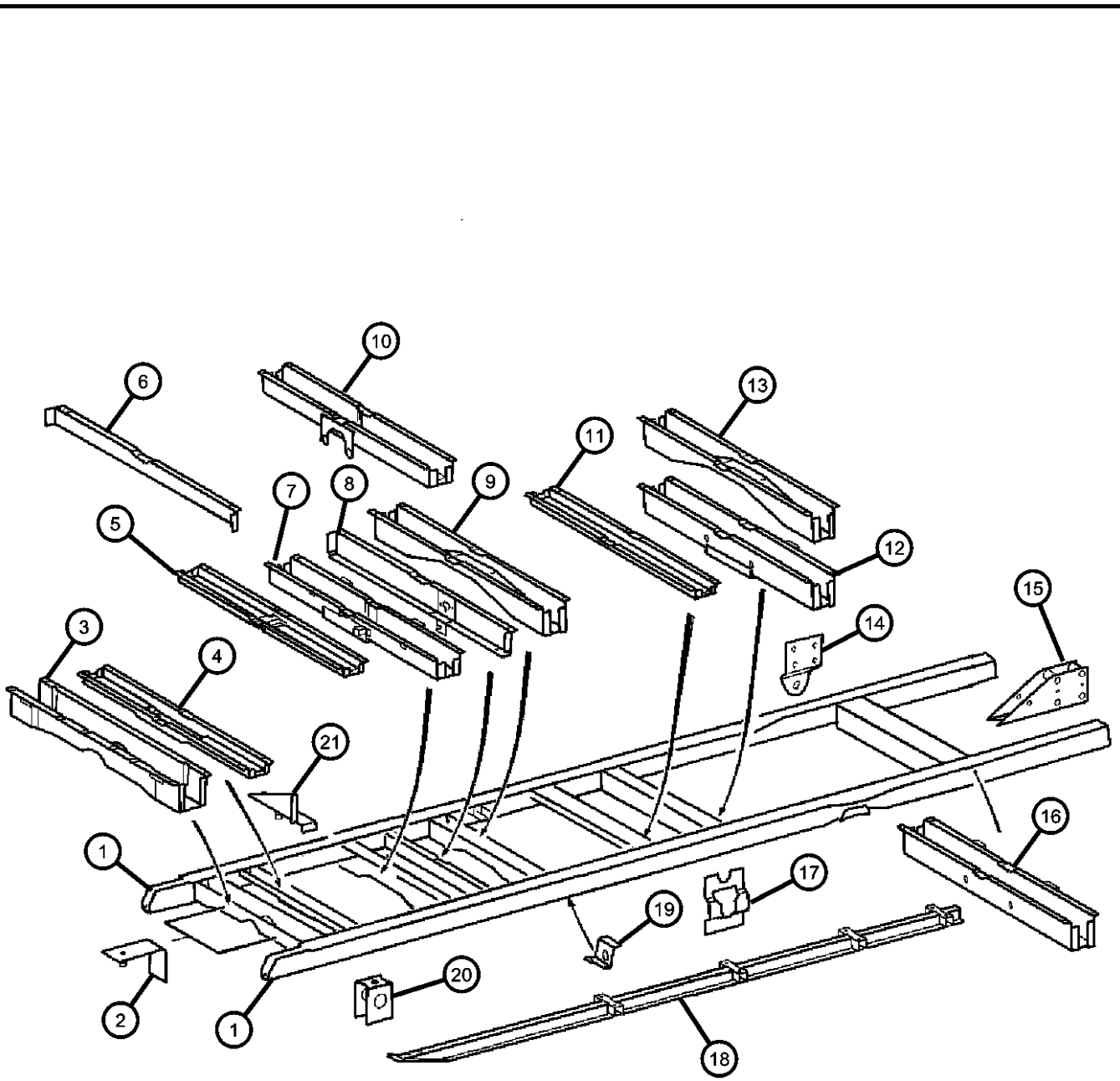
ITEM	PART NUMBER	QTY	LINE	SERIES	BODY	ENGINE	TRANS	TRIM	DESCRIPTION
17		1	3, 7	L	12, 15, 16				Left CROSSMEMBER, Front Seat Retention
	05118385AA	1	2, 6	L	11, 12, 14, 15, 16				
		1	2, 6	L	51, 52, 54, 55, 56				
		1	3, 7	L	12, 15, 16				
18									REINFORCEMENT, Wheelhouse
	05118015AA	2	2, 6	L	11, 12, 14, 15, 16				
		2	2, 6	L	51, 52, 54, 55, 56				
		2	3, 7	L	12, 15, 16				
19									CROSSMEMBER, Front Floor
	05118091AA	1	2, 6	L	11, 12, 14, 15, 16				
		1	2, 6	L	51, 52, 54, 55, 56				
		1	3, 7	L	12, 15, 16				
-20	05127245AA	1	2, 6	L	51, 52, 54, 55, 56				BRACKET, Aux A/C And Heater Line
21	05127241AA	1	2, 6	L	51, 52, 54, 55, 56				BRACKET

SPRINTER (VA)

SERIES	LINE	BODY	ENGINE	TRANSMISSION
L = LOWLINE	3 = HD DODGE 2WD 6 = Lt. Duty DODGE 4WD 2 = Med. Duty DODGE 2WD 7 = Med. Duty DODGE 4WD	01 = CHASSIS FORWARD CONTROL W.B.1 02 = CAB CHASSIS WHEEL BASE 2 06 = CAB CHASSIS WHEEL BASE 6 11 = VAN WHEEL BASE 1 12 = VAN WHEEL BASE 2 51 = WAGON WHEEL BASE 1 52 = WAGON WHEEL BASE 2 14 = VAN WHEEL BASE 4 15 = VAN WHEEL BASE 5 56 = WAGON WHEEL BASE 6 16 = VAN WHEEL BASE 6 54 = WAGON WHEEL BASE 4 55 = WAGON WHEEL BASE 5	EX9 = Engine-2.7L I5 Mercedes Turbo Diesel	DGJ = Transmission-5-Spd. Automatic, W5A580

AR = use ase required - = Non illustrated part

Side Frame Rails and Crossmembers 2500
Figure 13-110



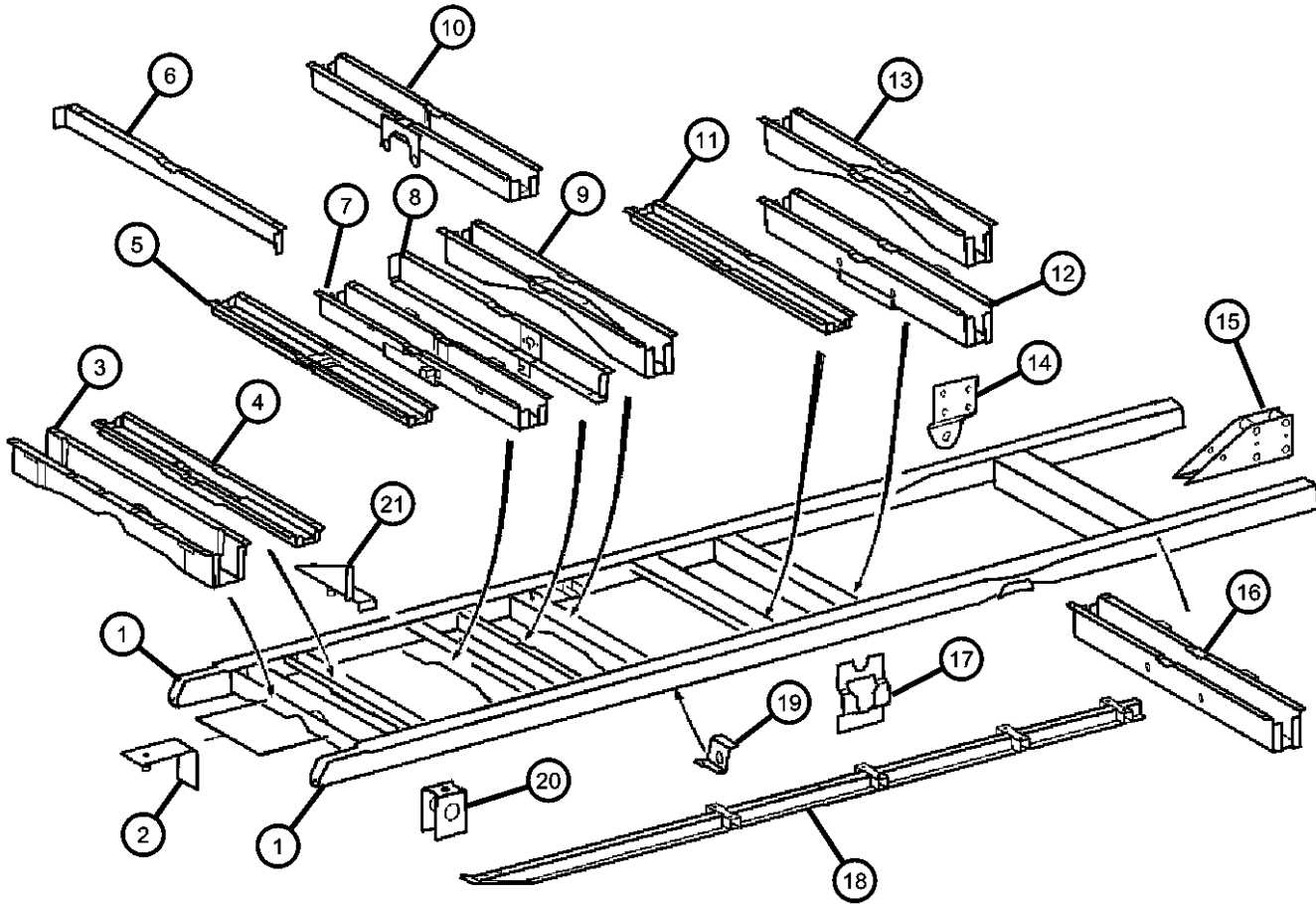
ITEM	PART NUMBER	QTY	LINE	SERIES	BODY	ENGINE	TRANS	TRIM	DESCRIPTION
1	05104555AA	1	2, 6	L	11, 12, 14, 15, 16				RAIL, Frame Side Left
	05104554AA	1	2, 6	L	11, 12, 14, 15, 16				Right
		1	2, 6	L	51, 52, 54, 55, 56				Right
		1	2, 6	L	51, 52, 54, 55, 56				Left
2	05127243AA	1	2, 6	L	51, 52, 54, 55, 56				BRACKET, Frame
3	05118162AA	1	2, 6	L	11, 12, 14, 15, 16				CROSSMEMBER, Front Frame
		1	2, 6	L	51, 52, 54, 55, 56				
4	05118152AA	1	2, 6	L	11, 12, 14, 15, 16				CROSSMEMBER, Front Frame
		1	2, 6	L	51, 52, 54, 55, 56				
5	05118142AA	1	2, 6	L	51, 52, 54, 55, 56				CROSSMEMBER, Front Frame
6	05118405AA	1	2, 6	L	51, 52, 54, 55, 56				CROSSMEMBER, Front Frame
		1	2, 6	L	11, 12, 14, 15, 16				
7	05118097AA	1	2, 6	L	51, 52, 54, 55, 56				CROSSMEMBER, Front Frame
8	05118136AA	1	2, 6	L	11, 12, 14, 15, 16				CROSSMEMBER, Front Frame
		1	6, 2	L	51, 52, 54, 55, 56				
9	05118149AA	1	2, 6	L	51, 52, 54, 55, 56				CROSSMEMBER, Front Frame

SPRINTER (VA)

SERIES	LINE	BODY	ENGINE	TRANSMISSION
L = LOWLINE	3 = HD DODGE 2WD 6 = Lt. Duty DODGE 4WD 2 = Med. Duty DODGE 2WD 7 = Med. Duty DODGE 4WD	01 = CHASSIS FORWARD CONTROL W.B.1 02 = CAB CHASSIS WHEEL BASE 2 06 = CAB CHASSIS WHEEL BASE 6 11 = VAN WHEEL BASE 1 12 = VAN WHEEL BASE 2 51 = WAGON WHEEL BASE 1 52 = WAGON WHEEL BASE 2 14 = VAN WHEEL BASE 4 15 = VAN WHEEL BASE 5 56 = WAGON WHEEL BASE 6 16 = VAN WHEEL BASE 6 54 = WAGON WHEEL BASE 4 55 = WAGON WHEEL BASE 5	EX9 = Engine-2.7L I5 Mercedes Turbo Diesel	DGJ = Transmission-5-Spd. Automatic, W5A580

AR = use ase required - = Non illustrated part

Side Frame Rails and Crossmembers 2500
Figure 13-110



ITEM	PART NUMBER	QTY	LINE	SERIES	BODY	ENGINE	TRANS	TRIM	DESCRIPTION
10	05118160AA	1	2, 6	L	51, 52, 54, 55, 56				CROSSMEMBER, Front Frame
11	05118144AA	1	2, 6	L	51, 52, 54, 55, 56				CROSSMEMBER, Front Frame
12	05118168AA	1	2, 6	L	51, 52, 54, 55, 56				CROSSMEMBER, Front Frame
13	05118170AA	1	2, 6	L	51, 52, 54, 55, 56				CROSSMEMBER, Front Frame
14									BRACKET, Frame
	05118791AA	2	2, 6	L	11, 12, 14, 15, 16				BRACKET, Frame
		2	2, 6	L	51, 52, 54, 55, 56				
15									BRACKET, Frame
	05118212AA	2	2, 6	L	11, 12, 14, 15, 16				
		2	2, 6	L	51, 52, 54, 55, 56				CROSSMEMBER, Front Frame
16									
	05118154AA	1	2, 6	L	11, 12, 14, 15, 16				BRACKET, Frame
		1	2, 6	L	51, 52, 54, 55, 56				
17	05119638AA	2	3, 7	L	12, 15, 16				BRACKET, Frame
18	05118220AA	1	2, 6	L	51, 52, 54, 55, 56				CONSOLE, Body Support, Sprinter
19									BRACKET, Frame
	05119321AA	1	2, 6	L	11, 12, 14, 15, 16				
		1	2, 6	L	51, 52, 54, 55, 56				SUPPORT, Under Body Hold Down
20	05118266AA	8	2, 6	L	51, 52, 54, 55, 56				
21	05127246AA	2	2, 6	L	51, 52, 54, 55, 56				BRACKET, Frame

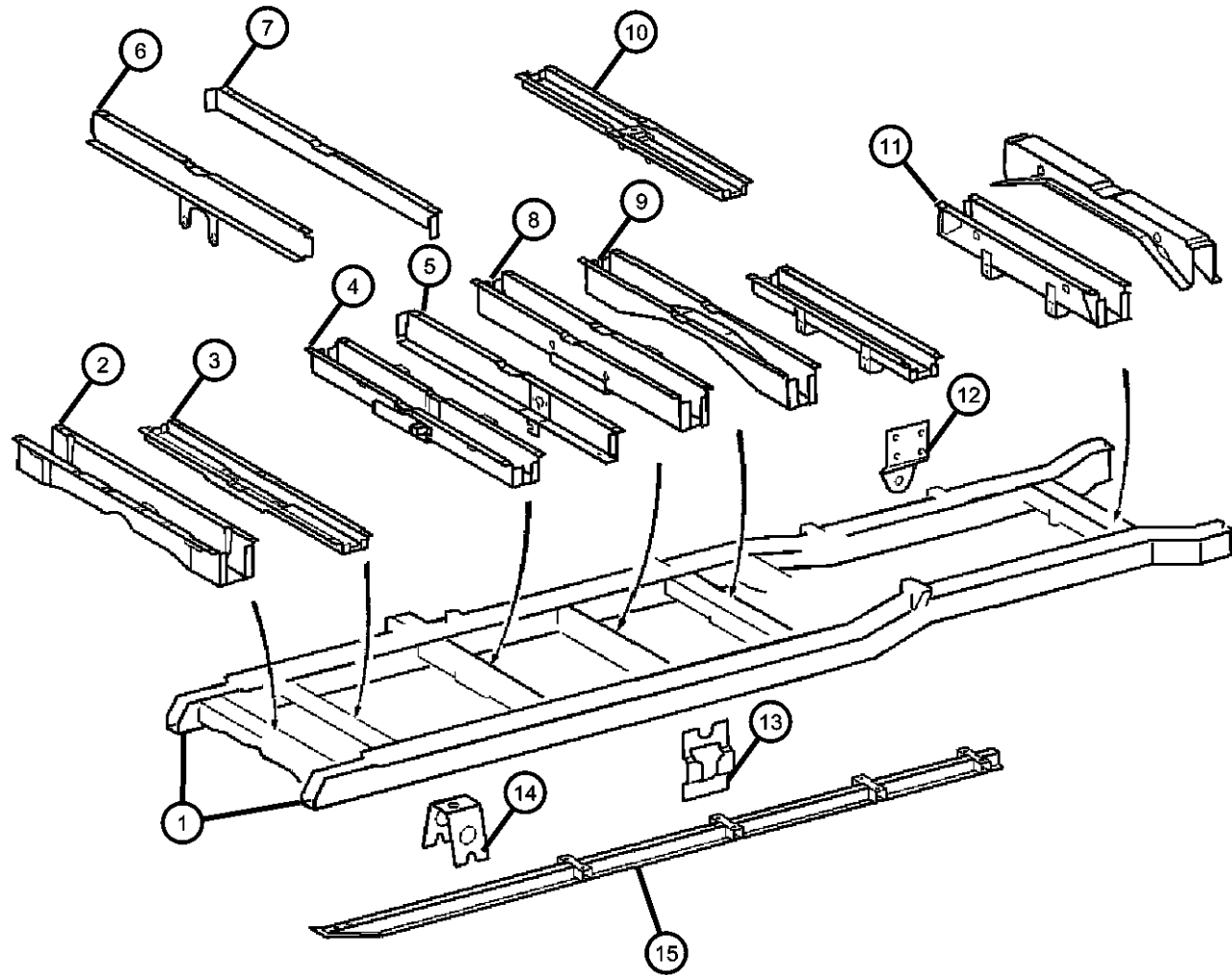
SPRINTER (VA)

SERIES	LINE	BODY	ENGINE	TRANSMISSION
L = LOWLINE	3 = HD DODGE 2WD 6 = Lt. Duty DODGE 4WD 2 = Med. Duty DODGE 2WD 7 = Med. Duty DODGE 4WD	01 = CHASSIS FORWARD CONTROL W.B.1 02 = CAB CHASSIS WHEEL BASE 2 06 = CAB CHASSIS WHEEL BASE 6 11 = VAN WHEEL BASE 1 12 = VAN WHEEL BASE 2 51 = WAGON WHEEL BASE 1 52 = WAGON WHEEL BASE 2 14 = VAN WHEEL BASE 4 15 = VAN WHEEL BASE 5 56 = WAGON WHEEL BASE 6 16 = VAN WHEEL BASE 6 54 = WAGON WHEEL BASE 4 55 = WAGON WHEEL BASE 5	EX9 = Engine-2.7L I5 Mercedes Turbo Diesel	DGJ = Transmission-5-Spd. Automatic, W5A580

AR = use ase required - = Non illustrated part

Side Frame Rails and Crossmembers 3500
Figure 13-120

ITEM	PART NUMBER	QTY	LINE	SERIES	BODY	ENGINE	TRANS	TRIM	DESCRIPTION
1	05118082AA	1	3, 7	L	12, 15, 16				RAIL, Rear, 05118063aa Lt.Right
2	05118178AA	1	3, 7	L	12, 15, 16				CROSSMEMBER, Front Frame
3	05118152AA	1	3, 7	L	12, 15, 16				CROSSMEMBER, Front Frame
4	05118097AA	1	2, 6	L	51, 52, 54, 55, 56				CROSSMEMBER, Front Frame
5	05118136AA	1	3, 7	L	12, 15, 16				CROSSMEMBER, Front Frame
6	05118182AA	1	3, 7	L	12, 15, 16				CROSSMEMBER, Rear Frame
7	05118405AA	1	7, 3	L	12, 15, 16				CROSSMEMBER, Front Frame
8	05118149AA	1	2, 6	L	51, 52, 54, 55, 56				CROSSMEMBER, Front Frame
9	05118170AA	1	2, 6	L	51, 52, 54, 55, 56				CROSSMEMBER, Front Frame
10	05118142AA	1	2, 6	L	51, 52, 54, 55, 56				CROSSMEMBER, Front Frame
11	05118182AA	1	3, 7	L	12, 15, 16				CROSSMEMBER, Rear Frame
12	05118791AA	4	3, 7	L	12, 15, 16				BRACKET, Frame
13	05119638AA	1	3, 7	L	12, 15, 16				BRACKET, Frame
14	05118223AA	2	3, 7	L	12, 15, 16				BRACKET, Crossmember
15	05118220AA	1	2, 6	L	51, 52, 54, 55, 56				CONSOLE, Body Support, Sprinter



SPRINTER (VA)

SERIES

L = LOWLINE
 3 = HD DODGE 2WD
 6 = Lt. Duty DODGE 4WD
 2 = Med. Duty DODGE 2WD
 7 = Med. Duty DODGE 4WD

LINE

BODY

01 = CHASSIS FORWARD CONTROL W.B.1
 02 = CAB CHASSIS WHEEL BASE 2
 06 = CAB CHASSIS WHEEL BASE 6
 11 = VAN WHEEL BASE 1
 12 = VAN WHEEL BASE 2
 51 = WAGON WHEEL BASE 1
 52 = WAGON WHEEL BASE 2
 14 = VAN WHEEL BASE 4
 15 = VAN WHEEL BASE 5
 56 = WAGON WHEEL BASE 6
 16 = VAN WHEEL BASE 6
 54 = WAGON WHEEL BASE 4
 55 = WAGON WHEEL BASE 5

ENGINE

EX9 = Engine-2.7L I5
 Mercedes Turbo Diesel

TRANSMISSION

DGJ = Transmission-5-Spd. Automatic, W5A580

AR = use ase required - = Non illustrated part

Brackets, Frame To Body Supports
Figure 13-130

ITEM	PART NUMBER	QTY	LINE	SERIES	BODY	ENGINE	TRANS	TRIM	DESCRIPTION
1	05118013AA	1	2, 6	L	11, 12, 14, 15, 16				CONSOLE, Body Support, Sprinter Right
		1	2, 6	L	51, 52, 54, 55, 56				Right
2	05118024AA	1	2, 6	L	11, 12, 14, 15, 16				CONSOLE, Body Support, Sprinter Right
		1	2, 6	L	51, 52, 54, 55, 56				Right
		1	3, 7	L	12, 15, 16				Right
3	05118031AA	1	2, 6	L	51, 52, 54, 55, 56				CONSOLE, Body Support, Sprinter Left
	05118035AA	1	3, 7	L	12, 15, 16				Left
4	05118022AA	1	2, 6	L	51, 52, 54, 55, 56				CONSOLE, Body Support, Sprinter Left
	05118025AA	1	3, 7	L	12, 15, 16				Left
		1	2, 6	L	11, 12, 14, 15, 16				Left
5	05118029AA	2	3, 7	L	12, 15, 16				CONSOLE, Body Support, SprinterRight & Left
6	05119822AA	1	3, 7	L	12, 15, 16				BRACKET, Frame
		1	2, 6	L	11, 12, 14, 15, 16				
		1	2, 6	L	51, 52, 54, 55, 56				
7	05119804AA	1	2, 6	L	11, 12, 14, 15, 16				BRACKET, Frame
		1	2, 6	L	51, 52, 54, 55, 56				
		1	3, 7	L	12, 15, 16				

SPRINTER (VA)

SERIES
 L = LOWLINE

LINE
 3 = HD DODGE 2WD
 6 = Lt. Duty DODGE 4WD
 2 = Med. Duty DODGE 2WD
 7 = Med. Duty DODGE 4WD

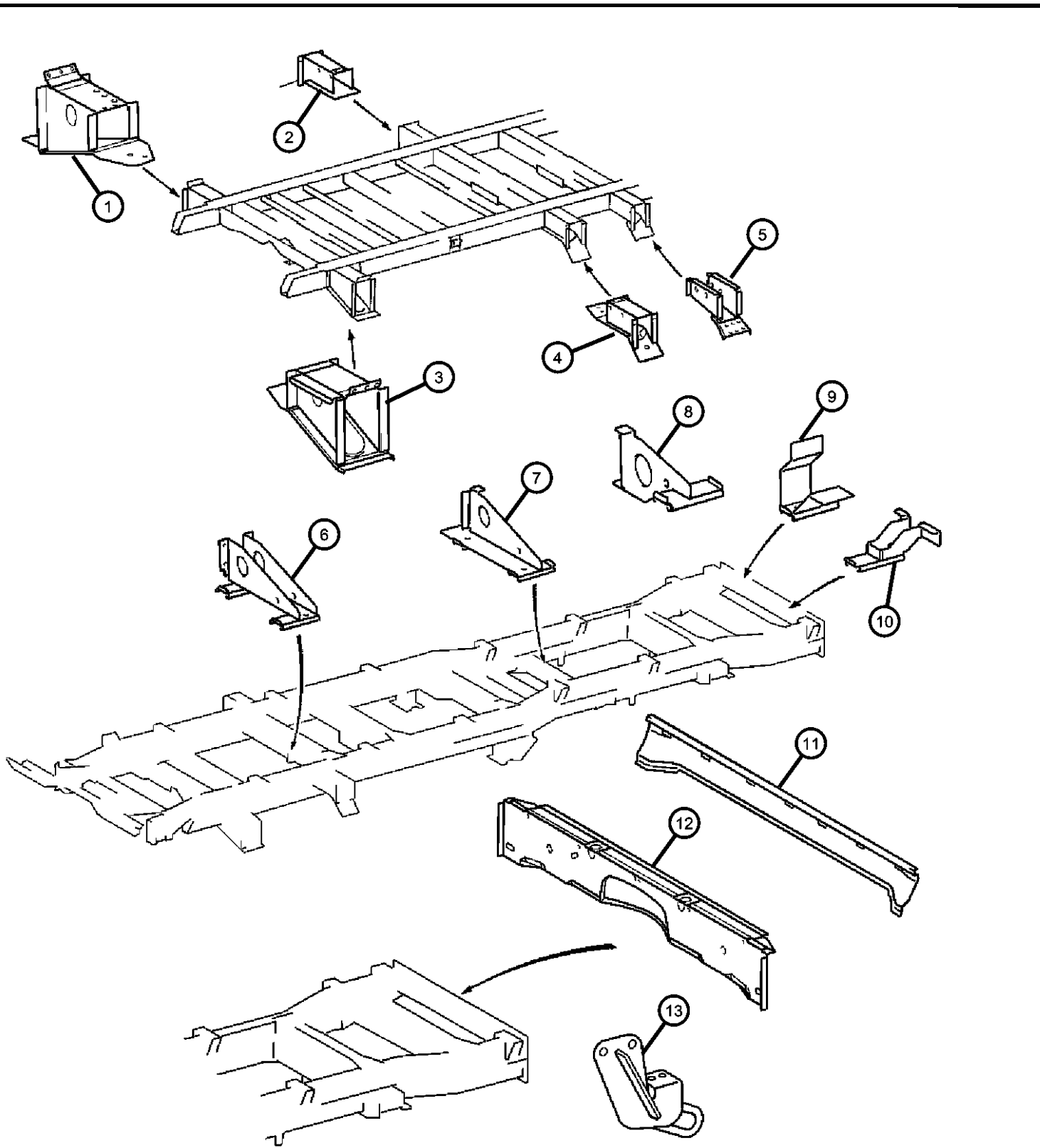
BODY
 01 = CHASSIS FORWARD CONTROL W.B.1
 02 = CAB CHASSIS WHEEL BASE 2
 06 = CAB CHASSIS WHEEL BASE 6
 11 = VAN WHEEL BASE 1
 12 = VAN WHEEL BASE 2
 51 = WAGON WHEEL BASE 1
 52 = WAGON WHEEL BASE 2
 14 = VAN WHEEL BASE 4
 15 = VAN WHEEL BASE 5
 56 = WAGON WHEEL BASE 6
 16 = VAN WHEEL BASE 6
 54 = WAGON WHEEL BASE 4
 55 = WAGON WHEEL BASE 5

ENGINE
 EX9 = Engine-2.7L I5
 Mercedes Turbo Diesel

TRANSMISSION
 DGJ = Transmission-5-Spd. Automatic, W5A580

AR = use ase required - = Non illustrated part

Brackets, Frame To Body Supports
Figure 13-130



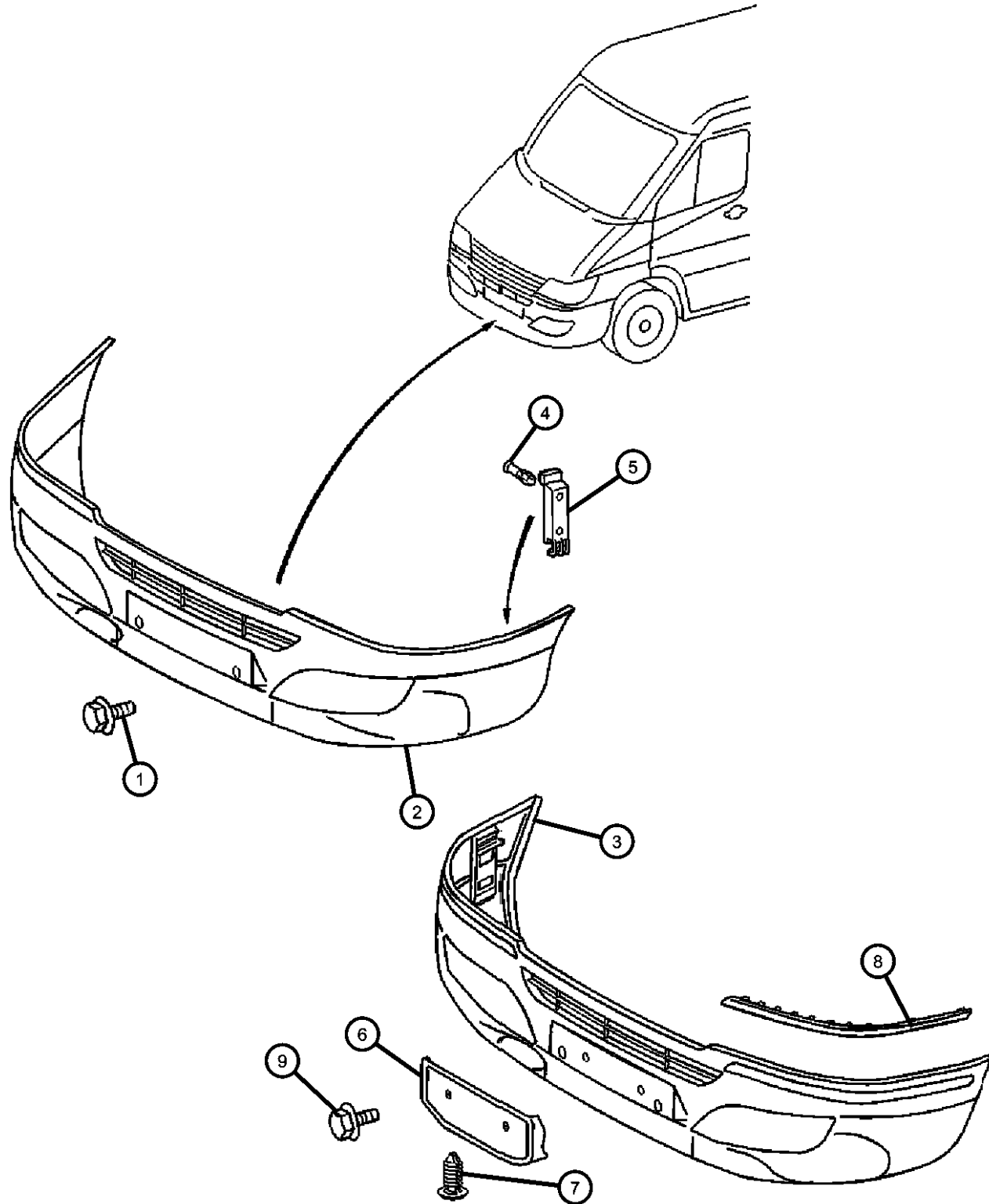
ITEM	PART NUMBER	QTY	LINE	SERIES	BODY	ENGINE	TRANS	TRIM	DESCRIPTION
8	05119811AA	1	2, 6	L	11, 12, 14, 15, 16				BRACKET, Exhaust, Muffler
		1	6, 2	L	51, 52, 54, 55, 56				
9	05119826AA	1	3, 7	L	12, 15, 16				BRACKET, Exhaust, Muffler
10	05119826AA	1	3, 7	L	12, 15, 16				BRACKET, Exhaust, Muffler
11	05104159AA	1	2, 6	L	11, 12, 14, 15, 16				REINFORCEMENT, Rear Bumper
		1	2, 6	L	51, 52, 54, 55, 56				
		1	3, 7	L	12, 15, 16				
12	05104050AA	1	2, 6	L	11, 12, 14, 15, 16				REINFORCEMENT, Rear Bumper
		1	2, 6	L	51, 52, 54, 55, 56				
		1	3, 7	L	12, 15, 16				
13	05118003AA	1	2, 6	L	11, 12, 14, 15, 16				HOOK, Tow
		1	2, 6	L	51, 52, 54, 55, 56				
	05118008AA	1	3, 7	L	12, 15, 16				

SPRINTER (VA)

SERIES	LINE	BODY	ENGINE	TRANSMISSION
L = LOWLINE	3 = HD DODGE 2WD 6 = Lt. Duty DODGE 4WD 2 = Med. Duty DODGE 2WD 7 = Med. Duty DODGE 4WD	01 = CHASSIS FORWARD CONTROL W.B.1 02 = CAB CHASSIS WHEEL BASE 2 06 = CAB CHASSIS WHEEL BASE 6 11 = VAN WHEEL BASE 1 12 = VAN WHEEL BASE 2 51 = WAGON WHEEL BASE 1 52 = WAGON WHEEL BASE 2 14 = VAN WHEEL BASE 4 15 = VAN WHEEL BASE 5 56 = WAGON WHEEL BASE 6 16 = VAN WHEEL BASE 6 54 = WAGON WHEEL BASE 4 55 = WAGON WHEEL BASE 5	EX9 = Engine-2.7L I5 Mercedes Turbo Diesel	DGJ = Transmission-5-Spd. Automatic, W5A580

AR = use ase required - = Non illustrated part

Bumper, Front
Figure 13-230



ITEM	PART NUMBER	QTY	LINE	SERIES	BODY	ENGINE	TRANS	TRIM	DESCRIPTION
1	05103728AA	2	2, 6	L	51, 52, 54, 55, 56				SCREW
		2	3, 7	L	12, 15, 16				
2	05104513AA	1	2, 6	L	11, 12, 14, 15, 16				FASCIA, Front
		1	2, 6	L	51, 52, 54, 55, 56				
		1	3, 7	L	12, 15, 16				
3	05104517AA	1	2, 6	L	11, 12, 14, 15, 16				FASCIA, Front [MJD]
		1	2, 6	L	51, 52, 54, 55, 56				[MJD]
		1	3, 7	L	12, 15, 16				[MJD]
	05132494AA	1	2, 6	L	11, 12, 14, 15, 16				[WDG]
		1	2, 6	L	51, 52, 54, 55, 56				[WDG]
	05132496AA	1	2, 6	L	51, 52, 54, 55, 56				[WDG,MJD]
		1	3, 7	L	16, 12, 15				[WDG]
		1	2, 6	L	11, 12, 14, 15, 16				[WDG,MJD]
		1	3, 7	L	12, 15, 16				[WDG,MJD]
4	05104543AA	2	3, 7	L	12, 15, 16				RETAINER, Fascia
		2	2, 6	L	11, 12, 14, 15, 16				
		2	2, 6	L	51, 52, 54, 55, 56				
5	05104505AA	2	2, 6	L	11, 12, 14, 15, 16				BRACKET, Front Bumper

SPRINTER (VA)

SERIES

L = LOWLINE

LINE

3 = HD DODGE 2WD
6 = Lt. Duty DODGE 4WD
2 = Med. Duty DODGE 2WD
7 = Med. Duty DODGE 4WD

BODY

01 = CHASSIS FORWARD CONTROL W.B.1
02 = CAB CHASSIS WHEEL BASE 2
06 = CAB CHASSIS WHEEL BASE 6
11 = VAN WHEEL BASE 1
12 = VAN WHEEL BASE 2
51 = WAGON WHEEL BASE 1
52 = WAGON WHEEL BASE 2
14 = VAN WHEEL BASE 4
15 = VAN WHEEL BASE 5
56 = WAGON WHEEL BASE 6
16 = VAN WHEEL BASE 6
54 = WAGON WHEEL BASE 4
55 = WAGON WHEEL BASE 5

ENGINE

EX9 = Engine-2.7L I5
Mercedes Turbo Diesel

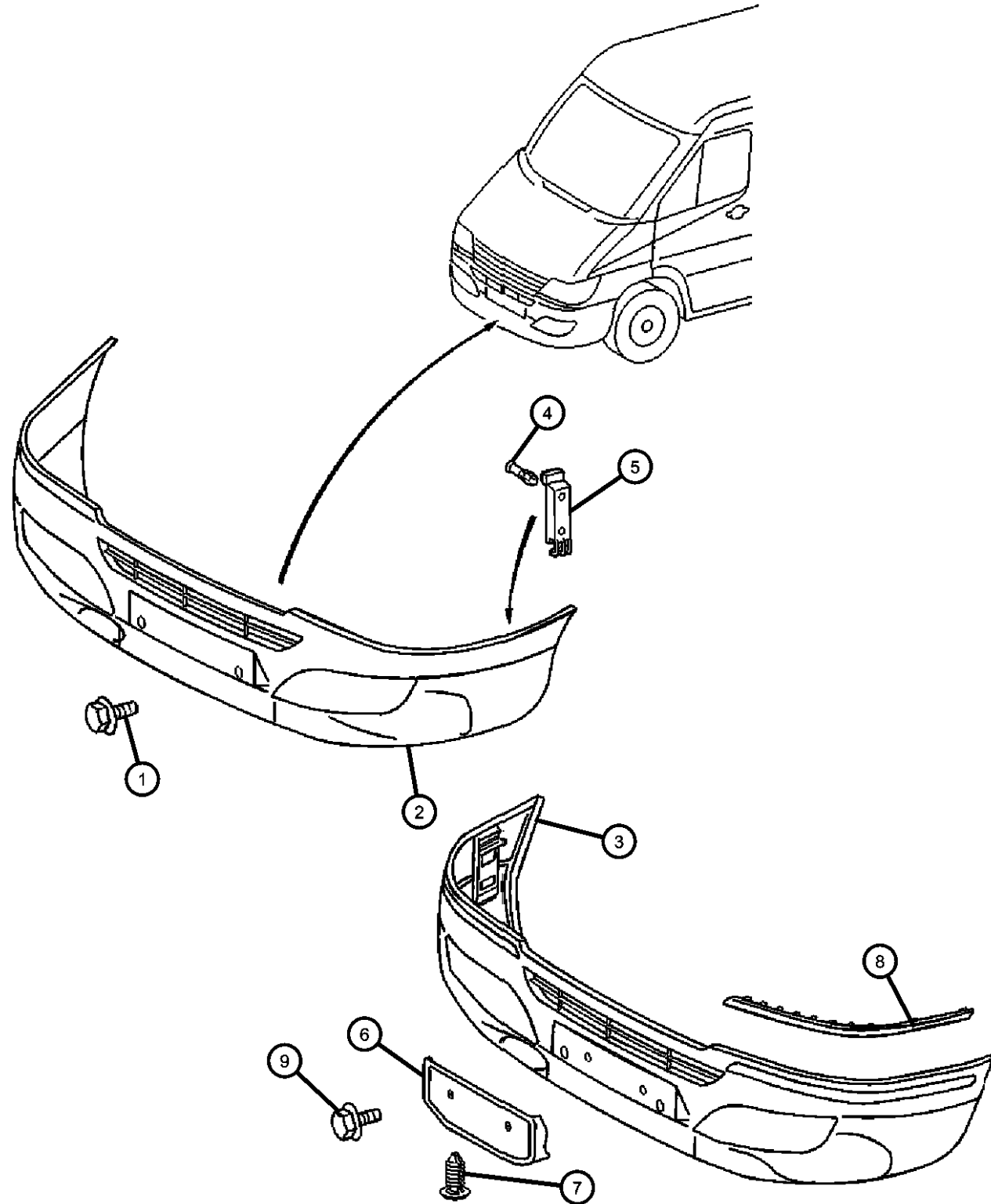
TRANSMISSION

DGJ = Transmission-5-Spd. Automatic,W5A580

AR = use ase required - = Non illustrated part

2002 VA

Bumper, Front
Figure 13-230



ITEM	PART NUMBER	QTY	LINE	SERIES	BODY	ENGINE	TRANS	TRIM	DESCRIPTION
		2	3, 7	L	12, 15, 16				
		2	2, 6	L	51, 52, 54, 55, 56				
6	05104524AA	1	2, 6	L	51, 52, 54, 55, 56				BRACKET, License Plate, Chrome
		1	3, 7	L	12, 15, 16				
7	05103817AA	2	2, 6	L	11, 12, 14, 15, 16				PLUG
		2	3, 7	L	12, 15, 16				
		2	2, 6	L	55, 56, 51, 52, 54				
8	05104523AA	1	2, 6	L	51, 52, 54, 55, 56				NERF, Fascia Left
		1	3, 7	L	12, 15, 16				Left
	05104525AA	1	2, 6	L	51, 52, 54, 55, 56				Right
		1	3, 7	L	12, 15, 16				Right
9		1							SCREW, 5 x 16, (NOT SERVICED)

SPRINTER (VA)

SERIES
L = LOWLINE

LINE

3 = HD DODGE 2WD
6 = Lt. Duty DODGE 4WD
2 = Med. Duty DODGE 2WD
7 = Med. Duty DODGE 4WD

BODY

01 = CHASSIS FORWARD CONTROL W.B.1
02 = CAB CHASSIS WHEEL BASE 2
06 = CAB CHASSIS WHEEL BASE 6
11 = VAN WHEEL BASE 1
12 = VAN WHEEL BASE 2
51 = WAGON WHEEL BASE 1
52 = WAGON WHEEL BASE 2
14 = VAN WHEEL BASE 4
15 = VAN WHEEL BASE 5
56 = WAGON WHEEL BASE 6
16 = VAN WHEEL BASE 6
54 = WAGON WHEEL BASE 4
55 = WAGON WHEEL BASE 5

ENGINE

EX9 = Engine-2.7L I5
Mercedes Turbo Diesel

TRANSMISSION

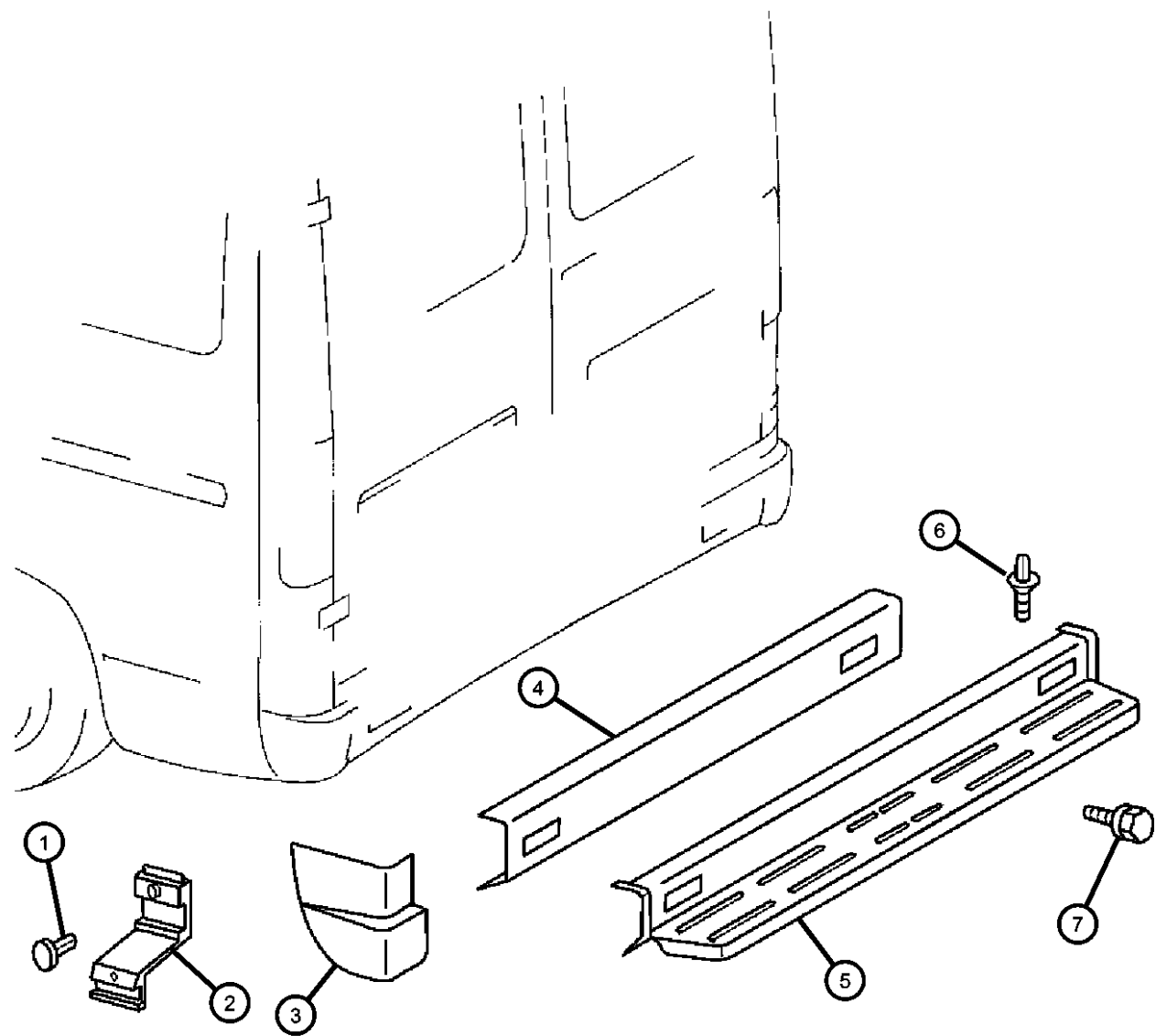
DGJ = Transmission-5-Spd. Automatic, W5A580

AR = use ase required - = Non illustrated part

2002 VA

Bumper, Rear
Figure 13-320

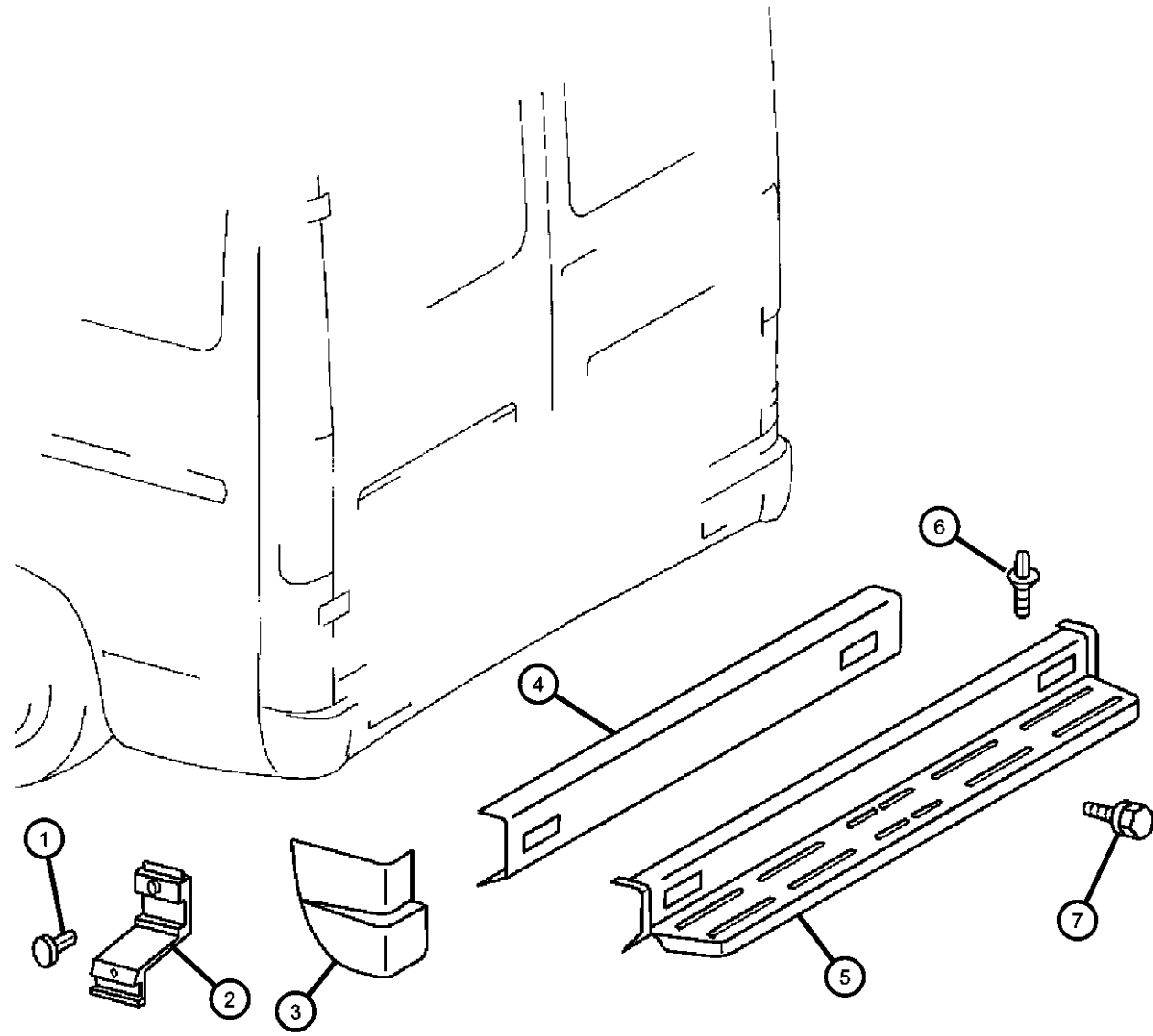
ITEM	PART NUMBER	QTY	LINE	SERIES	BODY	ENGINE	TRANS	TRIM	DESCRIPTION
1									RETAINER, Fascia
	05104543AA	2	2, 6	L	11, 12, 14, 15, 16				
		2	2, 6	L	51, 52, 54, 55, 56				
		2	3, 7	L	12, 15, 16				
2									BRACKET, Rear Bumper
	05104508AA	1	2, 6	L	11, 12, 14, 15, 16				Left
		1	2, 6	L	51, 52, 54, 55, 56				Left
		1	3, 7	L	12, 15, 16				Left
	05104510AA	1	2, 6	L	11, 12, 14, 15, 16				Right
		1	2, 6	L	51, 52, 54, 55, 56				Right
		1	3, 7	L	12, 15, 16				Right
3									COVER, Fascia
	05104509AA	1	2, 6	L	11, 12, 14, 15, 16				Left
	05104511AA	1	2, 6	L	11, 12, 14, 15, 16				Right
		1	2, 6	L	51, 52, 54, 55, 56				Right
		1	3, 7	L	12, 15, 16				Right
		1	2, 6	L	51, 52, 54, 55, 56				Left
		1	3, 7	L	12, 15, 16				Left
4									BUMPER, Fascia, Rear
	05104512AA	1	2, 6	L	11, 12, 14, 15, 16				
		1	2, 6	L	51, 52, 54, 55, 56				
		1	3, 7	L	12, 15, 16				
5									BUMPER, Fascia, Rear



SPRINTER (VA)
SERIES LINE BODY ENGINE TRANSMISSION
L = LOWLINE 3 = HD DODGE 2WD 01 = CHASSIS FORWARD CONTROL W.B.1 EX9 = Engine-2.7L I5 DGJ = Transmission-5-Spd. Automatic,W5A580
6 = Lt. Duty DODGE 4WD 02 = CAB CHASSIS WHEEL BASE 2 Mercedes Turbo Diesel
2 = Med. Duty DODGE 2WD 06 = CAB CHASSIS WHEEL BASE 6
7 = Med. Duty DODGE 4WD 11 = VAN WHEEL BASE 1
12 = VAN WHEEL BASE 2
51 = WAGON WHEEL BASE 1
52 = WAGON WHEEL BASE 2
14 = VAN WHEEL BASE 4
15 = VAN WHEEL BASE 5
56 = WAGON WHEEL BASE 6
16 = VAN WHEEL BASE 6
54 = WAGON WHEEL BASE 4
55 = WAGON WHEEL BASE 5

AR = use ase required - = Non illustrated part

Bumper, Rear
Figure 13-320



ITEM	PART NUMBER	QTY	LINE	SERIES	BODY	ENGINE	TRANS	TRIM	DESCRIPTION
	05104526AA	1	2, 6	L	11, 12, 14, 15, 16				[MBZ]
		1	2, 6	L	51, 52, 54, 55, 56				[MBZ]
		1	3, 7	L	12, 15, 16				[MBZ]
6									RIVET, REAR BUMPER MOUNTING MATERIAL, SPRINTER
	05103730AA	4	2, 6	L	11, 12, 14, 15, 16				
		4	2, 6	L	51, 52, 54, 55, 56				
		4	3, 7	L	12, 15, 16				
7									SCREW
	05103728AA	2	2, 6	L	51, 52, 54, 55, 56				
		2	3, 7	L	12, 15, 16				
-8									BUMPER, Step
	05104132AA	1	2, 6	L	11, 12, 14, 15, 16				[MBZ,5AE,5AF]
		1	2, 6	L	51, 52, 54, 55, 56				[MBZ,5AE,5AF]
	05104133AA	1	2, 6	L	11, 12, 14, 15, 16				[MBZ,5AC]
		1	2, 6	L	51, 52, 54, 55, 56				[MBZ,5AC]
	05104135AA	1	2, 6	L	11, 12, 14, 15, 16				[MKB]
		1	2, 6	L	51, 52, 54, 55, 56				[MKB]
		1	7, 3	L	12, 15, 16				[MKB]
	05120038AA	1	3, 7	L	12, 15, 16				[MBZ,5AE]
	05120040AA	1	3, 7	L	12, 15, 16				[MBZ,5AF]

SPRINTER (VA)

SERIES

L = LOWLINE
 3 = HD DODGE 2WD
 6 = Lt. Duty DODGE 4WD
 2 = Med. Duty DODGE 2WD
 7 = Med. Duty DODGE 4WD

BODY

01 = CHASSIS FORWARD
 CONTROL W.B.1
 02 = CAB CHASSIS WHEEL
 BASE 2
 06 = CAB CHASSIS WHEEL
 BASE 6
 11 = VAN WHEEL BASE 1
 12 = VAN WHEEL BASE 2
 51 = WAGON WHEEL BASE 1
 52 = WAGON WHEEL BASE 2
 14 = VAN WHEEL BASE 4
 15 = VAN WHEEL BASE 5
 56 = WAGON WHEEL BASE 6
 16 = VAN WHEEL BASE 6
 54 = WAGON WHEEL BASE 4
 55 = WAGON WHEEL BASE 5

ENGINE

EX9 = Engine-2.7L I5
 Mercedes Turbo Diesel

TRANSMISSION

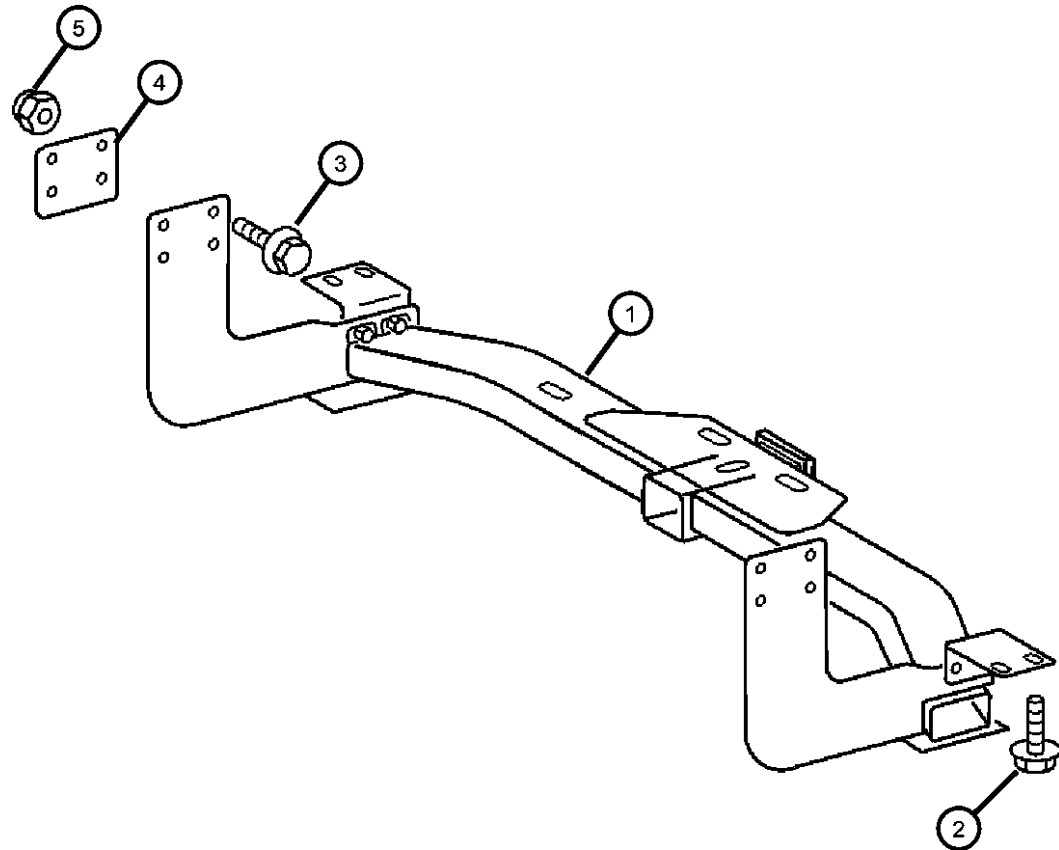
DGJ = Transmission-5-Spd.
 Automatic,W5A580

AR = use ase required - = Non illustrated part

2002 VA

Rear Hitch
Figure 13-610

ITEM	PART NUMBER	QTY	LINE	SERIES	BODY	ENGINE	TRANS	TRIM	DESCRIPTION
1	05104057AA	1	3, 7	L	12, 15, 16				SUPPORT, Hitch
2	06104215AA	4	2, 6	L	11, 12, 14, 15, 16				BOLT, Hex Head
		4	2, 6	L	51, 52, 54, 55, 56				
		4	3, 7	L	12, 15, 16				
3	05104664AA	2	2, 6	L	11, 12, 14, 15, 16				SCREW
		8	2, 6	L	51, 52, 54, 55, 56				
		2	3, 7	L	12, 15, 16				
4	05104056AA	2	2, 6	L	11, 12, 14, 15, 16				PLATE, Towing Mounting
		2	2, 6	L	51, 52, 54, 55, 56				
		2	3, 7	L	12, 15, 16				
5	06104718AA	8	2, 6	L	51, 52, 54, 55, 56				NUT
		1	3, 7	L	12, 15, 16				

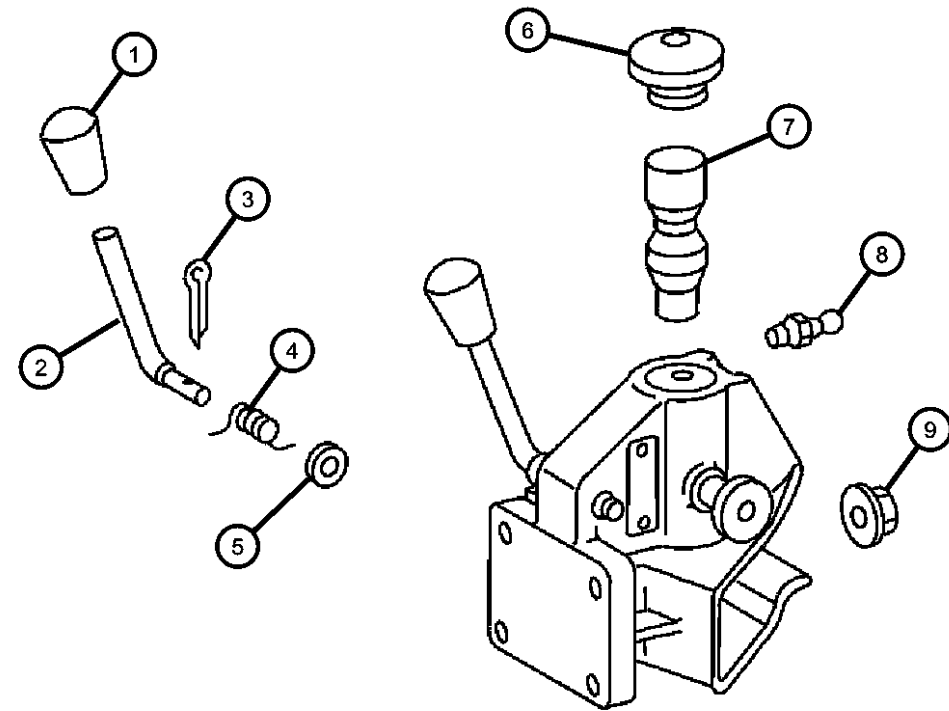


SPRINTER (VA)

SERIES	LINE	BODY	ENGINE	TRANSMISSION
L = LOWLINE	3 = HD DODGE 2WD 6 = Lt. Duty DODGE 4WD 2 = Med. Duty DODGE 2WD 7 = Med. Duty DODGE 4WD	01 = CHASSIS FORWARD CONTROL W.B.1 02 = CAB CHASSIS WHEEL BASE 2 06 = CAB CHASSIS WHEEL BASE 6 11 = VAN WHEEL BASE 1 12 = VAN WHEEL BASE 2 51 = WAGON WHEEL BASE 1 52 = WAGON WHEEL BASE 2 14 = VAN WHEEL BASE 4 15 = VAN WHEEL BASE 5 56 = WAGON WHEEL BASE 6 16 = VAN WHEEL BASE 6 54 = WAGON WHEEL BASE 4 55 = WAGON WHEEL BASE 5	EX9 = Engine-2.7L I5 Mercedes Turbo Diesel	DGJ = Transmission-5-Spd. Automatic, W5A580

AR = use ase required - = Non illustrated part

Trailer Tow
Figure 13-620



ITEM	PART NUMBER	QTY	LINE	SERIES	BODY	ENGINE	TRANS	TRIM	DESCRIPTION
1		1							HANDLE, Latch, (NOT SERVICED)
2									LEVER
	05133855AA	1	3, 7	L	12, 15, 16				
		1	2, 6	L	11, 12, 14, 15, 16				
		1	2, 6	L	51, 52, 54, 55, 56				
3									PIN
	05133860AA	1	3, 7	L	12, 15, 16				
		1	2, 6	L	11, 12, 14, 15, 16				
		1	2, 6	L	51, 52, 54, 55, 56				
4		1							SPRING, Lever, (NOT SERVICED)
5		1							WASHER, (NOT SERVICED)
6		1							COVER, (NOT SERVICED)
7									PIN, Hitch
	05133853AA	1	3, 7	L	12, 15, 16				
		1	2, 6	L	11, 12, 14, 15, 16				
		1	2, 6	L	51, 52, 54, 55, 56				
8									FITTING, Grease
	05133858AA	1	3, 7	L	12, 15, 16				
		1	2, 6	L	11, 12, 14, 15, 16				
		1	2, 6	L	51, 52, 54, 55, 56				
9									NUT
	06104717AA	4	2, 6	L	11, 12, 14, 15, 16				
		4	2, 6	L	51, 52, 54, 55, 56				
		4	3, 7	L	12, 15, 16				

SPRINTER (VA)

SERIES	LINE	BODY	ENGINE	TRANSMISSION
L = LOWLINE	3 = HD DODGE 2WD 6 = Lt. Duty DODGE 4WD 2 = Med. Duty DODGE 2WD 7 = Med. Duty DODGE 4WD	01 = CHASSIS FORWARD CONTROL W.B.1 02 = CAB CHASSIS WHEEL BASE 2 06 = CAB CHASSIS WHEEL BASE 6 11 = VAN WHEEL BASE 1 12 = VAN WHEEL BASE 2 51 = WAGON WHEEL BASE 1 52 = WAGON WHEEL BASE 2 14 = VAN WHEEL BASE 4 15 = VAN WHEEL BASE 5 56 = WAGON WHEEL BASE 6 16 = VAN WHEEL BASE 6 54 = WAGON WHEEL BASE 4 55 = WAGON WHEEL BASE 5	EX9 = Engine-2.7L I5 Mercedes Turbo Diesel	DGJ = Transmission-5-Spd. Automatic, W5A580

AR = use ase required - = Non illustrated part

Group - 14

Fuel

Group - 14 Fuel

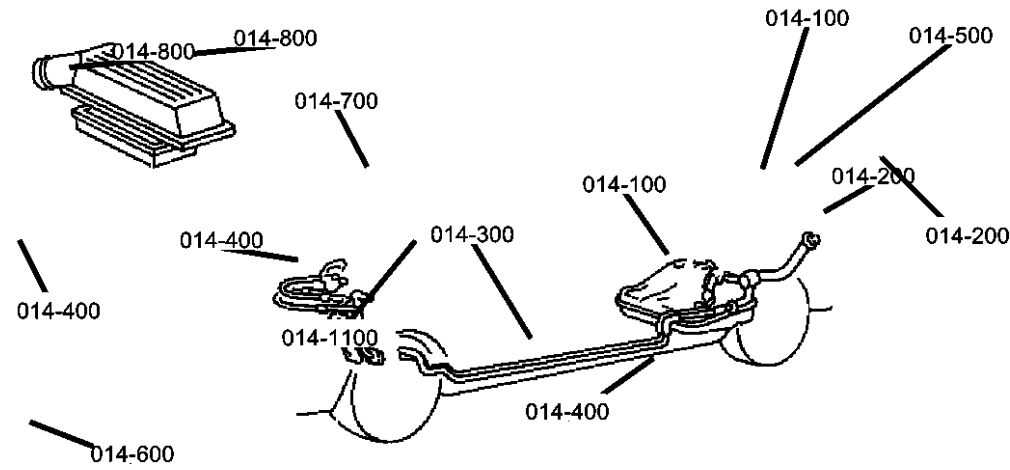


Illustration Title

Group-Fig. No.

Tank, Fuel

Fuel Tank Fig. 14 - 110

Fuel Tank Filler Tube

Fuel Tank Filler Tube..... Fig. 14 - 210

Fuel Lines

Fuel Lines..... Fig. 14 - 310

Fuel Line and Filter..... Fig. 14 - 320

Fuel Rail

Injection System [EX9]..... Fig. 14 - 410

Fuel Pump and Sending Unit

Fuel Module Fig. 14 - 510

Throttle Body

Fuel Injection Pump [EX9]..... Fig. 14 - 610

Turbo Charger Fig. 14 - 630

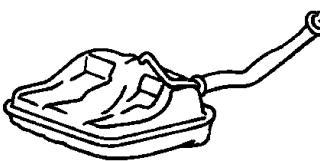

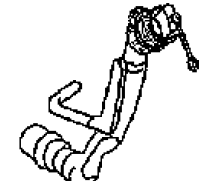
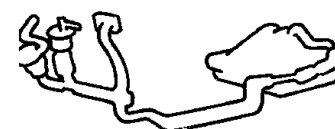
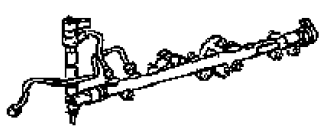
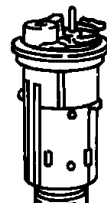
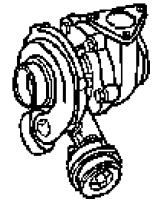
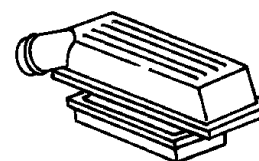
Turbo Charger Heat Shield..... Fig. 14 - 635

Air Cleaner

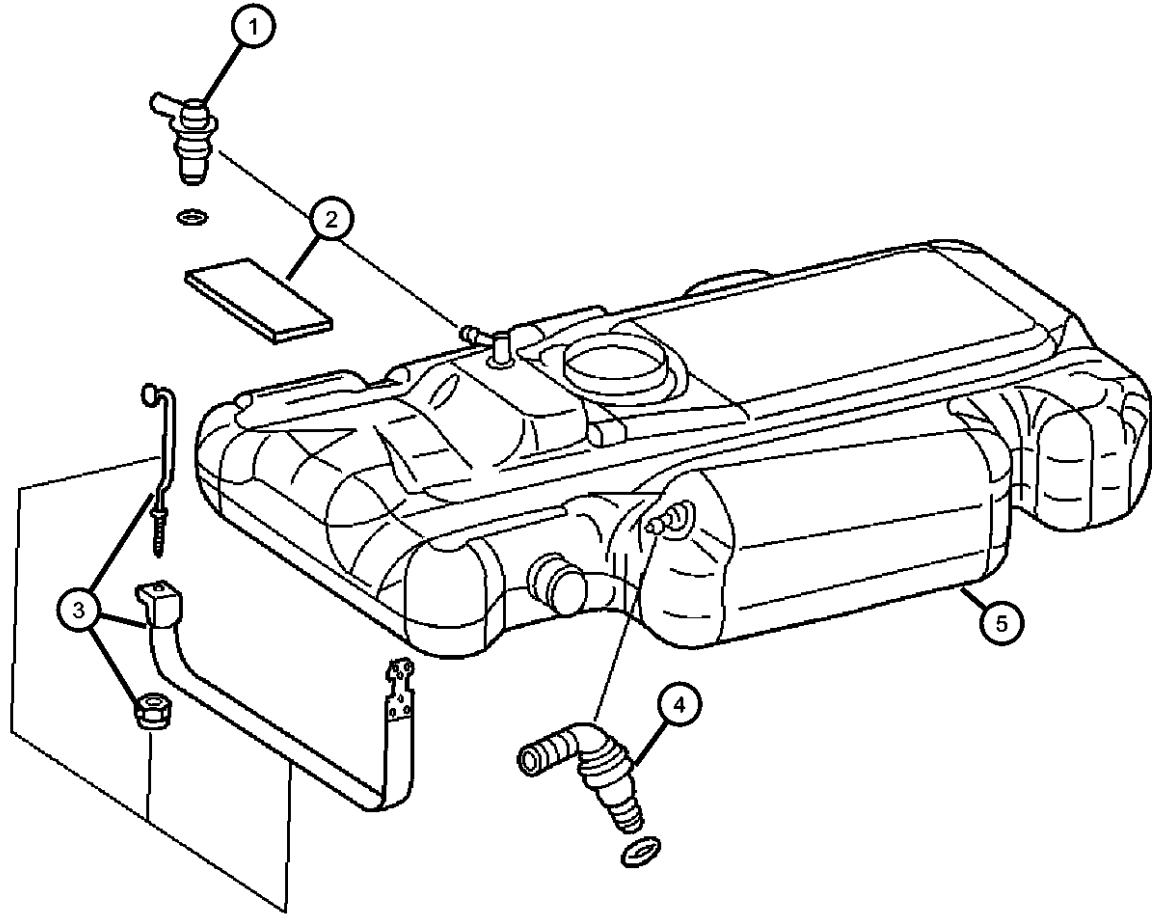
Air Cleaner..... Fig. 14 - 810

Accelerator Pedal

Accelerator Pedal Fig. 14 - 1110

<p>014-100 Tank, Fuel</p> 	<p>014-1100 Accelerator Pedal</p> 	<p>014-200 Fuel Tank Filler Tube</p> 	<p>014-300 Fuel Lines</p> 
<p>014-400 Fuel Rail</p> 	<p>014-500 Fuel Pump and Sending Unit</p> 	<p>014-600 Throttle Body</p> 	<p>014-800 Air Cleaner</p> 

Fuel Tank
Figure 14-110



ITEM	PART NUMBER	QTY	LINE	SERIES	BODY	ENGINE	TRANS	TRIM	DESCRIPTION
------	-------------	-----	------	--------	------	--------	-------	------	-------------

Sales Codes:EX9=ENGINE-2.7L I5 MERCEDES TURBO
DGJ=TRANSMISSION - 5-SPD AUTO

1	05133917AA	1	3, 7	L	12, 15, 16				VALVE, Vent
2									PAD
	05133443AA	5	2, 6	L	11, 12, 14, 15, 16				
		4	2, 6	L	51, 52, 54, 55, 56				
		5	3, 7	L	12, 15, 16				
3									STRAP, Fuel Tank
	05104102AA	2	2, 6	L	11, 12, 14, 15, 16				
		2	2, 6	L	51, 52, 54, 55, 56				
		2	3, 7	L	12, 15, 16				
4	05133918AA	1	3, 7	L	12, 15, 16				VALVE, Vent
5									TANK, Fuel
	05119634AB	1	2, 6	L	11, 12, 14, 15, 16				
		1	2, 6	L	51, 52, 54, 55, 56				
		1	3, 7	L	12, 15, 16				

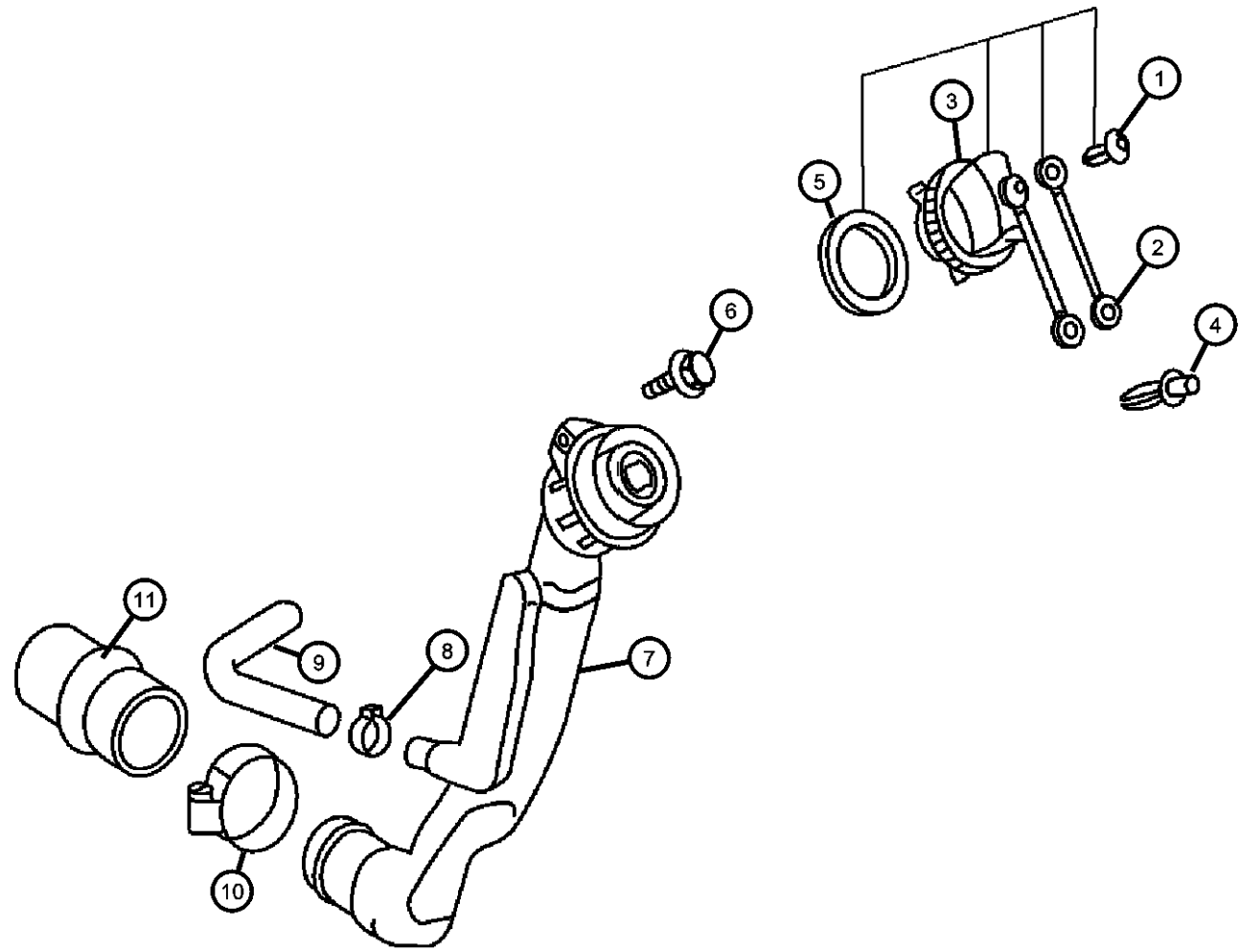
SPRINTER (VA)

SERIES	LINE	BODY	ENGINE	TRANSMISSION
L = LOWLINE	3 = HD DODGE 2WD 6 = Lt. Duty DODGE 4WD 2 = Med. Duty DODGE 2WD 7 = Med. Duty DODGE 4WD	01 = CHASSIS FORWARD CONTROL W.B.1 02 = CAB CHASSIS WHEEL BASE 2 06 = CAB CHASSIS WHEEL BASE 6 11 = VAN WHEEL BASE 1 12 = VAN WHEEL BASE 2 51 = WAGON WHEEL BASE 1 52 = WAGON WHEEL BASE 2 14 = VAN WHEEL BASE 4 15 = VAN WHEEL BASE 5 56 = WAGON WHEEL BASE 6 16 = VAN WHEEL BASE 6 54 = WAGON WHEEL BASE 4 55 = WAGON WHEEL BASE 5	EX9 = Engine-2.7L I5 Mercedes Turbo Diesel	DGJ = Transmission-5-Spd. Automatic,W5A580

AR = use ase required - = Non illustrated part

2002 VA

**Fuel Tank Filler Tube
Figure 14-210**



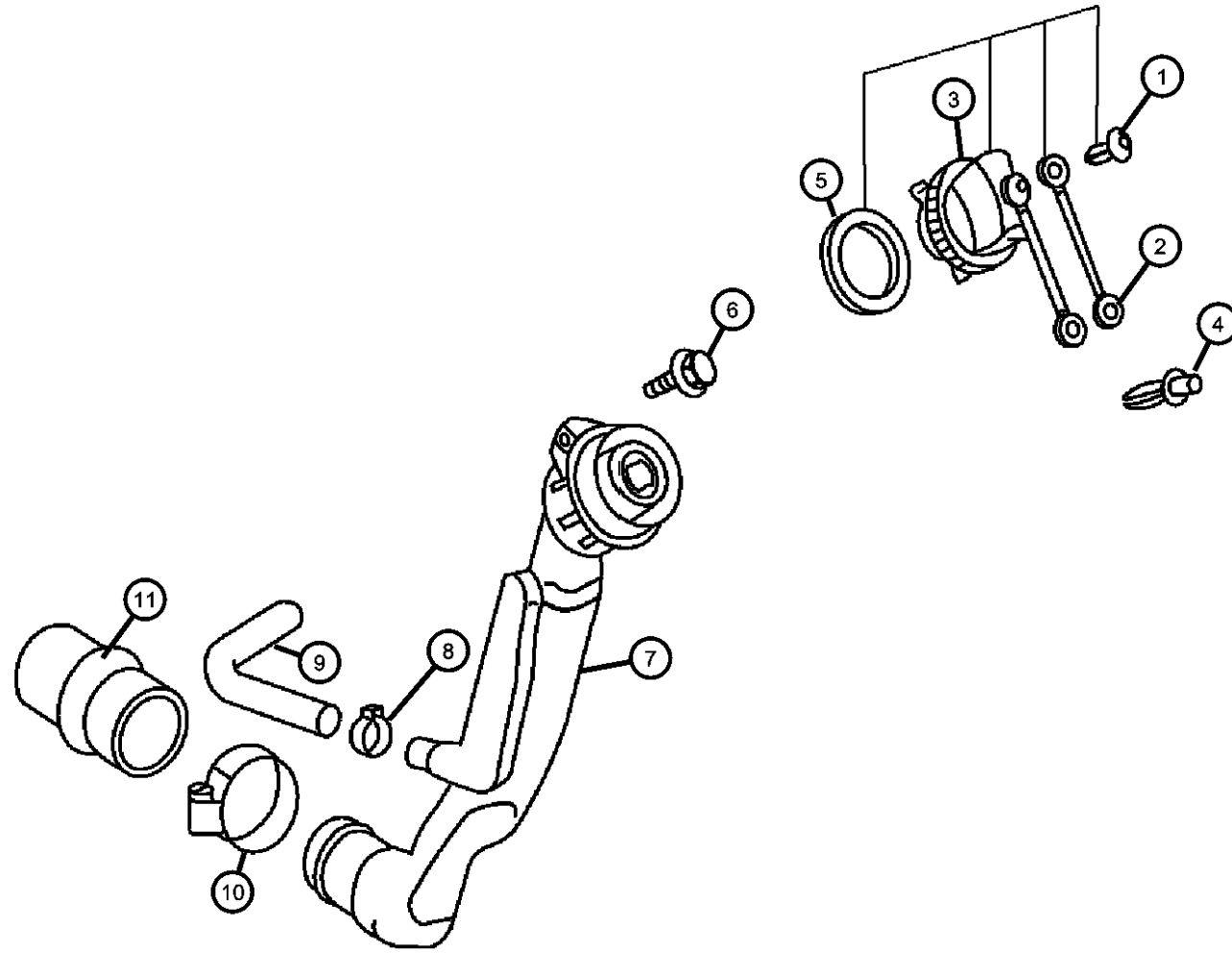
ITEM	PART NUMBER	QTY	LINE	SERIES	BODY	ENGINE	TRANS	TRIM	DESCRIPTION
Sales Codes:EX9=ENGINE-2.7L I5 MERCEDES TURBO DGJ=TRANSMISSION - 5-SPD AUTO									
1	06104903AA	1	2, 6	L	11, 12, 14, 15, 16				RIVET
		1	2, 6	L	51, 52, 54, 55, 56				
		1	3, 7	L	12, 15, 16				
2	05133915AA	1	2, 6	L	51, 52, 54, 55, 56				TETHER, Fuel Filler Cap
		1	3, 7	L	12, 15, 16				
		1	2, 6	L	11, 12, 14, 15, 16				
3	05104101AA	1	2, 6	L	11, 12, 14, 15, 16	EX9			CAP, Fuel Filler
		1	2, 6	L	51, 52, 54, 55, 56				
		1	3, 7	L	12, 15, 16				
4	05103787AA	1	2, 6	L	51, 52, 54, 55, 56				RIVET
		1	3, 7	L	12, 15, 16				
		1	2, 6	L	11, 12, 14, 15, 16				
5	05133916AA	1	2, 6	L	11, 12, 14, 15, 16				SEAL, Fuel Cap
		1	2, 6	L	51, 52, 54, 55, 56				
		1	3, 7	L	12, 15, 16				
6	06104515AA	1	3, 7	L	12, 15, 16				SCREW, Fuel Filler Tube Mounting

SPRINTER (VA)

SERIES	LINE	BODY	ENGINE	TRANSMISSION
L = LOWLINE	3 = HD DODGE 2WD 6 = Lt. Duty DODGE 4WD 2 = Med. Duty DODGE 2WD 7 = Med. Duty DODGE 4WD	01 = CHASSIS FORWARD CONTROL W.B.1 02 = CAB CHASSIS WHEEL BASE 2 06 = CAB CHASSIS WHEEL BASE 6 11 = VAN WHEEL BASE 1 12 = VAN WHEEL BASE 2 51 = WAGON WHEEL BASE 1 52 = WAGON WHEEL BASE 2 14 = VAN WHEEL BASE 4 15 = VAN WHEEL BASE 5 56 = WAGON WHEEL BASE 6 16 = VAN WHEEL BASE 6 54 = WAGON WHEEL BASE 4 55 = WAGON WHEEL BASE 5	EX9 = Engine-2.7L I5 Mercedes Turbo Diesel	DGJ = Transmission-5-Spd. Automatic,W5A580

AR = use ase required - = Non illustrated part

Fuel Tank Filler Tube
Figure 14-210



ITEM	PART NUMBER	QTY	LINE	SERIES	BODY	ENGINE	TRANS	TRIM	DESCRIPTION
		1	2, 6	L	11, 12, 14, 15, 16				
		1	2, 6	L	51, 52, 54, 55, 56				
7	05104103AA	1	2, 6	L	11, 12, 14, 15, 16	EX9			TUBE, Fuel Filler
		1	2, 6	L	51, 52, 54, 55, 56	EX9			
		1	3, 7	L	12, 15, 16	EX9			
8	06104780AA	4	2, 6	L	11, 12, 14, 15, 16				CLAMP
		4	2, 6	L	51, 52, 54, 55, 56				
		4	3, 7	L	12, 15, 16				
9	05103949AA	1	2, 6	L	51, 52, 54, 55, 56	EX9			HOSE 1 Meter Long
		1	3, 7	L	12, 15, 16				1 Meter Long
		1	2, 6	L	11, 12, 14, 15, 16	EX9			1 Meter Long
10	05104601AA	2	2, 6	L	51, 52, 54, 55, 56				CLAMP, Hose
		2	3, 7	L	12, 15, 16				
		1	2, 6	L	11, 12, 14, 15, 16	EX9			
11	05119668AA	1	2, 6	L	51, 52, 54, 55, 56	EX9			HOSE
		1	3, 7	L	12, 15, 16	EX9			
		1	2, 6	L	11, 12, 14, 15, 16	EX9			

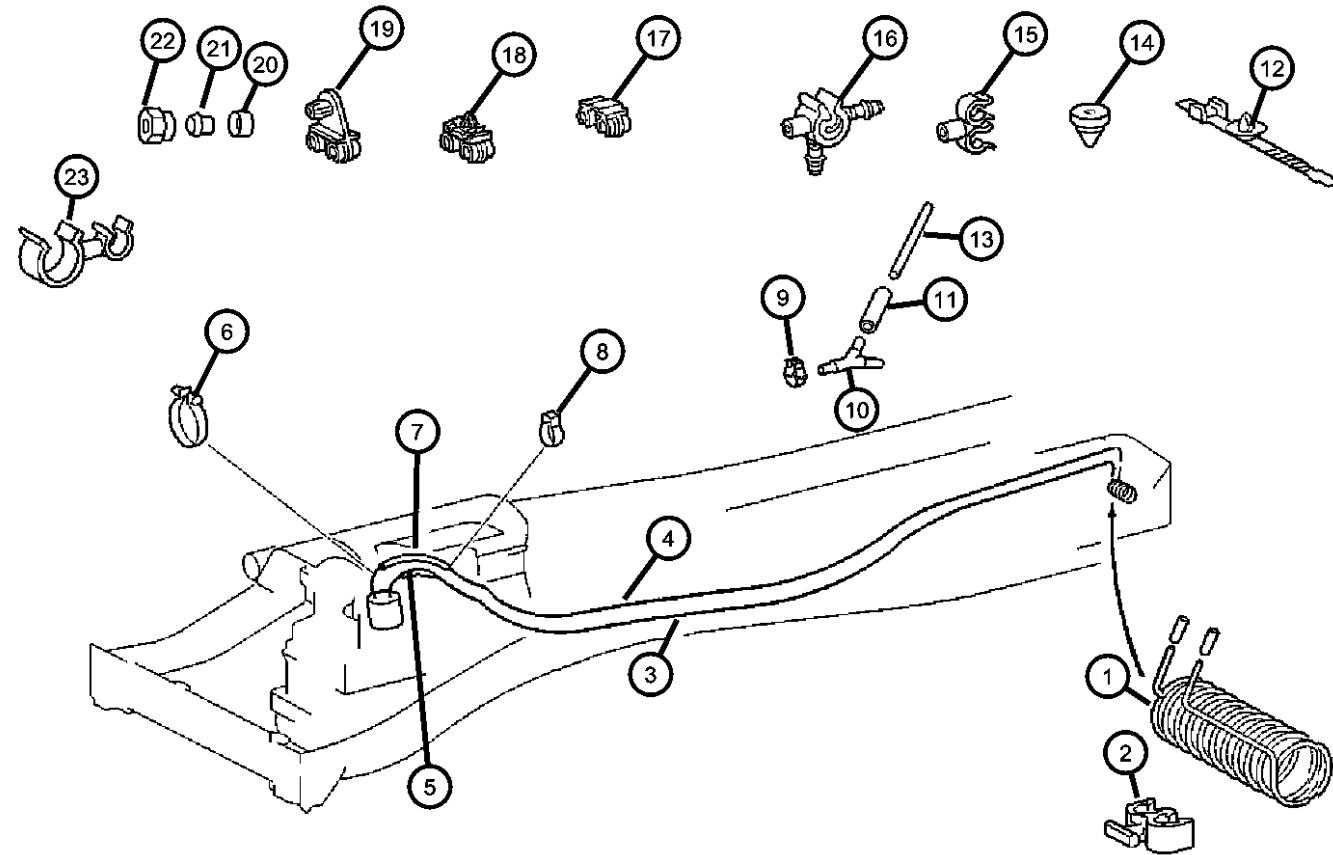
SPRINTER (VA)

SERIES	LINE	BODY	ENGINE	TRANSMISSION
L = LOWLINE	3 = HD DODGE 2WD 6 = Lt. Duty DODGE 4WD 2 = Med. Duty DODGE 2WD 7 = Med. Duty DODGE 4WD	01 = CHASSIS FORWARD CONTROL W.B.1 02 = CAB CHASSIS WHEEL BASE 2 06 = CAB CHASSIS WHEEL BASE 6 11 = VAN WHEEL BASE 1 12 = VAN WHEEL BASE 2 51 = WAGON WHEEL BASE 1 52 = WAGON WHEEL BASE 2 14 = VAN WHEEL BASE 4 15 = VAN WHEEL BASE 5 56 = WAGON WHEEL BASE 6 16 = VAN WHEEL BASE 6 54 = WAGON WHEEL BASE 4 55 = WAGON WHEEL BASE 5	EX9 = Engine-2.7L I5 Mercedes Turbo Diesel	DGJ = Transmission-5-Spd. Automatic, W5A580

AR = use ase required - = Non illustrated part

2002 VA

Fuel Lines
Figure 14-310



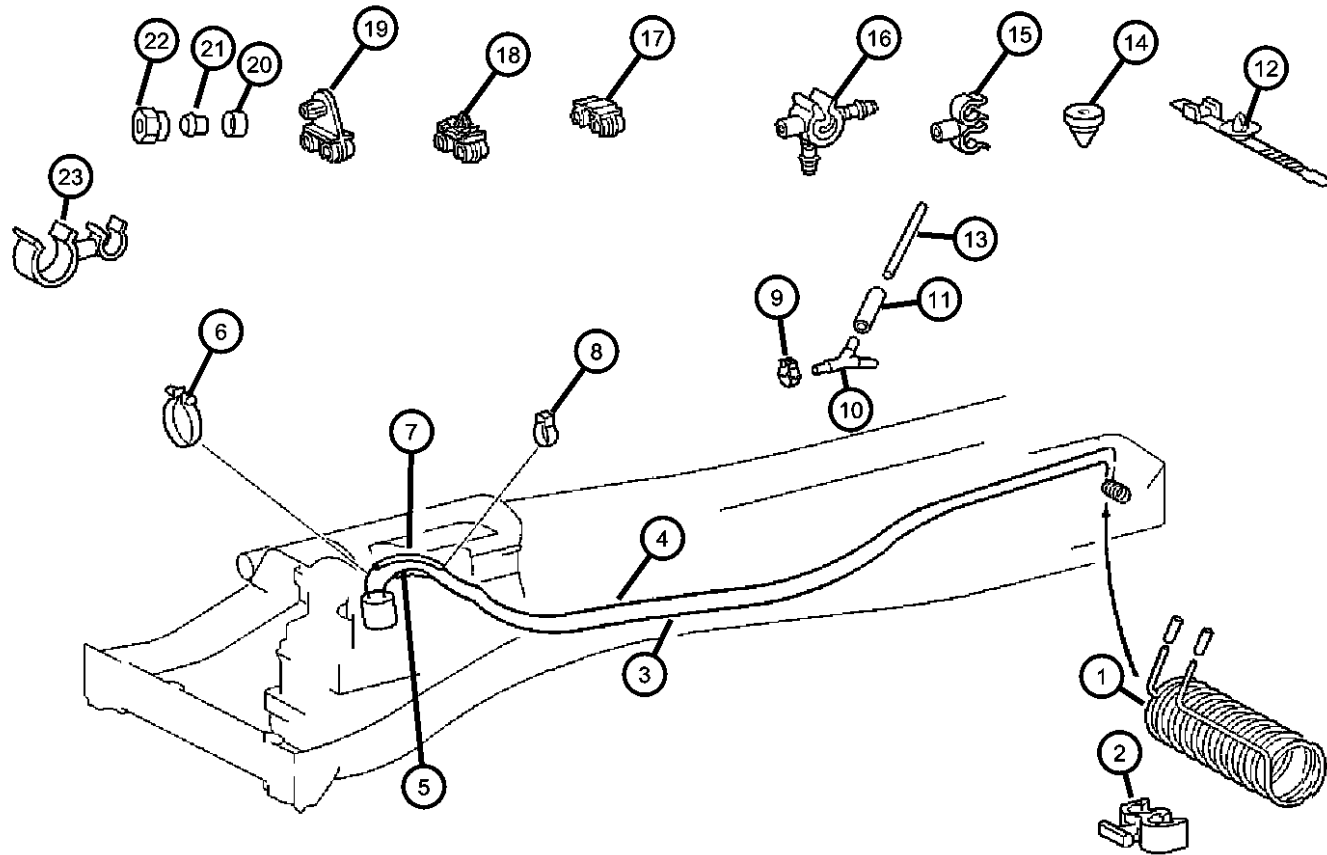
ITEM	PART NUMBER	QTY	LINE	SERIES	BODY	ENGINE	TRANS	TRIM	DESCRIPTION
1									COOLER, Fuel, Diesel
	05119652AA	1	2, 6	L	11, 12, 14, 15, 16				
		1	2, 6	L	56, 51, 52, 54, 55				
		1	3, 7	L	12, 15, 16				
2									CLIP, Fuel Line
	05119694AA	2	2, 6	L	11, 12, 14, 15, 16	EX9			
		2	2, 6	L	51, 52, 54, 55, 56	EX9			
		2	3, 7	L	12, 15, 16	EX9			
3									TUBE, Nylon Straight
	05125494AA	152	3, 7	L	12, 15, 16	EX9			25 Meters Long
		152	2, 6	L	11, 12, 14, 15, 16	EX9			25 Meters Long
		152	2, 6	L	51, 52, 54, 55, 56	EX9			25 Meters Long
4									TUBE, Fuel Return Line
	05119643AA	1	3, 7	L	12, 15, 16	EX9			
		1	2, 6	L	11, 12, 14, 15, 16	EX9			
		1	2, 6	L	51, 52, 54, 55, 56	EX9			
5									TUBE, Fuel Supply
	05119641AA	1	2, 6	L	11, 12, 14, 15, 16	EX9			
		1	2, 6	L	51, 52, 54, 55, 56	EX9			
6									STRAP, Tie
	05133690AA	1	2, 6	L	15, 16, 11, 12, 14	EX9			
		8	3, 7	L	12, 15, 16				
7									HOSE

SPRINTER (VA)

SERIES	LINE	BODY	ENGINE	TRANSMISSION
L = LOWLINE	3 = HD DODGE 2WD 6 = Lt. Duty DODGE 4WD 2 = Med. Duty DODGE 2WD 7 = Med. Duty DODGE 4WD	01 = CHASSIS FORWARD CONTROL W.B.1 02 = CAB CHASSIS WHEEL BASE 2 06 = CAB CHASSIS WHEEL BASE 6 11 = VAN WHEEL BASE 1 12 = VAN WHEEL BASE 2 51 = WAGON WHEEL BASE 1 52 = WAGON WHEEL BASE 2 14 = VAN WHEEL BASE 4 15 = VAN WHEEL BASE 5 56 = WAGON WHEEL BASE 6 16 = VAN WHEEL BASE 6 54 = WAGON WHEEL BASE 4 55 = WAGON WHEEL BASE 5	EX9 = Engine-2.7L I5 Mercedes Turbo Diesel	DGJ = Transmission-5-Spd. Automatic, W5A580

AR = use ase required - = Non illustrated part

Fuel Lines
Figure 14-310



ITEM	PART NUMBER	QTY	LINE	SERIES	BODY	ENGINE	TRANS	TRIM	DESCRIPTION
	05119673AA	1	2, 6	L	11, 12, 14, 15, 16	EX9			
		1	2, 6	L	51, 52, 54, 55, 56	EX9			
		1	3, 7	L	12, 15, 16	EX9			
8	05126025AA	2	2, 6	L	11, 12, 14, 15, 16	EX9			CLAMP, Hose
		2	2, 6	L	51, 52, 54, 55, 56	EX9			
		1	3, 7	L	12, 15, 16	EX9			
9	05133923AA	1	2, 6	L	11, 12, 14, 15, 16				CLAMP
		1	2, 6	L	51, 52, 54, 55, 56				
		1	3, 7	L	12, 15, 16	EX9			
10	05133920AA	1	2, 6	L	11, 12, 14, 15, 16				CONNECTOR, Fuel Line
		1	2, 6	L	51, 52, 54, 55, 56				
		1	3, 7	L	16, 12, 15	EX9			
11	05104491AA	1	2, 6	L	11, 12, 14, 15, 16	EX9			HOSE
		1	2, 6	L	51, 52, 54, 55, 56	EX9			
		1	3, 7	L	12, 15, 16	EX9			
12	05126078AA	1	2, 6	L	51, 52, 54, 55, 56	EX9			TIE STRAP, Push In
		1	3, 7	L	12, 15, 16	EX9			

SPRINTER (VA)

SERIES

L = LOWLINE
 3 = HD DODGE 2WD
 6 = Lt. Duty DODGE 4WD
 2 = Med. Duty DODGE 2WD
 7 = Med. Duty DODGE 4WD

BODY

01 = CHASSIS FORWARD CONTROL W.B.1
 02 = CAB CHASSIS WHEEL BASE 2
 06 = CAB CHASSIS WHEEL BASE 6
 11 = VAN WHEEL BASE 1
 12 = VAN WHEEL BASE 2
 51 = WAGON WHEEL BASE 1
 52 = WAGON WHEEL BASE 2
 14 = VAN WHEEL BASE 4
 15 = VAN WHEEL BASE 5
 56 = WAGON WHEEL BASE 6
 16 = VAN WHEEL BASE 6
 54 = WAGON WHEEL BASE 4
 55 = WAGON WHEEL BASE 5

ENGINE

EX9 = Engine-2.7L I5 Mercedes Turbo Diesel

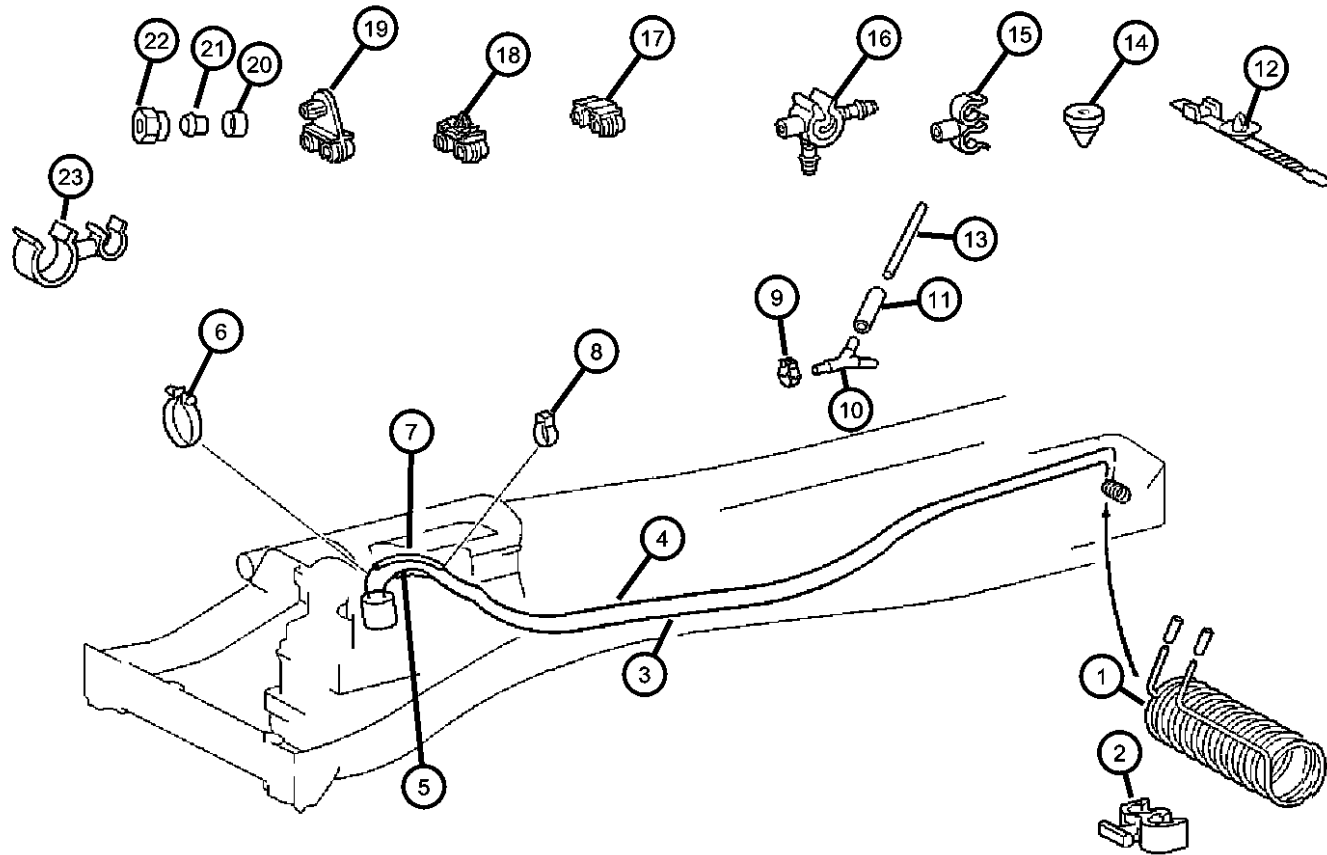
TRANSMISSION

DGJ = Transmission-5-Spd. Automatic, W5A580

AR = use ase required - = Non illustrated part

2002 VA

Fuel Lines
Figure 14-310



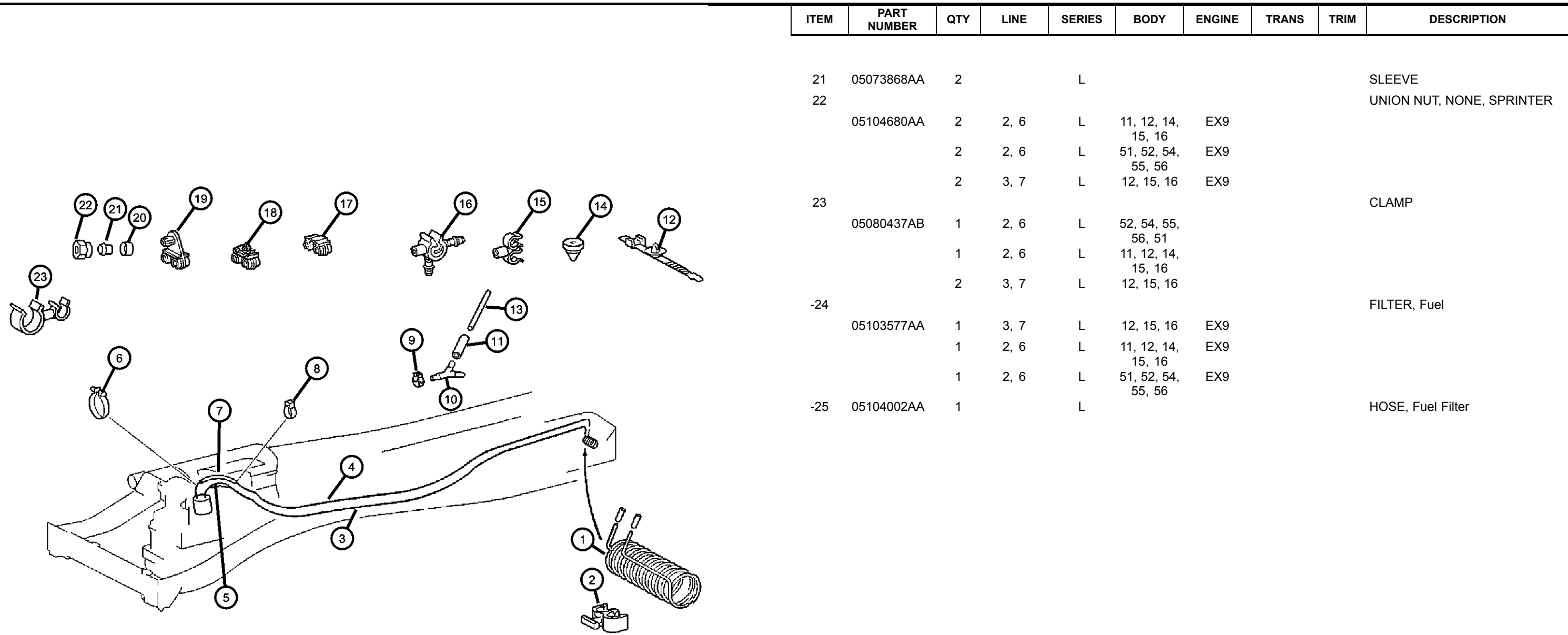
ITEM	PART NUMBER	QTY	LINE	SERIES	BODY	ENGINE	TRANS	TRIM	DESCRIPTION
13	05133633AA	900	3, 7	L	12, 15, 16	EX9			PIPE, Fuel, 1 Meter Long
14									BUMPER, Rubber
	05125501AA	2	2, 6	L	11, 12, 14, 15, 16				
		2	2, 6	L	51, 52, 54, 55, 56				
		2	3, 7	L	12, 15, 16				
15	05132794AA	2		L					CLAMP
16									CLIP, Retaining
	06104924AA	1	2, 6	L	11, 12, 14, 15, 16				
		1	2, 6	L	51, 52, 54, 55, 56				
		1	3, 7	L	12, 15, 16				
17									BRACKET, Fuel Line
	05104106AA	1	3, 7	L	12, 15, 16	EX9			
		1	2, 6	L	51, 52, 54, 55, 56	EX9			
		2	2, 6	L	51, 52, 54, 55, 56	EX9			
18									CLIP, Fuel Line
	05119690AA	1	2, 6	L	11, 12, 14, 15, 16	EX9			
		1	2, 6	L	51, 52, 54, 55, 56	EX9			
		1	3, 7	L	12, 15, 16	EX9			
19									BRACKET, Fuel Line
	05104105AA	1	2, 6	L	11, 12, 14, 15, 16	EX9			
		1	2, 6	L	51, 52, 54, 55, 56	EX9			
		1	3, 7	L	12, 15, 16	EX9			
20	05126280AA	2	3, 7	L	12, 15, 16	EX9			SLEEVE

SPRINTER (VA)

SERIES	LINE	BODY	ENGINE	TRANSMISSION
L = LOWLINE	3 = HD DODGE 2WD 6 = Lt. Duty DODGE 4WD 2 = Med. Duty DODGE 2WD 7 = Med. Duty DODGE 4WD	01 = CHASSIS FORWARD CONTROL W.B.1 02 = CAB CHASSIS WHEEL BASE 2 06 = CAB CHASSIS WHEEL BASE 6 11 = VAN WHEEL BASE 1 12 = VAN WHEEL BASE 2 51 = WAGON WHEEL BASE 1 52 = WAGON WHEEL BASE 2 14 = VAN WHEEL BASE 4 15 = VAN WHEEL BASE 5 56 = WAGON WHEEL BASE 6 16 = VAN WHEEL BASE 6 54 = WAGON WHEEL BASE 4 55 = WAGON WHEEL BASE 5	EX9 = Engine-2.7L I5 Mercedes Turbo Diesel	DGJ = Transmission-5-Spd. Automatic, W5A580

AR = use ase required - = Non illustrated part

Fuel Lines
Figure 14-310



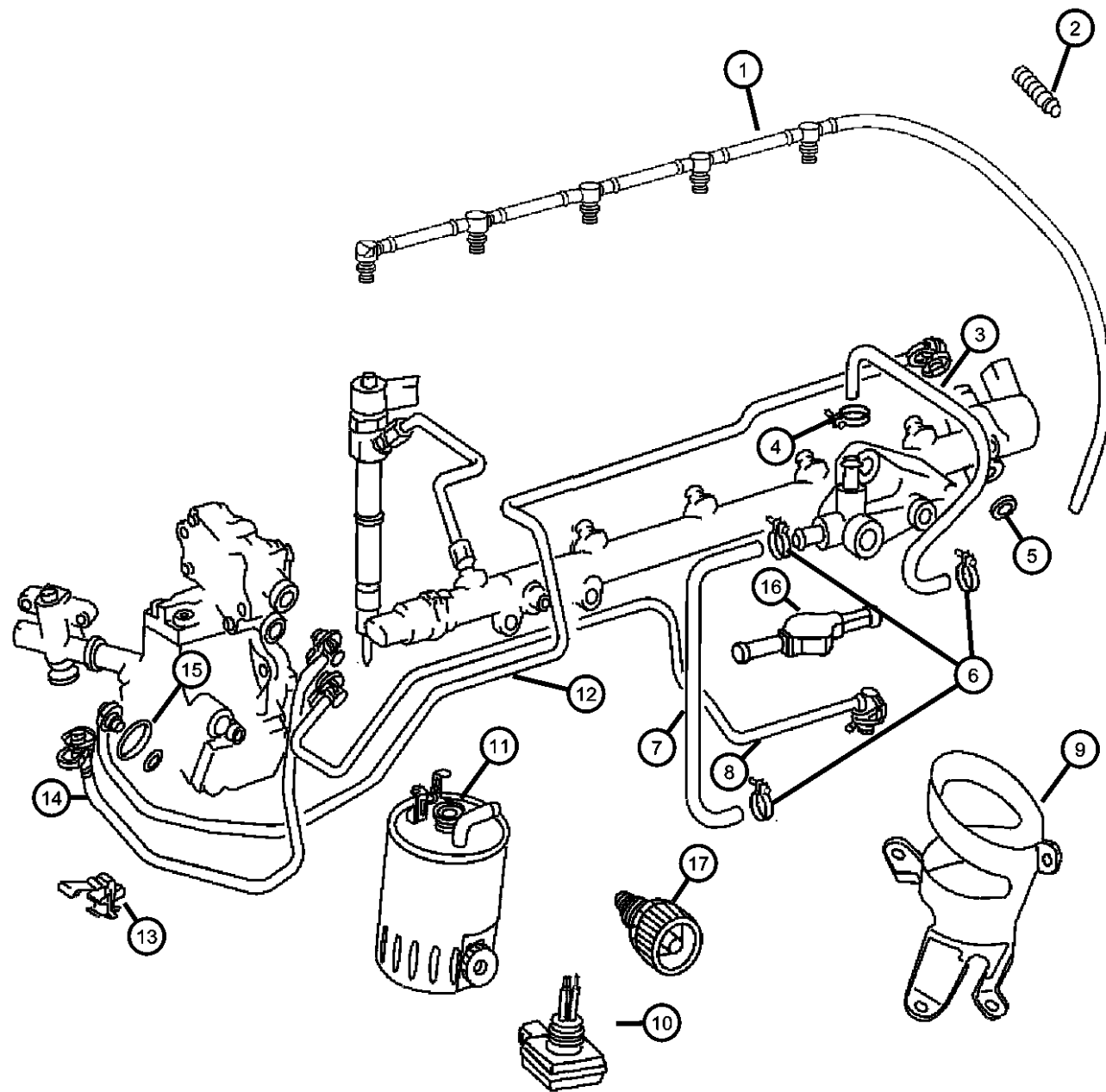
ITEM	PART NUMBER	QTY	LINE	SERIES	BODY	ENGINE	TRANS	TRIM	DESCRIPTION
21	05073868AA	2		L					SLEEVE
22	05104680AA	2	2, 6	L	11, 12, 14, 15, 16	EX9			UNION NUT, NONE, SPRINTER
		2	2, 6	L	51, 52, 54, 55, 56	EX9			
		2	3, 7	L	12, 15, 16	EX9			
23	05080437AB	1	2, 6	L	52, 54, 55, 56, 51				CLAMP
		1	2, 6	L	11, 12, 14, 15, 16				
		2	3, 7	L	12, 15, 16				
-24	05103577AA	1	3, 7	L	12, 15, 16	EX9			FILTER, Fuel
		1	2, 6	L	11, 12, 14, 15, 16	EX9			
		1	2, 6	L	51, 52, 54, 55, 56	EX9			
-25	05104002AA	1		L					HOSE, Fuel Filter

SPRINTER (VA)

SERIES	LINE	BODY	ENGINE	TRANSMISSION
L = LOWLINE	3 = HD DODGE 2WD 6 = Lt. Duty DODGE 4WD 2 = Med. Duty DODGE 2WD 7 = Med. Duty DODGE 4WD	01 = CHASSIS FORWARD CONTROL W.B.1 02 = CAB CHASSIS WHEEL BASE 2 06 = CAB CHASSIS WHEEL BASE 6 11 = VAN WHEEL BASE 1 12 = VAN WHEEL BASE 2 51 = WAGON WHEEL BASE 1 52 = WAGON WHEEL BASE 2 14 = VAN WHEEL BASE 4 15 = VAN WHEEL BASE 5 56 = WAGON WHEEL BASE 6 16 = VAN WHEEL BASE 6 54 = WAGON WHEEL BASE 4 55 = WAGON WHEEL BASE 5	EX9 = Engine-2.7L I5 Mercedes Turbo Diesel	DGJ = Transmission-5-Spd. Automatic, W5A580

AR = use ase required - = Non illustrated part

Fuel Line and Filter
Figure 14-320



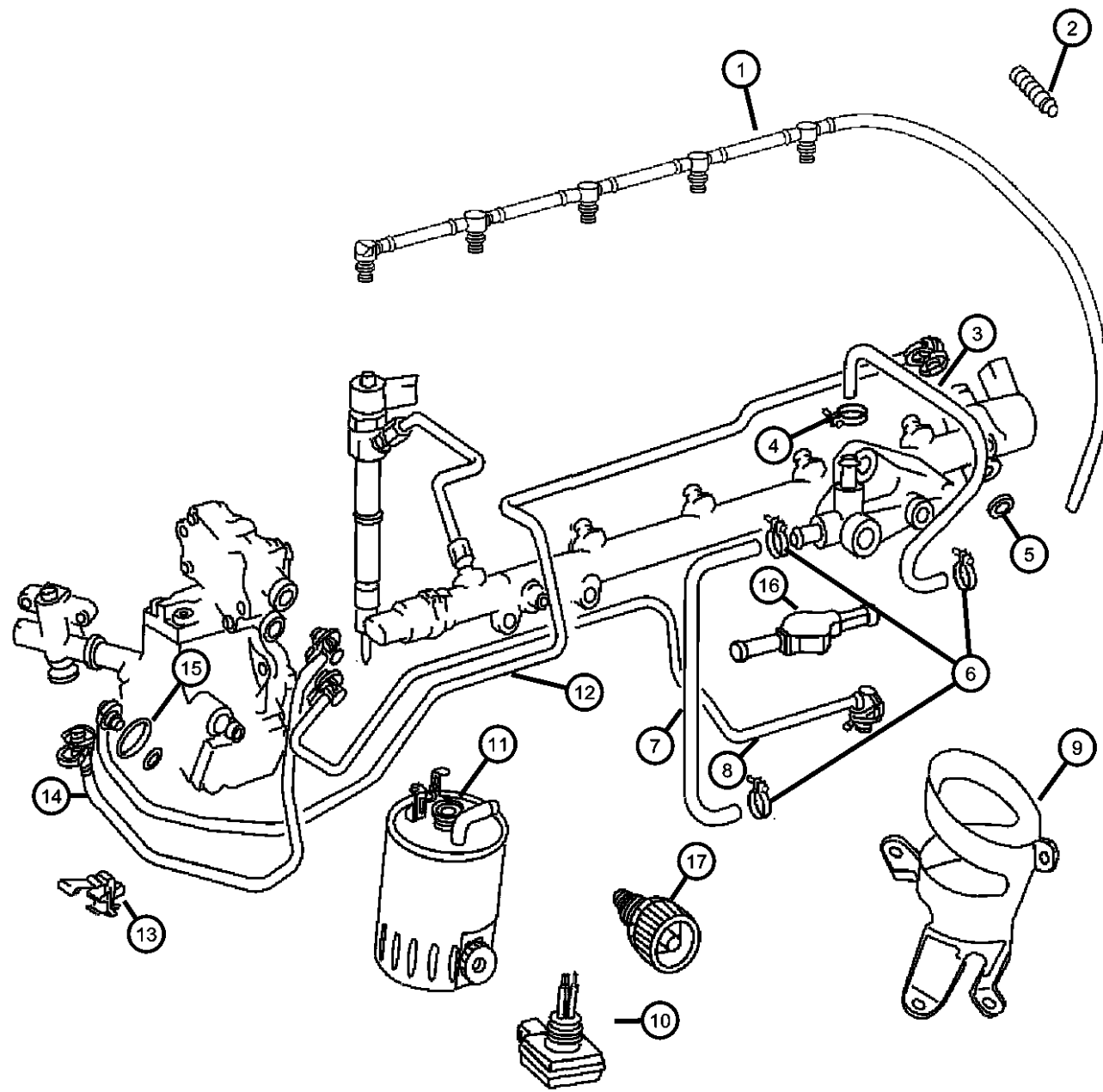
ITEM	PART NUMBER	QTY	LINE	SERIES	BODY	ENGINE	TRANS	TRIM	DESCRIPTION
1	05080487AA	1		L					TUBE
2	05135867AA	900		L					INSULATOR, 10 Meters Long
3	05117466AA	1		L					HOSE, HOSE
4									CLAMP
	05080440AB	1	2, 6	L	11, 12, 14, 15, 16		DGJ		
		1	2, 6	L	51, 52, 54, 55, 56		DGJ		
		1	3, 7	L	12, 15, 16		DGJ		
5	05104625AA	2		L					O RING
6									CLAMP
	05080440AB	1	6, 2	L	11, 12, 14, 15, 16		DGJ		
		1	2, 6	L	51, 52, 54, 55, 56		DGJ		
		1	3, 7	L	12, 15, 16		DGJ		
7	05104004AA	1		L					HOSE
8	05104002AA	1		L					HOSE, Fuel Filter
9	05104005AA	1		L					BRACKET, Fuel Filter
10	05080457AA	1		L					SWITCH
11									FILTER, Fuel
	05103577AA	1	2, 6	L	11, 12, 14, 15, 16	EX9			
		1	2, 6	L	51, 52, 54, 55, 56	EX9			
		1	3, 7	L	12, 15, 16	EX9			
12	05104001AA	1		L					TUBE
13	05080446AA	2		L					BRACKET
14	05135866AA	1		L					LINE, FEED PUMP FUEL PRESSURE SENSOR, SPRINTER SEAL RING, NONE, SPRINTER
15									

SPRINTER (VA)

SERIES	LINE	BODY	ENGINE	TRANSMISSION
L = LOWLINE	3 = HD DODGE 2WD 6 = Lt. Duty DODGE 4WD 2 = Med. Duty DODGE 2WD 7 = Med. Duty DODGE 4WD	01 = CHASSIS FORWARD CONTROL W.B.1 02 = CAB CHASSIS WHEEL BASE 2 06 = CAB CHASSIS WHEEL BASE 6 11 = VAN WHEEL BASE 1 12 = VAN WHEEL BASE 2 51 = WAGON WHEEL BASE 1 52 = WAGON WHEEL BASE 2 14 = VAN WHEEL BASE 4 15 = VAN WHEEL BASE 5 56 = WAGON WHEEL BASE 6 16 = VAN WHEEL BASE 6 54 = WAGON WHEEL BASE 4 55 = WAGON WHEEL BASE 5	EX9 = Engine-2.7L I5 Mercedes Turbo Diesel	DGJ = Transmission-5-Spd. Automatic, W5A580

AR = use ase required - = Non illustrated part

Fuel Line and Filter
Figure 14-320



ITEM	PART NUMBER	QTY	LINE	SERIES	BODY	ENGINE	TRANS	TRIM	DESCRIPTION
	05104683AB	1	2, 6	L	11, 12, 14, 15, 16	EX9			
		1	2, 6	L	51, 52, 54, 55, 56	EX9			
		1	3, 7	L	12, 15, 16	EX9			
16	05080460AA	1		L					VALVE
17	05073900AA	1							SCREW
-18	05139592AA	1							SEAL

SPRINTER (VA)

SERIES

L = LOWLINE
 3 = HD DODGE 2WD
 6 = Lt. Duty DODGE 4WD
 2 = Med. Duty DODGE 2WD
 7 = Med. Duty DODGE 4WD

LINE

BODY

01 = CHASSIS FORWARD CONTROL W.B.1
 02 = CAB CHASSIS WHEEL BASE 2
 06 = CAB CHASSIS WHEEL BASE 6
 11 = VAN WHEEL BASE 1
 12 = VAN WHEEL BASE 2
 51 = WAGON WHEEL BASE 1
 52 = WAGON WHEEL BASE 2
 14 = VAN WHEEL BASE 4
 15 = VAN WHEEL BASE 5
 56 = WAGON WHEEL BASE 6
 16 = VAN WHEEL BASE 6
 54 = WAGON WHEEL BASE 4
 55 = WAGON WHEEL BASE 5

ENGINE

EX9 = Engine-2.7L I5 Mercedes Turbo Diesel

TRANSMISSION

DGJ = Transmission-5-Spd. Automatic, W5A580

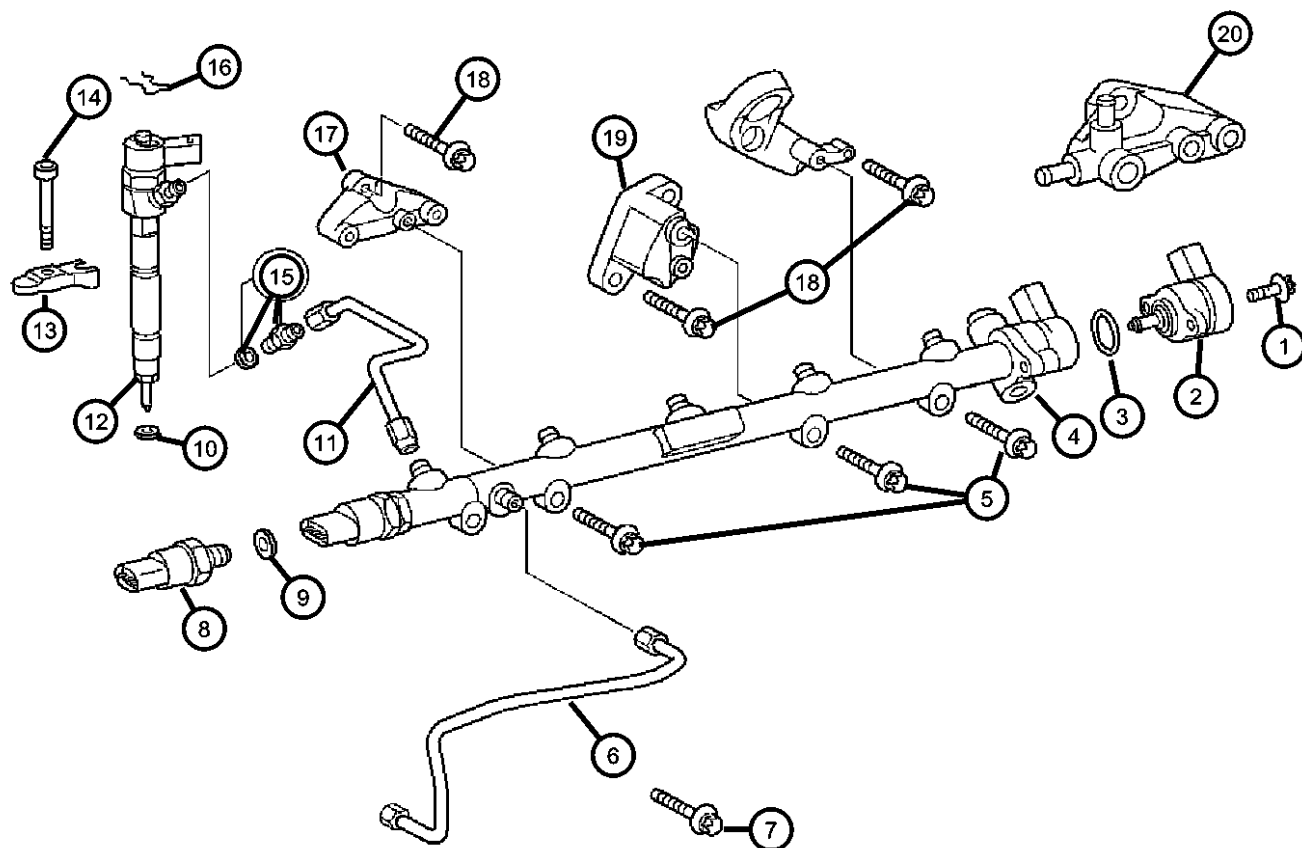
AR = use ase required - = Non illustrated part

2002 VA

**Injection System [EX9]
Figure 14-410**

ITEM	PART NUMBER	QTY	LINE	SERIES	BODY	ENGINE	TRANS	TRIM	DESCRIPTION
------	-------------	-----	------	--------	------	--------	-------	------	-------------

Sales Codes:EX9=ENGINE-2.7L I5 MERCEDES TURBO
DGJ=TRANSMISSION - 5-SPD AUTO



1									SCREW
	06104005AA	2		L					
		2	3, 7	L	12, 15, 16				
2	05080462AA	1		L					VALVE
3	05135890AA	1		L					O RING, Fuel Pressure Regulator
4	05080286AA	1		L					RAIL, Fuel
5	05073701AA	3		L					SCREW
6	05117420AA	1		L					TUBE, Fuel Injector Supply
7	05073701AA	3		L					SCREW
8	05080349AA	1		L					SENDING UNIT, Fuel
9	05080347AA	1		L					O RING, Fuel Pressure Regulator
10	05080301AA	5		L					O RING, Fuel Injector
11	05080292AA	5		L					TUBE, Fuel Injector Supply
12	05135154AA	5	2, 3, 6, 7	L					INJECTOR, Fuel
13	05080302AB	5		L					RETAINER, Fuel Injector
14	05073719AB	5		L					SCREW
15	05103608AA	5		L					ADAPTER
16	05086296AA	5		L					CLIP, Fuel Injector
17	04725619AA	1		L					BRACKET, Fuel Rail
18	05073903AA	12		L					SCREW
19	04725619AA	1		L					BRACKET, Fuel Rail
20	05117425AA	1		L					BRACKET

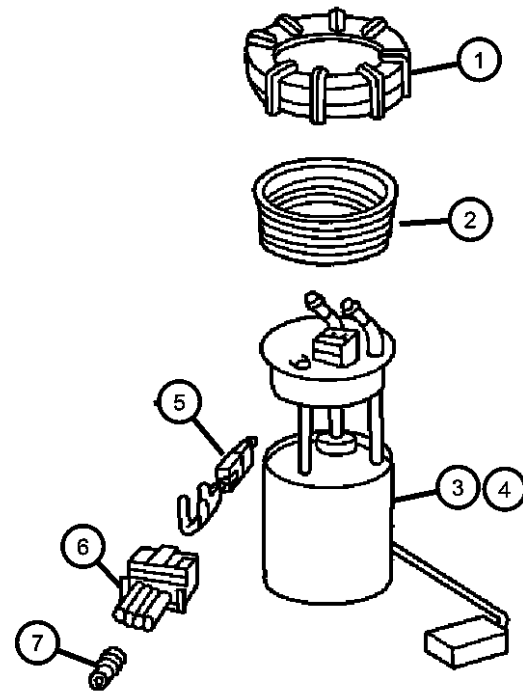
SPRINTER (VA)

SERIES	LINE	BODY	ENGINE	TRANSMISSION
L = LOWLINE	3 = HD DODGE 2WD 6 = Lt. Duty DODGE 4WD 2 = Med. Duty DODGE 2WD 7 = Med. Duty DODGE 4WD	01 = CHASSIS FORWARD CONTROL W.B.1 02 = CAB CHASSIS WHEEL BASE 2 06 = CAB CHASSIS WHEEL BASE 6 11 = VAN WHEEL BASE 1 12 = VAN WHEEL BASE 2 51 = WAGON WHEEL BASE 1 52 = WAGON WHEEL BASE 2 14 = VAN WHEEL BASE 4 15 = VAN WHEEL BASE 5 56 = WAGON WHEEL BASE 6 16 = VAN WHEEL BASE 6 54 = WAGON WHEEL BASE 4 55 = WAGON WHEEL BASE 5	EX9 = Engine-2.7L I5 Mercedes Turbo Diesel	DGJ = Transmission-5-Spd. Automatic,W5A580

AR = use ase required - = Non illustrated part

2002 VA

**Fuel Module
Figure 14-510**



ITEM	PART NUMBER	QTY	LINE	SERIES	BODY	ENGINE	TRANS	TRIM	DESCRIPTION
Sales Codes:EX9=ENGINE-2.7L I5 MERCEDES TURBO DGJ=TRANSMISSION - 5-SPD AUTO XFZ= Sender for Auxiliary Heater									
1									NUT, Fuel Pump Module
	05104539AA	1	2, 6	L	11, 12, 14, 15, 16				
		1	2, 6	L	51, 52, 54, 55, 56				
		1	3, 7	L	12, 15, 16				
2									SEAL, Fuel Pump and Level Unit
	05119613AA	1	2, 6	L	11, 12, 14, 15, 16				
		1	2, 6	L	51, 52, 54, 55, 56				
		1	3, 7	L	12, 15, 16				
3									MODULE, Fuel Tank - Diesel
	05120335AA	1	2, 6	L	11, 12, 14, 15, 16				[XFZ]
		1	2, 6	L	51, 52, 54, 55, 56				[XFZ]
		1	3, 7	L	12, 15, 16				[XFZ]
4									MODULE, Fuel Tank - Diesel
	05120339AA	1	2, 6	L	11, 12, 14, 15, 16				Without [XFZ]
		1	2, 6	L	51, 52, 54, 55, 56				Without [XFZ]
		1	3, 7	L	12, 15, 16				Without [XFZ]
5									TERMINAL
	05102935AA	1	2, 6	L	11, 12, 14, 15, 16				
		1	2, 6	L	51, 52, 54, 55, 56				
		99	3, 7	L	12, 15, 16				
6									CONNECTOR

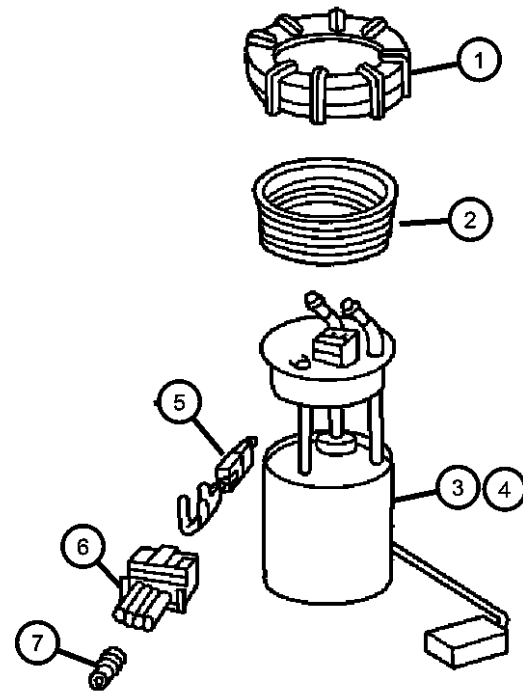
SPRINTER (VA)

SERIES	LINE	BODY	ENGINE	TRANSMISSION
L = LOWLINE	3 = HD DODGE 2WD 6 = Lt. Duty DODGE 4WD 2 = Med. Duty DODGE 2WD 7 = Med. Duty DODGE 4WD	01 = CHASSIS FORWARD CONTROL W.B.1 02 = CAB CHASSIS WHEEL BASE 2 06 = CAB CHASSIS WHEEL BASE 6 11 = VAN WHEEL BASE 1 12 = VAN WHEEL BASE 2 51 = WAGON WHEEL BASE 1 52 = WAGON WHEEL BASE 2 14 = VAN WHEEL BASE 4 15 = VAN WHEEL BASE 5 56 = WAGON WHEEL BASE 6 16 = VAN WHEEL BASE 6 54 = WAGON WHEEL BASE 4 55 = WAGON WHEEL BASE 5	EX9 = Engine-2.7L I5 Mercedes Turbo Diesel	DGJ = Transmission-5-Spd. Automatic,W5A580

AR = use ase required - = Non illustrated part

Fuel Module
Figure 14-510

ITEM	PART NUMBER	QTY	LINE	SERIES	BODY	ENGINE	TRANS	TRIM	DESCRIPTION
	05120544AA	1	2, 6	L	11, 12, 14, 15, 16				
		1	2, 6	L	51, 52, 54, 55, 56				
		1	3, 7	L	12, 15, 16				
7	05103661AA	1	2, 6	L	11, 12, 14, 15, 16				GASKET
		1	2, 6	L	51, 52, 54, 55, 56				
		1	3, 7	L	12, 15, 16				



SPRINTER (VA)

SERIES

L = LOWLINE
 3 = HD DODGE 2WD
 6 = Lt. Duty DODGE 4WD
 2 = Med. Duty DODGE 2WD
 7 = Med. Duty DODGE 4WD

LINE

BODY

01 = CHASSIS FORWARD CONTROL W.B.1
 02 = CAB CHASSIS WHEEL BASE 2
 06 = CAB CHASSIS WHEEL BASE 6
 11 = VAN WHEEL BASE 1
 12 = VAN WHEEL BASE 2
 51 = WAGON WHEEL BASE 1
 52 = WAGON WHEEL BASE 2
 14 = VAN WHEEL BASE 4
 15 = VAN WHEEL BASE 5
 56 = WAGON WHEEL BASE 6
 16 = VAN WHEEL BASE 6
 54 = WAGON WHEEL BASE 4
 55 = WAGON WHEEL BASE 5

ENGINE

EX9 = Engine-2.7L I5 Mercedes Turbo Diesel

TRANSMISSION

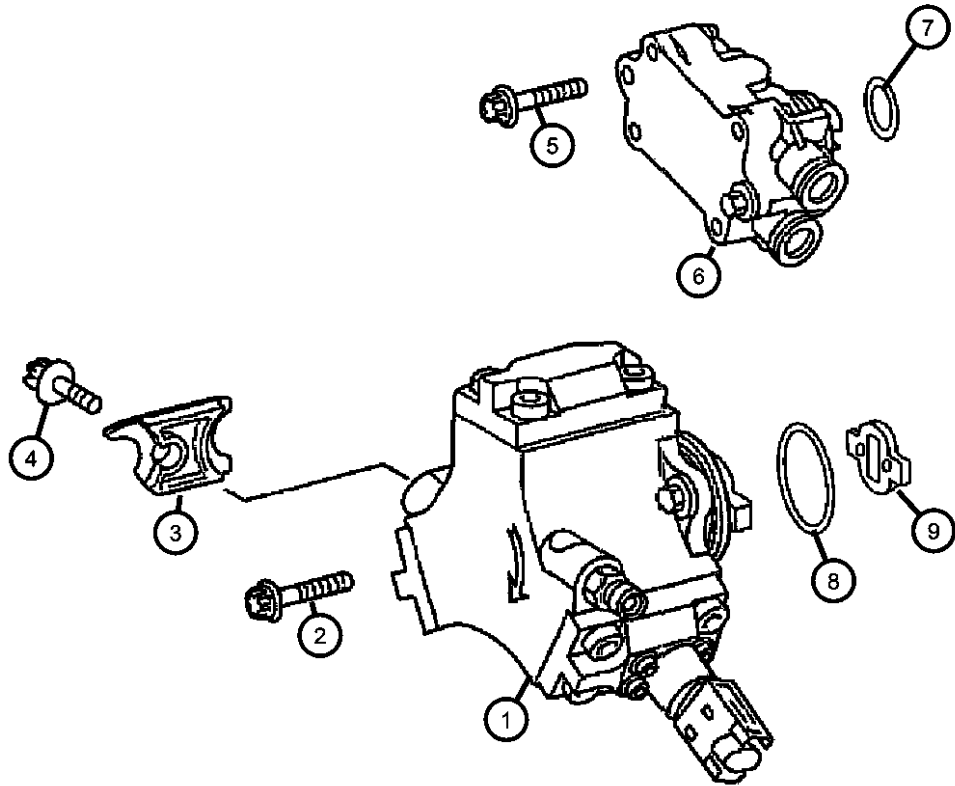
DGJ = Transmission-5-Spd. Automatic,W5A580

Fuel Injection Pump [EX9]
Figure 14-610

ITEM	PART NUMBER	QTY	LINE	SERIES	BODY	ENGINE	TRANS	TRIM	DESCRIPTION
------	-------------	-----	------	--------	------	--------	-------	------	-------------

Sales Codes:EX9=ENGINE-2.7L I5 MERCEDES TURBO
DGJ=TRANSMISSION - 5-SPD AUTO

1	05136012AA	1		L					PUMP, Injection
2	05073701AA	3		L					SCREW
3	05080284AA	1		L					BRACKET, Pump
4	05073718AA	1		L					SCREW
5	06104011AA	2		L					SCREW
6	05080255AA	1		L					PUMP, Fuel
7	05103614AA	1		L					O RING, Fuel Pump
8	05080115AA	1		L					O RING
9	05103610AA	1		L					DRIVE, Fuel Pump



SPRINTER (VA)

SERIES	LINE	BODY	ENGINE	TRANSMISSION
L = LOWLINE	3 = HD DODGE 2WD 6 = Lt. Duty DODGE 4WD 2 = Med. Duty DODGE 2WD 7 = Med. Duty DODGE 4WD	01 = CHASSIS FORWARD CONTROL W.B.1 02 = CAB CHASSIS WHEEL BASE 2 06 = CAB CHASSIS WHEEL BASE 6 11 = VAN WHEEL BASE 1 12 = VAN WHEEL BASE 2 51 = WAGON WHEEL BASE 1 52 = WAGON WHEEL BASE 2 14 = VAN WHEEL BASE 4 15 = VAN WHEEL BASE 5 56 = WAGON WHEEL BASE 6 16 = VAN WHEEL BASE 6 54 = WAGON WHEEL BASE 4 55 = WAGON WHEEL BASE 5	EX9 = Engine-2.7L I5 Mercedes Turbo Diesel	DGJ = Transmission-5-Spd. Automatic,W5A580

AR = use ase required - = Non illustrated part

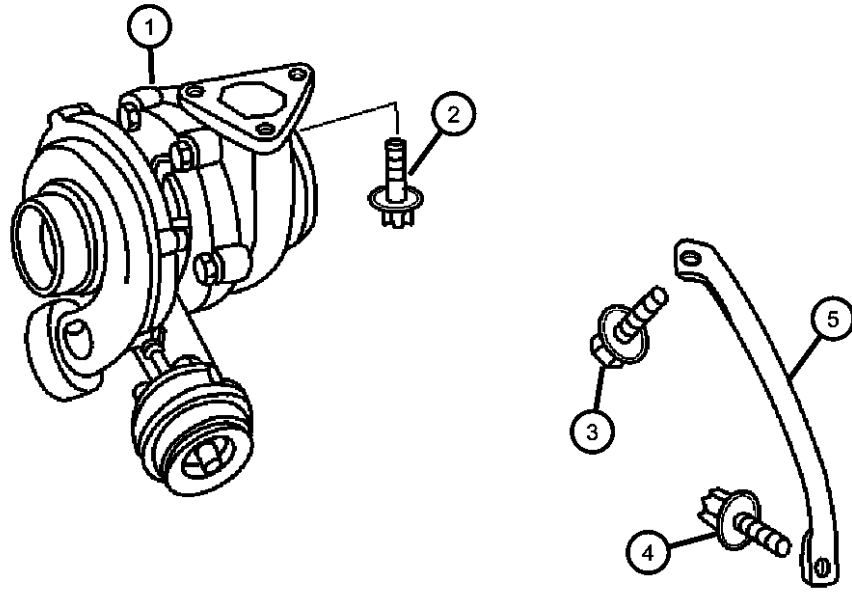
2002 VA

Turbo Charger
Figure 14-630

ITEM	PART NUMBER	QTY	LINE	SERIES	BODY	ENGINE	TRANS	TRIM	DESCRIPTION
------	-------------	-----	------	--------	------	--------	-------	------	-------------

Sales Codes:EX9=ENGINE-2.7L I5 MERCEDES TURBO
 DGJ=TRANSMISSION - 5-SPD AUTO

1	05104006AA	1		L					TURBOCHARGER
2	05073720AA	3		L					SCREW
3	05073720AA	1		L					SCREW
4	06104022AA	1		L					SCREW
5	05103982AA	1		L					BRACKET, Turbo Charger
-6	05080371AA	1		L					REGULATOR, Pressure



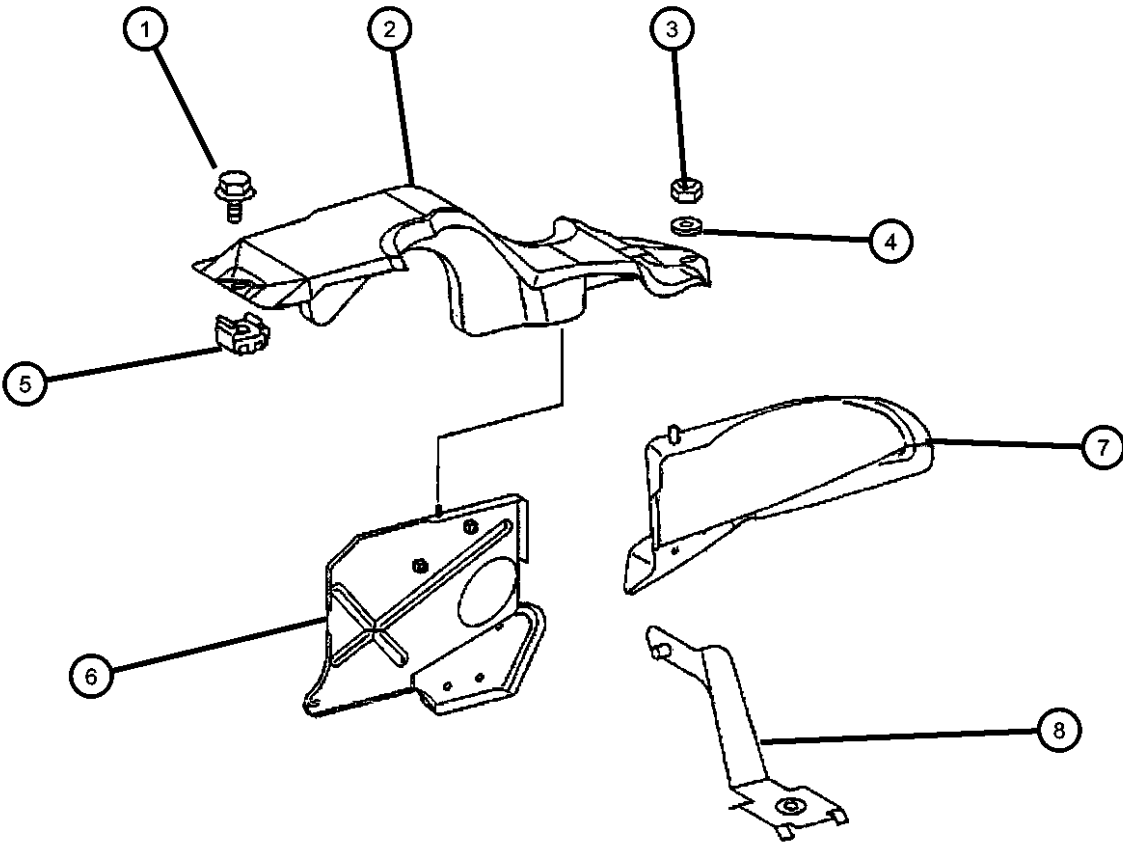
SPRINTER (VA)

SERIES	LINE	BODY	ENGINE	TRANSMISSION
L = LOWLINE	3 = HD DODGE 2WD 6 = Lt. Duty DODGE 4WD 2 = Med. Duty DODGE 2WD 7 = Med. Duty DODGE 4WD	01 = CHASSIS FORWARD CONTROL W.B.1 02 = CAB CHASSIS WHEEL BASE 2 06 = CAB CHASSIS WHEEL BASE 6 11 = VAN WHEEL BASE 1 12 = VAN WHEEL BASE 2 51 = WAGON WHEEL BASE 1 52 = WAGON WHEEL BASE 2 14 = VAN WHEEL BASE 4 15 = VAN WHEEL BASE 5 56 = WAGON WHEEL BASE 6 16 = VAN WHEEL BASE 6 54 = WAGON WHEEL BASE 4 55 = WAGON WHEEL BASE 5	EX9 = Engine-2.7L I5 Mercedes Turbo Diesel	DGJ = Transmission-5-Spd. Automatic,W5A580

AR = use ase required - = Non illustrated part

2002 VA

Turbo Charger Heat Shield
Figure 14-635



ITEM	PART NUMBER	QTY	LINE	SERIES	BODY	ENGINE	TRANS	TRIM	DESCRIPTION
------	-------------	-----	------	--------	------	--------	-------	------	-------------

Sales Codes:EX9=ENGINE-2.7L I5 MERCEDES TURBO
DGJ=TRANSMISSION - 5-SPD AUTO

1	06104179AA	1	2, 6	L	51, 52, 54, 55, 56				BOLT
		1	2, 6	L	11, 12, 14, 15, 16				
		1	3, 7	L	12, 15, 16				
2	05104138AA	1	2, 6	L	16, 11, 12, 14, 15				COVER, Turbo Charger Compressor
		1	2, 6	L	51, 52, 54, 55, 56				
		1	3, 7	L	12, 15, 16				
3	05097674AA	1	2, 6	L	11, 12, 14, 15, 16	EX9			NUT, Hex
		1	2, 6	L	51, 52, 54, 55, 56	EX9			
		1	3, 7	L	12, 15, 16	EX9			
4	05133908AA	1	2, 6	L	11, 12, 14, 15, 16				WASHER
		1	2, 6	L	51, 52, 54, 55, 56				
		1	3, 7	L	12, 15, 16				
5	05126253AA	1	2, 6	L	11, 12, 14, 15, 16				NUT
		1	2, 6	L	51, 52, 54, 55, 56				
		1	3, 7	L	12, 15, 16				
6									COVER, Air Inlet

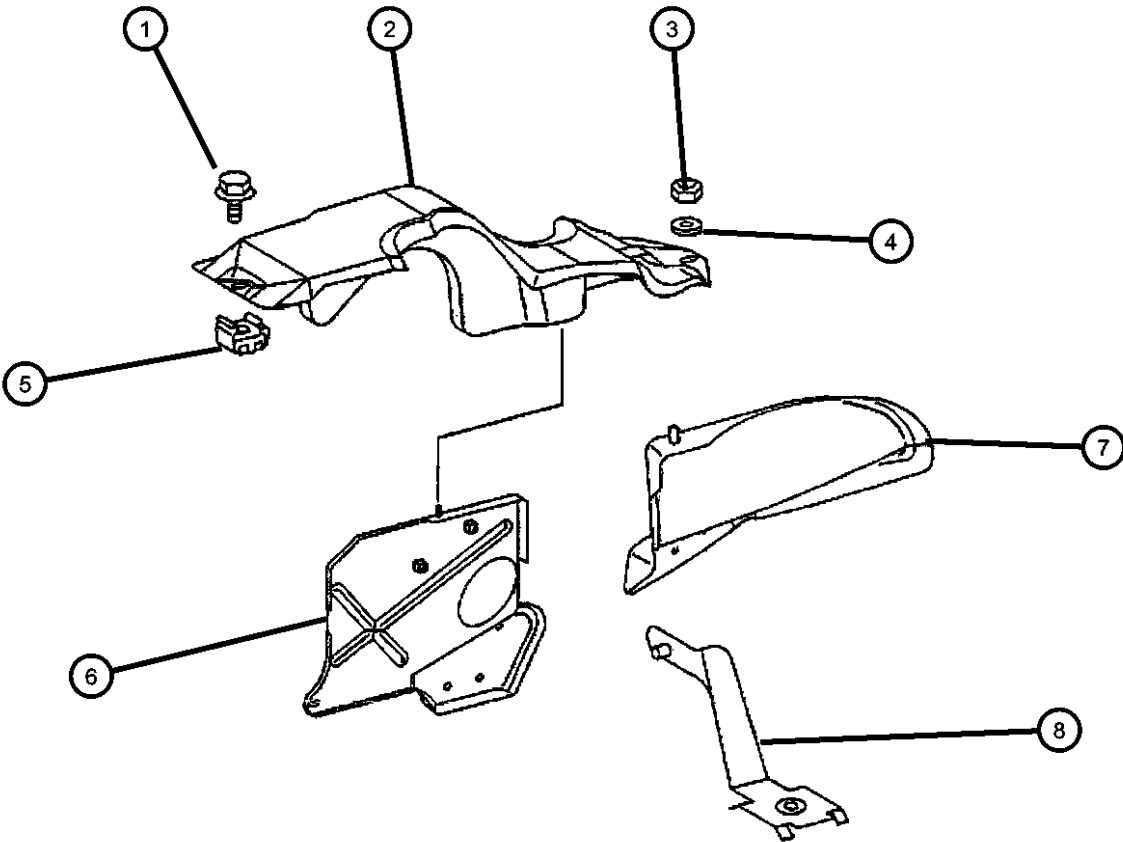
SPRINTER (VA)

SERIES	LINE	BODY	ENGINE	TRANSMISSION
L = LOWLINE	3 = HD DODGE 2WD 6 = Lt. Duty DODGE 4WD 2 = Med. Duty DODGE 2WD 7 = Med. Duty DODGE 4WD	01 = CHASSIS FORWARD CONTROL W.B.1 02 = CAB CHASSIS WHEEL BASE 2 06 = CAB CHASSIS WHEEL BASE 6 11 = VAN WHEEL BASE 1 12 = VAN WHEEL BASE 2 51 = WAGON WHEEL BASE 1 52 = WAGON WHEEL BASE 2 14 = VAN WHEEL BASE 4 15 = VAN WHEEL BASE 5 56 = WAGON WHEEL BASE 6 16 = VAN WHEEL BASE 6 54 = WAGON WHEEL BASE 4 55 = WAGON WHEEL BASE 5	EX9 = Engine-2.7L I5 Mercedes Turbo Diesel	DGJ = Transmission-5-Spd. Automatic,W5A580

AR = use ase required - = Non illustrated part

2002 VA

**Turbo Charger Heat Shield
Figure 14-635**



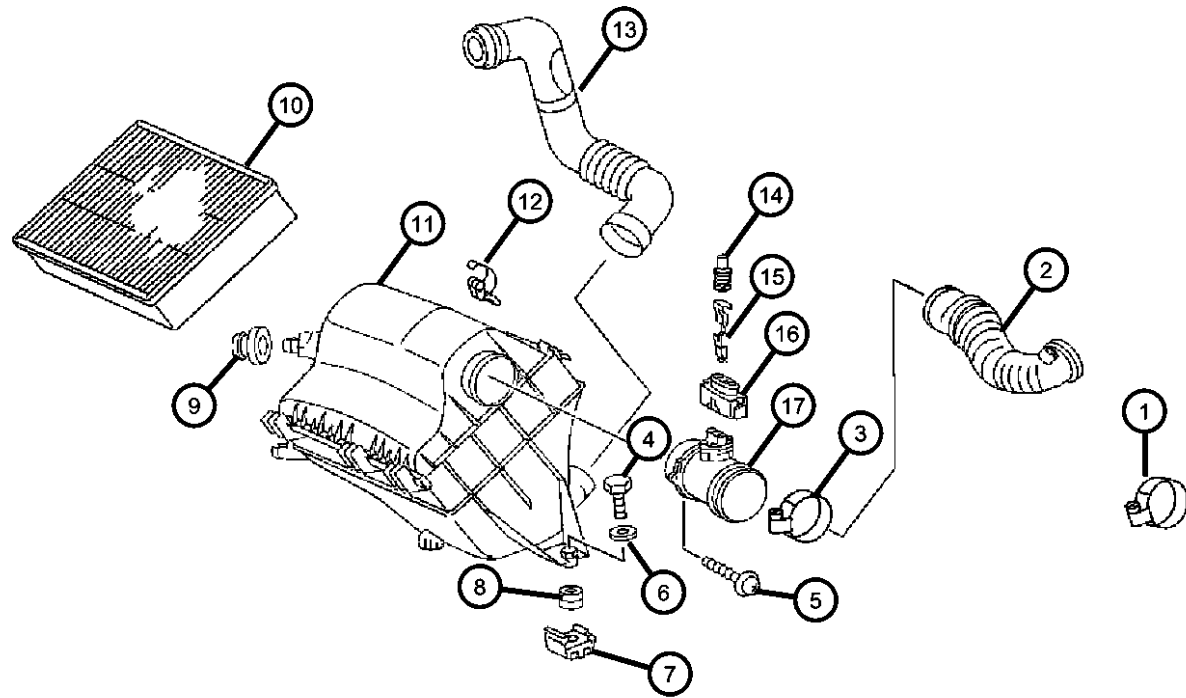
ITEM	PART NUMBER	QTY	LINE	SERIES	BODY	ENGINE	TRANS	TRIM	DESCRIPTION
7	05120028AA	1	2, 6	L	55, 56, 51, 52, 54				COVER, Air Inlet
		1	2, 6	L	11, 12, 14, 15, 16				
		1	3, 7	L	12, 15, 16				
8	05120025AA	1	2, 6	L	11, 12, 14, 15, 16				BRACKET, Air Inlet
		1	2, 6	L	51, 52, 54, 55, 56				
		1	3, 7	L	12, 15, 16				
	05120059AA	1	2, 6	L	11, 12, 14, 15, 16				
		1	2, 6	L	51, 52, 54, 55, 56				
		1	3, 7	L	12, 15, 16				

SPRINTER (VA)

SERIES	LINE	BODY	ENGINE	TRANSMISSION
L = LOWLINE	3 = HD DODGE 2WD 6 = Lt. Duty DODGE 4WD 2 = Med. Duty DODGE 2WD 7 = Med. Duty DODGE 4WD	01 = CHASSIS FORWARD CONTROL W.B.1 02 = CAB CHASSIS WHEEL BASE 2 06 = CAB CHASSIS WHEEL BASE 6 11 = VAN WHEEL BASE 1 12 = VAN WHEEL BASE 2 51 = WAGON WHEEL BASE 1 52 = WAGON WHEEL BASE 2 14 = VAN WHEEL BASE 4 15 = VAN WHEEL BASE 5 56 = WAGON WHEEL BASE 6 16 = VAN WHEEL BASE 6 54 = WAGON WHEEL BASE 4 55 = WAGON WHEEL BASE 5	EX9 = Engine-2.7L I5 Mercedes Turbo Diesel	DGJ = Transmission-5-Spd. Automatic, W5A580

AR = use ase required - = Non illustrated part

**Air Cleaner
Figure 14-810**



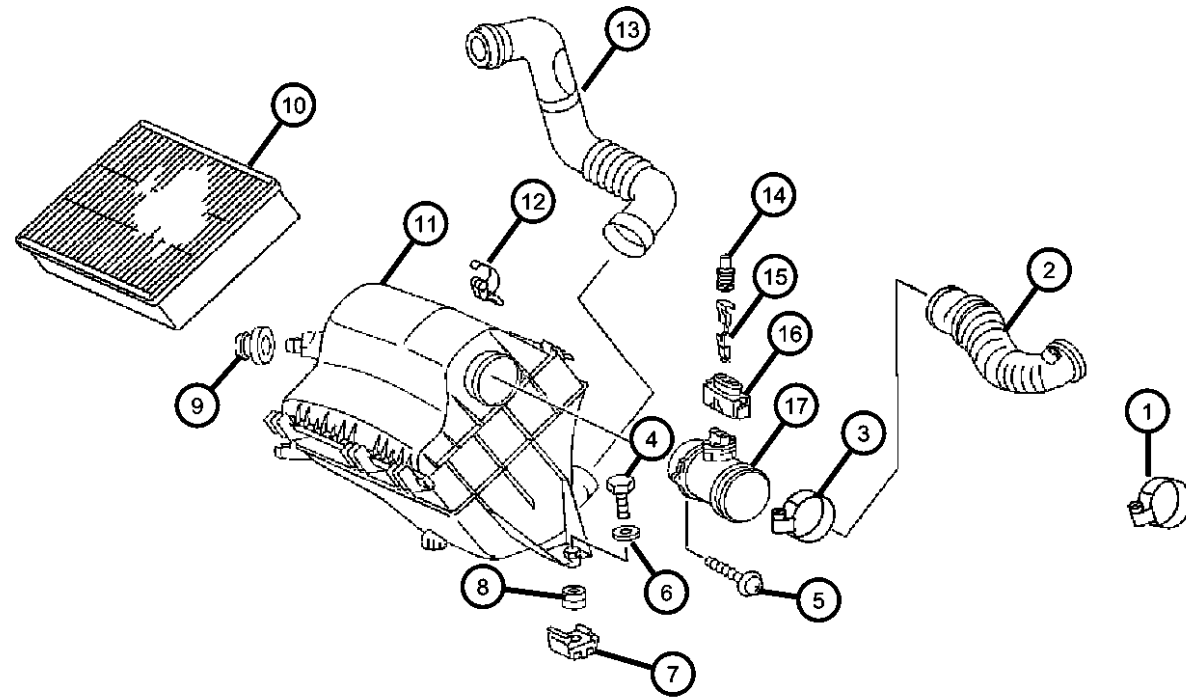
ITEM	PART NUMBER	QTY	LINE	SERIES	BODY	ENGINE	TRANS	TRIM	DESCRIPTION
Sales Codes: [EN0]=All 4/5 Cylinder Turbo Diesel Engines									
1									CLAMP
	06104787AA	1	2, 6	L	11, 12, 14, 15, 16				
		1	2, 6	L	51, 52, 54, 55, 56				
		1	3, 7	L	12, 15, 16				
2									HOSE, Air Cleaner to T/Body
	05104140AA	1	2, 6	L	11, 12, 14, 15, 16				
		1	2, 6	L	51, 52, 54, 55, 56				
		1	3, 7	L	12, 15, 16				
3									CLAMP
	06104793AA	1	2, 6	L	11, 12, 14, 15, 16				
		1	2, 6	L	51, 52, 54, 55, 56				
		1	3, 7	L	12, 15, 16				
4									BOLT
	06104124AA	1	2, 6	L	11, 12, 14, 15, 16				
		1	2, 6	L	51, 52, 54, 55, 56				
		1	3, 7	L	12, 15, 16				
5									BOLT, Hex Head
	05132878AA	4	2, 6	L	11, 12, 14, 15, 16				
		2	2, 6	L	51, 52, 54, 55, 56				
		4	3, 7	L	12, 15, 16				
6									WASHER

SPRINTER (VA)

SERIES	LINE	BODY	ENGINE	TRANSMISSION
L = LOWLINE	3 = HD DODGE 2WD 6 = Lt. Duty DODGE 4WD 2 = Med. Duty DODGE 2WD 7 = Med. Duty DODGE 4WD	01 = CHASSIS FORWARD CONTROL W.B.1 02 = CAB CHASSIS WHEEL BASE 2 06 = CAB CHASSIS WHEEL BASE 6 11 = VAN WHEEL BASE 1 12 = VAN WHEEL BASE 2 51 = WAGON WHEEL BASE 1 52 = WAGON WHEEL BASE 2 14 = VAN WHEEL BASE 4 15 = VAN WHEEL BASE 5 56 = WAGON WHEEL BASE 6 16 = VAN WHEEL BASE 6 54 = WAGON WHEEL BASE 4 55 = WAGON WHEEL BASE 5	EX9 = Engine-2.7L I5 Mercedes Turbo Diesel	DGJ = Transmission-5-Spd. Automatic, W5A580

AR = use ase required - = Non illustrated part

**Air Cleaner
Figure 14-810**



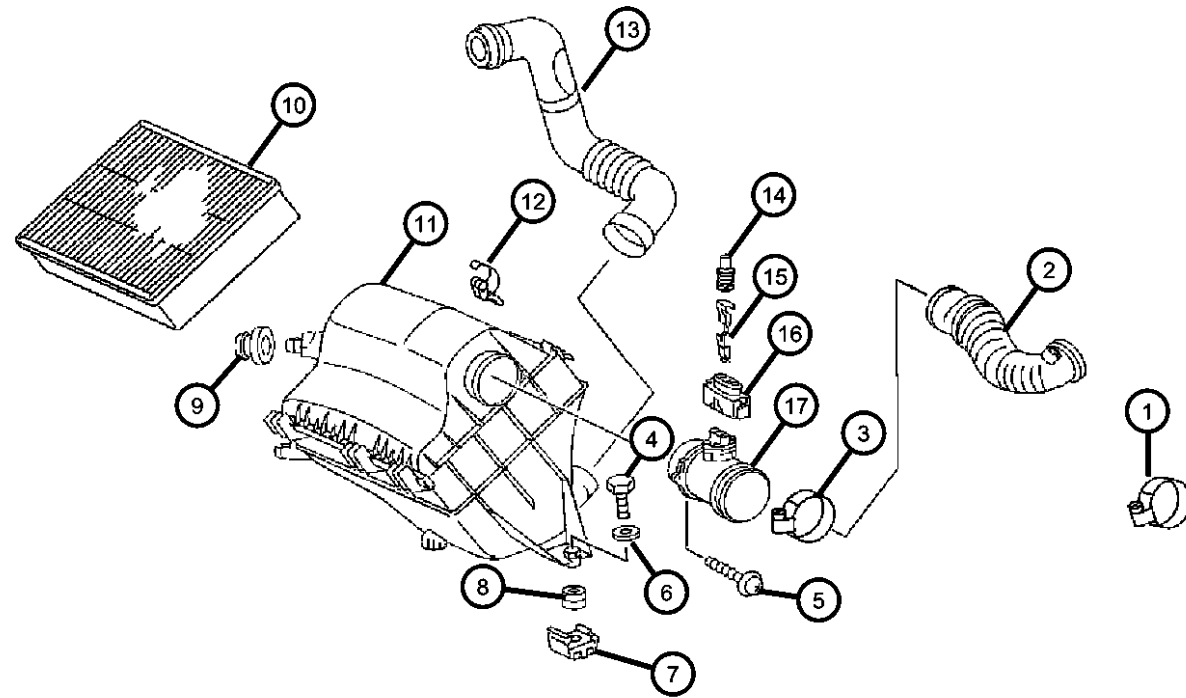
ITEM	PART NUMBER	QTY	LINE	SERIES	BODY	ENGINE	TRANS	TRIM	DESCRIPTION
	05133908AA	1	2, 6	L	11, 12, 14, 15, 16				
		1	2, 6	L	51, 52, 54, 55, 56				
		1	3, 7	L	12, 15, 16				
7									NUT
	05126253AA	1	2, 6	L	11, 12, 14, 15, 16				
		1	2, 6	L	51, 52, 54, 55, 56				
		1	3, 7	L	12, 15, 16				
8									BUSHING, Isolator Mounting Leg
	05133742AA	1	2, 6	L	11, 12, 14, 15, 16				
		1	2, 6	L	51, 52, 54, 55, 56				
		1	3, 7	L	12, 15, 16				
9									GROMMET, Air Cleaner
	05120012AA	2	2, 6	L	11, 12, 14, 15, 16				
		2	2, 6	L	51, 52, 54, 55, 56				
		2	3, 7	L	12, 15, 16				
10									FILTER, Air
	05103554AA	1	2, 6	L	11, 12, 14, 15, 16	EX9			
		1	2, 6	L	51, 52, 54, 55, 56	EX9			
		1	3, 7	L	12, 15, 16	EX9			
11									AIR CLEANER
	05117469AA	1	2, 6	L	11, 12, 14, 15, 16	EX9			
		1	2, 6	L	51, 52, 54, 55, 56				

SPRINTER (VA)

SERIES	LINE	BODY	ENGINE	TRANSMISSION
L = LOWLINE	3 = HD DODGE 2WD 6 = Lt. Duty DODGE 4WD 2 = Med. Duty DODGE 2WD 7 = Med. Duty DODGE 4WD	01 = CHASSIS FORWARD CONTROL W.B.1 02 = CAB CHASSIS WHEEL BASE 2 06 = CAB CHASSIS WHEEL BASE 6 11 = VAN WHEEL BASE 1 12 = VAN WHEEL BASE 2 51 = WAGON WHEEL BASE 1 52 = WAGON WHEEL BASE 2 14 = VAN WHEEL BASE 4 15 = VAN WHEEL BASE 5 56 = WAGON WHEEL BASE 6 16 = VAN WHEEL BASE 6 54 = WAGON WHEEL BASE 4 55 = WAGON WHEEL BASE 5	EX9 = Engine-2.7L I5 Mercedes Turbo Diesel	DGJ = Transmission-5-Spd. Automatic, W5A580

AR = use ase required - = Non illustrated part

**Air Cleaner
Figure 14-810**



ITEM	PART NUMBER	QTY	LINE	SERIES	BODY	ENGINE	TRANS	TRIM	DESCRIPTION
12		1	3, 7	L	12, 15, 16				LATCH, Air Cleaner
	05133741AA	1	2, 6	L	11, 12, 14, 15, 16				
		1	2, 6	L	51, 52, 54, 55, 56				
13		1	3, 7	L	12, 15, 16				HOSE, Air Cleaner
	05103616AA	1	2, 6	L	11, 12, 14, 15, 16				
		1	2, 6	L	51, 52, 54, 55, 56				
		1	3, 7	L	12, 15, 16				
14		1	2, 6	L	11, 12, 14, 15, 16				GASKET
	05103661AA	1	2, 6	L	11, 12, 14, 15, 16				
		1	2, 6	L	51, 52, 54, 55, 56				
		1	3, 7	L	12, 15, 16				
15		1	2, 6	L	11, 12, 14, 15, 16				TERMINAL
	05102935AA	1	2, 6	L	11, 12, 14, 15, 16				
		1	2, 6	L	51, 52, 54, 55, 56				
		1	3, 7	L	12, 15, 16				
16		1	2, 6	L	11, 12, 14, 15, 16				PLUG
	05120763AA	1	2, 6	L	11, 12, 14, 15, 16				
		1	2, 6	L	51, 52, 54, 55, 56				
		1	3, 7	L	12, 15, 16				
17									SENSOR, Mass Airflow

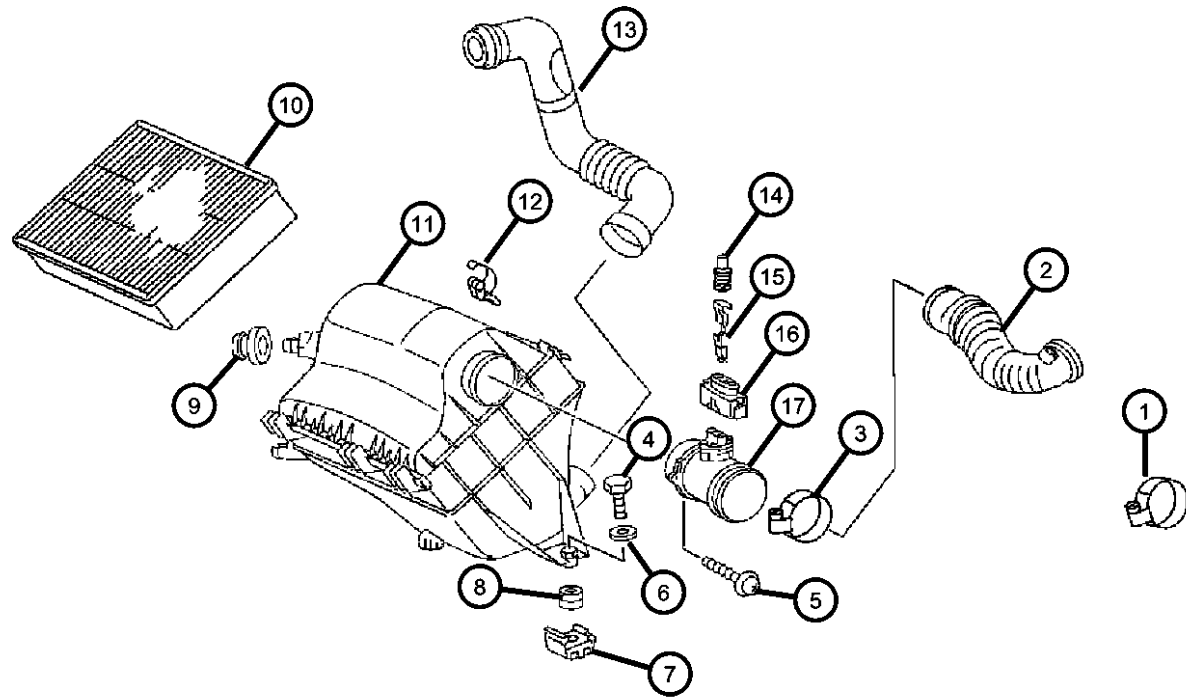
SPRINTER (VA)

SERIES	LINE	BODY	ENGINE	TRANSMISSION
L = LOWLINE	3 = HD DODGE 2WD 6 = Lt. Duty DODGE 4WD 2 = Med. Duty DODGE 2WD 7 = Med. Duty DODGE 4WD	01 = CHASSIS FORWARD CONTROL W.B.1 02 = CAB CHASSIS WHEEL BASE 2 06 = CAB CHASSIS WHEEL BASE 6 11 = VAN WHEEL BASE 1 12 = VAN WHEEL BASE 2 51 = WAGON WHEEL BASE 1 52 = WAGON WHEEL BASE 2 14 = VAN WHEEL BASE 4 15 = VAN WHEEL BASE 5 56 = WAGON WHEEL BASE 6 16 = VAN WHEEL BASE 6 54 = WAGON WHEEL BASE 4 55 = WAGON WHEEL BASE 5	EX9 = Engine-2.7L I5 Mercedes Turbo Diesel	DGJ = Transmission-5-Spd. Automatic, W5A580

AR = use ase required - = Non illustrated part

**Air Cleaner
Figure 14-810**

ITEM	PART NUMBER	QTY	LINE	SERIES	BODY	ENGINE	TRANS	TRIM	DESCRIPTION
	05103615AA	1	2, 6	L	11, 12, 14, 15, 16				
		1	2, 6	L	51, 52, 54, 55, 56				
		1	3, 7	L	12, 15, 16				
-18									CLAMP
	06104787AA	1	2, 6	L	11, 12, 14, 15, 16				
		1	2, 6	L	51, 52, 54, 55, 56				
		1	3, 7	L	12, 15, 16				



SPRINTER (VA)

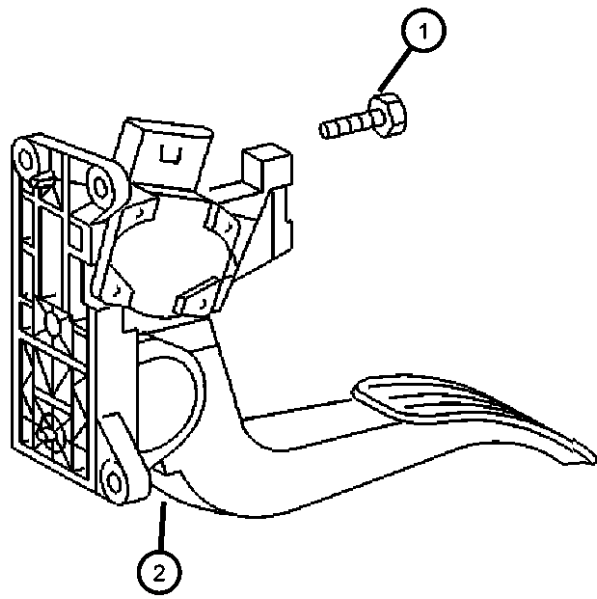
SERIES	LINE	BODY	ENGINE	TRANSMISSION
L = LOWLINE	3 = HD DODGE 2WD 6 = Lt. Duty DODGE 4WD 2 = Med. Duty DODGE 2WD 7 = Med. Duty DODGE 4WD	01 = CHASSIS FORWARD CONTROL W.B.1 02 = CAB CHASSIS WHEEL BASE 2 06 = CAB CHASSIS WHEEL BASE 6 11 = VAN WHEEL BASE 1 12 = VAN WHEEL BASE 2 51 = WAGON WHEEL BASE 1 52 = WAGON WHEEL BASE 2 14 = VAN WHEEL BASE 4 15 = VAN WHEEL BASE 5 56 = WAGON WHEEL BASE 6 16 = VAN WHEEL BASE 6 54 = WAGON WHEEL BASE 4 55 = WAGON WHEEL BASE 5	EX9 = Engine-2.7L I5 Mercedes Turbo Diesel	DGJ = Transmission-5-Spd. Automatic, W5A580

AR = use ase required - = Non illustrated part

2002 VA

**Accelerator Pedal
Figure 14-1110**

ITEM	PART NUMBER	QTY	LINE	SERIES	BODY	ENGINE	TRANS	TRIM	DESCRIPTION
Sales Codes:EX9=ENGINE-2.7L I5 MERCEDES TURBO DGJ=TRANSMISSION - 5-SPD AUTO									
1									SCREW
	06104005AA	2	2, 6	L	12, 14, 15, 16, 11				
		2	2, 6	L	51, 52, 54, 55, 56				
		3	3, 7	L	12, 15, 16				
2									PEDAL, Accelerator
	05104047AA	1	3, 7	L	12, 15, 16		DGJ		
		1	2, 6	L	11, 12, 14, 15, 16		DGJ		



SPRINTER (VA)

SERIES	LINE	BODY	ENGINE	TRANSMISSION
L = LOWLINE	3 = HD DODGE 2WD 6 = Lt. Duty DODGE 4WD 2 = Med. Duty DODGE 2WD 7 = Med. Duty DODGE 4WD	01 = CHASSIS FORWARD CONTROL W.B.1 02 = CAB CHASSIS WHEEL BASE 2 06 = CAB CHASSIS WHEEL BASE 6 11 = VAN WHEEL BASE 1 12 = VAN WHEEL BASE 2 51 = WAGON WHEEL BASE 1 52 = WAGON WHEEL BASE 2 14 = VAN WHEEL BASE 4 15 = VAN WHEEL BASE 5 56 = WAGON WHEEL BASE 6 16 = VAN WHEEL BASE 6 54 = WAGON WHEEL BASE 4 55 = WAGON WHEEL BASE 5	EX9 = Engine-2.7L I5 Mercedes Turbo Diesel	DGJ = Transmission-5-Spd. Automatic,W5A580

AR = use ase required - = Non illustrated part

2002 VA

Group - 16

Propeller Shafts and U-Joints

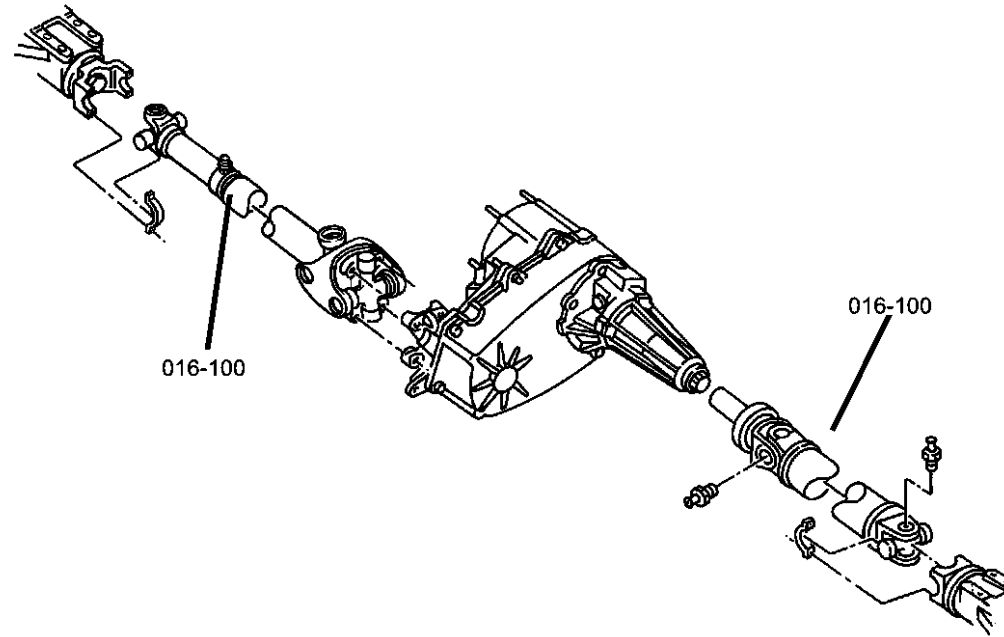
Group - 16 Propeller Shafts and U-Joints

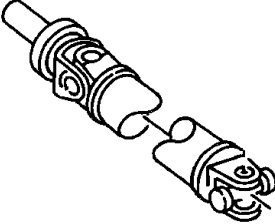
Illustration Title

Group-Fig. No.

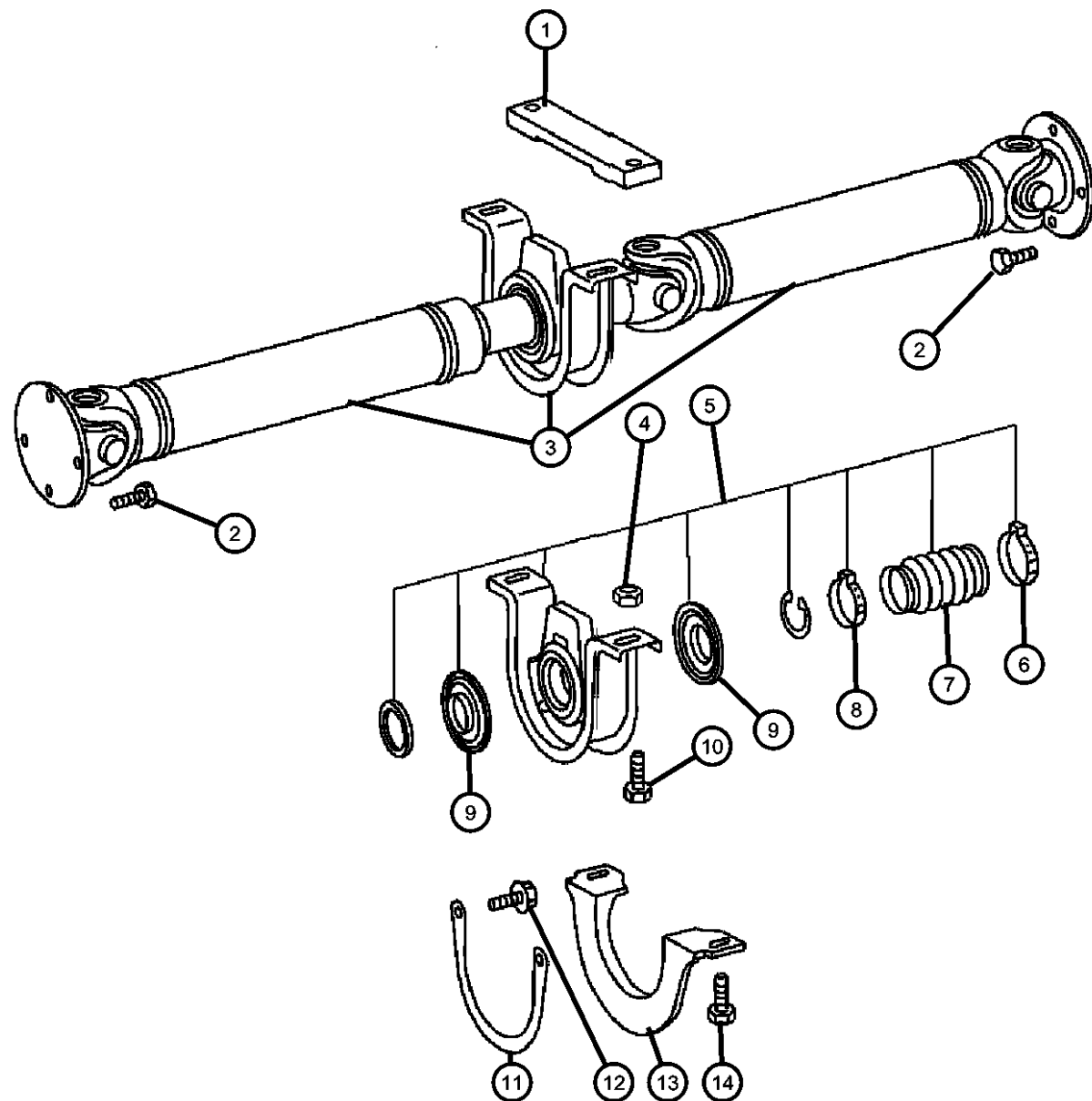
Propeller Shaft

Shaft, Propeller, Rear, 2 Piece	Fig. 16 - 110
Shaft, Propeller, Rear, 3 Piece	Fig. 16 - 120



<p>016-100 Propeller Shaft</p> 			
--	--	--	--

**Shaft, Propeller, Rear, 2 Piece
Figure 16-110**



ITEM	PART NUMBER	QTY	LINE	SERIES	BODY	ENGINE	TRANS	TRIM	DESCRIPTION
Note: Sales Codes; [5AC]=118 Inch Wheelbase [5AE]=140 Inch Wheelbase [5AF]=158 Inch Wheelbase									
1	05129044AA	1	3, 7	L	12, 15, 16		DGJ		SHIM, Drive Shaft Bearing
		2	3, 7	L	12, 15, 16		DGJ		
2	05103939AA	8	2, 6	L	11, 12, 14, 15, 16				BOLT
		8	2, 6	L	51, 52, 54, 55, 56				
		8	3, 7	L	12, 15, 16				
3	05119086AA	1	2, 6	L	51, 52, 54, 55, 56	EX9	DGJ		SHAFT, Drive, 2 Piece [5AE]
		1	2, 6	L	11, 12, 14, 15, 16	EX9	DGJ		[5AE]
	05129034AA	1	2, 6	L	11, 12, 14, 15, 16	EX9			[5AC]
		1	2, 6	L	51, 52, 54, 55, 56	EX9			[5AC]
		1	3, 7	L	12, 15, 16	EX9	DGJ		[5AE]
4	06104718AA	4	3, 7	L	12, 15, 16		DGJ		NUT
5	05104574AA	1	2, 6	L	11, 12, 14, 15, 16				CENTER BEARING, Drive Shaft
		1	2, 6	L	55, 56, 51, 52, 54				
		1	3, 7	L	12, 15, 16				
6	05133900AA	1	2, 6	L	11, 12, 14, 15, 16				CLAMP, Boot

SPRINTER (VA)

SERIES

L = LOWLINE
3 = HD DODGE 2WD
6 = Lt. Duty DODGE 4WD
2 = Med. Duty DODGE 2WD
7 = Med. Duty DODGE 4WD

BODY

01 = CHASSIS FORWARD CONTROL W.B.1
02 = CAB CHASSIS WHEEL BASE 2
06 = CAB CHASSIS WHEEL BASE 6
11 = VAN WHEEL BASE 1
12 = VAN WHEEL BASE 2
51 = WAGON WHEEL BASE 1
52 = WAGON WHEEL BASE 2
14 = VAN WHEEL BASE 4
15 = VAN WHEEL BASE 5
56 = WAGON WHEEL BASE 6
16 = VAN WHEEL BASE 6
54 = WAGON WHEEL BASE 4
55 = WAGON WHEEL BASE 5

ENGINE

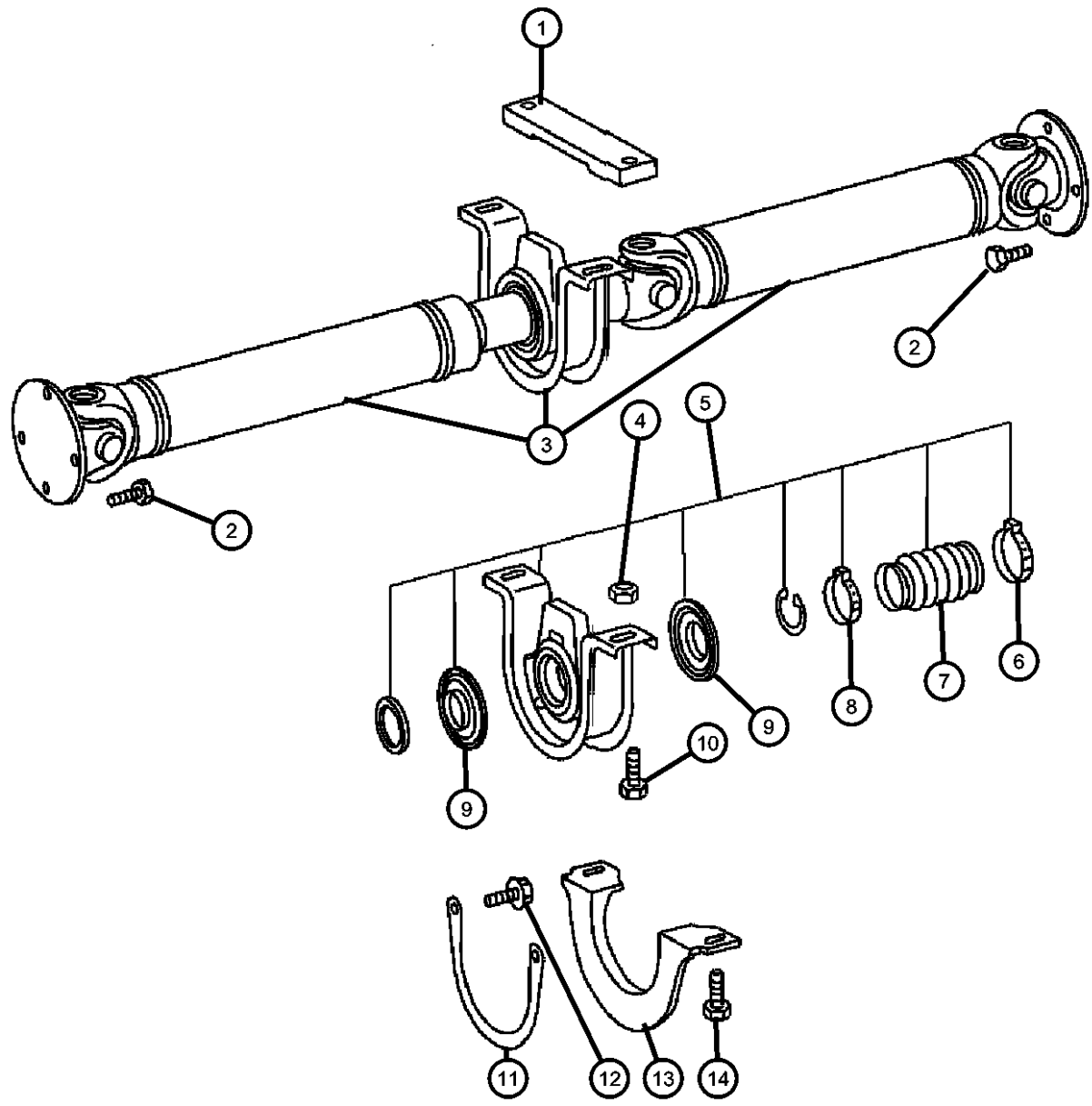
EX9 = Engine-2.7L I5 Mercedes Turbo Diesel

TRANSMISSION

DGJ = Transmission-5-Spd. Automatic, W5A580

AR = use ase required - = Non illustrated part

**Shaft, Propeller, Rear, 2 Piece
Figure 16-110**



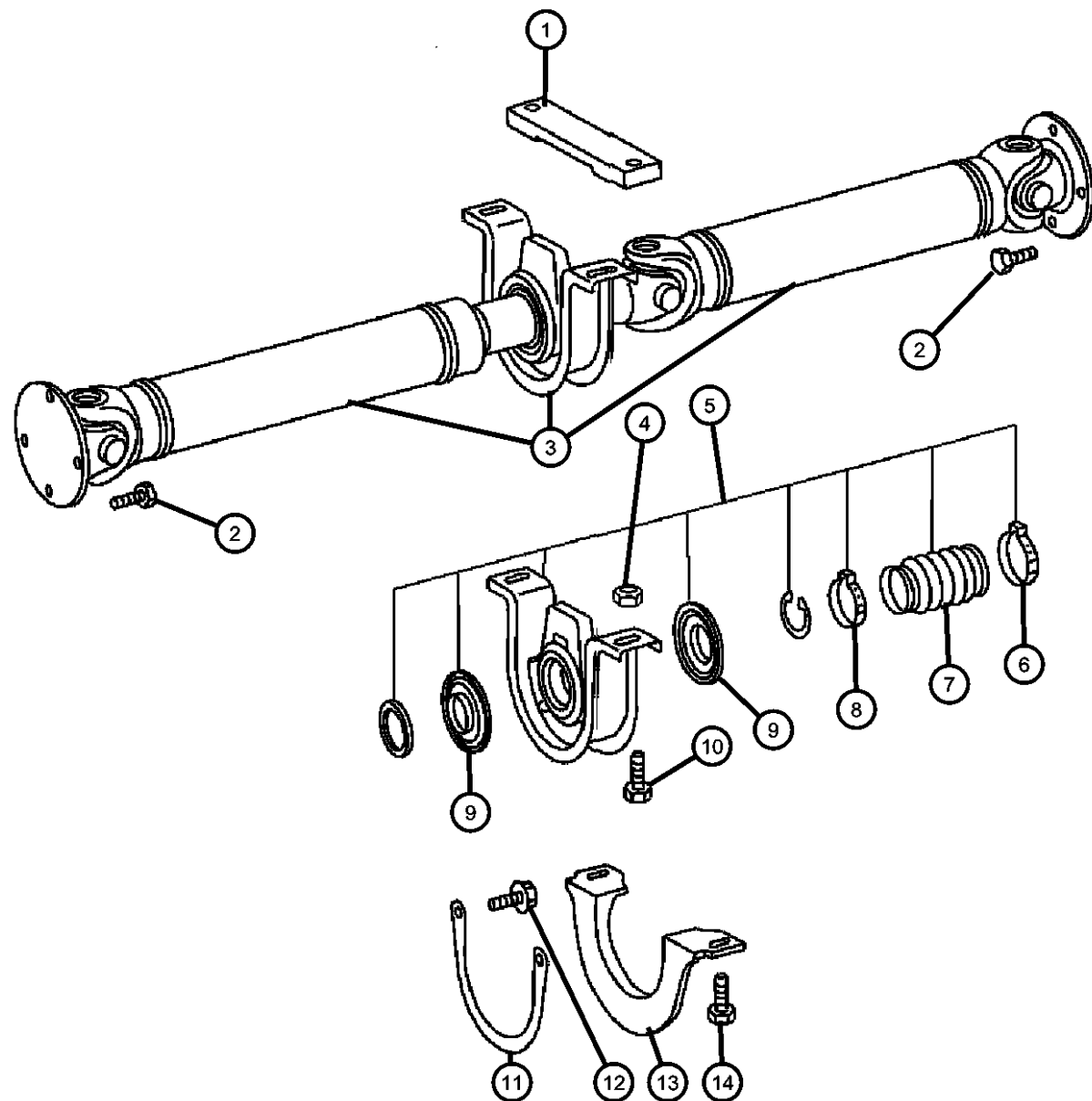
ITEM	PART NUMBER	QTY	LINE	SERIES	BODY	ENGINE	TRANS	TRIM	DESCRIPTION
		1	2, 6	L	56, 51, 52, 54, 55				
7		1	3, 7	L	12, 15, 16				BOOT, Driveshaft
	05133897AA	1	2, 6	L	51, 52, 54, 55, 56				
		1	3, 7	L	12, 15, 16				
		1	6, 2	L	11, 12, 14, 15, 16				
8		1	2, 6	L	11, 12, 14, 15, 16				CLAMP, Boot
	05133899AA	1	2, 6	L	11, 12, 14, 15, 16				
		1	2, 6	L	51, 52, 54, 55, 56				
		1	3, 7	L	12, 15, 16				
9		1	2, 6	L	11, 12, 14, 15, 16				BOOT, Driveshaft
	05133898AA	1	2, 6	L	11, 12, 14, 15, 16				
		1	2, 6	L	51, 52, 54, 55, 56				
		1	3, 7	L	12, 15, 16				
10		4	3, 7	L	12, 15, 16		DGJ		BOLT
	05132753AA	4	3, 7	L	12, 15, 16		DGJ		
	06104238AA	4	2, 6	L	11, 12, 14, 15, 16				
		4	2, 6	L	51, 52, 54, 55, 56				
		2	3, 7	L	12, 15, 16		DGJ		
11	05119131AA	1	2, 3, 6, 7	L			DGJ		STRAP, Prop Shaft
12		2	2, 6	L	51, 52, 54, 55, 56		DGJ		SCREW
	06104234AA	2	2, 6	L	51, 52, 54, 55, 56		DGJ		
		2	3, 7	L	12, 15, 16		DGJ		

SPRINTER (VA)

SERIES	LINE	BODY	ENGINE	TRANSMISSION
L = LOWLINE	3 = HD DODGE 2WD 6 = Lt. Duty DODGE 4WD 2 = Med. Duty DODGE 2WD 7 = Med. Duty DODGE 4WD	01 = CHASSIS FORWARD CONTROL W.B.1 02 = CAB CHASSIS WHEEL BASE 2 06 = CAB CHASSIS WHEEL BASE 6 11 = VAN WHEEL BASE 1 12 = VAN WHEEL BASE 2 51 = WAGON WHEEL BASE 1 52 = WAGON WHEEL BASE 2 14 = VAN WHEEL BASE 4 15 = VAN WHEEL BASE 5 56 = WAGON WHEEL BASE 6 16 = VAN WHEEL BASE 6 54 = WAGON WHEEL BASE 4 55 = WAGON WHEEL BASE 5	EX9 = Engine-2.7L I5 Mercedes Turbo Diesel	DGJ = Transmission-5-Spd. Automatic, W5A580

AR = use ase required - = Non illustrated part

**Shaft, Propeller, Rear, 2 Piece
Figure 16-110**



ITEM	PART NUMBER	QTY	LINE	SERIES	BODY	ENGINE	TRANS	TRIM	DESCRIPTION
13		2	2, 6	L	11, 12, 14, 15, 16		DGJ		BRACKET, Prop Shaft
	05119133AA	2	6, 2	L	15, 16, 11, 12, 14				
		2	2, 6	L	51, 52, 54, 55, 56				
		2	3, 7	L	12, 15, 16				
14		2	2, 6	L	11, 12, 14, 15, 16				BOLT, Hex
	05133896AA	2	2, 6	L	11, 12, 14, 15, 16				
		2	2, 6	L	51, 52, 54, 55, 56				
		2	3, 7	L	12, 15, 16		DGJ		

SPRINTER (VA)

SERIES

L = LOWLINE
 3 = HD DODGE 2WD
 6 = Lt. Duty DODGE 4WD
 2 = Med. Duty DODGE 2WD
 7 = Med. Duty DODGE 4WD

LINE

BODY

01 = CHASSIS FORWARD CONTROL W.B.1
 02 = CAB CHASSIS WHEEL BASE 2
 06 = CAB CHASSIS WHEEL BASE 6
 11 = VAN WHEEL BASE 1
 12 = VAN WHEEL BASE 2
 51 = WAGON WHEEL BASE 1
 52 = WAGON WHEEL BASE 2
 14 = VAN WHEEL BASE 4
 15 = VAN WHEEL BASE 5
 56 = WAGON WHEEL BASE 6
 16 = VAN WHEEL BASE 6
 54 = WAGON WHEEL BASE 4
 55 = WAGON WHEEL BASE 5

ENGINE

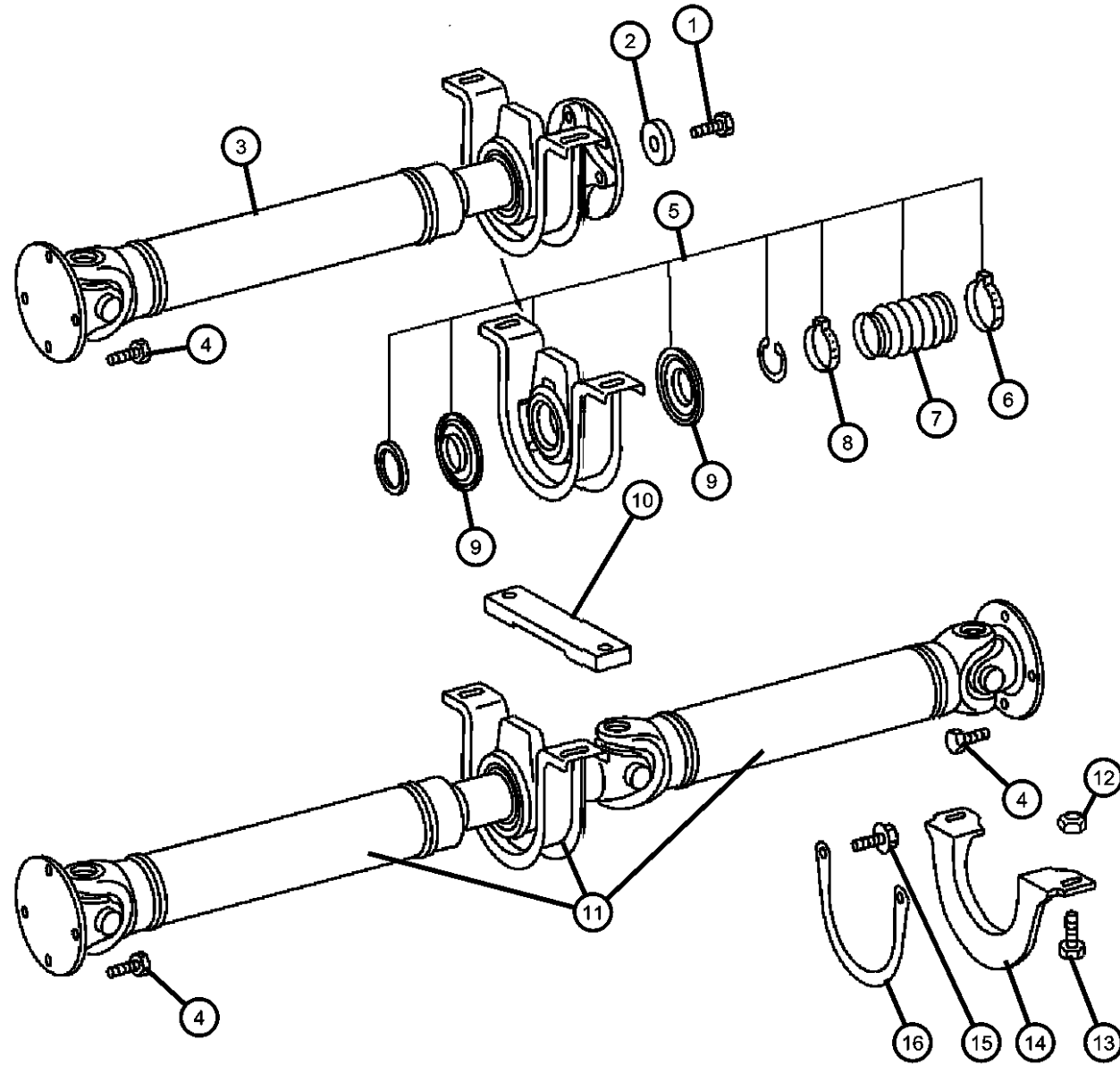
EX9 = Engine-2.7L I5 Mercedes Turbo Diesel

TRANSMISSION

DGJ = Transmission-5-Spd. Automatic, W5A580

AR = use ase required - = Non illustrated part

Shaft, Propeller, Rear, 3 Piece
Figure 16-120



ITEM	PART NUMBER	QTY	LINE	SERIES	BODY	ENGINE	TRANS	TRIM	DESCRIPTION
1	05133893AA	1	2, 6	L	11, 12, 14, 15, 16				BOLT, Drive Shaft
		1	2, 6	L	51, 52, 54, 55, 56				
		1	3, 7	L	12, 15, 16				
2	05133894AA	1	2, 6	L	11, 12, 14, 15, 16				WASHER, Thrust
		1	2, 6	L	51, 52, 54, 55, 56				
		1	3, 7	L	12, 15, 16				
3	05104083AA	1	2, 6	L	11, 12, 14, 15, 16	EX9	DGJ		SHAFT, Drive, Rear, Front section
		1	2, 6	L	51, 52, 54, 55, 56	EX9	DGJ		
		1	3, 7	L	12, 15, 16	EX9	DGJ		
4	05103939AA	12	2, 6	L	11, 12, 14, 15, 16				BOLT
		12	2, 6	L	51, 52, 54, 55, 56				
		12	3, 7	L	12, 15, 16				
5	05104574AA	1	2, 6	L	11, 12, 14, 15, 16				CENTER BEARING, Drive Shaft
		1	2, 6	L	51, 52, 54, 55, 56				
		1	3, 7	L	12, 15, 16				
6	05133900AA	1	2, 6	L	11, 12, 14, 15, 16				CLAMP, Boot
		1	2, 6	L	51, 52, 54, 55, 56				

SPRINTER (VA)

SERIES

L = LOWLINE

LINE

3 = HD DODGE 2WD
6 = Lt. Duty DODGE 4WD
2 = Med. Duty DODGE 2WD
7 = Med. Duty DODGE 4WD

BODY

01 = CHASSIS FORWARD CONTROL W.B.1
02 = CAB CHASSIS WHEEL BASE 2
06 = CAB CHASSIS WHEEL BASE 6
11 = VAN WHEEL BASE 1
12 = VAN WHEEL BASE 2
51 = WAGON WHEEL BASE 1
52 = WAGON WHEEL BASE 2
14 = VAN WHEEL BASE 4
15 = VAN WHEEL BASE 5
56 = WAGON WHEEL BASE 6
16 = VAN WHEEL BASE 6
54 = WAGON WHEEL BASE 4
55 = WAGON WHEEL BASE 5

ENGINE

EX9 = Engine-2.7L I5 Mercedes Turbo Diesel

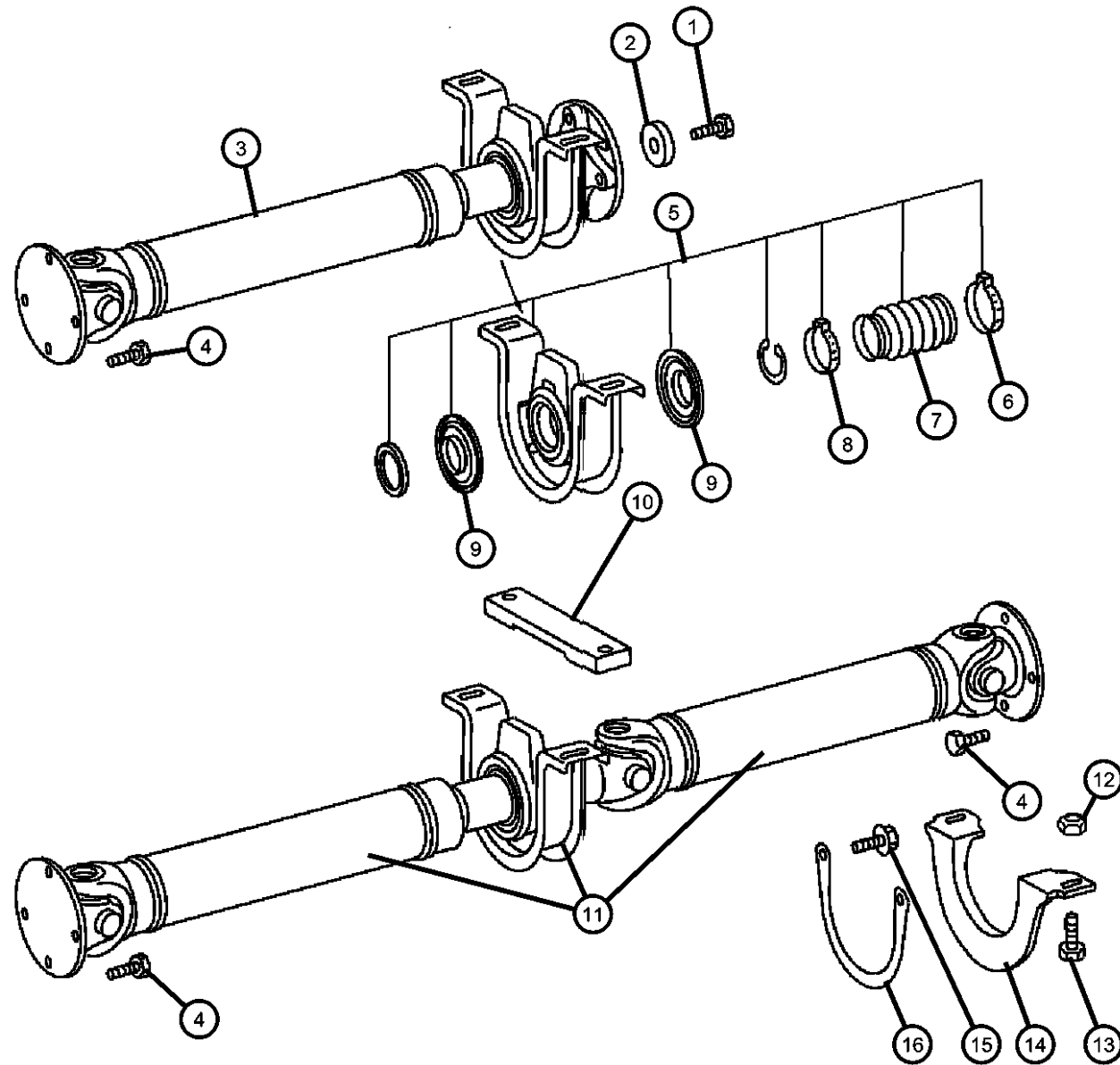
TRANSMISSION

DGJ = Transmission-5-Spd. Automatic, W5A580

AR = use ase required - = Non illustrated part

2002 VA

Shaft, Propeller, Rear, 3 Piece
Figure 16-120



ITEM	PART NUMBER	QTY	LINE	SERIES	BODY	ENGINE	TRANS	TRIM	DESCRIPTION
7		1	3, 7	L	12, 15, 16				BOOT, Driveshaft
	05133897AA	1	2, 6	L	11, 12, 14, 15, 16				
		1	2, 6	L	51, 52, 54, 55, 56				
8		1	3, 7	L	12, 15, 16				CLAMP, Boot
	05133899AA	1	2, 6	L	11, 12, 14, 15, 16				
		1	2, 6	L	51, 52, 54, 55, 56				
9		1	3, 7	L	12, 15, 16				BOOT, Driveshaft
	05133898AA	1	2, 6	L	11, 12, 14, 15, 16				
		1	2, 6	L	51, 52, 54, 55, 56				
10		1	3, 7	L	12, 15, 16				SHIM, Drive Shaft Bearing
	05129044AA	1	3, 7	L	12, 15, 16		DGJ		
		2	3, 7	L	12, 15, 16		DGJ		
11		1	2, 6	L	11, 12, 14, 15, 16				SHAFT, Drive, Rear, Rear section
	05104084AA	1	2, 6	L	11, 12, 14, 15, 16				
		1	2, 6	L	51, 52, 54, 55, 56				
12		1	3, 7	L	12, 15, 16				NUT
	06104718AA	4	2, 6	L	11, 12, 14, 15, 16				
		4	2, 6	L	51, 52, 54, 55, 56				

SPRINTER (VA)

SERIES

L = LOWLINE
 3 = HD DODGE 2WD
 6 = Lt. Duty DODGE 4WD
 2 = Med. Duty DODGE 2WD
 7 = Med. Duty DODGE 4WD

BODY

01 = CHASSIS FORWARD CONTROL W.B.1
 02 = CAB CHASSIS WHEEL BASE 2
 06 = CAB CHASSIS WHEEL BASE 6
 11 = VAN WHEEL BASE 1
 12 = VAN WHEEL BASE 2
 51 = WAGON WHEEL BASE 1
 52 = WAGON WHEEL BASE 2
 14 = VAN WHEEL BASE 4
 15 = VAN WHEEL BASE 5
 56 = WAGON WHEEL BASE 6
 16 = VAN WHEEL BASE 6
 54 = WAGON WHEEL BASE 4
 55 = WAGON WHEEL BASE 5

ENGINE

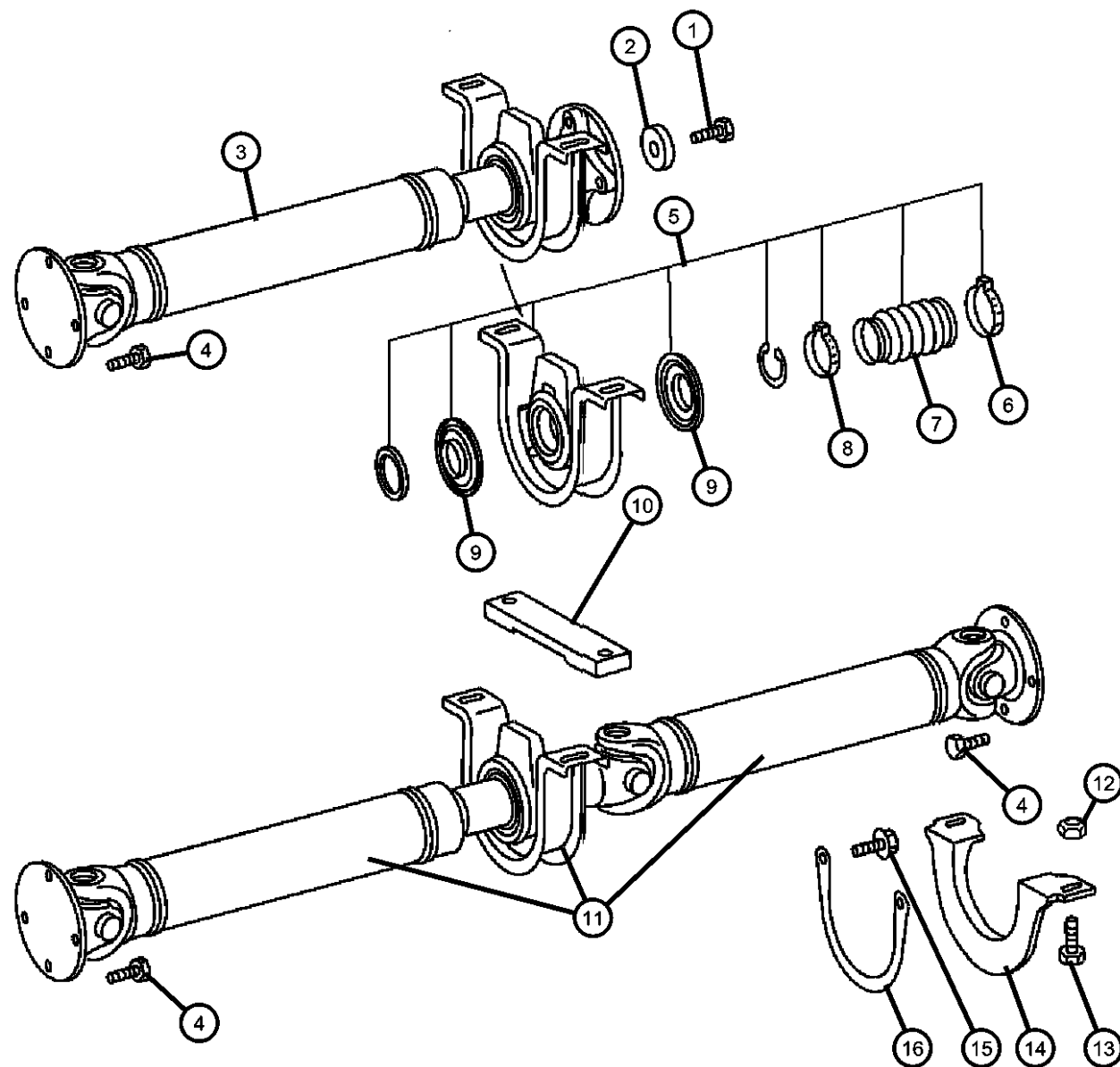
EX9 = Engine-2.7L I5 Mercedes Turbo Diesel

TRANSMISSION

DGJ = Transmission-5-Spd. Automatic, W5A580

AR = use ase required - = Non illustrated part

**Shaft, Propeller, Rear, 3 Piece
Figure 16-120**



ITEM	PART NUMBER	QTY	LINE	SERIES	BODY	ENGINE	TRANS	TRIM	DESCRIPTION
13		4	3, 7	L	12, 15, 16		DGJ		BOLT, Hex
	05133896AA	2	2, 6	L	11, 12, 14, 15, 16				
		2	2, 6	L	51, 52, 54, 55, 56				
		2	3, 7	L	12, 15, 16		DGJ		
14		2	2, 6	L	11, 12, 14, 15, 16				BRACKET, Prop Shaft
	05119133AA	2	2, 6	L	51, 52, 54, 55, 56				
		2	2, 6	L	12, 15, 16				
		2	3, 7	L	12, 15, 16				
15		2	2, 6	L	11, 12, 14, 15, 16		DGJ		SCREW
	06104234AA	2	2, 6	L	51, 52, 54, 55, 56		DGJ		
		2	3, 7	L	12, 15, 16		DGJ		
16		1	2, 3, 6, 7	L			DGJ		STRAP, Prop Shaft
	05119131AA						DGJ		

SPRINTER (VA)

SERIES	LINE	BODY	ENGINE	TRANSMISSION
L = LOWLINE	3 = HD DODGE 2WD 6 = Lt. Duty DODGE 4WD 2 = Med. Duty DODGE 2WD 7 = Med. Duty DODGE 4WD	01 = CHASSIS FORWARD CONTROL W.B.1 02 = CAB CHASSIS WHEEL BASE 2 06 = CAB CHASSIS WHEEL BASE 6 11 = VAN WHEEL BASE 1 12 = VAN WHEEL BASE 2 51 = WAGON WHEEL BASE 1 52 = WAGON WHEEL BASE 2 14 = VAN WHEEL BASE 4 15 = VAN WHEEL BASE 5 56 = WAGON WHEEL BASE 6 16 = VAN WHEEL BASE 6 54 = WAGON WHEEL BASE 4 55 = WAGON WHEEL BASE 5	EX9 = Engine-2.7L I5 Mercedes Turbo Diesel	DGJ = Transmission-5-Spd. Automatic, W5A580

AR = use ase required - = Non illustrated part

Group - 17

Rear Suspension

Group - 17 Rear Suspension

Group-Fig. No.

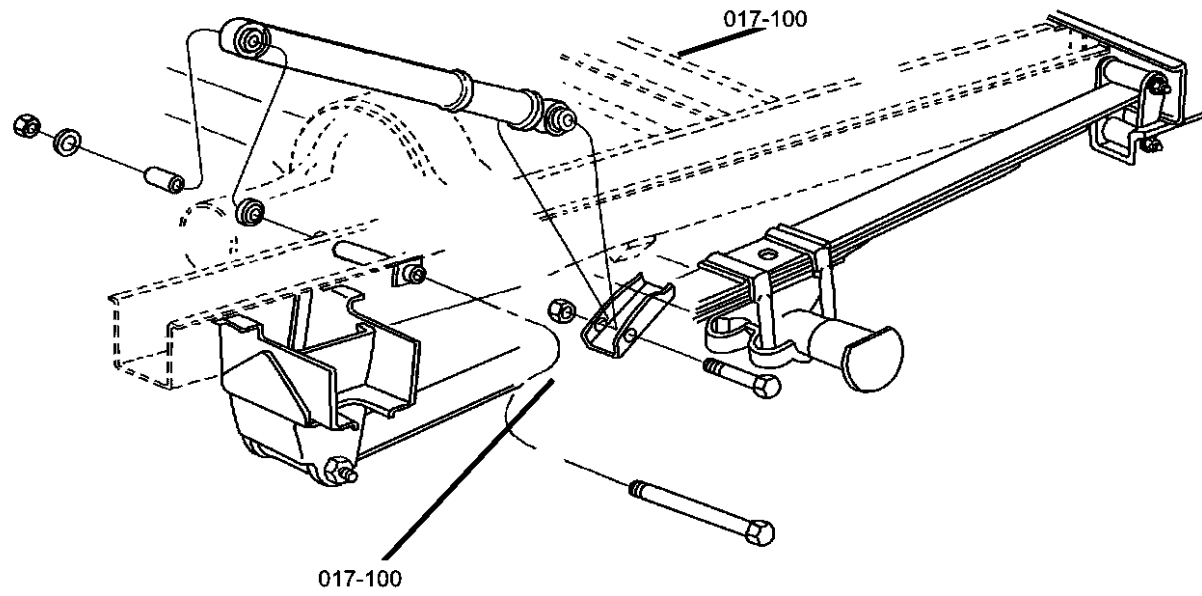
Illustration Title

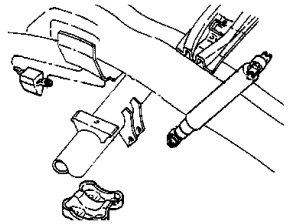
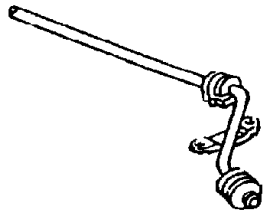
Rear Suspension

Rear Shocks	Fig. 17 - 110
Rear Springs, 2500 Series	Fig. 17 - 120
Rear Springs, 3500 Series	Fig. 17 - 130

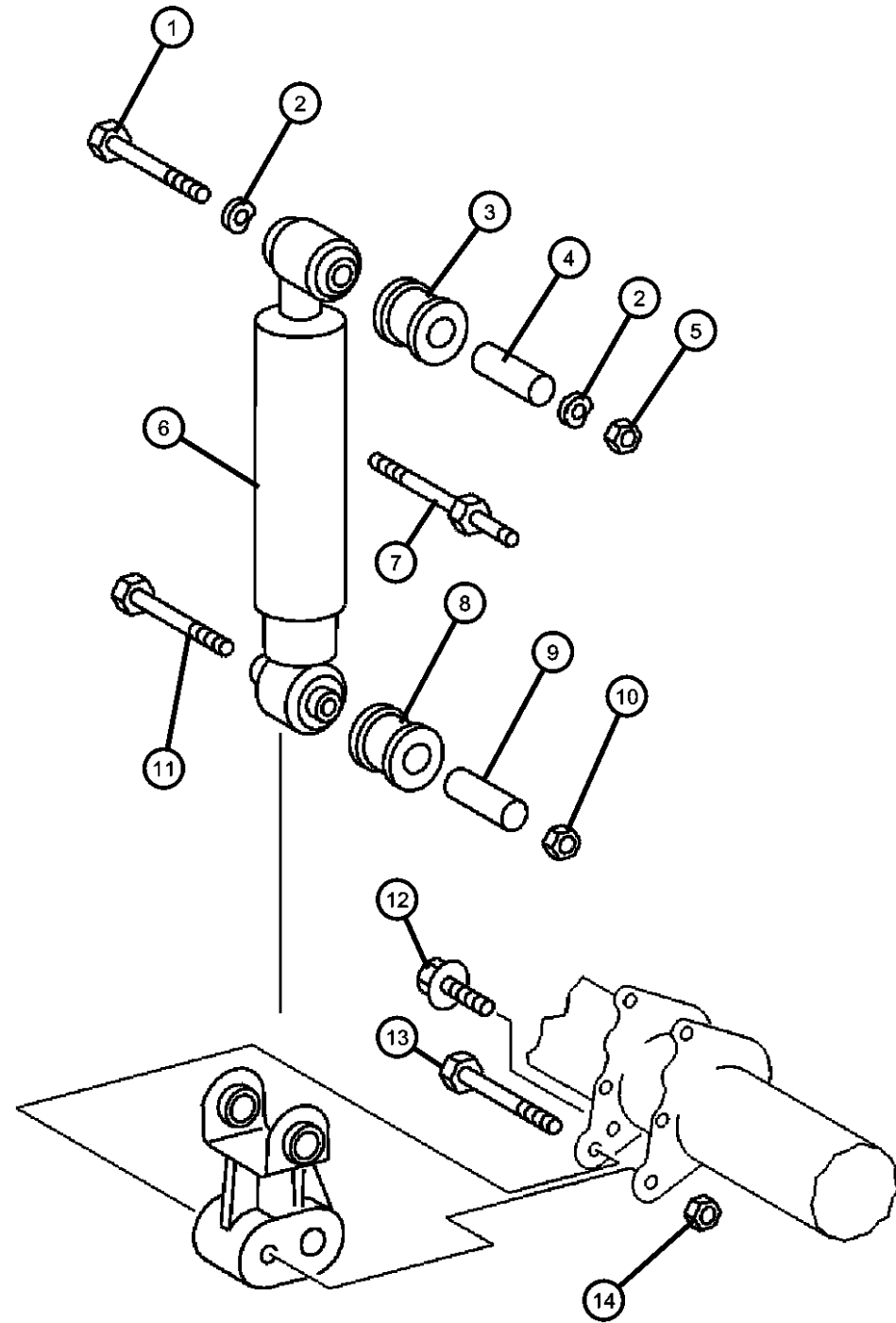
Rear Stabilizer

Stabilizer Bar,Rear	Fig. 17 - 210
---------------------------	---------------



<p>017-100 Rear Suspension</p> 	<p>017-200 Rear Stabilizer</p> 		
--	---	--	--

Rear Shocks
Figure 17-110



ITEM	PART NUMBER	QTY	LINE	SERIES	BODY	ENGINE	TRANS	TRIM	DESCRIPTION
1									SCREW
	06104265AA	2	3, 7	L	12, 15, 16				
	06104271AA	1	2, 6	L	11, 12, 14, 15, 16				
		1	2, 6	L	51, 52, 54, 55, 56				
2									SPACER, Shock Absorber Bushing
	05133876AA	4	3, 7	L	12, 15, 16				
	05133883AA	4	2, 6	L	11, 12, 14, 15, 16				
		4	2, 6	L	51, 52, 54, 55, 56				
3									BUSHING, Shock Absorber
	05133873AA	4	3, 7	L	12, 15, 16				Upper or Lower
	05133879AA	2	2, 6	L	11, 12, 14, 15, 16				Upper
		2	2, 6	L	51, 52, 54, 55, 56				Upper
4									SLEEVE, Shock Absorber
	05133874AA	2	3, 7	L	12, 15, 16				Upper
	05133881AA	2	2, 6	L	11, 12, 14, 15, 16				Upper
		2	2, 6	L	51, 52, 54, 55, 56				Upper
5									NUT
	06104719AA	2	2, 6	L	11, 12, 14, 15, 16				
		2	2, 6	L	51, 52, 54, 55, 56				
		2	3, 7	L	12, 15, 16				
6									SHOCK ABSORBER, Suspension, Rear
	05104061AA	2	2, 6	L	11, 12, 14, 15, 16				[3B5]

SPRINTER (VA)

SERIES

L = LOWLINE

LINE

3 = HD DODGE 2WD
6 = Lt. Duty DODGE 4WD
2 = Med. Duty DODGE 2WD
7 = Med. Duty DODGE 4WD

BODY

01 = CHASSIS FORWARD CONTROL W.B.1
02 = CAB CHASSIS WHEEL BASE 2
06 = CAB CHASSIS WHEEL BASE 6
11 = VAN WHEEL BASE 1
12 = VAN WHEEL BASE 2
51 = WAGON WHEEL BASE 1
52 = WAGON WHEEL BASE 2
14 = VAN WHEEL BASE 4
15 = VAN WHEEL BASE 5
56 = WAGON WHEEL BASE 6
16 = VAN WHEEL BASE 6
54 = WAGON WHEEL BASE 4
55 = WAGON WHEEL BASE 5

ENGINE

EX9 = Engine-2.7L I5
Mercedes Turbo Diesel

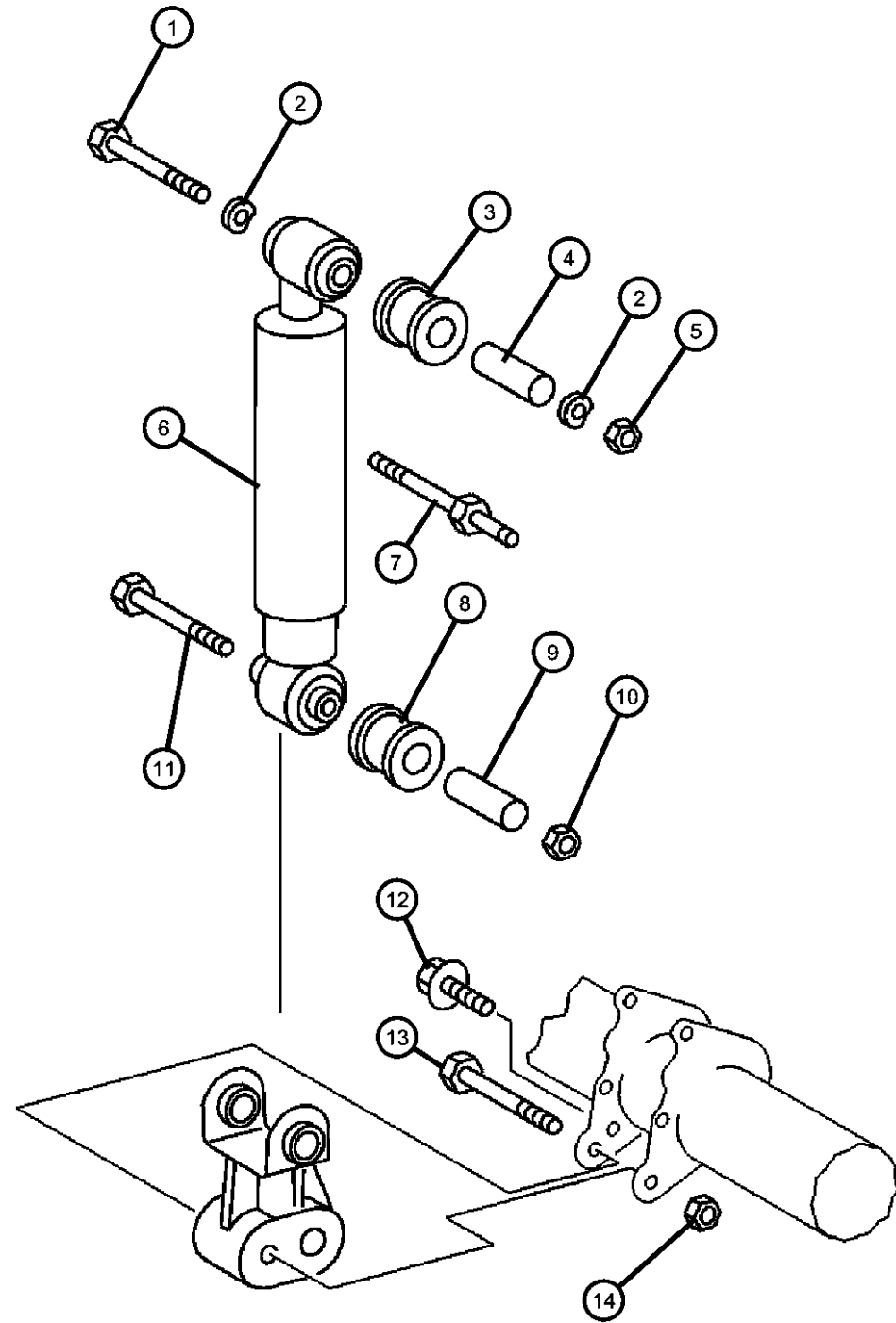
TRANSMISSION

DGJ = Transmission-5-Spd. Automatic, W5A580

AR = use ase required - = Non illustrated part

2002 VA

Rear Shocks
Figure 17-110



ITEM	PART NUMBER	QTY	LINE	SERIES	BODY	ENGINE	TRANS	TRIM	DESCRIPTION
		2	2, 6	L	51, 52, 54, 55, 56				[3B5]
	05118646AA	2	2, 6	L	11, 12, 14, 15, 16				
		2	2, 6	L	51, 52, 54, 55, 56				
	05118648AA	2	3, 7	L	12, 15, 16				
	05127644AA	2	2, 6	L	11, 12, 14, 15, 16				[3B5, WDG]
		2	2, 6	L	51, 52, 54, 55, 56				[3B5, WDG]
7									BOLT
	05118796AA	1	2, 6	L	11, 12, 14, 15, 16				
		1	2, 6	L	51, 52, 54, 55, 56				
8									BUSHING, Shock Absorber
	05133873AA	4	3, 7	L	12, 15, 16				Upper or Lower
	05133880AA	2	2, 6	L	11, 12, 14, 15, 16				Lower
		2	2, 6	L	51, 52, 54, 55, 56				Lower
9									SLEEVE, Shock Absorber
	05133875AA	2	3, 7	L	12, 15, 16				Lower
	05133882AA	2	2, 6	L	11, 12, 14, 15, 16				Lower
		2	2, 6	L	51, 52, 54, 55, 56				Lower
10									NUT
	06104719AA	2	2, 6	L	11, 12, 14, 15, 16				
		2	2, 6	L	51, 52, 54, 55, 56				
		2	3, 7	L	12, 15, 16				
11									SCREW

SPRINTER (VA)

SERIES

L = LOWLINE

LINE

3 = HD DODGE 2WD
6 = Lt. Duty DODGE 4WD
2 = Med. Duty DODGE 2WD
7 = Med. Duty DODGE 4WD

BODY

01 = CHASSIS FORWARD CONTROL W.B.1
02 = CAB CHASSIS WHEEL BASE 2
06 = CAB CHASSIS WHEEL BASE 6
11 = VAN WHEEL BASE 1
12 = VAN WHEEL BASE 2
51 = WAGON WHEEL BASE 1
52 = WAGON WHEEL BASE 2
14 = VAN WHEEL BASE 4
15 = VAN WHEEL BASE 5
56 = WAGON WHEEL BASE 6
16 = VAN WHEEL BASE 6
54 = WAGON WHEEL BASE 4
55 = WAGON WHEEL BASE 5

ENGINE

EX9 = Engine-2.7L I5
Mercedes Turbo Diesel

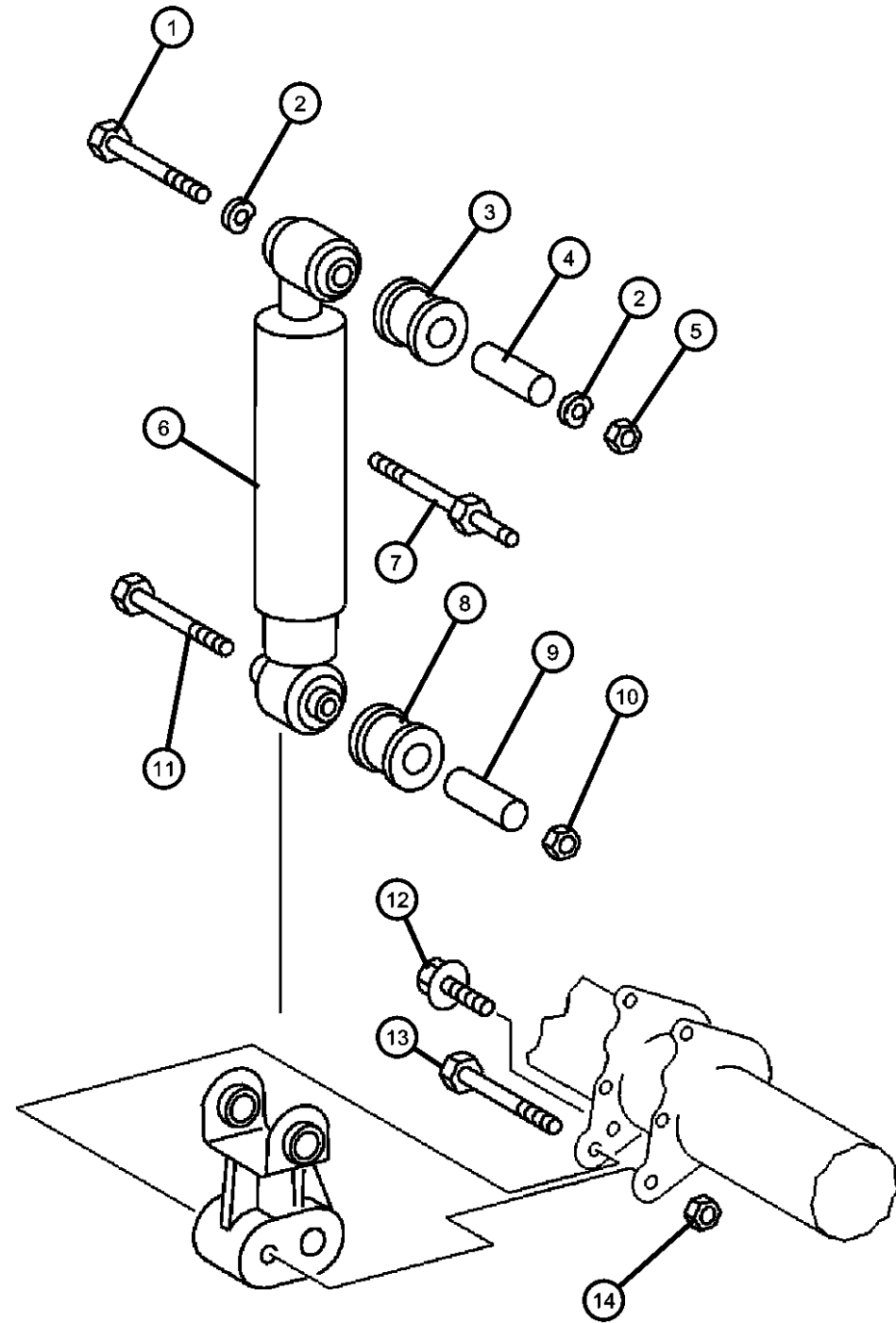
TRANSMISSION

DGJ = Transmission-5-Spd. Automatic, W5A580

AR = use ase required - = Non illustrated part

2002 VA

Rear Shocks
Figure 17-110



ITEM	PART NUMBER	QTY	LINE	SERIES	BODY	ENGINE	TRANS	TRIM	DESCRIPTION
	06104241AA	2	2, 6	L	11, 12, 14, 15, 16				
		2	2, 6	L	51, 52, 54, 55, 56				
	06104270AA	2	3, 7	L	12, 15, 16				
12	06104223AA	1	2, 3, 6, 7				DGJ		BOLT, As Required
13									SCREW
	06104243AA	2	2, 6	L	11, 12, 14, 15, 16				
		2	2, 6	L	51, 52, 54, 55, 56				
14	06104718AA	4	2, 6	L	11, 12, 14, 15, 16				NUT
		4	2, 6	L	51, 52, 54, 55, 56				
		4	3, 7	L	12, 15, 16		DGJ		

SPRINTER (VA)

SERIES

L = LOWLINE

LINE

3 = HD DODGE 2WD
6 = Lt. Duty DODGE 4WD
2 = Med. Duty DODGE 2WD
7 = Med. Duty DODGE 4WD

BODY

01 = CHASSIS FORWARD CONTROL W.B.1
02 = CAB CHASSIS WHEEL BASE 2
06 = CAB CHASSIS WHEEL BASE 6
11 = VAN WHEEL BASE 1
12 = VAN WHEEL BASE 2
51 = WAGON WHEEL BASE 1
52 = WAGON WHEEL BASE 2
14 = VAN WHEEL BASE 4
15 = VAN WHEEL BASE 5
56 = WAGON WHEEL BASE 6
16 = VAN WHEEL BASE 6
54 = WAGON WHEEL BASE 4
55 = WAGON WHEEL BASE 5

ENGINE

EX9 = Engine-2.7L I5
Mercedes Turbo Diesel

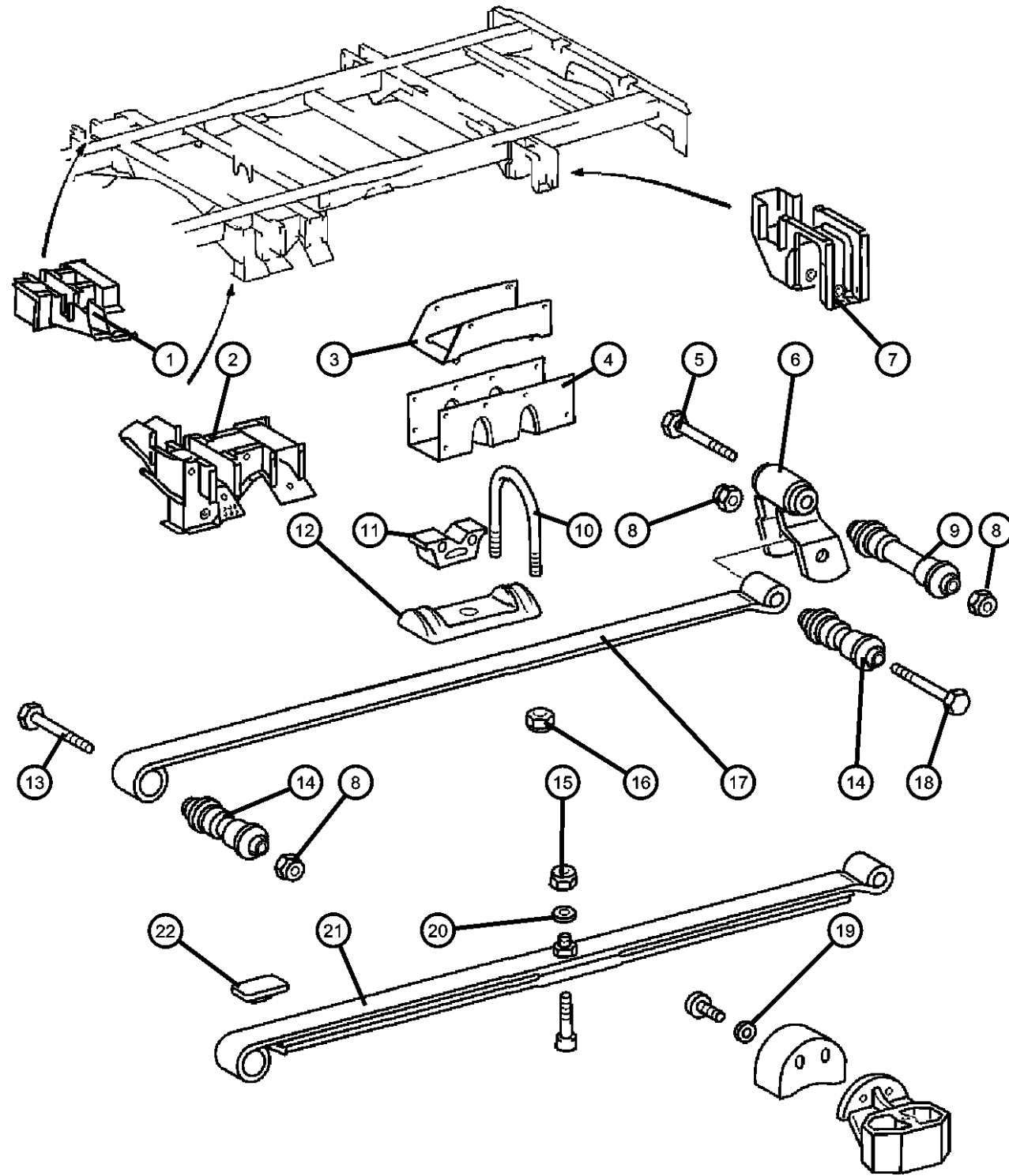
TRANSMISSION

DGJ = Transmission-5-Spd. Automatic, W5A580

AR = use ase required - = Non illustrated part

2002 VA

Rear Springs, 2500 Series
Figure 17-120



ITEM	PART NUMBER	QTY	LINE	SERIES	BODY	ENGINE	TRANS	TRIM	DESCRIPTION
1	05118670AA	1	2, 6	L	11, 12, 14, 15, 16				BRACKET, Spring Shackle Right Front
		1	2, 6	L	51, 52, 54, 55, 56				Right Front
	05118672AA	1	2, 6	L	11, 12, 14, 15, 16				[5AC, GKA], Right Front
		1	2, 6	L	51, 52, 54, 55, 56				[5AC, GKA], Right Front
2	05118668AA	1	2, 6	L	16, 11, 12, 14, 15				BRACKET, Spring Shackle Left Front
		1	2, 6	L	51, 52, 54, 55, 56				Left Front
	05128553AA	1	2, 6	L	11, 12, 14, 15, 16				[5AC, GKE], Left Front
		1	2, 6	L	51, 52, 54, 55, 56				[5AC, GKE], Left Front
	05128555AA	1	2, 6	L	11, 12, 14, 15, 16				[5NZ], Left Front
		1	6, 2	L	51, 52, 54, 55, 56				[5NZ], Left Front
	05128556AA	1	2, 6	L	11, 14				[5AC, GKE, 5NZ], Left Front
	1	2, 6	L	51, 54				[5AC, GKE, 5NZ], Left Front	
3	05118337AA	2	2, 6	L	11, 12, 14, 15, 16				BRACKET
		2	2, 6	L	51, 52, 54, 55, 56				
4	05118347AA	2	2, 6	L	11, 12, 14, 15, 16				TRUSS, Leaf spring
		2	2, 6	L	51, 52, 54, 55, 56				
	05128390AA	2	2, 6	L	11, 12, 14, 15, 16				[4XZ]

SPRINTER (VA)

SERIES

L = LOWLINE

LINE

3 = HD DODGE 2WD
6 = Lt. Duty DODGE 4WD
2 = Med. Duty DODGE 2WD
7 = Med. Duty DODGE 4WD

BODY

01 = CHASSIS FORWARD CONTROL W.B.1
02 = CAB CHASSIS WHEEL BASE 2
06 = CAB CHASSIS WHEEL BASE 6
11 = VAN WHEEL BASE 1
12 = VAN WHEEL BASE 2
51 = WAGON WHEEL BASE 1
52 = WAGON WHEEL BASE 2
14 = VAN WHEEL BASE 4
15 = VAN WHEEL BASE 5
56 = WAGON WHEEL BASE 6
16 = VAN WHEEL BASE 6
54 = WAGON WHEEL BASE 4
55 = WAGON WHEEL BASE 5

ENGINE

EX9 = Engine-2.7L I5
Mercedes Turbo Diesel

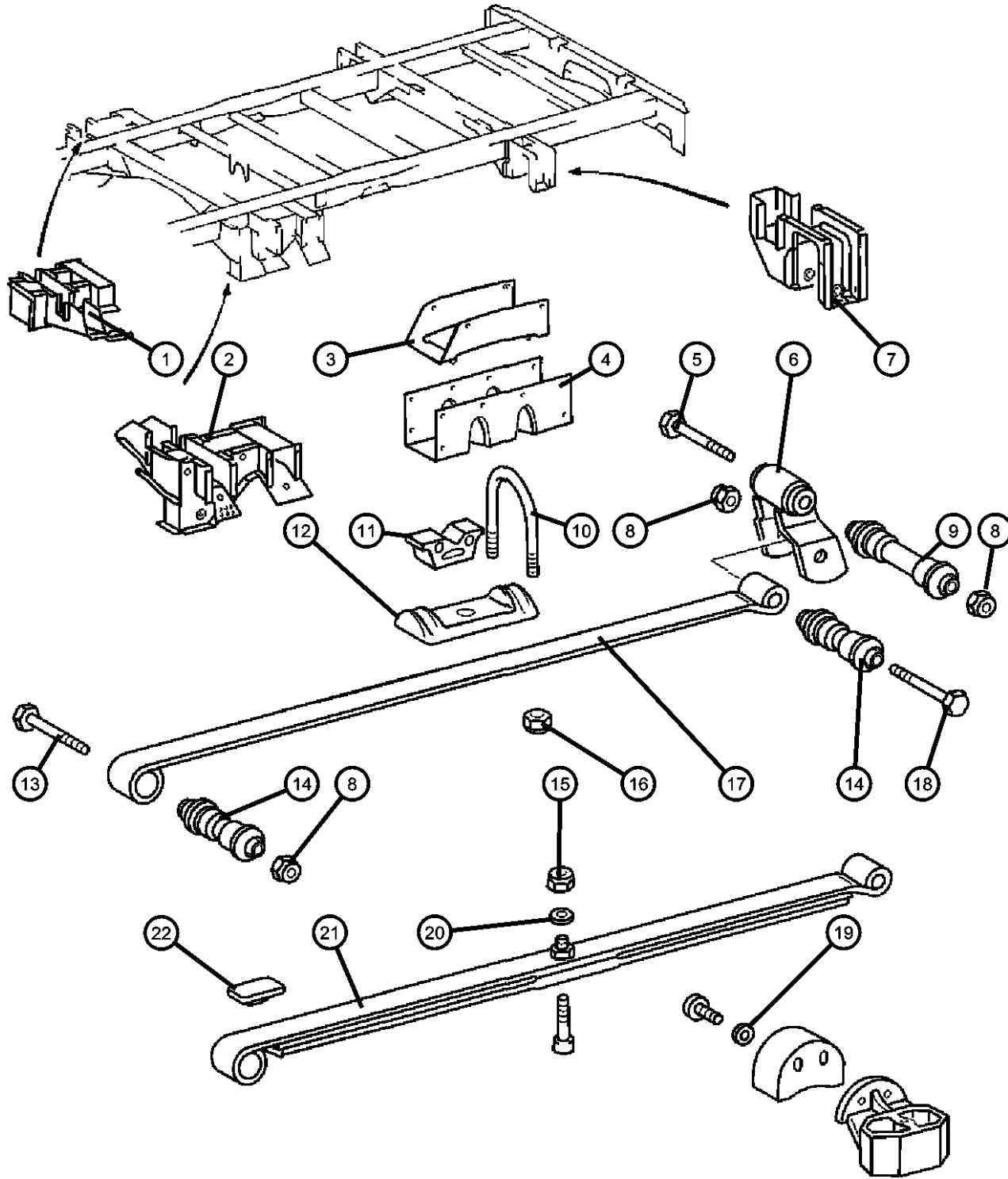
TRANSMISSION

DGJ = Transmission-5-Spd. Automatic, W5A580

AR = use ase required - = Non illustrated part

2002 VA

Rear Springs, 2500 Series
Figure 17-120



ITEM	PART NUMBER	QTY	LINE	SERIES	BODY	ENGINE	TRANS	TRIM	DESCRIPTION
5	05118734AA	2	2, 6	L	51, 52, 54, 55, 56				BOLT Shackle to Frame Rear, Mounting
		2	2, 6	L	14, 15, 16, 11, 12				Shackle to Frame Rear, Mounting
6	05118653AA	2	2, 6	L	11, 12, 14, 15, 16				SHACKLE, Spring
		2	2, 6	L	51, 52, 54, 55, 56				
7	05118665AA	2	2, 6	L	11, 12, 14, 15, 16				BRACKET, Spring Shackle [5AC,5AF], Right or Left, Rear
		2	2, 6	L	51, 52, 54, 55, 56				[5AC,5AF], Right or Left, Rear
	05118663AA	2	2, 6	L	11, 12, 14, 15, 16				[5AE], Right or Left, Rear
		2	2, 6	L	52, 54, 55, 56, 51				[5AE], Right or Left, Rear
	05128557AA	2	2, 6	L	11, 12, 14, 15, 16				[5AC, 4XZ], Right or Left, Rear
		2	2, 6	L	51, 52, 54, 55, 56				[5AC, 4XZ], Right or Left, Rear
	05128559AA	2	2, 6	L	11, 12, 14, 15, 16				[5AE, 4XZ], Right or Left, Rear
		2	2, 6	L	51, 52, 54, 55, 56				[5AE, 4XZ], Right or Left, Rear
	05128561AA	2	2, 6	L	11, 12, 14, 15, 16				[5AF, 4XZ], Right or Left, Rear
		2	2, 6	L	51, 52, 54, 55, 56				[5AF, 4XZ], Right or Left, Rear
8	06104718AA	2	2, 6	L	11, 12, 14, 15, 16				NUT Shackle to Frame and Spring, Mounting
		2	2, 6	L	51, 52, 54, 55, 56				Shackle to Frame and Spring, Mounting

SPRINTER (VA)

SERIES

L = LOWLINE
3 = HD DODGE 2WD
6 = Lt. Duty DODGE 4WD
2 = Med. Duty DODGE 2WD
7 = Med. Duty DODGE 4WD

LINE

BODY

01 = CHASSIS FORWARD CONTROL W.B.1
02 = CAB CHASSIS WHEEL BASE 2
06 = CAB CHASSIS WHEEL BASE 6
11 = VAN WHEEL BASE 1
12 = VAN WHEEL BASE 2
51 = WAGON WHEEL BASE 1
52 = WAGON WHEEL BASE 2
14 = VAN WHEEL BASE 4
15 = VAN WHEEL BASE 5
56 = WAGON WHEEL BASE 6
16 = VAN WHEEL BASE 6
54 = WAGON WHEEL BASE 4
55 = WAGON WHEEL BASE 5

ENGINE

EX9 = Engine-2.7L I5
Mercedes Turbo Diesel

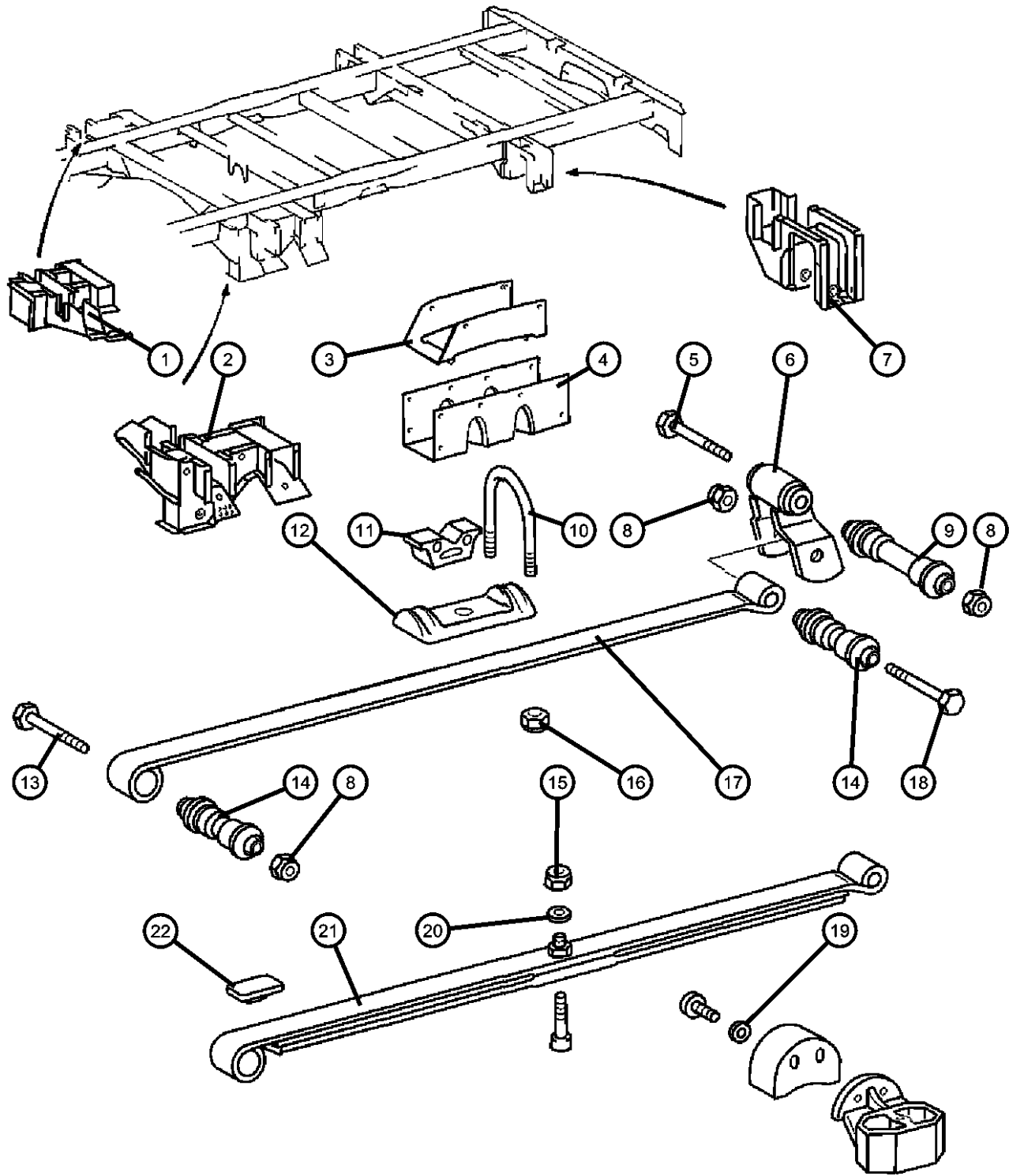
TRANSMISSION

DGJ = Transmission-5-Spd. Automatic, W5A580

AR = use ase required - = Non illustrated part

2002 VA

Rear Springs, 2500 Series
Figure 17-120



ITEM	PART NUMBER	QTY	LINE	SERIES	BODY	ENGINE	TRANS	TRIM	DESCRIPTION
9	05118731AA	2	2, 6	L	11, 12, 14, 15, 16				BUSHING, Shackle Right or Left
		2	2, 6	L	51, 52, 54, 55, 56				Right or Left
10	05104069AA	4	2, 6	L	11, 12, 14, 15, 16				U-BOLT Single Leaf
	05104070AA	4	2, 6	L	51, 52, 54, 55, 56				Two Leaf
11	05118762AA	2	2, 6	L	11, 12, 14, 15, 16				BUMPER, Jounce
		2	2, 6	L	51, 52, 54, 55, 56				[WDG]
	05128586AA	2	2, 6	L	11, 12, 14, 15, 16				[WDG]
		2	2, 6	L	51, 52, 54, 55, 56				
12	05118774AA	2	2, 6	L	11, 12, 14, 15, 16				PLATE, Rear Spring U-Bolt
		2	2, 6	L	51, 52, 54, 55, 56				
13	06104247AA	2	2, 6	L	11, 12, 14, 15, 16				BOLT Shackle to Frame Front, Mounting
		2	2, 6	L	51, 52, 54, 55, 56				Shackle to Frame Front, Mounting
14	05118732AA	4	2, 6	L	11, 12, 14, 15, 16				BUSHING, Spring Front or Rear
		4	2, 6	L	51, 52, 54, 55, 56				Front or Rear
15									NUT, Hex

SPRINTER (VA)

SERIES

L = LOWLINE

LINE

3 = HD DODGE 2WD
6 = Lt. Duty DODGE 4WD
2 = Med. Duty DODGE 2WD
7 = Med. Duty DODGE 4WD

BODY

01 = CHASSIS FORWARD CONTROL W.B.1
02 = CAB CHASSIS WHEEL BASE 2
06 = CAB CHASSIS WHEEL BASE 6
11 = VAN WHEEL BASE 1
12 = VAN WHEEL BASE 2
51 = WAGON WHEEL BASE 1
52 = WAGON WHEEL BASE 2
14 = VAN WHEEL BASE 4
15 = VAN WHEEL BASE 5
56 = WAGON WHEEL BASE 6
16 = VAN WHEEL BASE 6
54 = WAGON WHEEL BASE 4
55 = WAGON WHEEL BASE 5

ENGINE

EX9 = Engine-2.7L I5
Mercedes Turbo Diesel

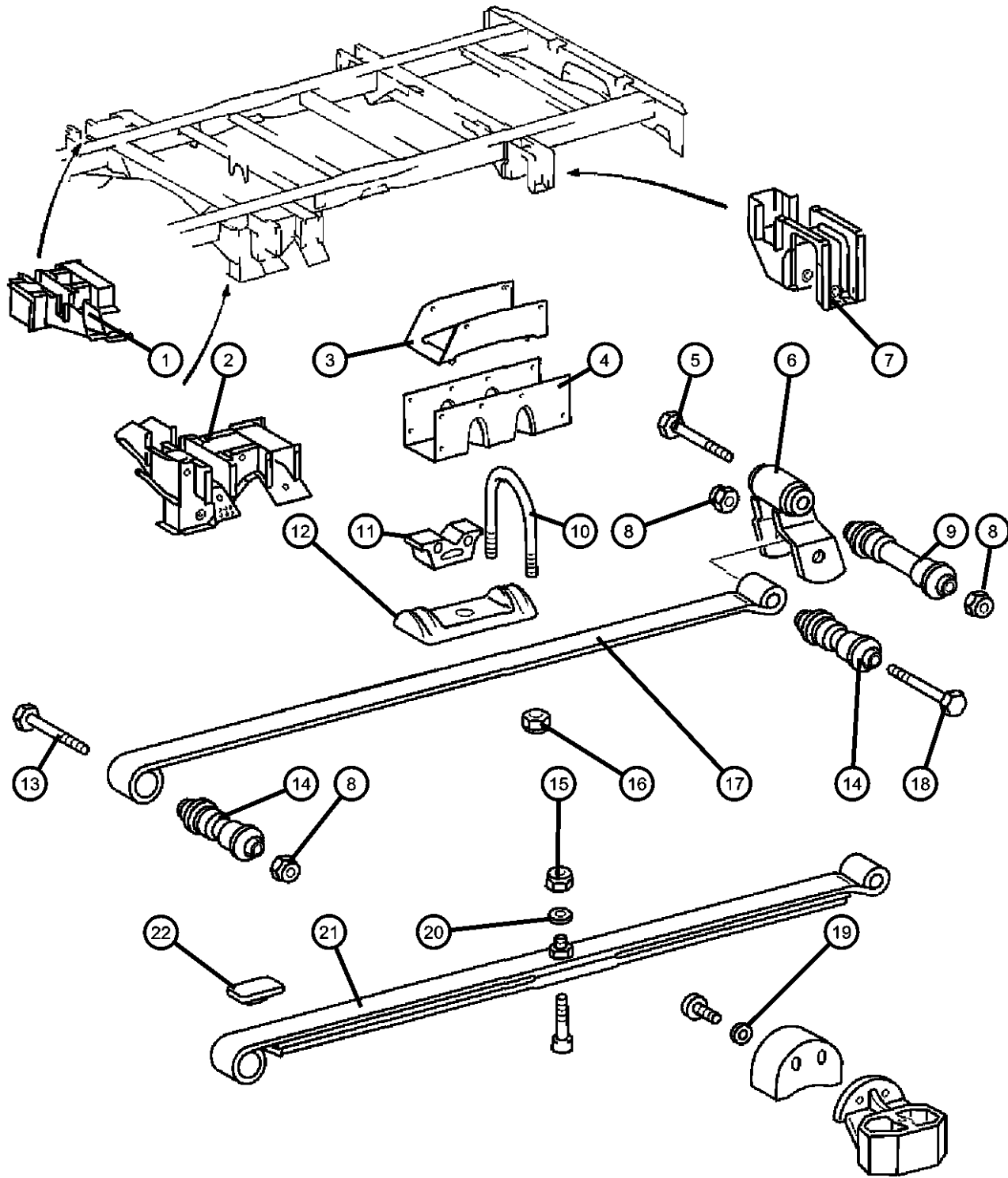
TRANSMISSION

DGJ = Transmission-5-Spd. Automatic, W5A580

AR = use ase required - = Non illustrated part

2002 VA

Rear Springs, 2500 Series
Figure 17-120



ITEM	PART NUMBER	QTY	LINE	SERIES	BODY	ENGINE	TRANS	TRIM	DESCRIPTION
	05097685AA	2	2, 6	L	11, 12, 14, 15, 16				
		2	2, 6	L	51, 52, 54, 55, 56				
16									NUT
	05103727AA	8	2, 6	L	15, 16, 11, 12, 14				
		8	2, 6	L	51, 52, 54, 55, 56				
17									SPRING, Rear
	05118616AA	2	2, 6	L	11, 12, 14, 15, 16				[4E9], Right or Left
	05128482AA	2	2, 6	L	11, 12, 14, 15, 16				[4E9,3AT], Right or Left
	05128488AA	2	2, 6	L	11, 12, 14, 15, 16				[WDG]
18									BOLT
	05125718AA	2	2, 6	L	11, 12, 14, 15, 16				Shackle to Spring Rear, Mounting
		2	2, 6	L	51, 52, 54, 55, 56				Shackle to Spring Rear, Mounting
19	05126126AA	4	2, 6	L	11, 12, 14, 15, 16				NUT
20	05133886AA	2	2, 3, 6, 7				DGJ		WASHER
21									SPRING, Rear
	05118619AA	2	2, 6	L	56, 51, 52, 54, 55				[4E9]
	05128484AA	2	2, 6	L	51, 52, 54, 55, 56				[4E9,3B4]
	05128490AA	2	2, 6	L	51, 52, 54, 55, 56				[4E9,WDG, 3AT]
22	05104068AA	4	2, 6	L	51, 52, 54, 55, 56				CUSHION, [3B4]

SPRINTER (VA)

SERIES

L = LOWLINE

LINE

3 = HD DODGE 2WD
6 = Lt. Duty DODGE 4WD
2 = Med. Duty DODGE 2WD
7 = Med. Duty DODGE 4WD

BODY

01 = CHASSIS FORWARD CONTROL W.B.1
02 = CAB CHASSIS WHEEL BASE 2
06 = CAB CHASSIS WHEEL BASE 6
11 = VAN WHEEL BASE 1
12 = VAN WHEEL BASE 2
51 = WAGON WHEEL BASE 1
52 = WAGON WHEEL BASE 2
14 = VAN WHEEL BASE 4
15 = VAN WHEEL BASE 5
56 = WAGON WHEEL BASE 6
16 = VAN WHEEL BASE 6
54 = WAGON WHEEL BASE 4
55 = WAGON WHEEL BASE 5

ENGINE

EX9 = Engine-2.7L I5
Mercedes Turbo Diesel

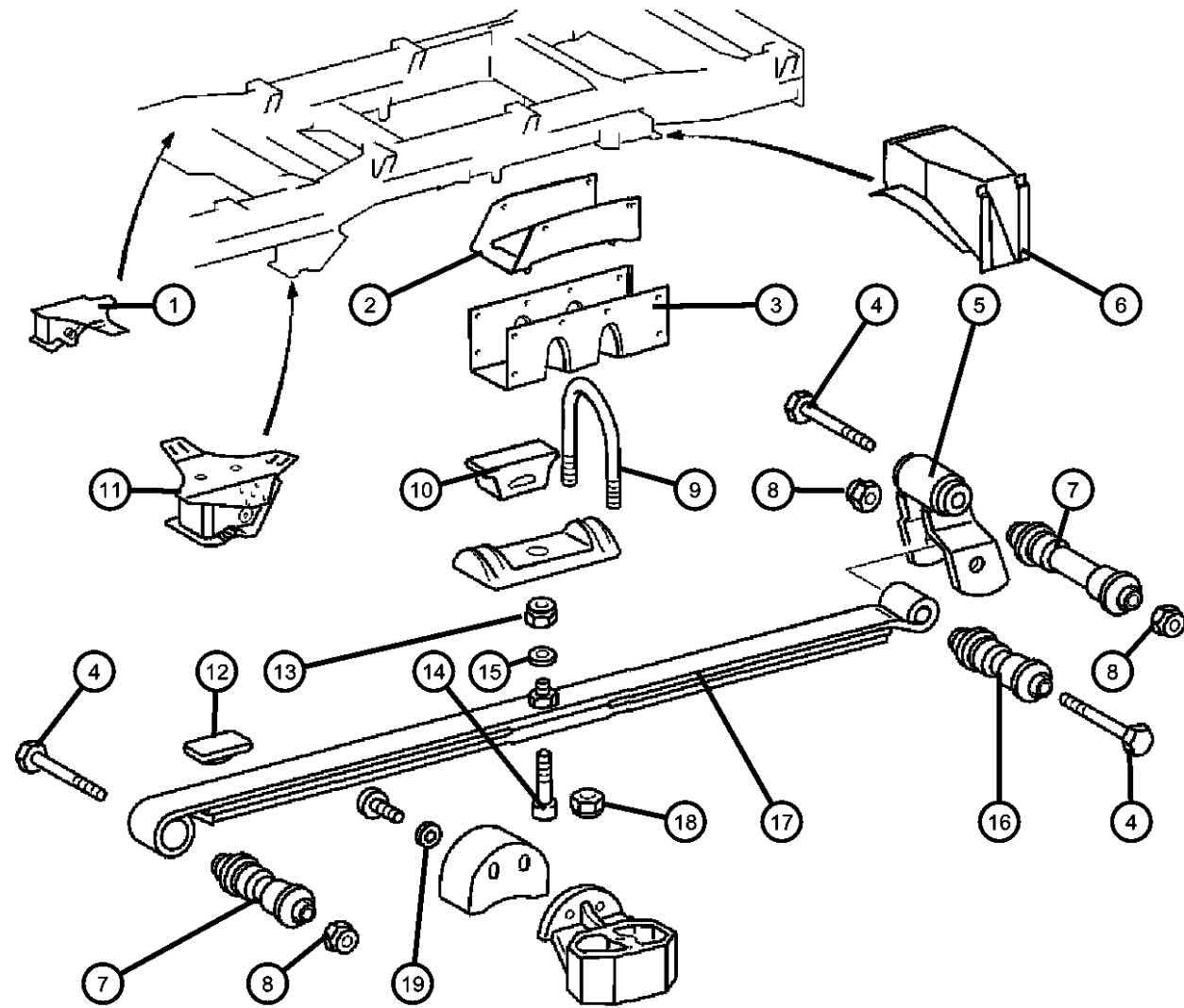
TRANSMISSION

DGJ = Transmission-5-Spd. Automatic, W5A580

AR = use ase required - = Non illustrated part

2002 VA

**Rear Springs, 3500 Series
Figure 17-130**



ITEM	PART NUMBER	QTY	LINE	SERIES	BODY	ENGINE	TRANS	TRIM	DESCRIPTION
1	05118688AA	1	3, 7	L	12, 15, 16				BRACKET, SpringRight Front
2	05118339AA	2	3, 7	L	12, 15, 16				BRACKET, SpringRight or Left
3	05118355AA	2	3, 7	L	12, 15, 16				TRUSS, Leaf springRight or Left
4	06104285AA	2	3, 7	L	12, 15, 16				SCREW
5	05118655AA	2	3, 7	L	12, 15, 16				SHACKLE, SpringRight or Left
6	05118680AA	2	3, 7	L	12, 15, 16				BRACKET, SpringRight or Left
7	05118729AA	2	3, 7	L	12, 15, 16				BUSHING, SpringFront
8	05125760AA	2	3, 7	L	12, 15, 16				NUT, Hex Flange Lock
9	05118765AA	4	3, 7	L	12, 15, 16				U-BOLT
10	05118759AA	2	3, 7	L	12, 15, 16				BUMPER, Spring, Rear
11	05118686AA	1	3, 7	L	12, 15, 16				BRACKET, SpringLeft Front
12	05104068AA	4	3, 7	L	12, 15, 16				CUSHION
13	05133872AA	2	3, 7	L	12, 15, 16				NUT, Hex
14	05133871AA	2	3, 7	L	12, 15, 16				BOLT
15	05126120AB	2	3, 7	L	12, 15, 16				WASHER, Spring
16	05118703AA	2	3, 7	L	12, 15, 16				BUSHING, SpringRear
17	05118621AA	2	3, 7	L	12, 15, 16				SPRING, RearRight or Left
18	05103727AA	8	3, 7	L	12, 15, 16				NUT
19	05126126AA	4	3, 7	L	12, 15, 16				NUT

SPRINTER (VA)

SERIES
L = LOWLINE

LINE
3 = HD DODGE 2WD
6 = Lt. Duty DODGE 4WD
2 = Med. Duty DODGE 2WD
7 = Med. Duty DODGE 4WD

BODY
01 = CHASSIS FORWARD CONTROL W.B.1
02 = CAB CHASSIS WHEEL BASE 2
06 = CAB CHASSIS WHEEL BASE 6
11 = VAN WHEEL BASE 1
12 = VAN WHEEL BASE 2
51 = WAGON WHEEL BASE 1
52 = WAGON WHEEL BASE 2
14 = VAN WHEEL BASE 4
15 = VAN WHEEL BASE 5
56 = WAGON WHEEL BASE 6
16 = VAN WHEEL BASE 6
54 = WAGON WHEEL BASE 4
55 = WAGON WHEEL BASE 5

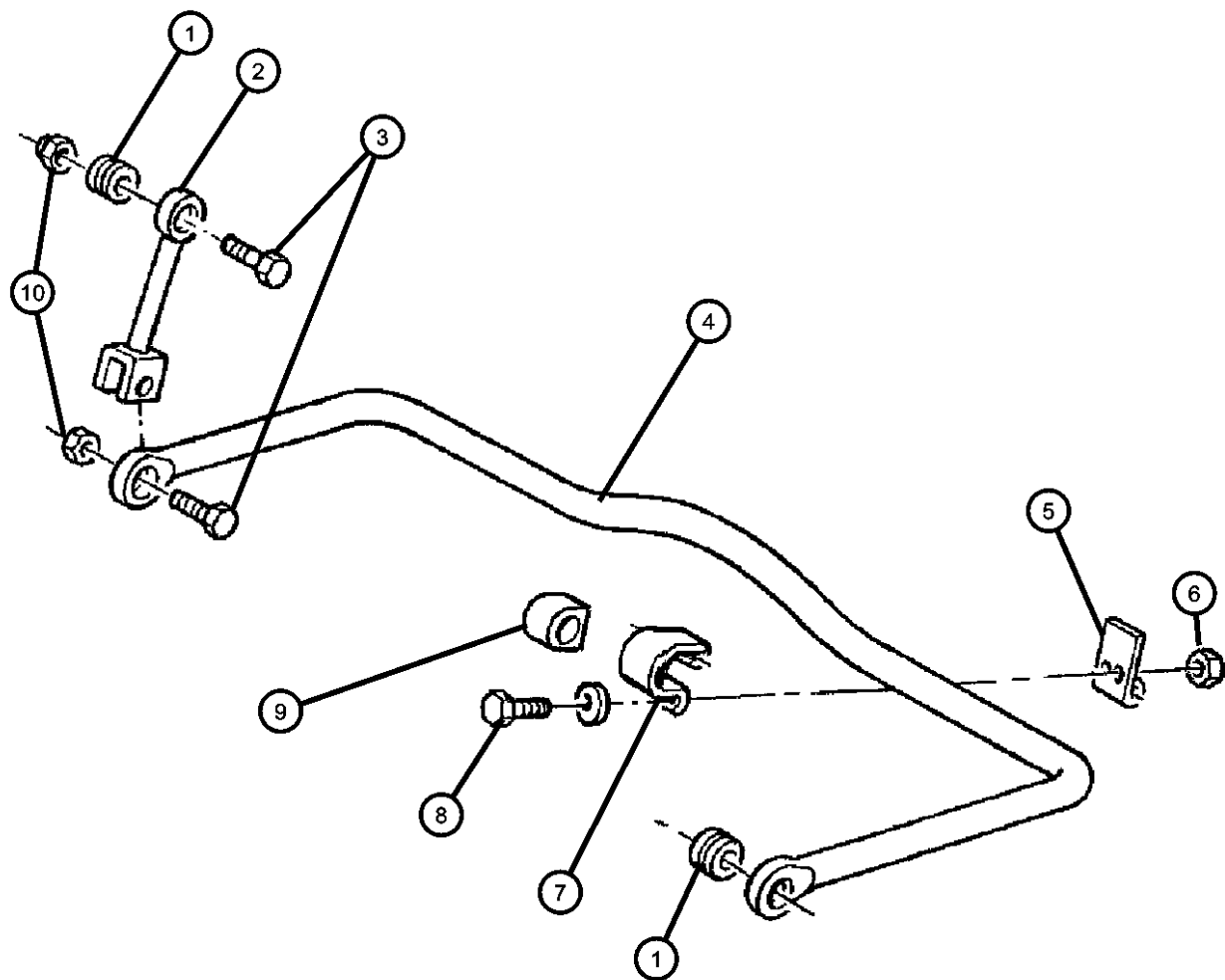
ENGINE
EX9 = Engine-2.7L I5
Mercedes Turbo Diesel

TRANSMISSION
DGJ = Transmission-5-Spd. Automatic, W5A580

AR = use ase required - = Non illustrated part

2002 VA

**Stabilizer Bar,Rear
Figure 17-210**



ITEM	PART NUMBER	QTY	LINE	SERIES	BODY	ENGINE	TRANS	TRIM	DESCRIPTION
1									BUSHING, Stabilizer Bar
	05103955AA	2	3, 7	L	12, 15, 16				
		2	2, 6	L	11, 12, 14, 15, 16				
		2	2, 6	L	51, 52, 54, 55, 56				
2									LINK, Stabilizer Bar
	05104058AA	2	2, 6	L	11, 12, 14, 15, 16				
		2	2, 6	L	51, 52, 54, 55, 56				
	05118696AA	2	3, 7	L	12, 15, 16				
3									BOLT
	06104238AA	4	2, 6	L	11, 12, 14, 15, 16				12x1.5x50
		4	2, 6	L	51, 52, 54, 55, 56				12x1.5x50
	06104239AA	2	2, 6	L	11, 12, 14, 15, 16	EX9			12x1.5x55
		2	2, 6	L	51, 52, 54, 55, 56	EX9			12x1.5x55
		2	3, 7	L	12, 15, 16	EX9			12x1.5x55
4									SWAY BAR
	05118632AA	1	3, 7	L	12, 15, 16				
	05128494AA	1	2, 6	L	11, 12, 14, 15, 16				
		1	2, 6	L	51, 52, 54, 55, 56				
5									BRACKET, Stabilizer Bar
	05128598AA	2	2, 6	L	11, 12, 14, 15, 16				
		2	2, 6	L	51, 52, 54, 55, 56				
6									NUT

SPRINTER (VA)

SERIES

L = LOWLINE
 3 = HD DODGE 2WD
 6 = Lt. Duty DODGE 4WD
 2 = Med. Duty DODGE 2WD
 7 = Med. Duty DODGE 4WD

BODY

01 = CHASSIS FORWARD CONTROL W.B.1
 02 = CAB CHASSIS WHEEL BASE 2
 06 = CAB CHASSIS WHEEL BASE 6
 11 = VAN WHEEL BASE 1
 12 = VAN WHEEL BASE 2
 51 = WAGON WHEEL BASE 1
 52 = WAGON WHEEL BASE 2
 14 = VAN WHEEL BASE 4
 15 = VAN WHEEL BASE 5
 56 = WAGON WHEEL BASE 6
 16 = VAN WHEEL BASE 6
 54 = WAGON WHEEL BASE 4
 55 = WAGON WHEEL BASE 5

ENGINE

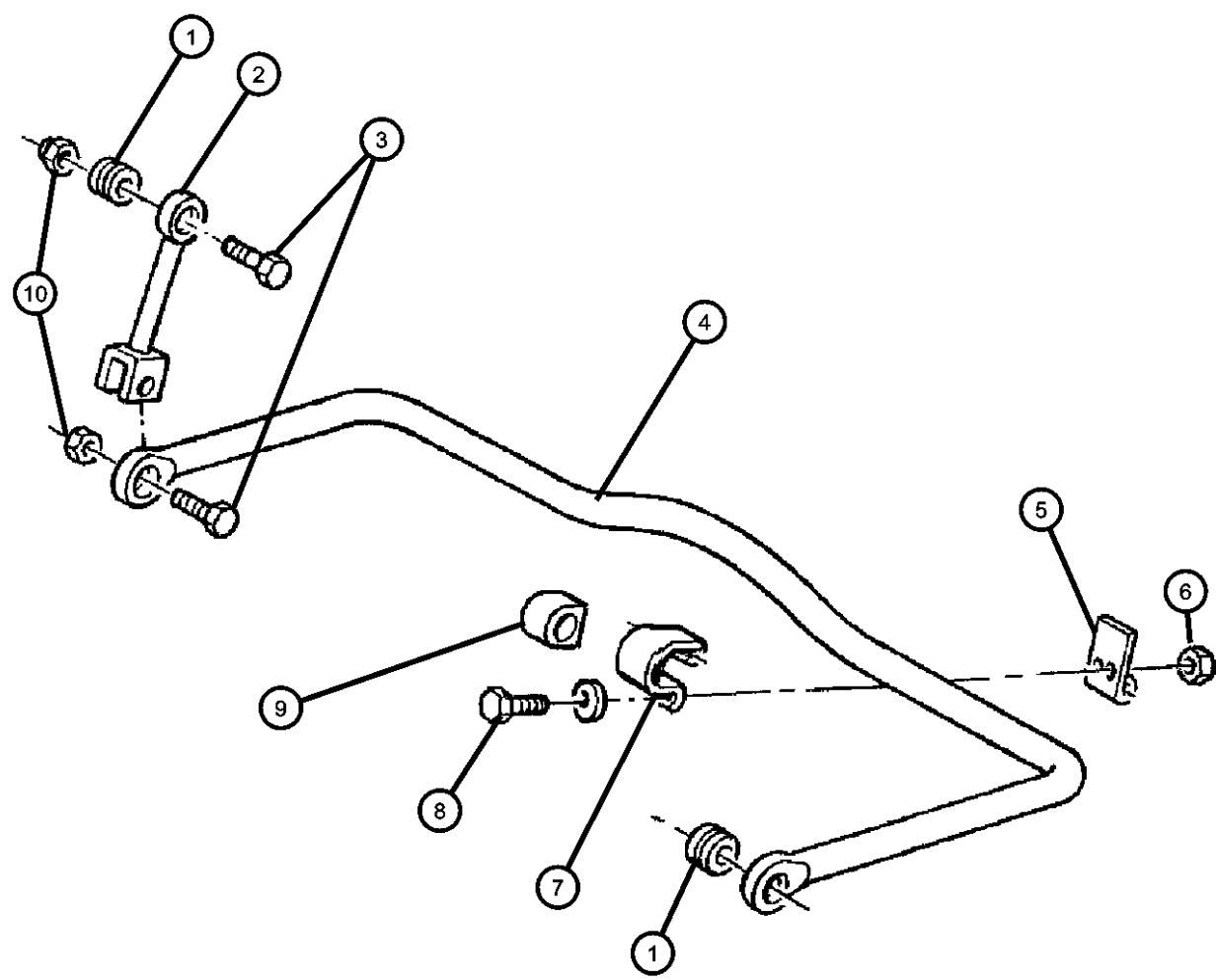
EX9 = Engine-2.7L I5 Mercedes Turbo Diesel

TRANSMISSION

DGJ = Transmission-5-Spd. Automatic,W5A580

AR = use ase required - = Non illustrated part

**Stabilizer Bar,Rear
Figure 17-210**



ITEM	PART NUMBER	QTY	LINE	SERIES	BODY	ENGINE	TRANS	TRIM	DESCRIPTION
7	06104716AA	4	2, 6	L	11, 12, 14, 15, 16				BRACKET, Torsion Bar
		4	2, 6	L	51, 52, 54, 55, 56				
		4	3, 7	L	12, 15, 16				
8	05118789AA	2	3, 7	L	12, 15, 16				SCREW
	05132782AA	2	2, 6	L	11, 12, 14, 15, 16				
9		2	2, 6	L	51, 52, 54, 55, 56				BUSHING, Stabilizer Bar
	06104031AA	2	2, 6	L	11, 12, 14, 15, 16				
10		1	3, 7	L	12, 15, 16				NUT
	05104073AA	2	2, 6	L	11, 12, 14, 15, 16				
	05118800AA	2	2, 6	L	51, 52, 54, 55, 56				
		2	3, 7	L	12, 15, 16				
	06104718AA	4	2, 6	L	11, 12, 14, 15, 16				
		4	2, 6	L	51, 52, 54, 55, 56				
		8	3, 7	L	12, 15, 16				

SPRINTER (VA)

SERIES	LINE	BODY	ENGINE	TRANSMISSION
L = LOWLINE	3 = HD DODGE 2WD 6 = Lt. Duty DODGE 4WD 2 = Med. Duty DODGE 2WD 7 = Med. Duty DODGE 4WD	01 = CHASSIS FORWARD CONTROL W.B.1 02 = CAB CHASSIS WHEEL BASE 2 06 = CAB CHASSIS WHEEL BASE 6 11 = VAN WHEEL BASE 1 12 = VAN WHEEL BASE 2 51 = WAGON WHEEL BASE 1 52 = WAGON WHEEL BASE 2 14 = VAN WHEEL BASE 4 15 = VAN WHEEL BASE 5 56 = WAGON WHEEL BASE 6 16 = VAN WHEEL BASE 6 54 = WAGON WHEEL BASE 4 55 = WAGON WHEEL BASE 5	EX9 = Engine-2.7L I5 Mercedes Turbo Diesel	DGJ = Transmission-5-Spd. Automatic, W5A580

AR = use ase required - = Non illustrated part

Group - 19

Steering

Group - 19 Steering

Illustration Title

Group-Fig. No.

Steering Wheel

Steering Wheel and Related Fig. 19 - 110

Steering Column

Column Steering and Related Fig. 19 - 210

Steering Gear

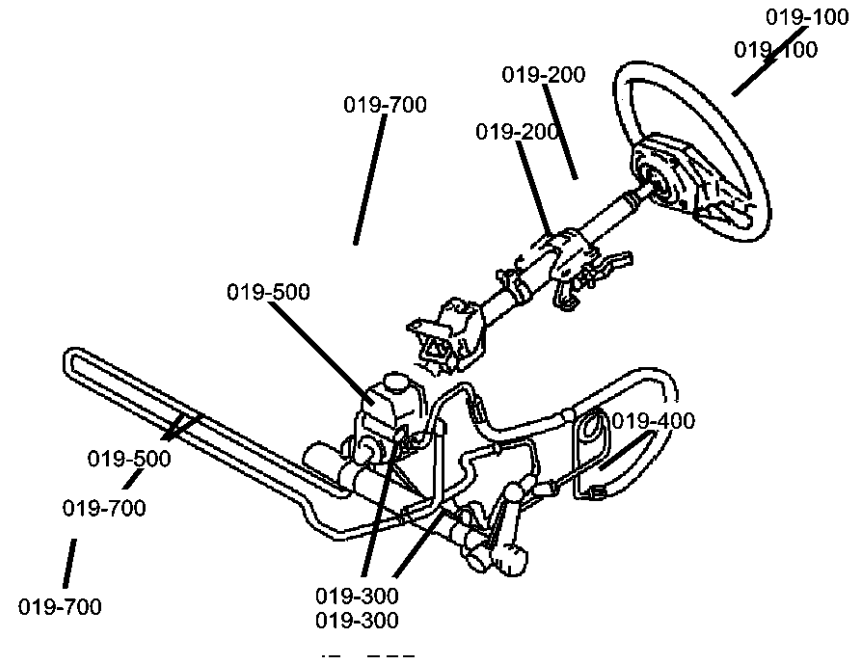
Gear - Steering Fig. 19 - 310

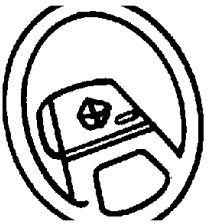
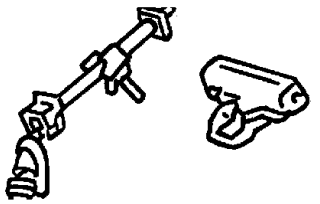
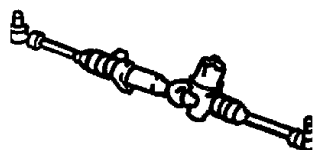
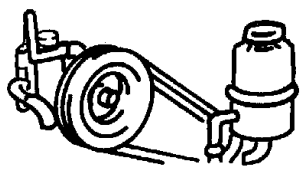
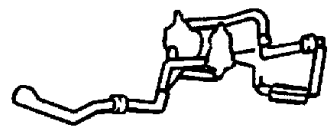
Power Steering Pump

Pump and Pulley, Steering Fig. 19 - 510

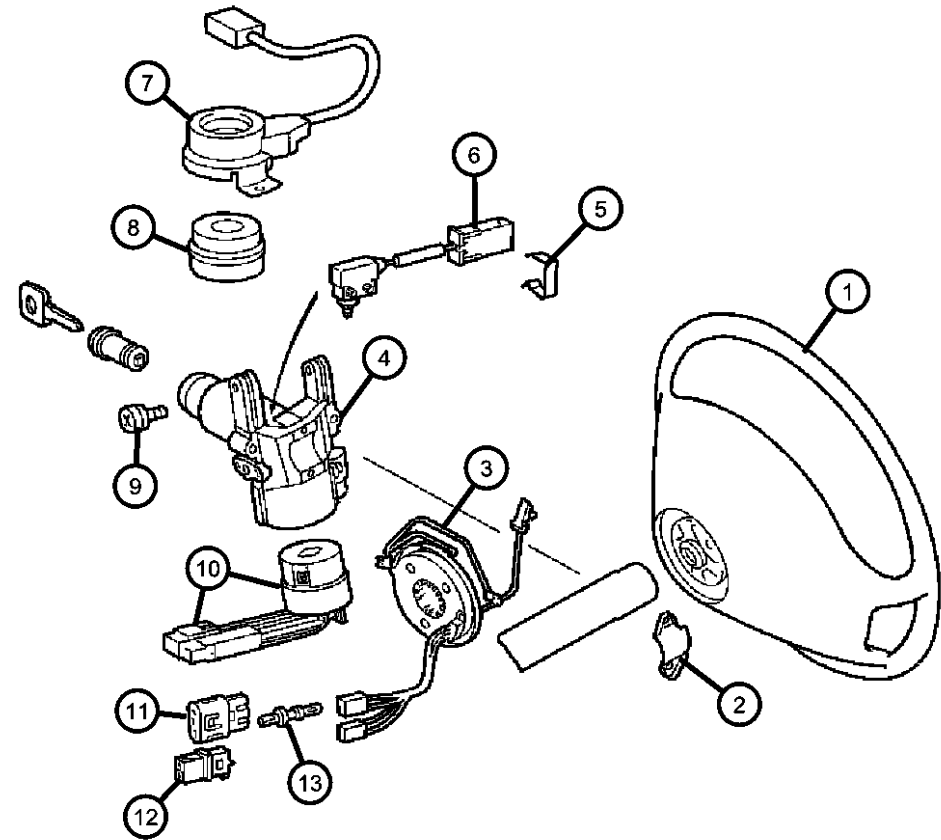
Power Steering Hoses

Hoses Steering and Related Fig. 19 - 710



<p>019-100 Steering Wheel</p> 	<p>019-200 Steering Column</p> 	<p>019-300 Steering Gear</p> 	<p>019-500 Power Steering Pump</p> 
<p>019-700 Power Steering Hoses</p> 			

**Steering Wheel and Related
Figure 19-110**



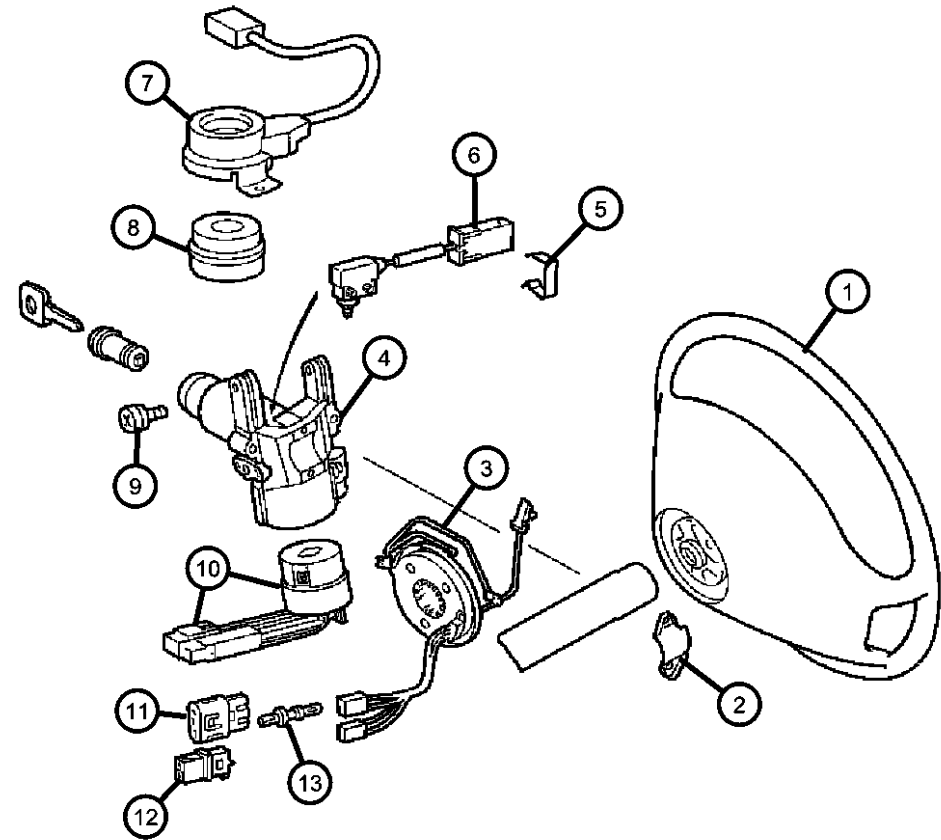
ITEM	PART NUMBER	QTY	LINE	SERIES	BODY	ENGINE	TRANS	TRIM	DESCRIPTION
1	0ZF45BD1AA	1	2, 6	L	11, 12, 14, 15, 16				WHEEL, Steering
		1	2, 6	L	51, 52, 54, 55, 56				
		1	3, 7	L	12, 15, 16				
2	05104096AA	1	2, 6	L	11, 12, 14, 15, 16				BRACKET, STEERING LOCK, SPRINTER
		1	2, 6	L	51, 52, 54, 55, 56				
		1	3, 7	L	12, 15, 16				
3	05104089AA	1	2, 6	L	11, 12, 14, 15, 16				CLOCKSPRING
		1	2, 6	L	51, 52, 54, 55, 56				
		1	3, 7	L	12, 15, 16				
4	05104092AA	1	2, 6	L	11, 12, 14, 15, 16		DGJ		HOUSING, Steering Column Lock
		1	2, 6	L	51, 52, 54, 55, 56		DGJ		
		1	3, 7	L	12, 15, 16		DGJ		
5	05103660AA	1	2, 6	L	11, 12, 14, 15, 16		DGJ		SPRING
		1	2, 6	L	51, 52, 54, 55, 56		DGJ		
		1	3, 7	L	12, 15, 16		DGJ		
6	05103857AA	1	2, 6	L	11, 12, 14, 15, 16		DGJ		SWITCH

SPRINTER (VA)

SERIES	LINE	BODY	ENGINE	TRANSMISSION
L = LOWLINE	3 = HD DODGE 2WD 6 = Lt. Duty DODGE 4WD 2 = Med. Duty DODGE 2WD 7 = Med. Duty DODGE 4WD	01 = CHASSIS FORWARD CONTROL W.B.1 02 = CAB CHASSIS WHEEL BASE 2 06 = CAB CHASSIS WHEEL BASE 6 11 = VAN WHEEL BASE 1 12 = VAN WHEEL BASE 2 51 = WAGON WHEEL BASE 1 52 = WAGON WHEEL BASE 2 14 = VAN WHEEL BASE 4 15 = VAN WHEEL BASE 5 56 = WAGON WHEEL BASE 6 16 = VAN WHEEL BASE 6 54 = WAGON WHEEL BASE 4 55 = WAGON WHEEL BASE 5	EX9 = Engine-2.7L I5 Mercedes Turbo Diesel	DGJ = Transmission-5-Spd. Automatic, W5A580

AR = use ase required - = Non illustrated part

**Steering Wheel and Related
Figure 19-110**



ITEM	PART NUMBER	QTY	LINE	SERIES	BODY	ENGINE	TRANS	TRIM	DESCRIPTION
		1	2, 6	L	51, 52, 54, 55, 56		DGJ		
		1	3, 7	L	12, 15, 16		DGJ		
7	05120812AA	1	2, 6	L	11, 12, 14, 15, 16				TRANSPONDER, Steering Wheel
		1	2, 6	L	51, 52, 54, 55, 56				
		1	3, 7	L	12, 15, 16				
8	05104593AA	1	2, 6	L	11, 12, 14, 15, 16				RING
		1	2, 6	L	51, 52, 54, 55, 56				
		1	3, 7	L	12, 15, 16				
9	05119538AA	2	2, 6	L	11, 12, 14, 15, 16				SCREW, Cap
		2	2, 6	L	51, 52, 54, 55, 56				
		2	3, 7	L	12, 15, 16				
10	05103664AA	1	2, 6	L	11, 12, 14, 15, 16		DGJ		SWITCH, Ignition
		1	2, 6	L	51, 52, 54, 55, 56		DGJ		
		1	3, 7	L	12, 15, 16		DGJ		
11	05103904AA	1	2, 6	L	11, 12, 14, 15, 16				CONNECTOR
		1	2, 6	L	51, 52, 54, 55, 56				
		1	3, 7	L	12, 15, 16				

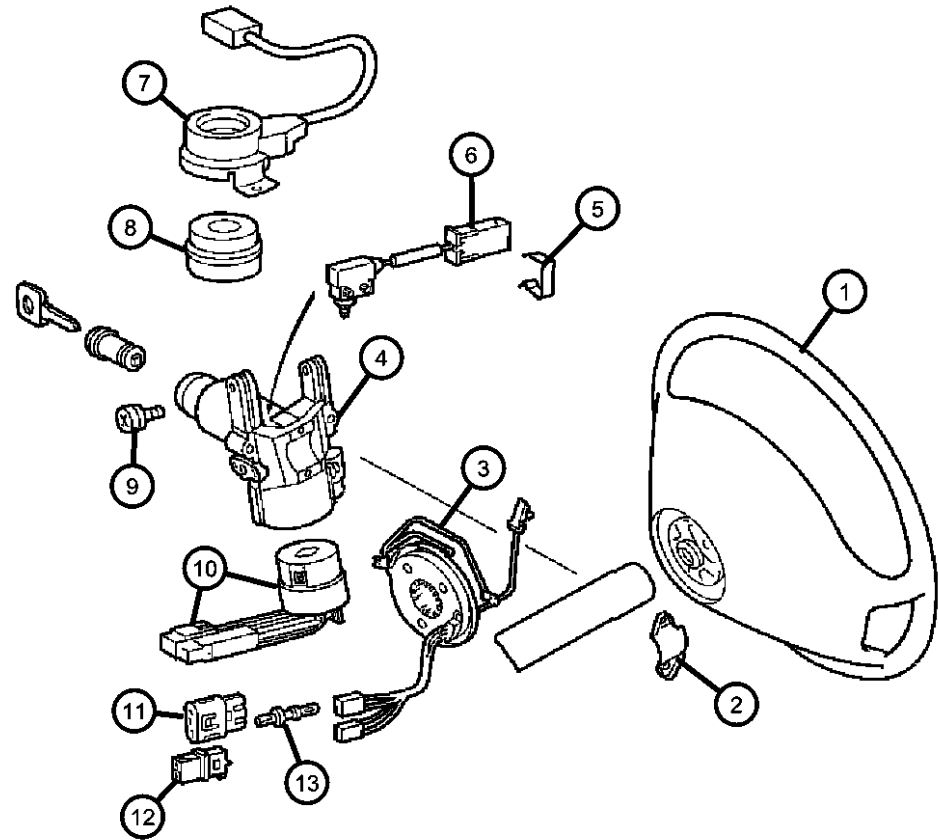
SPRINTER (VA)

SERIES	LINE	BODY	ENGINE	TRANSMISSION
L = LOWLINE	3 = HD DODGE 2WD 6 = Lt. Duty DODGE 4WD 2 = Med. Duty DODGE 2WD 7 = Med. Duty DODGE 4WD	01 = CHASSIS FORWARD CONTROL W.B.1 02 = CAB CHASSIS WHEEL BASE 2 06 = CAB CHASSIS WHEEL BASE 6 11 = VAN WHEEL BASE 1 12 = VAN WHEEL BASE 2 51 = WAGON WHEEL BASE 1 52 = WAGON WHEEL BASE 2 14 = VAN WHEEL BASE 4 15 = VAN WHEEL BASE 5 56 = WAGON WHEEL BASE 6 16 = VAN WHEEL BASE 6 54 = WAGON WHEEL BASE 4 55 = WAGON WHEEL BASE 5	EX9 = Engine-2.7L I5 Mercedes Turbo Diesel	DGJ = Transmission-5-Spd. Automatic, W5A580

AR = use ase required - = Non illustrated part

**Steering Wheel and Related
Figure 19-110**

ITEM	PART NUMBER	QTY	LINE	SERIES	BODY	ENGINE	TRANS	TRIM	DESCRIPTION
12	05103902AA	1	2, 6	L	11, 12, 14, 15, 16				CONNECTOR
		1	2, 6	L	51, 52, 54, 55, 56				
		1	3, 7	L	12, 15, 16				
13	05103828AA	1	2, 6	L	11, 12, 14, 15, 16				TERMINAL
		1	2, 6	L	51, 52, 54, 55, 56				
		1	3, 7	L	12, 15, 16				

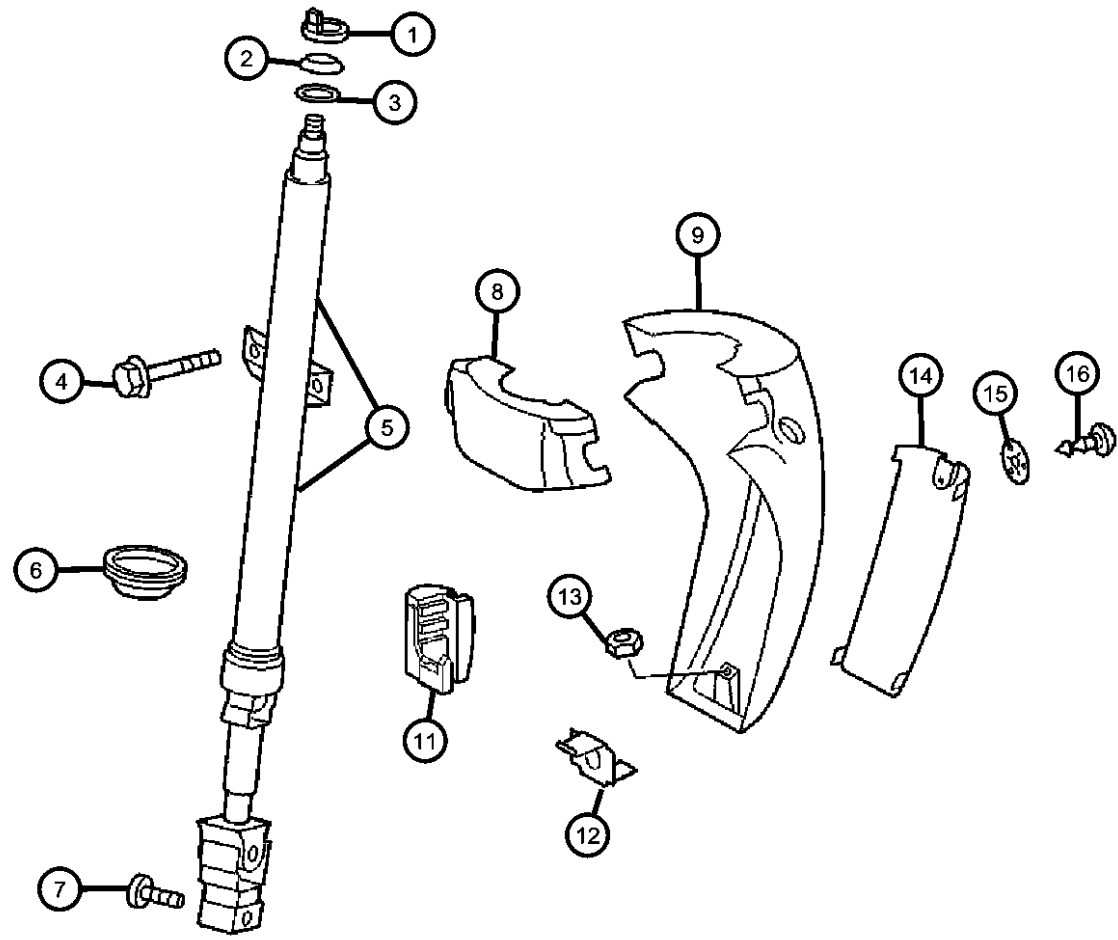


SPRINTER (VA)

SERIES	LINE	BODY	ENGINE	TRANSMISSION
L = LOWLINE	3 = HD DODGE 2WD 6 = Lt. Duty DODGE 4WD 2 = Med. Duty DODGE 2WD 7 = Med. Duty DODGE 4WD	01 = CHASSIS FORWARD CONTROL W.B.1 02 = CAB CHASSIS WHEEL BASE 2 06 = CAB CHASSIS WHEEL BASE 6 11 = VAN WHEEL BASE 1 12 = VAN WHEEL BASE 2 51 = WAGON WHEEL BASE 1 52 = WAGON WHEEL BASE 2 14 = VAN WHEEL BASE 4 15 = VAN WHEEL BASE 5 56 = WAGON WHEEL BASE 6 16 = VAN WHEEL BASE 6 54 = WAGON WHEEL BASE 4 55 = WAGON WHEEL BASE 5	EX9 = Engine-2.7L I5 Mercedes Turbo Diesel	DGJ = Transmission-5-Spd. Automatic, W5A580

AR = use ase required - = Non illustrated part

**Column Steering and Related
Figure 19-210**



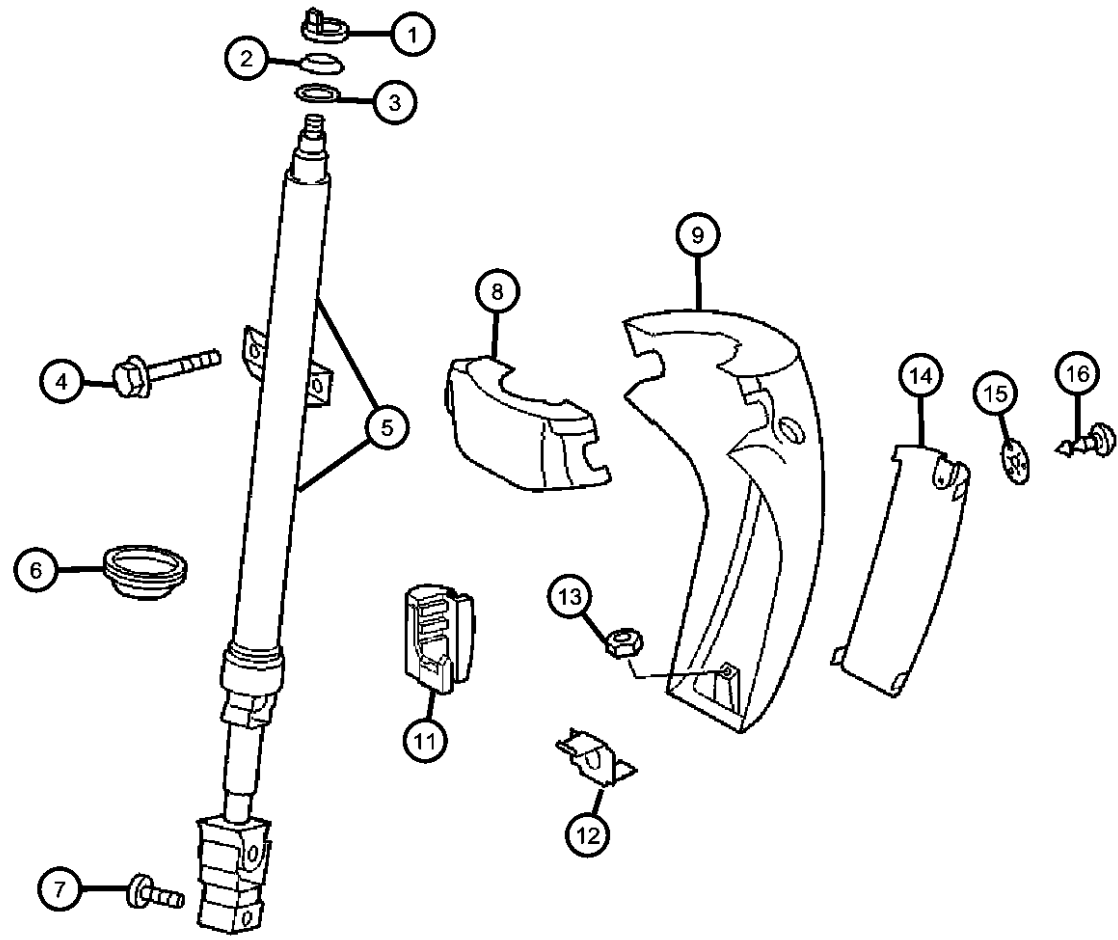
ITEM	PART NUMBER	QTY	LINE	SERIES	BODY	ENGINE	TRANS	TRIM	DESCRIPTION
Note; Sales Codes; [WCL] = 15 Inch Steel Wheels [WDG] = 16 Inch Steel Wheels									
1	05103651AA	1	2, 6	L	11, 12, 14, 15, 16				SUPPORTING RING, NONE, SPRINTER
		1	2, 6	L	51, 52, 54, 55, 56				
		1	3, 7	L	12, 15, 16				
2	05127709AA	1	2, 6	L	11, 12, 14, 15, 16				SPACER
		1	2, 6	L	51, 52, 54, 55, 56				
		1	3, 7	L	12, 15, 16				
3	05127708AA	1	2, 6	L	11, 12, 14, 15, 16				WASHER, Thrust
		1	2, 6	L	51, 52, 54, 55, 56				
		1	3, 7	L	12, 15, 16				
4	05126227AA	2	2, 6	L	11, 12, 14, 15, 16				BOLT, Hex Head
		2	2, 6	L	51, 52, 54, 55, 56				
		2	3, 7	L	12, 15, 16				
5	05104563AA	1	2, 6	L	11, 12, 14, 15, 16				COLUMN, Steering [WCL] 15 WHEELS
		1	2, 6	L	51, 52, 54, 55, 56				[WCL] 15 WHEELS
	05104564AA	1	2, 6	L	11, 12, 14, 15, 16				[WDG] 16 WHEELS

SPRINTER (VA)

SERIES	LINE	BODY	ENGINE	TRANSMISSION
L = LOWLINE	3 = HD DODGE 2WD 6 = Lt. Duty DODGE 4WD 2 = Med. Duty DODGE 2WD 7 = Med. Duty DODGE 4WD	01 = CHASSIS FORWARD CONTROL W.B.1 02 = CAB CHASSIS WHEEL BASE 2 06 = CAB CHASSIS WHEEL BASE 6 11 = VAN WHEEL BASE 1 12 = VAN WHEEL BASE 2 51 = WAGON WHEEL BASE 1 52 = WAGON WHEEL BASE 2 14 = VAN WHEEL BASE 4 15 = VAN WHEEL BASE 5 56 = WAGON WHEEL BASE 6 16 = VAN WHEEL BASE 6 54 = WAGON WHEEL BASE 4 55 = WAGON WHEEL BASE 5	EX9 = Engine-2.7L I5 Mercedes Turbo Diesel	DGJ = Transmission-5-Spd. Automatic,W5A580

AR = use ase required - = Non illustrated part

**Column Steering and Related
Figure 19-210**



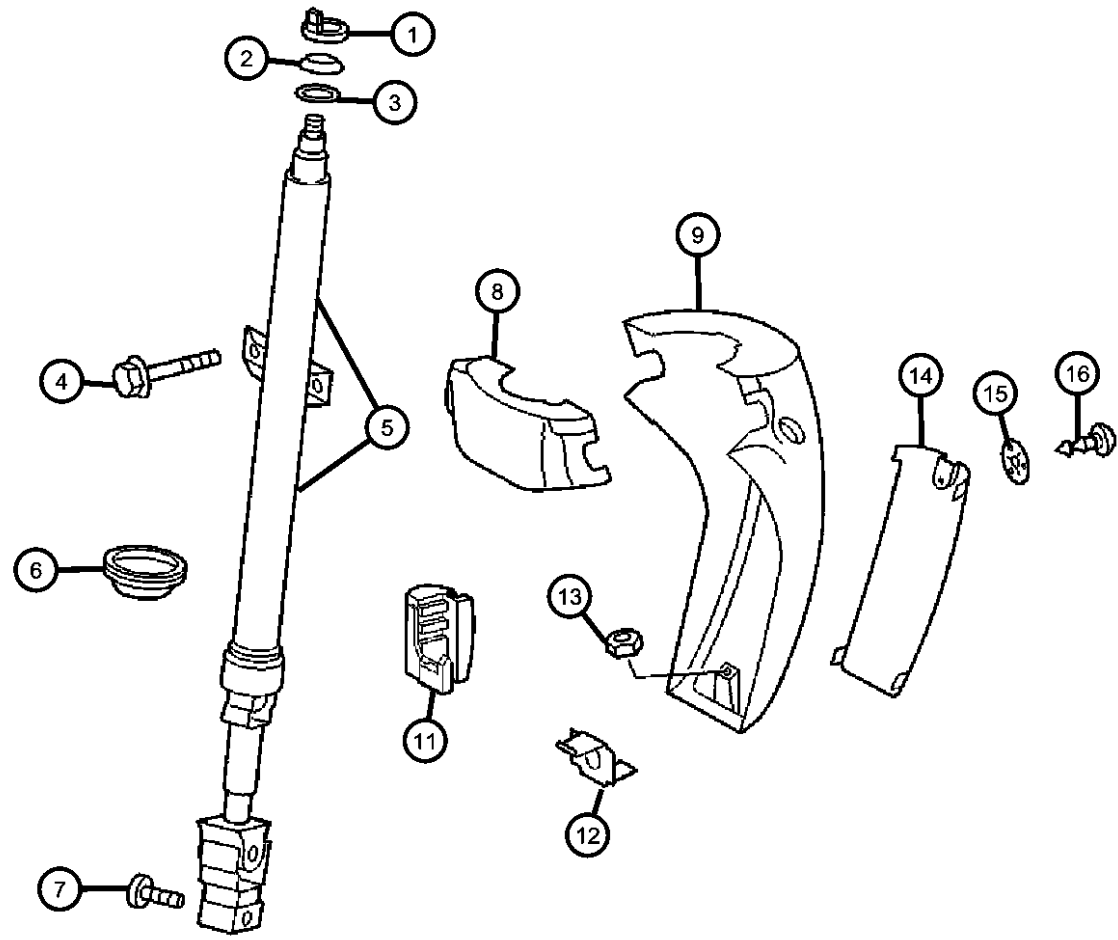
ITEM	PART NUMBER	QTY	LINE	SERIES	BODY	ENGINE	TRANS	TRIM	DESCRIPTION
		1	2, 6	L	51, 52, 54, 55, 56				[WDG] 16 WHEELS
		1	3, 7	L	12, 15, 16				[WDG] 16 WHEELS
6	05119536AA	1	2, 6	L	11, 12, 14, 15, 16				SEAL, Steering Gear
		1	2, 6	L	51, 52, 54, 55, 56				
		1	3, 7	L	12, 15, 16				
7	05125707AA	1	2, 6	L	11, 12, 14, 15, 16				SCREW, Steering Column
		1	2, 6	L	51, 52, 54, 55, 56				
		1	3, 7	L	12, 15, 16				
8	05119534AA	1	2, 6	L	11, 12, 14, 15, 16				SHROUD, Steering Column, Upper
		1	2, 6	L	51, 52, 54, 55, 56				
		1	3, 7	L	12, 15, 16				
9	05119524AA	1	2, 6	L	11, 12, 14, 15, 16				SHROUD, Steering Column, Lower
		1	2, 6	L	51, 52, 54, 55, 56				
		1	3, 7	L	12, 15, 16				
-10	05126274AA	2	2, 6	L	11, 12, 14, 15, 16				SCREW, Steering Column Shroud to Column
		2	2, 6	L	51, 52, 54, 55, 56				Shroud to Column
		2	3, 7	L	12, 15, 16				Shroud to Column

SPRINTER (VA)

SERIES	LINE	BODY	ENGINE	TRANSMISSION
L = LOWLINE	3 = HD DODGE 2WD 6 = Lt. Duty DODGE 4WD 2 = Med. Duty DODGE 2WD 7 = Med. Duty DODGE 4WD	01 = CHASSIS FORWARD CONTROL W.B.1 02 = CAB CHASSIS WHEEL BASE 2 06 = CAB CHASSIS WHEEL BASE 6 11 = VAN WHEEL BASE 1 12 = VAN WHEEL BASE 2 51 = WAGON WHEEL BASE 1 52 = WAGON WHEEL BASE 2 14 = VAN WHEEL BASE 4 15 = VAN WHEEL BASE 5 56 = WAGON WHEEL BASE 6 16 = VAN WHEEL BASE 6 54 = WAGON WHEEL BASE 4 55 = WAGON WHEEL BASE 5	EX9 = Engine-2.7L I5 Mercedes Turbo Diesel	DGJ = Transmission-5-Spd. Automatic, W5A580

AR = use ase required - = Non illustrated part

**Column Steering and Related
Figure 19-210**



ITEM	PART NUMBER	QTY	LINE	SERIES	BODY	ENGINE	TRANS	TRIM	DESCRIPTION
11									GROMMET, Steering Column Cover
	05122935AA	1	3, 7	L	12, 15, 16				
		1	2, 6	L	11, 12, 14, 15, 16				
		1	2, 6	L	51, 52, 54, 55, 56				
12									CLIP, Steering Column
	05125568AA	1	2, 6	L	11, 12, 14, 15, 16				
		1	2, 6	L	51, 52, 54, 55, 56				
		1	3, 7	L	12, 15, 16				
13									NUT, Hex, M6
	05127449AA	1	2, 6	L	11, 12, 14, 15, 16				
		4	2, 6	L	51, 52, 54, 55, 56				
		2	3, 7	L	12, 15, 16				
14									COVER, Steering Column Opening
	05119525AA	1	2, 6	L	11, 12, 14, 15, 16				
		1	2, 6	L	51, 52, 54, 55, 56				
		1	3, 7	L	12, 15, 16				
15									WASHER, Steering Column
	05125751AA	1	2, 6	L	11, 12, 14, 15, 16				
		1	2, 6	L	51, 52, 54, 55, 56				
		1	3, 7	L	12, 15, 16				
16									SCREW, Steering Column
	05125557AA	1	2, 6	L	11, 12, 14, 15, 16				

SPRINTER (VA)

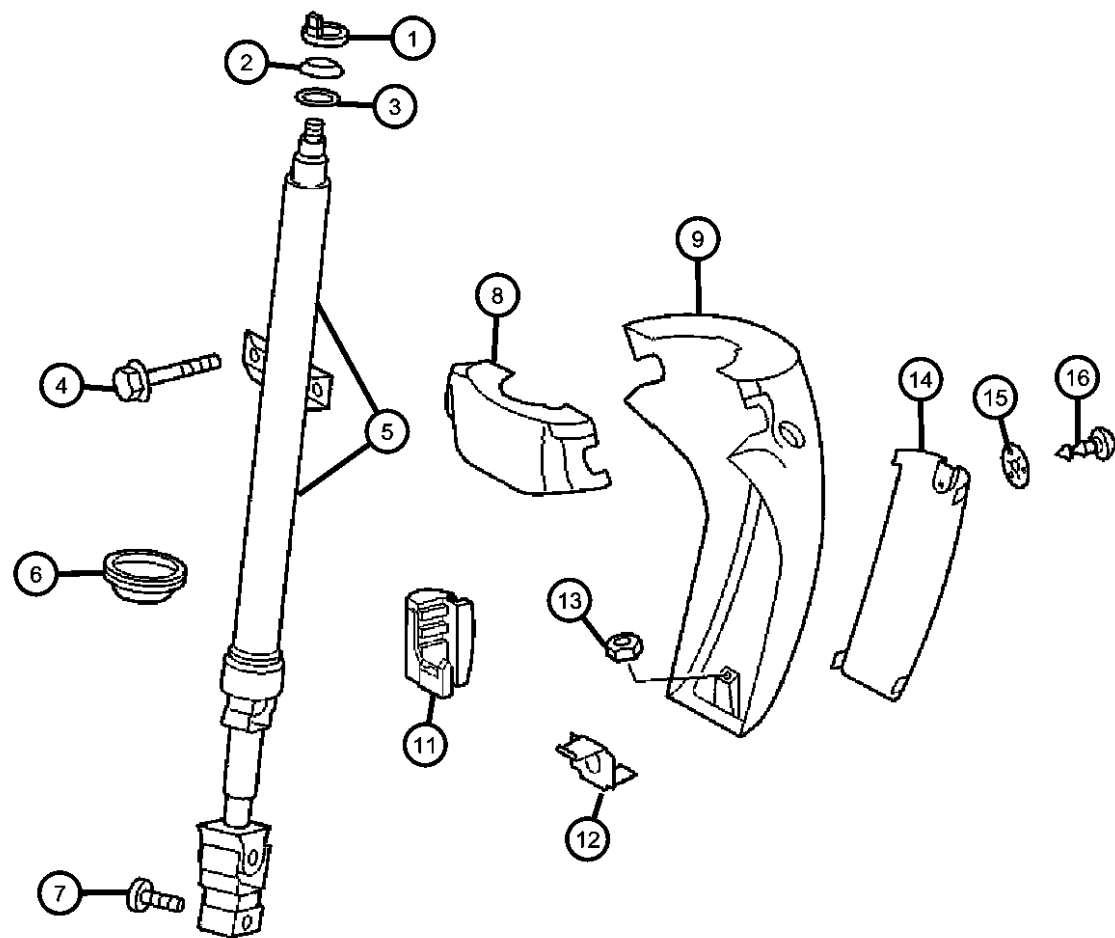
SERIES	LINE	BODY	ENGINE	TRANSMISSION
L = LOWLINE	3 = HD DODGE 2WD 6 = Lt. Duty DODGE 4WD 2 = Med. Duty DODGE 2WD 7 = Med. Duty DODGE 4WD	01 = CHASSIS FORWARD CONTROL W.B.1 02 = CAB CHASSIS WHEEL BASE 2 06 = CAB CHASSIS WHEEL BASE 6 11 = VAN WHEEL BASE 1 12 = VAN WHEEL BASE 2 51 = WAGON WHEEL BASE 1 52 = WAGON WHEEL BASE 2 14 = VAN WHEEL BASE 4 15 = VAN WHEEL BASE 5 56 = WAGON WHEEL BASE 6 16 = VAN WHEEL BASE 6 54 = WAGON WHEEL BASE 4 55 = WAGON WHEEL BASE 5	EX9 = Engine-2.7L I5 Mercedes Turbo Diesel	DGJ = Transmission-5-Spd. Automatic, W5A580

AR = use ase required - = Non illustrated part

Column Steering and Related
Figure 19-210

ITEM	PART NUMBER	QTY	LINE	SERIES	BODY	ENGINE	TRANS	TRIM	DESCRIPTION
------	-------------	-----	------	--------	------	--------	-------	------	-------------

		1	2, 6	L	51, 52, 54, 55, 56				
		1	3, 7	L	12, 15, 16				



SPRINTER (VA)

SERIES

L = LOWLINE
 3 = HD DODGE 2WD
 6 = Lt. Duty DODGE 4WD
 2 = Med. Duty DODGE 2WD
 7 = Med. Duty DODGE 4WD

LINE

BODY

01 = CHASSIS FORWARD CONTROL W.B.1
 02 = CAB CHASSIS WHEEL BASE 2
 06 = CAB CHASSIS WHEEL BASE 6
 11 = VAN WHEEL BASE 1
 12 = VAN WHEEL BASE 2
 51 = WAGON WHEEL BASE 1
 52 = WAGON WHEEL BASE 2
 14 = VAN WHEEL BASE 4
 15 = VAN WHEEL BASE 5
 56 = WAGON WHEEL BASE 6
 16 = VAN WHEEL BASE 6
 54 = WAGON WHEEL BASE 4
 55 = WAGON WHEEL BASE 5

ENGINE

EX9 = Engine-2.7L I5
 Mercedes Turbo Diesel

TRANSMISSION

DGJ = Transmission-5-Spd. Automatic, W5A580

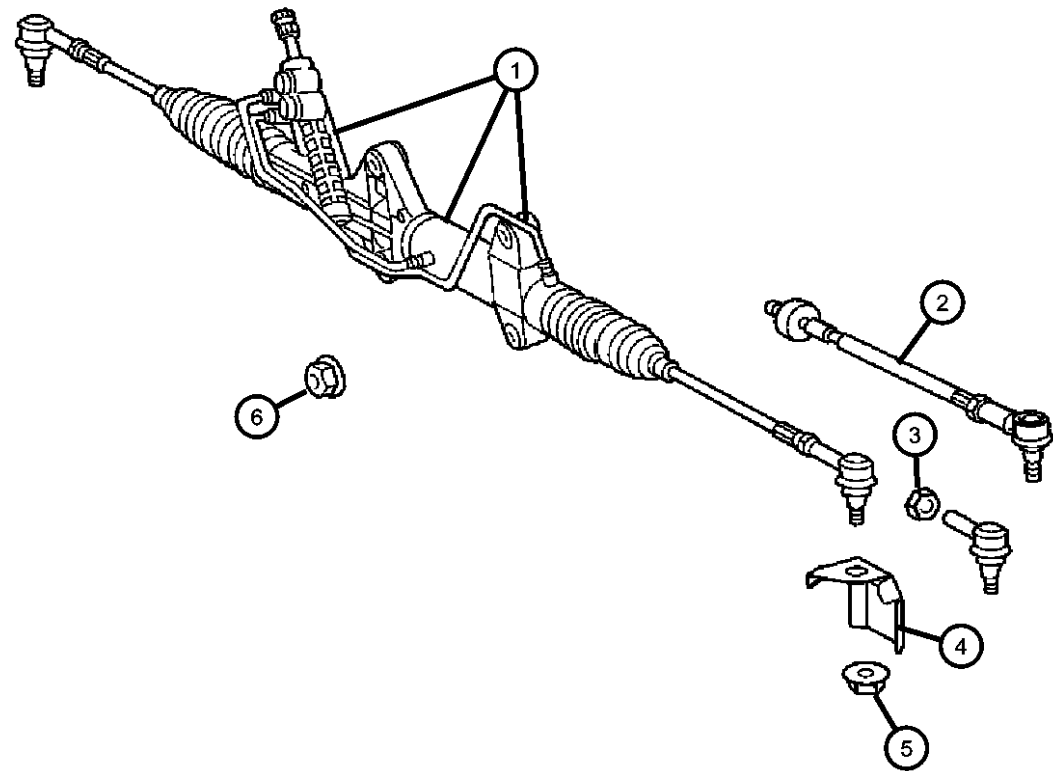
AR = use ase required - = Non illustrated part

2002 VA

Gear - Steering
Figure 19-310

ITEM	PART NUMBER	QTY	LINE	SERIES	BODY	ENGINE	TRANS	TRIM	DESCRIPTION
------	-------------	-----	------	--------	------	--------	-------	------	-------------

Note; Sales Codes;
[WCL] = 15 inch Steel Wheels
[WDG] = 16 Inch Steel Wheels



1									GEAR, Power Steering
	05104094AA	1	2, 6	L	11, 12, 14, 15, 16				15 WHEELS
		1	2, 6	L	51, 52, 54, 55, 56				15 WHEELS
	05104585AA	1	2, 6	L	11, 12, 14, 15, 16				[WDG] 16 WHEELS
		1	2, 6	L	51, 52, 54, 55, 56				[WDG] 16 WHEELS
		1	3, 7	L	12, 15, 16				16 WHEELS
2									END, Tie Rod
	05104091AA	2	2, 6	L	11, 12, 14, 15, 16				
		2	2, 6	L	51, 52, 54, 55, 56				
		2	3, 7	L	11, 12, 14, 15, 16				
3									JAM NUT, Outer Tie Rod
	05133906AA	2	2, 6	L	11, 12, 14, 15, 16				
		2	2, 6	L	51, 52, 54, 55, 56				
		2	3, 7	L	12, 15, 16				
4									PLATE, Backing
	05119249AA	2	2, 6	L	11, 12, 14, 15, 16				
		2	2, 6	L	51, 52, 54, 55, 56				
5									NUT
	05125761AA	2	2, 6	L	11, 12, 14, 15, 16				
		2	2, 6	L	51, 52, 54, 55, 56				

SPRINTER (VA)

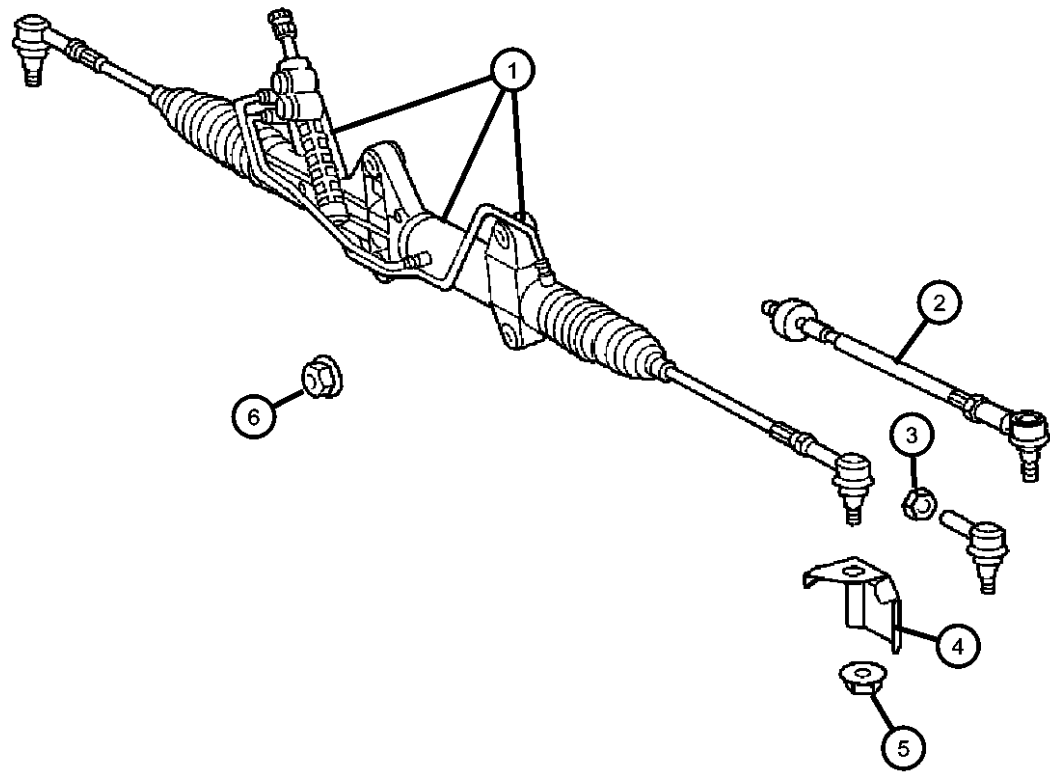
SERIES	LINE	BODY	ENGINE	TRANSMISSION
L = LOWLINE	3 = HD DODGE 2WD 6 = Lt. Duty DODGE 4WD 2 = Med. Duty DODGE 2WD 7 = Med. Duty DODGE 4WD	01 = CHASSIS FORWARD CONTROL W.B.1 02 = CAB CHASSIS WHEEL BASE 2 06 = CAB CHASSIS WHEEL BASE 6 11 = VAN WHEEL BASE 1 12 = VAN WHEEL BASE 2 51 = WAGON WHEEL BASE 1 52 = WAGON WHEEL BASE 2 14 = VAN WHEEL BASE 4 15 = VAN WHEEL BASE 5 56 = WAGON WHEEL BASE 6 16 = VAN WHEEL BASE 6 54 = WAGON WHEEL BASE 4 55 = WAGON WHEEL BASE 5	EX9 = Engine-2.7L I5 Mercedes Turbo Diesel	DGJ = Transmission-5-Spd. Automatic, W5A580

AR = use ase required - = Non illustrated part

2002 VA

Gear - Steering
Figure 19-310

ITEM	PART NUMBER	QTY	LINE	SERIES	BODY	ENGINE	TRANS	TRIM	DESCRIPTION
6									NUT
	06104717AA	4	2, 6	L	11, 12, 14, 15, 16				
		4	2, 6	L	51, 52, 54, 55, 56				
		4	3, 7	L	12, 15, 16	EX9			



SPRINTER (VA)

SERIES

L = LOWLINE
 3 = HD DODGE 2WD
 6 = Lt. Duty DODGE 4WD
 2 = Med. Duty DODGE 2WD
 7 = Med. Duty DODGE 4WD

LINE

BODY

01 = CHASSIS FORWARD CONTROL W.B.1
 02 = CAB CHASSIS WHEEL BASE 2
 06 = CAB CHASSIS WHEEL BASE 6
 11 = VAN WHEEL BASE 1
 12 = VAN WHEEL BASE 2
 51 = WAGON WHEEL BASE 1
 52 = WAGON WHEEL BASE 2
 14 = VAN WHEEL BASE 4
 15 = VAN WHEEL BASE 5
 56 = WAGON WHEEL BASE 6
 16 = VAN WHEEL BASE 6
 54 = WAGON WHEEL BASE 4
 55 = WAGON WHEEL BASE 5

ENGINE

EX9 = Engine-2.7L I5 Mercedes Turbo Diesel

TRANSMISSION

DGJ = Transmission-5-Spd. Automatic, W5A580

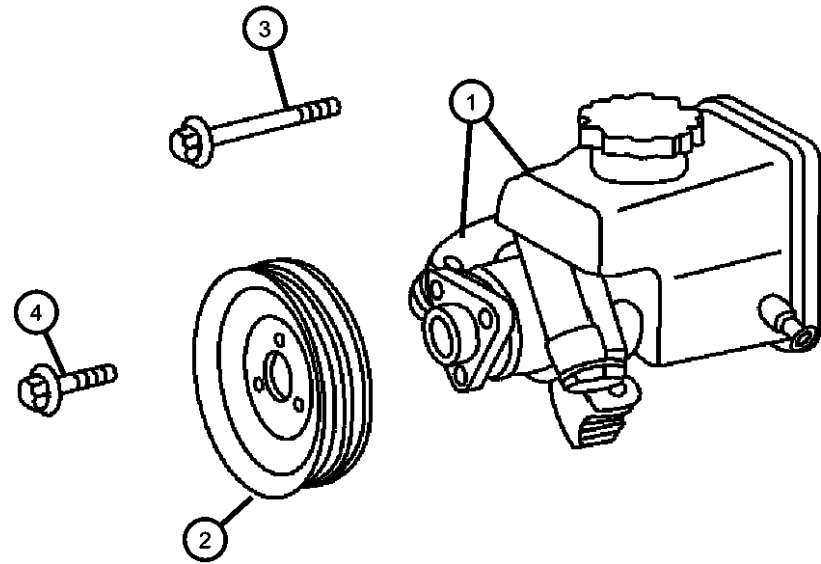
AR = use ase required - = Non illustrated part

2002 VA

Pump and Pulley, Steering
Figure 19-510

ITEM	PART NUMBER	QTY	LINE	SERIES	BODY	ENGINE	TRANS	TRIM	DESCRIPTION
------	-------------	-----	------	--------	------	--------	-------	------	-------------

Note; Sales Codes;
[EX9] = 2.7L Inline 5 Cylinder Mercedes Turbo Diesel



1									PUMP, Power Steering
	05103795AA	1	2, 6	L	11, 12, 14, 15, 16	EX9			
	05013457AA								Mopar Power Steering Fluid Quart
		1	2, 6	L	51, 52, 54, 55, 56	EX9			
	05013457AA								Mopar Power Steering Fluid Quart
		1	3, 7	L	12, 15, 16	EX9			
	05013457AA								Mopar Power Steering Fluid Quart
2									PULLEY, Power Steering Pump
	05117692AA	1	2, 6	L	11, 12, 14, 15, 16	EX9			
		1	2, 6	L	51, 52, 54, 55, 56	EX9			
		1	3, 7	L	12, 15, 16	EX9			
3	06507218AA	3	3, 7	L	12, 15, 16	EX9			SCREW
4	05133207AA	3		L					BOLT, Hex Head
5	05139279AA	1							CAP, Power Steering Reservoir

SPRINTER (VA)

SERIES	LINE	BODY	ENGINE	TRANSMISSION
L = LOWLINE	3 = HD DODGE 2WD 6 = Lt. Duty DODGE 4WD 2 = Med. Duty DODGE 2WD 7 = Med. Duty DODGE 4WD	01 = CHASSIS FORWARD CONTROL W.B.1 02 = CAB CHASSIS WHEEL BASE 2 06 = CAB CHASSIS WHEEL BASE 6 11 = VAN WHEEL BASE 1 12 = VAN WHEEL BASE 2 51 = WAGON WHEEL BASE 1 52 = WAGON WHEEL BASE 2 14 = VAN WHEEL BASE 4 15 = VAN WHEEL BASE 5 56 = WAGON WHEEL BASE 6 16 = VAN WHEEL BASE 6 54 = WAGON WHEEL BASE 4 55 = WAGON WHEEL BASE 5	EX9 = Engine-2.7L I5 Mercedes Turbo Diesel	DGJ = Transmission-5-Spd. Automatic, W5A580

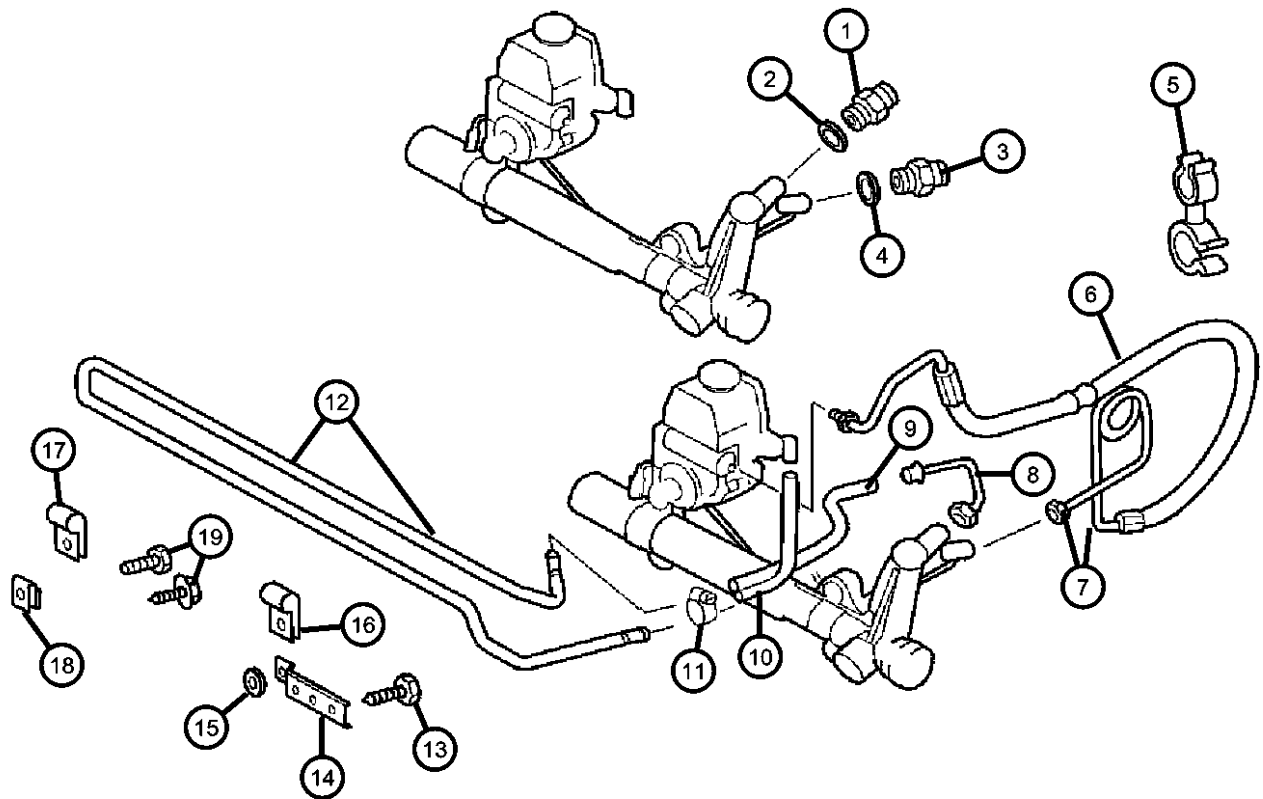
AR = use ase required - = Non illustrated part

2002 VA

Hoses Steering and Related
Figure 19-710

ITEM	PART NUMBER	QTY	LINE	SERIES	BODY	ENGINE	TRANS	TRIM	DESCRIPTION
------	-------------	-----	------	--------	------	--------	-------	------	-------------

Note; Sales Codes;
[EX9] = 2.7L Inline 5 Cylinder Mercedes Turbo Diesel



1									FITTING, RETURN LINE TO STEERING, SPRINTER
	05104540AA	1	2, 6	L	11, 12, 14, 15, 16				
		1	2, 6	L	51, 52, 54, 55, 56				
		1	3, 7	L	12, 15, 16				
2									SEAL
	05104626AA	1	2, 6	L	11, 12, 14, 15, 16				
		1	2, 6	L	51, 52, 54, 55, 56				
		1	3, 7	L	12, 15, 16				
3									FITTING, HOSE TO STEERING, SPRINTER
	05104025AA	1	2, 6	L	11, 12, 14, 15, 16				
		1	2, 6	L	51, 52, 54, 55, 56				
		1	3, 7	L	12, 15, 16				
4									SEAL
	05102646AA	1	3, 7	L	12, 15, 16				
		1	2, 6	L	11, 12, 14, 15, 16				
		1	2, 6	L	51, 52, 54, 55, 56				
5									CLAMP, Brake Hose
	05125887AA	1	2, 6	L	11, 12, 14, 15, 16				
		1	2, 6	L	51, 52, 54, 55, 56				
		1	3, 7	L	12, 15, 16				
6									HOSE, Power Steering Pressure

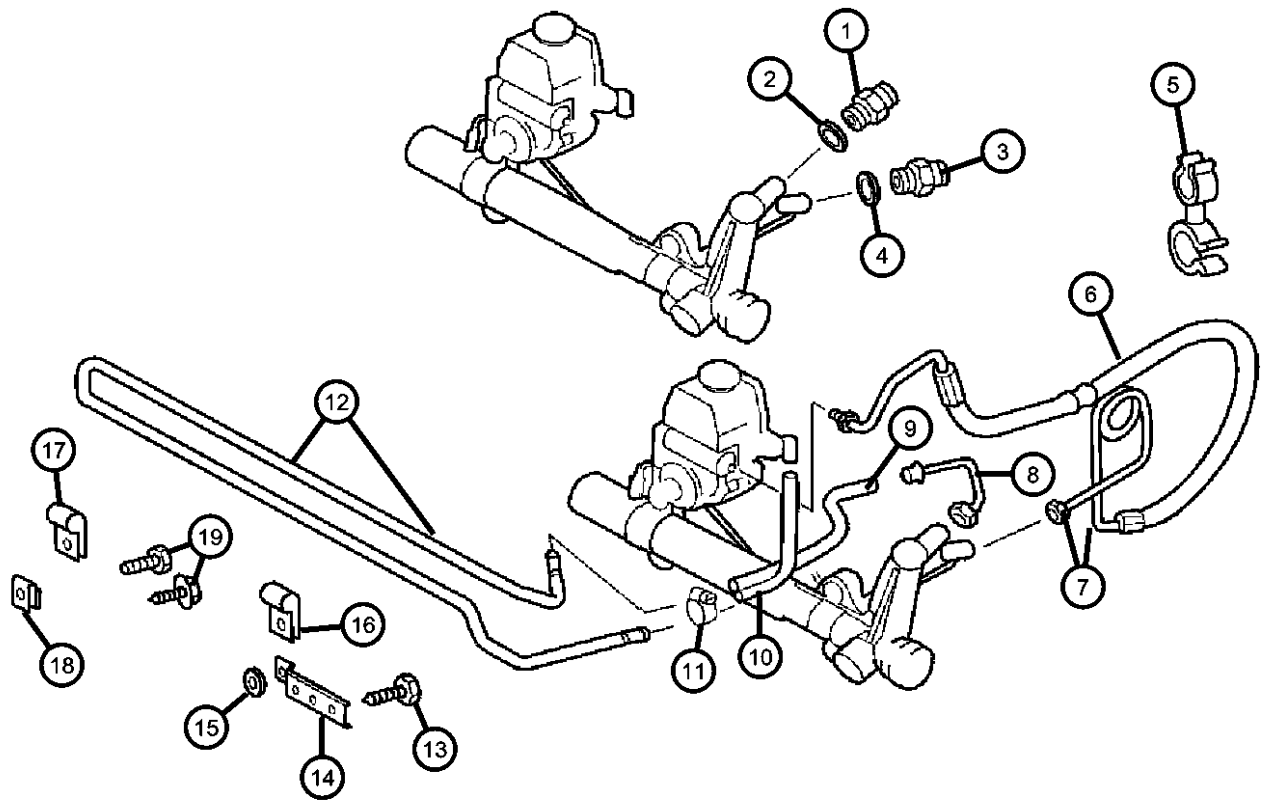
SPRINTER (VA)

SERIES	LINE	BODY	ENGINE	TRANSMISSION
L = LOWLINE	3 = HD DODGE 2WD 6 = Lt. Duty DODGE 4WD 2 = Med. Duty DODGE 2WD 7 = Med. Duty DODGE 4WD	01 = CHASSIS FORWARD CONTROL W.B.1 02 = CAB CHASSIS WHEEL BASE 2 06 = CAB CHASSIS WHEEL BASE 6 11 = VAN WHEEL BASE 1 12 = VAN WHEEL BASE 2 51 = WAGON WHEEL BASE 1 52 = WAGON WHEEL BASE 2 14 = VAN WHEEL BASE 4 15 = VAN WHEEL BASE 5 56 = WAGON WHEEL BASE 6 16 = VAN WHEEL BASE 6 54 = WAGON WHEEL BASE 4 55 = WAGON WHEEL BASE 5	EX9 = Engine-2.7L I5 Mercedes Turbo Diesel	DGJ = Transmission-5-Spd. Automatic, W5A580

AR = use ase required - = Non illustrated part

2002 VA

Hoses Steering and Related
Figure 19-710



ITEM	PART NUMBER	QTY	LINE	SERIES	BODY	ENGINE	TRANS	TRIM	DESCRIPTION
7	05119564AA	1	2, 6	L	11, 12, 14, 15, 16				HOSE, Power Steering Return
		1	2, 6	L	51, 52, 54, 55, 56				
		1	3, 7	L	12, 15, 16				
8	05119563AA	1	2, 6	L	11, 12, 14, 15, 16				LINE, Power Steering Return
		1	2, 6	L	51, 52, 54, 55, 56				
		1	3, 7	L	12, 15, 16				
9	05104093AA	1	2, 6	L	11, 12, 14, 15, 16				HOSE
		1	2, 6	L	51, 52, 54, 55, 56				
		1	3, 7	L	12, 15, 16				
10	05133784AA	100	2, 6	L	11, 12, 14, 15, 16				5 Meters Long
		100	2, 6	L	51, 52, 54, 55, 56				5 Meters Long
		100	3, 7	L	12, 15, 16				5 Meters Long
11	05119563AA	1	2, 6	L	16, 11, 12, 14, 15				HOSE, Power Steering Return
		1	2, 6	L	51, 52, 54, 55, 56				
		1	3, 7	L	12, 15, 16				
11	05096431AA	2	2, 6	L	11, 12, 14, 15, 16				CLAMP, Brake Hose
		2	2, 6	L	54, 55, 56, 51, 52				

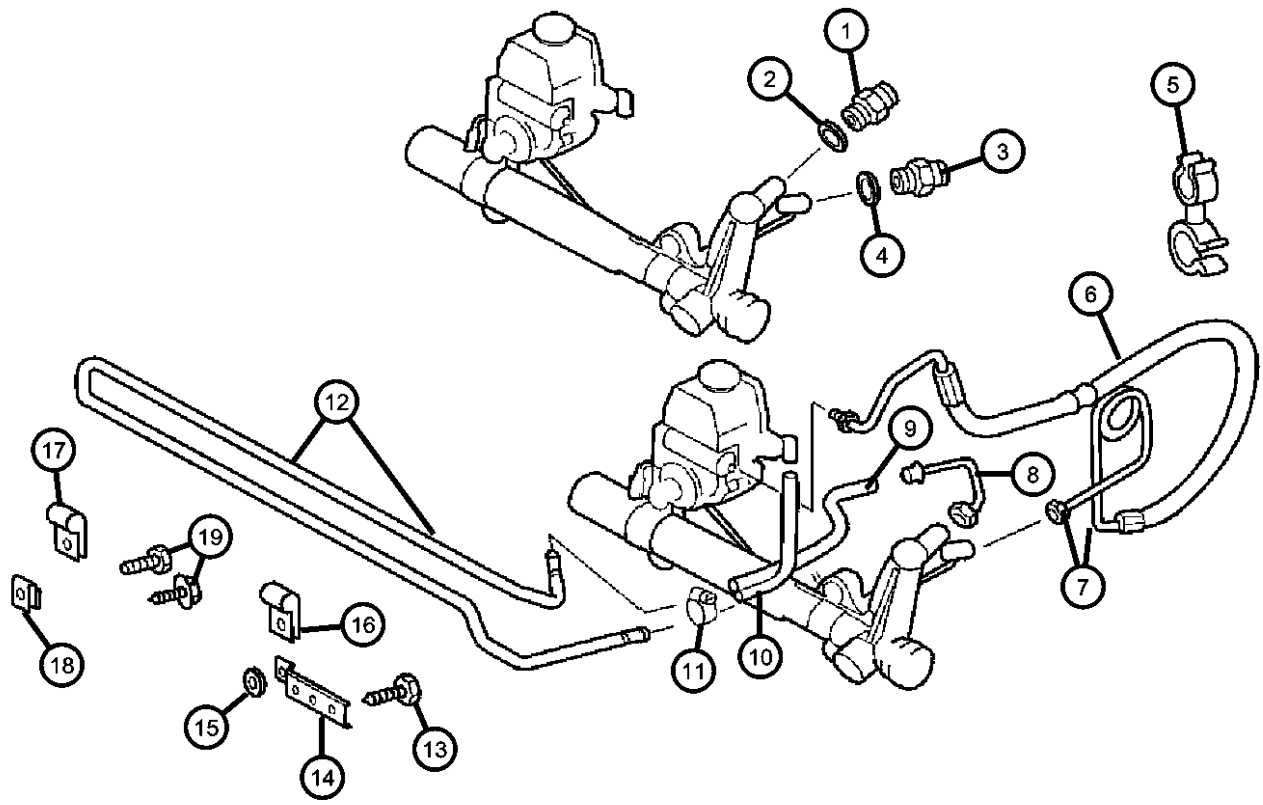
SPRINTER (VA)

SERIES	LINE	BODY	ENGINE	TRANSMISSION
L = LOWLINE	3 = HD DODGE 2WD 6 = Lt. Duty DODGE 4WD 2 = Med. Duty DODGE 2WD 7 = Med. Duty DODGE 4WD	01 = CHASSIS FORWARD CONTROL W.B.1 02 = CAB CHASSIS WHEEL BASE 2 06 = CAB CHASSIS WHEEL BASE 6 11 = VAN WHEEL BASE 1 12 = VAN WHEEL BASE 2 51 = WAGON WHEEL BASE 1 52 = WAGON WHEEL BASE 2 14 = VAN WHEEL BASE 4 15 = VAN WHEEL BASE 5 56 = WAGON WHEEL BASE 6 16 = VAN WHEEL BASE 6 54 = WAGON WHEEL BASE 4 55 = WAGON WHEEL BASE 5	EX9 = Engine-2.7L I5 Mercedes Turbo Diesel	DGJ = Transmission-5-Spd. Automatic, W5A580

AR = use ase required - = Non illustrated part

Hoses Steering and Related
Figure 19-710

ITEM	PART NUMBER	QTY	LINE	SERIES	BODY	ENGINE	TRANS	TRIM	DESCRIPTION
12		2	3, 7	L	12, 15, 16				TUBE
	05104098AA	1	2, 6	L	11, 12, 14, 15, 16				
		1	2, 6	L	51, 52, 54, 55, 56				
		1	3, 7	L	12, 15, 16				
13									SCREW, Tapping
	06104574AA	6	2, 6	L	51, 52, 54, 55, 56	EX9			
		6	2, 6	L	11, 12, 14, 15, 16	EX9			
		6	3, 7	L	12, 15, 16	EX9			
14									BRACKET, Mounting
	05119556AA	2	2, 6	L	11, 12, 14, 15, 16	EX9			
		2	2, 6	L	51, 52, 54, 55, 56	EX9			
		2	3, 7	L	12, 15, 16	EX9			
15									WASHER
	05104638AA	2	2, 6	L	11, 12, 14, 15, 16				
		2	2, 6	L	55, 56, 51, 52, 54				
		2	3, 7	L	12, 15, 16	EX9			
16									CLAMP
	05126283AA	4	2, 6	L	11, 12, 14, 15, 16	EX9			
		4	2, 6	L	51, 52, 54, 55, 56	EX9			
		4	3, 7	L	12, 15, 16	EX9			
17									CLAMP

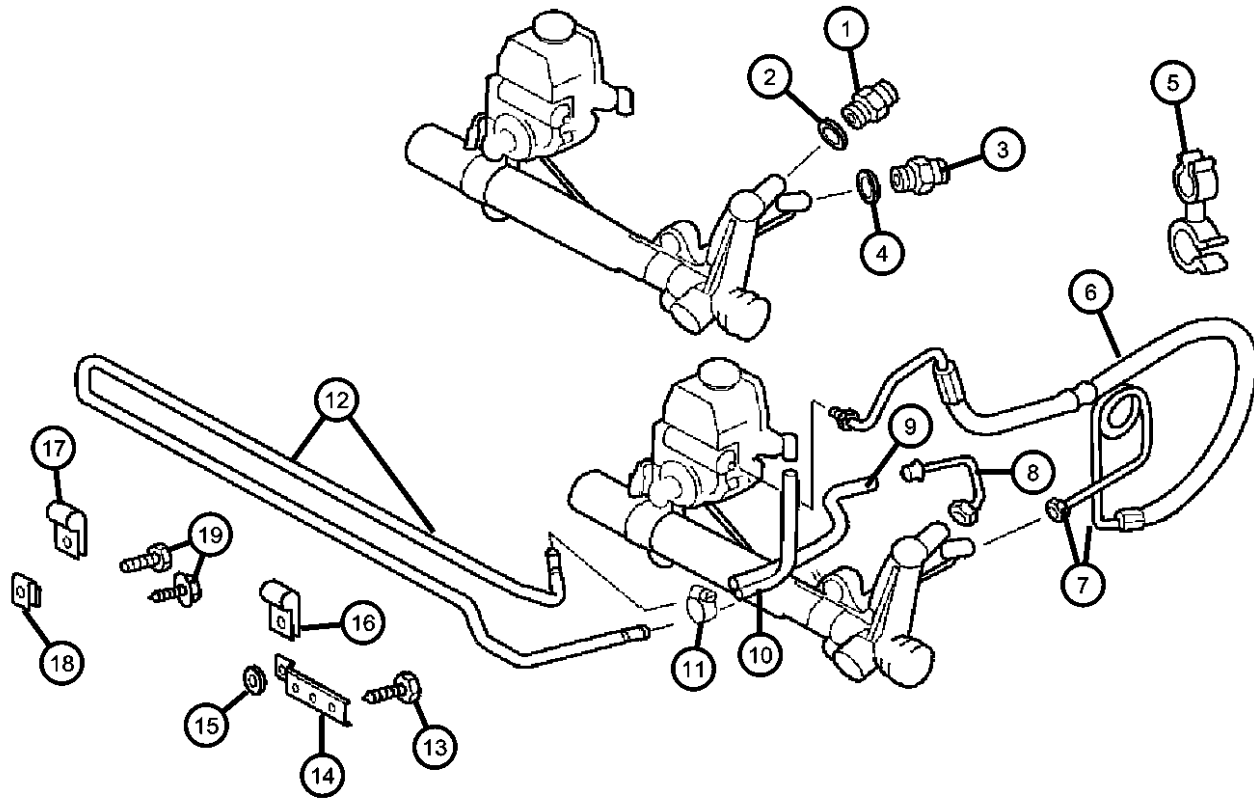


SPRINTER (VA)
 SERIES LINE BODY ENGINE TRANSMISSION
 L = LOWLINE 3 = HD DODGE 2WD 01 = CHASSIS FORWARD CONTROL W.B.1 EX9 = Engine-2.7L I5 Mercedes Turbo Diesel DGJ = Transmission-5-Spd. Automatic, W5A580
 6 = Lt. Duty DODGE 4WD 02 = CAB CHASSIS WHEEL BASE 2
 2 = Med. Duty DODGE 2WD 06 = CAB CHASSIS WHEEL BASE 6
 7 = Med. Duty DODGE 4WD 11 = VAN WHEEL BASE 1
 12 = VAN WHEEL BASE 2
 51 = WAGON WHEEL BASE 1
 52 = WAGON WHEEL BASE 2
 14 = VAN WHEEL BASE 4
 15 = VAN WHEEL BASE 5
 56 = WAGON WHEEL BASE 6
 16 = VAN WHEEL BASE 6
 54 = WAGON WHEEL BASE 4
 55 = WAGON WHEEL BASE 5

AR = use ase required - = Non illustrated part

Hoses Steering and Related
Figure 19-710

ITEM	PART NUMBER	QTY	LINE	SERIES	BODY	ENGINE	TRANS	TRIM	DESCRIPTION
	05132910AA	2	2, 6	L	11, 12, 14, 15, 16				
		2	2, 6	L	51, 52, 54, 55, 56				
18	05103733AA	1	3, 7	L	12, 15, 16				NUT RETAINER, NONE, SPRINTER
19	05103733AA	1							SCREW, (NOT SERVICED)



SPRINTER (VA)

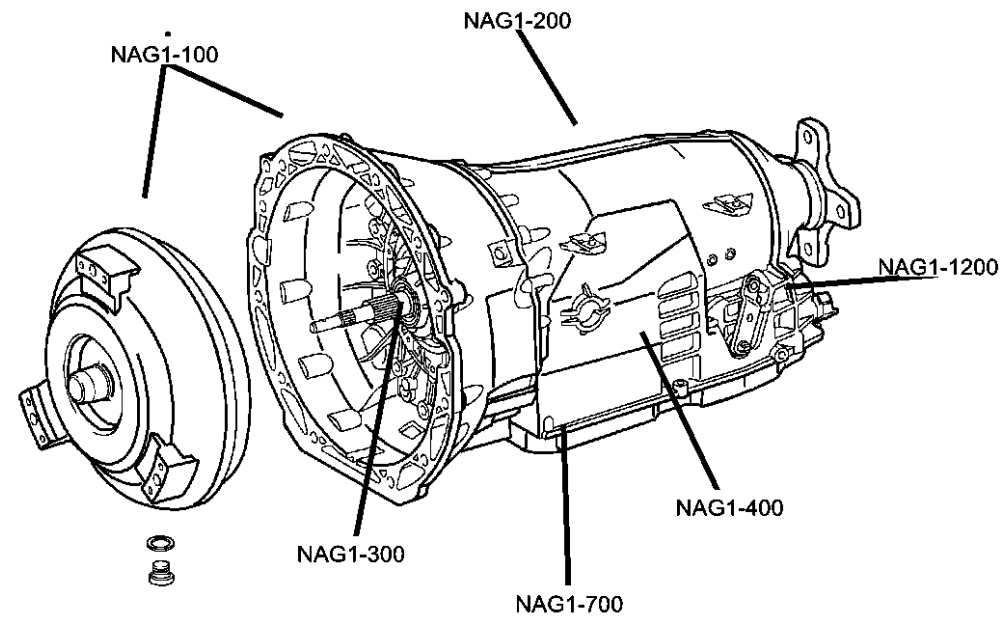
SERIES	LINE	BODY	ENGINE	TRANSMISSION
L = LOWLINE	3 = HD DODGE 2WD 6 = Lt. Duty DODGE 4WD 2 = Med. Duty DODGE 2WD 7 = Med. Duty DODGE 4WD	01 = CHASSIS FORWARD CONTROL W.B.1 02 = CAB CHASSIS WHEEL BASE 2 06 = CAB CHASSIS WHEEL BASE 6 11 = VAN WHEEL BASE 1 12 = VAN WHEEL BASE 2 51 = WAGON WHEEL BASE 1 52 = WAGON WHEEL BASE 2 14 = VAN WHEEL BASE 4 15 = VAN WHEEL BASE 5 56 = WAGON WHEEL BASE 6 16 = VAN WHEEL BASE 6 54 = WAGON WHEEL BASE 4 55 = WAGON WHEEL BASE 5	EX9 = Engine-2.7L I5 Mercedes Turbo Diesel	DGJ = Transmission-5-Spd. Automatic, W5A580

AR = use ase required - = Non illustrated part

2002 VA

Group - NAG1

Automatic Transmission 5 Speed [DGJ]



Group - NAG1 Automatic Transmission 5 Speed [DGJ]

Illustration Title

Group-Fig. No.

Transmission Assembly

Automatic Transmission Fig. NAG1 - 110

Case and Extension

Case and Related Parts Fig. NAG1 - 210

Oil Pump

Pump, Oil Fig. NAG1 - 310

Gear Train

Laminated Brake & Front Support - [B1] Fig. NAG1 - 410

Gear Train, Front Planetary Clutch - [K1] Fig. NAG1 - 420

Carrier, Planetary - [K1] - [VPLS] Fig. NAG1 - 430

Clutch - Output Shaft - [K2] Fig. NAG1 - 440

Center & Rear Planetary Set - Output Shaft - [MPLS/HPLS] Fig. NAG1 - 450

Clutch - [K3] Fig. NAG1 - 460

Multiple Disc Brake - [B2 & B3] Fig. NAG1 - 470

Multiple Disc Brake - [B2 & B3] Fig. NAG1 - 480

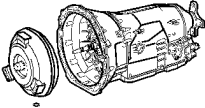
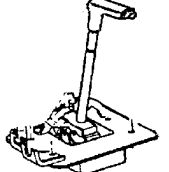
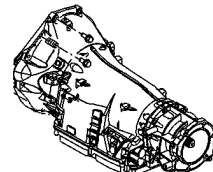
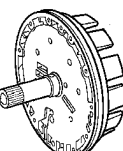
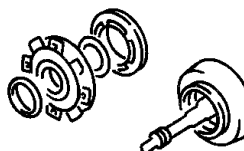
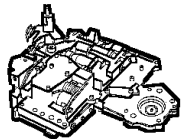
Multiple Disc Brake - [B2 & B3] Fig. NAG1 - 490

Valve Body

Electronic - Hydraulic Control Fig. NAG1 - 710

Gearshift Controls

Gear Shift Control Fig. NAG1 - 1210

<p>NAG1-100 Transmission Assembly</p> 	<p>NAG1-1200 Gearshift Controls</p> 	<p>NAG1-200 Case and Extension</p> 	<p>NAG1-300 Oil Pump</p> 
<p>NAG1-400 Gear Train</p> 	<p>NAG1-700 Valve Body</p> 		

**Automatic Transmission
Figure NAG1-110**

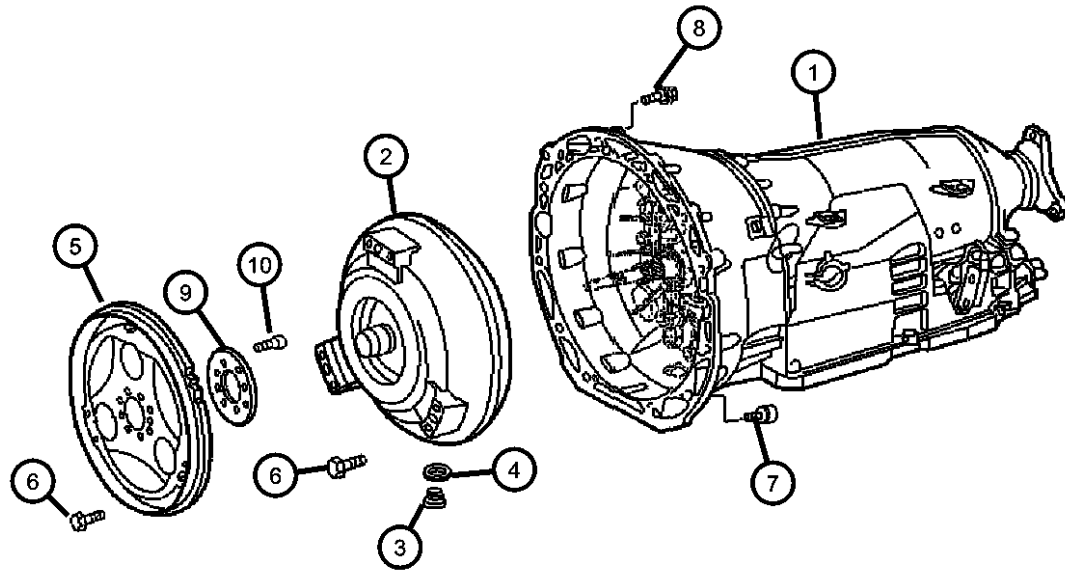
ITEM	PART NUMBER	QTY	LINE	SERIES	BODY	ENGINE	TRANS	TRIM	DESCRIPTION
------	-------------	-----	------	--------	------	--------	-------	------	-------------

NOTE: Transmission Assembly Does Not Include Torque Converter. Torque Converter Serviced Separately.

Sales Codes:

[DGJ]=5 Speed Automatic Transmission - [NAG1] - [W5A380]

1	05104552AA 05127382AA R5104552AA	1		L					TRANSMISSION, Automatic Mopar Automatic Transmission Fluid Quart Mopar Remanufactured Part
2	05104567AA	1		L					CONVERTER, Torque
3	05080398AB	1		L					PLUG
4	05080014AA	1		L					O RING
5	05137274AA	1		L					FLEX PLATE
6	06507095AA	6	3, 7	L			DGJ		SCREW
7									SCREW
	06104047AA	2	2, 6	L			DGJ		
		2	3, 7	L			DGJ		
8									BOLT, Hex Flange Head, M10x40
	06104218AA	6	2, 6	L			DGJ		
		6	3, 7	L			DGJ		
9	05080066AA	1							WASHER
10	05073700AB	8		L					SCREW



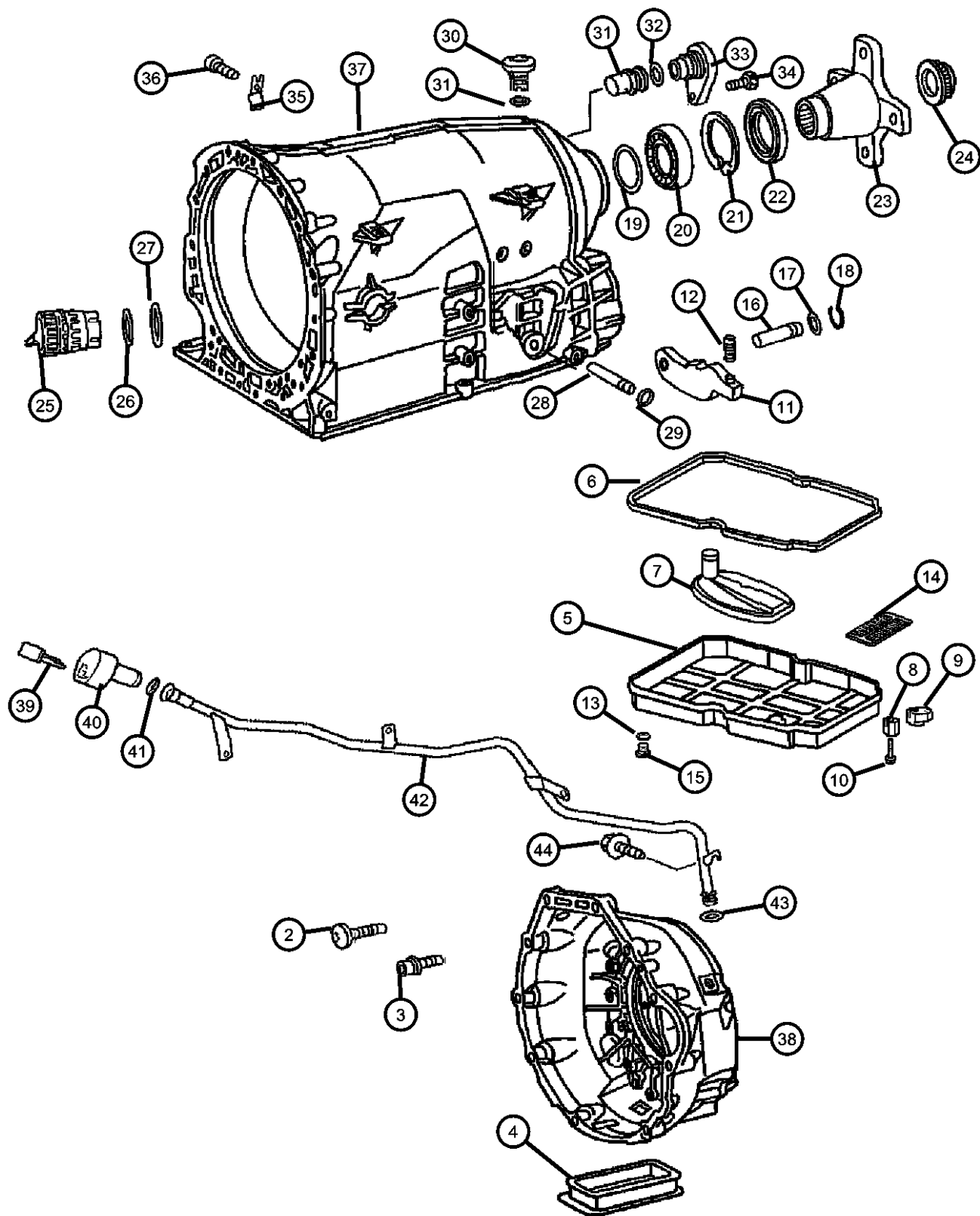
SPRINTER (VA)

SERIES	LINE	BODY	ENGINE	TRANSMISSION
L = LOWLINE	3 = HD DODGE 2WD 6 = Lt. Duty DODGE 4WD 2 = Med. Duty DODGE 2WD 7 = Med. Duty DODGE 4WD	01 = CHASSIS FORWARD CONTROL W.B.1 02 = CAB CHASSIS WHEEL BASE 2 06 = CAB CHASSIS WHEEL BASE 6 11 = VAN WHEEL BASE 1 12 = VAN WHEEL BASE 2 51 = WAGON WHEEL BASE 1 52 = WAGON WHEEL BASE 2 14 = VAN WHEEL BASE 4 15 = VAN WHEEL BASE 5 56 = WAGON WHEEL BASE 6 16 = VAN WHEEL BASE 6 54 = WAGON WHEEL BASE 4 55 = WAGON WHEEL BASE 5	EX9 = Engine-2.7L I5 Mercedes Turbo Diesel	DGJ = Transmission-5-Spd. Automatic, W5A580

AR = use ase required - = Non illustrated part

2002 VA

**Case and Related Parts
Figure NAG1-210**



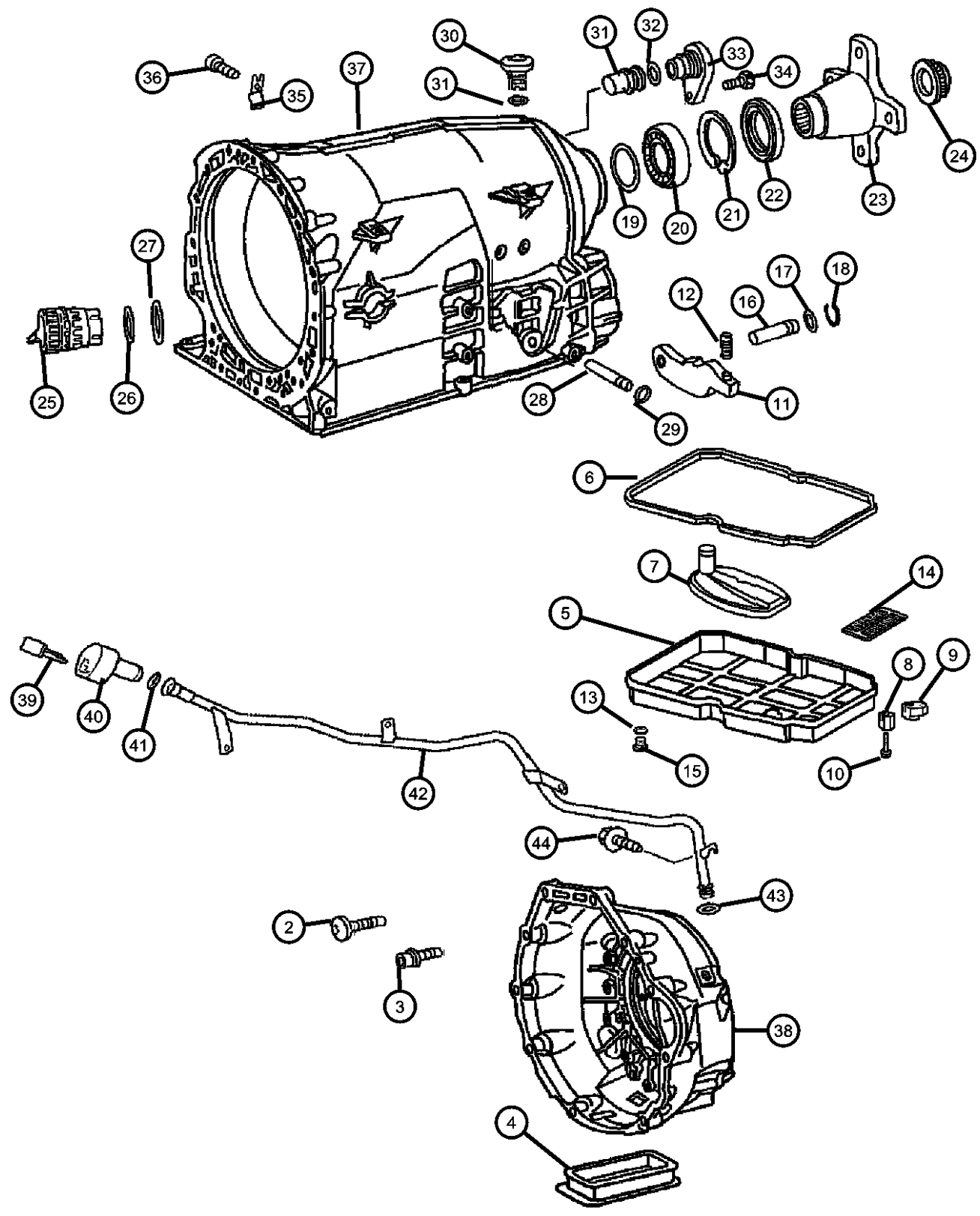
ITEM	PART NUMBER	QTY	LINE	SERIES	BODY	ENGINE	TRANS	TRIM	DESCRIPTION
NOTE:Sales Codes: [DGJ]=5 Speed Automatic Transmission - [NAG1] - [W5A380]									
-1	05080067AA	1		L					GASKET PACKAGE, Transmission, Includes All Gaskets & Seals For Repair
2	52108396AA	2		L					SCREW
3	52107934AA	11		L					SCREW
4	05073886AA	2		L					GASKET, Converter Housing Cover
5	52108326AA	1		L					PAN, Transmission Oil
6	52108332AA	1		L					GASKET
7	52108325AA	1		L					FILTER, Transmission Oil
8	52108334AA	5		L					NUT
9	05080289AA	1		L					NUT
10	52108270AA	6		L					SCREW
11	52108154AA	1		L					PAWL, Parking Sprag
12	52108157AA	1		L					SPRING
13	52108330AA	1		L					SEAL, Transmission
14	52108331AA	1		L					MAGNET
15	05143740AA	1							PLUG
16	52108155AA	1		L					PIN
17	52108156AA	1		L					SEAL, Transmission
18	52107975AA	1		L					SNAP RING
19									SPACER
	52108220AA	1		L					[0.3 MM]
	52108230AA	1		L					[0.2 MM]
	52108231AA	1		L					[0.4 MM]
	52108232AA	1		L					[0.5 MM]
20	52108207AA	1		L					BEARING, Ball

SPRINTER (VA)

SERIES	LINE	BODY	ENGINE	TRANSMISSION
L = LOWLINE	3 = HD DODGE 2WD 6 = Lt. Duty DODGE 4WD 2 = Med. Duty DODGE 2WD 7 = Med. Duty DODGE 4WD	01 = CHASSIS FORWARD CONTROL W.B.1 02 = CAB CHASSIS WHEEL BASE 2 06 = CAB CHASSIS WHEEL BASE 6 11 = VAN WHEEL BASE 1 12 = VAN WHEEL BASE 2 51 = WAGON WHEEL BASE 1 52 = WAGON WHEEL BASE 2 14 = VAN WHEEL BASE 4 15 = VAN WHEEL BASE 5 56 = WAGON WHEEL BASE 6 16 = VAN WHEEL BASE 6 54 = WAGON WHEEL BASE 4 55 = WAGON WHEEL BASE 5	EX9 = Engine-2.7L I5 Mercedes Turbo Diesel	DGJ = Transmission-5-Spd. Automatic,W5A580

AR = use ase required - = Non illustrated part

Case and Related Parts
Figure NAG1-210



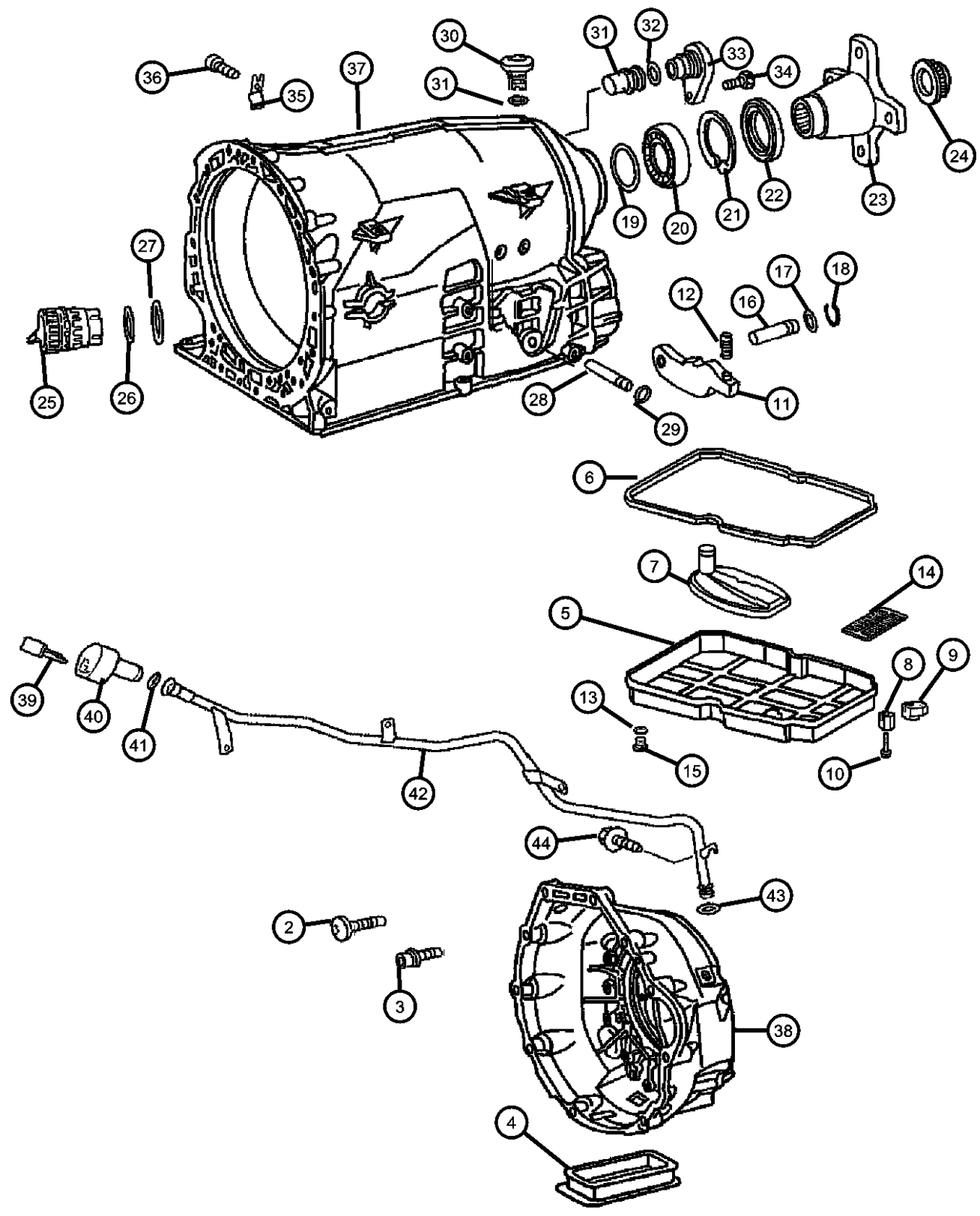
ITEM	PART NUMBER	QTY	LINE	SERIES	BODY	ENGINE	TRANS	TRIM	DESCRIPTION
21	52108210AA	1		L					LOCK, Mounting
22	52108428AA	1		L					SEAL, Transmission
23	05117859AA	1		L					FLANGE, Drive Shaft
24	52108234AA	1		L					NUT
25	52108322AA	1		L					PLUG, Adapter
26	52108324AA	1		L					O RING, Adapter Plug
27	52108323AA	1		L					O RING, Adapter Plug
28	52108159AA	1		L					PIN
29	52108160AA	1		L					SEAL, Transmission
30	52108364AA	1		L					BREATHER, Transmission
31	52108367AA	1		L					SEAL, Transmission
32	05125908AA	1		L					O RING, Sensor
33	05117839AA	1		L					CAP, Oil Filler
34	05117839AA	1							BOLT, (NOT SERVICED)
35	52108179AA	1		L					SPRING
36	52108161AA	1		L					SCREW
37	05117849AA	1		L					HOUSING, Transmission
38	05104705AA	1		L					HOUSING, Torque Converter
39	05093746AA	1	2, 6	L			DGJ		PIN
		1	3, 7	L			DGJ		
40	53013549AA	1	2, 6	L			DGJ		CAP, Oil Filler
		1	3, 7	L			DGJ		
41	05101154AA	1	2, 6	L			DGJ		SEAL, Oil Filler Tube
		1	3, 7	L			DGJ		

SPRINTER (VA)

SERIES	LINE	BODY	ENGINE	TRANSMISSION
L = LOWLINE	3 = HD DODGE 2WD 6 = Lt. Duty DODGE 4WD 2 = Med. Duty DODGE 2WD 7 = Med. Duty DODGE 4WD	01 = CHASSIS FORWARD CONTROL W.B.1 02 = CAB CHASSIS WHEEL BASE 2 06 = CAB CHASSIS WHEEL BASE 6 11 = VAN WHEEL BASE 1 12 = VAN WHEEL BASE 2 51 = WAGON WHEEL BASE 1 52 = WAGON WHEEL BASE 2 14 = VAN WHEEL BASE 4 15 = VAN WHEEL BASE 5 56 = WAGON WHEEL BASE 6 16 = VAN WHEEL BASE 6 54 = WAGON WHEEL BASE 4 55 = WAGON WHEEL BASE 5	EX9 = Engine-2.7L I5 Mercedes Turbo Diesel	DGJ = Transmission-5-Spd. Automatic, W5A580

AR = use ase required - = Non illustrated part

Case and Related Parts
Figure NAG1-210



ITEM	PART NUMBER	QTY	LINE	SERIES	BODY	ENGINE	TRANS	TRIM	DESCRIPTION
42	05104551AA	1	2, 6	L			DGJ		TUBE, Transmission Oil Filler
		1	3, 7	L			DGJ		
43	05101154AA	1	2, 6	L			DGJ		SEAL, Oil Filler Tube
		1	3, 7	L			DGJ		
44	05125738AA	1	2, 6	L			DGJ		SCREW
		1	3, 7	L			DGJ		

SPRINTER (VA)		BODY		ENGINE		TRANSMISSION	
SERIES	LINE	01 = CHASSIS FORWARD CONTROL W.B.1		EX9 = Engine-2.7L I5 Mercedes Turbo Diesel		DGJ = Transmission-5-Spd. Automatic, W5A580	
L = LOWLINE	3 = HD DODGE 2WD 6 = Lt. Duty DODGE 4WD 2 = Med. Duty DODGE 2WD 7 = Med. Duty DODGE 4WD	02 = CAB CHASSIS WHEEL BASE 2 06 = CAB CHASSIS WHEEL BASE 6 11 = VAN WHEEL BASE 1 12 = VAN WHEEL BASE 2 51 = WAGON WHEEL BASE 1 52 = WAGON WHEEL BASE 2 14 = VAN WHEEL BASE 4 15 = VAN WHEEL BASE 5 56 = WAGON WHEEL BASE 6 16 = VAN WHEEL BASE 6 54 = WAGON WHEEL BASE 4 55 = WAGON WHEEL BASE 5					

AR = use ase required - = Non illustrated part

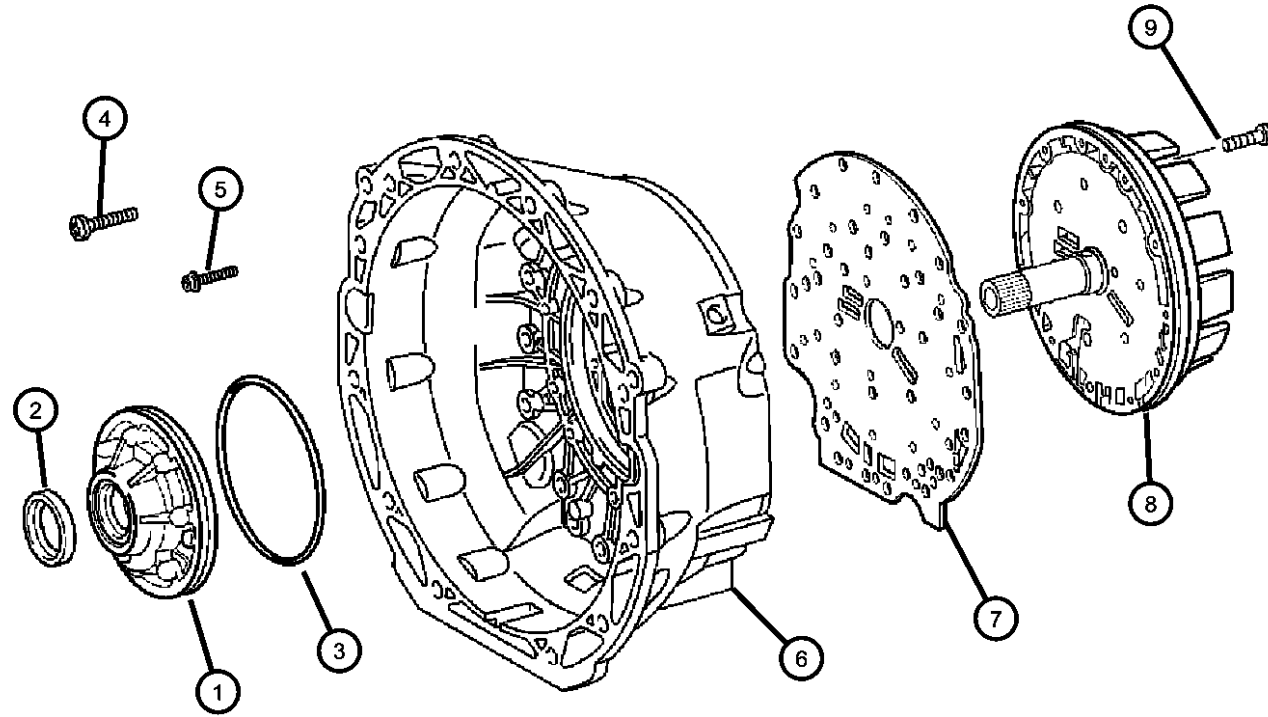
**Pump, Oil
Figure NAG1-310**

ITEM	PART NUMBER	QTY	LINE	SERIES	BODY	ENGINE	TRANS	TRIM	DESCRIPTION
------	-------------	-----	------	--------	------	--------	-------	------	-------------

NOTE:

Sales Codes:

[DGJ]=5 Speed Automatic Transmission - [NAG1] - [W5A380]



1	05080070AA	1		L					PUMP, Transmission Oil
2									SEAL
	52107896AA	1		L					Interchangeablw With [52107897AA & 52107898AA]
	52107897AA	1		L					Interchangeablw With [52107896AA & 52107898AA]
	52107898AA	1		L					Interchangeablw With [52107896AA & 52107896AA]
3	52107900AA	1		L					O RING
4	52108396AA	2		L					SCREW
5	52107934AA	11		L					SCREW
6	05104705AA	1		L					HOUSING, Torque Converter
7	52108147AA	1		L					PLATE, Intermediate
8	05102926AA	1		L					SUPPORT
9	52107933AA	7		L					SCREW

SPRINTER (VA)

SERIES

L = LOWLINE

LINE

3 = HD DODGE 2WD
6 = Lt. Duty DODGE 4WD
2 = Med. Duty DODGE 2WD
7 = Med. Duty DODGE 4WD

BODY

01 = CHASSIS FORWARD CONTROL W.B.1
02 = CAB CHASSIS WHEEL BASE 2
06 = CAB CHASSIS WHEEL BASE 6
11 = VAN WHEEL BASE 1
12 = VAN WHEEL BASE 2
51 = WAGON WHEEL BASE 1
52 = WAGON WHEEL BASE 2
14 = VAN WHEEL BASE 4
15 = VAN WHEEL BASE 5
56 = WAGON WHEEL BASE 6
16 = VAN WHEEL BASE 6
54 = WAGON WHEEL BASE 4
55 = WAGON WHEEL BASE 5

ENGINE

EX9 = Engine-2.7L I5
Mercedes Turbo Diesel

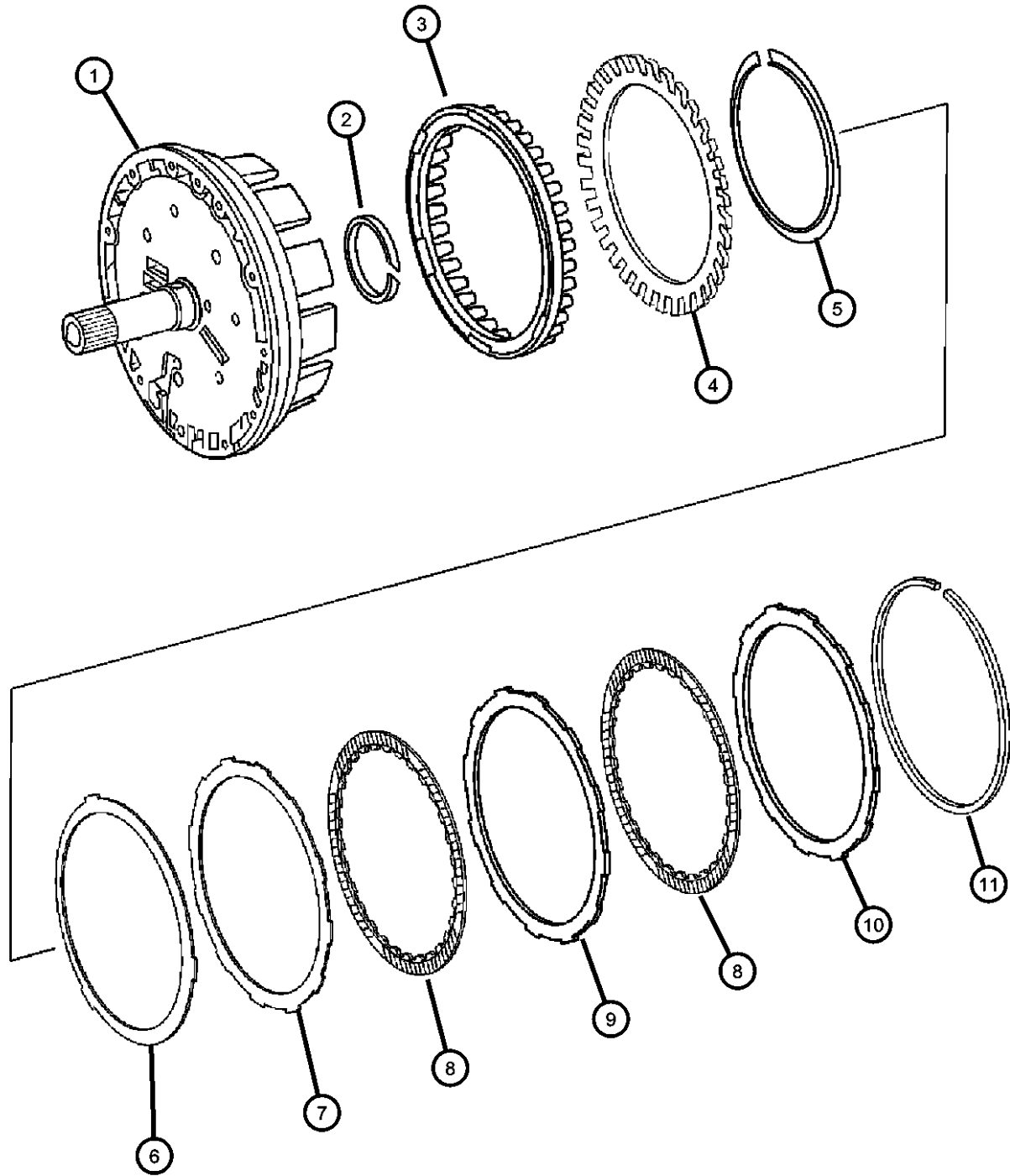
TRANSMISSION

DGJ = Transmission-5-Spd. Automatic, W5A580

AR = use ase required - = Non illustrated part

2002 VA

Laminated Brake & Front Support - [B1]
Figure NAG1-410



ITEM	PART NUMBER	QTY	LINE	SERIES	BODY	ENGINE	TRANS	TRIM	DESCRIPTION
------	-------------	-----	------	--------	------	--------	-------	------	-------------

NOTE:

Sales Codes:

[DGJ]=5 Speed Automatic Transmission - [NAG1] - [W5A380]

1	05102926AA	1		L					SUPPORT
2	52108028AA	2		L					SEAL, Transmission
3	52108506AA	1		L					PISTON
4	52108023AA	1		L					DISC, Spring
5	52107936AA	1		L					SNAP RING
6	52108024AA	1		L					DISC, Spring
7	52107992AA	1		L					DISC, Outer
8	52108507AA	4		L					DISC, Inner
9	52108508AA	4		L					DISC, Outer
10	52107994AA	1		L					DISC, Outer
11									SNAP RING
	52107949AA	1		L					[2.6 MM]
	52107950AA	1		L					[2.9 MM]
	52107951AA	1		L					[3.2 MM]
	52107952AA	1		L					[3.5 MM]

SPRINTER (VA)

SERIES

L = LOWLINE

LINE

3 = HD DODGE 2WD
6 = Lt. Duty DODGE 4WD
2 = Med. Duty DODGE 2WD
7 = Med. Duty DODGE 4WD

BODY

01 = CHASSIS FORWARD CONTROL W.B.1
02 = CAB CHASSIS WHEEL BASE 2
06 = CAB CHASSIS WHEEL BASE 6
11 = VAN WHEEL BASE 1
12 = VAN WHEEL BASE 2
51 = WAGON WHEEL BASE 1
52 = WAGON WHEEL BASE 2
14 = VAN WHEEL BASE 4
15 = VAN WHEEL BASE 5
56 = WAGON WHEEL BASE 6
16 = VAN WHEEL BASE 6
54 = WAGON WHEEL BASE 4
55 = WAGON WHEEL BASE 5

ENGINE

EX9 = Engine-2.7L I5
Mercedes Turbo Diesel

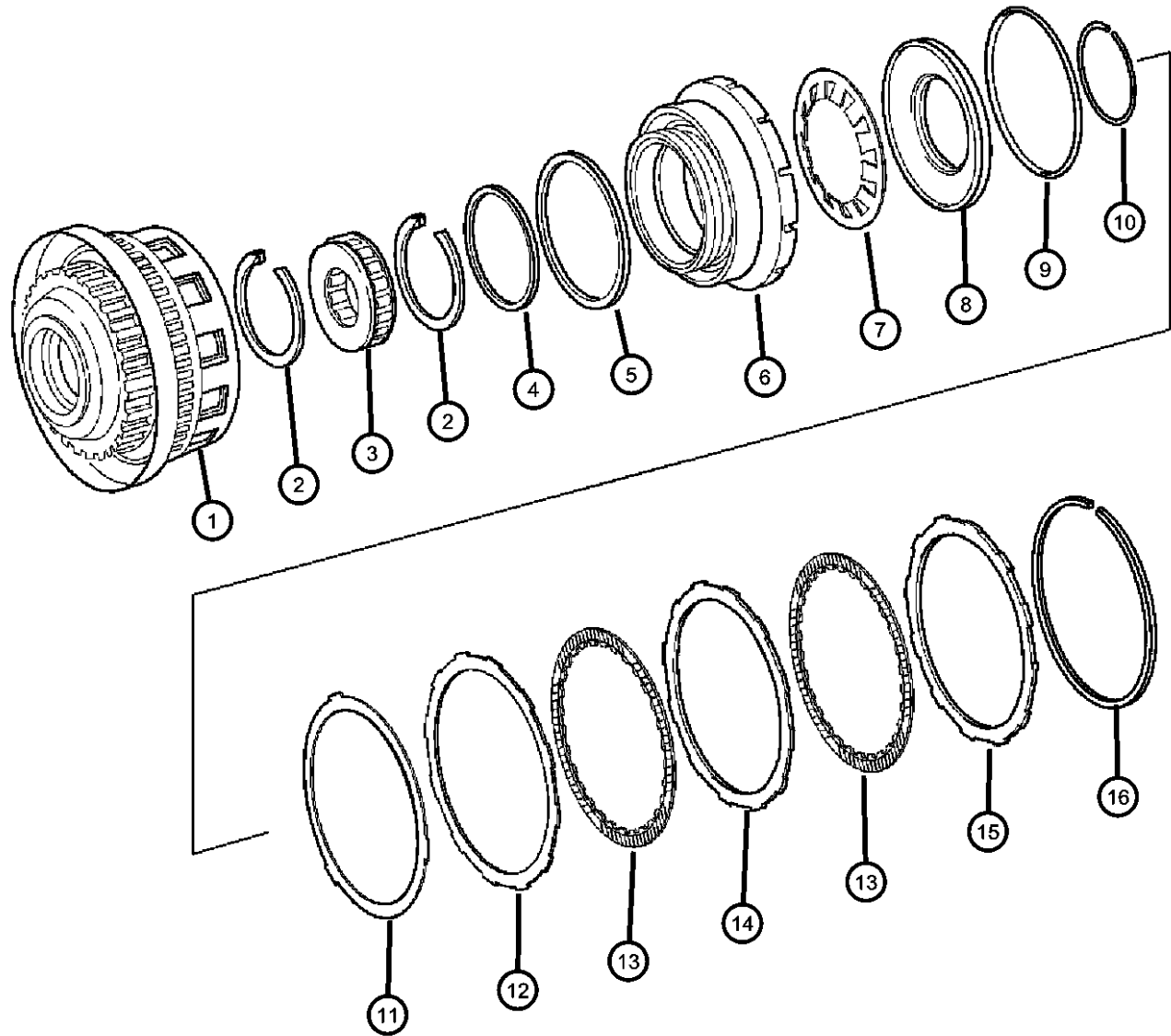
TRANSMISSION

DGJ = Transmission-5-Spd. Automatic, W5A580

AR = use ase required - = Non illustrated part

2002 VA

**Gear Train, Front Planetary Clutch - [K1]
Figure NAG1-420**



ITEM	PART NUMBER	QTY	LINE	SERIES	BODY	ENGINE	TRANS	TRIM	DESCRIPTION
------	-------------	-----	------	--------	------	--------	-------	------	-------------

NOTE:

Sales Codes:

[DGJ]=5 Speed Automatic Transmission - [NAG1] - [W5A380]

1	52108510AA	1		L					DISC, Support
2	52107955AA	2		L					SNAP RING
3	52108342AA	1		L					WHEEL
4	52107938AA	1		L					SEAL, TransmissionSmall
5	52107939AA	1		L					SEAL, TransmissionLarge
6	52108059AA	1		L					PISTON
7	52108057AA	1		L					DISC, Spring
8	52108058AA	1		L					SPRING, Retainer
9	52107941AA	1		L					SEAL, Transmission
10	52107954AA	1		L					SNAP RING
11	52108024AA	1		L					DISC, Spring
12	52108004AA	4		L					DISC, Outer
13	52108507AA	5		L					DISC, Inner
14	52108508AA	4		L					DISC, Outer
15	52107994AA	1		L					DISC, Outer
16									SNAP RING
	52107949AA	1		L					[2.6 MM]
	52107950AA	1		L					[2.9 MM]
	52107951AA	1		L					[3.2 MM]
	52107952AA	1		L					[3.5 MM]
	52108373AA	1		L					[3.8 MM]

SPRINTER (VA)

SERIES

L = LOWLINE

LINE

3 = HD DODGE 2WD
6 = Lt. Duty DODGE 4WD
2 = Med. Duty DODGE 2WD
7 = Med. Duty DODGE 4WD

BODY

01 = CHASSIS FORWARD CONTROL W.B.1
02 = CAB CHASSIS WHEEL BASE 2
06 = CAB CHASSIS WHEEL BASE 6
11 = VAN WHEEL BASE 1
12 = VAN WHEEL BASE 2
51 = WAGON WHEEL BASE 1
52 = WAGON WHEEL BASE 2
14 = VAN WHEEL BASE 4
15 = VAN WHEEL BASE 5
56 = WAGON WHEEL BASE 6
16 = VAN WHEEL BASE 6
54 = WAGON WHEEL BASE 4
55 = WAGON WHEEL BASE 5

ENGINE

EX9 = Engine-2.7L I5
Mercedes Turbo Diesel

TRANSMISSION

DGJ = Transmission-5-Spd. Automatic, W5A580

AR = use ase required - = Non illustrated part

2002 VA

**Carrier, Planetary - [K1] - [VPLS]
Figure NAG1-430**

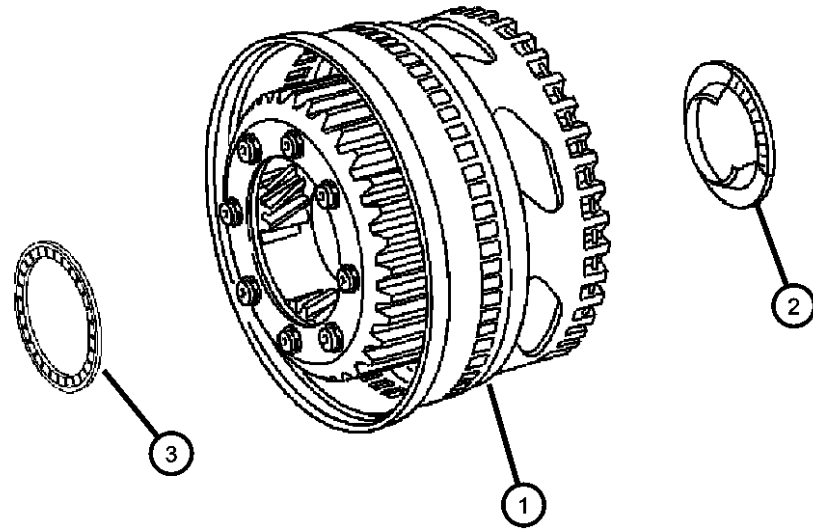
ITEM	PART NUMBER	QTY	LINE	SERIES	BODY	ENGINE	TRANS	TRIM	DESCRIPTION
------	-------------	-----	------	--------	------	--------	-------	------	-------------

NOTE:

Sales Codes:

[DGJ]=5 Speed Automatic Transmission -[NAG1] - [W5A380]

1	52108513AA	1		L					CARRIER, Planetary
2	52108123AA	1		L					NEEDLE BEARING
3	52108122AA	1		L					NEEDLE BEARING



SPRINTER (VA)

SERIES

L = LOWLINE

LINE

3 = HD DODGE 2WD
6 = Lt. Duty DODGE 4WD
2 = Med. Duty DODGE 2WD
7 = Med. Duty DODGE 4WD

BODY

01 = CHASSIS FORWARD CONTROL W.B.1
02 = CAB CHASSIS WHEEL BASE 2
06 = CAB CHASSIS WHEEL BASE 6
11 = VAN WHEEL BASE 1
12 = VAN WHEEL BASE 2
51 = WAGON WHEEL BASE 1
52 = WAGON WHEEL BASE 2
14 = VAN WHEEL BASE 4
15 = VAN WHEEL BASE 5
56 = WAGON WHEEL BASE 6
16 = VAN WHEEL BASE 6
54 = WAGON WHEEL BASE 4
55 = WAGON WHEEL BASE 5

ENGINE

EX9 = Engine-2.7L I5
Mercedes Turbo Diesel

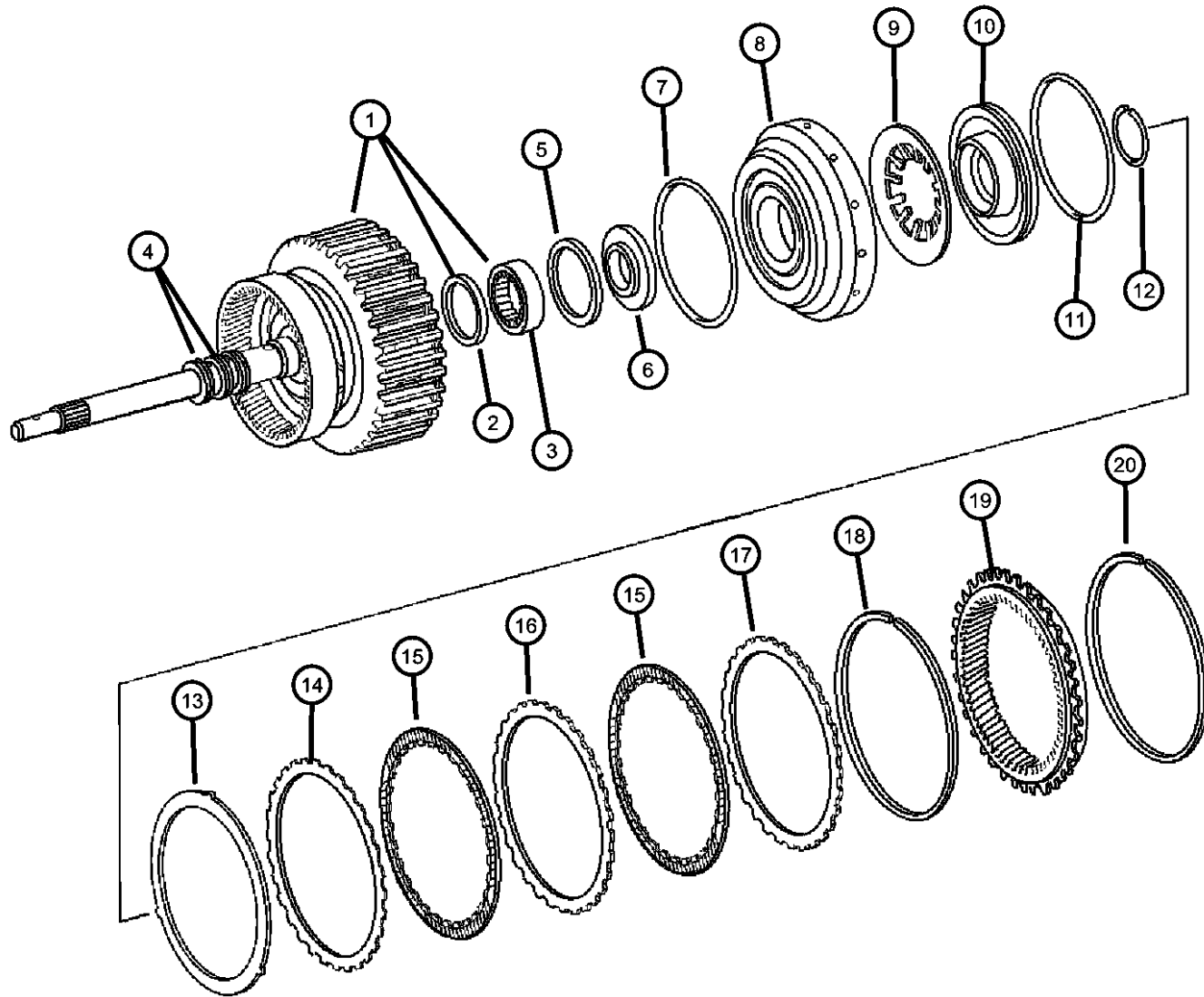
TRANSMISSION

DGJ = Transmission-5-Spd. Automatic, W5A580

AR = use ase required - = Non illustrated part

2002 VA

**Clutch - Output Shaft - [K2]
Figure NAG1-440**



ITEM	PART NUMBER	QTY	LINE	SERIES	BODY	ENGINE	TRANS	TRIM	DESCRIPTION
NOTE: Sales Codes: [DGJ]=5 Speed Automatic Transmission - [NAG1] - [W5A380]									
1	52108044AA	1		L					SHAFT, Drive
2	52108127AA	1		L					SEAL, Transmission
3	52108126AA	1		L					NEEDLE BEARING
4	52108534AA	3		L					SEAL, Transmission
5	52108134AA	1		L					SEAL, Transmission
6	52107928AA	1		L					PLATE
7	52108135AA	1		L					SEAL, Input Shaft
8	52108517AA	1		L					PISTON
9	52108137AA	1		L					DISC, Spring
10	52108138AA	1		L					SPRING, Retainer
11	52108140AA	1		L					SEAL, Transmission
12	52107970AA	1		L					SNAP RING
13	52108346AA	1		L					DISC, Spring
14	52107996AA	1		L					DISC, Outer, [1.8 MM]
15	52108141AA	5		L					DISC, Inner
16	52107997AA	4		L					DISC, Outer, [3.5 MM]
17	52107998AA	1		L					DISC, Outer
18									SNAP RING
	52107958AA	1		L					[2.3 MM]
	52107959AA	1		L					[2.6 MM]
	52107960AA	1		L					[2.9 MM]
	52107961AA	1		L					[3.2 MM]
	52107962AA	1		L					[3.5 MM]
19	52107922AA	1		L					GEAR, Rear Annulus
20	52107926AA	1		L					SNAP RING

SPRINTER (VA)

SERIES
L = LOWLINE

LINE
3 = HD DODGE 2WD
6 = Lt. Duty DODGE 4WD
2 = Med. Duty DODGE 2WD
7 = Med. Duty DODGE 4WD

BODY
01 = CHASSIS FORWARD CONTROL W.B.1
02 = CAB CHASSIS WHEEL BASE 2
06 = CAB CHASSIS WHEEL BASE 6
11 = VAN WHEEL BASE 1
12 = VAN WHEEL BASE 2
51 = WAGON WHEEL BASE 1
52 = WAGON WHEEL BASE 2
14 = VAN WHEEL BASE 4
15 = VAN WHEEL BASE 5
56 = WAGON WHEEL BASE 6
16 = VAN WHEEL BASE 6
54 = WAGON WHEEL BASE 4
55 = WAGON WHEEL BASE 5

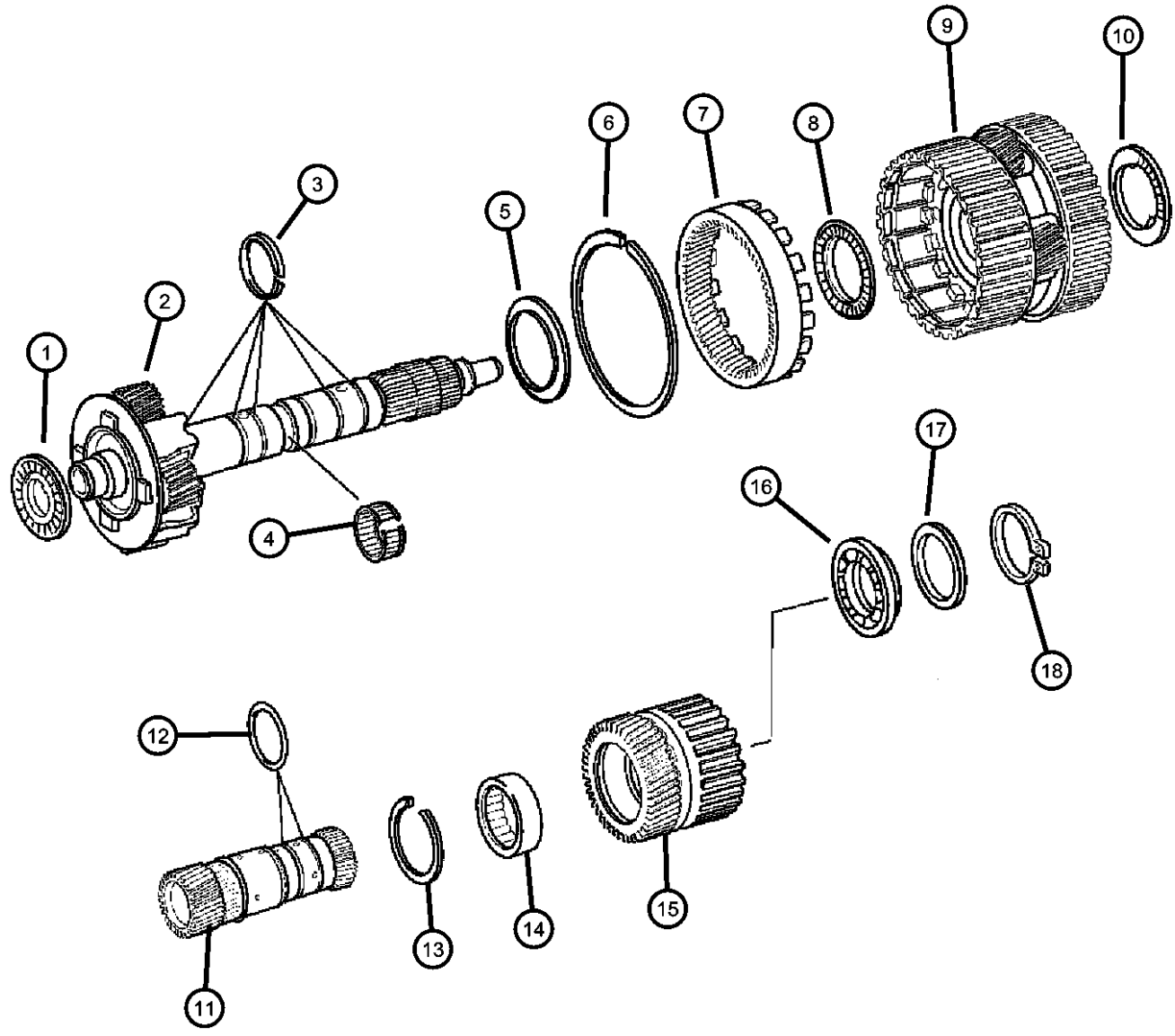
ENGINE
EX9 = Engine-2.7L I5
Mercedes Turbo Diesel

TRANSMISSION
DGJ = Transmission-5-Spd. Automatic, W5A580

AR = use ase required - = Non illustrated part

2002 VA

**Center & Rear Planetary Set - Output Shaft - [MPLS/HPLS]
Figure NAG1-450**



ITEM	PART NUMBER	QTY	LINE	SERIES	BODY	ENGINE	TRANS	TRIM	DESCRIPTION
------	-------------	-----	------	--------	------	--------	-------	------	-------------

NOTE:
Sales Codes:
[DGJ]=5 Speed Automatic Transmission - [NAG1] - [W5A380]

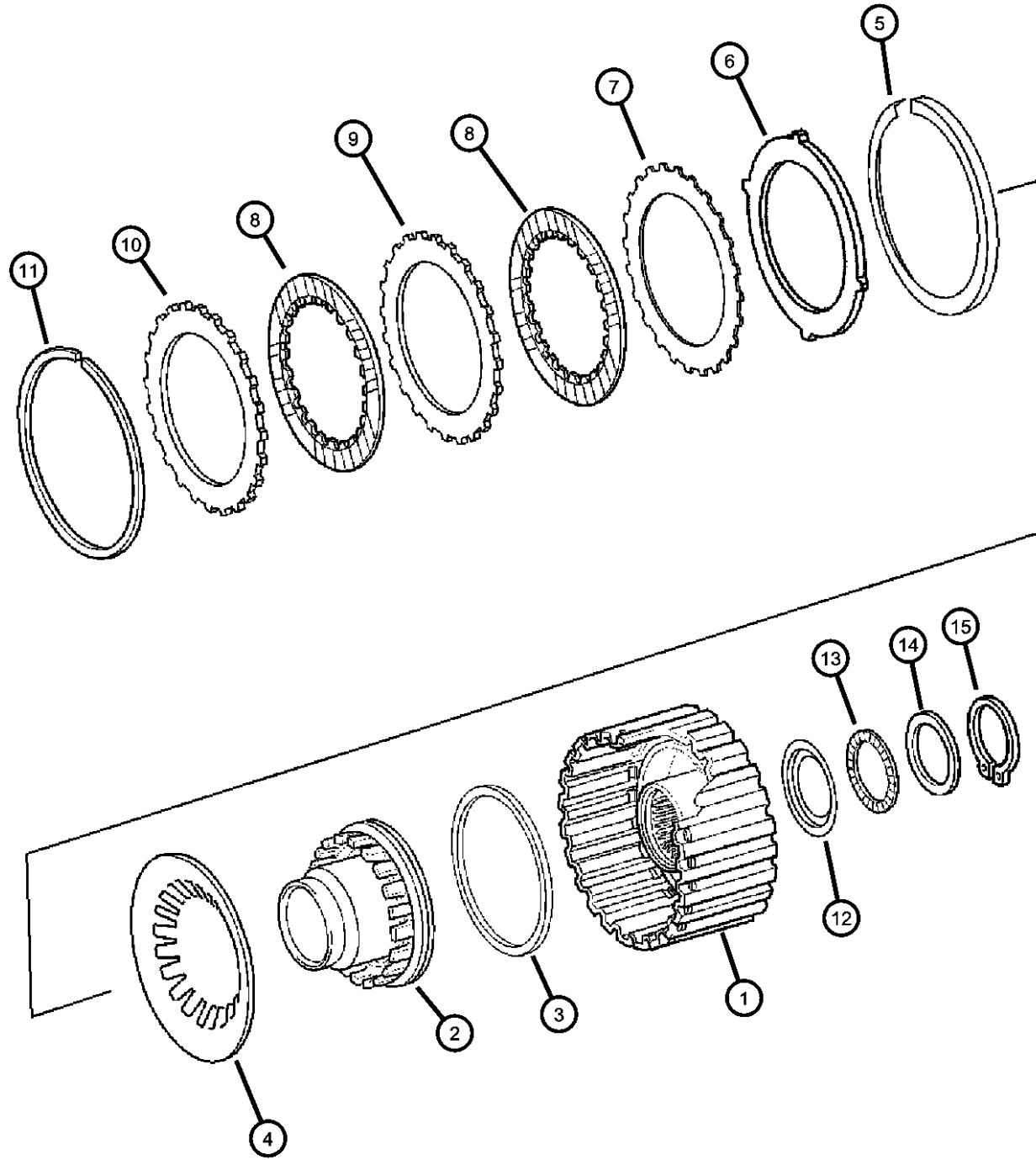
1	52107927AA	1		L					NEEDLE BEARING
2	52107929AA	1		L					SHAFT, Output
3	52108427AA	5		L					SEAL, Transmission
4	52108069AA	1		L					NEEDLE BEARING
5	52108070AA	1		L					PLATE, Guard Plate
6	52108374AA	1		L					SNAP RING
7	52108376AA	1		L					GEAR, Annulus
8	52107931AA	1		L					NEEDLE BEARING
9	52108072AA	1		L					CARRIER, Planetary
10	52107932AA	1		L					NEEDLE BEARING
11	52108078AA	1		L					GEAR, Sun
12	52108085AA	2		L					SEAL, Transmission
13	52107966AA	1		L					SNAP RING
14	52108522AA	1		L					BEARING, Output Shaft
15	52108519AA	1		L					GEAR, Sun
16	52108084AA	1		L					BEARING
17	52108379AA	1		L					SPACER
18	52107967AA	1		L					SNAP RING

SPRINTER (VA)

SERIES	LINE	BODY	ENGINE	TRANSMISSION
L = LOWLINE	3 = HD DODGE 2WD 6 = Lt. Duty DODGE 4WD 2 = Med. Duty DODGE 2WD 7 = Med. Duty DODGE 4WD	01 = CHASSIS FORWARD CONTROL W.B.1 02 = CAB CHASSIS WHEEL BASE 2 06 = CAB CHASSIS WHEEL BASE 6 11 = VAN WHEEL BASE 1 12 = VAN WHEEL BASE 2 51 = WAGON WHEEL BASE 1 52 = WAGON WHEEL BASE 2 14 = VAN WHEEL BASE 4 15 = VAN WHEEL BASE 5 56 = WAGON WHEEL BASE 6 16 = VAN WHEEL BASE 6 54 = WAGON WHEEL BASE 4 55 = WAGON WHEEL BASE 5	EX9 = Engine-2.7L I5 Mercedes Turbo Diesel	DGJ = Transmission-5-Spd. Automatic, W5A580

AR = use ase required - = Non illustrated part

Clutch - [K3]
Figure NAG1-460



ITEM	PART NUMBER	QTY	LINE	SERIES	BODY	ENGINE	TRANS	TRIM	DESCRIPTION
NOTE: Sales Codes: [DGJ]=5 Speed Automatic Transmission - [NAG1] - [W5A380]									
1	52108510AA	1		L					DISC, Support
2	52108094AA	1		L					PISTON
3	52108093AA	1		L					SEAL, Transmission
4	52108095AA	1		L					DISC, Spring
5	52107968AA	1		L					SNAP RING
6	52108096AA	1		L					DISC, Spring
7	52108004AA	4		L					DISC, Outer
8	52108528AA	4		L					DISC, Inner
9	52108529AA	3		L					DISC, Outer
10	52108011AA	1		L					DISC, Outer
11									SNAP RING
	52107970AA	1		L					[2.3 MM]
	52107971AA	1		L					[2.6 MM]
	52107972AA	1		L					[2.9 MM]
	52107974AA	1		L					[2.0 MM]
12	52108148AA	1		L					SPACER
13	52108152AA	1		L					NEEDLE BEARING
14									PLATE
	52108149AA	1		L					[3.7 MM]
	52108150AA	1		L					[3.1 MM]
	52108151AA	1		L					[3.4 MM]
15	06507358AA	1		L					RING

SPRINTER (VA)

SERIES
L = LOWLINE

LINE

3 = HD DODGE 2WD
6 = Lt. Duty DODGE 4WD
2 = Med. Duty DODGE 2WD
7 = Med. Duty DODGE 4WD

BODY

01 = CHASSIS FORWARD CONTROL W.B.1
02 = CAB CHASSIS WHEEL BASE 2
06 = CAB CHASSIS WHEEL BASE 6
11 = VAN WHEEL BASE 1
12 = VAN WHEEL BASE 2
51 = WAGON WHEEL BASE 1
52 = WAGON WHEEL BASE 2
14 = VAN WHEEL BASE 4
15 = VAN WHEEL BASE 5
56 = WAGON WHEEL BASE 6
16 = VAN WHEEL BASE 6
54 = WAGON WHEEL BASE 4
55 = WAGON WHEEL BASE 5

ENGINE

EX9 = Engine-2.7L I5
Mercedes Turbo Diesel

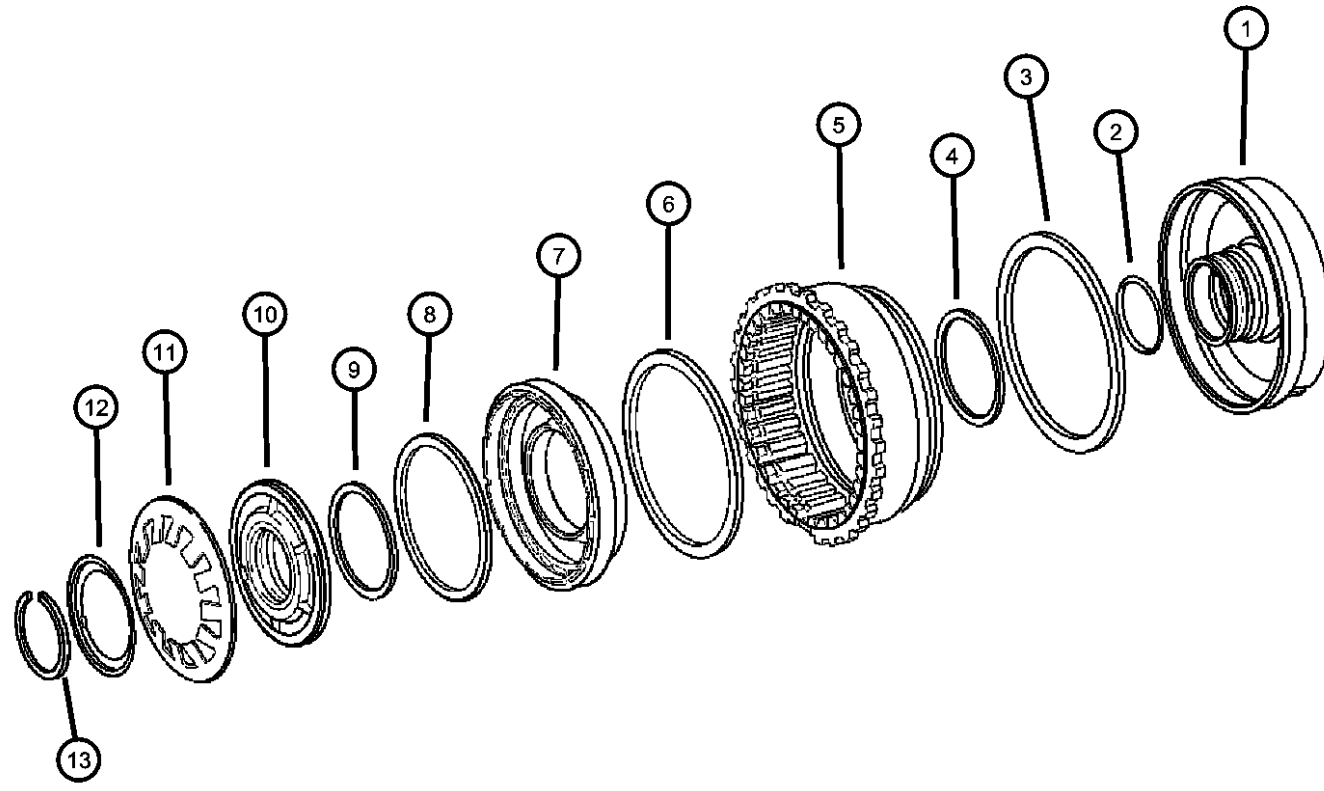
TRANSMISSION

DGJ = Transmission-5-Spd. Automatic, W5A580

AR = use ase required - = Non illustrated part

2002 VA

**Multiple Disc Brake - [B2 & B3]
Figure NAG1-470**



ITEM	PART NUMBER	QTY	LINE	SERIES	BODY	ENGINE	TRANS	TRIM	DESCRIPTION
------	-------------	-----	------	--------	------	--------	-------	------	-------------

NOTE:

Sales Codes:

[DGJ]=5 Speed Automatic Transmission - [NAG1] - [W5A380]

1	52108182AA	1		L					PLUNGER
2	52108185AA	2		L					SEAL, Transmission
3	52108188AA	1		L					SEAL, Transmission
4	52108189AA	1		L					SEAL, Transmission
5	52108395AA	1		L					PISTON
6	52108199AA	1		L					SEAL, Transmission
7	52108191AA	1		L					PISTON
8	52108200AA	1		L					SEAL, Transmission
9	52108201AA	1		L					SEAL, Transmission
10	52108351AA	1		L					RING, Piston
11	52108202AA	1		L					DISC, Spring
12	52108203AA	1		L					SPRING, Retainer
13	52107977AA	1		L					SNAP RING

SPRINTER (VA)

SERIES

L = LOWLINE

LINE

3 = HD DODGE 2WD
6 = Lt. Duty DODGE 4WD
2 = Med. Duty DODGE 2WD
7 = Med. Duty DODGE 4WD

BODY

01 = CHASSIS FORWARD CONTROL W.B.1
02 = CAB CHASSIS WHEEL BASE 2
06 = CAB CHASSIS WHEEL BASE 6
11 = VAN WHEEL BASE 1
12 = VAN WHEEL BASE 2
51 = WAGON WHEEL BASE 1
52 = WAGON WHEEL BASE 2
14 = VAN WHEEL BASE 4
15 = VAN WHEEL BASE 5
56 = WAGON WHEEL BASE 6
16 = VAN WHEEL BASE 6
54 = WAGON WHEEL BASE 4
55 = WAGON WHEEL BASE 5

ENGINE

EX9 = Engine-2.7L I5
Mercedes Turbo Diesel

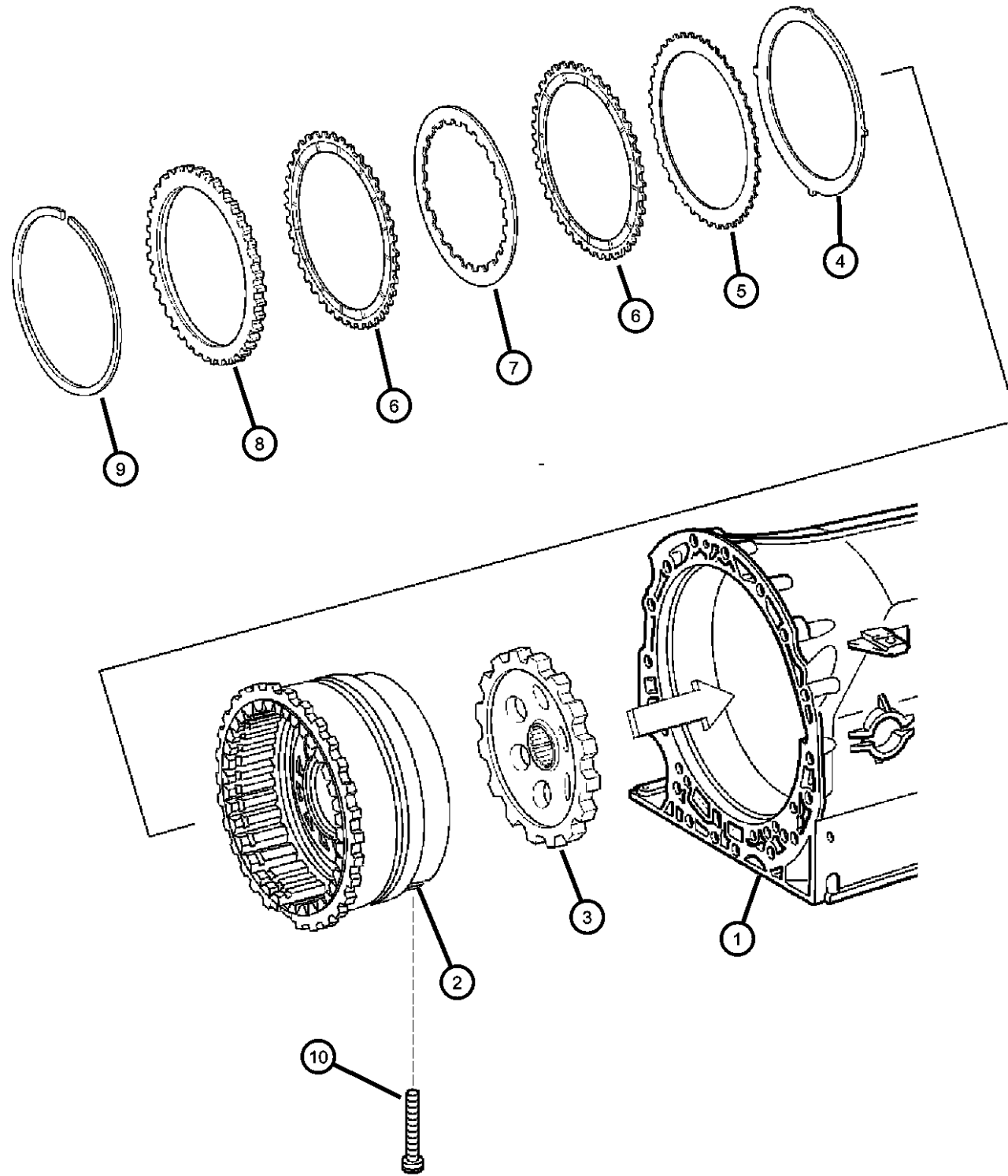
TRANSMISSION

DGJ = Transmission-5-Spd. Automatic, W5A580

AR = use ase required - = Non illustrated part

2002 VA

**Multiple Disc Brake - [B2 & B3]
Figure NAG1-480**



ITEM	PART NUMBER	QTY	LINE	SERIES	BODY	ENGINE	TRANS	TRIM	DESCRIPTION
------	-------------	-----	------	--------	------	--------	-------	------	-------------

NOTE: Drum Package Is Not Serviced In An Assembly. Please See Illustration [#470] Callouts [1,2,3,4 & 5] To Obtain Part Numbers
Sales Codes:

[DGJ]=5 Speed Automatic Transmission - [NAG1] - [W5A380]

1	52107977AA	1							CASE, Transmission, See Illustration [#210], (NOT SERVICED)
2	52107977AA	1							DRUM PACKAGE, Transmission, See Illustration [#470] Callout [#1,2,3,4 & 5], (NOT SERVICED)
3	52108180AA	1			L				LOCK, Parking Wheel
4	52108354AA	1			L				DISC, Spring
5	52108013AA	1			L				DISC, Outer
6	52108572AA	5			L				DISC, Outer
7	52108015AA	4			L				DISC, Inner
8	52108014AA	1			L				DISC, Outer
9									SNAP RING
	52107979AA	1			L				[4.1 MM]
	52107980AA	1			L				[3.8 MM]
	52107981AA	1			L				[3.5 MM]
	52107982AA	1			L				[3.2 MM]
	52107983AA	1			L				[2.9 MM]
10	52108205AA	2			L				SCREW

SPRINTER (VA)

SERIES

L = LOWLINE
3 = HD DODGE 2WD
6 = Lt. Duty DODGE 4WD
2 = Med. Duty DODGE 2WD
7 = Med. Duty DODGE 4WD

BODY

01 = CHASSIS FORWARD CONTROL W.B.1
02 = CAB CHASSIS WHEEL BASE 2
06 = CAB CHASSIS WHEEL BASE 6
11 = VAN WHEEL BASE 1
12 = VAN WHEEL BASE 2
51 = WAGON WHEEL BASE 1
52 = WAGON WHEEL BASE 2
14 = VAN WHEEL BASE 4
15 = VAN WHEEL BASE 5
56 = WAGON WHEEL BASE 6
16 = VAN WHEEL BASE 6
54 = WAGON WHEEL BASE 4
55 = WAGON WHEEL BASE 5

ENGINE

EX9 = Engine-2.7L I5
Mercedes Turbo Diesel

TRANSMISSION

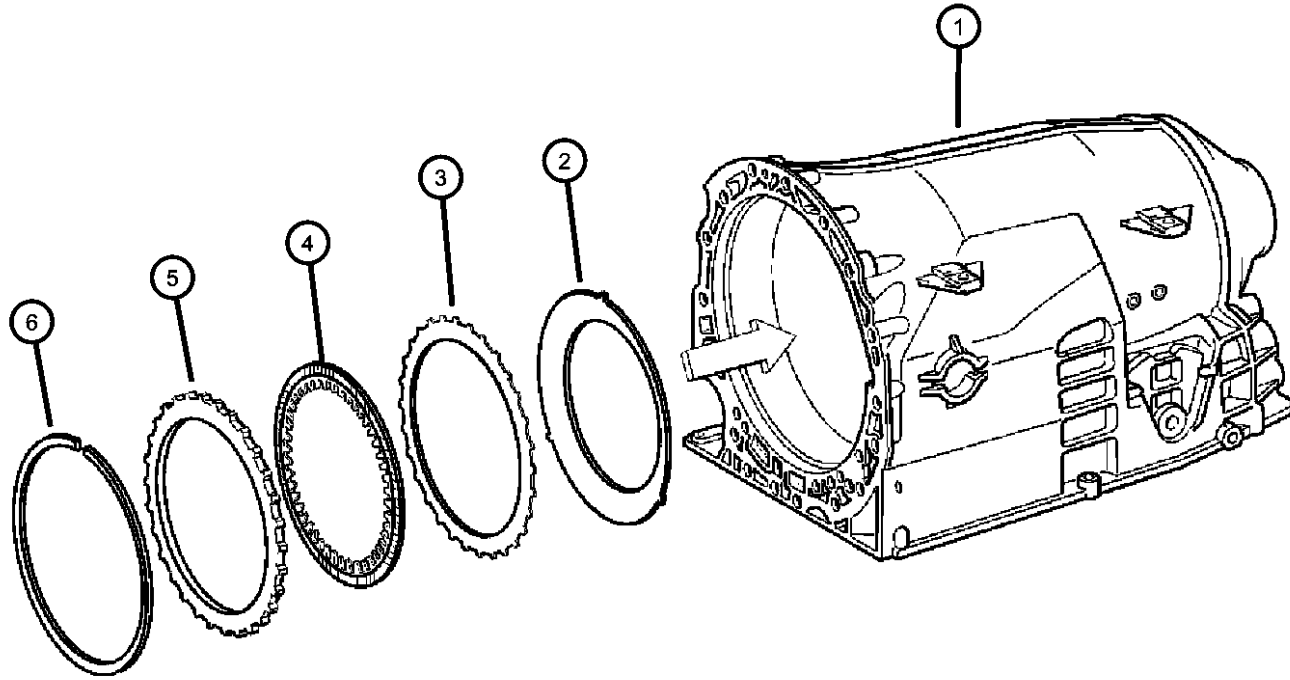
DGJ = Transmission-5-Spd. Automatic, W5A580

AR = use ase required - = Non illustrated part

2002 VA

**Multiple Disc Brake - [B2 & B3]
Figure NAG1-490**

ITEM	PART NUMBER	QTY	LINE	SERIES	BODY	ENGINE	TRANS	TRIM	DESCRIPTION
------	-------------	-----	------	--------	------	--------	-------	------	-------------



NOTE:

Sales Codes:

[DGJ]=5 Speed Automatic Transmission - [NAG1] - [W5A380]

1	52108205AA	2							HOUSING, Transmission Case, Serviced With Transmission Assembly, (NOT SERVICED)
2	52108356AA	1		L					DISC, Spring
3	52108572AA	5		L					DISC, Outer
4	52108573AA	5		L					DISC, Inner
5	52108018AA	1		L					DISC, Outer
6									SNAP RING
	52107985AA	1		L					[3.2 MM]
	52107986AA	1		L					[3.5 MM]
	52107987AA	1		L					[3.8 MM]
	52107988AA	1		L					[4.1 MM]
	52107989AA	1		L					[4.4 MM]
	52107990AA	1		L					[4.8 MM]

SPRINTER (VA)

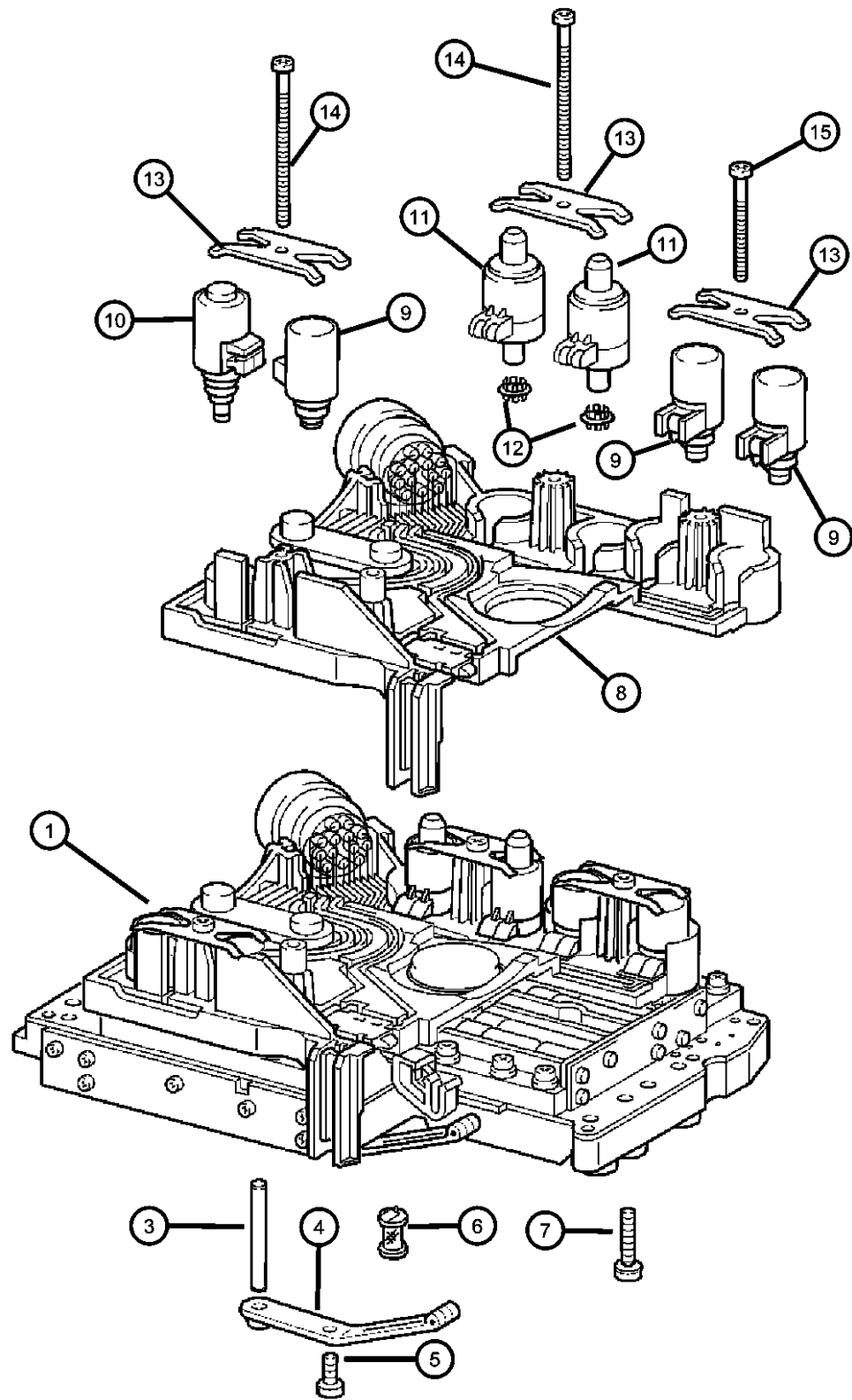
SERIES	LINE	BODY	ENGINE	TRANSMISSION
L = LOWLINE	3 = HD DODGE 2WD 6 = Lt. Duty DODGE 4WD 2 = Med. Duty DODGE 2WD 7 = Med. Duty DODGE 4WD	01 = CHASSIS FORWARD CONTROL W.B.1 02 = CAB CHASSIS WHEEL BASE 2 06 = CAB CHASSIS WHEEL BASE 6 11 = VAN WHEEL BASE 1 12 = VAN WHEEL BASE 2 51 = WAGON WHEEL BASE 1 52 = WAGON WHEEL BASE 2 14 = VAN WHEEL BASE 4 15 = VAN WHEEL BASE 5 56 = WAGON WHEEL BASE 6 16 = VAN WHEEL BASE 6 54 = WAGON WHEEL BASE 4 55 = WAGON WHEEL BASE 5	EX9 = Engine-2.7L I5 Mercedes Turbo Diesel	DGJ = Transmission-5-Spd. Automatic, W5A580

AR = use ase required - = Non illustrated part

2002 VA

Electronic - Hydraulic Control
Figure NAG1-710

ITEM	PART NUMBER	QTY	LINE	SERIES	BODY	ENGINE	TRANS	TRIM	DESCRIPTION
------	-------------	-----	------	--------	------	--------	-------	------	-------------



NOTE: Valve Body Connector Includes Speed Sensor
Sales Codes:

[DGJ]=5 Speed Automatic Transmission - [NAG1] - [W5A380]

1	05080262AA	1		L					VALVE BODY, Complete
-2	52108320AA	1		L					SHIELD, Transmission Solenoid
3	52108277AA	1		L					DOWEL
4	52108258AA	1		L					SPRING
5	05073867AA	1		L					SCREW
6	52108304AA	1		L					FILTER, Transmission Oil
7	05073877AA	29		L					SCREW
8	52108308AA	1		L					VALVE BODY, Includes Speed Sensor
9	52108313AA	3		L					SOLENOID, Transmission
10	52108314AA	1		L					SOLENOID, Transmission
11	52108312AA	2		L					SOLENOID, Transmission, Lifting Magnet
12	52108316AA	2		L					FILTER, Transmission Oil
13	52108315AA	3		L					PLATE
14	05073872AA	2		L					SCREW
15	05073873AA	1		L					SCREW

SPRINTER (VA)

SERIES

L = LOWLINE

LINE

3 = HD DODGE 2WD
6 = Lt. Duty DODGE 4WD
2 = Med. Duty DODGE 2WD
7 = Med. Duty DODGE 4WD

BODY

01 = CHASSIS FORWARD CONTROL W.B.1
02 = CAB CHASSIS WHEEL BASE 2
06 = CAB CHASSIS WHEEL BASE 6
11 = VAN WHEEL BASE 1
12 = VAN WHEEL BASE 2
51 = WAGON WHEEL BASE 1
52 = WAGON WHEEL BASE 2
14 = VAN WHEEL BASE 4
15 = VAN WHEEL BASE 5
56 = WAGON WHEEL BASE 6
16 = VAN WHEEL BASE 6
54 = WAGON WHEEL BASE 4
55 = WAGON WHEEL BASE 5

ENGINE

EX9 = Engine-2.7L I5
Mercedes Turbo Diesel

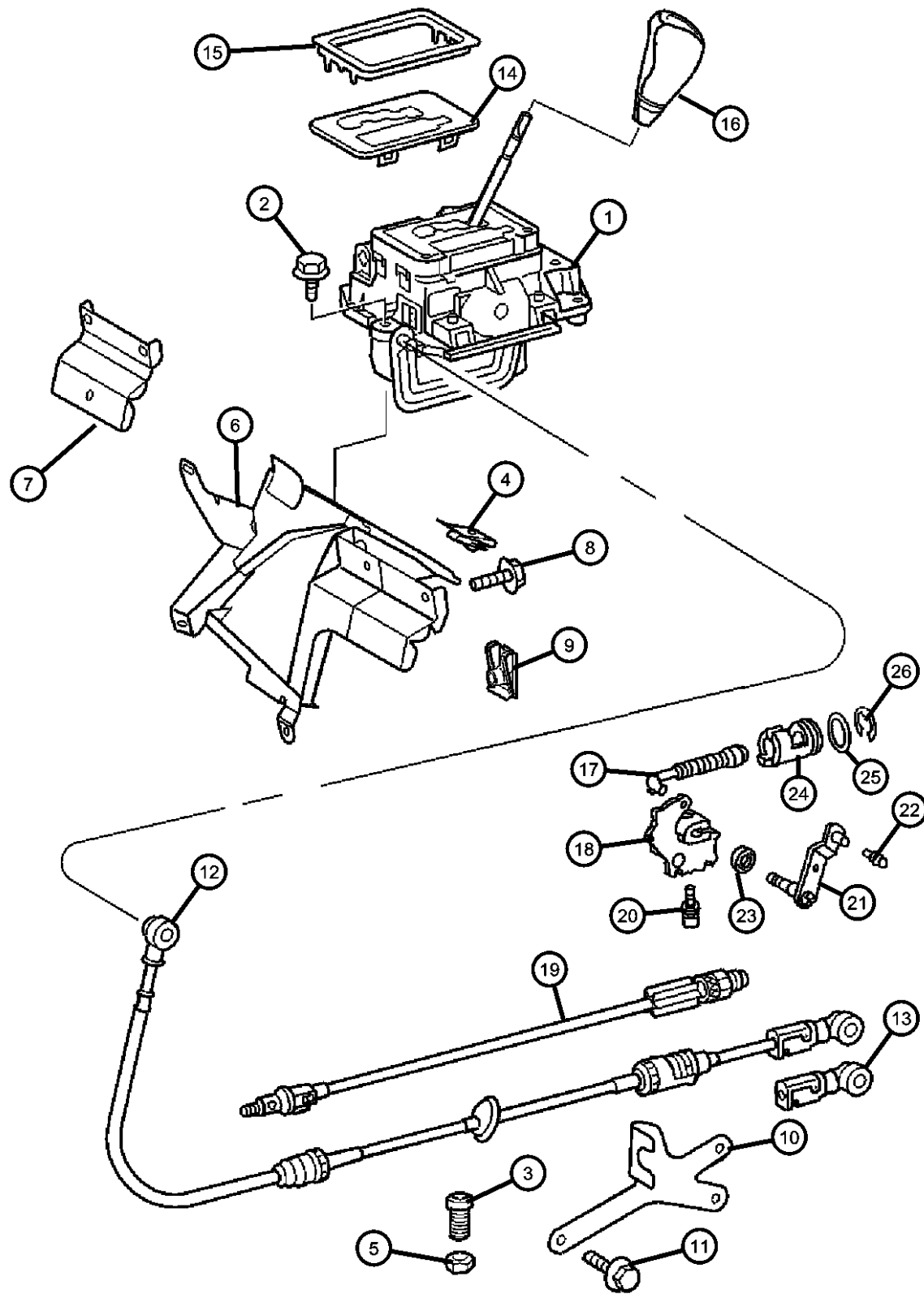
TRANSMISSION

DGJ = Transmission-5-Spd. Automatic, W5A580

AR = use ase required - = Non illustrated part

2002 VA

**Gear Shift Control
Figure NAG1-1210**



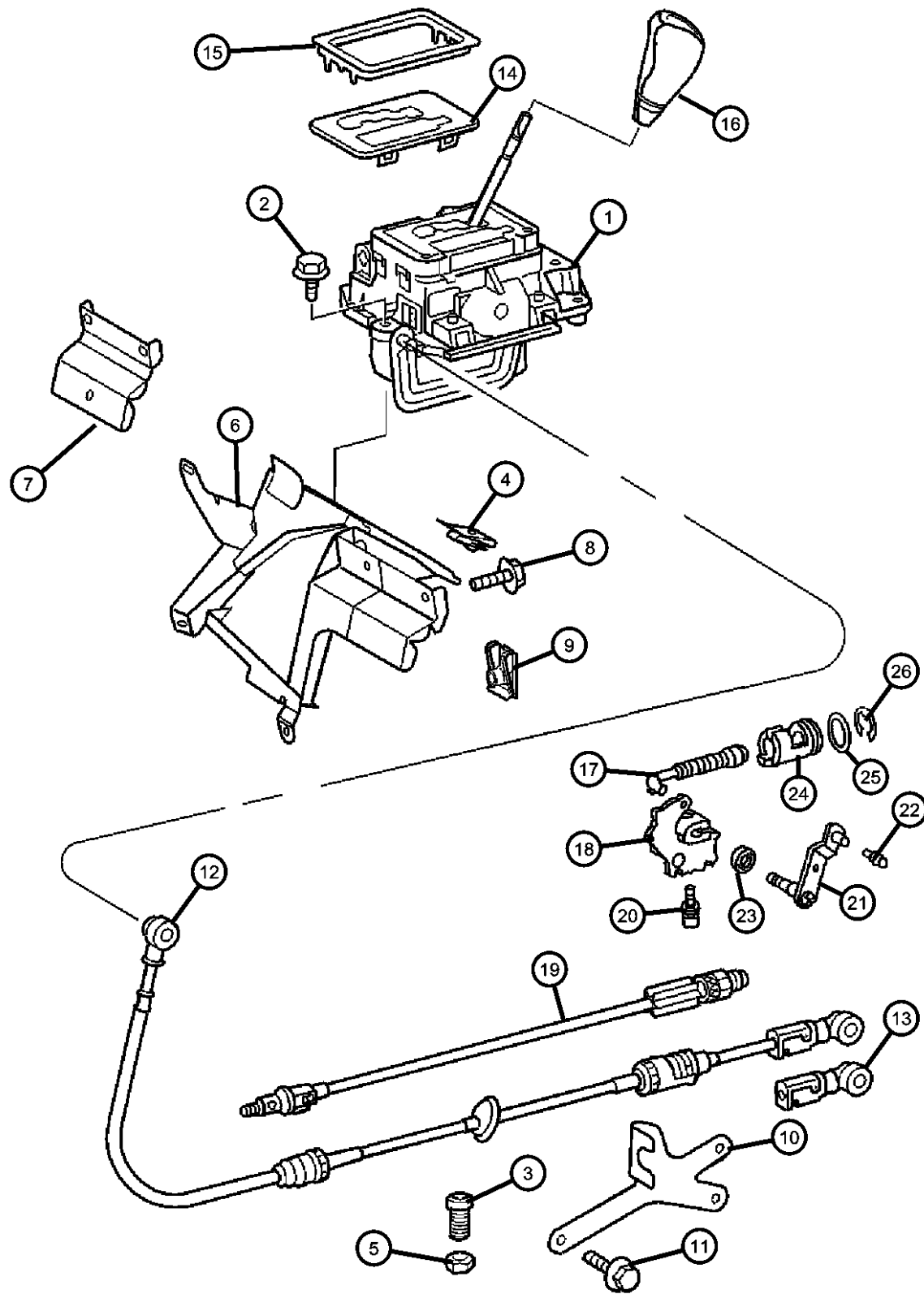
ITEM	PART NUMBER	QTY	LINE	SERIES	BODY	ENGINE	TRANS	TRIM	DESCRIPTION
NOTE: Sales Codes: [DGJ]=5 Speed Automatic Transmission - [NAG1] - [W5A380]									
1	05104040AA	1	2, 6	L			DGJ		SHIFTER, Transmission
		1	3, 7	L			DGJ		
2	05133476AA	1	3, 7	L					SCREW
3	06104142AA	2	2, 6	L			DGJ		SCREW
		2	3, 7	L			DGJ		
4	05103733AA	3	2, 6	L			DGJ		NUT RETAINER, NONE, SPRINTER
		3	3, 7	L			DGJ		
5	05104676AA	2	2, 6	L			DGJ		NUT
		2	3, 7	L			DGJ		
6	05117814AA	1	2, 6	L			DGJ		SUPPORT
		1	3, 7	L			DGJ		
7	05122893AA	1	2, 6	L			DGJ		BRACKET, Transmission Shifter
		1	3, 7	L			DGJ		
8	05126227AA	6	2, 6	L					BOLT, Hex Head
		6	3, 7	L					
9	05125859AA	1	2, 6	L			DGJ		U-NUT
		1	3, 7	L			DGJ		

SPRINTER (VA)

SERIES	LINE	BODY	ENGINE	TRANSMISSION
L = LOWLINE	3 = HD DODGE 2WD 6 = Lt. Duty DODGE 4WD 2 = Med. Duty DODGE 2WD 7 = Med. Duty DODGE 4WD	01 = CHASSIS FORWARD CONTROL W.B.1 02 = CAB CHASSIS WHEEL BASE 2 06 = CAB CHASSIS WHEEL BASE 6 11 = VAN WHEEL BASE 1 12 = VAN WHEEL BASE 2 51 = WAGON WHEEL BASE 1 52 = WAGON WHEEL BASE 2 14 = VAN WHEEL BASE 4 15 = VAN WHEEL BASE 5 56 = WAGON WHEEL BASE 6 16 = VAN WHEEL BASE 6 54 = WAGON WHEEL BASE 4 55 = WAGON WHEEL BASE 5	EX9 = Engine-2.7L I5 Mercedes Turbo Diesel	DGJ = Transmission-5-Spd. Automatic, W5A580

AR = use ase required - = Non illustrated part

**Gear Shift Control
Figure NAG1-1210**



ITEM	PART NUMBER	QTY	LINE	SERIES	BODY	ENGINE	TRANS	TRIM	DESCRIPTION
10	05117826AA	1	2, 6	L			DGJ		BRACKET, Gearshift
		1	3, 7	L			DGJ		
11	05126101AA	3	2, 6	L			DGJ		BOLT, Hex Head
		3	3, 7	L			DGJ		
12	05104039AA	1	2, 6	L			DGJ		CABLE, Gear Selector
		1	3, 7	L			DGJ		
13	05104044AA	1	2, 6	L			DGJ		RETAINER, Transmission Control Shift
		1	3, 7	L			DGJ		
14	05104041AA	1	2, 6	L			DGJ		COVER, Gearshift
		1	3, 7	L			DGJ		
15		1							BEZEL, Gear Selector, (NOT SERVICED)
16	05117825AA	1	2, 6	L			DGJ		KNOB, Gearshift
		1	3, 7	L			DGJ		
17	52108166AA	1		L					LINKAGE, Transmission
18	05099886AA	1		L					DETENT, Gearshift
19	05104043AA	1	2, 6	L			DGJ		CABLE, Park Interlock
		1	3, 7	L			DGJ		
20	52108178AA	1		L					SCREW
21	05117845AA	1		L					LEVER, Gearshift

SPRINTER (VA)

SERIES

L = LOWLINE
 3 = HD DODGE 2WD
 6 = Lt. Duty DODGE 4WD
 2 = Med. Duty DODGE 2WD
 7 = Med. Duty DODGE 4WD

BODY

01 = CHASSIS FORWARD CONTROL W.B.1
 02 = CAB CHASSIS WHEEL BASE 2
 06 = CAB CHASSIS WHEEL BASE 6
 11 = VAN WHEEL BASE 1
 12 = VAN WHEEL BASE 2
 51 = WAGON WHEEL BASE 1
 52 = WAGON WHEEL BASE 2
 14 = VAN WHEEL BASE 4
 15 = VAN WHEEL BASE 5
 56 = WAGON WHEEL BASE 6
 16 = VAN WHEEL BASE 6
 54 = WAGON WHEEL BASE 4
 55 = WAGON WHEEL BASE 5

ENGINE

EX9 = Engine-2.7L I5
 Mercedes Turbo Diesel

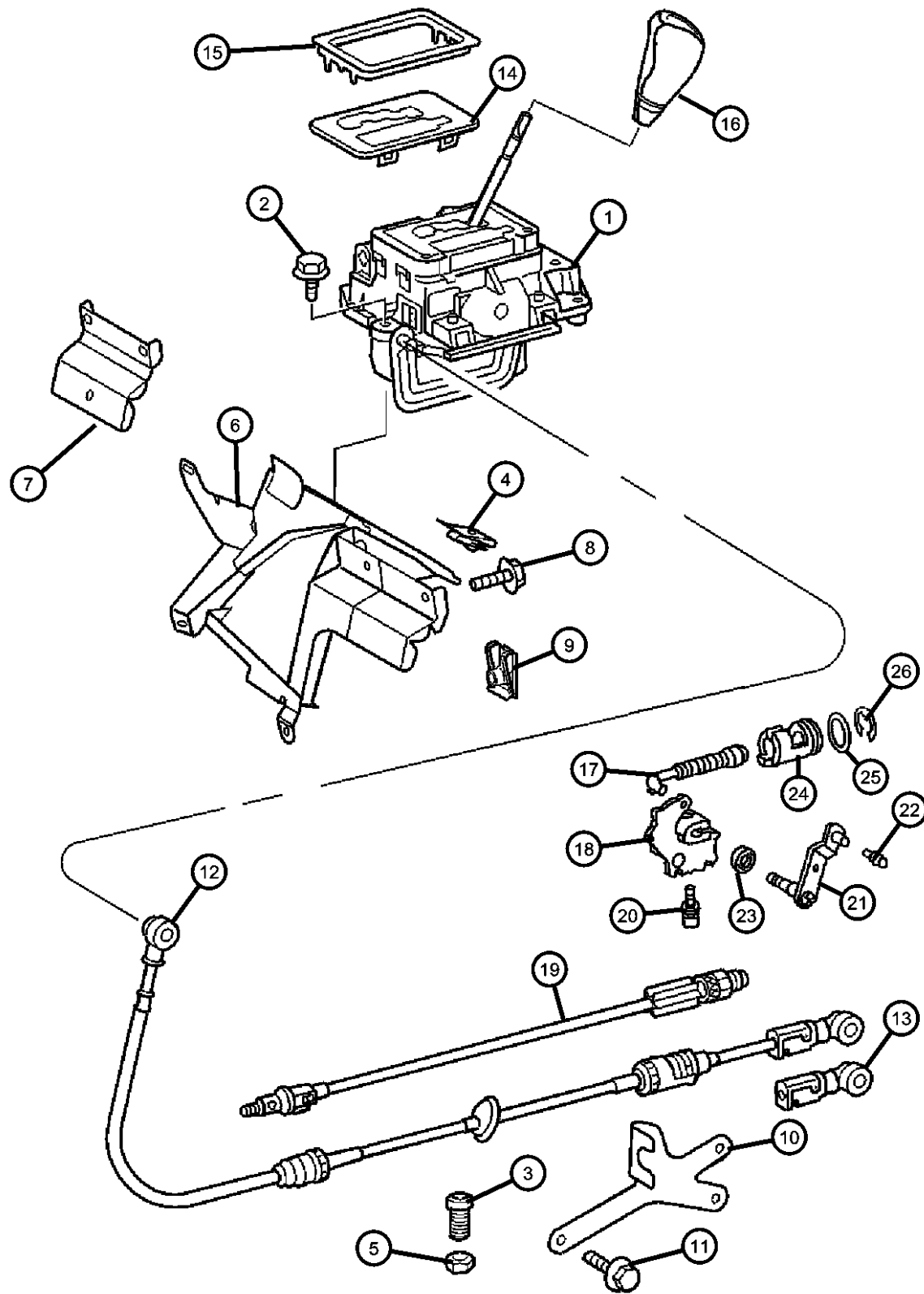
TRANSMISSION

DGJ = Transmission-5-Spd. Automatic, W5A580

AR = use ase required - = Non illustrated part

2002 VA

**Gear Shift Control
Figure NAG1-1210**



ITEM	PART NUMBER	QTY	LINE	SERIES	BODY	ENGINE	TRANS	TRIM	DESCRIPTION
22	05096975AA	1		L					PIVOT
23	52108170AA	1		L					SEAL, Transmission
24	52108176AA	1		L					GUIDE
25	52108177AA	1		L					SEAL, Transmission
26	52107976AA	1		L					SNAP RING

SPRINTER (VA)

SERIES
L = LOWLINE

LINE

3 = HD DODGE 2WD
6 = Lt. Duty DODGE 4WD
2 = Med. Duty DODGE 2WD
7 = Med. Duty DODGE 4WD

BODY

01 = CHASSIS FORWARD CONTROL W.B.1
02 = CAB CHASSIS WHEEL BASE 2
06 = CAB CHASSIS WHEEL BASE 6
11 = VAN WHEEL BASE 1
12 = VAN WHEEL BASE 2
51 = WAGON WHEEL BASE 1
52 = WAGON WHEEL BASE 2
14 = VAN WHEEL BASE 4
15 = VAN WHEEL BASE 5
56 = WAGON WHEEL BASE 6
16 = VAN WHEEL BASE 6
54 = WAGON WHEEL BASE 4
55 = WAGON WHEEL BASE 5

ENGINE

EX9 = Engine-2.7L I5
Mercedes Turbo Diesel

TRANSMISSION

DGJ = Transmission-5-Spd. Automatic, W5A580

AR = use ase required - = Non illustrated part

Group - 22

Wheels, Covers and Jacks

Group - 22 Wheels, Covers and Jacks

Illustration Title

Group-Fig. No.

Wheels and Hardware

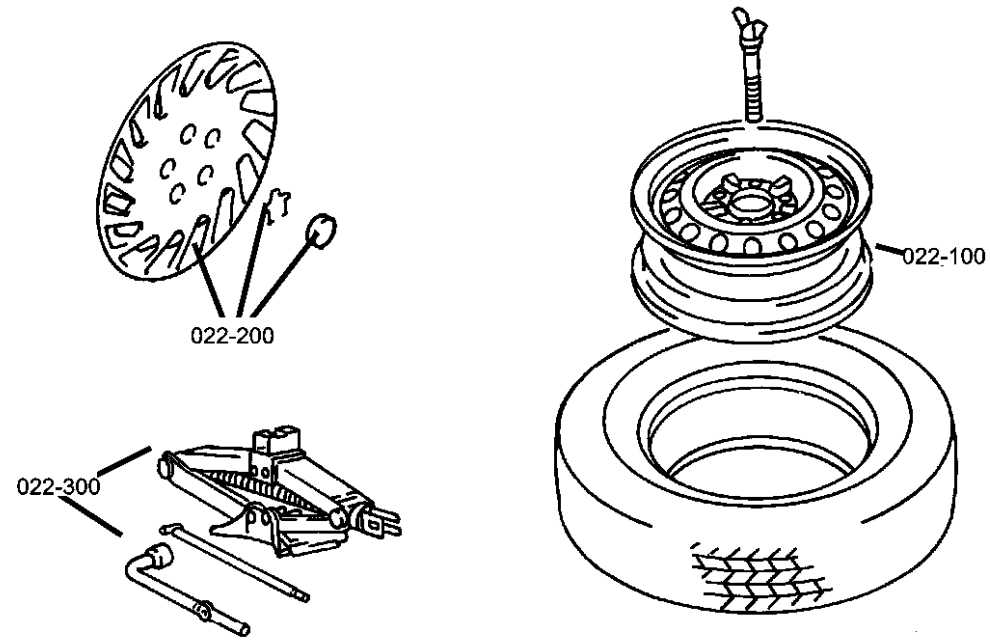
Wheels And Hardware.....Fig. 22 - 120


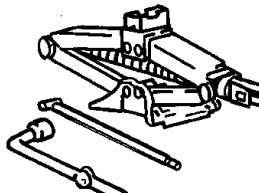
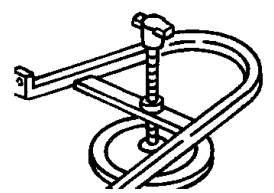
Jack Stowage

Jack and Stowage.....Fig. 22 - 340

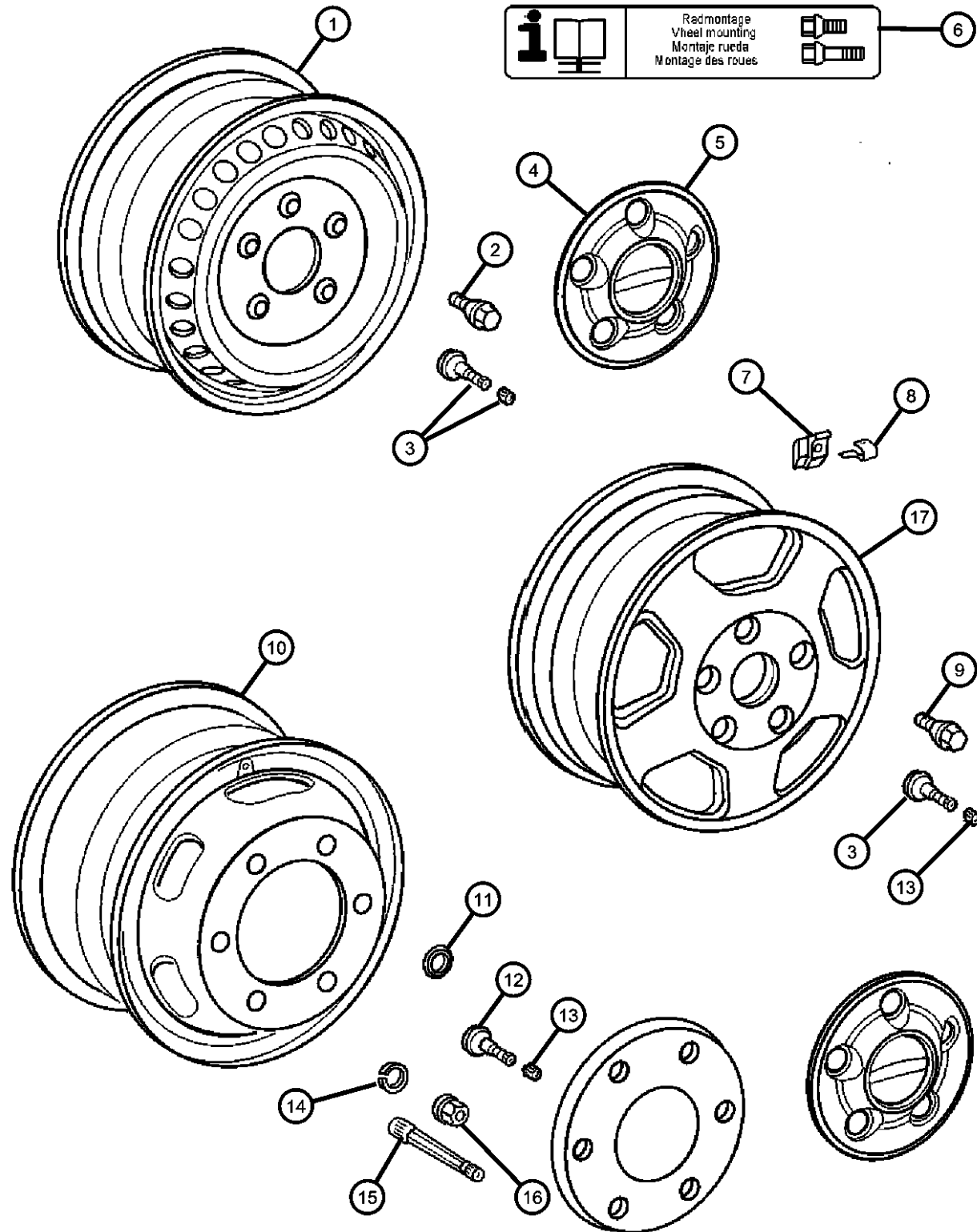
Spare Tire Stowage

Wheel, Spare.....Fig. 22 - 430



<p>022-100 Wheels and Hardware</p> 	<p>022-300 Jack Stowage</p> 	<p>022-400 Spare Tire Stowage</p> 	
---	--	---	--

Wheels And Hardware
Figure 22-120



ITEM	PART NUMBER	QTY	LINE	SERIES	BODY	ENGINE	TRANS	TRIM	DESCRIPTION
1	05104573AA	1	2, 6	L	11, 12, 14, 15, 16				WHEEL, Steel
		1	2, 6	L	51, 52, 54, 55, 56				
2	05104080AA	20	2, 6	L	11, 12, 14, 15, 16				BOLT
		20	2, 6	L	51, 52, 54, 55, 56				
3	05103629AA	2	2, 6	L	51, 52, 54, 55, 56				STEM, Wheel Valve
		2	2, 6	L	11, 12, 14, 15, 16				
4	05104571AA	4	2, 6	L	11, 12, 14, 15, 16				CAP, Wheel Center
		4	2, 6	L	51, 52, 54, 55, 56				
5	05104582AA	2	3, 7	L	12, 15, 16				HUB CAP, FRONT AXLE, SPRINTER LABEL
6	05129737AA	1	2, 6	L	51, 52, 54, 55, 56				
		1	2, 6	L	11, 12, 14, 15, 16				
7		1							WEIGHT, Balance, Perf Part, (NOT SERVICED)
8		1							BRACKET, (NOT SERVICED)
9	05104018AA	5	6	L	11, 12, 14, 15, 16				BOLT
		5	6	L	51, 52, 54, 55, 56				
10									WHEEL

SPRINTER (VA)

SERIES

L = LOWLINE

LINE

3 = HD DODGE 2WD
6 = Lt. Duty DODGE 4WD
2 = Med. Duty DODGE 2WD
7 = Med. Duty DODGE 4WD

BODY

01 = CHASSIS FORWARD CONTROL W.B.1
02 = CAB CHASSIS WHEEL BASE 2
06 = CAB CHASSIS WHEEL BASE 6
11 = VAN WHEEL BASE 1
12 = VAN WHEEL BASE 2
51 = WAGON WHEEL BASE 1
52 = WAGON WHEEL BASE 2
14 = VAN WHEEL BASE 4
15 = VAN WHEEL BASE 5
56 = WAGON WHEEL BASE 6
16 = VAN WHEEL BASE 6
54 = WAGON WHEEL BASE 4
55 = WAGON WHEEL BASE 5

ENGINE

EX9 = Engine-2.7L I5 Mercedes Turbo Diesel

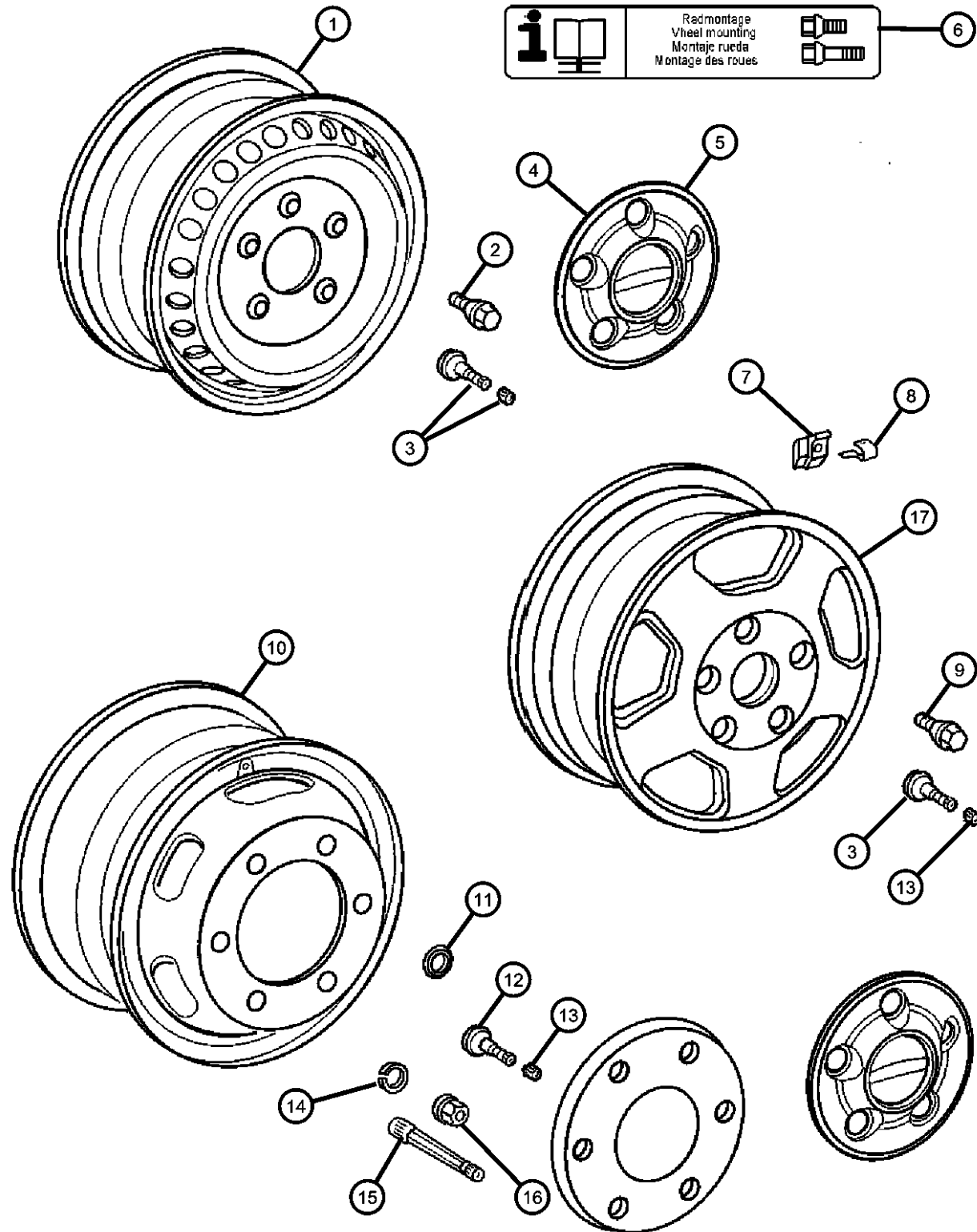
TRANSMISSION

DGJ = Transmission-5-Spd. Automatic, W5A580

AR = use ase required - = Non illustrated part

2002 VA

Wheels And Hardware
Figure 22-120



ITEM	PART NUMBER	QTY	LINE	SERIES	BODY	ENGINE	TRANS	TRIM	DESCRIPTION
	05104581AA	2	3, 7	L	12, 15, 16				[WCD] 15X5 Wheel
	05128911AA	1	2, 6	L	11, 12, 14, 15, 16				[WDG] 16' Wheel
		1	2, 6	L	51, 52, 54, 55, 56				[WDG] 16' Wheel
11	05103941AA	12	3, 7	L	12, 15, 16				SPHERICAL RING, DISC WHEEL TO REAR AXLE, SPRINTER
12	05103628AA	2	2, 6	L	11, 12, 14, 15, 16				STEM, Wheel Valve
		2	2, 6	L	51, 52, 54, 55, 56				
		2	3, 7	L	12, 15, 16				
13	05104630AA	2	2, 6	L	11, 12, 14, 15, 16				CAP, Valve stem
		2	2, 6	L	51, 52, 54, 55, 56				
		99	3, 7	L	12, 15, 16				
14	05104538AA	12	3, 7	L	12, 15, 16				LOCK WASHER, DISC WHEEL TO FRONT AXLE, SPRINTER
15	05118963AA	2	3, 7	L	12, 15, 16				STEM, Wheel Valve
16	05104651AA	12	3, 7	L	12, 15, 16				NUT
17	05128903AA	2	2, 6	L	11, 12, 14, 15, 16				WHEEL, Aluminum
		2	2, 6	L	51, 52, 54, 55, 56				

SPRINTER (VA)

SERIES
L = LOWLINE

LINE

3 = HD DODGE 2WD
6 = Lt. Duty DODGE 4WD
2 = Med. Duty DODGE 2WD
7 = Med. Duty DODGE 4WD

BODY

01 = CHASSIS FORWARD CONTROL W.B.1
02 = CAB CHASSIS WHEEL BASE 2
06 = CAB CHASSIS WHEEL BASE 6
11 = VAN WHEEL BASE 1
12 = VAN WHEEL BASE 2
51 = WAGON WHEEL BASE 1
52 = WAGON WHEEL BASE 2
14 = VAN WHEEL BASE 4
15 = VAN WHEEL BASE 5
56 = WAGON WHEEL BASE 6
16 = VAN WHEEL BASE 6
54 = WAGON WHEEL BASE 4
55 = WAGON WHEEL BASE 5

ENGINE

EX9 = Engine-2.7L I5
Mercedes Turbo Diesel

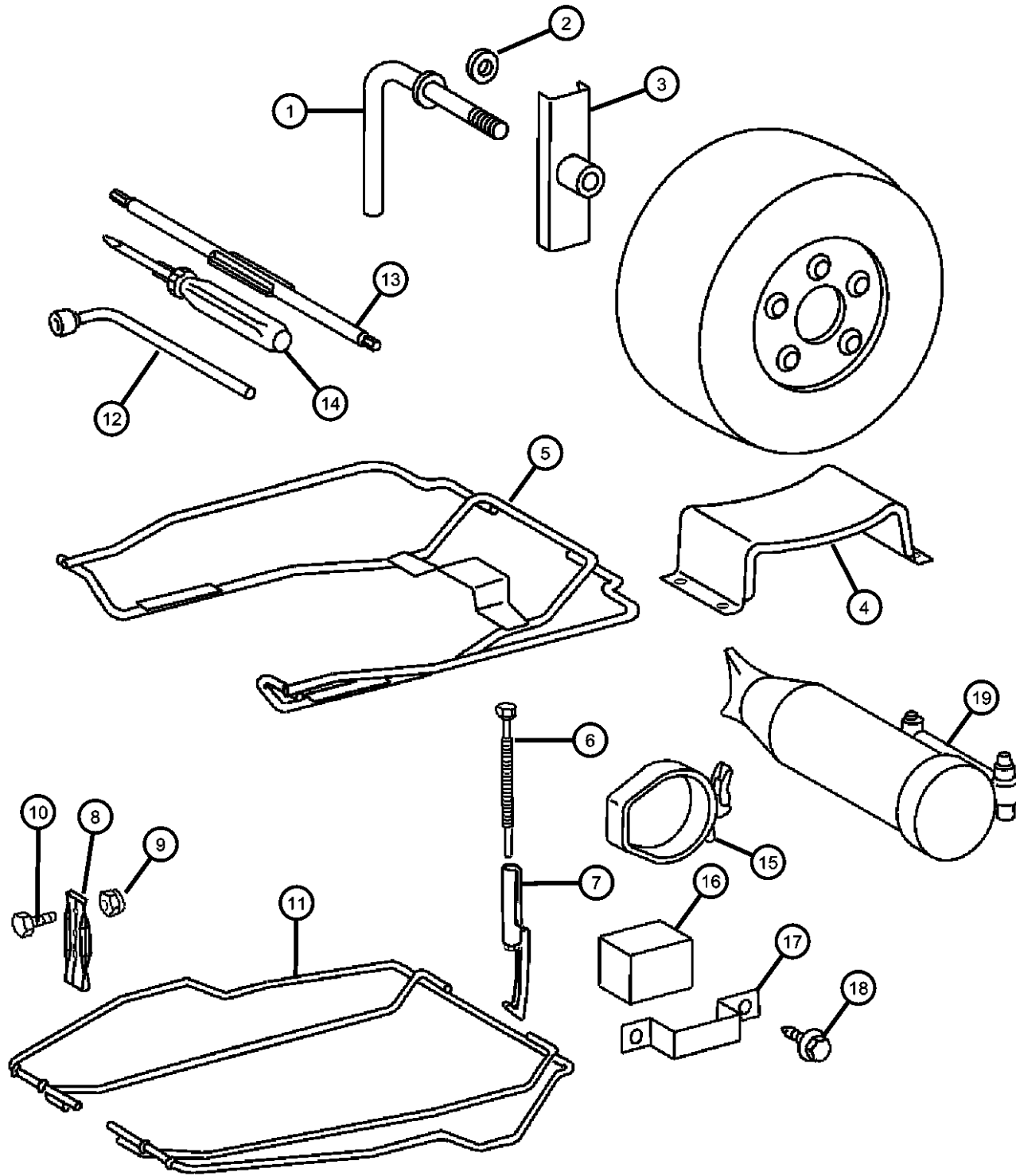
TRANSMISSION

DGJ = Transmission-5-Spd. Automatic, W5A580

AR = use ase required - = Non illustrated part

2002 VA

Jack and Stowage
Figure 22-340



ITEM	PART NUMBER	QTY	LINE	SERIES	BODY	ENGINE	TRANS	TRIM	DESCRIPTION
1	05104529AA	1	2, 6	L	11, 12, 14, 15, 16				SCREW, SPARE WHEEL TO BODY, SPRINTER
2	05126189AB	4	2, 6	L	11, 12, 14, 15, 16				WASHER, Flat
3	05104528AA	1	2, 6	L	11, 12, 14, 15, 16				BRACKET, SPARE WHEEL TO BODY, SPRINTER
4	05121441AA	1	2, 6	L	11, 12, 14, 15, 16				REST, Spare Tire
5	05104078AA	1	2, 6	L	11, 12, 14, 15, 16				SUPPORT, Spare Tire
6	05118911AA	1	3, 7	L	12, 15, 16				158 Inch Wheelbase
7	05118920AA	2	2, 6	L	11, 12, 14, 15, 16				HOOK, Spare Tire Attach
8	05104081AA	2	2, 6	L	11, 12, 14, 15, 16				PLATE, Spare Tire

SPRINTER (VA)

SERIES

L = LOWLINE
 3 = HD DODGE 2WD
 6 = Lt. Duty DODGE 4WD
 2 = Med. Duty DODGE 2WD
 7 = Med. Duty DODGE 4WD

BODY

01 = CHASSIS FORWARD CONTROL W.B.1
 02 = CAB CHASSIS WHEEL BASE 2
 06 = CAB CHASSIS WHEEL BASE 6
 11 = VAN WHEEL BASE 1
 12 = VAN WHEEL BASE 2
 51 = WAGON WHEEL BASE 1
 52 = WAGON WHEEL BASE 2
 14 = VAN WHEEL BASE 4
 15 = VAN WHEEL BASE 5
 56 = WAGON WHEEL BASE 6
 16 = VAN WHEEL BASE 6
 54 = WAGON WHEEL BASE 4
 55 = WAGON WHEEL BASE 5

ENGINE

EX9 = Engine-2.7L I5
 Mercedes Turbo Diesel

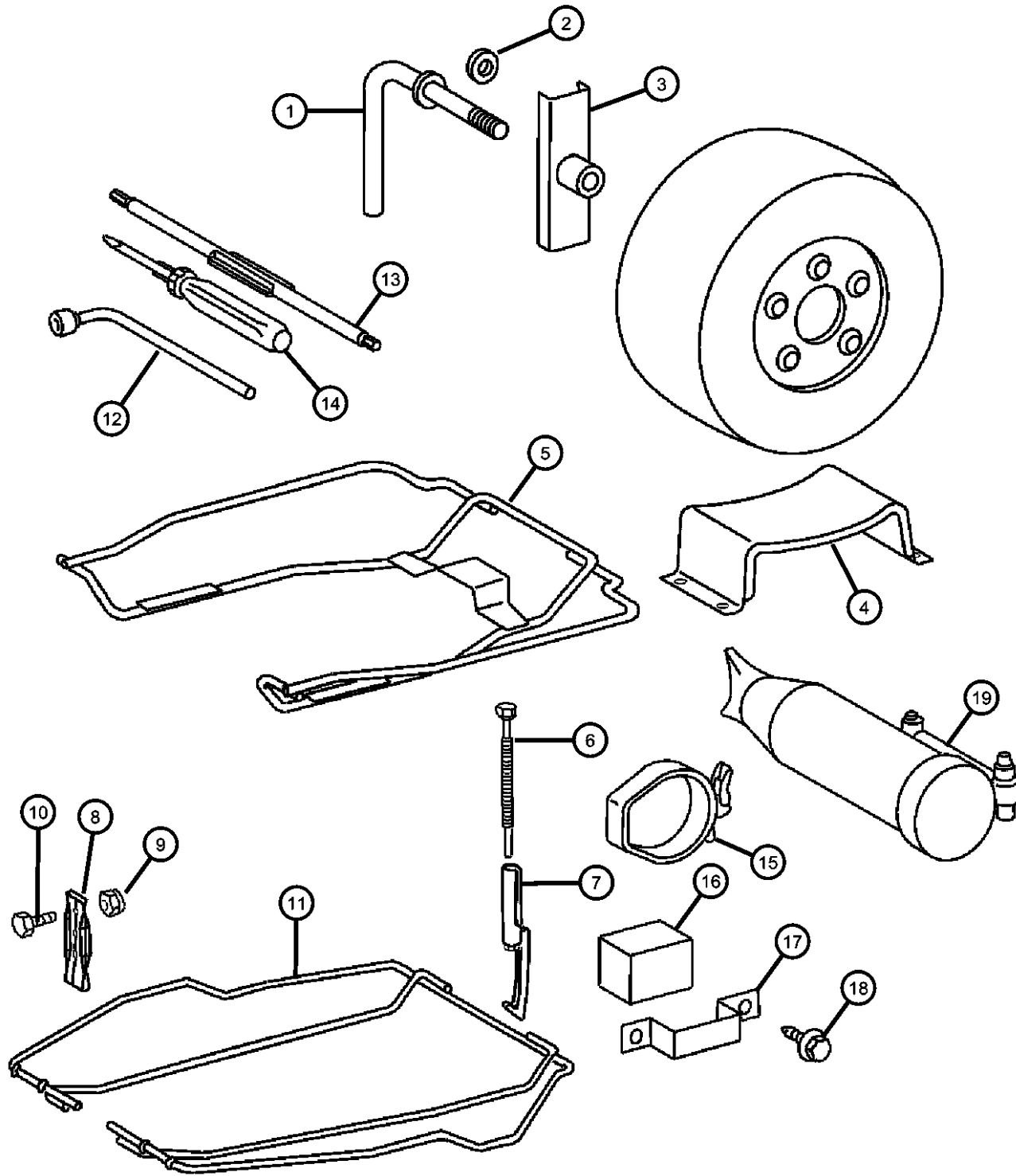
TRANSMISSION

DGJ = Transmission-5-Spd. Automatic, W5A580

AR = use ase required - = Non illustrated part

2002 VA

Jack and Stowage
Figure 22-340



ITEM	PART NUMBER	QTY	LINE	SERIES	BODY	ENGINE	TRANS	TRIM	DESCRIPTION
9	05119009AA	2	2, 6	L	51, 52, 54, 55, 56				NUT, Hex
	05126237AA	2	3, 7	L	12, 15, 16				
10	05126237AA	1	2, 6	L	11, 12, 14, 15, 16				BOLT
	05104655AA	1	3, 7	L	12, 15, 16				
11	05104655AA	1	2, 6	L	11, 12, 16, 14, 15				SUPPORT, Spare Tire
	05104077AA	1	2, 6	L	51, 52, 54, 55, 56				
12	05104077AA	1	2, 6	L	11, 12, 14, 15, 16				TOOL, Wrench
	05120992AA	1	2, 6	L	11, 12, 14, 15, 16				
	05120993AA	1	2, 6	L	51, 52, 54, 55, 56				
13	05120993AA	1	3, 7	L	12, 15, 16				TUBE, Spare Tire Winch
14	05120994AA	1	3, 7	L	12, 15, 16				SCREWDRIVER, (NOT SERVICED)
15	05125276AA	1	3, 7	L	12, 15, 16				BRACKET, Jack
16	05125276AA	1	3, 7	L	12, 15, 16				PAD, Jack
	05133292AA	1	2, 6	L	11, 12, 14, 15, 16				
		1	2, 6	L	51, 52, 54, 55, 56				

SPRINTER (VA)

SERIES

L = LOWLINE
 3 = HD DODGE 2WD
 6 = Lt. Duty DODGE 4WD
 2 = Med. Duty DODGE 2WD
 7 = Med. Duty DODGE 4WD

BODY

01 = CHASSIS FORWARD CONTROL W.B.1
 02 = CAB CHASSIS WHEEL BASE 2
 06 = CAB CHASSIS WHEEL BASE 6
 11 = VAN WHEEL BASE 1
 12 = VAN WHEEL BASE 2
 51 = WAGON WHEEL BASE 1
 52 = WAGON WHEEL BASE 2
 14 = VAN WHEEL BASE 4
 15 = VAN WHEEL BASE 5
 56 = WAGON WHEEL BASE 6
 16 = VAN WHEEL BASE 6
 54 = WAGON WHEEL BASE 4
 55 = WAGON WHEEL BASE 5

ENGINE

EX9 = Engine-2.7L I5
 Mercedes Turbo Diesel

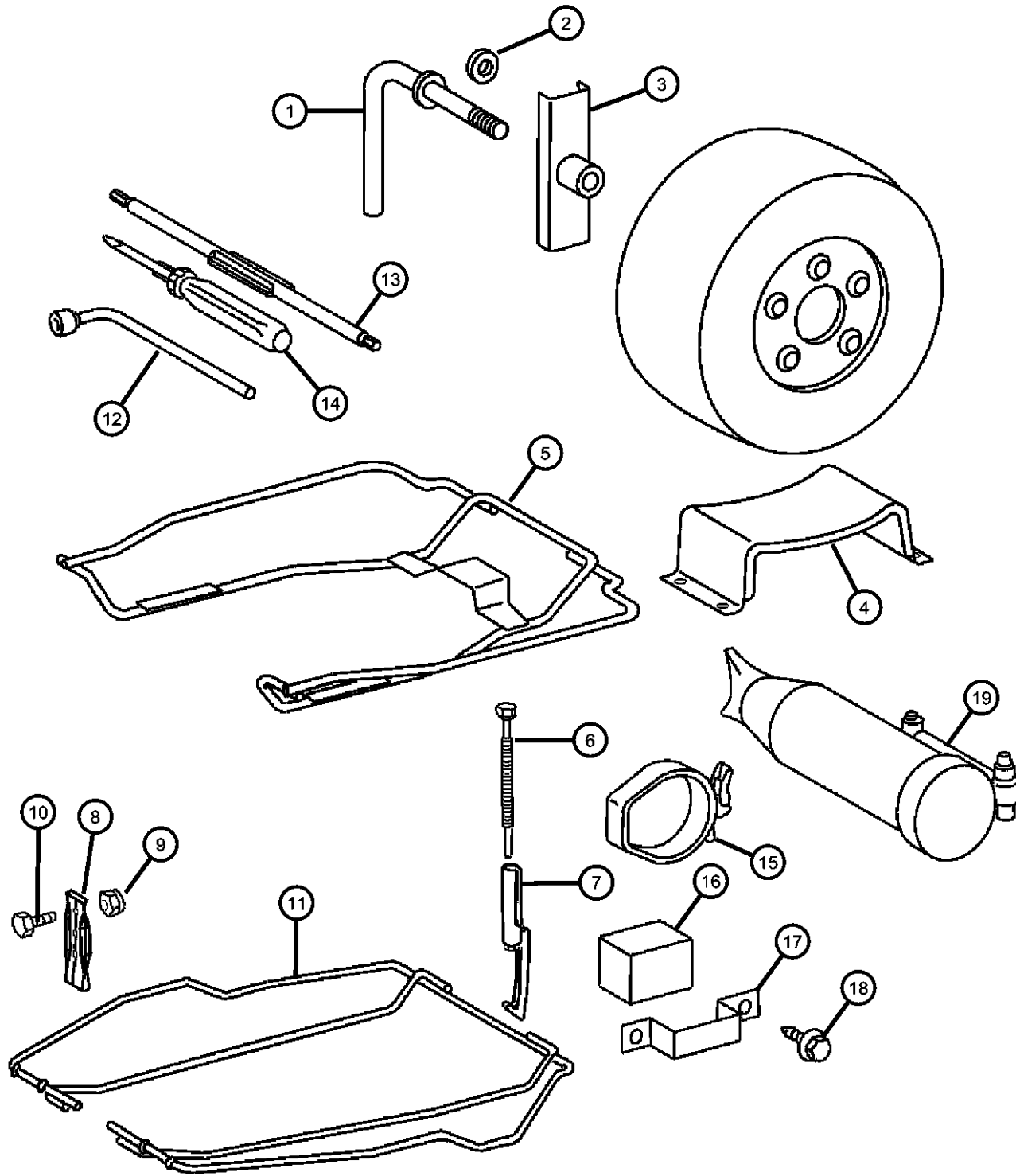
TRANSMISSION

DGJ = Transmission-5-Spd. Automatic, W5A580

AR = use ase required - = Non illustrated part

2002 VA

Jack and Stowage
Figure 22-340



ITEM	PART NUMBER	QTY	LINE	SERIES	BODY	ENGINE	TRANS	TRIM	DESCRIPTION
17		1	3, 7	L	12, 15, 16				BRACKET, Jack
	05133293AA	1	2, 6	L	12, 14, 15, 16, 11				
		1	2, 6	L	51, 52, 54, 55, 56				
		1	3, 7	L	12, 15, 16				
18		2	2, 6	L	11, 12, 14, 15, 16				SCREW, Self-Tapping
	05133295AA	2	2, 6	L	51, 52, 54, 55, 56				
		2	3, 7	L	12, 15, 16				
19		1	3, 7	L	12, 15, 16				JACK [WDG]
	05120987AA	1	3, 7	L	12, 15, 16				Hydraulic
	05104587AA	1	3, 7	L	12, 15, 16				

SPRINTER (VA)

SERIES

L = LOWLINE

LINE

3 = HD DODGE 2WD
6 = Lt. Duty DODGE 4WD
2 = Med. Duty DODGE 2WD
7 = Med. Duty DODGE 4WD

BODY

01 = CHASSIS FORWARD CONTROL W.B.1
02 = CAB CHASSIS WHEEL BASE 2
06 = CAB CHASSIS WHEEL BASE 6
11 = VAN WHEEL BASE 1
12 = VAN WHEEL BASE 2
51 = WAGON WHEEL BASE 1
52 = WAGON WHEEL BASE 2
14 = VAN WHEEL BASE 4
15 = VAN WHEEL BASE 5
56 = WAGON WHEEL BASE 6
16 = VAN WHEEL BASE 6
54 = WAGON WHEEL BASE 4
55 = WAGON WHEEL BASE 5

ENGINE

EX9 = Engine-2.7L I5 Mercedes Turbo Diesel

TRANSMISSION

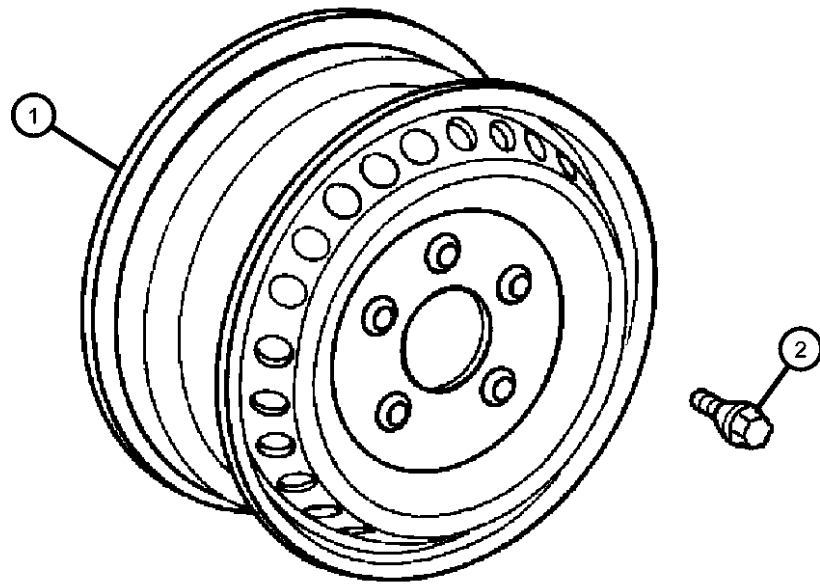
DGJ = Transmission-5-Spd. Automatic, W5A580

AR = use ase required - = Non illustrated part

2002 VA

Wheel, Spare
Figure 22-430

ITEM	PART NUMBER	QTY	LINE	SERIES	BODY	ENGINE	TRANS	TRIM	DESCRIPTION
1	05104573AA	1	2, 6	L	11, 12, 14, 15, 16				WHEEL, Steel
		1	2, 6	L	51, 52, 54, 55, 56				
2	05104080AA	20	2, 6	L	11, 12, 14, 15, 16				BOLT
		20	2, 6	L	51, 52, 54, 55, 56				



SPRINTER (VA)

SERIES

L = LOWLINE

LINE

3 = HD DODGE 2WD
6 = Lt. Duty DODGE 4WD
2 = Med. Duty DODGE 2WD
7 = Med. Duty DODGE 4WD

BODY

01 = CHASSIS FORWARD CONTROL W.B.1
02 = CAB CHASSIS WHEEL BASE 2
06 = CAB CHASSIS WHEEL BASE 6
11 = VAN WHEEL BASE 1
12 = VAN WHEEL BASE 2
51 = WAGON WHEEL BASE 1
52 = WAGON WHEEL BASE 2
14 = VAN WHEEL BASE 4
15 = VAN WHEEL BASE 5
56 = WAGON WHEEL BASE 6
16 = VAN WHEEL BASE 6
54 = WAGON WHEEL BASE 4
55 = WAGON WHEEL BASE 5

ENGINE

EX9 = Engine-2.7L I5
Mercedes Turbo Diesel

TRANSMISSION

DGJ = Transmission-5-Spd. Automatic, W5A580

Group - 23D

Wiper/Lock Cylinder and Keys

Group - 23D Wiper/Lock Cylinder and Keys

Illustration Title

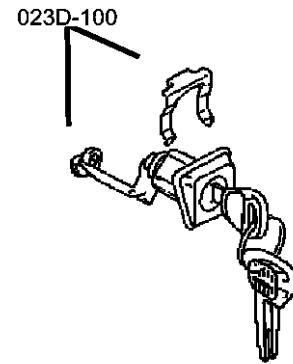
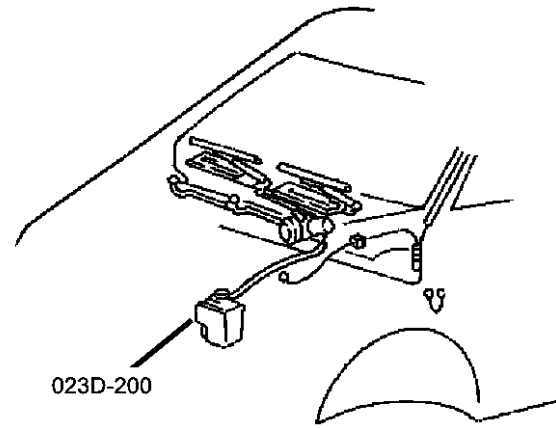
Group-Fig. No.

Lock Cylinders and Keys

Lock Cylinders & ComponentsFig. 23D - 105

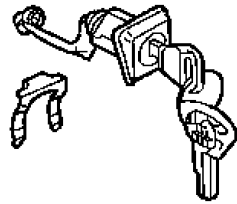
Windshield Wiper and Washer Systems

Windshield Wiper & Washer.....Fig. 23D - 205



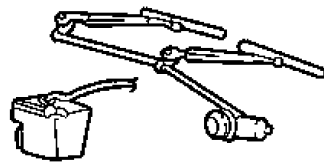
23D-100

Lock Cylinders and Keys



23D-200

Windshield Wiper and Washer Systems



Lock Cylinders & Components
Figure 23D-105

	ITEM	PART NUMBER	QTY	LINE	SERIES	BODY	ENGINE	TRANS	TRIM	DESCRIPTION
	1	05125248AA	1	2, 6		51, 52, 54, 55, 56				LOCK, Door Without Transmitter
			1	3, 7		12, 15, 16				Without Transmitter
			1	2, 6		11, 12, 14, 15, 16				Without Transmitter
	2	05125260AA	1	2, 6		11, 12, 14, 15, 16				LOCK, Door With transmitter
			1	2, 6		51, 52, 54, 55, 56				With transmitter
			1	3, 7		12, 15, 16				With transmitter
	3	05120822AA	1	2, 6		11, 12, 14, 15, 16				WSP CONTROL UNIT, Remote Control Key
			1	2, 6		51, 52, 54, 55, 56				
			1	3, 7		12, 15, 16				
		05120824AA	1	2, 6		11, 12, 14, 15, 16				[JPB]
			1	2, 6		51, 52, 54, 55, 56				[JPB]
			1	3, 7		12, 15, 16				[JPB]
	4	05126268AA	2	2, 6		51, 52, 54, 55, 56				BOLT, Door
			2	3, 7		12, 15, 16				
			2	2, 6		11, 12, 14, 15, 16				
	5	05114365AA	1	2, 6		11, 12, 14, 15, 16				CYLINDER, Ignition Lock
			1	2, 6		51, 52, 54, 55, 56				

SPRINTER (VA)

SERIES

L = LOWLINE
 3 = HD DODGE 2WD
 6 = Lt. Duty DODGE 4WD
 2 = Med. Duty DODGE 2WD
 7 = Med. Duty DODGE 4WD

BODY

01 = CHASSIS FORWARD
 CONTROL W.B.1
 02 = CAB CHASSIS WHEEL
 BASE 2
 06 = CAB CHASSIS WHEEL
 BASE 6
 11 = VAN WHEEL BASE 1
 12 = VAN WHEEL BASE 2
 51 = WAGON WHEEL BASE 1
 52 = WAGON WHEEL BASE 2
 14 = VAN WHEEL BASE 4
 15 = VAN WHEEL BASE 5
 56 = WAGON WHEEL BASE 6
 16 = VAN WHEEL BASE 6
 54 = WAGON WHEEL BASE 4
 55 = WAGON WHEEL BASE 5

ENGINE

EX9 = Engine-2.7L I5
 Mercedes Turbo Diesel

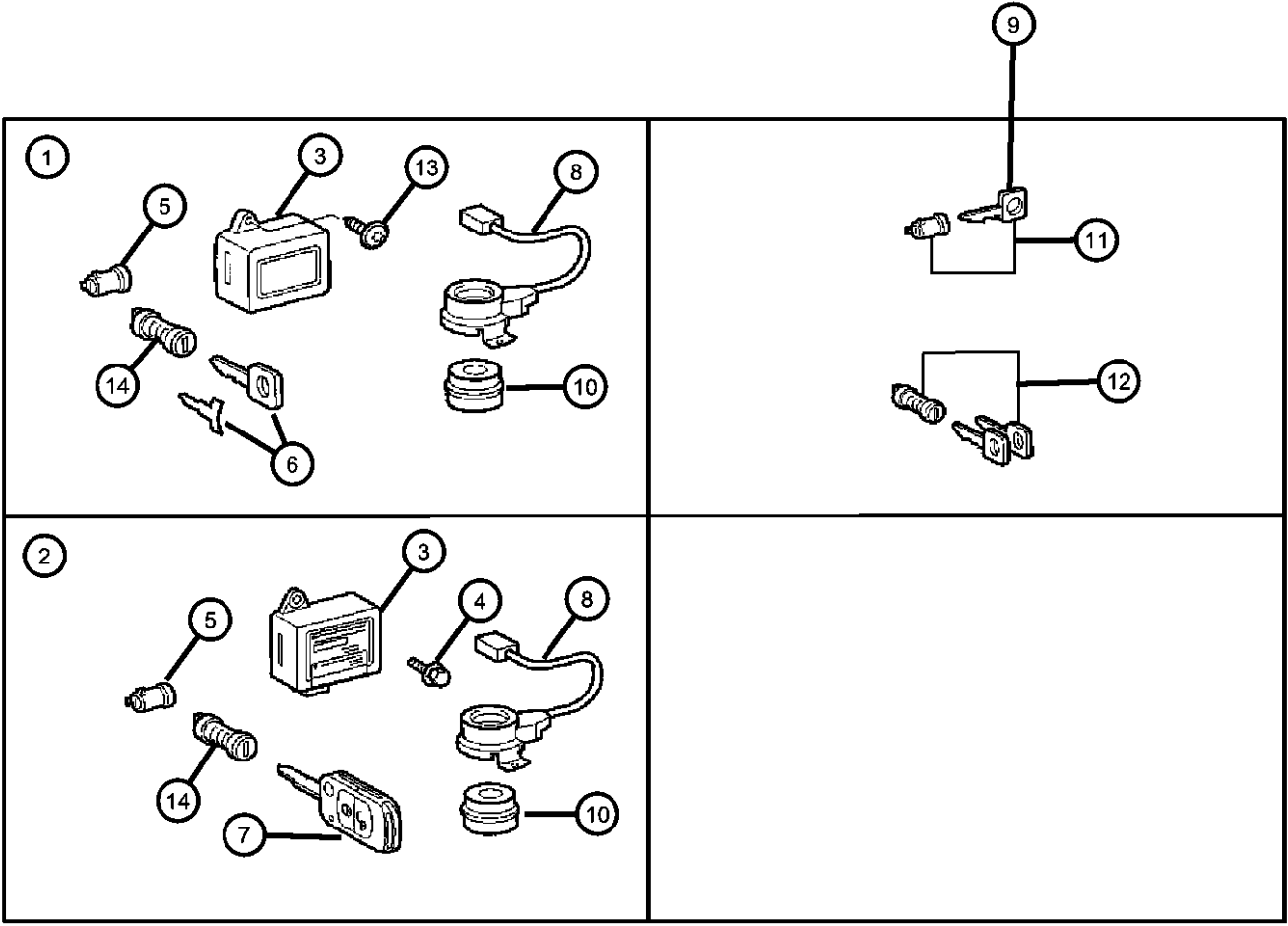
TRANSMISSION

DGJ = Transmission-5-Spd.
 Automatic, W5A580

AR = use ase required - = Non illustrated part

Lock Cylinders & Components
Figure 23D-105

ITEM	PART NUMBER	QTY	LINE	SERIES	BODY	ENGINE	TRANS	TRIM	DESCRIPTION
		1	3, 7		12, 15, 16				
6									KEY
	05114362AA	2	2, 6		11, 12, 14, 15, 16				Replacement Blade Only For Remote Key Sales Code [JPB]
	05114363AA	1	2, 6		11, 12, 14, 15, 16				Key With No Remote WithOut Sales Code [GXY] Or [JPB]. Can Be Used As A Spare For Sales Code [JPB]
		1	3, 7		12, 15, 16				Key With No Remote WithOut Sales Code [GXY] Or [JPB]. Can Be Used As A Spare For Sales Code [JPB]
		2	2, 6		51, 52, 54, 55, 56				Replacement Blade Only For Remote Key Sales Code [JPB]
		2	3, 7		12, 15, 16				Replacement Blade Only For Remote Key Sales Code [JPB]
		1	2, 6		51, 52, 54, 55, 56				Key With No Remote WithOut Sales Code [GXY] Or [JPB]. Can Be Used As A Spare For Sales Code [JPB]
7									KEY, Remote Control Complete
	05114361AA	2	2, 6		11, 12, 14, 15, 16				Remote Key With Blade For Sales Code [JPB] Only
		2	2, 6		51, 52, 54, 55, 56				Remote Key With Blade For Sales Code [JPB] Only
		2	3, 7		12, 15, 16				Remote Key With Blade For Sales Code [JPB] Only
8									TRANSPONDER, Steering Wheel
	05120812AA	1	2, 6		11, 12, 14, 15, 16				
		1	3, 7		12, 15, 16				
		1	2, 6		51, 52, 54, 55, 56				
9	05127746AA	1							KEY, Blank, For Ups Vechiles Only
10									RING



SPRINTER (VA)

SERIES	LINE	BODY	ENGINE	TRANSMISSION
L = LOWLINE	3 = HD DODGE 2WD 6 = Lt. Duty DODGE 4WD 2 = Med. Duty DODGE 2WD 7 = Med. Duty DODGE 4WD	01 = CHASSIS FORWARD CONTROL W.B.1 02 = CAB CHASSIS WHEEL BASE 2 06 = CAB CHASSIS WHEEL BASE 6 11 = VAN WHEEL BASE 1 12 = VAN WHEEL BASE 2 51 = WAGON WHEEL BASE 1 52 = WAGON WHEEL BASE 2 14 = VAN WHEEL BASE 4 15 = VAN WHEEL BASE 5 56 = WAGON WHEEL BASE 6 16 = VAN WHEEL BASE 6 54 = WAGON WHEEL BASE 4 55 = WAGON WHEEL BASE 5	EX9 = Engine-2.7L I5 Mercedes Turbo Diesel	DGJ = Transmission-5-Spd. Automatic, W5A580

AR = use ase required - = Non illustrated part

Lock Cylinders & Components
Figure 23D-105

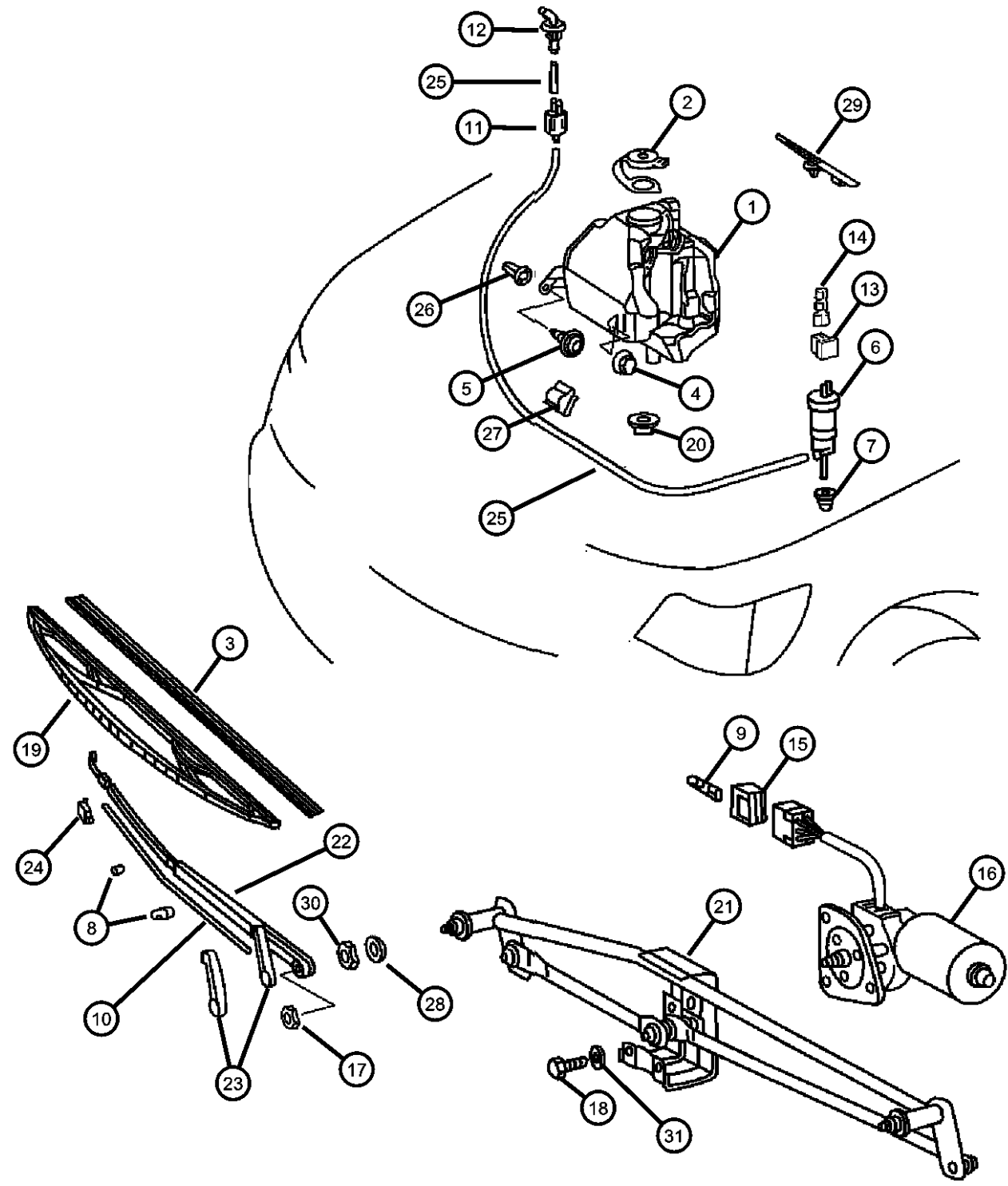
	ITEM	PART NUMBER	QTY	LINE	SERIES	BODY	ENGINE	TRANS	TRIM	DESCRIPTION	
		05104593AA	1	2, 6		51, 52, 54, 55, 56					
			1	3, 7		12, 15, 16					
			1	2, 6		11, 12, 14, 15, 16				CYLINDER, Ignition Lock	
		11	05104095AA	1	2, 6		11, 12, 14, 15, 16				
				1	2, 6		51, 52, 54, 55, 56				
				1	3, 7		12, 15, 16				CYLINDER, Door Lock
		12	05133521AA	1	2, 6		11, 12, 14, 15, 16				
				1	3, 7		12, 15, 16				
				1	6, 2		51, 52, 54, 55, 56				SCREW, Tapping
		13	06104574AA	2	2, 6		11, 12, 14, 15, 16				
				2	2, 6		51, 52, 54, 55, 56				
				2	3, 7		12, 15, 16				
		14	05114364AA	1	2, 6		11, 12, 14, 15, 16				CYLINDER, Door Lock
				1	2, 6		51, 52, 54, 55, 56				
			1	3, 7		12, 15, 16					

SPRINTER (VA)

SERIES	LINE	BODY	ENGINE	TRANSMISSION
L = LOWLINE	3 = HD DODGE 2WD 6 = Lt. Duty DODGE 4WD 2 = Med. Duty DODGE 2WD 7 = Med. Duty DODGE 4WD	01 = CHASSIS FORWARD CONTROL W.B.1 02 = CAB CHASSIS WHEEL BASE 2 06 = CAB CHASSIS WHEEL BASE 6 11 = VAN WHEEL BASE 1 12 = VAN WHEEL BASE 2 51 = WAGON WHEEL BASE 1 52 = WAGON WHEEL BASE 2 14 = VAN WHEEL BASE 4 15 = VAN WHEEL BASE 5 56 = WAGON WHEEL BASE 6 16 = VAN WHEEL BASE 6 54 = WAGON WHEEL BASE 4 55 = WAGON WHEEL BASE 5	EX9 = Engine-2.7L I5 Mercedes Turbo Diesel	DGJ = Transmission-5-Spd. Automatic, W5A580

AR = use ase required - = Non illustrated part

**Windshield Wiper & Washer
Figure 23D-205**

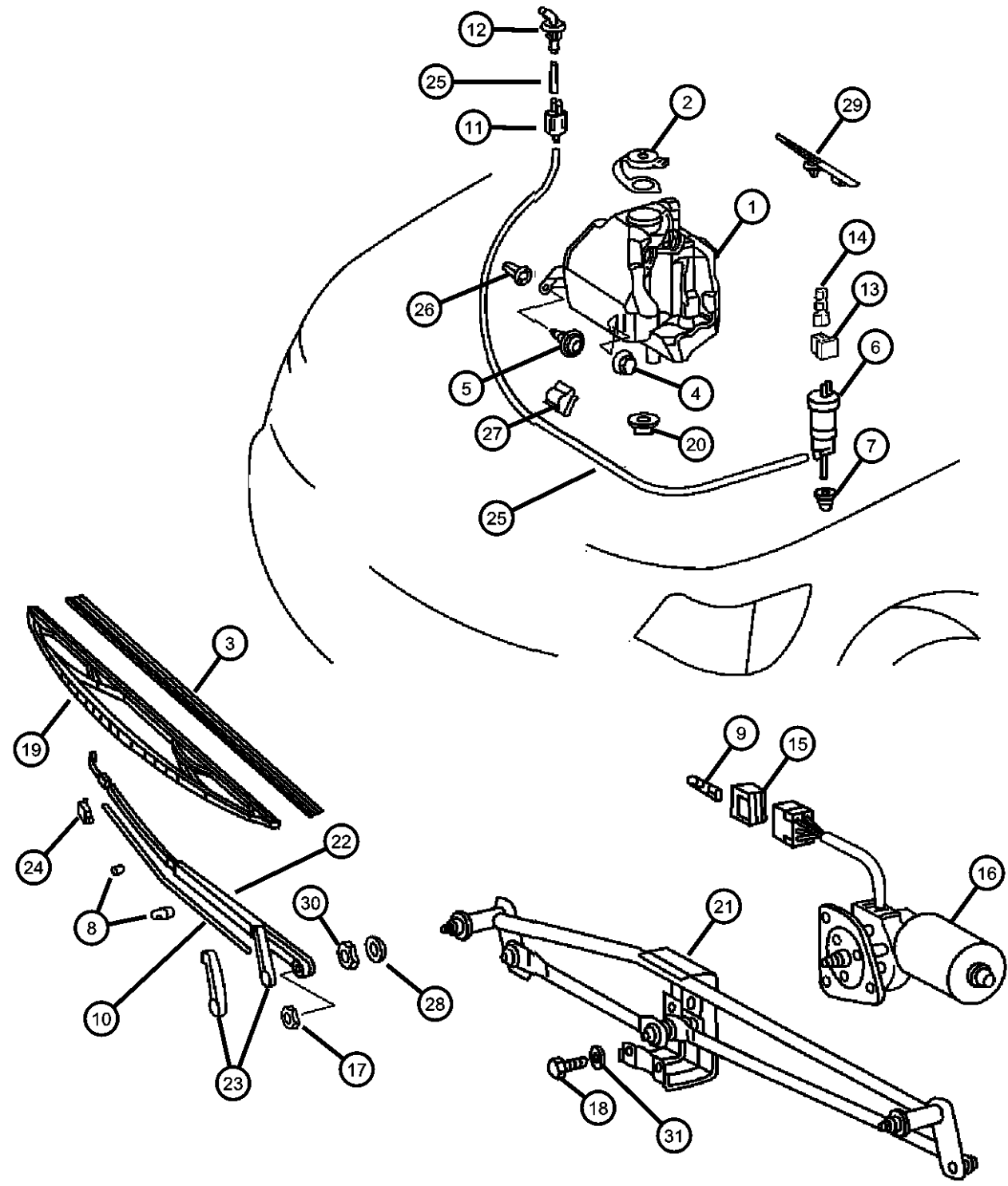


ITEM	PART NUMBER	QTY	LINE	SERIES	BODY	ENGINE	TRANS	TRIM	DESCRIPTION
1	05104503AA	1	2, 6		11, 12, 14, 15, 16				RESERVOIR, Washer
2	05125059AA	1	2, 6		11, 12, 14, 15, 16				CAP, Washer Reservoir
3	0513392AA	1	2, 6		11, 12, 14, 15, 16				REFILL, Wiper Blade
	WBW00024AD								Mopar Alternative Winter Wiper Blades
	WBW00022AD								Mopar Alternative Winter Wiper Blades
	WB000024AE								Mopar V-Line Alternative Part
	WB000022AE								Mopar V-Line Alternative Part
	WBW00024AD	1	2, 6		51, 52, 54, 55, 56				Mopar Alternative Winter Wiper Blades
	WBW00022AD								Mopar Alternative Winter Wiper Blades
	WB000024AE								Mopar V-Line Alternative Part
	WB000022AE								Mopar V-Line Alternative Part
	WBW00024AD	1	3, 7		12, 15, 16				Mopar Alternative Winter Wiper Blades
	WBW00022AD								Mopar Alternative Winter Wiper Blades
	WB000024AE								Mopar V-Line Alternative Part

SPRINTER (VA)
 SERIES LINE BODY ENGINE TRANSMISSION
 L = LOWLINE 3 = HD DODGE 2WD 01 = CHASSIS FORWARD CONTROL W.B.1 EX9 = Engine-2.7L I5 Mercedes Turbo Diesel DGJ = Transmission-5-Spd. Automatic, W5A580
 6 = Lt. Duty DODGE 4WD 02 = CAB CHASSIS WHEEL BASE 2
 2 = Med. Duty DODGE 2WD 06 = CAB CHASSIS WHEEL BASE 6
 7 = Med. Duty DODGE 4WD 11 = VAN WHEEL BASE 1
 12 = VAN WHEEL BASE 2
 51 = WAGON WHEEL BASE 1
 52 = WAGON WHEEL BASE 2
 14 = VAN WHEEL BASE 4
 15 = VAN WHEEL BASE 5
 56 = WAGON WHEEL BASE 6
 16 = VAN WHEEL BASE 6
 54 = WAGON WHEEL BASE 4
 55 = WAGON WHEEL BASE 5

AR = use ase required - = Non illustrated part

**Windshield Wiper & Washer
Figure 23D-205**



ITEM	PART NUMBER	QTY	LINE	SERIES	BODY	ENGINE	TRANS	TRIM	DESCRIPTION
	WB000022AE								Mopar V-Line Alternative Part
4									NUT, Hex, M6
	05096978AA	3	2, 6		11, 12, 14, 15, 16				Reservoir Attach
		3	2, 6		51, 52, 54, 55, 56				Reservoir Attach
		1	3, 7		12, 15, 16				Reservoir Attach
5									SCREW
	06104582AA	4	2, 6		51, 52, 54, 55, 56				Reservoir Attach
		4	3, 7		12, 15, 16				Reservoir Attach
		2	2, 6		11, 12, 14, 15, 16				Reservoir Attach
6									PUMP, Washer, Windshield
	05103700AA	1	2, 6		11, 12, 14, 15, 16				Stamp nbr A0008603326
		1	2, 6		56, 51, 52, 54, 55				Stamp nbr A0008603326
		1	3, 7		12, 15, 16				Stamp nbr A0008603326
	05124954AA	1	2, 6		11, 12, 14, 15, 16				Stamp nbr. A0008604826
		1	2, 6		51, 52, 54, 55, 56				Stamp nbr. A0008604826
		1	3, 7		12, 15, 16				Stamp nbr. A0008604826
7									GROMMET, Windshield Washer Pump
	05125077AA	1	2, 6		51, 52, 54, 55, 56				
		1	3, 7		12, 15, 16				
		1	2, 6		11, 12, 14, 15, 16				
8									CLIP, Washer Hose
	05133994AA	1	2, 6		11, 12, 14, 15, 16				Upper Arm

SPRINTER (VA)
 SERIES
 L = LOWLINE

LINE
 3 = HD DODGE 2WD
 6 = Lt. Duty DODGE 4WD
 2 = Med. Duty DODGE 2WD
 7 = Med. Duty DODGE 4WD

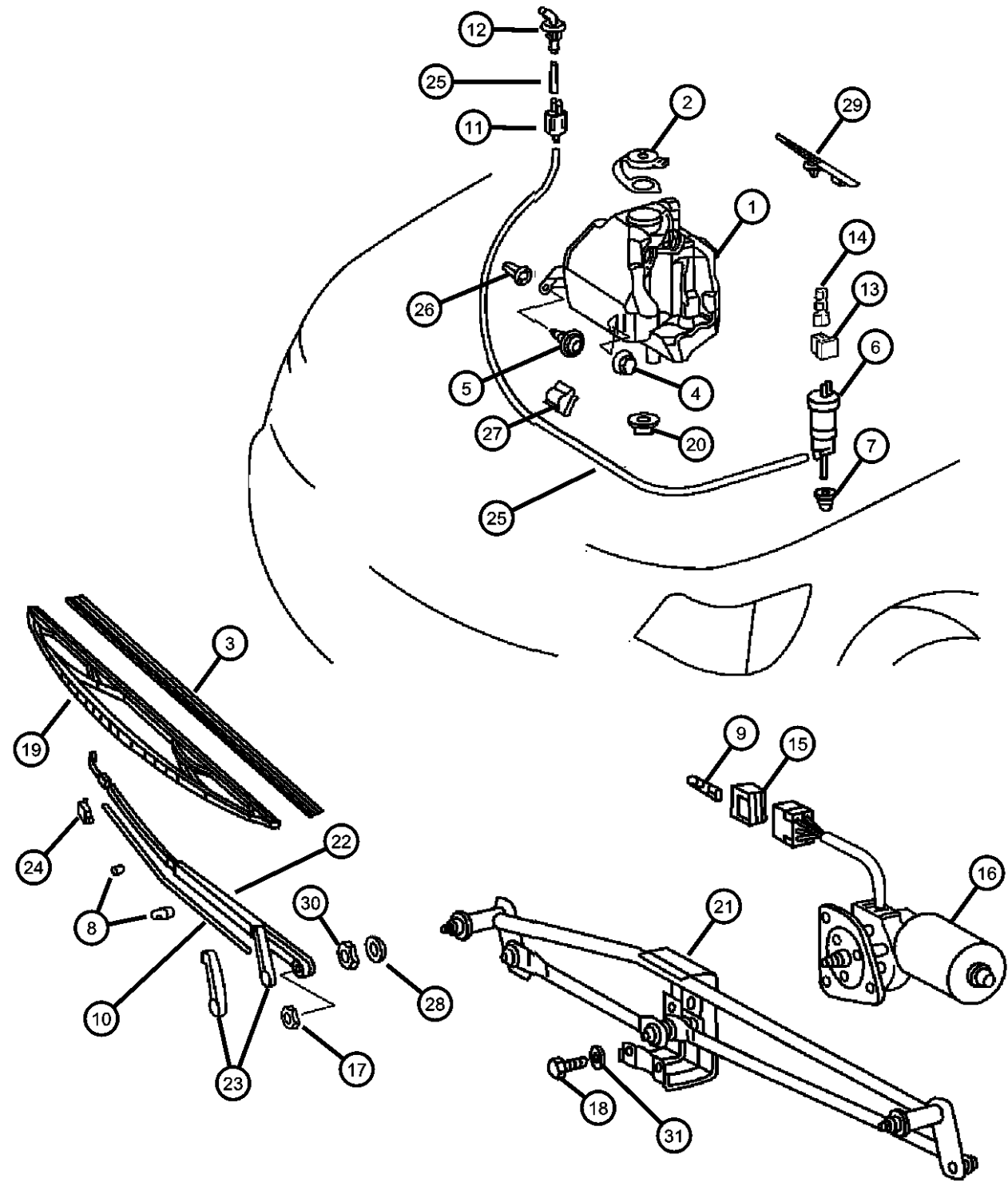
BODY
 01 = CHASSIS FORWARD CONTROL W.B.1
 02 = CAB CHASSIS WHEEL BASE 2
 06 = CAB CHASSIS WHEEL BASE 6
 11 = VAN WHEEL BASE 1
 12 = VAN WHEEL BASE 2
 51 = WAGON WHEEL BASE 1
 52 = WAGON WHEEL BASE 2
 14 = VAN WHEEL BASE 4
 15 = VAN WHEEL BASE 5
 56 = WAGON WHEEL BASE 6
 16 = VAN WHEEL BASE 6
 54 = WAGON WHEEL BASE 4
 55 = WAGON WHEEL BASE 5

ENGINE
 EX9 = Engine-2.7L I5
 Mercedes Turbo Diesel

TRANSMISSION
 DGJ = Transmission-5-Spd. Automatic, W5A580

AR = use ase required - = Non illustrated part

**Windshield Wiper & Washer
Figure 23D-205**

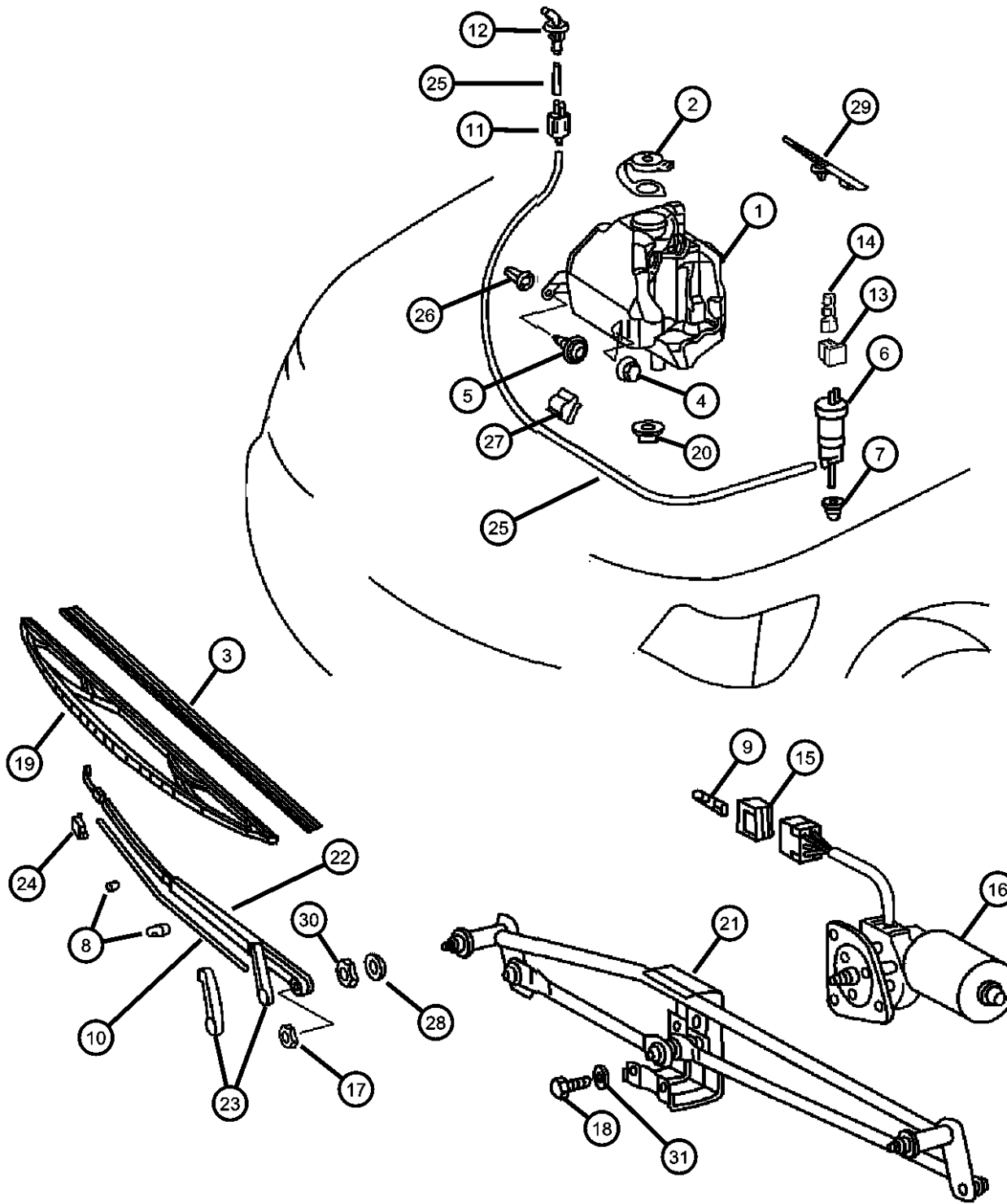


ITEM	PART NUMBER	QTY	LINE	SERIES	BODY	ENGINE	TRANS	TRIM	DESCRIPTION
		1	2, 6		51, 52, 54, 55, 56				Upper Arm
		1	3, 7		12, 15, 16				Upper Arm
9									TERMINAL, Female
	05133394AA	1	3, 7		12, 15, 16				
	05133395AA	99	2, 6		11, 12, 14, 15, 16				
		99	2, 6		51, 52, 54, 55, 56				
10									HOSE, Windshield Washer
	05133993AA	900	2, 6		11, 12, 14, 15, 16				5 Meters Long
		900	2, 6		51, 52, 54, 55, 56				5 Meters Long
		900	3, 7		12, 15, 16				5 Meters Long
11									CHECK VALVE, Washer
	05124963AA	1	2, 6		11, 12, 14, 15, 16				
		1	2, 6		51, 52, 54, 55, 56				
		1	3, 7		12, 15, 16				
12									CONNECTOR, Washer Hose, Elbow Type
	05125061AA	2	2, 6		11, 12, 14, 15, 16				
		2	2, 6		51, 52, 54, 55, 56				
		2	3, 7		12, 15, 16				
13									INSULATOR, 2 Way Female
	05103754AA	1	2, 6		54, 55, 56, 51, 52				
		1	3, 7		12, 15, 16				
		1	2, 6		11, 12, 14, 15, 16				

SPRINTER (VA)
 SERIES LINE BODY ENGINE TRANSMISSION
 L = LOWLINE 3 = HD DODGE 2WD 01 = CHASSIS FORWARD CONTROL W.B.1 EX9 = Engine-2.7L I5 Mercedes Turbo Diesel DGJ = Transmission-5-Spd. Automatic, W5A580
 6 = Lt. Duty DODGE 4WD 02 = CAB CHASSIS WHEEL BASE 2
 2 = Med. Duty DODGE 2WD 06 = CAB CHASSIS WHEEL BASE 6
 7 = Med. Duty DODGE 4WD 11 = VAN WHEEL BASE 1
 12 = VAN WHEEL BASE 2
 51 = WAGON WHEEL BASE 1
 52 = WAGON WHEEL BASE 2
 14 = VAN WHEEL BASE 4
 15 = VAN WHEEL BASE 5
 56 = WAGON WHEEL BASE 6
 16 = VAN WHEEL BASE 6
 54 = WAGON WHEEL BASE 4
 55 = WAGON WHEEL BASE 5

AR = use ase required - = Non illustrated part

**Windshield Wiper & Washer
Figure 23D-205**

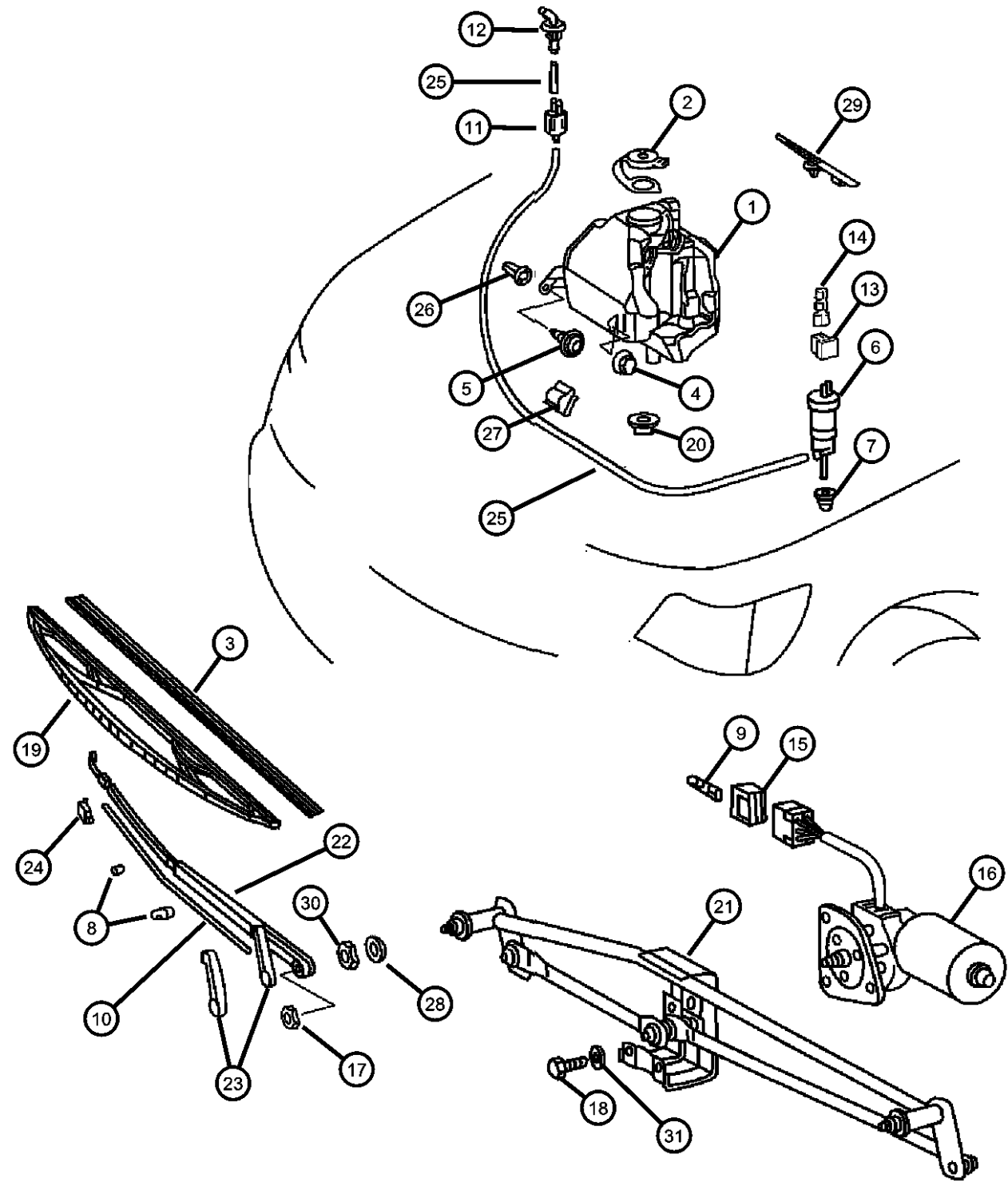


ITEM	PART NUMBER	QTY	LINE	SERIES	BODY	ENGINE	TRANS	TRIM	DESCRIPTION
14									TERMINAL, Female
	05114451AA	99	2, 6		11, 12, 14, 15, 16				
		99	2, 6		51, 52, 54, 55, 56				
		99	3, 7		12, 15, 16				
15	05103561AA	1	7, 2, 3, 6						MOTOR, Wiper
16	05103870AA	1	2, 6		11, 12, 14, 15, 16				CONNECTOR
		1	2, 6		51, 52, 54, 55, 56				
		1	3, 7		12, 15, 16				
17									NUT, M8
	06104709AA	1	2, 6		11, 12, 14, 15, 16				Wiper Arm to Bearing
		1	2, 6		51, 52, 54, 55, 56				Wiper Arm to Bearing
		1	3, 7		12, 15, 16				Wiper Arm to Bearing
18									SCREW
	06104179AA	1	2, 6		11, 12, 14, 15, 16				
		1	2, 6		51, 52, 54, 55, 56				
		1	3, 7		15, 16, 12				
19									WIPER BLADE
	05103543AA	1	2, 6		11, 12, 14, 15, 16				Passenger Side
	WBW00022AD								Mopar Alternative Winter Wiper Blades
	WB000022AE	1	2, 6		51, 52, 54, 55, 56				Mopar V-Line Alternative Part Passenger Side

SPRINTER (VA)		BODY		ENGINE		TRANSMISSION	
SERIES	LINE	01 = CHASSIS FORWARD CONTROL W.B.1		EX9 = Engine-2.7L I5		DGJ = Transmission-5-Spd.	
L = LOWLINE	3 = HD DODGE 2WD	02 = CAB CHASSIS WHEEL BASE 2		Mercedes Turbo Diesel		Automatic,W5A580	
	6 = Lt. Duty DODGE 4WD	06 = CAB CHASSIS WHEEL BASE 6					
	2 = Med. Duty DODGE 2WD	11 = VAN WHEEL BASE 1					
	7 = Med. Duty DODGE 4WD	12 = VAN WHEEL BASE 2					
		51 = WAGON WHEEL BASE 1					
		52 = WAGON WHEEL BASE 2					
		14 = VAN WHEEL BASE 4					
		15 = VAN WHEEL BASE 5					
		56 = WAGON WHEEL BASE 6					
		16 = VAN WHEEL BASE 6					
		54 = WAGON WHEEL BASE 4					
		55 = WAGON WHEEL BASE 5					

AR = use ase required - = Non illustrated part

**Windshield Wiper & Washer
Figure 23D-205**

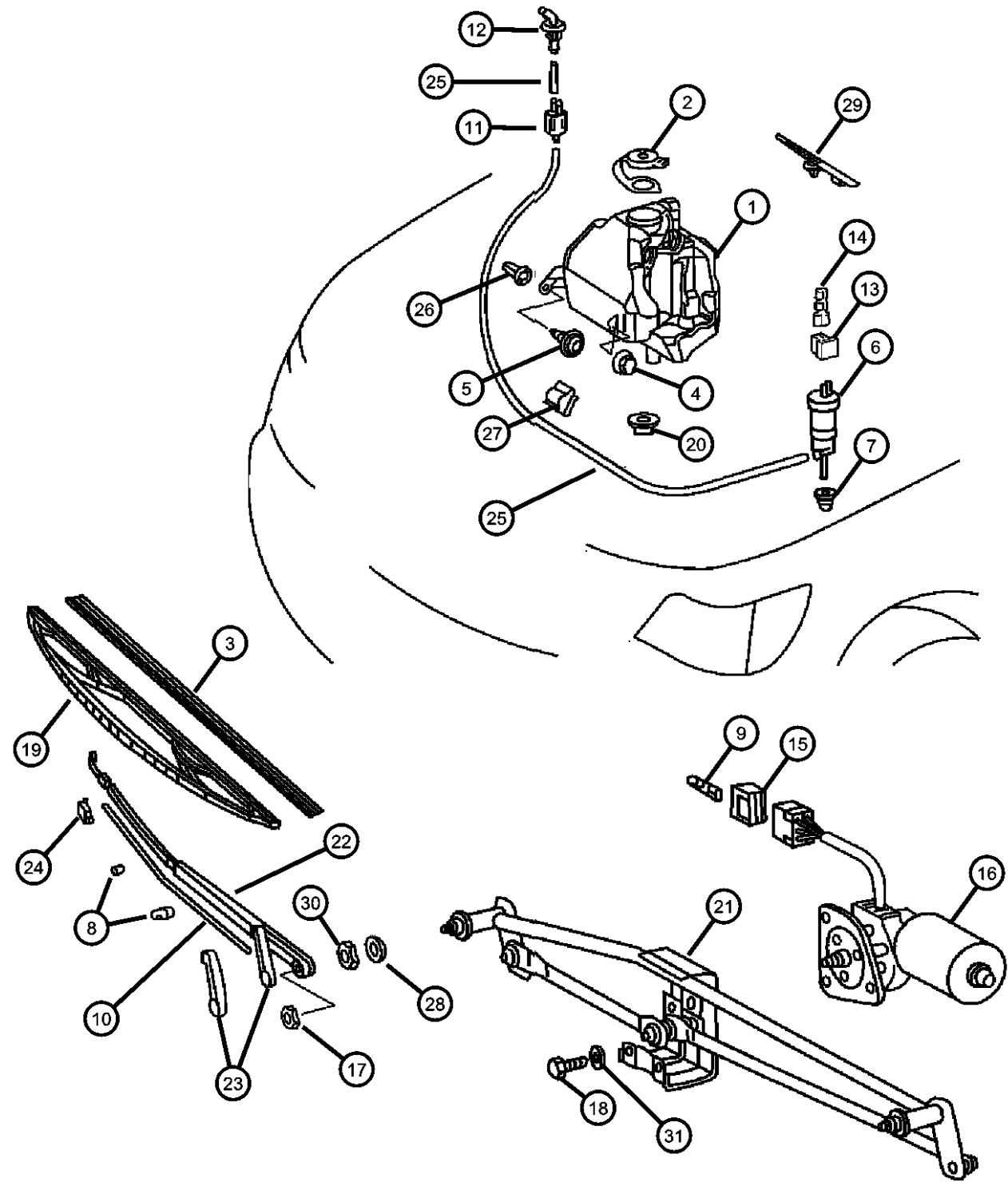


ITEM	PART NUMBER	QTY	LINE	SERIES	BODY	ENGINE	TRANS	TRIM	DESCRIPTION
	WBW00022AD								Mopar Alternative Winter Wiper Blades
	WB000022AE								Mopar V-Line Alternative Part
		1	3, 7		12, 15, 16				Passenger Side
	WBW00022AD								Mopar Alternative Winter Wiper Blades
	WB000022AE								Mopar V-Line Alternative Part
	05103544AA	1	2, 6		11, 12, 14, 15, 16				Driver Side
	WBW00024AD								Mopar Alternative Winter Wiper Blades
	WBW00027AD								Mopar Alternative Winter Wiper Blades
	WB000024AE	1	2, 6		51, 52, 54, 55, 56				Driver Side
	WBW00024AD								Mopar Alternative Winter Wiper Blades
	WBW00027AD								Mopar Alternative Winter Wiper Blades
	WB000024AE	1	3, 7		12, 15, 16				Driver Side
	WBW00024AD								Mopar Alternative Winter Wiper Blades
	WBW00027AD								Mopar Alternative Winter Wiper Blades
	WB000024AE								Mopar V-Line Alternative Part
20	05125941AA	2	2, 6		11, 12, 14, 15, 16				GROMMET, Washer Reservoir
		2	2, 6		51, 52, 54, 55, 56				
		2	3, 7		12, 15, 16				
21	05133991AA	1							LINKAGE, Wiper Arm

SPRINTER (VA)
 SERIES LINE BODY ENGINE TRANSMISSION
 L = LOWLINE 3 = HD DODGE 2WD 01 = CHASSIS FORWARD CONTROL W.B.1 EX9 = Engine-2.7L I5 Mercedes Turbo Diesel DGJ = Transmission-5-Spd. Automatic, W5A580
 6 = Lt. Duty DODGE 4WD 02 = CAB CHASSIS WHEEL BASE 2
 2 = Med. Duty DODGE 2WD 06 = CAB CHASSIS WHEEL BASE 6
 7 = Med. Duty DODGE 4WD 11 = VAN WHEEL BASE 1
 12 = VAN WHEEL BASE 2
 51 = WAGON WHEEL BASE 1
 52 = WAGON WHEEL BASE 2
 14 = VAN WHEEL BASE 4
 15 = VAN WHEEL BASE 5
 56 = WAGON WHEEL BASE 6
 16 = VAN WHEEL BASE 6
 54 = WAGON WHEEL BASE 4
 55 = WAGON WHEEL BASE 5

AR = use ase required - = Non illustrated part

**Windshield Wiper & Washer
Figure 23D-205**



ITEM	PART NUMBER	QTY	LINE	SERIES	BODY	ENGINE	TRANS	TRIM	DESCRIPTION
22									ARM, Wiper
	05104458AA	1	2, 3, 6, 7						Left
	05104460AA	1	2, 3, 6, 7						Right
23	05103683AA	1	2, 3, 6, 7						COVER, Wiper Arm
24	05103698AA	1	2, 3, 6, 7						NOZZLE, Washer, WindshieldLeft
25									HOSE, Windshield Washer
	05125066AA	1	2, 6		11, 12, 14, 15, 16				
		1	2, 6		51, 52, 54, 55, 56				
		1	3, 7		12, 15, 16				
26									PLUG, Push Lock
	05132725AA	1	2, 6		14, 15, 16, 11, 12				
		1	2, 6		51, 52, 54, 55, 56				
		1	3, 7		12, 15, 16				
27									CLIP
	06507148AA	8	2, 6		11, 12, 14, 15, 16				
		8	2, 6		51, 52, 54, 55, 56				
		8	3, 7		12, 15, 16				
28	05125759AA	1	2, 3, 6, 7						WASHER STRAP, Tie
29									
	05133690AA	8	2, 6		11, 12, 14, 15, 16				
		8	2, 6		51, 52, 54, 55, 56				
		8	3, 7		12, 15, 16				
30	05125766AA	1	2, 3, 6, 7						NUT
31									WASHER

SPRINTER (VA)

SERIES

L = LOWLINE

LINE

3 = HD DODGE 2WD
6 = Lt. Duty DODGE 4WD
2 = Med. Duty DODGE 2WD
7 = Med. Duty DODGE 4WD

BODY

01 = CHASSIS FORWARD CONTROL W.B.1
02 = CAB CHASSIS WHEEL BASE 2
06 = CAB CHASSIS WHEEL BASE 6
11 = VAN WHEEL BASE 1
12 = VAN WHEEL BASE 2
51 = WAGON WHEEL BASE 1
52 = WAGON WHEEL BASE 2
14 = VAN WHEEL BASE 4
15 = VAN WHEEL BASE 5
56 = WAGON WHEEL BASE 6
16 = VAN WHEEL BASE 6
54 = WAGON WHEEL BASE 4
55 = WAGON WHEEL BASE 5

ENGINE

EX9 = Engine-2.7L I5
Mercedes Turbo Diesel

TRANSMISSION

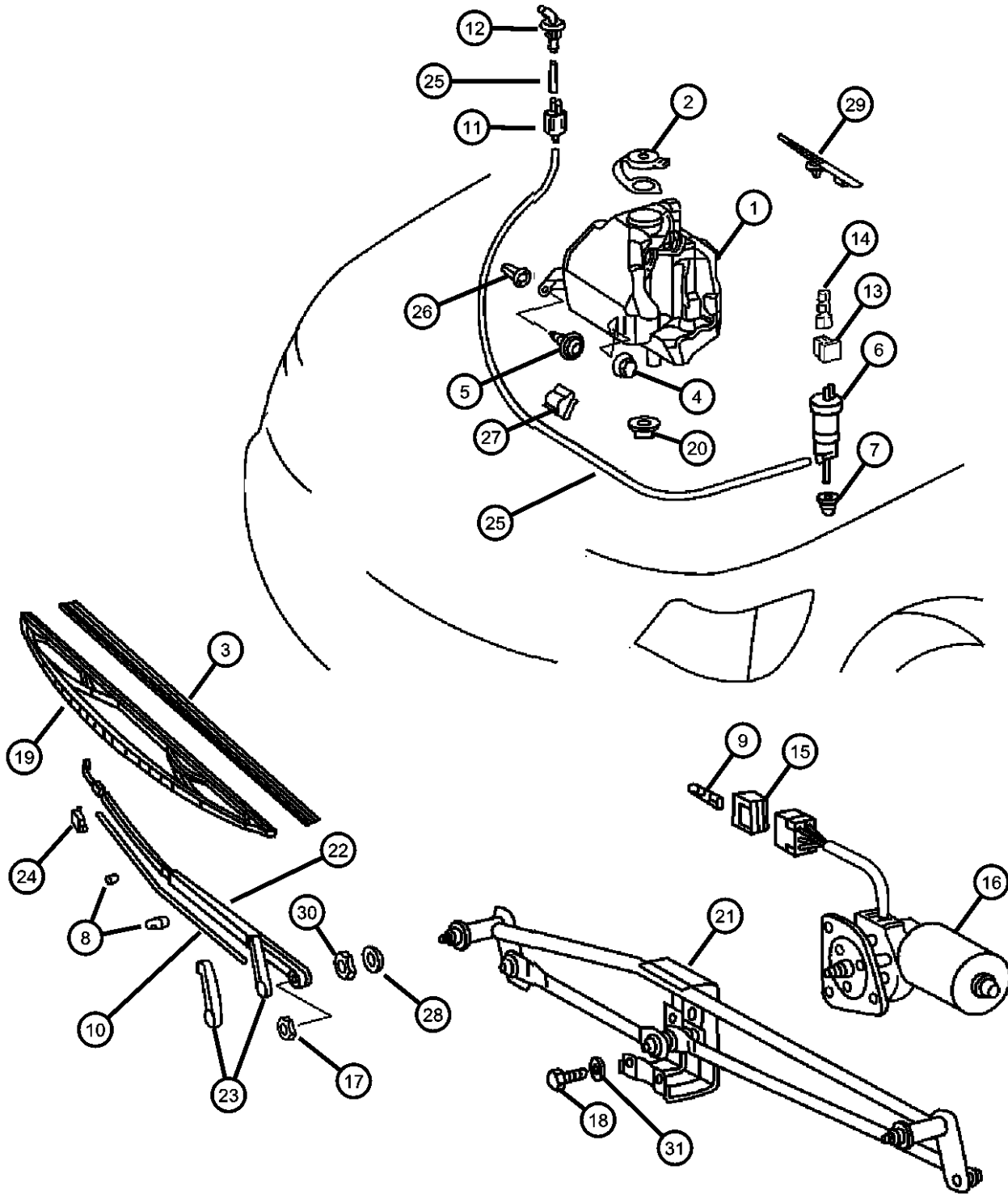
DGJ = Transmission-5-Spd. Automatic, W5A580

AR = use ase required - = Non illustrated part

2002 VA

**Windshield Wiper & Washer
Figure 23D-205**

ITEM	PART NUMBER	QTY	LINE	SERIES	BODY	ENGINE	TRANS	TRIM	DESCRIPTION
------	-------------	-----	------	--------	------	--------	-------	------	-------------



	05133908AA	1	2, 6		11, 12, 14, 15, 16				
		1	2, 6		51, 52, 54, 55, 56				
		1	3, 7		12, 15, 16				

SPRINTER (VA)

SERIES

L = LOWLINE

LINE

3 = HD DODGE 2WD
6 = Lt. Duty DODGE 4WD
2 = Med. Duty DODGE 2WD
7 = Med. Duty DODGE 4WD

BODY

01 = CHASSIS FORWARD CONTROL W.B.1
02 = CAB CHASSIS WHEEL BASE 2
06 = CAB CHASSIS WHEEL BASE 6
11 = VAN WHEEL BASE 1
12 = VAN WHEEL BASE 2
51 = WAGON WHEEL BASE 1
52 = WAGON WHEEL BASE 2
14 = VAN WHEEL BASE 4
15 = VAN WHEEL BASE 5
56 = WAGON WHEEL BASE 6
16 = VAN WHEEL BASE 6
54 = WAGON WHEEL BASE 4
55 = WAGON WHEEL BASE 5

ENGINE

EX9 = Engine-2.7L I5
Mercedes Turbo Diesel

TRANSMISSION

DGJ = Transmission-5-Spd. Automatic, W5A580

AR = use ase required - = Non illustrated part

2002 VA

Group - 24

Air Conditioning & Heater

Group - 24 Air Conditioning & Heater

Illustration Title

Group-Fig. No.

Air Conditioner and Heater Units

Hevac Unit, Front.....Fig. 24 - 130

Air Conditioner and Heater Plumbing

Heat Exchanger and Plumbing.....Fig. 24 - 250
 Plumbing, Heater.....Fig. 24 - 260
 Plumbing, Heater with Auxiliary warm water Heater.....Fig. 24 - 265
 Plumbing, Air Conditioning.....Fig. 24 - 270
 Condenser, Fan Front.....Fig. 24 - 280
 Condenser, Fan Roof.....Fig. 24 - 285
 Auxiliary Warm Water Heater.....Fig. 24 - 290

Air Conditioner and Heater Controls

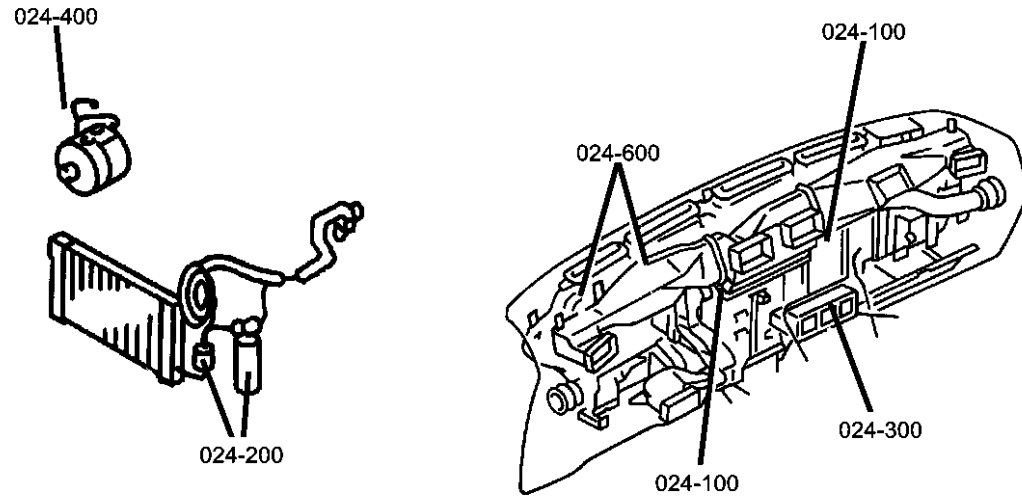
Control.....Fig. 24 - 320

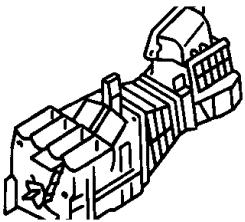
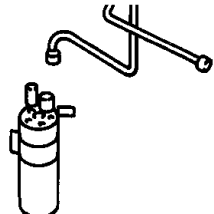
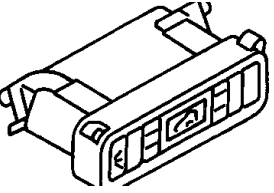
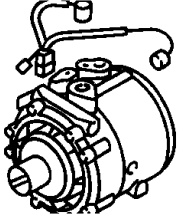
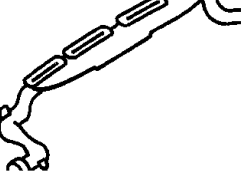
Air Conditioning Compressor

Compressor and Mounting.....Fig. 24 - 420

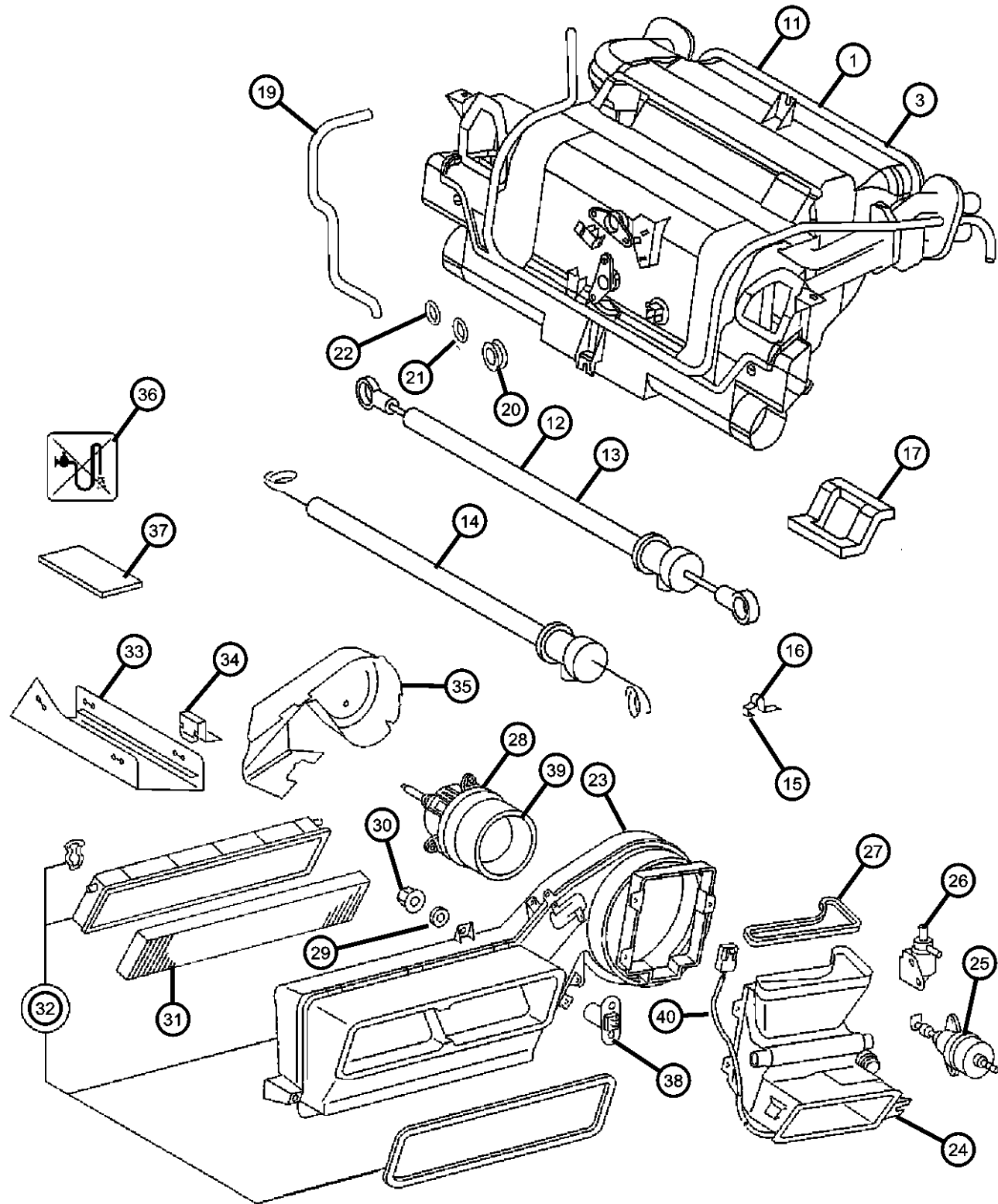
Air Ducts and Outlets

Air Ducts And Outlets, Front.....Fig. 24 - 630
 Air Ducts And Outlets, Rear.....Fig. 24 - 640
 Ventilator, Roof Mounted.....Fig. 24 - 650



<p>024-100 Air Conditioner and Heater Units</p> 	<p>024-200 Air Conditioner and Heater Plumbing</p> 	<p>024-300 Air Conditioner and Heater Controls</p> 	<p>024-400 Air Conditioning Compressor</p> 
<p>024-600 Air Ducts and Outlets</p> 			

Hevac Unit, Front
Figure 24-130



ITEM	PART NUMBER	QTY	LINE	SERIES	BODY	ENGINE	TRANS	TRIM	DESCRIPTION
1	05133422AA	1	6		11, 12, 14, 15, 16				HEATER
		1	6		51, 52, 54, 55, 56				
		1	7		12, 15, 16				
-2	06104610AA	4	2, 6		11, 12, 14, 15, 16				SCREW
		4	2, 6		51, 52, 54, 55, 56				
		4	3, 7		12, 15, 16				
3	05134379AA	1	6		11, 12, 14, 15, 16				AIR CONDITIONER, TEMPMATIK, SPRINTER
		1	6		51, 52, 54, 55, 56				
		1	7		12, 15, 16				
-4	05133479AA	1	3, 7		12, 15, 16				TRANSMITTER
-5	05103773AA	1	3, 7		12, 15, 16				GASKET
		1	2, 6		11, 12, 14, 15, 16				
		1	2, 6		51, 52, 54, 55, 56				
-6	05103809AA	1	2, 6		11, 12, 14, 15, 16				VALVE
		1	2, 6		51, 52, 54, 55, 56				
		1	3, 7		12, 15, 16				
-7	05133425AA	1	2, 6		11, 12, 14, 15, 16				TUBE

SPRINTER (VA)

SERIES

L = LOWLINE

LINE

3 = HD DODGE 2WD
6 = Lt. Duty DODGE 4WD
2 = Med. Duty DODGE 2WD
7 = Med. Duty DODGE 4WD

BODY

01 = CHASSIS FORWARD CONTROL W.B.1
02 = CAB CHASSIS WHEEL BASE 2
06 = CAB CHASSIS WHEEL BASE 6
11 = VAN WHEEL BASE 1
12 = VAN WHEEL BASE 2
51 = WAGON WHEEL BASE 1
52 = WAGON WHEEL BASE 2
14 = VAN WHEEL BASE 4
15 = VAN WHEEL BASE 5
56 = WAGON WHEEL BASE 6
16 = VAN WHEEL BASE 6
54 = WAGON WHEEL BASE 4
55 = WAGON WHEEL BASE 5

ENGINE

EX9 = Engine-2.7L I5 Mercedes Turbo Diesel

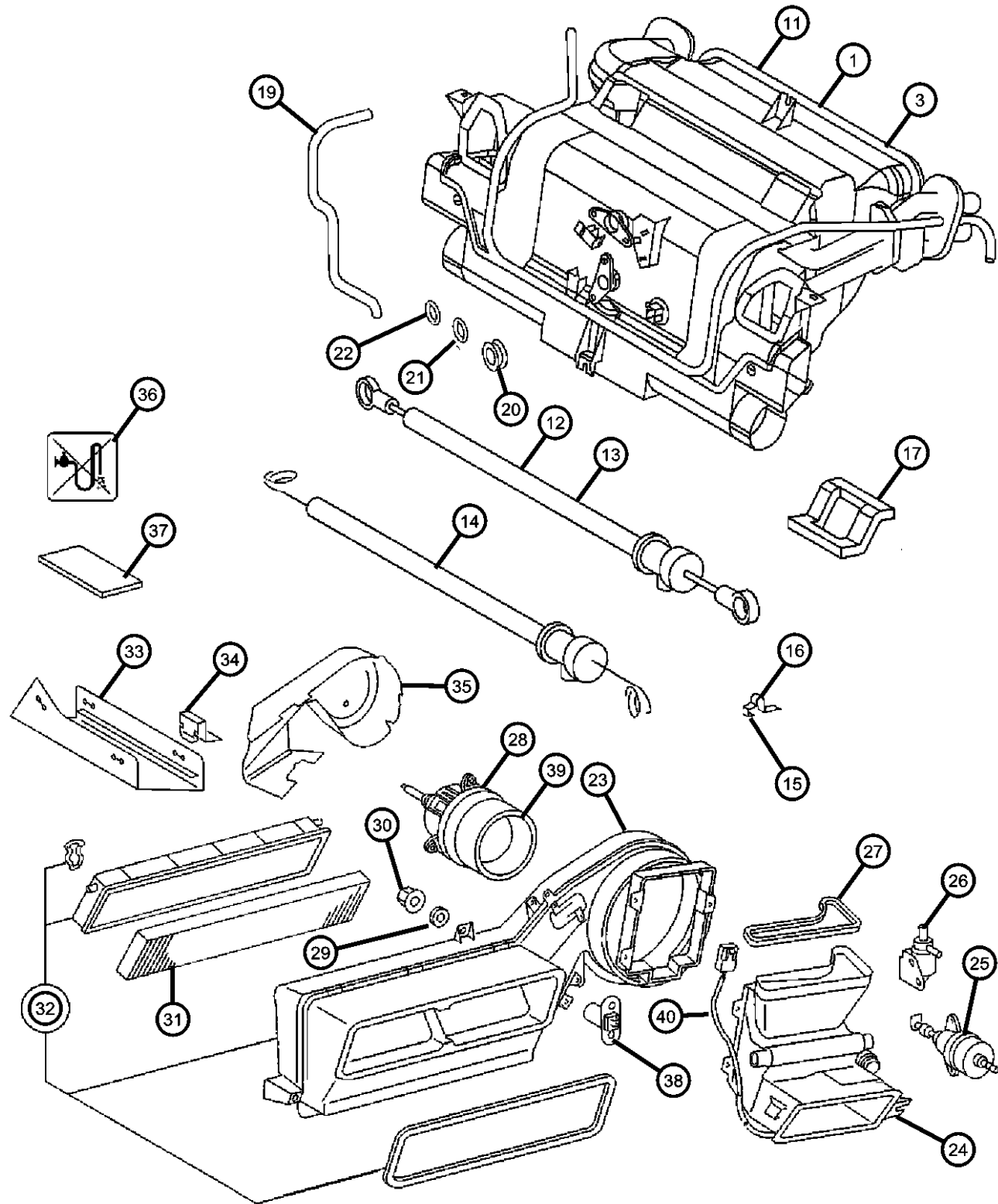
TRANSMISSION

DGJ = Transmission-5-Spd. Automatic, W5A580

AR = use ase required - = Non illustrated part

2002 VA

Hevac Unit, Front
Figure 24-130



ITEM	PART NUMBER	QTY	LINE	SERIES	BODY	ENGINE	TRANS	TRIM	DESCRIPTION
		1	2, 6		51, 52, 54, 55, 56				
-8		1	3, 7		12, 15, 16				HEATER
	05133426AA	1	2, 6		11, 12, 14, 15, 16				
		1	2, 6		51, 52, 54, 55, 56				
-9		1	3, 7		12, 15, 16				EVAPORATOR, Air Conditioning
	05103694AA	1	2, 6		51, 52, 54, 55, 56				
		1	3, 7		12, 15, 16				
		1	2, 6		11, 12, 14, 15, 16				
-10		1	2, 6		11, 12, 14, 15, 16				SENSOR, Temperature
	05133427AA	1	2, 6		11, 12, 14, 15, 16				
		1	2, 6		51, 52, 54, 55, 56				
		1	3, 7		12, 15, 16				
11		1	2, 6		11, 12, 14, 15, 16				CONTROL, Electronic
	05104477AA	1	2, 6		11, 12, 14, 15, 16				
		1	2, 6		51, 52, 54, 55, 56				
		1	3, 7		12, 15, 16				
12		1	2, 6		11, 12, 14, 15, 16				CABLE, A/C And Heater Control
	05104492AA	1	2, 6		11, 12, 14, 15, 16				
		1	2, 6		51, 52, 54, 55, 56				
		1	3, 7		12, 15, 16				

SPRINTER (VA)

SERIES

L = LOWLINE

LINE

3 = HD DODGE 2WD
6 = Lt. Duty DODGE 4WD
2 = Med. Duty DODGE 2WD
7 = Med. Duty DODGE 4WD

BODY

01 = CHASSIS FORWARD CONTROL W.B.1
02 = CAB CHASSIS WHEEL BASE 2
06 = CAB CHASSIS WHEEL BASE 6
11 = VAN WHEEL BASE 1
12 = VAN WHEEL BASE 2
51 = WAGON WHEEL BASE 1
52 = WAGON WHEEL BASE 2
14 = VAN WHEEL BASE 4
15 = VAN WHEEL BASE 5
56 = WAGON WHEEL BASE 6
16 = VAN WHEEL BASE 6
54 = WAGON WHEEL BASE 4
55 = WAGON WHEEL BASE 5

ENGINE

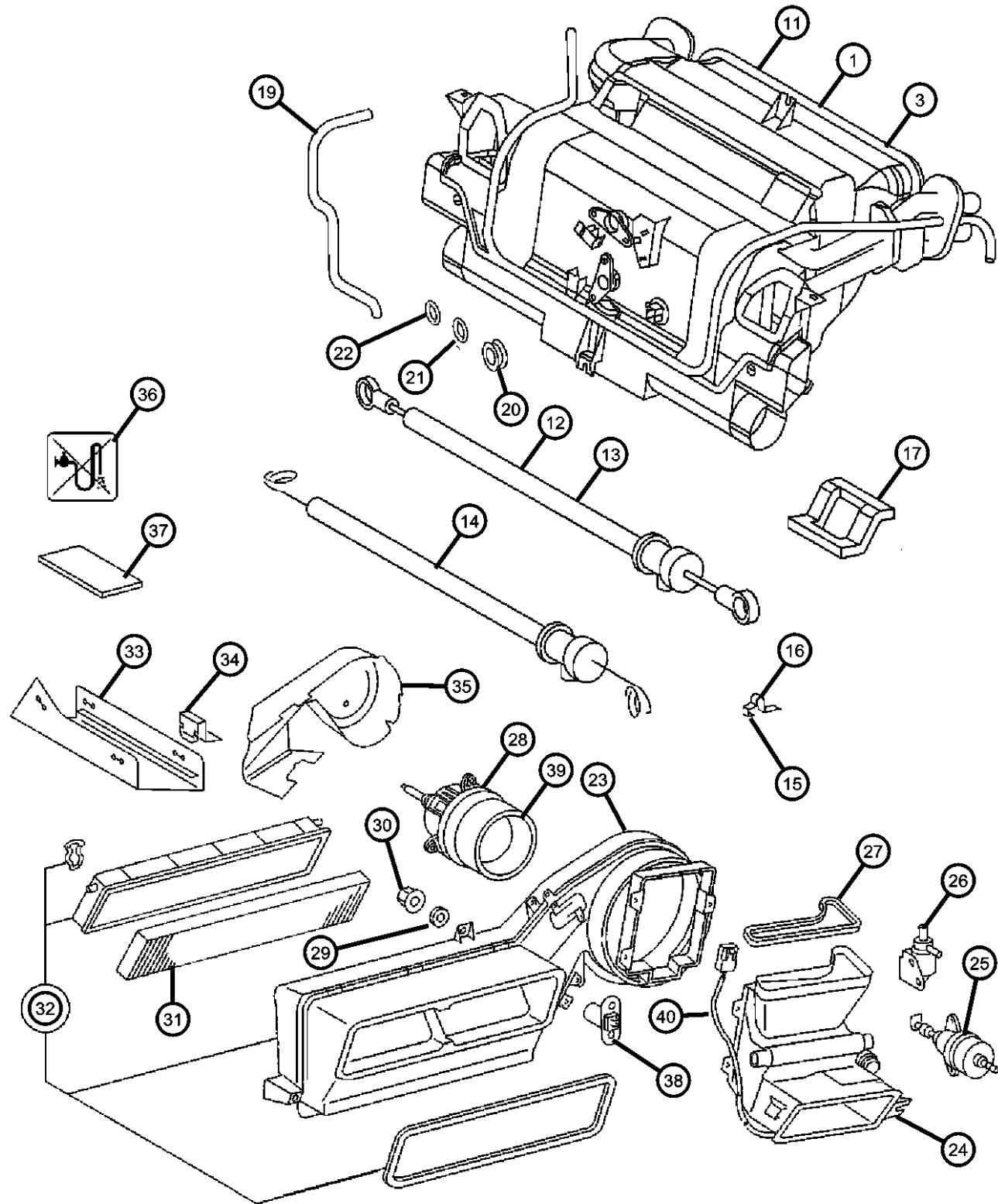
EX9 = Engine-2.7L I5
Mercedes Turbo Diesel

TRANSMISSION

DGJ = Transmission-5-Spd. Automatic, W5A580

AR = use ase required - = Non illustrated part

Hevac Unit, Front
Figure 24-130



ITEM	PART NUMBER	QTY	LINE	SERIES	BODY	ENGINE	TRANS	TRIM	DESCRIPTION
13	05104493AA	1	2, 6		11, 12, 14, 15, 16				CABLE, A/C And Heater Control, Defrost
		1	2, 6		51, 52, 54, 55, 56				
		1	3, 7		12, 15, 16				
14	05104494AA	1	2, 6		11, 12, 14, 15, 16				CABLE, A/C And Heater Control, Water Valve
		1	2, 6		51, 52, 54, 55, 56				
		1	3, 7		12, 15, 16				
15	05125562AA	1	2, 6		11, 12, 14, 15, 16				CLIP
		1	2, 6		51, 52, 54, 55, 56				
		1	3, 7		12, 15, 16				
16	05103693AA	1	2, 6		11, 12, 14, 15, 16				CLIP, Cable
		1	2, 6		51, 52, 54, 55, 56				
		1	3, 7		12, 15, 16				
17	05124786AA	2	2, 6		51, 52, 54, 55, 56				SEAL
		2	3, 7		12, 15, 16				
		2	2, 6		11, 12, 14, 15, 16				
-18	05119332AA	1	2, 6		11, 12, 14, 15, 16				CLIP, Hose

SPRINTER (VA)

SERIES

L = LOWLINE

LINE

3 = HD DODGE 2WD
6 = Lt. Duty DODGE 4WD
2 = Med. Duty DODGE 2WD
7 = Med. Duty DODGE 4WD

BODY

01 = CHASSIS FORWARD CONTROL W.B.1
02 = CAB CHASSIS WHEEL BASE 2
06 = CAB CHASSIS WHEEL BASE 6
11 = VAN WHEEL BASE 1
12 = VAN WHEEL BASE 2
51 = WAGON WHEEL BASE 1
52 = WAGON WHEEL BASE 2
14 = VAN WHEEL BASE 4
15 = VAN WHEEL BASE 5
56 = WAGON WHEEL BASE 6
16 = VAN WHEEL BASE 6
54 = WAGON WHEEL BASE 4
55 = WAGON WHEEL BASE 5

ENGINE

EX9 = Engine-2.7L I5
Mercedes Turbo Diesel

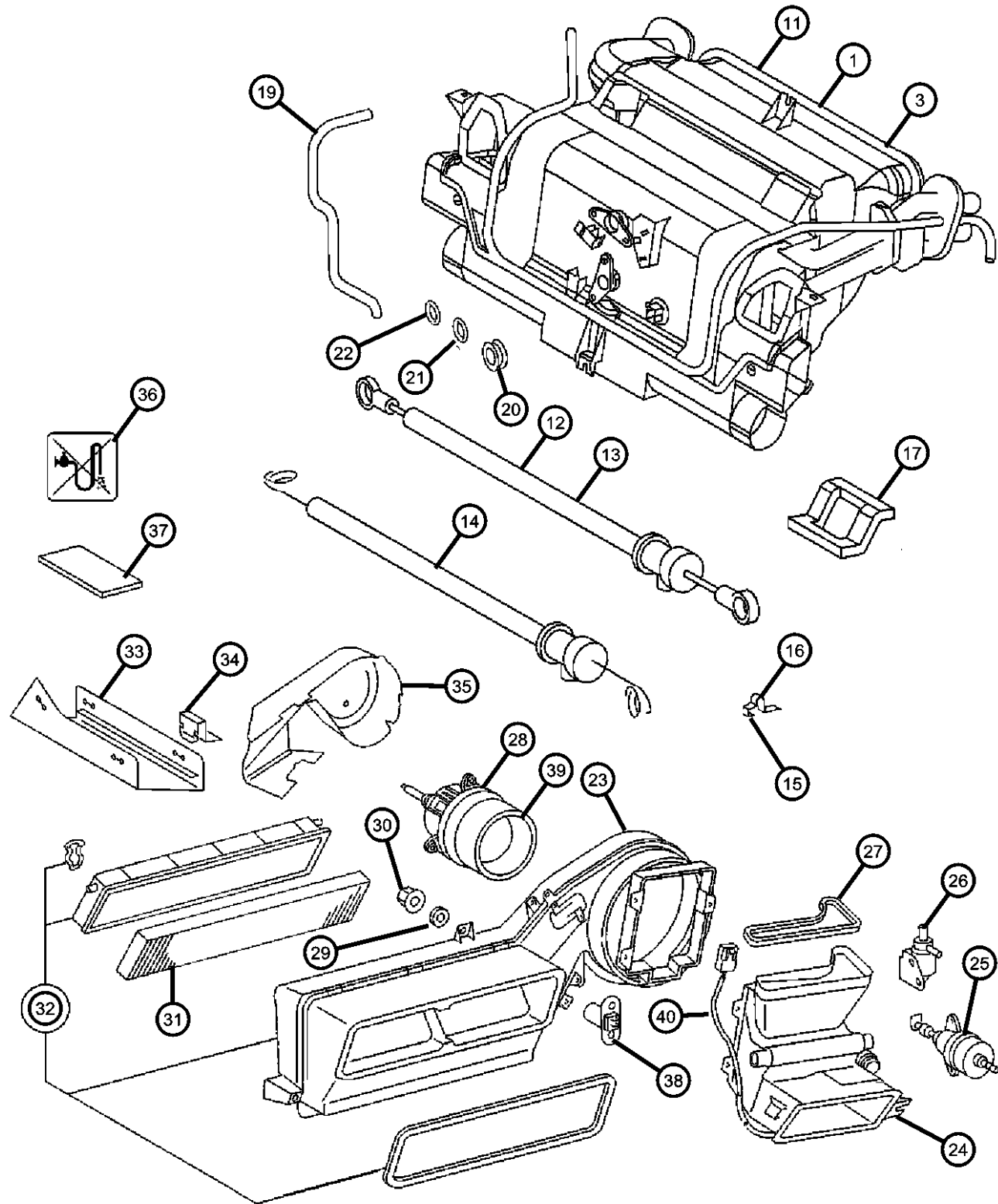
TRANSMISSION

DGJ = Transmission-5-Spd. Automatic, W5A580

AR = use ase required - = Non illustrated part

2002 VA

Hevac Unit, Front
Figure 24-130



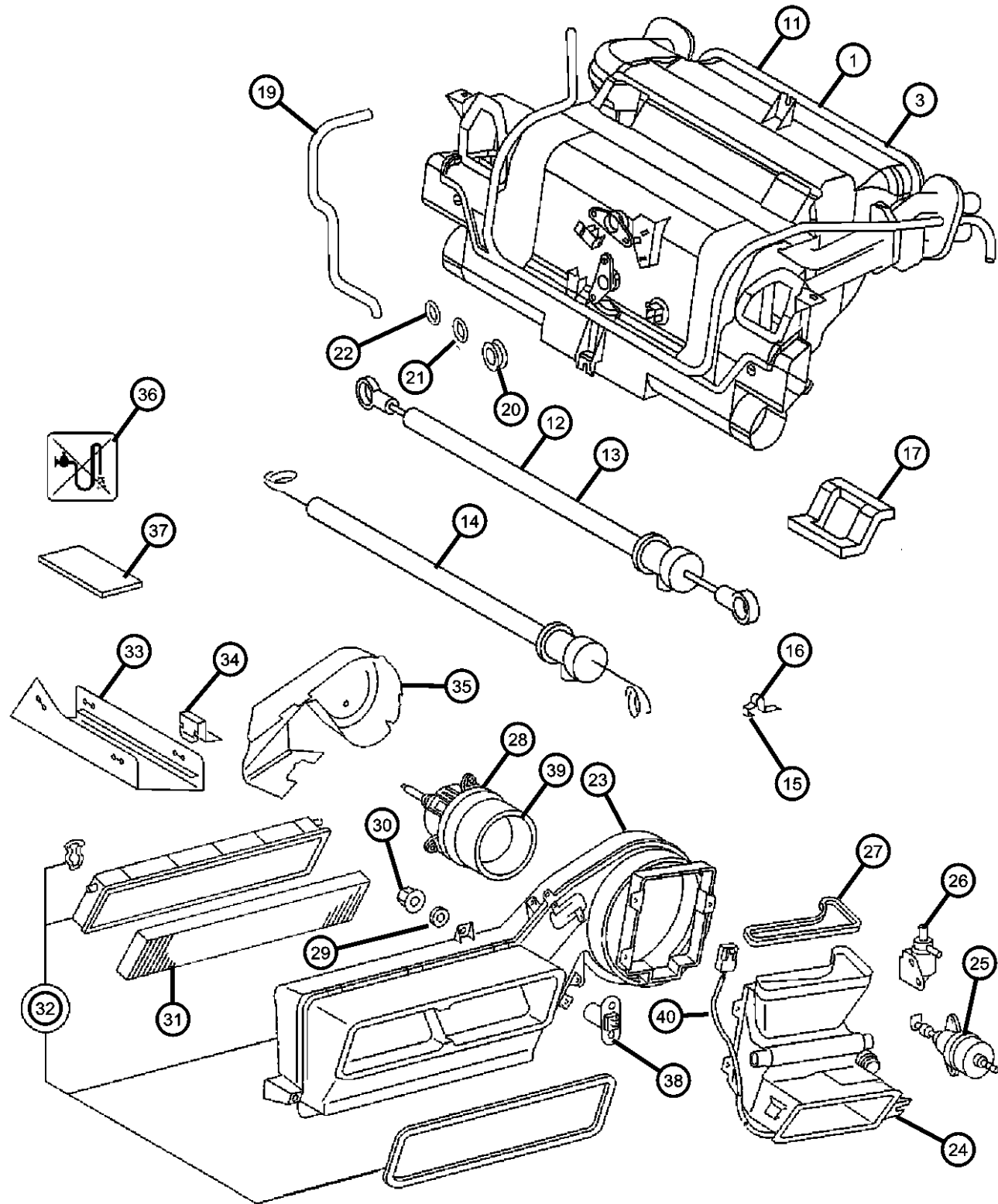
ITEM	PART NUMBER	QTY	LINE	SERIES	BODY	ENGINE	TRANS	TRIM	DESCRIPTION
		1	2, 6		51, 52, 54, 55, 56				
		1	3, 7		12, 15, 16				
19									HOSE
	05124827AA	1	3, 7		12, 15, 16				
		1	2, 6		11, 12, 14, 15, 16				
		1	2, 6		51, 52, 54, 55, 56				
20									GROMMET
	05125938AA	1	2, 6		11, 12, 14, 15, 16				
		1	2, 6		51, 52, 54, 55, 56				
		1	3, 7		12, 15, 16				
21									O RING, A/C Line
	05098971AA	1	2, 6		11, 12, 14, 15, 16				
		1	2, 6		51, 52, 54, 55, 56				
		1	3, 7		12, 15, 16				
22									O RING, A/C Line
	05098972AA	1	2, 6		11, 12, 14, 15, 16				
		1	2, 6		51, 52, 54, 55, 56				
		1	3, 7		12, 15, 16				
23									HOUSING, Heater
	05124713AA	1	2, 6		51, 52, 54, 55, 56				A/C
		1	3, 7		12, 15, 16				A/C
		1	2, 6		11, 12, 14, 15, 16				A/C

SPRINTER (VA)

SERIES	LINE	BODY	ENGINE	TRANSMISSION
L = LOWLINE	3 = HD DODGE 2WD 6 = Lt. Duty DODGE 4WD 2 = Med. Duty DODGE 2WD 7 = Med. Duty DODGE 4WD	01 = CHASSIS FORWARD CONTROL W.B.1 02 = CAB CHASSIS WHEEL BASE 2 06 = CAB CHASSIS WHEEL BASE 6 11 = VAN WHEEL BASE 1 12 = VAN WHEEL BASE 2 51 = WAGON WHEEL BASE 1 52 = WAGON WHEEL BASE 2 14 = VAN WHEEL BASE 4 15 = VAN WHEEL BASE 5 56 = WAGON WHEEL BASE 6 16 = VAN WHEEL BASE 6 54 = WAGON WHEEL BASE 4 55 = WAGON WHEEL BASE 5	EX9 = Engine-2.7L I5 Mercedes Turbo Diesel	DGJ = Transmission-5-Spd. Automatic, W5A580

AR = use ase required - = Non illustrated part

Hevac Unit, Front
Figure 24-130



ITEM	PART NUMBER	QTY	LINE	SERIES	BODY	ENGINE	TRANS	TRIM	DESCRIPTION
	05124712AA	1	2, 6		11, 12, 14, 15, 16				Heater
		1	2, 6		51, 52, 54, 55, 56				Heater
		1	3, 7		12, 15, 16				Heater
24									DUCT, Air Outlet
	05133430AA	1	6		11, 12, 14, 15, 16				
		1	6		51, 52, 54, 55, 56				
		1	7		12, 15, 16				
25									ACTUATOR, A/C and Heater
	05133441AA	1	6		11, 12, 14, 15, 16				
		1	6		51, 52, 54, 55, 56				
		1	7		12, 15, 16				
26									VALVE
	05133433AA	1	6		11, 12, 14, 15, 16				
		1	6		51, 52, 54, 55, 56				
		1	7		12, 15, 16				
27									SEAL
	05124770AA	1	2, 6		51, 52, 54, 55, 56				
		1	3, 7		12, 15, 16				
		1	2, 6		11, 12, 14, 15, 16				
28	05103772AA	1	2, 3, 6, 7		11, 12, 14, 15, 16				BLOWER
29									WASHER
	05133908AA	1	2, 6		11, 12, 14, 15, 16				

SPRINTER (VA)

SERIES

L = LOWLINE

LINE

3 = HD DODGE 2WD
6 = Lt. Duty DODGE 4WD
2 = Med. Duty DODGE 2WD
7 = Med. Duty DODGE 4WD

BODY

01 = CHASSIS FORWARD CONTROL W.B.1
02 = CAB CHASSIS WHEEL BASE 2
06 = CAB CHASSIS WHEEL BASE 6
11 = VAN WHEEL BASE 1
12 = VAN WHEEL BASE 2
51 = WAGON WHEEL BASE 1
52 = WAGON WHEEL BASE 2
14 = VAN WHEEL BASE 4
15 = VAN WHEEL BASE 5
56 = WAGON WHEEL BASE 6
16 = VAN WHEEL BASE 6
54 = WAGON WHEEL BASE 4
55 = WAGON WHEEL BASE 5

ENGINE

EX9 = Engine-2.7L I5 Mercedes Turbo Diesel

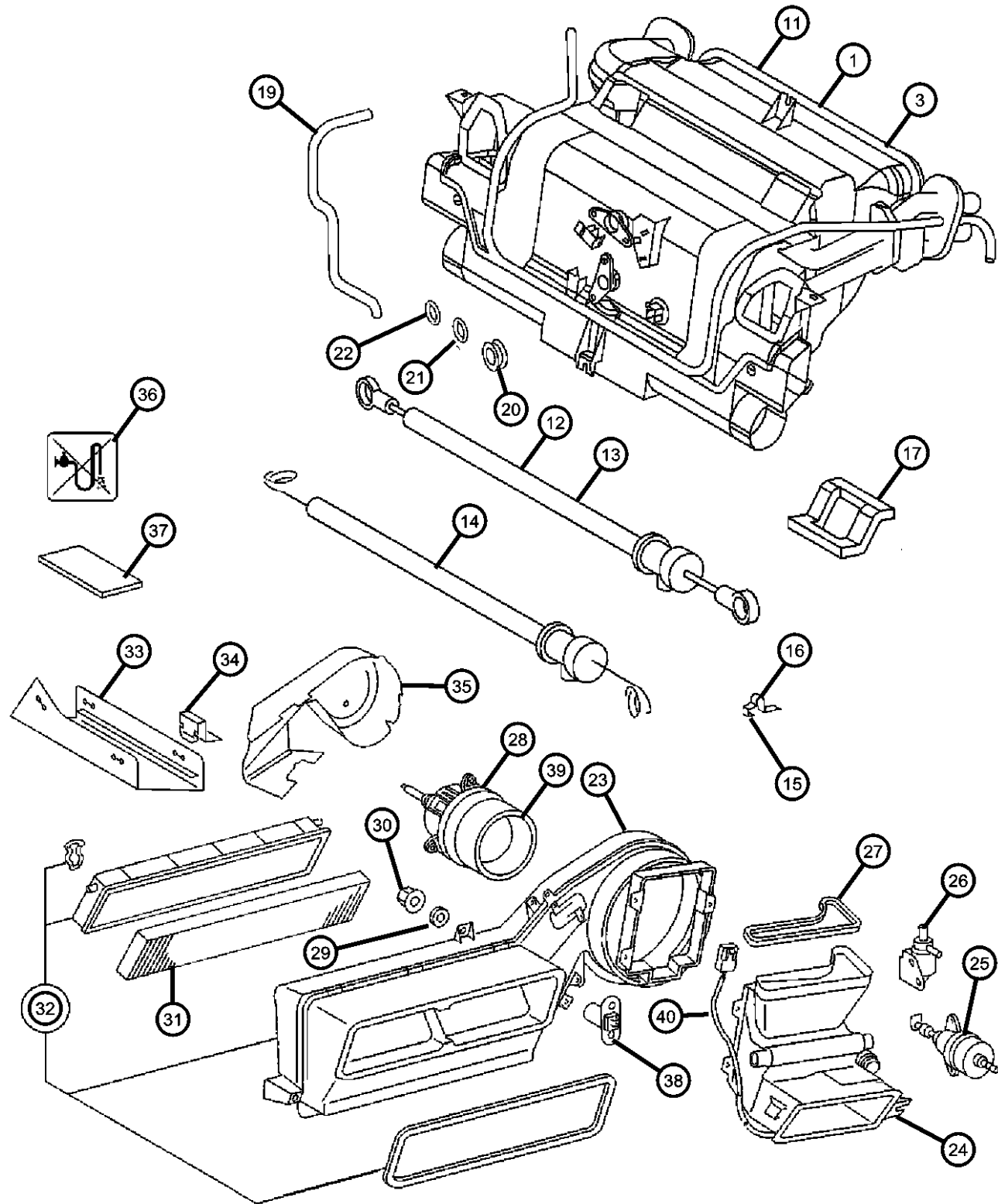
TRANSMISSION

DGJ = Transmission-5-Spd. Automatic, W5A580

AR = use ase required - = Non illustrated part

2002 VA

Hevac Unit, Front
Figure 24-130



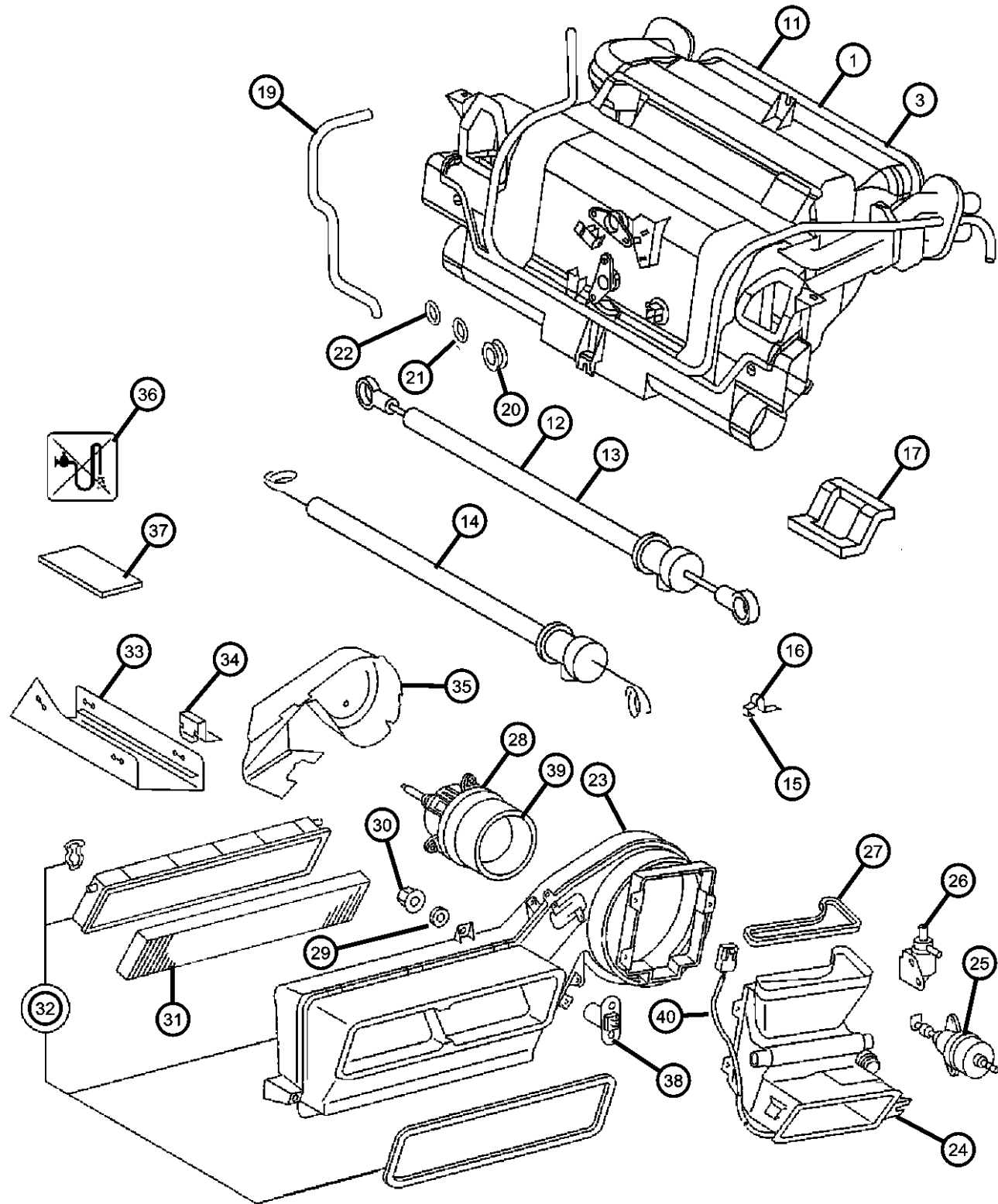
ITEM	PART NUMBER	QTY	LINE	SERIES	BODY	ENGINE	TRANS	TRIM	DESCRIPTION
		1	2, 6		51, 52, 54, 55, 56				
		1	3, 7		12, 15, 16				
30	05125765AA	5	2, 6		11, 12, 14, 15, 16				NUT
		5	2, 6		51, 52, 54, 55, 56				
		5	3, 7		12, 15, 16				
31	05103600AA	1	2, 6		11, 12, 14, 15, 16				FILTER, A/C and Heater Unit
		1	2, 6		51, 52, 54, 55, 56				
		1	3, 7		12, 15, 16				
32	05133439AA	1	6		51, 52, 54, 55, 56				COVER, A/C and Heater
		1	7		12, 15, 16				
		1	6		11, 12, 14, 15, 16				
33	05124759AA	1	2, 6		51, 52, 54, 55, 56				ISOLATOR
		1	3, 7		12, 15, 16				
		1	2, 6		11, 12, 14, 15, 16				
34	05125571AA	5	2, 6		11, 12, 14, 15, 16				CLIP
		5	2, 6		51, 52, 54, 55, 56				
		5	3, 7		12, 15, 16				

SPRINTER (VA)

SERIES LINE BODY ENGINE TRANSMISSION
 L = LOWLINE 3 = HD DODGE 2WD 01 = CHASSIS FORWARD CONTROL W.B.1 EX9 = Engine-2.7L I5 DGJ = Transmission-5-Spd. Automatic, W5A580
 6 = Lt. Duty DODGE 4WD 02 = CAB CHASSIS WHEEL BASE 2 Mercedes Turbo Diesel
 2 = Med. Duty DODGE 2WD 06 = CAB CHASSIS WHEEL BASE 6
 7 = Med. Duty DODGE 4WD 11 = VAN WHEEL BASE 1
 12 = VAN WHEEL BASE 2
 51 = WAGON WHEEL BASE 1
 52 = WAGON WHEEL BASE 2
 14 = VAN WHEEL BASE 4
 15 = VAN WHEEL BASE 5
 56 = WAGON WHEEL BASE 6
 16 = VAN WHEEL BASE 6
 54 = WAGON WHEEL BASE 4
 55 = WAGON WHEEL BASE 5

AR = use ase required - = Non illustrated part

Hevac Unit, Front
Figure 24-130



ITEM	PART NUMBER	QTY	LINE	SERIES	BODY	ENGINE	TRANS	TRIM	DESCRIPTION	
35	05124760AA	1	3, 7		12, 15, 16				INSULATION, Blower Motor	
		1	2, 6		11, 12, 14, 15, 16					
		1	2, 6		51, 52, 54, 55, 56					
36	05121077AB	1	2, 6		51, 52, 54, 55, 56				LABEL	
		1	2, 6		11, 12, 14, 15, 16					
		1	3, 7		12, 15, 16					
37	05133443AA	5	2, 6		11, 12, 14, 15, 16				PAD	
		5	2, 6		51, 52, 54, 55, 56					
		5	3, 7		12, 15, 16					
38	05103766AA	1							RESISTOR, Blower Motor	
										Up to 1/21/2002
		1	6		11, 12, 14, 15, 16					After 1/21/2002
		1	6		51, 52, 54, 55, 56					After 1/21/2002
39	05133435AA	1	7		12, 15, 16				FAN	
		1	2, 6		11, 12, 14, 15, 16					
		1	2, 6		51, 52, 54, 55, 56					
40	05133435AA	1	3, 7		12, 15, 16				CABLE	
		1	2, 6		51, 52, 54, 55, 56					
		1	2, 6		11, 12, 14, 15, 16					

SPRINTER (VA)

SERIES

L = LOWLINE

LINE

3 = HD DODGE 2WD
6 = Lt. Duty DODGE 4WD
2 = Med. Duty DODGE 2WD
7 = Med. Duty DODGE 4WD

BODY

01 = CHASSIS FORWARD CONTROL W.B.1
02 = CAB CHASSIS WHEEL BASE 2
06 = CAB CHASSIS WHEEL BASE 6
11 = VAN WHEEL BASE 1
12 = VAN WHEEL BASE 2
51 = WAGON WHEEL BASE 1
52 = WAGON WHEEL BASE 2
14 = VAN WHEEL BASE 4
15 = VAN WHEEL BASE 5
56 = WAGON WHEEL BASE 6
16 = VAN WHEEL BASE 6
54 = WAGON WHEEL BASE 4
55 = WAGON WHEEL BASE 5

ENGINE

EX9 = Engine-2.7L I5
Mercedes Turbo Diesel

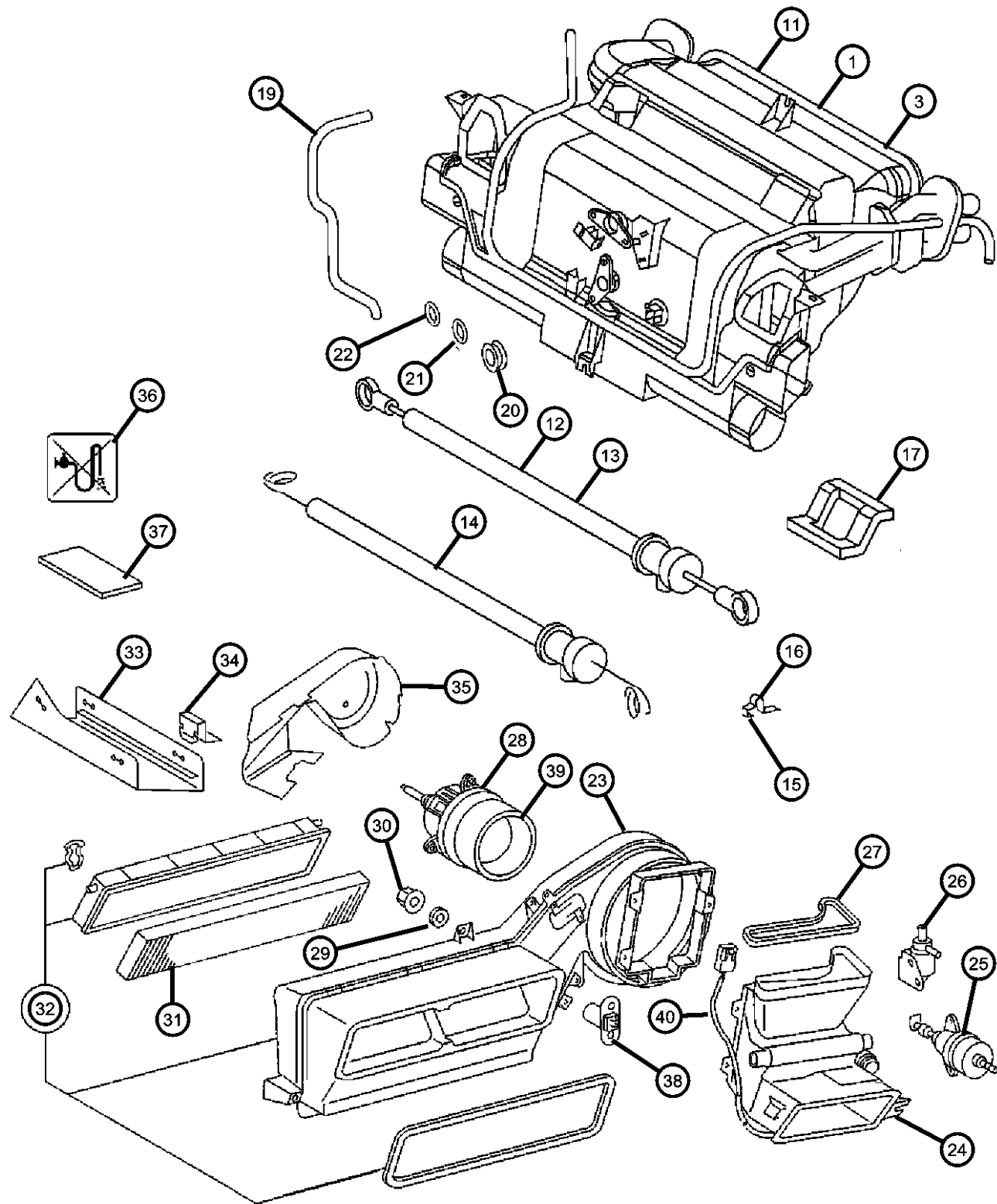
TRANSMISSION

DGJ = Transmission-5-Spd. Automatic, W5A580

AR = use ase required - = Non illustrated part

2002 VA

Hevac Unit, Front
Figure 24-130



ITEM	PART NUMBER	QTY	LINE	SERIES	BODY	ENGINE	TRANS	TRIM	DESCRIPTION
------	-------------	-----	------	--------	------	--------	-------	------	-------------

	05133437AA	1	2, 6		11, 12, 14, 15, 16				
		1	2, 6		51, 52, 54, 55, 56				

SPRINTER (VA)

SERIES
L = LOWLINE

LINE

3 = HD DODGE 2WD
6 = Lt. Duty DODGE 4WD
2 = Med. Duty DODGE 2WD
7 = Med. Duty DODGE 4WD

BODY

01 = CHASSIS FORWARD CONTROL W.B.1
02 = CAB CHASSIS WHEEL BASE 2
06 = CAB CHASSIS WHEEL BASE 6
11 = VAN WHEEL BASE 1
12 = VAN WHEEL BASE 2
51 = WAGON WHEEL BASE 1
52 = WAGON WHEEL BASE 2
14 = VAN WHEEL BASE 4
15 = VAN WHEEL BASE 5
56 = WAGON WHEEL BASE 6
16 = VAN WHEEL BASE 6
54 = WAGON WHEEL BASE 4
55 = WAGON WHEEL BASE 5

ENGINE

EX9 = Engine-2.7L I5
Mercedes Turbo Diesel

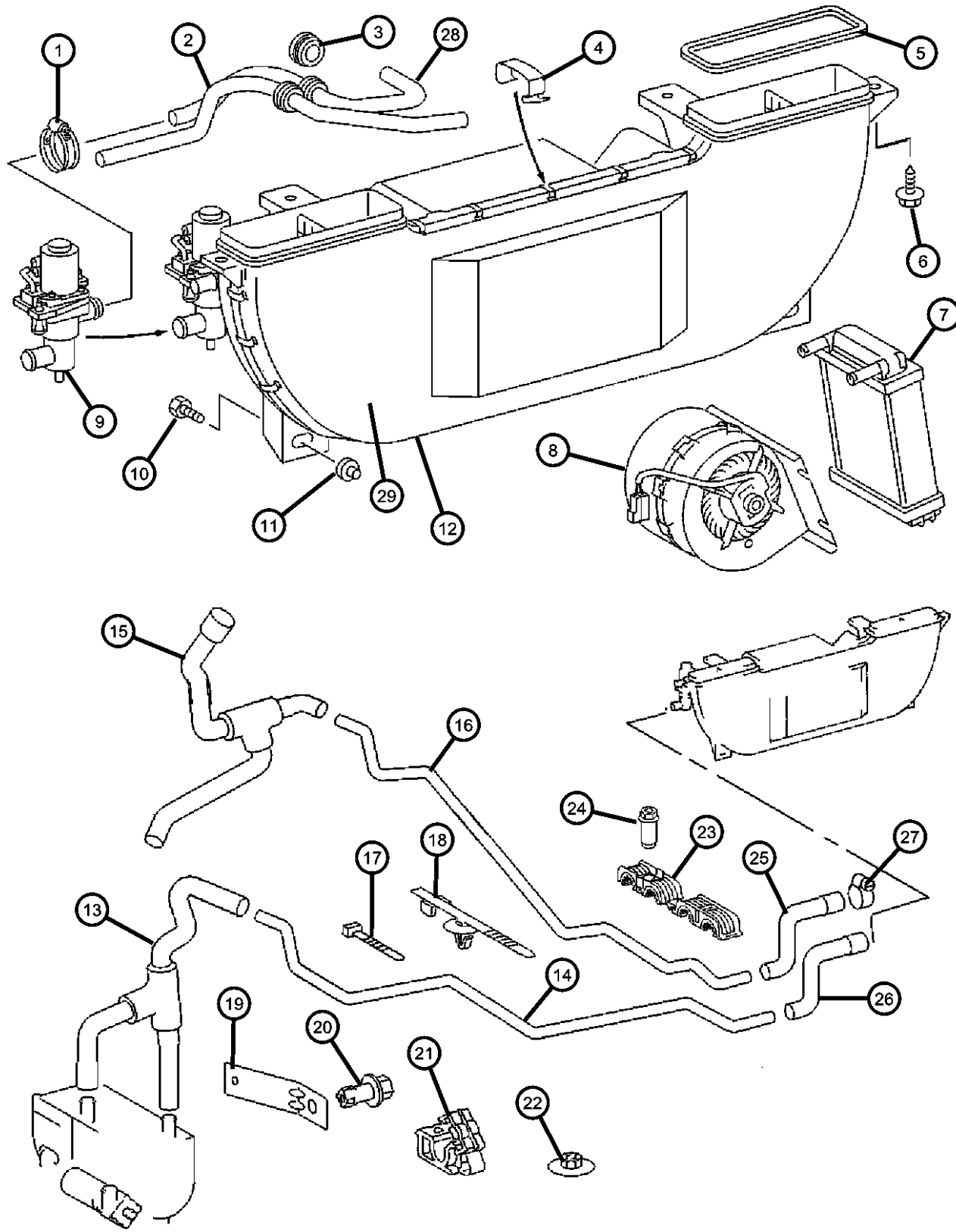
TRANSMISSION

DGJ = Transmission-5-Spd. Automatic, W5A580

AR = use ase required - = Non illustrated part

2002 VA

**Heat Exchanger and Plumbing
Figure 24-250**



ITEM	PART NUMBER	QTY	LINE	SERIES	BODY	ENGINE	TRANS	TRIM	DESCRIPTION
1	06104781AA	1	2, 6		11, 12, 14, 15, 16				CLAMP, Hose
		6	3, 7		12, 15, 16				
		1	2, 6		51, 52, 54, 55, 56				
2	05133587AA	1	2, 6		11, 12, 14, 15, 16				LINE, Heater
		1	3, 7		12, 15, 16				
		1	2, 6		51, 52, 54, 55, 56				
3	05133588AA	1	6		11, 12, 14, 15, 16				GROMMET
		1	6		51, 52, 54, 55, 56				
		2	7		12, 15, 16				
4	05133592AA	22	2, 6		11, 12, 14, 15, 16				CLIP, HEATER
		22	3, 7		12, 15, 16				
		22	2, 6		51, 52, 54, 55, 56				
5	05133593AA	1	2, 6		11, 12, 14, 15, 16				GASKET, Heater duct
		1	3, 7		12, 15, 16				
		1	2, 6		51, 52, 54, 55, 56				
6	06104580AA	2	2, 6		51, 52, 54, 55, 56				SCREW, Tapping
		2	2, 6		11, 12, 14, 15, 16				

SPRINTER (VA)

SERIES

L = LOWLINE
 3 = HD DODGE 2WD
 6 = Lt. Duty DODGE 4WD
 2 = Med. Duty DODGE 2WD
 7 = Med. Duty DODGE 4WD

BODY

01 = CHASSIS FORWARD CONTROL W.B.1
 02 = CAB CHASSIS WHEEL BASE 2
 06 = CAB CHASSIS WHEEL BASE 6
 11 = VAN WHEEL BASE 1
 12 = VAN WHEEL BASE 2
 51 = WAGON WHEEL BASE 1
 52 = WAGON WHEEL BASE 2
 14 = VAN WHEEL BASE 4
 15 = VAN WHEEL BASE 5
 56 = WAGON WHEEL BASE 6
 16 = VAN WHEEL BASE 6
 54 = WAGON WHEEL BASE 4
 55 = WAGON WHEEL BASE 5

ENGINE

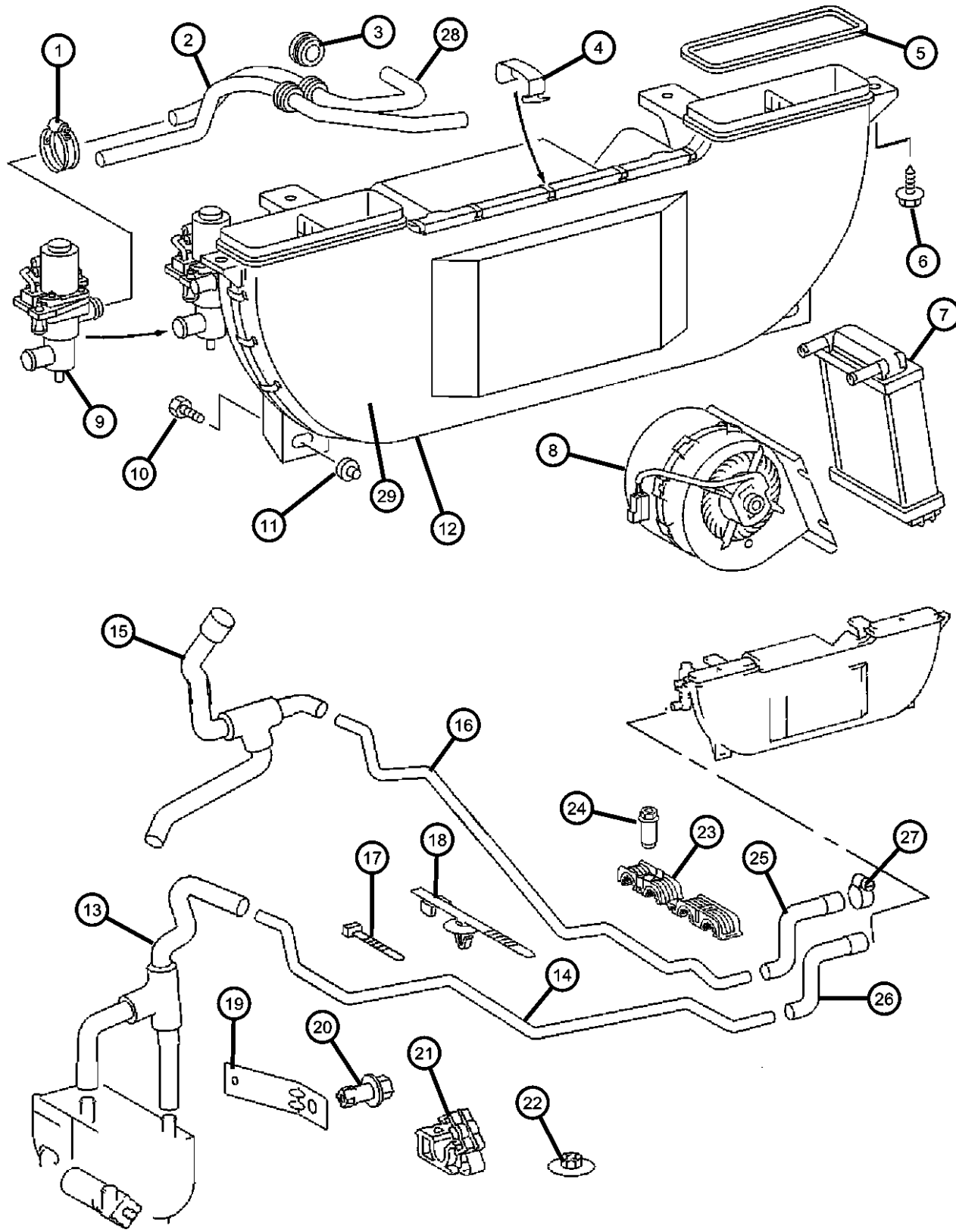
EX9 = Engine-2.7L I5
 Mercedes Turbo Diesel

TRANSMISSION

DGJ = Transmission-5-Spd. Automatic, W5A580

AR = use ase required - = Non illustrated part

**Heat Exchanger and Plumbing
Figure 24-250**



ITEM	PART NUMBER	QTY	LINE	SERIES	BODY	ENGINE	TRANS	TRIM	DESCRIPTION
7		2	3, 7		12, 15, 16				CORE, Heater
	05133586AA	1	2, 6		11, 12, 14, 15, 16				
		1	3, 7		12, 15, 16				
8		1	2, 6		51, 52, 54, 55, 56				BLOWER
	05133299AA	1	2, 6		11, 12, 14, 15, 16				
		1	2, 6		51, 52, 54, 55, 56				
		1	3, 7		12, 15, 16				
9		1	2, 6		11, 12, 14, 15, 16				VALVE, Water
	05103807AA	1	2, 6		11, 12, 14, 15, 16				
		1	3, 7		12, 15, 16				
		1	2, 6		51, 52, 54, 55, 56				
10		6	2, 6		11, 12, 14, 15, 16				BOLT, Hex Head
	05126227AA	6	2, 6		11, 12, 14, 15, 16				
		6	2, 6		51, 52, 54, 55, 56				
		6	3, 7		12, 15, 16				
11		2	2, 6		11, 12, 14, 15, 16				RIVNUT, Installation
	05126258AA	2	2, 6		11, 12, 14, 15, 16				
		2	2, 6		51, 52, 54, 55, 56				
		2	3, 7		12, 15, 16				
12									HEATER

SPRINTER (VA)

SERIES
L = LOWLINE

LINE
3 = HD DODGE 2WD
6 = Lt. Duty DODGE 4WD
2 = Med. Duty DODGE 2WD
7 = Med. Duty DODGE 4WD

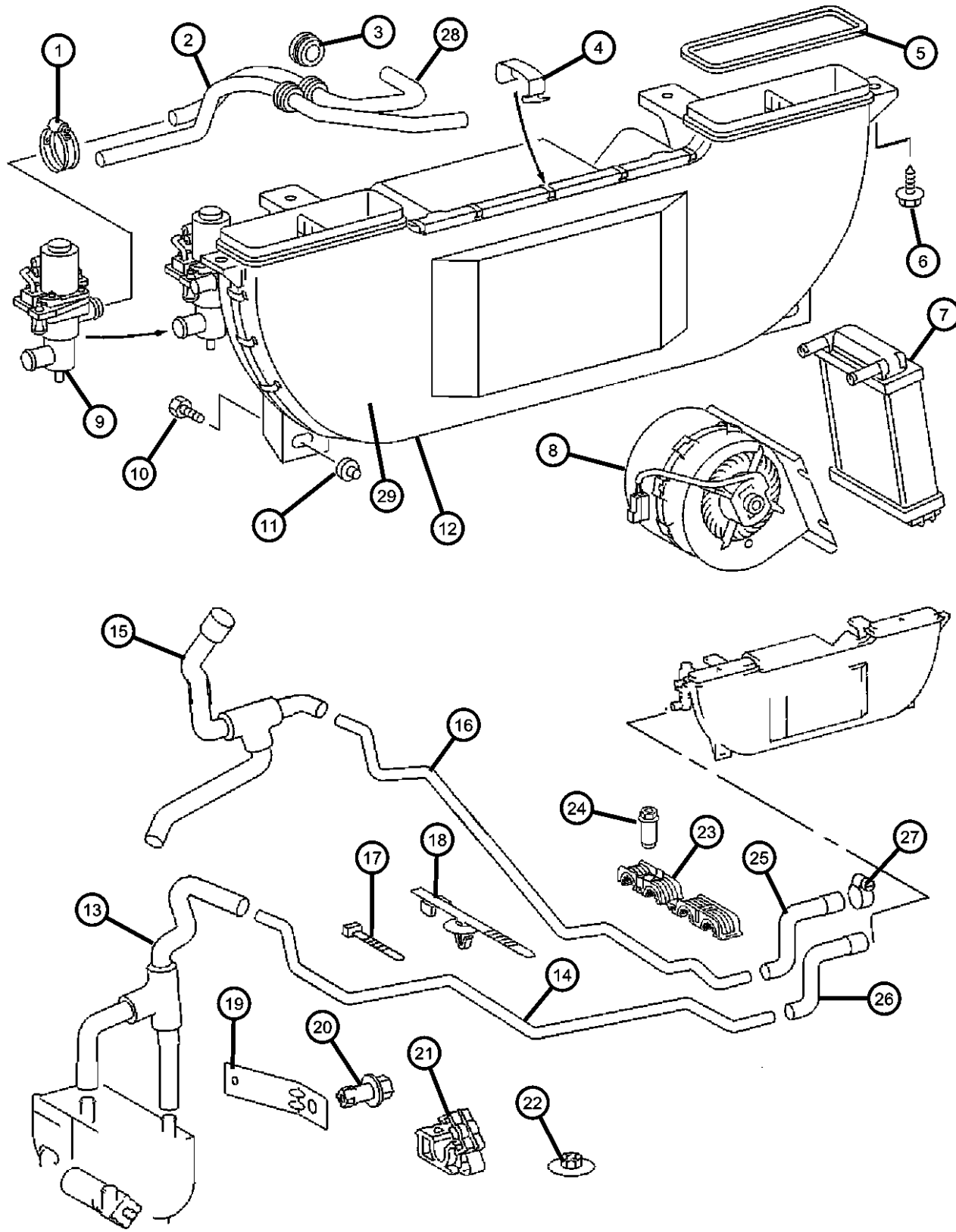
BODY
01 = CHASSIS FORWARD CONTROL W.B.1
02 = CAB CHASSIS WHEEL BASE 2
06 = CAB CHASSIS WHEEL BASE 6
11 = VAN WHEEL BASE 1
12 = VAN WHEEL BASE 2
51 = WAGON WHEEL BASE 1
52 = WAGON WHEEL BASE 2
14 = VAN WHEEL BASE 4
15 = VAN WHEEL BASE 5
56 = WAGON WHEEL BASE 6
16 = VAN WHEEL BASE 6
54 = WAGON WHEEL BASE 4
55 = WAGON WHEEL BASE 5

ENGINE
EX9 = Engine-2.7L I5
Mercedes Turbo Diesel

TRANSMISSION
DGJ = Transmission-5-Spd. Automatic, W5A580

AR = use ase required - = Non illustrated part

**Heat Exchanger and Plumbing
Figure 24-250**



ITEM	PART NUMBER	QTY	LINE	SERIES	BODY	ENGINE	TRANS	TRIM	DESCRIPTION
	05124700AA	1	2, 6		11, 12, 14, 15, 16				
		1	2, 6		51, 52, 54, 55, 56				
13		1	3, 7		12, 15, 16				HOSE, Auxiliary Heater
	05124886AA	1	2, 6		11, 12, 14, 15, 16				
		1	2, 6		51, 52, 54, 55, 56				
14		1	3, 7		12, 15, 16				TUBE, Heater
	05124826AA	1	2, 6		11, 12, 14, 15, 16				
		1	2, 6		51, 52, 54, 55, 56				
15		1	3, 7		12, 15, 16				HOSE
	05124837AA	1	2, 6		11, 12, 14, 15, 16				
		1	2, 6		51, 52, 54, 55, 56				
		1	3, 7		12, 15, 16				
16		1	6		51, 52, 54, 55, 56				TUBE, Heater
	05124820AA	1	6		11, 12, 14, 15, 16				
		1	7		12, 15, 16				
17		1	2, 6		11, 12, 14, 15, 16				STRAP, Tie
	05080475AB	1	2, 6		51, 52, 54, 55, 56				

SPRINTER (VA)

SERIES

L = LOWLINE
 3 = HD DODGE 2WD
 6 = Lt. Duty DODGE 4WD
 2 = Med. Duty DODGE 2WD
 7 = Med. Duty DODGE 4WD

BODY

01 = CHASSIS FORWARD CONTROL W.B.1
 02 = CAB CHASSIS WHEEL BASE 2
 06 = CAB CHASSIS WHEEL BASE 6
 11 = VAN WHEEL BASE 1
 12 = VAN WHEEL BASE 2
 51 = WAGON WHEEL BASE 1
 52 = WAGON WHEEL BASE 2
 14 = VAN WHEEL BASE 4
 15 = VAN WHEEL BASE 5
 56 = WAGON WHEEL BASE 6
 16 = VAN WHEEL BASE 6
 54 = WAGON WHEEL BASE 4
 55 = WAGON WHEEL BASE 5

ENGINE

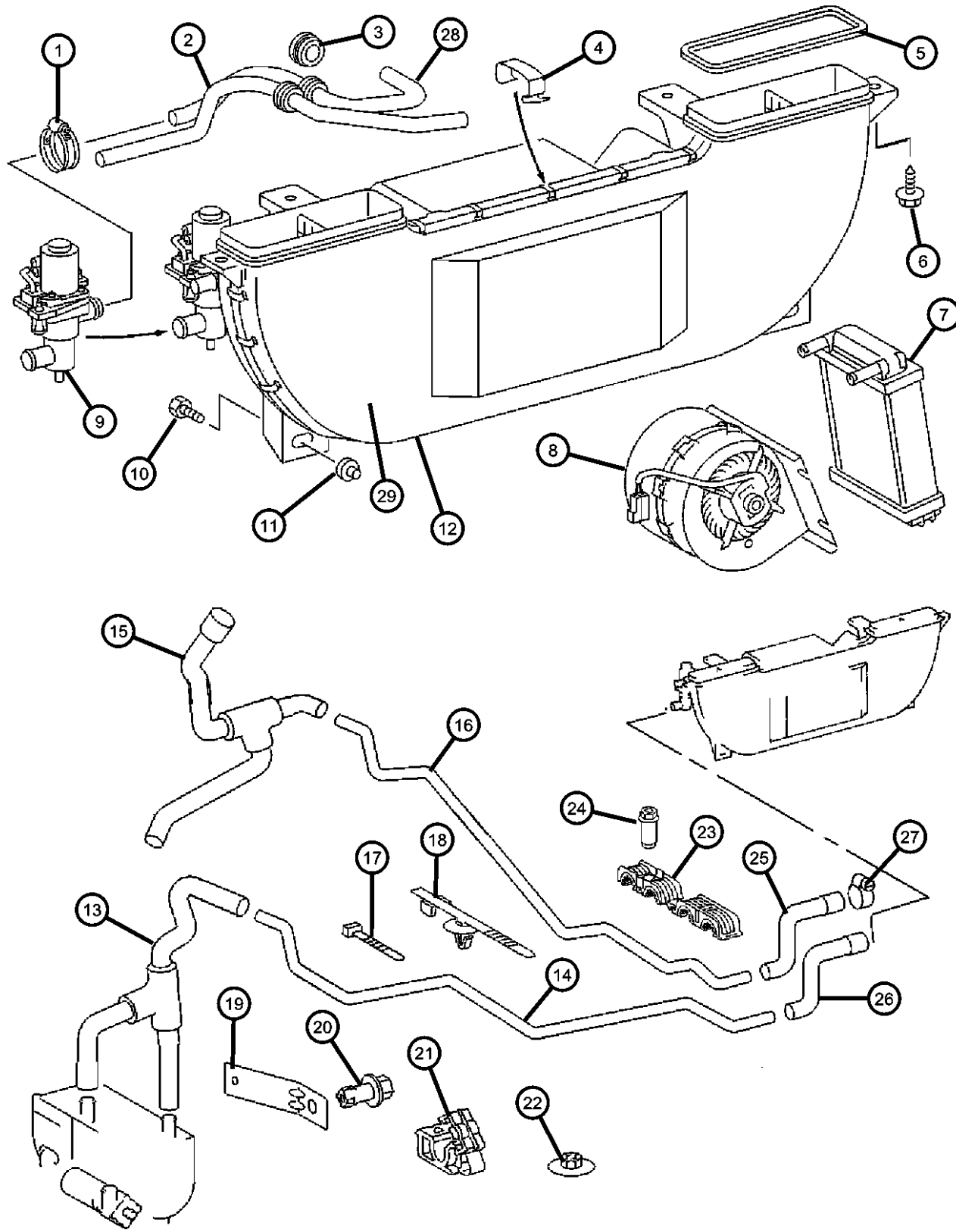
EX9 = Engine-2.7L I5
 Mercedes Turbo Diesel

TRANSMISSION

DGJ = Transmission-5-Spd. Automatic, W5A580

AR = use ase required - = Non illustrated part

**Heat Exchanger and Plumbing
Figure 24-250**



ITEM	PART NUMBER	QTY	LINE	SERIES	BODY	ENGINE	TRANS	TRIM	DESCRIPTION
18		1	3, 7		12, 15, 16				STRAP, Tie
	05126053AA	1	2, 6		11, 12, 14, 15, 16				
		1	2, 6		51, 52, 54, 55, 56				
19		1	3, 7		12, 15, 16				BRACKET, Recirculating Pump
	05124814AA	1	2, 6		11, 12, 14, 15, 16				
		1	2, 6		51, 52, 54, 55, 56				
		1	3, 7		12, 15, 16				
20		1	3, 7		12, 15, 16				NUT, Push In
	05125594AA	1	2, 6		11, 12, 14, 15, 16				
		1	2, 6		51, 52, 54, 55, 56				
21		1	2, 6		51, 52, 54, 55, 56				CLAMP, Heater Hose
	05125886AA	3	2, 6		11, 12, 14, 15, 16				
		3	2, 6		51, 52, 54, 55, 56				
		3	3, 7		12, 15, 16				
22		1	2, 6		11, 12, 14, 15, 16	EX9			PLUG, Button
	05125592AA	1	2, 6		51, 52, 54, 55, 56	EX9			
		1	3, 7		12, 15, 16				
23		1	3, 7		12, 15, 16				CLAMP, Heater Hose

SPRINTER (VA)

SERIES
L = LOWLINE

LINE
3 = HD DODGE 2WD
6 = Lt. Duty DODGE 4WD
2 = Med. Duty DODGE 2WD
7 = Med. Duty DODGE 4WD

BODY

01 = CHASSIS FORWARD CONTROL W.B.1
02 = CAB CHASSIS WHEEL BASE 2
06 = CAB CHASSIS WHEEL BASE 6
11 = VAN WHEEL BASE 1
12 = VAN WHEEL BASE 2
51 = WAGON WHEEL BASE 1
52 = WAGON WHEEL BASE 2
14 = VAN WHEEL BASE 4
15 = VAN WHEEL BASE 5
56 = WAGON WHEEL BASE 6
16 = VAN WHEEL BASE 6
54 = WAGON WHEEL BASE 4
55 = WAGON WHEEL BASE 5

ENGINE

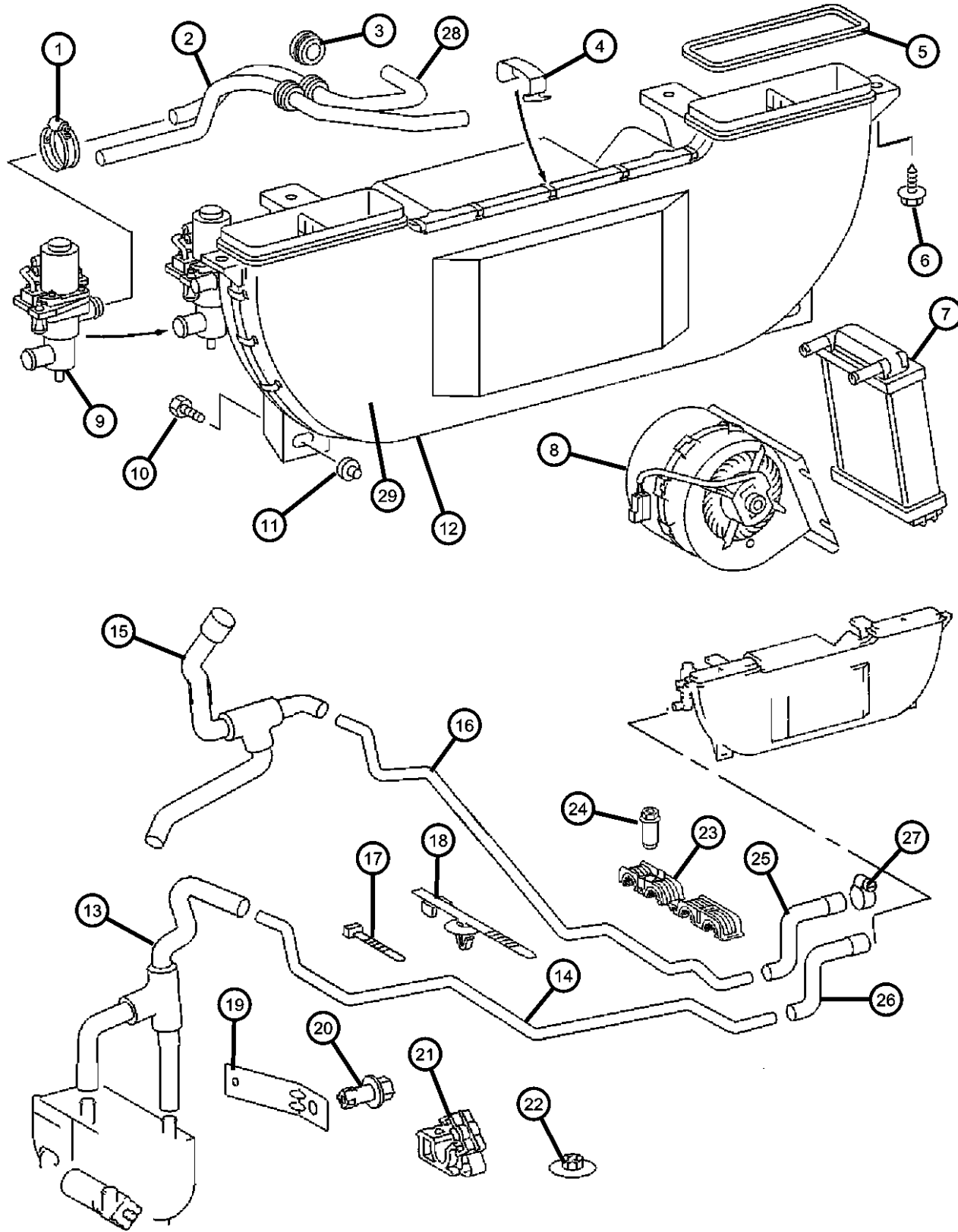
EX9 = Engine-2.7L I5 Mercedes Turbo Diesel

TRANSMISSION

DGJ = Transmission-5-Spd. Automatic, W5A580

AR = use ase required - = Non illustrated part

**Heat Exchanger and Plumbing
Figure 24-250**



ITEM	PART NUMBER	QTY	LINE	SERIES	BODY	ENGINE	TRANS	TRIM	DESCRIPTION
	05125882AA	5	2, 6		11, 12, 14, 15, 16				
		5	2, 6		51, 52, 54, 55, 56				
		5	3, 7		12, 15, 16				
24	06104910AA	5	2, 6		11, 12, 14, 15, 16				NUT, Heater
		5	2, 6		51, 52, 54, 55, 56				
		5	3, 7		12, 15, 16				
25	05124841AA	1	2, 6		11, 12, 14, 15, 16				HOSE, Heater
		1	2, 6		51, 52, 54, 55, 56				
		1	3, 7		12, 15, 16				
26	05124885AA	1	2, 6		11, 12, 14, 15, 16				HOSE, Heater
		1	2, 6		51, 52, 54, 55, 56				
		1	3, 7		12, 15, 16				
27	06104780AA	1	2, 6		11, 12, 14, 15, 16				CLAMP
		1	2, 6		51, 52, 54, 55, 56				
		1	3, 7		12, 15, 16				
28	05133889AA	1	3, 7		12, 15, 16				HOSE, Heater
29	05133591AA	1	2, 6		11, 12, 14, 15, 16				COVER, 05133591aa

SPRINTER (VA)

SERIES

L = LOWLINE
 3 = HD DODGE 2WD
 6 = Lt. Duty DODGE 4WD
 2 = Med. Duty DODGE 2WD
 7 = Med. Duty DODGE 4WD

BODY

01 = CHASSIS FORWARD CONTROL W.B.1
 02 = CAB CHASSIS WHEEL BASE 2
 06 = CAB CHASSIS WHEEL BASE 6
 11 = VAN WHEEL BASE 1
 12 = VAN WHEEL BASE 2
 51 = WAGON WHEEL BASE 1
 52 = WAGON WHEEL BASE 2
 14 = VAN WHEEL BASE 4
 15 = VAN WHEEL BASE 5
 56 = WAGON WHEEL BASE 6
 16 = VAN WHEEL BASE 6
 54 = WAGON WHEEL BASE 4
 55 = WAGON WHEEL BASE 5

ENGINE

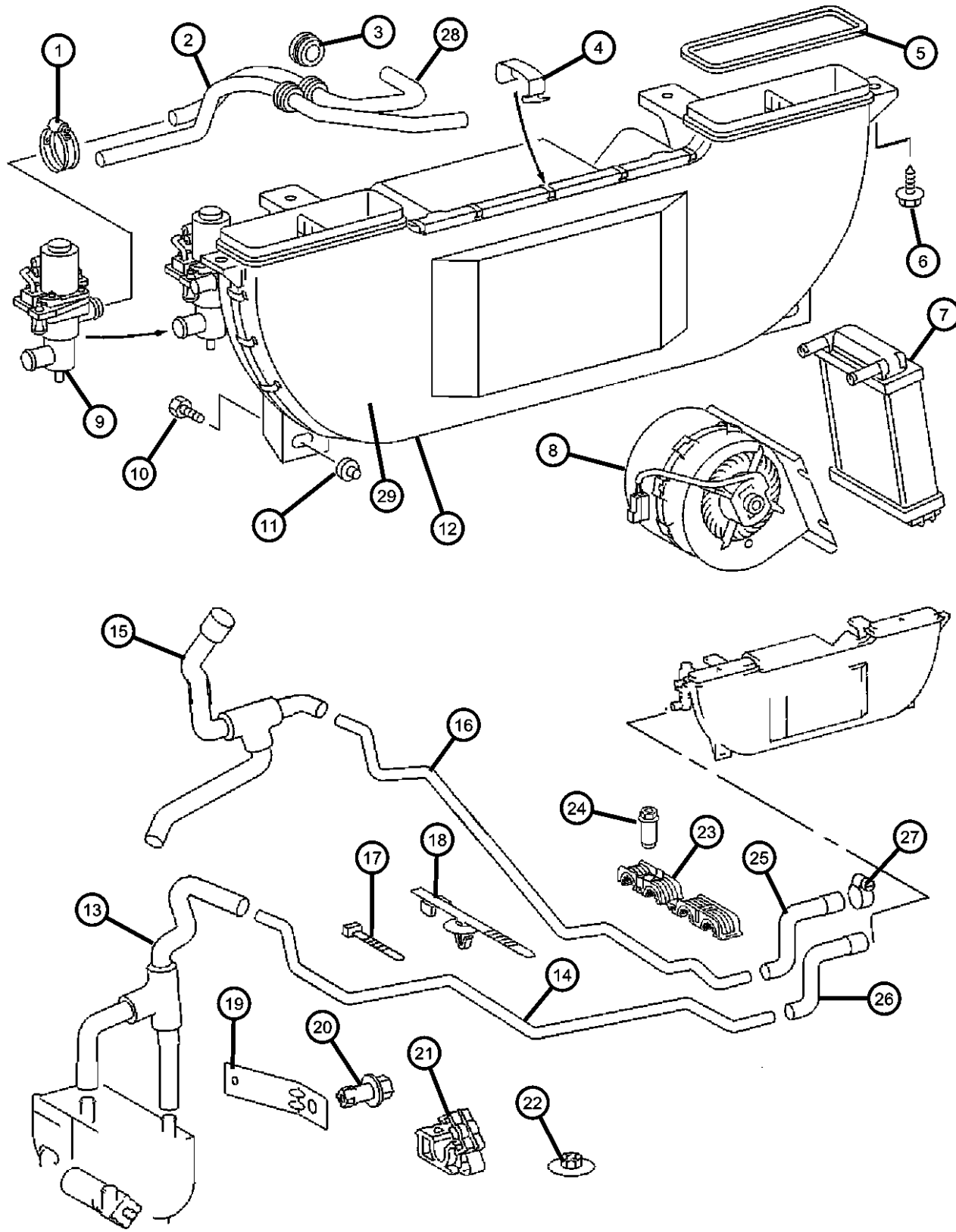
EX9 = Engine-2.7L I5
 Mercedes Turbo Diesel

TRANSMISSION

DGJ = Transmission-5-Spd. Automatic, W5A580

AR = use ase required - = Non illustrated part

Heat Exchanger and Plumbing
Figure 24-250



ITEM	PART NUMBER	QTY	LINE	SERIES	BODY	ENGINE	TRANS	TRIM	DESCRIPTION
------	-------------	-----	------	--------	------	--------	-------	------	-------------

1		1	2, 6		51, 52, 54, 55, 56				
1		1	3, 7		12, 15, 16				

SPRINTER (VA)

SERIES

L = LOWLINE
 3 = HD DODGE 2WD
 6 = Lt. Duty DODGE 4WD
 2 = Med. Duty DODGE 2WD
 7 = Med. Duty DODGE 4WD

BODY

01 = CHASSIS FORWARD CONTROL W.B.1
 02 = CAB CHASSIS WHEEL BASE 2
 06 = CAB CHASSIS WHEEL BASE 6
 11 = VAN WHEEL BASE 1
 12 = VAN WHEEL BASE 2
 51 = WAGON WHEEL BASE 1
 52 = WAGON WHEEL BASE 2
 14 = VAN WHEEL BASE 4
 15 = VAN WHEEL BASE 5
 56 = WAGON WHEEL BASE 6
 16 = VAN WHEEL BASE 6
 54 = WAGON WHEEL BASE 4
 55 = WAGON WHEEL BASE 5

ENGINE

EX9 = Engine-2.7L I5
 Mercedes Turbo Diesel

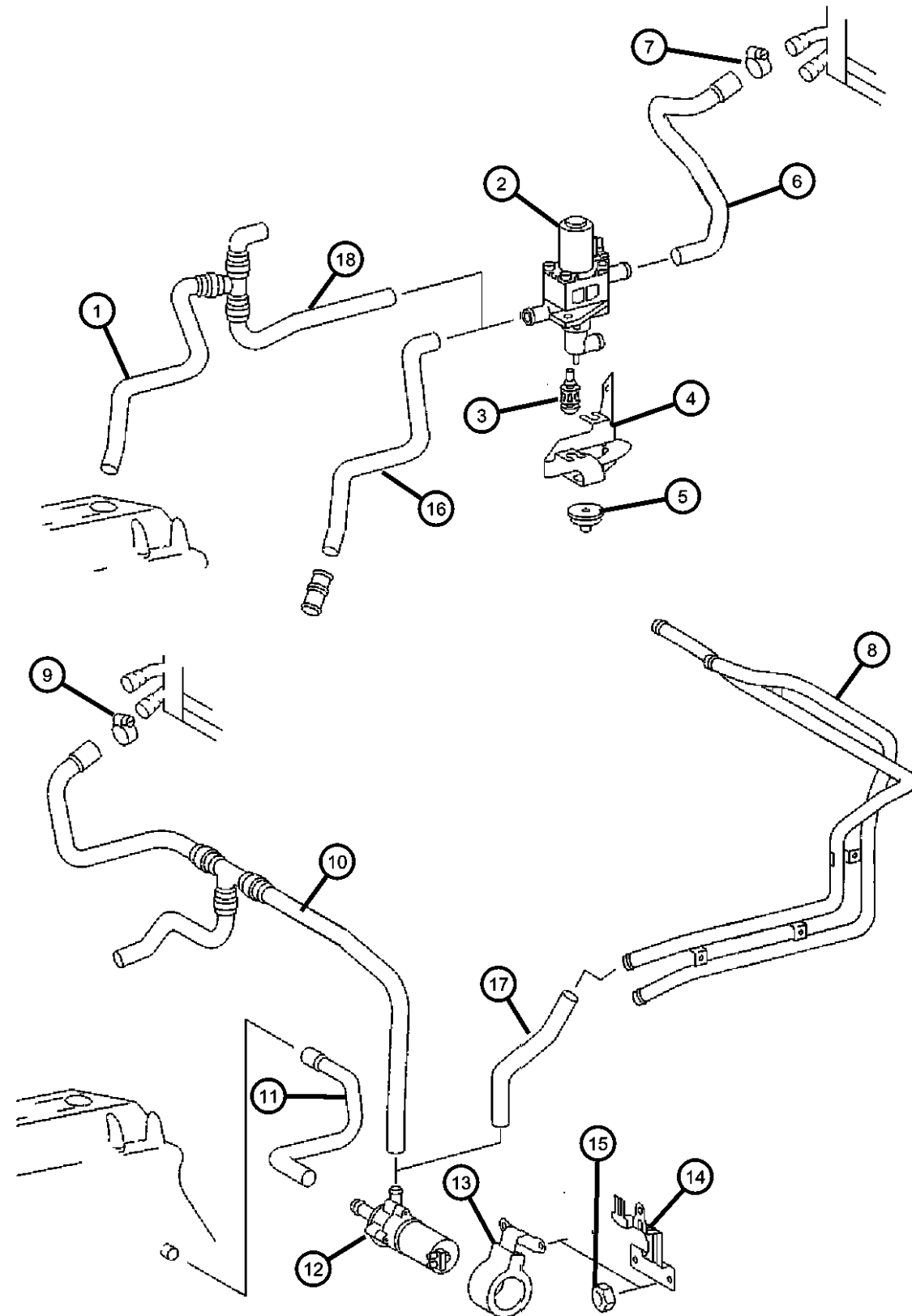
TRANSMISSION

DGJ = Transmission-5-Spd. Automatic, W5A580

AR = use ase required - = Non illustrated part

2002 VA

Plumbing, Heater
Figure 24-260



ITEM	PART NUMBER	QTY	LINE	SERIES	BODY	ENGINE	TRANS	TRIM	DESCRIPTION
1	05124858AA	1	2, 6		11, 12, 14, 15, 16				HOSE
		1	2, 6		51, 52, 54, 55, 56				
		1	3, 7		12, 15, 16				
2	05103770AA	1	2, 6		11, 12, 14, 15, 16				VALVE, Water
		1	3, 7		12, 15, 16				
		1	2, 6		51, 52, 54, 55, 56				
3	05096558AA	2	2, 6		11, 12, 14, 15, 16				GROMMET
		2	2, 6		51, 52, 54, 55, 56				
		2	3, 7		12, 15, 16				
4	05124791AA	1	2, 6		11, 12, 14, 15, 16				BRACKET, Recirculating Pump
		1	2, 6		55, 56, 51, 52, 54				
		1	3, 7		12, 15, 16				
5	05125504AA	1	2, 6		11, 12, 14, 15, 16				BUMPER, Rubber
		1	2, 6		51, 52, 54, 55, 56				
		1	3, 7		12, 15, 16				
6	05124846AA	1	2, 6		11, 12, 14, 15, 16				HOSE
		1	2, 6		51, 52, 54, 55, 56				

SPRINTER (VA)

SERIES

L = LOWLINE

LINE

3 = HD DODGE 2WD
6 = Lt. Duty DODGE 4WD
2 = Med. Duty DODGE 2WD
7 = Med. Duty DODGE 4WD

BODY

01 = CHASSIS FORWARD CONTROL W.B.1
02 = CAB CHASSIS WHEEL BASE 2
06 = CAB CHASSIS WHEEL BASE 6
11 = VAN WHEEL BASE 1
12 = VAN WHEEL BASE 2
51 = WAGON WHEEL BASE 1
52 = WAGON WHEEL BASE 2
14 = VAN WHEEL BASE 4
15 = VAN WHEEL BASE 5
56 = WAGON WHEEL BASE 6
16 = VAN WHEEL BASE 6
54 = WAGON WHEEL BASE 4
55 = WAGON WHEEL BASE 5

ENGINE

EX9 = Engine-2.7L I5
Mercedes Turbo Diesel

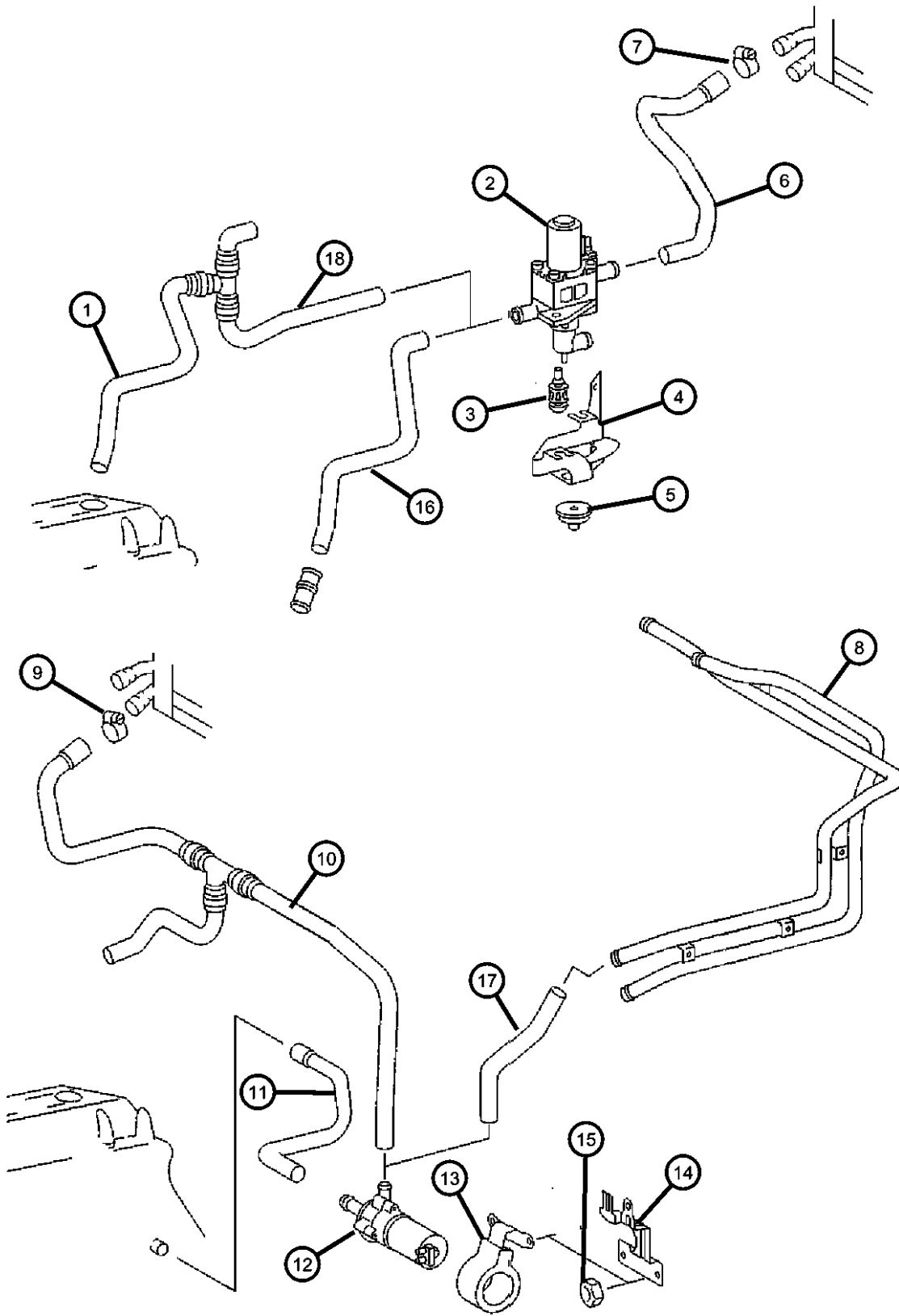
TRANSMISSION

DGJ = Transmission-5-Spd. Automatic, W5A580

AR = use ase required - = Non illustrated part

2002 VA

Plumbing, Heater
Figure 24-260



ITEM	PART NUMBER	QTY	LINE	SERIES	BODY	ENGINE	TRANS	TRIM	DESCRIPTION
7		1	3, 7		12, 15, 16				CLAMP, CLAMP
	05126287AA	1	2, 6		51, 52, 54, 55, 56	EX9			
		1	2, 6		11, 12, 14, 15, 16	EX9			
8		1	3, 7		12, 15, 16	EX9			TUBE, Heater
	05124644AA	1	2, 6		11, 12, 14, 15, 16				
		1	2, 6		51, 52, 54, 55, 56				
9		1	3, 7		16, 12, 15				CLAMP, Heater Hose
	05104681AB	3	2, 6		11, 12, 14, 15, 16	EX9			
		3	2, 6		51, 52, 54, 55, 56	EX9			
10		3	3, 7		12, 15, 16	EX9			HOSE
	05124842AA	1	2, 6		11, 12, 14, 15, 16				
		1	2, 6		51, 52, 54, 55, 56				
11		1	3, 7		12, 15, 16				HOSE
	05124867AA	1	2, 6		11, 12, 14, 15, 16				
		1	3, 7		12, 15, 16				
12		1	2, 6		51, 52, 54, 55, 56				PUMP, Recirculating

SPRINTER (VA)

SERIES

L = LOWLINE

LINE

3 = HD DODGE 2WD
6 = Lt. Duty DODGE 4WD
2 = Med. Duty DODGE 2WD
7 = Med. Duty DODGE 4WD

BODY

01 = CHASSIS FORWARD CONTROL W.B.1
02 = CAB CHASSIS WHEEL BASE 2
06 = CAB CHASSIS WHEEL BASE 6
11 = VAN WHEEL BASE 1
12 = VAN WHEEL BASE 2
51 = WAGON WHEEL BASE 1
52 = WAGON WHEEL BASE 2
14 = VAN WHEEL BASE 4
15 = VAN WHEEL BASE 5
56 = WAGON WHEEL BASE 6
16 = VAN WHEEL BASE 6
54 = WAGON WHEEL BASE 4
55 = WAGON WHEEL BASE 5

ENGINE

EX9 = Engine-2.7L I5 Mercedes Turbo Diesel

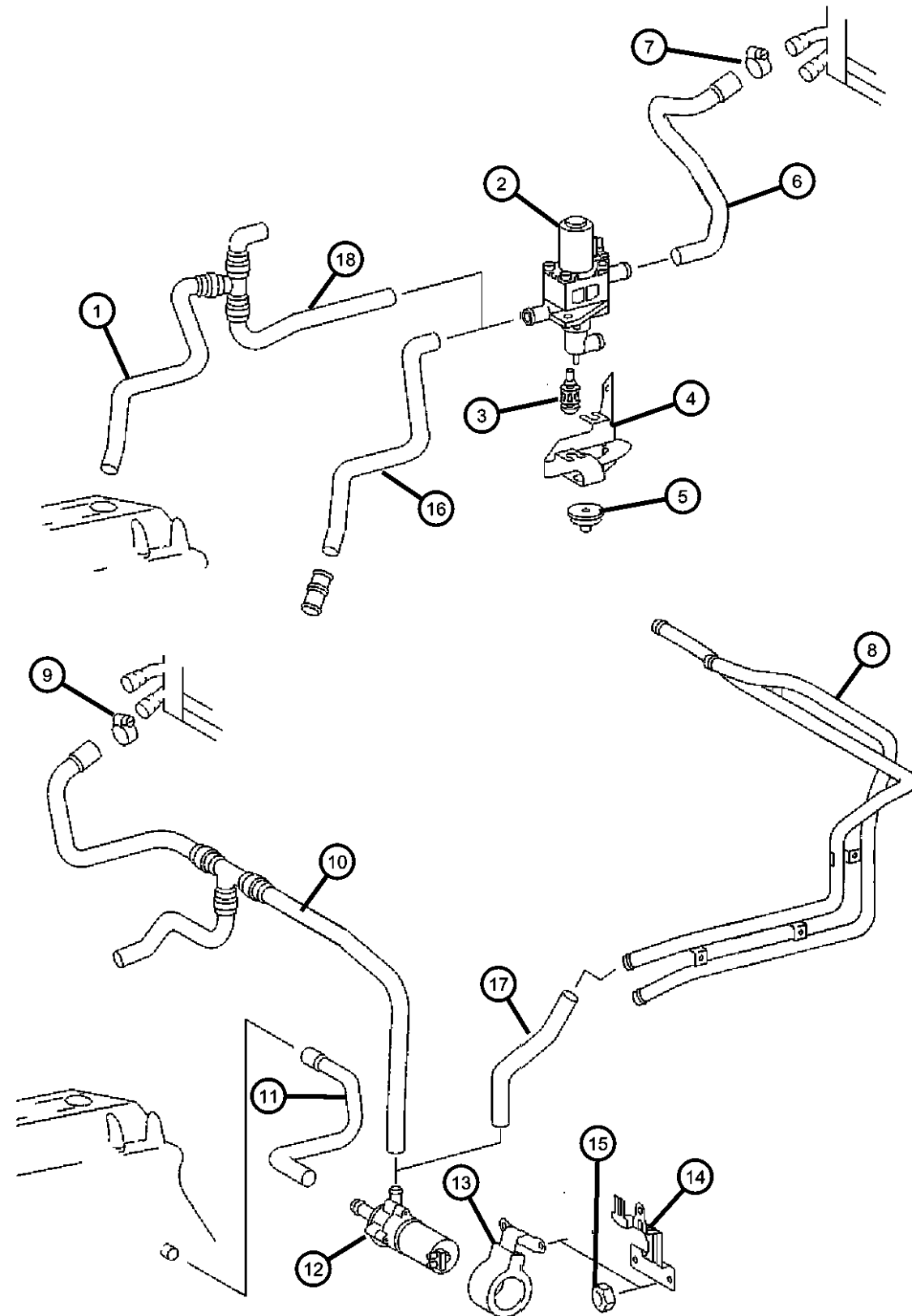
TRANSMISSION

DGJ = Transmission-5-Spd. Automatic, W5A580

AR = use ase required - = Non illustrated part

2002 VA

Plumbing, Heater
Figure 24-260



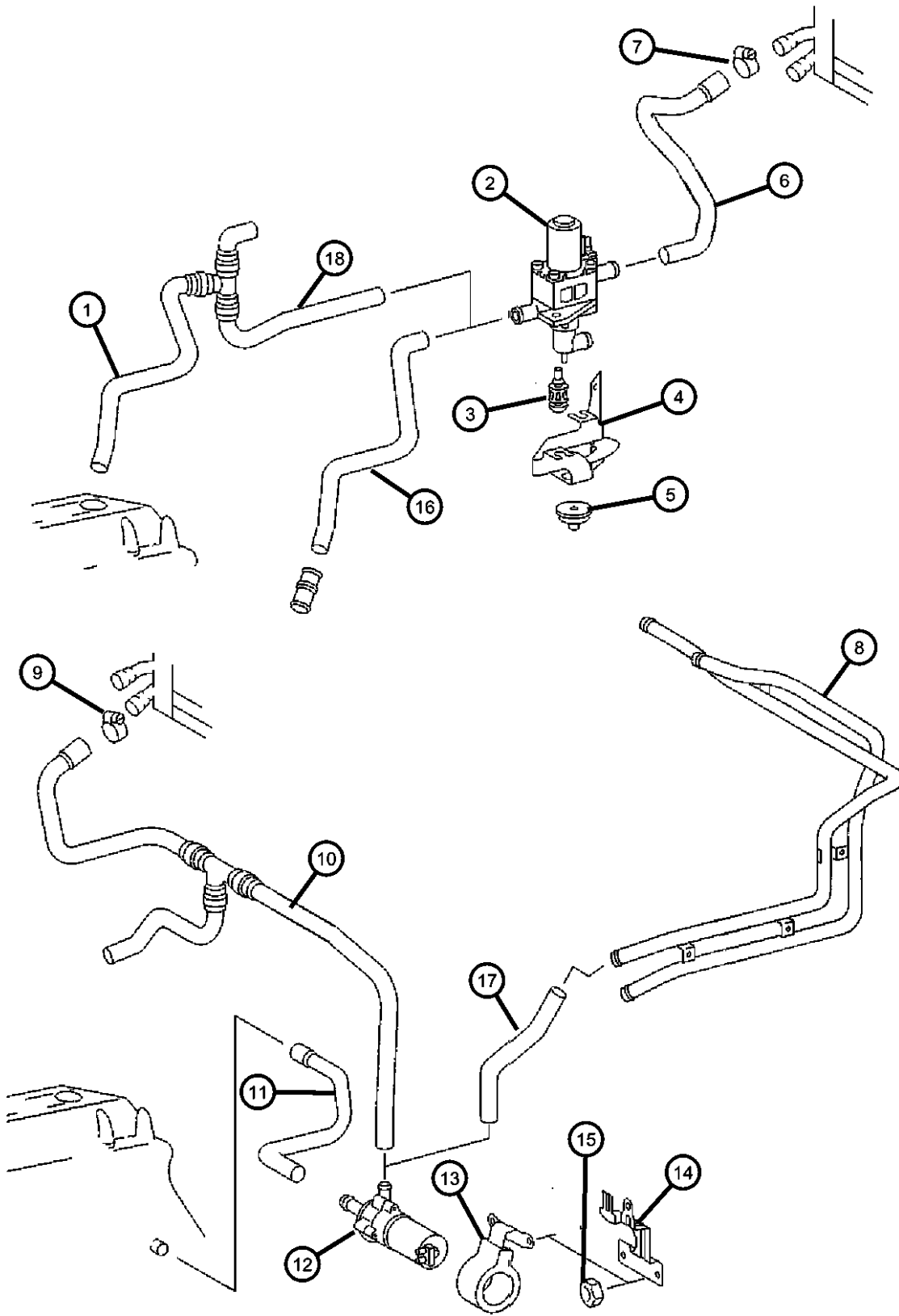
ITEM	PART NUMBER	QTY	LINE	SERIES	BODY	ENGINE	TRANS	TRIM	DESCRIPTION
	05098398AA	1	2, 6		11, 12, 14, 15, 16				
		1	2, 6		51, 52, 54, 55, 56				
13		1	3, 7		12, 15, 16	EX9			BRACKET
	05124629AB	1	3, 7		12, 15, 16	EX9			
		1	2, 6		15, 16, 11, 12, 14				
		1	2, 6		51, 52, 54, 55, 56				
14		1	2, 6		11, 12, 14, 15, 16	EX9			BRACKET, Recirculating Pump
	05124808AA	1	2, 6		11, 12, 14, 15, 16	EX9			
		1	2, 6		51, 52, 54, 55, 56	EX9			
		1	3, 7		12, 15, 16	EX9			
15		1	2, 6		11, 12, 14, 15, 16	EX9			NUT, Hex
	05097674AA	1	2, 6		11, 12, 14, 15, 16	EX9			
		1	2, 6		51, 52, 54, 55, 56				
		1	3, 7		12, 15, 16				
16		1	2, 6		11, 12, 14, 15, 16				HOSE
	05124844AA	1	2, 6		11, 12, 14, 15, 16				
		1	2, 6		51, 52, 54, 55, 56				
		1	3, 7		12, 15, 16				
17		1	2, 6		12, 14, 15, 16, 11				HOSE
	05124848AA	1	2, 6		12, 14, 15, 16, 11				
		1	2, 6		51, 52, 54, 55, 56				

SPRINTER (VA)

SERIES	LINE	BODY	ENGINE	TRANSMISSION
L = LOWLINE	3 = HD DODGE 2WD 6 = Lt. Duty DODGE 4WD 2 = Med. Duty DODGE 2WD 7 = Med. Duty DODGE 4WD	01 = CHASSIS FORWARD CONTROL W.B.1 02 = CAB CHASSIS WHEEL BASE 2 06 = CAB CHASSIS WHEEL BASE 6 11 = VAN WHEEL BASE 1 12 = VAN WHEEL BASE 2 51 = WAGON WHEEL BASE 1 52 = WAGON WHEEL BASE 2 14 = VAN WHEEL BASE 4 15 = VAN WHEEL BASE 5 56 = WAGON WHEEL BASE 6 16 = VAN WHEEL BASE 6 54 = WAGON WHEEL BASE 4 55 = WAGON WHEEL BASE 5	EX9 = Engine-2.7L I5 Mercedes Turbo Diesel	DGJ = Transmission-5-Spd. Automatic, W5A580

AR = use ase required - = Non illustrated part

Plumbing, Heater
Figure 24-260



ITEM	PART NUMBER	QTY	LINE	SERIES	BODY	ENGINE	TRANS	TRIM	DESCRIPTION
18		1	3, 7		12, 15, 16				HOSE, Flexible Exhaust, Supplemental Heater
	05125981AA	1	2, 6		11, 12, 14, 15, 16	EX9			
		1	2, 6		51, 52, 54, 55, 56	EX9			
		1	3, 7		12, 15, 16	EX9			

SPRINTER (VA)

SERIES

L = LOWLINE

LINE

3 = HD DODGE 2WD
6 = Lt. Duty DODGE 4WD
2 = Med. Duty DODGE 2WD
7 = Med. Duty DODGE 4WD

BODY

01 = CHASSIS FORWARD CONTROL W.B.1
02 = CAB CHASSIS WHEEL BASE 2
06 = CAB CHASSIS WHEEL BASE 6
11 = VAN WHEEL BASE 1
12 = VAN WHEEL BASE 2
51 = WAGON WHEEL BASE 1
52 = WAGON WHEEL BASE 2
14 = VAN WHEEL BASE 4
15 = VAN WHEEL BASE 5
56 = WAGON WHEEL BASE 6
16 = VAN WHEEL BASE 6
54 = WAGON WHEEL BASE 4
55 = WAGON WHEEL BASE 5

ENGINE

EX9 = Engine-2.7L I5 Mercedes Turbo Diesel

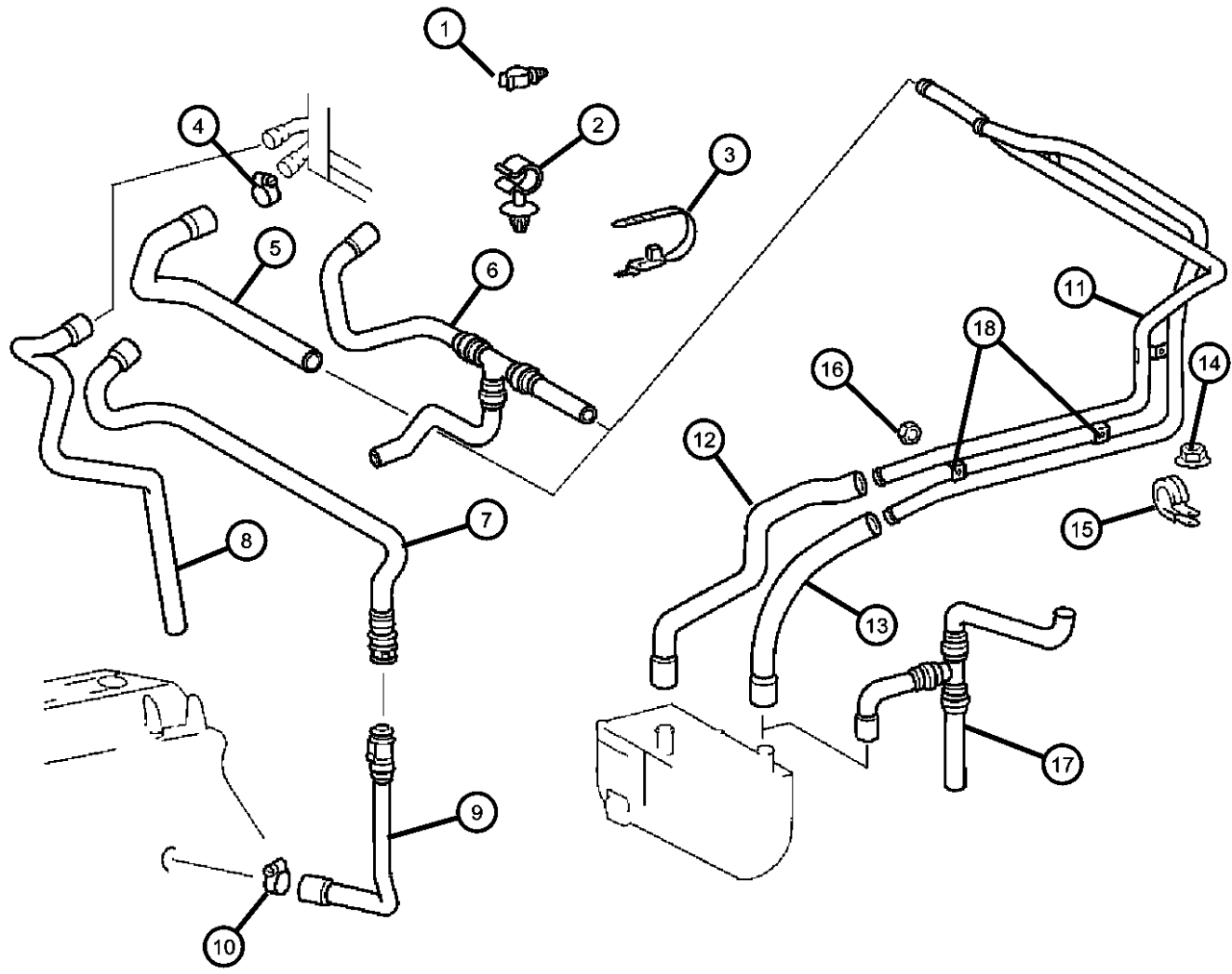
TRANSMISSION

DGJ = Transmission-5-Spd. Automatic, W5A580

AR = use ase required - = Non illustrated part

2002 VA

Plumbing, Heater with Auxiliary warm water Heater
Figure 24-265



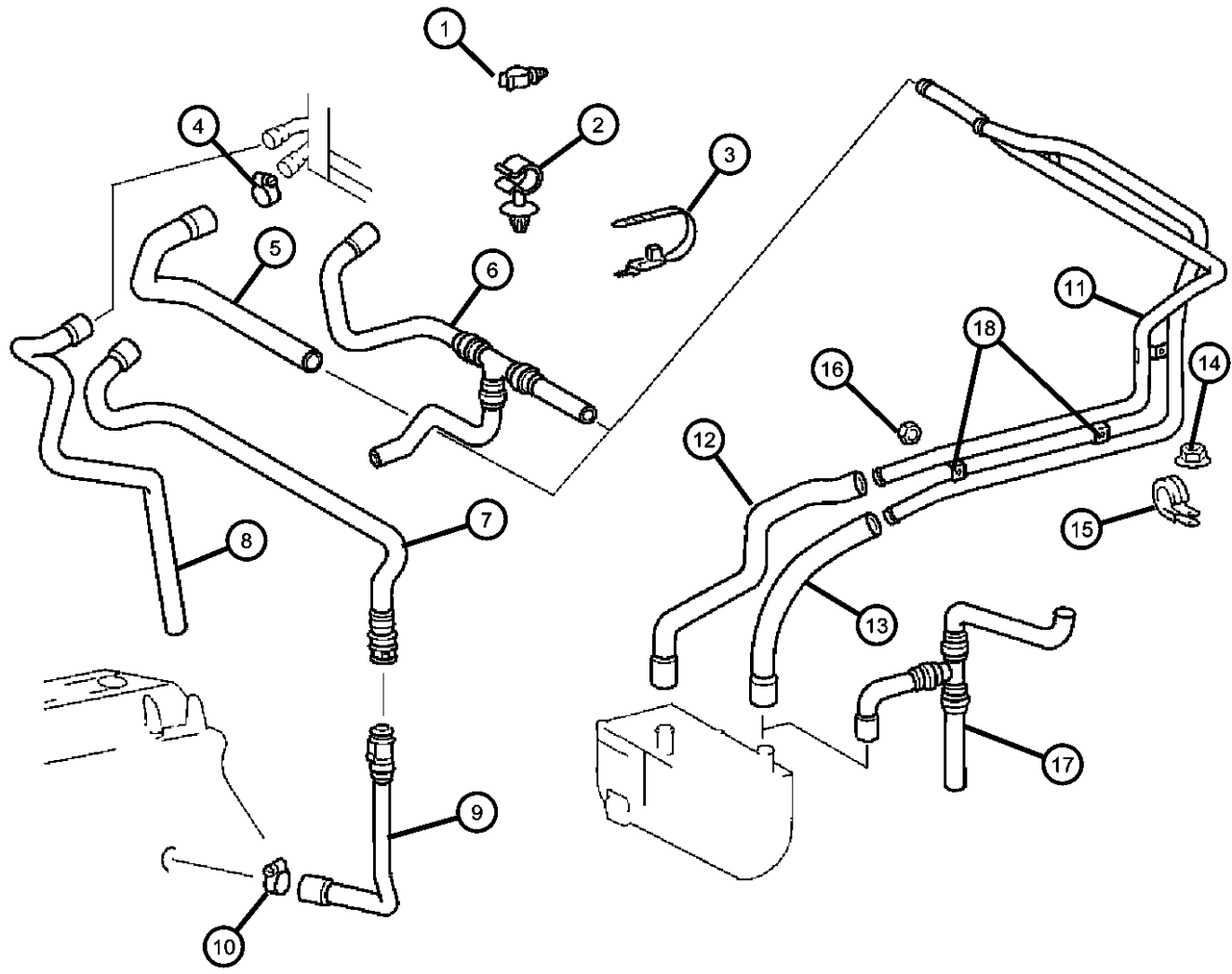
ITEM	PART NUMBER	QTY	LINE	SERIES	BODY	ENGINE	TRANS	TRIM	DESCRIPTION
1	05124806AA	1	2, 6		11, 12, 14, 15, 16				CLIP, Hose
		1	2, 6		51, 52, 54, 55, 56				
		1	3, 7		12, 15, 16				
2	05117649AA	1	2, 6		11, 12, 14, 15, 16				CLIP, Hose
		1	2, 6		51, 52, 54, 55, 56				
		1	3, 7		12, 15, 16				
3	05133297AA	2	2, 6		11, 12, 14, 15, 16				STRAP AND CLIP
		2	2, 6		51, 52, 54, 55, 56				
		2	3, 7		12, 15, 16				
4	05104681AB	3	2, 6		11, 12, 14, 15, 16	EX9			CLAMP, Heater Hose
		3	2, 6		51, 52, 54, 55, 56	EX9			
		3	3, 7		12, 15, 16	EX9			
5	05124854AA	1	2, 6		51, 52, 54, 55, 56				HOSE
		1	3, 7		12, 15, 16				
		1	6, 2		11, 12, 14, 15, 16				
6	05124837AA	1	2, 6		16, 11, 12, 14, 15				HOSE
		1	2, 6		51, 52, 54, 55, 56				

SPRINTER (VA)

SERIES	LINE	BODY	ENGINE	TRANSMISSION
L = LOWLINE	3 = HD DODGE 2WD 6 = Lt. Duty DODGE 4WD 2 = Med. Duty DODGE 2WD 7 = Med. Duty DODGE 4WD	01 = CHASSIS FORWARD CONTROL W.B.1 02 = CAB CHASSIS WHEEL BASE 2 06 = CAB CHASSIS WHEEL BASE 6 11 = VAN WHEEL BASE 1 12 = VAN WHEEL BASE 2 51 = WAGON WHEEL BASE 1 52 = WAGON WHEEL BASE 2 14 = VAN WHEEL BASE 4 15 = VAN WHEEL BASE 5 56 = WAGON WHEEL BASE 6 16 = VAN WHEEL BASE 6 54 = WAGON WHEEL BASE 4 55 = WAGON WHEEL BASE 5	EX9 = Engine-2.7L I5 Mercedes Turbo Diesel	DGJ = Transmission-5-Spd. Automatic, W5A580

AR = use ase required - = Non illustrated part

Plumbing, Heater with Auxiliary warm water Heater
Figure 24-265



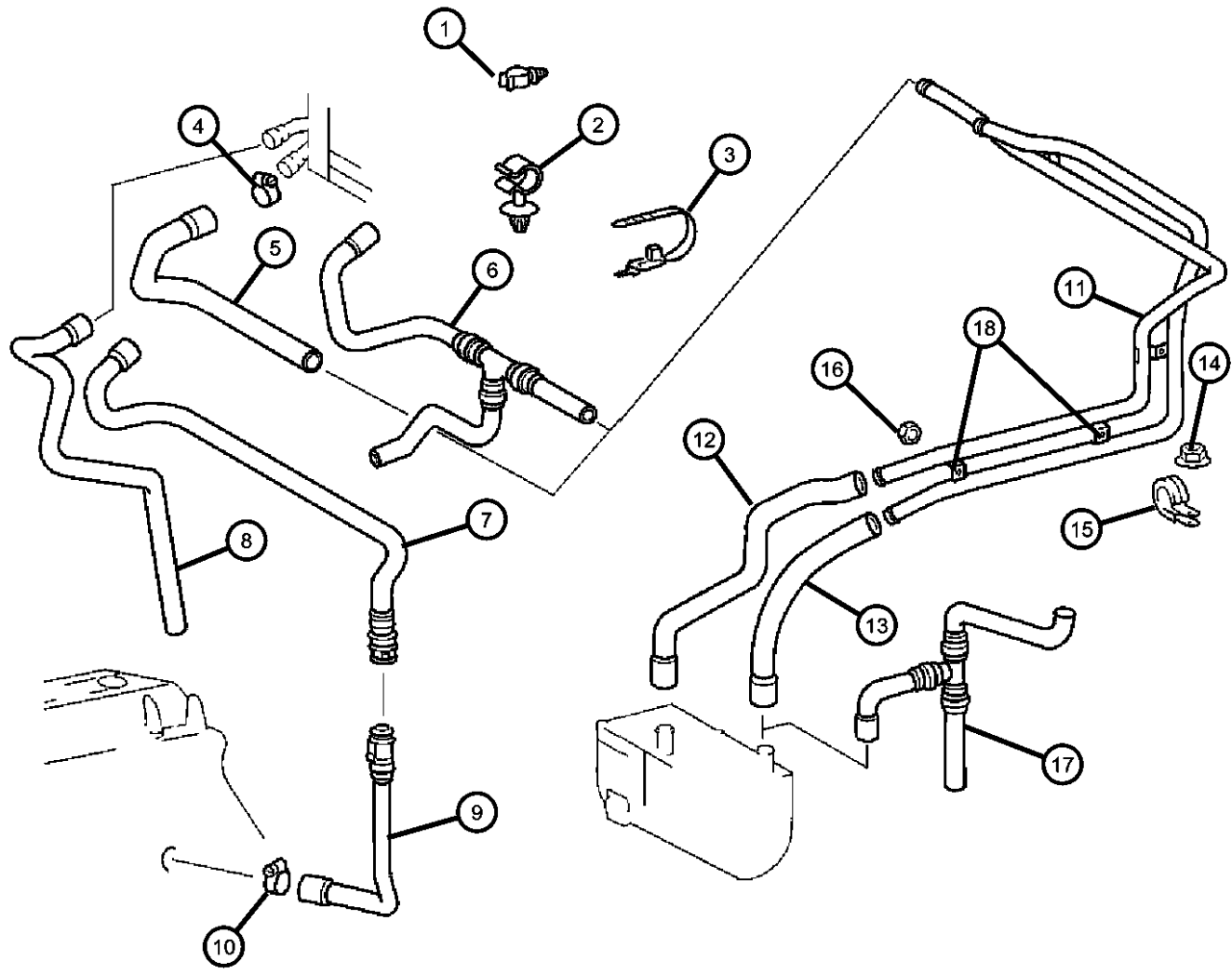
ITEM	PART NUMBER	QTY	LINE	SERIES	BODY	ENGINE	TRANS	TRIM	DESCRIPTION
7		1	3, 7		12, 15, 16				HOSE
	05104481AA	1	2, 6		11, 12, 14, 15, 16	EX9			
		1	2, 6		51, 52, 54, 55, 56	EX9			
8		1	3, 7		12, 15, 16	EX9			HOSE
	05104489AA	1	2, 6		11, 12, 14, 15, 16	EX9			
		1	2, 6		51, 52, 54, 55, 56	EX9			
9		1	3, 7		12, 15, 16	EX9			HOSE, HOSE-WATER
	05124866AA	1	2, 6		11, 12, 14, 15, 16	EX9			
		1	2, 6		51, 52, 54, 55, 56	EX9			
10		1	3, 7		12, 15, 16	EX9			CLAMP, CLAMP
	05126287AA	6	2, 6		11, 12, 14, 15, 16	EX9			
		6	2, 6		51, 52, 54, 55, 56	EX9			
		6	3, 7		12, 15, 16	EX9			
11		1	2, 6		11, 12, 14, 15, 16				TUBE, Heater
	05124644AA	1	2, 6		11, 12, 14, 15, 16				
		1	3, 7		12, 15, 16				
		1	2, 6		51, 52, 54, 55, 56				
12									HOSE

SPRINTER (VA)

SERIES	LINE	BODY	ENGINE	TRANSMISSION
L = LOWLINE	3 = HD DODGE 2WD 6 = Lt. Duty DODGE 4WD 2 = Med. Duty DODGE 2WD 7 = Med. Duty DODGE 4WD	01 = CHASSIS FORWARD CONTROL W.B.1 02 = CAB CHASSIS WHEEL BASE 2 06 = CAB CHASSIS WHEEL BASE 6 11 = VAN WHEEL BASE 1 12 = VAN WHEEL BASE 2 51 = WAGON WHEEL BASE 1 52 = WAGON WHEEL BASE 2 14 = VAN WHEEL BASE 4 15 = VAN WHEEL BASE 5 56 = WAGON WHEEL BASE 6 16 = VAN WHEEL BASE 6 54 = WAGON WHEEL BASE 4 55 = WAGON WHEEL BASE 5	EX9 = Engine-2.7L I5 Mercedes Turbo Diesel	DGJ = Transmission-5-Spd. Automatic, W5A580

AR = use ase required - = Non illustrated part

Plumbing, Heater with Auxiliary warm water Heater
Figure 24-265



ITEM	PART NUMBER	QTY	LINE	SERIES	BODY	ENGINE	TRANS	TRIM	DESCRIPTION
	05124850AA	1	2, 6		11, 12, 14, 15, 16				
		1	2, 6		51, 52, 54, 55, 56				
		1	3, 7		12, 15, 16				
13	05124852AA	1	2, 6		11, 12, 14, 15, 16				HOSE
		1	2, 6		51, 52, 54, 55, 56				
		1	3, 7		12, 15, 16				
14	06104911AA	1	2, 6		51, 52, 54, 55, 56				NUT, Hex
		1	2, 6		11, 12, 14, 15, 16				
		1	3, 7		12, 15, 16				
15	05126284AA	1	2, 6		11, 12, 14, 15, 16				CLAMP, Air Conditioning Piping
		1	2, 6		54, 55, 56, 51, 52				
		1	3, 7		12, 15, 16				
16	05096978AA	2	2, 6		11, 12, 14, 15, 16				NUT, Hex, M6
		2	2, 6		51, 52, 54, 55, 56				
		2	3, 7		12, 15, 16				
17	05124886AA	1	2, 6		11, 12, 14, 15, 16				HOSE, Auxiliary Heater
		1	2, 6		51, 52, 54, 55, 56				

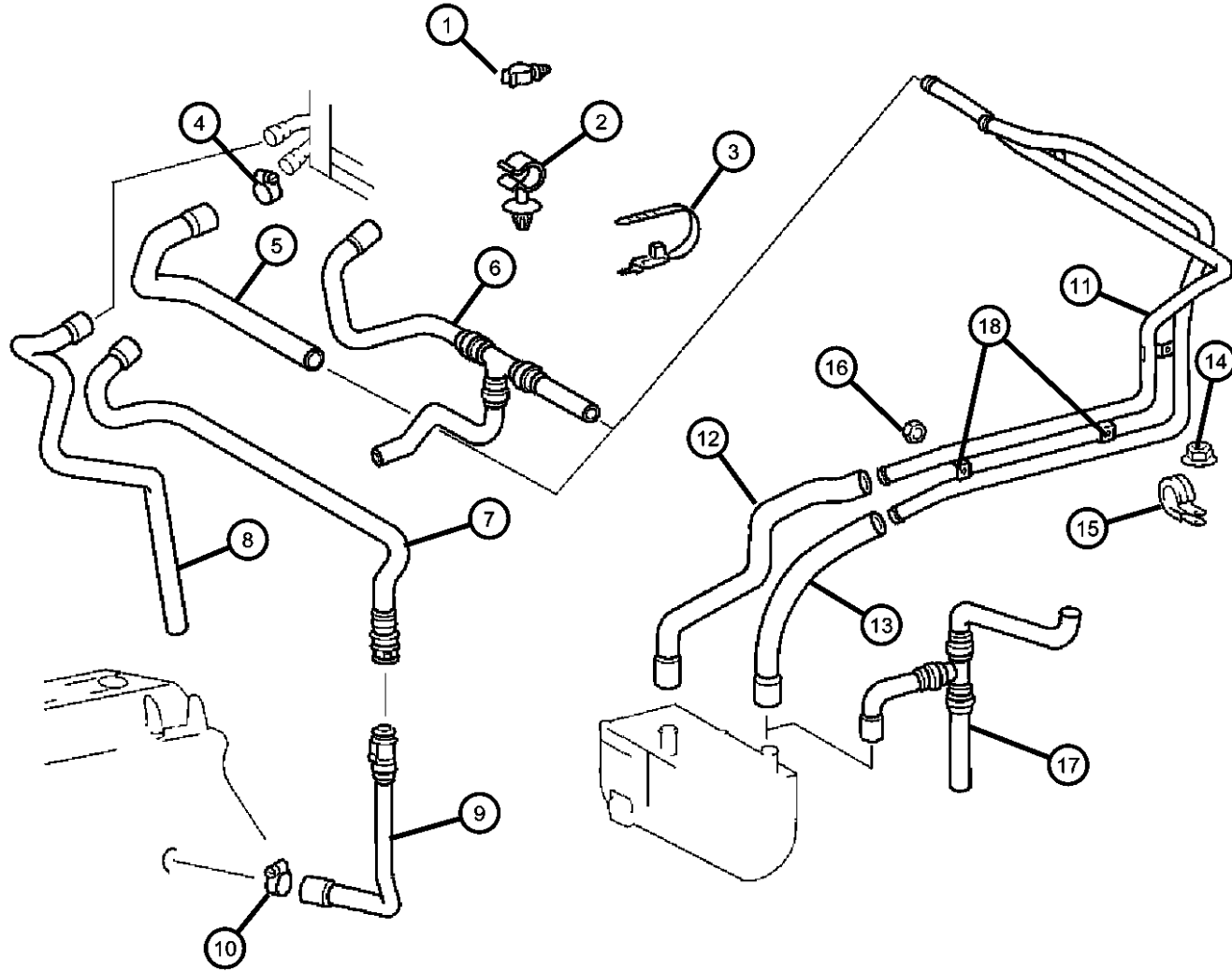
SPRINTER (VA)

SERIES	LINE	BODY	ENGINE	TRANSMISSION
L = LOWLINE	3 = HD DODGE 2WD 6 = Lt. Duty DODGE 4WD 2 = Med. Duty DODGE 2WD 7 = Med. Duty DODGE 4WD	01 = CHASSIS FORWARD CONTROL W.B.1 02 = CAB CHASSIS WHEEL BASE 2 06 = CAB CHASSIS WHEEL BASE 6 11 = VAN WHEEL BASE 1 12 = VAN WHEEL BASE 2 51 = WAGON WHEEL BASE 1 52 = WAGON WHEEL BASE 2 14 = VAN WHEEL BASE 4 15 = VAN WHEEL BASE 5 56 = WAGON WHEEL BASE 6 16 = VAN WHEEL BASE 6 54 = WAGON WHEEL BASE 4 55 = WAGON WHEEL BASE 5	EX9 = Engine-2.7L I5 Mercedes Turbo Diesel	DGJ = Transmission-5-Spd. Automatic, W5A580

AR = use ase required - = Non illustrated part

**Plumbing, Heater with Auxiliary warm water Heater
Figure 24-265**

ITEM	PART NUMBER	QTY	LINE	SERIES	BODY	ENGINE	TRANS	TRIM	DESCRIPTION
		1	3, 7		12, 15, 16				
18	05133315AA	1	6		51, 52, 54, 55, 56				BRACKET, Heater Core Tubes
		1	7		12, 15, 16				
		1	6		15, 16, 11, 12, 14				



SPRINTER (VA)

SERIES

L = LOWLINE
 3 = HD DODGE 2WD
 6 = Lt. Duty DODGE 4WD
 2 = Med. Duty DODGE 2WD
 7 = Med. Duty DODGE 4WD

LINE

BODY

01 = CHASSIS FORWARD CONTROL W.B.1
 02 = CAB CHASSIS WHEEL BASE 2
 06 = CAB CHASSIS WHEEL BASE 6
 11 = VAN WHEEL BASE 1
 12 = VAN WHEEL BASE 2
 51 = WAGON WHEEL BASE 1
 52 = WAGON WHEEL BASE 2
 14 = VAN WHEEL BASE 4
 15 = VAN WHEEL BASE 5
 56 = WAGON WHEEL BASE 6
 16 = VAN WHEEL BASE 6
 54 = WAGON WHEEL BASE 4
 55 = WAGON WHEEL BASE 5

ENGINE

EX9 = Engine-2.7L I5 Mercedes Turbo Diesel

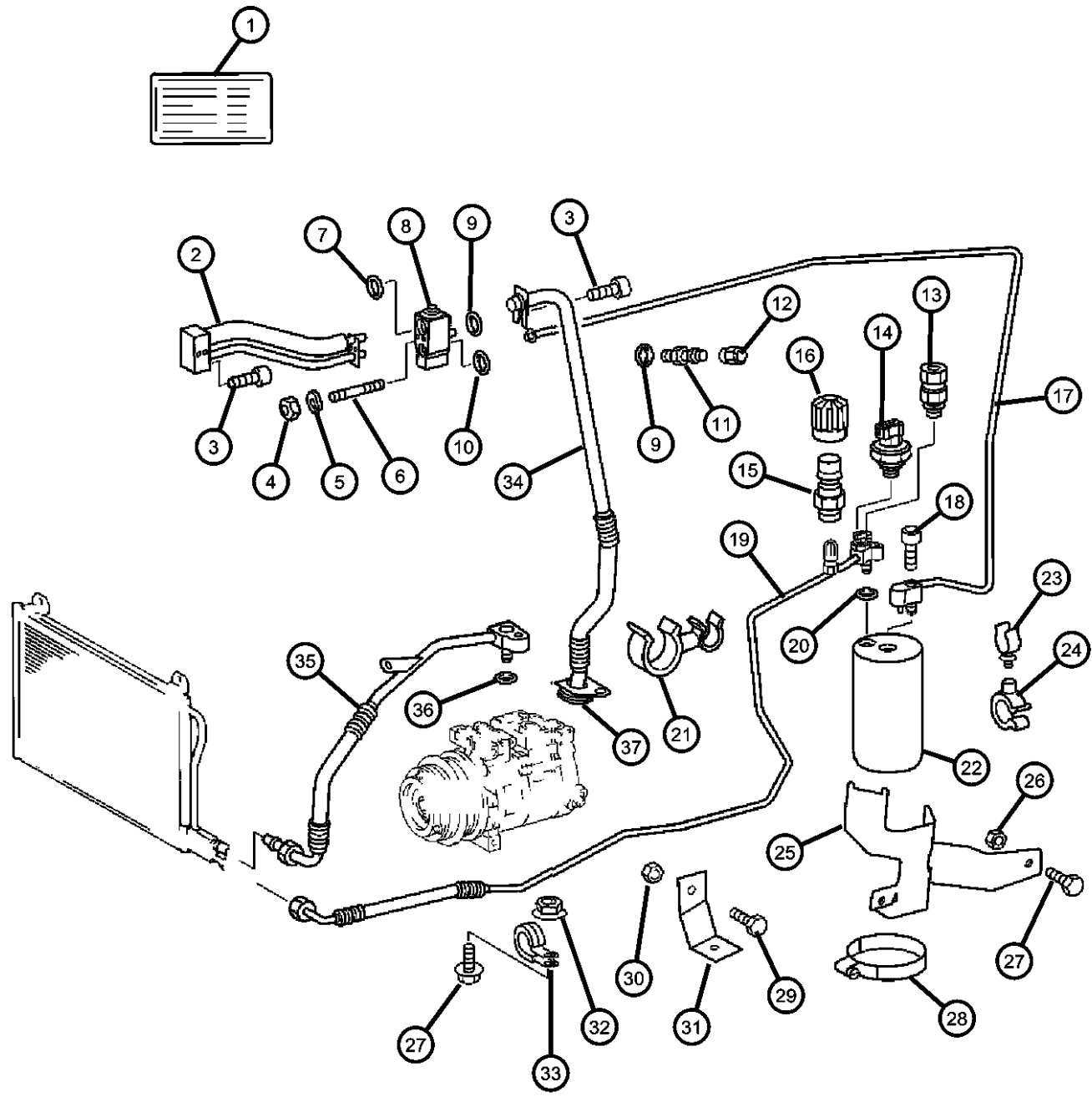
TRANSMISSION

DGJ = Transmission-5-Spd. Automatic, W5A580

AR = use ase required - = Non illustrated part

2002 VA

**Plumbing, Air Conditioning
Figure 24-270**



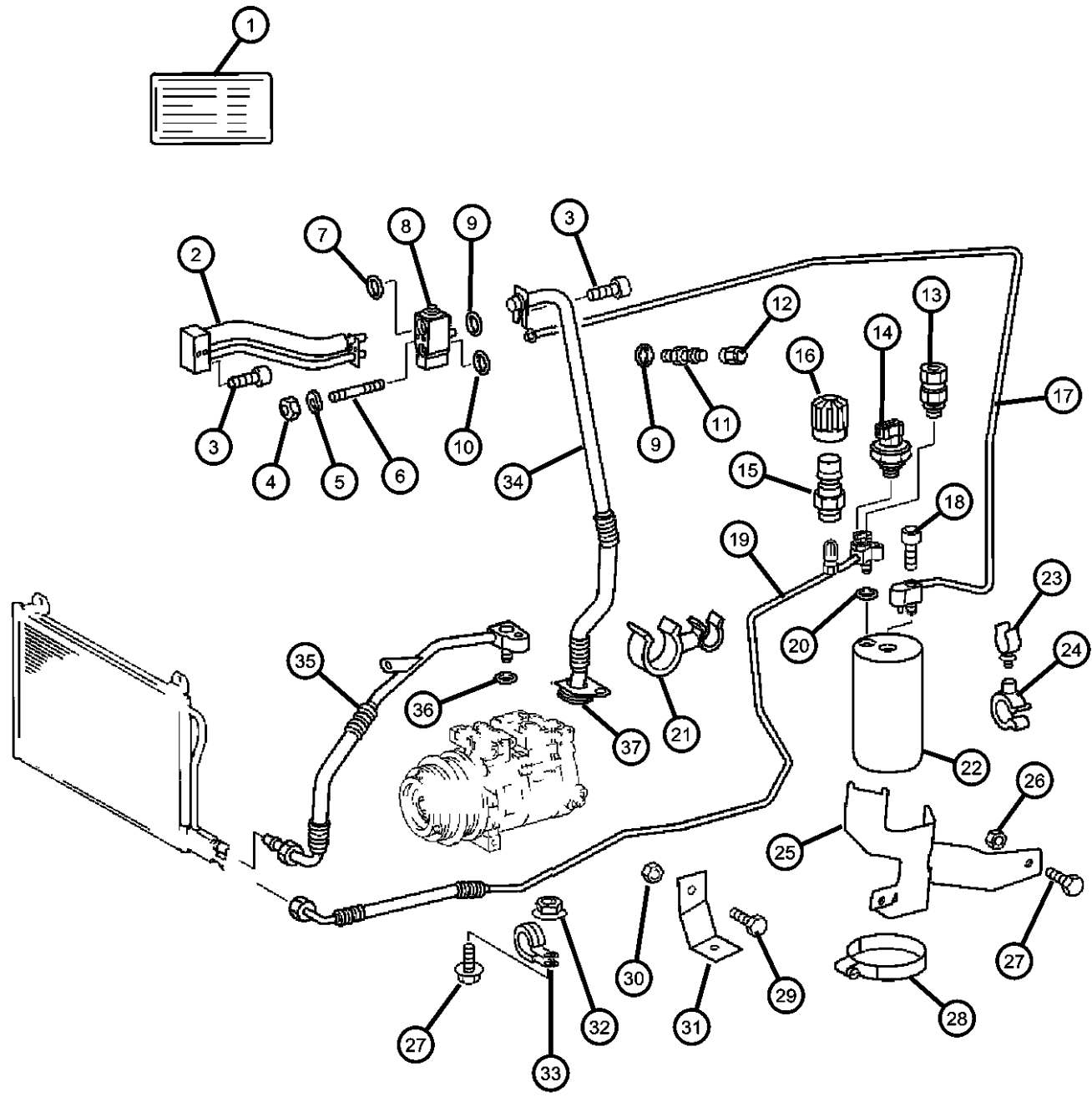
ITEM	PART NUMBER	QTY	LINE	SERIES	BODY	ENGINE	TRANS	TRIM	DESCRIPTION
1	05124359AA	1	2, 6		11, 12, 14, 15, 16				LABEL, A/C Spec.
		1	2, 6		51, 52, 54, 55, 56				
		1	3, 7		12, 15, 16				
2	05104479AA	1	2, 6		11, 12, 14, 15, 16				LINE, A/C Suction And Liquid
		1	2, 6		51, 52, 54, 55, 56				
		1	3, 7		12, 15, 16				
3	05126135AA	2	2, 6		11, 12, 14, 15, 16				SCREW
		2	2, 6		51, 52, 54, 55, 56				
		2	3, 7		12, 15, 16				
4		2							NUT, (NOT SERVICED)
5									LOCK WASHER
	05126240AA	1	2, 6		11, 12, 14, 15, 16				
		1	2, 6		51, 52, 54, 55, 56				
		1	3, 7		12, 15, 16				
6	05134028AA	1	3, 7		12, 15, 16				STUD, Expansion Valve
		1	2, 6		11, 12, 14, 15, 16				
		1	2, 6		51, 52, 54, 55, 56				
7	05098971AA	1	2, 6		11, 12, 14, 15, 16				O RING, A/C Line

SPRINTER (VA)

SERIES	LINE	BODY	ENGINE	TRANSMISSION
L = LOWLINE	3 = HD DODGE 2WD 6 = Lt. Duty DODGE 4WD 2 = Med. Duty DODGE 2WD 7 = Med. Duty DODGE 4WD	01 = CHASSIS FORWARD CONTROL W.B.1 02 = CAB CHASSIS WHEEL BASE 2 06 = CAB CHASSIS WHEEL BASE 6 11 = VAN WHEEL BASE 1 12 = VAN WHEEL BASE 2 51 = WAGON WHEEL BASE 1 52 = WAGON WHEEL BASE 2 14 = VAN WHEEL BASE 4 15 = VAN WHEEL BASE 5 56 = WAGON WHEEL BASE 6 16 = VAN WHEEL BASE 6 54 = WAGON WHEEL BASE 4 55 = WAGON WHEEL BASE 5	EX9 = Engine-2.7L I5 Mercedes Turbo Diesel	DGJ = Transmission-5-Spd. Automatic, W5A580

AR = use ase required - = Non illustrated part

Plumbing, Air Conditioning
Figure 24-270



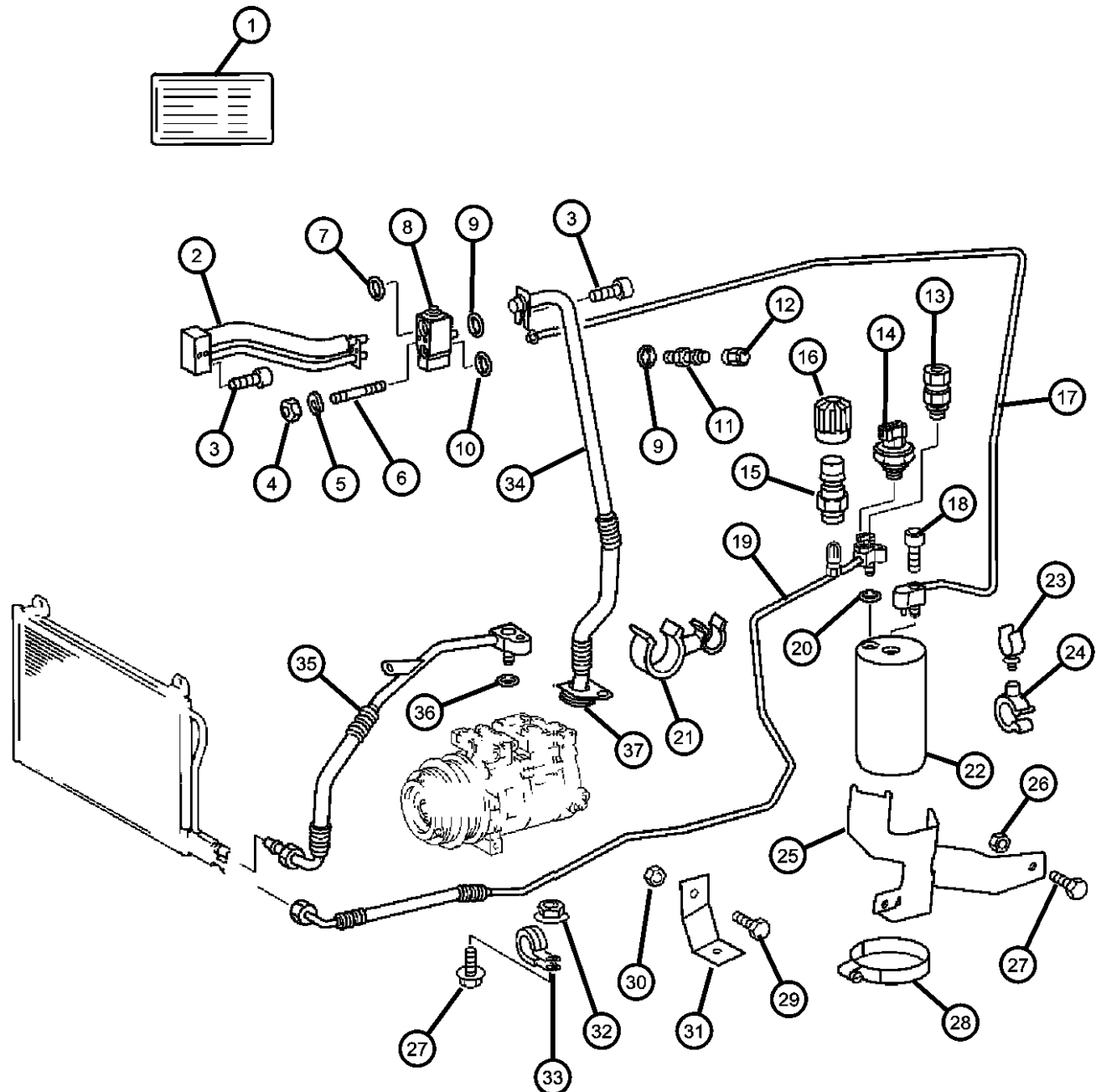
ITEM	PART NUMBER	QTY	LINE	SERIES	BODY	ENGINE	TRANS	TRIM	DESCRIPTION
		1	2, 6		51, 52, 54, 55, 56				
8		1	3, 7		12, 15, 16				VALVE, Expansion
	05103933AA	1	2, 6		11, 12, 14, 15, 16				
		1	2, 6		51, 52, 54, 55, 56				
		1	3, 7		12, 15, 16				
9									O RING, A/C Line
	05103930AA	2	2, 6		11, 12, 14, 15, 16				
		2	2, 6		51, 52, 54, 55, 56				
10	05098970AA	2	3, 7		12, 15, 16				O RING, A/C Line
11									VALVE, Check
	05103771AA	1	2, 6		11, 12, 14, 15, 16				
		1	2, 6		51, 52, 54, 55, 56				
		1	3, 7		12, 15, 16				
12									CAP, Sealing
	05134029AA	1	2, 6		11, 12, 14, 15, 16				
		1	2, 6		51, 52, 54, 55, 56				
		1	3, 7		12, 15, 16				
13									VALVE, A/C Pressure Relief
	05098395AA	1	2, 6		11, 12, 14, 15, 16				
		1	2, 6		51, 52, 54, 55, 56				

SPRINTER (VA)

SERIES	LINE	BODY	ENGINE	TRANSMISSION
L = LOWLINE	3 = HD DODGE 2WD 6 = Lt. Duty DODGE 4WD 2 = Med. Duty DODGE 2WD 7 = Med. Duty DODGE 4WD	01 = CHASSIS FORWARD CONTROL W.B.1 02 = CAB CHASSIS WHEEL BASE 2 06 = CAB CHASSIS WHEEL BASE 6 11 = VAN WHEEL BASE 1 12 = VAN WHEEL BASE 2 51 = WAGON WHEEL BASE 1 52 = WAGON WHEEL BASE 2 14 = VAN WHEEL BASE 4 15 = VAN WHEEL BASE 5 56 = WAGON WHEEL BASE 6 16 = VAN WHEEL BASE 6 54 = WAGON WHEEL BASE 4 55 = WAGON WHEEL BASE 5	EX9 = Engine-2.7L I5 Mercedes Turbo Diesel	DGJ = Transmission-5-Spd. Automatic, W5A580

AR = use ase required - = Non illustrated part

Plumbing, Air Conditioning
Figure 24-270



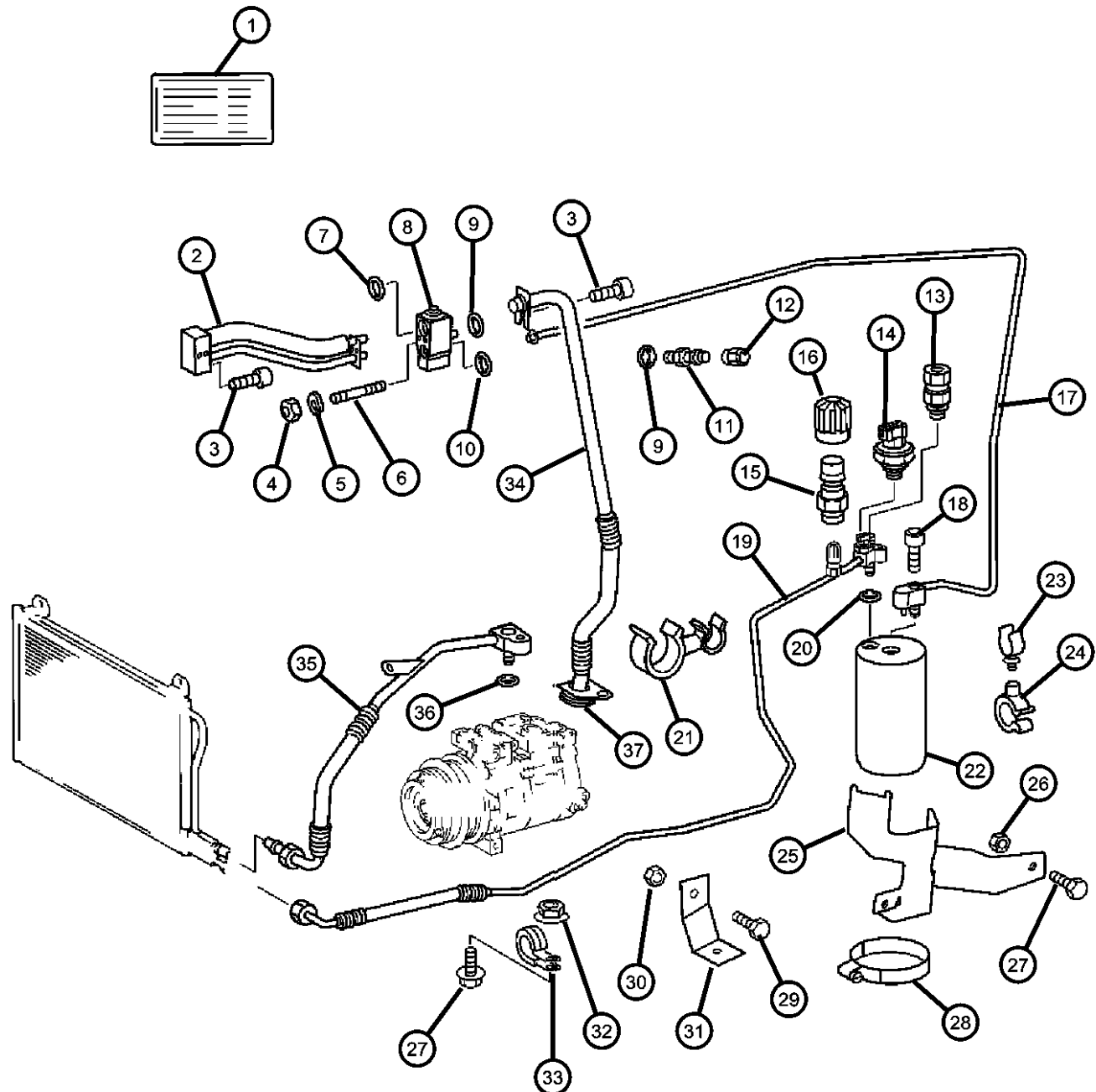
ITEM	PART NUMBER	QTY	LINE	SERIES	BODY	ENGINE	TRANS	TRIM	DESCRIPTION
14		1	3, 7		12, 15, 16				SWITCH, A/C Pressure
	05097873AA	1	2, 6		11, 12, 14, 15, 16				
		1	2, 6		51, 52, 54, 55, 56				
		1	3, 7		12, 15, 16				
15									VALVE, Charging
	05098396AB	1	2, 6		11, 12, 14, 15, 16				
		1	2, 6		51, 52, 54, 55, 56				
		1	3, 7		12, 15, 16				
16									CAP, A/C Charge Valve
	05098958AA	1	2, 6		11, 12, 14, 15, 16				
		1	2, 6		51, 52, 54, 55, 56				
		1	3, 7		12, 15, 16				
17									LINE, Receiver/Drier to Expansion Valve
	05124646AA	1	2, 6		11, 12, 14, 15, 16				
		1	2, 6		51, 52, 54, 55, 56				
		1	3, 7		12, 15, 16				
18									SCREW
	05126136AA	2	2, 6		11, 12, 14, 15, 16				
		2	2, 6		51, 52, 54, 55, 56				
		2	3, 7		12, 15, 16				
19									LINE, Condenser to Receiver/Drier

SPRINTER (VA)

SERIES	LINE	BODY	ENGINE	TRANSMISSION
L = LOWLINE	3 = HD DODGE 2WD 6 = Lt. Duty DODGE 4WD 2 = Med. Duty DODGE 2WD 7 = Med. Duty DODGE 4WD	01 = CHASSIS FORWARD CONTROL W.B.1 02 = CAB CHASSIS WHEEL BASE 2 06 = CAB CHASSIS WHEEL BASE 6 11 = VAN WHEEL BASE 1 12 = VAN WHEEL BASE 2 51 = WAGON WHEEL BASE 1 52 = WAGON WHEEL BASE 2 14 = VAN WHEEL BASE 4 15 = VAN WHEEL BASE 5 56 = WAGON WHEEL BASE 6 16 = VAN WHEEL BASE 6 54 = WAGON WHEEL BASE 4 55 = WAGON WHEEL BASE 5	EX9 = Engine-2.7L I5 Mercedes Turbo Diesel	DGJ = Transmission-5-Spd. Automatic, W5A580

AR = use ase required - = Non illustrated part

Plumbing, Air Conditioning
Figure 24-270



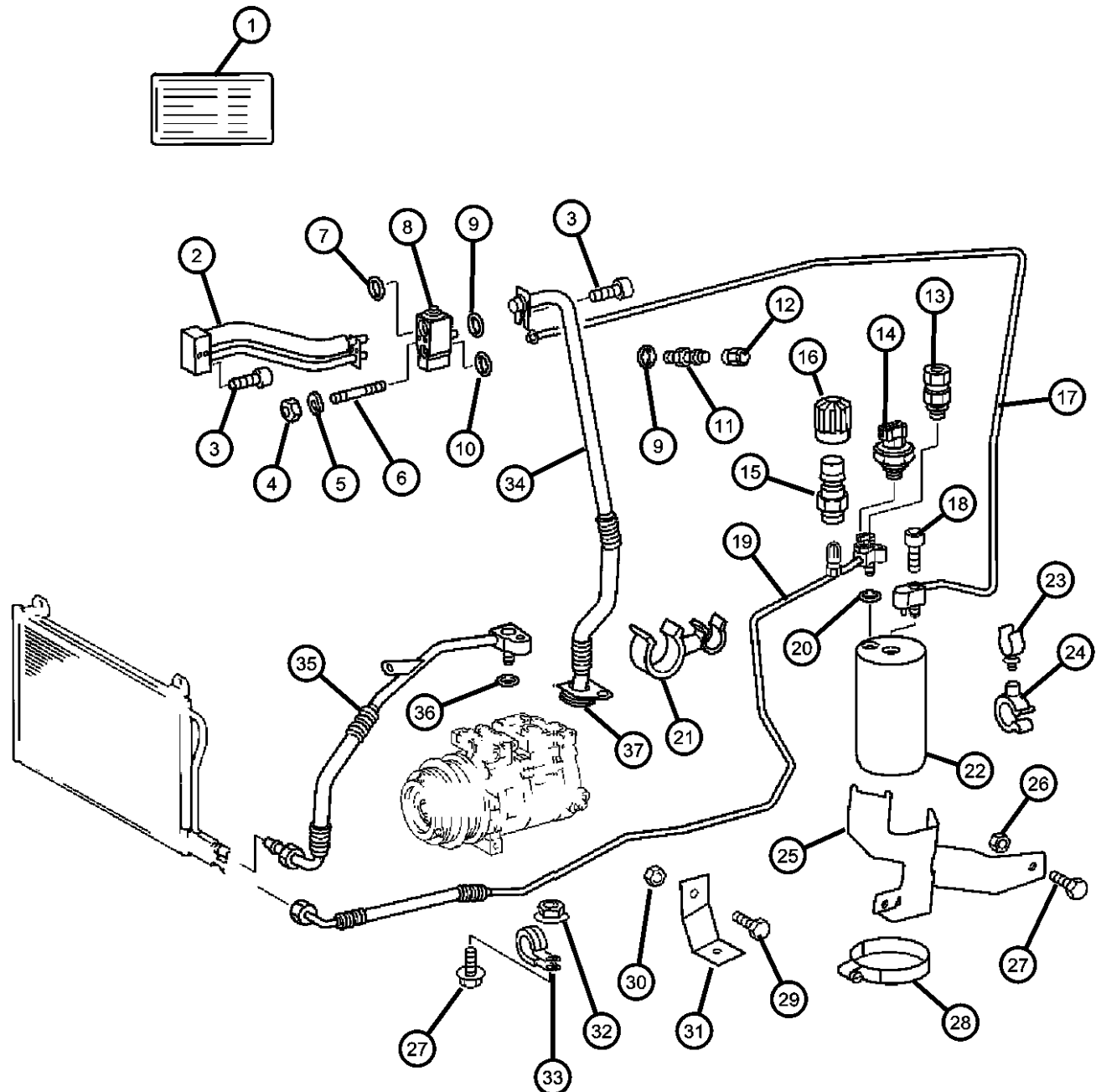
ITEM	PART NUMBER	QTY	LINE	SERIES	BODY	ENGINE	TRANS	TRIM	DESCRIPTION
	05104484AA	1	2, 6		11, 12, 14, 15, 16				
		1	2, 6		51, 52, 54, 55, 56				
		1	3, 7		12, 15, 16				
20	05103571AA	1	6		11, 12, 14, 15, 16				O RING, Air Conditioning Line
		1	6		51, 52, 54, 55, 56				
		1	7		12, 15, 16				
21	05125881AA	1	2, 6		11, 12, 14, 15, 16				CLIP, Hose
		1	2, 6		51, 52, 54, 55, 56				
		1	3, 7		12, 15, 16	EX9			
22	05103570AA	1	2, 6		11, 12, 14, 15, 16				RECEIVER DRIER
		1	2, 6		51, 52, 54, 55, 56				
		1	3, 7		12, 15, 16				
23	06104924AA	1	2, 6		11, 12, 14, 15, 16				CLIP, Retaining
		1	2, 6		51, 52, 54, 55, 56				
		1	3, 7		12, 15, 16				
24	05133495AA	1	2, 6		11, 12, 14, 15, 16				CLAMP, HOSE CLAMP
		1	2, 6		51, 52, 54, 55, 56				

SPRINTER (VA)

SERIES	LINE	BODY	ENGINE	TRANSMISSION
L = LOWLINE	3 = HD DODGE 2WD 6 = Lt. Duty DODGE 4WD 2 = Med. Duty DODGE 2WD 7 = Med. Duty DODGE 4WD	01 = CHASSIS FORWARD CONTROL W.B.1 02 = CAB CHASSIS WHEEL BASE 2 06 = CAB CHASSIS WHEEL BASE 6 11 = VAN WHEEL BASE 1 12 = VAN WHEEL BASE 2 51 = WAGON WHEEL BASE 1 52 = WAGON WHEEL BASE 2 14 = VAN WHEEL BASE 4 15 = VAN WHEEL BASE 5 56 = WAGON WHEEL BASE 6 16 = VAN WHEEL BASE 6 54 = WAGON WHEEL BASE 4 55 = WAGON WHEEL BASE 5	EX9 = Engine-2.7L I5 Mercedes Turbo Diesel	DGJ = Transmission-5-Spd. Automatic, W5A580

AR = use ase required - = Non illustrated part

**Plumbing, Air Conditioning
Figure 24-270**



ITEM	PART NUMBER	QTY	LINE	SERIES	BODY	ENGINE	TRANS	TRIM	DESCRIPTION
25		1	3, 7		12, 15, 16				BRACKET, Recirculating Pump
	05124810AA	1	2, 6		11, 12, 14, 15, 16				
		1	2, 6		51, 52, 54, 55, 56				
		1	3, 7		12, 15, 16				
26		2	2, 6		11, 12, 14, 15, 16				NUT, Hex, M6
	05096978AA	2	2, 6		51, 52, 54, 55, 56				
		2	3, 7		12, 15, 16				
27	06104005AA	2							SCREW
28	06104787AA	1	2, 6		11, 12, 14, 15, 16				CLAMP
		1	2, 6		51, 52, 54, 55, 56				
	06104791AA	1	3, 7		12, 15, 16				
29		1	2, 6		11, 12, 14, 15, 16				NUT, Hex
	05097674AA	1	2, 6		51, 52, 54, 55, 56				
		1	3, 7		12, 15, 16				
30		1	2, 6		11, 12, 14, 15, 16				NUT
	06104725AA	1	2, 6		51, 52, 54, 55, 56				
		1	3, 7		12, 15, 16				
31		1							BRACKET, (NOT SERVICED)

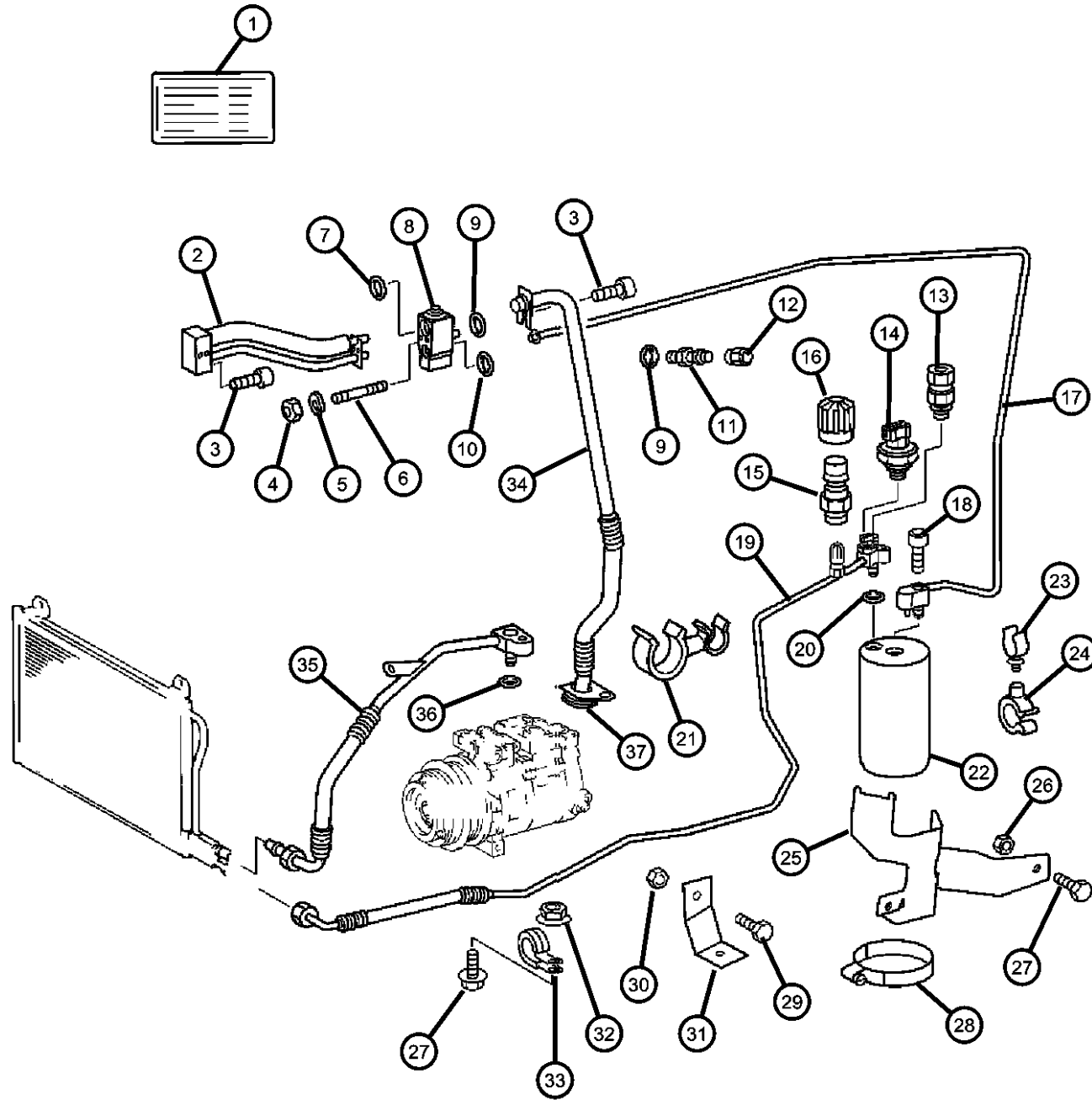
SPRINTER (VA)

SERIES	LINE	BODY	ENGINE	TRANSMISSION
L = LOWLINE	3 = HD DODGE 2WD 6 = Lt. Duty DODGE 4WD 2 = Med. Duty DODGE 2WD 7 = Med. Duty DODGE 4WD	01 = CHASSIS FORWARD CONTROL W.B.1 02 = CAB CHASSIS WHEEL BASE 2 06 = CAB CHASSIS WHEEL BASE 6 11 = VAN WHEEL BASE 1 12 = VAN WHEEL BASE 2 51 = WAGON WHEEL BASE 1 52 = WAGON WHEEL BASE 2 14 = VAN WHEEL BASE 4 15 = VAN WHEEL BASE 5 56 = WAGON WHEEL BASE 6 16 = VAN WHEEL BASE 6 54 = WAGON WHEEL BASE 4 55 = WAGON WHEEL BASE 5	EX9 = Engine-2.7L I5 Mercedes Turbo Diesel	DGJ = Transmission-5-Spd. Automatic, W5A580

AR = use ase required - = Non illustrated part

Plumbing, Air Conditioning
Figure 24-270

ITEM	PART NUMBER	QTY	LINE	SERIES	BODY	ENGINE	TRANS	TRIM	DESCRIPTION
32	05096978AA	1	2, 6		11, 12, 14, 15, 16				NUT, Hex, M6
		1	2, 6		51, 52, 54, 55, 56				
		1	3, 7		12, 15, 16				
33	05126284AA	1	2, 6		11, 12, 14, 15, 16				CLAMP, Air Conditioning Piping
		1	2, 6		51, 52, 54, 55, 56				
		1	3, 7		12, 15, 16				
34	05124647AA	1	2, 6		11, 12, 14, 15, 16	EX9			LINE, Expansion Valve to Compressor
		1	2, 6		51, 52, 54, 55, 56	EX9			
		1	3, 7		12, 15, 16	EX9			
35	05124817AA	1	2, 6		11, 12, 14, 15, 16				LINE, A/C Compressor
		1	2, 6		51, 52, 54, 55, 56				
		1	3, 7		12, 15, 16	EX9			
36	05098972AA	1	2, 6		11, 12, 14, 15, 16				O RING, A/C Line
		1	2, 6		51, 52, 54, 55, 56				
		1	3, 7		12, 15, 16				
37	05134027AA	1	6		11, 12, 14, 15, 16				SEAL, O-Ring



SPRINTER (VA)

SERIES

L = LOWLINE

LINE

3 = HD DODGE 2WD
6 = Lt. Duty DODGE 4WD
2 = Med. Duty DODGE 2WD
7 = Med. Duty DODGE 4WD

BODY

01 = CHASSIS FORWARD CONTROL W.B.1
02 = CAB CHASSIS WHEEL BASE 2
06 = CAB CHASSIS WHEEL BASE 6
11 = VAN WHEEL BASE 1
12 = VAN WHEEL BASE 2
51 = WAGON WHEEL BASE 1
52 = WAGON WHEEL BASE 2
14 = VAN WHEEL BASE 4
15 = VAN WHEEL BASE 5
56 = WAGON WHEEL BASE 6
16 = VAN WHEEL BASE 6
54 = WAGON WHEEL BASE 4
55 = WAGON WHEEL BASE 5

ENGINE

EX9 = Engine-2.7L I5 Mercedes Turbo Diesel

TRANSMISSION

DGJ = Transmission-5-Spd. Automatic, W5A580

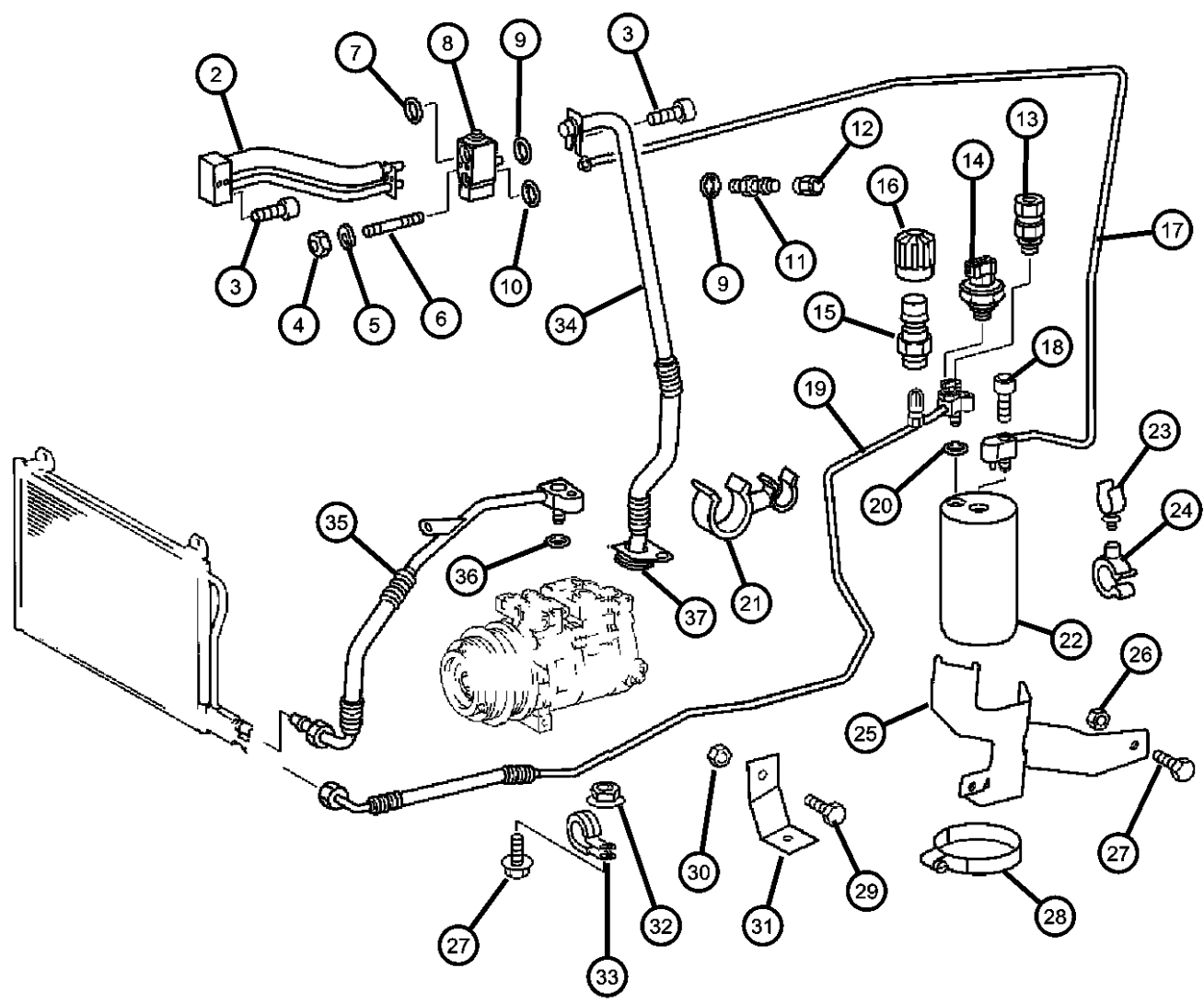
AR = use ase required - = Non illustrated part

2002 VA

Plumbing, Air Conditioning
Figure 24-270

ITEM	PART NUMBER	QTY	LINE	SERIES	BODY	ENGINE	TRANS	TRIM	DESCRIPTION
------	-------------	-----	------	--------	------	--------	-------	------	-------------

		1	6		51, 52, 54, 55, 56				
		1	7		12, 15, 16				



SPRINTER (VA)
SERIES

L = LOWLINE
3 = HD DODGE 2WD
6 = Lt. Duty DODGE 4WD
2 = Med. Duty DODGE 2WD
7 = Med. Duty DODGE 4WD

BODY

01 = CHASSIS FORWARD CONTROL W.B.1
02 = CAB CHASSIS WHEEL BASE 2
06 = CAB CHASSIS WHEEL BASE 6
11 = VAN WHEEL BASE 1
12 = VAN WHEEL BASE 2
51 = WAGON WHEEL BASE 1
52 = WAGON WHEEL BASE 2
14 = VAN WHEEL BASE 4
15 = VAN WHEEL BASE 5
56 = WAGON WHEEL BASE 6
16 = VAN WHEEL BASE 6
54 = WAGON WHEEL BASE 4
55 = WAGON WHEEL BASE 5

ENGINE

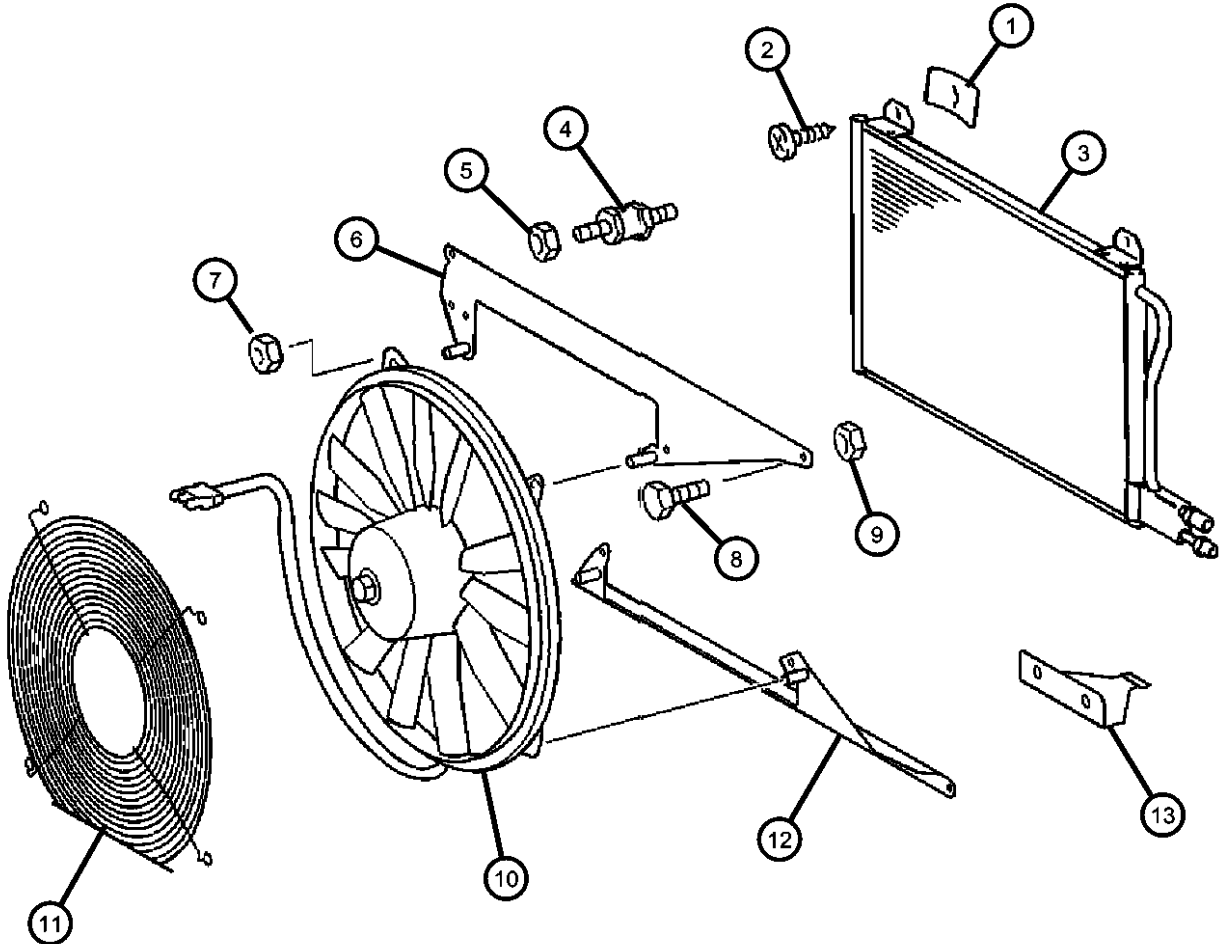
EX9 = Engine-2.7L I5
Mercedes Turbo Diesel

TRANSMISSION

DGJ = Transmission-5-Spd. Automatic, W5A580

AR = use ase required - = Non illustrated part

Condenser, Fan Front
Figure 24-280



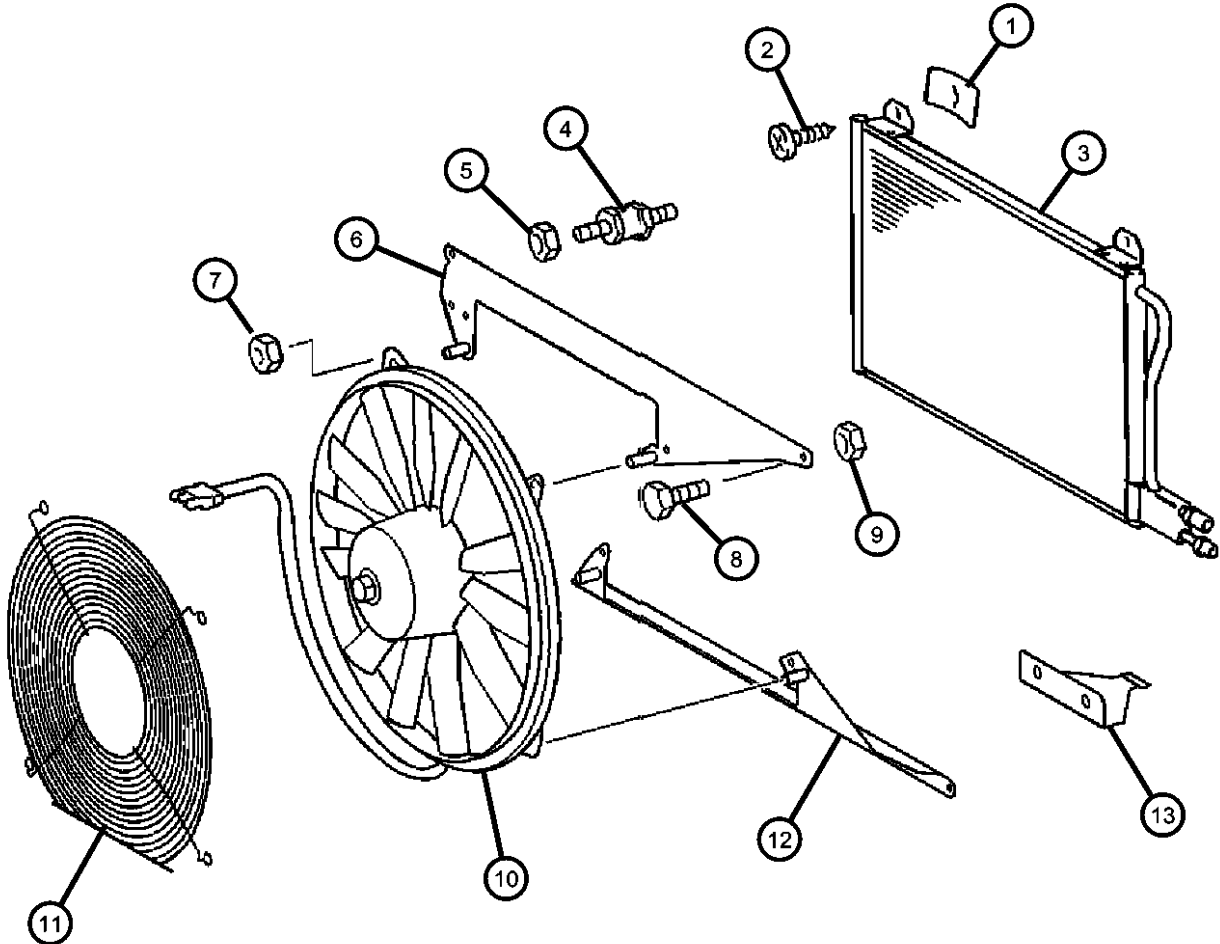
ITEM	PART NUMBER	QTY	LINE	SERIES	BODY	ENGINE	TRANS	TRIM	DESCRIPTION
1	05103735AA	4	2, 6		11, 12, 14, 15, 16				CLIP
		4	2, 6		51, 52, 54, 55, 56				
		4	3, 7		12, 15, 16				
2	06104574AA	4	2, 6		11, 12, 14, 15, 16				SCREW, Tapping
		4	2, 6		51, 52, 54, 55, 56				
		4	3, 7		12, 15, 16				
3	05104114AA	1	2, 6		11, 12, 14, 15, 16				CONDENSER, A/C [HAB]
		1	2, 6		51, 52, 54, 55, 56				[HAB]
		1	3, 7		12, 15, 16				[HAB]
4	05104031AA	2	2, 6		11, 12, 14, 15, 16				STUD, Cooling Fan
		2	2, 6		51, 52, 54, 55, 56				
		2	3, 7		12, 15, 16				
5	05104675AA	2	2, 6		11, 12, 14, 15, 16				NUT
		2	2, 6		51, 52, 54, 55, 56				
		2	3, 7		12, 15, 16				
6	05119989AA	1	2, 6		11, 12, 14, 15, 16				BRACKET, Fan
		1	2, 6		51, 52, 54, 55, 56				

SPRINTER (VA)

SERIES	LINE	BODY	ENGINE	TRANSMISSION
L = LOWLINE	3 = HD DODGE 2WD 6 = Lt. Duty DODGE 4WD 2 = Med. Duty DODGE 2WD 7 = Med. Duty DODGE 4WD	01 = CHASSIS FORWARD CONTROL W.B.1 02 = CAB CHASSIS WHEEL BASE 2 06 = CAB CHASSIS WHEEL BASE 6 11 = VAN WHEEL BASE 1 12 = VAN WHEEL BASE 2 51 = WAGON WHEEL BASE 1 52 = WAGON WHEEL BASE 2 14 = VAN WHEEL BASE 4 15 = VAN WHEEL BASE 5 56 = WAGON WHEEL BASE 6 16 = VAN WHEEL BASE 6 54 = WAGON WHEEL BASE 4 55 = WAGON WHEEL BASE 5	EX9 = Engine-2.7L I5 Mercedes Turbo Diesel	DGJ = Transmission-5-Spd. Automatic, W5A580

AR = use ase required - = Non illustrated part

**Condenser, Fan Front
Figure 24-280**



ITEM	PART NUMBER	QTY	LINE	SERIES	BODY	ENGINE	TRANS	TRIM	DESCRIPTION
7		1	3, 7		12, 15, 16				NUT
	06104715AA	4	2, 6		11, 12, 14, 15, 16				
		4	2, 6		51, 52, 54, 55, 56				
		4	3, 7		12, 15, 16				
8	06104005AA	2							SCREW
9									NUT
	06104715AA	2	2, 6		11, 12, 14, 15, 16				
		2	2, 6		51, 52, 54, 55, 56				
10									FAN, Condenser
	05103653AA	1	2, 6		11, 12, 14, 15, 16				
		1	2, 6		51, 52, 54, 55, 56				
		1	3, 7		12, 15, 16				
11									PROTECTIVE GRILL, NONE, SPRINTER
	05104121AA	1	2, 6		11, 12, 14, 15, 16				
		1	2, 6		51, 52, 54, 55, 56				
		1	3, 7		12, 15, 16				
12									BRACKET, Fan
	05104113AA	1	2, 6		11, 12, 14, 15, 16				
		1	2, 6		51, 52, 54, 55, 56				
		1	3, 7		12, 15, 16				
13									BRACKET

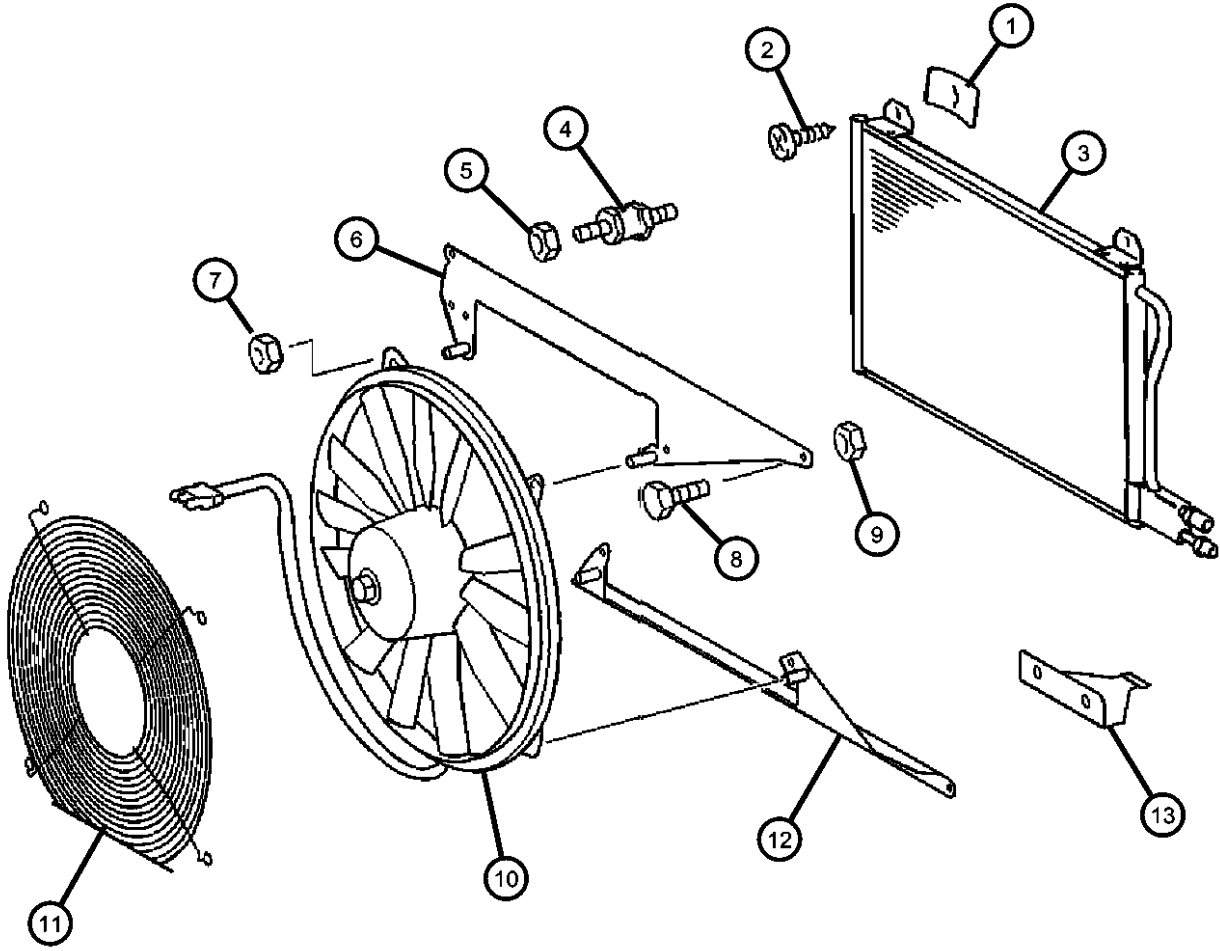
SPRINTER (VA)

SERIES	LINE	BODY	ENGINE	TRANSMISSION
L = LOWLINE	3 = HD DODGE 2WD 6 = Lt. Duty DODGE 4WD 2 = Med. Duty DODGE 2WD 7 = Med. Duty DODGE 4WD	01 = CHASSIS FORWARD CONTROL W.B.1 02 = CAB CHASSIS WHEEL BASE 2 06 = CAB CHASSIS WHEEL BASE 6 11 = VAN WHEEL BASE 1 12 = VAN WHEEL BASE 2 51 = WAGON WHEEL BASE 1 52 = WAGON WHEEL BASE 2 14 = VAN WHEEL BASE 4 15 = VAN WHEEL BASE 5 56 = WAGON WHEEL BASE 6 16 = VAN WHEEL BASE 6 54 = WAGON WHEEL BASE 4 55 = WAGON WHEEL BASE 5	EX9 = Engine-2.7L I5 Mercedes Turbo Diesel	DGJ = Transmission-5-Spd. Automatic, W5A580

AR = use ase required - = Non illustrated part

**Condenser, Fan Front
Figure 24-280**

ITEM	PART NUMBER	QTY	LINE	SERIES	BODY	ENGINE	TRANS	TRIM	DESCRIPTION
	05120001AA	1	2, 6		11, 12, 14, 15, 16				
		1	2, 6		51, 52, 54, 55, 56				
		1	3, 7		12, 15, 16				

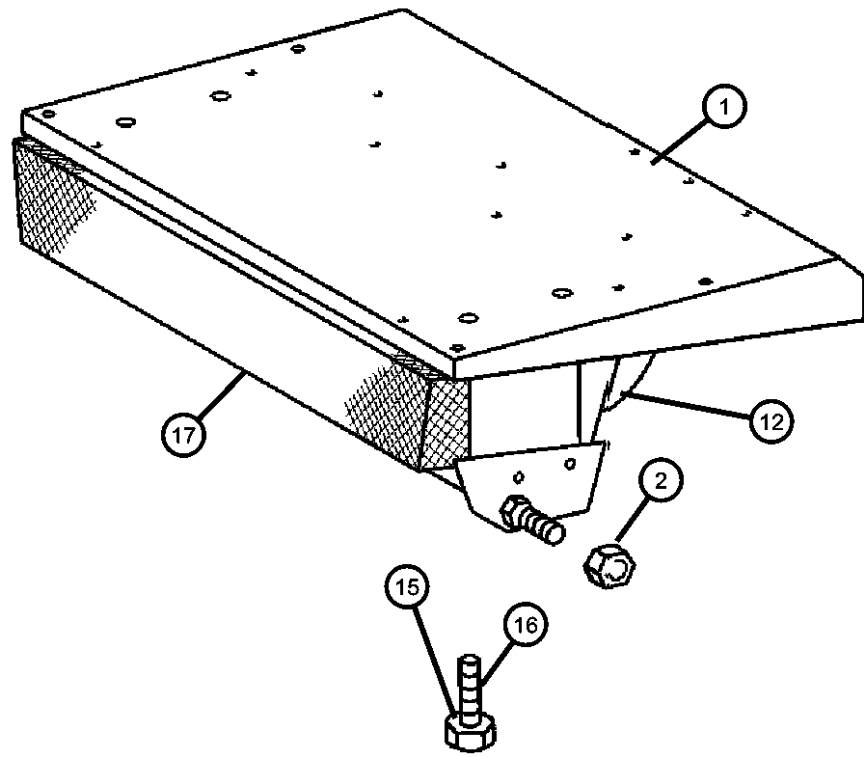


SPRINTER (VA)

SERIES	LINE	BODY	ENGINE	TRANSMISSION
L = LOWLINE	3 = HD DODGE 2WD 6 = Lt. Duty DODGE 4WD 2 = Med. Duty DODGE 2WD 7 = Med. Duty DODGE 4WD	01 = CHASSIS FORWARD CONTROL W.B.1 02 = CAB CHASSIS WHEEL BASE 2 06 = CAB CHASSIS WHEEL BASE 6 11 = VAN WHEEL BASE 1 12 = VAN WHEEL BASE 2 51 = WAGON WHEEL BASE 1 52 = WAGON WHEEL BASE 2 14 = VAN WHEEL BASE 4 15 = VAN WHEEL BASE 5 56 = WAGON WHEEL BASE 6 16 = VAN WHEEL BASE 6 54 = WAGON WHEEL BASE 4 55 = WAGON WHEEL BASE 5	EX9 = Engine-2.7L I5 Mercedes Turbo Diesel	DGJ = Transmission-5-Spd. Automatic, W5A580

AR = use ase required - = Non illustrated part

Condenser, Fan Roof
Figure 24-285



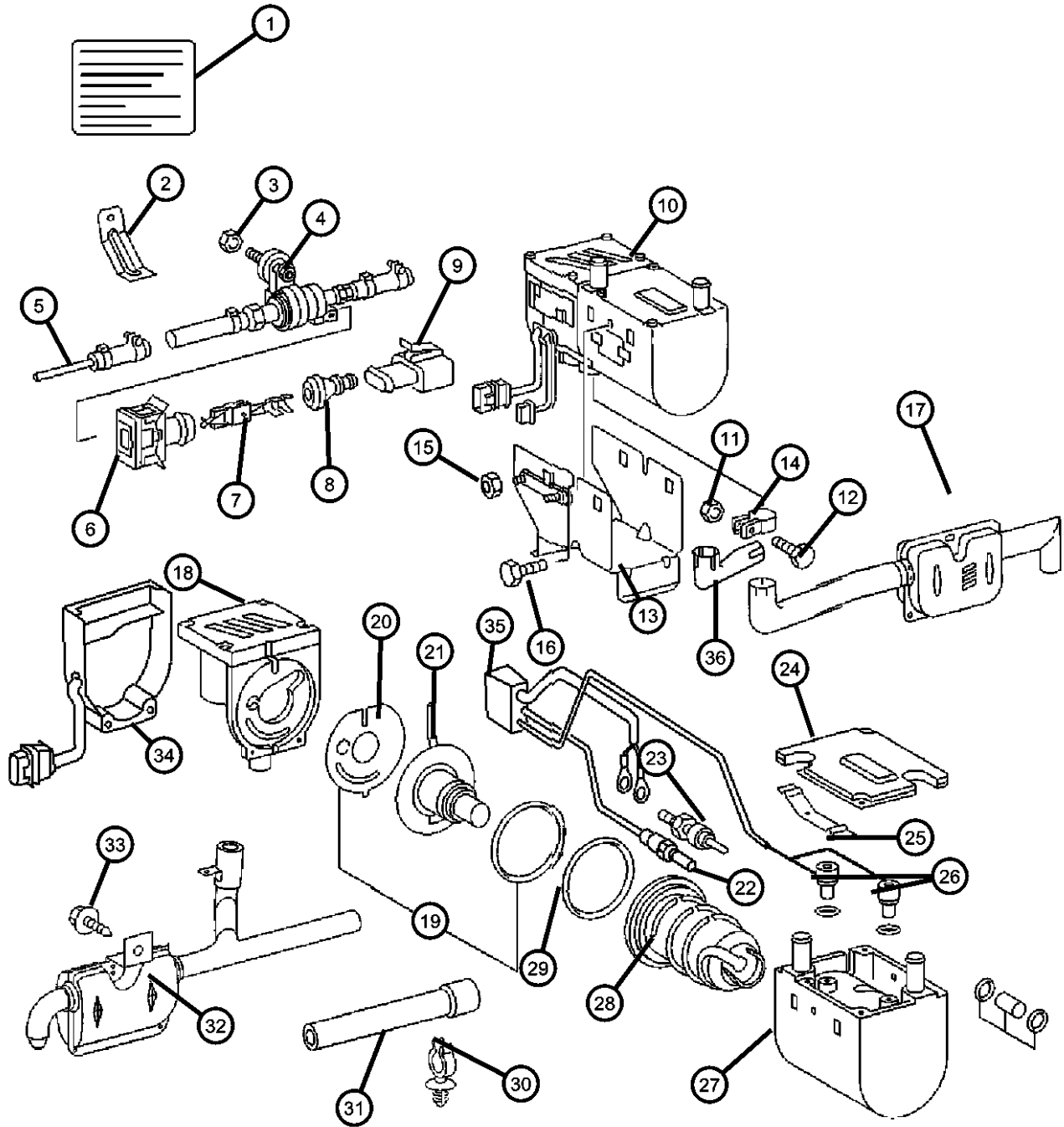
ITEM	PART NUMBER	QTY	LINE	SERIES	BODY	ENGINE	TRANS	TRIM	DESCRIPTION
1	05104473AA	1	2, 6		51, 52, 54, 55, 56				EVAPORATOR, Air Conditioning
2	05133459AA	1	6		51, 52, 54, 55, 56				NUT
-3	05132374AA	1	2, 6		51, 52, 54, 55, 56				TUBE, Auxiliary A/C and Heater
-4	05132223AA	1	6		51, 52, 54, 55, 56				LINE, Auxiliary A/C Liquid
-5	05132225AA	1	6		51, 52, 54, 55, 56				LINE, Auxiliary A/C Liquid
-6	05132227AA	1	6		51, 52, 54, 55, 56				LINE, Auxiliary A/C Liquid
-7	05132230AA	1	6		51, 52, 54, 55, 56				LINE, Auxiliary A/C Suction
-8	05127838AA	1	2, 6		51, 52, 54, 55, 56				LINE, Auxiliary A/C Suction
-9	05133464AA	1	6		51, 52, 54, 55, 56				VALVE
-10	05103546AA	1	2, 6		51, 52, 54, 55, 56				FILTER, A/C and Heater Unit
-11	05133456AA	6	6		51, 52, 54, 55, 56				RING
12	05133460AA	1	6		51, 52, 54, 55, 56				MOTOR, Blower
-13	05133456AA	6	6		51, 52, 54, 55, 56				RING
-14	05133465AA	1	6		51, 52, 54, 55, 56				MAGNET
15	05133455AA	6	6		51, 52, 54, 55, 56				WASHER
16	05133455AA	6							SCREW, (NOT SERVICED)
17	05104114AA	1	2, 6		11, 12, 14, 15, 16				CONDENSER, A/C
		1	2, 6		51, 52, 54, 55, 56				
		1	3, 7		12, 15, 16				

SPRINTER (VA)

SERIES	LINE	BODY	ENGINE	TRANSMISSION
L = LOWLINE	3 = HD DODGE 2WD 6 = Lt. Duty DODGE 4WD 2 = Med. Duty DODGE 2WD 7 = Med. Duty DODGE 4WD	01 = CHASSIS FORWARD CONTROL W.B.1 02 = CAB CHASSIS WHEEL BASE 2 06 = CAB CHASSIS WHEEL BASE 6 11 = VAN WHEEL BASE 1 12 = VAN WHEEL BASE 2 51 = WAGON WHEEL BASE 1 52 = WAGON WHEEL BASE 2 14 = VAN WHEEL BASE 4 15 = VAN WHEEL BASE 5 56 = WAGON WHEEL BASE 6 16 = VAN WHEEL BASE 6 54 = WAGON WHEEL BASE 4 55 = WAGON WHEEL BASE 5	EX9 = Engine-2.7L I5 Mercedes Turbo Diesel	DGJ = Transmission-5-Spd. Automatic, W5A580

AR = use ase required - = Non illustrated part

**Auxiliary Warm Water Heater
Figure 24-290**



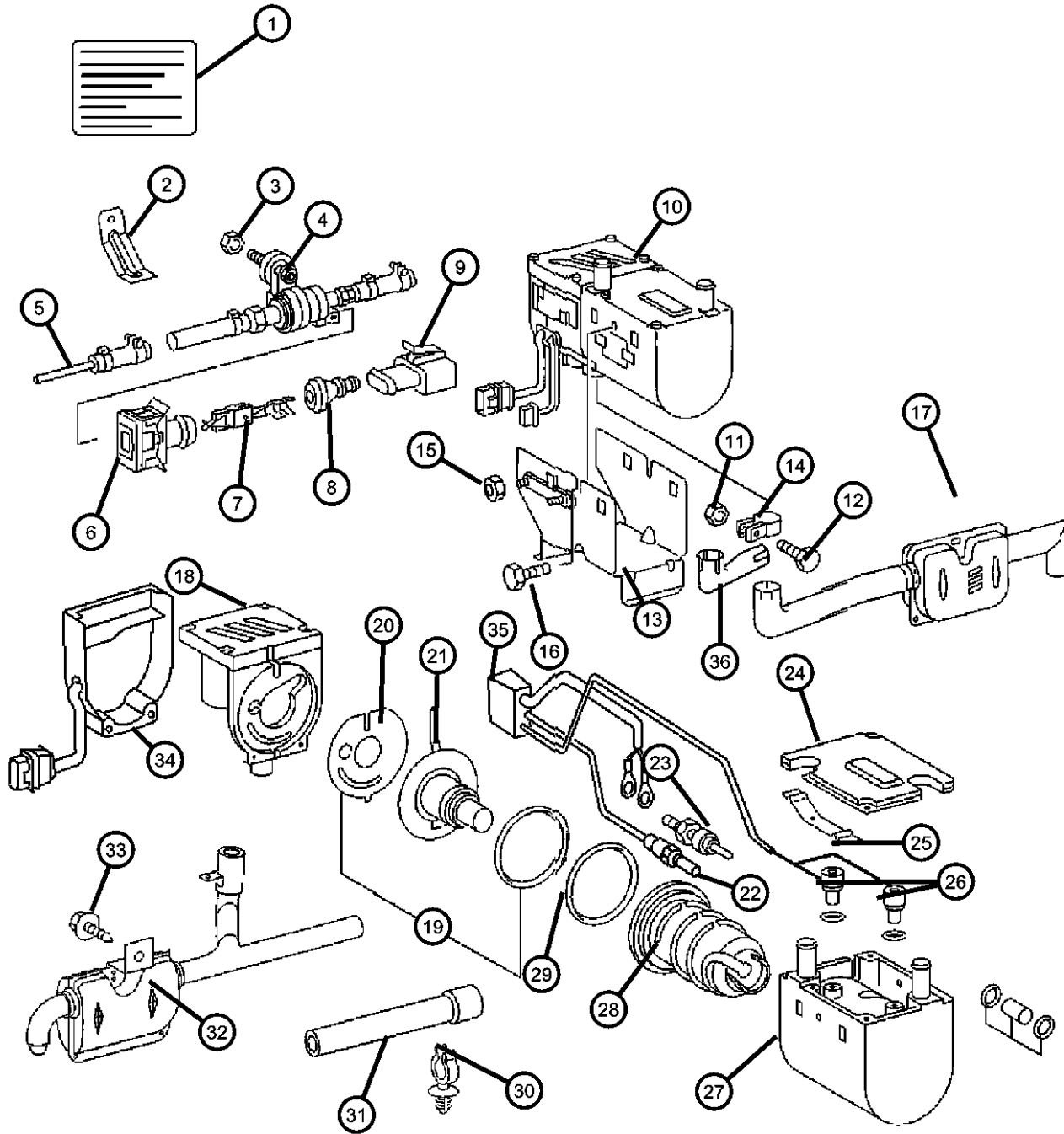
ITEM	PART NUMBER	QTY	LINE	SERIES	BODY	ENGINE	TRANS	TRIM	DESCRIPTION
1	05104152AA	1	2, 6		11, 12, 14, 15, 16				LABEL, Fuel
		1	2, 6		51, 52, 54, 55, 56				
		1	3, 7		12, 15, 16				
2	05119706AA	1	2, 6		11, 12, 14, 15, 16	EX9			BRACKET
		1	2, 6		51, 52, 54, 55, 56	EX9			
		1	3, 7		12, 15, 16	EX9			
3	05096978AA	1	2, 6		11, 12, 14, 15, 16				NUT, Hex, M6
		1	2, 6		51, 52, 54, 55, 56				
		1	3, 7		12, 15, 16				
4	05124900AA	1	2, 6		11, 12, 14, 15, 16				PUMP, Water
		1	2, 6		51, 52, 54, 55, 56				
		1	3, 7		12, 15, 16				
5	05124631AA	1	2, 6		11, 12, 14, 15, 16				LINE, Heater
		1	2, 6		51, 52, 54, 55, 56				
		1	3, 7		12, 15, 16				
6	05120749AA	1	2, 6		11, 12, 14, 15, 16				CONNECTOR
		1	2, 6		51, 52, 54, 55, 56				

SPRINTER (VA)

SERIES	LINE	BODY	ENGINE	TRANSMISSION
L = LOWLINE	3 = HD DODGE 2WD 6 = Lt. Duty DODGE 4WD 2 = Med. Duty DODGE 2WD 7 = Med. Duty DODGE 4WD	01 = CHASSIS FORWARD CONTROL W.B.1 02 = CAB CHASSIS WHEEL BASE 2 06 = CAB CHASSIS WHEEL BASE 6 11 = VAN WHEEL BASE 1 12 = VAN WHEEL BASE 2 51 = WAGON WHEEL BASE 1 52 = WAGON WHEEL BASE 2 14 = VAN WHEEL BASE 4 15 = VAN WHEEL BASE 5 56 = WAGON WHEEL BASE 6 16 = VAN WHEEL BASE 6 54 = WAGON WHEEL BASE 4 55 = WAGON WHEEL BASE 5	EX9 = Engine-2.7L I5 Mercedes Turbo Diesel	DGJ = Transmission-5-Spd. Automatic, W5A580

AR = use ase required - = Non illustrated part

**Auxiliary Warm Water Heater
Figure 24-290**



ITEM	PART NUMBER	QTY	LINE	SERIES	BODY	ENGINE	TRANS	TRIM	DESCRIPTION
7		1	3, 7		12, 15, 16				TERMINAL
	05103880AA	99	2, 6		51, 52, 54, 55, 56				
		99	3, 7		12, 15, 16				
8		1	2, 6		11, 12, 14, 15, 16				BOOT
	05120881AA	1	2, 6		51, 52, 54, 55, 56				
		1	3, 7		12, 15, 16				
9		1	6, 2		11, 12, 14, 15, 16				CONNECTOR
	05133296AA	1	2, 6		51, 52, 54, 55, 56				
		1	3, 7		12, 15, 16				
10		1	2, 6		11, 12, 14, 15, 16	EX9			HEATER Without [HDB]
	05124692AA	1	2, 6		11, 12, 14, 15, 16				With [HDB]
	05124687AA	1	2, 6		51, 52, 54, 55, 56				With [HDB]
		1	3, 7		12, 15, 16				With [HDB]
		1	2, 6		52, 54, 51, 55, 56	EX9			Without [HDB]
		1	3, 7		12, 15, 16	EX9			Without [HDB]
11		1	2, 6		11, 12, 14, 15, 16				NUT
	05133317AB	1	2, 6		51, 52, 54, 55, 56				

SPRINTER (VA)
SERIES
 L = LOWLINE

LINE
 3 = HD DODGE 2WD
 6 = Lt. Duty DODGE 4WD
 2 = Med. Duty DODGE 2WD
 7 = Med. Duty DODGE 4WD

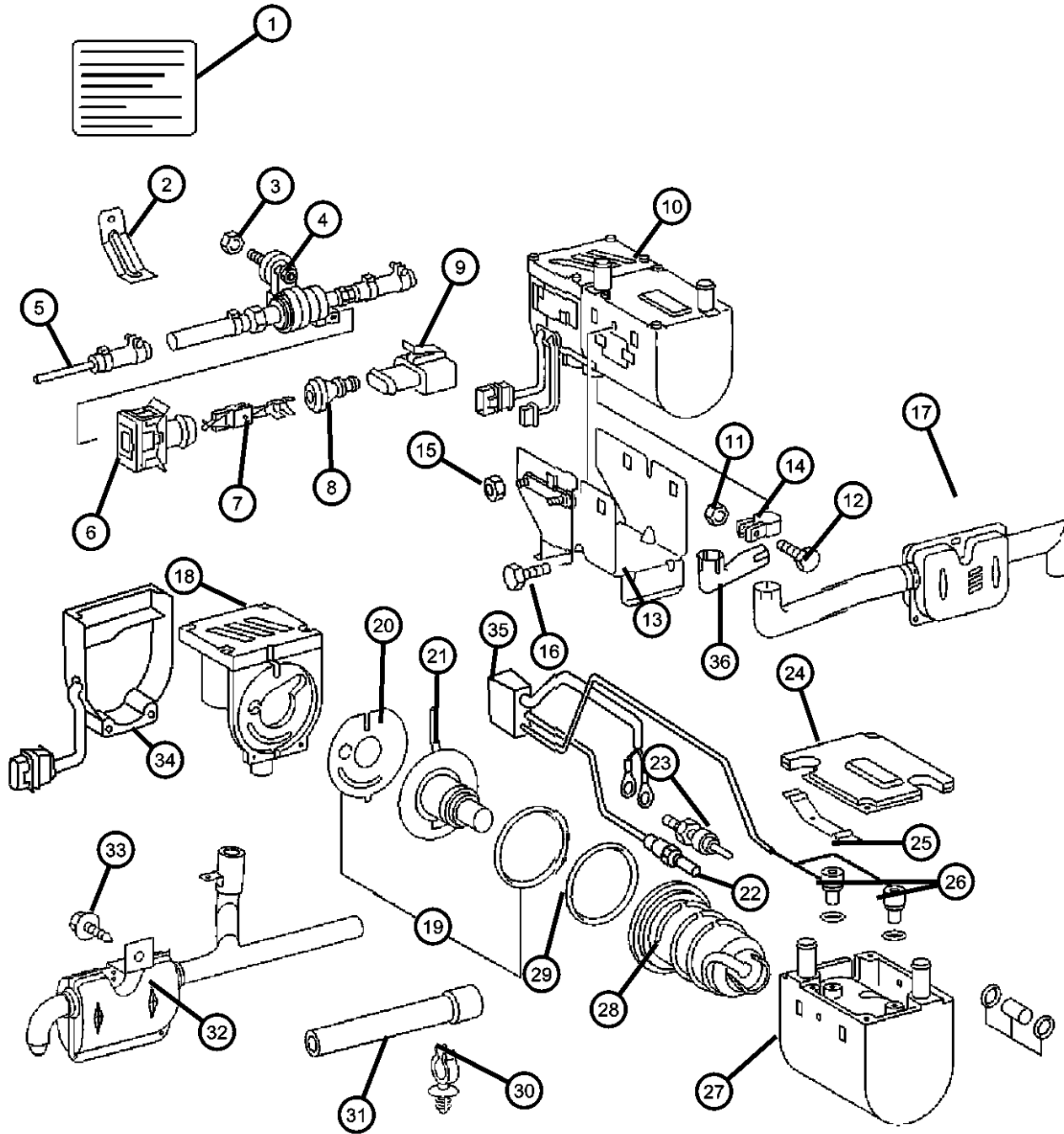
BODY
 01 = CHASSIS FORWARD CONTROL W.B.1
 02 = CAB CHASSIS WHEEL BASE 2
 06 = CAB CHASSIS WHEEL BASE 6
 11 = VAN WHEEL BASE 1
 12 = VAN WHEEL BASE 2
 51 = WAGON WHEEL BASE 1
 52 = WAGON WHEEL BASE 2
 14 = VAN WHEEL BASE 4
 15 = VAN WHEEL BASE 5
 56 = WAGON WHEEL BASE 6
 16 = VAN WHEEL BASE 6
 54 = WAGON WHEEL BASE 4
 55 = WAGON WHEEL BASE 5

ENGINE
 EX9 = Engine-2.7L I5 Mercedes Turbo Diesel

TRANSMISSION
 DGJ = Transmission-5-Spd. Automatic, W5A580

AR = use ase required - = Non illustrated part

**Auxiliary Warm Water Heater
Figure 24-290**



ITEM	PART NUMBER	QTY	LINE	SERIES	BODY	ENGINE	TRANS	TRIM	DESCRIPTION
12		1	3, 7		12, 15, 16				BOLT
	05133316AA	1	2, 6		51, 52, 54, 55, 56				
		1	3, 7		12, 15, 16				
		1	2, 6		11, 12, 14, 15, 16				
13		1	2, 6		11, 12, 14, 15, 16				BRACKET, Heater Core
	05124626AA	1	2, 6		11, 12, 14, 15, 16				
		1	2, 6		51, 52, 54, 55, 56				
		1	3, 7		12, 15, 16				
14		1	2, 6		11, 12, 14, 15, 16				CLAMP, Exhaust
	05103627AA	1	2, 6		11, 12, 14, 15, 16				
		1	2, 6		51, 52, 54, 55, 56				
		1	3, 7		12, 15, 16				
15		1	2, 6		11, 12, 14, 15, 16				NUT, Hex
	05097674AA	1	2, 6		11, 12, 14, 15, 16				
		1	2, 6		51, 52, 54, 55, 56				
		1	3, 7		12, 15, 16				
16		2	2, 6		11, 12, 14, 15, 16				SCREW
	06104003AA	2	2, 6		11, 12, 14, 15, 16				
		2	2, 6		51, 52, 54, 55, 56				
		2	3, 7		12, 15, 16				
17									MUFFLER, Exhaust

SPRINTER (VA)
SERIES
 L = LOWLINE

LINE
 3 = HD DODGE 2WD
 6 = Lt. Duty DODGE 4WD
 2 = Med. Duty DODGE 2WD
 7 = Med. Duty DODGE 4WD

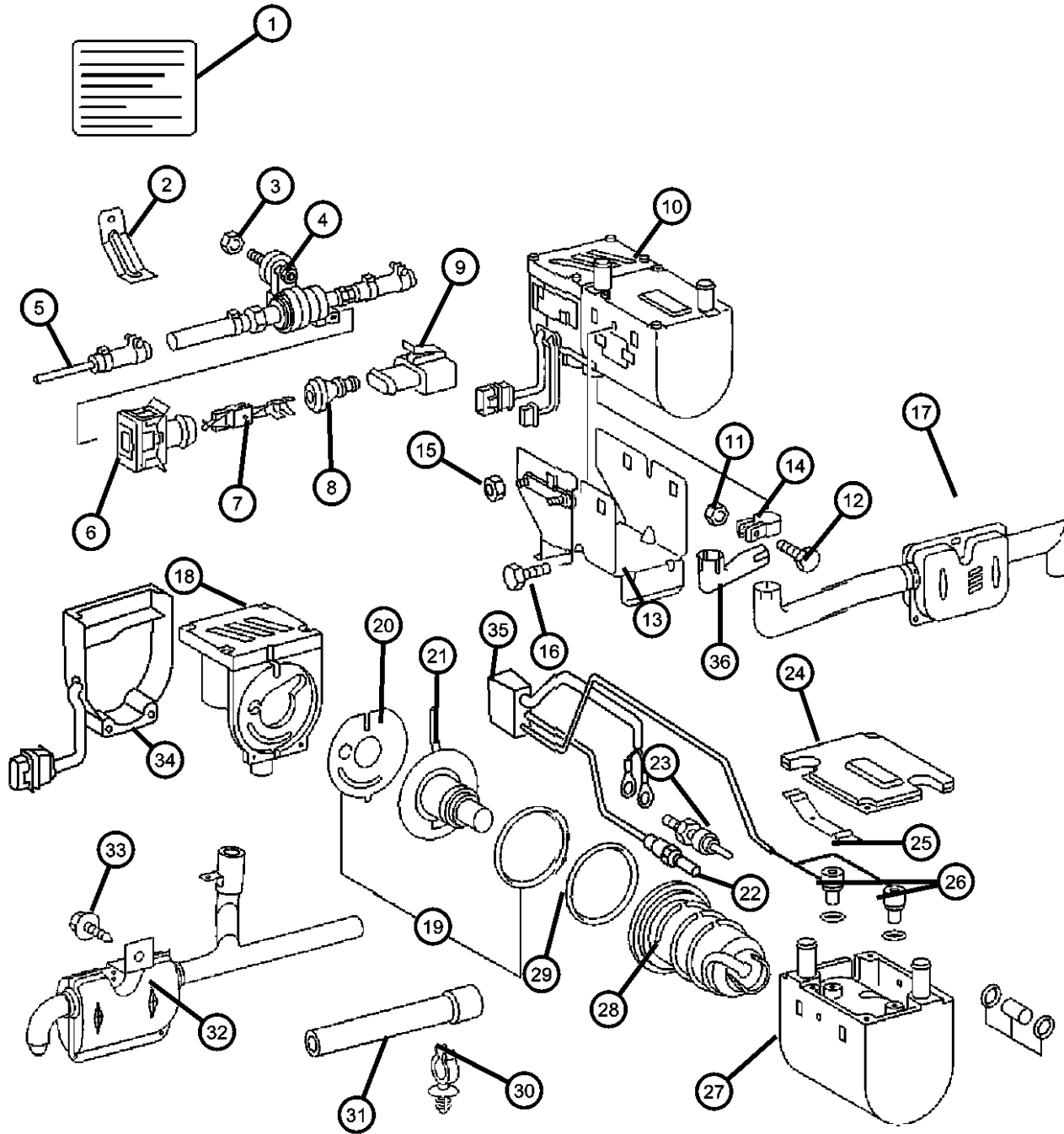
BODY
 01 = CHASSIS FORWARD CONTROL W.B.1
 02 = CAB CHASSIS WHEEL BASE 2
 06 = CAB CHASSIS WHEEL BASE 6
 11 = VAN WHEEL BASE 1
 12 = VAN WHEEL BASE 2
 51 = WAGON WHEEL BASE 1
 52 = WAGON WHEEL BASE 2
 14 = VAN WHEEL BASE 4
 15 = VAN WHEEL BASE 5
 56 = WAGON WHEEL BASE 6
 16 = VAN WHEEL BASE 6
 54 = WAGON WHEEL BASE 4
 55 = WAGON WHEEL BASE 5

ENGINE
 EX9 = Engine-2.7L I5 Mercedes Turbo Diesel

TRANSMISSION
 DGJ = Transmission-5-Spd. Automatic, W5A580

AR = use ase required - = Non illustrated part

**Auxiliary Warm Water Heater
Figure 24-290**



ITEM	PART NUMBER	QTY	LINE	SERIES	BODY	ENGINE	TRANS	TRIM	DESCRIPTION
	05103808AA	1	2, 6		11, 12, 14, 15, 16				
		1	2, 6		51, 52, 54, 55, 56				
		1	3, 7		12, 15, 16				
18	05133299AA	1	2, 6		11, 12, 14, 15, 16				BLOWER
		1	2, 6		51, 52, 54, 55, 56				
		1	3, 7		12, 15, 16				
19	05133307AB	1	2, 6		51, 52, 54, 55, 56				SEAL
		1	3, 7		12, 15, 16				
		1	2, 6		11, 12, 14, 15, 16				
20	05133301AA	1	2, 6		11, 12, 14, 15, 16				PIPE, Heater Core
		1	2, 6		51, 52, 54, 55, 56				
		1	3, 7		12, 15, 16				
21	05133312AA	1	3, 7		12, 15, 16				SENSOR, Temperature
		1	2, 6		11, 12, 14, 15, 16				
		1	2, 6		51, 52, 54, 55, 56				
22	05103691AA	1	2, 6		11, 12, 14, 15, 16				SENSOR, Temperature
		1	2, 6		51, 52, 54, 55, 56				

SPRINTER (VA)
SERIES
 L = LOWLINE

LINE
 3 = HD DODGE 2WD
 6 = Lt. Duty DODGE 4WD
 2 = Med. Duty DODGE 2WD
 7 = Med. Duty DODGE 4WD

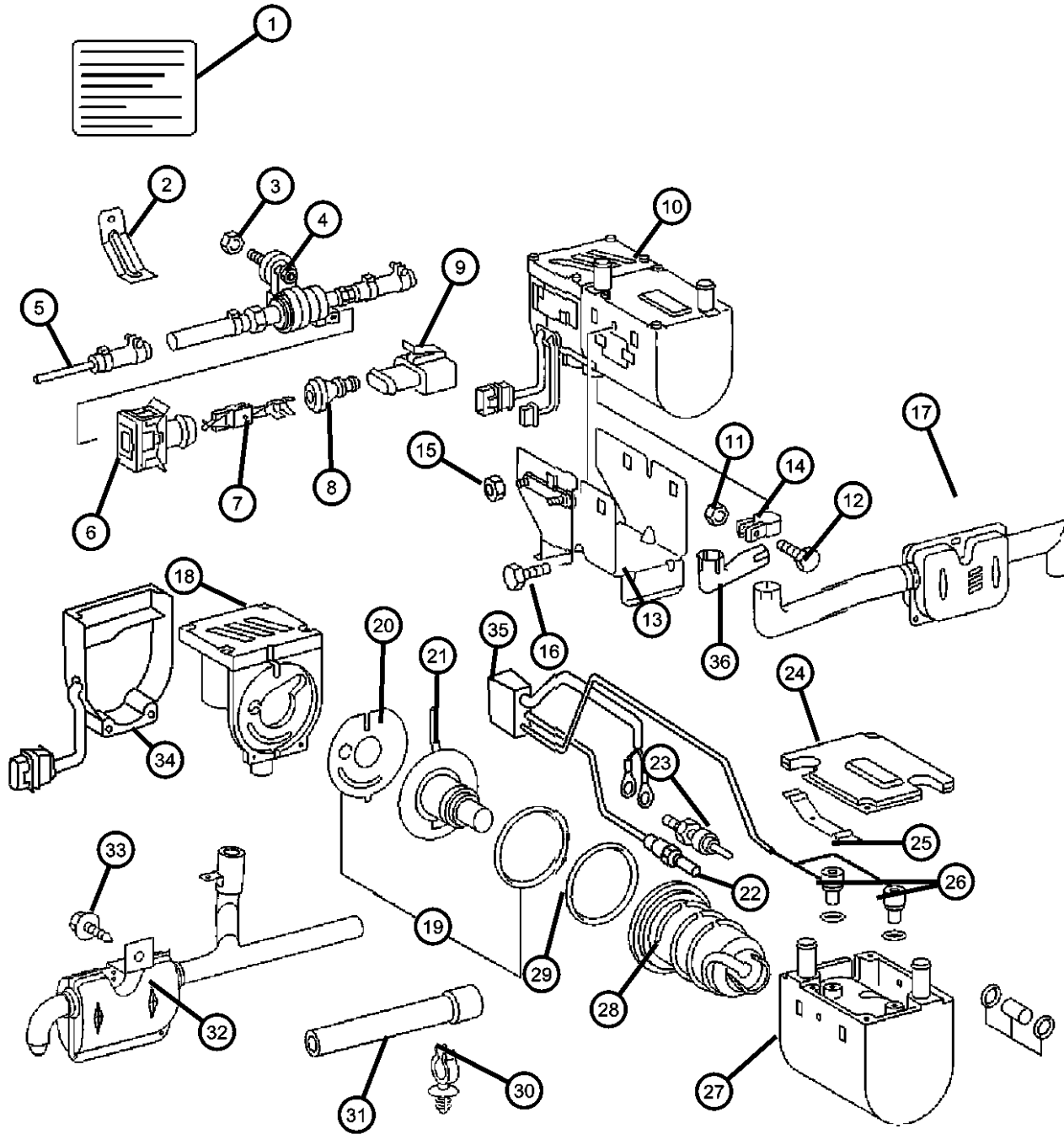
BODY
 01 = CHASSIS FORWARD CONTROL W.B.1
 02 = CAB CHASSIS WHEEL BASE 2
 06 = CAB CHASSIS WHEEL BASE 6
 11 = VAN WHEEL BASE 1
 12 = VAN WHEEL BASE 2
 51 = WAGON WHEEL BASE 1
 52 = WAGON WHEEL BASE 2
 14 = VAN WHEEL BASE 4
 15 = VAN WHEEL BASE 5
 56 = WAGON WHEEL BASE 6
 16 = VAN WHEEL BASE 6
 54 = WAGON WHEEL BASE 4
 55 = WAGON WHEEL BASE 5

ENGINE
 EX9 = Engine-2.7L I5 Mercedes Turbo Diesel

TRANSMISSION
 DGJ = Transmission-5-Spd. Automatic, W5A580

AR = use ase required - = Non illustrated part

**Auxiliary Warm Water Heater
Figure 24-290**



ITEM	PART NUMBER	QTY	LINE	SERIES	BODY	ENGINE	TRANS	TRIM	DESCRIPTION
23		1	3, 7		12, 15, 16				PLUG, Water Heater
	05133310AA	1	2, 6		11, 12, 14, 15, 16				
		1	2, 6		51, 52, 54, 55, 56				
24		1	3, 7		12, 15, 16				COVER, Heater Housing
	05133306AA	1	2, 6		11, 12, 14, 15, 16				
		1	2, 6		51, 52, 54, 55, 56				
25		1	3, 7		12, 15, 16				CLIP, Spring
	05133313AA	1	2, 6		11, 12, 14, 15, 16				
		1	2, 6		51, 52, 54, 55, 56				
26		1	3, 7		12, 15, 16				O RING, Heater Core
	05133314AA	1	2, 6		11, 12, 14, 15, 16				
		1	3, 7		12, 15, 16				
27		1	2, 6		51, 52, 54, 55, 56				HOUSING, Heater
	05133298AA	1	2, 6		11, 12, 14, 15, 16				
		1	2, 6		51, 52, 54, 55, 56				
28		1	3, 7		12, 15, 16				CORE, Water Heater

SPRINTER (VA)
SERIES
 L = LOWLINE

LINE
 3 = HD DODGE 2WD
 6 = Lt. Duty DODGE 4WD
 2 = Med. Duty DODGE 2WD
 7 = Med. Duty DODGE 4WD

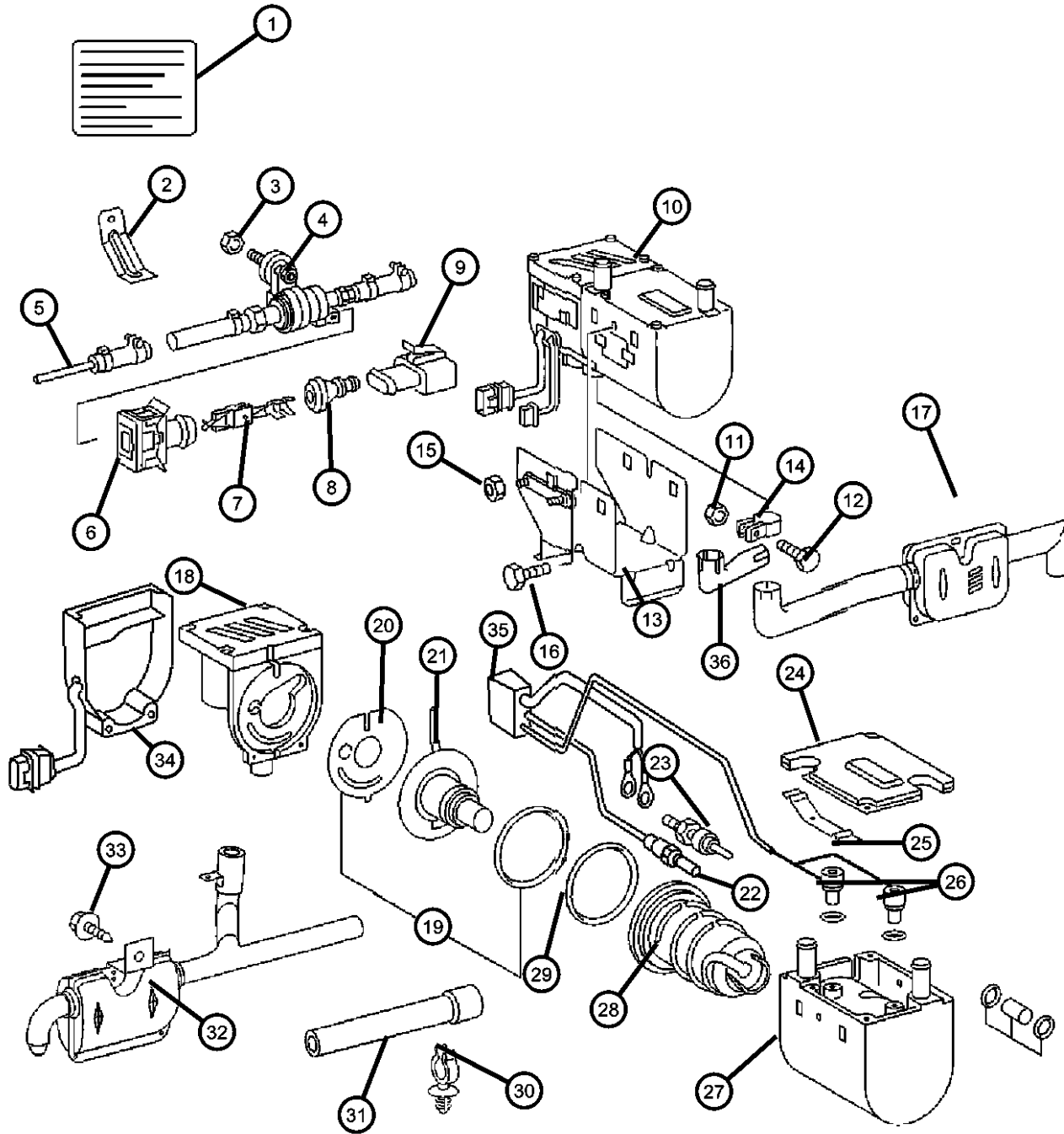
BODY
 01 = CHASSIS FORWARD CONTROL W.B.1
 02 = CAB CHASSIS WHEEL BASE 2
 06 = CAB CHASSIS WHEEL BASE 6
 11 = VAN WHEEL BASE 1
 12 = VAN WHEEL BASE 2
 51 = WAGON WHEEL BASE 1
 52 = WAGON WHEEL BASE 2
 14 = VAN WHEEL BASE 4
 15 = VAN WHEEL BASE 5
 56 = WAGON WHEEL BASE 6
 16 = VAN WHEEL BASE 6
 54 = WAGON WHEEL BASE 4
 55 = WAGON WHEEL BASE 5

ENGINE
 EX9 = Engine-2.7L I5 Mercedes Turbo Diesel

TRANSMISSION
 DGJ = Transmission-5-Spd. Automatic, W5A580

AR = use ase required - = Non illustrated part

**Auxiliary Warm Water Heater
Figure 24-290**



ITEM	PART NUMBER	QTY	LINE	SERIES	BODY	ENGINE	TRANS	TRIM	DESCRIPTION
	05133303AA	1	6, 2		11, 12, 14, 15, 16				
		1	2, 6		51, 52, 54, 55, 56				
		1	3, 7		12, 15, 16				
29	05133309AA	1	2, 6		11, 12, 14, 15, 16				O RING, Heater Core
		1	2, 6		51, 52, 54, 55, 56				
		1	3, 7		12, 15, 16				
30	05119332AA	3	2, 6		11, 12, 14, 15, 16				CLIP, Hose
		3	2, 6		51, 52, 54, 55, 56				
		3	3, 7		12, 15, 16				
31	05124674AA	1	2, 6		11, 12, 14, 15, 16				PIPE, Air Intake
		1	2, 6		51, 52, 54, 55, 56				
		1	3, 7		12, 15, 16				
32	05103848AA	1	2, 6		11, 12, 14, 15, 16				LINE, Heater
		1	2, 6		51, 52, 54, 55, 56				
		1	3, 7		12, 15, 16				
33	06104580AA	1	2, 6		11, 12, 14, 15, 16				SCREW, Tapping
		2	2, 6		51, 52, 54, 55, 56				

SPRINTER (VA)
SERIES
 L = LOWLINE

LINE
 3 = HD DODGE 2WD
 6 = Lt. Duty DODGE 4WD
 2 = Med. Duty DODGE 2WD
 7 = Med. Duty DODGE 4WD

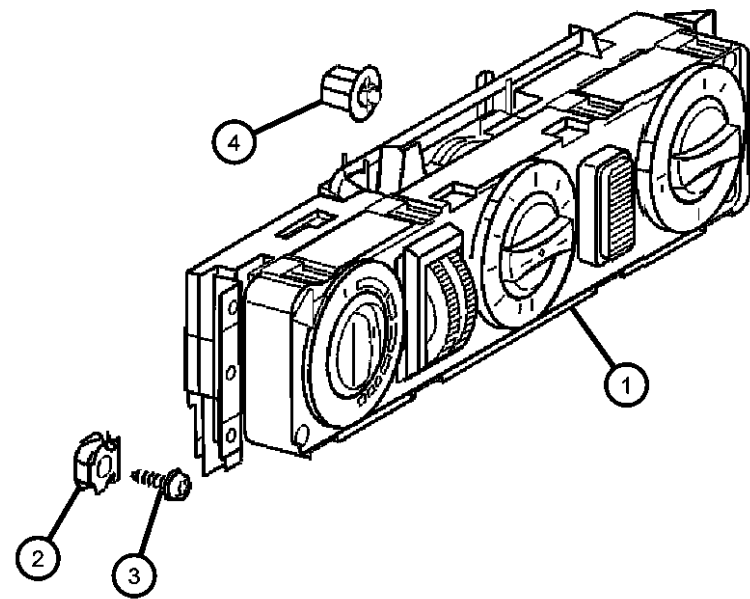
BODY
 01 = CHASSIS FORWARD CONTROL W.B.1
 02 = CAB CHASSIS WHEEL BASE 2
 06 = CAB CHASSIS WHEEL BASE 6
 11 = VAN WHEEL BASE 1
 12 = VAN WHEEL BASE 2
 51 = WAGON WHEEL BASE 1
 52 = WAGON WHEEL BASE 2
 14 = VAN WHEEL BASE 4
 15 = VAN WHEEL BASE 5
 56 = WAGON WHEEL BASE 6
 16 = VAN WHEEL BASE 6
 54 = WAGON WHEEL BASE 4
 55 = WAGON WHEEL BASE 5

ENGINE
 EX9 = Engine-2.7L I5 Mercedes Turbo Diesel

TRANSMISSION
 DGJ = Transmission-5-Spd. Automatic, W5A580

AR = use ase required - = Non illustrated part

Control
Figure 24-320



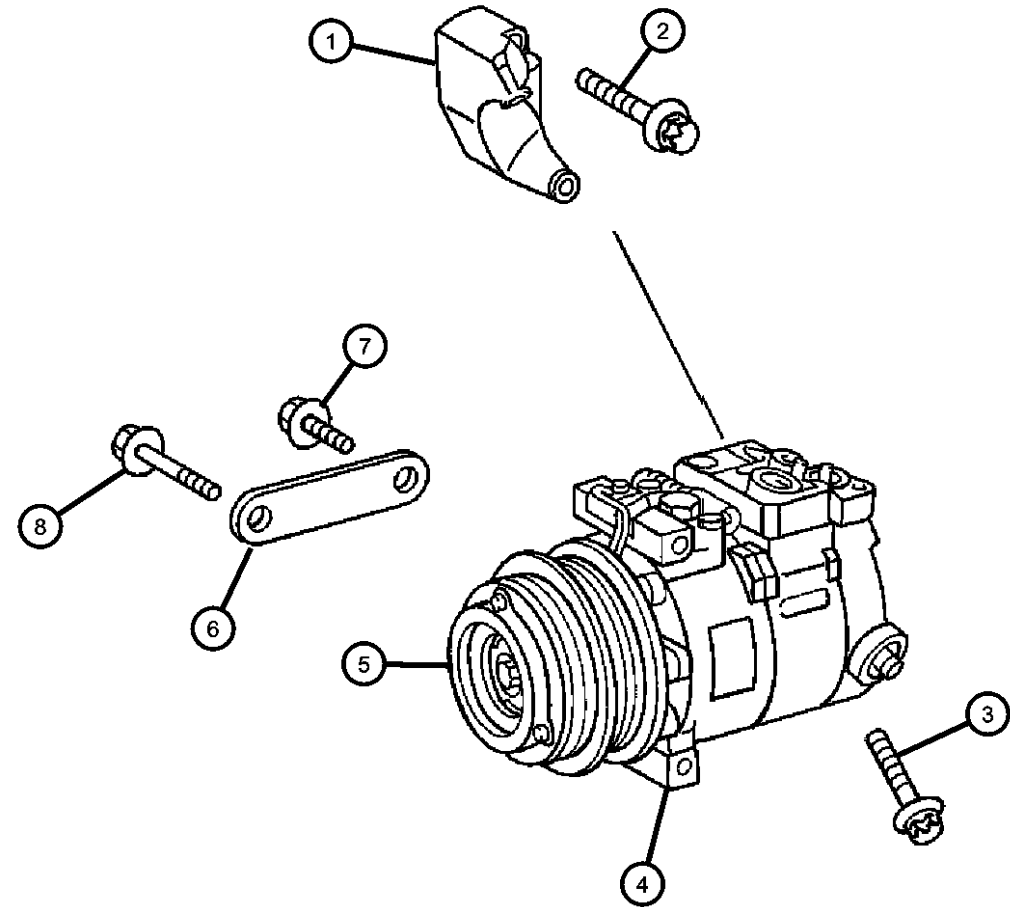
ITEM	PART NUMBER	QTY	LINE	SERIES	BODY	ENGINE	TRANS	TRIM	DESCRIPTION
1									CONTROL, A/C And Heater
	05103643AA	1	2, 6		11, 12, 14, 15, 16				Auto Temp
		1	2, 6		51, 52, 54, 55, 56				Auto Temp
		1	3, 7		12, 15, 16				Auto Temp
	05103644AA	1	2, 6		11, 12, 14, 15, 16				W/AUXILIARY HOT WATERHEATER
		1	2, 6		51, 52, 54, 55, 56				W/AUXILIARY HOT WATERHEATER
		1	3, 7		12, 15, 16				W/AUXILIARY HOT WATERHEATER
	05103690AA	1	3, 7		12, 15, 16				Manual
2									NUT, Spring
	05125861AA	4	2, 6		11, 12, 14, 15, 16				
		4	2, 6		51, 52, 54, 55, 56				
		4	3, 7		12, 15, 16				
3									SCREW
	06104610AA	4	2, 6		11, 12, 14, 15, 16				
		4	2, 6		51, 52, 54, 55, 56				
		4	3, 7		12, 15, 16				
4									BULB
	05133468AA	1	2, 6		11, 12, 14, 15, 16				
		1	2, 6		51, 52, 54, 55, 56				
		1	3, 7		12, 15, 16				

SPRINTER (VA)

SERIES	LINE	BODY	ENGINE	TRANSMISSION
L = LOWLINE	3 = HD DODGE 2WD 6 = Lt. Duty DODGE 4WD 2 = Med. Duty DODGE 2WD 7 = Med. Duty DODGE 4WD	01 = CHASSIS FORWARD CONTROL W.B.1 02 = CAB CHASSIS WHEEL BASE 2 06 = CAB CHASSIS WHEEL BASE 6 11 = VAN WHEEL BASE 1 12 = VAN WHEEL BASE 2 51 = WAGON WHEEL BASE 1 52 = WAGON WHEEL BASE 2 14 = VAN WHEEL BASE 4 15 = VAN WHEEL BASE 5 56 = WAGON WHEEL BASE 6 16 = VAN WHEEL BASE 6 54 = WAGON WHEEL BASE 4 55 = WAGON WHEEL BASE 5	EX9 = Engine-2.7L I5 Mercedes Turbo Diesel	DGJ = Transmission-5-Spd. Automatic, W5A580

AR = use ase required - = Non illustrated part

**Compressor and Mounting
Figure 24-420**



ITEM	PART NUMBER	QTY	LINE	SERIES	BODY	ENGINE	TRANS	TRIM	DESCRIPTION
1	05117682AA	1	2, 6		51, 52, 54, 55, 56				SUPPORT
		1	3, 7		12, 15, 16	EX9			
		1	2, 6		11, 12, 14, 15, 16				
2	06104031AA	2	2, 6		14, 15, 16, 11, 12				SCREW
		2	2, 6		51, 52, 54, 55, 56				
		2	3, 7		12, 15, 16	EX9			
3	06104035AA	2	2, 6		51, 52, 54, 55, 56				SCREW
		2	2, 6		11, 12, 14, 15, 16	EX9			
		2	3, 7		12, 15, 16				
4	05117666AA	1	2, 6		11, 12, 14, 15, 16	EX9			COMPRESSOR, Air Conditioning [HAB], With Coupling
		1	2, 6		51, 52, 54, 55, 56	EX9			[HAB], With Coupling
		1	3, 7		12, 15, 16	EX9			[HAB], With Coupling
	05117679AA	1	2, 6		51, 52, 54, 55, 56	EX9			[HAB], Without Coupling, Optional With 05117680AA
		1	3, 7		12, 15, 16	EX9			[HAB], Without Coupling, Optional With 05117680AA
		1	2, 6		11, 12, 14, 15, 16	EX9			[HAB], Without Coupling, Optional With 05117680AA
	05117680AA	1	2, 6		51, 52, 54, 55, 56	EX9			[HAB], Without Coupling, Optional With 05117679AA
		1	3, 7		12, 15, 16	EX9			[HAB], Without Coupling, Optional With 05117679AA
		1	2, 6		11, 12, 14, 15, 16	EX9			[HAB], Without Coupling, Optional With 05117679AA

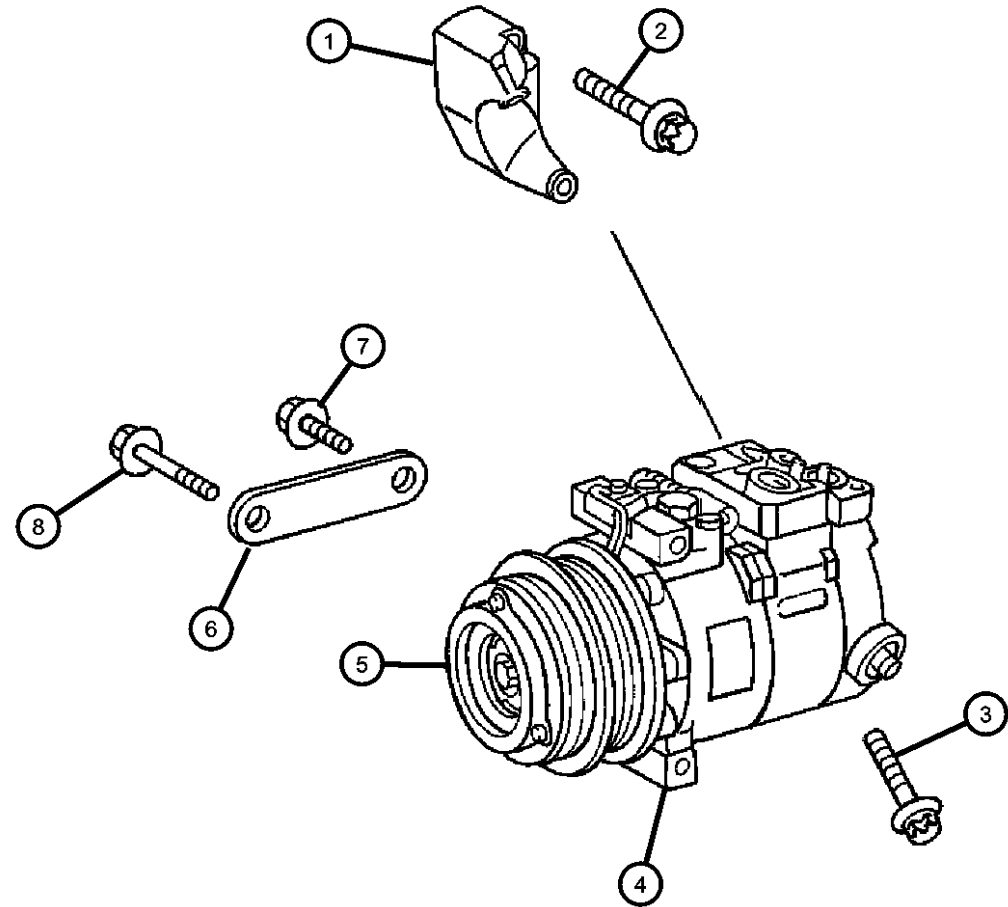
SPRINTER (VA)

SERIES	LINE	BODY	ENGINE	TRANSMISSION
L = LOWLINE	3 = HD DODGE 2WD 6 = Lt. Duty DODGE 4WD 2 = Med. Duty DODGE 2WD 7 = Med. Duty DODGE 4WD	01 = CHASSIS FORWARD CONTROL W.B.1 02 = CAB CHASSIS WHEEL BASE 2 06 = CAB CHASSIS WHEEL BASE 6 11 = VAN WHEEL BASE 1 12 = VAN WHEEL BASE 2 51 = WAGON WHEEL BASE 1 52 = WAGON WHEEL BASE 2 14 = VAN WHEEL BASE 4 15 = VAN WHEEL BASE 5 56 = WAGON WHEEL BASE 6 16 = VAN WHEEL BASE 6 54 = WAGON WHEEL BASE 4 55 = WAGON WHEEL BASE 5	EX9 = Engine-2.7L I5 Mercedes Turbo Diesel	DGJ = Transmission-5-Spd. Automatic, W5A580

AR = use ase required - = Non illustrated part

**Compressor and Mounting
Figure 24-420**

ITEM	PART NUMBER	QTY	LINE	SERIES	BODY	ENGINE	TRANS	TRIM	DESCRIPTION
5	05133208AA	1	7		12, 15, 16	EX9			COUPLING, Compressor BRACKET, A/C Compressor
6	05117686AA	1	6		11, 12, 14, 15, 16	EX9			
		1	6		51, 52, 54, 55, 56	EX9			
7	06104022AA	1			12, 15, 16	EX9			SCREW
8	06104036AA	1	2, 6		01, 02, 06	EX9			SCREW
		1	2, 6		11, 12, 14, 15, 16	EX9			
		1	3, 7		12, 15, 16	EX9			



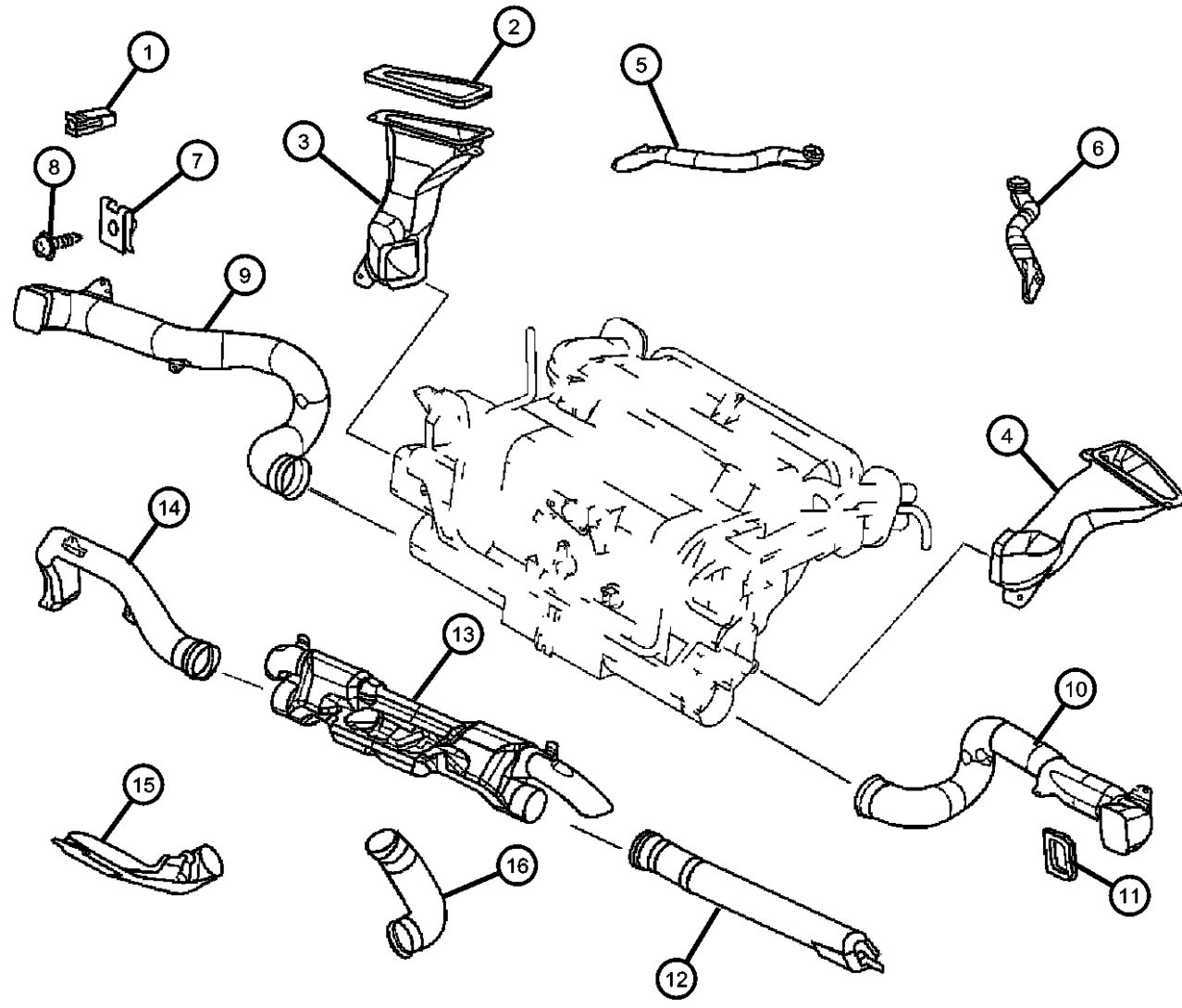
SPRINTER (VA)

SERIES	LINE	BODY	ENGINE	TRANSMISSION
L = LOWLINE	3 = HD DODGE 2WD 6 = Lt. Duty DODGE 4WD 2 = Med. Duty DODGE 2WD 7 = Med. Duty DODGE 4WD	01 = CHASSIS FORWARD CONTROL W.B.1 02 = CAB CHASSIS WHEEL BASE 2 06 = CAB CHASSIS WHEEL BASE 6 11 = VAN WHEEL BASE 1 12 = VAN WHEEL BASE 2 51 = WAGON WHEEL BASE 1 52 = WAGON WHEEL BASE 2 14 = VAN WHEEL BASE 4 15 = VAN WHEEL BASE 5 56 = WAGON WHEEL BASE 6 16 = VAN WHEEL BASE 6 54 = WAGON WHEEL BASE 4 55 = WAGON WHEEL BASE 5	EX9 = Engine-2.7L I5 Mercedes Turbo Diesel	DGJ = Transmission-5-Spd. Automatic, W5A580

AR = use ase required - = Non illustrated part

2002 VA

Air Ducts And Outlets, Front
Figure 24-630



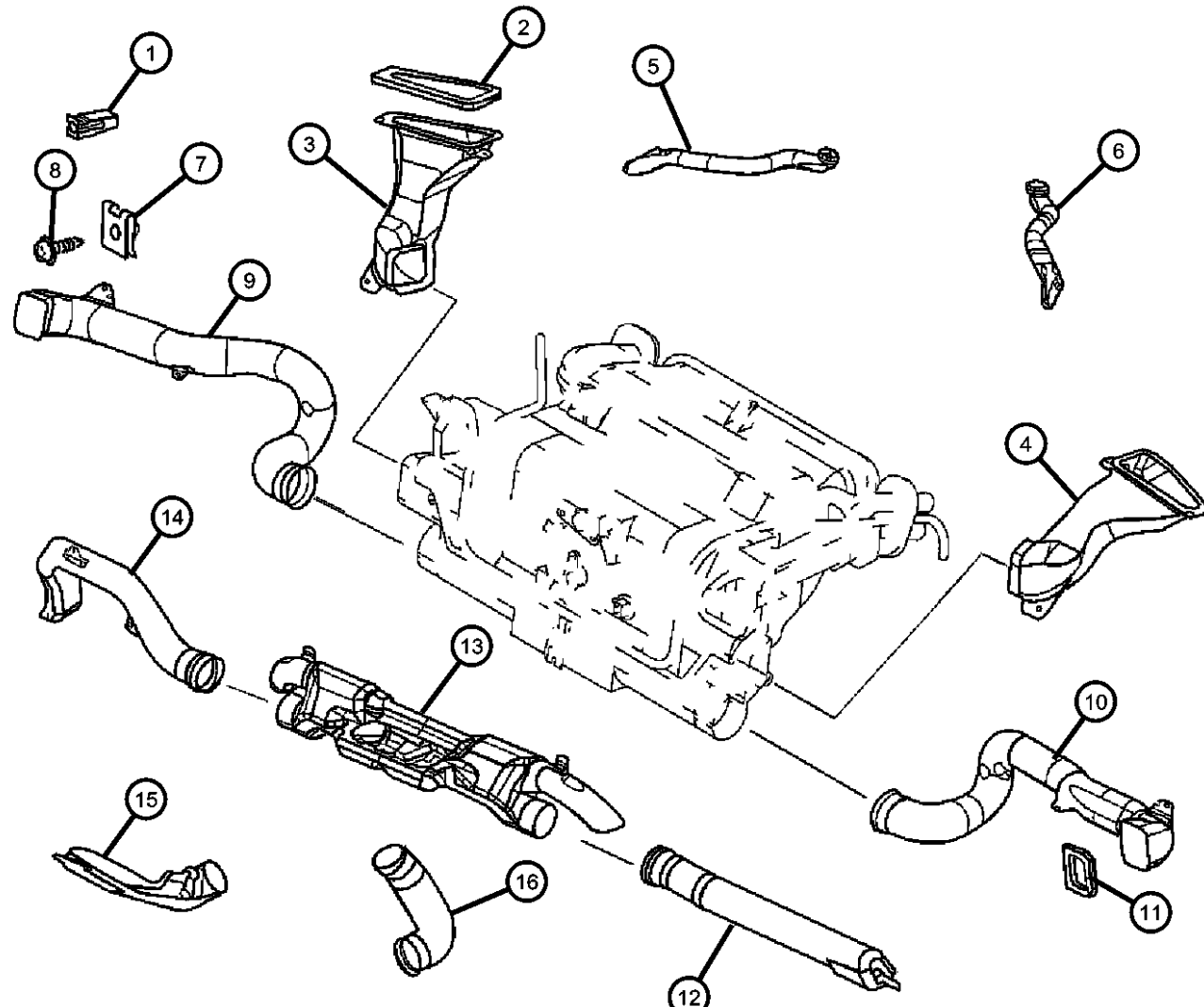
ITEM	PART NUMBER	QTY	LINE	SERIES	BODY	ENGINE	TRANS	TRIM	DESCRIPTION
1	05125576AA	2	2, 6		11, 12, 14, 15, 16				NUT, Plastic Snap-in
		2	2, 6		51, 52, 54, 55, 56				
		2	3, 7		12, 15, 16				
2	05124781AA	1	2, 6		11, 12, 14, 15, 16				SEAL Left
		1	2, 6		51, 52, 54, 55, 56				Left
	05124782AA	1	3, 7		12, 15, 16				Left
		1	2, 6		11, 12, 14, 15, 16				Right
		1	2, 6		51, 52, 54, 55, 56				Right
		1	3, 7		12, 15, 16				Right
3	05124743AA	1	2, 6		11, 12, 14, 15, 16				DUCT
		1	2, 6		51, 52, 54, 55, 56				
		1	3, 7		12, 15, 16				
4	05124744AA	1	2, 6		11, 12, 14, 15, 16				DUCT
		1	2, 6		51, 52, 54, 55, 56				
		1	3, 7		12, 15, 16				
5	05124745AA	1	2, 6		11, 12, 14, 15, 16				DUCT
		1	2, 6		51, 52, 54, 55, 56				
		1	3, 7		12, 15, 16				

SPRINTER (VA)

SERIES	LINE	BODY	ENGINE	TRANSMISSION
L = LOWLINE	3 = HD DODGE 2WD 6 = Lt. Duty DODGE 4WD 2 = Med. Duty DODGE 2WD 7 = Med. Duty DODGE 4WD	01 = CHASSIS FORWARD CONTROL W.B.1 02 = CAB CHASSIS WHEEL BASE 2 06 = CAB CHASSIS WHEEL BASE 6 11 = VAN WHEEL BASE 1 12 = VAN WHEEL BASE 2 51 = WAGON WHEEL BASE 1 52 = WAGON WHEEL BASE 2 14 = VAN WHEEL BASE 4 15 = VAN WHEEL BASE 5 56 = WAGON WHEEL BASE 6 16 = VAN WHEEL BASE 6 54 = WAGON WHEEL BASE 4 55 = WAGON WHEEL BASE 5	EX9 = Engine-2.7L I5 Mercedes Turbo Diesel	DGJ = Transmission-5-Spd. Automatic, W5A580

AR = use ase required - = Non illustrated part

Air Ducts And Outlets, Front
Figure 24-630



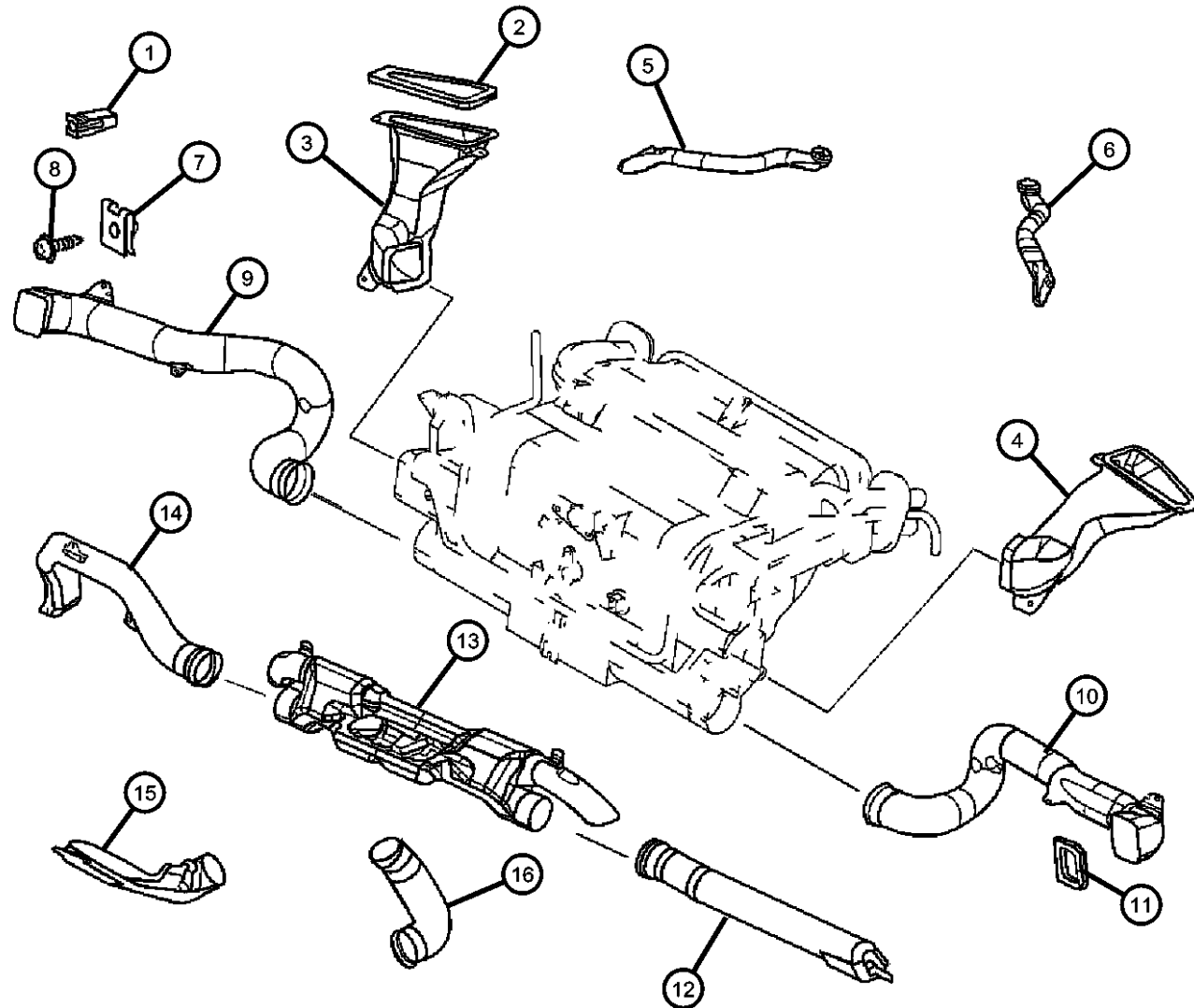
ITEM	PART NUMBER	QTY	LINE	SERIES	BODY	ENGINE	TRANS	TRIM	DESCRIPTION
6	05124746AA	1	2, 6		11, 12, 14, 15, 16				DUCT
		1	2, 6		51, 52, 54, 55, 56				
7	05125857AB	2	2, 6		12, 15, 16				NUT, Clip-On
8	06104610AA	1	2, 6		11, 12, 14, 15, 16				SCREW
		1	2, 6		51, 52, 54, 55, 56				
		1	3, 7		12, 15, 16				
9	05124741AA	1	2, 6		11, 12, 14, 15, 16				DUCT
		1	2, 6		51, 52, 54, 55, 56				
		1	3, 7		12, 15, 16				
10	05124742AA	1	2, 6		11, 12, 14, 15, 16				DUCT
		1	2, 6		51, 52, 54, 55, 56				
		1	3, 7		12, 15, 16				
11	05124788AA	1	2, 6		11, 12, 14, 15, 16				SEAL Left
		1	2, 6		51, 52, 54, 55, 56				Left
		1	3, 7		12, 15, 16				Left
	05124789AA	1	2, 6		11, 12, 14, 15, 16				Right

SPRINTER (VA)

SERIES	LINE	BODY	ENGINE	TRANSMISSION
L = LOWLINE	3 = HD DODGE 2WD 6 = Lt. Duty DODGE 4WD 2 = Med. Duty DODGE 2WD 7 = Med. Duty DODGE 4WD	01 = CHASSIS FORWARD CONTROL W.B.1 02 = CAB CHASSIS WHEEL BASE 2 06 = CAB CHASSIS WHEEL BASE 6 11 = VAN WHEEL BASE 1 12 = VAN WHEEL BASE 2 51 = WAGON WHEEL BASE 1 52 = WAGON WHEEL BASE 2 14 = VAN WHEEL BASE 4 15 = VAN WHEEL BASE 5 56 = WAGON WHEEL BASE 6 16 = VAN WHEEL BASE 6 54 = WAGON WHEEL BASE 4 55 = WAGON WHEEL BASE 5	EX9 = Engine-2.7L I5 Mercedes Turbo Diesel	DGJ = Transmission-5-Spd. Automatic, W5A580

AR = use ase required - = Non illustrated part

Air Ducts And Outlets, Front
Figure 24-630



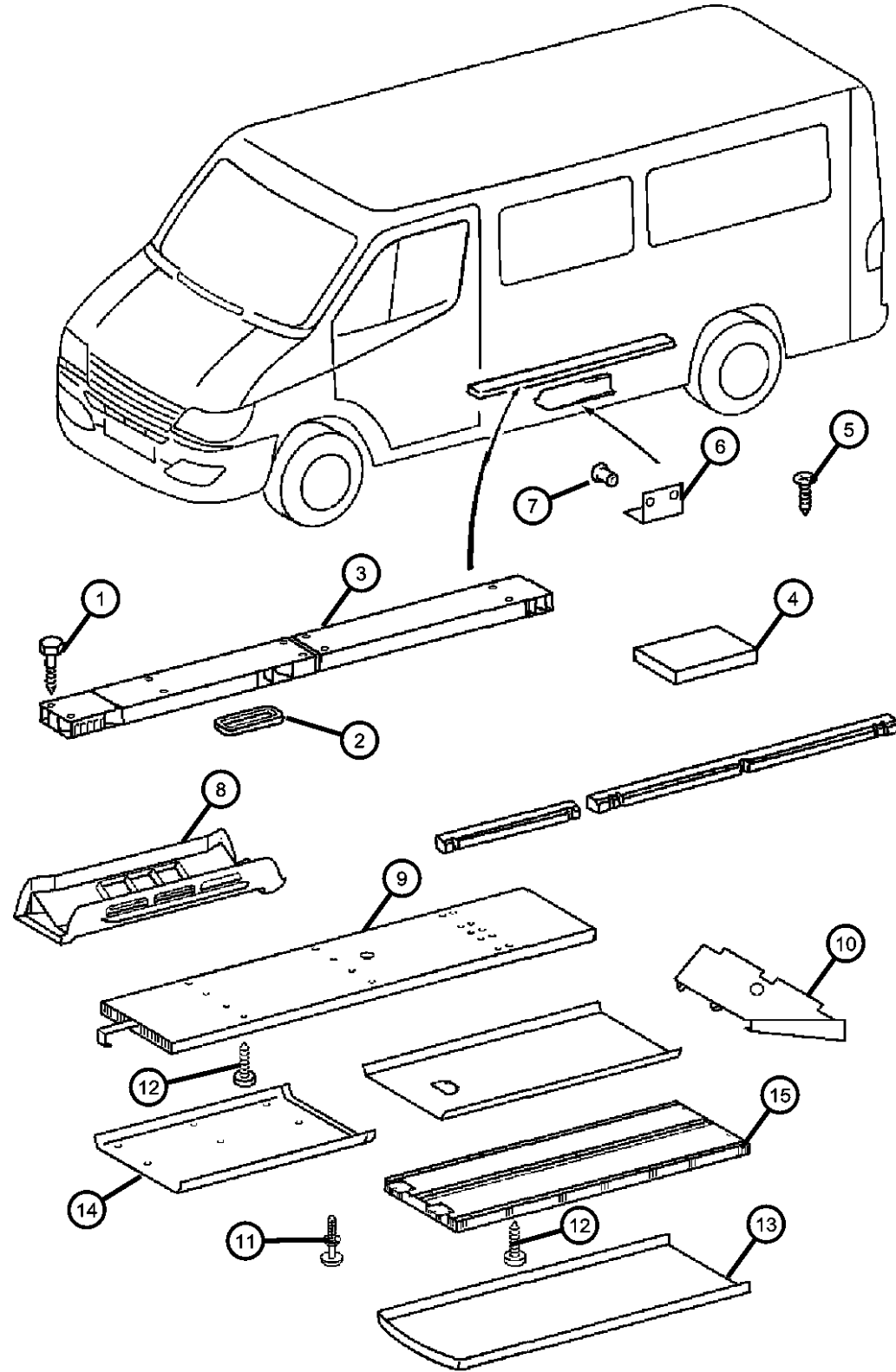
ITEM	PART NUMBER	QTY	LINE	SERIES	BODY	ENGINE	TRANS	TRIM	DESCRIPTION
		1	2, 6		51, 52, 54, 55, 56				
		1	3, 7		12, 15, 16				
12	05124740AA	1	2, 6		11, 12, 14, 15, 16				DUCT
		1	2, 6		51, 52, 54, 55, 56				
		1	3, 7		12, 15, 16				
13	05124737AA	1	2, 6		11, 12, 14, 15, 16				DUCT
		1	2, 6		51, 52, 54, 55, 56				
		1	3, 7		12, 15, 16				
14	05124739AA	1	2, 6		11, 12, 14, 15, 16				DUCT
		1	2, 6		51, 52, 54, 55, 56				
		1	3, 7		12, 15, 16				
15	05124748AA	1	2, 6		11, 12, 14, 15, 16				DUCT
		1	2, 6		51, 52, 54, 55, 56				
		1	3, 7		12, 15, 16				
16	05124747AA	1	2, 6		11, 12, 14, 15, 16				DUCT
		1	2, 6		51, 52, 54, 55, 56				
		1	3, 7		12, 15, 16				

SPRINTER (VA)

SERIES	LINE	BODY	ENGINE	TRANSMISSION
L = LOWLINE	3 = HD DODGE 2WD 6 = Lt. Duty DODGE 4WD 2 = Med. Duty DODGE 2WD 7 = Med. Duty DODGE 4WD	01 = CHASSIS FORWARD CONTROL W.B.1 02 = CAB CHASSIS WHEEL BASE 2 06 = CAB CHASSIS WHEEL BASE 6 11 = VAN WHEEL BASE 1 12 = VAN WHEEL BASE 2 51 = WAGON WHEEL BASE 1 52 = WAGON WHEEL BASE 2 14 = VAN WHEEL BASE 4 15 = VAN WHEEL BASE 5 56 = WAGON WHEEL BASE 6 16 = VAN WHEEL BASE 6 54 = WAGON WHEEL BASE 4 55 = WAGON WHEEL BASE 5	EX9 = Engine-2.7L I5 Mercedes Turbo Diesel	DGJ = Transmission-5-Spd. Automatic, W5A580

AR = use ase required - = Non illustrated part

Air Ducts And Outlets, Rear
Figure 24-640



ITEM	PART NUMBER	QTY	LINE	SERIES	BODY	ENGINE	TRANS	TRIM	DESCRIPTION
1	05126093AA	6	2, 6		51, 52, 54, 55, 56				SCREW
		10	3, 7		12, 15, 16				
		6	2, 6		11, 12, 14, 15, 16				
2	05124763AA	1	2, 6		11, 12, 14, 15, 16				SEAL
		1	2, 6		51, 52, 54, 55, 56				
		1	3, 7		12, 15, 16				
3	05124656AA	1	2, 6		51, 52, 54, 55, 56				HOUSING, Air Duct Rear
		1	3, 7		12, 15, 16				Rear
	05124655AA	1	2, 6		11, 12, 14, 15, 16				Front
		1	2, 6		51, 52, 54, 55, 56				Front
		1	3, 7		12, 15, 16				Front
		1	2, 6		11, 12, 14, 15, 16				Rear
4	05124763AA	1	2, 6		11, 12, 14, 15, 16				SEAL
		1	2, 6		51, 52, 54, 55, 56				
		1	3, 7		12, 15, 16				
5		1							SCREW, (NOT SERVICED)
6		1							BRACKET, (NOT SERVICED)
7		1							RIVET, Blind Bulb
	05133417AA	3	2, 6		11, 12, 14, 15, 16				

SPRINTER (VA)

SERIES

L = LOWLINE

LINE

3 = HD DODGE 2WD
 6 = Lt. Duty DODGE 4WD
 2 = Med. Duty DODGE 2WD
 7 = Med. Duty DODGE 4WD

BODY

01 = CHASSIS FORWARD CONTROL W.B.1
 02 = CAB CHASSIS WHEEL BASE 2
 06 = CAB CHASSIS WHEEL BASE 6
 11 = VAN WHEEL BASE 1
 12 = VAN WHEEL BASE 2
 51 = WAGON WHEEL BASE 1
 52 = WAGON WHEEL BASE 2
 14 = VAN WHEEL BASE 4
 15 = VAN WHEEL BASE 5
 56 = WAGON WHEEL BASE 6
 16 = VAN WHEEL BASE 6
 54 = WAGON WHEEL BASE 4
 55 = WAGON WHEEL BASE 5

ENGINE

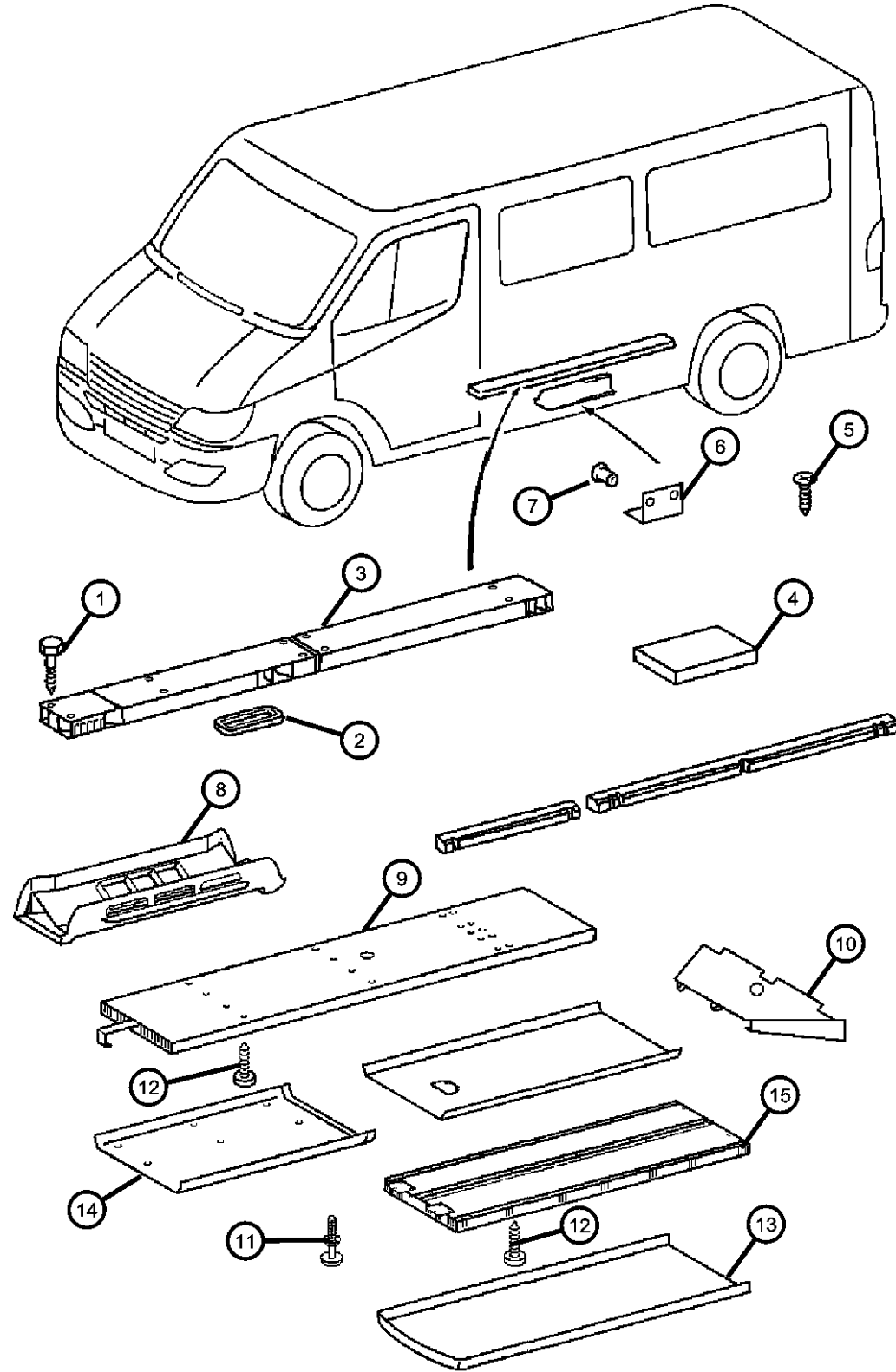
EX9 = Engine-2.7L I5
 Mercedes Turbo Diesel

TRANSMISSION

DGJ = Transmission-5-Spd. Automatic, W5A580

AR = use ase required - = Non illustrated part

Air Ducts And Outlets, Rear
Figure 24-640



ITEM	PART NUMBER	QTY	LINE	SERIES	BODY	ENGINE	TRANS	TRIM	DESCRIPTION
		3	2, 6		51, 52, 54, 55, 56				
		3	3, 7		12, 15, 16				
8		3							INSULATOR, (NOT SERVICED)
9	05132290AA	1	6		51, 52, 54, 55, 56				AIR DUCT
10	05132312AA	1	6		51, 52, 54, 55, 56				AIR DUCT
11									RIVET
	05104541AA	2	2, 6		11, 12, 14, 15, 16				
		2	2, 6		51, 52, 54, 55, 56				
		2	3, 7		12, 15, 16				
12									SCREW, Self-Tapping
	05133449AA	20	2, 6		11, 12, 14, 15, 16				
		20	2, 6		51, 52, 54, 55, 56				
13	05104482AA	1	2, 6		51, 52, 54, 55, 56				HOUSING, Air Duct
14	05132291AA	1	6		51, 52, 54, 55, 56				AIR DUCT
15	05132292AA	1	6		51, 52, 54, 55, 56				AIR DUCT
-16	05133453AA	6	6		51, 52, 54, 55, 56				SPRING, Filter

SPRINTER (VA)

SERIES

L = LOWLINE
 3 = HD DODGE 2WD
 6 = Lt. Duty DODGE 4WD
 2 = Med. Duty DODGE 2WD
 7 = Med. Duty DODGE 4WD

LINE

BODY

01 = CHASSIS FORWARD CONTROL W.B.1
 02 = CAB CHASSIS WHEEL BASE 2
 06 = CAB CHASSIS WHEEL BASE 6
 11 = VAN WHEEL BASE 1
 12 = VAN WHEEL BASE 2
 51 = WAGON WHEEL BASE 1
 52 = WAGON WHEEL BASE 2
 14 = VAN WHEEL BASE 4
 15 = VAN WHEEL BASE 5
 56 = WAGON WHEEL BASE 6
 16 = VAN WHEEL BASE 6
 54 = WAGON WHEEL BASE 4
 55 = WAGON WHEEL BASE 5

ENGINE

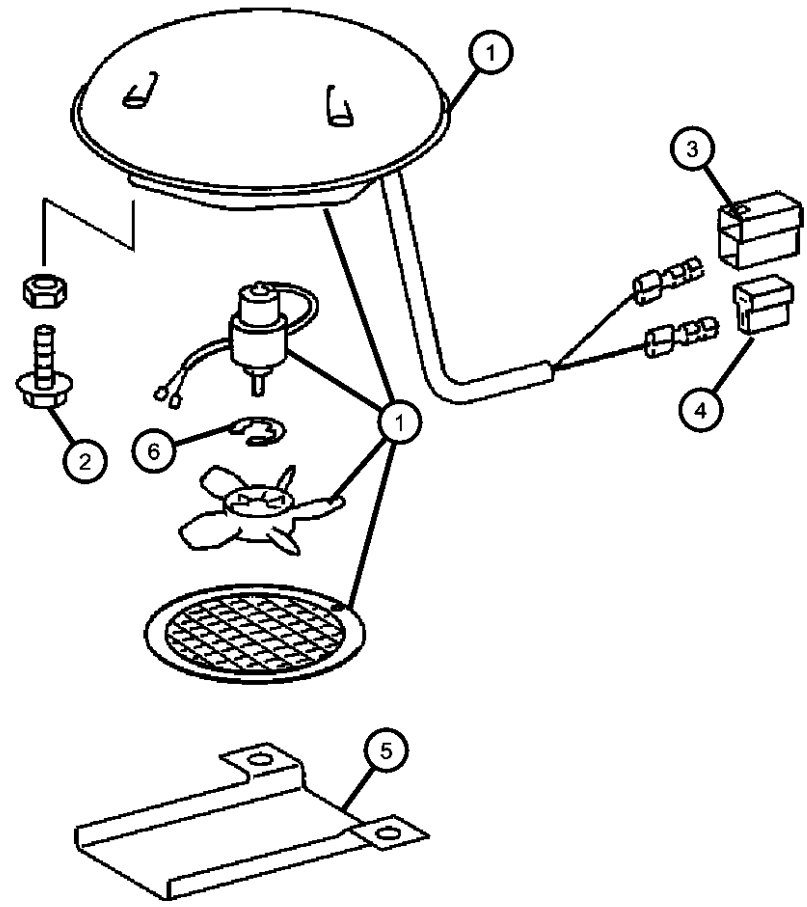
EX9 = Engine-2.7L I5
 Mercedes Turbo Diesel

TRANSMISSION

DGJ = Transmission-5-Spd. Automatic, W5A580

AR = use ase required - = Non illustrated part

Ventilator, Roof Mounted
Figure 24-650



ITEM	PART NUMBER	QTY	LINE	SERIES	BODY	ENGINE	TRANS	TRIM	DESCRIPTION
1	05103696AA	1	2, 6		11, 12, 14, 15, 16				HOUSING, Forced Vent Outlet
		1	3, 7		12, 15, 16				
2	06104351AA	9	2, 6		11, 12, 14, 15, 16				BOLT, M6x20
		9	3, 7		12, 15, 16				
3	05103754AA	1	2, 6		11, 12, 14, 15, 16				INSULATOR, 2 Way Female
		1	3, 7		12, 15, 16				
4	05103751AA	1	2, 6		11, 12, 14, 15, 16				CONNECTOR
		1	3, 7		12, 15, 16				
5	05124790AA	1	2, 6		11, 12, 14, 15, 16				COVER, Bracket
		1	3, 7		12, 15, 16				
6	05133639AA	1	2, 6		11, 12, 14, 15, 16				CLIP, Fan Shroud
		1	3, 7		12, 15, 16				
-7	05133638AA	1	2, 6		11, 12, 14, 15, 16				GRILLE, Vent
		1	3, 7		12, 15, 16				

SPRINTER (VA)				
SERIES	LINE	BODY	ENGINE	TRANSMISSION
L = LOWLINE	3 = HD DODGE 2WD 6 = Lt. Duty DODGE 4WD 2 = Med. Duty DODGE 2WD 7 = Med. Duty DODGE 4WD	01 = CHASSIS FORWARD CONTROL W.B.1 02 = CAB CHASSIS WHEEL BASE 2 06 = CAB CHASSIS WHEEL BASE 6 11 = VAN WHEEL BASE 1 12 = VAN WHEEL BASE 2 51 = WAGON WHEEL BASE 1 52 = WAGON WHEEL BASE 2 14 = VAN WHEEL BASE 4 15 = VAN WHEEL BASE 5 56 = WAGON WHEEL BASE 6 16 = VAN WHEEL BASE 6 54 = WAGON WHEEL BASE 4 55 = WAGON WHEEL BASE 5	EX9 = Engine-2.7L I5 Mercedes Turbo Diesel	DGJ = Transmission-5-Spd. Automatic, W5A580

AR = use ase required - = Non illustrated part

Group - DVA

Doors and Related Parts

Group - DVA Doors and Related Parts

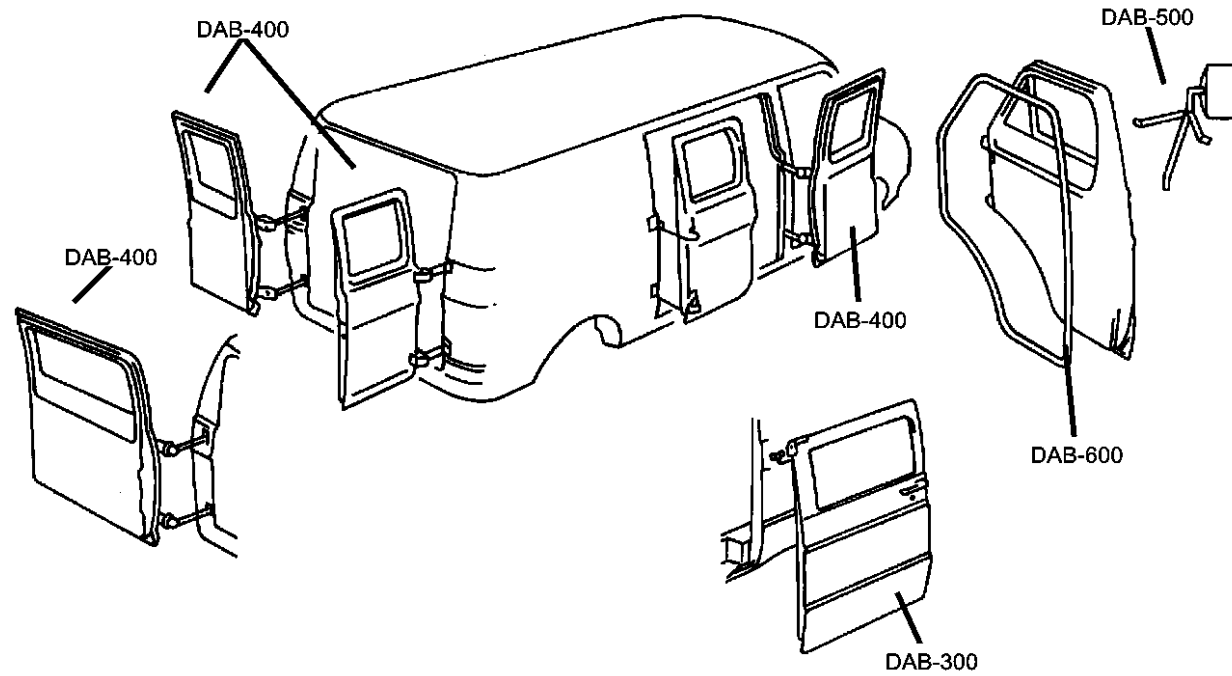


Illustration Title

Group-Fig. No.

Front Door

Door, Front Shell And Hinges	Fig. DVA - 110
Door, Front Glass And Regulator Handle	Fig. DVA - 120
Door, Front Exterior Handle And Links	Fig. DVA - 130

Door, Sliding Cargo

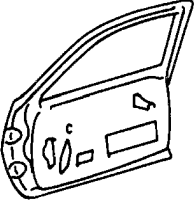
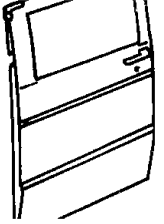
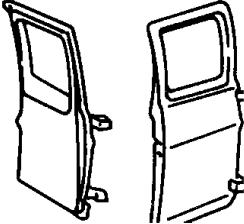
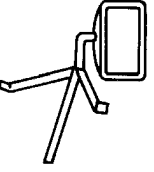
Door, Sliding Cargo Shell And Hinges	Fig. DVA - 310
Door, Sliding Cargo Glass	Fig. DVA - 320
Door, Sliding Cargo Lock And Controls	Fig. DVA - 330

Door, Dual and Single Cargo

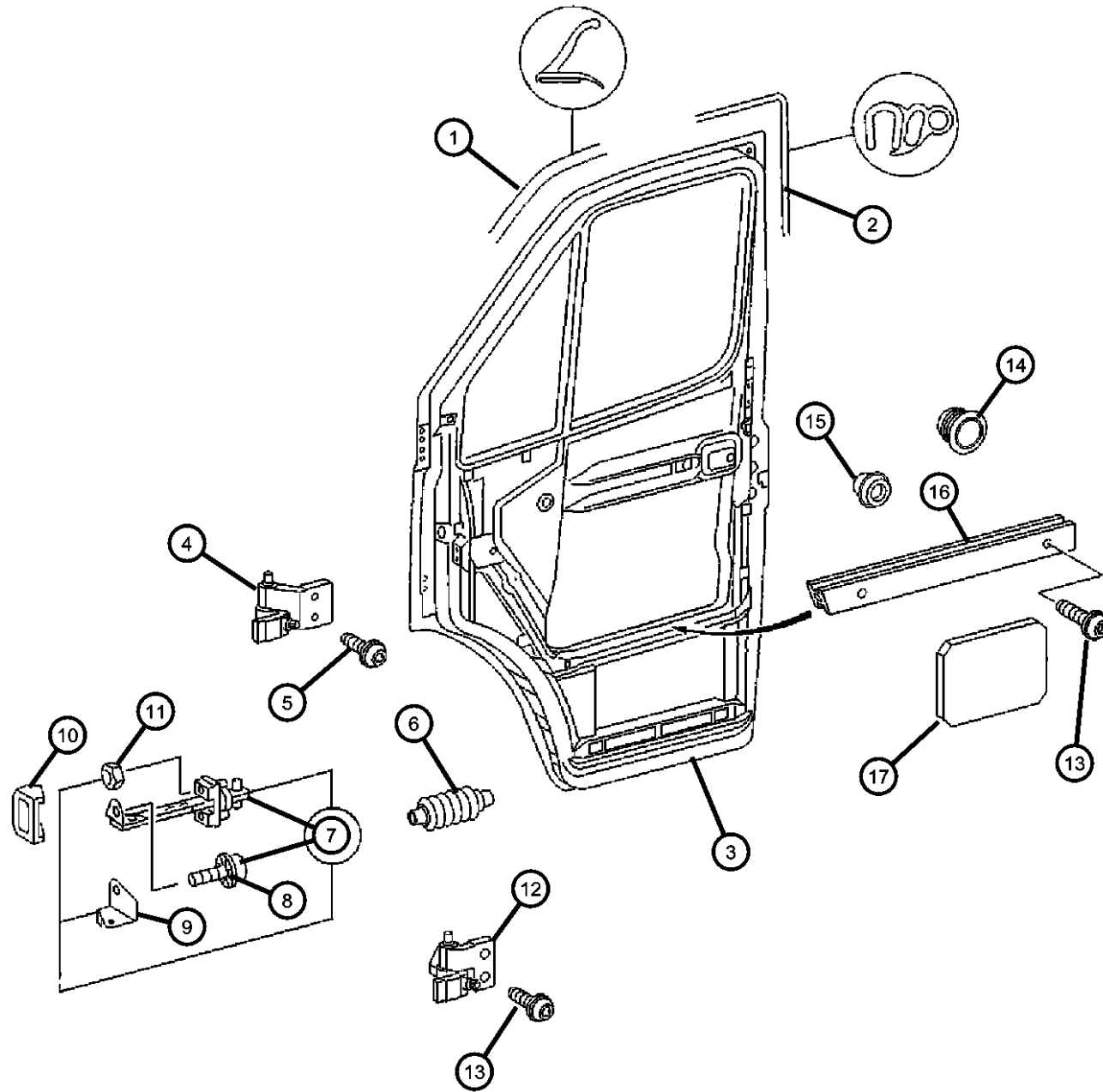
Door, Cargo Shell And Hinges	Fig. DVA - 410
Door, Cargo Glass And Hardware	Fig. DVA - 420
Door, Cargo Lock And Control	Fig. DVA - 430

Exterior Mirror

Mirrors, Exterior	Fig. DVA - 520
-------------------------	----------------

<p>DVA-100 Front Door</p> 	<p>DVA-300 Door, Sliding Cargo</p> 	<p>DVA-400 Door, Dual and Single Cargo</p> 	<p>DVA-500 Exterior Mirror</p> 
--	---	--	---

**Door, Front Shell And Hinges
Figure DVA-110**



ITEM	PART NUMBER	QTY	LINE	SERIES	BODY	ENGINE	TRANS	TRIM	DESCRIPTION
1	05133518AA	1	2, 6	L	51, 52, 54, 55, 56				SEAL, Door
		1	2, 6	L	11, 12, 14, 15, 16				
2	05104301AA	1	2, 6	L	11, 12, 14, 15, 16				SEAL, Door
		1	2, 6	L	51, 52, 54, 55, 56				
3	05135991AA	1	2, 6	L	51, 52, 54, 55, 56				PANEL, Front Door, Shell Left
		1	3, 7	L	12, 15, 16				Left
	05135988AA	1	2, 6	L	11, 12, 14, 15, 16				Right
		1	2, 6	L	51, 52, 54, 55, 56				Right
		1	3, 7	L	12, 15, 16				Right
		1	2, 6	L	11, 12, 14, 15, 16				Left
4	05104321AA	1	2, 6	L	11, 12, 14, 15, 16				HINGE, Door, Upper Left
		1	2, 6	L	51, 52, 54, 55, 56				Left
		1	3, 7	L	12, 15, 16				Left
	05104324AA	1	2, 6	L	11, 12, 14, 15, 16				Right
		1	2, 6	L	51, 52, 54, 55, 56				Right
		1	3, 7	L	12, 15, 16				Right
5	05103780AA	2	2, 6	L	51, 52, 54, 55, 56				SCREW, HINGE MOUNTING, SPRINTER

SPRINTER (VA)

SERIES

L = LOWLINE
 3 = HD DODGE 2WD
 6 = Lt. Duty DODGE 4WD
 2 = Med. Duty DODGE 2WD
 7 = Med. Duty DODGE 4WD

LINE

BODY

01 = CHASSIS FORWARD CONTROL W.B.1
 02 = CAB CHASSIS WHEEL BASE 2
 06 = CAB CHASSIS WHEEL BASE 6
 11 = VAN WHEEL BASE 1
 12 = VAN WHEEL BASE 2
 51 = WAGON WHEEL BASE 1
 52 = WAGON WHEEL BASE 2
 14 = VAN WHEEL BASE 4
 15 = VAN WHEEL BASE 5
 56 = WAGON WHEEL BASE 6
 16 = VAN WHEEL BASE 6
 54 = WAGON WHEEL BASE 4
 55 = WAGON WHEEL BASE 5

ENGINE

EX9 = Engine-2.7L I5
 Mercedes Turbo Diesel

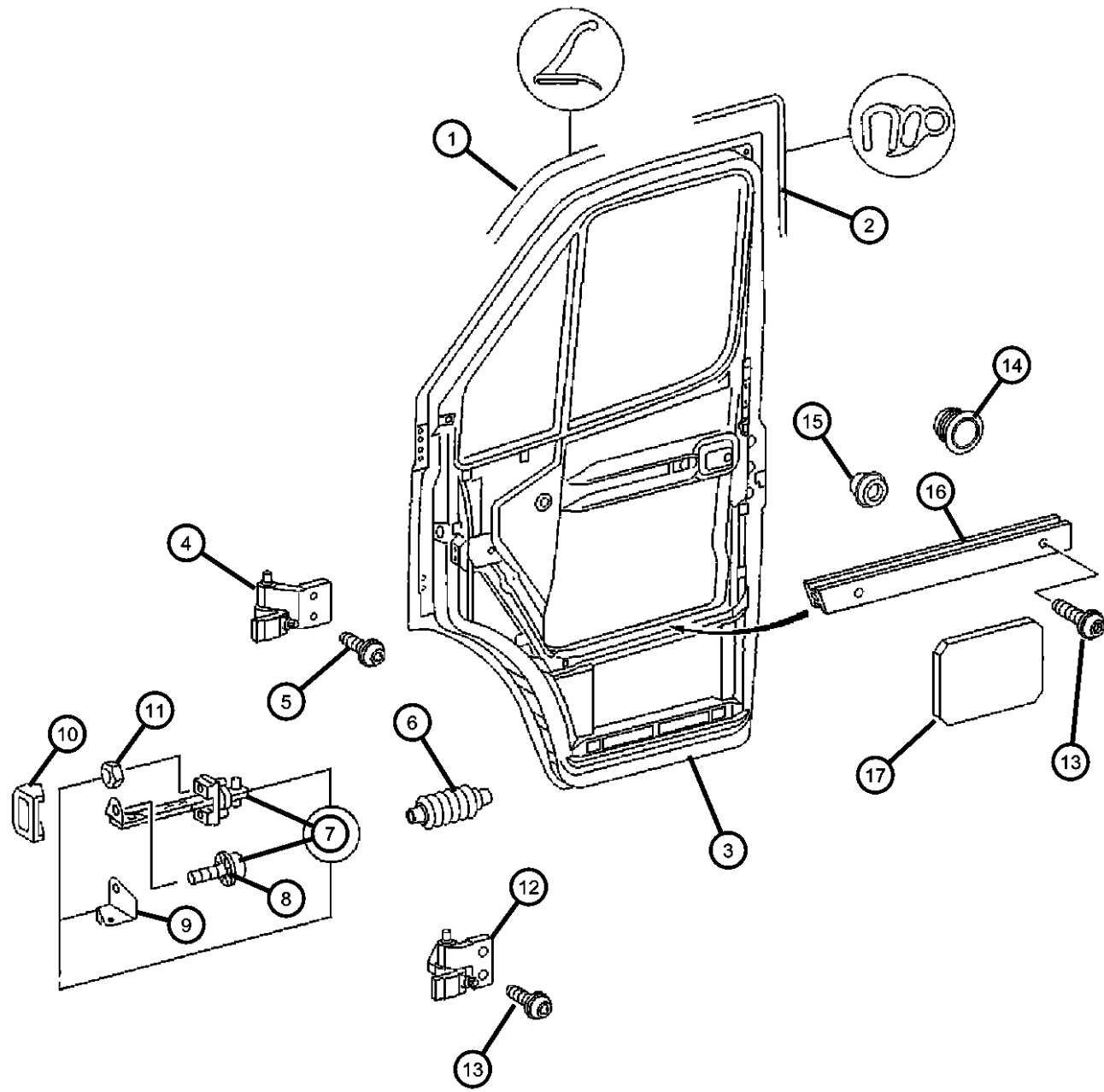
TRANSMISSION

DGJ = Transmission-5-Spd. Automatic, W5A580

AR = use ase required - = Non illustrated part

2002 VA

Door, Front Shell And Hinges
Figure DVA-110



ITEM	PART NUMBER	QTY	LINE	SERIES	BODY	ENGINE	TRANS	TRIM	DESCRIPTION
6	05125915AA	2	2, 6	L	11, 12, 14, 15, 16				GROMMET, Door Wiring
		2	3, 7	L	12, 15, 16				
7	05104335AA	2	2, 6	L	11, 12, 14, 15, 16				CHECK, Front Door
		2	2, 6	L	51, 52, 54, 55, 56				
		2	3, 7	L	12, 15, 16				
		1	2, 6	L	11, 12, 14, 15, 16				
8	05103788AA	1	2, 6	L	51, 52, 54, 55, 56				SCREW, DOOR BRAKE ON A-PILLAR, SPRINTER
		1	3, 7	L	12, 15, 16				
		1	2, 6	L	11, 12, 14, 15, 16				
		1	2, 6	L	51, 52, 54, 55, 56				
9	05103667AA	2	7, 3	L	12, 15, 16				BRACKET, Check Arm
		2	2, 6	L	11, 12, 14, 15, 16				
		2	3, 7	L	12, 15, 16				
10	05103667AA	1	2, 6	L	11, 12, 14, 15, 16				SEAL, Front Door
		1	2, 6	L	51, 52, 54, 55, 56				
		1	3, 7	L	12, 15, 16				

SPRINTER (VA)

SERIES

L = LOWLINE
 3 = HD DODGE 2WD
 6 = Lt. Duty DODGE 4WD
 2 = Med. Duty DODGE 2WD
 7 = Med. Duty DODGE 4WD

LINE

BODY

01 = CHASSIS FORWARD CONTROL W.B.1
 02 = CAB CHASSIS WHEEL BASE 2
 06 = CAB CHASSIS WHEEL BASE 6
 11 = VAN WHEEL BASE 1
 12 = VAN WHEEL BASE 2
 51 = WAGON WHEEL BASE 1
 52 = WAGON WHEEL BASE 2
 14 = VAN WHEEL BASE 4
 15 = VAN WHEEL BASE 5
 56 = WAGON WHEEL BASE 6
 16 = VAN WHEEL BASE 6
 54 = WAGON WHEEL BASE 4
 55 = WAGON WHEEL BASE 5

ENGINE

EX9 = Engine-2.7L I5
 Mercedes Turbo Diesel

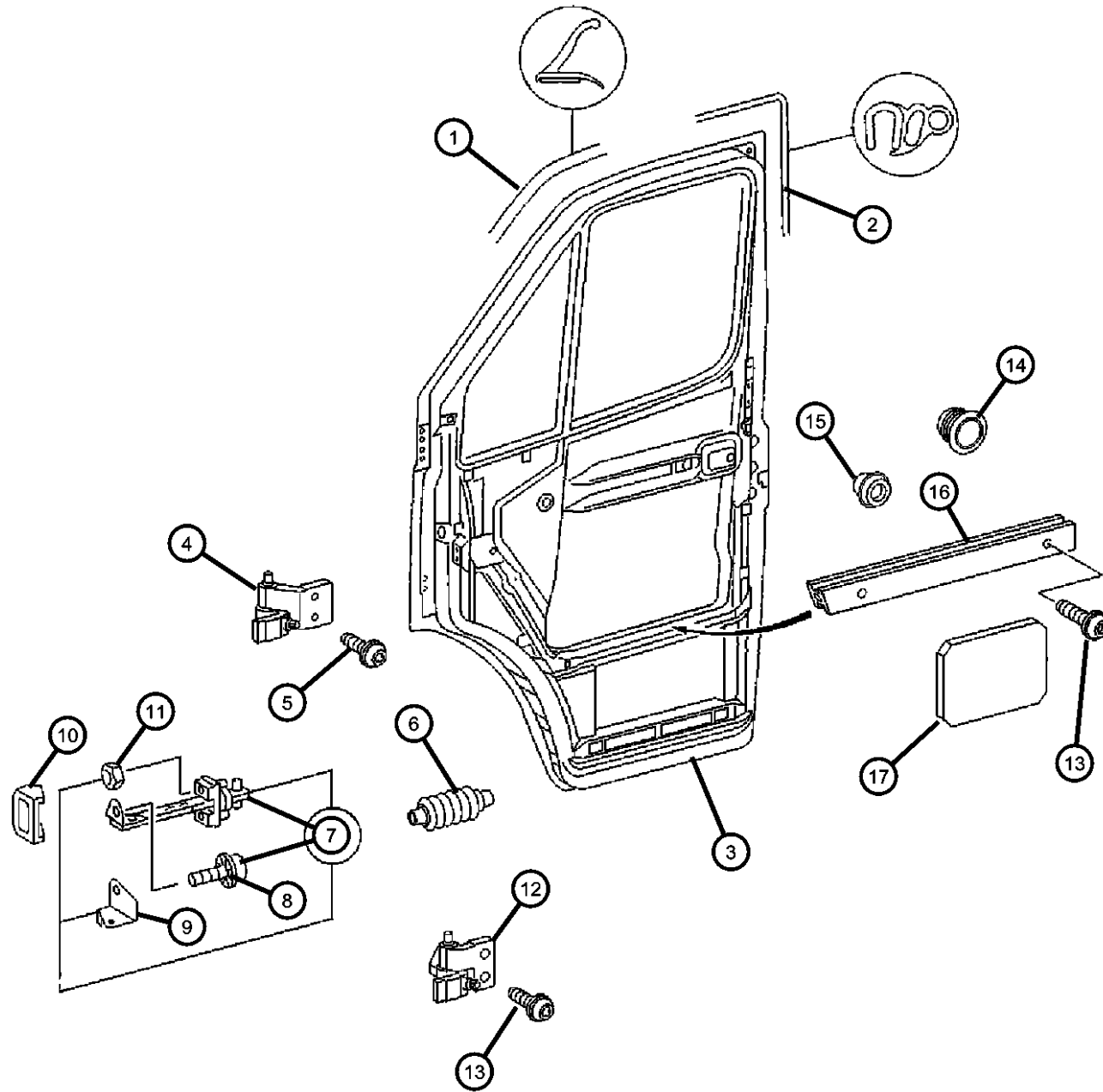
TRANSMISSION

DGJ = Transmission-5-Spd. Automatic, W5A580

AR = use ase required - = Non illustrated part

2002 VA

Door, Front Shell And Hinges
Figure DVA-110



ITEM	PART NUMBER	QTY	LINE	SERIES	BODY	ENGINE	TRANS	TRIM	DESCRIPTION
	05123750AA	1	2, 6	L	11, 12, 14, 15, 16				
		1	2, 6	L	51, 52, 54, 55, 56				
		1	3, 7	L	12, 15, 16				
11	05127449AA	2	2, 6	L	11, 12, 14, 15, 16				NUT, Hex, M6
		2	3, 7	L	12, 15, 16				
		2	2, 6	L	51, 52, 54, 55, 56				
12	05127220AA	1	6	L	11, 12, 14, 15, 16				HINGE, Door, Lower Right
		1	6	L	51, 52, 54, 55, 56				Right
		1	7	L	12, 15, 16				Right
	05127221AA	1	6	L	11, 12, 14, 15, 16				Left
		1	6	L	51, 52, 54, 55, 56				Left
		1	7	L	12, 15, 16				Left
13	05103781AA	2	2, 6	L	51, 52, 54, 55, 56				SCREW
		2	2, 6	L	11, 12, 14, 15, 16				
		2	3, 7	L	12, 15, 16				
14	05125992AA	4	2, 6	L	11, 12, 14, 15, 16				PLUG, Door
		4	2, 6	L	51, 52, 54, 55, 56				
		4	3, 7	L	12, 15, 16				

SPRINTER (VA)

SERIES

L = LOWLINE
 3 = HD DODGE 2WD
 6 = Lt. Duty DODGE 4WD
 2 = Med. Duty DODGE 2WD
 7 = Med. Duty DODGE 4WD

BODY

01 = CHASSIS FORWARD CONTROL W.B.1
 02 = CAB CHASSIS WHEEL BASE 2
 06 = CAB CHASSIS WHEEL BASE 6
 11 = VAN WHEEL BASE 1
 12 = VAN WHEEL BASE 2
 51 = WAGON WHEEL BASE 1
 52 = WAGON WHEEL BASE 2
 14 = VAN WHEEL BASE 4
 15 = VAN WHEEL BASE 5
 56 = WAGON WHEEL BASE 6
 16 = VAN WHEEL BASE 6
 54 = WAGON WHEEL BASE 4
 55 = WAGON WHEEL BASE 5

ENGINE

EX9 = Engine-2.7L I5
 Mercedes Turbo Diesel

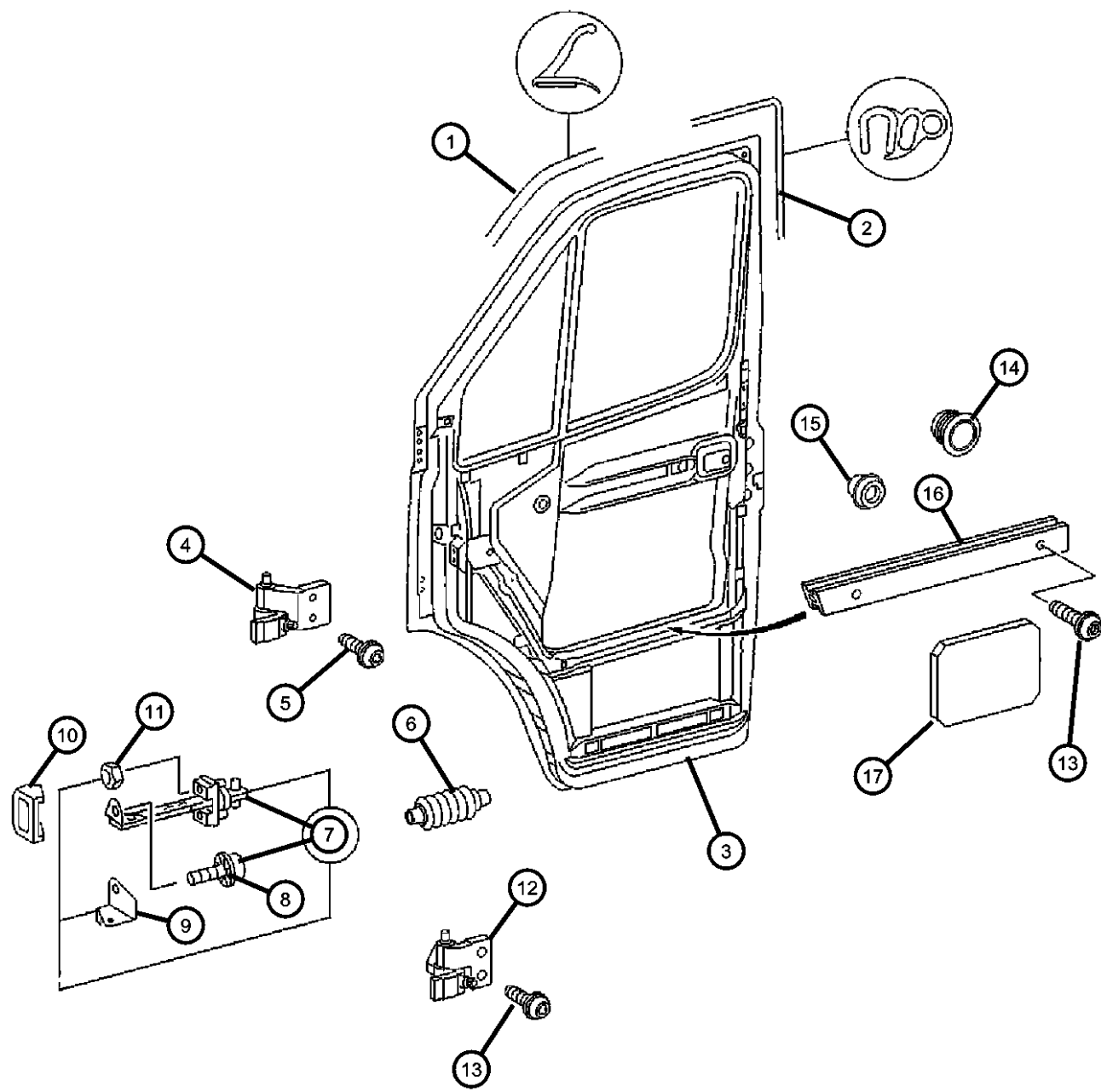
TRANSMISSION

DGJ = Transmission-5-Spd. Automatic, W5A580

AR = use ase required - = Non illustrated part

2002 VA

Door, Front Shell And Hinges
Figure DVA-110



ITEM	PART NUMBER	QTY	LINE	SERIES	BODY	ENGINE	TRANS	TRIM	DESCRIPTION
15									PLUG, Expansion
	05125514AA	4	2, 6	L	11, 12, 14, 15, 16				
		4	2, 6	L	51, 52, 54, 55, 56				
		4	3, 7	L	12, 15, 16				
16									REINFORCEMENT, Door Inner
	05123683AA	1	2, 6	L	11, 12, 14, 15, 16				Left
		1	2, 6	L	51, 52, 54, 55, 56				Left
	05123684AA	1	2, 6	L	11, 12, 14, 15, 16				Right
		1	2, 6	L	51, 52, 54, 55, 56				Right
		1	3, 7	L	12, 15, 16				Right
		1	3, 7	L	12, 15, 16				Left
17									SHIELD, Door
	05122515AA	2	2, 6	L	11, 12, 14, 15, 16				
		2	2, 6	L	51, 52, 54, 55, 56				
		2	3, 7	L	12, 15, 16				

SPRINTER (VA)

SERIES

L = LOWLINE
 3 = HD DODGE 2WD
 6 = Lt. Duty DODGE 4WD
 2 = Med. Duty DODGE 2WD
 7 = Med. Duty DODGE 4WD

LINE

BODY

01 = CHASSIS FORWARD CONTROL W.B.1
 02 = CAB CHASSIS WHEEL BASE 2
 06 = CAB CHASSIS WHEEL BASE 6
 11 = VAN WHEEL BASE 1
 12 = VAN WHEEL BASE 2
 51 = WAGON WHEEL BASE 1
 52 = WAGON WHEEL BASE 2
 14 = VAN WHEEL BASE 4
 15 = VAN WHEEL BASE 5
 56 = WAGON WHEEL BASE 6
 16 = VAN WHEEL BASE 6
 54 = WAGON WHEEL BASE 4
 55 = WAGON WHEEL BASE 5

ENGINE

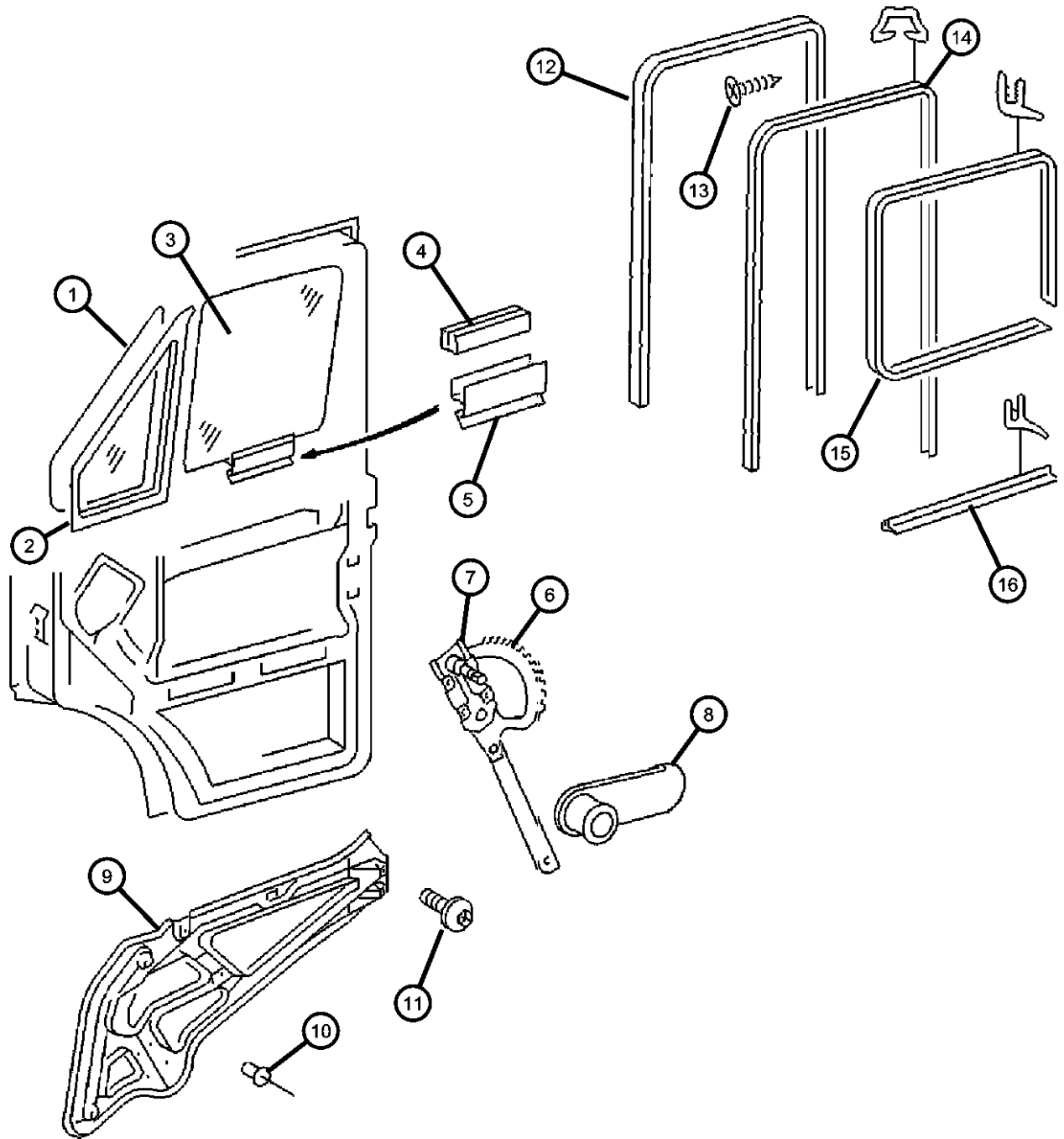
EX9 = Engine-2.7L I5
 Mercedes Turbo Diesel

TRANSMISSION

DGJ = Transmission-5-Spd. Automatic, W5A580

AR = use ase required - = Non illustrated part

Door, Front Glass And Regulator Handle
Figure DVA-120



ITEM	PART NUMBER	QTY	LINE	SERIES	BODY	ENGINE	TRANS	TRIM	DESCRIPTION
1									GLASS PANE, LEFT FRONT DOOR; CRYSTAL CLEAR, SPRINTER
	05104347AA	1	2, 6	L	11, 12, 14, 15, 16				
		1	2, 6	L	51, 52, 54, 55, 56				
		1	3, 7	L	12, 15, 16				
2									WEATHERSTRIP
	05104350AA	1	6, 2	L	11, 12, 14, 15, 16				Right
		1	2, 6	L	51, 52, 54, 55, 56				Right
		1	3, 7	L	12, 15, 16				Right
	05104348AA	1	2, 6	L	11, 12, 14, 15, 16				Left
		1	2, 6	L	51, 52, 54, 55, 56				Left
		1	3, 7	L	12, 15, 16				Left
3									GLASS, Front Door
	05104334AA	1	2, 6	L	11, 12, 14, 15, 16				Left
		1	2, 6	L	51, 52, 54, 55, 56				Left
		1	3, 7	L	12, 15, 16				Left
	05104336AA	1	2, 6	L	11, 12, 14, 15, 16				Right
		1	2, 6	L	51, 52, 54, 55, 56				Right
		1	3, 7	L	12, 15, 16				Right
4									WEATHERSTRIP, Glass Channel Run
	05103783AA	1	2, 6	L	11, 12, 14, 15, 16				25 Meters Long
		1	2, 6	L	51, 52, 54, 55, 56				25 Meters Long

SPRINTER (VA)

SERIES

L = LOWLINE
 3 = HD DODGE 2WD
 6 = Lt. Duty DODGE 4WD
 2 = Med. Duty DODGE 2WD
 7 = Med. Duty DODGE 4WD

BODY

01 = CHASSIS FORWARD CONTROL W.B.1
 02 = CAB CHASSIS WHEEL BASE 2
 06 = CAB CHASSIS WHEEL BASE 6
 11 = VAN WHEEL BASE 1
 12 = VAN WHEEL BASE 2
 51 = WAGON WHEEL BASE 1
 52 = WAGON WHEEL BASE 2
 14 = VAN WHEEL BASE 4
 15 = VAN WHEEL BASE 5
 56 = WAGON WHEEL BASE 6
 16 = VAN WHEEL BASE 6
 54 = WAGON WHEEL BASE 4
 55 = WAGON WHEEL BASE 5

ENGINE

EX9 = Engine-2.7L I5
 Mercedes Turbo Diesel

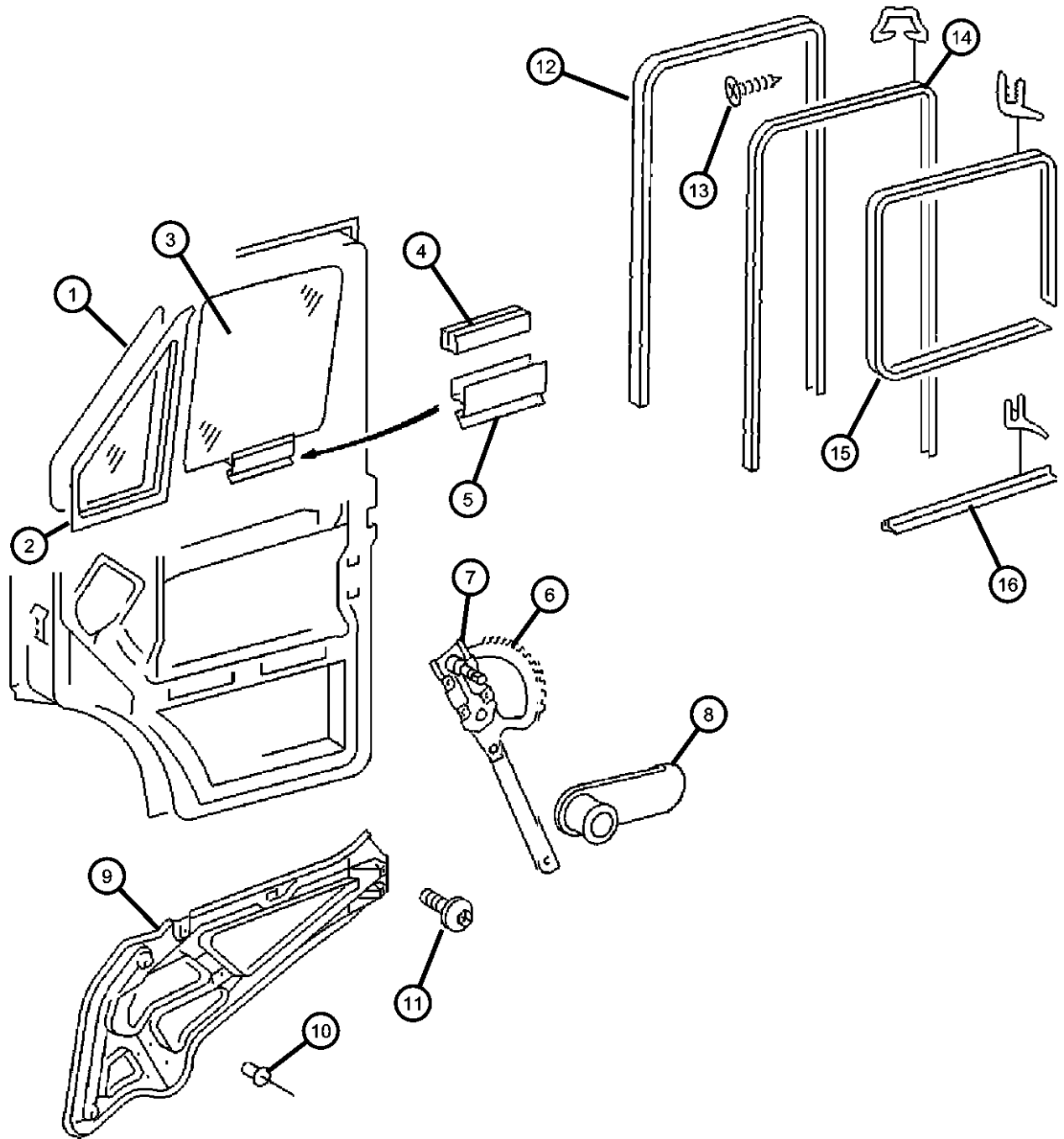
TRANSMISSION

DGJ = Transmission-5-Spd. Automatic, W5A580

AR = use ase required - = Non illustrated part

2002 VA

Door, Front Glass And Regulator Handle
Figure DVA-120



ITEM	PART NUMBER	QTY	LINE	SERIES	BODY	ENGINE	TRANS	TRIM	DESCRIPTION
5		1	3, 7	L	12, 15, 16				25 Meters Long CHANNEL, Glass Run Lower
	05104029AA	1	2, 6	L	51, 52, 54, 55, 56				
		1	3, 7	L	12, 15, 16				
		1	2, 6	L	11, 12, 14, 15, 16				
6		1	2, 6	L	11, 12, 14, 15, 16				REGULATOR, Front Door Window Left
	05104343AA	1	2, 6	L	51, 52, 54, 55, 56				Left
	05123727AA	1	3, 7	L	12, 15, 16				Right
		1	3, 7	L	12, 15, 16				Left
	05104345AA	1	2, 6	L	16, 11, 12, 14, 15				[JPA], Left
		1	2, 6	L	51, 52, 54, 55, 56				[JPA], Left
	05104346AA	1	3, 7	L	12, 15, 16				[JPA], Left
		1	2, 6	L	11, 12, 14, 15, 16				[JPA], Right
		1	2, 6	L	51, 52, 54, 55, 56				[JPA], Right
		1	3, 7	L	12, 15, 16				[JPA], Right
		1	2, 6	L	11, 12, 14, 15, 16				Right
		1	2, 6	L	51, 52, 54, 55, 56				Right
7		1	2, 6	L	11, 12, 14, 15, 16				MOTOR, Window Regulator [JPA], Left
	05103860AA	1	2, 6	L	11, 12, 14, 15, 16				[JPA], Left
		1	6, 2	L	51, 52, 54, 55, 56				[JPA], Left
		1	3, 7	L	12, 15, 16				[JPA], Left

SPRINTER (VA)

SERIES

L = LOWLINE
 3 = HD DODGE 2WD
 6 = Lt. Duty DODGE 4WD
 2 = Med. Duty DODGE 2WD
 7 = Med. Duty DODGE 4WD

BODY

01 = CHASSIS FORWARD
 CONTROL W.B.1
 02 = CAB CHASSIS WHEEL
 BASE 2
 06 = CAB CHASSIS WHEEL
 BASE 6
 11 = VAN WHEEL BASE 1
 12 = VAN WHEEL BASE 2
 51 = WAGON WHEEL BASE 1
 52 = WAGON WHEEL BASE 2
 14 = VAN WHEEL BASE 4
 15 = VAN WHEEL BASE 5
 56 = WAGON WHEEL BASE 6
 16 = VAN WHEEL BASE 6
 54 = WAGON WHEEL BASE 4
 55 = WAGON WHEEL BASE 5

ENGINE

EX9 = Engine-2.7L I5
 Mercedes Turbo Diesel

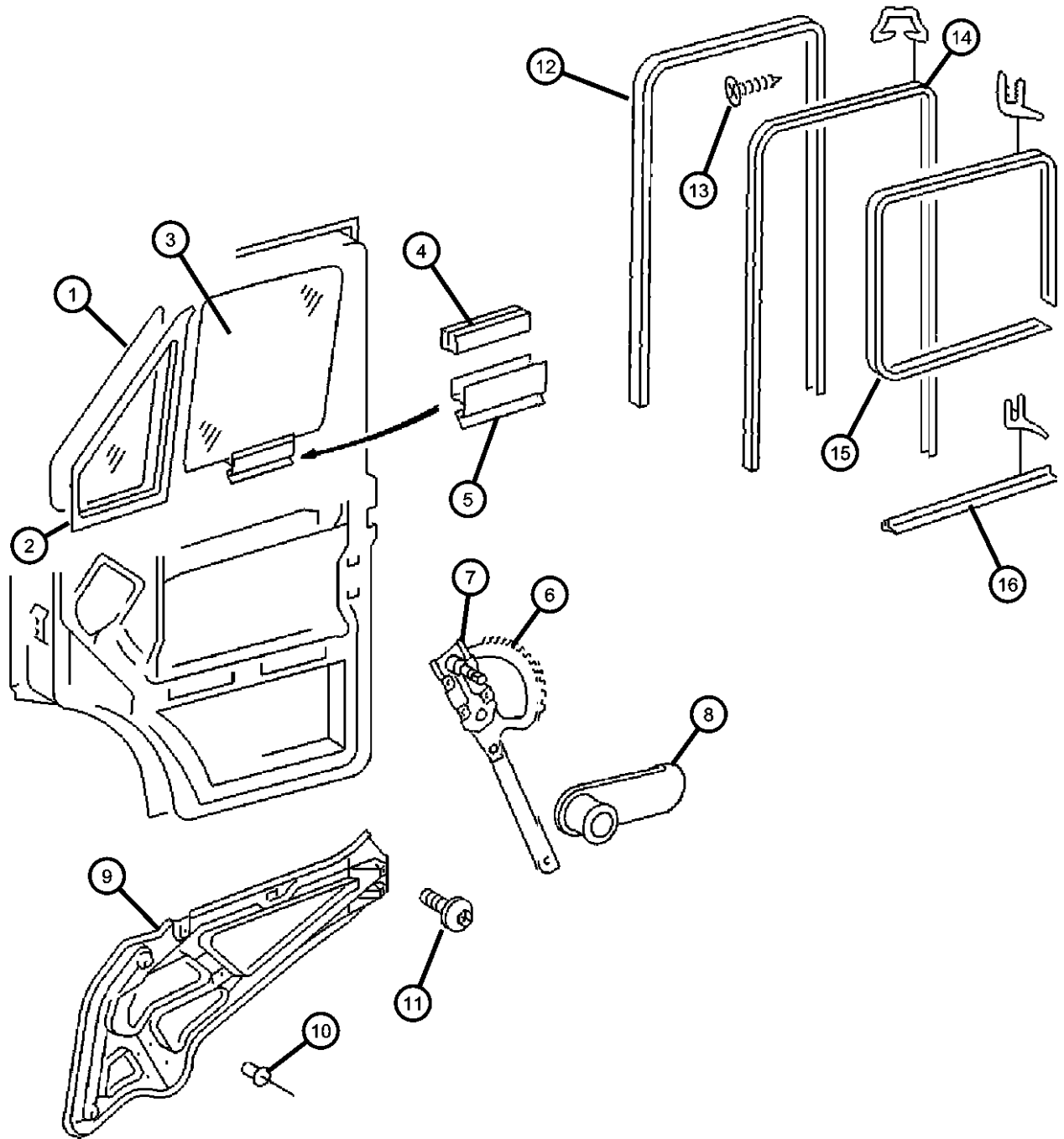
TRANSMISSION

DGJ = Transmission-5-Spd.
 Automatic,W5A580

AR = use ase required - = Non illustrated part

2002 VA

Door, Front Glass And Regulator Handle
Figure DVA-120



ITEM	PART NUMBER	QTY	LINE	SERIES	BODY	ENGINE	TRANS	TRIM	DESCRIPTION
	05133522AA	1	2, 6	L	11, 12, 14, 15, 16				[JPA], Right
		1	2, 6	L	51, 52, 54, 55, 56				[JPA], Right
		1	3, 7	L	12, 15, 16				[JPA], Right
8	05124064AA	1	2, 6	L	11, 12, 14, 15, 16				HANDLE, Window Regulator
		1	2, 6	L	51, 52, 54, 55, 56				
		1	3, 7	L	12, 15, 16				
9	05123685AA	1	2, 6	L	11, 12, 14, 15, 16				BRACKET, Door Inside Left
		1	3, 7	L	12, 15, 16				Left
		1	2, 6	L	51, 52, 54, 55, 56				Left
	05123686AA	1	2, 6	L	11, 12, 14, 15, 16				Right
		1	3, 7	L	12, 15, 16				Right
		1	2, 6	L	51, 52, 54, 55, 56				Right
10	05103838AA	4	2, 6	L	11, 12, 14, 15, 16				RIVET
		4	2, 6	L	51, 52, 54, 55, 56				
11	05125421AA	4	2, 6	L	11, 12, 14, 15, 16				SCREW
		4	2, 6	L	51, 52, 54, 55, 56				
		4	3, 7	L	12, 15, 16				
12									FRAME, Door Glass

SPRINTER (VA)

SERIES

L = LOWLINE
 3 = HD DODGE 2WD
 6 = Lt. Duty DODGE 4WD
 2 = Med. Duty DODGE 2WD
 7 = Med. Duty DODGE 4WD

BODY

01 = CHASSIS FORWARD CONTROL W.B.1
 02 = CAB CHASSIS WHEEL BASE 2
 06 = CAB CHASSIS WHEEL BASE 6
 11 = VAN WHEEL BASE 1
 12 = VAN WHEEL BASE 2
 51 = WAGON WHEEL BASE 1
 52 = WAGON WHEEL BASE 2
 14 = VAN WHEEL BASE 4
 15 = VAN WHEEL BASE 5
 56 = WAGON WHEEL BASE 6
 16 = VAN WHEEL BASE 6
 54 = WAGON WHEEL BASE 4
 55 = WAGON WHEEL BASE 5

ENGINE

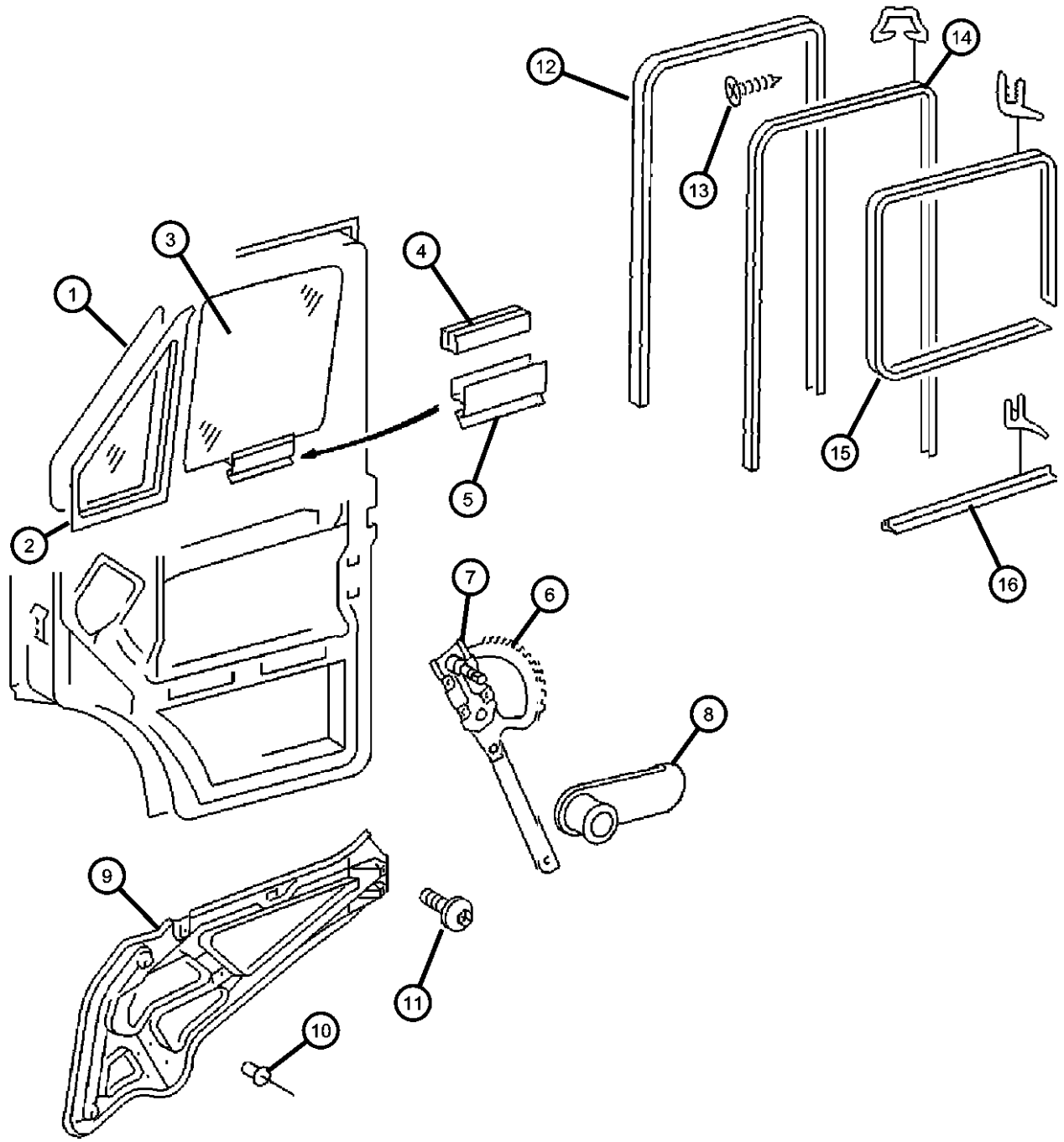
EX9 = Engine-2.7L I5
 Mercedes Turbo Diesel

TRANSMISSION

DGJ = Transmission-5-Spd. Automatic, W5A580

AR = use ase required - = Non illustrated part

**Door, Front Glass And Regulator Handle
Figure DVA-120**



ITEM	PART NUMBER	QTY	LINE	SERIES	BODY	ENGINE	TRANS	TRIM	DESCRIPTION
	05104351AA	1	2, 6	L	11, 12, 14, 15, 16				Right
		1	2, 6	L	51, 52, 54, 55, 56				Right
		1	3, 7	L	12, 15, 16				Right
	05123785AA	1	2, 6	L	11, 12, 14, 15, 16				Left
		1	2, 6	L	51, 52, 54, 55, 56				Left
		1	3, 7	L	12, 15, 16				Left
13									SCREW, Tapping
	05133513AA	8	2, 6	L	11, 12, 14, 15, 16				
		8	2, 6	L	52, 54, 55, 56, 51				
		8	3, 7	L	12, 15, 16				
14									WEATHERSTRIP, Glass Channel Run
	05123782AA	1	2, 6	L	11, 12, 14, 15, 16				
		1	2, 6	L	51, 52, 54, 55, 56				
		1	3, 7	L	12, 15, 16				
15									WEATHERSTRIP, Front Door
	05123780AA	1	2, 6	L	51, 52, 54, 55, 56				
		1	3, 7	L	12, 15, 16				
		1	2, 6	L	14, 15, 16, 11, 12				
16									WEATHERSTRIP, Sill Front Secondary
	05123775AA	1	2, 6	L	11, 12, 14, 15, 16				

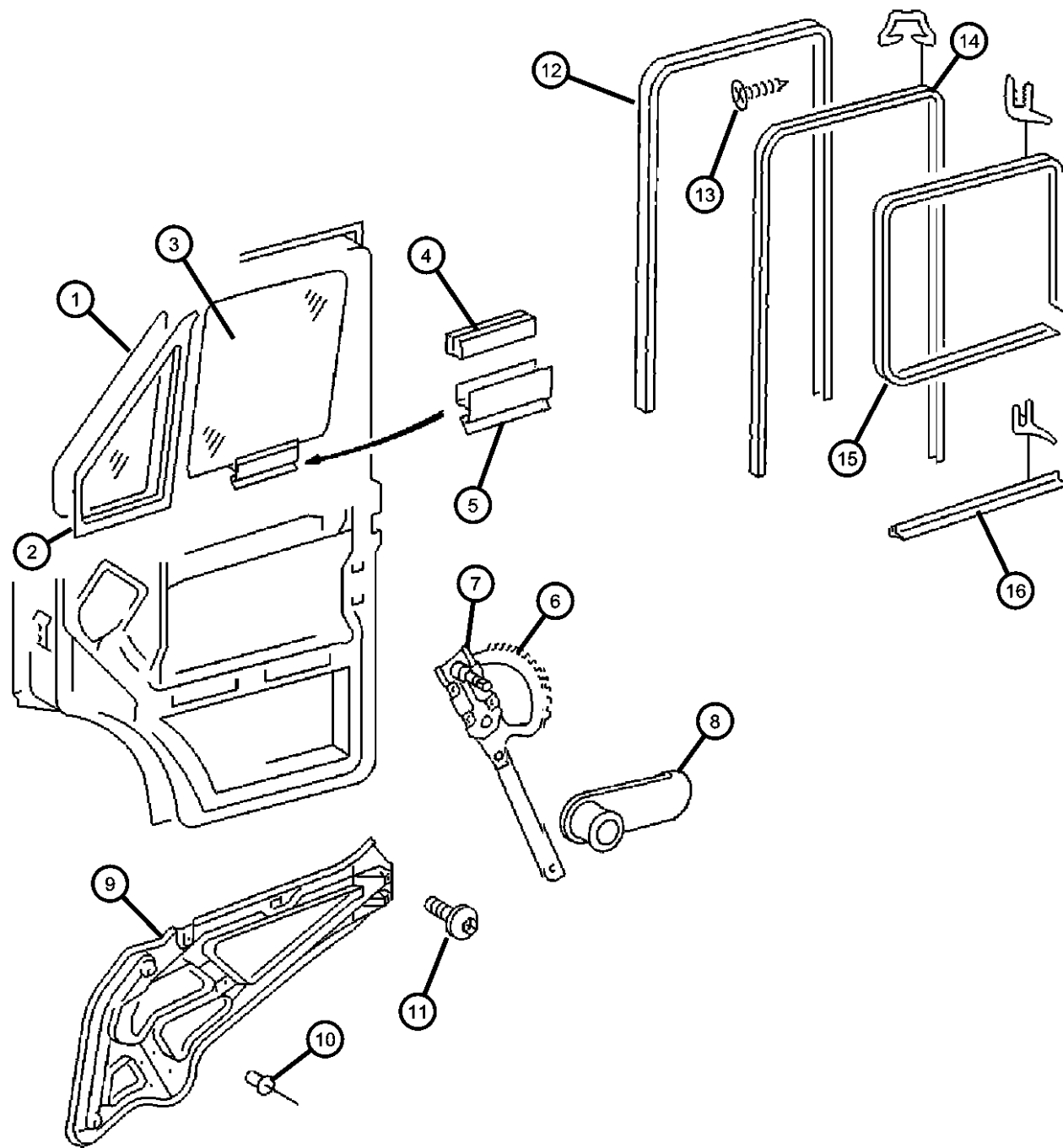
SPRINTER (VA)

SERIES	LINE	BODY	ENGINE	TRANSMISSION
L = LOWLINE	3 = HD DODGE 2WD 6 = Lt. Duty DODGE 4WD 2 = Med. Duty DODGE 2WD 7 = Med. Duty DODGE 4WD	01 = CHASSIS FORWARD CONTROL W.B.1 02 = CAB CHASSIS WHEEL BASE 2 06 = CAB CHASSIS WHEEL BASE 6 11 = VAN WHEEL BASE 1 12 = VAN WHEEL BASE 2 51 = WAGON WHEEL BASE 1 52 = WAGON WHEEL BASE 2 14 = VAN WHEEL BASE 4 15 = VAN WHEEL BASE 5 56 = WAGON WHEEL BASE 6 16 = VAN WHEEL BASE 6 54 = WAGON WHEEL BASE 4 55 = WAGON WHEEL BASE 5	EX9 = Engine-2.7L I5 Mercedes Turbo Diesel	DGJ = Transmission-5-Spd. Automatic, W5A580

AR = use ase required - = Non illustrated part

Door, Front Glass And Regulator Handle
Figure DVA-120

ITEM	PART NUMBER	QTY	LINE	SERIES	BODY	ENGINE	TRANS	TRIM	DESCRIPTION
------	-------------	-----	------	--------	------	--------	-------	------	-------------



1		6, 2	L	51, 52, 54, 55, 56
1		3, 7	L	12, 15, 16

SPRINTER (VA)

SERIES

L = LOWLINE
 3 = HD DODGE 2WD
 6 = Lt. Duty DODGE 4WD
 2 = Med. Duty DODGE 2WD
 7 = Med. Duty DODGE 4WD

BODY

01 = CHASSIS FORWARD CONTROL W.B.1
 02 = CAB CHASSIS WHEEL BASE 2
 06 = CAB CHASSIS WHEEL BASE 6
 11 = VAN WHEEL BASE 1
 12 = VAN WHEEL BASE 2
 51 = WAGON WHEEL BASE 1
 52 = WAGON WHEEL BASE 2
 14 = VAN WHEEL BASE 4
 15 = VAN WHEEL BASE 5
 56 = WAGON WHEEL BASE 6
 16 = VAN WHEEL BASE 6
 54 = WAGON WHEEL BASE 4
 55 = WAGON WHEEL BASE 5

ENGINE

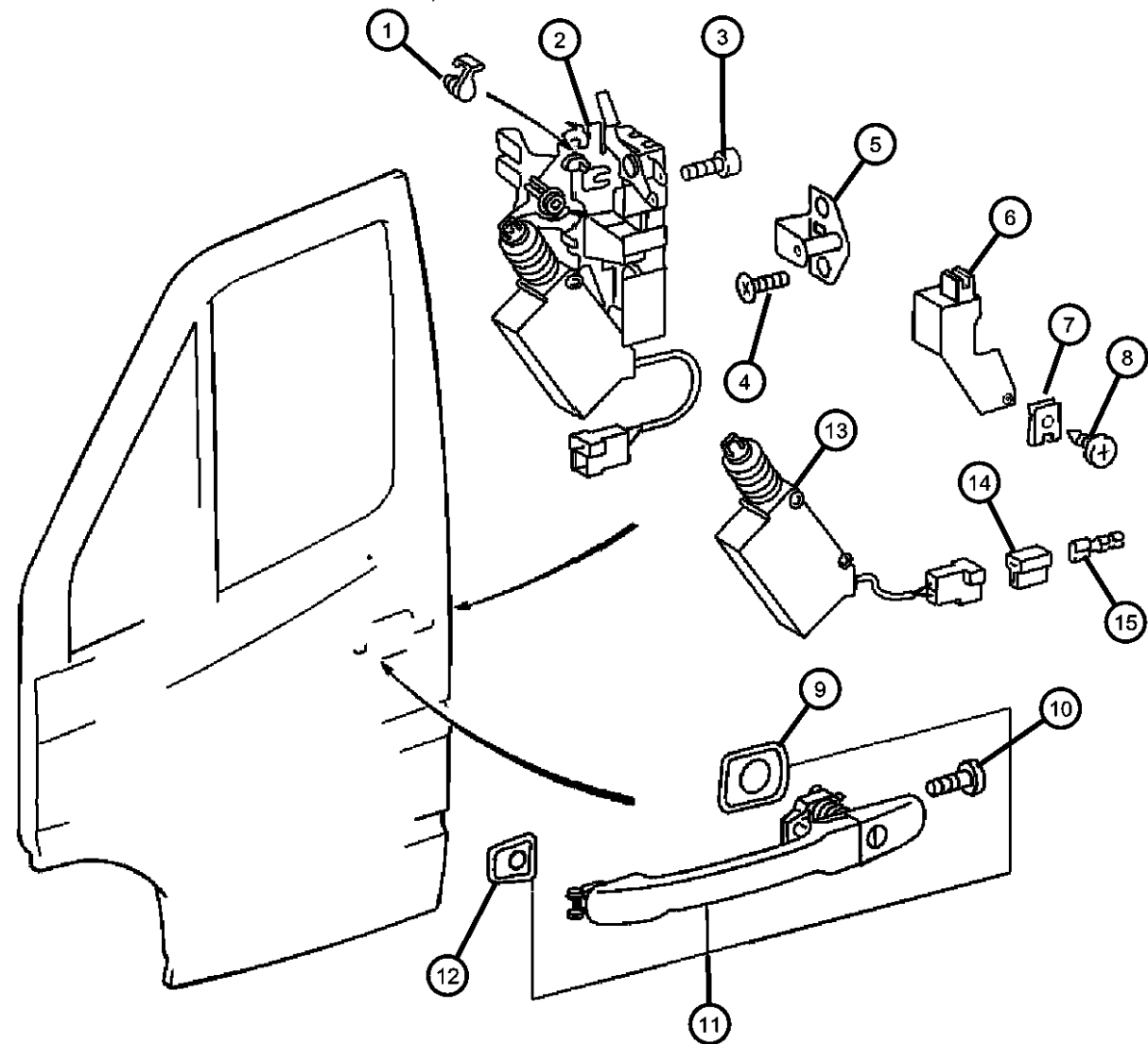
EX9 = Engine-2.7L I5
 Mercedes Turbo Diesel

TRANSMISSION

DGJ = Transmission-5-Spd. Automatic, W5A580

AR = use ase required - = Non illustrated part

Door, Front Exterior Handle And Links
Figure DVA-130



ITEM	PART NUMBER	QTY	LINE	SERIES	BODY	ENGINE	TRANS	TRIM	DESCRIPTION
1	05103674AA	1	2, 6	L	11, 12, 14, 15, 16				CONNECTOR, Solenoid
		1	2, 6	L	51, 52, 54, 55, 56				
		1	3, 7	L	12, 15, 16				
2	05104337AA	1	2, 6	L	11, 12, 14, 15, 16				LATCH, Front Door Left
		1	2, 6	L	51, 52, 54, 55, 56				Left
	05104341AA	1	3, 7	L	12, 15, 16				Left
		1	2, 6	L	11, 12, 14, 15, 16				Right
		1	2, 6	L	51, 52, 54, 55, 56				Right
		1	3, 7	L	12, 15, 16				Right
3	05103723AA	3	2, 6	L	11, 12, 14, 15, 16				SCREW, LOCK TO DOOR, SPRINTER
		3	2, 6	L	51, 52, 54, 55, 56				
		3	3, 7	L	12, 15, 16				
4	05103715AA	2	2, 6	L	11, 12, 14, 15, 16				SCREW, GUIDE, SPRINTER
		2	2, 6	L	51, 52, 54, 55, 56				
		2	3, 7	L	12, 15, 16				
5	05104330AA	1	2, 6	L	51, 52, 54, 55, 56				STRIKER
		1	3, 7	L	12, 15, 16				

SPRINTER (VA)

SERIES
L = LOWLINE

LINE

3 = HD DODGE 2WD
6 = Lt. Duty DODGE 4WD
2 = Med. Duty DODGE 2WD
7 = Med. Duty DODGE 4WD

BODY

01 = CHASSIS FORWARD CONTROL W.B.1
02 = CAB CHASSIS WHEEL BASE 2
06 = CAB CHASSIS WHEEL BASE 6
11 = VAN WHEEL BASE 1
12 = VAN WHEEL BASE 2
51 = WAGON WHEEL BASE 1
52 = WAGON WHEEL BASE 2
14 = VAN WHEEL BASE 4
15 = VAN WHEEL BASE 5
56 = WAGON WHEEL BASE 6
16 = VAN WHEEL BASE 6
54 = WAGON WHEEL BASE 4
55 = WAGON WHEEL BASE 5

ENGINE

EX9 = Engine-2.7L I5
Mercedes Turbo Diesel

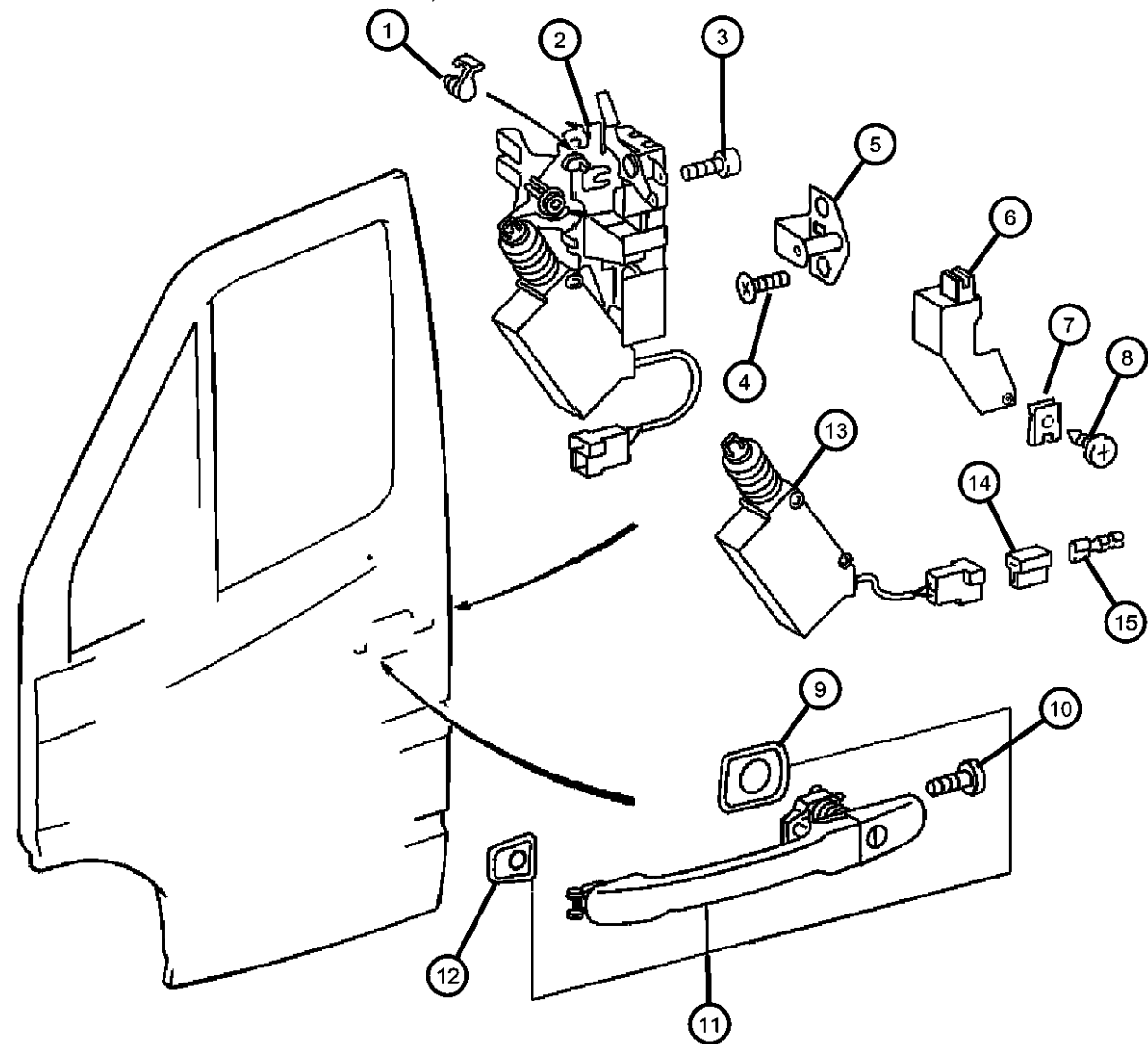
TRANSMISSION

DGJ = Transmission-5-Spd. Automatic, W5A580

AR = use ase required - = Non illustrated part

2002 VA

Door, Front Exterior Handle And Links
Figure DVA-130



ITEM	PART NUMBER	QTY	LINE	SERIES	BODY	ENGINE	TRANS	TRIM	DESCRIPTION
		1	2, 6	L	11, 12, 14, 15, 16				
6	05123764AA	1	2, 6	L	11, 12, 14, 15, 16				COVER, Lock Housing Right
		1	2, 6	L	51, 52, 54, 55, 56				Right
		1	3, 7	L	12, 15, 16				Right
	05123765AA	1	2, 6	L	11, 12, 14, 15, 16				Left
		1	2, 6	L	51, 52, 54, 55, 56				Left
		1	3, 7	L	12, 15, 16				Left
7	05125858AA	1	3, 7	L	12, 15, 16				CLIP, U Type
		1	2, 6	L	11, 12, 14, 15, 16				
		1	2, 6	L	51, 52, 54, 55, 56				
8	05126095AA	1	2, 6	L	11, 12, 14, 15, 16				SCREW, Tapping
		1	2, 6	L	51, 52, 54, 55, 56				
		1	3, 7	L	12, 15, 16				
9	05103673AA	1	7	L	12, 15, 16				PAD
		1	6	L	11, 12, 14, 15, 16				
		1	6	L	51, 52, 54, 55, 56				
10	05125414AA	1	2, 6	L	11, 12, 14, 15, 16				SCREW, Front Door Handle

SPRINTER (VA)

SERIES

L = LOWLINE
 3 = HD DODGE 2WD
 6 = Lt. Duty DODGE 4WD
 2 = Med. Duty DODGE 2WD
 7 = Med. Duty DODGE 4WD

LINE

BODY

01 = CHASSIS FORWARD CONTROL W.B.1
 02 = CAB CHASSIS WHEEL BASE 2
 06 = CAB CHASSIS WHEEL BASE 6
 11 = VAN WHEEL BASE 1
 12 = VAN WHEEL BASE 2
 51 = WAGON WHEEL BASE 1
 52 = WAGON WHEEL BASE 2
 14 = VAN WHEEL BASE 4
 15 = VAN WHEEL BASE 5
 56 = WAGON WHEEL BASE 6
 16 = VAN WHEEL BASE 6
 54 = WAGON WHEEL BASE 4
 55 = WAGON WHEEL BASE 5

ENGINE

EX9 = Engine-2.7L I5
 Mercedes Turbo Diesel

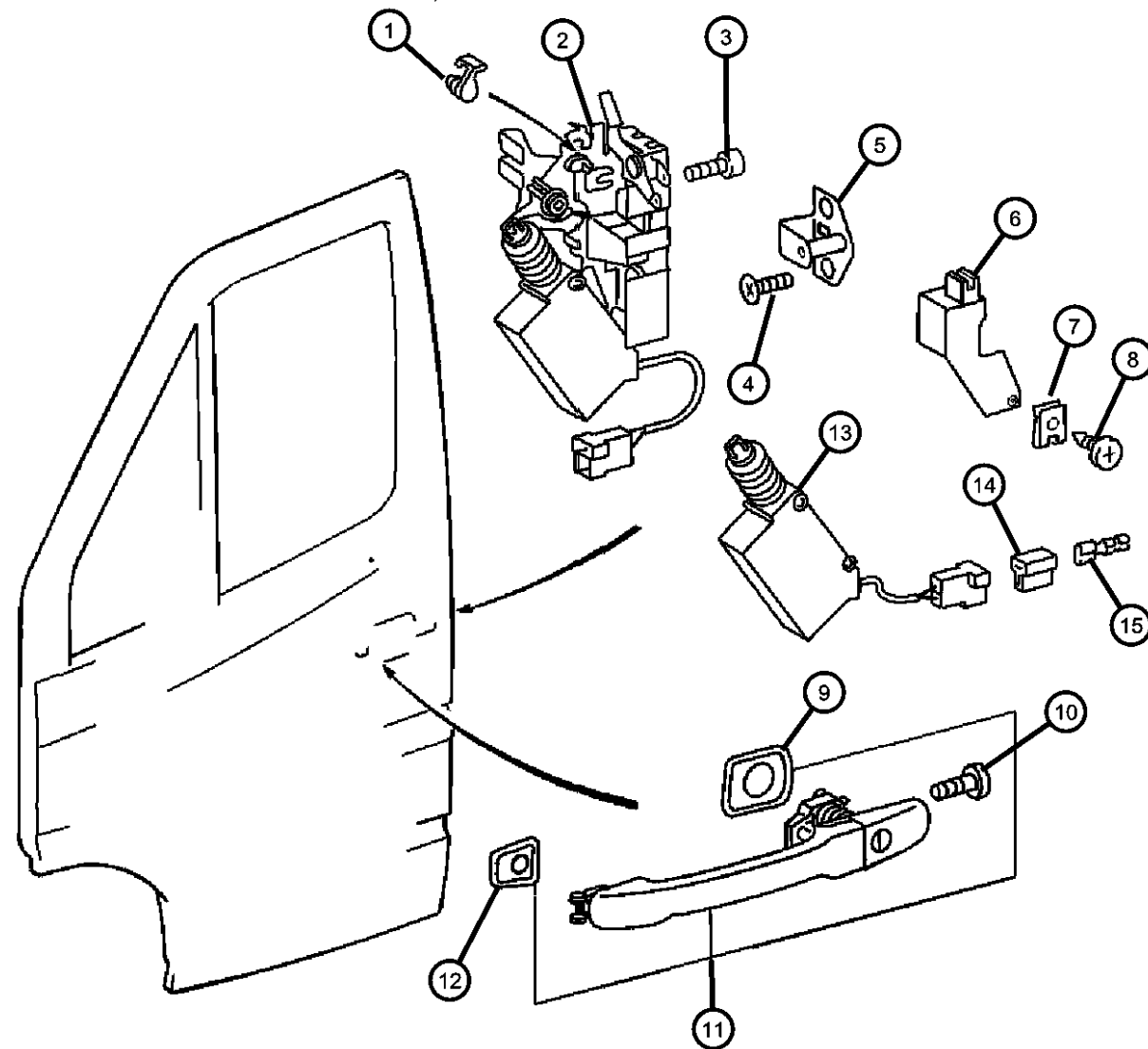
TRANSMISSION

DGJ = Transmission-5-Spd. Automatic, W5A580

AR = use ase required - = Non illustrated part

2002 VA

Door, Front Exterior Handle And Links
Figure DVA-130



ITEM	PART NUMBER	QTY	LINE	SERIES	BODY	ENGINE	TRANS	TRIM	DESCRIPTION
		1	2, 6	L	51, 52, 54, 55, 56				
		1	3, 7	L	12, 15, 16				
11									HANDLE, Front Door
	05124094AA	1	2, 6	L	11, 12, 14, 15, 16				Right & Left
		1	2, 6	L	51, 52, 54, 55, 56				Right & Left
		1	3, 7	L	12, 15, 16				Right & Left
12									PAD
	05103672AA	1	6	L	11, 12, 14, 15, 16				
		1	6	L	51, 52, 54, 55, 56				
		1	7	L	12, 15, 16				
13									ACTUATOR, Power Door Lock
	05133510AA	1	2, 6	L	11, 12, 14, 15, 16				Without Convenience Locking System, Right
		1	2, 6	L	51, 52, 54, 55, 56				Without Convenience Locking System, Right
	05133512AA	1	2, 6	L	11, 12, 14, 15, 16				With Convenience Locking System, Right
		1	2, 6	L	51, 52, 54, 55, 56				With Convenience Locking System, Right
		1	3, 7	L	12, 15, 16				With Convenience Locking System, Right
	05133986AA	1	2, 6	L	11, 12, 14, 15, 16				With Convenience Locking System, Left
		1	3, 7	L	12, 15, 16				With Convenience Locking System, Left
		1	6, 2	L	51, 52, 54, 55, 56				With Convenience Locking System, Left
		1	3, 7	L	12, 15, 16				Without Convenience Locking System, Right
	05133511AA	1	2, 6	L	11, 12, 14, 15, 16				Without Convenience Locking System, Left

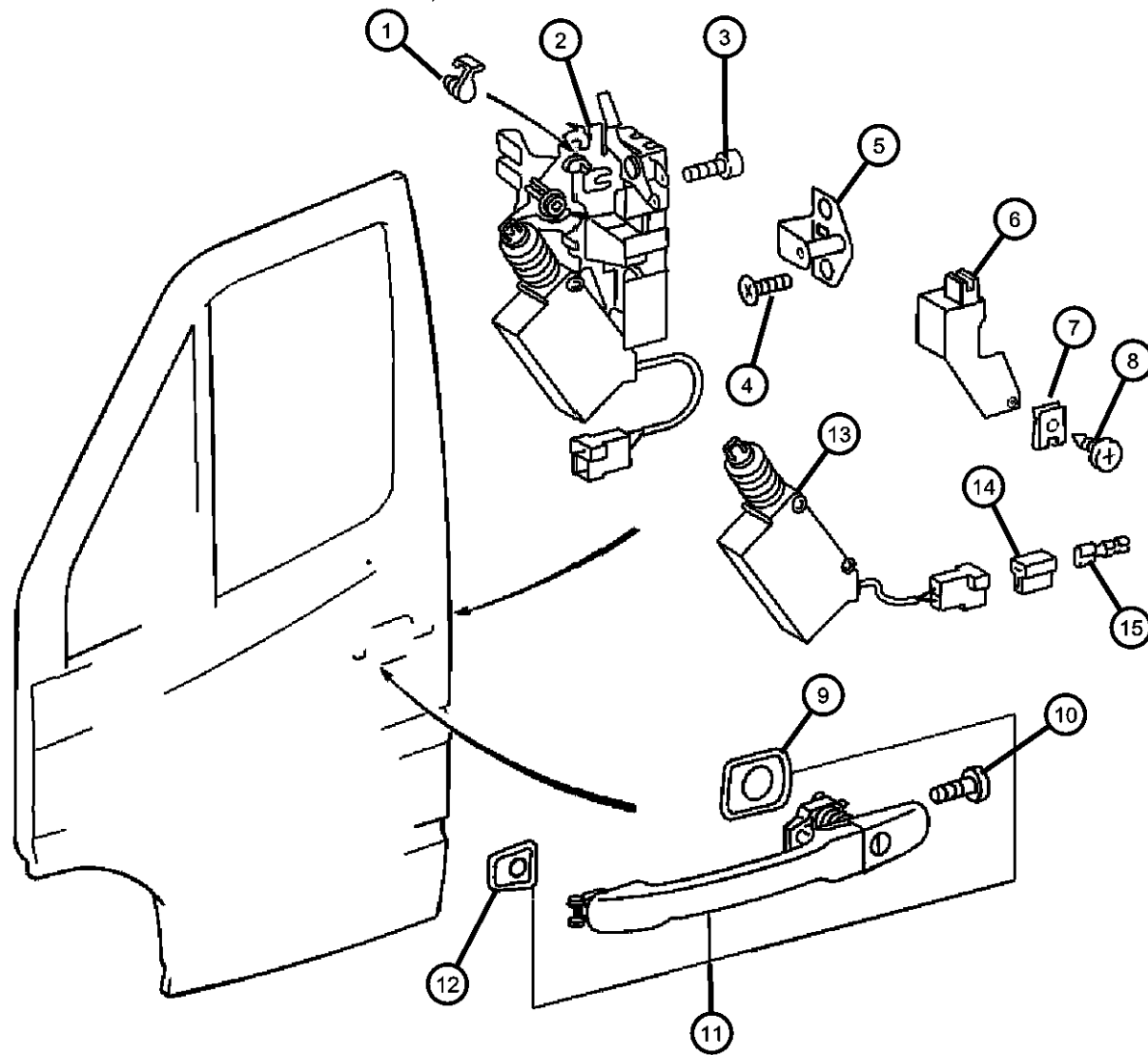
SPRINTER (VA)

SERIES	LINE	BODY	ENGINE	TRANSMISSION
L = LOWLINE	3 = HD DODGE 2WD 6 = Lt. Duty DODGE 4WD 2 = Med. Duty DODGE 2WD 7 = Med. Duty DODGE 4WD	01 = CHASSIS FORWARD CONTROL W.B.1 02 = CAB CHASSIS WHEEL BASE 2 06 = CAB CHASSIS WHEEL BASE 6 11 = VAN WHEEL BASE 1 12 = VAN WHEEL BASE 2 51 = WAGON WHEEL BASE 1 52 = WAGON WHEEL BASE 2 14 = VAN WHEEL BASE 4 15 = VAN WHEEL BASE 5 56 = WAGON WHEEL BASE 6 16 = VAN WHEEL BASE 6 54 = WAGON WHEEL BASE 4 55 = WAGON WHEEL BASE 5	EX9 = Engine-2.7L I5 Mercedes Turbo Diesel	DGJ = Transmission-5-Spd. Automatic, W5A580

AR = use ase required - = Non illustrated part

**Door, Front Exterior Handle And Links
Figure DVA-130**

ITEM	PART NUMBER	QTY	LINE	SERIES	BODY	ENGINE	TRANS	TRIM	DESCRIPTION
		1	2, 6	L	51, 52, 54, 55, 56				Without Convenience Locking System, Left
		1	3, 7	L	12, 15, 16				Without Convenience Locking System, Left
14	05103754AA	1	2, 6	L	11, 12, 14, 15, 16				INSULATOR, 2 Way Female
		1	2, 6	L	51, 52, 54, 55, 56				
		1	3, 7	L	12, 15, 16				
15	05114451AA	99	2, 6	L	51, 52, 54, 55, 56				TERMINAL, Female
		99	3, 7	L	12, 15, 16				
		99	2, 6	L	11, 12, 14, 15, 16				



SPRINTER (VA)

SERIES

L = LOWLINE
 3 = HD DODGE 2WD
 6 = Lt. Duty DODGE 4WD
 2 = Med. Duty DODGE 2WD
 7 = Med. Duty DODGE 4WD

LINE

BODY

01 = CHASSIS FORWARD CONTROL W.B.1
 02 = CAB CHASSIS WHEEL BASE 2
 06 = CAB CHASSIS WHEEL BASE 6
 11 = VAN WHEEL BASE 1
 12 = VAN WHEEL BASE 2
 51 = WAGON WHEEL BASE 1
 52 = WAGON WHEEL BASE 2
 14 = VAN WHEEL BASE 4
 15 = VAN WHEEL BASE 5
 56 = WAGON WHEEL BASE 6
 16 = VAN WHEEL BASE 6
 54 = WAGON WHEEL BASE 4
 55 = WAGON WHEEL BASE 5

ENGINE

EX9 = Engine-2.7L I5
 Mercedes Turbo Diesel

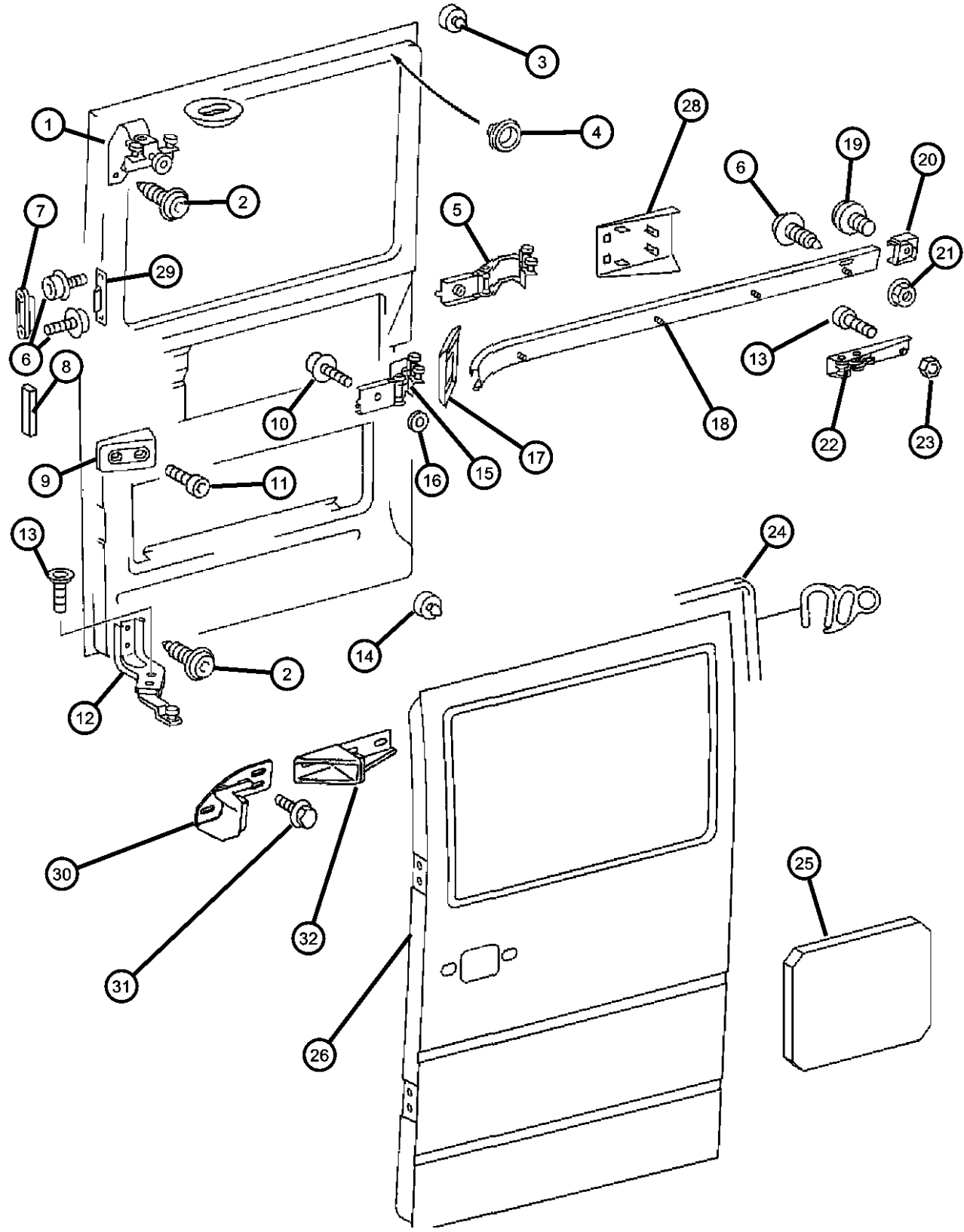
TRANSMISSION

DGJ = Transmission-5-Spd. Automatic, W5A580

AR = use ase required - = Non illustrated part

2002 VA

Door, Sliding Cargo Shell And Hinges
Figure DVA-310



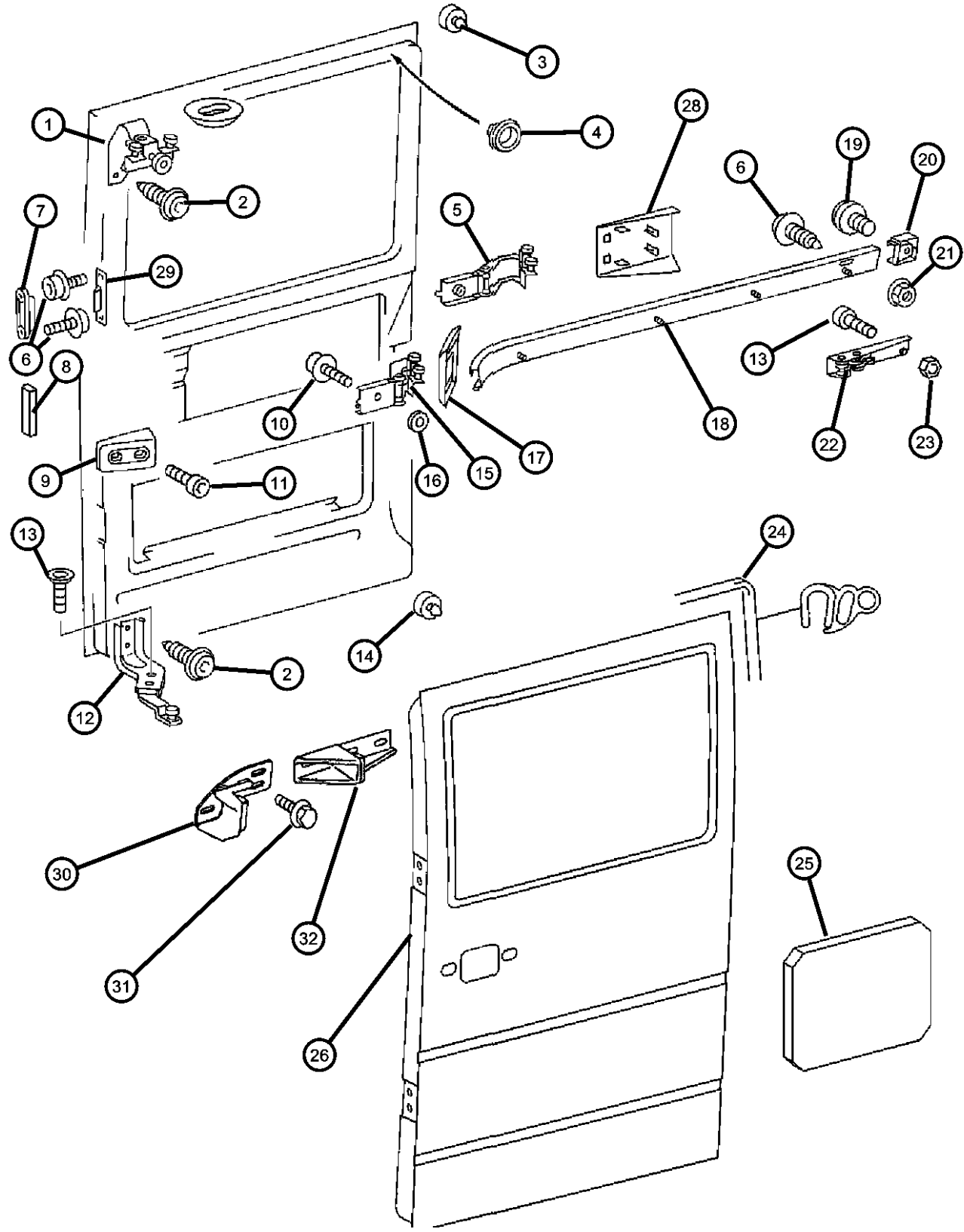
ITEM	PART NUMBER	QTY	LINE	SERIES	BODY	ENGINE	TRANS	TRIM	DESCRIPTION
1	05103589AA	1	2, 6	L	11, 12, 14, 15, 16				SLIDER, Body Hardware Right
		1	2, 6	L	51, 52, 54, 55, 56				Right
	05124089AA	1	3, 7	L	12, 15, 16				Right
		1	2, 6	L	11, 12, 14, 15, 16				Left
		1	2, 6	L	51, 52, 54, 55, 56				Left
		1	3, 7	L	12, 15, 16				Left
2									SCREW, DOOR SLIDE MECHANISM TO DOOR, SPRINTER
	05104610AA	2	3, 7	L	12, 15, 16				
		2	2, 6	L	11, 12, 14, 15, 16				
		2	2, 6	L	51, 52, 54, 55, 56				
3									BUMPER, Sliding Door Center Track
	05103918AA	1	2, 6	L	11, 12, 14, 15, 16				
		1	2, 6	L	51, 52, 54, 55, 56				
		1	3, 7	L	12, 15, 16				
4									PLUG, Expansion
	05125514AA	2	2, 6	L	12, 14, 15, 16, 11				
		2	2, 6	L	51, 52, 54, 55, 56				
		2	3, 7	L	12, 15, 16				
5									SLIDER, Body Hardware
	05103607AA	1	2, 6	L	51, 52, 54, 55, 56				
		1	3, 7	L	12, 15, 16				

SPRINTER (VA)

SERIES	LINE	BODY	ENGINE	TRANSMISSION
L = LOWLINE	3 = HD DODGE 2WD 6 = Lt. Duty DODGE 4WD 2 = Med. Duty DODGE 2WD 7 = Med. Duty DODGE 4WD	01 = CHASSIS FORWARD CONTROL W.B.1 02 = CAB CHASSIS WHEEL BASE 2 06 = CAB CHASSIS WHEEL BASE 6 11 = VAN WHEEL BASE 1 12 = VAN WHEEL BASE 2 51 = WAGON WHEEL BASE 1 52 = WAGON WHEEL BASE 2 14 = VAN WHEEL BASE 4 15 = VAN WHEEL BASE 5 56 = WAGON WHEEL BASE 6 16 = VAN WHEEL BASE 6 54 = WAGON WHEEL BASE 4 55 = WAGON WHEEL BASE 5	EX9 = Engine-2.7L I5 Mercedes Turbo Diesel	DGJ = Transmission-5-Spd. Automatic, W5A580

AR = use ase required - = Non illustrated part

Door, Sliding Cargo Shell And Hinges
Figure DVA-310



ITEM	PART NUMBER	QTY	LINE	SERIES	BODY	ENGINE	TRANS	TRIM	DESCRIPTION
6		1	2, 6	L	11, 12, 14, 15, 16				SCREW
	05103713AA	4	2, 6	L	11, 12, 14, 15, 16				
		4	2, 6	L	51, 52, 54, 55, 56				
7		4	3, 7	L	12, 15, 16				STABILIZER, Sliding Door
	05104429AA	2	3, 7	L	12, 15, 16				
		2	2, 6	L	11, 12, 14, 15, 16				
		2	2, 6	L	51, 52, 54, 55, 56				
8									BUMPER, Rubber
	05104427AA	2	2, 6	L	11, 12, 14, 15, 16				
		2	2, 6	L	51, 52, 54, 55, 56				
		2	3, 7	L	12, 15, 16				
9									STOP
	05104411AA	1	2, 6	L	11, 12, 14, 15, 16				Left
		1	2, 6	L	51, 52, 54, 55, 56				Left
		1	3, 7	L	12, 15, 16				Left
10									SCREW
	05103717AA	1	2, 6	L	11, 12, 14, 15, 16				
		1	2, 6	L	51, 52, 54, 55, 56				
		1	3, 7	L	12, 15, 16				
11									SCREW

SPRINTER (VA)

SERIES

- L = LOWLINE
- 3 = HD DODGE 2WD
- 6 = Lt. Duty DODGE 4WD
- 2 = Med. Duty DODGE 2WD
- 7 = Med. Duty DODGE 4WD

BODY

- 01 = CHASSIS FORWARD CONTROL W.B.1
- 02 = CAB CHASSIS WHEEL BASE 2
- 06 = CAB CHASSIS WHEEL BASE 6
- 11 = VAN WHEEL BASE 1
- 12 = VAN WHEEL BASE 2
- 51 = WAGON WHEEL BASE 1
- 52 = WAGON WHEEL BASE 2
- 14 = VAN WHEEL BASE 4
- 15 = VAN WHEEL BASE 5
- 56 = WAGON WHEEL BASE 6
- 16 = VAN WHEEL BASE 6
- 54 = WAGON WHEEL BASE 4
- 55 = WAGON WHEEL BASE 5

ENGINE

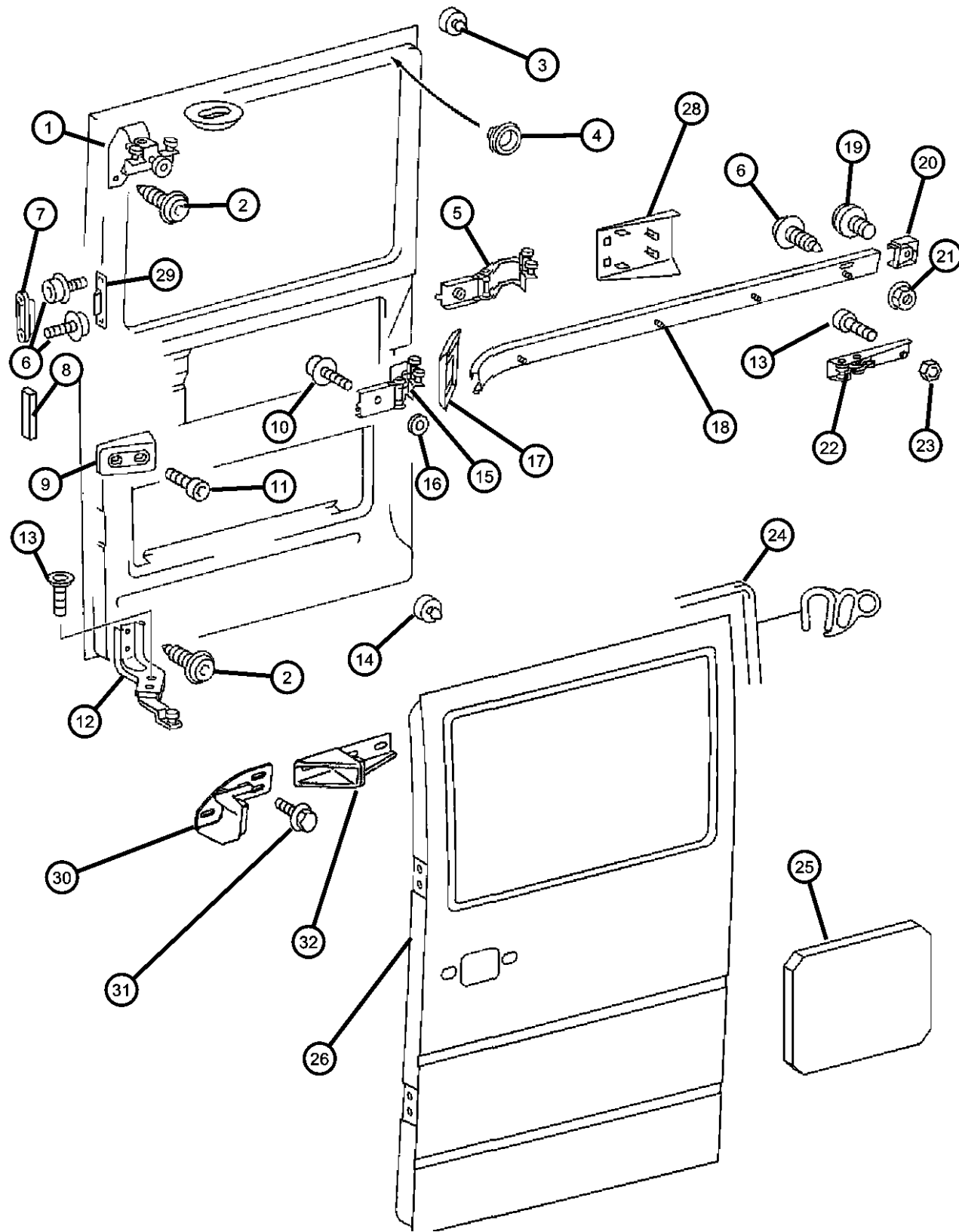
- EX9 = Engine-2.7L I5
- Mercedes Turbo Diesel

TRANSMISSION

- DGJ = Transmission-5-Spd. Automatic, W5A580

AR = use ase required - = Non illustrated part

Door, Sliding Cargo Shell And Hinges
Figure DVA-310

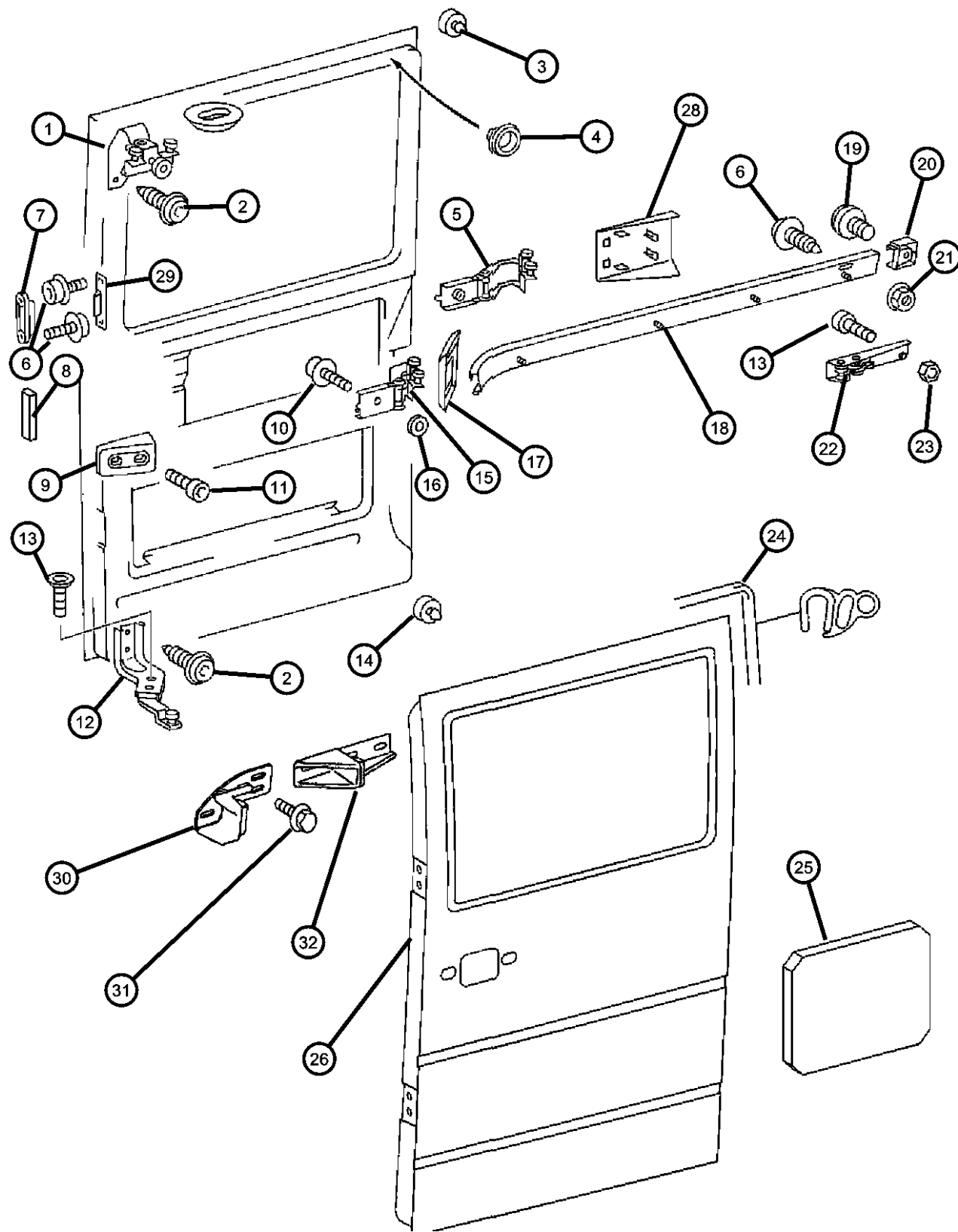


ITEM	PART NUMBER	QTY	LINE	SERIES	BODY	ENGINE	TRANS	TRIM	DESCRIPTION
	05114443AA	2	2, 6	L	11, 12, 14, 15, 16				
		2	2, 6	L	51, 52, 54, 55, 56				
		2	3, 7	L	12, 15, 16				
12	05103588AA	1	2, 6	L	11, 12, 14, 15, 16				SLIDER, Body Hardware Right
		1	2, 6	L	51, 52, 54, 55, 56				Right
		1	3, 7	L	12, 15, 16				Right
	05124080AA	1	2, 6	L	14, 15, 16, 11, 12				Left
		1	2, 6	L	51, 52, 54, 55, 56				Left
		1	3, 7	L	12, 15, 16				Left
13	05133540AA	2	2, 6	L	11, 12, 14, 15, 16				SCREW
		2	2, 6	L	51, 52, 54, 55, 56				
		2	3, 7	L	12, 15, 16				
14	05103813AA	1	2, 6	L	11, 12, 14, 15, 16				BUMPER, Sliding Door Center Track
		1	2, 6	L	51, 52, 54, 55, 56				
		1	3, 7	L	12, 15, 16				
15	05103590AA	1	2, 6	L	11, 12, 14, 15, 16				SLIDER, Body Hardware Right
		1	2, 6	L	51, 52, 54, 55, 56				Right
		1	3, 7	L	12, 15, 16				Right

SPRINTER (VA)								
SERIES	LINE			BODY		ENGINE		TRANSMISSION
L = LOWLINE	3 = HD DODGE 2WD			01 = CHASSIS FORWARD CONTROL W.B.1		EX9 = Engine-2.7L I5		DGJ = Transmission-5-Spd. Automatic, W5A580
	6 = Lt. Duty DODGE 4WD			02 = CAB CHASSIS WHEEL BASE 2		Mercedes Turbo Diesel		
	2 = Med. Duty DODGE 2WD			06 = CAB CHASSIS WHEEL BASE 6				
	7 = Med. Duty DODGE 4WD			11 = VAN WHEEL BASE 1				
				12 = VAN WHEEL BASE 2				
				51 = WAGON WHEEL BASE 1				
				52 = WAGON WHEEL BASE 2				
				14 = VAN WHEEL BASE 4				
				15 = VAN WHEEL BASE 5				
				56 = WAGON WHEEL BASE 6				
				16 = VAN WHEEL BASE 6				
				54 = WAGON WHEEL BASE 4				
				55 = WAGON WHEEL BASE 5				

AR = use ase required - = Non illustrated part

Door, Sliding Cargo Shell And Hinges
Figure DVA-310



ITEM	PART NUMBER	QTY	LINE	SERIES	BODY	ENGINE	TRANS	TRIM	DESCRIPTION
	05124087AA	1	2, 6	L	11, 12, 14, 15, 16				Left
		1	2, 6	L	51, 52, 54, 55, 56				Left
		1	3, 7	L	12, 15, 16				Left
16	05133526AA	1	2, 6	L	11, 12, 14, 15, 16				WASHER
		1	2, 6	L	51, 52, 54, 55, 56				
		1	3, 7	L	12, 15, 16				
17	05104426AA	1	2, 6	L	14, 15, 16, 11, 12				SEAL, Door
		1	2, 6	L	51, 52, 54, 55, 56				
		1	3, 7	L	12, 15, 16				
18	05104418AA	1	2, 6	L	11, 12, 14, 15, 16				RAIL, Slider Door
		1	2, 6	L	51, 52, 54, 55, 56				Right
		1	3, 7	L	12, 15, 16				Right
	05124076AA	1	2, 6	L	11, 12, 14, 15, 16				Left
		1	2, 6	L	51, 52, 54, 55, 56				Left
		1	3, 7	L	12, 15, 16				Left
19	05126103AA	2	2, 6	L	11, 12, 14, 15, 16				SCREW
		2	2, 6	L	51, 52, 54, 55, 56				
		2	3, 7	L	12, 15, 16				

SPRINTER (VA)

SERIES

L = LOWLINE
 3 = HD DODGE 2WD
 6 = Lt. Duty DODGE 4WD
 2 = Med. Duty DODGE 2WD
 7 = Med. Duty DODGE 4WD

BODY

01 = CHASSIS FORWARD CONTROL W.B.1
 02 = CAB CHASSIS WHEEL BASE 2
 06 = CAB CHASSIS WHEEL BASE 6
 11 = VAN WHEEL BASE 1
 12 = VAN WHEEL BASE 2
 51 = WAGON WHEEL BASE 1
 52 = WAGON WHEEL BASE 2
 14 = VAN WHEEL BASE 4
 15 = VAN WHEEL BASE 5
 56 = WAGON WHEEL BASE 6
 16 = VAN WHEEL BASE 6
 54 = WAGON WHEEL BASE 4
 55 = WAGON WHEEL BASE 5

ENGINE

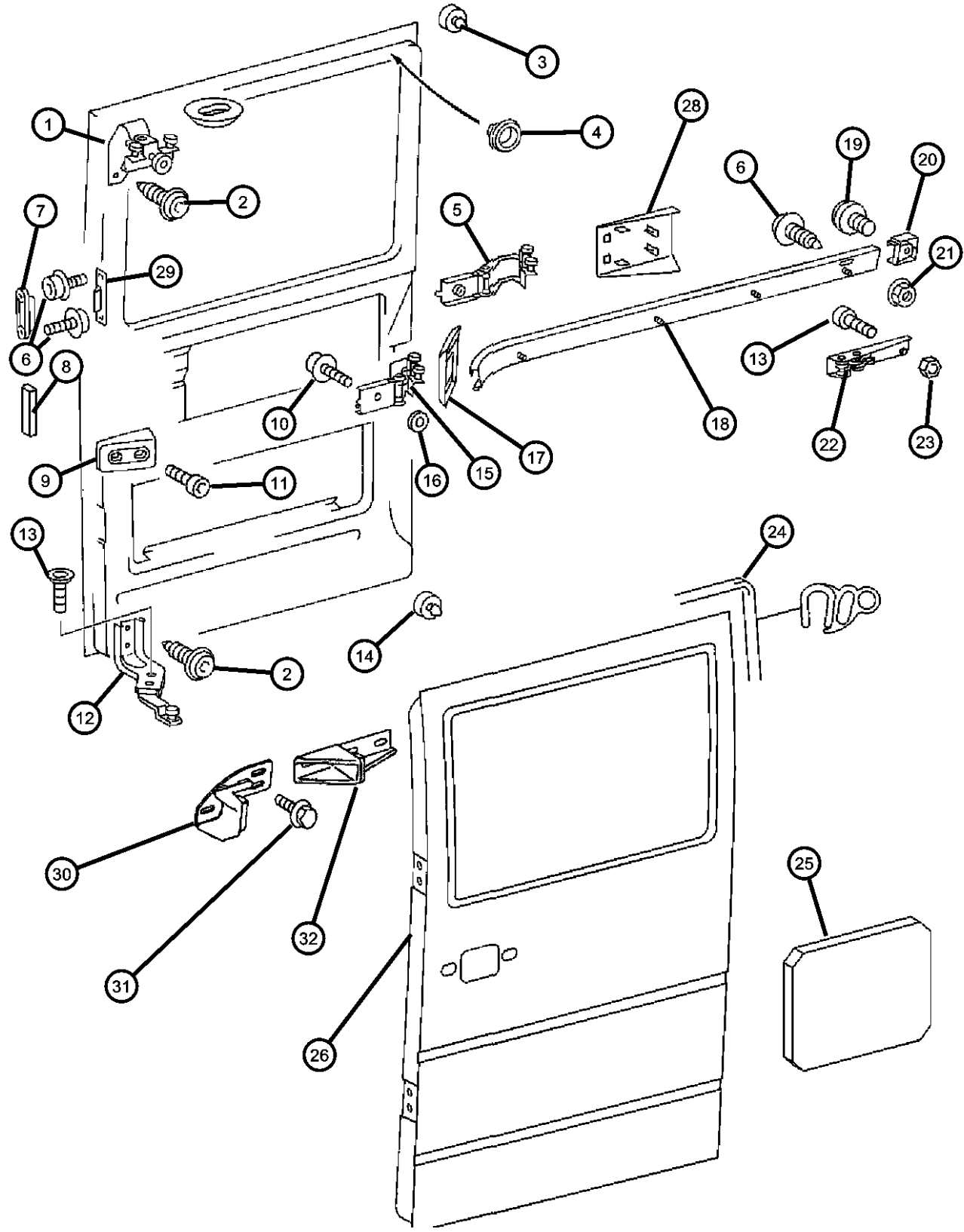
EX9 = Engine-2.7L I5
 Mercedes Turbo Diesel

TRANSMISSION

DGJ = Transmission-5-Spd. Automatic, W5A580

AR = use ase required - = Non illustrated part

Door, Sliding Cargo Shell And Hinges
Figure DVA-310



ITEM	PART NUMBER	QTY	LINE	SERIES	BODY	ENGINE	TRANS	TRIM	DESCRIPTION
20	05104431AA	1	2, 6	L	11, 12, 14, 15, 16				CAP, Rail Right
		1	2, 6	L	52, 54, 55, 56, 51				Right
	05124105AA	1	3, 7	L	12, 15, 16				Right
		1	2, 6	L	11, 12, 14, 15, 16				Left
		1	2, 6	L	51, 52, 54, 55, 56				Left
		1	3, 7	L	12, 15, 16				Left
21	05127449AA	4	2, 6	L	11, 12, 14, 15, 16				NUT, Hex, M6
		4	2, 6	L	51, 52, 54, 55, 56				
		4	3, 7	L	12, 15, 16				
22	05104412AA	1	2, 6	L	11, 12, 14, 15, 16				ADJUSTER, Cargo Door Right
		1	2, 6	L	51, 52, 54, 55, 56				Right
	05124099AA	1	3, 7	L	12, 15, 16				Right
		1	2, 6	L	11, 12, 14, 15, 16				Left
		1	2, 6	L	51, 52, 54, 55, 56				Left
		1	3, 7	L	12, 15, 16				Left
23	05133541AA	2	2, 6	L	11, 12, 14, 15, 16				NUT, BRACKET TO ROD, SPRINTER
		2	2, 6	L	51, 52, 54, 55, 56				
		2	3, 7	L	12, 15, 16				

SPRINTER (VA)
SERIES
 L = LOWLINE

LINE
 3 = HD DODGE 2WD
 6 = Lt. Duty DODGE 4WD
 2 = Med. Duty DODGE 2WD
 7 = Med. Duty DODGE 4WD

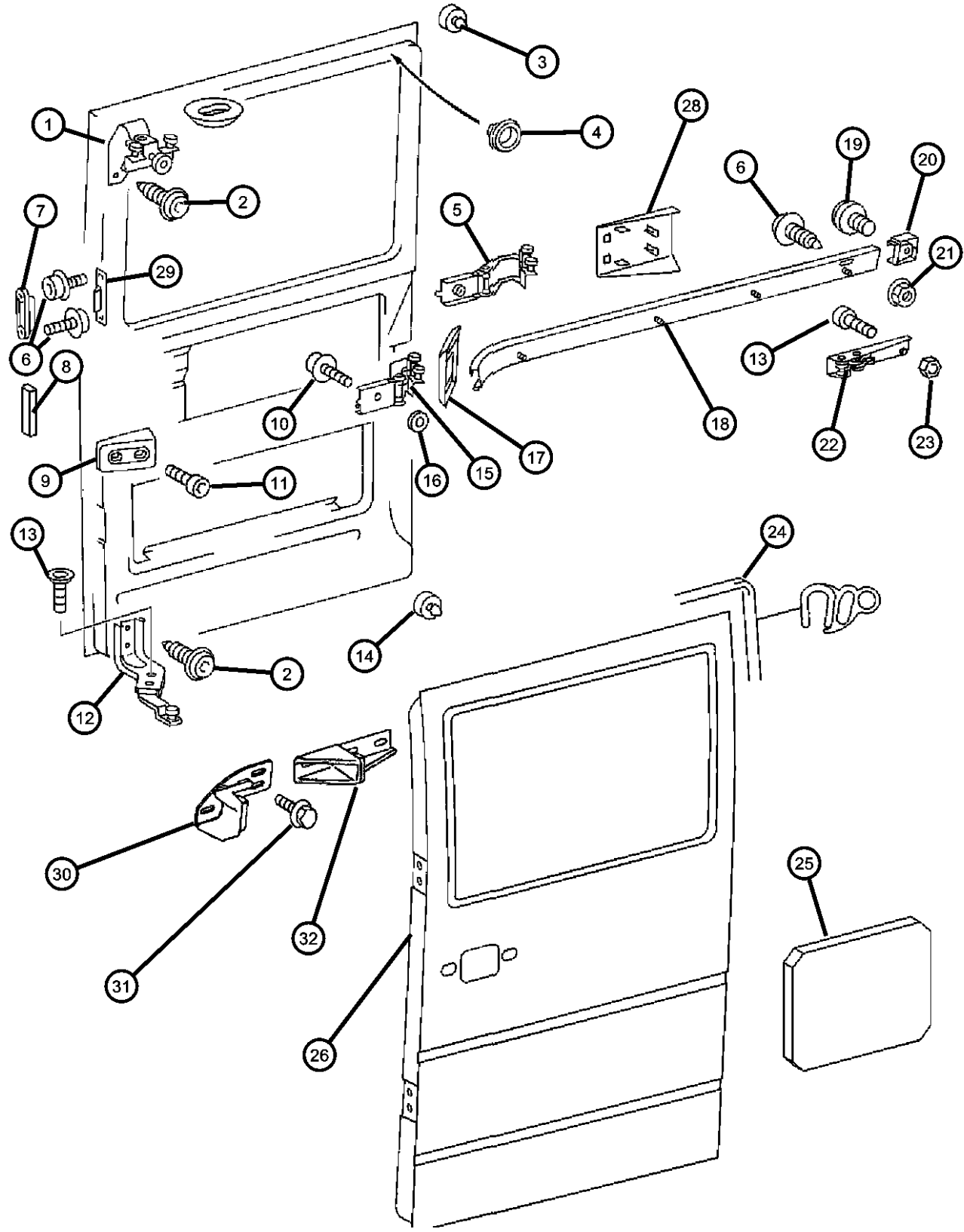
BODY
 01 = CHASSIS FORWARD CONTROL W.B.1
 02 = CAB CHASSIS WHEEL BASE 2
 06 = CAB CHASSIS WHEEL BASE 6
 11 = VAN WHEEL BASE 1
 12 = VAN WHEEL BASE 2
 51 = WAGON WHEEL BASE 1
 52 = WAGON WHEEL BASE 2
 14 = VAN WHEEL BASE 4
 15 = VAN WHEEL BASE 5
 56 = WAGON WHEEL BASE 6
 16 = VAN WHEEL BASE 6
 54 = WAGON WHEEL BASE 4
 55 = WAGON WHEEL BASE 5

ENGINE
 EX9 = Engine-2.7L I5
 Mercedes Turbo Diesel

TRANSMISSION
 DGJ = Transmission-5-Spd. Automatic, W5A580

AR = use ase required - = Non illustrated part

Door, Sliding Cargo Shell And Hinges
Figure DVA-310



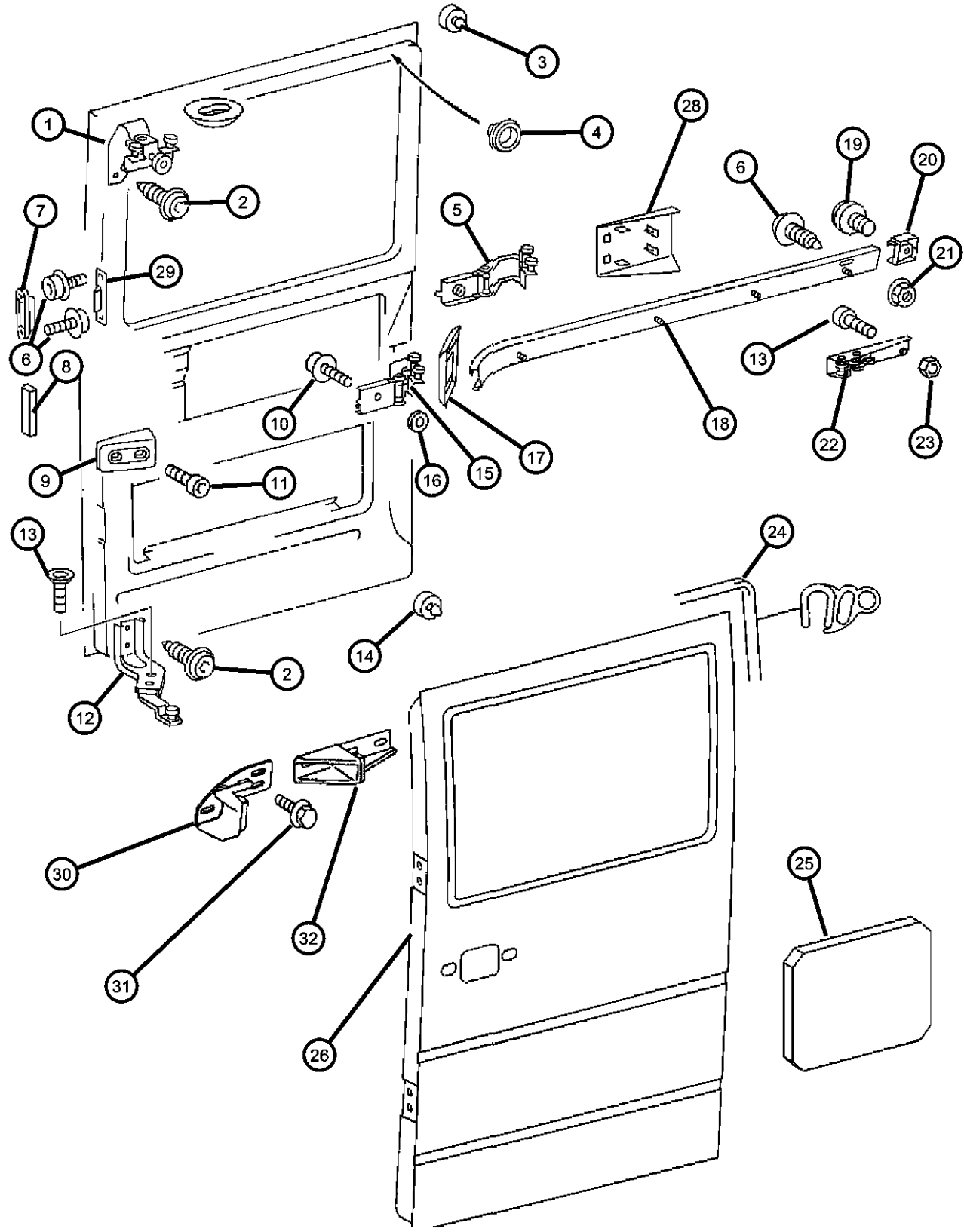
ITEM	PART NUMBER	QTY	LINE	SERIES	BODY	ENGINE	TRANS	TRIM	DESCRIPTION
24	05104272AA	1	2, 6	L	51, 52, 54, 55, 56				WEATHERSTRIP, Cargo Door [-GKE]
	05104302AA	1	3, 7	L	12, 15, 16				[-GKE]
	05104302AA	1	2, 6	L	11, 12, 14, 15, 16				[GKE]
		1	2, 6	L	51, 52, 54, 55, 56				[GKE]
		1	3, 7	L	12, 15, 16				[GKE]
25	05122517AA	2	2, 6	L	11, 12, 14, 15, 16				SILENCER, Door
		2	2, 6	L	51, 52, 54, 55, 56				
		2	3, 7	L	12, 15, 16				
26	05104355AA	1	2, 6	L	11, 12, 14, 15, 16				DOOR, Side Cargo [GKE], Left
	05104356AA	1	3, 7	L	15, 16, 12				[5AF+GKE], Left
	05104356AA	1	2, 6	L	11, 12, 14, 15, 16				[GKA], Right
		1	3, 7	L	12, 15, 16				[5AF+GKA], Right
	05123795AA	1	2, 6	L	51, 52, 54, 55, 56				[GKE], Left
	05123797AA	1	2, 6	L	51, 52, 54, 55, 56				[5AF+GKE+GEA,57Z], Left
		1	3, 7	L	12, 15, 16				[GKA], Right
		1	3, 7	L	12, 15, 16				[5AF+GKA+GEN,58B], Right
		1	2, 6	L	11, 12, 14, 15, 16				[GKA+GEN,58B], Right
	05123799AA	1	2, 6	L	11, 12, 14, 15, 16				[GKE+GKG], Left
		1	3, 7	L	12, 15, 16				[5AE+GKE], Left

SPRINTER (VA)

SERIES	LINE	BODY	ENGINE	TRANSMISSION
L = LOWLINE	3 = HD DODGE 2WD 6 = Lt. Duty DODGE 4WD 2 = Med. Duty DODGE 2WD 7 = Med. Duty DODGE 4WD	01 = CHASSIS FORWARD CONTROL W.B.1 02 = CAB CHASSIS WHEEL BASE 2 06 = CAB CHASSIS WHEEL BASE 6 11 = VAN WHEEL BASE 1 12 = VAN WHEEL BASE 2 51 = WAGON WHEEL BASE 1 52 = WAGON WHEEL BASE 2 14 = VAN WHEEL BASE 4 15 = VAN WHEEL BASE 5 56 = WAGON WHEEL BASE 6 16 = VAN WHEEL BASE 6 54 = WAGON WHEEL BASE 4 55 = WAGON WHEEL BASE 5	EX9 = Engine-2.7L I5 Mercedes Turbo Diesel	DGJ = Transmission-5-Spd. Automatic, W5A580

AR = use ase required - = Non illustrated part

Door, Sliding Cargo Shell And Hinges
Figure DVA-310



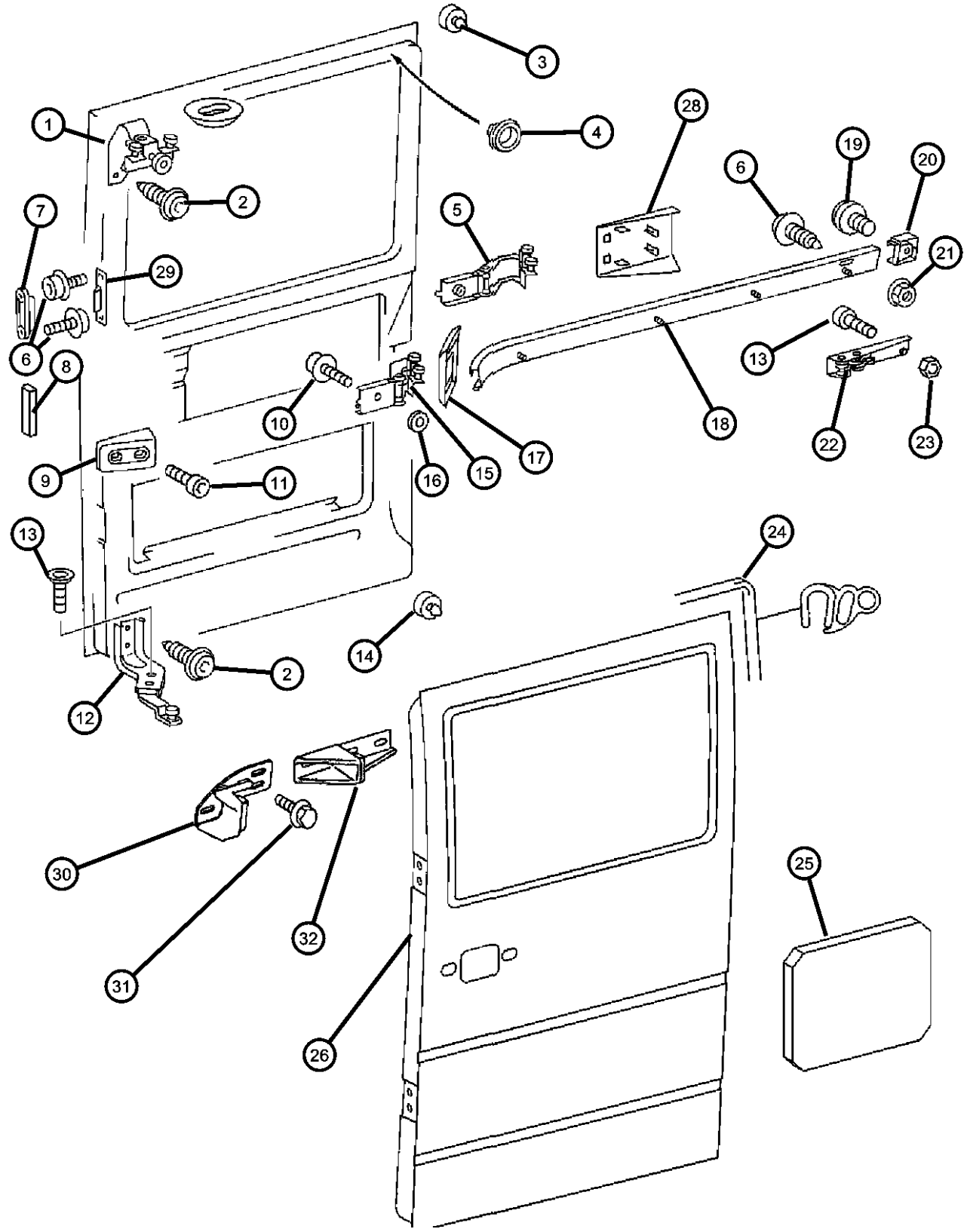
ITEM	PART NUMBER	QTY	LINE	SERIES	BODY	ENGINE	TRANS	TRIM	DESCRIPTION
	05123801AA	1	2, 6	L	11, 12, 14, 15, 16				[GKG+GKA], Right
		1	3, 7	L	12, 15, 16				[5AE+GKA], Right
	05123803AA	1	2, 6	L	11, 16, 12, 14, 15				[GKE+GKG+GEA,57Z], Left
		1	3, 7	L	12, 15, 16				[5AE+GKE+GEA,57Z], Left
		1	2, 6	L	11, 12, 14, 15, 16				[GKE+GEA,57Z], Left
	05123805AA	1	2, 6	L	11, 12, 14, 15, 16				[GKG+GKA+GEN,58B], Right
		1	3, 7	L	12, 15, 16				[5AE+GKA+GEN,58B], Right
-27									PANEL, Side Cargo Door
	05104360AA	2	2, 6	L	11, 12, 14, 15, 16				
		2	2, 6	L	51, 52, 54, 55, 56				
		2	3, 7	L	12, 15, 16				
28									COVER, Sliding Door Check
	05104589AA	1	3, 7	L	12, 15, 16				
		1	2, 6	L	11, 12, 14, 15, 16				
29									TAPPING PLATE, Side Door Lock Striker
	05124110AA	2	2, 6	L	11, 12, 14, 15, 16				
		2	2, 6	L	51, 52, 54, 55, 56				
		2	3, 7	L	12, 15, 16				
30									STOPPER, Cargo Door
	05104385AA	2	2, 6	L	11, 12, 14, 15, 16				
		2	2, 6	L	51, 52, 54, 55, 56				
		2	3, 7	L	12, 15, 16				

SPRINTER (VA)

SERIES	LINE	BODY	ENGINE	TRANSMISSION
L = LOWLINE	3 = HD DODGE 2WD 6 = Lt. Duty DODGE 4WD 2 = Med. Duty DODGE 2WD 7 = Med. Duty DODGE 4WD	01 = CHASSIS FORWARD CONTROL W.B.1 02 = CAB CHASSIS WHEEL BASE 2 06 = CAB CHASSIS WHEEL BASE 6 11 = VAN WHEEL BASE 1 12 = VAN WHEEL BASE 2 51 = WAGON WHEEL BASE 1 52 = WAGON WHEEL BASE 2 14 = VAN WHEEL BASE 4 15 = VAN WHEEL BASE 5 56 = WAGON WHEEL BASE 6 16 = VAN WHEEL BASE 6 54 = WAGON WHEEL BASE 4 55 = WAGON WHEEL BASE 5	EX9 = Engine-2.7L I5 Mercedes Turbo Diesel	DGJ = Transmission-5-Spd. Automatic, W5A580

AR = use ase required - = Non illustrated part

Door, Sliding Cargo Shell And Hinges
Figure DVA-310



ITEM	PART NUMBER	QTY	LINE	SERIES	BODY	ENGINE	TRANS	TRIM	DESCRIPTION
31	05114443AA	2	2, 6	L	11, 12, 14, 15, 16				SCREW Need Quantity Of 6
		2	2, 6	L	51, 52, 54, 55, 56				Need Quantity Of 6
		2	3, 7	L	12, 15, 16				Need Quantity Of 6
32	05104385AA	2	2, 6	L	51, 52, 54, 55, 56				STOPPER, Cargo Door
		2	3, 7	L	12, 15, 16				
		2	2, 6	L	11, 12, 14, 15, 16				
-33	05127213AA	1	2, 6	L	11, 12, 14, 15, 16				REINFORCEMENT, Door Inner
		1	3, 7	L	12, 15, 16				
-34	05127214AA	1	2, 6	L	11, 12, 14, 15, 16				REINFORCEMENT, Door Inner
		1	3, 7	L	12, 15, 16				

SPRINTER (VA)

SERIES

L = LOWLINE
 3 = HD DODGE 2WD
 6 = Lt. Duty DODGE 4WD
 2 = Med. Duty DODGE 2WD
 7 = Med. Duty DODGE 4WD

BODY

01 = CHASSIS FORWARD CONTROL W.B.1
 02 = CAB CHASSIS WHEEL BASE 2
 06 = CAB CHASSIS WHEEL BASE 6
 11 = VAN WHEEL BASE 1
 12 = VAN WHEEL BASE 2
 51 = WAGON WHEEL BASE 1
 52 = WAGON WHEEL BASE 2
 14 = VAN WHEEL BASE 4
 15 = VAN WHEEL BASE 5
 56 = WAGON WHEEL BASE 6
 16 = VAN WHEEL BASE 6
 54 = WAGON WHEEL BASE 4
 55 = WAGON WHEEL BASE 5

ENGINE

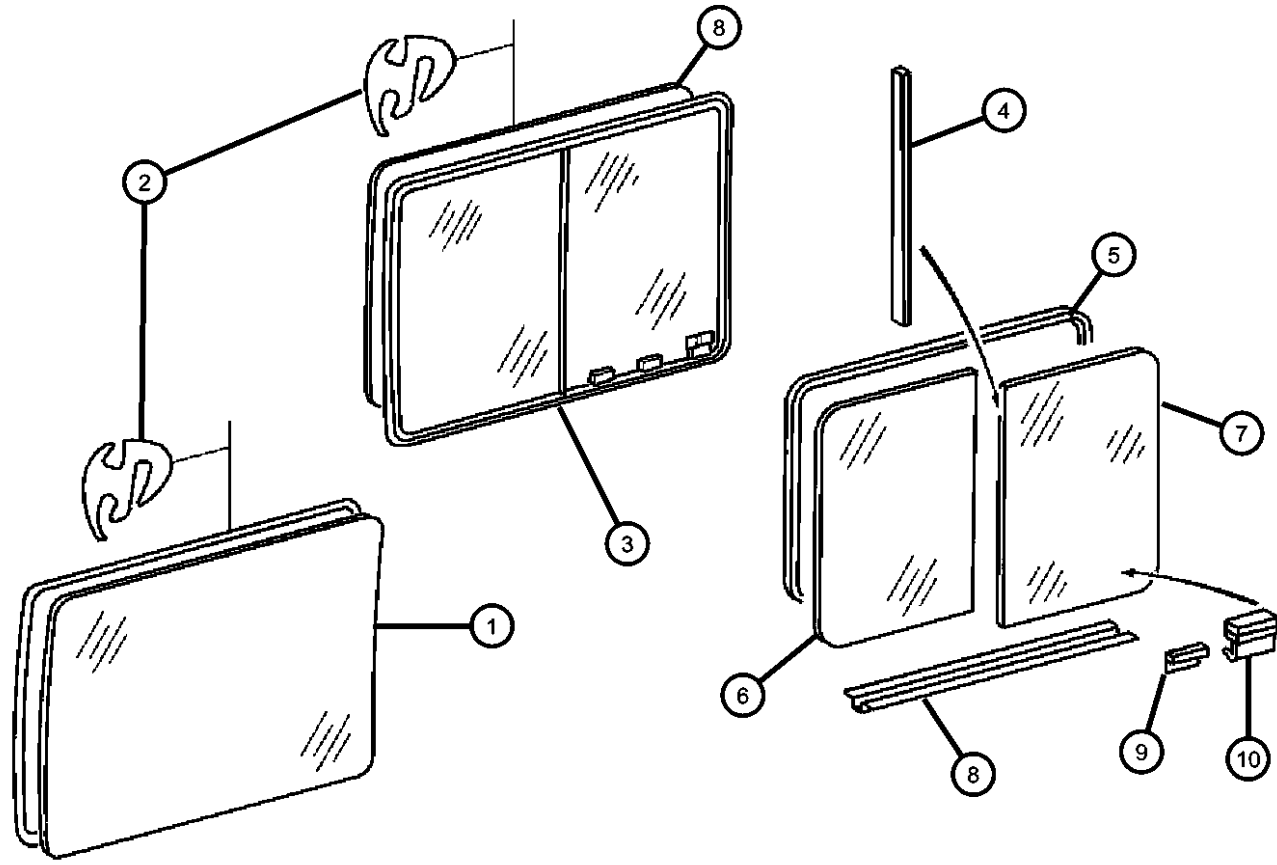
EX9 = Engine-2.7L I5
 Mercedes Turbo Diesel

TRANSMISSION

DGJ = Transmission-5-Spd. Automatic, W5A580

AR = use ase required - = Non illustrated part

Door, Sliding Cargo Glass
Figure DVA-320



ITEM	PART NUMBER	QTY	LINE	SERIES	BODY	ENGINE	TRANS	TRIM	DESCRIPTION
1									GLASS, Side Cargo Door, Fixed
	05104362AA	1	2, 6	L	11, 12, 14, 15, 16				[GKA+GEN]
	05104363AA	1	2, 6	L	11, 12, 14, 15, 16				[GKE+GEA+3FQ]
		1	2, 6	L	51, 52, 54, 55, 56				[GKE+3FQ]
		1	2, 6	L	51, 52, 54, 55, 56				[GKE]
		1	3, 7	L	12, 15, 16				[GKE+GEA]
		1	3, 7	L	12, 15, 16				[GKE+GEA+3FQ]
2									WEATHERSTRIP, Cargo Door Glass
	05104364AA	1	2, 6	L	11, 12, 14, 15, 16				[GKA+GEN,58B]
		1	2, 6	L	51, 52, 54, 55, 56				[GKA]
		1	3, 7	L	12, 15, 16				[GKA+GEN,58B]
3									GLASS, Sliding Door, Vented
	05123828AA	1	2, 6	L	11, 12, 14, 15, 16				[GKE+57Z], Left
		1	2, 6	L	51, 52, 54, 55, 56				[GKE+57Z], Left
		1	3, 7	L	12, 15, 16				[GKE+57Z], Left
	05123830AA	1	2, 6	L	11, 12, 14, 15, 16				[GKA+58B], Right
		1	2, 6	L	51, 52, 54, 55, 56				[GKA+58B], Right
		1	3, 7	L	12, 15, 16				[GKA+58B], Right
	05123832AA	1	2, 6	L	11, 12, 14, 15, 16				[GKE+57Z+3FQ], Left
		1	2, 6	L	51, 52, 54, 55, 56				[GKE+57Z+3FQ], Left
		1	3, 7	L	12, 15, 16				[GKE+57Z+3FQ], Left
	05123834AA	1	2, 6	L	11, 12, 14, 15, 16				[GKA+58B+3FQ], Right

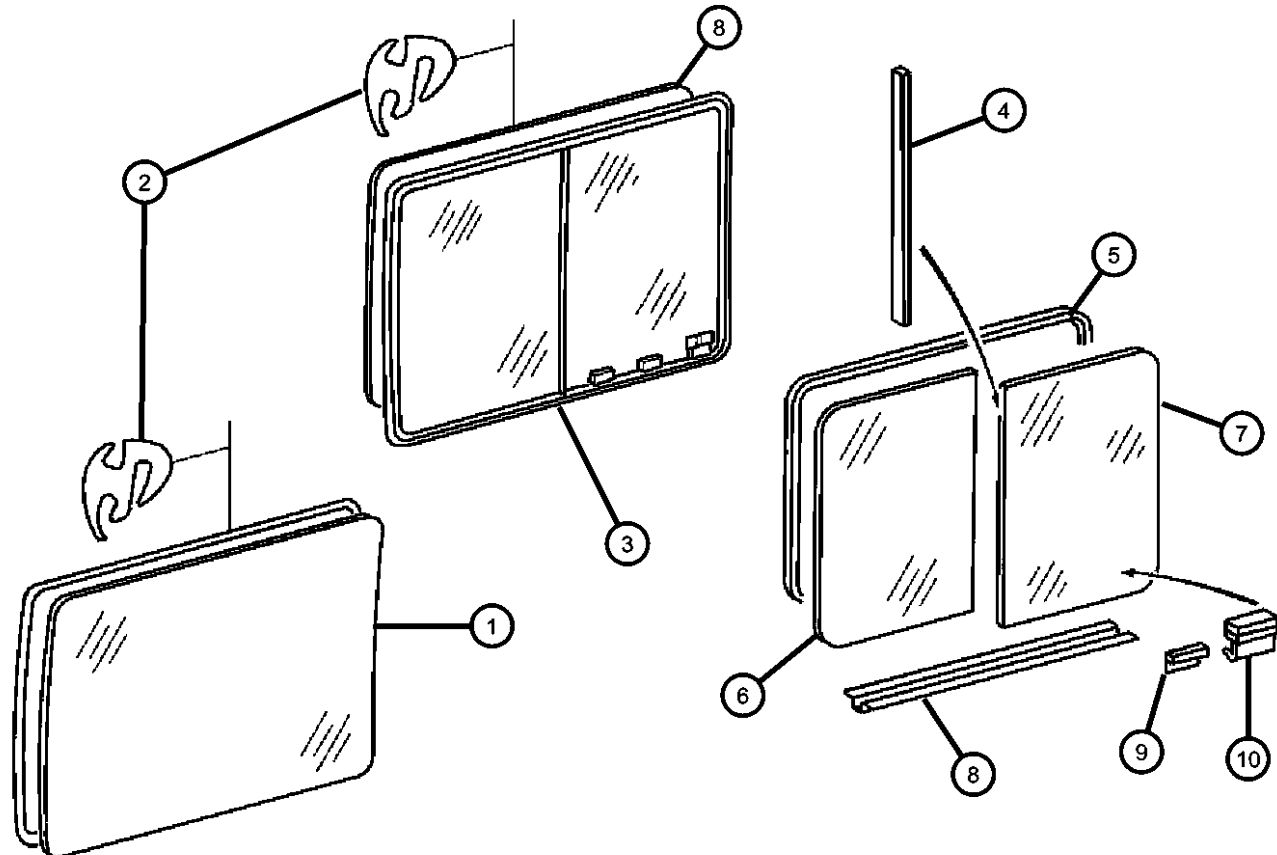
SPRINTER (VA)

SERIES	LINE	BODY	ENGINE	TRANSMISSION
L = LOWLINE	3 = HD DODGE 2WD 6 = Lt. Duty DODGE 4WD 2 = Med. Duty DODGE 2WD 7 = Med. Duty DODGE 4WD	01 = CHASSIS FORWARD CONTROL W.B.1 02 = CAB CHASSIS WHEEL BASE 2 06 = CAB CHASSIS WHEEL BASE 6 11 = VAN WHEEL BASE 1 12 = VAN WHEEL BASE 2 51 = WAGON WHEEL BASE 1 52 = WAGON WHEEL BASE 2 14 = VAN WHEEL BASE 4 15 = VAN WHEEL BASE 5 56 = WAGON WHEEL BASE 6 16 = VAN WHEEL BASE 6 54 = WAGON WHEEL BASE 4 55 = WAGON WHEEL BASE 5	EX9 = Engine-2.7L I5 Mercedes Turbo Diesel	DGJ = Transmission-5-Spd. Automatic,W5A580

AR = use ase required - = Non illustrated part

**Door, Sliding Cargo Glass
Figure DVA-320**

ITEM	PART NUMBER	QTY	LINE	SERIES	BODY	ENGINE	TRANS	TRIM	DESCRIPTION
		1	2, 6	L	51, 52, 54, 55, 56				[GKA+58B+3FQ], Right
		1	3, 7	L	12, 15, 16				[GKA+58B+3FQ], Right
4	05133536AA	1	2, 6	L	11, 12, 14, 15, 16				WEATHERSTRIP, Side Panel Vent [GKE+57Z]
		1	3, 7	L	12, 15, 16				[57Z,58B]
		1	2, 6	L	51, 52, 54, 55, 56				[GKE+57Z]
5	05133533AA	1	2, 6	L	11, 12, 14, 15, 16				WEATHERSTRIP, Side Panel Vent [GKE+57Z], Right
		1	3, 7	L	12, 15, 16				[GKA+58B+3FQ], Right
	05133534AA	1	2, 6	L	11, 12, 14, 15, 16				[GKE+57Z], Left
		1	2, 6	L	51, 52, 54, 55, 56				[GKE+57Z], Left
		1	3, 7	L	12, 15, 16				[GKE+57Z+3FQ], Left
		1	2, 6	L	51, 52, 54, 55, 56				[GKE+57Z], Right
6	05134001AA	1	6	L	11, 12, 14, 15, 16				GLASS, Bodyside Window [GKE+57Z]
		1	6	L	51, 52, 54, 55, 56				[GKE+57Z]
		1	7	L	12, 15, 16				[GKE+57Z]
7	05134002AA	1	6	L	11, 12, 14, 15, 16				GLASS, Bodyside Window [GKE+57Z]
		1	6	L	51, 52, 54, 55, 56				[GKE+57Z]
		1	7	L	12, 15, 16				[GKE+57Z]
8		1	7	L	12, 15, 16				WEATHERSTRIP, Glass Channel Run



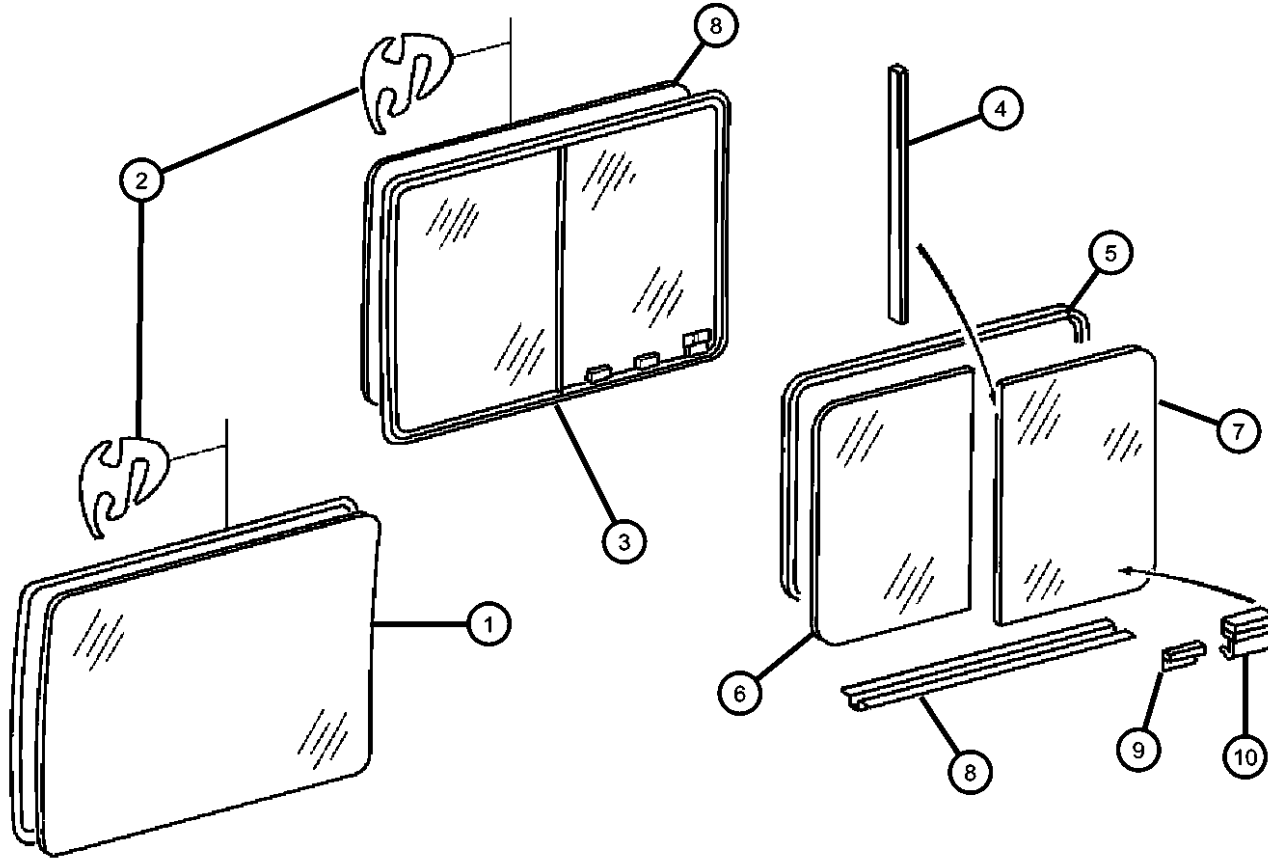
SPRINTER (VA)

SERIES	LINE	BODY	ENGINE	TRANSMISSION
L = LOWLINE	3 = HD DODGE 2WD 6 = Lt. Duty DODGE 4WD 2 = Med. Duty DODGE 2WD 7 = Med. Duty DODGE 4WD	01 = CHASSIS FORWARD CONTROL W.B.1 02 = CAB CHASSIS WHEEL BASE 2 06 = CAB CHASSIS WHEEL BASE 6 11 = VAN WHEEL BASE 1 12 = VAN WHEEL BASE 2 51 = WAGON WHEEL BASE 1 52 = WAGON WHEEL BASE 2 14 = VAN WHEEL BASE 4 15 = VAN WHEEL BASE 5 56 = WAGON WHEEL BASE 6 16 = VAN WHEEL BASE 6 54 = WAGON WHEEL BASE 4 55 = WAGON WHEEL BASE 5	EX9 = Engine-2.7L I5 Mercedes Turbo Diesel	DGJ = Transmission-5-Spd. Automatic, W5A580

AR = use ase required - = Non illustrated part

**Door, Sliding Cargo Glass
Figure DVA-320**

ITEM	PART NUMBER	QTY	LINE	SERIES	BODY	ENGINE	TRANS	TRIM	DESCRIPTION
	05133537AA	1	2, 6	L	51, 52, 54, 55, 56				[GKA+58B]
		1	2, 6	L	11, 12, 14, 15, 16				[GKA+58B]
		1	3, 7	L	12, 15, 16				[GKA+58B+3FQ]
9									RETAINER, Side Panel Vent Window
	05133535AA	1	2, 6	L	11, 12, 14, 15, 16				[GKE+57Z]
		1	2, 6	L	51, 52, 54, 55, 56				[GKE+57Z]
		1	3, 7	L	12, 15, 16				[GKA+58B+3FQ]
10									WEATHERSTRIP, Side Panel Vent
	05133536AA	1	2, 6	L	11, 12, 14, 15, 16				[GKE+57Z]
		1	2, 6	L	51, 52, 54, 55, 56				[GKE+57Z]
		1	3, 7	L	12, 15, 16				[57Z,58B]



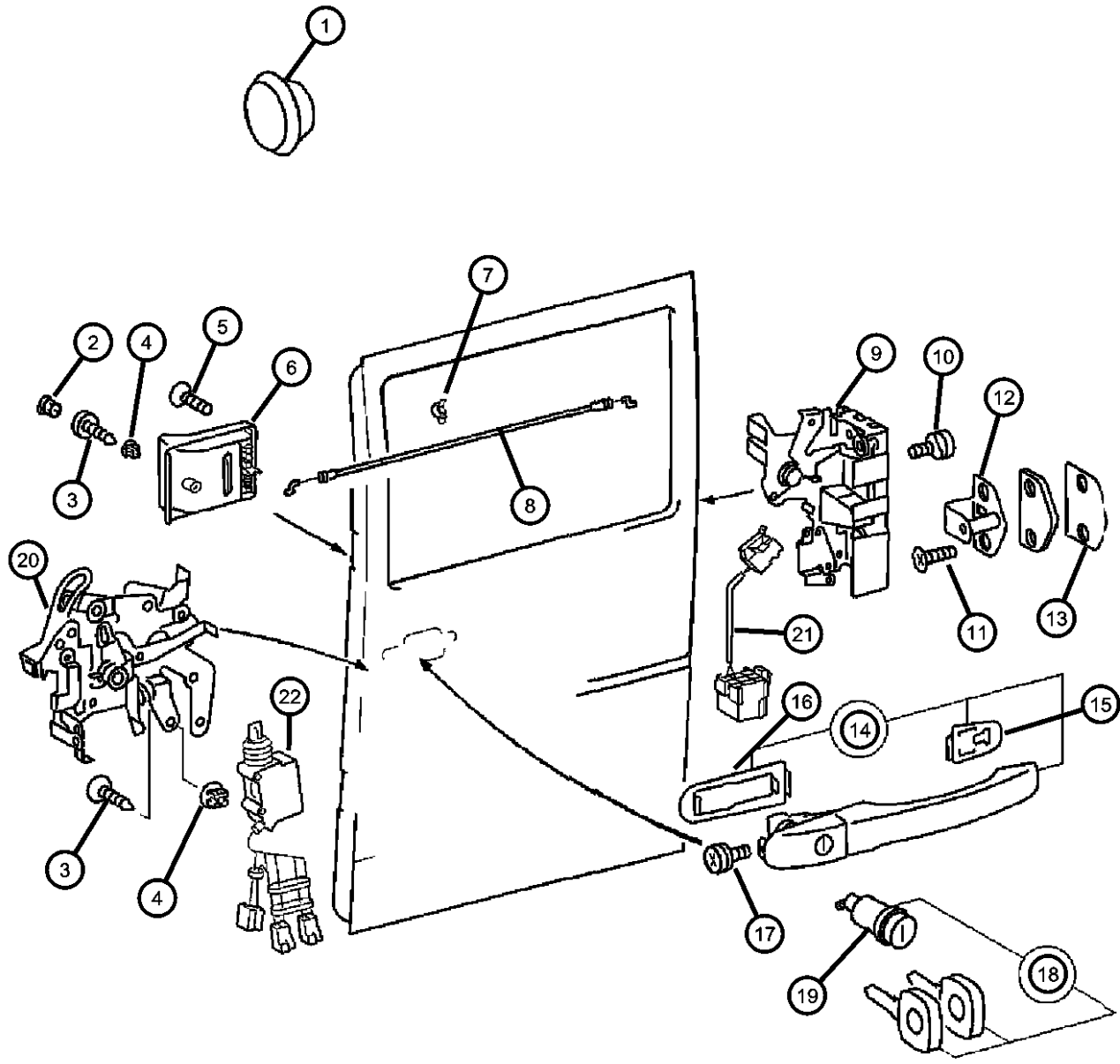
SPRINTER (VA)

SERIES	LINE	BODY	ENGINE	TRANSMISSION
L = LOWLINE	3 = HD DODGE 2WD 6 = Lt. Duty DODGE 4WD 2 = Med. Duty DODGE 2WD 7 = Med. Duty DODGE 4WD	01 = CHASSIS FORWARD CONTROL W.B.1 02 = CAB CHASSIS WHEEL BASE 2 06 = CAB CHASSIS WHEEL BASE 6 11 = VAN WHEEL BASE 1 12 = VAN WHEEL BASE 2 51 = WAGON WHEEL BASE 1 52 = WAGON WHEEL BASE 2 14 = VAN WHEEL BASE 4 15 = VAN WHEEL BASE 5 56 = WAGON WHEEL BASE 6 16 = VAN WHEEL BASE 6 54 = WAGON WHEEL BASE 4 55 = WAGON WHEEL BASE 5	EX9 = Engine-2.7L I5 Mercedes Turbo Diesel	DGJ = Transmission-5-Spd. Automatic,W5A580

AR = use ase required - = Non illustrated part

2002 VA

Door, Sliding Cargo Lock And Controls
Figure DVA-330



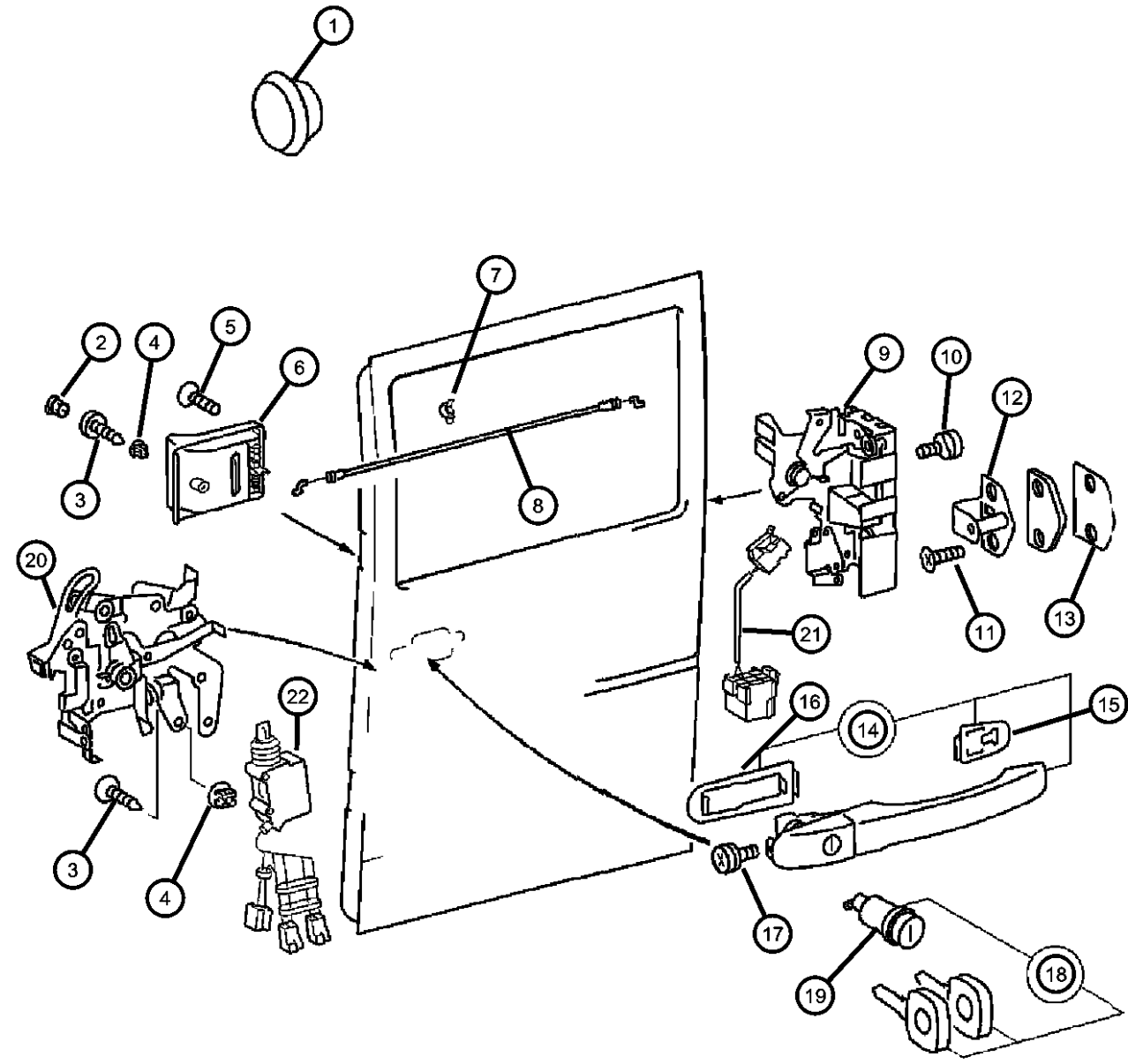
ITEM	PART NUMBER	QTY	LINE	SERIES	BODY	ENGINE	TRANS	TRIM	DESCRIPTION
1	05125508AA	1	2, 6	L	11, 12, 14, 15, 16				PLUG, Door
		1	2, 6	L	51, 52, 54, 55, 56				
		1	3, 7	L	12, 15, 16				
2	0ZF54DX9AA	1	2, 6	L	11, 12, 14, 15, 16				CAP, Door Handle Screw Cover
		1	2, 6	L	51, 52, 54, 55, 56				
		1	3, 7	L	12, 15, 16				
3	05104632AA	2	2, 6	L	11, 12, 14, 15, 16				SCREW
		2	2, 6	L	51, 52, 54, 55, 56				
		2	3, 7	L	12, 15, 16				
4	05125862AA	2	2, 6	L	11, 12, 14, 15, 16				NUT
		2	2, 6	L	51, 52, 54, 55, 56				
		2	3, 7	L	12, 15, 16				
5	05104679AA	1	2, 6	L	11, 12, 14, 15, 16				SCREW
		1	2, 6	L	51, 52, 54, 55, 56				
		4	3, 7	L	12, 15, 16				
6	05132049AA	1	2, 6	L	11, 12, 14, 15, 16				HANDLE, Sliding Door Interior
		1	2, 6	L	56, 51, 52, 54, 55				

SPRINTER (VA)

SERIES	LINE	BODY	ENGINE	TRANSMISSION
L = LOWLINE	3 = HD DODGE 2WD 6 = Lt. Duty DODGE 4WD 2 = Med. Duty DODGE 2WD 7 = Med. Duty DODGE 4WD	01 = CHASSIS FORWARD CONTROL W.B.1 02 = CAB CHASSIS WHEEL BASE 2 06 = CAB CHASSIS WHEEL BASE 6 11 = VAN WHEEL BASE 1 12 = VAN WHEEL BASE 2 51 = WAGON WHEEL BASE 1 52 = WAGON WHEEL BASE 2 14 = VAN WHEEL BASE 4 15 = VAN WHEEL BASE 5 56 = WAGON WHEEL BASE 6 16 = VAN WHEEL BASE 6 54 = WAGON WHEEL BASE 4 55 = WAGON WHEEL BASE 5	EX9 = Engine-2.7L I5 Mercedes Turbo Diesel	DGJ = Transmission-5-Spd. Automatic, W5A580

AR = use ase required - = Non illustrated part

Door, Sliding Cargo Lock And Controls
Figure DVA-330



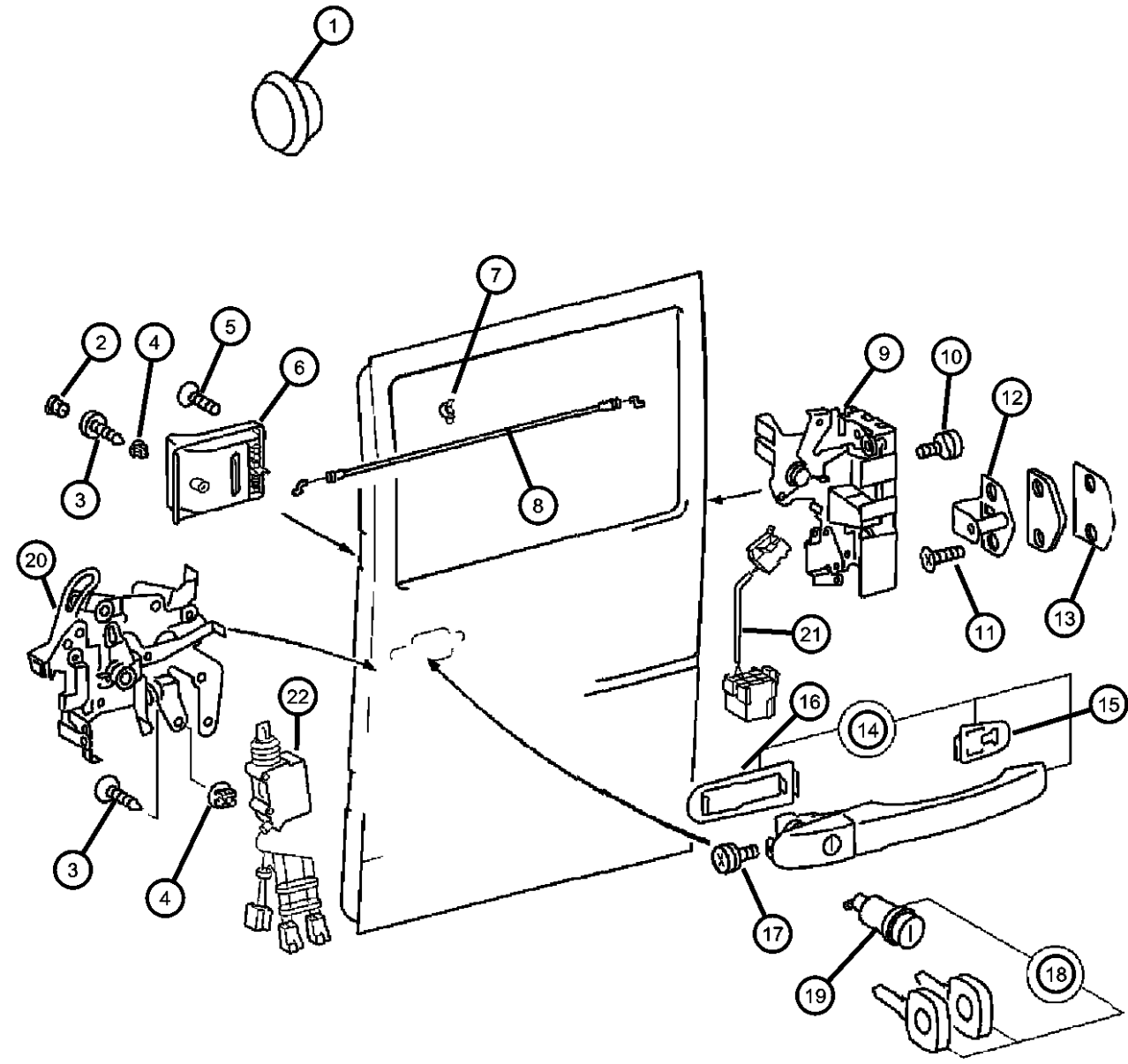
ITEM	PART NUMBER	QTY	LINE	SERIES	BODY	ENGINE	TRANS	TRIM	DESCRIPTION
7		1	3, 7	L	12, 15, 16				CLAMP
	05103736AA	1	2, 6	L	11, 12, 14, 15, 16				
		1	2, 6	L	51, 52, 54, 55, 56				
		1	3, 7	L	12, 15, 16				
8		1	2, 6	L	11, 12, 14, 15, 16				ROD, Inside Handle to Latch
	05103587AA	1	2, 6	L	51, 52, 54, 55, 56				
		1	2, 6	L	51, 52, 54, 55, 56				
		1	3, 7	L	12, 15, 16				
9		1	2, 6	L	11, 12, 14, 15, 16				LATCH, Cargo Door Left
	05104357AA	1	2, 6	L	51, 52, 54, 55, 56				Left
		1	3, 7	L	12, 15, 16				Left
	05104358AA	1	2, 6	L	11, 12, 14, 15, 16				Right
		1	2, 6	L	51, 52, 54, 55, 56				Right
		1	3, 7	L	12, 15, 16				Right
10		2	2, 6	L	11, 12, 14, 15, 16				SCREW, LOCK TO DOOR, SPRINTER
	05103723AA	2	2, 6	L	51, 52, 54, 55, 56				
		2	2, 6	L	51, 52, 54, 55, 56				
		2	3, 7	L	12, 15, 16				
11		2	3, 7	L	12, 15, 16				SCREW, GUIDE, SPRINTER
	05103715AA	2	3, 7	L	12, 15, 16				

SPRINTER (VA)

SERIES	LINE	BODY	ENGINE	TRANSMISSION
L = LOWLINE	3 = HD DODGE 2WD 6 = Lt. Duty DODGE 4WD 2 = Med. Duty DODGE 2WD 7 = Med. Duty DODGE 4WD	01 = CHASSIS FORWARD CONTROL W.B.1 02 = CAB CHASSIS WHEEL BASE 2 06 = CAB CHASSIS WHEEL BASE 6 11 = VAN WHEEL BASE 1 12 = VAN WHEEL BASE 2 51 = WAGON WHEEL BASE 1 52 = WAGON WHEEL BASE 2 14 = VAN WHEEL BASE 4 15 = VAN WHEEL BASE 5 56 = WAGON WHEEL BASE 6 16 = VAN WHEEL BASE 6 54 = WAGON WHEEL BASE 4 55 = WAGON WHEEL BASE 5	EX9 = Engine-2.7L I5 Mercedes Turbo Diesel	DGJ = Transmission-5-Spd. Automatic, W5A580

AR = use ase required - = Non illustrated part

Door, Sliding Cargo Lock And Controls
Figure DVA-330



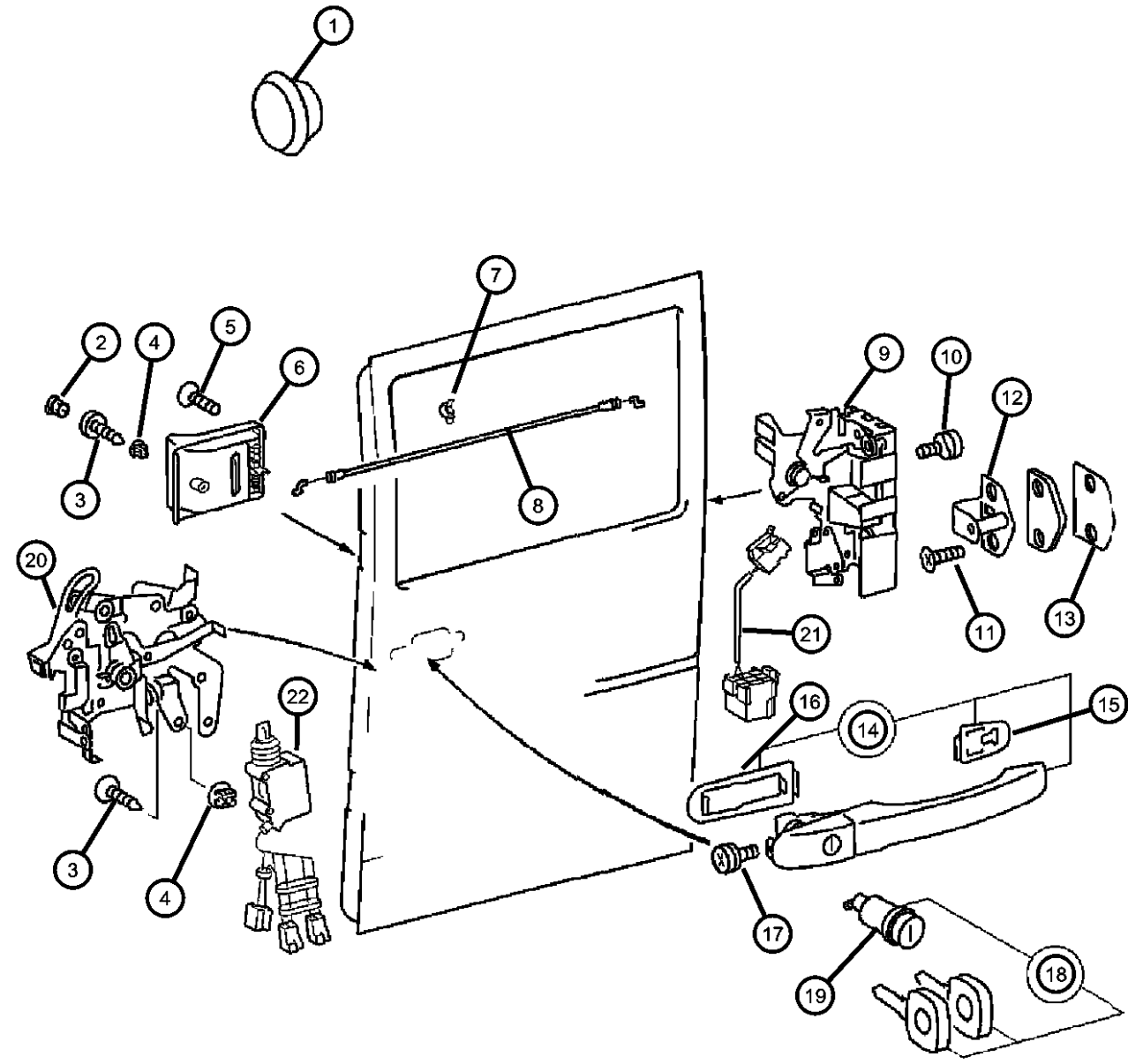
ITEM	PART NUMBER	QTY	LINE	SERIES	BODY	ENGINE	TRANS	TRIM	DESCRIPTION
		2	2, 6	L	11, 12, 14, 15, 16				
		2	2, 6	L	51, 52, 54, 55, 56				
12	05104330AA	1	2, 6	L	11, 12, 14, 15, 16				STRIKER
		1	2, 6	L	51, 52, 54, 55, 56				
		1	3, 7	L	12, 15, 16				
13	05103591AA	1	2, 6	L	11, 12, 14, 15, 16				PLATE, STRIKER, SPRINTER
		1	2, 6	L	51, 52, 54, 55, 56				
		1	3, 7	L	12, 15, 16				
14	05104415AA	1	2, 6	L	11, 12, 14, 15, 16				HANDLE, Cargo Door
		1	2, 6	L	51, 52, 54, 55, 56				
		1	3, 7	L	12, 15, 16				
15	05103673AA	1	6	L	11, 12, 14, 15, 16				PAD
		1	6	L	51, 52, 54, 55, 56				
		1	7	L	12, 15, 16				
16	05103672AA	1	6	L	11, 12, 14, 15, 16				PAD
		1	6	L	51, 52, 54, 55, 56				
		1	7	L	12, 15, 16				

SPRINTER (VA)

SERIES	LINE	BODY	ENGINE	TRANSMISSION
L = LOWLINE	3 = HD DODGE 2WD 6 = Lt. Duty DODGE 4WD 2 = Med. Duty DODGE 2WD 7 = Med. Duty DODGE 4WD	01 = CHASSIS FORWARD CONTROL W.B.1 02 = CAB CHASSIS WHEEL BASE 2 06 = CAB CHASSIS WHEEL BASE 6 11 = VAN WHEEL BASE 1 12 = VAN WHEEL BASE 2 51 = WAGON WHEEL BASE 1 52 = WAGON WHEEL BASE 2 14 = VAN WHEEL BASE 4 15 = VAN WHEEL BASE 5 56 = WAGON WHEEL BASE 6 16 = VAN WHEEL BASE 6 54 = WAGON WHEEL BASE 4 55 = WAGON WHEEL BASE 5	EX9 = Engine-2.7L I5 Mercedes Turbo Diesel	DGJ = Transmission-5-Spd. Automatic, W5A580

AR = use ase required - = Non illustrated part

Door, Sliding Cargo Lock And Controls
Figure DVA-330



ITEM	PART NUMBER	QTY	LINE	SERIES	BODY	ENGINE	TRANS	TRIM	DESCRIPTION
17	05125414AA	1	2, 6	L	11, 12, 14, 15, 16				SCREW, Front Door Handle
		1	2, 6	L	51, 52, 54, 55, 56				
		1	3, 7	L	12, 15, 16				
18	05133521AA	1	2, 6	L	11, 12, 14, 15, 16				CYLINDER, Door Lock
		1	2, 6	L	51, 52, 54, 55, 56				
		1	3, 7	L	12, 15, 16				
19	05114364AA	1	2, 6	L	11, 12, 14, 15, 16				CYLINDER, Door Lock
		1	2, 6	L	51, 52, 54, 55, 56				
		1	3, 7	L	12, 15, 16				
20	05104359AA	1	2, 6	L	51, 52, 54, 55, 56				LOCK, Side Cargo Door
		1	3, 7	L	12, 15, 16				Must also order 05103756AA, Right
	05104361AA	1	3, 7	L	12, 15, 16				Must also order 05103756AA, Right
	05123814AA	1	2, 6	L	11, 12, 14, 15, 16				Anti-Child Device must also order 05103756AA, Right
		1	2, 6	L	51, 52, 54, 55, 56				Must also order 05103756AA, Left
		1	3, 7	L	12, 15, 16				Must also order 05103756AA, Left
21	05133527AA	1	2, 6	L	11, 12, 14, 15, 16				SWITCH, Door Lock
									Right

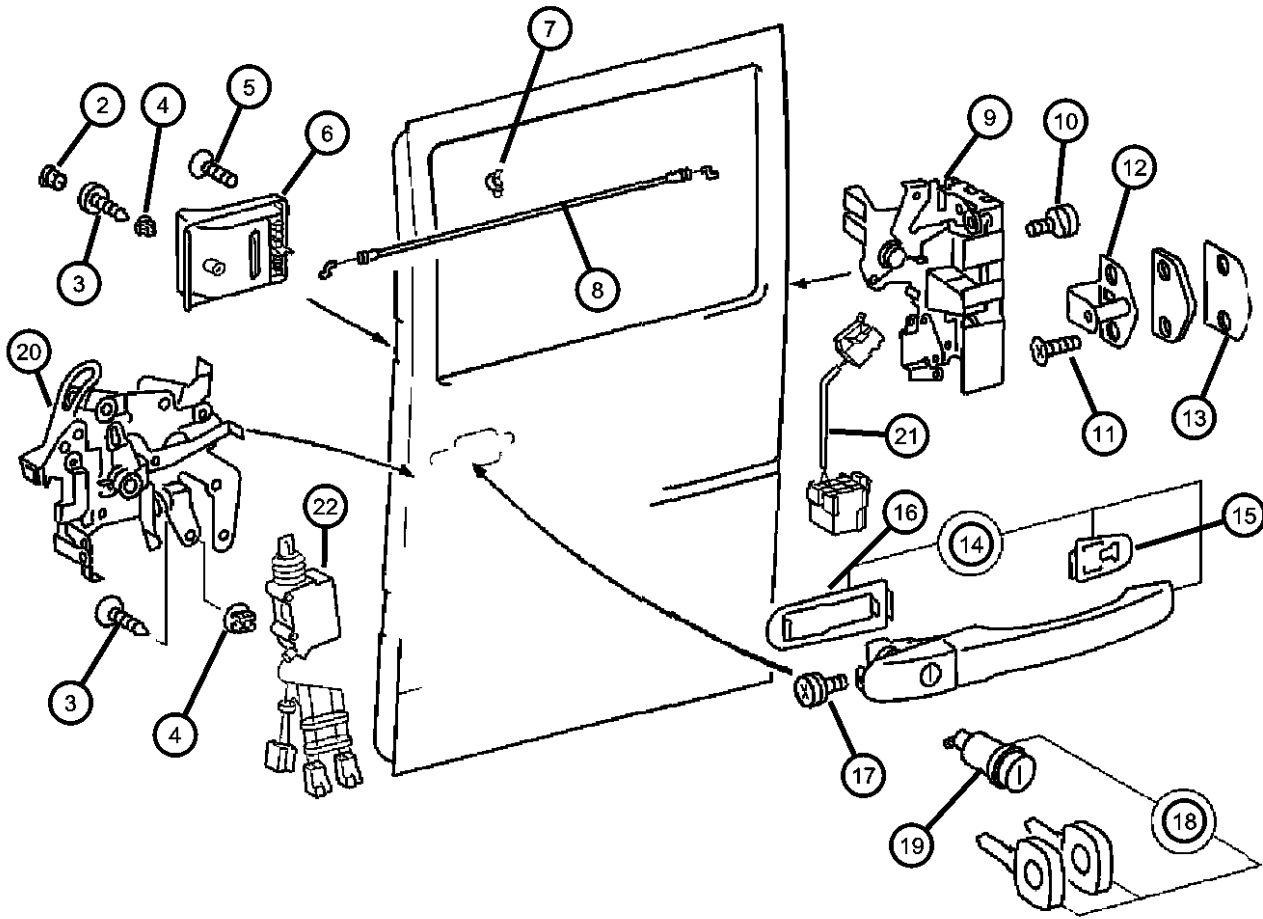
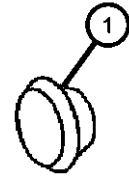
SPRINTER (VA)

SERIES	LINE	BODY	ENGINE	TRANSMISSION
L = LOWLINE	3 = HD DODGE 2WD 6 = Lt. Duty DODGE 4WD 2 = Med. Duty DODGE 2WD 7 = Med. Duty DODGE 4WD	01 = CHASSIS FORWARD CONTROL W.B.1 02 = CAB CHASSIS WHEEL BASE 2 06 = CAB CHASSIS WHEEL BASE 6 11 = VAN WHEEL BASE 1 12 = VAN WHEEL BASE 2 51 = WAGON WHEEL BASE 1 52 = WAGON WHEEL BASE 2 14 = VAN WHEEL BASE 4 15 = VAN WHEEL BASE 5 56 = WAGON WHEEL BASE 6 16 = VAN WHEEL BASE 6 54 = WAGON WHEEL BASE 4 55 = WAGON WHEEL BASE 5	EX9 = Engine-2.7L I5 Mercedes Turbo Diesel	DGJ = Transmission-5-Spd. Automatic, W5A580

AR = use ase required - = Non illustrated part

Door, Sliding Cargo Lock And Controls
Figure DVA-330

ITEM	PART NUMBER	QTY	LINE	SERIES	BODY	ENGINE	TRANS	TRIM	DESCRIPTION
		1	2, 6	L	51, 52, 54, 55, 56				Right
		1	3, 7	L	12, 15, 16				Right
	05133999AA	1	3, 7	L	12, 15, 16				Left
		1	2, 6	L	11, 12, 14, 15, 16				Left
		1	2, 6	L	51, 52, 54, 55, 56				Left
22									ACTUATOR, Power Door Lock
	05103756AA	1	2, 6	L	11, 12, 14, 15, 16				
		1	3, 7	L	12, 15, 16				
		1	2, 6	L	51, 52, 54, 55, 56				



SPRINTER (VA)

SERIES

L = LOWLINE
 3 = HD DODGE 2WD
 6 = Lt. Duty DODGE 4WD
 2 = Med. Duty DODGE 2WD
 7 = Med. Duty DODGE 4WD

BODY

01 = CHASSIS FORWARD CONTROL W.B.1
 02 = CAB CHASSIS WHEEL BASE 2
 06 = CAB CHASSIS WHEEL BASE 6
 11 = VAN WHEEL BASE 1
 12 = VAN WHEEL BASE 2
 51 = WAGON WHEEL BASE 1
 52 = WAGON WHEEL BASE 2
 14 = VAN WHEEL BASE 4
 15 = VAN WHEEL BASE 5
 56 = WAGON WHEEL BASE 6
 16 = VAN WHEEL BASE 6
 54 = WAGON WHEEL BASE 4
 55 = WAGON WHEEL BASE 5

ENGINE

EX9 = Engine-2.7L I5
 Mercedes Turbo Diesel

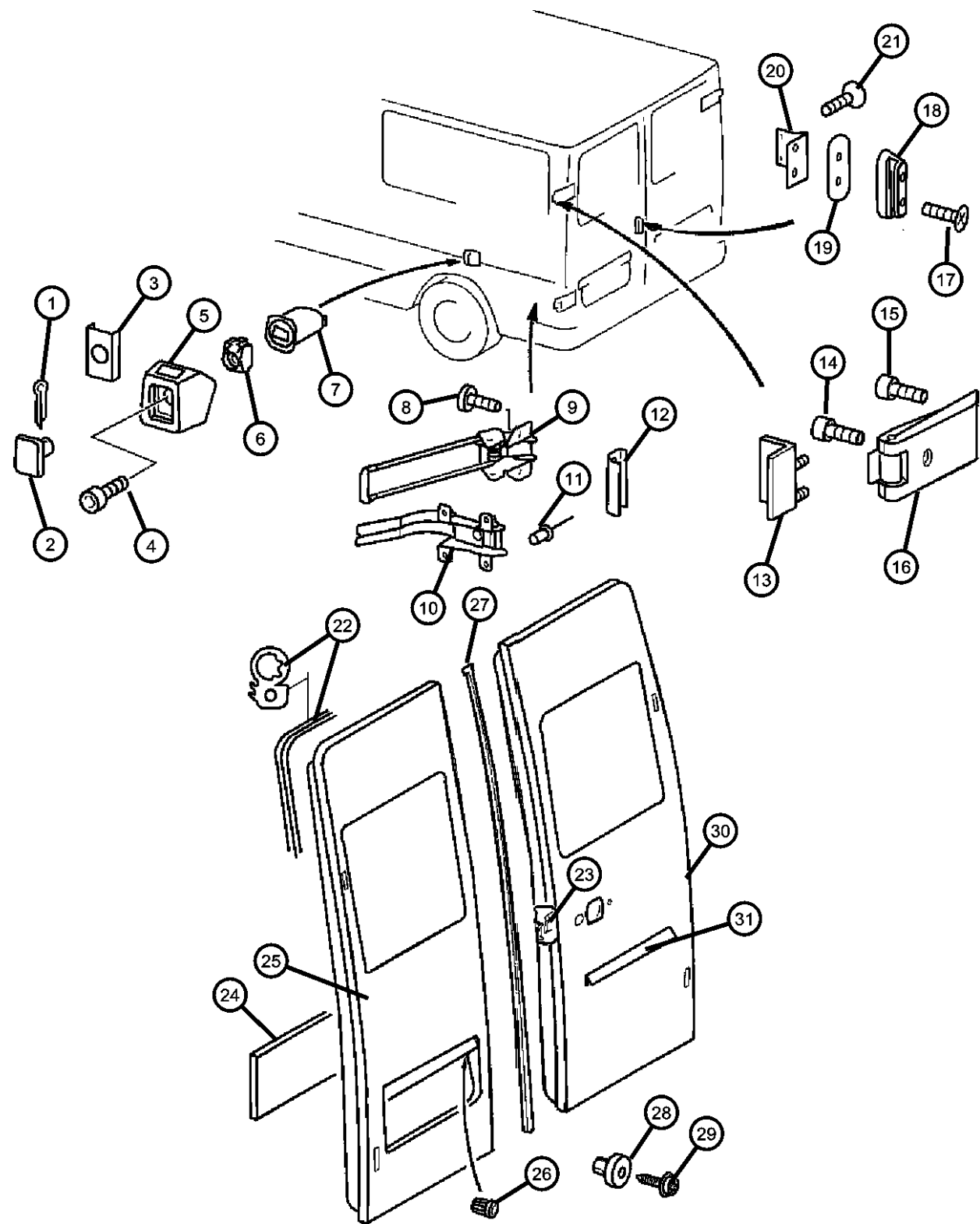
TRANSMISSION

DGJ = Transmission-5-Spd. Automatic, W5A580

AR = use ase required - = Non illustrated part

2002 VA

**Door, Cargo Shell And Hinges
Figure DVA-410**



ITEM	PART NUMBER	QTY	LINE	SERIES	BODY	ENGINE	TRANS	TRIM	DESCRIPTION
1	05104611AA	2	3, 7	L	12, 15, 16				PIN, Cotter
		2	2, 6	L	11, 12, 14, 15, 16				
		2	2, 6	L	51, 52, 54, 55, 56				
2	05104423AA	1	2, 6	L	11, 12, 14, 15, 16				MAGNET
		1	2, 6	L	51, 52, 54, 55, 56				
		1	3, 7	L	12, 15, 16				
3	05104433AA	1	2, 6	L	11, 12, 14, 15, 16				PLATE, Support
		1	2, 6	L	51, 52, 54, 55, 56				
		1	3, 7	L	12, 15, 16				
4	05103719AA	1	2, 6	L	11, 12, 14, 15, 16				SCREW
		1	2, 6	L	51, 52, 54, 55, 56				
		1	3, 7	L	12, 15, 16				
5	05104369AA	1	2, 6	L	11, 12, 14, 15, 16				BUMPER, Door
		1	2, 6	L	51, 52, 54, 55, 56				
		1	3, 7	L	12, 15, 16				
6	05103840AA	1	2, 6	L	11, 12, 14, 15, 16				NUT, Snap In
		1	2, 6	L	51, 52, 54, 55, 56				

SPRINTER (VA)

SERIES

L = LOWLINE

LINE

3 = HD DODGE 2WD
6 = Lt. Duty DODGE 4WD
2 = Med. Duty DODGE 2WD
7 = Med. Duty DODGE 4WD

BODY

01 = CHASSIS FORWARD CONTROL W.B.1
02 = CAB CHASSIS WHEEL BASE 2
06 = CAB CHASSIS WHEEL BASE 6
11 = VAN WHEEL BASE 1
12 = VAN WHEEL BASE 2
51 = WAGON WHEEL BASE 1
52 = WAGON WHEEL BASE 2
14 = VAN WHEEL BASE 4
15 = VAN WHEEL BASE 5
56 = WAGON WHEEL BASE 6
16 = VAN WHEEL BASE 6
54 = WAGON WHEEL BASE 4
55 = WAGON WHEEL BASE 5

ENGINE

EX9 = Engine-2.7L I5
Mercedes Turbo Diesel

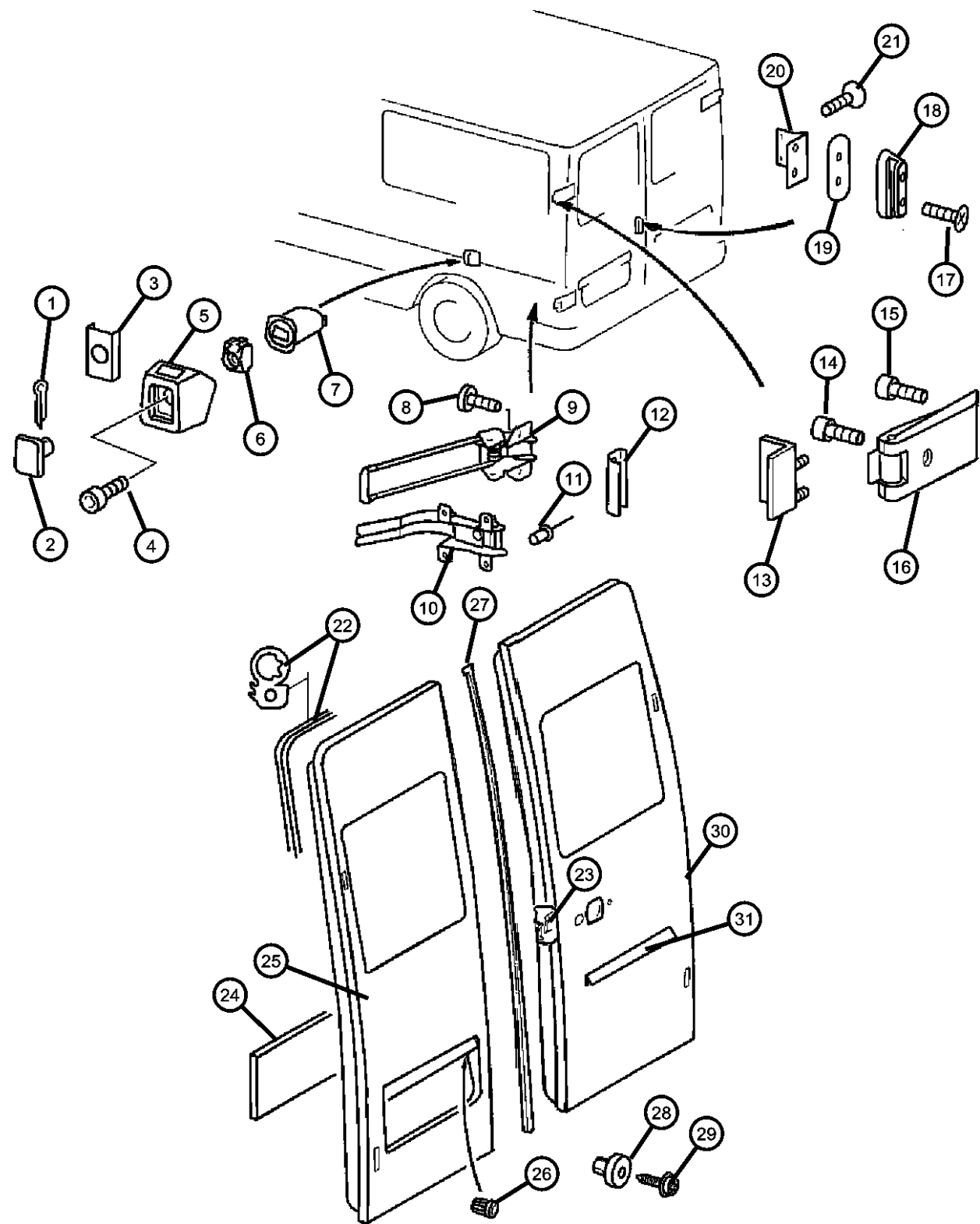
TRANSMISSION

DGJ = Transmission-5-Spd. Automatic, W5A580

AR = use ase required - = Non illustrated part

2002 VA

Door, Cargo Shell And Hinges
Figure DVA-410



ITEM	PART NUMBER	QTY	LINE	SERIES	BODY	ENGINE	TRANS	TRIM	DESCRIPTION
7		1	3, 7	L	12, 15, 16				REINFORCEMENT
	05104173AA	1	2, 6	L	11, 12, 14, 15, 16				
		1	2, 6	L	51, 52, 54, 55, 56				
8		1	3, 7	L	12, 15, 16				SCREW, 05103716aa, (NOT SERVICED)
9		1							CHECK, Rear Door
	05104414AA	1	2, 6	L	11, 12, 14, 15, 16				
		1	2, 6	L	51, 52, 54, 55, 56				
		1	3, 7	L	12, 15, 16				
10		1							BRACKET, Door Inside
	05104413AA	1	2, 6	L	11, 12, 14, 15, 16				
		1	2, 6	L	51, 52, 54, 55, 56				
		1	3, 7	L	12, 15, 16				
11		4	3, 7	L	12, 15, 16				RIVET
	05103838AA	4	2, 6	L	11, 12, 14, 15, 16				
		4	2, 6	L	51, 52, 54, 55, 56				
12		1	2, 6	L	14, 15, 16, 11, 12				BRACKET, Cargo Door Hinge
	05104430AA	1	2, 6	L	51, 52, 54, 55, 56				
		1	3, 7	L	12, 15, 16				

SPRINTER (VA)

SERIES

L = LOWLINE
 3 = HD DODGE 2WD
 6 = Lt. Duty DODGE 4WD
 2 = Med. Duty DODGE 2WD
 7 = Med. Duty DODGE 4WD

LINE

BODY

01 = CHASSIS FORWARD CONTROL W.B.1
 02 = CAB CHASSIS WHEEL BASE 2
 06 = CAB CHASSIS WHEEL BASE 6
 11 = VAN WHEEL BASE 1
 12 = VAN WHEEL BASE 2
 51 = WAGON WHEEL BASE 1
 52 = WAGON WHEEL BASE 2
 14 = VAN WHEEL BASE 4
 15 = VAN WHEEL BASE 5
 56 = WAGON WHEEL BASE 6
 16 = VAN WHEEL BASE 6
 54 = WAGON WHEEL BASE 4
 55 = WAGON WHEEL BASE 5

ENGINE

EX9 = Engine-2.7L I5
 Mercedes Turbo Diesel

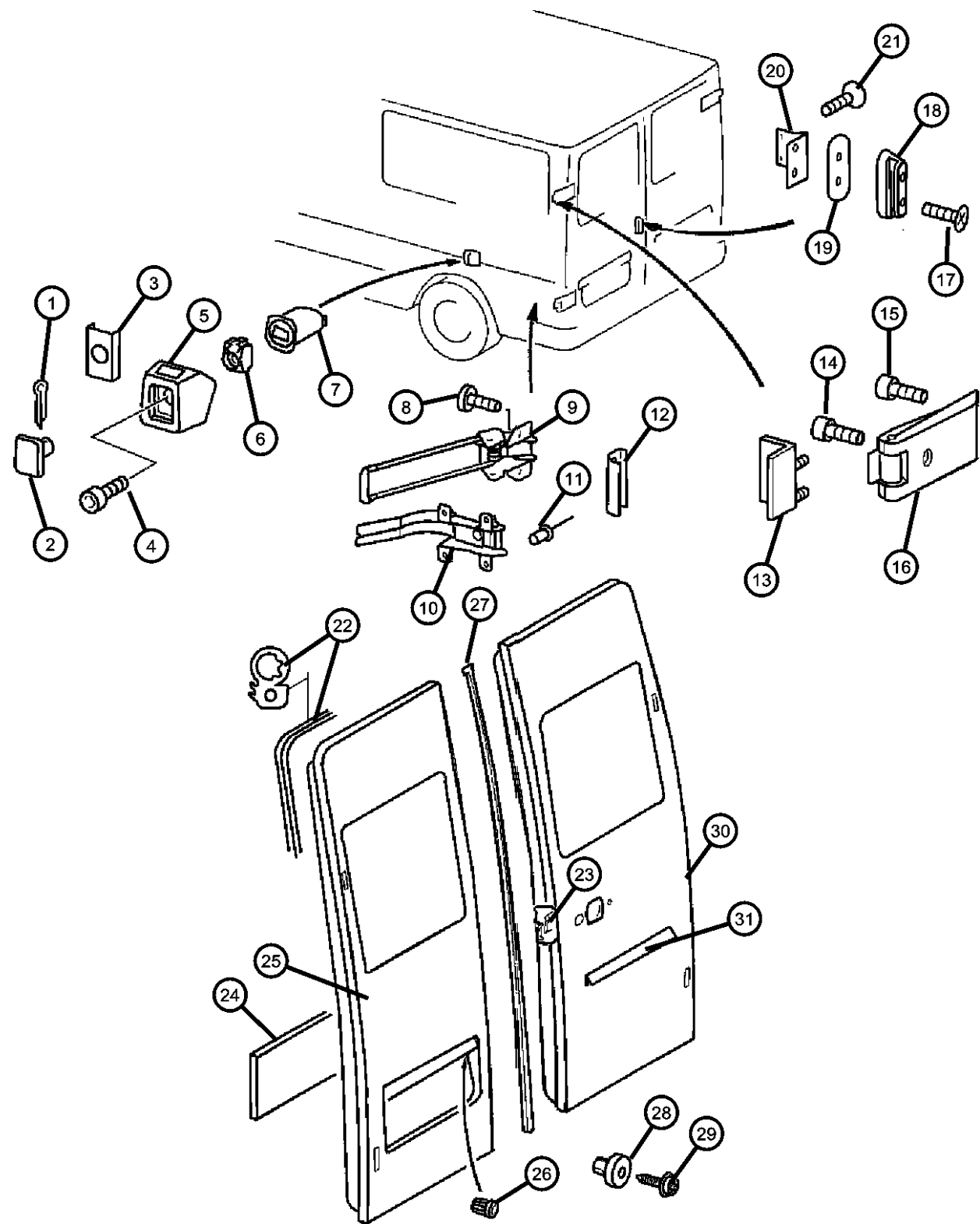
TRANSMISSION

DGJ = Transmission-5-Spd. Automatic, W5A580

AR = use ase required - = Non illustrated part

2002 VA

**Door, Cargo Shell And Hinges
Figure DVA-410**



ITEM	PART NUMBER	QTY	LINE	SERIES	BODY	ENGINE	TRANS	TRIM	DESCRIPTION
13	05104385AA	2	2, 6	L	51, 52, 54, 55, 56				STOPPER, Cargo Door
		2	3, 7	L	12, 15, 16				
		2	2, 6	L	11, 12, 14, 15, 16				
14	05125420AA	1	2, 6	L	11, 12, 14, 15, 16				BOLT, Torx
		1	2, 6	L	51, 52, 54, 55, 56				
		1	3, 7	L	12, 15, 16				
15	05073721AA	1		L					SCREW
16	05104378AA	2	2, 6	L	16, 11, 12, 14, 15				HINGE, Rear Door
		2	2, 6	L	51, 52, 54, 55, 56				
		2	3, 7	L	15, 16, 12				
17	06104139AA	2	2, 6	L	51, 52, 54, 55, 56				SCREW
		2	3, 7	L	12, 15, 16				
		2	2, 6	L	11, 12, 14, 15, 16				
18	05104370AA	1	2, 6	L	11, 12, 14, 15, 16				BUMPER, Door
		1	2, 6	L	51, 52, 54, 55, 56				
		1	3, 7	L	12, 15, 16				
19									GASKET, Bumper Bracket

SPRINTER (VA)

SERIES

L = LOWLINE
 3 = HD DODGE 2WD
 6 = Lt. Duty DODGE 4WD
 2 = Med. Duty DODGE 2WD
 7 = Med. Duty DODGE 4WD

LINE

BODY

01 = CHASSIS FORWARD CONTROL W.B.1
 02 = CAB CHASSIS WHEEL BASE 2
 06 = CAB CHASSIS WHEEL BASE 6
 11 = VAN WHEEL BASE 1
 12 = VAN WHEEL BASE 2
 51 = WAGON WHEEL BASE 1
 52 = WAGON WHEEL BASE 2
 14 = VAN WHEEL BASE 4
 15 = VAN WHEEL BASE 5
 56 = WAGON WHEEL BASE 6
 16 = VAN WHEEL BASE 6
 54 = WAGON WHEEL BASE 4
 55 = WAGON WHEEL BASE 5

ENGINE

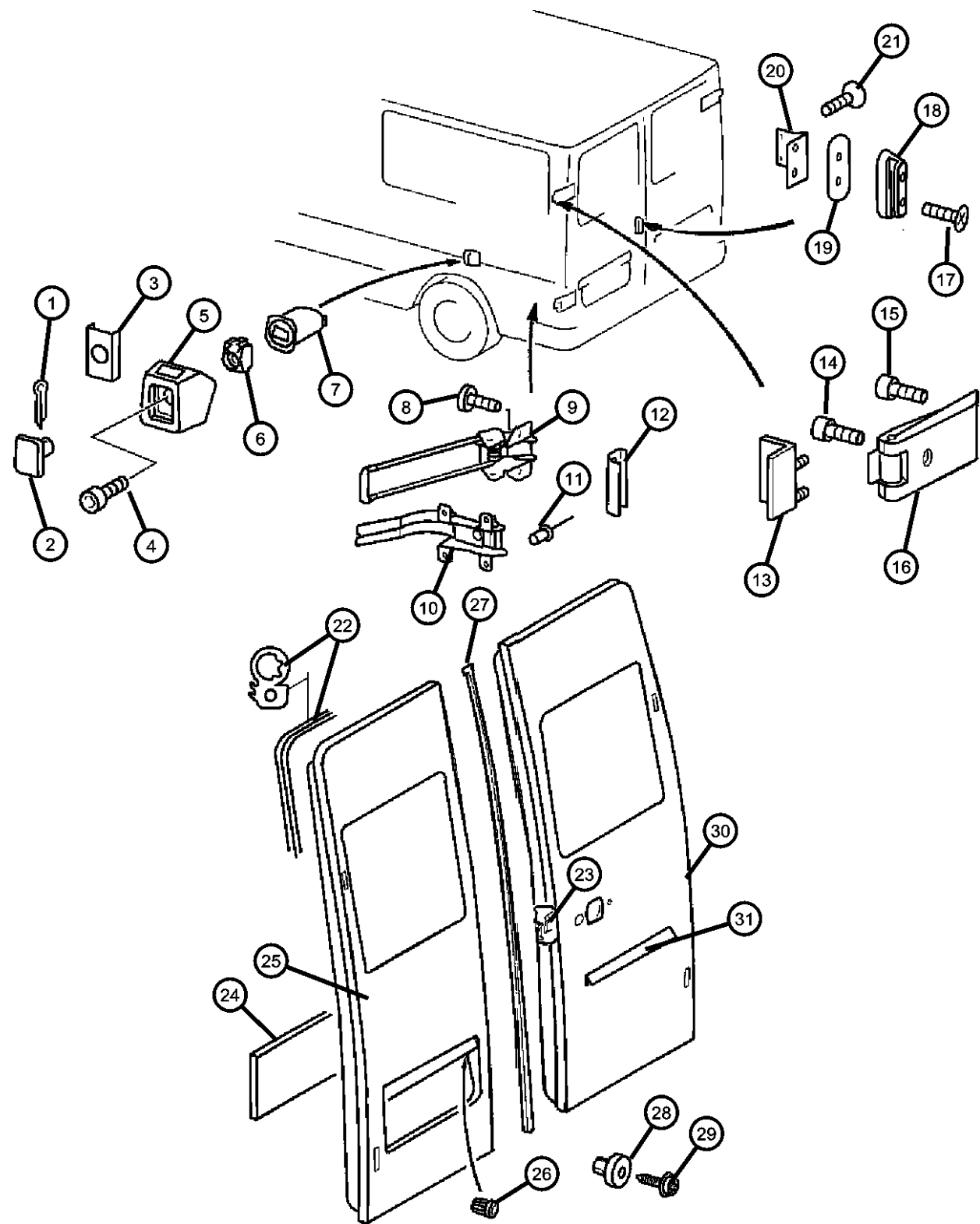
EX9 = Engine-2.7L I5
 Mercedes Turbo Diesel

TRANSMISSION

DGJ = Transmission-5-Spd. Automatic, W5A580

AR = use ase required - = Non illustrated part

Door, Cargo Shell And Hinges
Figure DVA-410



ITEM	PART NUMBER	QTY	LINE	SERIES	BODY	ENGINE	TRANS	TRIM	DESCRIPTION
	05104432AA	1	2, 6	L	11, 12, 14, 15, 16				
		1	2, 6	L	51, 52, 54, 55, 56				
20		1	3, 7	L	12, 15, 16				BRACKET, Hinge Reinforcement
	05123934AA	1	2, 6	L	11, 12, 14, 15, 16				
		1	2, 6	L	51, 52, 54, 55, 56				
		1	3, 7	L	12, 15, 16				
21		1	3, 7	L	12, 15, 16				SCREW
	05133932AA	4	3, 7	L	12, 15, 16				
		4	2, 6	L	11, 12, 14, 15, 16				
		4	2, 6	L	51, 52, 54, 55, 56				
22									WEATHERSTRIP, Cargo Door
	05104274AA	1	2, 6	L	11, 12, 14, 15, 16				
		1	2, 6	L	51, 52, 54, 55, 56				
		1	3, 7	L	12, 15, 16				
23		1							FILM, (NOT SERVICED)
24									SILENCER, Door
	05122518AA	2	2, 6	L	11, 12, 14, 15, 16				
		2	2, 6	L	51, 52, 54, 55, 56				
		2	3, 7	L	12, 15, 16				
25									DOOR, Rear Cargo
	05123913AA	1	2, 6	L	51, 52, 54, 55, 56				

SPRINTER (VA)

SERIES

L = LOWLINE
 3 = HD DODGE 2WD
 6 = Lt. Duty DODGE 4WD
 2 = Med. Duty DODGE 2WD
 7 = Med. Duty DODGE 4WD

LINE

BODY

01 = CHASSIS FORWARD CONTROL W.B.1
 02 = CAB CHASSIS WHEEL BASE 2
 06 = CAB CHASSIS WHEEL BASE 6
 11 = VAN WHEEL BASE 1
 12 = VAN WHEEL BASE 2
 51 = WAGON WHEEL BASE 1
 52 = WAGON WHEEL BASE 2
 14 = VAN WHEEL BASE 4
 15 = VAN WHEEL BASE 5
 56 = WAGON WHEEL BASE 6
 16 = VAN WHEEL BASE 6
 54 = WAGON WHEEL BASE 4
 55 = WAGON WHEEL BASE 5

ENGINE

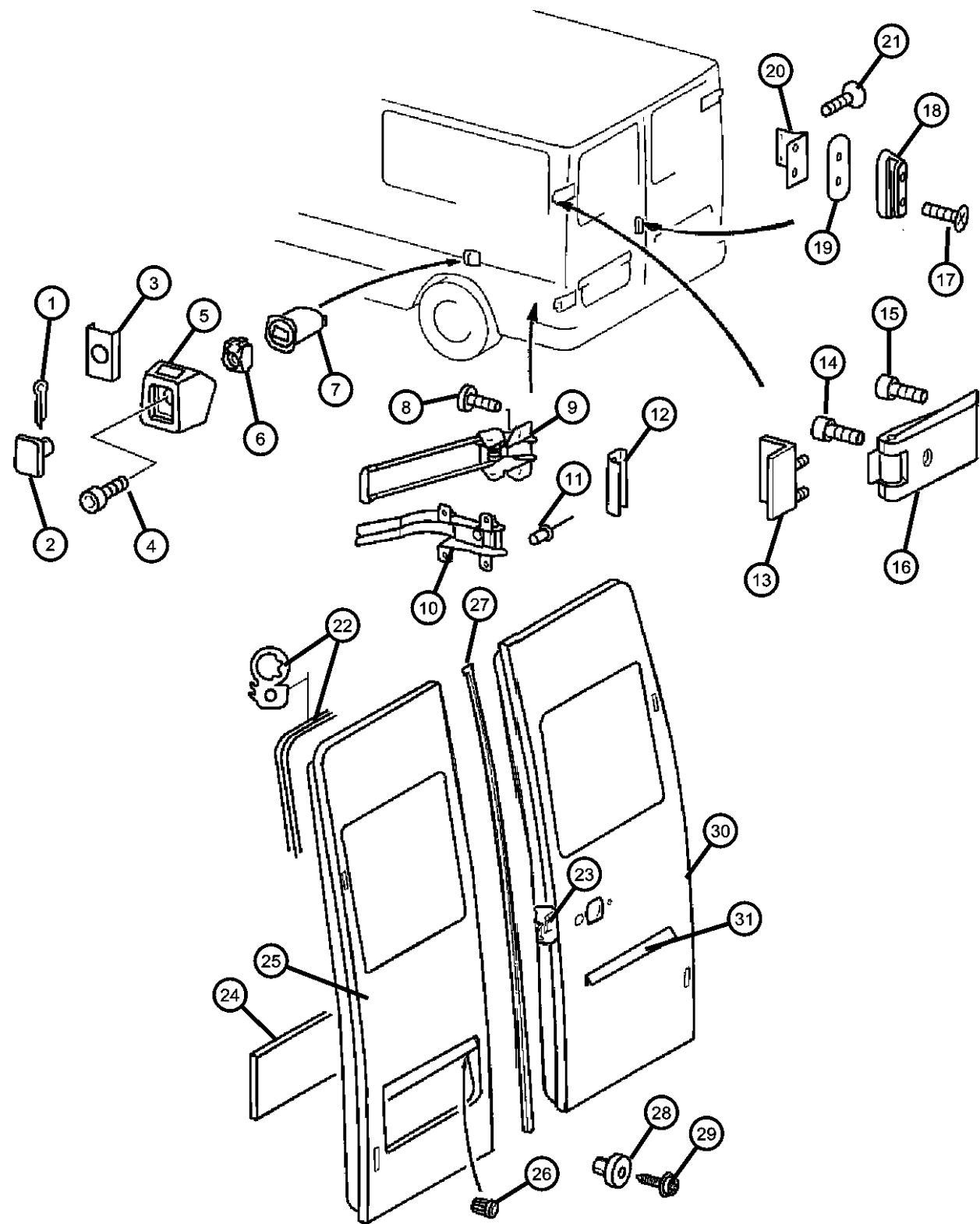
EX9 = Engine-2.7L I5
 Mercedes Turbo Diesel

TRANSMISSION

DGJ = Transmission-5-Spd. Automatic, W5A580

AR = use ase required - = Non illustrated part

Door, Cargo Shell And Hinges
Figure DVA-410



ITEM	PART NUMBER	QTY	LINE	SERIES	BODY	ENGINE	TRANS	TRIM	DESCRIPTION
		1	3, 7	L	12, 15, 16				[GEM]
	05104373AA	1	2, 6	L	11, 12, 14, 15, 16				[MWJ] Without Glass
	05123905AA	1	3, 7	L	12, 15, 16				[MWJ] Without Glass
		1	2, 6	L	11, 12, 14, 15, 16				Base
	05123917AA	1	2, 6	L	11, 12, 14, 15, 16				[GEM]
		1	2, 6	L	11, 12, 14, 15, 16				[MWJ+GEM]
		1	3, 7	L	12, 15, 16				[MWJ+GEM]
26	05103929AA	4	3, 7	L	12, 15, 16				NUT, Push In
27	05104375AA	1	2, 6	L	11, 12, 14, 15, 16				WEATHERSTRIP, Cargo Door
		1	2, 6	L	51, 52, 54, 55, 56				
		1	3, 7	L	12, 15, 16				
28		1							NUTSERT, Rivet, (NOT SERVICED)
29									SCREW
	05133931AA	4	7	L	12, 15, 16				
		4	6	L	11, 12, 14, 15, 16				
		4	6	L	51, 52, 54, 55, 56				
30									DOOR, Rear Cargo
	05104376AA	1	2, 6	L	11, 12, 14, 15, 16				[MWJ] Without Glass
		1	3, 7	L	12, 15, 16				[MWJ] Without Glass
	05104379AA	1	2, 6	L	51, 52, 54, 55, 56				
	05123915AA	1	2, 6	L	11, 12, 14, 15, 16				[GEM]

SPRINTER (VA)

SERIES

L = LOWLINE
 3 = HD DODGE 2WD
 6 = Lt. Duty DODGE 4WD
 2 = Med. Duty DODGE 2WD
 7 = Med. Duty DODGE 4WD

BODY

01 = CHASSIS FORWARD CONTROL W.B.1
 02 = CAB CHASSIS WHEEL BASE 2
 06 = CAB CHASSIS WHEEL BASE 6
 11 = VAN WHEEL BASE 1
 12 = VAN WHEEL BASE 2
 51 = WAGON WHEEL BASE 1
 52 = WAGON WHEEL BASE 2
 14 = VAN WHEEL BASE 4
 15 = VAN WHEEL BASE 5
 56 = WAGON WHEEL BASE 6
 16 = VAN WHEEL BASE 6
 54 = WAGON WHEEL BASE 4
 55 = WAGON WHEEL BASE 5

ENGINE

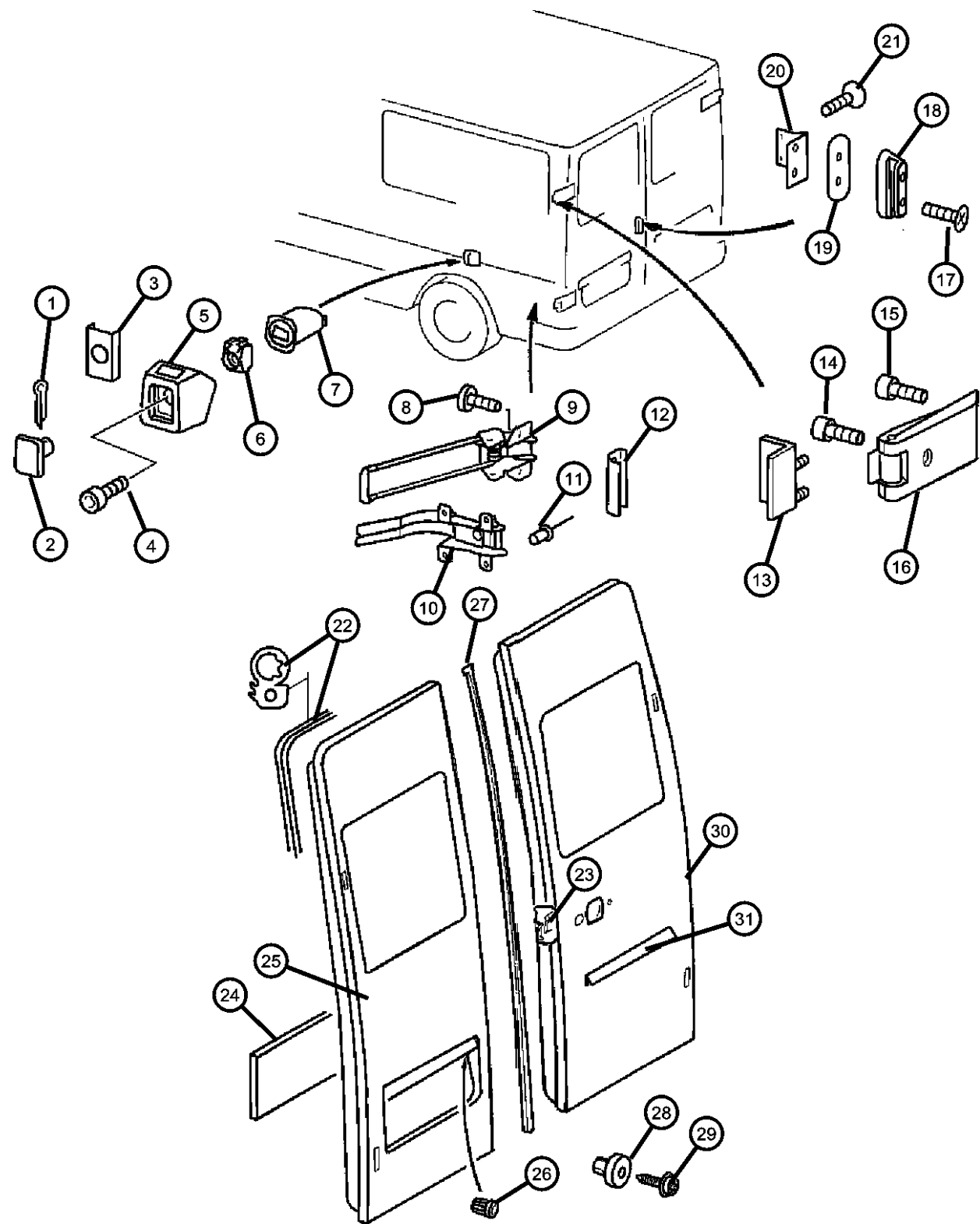
EX9 = Engine-2.7L I5
 Mercedes Turbo Diesel

TRANSMISSION

DGJ = Transmission-5-Spd. Automatic, W5A580

AR = use ase required - = Non illustrated part

**Door, Cargo Shell And Hinges
Figure DVA-410**



ITEM	PART NUMBER	QTY	LINE	SERIES	BODY	ENGINE	TRANS	TRIM	DESCRIPTION
		1	3, 7	L	12, 15, 16				[GEM]
	05123919AA	1	2, 6	L	11, 12, 14, 15, 16				[MWJ+GEM]
31		1	3, 7	L	12, 15, 16				[MWJ+GEM]
	05104451AA	1	2, 6	L	11, 12, 14, 15, 16				NAMEPLATE, Rear Door
		1	2, 6	L	51, 52, 54, 55, 56				
		1	3, 7	L	12, 15, 16				

SPRINTER (VA)

SERIES

L = LOWLINE
 3 = HD DODGE 2WD
 6 = Lt. Duty DODGE 4WD
 2 = Med. Duty DODGE 2WD
 7 = Med. Duty DODGE 4WD

BODY

01 = CHASSIS FORWARD CONTROL W.B.1
 02 = CAB CHASSIS WHEEL BASE 2
 06 = CAB CHASSIS WHEEL BASE 6
 11 = VAN WHEEL BASE 1
 12 = VAN WHEEL BASE 2
 51 = WAGON WHEEL BASE 1
 52 = WAGON WHEEL BASE 2
 14 = VAN WHEEL BASE 4
 15 = VAN WHEEL BASE 5
 56 = WAGON WHEEL BASE 6
 16 = VAN WHEEL BASE 6
 54 = WAGON WHEEL BASE 4
 55 = WAGON WHEEL BASE 5

ENGINE

EX9 = Engine-2.7L I5
 Mercedes Turbo Diesel

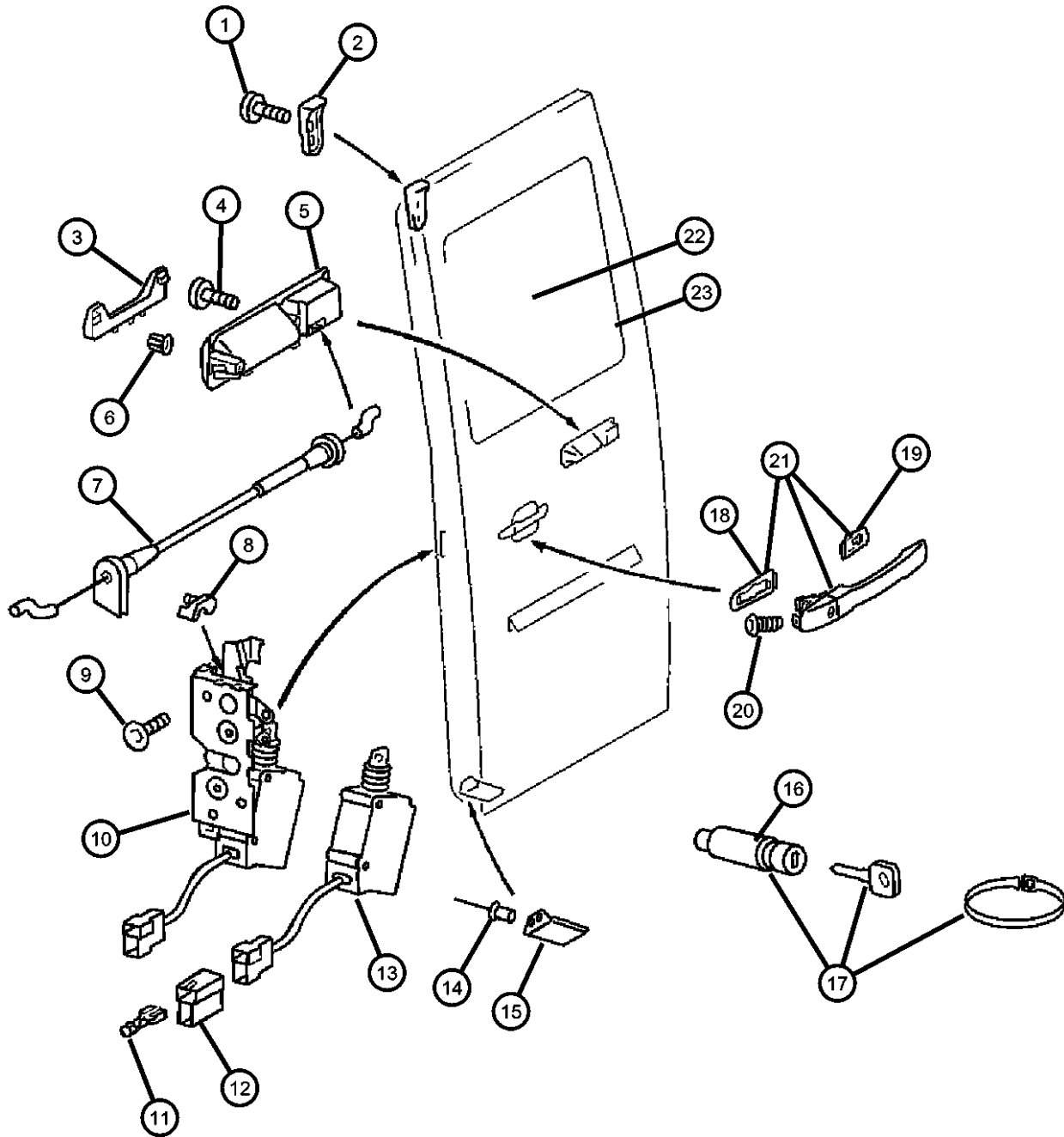
TRANSMISSION

DGJ = Transmission-5-Spd. Automatic, W5A580

AR = use ase required - = Non illustrated part

2002 VA

**Door, Cargo Glass And Hardware
Figure DVA-420**



ITEM	PART NUMBER	QTY	LINE	SERIES	BODY	ENGINE	TRANS	TRIM	DESCRIPTION
1	06104142AA	2	2, 6	L	11, 12, 14, 15, 16				SCREW
		2	2, 6	L	51, 52, 54, 55, 56				
		2	3, 7	L	12, 15, 16				
2	05123997AA	1	2, 6	L	11, 12, 14, 15, 16				SPACER, Door Lock Striker
		1	2, 6	L	51, 52, 54, 55, 56				
		1	3, 7	L	12, 15, 16				
3	05104422AA	1	2, 6	L	11, 12, 14, 15, 16				COVER, Handle
		1	2, 6	L	51, 52, 54, 55, 56				
		1	3, 7	L	12, 15, 16				
4	06104142AA	2	2, 6	L	11, 12, 14, 15, 16				SCREW
		2	2, 6	L	51, 52, 54, 55, 56				
		2	3, 7	L	12, 15, 16				
5	05132053AA	1	2, 6	L	11, 12, 14, 15, 16				HANDLE, Rear Door Interior
		1	2, 6	L	51, 52, 54, 55, 56				
		1	3, 7	L	12, 15, 16				
6	06104884AA	2	2, 6	L	11, 12, 14, 15, 16				RIVETED NUT, INTERIOR HANDLE ASSEMBLY TO DOOR, SPRINTER

SPRINTER (VA)

SERIES

L = LOWLINE
 3 = HD DODGE 2WD
 6 = Lt. Duty DODGE 4WD
 2 = Med. Duty DODGE 2WD
 7 = Med. Duty DODGE 4WD

LINE

BODY

01 = CHASSIS FORWARD CONTROL W.B.1
 02 = CAB CHASSIS WHEEL BASE 2
 06 = CAB CHASSIS WHEEL BASE 6
 11 = VAN WHEEL BASE 1
 12 = VAN WHEEL BASE 2
 51 = WAGON WHEEL BASE 1
 52 = WAGON WHEEL BASE 2
 14 = VAN WHEEL BASE 4
 15 = VAN WHEEL BASE 5
 56 = WAGON WHEEL BASE 6
 16 = VAN WHEEL BASE 6
 54 = WAGON WHEEL BASE 4
 55 = WAGON WHEEL BASE 5

ENGINE

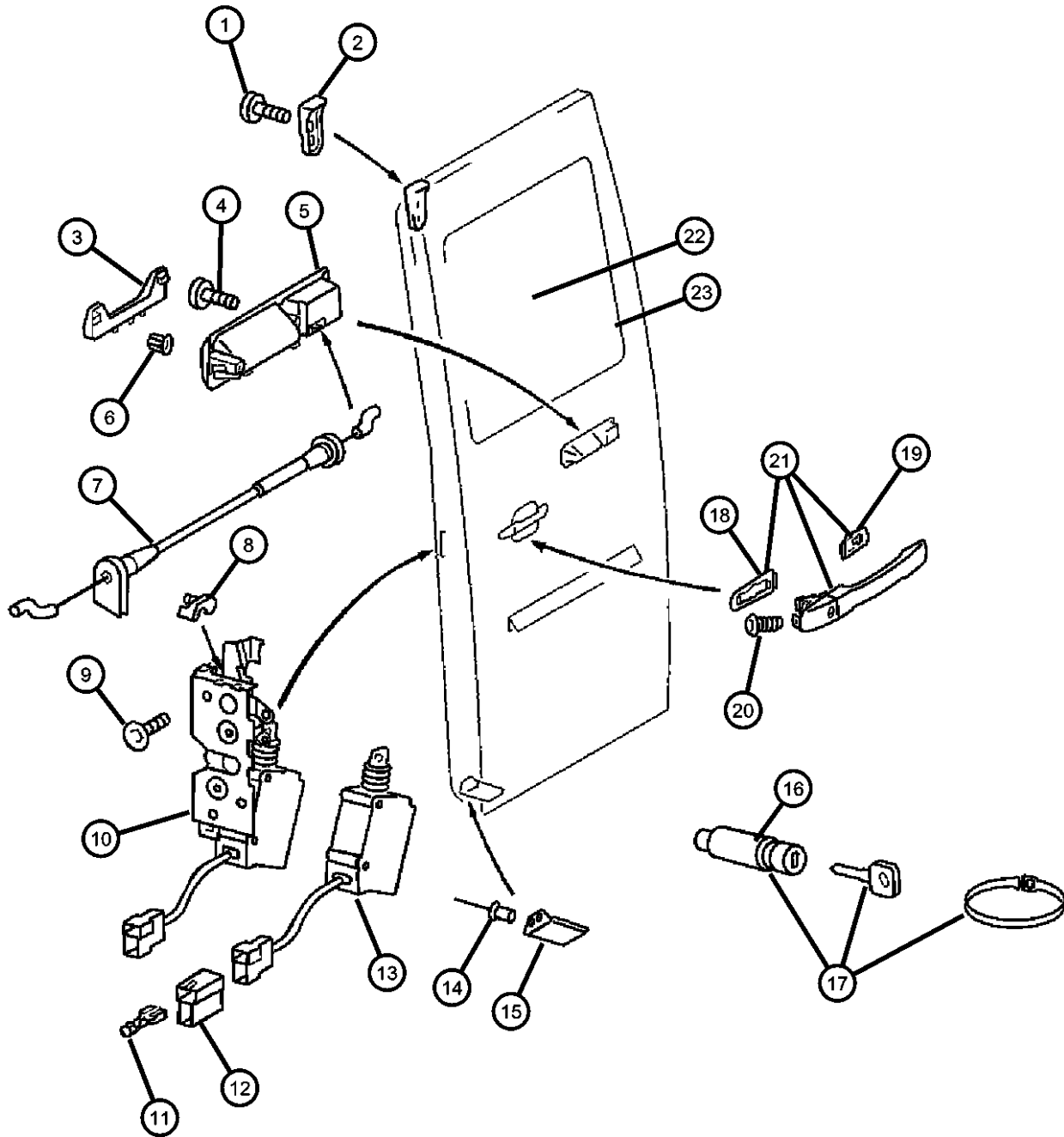
EX9 = Engine-2.7L I5 Mercedes Turbo Diesel

TRANSMISSION

DGJ = Transmission-5-Spd. Automatic, W5A580

AR = use ase required - = Non illustrated part

**Door, Cargo Glass And Hardware
Figure DVA-420**



ITEM	PART NUMBER	QTY	LINE	SERIES	BODY	ENGINE	TRANS	TRIM	DESCRIPTION
		2	2, 6	L	51, 52, 54, 55, 56				
		2	3, 7	L	12, 15, 16				
7	05104416AA	1	2, 6	L	11, 12, 14, 15, 16				CABLE
		1	2, 6	L	51, 52, 54, 55, 56				
		1	3, 7	L	12, 15, 16				
8	05103674AA	1	2, 6	L	11, 12, 14, 15, 16				CONNECTOR, Solenoid
		1	2, 6	L	51, 52, 54, 55, 56				
		1	3, 7	L	12, 15, 16				
9	05103723AA	2	2, 6	L	11, 12, 14, 15, 16				SCREW, LOCK TO DOOR, SPRINTER
		2	2, 6	L	51, 52, 54, 55, 56				
		2	3, 7	L	12, 15, 16				
10	05131997AA	1	2, 6	L	11, 12, 14, 15, 16				LATCH, Rear Door
		1	2, 6	L	51, 52, 54, 55, 56				
		1	3, 7	L	12, 15, 16				
11	05114451AA	99	2, 6	L	11, 12, 14, 15, 16				TERMINAL, Female
		99	2, 6	L	51, 52, 54, 55, 56				
		99	3, 7	L	12, 15, 16				

SPRINTER (VA)

SERIES

L = LOWLINE
 3 = HD DODGE 2WD
 6 = Lt. Duty DODGE 4WD
 2 = Med. Duty DODGE 2WD
 7 = Med. Duty DODGE 4WD

BODY

01 = CHASSIS FORWARD CONTROL W.B.1
 02 = CAB CHASSIS WHEEL BASE 2
 06 = CAB CHASSIS WHEEL BASE 6
 11 = VAN WHEEL BASE 1
 12 = VAN WHEEL BASE 2
 51 = WAGON WHEEL BASE 1
 52 = WAGON WHEEL BASE 2
 14 = VAN WHEEL BASE 4
 15 = VAN WHEEL BASE 5
 56 = WAGON WHEEL BASE 6
 16 = VAN WHEEL BASE 6
 54 = WAGON WHEEL BASE 4
 55 = WAGON WHEEL BASE 5

ENGINE

EX9 = Engine-2.7L I5
 Mercedes Turbo Diesel

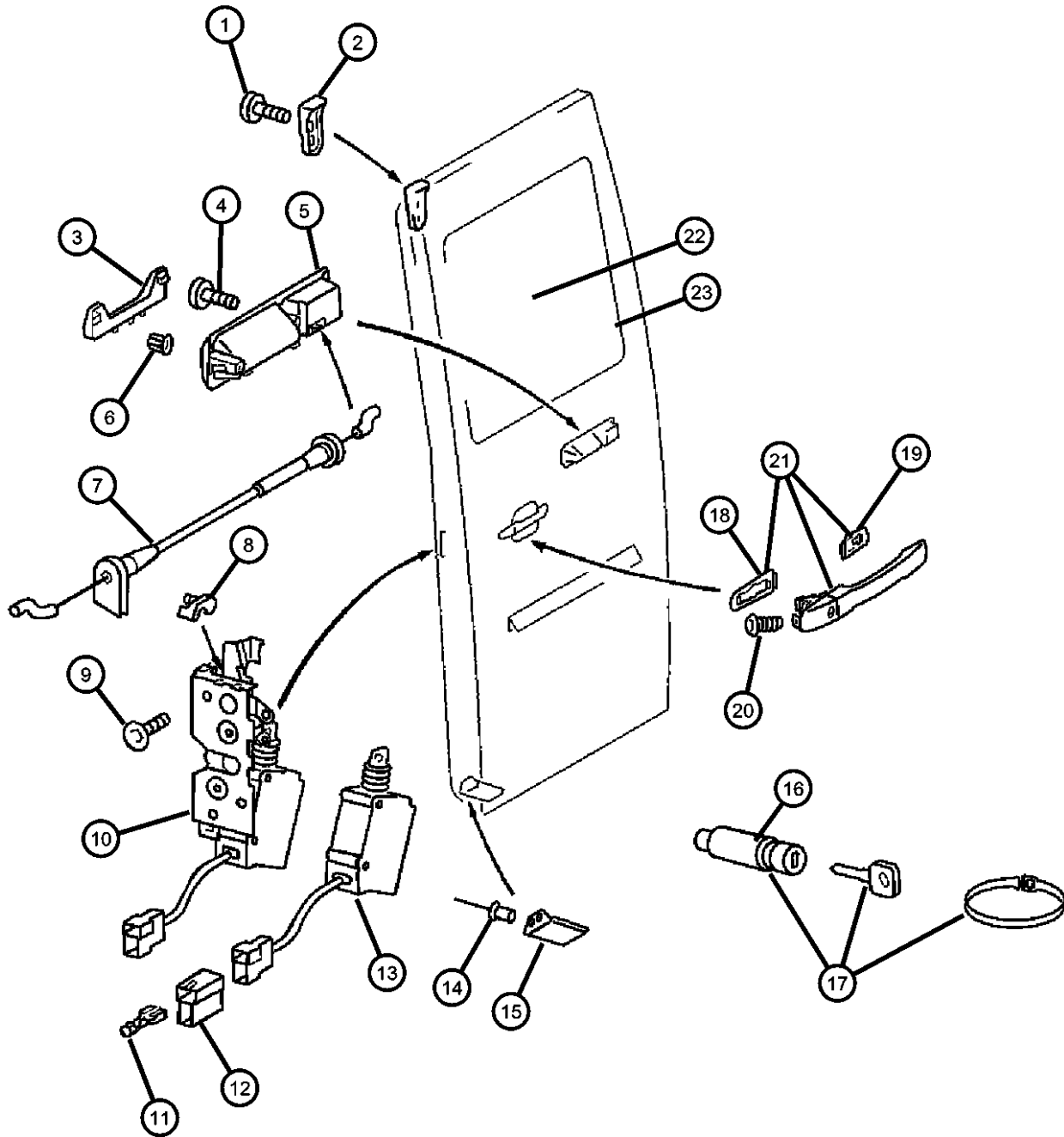
TRANSMISSION

DGJ = Transmission-5-Spd. Automatic, W5A580

AR = use ase required - = Non illustrated part

2002 VA

**Door, Cargo Glass And Hardware
Figure DVA-420**



ITEM	PART NUMBER	QTY	LINE	SERIES	BODY	ENGINE	TRANS	TRIM	DESCRIPTION
12	05103754AA	1	2, 6	L	11, 12, 14, 15, 16				INSULATOR, 2 Way Female
		1	2, 6	L	51, 52, 54, 55, 56				
		1	3, 7	L	12, 15, 16				
13	05133998AA	1	2, 6	L	11, 12, 14, 15, 16				SERVO, Mode Door
		1	3, 7	L	12, 15, 16				
		1	2, 6	L	51, 52, 54, 55, 56				
14	05125819AA	2	2, 6	L	11, 12, 14, 15, 16				RIVET
		2	2, 6	L	51, 52, 54, 55, 56				
		2	3, 7	L	12, 15, 16				
15	05123999AA	1	2, 6	L	11, 12, 14, 15, 16				SPACER, Door Lock Striker
		1	2, 6	L	51, 52, 54, 55, 56				
		1	3, 7	L	12, 15, 16				
16	05114364AA	1	2, 6	L	11, 12, 14, 15, 16				CYLINDER, Door Lock
		1	2, 6	L	51, 52, 54, 55, 56				
		1	3, 7	L	12, 15, 16				
17	05133521AA	1	2, 6	L	11, 12, 14, 15, 16				CYLINDER, Door Lock

SPRINTER (VA)

SERIES

L = LOWLINE
 3 = HD DODGE 2WD
 6 = Lt. Duty DODGE 4WD
 2 = Med. Duty DODGE 2WD
 7 = Med. Duty DODGE 4WD

BODY

01 = CHASSIS FORWARD CONTROL W.B.1
 02 = CAB CHASSIS WHEEL BASE 2
 06 = CAB CHASSIS WHEEL BASE 6
 11 = VAN WHEEL BASE 1
 12 = VAN WHEEL BASE 2
 51 = WAGON WHEEL BASE 1
 52 = WAGON WHEEL BASE 2
 14 = VAN WHEEL BASE 4
 15 = VAN WHEEL BASE 5
 56 = WAGON WHEEL BASE 6
 16 = VAN WHEEL BASE 6
 54 = WAGON WHEEL BASE 4
 55 = WAGON WHEEL BASE 5

ENGINE

EX9 = Engine-2.7L I5
 Mercedes Turbo Diesel

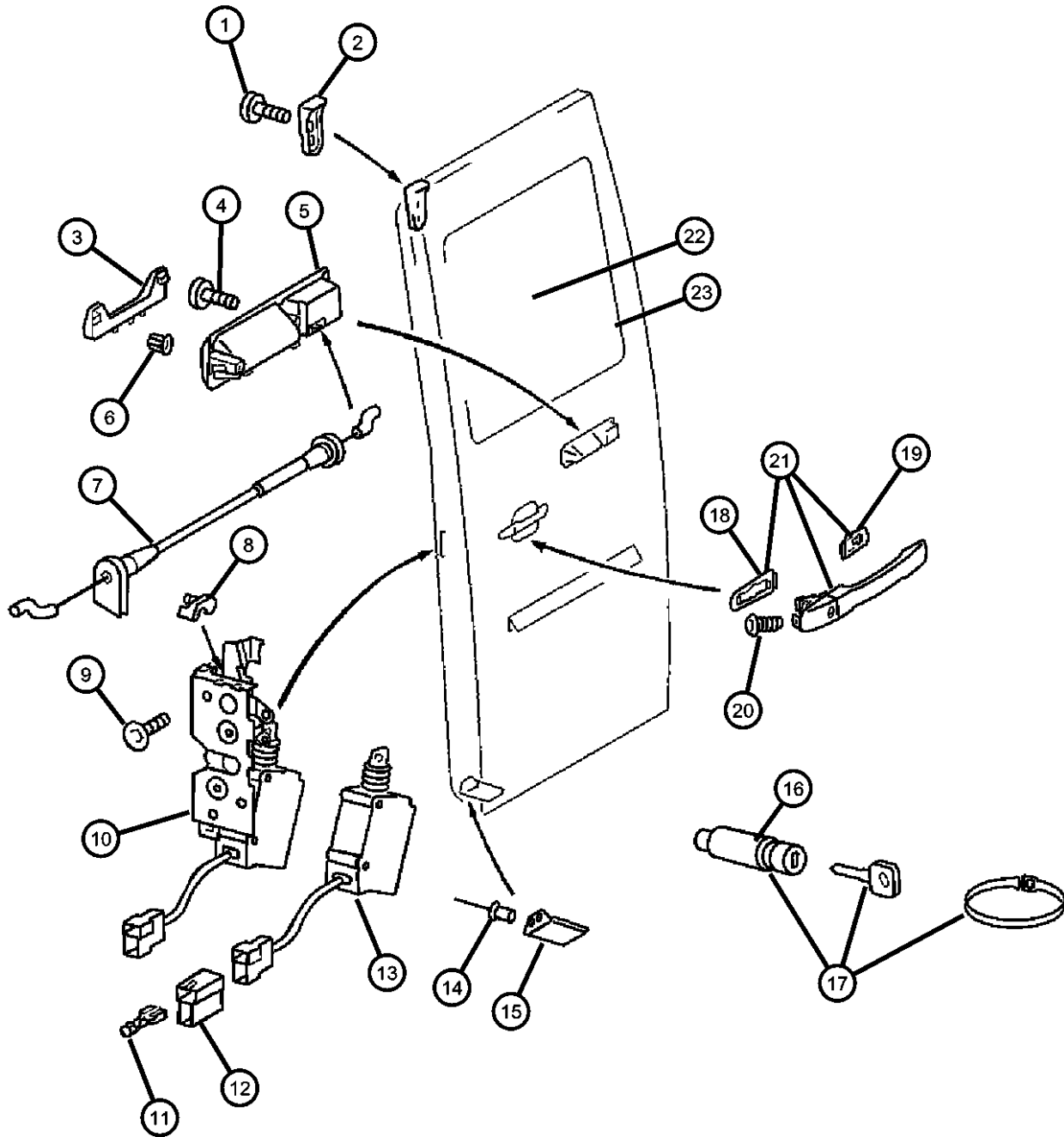
TRANSMISSION

DGJ = Transmission-5-Spd. Automatic, W5A580

AR = use ase required - = Non illustrated part

2002 VA

**Door, Cargo Glass And Hardware
Figure DVA-420**



ITEM	PART NUMBER	QTY	LINE	SERIES	BODY	ENGINE	TRANS	TRIM	DESCRIPTION
		1	2, 6	L	51, 52, 54, 55, 56				
18		1	3, 7	L	12, 15, 16				PAD
	05103673AA	1	6	L	11, 12, 14, 15, 16				
		1	6	L	51, 52, 54, 55, 56				
		1	7	L	12, 15, 16				
19		1	6	L	11, 12, 14, 15, 16				PAD
	05103672AA	1	6	L	11, 12, 14, 15, 16				
		1	6	L	51, 52, 54, 55, 56				
		1	7	L	12, 15, 16				
20		1	2, 6	L	11, 12, 14, 15, 16				SCREW, Front Door Handle
	05125414AA	1	2, 6	L	11, 12, 14, 15, 16				
		1	2, 6	L	51, 52, 54, 55, 56				
		1	3, 7	L	12, 15, 16				
21		1	2, 6	L	11, 12, 14, 15, 16				HANDLE, Front Door
	05124094AA	1	2, 6	L	11, 12, 14, 15, 16				
		1	2, 6	L	51, 52, 54, 55, 56				
		1	3, 7	L	12, 15, 16				
22		1	2, 6	L	11, 12, 14, 15, 16				GLASS, Cargo Door
	05104386AA	1	2, 6	L	11, 12, 14, 15, 16				[GEM], Left
		1	2, 6	L	51, 52, 54, 55, 56				, Left
		1	3, 7	L	12, 15, 16				[GEM], Left

SPRINTER (VA)

SERIES

L = LOWLINE
 3 = HD DODGE 2WD
 6 = Lt. Duty DODGE 4WD
 2 = Med. Duty DODGE 2WD
 7 = Med. Duty DODGE 4WD

BODY

01 = CHASSIS FORWARD CONTROL W.B.1
 02 = CAB CHASSIS WHEEL BASE 2
 06 = CAB CHASSIS WHEEL BASE 6
 11 = VAN WHEEL BASE 1
 12 = VAN WHEEL BASE 2
 51 = WAGON WHEEL BASE 1
 52 = WAGON WHEEL BASE 2
 14 = VAN WHEEL BASE 4
 15 = VAN WHEEL BASE 5
 56 = WAGON WHEEL BASE 6
 16 = VAN WHEEL BASE 6
 54 = WAGON WHEEL BASE 4
 55 = WAGON WHEEL BASE 5

ENGINE

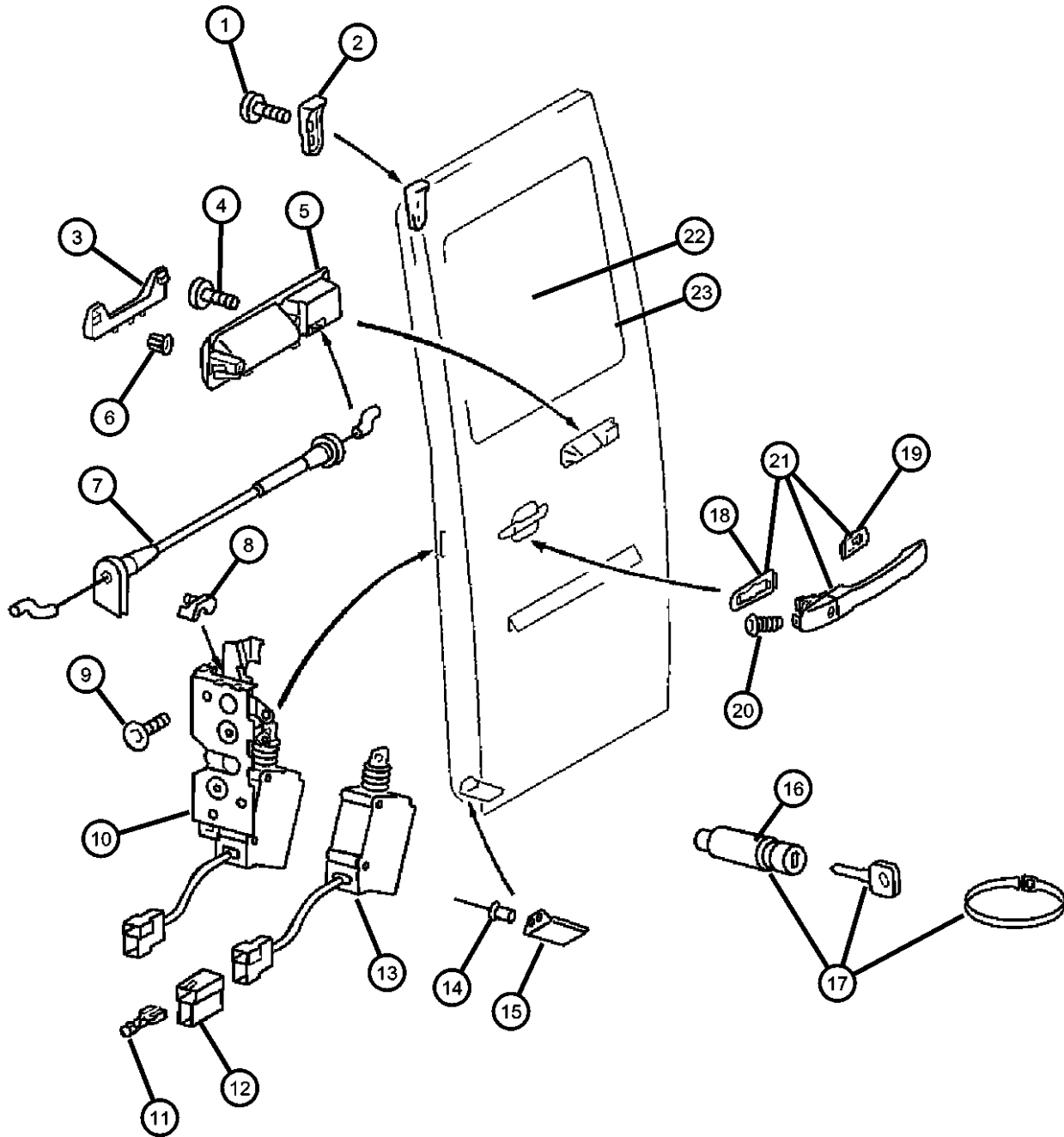
EX9 = Engine-2.7L I5
 Mercedes Turbo Diesel

TRANSMISSION

DGJ = Transmission-5-Spd. Automatic, W5A580

AR = use ase required - = Non illustrated part

**Door, Cargo Glass And Hardware
Figure DVA-420**



ITEM	PART NUMBER	QTY	LINE	SERIES	BODY	ENGINE	TRANS	TRIM	DESCRIPTION
	05104387AA	1	2, 6	L	11, 12, 14, 15, 16				[GEM], Right
		1	2, 6	L	51, 52, 54, 55, 56				Right
	05104389AA	1	3, 7	L	12, 15, 16				[GEM], Right
		1	2, 6	L	11, 12, 14, 15, 16				[GEM+3FQ], Left
		1	2, 6	L	51, 52, 54, 55, 56				[3FQ], Left
		1	3, 7	L	12, 15, 16				[GEM+3FQ], Left
	05104390AA	1	2, 6	L	11, 12, 14, 15, 16				[3FQ+GEM], Right
		1	2, 6	L	51, 52, 54, 55, 56				[3FQ], Right
		1	3, 7	L	12, 15, 16				[3FQ+GEM], Right
	05104391AA	1	2, 6	L	11, 12, 14, 15, 16				[GEM+GFA], Left
		1	2, 6	L	51, 52, 54, 55, 56				[GFA], Left
		1	3, 7	L	12, 15, 16				[GEM+GFA], Left
	05104392AA	1	2, 6	L	11, 12, 14, 15, 16				[GFA+GEM], Right
		1	2, 6	L	51, 52, 54, 55, 56				[GFA], Right
		1	3, 7	L	12, 15, 16				[GFA+GEM], Right
	05104393AA	1	2, 6	L	11, 12, 14, 15, 16				[GEM+3FQ+GFA], Left
		1	2, 6	L	51, 52, 54, 55, 56				[3FQ+GFA], Left
		1	3, 7	L	12, 15, 16				[GEM+3FQ+GFA], Left
	05104394AA	1	2, 6	L	11, 12, 14, 15, 16				[3FQ+GFA+GEM], Right
		1	2, 6	L	51, 52, 54, 55, 56				[3FQ+GFA], Right
		1	3, 7	L	12, 15, 16				[3FQ+GFA+GEM], Right

SPRINTER (VA)

SERIES

L = LOWLINE
 3 = HD DODGE 2WD
 6 = Lt. Duty DODGE 4WD
 2 = Med. Duty DODGE 2WD
 7 = Med. Duty DODGE 4WD

BODY

01 = CHASSIS FORWARD CONTROL W.B.1
 02 = CAB CHASSIS WHEEL BASE 2
 06 = CAB CHASSIS WHEEL BASE 6
 11 = VAN WHEEL BASE 1
 12 = VAN WHEEL BASE 2
 51 = WAGON WHEEL BASE 1
 52 = WAGON WHEEL BASE 2
 14 = VAN WHEEL BASE 4
 15 = VAN WHEEL BASE 5
 56 = WAGON WHEEL BASE 6
 16 = VAN WHEEL BASE 6
 54 = WAGON WHEEL BASE 4
 55 = WAGON WHEEL BASE 5

ENGINE

EX9 = Engine-2.7L I5
 Mercedes Turbo Diesel

TRANSMISSION

DGJ = Transmission-5-Spd. Automatic, W5A580

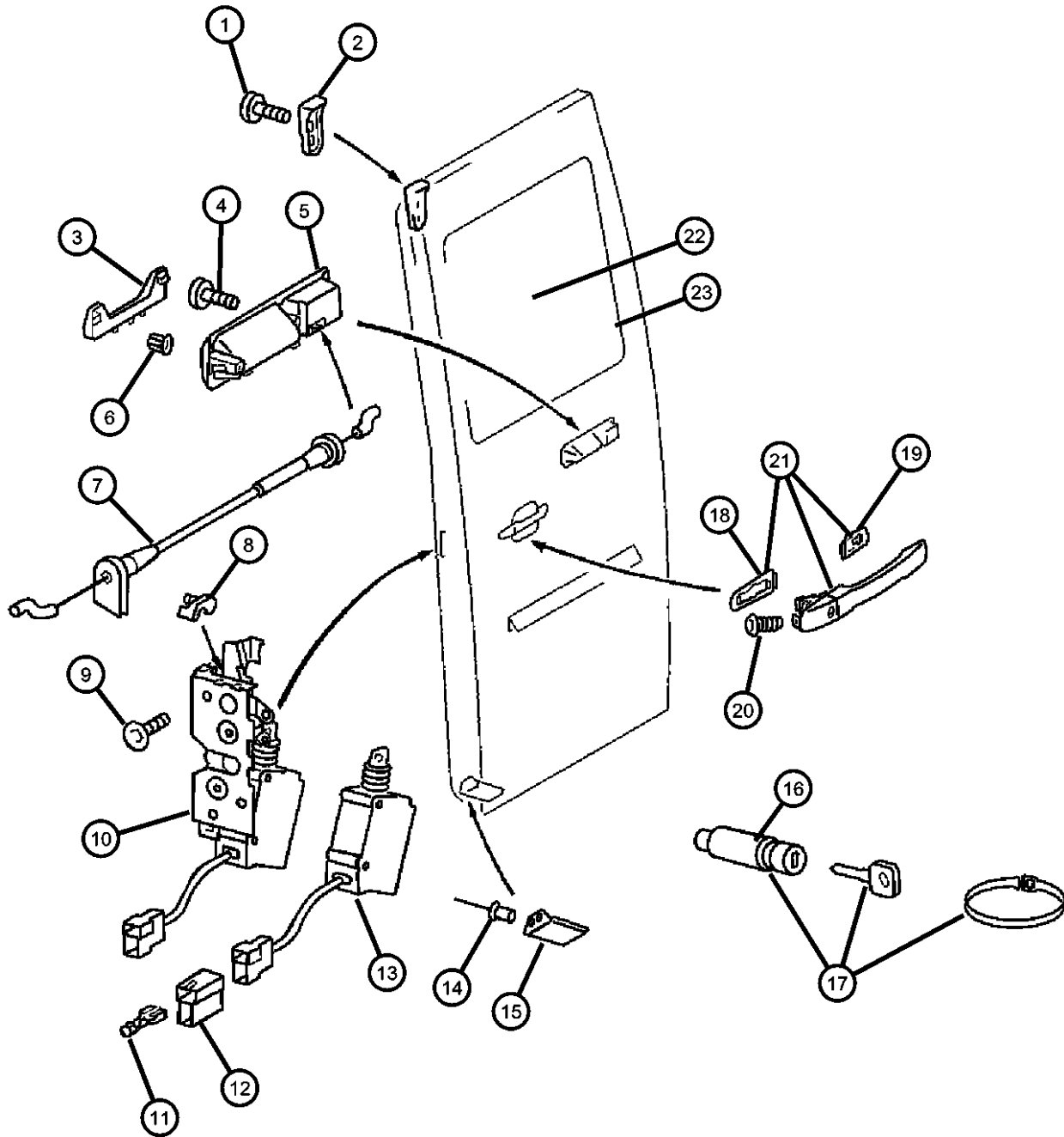
AR = use ase required - = Non illustrated part

**Door, Cargo Glass And Hardware
Figure DVA-420**

ITEM	PART NUMBER	QTY	LINE	SERIES	BODY	ENGINE	TRANS	TRIM	DESCRIPTION
------	-------------	-----	------	--------	------	--------	-------	------	-------------

23

05104388AA	1	2, 6	L	11, 12, 14, 15, 16					WEATHERSTRIP, Cargo Door Glass
	1	2, 6	L	51, 52, 54, 55, 56					
	1	3, 7	L	12, 15, 16					



SPRINTER (VA)

SERIES

L = LOWLINE
 3 = HD DODGE 2WD
 6 = Lt. Duty DODGE 4WD
 2 = Med. Duty DODGE 2WD
 7 = Med. Duty DODGE 4WD

LINE

BODY

01 = CHASSIS FORWARD
 CONTROL W.B.1
 02 = CAB CHASSIS WHEEL
 BASE 2
 06 = CAB CHASSIS WHEEL
 BASE 6
 11 = VAN WHEEL BASE 1
 12 = VAN WHEEL BASE 2
 51 = WAGON WHEEL BASE 1
 52 = WAGON WHEEL BASE 2
 14 = VAN WHEEL BASE 4
 15 = VAN WHEEL BASE 5
 56 = WAGON WHEEL BASE 6
 16 = VAN WHEEL BASE 6
 54 = WAGON WHEEL BASE 4
 55 = WAGON WHEEL BASE 5

ENGINE

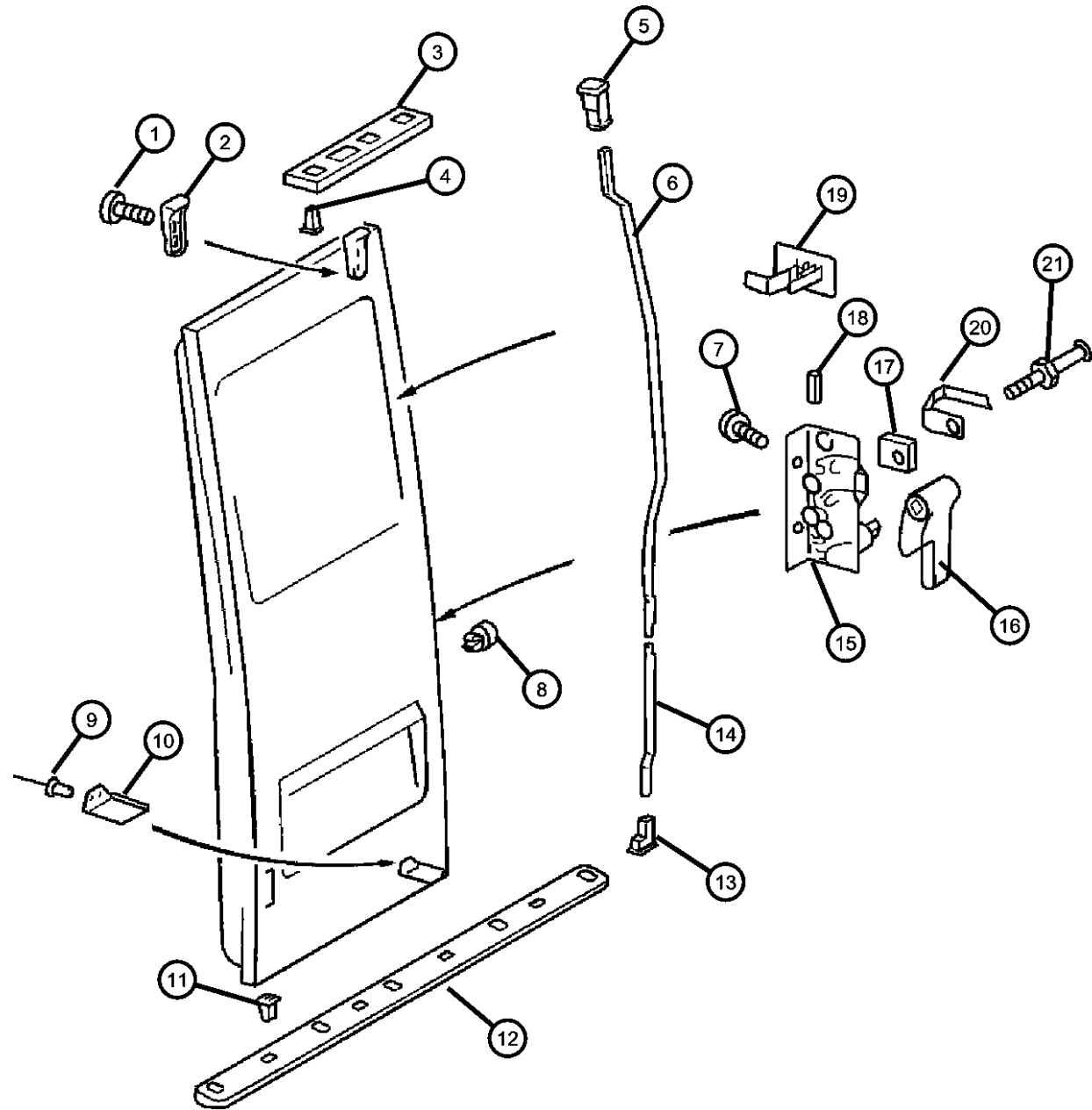
EX9 = Engine-2.7L I5
 Mercedes Turbo Diesel

TRANSMISSION

DGJ = Transmission-5-Spd.
 Automatic,W5A580

AR = use ase required - = Non illustrated part

**Door, Cargo Lock And Control
Figure DVA-430**



ITEM	PART NUMBER	QTY	LINE	SERIES	BODY	ENGINE	TRANS	TRIM	DESCRIPTION
1	06104142AA	2	2, 6	L	11, 12, 14, 15, 16				SCREW
		2	2, 6	L	51, 52, 54, 55, 56				
		2	3, 7	L	12, 15, 16				
2	05123997AA	1	2, 6	L	11, 12, 14, 15, 16				SPACER, Door Lock Striker
		1	2, 6	L	51, 52, 54, 55, 56				
		1	3, 7	L	12, 15, 16				
3	05104428AA	1	2, 6	L	11, 12, 14, 15, 16				PLATE, Door Latch Striker
		1	2, 6	L	51, 52, 54, 55, 56				
		1	3, 7	L	12, 15, 16				
4	05104536AA	10	3, 7	L	12, 15, 16				TREENAIL, PLATE TO BODY, SPRINTER
		10	2, 6	L	11, 12, 14, 15, 16				
		10	2, 6	L	51, 52, 54, 55, 56				
5	05104384AA	1	2, 6	L	11, 12, 14, 15, 16				GUIDE, TOP, SPRINTER
		1	2, 6	L	51, 52, 54, 55, 56				
		1	3, 7	L	12, 15, 16				
6	05133928AA	1	3, 7	L	12, 15, 16				ROD, Inside Handle to Latch With Standard Roof
	05133929AA	1	2, 6	L	11, 12, 14, 15, 16				With High Roof

SPRINTER (VA)

SERIES

L = LOWLINE
 3 = HD DODGE 2WD
 6 = Lt. Duty DODGE 4WD
 2 = Med. Duty DODGE 2WD
 7 = Med. Duty DODGE 4WD

BODY

01 = CHASSIS FORWARD CONTROL W.B.1
 02 = CAB CHASSIS WHEEL BASE 2
 06 = CAB CHASSIS WHEEL BASE 6
 11 = VAN WHEEL BASE 1
 12 = VAN WHEEL BASE 2
 51 = WAGON WHEEL BASE 1
 52 = WAGON WHEEL BASE 2
 14 = VAN WHEEL BASE 4
 15 = VAN WHEEL BASE 5
 56 = WAGON WHEEL BASE 6
 16 = VAN WHEEL BASE 6
 54 = WAGON WHEEL BASE 4
 55 = WAGON WHEEL BASE 5

ENGINE

EX9 = Engine-2.7L I5
 Mercedes Turbo Diesel

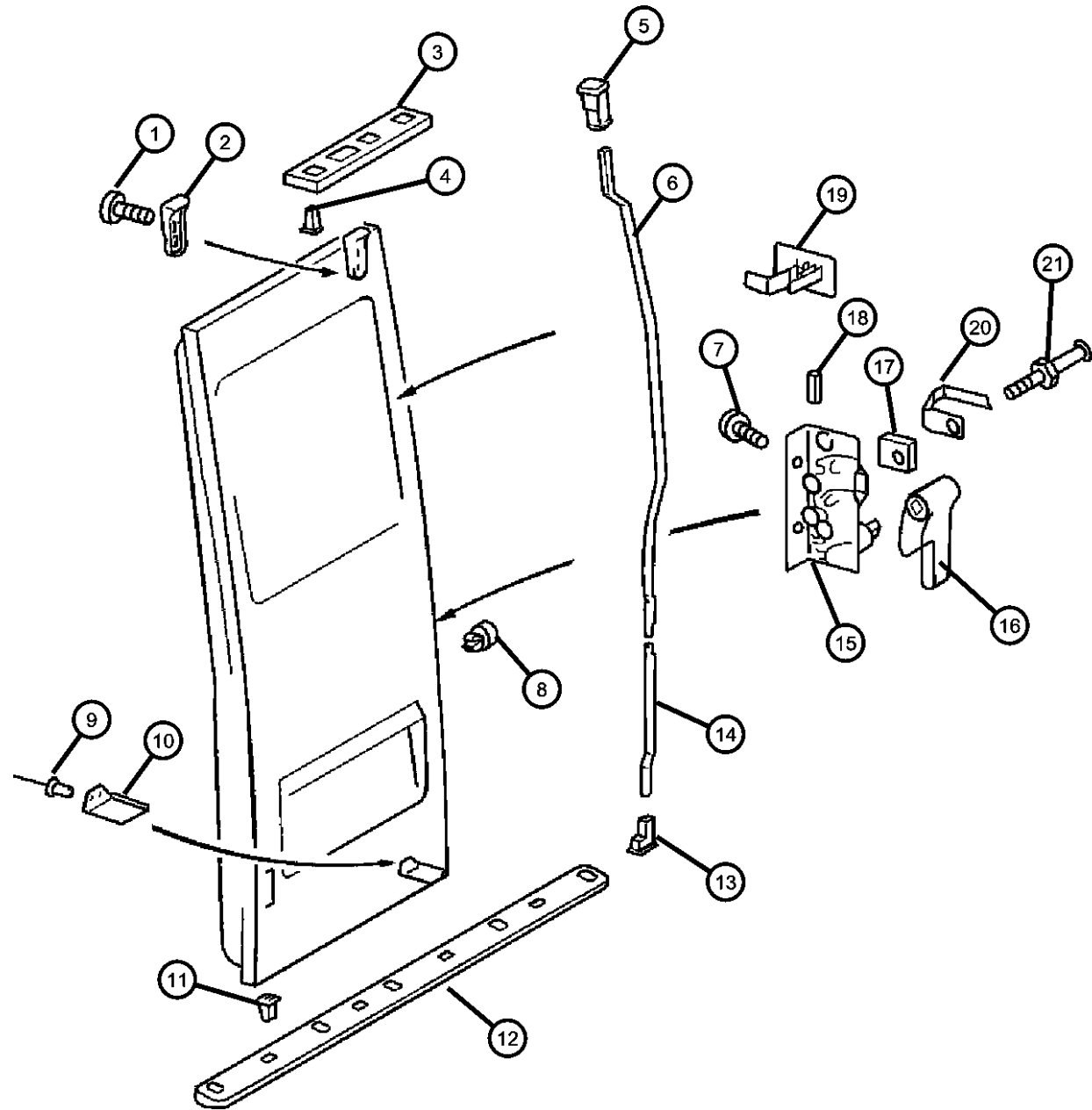
TRANSMISSION

DGJ = Transmission-5-Spd. Automatic, W5A580

AR = use ase required - = Non illustrated part

2002 VA

**Door, Cargo Lock And Control
Figure DVA-430**



ITEM	PART NUMBER	QTY	LINE	SERIES	BODY	ENGINE	TRANS	TRIM	DESCRIPTION
		1	2, 6	L	51, 52, 54, 55, 56				With High Roof
		1	2, 6	L	11, 12, 14, 15, 16				With Standard Roof
		1	2, 6	L	51, 52, 54, 55, 56				With Standard Roof
		1	3, 7	L	12, 15, 16				With High Roof
7									SCREW
	05103722AA	2	2, 6	L	12, 14, 15, 16, 11				
		2	2, 6	L	51, 52, 54, 55, 56				
		2	3, 7	L	12, 15, 16				
8									CLIP
	05125577AA	2	3, 7	L	12, 15, 16				
		2	2, 6	L	11, 12, 14, 15, 16				
		2	2, 6	L	51, 52, 54, 55, 56				
9									RIVET
	05125819AA	2	2, 6	L	11, 12, 14, 15, 16				
		2	2, 6	L	51, 52, 54, 55, 56				
		2	3, 7	L	12, 15, 16				
10									SPACER, Door Lock Striker
	05123997AA	1	2, 6	L	11, 12, 14, 15, 16				
		1	2, 6	L	51, 52, 54, 55, 56				
		1	3, 7	L	12, 15, 16				
11									TREENAIL, PLATE TO BODY, SPRINTER
	05104536AA	10	2, 6	L	11, 12, 14, 15, 16				

SPRINTER (VA)

SERIES

L = LOWLINE
 3 = HD DODGE 2WD
 6 = Lt. Duty DODGE 4WD
 2 = Med. Duty DODGE 2WD
 7 = Med. Duty DODGE 4WD

BODY

01 = CHASSIS FORWARD CONTROL W.B.1
 02 = CAB CHASSIS WHEEL BASE 2
 06 = CAB CHASSIS WHEEL BASE 6
 11 = VAN WHEEL BASE 1
 12 = VAN WHEEL BASE 2
 51 = WAGON WHEEL BASE 1
 52 = WAGON WHEEL BASE 2
 14 = VAN WHEEL BASE 4
 15 = VAN WHEEL BASE 5
 56 = WAGON WHEEL BASE 6
 16 = VAN WHEEL BASE 6
 54 = WAGON WHEEL BASE 4
 55 = WAGON WHEEL BASE 5

ENGINE

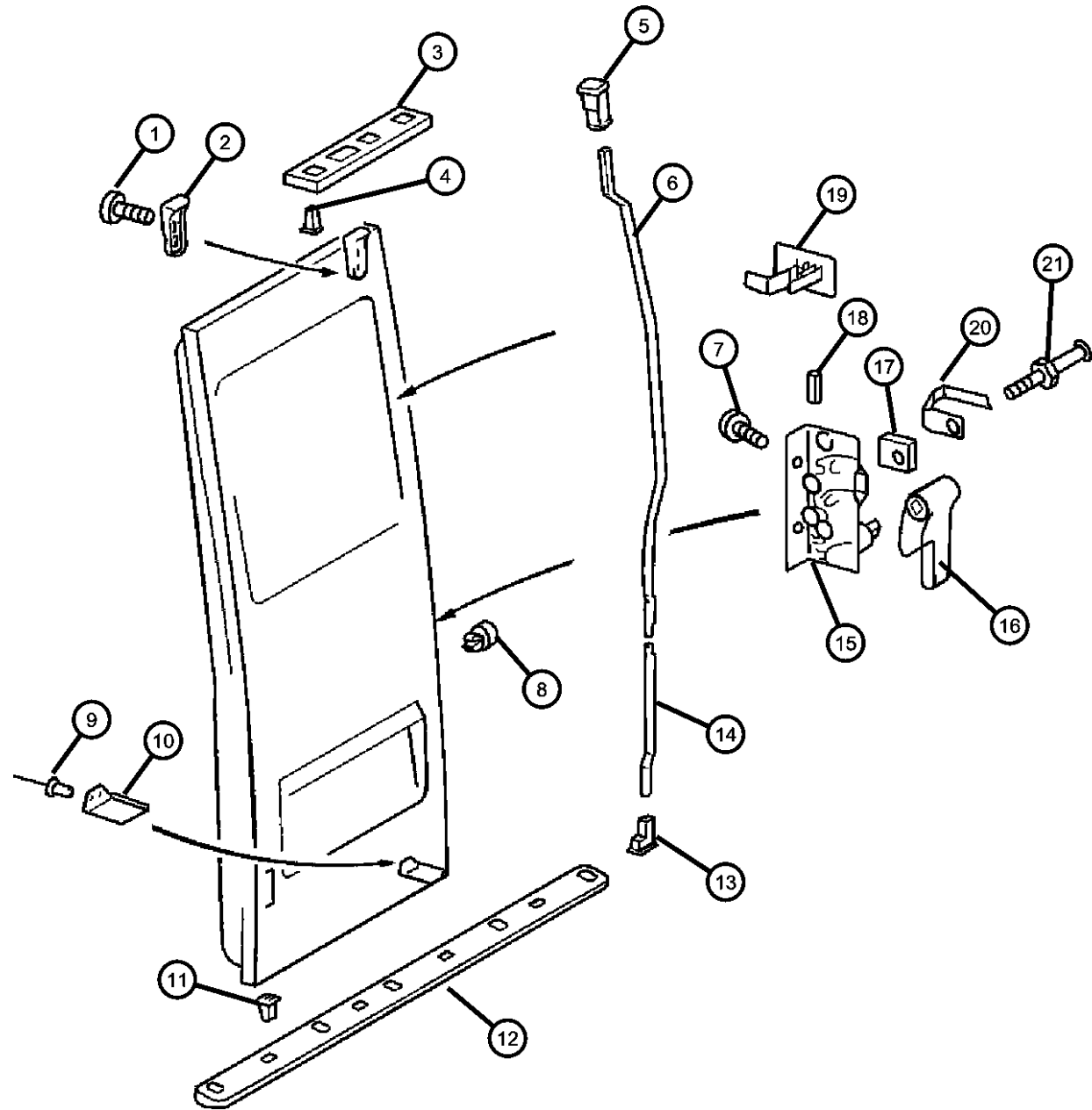
EX9 = Engine-2.7L I5
 Mercedes Turbo Diesel

TRANSMISSION

DGJ = Transmission-5-Spd. Automatic, W5A580

AR = use ase required - = Non illustrated part

**Door, Cargo Lock And Control
Figure DVA-430**



ITEM	PART NUMBER	QTY	LINE	SERIES	BODY	ENGINE	TRANS	TRIM	DESCRIPTION
		10	2, 6	L	51, 52, 54, 55, 56				
		10	3, 7	L	12, 15, 16				
12									PLATE, Door Latch Striker
	05104425AA	1	2, 6	L	11, 12, 14, 15, 16				
		1	2, 6	L	51, 52, 54, 55, 56				
		1	3, 7	L	12, 15, 16				
13									GUIDE, BOTTOM, SPRINTER
	05103959AA	1	2, 6	L	11, 12, 14, 15, 16				
		1	2, 6	L	51, 52, 54, 55, 56				
		1	3, 7	L	12, 15, 16				
14									ROD, Inside Handle to Latch
	05124000AA	1	2, 6	L	11, 12, 14, 15, 16				
		1	2, 6	L	51, 52, 54, 55, 56				
		1	3, 7	L	12, 15, 16				
15									LOCK, Rear Cargo Door
	05104368AA	1	2, 6	L	11, 12, 14, 15, 16				
		1	2, 6	L	56, 51, 52, 54, 55				
		1	3, 7	L	12, 15, 16				
16									HANDLE, Inside Release
	05104383AA	1	2, 6	L	11, 12, 14, 15, 16				
		1	2, 6	L	51, 52, 54, 55, 56				
		1	3, 7	L	12, 15, 16				

SPRINTER (VA)

SERIES

L = LOWLINE
 3 = HD DODGE 2WD
 6 = Lt. Duty DODGE 4WD
 2 = Med. Duty DODGE 2WD
 7 = Med. Duty DODGE 4WD

BODY

01 = CHASSIS FORWARD CONTROL W.B.1
 02 = CAB CHASSIS WHEEL BASE 2
 06 = CAB CHASSIS WHEEL BASE 6
 11 = VAN WHEEL BASE 1
 12 = VAN WHEEL BASE 2
 51 = WAGON WHEEL BASE 1
 52 = WAGON WHEEL BASE 2
 14 = VAN WHEEL BASE 4
 15 = VAN WHEEL BASE 5
 56 = WAGON WHEEL BASE 6
 16 = VAN WHEEL BASE 6
 54 = WAGON WHEEL BASE 4
 55 = WAGON WHEEL BASE 5

ENGINE

EX9 = Engine-2.7L I5
 Mercedes Turbo Diesel

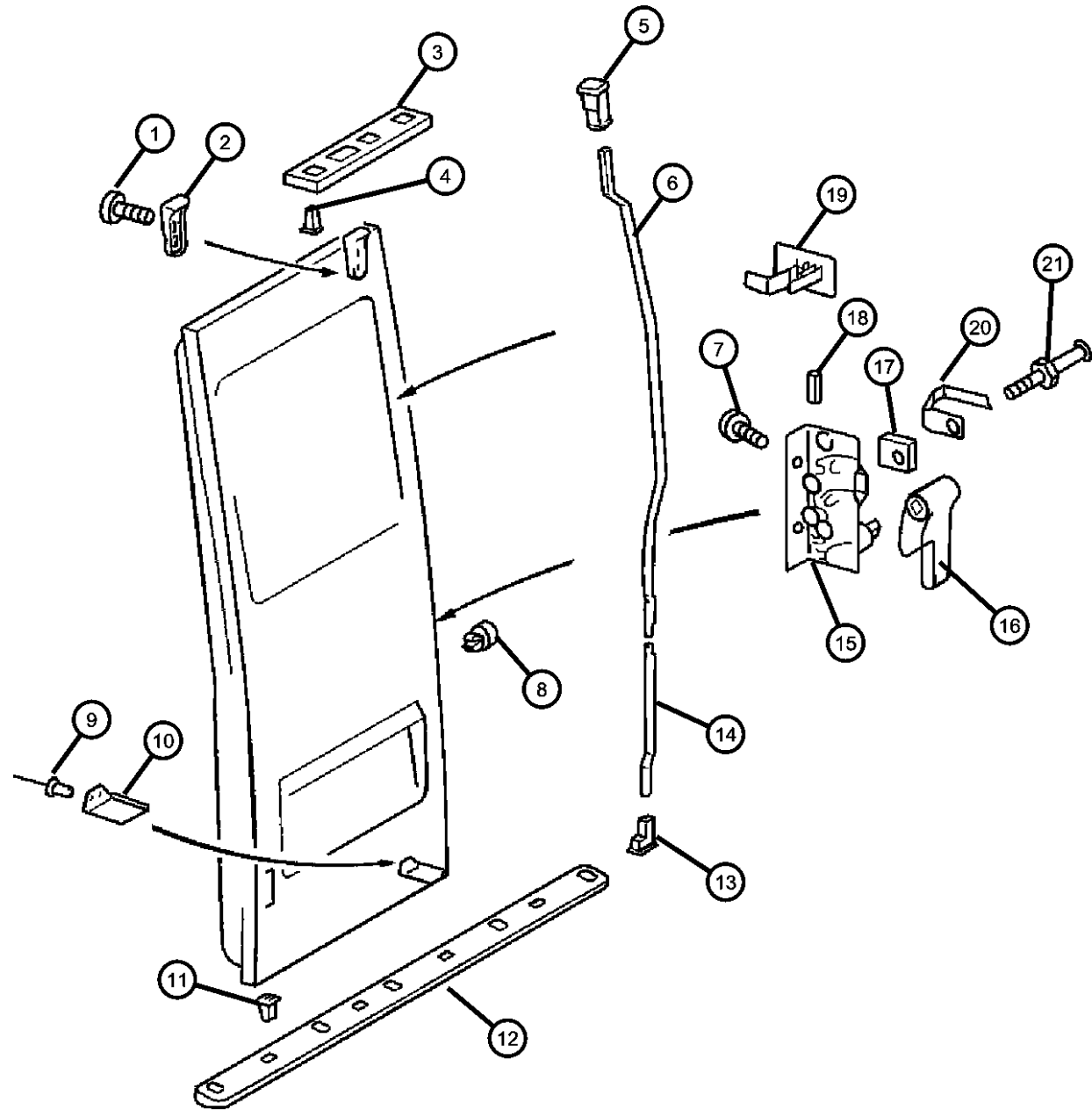
TRANSMISSION

DGJ = Transmission-5-Spd. Automatic, W5A580

AR = use ase required - = Non illustrated part

2002 VA

**Door, Cargo Lock And Control
Figure DVA-430**



ITEM	PART NUMBER	QTY	LINE	SERIES	BODY	ENGINE	TRANS	TRIM	DESCRIPTION
17	05103668AA	1	2, 6	L	11, 12, 14, 15, 16				NUT, NONE, SPRINTER
		1	2, 6	L	51, 52, 54, 55, 56				
		1	3, 7	L	12, 15, 16				
18	05133930AA	1	2, 6	L	11, 12, 14, 15, 16				BUSHING
		1	2, 6	L	51, 52, 54, 55, 56				
		1	3, 7	L	12, 15, 16				
19	05104382AA	1	2, 6	L	11, 12, 14, 15, 16				GUIDE
		1	2, 6	L	51, 52, 54, 55, 56				
		1	3, 7	L	12, 15, 16				
20	05103670AA	1	6	L	11, 12, 14, 15, 16				CLAMP, NONE, SPRINTER
		1	6	L	51, 52, 54, 55, 56				
		1	7	L	12, 15, 16				
21	05103669AA	1	6	L	11, 12, 14, 15, 16				PIN, Latch Striker
		1	6	L	51, 52, 54, 55, 56				
		1	7	L	12, 15, 16				

SPRINTER (VA)

SERIES

L = LOWLINE
 3 = HD DODGE 2WD
 6 = Lt. Duty DODGE 4WD
 2 = Med. Duty DODGE 2WD
 7 = Med. Duty DODGE 4WD

BODY

01 = CHASSIS FORWARD CONTROL W.B.1
 02 = CAB CHASSIS WHEEL BASE 2
 06 = CAB CHASSIS WHEEL BASE 6
 11 = VAN WHEEL BASE 1
 12 = VAN WHEEL BASE 2
 51 = WAGON WHEEL BASE 1
 52 = WAGON WHEEL BASE 2
 14 = VAN WHEEL BASE 4
 15 = VAN WHEEL BASE 5
 56 = WAGON WHEEL BASE 6
 16 = VAN WHEEL BASE 6
 54 = WAGON WHEEL BASE 4
 55 = WAGON WHEEL BASE 5

ENGINE

EX9 = Engine-2.7L I5
 Mercedes Turbo Diesel

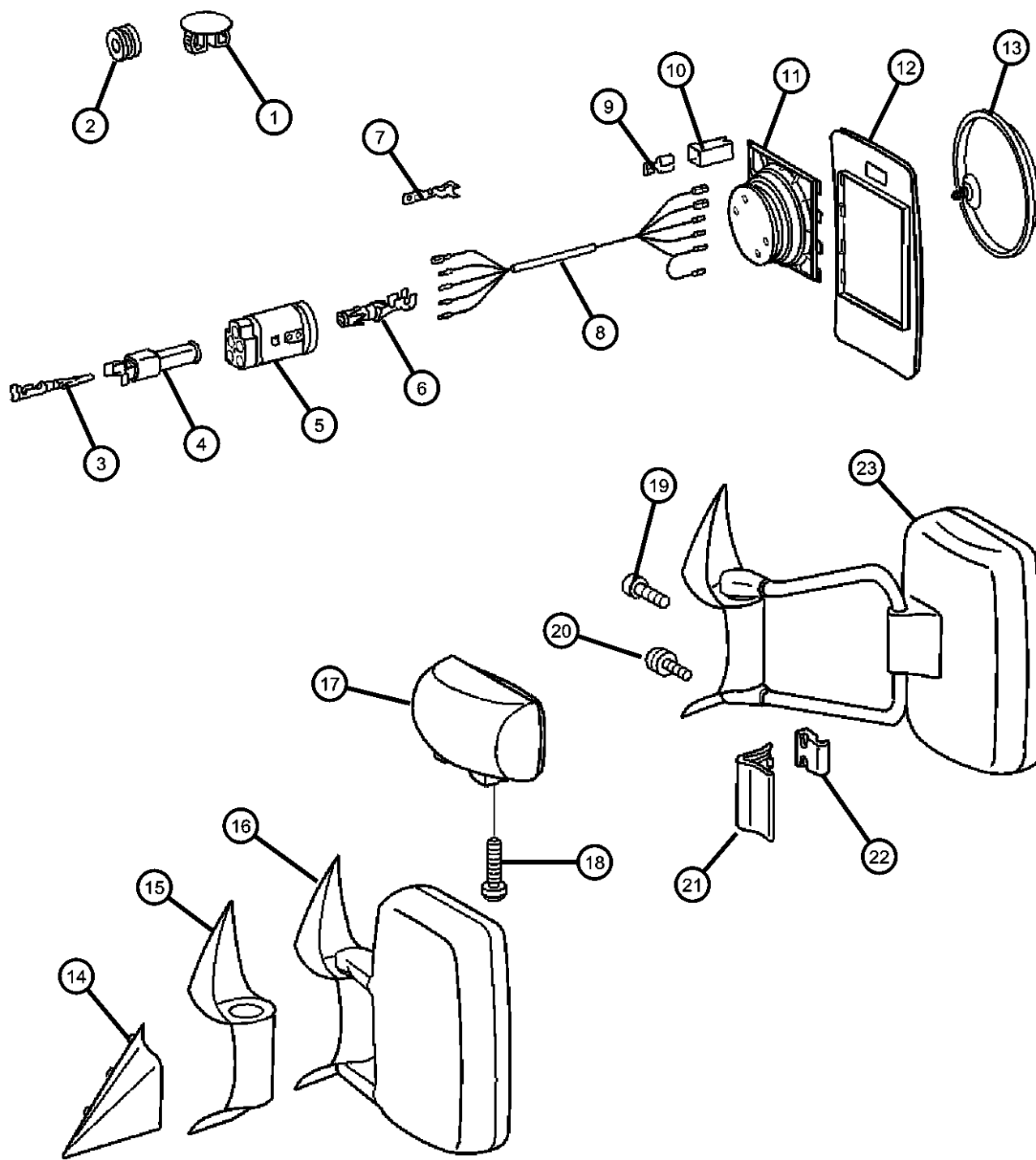
TRANSMISSION

DGJ = Transmission-5-Spd. Automatic, W5A580

AR = use ase required - = Non illustrated part

2002 VA

Mirrors, Exterior
Figure DVA-520



ITEM	PART NUMBER	QTY	LINE	SERIES	BODY	ENGINE	TRANS	TRIM	DESCRIPTION
1	05104032AA	1	2, 6	L	11, 12, 14, 15, 16				PLUG
		1	2, 6	L	51, 52, 54, 55, 56				
		1	3, 7	L	12, 15, 16				
2	05125929AA	1	2, 6	L	11, 12, 14, 15, 16				GROMMET
		1	2, 6	L	51, 52, 54, 55, 56				
		1	3, 7	L	12, 15, 16				
3	05133367AA	1	2, 6	L	11, 12, 14, 15, 16				PLUG
		1	2, 6	L	51, 52, 54, 55, 56				
		1	3, 7	L	12, 15, 16				
4	05120744AA	1	2, 6	L	11, 12, 14, 15, 16				CONNECTOR
		1	3, 7	L	12, 15, 16				
		1	2, 6	L	51, 52, 54, 55, 56				
5	05133508AA	1	2, 6	L	11, 12, 14, 15, 16				PLUG
		1	2, 6	L	51, 52, 54, 55, 56				
		1	3, 7	L	12, 15, 16				
6	05133509AA	5	2, 6	L	11, 12, 14, 15, 16				TERMINAL
		5	2, 6	L	51, 52, 54, 55, 56				

SPRINTER (VA)
SERIES
 L = LOWLINE

LINE
 3 = HD DODGE 2WD
 6 = Lt. Duty DODGE 4WD
 2 = Med. Duty DODGE 2WD
 7 = Med. Duty DODGE 4WD

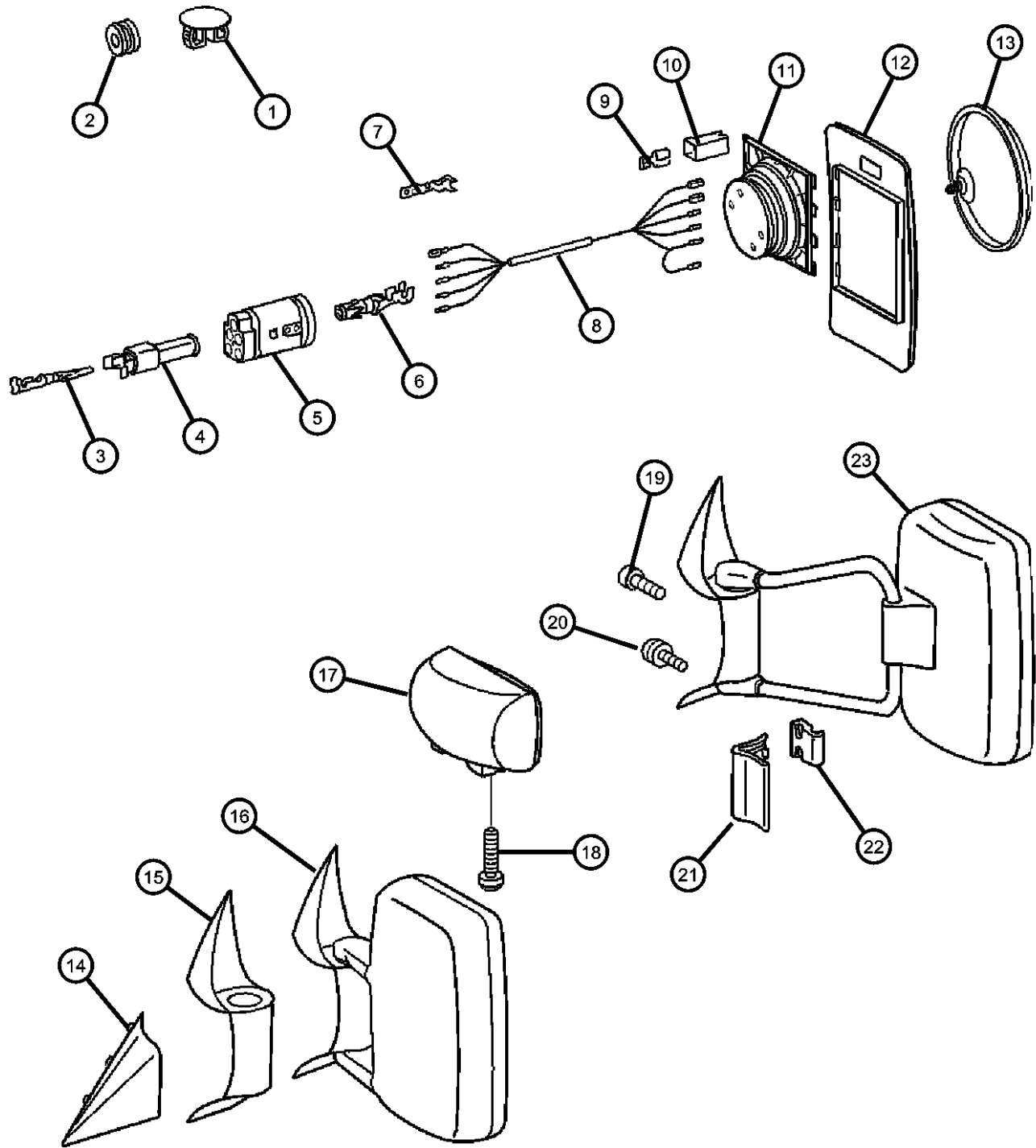
BODY
 01 = CHASSIS FORWARD CONTROL W.B.1
 02 = CAB CHASSIS WHEEL BASE 2
 06 = CAB CHASSIS WHEEL BASE 6
 11 = VAN WHEEL BASE 1
 12 = VAN WHEEL BASE 2
 51 = WAGON WHEEL BASE 1
 52 = WAGON WHEEL BASE 2
 14 = VAN WHEEL BASE 4
 15 = VAN WHEEL BASE 5
 56 = WAGON WHEEL BASE 6
 16 = VAN WHEEL BASE 6
 54 = WAGON WHEEL BASE 4
 55 = WAGON WHEEL BASE 5

ENGINE
 EX9 = Engine-2.7L I5 Mercedes Turbo Diesel

TRANSMISSION
 DGJ = Transmission-5-Spd. Automatic, W5A580

AR = use ase required - = Non illustrated part

Mirrors, Exterior
Figure DVA-520



ITEM	PART NUMBER	QTY	LINE	SERIES	BODY	ENGINE	TRANS	TRIM	DESCRIPTION
7		5	3, 7	L	12, 15, 16				TERMINAL, Male
	05133377AA	1	2, 6	L	11, 12, 14, 15, 16				
		1	2, 6	L	51, 52, 54, 55, 56				
8		1	3, 7	L	12, 15, 16				WIRING, Mirror Jumper
	05133502AA	1	2, 6	L	11, 12, 14, 15, 16				
		1	2, 6	L	51, 52, 54, 55, 56				
9		1	3, 7	L	12, 15, 16				PLUG
	05133367AA	1	2, 6	L	11, 12, 14, 15, 16				
		1	2, 6	L	51, 52, 54, 55, 56				
10		1	3, 7	L	12, 15, 16				TERMINAL
	05133504AA	1	2, 6	L	11, 12, 14, 15, 16				
		1	2, 6	L	51, 52, 54, 55, 56				
11		1	3, 7	L	12, 15, 16				MOTOR, Electric
	05133505AA	1	2, 6	L	11, 12, 14, 15, 16				
		1	2, 6	L	51, 52, 54, 55, 56				
12		1	3, 7	L	12, 15, 16				GLASS, Mirror Replacement

SPRINTER (VA)

SERIES
L = LOWLINE
3 = HD DODGE 2WD
6 = Lt. Duty DODGE 4WD
2 = Med. Duty DODGE 2WD
7 = Med. Duty DODGE 4WD

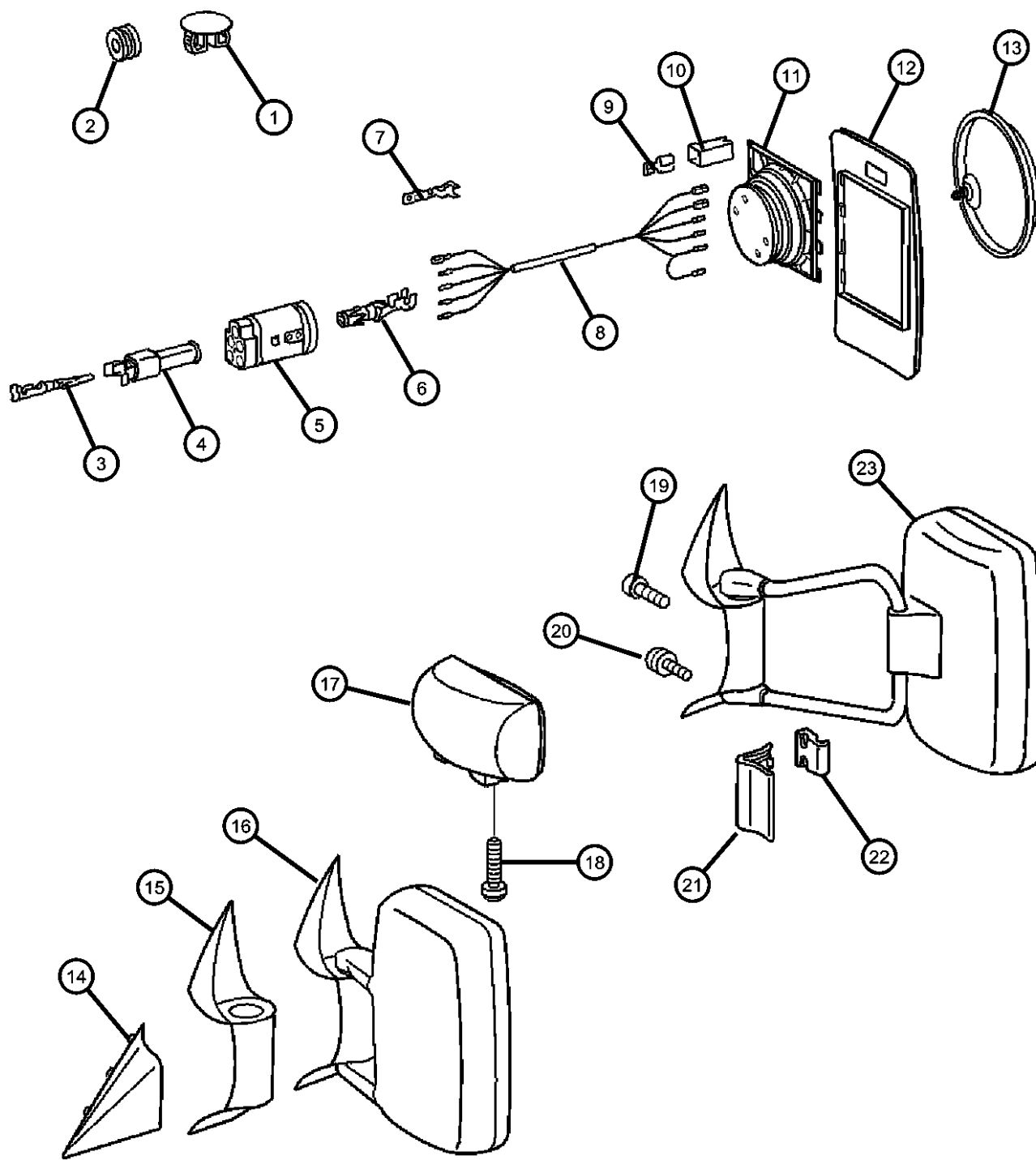
BODY
01 = CHASSIS FORWARD CONTROL W.B.1
02 = CAB CHASSIS WHEEL BASE 2
06 = CAB CHASSIS WHEEL BASE 6
11 = VAN WHEEL BASE 1
12 = VAN WHEEL BASE 2
51 = WAGON WHEEL BASE 1
52 = WAGON WHEEL BASE 2
14 = VAN WHEEL BASE 4
15 = VAN WHEEL BASE 5
56 = WAGON WHEEL BASE 6
16 = VAN WHEEL BASE 6
54 = WAGON WHEEL BASE 4
55 = WAGON WHEEL BASE 5

ENGINE
EX9 = Engine-2.7L I5
Mercedes Turbo Diesel

TRANSMISSION
DGJ = Transmission-5-Spd. Automatic, W5A580

AR = use ase required - = Non illustrated part

Mirrors, Exterior
Figure DVA-520

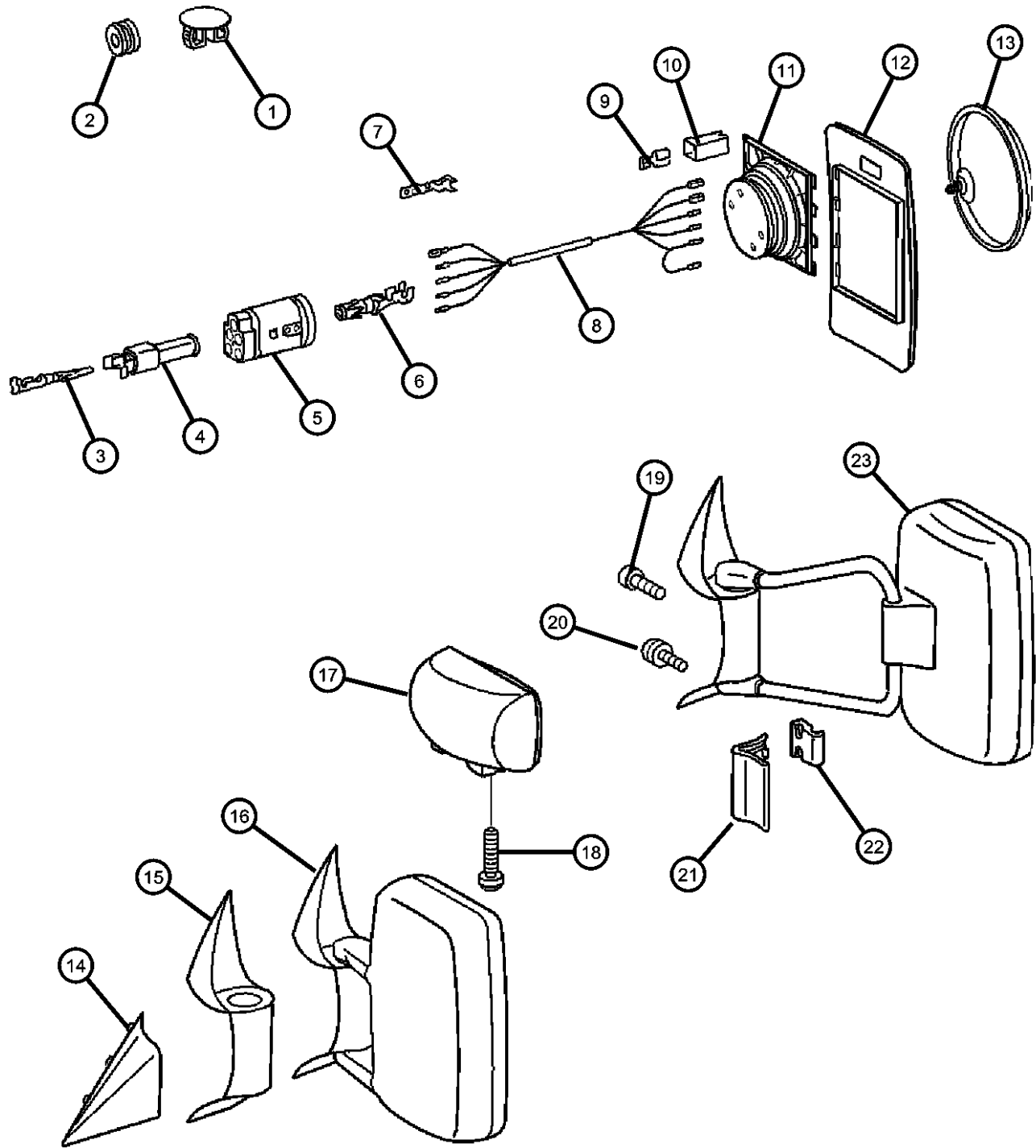


ITEM	PART NUMBER	QTY	LINE	SERIES	BODY	ENGINE	TRANS	TRIM	DESCRIPTION
	05103757AA	1	2, 6	L	11, 12, 14, 15, 16				Flat, Right
		1	2, 6	L	51, 52, 54, 55, 56				Flat, Right
	05103758AA	1	3, 7	L	12, 15, 16				Flat, Right
		1	2, 6	L	11, 12, 14, 15, 16				Flat, Left
		1	2, 6	L	51, 52, 54, 55, 56				Flat, Left
	05103760AA	1	3, 7	L	12, 15, 16				Flat, Left
		1	2, 6	L	11, 12, 14, 15, 16				Curved, Right
		1	3, 7	L	12, 15, 16				Curved, Right
		1	2, 6	L	51, 52, 54, 55, 56				Curved, Right
13									MIRROR, Outside Rearview, To Roof
	05124265AA	1	2, 6	L	11, 12, 14, 15, 16				Optional with 5124267AA
		1	3, 7	L	12, 15, 16				Optional with 5124267AA
	05124267AA	1	2, 6	L	11, 12, 14, 15, 16				Optional with 5124265AA
		1	3, 7	L	12, 15, 16				Optional with 5124265AA
14									COVER, Mirror Flag
	05104444AA	1	2, 6	L	11, 12, 14, 15, 16				Left
		1	2, 6	L	51, 52, 54, 55, 56				Left
		1	3, 7	L	12, 15, 16				Left
	05104445AA	1	2, 6	L	11, 12, 14, 15, 16				Right
		1	2, 6	L	51, 52, 54, 55, 56				Right
		1	3, 7	L	12, 15, 16				Right
15									COVER, Mirror Flag

SPRINTER (VA)
 SERIES LINE BODY ENGINE TRANSMISSION
 L = LOWLINE 3 = HD DODGE 2WD 01 = CHASSIS FORWARD CONTROL W.B.1 EX9 = Engine-2.7L I5 DGJ = Transmission-5-Spd. Automatic,W5A580
 6 = Lt. Duty DODGE 4WD 02 = CAB CHASSIS WHEEL BASE 2 Mercedes Turbo Diesel
 2 = Med. Duty DODGE 2WD 06 = CAB CHASSIS WHEEL BASE 6
 7 = Med. Duty DODGE 4WD 11 = VAN WHEEL BASE 1
 12 = VAN WHEEL BASE 2
 51 = WAGON WHEEL BASE 1
 52 = WAGON WHEEL BASE 2
 14 = VAN WHEEL BASE 4
 15 = VAN WHEEL BASE 5
 56 = WAGON WHEEL BASE 6
 16 = VAN WHEEL BASE 6
 54 = WAGON WHEEL BASE 4
 55 = WAGON WHEEL BASE 5

AR = use ase required - = Non illustrated part

Mirrors, Exterior
Figure DVA-520



ITEM	PART NUMBER	QTY	LINE	SERIES	BODY	ENGINE	TRANS	TRIM	DESCRIPTION
	05104446AA	1	2, 6	L	11, 12, 14, 15, 16				Left
		1	3, 7	L	12, 15, 16				Left
		1	2, 6	L	51, 52, 54, 55, 56				Left
	05133499AA	1	2, 6	L	11, 12, 14, 15, 16				Right
		1	2, 6	L	51, 52, 54, 55, 56				Right
		1	3, 7	L	12, 15, 16				Right
16	05104440AA	1	3, 7	L	12, 15, 16				MIRROR, Outside Rearview
	05104441AA	1	3, 7	L	12, 15, 16				Left
	05124184AA	1	2, 6	L	11, 12, 14, 15, 16				Right
		1	2, 6	L	51, 52, 54, 55, 56				Electric, Left
		1	3, 7	L	12, 15, 16				Electric, Left
	05124196AA	1	2, 6	L	11, 12, 14, 15, 16				Electric, Right
		1	2, 6	L	51, 52, 54, 55, 56				Electric, Right
		1	3, 7	L	12, 15, 16				Electric, Right
17	05103592AA	1	2, 6	L	11, 12, 14, 15, 16				MIRROR, Outside Rearview
		1	2, 6	L	51, 52, 54, 55, 56				Left
		1	3, 7	L	12, 15, 16				Left
	05103593AA	1	2, 6	L	11, 12, 14, 15, 16				Right
		1	2, 6	L	51, 52, 54, 55, 56				Right
		1	3, 7	L	12, 15, 16				Right

SPRINTER (VA)

SERIES

L = LOWLINE
 3 = HD DODGE 2WD
 6 = Lt. Duty DODGE 4WD
 2 = Med. Duty DODGE 2WD
 7 = Med. Duty DODGE 4WD

BODY

01 = CHASSIS FORWARD CONTROL W.B.1
 02 = CAB CHASSIS WHEEL BASE 2
 06 = CAB CHASSIS WHEEL BASE 6
 11 = VAN WHEEL BASE 1
 12 = VAN WHEEL BASE 2
 51 = WAGON WHEEL BASE 1
 52 = WAGON WHEEL BASE 2
 14 = VAN WHEEL BASE 4
 15 = VAN WHEEL BASE 5
 56 = WAGON WHEEL BASE 6
 16 = VAN WHEEL BASE 6
 54 = WAGON WHEEL BASE 4
 55 = WAGON WHEEL BASE 5

ENGINE

EX9 = Engine-2.7L I5
 Mercedes Turbo Diesel

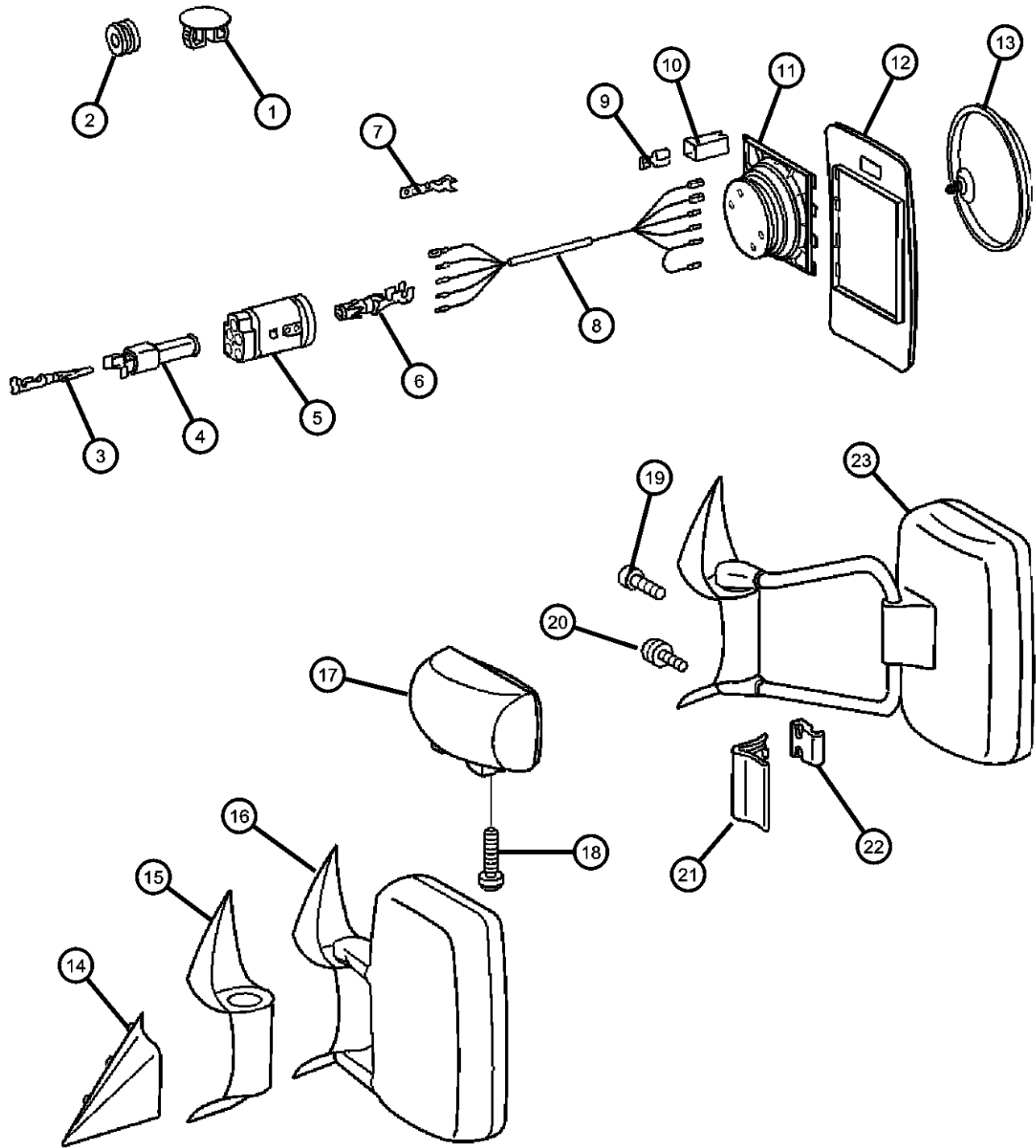
TRANSMISSION

DGJ = Transmission-5-Spd. Automatic, W5A580

AR = use ase required - = Non illustrated part

2002 VA

Mirrors, Exterior
Figure DVA-520



ITEM	PART NUMBER	QTY	LINE	SERIES	BODY	ENGINE	TRANS	TRIM	DESCRIPTION
18	05133507AA	1	3, 7	L	12, 15, 16				SCREW
19									BOLT, Torx
	05125420AA	1	2, 6	L	11, 12, 14, 15, 16				
		1	2, 6	L	51, 52, 54, 55, 56				
		1	3, 7	L	12, 15, 16				
20									SCREW, DOOR SLIDE MECHANISM TO DOOR, SPRINTER
	05104610AA	2	2, 6	L	11, 12, 14, 15, 16				
		2	2, 6	L	51, 52, 54, 55, 56				
		2	3, 7	L	12, 15, 16				
21									COVER, Mirror Flag
	05103675AA	1	2, 6	L	11, 12, 14, 15, 16				
		1	3, 7	L	12, 15, 16				
		1	2, 6	L	51, 52, 54, 55, 56				
22									CLAMP
	05133500AA	2	2, 6	L	11, 12, 14, 15, 16				
		2	2, 6	L	51, 52, 54, 55, 56				
		2	3, 7	L	12, 15, 16				
23									MIRROR, Outside Rearview
	05103594AA	1	2, 6	L	11, 12, 14, 15, 16				UPS, Left
	05103595AA	1	2, 6	L	11, 12, 14, 15, 16				UPS, Right
	05124253AA	1	3, 7	L	12, 15, 16				Wide Angle, Electric Heated, Left

SPRINTER (VA)

SERIES
L = LOWLINE
3 = HD DODGE 2WD
6 = Lt. Duty DODGE 4WD
2 = Med. Duty DODGE 2WD
7 = Med. Duty DODGE 4WD

BODY
01 = CHASSIS FORWARD CONTROL W.B.1
02 = CAB CHASSIS WHEEL BASE 2
06 = CAB CHASSIS WHEEL BASE 6
11 = VAN WHEEL BASE 1
12 = VAN WHEEL BASE 2
51 = WAGON WHEEL BASE 1
52 = WAGON WHEEL BASE 2
14 = VAN WHEEL BASE 4
15 = VAN WHEEL BASE 5
56 = WAGON WHEEL BASE 6
16 = VAN WHEEL BASE 6
54 = WAGON WHEEL BASE 4
55 = WAGON WHEEL BASE 5

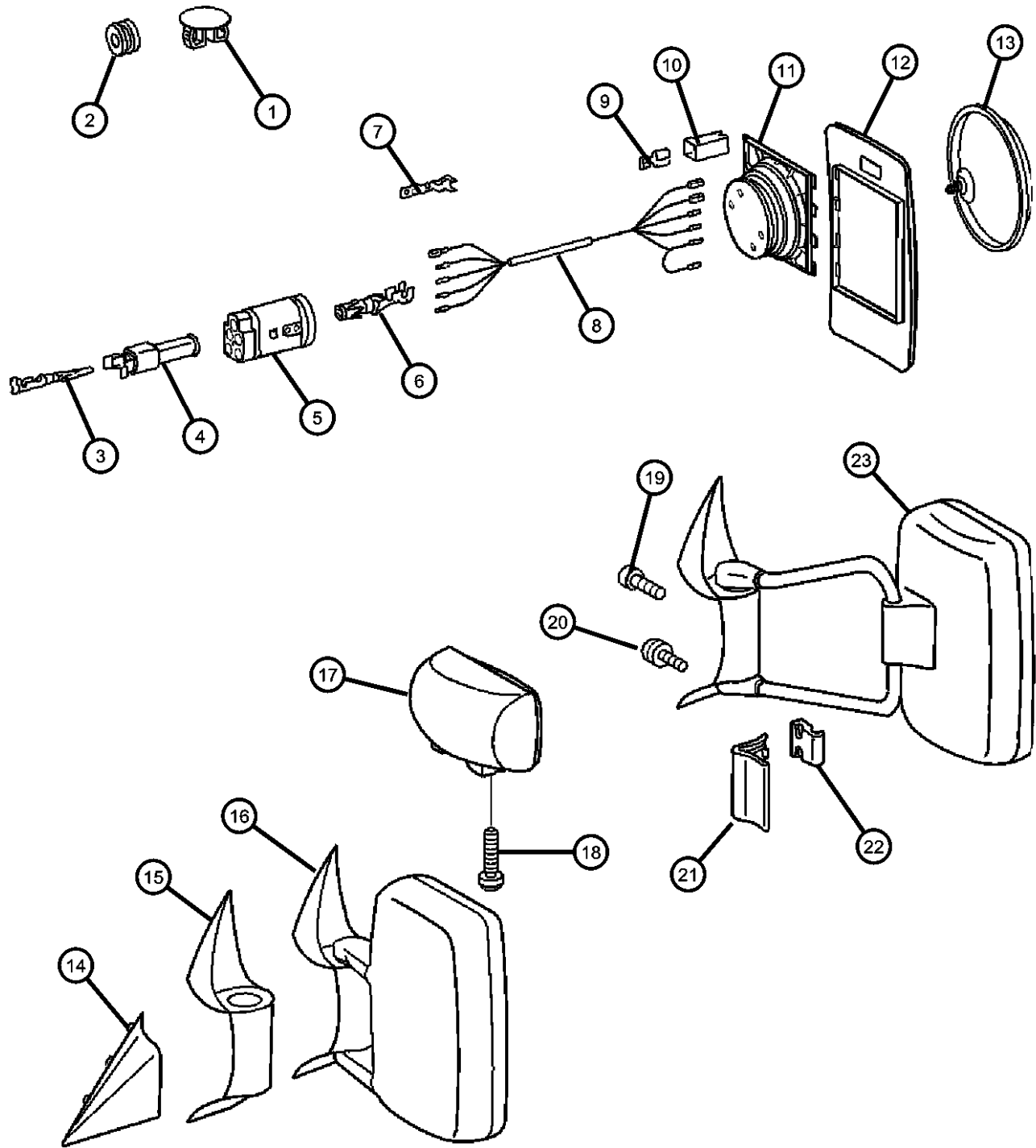
ENGINE
EX9 = Engine-2.7L I5
Mercedes Turbo Diesel

TRANSMISSION
DGJ = Transmission-5-Spd. Automatic, W5A580

AR = use ase required - = Non illustrated part

2002 VA

Mirrors, Exterior
Figure DVA-520



ITEM	PART NUMBER	QTY	LINE	SERIES	BODY	ENGINE	TRANS	TRIM	DESCRIPTION
------	-------------	-----	------	--------	------	--------	-------	------	-------------

	05124257AA	1	2, 6	L	11, 12, 14, 15, 16				Wide Angle, Right
		1	2, 6	L	51, 52, 54, 55, 56				Wide Angle, Right
		1	3, 7	L	12, 15, 16				Wide Angle, Right

SPRINTER (VA)

SERIES

L = LOWLINE
 3 = HD DODGE 2WD
 6 = Lt. Duty DODGE 4WD
 2 = Med. Duty DODGE 2WD
 7 = Med. Duty DODGE 4WD

BODY

01 = CHASSIS FORWARD CONTROL W.B.1
 02 = CAB CHASSIS WHEEL BASE 2
 06 = CAB CHASSIS WHEEL BASE 6
 11 = VAN WHEEL BASE 1
 12 = VAN WHEEL BASE 2
 51 = WAGON WHEEL BASE 1
 52 = WAGON WHEEL BASE 2
 14 = VAN WHEEL BASE 4
 15 = VAN WHEEL BASE 5
 56 = WAGON WHEEL BASE 6
 16 = VAN WHEEL BASE 6
 54 = WAGON WHEEL BASE 4
 55 = WAGON WHEEL BASE 5

ENGINE

EX9 = Engine-2.7L I5
 Mercedes Turbo Diesel

TRANSMISSION

DGJ = Transmission-5-Spd. Automatic, W5A580

AR = use ase required - = Non illustrated part

2002 VA

Group - EVA

Exterior Ornamentation

Group - EVA Exterior Ornamentation

Group-Fig. No.

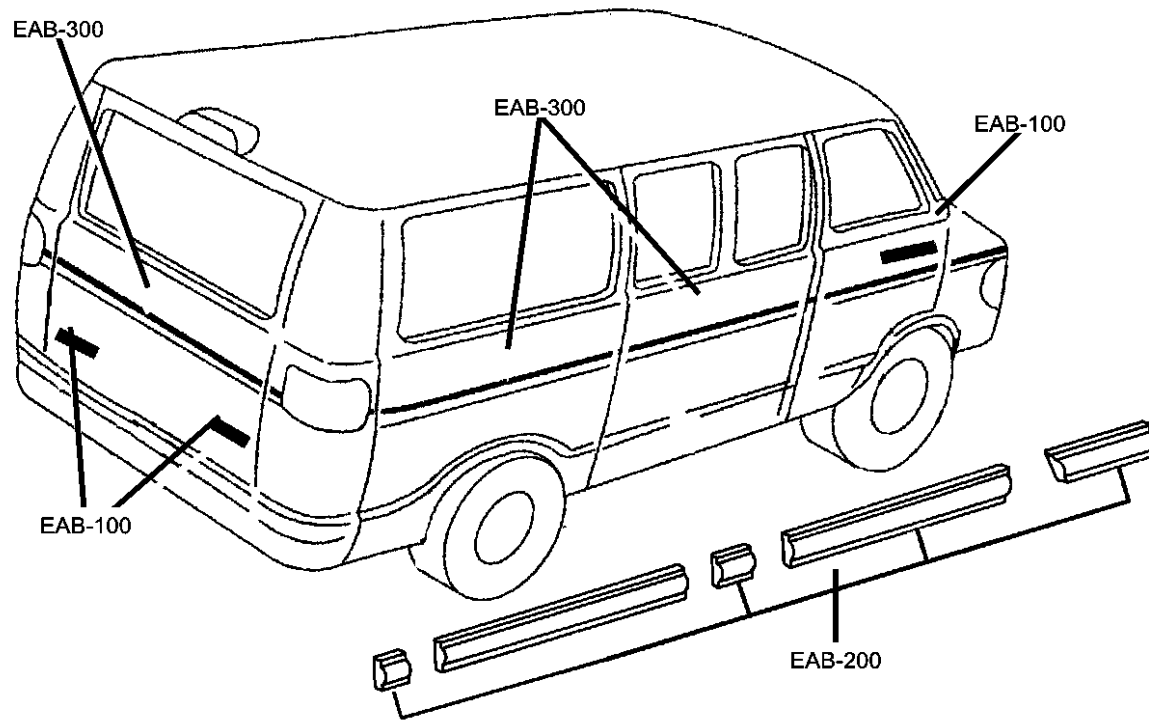
Illustration Title

Nameplates

Nameplates And DecalsFig. EVA - 120

Moldings and Ornamentation

Exterior Moldings.....Fig. EVA - 210

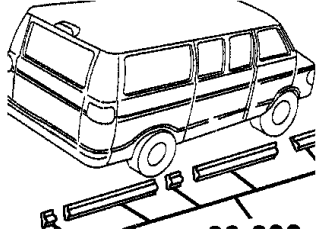


EVA-100
Nameplates

RAM

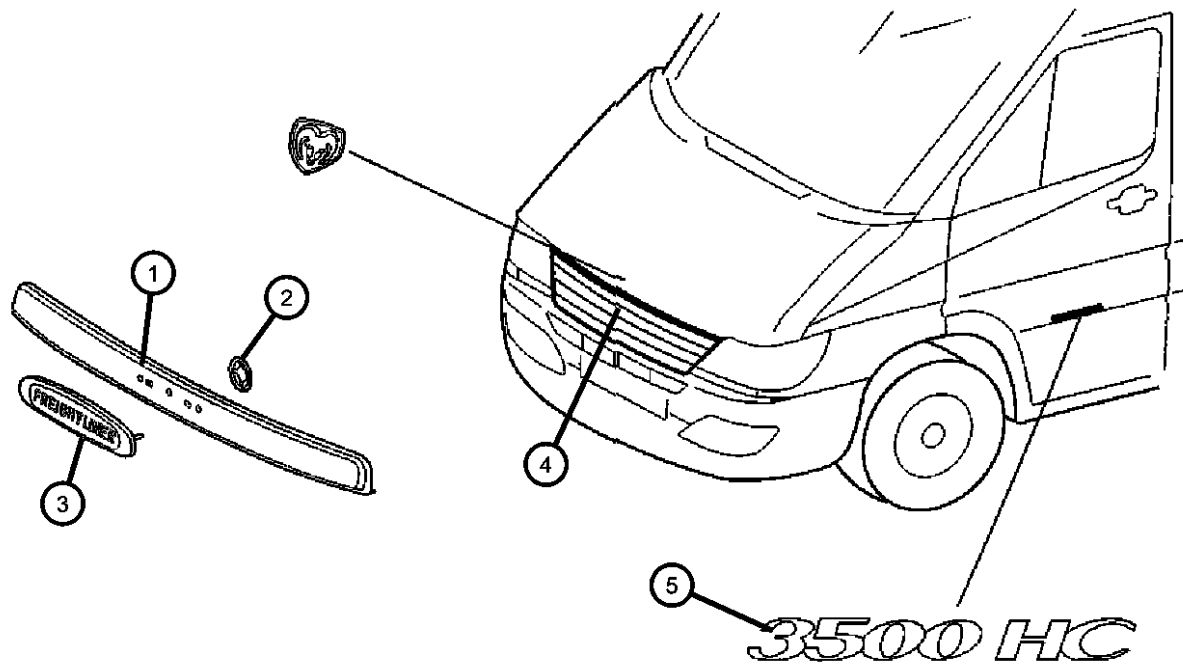


EVA-200
Moldings and Ornamentation



**Nameplates And Decals
Figure EVA-120**

ITEM	PART NUMBER	QTY	LINE	SERIES	BODY	ENGINE	TRANS	TRIM	DESCRIPTION
1									MOLDING, Hood, FREIGHTLINER
	05104400AA	1	2, 6	L	11, 12, 14, 15, 16				
		1	2, 6	L	51, 52, 54, 55, 56				
		1	3, 7	L	12, 15, 16				
2									RETAINER, Hood Ornament
	05096429AA	2	2, 6	L	11, 12, 14, 15, 16				
		2	2, 6	L	51, 52, 54, 55, 56				
		2	3, 7	L	12, 15, 16				
3									NAMEPLATE, Hood
	05104449AA	1	2, 6	L	11, 12, 14, 15, 16				
		1	2, 6	L	51, 52, 54, 55, 56				
		1	3, 7	L	12, 15, 16				
4		1							GRILLE, Radiator, See Group 7, (NOT SERVICED)
5									NAMEPLATE
	05132127AA	2	2, 6	L	11, 12, 14, 15, 16				2500 SHC With [4XL + MWJ]
		2	2, 6	L	51, 52, 54, 55, 56				2500 SHC With [4XL + MWJ]
	05132129AA	2	2, 6	L	11, 12, 14, 15, 16				2500 HC With [4XL + MWJ]
		2	2, 6	L	51, 52, 54, 55, 56				2500 HC With [4XL]
	05132131AA	2	3, 7	L	12, 15, 16				3500 SHC With [4XL + MWJ]
	05132133AA	2	3, 7	L	12, 15, 16				3500 HC With [4XL]
	05132137AA	2	6	L	11, 12				2500 HC With [MGQ]
		2	6	L	51, 52				2500 HC With [MGQ]
-6									NAMEPLATE, Rear Door



SPRINTER (VA)

SERIES

L = LOWLINE
 3 = HD DODGE 2WD
 6 = Lt. Duty DODGE 4WD
 2 = Med. Duty DODGE 2WD
 7 = Med. Duty DODGE 4WD

LINE

BODY

01 = CHASSIS FORWARD CONTROL W.B.1
 02 = CAB CHASSIS WHEEL BASE 2
 06 = CAB CHASSIS WHEEL BASE 6
 11 = VAN WHEEL BASE 1
 12 = VAN WHEEL BASE 2
 51 = WAGON WHEEL BASE 1
 52 = WAGON WHEEL BASE 2
 14 = VAN WHEEL BASE 4
 15 = VAN WHEEL BASE 5
 56 = WAGON WHEEL BASE 6
 16 = VAN WHEEL BASE 6
 54 = WAGON WHEEL BASE 4
 55 = WAGON WHEEL BASE 5

ENGINE

EX9 = Engine-2.7L I5
 Mercedes Turbo Diesel

TRANSMISSION

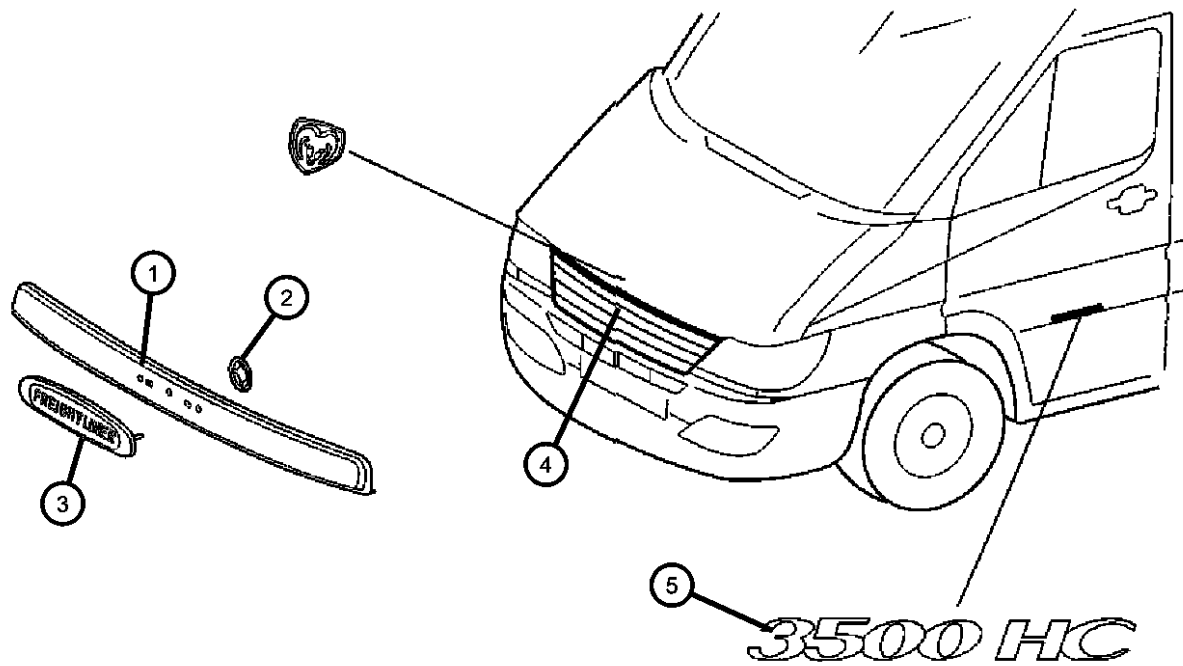
DGJ = Transmission-5-Spd. Automatic, W5A580

AR = use ase required - = Non illustrated part

2002 VA

**Nameplates And Decals
Figure EVA-120**

ITEM	PART NUMBER	QTY	LINE	SERIES	BODY	ENGINE	TRANS	TRIM	DESCRIPTION
	05104451AA	1	2, 6	L	51, 52, 54, 55, 56				
		1	2, 6	L	11, 12, 14, 15, 16				
		1	3, 7	L	12, 15, 16				
-7									NAMEPLATE, Powered by mercedes
	05104457AA	2	2, 6	L	11, 12, 14, 15, 16				[MGQ]
		2	2, 6	L	51, 52, 54, 55, 56				[MGQ]
		2	3, 7	L	12, 15, 16				[MGQ]



SPRINTER (VA)

SERIES	LINE	BODY	ENGINE	TRANSMISSION
L = LOWLINE	3 = HD DODGE 2WD 6 = Lt. Duty DODGE 4WD 2 = Med. Duty DODGE 2WD 7 = Med. Duty DODGE 4WD	01 = CHASSIS FORWARD CONTROL W.B.1 02 = CAB CHASSIS WHEEL BASE 2 06 = CAB CHASSIS WHEEL BASE 6 11 = VAN WHEEL BASE 1 12 = VAN WHEEL BASE 2 51 = WAGON WHEEL BASE 1 52 = WAGON WHEEL BASE 2 14 = VAN WHEEL BASE 4 15 = VAN WHEEL BASE 5 56 = WAGON WHEEL BASE 6 16 = VAN WHEEL BASE 6 54 = WAGON WHEEL BASE 4 55 = WAGON WHEEL BASE 5	EX9 = Engine-2.7L I5 Mercedes Turbo Diesel	DGJ = Transmission-5-Spd. Automatic, W5A580

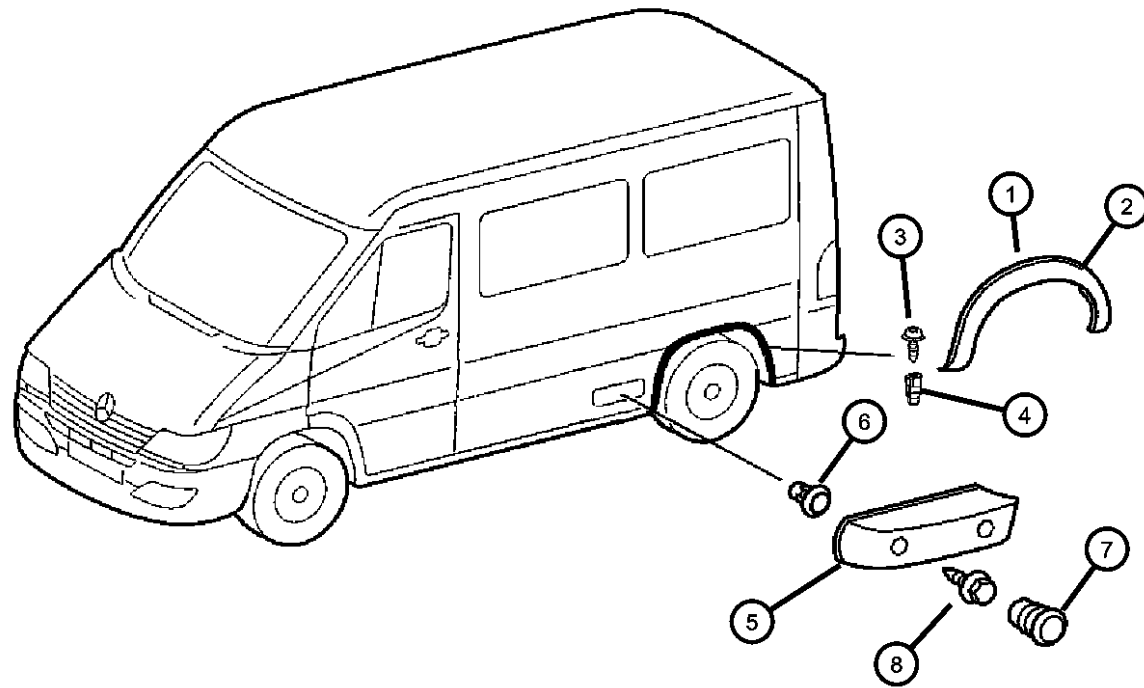
AR = use ase required - = Non illustrated part

2002 VA

**Exterior Moldings
Figure EVA-210**

ITEM	PART NUMBER	QTY	LINE	SERIES	BODY	ENGINE	TRANS	TRIM	DESCRIPTION
------	-------------	-----	------	--------	------	--------	-------	------	-------------

NOTE:
Line Code [2 & 3] Are For [Dodge Sprinter] Only
Line Code [6 & 7] Are For [Freightliner] Only
Sales Codes:



1									FENDER, Rear
	05132499AA	2	2, 6	L	11, 12, 14, 15, 16				
		2	2, 6	L	51, 52, 54, 55, 56				
2	05125142AA	2	3, 7	L	12, 15, 16				MOLDING, Wheel Opening Flare
3									SCREW
	06104614AA	8	2, 6	L	11, 12, 14, 15, 16				
		8	2, 6	L	51, 52, 54, 55, 56				
		8	3, 7	L	12, 15, 16				
4									NUT, Plastic Snap-in
	05098837AA	16	2, 6	L	11, 12, 14, 15, 16				
		16	2, 6	L	51, 52, 54, 55, 56				
		16	3, 7	L	12, 15, 16				
5									MOLDING, Quarter Trim
	05123563AA	1	3, 7	L	12, 15, 16				Left
	05123564AA	1	3, 7	L	12, 15, 16				Right
6	05125550AA	4	3, 7	L	12, 15, 16				RETAINER
7	05126001AA	4	3, 7	L	12, 15, 16				PLUG, Cover
8									SCREW
	06104614AA	8	2, 6	L	11, 12, 14, 15, 16				
		8	2, 6	L	51, 52, 54, 55, 56				

SPRINTER (VA)

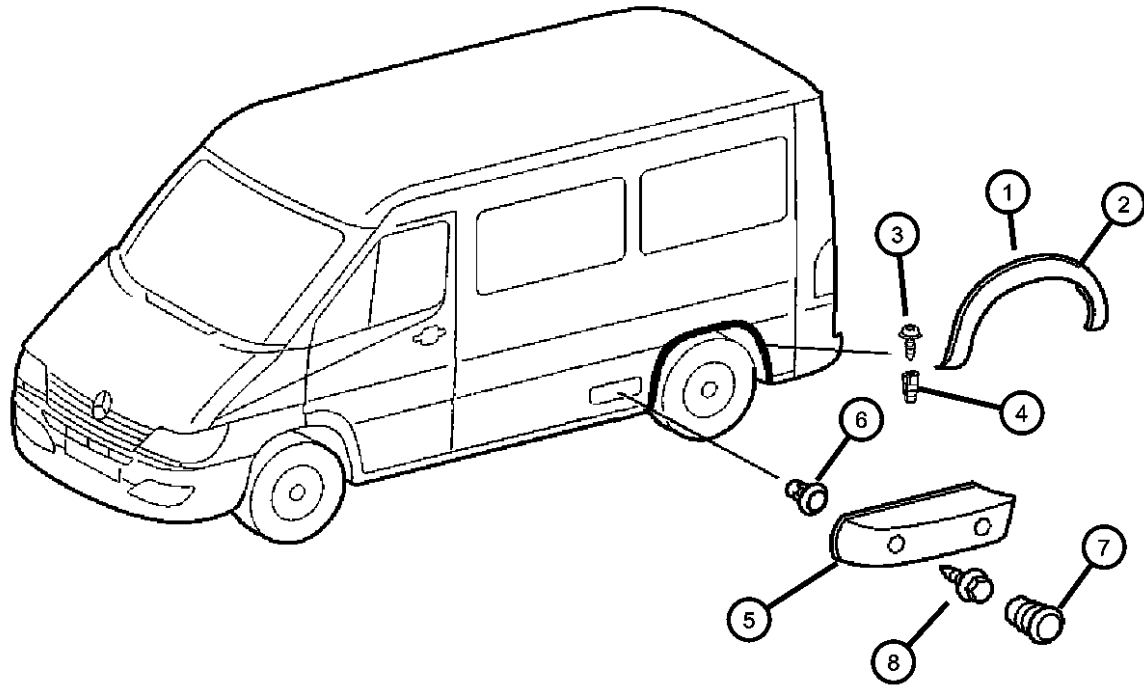
SERIES	LINE	BODY	ENGINE	TRANSMISSION
L = LOWLINE	3 = HD DODGE 2WD 6 = Lt. Duty DODGE 4WD 2 = Med. Duty DODGE 2WD 7 = Med. Duty DODGE 4WD	01 = CHASSIS FORWARD CONTROL W.B.1 02 = CAB CHASSIS WHEEL BASE 2 06 = CAB CHASSIS WHEEL BASE 6 11 = VAN WHEEL BASE 1 12 = VAN WHEEL BASE 2 51 = WAGON WHEEL BASE 1 52 = WAGON WHEEL BASE 2 14 = VAN WHEEL BASE 4 15 = VAN WHEEL BASE 5 56 = WAGON WHEEL BASE 6 16 = VAN WHEEL BASE 6 54 = WAGON WHEEL BASE 4 55 = WAGON WHEEL BASE 5	EX9 = Engine-2.7L I5 Mercedes Turbo Diesel	DGJ = Transmission-5-Spd. Automatic, W5A580

AR = use ase required - = Non illustrated part

2002 VA

Exterior Moldings
Figure EVA-210

ITEM	PART NUMBER	QTY	LINE	SERIES	BODY	ENGINE	TRANS	TRIM	DESCRIPTION
		16	3, 7	L	12, 15, 16				
-9	05104639AA	16	7	L	12, 15, 16				WASHER



SPRINTER (VA)

SERIES

L = LOWLINE

LINE

3 = HD DODGE 2WD
6 = Lt. Duty DODGE 4WD
2 = Med. Duty DODGE 2WD
7 = Med. Duty DODGE 4WD

BODY

01 = CHASSIS FORWARD CONTROL W.B.1
02 = CAB CHASSIS WHEEL BASE 2
06 = CAB CHASSIS WHEEL BASE 6
11 = VAN WHEEL BASE 1
12 = VAN WHEEL BASE 2
51 = WAGON WHEEL BASE 1
52 = WAGON WHEEL BASE 2
14 = VAN WHEEL BASE 4
15 = VAN WHEEL BASE 5
56 = WAGON WHEEL BASE 6
16 = VAN WHEEL BASE 6
54 = WAGON WHEEL BASE 4
55 = WAGON WHEEL BASE 5

ENGINE

EX9 = Engine-2.7L I5
Mercedes Turbo Diesel

TRANSMISSION

DGJ = Transmission-5-Spd. Automatic, W5A580

AR = use ase required - = Non illustrated part

2002 VA

Group - IVA

Interior Trim

Group - IVA Interior Trim

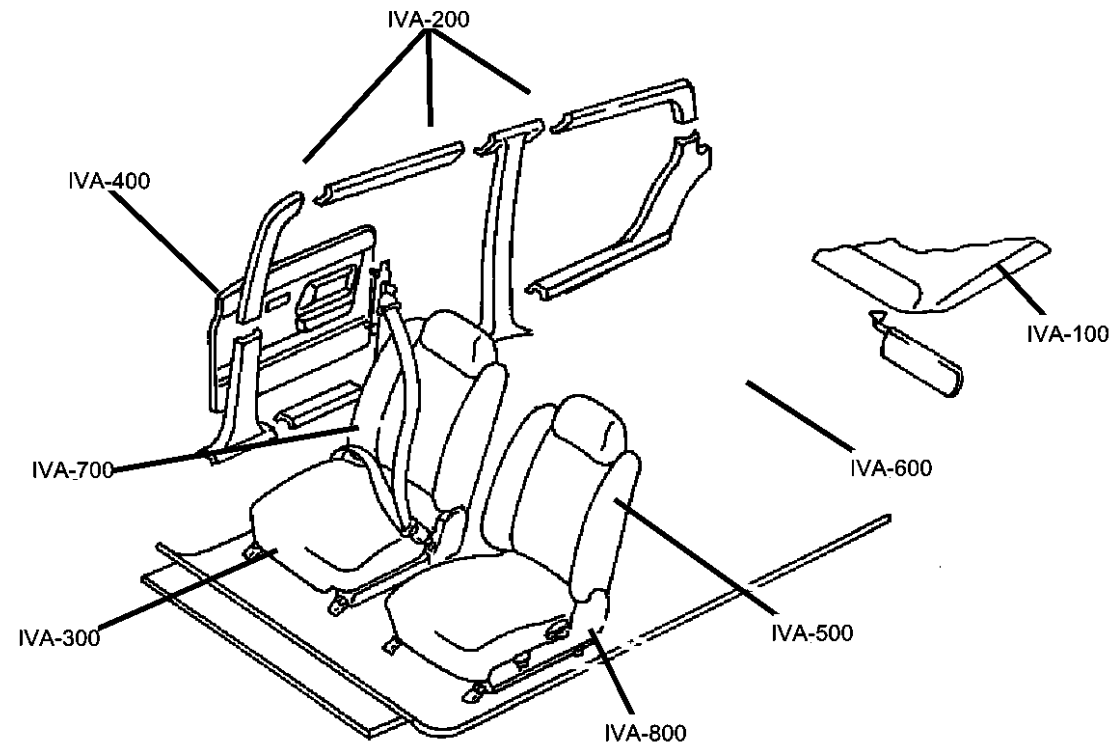


Illustration Title

Group-Fig. No.

Headliner and Visor

Headliner, Low Roof	Fig. IVA - 110
Headliner, High Roof	Fig. IVA - 115
Sunvisors, Grabhandles, Shelf and Attaching Parts	Fig. IVA - 120

Moldings, Scuff Plates

Inner Panels - Fabric	Fig. IVA - 210
Inner Panels - Cab	Fig. IVA - 215
Inner Panels - Plywood	Fig. IVA - 220
Inner Panels	Fig. IVA - 225
Inner Paneling Window - Pillar In Cab	Fig. IVA - 230
Cargo Retainers - Without Windows	Fig. IVA - 235
Cargo Retainers - With Windows	Fig. IVA - 240
Rear Pillar Inner Panel	Fig. IVA - 245
Cowl Panel - Silencer	Fig. IVA - 250
Partition Wall and Sliding Door	Fig. IVA - 260

Carpet

Carpet - Floor	Fig. IVA - 310
Floor Lining, Entry Paneling & Footrest	Fig. IVA - 315
Floor - Rubber	Fig. IVA - 320
Floor - Wooden	Fig. IVA - 330
Insulation - Carpet	Fig. IVA - 340
Insulation Floor	Fig. IVA - 350

Door Trim Panels-Front and Sliding

Front Door Trim	Fig. IVA - 410
Sliding Door Trim	Fig. IVA - 420
Rear Dual Door Trim	Fig. IVA - 430

Front Seats and Attaching Parts

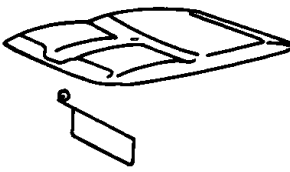
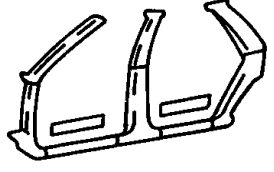
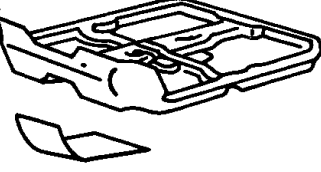
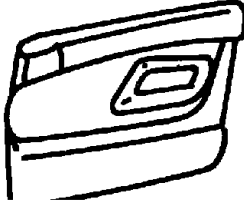

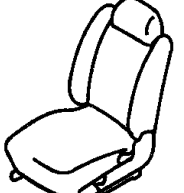
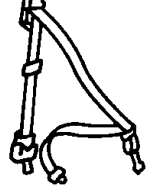
Front Seat - Venice	Fig. IVA - 510
Front Seat - Santos	Fig. IVA - 515
Front Seat - Catano	Fig. IVA - 520
Front Seat - Attaching Parts	Fig. IVA - 525
Front Seat - Attaching Parts - Riser	Fig. IVA - 530
Front Seat - Attaching Parts	Fig. IVA - 535

Rear Seats

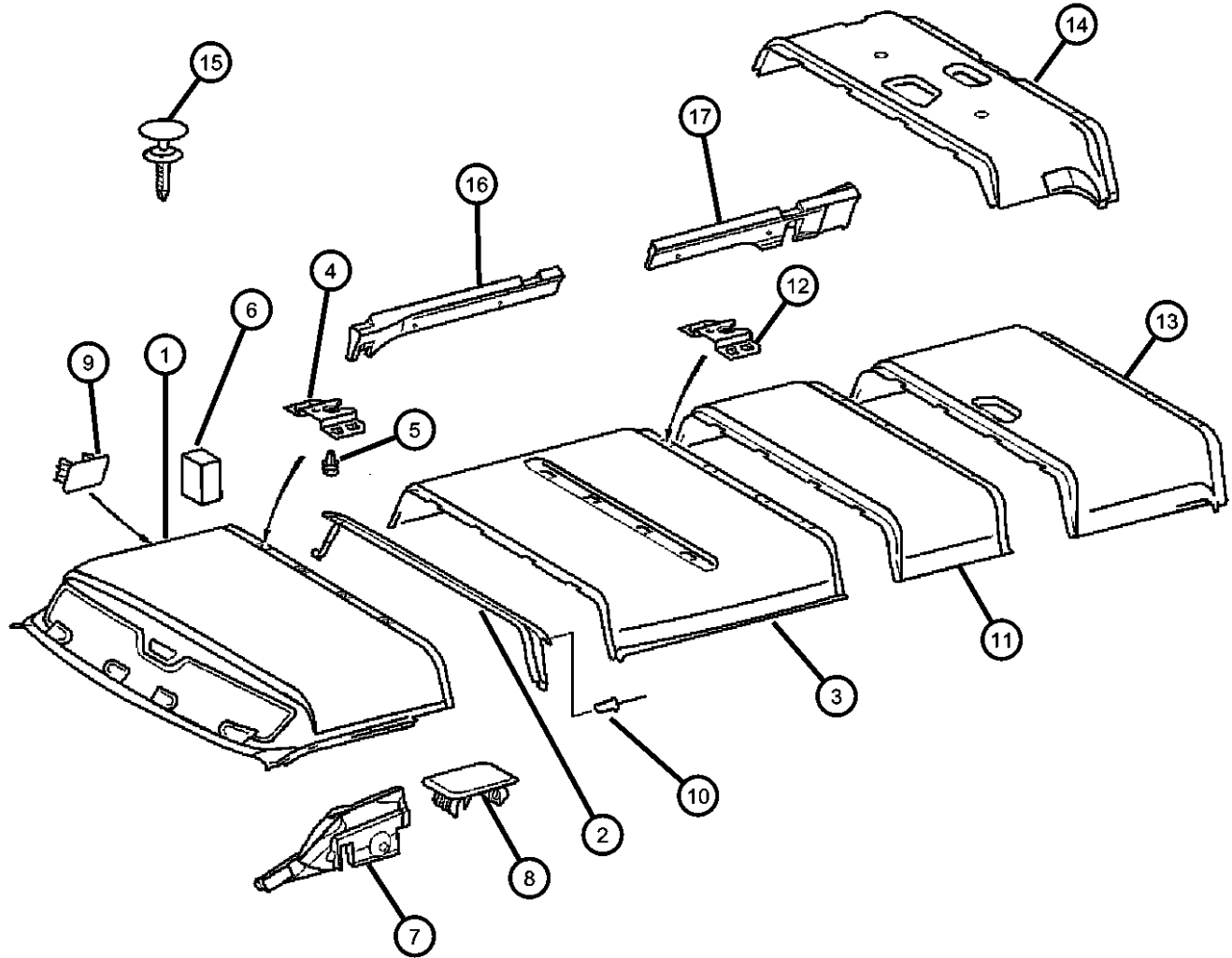
Rear Seat - 2 Passenger	Fig. IVA - 610
Rear Seat - 3 Passenger	Fig. IVA - 615
Attaching Parts - 3rd Passenger Seat	Fig. IVA - 620

Seat Belts-Front and Rear

Seat Belt - Front	Fig. IVA - 710
Seat Belt - Second Row	Fig. IVA - 720

<p>IVA-100 Headliner and Visor</p> 	<p>IVA-200 Moldings, Scuff Plates</p> 	<p>IVA-300 Carpet</p> 	<p>IVA-400 Door Trim Panels-Front and Sliding</p> 
<p>IVA-500 Front Seats and Attaching Parts</p> 	<p>IVA-600 Rear Seats</p> 	<p>IVA-700 Seat Belts-Front and Rear</p> 	

**Headliner, Low Roof
Figure IVA-110**



ITEM	PART NUMBER	QTY	LINE	SERIES	BODY	ENGINE	TRANS	TRIM	DESCRIPTION
1									HEADLINER, Front
	05123080AA	1	2, 6	L	51, 52, 54, 55, 56				Without Sunroof or Cargo Partition
		1	3, 7	L	12, 15, 16				Without Sunroof or Cargo Partition
		1	2, 6	L	11, 12, 14, 15, 16				Without Sunroof or Cargo Partition
	05123083AA	1	3, 7	L	12, 15, 16				With Sunroof, Without Cargo Partition
		1	2, 6	L	11, 12, 14, 15, 16				With Sunroof, Without Cargo Partition
		1	2, 6	L	51, 52, 54, 55, 56				With Sunroof, Without Cargo Partition
	05123465AA	1	2, 6	L	14, 15, 16, 11, 12				Without Sunroof With Cargo Partition
		1	2, 6	L	51, 52, 54, 55, 56				Without Sunroof With Cargo Partition
		1	3, 7	L	12, 15, 16				Without Sunroof With Cargo Partition
	05123470AA	1	2, 6	L	11, 12, 14, 15, 16				With Sunroof and Cargo Partition
		1	2, 6	L	51, 52, 54, 55, 56				With Sunroof and Cargo Partition
		1	3, 7	L	12, 15, 16				With Sunroof and Cargo Partition
2									MOLDING, Headliner
	05123480AA	1	2, 6	L	11, 12, 14, 15, 16				With Right Sliding Door
		1	3, 7	L	12, 15, 16				With Right Sliding Door
	05123482AA	1	2, 6	L	11, 12, 14, 15, 16				With Left Sliding Door
		1	2, 6	L	51, 52, 54, 55, 56				With Left Sliding Door
		1	3, 7	L	12, 15, 16				With Left Sliding Door
	05123484AA	1	2, 6	L	11, 12, 14, 15, 16				With Right & Left Sliding Door
		1	2, 6	L	51, 52, 54, 55, 56				With Right Sliding Door

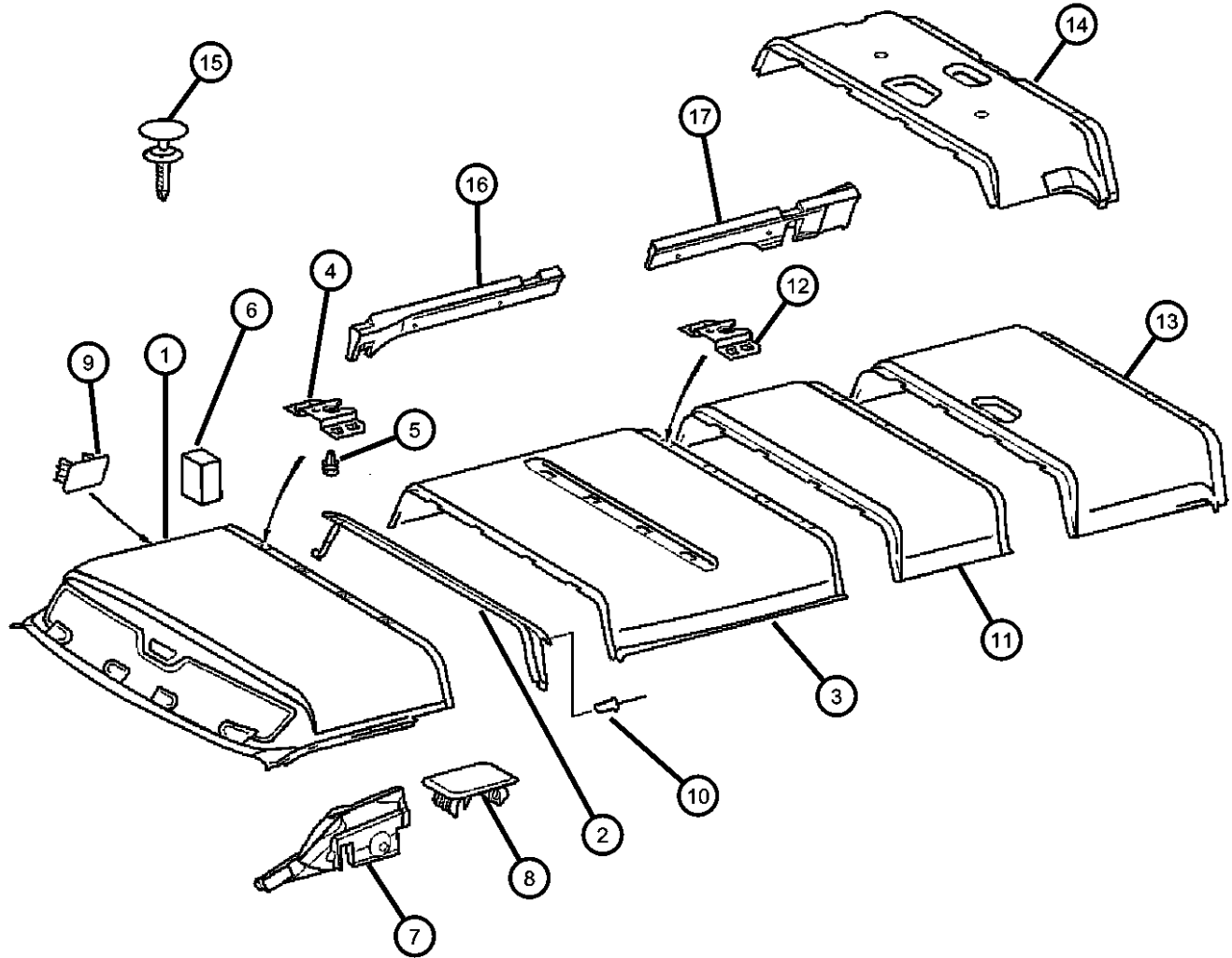
SPRINTER (VA)

SERIES	LINE	BODY	ENGINE	TRANSMISSION
L = LOWLINE	3 = HD DODGE 2WD 6 = Lt. Duty DODGE 4WD 2 = Med. Duty DODGE 2WD 7 = Med. Duty DODGE 4WD	01 = CHASSIS FORWARD CONTROL W.B.1 02 = CAB CHASSIS WHEEL BASE 2 06 = CAB CHASSIS WHEEL BASE 6 11 = VAN WHEEL BASE 1 12 = VAN WHEEL BASE 2 51 = WAGON WHEEL BASE 1 52 = WAGON WHEEL BASE 2 14 = VAN WHEEL BASE 4 15 = VAN WHEEL BASE 5 56 = WAGON WHEEL BASE 6 16 = VAN WHEEL BASE 6 54 = WAGON WHEEL BASE 4 55 = WAGON WHEEL BASE 5	EX9 = Engine-2.7L I5 Mercedes Turbo Diesel	DGJ = Transmission-5-Spd. Automatic, W5A580

AR = use ase required - = Non illustrated part

**Headliner, Low Roof
Figure IVA-110**

ITEM	PART NUMBER	QTY	LINE	SERIES	BODY	ENGINE	TRANS	TRIM	DESCRIPTION
		1	2, 6	L	52, 54, 55, 56, 51				With Right & Left Sliding Door
		1	3, 7	L	12, 15, 16				With Right & Left Sliding Door
3	05123093AA	1	2, 6	L	51, 52, 54, 55, 56				HEADLINER, Center With Right Sliding Door
		1	3, 7	L	12, 15, 16				With Right Sliding Door
		1	2, 6	L	11, 12, 14, 15, 16				With Right Sliding Door
	05123095AA	1	2, 6	L	11, 12, 14, 15, 16				With Left Sliding Door
		1	2, 6	L	51, 52, 54, 55, 56				With Left Sliding Door
		1	3, 7	L	12, 15, 16				With Left Sliding Door
	05123097AA	1	2, 6	L	51, 52, 54, 55, 56				With Right & Left Sliding Door
		1	2, 6	L	11, 12, 14, 15, 16				With Right & Left Sliding Door
		1	3, 7	L	12, 15, 16				With Right & Left Sliding Door
4	05123436AA	4	2, 6	L	11, 12, 14, 15, 16				BRACKET, Headliner to Roof Rail
		4	2, 6	L	51, 52, 54, 55, 56				
		4	3, 7	L	12, 15, 16				
5	05125569AA	8	2, 6	L	11, 12, 14, 15, 16				CLIP, Headlining
		8	2, 6	L	51, 52, 54, 55, 56				
		8	3, 7	L	12, 15, 16				
6	05123547AA	2	2, 6	L	11, 12, 14, 15, 16				PAD, Headlining



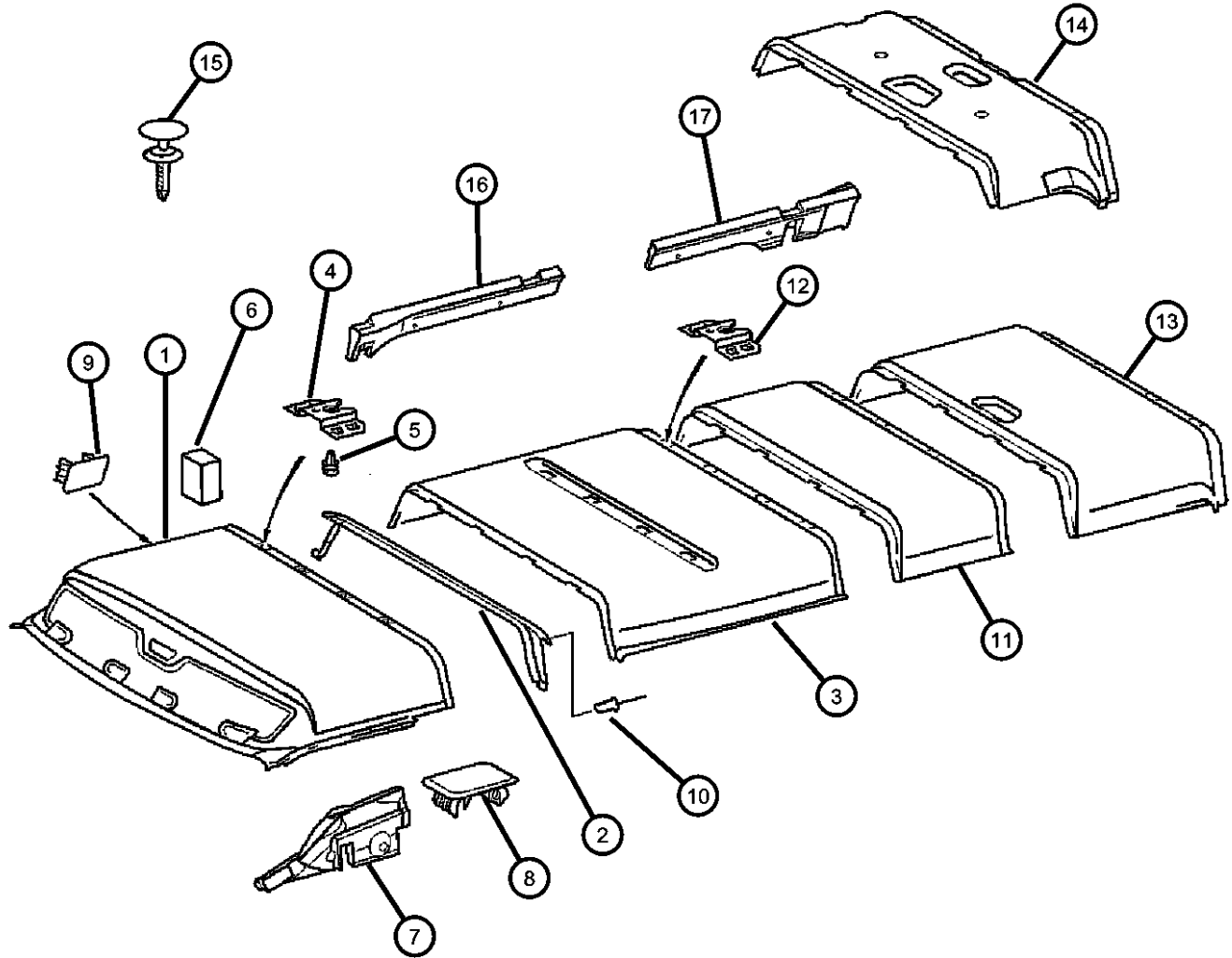
SPRINTER (VA)

SERIES	LINE	BODY	ENGINE	TRANSMISSION
L = LOWLINE	3 = HD DODGE 2WD 6 = Lt. Duty DODGE 4WD 2 = Med. Duty DODGE 2WD 7 = Med. Duty DODGE 4WD	01 = CHASSIS FORWARD CONTROL W.B.1 02 = CAB CHASSIS WHEEL BASE 2 06 = CAB CHASSIS WHEEL BASE 6 11 = VAN WHEEL BASE 1 12 = VAN WHEEL BASE 2 51 = WAGON WHEEL BASE 1 52 = WAGON WHEEL BASE 2 14 = VAN WHEEL BASE 4 15 = VAN WHEEL BASE 5 56 = WAGON WHEEL BASE 6 16 = VAN WHEEL BASE 6 54 = WAGON WHEEL BASE 4 55 = WAGON WHEEL BASE 5	EX9 = Engine-2.7L I5 Mercedes Turbo Diesel	DGJ = Transmission-5-Spd. Automatic, W5A580

AR = use ase required - = Non illustrated part

**Headliner, Low Roof
Figure IVA-110**

ITEM	PART NUMBER	QTY	LINE	SERIES	BODY	ENGINE	TRANS	TRIM	DESCRIPTION
		2	2, 6	L	51, 52, 54, 55, 56				
		2	3, 7	L	12, 15, 16				
7	05123496AA	1	6, 2	L	11, 12, 14, 15, 16				FLOCK, Nylon Left
		1	2, 6	L	51, 52, 54, 55, 56				Left
		1	3, 7	L	12, 15, 16				Left
	05123497AA	1	2, 6	L	11, 12, 14, 15, 16				Right
		1	2, 6	L	51, 52, 54, 55, 56				Right
		1	3, 7	L	12, 15, 16				Right
8	05125569AA	8	2, 6	L	12, 14, 15, 16, 11				CLIP, Headlining
		8	2, 6	L	51, 52, 54, 55, 56				
		8	3, 7	L	12, 15, 16				
9	05123443AA	2	2, 6	L	11, 12, 14, 15, 16				PLUG, Headliner
		2	2, 6	L	51, 52, 54, 55, 56				
		2	3, 7	L	12, 15, 16				
10	05133554AA	8	2, 6	L	11, 12, 14, 15, 16				RIVET
		8	2, 6	L	51, 52, 54, 55, 56				
		8	3, 7	L	12, 15, 16				
11									HEADLINER, Center

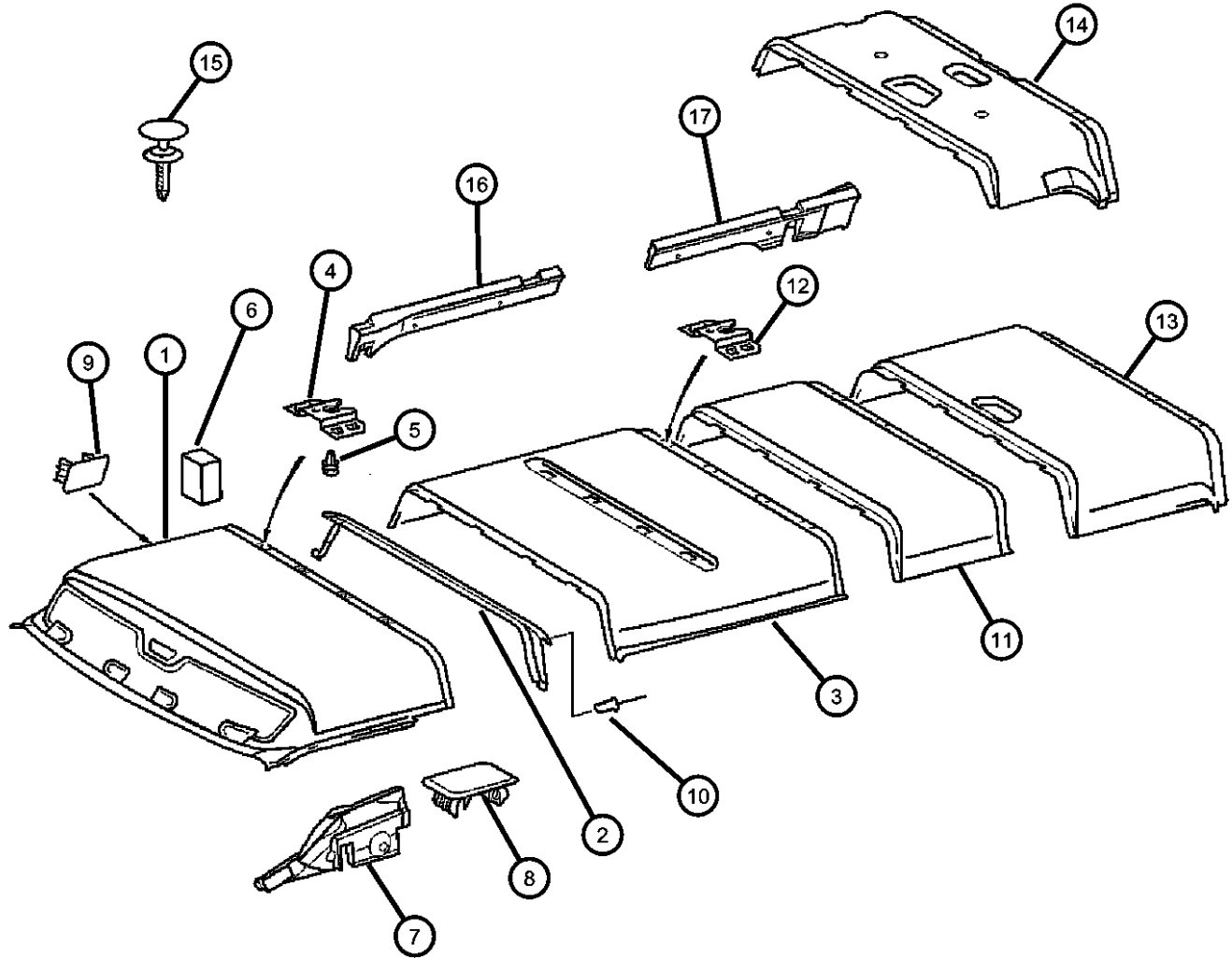


SPRINTER (VA)

SERIES	LINE	BODY	ENGINE	TRANSMISSION
L = LOWLINE	3 = HD DODGE 2WD 6 = Lt. Duty DODGE 4WD 2 = Med. Duty DODGE 2WD 7 = Med. Duty DODGE 4WD	01 = CHASSIS FORWARD CONTROL W.B.1 02 = CAB CHASSIS WHEEL BASE 2 06 = CAB CHASSIS WHEEL BASE 6 11 = VAN WHEEL BASE 1 12 = VAN WHEEL BASE 2 51 = WAGON WHEEL BASE 1 52 = WAGON WHEEL BASE 2 14 = VAN WHEEL BASE 4 15 = VAN WHEEL BASE 5 56 = WAGON WHEEL BASE 6 16 = VAN WHEEL BASE 6 54 = WAGON WHEEL BASE 4 55 = WAGON WHEEL BASE 5	EX9 = Engine-2.7L I5 Mercedes Turbo Diesel	DGJ = Transmission-5-Spd. Automatic, W5A580

AR = use ase required - = Non illustrated part

**Headliner, Low Roof
Figure IVA-110**



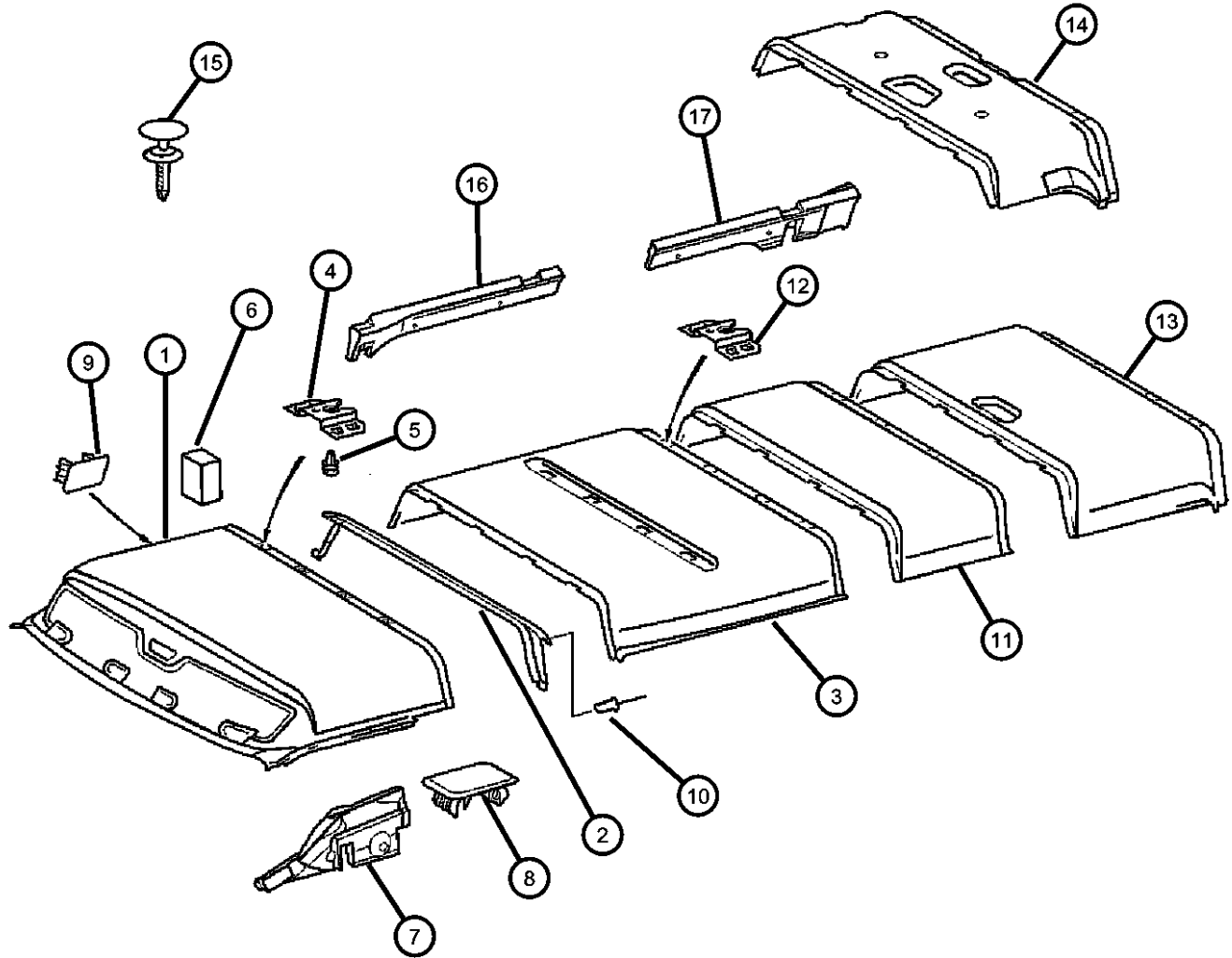
ITEM	PART NUMBER	QTY	LINE	SERIES	BODY	ENGINE	TRANS	TRIM	DESCRIPTION
	05123107AA	1	2, 6	L	51, 52, 54, 55, 56				With Interior Lamp
		1	3, 7	L	12, 15, 16				With Interior Lamp
		1	2, 6	L	11, 12, 14, 15, 16				With Interior Lamp
	05123140AA	1	2, 6	L	11, 12, 14, 15, 16				With Sunroof
		1	2, 6	L	51, 52, 54, 55, 56				With Sunroof
		1	3, 7	L	12, 15, 16				With Sunroof
12	05123436AA	8	2, 6	L	51, 52, 54, 55, 56				BRACKET
		8	2, 6	L	11, 12, 14, 15, 16				
		8	3, 7	L	12, 15, 16				
13	05123108AA	1	2, 6	L	11, 12, 14, 15, 16				HEADLINER, Rear
		1	2, 6	L	51, 52, 54, 55, 56				
		1	3, 7	L	12, 15, 16				
14	05123155AA	1	2, 6	L	51, 52, 54, 55, 56				PANEL, Quarter
15	05104541AA	2	2, 6	L	11, 12, 14, 15, 16				RIVET Headliner to Rear Roof Rail
		2	2, 6	L	51, 52, 54, 55, 56				Headliner to Rear Roof Rail
		2	3, 7	L	12, 15, 16				Headliner to Rear Roof Rail
	05125810AA	2	2, 6	L	16, 11, 12, 14, 15				Paneling to Roof Rear Rail
		2	2, 6	L	51, 52, 54, 55, 56				Paneling to Roof Rear Rail
		2	3, 7	L	12, 15, 16				Paneling to Roof Rear Rail

SPRINTER (VA)

SERIES	LINE	BODY	ENGINE	TRANSMISSION
L = LOWLINE	3 = HD DODGE 2WD 6 = Lt. Duty DODGE 4WD 2 = Med. Duty DODGE 2WD 7 = Med. Duty DODGE 4WD	01 = CHASSIS FORWARD CONTROL W.B.1 02 = CAB CHASSIS WHEEL BASE 2 06 = CAB CHASSIS WHEEL BASE 6 11 = VAN WHEEL BASE 1 12 = VAN WHEEL BASE 2 51 = WAGON WHEEL BASE 1 52 = WAGON WHEEL BASE 2 14 = VAN WHEEL BASE 4 15 = VAN WHEEL BASE 5 56 = WAGON WHEEL BASE 6 16 = VAN WHEEL BASE 6 54 = WAGON WHEEL BASE 4 55 = WAGON WHEEL BASE 5	EX9 = Engine-2.7L I5 Mercedes Turbo Diesel	DGJ = Transmission-5-Spd. Automatic, W5A580

AR = use ase required - = Non illustrated part

Headliner, Low Roof
Figure IVA-110



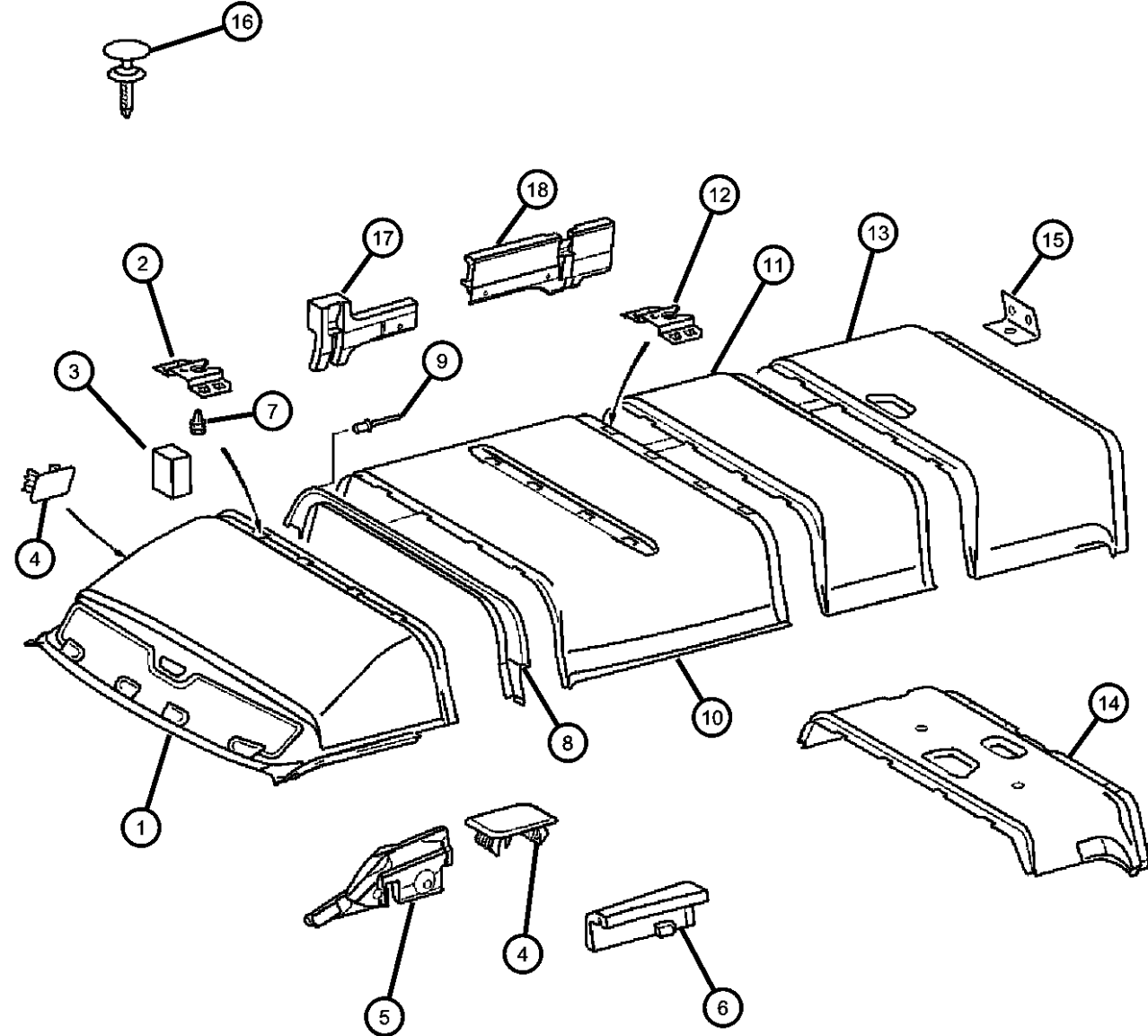
ITEM	PART NUMBER	QTY	LINE	SERIES	BODY	ENGINE	TRANS	TRIM	DESCRIPTION
16	05104297AA	1	2, 6	L	11, 12, 14, 15, 16				FLOCK, Nylon
		1	2, 6	L	51, 52, 54, 55, 56				
		1	3, 7	L	12, 15, 16				
17	05104298AA	1	2, 6	L	51, 52, 54, 55, 56				FLOCK, Nylon
		1	3, 7	L	12, 15, 16				
-18	05123510AA	1	3, 7	L	12, 15, 16				FLOCK, Nylon, Spacer
		1	2, 6	L	11, 12, 14, 15, 16				
-19	05123512AA	1	2, 6	L	11, 12, 14, 15, 16				FLOCK, Nylon, Spacer
		1	3, 7	L	12, 15, 16				
-20	05123514AA	1	2, 6	L	11, 12, 14, 15, 16				FLOCK, Nylon, Spacer
		1	3, 7	L	12, 15, 16				
-21	05123516AA	1	2, 6	L	14, 15, 16, 11, 12				FLOCK, Nylon, Spacer
		1	3, 7	L	12, 15, 16				

SPRINTER (VA)

SERIES	LINE	BODY	ENGINE	TRANSMISSION
L = LOWLINE	3 = HD DODGE 2WD 6 = Lt. Duty DODGE 4WD 2 = Med. Duty DODGE 2WD 7 = Med. Duty DODGE 4WD	01 = CHASSIS FORWARD CONTROL W.B.1 02 = CAB CHASSIS WHEEL BASE 2 06 = CAB CHASSIS WHEEL BASE 6 11 = VAN WHEEL BASE 1 12 = VAN WHEEL BASE 2 51 = WAGON WHEEL BASE 1 52 = WAGON WHEEL BASE 2 14 = VAN WHEEL BASE 4 15 = VAN WHEEL BASE 5 56 = WAGON WHEEL BASE 6 16 = VAN WHEEL BASE 6 54 = WAGON WHEEL BASE 4 55 = WAGON WHEEL BASE 5	EX9 = Engine-2.7L I5 Mercedes Turbo Diesel	DGJ = Transmission-5-Spd. Automatic, W5A580

AR = use ase required - = Non illustrated part

**Headliner, High Roof
Figure IVA-115**



ITEM	PART NUMBER	QTY	LINE	SERIES	BODY	ENGINE	TRANS	TRIM	DESCRIPTION
------	-------------	-----	------	--------	------	--------	-------	------	-------------

Sales Code:
[XJY] = Cargo Partition with Sliding Door

1	05104300AA	1	2, 6	L	51, 52, 54, 55, 56				HEADLINER, Front With Sliding Door [XJY]
		1	2, 6	L	11, 12, 14, 15, 16				With Sliding Door [XJY]
		1	3, 7	L	12, 15, 16				With Sliding Door [XJY]
	05123473AA	1	2, 6	L	11, 12, 14, 15, 16				Without Sliding Door [XJY]
		1	3, 7	L	15, 16, 12				Without Sliding Door [XJY]
2	05123436AA	4	2, 6	L	11, 12, 14, 15, 16				BRACKET
		4	2, 6	L	51, 52, 54, 55, 56				
		4	3, 7	L	12, 15, 16				
3	05123547AA	2	2, 6	L	51, 52, 54, 55, 56				PAD, Headlining
		2	2, 6	L	11, 12, 14, 15, 16				
		2	3, 7	L	12, 15, 16				
4	05123443AA	2	2, 6	L	11, 12, 14, 15, 16				PLUG, Headliner
		2	2, 6	L	51, 52, 54, 55, 56				
		2	3, 7	L	12, 15, 16				
5	05123496AA	1	2, 6	L	11, 12, 14, 15, 16				FLOCK, Nylon Left
		1	2, 6	L	51, 52, 54, 55, 56				Left

SPRINTER (VA)

SERIES
L = LOWLINE
3 = HD DODGE 2WD
6 = Lt. Duty DODGE 4WD
2 = Med. Duty DODGE 2WD
7 = Med. Duty DODGE 4WD

BODY
01 = CHASSIS FORWARD CONTROL W.B.1
02 = CAB CHASSIS WHEEL BASE 2
06 = CAB CHASSIS WHEEL BASE 6
11 = VAN WHEEL BASE 1
12 = VAN WHEEL BASE 2
51 = WAGON WHEEL BASE 1
52 = WAGON WHEEL BASE 2
14 = VAN WHEEL BASE 4
15 = VAN WHEEL BASE 5
56 = WAGON WHEEL BASE 6
16 = VAN WHEEL BASE 6
54 = WAGON WHEEL BASE 4
55 = WAGON WHEEL BASE 5

ENGINE
EX9 = Engine-2.7L I5
Mercedes Turbo Diesel

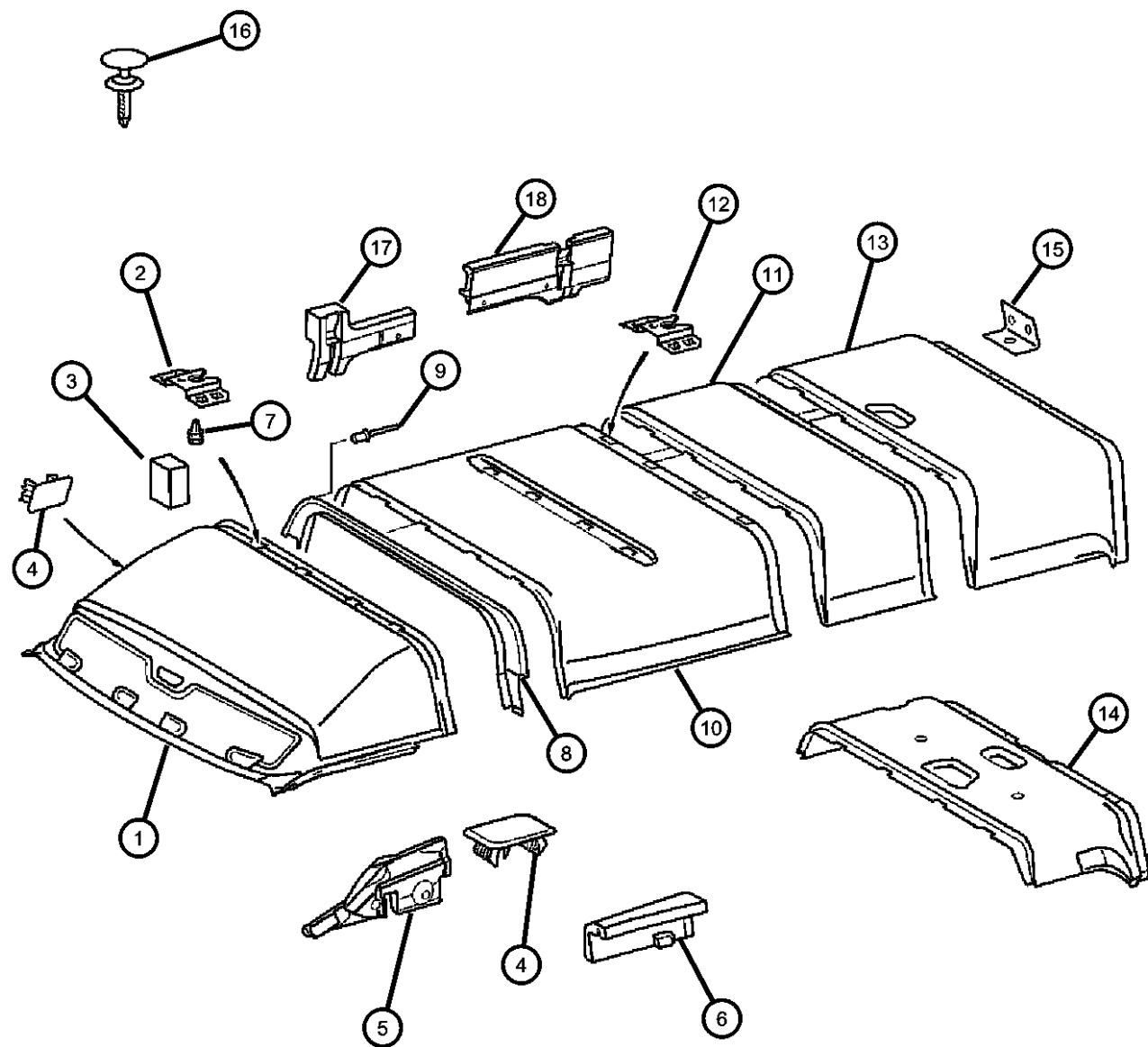
TRANSMISSION
DGJ = Transmission-5-Spd. Automatic, W5A580

AR = use ase required - = Non illustrated part

2002 VA

**Headliner, High Roof
Figure IVA-115**

ITEM	PART NUMBER	QTY	LINE	SERIES	BODY	ENGINE	TRANS	TRIM	DESCRIPTION
		1	3, 7	L	12, 15, 16				Left
	05123497AA	1	2, 6	L	14, 15, 16, 11, 12				Right
		1	2, 6	L	51, 52, 54, 55, 56				Right
		1	3, 7	L	12, 15, 16				Right
6									FLOCK, Nylon
	05123498AA	1	2, 6	L	11, 12, 14, 15, 16				Left
		1	2, 6	L	51, 52, 54, 55, 56				Left
		1	3, 7	L	12, 15, 16				Left
	05123499AA	1	2, 6	L	11, 12, 14, 15, 16				Right
		1	2, 6	L	51, 52, 54, 55, 56				Right
		1	3, 7	L	12, 15, 16				Right
7									CLIP, Headlining
	05125569AA	4	2, 6	L	11, 12, 14, 15, 16				Paneling to Roof Rail
		8	2, 6	L	11, 12, 14, 15, 16				Headliner to Roof Bow
		12	2, 6	L	11, 12, 14, 15, 16				Headliner to Rear Roof Rail
		4	2, 6	L	56, 51, 52, 54, 55				Paneling to Roof Rail
		8	2, 6	L	51, 52, 54, 55, 56				Headliner to Roof Bow
		12	2, 6	L	51, 52, 54, 55, 56				Headliner to Rear Roof Rail
		4	3, 7	L	12, 15, 16				Paneling to Roof Rail
		8	3, 7	L	12, 15, 16				Headliner to Roof Bow
		12	3, 7	L	12, 15, 16				Headliner to Rear Roof Rail
8									MOLDING, Headliner

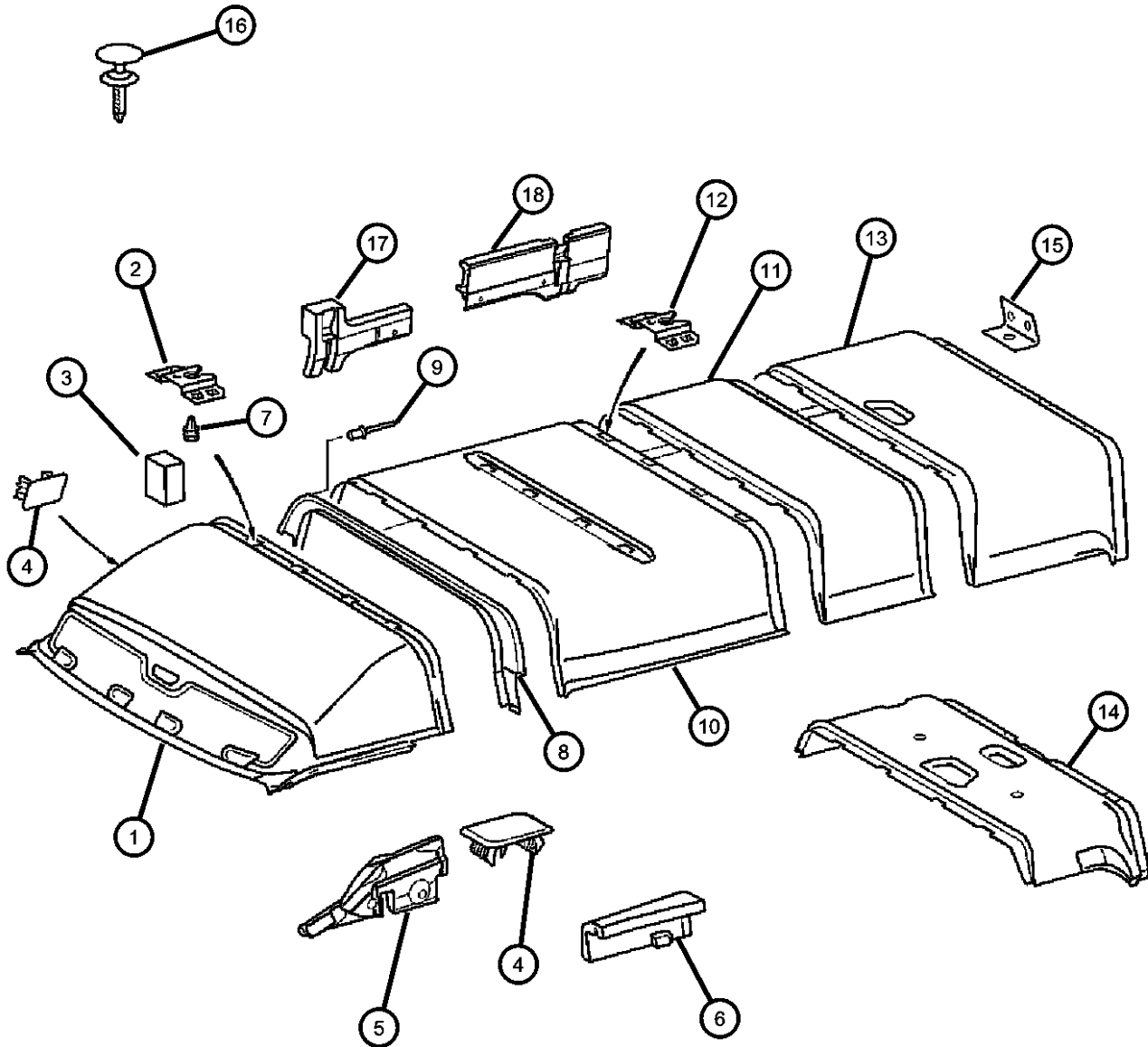


SPRINTER (VA)

SERIES	LINE	BODY	ENGINE	TRANSMISSION
L = LOWLINE	3 = HD DODGE 2WD 6 = Lt. Duty DODGE 4WD 2 = Med. Duty DODGE 2WD 7 = Med. Duty DODGE 4WD	01 = CHASSIS FORWARD CONTROL W.B.1 02 = CAB CHASSIS WHEEL BASE 2 06 = CAB CHASSIS WHEEL BASE 6 11 = VAN WHEEL BASE 1 12 = VAN WHEEL BASE 2 51 = WAGON WHEEL BASE 1 52 = WAGON WHEEL BASE 2 14 = VAN WHEEL BASE 4 15 = VAN WHEEL BASE 5 56 = WAGON WHEEL BASE 6 16 = VAN WHEEL BASE 6 54 = WAGON WHEEL BASE 4 55 = WAGON WHEEL BASE 5	EX9 = Engine-2.7L I5 Mercedes Turbo Diesel	DGJ = Transmission-5-Spd. Automatic, W5A580

AR = use ase required - = Non illustrated part

**Headliner, High Roof
Figure IVA-115**



ITEM	PART NUMBER	QTY	LINE	SERIES	BODY	ENGINE	TRANS	TRIM	DESCRIPTION
	05123488AA	1	3, 7	L	12, 15, 16				With Right Sliding Door
		1	2, 6	L	11, 12, 14, 15, 16				With Right Sliding Door
		1	2, 6	L	51, 52, 54, 55, 56				With Right Sliding Door
	05123490AA	1	2, 6	L	11, 12, 14, 15, 16				With Left Sliding Door
		1	2, 6	L	51, 52, 54, 55, 56				With Left Sliding Door
		1	3, 7	L	12, 15, 16				With Left Sliding Door
	05123492AA	1	2, 6	L	11, 12, 14, 15, 16				With Right & Left Sliding Door
		1	2, 6	L	51, 52, 54, 55, 56				With Right & Left Sliding Door
		1	3, 7	L	12, 15, 16				With Right & Left Sliding Door
9	05133554AA	10	2, 6	L	11, 12, 14, 15, 16				RIVET
		10	2, 6	L	51, 52, 54, 55, 56				
		10	3, 7	L	12, 15, 16				
10	05104278AA	1	6, 2	L	11, 12, 14, 15, 16				HEADLINER, Center With Right Sliding Door
		1	2, 6	L	51, 52, 54, 55, 56				With Right Sliding Door
		1	3, 7	L	12, 15, 16				With Right Sliding Door
	05123112AA	1	2, 6	L	51, 52, 54, 55, 56				With Left Sliding Door
		1	2, 6	L	11, 12, 14, 15, 16				With Left Sliding Door
		1	3, 7	L	12, 15, 16				With Left Sliding Door
	05123114AA	1	2, 6	L	11, 12, 14, 15, 16				With Right & Left Sliding Door

SPRINTER (VA)

SERIES

L = LOWLINE
 3 = HD DODGE 2WD
 6 = Lt. Duty DODGE 4WD
 2 = Med. Duty DODGE 2WD
 7 = Med. Duty DODGE 4WD

BODY

01 = CHASSIS FORWARD CONTROL W.B.1
 02 = CAB CHASSIS WHEEL BASE 2
 06 = CAB CHASSIS WHEEL BASE 6
 11 = VAN WHEEL BASE 1
 12 = VAN WHEEL BASE 2
 51 = WAGON WHEEL BASE 1
 52 = WAGON WHEEL BASE 2
 14 = VAN WHEEL BASE 4
 15 = VAN WHEEL BASE 5
 56 = WAGON WHEEL BASE 6
 16 = VAN WHEEL BASE 6
 54 = WAGON WHEEL BASE 4
 55 = WAGON WHEEL BASE 5

ENGINE

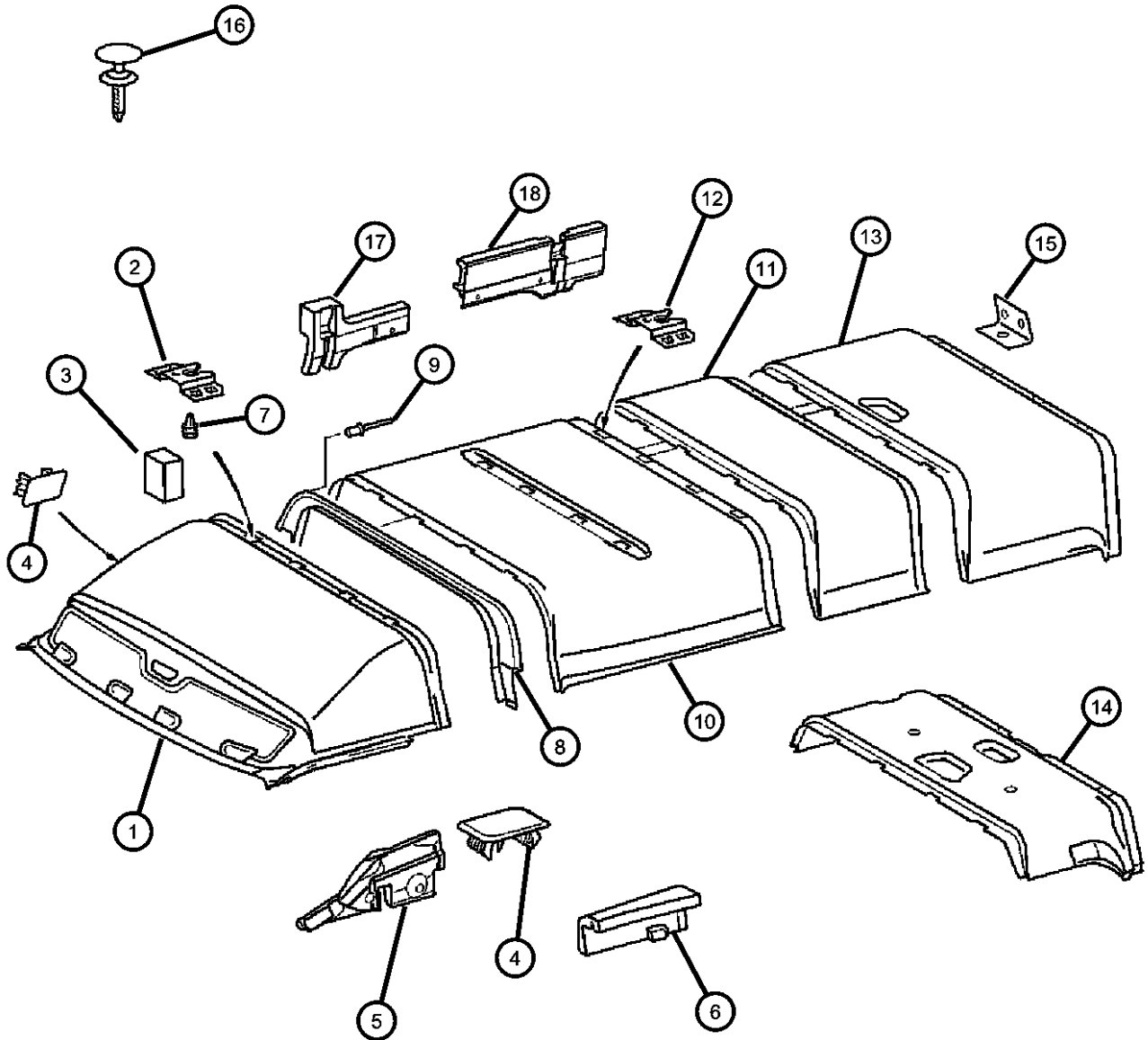
EX9 = Engine-2.7L I5
 Mercedes Turbo Diesel

TRANSMISSION

DGJ = Transmission-5-Spd. Automatic, W5A580

AR = use ase required - = Non illustrated part

**Headliner, High Roof
Figure IVA-115**



ITEM	PART NUMBER	QTY	LINE	SERIES	BODY	ENGINE	TRANS	TRIM	DESCRIPTION
		1	2, 6	L	51, 52, 54, 55, 56				With Right & Left Sliding Door
		1	3, 7	L	12, 15, 16				With Right & Left Sliding Door
11	05104279AA	1	2, 6	L	12, 14, 15, 16, 11				HEADLINER, Center With Sunroof
		1	2, 6	L	51, 52, 54, 55, 56				With Sunroof
		1	3, 7	L	12, 15, 16				With Sunroof
	05123141AA	1	2, 6	L	11, 12, 14, 15, 16				With Interior Lamp
		1	2, 6	L	51, 52, 54, 55, 56				With Interior Lamp
		1	3, 7	L	12, 15, 16				With Interior Lamp
12	05123436AA	12	2, 6	L	11, 12, 14, 15, 16				BRACKET Headliner to Rear Roof Rail
		12	2, 6	L	51, 52, 54, 55, 56				Headliner to Rear Roof Rail
		4	2, 6	L	11, 12, 14, 15, 16				Paneling to Roof Rail
		4	2, 6	L	51, 52, 54, 55, 56				Paneling to Roof Rail
		4	3, 7	L	12, 15, 16				Paneling to Roof Rail
13	05123144AA	1	2, 6	L	55, 56, 51, 52, 54				HEADLINER, Rear
		1	3, 7	L	12, 15, 16				
		1	2, 6	L	11, 12, 14, 15, 16				
14	05104277AA	1	2, 6	L	51, 52, 54, 55, 56				HEADLINER, Rear
15	05123437AA	1	2, 6	L	11, 12, 14, 15, 16				BRACKET

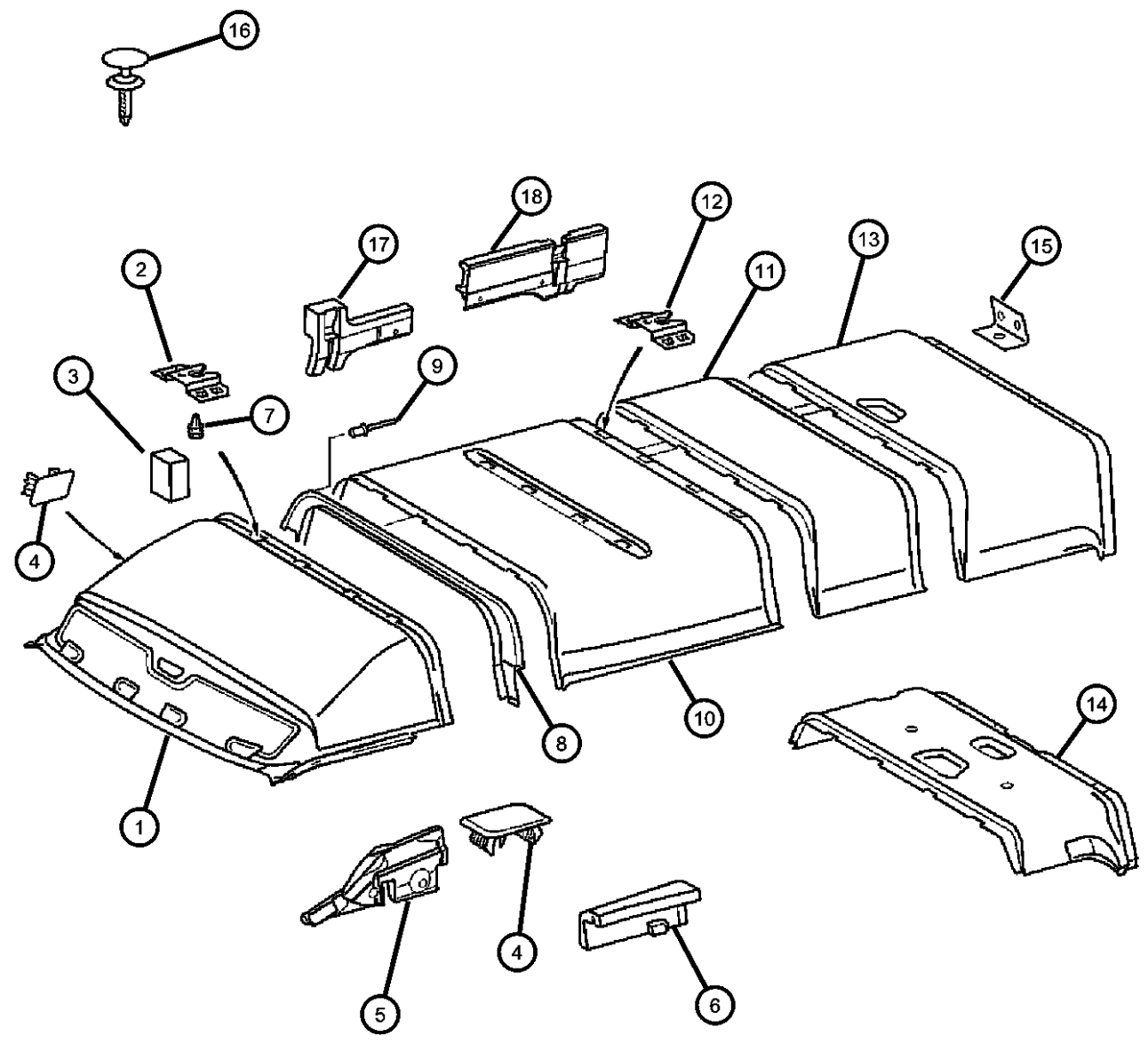
SPRINTER (VA)

SERIES	LINE	BODY	ENGINE	TRANSMISSION
L = LOWLINE	3 = HD DODGE 2WD 6 = Lt. Duty DODGE 4WD 2 = Med. Duty DODGE 2WD 7 = Med. Duty DODGE 4WD	01 = CHASSIS FORWARD CONTROL W.B.1 02 = CAB CHASSIS WHEEL BASE 2 06 = CAB CHASSIS WHEEL BASE 6 11 = VAN WHEEL BASE 1 12 = VAN WHEEL BASE 2 51 = WAGON WHEEL BASE 1 52 = WAGON WHEEL BASE 2 14 = VAN WHEEL BASE 4 15 = VAN WHEEL BASE 5 56 = WAGON WHEEL BASE 6 16 = VAN WHEEL BASE 6 54 = WAGON WHEEL BASE 4 55 = WAGON WHEEL BASE 5	EX9 = Engine-2.7L I5 Mercedes Turbo Diesel	DGJ = Transmission-5-Spd. Automatic, W5A580

AR = use ase required - = Non illustrated part

**Headliner, High Roof
Figure IVA-115**

ITEM	PART NUMBER	QTY	LINE	SERIES	BODY	ENGINE	TRANS	TRIM	DESCRIPTION
		1	2, 6	L	51, 52, 54, 55, 56				
		1	3, 7	L	12, 15, 16				
16	05125810AA	2	2, 6	L	11, 12, 14, 15, 16				RIVET Headliner to Rear Roof Rail
		2	2, 6	L	51, 52, 54, 55, 56				Headliner to Rear Roof Rail
		2	3, 7	L	12, 15, 16				Headliner to Rear Roof Rail
17	05131910AA	1	3, 7	L	12, 15, 16				FLOCK, Nylon
		1	2, 6	L	11, 12, 14, 15, 16				
		1	2, 6	L	51, 52, 54, 55, 56				
18	05104299AA	1	2, 6	L	51, 52, 54, 55, 56				SPACER
		1	3, 7	L	16, 12, 15				
-19	05123502AA	1	2, 6	L	11, 12, 14, 15, 16				FLOCK, Nylon
		1	3, 7	L	12, 15, 16				
-20	05123504AA	1	2, 6	L	11, 12, 14, 15, 16				FLOCK, Nylon
		1	3, 7	L	12, 15, 16				
-21	05123506AA	1	3, 7	L	12, 15, 16				FLOCK, Nylon
		1	2, 6	L	11, 12, 14, 15, 16				
-22									FLOCK, Nylon



SPRINTER (VA)

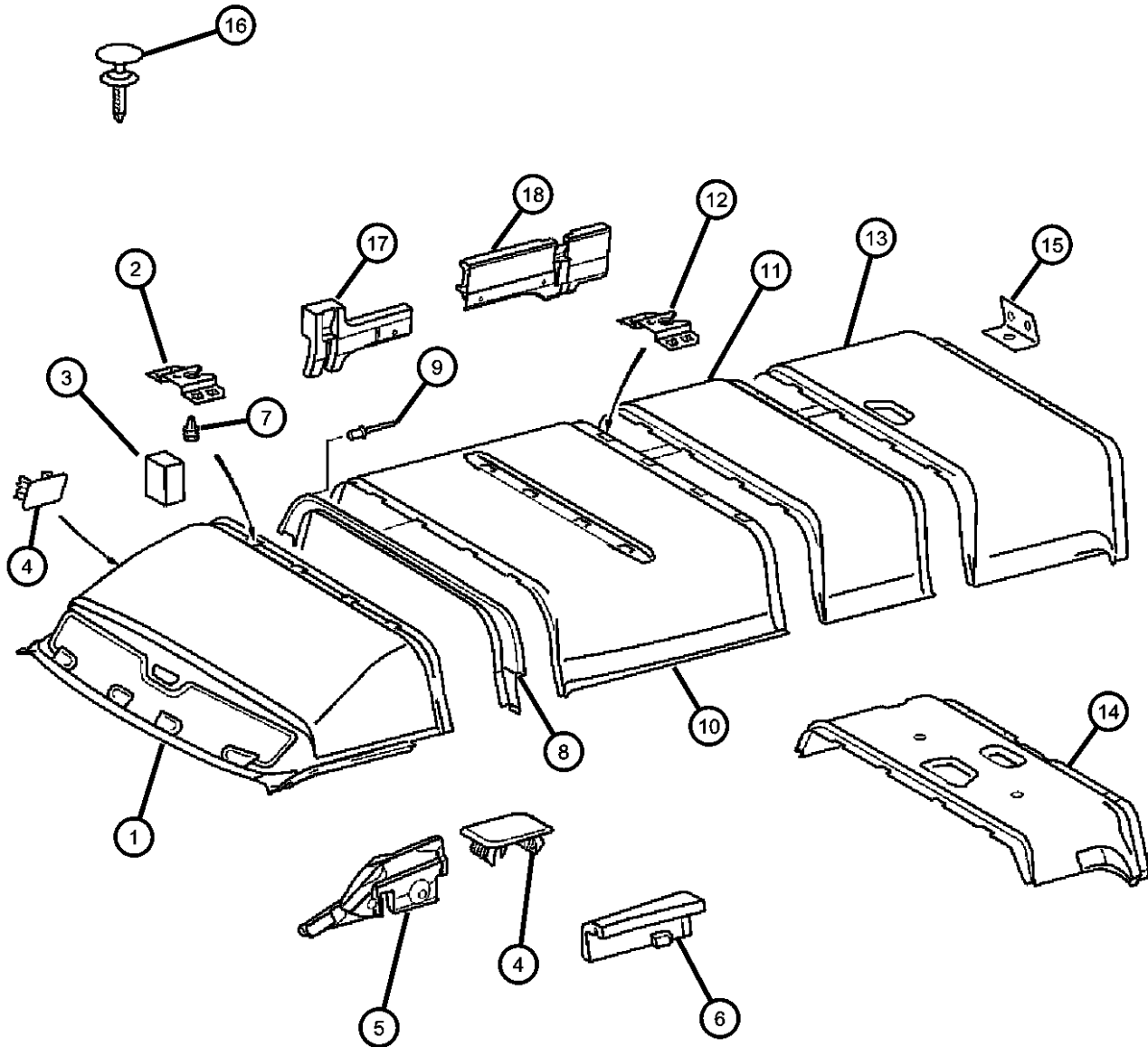
SERIES	LINE	BODY	ENGINE	TRANSMISSION
L = LOWLINE	3 = HD DODGE 2WD 6 = Lt. Duty DODGE 4WD 2 = Med. Duty DODGE 2WD 7 = Med. Duty DODGE 4WD	01 = CHASSIS FORWARD CONTROL W.B.1 02 = CAB CHASSIS WHEEL BASE 2 06 = CAB CHASSIS WHEEL BASE 6 11 = VAN WHEEL BASE 1 12 = VAN WHEEL BASE 2 51 = WAGON WHEEL BASE 1 52 = WAGON WHEEL BASE 2 14 = VAN WHEEL BASE 4 15 = VAN WHEEL BASE 5 56 = WAGON WHEEL BASE 6 16 = VAN WHEEL BASE 6 54 = WAGON WHEEL BASE 4 55 = WAGON WHEEL BASE 5	EX9 = Engine-2.7L I5 Mercedes Turbo Diesel	DGJ = Transmission-5-Spd. Automatic, W5A580

AR = use ase required - = Non illustrated part

Headliner, High Roof
Figure IVA-115

ITEM	PART NUMBER	QTY	LINE	SERIES	BODY	ENGINE	TRANS	TRIM	DESCRIPTION
------	-------------	-----	------	--------	------	--------	-------	------	-------------

	05123508AA	1	2, 6	L	11, 12, 14, 15, 16				
		1	3, 7	L	12, 15, 16				



SPRINTER (VA)

SERIES

L = LOWLINE
 3 = HD DODGE 2WD
 6 = Lt. Duty DODGE 4WD
 2 = Med. Duty DODGE 2WD
 7 = Med. Duty DODGE 4WD

LINE

BODY

01 = CHASSIS FORWARD CONTROL W.B.1
 02 = CAB CHASSIS WHEEL BASE 2
 06 = CAB CHASSIS WHEEL BASE 6
 11 = VAN WHEEL BASE 1
 12 = VAN WHEEL BASE 2
 51 = WAGON WHEEL BASE 1
 52 = WAGON WHEEL BASE 2
 14 = VAN WHEEL BASE 4
 15 = VAN WHEEL BASE 5
 56 = WAGON WHEEL BASE 6
 16 = VAN WHEEL BASE 6
 54 = WAGON WHEEL BASE 4
 55 = WAGON WHEEL BASE 5

ENGINE

EX9 = Engine-2.7L I5
 Mercedes Turbo Diesel

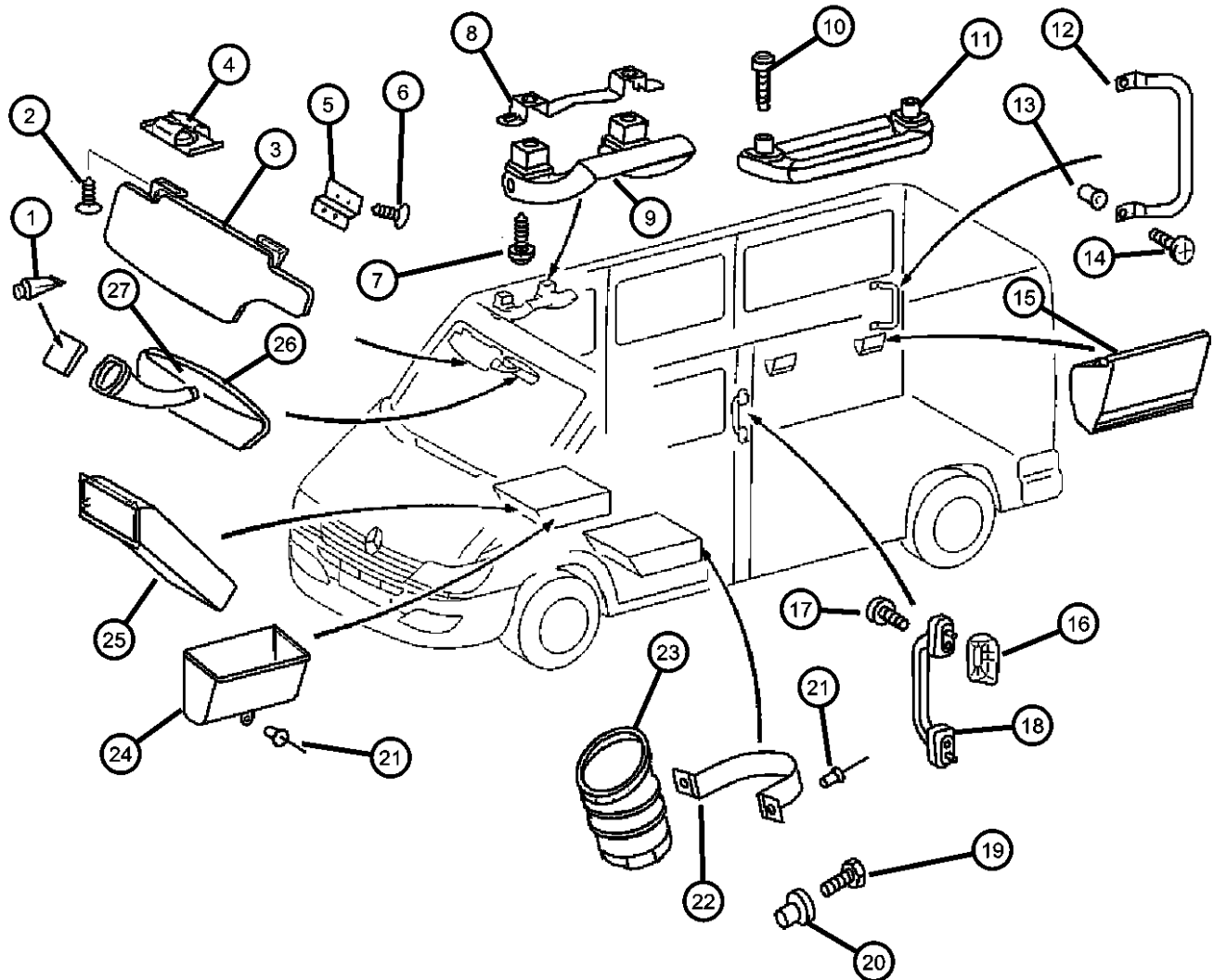
TRANSMISSION

DGJ = Transmission-5-Spd. Automatic, W5A580

AR = use ase required - = Non illustrated part

2002 VA

Sunvisors, Grabhandles, Shelf and Attaching Parts
Figure IVA-120



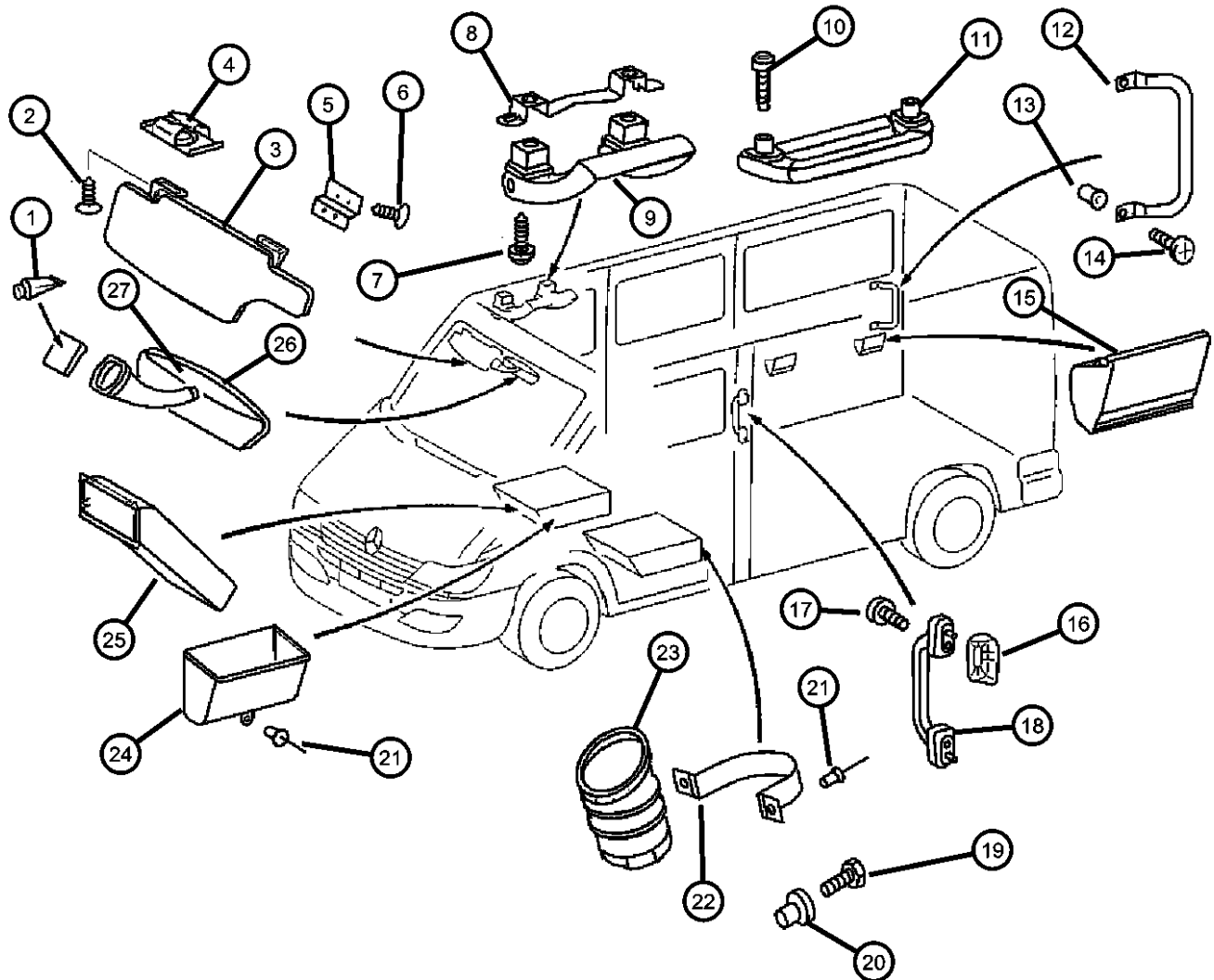
ITEM	PART NUMBER	QTY	LINE	SERIES	BODY	ENGINE	TRANS	TRIM	DESCRIPTION
1	05125662AA	1	2, 6	L	11, 12, 14, 15, 16				ADHESIVE
		1	2, 6	L	51, 52, 54, 55, 56				
		1	3, 7	L	12, 15, 16				
2	06104505AA	8	2, 6	L	11, 12, 14, 15, 16				SCREW
		8	2, 6	L	51, 52, 54, 55, 56				
		8	3, 7	L	12, 15, 16				
3	05104438AA	1	2, 6	L	51, 52, 54, 55, 56				VISOR Left
		1	3, 7	L	12, 15, 16				Left
	05104439AA	1	2, 6	L	11, 12, 14, 15, 16				Right
		1	2, 6	L	51, 52, 54, 55, 56				Right
		1	3, 7	L	12, 15, 16				Right
		1	2, 6	L	11, 12, 14, 15, 16				Left
4	05125854AA	8	2, 6	L	11, 12, 14, 15, 16				CLIP, Visor
		8	2, 6	L	51, 52, 54, 55, 56				
		2	3, 7	L	12, 15, 16				
5	05124268AA	4	2, 6	L	51, 52, 54, 55, 56				BRACKET, Trim
		4	2, 6	L	11, 12, 14, 15, 16				
		4	3, 7	L	12, 15, 16				

SPRINTER (VA)

SERIES	LINE	BODY	ENGINE	TRANSMISSION
L = LOWLINE	3 = HD DODGE 2WD 6 = Lt. Duty DODGE 4WD 2 = Med. Duty DODGE 2WD 7 = Med. Duty DODGE 4WD	01 = CHASSIS FORWARD CONTROL W.B.1 02 = CAB CHASSIS WHEEL BASE 2 06 = CAB CHASSIS WHEEL BASE 6 11 = VAN WHEEL BASE 1 12 = VAN WHEEL BASE 2 51 = WAGON WHEEL BASE 1 52 = WAGON WHEEL BASE 2 14 = VAN WHEEL BASE 4 15 = VAN WHEEL BASE 5 56 = WAGON WHEEL BASE 6 16 = VAN WHEEL BASE 6 54 = WAGON WHEEL BASE 4 55 = WAGON WHEEL BASE 5	EX9 = Engine-2.7L I5 Mercedes Turbo Diesel	DGJ = Transmission-5-Spd. Automatic, W5A580

AR = use ase required - = Non illustrated part

Sunvisors, Grabhandles, Shelf and Attaching Parts
Figure IVA-120



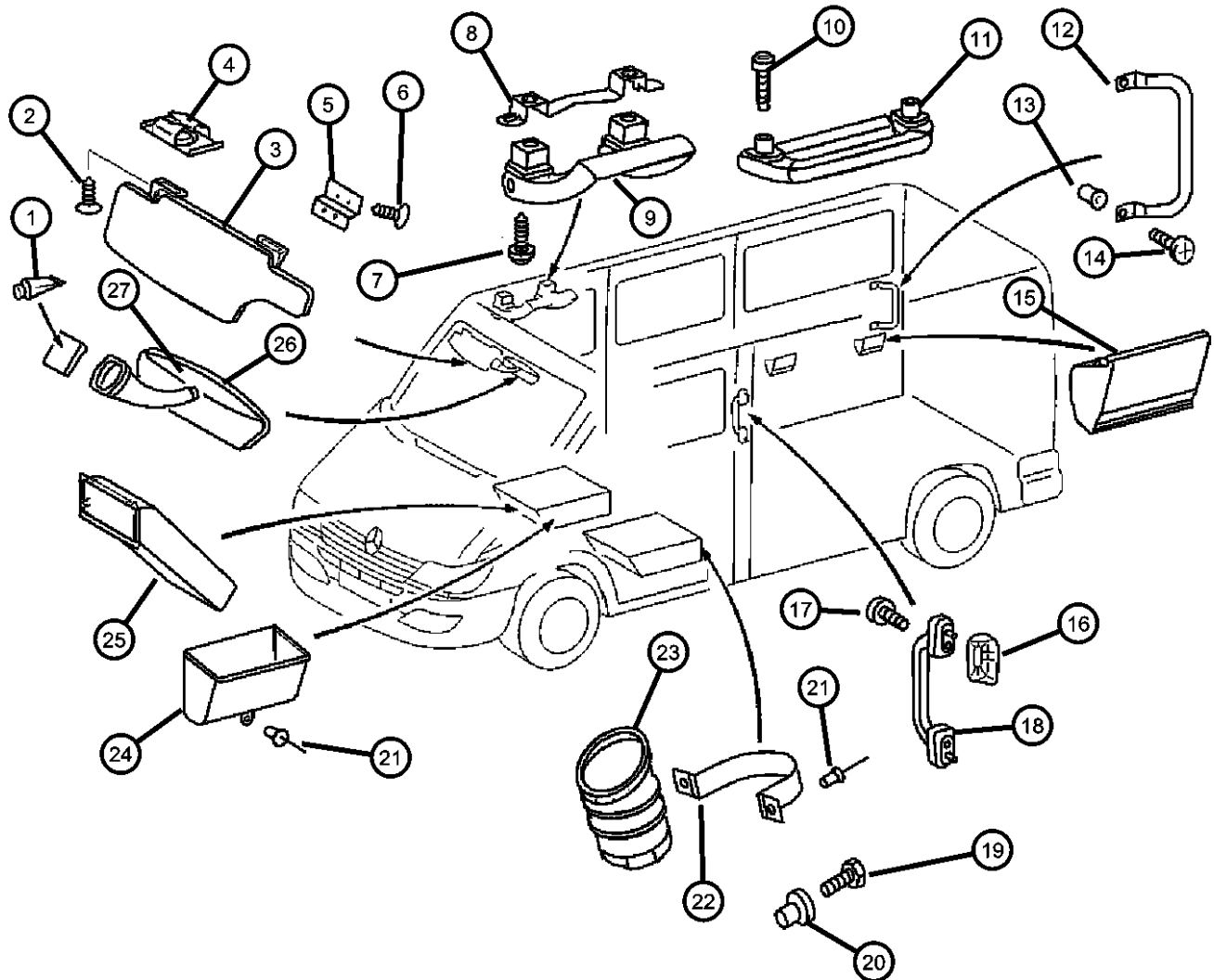
ITEM	PART NUMBER	QTY	LINE	SERIES	BODY	ENGINE	TRANS	TRIM	DESCRIPTION
6	06104505AA	8	2, 6	L	11, 12, 14, 15, 16				SCREW
		8	2, 6	L	51, 52, 54, 55, 56				
		8	3, 7	L	12, 15, 16				
7	06104574AA	2	2, 6	L	11, 12, 14, 15, 16				SCREW, Tapping
		1	3, 7	L	12, 15, 16				
		2	2, 6	L	51, 52, 54, 55, 56				
8	05124271AA	1	2, 6	L	11, 12, 14, 15, 16				BRACKET, Grab Handle
		1	2, 6	L	51, 52, 54, 55, 56				
		1	3, 7	L	12, 15, 16				
9	05104437AA	1	3, 7	L	12, 15, 16				HANDLE, Grab
		1	2, 6	L	11, 12, 14, 15, 16				
		1	2, 6	L	51, 52, 54, 55, 56				
10		1							SCREW, (NOT SERVICED)
11		1							HANDLE, Grab, (NOT SERVICED)
12	05104448AA	1	2, 6	L	11, 12, 14, 15, 16				HANDLE, Grab
		1	2, 6	L	51, 52, 54, 55, 56				
		1	3, 7	L	12, 15, 16				
13									NUTSERT, Rivet

SPRINTER (VA)

SERIES	LINE	BODY	ENGINE	TRANSMISSION
L = LOWLINE	3 = HD DODGE 2WD 6 = Lt. Duty DODGE 4WD 2 = Med. Duty DODGE 2WD 7 = Med. Duty DODGE 4WD	01 = CHASSIS FORWARD CONTROL W.B.1 02 = CAB CHASSIS WHEEL BASE 2 06 = CAB CHASSIS WHEEL BASE 6 11 = VAN WHEEL BASE 1 12 = VAN WHEEL BASE 2 51 = WAGON WHEEL BASE 1 52 = WAGON WHEEL BASE 2 14 = VAN WHEEL BASE 4 15 = VAN WHEEL BASE 5 56 = WAGON WHEEL BASE 6 16 = VAN WHEEL BASE 6 54 = WAGON WHEEL BASE 4 55 = WAGON WHEEL BASE 5	EX9 = Engine-2.7L I5 Mercedes Turbo Diesel	DGJ = Transmission-5-Spd. Automatic, W5A580

AR = use ase required - = Non illustrated part

**Sunvisors, Grabhandles, Shelf and Attaching Parts
Figure IVA-120**



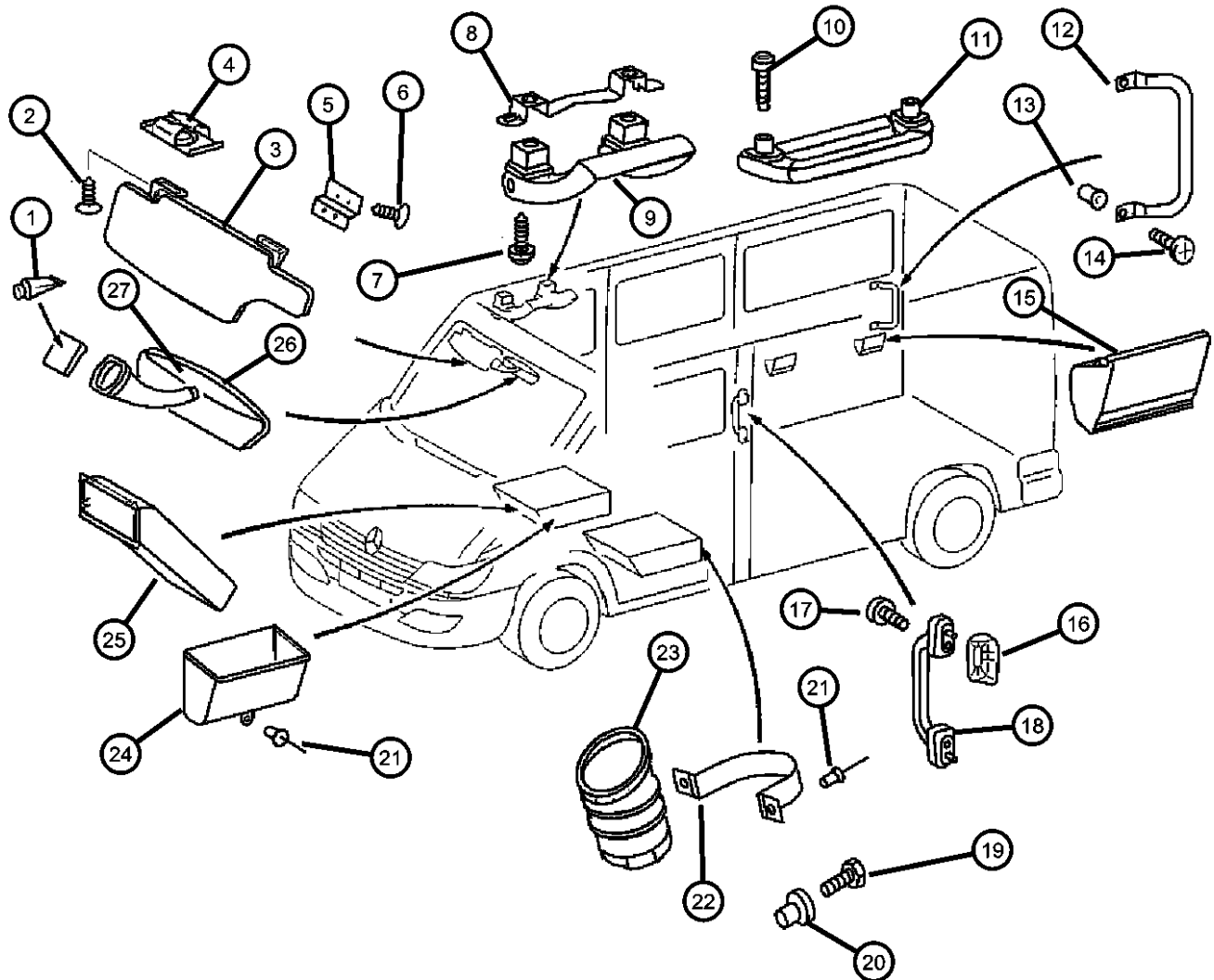
ITEM	PART NUMBER	QTY	LINE	SERIES	BODY	ENGINE	TRANS	TRIM	DESCRIPTION
	05104678AA	2	2, 6	L	51, 52, 54, 55, 56				
		2	3, 7	L	12, 15, 16				
		2	2, 6	L	11, 12, 14, 15, 16				
14									SCREW
	06104153AA	4	3, 7	L	12, 15, 16				
		2	2, 6	L	11, 12, 14, 15, 16				
		2	2, 6	L	51, 52, 54, 55, 56				
15									ASHTRAY
	05124222AA	4	2, 6	L	11, 12, 14, 15, 16				
		4	2, 6	L	51, 52, 54, 55, 56				
		2	3, 7	L	12, 15, 16				
16									COVER, Assist Handle
	05124285AA	4	3, 7	L	12, 15, 16				
		2	2, 6	L	11, 12, 14, 15, 16				
		2	2, 6	L	51, 52, 54, 55, 56				
17									SCREW
	06104142AA	2	2, 6	L	11, 12, 14, 15, 16				
		2	2, 6	L	51, 52, 54, 55, 56				
		2	3, 7	L	12, 15, 16				
18									HANDLE, Grab
	05103676AA	1	2, 6	L	11, 12, 14, 15, 16				
		1	2, 6	L	51, 52, 54, 55, 56				

SPRINTER (VA)

SERIES	LINE	BODY	ENGINE	TRANSMISSION
L = LOWLINE	3 = HD DODGE 2WD 6 = Lt. Duty DODGE 4WD 2 = Med. Duty DODGE 2WD 7 = Med. Duty DODGE 4WD	01 = CHASSIS FORWARD CONTROL W.B.1 02 = CAB CHASSIS WHEEL BASE 2 06 = CAB CHASSIS WHEEL BASE 6 11 = VAN WHEEL BASE 1 12 = VAN WHEEL BASE 2 51 = WAGON WHEEL BASE 1 52 = WAGON WHEEL BASE 2 14 = VAN WHEEL BASE 4 15 = VAN WHEEL BASE 5 56 = WAGON WHEEL BASE 6 16 = VAN WHEEL BASE 6 54 = WAGON WHEEL BASE 4 55 = WAGON WHEEL BASE 5	EX9 = Engine-2.7L I5 Mercedes Turbo Diesel	DGJ = Transmission-5-Spd. Automatic, W5A580

AR = use ase required - = Non illustrated part

Sunvisors, Grabhandles, Shelf and Attaching Parts
Figure IVA-120



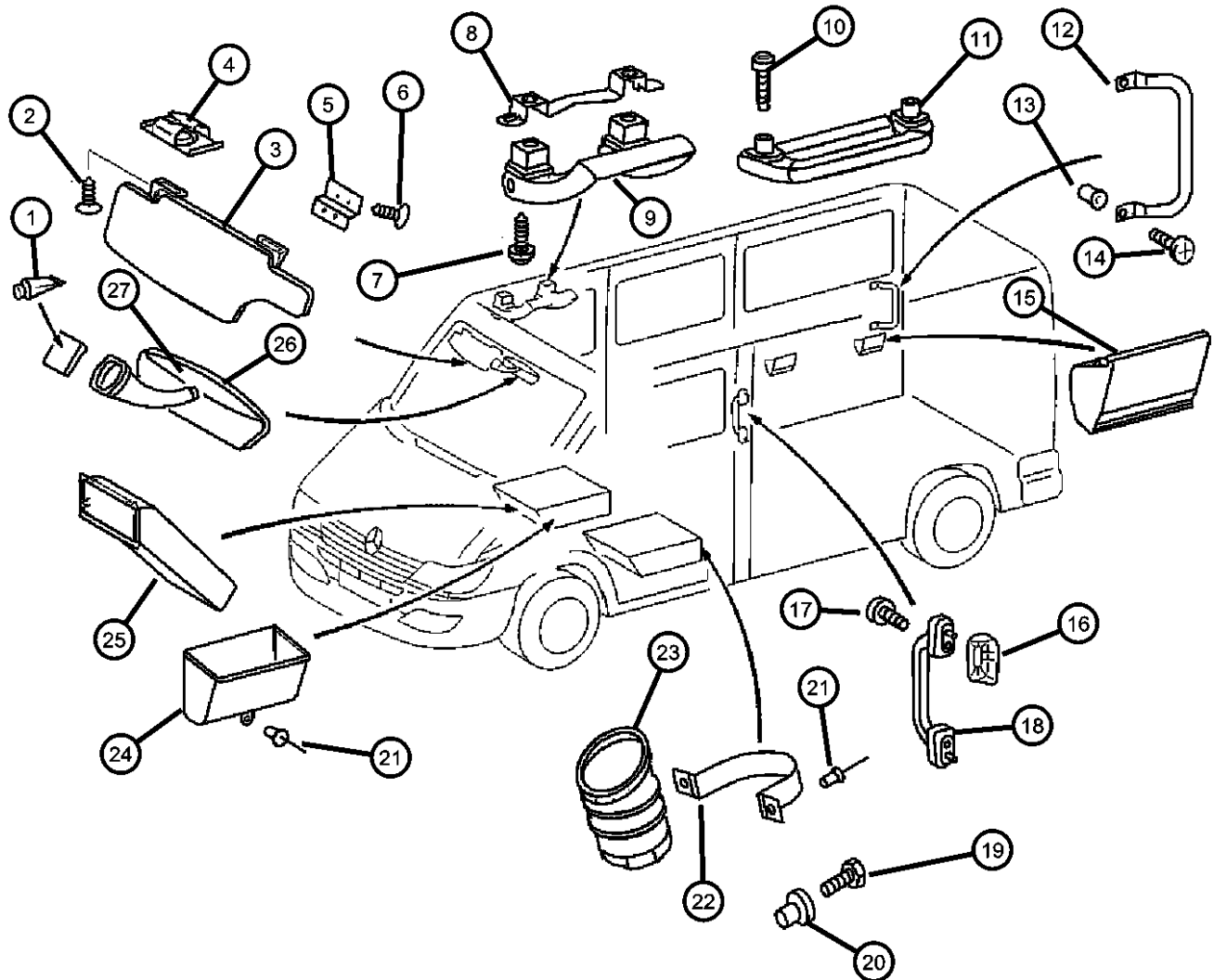
ITEM	PART NUMBER	QTY	LINE	SERIES	BODY	ENGINE	TRANS	TRIM	DESCRIPTION
19		2	3, 7	L	12, 15, 16				SCREW
	05134034AA	2	2, 6	L	11, 12, 14, 15, 16				
20		2	2, 6	L	51, 52, 54, 55, 56				NUT
	05133943AA	2	2, 6	L	11, 12, 14, 15, 16				
		2	2, 6	L	51, 52, 54, 55, 56				
21		99	3, 7	L	12, 15, 16				RIVET, M4.8
	05133934AA	1	2, 6	L	11, 12, 14, 15, 16				
		1	2, 6	L	51, 52, 54, 55, 56				
22		1	3, 7	L	12, 15, 16				BRACKET, Cup Holder
	05125038AA	1	2, 6	L	11, 12, 14, 15, 16				
		1	2, 6	L	51, 52, 54, 55, 56				
23		1	3, 7	L	12, 15, 16				HOLDER, Cup
	05125041AA	1	2, 6	L	11, 12, 14, 15, 16				
		1	2, 6	L	51, 52, 54, 55, 56				
24		1	3, 7	L	12, 15, 16				BIN, Storage
	05104496AA	1	3, 7	L	12, 15, 16				

SPRINTER (VA)

SERIES	LINE	BODY	ENGINE	TRANSMISSION
L = LOWLINE	3 = HD DODGE 2WD 6 = Lt. Duty DODGE 4WD 2 = Med. Duty DODGE 2WD 7 = Med. Duty DODGE 4WD	01 = CHASSIS FORWARD CONTROL W.B.1 02 = CAB CHASSIS WHEEL BASE 2 06 = CAB CHASSIS WHEEL BASE 6 11 = VAN WHEEL BASE 1 12 = VAN WHEEL BASE 2 51 = WAGON WHEEL BASE 1 52 = WAGON WHEEL BASE 2 14 = VAN WHEEL BASE 4 15 = VAN WHEEL BASE 5 56 = WAGON WHEEL BASE 6 16 = VAN WHEEL BASE 6 54 = WAGON WHEEL BASE 4 55 = WAGON WHEEL BASE 5	EX9 = Engine-2.7L I5 Mercedes Turbo Diesel	DGJ = Transmission-5-Spd. Automatic, W5A580

AR = use ase required - = Non illustrated part

Sunvisors, Grabhandles, Shelf and Attaching Parts
Figure IVA-120



ITEM	PART NUMBER	QTY	LINE	SERIES	BODY	ENGINE	TRANS	TRIM	DESCRIPTION
		1	2, 6	L	11, 12, 14, 15, 16				
		1	2, 6	L	51, 52, 54, 55, 56				
25		1							BIN, Storage, (NOT SERVICED)
26									MIRROR, Inside Rear View
	05104435AA	1	2, 6	L	11, 12, 14, 15, 16				
		1	2, 6	L	51, 52, 54, 55, 56				
		1	3, 7	L	12, 15, 16				
27									BUTTON, Rear View Mirror
	05104241AA	1	2, 6	L	51, 52, 54, 55, 56				
		1	2, 6	L	11, 12, 14, 15, 16				
		1	3, 7	L	12, 15, 16				
-28									SHELF, Rear Side
	05124914AA	1	2, 6	L	11, 12, 14, 15, 16				1500 MM (Qty-4), Left Side
		1	3, 7	L	12, 15, 16				1500 MM (Qty-4), Left Side
	05124916AA	1	2, 6	L	11, 12, 14, 15, 16				1500 MM (Qty-4), Right Side
		1	3, 7	L	12, 15, 16				1500 MM (Qty-4), Right Side
	05124918AA	1	2, 6	L	11, 12, 14, 15, 16				1500 MM (Qty-2) 700MM (Qty-2), Left Side
		1	3, 7	L	12, 15, 16				1500 MM (Qty-2) 700MM (Qty-2), Left Side
	05124919AA	1	2, 6	L	11, 12, 14, 15, 16				1500 MM (Qty-2) 700MM (Qty-2), Right Side
		1	3, 7	L	12, 15, 16				1500 MM (Qty-2) 700MM (Qty-2), Right Side

SPRINTER (VA)

SERIES
 L = LOWLINE

LINE
 3 = HD DODGE 2WD
 6 = Lt. Duty DODGE 4WD
 2 = Med. Duty DODGE 2WD
 7 = Med. Duty DODGE 4WD

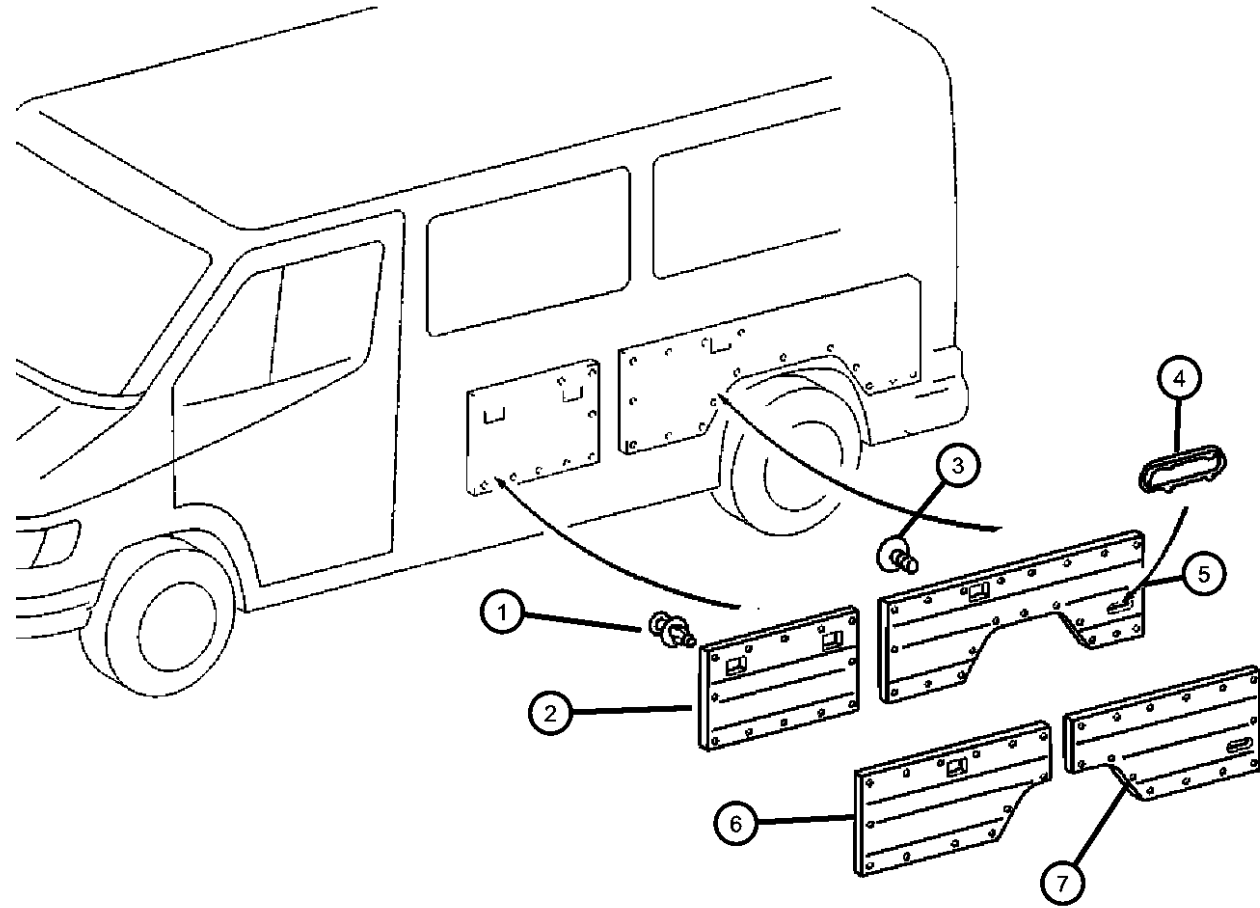
BODY
 01 = CHASSIS FORWARD CONTROL W.B.1
 02 = CAB CHASSIS WHEEL BASE 2
 06 = CAB CHASSIS WHEEL BASE 6
 11 = VAN WHEEL BASE 1
 12 = VAN WHEEL BASE 2
 51 = WAGON WHEEL BASE 1
 52 = WAGON WHEEL BASE 2
 14 = VAN WHEEL BASE 4
 15 = VAN WHEEL BASE 5
 56 = WAGON WHEEL BASE 6
 16 = VAN WHEEL BASE 6
 54 = WAGON WHEEL BASE 4
 55 = WAGON WHEEL BASE 5

ENGINE
 EX9 = Engine-2.7L I5
 Mercedes Turbo Diesel

TRANSMISSION
 DGJ = Transmission-5-Spd. Automatic, W5A580

AR = use ase required - = Non illustrated part

**Inner Panels - Fabric
Figure IVA-210**



ITEM	PART NUMBER	QTY	LINE	SERIES	BODY	ENGINE	TRANS	TRIM	DESCRIPTION
1	06104895AA	10	2, 6	L	11, 12, 14, 15, 16				PIN, Push
		10	2, 6	L	51, 52, 54, 55, 56				
		10	3, 7	L	12, 15, 16				
2	05123006AA	1	2, 6	L	11, 12, 14, 15, 16				PANEL, Inner Left
		1	2, 6	L	51, 52, 54, 55, 56				Left
		1	3, 7	L	12, 15, 16				Left
	05123007AA	1	2, 6	L	11, 12, 14, 15, 16				Right
		1	2, 6	L	51, 52, 54, 55, 56				Right
		1	3, 7	L	12, 15, 16				Right
3	05125988AA	3	2, 6	L	51, 52, 54, 55, 56				PLUG, Rear Seatbelt Hole
4	05123426AA	2	2, 6	L	51, 52, 54, 55, 56				EXHAUSTER, Quarter Panel
		2	3, 7	L	12, 15, 16				
		2	2, 6	L	11, 12, 14, 15, 16				
5	05123014AA	1	2, 6	L	11, 12, 14, 15, 16				PANEL, Quarter Trim Used With Four Fold Loudspeakers, Left
		1	2, 6	L	51, 52, 54, 55, 56				Used With Four Fold Loudspeakers, Left
		1	3, 7	L	12, 15, 16				Used With Four Fold Loudspeakers, Left
6	05123023AA	1	2, 6	L	11, 12, 14, 15, 16				PANEL, Quarter Trim In Front Of Wheelhouse, Without Loudspeaker, Right

SPRINTER (VA)

SERIES

L = LOWLINE

LINE

3 = HD DODGE 2WD
6 = Lt. Duty DODGE 4WD
2 = Med. Duty DODGE 2WD
7 = Med. Duty DODGE 4WD

BODY

01 = CHASSIS FORWARD
CONTROL W.B.1
02 = CAB CHASSIS WHEEL
BASE 2
06 = CAB CHASSIS WHEEL
BASE 6
11 = VAN WHEEL BASE 1
12 = VAN WHEEL BASE 2
51 = WAGON WHEEL BASE 1
52 = WAGON WHEEL BASE 2
14 = VAN WHEEL BASE 4
15 = VAN WHEEL BASE 5
56 = WAGON WHEEL BASE 6
16 = VAN WHEEL BASE 6
54 = WAGON WHEEL BASE 4
55 = WAGON WHEEL BASE 5

ENGINE

EX9 = Engine-2.7L I5
Mercedes Turbo Diesel

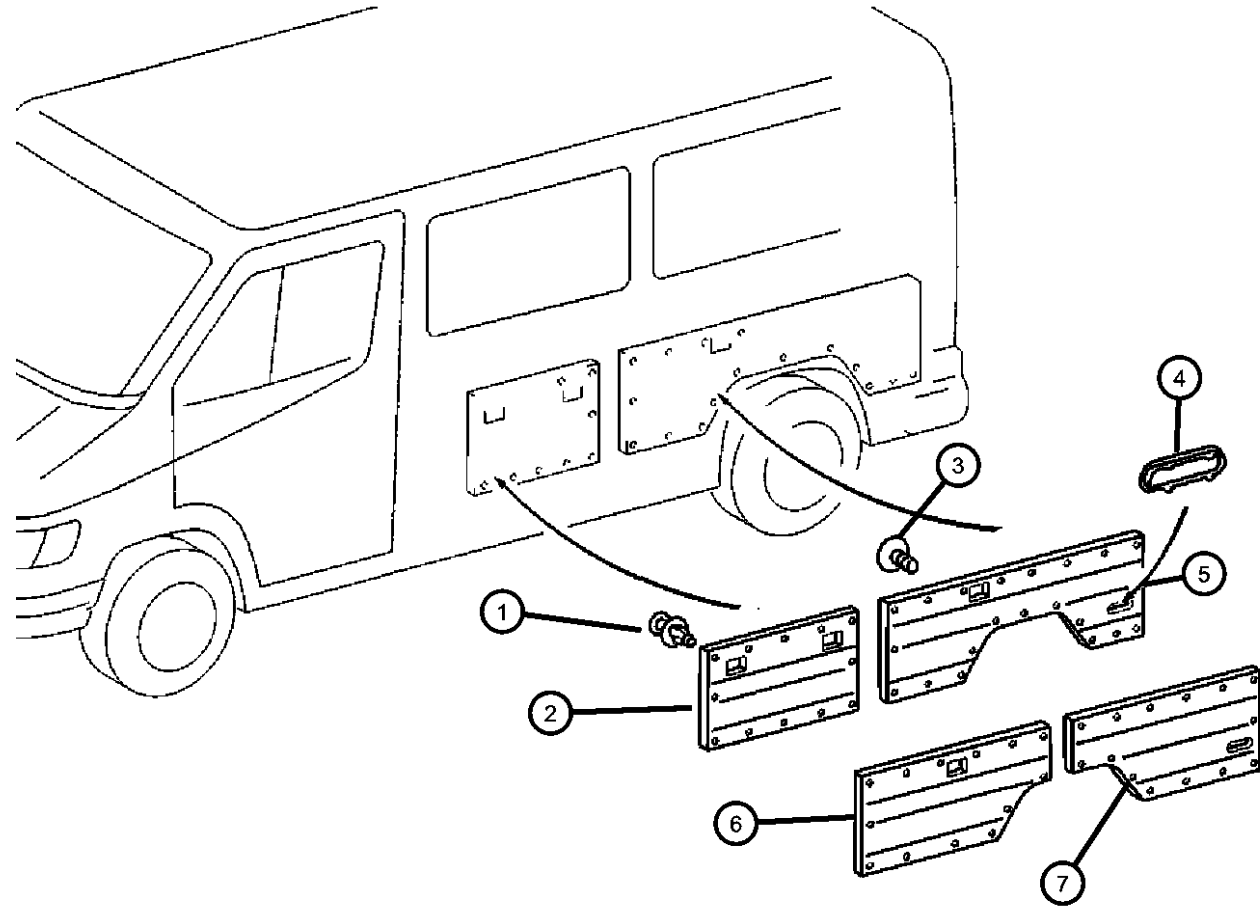
TRANSMISSION

DGJ = Transmission-5-Spd.
Automatic,W5A580

AR = use ase required - = Non illustrated part

2002 VA

Inner Panels - Fabric
Figure IVA-210



ITEM	PART NUMBER	QTY	LINE	SERIES	BODY	ENGINE	TRANS	TRIM	DESCRIPTION
		1	2, 6	L	51, 52, 54, 55, 56				In Front Of Wheelhouse, Without Loudspeaker, Right
		1	3, 7	L	12, 15, 16				In Front Of Wheelhouse, Without Loudspeaker, Right
	05123020AA	1	2, 6	L	11, 12, 14, 15, 16				In Front Of Wheelhouse, Without Loudspeaker, Left
		1	2, 6	L	51, 52, 54, 55, 56				In Front Of Wheelhouse, Without Loudspeaker, Left
		1	3, 7	L	12, 15, 16				In Front Of Wheelhouse, Without Loudspeaker, Left
	05123032AA	1	2, 6	L	11, 12, 14, 15, 16				In Front Of Wheelhouse, With Loudspeaker, Right
		1	2, 6	L	51, 52, 54, 55, 56				In Front Of Wheelhouse, With Loudspeaker, Right
	05123029AA	1	2, 6	L	11, 12, 14, 15, 16				In Front Of Wheelhouse, With Loudspeaker, Left
		1	2, 6	L	51, 52, 54, 55, 56				In Front Of Wheelhouse, With Loudspeaker, Left
		1	3, 7	L	12, 15, 16				In Front Of Wheelhouse, With Loudspeaker, Left
		1	3, 7	L	12, 15, 16				In Front Of Wheelhouse, With Loudspeaker, Right
7	05123025AA	1	2, 6	L	51, 52, 54, 55, 56				PANEL, Quarter Trim Behind the Wheel Arch, Left
	05123023AA	1	2, 6	L	11, 12, 14, 15, 16				Behind the Wheel Arch, Left
		1	3, 7	L	12, 15, 16				Behind the Wheel Arch, Left
	05123027AA	1	2, 6	L	11, 12, 14, 15, 16				Behind the Wheel Arch, Right
		1	2, 6	L	51, 52, 54, 55, 56				Behind the Wheel Arch, Right
		1	3, 7	L	12, 15, 16				Behind the Wheel Arch, Right

SPRINTER (VA)

SERIES

L = LOWLINE

LINE

3 = HD DODGE 2WD
6 = Lt. Duty DODGE 4WD
2 = Med. Duty DODGE 2WD
7 = Med. Duty DODGE 4WD

BODY

01 = CHASSIS FORWARD CONTROL W.B.1
02 = CAB CHASSIS WHEEL BASE 2
06 = CAB CHASSIS WHEEL BASE 6
11 = VAN WHEEL BASE 1
12 = VAN WHEEL BASE 2
51 = WAGON WHEEL BASE 1
52 = WAGON WHEEL BASE 2
14 = VAN WHEEL BASE 4
15 = VAN WHEEL BASE 5
56 = WAGON WHEEL BASE 6
16 = VAN WHEEL BASE 6
54 = WAGON WHEEL BASE 4
55 = WAGON WHEEL BASE 5

ENGINE

EX9 = Engine-2.7L I5
Mercedes Turbo Diesel

TRANSMISSION

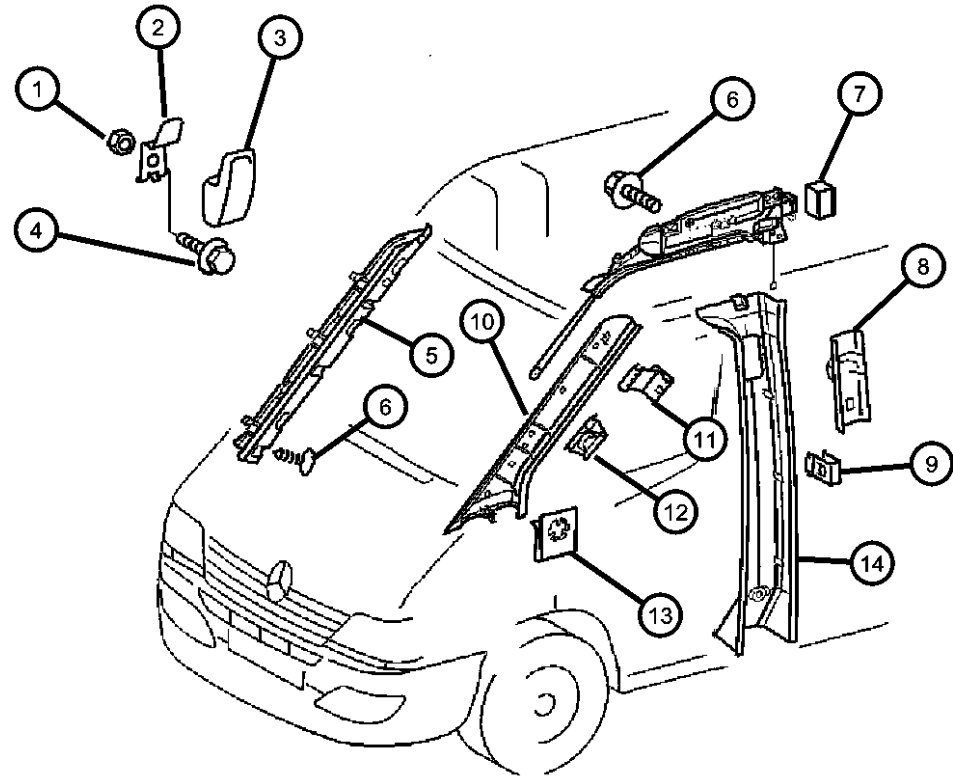
DGJ = Transmission-5-Spd. Automatic, W5A580

AR = use ase required - = Non illustrated part

2002 VA

**Inner Panels - Cab
Figure IVA-215**

ITEM	PART NUMBER	QTY	LINE	SERIES	BODY	ENGINE	TRANS	TRIM	DESCRIPTION
1	06104724AA	1	2, 6	L	01, 02, 06				NUT, Hex
2	06104724AA	1							HOOK, Coat, (NOT SERVICED)
3	06104724AA	1							HANGER, Coat, ZF49TRMAA, (NOT SERVICED)
4									SCREW
	06104172AA	2	2, 6	L	11, 12, 14, 15, 16				
		2	3, 7	L	12, 15, 16				
5									FILLER
	05104273AA	1	2, 6	L	11, 12, 14, 15, 16				Right
		1	2, 6	L	51, 52, 54, 55, 56				Right
		1	3, 7	L	12, 15, 16				Right
	05123185AA	1	2, 6	L	11, 12, 14, 15, 16				Left
		1	2, 6	L	51, 52, 54, 55, 56				Left
		1	3, 7	L	12, 15, 16				Left
6									SCREW
	06104610AA	5	2, 6	L	11, 12, 14, 15, 16				
		5	2, 6	L	51, 52, 54, 55, 56				
		5	3, 7	L	12, 15, 16				
7		5							SPACER, (NOT SERVICED)
8									COVER, Seat Belt Guide
	05104275AA	1	2, 6	L	11, 12, 14, 15, 16				
		1	2, 6	L	51, 52, 54, 55, 56				
9									CLIP, Trim
	05125575AA	5	2, 6	L	11, 12, 14, 15, 16				



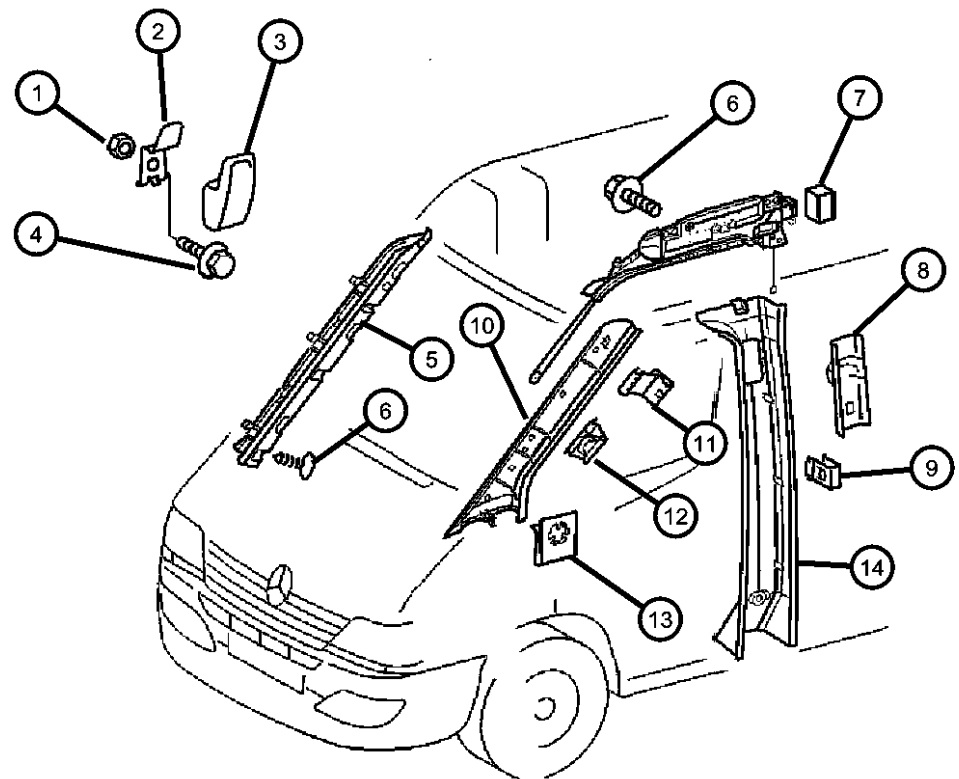
SPRINTER (VA)

SERIES	LINE	BODY	ENGINE	TRANSMISSION
L = LOWLINE	3 = HD DODGE 2WD 6 = Lt. Duty DODGE 4WD 2 = Med. Duty DODGE 2WD 7 = Med. Duty DODGE 4WD	01 = CHASSIS FORWARD CONTROL W.B.1 02 = CAB CHASSIS WHEEL BASE 2 06 = CAB CHASSIS WHEEL BASE 6 11 = VAN WHEEL BASE 1 12 = VAN WHEEL BASE 2 51 = WAGON WHEEL BASE 1 52 = WAGON WHEEL BASE 2 14 = VAN WHEEL BASE 4 15 = VAN WHEEL BASE 5 56 = WAGON WHEEL BASE 6 16 = VAN WHEEL BASE 6 54 = WAGON WHEEL BASE 4 55 = WAGON WHEEL BASE 5	EX9 = Engine-2.7L I5 Mercedes Turbo Diesel	DGJ = Transmission-5-Spd. Automatic, W5A580

AR = use ase required - = Non illustrated part

**Inner Panels - Cab
Figure IVA-215**

ITEM	PART NUMBER	QTY	LINE	SERIES	BODY	ENGINE	TRANS	TRIM	DESCRIPTION
		5	2, 6	L	51, 52, 54, 55, 56				
		5	3, 7	L	12, 15, 16				
10	05104276AA	1	2, 6	L	11, 12, 14, 15, 16				PANEL, A Pillar Trim Left
		1	2, 6	L	51, 52, 54, 55, 56				Left
		1	3, 7	L	12, 15, 16				Left
	05123046AA	1	2, 6	L	11, 12, 14, 15, 16				Right
		1	2, 6	L	51, 52, 54, 55, 56				Right
		1	3, 7	L	12, 15, 16				Right
11		1							CLIP, (NOT SERVICED)
12									CLIP, Trim
	05125575AA	5	2, 6	L	11, 12, 14, 15, 16				
		5	2, 6	L	51, 52, 54, 55, 56				
		5	3, 7	L	12, 15, 16				
13		5							CLIP, (NOT SERVICED)
14									PANEL, B Pillar Trim
	05104288AA	1	2, 6	L	11, 12, 14, 15, 16				With Partition, Left
		1	3, 7	L	12, 15, 16				With Partition, Left
	05104289AA	1	3, 7	L	12, 15, 16				With Partition, With Non Passable Partition, Right
	05104290AA	1	2, 6	L	11, 12, 14, 15, 16				With Partition, With Passable Partition, Right
		1	3, 7	L	12, 15, 16				With Partition, With Passable Partition, Right
		1	2, 6	L	11, 12, 14, 15, 16				With Partition, With Non Passable Partition, Right



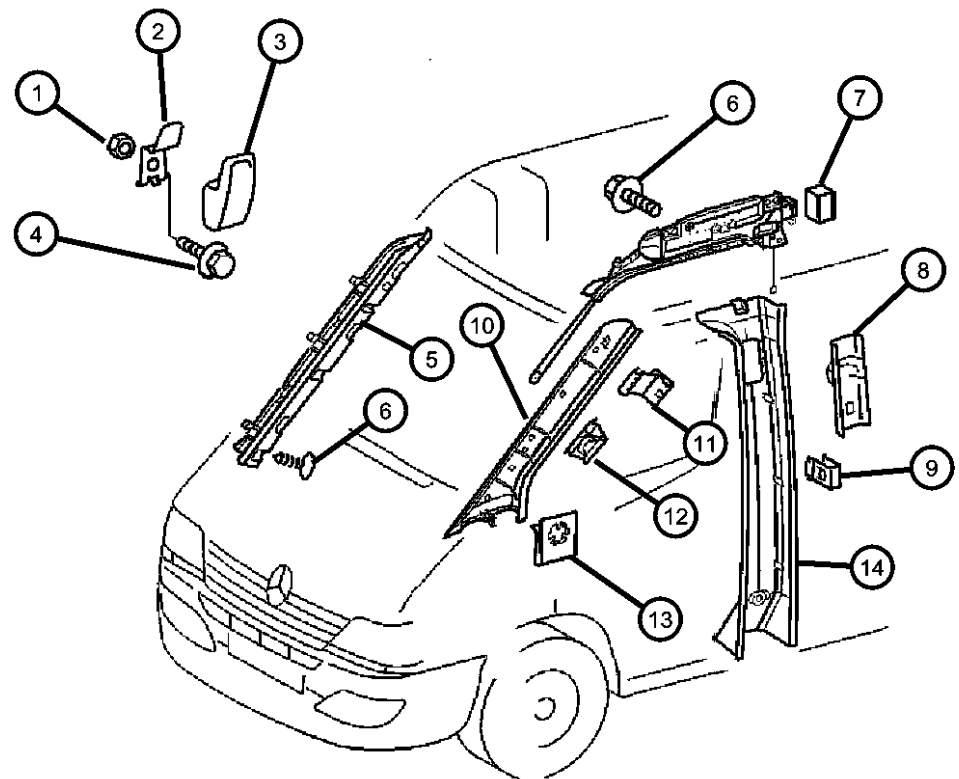
SPRINTER (VA)

SERIES	LINE	BODY	ENGINE	TRANSMISSION
L = LOWLINE	3 = HD DODGE 2WD 6 = Lt. Duty DODGE 4WD 2 = Med. Duty DODGE 2WD 7 = Med. Duty DODGE 4WD	01 = CHASSIS FORWARD CONTROL W.B.1 02 = CAB CHASSIS WHEEL BASE 2 06 = CAB CHASSIS WHEEL BASE 6 11 = VAN WHEEL BASE 1 12 = VAN WHEEL BASE 2 51 = WAGON WHEEL BASE 1 52 = WAGON WHEEL BASE 2 14 = VAN WHEEL BASE 4 15 = VAN WHEEL BASE 5 56 = WAGON WHEEL BASE 6 16 = VAN WHEEL BASE 6 54 = WAGON WHEEL BASE 4 55 = WAGON WHEEL BASE 5	EX9 = Engine-2.7L I5 Mercedes Turbo Diesel	DGJ = Transmission-5-Spd. Automatic, W5A580

AR = use ase required - = Non illustrated part

**Inner Panels - Cab
Figure IVA-215**

ITEM	PART NUMBER	QTY	LINE	SERIES	BODY	ENGINE	TRANS	TRIM	DESCRIPTION
	05123267AA	1	3, 7	L	12, 15, 16				Without Left Sliding Door, Left
	05123275AA	1	2, 6	L	11, 12, 14, 15, 16				With Left Sliding Door, Without Grab Handle, Load Ring, Left
		1	2, 6	L	51, 52, 54, 55, 56				With Left Sliding Door, Without Grab Handle, Load Ring, Left
		1	3, 7	L	12, 15, 16				With Left Sliding Door, Without Grab Handle, Load Ring, Left
	05123285AA	1	2, 6	L	11, 12, 14, 15, 16				With Left Sliding Door and Load Ring, Without Grab Handle, Left
		1	2, 6	L	11, 12, 14, 15, 16				Without Left Sliding Door, Left
		1	2, 6	L	51, 52, 54, 55, 56				Without Left Sliding Door, Left
	05123304AA	1	2, 6	L	51, 52, 54, 55, 56				With Left Sliding Door and Grab Handle Without Load Ring, Left
		1	3, 7	L	12, 15, 16				With Left Sliding Door and Grab Handle Without Load Ring, Left
	05123306AA	1	2, 6	L	11, 12, 14, 15, 16				With Right Sliding Door and Grab Handle Without Load Ring, Right
		1	2, 6	L	51, 52, 54, 55, 56				With Left Sliding Door and Load Ring, Without Grab Handle, Left
		1	3, 7	L	12, 15, 16				With Left Sliding Door and Load Ring, Without Grab Handle, Left
	05123287AA	1	2, 6	L	11, 12, 14, 15, 16				With Right Sliding Door and Load Ring, Without Grab Handle, Right
		1	2, 6	L	51, 52, 54, 55, 56				With Right Sliding Door and Load Ring, Without Grab Handle, Right
		1	3, 7	L	12, 15, 16				With Right Sliding Door and Load Ring, Without Grab Handle, Right
		1	2, 6	L	11, 12, 14, 15, 16				With Left Sliding Door and Grab Handle Without Load Ring, Left
		1	2, 6	L	51, 52, 54, 55, 56				With Right Sliding Door and Grab Handle Without Load Ring, Right
		1	3, 7	L	12, 15, 16				With Right Sliding Door and Grab Handle Without Load Ring, Right

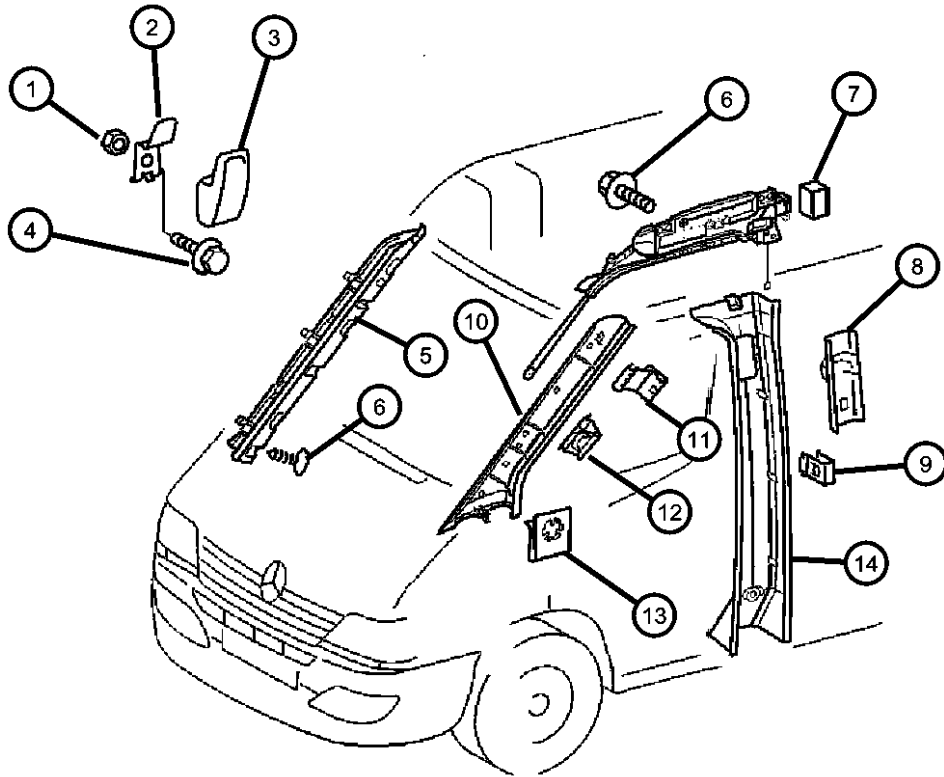


SPRINTER (VA)
 SERIES LINE BODY ENGINE TRANSMISSION
 L = LOWLINE 3 = HD DODGE 2WD 01 = CHASSIS FORWARD CONTROL W.B.1 EX9 = Engine-2.7L I5 Mercedes Turbo Diesel DGJ = Transmission-5-Spd. Automatic,W5A580
 6 = Lt. Duty DODGE 4WD 02 = CAB CHASSIS WHEEL BASE 2
 2 = Med. Duty DODGE 2WD 06 = CAB CHASSIS WHEEL BASE 6
 7 = Med. Duty DODGE 4WD 11 = VAN WHEEL BASE 1
 12 = VAN WHEEL BASE 2
 51 = WAGON WHEEL BASE 1
 52 = WAGON WHEEL BASE 2
 14 = VAN WHEEL BASE 4
 15 = VAN WHEEL BASE 5
 56 = WAGON WHEEL BASE 6
 16 = VAN WHEEL BASE 6
 54 = WAGON WHEEL BASE 4
 55 = WAGON WHEEL BASE 5

AR = use ase required - = Non illustrated part

Inner Panels - Cab
Figure IVA-215

ITEM	PART NUMBER	QTY	LINE	SERIES	BODY	ENGINE	TRANS	TRIM	DESCRIPTION
	05123308AA	1	2, 6	L	11, 12, 14, 15, 16				With Left Sliding Door, Grab Handle and Load Ring, Left
		1	2, 6	L	51, 52, 54, 55, 56				With Left Sliding Door, Grab Handle and Load Ring, Left
		1	3, 7	L	12, 15, 16				With Left Sliding Door, Grab Handle and Load Ring, Left
	05123310AA	1	2, 6	L	11, 12, 14, 15, 16				With Right Sliding Door, Grab Handle and Load Ring, Right
		1	2, 6	L	51, 52, 54, 55, 56				With Right Sliding Door, Grab Handle and Load Ring, Right
		1	3, 7	L	12, 15, 16				With Right Sliding Door, Grab Handle and Load Ring, Right
-15	05125582AA	6	2, 6	L	11, 12, 14, 15, 16				CLIP, U Type
		6	2, 6	L	51, 52, 54, 55, 56				
		6	3, 7	L	12, 15, 16				



SPRINTER (VA)

SERIES

L = LOWLINE
 3 = HD DODGE 2WD
 6 = Lt. Duty DODGE 4WD
 2 = Med. Duty DODGE 2WD
 7 = Med. Duty DODGE 4WD

LINE

BODY

01 = CHASSIS FORWARD CONTROL W.B.1
 02 = CAB CHASSIS WHEEL BASE 2
 06 = CAB CHASSIS WHEEL BASE 6
 11 = VAN WHEEL BASE 1
 12 = VAN WHEEL BASE 2
 51 = WAGON WHEEL BASE 1
 52 = WAGON WHEEL BASE 2
 14 = VAN WHEEL BASE 4
 15 = VAN WHEEL BASE 5
 56 = WAGON WHEEL BASE 6
 16 = VAN WHEEL BASE 6
 54 = WAGON WHEEL BASE 4
 55 = WAGON WHEEL BASE 5

ENGINE

EX9 = Engine-2.7L I5
 Mercedes Turbo Diesel

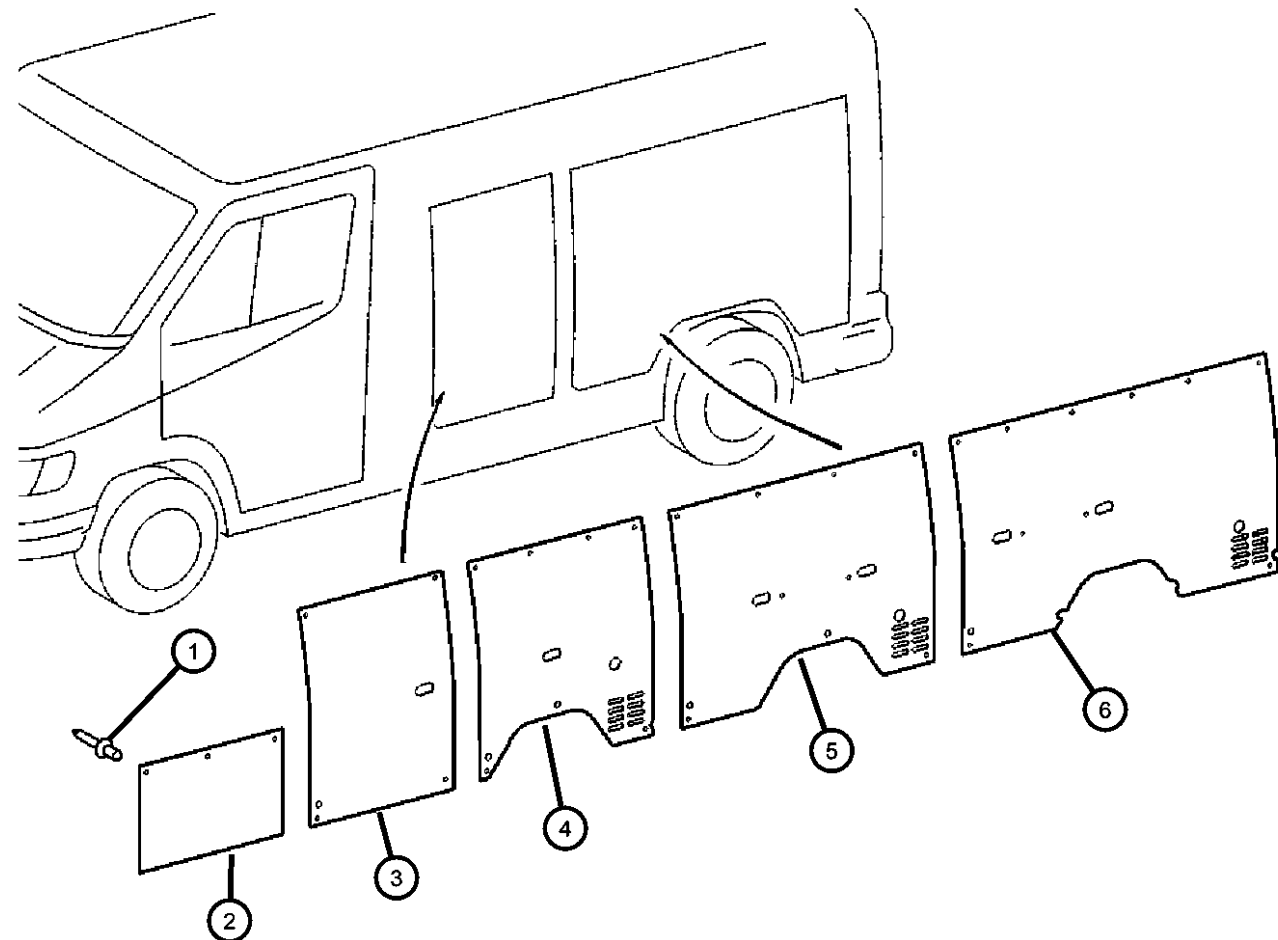
TRANSMISSION

DGJ = Transmission-5-Spd. Automatic, W5A580

AR = use ase required - = Non illustrated part

2002 VA

**Inner Panels - Plywood
Figure IVA-220**



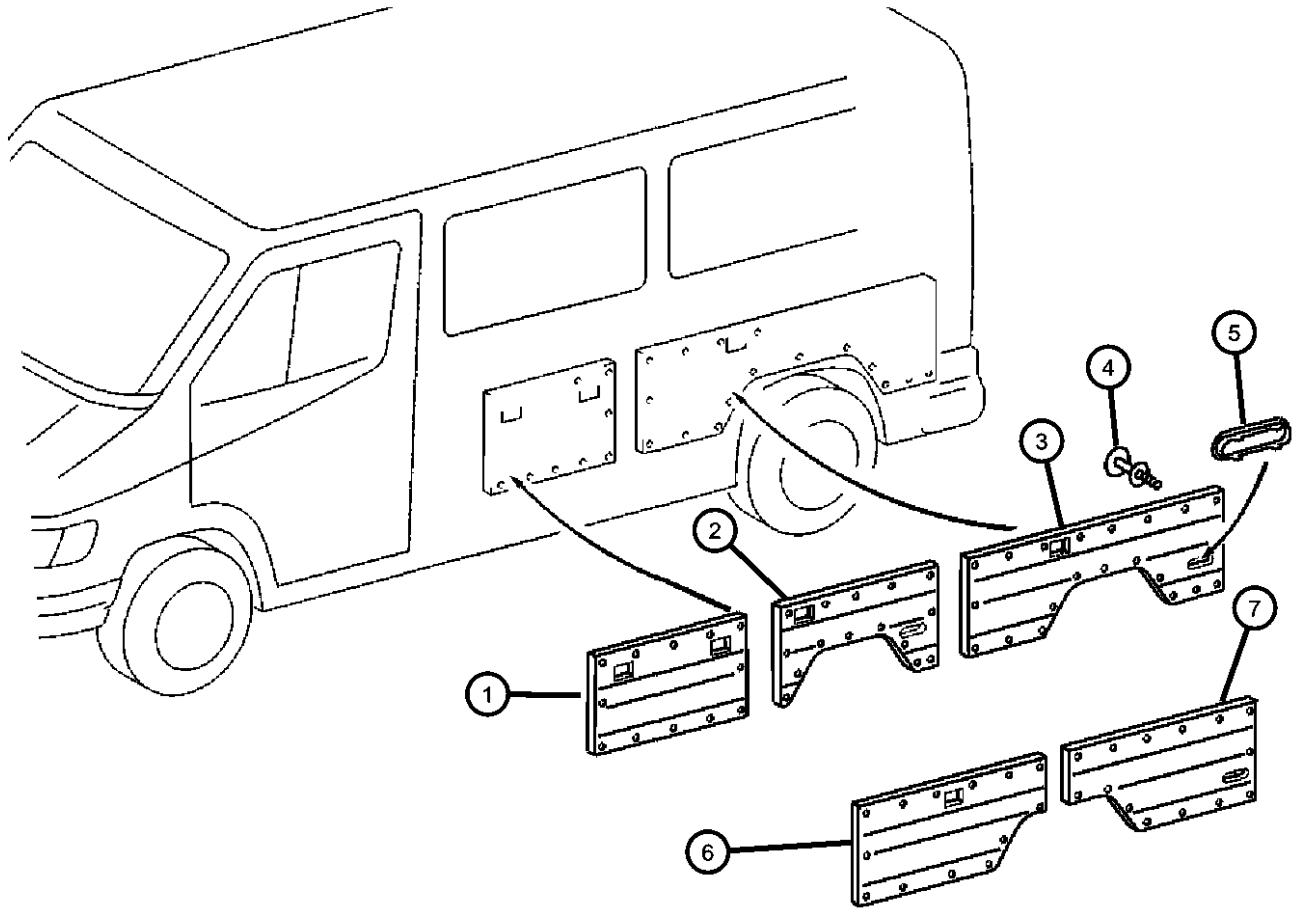
ITEM	PART NUMBER	QTY	LINE	SERIES	BODY	ENGINE	TRANS	TRIM	DESCRIPTION
1	06104865AA	AR	3, 7	L	12, 15, 16				RIVET
2	05104295AA	1	2, 6	L	11, 12, 14, 15, 16				PANEL, Inner
		1	3, 7	L	12, 15, 16				
3	05104296AA	2	2, 6	L	11, 12, 14, 15, 16				PANEL, Inner
		1	3, 7	L	12, 15, 16				
4	05131868AA	2	2, 6	L	11, 12, 14, 15, 16				PANEL, Side Trim
5	05123247AA	2	2, 6	L	11, 12, 14, 15, 16				PANEL, Side Trim
		2	3, 7	L	12, 15, 16				
6	05104294AA	2	2, 6	L	11, 12, 14, 15, 16				PANEL, Quarter Trim
		2	3, 7	L	12, 15, 16				

SPRINTER (VA)

SERIES	LINE	BODY	ENGINE	TRANSMISSION
L = LOWLINE	3 = HD DODGE 2WD 6 = Lt. Duty DODGE 4WD 2 = Med. Duty DODGE 2WD 7 = Med. Duty DODGE 4WD	01 = CHASSIS FORWARD CONTROL W.B.1 02 = CAB CHASSIS WHEEL BASE 2 06 = CAB CHASSIS WHEEL BASE 6 11 = VAN WHEEL BASE 1 12 = VAN WHEEL BASE 2 51 = WAGON WHEEL BASE 1 52 = WAGON WHEEL BASE 2 14 = VAN WHEEL BASE 4 15 = VAN WHEEL BASE 5 56 = WAGON WHEEL BASE 6 16 = VAN WHEEL BASE 6 54 = WAGON WHEEL BASE 4 55 = WAGON WHEEL BASE 5	EX9 = Engine-2.7L I5 Mercedes Turbo Diesel	DGJ = Transmission-5-Spd. Automatic, W5A580

AR = use ase required - = Non illustrated part

Inner Panels
Figure IVA-225



ITEM	PART NUMBER	QTY	LINE	SERIES	BODY	ENGINE	TRANS	TRIM	DESCRIPTION
1	05123228AA	1	2, 6	L	11, 12, 14, 15, 16				PANEL, Cargo compartment Up To Beltline
		1	3, 7	L	12, 15, 16				Up To Beltline
		1	2, 6	L	51, 52, 54, 55, 56				Up To Beltline
2	05123231AA	1	2, 6	L	11, 12, 14, 15, 16				PANEL, Cargo compartment 118 Inch Wheelbase, Left
		1	2, 6	L	51, 52, 54, 55, 56				118 Inch Wheelbase, Left
	05123233AA	1	2, 6	L	11, 12, 14, 15, 16				118 Inch Wheelbase, Right
		1	2, 6	L	51, 52, 54, 55, 56				118 Inch Wheelbase, Right
3	05123234AA	1	2, 6	L	11, 12, 14, 15, 16				PANEL, Cargo compartment 140 Inch Wheelbase, Left
		1	2, 6	L	51, 52, 54, 55, 56				140 Inch Wheelbase, Left
	05123236AA	1	2, 6	L	11, 12, 14, 15, 16				140 Inch Wheelbase, Right
		1	3, 7	L	12, 15, 16				140 Inch Wheelbase, Left
		1	2, 6	L	51, 52, 54, 55, 56				140 Inch Wheelbase, Right
		1	3, 7	L	12, 15, 16				140 Inch Wheelbase, Right
4	05103553AA	9	2, 6	L	11, 12, 14, 15, 16				PIN, Push
		9	2, 6	L	51, 52, 54, 55, 56				
		9	3, 7	L	12, 15, 16				
5	05123427AA	2	3, 7	L	12, 15, 16				EXHAUSTER, Quarter Panel

SPRINTER (VA)

SERIES

L = LOWLINE
3 = HD DODGE 2WD
6 = Lt. Duty DODGE 4WD
2 = Med. Duty DODGE 2WD
7 = Med. Duty DODGE 4WD

BODY

01 = CHASSIS FORWARD CONTROL W.B.1
02 = CAB CHASSIS WHEEL BASE 2
06 = CAB CHASSIS WHEEL BASE 6
11 = VAN WHEEL BASE 1
12 = VAN WHEEL BASE 2
51 = WAGON WHEEL BASE 1
52 = WAGON WHEEL BASE 2
14 = VAN WHEEL BASE 4
15 = VAN WHEEL BASE 5
56 = WAGON WHEEL BASE 6
16 = VAN WHEEL BASE 6
54 = WAGON WHEEL BASE 4
55 = WAGON WHEEL BASE 5

ENGINE

EX9 = Engine-2.7L I5
Mercedes Turbo Diesel

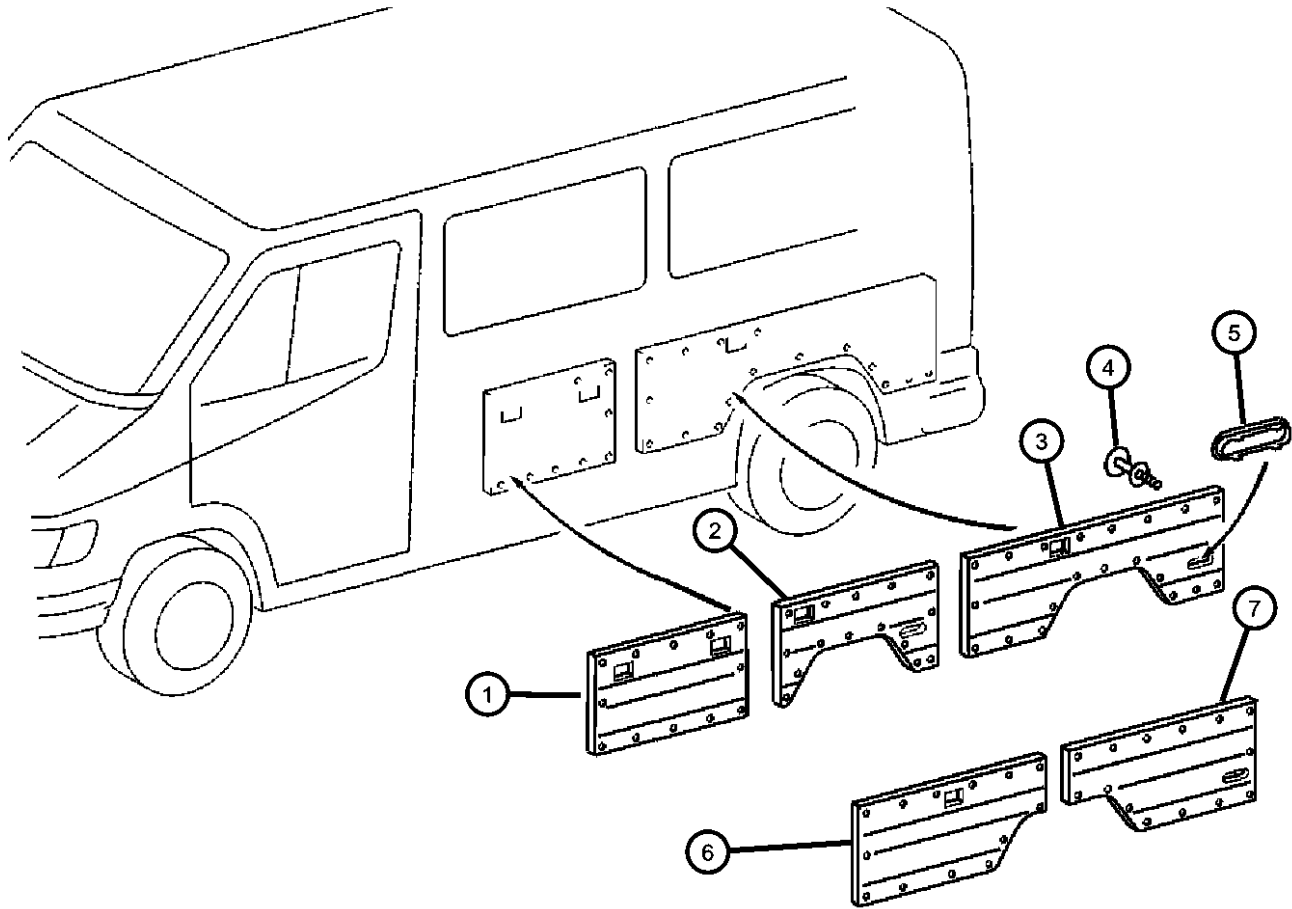
TRANSMISSION

DGJ = Transmission-5-Spd. Automatic, W5A580

AR = use ase required - = Non illustrated part

2002 VA

Inner Panels
Figure IVA-225



ITEM	PART NUMBER	QTY	LINE	SERIES	BODY	ENGINE	TRANS	TRIM	DESCRIPTION
		2	2, 6	L	11, 12, 14, 15, 16				
		2	2, 6	L	51, 52, 54, 55, 56				
6									PANEL, Cargo compartment
	05123238AA	1	3, 7	L	12, 15, 16				158 Inch Wheelbase, Left, Front
		1	2, 6	L	11, 12, 14, 15, 16				158 Inch Wheelbase, Left, Front
		1	2, 6	L	51, 52, 54, 55, 56				158 Inch Wheelbase, Left, Front
	05123240AA	1	2, 6	L	11, 12, 14, 15, 16				158 Inch Wheelbase, Right, Front
		1	2, 6	L	51, 52, 54, 55, 56				158 Inch Wheelbase, Right, Front
		1	3, 7	L	12, 15, 16				158 Inch Wheelbase, Right, Front
7									PANEL, Cargo compartment
	05123242AA	1	2, 6	L	11, 12, 14, 15, 16				158 Inch Wheelbase, Left, Rear
		1	2, 6	L	51, 52, 54, 55, 56				158 Inch Wheelbase, Left, Rear
		1	3, 7	L	12, 15, 16				158 Inch Wheelbase, Left, Rear
	05123243AA	1	3, 7	L	12, 15, 16				158 Inch Wheelbase, Right, Rear
		1	2, 6	L	11, 12, 14, 15, 16				158 Inch Wheelbase, Right, Rear
		1	2, 6	L	51, 52, 54, 55, 56				158 Inch Wheelbase, Right, Rear

SPRINTER (VA)

SERIES

L = LOWLINE

LINE

3 = HD DODGE 2WD
6 = Lt. Duty DODGE 4WD
2 = Med. Duty DODGE 2WD
7 = Med. Duty DODGE 4WD

BODY

01 = CHASSIS FORWARD CONTROL W.B.1
02 = CAB CHASSIS WHEEL BASE 2
06 = CAB CHASSIS WHEEL BASE 6
11 = VAN WHEEL BASE 1
12 = VAN WHEEL BASE 2
51 = WAGON WHEEL BASE 1
52 = WAGON WHEEL BASE 2
14 = VAN WHEEL BASE 4
15 = VAN WHEEL BASE 5
56 = WAGON WHEEL BASE 6
16 = VAN WHEEL BASE 6
54 = WAGON WHEEL BASE 4
55 = WAGON WHEEL BASE 5

ENGINE

EX9 = Engine-2.7L I5
Mercedes Turbo Diesel

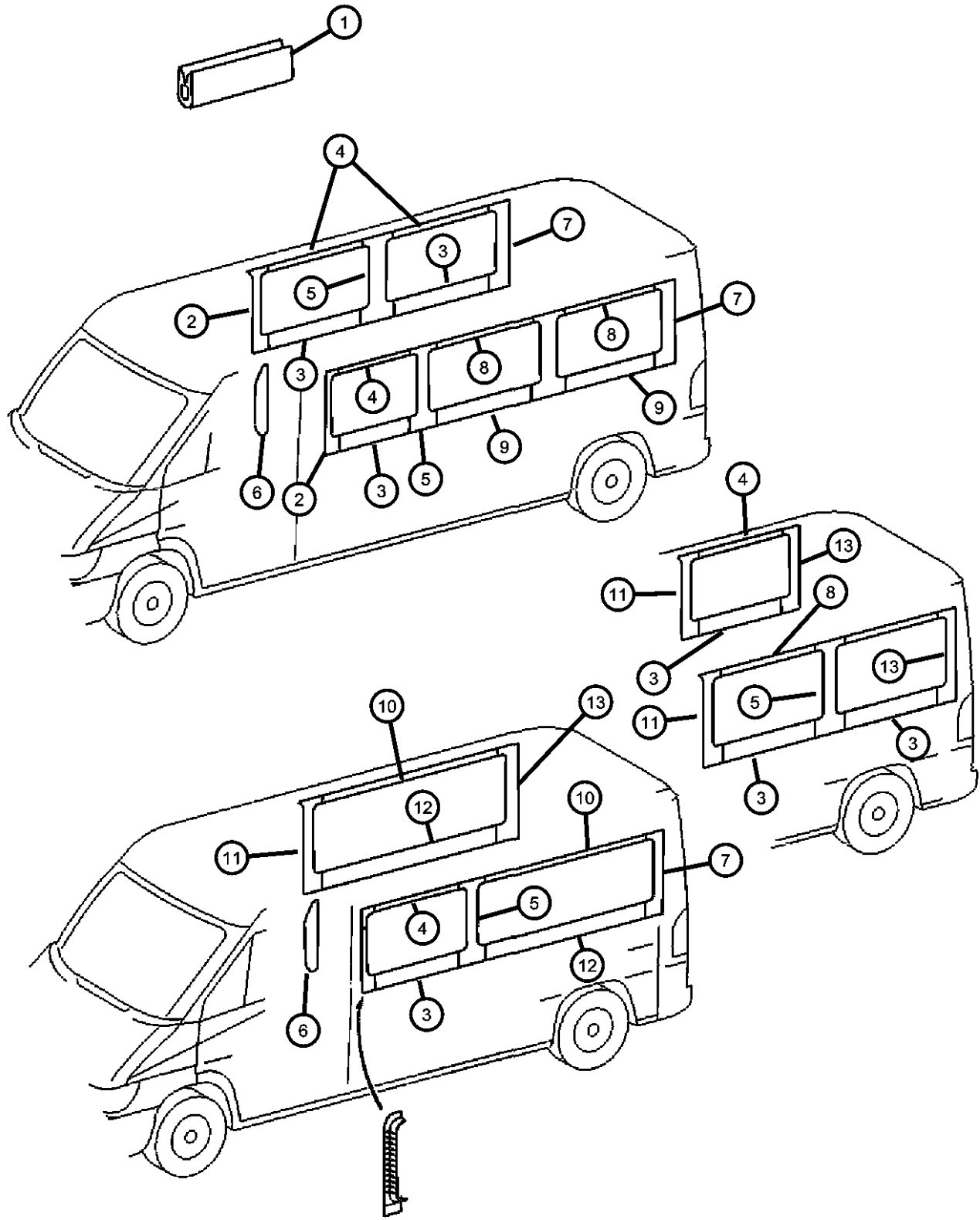
TRANSMISSION

DGJ = Transmission-5-Spd. Automatic, W5A580

AR = use ase required - = Non illustrated part

2002 VA

Inner Paneling Window - Pillar In Cab
Figure IVA-230



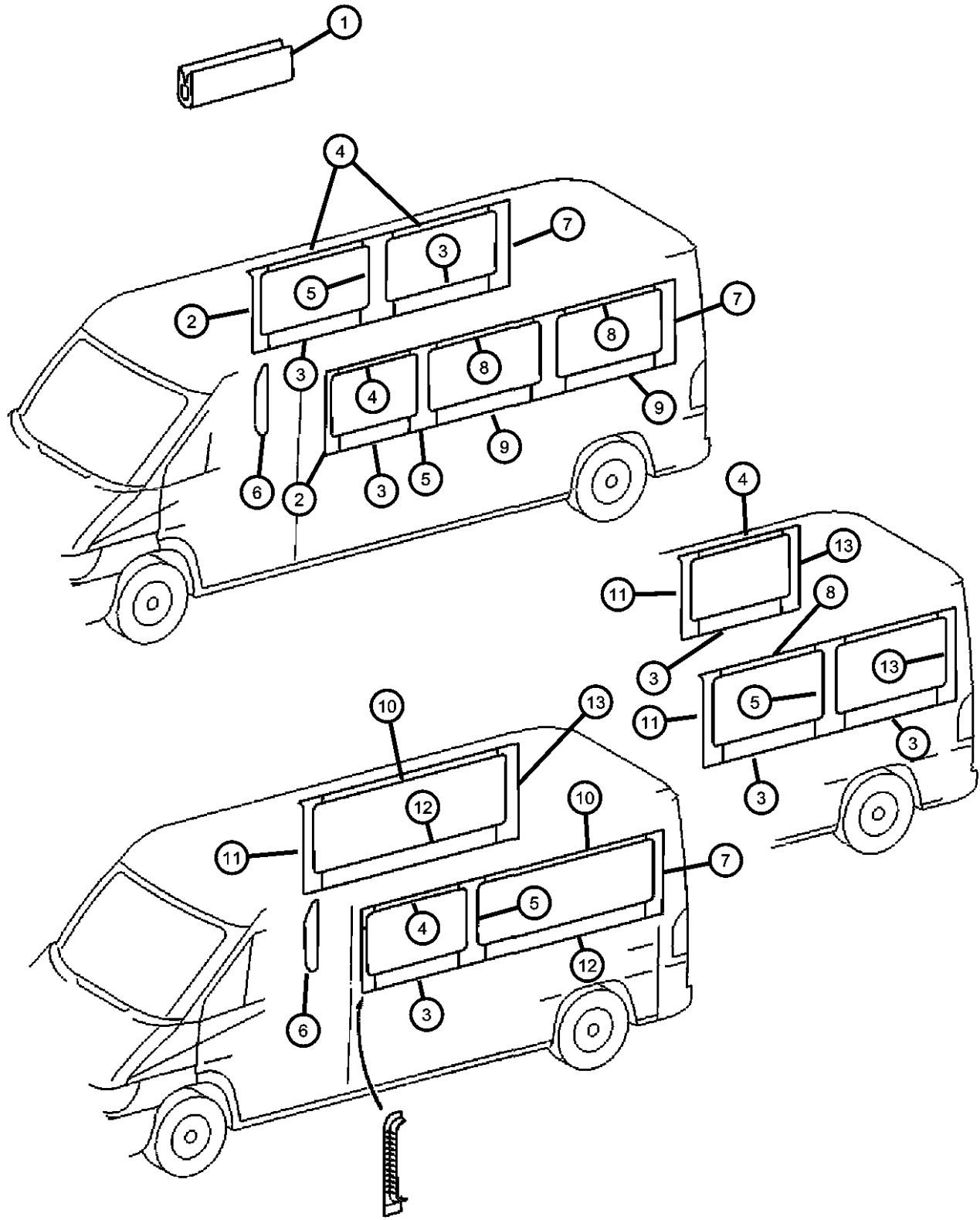
ITEM	PART NUMBER	QTY	LINE	SERIES	BODY	ENGINE	TRANS	TRIM	DESCRIPTION
1	05134108AA	1	2, 6	L	11, 12, 14, 15, 16				WEATHERSTRIP, Glass, 2 Meters Long
2	05123334AA	1	2, 6	L	51, 52, 54, 55, 56				COVER, Rear Window Moulding Side Window, Left
		1	3, 7	L	12, 15, 16				Side Window, Left
		1	2, 6	L	11, 12, 14, 15, 16				Side Window, Left
	05123365AA	1	2, 6	L	11, 12, 14, 15, 16				Side Window, Right
		1	2, 6	L	51, 52, 54, 55, 56				Side Window, Right
		1	3, 7	L	12, 15, 16				Side Window, Right
3	05123366AA	1	2, 6	L	11, 12, 14, 15, 16				PANEL, Lower Rear Lower Side Windows, Left, Right
		1	2, 6	L	51, 52, 54, 55, 56				Lower Side Windows, Left, Right
		1	3, 7	L	12, 15, 16				Lower Side Windows, Left, Right
4	05104293AA	1	2, 6	L	51, 52, 54, 55, 56				PANEL, Header Garnish, Upper, Window
		1	2, 6	L	11, 12, 14, 15, 16				Garnish, Upper, Window
		1	3, 7	L	12, 15, 16				Garnish, Upper, Window
5	05123335AA	1	2, 6	L	51, 52, 54, 55, 56				COVER, Rear Window Moulding Center
		1	2, 6	L	11, 12, 14, 15, 16				Center
		1	3, 7	L	12, 15, 16				Center
6	05123367AA	1	2, 6	L	11, 12, 14, 15, 16				PANEL, B Pillar Upper Trim Right

SPRINTER (VA)

SERIES	LINE	BODY	ENGINE	TRANSMISSION
L = LOWLINE	3 = HD DODGE 2WD 6 = Lt. Duty DODGE 4WD 2 = Med. Duty DODGE 2WD 7 = Med. Duty DODGE 4WD	01 = CHASSIS FORWARD CONTROL W.B.1 02 = CAB CHASSIS WHEEL BASE 2 06 = CAB CHASSIS WHEEL BASE 6 11 = VAN WHEEL BASE 1 12 = VAN WHEEL BASE 2 51 = WAGON WHEEL BASE 1 52 = WAGON WHEEL BASE 2 14 = VAN WHEEL BASE 4 15 = VAN WHEEL BASE 5 56 = WAGON WHEEL BASE 6 16 = VAN WHEEL BASE 6 54 = WAGON WHEEL BASE 4 55 = WAGON WHEEL BASE 5	EX9 = Engine-2.7L I5 Mercedes Turbo Diesel	DGJ = Transmission-5-Spd. Automatic, W5A580

AR = use ase required - = Non illustrated part

Inner Paneling Window - Pillar In Cab
Figure IVA-230



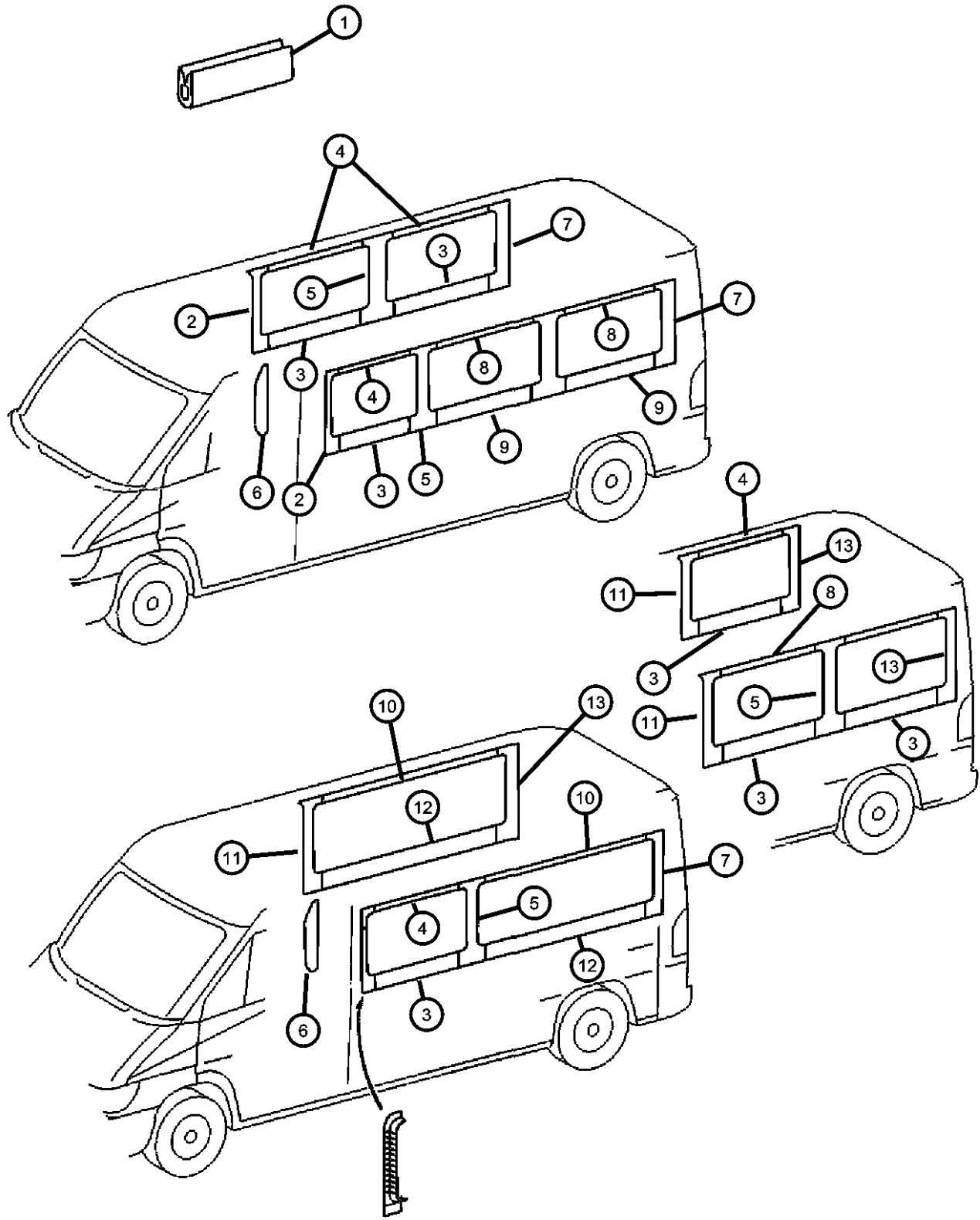
ITEM	PART NUMBER	QTY	LINE	SERIES	BODY	ENGINE	TRANS	TRIM	DESCRIPTION
		1	2, 6	L	51, 52, 54, 55, 56				Right
		1	3, 7	L	12, 15, 16				Right
	05123368AA	1	2, 6	L	11, 12, 14, 15, 16				Left
		1	2, 6	L	51, 52, 54, 55, 56				Left
		1	3, 7	L	12, 15, 16				Left
7									COVER, Rear Window Moulding
	05123337AA	1	2, 6	L	11, 12, 14, 15, 16				
		1	2, 6	L	51, 52, 54, 55, 56				
		1	3, 7	L	12, 15, 16				
8									PANEL, Header
	05123332AA	4	2, 6	L	11, 12, 14, 15, 16				Garnish (Medium), Upper, Window
		4	2, 6	L	51, 52, 54, 55, 56				Garnish (Medium), Upper, Window
		4	3, 7	L	12, 15, 16				Garnish (Medium), Upper, Window
9									PANEL, Lower Rear
	05123363AA	4	2, 6	L	11, 12, 14, 15, 16				Garnish (Medium), Lower, Window
		4	2, 6	L	51, 52, 54, 55, 56				Garnish (Medium), Lower, Window
		4	3, 7	L	12, 15, 16				Garnish (Medium), Lower, Window
10									PANEL, Header
	05123333AA	2	2, 6	L	11, 12, 14, 15, 16				Garnish (Long), Upper, Window
		2	2, 6	L	51, 52, 54, 55, 56				Garnish (Long), Upper, Window
		2	3, 7	L	12, 15, 16				Garnish (Long), Upper, Window
11									COVER, Rear Window Moulding

SPRINTER (VA)

SERIES	LINE	BODY	ENGINE	TRANSMISSION
L = LOWLINE	3 = HD DODGE 2WD 6 = Lt. Duty DODGE 4WD 2 = Med. Duty DODGE 2WD 7 = Med. Duty DODGE 4WD	01 = CHASSIS FORWARD CONTROL W.B.1 02 = CAB CHASSIS WHEEL BASE 2 06 = CAB CHASSIS WHEEL BASE 6 11 = VAN WHEEL BASE 1 12 = VAN WHEEL BASE 2 51 = WAGON WHEEL BASE 1 52 = WAGON WHEEL BASE 2 14 = VAN WHEEL BASE 4 15 = VAN WHEEL BASE 5 56 = WAGON WHEEL BASE 6 16 = VAN WHEEL BASE 6 54 = WAGON WHEEL BASE 4 55 = WAGON WHEEL BASE 5	EX9 = Engine-2.7L I5 Mercedes Turbo Diesel	DGJ = Transmission-5-Spd. Automatic, W5A580

AR = use ase required - = Non illustrated part

Inner Paneling Window - Pillar In Cab
Figure IVA-230



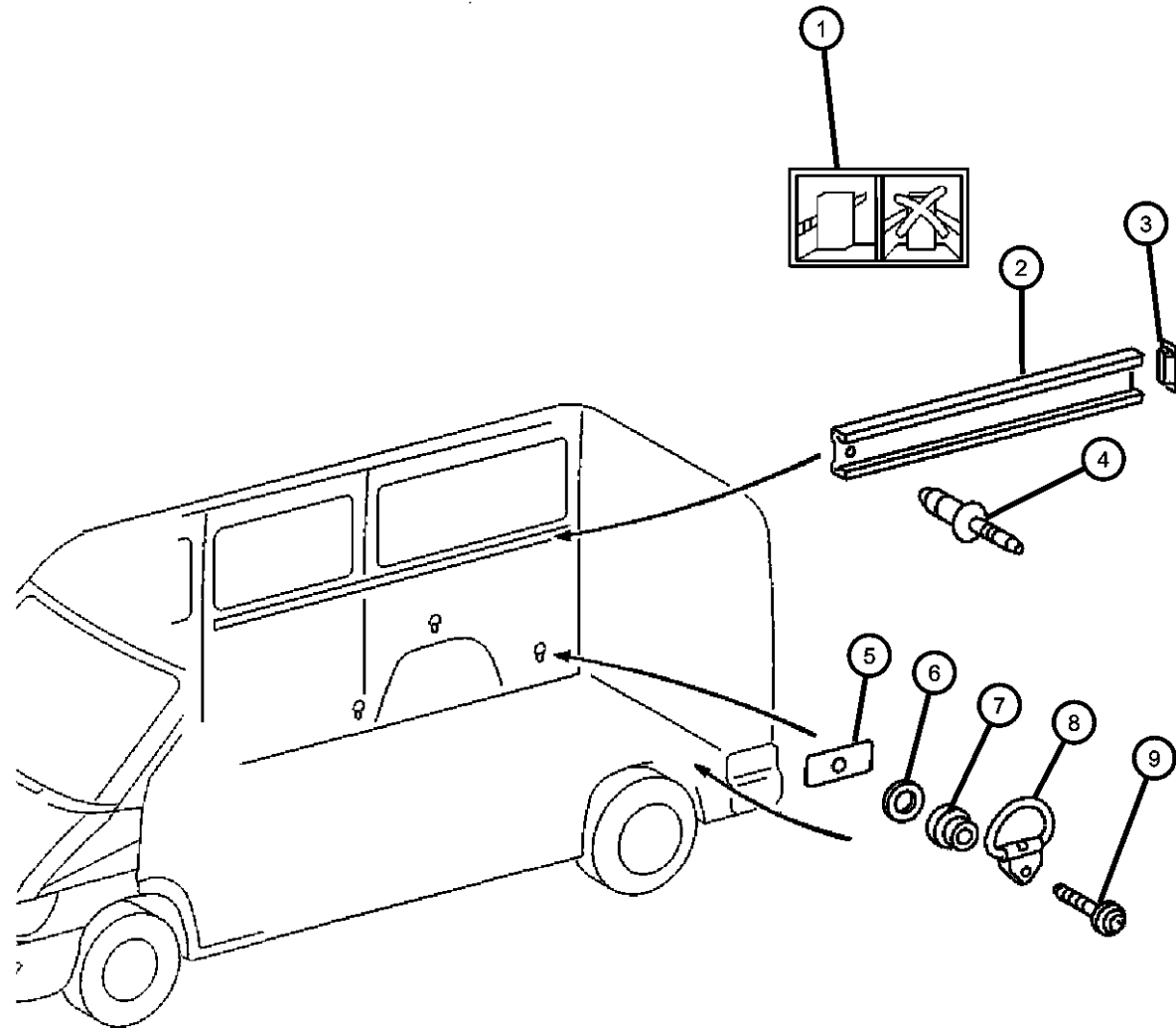
ITEM	PART NUMBER	QTY	LINE	SERIES	BODY	ENGINE	TRANS	TRIM	DESCRIPTION
	05123362AA	1	2, 6	L	11, 12, 14, 15, 16				Verdical Molding, Right
		1	2, 6	L	51, 52, 54, 55, 56				Verdical Molding, Right
	05123364AA	1	3, 7	L	12, 15, 16				Verdical Molding, Right
		1	2, 6	L	11, 12, 14, 15, 16				Verdical Molding, Left
		1	2, 6	L	51, 52, 54, 55, 56				Verdical Molding, Left
		1	3, 7	L	12, 15, 16				Verdical Molding, Left
12	05123369AA	2	2, 6	L	11, 12, 14, 15, 16				PANEL, Lower Rear Garnish (Long), Lower, Window
		2	2, 6	L	51, 52, 54, 55, 56				Garnish (Long), Lower, Window
		2	3, 7	L	12, 15, 16				Garnish (Long), Lower, Window
13	05123361AA	1	2, 6	L	11, 12, 14, 15, 16				COVER, Rear Window Moulding
		1	2, 6	L	51, 52, 54, 55, 56				
		1	3, 7	L	12, 15, 16				

SPRINTER (VA)

SERIES	LINE	BODY	ENGINE	TRANSMISSION
L = LOWLINE	3 = HD DODGE 2WD 6 = Lt. Duty DODGE 4WD 2 = Med. Duty DODGE 2WD 7 = Med. Duty DODGE 4WD	01 = CHASSIS FORWARD CONTROL W.B.1 02 = CAB CHASSIS WHEEL BASE 2 06 = CAB CHASSIS WHEEL BASE 6 11 = VAN WHEEL BASE 1 12 = VAN WHEEL BASE 2 51 = WAGON WHEEL BASE 1 52 = WAGON WHEEL BASE 2 14 = VAN WHEEL BASE 4 15 = VAN WHEEL BASE 5 56 = WAGON WHEEL BASE 6 16 = VAN WHEEL BASE 6 54 = WAGON WHEEL BASE 4 55 = WAGON WHEEL BASE 5	EX9 = Engine-2.7L I5 Mercedes Turbo Diesel	DGJ = Transmission-5-Spd. Automatic, W5A580

AR = use ase required - = Non illustrated part

Cargo Retainers - Without Windows
Figure IVA-235



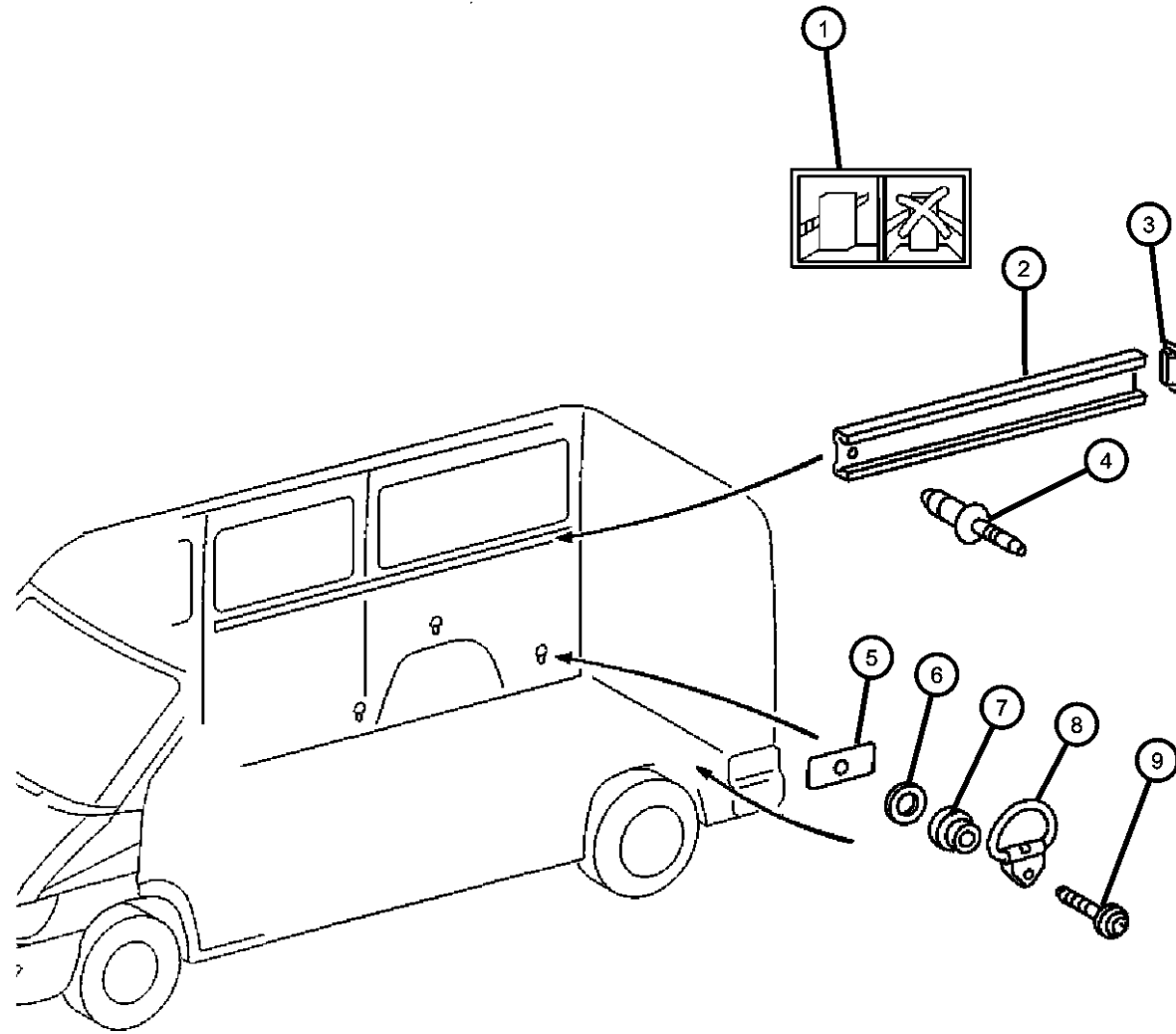
ITEM	PART NUMBER	QTY	LINE	SERIES	BODY	ENGINE	TRANS	TRIM	DESCRIPTION
1	05124356AA	1	2, 6	L	11, 12, 14, 15, 16				LABEL Cargo Tie Down
		1	3, 7	L	12, 15, 16				Cargo Tie Down
2	05121437AA	1	3, 7	L	12, 15, 16				RAIL Cargo Retaning, Right & Left
		1	2, 6	L	11, 12, 14, 15, 16				Cargo Retaning, Right & Left
3	05121423AA	4	2, 6	L	11, 12, 14, 15, 16				END CAP, Side Rail Right & Left
		4	3, 7	L	12, 15, 16				Right & Left
4	05125821AA	16	2, 6	L	11, 12, 14, 15, 16				RIVET
		16	3, 7	L	12, 15, 16				
5	05103926AA	4	2, 6	L	11, 12, 14, 15, 16				SHEET METAL NUT, IN CASE OF SUBSEQUENT INSTALLATION, SPRINTER
		4	2, 6	L	51, 52, 54, 55, 56				
		4	3, 7	L	12, 15, 16				
6	05103726AA	8	2, 6	L	51, 52, 54, 55, 56				WASHER, NONE, SPRINTER
		7	3, 7	L	12, 15, 16				
		7	2, 6	L	11, 12, 14, 15, 16				
7	05104544AA	10	3, 7	L	12, 15, 16				BUSHING, NONE, SPRINTER
		7	2, 6	L	11, 12, 14, 15, 16				

SPRINTER (VA)

SERIES	LINE	BODY	ENGINE	TRANSMISSION
L = LOWLINE	3 = HD DODGE 2WD 6 = Lt. Duty DODGE 4WD 2 = Med. Duty DODGE 2WD 7 = Med. Duty DODGE 4WD	01 = CHASSIS FORWARD CONTROL W.B.1 02 = CAB CHASSIS WHEEL BASE 2 06 = CAB CHASSIS WHEEL BASE 6 11 = VAN WHEEL BASE 1 12 = VAN WHEEL BASE 2 51 = WAGON WHEEL BASE 1 52 = WAGON WHEEL BASE 2 14 = VAN WHEEL BASE 4 15 = VAN WHEEL BASE 5 56 = WAGON WHEEL BASE 6 16 = VAN WHEEL BASE 6 54 = WAGON WHEEL BASE 4 55 = WAGON WHEEL BASE 5	EX9 = Engine-2.7L I5 Mercedes Turbo Diesel	DGJ = Transmission-5-Spd. Automatic, W5A580

AR = use ase required - = Non illustrated part

Cargo Retainers - Without Windows
Figure IVA-235



ITEM	PART NUMBER	QTY	LINE	SERIES	BODY	ENGINE	TRANS	TRIM	DESCRIPTION
8		8	2, 6	L	51, 52, 54, 55, 56				RING, RING-RETAINER
	05104500AA	10	2, 6	L	11, 12, 14, 15, 16				
		8	2, 6	L	51, 52, 54, 55, 56				
9		7	3, 7	L	12, 15, 16				BOLT, Hex Head
	05103816AA	10	2, 6	L	11, 12, 14, 15, 16				
		8	2, 6	L	51, 52, 54, 55, 56				
		7	3, 7	L	12, 15, 16				

SPRINTER (VA)

SERIES

L = LOWLINE
 3 = HD DODGE 2WD
 6 = Lt. Duty DODGE 4WD
 2 = Med. Duty DODGE 2WD
 7 = Med. Duty DODGE 4WD

BODY

01 = CHASSIS FORWARD CONTROL W.B.1
 02 = CAB CHASSIS WHEEL BASE 2
 06 = CAB CHASSIS WHEEL BASE 6
 11 = VAN WHEEL BASE 1
 12 = VAN WHEEL BASE 2
 51 = WAGON WHEEL BASE 1
 52 = WAGON WHEEL BASE 2
 14 = VAN WHEEL BASE 4
 15 = VAN WHEEL BASE 5
 56 = WAGON WHEEL BASE 6
 16 = VAN WHEEL BASE 6
 54 = WAGON WHEEL BASE 4
 55 = WAGON WHEEL BASE 5

ENGINE

EX9 = Engine-2.7L I5
 Mercedes Turbo Diesel

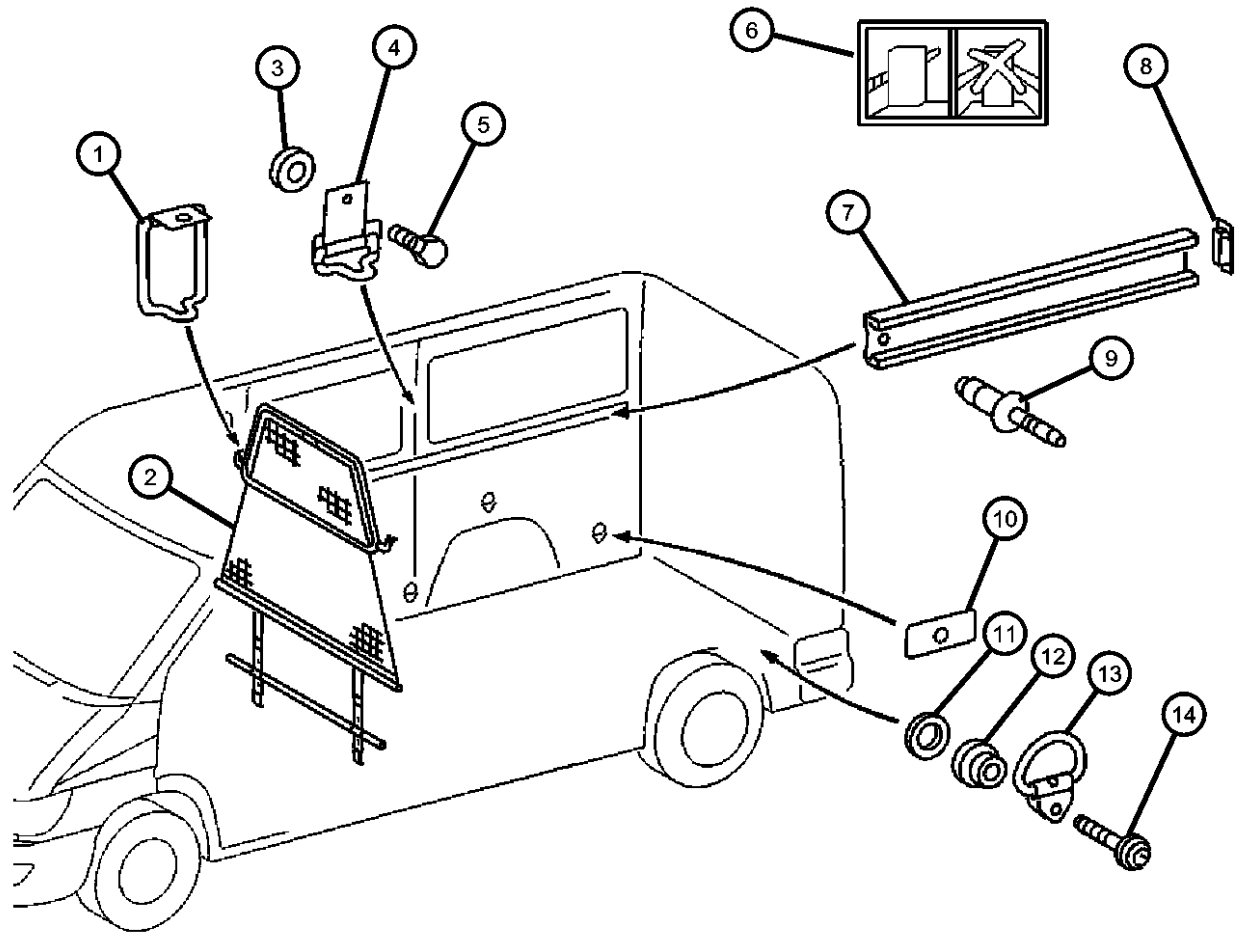
TRANSMISSION

DGJ = Transmission-5-Spd. Automatic, W5A580

AR = use ase required - = Non illustrated part

2002 VA

Cargo Retainers - With Windows
Figure IVA-240



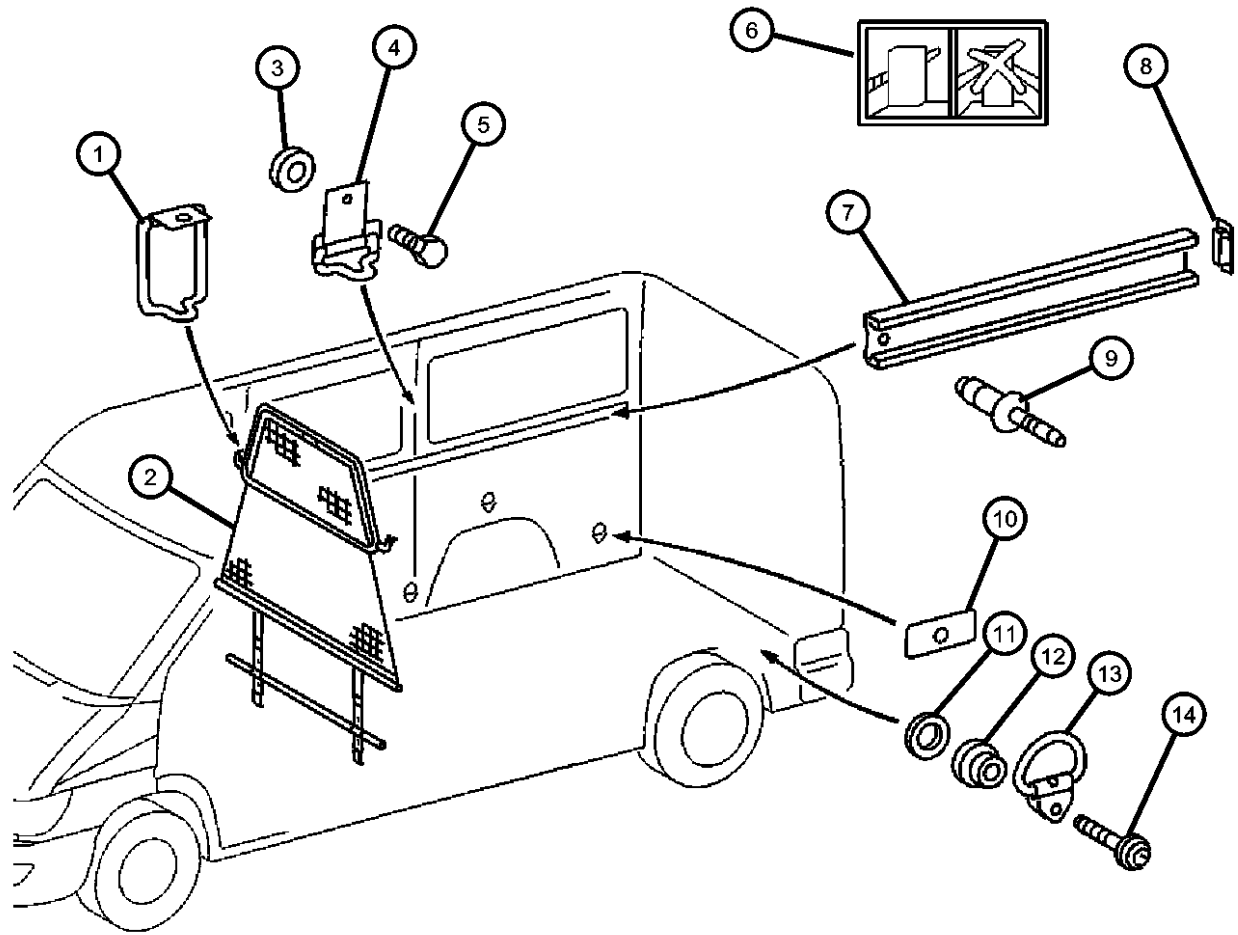
ITEM	PART NUMBER	QTY	LINE	SERIES	BODY	ENGINE	TRANS	TRIM	DESCRIPTION
1		7							BRACKET, (NOT SERVICED)
2		7							GRILLE, Texture, (NOT SERVICED)
3		7							WASHER, Flat, M8, (NOT SERVICED)
4		7							BRACKET, (NOT SERVICED)
5									BOLT, Hex Head
	05126227AA	6	2, 6	L	11, 12, 14, 15, 16				
		6	2, 6	L	51, 52, 54, 55, 56				
		6	3, 7	L	12, 15, 16				
6									LABEL
	05124356AA	1	2, 6	L	11, 12, 14, 15, 16				Cargo Tie Down
		1	3, 7	L	12, 15, 16				Cargo Tie Down
7									RAIL
	05121437AA	1	2, 6	L	11, 12, 14, 15, 16				Cargo Retaning
		1	3, 7	L	12, 15, 16				Cargo Retaning
8									END CAP, Side Rail
	05121423AA	4	2, 6	L	11, 12, 14, 15, 16				Right & Left
		4	3, 7	L	12, 15, 16				Right & Left
9									RIVET
	05125821AA	13	2, 6	L	11, 12, 14, 15, 16				
		17	3, 7	L	12, 15, 16				
10									SHEET METAL NUT, IN CASE OF SUBSEQUENT INSTALLATION, SPRINTER
	05103926AA	4	2, 6	L	11, 12, 14, 15, 16				

SPRINTER (VA)

SERIES	LINE	BODY	ENGINE	TRANSMISSION
L = LOWLINE	3 = HD DODGE 2WD 6 = Lt. Duty DODGE 4WD 2 = Med. Duty DODGE 2WD 7 = Med. Duty DODGE 4WD	01 = CHASSIS FORWARD CONTROL W.B.1 02 = CAB CHASSIS WHEEL BASE 2 06 = CAB CHASSIS WHEEL BASE 6 11 = VAN WHEEL BASE 1 12 = VAN WHEEL BASE 2 51 = WAGON WHEEL BASE 1 52 = WAGON WHEEL BASE 2 14 = VAN WHEEL BASE 4 15 = VAN WHEEL BASE 5 56 = WAGON WHEEL BASE 6 16 = VAN WHEEL BASE 6 54 = WAGON WHEEL BASE 4 55 = WAGON WHEEL BASE 5	EX9 = Engine-2.7L I5 Mercedes Turbo Diesel	DGJ = Transmission-5-Spd. Automatic, W5A580

AR = use ase required - = Non illustrated part

Cargo Retainers - With Windows
Figure IVA-240



ITEM	PART NUMBER	QTY	LINE	SERIES	BODY	ENGINE	TRANS	TRIM	DESCRIPTION
		4	2, 6	L	52, 54, 51, 55, 56				
		2	3, 7	L	12, 15, 16				
11	05103726AA	7	2, 6	L	11, 12, 14, 15, 16				WASHER, NONE, SPRINTER
		10	3, 7	L	12, 15, 16				
12	05104544AA	7	2, 6	L	11, 12, 14, 15, 16				BUSHING, NONE, SPRINTER
		10	3, 7	L	12, 15, 16				
13	05104500AA	7	2, 6	L	11, 12, 14, 15, 16				RING, RING-RETAINER
		10	3, 7	L	12, 15, 16				
14	05103816AA	7	2, 6	L	11, 12, 14, 15, 16				BOLT, Hex Head
		8	2, 6	L	51, 52, 54, 55, 56				
		7	3, 7	L	12, 15, 16				
-15	05104317AA	1	2, 6	L	11, 12, 14, 15, 16				PARTITION, Cargo Left
		1	3, 7	L	12, 15, 16				Left
	05104318AA	1	2, 6	L	11, 12, 14, 15, 16				Right
		1	3, 7	L	12, 15, 16				Right

SPRINTER (VA)

SERIES LINE
L = LOWLINE 3 = HD DODGE 2WD
 6 = Lt. Duty DODGE 4WD
 2 = Med. Duty DODGE 2WD
 7 = Med. Duty DODGE 4WD

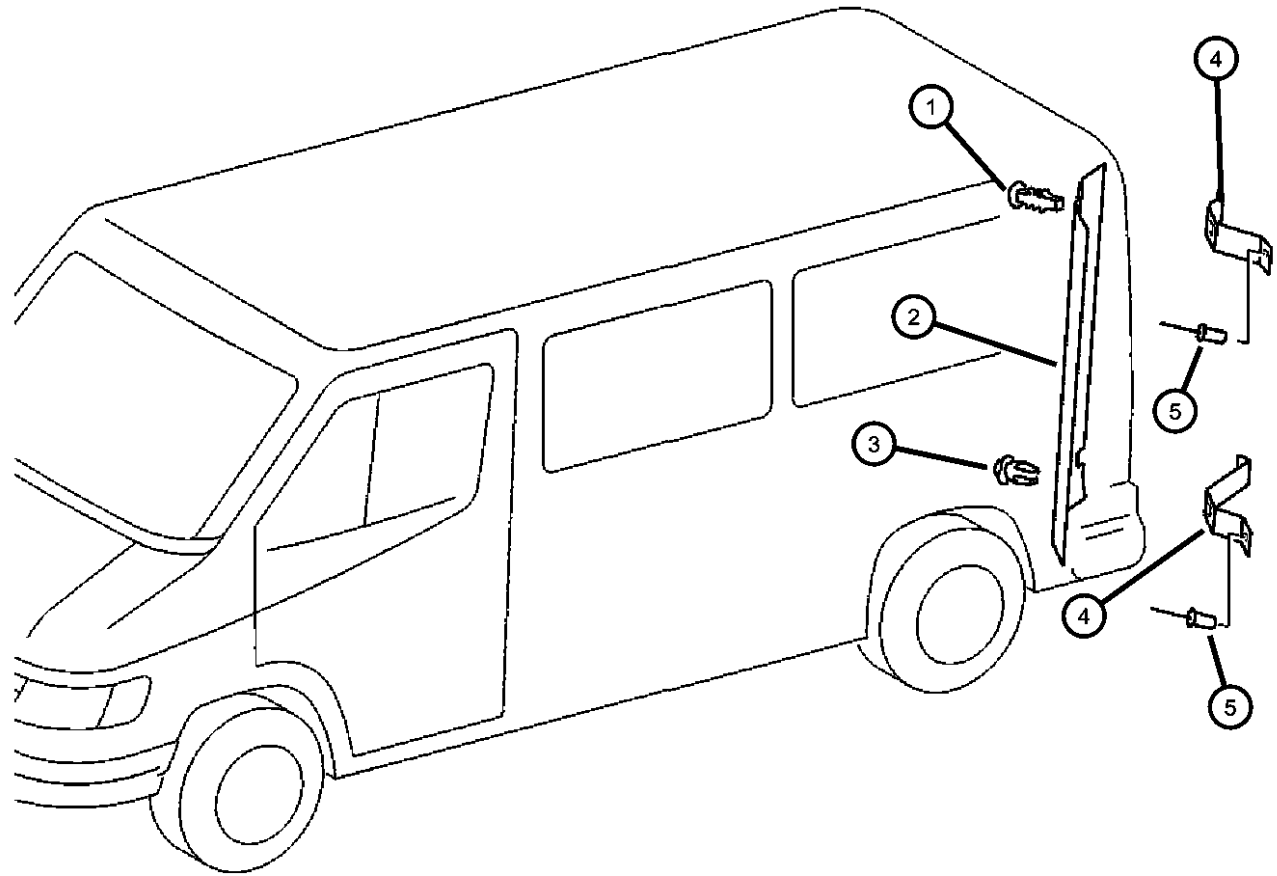
BODY
01 = CHASSIS FORWARD CONTROL W.B.1
02 = CAB CHASSIS WHEEL BASE 2
06 = CAB CHASSIS WHEEL BASE 6
11 = VAN WHEEL BASE 1
12 = VAN WHEEL BASE 2
51 = WAGON WHEEL BASE 1
52 = WAGON WHEEL BASE 2
14 = VAN WHEEL BASE 4
15 = VAN WHEEL BASE 5
56 = WAGON WHEEL BASE 6
16 = VAN WHEEL BASE 6
54 = WAGON WHEEL BASE 4
55 = WAGON WHEEL BASE 5

ENGINE
EX9 = Engine-2.7L I5
Mercedes Turbo Diesel

TRANSMISSION
DGJ = Transmission-5-Spd. Automatic, W5A580

AR = use ase required - = Non illustrated part

**Rear Pillar Inner Panel
Figure IVA-245**



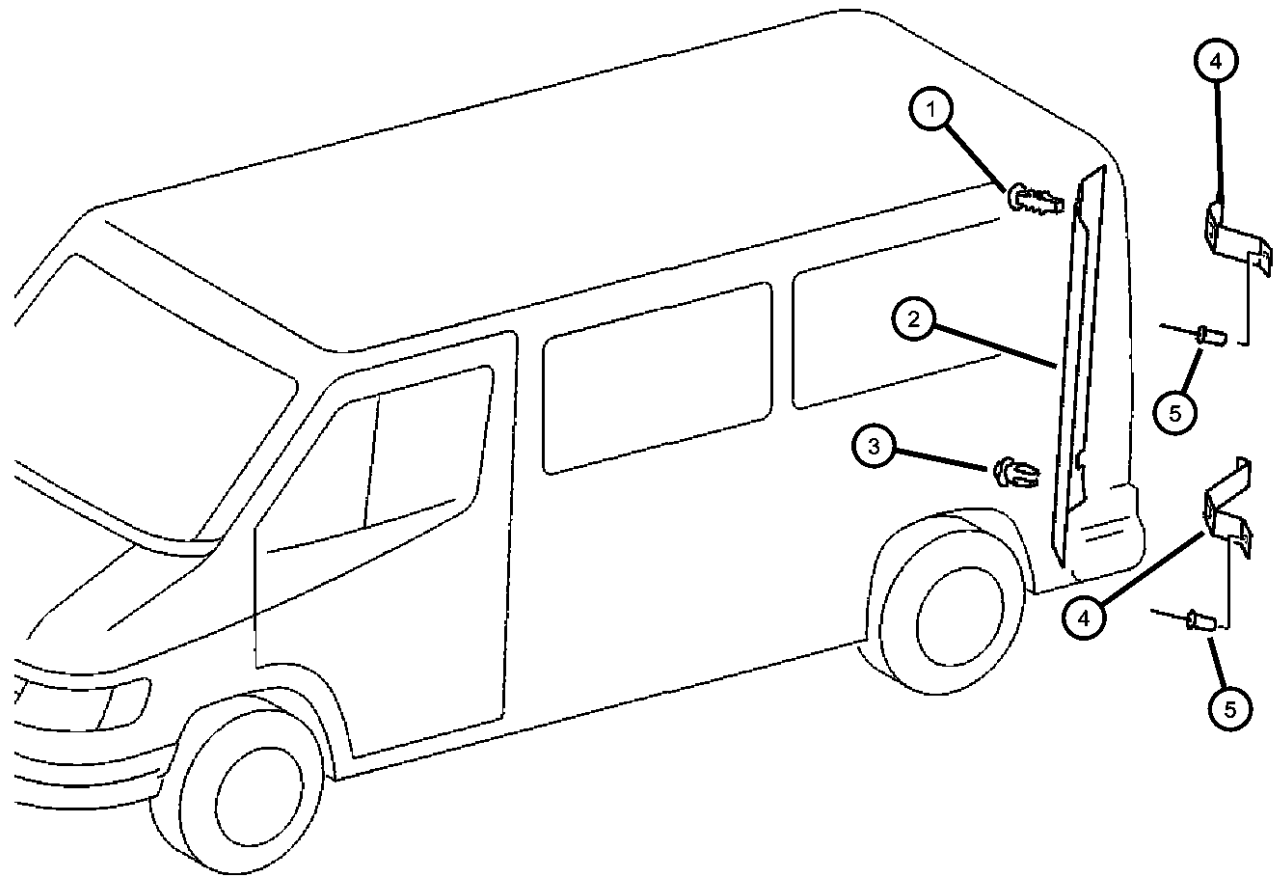
ITEM	PART NUMBER	QTY	LINE	SERIES	BODY	ENGINE	TRANS	TRIM	DESCRIPTION
1									PIN, Push
	05103814AA	3	2, 6	L	11, 12, 14, 15, 16				
		3	2, 6	L	51, 52, 54, 55, 56				
		3	3, 7	L	12, 15, 16				
2									PANEL, D Pillar Trim
	05104291AA	1	2, 6	L	11, 12, 14, 15, 16				With Grab Handles and Without Load Rings, Left
		1	2, 6	L	51, 52, 54, 55, 56				With Grab Handles and Without Load Rings, Left
		1	3, 7	L	12, 15, 16				With Grab Handles and Without Load Rings, Left
	05104292AA	1	2, 6	L	11, 12, 14, 15, 16				With Grab Handles and Without Load Rings, Right
		1	2, 6	L	51, 52, 54, 55, 56				With Grab Handles and Without Load Rings, Right
		1	3, 7	L	12, 15, 16				With Grab Handles and Without Load Rings, Right
	05123318AA	1	2, 6	L	11, 12, 14, 15, 16				Without Grab Handles and Load Rings, Left, Rear
		1	2, 6	L	51, 52, 54, 55, 56				Without Grab Handles and Load Rings, Left, Rear
		1	3, 7	L	12, 15, 16				Without Grab Handles and Load Rings, Left, Rear
	05123320AA	1	2, 6	L	11, 12, 14, 15, 16				Without Grab Handles and Load Rings, Right, Rear
		1	2, 6	L	51, 52, 54, 55, 56				Without Grab Handles and Load Rings, Right, Rear
		1	3, 7	L	12, 15, 16				Without Grab Handles and Load Rings, Right, Rear
	05123324AA	1	2, 6	L	11, 12, 14, 15, 16				With Load Rings Without Grab Handles, Left
		1	2, 6	L	51, 52, 54, 55, 56				With Load Rings Without Grab Handles, Left
		1	3, 7	L	12, 15, 16				With Load Rings Without Grab Handles, Left

SPRINTER (VA)

SERIES	LINE	BODY	ENGINE	TRANSMISSION
L = LOWLINE	3 = HD DODGE 2WD 6 = Lt. Duty DODGE 4WD 2 = Med. Duty DODGE 2WD 7 = Med. Duty DODGE 4WD	01 = CHASSIS FORWARD CONTROL W.B.1 02 = CAB CHASSIS WHEEL BASE 2 06 = CAB CHASSIS WHEEL BASE 6 11 = VAN WHEEL BASE 1 12 = VAN WHEEL BASE 2 51 = WAGON WHEEL BASE 1 52 = WAGON WHEEL BASE 2 14 = VAN WHEEL BASE 4 15 = VAN WHEEL BASE 5 56 = WAGON WHEEL BASE 6 16 = VAN WHEEL BASE 6 54 = WAGON WHEEL BASE 4 55 = WAGON WHEEL BASE 5	EX9 = Engine-2.7L I5 Mercedes Turbo Diesel	DGJ = Transmission-5-Spd. Automatic, W5A580

AR = use ase required - = Non illustrated part

**Rear Pillar Inner Panel
Figure IVA-245**



ITEM	PART NUMBER	QTY	LINE	SERIES	BODY	ENGINE	TRANS	TRIM	DESCRIPTION
	05123326AA	1	2, 6	L	11, 12, 14, 15, 16				With Load Rings Without Grab Handles, Right
		1	2, 6	L	51, 52, 54, 55, 56				With Load Rings Without Grab Handles, Right
		1	3, 7	L	12, 15, 16				With Load Rings Without Grab Handles, Right
	05123328AA	1	2, 6	L	11, 12, 14, 15, 16				With Grab Handles and Load Rings, Left
		1	2, 6	L	51, 52, 54, 55, 56				With Grab Handles and Load Rings, Left
		1	3, 7	L	12, 15, 16				With Grab Handles and Load Rings, Left
	05123330AA	1	2, 6	L	11, 12, 14, 15, 16				With Grab Handles and Load Rings, Right
		1	2, 6	L	51, 52, 54, 55, 56				With Grab Handles and Load Rings, Right
		1	3, 7	L	12, 15, 16				With Grab Handles and Load Rings, Right
3	05103785AA	3	2, 6	L	11, 12, 14, 15, 16				PIN, Push
		3	2, 6	L	51, 52, 54, 55, 56				
		3	3, 7	L	12, 15, 16				
4	05104280AA	2	2, 6	L	11, 12, 14, 15, 16				BRACKET, Trim Panel Left, D Pillar, Upper
		2	2, 6	L	51, 52, 54, 55, 56				Left, D Pillar, Upper
		2	3, 7	L	12, 15, 16				Left, D Pillar, Upper
	05104281AA	1	2, 6	L	11, 12, 14, 15, 16				Right, D Pillar, Upper
		1	2, 6	L	51, 52, 54, 55, 56				Right, D Pillar, Upper
		1	3, 7	L	12, 15, 16				Right, D Pillar, Upper
5									RIVET

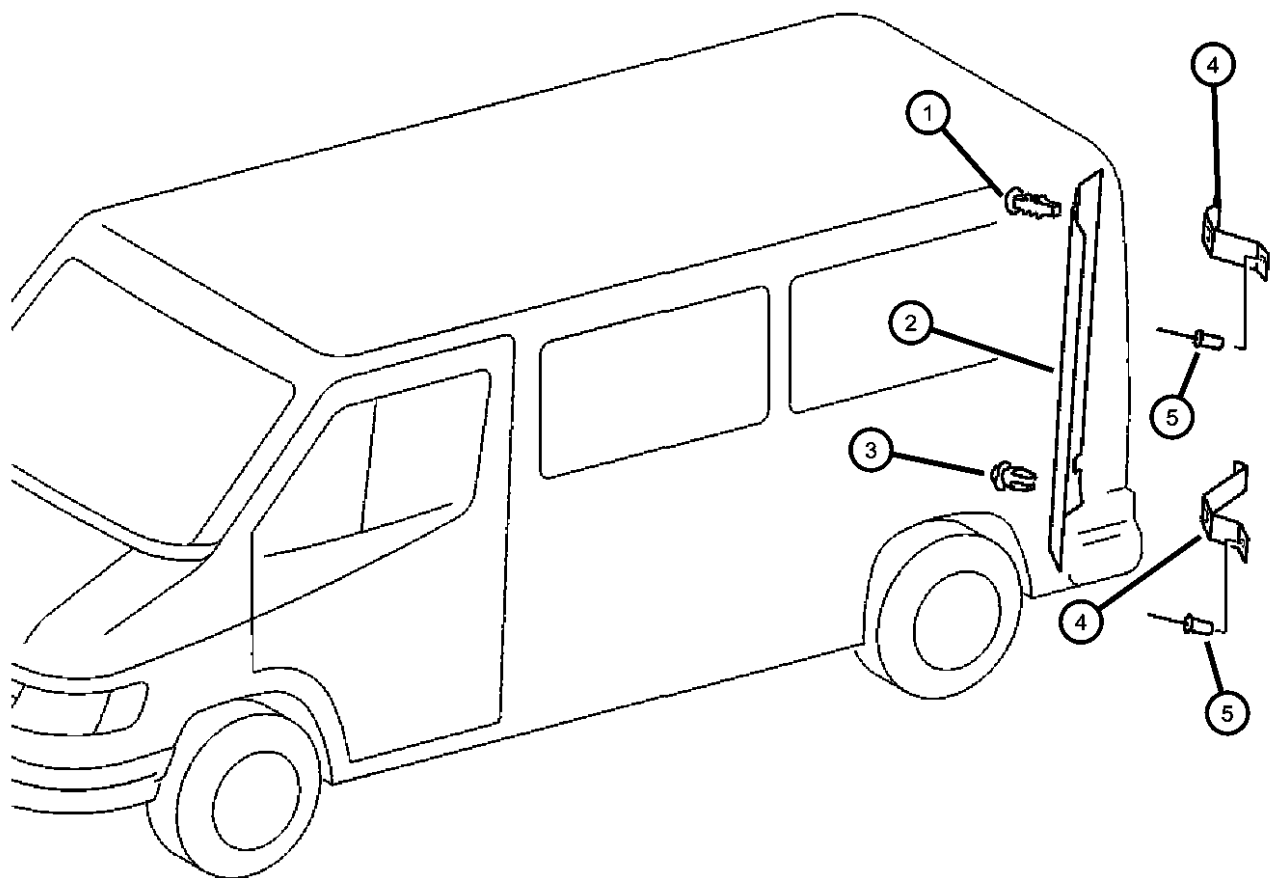
SPRINTER (VA)

SERIES	LINE	BODY	ENGINE	TRANSMISSION
L = LOWLINE	3 = HD DODGE 2WD 6 = Lt. Duty DODGE 4WD 2 = Med. Duty DODGE 2WD 7 = Med. Duty DODGE 4WD	01 = CHASSIS FORWARD CONTROL W.B.1 02 = CAB CHASSIS WHEEL BASE 2 06 = CAB CHASSIS WHEEL BASE 6 11 = VAN WHEEL BASE 1 12 = VAN WHEEL BASE 2 51 = WAGON WHEEL BASE 1 52 = WAGON WHEEL BASE 2 14 = VAN WHEEL BASE 4 15 = VAN WHEEL BASE 5 56 = WAGON WHEEL BASE 6 16 = VAN WHEEL BASE 6 54 = WAGON WHEEL BASE 4 55 = WAGON WHEEL BASE 5	EX9 = Engine-2.7L I5 Mercedes Turbo Diesel	DGJ = Transmission-5-Spd. Automatic, W5A580

AR = use ase required - = Non illustrated part

Rear Pillar Inner Panel
Figure IVA-245

ITEM	PART NUMBER	QTY	LINE	SERIES	BODY	ENGINE	TRANS	TRIM	DESCRIPTION
	05104624AA	6	2, 6	L	11, 12, 14, 15, 16				
		6	2, 6	L	51, 52, 54, 55, 56				
		6	3, 7	L	12, 15, 16				



SPRINTER (VA)

SERIES

L = LOWLINE

LINE

3 = HD DODGE 2WD
6 = Lt. Duty DODGE 4WD
2 = Med. Duty DODGE 2WD
7 = Med. Duty DODGE 4WD

BODY

01 = CHASSIS FORWARD CONTROL W.B.1
02 = CAB CHASSIS WHEEL BASE 2
06 = CAB CHASSIS WHEEL BASE 6
11 = VAN WHEEL BASE 1
12 = VAN WHEEL BASE 2
51 = WAGON WHEEL BASE 1
52 = WAGON WHEEL BASE 2
14 = VAN WHEEL BASE 4
15 = VAN WHEEL BASE 5
56 = WAGON WHEEL BASE 6
16 = VAN WHEEL BASE 6
54 = WAGON WHEEL BASE 4
55 = WAGON WHEEL BASE 5

ENGINE

EX9 = Engine-2.7L I5
Mercedes Turbo Diesel

TRANSMISSION

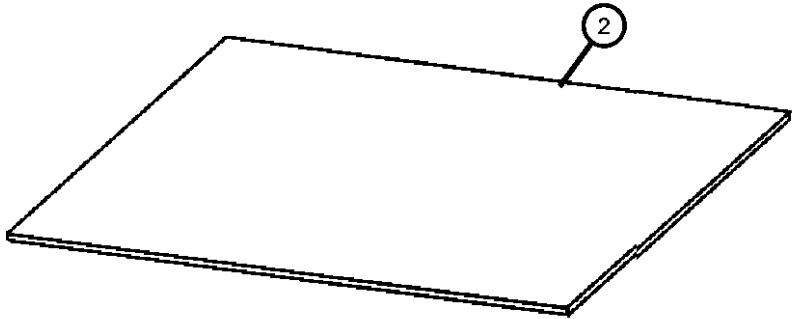
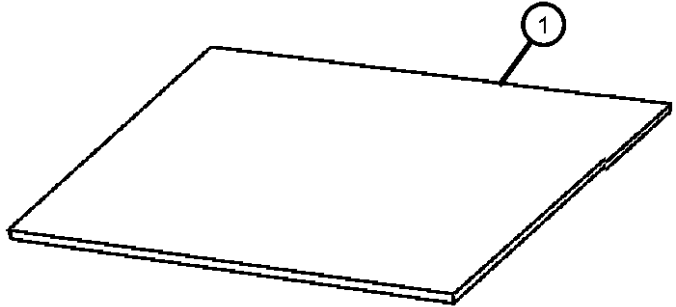
DGJ = Transmission-5-Spd. Automatic, W5A580

AR = use ase required - = Non illustrated part

2002 VA

**Cowl Panel - Silencer
Figure IVA-250**

ITEM	PART NUMBER	QTY	LINE	SERIES	BODY	ENGINE	TRANS	TRIM	DESCRIPTION
1									SILENCER, Cowl Side
	05133640AA	1	3, 7	L	12, 15, 16				Window Sill, Left, Front
	05133641AA	1	3, 7	L	12, 15, 16				Window Sill, Right, Front
2									SILENCER, Cowl Side
	05133642AA	1	3, 7	L	12, 15, 16				Window Sill, Left, Rear
	05133643AA	1	3, 7	L	12, 15, 16				Window Sill, Right, Rear

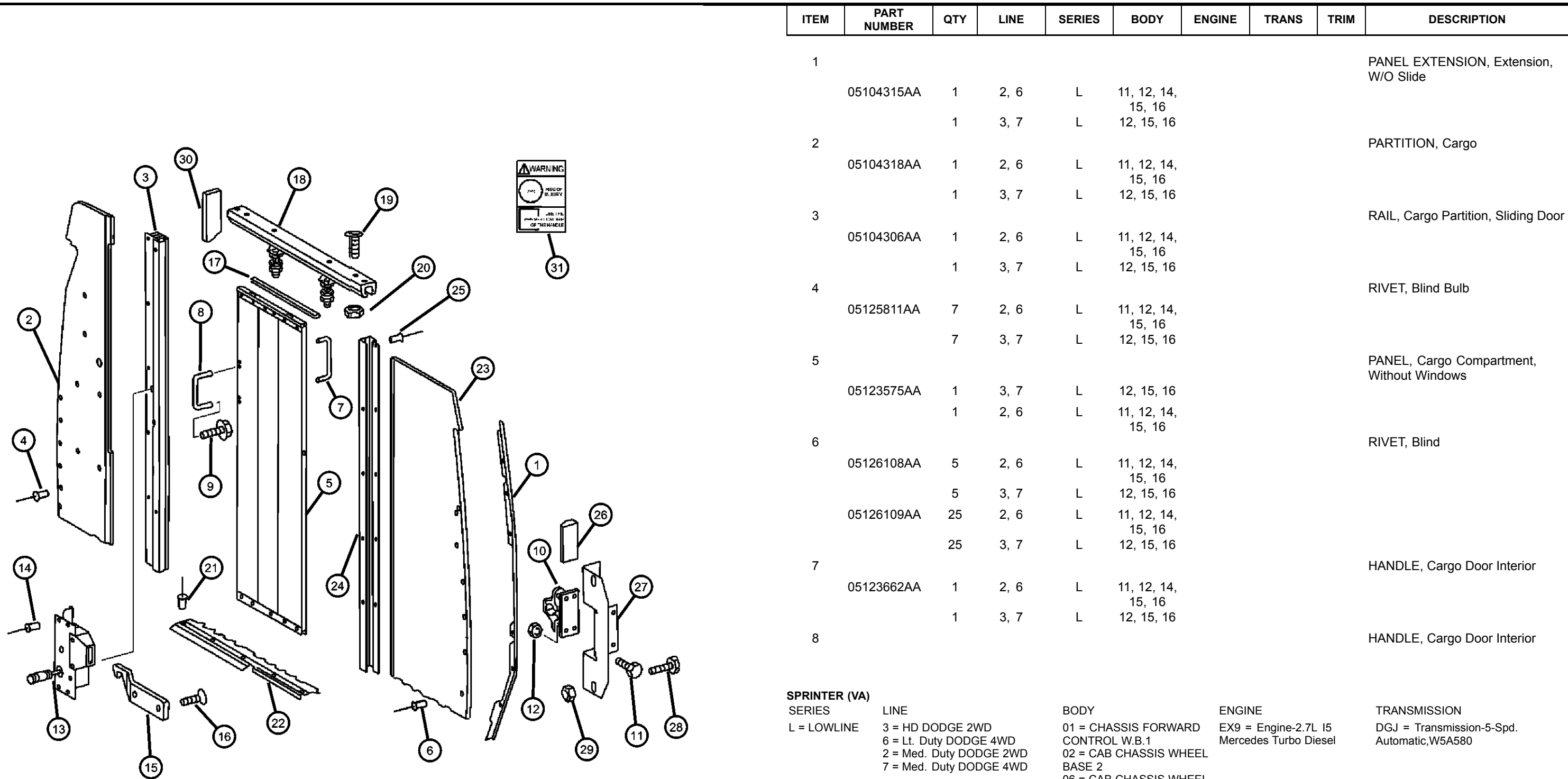


SPRINTER (VA)

SERIES	LINE	BODY	ENGINE	TRANSMISSION
L = LOWLINE	3 = HD DODGE 2WD 6 = Lt. Duty DODGE 4WD 2 = Med. Duty DODGE 2WD 7 = Med. Duty DODGE 4WD	01 = CHASSIS FORWARD CONTROL W.B.1 02 = CAB CHASSIS WHEEL BASE 2 06 = CAB CHASSIS WHEEL BASE 6 11 = VAN WHEEL BASE 1 12 = VAN WHEEL BASE 2 51 = WAGON WHEEL BASE 1 52 = WAGON WHEEL BASE 2 14 = VAN WHEEL BASE 4 15 = VAN WHEEL BASE 5 56 = WAGON WHEEL BASE 6 16 = VAN WHEEL BASE 6 54 = WAGON WHEEL BASE 4 55 = WAGON WHEEL BASE 5	EX9 = Engine-2.7L I5 Mercedes Turbo Diesel	DGJ = Transmission-5-Spd. Automatic,W5A580

AR = use ase required - = Non illustrated part

**Partition Wall and Sliding Door
Figure IVA-260**

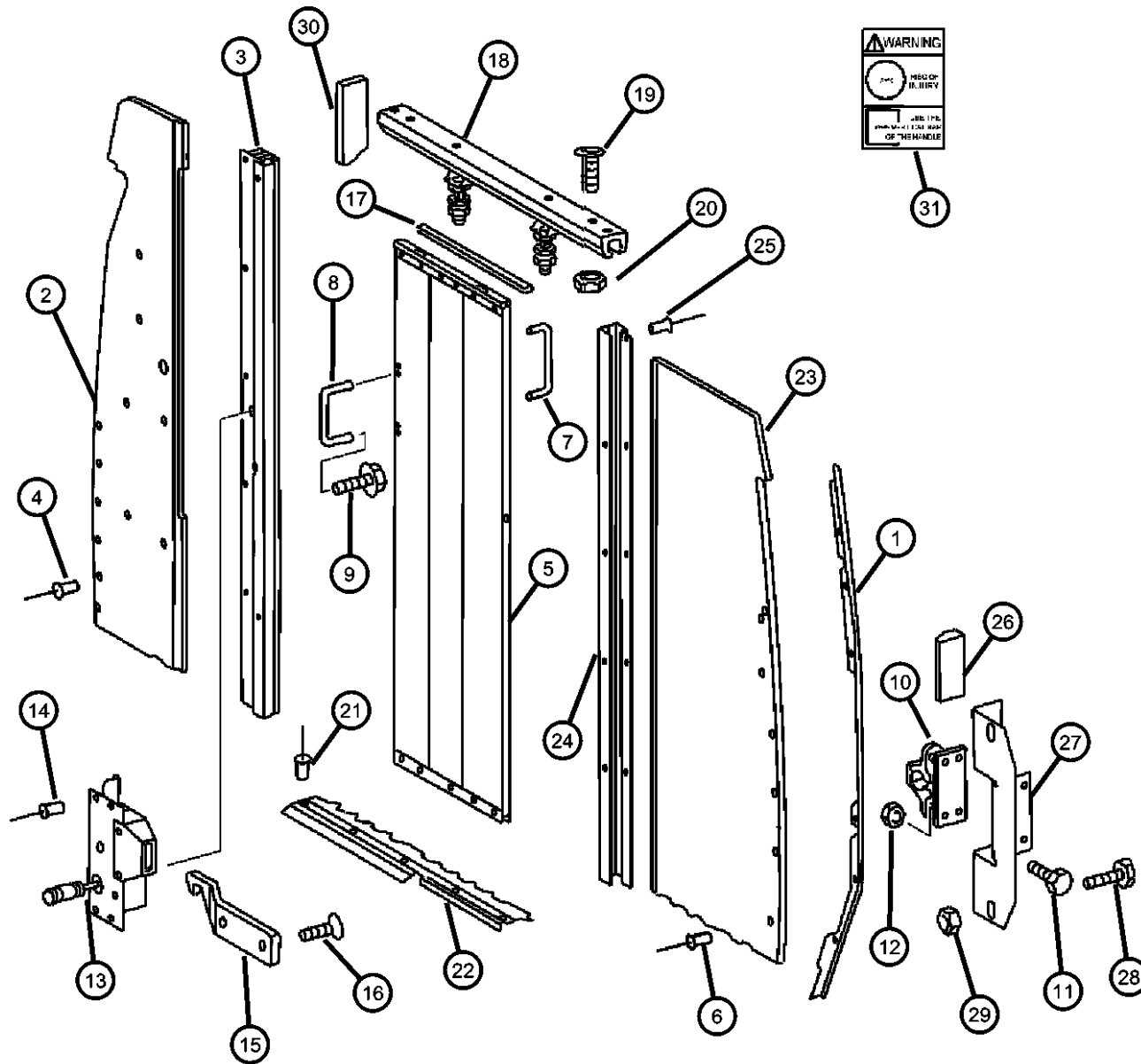


ITEM	PART NUMBER	QTY	LINE	SERIES	BODY	ENGINE	TRANS	TRIM	DESCRIPTION
1	05104315AA	1	2, 6	L	11, 12, 14, 15, 16				PANEL EXTENSION, Extension, W/O Slide
		1	3, 7	L	12, 15, 16				
2	05104318AA	1	2, 6	L	11, 12, 14, 15, 16				PARTITION, Cargo
		1	3, 7	L	12, 15, 16				
3	05104306AA	1	2, 6	L	11, 12, 14, 15, 16				RAIL, Cargo Partition, Sliding Door
		1	3, 7	L	12, 15, 16				
4	05125811AA	7	2, 6	L	11, 12, 14, 15, 16				RIVET, Blind Bulb
		7	3, 7	L	12, 15, 16				
5	05123575AA	1	3, 7	L	12, 15, 16				PANEL, Cargo Compartment, Without Windows
		1	2, 6	L	11, 12, 14, 15, 16				
6	05126108AA	5	2, 6	L	11, 12, 14, 15, 16				RIVET, Blind
		5	3, 7	L	12, 15, 16				
	05126109AA	25	2, 6	L	11, 12, 14, 15, 16				
		25	3, 7	L	12, 15, 16				
7	05123662AA	1	2, 6	L	11, 12, 14, 15, 16				HANDLE, Cargo Door Interior
		1	3, 7	L	12, 15, 16				
8									HANDLE, Cargo Door Interior

SPRINTER (VA)
 SERIES LINE BODY ENGINE TRANSMISSION
 L = LOWLINE 3 = HD DODGE 2WD 01 = CHASSIS FORWARD CONTROL W.B.1 EX9 = Engine-2.7L I5 Mercedes Turbo Diesel DGJ = Transmission-5-Spd. Automatic, W5A580
 6 = Lt. Duty DODGE 4WD 02 = CAB CHASSIS WHEEL BASE 2
 2 = Med. Duty DODGE 2WD 06 = CAB CHASSIS WHEEL BASE 6
 7 = Med. Duty DODGE 4WD 11 = VAN WHEEL BASE 1
 12 = VAN WHEEL BASE 2
 51 = WAGON WHEEL BASE 1
 52 = WAGON WHEEL BASE 2
 14 = VAN WHEEL BASE 4
 15 = VAN WHEEL BASE 5
 56 = WAGON WHEEL BASE 6
 16 = VAN WHEEL BASE 6
 54 = WAGON WHEEL BASE 4
 55 = WAGON WHEEL BASE 5

AR = use ase required - = Non illustrated part

**Partition Wall and Sliding Door
Figure IVA-260**



ITEM	PART NUMBER	QTY	LINE	SERIES	BODY	ENGINE	TRANS	TRIM	DESCRIPTION
	05123663AA	1	2, 6	L	11, 12, 14, 15, 16				
9		1	3, 7	L	12, 15, 16				SCREW
	06104119AA	4	2, 6	L	11, 12, 14, 15, 16				
10		4	3, 7	L	12, 15, 16				ADJUSTER, Cargo Door
	05104419AA	1	2, 6	L	15, 16, 11, 12, 14				
11		1	3, 7	L	12, 15, 16				SCREW
	05104652AA	4	2, 6	L	11, 12, 14, 15, 16				
12		4	3, 7	L	12, 15, 16				NUT
	05104660AA	4	3, 7	L	12, 15, 16				
		4	2, 6	L	11, 12, 14, 15, 16				
13									LATCH
	05104303AA	1	2, 6	L	11, 12, 14, 15, 16				
14		1	3, 7	L	12, 15, 16				RIVET
	05104623AA	4	2, 6	L	11, 12, 14, 15, 16				
		4	3, 7	L	12, 15, 16				
15									CATCH, Sliding Partition Door
	05104424AA	1	2, 6	L	11, 12, 14, 15, 16				
16		1	3, 7	L	15, 16, 12				SCREW, Hex Flange Head

SPRINTER (VA)

SERIES

L = LOWLINE
 3 = HD DODGE 2WD
 6 = Lt. Duty DODGE 4WD
 2 = Med. Duty DODGE 2WD
 7 = Med. Duty DODGE 4WD

BODY

01 = CHASSIS FORWARD CONTROL W.B.1
 02 = CAB CHASSIS WHEEL BASE 2
 06 = CAB CHASSIS WHEEL BASE 6
 11 = VAN WHEEL BASE 1
 12 = VAN WHEEL BASE 2
 51 = WAGON WHEEL BASE 1
 52 = WAGON WHEEL BASE 2
 14 = VAN WHEEL BASE 4
 15 = VAN WHEEL BASE 5
 56 = WAGON WHEEL BASE 6
 16 = VAN WHEEL BASE 6
 54 = WAGON WHEEL BASE 4
 55 = WAGON WHEEL BASE 5

ENGINE

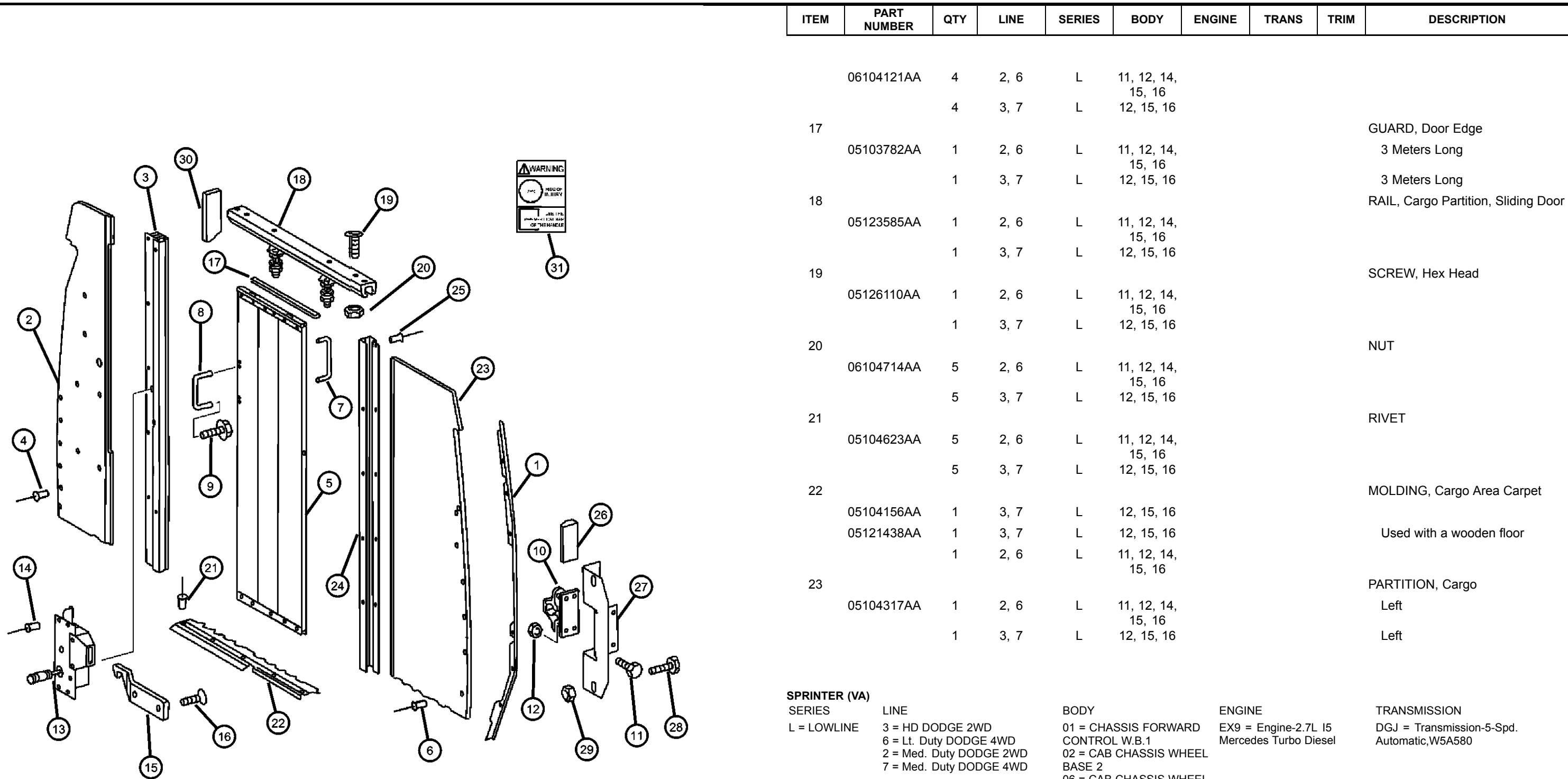
EX9 = Engine-2.7L I5
 Mercedes Turbo Diesel

TRANSMISSION

DGJ = Transmission-5-Spd. Automatic, W5A580

AR = use ase required - = Non illustrated part

**Partition Wall and Sliding Door
Figure IVA-260**

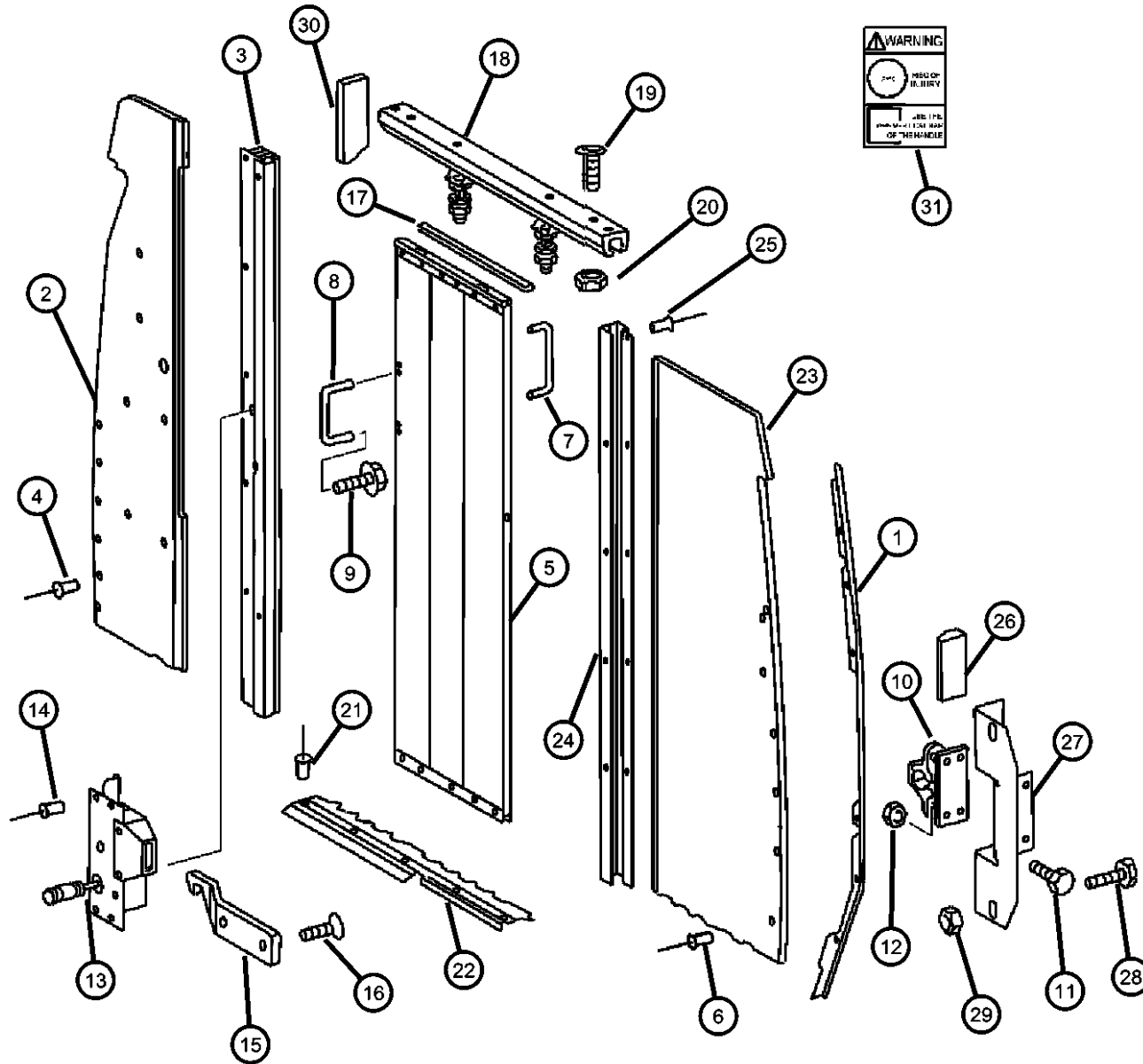


ITEM	PART NUMBER	QTY	LINE	SERIES	BODY	ENGINE	TRANS	TRIM	DESCRIPTION
	06104121AA	4	2, 6	L	11, 12, 14, 15, 16				
		4	3, 7	L	12, 15, 16				
17	05103782AA	1	2, 6	L	11, 12, 14, 15, 16				GUARD, Door Edge 3 Meters Long
		1	3, 7	L	12, 15, 16				3 Meters Long
18	05123585AA	1	2, 6	L	11, 12, 14, 15, 16				RAIL, Cargo Partition, Sliding Door
		1	3, 7	L	12, 15, 16				
19	05126110AA	1	2, 6	L	11, 12, 14, 15, 16				SCREW, Hex Head
		1	3, 7	L	12, 15, 16				
20	06104714AA	5	2, 6	L	11, 12, 14, 15, 16				NUT
		5	3, 7	L	12, 15, 16				
21	05104623AA	5	2, 6	L	11, 12, 14, 15, 16				RIVET
		5	3, 7	L	12, 15, 16				
22	05104156AA	1	3, 7	L	12, 15, 16				MOLDING, Cargo Area Carpet
	05121438AA	1	3, 7	L	12, 15, 16				Used with a wooden floor
		1	2, 6	L	11, 12, 14, 15, 16				
23	05104317AA	1	2, 6	L	11, 12, 14, 15, 16				PARTITION, Cargo Left
		1	3, 7	L	12, 15, 16				Left

SPRINTER (VA)
 SERIES LINE BODY ENGINE TRANSMISSION
 L = LOWLINE 3 = HD DODGE 2WD 01 = CHASSIS FORWARD CONTROL W.B.1 EX9 = Engine-2.7L I5 Mercedes Turbo Diesel DGJ = Transmission-5-Spd. Automatic, W5A580
 6 = Lt. Duty DODGE 4WD 02 = CAB CHASSIS WHEEL BASE 2
 2 = Med. Duty DODGE 2WD 06 = CAB CHASSIS WHEEL BASE 6
 7 = Med. Duty DODGE 4WD 11 = VAN WHEEL BASE 1
 12 = VAN WHEEL BASE 2
 51 = WAGON WHEEL BASE 1
 52 = WAGON WHEEL BASE 2
 14 = VAN WHEEL BASE 4
 15 = VAN WHEEL BASE 5
 56 = WAGON WHEEL BASE 6
 16 = VAN WHEEL BASE 6
 54 = WAGON WHEEL BASE 4
 55 = WAGON WHEEL BASE 5

AR = use ase required - = Non illustrated part

**Partition Wall and Sliding Door
Figure IVA-260**



ITEM	PART NUMBER	QTY	LINE	SERIES	BODY	ENGINE	TRANS	TRIM	DESCRIPTION
24	05104309AA	1	2, 6	L	11, 12, 14, 15, 16				RAIL, Cargo Partition, Sliding Door
		1	3, 7	L	12, 15, 16				
25	05125812AA	9	2, 6	L	11, 12, 14, 15, 16				RIVET
		9	3, 7	L	12, 15, 16				
26	05104427AA	2	2, 6	L	11, 12, 14, 15, 16				BUMPER, Rubber
		2	3, 7	L	12, 15, 16				
27	05104305AA	1	2, 6	L	11, 12, 14, 15, 16				HOUSING
		1	3, 7	L	12, 15, 16				
28	05126132AA	2	2, 6	L	11, 12, 14, 15, 16				BOLT, Hex Head
		2	3, 7	L	12, 15, 16				
29	06104716AA	2	2, 6	L	11, 12, 14, 15, 16				NUT
		2	3, 7	L	12, 15, 16				
30	05123661AA	1	2, 6	L	11, 12, 14, 15, 16				SEAL
		1	3, 7	L	12, 15, 16				
31	05121162AA	1	2, 6	L	11, 12, 14, 15, 16				LABEL, Warning
		1	3, 7	L	12, 15, 16				

SPRINTER (VA)

SERIES

L = LOWLINE
 3 = HD DODGE 2WD
 6 = Lt. Duty DODGE 4WD
 2 = Med. Duty DODGE 2WD
 7 = Med. Duty DODGE 4WD

BODY

01 = CHASSIS FORWARD CONTROL W.B.1
 02 = CAB CHASSIS WHEEL BASE 2
 06 = CAB CHASSIS WHEEL BASE 6
 11 = VAN WHEEL BASE 1
 12 = VAN WHEEL BASE 2
 51 = WAGON WHEEL BASE 1
 52 = WAGON WHEEL BASE 2
 14 = VAN WHEEL BASE 4
 15 = VAN WHEEL BASE 5
 56 = WAGON WHEEL BASE 6
 16 = VAN WHEEL BASE 6
 54 = WAGON WHEEL BASE 4
 55 = WAGON WHEEL BASE 5

ENGINE

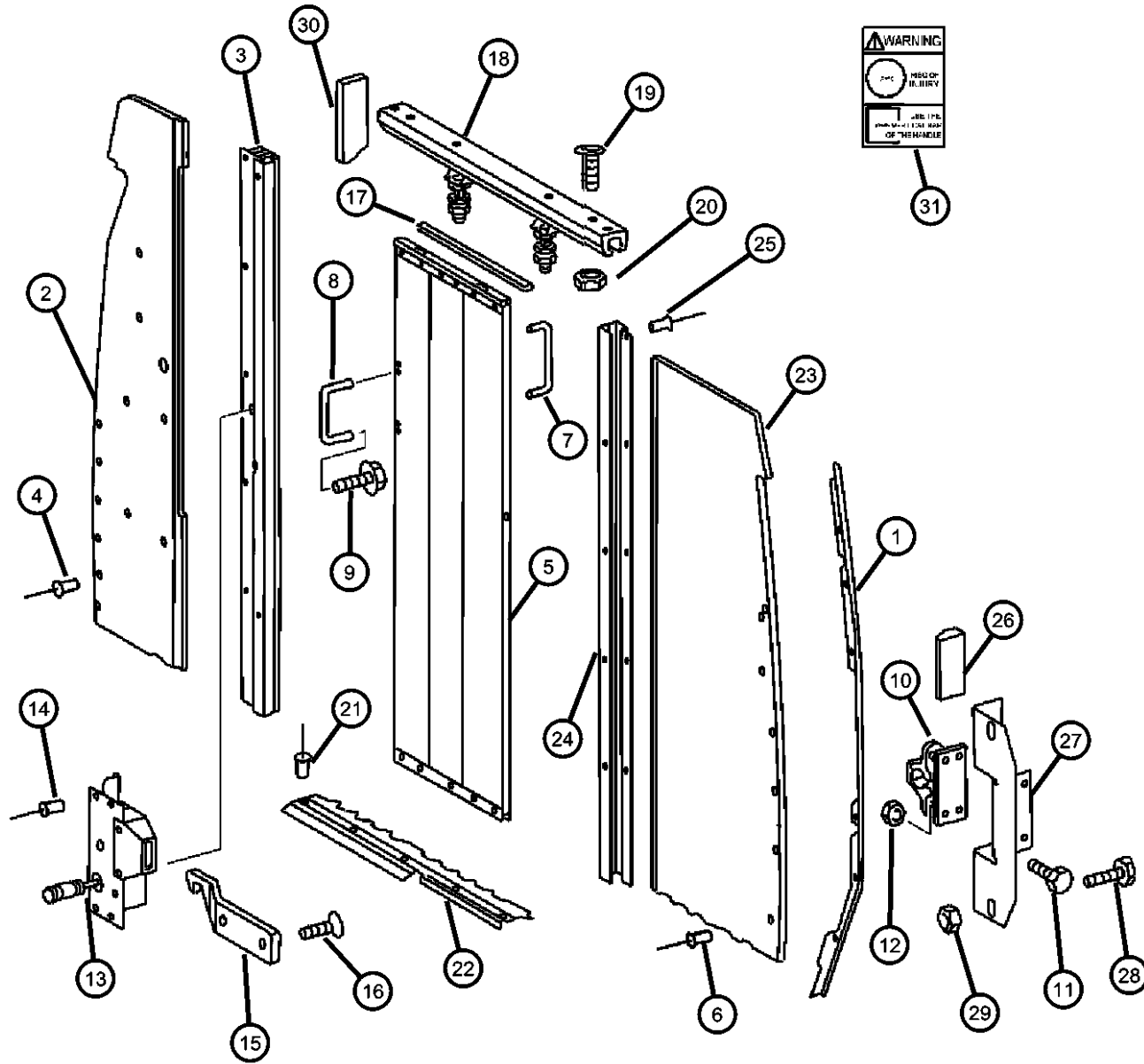
EX9 = Engine-2.7L I5
 Mercedes Turbo Diesel

TRANSMISSION

DGJ = Transmission-5-Spd. Automatic, W5A580

AR = use ase required - = Non illustrated part

**Partition Wall and Sliding Door
Figure IVA-260**



ITEM	PART NUMBER	QTY	LINE	SERIES	BODY	ENGINE	TRANS	TRIM	DESCRIPTION
-32									LABEL, Gummed Label on Door
	05121146AA	1	2, 6	L	11, 12, 14, 15, 16				
		1	3, 7	L	12, 15, 16				
-33									BOLT, Door to Guide
	05125721AA	2	2, 6	L	11, 12, 14, 15, 16				
		2	3, 7	L	12, 15, 16				
-34									NUT, Door to Guide
	05126126AA	4	2, 6	L	11, 12, 14, 15, 16				
		4	3, 7	L	12, 15, 16				
-35									NUT, Hex, Door to Guide
	05126208AA	4	2, 6	L	11, 12, 14, 15, 16				
		4	3, 7	L	12, 15, 16				

SPRINTER (VA)

SERIES
L = LOWLINE

LINE

3 = HD DODGE 2WD
6 = Lt. Duty DODGE 4WD
2 = Med. Duty DODGE 2WD
7 = Med. Duty DODGE 4WD

BODY

01 = CHASSIS FORWARD CONTROL W.B.1
02 = CAB CHASSIS WHEEL BASE 2
06 = CAB CHASSIS WHEEL BASE 6
11 = VAN WHEEL BASE 1
12 = VAN WHEEL BASE 2
51 = WAGON WHEEL BASE 1
52 = WAGON WHEEL BASE 2
14 = VAN WHEEL BASE 4
15 = VAN WHEEL BASE 5
56 = WAGON WHEEL BASE 6
16 = VAN WHEEL BASE 6
54 = WAGON WHEEL BASE 4
55 = WAGON WHEEL BASE 5

ENGINE

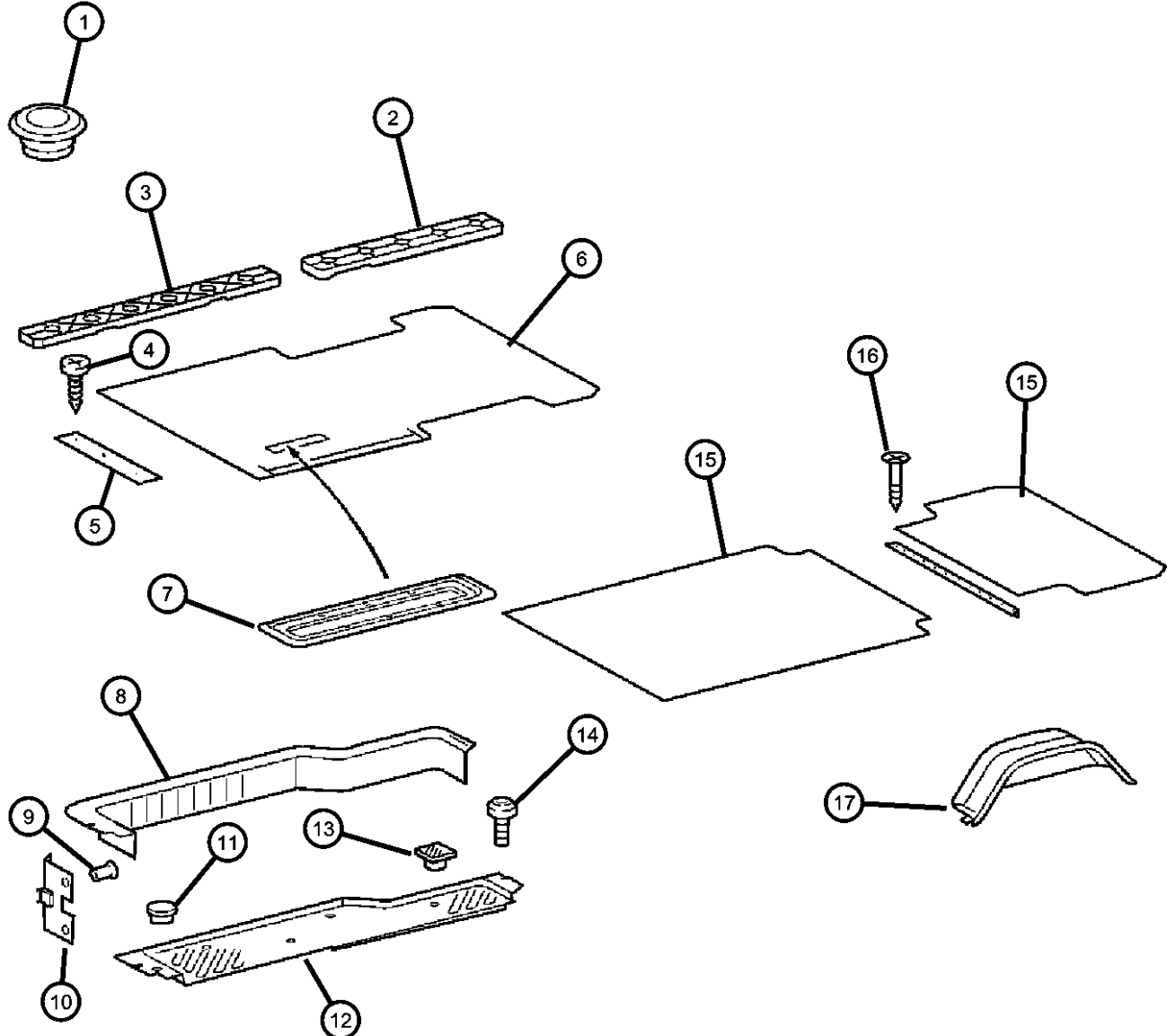
EX9 = Engine-2.7L I5
Mercedes Turbo Diesel

TRANSMISSION

DGJ = Transmission-5-Spd. Automatic, W5A580

AR = use ase required - = Non illustrated part

Carpet - Floor
Figure IVA-310



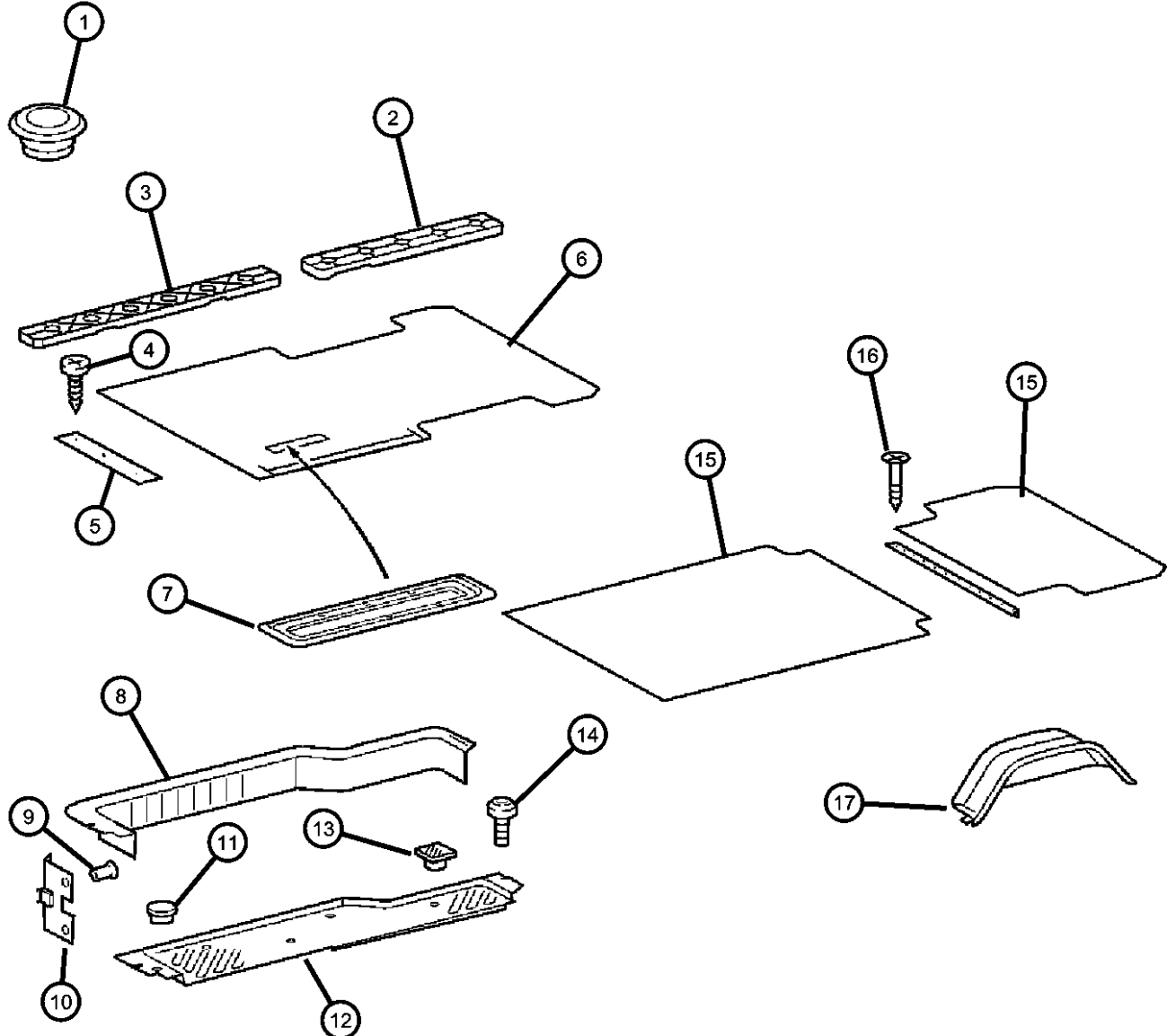
ITEM	PART NUMBER	QTY	LINE	SERIES	BODY	ENGINE	TRANS	TRIM	DESCRIPTION
1	05125991AA	2	2, 6	L	51, 52, 54, 55, 56				PLUG
		AR	2, 6	L	11, 12, 14, 15, 16				
2	05122642AA	1	2, 6	L	11, 12, 14, 15, 16				COVER, Seat Track Rear
		1	2, 6	L	51, 52, 54, 55, 56				Rear
3	05122650AA	2	2, 6	L	11, 12, 14, 15, 16				COVER, Seat Track Front
		1	2, 6	L	51, 52, 54, 55, 56				
4		1							SCREW, (NOT SERVICED)
5	05122835AA	1	2, 6	L	11, 12, 14, 15, 16				PLATE, NONE, SPRINTER Carpet Ledge
		1	2, 6	L	51, 52, 54, 55, 56				Carpet Ledge, Sliding Door, Right
		1	3, 7	L	12, 15, 16				Carpet Ledge
6		1							LINING, NONE, SPRINTER, (NOT SERVICED),
7		1							COVERING, NONE, SPRINTER, (NOT SERVICED)
8	05122827AA	1	2, 6	L	51, 52, 54, 55, 56				PANEL, Sliding Door Trim
		1	3, 7	L	12, 15, 16				
		1	2, 6	L	11, 12, 14, 15, 16				
9	05134061AA	8	2, 6	L	11, 12, 14, 15, 16				RIVET

SPRINTER (VA)

SERIES	LINE	BODY	ENGINE	TRANSMISSION
L = LOWLINE	3 = HD DODGE 2WD 6 = Lt. Duty DODGE 4WD 2 = Med. Duty DODGE 2WD 7 = Med. Duty DODGE 4WD	01 = CHASSIS FORWARD CONTROL W.B.1 02 = CAB CHASSIS WHEEL BASE 2 06 = CAB CHASSIS WHEEL BASE 6 11 = VAN WHEEL BASE 1 12 = VAN WHEEL BASE 2 51 = WAGON WHEEL BASE 1 52 = WAGON WHEEL BASE 2 14 = VAN WHEEL BASE 4 15 = VAN WHEEL BASE 5 56 = WAGON WHEEL BASE 6 16 = VAN WHEEL BASE 6 54 = WAGON WHEEL BASE 4 55 = WAGON WHEEL BASE 5	EX9 = Engine-2.7L I5 Mercedes Turbo Diesel	DGJ = Transmission-5-Spd. Automatic,W5A580

AR = use ase required - = Non illustrated part

Carpet - Floor
Figure IVA-310



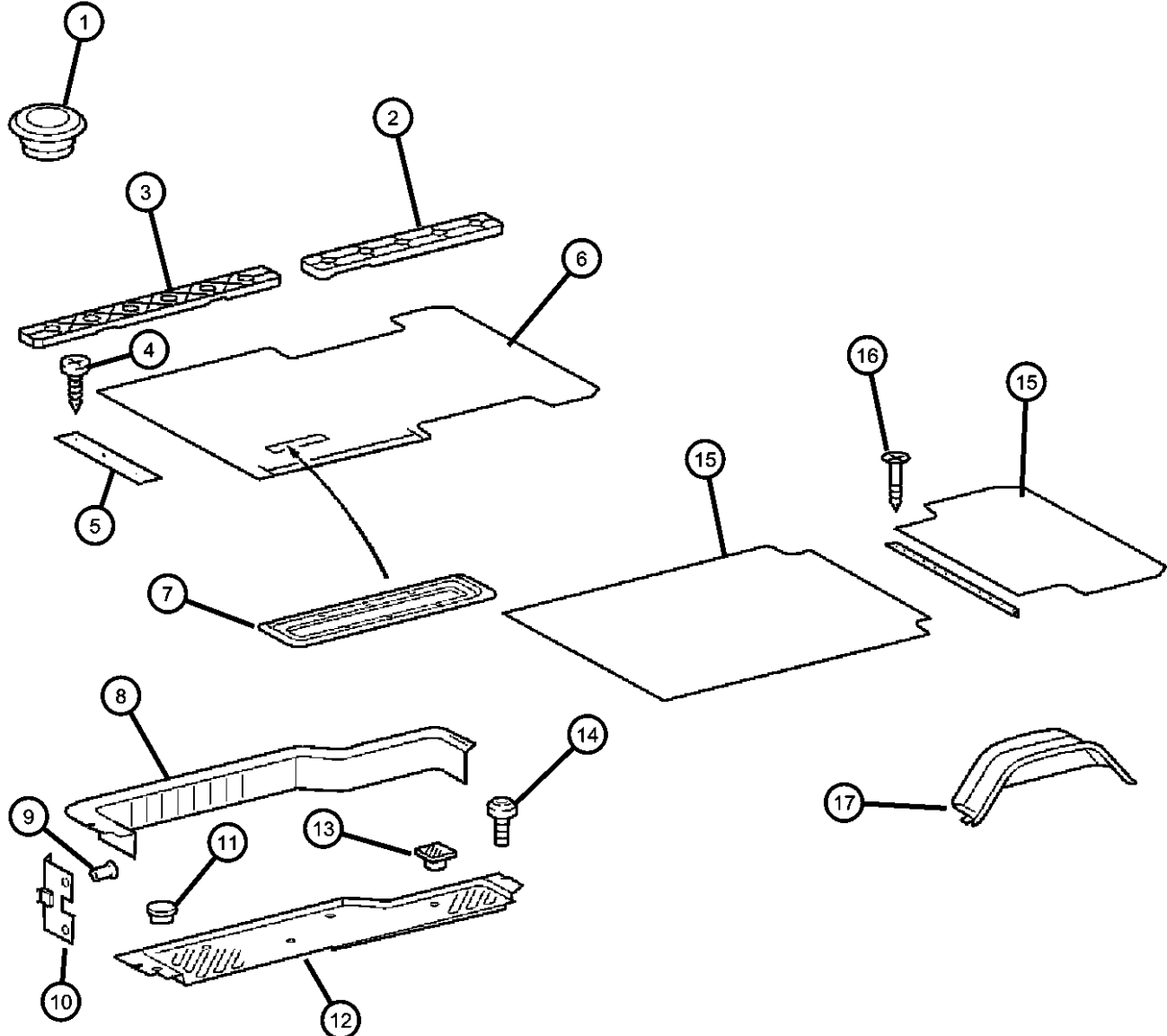
ITEM	PART NUMBER	QTY	LINE	SERIES	BODY	ENGINE	TRANS	TRIM	DESCRIPTION
		8	2, 6	L	51, 52, 54, 55, 56				
		8	3, 7	L	12, 15, 16				
10	05125584AA	8	2, 6	L	51, 52, 54, 55, 56				CLIP, Floor Trim
		8	2, 6	L	11, 12, 14, 15, 16				
		8	3, 7	L	12, 15, 16				
11	05122808AA	1	2, 6	L	11, 12, 14, 15, 16				PLUG
		1	2, 6	L	51, 52, 54, 55, 56				
		1	3, 7	L	12, 15, 16				
12	05122814AA	1	2, 6	L	51, 52, 54, 55, 56				PAD, Side Cargo Door Sill Entrance
		1	2, 6	L	11, 12, 14, 15, 16				Entrance
		1	3, 7	L	12, 15, 16				Entrance
	05122815AA	1	2, 6	L	11, 12, 14, 15, 16				Entrance, Sliding Door, Left
		1	2, 6	L	51, 52, 54, 55, 56				Entrance, Sliding Door, Left
		1	3, 7	L	12, 15, 16				Entrance, Sliding Door, Left
13	05122811AA	4	2, 6	L	11, 12, 14, 15, 16				PLUG
		4	2, 6	L	51, 52, 54, 55, 56				
		4	3, 7	L	12, 15, 16				
14									SCREW

SPRINTER (VA)

SERIES	LINE	BODY	ENGINE	TRANSMISSION
L = LOWLINE	3 = HD DODGE 2WD 6 = Lt. Duty DODGE 4WD 2 = Med. Duty DODGE 2WD 7 = Med. Duty DODGE 4WD	01 = CHASSIS FORWARD CONTROL W.B.1 02 = CAB CHASSIS WHEEL BASE 2 06 = CAB CHASSIS WHEEL BASE 6 11 = VAN WHEEL BASE 1 12 = VAN WHEEL BASE 2 51 = WAGON WHEEL BASE 1 52 = WAGON WHEEL BASE 2 14 = VAN WHEEL BASE 4 15 = VAN WHEEL BASE 5 56 = WAGON WHEEL BASE 6 16 = VAN WHEEL BASE 6 54 = WAGON WHEEL BASE 4 55 = WAGON WHEEL BASE 5	EX9 = Engine-2.7L I5 Mercedes Turbo Diesel	DGJ = Transmission-5-Spd. Automatic, W5A580

AR = use ase required - = Non illustrated part

Carpet - Floor
Figure IVA-310



ITEM	PART NUMBER	QTY	LINE	SERIES	BODY	ENGINE	TRANS	TRIM	DESCRIPTION
	06104142AA	2	2, 6	L	11, 12, 14, 15, 16				
		2	2, 6	L	51, 52, 54, 55, 56				
		2	3, 7	L	12, 15, 16				
15		2							LINING, NONE, SPRINTER, (NOT SERVICED)
16									SCREW
	05134062AA	9	3, 7	L	12, 15, 16				
		9	2, 6	L	11, 12, 14, 15, 16				
		9	2, 6	L	51, 52, 54, 55, 56				
17									MAT, Wheelhouse
	05131453AA	2	2, 6	L	51, 52, 54, 55, 56				
	05122563AA	2	3, 7	L	12, 15, 16				
		2	2, 6	L	11, 12, 14, 15, 16				
-18									MOLDING, Cargo Area Carpet
	05104156AA	1	2, 6	L	11, 12, 14, 15, 16				Threshold for Partition Door
		1	3, 7	L	12, 15, 16				Threshold for Partition Door

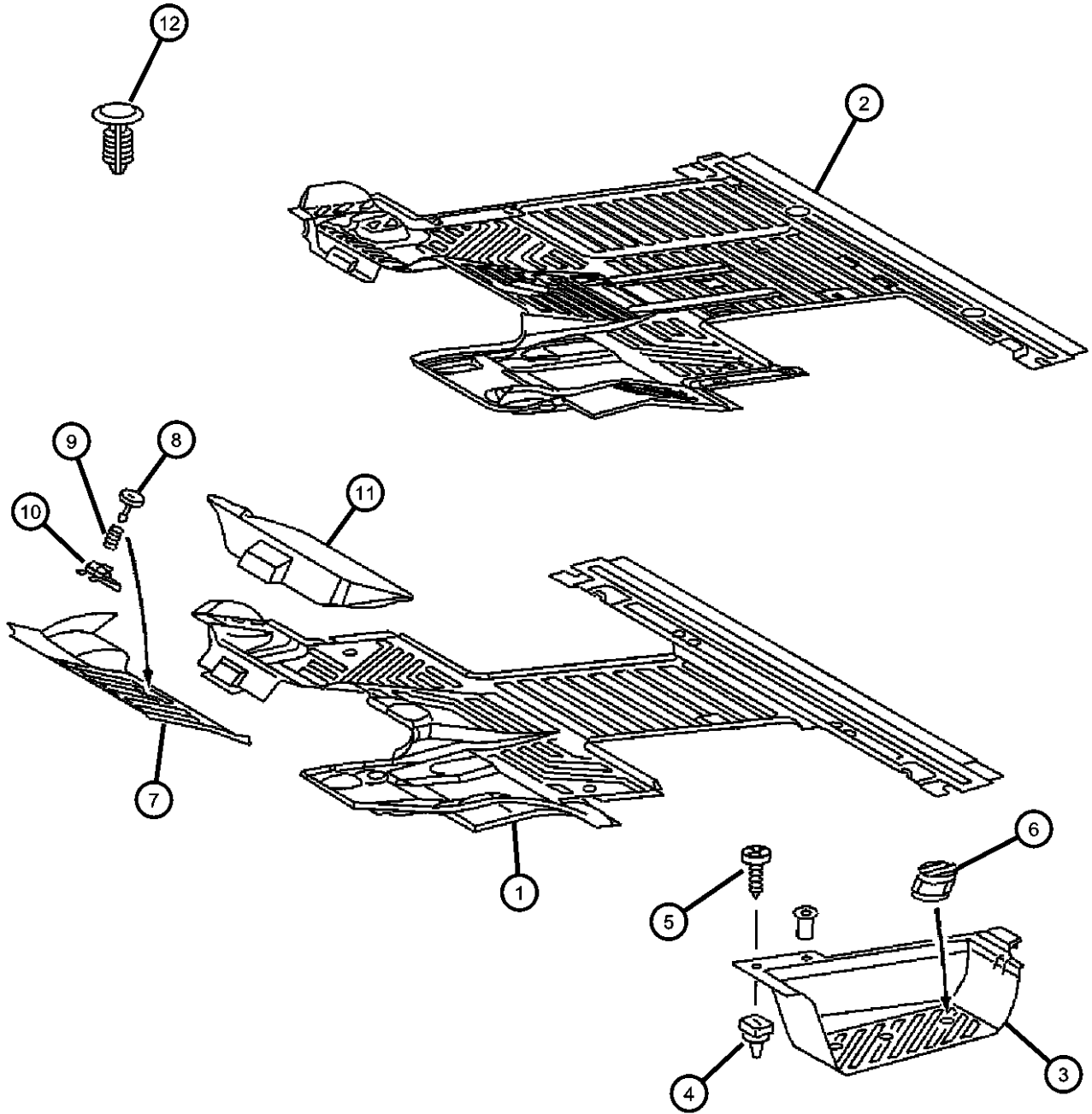
SPRINTER (VA)

SERIES	LINE	BODY	ENGINE	TRANSMISSION
L = LOWLINE	3 = HD DODGE 2WD 6 = Lt. Duty DODGE 4WD 2 = Med. Duty DODGE 2WD 7 = Med. Duty DODGE 4WD	01 = CHASSIS FORWARD CONTROL W.B.1 02 = CAB CHASSIS WHEEL BASE 2 06 = CAB CHASSIS WHEEL BASE 6 11 = VAN WHEEL BASE 1 12 = VAN WHEEL BASE 2 51 = WAGON WHEEL BASE 1 52 = WAGON WHEEL BASE 2 14 = VAN WHEEL BASE 4 15 = VAN WHEEL BASE 5 56 = WAGON WHEEL BASE 6 16 = VAN WHEEL BASE 6 54 = WAGON WHEEL BASE 4 55 = WAGON WHEEL BASE 5	EX9 = Engine-2.7L I5 Mercedes Turbo Diesel	DGJ = Transmission-5-Spd. Automatic, W5A580

AR = use ase required - = Non illustrated part

**Floor Lining, Entry Paneling & Footrest
Figure IVA-315**

ITEM	PART NUMBER	QTY	LINE	SERIES	BODY	ENGINE	TRANS	TRIM	DESCRIPTION	
1	05122614AA	1	2, 6	L	11, 12, 14, 15, 16				MAT, Front Floor, Rubber Lining	
		1	2, 6	L	54, 55, 56, 51, 52				Lining	
	05122633AA	1	3, 7	L	12, 15, 16				Lining	
		1	2, 6	L	11, 12, 14, 15, 16				Rubber	
		1	2, 6	L	51, 52, 54, 55, 56				Rubber	
		1	3, 7	L	12, 15, 16				Rubber	
	2	05104264AA	1	2, 6	L	11, 12, 14, 15, 16				MAT, Front Floor, Rubber With Partition Wall
			1	3, 7	L	12, 15, 16				With Partition Wall
		05122635AA	1	2, 6	L	51, 52, 54, 55, 56				With Center Console
			1	3, 7	L	12, 15, 16				With Center Console
1		2, 6	L	11, 12, 14, 15, 16					With Center Console	
3	05122821AA	1	2, 6	L	15, 16, 11, 12, 14				PLATE, Scuff Right	
		1	2, 6	L	51, 52, 54, 55, 56				Right	
	05122822AA	1	3, 7	L	12, 15, 16				Right	
		1	2, 6	L	11, 12, 14, 15, 16				Illuminated Exit, Left	
	1	2, 6	L	51, 52, 54, 55, 56					Illuminated Exit, Left	
	05104265AA	1	3, 7	L	12, 15, 16				Illuminated Exit, Left	
		1	2, 6	L	11, 12, 14, 15, 16				Left	
1	2, 6	L	51, 52, 54, 55, 56					Left		



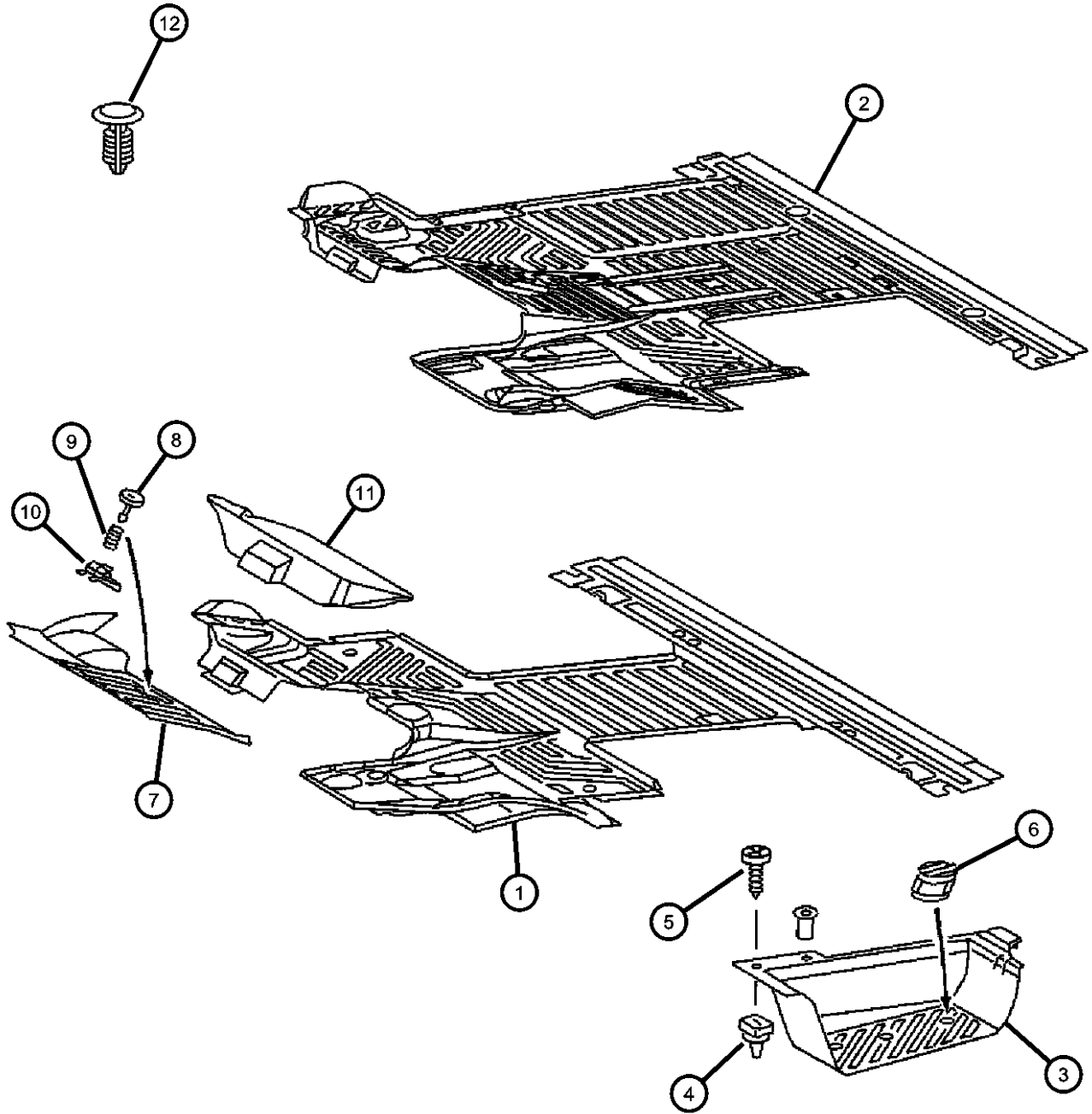
SPRINTER (VA)

SERIES	LINE	BODY	ENGINE	TRANSMISSION
L = LOWLINE	3 = HD DODGE 2WD 6 = Lt. Duty DODGE 4WD 2 = Med. Duty DODGE 2WD 7 = Med. Duty DODGE 4WD	01 = CHASSIS FORWARD CONTROL W.B.1 02 = CAB CHASSIS WHEEL BASE 2 06 = CAB CHASSIS WHEEL BASE 6 11 = VAN WHEEL BASE 1 12 = VAN WHEEL BASE 2 51 = WAGON WHEEL BASE 1 52 = WAGON WHEEL BASE 2 14 = VAN WHEEL BASE 4 15 = VAN WHEEL BASE 5 56 = WAGON WHEEL BASE 6 16 = VAN WHEEL BASE 6 54 = WAGON WHEEL BASE 4 55 = WAGON WHEEL BASE 5	EX9 = Engine-2.7L I5 Mercedes Turbo Diesel	DGJ = Transmission-5-Spd. Automatic, W5A580

AR = use ase required - = Non illustrated part

**Floor Lining, Entry Paneling & Footrest
Figure IVA-315**

ITEM	PART NUMBER	QTY	LINE	SERIES	BODY	ENGINE	TRANS	TRIM	DESCRIPTION
		1	3, 7	L	12, 15, 16				Left
	05122824AA	1	2, 6	L	11, 12, 14, 15, 16				Illuminated Exit, Right
		1	2, 6	L	51, 52, 54, 55, 56				Illuminated Exit, Right
		1	3, 7	L	12, 15, 16				Illuminated Exit, Right
4									NUT, Plastic Snap-in
	05098837AA	6	2, 6	L	11, 12, 14, 15, 16				
		6	2, 6	L	51, 52, 54, 55, 56				
5		6	7, 3	L	12, 15, 16				SCREW
	06104575AA	6	2, 6	L	11, 12, 14, 15, 16				
		6	2, 6	L	54, 55, 56, 51, 52				
		6	3, 7	L	12, 15, 16				
6									PLUG, NONE, SPRINTER
	05104549AA	3	2, 6	L	11, 12, 14, 15, 16				
		3	2, 6	L	51, 52, 54, 55, 56				
		3	3, 7	L	12, 15, 16				
7									COVER, Jack
	05122408AA	1	2, 6	L	11, 12, 14, 15, 16				
		1	2, 6	L	51, 52, 54, 55, 56				
		1	3, 7	L	12, 15, 16				
8									FASTENER, NONE, SPRINTER, Footrest
	05122665AA	1	2, 6	L	11, 12, 14, 15, 16				

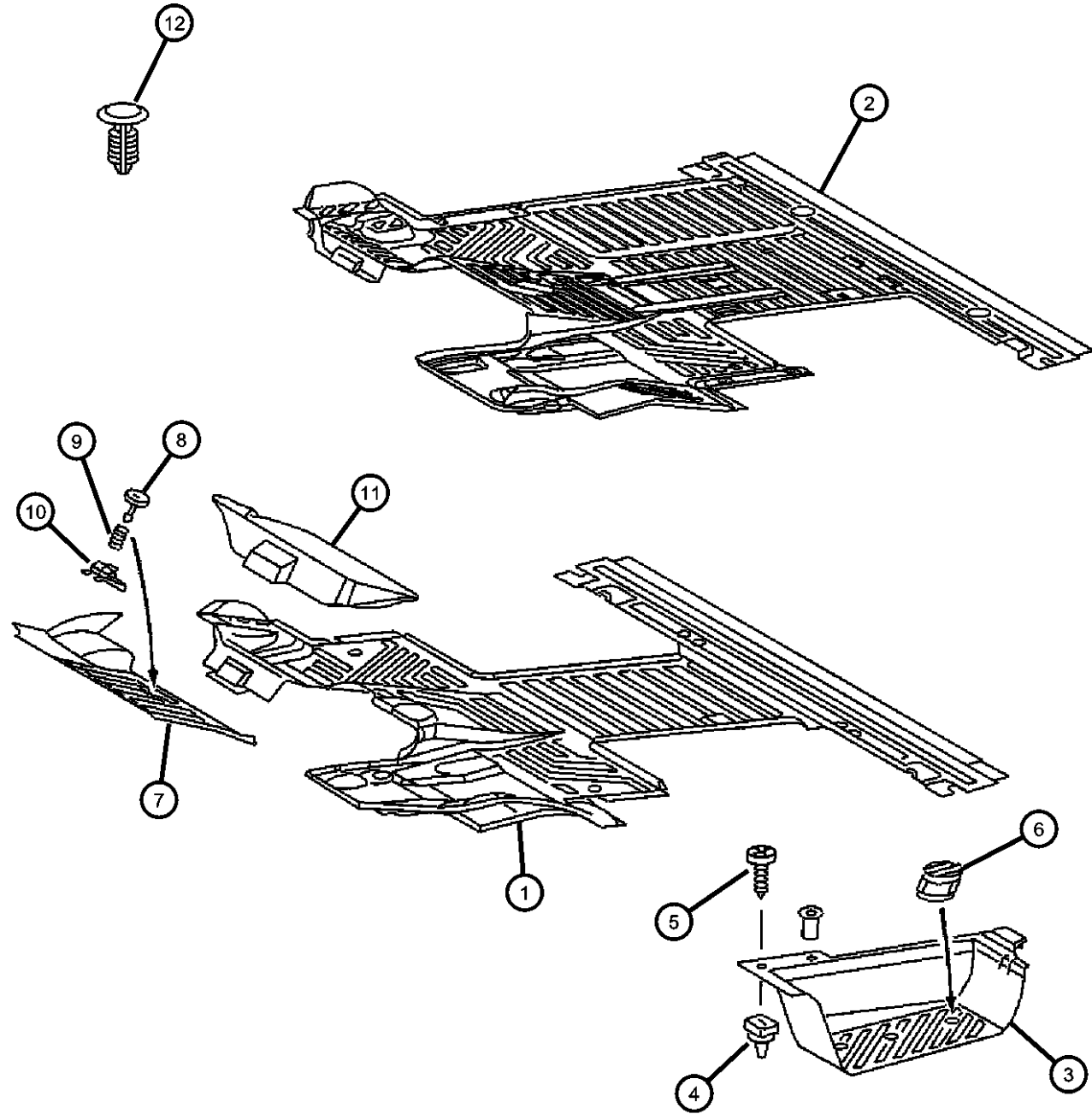


SPRINTER (VA)

SERIES	LINE	BODY	ENGINE	TRANSMISSION
L = LOWLINE	3 = HD DODGE 2WD 6 = Lt. Duty DODGE 4WD 2 = Med. Duty DODGE 2WD 7 = Med. Duty DODGE 4WD	01 = CHASSIS FORWARD CONTROL W.B.1 02 = CAB CHASSIS WHEEL BASE 2 06 = CAB CHASSIS WHEEL BASE 6 11 = VAN WHEEL BASE 1 12 = VAN WHEEL BASE 2 51 = WAGON WHEEL BASE 1 52 = WAGON WHEEL BASE 2 14 = VAN WHEEL BASE 4 15 = VAN WHEEL BASE 5 56 = WAGON WHEEL BASE 6 16 = VAN WHEEL BASE 6 54 = WAGON WHEEL BASE 4 55 = WAGON WHEEL BASE 5	EX9 = Engine-2.7L I5 Mercedes Turbo Diesel	DGJ = Transmission-5-Spd. Automatic, W5A580

AR = use ase required - = Non illustrated part

**Floor Lining, Entry Paneling & Footrest
Figure IVA-315**



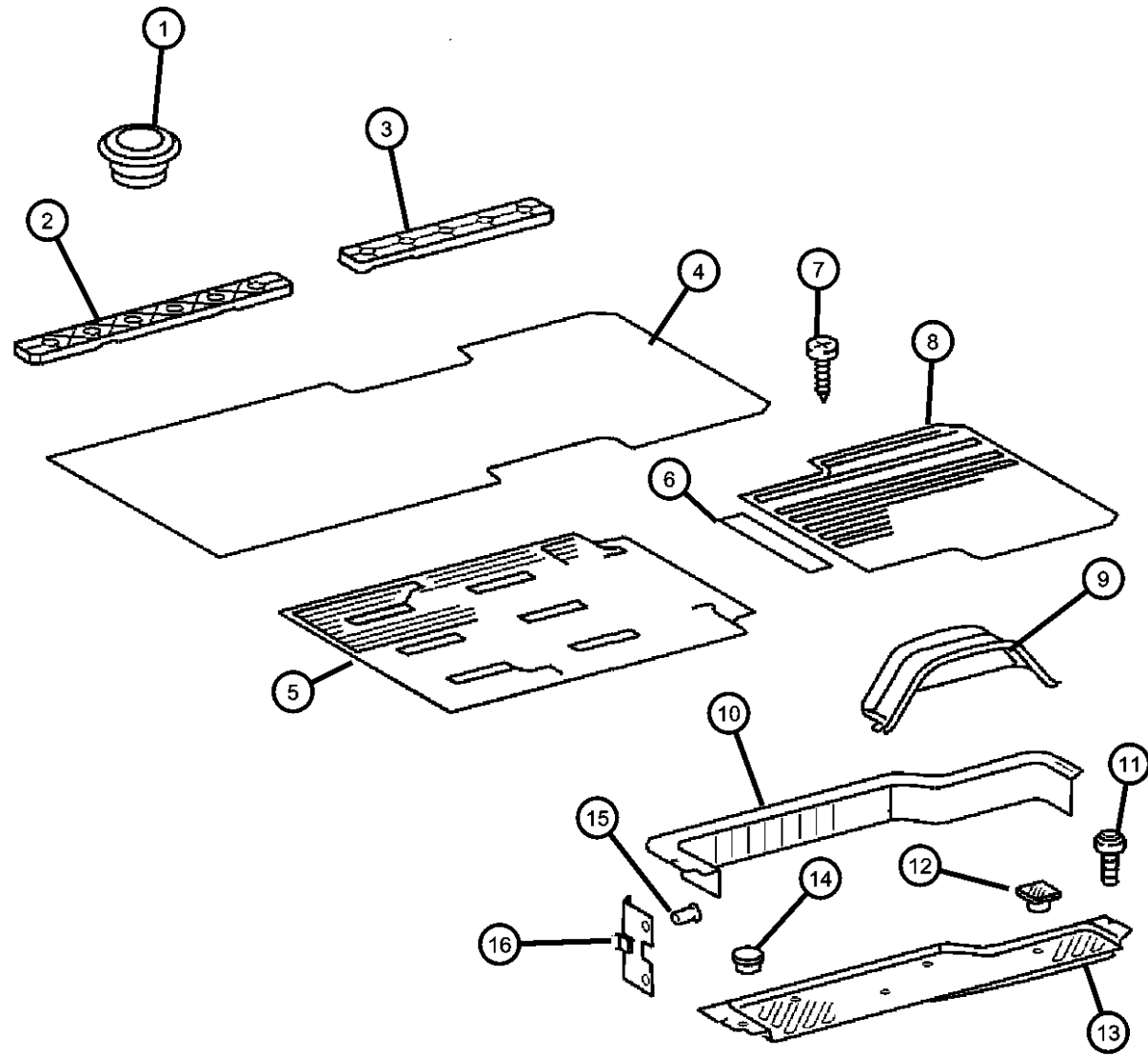
ITEM	PART NUMBER	QTY	LINE	SERIES	BODY	ENGINE	TRANS	TRIM	DESCRIPTION
		1	2, 6	L	51, 52, 54, 55, 56				
9		1	3, 7	L	12, 15, 16				SPRING
	05125845AA	1	3, 7	L	15, 16, 12				
		1	2, 6	L	11, 12, 14, 15, 16				
10		1	2, 6	L	51, 52, 54, 55, 56				CLIP, Footrest
	05125587AA	1	2, 6	L	11, 12, 14, 15, 16				
		1	2, 6	L	51, 52, 54, 55, 56				
		1	3, 7	L	12, 15, 16				
11		1	2, 6	L	51, 52, 54, 55, 56				SUPPORT, Jack
	05122662AA	1	2, 6	L	11, 12, 14, 15, 16				
		1	2, 6	L	11, 12, 14, 15, 16				
		1	3, 7	L	12, 15, 16				
12		1	3, 7	L	12, 15, 16				PLUG, Seat Mounting
	05103817AA	1	3, 7	L	12, 15, 16				
		1	2, 6	L	11, 12, 14, 15, 16				
		1	2, 6	L	51, 52, 54, 55, 56				
-13		4	2, 6	L	11, 12, 14, 15, 16				SEAL, Paneling to Entry Front
	05125906AA	4	2, 6	L	11, 12, 14, 15, 16				
		4	2, 6	L	51, 52, 54, 55, 56				
		4	3, 7	L	12, 15, 16				

SPRINTER (VA)

SERIES	LINE	BODY	ENGINE	TRANSMISSION
L = LOWLINE	3 = HD DODGE 2WD 6 = Lt. Duty DODGE 4WD 2 = Med. Duty DODGE 2WD 7 = Med. Duty DODGE 4WD	01 = CHASSIS FORWARD CONTROL W.B.1 02 = CAB CHASSIS WHEEL BASE 2 06 = CAB CHASSIS WHEEL BASE 6 11 = VAN WHEEL BASE 1 12 = VAN WHEEL BASE 2 51 = WAGON WHEEL BASE 1 52 = WAGON WHEEL BASE 2 14 = VAN WHEEL BASE 4 15 = VAN WHEEL BASE 5 56 = WAGON WHEEL BASE 6 16 = VAN WHEEL BASE 6 54 = WAGON WHEEL BASE 4 55 = WAGON WHEEL BASE 5	EX9 = Engine-2.7L I5 Mercedes Turbo Diesel	DGJ = Transmission-5-Spd. Automatic, W5A580

AR = use ase required - = Non illustrated part

Floor - Rubber
Figure IVA-320



ITEM	PART NUMBER	QTY	LINE	SERIES	BODY	ENGINE	TRANS	TRIM	DESCRIPTION
1	05125991AA	AR	2, 6	L	11, 12, 14, 15, 16				PLUG
		6	2, 6	L	51, 52, 54, 55, 56				
2	05122650AA	2	2, 6	L	11, 12, 14, 15, 16				COVER, Seat Track Front
		2	2, 6	L	55, 56, 51, 52, 54				Front
3	05122642AA	1	2, 6	L	11, 12, 14, 15, 16				COVER, Seat Track Rear
		1	2, 6	L	51, 52, 54, 55, 56				Rear
4	05131455AA	1	2, 6	L	11, 12, 14, 15, 16				MAT, Floor
		1	2, 6	L	51, 52, 54, 55, 56				
5	05122572AA	1	3, 7	L	12, 15, 16				MAT, Front Floor, Rubber 158 Inch Wheelbase
	05122564AA	1	3, 7	L	12, 15, 16				140 Inch Wheelbase
	05131462AA	1	2, 6	L	11, 12, 14, 15, 16				140 Inch Wheelbase
		1	2, 6	L	51, 52, 54, 55, 56				140 Inch Wheelbase
	05131469AA	1	2, 6	L	11, 12, 14, 15, 16				158 Inch Wheelbase
		1	2, 6	L	51, 52, 54, 55, 56				158 Inch Wheelbase
6	05122835AA	1	2, 6	L	11, 12, 14, 15, 16				PLATE, NONE, SPRINTER With Load Compartment Sliding Door, Right
		1	2, 6	L	51, 52, 54, 55, 56				With Load Compartment Sliding Door, Right

SPRINTER (VA)

SERIES

L = LOWLINE

LINE

3 = HD DODGE 2WD
6 = Lt. Duty DODGE 4WD
2 = Med. Duty DODGE 2WD
7 = Med. Duty DODGE 4WD

BODY

01 = CHASSIS FORWARD CONTROL W.B.1
02 = CAB CHASSIS WHEEL BASE 2
06 = CAB CHASSIS WHEEL BASE 6
11 = VAN WHEEL BASE 1
12 = VAN WHEEL BASE 2
51 = WAGON WHEEL BASE 1
52 = WAGON WHEEL BASE 2
14 = VAN WHEEL BASE 4
15 = VAN WHEEL BASE 5
56 = WAGON WHEEL BASE 6
16 = VAN WHEEL BASE 6
54 = WAGON WHEEL BASE 4
55 = WAGON WHEEL BASE 5

ENGINE

EX9 = Engine-2.7L I5
Mercedes Turbo Diesel

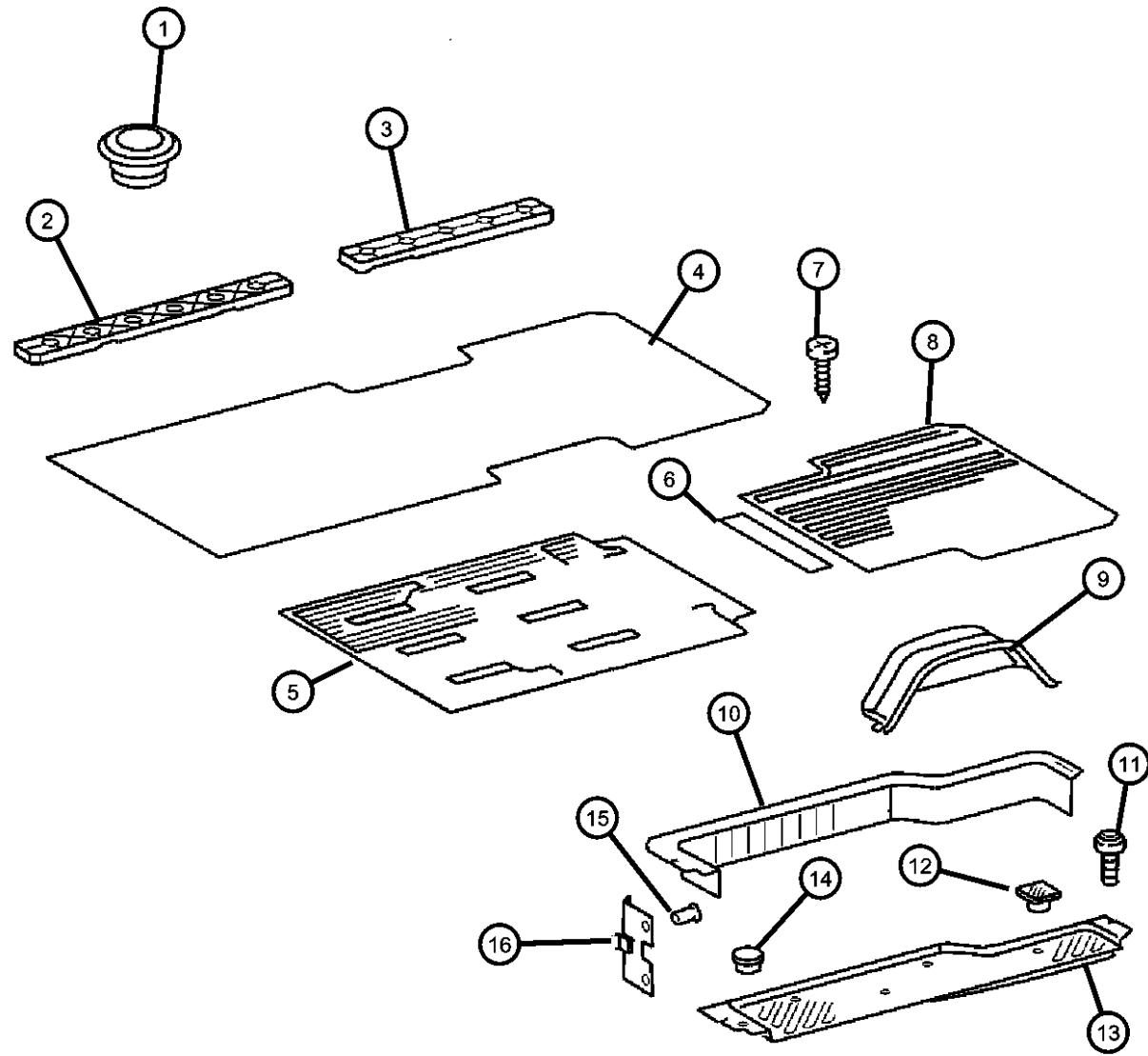
TRANSMISSION

DGJ = Transmission-5-Spd. Automatic, W5A580

AR = use ase required - = Non illustrated part

2002 VA

Floor - Rubber
Figure IVA-320



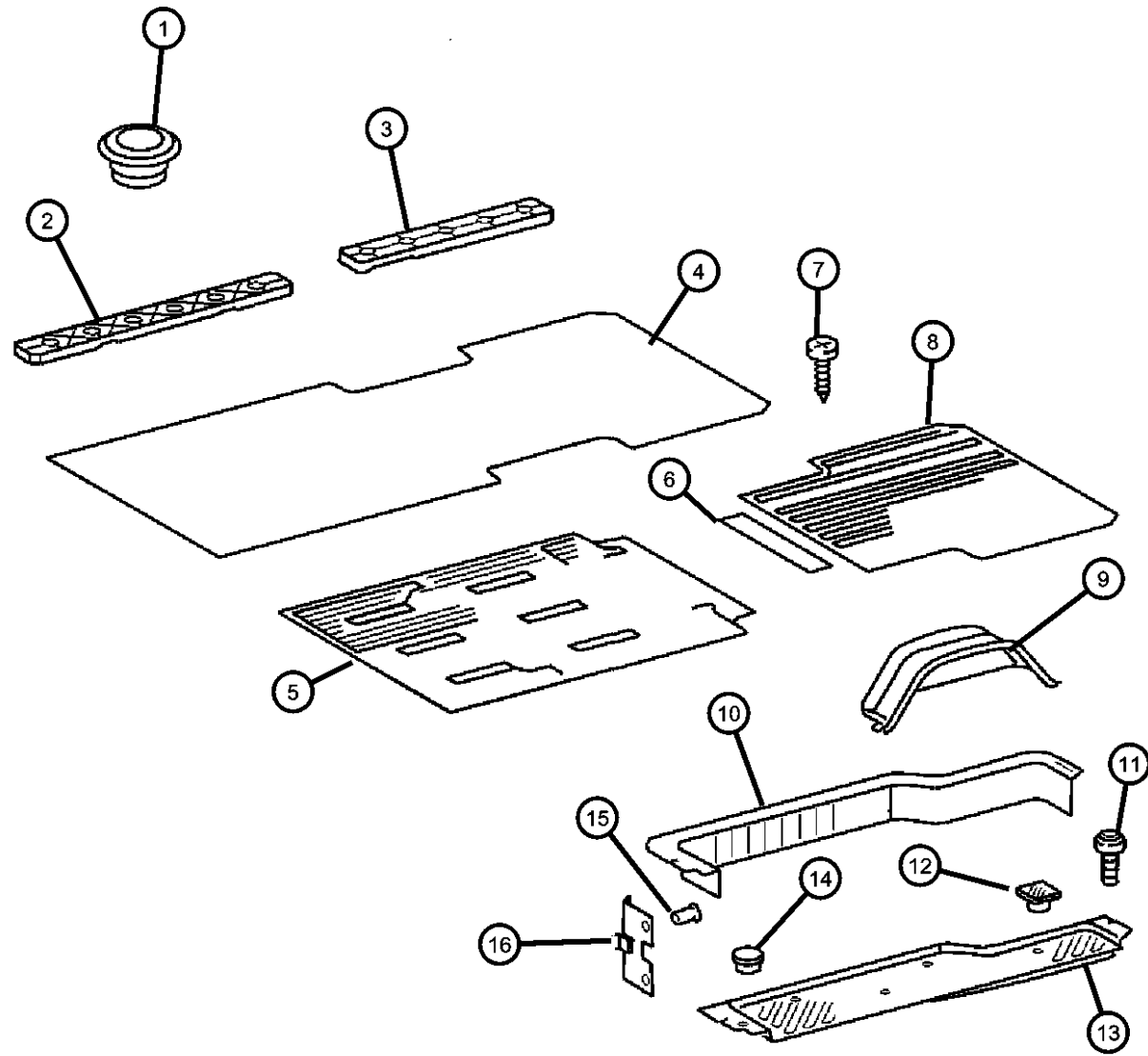
ITEM	PART NUMBER	QTY	LINE	SERIES	BODY	ENGINE	TRANS	TRIM	DESCRIPTION
		1	3, 7	L	12, 15, 16				With Load Compartment Sliding Door, Right
	05122837AA	1	2, 6	L	11, 12, 14, 15, 16				With Load Compartment Sliding Door, Left
		1	2, 6	L	51, 52, 54, 55, 56				With Load Compartment Sliding Door, Left
	05122840AA	1	2, 6	L	51, 52, 54, 55, 56				With Load Compartment Sliding Door, Left & Right
		1	3, 7	L	12, 15, 16				With Load Compartment Sliding Door, Left & Right
	05122842AA	1	2, 6	L	11, 12, 14, 15, 16				Without Load Compartment Sliding Door
		1	2, 6	L	51, 52, 54, 55, 56				Without Load Compartment Sliding Door
		1	3, 7	L	12, 15, 16				Without Load Compartment Sliding Door
		1	3, 7	L	12, 15, 16				With Load Compartment Sliding Door, Left
		1	2, 6	L	11, 12, 14, 15, 16				With Load Compartment Sliding Door, Left & Right
7									RIVET, RIVET
	05133555AA	7	2, 6	L	11, 12, 14, 15, 16				
		7	2, 6	L	51, 52, 54, 55, 56				
		5	3, 7	L	12, 15, 16				
8									MAT, Floor
	05122580AA	1	3, 7	L	12, 15, 16				140 Inch Wheelbase, Rear
	05122581AA	1	3, 7	L	12, 15, 16				158 Inch Wheelbase, Rear
	05131477AA	1	2, 6	L	15, 16, 11, 12, 14				158 Inch Wheelbase, Rear
		1	2, 6	L	51, 52, 54, 55, 56				158 Inch Wheelbase, Rear
	05131478AA	1	2, 6	L	11, 12, 14, 15, 16				140 Inch Wheelbase, Rear

SPRINTER (VA)

SERIES	LINE	BODY	ENGINE	TRANSMISSION
L = LOWLINE	3 = HD DODGE 2WD 6 = Lt. Duty DODGE 4WD 2 = Med. Duty DODGE 2WD 7 = Med. Duty DODGE 4WD	01 = CHASSIS FORWARD CONTROL W.B.1 02 = CAB CHASSIS WHEEL BASE 2 06 = CAB CHASSIS WHEEL BASE 6 11 = VAN WHEEL BASE 1 12 = VAN WHEEL BASE 2 51 = WAGON WHEEL BASE 1 52 = WAGON WHEEL BASE 2 14 = VAN WHEEL BASE 4 15 = VAN WHEEL BASE 5 56 = WAGON WHEEL BASE 6 16 = VAN WHEEL BASE 6 54 = WAGON WHEEL BASE 4 55 = WAGON WHEEL BASE 5	EX9 = Engine-2.7L I5 Mercedes Turbo Diesel	DGJ = Transmission-5-Spd. Automatic, W5A580

AR = use ase required - = Non illustrated part

Floor - Rubber
Figure IVA-320



ITEM	PART NUMBER	QTY	LINE	SERIES	BODY	ENGINE	TRANS	TRIM	DESCRIPTION
		1	2, 6	L	51, 52, 54, 55, 56				140 Inch Wheelbase, Rear
9									MAT, Wheelhouse
	05122563AA	2	3, 7	L	12, 15, 16				3500 GVW
	05131453AA	2	2, 6	L	11, 12, 14, 15, 16				2500 GVW
		2	2, 6	L	51, 52, 54, 55, 56				2500 GVW
10									PANEL, Sliding Door Trim
	05122825AA	1	2, 6	L	11, 12, 14, 15, 16				Sliding Door Left
		1	2, 6	L	51, 52, 54, 55, 56				Sliding Door Left
		1	3, 7	L	12, 15, 16				Sliding Door Left
	05122827AA	1	2, 6	L	11, 12, 14, 15, 16				Sliding Door Right
	05122830AA	1	2, 6	L	11, 12, 14, 15, 16				Sliding Door Left With Entrance Light
		1	2, 6	L	51, 52, 54, 55, 56				Sliding Door Left With Entrance Light
		1	2, 6	L	51, 52, 54, 55, 56				Sliding Door Right
		1	3, 7	L	12, 15, 16				Sliding Door Right
		1	3, 7	L	12, 15, 16				Sliding Door Left With Entrance Light
	05122832AA	1	6, 2	L	12, 14, 15, 16, 11				Sliding Door Right With Entrance Light
		1	2, 6	L	51, 52, 54, 55, 56				Sliding Door Right With Entrance Light
		1	3, 7	L	12, 15, 16				Sliding Door Right With Entrance Light
11									SCREW
	06104142AA	2	2, 6	L	11, 12, 14, 15, 16				
		2	2, 6	L	51, 52, 54, 55, 56				

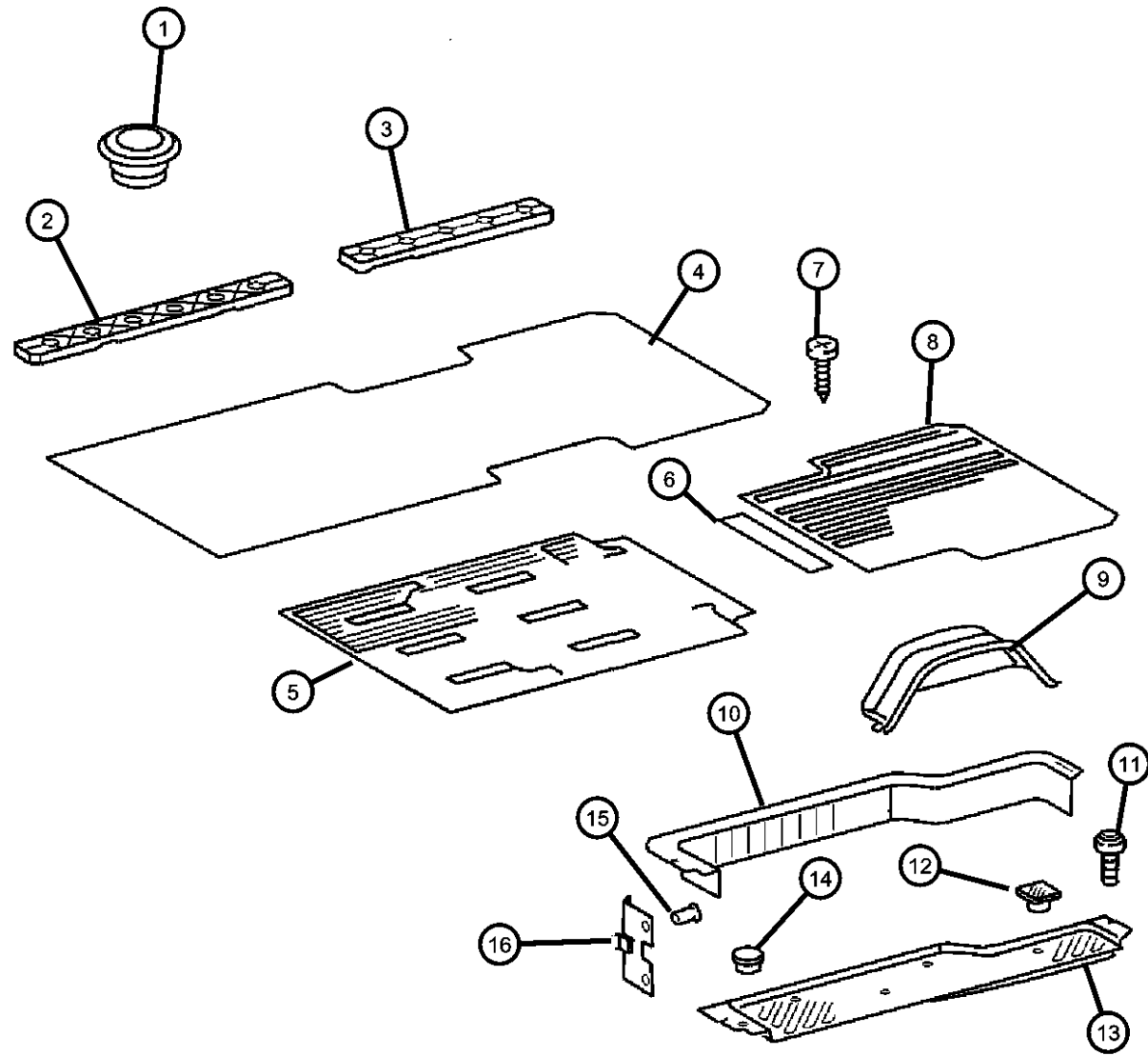
SPRINTER (VA)

SERIES	LINE	BODY	ENGINE	TRANSMISSION
L = LOWLINE	3 = HD DODGE 2WD 6 = Lt. Duty DODGE 4WD 2 = Med. Duty DODGE 2WD 7 = Med. Duty DODGE 4WD	01 = CHASSIS FORWARD CONTROL W.B.1 02 = CAB CHASSIS WHEEL BASE 2 06 = CAB CHASSIS WHEEL BASE 6 11 = VAN WHEEL BASE 1 12 = VAN WHEEL BASE 2 51 = WAGON WHEEL BASE 1 52 = WAGON WHEEL BASE 2 14 = VAN WHEEL BASE 4 15 = VAN WHEEL BASE 5 56 = WAGON WHEEL BASE 6 16 = VAN WHEEL BASE 6 54 = WAGON WHEEL BASE 4 55 = WAGON WHEEL BASE 5	EX9 = Engine-2.7L I5 Mercedes Turbo Diesel	DGJ = Transmission-5-Spd. Automatic, W5A580

AR = use ase required - = Non illustrated part

2002 VA

Floor - Rubber
Figure IVA-320



ITEM	PART NUMBER	QTY	LINE	SERIES	BODY	ENGINE	TRANS	TRIM	DESCRIPTION
12		2	3, 7	L	12, 15, 16				PLUG
	05122811AA	4	2, 6	L	14, 15, 16, 11, 12				
		4	2, 6	L	51, 52, 54, 55, 56				
		4	3, 7	L	12, 15, 16				
13									PAD, Side Cargo Door Sill
	05122815AA	1	2, 6	L	51, 52, 54, 55, 56				Entrance Sliding Door, Left
		1	3, 7	L	12, 15, 16				Entrance Sliding Door, Left
	05122816AA	1	2, 6	L	11, 12, 14, 15, 16				Entrance Sliding Door, Right
		1	2, 6	L	51, 52, 54, 55, 56				Entrance Sliding Door, Right
		1	3, 7	L	12, 15, 16				Entrance Sliding Door, Right
		1	2, 6	L	11, 12, 14, 15, 16				Entrance Sliding Door, Left
14									PLUG
	05122808AA	1	2, 6	L	11, 12, 14, 15, 16				
		1	2, 6	L	51, 52, 54, 55, 56				
		1	3, 7	L	12, 15, 16				
15									RIVET
	05134061AA	16	3, 7	L	12, 15, 16				
		8	2, 6	L	11, 12, 14, 16, 15				
		8	2, 6	L	51, 52, 54, 55, 56				
16									CLIP, Floor Trim
	05125584AA	4	2, 6	L	11, 12, 14, 15, 16				

SPRINTER (VA)

SERIES

L = LOWLINE
3 = HD DODGE 2WD
6 = Lt. Duty DODGE 4WD
2 = Med. Duty DODGE 2WD
7 = Med. Duty DODGE 4WD

BODY

01 = CHASSIS FORWARD CONTROL W.B.1
02 = CAB CHASSIS WHEEL BASE 2
06 = CAB CHASSIS WHEEL BASE 6
11 = VAN WHEEL BASE 1
12 = VAN WHEEL BASE 2
51 = WAGON WHEEL BASE 1
52 = WAGON WHEEL BASE 2
14 = VAN WHEEL BASE 4
15 = VAN WHEEL BASE 5
56 = WAGON WHEEL BASE 6
16 = VAN WHEEL BASE 6
54 = WAGON WHEEL BASE 4
55 = WAGON WHEEL BASE 5

ENGINE

EX9 = Engine-2.7L I5
Mercedes Turbo Diesel

TRANSMISSION

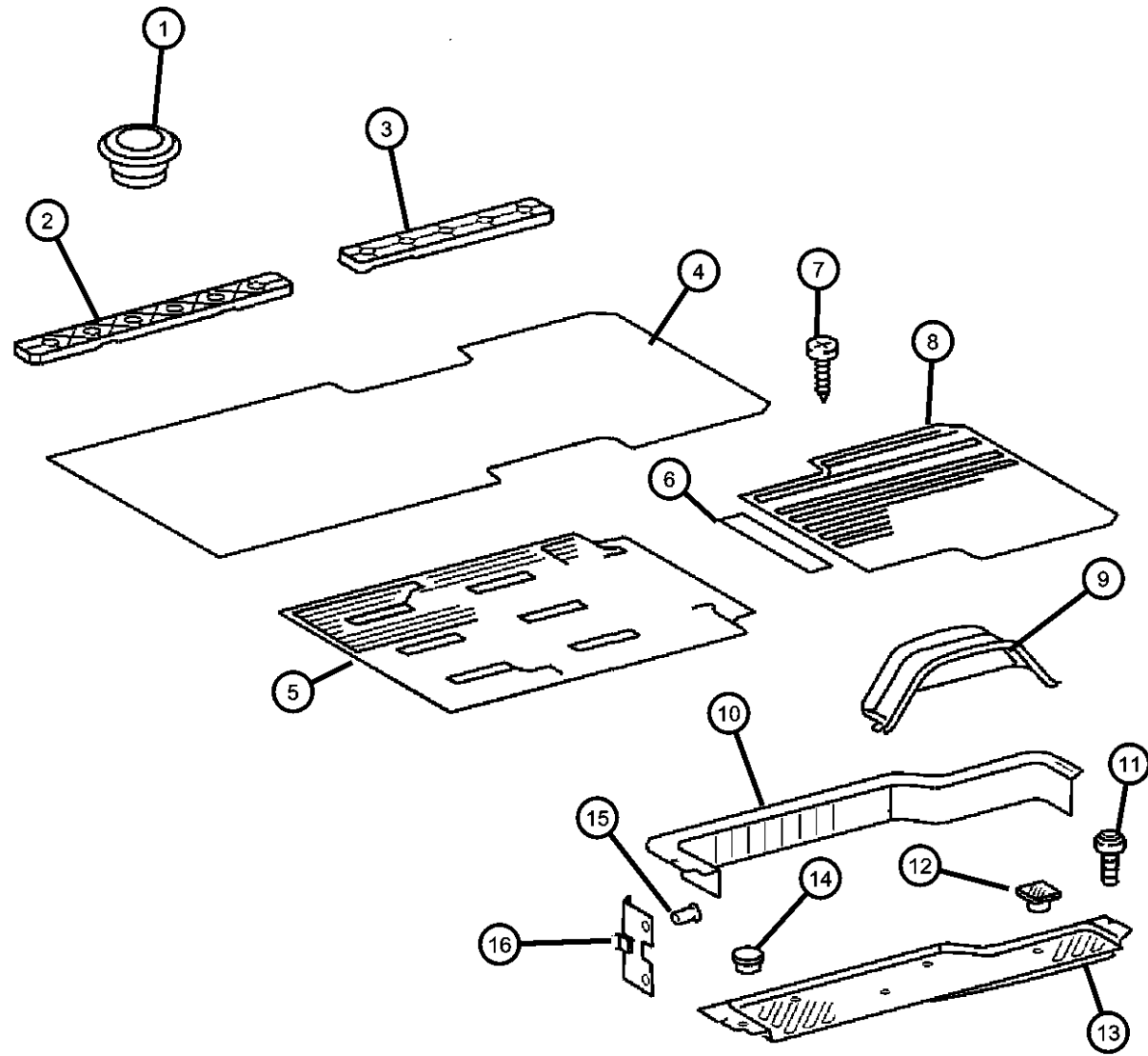
DGJ = Transmission-5-Spd. Automatic, W5A580

AR = use ase required - = Non illustrated part

2002 VA

Floor - Rubber
Figure IVA-320

ITEM	PART NUMBER	QTY	LINE	SERIES	BODY	ENGINE	TRANS	TRIM	DESCRIPTION
------	-------------	-----	------	--------	------	--------	-------	------	-------------



		4	2, 6	L	51, 52, 54, 55, 56				
		8	3, 7	L	12, 15, 16				

SPRINTER (VA)

SERIES	LINE
L = LOWLINE	3 = HD DODGE 2WD 6 = Lt. Duty DODGE 4WD 2 = Med. Duty DODGE 2WD 7 = Med. Duty DODGE 4WD

BODY
01 = CHASSIS FORWARD CONTROL W.B.1
02 = CAB CHASSIS WHEEL BASE 2
06 = CAB CHASSIS WHEEL BASE 6
11 = VAN WHEEL BASE 1
12 = VAN WHEEL BASE 2
51 = WAGON WHEEL BASE 1
52 = WAGON WHEEL BASE 2
14 = VAN WHEEL BASE 4
15 = VAN WHEEL BASE 5
56 = WAGON WHEEL BASE 6
16 = VAN WHEEL BASE 6
54 = WAGON WHEEL BASE 4
55 = WAGON WHEEL BASE 5

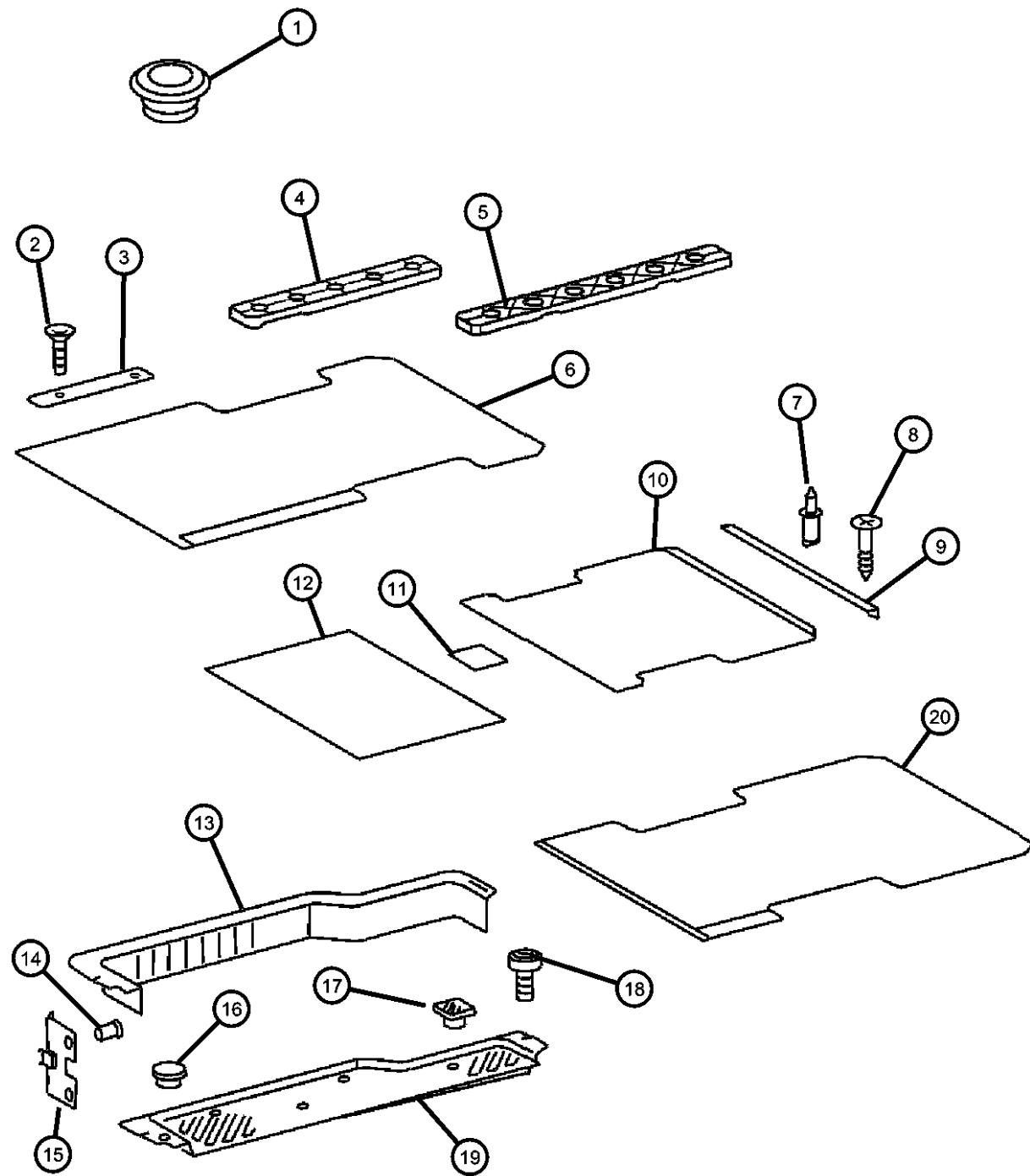
ENGINE
EX9 = Engine-2.7L I5 Mercedes Turbo Diesel

TRANSMISSION
DGJ = Transmission-5-Spd. Automatic, W5A580

AR = use ase required - = Non illustrated part

2002 VA

Floor - Wooden
Figure IVA-330



ITEM	PART NUMBER	QTY	LINE	SERIES	BODY	ENGINE	TRANS	TRIM	DESCRIPTION
1	05125991AA	6	2, 6	L	51, 52, 54, 55, 56				PLUG
		AR	2, 6	L	11, 12, 14, 15, 16				
2		AR							SCREW, (NOT SERVICED)
3		AR							PLATE, (NOT SERVICED)
4	05122642AA	1	2, 6	L	11, 12, 14, 15, 16				COVER, Seat Track Rear
		1	2, 6	L	51, 52, 54, 55, 56				
5	05122650AA	2	2, 6	L	11, 12, 14, 15, 16				COVER, Seat Track Front
		1	2, 6	L	51, 52, 54, 55, 56				Front
6	05122760AA	1	3, 7	L	12, 15, 16				FLOOR, Wooden With 140' and 158' WB, 12 Thick
	05122778AA	1	3, 7	L	12, 15, 16				With Front Seats and 140' and 158' WB,
	05131631AA	1	2, 6	L	11, 12, 14, 15, 16				With 118 Inch WB, Cargo, No Seats
	05131663AA	1	2, 6	L	11, 12, 14, 15, 16				With 118 Inch. WB, Passenger Van With Seats Seats
		1	2, 6	L	52, 54, 55, 56, 51				With 118 Inch. WB, Passenger Van With Seats Seats
7	06104871AA	14	2, 6	L	11, 12, 14, 15, 16				RIVET
		14	2, 6	L	51, 52, 54, 55, 56				
		16	3, 7	L	12, 15, 16				
8	05134062AA	9	3, 7	L	12, 15, 16				SCREW

SPRINTER (VA)

SERIES

L = LOWLINE
3 = HD DODGE 2WD
6 = Lt. Duty DODGE 4WD
2 = Med. Duty DODGE 2WD
7 = Med. Duty DODGE 4WD

BODY

01 = CHASSIS FORWARD
CONTROL W.B.1
02 = CAB CHASSIS WHEEL
BASE 2
06 = CAB CHASSIS WHEEL
BASE 6
11 = VAN WHEEL BASE 1
12 = VAN WHEEL BASE 2
51 = WAGON WHEEL BASE 1
52 = WAGON WHEEL BASE 2
14 = VAN WHEEL BASE 4
15 = VAN WHEEL BASE 5
56 = WAGON WHEEL BASE 6
16 = VAN WHEEL BASE 6
54 = WAGON WHEEL BASE 4
55 = WAGON WHEEL BASE 5

ENGINE

EX9 = Engine-2.7L I5
Mercedes Turbo Diesel

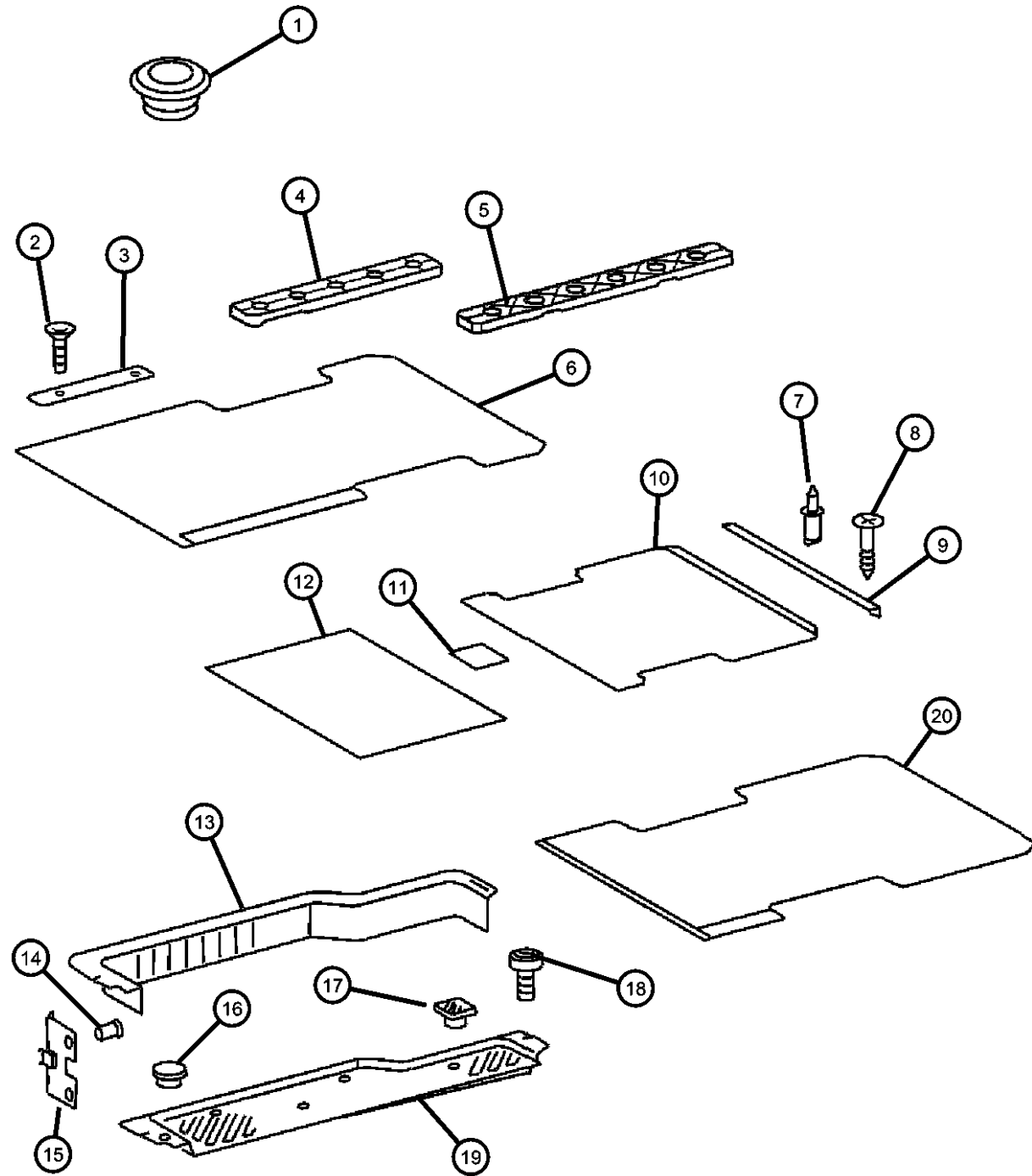
TRANSMISSION

DGJ = Transmission-5-Spd.
Automatic, W5A580

AR = use ase required - = Non illustrated part

2002 VA

Floor - Wooden
Figure IVA-330



ITEM	PART NUMBER	QTY	LINE	SERIES	BODY	ENGINE	TRANS	TRIM	DESCRIPTION
9		9	2, 6	L	11, 12, 14, 15, 16				MOLDING, Cargo Area Carpet
		9	2, 6	L	51, 52, 54, 55, 56				
10	05122669AA	1	2, 6	L	11, 12, 14, 15, 16				FLOOR, Wooden With Seats - 140' Wheelbase, Rear With Seats - 158' Wheelbase, Rear Without Seats - 158' Wheelbase, Rear Without Seats - 140' Wheelbase, Rear
		1	2, 6	L	51, 52, 54, 55, 56				
		1	3, 7	L	12, 15, 16				
	05122802AA	1	2, 6	L	51, 52, 54, 55, 56				
	05122804AA	1	2, 6	L	51, 52, 54, 55, 56				
11	05127784AA	1	3, 7	L	12, 15, 16				MOLDING, Cargo Area Carpet
	05127806AA	1	3, 7	L	12, 15, 16				
	05122671AA	5	2, 6	L	11, 12, 14, 15, 16				
12		5	2, 6	L	51, 52, 54, 55, 56				FLOOR, Wooden Without Seats 8 mm Thick, 140 and 158' Wheelbase Without Seats 8 mm Thick, 140 and 158' Wheelbase No Seat - Cargo - 118 Wheelbase
		5	3, 7	L	12, 15, 16				
	05122730AA	1	3, 7	L	12, 15, 16				
		1	2, 6	L	11, 12, 14, 15, 16				
13	05131631AA	1	2, 6	L	11, 12, 14, 15, 16				PANEL, Sliding Door Trim
	05122827AA	1	3, 7	L	12, 15, 16				

SPRINTER (VA)

SERIES

L = LOWLINE
3 = HD DODGE 2WD
6 = Lt. Duty DODGE 4WD
2 = Med. Duty DODGE 2WD
7 = Med. Duty DODGE 4WD

BODY

01 = CHASSIS FORWARD CONTROL W.B.1
02 = CAB CHASSIS WHEEL BASE 2
06 = CAB CHASSIS WHEEL BASE 6
11 = VAN WHEEL BASE 1
12 = VAN WHEEL BASE 2
51 = WAGON WHEEL BASE 1
52 = WAGON WHEEL BASE 2
14 = VAN WHEEL BASE 4
15 = VAN WHEEL BASE 5
56 = WAGON WHEEL BASE 6
16 = VAN WHEEL BASE 6
54 = WAGON WHEEL BASE 4
55 = WAGON WHEEL BASE 5

ENGINE

EX9 = Engine-2.7L I5
Mercedes Turbo Diesel

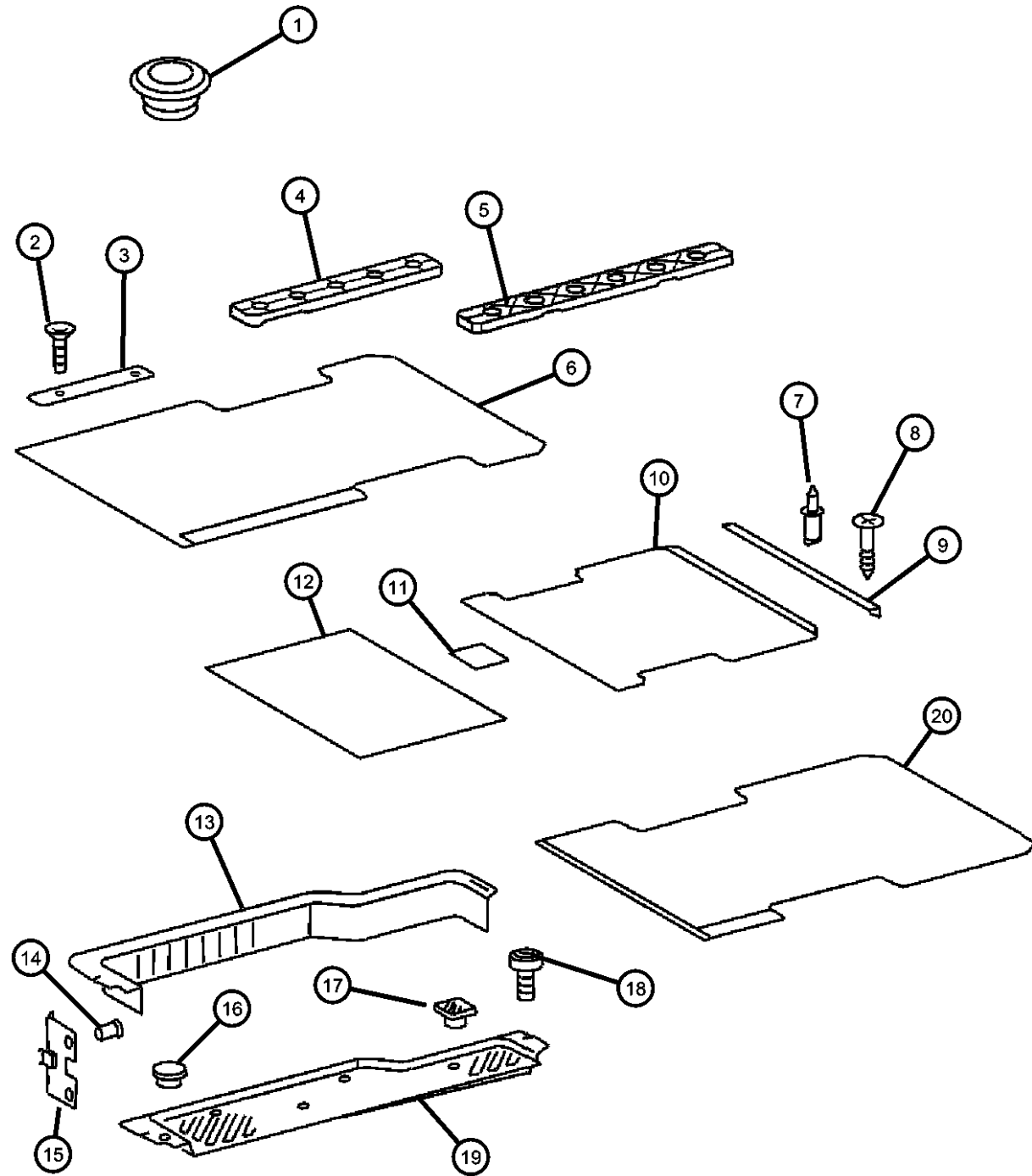
TRANSMISSION

DGJ = Transmission-5-Spd. Automatic, W5A580

AR = use ase required - = Non illustrated part

2002 VA

Floor - Wooden
Figure IVA-330



ITEM	PART NUMBER	QTY	LINE	SERIES	BODY	ENGINE	TRANS	TRIM	DESCRIPTION
		1	2, 6	L	11, 12, 14, 15, 16				
14		1	2, 6	L	51, 52, 54, 55, 56				RIVET
	05134061AA	8	2, 6	L	14, 15, 16, 11, 12				
		8	2, 6	L	51, 52, 54, 55, 56				
15		8	3, 7	L	12, 15, 16				CLIP, Floor Trim
	05125584AA	4	2, 6	L	51, 52, 54, 55, 56				
		4	3, 7	L	12, 15, 16				
16		4	2, 6	L	11, 12, 14, 15, 16				PLUG
	05122808AA	1	2, 6	L	11, 12, 14, 15, 16				
		1	2, 6	L	51, 52, 54, 55, 56				
17		1	3, 7	L	12, 15, 16				PLUG
	05122811AA	4	2, 6	L	11, 12, 14, 15, 16				
		4	2, 6	L	51, 52, 54, 55, 56				
18		4	3, 7	L	12, 15, 16				SCREW
	06104142AA	2	3, 7	L	12, 15, 16				
		2	2, 6	L	11, 12, 14, 15, 16				
		2	2, 6	L	51, 52, 54, 55, 56				

SPRINTER (VA)

SERIES

L = LOWLINE

LINE

3 = HD DODGE 2WD
6 = Lt. Duty DODGE 4WD
2 = Med. Duty DODGE 2WD
7 = Med. Duty DODGE 4WD

BODY

01 = CHASSIS FORWARD CONTROL W.B.1
02 = CAB CHASSIS WHEEL BASE 2
06 = CAB CHASSIS WHEEL BASE 6
11 = VAN WHEEL BASE 1
12 = VAN WHEEL BASE 2
51 = WAGON WHEEL BASE 1
52 = WAGON WHEEL BASE 2
14 = VAN WHEEL BASE 4
15 = VAN WHEEL BASE 5
56 = WAGON WHEEL BASE 6
16 = VAN WHEEL BASE 6
54 = WAGON WHEEL BASE 4
55 = WAGON WHEEL BASE 5

ENGINE

EX9 = Engine-2.7L I5
Mercedes Turbo Diesel

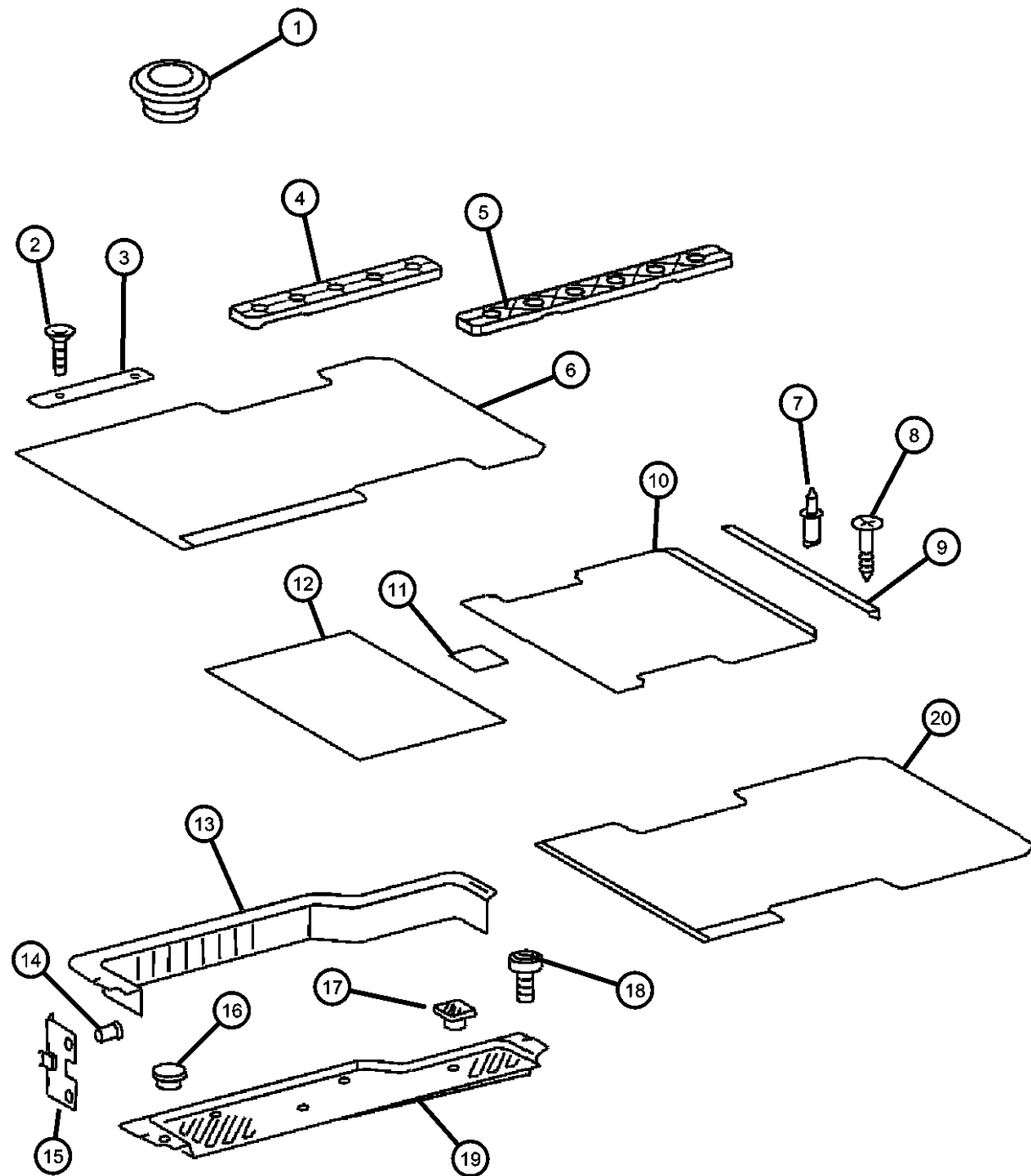
TRANSMISSION

DGJ = Transmission-5-Spd. Automatic, W5A580

AR = use ase required - = Non illustrated part

2002 VA

Floor - Wooden
Figure IVA-330



ITEM	PART NUMBER	QTY	LINE	SERIES	BODY	ENGINE	TRANS	TRIM	DESCRIPTION
19	05122815AA	1	2, 6	L	51, 52, 54, 55, 56				PAD, Side Cargo Door Sill Entrance Sliding Door, Left
		1	2, 6	L	11, 12, 14, 15, 16				Entrance Sliding Door, Left
		1	3, 7	L	12, 15, 16				Entrance Sliding Door, Left
	05122816AA	1	2, 6	L	11, 12, 14, 15, 16				Entrance Sliding Door, Right
		1	2, 6	L	51, 52, 54, 55, 56				Entrance Sliding Door, Right
		1	3, 7	L	12, 15, 16				Entrance Sliding Door, Right
20	05122804AA	1	2, 6	L	51, 52, 54, 55, 56				FLOOR, Wooden With Seats - 158' WB
	05127784AA	1	2, 6	L	11, 12, 14, 15, 16				Without Seats - 158' WB
-21	05121438AA	1	2, 6	L	11, 12, 14, 15, 16				MOLDING, Cargo Area Carpet Threshold For Partition Door
		1	3, 7	L	12, 15, 16				Threshold For Partition Door
-22	05122670AA	1	2, 6	L	11, 12, 14, 15, 16				MOLDING, Cargo Area Carpet With Sliding Doors, Right & Left
		1	3, 7	L	12, 15, 16				With Sliding Doors, Right & Left
		1	2, 6	L	51, 52, 54, 55, 56				With Sliding Doors, Right & Left

SPRINTER (VA)

SERIES

L = LOWLINE
3 = HD DODGE 2WD
6 = Lt. Duty DODGE 4WD
2 = Med. Duty DODGE 2WD
7 = Med. Duty DODGE 4WD

LINE

BODY

01 = CHASSIS FORWARD CONTROL W.B.1
02 = CAB CHASSIS WHEEL BASE 2
06 = CAB CHASSIS WHEEL BASE 6
11 = VAN WHEEL BASE 1
12 = VAN WHEEL BASE 2
51 = WAGON WHEEL BASE 1
52 = WAGON WHEEL BASE 2
14 = VAN WHEEL BASE 4
15 = VAN WHEEL BASE 5
56 = WAGON WHEEL BASE 6
16 = VAN WHEEL BASE 6
54 = WAGON WHEEL BASE 4
55 = WAGON WHEEL BASE 5

ENGINE

EX9 = Engine-2.7L I5
Mercedes Turbo Diesel

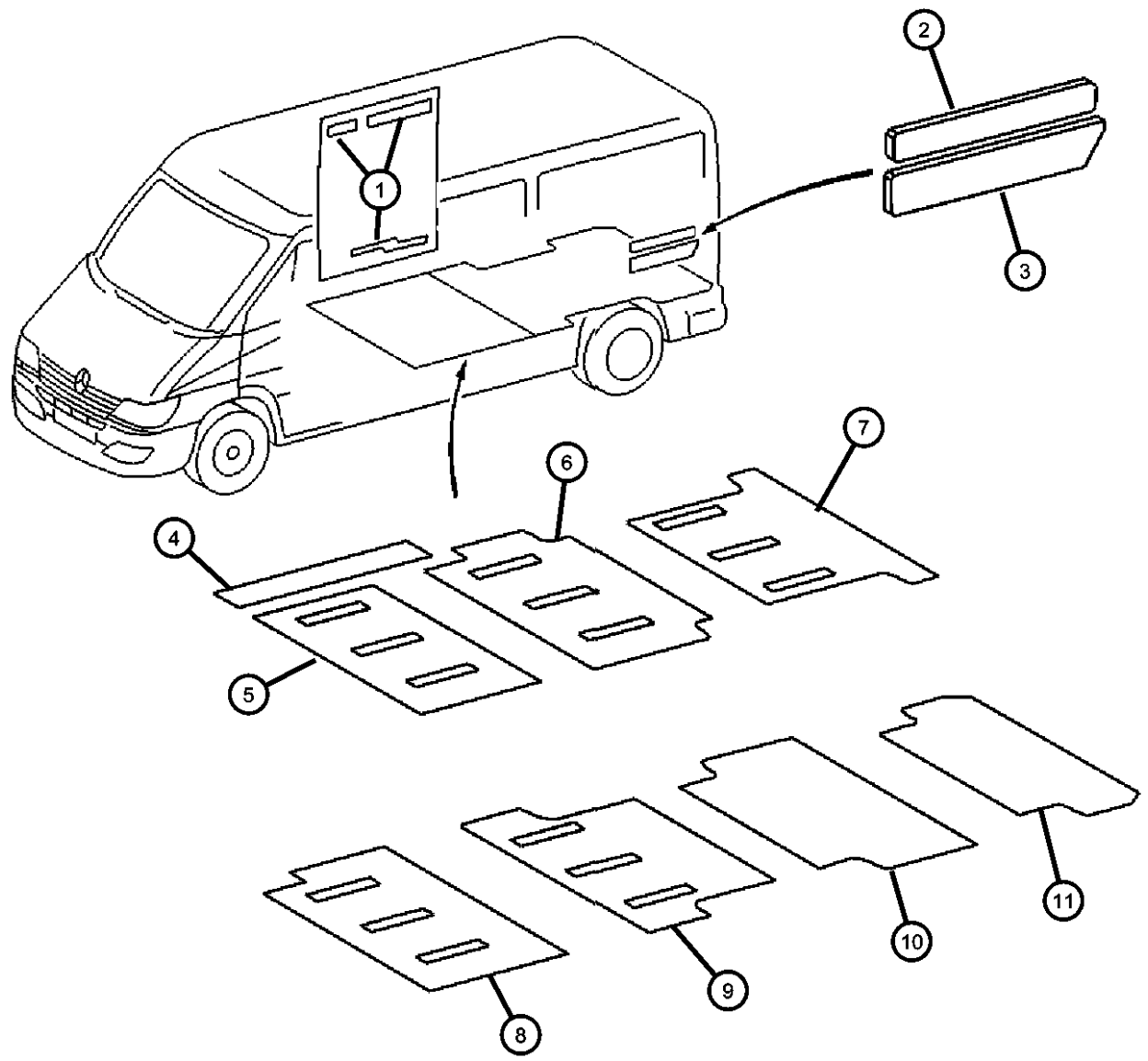
TRANSMISSION

DGJ = Transmission-5-Spd. Automatic, W5A580

AR = use ase required - = Non illustrated part

2002 VA

Insulation - Carpet
Figure IVA-340



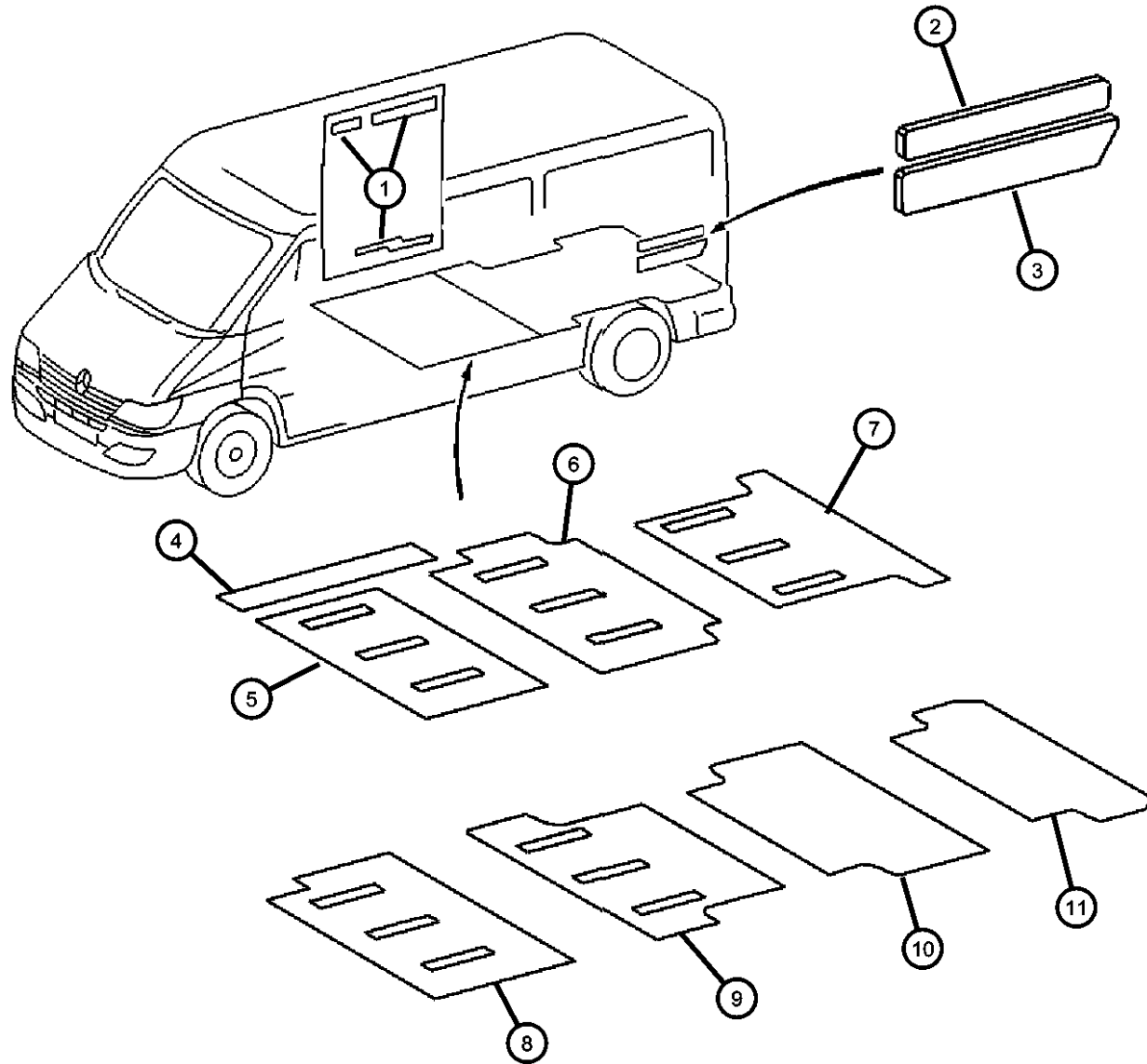
ITEM	PART NUMBER	QTY	LINE	SERIES	BODY	ENGINE	TRANS	TRIM	DESCRIPTION
1		1							INSULATION, NONE, SPRINTER, (NOT SERVICED), INSULATION, Side Panel
2	05131360AA	2	2, 6	L	11, 12, 14, 15, 16				
		2	2, 6	L	51, 52, 54, 55, 56				
		2	3, 7	L	12, 15, 16				
3	05122497AA	2	3, 7	L	12, 15, 16				INSULATION, Side Panel [910x265x20mm]
		1	2, 6	L	11, 12, 14, 15, 16				[910x265x20mm]
		1	2, 6	L	51, 52, 54, 55, 56				[910x265x20mm]
	05122507AA	1	2, 6	L	11, 12, 14, 15, 16				[910x265x20mm], Right
	05122504AA	1	2, 6	L	11, 12, 14, 15, 16				[910x265x20mm], Left
		1	2, 6	L	51, 52, 54, 55, 56				[910x265x20mm], Left
		1	3, 7	L	12, 15, 16				[910x265x20mm], Left
		1	2, 6	L	51, 52, 54, 55, 56				[910x265x20mm], Right
		1	3, 7	L	12, 15, 16				[910x265x20mm], Right
4	05133560AA	1	2, 6	L	11, 12, 14, 15, 16				INSULATION, Floor
		1	2, 6	L	51, 52, 54, 55, 56				
		1	3, 7	L	12, 15, 16				
5	05122432AA	1	2, 6	L	51, 52, 54, 55, 56				INSULATION, Floor
		1	2, 6	L	11, 12, 14, 15, 16				

SPRINTER (VA)

SERIES	LINE	BODY	ENGINE	TRANSMISSION
L = LOWLINE	3 = HD DODGE 2WD 6 = Lt. Duty DODGE 4WD 2 = Med. Duty DODGE 2WD 7 = Med. Duty DODGE 4WD	01 = CHASSIS FORWARD CONTROL W.B.1 02 = CAB CHASSIS WHEEL BASE 2 06 = CAB CHASSIS WHEEL BASE 6 11 = VAN WHEEL BASE 1 12 = VAN WHEEL BASE 2 51 = WAGON WHEEL BASE 1 52 = WAGON WHEEL BASE 2 14 = VAN WHEEL BASE 4 15 = VAN WHEEL BASE 5 56 = WAGON WHEEL BASE 6 16 = VAN WHEEL BASE 6 54 = WAGON WHEEL BASE 4 55 = WAGON WHEEL BASE 5	EX9 = Engine-2.7L I5 Mercedes Turbo Diesel	DGJ = Transmission-5-Spd. Automatic, W5A580

AR = use ase required - = Non illustrated part

Insulation - Carpet
Figure IVA-340



ITEM	PART NUMBER	QTY	LINE	SERIES	BODY	ENGINE	TRANS	TRIM	DESCRIPTION
6		1	3, 7	L	12, 15, 16				INSULATION, Floor
	05122435AA	1	2, 6	L	11, 12, 14, 15, 16				
		1	2, 6	L	51, 52, 54, 55, 56				
7		1	3, 7	L	12, 15, 16				INSULATION, Floor
	05122454AA	1	2, 6	L	11, 12, 14, 15, 16				
		1	2, 6	L	51, 52, 54, 55, 56				
8		1	3, 7	L	12, 15, 16				INSULATION, Floor
	05122436AA	1	2, 6	L	11, 12, 14, 15, 16				
		1	6, 2	L	51, 52, 54, 55, 56				
9		1	3, 7	L	12, 15, 16				INSULATION, Floor
	05122455AA	1	2, 6	L	11, 12, 14, 15, 16				
		1	2, 6	L	51, 52, 54, 55, 56				
10		1	3, 7	L	12, 15, 16				INSULATION, Floor
	05122456AA	1	2, 6	L	11, 12, 14, 15, 16				
		1	2, 6	L	51, 52, 54, 55, 56				
11		1	3, 7	L	12, 15, 16				INSULATION, Floor

SPRINTER (VA)

SERIES

L = LOWLINE

LINE

3 = HD DODGE 2WD
6 = Lt. Duty DODGE 4WD
2 = Med. Duty DODGE 2WD
7 = Med. Duty DODGE 4WD

BODY

01 = CHASSIS FORWARD CONTROL W.B.1
02 = CAB CHASSIS WHEEL BASE 2
06 = CAB CHASSIS WHEEL BASE 6
11 = VAN WHEEL BASE 1
12 = VAN WHEEL BASE 2
51 = WAGON WHEEL BASE 1
52 = WAGON WHEEL BASE 2
14 = VAN WHEEL BASE 4
15 = VAN WHEEL BASE 5
56 = WAGON WHEEL BASE 6
16 = VAN WHEEL BASE 6
54 = WAGON WHEEL BASE 4
55 = WAGON WHEEL BASE 5

ENGINE

EX9 = Engine-2.7L I5
Mercedes Turbo Diesel

TRANSMISSION

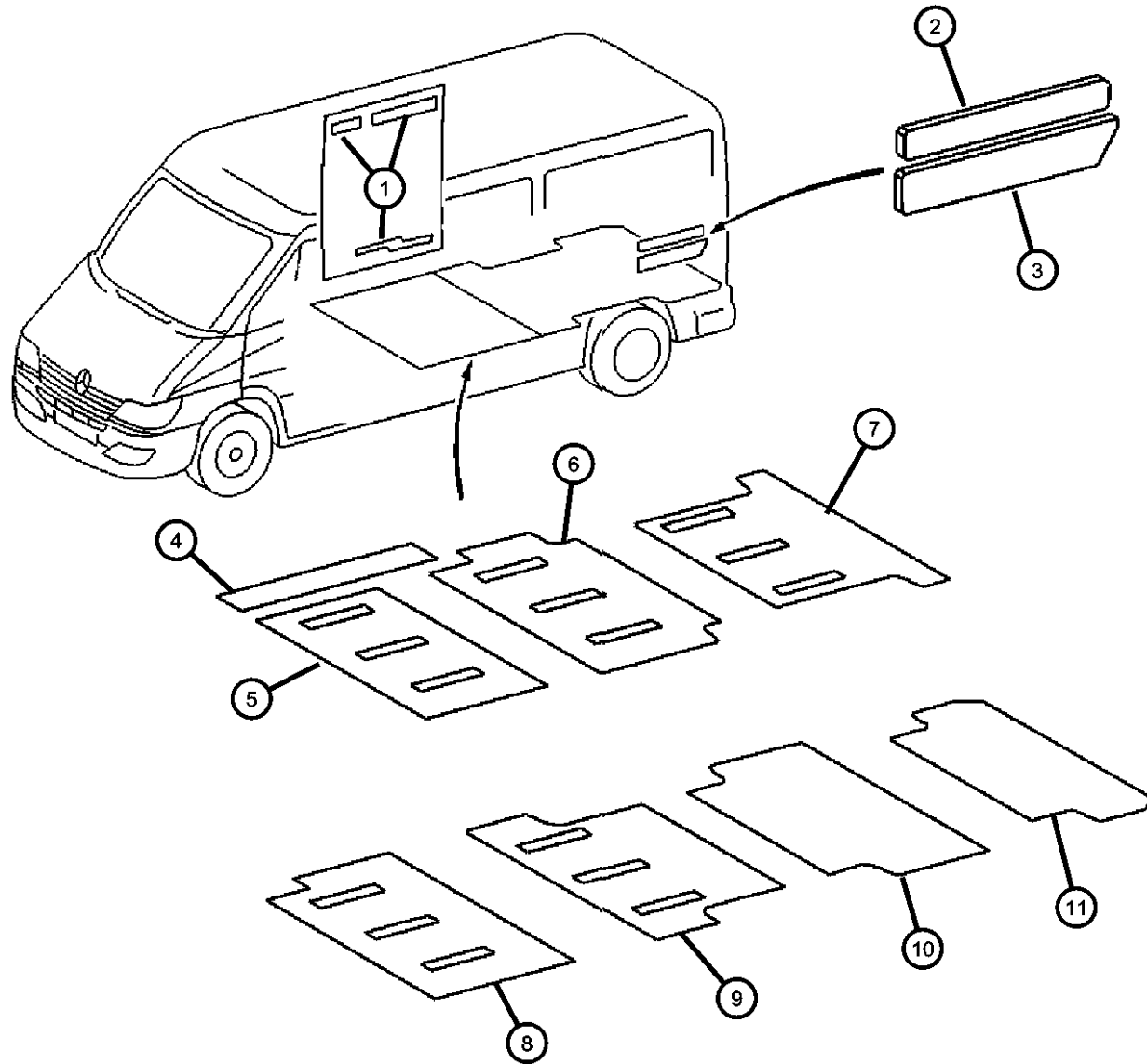
DGJ = Transmission-5-Spd. Automatic, W5A580

AR = use ase required - = Non illustrated part

2002 VA

Insulation - Carpet
Figure IVA-340

ITEM	PART NUMBER	QTY	LINE	SERIES	BODY	ENGINE	TRANS	TRIM	DESCRIPTION
	05122453AA	1	2, 6	L	11, 12, 14, 15, 16				
		1	2, 6	L	51, 52, 54, 55, 56				



SPRINTER (VA)

SERIES

L = LOWLINE

LINE

3 = HD DODGE 2WD
6 = Lt. Duty DODGE 4WD
2 = Med. Duty DODGE 2WD
7 = Med. Duty DODGE 4WD

BODY

01 = CHASSIS FORWARD CONTROL W.B.1
02 = CAB CHASSIS WHEEL BASE 2
06 = CAB CHASSIS WHEEL BASE 6
11 = VAN WHEEL BASE 1
12 = VAN WHEEL BASE 2
51 = WAGON WHEEL BASE 1
52 = WAGON WHEEL BASE 2
14 = VAN WHEEL BASE 4
15 = VAN WHEEL BASE 5
56 = WAGON WHEEL BASE 6
16 = VAN WHEEL BASE 6
54 = WAGON WHEEL BASE 4
55 = WAGON WHEEL BASE 5

ENGINE

EX9 = Engine-2.7L I5 Mercedes Turbo Diesel

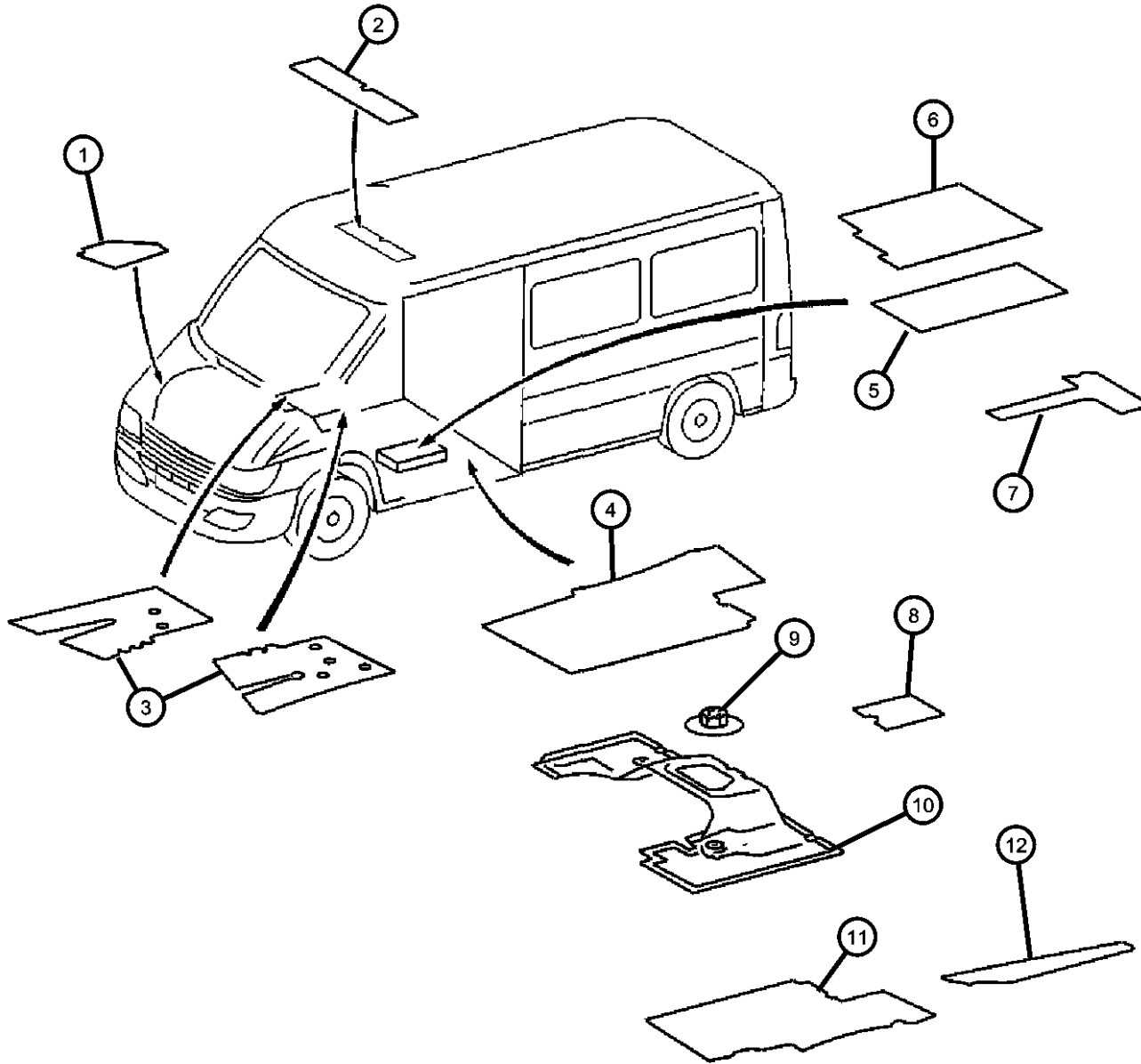
TRANSMISSION

DGJ = Transmission-5-Spd. Automatic, W5A580

AR = use ase required - = Non illustrated part

2002 VA

Insulation Floor
Figure IVA-350

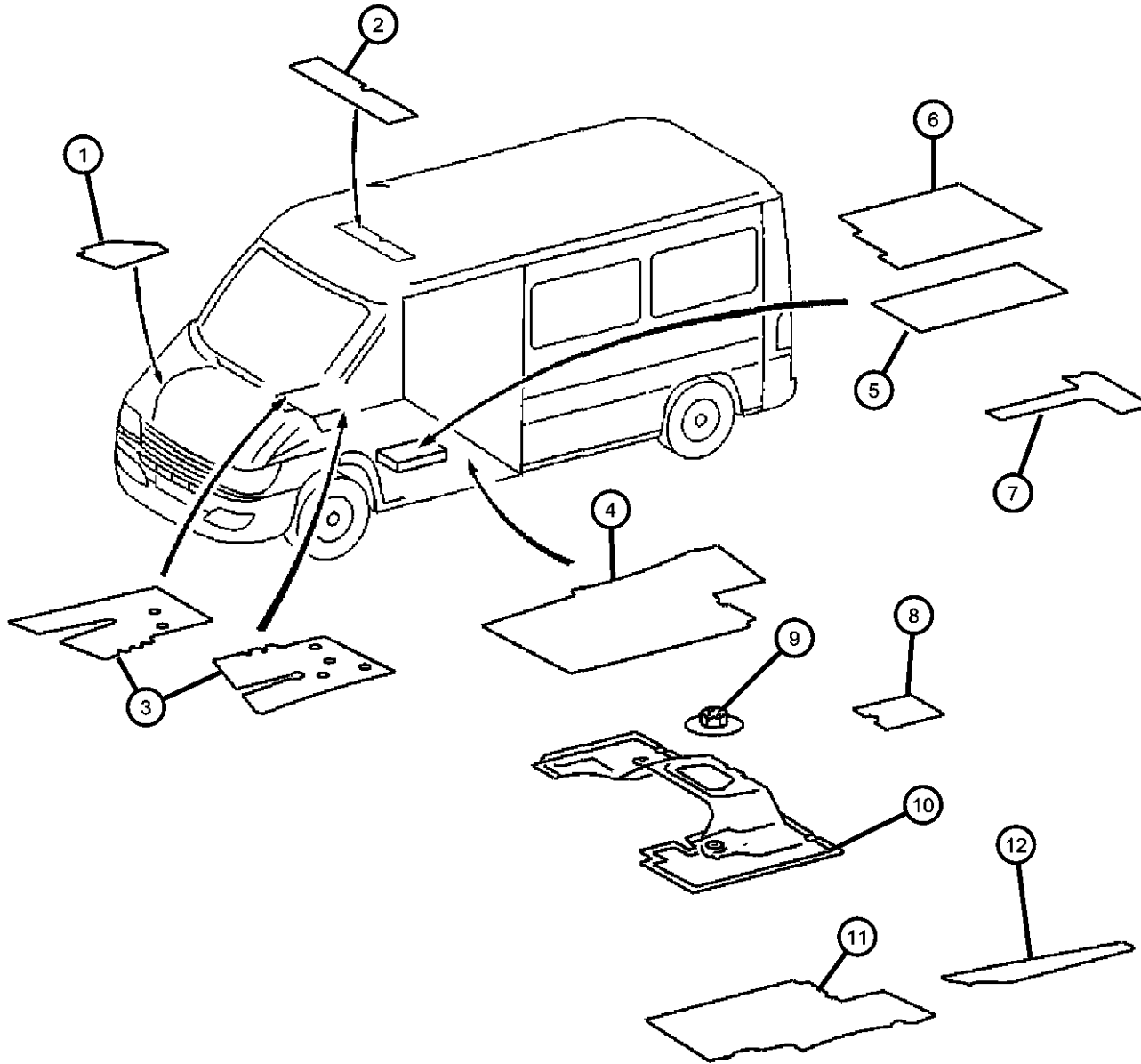


ITEM	PART NUMBER	QTY	LINE	SERIES	BODY	ENGINE	TRANS	TRIM	DESCRIPTION
1	05122468AA	1	2, 6	L	51, 52, 54, 55, 56				SILENCER, Wheelhouse Inside, Left
		1	2, 6	L	11, 12, 14, 15, 16				Inside, Left
	05122469AA	1	3, 7	L	12, 15, 16				Inside, Left
		1	2, 6	L	51, 52, 54, 55, 56				Inside, Right
		1	2, 6	L	11, 12, 14, 15, 16				Inside, Right
		1	3, 7	L	12, 15, 16				Inside, Right
2	05122541AA	1	2, 6	L	11, 12, 14, 15, 16				INSULATION, Roof Headliner
		1	2, 6	L	51, 52, 54, 55, 56				
		1	3, 7	L	12, 15, 16				
3		1							INSULATION, NONE, SPRINTER, Engine Room, (NOT SERVICED)
4	05122482AA	1	2, 6	L	51, 52, 54, 55, 56				INSULATION, Floor
		1	2, 6	L	11, 12, 14, 15, 16				
		1	3, 7	L	12, 15, 16				
5		1							INSULATION, NONE, SPRINTER, (NOT SERVICED)
6	05122535AA	1	2, 6	L	11, 12, 14, 15, 16				INSULATION, Floor
		1	2, 6	L	51, 52, 54, 55, 56				
		1	3, 7	L	12, 15, 16				
7									INSULATION, Floor

SPRINTER (VA)
 SERIES LINE BODY ENGINE TRANSMISSION
 L = LOWLINE 3 = HD DODGE 2WD 01 = CHASSIS FORWARD CONTROL W.B.1 EX9 = Engine-2.7L I5 DGJ = Transmission-5-Spd. Automatic,W5A580
 6 = Lt. Duty DODGE 4WD 02 = CAB CHASSIS WHEEL BASE 2 Mercedes Turbo Diesel
 2 = Med. Duty DODGE 2WD 06 = CAB CHASSIS WHEEL BASE 6
 7 = Med. Duty DODGE 4WD 11 = VAN WHEEL BASE 1
 12 = VAN WHEEL BASE 2
 51 = WAGON WHEEL BASE 1
 52 = WAGON WHEEL BASE 2
 14 = VAN WHEEL BASE 4
 15 = VAN WHEEL BASE 5
 56 = WAGON WHEEL BASE 6
 16 = VAN WHEEL BASE 6
 54 = WAGON WHEEL BASE 4
 55 = WAGON WHEEL BASE 5

AR = use ase required - = Non illustrated part

Insulation Floor
Figure IVA-350



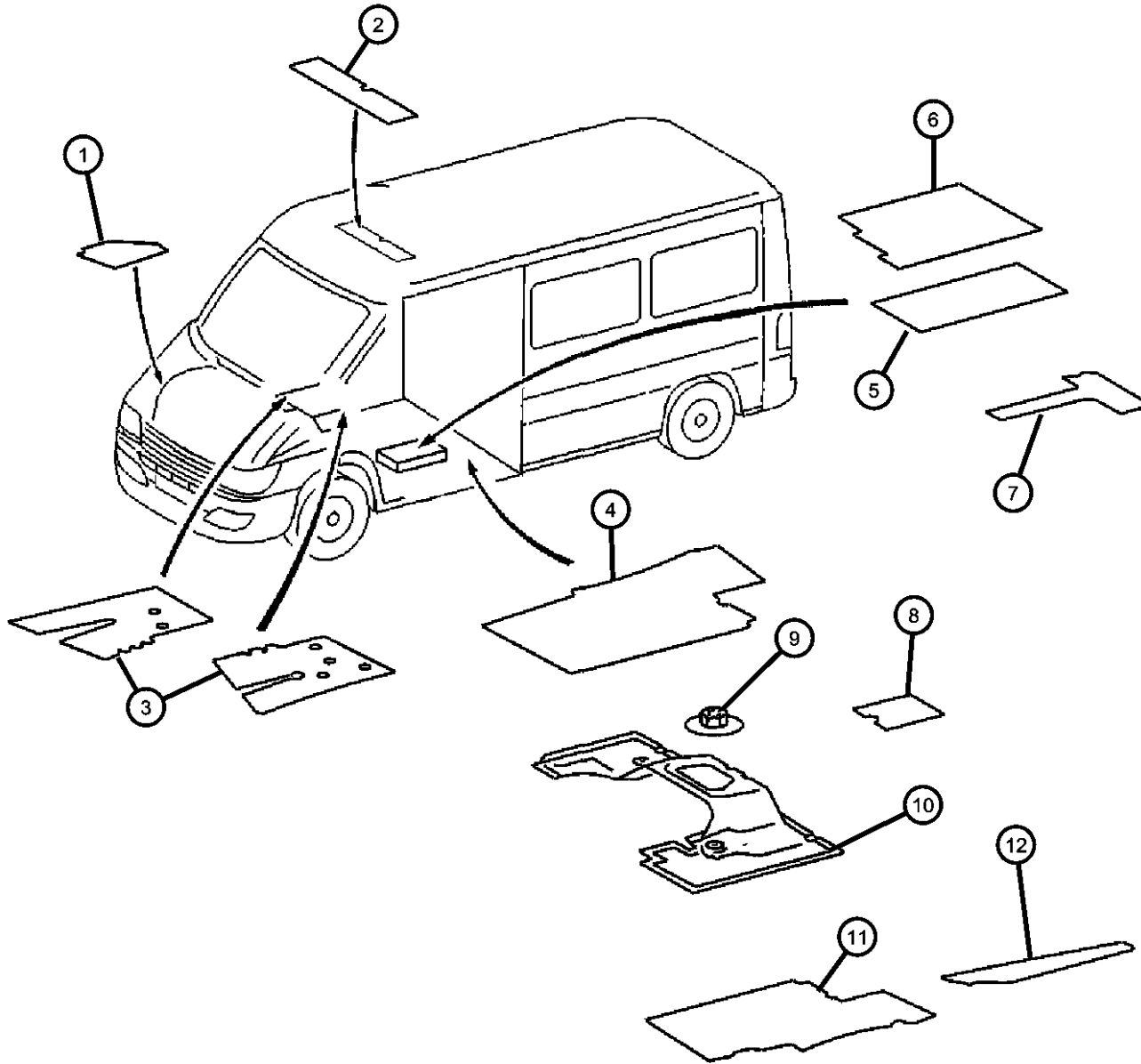
ITEM	PART NUMBER	QTY	LINE	SERIES	BODY	ENGINE	TRANS	TRIM	DESCRIPTION
8	05122471AA	1	2, 6	L	51, 52, 54, 55, 56				INSULATION, Floor
		1	2, 6	L	11, 12, 14, 15, 16				
		1	3, 7	L	12, 15, 16				
9	05122473AA	2	2, 6	L	51, 52, 54, 55, 56				FASTENER, Buttonhead
		2	2, 6	L	11, 12, 14, 15, 16				
		2	3, 7	L	12, 15, 16				
10	05125593AA	1	2, 6	L	51, 52, 54, 55, 56				INSULATION, Floor
		1	6, 2	L	11, 12, 14, 15, 16				
		1	3, 7	L	12, 15, 16				
11	05122476AA	1	2, 6	L	51, 52, 54, 55, 56				INSULATION, Floor
		1	2, 6	L	11, 12, 14, 15, 16				
		1	3, 7	L	12, 15, 16				
12	05122478AA	1	2, 6	L	51, 52, 54, 55, 56				INSULATION, Floor
		1	2, 6	L	11, 12, 14, 15, 16				
		1	3, 7	L	12, 15, 16				
	05122466AA	1	2, 6	L	11, 12, 14, 15, 16				INSULATION, Floor
		1	3, 7	L	12, 15, 16				

SPRINTER (VA)

SERIES	LINE	BODY	ENGINE	TRANSMISSION
L = LOWLINE	3 = HD DODGE 2WD 6 = Lt. Duty DODGE 4WD 2 = Med. Duty DODGE 2WD 7 = Med. Duty DODGE 4WD	01 = CHASSIS FORWARD CONTROL W.B.1 02 = CAB CHASSIS WHEEL BASE 2 06 = CAB CHASSIS WHEEL BASE 6 11 = VAN WHEEL BASE 1 12 = VAN WHEEL BASE 2 51 = WAGON WHEEL BASE 1 52 = WAGON WHEEL BASE 2 14 = VAN WHEEL BASE 4 15 = VAN WHEEL BASE 5 56 = WAGON WHEEL BASE 6 16 = VAN WHEEL BASE 6 54 = WAGON WHEEL BASE 4 55 = WAGON WHEEL BASE 5	EX9 = Engine-2.7L I5 Mercedes Turbo Diesel	DGJ = Transmission-5-Spd. Automatic, W5A580

AR = use ase required - = Non illustrated part

**Insulation Floor
Figure IVA-350**



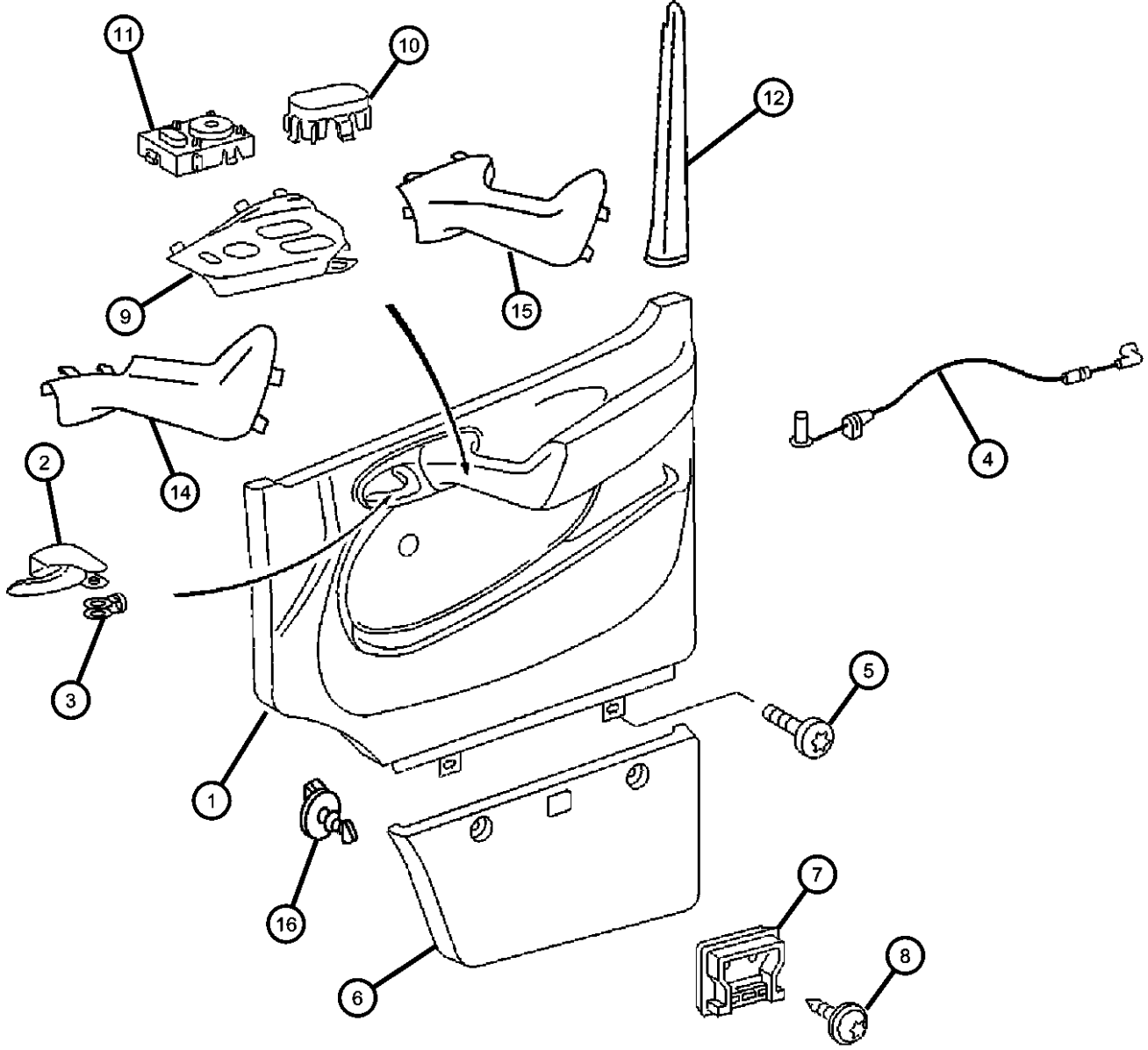
ITEM	PART NUMBER	QTY	LINE	SERIES	BODY	ENGINE	TRANS	TRIM	DESCRIPTION
-13		1	2, 6	L	51, 52, 54, 55, 56				INSULATION, Floor
	05122438AA	1	2, 6	L	11, 12, 14, 15, 16				With Wooden Floor & 140' & 158' Wheelbase
		1	2, 6	L	51, 52, 54, 55, 56				With Wooden Floor & 140' & 158' Wheelbase
		1	3, 7	L	12, 15, 16				With Wooden Floor & 140' & 158' Wheelbase
-14		1	2, 6	L	51, 52, 54, 55, 56				INSULATION, Floor
	05122467AA	1	2, 6	L	11, 12, 14, 15, 16				Entrance, Inside, Right
		1	2, 6	L	11, 12, 14, 15, 16				Entrance, Inside, Right
		1	3, 7	L	12, 15, 16				Entrance, Inside, Right
-15		1	2, 6	L	51, 52, 54, 55, 56				INSULATION, Floor
	05122470AA	1	2, 6	L	11, 12, 14, 15, 16				Seat Box, Right
		1	2, 6	L	11, 12, 14, 15, 16				Seat Box, Right
		1	3, 7	L	12, 15, 16				Seat Box, Right

SPRINTER (VA)

SERIES	LINE	BODY	ENGINE	TRANSMISSION
L = LOWLINE	3 = HD DODGE 2WD 6 = Lt. Duty DODGE 4WD 2 = Med. Duty DODGE 2WD 7 = Med. Duty DODGE 4WD	01 = CHASSIS FORWARD CONTROL W.B.1 02 = CAB CHASSIS WHEEL BASE 2 06 = CAB CHASSIS WHEEL BASE 6 11 = VAN WHEEL BASE 1 12 = VAN WHEEL BASE 2 51 = WAGON WHEEL BASE 1 52 = WAGON WHEEL BASE 2 14 = VAN WHEEL BASE 4 15 = VAN WHEEL BASE 5 56 = WAGON WHEEL BASE 6 16 = VAN WHEEL BASE 6 54 = WAGON WHEEL BASE 4 55 = WAGON WHEEL BASE 5	EX9 = Engine-2.7L I5 Mercedes Turbo Diesel	DGJ = Transmission-5-Spd. Automatic, W5A580

AR = use ase required - = Non illustrated part

Front Door Trim
Figure IVA-410

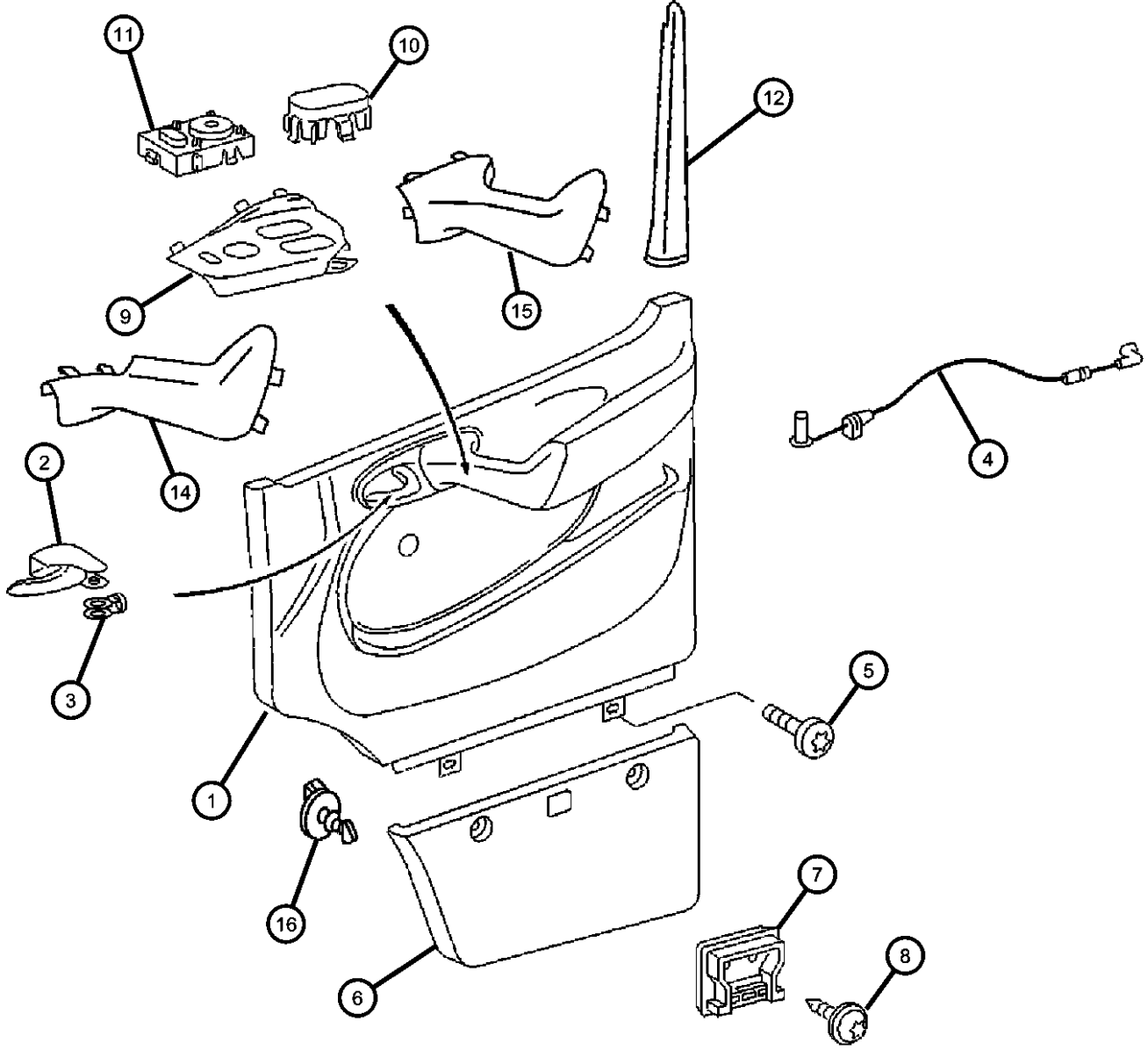


ITEM	PART NUMBER	QTY	LINE	SERIES	BODY	ENGINE	TRANS	TRIM	DESCRIPTION
1									PANEL, Front Door Trim
	05104340AA	1	2, 6	L	51, 52, 54, 55, 56				Without [JPA] Power Windows, Left
		1	3, 7	L	12, 15, 16				Without [JPA] Power Windows, Left
	05104344AA	1	2, 6	L	11, 12, 14, 15, 16				Without [JPA] Power Windows, Right
		1	2, 6	L	51, 52, 54, 55, 56				Without [JPA] Power Windows, Right
		1	3, 7	L	12, 15, 16				Without [JPA] Power Windows, Right
	05123742AA	1	2, 6	L	11, 12, 14, 15, 16				With [JPA] Power Windows, Left
		1	2, 6	L	51, 52, 54, 55, 56				With [JPA] Power Windows, Left
		1	3, 7	L	12, 15, 16				With [JPA] Power Windows, Left
	05123747AA	1	2, 6	L	11, 12, 14, 15, 16				With [JPA] Power Windows, Right
		1	2, 6	L	11, 12, 14, 15, 16				Without [JPA] Power Windows, Left
		1	2, 6	L	51, 52, 54, 55, 56				With [JPA] Power Windows, Right
		1	3, 7	L	12, 15, 16				With [JPA] Power Windows, Right
2									HANDLE, Door Interior
	05133988AA	1	2, 6	L	11, 12, 14, 15, 16				Left
		1	2, 6	L	51, 52, 54, 55, 56				Left
		1	3, 7	L	12, 15, 16				Left
	05133515AA	1	2, 6	L	11, 12, 14, 15, 16				Right
		1	2, 6	L	52, 54, 55, 56, 51				Right
		1	3, 7	L	12, 15, 16				Right
3									CLIP, Door Trim

SPRINTER (VA)
 SERIES LINE BODY ENGINE TRANSMISSION
 L = LOWLINE 3 = HD DODGE 2WD 01 = CHASSIS FORWARD EX9 = Engine-2.7L I5 DGJ = Transmission-5-Spd.
 6 = Lt. Duty DODGE 4WD CONTROL W.B.1 Mercedes Turbo Diesel Automatic,W5A580
 2 = Med. Duty DODGE 2WD 02 = CAB CHASSIS WHEEL
 7 = Med. Duty DODGE 4WD BASE 2 06 = CAB CHASSIS WHEEL
 BASE 6
 11 = VAN WHEEL BASE 1
 12 = VAN WHEEL BASE 2
 51 = WAGON WHEEL BASE 1
 52 = WAGON WHEEL BASE 2
 14 = VAN WHEEL BASE 4
 15 = VAN WHEEL BASE 5
 56 = WAGON WHEEL BASE 6
 16 = VAN WHEEL BASE 6
 54 = WAGON WHEEL BASE 4
 55 = WAGON WHEEL BASE 5

AR = use ase required - = Non illustrated part

Front Door Trim
Figure IVA-410

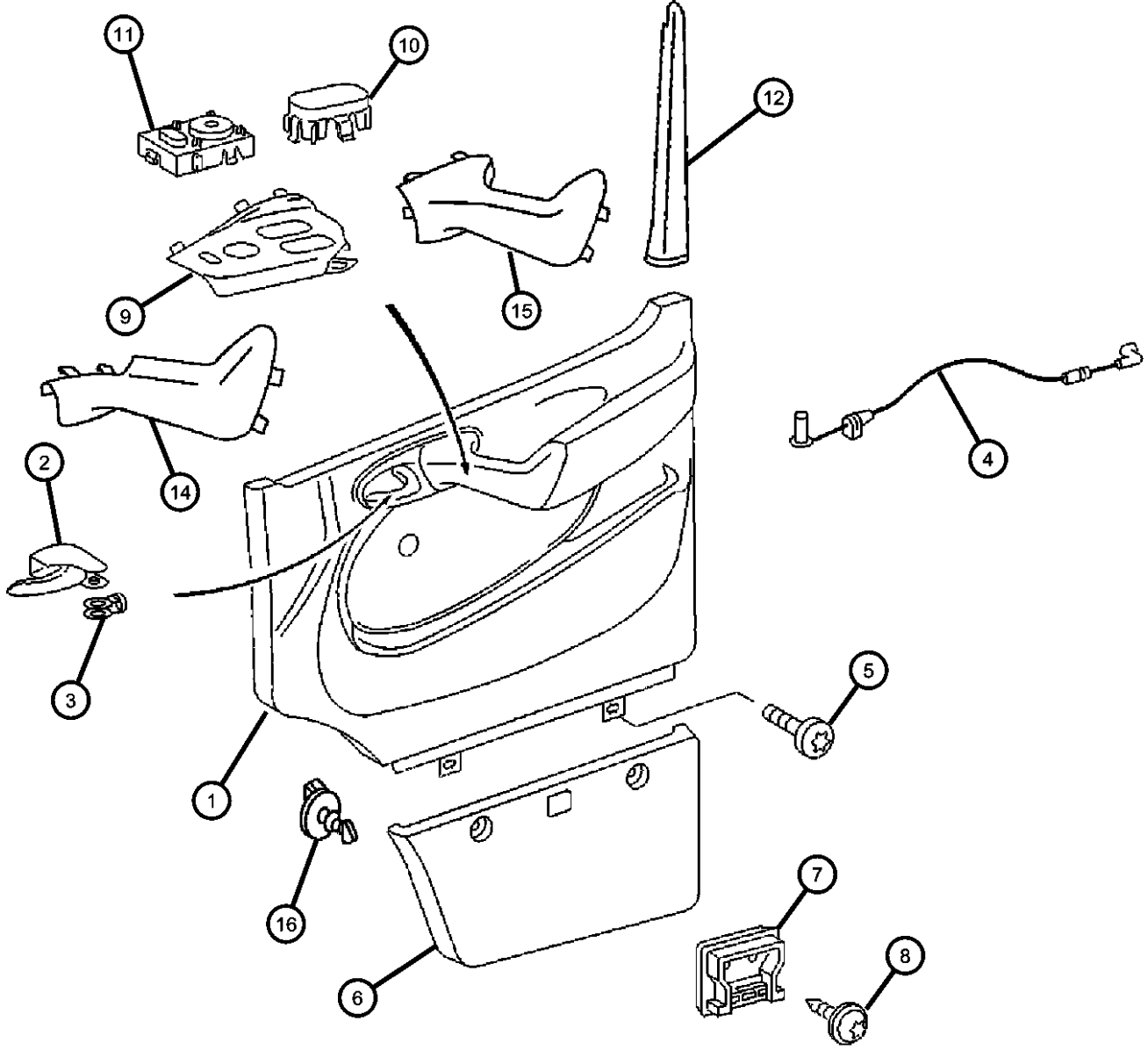


ITEM	PART NUMBER	QTY	LINE	SERIES	BODY	ENGINE	TRANS	TRIM	DESCRIPTION
	05133516AA	1	2, 6	L	11, 12, 14, 15, 16				Right
		1	2, 6	L	51, 52, 54, 55, 56				Right
	05133989AA	1	3, 7	L	12, 15, 16				Right
		1	2, 6	L	11, 12, 14, 15, 16				Left
		1	2, 6	L	55, 56, 51, 52, 54				Left
		1	3, 7	L	12, 15, 16				Left
4	05124069AA	1	2, 6	L	51, 52, 54, 55, 56				LINK, Door Latch Right
		1	3, 7	L	12, 15, 16				Right
	05124068AA	1	2, 6	L	11, 12, 14, 15, 16				Left
		1	2, 6	L	51, 52, 54, 55, 56				Left
		1	3, 7	L	12, 15, 16				Left
		1	2, 6	L	11, 12, 14, 15, 16				Right
5									SCREW
	06104142AA	2	2, 6	L	11, 12, 14, 15, 16				
		2	6, 2	L	51, 52, 54, 55, 56				
		2	3, 7	L	16, 12, 15				
6									COVER, Door Panel Left
	05104325AA	1	2, 6	L	11, 12, 14, 15, 16				Left
		1	2, 6	L	51, 52, 54, 55, 56				Left
		1	3, 7	L	12, 15, 16				Left
7									BEZEL, Door Trim Panel

SPRINTER (VA)
SERIES
 L = LOWLINE
LINE
 3 = HD DODGE 2WD
 6 = Lt. Duty DODGE 4WD
 2 = Med. Duty DODGE 2WD
 7 = Med. Duty DODGE 4WD
BODY
 01 = CHASSIS FORWARD CONTROL W.B.1
 02 = CAB CHASSIS WHEEL BASE 2
 06 = CAB CHASSIS WHEEL BASE 6
 11 = VAN WHEEL BASE 1
 12 = VAN WHEEL BASE 2
 51 = WAGON WHEEL BASE 1
 52 = WAGON WHEEL BASE 2
 14 = VAN WHEEL BASE 4
 15 = VAN WHEEL BASE 5
 56 = WAGON WHEEL BASE 6
 16 = VAN WHEEL BASE 6
 54 = WAGON WHEEL BASE 4
 55 = WAGON WHEEL BASE 5
ENGINE
 EX9 = Engine-2.7L I5
 Mercedes Turbo Diesel
TRANSMISSION
 DGJ = Transmission-5-Spd. Automatic, W5A580

AR = use ase required - = Non illustrated part

Front Door Trim
Figure IVA-410



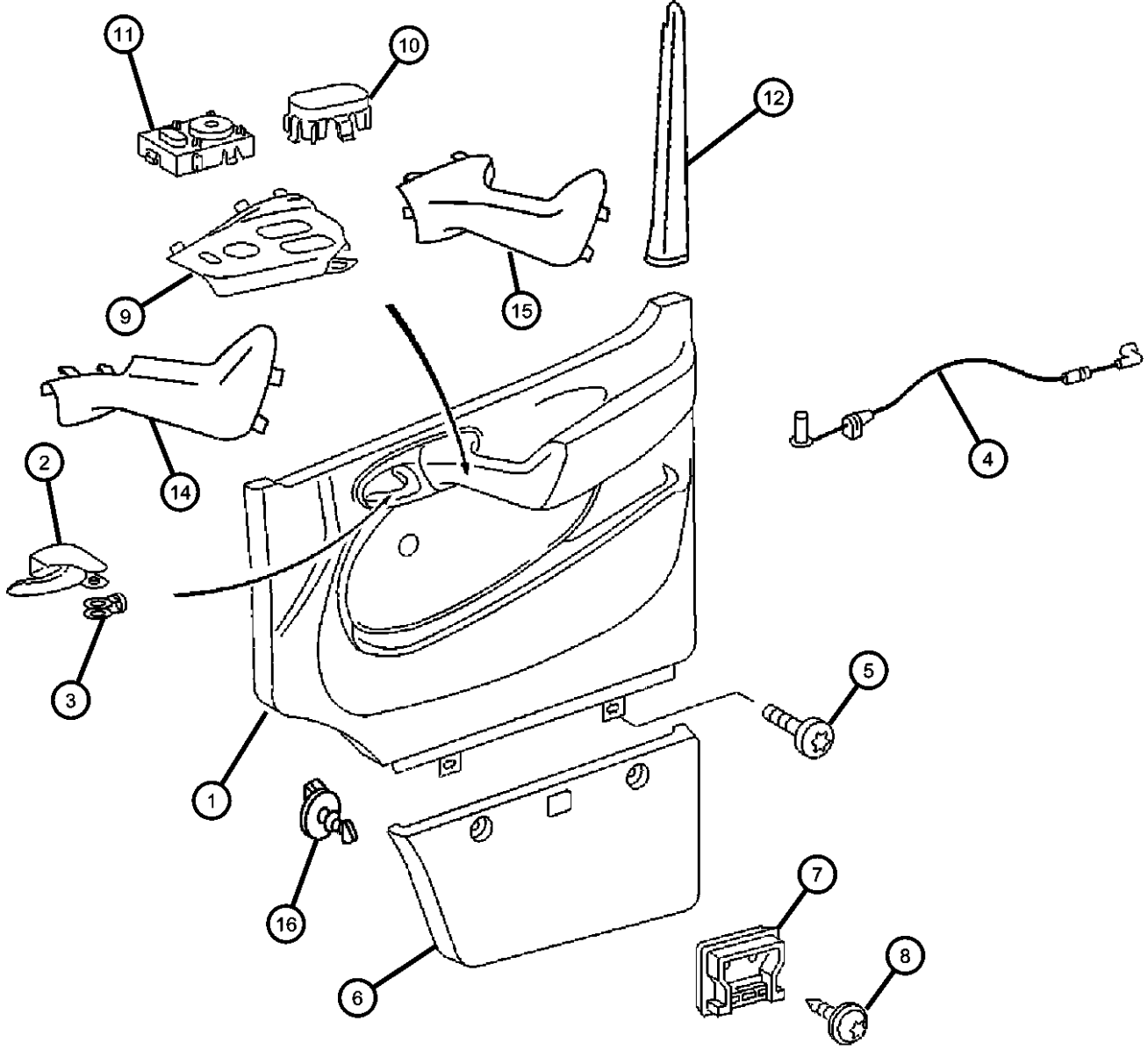
ITEM	PART NUMBER	QTY	LINE	SERIES	BODY	ENGINE	TRANS	TRIM	DESCRIPTION
	05123763AA	2	3, 7	L	12, 15, 16				
		2	2, 6	L	11, 12, 14, 15, 16				
		2	2, 6	L	51, 52, 54, 55, 56				
8									SCREW
	06104567AA	4	2, 6	L	11, 12, 14, 15, 16				
		4	2, 6	L	51, 52, 54, 55, 56				
		4	3, 7	L	12, 15, 16				
9									BEZEL, Power Window/Door Lock Switch
	05123790AA	1	2, 6	L	12, 14, 15, 11, 16				Left
	05123791AA	1	2, 6	L	11, 12, 14, 15, 16				Right
		1	2, 6	L	51, 52, 54, 55, 56				Right
		1	3, 7	L	12, 15, 16				Right
		1	2, 6	L	51, 52, 54, 55, 56				Left
		1	3, 7	L	12, 15, 16				Left
10									COVER, Switch
	05104354AA	2	2, 6	L	11, 12, 14, 15, 16				
		2	2, 6	L	51, 52, 54, 55, 56				
		2	3, 7	L	15, 16, 12				
11									SWITCH, Mirror
	05103845AA	1	2, 6	L	11, 12, 14, 15, 16				
		1	2, 6	L	51, 52, 54, 55, 56				
		1	3, 7	L	12, 15, 16				

SPRINTER (VA)

SERIES	LINE	BODY	ENGINE	TRANSMISSION
L = LOWLINE	3 = HD DODGE 2WD 6 = Lt. Duty DODGE 4WD 2 = Med. Duty DODGE 2WD 7 = Med. Duty DODGE 4WD	01 = CHASSIS FORWARD CONTROL W.B.1 02 = CAB CHASSIS WHEEL BASE 2 06 = CAB CHASSIS WHEEL BASE 6 11 = VAN WHEEL BASE 1 12 = VAN WHEEL BASE 2 51 = WAGON WHEEL BASE 1 52 = WAGON WHEEL BASE 2 14 = VAN WHEEL BASE 4 15 = VAN WHEEL BASE 5 56 = WAGON WHEEL BASE 6 16 = VAN WHEEL BASE 6 54 = WAGON WHEEL BASE 4 55 = WAGON WHEEL BASE 5	EX9 = Engine-2.7L I5 Mercedes Turbo Diesel	DGJ = Transmission-5-Spd. Automatic, W5A580

AR = use ase required - = Non illustrated part

Front Door Trim
Figure IVA-410



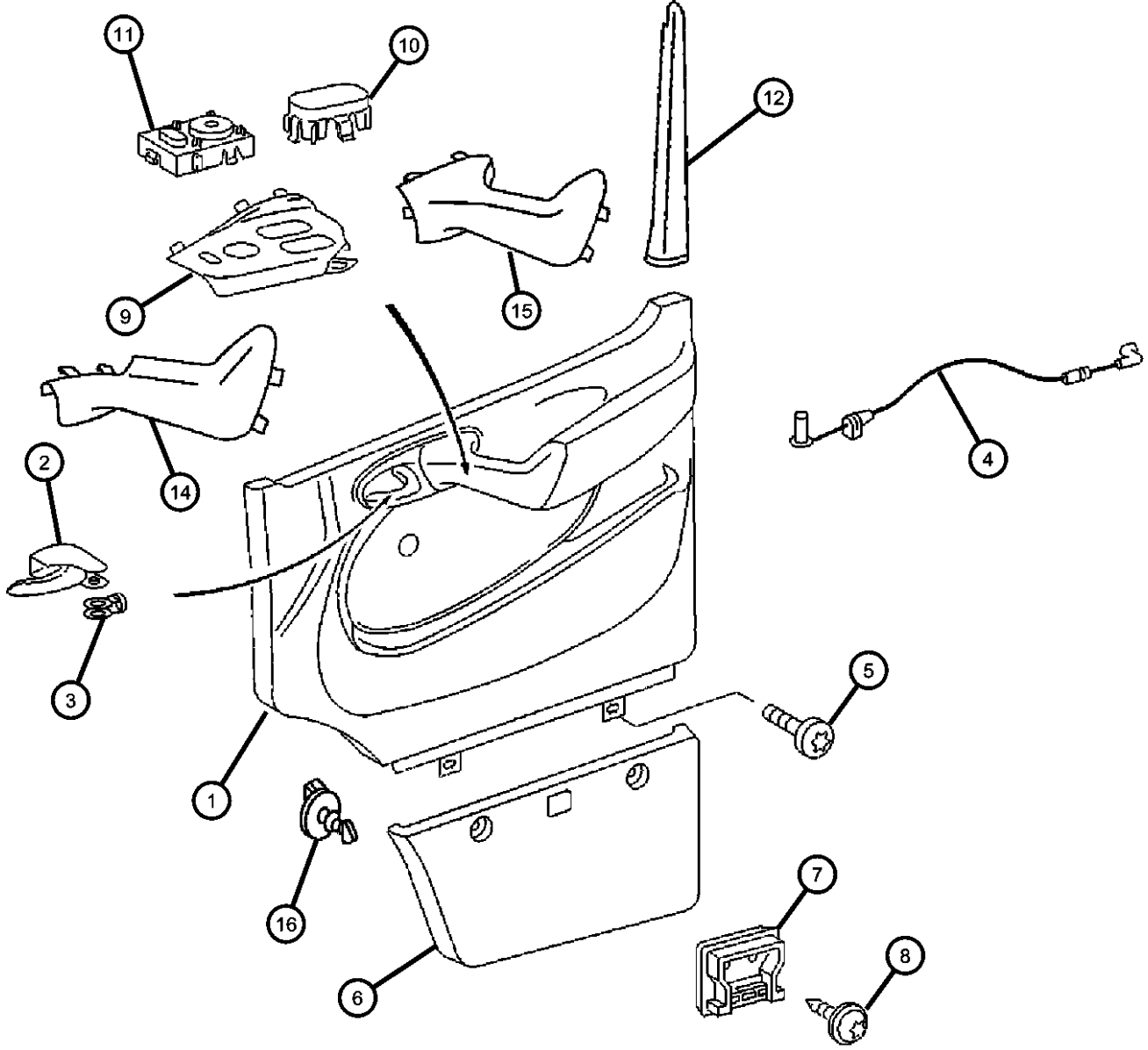
ITEM	PART NUMBER	QTY	LINE	SERIES	BODY	ENGINE	TRANS	TRIM	DESCRIPTION
12	05104322AA	1	2, 6	L	11, 12, 14, 15, 16				MOLDING, Front Door Closeout Left
		1	2, 6	L	51, 52, 54, 55, 56				Left
	05123738AA	1	3, 7	L	12, 15, 16				Left
		1	2, 6	L	11, 12, 14, 15, 16				Right
		1	2, 6	L	51, 52, 54, 55, 56				Right
		1	3, 7	L	12, 15, 16				Right
-13	06104897AA	6	2, 6	L	11, 12, 14, 15, 16				CLIP, Trim
		6	2, 6	L	51, 56, 52, 54, 55				
		6	3, 7	L	12, 15, 16				
14	05123788AA	1	2, 6	L	11, 12, 14, 15, 16				HANDLE, Door Interior With [JPA or GTB] Power Heated Mirrors, Left
	05123789AA	1	2, 6	L	51, 52, 54, 55, 56				With [JPA or GTB] Power Heated Mirrors, Right
		1	3, 7	L	12, 15, 16				With [JPA or GTB] Power Heated Mirrors, Right
		1	2, 6	L	51, 52, 54, 55, 56				With [JPA or GTB] Power Heated Mirrors, Left
		1	3, 7	L	12, 15, 16				With [JPA or GTB] Power Heated Mirrors, Left
		1	2, 6	L	11, 12, 14, 15, 16				With [JPA or GTB] Power Heated Mirrors, Right
15	05123786AA	1	2, 6	L	11, 12, 14, 15, 16				HANDLE, Door Interior Without [JPA] Power Heated Mirrors, Left
		1	2, 6	L	51, 52, 54, 55, 56				Without [JPA] Power Heated Mirrors, Left

SPRINTER (VA)

SERIES	LINE	BODY	ENGINE	TRANSMISSION
L = LOWLINE	3 = HD DODGE 2WD 6 = Lt. Duty DODGE 4WD 2 = Med. Duty DODGE 2WD 7 = Med. Duty DODGE 4WD	01 = CHASSIS FORWARD CONTROL W.B.1 02 = CAB CHASSIS WHEEL BASE 2 06 = CAB CHASSIS WHEEL BASE 6 11 = VAN WHEEL BASE 1 12 = VAN WHEEL BASE 2 51 = WAGON WHEEL BASE 1 52 = WAGON WHEEL BASE 2 14 = VAN WHEEL BASE 4 15 = VAN WHEEL BASE 5 56 = WAGON WHEEL BASE 6 16 = VAN WHEEL BASE 6 54 = WAGON WHEEL BASE 4 55 = WAGON WHEEL BASE 5	EX9 = Engine-2.7L I5 Mercedes Turbo Diesel	DGJ = Transmission-5-Spd. Automatic, W5A580

AR = use ase required - = Non illustrated part

Front Door Trim
Figure IVA-410



ITEM	PART NUMBER	QTY	LINE	SERIES	BODY	ENGINE	TRANS	TRIM	DESCRIPTION
		1	3, 7	L	12, 15, 16				Without [JPA] Power Heated Mirrors, Left
	05123787AA	1	2, 6	L	14, 15, 16, 11, 12				Without [JPA] Power Heated Mirrors, Right
		1	2, 6	L	51, 52, 54, 55, 56				Without [JPA] Power Heated Mirrors, Right
		1	3, 7	L	12, 15, 16				Without [JPA] Power Heated Mirrors, Right
16	05133517AA	1	2, 6	L	11, 12, 14, 15, 16				RETAINER, Trim Panel
		1	2, 6	L	51, 52, 54, 55, 56				
		1	3, 7	L	12, 15, 16				

SPRINTER (VA)

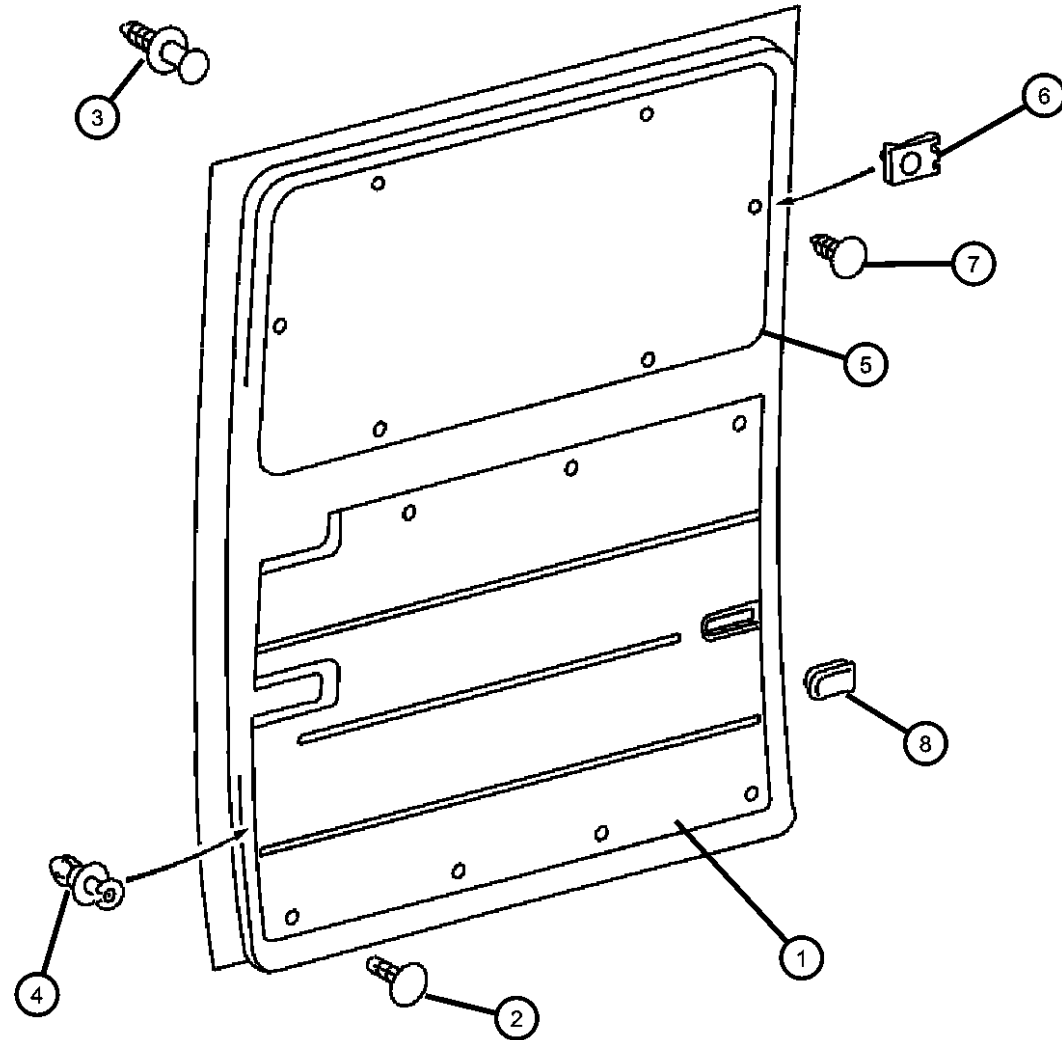
SERIES	LINE	BODY	ENGINE	TRANSMISSION
L = LOWLINE	3 = HD DODGE 2WD 6 = Lt. Duty DODGE 4WD 2 = Med. Duty DODGE 2WD 7 = Med. Duty DODGE 4WD	01 = CHASSIS FORWARD CONTROL W.B.1 02 = CAB CHASSIS WHEEL BASE 2 06 = CAB CHASSIS WHEEL BASE 6 11 = VAN WHEEL BASE 1 12 = VAN WHEEL BASE 2 51 = WAGON WHEEL BASE 1 52 = WAGON WHEEL BASE 2 14 = VAN WHEEL BASE 4 15 = VAN WHEEL BASE 5 56 = WAGON WHEEL BASE 6 16 = VAN WHEEL BASE 6 54 = WAGON WHEEL BASE 4 55 = WAGON WHEEL BASE 5	EX9 = Engine-2.7L I5 Mercedes Turbo Diesel	DGJ = Transmission-5-Spd. Automatic, W5A580

AR = use ase required - = Non illustrated part

**Sliding Door Trim
Figure IVA-420**

ITEM	PART NUMBER	QTY	LINE	SERIES	BODY	ENGINE	TRANS	TRIM	DESCRIPTION
------	-------------	-----	------	--------	------	--------	-------	------	-------------

Sales Codes:
 [4UW] = Interior Paneling Luxury
 [CMF] = Cargo Panels
 [GKA] = Right Sliding Door
 [GKE] = Left Sliding Door
 [GKG] = High Clearance



1									PANEL, Sliding Door Trim
	05104366AA	1	2, 6	L	51, 52, 54, 55, 56				With [GKA] Sliding Right Door
		1	2, 6	L	11, 12, 14, 15, 16				With [GKA] Sliding Right Door
		1	3, 7	L	12, 15, 16				With [GKA] Sliding Right Door
	05104367AA	1	2, 6	L	11, 12, 14, 15, 16				With [GKA] Sliding Right Door and [CMF] Cargo Panels
		1	3, 7	L	12, 15, 16				With [GKA] Sliding Right Door and [CMF] Cargo Panels
	05123841AA	1	2, 6	L	15, 16, 11, 12, 14				With [GKE] Sliding Left Door and [4UW] Interior Paneling Luxury
		1	2, 6	L	51, 52, 54, 55, 56				With [GKE] Sliding Left Door and [4UW] Interior Paneling Luxury
		1	3, 7	L	12, 15, 16				With [GKE] Sliding Left Door and [4UW] Interior Paneling Luxury
	05123845AA	1	2, 6	L	11, 12, 14, 15, 16				With [GKA] Sliding Right Door and [4UW] Interior Paneling Luxury
		1	2, 6	L	51, 52, 54, 55, 56				With [GKA] Sliding Right Door and [4UW] Interior Paneling Luxury
		1	3, 7	L	12, 15, 16				With [GKA] Sliding Right Door and [4UW] Interior Paneling Luxury
	05123875AA	1	2, 6	L	11, 12, 14, 15, 16				With [GKE] Sliding Left Door and [CMF] Full Laminated Wood
		1	3, 7	L	12, 15, 16				With [GKE] Sliding Left Door and [CMF] Full Laminated Wood
	05123877AA	1	2, 6	L	11, 12, 14, 15, 16				With [GKE] Sliding Left Door

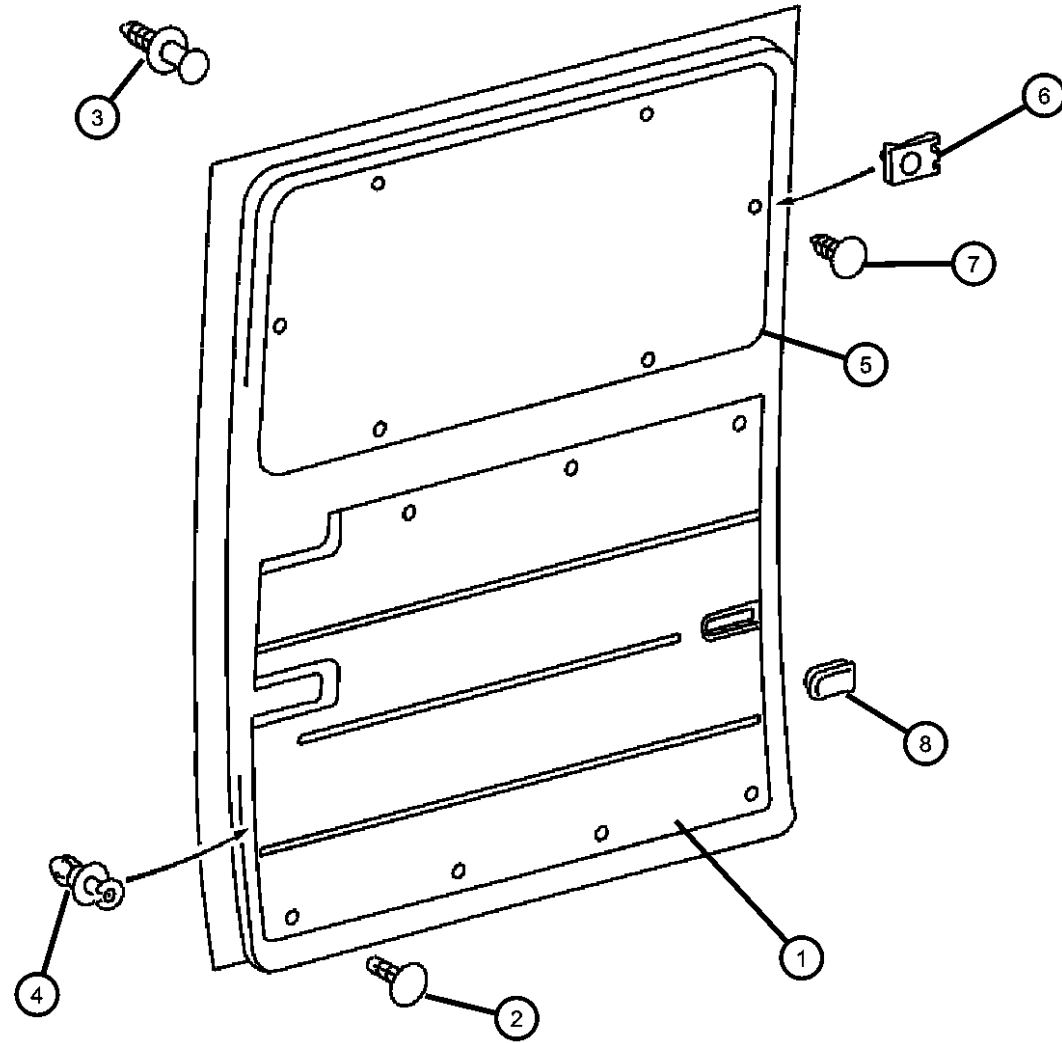
SPRINTER (VA)

SERIES	LINE	BODY	ENGINE	TRANSMISSION
L = LOWLINE	3 = HD DODGE 2WD 6 = Lt. Duty DODGE 4WD 2 = Med. Duty DODGE 2WD 7 = Med. Duty DODGE 4WD	01 = CHASSIS FORWARD CONTROL W.B.1 02 = CAB CHASSIS WHEEL BASE 2 06 = CAB CHASSIS WHEEL BASE 6 11 = VAN WHEEL BASE 1 12 = VAN WHEEL BASE 2 51 = WAGON WHEEL BASE 1 52 = WAGON WHEEL BASE 2 14 = VAN WHEEL BASE 4 15 = VAN WHEEL BASE 5 56 = WAGON WHEEL BASE 6 16 = VAN WHEEL BASE 6 54 = WAGON WHEEL BASE 4 55 = WAGON WHEEL BASE 5	EX9 = Engine-2.7L I5 Mercedes Turbo Diesel	DGJ = Transmission-5-Spd. Automatic, W5A580

AR = use ase required - = Non illustrated part

2002 VA

Sliding Door Trim
Figure IVA-420



ITEM	PART NUMBER	QTY	LINE	SERIES	BODY	ENGINE	TRANS	TRIM	DESCRIPTION
		1	2, 6	L	55, 56, 51, 52, 54				With [GKE] Sliding Left Door
		1	3, 7	L	12, 15, 16				With [GKE] Sliding Left Door
2	05103553AA	9	2, 6	L	11, 12, 14, 15, 16				PIN, Push
		9	2, 6	L	51, 52, 54, 55, 56				
		9	3, 7	L	12, 15, 16				
3	05103925AA	1	2, 6	L	14, 15, 16, 11, 12				PIN, Push
		1	2, 6	L	51, 52, 54, 55, 56				
		1	3, 7	L	12, 15, 16				
4	06104895AA	10	2, 6	L	11, 12, 14, 15, 16				PIN, Push
		10	7, 3	L	12, 15, 16				
		10	2, 6	L	51, 52, 54, 55, 56				
5	05123888AA	1	2, 6	L	11, 12, 14, 15, 16				PANEL, Cargo Door, Upper Right & Left
		1	3, 7	L	12, 15, 16				
6	05125859AA	10	2, 6	L	11, 12, 14, 15, 16				U-NUT
		10	3, 7	L	12, 15, 16				
7	05103818AA	10	2, 6	L	11, 12, 14, 15, 16				PIN, Push

SPRINTER (VA)

SERIES

L = LOWLINE

LINE

3 = HD DODGE 2WD
6 = Lt. Duty DODGE 4WD
2 = Med. Duty DODGE 2WD
7 = Med. Duty DODGE 4WD

BODY

01 = CHASSIS FORWARD CONTROL W.B.1
02 = CAB CHASSIS WHEEL BASE 2
06 = CAB CHASSIS WHEEL BASE 6
11 = VAN WHEEL BASE 1
12 = VAN WHEEL BASE 2
51 = WAGON WHEEL BASE 1
52 = WAGON WHEEL BASE 2
14 = VAN WHEEL BASE 4
15 = VAN WHEEL BASE 5
56 = WAGON WHEEL BASE 6
16 = VAN WHEEL BASE 6
54 = WAGON WHEEL BASE 4
55 = WAGON WHEEL BASE 5

ENGINE

EX9 = Engine-2.7L I5
Mercedes Turbo Diesel

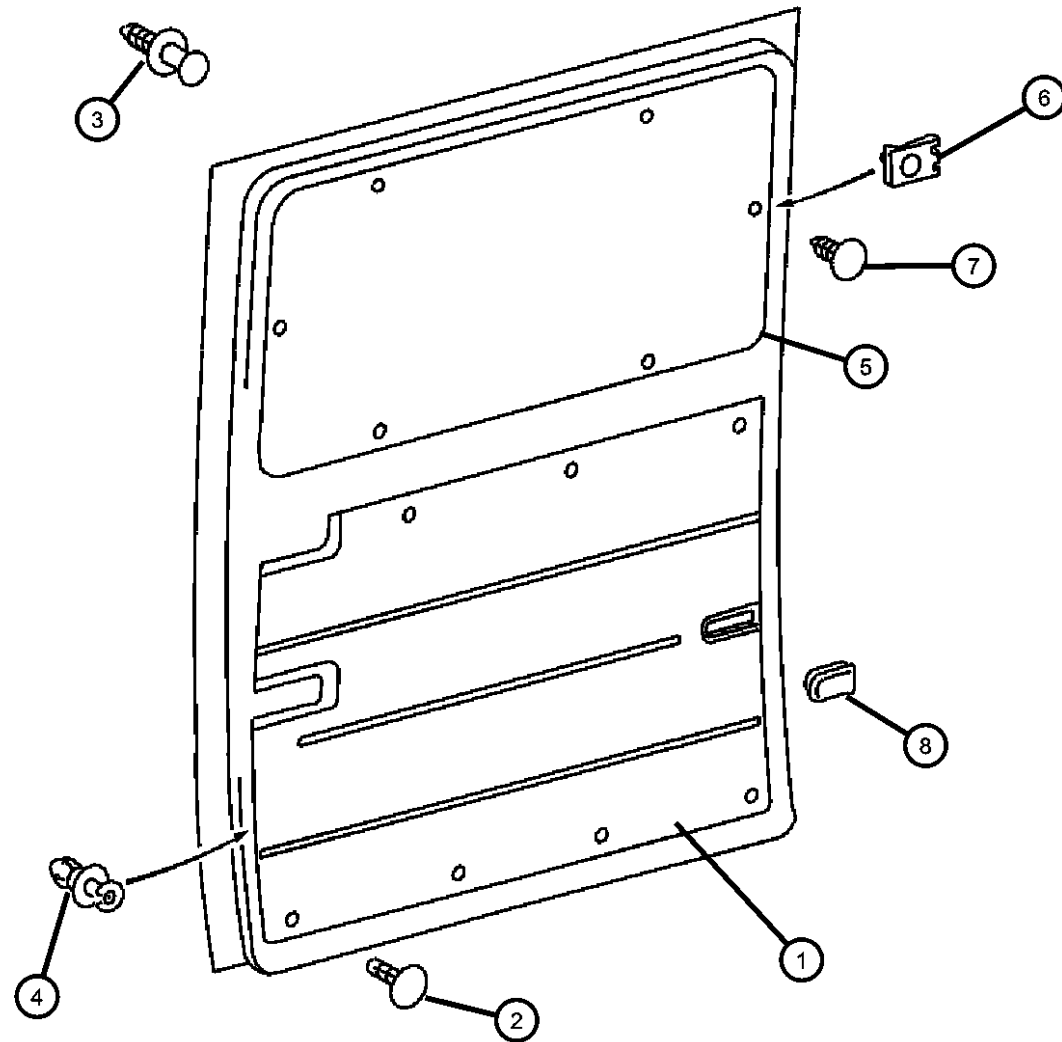
TRANSMISSION

DGJ = Transmission-5-Spd. Automatic, W5A580

AR = use ase required - = Non illustrated part

2002 VA

**Sliding Door Trim
Figure IVA-420**



ITEM	PART NUMBER	QTY	LINE	SERIES	BODY	ENGINE	TRANS	TRIM	DESCRIPTION
		10	3, 7	L	12, 15, 16				
8									PLUG, Access Hole
	05104365AA	1	2, 6	L	11, 12, 14, 15, 16				Without [GKG], High Clearance
		1	2, 6	L	55, 56, 51, 52, 54				Without [GKG], High Clearance
	05104588AA	1	3, 7	L	12, 15, 16				Without [GKG], High Clearance
		1	2, 6	L	14, 15, 16, 11, 12				With [GKG], High Clearance
		1	3, 7	L	12, 15, 16				With [GKG], High Clearance
-9									CATCH, Sliding Partition Door
	05104424AA	1	3, 7	L	12, 15, 16				Cargo Partition
		1	2, 6	L	11, 12, 14, 15, 16				Cargo Partition
-10									TAPPING PLATE, Side Door Lock
	05124110AA	2	2, 6	L	11, 12, 14, 15, 16				Striker
		2	2, 6	L	51, 52, 54, 55, 56				
		2	3, 7	L	12, 15, 16				

SPRINTER (VA)

SERIES

L = LOWLINE
 3 = HD DODGE 2WD
 6 = Lt. Duty DODGE 4WD
 2 = Med. Duty DODGE 2WD
 7 = Med. Duty DODGE 4WD

LINE

BODY

01 = CHASSIS FORWARD CONTROL W.B.1
 02 = CAB CHASSIS WHEEL BASE 2
 06 = CAB CHASSIS WHEEL BASE 6
 11 = VAN WHEEL BASE 1
 12 = VAN WHEEL BASE 2
 51 = WAGON WHEEL BASE 1
 52 = WAGON WHEEL BASE 2
 14 = VAN WHEEL BASE 4
 15 = VAN WHEEL BASE 5
 56 = WAGON WHEEL BASE 6
 16 = VAN WHEEL BASE 6
 54 = WAGON WHEEL BASE 4
 55 = WAGON WHEEL BASE 5

ENGINE

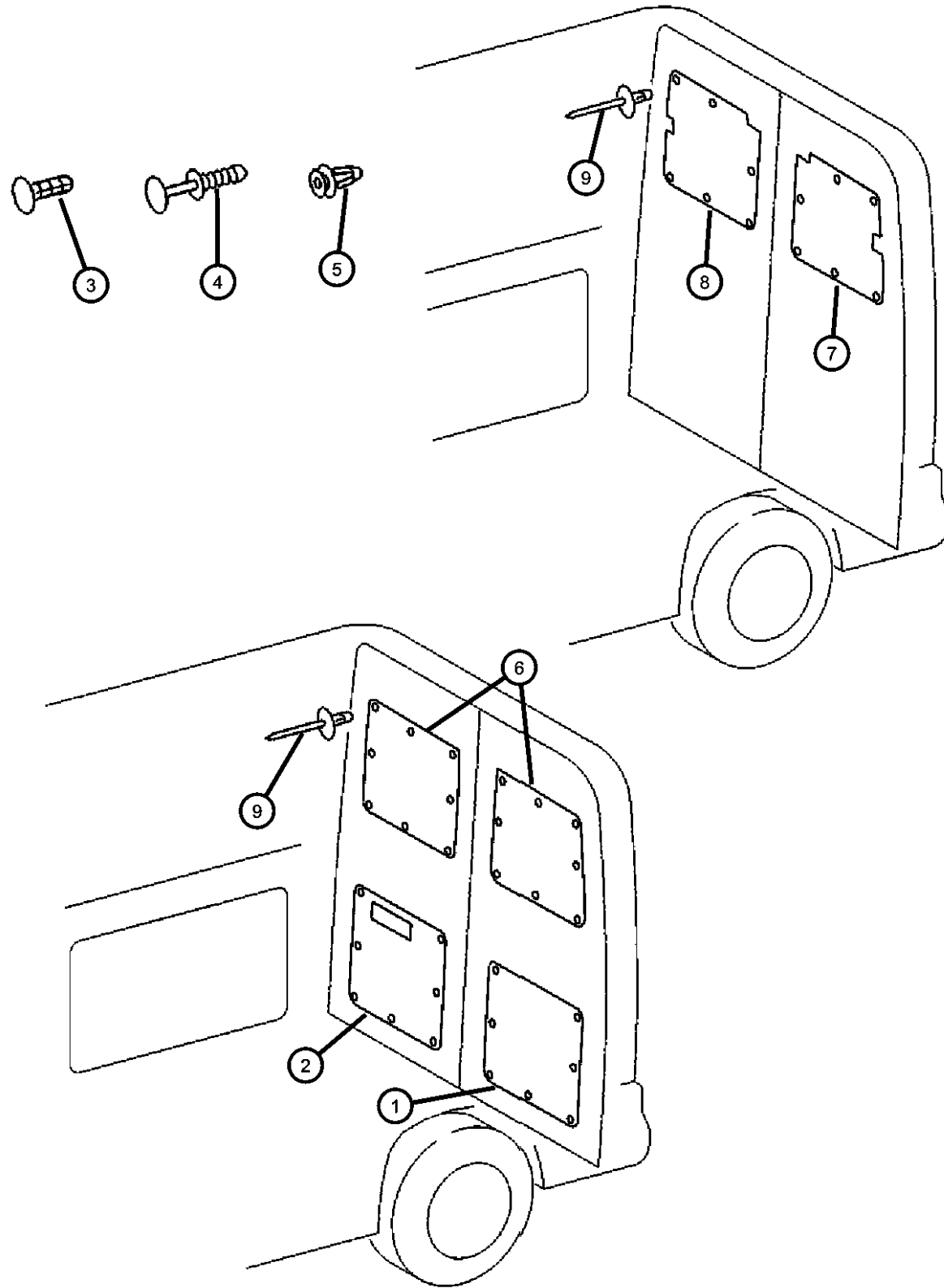
EX9 = Engine-2.7L I5
 Mercedes Turbo Diesel

TRANSMISSION

DGJ = Transmission-5-Spd. Automatic, W5A580

AR = use ase required - = Non illustrated part

Rear Dual Door Trim
Figure IVA-430



ITEM	PART NUMBER	QTY	LINE	SERIES	BODY	ENGINE	TRANS	TRIM	DESCRIPTION
1	05104395AA	1	2, 6	L	15, 16, 11, 12, 14				PANEL, Cargo Door, Left Hard Fiber
		1	2, 6	L	51, 52, 54, 55, 56				Hard Fiber
	05123950AA	1	3, 7	L	12, 15, 16				Hard Fiber
		1	2, 6	L	11, 12, 14, 15, 16				Fabric
		1	3, 7	L	12, 15, 16				Fabric
	05124024AA	1	2, 6	L	51, 52, 54, 55, 56				Fabric
		1	2, 6	L	11, 12, 14, 15, 16				Plywood
		1	3, 7	L	12, 15, 16				Plywood
2	05104396AA	1	2, 6	L	11, 12, 14, 15, 16				PANEL, Cargo Door, Right Hard Fiber
		1	2, 6	L	51, 52, 54, 55, 56				Hard Fiber
		1	3, 7	L	12, 15, 16				Hard Fiber
	05123953AA	1	2, 6	L	11, 12, 14, 15, 16				Fabric
		1	2, 6	L	51, 52, 54, 55, 56				Fabric
		1	3, 7	L	12, 15, 16				Fabric
	05124026AA	1	2, 6	L	11, 12, 14, 15, 16				Plywood
		1	3, 7	L	12, 15, 16				Plywood
3	05103553AA	7	2, 6	L	11, 12, 14, 15, 16				PIN, Push, White
		7	2, 6	L	51, 52, 54, 55, 56				
		7	3, 7	L	12, 15, 16				
4									PIN, Push

SPRINTER (VA)

SERIES

L = LOWLINE
3 = HD DODGE 2WD
6 = Lt. Duty DODGE 4WD
2 = Med. Duty DODGE 2WD
7 = Med. Duty DODGE 4WD

BODY

01 = CHASSIS FORWARD CONTROL W.B.1
02 = CAB CHASSIS WHEEL BASE 2
06 = CAB CHASSIS WHEEL BASE 6
11 = VAN WHEEL BASE 1
12 = VAN WHEEL BASE 2
51 = WAGON WHEEL BASE 1
52 = WAGON WHEEL BASE 2
14 = VAN WHEEL BASE 4
15 = VAN WHEEL BASE 5
56 = WAGON WHEEL BASE 6
16 = VAN WHEEL BASE 6
54 = WAGON WHEEL BASE 4
55 = WAGON WHEEL BASE 5

ENGINE

EX9 = Engine-2.7L I5
Mercedes Turbo Diesel

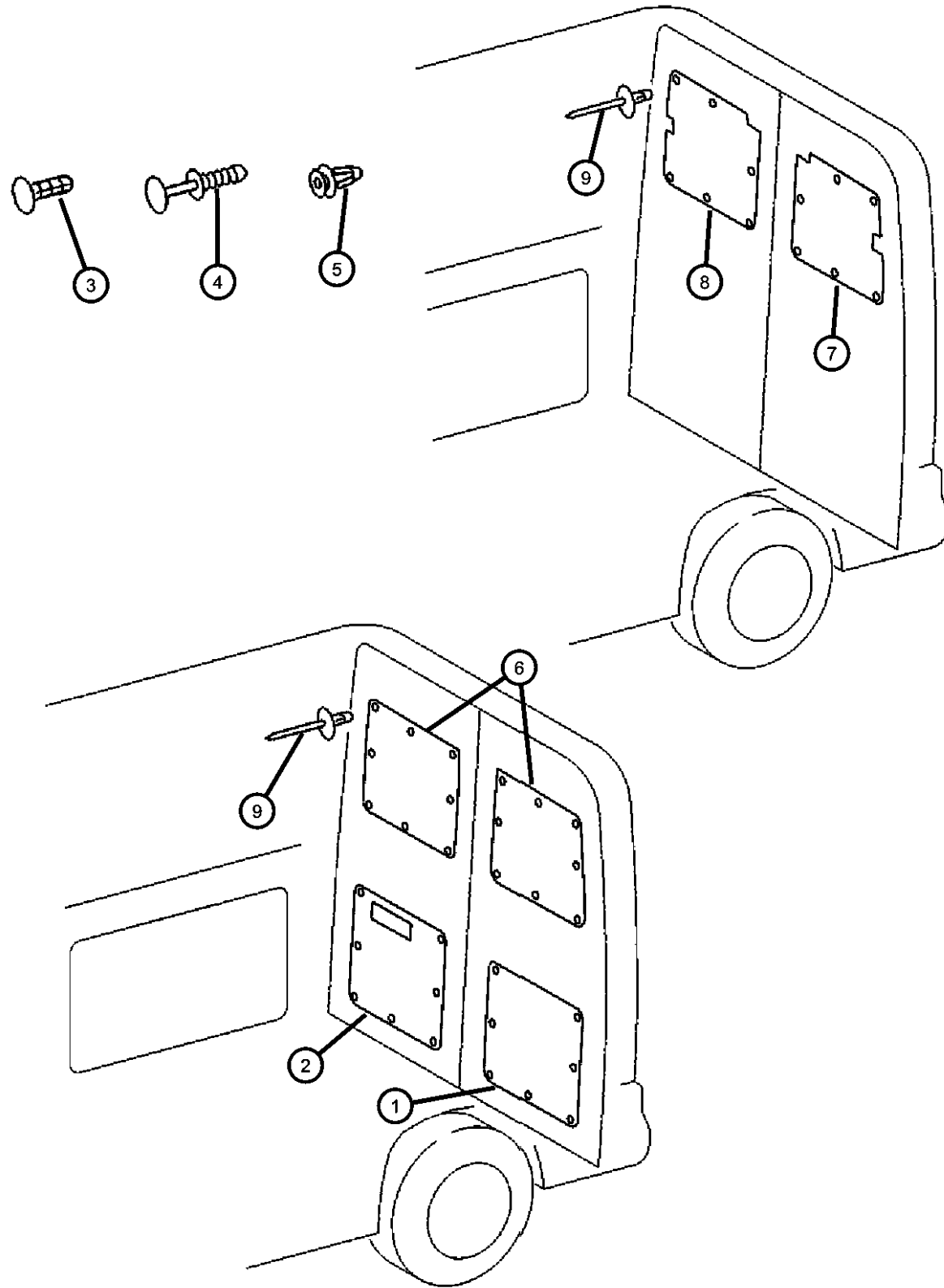
TRANSMISSION

DGJ = Transmission-5-Spd. Automatic, W5A580

AR = use ase required - = Non illustrated part

2002 VA

Rear Dual Door Trim
Figure IVA-430



ITEM	PART NUMBER	QTY	LINE	SERIES	BODY	ENGINE	TRANS	TRIM	DESCRIPTION
	05103925AA	1	2, 6	L	11, 12, 14, 15, 16				
		1	2, 6	L	51, 52, 54, 55, 56				
		1	3, 7	L	12, 15, 16				
5									PIN, Push
	06104895AA	7	2, 6	L	51, 52, 54, 55, 56				
		7	3, 7	L	12, 15, 16				
		7	2, 6	L	11, 12, 14, 15, 16				
6									PANEL, Cargo Door, Right & Left Right & Left
	05124035AA	1	2, 6	L	11, 12, 14, 15, 16				
		1	3, 7	L	12, 15, 16				
7									PANEL, Cargo Door, Left
	05104397AA	1	2, 6	L	16, 11, 12, 14, 15				
		1	3, 7	L	12, 15, 16				
8									PANEL, Cargo Door, Right
	05104398AA	1	6, 2	L	11, 12, 14, 15, 16				
		1	3, 7	L	12, 15, 16				
9									RIVET
	06104865AA	AR	3, 7	L	12, 15, 16				
		AR	2, 6	L	11, 12, 14, 15, 16				
		AR	2, 6	L	51, 52, 54, 55, 56				

SPRINTER (VA)

SERIES

L = LOWLINE

LINE

3 = HD DODGE 2WD
6 = Lt. Duty DODGE 4WD
2 = Med. Duty DODGE 2WD
7 = Med. Duty DODGE 4WD

BODY

01 = CHASSIS FORWARD CONTROL W.B.1
02 = CAB CHASSIS WHEEL BASE 2
06 = CAB CHASSIS WHEEL BASE 6
11 = VAN WHEEL BASE 1
12 = VAN WHEEL BASE 2
51 = WAGON WHEEL BASE 1
52 = WAGON WHEEL BASE 2
14 = VAN WHEEL BASE 4
15 = VAN WHEEL BASE 5
56 = WAGON WHEEL BASE 6
16 = VAN WHEEL BASE 6
54 = WAGON WHEEL BASE 4
55 = WAGON WHEEL BASE 5

ENGINE

EX9 = Engine-2.7L I5
Mercedes Turbo Diesel

TRANSMISSION

DGJ = Transmission-5-Spd. Automatic, W5A580

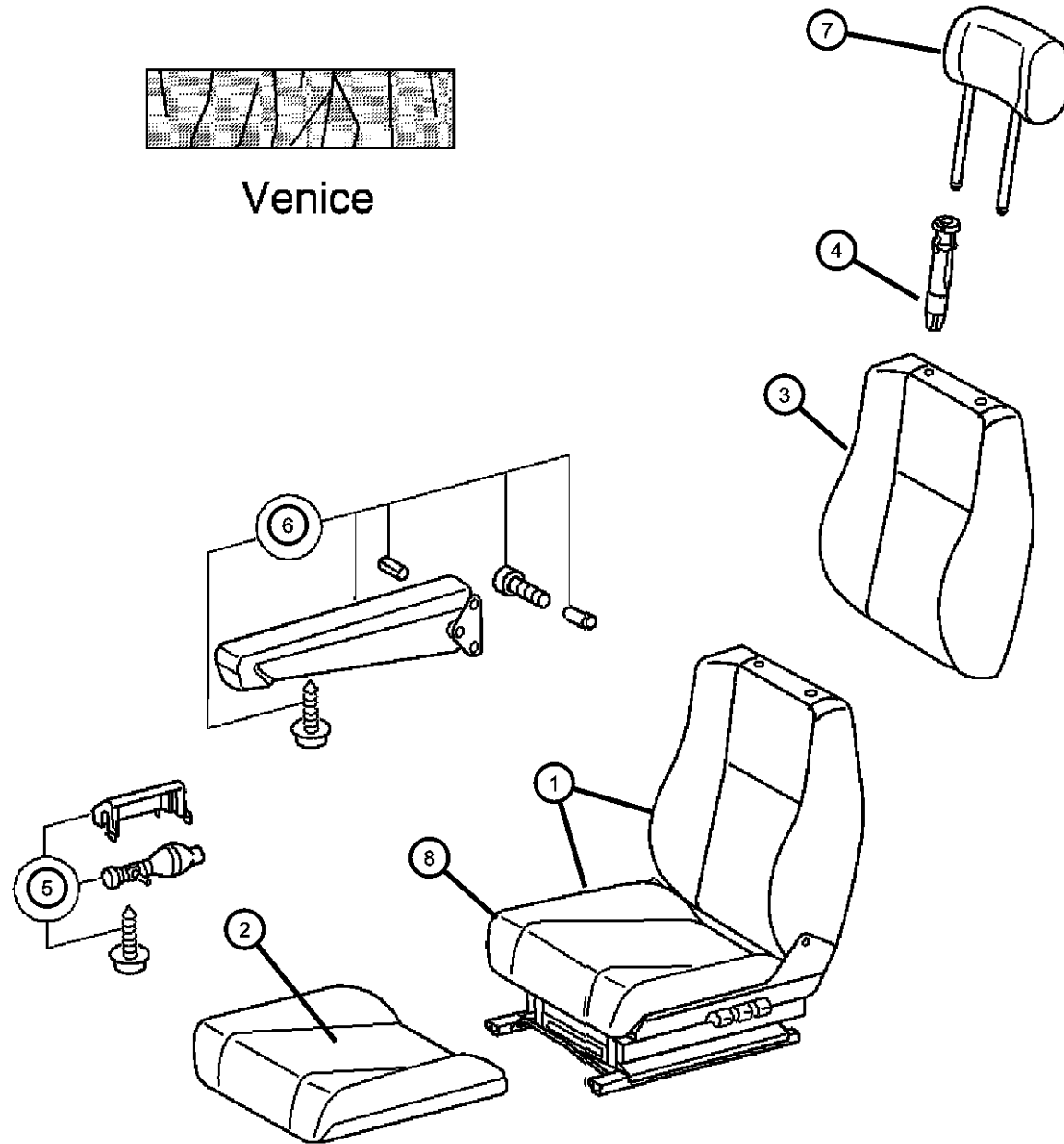
AR = use ase required - = Non illustrated part

2002 VA

Front Seat - Venice
Figure IVA-510



Venice



ITEM	PART NUMBER	QTY	LINE	SERIES	BODY	ENGINE	TRANS	TRIM	DESCRIPTION
1									SEAT COMPLETE, Front
	05126975AA	1	6, 2	L	51, 52, 54, 55, 56				Heated, Left
		1	3, 7	L	12, 15, 16				Heated, Left
	05126982AA	1	2, 6	L	11, 12, 14, 15, 16				Comfort Seat, Left
	05126970AA	1	2, 6	L	11, 12, 14, 15, 16				Auxiliary Seat, Right
		1	2, 6	L	51, 52, 54, 55, 56				Auxiliary Seat, Right
		1	3, 7	L	12, 15, 16				Auxiliary Seat, Right
		1	2, 6	L	11, 12, 14, 15, 16				Heated, Left
	05126985AA	1	2, 6	L	51, 52, 54, 55, 56				Heated Comfort Seat, Left
		1	3, 7	L	12, 15, 16				Heated Comfort Seat, Left
	05126986AA	1	2, 6	L	11, 12, 14, 15, 16				Comfort Seat, Right
		1	2, 6	L	51, 52, 54, 55, 56				Comfort Seat, Left
		1	3, 7	L	12, 15, 16				Comfort Seat, Left
		1	2, 6	L	11, 12, 14, 15, 16				Heated Comfort Seat, Left
		1	2, 6	L	51, 52, 54, 55, 56				Comfort Seat, Right
	05126989AA	1	3, 7	L	12, 15, 16				Comfort Seat, Right
		1	2, 6	L	11, 12, 14, 15, 16				Heated, Right
		1	2, 6	L	51, 52, 54, 55, 56				Heated, Right
	05133017AA	1	3, 7	L	12, 15, 16			*A7	
		1	3, 7	L	12, 15, 16				Heated, Right
		1	2, 6	L	11, 12, 14, 15, 16			*A7	
		1	2, 6	L	51, 52, 54, 55, 56			*A7	

SPRINTER (VA)

SERIES

L = LOWLINE
3 = HD DODGE 2WD
6 = Lt. Duty DODGE 4WD
2 = Med. Duty DODGE 2WD
7 = Med. Duty DODGE 4WD

BODY

01 = CHASSIS FORWARD CONTROL W.B.1
02 = CAB CHASSIS WHEEL BASE 2
06 = CAB CHASSIS WHEEL BASE 6
11 = VAN WHEEL BASE 1
12 = VAN WHEEL BASE 2
51 = WAGON WHEEL BASE 1
52 = WAGON WHEEL BASE 2
14 = VAN WHEEL BASE 4
15 = VAN WHEEL BASE 5
56 = WAGON WHEEL BASE 6
16 = VAN WHEEL BASE 6
54 = WAGON WHEEL BASE 4
55 = WAGON WHEEL BASE 5

ENGINE

EX9 = Engine-2.7L I5
Mercedes Turbo Diesel

TRANSMISSION

DGJ = Transmission-5-Spd. Automatic, W5A580

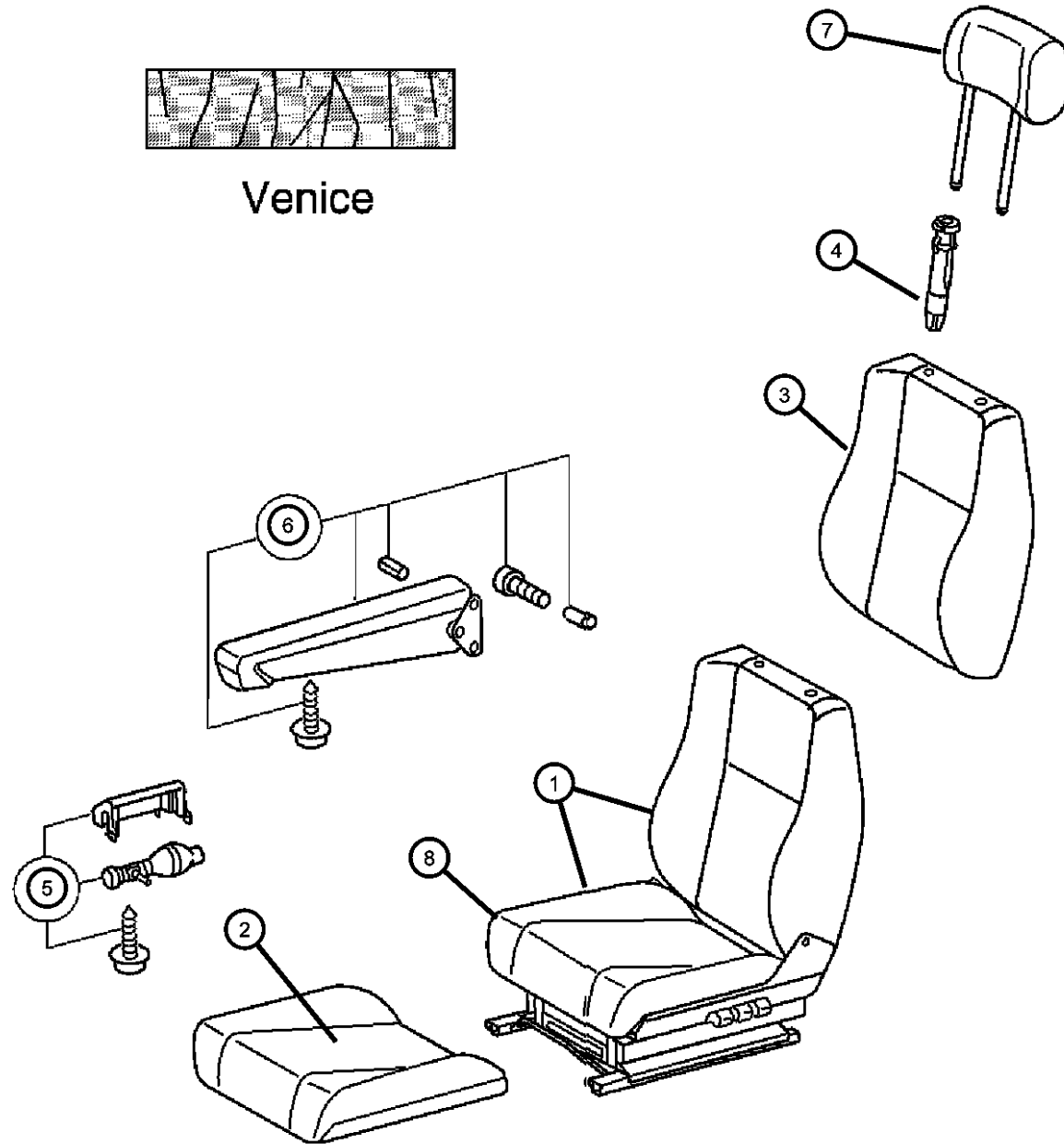
AR = use ase required - = Non illustrated part

2002 VA

Front Seat - Venice
Figure IVA-510



Venice



ITEM	PART NUMBER	QTY	LINE	SERIES	BODY	ENGINE	TRANS	TRIM	DESCRIPTION
2	05139920AA	1	2, 3, 6, 7	L					CUSHION, Front Seat, Driver
3	05103777AA	1						*00	BACK, Front Seat Right
	05139353AA	1							Without [CDD], Left
4	05125318AA	2	2, 6	L	11, 12, 14, 15, 16				SLEEVE, Headrest
		2	2, 6	L	51, 52, 54, 55, 56				
		2	3, 7	L	12, 15, 16				
5	05127631AA	1	2, 6	L	11, 12, 14, 15, 16				PUMP, Lumbar Support
		1	2, 6	L	51, 52, 54, 55, 56				
6	05103711AA	1	2, 6	L	51, 52, 54, 55, 56				ARMREST, Seat With Mounting Hardware, Right
	05103710AA	1	2, 6	L	11, 12, 14, 15, 16				With Mounting Hardware, Left
		1	2, 6	L	51, 52, 54, 55, 56				With Mounting Hardware, Left
		1	2, 6	L	11, 12, 14, 15, 16				With Mounting Hardware, Right
7	05125368AA	3	2, 6	L	11, 12, 14, 15, 16				HEADREST Venice
		1	2, 6	L	51, 52, 54, 55, 56				Venice
8	05133015AA	1	2, 6	L	11, 12, 14, 15, 16				SEAT Single Seat, Drivers Side
		1	2, 6	L	51, 52, 54, 55, 56				Single Seat, Drivers Side

SPRINTER (VA)

SERIES
L = LOWLINE

LINE

3 = HD DODGE 2WD
6 = Lt. Duty DODGE 4WD
2 = Med. Duty DODGE 2WD
7 = Med. Duty DODGE 4WD

BODY

01 = CHASSIS FORWARD CONTROL W.B.1
02 = CAB CHASSIS WHEEL BASE 2
06 = CAB CHASSIS WHEEL BASE 6
11 = VAN WHEEL BASE 1
12 = VAN WHEEL BASE 2
51 = WAGON WHEEL BASE 1
52 = WAGON WHEEL BASE 2
14 = VAN WHEEL BASE 4
15 = VAN WHEEL BASE 5
56 = WAGON WHEEL BASE 6
16 = VAN WHEEL BASE 6
54 = WAGON WHEEL BASE 4
55 = WAGON WHEEL BASE 5

ENGINE

EX9 = Engine-2.7L I5
Mercedes Turbo Diesel

TRANSMISSION

DGJ = Transmission-5-Spd. Automatic, W5A580

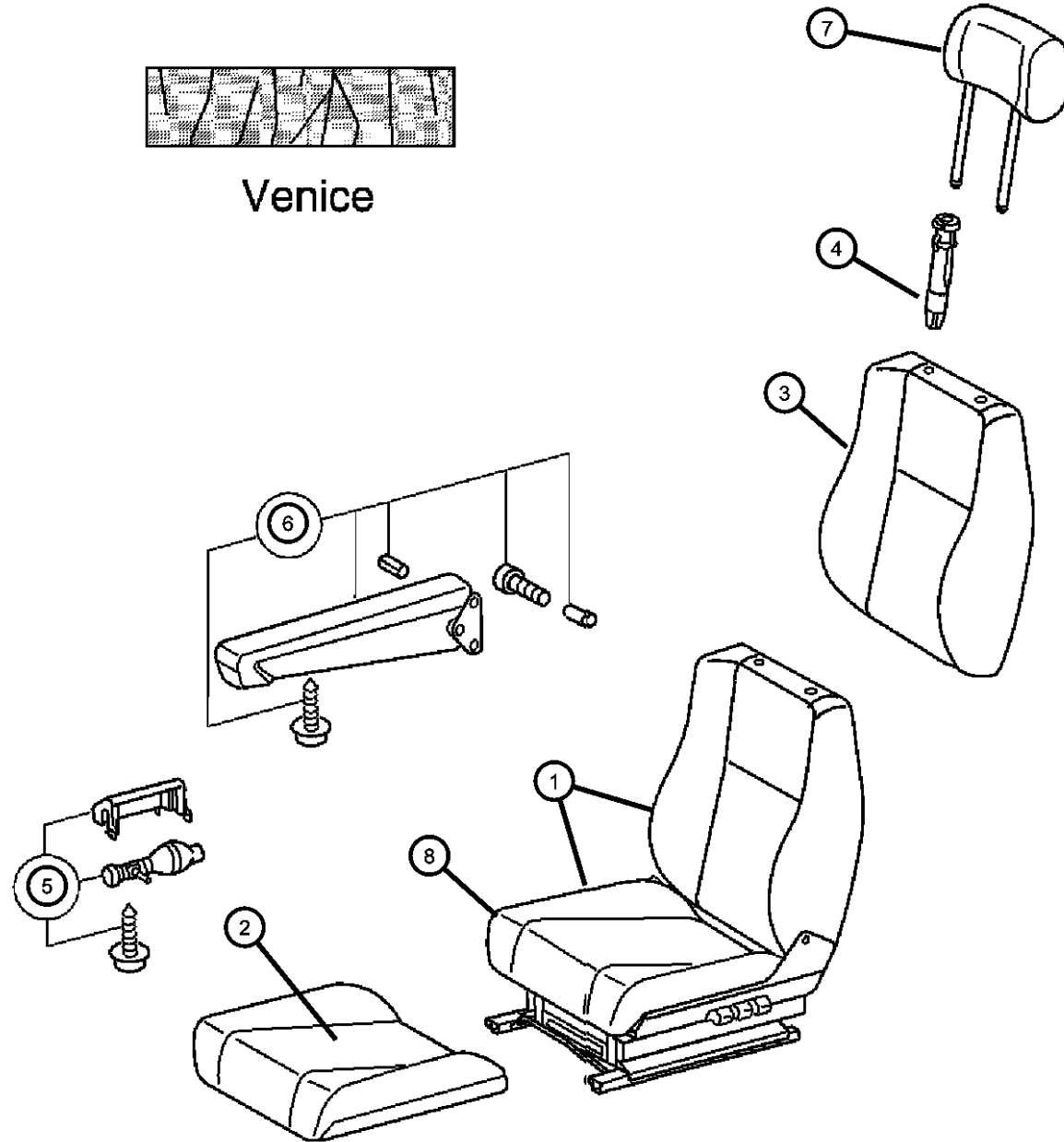
AR = use ase required - = Non illustrated part

2002 VA

Front Seat - Venice
Figure IVA-510



Venice



ITEM	PART NUMBER	QTY	LINE	SERIES	BODY	ENGINE	TRANS	TRIM	DESCRIPTION
		1	3, 7	L	12, 15, 16				Single Seat, Drivers Side
	05133017AA	1	2, 6	L	11, 12, 14, 15, 16				Standard Seat, Left
		1	2, 6	L	51, 52, 54, 55, 56				Standard Seat, Left
	05133020AA	1	3, 7	L	12, 15, 16				Standard Seat, Left
		1	6, 2	L	11, 12, 14, 15, 16				Standard Seat - Heated, Left
		1	2, 6	L	51, 52, 54, 55, 56				Standard Seat - Heated, Left
	05133025AA	1	2, 6	L	11, 12, 14, 15, 16				Comfort Seat, Left
		1	2, 6	L	51, 52, 54, 55, 56				Comfort Seat, Left
	05133028AA	1	3, 7	L	12, 15, 16				Standard Seat - Heated, Left
		1	2, 6	L	11, 12, 14, 15, 16				Comfort Seat - Heated, Left
		1	2, 6	L	51, 52, 54, 55, 56				Comfort Seat - Heated, Left
	05133029AA	1	3, 7	L	12, 15, 16				Comfort Seat, Left
		1	2, 6	L	51, 52, 54, 55, 56				Comfort Seat, Right
		1	3, 7	L	12, 15, 16				Comfort Seat, Right
		1	3, 7	L	12, 15, 16				Comfort Seat - Heated, Left
		1	2, 6	L	11, 12, 14, 15, 16				Comfort Seat, Right
	05133032AA	1	2, 6	L	11, 12, 14, 15, 16				Comfort Seat - Heated, Right
		1	2, 6	L	51, 52, 54, 55, 56				Comfort Seat - Heated, Right
		1	3, 7	L	12, 15, 16				Comfort Seat - Heated, Right

SPRINTER (VA)

SERIES

L = LOWLINE
 3 = HD DODGE 2WD
 6 = Lt. Duty DODGE 4WD
 2 = Med. Duty DODGE 2WD
 7 = Med. Duty DODGE 4WD

BODY

01 = CHASSIS FORWARD CONTROL W.B.1
 02 = CAB CHASSIS WHEEL BASE 2
 06 = CAB CHASSIS WHEEL BASE 6
 11 = VAN WHEEL BASE 1
 12 = VAN WHEEL BASE 2
 51 = WAGON WHEEL BASE 1
 52 = WAGON WHEEL BASE 2
 14 = VAN WHEEL BASE 4
 15 = VAN WHEEL BASE 5
 56 = WAGON WHEEL BASE 6
 16 = VAN WHEEL BASE 6
 54 = WAGON WHEEL BASE 4
 55 = WAGON WHEEL BASE 5

ENGINE

EX9 = Engine-2.7L I5
 Mercedes Turbo Diesel

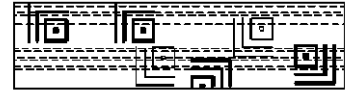
TRANSMISSION

DGJ = Transmission-5-Spd. Automatic, W5A580

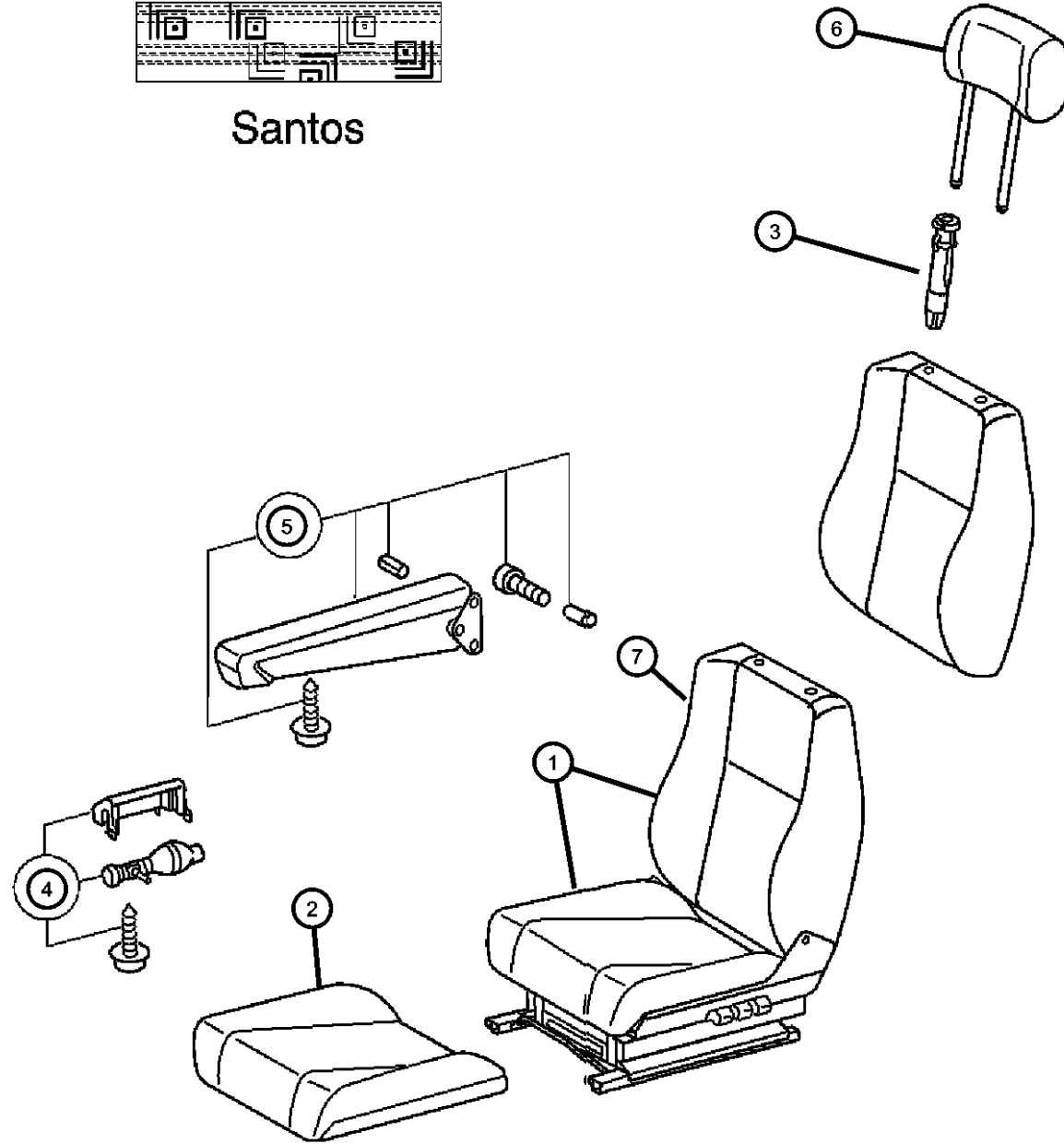
AR = use ase required - = Non illustrated part

2002 VA

Front Seat - Santos
Figure IVA-515



Santos



ITEM	PART NUMBER	QTY	LINE	SERIES	BODY	ENGINE	TRANS	TRIM	DESCRIPTION
1									SEAT COMPLETE, Front
	05126970AA	1	2, 6	L	11, 12, 14, 15, 16				Auxiliary, Right
		1	2, 6	L	51, 52, 54, 55, 56				Auxiliary, Right
		1	3, 7	L	12, 15, 16				Auxiliary, Right
	05126982AA	1	3, 7	L	12, 15, 16				Comfort Seat, Left
	05126975AA	1	2, 6	L	51, 52, 54, 55, 56				Heated, Left
		1	3, 7	L	12, 15, 16				Heated, Left
		1	2, 6	L	11, 12, 14, 15, 16				Comfort Seat, Left
		1	2, 6	L	51, 52, 54, 55, 56				Comfort Seat, Left
	05126985AA	1	2, 6	L	11, 12, 14, 15, 16				Comfort Seat - Heated, Left
		1	2, 6	L	51, 52, 54, 55, 56				Comfort Seat - Heated, Left
		1	3, 7	L	12, 15, 16				Comfort Seat - Heated, Left
	05126986AA	1	2, 6	L	11, 12, 14, 15, 16				Comfort Seat, Right
		1	2, 6	L	51, 52, 54, 55, 56				Comfort Seat, Right
		1	3, 7	L	12, 15, 16				Comfort Seat, Right
	05126989AA	1	2, 6	L	11, 12, 14, 15, 16				Comfort Seat - Heated, Right
		1	2, 6	L	51, 52, 54, 55, 56				Comfort Seat - Heated, Right
		1	3, 7	L	12, 15, 16				Comfort Seat - Heated, Right
	05133035AA	1		L				*C7	Catano - Velour, Right
	05133037AA	1	2, 6	L	51, 52, 54, 55, 56				Catano - Velour, Left
2	05133037AA	1							CUSHION, Front Seat, (NOT SERVICED),
3									SLEEVE, Headrest

SPRINTER (VA)

SERIES

L = LOWLINE

LINE

3 = HD DODGE 2WD
6 = Lt. Duty DODGE 4WD
2 = Med. Duty DODGE 2WD
7 = Med. Duty DODGE 4WD

BODY

01 = CHASSIS FORWARD CONTROL W.B.1
02 = CAB CHASSIS WHEEL BASE 2
06 = CAB CHASSIS WHEEL BASE 6
11 = VAN WHEEL BASE 1
12 = VAN WHEEL BASE 2
51 = WAGON WHEEL BASE 1
52 = WAGON WHEEL BASE 2
14 = VAN WHEEL BASE 4
15 = VAN WHEEL BASE 5
56 = WAGON WHEEL BASE 6
16 = VAN WHEEL BASE 6
54 = WAGON WHEEL BASE 4
55 = WAGON WHEEL BASE 5

ENGINE

EX9 = Engine-2.7L I5
Mercedes Turbo Diesel

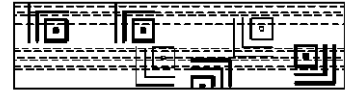
TRANSMISSION

DGJ = Transmission-5-Spd. Automatic, W5A580

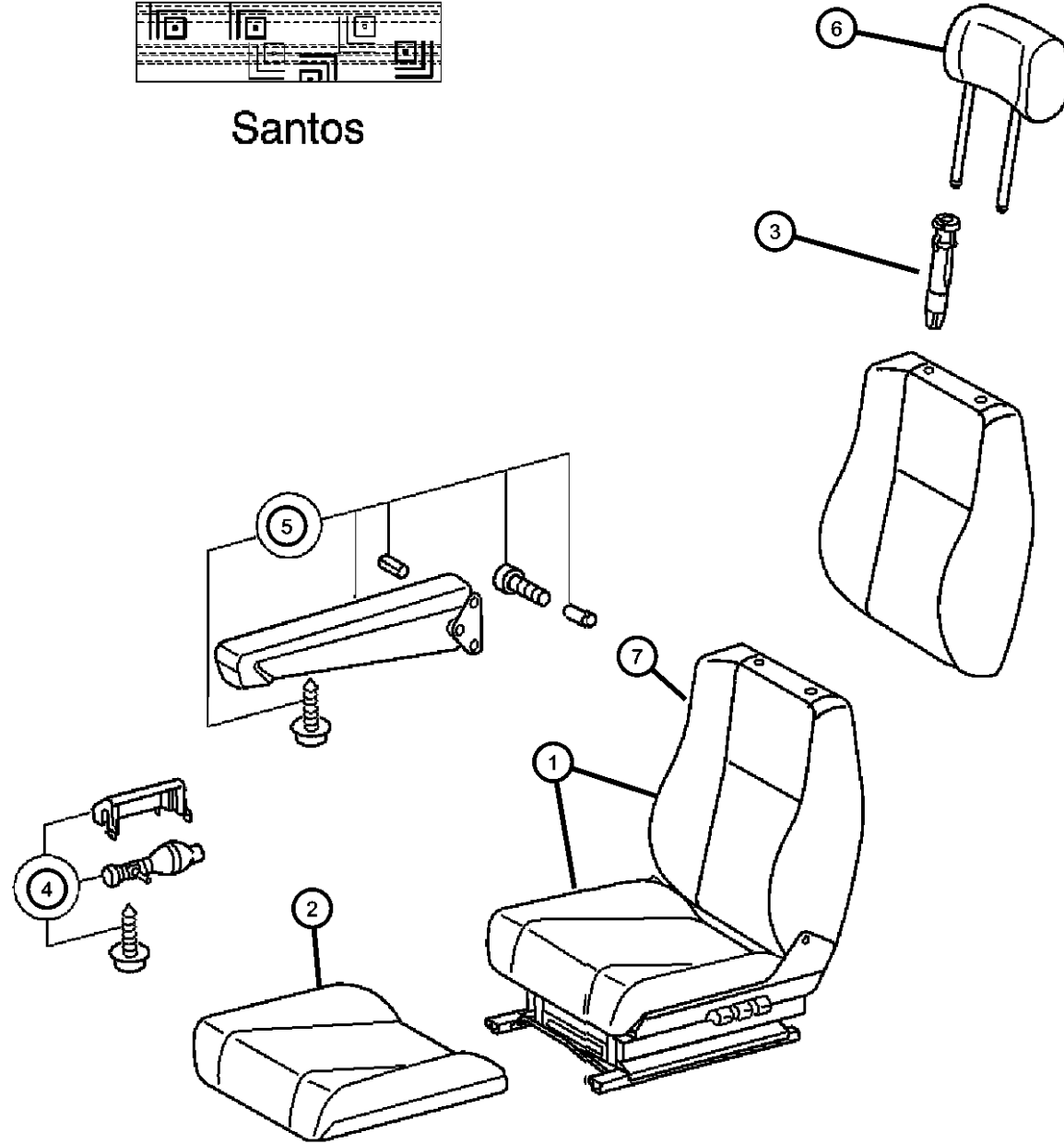
AR = use ase required - = Non illustrated part

2002 VA

Front Seat - Santos
Figure IVA-515



Santos



ITEM	PART NUMBER	QTY	LINE	SERIES	BODY	ENGINE	TRANS	TRIM	DESCRIPTION
	05125318AA	2	2, 6	L	11, 12, 14, 15, 16				
		2	2, 6	L	51, 52, 54, 55, 56				
		2	3, 7	L	12, 15, 16				
4									PUMP, Lumbar Support
	05127631AA	1	2, 6	L	11, 12, 14, 15, 16				
		1	2, 6	L	51, 52, 54, 55, 56				
5									ARMREST, Seat
	05103710AA	1	2, 6	L	11, 12, 14, 15, 16				With Mounting Hardware, Left
		1	2, 6	L	51, 52, 54, 55, 56				With Mounting Hardware, Left
	05103711AA	1	2, 6	L	11, 12, 14, 15, 16				With Mounting Hardware, Right
		1	2, 6	L	51, 52, 54, 55, 56				With Mounting Hardware, Right
6									HEADREST
	05125377AA	1	2, 6	L	11, 12, 14, 15, 16				Santos
		1	2, 6	L	51, 52, 54, 55, 56				Santos
7		1							BACK, Front Seat, (NOT SERVICED),

SPRINTER (VA)

SERIES

L = LOWLINE
 3 = HD DODGE 2WD
 6 = Lt. Duty DODGE 4WD
 2 = Med. Duty DODGE 2WD
 7 = Med. Duty DODGE 4WD

LINE

BODY

01 = CHASSIS FORWARD CONTROL W.B.1
 02 = CAB CHASSIS WHEEL BASE 2
 06 = CAB CHASSIS WHEEL BASE 6
 11 = VAN WHEEL BASE 1
 12 = VAN WHEEL BASE 2
 51 = WAGON WHEEL BASE 1
 52 = WAGON WHEEL BASE 2
 14 = VAN WHEEL BASE 4
 15 = VAN WHEEL BASE 5
 56 = WAGON WHEEL BASE 6
 16 = VAN WHEEL BASE 6
 54 = WAGON WHEEL BASE 4
 55 = WAGON WHEEL BASE 5

ENGINE

EX9 = Engine-2.7L I5
 Mercedes Turbo Diesel

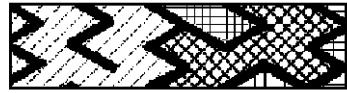
TRANSMISSION

DGJ = Transmission-5-Spd. Automatic, W5A580

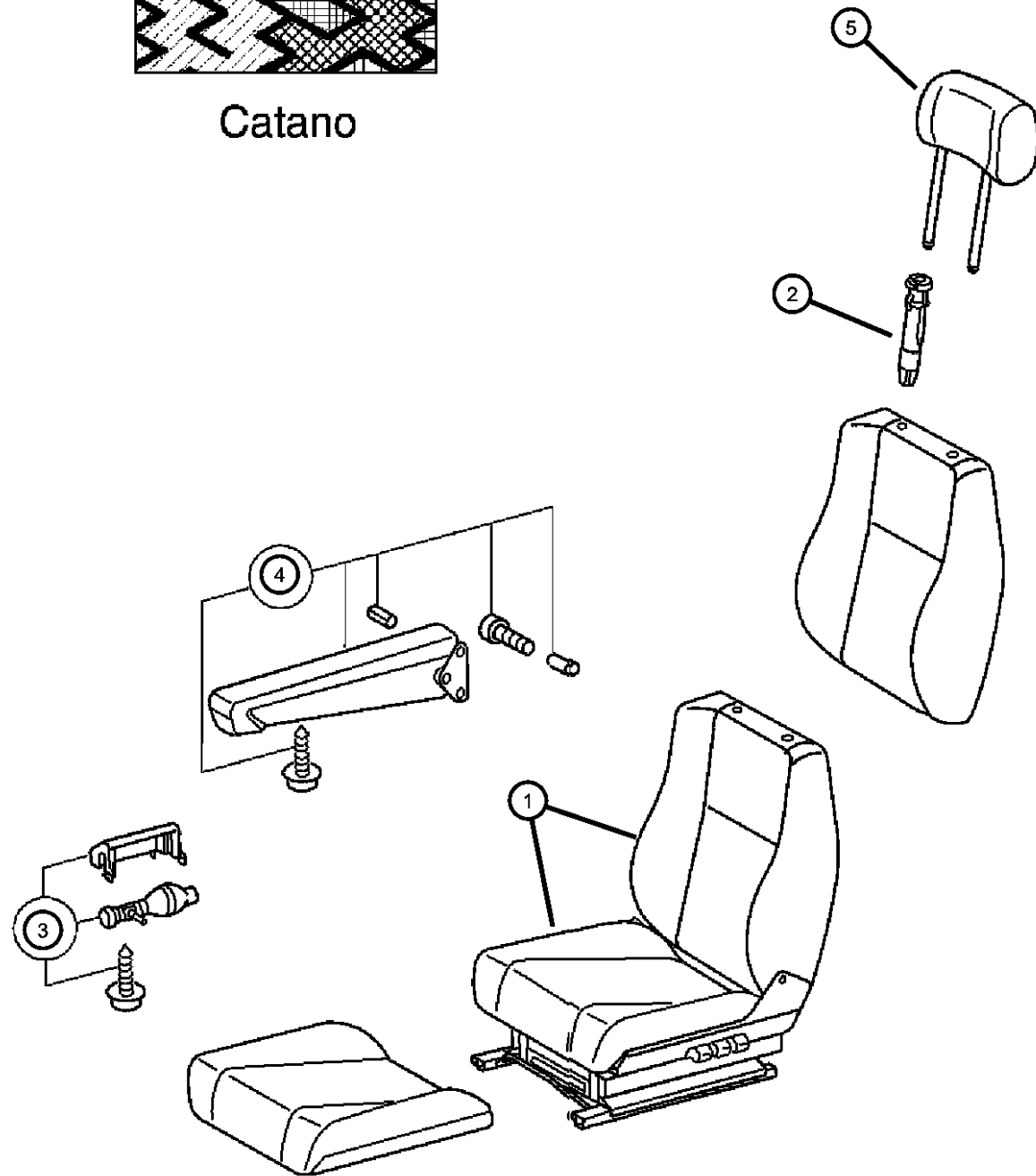
AR = use ase required - = Non illustrated part

2002 VA

Front Seat - Catano
Figure IVA-520



Catano



ITEM	PART NUMBER	QTY	LINE	SERIES	BODY	ENGINE	TRANS	TRIM	DESCRIPTION
1									SEAT COMPLETE, Front
	05126982AA	1	2, 6	L	11, 12, 14, 15, 16				Comfort Seat, Left
	05126970AA	1	2, 6	L	11, 12, 14, 15, 16				Auxiliary Seat, Right
		1	2, 6	L	51, 52, 54, 55, 56				Auxiliary Seat, Right
		1	3, 7	L	12, 15, 16				Auxiliary Seat, Right
	05126975AA	1	2, 6	L	16, 11, 12, 14, 15				Heated, Left
		1	2, 6	L	51, 52, 54, 55, 56				Heated, Left
		1	3, 7	L	12, 15, 16				Heated, Left
		1	2, 6	L	51, 52, 54, 55, 56				Comfort Seat, Left
		1	3, 7	L	12, 15, 16				Comfort Seat, Left
	05126986AA	1	2, 6	L	11, 12, 14, 15, 16				Comfort Seat, Right
		1	2, 6	L	51, 52, 54, 55, 56				Comfort Seat, Right
		1	3, 7	L	12, 15, 16				Comfort Seat, Right
	05126989AA	1	2, 6	L	11, 12, 14, 15, 16				Heated, Right
		1	2, 6	L	55, 56, 51, 52, 54				Heated, Right
	05126985AA	1	2, 6	L	11, 12, 14, 15, 16				Heated Comfort Seat, Left
		1	2, 6	L	51, 52, 54, 55, 56				Heated Comfort Seat, Left
		1	3, 7	L	12, 15, 16				Heated Comfort Seat, Left
		1	3, 7	L	12, 15, 16				Heated, Right
	05133035AA	1		L				*C7	Catano Velour, Right
2									SLEEVE, Headrest
	05125318AA	2	2, 6	L	11, 12, 14, 15, 16				

SPRINTER (VA)

SERIES

L = LOWLINE
3 = HD DODGE 2WD
6 = Lt. Duty DODGE 4WD
2 = Med. Duty DODGE 2WD
7 = Med. Duty DODGE 4WD

LINE

3 = HD DODGE 2WD
6 = Lt. Duty DODGE 4WD
2 = Med. Duty DODGE 2WD
7 = Med. Duty DODGE 4WD

BODY

01 = CHASSIS FORWARD CONTROL W.B.1
02 = CAB CHASSIS WHEEL BASE 2
06 = CAB CHASSIS WHEEL BASE 6
11 = VAN WHEEL BASE 1
12 = VAN WHEEL BASE 2
51 = WAGON WHEEL BASE 1
52 = WAGON WHEEL BASE 2
14 = VAN WHEEL BASE 4
15 = VAN WHEEL BASE 5
56 = WAGON WHEEL BASE 6
16 = VAN WHEEL BASE 6
54 = WAGON WHEEL BASE 4
55 = WAGON WHEEL BASE 5

ENGINE

EX9 = Engine-2.7L I5
Mercedes Turbo Diesel

TRANSMISSION

DGJ = Transmission-5-Spd. Automatic, W5A580

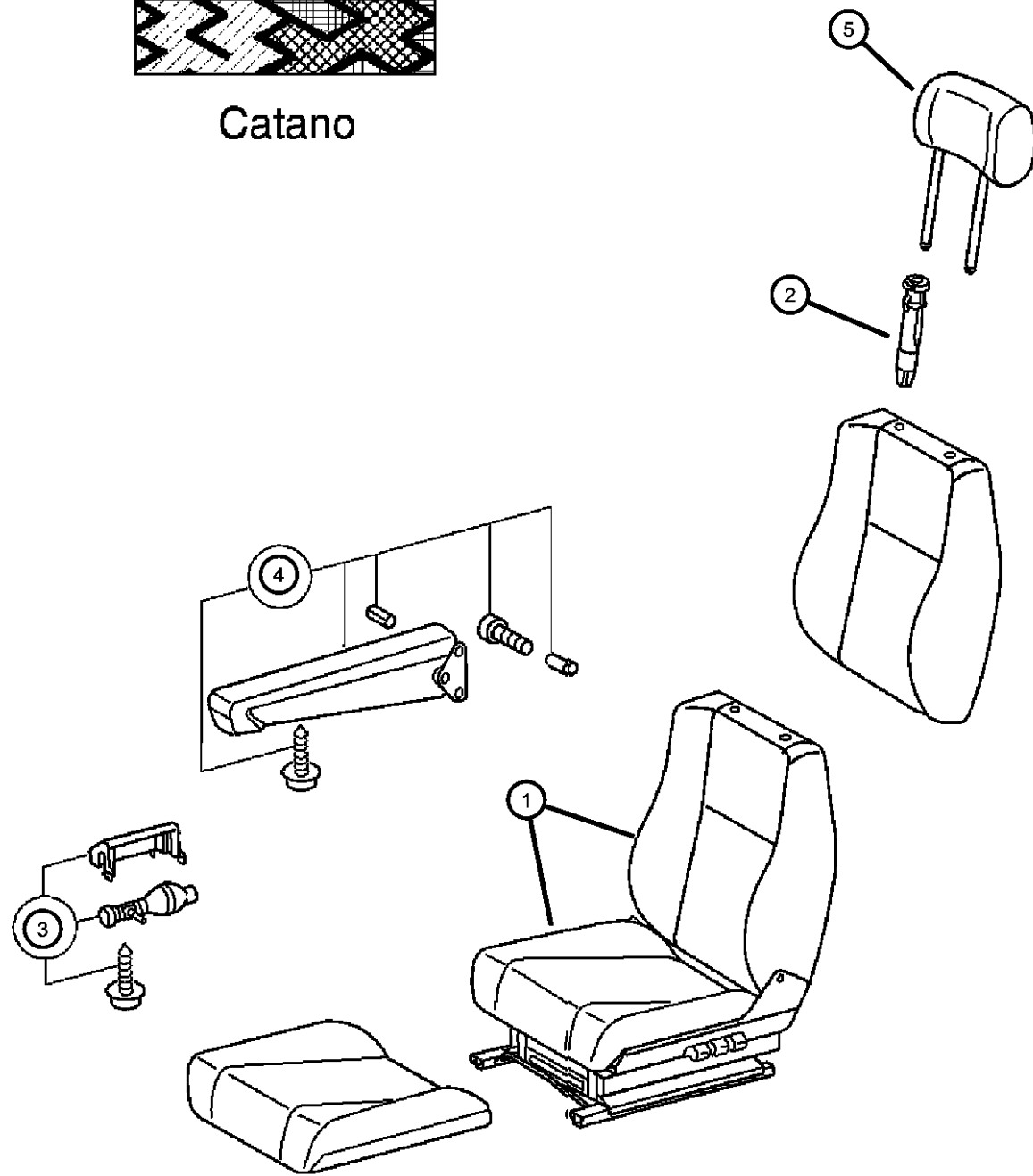
AR = use ase required - = Non illustrated part

2002 VA

Front Seat - Catano
Figure IVA-520



Catano



ITEM	PART NUMBER	QTY	LINE	SERIES	BODY	ENGINE	TRANS	TRIM	DESCRIPTION
		2	2, 6	L	51, 52, 54, 55, 56				
		2	3, 7	L	12, 15, 16				
3	05127631AA	1	2, 6	L	11, 12, 14, 15, 16				PUMP, Lumbar Support
		1	2, 6	L	51, 52, 54, 55, 56				
4	05103710AA	1	2, 6	L	11, 12, 14, 15, 16				ARMREST, Seat With Mounting Hardware, Left
		1	2, 6	L	51, 52, 54, 55, 56				With Mounting Hardware, Left
	05103711AA	1	2, 6	L	11, 12, 14, 15, 16				With Mounting Hardware, Right
		1	2, 6	L	51, 52, 54, 55, 56				With Mounting Hardware, Right
5	05104534AA	3	2, 6	L	11, 12, 14, 15, 16				HEADREST Standard
		1	2, 6	L	55, 56, 51, 52, 54				Standard

SPRINTER (VA)

SERIES

L = LOWLINE
 3 = HD DODGE 2WD
 6 = Lt. Duty DODGE 4WD
 2 = Med. Duty DODGE 2WD
 7 = Med. Duty DODGE 4WD

LINE

BODY

01 = CHASSIS FORWARD CONTROL W.B.1
 02 = CAB CHASSIS WHEEL BASE 2
 06 = CAB CHASSIS WHEEL BASE 6
 11 = VAN WHEEL BASE 1
 12 = VAN WHEEL BASE 2
 51 = WAGON WHEEL BASE 1
 52 = WAGON WHEEL BASE 2
 14 = VAN WHEEL BASE 4
 15 = VAN WHEEL BASE 5
 56 = WAGON WHEEL BASE 6
 16 = VAN WHEEL BASE 6
 54 = WAGON WHEEL BASE 4
 55 = WAGON WHEEL BASE 5

ENGINE

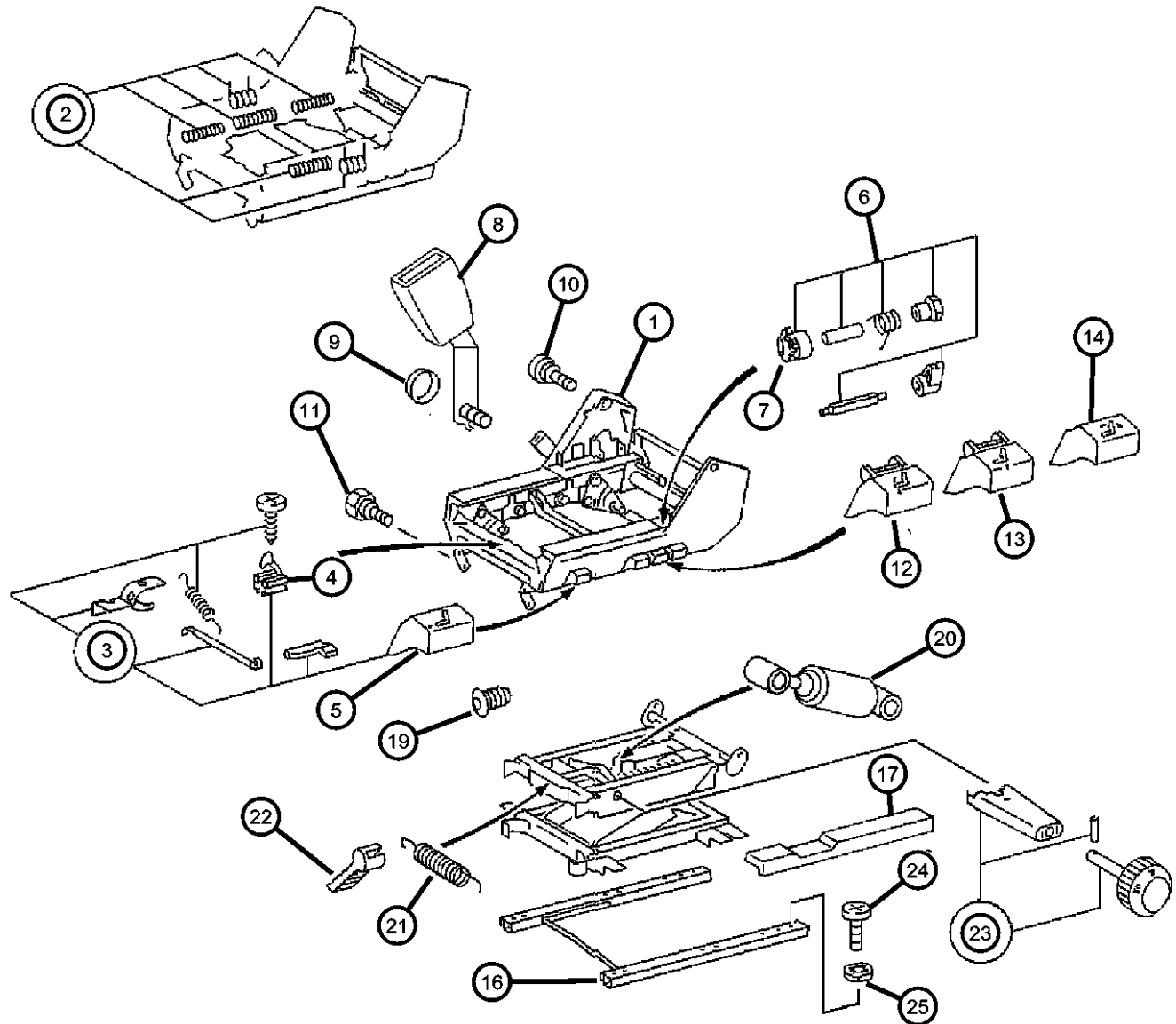
EX9 = Engine-2.7L I5
 Mercedes Turbo Diesel

TRANSMISSION

DGJ = Transmission-5-Spd. Automatic, W5A580

AR = use ase required - = Non illustrated part

Front Seat - Attaching Parts
Figure IVA-525

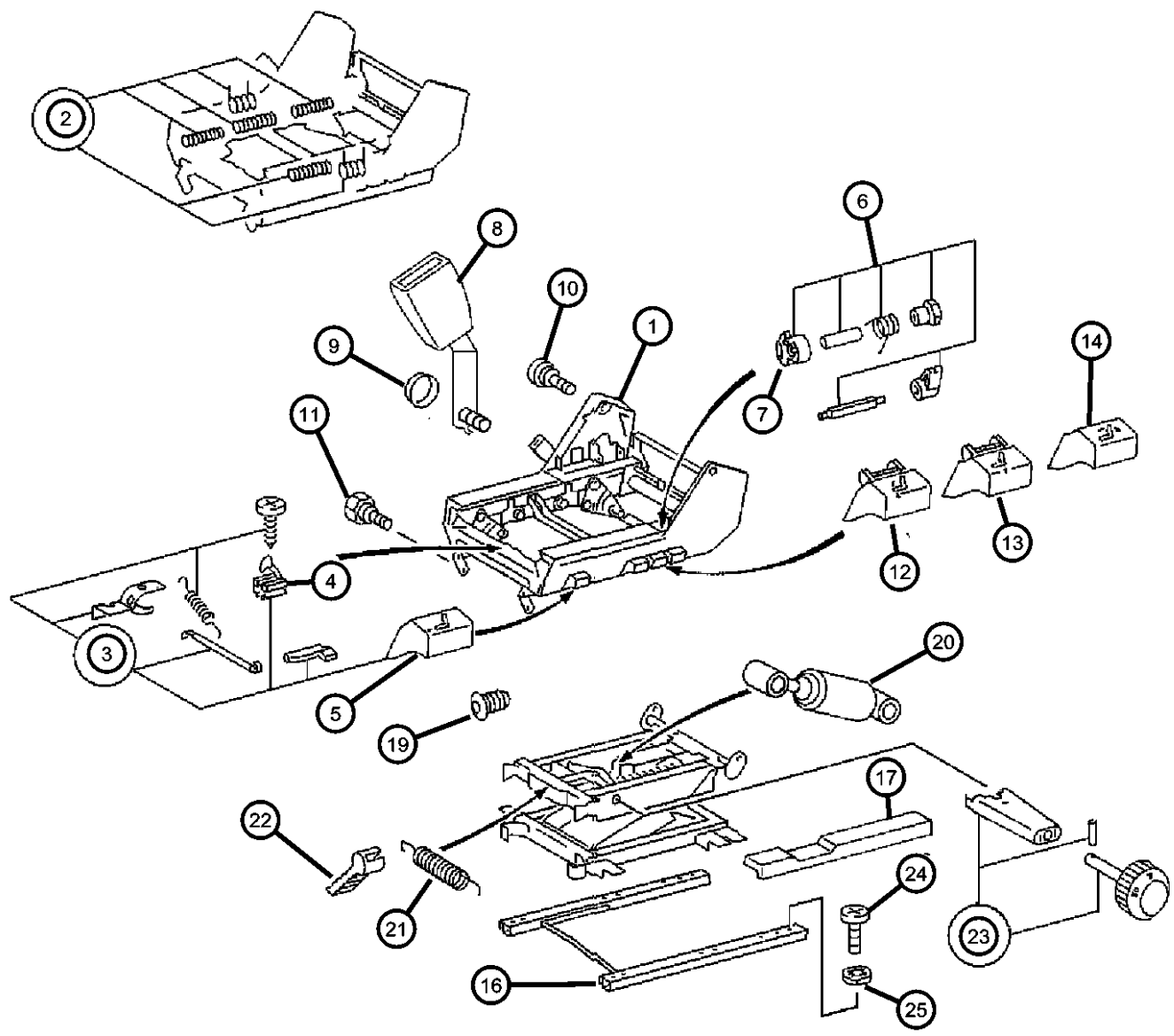


ITEM	PART NUMBER	QTY	LINE	SERIES	BODY	ENGINE	TRANS	TRIM	DESCRIPTION
1									ADJUSTER, Seat
	05103703AA	1	2, 6	L	11, 12, 14, 15, 16				Driver
		1	2, 6	L	51, 52, 54, 55, 56				Driver
	05133211AA	1	3, 7	L	12, 15, 16				Driver
		1	2, 6	L	11, 12, 14, 15, 16				[CDD] Luxury Bucket, Driver
		1	2, 6	L	51, 52, 54, 55, 56				[CDD] Luxury Bucket, Driver
	05133264AA	1	3, 7	L	12, 15, 16				[CDD] Luxury Bucket, Driver
		1	6, 2	L	11, 12, 14, 15, 16				[CDY] Luxury Bucket, Passenger
		1	3, 7	L	12, 15, 16				[CDY] Luxury Bucket, Passenger
	05133266AA	1	2, 6	L	51, 52, 54, 55, 56				[CDY] Luxury Bucket, Passenger
		1	2, 6	L	51, 52, 54, 55, 56				Passenger
		1	2, 6	L	11, 12, 14, 15, 16				Passenger
		1	3, 7	L	12, 15, 16				Passenger
2									SPRING, Seat Track Adjuster
	05133214AA	1	2, 6	L	51, 52, 54, 55, 56				
		1	2, 6	L	12, 14, 15, 16, 11				
		1	3, 7	L	12, 15, 16				
3									HANDLE, Seat Adjuster
	05133216AA	1	2, 6	L	11, 12, 14, 15, 16				Seat Cushion Depth, Driver Side
		1	2, 6	L	51, 52, 54, 55, 56				Seat Cushion Depth, Driver Side
		1	3, 7	L	12, 15, 16				Seat Cushion Depth, Driver Side
	0ZN48TE4AA	1	2, 6	L	51, 52, 54, 55, 56				Seat Cushion Depth, Passenger Side

SPRINTER (VA)
 SERIES LINE BODY ENGINE TRANSMISSION
 L = LOWLINE 3 = HD DODGE 2WD 01 = CHASSIS FORWARD EX9 = Engine-2.7L I5 DGJ = Transmission-5-Spd.
 6 = Lt. Duty DODGE 4WD CONTROL W.B.1 Mercedes Turbo Diesel Automatic,W5A580
 2 = Med. Duty DODGE 2WD 02 = CAB CHASSIS WHEEL
 7 = Med. Duty DODGE 4WD BASE 2
 06 = CAB CHASSIS WHEEL
 BASE 6
 11 = VAN WHEEL BASE 1
 12 = VAN WHEEL BASE 2
 51 = WAGON WHEEL BASE 1
 52 = WAGON WHEEL BASE 2
 14 = VAN WHEEL BASE 4
 15 = VAN WHEEL BASE 5
 56 = WAGON WHEEL BASE 6
 16 = VAN WHEEL BASE 6
 54 = WAGON WHEEL BASE 4
 55 = WAGON WHEEL BASE 5

AR = use ase required - = Non illustrated part

Front Seat - Attaching Parts
Figure IVA-525



ITEM	PART NUMBER	QTY	LINE	SERIES	BODY	ENGINE	TRANS	TRIM	DESCRIPTION
4									LOCK, Adjuster
	05133215AA	1	3, 7	L	12, 15, 16				
		1	2, 6	L	14, 15, 16, 11, 12				
		1	2, 6	L	51, 52, 54, 55, 56				
5									HANDLE, Seat Adjuster
	05133267AA	1	2, 6	L	51, 52, 54, 55, 56				Seat Cushion Depth, Passenger Side
	05133216AA	1	3, 7	L	12, 15, 16				Seat Cushion Depth, Driver Side
		1	2, 6	L	11, 12, 14, 15, 16				Seat Cushion Depth, Driver Side
		1	2, 6	L	51, 52, 54, 55, 56				Seat Cushion Depth, Driver Side
		1	2, 6	L	11, 12, 14, 15, 16				Seat Cushion Depth, Passenger Side
6									HARDWARE KIT
	05133217AA	1	2, 6	L	11, 12, 14, 15, 16				
		1	2, 6	L	51, 52, 54, 55, 56				
		1	3, 7	L	12, 15, 16				
7									LOCK, Adjuster
	05133269AA	1	2, 6	L	11, 12, 14, 15, 16				
		1	3, 7	L	12, 15, 16				
		1	2, 6	L	51, 52, 54, 55, 56				
8		1							SEAT BELT, Front, For Part Numbers See Ill 710, (NOT SERVICED)
9									CAP, Screw Cover
	05125999AA	1	2, 6	L	11, 12, 14, 15, 16				

SPRINTER (VA)
SERIES
 L = LOWLINE

LINE
 3 = HD DODGE 2WD
 6 = Lt. Duty DODGE 4WD
 2 = Med. Duty DODGE 2WD
 7 = Med. Duty DODGE 4WD

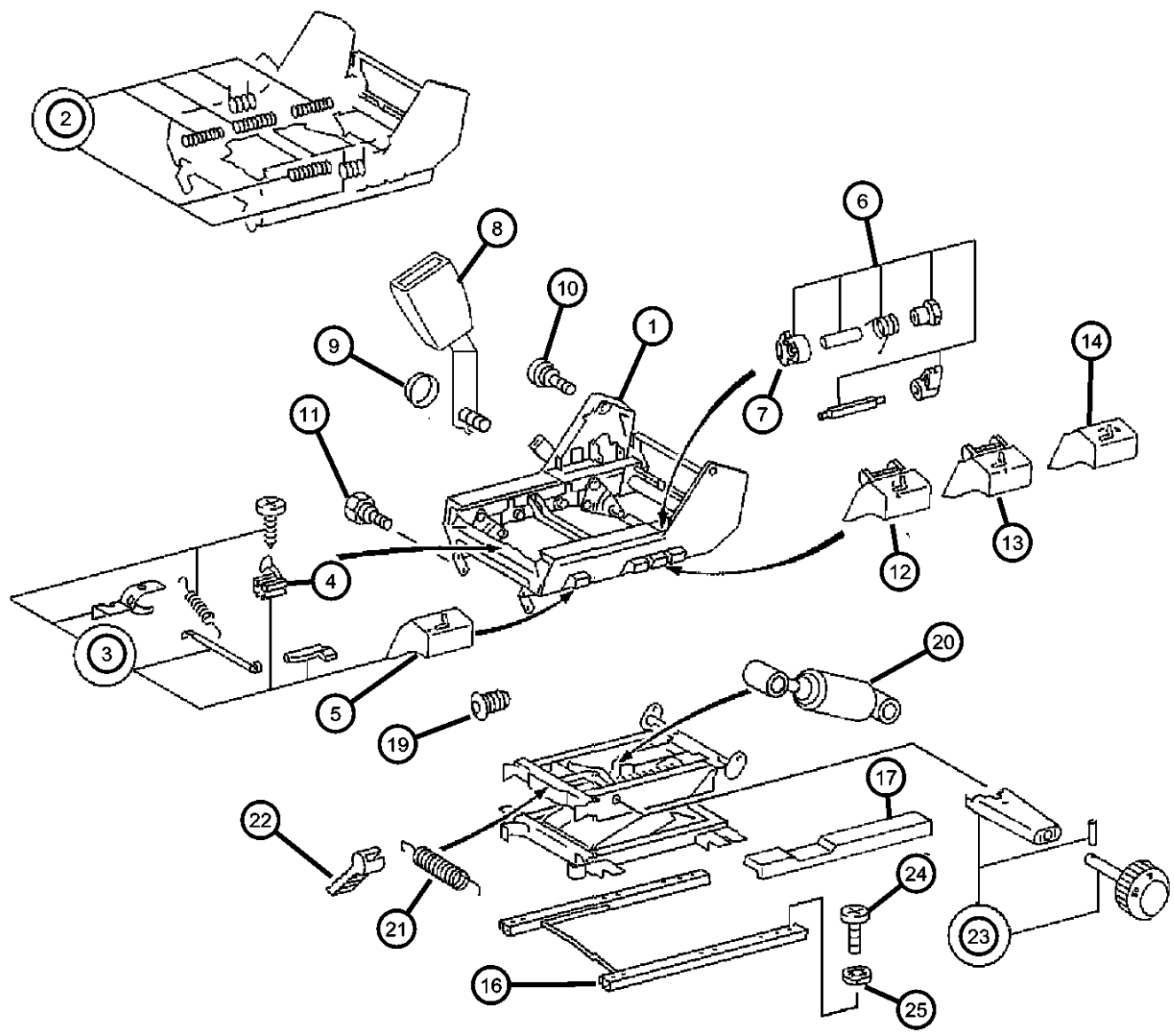
BODY
 01 = CHASSIS FORWARD CONTROL W.B.1
 02 = CAB CHASSIS WHEEL BASE 2
 06 = CAB CHASSIS WHEEL BASE 6
 11 = VAN WHEEL BASE 1
 12 = VAN WHEEL BASE 2
 51 = WAGON WHEEL BASE 1
 52 = WAGON WHEEL BASE 2
 14 = VAN WHEEL BASE 4
 15 = VAN WHEEL BASE 5
 56 = WAGON WHEEL BASE 6
 16 = VAN WHEEL BASE 6
 54 = WAGON WHEEL BASE 4
 55 = WAGON WHEEL BASE 5

ENGINE
 EX9 = Engine-2.7L I5
 Mercedes Turbo Diesel

TRANSMISSION
 DGJ = Transmission-5-Spd. Automatic, W5A580

AR = use ase required - = Non illustrated part

Front Seat - Attaching Parts
Figure IVA-525

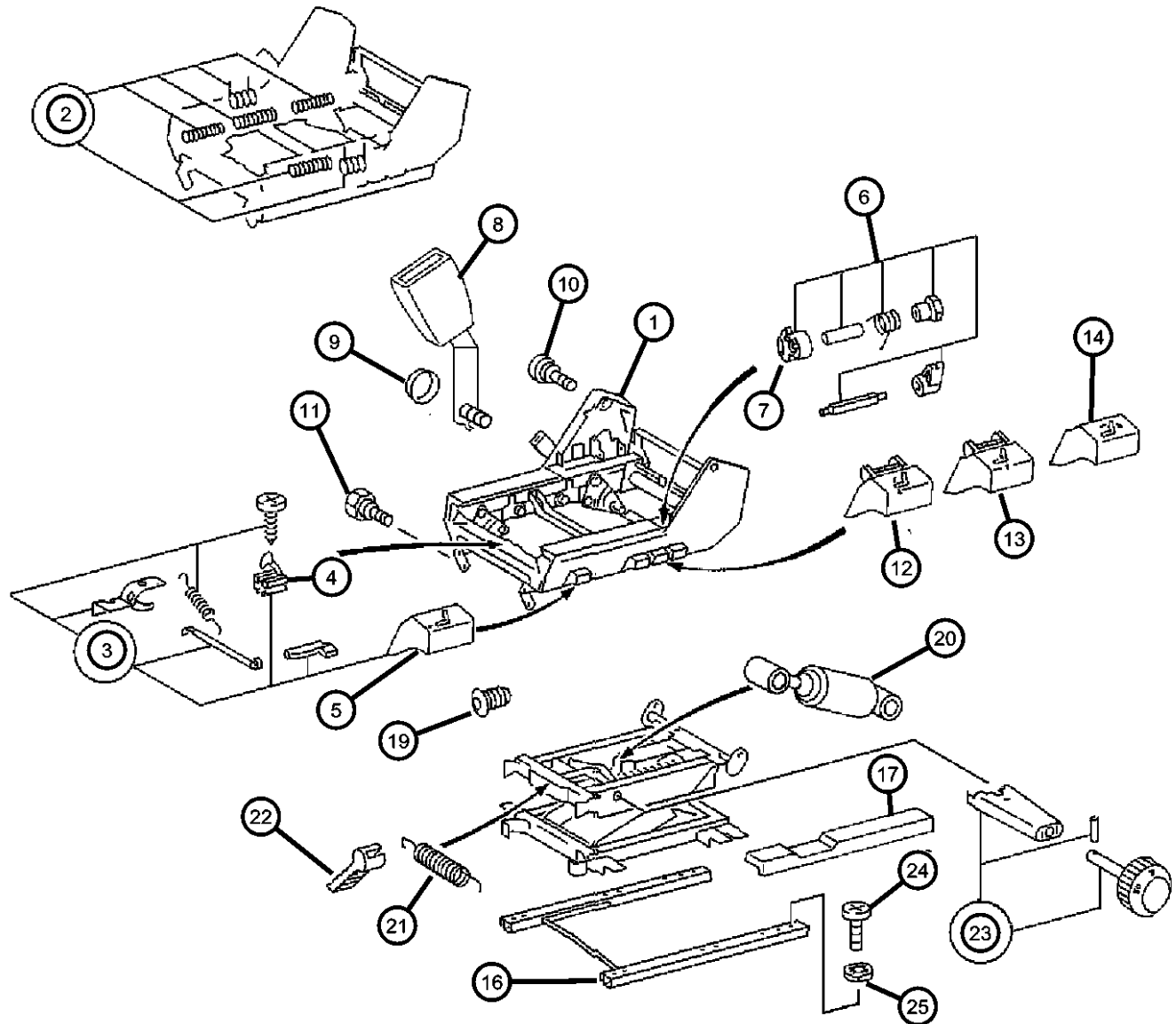


ITEM	PART NUMBER	QTY	LINE	SERIES	BODY	ENGINE	TRANS	TRIM	DESCRIPTION
		1	2, 6	L	51, 52, 54, 55, 56				
		1	3, 7	L	12, 15, 16				
10	05133219AA	2	2, 6	L	11, 12, 14, 15, 16				BOLT, Pivot
		2	2, 6	L	51, 52, 54, 55, 56				
		2	3, 7	L	12, 15, 16				
11	05133220AA	2	3, 7	L	12, 15, 16				BOLT, Seat
		2	2, 6	L	11, 12, 14, 15, 16				
		2	2, 6	L	51, 52, 54, 55, 56				
12	0Z50TE4AA	1	2, 6	L	51, 52, 54, 55, 56				HANDLE, Seat Adjuster Raises Rear of Cushion, Passenger Side
		1	2, 6	L	11, 12, 14, 15, 16				Raises Rear of Cushion, Passenger Side
		1	3, 7	L	12, 15, 16				Raises Rear of Cushion, Passenger Side
	0Z49TE4AA	1	2, 6	L	51, 52, 54, 55, 56				Raises Front of Cushion, Passenger Side
		1	2, 6	L	11, 12, 14, 15, 16				Raises Front of Cushion, Passenger Side
		1	3, 7	L	12, 15, 16				Raises Front of Cushion, Passenger Side
13	05133283AA	1	3, 7	L	12, 15, 16				HANDLE, Seat Adjuster Adjuster, Front, Cushion
	0Z50TE4AA	1	2, 6	L	51, 52, 54, 55, 56				Raises Rear of Cushion, Passenger Side, Cushion
		1	2, 6	L	11, 12, 14, 15, 16				Raises Rear of Cushion, Passenger Side

SPRINTER (VA)
 SERIES LINE BODY ENGINE TRANSMISSION
 L = LOWLINE 3 = HD DODGE 2WD 01 = CHASSIS FORWARD CONTROL W.B.1 EX9 = Engine-2.7L I5 DGJ = Transmission-5-Spd. Automatic, W5A580
 6 = Lt. Duty DODGE 4WD 02 = CAB CHASSIS WHEEL BASE 2 Mercedes Turbo Diesel
 2 = Med. Duty DODGE 2WD 06 = CAB CHASSIS WHEEL BASE 6
 7 = Med. Duty DODGE 4WD 11 = VAN WHEEL BASE 1
 12 = VAN WHEEL BASE 2
 51 = WAGON WHEEL BASE 1
 52 = WAGON WHEEL BASE 2
 14 = VAN WHEEL BASE 4
 15 = VAN WHEEL BASE 5
 56 = WAGON WHEEL BASE 6
 16 = VAN WHEEL BASE 6
 54 = WAGON WHEEL BASE 4
 55 = WAGON WHEEL BASE 5

AR = use ase required - = Non illustrated part

Front Seat - Attaching Parts
Figure IVA-525

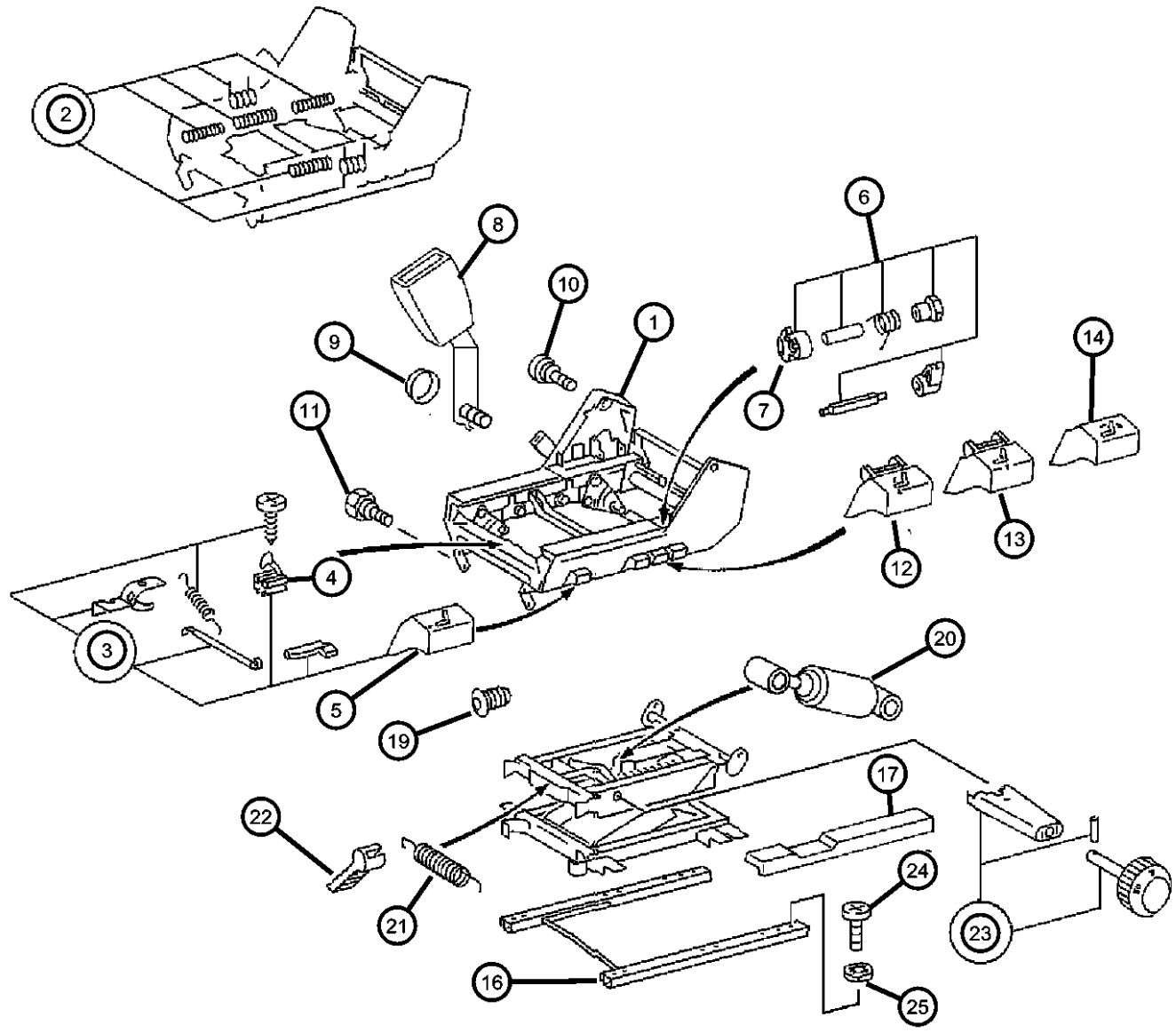


ITEM	PART NUMBER	QTY	LINE	SERIES	BODY	ENGINE	TRANS	TRIM	DESCRIPTION
		1	3, 7	L	12, 15, 16				Raises Rear of Cushion, Passenger Side
14									HANDLE, Seat Recliner
	0ZN51TE4AA	1	2, 6	L	51, 52, 54, 55, 56				
		1	2, 6	L	11, 12, 14, 15, 16				
		1	3, 7	L	12, 15, 16				
-15	05103778AA	1	3, 7	L	12, 15, 16				HANDLE, Recliner
16									TRACK, Seat Adjuster
	05103702AA	1	2, 6	L	51, 52, 54, 55, 56				
		1	3, 7	L	12, 15, 16				
		1	2, 6	L	11, 12, 14, 15, 16				
17									COVER, Seat Adjuster
	05133224AA	1	3, 7	L	12, 15, 16				
		1	2, 6	L	11, 12, 14, 15, 16				
		1	2, 6	L	51, 52, 54, 55, 56				
-18									SHIELD, Seat Adjuster
	05133222AA	1	3, 7	L	12, 15, 16				
		1	2, 6	L	11, 12, 14, 15, 16				
		1	2, 6	L	51, 52, 54, 55, 56				
19		1							PLUG, (NOT SERVICED)
20									ABSORBER
	05133483AA	1	2, 6	L	11, 12, 14, 15, 16				
		1	2, 6	L	51, 52, 54, 55, 56				

SPRINTER (VA)
 SERIES LINE BODY ENGINE TRANSMISSION
 L = LOWLINE 3 = HD DODGE 2WD 01 = CHASSIS FORWARD CONTROL W.B.1 EX9 = Engine-2.7L I5 Mercedes Turbo Diesel DGJ = Transmission-5-Spd. Automatic, W5A580
 6 = Lt. Duty DODGE 4WD 02 = CAB CHASSIS WHEEL BASE 2
 2 = Med. Duty DODGE 2WD 06 = CAB CHASSIS WHEEL BASE 6
 7 = Med. Duty DODGE 4WD 11 = VAN WHEEL BASE 1
 12 = VAN WHEEL BASE 2
 51 = WAGON WHEEL BASE 1
 52 = WAGON WHEEL BASE 2
 14 = VAN WHEEL BASE 4
 15 = VAN WHEEL BASE 5
 56 = WAGON WHEEL BASE 6
 16 = VAN WHEEL BASE 6
 54 = WAGON WHEEL BASE 4
 55 = WAGON WHEEL BASE 5

AR = use ase required - = Non illustrated part

Front Seat - Attaching Parts
Figure IVA-525



ITEM	PART NUMBER	QTY	LINE	SERIES	BODY	ENGINE	TRANS	TRIM	DESCRIPTION
		1	3, 7	L	12, 15, 16				
21		1							SPRING, (NOT SERVICED)
22		1							LEVER, (NOT SERVICED)
23		1							WHEEL, Hand, (NOT SERVICED)
24									SCREW, Seat
	05126139AA	6	2, 6	L	11, 12, 14, 15, 16				Seat Mounting
		6	2, 6	L	51, 52, 54, 55, 56				Seat Mounting
	05133210AA	6	3, 7	L	12, 15, 16				Seat Mounting
25									WASHER, Locking
	05125426AA	4	2, 6	L	11, 12, 14, 15, 16				
		4	2, 6	L	51, 52, 54, 55, 56				
		4	3, 7	L	12, 15, 16				

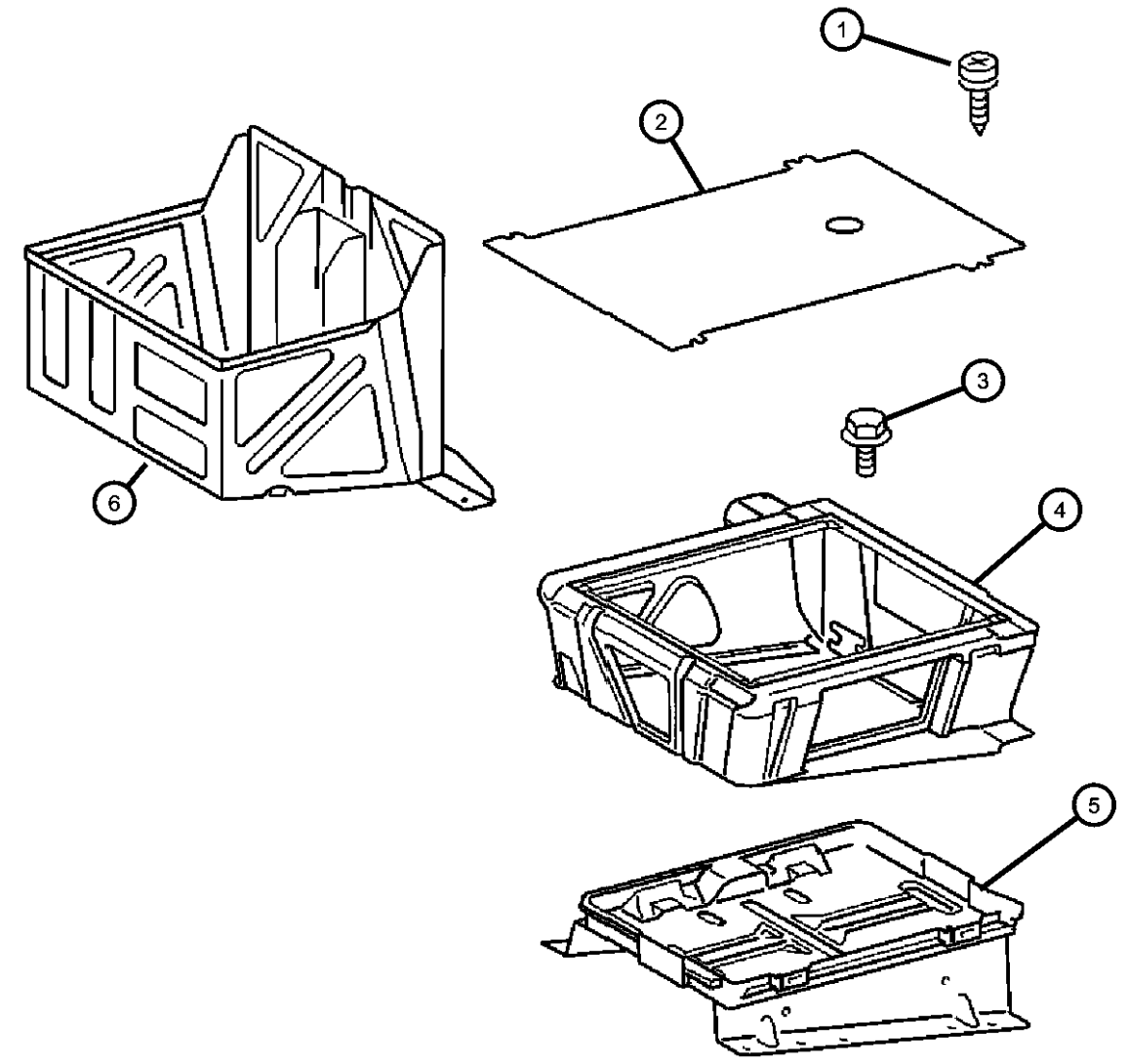
SPRINTER (VA)

SERIES	LINE	BODY	ENGINE	TRANSMISSION
L = LOWLINE	3 = HD DODGE 2WD 6 = Lt. Duty DODGE 4WD 2 = Med. Duty DODGE 2WD 7 = Med. Duty DODGE 4WD	01 = CHASSIS FORWARD CONTROL W.B.1 02 = CAB CHASSIS WHEEL BASE 2 06 = CAB CHASSIS WHEEL BASE 6 11 = VAN WHEEL BASE 1 12 = VAN WHEEL BASE 2 51 = WAGON WHEEL BASE 1 52 = WAGON WHEEL BASE 2 14 = VAN WHEEL BASE 4 15 = VAN WHEEL BASE 5 56 = WAGON WHEEL BASE 6 16 = VAN WHEEL BASE 6 54 = WAGON WHEEL BASE 4 55 = WAGON WHEEL BASE 5	EX9 = Engine-2.7L I5 Mercedes Turbo Diesel	DGJ = Transmission-5-Spd. Automatic, W5A580

AR = use ase required - = Non illustrated part

Front Seat - Attaching Parts - Riser
Figure IVA-530

ITEM	PART NUMBER	QTY	LINE	SERIES	BODY	ENGINE	TRANS	TRIM	DESCRIPTION
------	-------------	-----	------	--------	------	--------	-------	------	-------------



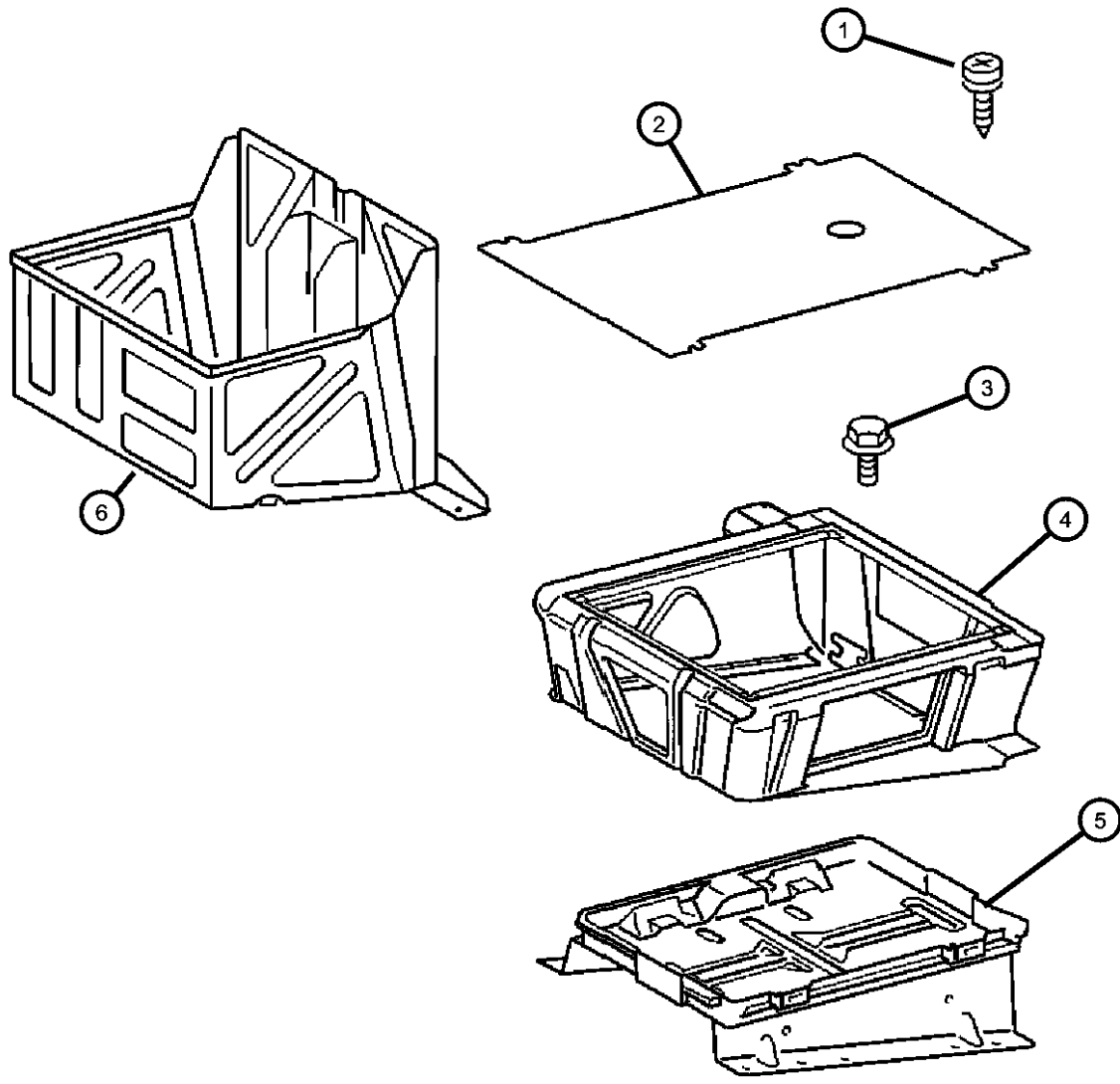
1	06104574AA	2	2, 6	L	11, 12, 14, 15, 16				SCREW, Tapping
		2	2, 6	L	51, 52, 54, 55, 56				
		2	3, 7	L	12, 15, 16				
2	05104234AA	1	2, 6	L	11, 12, 14, 15, 16				COVER Seat Box
		1	2, 6	L	51, 52, 54, 55, 56				Seat Box
		1	3, 7	L	12, 15, 16				Seat Box
3	05126227AA	2	2, 6	L	11, 12, 14, 15, 16				BOLT, Hex Head
		6	2, 6	L	51, 52, 54, 55, 56				
		6	3, 7	L	12, 15, 16				
4	05122168AA	1	3, 7	L	12, 15, 16				RISER, Seat With Aux. Battery (3500GVW)
	05122187AA	1	2, 6	L	11, 12, 14, 15, 16				Driver
		1	2, 6	L	51, 52, 54, 55, 56				Driver
		1	3, 7	L	12, 15, 16				Driver
	05122192AA	1	2, 6	L	11, 12, 14, 15, 16				Passenger
		1	2, 6	L	51, 52, 54, 55, 56				Passenger
		1	3, 7	L	12, 15, 16				Passenger
5	05122170AA	1	2, 6	L	11, 12, 14, 15, 16				RISER, Seat With Aux. Battery (2500GVW)
	0VU01205								Repair Battery Terminal End Top Post (Ten Per Box)

SPRINTER (VA)				
SERIES	LINE	BODY	ENGINE	TRANSMISSION
L = LOWLINE	3 = HD DODGE 2WD 6 = Lt. Duty DODGE 4WD 2 = Med. Duty DODGE 2WD 7 = Med. Duty DODGE 4WD	01 = CHASSIS FORWARD CONTROL W.B.1 02 = CAB CHASSIS WHEEL BASE 2 06 = CAB CHASSIS WHEEL BASE 6 11 = VAN WHEEL BASE 1 12 = VAN WHEEL BASE 2 51 = WAGON WHEEL BASE 1 52 = WAGON WHEEL BASE 2 14 = VAN WHEEL BASE 4 15 = VAN WHEEL BASE 5 56 = WAGON WHEEL BASE 6 16 = VAN WHEEL BASE 6 54 = WAGON WHEEL BASE 4 55 = WAGON WHEEL BASE 5	EX9 = Engine-2.7L I5 Mercedes Turbo Diesel	DGJ = Transmission-5-Spd. Automatic,W5A580

AR = use ase required - = Non illustrated part

Front Seat - Attaching Parts - Riser
Figure IVA-530

ITEM	PART NUMBER	QTY	LINE	SERIES	BODY	ENGINE	TRANS	TRIM	DESCRIPTION
	0VU01207								Repair Battery Terminal End Side Post (Ten Per Box) With Aux. Battery (2500GVW)
		1	2, 6	L	51, 52, 54, 55, 56				
	0VU01205								Repair Battery Terminal End Top Post (Ten Per Box)
	0VU01207								Repair Battery Terminal End Side Post (Ten Per Box) With Aux. Battery (2500GVW)
		1	3, 7	L	12, 15, 16				
	0VU01205								Repair Battery Terminal End Top Post (Ten Per Box)
	0VU01207								Repair Battery Terminal End Side Post (Ten Per Box)
6		1							BOX, Riser, (NOT SERVICED),

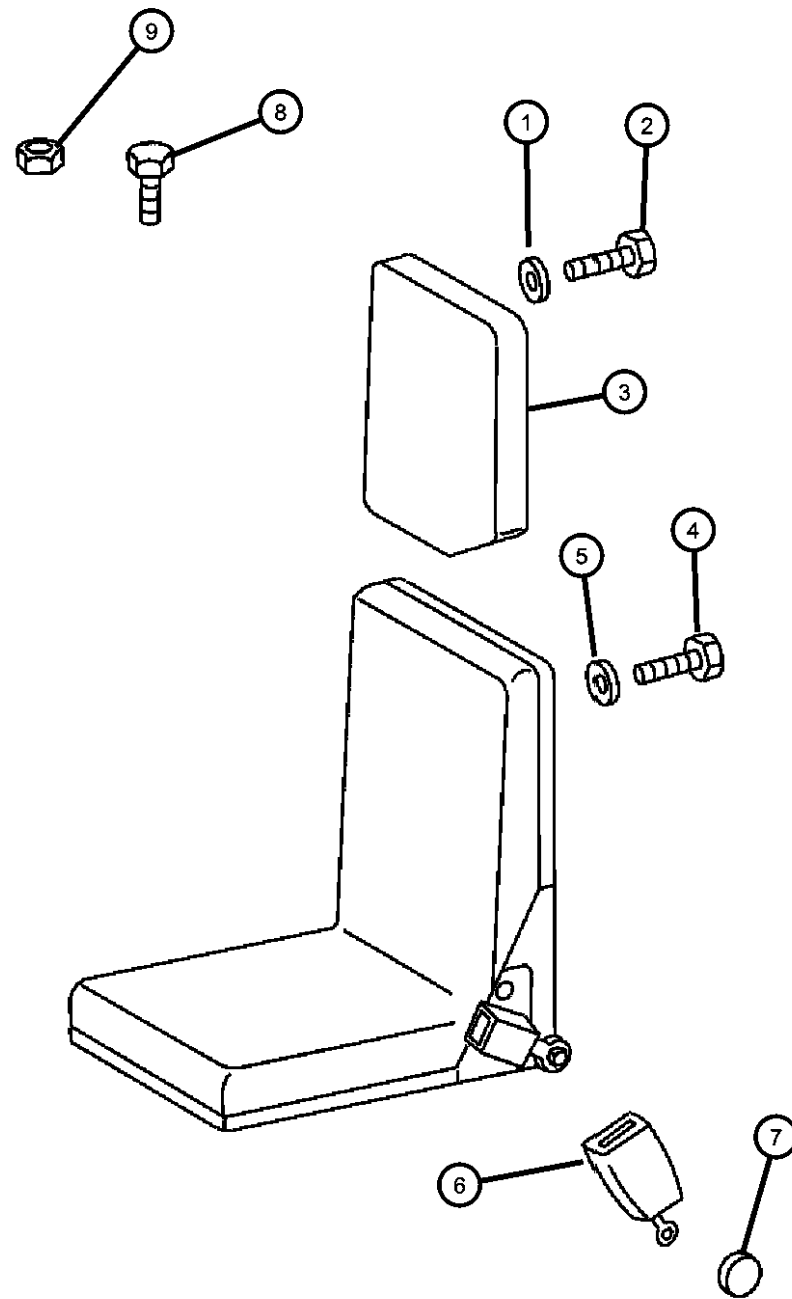


SPRINTER (VA)

SERIES	LINE	BODY	ENGINE	TRANSMISSION
L = LOWLINE	3 = HD DODGE 2WD 6 = Lt. Duty DODGE 4WD 2 = Med. Duty DODGE 2WD 7 = Med. Duty DODGE 4WD	01 = CHASSIS FORWARD CONTROL W.B.1 02 = CAB CHASSIS WHEEL BASE 2 06 = CAB CHASSIS WHEEL BASE 6 11 = VAN WHEEL BASE 1 12 = VAN WHEEL BASE 2 51 = WAGON WHEEL BASE 1 52 = WAGON WHEEL BASE 2 14 = VAN WHEEL BASE 4 15 = VAN WHEEL BASE 5 56 = WAGON WHEEL BASE 6 16 = VAN WHEEL BASE 6 54 = WAGON WHEEL BASE 4 55 = WAGON WHEEL BASE 5	EX9 = Engine-2.7L I5 Mercedes Turbo Diesel	DGJ = Transmission-5-Spd. Automatic,W5A580

AR = use ase required - = Non illustrated part

Front Seat - Attaching Parts
Figure IVA-535



ITEM	PART NUMBER	QTY	LINE	SERIES	BODY	ENGINE	TRANS	TRIM	DESCRIPTION
1	05098108AA	1	2, 6	L	11, 12, 14, 15, 16				WASHER, Flat
		1	2, 6	L	51, 52, 54, 55, 56				
		1	3, 7	L	12, 15, 16				
2	06104025AA	4	2, 6	L	11, 12, 14, 15, 16				SCREW
		1	3, 7	L	12, 15, 16				
3	05104535AA	1	3, 7	L	12, 15, 16				HEADREST, Front
4	06104049AA	6	2, 6	L	11, 12, 14, 15, 16				SCREW
		6	2, 6	L	51, 52, 54, 55, 56				
		2	3, 7	L	12, 15, 16				
5	05104641AA	2	2, 6	L	11, 12, 14, 15, 16				WASHER, Flat
		2	2, 6	L	51, 52, 54, 55, 56				
		2	3, 7	L	12, 15, 16				
6		2							SEAT BELT, See III 710 For Part Numbers, (NOT REQUIRED)
7	05125999AA	1	2, 6	L	11, 12, 14, 15, 16				CAP, Screw Cover
		1	2, 6	L	51, 52, 54, 55, 56				
		1	3, 7	L	12, 15, 16				
8	05103816AA	8	2, 6	L	11, 12, 14, 15, 16				BOLT, Hex Head

SPRINTER (VA)

SERIES

L = LOWLINE
 3 = HD DODGE 2WD
 6 = Lt. Duty DODGE 4WD
 2 = Med. Duty DODGE 2WD
 7 = Med. Duty DODGE 4WD

LINE

BODY
 01 = CHASSIS FORWARD CONTROL W.B.1
 02 = CAB CHASSIS WHEEL BASE 2
 06 = CAB CHASSIS WHEEL BASE 6
 11 = VAN WHEEL BASE 1
 12 = VAN WHEEL BASE 2
 51 = WAGON WHEEL BASE 1
 52 = WAGON WHEEL BASE 2
 14 = VAN WHEEL BASE 4
 15 = VAN WHEEL BASE 5
 56 = WAGON WHEEL BASE 6
 16 = VAN WHEEL BASE 6
 54 = WAGON WHEEL BASE 4
 55 = WAGON WHEEL BASE 5

ENGINE

EX9 = Engine-2.7L I5
 Mercedes Turbo Diesel

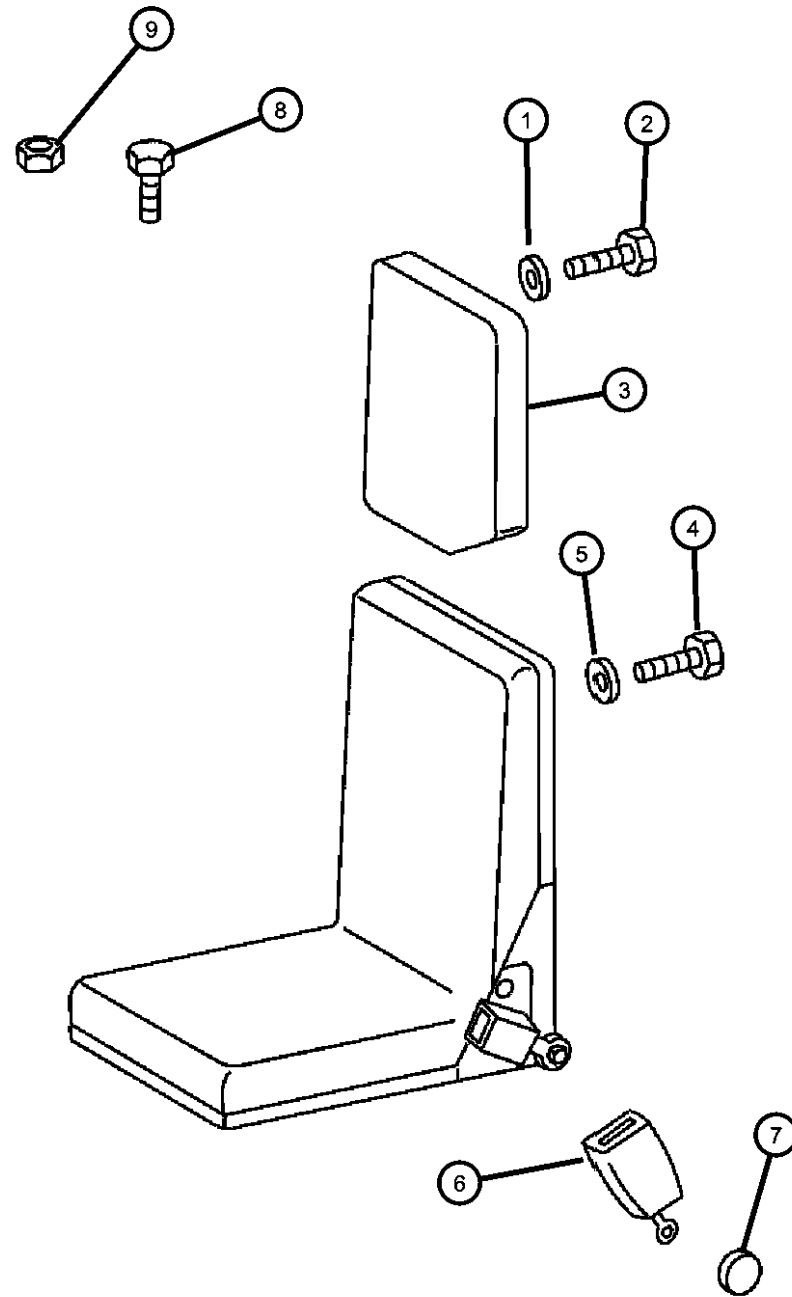
TRANSMISSION

DGJ = Transmission-5-Spd. Automatic, W5A580

AR = use ase required - = Non illustrated part

2002 VA

Front Seat - Attaching Parts
Figure IVA-535



ITEM	PART NUMBER	QTY	LINE	SERIES	BODY	ENGINE	TRANS	TRIM	DESCRIPTION
		7	3, 7	L	12, 15, 16				
9	06104716AA	2	2, 6	L	11, 12, 14, 15, 16				NUT
		8	2, 6	L	51, 52, 54, 55, 56				
		2	3, 7	L	12, 15, 16				

SPRINTER (VA)

SERIES

L = LOWLINE
 3 = HD DODGE 2WD
 6 = Lt. Duty DODGE 4WD
 2 = Med. Duty DODGE 2WD
 7 = Med. Duty DODGE 4WD

LINE

BODY

01 = CHASSIS FORWARD CONTROL W.B.1
 02 = CAB CHASSIS WHEEL BASE 2
 06 = CAB CHASSIS WHEEL BASE 6
 11 = VAN WHEEL BASE 1
 12 = VAN WHEEL BASE 2
 51 = WAGON WHEEL BASE 1
 52 = WAGON WHEEL BASE 2
 14 = VAN WHEEL BASE 4
 15 = VAN WHEEL BASE 5
 56 = WAGON WHEEL BASE 6
 16 = VAN WHEEL BASE 6
 54 = WAGON WHEEL BASE 4
 55 = WAGON WHEEL BASE 5

ENGINE

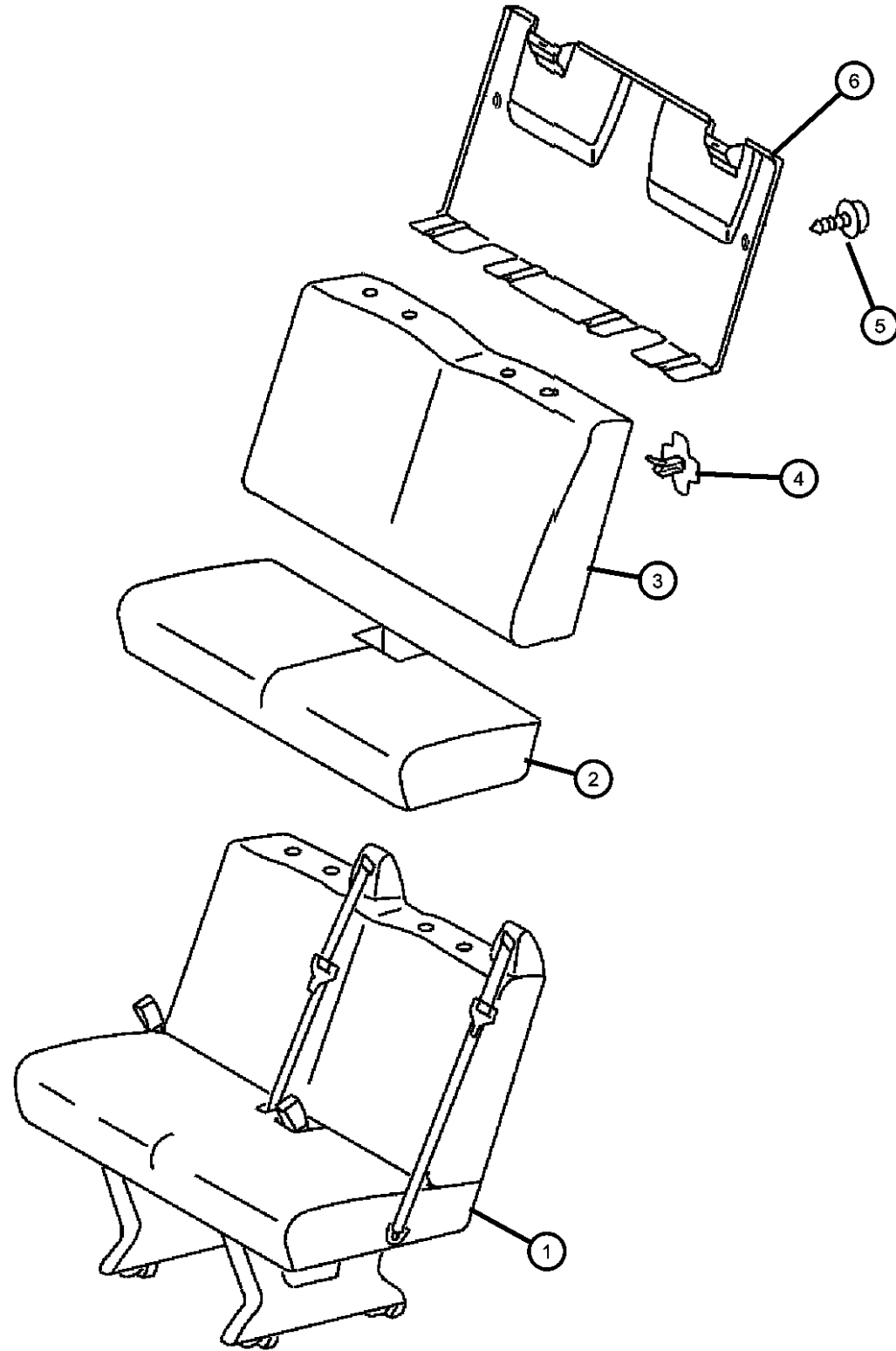
EX9 = Engine-2.7L I5
 Mercedes Turbo Diesel

TRANSMISSION

DGJ = Transmission-5-Spd. Automatic, W5A580

AR = use ase required - = Non illustrated part

Rear Seat - 2 Passenger
Figure IVA-610



ITEM	PART NUMBER	QTY	LINE	SERIES	BODY	ENGINE	TRANS	TRIM	DESCRIPTION
1	05133094AA	1	2, 6	L	51, 52, 54, 55, 56			*A7	SEAT COMPLETE, Rear, Two Passenger
2	05166087AA	1	2, 3, 6, 7	L				*A7	CUSHION, Rear Seat, Two Passenger
3	05166089AA	1	2, 3, 6, 7	L				*A7	SEAT BACK, Rear, 2 Passenger
4	05103706AA	1	2, 6	L	11, 12, 14, 15, 16				BRACKET, Rear Seatback Right
		1	2, 6	L	51, 52, 54, 55, 56				Right
		1	3, 7	L	12, 15, 16				Right
	05103707AA	1	2, 6	L	11, 12, 14, 15, 16				Left
		1	2, 6	L	51, 52, 54, 55, 56				Left
		1	3, 7	L	12, 15, 16				Left
5	05134089AA	1	2, 6	L	11, 12, 14, 15, 16				PANEL, Rear Seat Back Two Passenger
		1	2, 6	L	51, 52, 54, 55, 56				Two Passenger
		1	3, 7	L	12, 15, 16				Two Passenger
6	05133295AA	2	2, 6	L	01, 02, 06				SCREW, Self-Tapping
		2	2, 6	L	11, 12, 14, 15, 16				
		2	2, 6	L	51, 52, 54, 55, 56				

SPRINTER (VA)

SERIES

L = LOWLINE

LINE

3 = HD DODGE 2WD
6 = Lt. Duty DODGE 4WD
2 = Med. Duty DODGE 2WD
7 = Med. Duty DODGE 4WD

BODY

01 = CHASSIS FORWARD CONTROL W.B.1
02 = CAB CHASSIS WHEEL BASE 2
06 = CAB CHASSIS WHEEL BASE 6
11 = VAN WHEEL BASE 1
12 = VAN WHEEL BASE 2
51 = WAGON WHEEL BASE 1
52 = WAGON WHEEL BASE 2
14 = VAN WHEEL BASE 4
15 = VAN WHEEL BASE 5
56 = WAGON WHEEL BASE 6
16 = VAN WHEEL BASE 6
54 = WAGON WHEEL BASE 4
55 = WAGON WHEEL BASE 5

ENGINE

EX9 = Engine-2.7L I5
Mercedes Turbo Diesel

TRANSMISSION

DGJ = Transmission-5-Spd. Automatic, W5A580

AR = use ase required - = Non illustrated part

2002 VA

Rear Seat - 3 Passenger
Figure IVA-615

ITEM	PART NUMBER	QTY	LINE	SERIES	BODY	ENGINE	TRANS	TRIM	DESCRIPTION
1									SEAT COMPLETE, Rear, Three Passenger
	05133102AA	1	2, 6	L	51, 52, 54, 55, 56			*A7	First Rear Bench
	05133110AA	1	2, 6	L	51, 52, 54, 55, 56			*A7	Second Rear Bench
		1	2, 6	L	51, 52, 54, 55, 56			*A7	Third Rear Bench
2									CUSHION, Rear Seat, Three Passenger
	05166077AA	1	2, 3, 6, 7	L				*A7	Second & Third Row Rear Bench
	05166085AA	1	2, 3, 6, 7	L				*A7	First Rear Bench
3									BRACKET, Rear Seatback
	05103706AA	1	2, 6	L	11, 12, 14, 15, 16				Right
		1	2, 6	L	51, 52, 54, 55, 56				Right
		1	3, 7	L	12, 15, 16				Right
	05103707AA	1	2, 6	L	11, 12, 14, 15, 16				Left
		1	2, 6	L	51, 52, 54, 55, 56				Left
		1	3, 7	L	12, 15, 16				Left
4									SEAT BACK, Rear, 3 Passenger
	05166084AA	1	2, 3, 6, 7	L				*A7	First Rear Bench
	05166086AA	1	2, 3, 6, 7	L				*A7	Second & Third Row Rear Bench
5									SCREW, Self-Tapping
	05133295AA	2	2, 6	L	11, 12, 14, 15, 16				
		2	2, 6	L	51, 52, 54, 55, 56				
		2	2, 6	L	01, 02, 06				
6									PANEL, Seat Back, Two Passenger
	05134096AA	1	2, 6	L	14, 15, 16, 11, 12				

SPRINTER (VA)

SERIES

L = LOWLINE

LINE

3 = HD DODGE 2WD
6 = Lt. Duty DODGE 4WD
2 = Med. Duty DODGE 2WD
7 = Med. Duty DODGE 4WD

BODY

01 = CHASSIS FORWARD CONTROL W.B.1
02 = CAB CHASSIS WHEEL BASE 2
06 = CAB CHASSIS WHEEL BASE 6
11 = VAN WHEEL BASE 1
12 = VAN WHEEL BASE 2
51 = WAGON WHEEL BASE 1
52 = WAGON WHEEL BASE 2
14 = VAN WHEEL BASE 4
15 = VAN WHEEL BASE 5
56 = WAGON WHEEL BASE 6
16 = VAN WHEEL BASE 6
54 = WAGON WHEEL BASE 4
55 = WAGON WHEEL BASE 5

ENGINE

EX9 = Engine-2.7L I5
Mercedes Turbo Diesel

TRANSMISSION

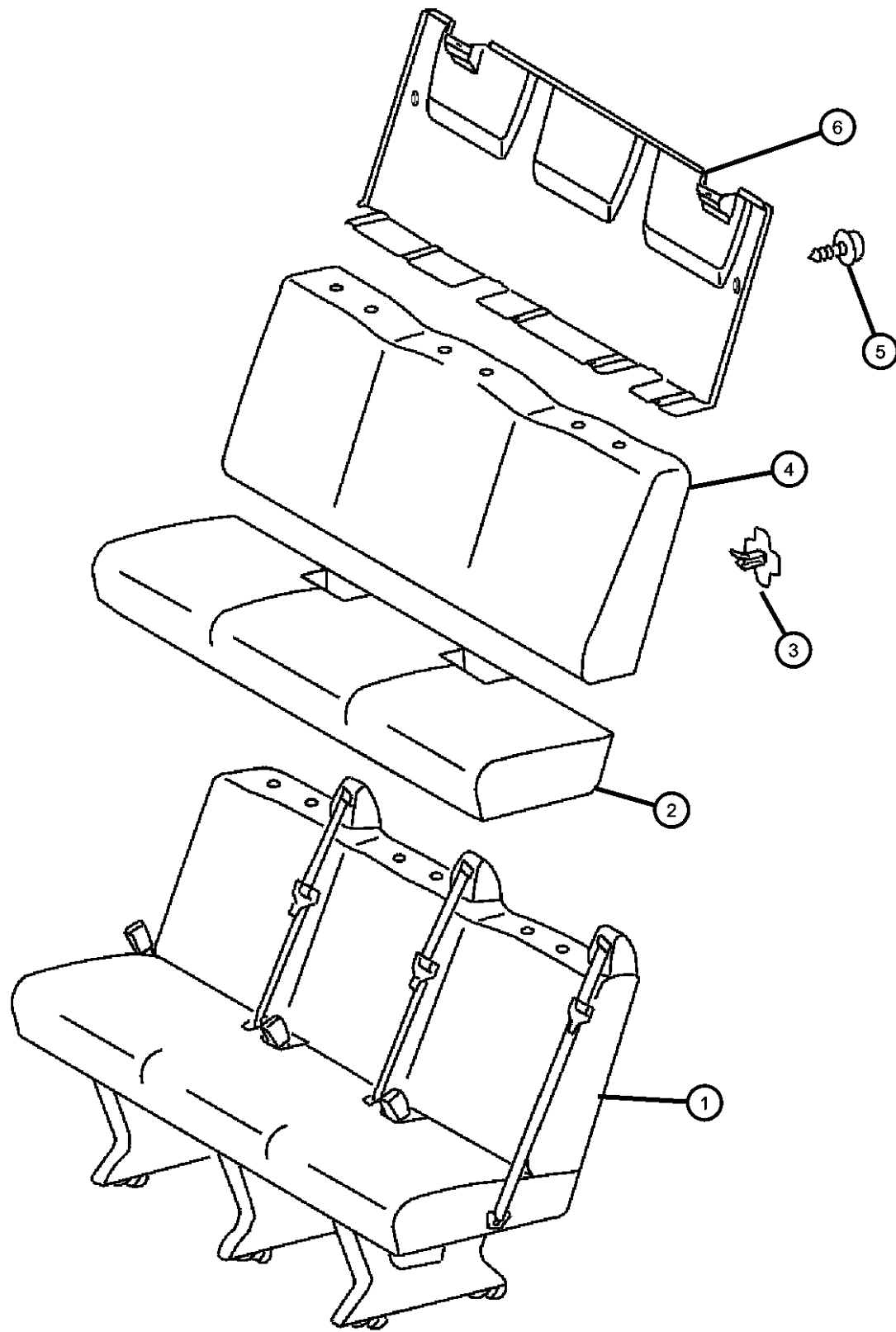
DGJ = Transmission-5-Spd. Automatic, W5A580

AR = use ase required - = Non illustrated part

2002 VA

Rear Seat - 3 Passenger
Figure IVA-615

ITEM	PART NUMBER	QTY	LINE	SERIES	BODY	ENGINE	TRANS	TRIM	DESCRIPTION
------	-------------	-----	------	--------	------	--------	-------	------	-------------



		1	2, 6	L	51, 52, 54, 55, 56				
		1	3, 7	L	12, 15, 16				

SPRINTER (VA)

SERIES

L = LOWLINE

LINE

3 = HD DODGE 2WD
6 = Lt. Duty DODGE 4WD
2 = Med. Duty DODGE 2WD
7 = Med. Duty DODGE 4WD

BODY

01 = CHASSIS FORWARD CONTROL W.B.1
02 = CAB CHASSIS WHEEL BASE 2
06 = CAB CHASSIS WHEEL BASE 6
11 = VAN WHEEL BASE 1
12 = VAN WHEEL BASE 2
51 = WAGON WHEEL BASE 1
52 = WAGON WHEEL BASE 2
14 = VAN WHEEL BASE 4
15 = VAN WHEEL BASE 5
56 = WAGON WHEEL BASE 6
16 = VAN WHEEL BASE 6
54 = WAGON WHEEL BASE 4
55 = WAGON WHEEL BASE 5

ENGINE

EX9 = Engine-2.7L I5
Mercedes Turbo Diesel

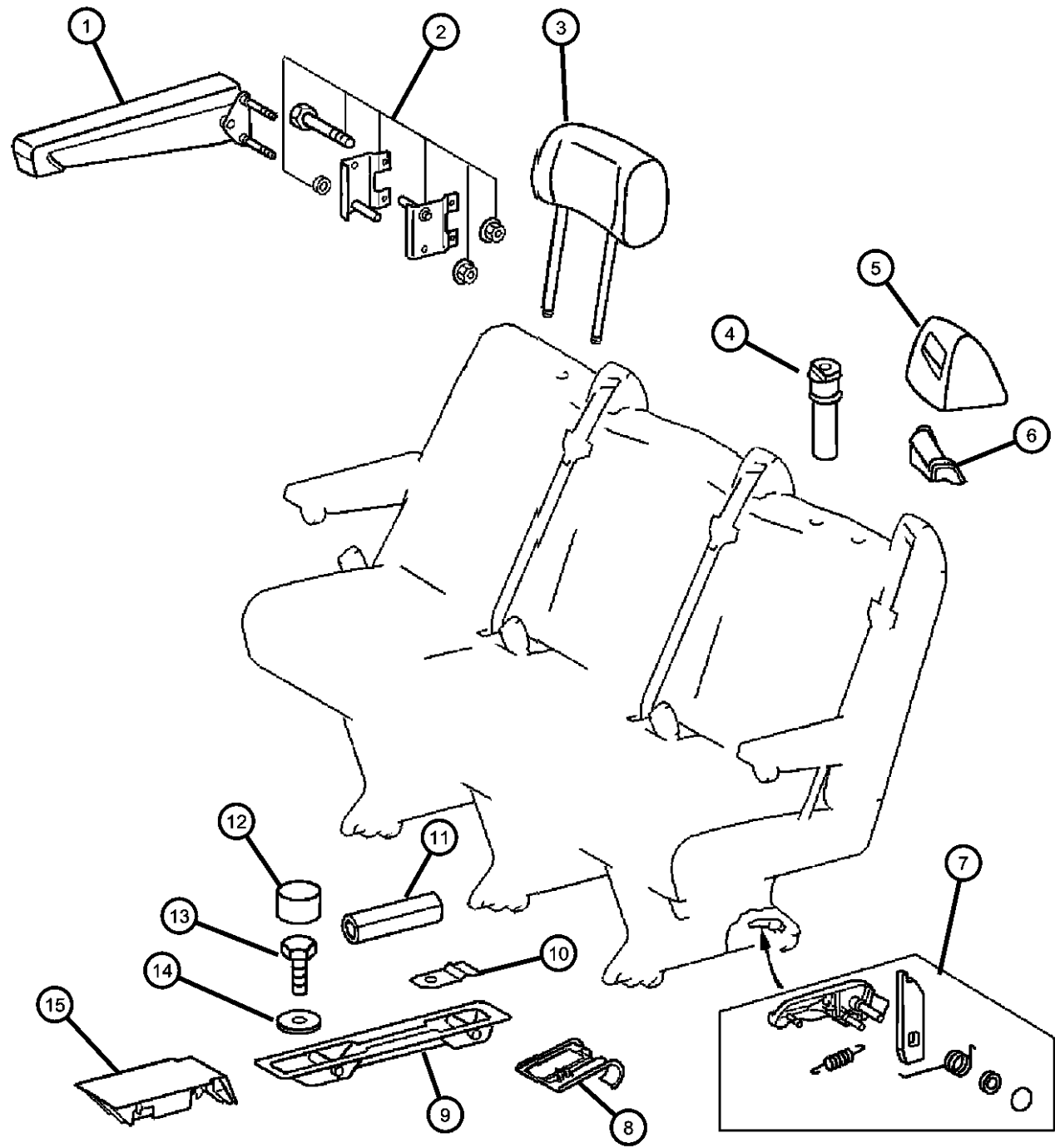
TRANSMISSION

DGJ = Transmission-5-Spd. Automatic, W5A580

AR = use ase required - = Non illustrated part

2002 VA

**Attaching Parts - 3rd Passenger Seat
Figure IVA-620**

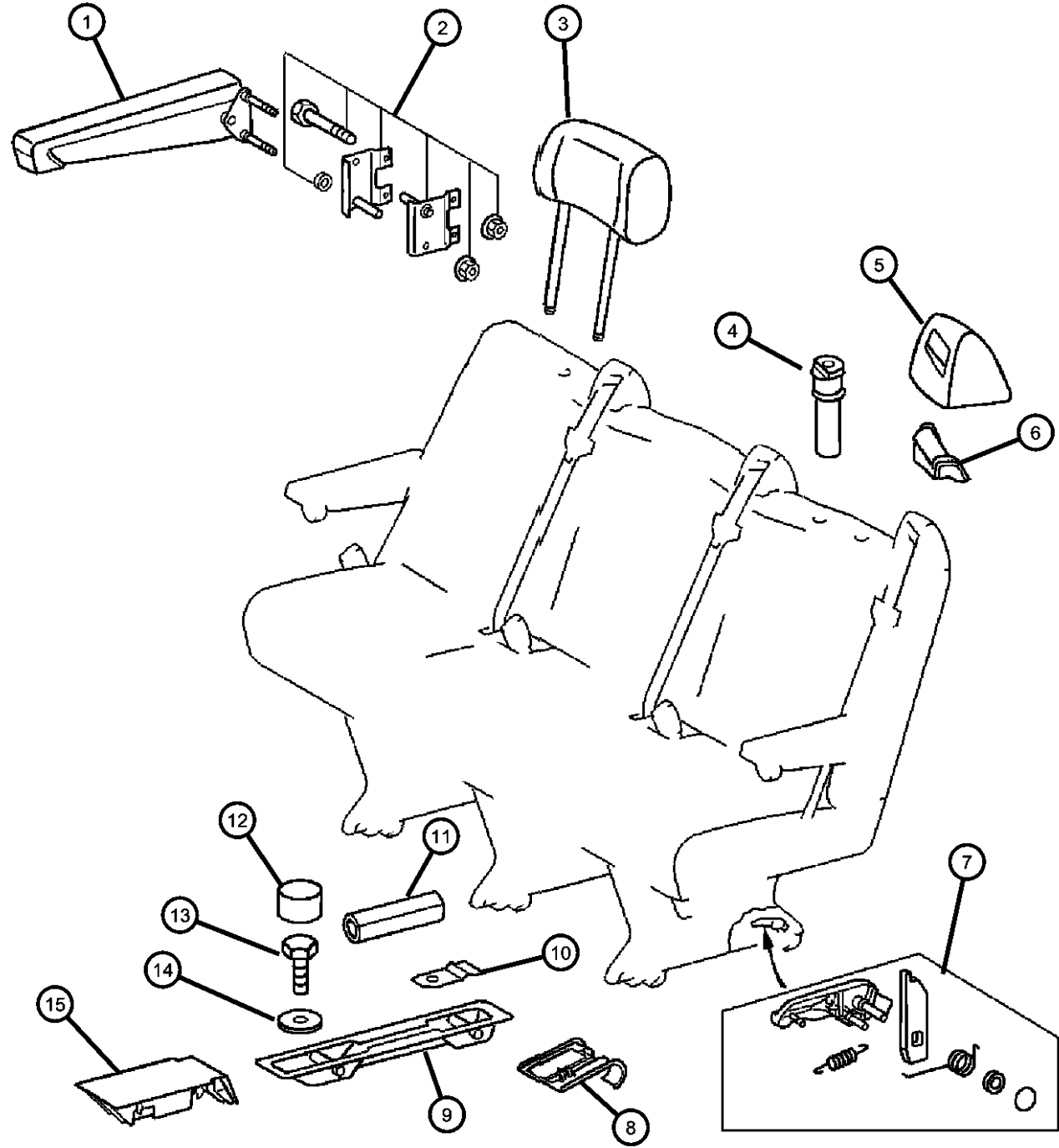


ITEM	PART NUMBER	QTY	LINE	SERIES	BODY	ENGINE	TRANS	TRIM	DESCRIPTION	
1	0ZN58CSSAA	1	2, 6	L	11, 12, 14, 15, 16				ARMREST, REAR SEAT	
		1	2, 6	L	51, 52, 54, 55, 56					
		1	3, 7	L	12, 15, 16					
2	05134098AA	1	2, 6	L	11, 12, 14, 15, 16				BRACKET, Arm Rest	
		1	2, 6	L	51, 52, 54, 55, 56					
		1	3, 7	L	12, 15, 16					
3	05104534AA	3	2, 6	L	11, 12, 14, 15, 16				HEADREST Standard	
		1	2, 6	L	51, 52, 54, 55, 56					Standard
	05125368AA	3	2, 6	L	11, 12, 14, 15, 16				Venice Venice	
		1	2, 6	L	51, 52, 54, 55, 56					
	05125377AA	1	3, 7	L	12, 15, 16				Standard Santos	
		1	2, 6	L	11, 12, 14, 15, 16					
			1	3, 7	L	12, 15, 16				Venice Santos
			1	2, 6	L	51, 52, 54, 55, 56				
			1	3, 7	L	12, 15, 16				Santos Santos
			1	2, 6	L	51, 52, 54, 55, 56				
4	05125318AA	2	2, 6	L	11, 12, 14, 15, 16				SLEEVE, Headrest	
		2	2, 6	L	51, 52, 54, 55, 56					
		2	3, 7	L	12, 15, 16					
5									COVER, Seat Belt Opening	

SPRINTER (VA)
 SERIES L = LOWLINE
 LINE 3 = HD DODGE 2WD
 6 = Lt. Duty DODGE 4WD
 2 = Med. Duty DODGE 2WD
 7 = Med. Duty DODGE 4WD
 BODY 01 = CHASSIS FORWARD CONTROL W.B.1
 02 = CAB CHASSIS WHEEL BASE 2
 06 = CAB CHASSIS WHEEL BASE 6
 11 = VAN WHEEL BASE 1
 12 = VAN WHEEL BASE 2
 51 = WAGON WHEEL BASE 1
 52 = WAGON WHEEL BASE 2
 14 = VAN WHEEL BASE 4
 15 = VAN WHEEL BASE 5
 56 = WAGON WHEEL BASE 6
 16 = VAN WHEEL BASE 6
 54 = WAGON WHEEL BASE 4
 55 = WAGON WHEEL BASE 5
 ENGINE EX9 = Engine-2.7L I5
 Mercedes Turbo Diesel
 TRANSMISSION DGJ = Transmission-5-Spd. Automatic, W5A580

AR = use ase required - = Non illustrated part

**Attaching Parts - 3rd Passenger Seat
Figure IVA-620**



ITEM	PART NUMBER	QTY	LINE	SERIES	BODY	ENGINE	TRANS	TRIM	DESCRIPTION
6	05103708AA	1	2, 6	L	11, 12, 14, 15, 16				GUIDE, Seat Belt
		1	2, 6	L	51, 52, 54, 55, 56				
		1	3, 7	L	12, 15, 16				
7	05103709AA	1	2, 6	L	15, 16, 11, 12, 14				LATCH, Seat
		1	2, 6	L	51, 52, 54, 55, 56				
		1	3, 7	L	12, 15, 16				
8	05103704AA	2	2, 6	L	11, 12, 14, 15, 16				ESCUTCHEON, Seat Anchor
		2	2, 6	L	51, 52, 54, 55, 56				
		2	3, 7	L	12, 15, 16				
9	05134099AA	4	2, 6	L	11, 12, 14, 15, 16				ESCUTCHEON, Seat Anchor
		4	2, 6	L	51, 52, 54, 55, 56				
		4	3, 7	L	12, 15, 16				
	05104531AA	1	2, 6	L	11, 12, 14, 15, 16				Second Rear Bench, 2 Passenger
		1	2, 6	L	51, 52, 54, 55, 56				
		1	3, 7	L	12, 15, 16				
	05104532AA	2	2, 6	L	11, 12, 14, 15, 16				First Rear Bench, 3 Passenger
		1	2, 6	L	54, 55, 56, 51, 52				
		1	3, 7	L	12, 15, 16				

SPRINTER (VA)

SERIES

L = LOWLINE
 3 = HD DODGE 2WD
 6 = Lt. Duty DODGE 4WD
 2 = Med. Duty DODGE 2WD
 7 = Med. Duty DODGE 4WD

BODY

01 = CHASSIS FORWARD CONTROL W.B.1
 02 = CAB CHASSIS WHEEL BASE 2
 06 = CAB CHASSIS WHEEL BASE 6
 11 = VAN WHEEL BASE 1
 12 = VAN WHEEL BASE 2
 51 = WAGON WHEEL BASE 1
 52 = WAGON WHEEL BASE 2
 14 = VAN WHEEL BASE 4
 15 = VAN WHEEL BASE 5
 56 = WAGON WHEEL BASE 6
 16 = VAN WHEEL BASE 6
 54 = WAGON WHEEL BASE 4
 55 = WAGON WHEEL BASE 5

ENGINE

EX9 = Engine-2.7L I5
 Mercedes Turbo Diesel

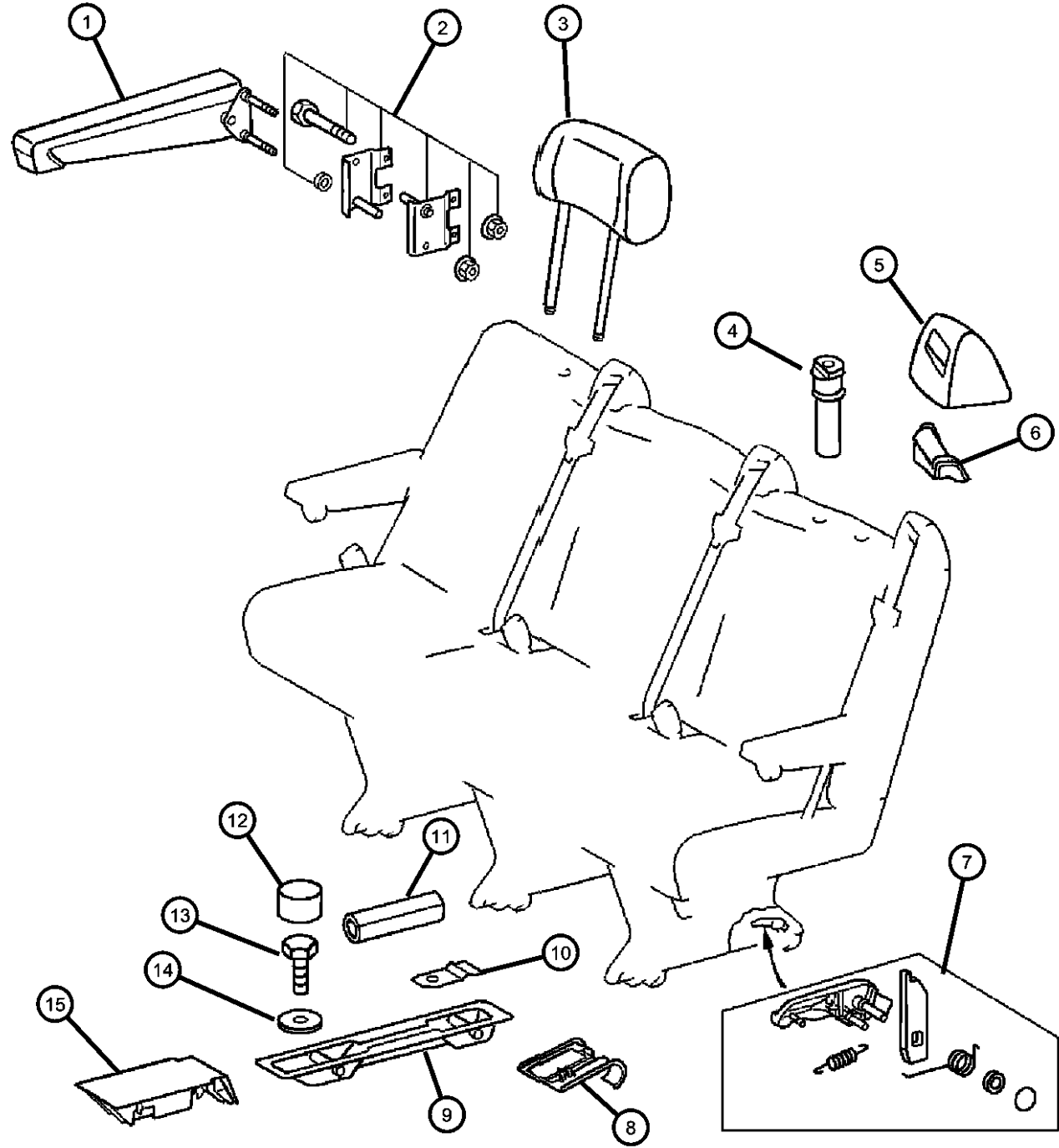
TRANSMISSION

DGJ = Transmission-5-Spd. Automatic, W5A580

AR = use ase required - = Non illustrated part

2002 VA

**Attaching Parts - 3rd Passenger Seat
Figure IVA-620**



ITEM	PART NUMBER	QTY	LINE	SERIES	BODY	ENGINE	TRANS	TRIM	DESCRIPTION
10	05134097AA	2	2, 6	L	11, 12, 14, 15, 16				SPRING, Seat Latch Return
		2	2, 6	L	51, 52, 54, 55, 56				
		2	3, 7	L	12, 15, 16				
11	05104550AA	2	2, 6	L	11, 12, 14, 15, 16				PIN, Roll
		6	2, 6	L	51, 52, 54, 55, 56				
12	05133484AA	6	2, 6	L	11, 12, 14, 15, 16				COVER, Seat Belt
		6	2, 6	L	51, 52, 54, 55, 56				
		6	3, 7	L	12, 15, 16				
13	06104216AA	4	2, 6	L	11, 12, 14, 15, 16				BOLT, Hex Head
		4	3, 7	L	12, 15, 16				
		4	2, 6	L	51, 52, 54, 55, 56				
14	05126189AB	4	2, 6	L	11, 12, 14, 15, 16				WASHER, Flat
		18	2, 6	L	51, 52, 54, 55, 56				
15	05104533AA	1	2, 6	L	11, 12, 14, 15, 16				COVER, Seat Anchor
		1	2, 6	L	51, 52, 54, 55, 56				

SPRINTER (VA)

SERIES
L = LOWLINE

LINE
3 = HD DODGE 2WD
6 = Lt. Duty DODGE 4WD
2 = Med. Duty DODGE 2WD
7 = Med. Duty DODGE 4WD

BODY
01 = CHASSIS FORWARD CONTROL W.B.1
02 = CAB CHASSIS WHEEL BASE 2
06 = CAB CHASSIS WHEEL BASE 6
11 = VAN WHEEL BASE 1
12 = VAN WHEEL BASE 2
51 = WAGON WHEEL BASE 1
52 = WAGON WHEEL BASE 2
14 = VAN WHEEL BASE 4
15 = VAN WHEEL BASE 5
56 = WAGON WHEEL BASE 6
16 = VAN WHEEL BASE 6
54 = WAGON WHEEL BASE 4
55 = WAGON WHEEL BASE 5

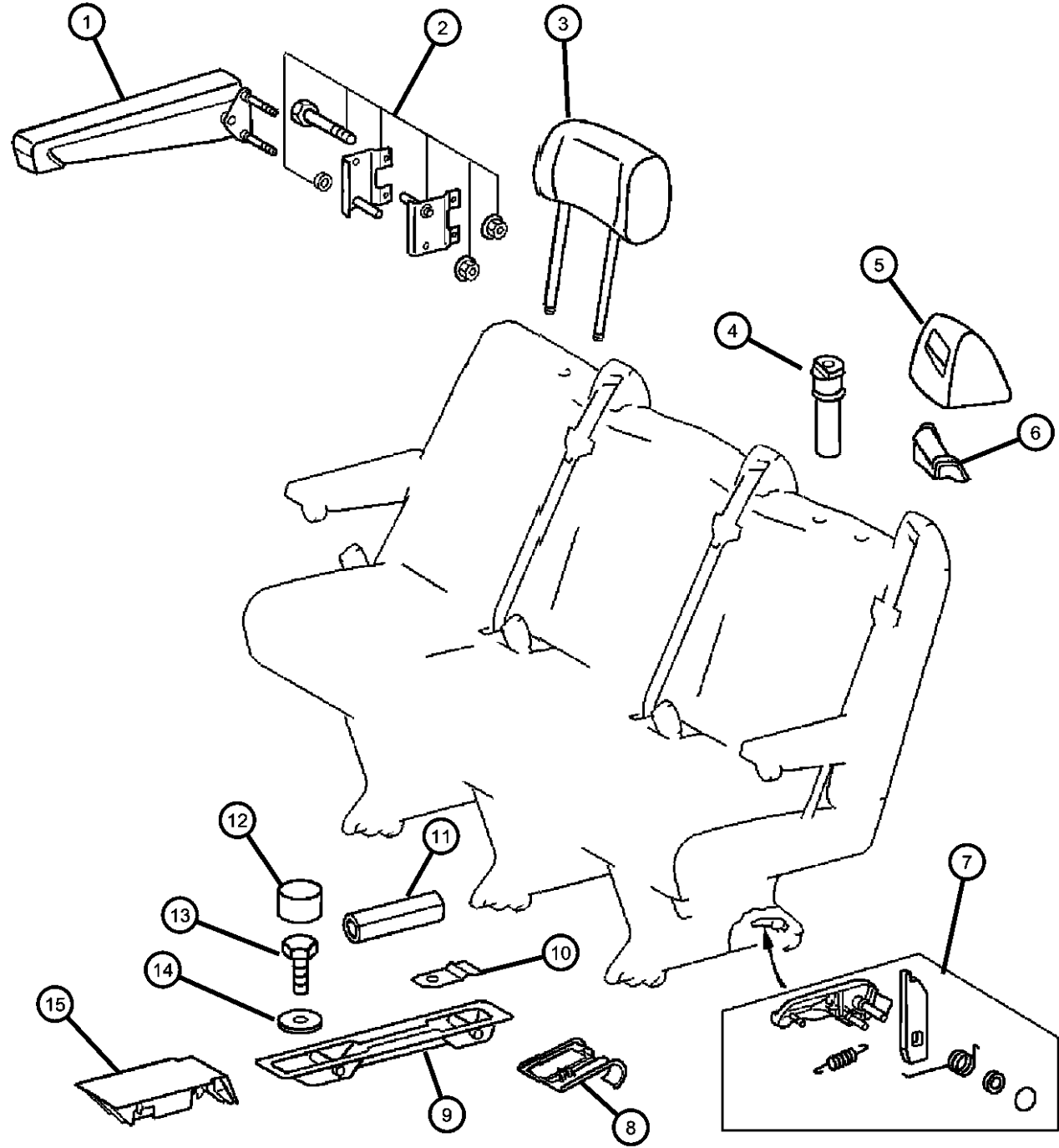
ENGINE
EX9 = Engine-2.7L I5
Mercedes Turbo Diesel

TRANSMISSION
DGJ = Transmission-5-Spd. Automatic, W5A580

AR = use ase required - = Non illustrated part

**Attaching Parts - 3rd Passenger Seat
Figure IVA-620**

ITEM	PART NUMBER	QTY	LINE	SERIES	BODY	ENGINE	TRANS	TRIM	DESCRIPTION
------	-------------	-----	------	--------	------	--------	-------	------	-------------



		1	3, 7	L	12, 15, 16				
-16	05133285AA	1	3, 7	L	12, 15, 16				

HANDLE, Seat Adjuster, Adjuster, Rear, Cushion

SPRINTER (VA)

SERIES

L = LOWLINE
 3 = HD DODGE 2WD
 6 = Lt. Duty DODGE 4WD
 2 = Med. Duty DODGE 2WD
 7 = Med. Duty DODGE 4WD

BODY

01 = CHASSIS FORWARD CONTROL W.B.1
 02 = CAB CHASSIS WHEEL BASE 2
 06 = CAB CHASSIS WHEEL BASE 6
 11 = VAN WHEEL BASE 1
 12 = VAN WHEEL BASE 2
 51 = WAGON WHEEL BASE 1
 52 = WAGON WHEEL BASE 2
 14 = VAN WHEEL BASE 4
 15 = VAN WHEEL BASE 5
 56 = WAGON WHEEL BASE 6
 16 = VAN WHEEL BASE 6
 54 = WAGON WHEEL BASE 4
 55 = WAGON WHEEL BASE 5

ENGINE

EX9 = Engine-2.7L I5
 Mercedes Turbo Diesel

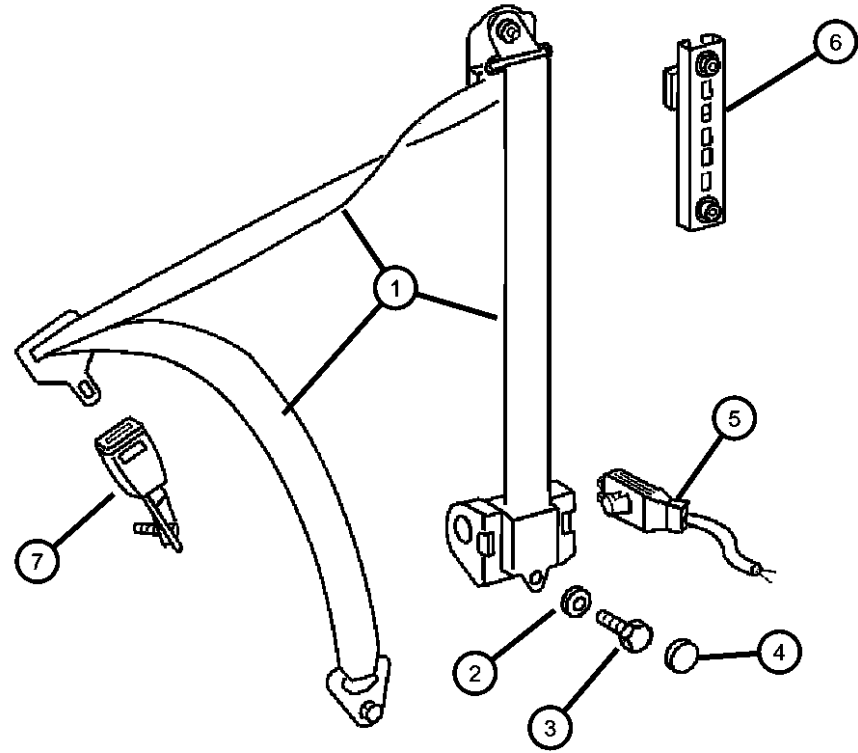
TRANSMISSION

DGJ = Transmission-5-Spd. Automatic, W5A580

AR = use ase required - = Non illustrated part

2002 VA

Seat Belt - Front
Figure IVA-710



ITEM	PART NUMBER	QTY	LINE	SERIES	BODY	ENGINE	TRANS	TRIM	DESCRIPTION
1									SEAT BELT, Front Outer
	05103812AA	1	2, 6	L	51, 52, 54, 55, 56				Left
		1	3, 7	L	12, 15, 16				Left
		1	2, 6	L	11, 12, 14, 15, 16				Left
	05103835AA	1	2, 6	L	51, 52, 54, 55, 56				Used Without Jump Seat, Right
		1	2, 6	L	11, 12, 14, 15, 16				Used Without Jump Seat, Right
		1	3, 7	L	12, 15, 16				Used Without Jump Seat, Right
	05103836AA	1	2, 6	L	11, 12, 14, 15, 16				Orange, Right & Left
		1	3, 7	L	12, 15, 16				Orange, Right & Left
	05125023AA	1	6, 2	L	11, 12, 14, 15, 16				Right
		1	3, 7	L	12, 15, 16				Right
	05125026AA	1	2, 6	L	11, 12, 14, 15, 16				Used With Jump Seat, Right
		1	2, 6	L	51, 52, 54, 55, 56				Used With Jump Seat, Right
		1	3, 7	L	12, 15, 16				Used With Jump Seat, Right
2									WASHER, Seat Belt Attaching
	05125755AA	2	2, 6	L	11, 12, 14, 15, 16				
		2	2, 6	L	51, 52, 54, 55, 56				
		2	3, 7	L	12, 15, 16				
3									BOLT, Seat Belt
	05125705AA	2	2, 6	L	11, 12, 14, 15, 16				
		2	2, 6	L	51, 52, 54, 55, 56				
		2	3, 7	L	12, 15, 16				
4									CAP, Screw Cover

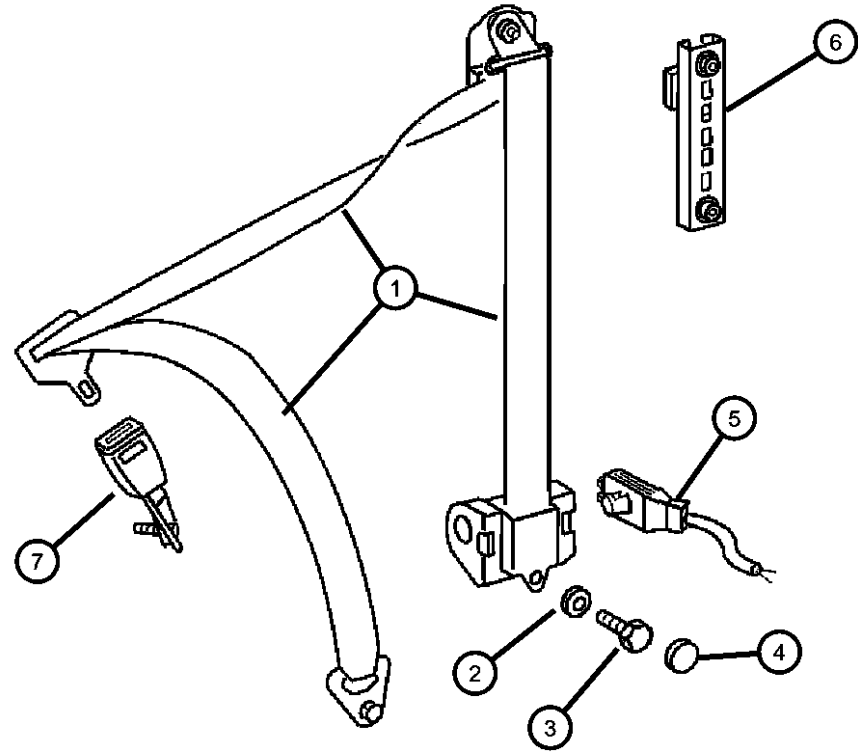
SPRINTER (VA)

SERIES	LINE	BODY	ENGINE	TRANSMISSION
L = LOWLINE	3 = HD DODGE 2WD 6 = Lt. Duty DODGE 4WD 2 = Med. Duty DODGE 2WD 7 = Med. Duty DODGE 4WD	01 = CHASSIS FORWARD CONTROL W.B.1 02 = CAB CHASSIS WHEEL BASE 2 06 = CAB CHASSIS WHEEL BASE 6 11 = VAN WHEEL BASE 1 12 = VAN WHEEL BASE 2 51 = WAGON WHEEL BASE 1 52 = WAGON WHEEL BASE 2 14 = VAN WHEEL BASE 4 15 = VAN WHEEL BASE 5 56 = WAGON WHEEL BASE 6 16 = VAN WHEEL BASE 6 54 = WAGON WHEEL BASE 4 55 = WAGON WHEEL BASE 5	EX9 = Engine-2.7L I5 Mercedes Turbo Diesel	DGJ = Transmission-5-Spd. Automatic, W5A580

AR = use ase required - = Non illustrated part

2002 VA

**Seat Belt - Front
Figure IVA-710**



ITEM	PART NUMBER	QTY	LINE	SERIES	BODY	ENGINE	TRANS	TRIM	DESCRIPTION
	05125999AA	1	2, 6	L	51, 52, 54, 55, 56				
		1	2, 6	L	11, 12, 14, 15, 16				
		1	3, 7	L	12, 15, 16				
5									CLAMP, Cable
	05126038AA	4	2, 6	L	11, 12, 14, 15, 16				
		4	2, 6	L	51, 52, 54, 55, 56				
		4	3, 7	L	12, 15, 16				
6									ADJUSTER, Seat Belt Turning Loop
	05104498AA	2	2, 6	L	11, 12, 14, 15, 16				
		2	2, 6	L	51, 52, 54, 55, 56				
		2	3, 7	L	12, 15, 16				
7									SEAT BELT, Buckle Half
	05103810AA	1	2, 6	L	11, 12, 14, 15, 16				Passenger Side
		1	2, 6	L	51, 52, 54, 55, 56				Passenger Side
		1	3, 7	L	12, 15, 16				Passenger Side
	05103811AA	1	2, 6	L	11, 12, 14, 15, 16				Drivers Side
		1	2, 6	L	51, 52, 54, 55, 56				Drivers Side
		1	3, 7	L	12, 15, 16				Drivers Side
	05124982AA	1	2, 6	L	11, 12, 14, 15, 16				With Luxury Bucket, Passenger Side
		1	3, 7	L	12, 15, 16				With Luxury Bucket, Passenger Side

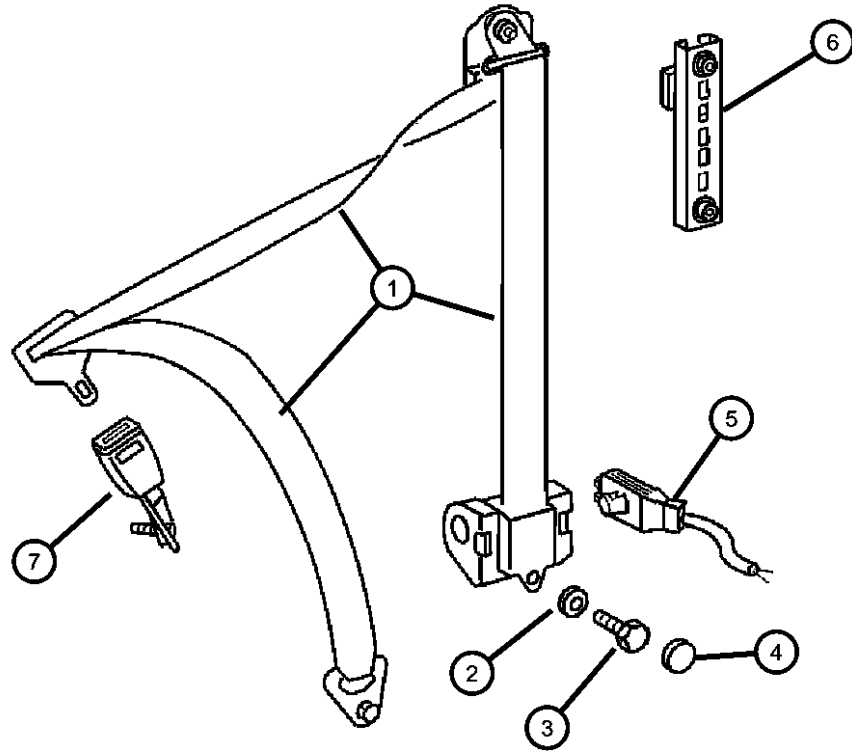
SPRINTER (VA)

SERIES	LINE	BODY	ENGINE	TRANSMISSION
L = LOWLINE	3 = HD DODGE 2WD 6 = Lt. Duty DODGE 4WD 2 = Med. Duty DODGE 2WD 7 = Med. Duty DODGE 4WD	01 = CHASSIS FORWARD CONTROL W.B.1 02 = CAB CHASSIS WHEEL BASE 2 06 = CAB CHASSIS WHEEL BASE 6 11 = VAN WHEEL BASE 1 12 = VAN WHEEL BASE 2 51 = WAGON WHEEL BASE 1 52 = WAGON WHEEL BASE 2 14 = VAN WHEEL BASE 4 15 = VAN WHEEL BASE 5 56 = WAGON WHEEL BASE 6 16 = VAN WHEEL BASE 6 54 = WAGON WHEEL BASE 4 55 = WAGON WHEEL BASE 5	EX9 = Engine-2.7L I5 Mercedes Turbo Diesel	DGJ = Transmission-5-Spd. Automatic, W5A580

AR = use ase required - = Non illustrated part

Seat Belt - Front
Figure IVA-710

ITEM	PART NUMBER	QTY	LINE	SERIES	BODY	ENGINE	TRANS	TRIM	DESCRIPTION
		1	2, 6	L	51, 52, 54, 55, 56				With Luxury Bucket, Passenger Side
-8	05125014AA	2	2, 6	L	11, 12, 14, 15, 16				SEAT BELT, Retractor



SPRINTER (VA)

SERIES

L = LOWLINE
 3 = HD DODGE 2WD
 6 = Lt. Duty DODGE 4WD
 2 = Med. Duty DODGE 2WD
 7 = Med. Duty DODGE 4WD

LINE

BODY

01 = CHASSIS FORWARD CONTROL W.B.1
 02 = CAB CHASSIS WHEEL BASE 2
 06 = CAB CHASSIS WHEEL BASE 6
 11 = VAN WHEEL BASE 1
 12 = VAN WHEEL BASE 2
 51 = WAGON WHEEL BASE 1
 52 = WAGON WHEEL BASE 2
 14 = VAN WHEEL BASE 4
 15 = VAN WHEEL BASE 5
 56 = WAGON WHEEL BASE 6
 16 = VAN WHEEL BASE 6
 54 = WAGON WHEEL BASE 4
 55 = WAGON WHEEL BASE 5

ENGINE

EX9 = Engine-2.7L I5
 Mercedes Turbo Diesel

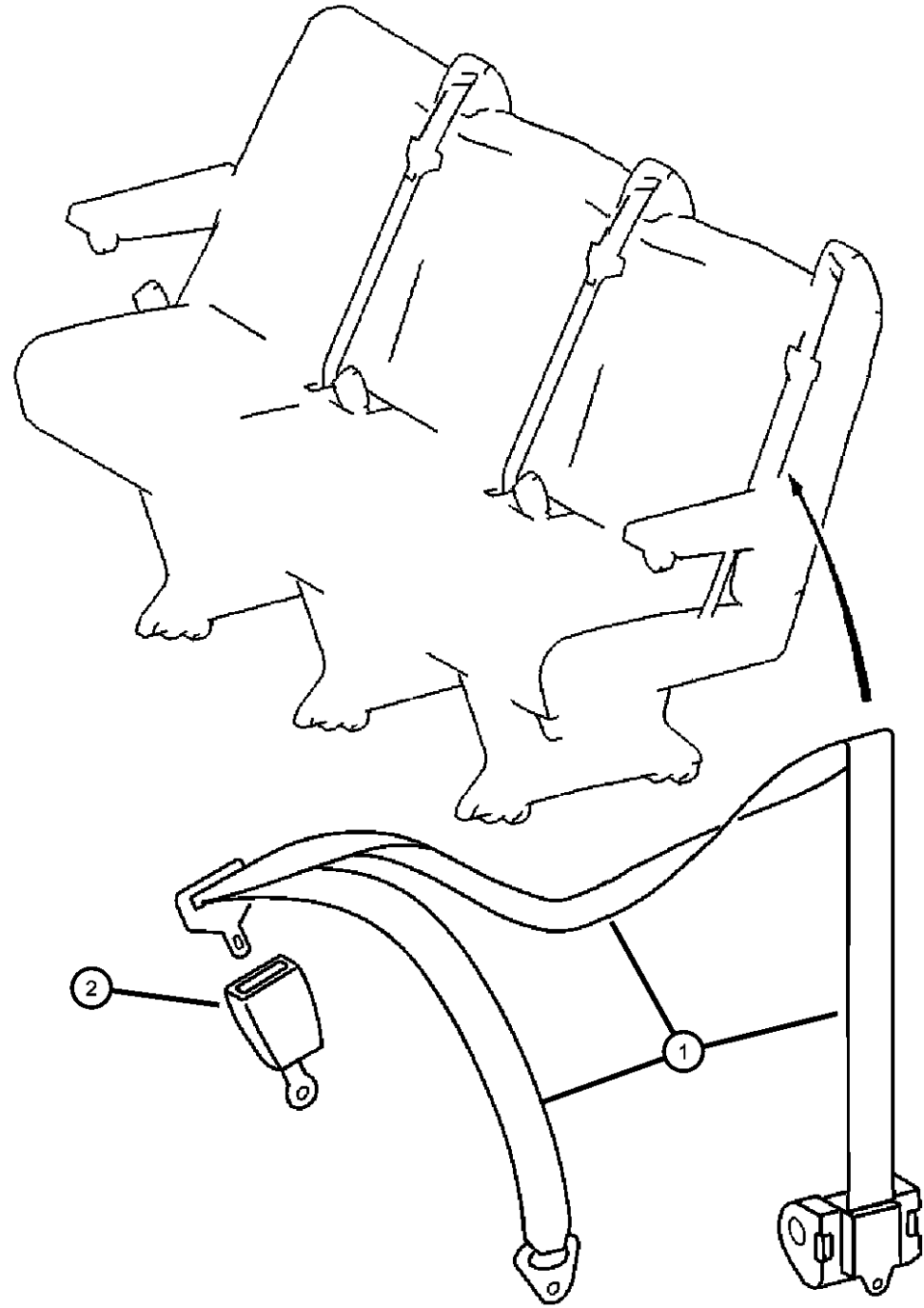
TRANSMISSION

DGJ = Transmission-5-Spd. Automatic, W5A580

AR = use ase required - = Non illustrated part

2002 VA

**Seat Belt - Second Row
Figure IVA-720**



ITEM	PART NUMBER	QTY	LINE	SERIES	BODY	ENGINE	TRANS	TRIM	DESCRIPTION
1	05125014AA	2	2, 6	L	11, 12, 14, 15, 16				SEAT BELT, Retractor
		6	2, 6	L	51, 52, 54, 55, 56				
		2	3, 7	L	12, 15, 16				
2	05104502AA	2	2, 6	L	11, 12, 14, 15, 16				SEAT BELT, Buckle Half
		2	3, 7	L	12, 15, 16				
		2	2, 6	L	51, 52, 54, 55, 56				

SPRINTER (VA)

SERIES

L = LOWLINE
 3 = HD DODGE 2WD
 6 = Lt. Duty DODGE 4WD
 2 = Med. Duty DODGE 2WD
 7 = Med. Duty DODGE 4WD

LINE

BODY

01 = CHASSIS FORWARD CONTROL W.B.1
 02 = CAB CHASSIS WHEEL BASE 2
 06 = CAB CHASSIS WHEEL BASE 6
 11 = VAN WHEEL BASE 1
 12 = VAN WHEEL BASE 2
 51 = WAGON WHEEL BASE 1
 52 = WAGON WHEEL BASE 2
 14 = VAN WHEEL BASE 4
 15 = VAN WHEEL BASE 5
 56 = WAGON WHEEL BASE 6
 16 = VAN WHEEL BASE 6
 54 = WAGON WHEEL BASE 4
 55 = WAGON WHEEL BASE 5

ENGINE

EX9 = Engine-2.7L I5
 Mercedes Turbo Diesel

TRANSMISSION

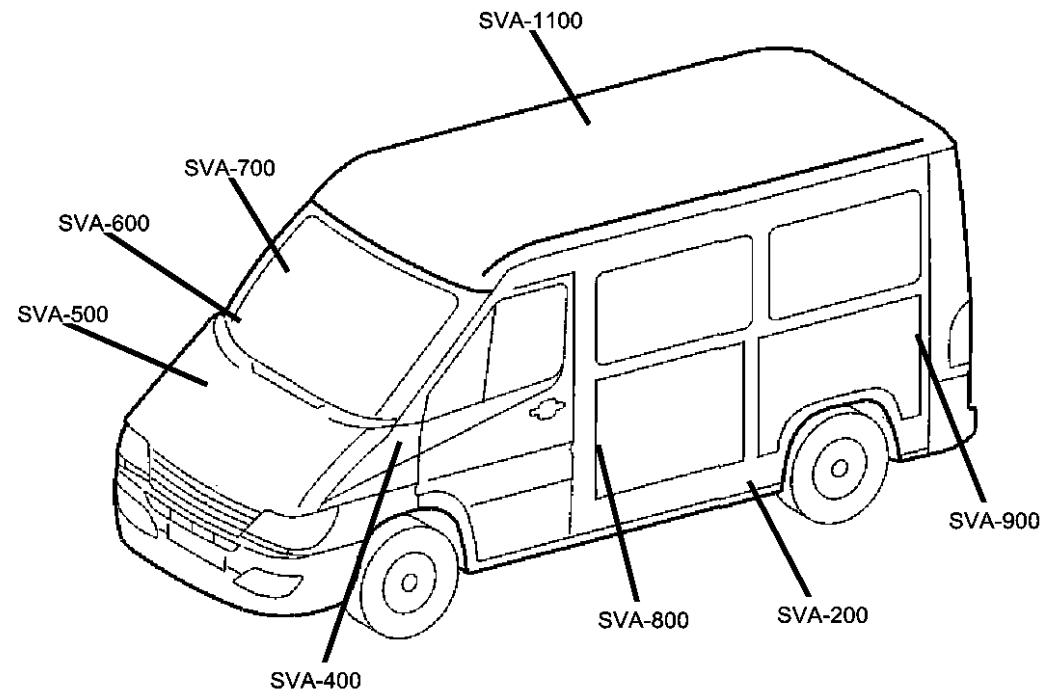
DGJ = Transmission-5-Spd. Automatic, W5A580

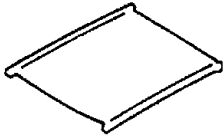

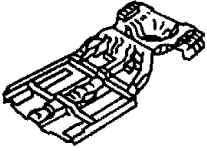

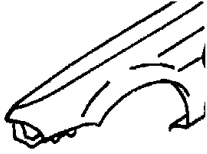
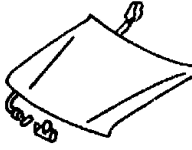
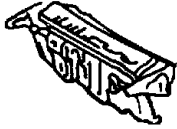

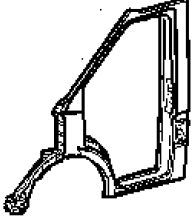
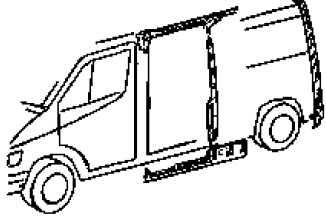
AR = use ase required - = Non illustrated part

2002 VA

Group - SVA

Body Sheet Metal Except Doors

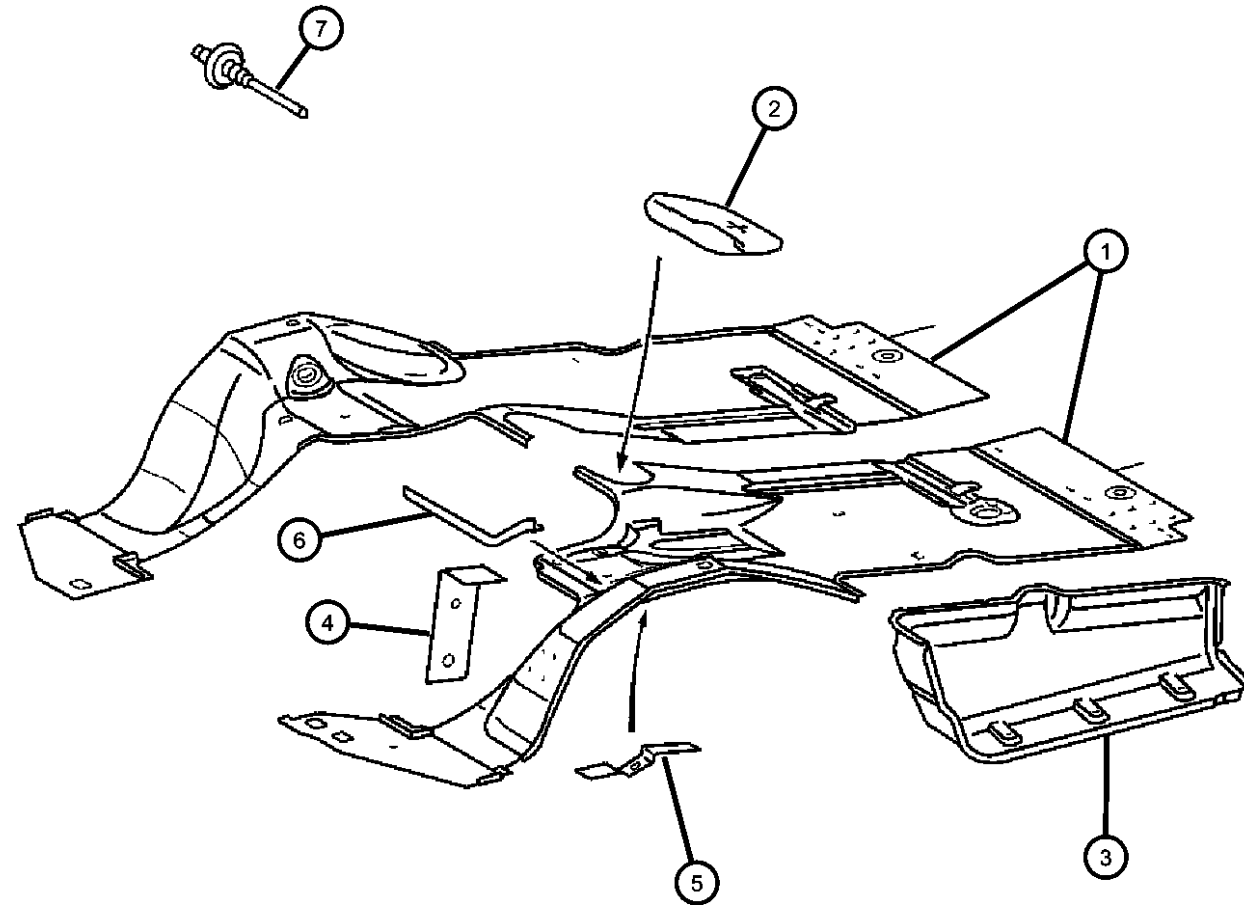


<p>SVA-1100 Roof Panels</p> 	<p>SVA-1200 Sunroof</p> 	<p>SVA-200 Floor Pans</p> 	<p>SVA-300 Plugs</p> 
<p>SVA-400 Front Fenders</p> 	<p>SVA-500 Hood and Hood Release</p> 	<p>SVA-600 Cowl and Dash Panel</p> 	<p>SVA-700 Glass and Rear View Mirror</p> 
<p>SVA-800 Aperture Panel</p> 	<p>SVA-900 Quarter Panel and Pillars</p> 		

Group - SVA Body Sheet Metal Except Doors

Illustration Title	Group-Fig. No.
Floor Pans	
Front Floor Pan.....	Fig. SVA - 210
Rear Floor Pan.....	Fig. SVA - 220
Plugs	
Plugs.....	Fig. SVA - 310
Front Fenders	
Front Fender.....	Fig. SVA - 410
Fender Splash Guards.....	Fig. SVA - 420
Hood and Hood Release	
Hood and Hood Release.....	Fig. SVA - 510
Cowl and Dash Panel	
Cowl and Dash.....	Fig. SVA - 610
Inner Paneling in Cab, Cowl.....	Fig. SVA - 620
Glass and Rear View Mirror	
Windshield, Backlite and Rear View Mirror.....	Fig. SVA - 710
Front Right Side Sliding Glass.....	Fig. SVA - 720
Side Glass, Fixed.....	Fig. SVA - 730
Aperture Panel	
Front Aperture, Inner, Left.....	Fig. SVA - 810
Front Aperture, Outer, Left.....	Fig. SVA - 820
Front Aperture, Inner, Right.....	Fig. SVA - 830
Front Aperture, Outer, Right.....	Fig. SVA - 840
Quarter Panel and Pillars	
Right Side Cargo Door Pillars & Wheelhouse.....	Fig. SVA - 910
Right Side Panels, Cargo.....	Fig. SVA - 920
Right Side Panels, Wagon.....	Fig. SVA - 930
Left Side Cargo Door Pillars & Wheelhouse.....	Fig. SVA - 940
Left Side Panels, Cargo.....	Fig. SVA - 950
Left Side Panels, Wagon.....	Fig. SVA - 960
Rear Splash Shield.....	Fig. SVA - 970
Rear Step Panel.....	Fig. SVA - 980
Partition Wall & Load Protection Grill.....	Fig. SVA - 990
Roof Panels	
Low Roof Panel.....	Fig. SVA - 1110
High Roof Panel.....	Fig. SVA - 1120
Sunroof	
Manual Sunroof.....	Fig. SVA - 1210
Fixed Sunroof.....	Fig. SVA - 1220

Front Floor Pan
Figure SVA-210



ITEM	PART NUMBER	QTY	LINE	SERIES	BODY	ENGINE	TRANS	TRIM	DESCRIPTION
1	05121511AB	1	2, 6		11, 12, 14, 15, 16				PAD, Floor Pan
		1	2, 6		51, 52, 54, 55, 56				
		1	3, 7		12, 15, 16				
2	05121510AA	1	2, 6		11, 12, 14, 15, 16				ESCUTCHEON, Floor
		1	2, 6		51, 52, 54, 55, 56				
		1	3, 7		12, 15, 16				
3	05104161AA	1	2, 6		11, 12, 14, 15, 16				STEP PAD, Side Step
		1	2, 6		51, 52, 54, 55, 56				Left
		1	2, 6		51, 52, 54, 55, 56				Left
	05121571AA	1	3, 7		12, 15, 16				Left
		1	2, 6		11, 12, 14, 15, 16				Right
		1	2, 6		51, 52, 54, 55, 56				Right
		1	3, 7		12, 15, 16				Right
4	05117771AA	1	2, 6		11, 12, 14, 15, 16				BRACKET, Floor Pan, Clutch Line
		1	2, 6		51, 52, 54, 55, 56				
		1	3, 7		12, 15, 16				
5	05119269AA	1	2, 6		11, 12, 14, 15, 16				BRACKET, Floor Pan, Brake Cable
		1	2, 6		51, 52, 54, 55, 56				
		1	3, 7		12, 15, 16				

SPRINTER (VA)

SERIES

L = LOWLINE

LINE

3 = HD DODGE 2WD
6 = Lt. Duty DODGE 4WD
2 = Med. Duty DODGE 2WD
7 = Med. Duty DODGE 4WD

BODY

01 = CHASSIS FORWARD CONTROL W.B.1
02 = CAB CHASSIS WHEEL BASE 2
06 = CAB CHASSIS WHEEL BASE 6
11 = VAN WHEEL BASE 1
12 = VAN WHEEL BASE 2
51 = WAGON WHEEL BASE 1
52 = WAGON WHEEL BASE 2
14 = VAN WHEEL BASE 4
15 = VAN WHEEL BASE 5
56 = WAGON WHEEL BASE 6
16 = VAN WHEEL BASE 6
54 = WAGON WHEEL BASE 4
55 = WAGON WHEEL BASE 5

ENGINE

EX9 = Engine-2.7L I5
Mercedes Turbo Diesel

TRANSMISSION

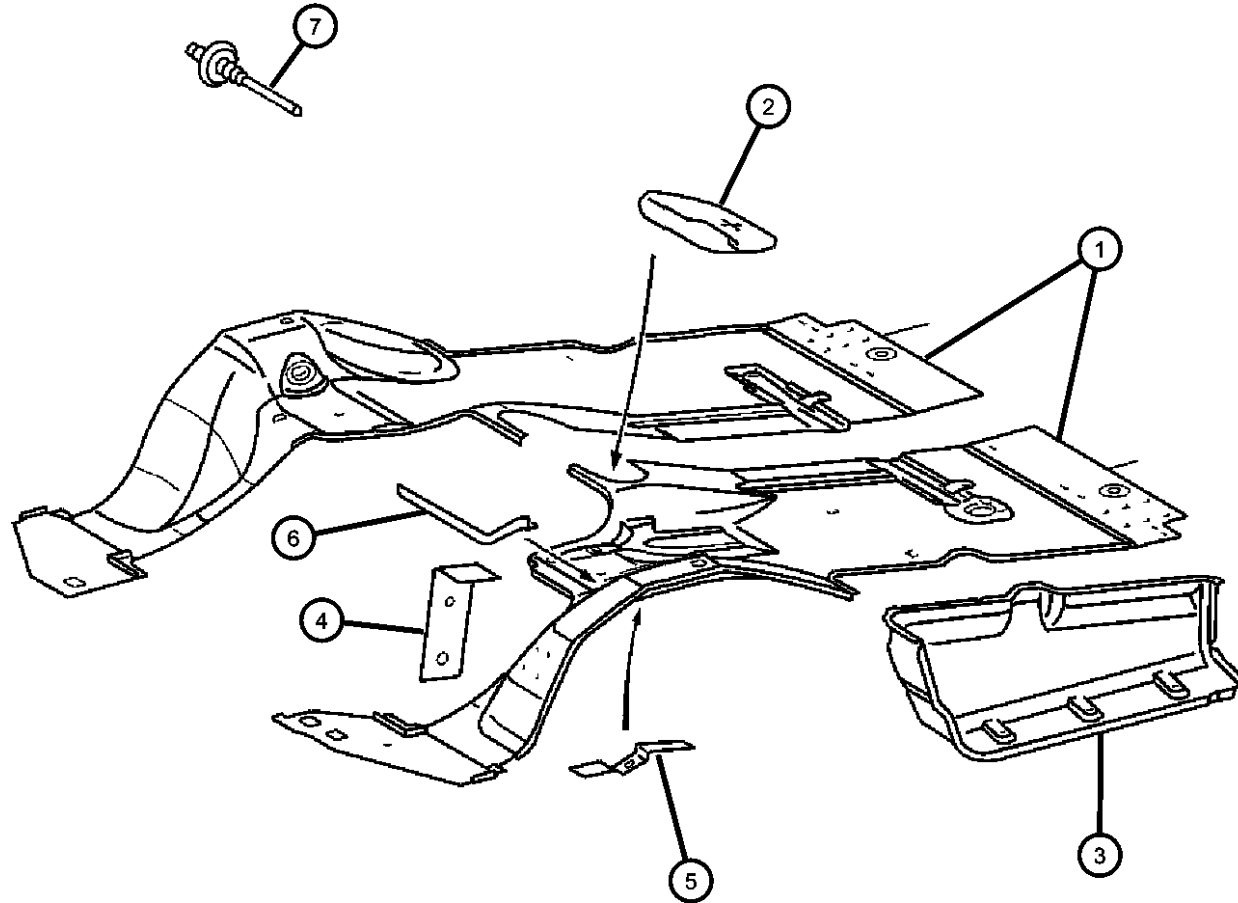
DGJ = Transmission-5-Spd. Automatic, W5A580

AR = use ase required - = Non illustrated part

2002 VA

Front Floor Pan
Figure SVA-210

ITEM	PART NUMBER	QTY	LINE	SERIES	BODY	ENGINE	TRANS	TRIM	DESCRIPTION
6									PAD, Floor Pan
	05121494AA	1	2, 6		11, 12, 14, 15, 16				Left
		1	2, 6		51, 52, 54, 55, 56				Left
		1	3, 7		12, 15, 16				Left
	05121495AA	1	2, 6		11, 12, 14, 15, 16				Right
		1	2, 6		51, 52, 54, 55, 56				Right
		1	3, 7		12, 15, 16				Right
7									RIVET
	05133847AA	99	2, 6		11, 12, 14, 15, 16				
		99	2, 6		51, 52, 54, 55, 56				
		99	3, 7		12, 15, 16				



SPRINTER (VA)

SERIES

L = LOWLINE

LINE

3 = HD DODGE 2WD
6 = Lt. Duty DODGE 4WD
2 = Med. Duty DODGE 2WD
7 = Med. Duty DODGE 4WD

BODY

01 = CHASSIS FORWARD CONTROL W.B.1
02 = CAB CHASSIS WHEEL BASE 2
06 = CAB CHASSIS WHEEL BASE 6
11 = VAN WHEEL BASE 1
12 = VAN WHEEL BASE 2
51 = WAGON WHEEL BASE 1
52 = WAGON WHEEL BASE 2
14 = VAN WHEEL BASE 4
15 = VAN WHEEL BASE 5
56 = WAGON WHEEL BASE 6
16 = VAN WHEEL BASE 6
54 = WAGON WHEEL BASE 4
55 = WAGON WHEEL BASE 5

ENGINE

EX9 = Engine-2.7L I5
Mercedes Turbo Diesel

TRANSMISSION

DGJ = Transmission-5-Spd. Automatic, W5A580

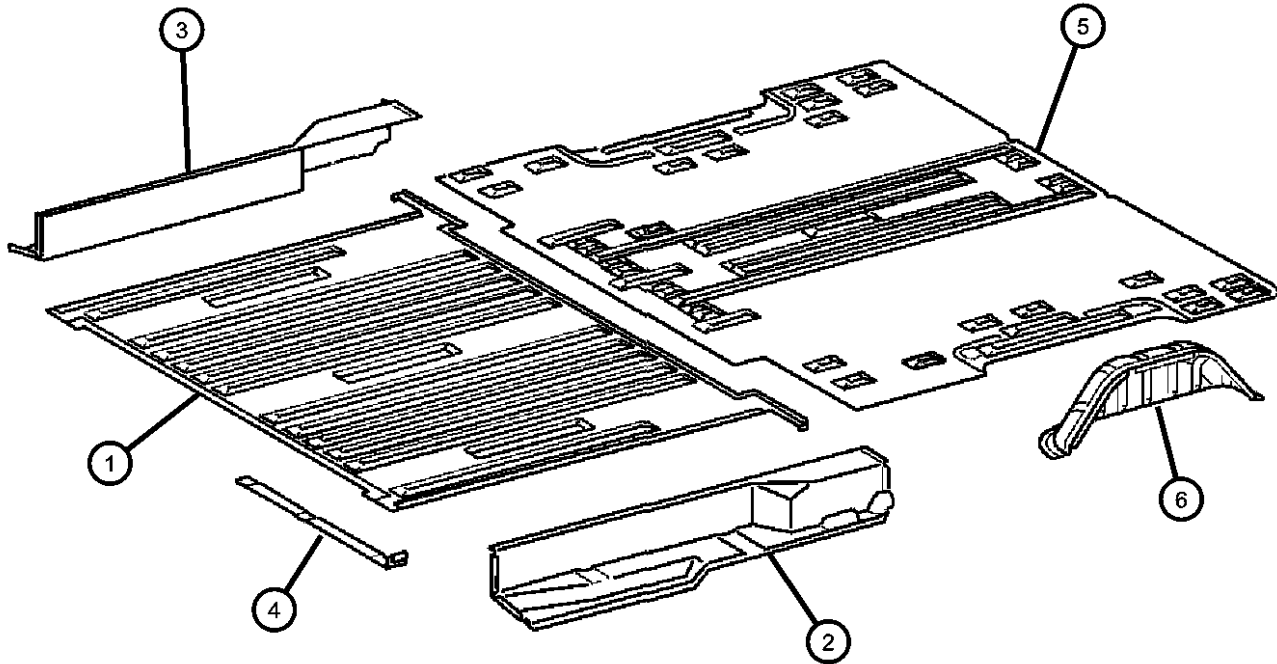
AR = use ase required - = Non illustrated part

2002 VA

**Rear Floor Pan
Figure SVA-220**

ITEM	PART NUMBER	QTY	LINE	SERIES	BODY	ENGINE	TRANS	TRIM	DESCRIPTION
------	-------------	-----	------	--------	------	--------	-------	------	-------------

Sales Codes:
 [CKZ] = Floor Covering, Rubber
 [CWC] = Cargo Partition
 [GKA] = Right Sliding Door
 [GKE] = Left Sliding Door



1	05121536AA	1	2, 6		11, 12, 14, 15, 16				PAN, Center Floor [GKE], Left Door Sliding
	05121540AA	1	2, 6		11, 12, 14, 15, 16				[GKE], Left Door Sliding & [GKA], Right Door Sliding
		1	2, 6		51, 52, 54, 55, 56				[GKE], Left Door Sliding & [GKA], Right Door Sliding
		1	3, 7		12, 15, 16				[GKE], Left Door Sliding & [GKA], Right Door Sliding
	05121544AA	1	2, 6		51, 52, 54, 55, 56				[GKA], Right Door Sliding
	05121546AA	1	2, 6		51, 52, 54, 55, 56				[CWC], With Cargo Partition
		1	2, 6		51, 52, 54, 55, 56				[GKE], Left Door Sliding
		1	3, 7		12, 15, 16				[GKE], Left Door Sliding
2	05121457AA	1	2, 6		11, 12, 14, 15, 16				PANEL, Side Step Well, Left [GKE], Left Door Sliding
		1	2, 6		51, 52, 54, 55, 56				[GKE], Left Door Sliding
		1	3, 7		12, 15, 16				[GKE], Left Door Sliding
	05121461AA	1	2, 6		11, 12, 14, 15, 16				[GKE], Left Door Sliding & [CKZ], Floor Covering, Rubber
		1	2, 6		51, 52, 54, 55, 56				[GKE], Left Door Sliding & [CKZ], Floor Covering, Rubber
		1	3, 7		12, 15, 16				[GKE], Left Door Sliding & [CKZ], Floor Covering, Rubber
3	05104158AA	1	3, 7		12, 15, 16				PANEL, Side Step Well, Right [GKA], Right Door Sliding

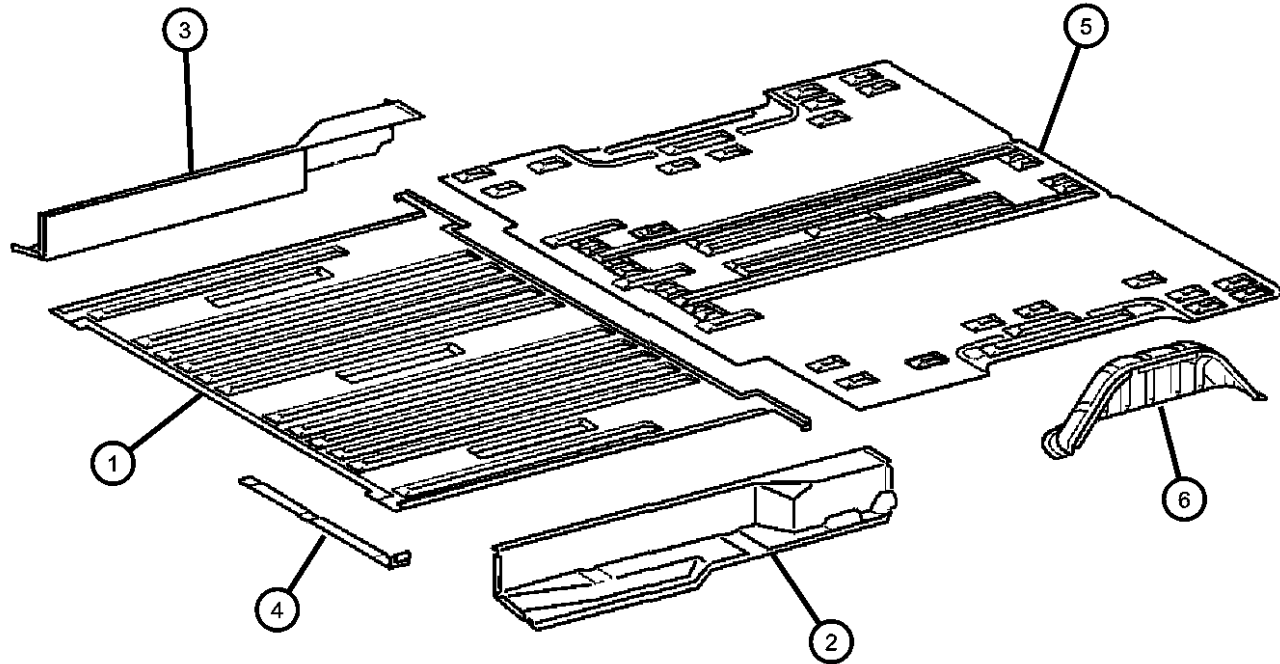
SPRINTER (VA)

SERIES	LINE	BODY	ENGINE	TRANSMISSION
L = LOWLINE	3 = HD DODGE 2WD 6 = Lt. Duty DODGE 4WD 2 = Med. Duty DODGE 2WD 7 = Med. Duty DODGE 4WD	01 = CHASSIS FORWARD CONTROL W.B.1 02 = CAB CHASSIS WHEEL BASE 2 06 = CAB CHASSIS WHEEL BASE 6 11 = VAN WHEEL BASE 1 12 = VAN WHEEL BASE 2 51 = WAGON WHEEL BASE 1 52 = WAGON WHEEL BASE 2 14 = VAN WHEEL BASE 4 15 = VAN WHEEL BASE 5 56 = WAGON WHEEL BASE 6 16 = VAN WHEEL BASE 6 54 = WAGON WHEEL BASE 4 55 = WAGON WHEEL BASE 5	EX9 = Engine-2.7L I5 Mercedes Turbo Diesel	DGJ = Transmission-5-Spd. Automatic, W5A580

AR = use ase required - = Non illustrated part

2002 VA

**Rear Floor Pan
Figure SVA-220**



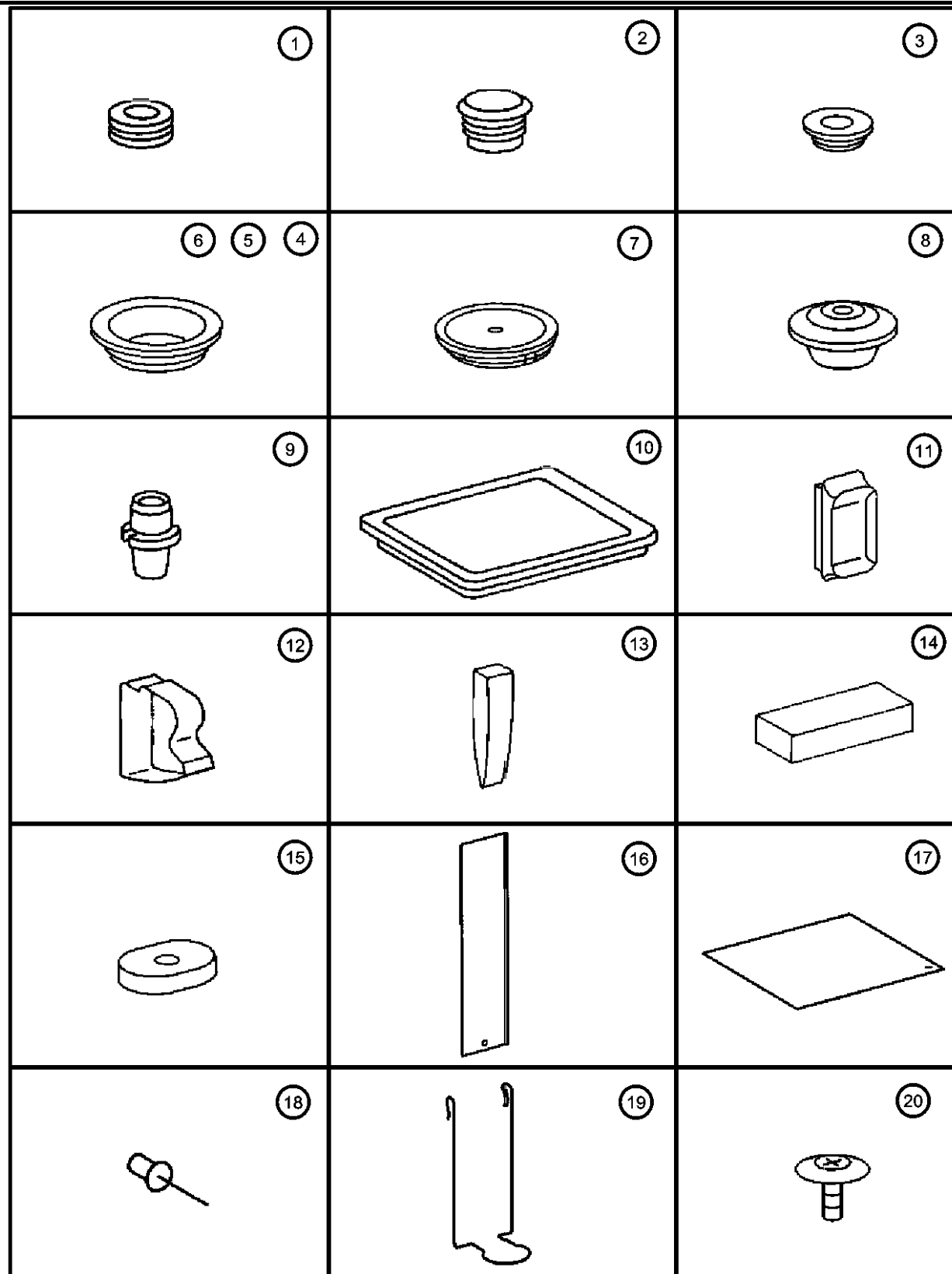
ITEM	PART NUMBER	QTY	LINE	SERIES	BODY	ENGINE	TRANS	TRIM	DESCRIPTION
	05121464AA	1	2, 6		11, 12, 14, 15, 16				[GKA], Right Door Sliding & [CKZ], Floor Covering, Rubber
		1	2, 6		51, 52, 54, 55, 56				[GKA], Right Door Sliding & [CKZ], Floor Covering, Rubber
		1	3, 7		12, 15, 16				[GKA], Right Door Sliding & [CKZ], Floor Covering, Rubber
		1	2, 6		11, 12, 14, 15, 16				[GKA], Right Door Sliding
		1	2, 6		51, 52, 54, 55, 56				[GKA], Right Door Sliding
4									BRACKET, Floor Pan, In Front of Central Entrance
	05121501AA	2	2, 6		11, 12, 14, 15, 16				
		2	2, 6		51, 52, 54, 55, 56				
		2	3, 7		12, 15, 16				
5									PAN, Rear Floor
	05104565AA	1	2, 6		51, 52, 54, 55, 56				158 Inch Wheelbase
	05121474AA	1	3, 7		12, 15, 16				140 Inch Wheelbase
	05121476AA	1	3, 7		12, 15, 16				158 Inch Wheelbase
	05121561AA	1	2, 6		51, 52, 54, 55, 56				140 Inch Wheelbase
	05121563AA	1	2, 6		51, 52, 54, 55, 56				118 Inch Wheelbase
6									PANEL, Wheelhouse
	05104162AA	2	2, 6		11, 12, 14, 15, 16				
		2	2, 6		51, 52, 54, 55, 56				
		2	3, 7		12, 15, 16				

SPRINTER (VA)

SERIES	LINE	BODY	ENGINE	TRANSMISSION
L = LOWLINE	3 = HD DODGE 2WD 6 = Lt. Duty DODGE 4WD 2 = Med. Duty DODGE 2WD 7 = Med. Duty DODGE 4WD	01 = CHASSIS FORWARD CONTROL W.B.1 02 = CAB CHASSIS WHEEL BASE 2 06 = CAB CHASSIS WHEEL BASE 6 11 = VAN WHEEL BASE 1 12 = VAN WHEEL BASE 2 51 = WAGON WHEEL BASE 1 52 = WAGON WHEEL BASE 2 14 = VAN WHEEL BASE 4 15 = VAN WHEEL BASE 5 56 = WAGON WHEEL BASE 6 16 = VAN WHEEL BASE 6 54 = WAGON WHEEL BASE 4 55 = WAGON WHEEL BASE 5	EX9 = Engine-2.7L I5 Mercedes Turbo Diesel	DGJ = Transmission-5-Spd. Automatic, W5A580

AR = use ase required - = Non illustrated part

Plugs
Figure SVA-310



ITEM	PART NUMBER	QTY	LINE	SERIES	BODY	ENGINE	TRANS	TRIM	DESCRIPTION
1	05133557AA	1	2, 6		11, 12, 14, 15, 16				PLUG, Expansion, Dash Panel, Engine Compartment
		1	2, 6		51, 52, 54, 55, 56				
	05133657AA	1	3, 7		12, 15, 16				
2	05125994AA	2	2, 6		11, 12, 14, 15, 16				PLUG, Body, Water Drain, 22mm
		2	2, 6		51, 52, 54, 55, 56				
		2	3, 7		12, 15, 16				
3	05098417AA	1	2, 6		51, 52, 54, 55, 56				PLUG, Door Contact Switch
4	05098441AA	2	3, 7		12, 15, 16				PLUG, W/S Washer Reservoir Hole
		2	2, 6		11, 12, 14, 15, 16				
5	05125511AA	1	2, 6		11, 12, 14, 15, 16				GROMMET, Body
		1	2, 6		51, 52, 54, 55, 56				
		1	3, 7		12, 15, 16				
6	05098415AA	8	2, 6		11, 12, 14, 15, 16				PLUG, Body
		8	2, 6		51, 52, 54, 55, 56				
		8	3, 7		12, 15, 16				
7	05125518AA	10	2, 6		11, 12, 14, 15, 16				PLUG, Body, [89mm]

SPRINTER (VA)

SERIES

L = LOWLINE

LINE

3 = HD DODGE 2WD
6 = Lt. Duty DODGE 4WD
2 = Med. Duty DODGE 2WD
7 = Med. Duty DODGE 4WD

BODY

01 = CHASSIS FORWARD CONTROL W.B.1
02 = CAB CHASSIS WHEEL BASE 2
06 = CAB CHASSIS WHEEL BASE 6
11 = VAN WHEEL BASE 1
12 = VAN WHEEL BASE 2
51 = WAGON WHEEL BASE 1
52 = WAGON WHEEL BASE 2
14 = VAN WHEEL BASE 4
15 = VAN WHEEL BASE 5
56 = WAGON WHEEL BASE 6
16 = VAN WHEEL BASE 6
54 = WAGON WHEEL BASE 4
55 = WAGON WHEEL BASE 5

ENGINE

EX9 = Engine-2.7L I5
Mercedes Turbo Diesel

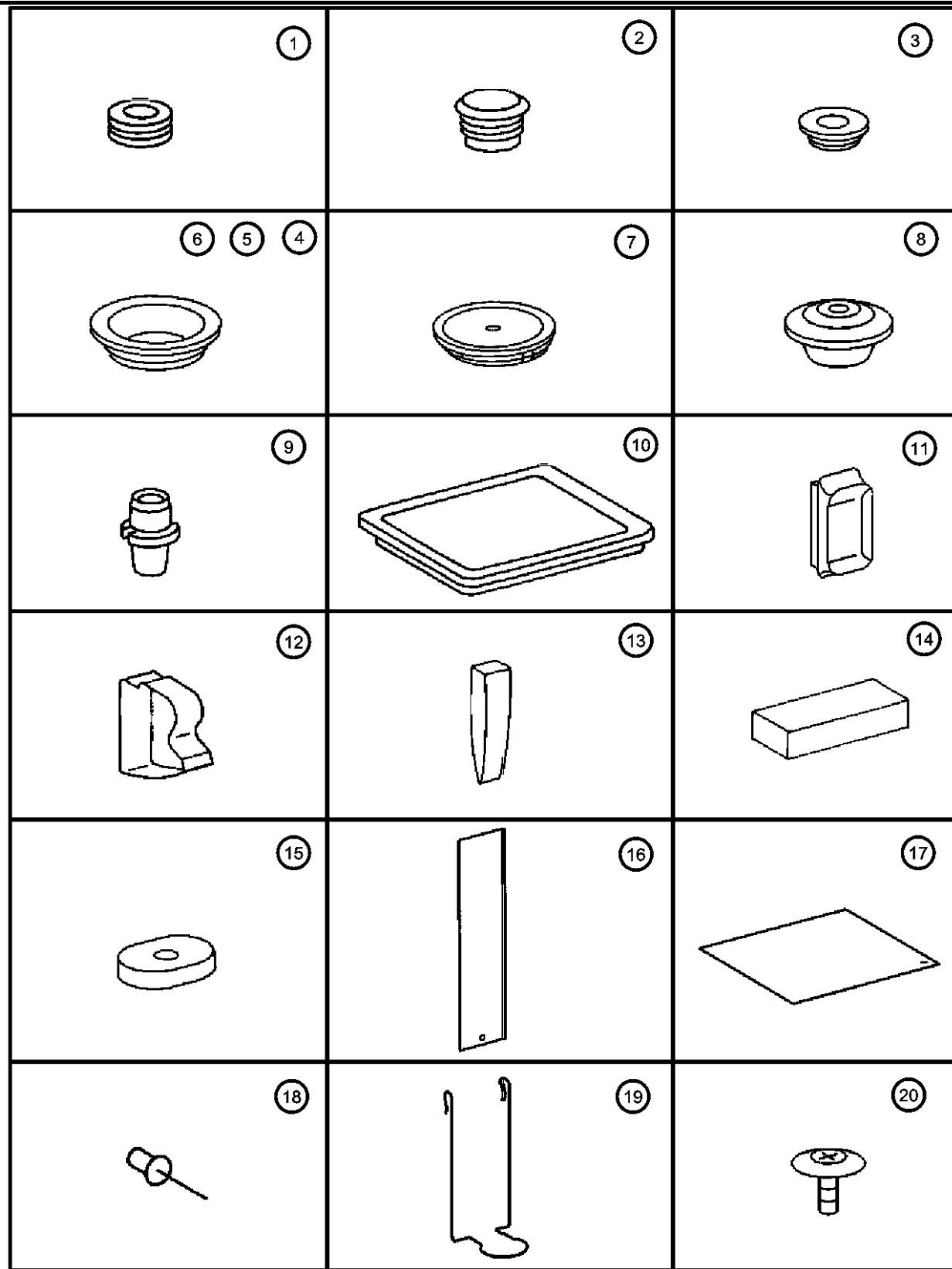
TRANSMISSION

DGJ = Transmission-5-Spd. Automatic, W5A580

AR = use ase required - = Non illustrated part

2002 VA

Plugs
Figure SVA-310



ITEM	PART NUMBER	QTY	LINE	SERIES	BODY	ENGINE	TRANS	TRIM	DESCRIPTION
8	05103947AA	10	2, 6		51, 52, 54, 55, 56				PLUG, NONE, SPRINTER
		14	3, 7		12, 15, 16				
		2	2, 6		11, 12, 14, 15, 16				
9	05133556AA	2	2, 6		51, 52, 54, 55, 56				DRAIN SPOUT, Drain Tube, [13mm]
		2	3, 7		12, 15, 16				
		2	2, 6		11, 12, 14, 15, 16				
10	05126003AA	2	2, 6		51, 52, 54, 55, 56				PLUG, Body, Water Drain
		2	3, 7		12, 15, 16				
		2	2, 6		11, 12, 14, 15, 16				
11	05125514AA	4	2, 6		11, 12, 14, 15, 16				PLUG, Expansion
		4	3, 7		12, 15, 16				
12	05124765AA	4	2, 6		51, 52, 54, 55, 56				SEAL
		4	3, 7		12, 15, 16				
13		4	2, 6		11, 12, 14, 15, 16				SEAL
		4	3, 7						

SPRINTER (VA)

SERIES

L = LOWLINE

LINE

3 = HD DODGE 2WD
6 = Lt. Duty DODGE 4WD
2 = Med. Duty DODGE 2WD
7 = Med. Duty DODGE 4WD

BODY

01 = CHASSIS FORWARD CONTROL W.B.1
02 = CAB CHASSIS WHEEL BASE 2
06 = CAB CHASSIS WHEEL BASE 6
11 = VAN WHEEL BASE 1
12 = VAN WHEEL BASE 2
51 = WAGON WHEEL BASE 1
52 = WAGON WHEEL BASE 2
14 = VAN WHEEL BASE 4
15 = VAN WHEEL BASE 5
56 = WAGON WHEEL BASE 6
16 = VAN WHEEL BASE 6
54 = WAGON WHEEL BASE 4
55 = WAGON WHEEL BASE 5

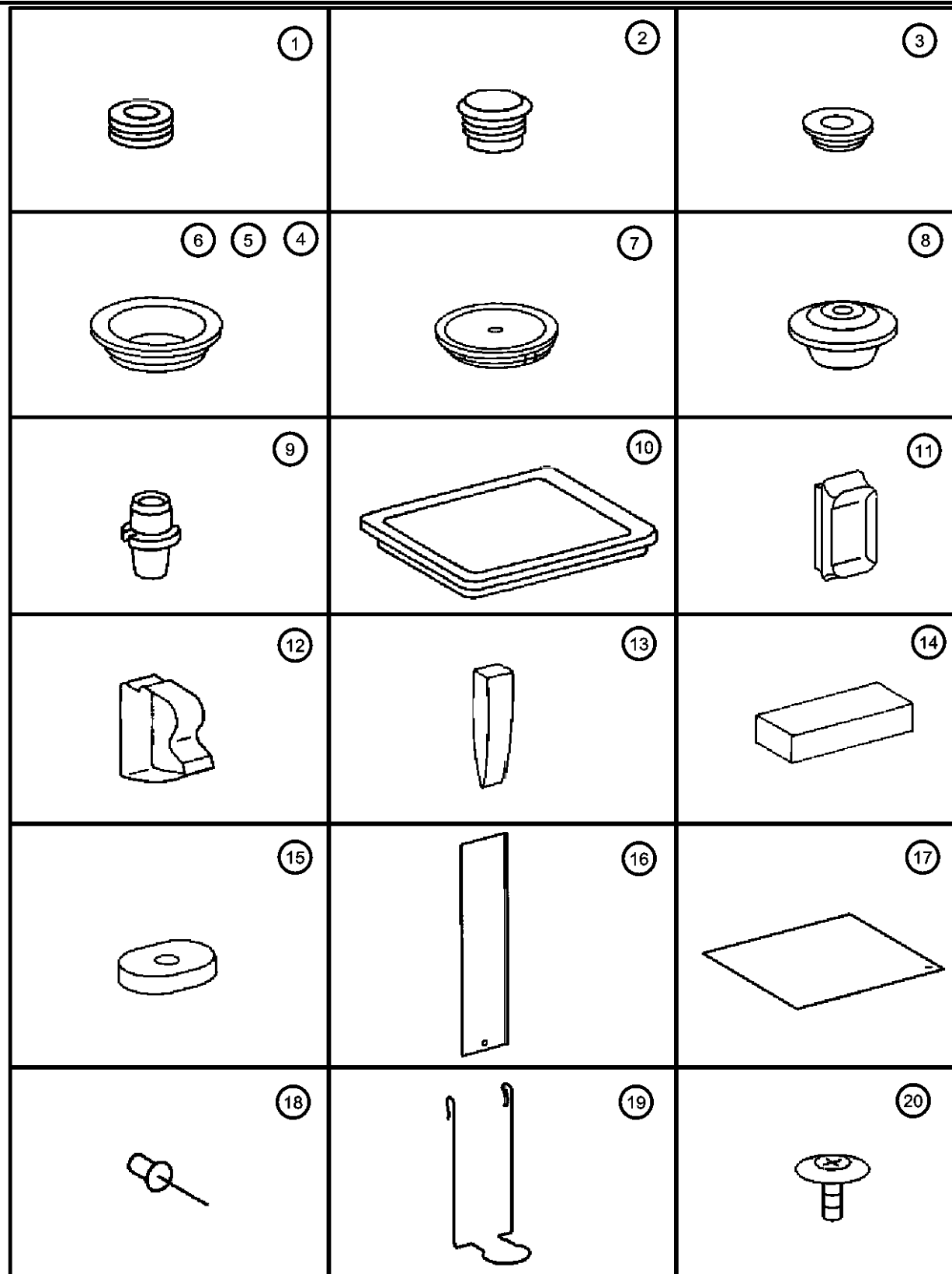
ENGINE

EX9 = Engine-2.7L I5
Mercedes Turbo Diesel

TRANSMISSION

DGJ = Transmission-5-Spd. Automatic, W5A580

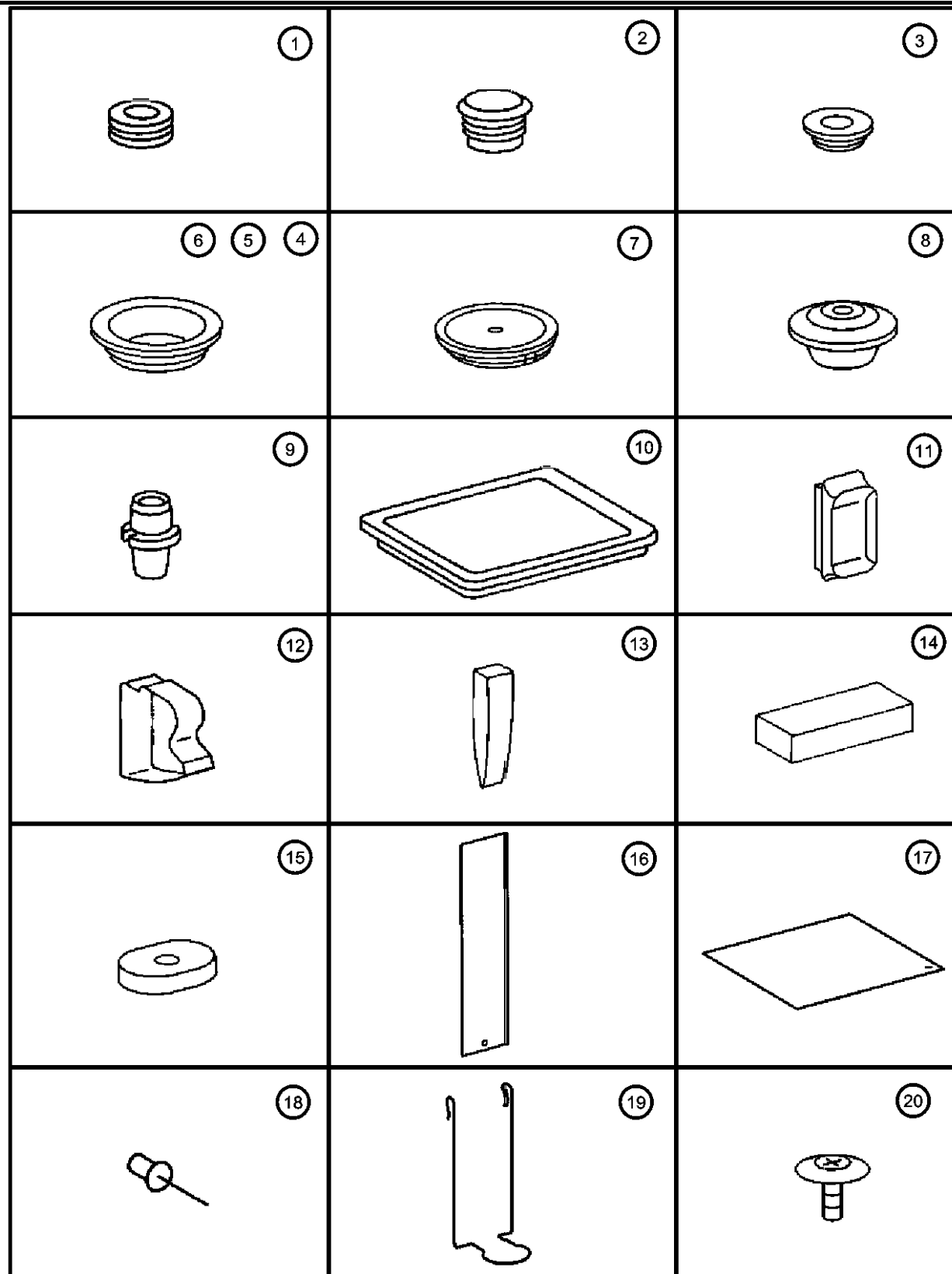
Plugs
Figure SVA-310



ITEM	PART NUMBER	QTY	LINE	SERIES	BODY	ENGINE	TRANS	TRIM	DESCRIPTION
	05124768AA	2	2, 6		11, 12, 14, 15, 16				
		2	2, 6		51, 52, 54, 55, 56				
		2	3, 7		12, 15, 16				
14	05124771AA	1	2, 6		51, 52, 54, 55, 56				SEAL, B-Pillar, Right
		1	3, 7		12, 15, 16				
		1	2, 6		11, 12, 14, 15, 16				
15	05124774AA	1	2, 6		11, 12, 14, 15, 16				GROMMET Oval Shape
		1	2, 6		51, 52, 54, 55, 56				Oval Shape
		1	3, 7		12, 15, 16				Oval Shape
	05124775AA	1	2, 6		11, 12, 14, 15, 16				Circular Solid
		1	2, 6		51, 52, 54, 55, 56				Circular Solid
		1	3, 7		12, 15, 16				Circular Solid
	05124777AA	1	2, 6		11, 12, 14, 15, 16				Circular With Hole
		1	2, 6		51, 52, 54, 55, 56				Circular With Hole
		1	3, 7		12, 15, 16				Circular With Hole
16	05122651AA	1	2, 6		51, 52, 54, 55, 56				COVER, Cable Guide Duct
		1	3, 7		12, 15, 16				
		1	2, 6		11, 12, 14, 15, 16				
17									COVER, Cable Guide Duct
<p>SPRINTER (VA) SERIES LINE BODY ENGINE TRANSMISSION L = LOWLINE 3 = HD DODGE 2WD 01 = CHASSIS FORWARD CONTROL W.B.1 EX9 = Engine-2.7L I5 Mercedes Turbo Diesel DGJ = Transmission-5-Spd. Automatic, W5A580 6 = Lt. Duty DODGE 4WD 02 = CAB CHASSIS WHEEL BASE 2 2 = Med. Duty DODGE 2WD 06 = CAB CHASSIS WHEEL BASE 6 7 = Med. Duty DODGE 4WD 11 = VAN WHEEL BASE 1 12 = VAN WHEEL BASE 2 51 = WAGON WHEEL BASE 1 52 = WAGON WHEEL BASE 2 14 = VAN WHEEL BASE 4 15 = VAN WHEEL BASE 5 56 = WAGON WHEEL BASE 6 16 = VAN WHEEL BASE 6 54 = WAGON WHEEL BASE 4 55 = WAGON WHEEL BASE 5</p>									

AR = use ase required - = Non illustrated part

Plugs
Figure SVA-310



ITEM	PART NUMBER	QTY	LINE	SERIES	BODY	ENGINE	TRANS	TRIM	DESCRIPTION
	05122648AA	1	2, 6		11, 12, 14, 15, 16				
		1	2, 6		51, 52, 54, 55, 56				
		1	3, 7		12, 15, 16				
18									RIVET, Blind Bulb, Cable Guide Duct [4.0x8]
	05133417AA	3	2, 6		11, 12, 14, 15, 16				
		3	2, 6		51, 52, 54, 55, 56				
		3	3, 7		12, 15, 16				
19									CLIP, Instrument Panel
	05133558AA	2	2, 6		11, 12, 14, 15, 16				
		2	2, 6		51, 52, 54, 55, 56				
		1	3, 7		12, 15, 16				
20									PLUG, Body
	05125982AA	1	2, 6		11, 12, 14, 15, 16				
		1	2, 6		51, 52, 54, 55, 56				
		1	3, 7		12, 15, 16				
-21	05123523AA	1	2, 6		11, 12, 14, 15, 16				STRIP, Edge Protector, To Roof Brace [580mm]

SPRINTER (VA)

SERIES

L = LOWLINE

LINE

3 = HD DODGE 2WD
6 = Lt. Duty DODGE 4WD
2 = Med. Duty DODGE 2WD
7 = Med. Duty DODGE 4WD

BODY

01 = CHASSIS FORWARD
CONTROL W.B.1
02 = CAB CHASSIS WHEEL
BASE 2
06 = CAB CHASSIS WHEEL
BASE 6
11 = VAN WHEEL BASE 1
12 = VAN WHEEL BASE 2
51 = WAGON WHEEL BASE 1
52 = WAGON WHEEL BASE 2
14 = VAN WHEEL BASE 4
15 = VAN WHEEL BASE 5
56 = WAGON WHEEL BASE 6
16 = VAN WHEEL BASE 6
54 = WAGON WHEEL BASE 4
55 = WAGON WHEEL BASE 5

ENGINE

EX9 = Engine-2.7L I5
Mercedes Turbo Diesel

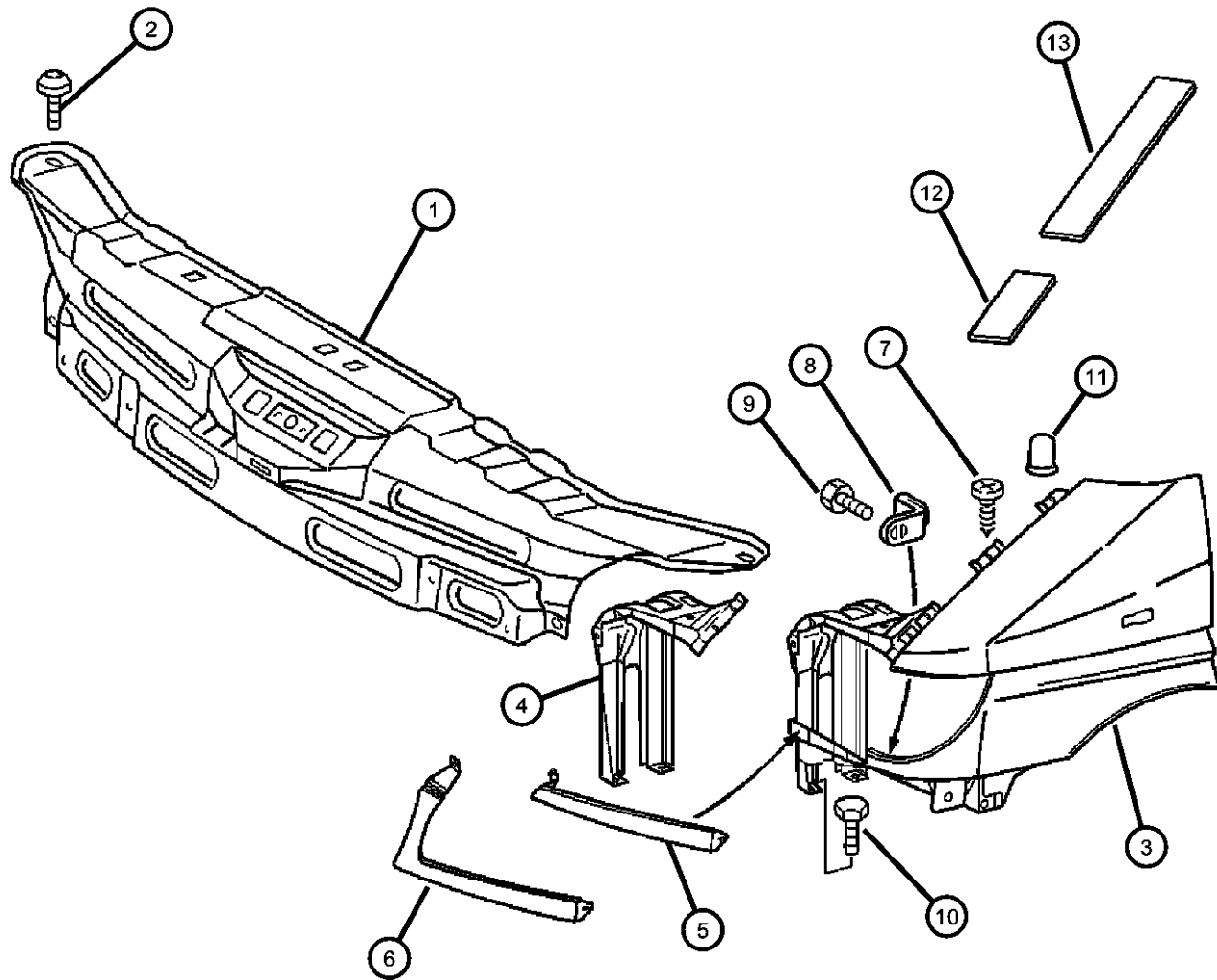
TRANSMISSION

DGJ = Transmission-5-Spd.
Automatic,W5A580

AR = use ase required - = Non illustrated part

2002 VA

**Front Fender
Figure SVA-410**



ITEM	PART NUMBER	QTY	LINE	SERIES	BODY	ENGINE	TRANS	TRIM	DESCRIPTION
1	05104504AA	1	2, 6		11, 12, 14, 15, 16				CROSSMEMBER, Radiator
		1	2, 6		51, 52, 54, 55, 56				
		1	3, 7		12, 15, 16				
2	05103713AA	4	2, 6		11, 12, 14, 15, 16				SCREW
		4	2, 6		51, 52, 54, 55, 56				
		4	3, 7		12, 15, 16				
3	05104180AA	1	2, 6		11, 12, 14, 15, 16				FENDER, Front Left
		1	2, 6		51, 52, 54, 55, 56				Left
	05104181AA	1	3, 7		12, 15, 16				Left
		1	2, 6		11, 12, 14, 15, 16				Right
		1	2, 6		51, 52, 54, 55, 56				Right
		1	3, 7		12, 15, 16				Right
4	05104165AA	1	2, 6		11, 12, 14, 15, 16				SUPPORT, Radiator Closure Panel Left
		1	2, 6		51, 52, 54, 55, 56				Left
		1	3, 7		12, 15, 16				Left
	05104169AA	1	2, 6		11, 12, 14, 15, 16				Right
		1	2, 6		51, 52, 54, 55, 56				Right
		1	3, 7		12, 15, 16				Right

SPRINTER (VA)

SERIES LINE
 L = LOWLINE 3 = HD DODGE 2WD
 6 = Lt. Duty DODGE 4WD
 2 = Med. Duty DODGE 2WD
 7 = Med. Duty DODGE 4WD

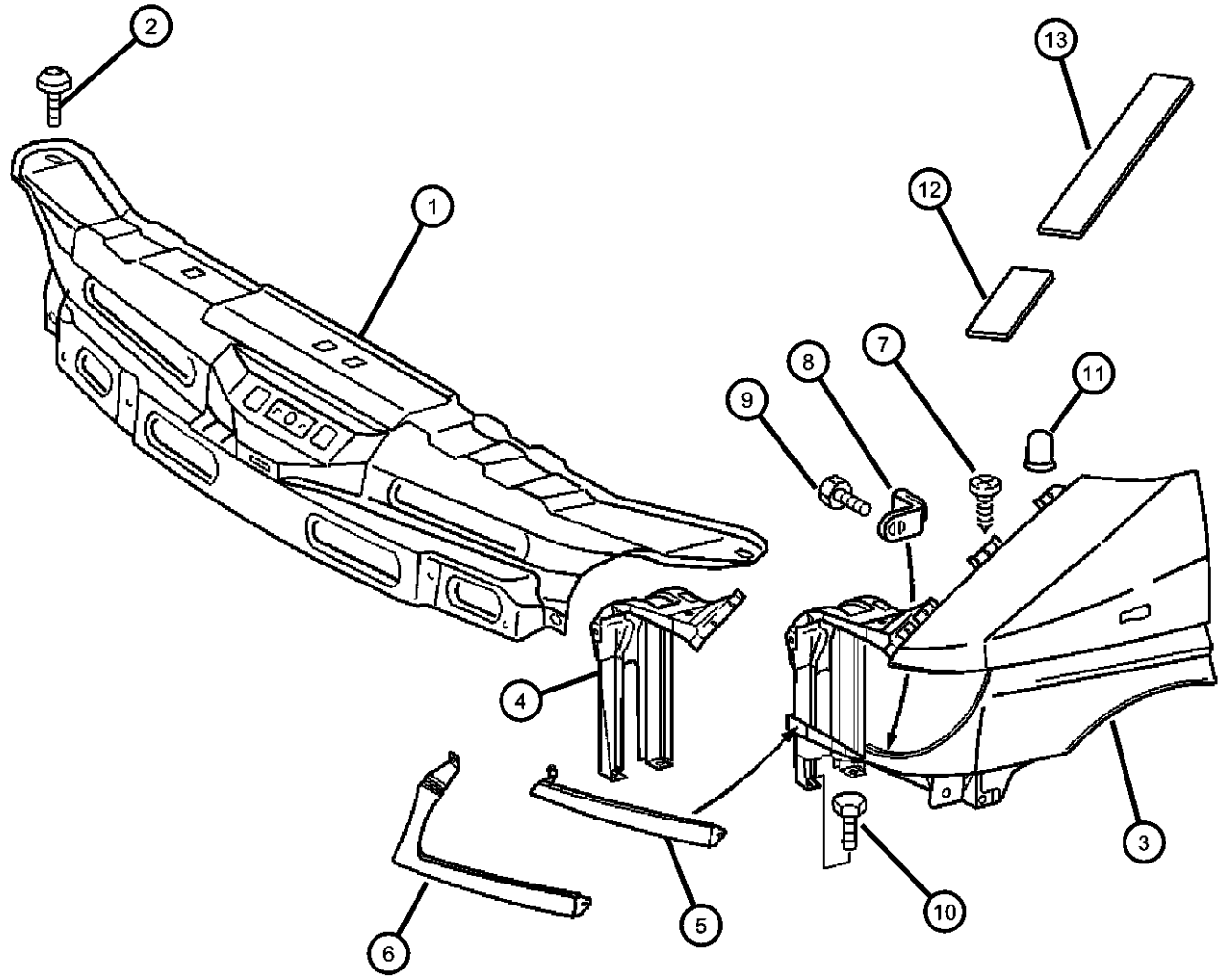
BODY
 01 = CHASSIS FORWARD CONTROL W.B.1
 02 = CAB CHASSIS WHEEL BASE 2
 06 = CAB CHASSIS WHEEL BASE 6
 11 = VAN WHEEL BASE 1
 12 = VAN WHEEL BASE 2
 51 = WAGON WHEEL BASE 1
 52 = WAGON WHEEL BASE 2
 14 = VAN WHEEL BASE 4
 15 = VAN WHEEL BASE 5
 56 = WAGON WHEEL BASE 6
 16 = VAN WHEEL BASE 6
 54 = WAGON WHEEL BASE 4
 55 = WAGON WHEEL BASE 5

ENGINE
 EX9 = Engine-2.7L I5
 Mercedes Turbo Diesel

TRANSMISSION
 DGJ = Transmission-5-Spd. Automatic, W5A580

AR = use ase required - = Non illustrated part

**Front Fender
Figure SVA-410**



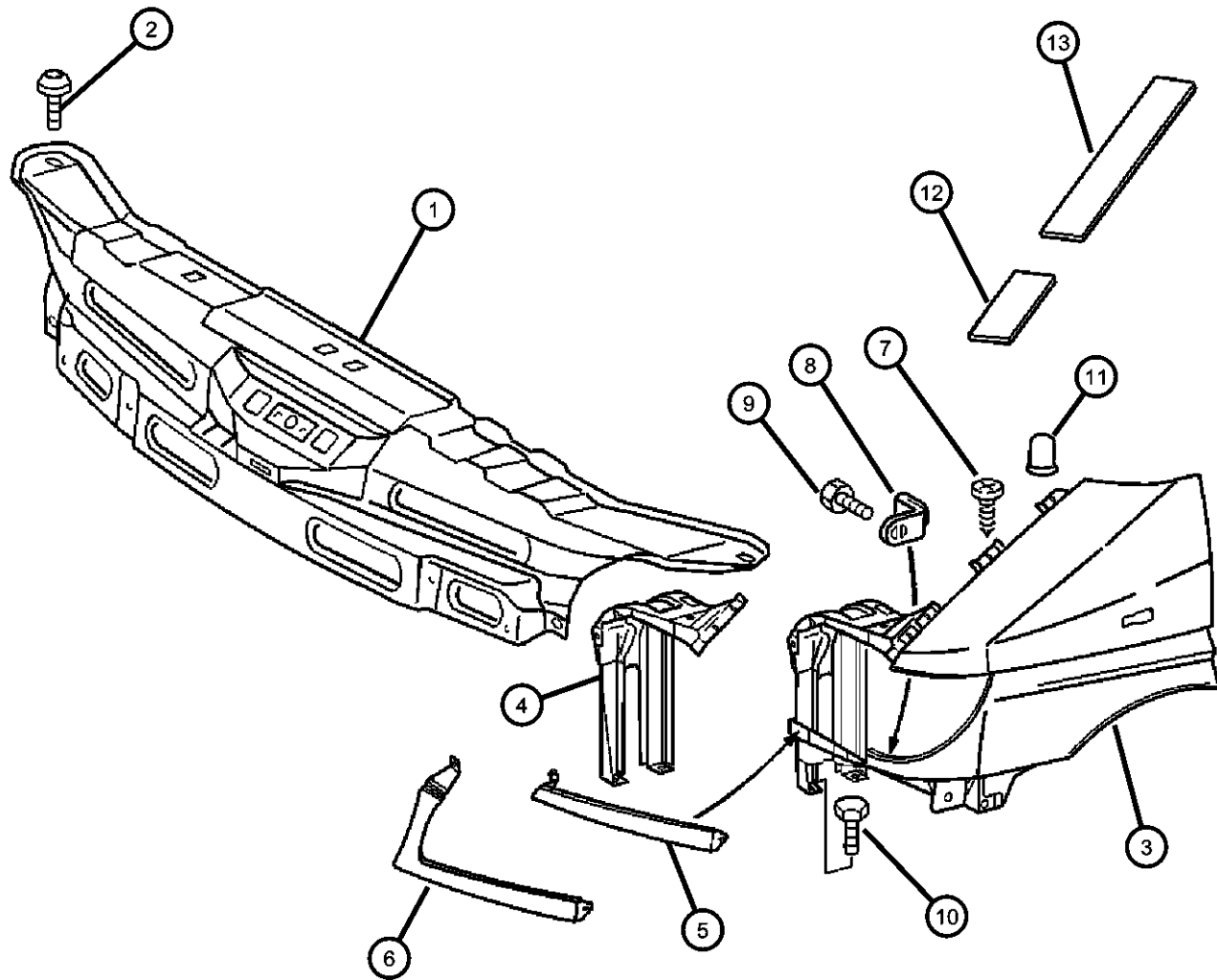
ITEM	PART NUMBER	QTY	LINE	SERIES	BODY	ENGINE	TRANS	TRIM	DESCRIPTION
5									SEAL, Headlamp Closure Panel, Dodge Only
	05104210AA	1	2, 6		11, 12, 14, 15, 16				Left
		1	2, 6		51, 52, 54, 55, 56				Left
		1	3, 7		12, 15, 16				Left
	05104213AA	1	2, 6		11, 12, 14, 15, 16				Right
		1	2, 6		51, 52, 54, 55, 56				Right
		1	3, 7		12, 15, 16				Right
6									COVER, Headlamp, Freightliner Only
	05104216AA	1	2, 6		11, 12, 14, 15, 16				Left
		1	2, 6		51, 52, 54, 55, 56				Left
		1	3, 7		12, 15, 16				Left
	05104217AA	1	2, 6		11, 12, 14, 15, 16				Right
		1	2, 6		51, 52, 54, 55, 56				Right
		1	3, 7		12, 15, 16				Right
7									SCREW, NONE, SPRINTER
	06104581AA	7	2, 6		11, 12, 14, 15, 16				
		7	2, 6		51, 52, 54, 55, 56				
		7	3, 7		12, 15, 16				
8									RETAINER
	05104527AA	1	2, 6		11, 12, 14, 15, 16				
		1	2, 6		51, 52, 54, 55, 56				

SPRINTER (VA)

SERIES	LINE	BODY	ENGINE	TRANSMISSION
L = LOWLINE	3 = HD DODGE 2WD 6 = Lt. Duty DODGE 4WD 2 = Med. Duty DODGE 2WD 7 = Med. Duty DODGE 4WD	01 = CHASSIS FORWARD CONTROL W.B.1 02 = CAB CHASSIS WHEEL BASE 2 06 = CAB CHASSIS WHEEL BASE 6 11 = VAN WHEEL BASE 1 12 = VAN WHEEL BASE 2 51 = WAGON WHEEL BASE 1 52 = WAGON WHEEL BASE 2 14 = VAN WHEEL BASE 4 15 = VAN WHEEL BASE 5 56 = WAGON WHEEL BASE 6 16 = VAN WHEEL BASE 6 54 = WAGON WHEEL BASE 4 55 = WAGON WHEEL BASE 5	EX9 = Engine-2.7L I5 Mercedes Turbo Diesel	DGJ = Transmission-5-Spd. Automatic, W5A580

AR = use ase required - = Non illustrated part

**Front Fender
Figure SVA-410**



ITEM	PART NUMBER	QTY	LINE	SERIES	BODY	ENGINE	TRANS	TRIM	DESCRIPTION
9		1	3, 7		12, 15, 16				SCREW, Tapping
	06104574AA	1	2, 6		11, 12, 14, 15, 16				
		1	2, 6		51, 52, 54, 55, 56				
10		1	3, 7		12, 15, 16				SCREW
	06104195AA	2	2, 6		11, 12, 14, 15, 16				
		2	2, 6		51, 52, 54, 55, 56				
11		2	3, 7		12, 15, 16				CAP, Protective
	05104537AA	1	2, 6		11, 12, 14, 15, 16				
		1	2, 6		51, 52, 54, 55, 56				
12		1	3, 7		12, 15, 16				SEAL, Fender To Cowl
	05121445AA	2	2, 6		11, 12, 14, 15, 16				15x30MM
		2	2, 6		51, 52, 54, 55, 56				15x30MM
		2	3, 7		12, 15, 16				15x30MM
13		1	2, 6		11, 12, 14, 15, 16				SEAL, Fender To Cowl
	05121446AA	1	2, 6		11, 12, 14, 15, 16				15x85MM
		1	2, 6		51, 52, 54, 55, 56				15x85MM
		1	3, 7		12, 15, 16				15x85MM

SPRINTER (VA)

SERIES

L = LOWLINE
 3 = HD DODGE 2WD
 6 = Lt. Duty DODGE 4WD
 2 = Med. Duty DODGE 2WD
 7 = Med. Duty DODGE 4WD

LINE

BODY

01 = CHASSIS FORWARD CONTROL W.B.1
 02 = CAB CHASSIS WHEEL BASE 2
 06 = CAB CHASSIS WHEEL BASE 6
 11 = VAN WHEEL BASE 1
 12 = VAN WHEEL BASE 2
 51 = WAGON WHEEL BASE 1
 52 = WAGON WHEEL BASE 2
 14 = VAN WHEEL BASE 4
 15 = VAN WHEEL BASE 5
 56 = WAGON WHEEL BASE 6
 16 = VAN WHEEL BASE 6
 54 = WAGON WHEEL BASE 4
 55 = WAGON WHEEL BASE 5

ENGINE

EX9 = Engine-2.7L I5
 Mercedes Turbo Diesel

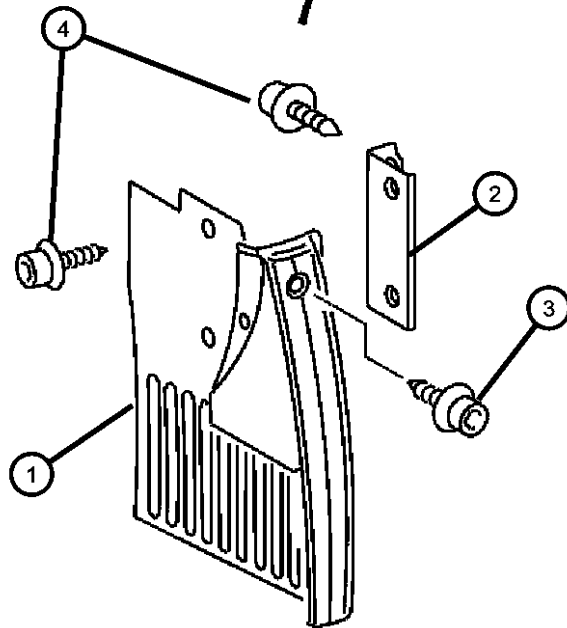
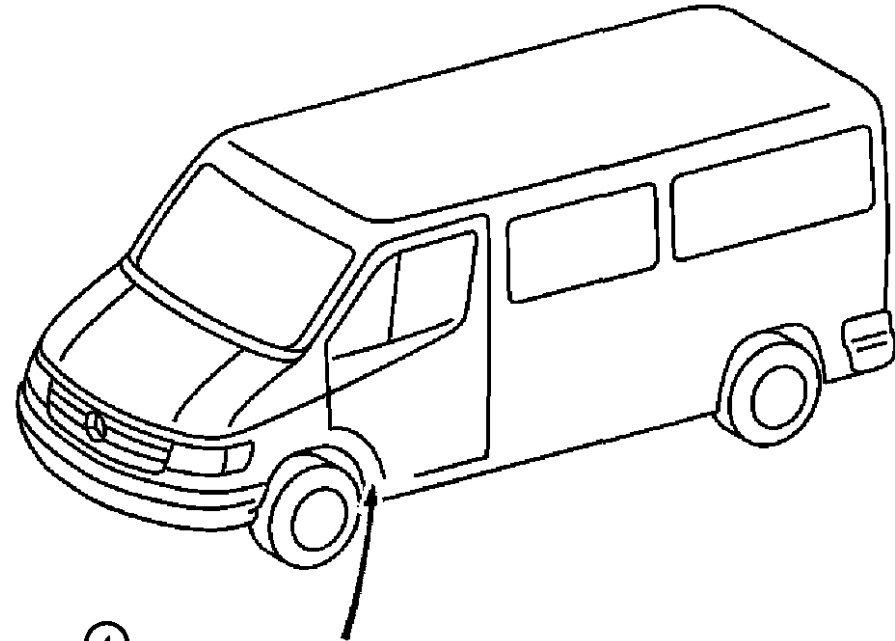
TRANSMISSION

DGJ = Transmission-5-Spd. Automatic, W5A580

AR = use ase required - = Non illustrated part

2002 VA

Fender Splash Guards
Figure SVA-420



ITEM	PART NUMBER	QTY	LINE	SERIES	BODY	ENGINE	TRANS	TRIM	DESCRIPTION
1									GUARD, Splash
	05104518AA	1	2, 6		11, 12, 14, 15, 16				Left
		1	2, 6		51, 52, 54, 55, 56				Left
		1	3, 7		12, 15, 16				Left
	05104521AA	1	2, 6		11, 12, 14, 15, 16				Right
		1	2, 6		51, 52, 54, 55, 56				Right
		1	3, 7		12, 15, 16				Right
	05132502AA	1	2, 6		11, 12, 14, 15, 16				With 16 Inch Wheels, Left
		1	2, 6		51, 52, 54, 55, 56				With 16 Inch Wheels, Left
		1	3, 7		12, 15, 16				With 16 Inch Wheels, Left
	05132504AA	1	2, 6		11, 12, 14, 15, 16				With 16 Inch Wheels, Right
		1	2, 6		51, 52, 54, 55, 56				With 16 Inch Wheels, Right
		1	3, 7		12, 15, 16				With 16 Inch Wheels, Right
2									BRACKET, SPLASH GUARD, SPRINTER
	05104519AA	2	2, 6		11, 12, 14, 15, 16				
		2	2, 6		51, 52, 54, 55, 56				
		2	3, 7		12, 15, 16				
3									SCREW
	06104582AA	4	2, 6		11, 12, 14, 15, 16				
		4	2, 6		51, 52, 54, 55, 56				
		4	3, 7		12, 15, 16				
4									SCREW, NONE, SPRINTER

SPRINTER (VA)

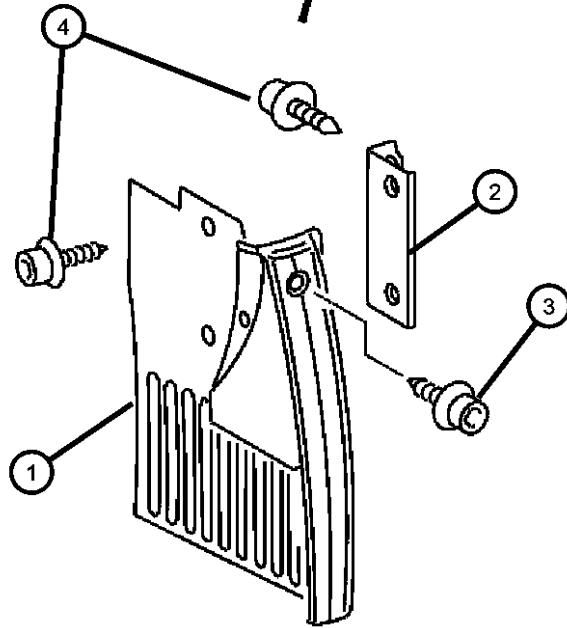
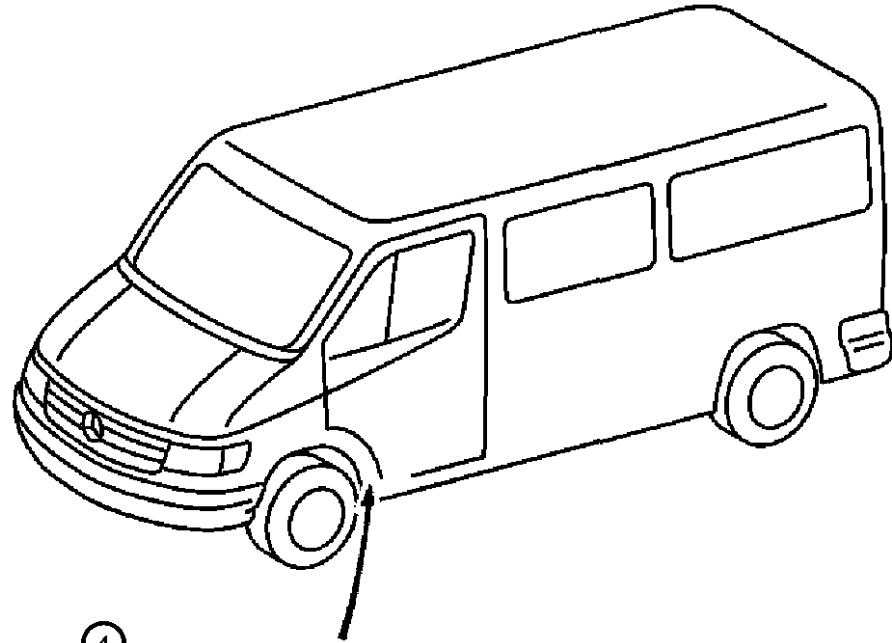
SERIES	LINE	BODY	ENGINE	TRANSMISSION
L = LOWLINE	3 = HD DODGE 2WD 6 = Lt. Duty DODGE 4WD 2 = Med. Duty DODGE 2WD 7 = Med. Duty DODGE 4WD	01 = CHASSIS FORWARD CONTROL W.B.1 02 = CAB CHASSIS WHEEL BASE 2 06 = CAB CHASSIS WHEEL BASE 6 11 = VAN WHEEL BASE 1 12 = VAN WHEEL BASE 2 51 = WAGON WHEEL BASE 1 52 = WAGON WHEEL BASE 2 14 = VAN WHEEL BASE 4 15 = VAN WHEEL BASE 5 56 = WAGON WHEEL BASE 6 16 = VAN WHEEL BASE 6 54 = WAGON WHEEL BASE 4 55 = WAGON WHEEL BASE 5	EX9 = Engine-2.7L I5 Mercedes Turbo Diesel	DGJ = Transmission-5-Spd. Automatic, W5A580

AR = use ase required - = Non illustrated part

Fender Splash Guards
Figure SVA-420

ITEM	PART NUMBER	QTY	LINE	SERIES	BODY	ENGINE	TRANS	TRIM	DESCRIPTION
------	-------------	-----	------	--------	------	--------	-------	------	-------------

	06104581AA	6	2, 6		11, 12, 14, 15, 16				
		6	2, 6		51, 52, 54, 55, 56				
		6	3, 7		12, 15, 16				



SPRINTER (VA)

SERIES

L = LOWLINE

LINE

3 = HD DODGE 2WD
6 = Lt. Duty DODGE 4WD
2 = Med. Duty DODGE 2WD
7 = Med. Duty DODGE 4WD

BODY

01 = CHASSIS FORWARD CONTROL W.B.1
02 = CAB CHASSIS WHEEL BASE 2
06 = CAB CHASSIS WHEEL BASE 6
11 = VAN WHEEL BASE 1
12 = VAN WHEEL BASE 2
51 = WAGON WHEEL BASE 1
52 = WAGON WHEEL BASE 2
14 = VAN WHEEL BASE 4
15 = VAN WHEEL BASE 5
56 = WAGON WHEEL BASE 6
16 = VAN WHEEL BASE 6
54 = WAGON WHEEL BASE 4
55 = WAGON WHEEL BASE 5

ENGINE

EX9 = Engine-2.7L I5
Mercedes Turbo Diesel

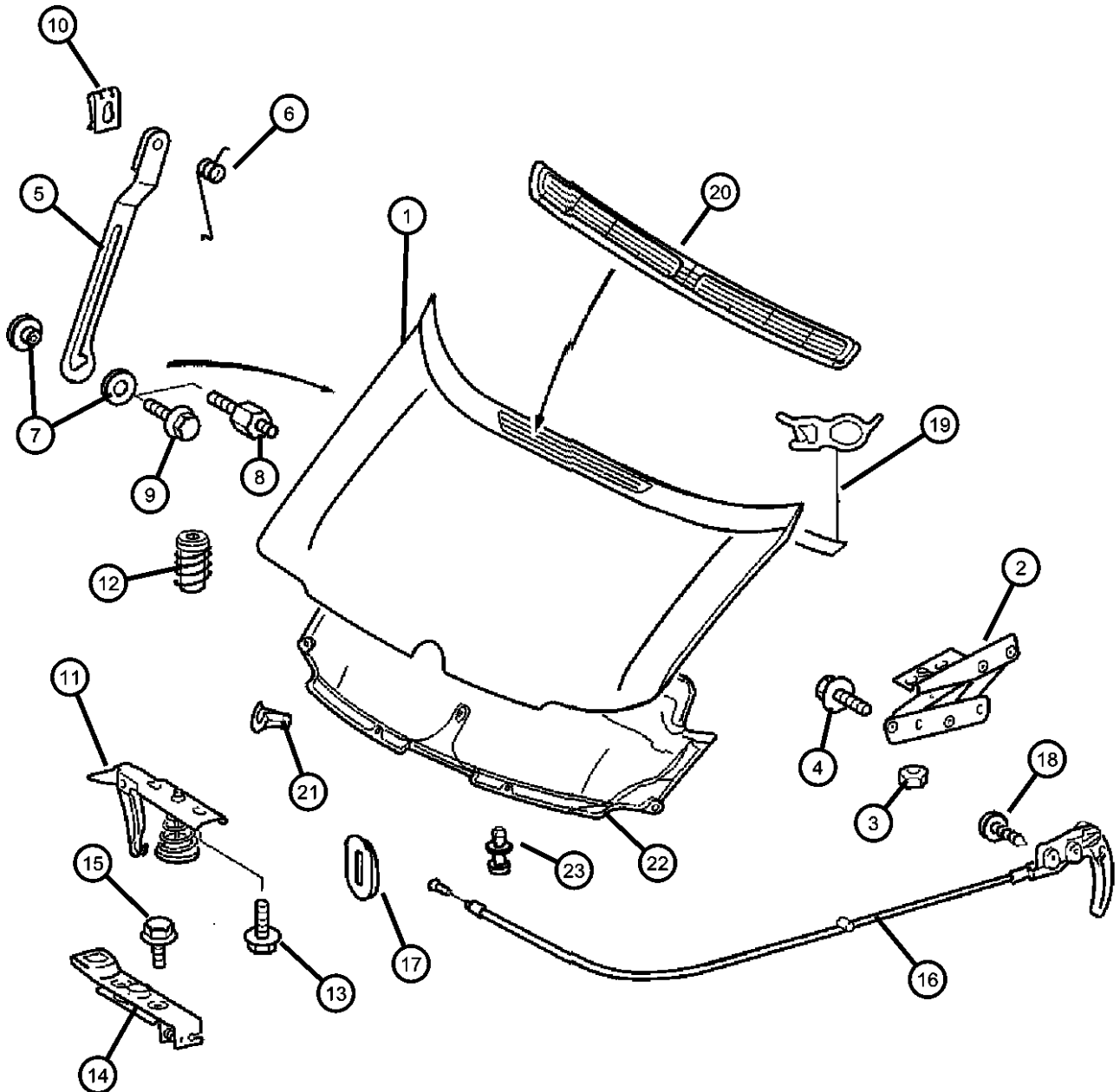
TRANSMISSION

DGJ = Transmission-5-Spd. Automatic, W5A580

AR = use ase required - = Non illustrated part

2002 VA

Hood and Hood Release Figure SVA-510



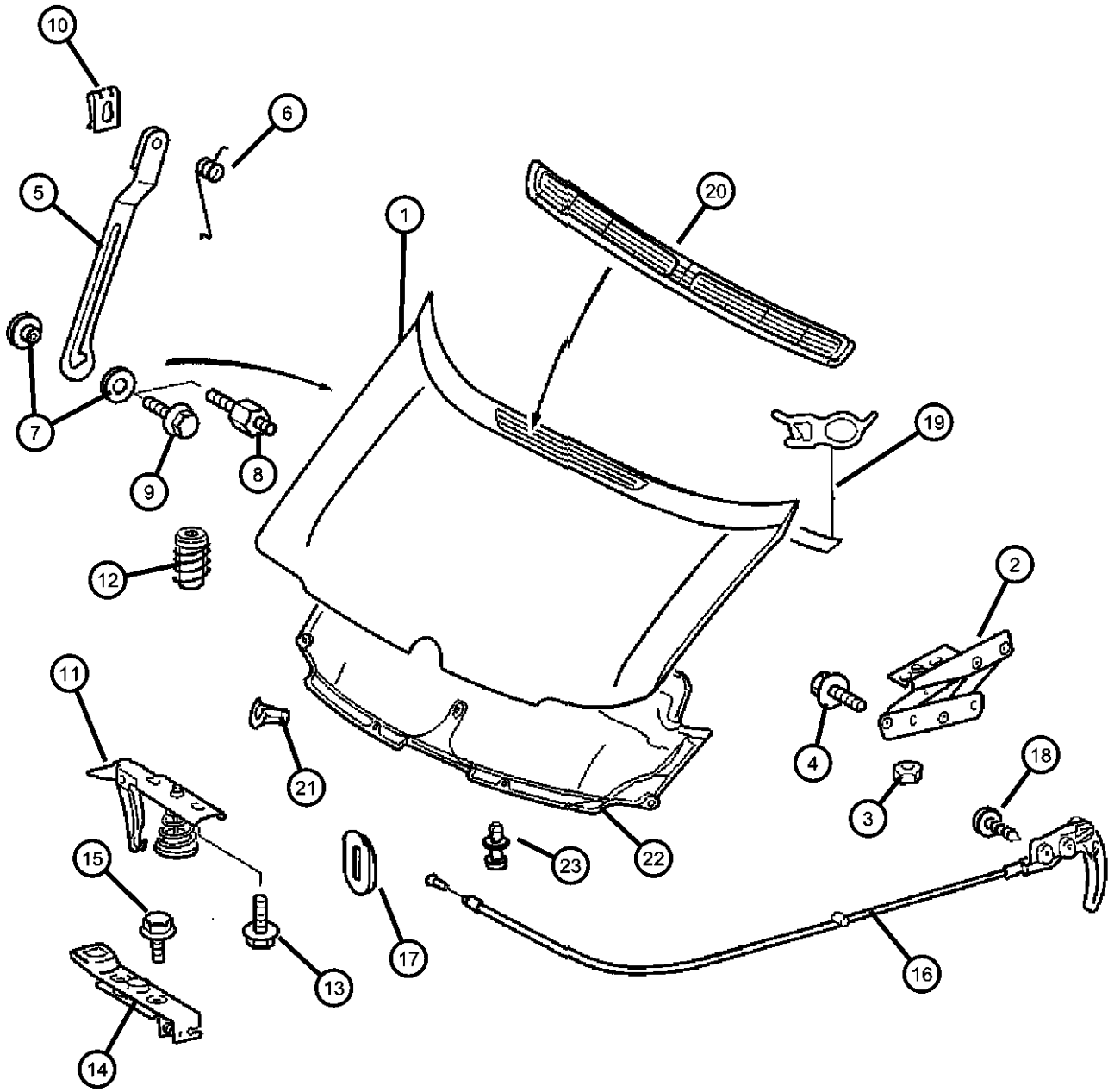
ITEM	PART NUMBER	QTY	LINE	SERIES	BODY	ENGINE	TRANS	TRIM	DESCRIPTION
1	05104402AA	1	2, 6		11, 12, 14, 15, 16				HOOD
		1	2, 6		51, 52, 54, 55, 56				
		1	3, 7		12, 15, 16				
2	05104404AA	1	2, 6		11, 12, 14, 15, 16				HINGE, Hood Left
		1	2, 6		51, 52, 54, 55, 56				Left
		1	3, 7		12, 15, 16				Left
	05104406AA	1	2, 6		11, 12, 14, 15, 16				Right
		1	2, 6		51, 52, 54, 55, 56				Right
		1	3, 7		12, 15, 16				Right
3	05103731AA	4	2, 6		11, 12, 14, 15, 16				NUT
		4	2, 6		51, 52, 54, 55, 56				
		4	3, 7		12, 15, 16				
4	06104195AA	4	2, 6		11, 12, 14, 15, 16				SCREW
		4	2, 6		51, 52, 54, 55, 56				
		4	3, 7		12, 15, 16				
5	05104407AA	1	2, 6		11, 12, 14, 15, 16				PROP, Hood
		1	2, 6		51, 52, 54, 55, 56				
		1	3, 7		12, 15, 16				

SPRINTER (VA)

SERIES	LINE	BODY	ENGINE	TRANSMISSION
L = LOWLINE	3 = HD DODGE 2WD 6 = Lt. Duty DODGE 4WD 2 = Med. Duty DODGE 2WD 7 = Med. Duty DODGE 4WD	01 = CHASSIS FORWARD CONTROL W.B.1 02 = CAB CHASSIS WHEEL BASE 2 06 = CAB CHASSIS WHEEL BASE 6 11 = VAN WHEEL BASE 1 12 = VAN WHEEL BASE 2 51 = WAGON WHEEL BASE 1 52 = WAGON WHEEL BASE 2 14 = VAN WHEEL BASE 4 15 = VAN WHEEL BASE 5 56 = WAGON WHEEL BASE 6 16 = VAN WHEEL BASE 6 54 = WAGON WHEEL BASE 4 55 = WAGON WHEEL BASE 5	EX9 = Engine-2.7L I5 Mercedes Turbo Diesel	DGJ = Transmission-5-Spd. Automatic, W5A580

AR = use ase required - = Non illustrated part

Hood and Hood Release Figure SVA-510



ITEM	PART NUMBER	QTY	LINE	SERIES	BODY	ENGINE	TRANS	TRIM	DESCRIPTION
6	05104546AA	1	2, 6		11, 12, 14, 15, 16				SPRING
		1	2, 6		51, 52, 54, 55, 56				
		1	3, 7		12, 15, 16				
7	05104545AA	2	2, 6		11, 12, 14, 15, 16				BUSHING, Hood Prop Rod Pivot
		2	2, 6		51, 52, 54, 55, 56				
		2	3, 7		12, 15, 16				
8	05104542AA	1	2, 6		11, 12, 14, 15, 16				SCREW
		1	2, 6		51, 52, 54, 55, 56				
		1	3, 7		12, 15, 16				
9	06104024AA	1	2, 6		11, 12, 14, 15, 16				SCREW
		1	2, 6		51, 52, 54, 55, 56				
		1	3, 7		12, 15, 16				
10	05104671AA	1	2, 6		11, 12, 14, 15, 16				CLIP
		1	2, 6		51, 52, 54, 55, 56				
		1	3, 7		12, 15, 16				
11	05104401AA	1	2, 6		11, 12, 14, 15, 16				STRIKER, Hood Latch

SPRINTER (VA)

SERIES

L = LOWLINE
 3 = HD DODGE 2WD
 6 = Lt. Duty DODGE 4WD
 2 = Med. Duty DODGE 2WD
 7 = Med. Duty DODGE 4WD

BODY

01 = CHASSIS FORWARD CONTROL W.B.1
 02 = CAB CHASSIS WHEEL BASE 2
 06 = CAB CHASSIS WHEEL BASE 6
 11 = VAN WHEEL BASE 1
 12 = VAN WHEEL BASE 2
 51 = WAGON WHEEL BASE 1
 52 = WAGON WHEEL BASE 2
 14 = VAN WHEEL BASE 4
 15 = VAN WHEEL BASE 5
 56 = WAGON WHEEL BASE 6
 16 = VAN WHEEL BASE 6
 54 = WAGON WHEEL BASE 4
 55 = WAGON WHEEL BASE 5

ENGINE

EX9 = Engine-2.7L I5
 Mercedes Turbo Diesel

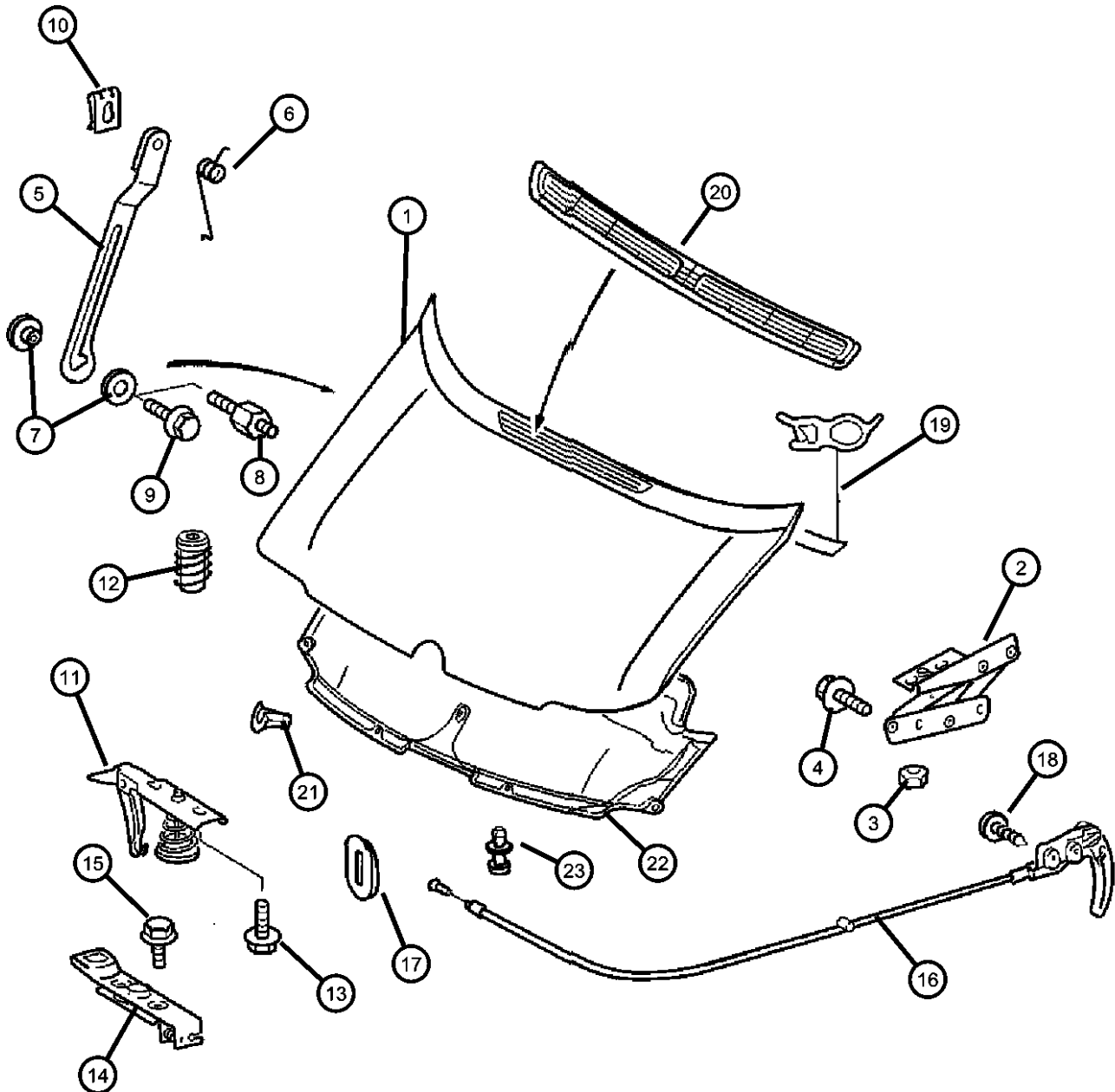
TRANSMISSION

DGJ = Transmission-5-Spd. Automatic, W5A580

AR = use ase required - = Non illustrated part

2002 VA

Hood and Hood Release
Figure SVA-510



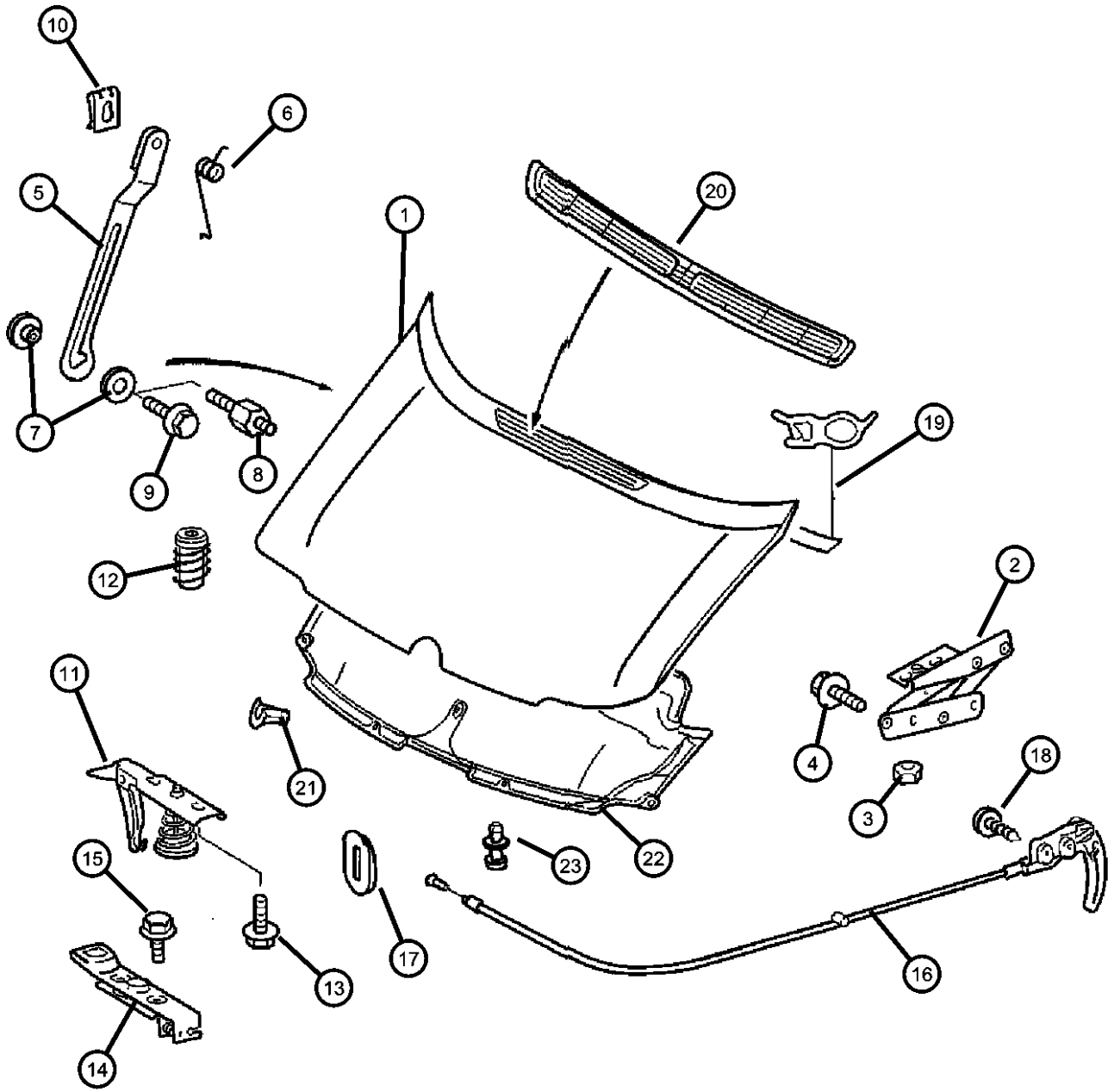
ITEM	PART NUMBER	QTY	LINE	SERIES	BODY	ENGINE	TRANS	TRIM	DESCRIPTION
		1	2, 6		51, 52, 54, 55, 56				
		1	3, 7		12, 15, 16				
12									BUMPER, Hood
	05134041AA	2	2, 6		11, 12, 14, 15, 16				
		2	2, 6		51, 52, 54, 55, 56				
		2	3, 7		12, 15, 16				
13									SCREW
	06104179AA	2	2, 6		11, 12, 14, 15, 16				
		2	2, 6		51, 52, 54, 55, 56				
		2	3, 7		12, 15, 16				
14									LATCH, Hood
	05104028AA	1	2, 6		11, 12, 14, 15, 16				
		1	2, 6		51, 52, 54, 55, 56				
		1	3, 7		12, 15, 16				
15									SCREW
	05133476AA	3	2, 6		11, 12, 14, 15, 16				
		3	2, 6		51, 52, 54, 55, 56				
		3	3, 7		12, 15, 16				
16									CABLE, Hood Release
	05104405AA	1	2, 6		11, 12, 14, 15, 16				
		1	2, 6		51, 52, 54, 55, 56				
		1	3, 7		12, 15, 16				

SPRINTER (VA)

SERIES	LINE	BODY	ENGINE	TRANSMISSION
L = LOWLINE	3 = HD DODGE 2WD 6 = Lt. Duty DODGE 4WD 2 = Med. Duty DODGE 2WD 7 = Med. Duty DODGE 4WD	01 = CHASSIS FORWARD CONTROL W.B.1 02 = CAB CHASSIS WHEEL BASE 2 06 = CAB CHASSIS WHEEL BASE 6 11 = VAN WHEEL BASE 1 12 = VAN WHEEL BASE 2 51 = WAGON WHEEL BASE 1 52 = WAGON WHEEL BASE 2 14 = VAN WHEEL BASE 4 15 = VAN WHEEL BASE 5 56 = WAGON WHEEL BASE 6 16 = VAN WHEEL BASE 6 54 = WAGON WHEEL BASE 4 55 = WAGON WHEEL BASE 5	EX9 = Engine-2.7L I5 Mercedes Turbo Diesel	DGJ = Transmission-5-Spd. Automatic, W5A580

AR = use ase required - = Non illustrated part

**Hood and Hood Release
Figure SVA-510**



ITEM	PART NUMBER	QTY	LINE	SERIES	BODY	ENGINE	TRANS	TRIM	DESCRIPTION
17	05133935AA	1	2, 6		11, 12, 14, 15, 16				GROMMET, Door Wiring
		1	2, 6		51, 52, 54, 55, 56				
		1	3, 7		12, 15, 16				
18	06104507AA	2	2, 6		11, 12, 14, 15, 16				SCREW
		2	2, 6		51, 52, 54, 55, 56				
		1	3, 7		12, 15, 16				
19	05134040AA	1	2, 6		11, 12, 14, 15, 16				SEAL, Hood
		1	2, 6		51, 52, 54, 55, 56				
		1	3, 7		12, 15, 16				
20	05104474AA	1	2, 6		11, 12, 14, 15, 16				GRILLE, Hood Use Up To Vin Number 423058
	05124653AA	1	2, 6		11, 12, 14, 15, 16				Use After Vin Number 423058
21	05103932AA	1	2, 6		11, 12, 14, 15, 16				GROMMET
		1	2, 6		51, 52, 54, 55, 56				
		1	3, 7		12, 15, 16				
22	05104486AA	1	2, 6		11, 12, 14, 15, 16				INSULATION, Hood
		1	2, 6		51, 52, 54, 55, 56				

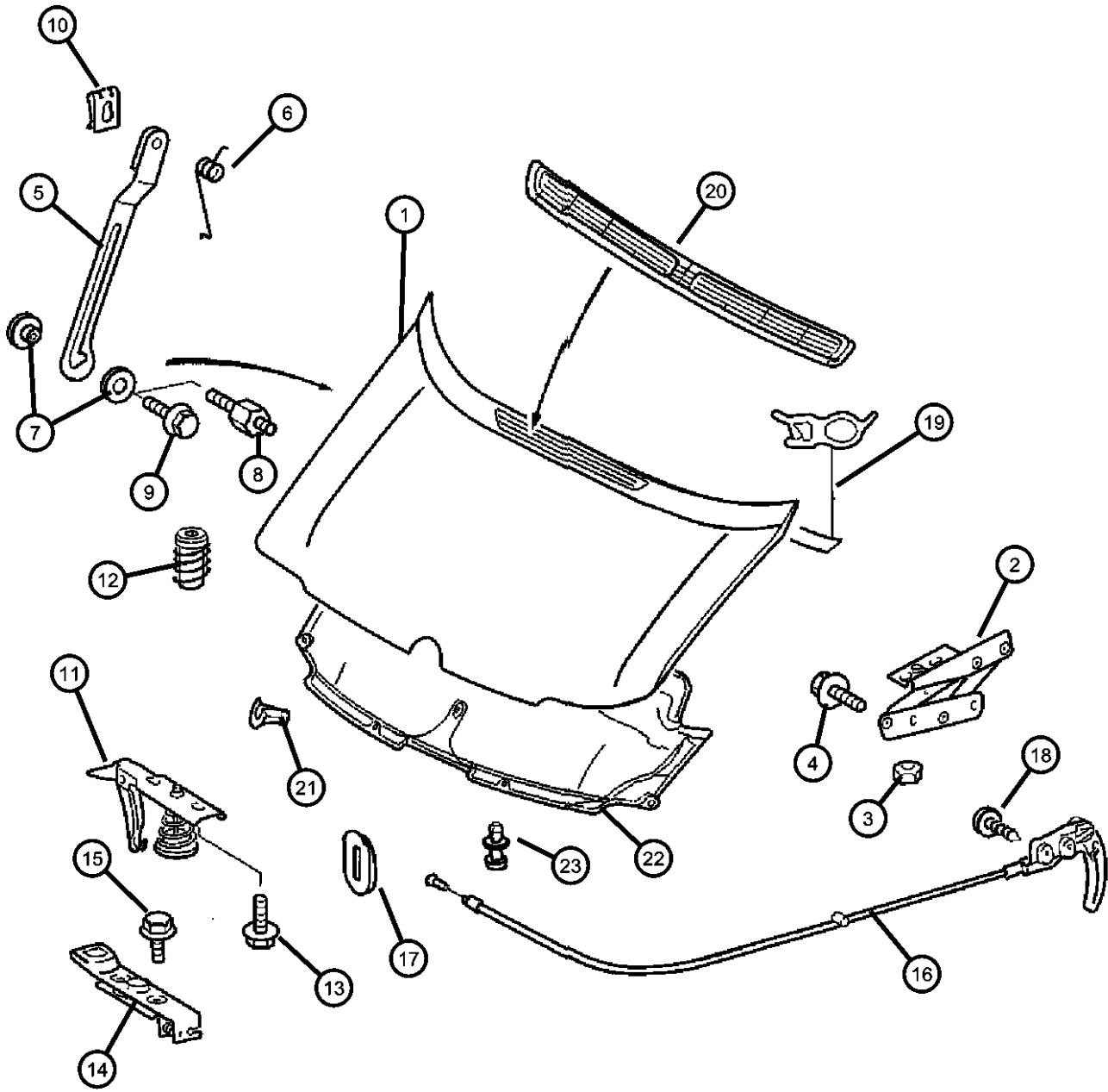
SPRINTER (VA)

SERIES	LINE	BODY	ENGINE	TRANSMISSION
L = LOWLINE	3 = HD DODGE 2WD 6 = Lt. Duty DODGE 4WD 2 = Med. Duty DODGE 2WD 7 = Med. Duty DODGE 4WD	01 = CHASSIS FORWARD CONTROL W.B.1 02 = CAB CHASSIS WHEEL BASE 2 06 = CAB CHASSIS WHEEL BASE 6 11 = VAN WHEEL BASE 1 12 = VAN WHEEL BASE 2 51 = WAGON WHEEL BASE 1 52 = WAGON WHEEL BASE 2 14 = VAN WHEEL BASE 4 15 = VAN WHEEL BASE 5 56 = WAGON WHEEL BASE 6 16 = VAN WHEEL BASE 6 54 = WAGON WHEEL BASE 4 55 = WAGON WHEEL BASE 5	EX9 = Engine-2.7L I5 Mercedes Turbo Diesel	DGJ = Transmission-5-Spd. Automatic, W5A580

AR = use ase required - = Non illustrated part

Hood and Hood Release
Figure SVA-510

ITEM	PART NUMBER	QTY	LINE	SERIES	BODY	ENGINE	TRANS	TRIM	DESCRIPTION
------	-------------	-----	------	--------	------	--------	-------	------	-------------



		1	3, 7		12, 15, 16				
23	05103921AA	12	2, 6		11, 12, 14, 15, 16				RIVET
		12	2, 6		51, 52, 54, 55, 56				
		12	3, 7		12, 15, 16				

SPRINTER (VA)

SERIES

L = LOWLINE
 3 = HD DODGE 2WD
 6 = Lt. Duty DODGE 4WD
 2 = Med. Duty DODGE 2WD
 7 = Med. Duty DODGE 4WD

LINE

BODY

01 = CHASSIS FORWARD CONTROL W.B.1
 02 = CAB CHASSIS WHEEL BASE 2
 06 = CAB CHASSIS WHEEL BASE 6
 11 = VAN WHEEL BASE 1
 12 = VAN WHEEL BASE 2
 51 = WAGON WHEEL BASE 1
 52 = WAGON WHEEL BASE 2
 14 = VAN WHEEL BASE 4
 15 = VAN WHEEL BASE 5
 56 = WAGON WHEEL BASE 6
 16 = VAN WHEEL BASE 6
 54 = WAGON WHEEL BASE 4
 55 = WAGON WHEEL BASE 5

ENGINE

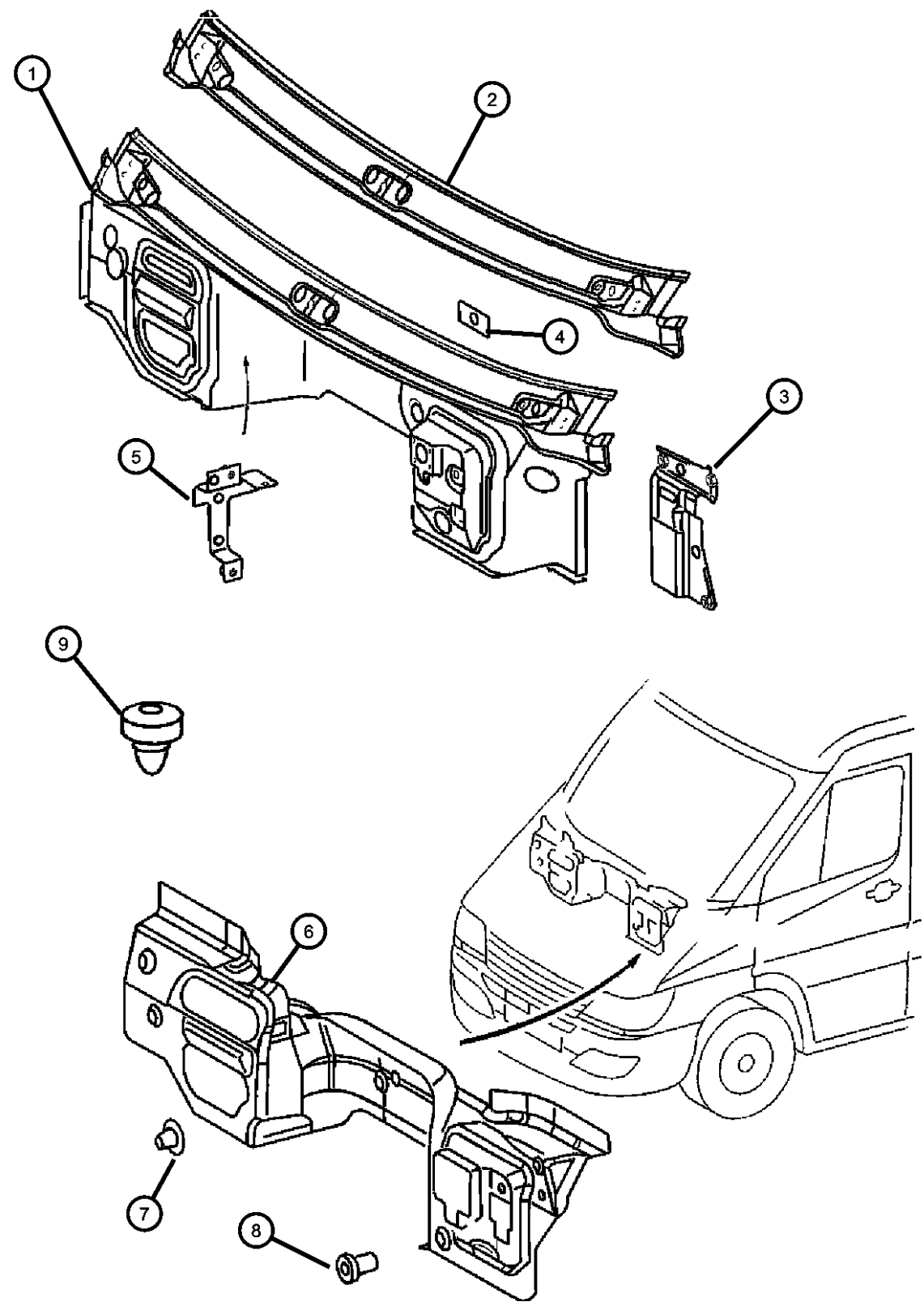
EX9 = Engine-2.7L I5
 Mercedes Turbo Diesel

TRANSMISSION

DGJ = Transmission-5-Spd. Automatic, W5A580

AR = use ase required - = Non illustrated part

**Cowl and Dash
Figure SVA-610**



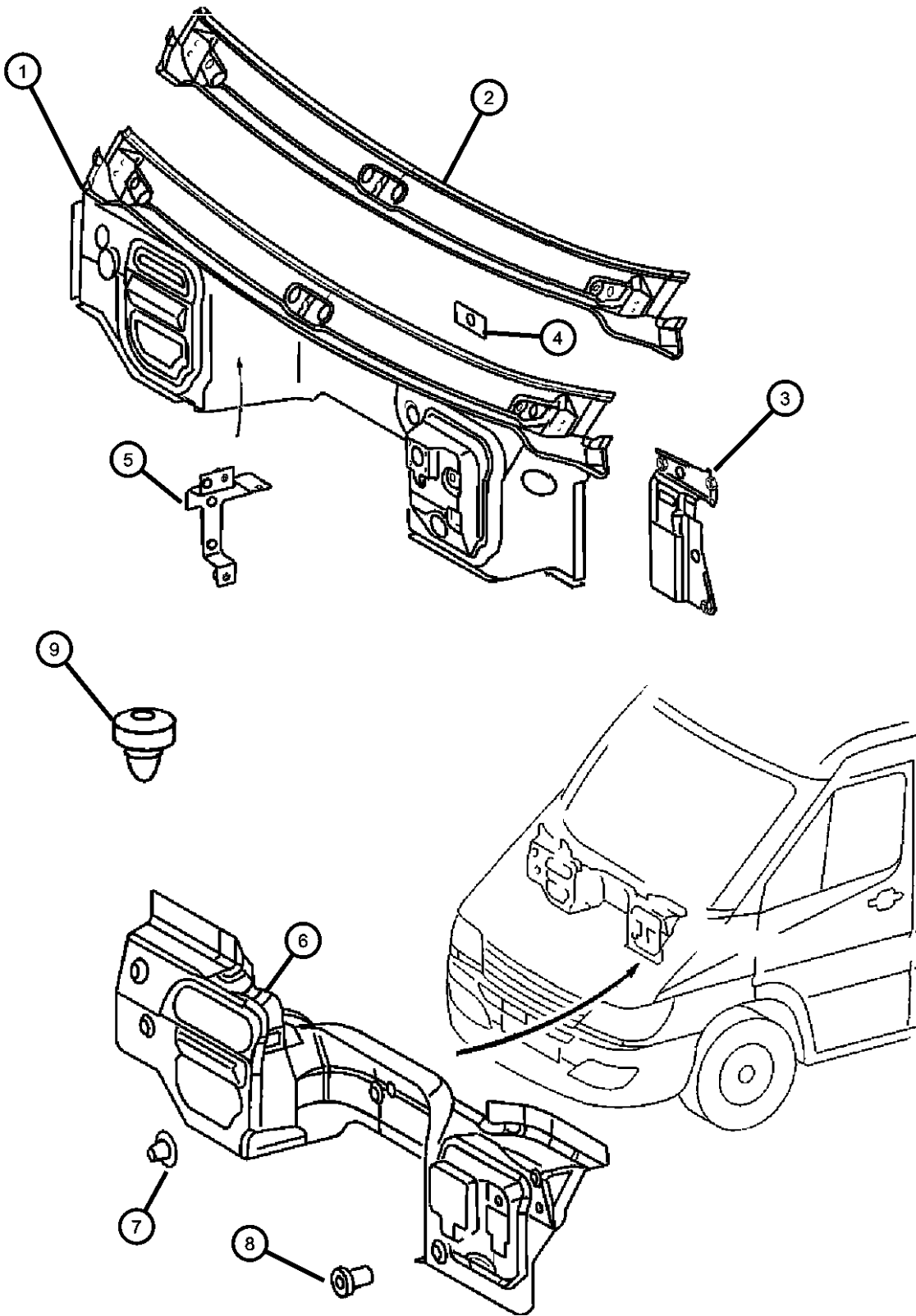
ITEM	PART NUMBER	QTY	LINE	SERIES	BODY	ENGINE	TRANS	TRIM	DESCRIPTION
1	05121578AA	1	2, 6		11, 12, 14, 15, 16				PANEL, Dash Upper
		1	2, 6		51, 52, 54, 55, 56				
		1	3, 7		12, 15, 16				
2	05104164AA	1	2, 6		11, 12, 14, 15, 16				PANEL, Cowl Top
		1	2, 6		51, 52, 54, 55, 56				
		1	3, 7		12, 15, 16				
3	05121583AA	1	2, 6		11, 12, 14, 15, 16				BRACKET, Dash
		1	2, 6		51, 52, 54, 55, 56				
		1	3, 7		12, 15, 16				
4	05121447AA	1	2, 6		11, 12, 14, 15, 16				PLATE
		1	2, 6		51, 52, 54, 55, 56				
		1	3, 7		12, 15, 16				
5	05124627AA	1	2, 6		11, 12, 14, 15, 16				BRACKET
		1	2, 6		51, 52, 54, 55, 56				
		1	3, 7		12, 15, 16				
6	05122526AA	1	2, 6		11, 12, 14, 15, 16				SILENCER, Dash Panel-Engine Compartment

SPRINTER (VA)

SERIES	LINE	BODY	ENGINE	TRANSMISSION
L = LOWLINE	3 = HD DODGE 2WD 6 = Lt. Duty DODGE 4WD 2 = Med. Duty DODGE 2WD 7 = Med. Duty DODGE 4WD	01 = CHASSIS FORWARD CONTROL W.B.1 02 = CAB CHASSIS WHEEL BASE 2 06 = CAB CHASSIS WHEEL BASE 6 11 = VAN WHEEL BASE 1 12 = VAN WHEEL BASE 2 51 = WAGON WHEEL BASE 1 52 = WAGON WHEEL BASE 2 14 = VAN WHEEL BASE 4 15 = VAN WHEEL BASE 5 56 = WAGON WHEEL BASE 6 16 = VAN WHEEL BASE 6 54 = WAGON WHEEL BASE 4 55 = WAGON WHEEL BASE 5	EX9 = Engine-2.7L I5 Mercedes Turbo Diesel	DGJ = Transmission-5-Spd. Automatic, W5A580

AR = use ase required - = Non illustrated part

**Cowl and Dash
Figure SVA-610**



ITEM	PART NUMBER	QTY	LINE	SERIES	BODY	ENGINE	TRANS	TRIM	DESCRIPTION
		1	2, 6		51, 52, 54, 55, 56				
		1	3, 7		12, 15, 16				
7	05097041AA	4	2, 6		11, 12, 14, 15, 16				PLUG, Button
		4	2, 6		51, 52, 54, 55, 56				
		4	3, 7		12, 15, 16				
8	05125592AA	2	2, 6		11, 12, 14, 15, 16				PLUG, Button
		2	2, 6		51, 52, 54, 55, 56				
		2	3, 7		12, 15, 16				
9	05103724AA	2	2, 6		11, 12, 14, 15, 16				BUMPER, Rubber
		2	2, 6		51, 52, 54, 55, 56				
		2	3, 7		12, 15, 16				

SPRINTER (VA)

SERIES

L = LOWLINE

LINE

3 = HD DODGE 2WD
6 = Lt. Duty DODGE 4WD
2 = Med. Duty DODGE 2WD
7 = Med. Duty DODGE 4WD

BODY

01 = CHASSIS FORWARD CONTROL W.B.1
02 = CAB CHASSIS WHEEL BASE 2
06 = CAB CHASSIS WHEEL BASE 6
11 = VAN WHEEL BASE 1
12 = VAN WHEEL BASE 2
51 = WAGON WHEEL BASE 1
52 = WAGON WHEEL BASE 2
14 = VAN WHEEL BASE 4
15 = VAN WHEEL BASE 5
56 = WAGON WHEEL BASE 6
16 = VAN WHEEL BASE 6
54 = WAGON WHEEL BASE 4
55 = WAGON WHEEL BASE 5

ENGINE

EX9 = Engine-2.7L I5
Mercedes Turbo Diesel

TRANSMISSION

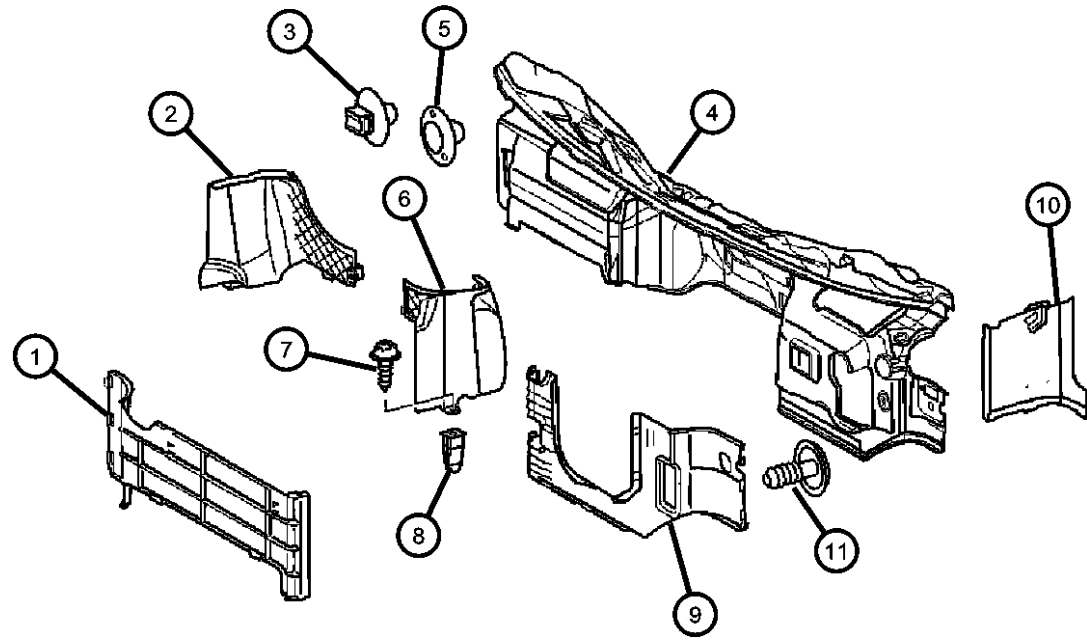
DGJ = Transmission-5-Spd. Automatic, W5A580

AR = use ase required - = Non illustrated part

2002 VA

**Inner Paneling in Cab, Cowl
Figure SVA-620**

ITEM	PART NUMBER	QTY	LINE	SERIES	BODY	ENGINE	TRANS	TRIM	DESCRIPTION
1	05131688AA	1	2, 6		11, 12, 14, 15, 16				SILENCER, Dash And Cowl Sides
		1	2, 6		51, 52, 54, 55, 56				
		1	3, 7		12, 15, 16				
2	05122864AA	1	2, 6		11, 12, 14, 15, 16				PANEL, Bulkhead Support
		1	2, 6		51, 52, 54, 55, 56				
		1	3, 7		12, 15, 16				
3	05125592AA	1	2, 6		11, 12, 14, 15, 16				PLUG, Button
		1	2, 6		51, 52, 54, 55, 56				
		1	3, 7		12, 15, 16				
4	05122857AA	1	2, 6		11, 12, 14, 15, 16				PANEL, Cowl
		1	2, 6		51, 52, 54, 55, 56				
		1	3, 7		12, 15, 16				
5	05097041AA	1	2, 6		11, 12, 14, 15, 16				PLUG, Button
		1	2, 6		51, 52, 54, 55, 56				
		3	3, 7		12, 15, 16				
6	05122862AA	1	2, 6		11, 12, 14, 15, 16				PANEL, Bulkhead Support
		1	2, 6		51, 52, 54, 55, 56				



SPRINTER (VA)

SERIES

L = LOWLINE
 3 = HD DODGE 2WD
 6 = Lt. Duty DODGE 4WD
 2 = Med. Duty DODGE 2WD
 7 = Med. Duty DODGE 4WD

BODY

01 = CHASSIS FORWARD CONTROL W.B.1
 02 = CAB CHASSIS WHEEL BASE 2
 06 = CAB CHASSIS WHEEL BASE 6
 11 = VAN WHEEL BASE 1
 12 = VAN WHEEL BASE 2
 51 = WAGON WHEEL BASE 1
 52 = WAGON WHEEL BASE 2
 14 = VAN WHEEL BASE 4
 15 = VAN WHEEL BASE 5
 56 = WAGON WHEEL BASE 6
 16 = VAN WHEEL BASE 6
 54 = WAGON WHEEL BASE 4
 55 = WAGON WHEEL BASE 5

ENGINE

EX9 = Engine-2.7L I5
 Mercedes Turbo Diesel

TRANSMISSION

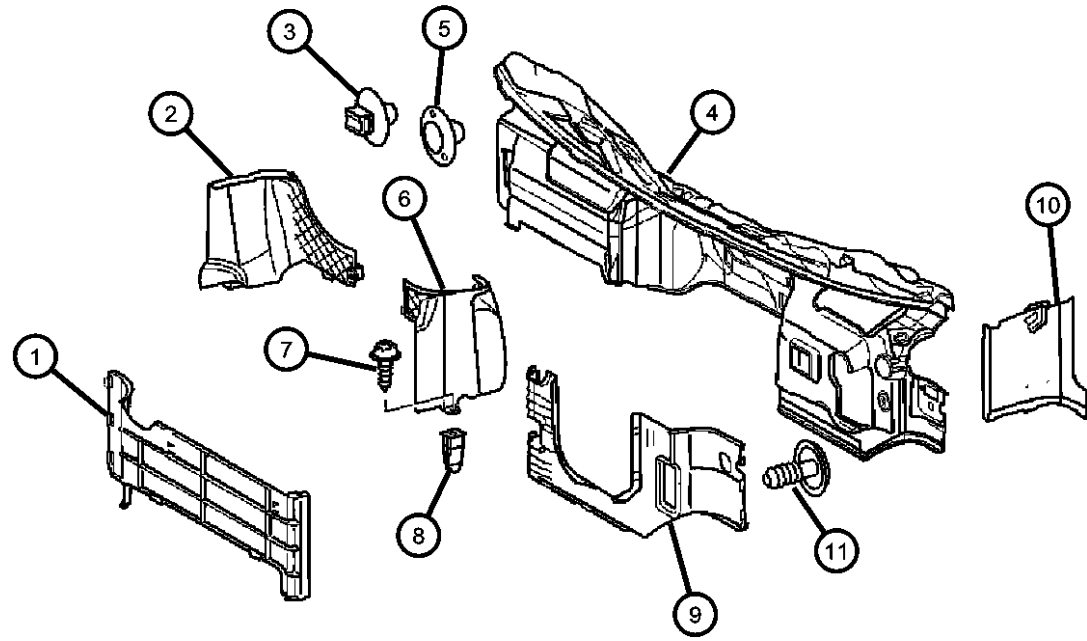
DGJ = Transmission-5-Spd. Automatic, W5A580

AR = use ase required - = Non illustrated part

2002 VA

**Inner Paneling in Cab, Cowl
Figure SVA-620**

ITEM	PART NUMBER	QTY	LINE	SERIES	BODY	ENGINE	TRANS	TRIM	DESCRIPTION
7		1	3, 7		12, 15, 16				SCREW, Tapping
	06104574AA	2	2, 6		11, 12, 14, 15, 16				
		2	2, 6		51, 52, 54, 55, 56				
		2	3, 7		12, 15, 16				
8		8	2, 6		11, 12, 14, 15, 16				NUT, Plastic Snap-in
	05098837AA	8	2, 6		11, 12, 14, 15, 16				
		8	2, 6		51, 52, 54, 55, 56				
		8	3, 7		12, 15, 16				
9		1	2, 6		11, 12, 14, 15, 16				PANEL, Dash
	05131685AA	1	2, 6		11, 12, 14, 15, 16				
		1	2, 6		51, 52, 54, 55, 56				
		1	3, 7		12, 15, 16				
10		1	2, 6		11, 12, 14, 15, 16				PANEL, Cowl Side Right
	05104266AA	1	2, 6		11, 12, 14, 15, 16				
		1	2, 6		51, 52, 54, 55, 56				Right
		1	3, 7		12, 15, 16				Right
	05122865AA	1	2, 6		11, 12, 14, 15, 16				Left
		1	2, 6		51, 52, 54, 55, 56				Left
		1	3, 7		12, 15, 16				Left
11		2	2, 6		11, 12, 14, 15, 16				PLUG, Body
	05125985AA	2	2, 6		11, 12, 14, 15, 16				



SPRINTER (VA)

SERIES

L = LOWLINE
 3 = HD DODGE 2WD
 6 = Lt. Duty DODGE 4WD
 2 = Med. Duty DODGE 2WD
 7 = Med. Duty DODGE 4WD

LINE

BODY

01 = CHASSIS FORWARD CONTROL W.B.1
 02 = CAB CHASSIS WHEEL BASE 2
 06 = CAB CHASSIS WHEEL BASE 6
 11 = VAN WHEEL BASE 1
 12 = VAN WHEEL BASE 2
 51 = WAGON WHEEL BASE 1
 52 = WAGON WHEEL BASE 2
 14 = VAN WHEEL BASE 4
 15 = VAN WHEEL BASE 5
 56 = WAGON WHEEL BASE 6
 16 = VAN WHEEL BASE 6
 54 = WAGON WHEEL BASE 4
 55 = WAGON WHEEL BASE 5

ENGINE

EX9 = Engine-2.7L I5
 Mercedes Turbo Diesel

TRANSMISSION

DGJ = Transmission-5-Spd. Automatic, W5A580

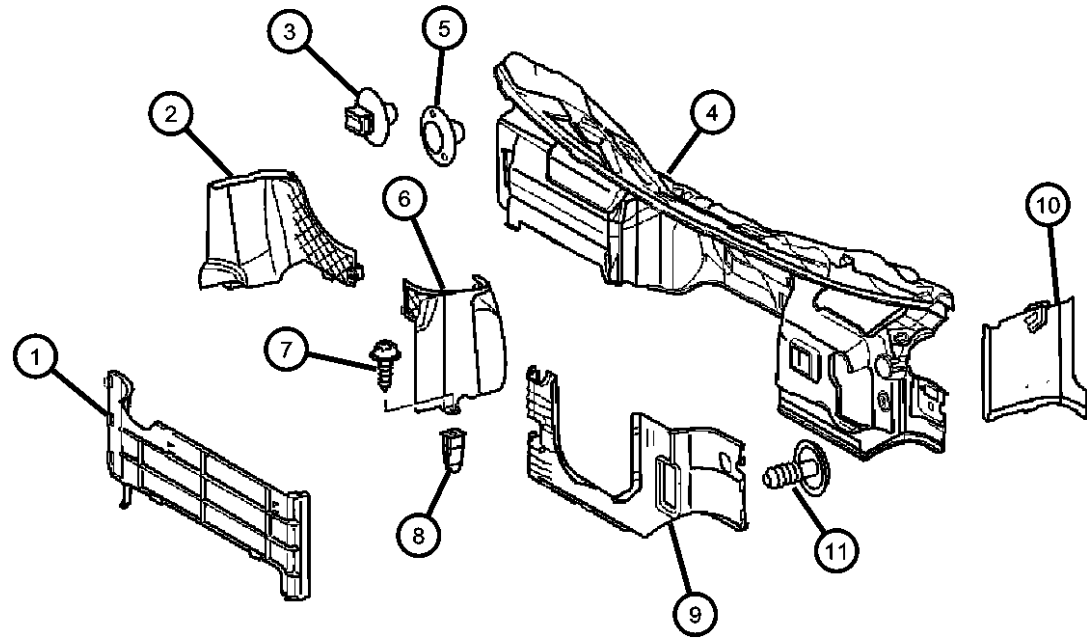
AR = use ase required - = Non illustrated part

2002 VA

**Inner Paneling in Cab, Cowl
Figure SVA-620**

ITEM	PART NUMBER	QTY	LINE	SERIES	BODY	ENGINE	TRANS	TRIM	DESCRIPTION
------	-------------	-----	------	--------	------	--------	-------	------	-------------

		2	2, 6		51, 52, 54, 55, 56				
		2	3, 7		12, 15, 16				

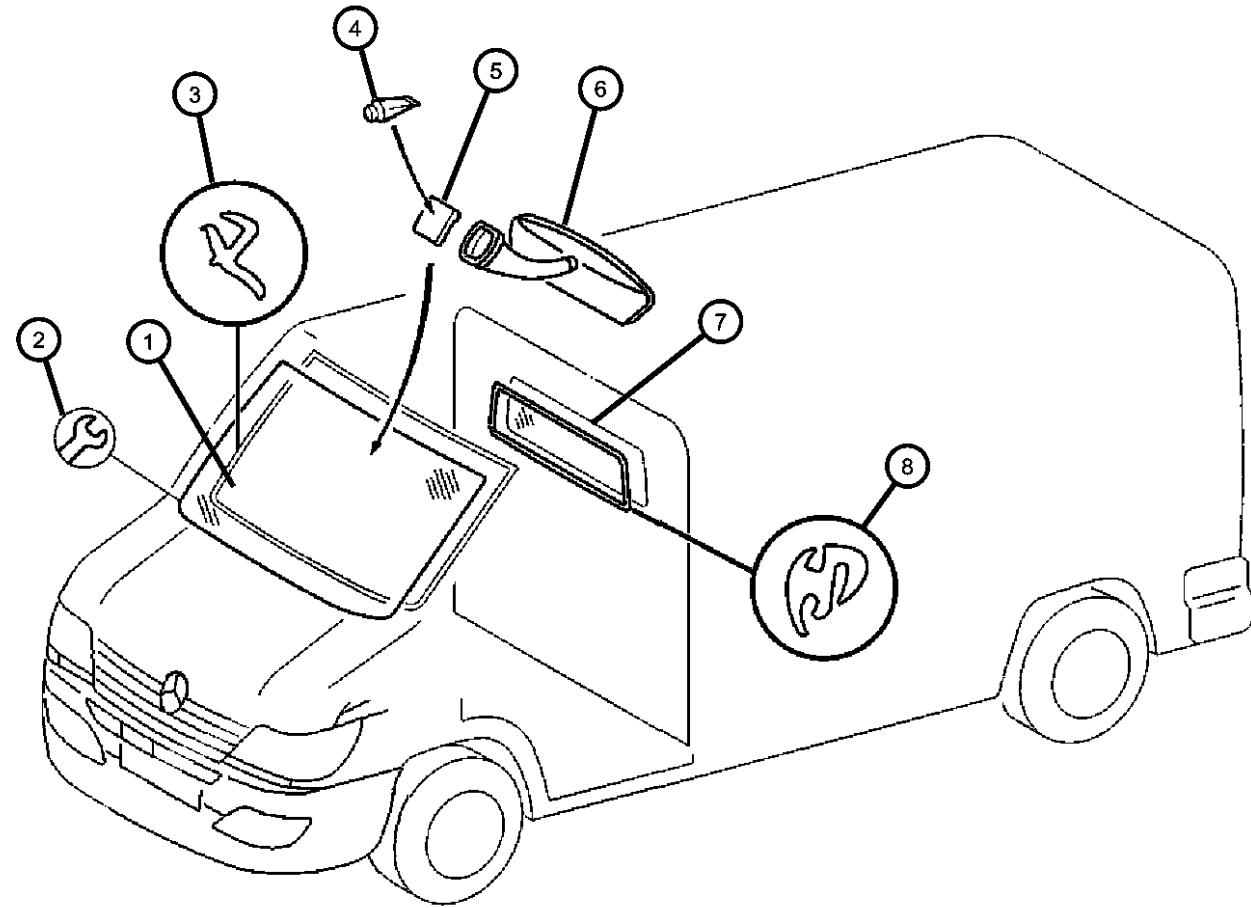


SPRINTER (VA)

SERIES	LINE	BODY	ENGINE	TRANSMISSION
L = LOWLINE	3 = HD DODGE 2WD 6 = Lt. Duty DODGE 4WD 2 = Med. Duty DODGE 2WD 7 = Med. Duty DODGE 4WD	01 = CHASSIS FORWARD CONTROL W.B.1 02 = CAB CHASSIS WHEEL BASE 2 06 = CAB CHASSIS WHEEL BASE 6 11 = VAN WHEEL BASE 1 12 = VAN WHEEL BASE 2 51 = WAGON WHEEL BASE 1 52 = WAGON WHEEL BASE 2 14 = VAN WHEEL BASE 4 15 = VAN WHEEL BASE 5 56 = WAGON WHEEL BASE 6 16 = VAN WHEEL BASE 6 54 = WAGON WHEEL BASE 4 55 = WAGON WHEEL BASE 5	EX9 = Engine-2.7L I5 Mercedes Turbo Diesel	DGJ = Transmission-5-Spd. Automatic, W5A580

AR = use ase required - = Non illustrated part

**Windshield, Backlite and Rear View Mirror
Figure SVA-710**



ITEM	PART NUMBER	QTY	LINE	SERIES	BODY	ENGINE	TRANS	TRIM	DESCRIPTION
1	05103586AA	1	2, 6		11, 12, 14, 15, 16				WINDSHIELD Tinted
		1	3, 7		12, 15, 16				Tinted
		1	2, 6		51, 52, 54, 55, 56				Tinted
2	05104594AA	1	2, 6		11, 12, 14, 15, 16				REPAIR KIT, Windshield
		1	2, 6		51, 52, 54, 55, 56				
		1	3, 7		12, 15, 16				
3	05103584AA	1	2, 6		11, 12, 14, 15, 16				WEATHERSTRIP
		1	2, 6		51, 52, 54, 55, 56				
		1	3, 7		12, 15, 16				
4		1							ADHESIVE, (NOT SERVICED)
5	05104241AA	1	2, 6		11, 12, 14, 15, 16				BUTTON, Rear View Mirror
		1	2, 6		51, 52, 54, 55, 56				
		1	3, 7		12, 15, 16				
6	05104435AA	1	2, 6		11, 12, 14, 15, 16				MIRROR, Inside Rear View
		1	2, 6		51, 52, 54, 55, 56				
		1	3, 7		12, 15, 16				
7	05104249AA	1	2, 6		11, 12, 14, 15, 16				GLASS, Backlite, Fixed

SPRINTER (VA)

SERIES

L = LOWLINE
 3 = HD DODGE 2WD
 6 = Lt. Duty DODGE 4WD
 2 = Med. Duty DODGE 2WD
 7 = Med. Duty DODGE 4WD

BODY

01 = CHASSIS FORWARD CONTROL W.B.1
 02 = CAB CHASSIS WHEEL BASE 2
 06 = CAB CHASSIS WHEEL BASE 6
 11 = VAN WHEEL BASE 1
 12 = VAN WHEEL BASE 2
 51 = WAGON WHEEL BASE 1
 52 = WAGON WHEEL BASE 2
 14 = VAN WHEEL BASE 4
 15 = VAN WHEEL BASE 5
 56 = WAGON WHEEL BASE 6
 16 = VAN WHEEL BASE 6
 54 = WAGON WHEEL BASE 4
 55 = WAGON WHEEL BASE 5

ENGINE

EX9 = Engine-2.7L I5
 Mercedes Turbo Diesel

TRANSMISSION

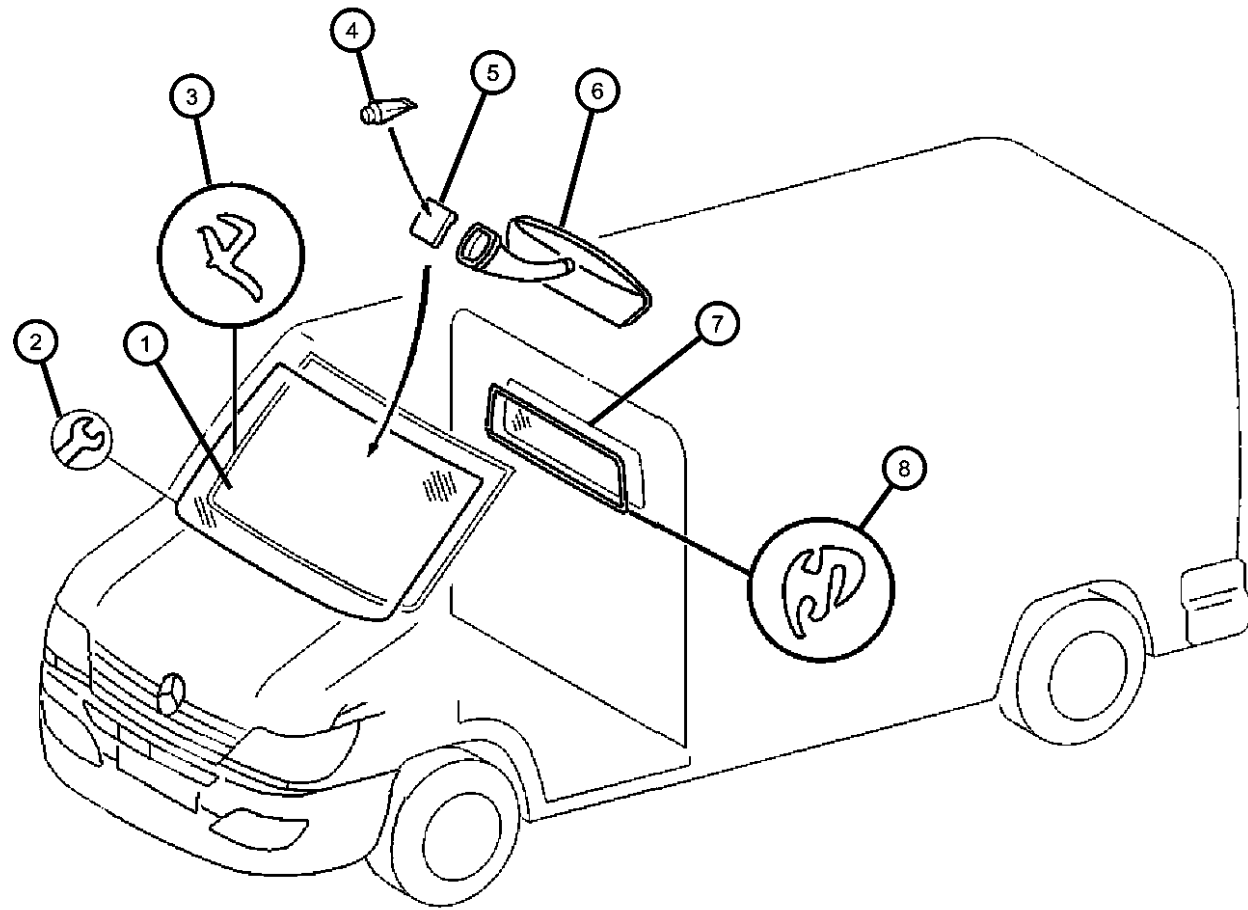
DGJ = Transmission-5-Spd. Automatic, W5A580

AR = use ase required - = Non illustrated part

2002 VA

**Windshield, Backlite and Rear View Mirror
Figure SVA-710**

ITEM	PART NUMBER	QTY	LINE	SERIES	BODY	ENGINE	TRANS	TRIM	DESCRIPTION
		1	3, 7		12, 15, 16				
8	05104250AA	1	2, 6		11, 12, 14, 15, 16				WEATHERSTRIP, Fixed
		1	3, 7		12, 15, 16				

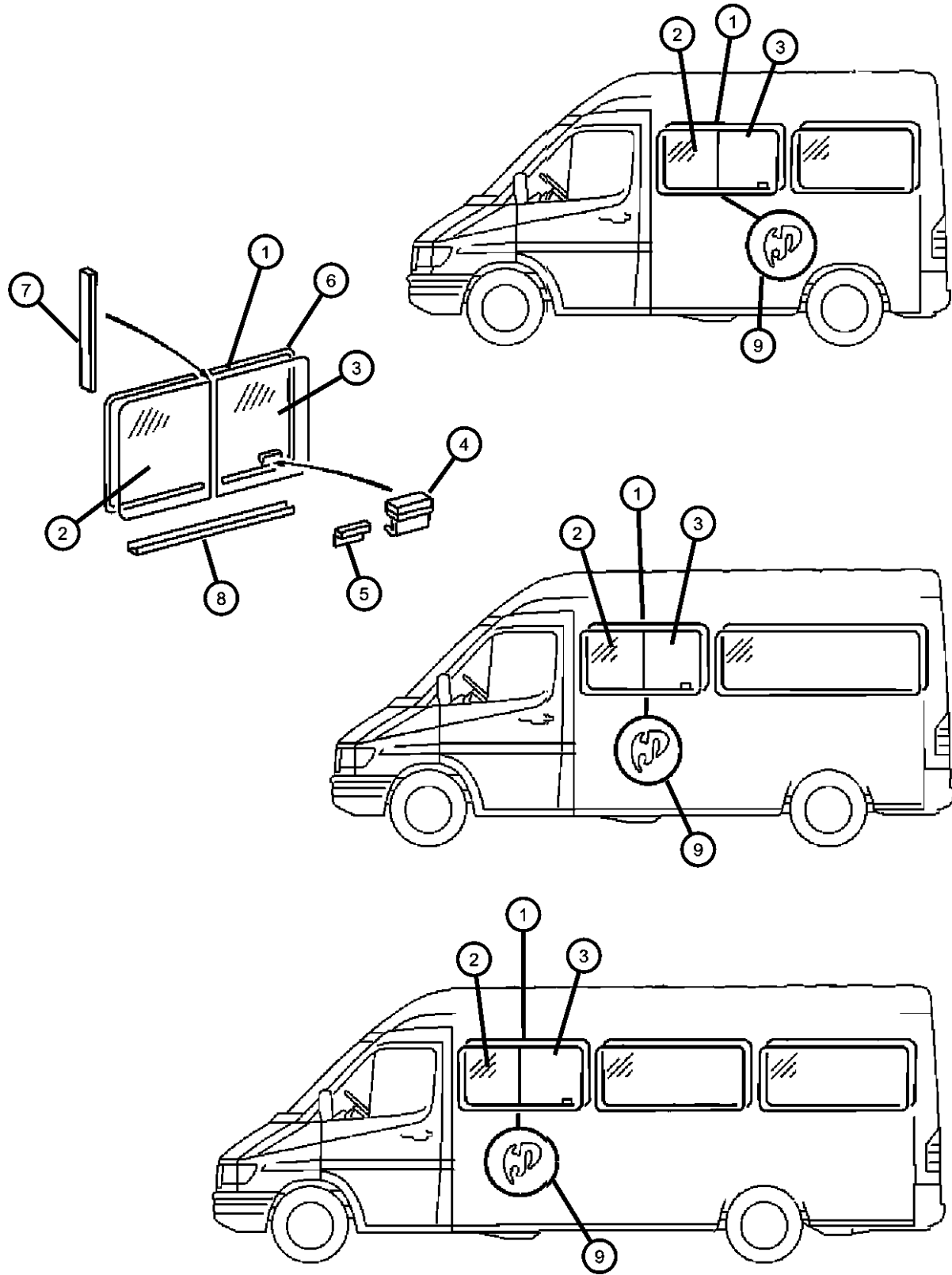


SPRINTER (VA)

SERIES	LINE	BODY	ENGINE	TRANSMISSION
L = LOWLINE	3 = HD DODGE 2WD 6 = Lt. Duty DODGE 4WD 2 = Med. Duty DODGE 2WD 7 = Med. Duty DODGE 4WD	01 = CHASSIS FORWARD CONTROL W.B.1 02 = CAB CHASSIS WHEEL BASE 2 06 = CAB CHASSIS WHEEL BASE 6 11 = VAN WHEEL BASE 1 12 = VAN WHEEL BASE 2 51 = WAGON WHEEL BASE 1 52 = WAGON WHEEL BASE 2 14 = VAN WHEEL BASE 4 15 = VAN WHEEL BASE 5 56 = WAGON WHEEL BASE 6 16 = VAN WHEEL BASE 6 54 = WAGON WHEEL BASE 4 55 = WAGON WHEEL BASE 5	EX9 = Engine-2.7L I5 Mercedes Turbo Diesel	DGJ = Transmission-5-Spd. Automatic, W5A580

AR = use ase required - = Non illustrated part

**Front Right Side Sliding Glass
Figure SVA-720**



ITEM	PART NUMBER	QTY	LINE	SERIES	BODY	ENGINE	TRANS	TRIM	DESCRIPTION
1	05122302AA	1	2, 6		11, 12, 14, 15, 16				GLASS, Bodyside Window Privacy
		1	2, 6		51, 52, 54, 55, 56				Privacy
		1	3, 7		12, 15, 16				Privacy
2	05134043AA	1	2, 6		11, 12, 14, 15, 16				GLASS, Bodyside Window, Fixed Privacy
		1	2, 6		51, 52, 54, 55, 56				Privacy
		1	3, 7		12, 15, 16				Privacy
3	05134003AA	1	2, 6		11, 12, 14, 15, 16				GLASS, Bodyside Window, Sliding Privacy
		1	2, 6		51, 52, 54, 55, 56				Privacy
		1	3, 7		12, 15, 16				Privacy
4	05134004AA	1	2, 6		11, 12, 14, 15, 16				HANDLE, Vent Window
		1	2, 6		51, 52, 54, 55, 56				
		1	3, 7		12, 15, 16				
5	05133535AA	1	2, 6		51, 52, 54, 55, 56				RETAINER, Side Panel Vent Window
		1	3, 7		12, 15, 16				
		1	2, 6		11, 12, 14, 15, 16				
6	05134055AA	2	3, 7		12, 15, 16				WEATHERSTRIP, Side Panel Vent
		2	2, 6		11, 12, 14, 15, 16				

SPRINTER (VA)

SERIES

L = LOWLINE
 3 = HD DODGE 2WD
 6 = Lt. Duty DODGE 4WD
 2 = Med. Duty DODGE 2WD
 7 = Med. Duty DODGE 4WD

LINE

BODY

01 = CHASSIS FORWARD CONTROL W.B.1
 02 = CAB CHASSIS WHEEL BASE 2
 06 = CAB CHASSIS WHEEL BASE 6
 11 = VAN WHEEL BASE 1
 12 = VAN WHEEL BASE 2
 51 = WAGON WHEEL BASE 1
 52 = WAGON WHEEL BASE 2
 14 = VAN WHEEL BASE 4
 15 = VAN WHEEL BASE 5
 56 = WAGON WHEEL BASE 6
 16 = VAN WHEEL BASE 6
 54 = WAGON WHEEL BASE 4
 55 = WAGON WHEEL BASE 5

ENGINE

EX9 = Engine-2.7L I5
 Mercedes Turbo Diesel

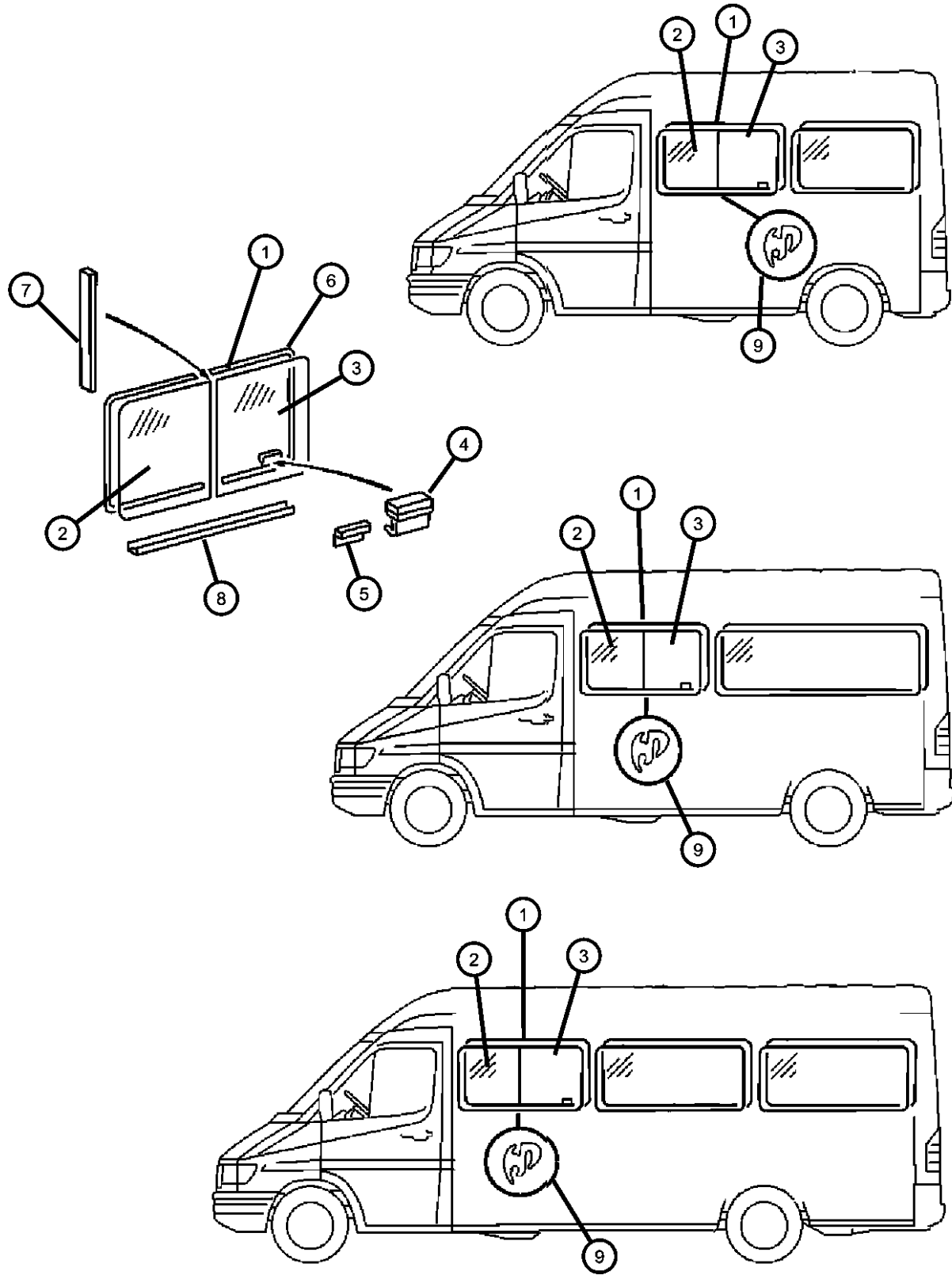
TRANSMISSION

DGJ = Transmission-5-Spd. Automatic, W5A580

AR = use ase required - = Non illustrated part

2002 VA

**Front Right Side Sliding Glass
Figure SVA-720**



ITEM	PART NUMBER	QTY	LINE	SERIES	BODY	ENGINE	TRANS	TRIM	DESCRIPTION
7		2	2, 6		51, 52, 54, 55, 56				WEATHERSTRIP, Side Panel Vent
	05133536AA	1	2, 6		11, 12, 14, 15, 16				
		1	2, 6		51, 52, 54, 55, 56				
8		1	3, 7		12, 15, 16				WEATHERSTRIP, Glass
	05134059AA	2	2, 6		11, 12, 14, 15, 16				
		2	2, 6		51, 52, 54, 55, 56				
		2	3, 7		12, 15, 16				
9		1	2, 6		51, 52, 54, 55, 56				SEAL, Window Opening
	05104246AA	1	3, 7		16, 12, 15				
		1	2, 6		11, 12, 14, 15, 16				

SPRINTER (VA)

SERIES

L = LOWLINE
 3 = HD DODGE 2WD
 6 = Lt. Duty DODGE 4WD
 2 = Med. Duty DODGE 2WD
 7 = Med. Duty DODGE 4WD

LINE

BODY

01 = CHASSIS FORWARD CONTROL W.B.1
 02 = CAB CHASSIS WHEEL BASE 2
 06 = CAB CHASSIS WHEEL BASE 6
 11 = VAN WHEEL BASE 1
 12 = VAN WHEEL BASE 2
 51 = WAGON WHEEL BASE 1
 52 = WAGON WHEEL BASE 2
 14 = VAN WHEEL BASE 4
 15 = VAN WHEEL BASE 5
 56 = WAGON WHEEL BASE 6
 16 = VAN WHEEL BASE 6
 54 = WAGON WHEEL BASE 4
 55 = WAGON WHEEL BASE 5

ENGINE

EX9 = Engine-2.7L I5 Mercedes Turbo Diesel

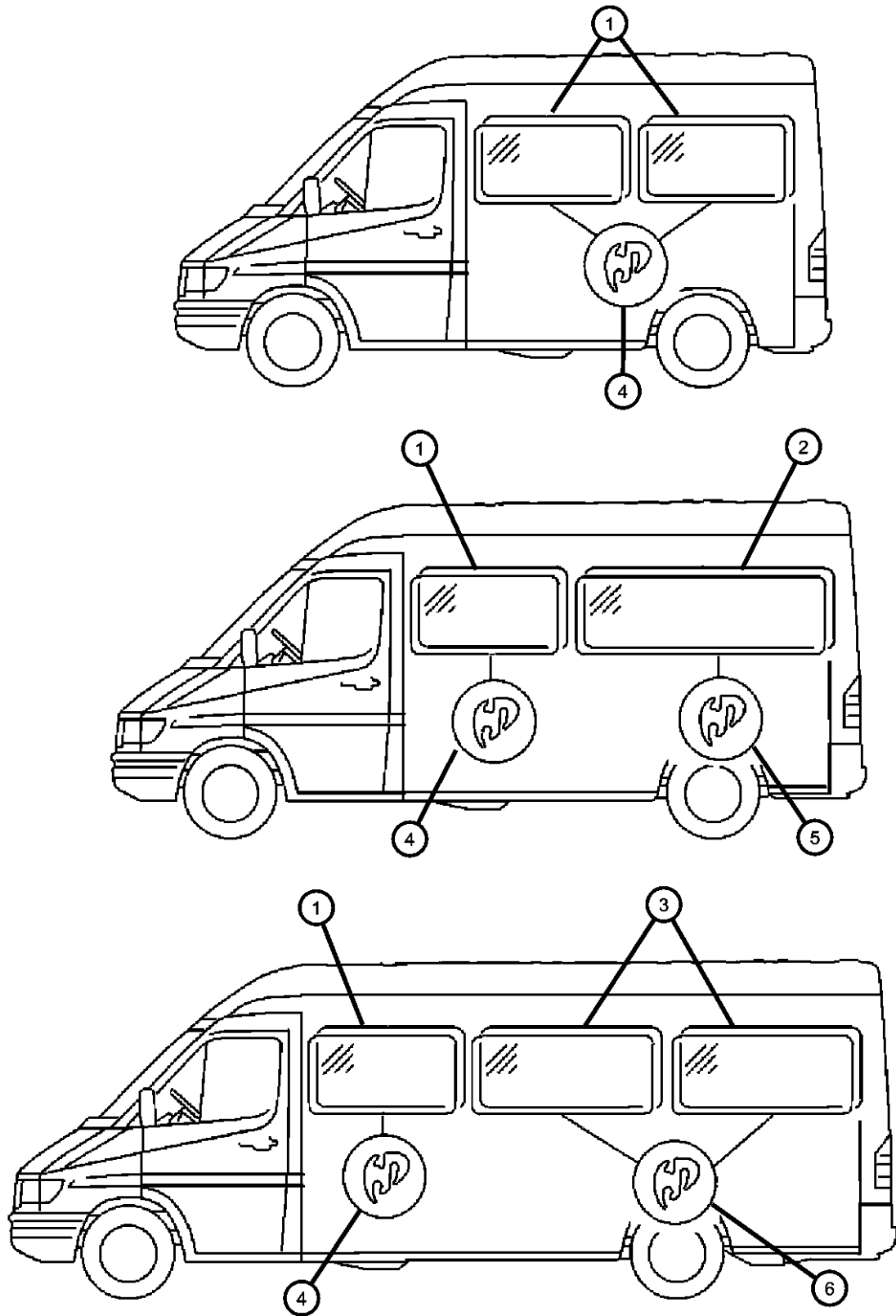
TRANSMISSION

DGJ = Transmission-5-Spd. Automatic, W5A580

AR = use ase required - = Non illustrated part

2002 VA

Side Glass, Fixed
Figure SVA-730



ITEM	PART NUMBER	QTY	LINE	SERIES	BODY	ENGINE	TRANS	TRIM	DESCRIPTION
1	05104245AA	1	2, 6		11, 12, 14, 15, 16				GLASS, Bodyside Window Privacy
		1	3, 7		12, 15, 16				Privacy
		1	2, 6		51, 52, 54, 55, 56				Privacy
2	05122350AA	1	2, 6		51, 52, 54, 55, 56				GLASS, Bodyside Window, Privacy
3	05104247AA	1	2, 6		51, 52, 54, 55, 56				GLASS, Bodyside Window, Privacy
4	05104246AA	1	2, 6		11, 12, 14, 15, 16				SEAL, Window Opening
		1	2, 6		51, 52, 54, 55, 56				
		1	3, 7		12, 15, 16				
5	05104248AA	1	2, 6		51, 52, 54, 55, 56				SEAL, Window Opening
6	05122354AA	1	2, 6		51, 52, 54, 55, 56				SEAL, Window Opening

SPRINTER (VA)

SERIES

L = LOWLINE

LINE

3 = HD DODGE 2WD
6 = Lt. Duty DODGE 4WD
2 = Med. Duty DODGE 2WD
7 = Med. Duty DODGE 4WD

BODY

01 = CHASSIS FORWARD CONTROL W.B.1
02 = CAB CHASSIS WHEEL BASE 2
06 = CAB CHASSIS WHEEL BASE 6
11 = VAN WHEEL BASE 1
12 = VAN WHEEL BASE 2
51 = WAGON WHEEL BASE 1
52 = WAGON WHEEL BASE 2
14 = VAN WHEEL BASE 4
15 = VAN WHEEL BASE 5
56 = WAGON WHEEL BASE 6
16 = VAN WHEEL BASE 6
54 = WAGON WHEEL BASE 4
55 = WAGON WHEEL BASE 5

ENGINE

EX9 = Engine-2.7L I5
Mercedes Turbo Diesel

TRANSMISSION

DGJ = Transmission-5-Spd. Automatic, W5A580

AR = use ase required - = Non illustrated part

2002 VA

Front Aperture, Inner, Left
Figure SVA-810

ITEM	PART NUMBER	QTY	LINE	SERIES	BODY	ENGINE	TRANS	TRIM	DESCRIPTION
1	05121784AA	1	2, 6		11, 12, 14, 15, 16				APERTURE, Body Side Door Without Left Sliding Door
		1	2, 6		51, 52, 54, 55, 56				Without Left Sliding Door
	05121786AA	1	3, 7		12, 15, 16				Without Left Sliding Door
		1	2, 6		11, 12, 14, 15, 16				With Left Sliding Door
		1	2, 6		51, 52, 54, 55, 56				With Left Sliding Door
		1	3, 7		12, 15, 16				With Left Sliding Door
2	05104184AA	1	2, 6		11, 12, 14, 15, 16				PANEL, Body Side Aperture
		1	2, 6		51, 52, 54, 55, 56				
		1	3, 7		12, 15, 16				
3	05121647AA	1	2, 6		11, 12, 14, 15, 16				PANEL, Body Side Aperture Without Left Sliding Door
		1	2, 6		51, 52, 54, 55, 56				Without Left Sliding Door
		1	3, 7		12, 15, 16				Without Left Sliding Door
	05121649AA	1	2, 6		11, 12, 14, 15, 16				With Left Sliding Door
		1	2, 6		51, 52, 54, 55, 56				With Left Sliding Door
		1	3, 7		12, 15, 16				With Left Sliding Door
4	05125412AA	1	2, 6		11, 12, 14, 15, 16				TAPPING PLATE, Side Panel
		1	2, 6		51, 52, 54, 55, 56				
		1	3, 7		12, 15, 16				
5									PILLAR, Front Door Lock

SPRINTER (VA)

SERIES

L = LOWLINE

LINE

3 = HD DODGE 2WD
6 = Lt. Duty DODGE 4WD
2 = Med. Duty DODGE 2WD
7 = Med. Duty DODGE 4WD

BODY

01 = CHASSIS FORWARD CONTROL W.B.1
02 = CAB CHASSIS WHEEL BASE 2
06 = CAB CHASSIS WHEEL BASE 6
11 = VAN WHEEL BASE 1
12 = VAN WHEEL BASE 2
51 = WAGON WHEEL BASE 1
52 = WAGON WHEEL BASE 2
14 = VAN WHEEL BASE 4
15 = VAN WHEEL BASE 5
56 = WAGON WHEEL BASE 6
16 = VAN WHEEL BASE 6
54 = WAGON WHEEL BASE 4
55 = WAGON WHEEL BASE 5

ENGINE

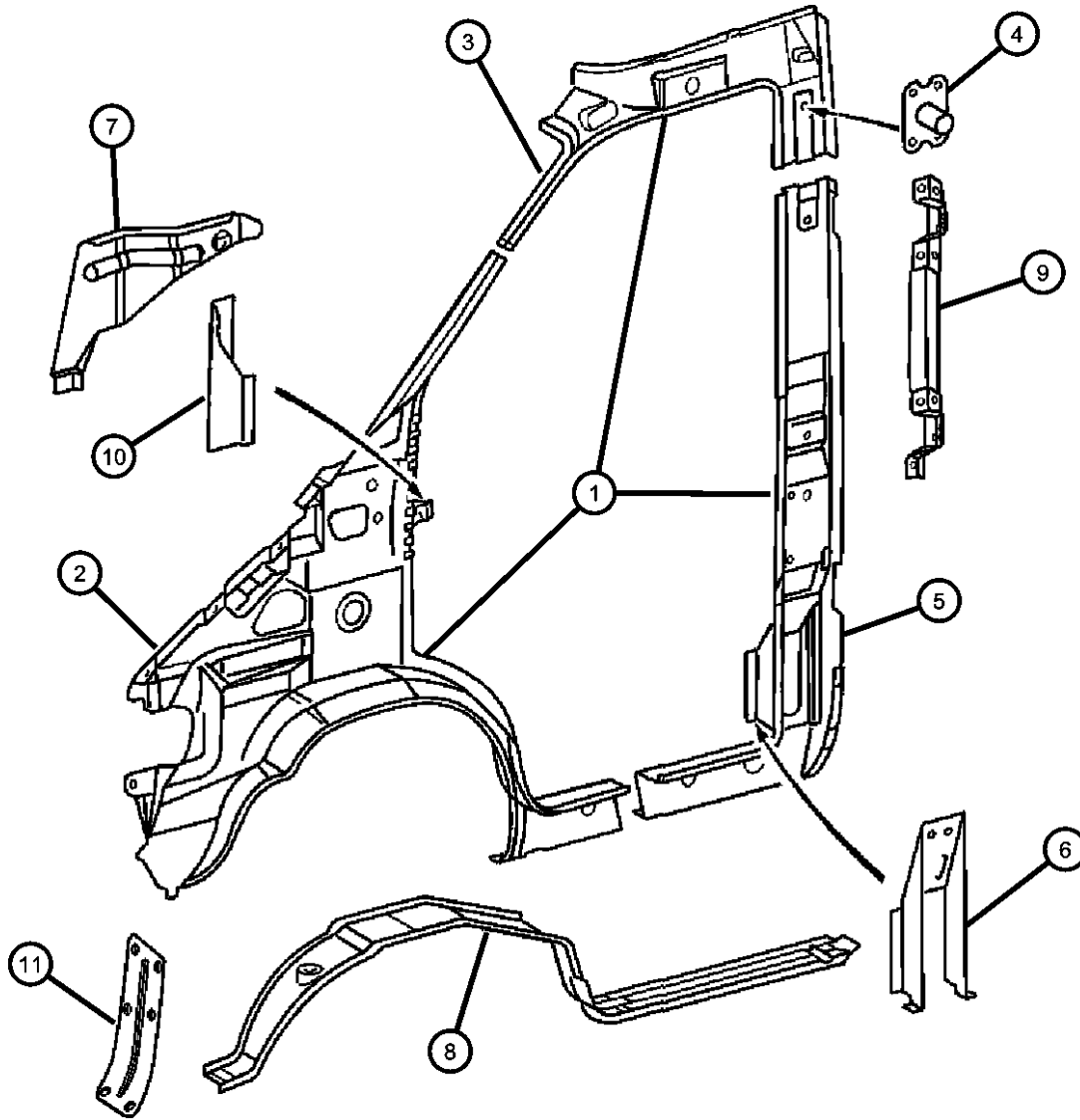
EX9 = Engine-2.7L I5
Mercedes Turbo Diesel

TRANSMISSION

DGJ = Transmission-5-Spd. Automatic, W5A580

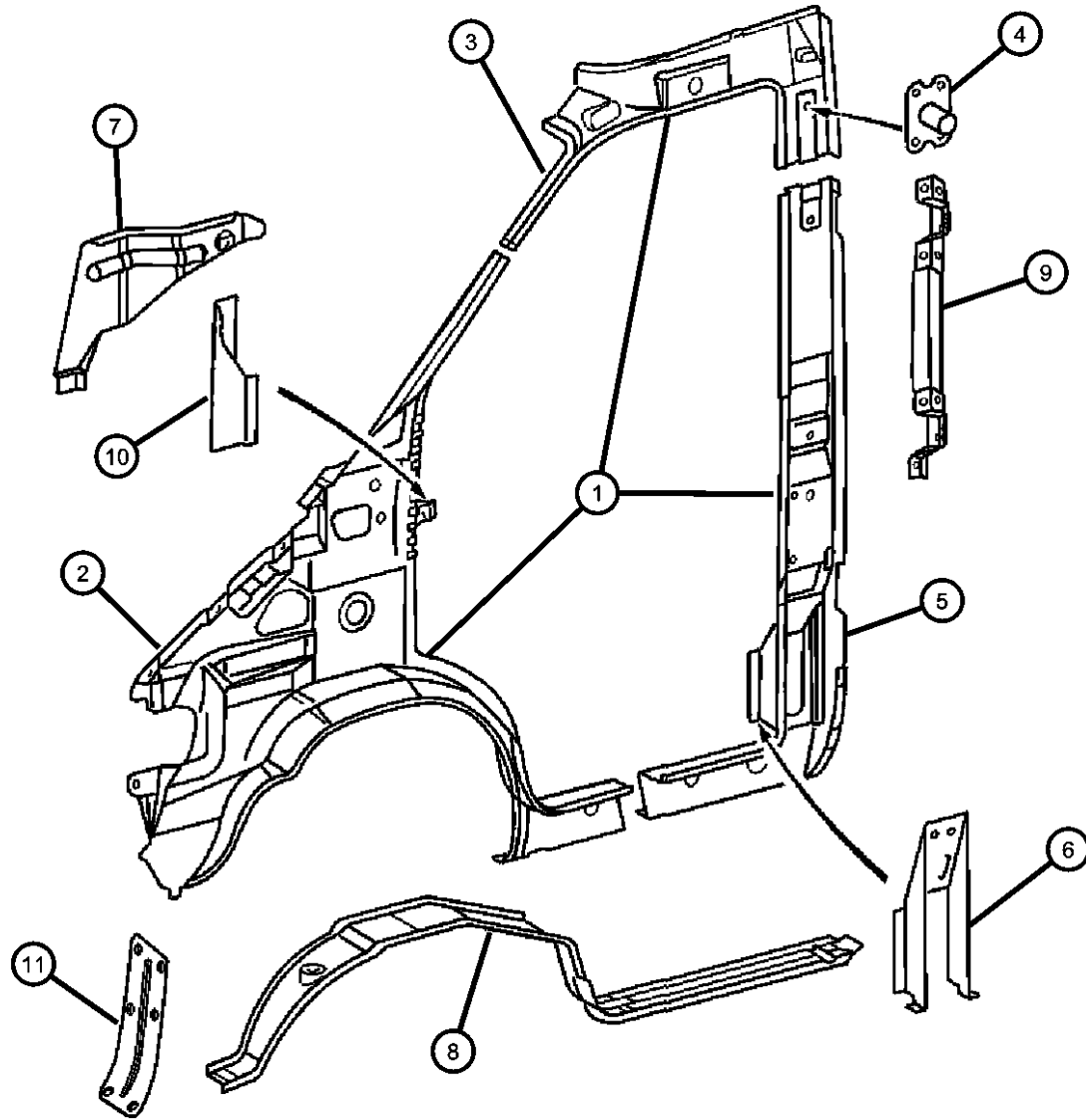
AR = use ase required - = Non illustrated part

2002 VA



Front Aperture, Inner, Left
Figure SVA-810

ITEM	PART NUMBER	QTY	LINE	SERIES	BODY	ENGINE	TRANS	TRIM	DESCRIPTION
	05104186AA	1	3, 7		12, 15, 16				Without Left Sliding Door
	05121668AA	1	3, 7		12, 15, 16				With Left Sliding Door
6	05104189AA	1	2, 6		11, 12, 14, 15, 16				REINFORCEMENT, Center Pillar
		1	2, 6		51, 52, 54, 55, 56				
		1	3, 7		12, 15, 16				
7	05104193AA	1	2, 6		11, 12, 14, 15, 16				BRACKET, Body Side Aperture
		1	2, 6		51, 52, 54, 55, 56				
		1	3, 7		12, 15, 16				
8	05104199AA	1	2, 6		11, 12, 14, 15, 16				WHEELHOUSE, Front Inner
		1	2, 6		51, 52, 54, 55, 56				
		1	3, 7		12, 15, 16				
9	05121721AA	1	2, 6		11, 12, 14, 15, 16				BRACKET, Grab Handle
		1	2, 6		51, 52, 54, 55, 56				
		1	3, 7		12, 15, 16				
10	05133552AA	1	2, 6		11, 12, 14, 15, 16				REINFORCEMENT, Pillar And Cowl
		1	2, 6		51, 52, 54, 55, 56				
		1	3, 7		12, 15, 16				



SPRINTER (VA)

SERIES

L = LOWLINE

LINE

3 = HD DODGE 2WD
6 = Lt. Duty DODGE 4WD
2 = Med. Duty DODGE 2WD
7 = Med. Duty DODGE 4WD

BODY

01 = CHASSIS FORWARD CONTROL W.B.1
02 = CAB CHASSIS WHEEL BASE 2
06 = CAB CHASSIS WHEEL BASE 6
11 = VAN WHEEL BASE 1
12 = VAN WHEEL BASE 2
51 = WAGON WHEEL BASE 1
52 = WAGON WHEEL BASE 2
14 = VAN WHEEL BASE 4
15 = VAN WHEEL BASE 5
56 = WAGON WHEEL BASE 6
16 = VAN WHEEL BASE 6
54 = WAGON WHEEL BASE 4
55 = WAGON WHEEL BASE 5

ENGINE

EX9 = Engine-2.7L I5
Mercedes Turbo Diesel

TRANSMISSION

DGJ = Transmission-5-Spd. Automatic, W5A580

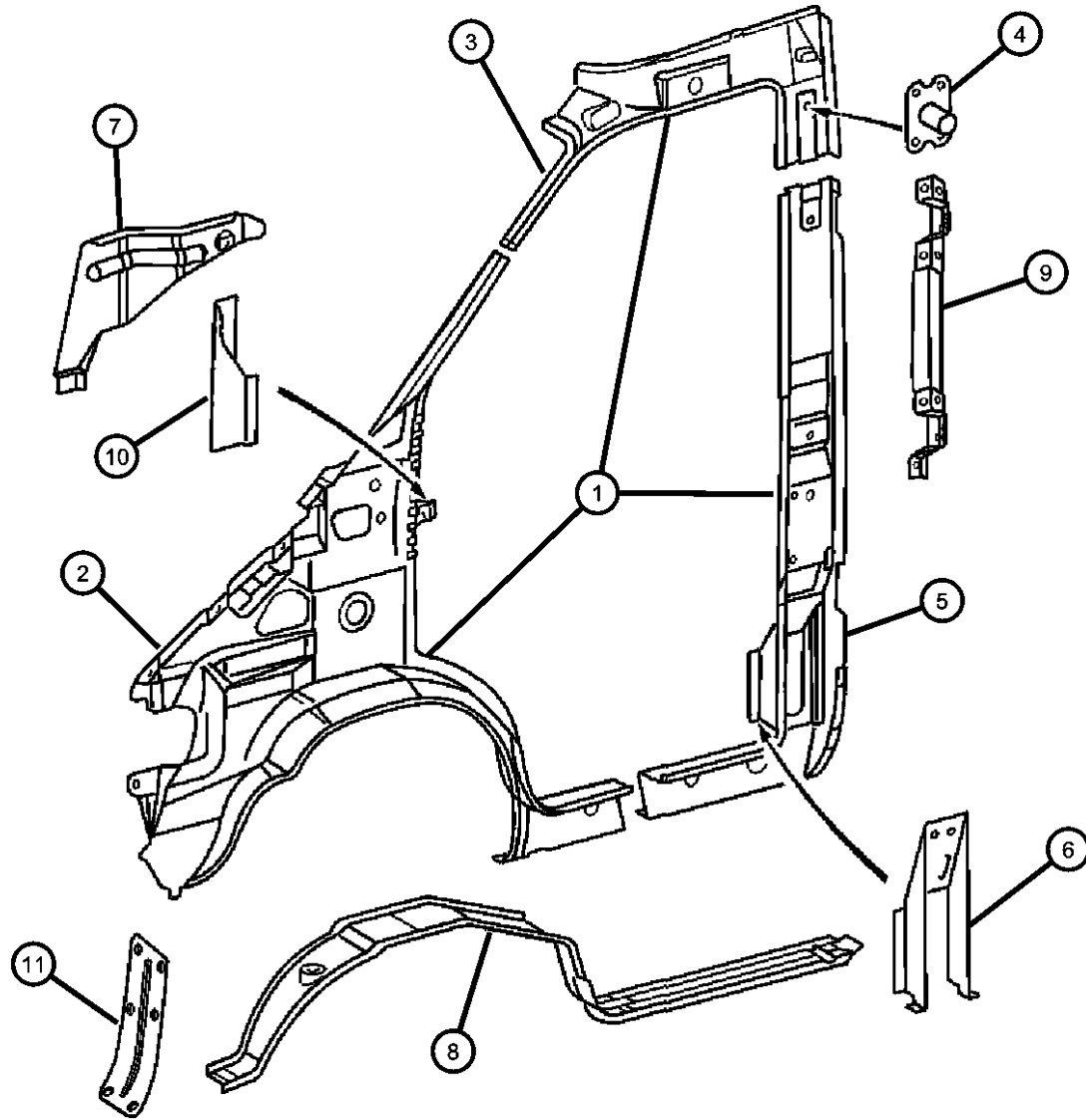
AR = use ase required - = Non illustrated part

2002 VA

Front Aperture, Inner, Left
Figure SVA-810

ITEM	PART NUMBER	QTY	LINE	SERIES	BODY	ENGINE	TRANS	TRIM	DESCRIPTION
------	-------------	-----	------	--------	------	--------	-------	------	-------------

11									PANEL, Access
	05129943AA	1	2, 6		11, 12, 14, 15, 16				
		1	2, 6		51, 52, 54, 55, 56				



SPRINTER (VA)

SERIES

L = LOWLINE

LINE

3 = HD DODGE 2WD
6 = Lt. Duty DODGE 4WD
2 = Med. Duty DODGE 2WD
7 = Med. Duty DODGE 4WD

BODY

01 = CHASSIS FORWARD CONTROL W.B.1
02 = CAB CHASSIS WHEEL BASE 2
06 = CAB CHASSIS WHEEL BASE 6
11 = VAN WHEEL BASE 1
12 = VAN WHEEL BASE 2
51 = WAGON WHEEL BASE 1
52 = WAGON WHEEL BASE 2
14 = VAN WHEEL BASE 4
15 = VAN WHEEL BASE 5
56 = WAGON WHEEL BASE 6
16 = VAN WHEEL BASE 6
54 = WAGON WHEEL BASE 4
55 = WAGON WHEEL BASE 5

ENGINE

EX9 = Engine-2.7L I5
Mercedes Turbo Diesel

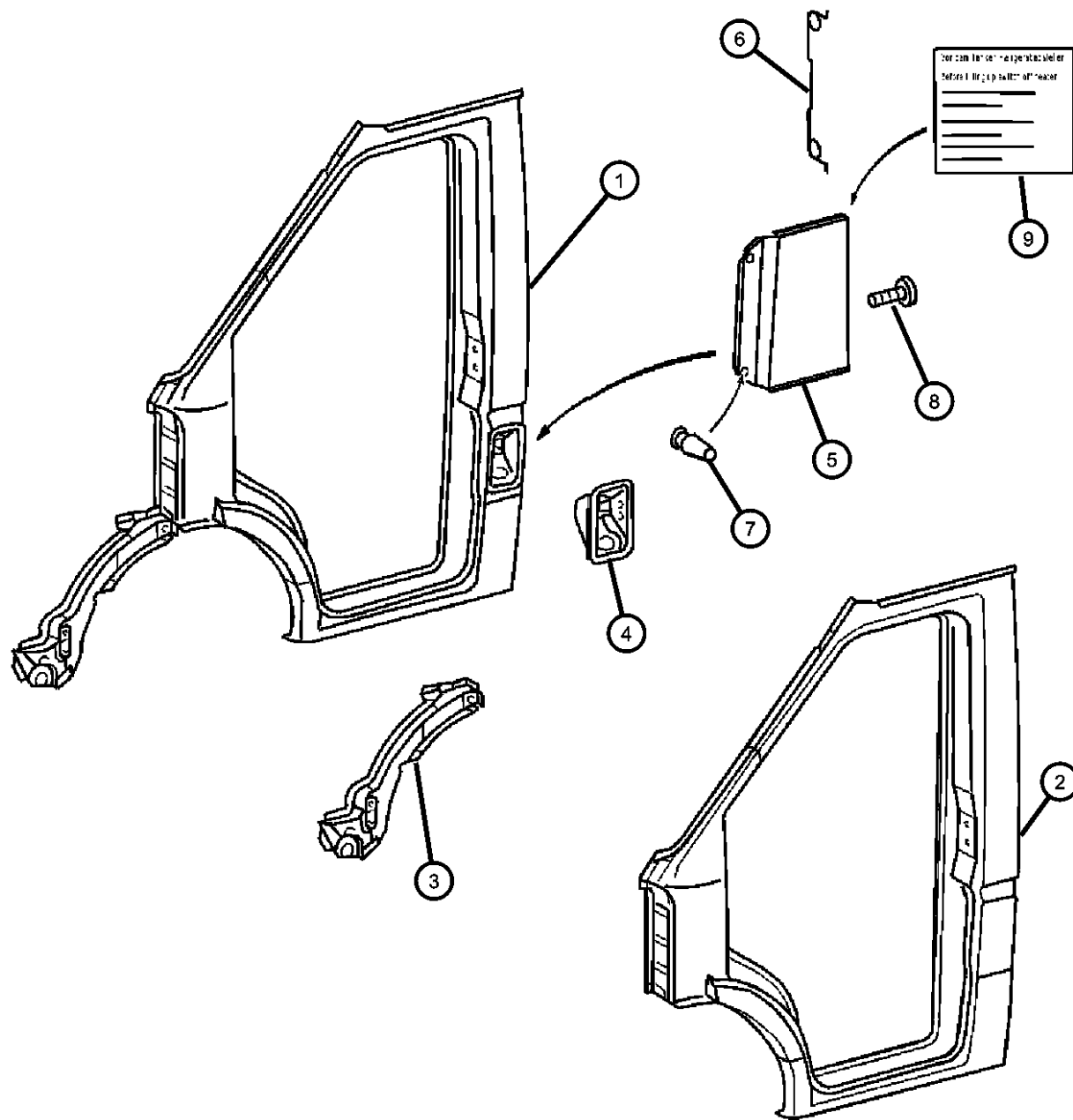
TRANSMISSION

DGJ = Transmission-5-Spd. Automatic, W5A580

AR = use ase required - = Non illustrated part

2002 VA

Front Aperture, Outer, Left
Figure SVA-820



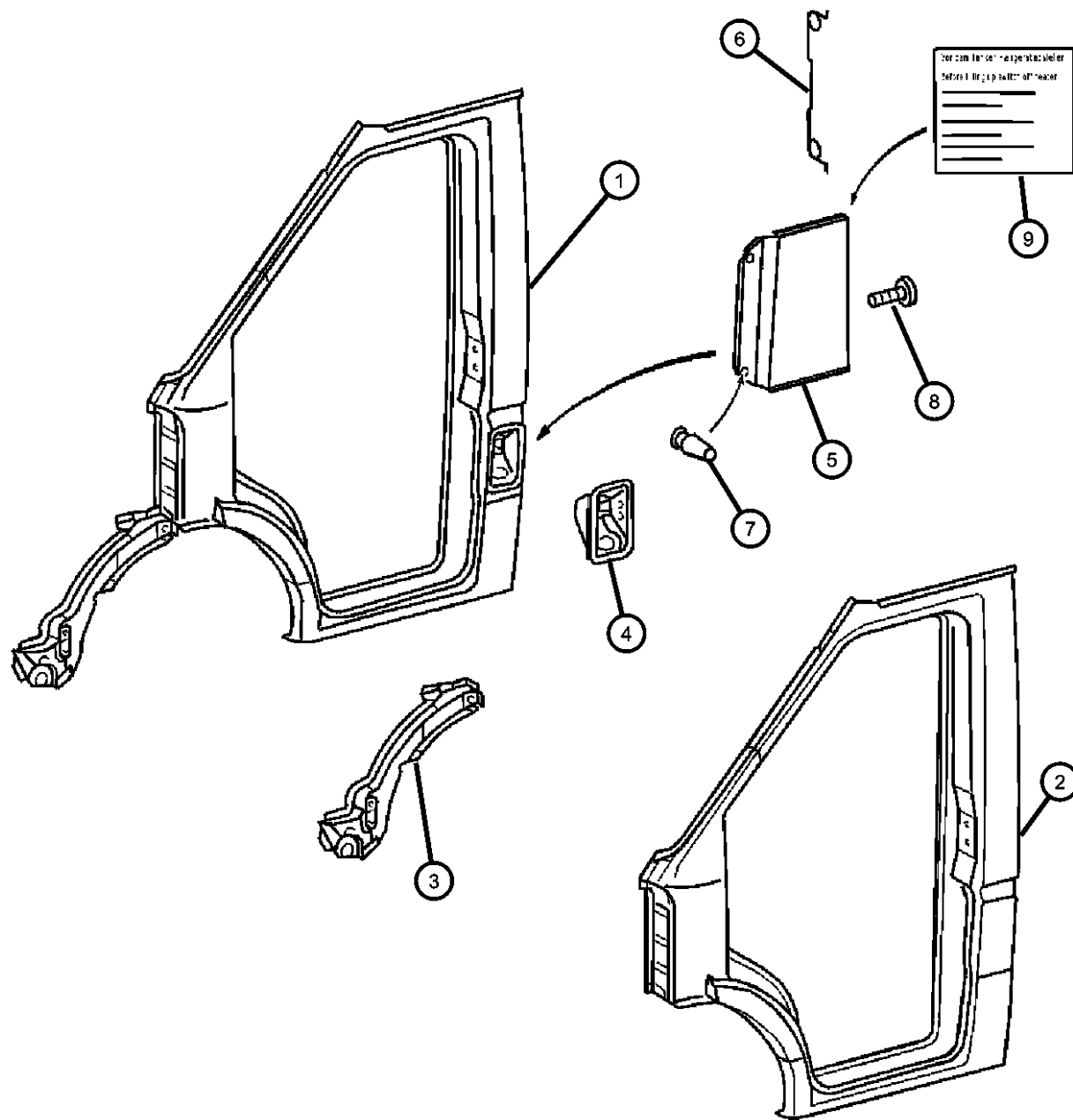
ITEM	PART NUMBER	QTY	LINE	SERIES	BODY	ENGINE	TRANS	TRIM	DESCRIPTION
1									APERTURE, Body Side Door, Complete
	05104182AA	1	2, 6		11, 12, 14, 15, 16				
		1	2, 6		51, 52, 54, 55, 56				
		1	3, 7		12, 15, 16				
2									APERTURE, Body Side Door, Skin Only, With No Full Door Cutout
	05104220AA	1	2, 6		11, 12, 14, 15, 16				
		1	2, 6		51, 52, 54, 55, 56				
		1	3, 7		12, 15, 16				
3	05104192AA	1	3, 7		12, 15, 16				PANEL, Fender Extension
4									HOUSING, Fuel Filler
	05104167AA	1	3, 7		12, 15, 16				
		1	2, 6		11, 12, 14, 15, 16				
		1	2, 6		51, 52, 54, 55, 56				
5									FLAP, TANK FLAP, SPRINTER
	05104399AA	1	2, 6		11, 12, 14, 15, 16				
		1	2, 6		51, 52, 54, 55, 56				
		1	3, 7		12, 15, 16				
6									SPRING, Fuel Filler Door
	05104408AA	1	2, 6		11, 12, 14, 15, 16				
		1	2, 6		51, 52, 54, 55, 56				
		1	3, 7		12, 15, 16				
7									BUMPER, Fuel Door

SPRINTER (VA)

SERIES	LINE	BODY	ENGINE	TRANSMISSION
L = LOWLINE	3 = HD DODGE 2WD 6 = Lt. Duty DODGE 4WD 2 = Med. Duty DODGE 2WD 7 = Med. Duty DODGE 4WD	01 = CHASSIS FORWARD CONTROL W.B.1 02 = CAB CHASSIS WHEEL BASE 2 06 = CAB CHASSIS WHEEL BASE 6 11 = VAN WHEEL BASE 1 12 = VAN WHEEL BASE 2 51 = WAGON WHEEL BASE 1 52 = WAGON WHEEL BASE 2 14 = VAN WHEEL BASE 4 15 = VAN WHEEL BASE 5 56 = WAGON WHEEL BASE 6 16 = VAN WHEEL BASE 6 54 = WAGON WHEEL BASE 4 55 = WAGON WHEEL BASE 5	EX9 = Engine-2.7L I5 Mercedes Turbo Diesel	DGJ = Transmission-5-Spd. Automatic, W5A580

AR = use ase required - = Non illustrated part

Front Aperture, Outer, Left
Figure SVA-820



ITEM	PART NUMBER	QTY	LINE	SERIES	BODY	ENGINE	TRANS	TRIM	DESCRIPTION
	05103917AA	2	2, 6		11, 12, 14, 15, 16				
		2	2, 6		51, 52, 54, 55, 56				
8		1	3, 7		12, 15, 16				SCREW
	05103714AA	2	2, 6		11, 12, 14, 15, 16				
		2	2, 6		51, 52, 54, 55, 56				
9		1	3, 7		12, 15, 16				LABEL, Fuel
	05104152AA	1	2, 6		11, 12, 14, 15, 16				
		1	2, 6		51, 52, 54, 55, 56				
		1	3, 7		12, 15, 16				

SPRINTER (VA)

SERIES

L = LOWLINE

LINE

3 = HD DODGE 2WD
6 = Lt. Duty DODGE 4WD
2 = Med. Duty DODGE 2WD
7 = Med. Duty DODGE 4WD

BODY

01 = CHASSIS FORWARD CONTROL W.B.1
02 = CAB CHASSIS WHEEL BASE 2
06 = CAB CHASSIS WHEEL BASE 6
11 = VAN WHEEL BASE 1
12 = VAN WHEEL BASE 2
51 = WAGON WHEEL BASE 1
52 = WAGON WHEEL BASE 2
14 = VAN WHEEL BASE 4
15 = VAN WHEEL BASE 5
56 = WAGON WHEEL BASE 6
16 = VAN WHEEL BASE 6
54 = WAGON WHEEL BASE 4
55 = WAGON WHEEL BASE 5

ENGINE

EX9 = Engine-2.7L I5
Mercedes Turbo Diesel

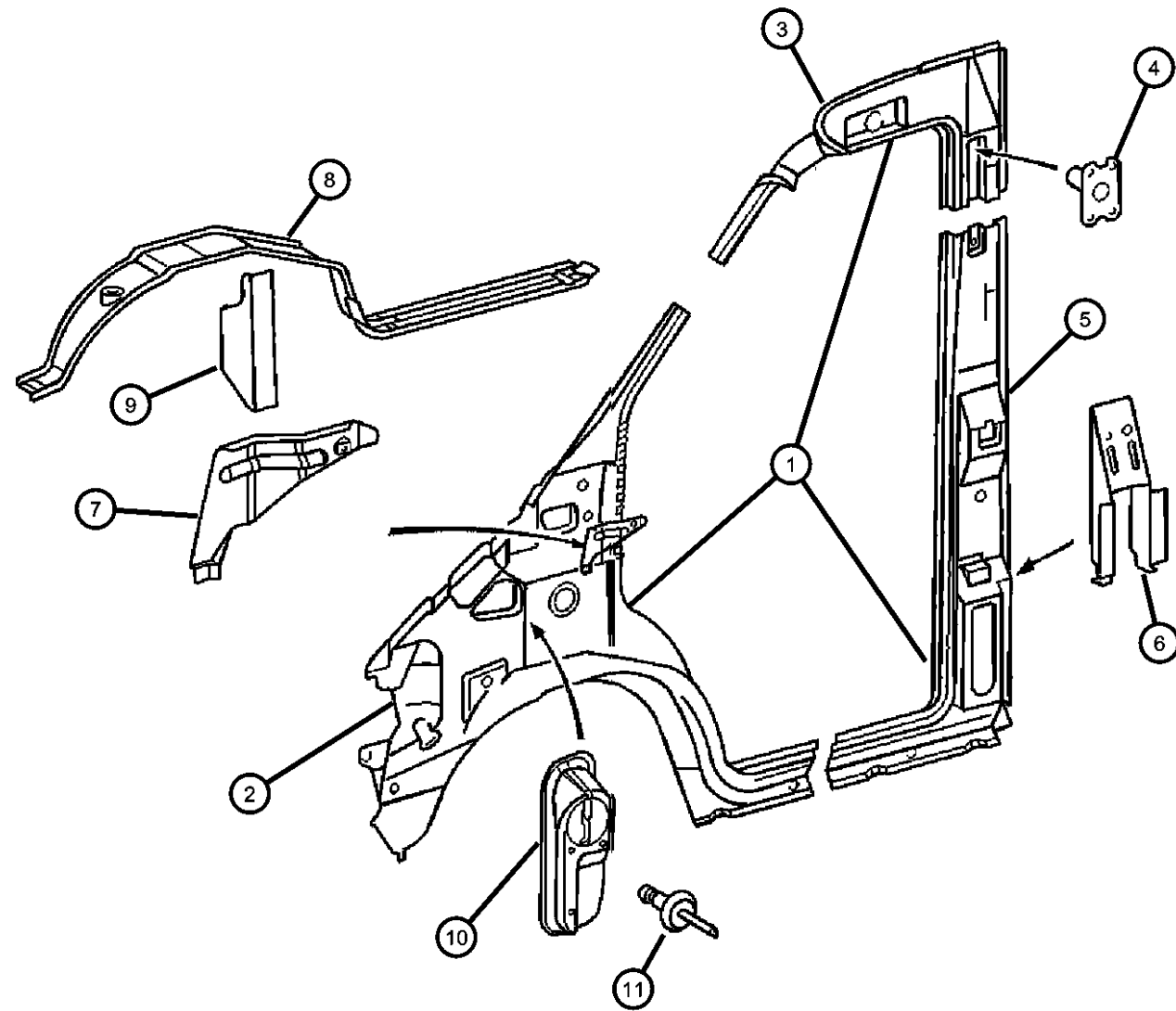
TRANSMISSION

DGJ = Transmission-5-Spd. Automatic, W5A580

AR = use ase required - = Non illustrated part

2002 VA

**Front Aperture, Inner, Right
Figure SVA-830**



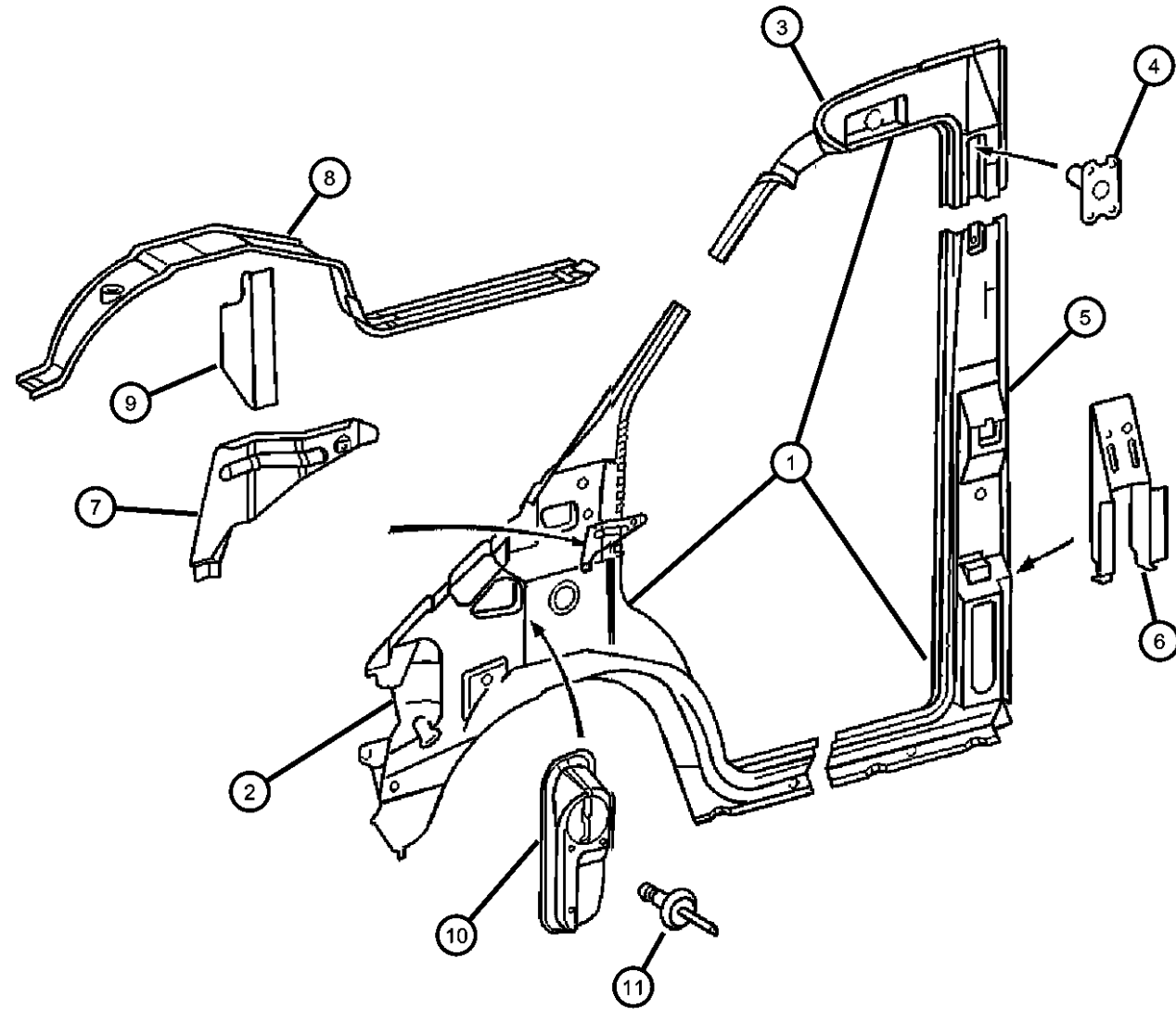
ITEM	PART NUMBER	QTY	LINE	SERIES	BODY	ENGINE	TRANS	TRIM	DESCRIPTION	
1	05104183AA	1	2, 6		11, 12, 14, 15, 16				APERTURE, Body Side Door With Sliding Door	
		1	2, 6		51, 52, 54, 55, 56				With Sliding Door	
	05121659AA	1	3, 7		12, 15, 16				With Sliding Door	
		1	2, 6		11, 12, 14, 15, 16				Without Sliding Door	
	2	05104185AA	1	2, 6		51, 52, 54, 55, 56				Without Sliding Door
			1	3, 7		12, 15, 16				Without Sliding Door
			1	3, 7		12, 15, 16				PANEL, Body Side Aperture
3	05121648AA	1	2, 6		11, 12, 14, 15, 16				PANEL, Body Side Aperture Without Sliding Door	
		1	2, 6		51, 52, 54, 55, 56				Without Sliding Door	
	05121650AA	1	3, 7		12, 15, 16				Without Sliding Door	
		1	2, 6		11, 12, 14, 15, 16				With Sliding Door	
	4	05125412AA	1	2, 6		52, 54, 55, 56, 51				With Sliding Door
			1	3, 7		12, 15, 16				With Sliding Door
5	05125412AA	1	2, 6		11, 12, 14, 15, 16				TAPPING PLATE, Side Panel	
		1	2, 6		51, 52, 54, 55, 56					
		1	3, 7		12, 15, 16					

SPRINTER (VA)

SERIES	LINE	BODY	ENGINE	TRANSMISSION
L = LOWLINE	3 = HD DODGE 2WD 6 = Lt. Duty DODGE 4WD 2 = Med. Duty DODGE 2WD 7 = Med. Duty DODGE 4WD	01 = CHASSIS FORWARD CONTROL W.B.1 02 = CAB CHASSIS WHEEL BASE 2 06 = CAB CHASSIS WHEEL BASE 6 11 = VAN WHEEL BASE 1 12 = VAN WHEEL BASE 2 51 = WAGON WHEEL BASE 1 52 = WAGON WHEEL BASE 2 14 = VAN WHEEL BASE 4 15 = VAN WHEEL BASE 5 56 = WAGON WHEEL BASE 6 16 = VAN WHEEL BASE 6 54 = WAGON WHEEL BASE 4 55 = WAGON WHEEL BASE 5	EX9 = Engine-2.7L I5 Mercedes Turbo Diesel	DGJ = Transmission-5-Spd. Automatic, W5A580

AR = use ase required - = Non illustrated part

**Front Aperture, Inner, Right
Figure SVA-830**



ITEM	PART NUMBER	QTY	LINE	SERIES	BODY	ENGINE	TRANS	TRIM	DESCRIPTION
	05121644AA	1	2, 6		11, 12, 14, 15, 16				Without Sliding Door
		1	3, 7		12, 15, 16				Without Sliding Door
	05121645AA	1	2, 6		11, 12, 14, 15, 16				With Sliding Door
		1	2, 6		51, 52, 54, 55, 56				With Sliding Door
		1	3, 7		12, 15, 16				With Sliding Door
		1	2, 6		51, 52, 54, 55, 56				Without Sliding Door
6	05104189AA	1	2, 6		12, 14, 15, 16, 11				REINFORCEMENT, Center Pillar
		1	2, 6		51, 52, 54, 55, 56				
		1	3, 7		12, 15, 16				
7	05104195AA	1	2, 6		11, 12, 14, 15, 16				BRACKET, Instrument Panel
		1	2, 6		51, 52, 54, 55, 56				
		1	3, 7		12, 15, 16				
8	05104200AA	1	2, 6		11, 12, 14, 15, 16				WHEELHOUSE, Front Inner
		1	2, 6		51, 52, 54, 55, 56				
		1	3, 7		12, 15, 16				
9	05133552AA	1	2, 6		11, 12, 14, 15, 16				REINFORCEMENT, Pillar And Cowl
		1	2, 6		51, 52, 54, 55, 56				
		1	3, 7		12, 15, 16				

SPRINTER (VA)

SERIES

L = LOWLINE
 3 = HD DODGE 2WD
 6 = Lt. Duty DODGE 4WD
 2 = Med. Duty DODGE 2WD
 7 = Med. Duty DODGE 4WD

LINE

BODY

01 = CHASSIS FORWARD CONTROL W.B.1
 02 = CAB CHASSIS WHEEL BASE 2
 06 = CAB CHASSIS WHEEL BASE 6
 11 = VAN WHEEL BASE 1
 12 = VAN WHEEL BASE 2
 51 = WAGON WHEEL BASE 1
 52 = WAGON WHEEL BASE 2
 14 = VAN WHEEL BASE 4
 15 = VAN WHEEL BASE 5
 56 = WAGON WHEEL BASE 6
 16 = VAN WHEEL BASE 6
 54 = WAGON WHEEL BASE 4
 55 = WAGON WHEEL BASE 5

ENGINE

EX9 = Engine-2.7L I5
 Mercedes Turbo Diesel

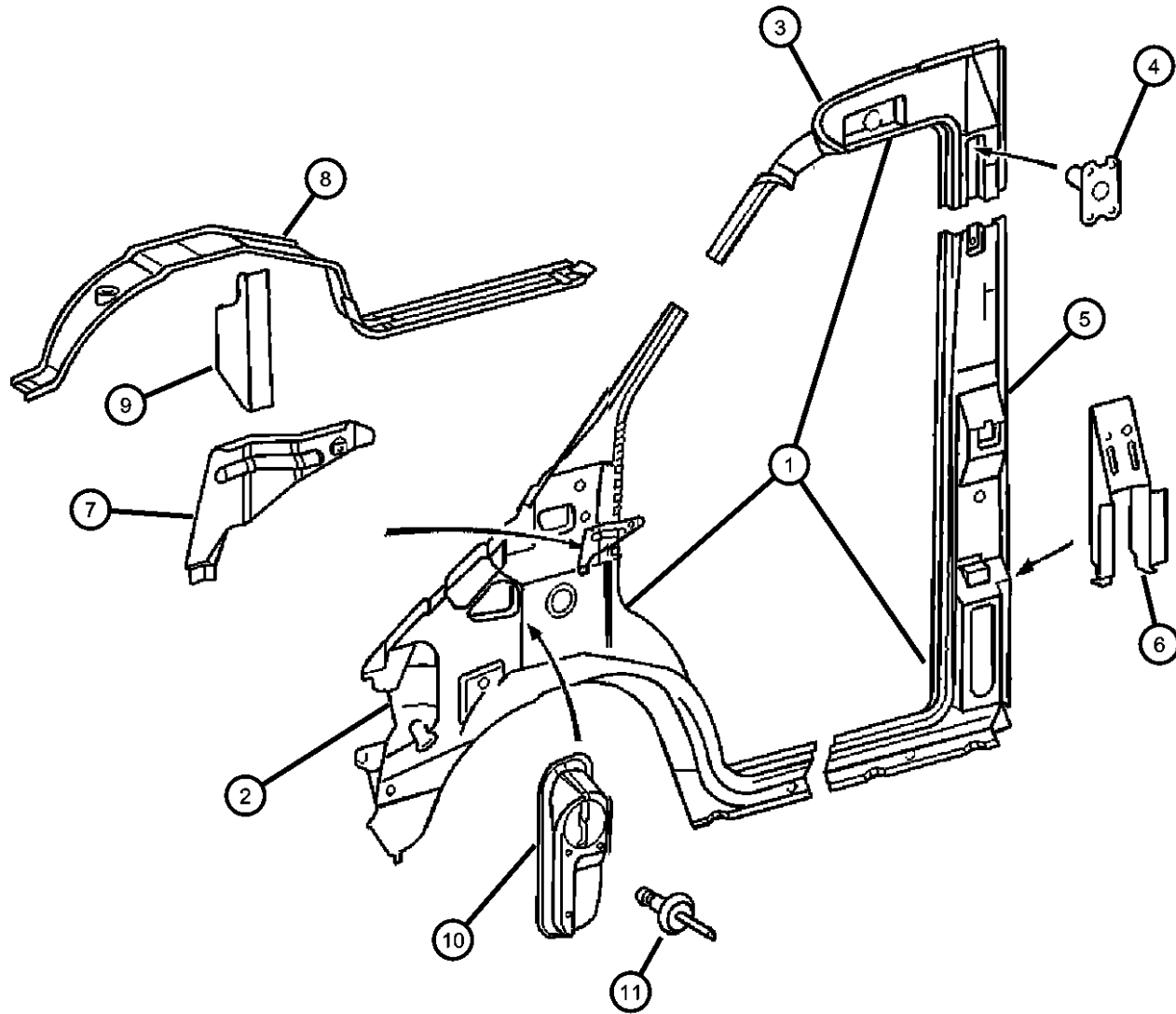
TRANSMISSION

DGJ = Transmission-5-Spd. Automatic, W5A580

AR = use ase required - = Non illustrated part

**Front Aperture, Inner, Right
Figure SVA-830**

ITEM	PART NUMBER	QTY	LINE	SERIES	BODY	ENGINE	TRANS	TRIM	DESCRIPTION
10	05104187AA	1	2, 6		11, 12, 14, 15, 16				BUSHING, Door Aperture
		1	2, 6		51, 52, 54, 55, 56				
		1	3, 7		12, 15, 16				
11	05133554AA	10	2, 6		11, 12, 14, 15, 16				RIVET
		10	2, 6		51, 52, 54, 55, 56				
		10	3, 7		12, 15, 16				



SPRINTER (VA)

SERIES

L = LOWLINE
 3 = HD DODGE 2WD
 6 = Lt. Duty DODGE 4WD
 2 = Med. Duty DODGE 2WD
 7 = Med. Duty DODGE 4WD

LINE

BODY

01 = CHASSIS FORWARD CONTROL W.B.1
 02 = CAB CHASSIS WHEEL BASE 2
 06 = CAB CHASSIS WHEEL BASE 6
 11 = VAN WHEEL BASE 1
 12 = VAN WHEEL BASE 2
 51 = WAGON WHEEL BASE 1
 52 = WAGON WHEEL BASE 2
 14 = VAN WHEEL BASE 4
 15 = VAN WHEEL BASE 5
 56 = WAGON WHEEL BASE 6
 16 = VAN WHEEL BASE 6
 54 = WAGON WHEEL BASE 4
 55 = WAGON WHEEL BASE 5

ENGINE

EX9 = Engine-2.7L I5
 Mercedes Turbo Diesel

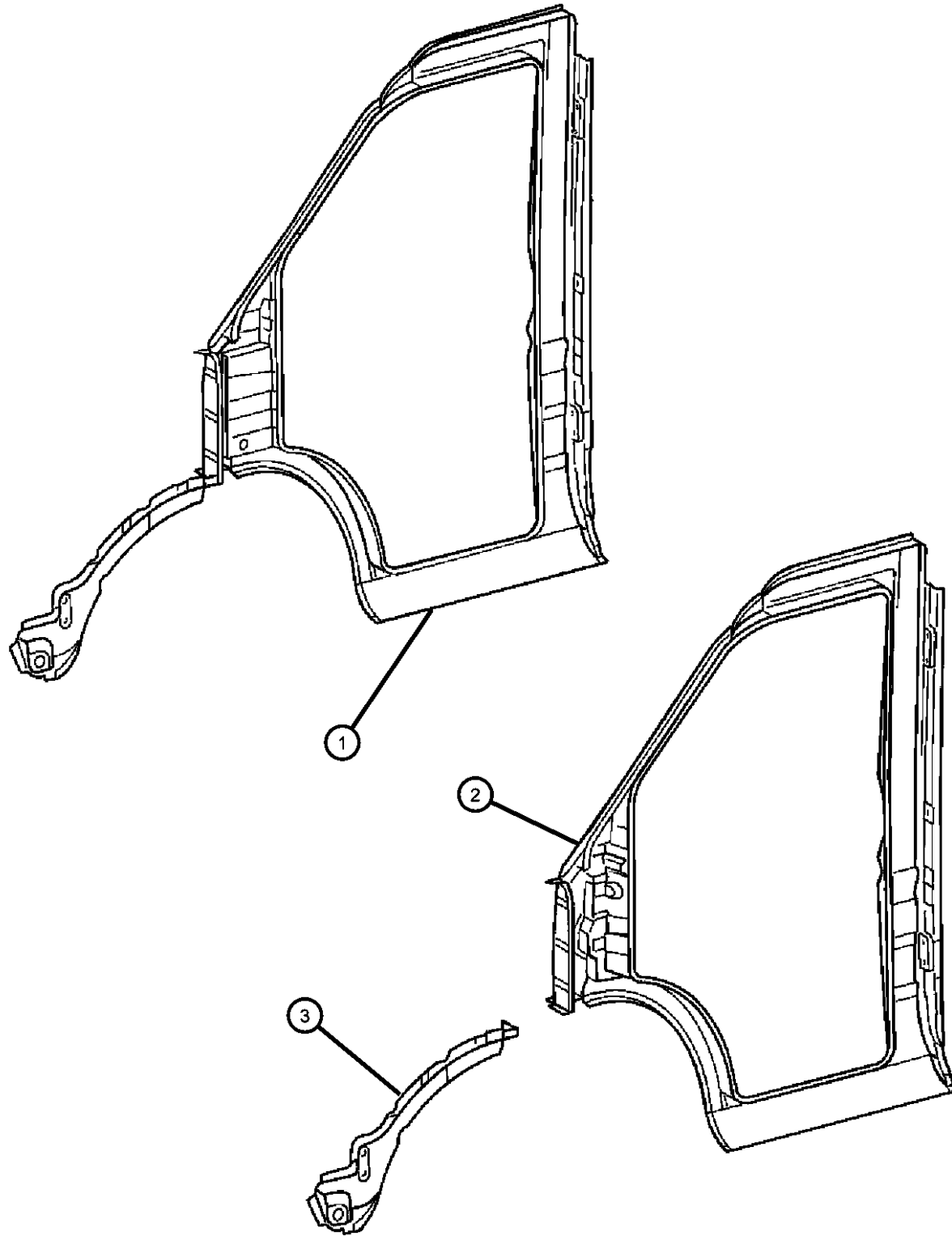
TRANSMISSION

DGJ = Transmission-5-Spd. Automatic, W5A580

AR = use ase required - = Non illustrated part

2002 VA

Front Aperture, Outer, Right
Figure SVA-840



ITEM	PART NUMBER	QTY	LINE	SERIES	BODY	ENGINE	TRANS	TRIM	DESCRIPTION
1	05121683AA	1	2, 6		11, 12, 14, 15, 16				APERTURE, Body Side Door
		1	2, 6		51, 52, 54, 55, 56				
		1	3, 7		12, 15, 16				
2	05104221AA	1	2, 6		11, 12, 14, 15, 16				APERTURE, Body Side Door
		1	2, 6		51, 52, 54, 55, 56				
		1	3, 7		12, 15, 16				
3	05104190AA	1	3, 7		12, 15, 16				PANEL, Fender Extentsion

SPRINTER (VA)

SERIES
L = LOWLINE

LINE

3 = HD DODGE 2WD
6 = Lt. Duty DODGE 4WD
2 = Med. Duty DODGE 2WD
7 = Med. Duty DODGE 4WD

BODY

01 = CHASSIS FORWARD CONTROL W.B.1
02 = CAB CHASSIS WHEEL BASE 2
06 = CAB CHASSIS WHEEL BASE 6
11 = VAN WHEEL BASE 1
12 = VAN WHEEL BASE 2
51 = WAGON WHEEL BASE 1
52 = WAGON WHEEL BASE 2
14 = VAN WHEEL BASE 4
15 = VAN WHEEL BASE 5
56 = WAGON WHEEL BASE 6
16 = VAN WHEEL BASE 6
54 = WAGON WHEEL BASE 4
55 = WAGON WHEEL BASE 5

ENGINE

EX9 = Engine-2.7L I5
Mercedes Turbo Diesel

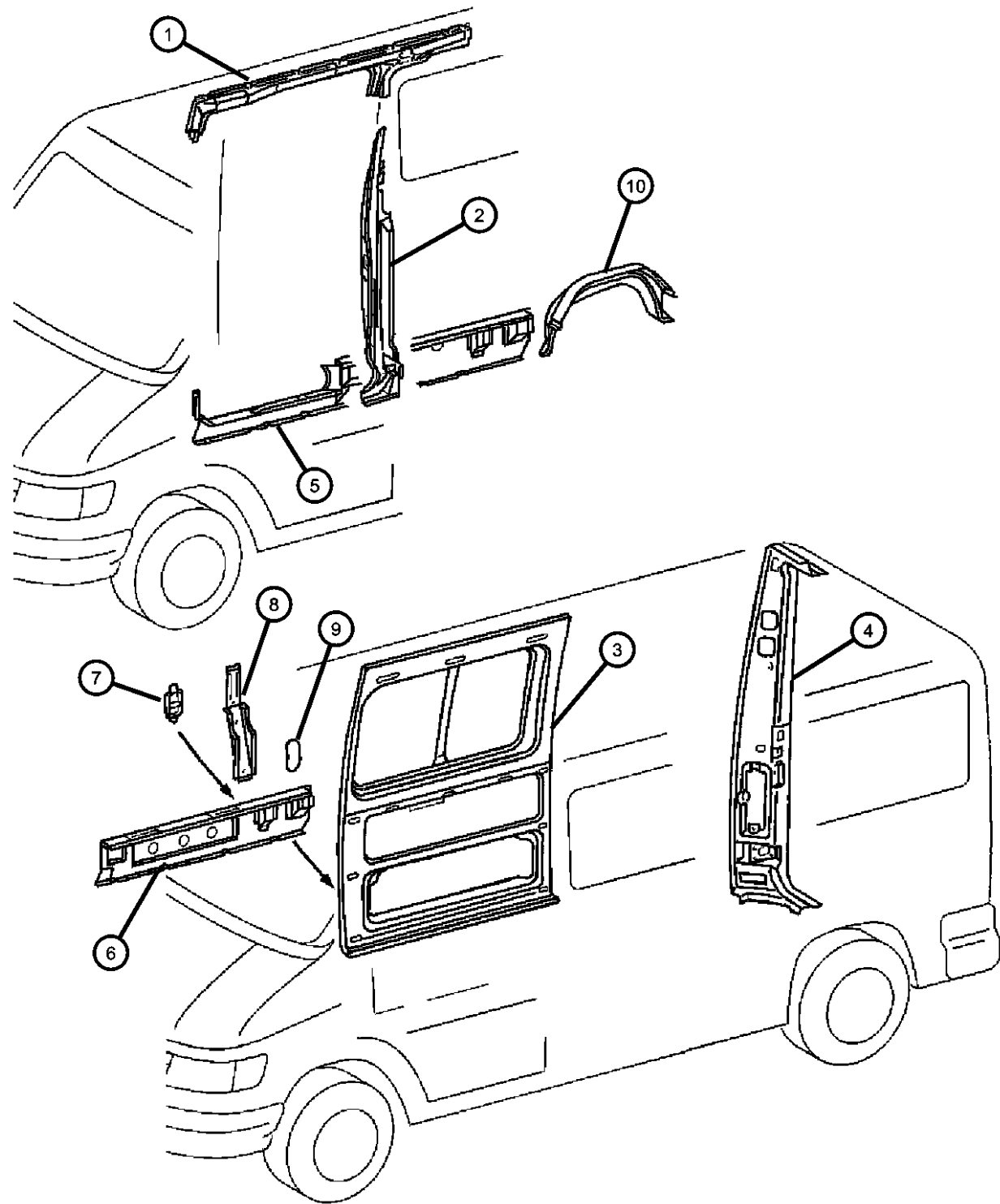
TRANSMISSION

DGJ = Transmission-5-Spd. Automatic, W5A580

AR = use ase required - = Non illustrated part

2002 VA

**Right Side Cargo Door Pillars & Wheelhouse
Figure SVA-910**



ITEM	PART NUMBER	QTY	LINE	SERIES	BODY	ENGINE	TRANS	TRIM	DESCRIPTION
1									REINFORCEMENT, Body Side Aperture
	05104204AA	1	2, 6		11, 12, 14, 15, 16				
		1	2, 6		52, 54, 55, 56, 51				
		1	3, 7		12, 15, 16				
2									PILLAR, Side Cargo Door
	05104166AA	1	2, 6		11, 12, 14, 15, 16				[140 & 158] Inch Wheelbase
		1	2, 6		51, 52, 54, 55, 56				[140 & 158] Inch Wheelbase
	05121699AA	1	2, 6		11, 12, 14, 15, 16				[118] Inch Wheelbase
		1	3, 7		12, 15, 16				[140 & 158] Inch Wheelbase
		1	3, 7		12, 15, 16				[118] Inch Wheelbase
		1	2, 6		51, 52, 54, 55, 56				[118] Inch Wheelbase
3									PANEL, Body Side Front
	05104197AA	1	2, 6		11, 12, 14, 15, 16				
		1	2, 6		51, 52, 54, 55, 56				
		1	3, 7		12, 15, 16				
4									PILLAR, Rear Cargo Door Hinge
	05121908AA	1	2, 6		11, 12, 14, 15, 16				Low Roof
		1	2, 6		51, 52, 54, 55, 56				Low Roof
	05104178AA	1	2, 6		11, 12, 14, 15, 16				High Roof
		1	2, 6		51, 52, 54, 55, 56				High Roof
		1	3, 7		12, 15, 16				High Roof
		1	3, 7		15, 16, 12				Low Roof

SPRINTER (VA)

SERIES

L = LOWLINE
 3 = HD DODGE 2WD
 6 = Lt. Duty DODGE 4WD
 2 = Med. Duty DODGE 2WD
 7 = Med. Duty DODGE 4WD

LINE

3 = HD DODGE 2WD
 6 = Lt. Duty DODGE 4WD
 2 = Med. Duty DODGE 2WD
 7 = Med. Duty DODGE 4WD

BODY

01 = CHASSIS FORWARD CONTROL W.B.1
 02 = CAB CHASSIS WHEEL BASE 2
 06 = CAB CHASSIS WHEEL BASE 6
 11 = VAN WHEEL BASE 1
 12 = VAN WHEEL BASE 2
 51 = WAGON WHEEL BASE 1
 52 = WAGON WHEEL BASE 2
 14 = VAN WHEEL BASE 4
 15 = VAN WHEEL BASE 5
 56 = WAGON WHEEL BASE 6
 16 = VAN WHEEL BASE 6
 54 = WAGON WHEEL BASE 4
 55 = WAGON WHEEL BASE 5

ENGINE

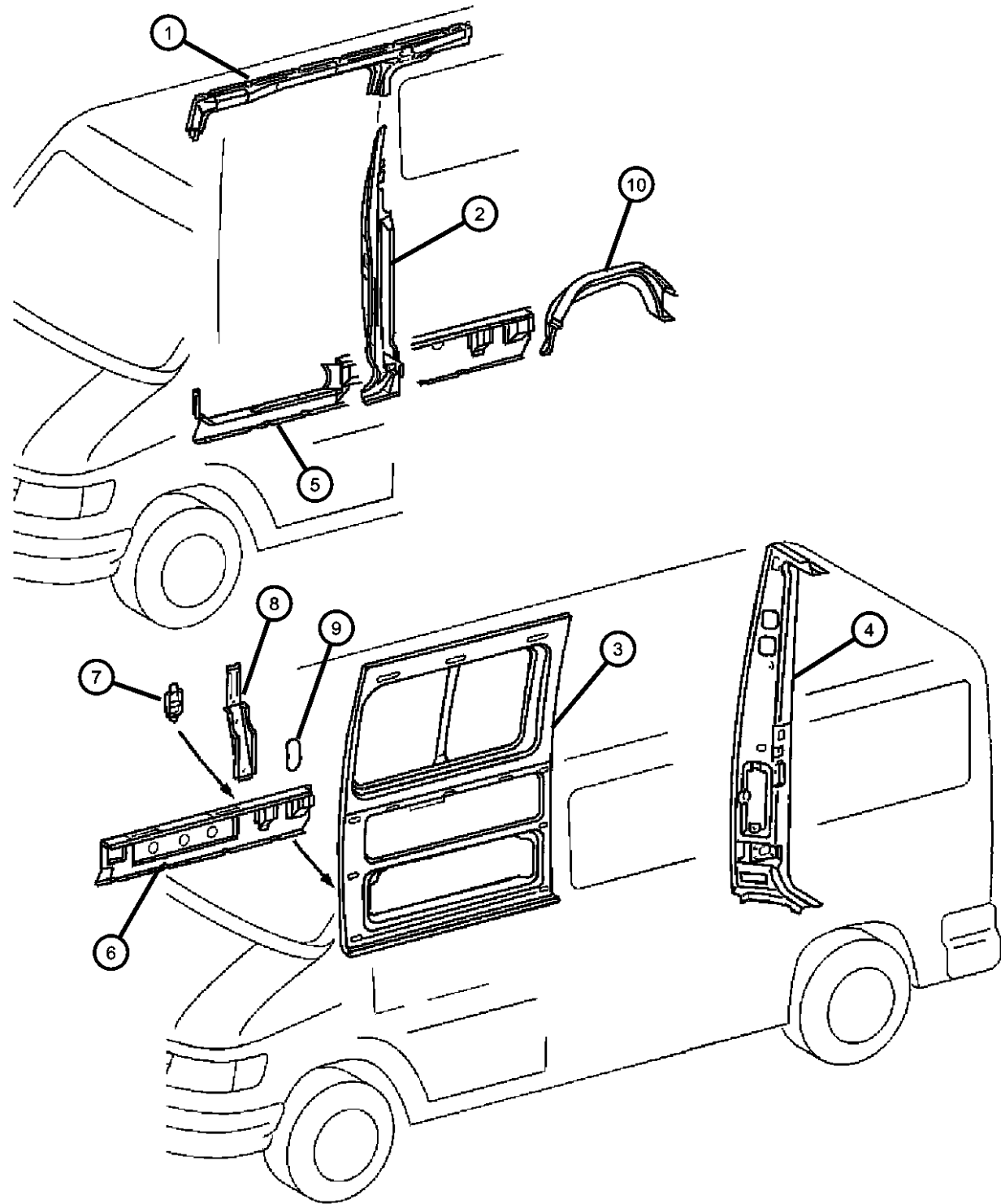
EX9 = Engine-2.7L I5
 Mercedes Turbo Diesel

TRANSMISSION

DGJ = Transmission-5-Spd. Automatic, W5A580

AR = use ase required - = Non illustrated part

**Right Side Cargo Door Pillars & Wheelhouse
Figure SVA-910**



ITEM	PART NUMBER	QTY	LINE	SERIES	BODY	ENGINE	TRANS	TRIM	DESCRIPTION
5	05104171AA	1	2, 6		11, 12, 14, 15, 16				SUPPORT, Sill Reinforcement [118] Inch Wheelbase
		1	2, 6		51, 52, 54, 55, 56				[118] Inch Wheelbase
	05121747AA	1	2, 6		11, 12, 14, 15, 16				[158] Inch Wheelbase, Without Right Sliding Door
		1	2, 6		51, 52, 54, 55, 56				[158] Inch Wheelbase, Without Right Sliding Door
	05121752AA	1	3, 7		12, 15, 16				[158] Inch Wheelbase, Without Right Sliding Door
		1	2, 6		11, 12, 14, 15, 16				[140] Inch Wheelbase
	05121755AA	1	2, 6		51, 52, 54, 55, 56				[140] Inch Wheelbase
		1	2, 6		11, 12, 14, 15, 16				[158] Inch Wheelbase, With Right Sliding Door
	05121776AA	1	3, 7		51, 52, 54, 55, 56				[158] Inch Wheelbase, With Right Sliding Door
	05121780AA	1	3, 7		12, 15, 16				[140] Inch Wheelbase
6	05121743AA	1	3, 7		12, 15, 16				[158] Inch Wheelbase, With Right Sliding Door
		1	2, 6		11, 12, 14, 15, 16				SUPPORT, Sill Reinforcement [140] Inch Wheelbase, With Right Sliding Door
		1	2, 6		51, 52, 54, 55, 56				[140] Inch Wheelbase, With Right Sliding Door
	05121766AA	1	3, 7		12, 15, 16				[140] Inch Wheelbase, Without Right Sliding Door
	05121771AA	1	3, 7		12, 15, 16				[158] Inch Wheelbase, Without Right Sliding Door
	05131075AA	1	2, 6		11, 12, 14, 15, 16				[118] Inch Wheelbase, Without Right Sliding Door
		1	2, 6		51, 52, 54, 55, 56				[118] Inch Wheelbase, Without Right Sliding Door

SPRINTER (VA)

SERIES

L = LOWLINE
 3 = HD DODGE 2WD
 6 = Lt. Duty DODGE 4WD
 2 = Med. Duty DODGE 2WD
 7 = Med. Duty DODGE 4WD

LINE

BODY

01 = CHASSIS FORWARD
 CONTROL W.B.1
 02 = CAB CHASSIS WHEEL
 BASE 2
 06 = CAB CHASSIS WHEEL
 BASE 6
 11 = VAN WHEEL BASE 1
 12 = VAN WHEEL BASE 2
 51 = WAGON WHEEL BASE 1
 52 = WAGON WHEEL BASE 2
 14 = VAN WHEEL BASE 4
 15 = VAN WHEEL BASE 5
 56 = WAGON WHEEL BASE 6
 16 = VAN WHEEL BASE 6
 54 = WAGON WHEEL BASE 4
 55 = WAGON WHEEL BASE 5

ENGINE

EX9 = Engine-2.7L I5
 Mercedes Turbo Diesel

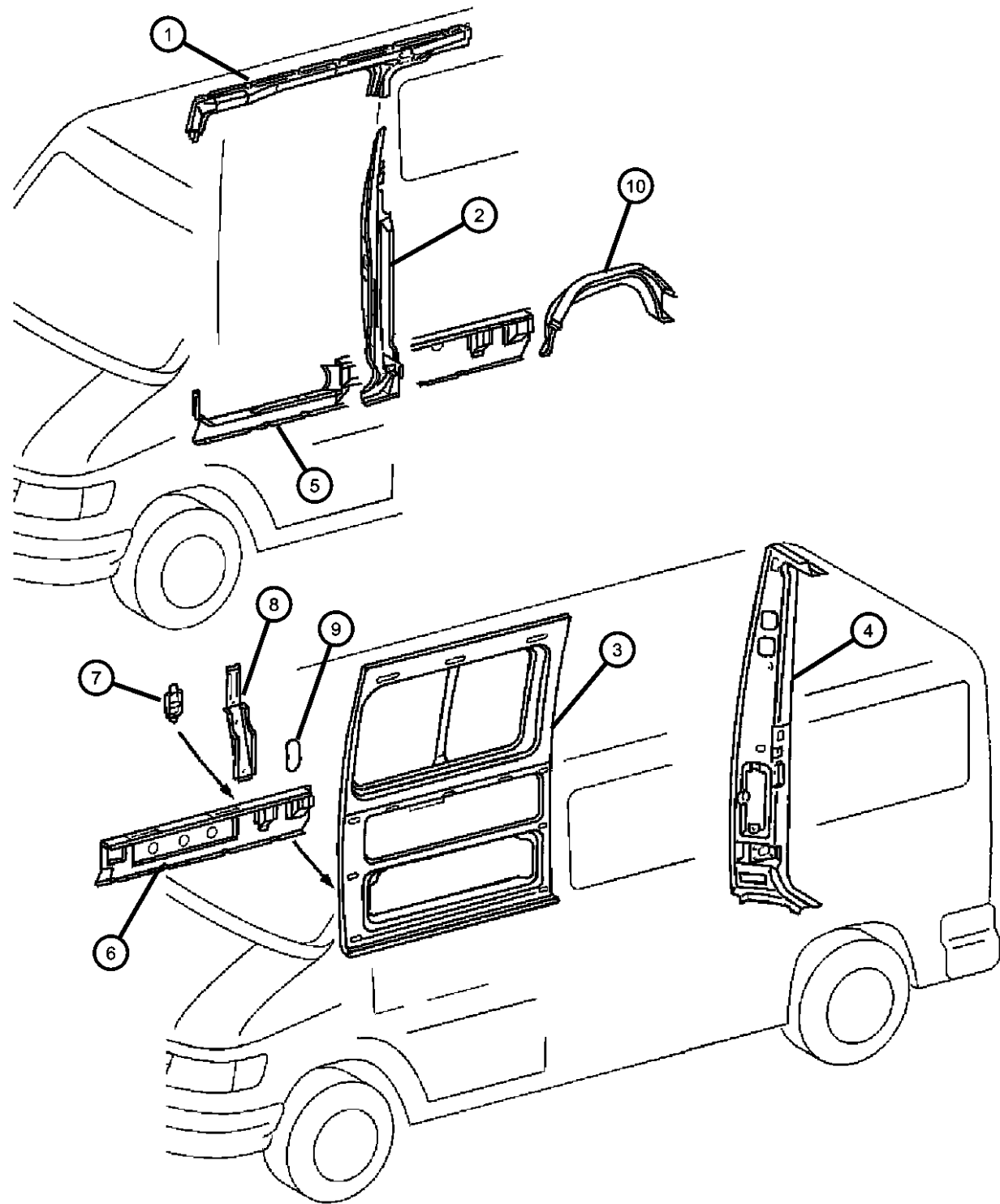
TRANSMISSION

DGJ = Transmission-5-Spd.
 Automatic, W5A580

AR = use ase required - = Non illustrated part

2002 VA

**Right Side Cargo Door Pillars & Wheelhouse
Figure SVA-910**



ITEM	PART NUMBER	QTY	LINE	SERIES	BODY	ENGINE	TRANS	TRIM	DESCRIPTION
	05131079AA	1	2, 6		14, 15, 16, 11, 12				[140] Inch Wheelbase, Without Right Sliding Door
		1	2, 6		51, 52, 54, 55, 56				[140] Inch Wheelbase, Without Right Sliding Door
	05131083AA	1	2, 6		11, 12, 14, 15, 16				[158] Inch Wheelbase, Without Right Sliding Door
		1	2, 6		51, 52, 54, 55, 56				[158] Inch Wheelbase, Without Right Sliding Door
7									PLUG, Body
	05125519AA	1	3, 7		12, 15, 16				
		2	2, 6		51, 52, 54, 55, 56				
		2	2, 6		11, 12, 14, 15, 16				
8									REINFORCEMENT, Side Panel
	05104198AA	1	2, 6		51, 52, 54, 55, 56				
		1	3, 7		12, 15, 16				
		1	2, 6		11, 12, 14, 15, 16				
9									COVER, Sill
	05121838AA	1	2, 6		11, 12, 14, 15, 16				
		1	3, 7		12, 15, 16				
		1	2, 6		56, 51, 52, 54, 55				
10									WHEELHOUSE
	05121862AA	1	2, 6		11, 12, 14, 15, 16				
		1	2, 6		51, 52, 54, 55, 56				
	05121865AA	1	3, 7		12, 15, 16				With [WDG], 16x6 Steel Wheels

SPRINTER (VA)

SERIES

L = LOWLINE
 3 = HD DODGE 2WD
 6 = Lt. Duty DODGE 4WD
 2 = Med. Duty DODGE 2WD
 7 = Med. Duty DODGE 4WD

LINE

3 = HD DODGE 2WD
 6 = Lt. Duty DODGE 4WD
 2 = Med. Duty DODGE 2WD
 7 = Med. Duty DODGE 4WD

BODY

01 = CHASSIS FORWARD CONTROL W.B.1
 02 = CAB CHASSIS WHEEL BASE 2
 06 = CAB CHASSIS WHEEL BASE 6
 11 = VAN WHEEL BASE 1
 12 = VAN WHEEL BASE 2
 51 = WAGON WHEEL BASE 1
 52 = WAGON WHEEL BASE 2
 14 = VAN WHEEL BASE 4
 15 = VAN WHEEL BASE 5
 56 = WAGON WHEEL BASE 6
 16 = VAN WHEEL BASE 6
 54 = WAGON WHEEL BASE 4
 55 = WAGON WHEEL BASE 5

ENGINE

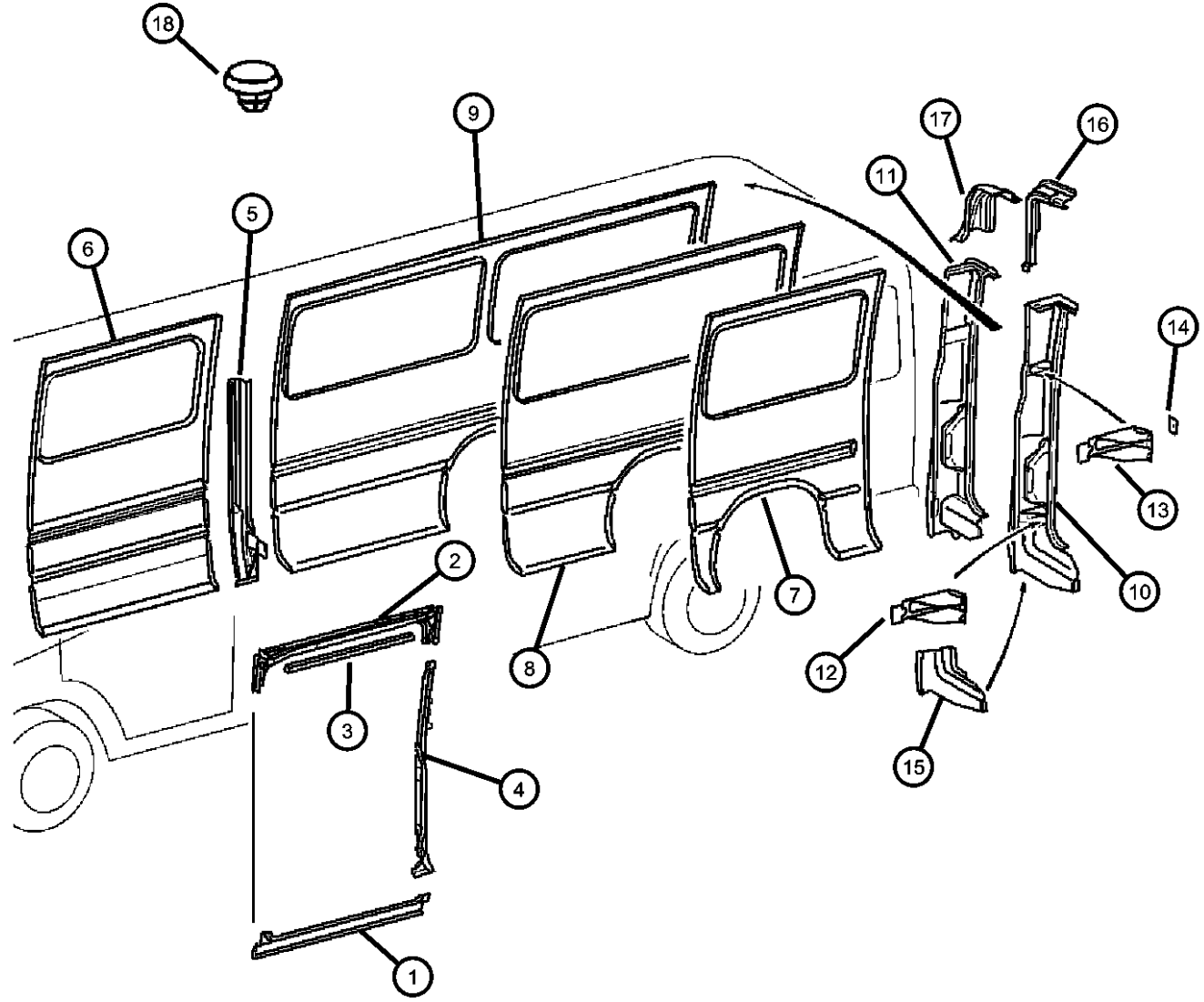
EX9 = Engine-2.7L I5
 Mercedes Turbo Diesel

TRANSMISSION

DGJ = Transmission-5-Spd. Automatic, W5A580

AR = use ase required - = Non illustrated part

**Right Side Panels, Cargo
Figure SVA-920**



ITEM	PART NUMBER	QTY	LINE	SERIES	BODY	ENGINE	TRANS	TRIM	DESCRIPTION
1	05104214AA	1	2, 6		11, 12, 14, 15, 16				PANEL, Sill
		1	2, 6		51, 52, 54, 55, 56				
		1	3, 7		12, 15, 16				
2	05104179AA	1	2, 6		11, 12, 14, 15, 16				PANEL, Cargo Compartment, Upper
		1	2, 6		56, 51, 52, 54, 55				
		1	3, 7		12, 15, 16				
3	05122036AA	1	2, 6		51, 52, 54, 55, 56				TRACK, Sliding Door
		1	3, 7		12, 15, 16				
		1	2, 6		11, 12, 14, 15, 16				
4	05104166AA	1	2, 6		11, 12, 14, 15, 16				PILLAR, Side Cargo Door [140 & 158] Inch Wheelbase
		1	2, 6		51, 52, 54, 55, 56				[140 & 158] Inch Wheelbase
	05121699AA	1	3, 7		12, 15, 16				[118] Inch Wheelbase
		1	2, 6		51, 52, 54, 55, 56				[118] Inch Wheelbase
		1	3, 7		12, 15, 16				[140 & 158] Inch Wheelbase
		1	2, 6		11, 12, 14, 15, 16				[118] Inch Wheelbase
5	05121704AA	1	2, 6		11, 12, 14, 15, 16				PILLAR, Side Cargo Door [140 & 158] Inch Wheelbase
		1	2, 6		51, 52, 54, 55, 56				[140 & 158] Inch Wheelbase

SPRINTER (VA)

SERIES

L = LOWLINE
 3 = HD DODGE 2WD
 6 = Lt. Duty DODGE 4WD
 2 = Med. Duty DODGE 2WD
 7 = Med. Duty DODGE 4WD

LINE

3 = HD DODGE 2WD
 6 = Lt. Duty DODGE 4WD
 2 = Med. Duty DODGE 2WD
 7 = Med. Duty DODGE 4WD

BODY

01 = CHASSIS FORWARD CONTROL W.B.1
 02 = CAB CHASSIS WHEEL BASE 2
 06 = CAB CHASSIS WHEEL BASE 6
 11 = VAN WHEEL BASE 1
 12 = VAN WHEEL BASE 2
 51 = WAGON WHEEL BASE 1
 52 = WAGON WHEEL BASE 2
 14 = VAN WHEEL BASE 4
 15 = VAN WHEEL BASE 5
 56 = WAGON WHEEL BASE 6
 16 = VAN WHEEL BASE 6
 54 = WAGON WHEEL BASE 4
 55 = WAGON WHEEL BASE 5

ENGINE

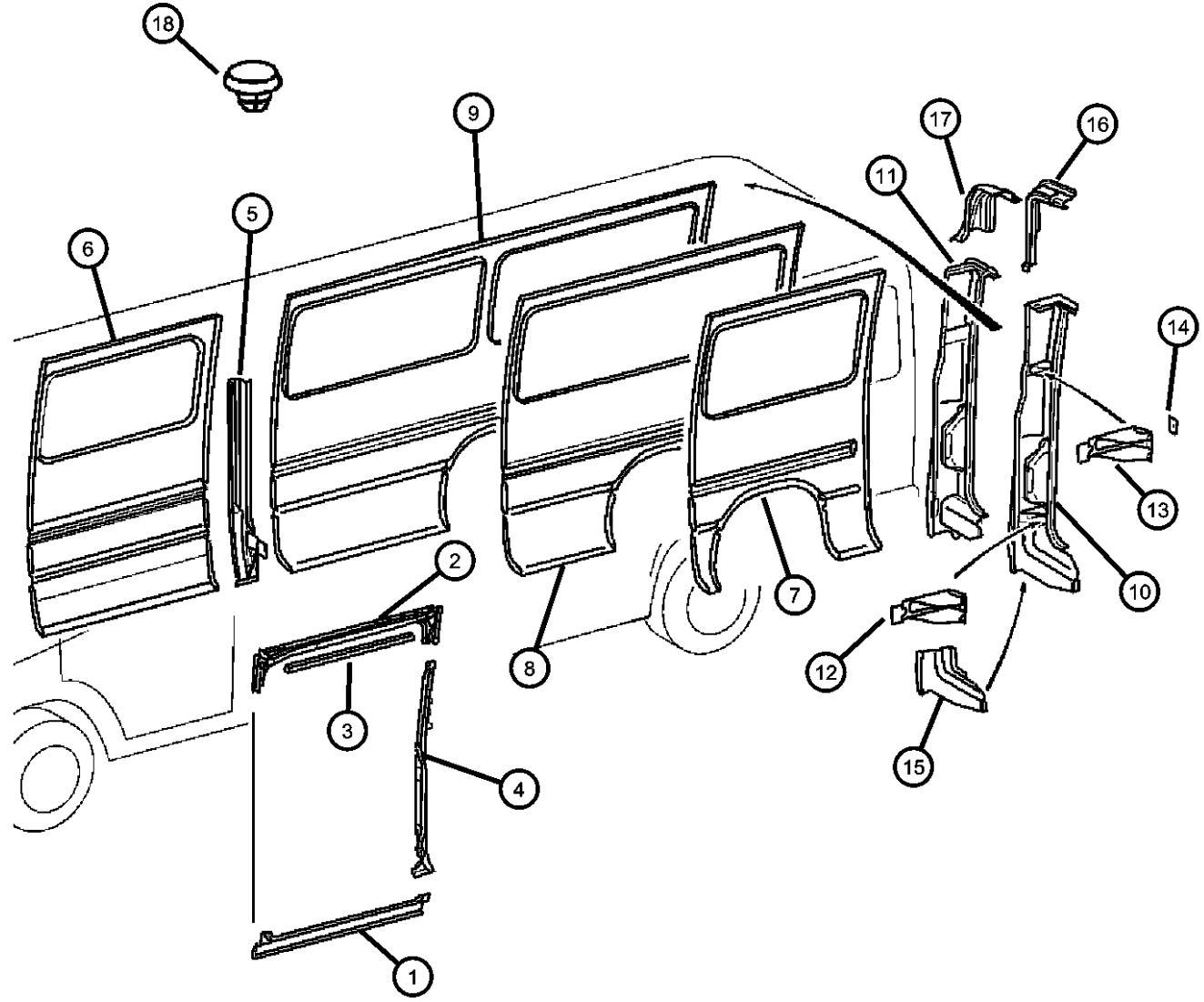
EX9 = Engine-2.7L I5
 Mercedes Turbo Diesel

TRANSMISSION

DGJ = Transmission-5-Spd. Automatic, W5A580

AR = use ase required - = Non illustrated part

Right Side Panels, Cargo
Figure SVA-920



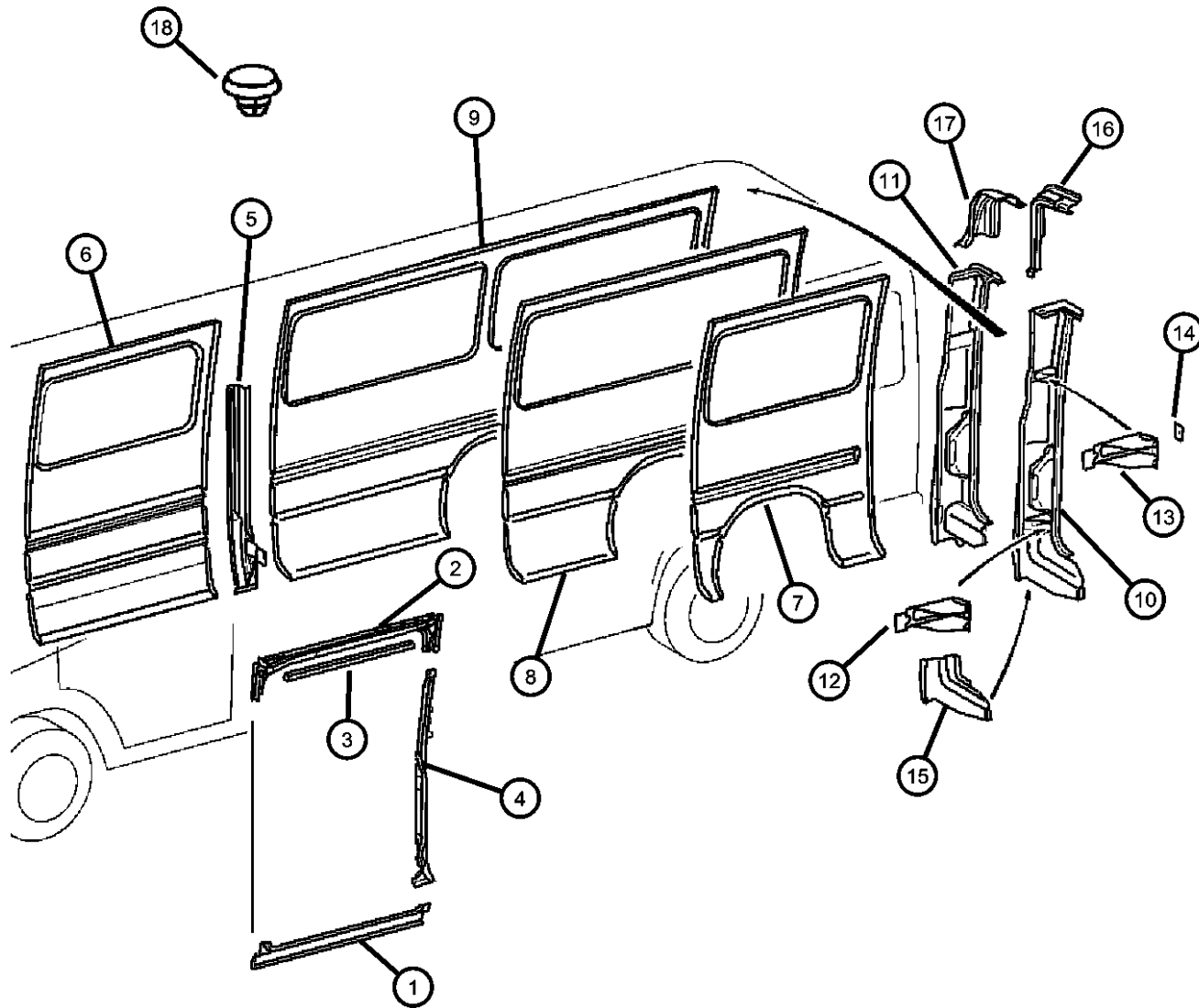
ITEM	PART NUMBER	QTY	LINE	SERIES	BODY	ENGINE	TRANS	TRIM	DESCRIPTION
		1	3, 7		12, 15, 16				[140 & 158] Inch Wheelbase
	05131053AA	1	2, 6		11, 12, 14, 15, 16				[118] Inch Wheelbase
		1	2, 6		51, 52, 54, 55, 56				[118] Inch Wheelbase
6									PANEL, Body Side Front
	05104205AA	1	2, 6		11, 12, 14, 15, 16				
		1	3, 7		12, 15, 16				
7									PANEL, Body Side Rear
	05131146AA	1	2, 6		51, 52, 54, 55, 56				
	05131138AA	1	2, 6		11, 12, 14, 15, 16				
8									PANEL, Body Side Rear
	05121965AA	1	2, 6		11, 12, 14, 15, 16				Without Windows
	05121967AA	1	2, 6		51, 52, 54, 55, 56				With Windows
	05121993AA	1	3, 7		12, 15, 16				
9									PANEL, Body Side Rear
	05104225AA	1	2, 6		11, 12, 14, 15, 16				No Windows, Without [R16] Wheels
	05121970AA	1	2, 6		51, 52, 54, 55, 56				With Windows, Without [R16] Wheels
	05121998AA	1	3, 7		12, 15, 16				
	05131173AA	1	2, 6		14, 15, 16, 11, 12				No Windows, With [R16] Wheels
	05131178AA	1	2, 6		51, 52, 54, 55, 56				With Windows & [R16] Wheels
10									PANEL, D Pillar Trim
	05104176AA	1	2, 6		51, 52, 54, 55, 56				With High Roof
		1	3, 7		12, 15, 16				With High Roof

SPRINTER (VA)

SERIES	LINE	BODY	ENGINE	TRANSMISSION
L = LOWLINE	3 = HD DODGE 2WD 6 = Lt. Duty DODGE 4WD 2 = Med. Duty DODGE 2WD 7 = Med. Duty DODGE 4WD	01 = CHASSIS FORWARD CONTROL W.B.1 02 = CAB CHASSIS WHEEL BASE 2 06 = CAB CHASSIS WHEEL BASE 6 11 = VAN WHEEL BASE 1 12 = VAN WHEEL BASE 2 51 = WAGON WHEEL BASE 1 52 = WAGON WHEEL BASE 2 14 = VAN WHEEL BASE 4 15 = VAN WHEEL BASE 5 56 = WAGON WHEEL BASE 6 16 = VAN WHEEL BASE 6 54 = WAGON WHEEL BASE 4 55 = WAGON WHEEL BASE 5	EX9 = Engine-2.7L I5 Mercedes Turbo Diesel	DGJ = Transmission-5-Spd. Automatic, W5A580

AR = use ase required - = Non illustrated part

**Right Side Panels, Cargo
Figure SVA-920**



ITEM	PART NUMBER	QTY	LINE	SERIES	BODY	ENGINE	TRANS	TRIM	DESCRIPTION
	05121679AA	1	2, 6		11, 12, 14, 15, 16				With Low Roof
		1	2, 6		55, 56, 51, 52, 54				With Low Roof
		1	3, 7		12, 15, 16				With Low Roof
		1	2, 6		11, 12, 14, 15, 16				With High Roof
11									PANEL, D Pillar Trim
	05104208AA	1	2, 6		11, 12, 14, 15, 16				
		1	2, 6		51, 52, 54, 55, 56				
		1	3, 7		12, 15, 16				
12									REINFORCEMENT, Rear door hinge
	05104209AA	1	3, 7		12, 15, 16				
		1	2, 6		11, 12, 14, 15, 16				
		1	2, 6		51, 52, 54, 55, 56				
13									REINFORCEMENT, Rear door hinge
	05104215AA	1	2, 6		11, 12, 14, 15, 16				
		1	2, 6		51, 52, 54, 55, 56				
		1	3, 7		12, 15, 16				
14									PLATE, Rear Door Hinge
	05104188AA	2	2, 6		11, 12, 14, 15, 16				
		2	2, 6		51, 52, 54, 55, 56				
		2	3, 7		12, 15, 16				
15									EXTENSION, D Pillar Lower

SPRINTER (VA)

SERIES

L = LOWLINE
 3 = HD DODGE 2WD
 6 = Lt. Duty DODGE 4WD
 2 = Med. Duty DODGE 2WD
 7 = Med. Duty DODGE 4WD

LINE

BODY

01 = CHASSIS FORWARD CONTROL W.B.1
 02 = CAB CHASSIS WHEEL BASE 2
 06 = CAB CHASSIS WHEEL BASE 6
 11 = VAN WHEEL BASE 1
 12 = VAN WHEEL BASE 2
 51 = WAGON WHEEL BASE 1
 52 = WAGON WHEEL BASE 2
 14 = VAN WHEEL BASE 4
 15 = VAN WHEEL BASE 5
 56 = WAGON WHEEL BASE 6
 16 = VAN WHEEL BASE 6
 54 = WAGON WHEEL BASE 4
 55 = WAGON WHEEL BASE 5

ENGINE

EX9 = Engine-2.7L I5
 Mercedes Turbo Diesel

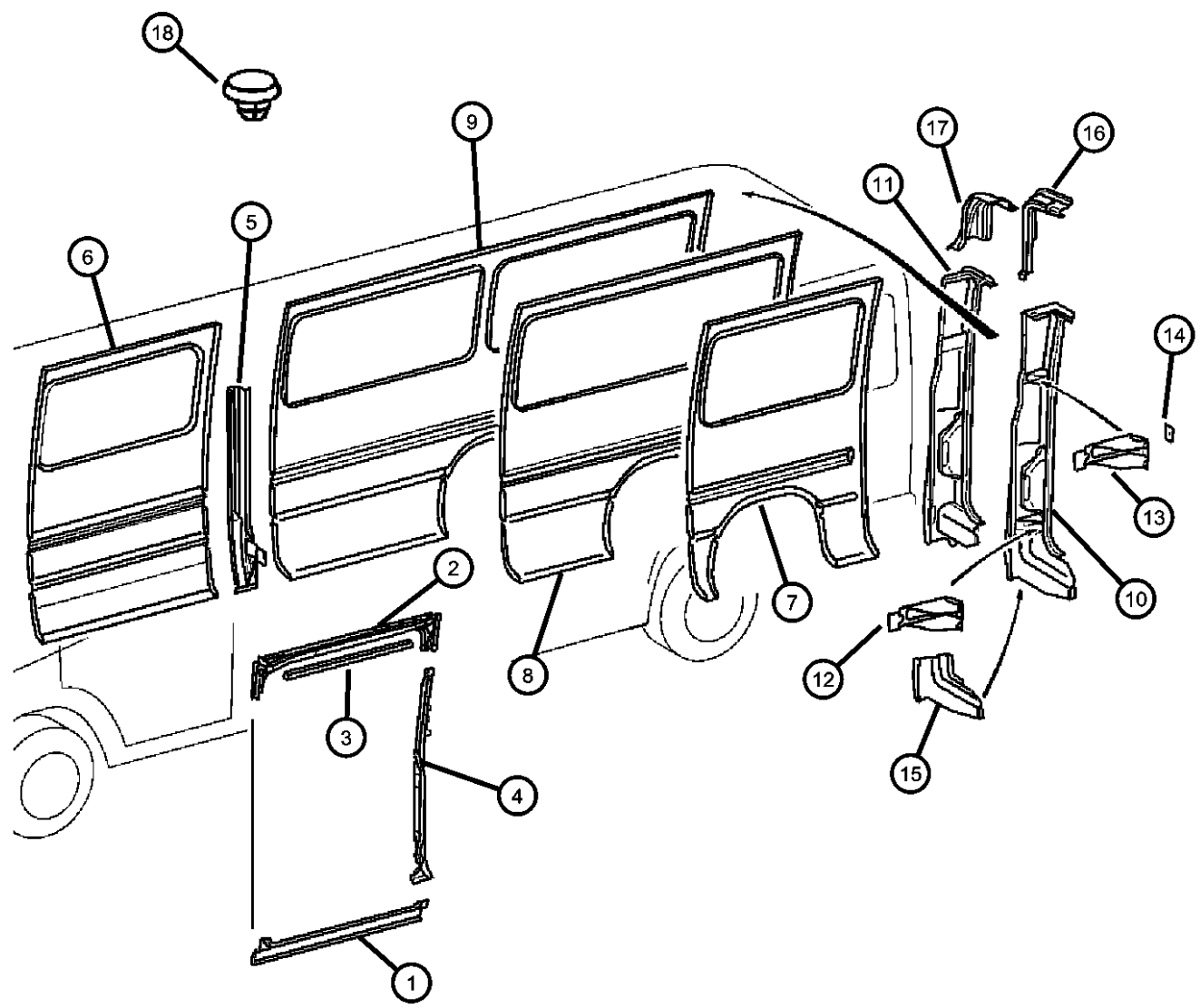
TRANSMISSION

DGJ = Transmission-5-Spd. Automatic, W5A580

AR = use ase required - = Non illustrated part

2002 VA

**Right Side Panels, Cargo
Figure SVA-920**



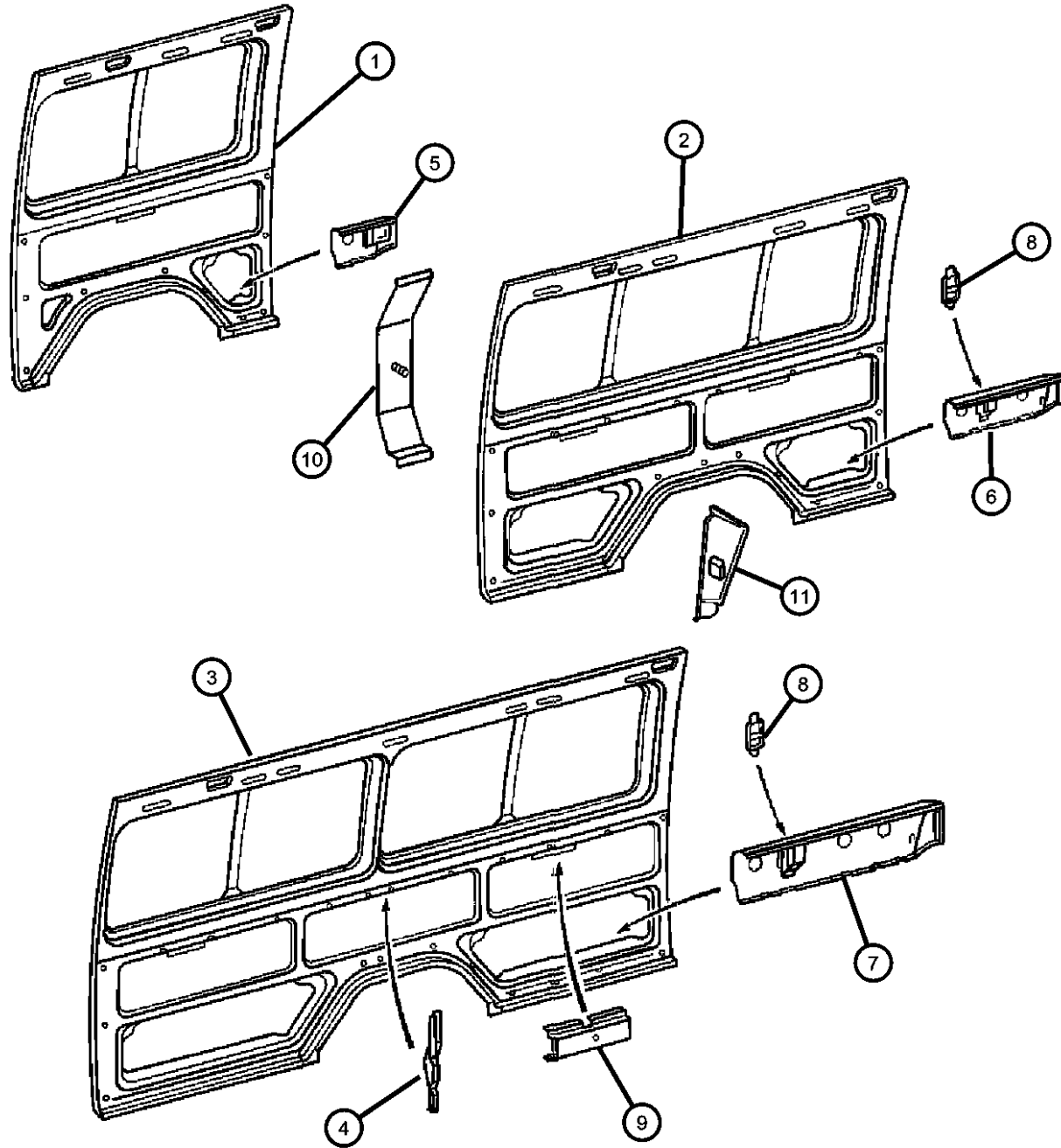
ITEM	PART NUMBER	QTY	LINE	SERIES	BODY	ENGINE	TRANS	TRIM	DESCRIPTION
	05104211AA	1	2, 6		11, 12, 14, 15, 16				
		1	2, 6		51, 52, 54, 55, 56				
		1	3, 7		12, 15, 16				
16									EXTENSION, D Pillar Upper
	05104224AA	1	2, 6		52, 54, 55, 56, 51				
		1	3, 7		12, 15, 16				
		1	2, 6		11, 12, 14, 15, 16				
17									PANEL, D Pillar Trim
	05104218AA	1	2, 6		11, 12, 14, 15, 16				
		1	2, 6		51, 52, 54, 55, 56				
		1	3, 7		12, 15, 16				
18									PLUG, Expansion
	05133657AA	1	2, 6		11, 12, 14, 15, 16				
		1	2, 6		51, 52, 54, 55, 56				
		1	3, 7		12, 15, 16				

SPRINTER (VA)

SERIES	LINE	BODY	ENGINE	TRANSMISSION
L = LOWLINE	3 = HD DODGE 2WD 6 = Lt. Duty DODGE 4WD 2 = Med. Duty DODGE 2WD 7 = Med. Duty DODGE 4WD	01 = CHASSIS FORWARD CONTROL W.B.1 02 = CAB CHASSIS WHEEL BASE 2 06 = CAB CHASSIS WHEEL BASE 6 11 = VAN WHEEL BASE 1 12 = VAN WHEEL BASE 2 51 = WAGON WHEEL BASE 1 52 = WAGON WHEEL BASE 2 14 = VAN WHEEL BASE 4 15 = VAN WHEEL BASE 5 56 = WAGON WHEEL BASE 6 16 = VAN WHEEL BASE 6 54 = WAGON WHEEL BASE 4 55 = WAGON WHEEL BASE 5	EX9 = Engine-2.7L I5 Mercedes Turbo Diesel	DGJ = Transmission-5-Spd. Automatic, W5A580

AR = use ase required - = Non illustrated part

**Right Side Panels, Wagon
Figure SVA-930**



ITEM	PART NUMBER	QTY	LINE	SERIES	BODY	ENGINE	TRANS	TRIM	DESCRIPTION
1									PANEL, Body Side Rear, [118] Inch Wheelbase
	05121897AA	1	2, 6		11, 12, 14, 15, 16				With Sliding Door
		1	2, 6		51, 52, 54, 55, 56				With Sliding Door
	05131122AA	1	2, 6		11, 12, 14, 15, 16				Without Sliding Door
		1	2, 6		51, 52, 54, 55, 56				Without Sliding Door
2									PANEL, Body Side Rear, [140] Inch Wheelbase
	05121899AA	1	2, 6		51, 52, 54, 55, 56				With Sliding Door
		1	3, 7		12, 15, 16				With Sliding Door
	05121892AA	1	2, 6		11, 12, 14, 15, 16				Without Sliding Door
		1	2, 6		51, 52, 54, 55, 56				Without Sliding Door
		1	3, 7		12, 15, 16				Without Sliding Door
		1	2, 6		11, 12, 14, 15, 16				With Sliding Door
3									PANEL, Body Side Rear, [158] Inch Wheelbase
	05121895AA	1	2, 6		11, 12, 14, 15, 16				Without Sliding Door
		1	2, 6		51, 52, 54, 55, 56				Without Sliding Door
		1	3, 7		12, 15, 16				Without Sliding Door
	05104203AA	1	2, 6		11, 12, 14, 15, 16				With Sliding Door
		1	2, 6		51, 52, 54, 55, 56				With Sliding Door
		1	3, 7		12, 15, 16				With Sliding Door
4									REINFORCEMENT, Quarter Inner
	05131056AA	1	2, 6		51, 52, 54, 55, 56				

SPRINTER (VA)

SERIES

L = LOWLINE
 3 = HD DODGE 2WD
 6 = Lt. Duty DODGE 4WD
 2 = Med. Duty DODGE 2WD
 7 = Med. Duty DODGE 4WD

BODY

01 = CHASSIS FORWARD CONTROL W.B.1
 02 = CAB CHASSIS WHEEL BASE 2
 06 = CAB CHASSIS WHEEL BASE 6
 11 = VAN WHEEL BASE 1
 12 = VAN WHEEL BASE 2
 51 = WAGON WHEEL BASE 1
 52 = WAGON WHEEL BASE 2
 14 = VAN WHEEL BASE 4
 15 = VAN WHEEL BASE 5
 56 = WAGON WHEEL BASE 6
 16 = VAN WHEEL BASE 6
 54 = WAGON WHEEL BASE 4
 55 = WAGON WHEEL BASE 5

ENGINE

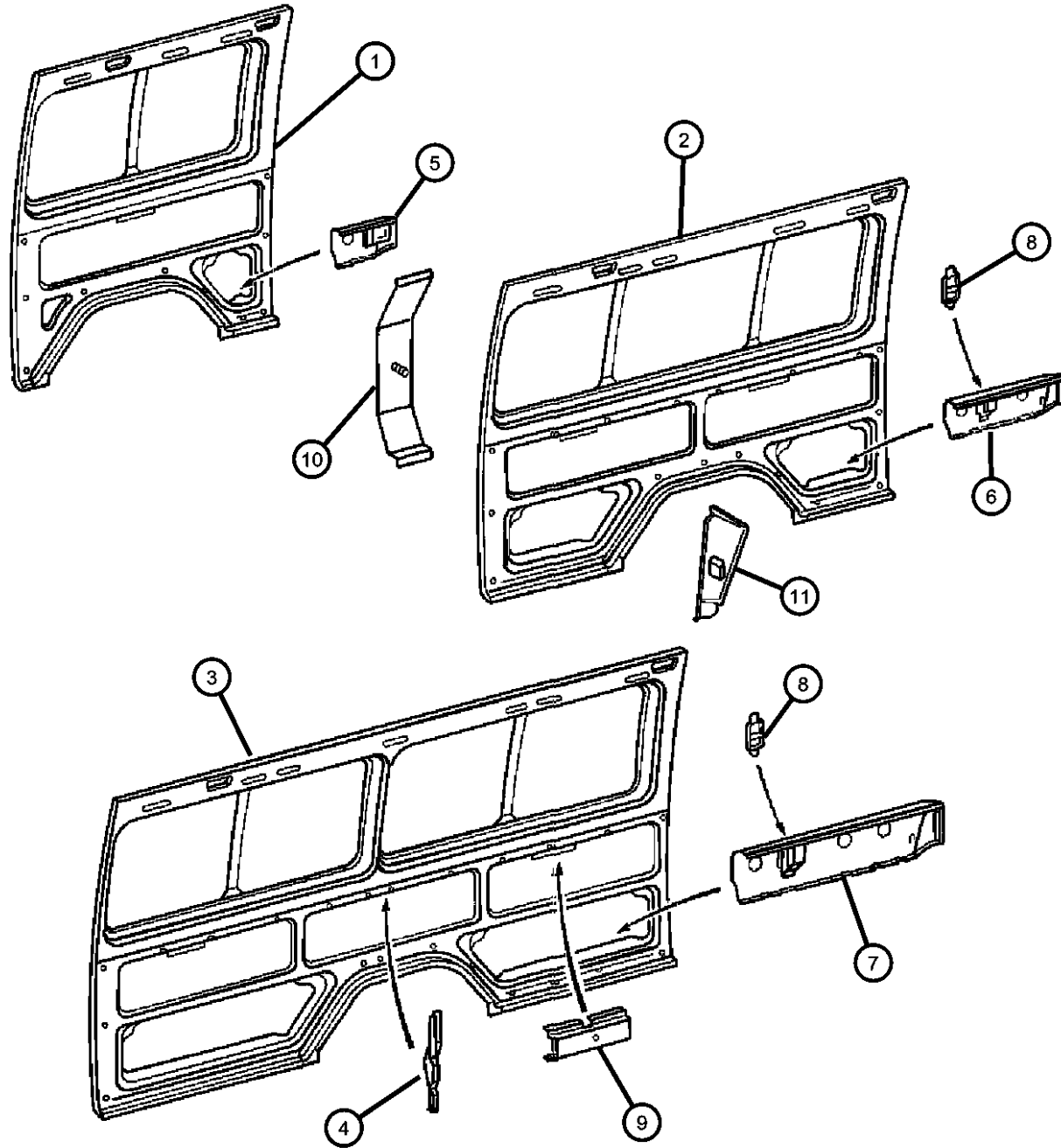
EX9 = Engine-2.7L I5
 Mercedes Turbo Diesel

TRANSMISSION

DGJ = Transmission-5-Spd. Automatic, W5A580

AR = use ase required - = Non illustrated part

**Right Side Panels, Wagon
Figure SVA-930**



ITEM	PART NUMBER	QTY	LINE	SERIES	BODY	ENGINE	TRANS	TRIM	DESCRIPTION
	05121707AA	1	2, 6		11, 12, 14, 15, 16				With 16x6 Steel Wheels
		1	2, 6		51, 52, 54, 55, 56				With 16x6 Steel Wheels
		1	3, 7		12, 15, 16				With 16x6 Steel Wheels
		1	2, 6		11, 12, 14, 15, 16				
5									SUPPORT
	05121739AA	1	2, 6		11, 12, 14, 15, 16				
		1	2, 6		51, 52, 54, 55, 56				
6									SUPPORT, Sill Reinforcement
	05121743AA	1	2, 6		11, 12, 14, 15, 16				
		1	2, 6		52, 54, 55, 56, 51				
		1	3, 7		12, 15, 16				
7									SUPPORT, Sill Reinforcement
	05121747AA	1	2, 6		11, 12, 14, 15, 16				
		1	2, 6		51, 52, 54, 55, 56				
		1	3, 7		12, 15, 16				
8									PLUG, Body
	05125519AA	1	2, 6		11, 12, 14, 15, 16				
		1	3, 7		12, 15, 16				
		1	2, 6		51, 52, 54, 55, 56				
9									REINFORCEMENT, Side Panel
	05131057AA	2	2, 6		11, 12, 14, 15, 16				
		1	2, 6		51, 52, 54, 55, 56				

SPRINTER (VA)

SERIES

L = LOWLINE
 3 = HD DODGE 2WD
 6 = Lt. Duty DODGE 4WD
 2 = Med. Duty DODGE 2WD
 7 = Med. Duty DODGE 4WD

BODY

01 = CHASSIS FORWARD CONTROL W.B.1
 02 = CAB CHASSIS WHEEL BASE 2
 06 = CAB CHASSIS WHEEL BASE 6
 11 = VAN WHEEL BASE 1
 12 = VAN WHEEL BASE 2
 51 = WAGON WHEEL BASE 1
 52 = WAGON WHEEL BASE 2
 14 = VAN WHEEL BASE 4
 15 = VAN WHEEL BASE 5
 56 = WAGON WHEEL BASE 6
 16 = VAN WHEEL BASE 6
 54 = WAGON WHEEL BASE 4
 55 = WAGON WHEEL BASE 5

ENGINE

EX9 = Engine-2.7L I5
 Mercedes Turbo Diesel

TRANSMISSION

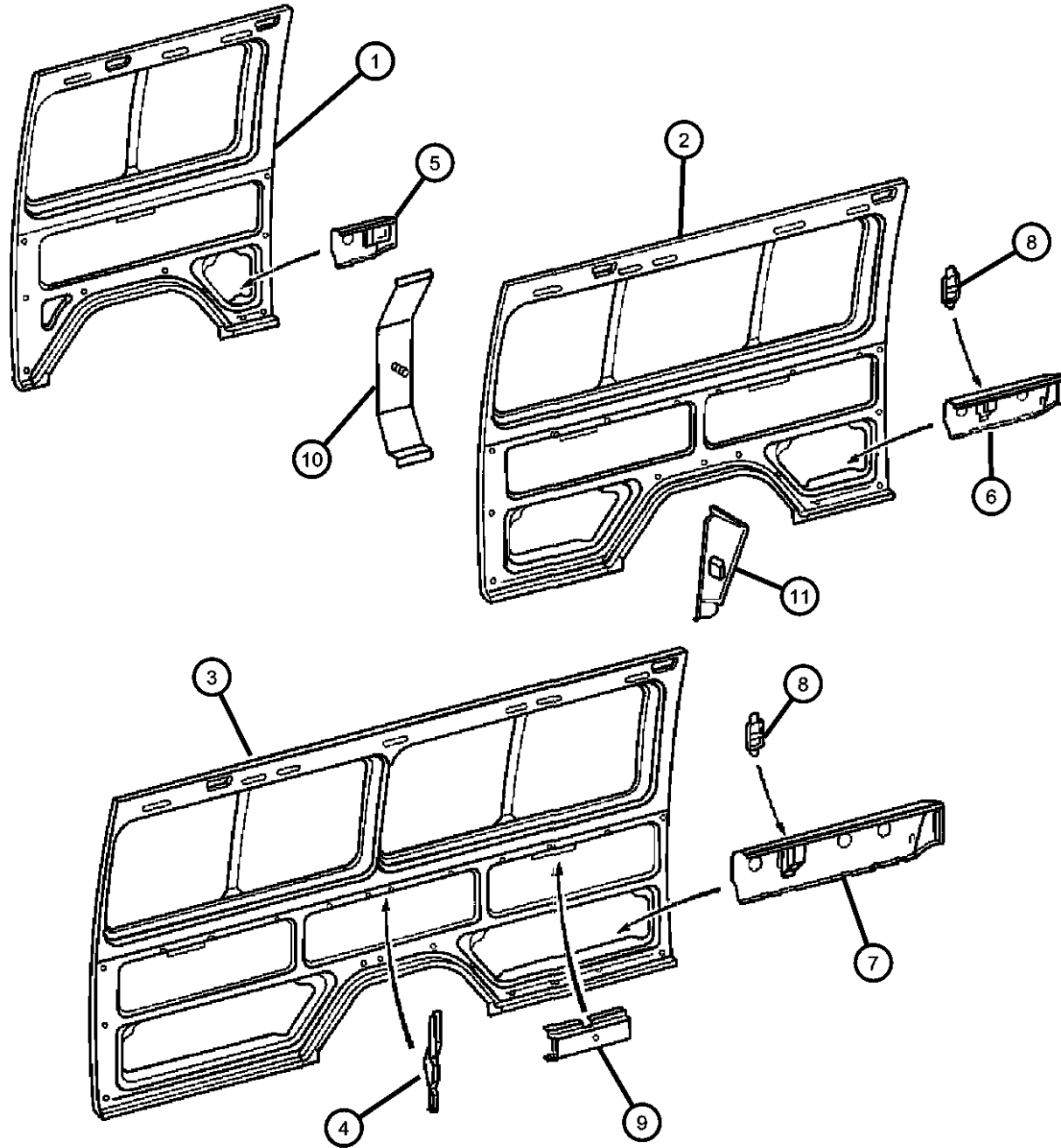
DGJ = Transmission-5-Spd. Automatic, W5A580

AR = use ase required - = Non illustrated part

2002 VA

Right Side Panels, Wagon
Figure SVA-930

ITEM	PART NUMBER	QTY	LINE	SERIES	BODY	ENGINE	TRANS	TRIM	DESCRIPTION
10	05127239AA	3	2, 6		51, 52, 56, 54, 55				BRACKET
11	05129938AA	2	2, 6		11, 12, 14, 15, 16				PANEL, Rear Side
		2	2, 6		51, 52, 54, 55, 56				



SPRINTER (VA)

SERIES

L = LOWLINE

LINE

3 = HD DODGE 2WD
6 = Lt. Duty DODGE 4WD
2 = Med. Duty DODGE 2WD
7 = Med. Duty DODGE 4WD

BODY

01 = CHASSIS FORWARD CONTROL W.B.1
02 = CAB CHASSIS WHEEL BASE 2
06 = CAB CHASSIS WHEEL BASE 6
11 = VAN WHEEL BASE 1
12 = VAN WHEEL BASE 2
51 = WAGON WHEEL BASE 1
52 = WAGON WHEEL BASE 2
14 = VAN WHEEL BASE 4
15 = VAN WHEEL BASE 5
56 = WAGON WHEEL BASE 6
16 = VAN WHEEL BASE 6
54 = WAGON WHEEL BASE 4
55 = WAGON WHEEL BASE 5

ENGINE

EX9 = Engine-2.7L I5
Mercedes Turbo Diesel

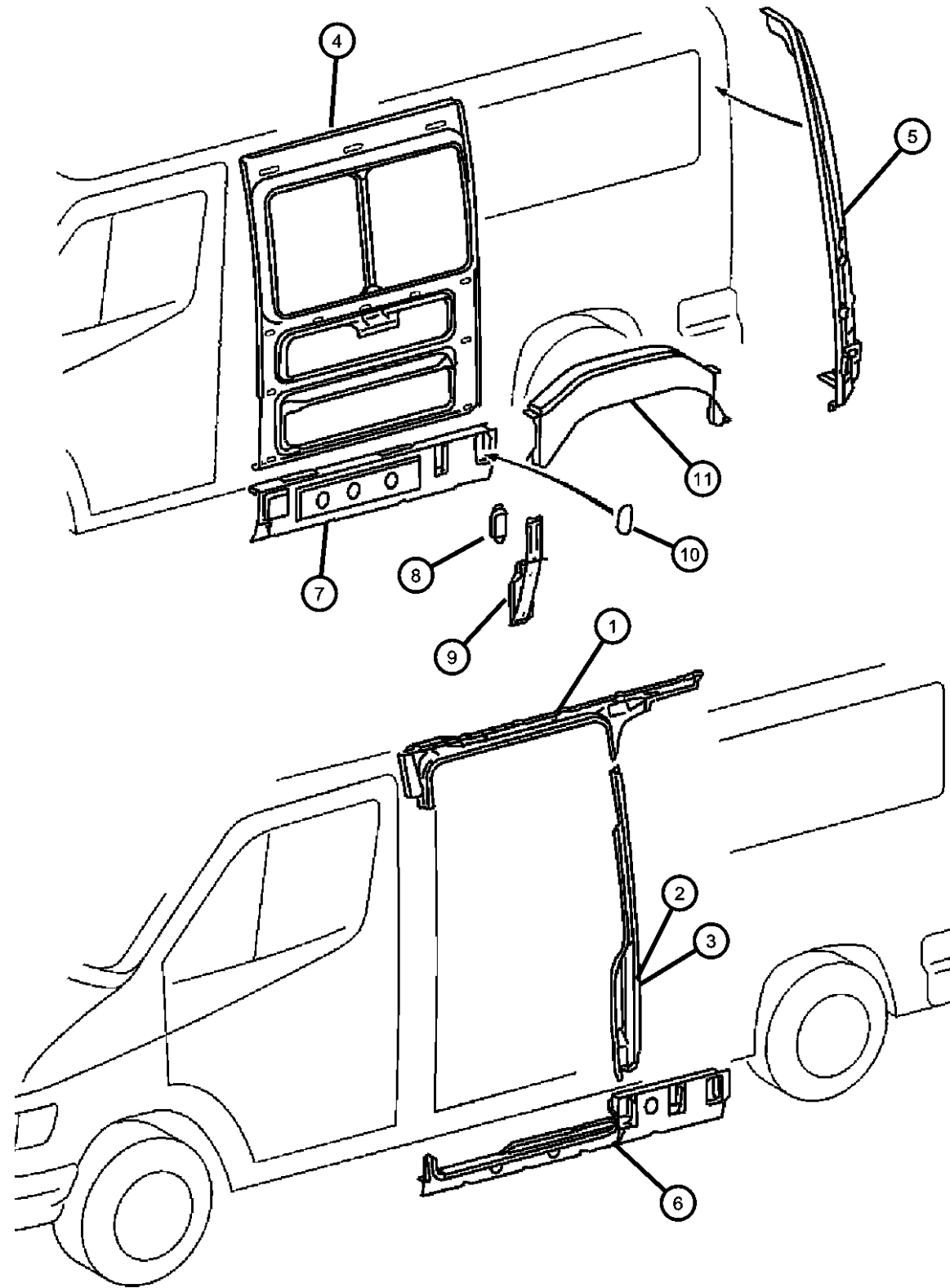
TRANSMISSION

DGJ = Transmission-5-Spd. Automatic, W5A580

AR = use ase required - = Non illustrated part

2002 VA

**Left Side Cargo Door Pillars & Wheelhouse
Figure SVA-940**



ITEM	PART NUMBER	QTY	LINE	SERIES	BODY	ENGINE	TRANS	TRIM	DESCRIPTION
1									REINFORCEMENT, Body Side Aperture
	05121903AA	1	2, 6		11, 12, 14, 15, 16				
		1	2, 6		51, 52, 54, 55, 56				
		1	3, 7		12, 15, 16				
2									PILLAR, Side Cargo Door
	05121914AA	1	2, 6		14, 15, 16, 11, 12				
		1	2, 6		51, 52, 54, 55, 56				
		1	3, 7		12, 15, 16				
3									REINFORCEMENT, Quarter Inner
	05121706AA	1	2, 6		51, 52, 54, 55, 56				
		1	3, 7		12, 15, 16				
		1	2, 6		11, 12, 14, 15, 16				
4									PANEL, Body Side Front
	05104197AA	1	2, 6		11, 12, 14, 15, 16				
		1	2, 6		51, 52, 54, 55, 56				
		1	3, 7		12, 15, 16				
5									PILLAR, Rear Cargo Door Hinge
	05104177AA	1	2, 6		11, 12, 14, 15, 16				With High Roof
		1	2, 6		51, 52, 54, 55, 56				With High Roof
		1	3, 7		12, 15, 16				With High Roof
	05121906AA	1	2, 6		11, 12, 14, 15, 16				With Low Roof
		1	2, 6		52, 54, 55, 56, 51				With Low Roof

SPRINTER (VA)

SERIES

L = LOWLINE
 3 = HD DODGE 2WD
 6 = Lt. Duty DODGE 4WD
 2 = Med. Duty DODGE 2WD
 7 = Med. Duty DODGE 4WD

BODY

01 = CHASSIS FORWARD CONTROL W.B.1
 02 = CAB CHASSIS WHEEL BASE 2
 06 = CAB CHASSIS WHEEL BASE 6
 11 = VAN WHEEL BASE 1
 12 = VAN WHEEL BASE 2
 51 = WAGON WHEEL BASE 1
 52 = WAGON WHEEL BASE 2
 14 = VAN WHEEL BASE 4
 15 = VAN WHEEL BASE 5
 56 = WAGON WHEEL BASE 6
 16 = VAN WHEEL BASE 6
 54 = WAGON WHEEL BASE 4
 55 = WAGON WHEEL BASE 5

ENGINE

EX9 = Engine-2.7L I5
 Mercedes Turbo Diesel

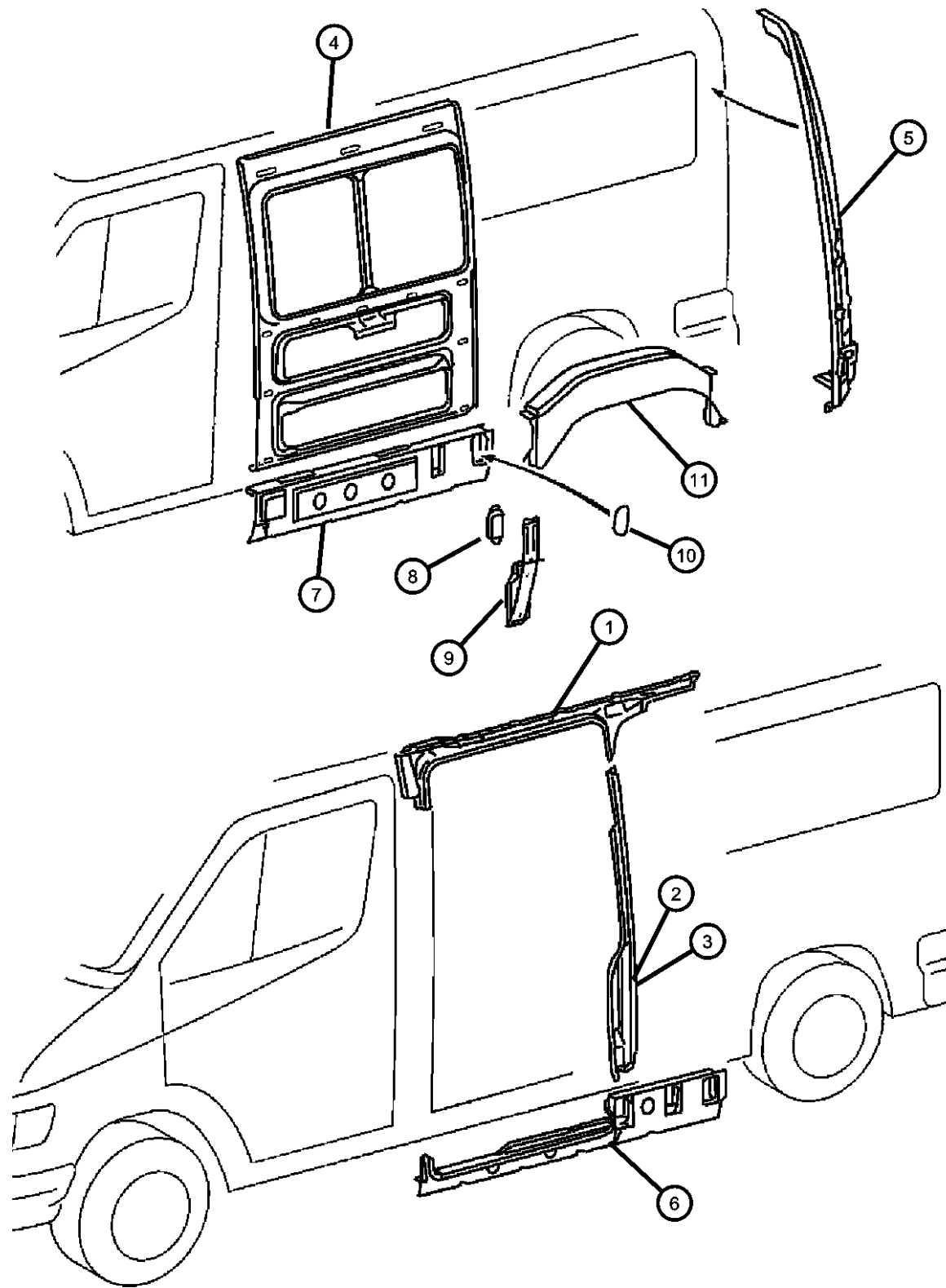
TRANSMISSION

DGJ = Transmission-5-Spd. Automatic, W5A580

AR = use ase required - = Non illustrated part

2002 VA

**Left Side Cargo Door Pillars & Wheelhouse
Figure SVA-940**

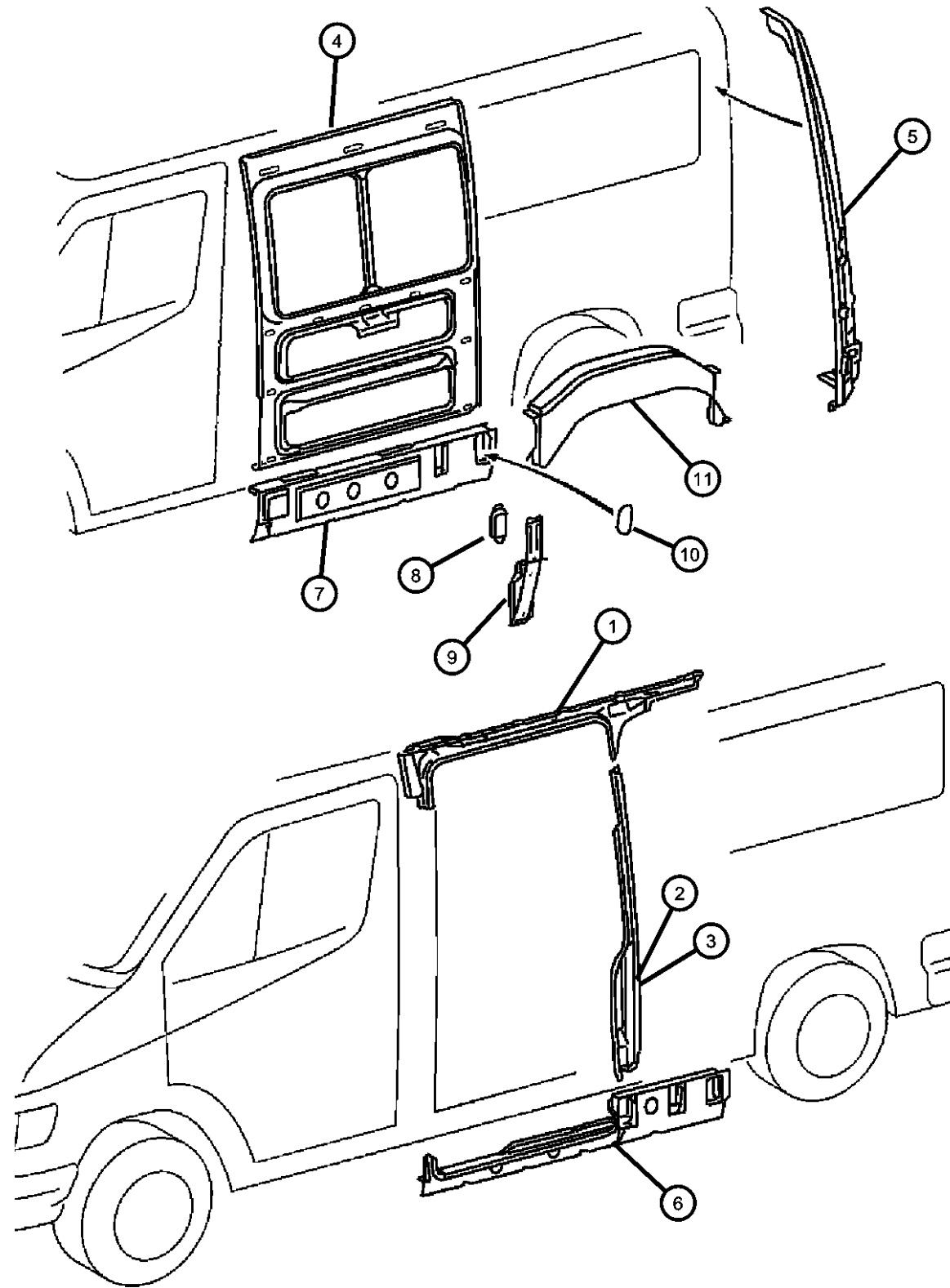


ITEM	PART NUMBER	QTY	LINE	SERIES	BODY	ENGINE	TRANS	TRIM	DESCRIPTION
6		1	3, 7		12, 15, 16				With Low Roof SUPPORT, Sill Reinforcement
	05121749AA	1	2, 6		51, 52, 54, 55, 56				With 118 Inch Wheelbase
	05121751AA	1	2, 6		11, 12, 14, 15, 16				With 140 Inch Wheelbase
		1	2, 6		51, 52, 54, 55, 56				With 140 Inch Wheelbase
	05121754AA	1	2, 6		11, 12, 14, 15, 16				With 158 Inch Wheelbase
		1	2, 6		51, 52, 54, 55, 56				With 158 Inch Wheelbase
	05121774AA	1	3, 7		12, 15, 16				With 140 Inch Wheelbase
7	05121778AA	1	3, 7		12, 15, 16				With 158 Inch Wheelbase
		1	2, 6		11, 12, 14, 15, 16				With 118 Inch Wheelbase SUPPORT, Sill Reinforcement
	05104175AA	1	2, 6		11, 12, 14, 15, 16				With 158 Inch Wheelbase
		1	2, 6		51, 52, 54, 55, 56				With 158 Inch Wheelbase
	05121759AA	1	2, 6		15, 16, 11, 12, 14				With 118 Inch Wheelbase
		1	2, 6		51, 52, 54, 55, 56				With 118 Inch Wheelbase
	05121764AA	1	3, 7		12, 15, 16				With 140 Inch Wheelbase
	05121769AA	1	3, 7		12, 15, 16				With 158 Inch Wheelbase
	05121761AA	1	2, 6		11, 12, 14, 15, 16				With 140 Inch Wheelbase
		1	2, 6		51, 52, 54, 55, 56				With 140 Inch Wheelbase
8									PLUG, Body
	05125519AA	3	2, 6		11, 12, 14, 15, 16				
		2	3, 7		12, 15, 16				

SPRINTER (VA)								
SERIES	LINE			BODY		ENGINE		TRANSMISSION
L = LOWLINE	3 = HD DODGE 2WD 6 = Lt. Duty DODGE 4WD 2 = Med. Duty DODGE 2WD 7 = Med. Duty DODGE 4WD			01 = CHASSIS FORWARD CONTROL W.B.1 02 = CAB CHASSIS WHEEL BASE 2 06 = CAB CHASSIS WHEEL BASE 6 11 = VAN WHEEL BASE 1 12 = VAN WHEEL BASE 2 51 = WAGON WHEEL BASE 1 52 = WAGON WHEEL BASE 2 14 = VAN WHEEL BASE 4 15 = VAN WHEEL BASE 5 56 = WAGON WHEEL BASE 6 16 = VAN WHEEL BASE 6 54 = WAGON WHEEL BASE 4 55 = WAGON WHEEL BASE 5		EX9 = Engine-2.7L I5 Mercedes Turbo Diesel		DGJ = Transmission-5-Spd. Automatic, W5A580

AR = use ase required - = Non illustrated part

**Left Side Cargo Door Pillars & Wheelhouse
Figure SVA-940**



ITEM	PART NUMBER	QTY	LINE	SERIES	BODY	ENGINE	TRANS	TRIM	DESCRIPTION
9		3	2, 6		51, 52, 54, 55, 56				REINFORCEMENT, Side Panel
	05104198AA	1	2, 6		11, 12, 14, 15, 16				
		1	2, 6		51, 52, 54, 55, 56				
10		1	3, 7		12, 15, 16				COVER, Sill
	05121838AA	1	3, 7		16, 12, 15				
		1	2, 6		51, 52, 54, 55, 56				
		1	2, 6		11, 12, 14, 15, 16				
11	05121862AA	1	2, 6		11, 12, 14, 15, 16				WHEELHOUSE

SPRINTER (VA)

SERIES

L = LOWLINE

LINE

3 = HD DODGE 2WD
6 = Lt. Duty DODGE 4WD
2 = Med. Duty DODGE 2WD
7 = Med. Duty DODGE 4WD

BODY

01 = CHASSIS FORWARD CONTROL W.B.1
02 = CAB CHASSIS WHEEL BASE 2
06 = CAB CHASSIS WHEEL BASE 6
11 = VAN WHEEL BASE 1
12 = VAN WHEEL BASE 2
51 = WAGON WHEEL BASE 1
52 = WAGON WHEEL BASE 2
14 = VAN WHEEL BASE 4
15 = VAN WHEEL BASE 5
56 = WAGON WHEEL BASE 6
16 = VAN WHEEL BASE 6
54 = WAGON WHEEL BASE 4
55 = WAGON WHEEL BASE 5

ENGINE

EX9 = Engine-2.7L I5
Mercedes Turbo Diesel

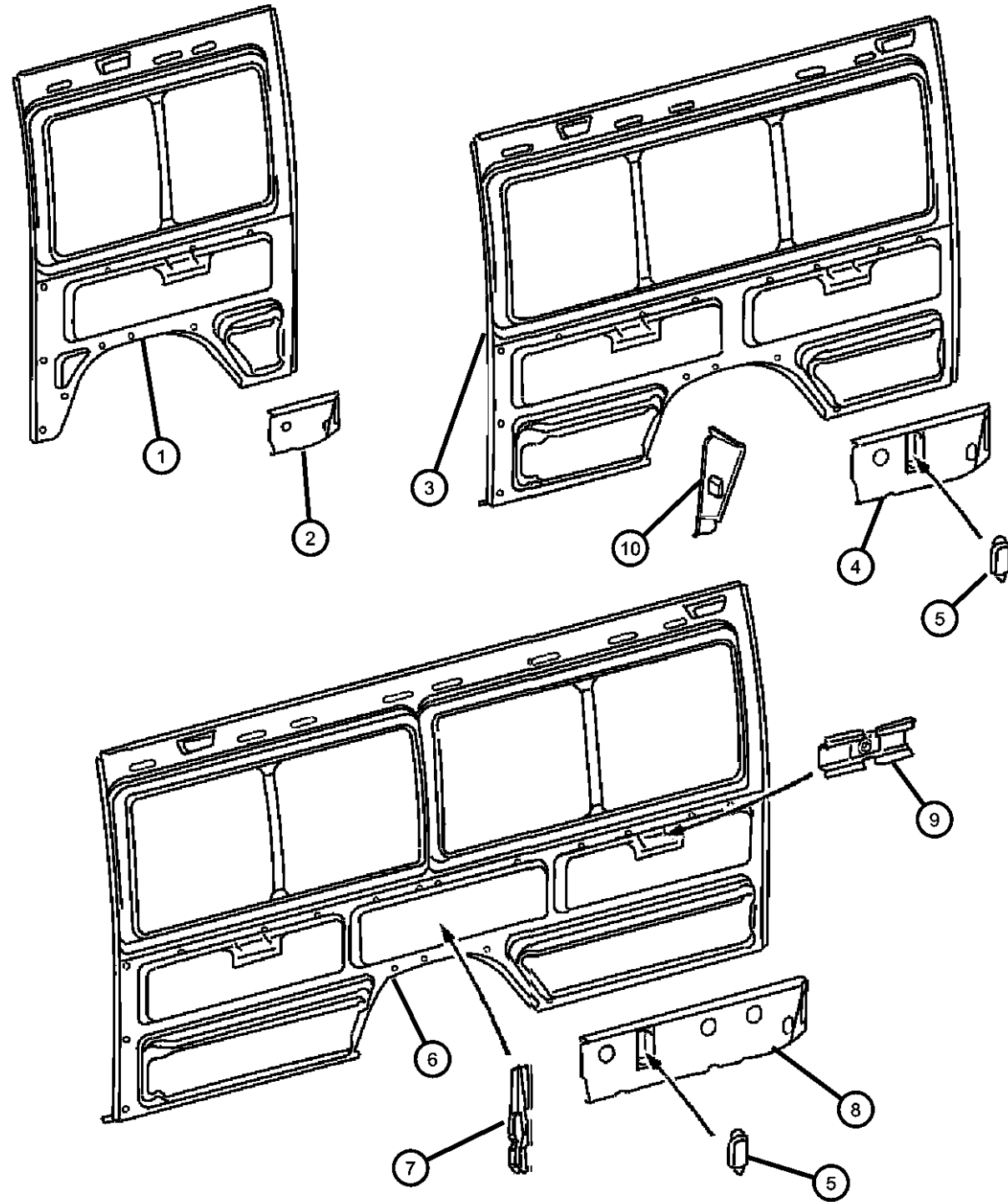
TRANSMISSION

DGJ = Transmission-5-Spd. Automatic, W5A580

AR = use ase required - = Non illustrated part

2002 VA

Left Side Panels, Cargo
Figure SVA-950



ITEM	PART NUMBER	QTY	LINE	SERIES	BODY	ENGINE	TRANS	TRIM	DESCRIPTION
1	05121888AA	1	2, 6		11, 12, 14, 15, 16				PANEL, Body Side Rear, With 118 Inch Wheelbase
		1	2, 6		51, 52, 54, 55, 56				
2	05121737AA	1	2, 6		11, 12, 14, 15, 16				SUPPORT, With 118 Inch Wheelbase
		1	2, 6		51, 52, 54, 55, 56				
3	05121890AA	1	3, 7		12, 15, 16				PANEL, Body Side Rear, With 140 Inch Wheelbase
		1	2, 6		11, 12, 14, 15, 16				
		1	2, 6		51, 52, 54, 55, 56				
4	05121741AA	1	2, 6		11, 12, 14, 15, 16				SUPPORT, With 140 & 158 Inch Wheelbase
		1	2, 6		51, 52, 54, 55, 56				
		1	3, 7		12, 15, 16				
5	05125519AA	2	2, 6		11, 12, 14, 15, 16				PLUG, Body, With 140 Inch Wheelbase
		2	2, 6		51, 52, 54, 55, 56				
		1	3, 7		12, 15, 16				
6	05104202AA	1	2, 6		11, 12, 14, 15, 16				PANEL, Body Side Rear, With 158 Inch Wheelbase

SPRINTER (VA)

SERIES

L = LOWLINE

LINE

3 = HD DODGE 2WD
6 = Lt. Duty DODGE 4WD
2 = Med. Duty DODGE 2WD
7 = Med. Duty DODGE 4WD

BODY

01 = CHASSIS FORWARD CONTROL W.B.1
02 = CAB CHASSIS WHEEL BASE 2
06 = CAB CHASSIS WHEEL BASE 6
11 = VAN WHEEL BASE 1
12 = VAN WHEEL BASE 2
51 = WAGON WHEEL BASE 1
52 = WAGON WHEEL BASE 2
14 = VAN WHEEL BASE 4
15 = VAN WHEEL BASE 5
56 = WAGON WHEEL BASE 6
16 = VAN WHEEL BASE 6
54 = WAGON WHEEL BASE 4
55 = WAGON WHEEL BASE 5

ENGINE

EX9 = Engine-2.7L I5
Mercedes Turbo Diesel

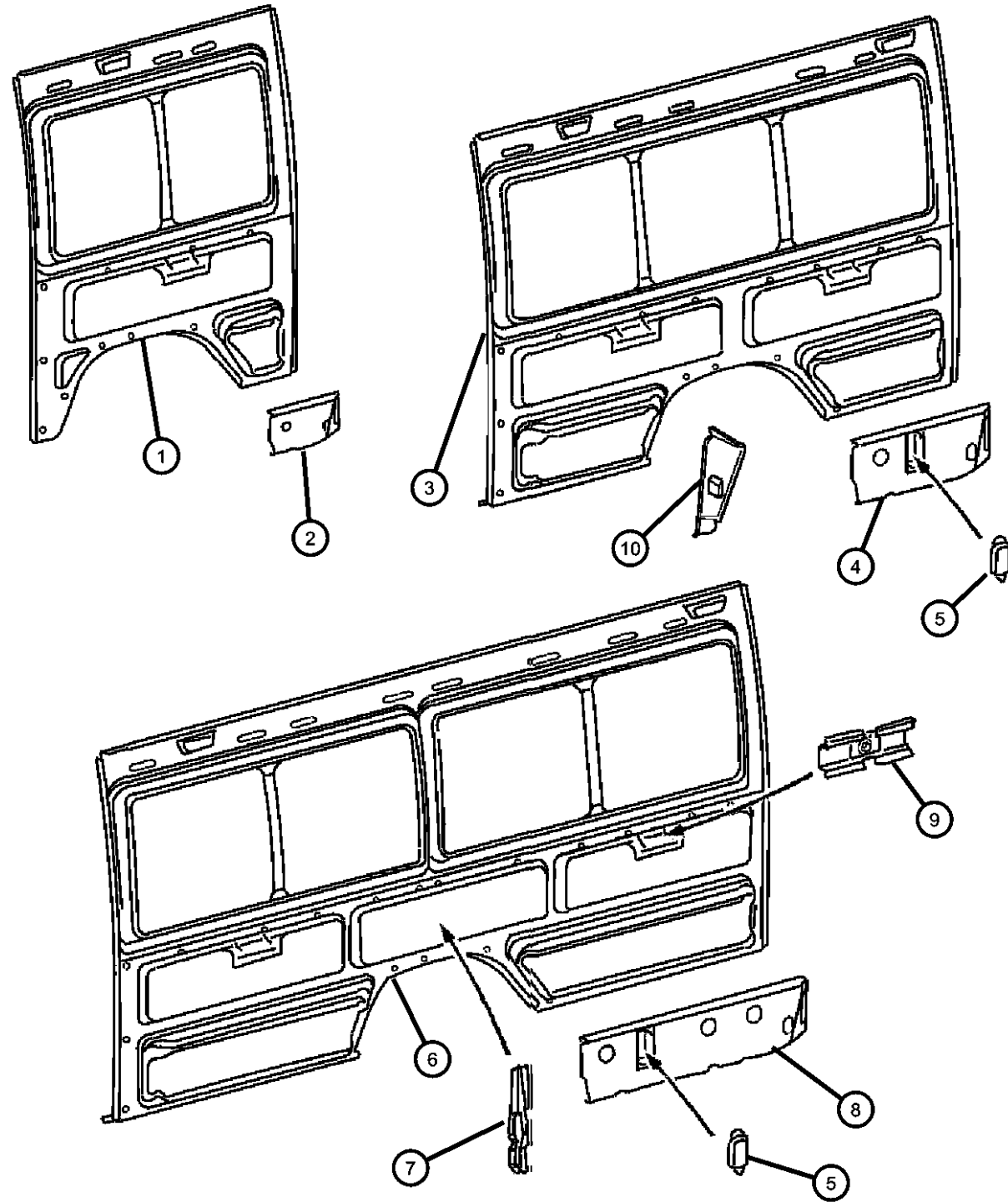
TRANSMISSION

DGJ = Transmission-5-Spd. Automatic, W5A580

AR = use ase required - = Non illustrated part

2002 VA

Left Side Panels, Cargo
Figure SVA-950



ITEM	PART NUMBER	QTY	LINE	SERIES	BODY	ENGINE	TRANS	TRIM	DESCRIPTION
		1	2, 6		51, 52, 54, 55, 56				
		1	3, 7		12, 15, 16				
7									REINFORCEMENT, Quarter Inner, With 158 Inch Wheelbase
	05121706AA	1	2, 6		51, 52, 54, 55, 56				With 16x6 Steel Wheels
		1	3, 7		15, 16, 12				With 16x6 Steel Wheels
	05131055AA	1	2, 6		11, 12, 14, 15, 16				
		1	2, 6		51, 52, 54, 55, 56				With 16x6 Steel Wheels
		1	2, 6		11, 12, 14, 15, 16				
8									SUPPORT, With 158 Inch Wheelbase
	05121745AA	1	2, 6		11, 12, 14, 15, 16				
		1	2, 6		51, 52, 54, 55, 56				
		1	3, 7		12, 15, 16				
9									REINFORCEMENT, Side Panel, With 158 Inch Wheelbase
	05131057AA	1	2, 6		51, 52, 54, 55, 56				
		2	2, 6		11, 12, 14, 15, 16				
10									PANEL, Rear Side
	05129937AA	2	2, 6		11, 12, 14, 15, 16				
		2	2, 6		51, 52, 54, 55, 56				

SPRINTER (VA)

SERIES

L = LOWLINE

LINE

3 = HD DODGE 2WD
6 = Lt. Duty DODGE 4WD
2 = Med. Duty DODGE 2WD
7 = Med. Duty DODGE 4WD

BODY

01 = CHASSIS FORWARD
CONTROL W.B.1
02 = CAB CHASSIS WHEEL
BASE 2
06 = CAB CHASSIS WHEEL
BASE 6
11 = VAN WHEEL BASE 1
12 = VAN WHEEL BASE 2
51 = WAGON WHEEL BASE 1
52 = WAGON WHEEL BASE 2
14 = VAN WHEEL BASE 4
15 = VAN WHEEL BASE 5
56 = WAGON WHEEL BASE 6
16 = VAN WHEEL BASE 6
54 = WAGON WHEEL BASE 4
55 = WAGON WHEEL BASE 5

ENGINE

EX9 = Engine-2.7L I5
Mercedes Turbo Diesel

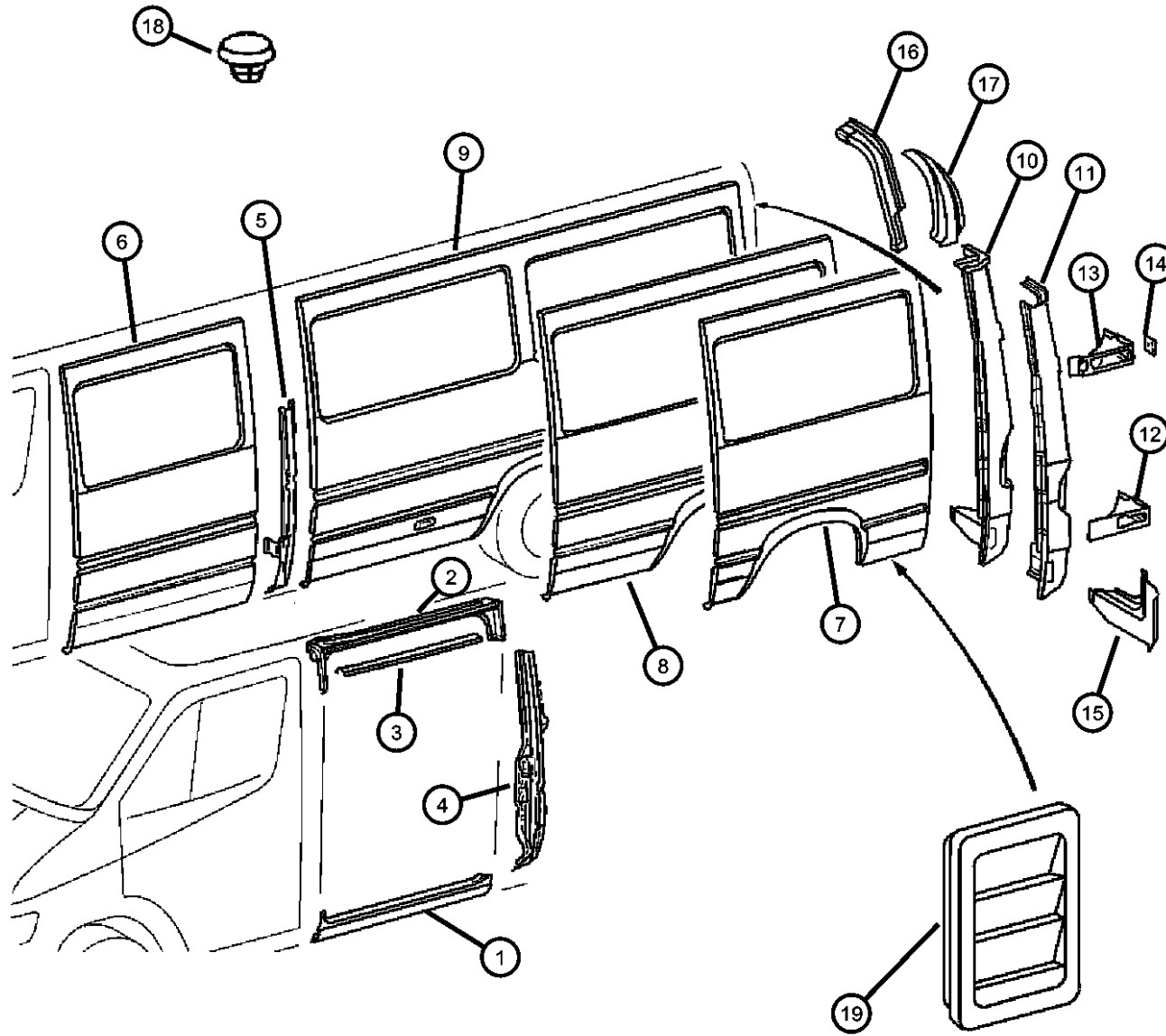
TRANSMISSION

DGJ = Transmission-5-Spd.
Automatic,W5A580

AR = use ase required - = Non illustrated part

2002 VA

**Left Side Panels, Wagon
Figure SVA-960**



ITEM	PART NUMBER	QTY	LINE	SERIES	BODY	ENGINE	TRANS	TRIM	DESCRIPTION
1	05121937AA	1	2, 6		12, 14, 15, 16, 11				PANEL, Sill
		1	2, 6		51, 52, 54, 55, 56				
		1	3, 7		12, 15, 16				
2	05121682AA	1	2, 6		51, 52, 54, 55, 56				PANEL, Cargo Compartment, Upper
		1	3, 7		12, 15, 16				
		1	2, 6		11, 12, 14, 15, 16				
3	05122035AA	1	2, 6		11, 12, 14, 15, 16				TRACK, Sliding Door
		1	2, 6		51, 52, 54, 55, 56				
		1	3, 7		12, 15, 16				
4	05121696AA	1	2, 6		11, 12, 14, 15, 16				PILLAR, Side Cargo Door With 140 & 158 Inch Wheelbase
		1	2, 6		51, 52, 54, 55, 56				With 140 & 158 Inch Wheelbase
		1	3, 7		12, 15, 16				With 140 & 158 Inch Wheelbase
	05131051AA	1	2, 6		51, 52, 54, 55, 56				With 118 Inch Wheelbase
	05131053AA	1	2, 6		11, 12, 14, 15, 16				With 118 Inch Wheelbase
5	05104168AA	1	2, 6		11, 12, 14, 15, 16				PILLAR, Side Cargo Door With 118 Inch Wheelbase
		1	2, 6		51, 52, 54, 55, 56				With 118 Inch Wheelbase
	05104170AA	1	2, 6		11, 12, 14, 15, 16				With 140 & 158 Inch Wheelbase

SPRINTER (VA)

SERIES

L = LOWLINE
 3 = HD DODGE 2WD
 6 = Lt. Duty DODGE 4WD
 2 = Med. Duty DODGE 2WD
 7 = Med. Duty DODGE 4WD

BODY

01 = CHASSIS FORWARD CONTROL W.B.1
 02 = CAB CHASSIS WHEEL BASE 2
 06 = CAB CHASSIS WHEEL BASE 6
 11 = VAN WHEEL BASE 1
 12 = VAN WHEEL BASE 2
 51 = WAGON WHEEL BASE 1
 52 = WAGON WHEEL BASE 2
 14 = VAN WHEEL BASE 4
 15 = VAN WHEEL BASE 5
 56 = WAGON WHEEL BASE 6
 16 = VAN WHEEL BASE 6
 54 = WAGON WHEEL BASE 4
 55 = WAGON WHEEL BASE 5

ENGINE

EX9 = Engine-2.7L I5
 Mercedes Turbo Diesel

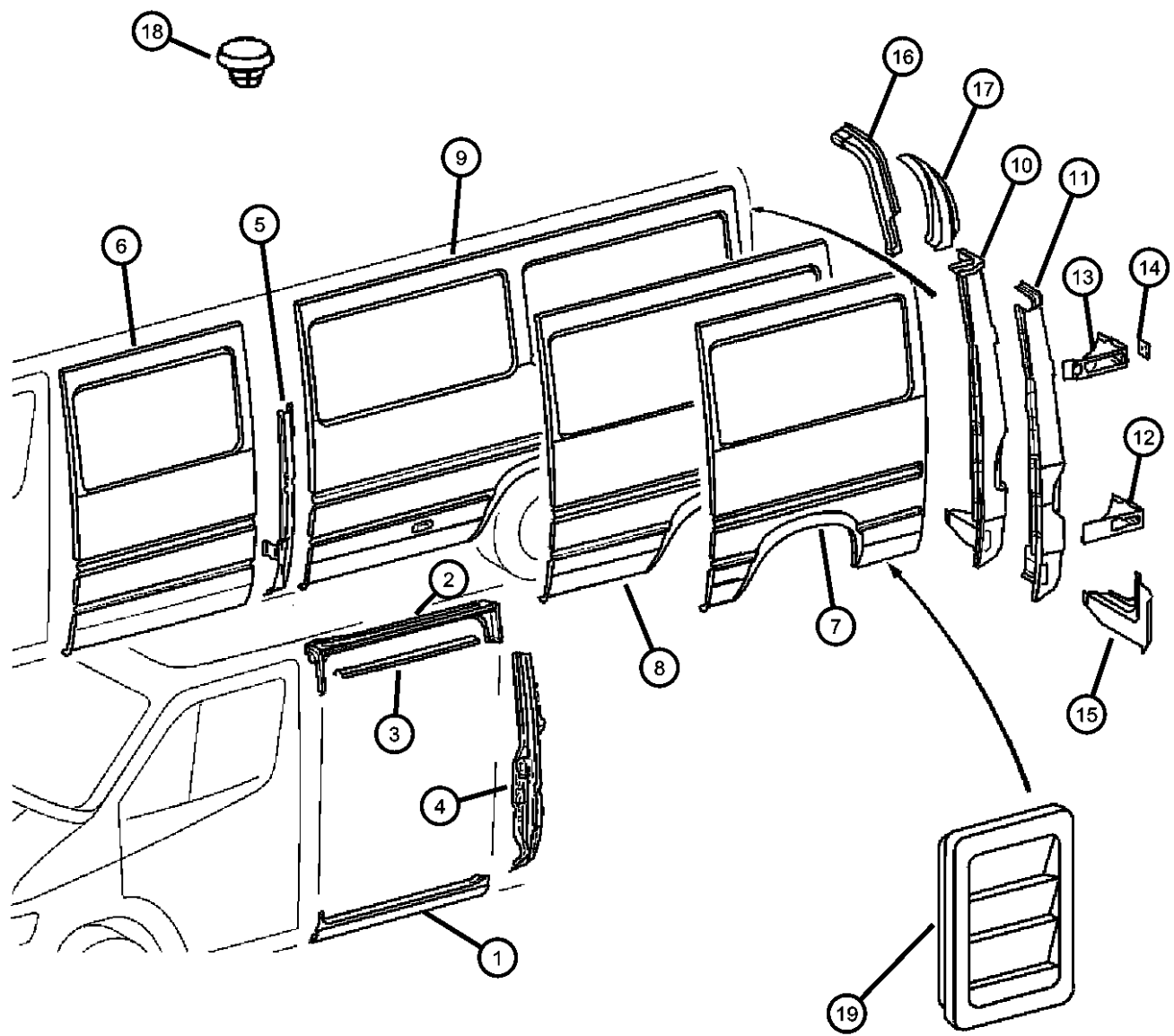
TRANSMISSION

DGJ = Transmission-5-Spd. Automatic, W5A580

AR = use ase required - = Non illustrated part

2002 VA

**Left Side Panels, Wagon
Figure SVA-960**



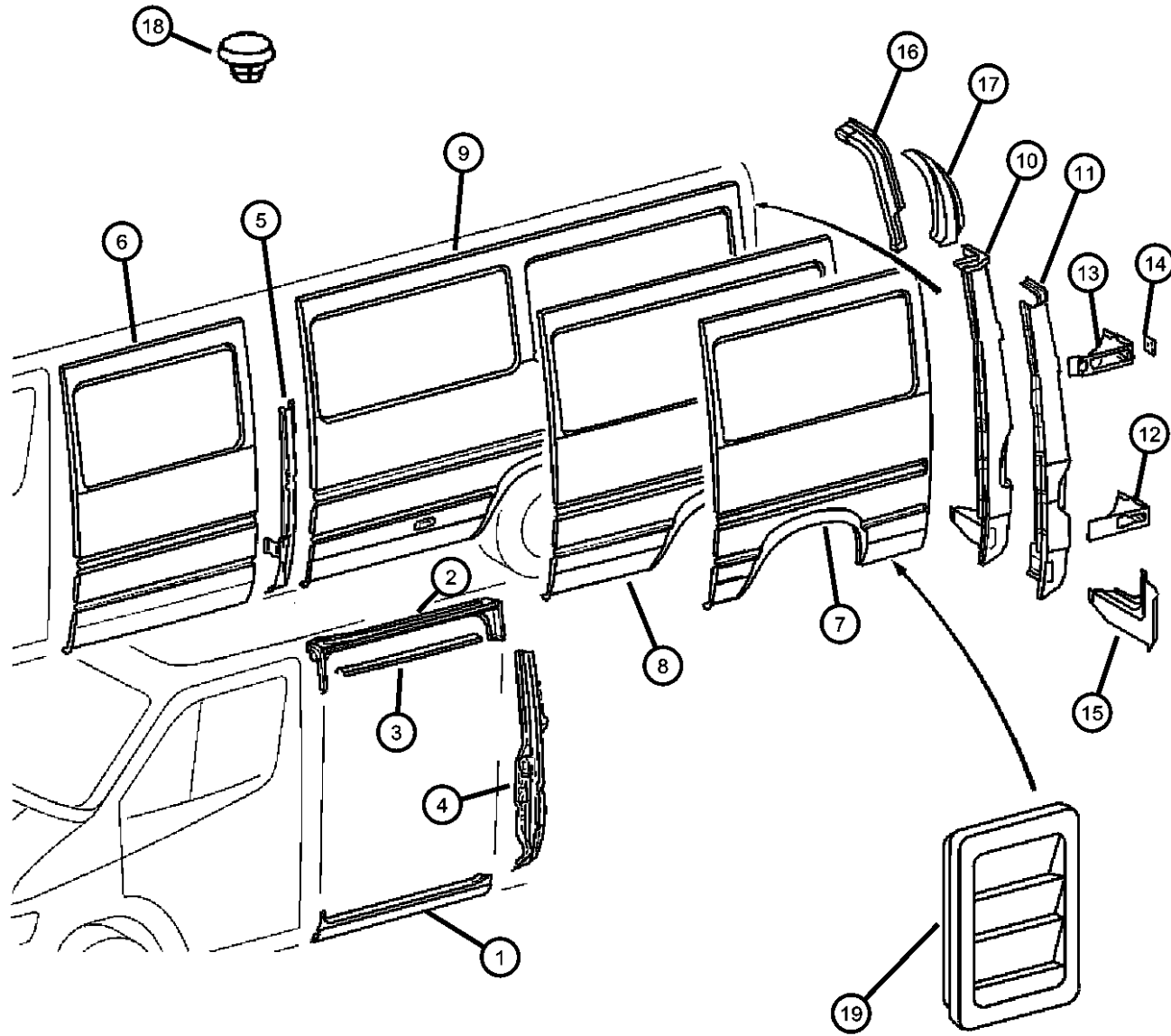
ITEM	PART NUMBER	QTY	LINE	SERIES	BODY	ENGINE	TRANS	TRIM	DESCRIPTION
		1	2, 6		51, 52, 54, 55, 56				With 140 & 158 Inch Wheelbase
		1	3, 7		12, 15, 16				With 140 & 158 Inch Wheelbase
6	05104205AA	1	2, 6		11, 12, 14, 15, 16				PANEL, Body Side Front
7	05104212AA	1	3, 7		12, 15, 16				PANEL, Body Side Rear, With 118 Inch Wheelbase
8		1	2, 6		11, 12, 14, 15, 16				PANEL, Body Side Rear, With 140 Inch Wheelbase
	05121990AA	1	3, 7		12, 15, 16				
	05131158AA	1	2, 6		11, 12, 14, 15, 16				With 16x6 Steel Wheels
	05131164AA	1	2, 6		51, 52, 54, 55, 56				With 16x6 Steel Wheels
	05121941AA	1	2, 6		11, 12, 14, 15, 16				
	05121948AA	1	2, 6		51, 52, 54, 55, 56				
9									PANEL, Body Side Rear, With 158 Inch Wheelbase
	05104219AA	1	2, 6		11, 12, 14, 15, 16				
	05121995AA	1	3, 7		12, 15, 16				
	05131170AA	1	2, 6		11, 12, 14, 15, 16				With 16x6 Steel Wheels
	05131176AA	1	2, 6		51, 52, 54, 55, 56				With 16x6 Steel Wheels
10	05104174AA	1	2, 6		11, 12, 14, 15, 16				PANEL, D Pillar Trim High Roof
		1	2, 6		51, 52, 54, 55, 56				High Roof
		1	3, 7		12, 15, 16				High Roof

SPRINTER (VA)

SERIES	LINE	BODY	ENGINE	TRANSMISSION
L = LOWLINE	3 = HD DODGE 2WD 6 = Lt. Duty DODGE 4WD 2 = Med. Duty DODGE 2WD 7 = Med. Duty DODGE 4WD	01 = CHASSIS FORWARD CONTROL W.B.1 02 = CAB CHASSIS WHEEL BASE 2 06 = CAB CHASSIS WHEEL BASE 6 11 = VAN WHEEL BASE 1 12 = VAN WHEEL BASE 2 51 = WAGON WHEEL BASE 1 52 = WAGON WHEEL BASE 2 14 = VAN WHEEL BASE 4 15 = VAN WHEEL BASE 5 56 = WAGON WHEEL BASE 6 16 = VAN WHEEL BASE 6 54 = WAGON WHEEL BASE 4 55 = WAGON WHEEL BASE 5	EX9 = Engine-2.7L I5 Mercedes Turbo Diesel	DGJ = Transmission-5-Spd. Automatic, W5A580

AR = use ase required - = Non illustrated part

Left Side Panels, Wagon
Figure SVA-960



ITEM	PART NUMBER	QTY	LINE	SERIES	BODY	ENGINE	TRANS	TRIM	DESCRIPTION
	05104172AA	1	2, 6		11, 12, 14, 15, 16				Low Roof
		1	2, 6		51, 52, 54, 55, 56				Low Roof
		1	3, 7		16, 12, 15				Low Roof
11	05104206AA	1	2, 6		11, 12, 14, 15, 16				PANEL, D Pillar Trim
		1	2, 6		51, 52, 54, 55, 56				
		1	3, 7		12, 15, 16				
12	05122031AA	1	2, 6		11, 12, 14, 15, 16				REINFORCEMENT, Rear door hinge
		1	2, 6		51, 52, 54, 55, 56				
		1	3, 7		12, 15, 16				
13	05122032AA	1	3, 7		12, 15, 16				REINFORCEMENT, Rear door hinge
		1	2, 6		11, 12, 14, 15, 16				
		1	2, 6		51, 52, 54, 55, 56				
14	05104188AA	2	2, 6		15, 16, 11, 12, 14				PLATE, Rear Door Hinge
		2	2, 6		51, 52, 54, 55, 56				
		2	3, 7		12, 15, 16				
15	05104207AA	1	2, 6		11, 12, 14, 15, 16				EXTENSION, D Pillar Lower

SPRINTER (VA)

SERIES

L = LOWLINE

LINE

3 = HD DODGE 2WD
6 = Lt. Duty DODGE 4WD
2 = Med. Duty DODGE 2WD
7 = Med. Duty DODGE 4WD

BODY

01 = CHASSIS FORWARD CONTROL W.B.1
02 = CAB CHASSIS WHEEL BASE 2
06 = CAB CHASSIS WHEEL BASE 6
11 = VAN WHEEL BASE 1
12 = VAN WHEEL BASE 2
51 = WAGON WHEEL BASE 1
52 = WAGON WHEEL BASE 2
14 = VAN WHEEL BASE 4
15 = VAN WHEEL BASE 5
56 = WAGON WHEEL BASE 6
16 = VAN WHEEL BASE 6
54 = WAGON WHEEL BASE 4
55 = WAGON WHEEL BASE 5

ENGINE

EX9 = Engine-2.7L I5
Mercedes Turbo Diesel

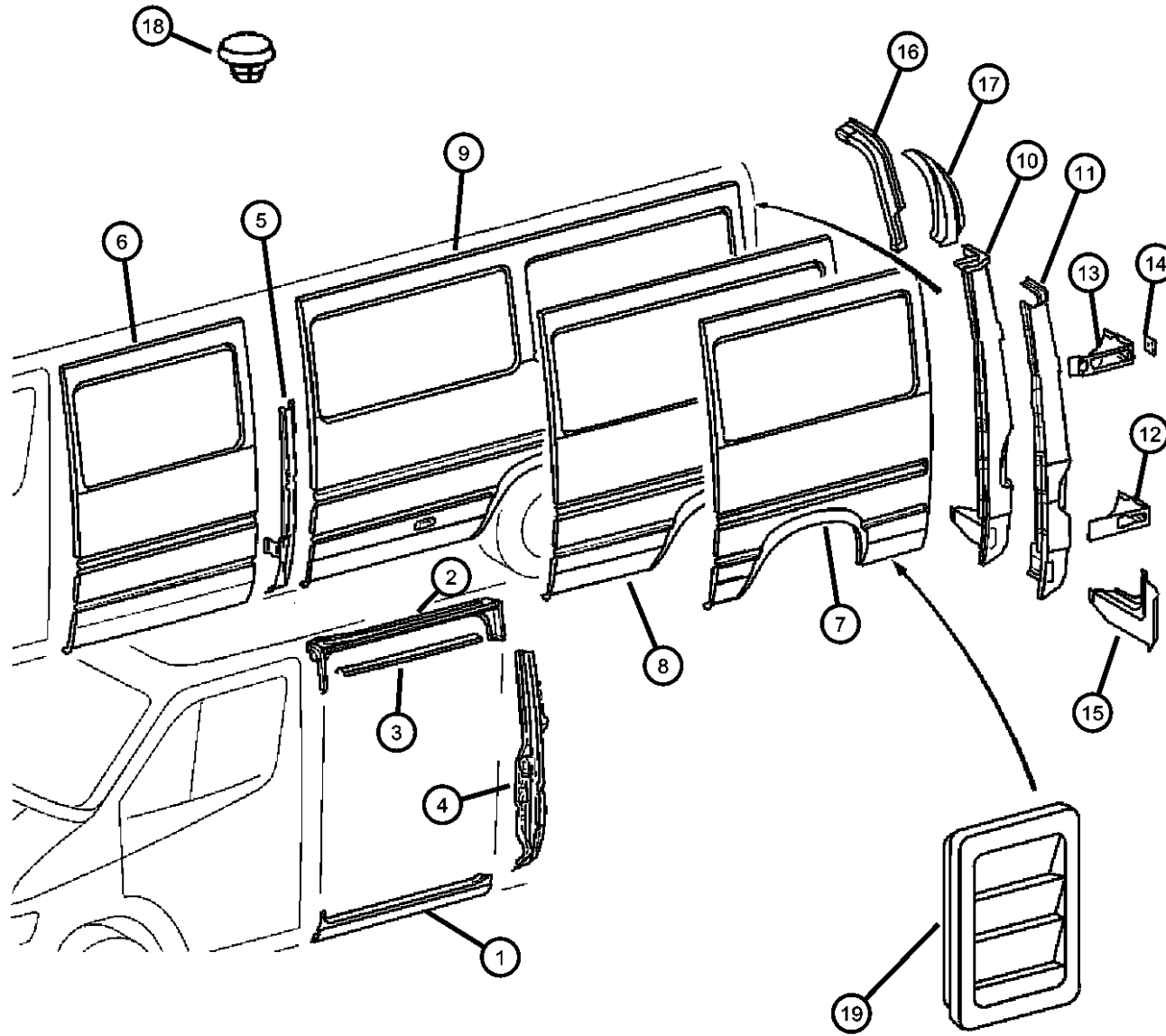
TRANSMISSION

DGJ = Transmission-5-Spd. Automatic, W5A580

AR = use ase required - = Non illustrated part

2002 VA

Left Side Panels, Wagon
Figure SVA-960



ITEM	PART NUMBER	QTY	LINE	SERIES	BODY	ENGINE	TRANS	TRIM	DESCRIPTION
		1	2, 6		51, 52, 54, 55, 56				
		1	3, 7		12, 15, 16				
16	05121988AA	1	3, 7		12, 15, 16				EXTENSION, D Pillar Upper
		1	2, 6		11, 12, 14, 15, 16				
		1	2, 6		51, 52, 54, 55, 56				
17	05122050AA	1	2, 6		11, 12, 14, 15, 16				PANEL, D Pillar Trim
		1	2, 6		51, 52, 54, 55, 56				
		1	3, 7		12, 15, 16				
18	05133657AA	1	2, 6		11, 12, 14, 15, 16				PLUG, Expansion
		1	2, 6		54, 55, 56, 51, 52				
		1	3, 7		12, 15, 16				
19	05104472AA	2	2, 6		11, 12, 14, 15, 16				EXHAUSTER, Quarter Panel
		2	2, 6		51, 52, 54, 55, 56				
		2	3, 7		12, 15, 16				

SPRINTER (VA)

SERIES

L = LOWLINE

LINE

3 = HD DODGE 2WD
6 = Lt. Duty DODGE 4WD
2 = Med. Duty DODGE 2WD
7 = Med. Duty DODGE 4WD

BODY

01 = CHASSIS FORWARD CONTROL W.B.1
02 = CAB CHASSIS WHEEL BASE 2
06 = CAB CHASSIS WHEEL BASE 6
11 = VAN WHEEL BASE 1
12 = VAN WHEEL BASE 2
51 = WAGON WHEEL BASE 1
52 = WAGON WHEEL BASE 2
14 = VAN WHEEL BASE 4
15 = VAN WHEEL BASE 5
56 = WAGON WHEEL BASE 6
16 = VAN WHEEL BASE 6
54 = WAGON WHEEL BASE 4
55 = WAGON WHEEL BASE 5

ENGINE

EX9 = Engine-2.7L I5
Mercedes Turbo Diesel

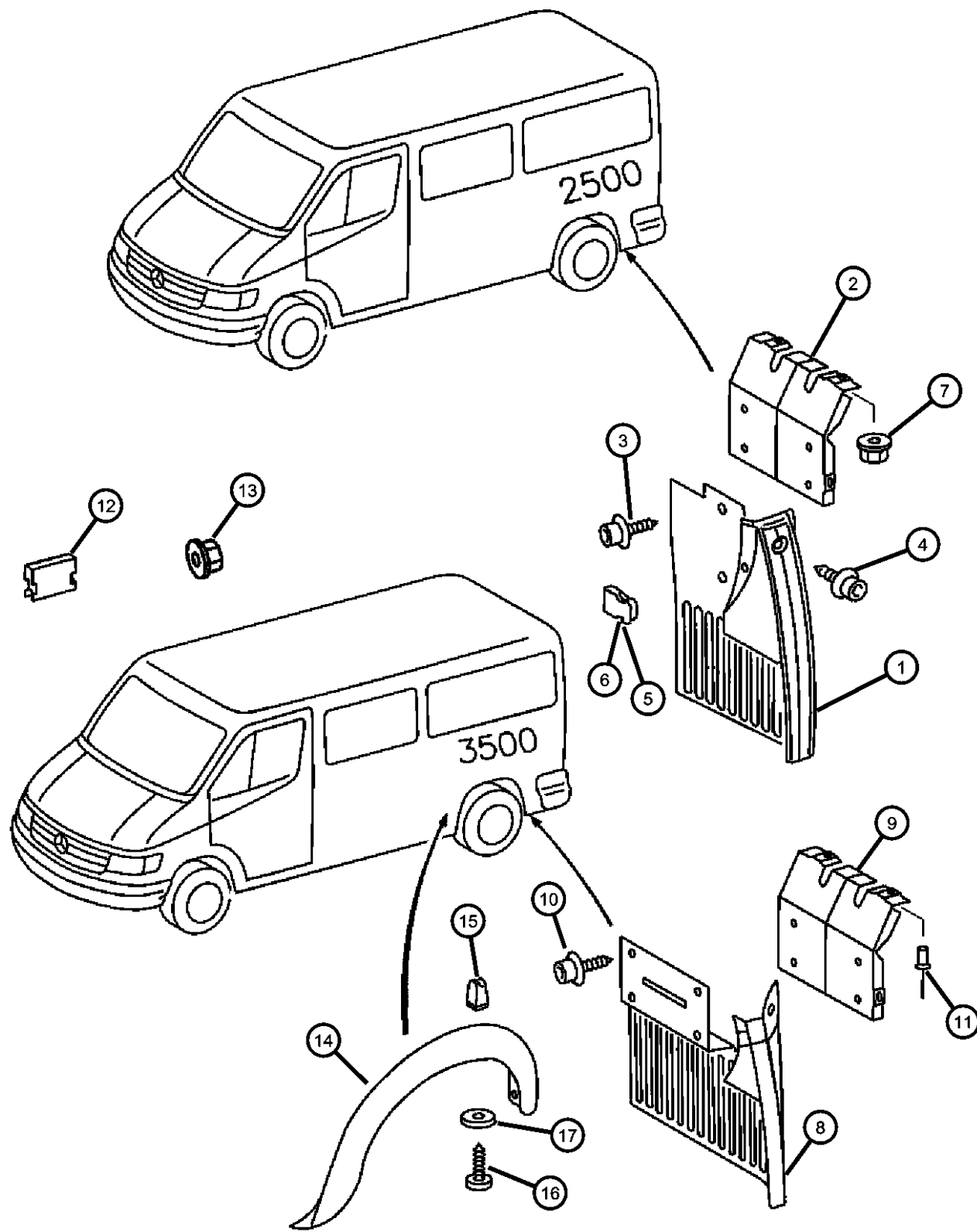
TRANSMISSION

DGJ = Transmission-5-Spd. Automatic, W5A580

AR = use ase required - = Non illustrated part

2002 VA

Rear Splash Shield
Figure SVA-970



ITEM	PART NUMBER	QTY	LINE	SERIES	BODY	ENGINE	TRANS	TRIM	DESCRIPTION
1									GUARD, Splash
	05104518AA	1	2, 6		11, 12, 14, 15, 16				With 15 Inch Wheels, Left
		1	2, 6		51, 52, 54, 55, 56				With 15 Inch Wheels, Left
	05104521AA	1	2, 6		11, 12, 14, 15, 16				With 15 Inch Wheels, Right
		1	2, 6		51, 52, 54, 55, 56				With 15 Inch Wheels, Right
	05125152AA	1	3, 7		12, 15, 16				Left
	05125153AA	1	3, 7		12, 15, 16				Right
	05132505AA	1	2, 6		11, 12, 14, 15, 16				With 16x6 Steel Wheels, Left
		1	2, 6		51, 52, 54, 55, 56				With 16x6 Steel Wheels, Left
	05132507AA	1	2, 6		11, 12, 14, 15, 16				With 16x6 Steel Wheels, Right
		1	2, 6		51, 52, 54, 55, 56				With 16x6 Steel Wheels, Right
2									BRACKET, SPLASH GUARD, SPRINTER
	05104520AA	1	2, 6		11, 12, 14, 15, 16				Left
		1	2, 6		51, 52, 54, 55, 56				Left
	05104522AA	1	2, 6		11, 12, 14, 15, 16				Right
		1	2, 6		51, 52, 54, 55, 56				Right
3									SCREW, NONE, SPRINTER
	06104581AA	6	2, 6		11, 12, 14, 15, 16				
		6	2, 6		51, 52, 54, 55, 56				
		6	3, 7		12, 15, 16				
4									SCREW

SPRINTER (VA)
SERIES

L = LOWLINE
3 = HD DODGE 2WD
6 = Lt. Duty DODGE 4WD
2 = Med. Duty DODGE 2WD
7 = Med. Duty DODGE 4WD

BODY

01 = CHASSIS FORWARD CONTROL W.B.1
02 = CAB CHASSIS WHEEL BASE 2
06 = CAB CHASSIS WHEEL BASE 6
11 = VAN WHEEL BASE 1
12 = VAN WHEEL BASE 2
51 = WAGON WHEEL BASE 1
52 = WAGON WHEEL BASE 2
14 = VAN WHEEL BASE 4
15 = VAN WHEEL BASE 5
56 = WAGON WHEEL BASE 6
16 = VAN WHEEL BASE 6
54 = WAGON WHEEL BASE 4
55 = WAGON WHEEL BASE 5

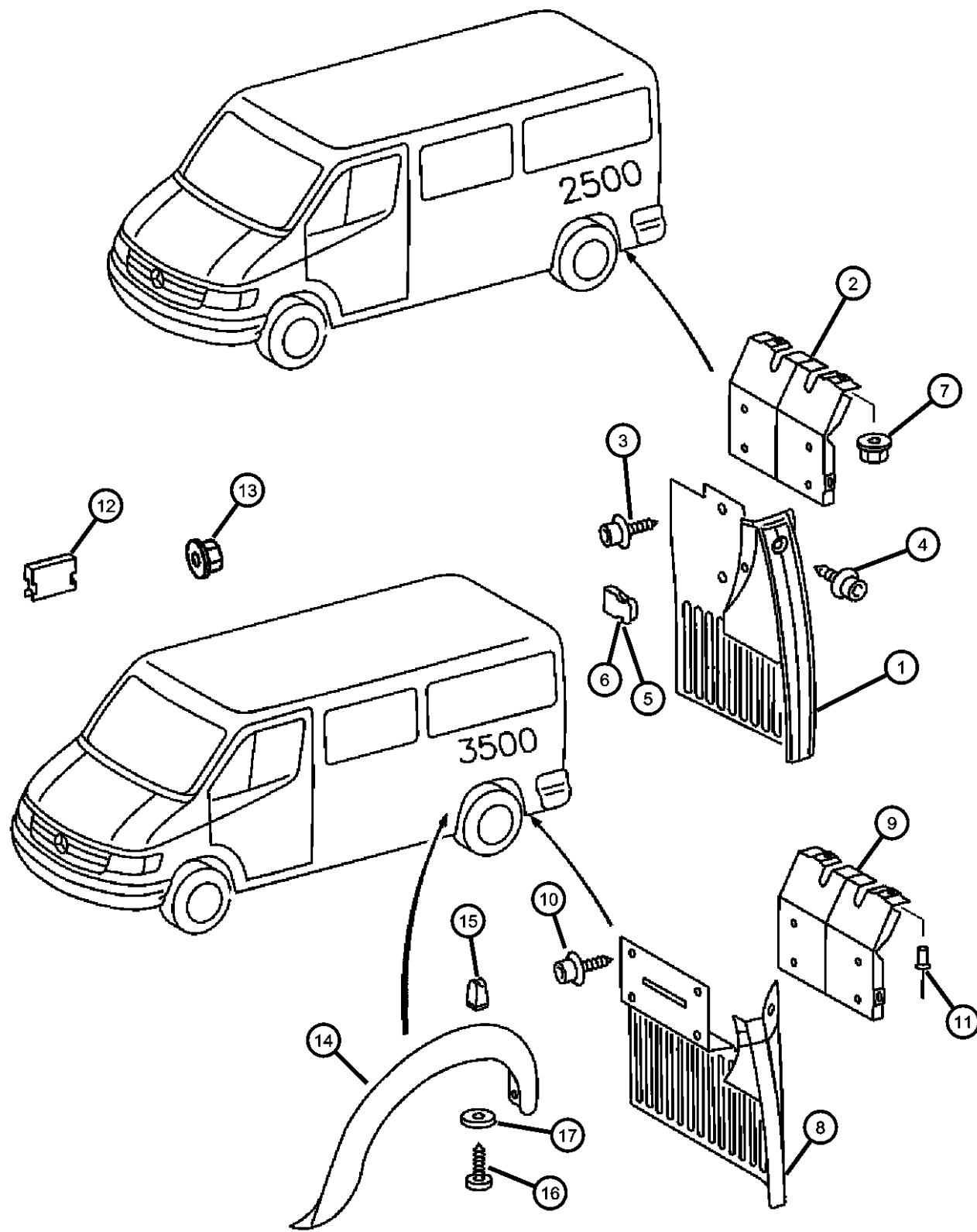
ENGINE

EX9 = Engine-2.7L I5
Mercedes Turbo Diesel

TRANSMISSION

DGJ = Transmission-5-Spd. Automatic, W5A580

Rear Splash Shield
Figure SVA-970



ITEM	PART NUMBER	QTY	LINE	SERIES	BODY	ENGINE	TRANS	TRIM	DESCRIPTION
	06104582AA	2	2, 6		11, 12, 14, 15, 16				
		2	2, 6		51, 52, 54, 55, 56				
		4	3, 7		12, 15, 16				
5									CLIP, SPLASH GUARD TO BODY, SPRINTER
	05103875AA	2	2, 6		11, 12, 14, 15, 16				
		2	2, 6		51, 52, 54, 55, 56				
6									CLIP
	05132726AA	2	2, 6		11, 12, 14, 15, 16				
		2	2, 6		51, 52, 54, 55, 56				
7									NUT, Hex
	06104911AA	2	2, 6		11, 12, 14, 15, 16				
		2	2, 6		51, 52, 54, 55, 56				
		2	3, 7		12, 15, 16				
8									GUARD, Splash
	05125152AA	1	3, 7		12, 15, 16				Left
	05125153AA	1	3, 7		12, 15, 16				Right
9	05125158AA	2	3, 7		12, 15, 16				BRACKET, SPLASH GUARD, SPRINTERRight & Left
10	06104581AA	8	3, 7		12, 15, 16				SCREW, NONE, SPRINTER
11	06104871AA	4	3, 7		12, 15, 16				RIVET
12	05125567AA	4	3, 7		12, 15, 16				CLIP, SPLASH GUARD TO BODY, SPRINTER
13	06104911AA	2	3, 7		12, 15, 16				NUT, Hex
14	05125142AA	2	3, 7		12, 15, 16				MOLDING, Wheel Opening Flare

SPRINTER (VA)

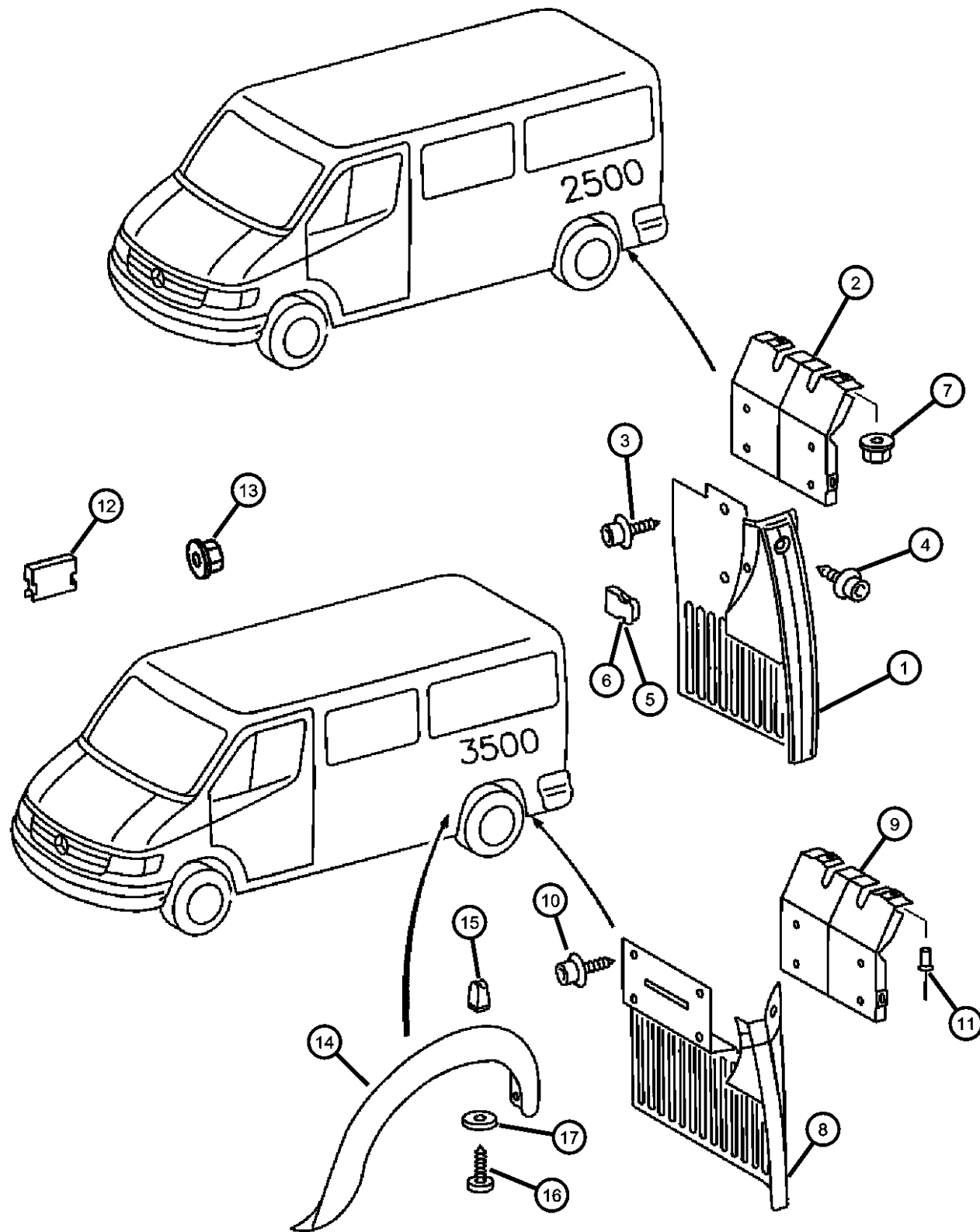
SERIES	LINE	BODY	ENGINE	TRANSMISSION
L = LOWLINE	3 = HD DODGE 2WD 6 = Lt. Duty DODGE 4WD 2 = Med. Duty DODGE 2WD 7 = Med. Duty DODGE 4WD	01 = CHASSIS FORWARD CONTROL W.B.1 02 = CAB CHASSIS WHEEL BASE 2 06 = CAB CHASSIS WHEEL BASE 6 11 = VAN WHEEL BASE 1 12 = VAN WHEEL BASE 2 51 = WAGON WHEEL BASE 1 52 = WAGON WHEEL BASE 2 14 = VAN WHEEL BASE 4 15 = VAN WHEEL BASE 5 56 = WAGON WHEEL BASE 6 16 = VAN WHEEL BASE 6 54 = WAGON WHEEL BASE 4 55 = WAGON WHEEL BASE 5	EX9 = Engine-2.7L I5 Mercedes Turbo Diesel	DGJ = Transmission-5-Spd. Automatic, W5A580

AR = use ase required - = Non illustrated part

Rear Splash Shield
Figure SVA-970

ITEM	PART NUMBER	QTY	LINE	SERIES	BODY	ENGINE	TRANS	TRIM	DESCRIPTION
------	-------------	-----	------	--------	------	--------	-------	------	-------------

15	05098837AA	16	3, 7		12, 15, 16				NUT, Plastic Snap-in
16	06104614AA	16	3, 7		12, 15, 16				SCREW
17	05104639AA	16	7		12, 15, 16				WASHER



SPRINTER (VA)

SERIES

L = LOWLINE

LINE

3 = HD DODGE 2WD
6 = Lt. Duty DODGE 4WD
2 = Med. Duty DODGE 2WD
7 = Med. Duty DODGE 4WD

BODY

01 = CHASSIS FORWARD CONTROL W.B.1
02 = CAB CHASSIS WHEEL BASE 2
06 = CAB CHASSIS WHEEL BASE 6
11 = VAN WHEEL BASE 1
12 = VAN WHEEL BASE 2
51 = WAGON WHEEL BASE 1
52 = WAGON WHEEL BASE 2
14 = VAN WHEEL BASE 4
15 = VAN WHEEL BASE 5
56 = WAGON WHEEL BASE 6
16 = VAN WHEEL BASE 6
54 = WAGON WHEEL BASE 4
55 = WAGON WHEEL BASE 5

ENGINE

EX9 = Engine-2.7L I5 Mercedes Turbo Diesel

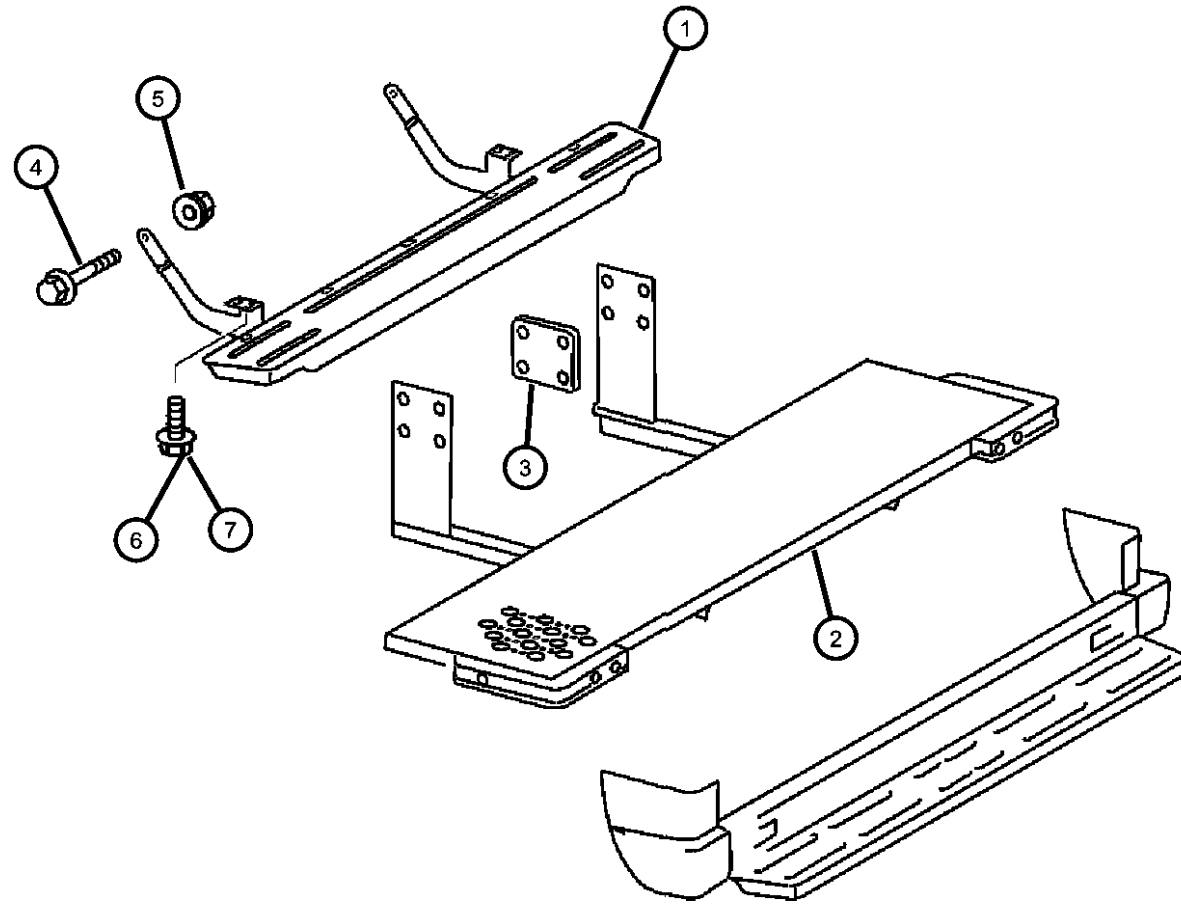
TRANSMISSION

DGJ = Transmission-5-Spd. Automatic, W5A580

AR = use ase required - = Non illustrated part

2002 VA

Rear Step Panel
Figure SVA-980



ITEM	PART NUMBER	QTY	LINE	SERIES	BODY	ENGINE	TRANS	TRIM	DESCRIPTION
1									BUMPER, Step
	05104133AA	1	2, 6		11, 12, 14, 15, 16				With 118 Inch Wheelbase
		1	2, 6		51, 52, 54, 55, 56				With 118 Inch Wheelbase
	05120038AA	1	3, 7		12, 15, 16				With 140 Inch Wheelbase
	05104132AA	1	2, 6		11, 12, 14, 15, 16				With 140 & 158 Inch Wheelbase
		1	2, 6		51, 52, 54, 55, 56				With 140 & 158 Inch Wheelbase
	05120040AA	1	3, 7		12, 15, 16				With 158 Inch Wheelbase
2									BUMPER, Step
	05104135AA	1	2, 6		11, 12, 14, 15, 16				
		1	2, 6		51, 52, 54, 55, 56				
	05120038AA	1	3, 7		12, 15, 16				
3									PLATE, Towing Mounting
	05104056AA	2	2, 6		11, 12, 14, 15, 16				
		2	2, 6		51, 52, 54, 55, 56				
		2	3, 7		12, 15, 16				
4									SCREW
	05104664AA	8	2, 6		11, 12, 14, 15, 16				
		8	2, 6		51, 52, 54, 55, 56				
		8	3, 7		12, 15, 16				
5									NUT
	06104718AA	8	2, 6		11, 12, 14, 15, 16				
		8	2, 6		51, 52, 54, 55, 56				
		8	3, 7		12, 15, 16				

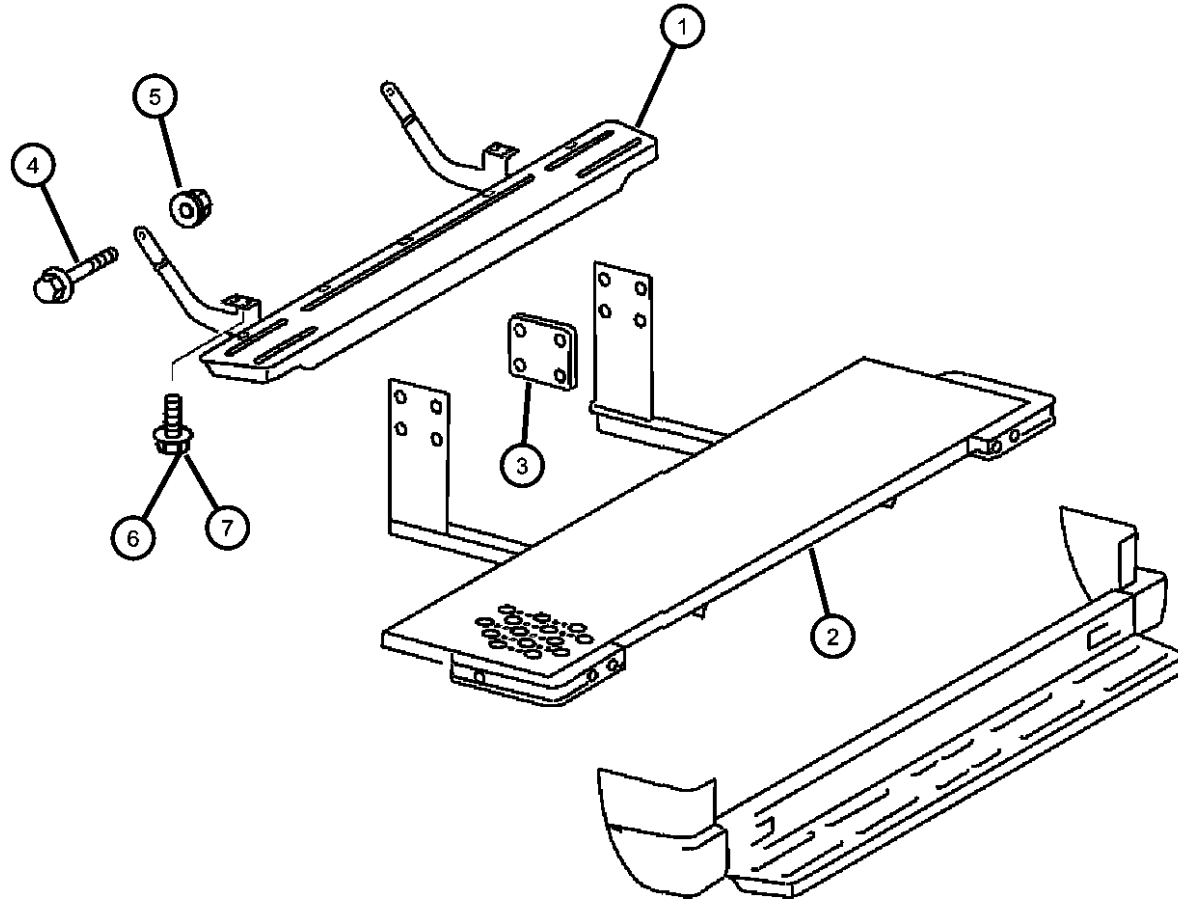
SPRINTER (VA)

SERIES	LINE	BODY	ENGINE	TRANSMISSION
L = LOWLINE	3 = HD DODGE 2WD 6 = Lt. Duty DODGE 4WD 2 = Med. Duty DODGE 2WD 7 = Med. Duty DODGE 4WD	01 = CHASSIS FORWARD CONTROL W.B.1 02 = CAB CHASSIS WHEEL BASE 2 06 = CAB CHASSIS WHEEL BASE 6 11 = VAN WHEEL BASE 1 12 = VAN WHEEL BASE 2 51 = WAGON WHEEL BASE 1 52 = WAGON WHEEL BASE 2 14 = VAN WHEEL BASE 4 15 = VAN WHEEL BASE 5 56 = WAGON WHEEL BASE 6 16 = VAN WHEEL BASE 6 54 = WAGON WHEEL BASE 4 55 = WAGON WHEEL BASE 5	EX9 = Engine-2.7L I5 Mercedes Turbo Diesel	DGJ = Transmission-5-Spd. Automatic, W5A580

AR = use ase required - = Non illustrated part

Rear Step Panel
Figure SVA-980

ITEM	PART NUMBER	QTY	LINE	SERIES	BODY	ENGINE	TRANS	TRIM	DESCRIPTION
6	06104215AA	4	2, 6		11, 12, 14, 15, 16				BOLT, Hex Head Rocker Panel to Frame
		4	2, 6		51, 52, 54, 55, 56				Rocker Panel to Frame
		4	3, 7		12, 15, 16				Rocker Panel to Frame
7	05104666AA	4	3, 7		12, 15, 16				SCREW, NONE, SPRINTER



SPRINTER (VA)

SERIES

L = LOWLINE

LINE

3 = HD DODGE 2WD
6 = Lt. Duty DODGE 4WD
2 = Med. Duty DODGE 2WD
7 = Med. Duty DODGE 4WD

BODY

01 = CHASSIS FORWARD CONTROL W.B.1
02 = CAB CHASSIS WHEEL BASE 2
06 = CAB CHASSIS WHEEL BASE 6
11 = VAN WHEEL BASE 1
12 = VAN WHEEL BASE 2
51 = WAGON WHEEL BASE 1
52 = WAGON WHEEL BASE 2
14 = VAN WHEEL BASE 4
15 = VAN WHEEL BASE 5
56 = WAGON WHEEL BASE 6
16 = VAN WHEEL BASE 6
54 = WAGON WHEEL BASE 4
55 = WAGON WHEEL BASE 5

ENGINE

EX9 = Engine-2.7L I5
Mercedes Turbo Diesel

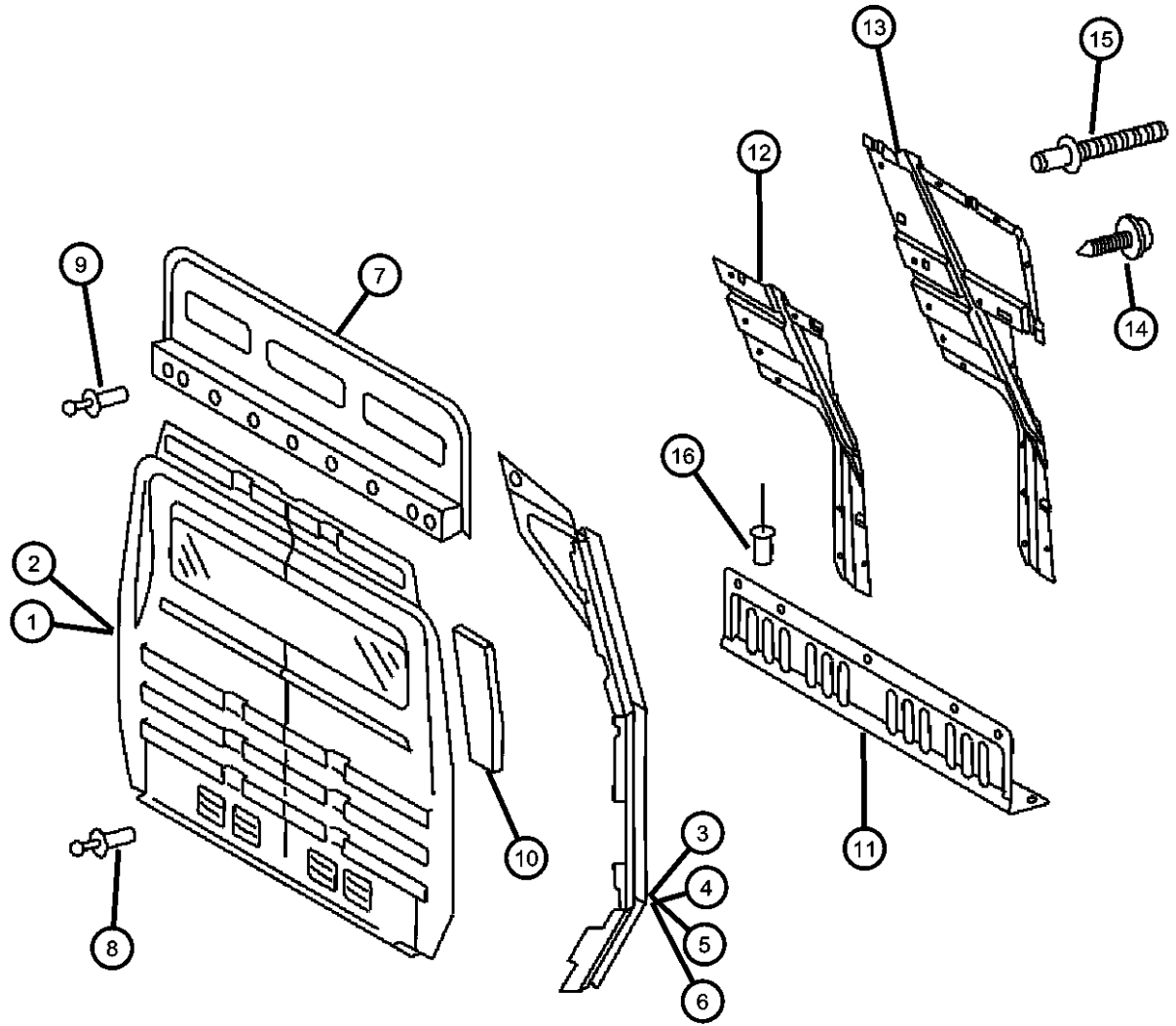
TRANSMISSION

DGJ = Transmission-5-Spd. Automatic, W5A580

AR = use ase required - = Non illustrated part

2002 VA

Partition Wall & Load Protection Grill
Figure SVA-990



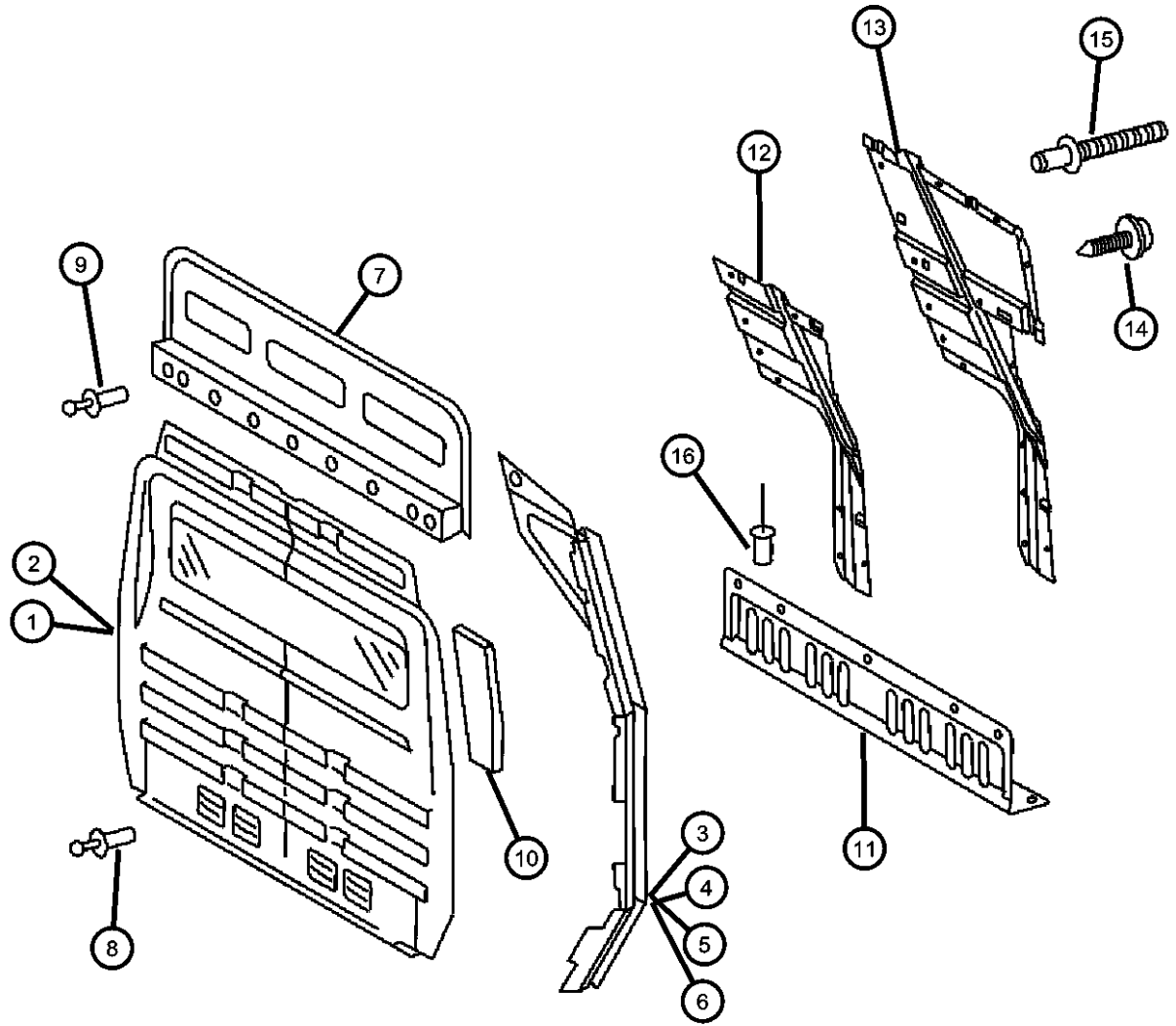
ITEM	PART NUMBER	QTY	LINE	SERIES	BODY	ENGINE	TRANS	TRIM	DESCRIPTION
1	05104304AA	1	2, 6		11, 12, 14, 15, 16				PANEL, Cargo Compartment, Without Windows
		1	3, 7		12, 15, 16				
2	05104307AA	1	2, 6		11, 12, 14, 15, 16				PANEL, Cargo Compartment, With Windows
		1	3, 7		12, 15, 16				
3	05104310AA	1	2, 6		11, 12, 14, 15, 16				PANEL EXTENSION, Extension, W/O Slide Left
		1	3, 7		12, 15, 16				Left
4	05104311AA	1	2, 6		11, 12, 14, 15, 16				PANEL EXTENSION, Extension, W/ Slide Left
		1	3, 7		12, 15, 16				Left
5	05123641AA	1	2, 6		11, 12, 14, 15, 16				PANEL EXTENSION, Extension, W/O Slide Right
		1	3, 7		12, 15, 16				Right
6	05104312AA	1	2, 6		11, 12, 14, 15, 16				PANEL EXTENSION, Extension, W/ Slide Right
		1	3, 7		12, 15, 16				Right
7	05104308AA	1	2, 6		11, 12, 14, 15, 16				PANEL, Cargo Compartment, Upper
		1	3, 7		12, 15, 16				
8									RIVET

SPRINTER (VA)

SERIES	LINE	BODY	ENGINE	TRANSMISSION
L = LOWLINE	3 = HD DODGE 2WD 6 = Lt. Duty DODGE 4WD 2 = Med. Duty DODGE 2WD 7 = Med. Duty DODGE 4WD	01 = CHASSIS FORWARD CONTROL W.B.1 02 = CAB CHASSIS WHEEL BASE 2 06 = CAB CHASSIS WHEEL BASE 6 11 = VAN WHEEL BASE 1 12 = VAN WHEEL BASE 2 51 = WAGON WHEEL BASE 1 52 = WAGON WHEEL BASE 2 14 = VAN WHEEL BASE 4 15 = VAN WHEEL BASE 5 56 = WAGON WHEEL BASE 6 16 = VAN WHEEL BASE 6 54 = WAGON WHEEL BASE 4 55 = WAGON WHEEL BASE 5	EX9 = Engine-2.7L I5 Mercedes Turbo Diesel	DGJ = Transmission-5-Spd. Automatic,W5A580

AR = use ase required - = Non illustrated part

Partition Wall & Load Protection Grill
Figure SVA-990



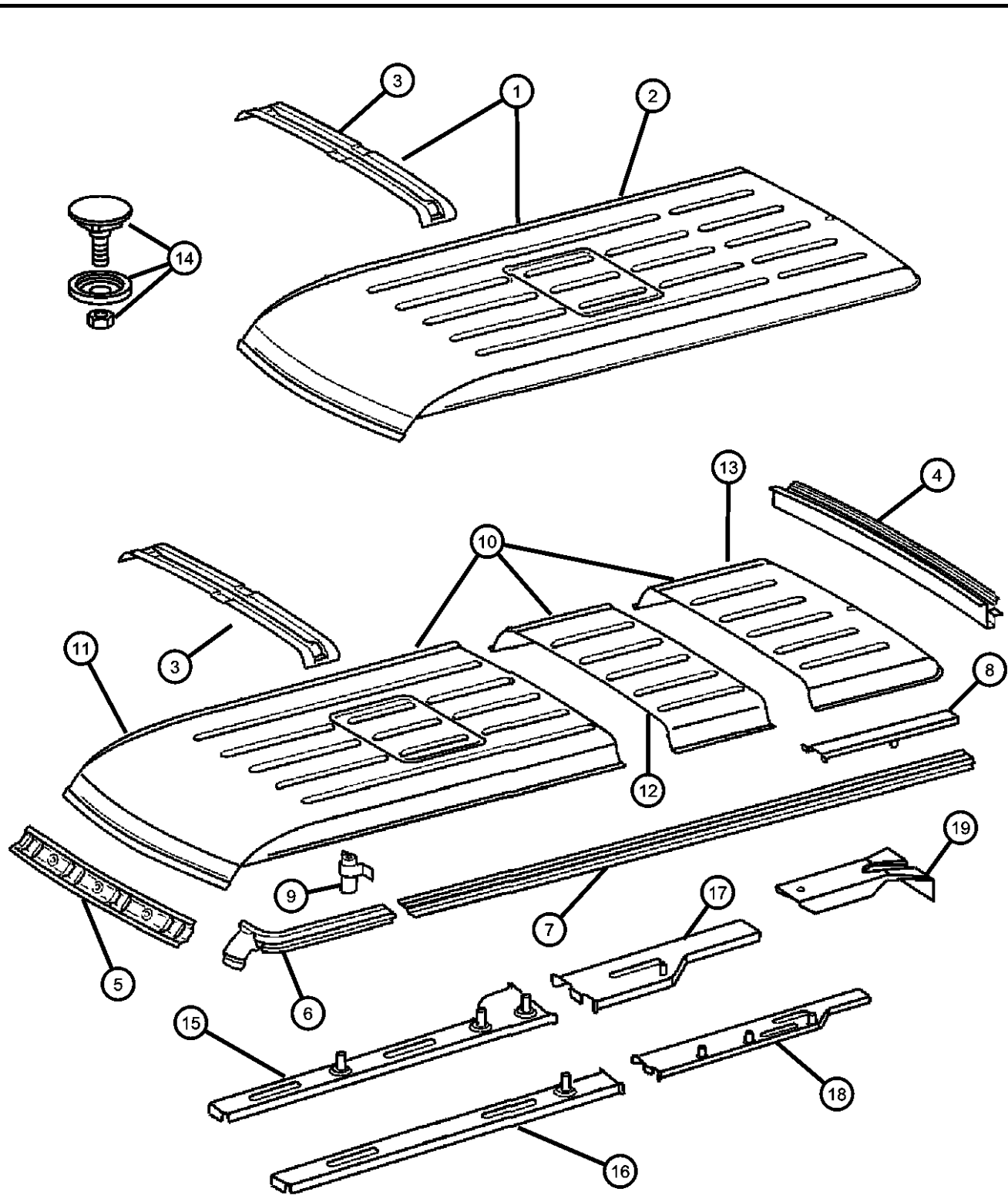
ITEM	PART NUMBER	QTY	LINE	SERIES	BODY	ENGINE	TRANS	TRIM	DESCRIPTION
	05103839AA	16	2, 6		11, 12, 14, 15, 16				
		16	3, 7		12, 15, 16				
9									RIVET
	05103838AA	12	3, 7		12, 15, 16				
		12	2, 6		11, 12, 14, 15, 16				
10									PAD, Isolator
	05103712AA	2	2, 6		11, 12, 14, 15, 16				10 Meters Long
		2	3, 7		12, 15, 16				10 Meters Long
11	05123631AA	1	3, 7		12, 15, 16				REINFORCEMENT, Cab Back
12	05104313AA	1							REINFORCEMENT, Side PanelLeft
13	05104314AA	1							REINFORCEMENT, Side PanelRight
14	06104580AA	2	3, 7		12, 15, 16				SCREW, Tapping
15	05103838AA	16	3, 7		12, 15, 16				RIVET
16	05125822AA	10	3, 7		12, 15, 16				RIVET, Blind Bulb

SPRINTER (VA)

SERIES	LINE	BODY	ENGINE	TRANSMISSION
L = LOWLINE	3 = HD DODGE 2WD 6 = Lt. Duty DODGE 4WD 2 = Med. Duty DODGE 2WD 7 = Med. Duty DODGE 4WD	01 = CHASSIS FORWARD CONTROL W.B.1 02 = CAB CHASSIS WHEEL BASE 2 06 = CAB CHASSIS WHEEL BASE 6 11 = VAN WHEEL BASE 1 12 = VAN WHEEL BASE 2 51 = WAGON WHEEL BASE 1 52 = WAGON WHEEL BASE 2 14 = VAN WHEEL BASE 4 15 = VAN WHEEL BASE 5 56 = WAGON WHEEL BASE 6 16 = VAN WHEEL BASE 6 54 = WAGON WHEEL BASE 4 55 = WAGON WHEEL BASE 5	EX9 = Engine-2.7L I5 Mercedes Turbo Diesel	DGJ = Transmission-5-Spd. Automatic, W5A580

AR = use ase required - = Non illustrated part

Low Roof Panel
Figure SVA-1110



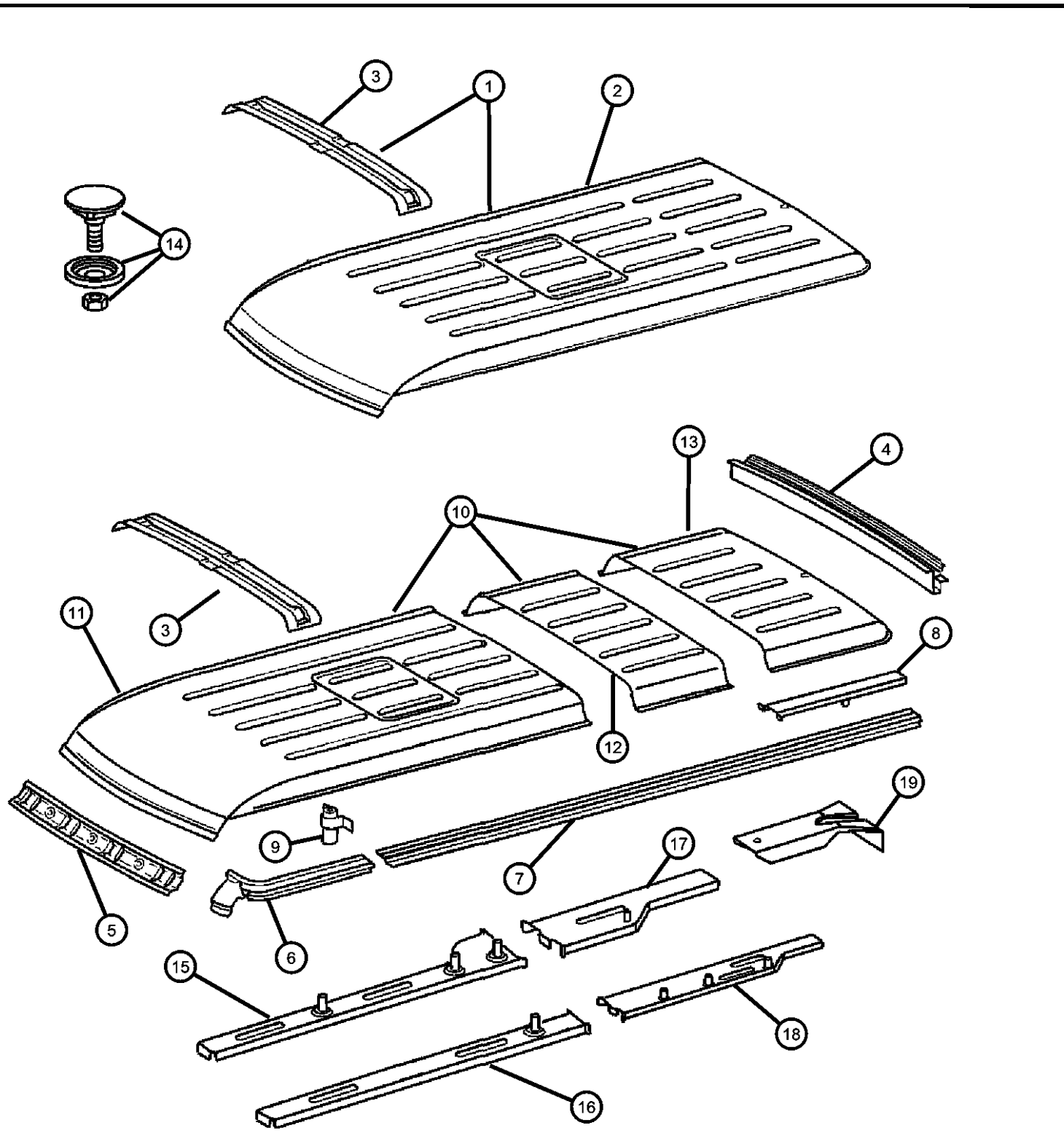
ITEM	PART NUMBER	QTY	LINE	SERIES	BODY	ENGINE	TRANS	TRIM	DESCRIPTION
1									ROOF, "REPAIR SOLUTION WITH ROOF BOW, WHEEL BASE", SPRINTER
	05134039AA	1	2, 6		11, 12, 14, 15, 16				[118] Inch Wheel Base
		1	2, 6		51, 52, 54, 55, 56				[118] Inch Wheel Base
2									PANEL, Roof
	05122155AA	1	2, 6		11, 12, 14, 15, 16				[118] Inch Wheel Base
		1	2, 6		51, 52, 54, 55, 56				[118] Inch Wheel Base
3									BOW, Roof
	05122107AA	3	2, 6		11, 12, 14, 15, 16				
		3	2, 6		51, 52, 54, 55, 56				
4									RAIL, Roof
	05122058AA	1	2, 6		11, 12, 14, 15, 16				
		1	2, 6		51, 52, 54, 55, 56				
5									SUPPORT, Roof
	05104163AA	1	2, 6		11, 12, 14, 15, 16				
		1	2, 6		51, 52, 54, 55, 56				
6									RAIL, Roof Side
	05104194AA	1	2, 6		11, 12, 14, 15, 16				Left
		1	2, 6		51, 52, 54, 55, 56				Left
	05104196AA	1	2, 6		11, 12, 14, 15, 16				Right
		1	2, 6		51, 52, 54, 55, 56				Right
7									RAIL, Roof Side

SPRINTER (VA)

SERIES	LINE	BODY	ENGINE	TRANSMISSION
L = LOWLINE	3 = HD DODGE 2WD 6 = Lt. Duty DODGE 4WD 2 = Med. Duty DODGE 2WD 7 = Med. Duty DODGE 4WD	01 = CHASSIS FORWARD CONTROL W.B.1 02 = CAB CHASSIS WHEEL BASE 2 06 = CAB CHASSIS WHEEL BASE 6 11 = VAN WHEEL BASE 1 12 = VAN WHEEL BASE 2 51 = WAGON WHEEL BASE 1 52 = WAGON WHEEL BASE 2 14 = VAN WHEEL BASE 4 15 = VAN WHEEL BASE 5 56 = WAGON WHEEL BASE 6 16 = VAN WHEEL BASE 6 54 = WAGON WHEEL BASE 4 55 = WAGON WHEEL BASE 5	EX9 = Engine-2.7L I5 Mercedes Turbo Diesel	DGJ = Transmission-5-Spd. Automatic, W5A580

AR = use ase required - = Non illustrated part

Low Roof Panel
Figure SVA-1110

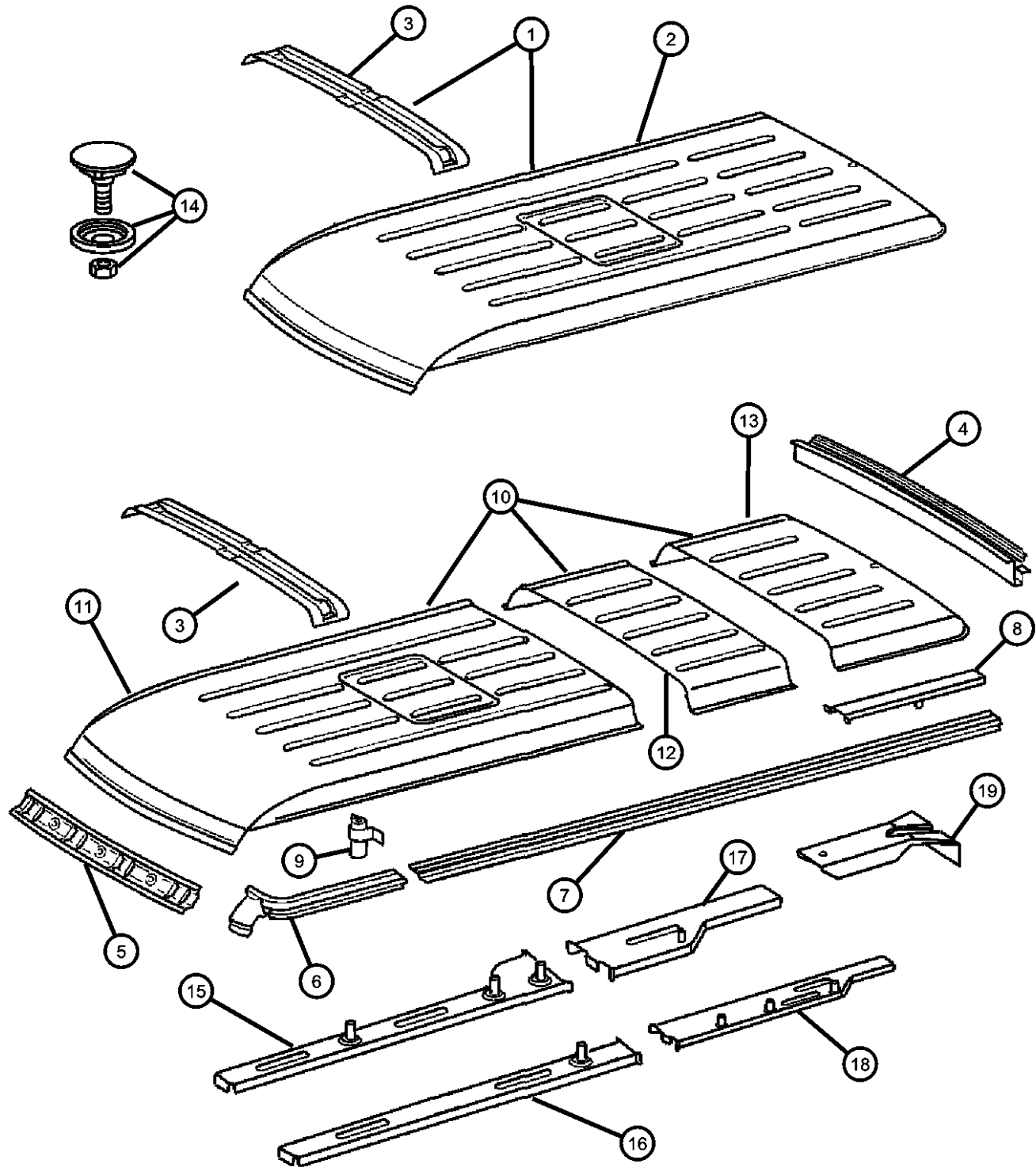


ITEM	PART NUMBER	QTY	LINE	SERIES	BODY	ENGINE	TRANS	TRIM	DESCRIPTION
	05104191AA	1	2, 6		11, 12, 14, 15, 16				[158] Inch Wheel Base, Right & Left
		1	2, 6		51, 52, 54, 55, 56				[158] Inch Wheel Base, Right & Left
		1	3, 7		12, 15, 16				[158] Inch Wheel Base, Right & Left
	05121826AA	1	2, 6		11, 12, 14, 15, 16				[118] Inch Wheel Base, Right & Left
		1	2, 6		51, 52, 54, 55, 56				[118] Inch Wheel Base, Right & Left
	05121827AA	1	2, 6		11, 12, 14, 15, 16				[140] Inch Wheel Base, Right & Left
		1	2, 6		51, 52, 54, 55, 56				[140] Inch Wheel Base, Right & Left
		1	3, 7		12, 15, 16				[140] Inch Wheel Base, Right & Left
8	05131214AA	2	2, 6		51, 52, 54, 55, 56				REINFORCEMENT, Roof Panel, [140] Inch Wheel Base
9	05131213AA	2	2, 6		51, 52, 54, 55, 56				REINFORCEMENT, Roof Panel, [140] Inch Wheel Base
10									ROOF, "REPAIR SOLUTION WITH ROOF BOW, WHEEL BASE", SPRINTER
	05134036AA	1	2, 6		51, 52, 54, 55, 56				[140] Inch Wheel Base
		1	3, 7		12, 15, 16				[140] Inch Wheel Base
11									PANEL, Roof
	05122156AA	1	2, 6		11, 12, 14, 15, 16				[140] Inch Wheel Base
		1	2, 6		51, 52, 54, 55, 56				[140] Inch Wheel Base
12									PANEL, Roof
	05122133AA	1	2, 6		11, 12, 14, 15, 16				[140] Inch Wheel Base
		1	2, 6		51, 52, 54, 55, 56				[140] Inch Wheel Base
13									PANEL, Roof

SPRINTER (VA)
SERIES
 L = LOWLINE
LINE
 3 = HD DODGE 2WD
 6 = Lt. Duty DODGE 4WD
 2 = Med. Duty DODGE 2WD
 7 = Med. Duty DODGE 4WD
BODY
 01 = CHASSIS FORWARD CONTROL W.B.1
 02 = CAB CHASSIS WHEEL BASE 2
 06 = CAB CHASSIS WHEEL BASE 6
 11 = VAN WHEEL BASE 1
 12 = VAN WHEEL BASE 2
 51 = WAGON WHEEL BASE 1
 52 = WAGON WHEEL BASE 2
 14 = VAN WHEEL BASE 4
 15 = VAN WHEEL BASE 5
 56 = WAGON WHEEL BASE 6
 16 = VAN WHEEL BASE 6
 54 = WAGON WHEEL BASE 4
 55 = WAGON WHEEL BASE 5
ENGINE
 EX9 = Engine-2.7L I5 Mercedes Turbo Diesel
TRANSMISSION
 DGJ = Transmission-5-Spd. Automatic, W5A580

AR = use ase required - = Non illustrated part

Low Roof Panel
Figure SVA-1110



ITEM	PART NUMBER	QTY	LINE	SERIES	BODY	ENGINE	TRANS	TRIM	DESCRIPTION
	05122134AA	1	2, 6		11, 12, 14, 15, 16				[140] Inch Wheel Base
		1	2, 6		51, 52, 54, 55, 56				[140] Inch Wheel Base
14	05124422AA	1	2, 6		11, 12, 14, 15, 16				PANEL, For Sealing Antenna
		1	2, 6		51, 52, 54, 55, 56				
		1	3, 7		12, 15, 16				
15		1							BRACKET, Roof, (NOT SERVICED)
16		1							BRACKET, Roof, Front Right, (NOT SERVICED)
17		1							BRACKET, Roof, (NOT SERVICED)
18		1							BRACKET, Roof, (NOT SERVICED)
19	05122125AA	2	2, 6		51, 52, 54, 55, 56				REINFORCEMENT, Roof Panel

SPRINTER (VA)

SERIES
L = LOWLINE

LINE

3 = HD DODGE 2WD
6 = Lt. Duty DODGE 4WD
2 = Med. Duty DODGE 2WD
7 = Med. Duty DODGE 4WD

BODY

01 = CHASSIS FORWARD CONTROL W.B.1
02 = CAB CHASSIS WHEEL BASE 2
06 = CAB CHASSIS WHEEL BASE 6
11 = VAN WHEEL BASE 1
12 = VAN WHEEL BASE 2
51 = WAGON WHEEL BASE 1
52 = WAGON WHEEL BASE 2
14 = VAN WHEEL BASE 4
15 = VAN WHEEL BASE 5
56 = WAGON WHEEL BASE 6
16 = VAN WHEEL BASE 6
54 = WAGON WHEEL BASE 4
55 = WAGON WHEEL BASE 5

ENGINE

EX9 = Engine-2.7L I5
Mercedes Turbo Diesel

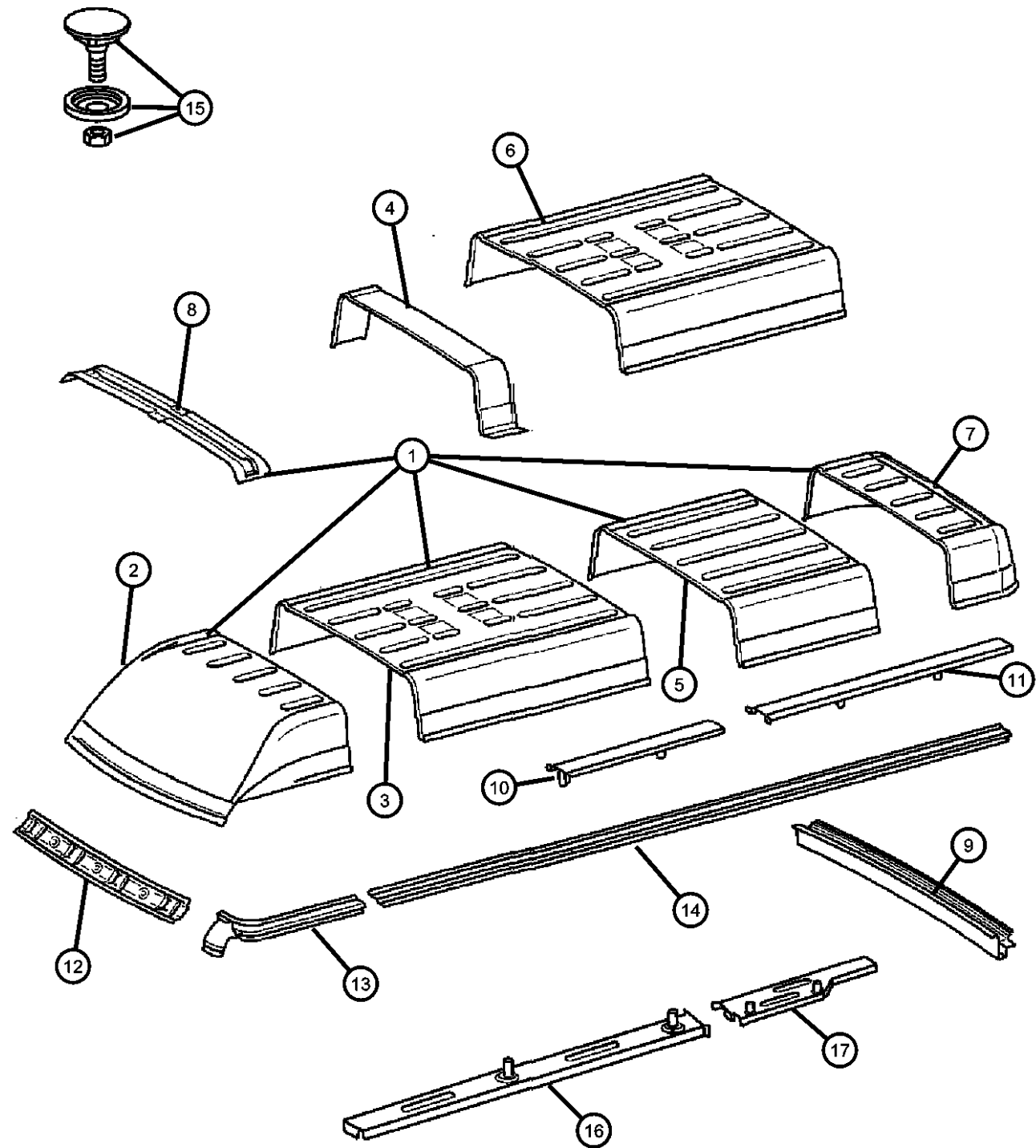
TRANSMISSION

DGJ = Transmission-5-Spd. Automatic, W5A580

AR = use ase required - = Non illustrated part

2002 VA

High Roof Panel
Figure SVA-1120



ITEM	PART NUMBER	QTY	LINE	SERIES	BODY	ENGINE	TRANS	TRIM	DESCRIPTION
1									ROOF, "REPAIR SOLUTION WITH ROOF BOW, WHEEL BASE", SPRINTER
	05104228AA	1	2, 6		51, 52, 54, 55, 56				140 Inch Wheel Base
		1	3, 7		12, 15, 16				140 Inch Wheel Base
	05134037AA	1	2, 6		51, 52, 54, 55, 56				158 Inch Wheel Base
		1	3, 7		12, 15, 16				158 Inch Wheel Base
	05134038AA	1	2, 6		11, 12, 14, 15, 16				118 Inch Wheel Base
		1	2, 6		51, 52, 54, 55, 56				118 Inch Wheel Base
2									PANEL, Roof
	05104233AA	1	2, 6		11, 12, 14, 15, 16				
		1	2, 6		51, 52, 54, 55, 56				
		1	3, 7		12, 15, 16				
3									PANEL, Roof
	05122143AA	2	2, 6		51, 52, 54, 55, 56				
		1	3, 7		12, 15, 16				
		2	2, 6		11, 12, 14, 15, 16				
4									EXTENSION, Roof Bow
	05131242AA	1	2, 6		11, 12, 14, 15, 16				
		1	2, 6		51, 52, 54, 55, 56				
5									PANEL, Roof
	05122144AA	1	2, 6		11, 12, 14, 15, 16				140 Inch Wheel Base
		1	2, 6		51, 52, 54, 55, 56				140 Inch Wheel Base
		1	3, 7		12, 15, 16				140 Inch Wheel Base

SPRINTER (VA)

SERIES

L = LOWLINE

LINE

3 = HD DODGE 2WD
6 = Lt. Duty DODGE 4WD
2 = Med. Duty DODGE 2WD
7 = Med. Duty DODGE 4WD

BODY

01 = CHASSIS FORWARD CONTROL W.B.1
02 = CAB CHASSIS WHEEL BASE 2
06 = CAB CHASSIS WHEEL BASE 6
11 = VAN WHEEL BASE 1
12 = VAN WHEEL BASE 2
51 = WAGON WHEEL BASE 1
52 = WAGON WHEEL BASE 2
14 = VAN WHEEL BASE 4
15 = VAN WHEEL BASE 5
56 = WAGON WHEEL BASE 6
16 = VAN WHEEL BASE 6
54 = WAGON WHEEL BASE 4
55 = WAGON WHEEL BASE 5

ENGINE

EX9 = Engine-2.7L I5
Mercedes Turbo Diesel

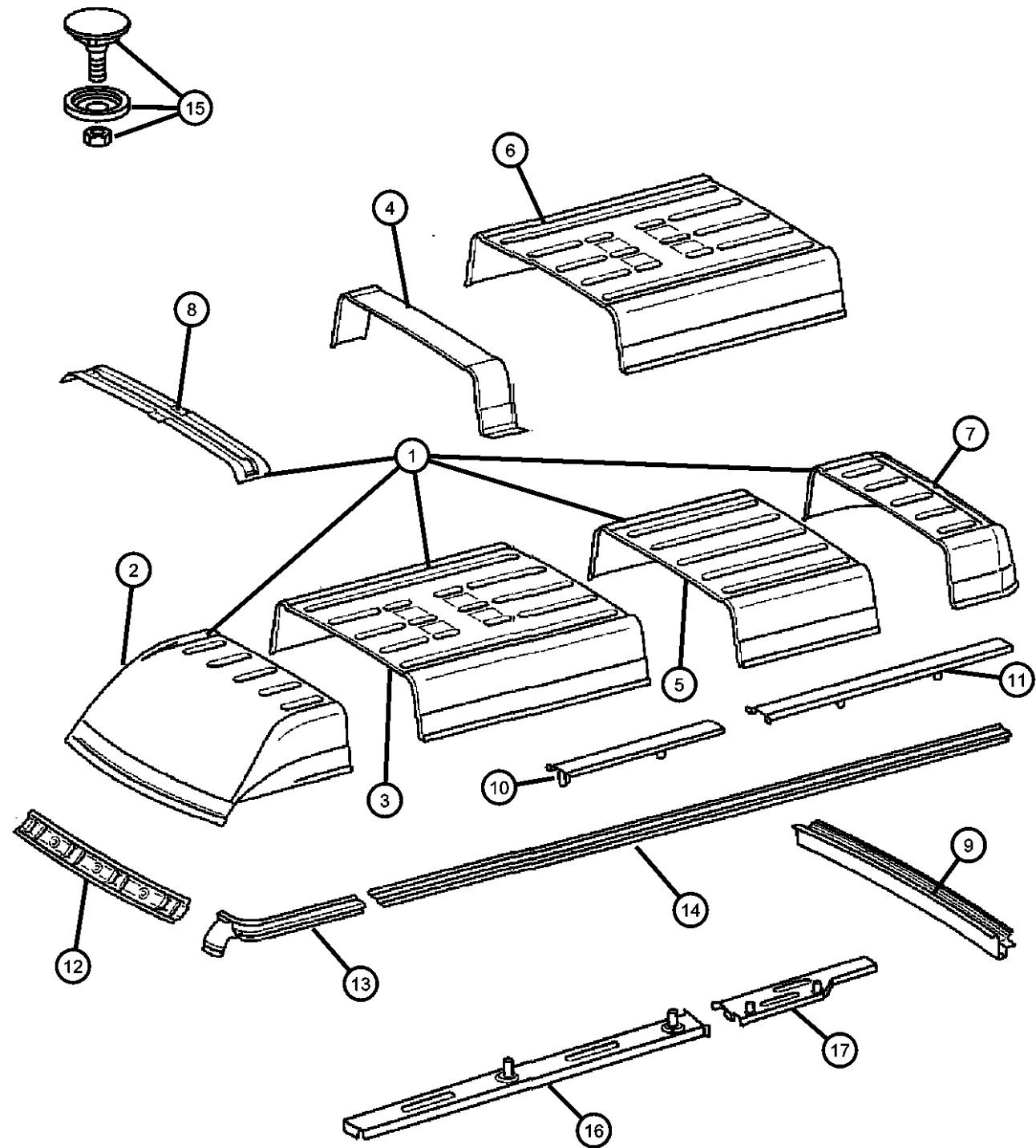
TRANSMISSION

DGJ = Transmission-5-Spd. Automatic, W5A580

AR = use ase required - = Non illustrated part

2002 VA

High Roof Panel
Figure SVA-1120



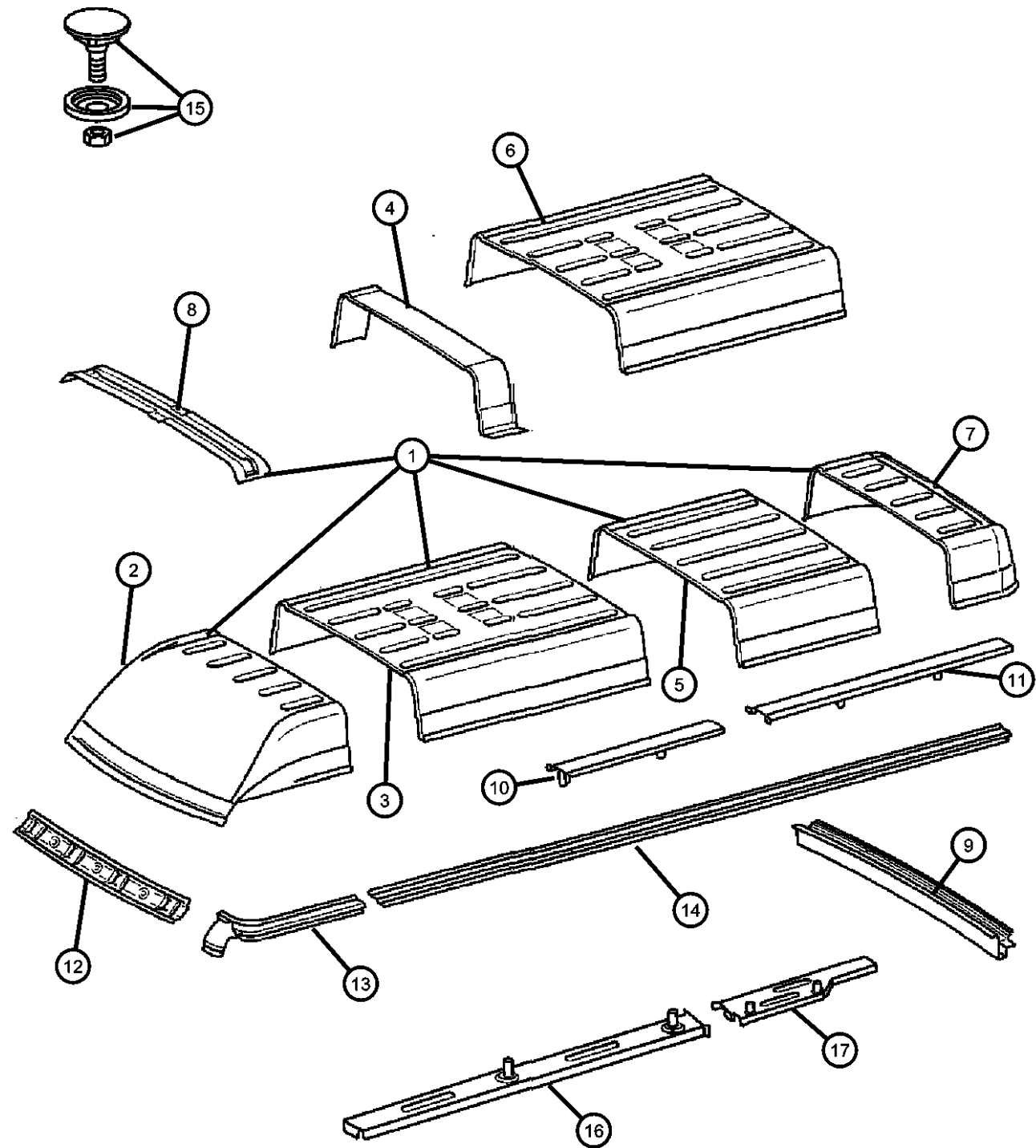
ITEM	PART NUMBER	QTY	LINE	SERIES	BODY	ENGINE	TRANS	TRIM	DESCRIPTION
6	05104232AA	1	3, 7		12, 15, 16				PANEL, Roof 158 Inch Wheel Base With Electric Fan
	05122143AA	1	2, 6		11, 12, 14, 15, 16				140 & 158 Inch Wheel Base,
		1	2, 6		11, 12, 14, 15, 16				158 Inch Wheel Base With Electric Fan
		1	2, 6		51, 52, 54, 55, 56				140 & 158 Inch Wheel Base
7	05104231AA	1	2, 6		11, 12, 14, 15, 16				PANEL, Roof
		1	2, 6		51, 52, 54, 55, 56				
		1	3, 7		12, 15, 16				
8	05104227AA	1	2, 6		11, 12, 14, 15, 16				BOW, Roof With 140 & 158 Inch Wheelbase
		1	2, 6		51, 52, 54, 55, 56				With 140 & 158 Inch Wheelbase
	05104229AA	2	2, 6		11, 12, 14, 15, 16				With 140 & 158 Inch Wheelbase With Electric Fan
	05122107AA	3	2, 6		11, 12, 14, 15, 16				With 118 Inch Wheelbase
		2	2, 6		51, 52, 54, 55, 56				With Electric Fan
		3	3, 7		12, 15, 16				With Electric Fan
		3	2, 6		51, 52, 54, 55, 56				With 118 Inch Wheelbase
		4	3, 7		12, 15, 16				With 118 Inch Wheelbase
9	05104226AA	1	3, 7		12, 15, 16				BOW, Roof
		1	2, 6		11, 12, 14, 15, 16				

SPRINTER (VA)

SERIES	LINE	BODY	ENGINE	TRANSMISSION
L = LOWLINE	3 = HD DODGE 2WD 6 = Lt. Duty DODGE 4WD 2 = Med. Duty DODGE 2WD 7 = Med. Duty DODGE 4WD	01 = CHASSIS FORWARD CONTROL W.B.1 02 = CAB CHASSIS WHEEL BASE 2 06 = CAB CHASSIS WHEEL BASE 6 11 = VAN WHEEL BASE 1 12 = VAN WHEEL BASE 2 51 = WAGON WHEEL BASE 1 52 = WAGON WHEEL BASE 2 14 = VAN WHEEL BASE 4 15 = VAN WHEEL BASE 5 56 = WAGON WHEEL BASE 6 16 = VAN WHEEL BASE 6 54 = WAGON WHEEL BASE 4 55 = WAGON WHEEL BASE 5	EX9 = Engine-2.7L I5 Mercedes Turbo Diesel	DGJ = Transmission-5-Spd. Automatic, W5A580

AR = use ase required - = Non illustrated part

High Roof Panel
Figure SVA-1120



ITEM	PART NUMBER	QTY	LINE	SERIES	BODY	ENGINE	TRANS	TRIM	DESCRIPTION
10	05131215AA	2	2, 6		51, 52, 54, 55, 56				REINFORCEMENT, Roof Panel
11	05131216AA	2	2, 6		51, 52, 54, 55, 56				REINFORCEMENT, Roof Panel
12									SUPPORT, Roof
	05104163AA	1	2, 6		11, 12, 14, 15, 16				
		1	2, 6		51, 52, 54, 55, 56				
		1	3, 7		12, 15, 16				
13									RAIL, Roof Side
	05104194AA	1	2, 6		51, 52, 54, 55, 56				Left
		1	3, 7		12, 15, 16				Left
	05104196AA	1	2, 6		11, 12, 14, 15, 16				Right
		1	2, 6		51, 52, 54, 55, 56				Right
		1	2, 6		11, 12, 14, 15, 16				Left
		1	3, 7		12, 15, 16				Right
14									RAIL, Roof Side
	05104191AA	1	2, 6		11, 12, 14, 15, 16				158 Inch Wheel Base
		1	2, 6		51, 52, 54, 55, 56				158 Inch Wheel Base
		1	3, 7		12, 15, 16				158 Inch Wheel Base
	05121827AA	1	2, 6		11, 12, 14, 15, 16				140 Inch Wheel Base
		1	2, 6		51, 52, 54, 55, 56				140 Inch Wheel Base
		1	3, 7		12, 15, 16				140 Inch Wheel Base
15									PANEL, For Sealing Antenna
	05124422AA	1	2, 6		51, 52, 54, 55, 56				

SPRINTER (VA)

SERIES

L = LOWLINE
3 = HD DODGE 2WD
6 = Lt. Duty DODGE 4WD
2 = Med. Duty DODGE 2WD
7 = Med. Duty DODGE 4WD

LINE

BODY

01 = CHASSIS FORWARD CONTROL W.B.1
02 = CAB CHASSIS WHEEL BASE 2
06 = CAB CHASSIS WHEEL BASE 6
11 = VAN WHEEL BASE 1
12 = VAN WHEEL BASE 2
51 = WAGON WHEEL BASE 1
52 = WAGON WHEEL BASE 2
14 = VAN WHEEL BASE 4
15 = VAN WHEEL BASE 5
56 = WAGON WHEEL BASE 6
16 = VAN WHEEL BASE 6
54 = WAGON WHEEL BASE 4
55 = WAGON WHEEL BASE 5

ENGINE

EX9 = Engine-2.7L I5
Mercedes Turbo Diesel

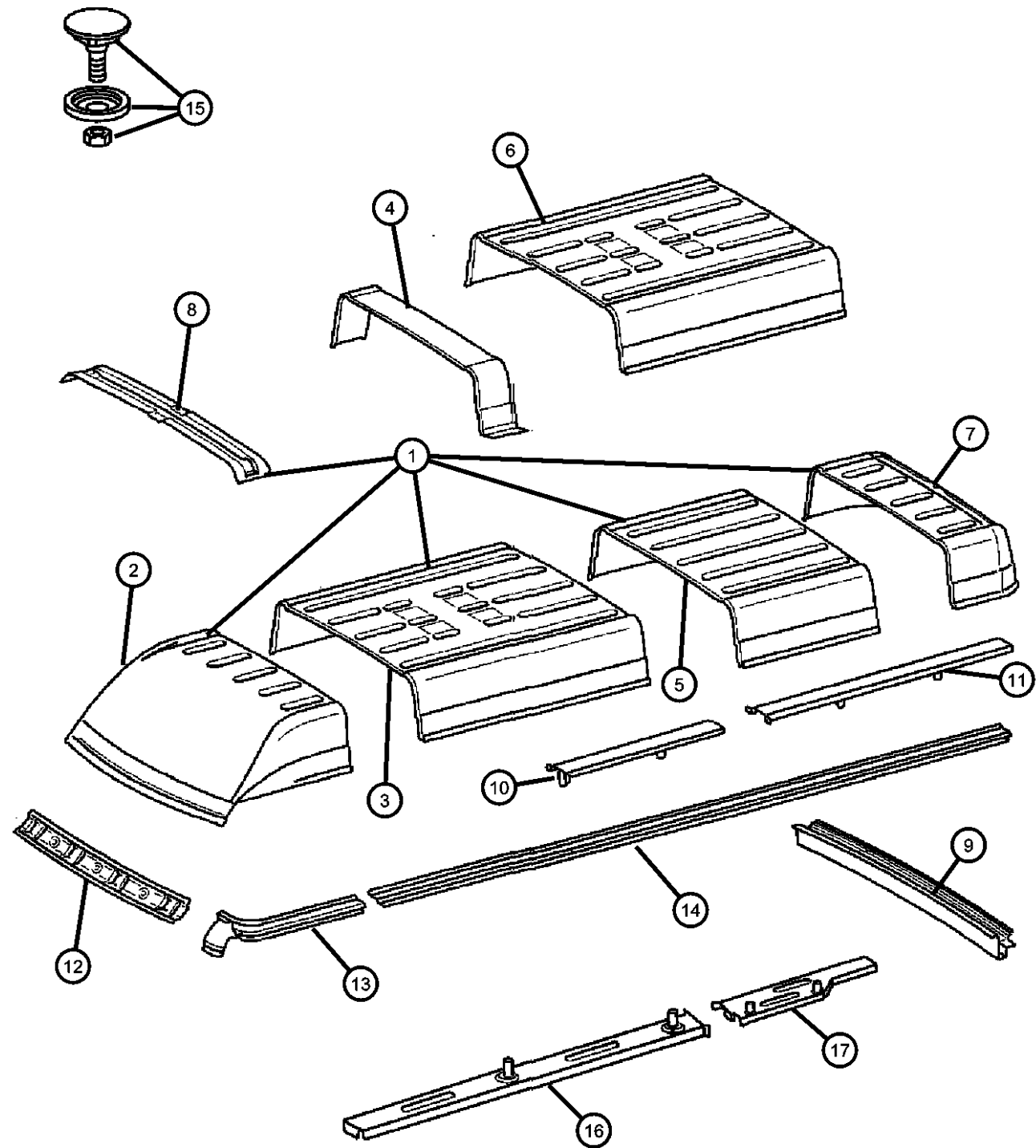
TRANSMISSION

DGJ = Transmission-5-Spd. Automatic, W5A580

AR = use ase required - = Non illustrated part

2002 VA

High Roof Panel Figure SVA-1120

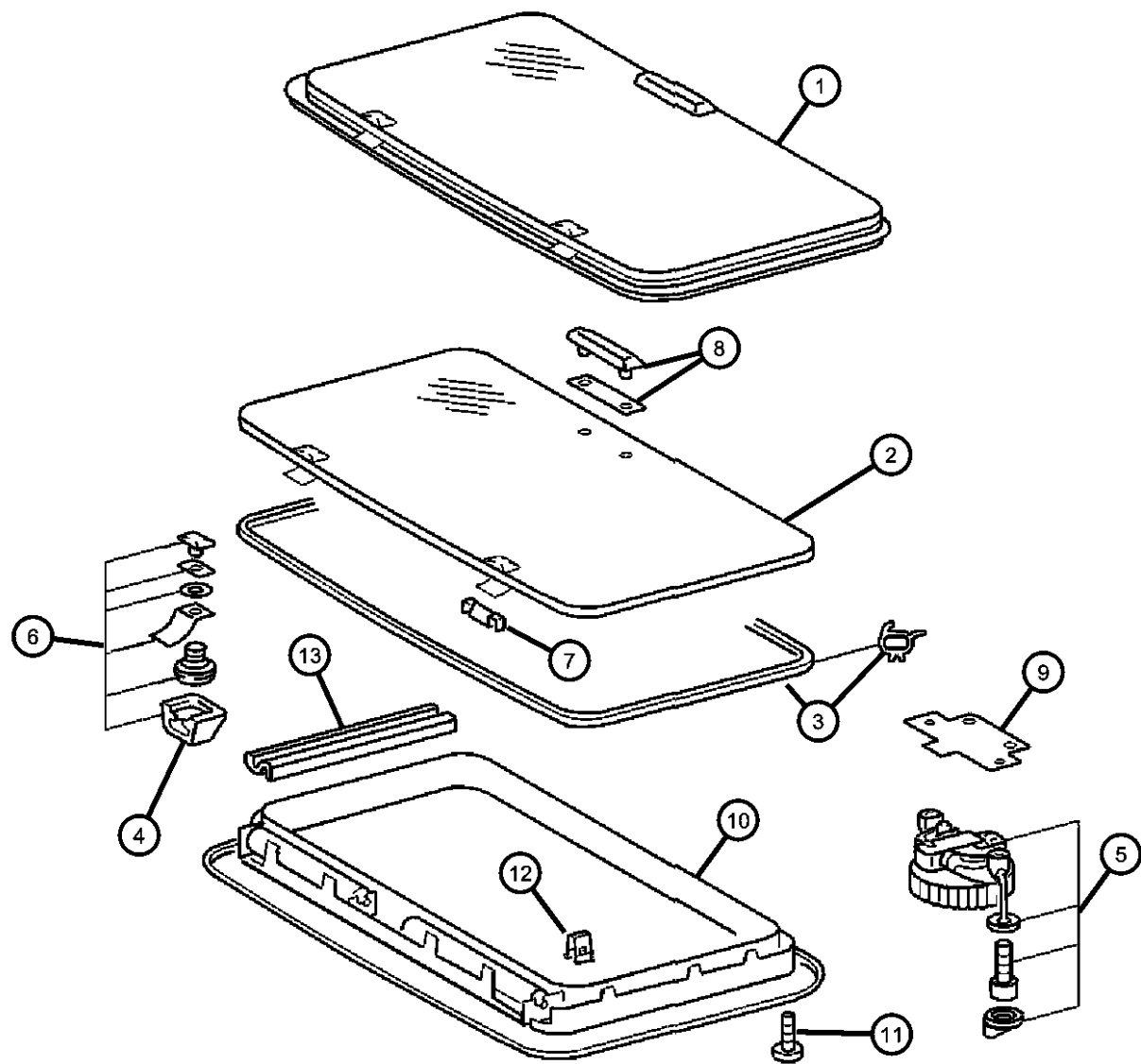


ITEM	PART NUMBER	QTY	LINE	SERIES	BODY	ENGINE	TRANS	TRIM	DESCRIPTION
		1	3, 7		12, 15, 16				
		1	2, 6		11, 12, 14, 15, 16				
16		1							BRACKET, Roof, (NOT SERVICED)
17		1							BRACKET, Roof, (NOT SERVICED)

SPRINTER (VA)		BODY		ENGINE		TRANSMISSION	
SERIES	LINE	01 = CHASSIS FORWARD CONTROL W.B.1	EX9 = Engine-2.7L I5	Mercedes Turbo Diesel		DGJ = Transmission-5-Spd. Automatic, W5A580	
L = LOWLINE	3 = HD DODGE 2WD	02 = CAB CHASSIS WHEEL BASE 2					
	6 = Lt. Duty DODGE 4WD	06 = CAB CHASSIS WHEEL BASE 6					
	2 = Med. Duty DODGE 2WD	11 = VAN WHEEL BASE 1					
	7 = Med. Duty DODGE 4WD	12 = VAN WHEEL BASE 2					
		51 = WAGON WHEEL BASE 1					
		52 = WAGON WHEEL BASE 2					
		14 = VAN WHEEL BASE 4					
		15 = VAN WHEEL BASE 5					
		56 = WAGON WHEEL BASE 6					
		16 = VAN WHEEL BASE 6					
		54 = WAGON WHEEL BASE 4					
		55 = WAGON WHEEL BASE 5					

AR = use ase required - = Non illustrated part

Manual Sunroof
Figure SVA-1210



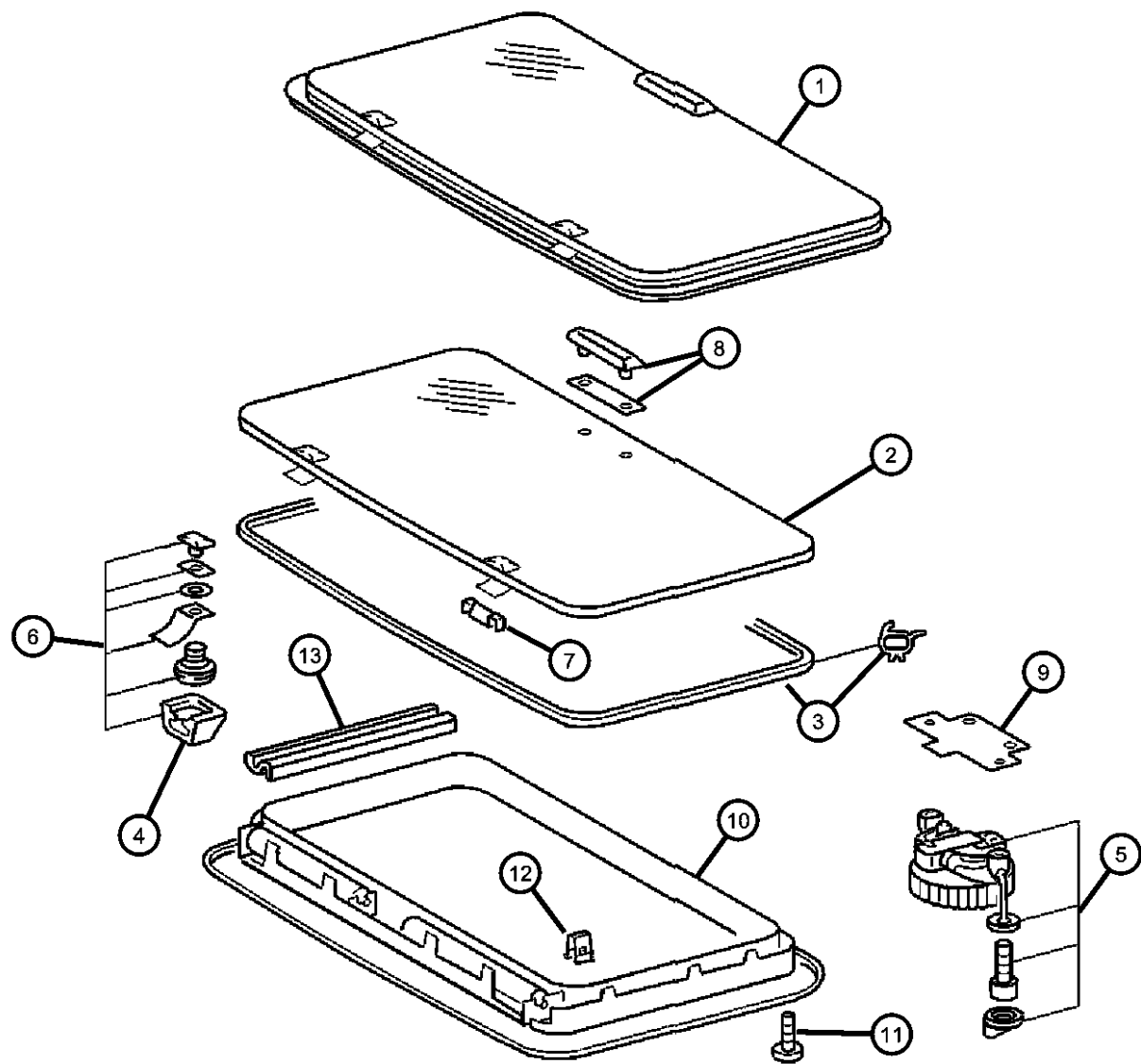
ITEM	PART NUMBER	QTY	LINE	SERIES	BODY	ENGINE	TRANS	TRIM	DESCRIPTION
1	05104476AA	1	2, 6		11, 12, 14, 15, 16				SUNROOF, Complete
		1	2, 6		51, 52, 54, 55, 56				
		1	3, 7		12, 15, 16				
2	05134005AA	1	2, 6		11, 12, 14, 15, 16				GLASS, Sunroof
		1	2, 6		51, 52, 54, 55, 56				
		1	3, 7		12, 15, 16				
3	05134006AA	1	2, 6		11, 12, 14, 15, 16				SEAL, Sunroof
		1	2, 6		51, 52, 54, 55, 56				
		1	3, 7		12, 15, 16				
4	05134007AA	1	2, 6		11, 12, 14, 15, 16				COVER, Hinge
		1	2, 6		51, 52, 54, 55, 56				
		1	3, 7		12, 15, 16				
5	05134008AA	1	2, 6		11, 12, 14, 15, 16				HANDLE, Sunroof
		1	2, 6		51, 52, 54, 55, 56				
		1	3, 7		12, 15, 16				
6	05134009AA	1	2, 6		11, 12, 14, 15, 16				HINGE, Sunroof
		1	2, 6		51, 52, 54, 55, 56				

SPRINTER (VA)

SERIES	LINE	BODY	ENGINE	TRANSMISSION
L = LOWLINE	3 = HD DODGE 2WD 6 = Lt. Duty DODGE 4WD 2 = Med. Duty DODGE 2WD 7 = Med. Duty DODGE 4WD	01 = CHASSIS FORWARD CONTROL W.B.1 02 = CAB CHASSIS WHEEL BASE 2 06 = CAB CHASSIS WHEEL BASE 6 11 = VAN WHEEL BASE 1 12 = VAN WHEEL BASE 2 51 = WAGON WHEEL BASE 1 52 = WAGON WHEEL BASE 2 14 = VAN WHEEL BASE 4 15 = VAN WHEEL BASE 5 56 = WAGON WHEEL BASE 6 16 = VAN WHEEL BASE 6 54 = WAGON WHEEL BASE 4 55 = WAGON WHEEL BASE 5	EX9 = Engine-2.7L I5 Mercedes Turbo Diesel	DGJ = Transmission-5-Spd. Automatic, W5A580

AR = use ase required - = Non illustrated part

Manual Sunroof
Figure SVA-1210



ITEM	PART NUMBER	QTY	LINE	SERIES	BODY	ENGINE	TRANS	TRIM	DESCRIPTION
7		1	3, 7		12, 15, 16				HINGE, Sunroof
	05134010AA	1	2, 6		11, 12, 14, 15, 16				
		1	2, 6		51, 52, 54, 55, 56				
8		1	3, 7		12, 15, 16				PLATE, Sunroof
	05134011AA	1	2, 6		51, 52, 54, 55, 56				
		1	3, 7		12, 15, 16				
		1	2, 6		11, 12, 14, 15, 16				PLATE, Sunroof
9		1	2, 6		11, 12, 14, 15, 16				
	05134012AA	1	2, 6		11, 12, 14, 15, 16				
		1	2, 6		51, 52, 54, 55, 56				
10		1	3, 7		12, 15, 16				FRAME, Sunroof
	05124714AA	1	2, 6		11, 12, 14, 15, 16				
		1	2, 6		51, 52, 54, 55, 56				
	05124715AA	1	2, 6		16, 11, 12, 14, 15				Without Double Shade
		1	2, 6		51, 52, 54, 55, 56				Without Double Shade
		1	3, 7		12, 15, 16				Without Double Shade
11		24	2, 6		51, 52, 54, 55, 56				SCREW
	05126276AA	24	2, 6		11, 12, 14, 15, 16				

SPRINTER (VA)

SERIES

L = LOWLINE

LINE

3 = HD DODGE 2WD
6 = Lt. Duty DODGE 4WD
2 = Med. Duty DODGE 2WD
7 = Med. Duty DODGE 4WD

BODY

01 = CHASSIS FORWARD CONTROL W.B.1
02 = CAB CHASSIS WHEEL BASE 2
06 = CAB CHASSIS WHEEL BASE 6
11 = VAN WHEEL BASE 1
12 = VAN WHEEL BASE 2
51 = WAGON WHEEL BASE 1
52 = WAGON WHEEL BASE 2
14 = VAN WHEEL BASE 4
15 = VAN WHEEL BASE 5
56 = WAGON WHEEL BASE 6
16 = VAN WHEEL BASE 6
54 = WAGON WHEEL BASE 4
55 = WAGON WHEEL BASE 5

ENGINE

EX9 = Engine-2.7L I5
Mercedes Turbo Diesel

TRANSMISSION

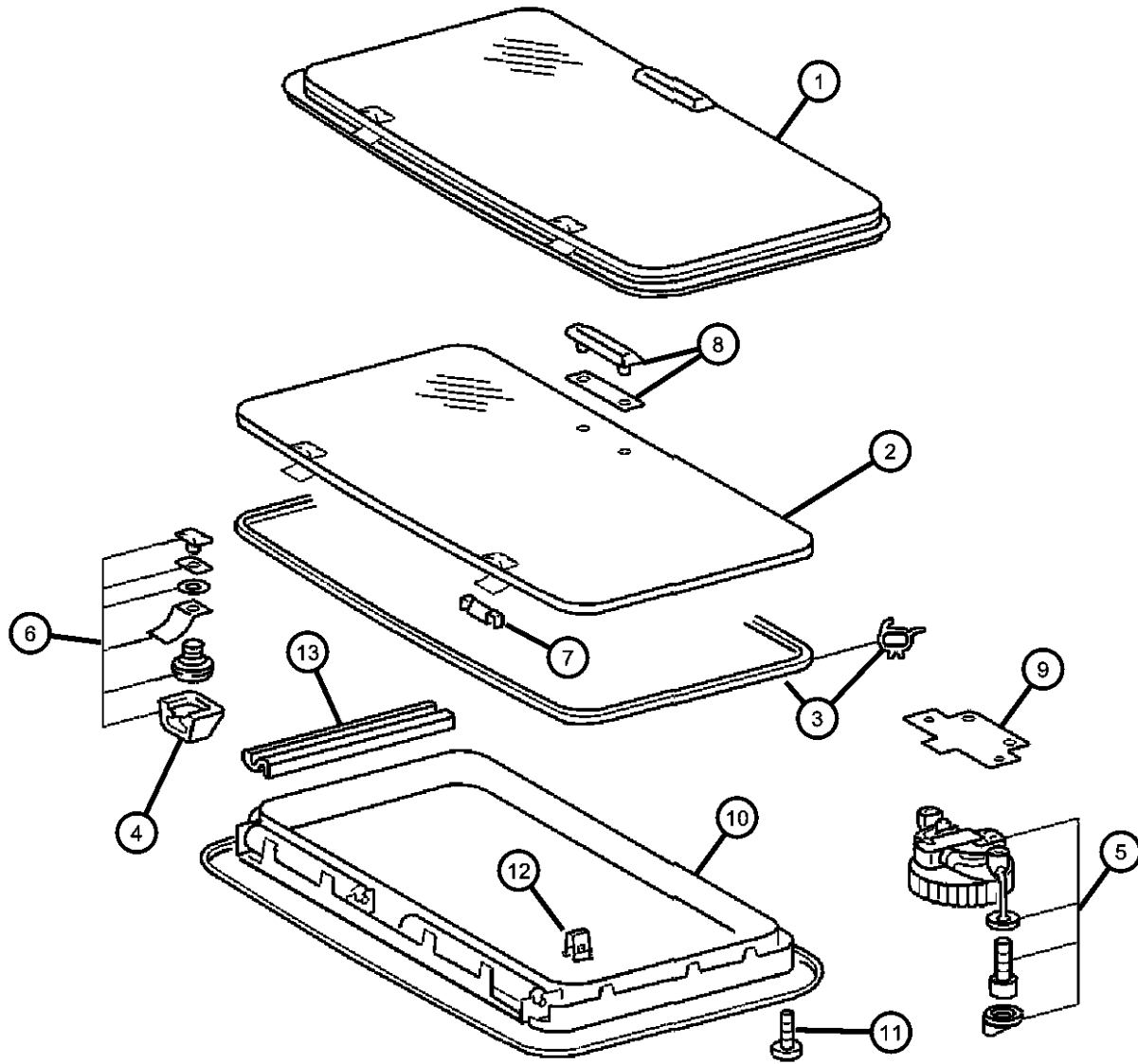
DGJ = Transmission-5-Spd. Automatic, W5A580

AR = use ase required - = Non illustrated part

2002 VA

Manual Sunroof
Figure SVA-1210

ITEM	PART NUMBER	QTY	LINE	SERIES	BODY	ENGINE	TRANS	TRIM	DESCRIPTION
12		24	3, 7		12, 15, 16				CLIP, Sunroof
	05125572AA	14	2, 6		11, 12, 14, 15, 16				
		14	2, 6		51, 52, 54, 55, 56				
13		14	3, 7		12, 15, 16				REST, NONE, SPRINTER
	05104495AA	2	2, 6		11, 12, 14, 15, 16				
		2	2, 6		51, 52, 54, 55, 56				
		2	3, 7		12, 15, 16				



SPRINTER (VA)

SERIES

L = LOWLINE
 3 = HD DODGE 2WD
 6 = Lt. Duty DODGE 4WD
 2 = Med. Duty DODGE 2WD
 7 = Med. Duty DODGE 4WD

LINE

BODY

01 = CHASSIS FORWARD CONTROL W.B.1
 02 = CAB CHASSIS WHEEL BASE 2
 06 = CAB CHASSIS WHEEL BASE 6
 11 = VAN WHEEL BASE 1
 12 = VAN WHEEL BASE 2
 51 = WAGON WHEEL BASE 1
 52 = WAGON WHEEL BASE 2
 14 = VAN WHEEL BASE 4
 15 = VAN WHEEL BASE 5
 56 = WAGON WHEEL BASE 6
 16 = VAN WHEEL BASE 6
 54 = WAGON WHEEL BASE 4
 55 = WAGON WHEEL BASE 5

ENGINE

EX9 = Engine-2.7L I5 Mercedes Turbo Diesel

TRANSMISSION

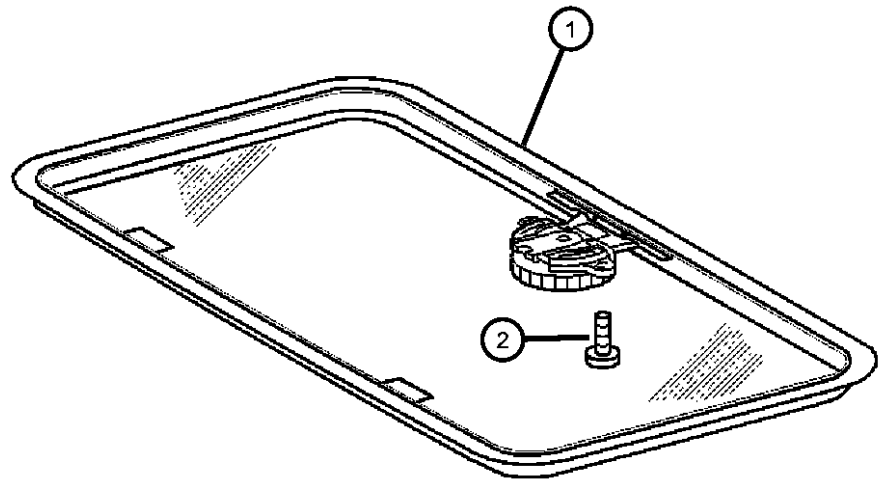
DGJ = Transmission-5-Spd. Automatic, W5A580

AR = use ase required - = Non illustrated part

2002 VA

**Fixed Sunroof
Figure SVA-1220**

ITEM	PART NUMBER	QTY	LINE	SERIES	BODY	ENGINE	TRANS	TRIM	DESCRIPTION
1	05104480AA	1	2, 6		11, 12, 14, 15, 16				GLASS, Sunroof
		1	2, 6		51, 52, 54, 55, 56				
		1	3, 7		12, 15, 16				
2	05126276AA	24	2, 6		11, 12, 14, 15, 16				SCREW
		24	2, 6		51, 52, 54, 55, 56				
		24	3, 7		12, 15, 16				



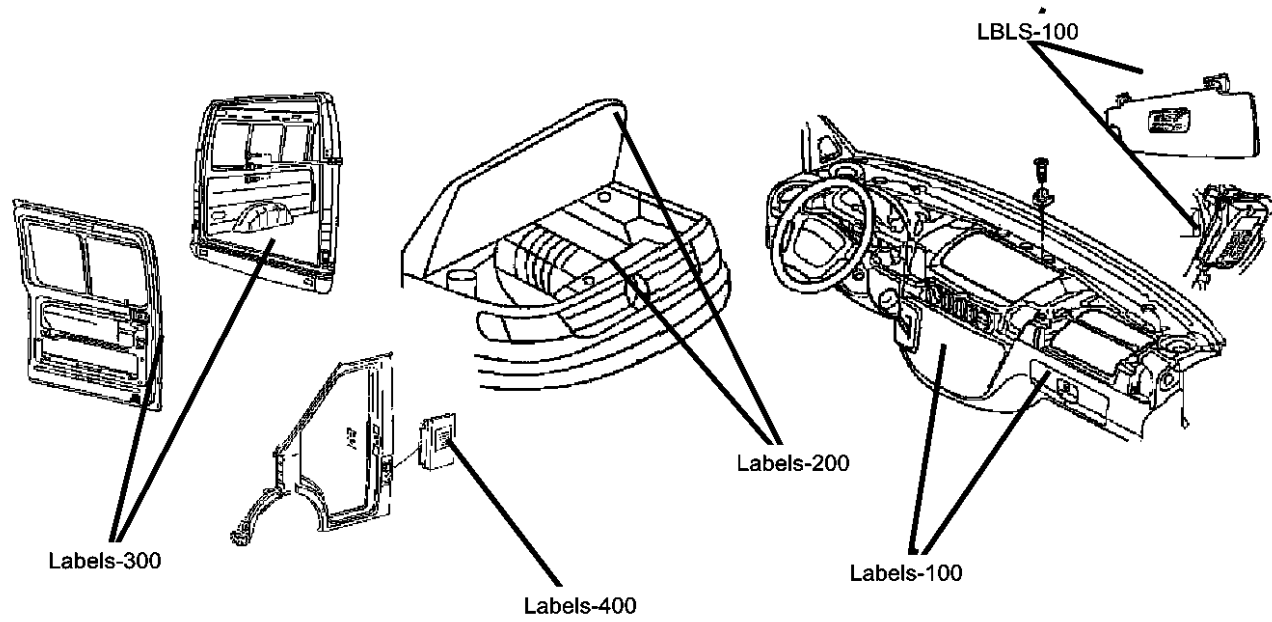
SPRINTER (VA)

SERIES	LINE	BODY	ENGINE	TRANSMISSION
L = LOWLINE	3 = HD DODGE 2WD 6 = Lt. Duty DODGE 4WD 2 = Med. Duty DODGE 2WD 7 = Med. Duty DODGE 4WD	01 = CHASSIS FORWARD CONTROL W.B.1 02 = CAB CHASSIS WHEEL BASE 2 06 = CAB CHASSIS WHEEL BASE 6 11 = VAN WHEEL BASE 1 12 = VAN WHEEL BASE 2 51 = WAGON WHEEL BASE 1 52 = WAGON WHEEL BASE 2 14 = VAN WHEEL BASE 4 15 = VAN WHEEL BASE 5 56 = WAGON WHEEL BASE 6 16 = VAN WHEEL BASE 6 54 = WAGON WHEEL BASE 4 55 = WAGON WHEEL BASE 5	EX9 = Engine-2.7L I5 Mercedes Turbo Diesel	DGJ = Transmission-5-Spd. Automatic, W5A580

AR = use ase required - = Non illustrated part

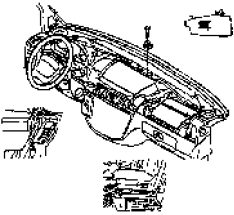
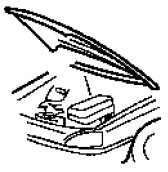
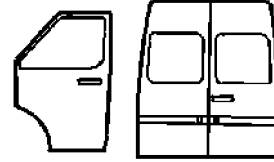
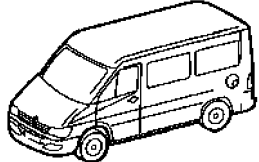
Group - LBLS

Labels All Vehicle Locations

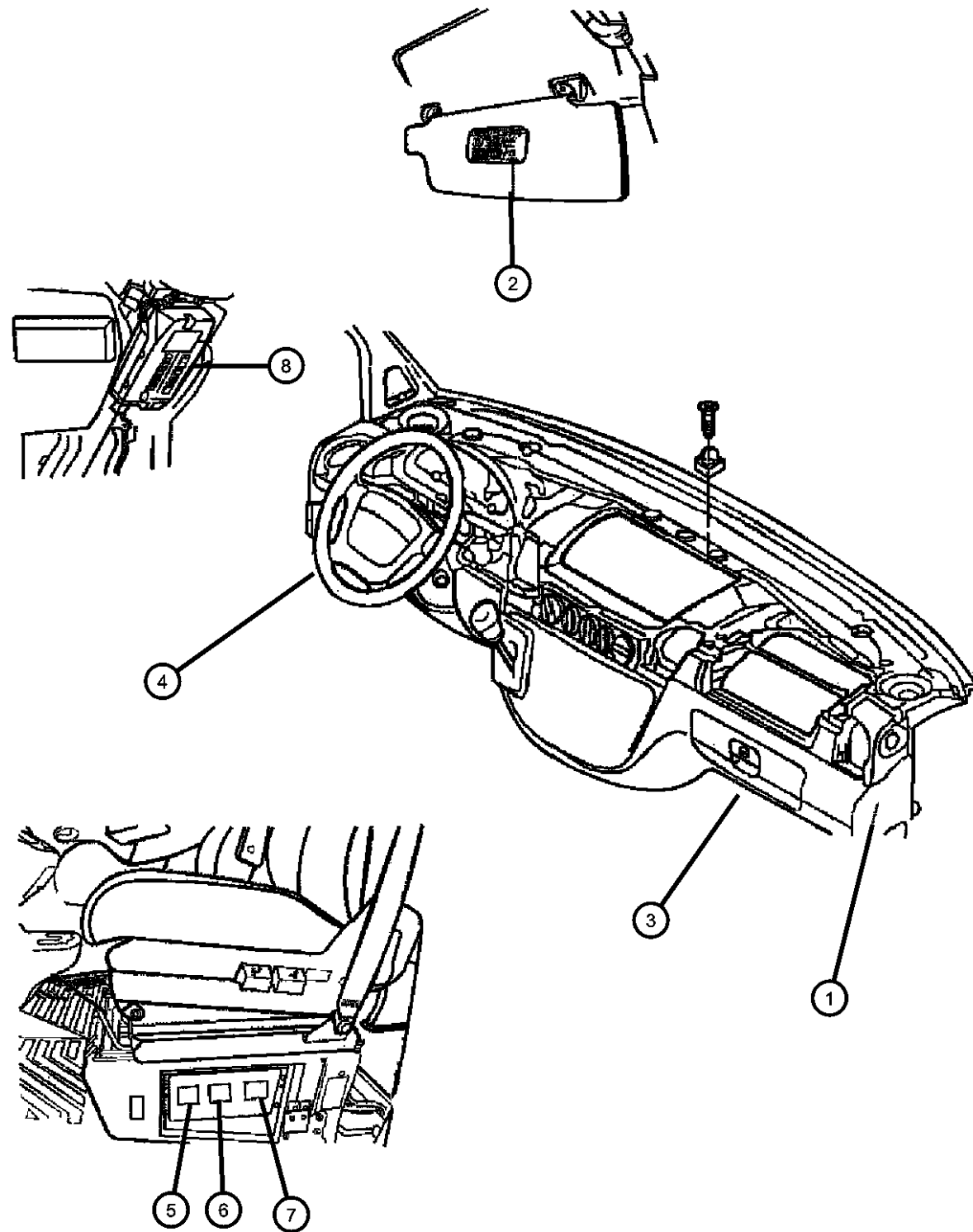


Group - LBLS Labels All Vehicle Locations

Illustration Title	Group-Fig. No.
Interior	
Instrument Panel / Visors & Interior.....	Fig. LBLS - 105
Under Hood	
Engine Compartment	Fig. LBLS - 205
Doors	
Front / Side & Cargo	Fig. LBLS - 305
Exterior	
Fuel Door & Filler.....	Fig. LBLS - 410

<p>LBLS-100 Interior</p> 	<p>LBLS-200 Under Hood</p> 	<p>LBLS-300 Doors</p> 	<p>LBLS-400 Exterior</p> 
--	---	---	---

**Instrument Panel / Visors & Interior
Figure LBL5-105**



ITEM	PART NUMBER	QTY	LINE	SERIES	BODY	ENGINE	TRANS	TRIM	DESCRIPTION
1	05096894AA	1		L	11, 12, 14, 15, 16				LABEL, Airbag Round Sticker on I/P
		1		L	51, 52, 54, 55, 56				Round Sticker on I/P
		1		L	12, 15, 16				Round Sticker on I/P
2	05121033AA	2		L	11, 12, 14, 15, 16				LABEL, Airbag
		2		L	51, 52, 54, 55, 56				
		2		L	12, 15, 16				
3	05124329AA	1		L	11, 12, 14, 15, 16				LABEL, Airbag Glove Box
		1		L	51, 52, 54, 55, 56				Glove Box
		1		L	12, 15, 16				Glove Box
4	05121112AA	1		L	11, 12, 14, 15, 16				LABEL, Warning
		1		L	51, 52, 54, 55, 56				
		1		L	12, 15, 16				
5	05121129AA	1		L	11, 12, 14, 15, 16				LABEL, Fuse Block Under Driver Seat
		1		L	51, 52, 54, 55, 56				Under Driver Seat
		1		L	12, 15, 16				Under Driver Seat
6	05121077AA	1		L	11, 12, 14, 15, 16				LABEL No Water
		1		L	12, 15, 16				No Water

SPRINTER (VA)

SERIES

L = LOWLINE

LINE

3 = HD DODGE 2WD
6 = Lt. Duty DODGE 4WD
2 = Med. Duty DODGE 2WD
7 = Med. Duty DODGE 4WD

BODY

01 = CHASSIS FORWARD CONTROL W.B.1
02 = CAB CHASSIS WHEEL BASE 2
06 = CAB CHASSIS WHEEL BASE 6
11 = VAN WHEEL BASE 1
12 = VAN WHEEL BASE 2
51 = WAGON WHEEL BASE 1
52 = WAGON WHEEL BASE 2
14 = VAN WHEEL BASE 4
15 = VAN WHEEL BASE 5
56 = WAGON WHEEL BASE 6
16 = VAN WHEEL BASE 6
54 = WAGON WHEEL BASE 4
55 = WAGON WHEEL BASE 5

ENGINE

EX9 = Engine-2.7L I5
Mercedes Turbo Diesel

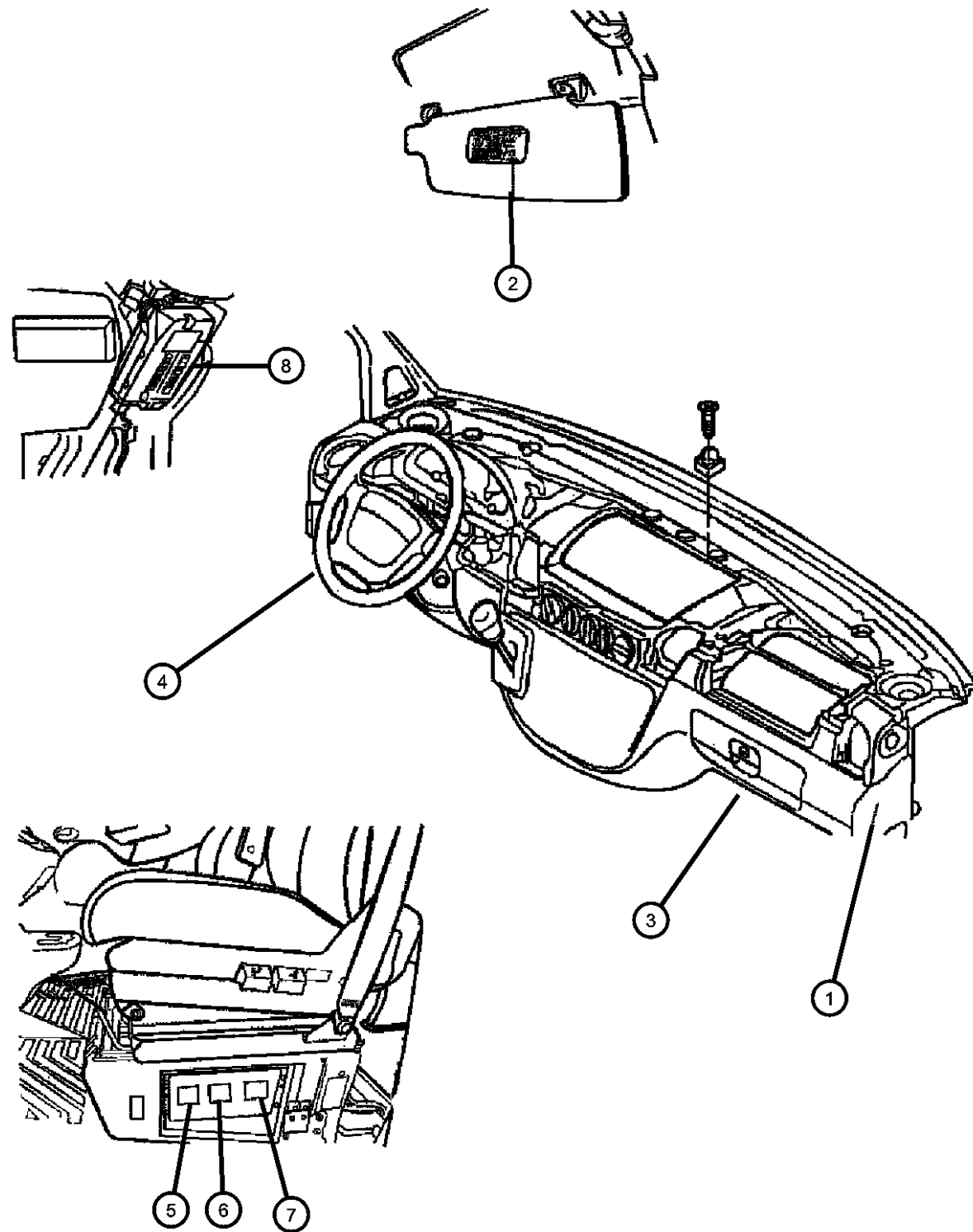
TRANSMISSION

DGJ = Transmission-5-Spd. Automatic, W5A580

AR = use ase required - = Non illustrated part

2002 VA

**Instrument Panel / Visors & Interior
Figure LBL5-105**



ITEM	PART NUMBER	QTY	LINE	SERIES	BODY	ENGINE	TRANS	TRIM	DESCRIPTION
7	05121147AA	1		L	51, 52, 54, 55, 56				No Water LABEL, Tire
		1		L	11, 12, 14, 15, 16				
8	05121032AA	1		L	51, 52, 54, 55, 56				
		1		L	12, 15, 16				LABEL
		1		L	11, 12, 14, 15, 16				Fuse Box
		1		L	51, 52, 54, 55, 56				Fuse Box
		1		L	12, 15, 16				Fuse Box

SPRINTER (VA)

SERIES

L = LOWLINE

LINE

3 = HD DODGE 2WD
6 = Lt. Duty DODGE 4WD
2 = Med. Duty DODGE 2WD
7 = Med. Duty DODGE 4WD

BODY

01 = CHASSIS FORWARD CONTROL W.B.1
02 = CAB CHASSIS WHEEL BASE 2
06 = CAB CHASSIS WHEEL BASE 6
11 = VAN WHEEL BASE 1
12 = VAN WHEEL BASE 2
51 = WAGON WHEEL BASE 1
52 = WAGON WHEEL BASE 2
14 = VAN WHEEL BASE 4
15 = VAN WHEEL BASE 5
56 = WAGON WHEEL BASE 6
16 = VAN WHEEL BASE 6
54 = WAGON WHEEL BASE 4
55 = WAGON WHEEL BASE 5

ENGINE

EX9 = Engine-2.7L I5
Mercedes Turbo Diesel

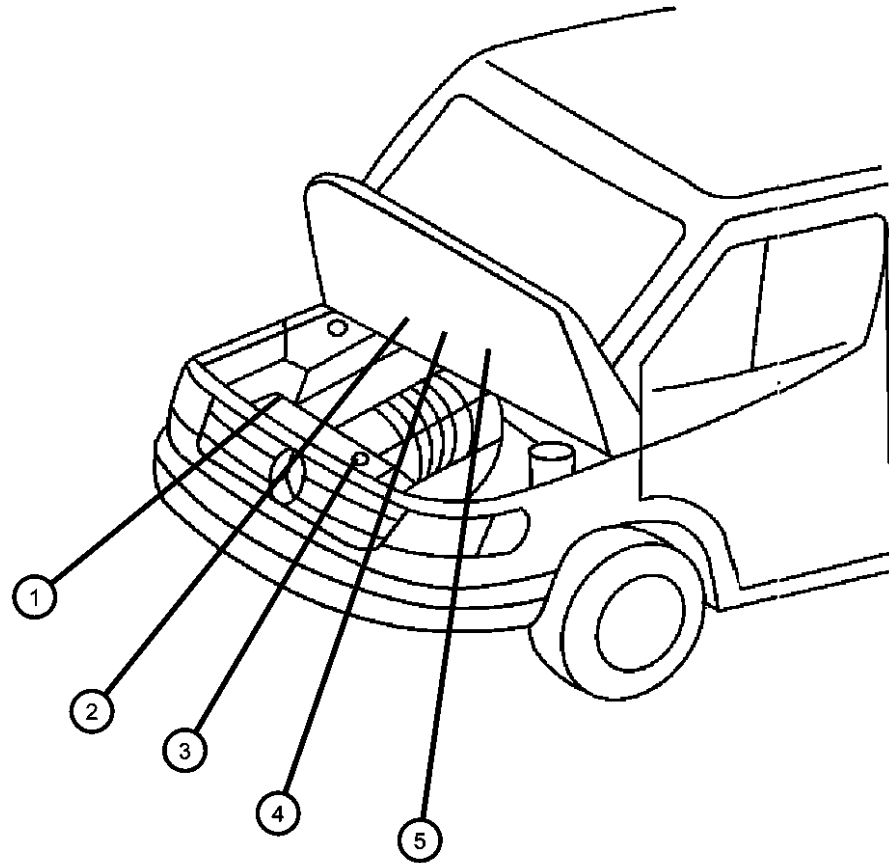
TRANSMISSION

DGJ = Transmission-5-Spd. Automatic, W5A580

AR = use ase required - = Non illustrated part

2002 VA

**Engine Compartment
Figure LBL5-205**



ITEM	PART NUMBER	QTY	LINE	SERIES	BODY	ENGINE	TRANS	TRIM	DESCRIPTION
1	05104155AA	1		L	11, 12, 14, 15, 16				LABEL, Fan Caution
		1		L	51, 52, 54, 55, 56				
		1		L	12, 15, 16				
2	05124359AA	1		L	11, 12, 14, 15, 16				LABEL, A/C Spec.
		1		L	51, 52, 54, 55, 56				
		1		L	12, 15, 16				
3	05104154AA	1		L	11, 12, 14, 15, 16				LABEL, Coolant Warning
		1		L	51, 52, 54, 55, 56				
		1		L	12, 15, 16				
4	05121165AA	1		L	11, 12, 14, 15, 16				LABEL, Adhesive Foil
		1		L	51, 52, 54, 55, 56				
		1		L	12, 15, 16				
5	05121159AA	1		L	11, 12, 14, 15, 16				LABEL, Tire Pressure
		1		L	51, 52, 54, 55, 56				
		1		L	12, 15, 16				

SPRINTER (VA)

SERIES

L = LOWLINE
 3 = HD DODGE 2WD
 6 = Lt. Duty DODGE 4WD
 2 = Med. Duty DODGE 2WD
 7 = Med. Duty DODGE 4WD

LINE

BODY

01 = CHASSIS FORWARD CONTROL W.B.1
 02 = CAB CHASSIS WHEEL BASE 2
 06 = CAB CHASSIS WHEEL BASE 6
 11 = VAN WHEEL BASE 1
 12 = VAN WHEEL BASE 2
 51 = WAGON WHEEL BASE 1
 52 = WAGON WHEEL BASE 2
 14 = VAN WHEEL BASE 4
 15 = VAN WHEEL BASE 5
 56 = WAGON WHEEL BASE 6
 16 = VAN WHEEL BASE 6
 54 = WAGON WHEEL BASE 4
 55 = WAGON WHEEL BASE 5

ENGINE

EX9 = Engine-2.7L I5
 Mercedes Turbo Diesel

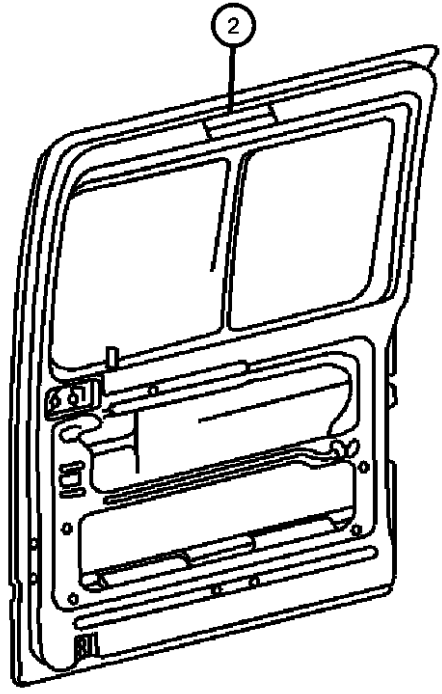
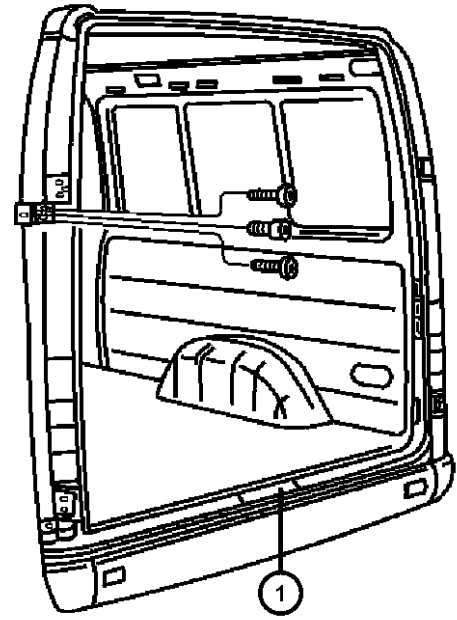
TRANSMISSION

DGJ = Transmission-5-Spd. Automatic, W5A580

AR = use ase required - = Non illustrated part

2002 VA

Front / Side & Cargo
Figure LBL5-305



ITEM	PART NUMBER	QTY	LINE	SERIES	BODY	ENGINE	TRANS	TRIM	DESCRIPTION
1	05124356AA	1		L	11, 12, 14, 15, 16				LABEL Cargo Hold Down
	05129737AA	1		L	12, 15, 16				Cargo Hold Down
	05129737AA	1		L	51, 52, 54, 55, 56				Cargo Hold Down
2	05121162AA	1		L	12, 15, 16				LABEL, Warning Sliding Door
		1		L	11, 12, 14, 15, 16				Sliding Door

SPRINTER (VA)

SERIES

L = LOWLINE
3 = HD DODGE 2WD
6 = Lt. Duty DODGE 4WD
2 = Med. Duty DODGE 2WD
7 = Med. Duty DODGE 4WD

LINE

BODY

01 = CHASSIS FORWARD CONTROL W.B.1
02 = CAB CHASSIS WHEEL BASE 2
06 = CAB CHASSIS WHEEL BASE 6
11 = VAN WHEEL BASE 1
12 = VAN WHEEL BASE 2
51 = WAGON WHEEL BASE 1
52 = WAGON WHEEL BASE 2
14 = VAN WHEEL BASE 4
15 = VAN WHEEL BASE 5
56 = WAGON WHEEL BASE 6
16 = VAN WHEEL BASE 6
54 = WAGON WHEEL BASE 4
55 = WAGON WHEEL BASE 5

ENGINE

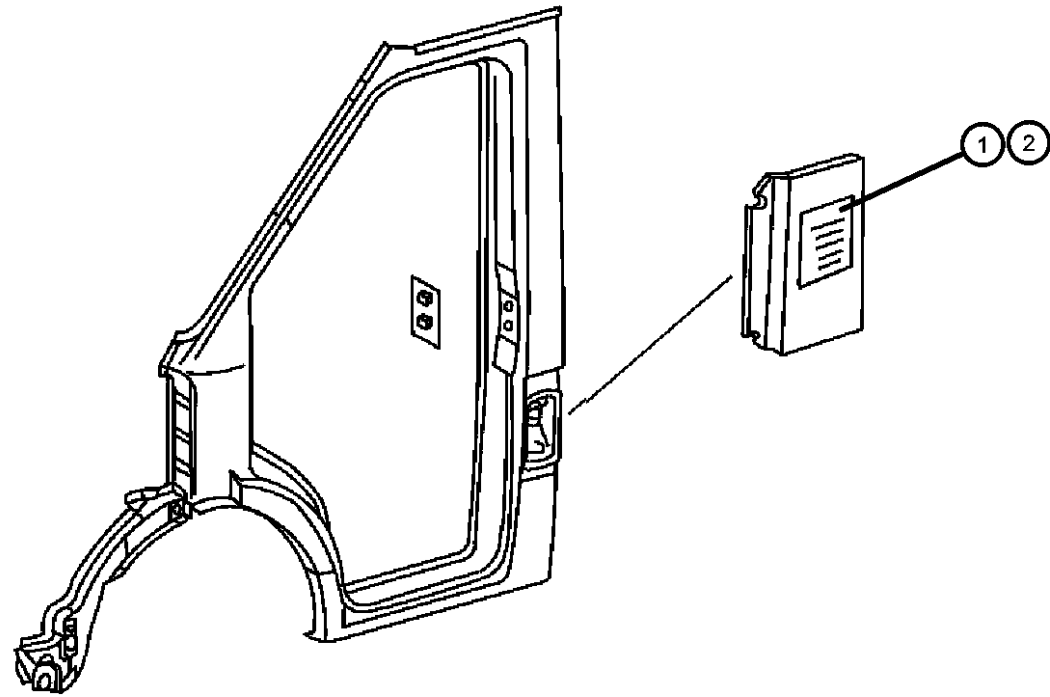
EX9 = Engine-2.7L I5
Mercedes Turbo Diesel

TRANSMISSION

DGJ = Transmission-5-Spd. Automatic, W5A580

Fuel Door & Filler
Figure LBL5-410

ITEM	PART NUMBER	QTY	LINE	SERIES	BODY	ENGINE	TRANS	TRIM	DESCRIPTION
1	05104152AA	1		L	11, 12, 14, 15, 16				LABEL, Fuel
		1		L	51, 52, 54, 55, 56				
		1		L	12, 15, 16				
2	05104153AA	1		L	11, 12, 14, 15, 16	EX9			LABEL, Diesel Fuel
		1		L	51, 52, 54, 55, 56	EX9			
		1		L	12, 15, 16	EX9			



SPRINTER (VA)

SERIES	LINE	BODY	ENGINE	TRANSMISSION
L = LOWLINE	3 = HD DODGE 2WD 6 = Lt. Duty DODGE 4WD 2 = Med. Duty DODGE 2WD 7 = Med. Duty DODGE 4WD	01 = CHASSIS FORWARD CONTROL W.B.1 02 = CAB CHASSIS WHEEL BASE 2 06 = CAB CHASSIS WHEEL BASE 6 11 = VAN WHEEL BASE 1 12 = VAN WHEEL BASE 2 51 = WAGON WHEEL BASE 1 52 = WAGON WHEEL BASE 2 14 = VAN WHEEL BASE 4 15 = VAN WHEEL BASE 5 56 = WAGON WHEEL BASE 6 16 = VAN WHEEL BASE 6 54 = WAGON WHEEL BASE 4 55 = WAGON WHEEL BASE 5	EX9 = Engine-2.7L I5 Mercedes Turbo Diesel	DGJ = Transmission-5-Spd. Automatic, W5A580

AR = use ase required - = Non illustrated part

2002 VA